



PARTS CATALOG

485 ENGINE

SERIAL NUMBER

485 (2 BBL.) MERCURY 224 I/L4 1980-1982 5685394 THRU 6218036

TABLE OF CONTENTS:

CAMSHAFT AND PISTON ASSEMBLY	22
CARBURETOR ASSEMBLY	8
CARBURETOR ASSEMBLY, FLAME ARRESTOR AND FUEL PUMP	6
COOLANT RECOVERY SYSTEM	38
CRANKSHAFT, FLYWHEEL AND ALTERNATOR ASSEMBLY	20
CYLINDER BLOCK ASSEMBLY AND OIL FILTER ADAPTOR	26
CYLINDER HEAD ASSEMBLY AND ROCKER COVER	24
DISTRIBUTOR ASSEMBLY AND COIL	4
EXHAUST ELBOW ASSEMBLY	36
EXHAUST MANIFOLD ASSEMBLY AND EXHAUST ELBOW ASSEMBLY	14
FLYWHEEL HOUSING ASSEMBLY	18
FRONT COVER ASSEMBLY	30
FRONT MOUNT ASSEMBLY	16
HEAT EXCHANGER AND POWER STEERING COOLER	34
INTAKE MANIFOLD, LINKAGE AND ENGINE OIL COOLER	12
OIL PUMP AND OIL PAN	28
PARTS INDEX	44
POWER STEERING ASSEMBLY	32
STARTER ASSEMBLY, WIRING HARNESS AND VOLTAGE REGULATOR	2
STARTER MOTOR ASSEMBLY, COMPLETE	40
WATER CLOSED COOLING KIT	42

NOTE: *Indented description indicate that these parts are included in preceeding assembly.*

AR = As Required

NSS = Not Sold Separate

OPT = Optional

NS = Not Shown

THESE PARTS BOOKS/FICHE CARD ARE COPYRIGHTED AND MAY NOT BE DISTRIBUTED OR REPRODUCED IN ANY OTHER FORMAT BY ANYONE OTHER THAN MERCURY MARINE WITHOUT THE PRIOR WRITTEN CONSENT OF MERCURY MARINE.

REPLACEMENT PARTS ! WARNING !

Electrical, ignition and fuel system components on MerCruiser Engines and Stern Drives are designed and manufactured to comply with U.S. Coast Guard Rules and Regulations to minimize risks of fire or explosion. Use of replacement electrical, ignition or fuel system components, which do not comply to these rules and regulations, could result in a fire or explosion hazard and should be voided.

When servicing the electrical, ignition and fuel systems, it is extremely important that all components are properly installed and tightened. If not, any electrical or ignition component opening would permit sparks to ignite fuel vapors from fuel system leaks, if they existed.

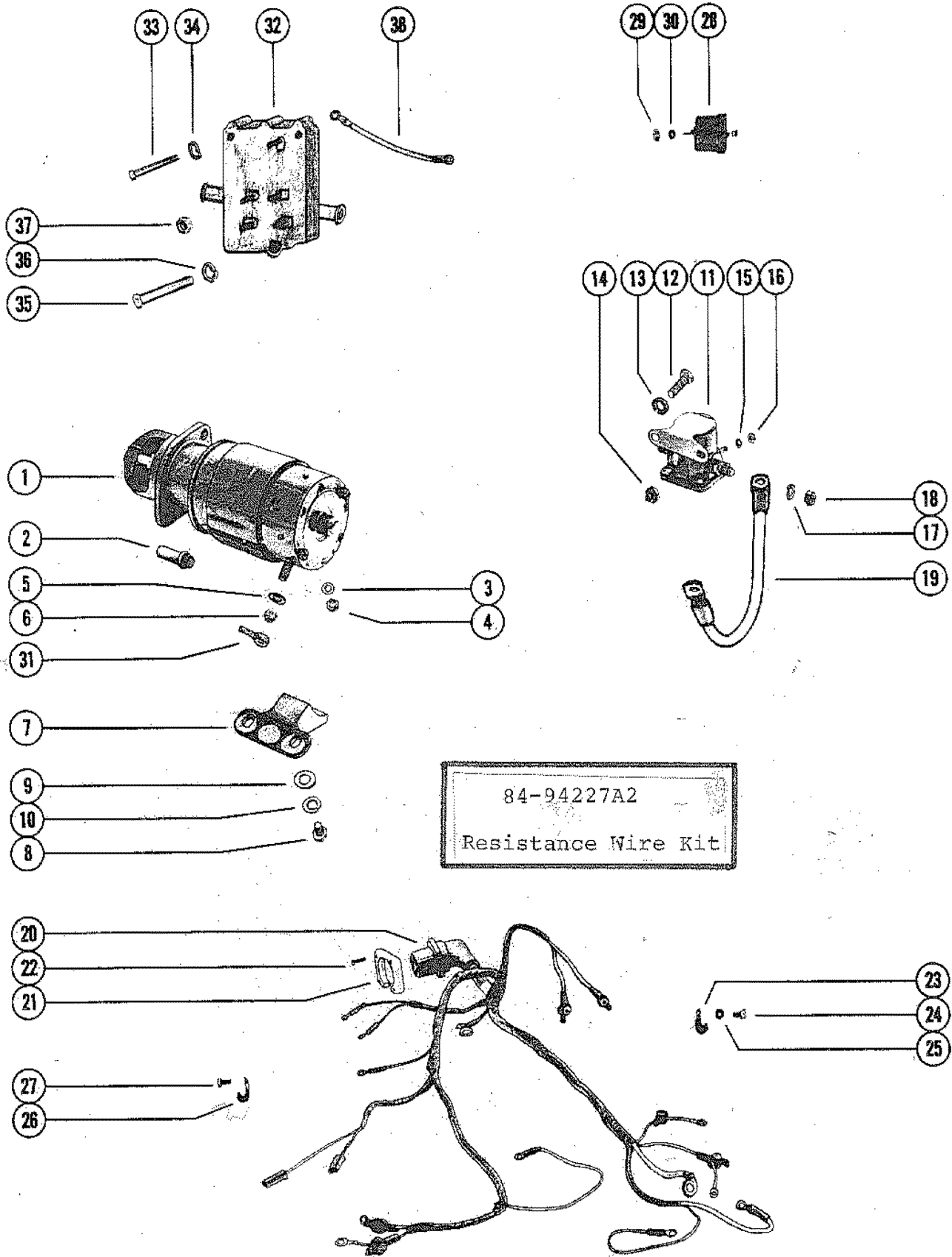
ENGINE MECHANICAL COMPONENTS

Many of the engine mechanical components are designed for marine applications. Unlike automotive engines, marine engines are subjected to extended periods of heavy load and wide- open-throttle operation, therefore, require heavy-duty components. Special marine engine parts have design and manufacturing specifications, which are required to provide long life and dependable performance. Marine engine parts also must be able to resist the corrosive action of salt or brackish water that will rust or corrode standard automotive parts within a short period of time.

Failure to use recommended Mercury Precision Parts OR Quicksilver service replacement parts can result in poor engine performance and/or durability, rapid corrosion of parts subjected to salt water and possibly complete failure of the engine.

Use of parts other than recommended service replacement parts will void the warranty on those parts which are damaged as a result of the use of other than recommended parts.

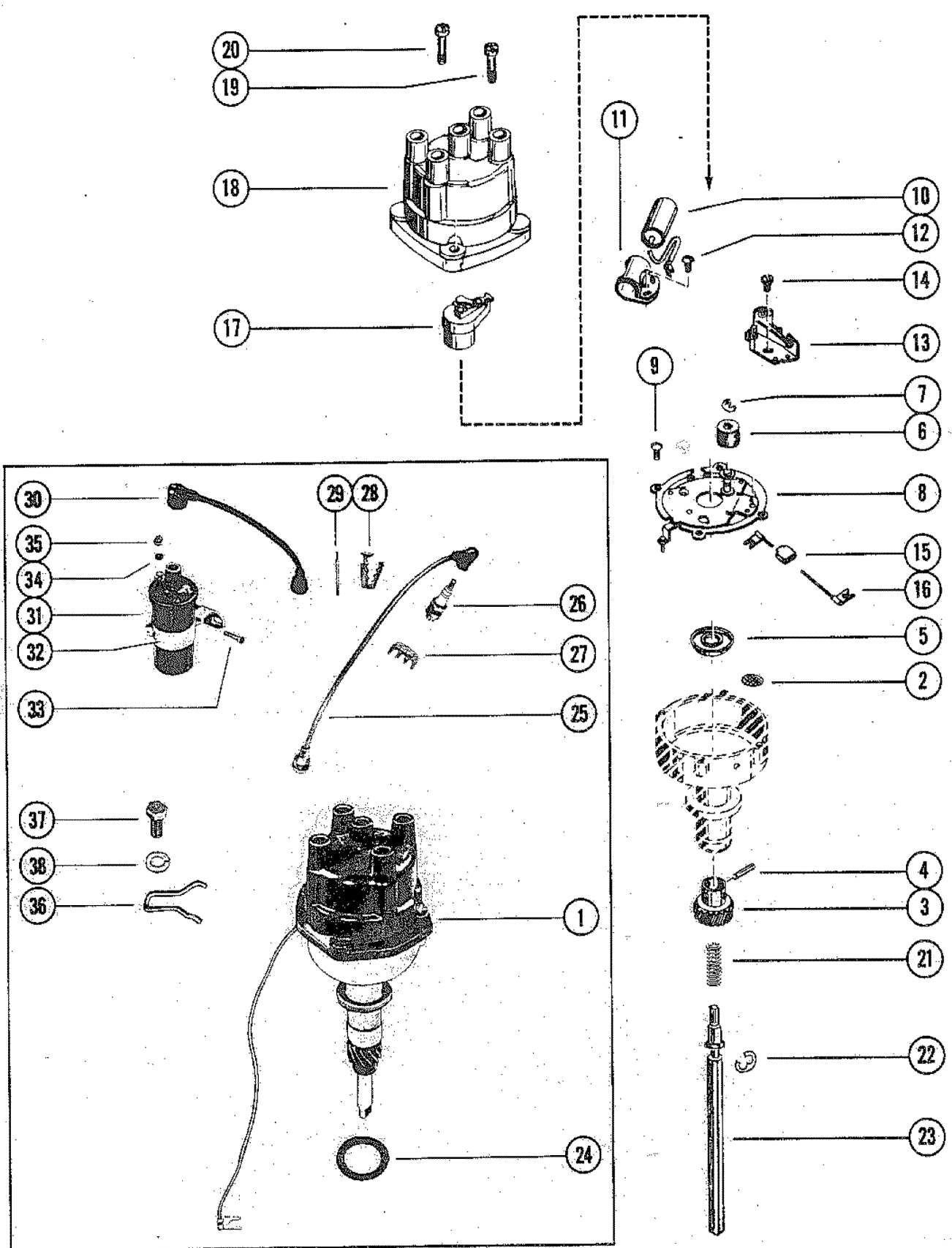
STARTER ASSEMBLY, WIRING HARNESS AND VOLTAGE REGULATOR



STARTER ASSEMBLY, WIRING HARNESS AND VOLTAGE REGULATOR

REF. NO.	PART NO.	SYM.	QTY.	DESCRIPTION
1	50-72550A1		1	STARTER ASSEMBLY
2	10-72875		2	SCREW, STARTER ATTACHING (1 1/2")
3	12-34931		1	WASHER, STARTER STUD
4	11-23161		1	NUT, STARTER STUD
5	13-26993		1	LOCKWASHER, STARTER TERMINAL
6	11-29250		1	NUT, STARTER TERMINAL
7	70398		1	BRACE, STARTER TO CYLINDER BLOCK
8	10-21077		2	SCREW, STARTER BRACE TO CYLINDER BLOCK (7/8")
9	12-34931		2	WASHER, STARTER BRACE SCREW
10	13-35048		2	LOCKWASHER, STARTER BRACE SCREW
11	65057A1		1	STARTER SOLENOID
12	10-28635		2	SCREW, SOLENOID TO CYLINDER BLOCK (5/8")
13	13-26992		2	LOCKWASHER, SOLENOID TO CYLINDER BLOCK SCREW
14	26901		1	BUMPER, SOLENOID
15	13-26996		2	LOCKWASHER, SOLENOID TERMINAL (#10)
16	11-68219		2	NUT, SOLENOID TERMINAL (#19-32)
17	13-26993		2	LOCKWASHER, SOLENOID TERMINAL (5/16")
18	11-20083		2	NUT, SOLENOID TERMINAL (5/16-24)
19	84-77042		1	CABLE, SOLENOID TO STARTER
20	84-86675A2		1	WIRING HARNESS (SERIAL #5801617 AND BELOW)
	84-93178A1		1	WIRING HARNESS (SERIAL #5801618 AND UP)
21	26079		1	PLATE, HARNESS ATTACHING
22	10-46718		4	SCREW, PLATE TO BRACKET (3/4")
23	54-64235--1		3	"J" CLIP, WIRING HARNESS
24	10-20031		1	SCREW, WIRING HARNESS CLAMP TO MANIFOLD (1/2")
25	13-26992		1	LOCKWASHER, WIRING HARNESS CLAMP SCREW
26	54-73668		1	"J" CLIP, WIRING HARNESS TO INTAKE MANIFOLD
27	10-26801		1	SCREW, CLIP TO INTAKE MANIFOLD
28	34623		1	SENDING UNIT, OIL PRESSURE
29	11-68219		1	NUT, SENDING UNIT TERMINAL
30	13-26996		1	LOCKWASHER, SENDING UNIT TERMINAL
31	85-79695		1	BOOT, INSULATOR STARTER CABLE TERMINAL
32	99502A8		1	VOLTAGE REGULATOR ASSEMBLY
33	10-27337		2	SCREW, VOLTAGE REGULATOR ATTACHING (2 1/4")
34	13-26992		2	LOCKWASHER, VOLTAGE REGULATOR SCREW
35	10-28464		1	SCREW, VOLTAGE REGULATOR ATTACHING
36	13-58643		1	LOCKWASHER, VOLTAGE REGULATOR SCREW
37	11-68219		5	NUT, STATOR LEADS TO VOLTAGE REGULATOR STUDS
38	84-92700A1		1	JUMPER WIRE, VOLTAGE REGULATOR

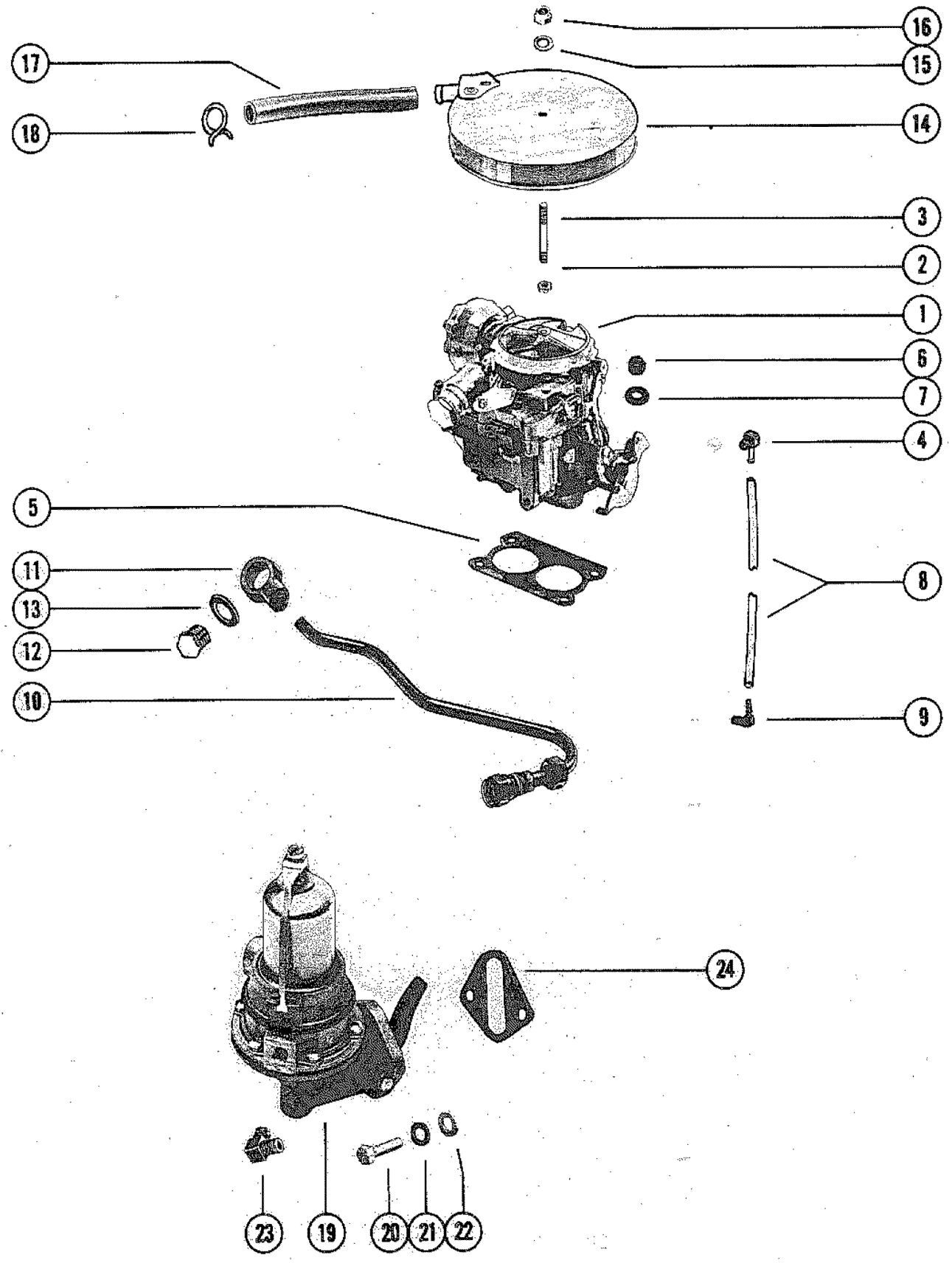
DISTRIBUTOR ASSEMBLY AND COIL



DISTRIBUTOR ASSEMBLY AND COIL

REF. NO.	PART NO.	SYM.	QTY.	DESCRIPTION
1	85374A3		1	DISTRIBUTOR ASSEMBLY, COMPLETE
2	62426		2	SCREEN, VENT - DISTRIBUTOR HOUSING
3	43-73579		1	GEAR, DRIVE - MAIN SHAFT
4	17-29077		1	ROLL PIN, DISTRIBUTOR GEAR
5	26-72653		1	SEAL, HOUSING
6	33653		2	FELT, BREAKER CAM LUBRICATOR
7	72654		1	RETAINER, BREAKER CAM LUBRICATOR FELT
8	33665		1	PLATE, MOUNTING - BREAKER ASSEMBLY AND CONDENSER
9	10-23977		2	SCREW, MOUNTING PLATE TO PRIMARY HOUSING
-	12-62425		2	WASHER, BREAKER PLATE SUPPORT SCREW
10	33662		1	CONDENSER
11	48024		1	BRACKET, CONDENSER MOUNTING
12	10-48021		1	SCREW, CONDENSER BRACKET ATTACHING
13	34235		1	BREAKER ASSEMBLY, DISTRIBUTOR
14	10-33650		1	SCREW, BREAKER ASSEMBLY TO MOUNTING PLATE
15	25-33666		1	GROMMET, MOUNTING PLATE - PRIMARY WIRE
16	33658		1	LEAD, PRIMARY
17	58217		1	ROTOR, DISTRIBUTOR
18	33667		1	CAP, DISTRIBUTOR
19	10-33660		1	SCREW, DISTRIBUTOR CAP TO PRIMARY HOUSING (8-32)
20	10-33663		1	SCREW, DISTRIBUTOR CAP TO PRIMARY HOUSING (10-32)
21	24-73642		1	SPRING, DISTRIBUTOR SHAFT
22	53-73499		1	LOCK RING, DISTRIBUTOR SHAFT
23	73501		1	DRIVE SHAFT, DISTRIBUTOR TO OIL PUMP
24	27-34486		1	GASKET, DISTRIBUTOR
25	84-92151A36		4	LEAD ASSEMBLY, HIGH TENSION
26	33-75340		4	SPARK PLUG (CHAMPION #RBL-9Y)
27	54676		1	RETAINER, HIGH TENSION LEADS
28	54-72821		1	CLAMP, HIGH TENSION LEADS
29	16-73583		1	STUD, HIGH TENSION LEAD CLAMP ATTACHING
30	84-72825		1	WIRE, DISTRIBUTOR TO COIL
31	32193A2		1	COIL, IGNITION
32	76354		1	BRACKET, IGNITION COIL MOUNTING
33	10-66652		1	SCREW, MOUNTING BRACEKT TO COIL
34	12-30164		2	WASHER, IGNITION COIL TERMINAL
	13-26996		2	LOCKWASHER, IGNITION COIL TERMINAL
35	11-68219		2	NUT, IGNITION COIL TERMINAL
36	67511		1	CLAMP UNIT, DISTRIBUTOR
37	10-35386		1	SCREW, DISTRIBUTOR TO CYLINDER BLOCK
38	13-26993		1	LOCKWASHER, DISTRIBUTOR TO CYLINDER BLOCK SCREW

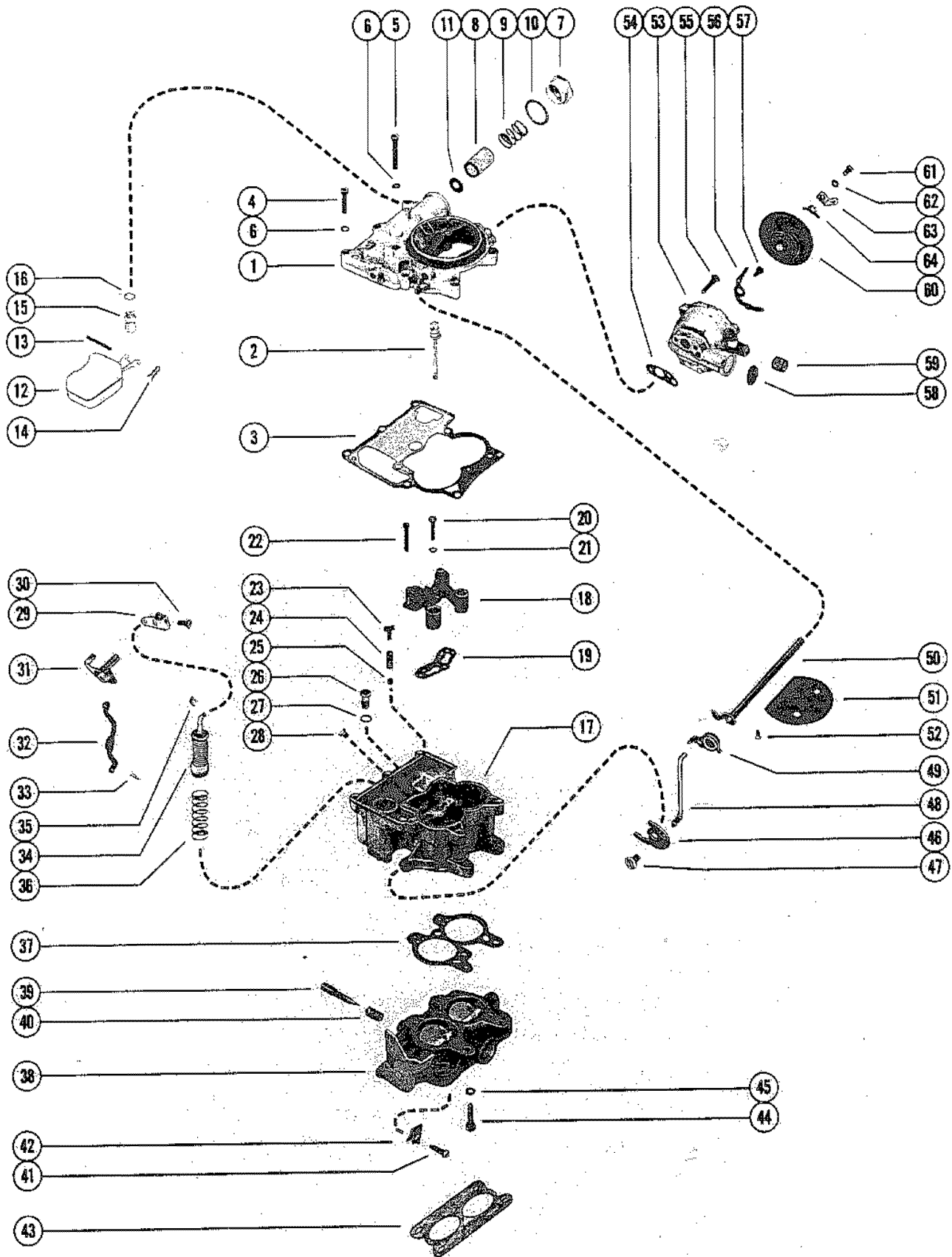
CARBURETOR ASSEMBLY, FLAME ARRESTOR AND FUEL PUMP



CARBURETOR ASSEMBLY, FLAME ARRESTOR AND FUEL PUMP

REF. NO.	PART NO.	SYM.	QTY.	DESCRIPTION
1	1376-5990A1		1	CARBURETOR ASSEMBLY
2	16-70878		1	STUD, CARBURETOR - FLAME ARRESTOR (2")
3	11-28941		1	NUT, FLAME ARRESTOR STUD
4	22-54090		1	CONNECTOR, HOSE - CARBURETOR VENT
5	27-70143		1	GASKET, CARBURETOR TO INTAKE MANIFOLD
6	11-29250		4	NUT, CARBURETOR TO INTAKE MANIFOLD
7	12-20084		4	WASHER, CARBURETOR TO INTAKE MANIFOLD
8	32-73815--2		1	HOSE, FUEL VENT
9	22-73817		1	FITTING, VENT TO FUEL PUMP
10	32-76312		1	FUEL LINE
11	76277		1	FITTING, BANJO - FUEL LINE
12	22-73808		1	FITTING, FUEL INLET
13	12-74784		2	WASHER, FUEL INLET FITTING
14	85784		1	FLAME ARRESTOR
15	12-86400		1	WASHER, FLAME ARRESTOR ATTACHING
16	11-20586		1	NUT, FLAME ARRESTOR ATTACHING
17	32-93315-12		1	HOSE, FLAME ARRESTOR TO ROCKER COVER
18	54-53101		1	CLIP, HOSE TO FLAME ARRESTOR
19	86234		1	FUEL PUMP
-	35-49088		1	FILTER KIT
-	49089		1	DIAPHRAGM KIT
20	10-35386		2	SCREW, FUEL PUMP ATTACHING (5/16-18 X 1")
21	13-20202		2	LOCKWASHER, FUEL ATTACHING SCREW
22	12-20546		2	WASHER, FUEL PUMP ATTACHING SCREW
23	22-70584		1	FITTING, ELBOW - FUEL PUMP
24	27-72805		1	GASKET, FUEL PUMP ATTACHING

CARBURETOR ASSEMBLY

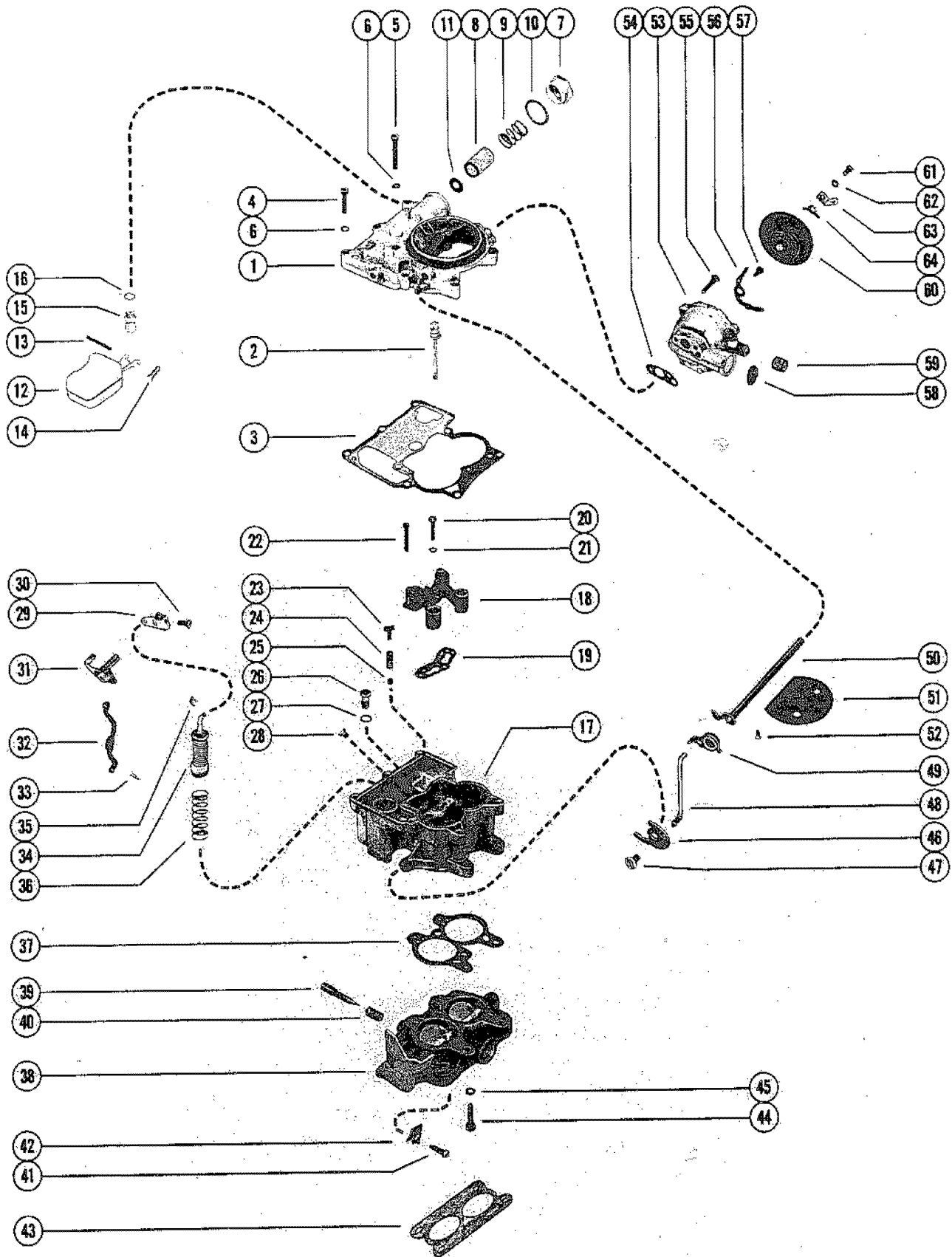


CARBURETOR ASSEMBLY

REF. NO.	PART NO.	SYM.	QTY.	DESCRIPTION
-	1376-5990A1		1	CARBURETOR ASSEMBLY, COMPLETE
1	N.S.S.		1	AIR HORN (NOT SOLD SEPARATELY)
2	N.S.S.		1	POWER PISTON ASSEMBLY (ROCHESTER #7009718)
3			1	GASKET, AIR HORN
4	10-33043		7	SCREW, AIR HORN TO FLOAT BOWL (SHORT)
5	10-33048		1	SCREW, AIR HORN TO FLOAT BOWL (LONG)
6	13-26996		8	LOCKWASHER, AIR HORN SCREW
7	1397-3330		1	NUT, FUEL INLET - AIR HORN
8	35-53336		1	FILTER, FUEL INLET - AIR HORN
9	24-48143		1	SPRING, FUEL INLET - AIR HORN
10			1	GASKET, FUEL INLET NUT (LARGE)
11			1	GASKET, FUEL IINLET FILTER (SMALL)
12	1397-5837		1	FLOAT ASSEMBLY
13	N.S.S.		1	PIN, HINGE - FLOAT TO AIR HORN (ROCHESTER#7002081)
14			1	CLIP, HINGE PIN
15			1	INLET NEEDLE AND SEAT ASSEMBLY
16			1	GASKET, INLET NEEDLE AND SEAT
17	N.S.S.		1	FLOAT BOWL ASSEMBLY (ROCHESTER#17052724)
18	N.S.S.		1	VENTURI CLUSTER ASSEMBLY, FLOAT BOWL (NOT SOLD SEPARATELY)
19			1	GASKET, VENTURI CLUSTER
20	N.S.S.		1	SCREW, VENTURI CLUSTER TO FLOAD BOWL (CENTER) - ROCHESTER# - ROCHESTER# 7009077
21			1	GASKET, VENTURI CLUSTER SCREW (CENTER)
22	N.S.S.		2	SCREW, VENTURI CLUSTER TO FLOAT BOWL (OUTER) - ROCHESTER#70 - ROCHESTER# 7045762
23			1	GUIDE, PUMP DISCHARGE - FLOAT BOWL
24			1	SPRING, PUMP DISCHARGE - FLOAT BOWL
25			1	BALL, PUMP DISCHARGE - FLOAT BOWL
26			1	POWER VALVE ASSEMBLY, FLOAT BOWL
27			1	GASKET, POWER VALVE
28	1397-6365		2	JET, FLOAT BOWL (STANDARD)
29	1397-2048		1	LEVER, PUMP - AIR HORN
30	10-33047		1	SCREW, AIR HORN PUMP LEVER
31	N.S.S.		1	PUMP SHAFT AND LEVER ASSEMBLY, AIR HORN (ROCHESTER#7038788)
32	N.S.S.		1	ROD, PUMP (ROCHESTER#7038799)
33			1	CLIP, RETAINER - PUMP ROD
34			1	PUMP ASSEMBLY, FLOAT BOWL
35			1	CLIP, RETAINER - FLOAT BOWL PUMP
36			1	SPRIONG, PUMP RETURN - FLOAT BOWL
37			1	GASKET, THROTTLE BODY
38	N.S.S.		1	THROTTLE BODY ASSEMBLY (NOT SOLD SEPARATELY)
39			2	IDLE ADJUSTING NEEDLE, THROTTLE BODY

CONTINUED ON NEXT PAGE ➡

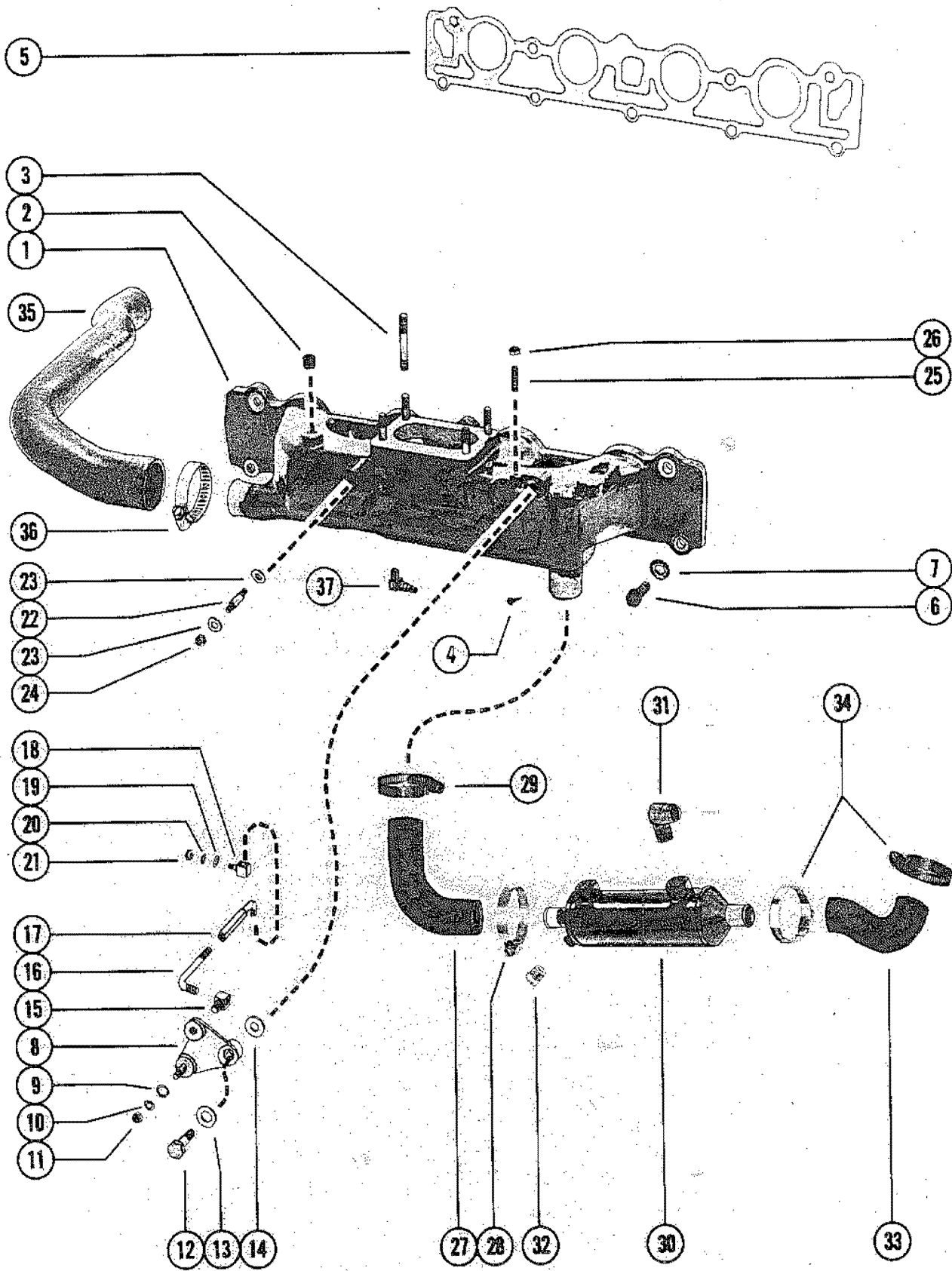
CARBURETOR ASSEMBLY



CARBURETOR ASSEMBLY

REF. NO.	PART NO.	SYM.	QTY.	DESCRIPTION
40	24-33050		2	SPRING, IDLE ADJUSTING NEEDLE
41	N.S.S.		1	IDLE STOP SCREW, THROTTLE BODY (ROCHESTER#7031547)
42	54-39108		1	CLIP, IDLE STOP SCREW
43	27-70143		3	GASKET, CARBURETOR FLANGE
44	10-33052		3	SCREW, THROTTLE BODY TO FLOAT BOWL
45	13-26992		3	LOCKWASHER, THROTTLE BODY SCREW
46	1397-2071		1	CAM, FAST IDLE - FLOAT BOWL
47	10-33042		1	SCREW, FAST IDLE CAM TO FLOAT BOWL
48	N.S.S.		1	ROD, CHOKE (ROCHESTER#7038821)
49	1397-4257		1	CHOKE LEVER AND COLLAR ASSEMBLY, CHOKE SHAFT
50	1397-5840		1	CHOKE SHAFT ASSEMBLY
51	1397-5839		1	VALVE, CHOKE - CHOKE SHAFT
52	N.S.S.		2	SCREW, CHOKE VALVE TO CHOKE SHAFT (ROCHESTER#7007627)
53	1397-5838		1	CHOKE HOUSING ASSEMBLY
54			1	GASKET, CHOKE HOUSING
55	10-33053		2	SCREW, CHOKE HOUSING TO AIR HORN
56	N.S.S.		1	LEVER ASSEMBLY, CHOKE PISTON (ROCHESTER#7010051)
57	10-33056		1	SCREW, CHOKE PISTON LEVER TO CHOKE HOUSING
58	N.S.S.		1	WELCH PLUG, CHOKE HOUSING (ROCHESTER#7003135)
59	22-56772		1	PLUG, CHOKE HOUSING
60	70125		3	COVER, CHOKE
61	10-33047		3	SCREW, CHOKE COVER TO CHOKE HOUSING
62	13-26995		1	LOCKWASHER, CHOKE COVER SCREW
63	86-70879		1	TERMINAL, CHOKE COVER SCREW
64	54-33036		3	RETAINER, CHOKE COVER SCREW
-	1397-6367		1	OVERHAUL KIT
-	N.S.S.		1	POWER CARBURETOR KIT (ROCHESTER#7039315)
-	1397-6363		1	GASKET KIT

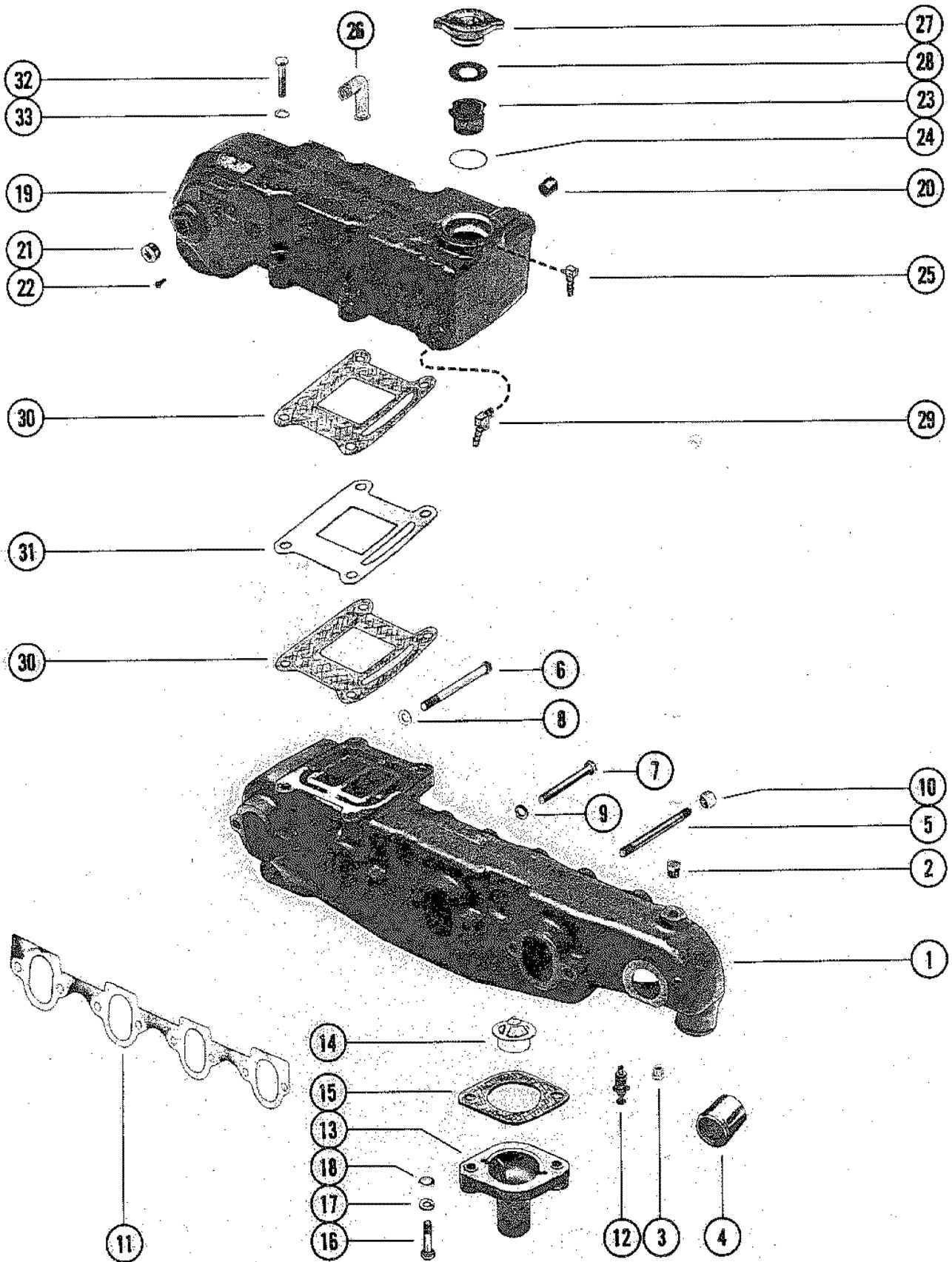
INTAKE MANIFOLD, LINKAGE AND ENGINE OIL COOLER



INTAKE MANIFOLD, LINKAGE AND ENGINE OIL COOLER

REF. NO.	PART NO.	SYM.	QTY.	DESCRIPTION
1	89953A2		1	INTAKE MANIFOLD ASSEMBLY
2	22-36382		1	PLUG, INTAKE MANIFOLD - TOP
3	16-70236		4	STUD, CARBURETOR TO MANIFOLD
4	10-28642		2	SCREW, DRIVE - WATER TUBE FLANGE
5	27-70905		1	GASKET, INTAKE MANIFOLD
6	10-68101		7	SCREW, INTAKE MANIFOLD TO HEAD (1 3/8")
7	12-25909		7	WASHER, INTAKE MANIFOLD SCREW
8	78801		1	LEVER, INTERMEDIATE THROTTLE
9	12-35950		1	WASHER, INTERMEDIATE THROTTLE STUD
10	12-30164		1	WASHER, INTERMEDIATE THORTTLE STUD
11	11-20110		1	NUT, INTERMEDIATE THROTTLE STUD
12	10-38507		1	SCREW, LEVER TO INTAKE MANIFOLD (1 5/16")
13	12-20553		1	WASHER, LEVER TO INTAKE MANIFOLD SCREW
14	12-57792		1	WASHER, LEVER TO INTAKE MANIFOLD SCREW
15	27947		1	SWIVEL, LINKAGE
16	64804		1	LINK ROD, LINKAGE
17	63145A1		1	LINK ROD ASSEMBLY, LINKAGE
18	38983		1	SWIVEL, LINKAGE - CARBURETOR
19	12-35950		1	WASHER, SWIVEL LINKAGE - CARBURETOR
20	12-30164		1	WASHER, SWIVEL LINKAGE - CARBURETOR
21	11-20110		1	NUT, SWIVEL LINKAGE - CARBURETOR
22	16-38525		1	STUD, THROTTLE CABLE ANCHOR
23	12-24664		2	WASHER, THROTTLE CABLE ANCHOR STUD
24	11-20664		1	NUT, THROTTLE CABLE ANCHOR STUD
25	10-64969		1	SCREW, THROTTLE STOP
26	11-33122		1	NUT, THROTTLE STOP SCREW
27	32-90476		1	HOSE, MANIFOLD TO COOLER
28	54-32780		1	CLAMP, HOSE TO COOLER
29	54-32781		1	CLAMP, HOSE TO INTAKE MANIFOLD
30	89872		1	COOLER, ENGINE OIL
31	22-48246		2	ELBOW, TO COOLER
32	22-32802		1	PLUG, PIPE (1/8-27NPT)
33	32-90477		1	HOSE, COOLER TO WATER PUMP
34	54-32780		2	CLAMP, HOSE ATTACHING
35	32-89655		1	HOSE, INTAKE MANIFOLD TO EXHAUST MANIFOLD
36	54-32781		2	CLAMP, HOSE TO INTAKE MANIFOLD
37	22-75188		1	FITTING, BY-PASS - INTAKE MANIFOLD

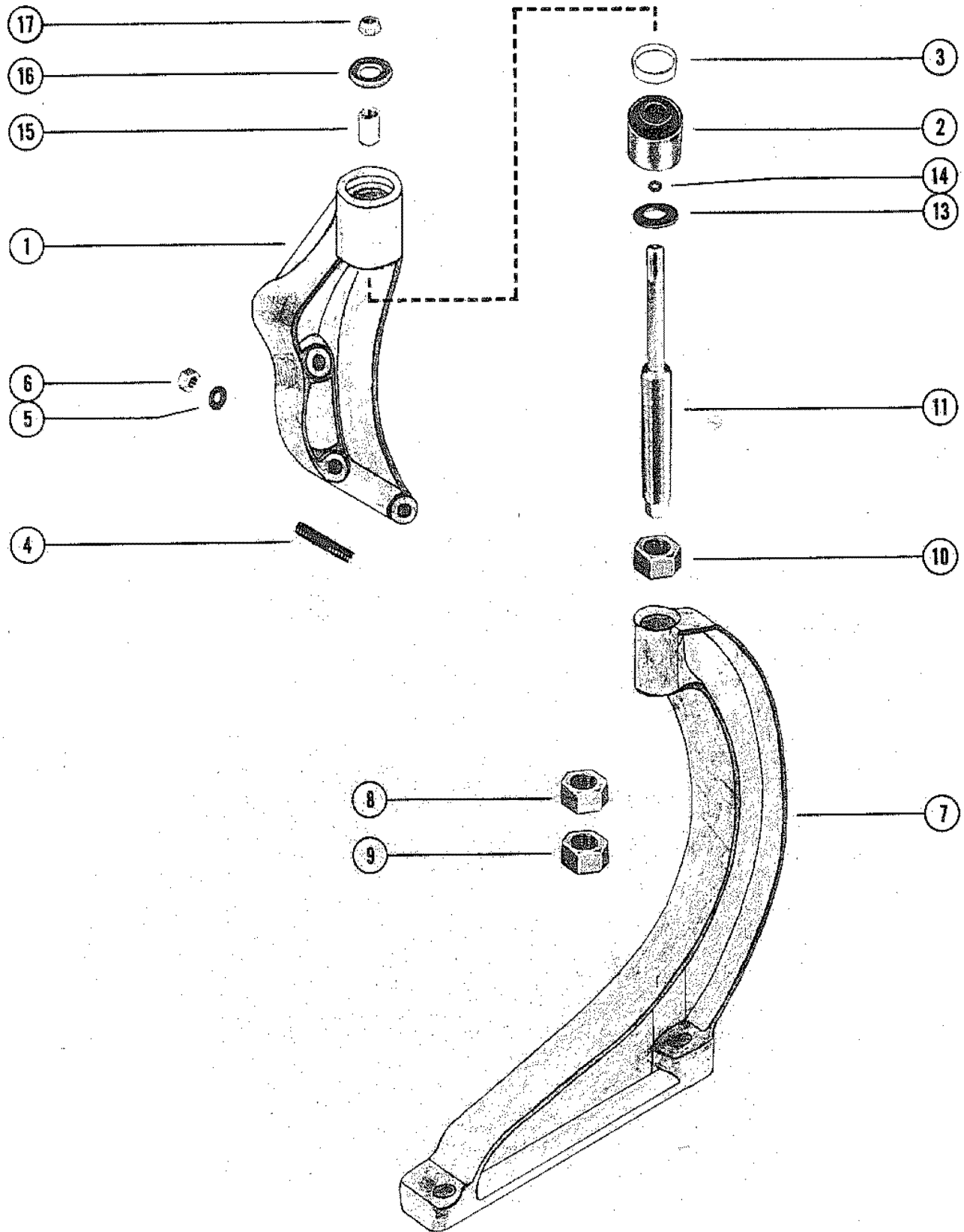
EXHAUST MANIFOLD ASSEMBLY AND EXHAUST ELBOW ASSEMBLY



EXHAUST MANIFOLD ASSEMBLY AND EXHAUST ELBOW ASSEMBLY

REF. NO.	PART NO.	SYM.	QTY.	DESCRIPTION
1	96768A3		1	EXHAUST MANIFOLD ASSEMBLY
2	22-32802		1	PLUG, PIPE (1/8-27NPT)
3	22-32803		1	PLUG, PIPE - DRAIN
4	23-72119		1	WATER SLEEVE
5	16-89677		1	STUD, EXHAUST MANIFOLD TO HEAD (6 5/8")
	16-93515		1	STUD, EXHAUST MANIFOLD TO HEAD (6-7/8")
6	10-89678		2	SCREW, EXHAUST MANIFOLD TO HEAD (6 3/8") - WITH POWER STEERING
7	10-89679		3	SCREW, EXHAUST MANIFOLD TO HEAD (6") - WITH POWER STEERING
8	12-25970		2	WASHER, EXHAUST MANIFOLD TO HEAD SCREW - WITH POWER STEERING
7	10-89679		5	SCREW, EXHAUST MANIFOLD TO HEAD - WITHOUT POWER STEERING
9	13-35048		7	LOCKWASHER, EXHAUST MANIFOLD ATTACHING
10	11-32219		2	NUT, EXHAUST MANIFOLD ATTACHING STUD
11	27-68715		1	GASKET, EXHAUST MANIFOLD TO HEAD
12	75669		1	SENDER, WATER TEMPERATURE
13	89659		1	THERMOSTAT HOUSING
14	76270		1	THERMOSTAT
15	27-89656		1	GASKET, THERMOSTAT HOUSING TO EXHAUST MANIFOLD
16	10-20362		2	SCREW, THERMOSTAT HOUSING ATTACHING
17	13-39107		2	LOCKWASHER, THERMOSTAT HOUSING ATTACHING
18	12-26825		2	WASHER, THERMOSTAT HOUSING ATTACHING
19	90880A2		1	EXHAUST ELBOW AND RESERVOIR ASSEMBLY
20	22-32802		1	PLUG, PIPE (1/8-27NPT)
21	22-33198A1		2	PLUG, CORE (3/4-14)
22	10-28642		4	SCREW, DRIVE
23	22-58471		1	BASE, FILLER HOLE
24	25-45257		1	"O" RING, FILTER BASE
25	22-74033		1	OVERFLOW ELBOW
26	22-36305		1	ELBOW STEERING COOLER HOSE
27	36-55143		1	CAP, FILLER HOLE
28	27-71614		1	GASKET, FILLER HOLE CAP
29	22-76170		1	FITTING, RESERVOIR BY-PASS
30	27-89657		2	GASKET, ELBOW AND RESERVOIR TO MANIFOLD
31	89658		1	PLATE, ELBOW AND RESERVOIR TO MANIFOLD
32	10-56538		4	SCREW, ELBOW AND RESERVOIR TO MANIFOLD
33	13-32993		4	LOCKWASHER, ELBOW AND RESERVOIR ATTACHING

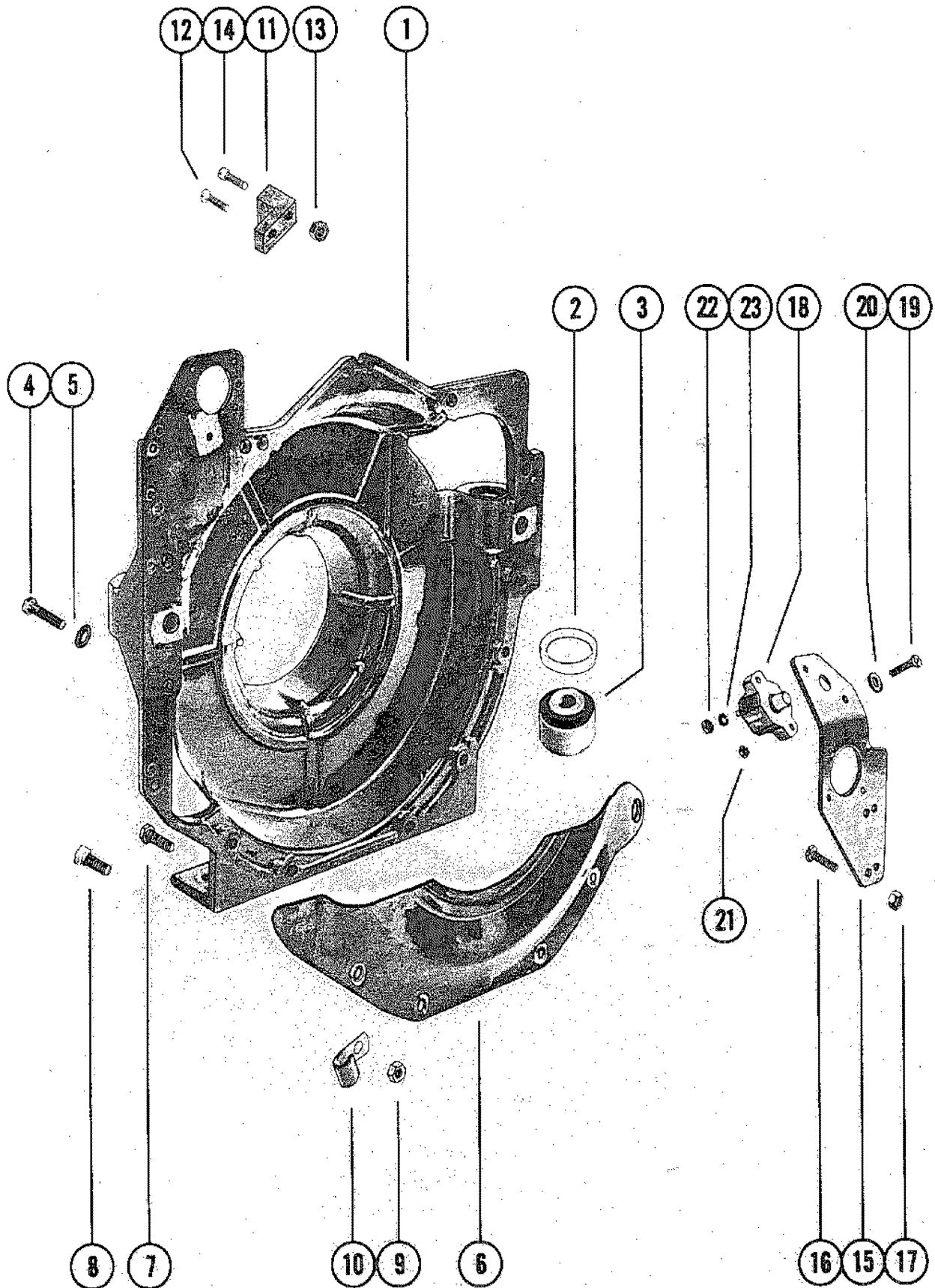
FRONT MOUNT ASSEMBLY



FRONT MOUNT ASSEMBLY

REF. NO.	PART NO.	SYM.	QTY.	DESCRIPTION
1	77877A2		1	FRONT MOUNT BRACKET ASSEMBLY
2	32833		1	MOUNT, RUBBER
3	23-35903		1	SPACER, RUBBER MOUNT
4	16-56295		1	STUD, MOUNTING BRACKET ATTACHING (UPPER)
	16-32129		2	STUD, MOUNTING BRACKET ATTACHING (LOWER)
5	12-34567		3	WASHER, MOUNTING BRACKET STUD
6	11-34933		3	NUT, MOUNTING BRACKET STUD
7	76839		1	MOUNT, FRONT SUPPORT
	78814A1		OPT	SUPPORT, FRONT (22" CENTERS)
	78483A1		OPT	SUPPORT, FRONT (6" CENTERS)
8	11-32882		1	NUT, FRONT SUPPORT MOUNT TO ADJUSTING STUD
9	11-47525		1	NUT, FRONT SUPPORT MOUNT TO ADJUSTING STUD
10	11-32882		1	NUT, ADJUSTING STUD (7/8-14)
11	16-36100		1	STUD, ADJUSTING
13	12-32638		1	WASHER, FIBER - ADJUSTING STUD
14	12-20959		1	WASHER, SPACER - ADJUSTING STUD
15	23-36101		1	SPACER, ADJUSTING STUD
16	12-36104		1	WASHER, FIBER - ADJUSTING STUD
17	11-20220		1	NUT, ADJUSTING STUD (1/2-20)

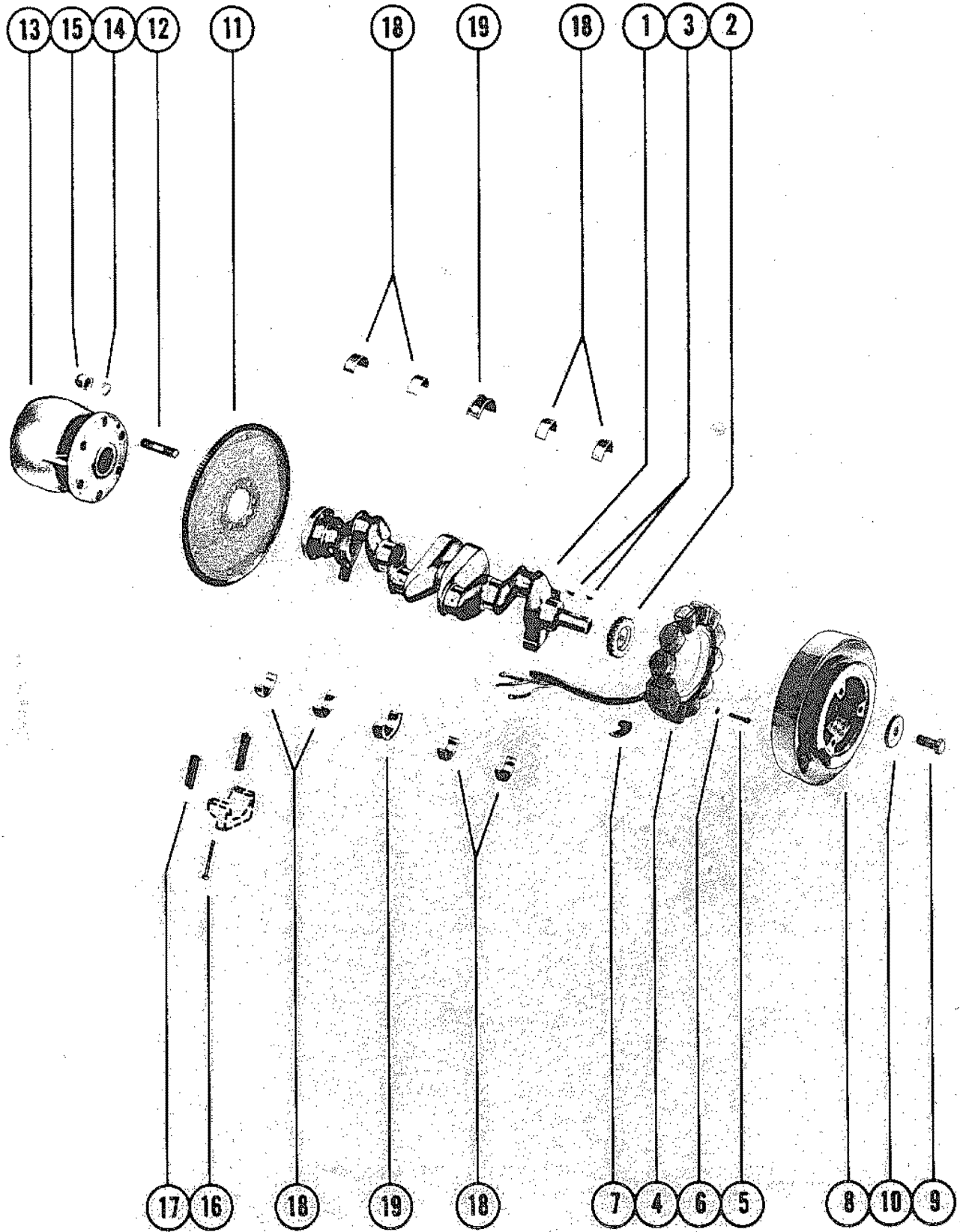
FLYWHEEL HOUSING ASSEMBLY



FLYWHEEL HOUSING ASSEMBLY

REF. NO.	PART NO.	SYM.	QTY.	DESCRIPTION
1	89775A1		1	FLYWHEEL HOUSING ASSEMBLY
2	23-46742		2	SPACER, RUBBER MOUNT
3	33149		2	MOUNT, RUBBER
4	10-37612		6	SCREW, FLYWHEEL HOUSING ATTACHING (1 1/4")
5	13-37459		6	LOCKWASHER, FLYWHEEL HOUSING ATTACHING SCREW
6	72100		1	COVER, FLYWHEEL HOUSING
7	10-26065		1	SCREW, COVER TO FLYWHEEL HOUSING AND CLAMP (1")
8	10-47277		3	SCREW COVER TO FLYWHEEL HOUSING (3/4")
9	11-29250		4	NUT, COVER TO FLYWHEEL HOUSING AND CLAMP SCREW
10	54-61001		1	CLAMP, SHIFT CABLE ATTACHING
11	45915		1	TERMINAL BLOCK
12	10-20189		1	SCREW, TERMINAL BLOCK TO FLYWHEEL HOUSING (3/4")
13	11-27164		1	NUT, TERMINAL BLOCK TO FLYWHEEL HOUSING SCREW
14	10-62568		1	SCREW, LEAD ATTACHING TO TERMINAL BLOCK
15	72757		1	BRACKET, CIRCUIT BREAKER
16	10-22524		2	SCREW, CIRCUIT BREAKER BRACKET TO FLYWHEEL HOUSING
17	11-56374		2	NUT, CIRCUIT BREAKER BRACKET TO FLYWHEEL HOUSING
18	88-78813		1	CIRCUIT BREAKER
19	10-24637		2	SCREW, CIRCUIT BREAKER TO BRACKET (7/8")
20	12-30164		2	WASHER, CIRCUIT BREAKER TO BRACKET
21	11-46438		2	NUT, CIRCUIT BREAKER TO BRACKET (7/8")
22	11-68219		2	NUT, CIRCUIT BREAKER TERMINAL
23	113-26996		2	LOCKWASHER, CIRCUIT BREAKER TERMINAL

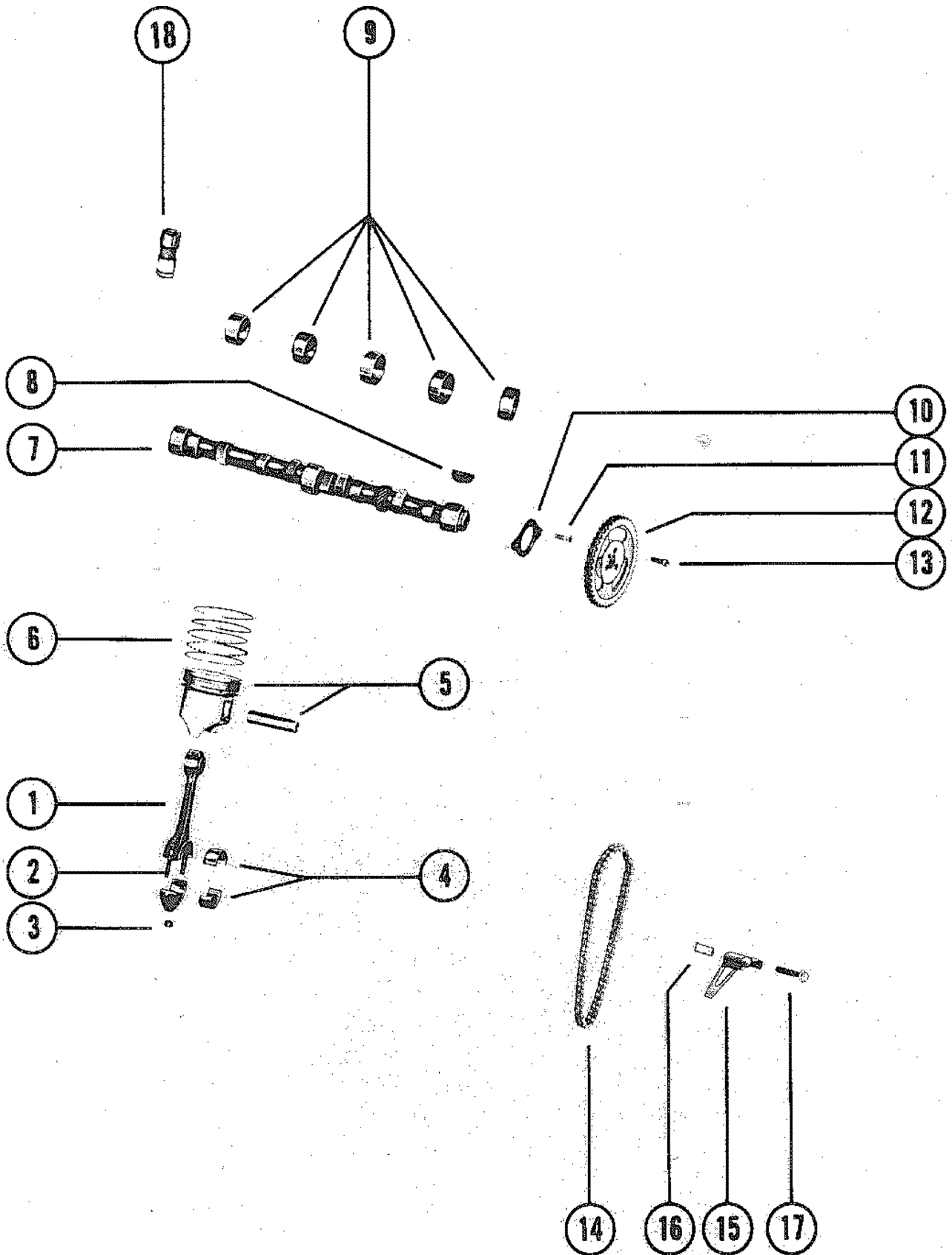
CRANKSHAFT, FLYWHEEL AND ALTERNATOR ASSEMBLY



CRANKSHAFT, FLYWHEEL AND ALTERNATOR ASSEMBLY

REF. NO.	PART NO.	SYM.	QTY.	DESCRIPTION
1	456-6092		1	CRANKSHAFT
2	68700		1	SPROCKET, CRANKSHAFT
3	28-67382		2	KEY, SPROCKET AND ALTERNATOR
4	398-6231A6		1	STATOR ASSMEBLY, ALTERNATOR
5	10-77363		5	SCREW, STATOR TO FRONT COVER (1 1/2")
6	13-26996		5	LOCKWASHER, STATOR TO COVER SCREW
7	54-73667		1	"J" CLIP, ALTERNATOR LEAD ATTACHING
8	93009A1		1	ALTERNATOR ASSEMBLY, FLYWHEEL
9	10-59644		1	SCREW, ALTERNATOR ASSEMBLY ATTACHING (1 3/8")
10	12-36103		1	WASHER, ALTERNATOR ASSEMBLY ATTACHING SCREW
11	251-7714		1	FLYWHEEL
12	16-32808		6	STUD, FLYWHEEL TO COUPLING
13	69354A2		1	COUPLING ASSEMBLY
14	12-32648		6	WASHER, FLYWHEEL TO COUPLING STUD
15	11-34933		6	NUT, FLYWHEEL TO COUPLING STUD
16	10-74335		10	SCREW, MAIN BEARING CAPS
17	68750		2	SEAL, REAR BEARING CAP
18	74313A1		4	MAIN BEARING ASSEMBLY (STD.) - WHEN ORDERIING REPLACEMENT BEARINGS REFER TO M/C SERVICE MANUAL 90-67795 SEC. 5 PART D.
	74313A2		AR	MAIN BEARING ASSEMBLY (.002 U.S.) WHEN ORDERIING REPLACEMENT BEARINGS REFER TO M/C SERVICE MANUAL 90-67795 SEC. 5 PART D.
	74313A4		AR	MAIN BEARING ASSEMBLY (.010 U.S.) WHEN ORDERIING REPLACEMENT BEARINGS REFER TO M/C SERVICE MANUAL 90-67795 SEC. 5 PART D.
	74313A3		AR	MAIN BEARING ASSEMBLY (.020 U.S.) WHEN ORDERIING REPLACEMENT BEARINGS REFER TO M/C SERVICE MANUAL 90-67795 SEC. 5 PART D.
19	74314A1		1	CENTER MAIN BEARING ASS'Y (STD.) WHEN ORDERIING REPLACEMENT BEARINGS REFER TO M/C SERVICE MANUAL 90-67795 SEC. 5 PART D.
	74314A2		AR	CENTER MAIN BEARING ASS'Y (.002 U.S.) WHEN ORDERIING REPLACEMENT BEARINGS REFER TO M/C SERVICE MANUAL 90-67795 SEC. 5 PART D.
	74314A4		AR	CENTER MAIN BEARING ASS'Y (.010 U.S.) WHEN ORDERIING REPLACEMENT BEARINGS REFER TO M/C SERVICE MANUAL 90-67795 SEC. 5 PART D.
	74314A3		AR	CENTER MAIN BEARING ASS'Y (.020 U.S.) WHEN ORDERIING REPLACEMENT BEARINGS REFER TO M/C SERVICE MANUAL 90-67795 SEC. 5 PART D.

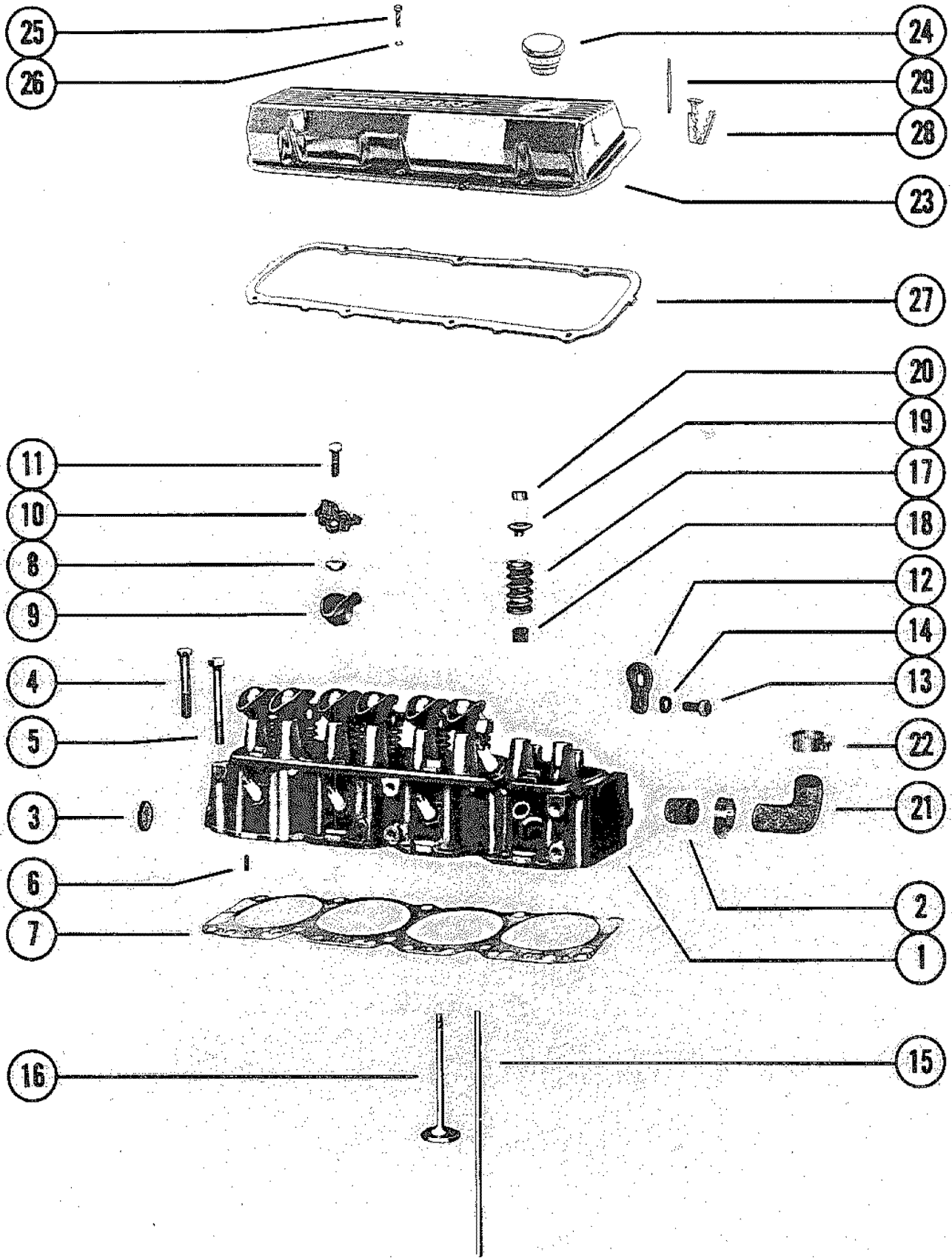
CAMSHAFT AND PISTON ASSEMBLY



CAMSHAFT AND PISTON ASSEMBLY

REF. NO.	PART NO.	SYM.	QTY.	DESCRIPTION
1	628-6100		4	CONNECTING ROD ASSEMBLY
2	10-75444		8	SCREW, CONNECTING ROD CAP ATTACHING
3	11-64769		8	NUT, CONNECTING ROD CAP ATTACHING
4	68704A1		4	BEARING, CONNECTING ROD (STD.) WHEN ORDERIING REPLACEMENT BEARINGS AND PISTONS REFER TO M/C SERVICE MANUAL 90-67795 SEC. 5 PART D.
	68704A2		AR	BEARING, CONNECTING ROD (.002 U.S.) WHEN ORDERIING REPLACEMENT BEARINGS AND PISTONS REFER TO M/C SERVICE MANUAL 90-67795 SEC. 5 PART D.
	68704A4		AR	BEARING, CONNECTING ROD (.010 U.S.) WHEN ORDERIING REPLACEMENT BEARINGS AND PISTONS REFER TO M/C SERVICE MANUAL 90-67795 SEC. 5 PART D.
	68704A3		AR	BEARING, CONNECTING ROD (.020 U.S.) WHEN ORDERIING REPLACEMENT BEARINGS AND PISTONS REFER TO M/C SERVICE MANUAL 90-67795 SEC. 5 PART D.
5	759-8312-10		4	PISTON ASSEMBLY (STD.) WHEN ORDERIING REPLACEMENT BEARINGS AND PISTONS REFER TO M/C SERVICE MANUAL 90-67795 SEC. 5 PART D.
	759-8312-11		AR	PISTON ASSEMBLY (.005 O.S.) WHEN ORDERIING REPLACEMENT BEARINGS AND PISTONS REFER TO M/C SERVICE MANUAL 90-67795 SEC. 5 PART D.
	759-8312-12		AR	PISTON ASSEMBLY (.030 O.S.) WHEN ORDERIING REPLACEMENT BEARINGS AND PISTONS REFER TO M/C SERVICE MANUAL 90-67795 SEC. 5 PART D.
6	39-75422		4	RING, PISTON (STD.) WHEN ORDERIING REPLACEMENT BEARINGS AND PISTONS REFER TO M/C SERVICE MANUAL 90-67795 SEC. 5 PART D.
	39-75423		AR	RING, PISTON (.030 O.S.)
7	466-8330		1	CAMSHAFT ASSEMBLY
8	28-86466		1	KEY, CAMSHAFT ASSEMBLY
9	23-67484		5	BEARING, CAMSHAFT - OPT. WHEN ORDERIING REPLACEMENT BEARINGS REFER TO M/C SERVICE MANUAL 90-67795 SEC. 5 PART D.
10	67492		1	THRUST PLATE, CAMSHAFT
11	10-49668		2	SCREW, THRUST PLATE ATTACHING (3/4")
12	86461		1	SPROCKET, CAMSHAFT
13	10-70084		3	SCREW, SPROCKET TO CAMSHAFT (1")
14	68717		1	CHAIN, TIMING
15	75202		1	TENSIONER, CHAIN
16	23-75087		1	BUSHING, CHAIN TENSIONER
17	10-75206		1	SCREW, CHAIN TENSIONER ATTACHING (1 3/4")
18	56153		8	TAPPET

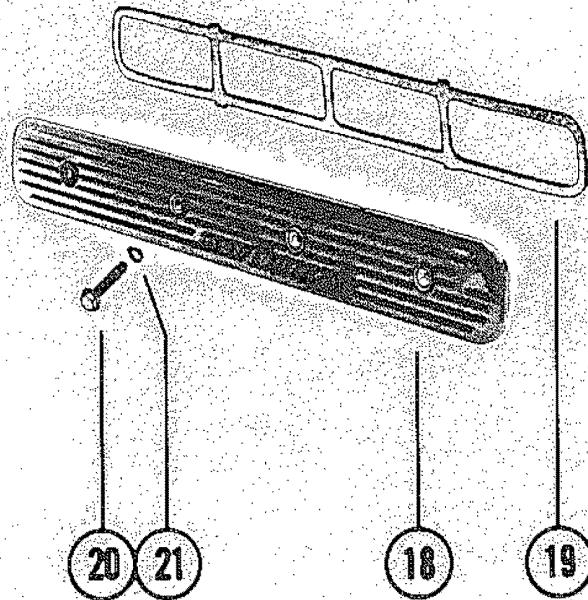
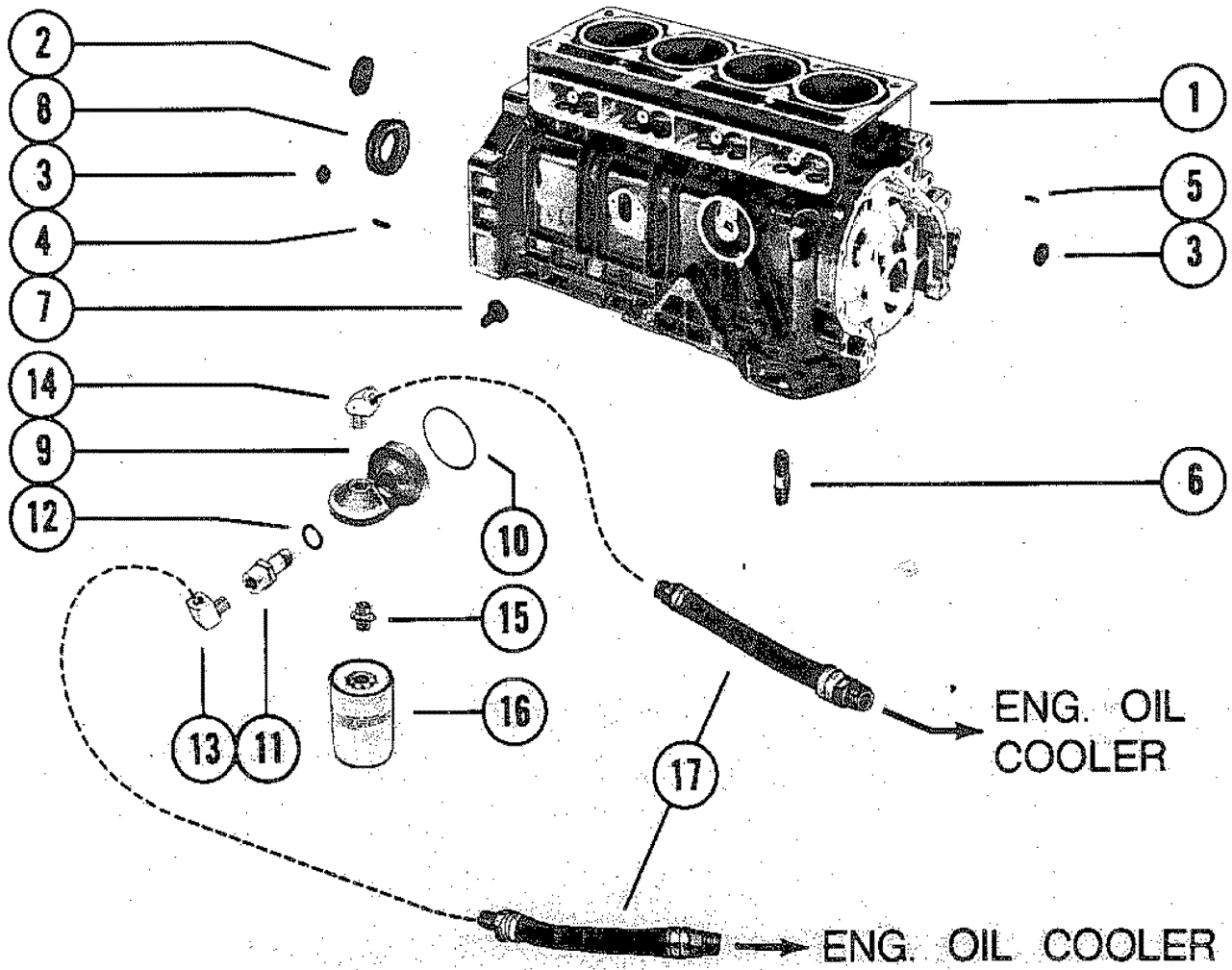
CYLINDER HEAD ASSEMBLY AND ROCKER COVER



CYLINDER HEAD ASSEMBLY AND ROCKER COVER

REF. NO.	PART NO.	SYM.	QTY.	DESCRIPTION
1	966-7704A3		1	CYLINDER HEAD ASSEMBLY
2	23-72119		1	SLEEVE, WATER
3	19-74832		2	PLUG
4	110-67503		5	SCREW, CYLINDER HEAD ATTACHING (4 3/8")
5	10-72769		5	SCREW, CYLINDER HEAD ATTACHING (5 1/8")
6	17-67489		2	PIN, CYLINDER HEAD
7	27-92166		1	GASKET, CYLINDER HEAD
8	67504		8	BALL UNIT, ROCKER COVER
9	92966		8	ARM, ROCKER VALVE
10	91976		8	BAFFLE, OIL
11	10-67506		8	SCREW, ROCKER ARM
12	54-72531		4	LIFTING EYE
13	10-48948		2	SCREW, LIFTING EYE - FRONT (7/17-7/8)
14	13-32993		2	LOCKWASHER, LIFTING EYE SCREW
15	67502--5		8	PUSH ROD, VALVE - STD.
	6702-3		AR	PUSH ROD, VALVE (.030 SHORTER)
	67502--4		AR	PUSH ROD, VALVE (.030 LONGER)
16	92410		4	VALVE, EXHAUST - STD.
	92413		AR	VALVE, EXHAUST (.015 O.S.)
	92411		4	VALVE, INTAKE - STD.
	92415		AR	VALVE, INTAKE (.015 O.S.)
17	24-91801		8	VALVE SPRING
18	26-72564		8	SEAL, VALVE STEM
19	92412		8	RETAINER, VALVE SPRING
20	28-56162		16	KEY, VALVE STEM
21	32-89653		1	HOSE, SLEEVE TO EXHAUST MANIFOLD
22	54-32780		2	CLAMP, HOSE ATTACHING
23	77681		1	ROCKER, VALVE COVER
24	36-75336		1	CAP, OIL FILLER
25	10-35585		7	SCRE, ROCKER COVER ATTACHING (1/4-20 X 3/4")
26	13-22773		7	LOCKWASHER, ROCKER COVER SCREW
27	27-73666		1	GASKET, ROCKER COVER
28	54-72821		1	CLAMP, HIGH TENSION LEAD
29	16-73583		1	STUD, CLAMP TO CYLINDER HEAD (2 11/16")

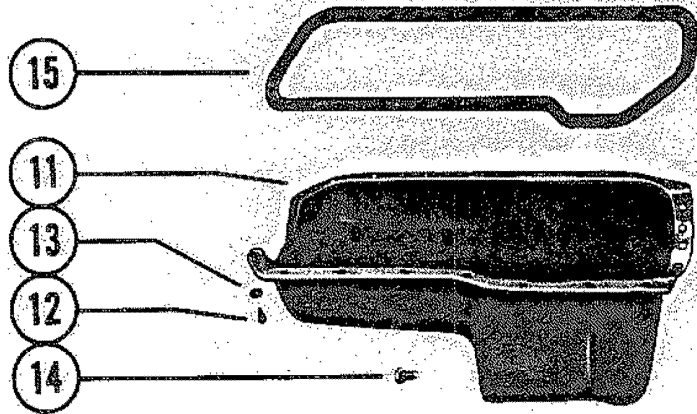
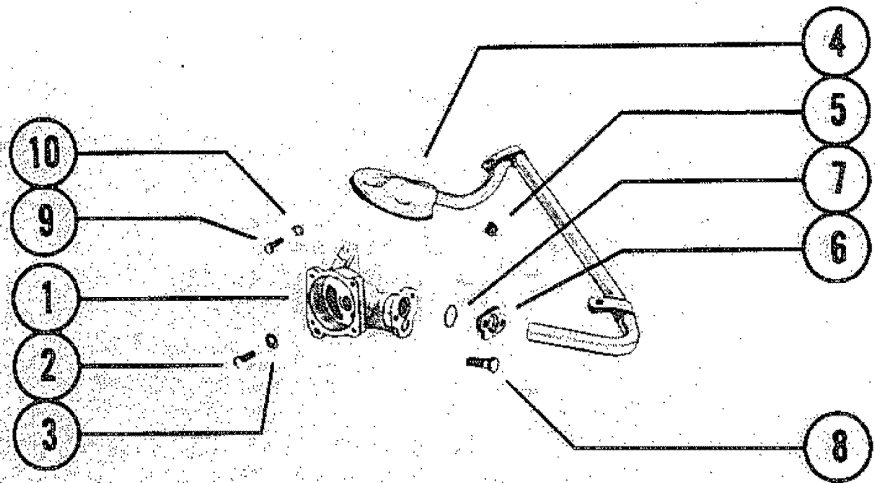
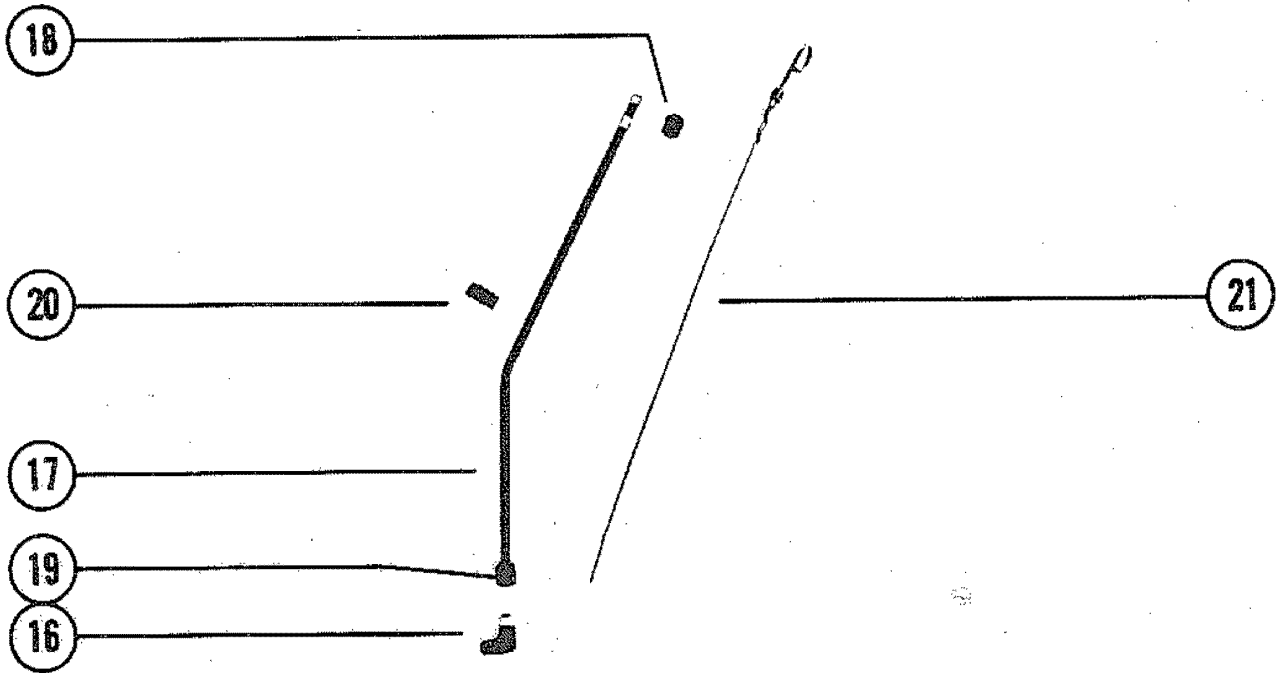
CYLINDER BLOCK ASSEMBLY AND OIL FILTER ADAPTOR



CYLINDER BLOCK ASSEMBLY AND OIL FILTER ADAPTOR

REF. NO.	PART NO.	SYM.	QTY.	DESCRIPTION
1	859-6387A3		1	CYLINDER BLOCK ASSEMBLY
2	19-67383		1	PLUG, CAMSHAFT BORE (2 1/2" DIA.)
3	19-67384		2	PLUG, OIL GALLEY (5/8" DIA.)
4	17-67385		2	PIN, PILOT - FLYWHEEL HOUSING
5	17-74840		2	PIN, FRONT COVER
6	16-74396		2	STUD, OIL TUBE TO BLOCK
7	34344		1	VALVE, BY-PASS
8	26-67389		1	SEAL, CRANKSHAFT - REAR
9	89577		1	ADAPTOR, OIL FILTER
10	25-62700		1	"O" RING, ADAPTOR TO BLOCK
11	89576		1	BUSHING, OIL FILTER ADAPTOR
12	25-58390		1	"O" RING, BUSHING TO ADAPTOR
13	22-63825		1	ELBOW, ADAPTOR TP BASE (90 DEG.)
14	22-48872		1	ELBOW, BUSHING TO HOSE (45 DEG.)
15	32720		1	ADAPTOR, OIL FILTER
16	54111		1	OIL FILTER
17	32-48944-15		AR	HOSE, OIL FILTER ADAPTOR TO COOLER (7")
	32-92357-59		AR	HOSE, OIL FILTER ADAPTOR TO COOLER (34")
18	68711		1	SIDE COVER
19	27-68706		1	GASKET, SIDE COVER
20	10-75206		4	SCREW, SIDE COVER (1 3/4")
21	25-26543		4	"O" RING, SIDE COVER SCREW
-	72775A12		0	SHORT BLOCK (MARINE 485)
-	27-89656A1		0	GASKET SET (ENGINE)

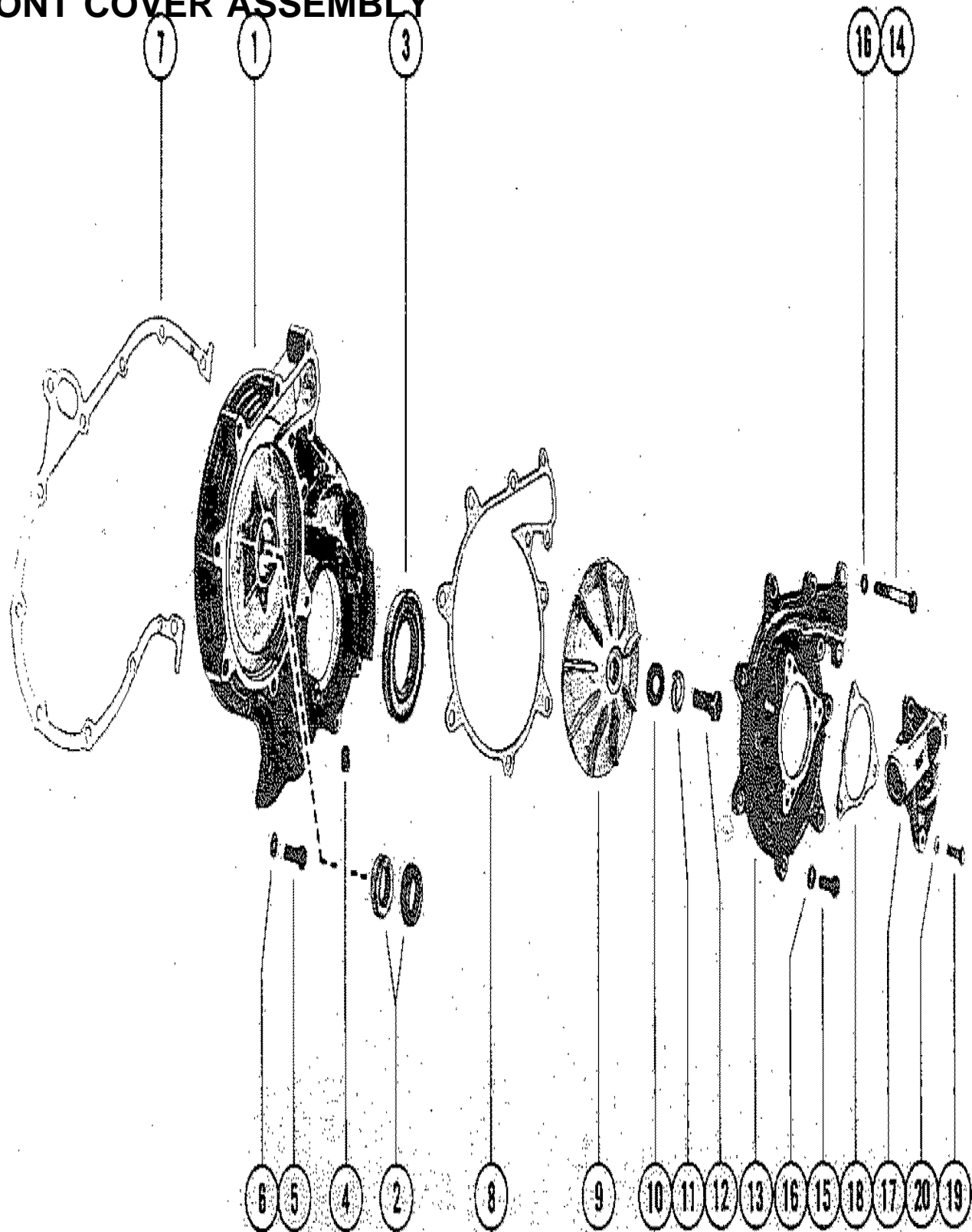
OIL PUMP AND OIL PAN



OIL PUMP AND OIL PAN

REF. NO.	PART NO.	SYM.	QTY.	DESCRIPTION
1	68712A1		1	OIL PUMP ASSEMBLY
2	10-28668		4	SCREW, COVER TO OIL PUMP
3	13-26992		4	LOCKWASHER, COVER TO OIL PUMP SCREW
4	32-72877A1		1	OIL PICK-UP TUBE ASSEMBLY
5	11-67919		2	NUT, OIL PICK-UP TUBE TO CYLINDER BLOCK
6	70792		1	FLANGE, TUBE TO PUMP
8	10-47576		2	SCREW, FLANGE TO PUMP (3/4")
9	10-37612		2	SCREW, PUMP TO ENGINE (1 1/4")
10	13-37459		2	LOCKWASHER, PUMP TO ENGINE SCREW
11	71938		1	OIL PAN
12	10-86750		29	SCREW, OIL PAN ATTACHING (5/8")
13	13-26993		29	LOCKWASHER, OIL PAN ATTACHING SCREW
14	22-60039		1	PLUG, OIL DRAIN
15	27-72479		1	GASKET, OIL PAN
16	22-47625		1	ELBOW, OIL PAN
17	78744A2		1	TUBE ASSEMBLY, DIPSTICK
18	22-78039		1	COUPLING, DIPSTICK TUBE
19	11-47626		1	NUT, DIPSTICK TUBE TO ELBOW
20	54-73536		1	CLIP, DIPSTICK TO EXHAUST MANIFOLD
21	73232		1	GAUGE, OIL LEVEL

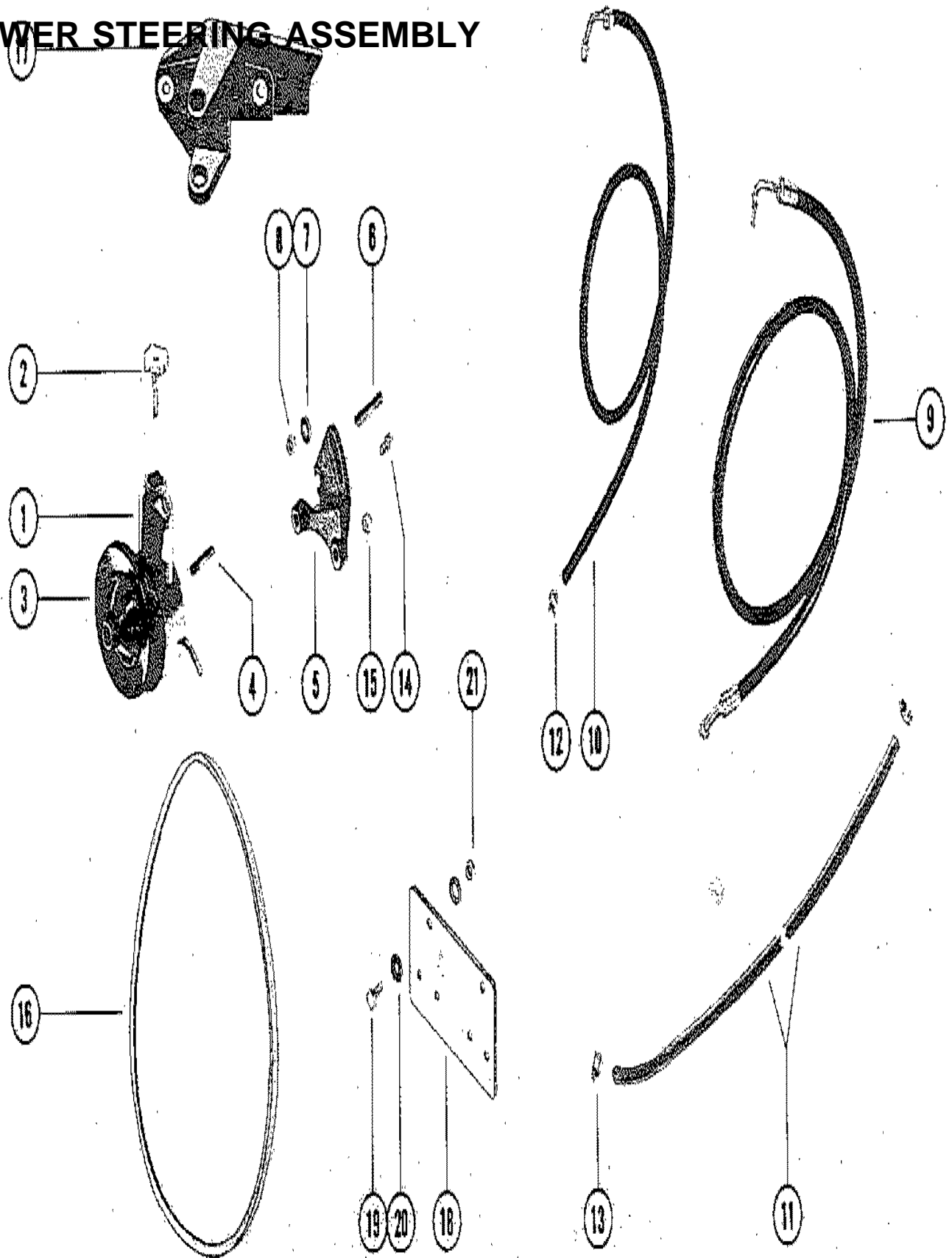
FRONT COVER ASSEMBLY



FRONT COVER ASSEMBLY

REF. NO.	PART NO.	SYM.	QTY.	DESCRIPTION
1	71903A2		1	FRONT COVER ASSEMBLY
2	26-89238		2	SEAL, WATER PUMP
3	26-67388		1	SEAL, FRONT
4	22-32802		1	PIPE PLUG, DRAIN
5	10-35386		5	SCREW, FRONT COVER TO CYLINDER BLOCK (1")
6	12-20084		5	WASHER, FRONT COVER TO CYLINDER BLOCK SCREW
7	27-68714		1	GASKET, FRONT COVER TO CYLINDER BLOCK
8	27-72099		1	GASKET, IMPELLER COVER TO FRONT COVER
9	47-86462		1	IMPELLER, WATER PUMP
10	12-91863		1	WASHER, IMPELLER SCREW
11	13-21804		1	LOCKWASHER, IMPELLER SCREW
12	10-59645		1	SCREW, IMPELLER ATTACHING
13	71902		1	COVER, IMPELLER
14	10-67450		6	SCRE, COVER TO CYLINDER BLOCK (2 1/4")
15	10-35386		4	SCREW, IMPELLER COVER TO FRONT COVER (1")
16	12-20084		10	WASHER, COVER ATTACHING SCREWS
17	71904		1	COVER, WATER INLET
18	27-72098		1	GASKET, WATER INLET COVER
19	10-28668		3	SCREW, INLET COVER (7/8")
20	12-21249		3	WASHER, INLET COVER TO IMPELLER COVER SCREW

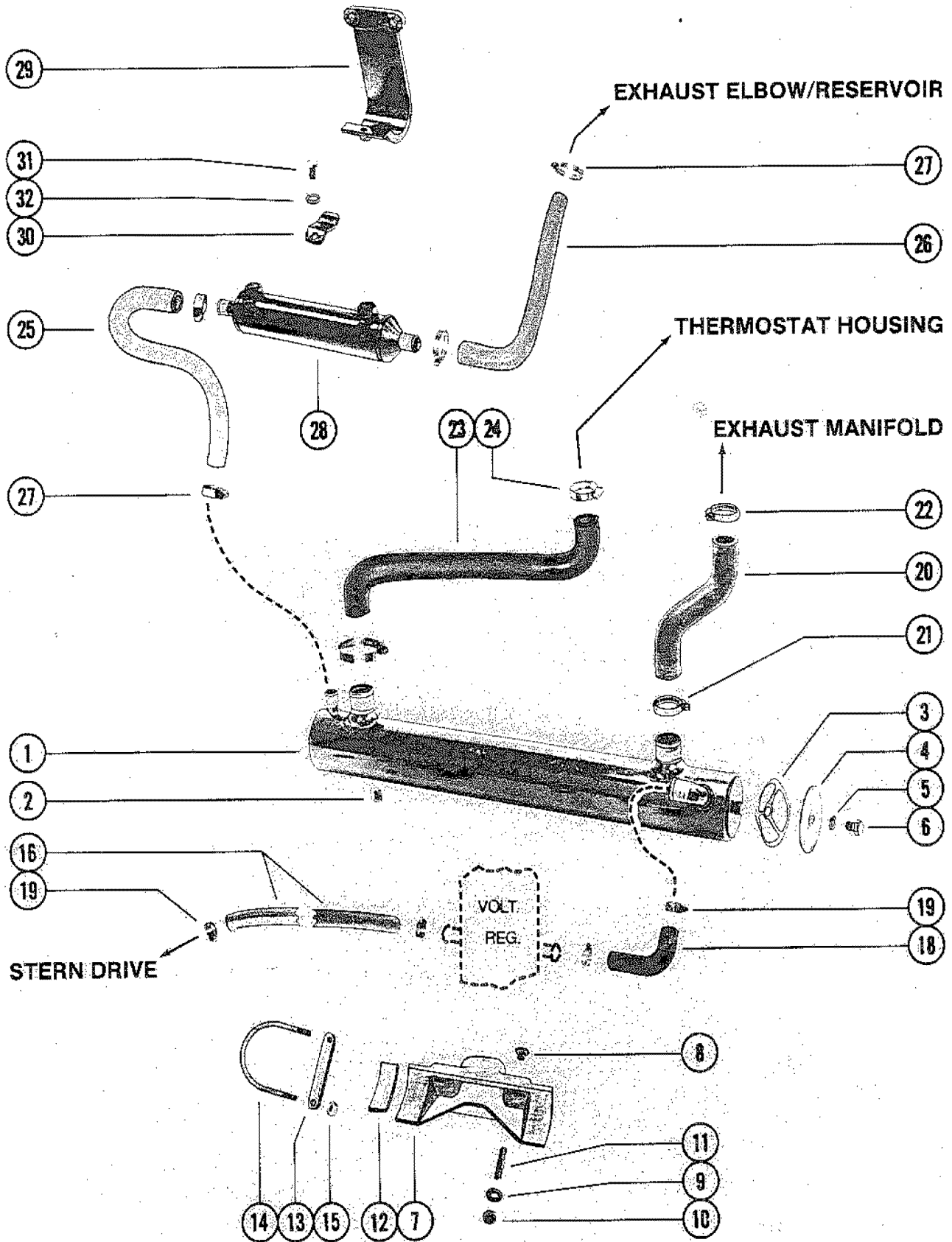
POWER STEERING ASSEMBLY



POWER STEERING ASSEMBLY

REF. NO.	PART NO.	SYM.	QTY.	DESCRIPTION
1	90495A1		1	PUMP ASSEMBLY (INCLUDES 16-41878 MOUNTING STUD)
2	19-39924		1	CAP, POWER STEERING PUMP
3	73873		1	PULLEY, POWER STEERING PUMP
4	16-90511		1	STUD, PUMP TO BRACKET
5	90510		1	BRACKET, POWER STEERING MOUNT
6	16-54176		2	STUD, BRACKET TO HEAD
7	12-55149		2	WASHER, POWER STEERING BRACKET STUD
8	11-25269		2	NUT, POWER STEERING BRACKET
9	32-90494		1	HOSE, PRESSURE - POWER STEERING PUMP TO CYLINDER
10	32-90327		1	HOSE, RETURN - POWER STEERING COOLER TO CYLINDER
11	32-49533		1	HOSE, COOLER TO POWER STEERING PUMP
12	54-35830		1	CLAMP, RETURN HOSE
13	54-54428		2	CLAMP, HOSE ATTACHING
14	10-90519		1	SCREW, BRACKET TO PUMP
15	11-25269		1	NUT, PUMP TO BRACKET STUD
16	57-49043		1	V-BELT, POWER STEERING PUMP DRIVE
17	60502		1	BRACKET, CYLINDER MOUNTING
18	63695		1	ADAPTOR PLATE, VALVE MOUNTING
19	10-26065		3	SCREW, PLATE ATTACHING
20	12-26825		6	WASHER, ATTACHING SCREW
21	11-45592		3	NUT, ATTACHING SCREW

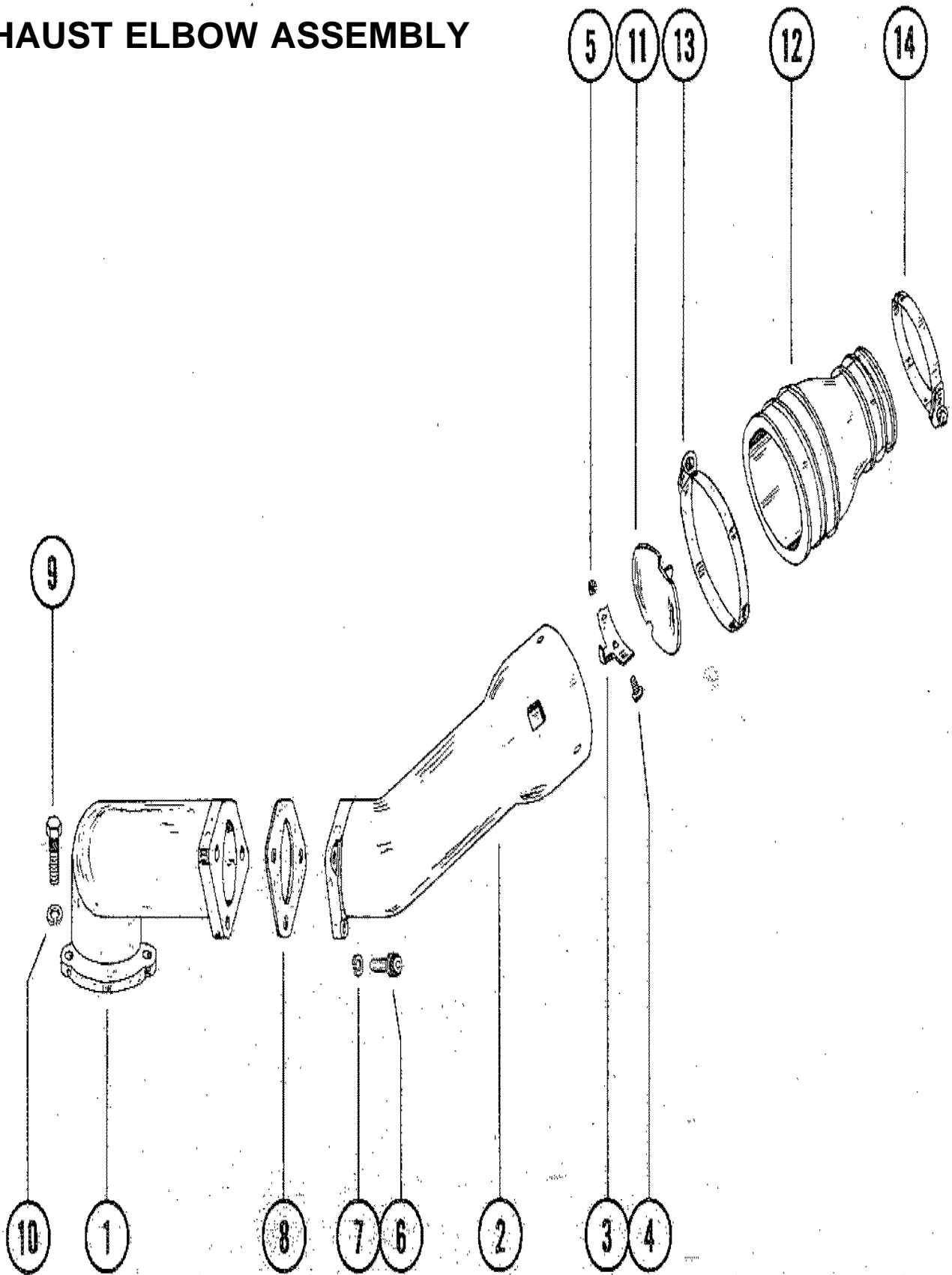
HEAT EXCHANGER AND POWER STEERING COOLER



HEAT EXCHANGER AND POWER STEERING COOLER

REF. NO.	PART NO.	SYM.	QTY.	DESCRIPTION
1	77319		1	HEAT EXCHANGER
2	22-32802		2	PIPE PLUG, HEAT EXCHANGER
3	27-75450		2	GASKET, END CAP - HEAT EXCHANGER
4	87924		2	PLATE, END CAP - HEAT EXCHANGER
5	12-75451		2	WASHER, END CAP - HEAT EXCHANGER ATTACHING
6	10-87192		2	SCREW, END CAP - HEAT EXCHANGER ATTACHING
7	91907A1		1	BRACKET, HEAT EXCHANGER MOUNTING
8	86360		3	MOUNT, VIBRATION ISOLATION
9	12-27025		3	WASHER, BRACKET STUD
10	11-49253		3	NUT, BRACKET STUD
11	16-31632		3	STUD, BRACKET ATTACHING
12	77223		2	PAD, MOUNTING BRACKET
13	77225		2	STRAP, BRACKET TO HEAT EXCHANGER
14	10-77403		2	"U" BOLT, BRACKET TO HEAT EXCHANGER
15	11-26484		4	NUT, "U" BOLT ATTACHING
16	32-47642		1	HOSE FOR CORRECT HOSE, SEE MERCUISER SERVICE BULLETIN 83-11
18	32-88132		1	HOSE FOR CORRECT HOSE, SEE MERCUISER SERVICE BULLETIN 83-11
19	54-32523		4	CLAMP, HOSE ATTACHING
20	32-89654		1	HOSE, HEAT EXCHANGER TO MANIFOLD
21	54-32780		1	CLAMP, HOSE ATTACHING
22	54-32781		1	CLAMP, HOSE ATTACHING
23	32-77245		1	HOSE, HEAT EXCHANGER TO THERMOSTAT HOUSING
24	54-32780		2	CLAMP, HOSE ATTACHING
25	32-77332		1	HOSE, HEAT EXCHANGER TO EXHAUST ELBOW WITHOUT POWER STEERING
27	54-32780		2	CLAMP, HOSE ATTACHING WITHOUT POWER STEERING
25	32-89873		1	HOSE, HEAT EXCHANGER TO P/S OIL COOLER WITH POWER STEERING
26	32-89874		1	HOSE, P/S OIL COOLER TO EXHAUST ELBOW WITH POWER STEERING
27	54-32780		4	CLAMP, HOSE ATTACHING WITH POWER STEERING
28	90740		1	COOLER, POWER STEERING WITH POWER STEERING
29	76210		1	BRACKET, POWER STEERING COOLER WITH POWER STEERING
30	54-76209		1	CLAMP, POWER STEERING COOLER TO BRACKET WITH POWER STEERING
31	10-35585		1	SCREW, CLAMP ATTACHING WITH POWER STEERING
32	13-26992		1	LOCKWASHER, CLAMP ATTACHING WITH POWER STEERING

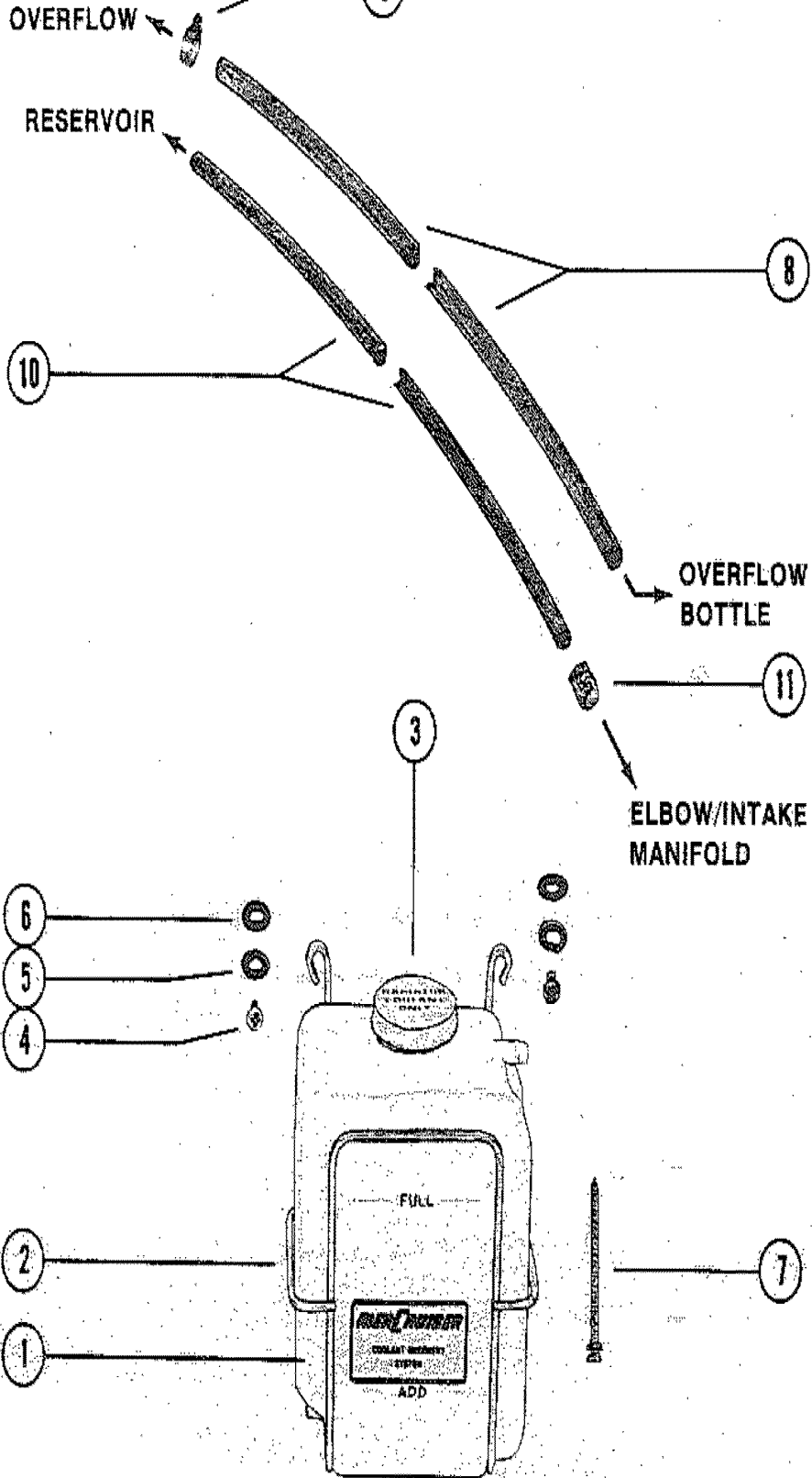
EXHAUST ELBOW ASSEMBLY



EXHAUST ELBOW ASSEMBLY

REF. NO.	PART NO.	SYM.	QTY.	DESCRIPTION
1	91025		1	ELBOW, LOWER - EXHAUST
2	91023A2		1	PIPE, INTERMEDIATE - EXHAUST
3	72264A1		2	BRACKET, SUPPORT - WATER SEALING
4	10-37655		4	SCREW, SUPPORT BRACKET TO ELBOW (1/2")
5	11-45812		4	NUT, SUPPORT BRACKET SCREW
6	10-54523		3	SCREW, ELBOW TO PIPE ATTACHING
7	13-39107		3	LOCKWASHER, ELBOW TO PIPE ATTACHING SCREW
8	27-94136		1	GASKET, ELBOW TO PIPE
9	10-35787		3	SCREW, EXHAUST ELBOW TO GIMBAL HOUSING (2 1/4")
10	13-35048		3	LOCKWASHER, EXHAUST ELBOW SCREW
11	45586		1	SHUTTER, WATER - EXHAUST ELBOW
12	70981		1	BELLOWS, EXHAUST ELBOW TO ENGINE
13	54-31765		2	CLAMP, BELLOWS ATTACHING (LARGE)
14	54-33683		2	CLAMP, BELLOWS ATTACHING (SMALL)

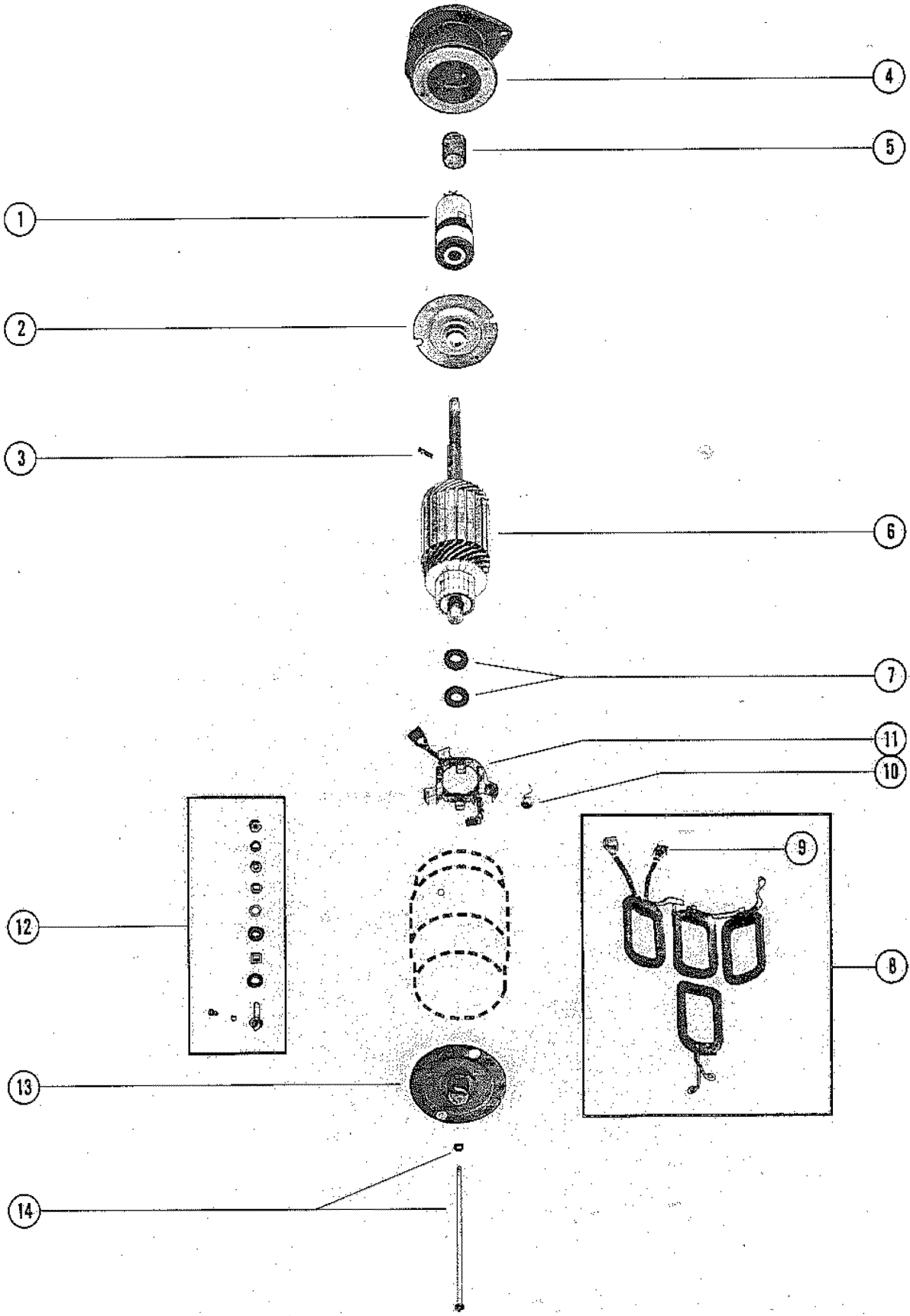
COOLANT RECOVERY SYSTEM



COOLANT RECOVERY SYSTEM

REF. NO.	PART NO.	SYM.	QTY.	DESCRIPTION
1	71587		1	BOTTLE, COOLANT RECOVERY
2	92965		1	BRACKET, BOTTLE
3	72058		1	CAP, BOTTLE
4	10-47461		2	SCREW, BRACKET TO BLOCK
5	13-37272		2	LOCKWASHER, BRACKET SCREW
6	12-27339		2	WASHER, BRACKET SCREW
7	61990		3	STA-STRAP, HOSE ATTACHING
8	32-77457--2		1	HOSE, OVERFLOW (15")
9	54-54428		1	CLAMP, HOSE ATTACHING
10	32-89713		1	HOSE, BY-PASS
11	54-75826		2	CLAMP, HOSE ATTACHING

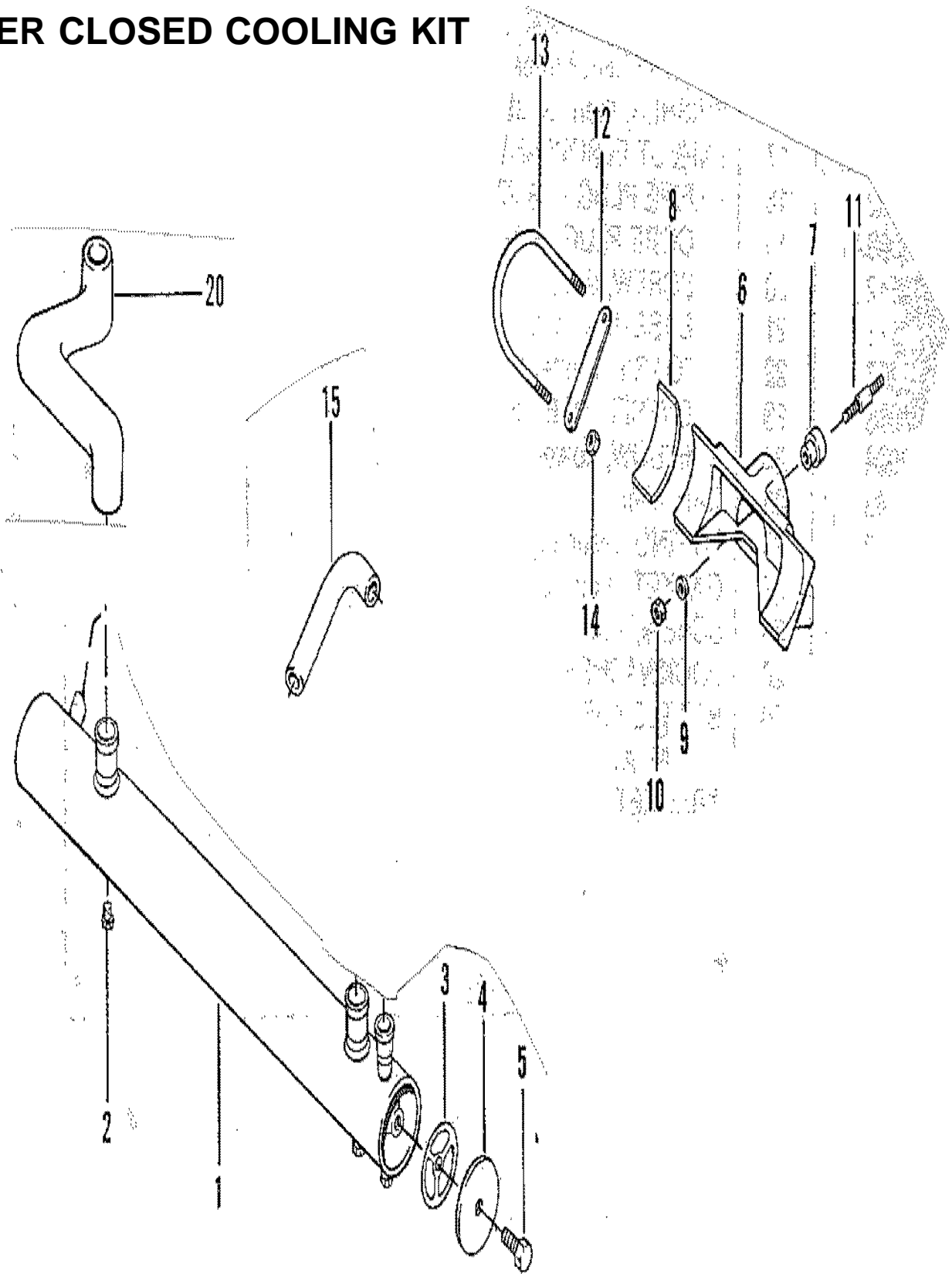
STARTER MOTOR ASSEMBLY, COMPLETE



STARTER MOTOR ASSEMBLY, COMPLETE

REF. NO.	PART NO.	SYM.	QTY.	DESCRIPTION
-	50-69865		1,,	STARTER MOTOR ASSEMBLY, COMPLETE
-	50-72550A1		,1,	STARTER MOTOR ASSEMBLY, COMPLETE
-	50-88671A1		,,1	STARTER MOTOR ASSEMBLY, COMPLETE
1	392-5720		1,,	MOTOR DRIVE INCLUDES NUT, SPRING AND COLLAR
	392-6177		,1,	MOTOR DRIVE INCLUDES NUT, SPRING AND COLLAR
	392-8271		,,1	MOTOR DRIVE INCLUDES NUT, SPRING AND COLLAR
2	392-5719		1,1,1	BEARING ASSEMBLY, INTERMEDIATE
3	392-5721		1,,	PIN, MOTOR DRIVE
	392-6178		,1,1	PIN, MOTOR DRIVE
4	392-5724		1,,	PLATE ASSEMBLY, DRIVE END
5	392-5725		1,,	BUSHING, DRIVE END PLATE
4	392-6180		,1,1	PLATE ASSEMBLY, DRIVE END
5	392-5725		,1,1	BUSHING, DRIVE END PLATE
6	392-5718		1,,	ARMATURE
	392-6176		,1,1	ARMATURE
7	392-5730		1,1,1	PACKAGE, ARMATURE THRUST WASHER
8	392-5722		1,,	FIELD ASSEMBLY
9	392-5731		1,,	BRUSH AND TERMINAL SET
8	392-6179		,1,	FIELD ASSEMBLY
	392-8270		,,1	FIELD ASSEMBLY
9	392-6181		,1,	BRUSH AND TERMINAL SET
	392-6181		,,1	BRUSH AND TERMINAL SET
10	392-5727		2,2,2	SPRING SET, BRUSH (2 SPRINGS PER SET)
11	392-5726		1,1,1	BRUSH PLATE AND HOLDER ASSEMBLY
12	392-5728		1,1,1	TERMINAL STUD PACKAGE
13	392-5723		1,1,1	END CAP ASSEMBLY, COMMUTATOR
14	392-5729		2,2,2	BOLT, THRU - END CAP TO END PLATE

WATER CLOSED COOLING KIT



WATER CLOSED COOLING KIT

REF. NO.	PART NO.	SYM.	QTY.	DESCRIPTION
1	99438A1		1	HEAT EXCHANGER
2	22-32802		2	PIPE PLUG, HEAT EXCHANGER
3	27-99960		2	GASKET, END CAP
4	99961		2	PLATE, END CAP
5	10-99962		2	SCREW, END CAP - HEAT EXCHANGER
6	98618A1		1	BRACKET ASSEMBLY, HEAT EXCHANGER
7	41024		6	MOUNT, VIBRATION
8	77223		2	PAD, MOUNTING BRACKET
9	12-31263		3	WASHER, MOUNT STUD
10	11-34933		3	NUT, MOUNT STUD
11	16-41025		3	STUD, BRACKET
12	98620		2	STRAP, BRACKET TO HEAT EXCHANGER
13	10-98619A1		2	"U" BOLT, HEAT EXCHANGER
14	11-26484		4	NUT, "U" BOLT
15	32-41497		1	HOSE, HEAT EXCHANGER TO VOLTAGE REGULATOR
20	32-99729		1	HOSE, EXHAUST MANIFOLD TO HEAT EXCHANGER

PARTS INDEX

Part Number	Description	Pg.	Ref. No.	Part Number	Description	Pg.	Ref. No.
26079	PLATE, HARNESS ATTACHING	3	21	68704A4	BEARING, CONNECTING ROD (.010 U.S.)	23	4
26901	BUMPER, SOLENOID	3	14	68711	SIDE COVER	27	18
27947	SWIVEL, LINKAGE	13	15	68712A1	OIL PUMP ASSEMBLY	29	1
32193A2	COIL, IGNITION	5	31	68717	CHAIN, TIMING	23	14
32720	ADAPTOR, OIL FILTER	27	15	68750	SEAL, REAR BEARING CAP	21	17
32833	MOUNT, RUBBER	17	2	69354A2	COUPLING ASSEMBLY	21	13
33149	MOUNT, RUBBER	19	3	70125	COVER, CHOKE	11	60
33653	FELT, BREAKER CAM LUBRICATOR	5	6	70398	BRACE, STARTER TO CYLINDER BLOCK	3	7
33658	LEAD, PRIMARY	5	16	70792	FLANGE, TUBE TO PUMP	29	6
33662	CONDENSER	5	10	70981	BELLOWS, EXHAUST ELBOW TO ENGINE	37	12
33665	PLATE, MOUNTING - BREAKER ASSEMBLY AND CONDENSER	5	8	71587	BOTTLE, COOLANT RECOVERY	39	1
33667	CAP, DISTRIBUTOR	5	18	71902	COVER, IMPELLER	31	13
34235	BREAKER ASSEMBLY, DISTRIBUTOR	5	13	71903A2	FRONT COVER ASSEMBLY	31	1
34344	VALVE, BY-PASS	27	7	71904	COVER, WATER INLET	31	17
34623	SENDING UNIT, OIL PRESSURE	3	28	71938	OIL PAN	29	11
38983	SWIVEL, LINKAGE - CARBURETOR	13	18	72058	CAP, BOTTLE	39	3
41024	MOUNT, VIBRATION	43	7	72100	COVER, FLYWHEEL HOUSING	19	6
45586	SHUTTER, WATER - EXHAUST ELBOW	37	11	72264A1	BRACKET, SUPPORT - WATER SEALING	37	3
45915	TERMINAL BLOCK	19	11	72654	RETAINER, BREAKER CAM LUBRICATOR FELT	5	7
48024	BRACKET, CONDENSER MOUNTING	5	11	72757	BRACKET, CIRCUIT BREAKER	19	15
49089	DIAPHRAGM KIT	7	--	72775A12	SHORT BLOCK (MARINE 485)	27	-
54111	OIL FILTER	27	16	73232	GAUGE, OIL LEVEL	29	21
54676	RETAINER, HIGH TENSION LEADS	5	27	73501	DRIVE SHAFT, DISTRIBUTOR TO OIL PUMP	5	23
56153	TAPPET	23	18	73873	PULLEY, POWER STEERING PUMP	33	3
58217	ROTOR, DISTRIBUTOR	5	17	74313A1	MAIN BEARING ASSEMBLY (STD.) -	21	18
60502	BRACKET, CYLINDER MOUNTING	33	17	74313A2	MAIN BEARING ASSEMBLY (.002 U.S.)	21	18
61990	STA-STRAP, HOSE ATTACHING	39	7	74313A3	MAIN BEARING ASSEMBLY (.020 U.S.)	21	18
62426	SCREEN, VENT - DISTRIBUTOR HOUSING	5	2	74313A4	MAIN BEARING ASSEMBLY (.010 U.S.)	21	18
63145A1	LINK ROD ASSEMBLY, LINKAGE	13	17	74314A1	CENTER MAIN BEARING ASS'Y (STD.)	21	19
63695	ADAPTOR PLATE, VALVE MOUNTING	33	18	74314A2	CENTER MAIN BEARING ASS'Y (.002 U.S.)	21	19
64804	LINK ROD, LINKAGE	13	16	74314A3	CENTER MAIN BEARING ASS'Y (.020 U.S.)	21	19
65057A1	STARTER SOLENOID	3	11	74314A4	CENTER MAIN BEARING ASS'Y (.010 U.S.)	21	19
67492	THRUST PLATE, CAMSHAFT	23	10	75202	TENSIONER, CHAIN	23	15
67502--4	PUSH ROD, VALVE (.030 LONGER)	25	15	75669	SENDER, WATER TEMPERATURE	15	12
67502--5	PUSH ROD, VALVE - STD.	25	15	76210	BRACKET, POWER STEERING COOLER WITH POWER STEERING	35	29
67504	BALL UNIT, ROCKER COVER	25	8	76270	THERMOSTAT	15	14
67511	CLAMP UNIT, DISTRIBUTOR	5	36				
68700	SPROCKET, CRANKSHAFT	21	2				
68704A1	BEARING, CONNECTING ROD (STD.)	23	4				
68704A2	BEARING, CONNECTING ROD (.002 U.S.)	23	4				
68704A3	BEARING, CONNECTING ROD (.020 U.S.)	23	4				

PARTS INDEX

Part Number	Description	Pg.	Ref. No.	Part Number	Description	Pg.	Ref. No.
76354	BRACKET, IGNITION COIL MOUNTING	5	32	92965	BRACKET, BOTTLE	39	2
76839	MOUNT, FRONT SUPPORT	17	7	92966	ARM, ROCKER VALVE	25	9
77223	PAD, MOUNTING BRACKET	35	12	93009A1	ALTERNATOR ASSEMBLY, FLYWHEEL	21	8
77223	PAD, MOUNTING BRACKET	43	8	96768A3	EXHAUST MANIFOLD ASSEMBLY	15	1
77225	STRAP, BRACKET TO HEAT EXCHANGER	35	13	98618A1	BRACKET ASSEMBLY, HEAT EXCHANGER	43	6
77319	HEAT EXCHANGER	35	1	98620	STRAP, BRACKET TO HEAT EXCHANGER	43	12
77681	ROCKER, VALVE COVER	25	23	99438A1	HEAT EXCHANGER	43	1
77877A2	FRONT MOUNT BRACKET ASSEMBLY	17	1	99502A8	VOLTAGE REGULATOR ASSEMBLY	3	32
78483A1	SUPPPORT, FRONT (6" CENTERS)	17	7	99961	PLATE, END CAP	43	4
78744A2	TUBE ASSEMBLY, DIPSTICK LEVER, INTERMEDIATE THROTTLE	13	8	N.S.S.	AIR HORN (NOT SOLD SEPARATELY)	9	1
78814A1	SUPPORT, FRONT (22" CENTERS)	17	7	N.S.S.	FLOAT BOWL ASSEMBLY (ROCHESTER#17052724)	9	17
85374A3	DISTRIBUTOR ASSEMBLY, COMPLETE	5	1	N.S.S.	IDLE STOP SCREW, THROTTLE BODY (ROCHESTER#7031547)	11	41
85784	FLAME ARRESTOR	7	14	N.S.S.	LEVER ASSEMBLY, CHOKE PISTON (ROCHESTER#7010051)	11	56
86234	FUEL PUMP	7	19	N.S.S.	PIN, HINGE - FLOAT TO AIR HORN (ROCHESTER#7002081)	9	13
86360	MOUNT, VIBRATION ISOLATION	35	8	N.S.S.	POWER CARBURETOR KIT (ROCHESTER#7039315)	11	--
86461	SPROCKET, CAMSHAFT	23	12	N.S.S.	POWER PISTON ASSEMBLY (ROCHESTER #7009718)	9	2
87924	PLATE, END CAP - HEAT EXCHANGER	35	4	N.S.S.	PUMP SHAFT AND LEVER ASSEMBLY, AIR HORN (ROCHESTER#7038788)	9	31
89576	BUSHING, OIL FILTER ADAPTOR	27	11	N.S.S.	ROD, CHOKE (ROCHESTER#7038821)	11	48
89577	ADAPTOR, OIL FILTER	27	9	N.S.S.	ROD, PUMP (ROCHESTER#7038799)	9	32
89658	PLATE, ELBOW AND RESERVOIR TO MANIFOLD	15	31	N.S.S.	SCREW, CHOKE VALVE TO CHOKE SHAFT (ROCHESTER#7007627)	11	52
89659	THERMOSTAT HOUSING	15	13	N.S.S.	SCREW, VENTURI CLUSTER TO FLOOAT BOWL (CENTER) - ROCHESTER#	9	20
89775A1	FLYWHEEL HOUSING ASSEMBLY	19	1	N.S.S.	SCREW, VENTURI CLUSTER TO FLOAT BOWL (OUTER) - ROCHESTER#70	9	22
89872	COOLER, ENGINE OIL	13	30	N.S.S.	THROTTLE BODY ASSEMBLY (NOT SOLD SEPARATELY)	9	38
89953A2	INTAKE MANIFOLD ASSEMBLY	13	1	N.S.S.	VENTURI CLUSTER ASSEMBLY, FLOAT BOWL (NOT SOLD SEPARATELY)	9	18
90495A1	PUMP ASSEMBLY (INCLUDES 16-41878 MOUNTING STUD)	33	1	N.S.S.	WELCH PLUG, CHOKE HOUSING (ROCHESTER#7003135)	11	58
90510	BRACKET, POWER STEERING MOUNT	33	5	10-20031	SCREW, WIRING HARNESS CLAMP TO MANIFOLD (1/2")	3	24
90740	COOLER, POWER STEERING WITH POWER STEERING	35	28				
90880A2	EXHAUST ELBOW AND RESERVOIR ASSEMBLY	15	19				
91023A2	PIPE, INTERMEDIATE - EXHAUST	37	2				
91025	ELBOW, LOWER - EXHAUST	37	1				
91907A1	BRACKET, HEAT EXCHANGER MOUNTING	35	7				
91976	BAFFLE, OIL	25	10				
92410	VALVE, EXHAUST - STD.	25	16				
92411	VALVE, INTAKE - STD.	25	16				
92412	RETAINER, VALVE SPRING	25	19				
92413	VALVE, EXHAUST (.015 O.S.)	25	16				
92415	VALVE, INTAKE (.015 O.S.)	25	16				

PARTS INDEX

Part Number	Description	Pg.	Ref. No.	Part Number	Description	Pg.	Ref. No.
10-20362	SCREW, THERMOSTAT HOUSING ATTACHING	15	16	10-35386	SCREW, FUEL PUMP ATTACHING (5/16-18 X 1")	7	20
10-21077	SCREW, STARTER BRACE TO CYLINDER BLOCK (7/8")	3	8	10-35386	SCREW, IMPELLER COVER TO FRONT COVER (1")	31	15
10-22524	SCREW, CIRCUIT BREAKER BRACKET TO FLYWHEEL HOUSING	19	16	10-35585	SCREW, ROCKER COVER ATTACHING (1/4-20 X 3/4")	25	25
10-23977	SCREW, MOUNTING PLATE TO PRIMARY HOUSING	5	9	10-35585	SCREW, CLAMP ATTACHING WITH POWER STEERING	35	31
10-24637	SCREW, CIRCUIT BREAKER TO BRACKET (7/8")	19	19	10-35787	SCREW, EXHAUST ELBOW TO GIMBAL HOUSING (2 1/4")	37	9
10-26065	SCREW, COVER TO FLYWHEEL HOUSING AND CLAMP (1")	19	7	10-37612	SCREW, FLYWHEEL HOUSING ATTACHING (1 1/4")	19	4
10-26065	SCREW, PLATE ATTACHING	33	19	10-37612	SCREW, PUMP TO ENGINE (1 1/4")	29	9
10-26801	SCREW, CLIP TO INTAKE MANIFOLD	3	27	10-37655	SCREW, SUPPORT BRACKET TO ELBOW (1/2")	37	4
10-27337	SCREW, VOLTAGE REGULATOR ATTACHING (2 1/4")	3	33	10-38507	SCREW, LEVER TO INTAKE MANIFOLD (1 5/16")	13	12
10-28464	SCREW, VOLTAGE REGULATOR ATTACHING	3	35	10-46718	SCREW, PLATE TO BRACKET (3/4")	3	22
10-28635	SCREW, SOLENOID TO CYLINDER BLOCK (5/8")	3	12	10-47277	SCREW COVER TO FLYWHEEL HOUSING (3/4")	19	8
10-28642	SCREW, DRIVE	15	22	10-47461	SCREW, BRACKET TO BLOCK	39	4
10-28642	SCREW, DRIVE - WATER TUBE FLANGE	13	4	10-47576	SCREW, FLANGE TO PUMP (3/4")	29	8
10-28668	SCREW, COVER TO OIL PUMP	29	2	10-48021	SCREW, CONDENSER BRACKET ATTACHING	5	12
10-28668	SCREW, INLET COVER (7/8")	31	19	10-48948	SCREW, LIFTING EYE - FRONT (7/17-7/8)	25	13
10-33042	SCREW, FAST IDLE CAM TO FLOAT BOWL	11	47	10-49668	SCREW, THRUST PLATE ATTACHING (3/4")	23	11
10-33043	SCREW, AIR HORN TO FLOAT BOWL (SHORT)	9	4	10-54523	SCREW, ELBOW TO PIPE ATTACHING	37	6
10-33047	SCREW, AIR HORN PUMP LEVER	9	30	10-56538	SCREW, ELBOW AND RESERVOIR TO MANIFOLD	15	32
10-33047	SCREW, CHOKE COVER TO CHOKE HOUSING	11	61	10-59644	SCREW, ALTERNATOR ASSEMBLY ATTACHING (1 3/8")	21	9
10-33048	SCREW, AIR HORN TO FLOAT BOWL (LONG)	9	5	10-59645	SCREW, IMPELLER ATTACHING	31	12
10-33052	SCREW, THROTTLE BODY TO FLOAT BOWL	11	44	10-62568	SCREW, LEAD ATTACHING TO TERMINAL BLOCK	19	14
10-33053	SCREW, CHOKE HOUSING TO AIR HORN	11	55	10-64969	SCREW, THROTTLE STOP	13	25
10-33056	SCREW, CHOKE PISTON LEVER TO CHOKE HOUSING	11	57	10-66652	SCREW, MOUNTING BRACKET TO COIL	5	33
10-33650	SCREW, BREAKER ASSEMBLY TO MOUNTING PLATE	5	14	10-67450	SCREW, COVER TO CYLINDER BLOCK (2 1/4")	31	14
10-33660	SCREW, DISTRIBUTOR CAP TO PRIMARY HOUSING (8-32)	5	19	10-67506	SCREW, ROCKER ARM	25	11
10-33663	SCREW, DISTRIBUTOR CAP TO PRIMARY HOUSING (10-32)	5	20	10-68101	SCREW, INTAKE MANIFOLD TO HEAD (1 3/8")	13	6
10-35386	SCREW, DISTRIBUTOR TO CYLINDER BLOCK	5	37	10-70084	SCREW, SPROCKET TO CAMSHAFT (1")	23	13
				10-72769	SCREW, CYLINDER HEAD ATTACHING (5 1/8")	25	5

PARTS INDEX

Part Number	Description	Pg.	Ref. No.	Part Number	Description	Pg.	Ref. No.
10-72875	SCREW, STARTER ATTACHING (1 1/2")	3	2	11-29250	NUT, STARTER TERMINAL	3	6
10-74335	SCREW, MAIN BEARING CAPS	21	16	11-32219	NUT, EXHAUST MANIFOLD ATTACHING STUD	15	10
10-75206	SCREW, CHAIN TENSIONER ATTACHING (1 3/4")	23	17	11-32882	NUT, ADJUSTING STUD (7/8-14)	17	10
10-75206	SCREW, SIDE COVER (1 3/4")	27	20	11-32882	NUT, FRONT SUPPORT MOUNT TO ADJUSTING STUD	17	8
10-75444	SCREW, CONNECTING ROD CAP ATTACHING	23	2	11-33122	NUT, THROTTLE STOP SCREW	13	26
10-77363	SCREW, STATOR TO FRONT COVER (1 1/2")	21	5	11-34933	NUT, FLYWHEEL TO COUPLING STUD	21	15
10-77403	"U" BOLT, BRACKET TO HEAT EXCHANGER	35	14	11-34933	NUT, MOUNT STUD	43	10
10-86750	SCREW, OIL PAN ATTACHING (5/8")	29	12	11-34933	NUT, MOUNTING BRACKET STUD	17	6
10-87192	SCREW, END CAP - HEAT EXCHANGER ATTACHING	35	6	11-45592	NUT, ATTACHING SCREW	33	21
10-89678	SCREW, EXHAUST MANIFOLD TO HEAD (6 3/8")	15	6	11-45812	NUT, SUPPORT BRACKET SCREW	37	5
10-89679	SCREW, EXHAUST MANIFOLD TO HEAD (6")	15	7	11-46438	NUT, CIRCUIT BREAKER TO BRACKET (7/8")	19	21
10-89679	SCREW, EXHAUST MANIFOLD TO HEAD - WITHOUT POWER STEERING	15	7	11-47525	NUT, FRONT SUPPORT MOUNT TO ADJUSTING STUD	17	9
10-90519	SCREW, BRACKET TO PUMP	33	14	11-47626	NUT, DIPSTICK TUBE TO ELBOW	29	19
10-98619A1	"U" BOLT, HEAT EXCHANGER	43	13	11-49253	NUT, BRACKET STUD	35	10
10-99962	SCREW, END CAP - HEAT EXCHANGER	43	5	11-56374	NUT, CIRCUIT BREAKER BRACKET TO FLYWHEEL HOUSING	19	17
11-20083	NUT, SOLENOID TERMINAL (5/16-24)	3	18	11-64769	NUT, CONNECTING ROD CAP ATTACHING	23	3
11-20110	NUT, INTERMEDIATE THROTTLE STUD	13	11	11-67919	NUT, OIL PICK-UP TUBE TO CYLINDER BLOCK	29	5
11-20110	NUT, SWIVEL LINKAGE - CARBURETOR	13	21	11-68219	NUT, CIRCUIT BREAKER TERMINAL	19	22
11-20220	NUT, ADJUSTING STUD (1/2-20)	17	17	11-68219	NUT, IGNITION COIL TERMINAL	5	35
11-20586	NUT, FLAME ARRESTOR ATTACHING	7	16	11-68219	NUT, SENDING UNIT TERMINAL	3	29
11-20664	NUT, THROTTLE CABLE ANCHOR STUD	13	24	11-68219	NUT, SOLENOID TERMINAL (#19-32)	3	16
11-23161	NUT, STARTER STUD	3	4	11-68219	NUT, STATOR LEADS TO VOLTAGE REGULATOR STUDS	3	37
11-25269	NUT, POWER STEERING BRACKET	33	8	12-20084	WASHER, CARBURETOR TO INTAKE MANIFOLD	7	7
11-25269	NUT, PUMP TO BRACKET STUD	33	15	12-20084	WASHER, COVER ATTACHING SCREWS	31	16
11-26484	NUT, "U" BOLT	43	14	12-20084	WASHER, FRONT COVER TO CYLINDER BLOCK SCREW	31	6
11-26484	NUT, "U" BOLT ATTACHING	35	15	12-20546	WASHER, FUEL PUMP ATTACHING SCREW	7	22
11-27164	NUT, TERMINAL BLOCK TO FLYWHEEL HOUSING SCREW	19	13	12-20553	WASHER, LEVER TO INTAKE MANIFOLD SCREW	13	13
11-28941	NUT, FLAME ARRESTOR STUD	7	3	12-20959	WASHER, SPACER - ADJUSTING STUD	17	14
11-29250	NUT, CARBURETOR TO INTAKE MANIFOLD	7	6				

PARTS INDEX

Part Number	Description	Pg.	Ref. No.	Part Number	Description	Pg.	Ref. No.
12-24664	WASHER, THROTTLE CABLE ANCHOR STUD	13	23	13-22773	LOCKWASHER, ROCKER COVER SCREW	25	26
12-25909	WASHER, INTAKE MANIFOLD SCREW	13	7	13-26992	LOCKWASHER, CLAMP ATTACHING WITH POWER STEERING	35	32
12-25970	WASHER, EXHAUST MANIFOLD TO HEAD SCREW	15	8	13-26992	LOCKWASHER, COVER TO OIL PUMP SCREW	29	3
12-26825	WASHER, ATTACHING SCREW	33	20	13-26992	LOCKWASHER, SOLENOID TO CYLINDER BLOCK SCREW	3	13
12-26825	WASHER, THERMOSTAT HOUSING ATTACHING	15	18	13-26992	LOCKWASHER, THROTTLE BODY SCREW	11	45
12-27025	WASHER, BRACKET STUD	35	9	13-26992	LOCKWASHER, VOLTAGE REGULATOR SCREW	3	34
12-27339	WASHER, BRACKET SCREW	39	6	13-26992	LOCKWASHER, WIRING HARNESS CLAMP SCREW	3	25
12-30164	WASHER, CIRCUIT BREAKER TO BRACKET	19	20	13-26992	LOCKWASHER, DISTRIBUTOR TO CYLINDER BLOCK SCREW	5	38
12-30164	WASHER, IGNITION COIL TERMINAL	5	34	13-26993	LOCKWASHER, OIL PAN ATTACHING SCREW	29	13
12-30164	WASHER, INTERMEDIATE THROTTLE STUD	13	10	13-26993	LOCKWASHER, SOLENOID TERMINAL (5/16")	3	17
12-30164	WASHER, SWIVEL LINKAGE - CARBURETOR	13	20	13-26993	LOCKWASHER, STARTER TERMINAL	3	5
12-31263	WASHER, MOUNT STUD	43	9	13-26995	LOCKWASHER, CHOKE COVER SCREW	11	62
12-32638	WASHER, FIBER - ADJUSTING STUD	17	13	13-26996	LOCKWASHER, AIR HORN SCREW	9	6
12-32648	WASHER, FLYWHEEL TO COUPLING STUD	21	14	13-26996	LOCKWASHER, IGNITION COIL TERMINAL	5	34
12-34567	WASHER, MOUNTING BRACKET STUD	17	5	13-26996	LOCKWASHER, SENDING UNIT TERMINAL	3	30
12-34931	WASHER, STARTER BRACE SCREW	3	9	13-26996	LOCKWASHER, SOLENOID TERMINAL (#10)	3	15
12-34931	WASHER, STARTER STUD	3	3	13-26996	LOCKWASHER, STATOR TO COVER SCREW	21	6
12-35950	WASHER, INTERMEDIATE THROTTLE STUD	13	9	13-32993	LOCKWASHER, ELBOW AND RESERVOIR ATTACHING	15	33
12-35950	WASHER, SWIVEL LINKAGE - CARBURETOR	13	19	13-32993	LOCKWASHER, LIFTING EYE SCREW	25	14
12-36103	WASHER, ALTERNATOR ASSEMBLY ATTACHING SCREW	21	10	13-35048	LOCKWASHER, EXHAUST ELBOW SCREW	37	10
12-36104	WASHER, FIBER - ADJUSTING STUD	17	16	13-35048	LOCKWASHER, EXHAUST MANIFOLD ATTACHING	15	9
12-55149	WASHER, POWER STEERING BRACKET STUD	33	7	13-35048	LOCKWASHER, STARTER BRACE SCREW	3	10
12-57792	WASHER, LEVER TO INTAKE MANIFOLD SCREW	13	14	13-37272	LOCKWASHER, BRACKET SCREW	39	5
12-62425	WASHER, BREAKER PLATE SUPPORT SCREW	5	-	13-37459	LOCKWASHER, FLYWHEEL HOUSING ATTACHING SCREW	19	5
12-74784	WASHER, FUEL INLET FITTING	7	13	13-37459	LOCKWASHER, PUMP TO ENGINE SCREW	29	10
12-75451	WASHER, END CAP - HEAT EXCHANGER ATTACHING	35	5	13-39107	LOCKWASHER, ELBOW TO PIPE ATTACHING SCREW	37	7
12-86400	WASHER, FLAME ARRESTOR ATTACHING	7	15	13-39107	LOCKWASHER, THERMOSTAT HOUSING ATTACHING	15	17
12-91863	WASHER, IMPELLER SCREW	31	10				
13-20202	LOCKWASHER, FUEL ATTACHING SCREW	7	21				
13-21804	LOCKWASHER, IMPELLER SCREW	31	11				

PARTS INDEX

Part Number	Description	Pg.	Ref. No.	Part Number	Description	Pg.	Ref. No.
13-58643	LOCKWASHER, VOLTAGE REGULATOR SCREW . . .	3	36	22-54090	CONNECTOR, HOSE - CARBURETOR VENT	7	4
16-31632	STUD, BRACKET ATTACHING	35	11	22-56772	PLUG, CHOKE HOUSING . .	11	59
16-32129	STUD, MOUNTING BRACKET ATTACHING (LOWER) . . .	17	4	22-58471	BASE, FILLER HOLE	15	23
16-32808	STUD, FLYWHEEL TO COUPLING	21	12	22-60039	PLUG, OIL DRAIN	29	14
16-36100	STUD, ADJUSTING	17	11	22-63825	ELBOW, ADAPTOR TP BASE (90 DEG.)	27	13
16-38525	STUD, THROTTLE CABLE ANCHOR	13	22	22-70584	FITTING, ELBOW - FUEL PUMP	7	23
16-41025	STUD, BRACKET	43	11	22-73808	FITTING, FUEL INLET	7	12
16-54176	STUD, BRACKET TO HEAD .	33	6	22-73817	FITTING, VENT TO FUEL PUMP	7	9
16-56295	STUD, MOUNTING BRACKET ATTACHING (UPPER) . . .	17	4	22-74033	OVERFLOW ELBOW	15	25
16-70236	STUD, CARBURETOR TO MANIFOLD	13	3	22-75188	FITTING, BY-PASS - INTAKE MANIFOLD	13	37
16-70878	STUD, CARBURETOR - FLAME ARRESTOR (2") . .	7	2	22-76170	FITTING, RESERVOIR BY-PASS	15	29
16-73583	STUD, CLAMP TO CYLINDER HEAD (2 11/16")	25	29	22-78039	COUPLING, DIPSTICK TUBE	29	18
16-73583	STUD, HIGH TENSION LEAD CLAMP ATTACHING	5	29	23-35903	SPACER, RUBBER MOUNT .	17	3
16-74396	STUD, OIL TUBE TO BLOCK	27	6	23-36101	SPACER, ADJUSTING STUD	17	15
16-89677	STUD, EXHUAST MANIFOLD TO HEAD (6 5/8")	15	5	23-46742	SPACER, RUBBER MOUNT .	19	2
16-90511	STUD, PUMP TO BRACKET	33	4	23-67484	BEARING, CAMSHAFT - OPT.	23	9
16-93515	STUD, EXHAUST MANIFOLD TO HEAD (6-7/8")	15	5	23-72119	SLEEVE, WATER	25	2
17-29077	ROLL PIN, DISTRIBUTOR GEAR	5	4	23-72119	WATER SLEEVE	15	4
17-67385	PIN, PILOT - FLYWHEEL HOUSING	27	4	23-75087	BUSHING, CHAIN TENSIONER	23	16
17-67489	PIN, CYLINDER HEAD	25	6	24-33050	SPRING, IDLE ADJUSTING NEEDLE	11	40
17-74840	PIN, FRONT COVER	27	5	24-48143	SPRING, FUEL INLET - AIR HORN	9	9
19-39924	CAP, POWER STEERING PUMP	33	2	24-73642	SPRING, DISTRIBUTOR SHAFT	5	21
19-67383	PLUG, CAMSHAFT BORE (2 1/2" DIA.)	27	2	24-91801	VALVE SPRING	25	17
19-67384	PLUG, OIL GALLEY (5/8" DIA.)	27	3	25-26543	"O" RING, SIDE COVER SCREW	27	21
19-74832	PLUG	25	3	25-33666	GROMMET, MOUNTING PLATE - PRIMARY WIRE .	5	15
22-32802	PIPE PLUG, DRAIN	31	4	25-45257	"O" RING, FILTER BASE . . .	15	24
22-32802	PIPE PLUG, HEAT EXCHANGER	35	2	25-58390	"O" RING, BUSHING TO ADAPTOR	27	12
22-32802	PIPE PLUG, HEAT EXCHANGER	43	2	25-62700	"O" RING, ADAPTOR TO BLOCK	27	10
22-32802	PLUG, PIPE (1/8-27NPT) . . .	13	32	26-67388	SEAL, FRONT	31	3
22-32802	PLUG, PIPE (1/8-27NPT) . . .	15	2	26-67389	SEAL, CRANKSHAFT - REAR	27	8
22-32802	PLUG, PIPE (1/8-27NPT) . . .	15	20	26-72564	SEAL, VALVE STEM	25	18
22-32803	PLUG, PIPE - DRAIN	15	3	26-72653	SEAL, HOUSING	5	5
22-33198A1	PLUG, CORE (3/4-14)	15	21	26-89238	SEAL, WATER PUMP	31	2
22-36305	ELBOW STEERING COOLER HOSE	15	26	27-34486	GASKET, DISTRIBUTOR . . .	5	24
22-36382	PLUG, INTAKE MANIFOLD - TOP	13	2	27-68706	GASKET, SIDE COVER	27	19
22-47625	ELBOW, OIL PAN	29	16	27-68714	GASKET, FRONT COVER TO CYLINDER BLOCK	31	7
22-48246	ELBOW, TO COOLER	13	31	27-68715	GASKET, EXHAUST MANIFOLD TO HEAD	15	11
22-48872	ELBOW, BUSHING TO HOSE (45 DEG.)	27	14	27-70143	GASKET, CARBURETOR FLANGE	11	43
				27-70143	GASKET, CARBURETOR TO INTAKE MANIFOLD	7	5
				27-70905	GASKET, INTAKE MANIFOLD	13	5
				27-71614	GASKET, FILLER HOLE CAP	15	28

PARTS INDEX

Part Number	Description	Pg.	Ref. No.	Part Number	Description	Pg.	Ref. No.
27-72098	GASKET, WATER INLET COVER	31	18	32-90476	HOSE, MANIFOLD TO COOLER	13	27
27-72099	GASKET, IMPELLER COVER TO FRONT COVER	31	8	32-90477	HOSE, COOLER TO WATER PUMP	13	33
27-72479	GASKET, OIL PAN	29	15	32-90494	HOSE, PRESSURE - POWER STEERING PUMP TO CYLINDER	33	9
27-72805	GASKET, FUEL PUMP ATTACHING	7	24	32-92357-59	HOSE, OIL FILTER ADAPTOR TO COOLER (34")	27	17
27-73666	GASKET, ROCKER COVER	25	27	32-93315-12	HOSE, FLAME ARRESTOR TO ROCKER COVER	7	17
27-75450	GASKET, END CAP - HEAT EXCHANGER	35	3	32-99729	HOSE, EXHAUST MANIFOLD TO HEAT EXCHANGER	43	20
27-89656	GASKET, THERMOSTAT HOUSING TO EXHAUST MANIFOLD	15	15	33-75340	SPARK PLUG (CHAMPION #RBL-9Y)	5	26
27-89656A1	GASKET SET (ENGINE)	27	-	35-49088	FILTER KIT	7	--
27-89657	GASKET, ELBOW AND RESERVOIR TO MANIFOLD	15	30	35-53336	FILTER, FUEL INLET - AIR HORN	9	8
27-92166	GASKET, CYLINDER HEAD	25	7	36-55143	CAP, FILLER HOLE	15	27
27-94136	GASKET, ELBOW TO PIPE	37	8	36-75336	CAP, OIL FILLER	25	24
27-99960	GASKET, END CAP	43	3	39-75422	RING, PISTON (STD.)	23	6
28-56162	KEY, VALVE STEM	25	20	39-75423	RING, PISTON (.030 O.S.)	23	6
28-67382	KEY, SPROCKET AND ALTERNATOR	21	3	43-73579	GEAR, DRIVE - MAIN SHAFT	5	3
28-86466	KEY, CAMSHAFT ASSEMBLY	23	8	47-86462	IMPELLER, WATER PUMP	31	9
32-41497	HOSE, HEAT EXCHANGER TO VOLTAGE REGULATOR	43	15	50-69865	STARTER MOTOR ASSEMBLY, COMPLETE	41	-
32-47642	HOSE	35	16	50-72550A1	STARTER ASSEMBLY	3	1
32-48944-15	HOSE, OIL FILTER ADAPTOR TO COOLER (7")	27	17	50-72550A1	STARTER MOTOR ASSEMBLY, COMPLETE	41	-
32-49533	HOSE, COOLER TO POWER STEERING PUMP	33	11	50-88671A1	STARTER MOTOR ASSEMBLY, COMPLETE	41	-
32-72877A1	OIL PICK-UP TUBE ASSEMBLY	29	4	53-73499	LOCK RING, DISTRIBUTOR SHAFT	5	22
32-73815--2	HOSE, FUEL VENT	7	8	54-31765	CLAMP, BELLOWS ATTACHING (LARGE)	37	13
32-76312	FUEL LINE	7	10	54-32523	CLAMP, HOSE ATTACHING	35	19
32-77245	HOSE, HEAT EXCHANGER TO THERMOSTAT HOUSING	35	23	54-32780	CLAMP, HOSE ATTACHING	13	34
32-77332	HOSE, HEAT EXCHANGER TO EXHAUST ELBOW WITHOUT POWER STEERING	35	25	54-32780	CLAMP, HOSE ATTACHING	25	22
32-77457--2	HOSE, OVERFLOW (15")	39	8	54-32780	CLAMP, HOSE ATTACHING	35	21
32-88132	HOSE	35	18	54-32780	CLAMP, HOSE ATTACHING	35	24
32-89653	HOSE, SLEEVE TO EXHAUST MANIFOLD	25	21	54-32780	CLAMP, HOSE ATTACHING WITH POWER STEERING	35	27
32-89654	HOSE, HEAT EXCHANGER TO MANIFOLD	35	20	54-32780	CLAMP, HOSE ATTACHING WITHOUT POWER STEERING	35	27
32-89655	HOSE, INTAKE MANIFOLD TO EXHAUST MANIFOLD	13	35	54-32780	CLAMP, HOSE TO COOLER	13	28
32-89713	HOSE, BY-PASS	39	10	54-32781	CLAMP, HOSE ATTACHING	35	22
32-89873	HOSE, HEAT EXCHANGER TO P/S OIL COOLER WITH POWER STEERING	35	25	54-32781	CLAMP, HOSE TO INTAKE MANIFOLD	13	29
32-89874	HOSE, P/S OIL COOLER TO EXHAUST ELBOW WITH POWER STEERING	35	26	54-32781	CLAMP, HOSE TO INTAKE MANIFOLD	13	36
				54-33036	RETAINER, CHOKE COVER SCREW	11	64
				54-33683	CLAMP, BELLOWS ATTACHING (SMALL)	37	14
				54-35830	CLAMP, RETURN HOSE	33	12
				54-39108	CLIP, IDLE STOP SCREW	11	42
				54-53101	CLIP, HOSE TO FLAME ARRESTOR	7	18

PARTS INDEX

Part Number	Description	Pg.	Ref. No.	Part Number	Description	Pg.	Ref. No.
54-54428	CLAMP, HOSE ATTACHING	33	13	392-5726	BRUSH PLATE AND		
54-54428	CLAMP, HOSE ATTACHING	39	9		HOLDER ASSEMBLY	41	11
54-61001	CLAMP, SHIFT CABLE			392-5727	SPRING SET, BRUSH (2		
	ATTACHING	19	10		SPRINGS PER SET)	41	10
54-64235--1	"J" CLIP, WIRING HARNESS	3	23	392-5728	TERMINAL STUD PACKAGE	41	12
54-72531	LIFTING EYE	25	12	392-5729	BOLT, THRU - END CAP TO		
54-72821	CLAMP, HIGH TENSION				END PLATE	41	14
	LEAD	25	28	392-5730	PACKAGE, ARMATURE		
54-72821	CLAMP, HIGH TENSION				THRUST WASHER	41	7
	LEADS	5	28	392-5731	BRUSH AND TERMINAL SET	41	9
54-73536	CLIP, DIPSTICK TO			392-6176	ARMATURE	41	6
	EXHAUST MANIFOLD . . .	29	20	392-6177	MOTOR DRIVE INCLUDES		
54-73667	"J" CLIP, ALTERNATOR				NUT, SPRING AND		
	LEAD ATTACHING	21	7		COLLAR	41	1
54-73668	"J" CLIP, WIRING HARNESS			392-6178	PIN, MOTOR DRIVE	41	3
	TO INTAKE MANIFOLD . .	3	26	392-6179	FIELD ASSEMBLY	41	8
54-75826	CLAMP, HOSE ATTACHING	39	11	392-6180	PLATE ASSEMBLY, DRIVE		
54-76209	CLAMP, POWER STEERING				END	41	4
	COOLER TO BRACKET			392-6181	BRUSH AND TERMINAL SET	41	9
	WITH POWER STEERING	35	30	392-6181	BRUSH AND TERMINAL SET	41	9
57-49043	V-BELT, POWER STEERING			392-8270	FIELD ASSEMBLY	41	8
	PUMP DRIVE	33	16	392-8271	MOTOR DRIVE INCLUDES		
84-72825	WIRE, DISTRIBUTOR TO				NUT, SPRING AND		
	COIL	5	30		COLLAR	41	1
84-77042	CABLE, SOLENOID TO			398-6231A6	STATOR ASSMEBLY,		
	STARTER	3	19		ALTERNATOR	21	4
84-86675A2	WIRING HARNESS (SERIAL			456-6092	CRANKSHAFT	21	1
	#5801617 AND BELOW) . .	3	20	466-8330	CAMSHAFT ASSEMBLY . . .	23	7
84-92151A36	LEAD ASSEMBLY, HIGH			628-6100	CONNECTING ROD		
	TENSION	5	25		ASSEMBLY	23	1
84-92700A1	JUMPER WIRE, VOLTAGE			759-8312-10	PISTON ASSEMBLY (STD.) .	23	5
	REGULATOR	3	38	759-8312-11	PISTON ASSEMBLY (.005		
84-93178A1	WIRING HARNESS (SERIAL				O.S.)	23	5
	#5801618 AND UP)	3	20	759-8312-12	PISTON ASSEMBLY (.030		
85-79695	BOOT, INSULATOR				O.S.)	23	5
	STARTER CABLE			859-6387A3	CYLINDER BLOCK		
	TERMINAL	3	31		ASSEMBLY	27	1
86-70879	TERMINAL, CHOKE COVER			966-7704A3	CYLINDER HEAD ASSEMBLY	25	1
	SCREW	11	63	1376-5990A1	CARBURETOR ASSEMBLY .	7	1
88-78813	CIRCUIT BREAKER	19	18	1376-5990A1	CARBURETOR ASSEMBLY,		
110-67503	SCREW, CYLINDER HEAD				COMPLETE	9	-
	ATTACHING (4 3/8")	25	4	1397-2048	LEVER, PUMP - AIR HORN .	9	29
113-26996	LOCKWASHER, CIRCUIT			1397-2071	CAM, FAST IDLE - FLOAT		
	BREAKER TERMINAL . . .	19	23		BOWL	11	46
251-7714	FLYWHEEL	21	11	1397-3330	NUT, FUEL INLET - AIR		
392-5718	ARMATURE	41	6		HORN	9	7
392-5719	BEARING ASSEMBLY,			1397-4257	CHOKE LEVER AND		
	INTERMEDIATE	41	2		COLLAR ASSEMBLY,		
392-5720	MOTOR DRIVE INCLUDES				CHOKE SHAFT	11	49
	NUT, SPRING AND			1397-5837	FLOAT ASSEMBLY	9	12
	COLLAR	41	1	1397-5838	CHOKE HOUSING		
392-5721	PIN, MOTOR DRIVE	41	3		ASSEMBLY	11	53
392-5722	FIELD ASSEMBLY	41	8	1397-5839	VALVE, CHOKE - CHOKE		
392-5723	END CAP ASSEMBLY,				SHAFT	11	51
	COMMUTATOR	41	13	1397-5840	CHOKE SHAFT ASSEMBLY .	11	50
392-5724	PLATE ASSEMBLY, DRIVE			1397-6363	GASKET KIT	11	--
	END	41	4	1397-6365	JET, FLOAT BOWL		
392-5725	BUSHING, DRIVE END				(STANDARD)	9	28
	PLATE	41	5	1397-6367	OVERHAUL KIT	11	--

PARTS INDEX

Part Number	Description	Pg.	Ref. No.	Part Number	Description	Pg.	Ref. No.
-------------	-------------	-----	----------	-------------	-------------	-----	----------