



# PARTS CATALOG

## MARINER 60

### SERIAL NUMBER

60 (2 CYL.) .....	675-001171 AND UP
60 (2 CYL.) .....	675-304181 AND UP

# TABLE OF CONTENTS:

CARBURETOR .....	20
CLAMP AND SWIVEL BRACKET .....	34
COWLING .....	2
CRANKCASE AND CYLINDER HEAD .....	12
CRANKSHAFT AND PISTON .....	16
DRIVESHAFT HOUSING .....	38
ELECTRIC START COMPONENTS .....	26
ELECTRIC STARTER MOTOR .....	6
FUEL LINE AND FILTER .....	24
FUEL PUMP .....	22
FUEL TANK .....	48
FUEL TANK AND FUEL LINE ASSEMBLY .....	46
GEAR SHIFT LINKAGE .....	30
GEARHOUSING ASS'Y .....	40
IGNITION SYSTEM .....	8
INTAKE MANIFOLD .....	18
MOUNTING SYSTEM .....	36
PARTS INDEX .....	60
POWER TRIM (OPTIONAL) (PAGE 1) .....	50
POWER TRIM (OPTIONAL) (PAGE 2) .....	54
POWER TRIM (OPTIONAL) (PAGE 3) .....	56
REVERSE LOCK .....	32
THROTTLE CONTROL .....	28

**NOTE:** Indented description indicate that these parts are included in preceeding assembly.

**AR** = As Required

**NSS** = Not Sold Separate

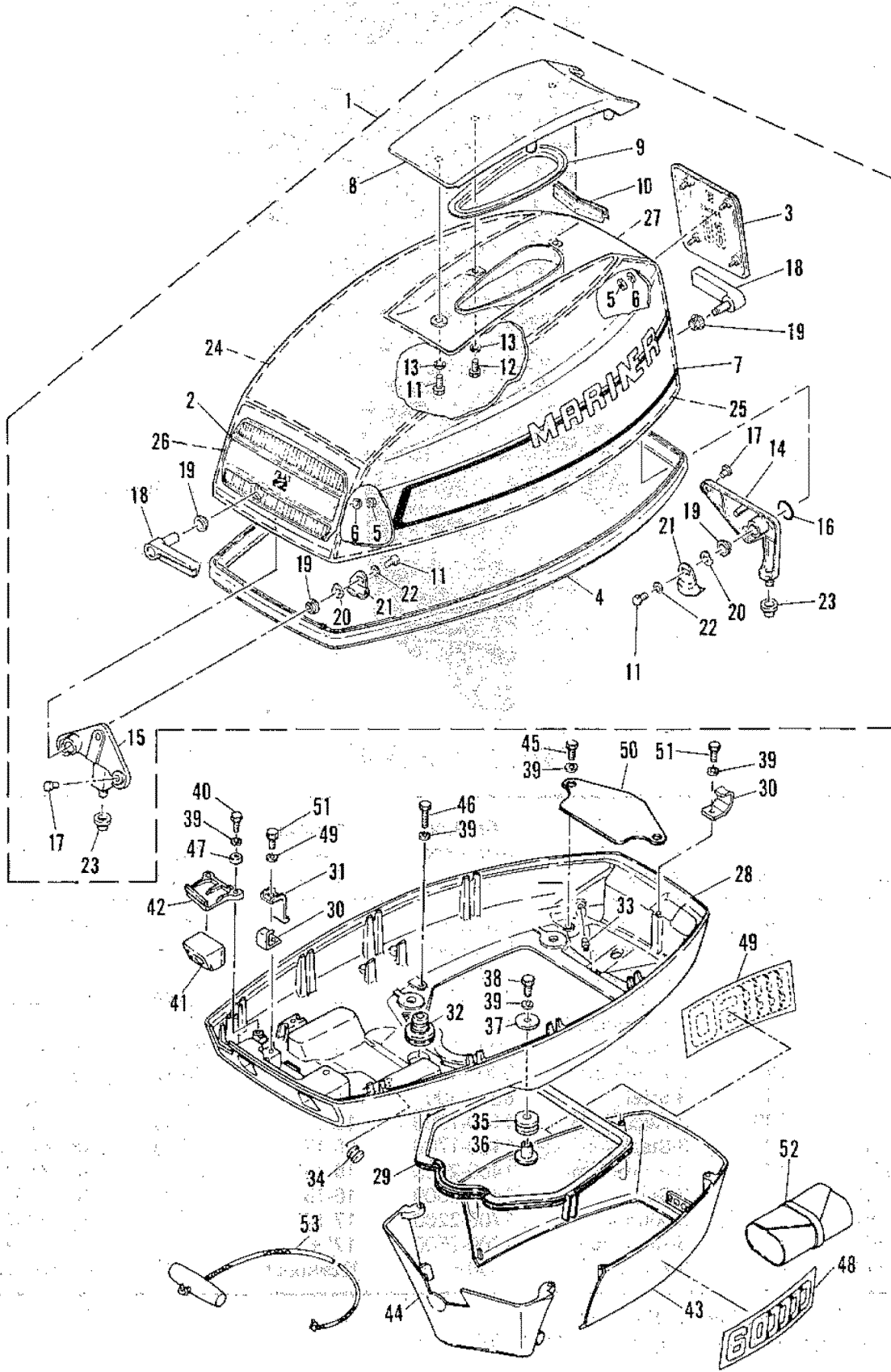
**OPT** = Optional

**NS** = Not Shown

**THESE PARTS BOOKS/FICHE CARD ARE COPYRIGHTED AND MAY NOT BE DISTRIBUTED OR REPRODUCED IN ANY OTHER FORMAT BY ANYONE OTHER THAN MERCURY MARINE WITHOUT THE PRIOR WRITTEN CONSENT OF MERCURY MARINE.**

THIS PAGE INTENTIONALLY LEFT BLANK

# COWLING

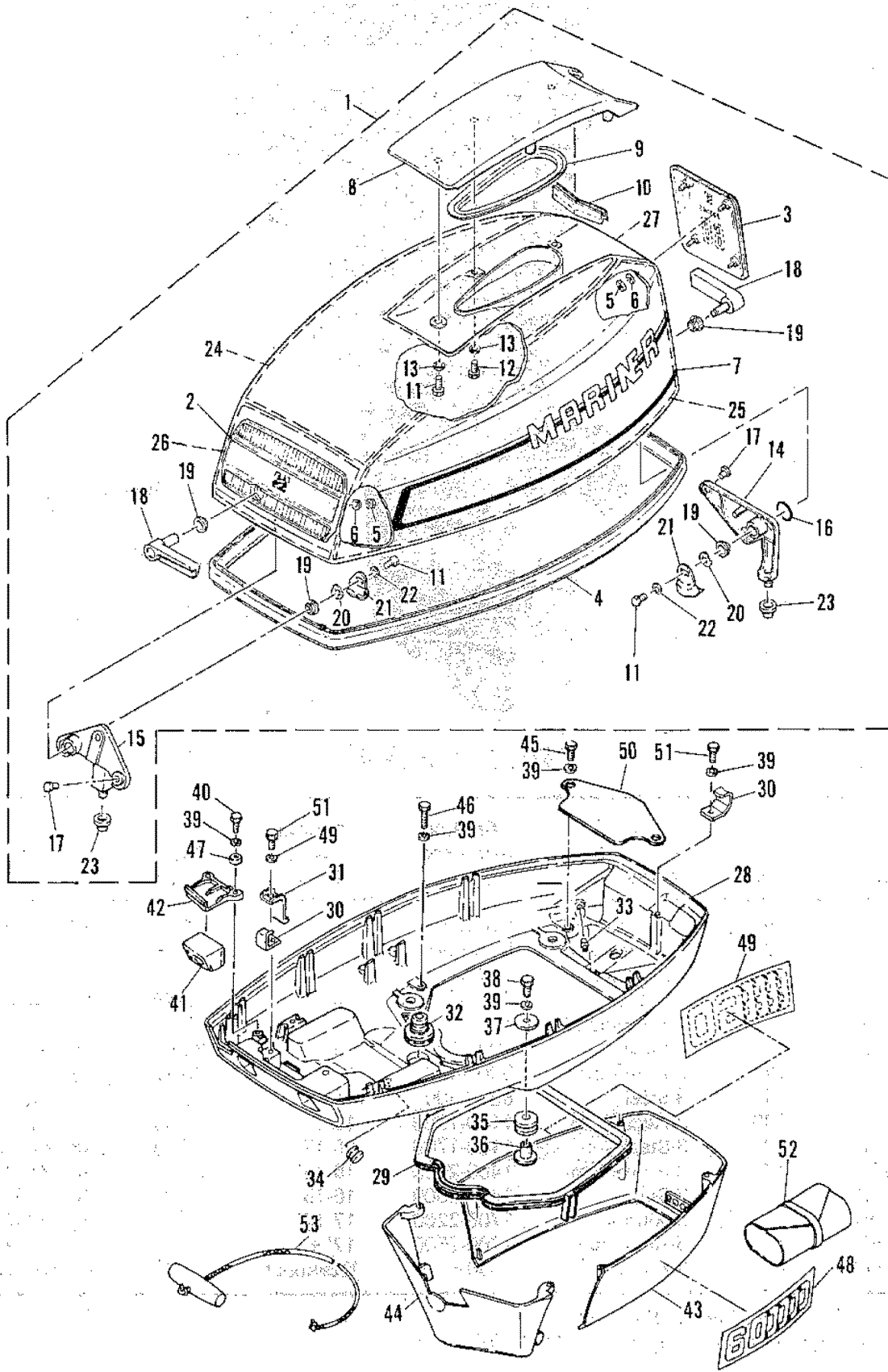


# COWLING

REF. NO.	PART NO.	SYM.	QTY.	DESCRIPTION
1	2168-6933M		1	TOP COWL ASS'Y
2	82912M		1	EMBLEM,FRONT
3	82999M		1	EMBLEM, REAR
4	83043M		1	SEAL, TOP COWL
5	11-82388M		6	NUT
6	12-82196M		6	WASHER
7	37-82865M		1	DECAL, SIDE SET
8	83024M		1	COVER, AIR DUCT
9	83025M		1	AIR SHROUD
10	83039M		1	SEAL, RUBBER
11	10-84303M		3	BOLT
12	10-84247M		4	BOLT
13	13-82199M		5	WASHER, LOCK
14	83040M		1	HOLDER
15	83041M		1	HOLDER
16	25-82269M		1	O-RING
17	17-82982M		6	RIVET
18	83026M		2	LEVER, COWL CLAMP
19	23-81952M		4	BUSHING
20	13-81871M		2	WASHER, WAVE
21	83027M		2	CLAMP, COWL
22	12-81794M		2	WASHER
23	83042M		2	DAMPER
24	84210M		1	SOUND BLANKET
25	83233M		2	SOUND BLANKET
26	83234M		1	SOUND BLANKET
27	84213M		1	SOUND BLANKET
28	2168-7972M		1	BOTTOM COWL
29	27-83044M		1	SEAL, BOTTOM COWL TO APRON
30	83045M		2	HOOK, COWL CLAMP - FRONT
31	82996M		1	CLAMP
32	25-81369M		1	GROMMET
33	22-81326M		1	FITTING, LOWER COWL
35	25-82065M		4	GROMMET
36	23-83610M		4	COLLAR
37	12-81796M		4	WASHER
38	10-84237M		4	BOLT
39	12-82197M		12	WASHER, LOCK
40	10-84247M		2	BOLT
41	81370M		1	BUMPER, COWL
42	83153M		1	RETAINER, COWL BUMPER
43	81374M		1	PARON, COWL - REAR
44	81378M		1	APRON, COWL- FRONT

CONTINUED ON NEXT PAGE ➡

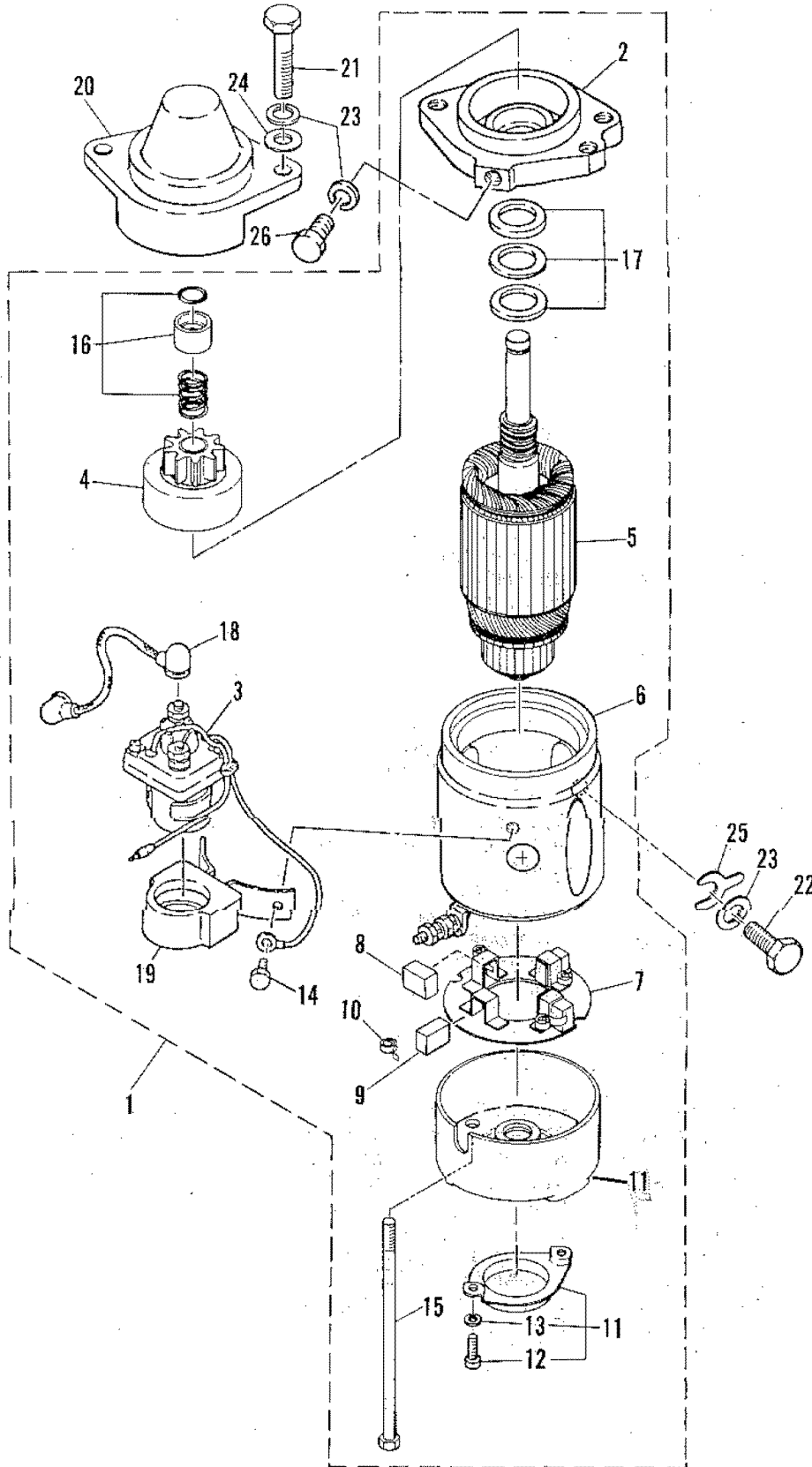
# COWLING



# COWLING

REF. NO.	PART NO.	SYM.	QTY.	DESCRIPTION
45	10-84058M		2	BOLT
46	10-82453M		2	BOLT
47	13-82199M		2	WASHER
48	37-83028M		1	DECAL (HP) - PORT
49	37-83029M		1	DECAL (HP) - STARBOARD
50	83047M		1	COVER, BOTTOM
51	10-84211M		2	BOLT
52	91-81669M		1	TOOL KIT
53	47341A1		1	ROPE, EMERGENCY START

# ELECTRIC STARTER MOTOR



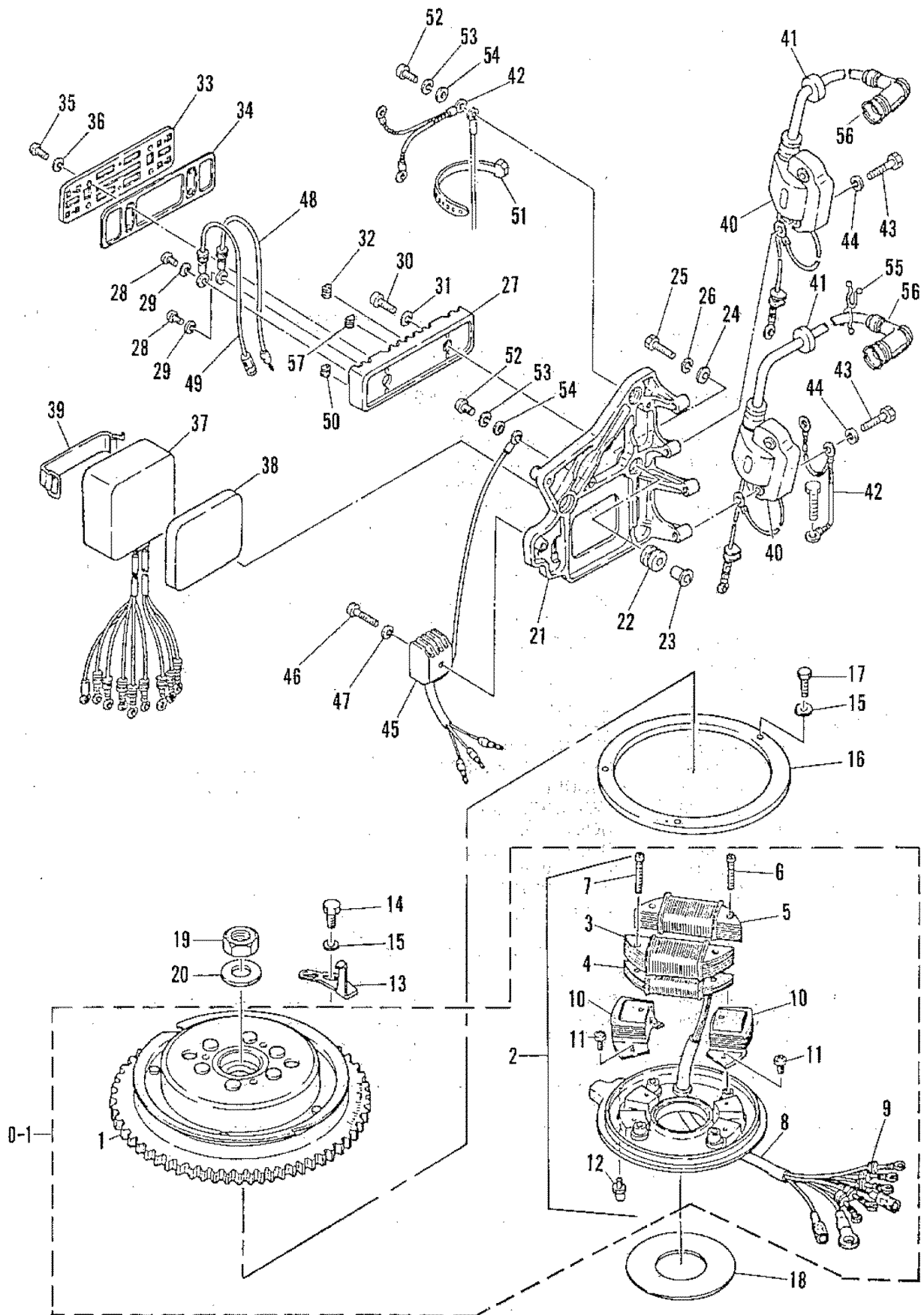
MARINER 60



# ELECTRIC STARTER MOTOR

REF. NO.	PART NO.	SYM.	QTY.	DESCRIPTION
1	50-97072M		1	ELECTRIC MOTOR ASS'Y SERIAL 00001541-09999999
	50-92669M		1	ELECTRIC MOTOR ASS'Y SERIAL 00000000-00001540
2	83654M		1	FRONT BRACKET
3	89-96357M		1	SWITCH, SOLENOID SERIAL 00001541-09999999
	89-84933M		1	SWITCH, SOLENOID SERIAL 00000000-00001540
4	81504M		1	GEAR
5	83651M		1	ARMATURE
6	81493M		1	STATOR
7	81507M		1	BRUSH HOLDER
8	94475M		2	BRUSH (+)
9	94478M		2	BRUSH (-)
10	24-81496M		4	SPRING, BRUSH
11	81499M		1	REAR COVER ASS'Y
12	10-82515M		2	SCREW
13	13-82184M		2	WASHER, LOCK
14	10-84315M		2	BOLT
15	10-81500M		2	BOLT
16	92671M		1	RING, STOP
17	12-83652M		1	WASHER KIT
18	92672M		1	WIRE, LEAD
19	84934M		1	MOUNT SERIAL 00001541-09999999
20	81508M		1	COVER
21	10-84236M		2	BOLT
22	10-84342M		1	BOLT
23	13-82200M		4	WASHER
24	12-82202M		2	WASHER
25	81485M		AR	WASHER
26	10-82437M		1	BOLT

# IGNITION SYSTEM

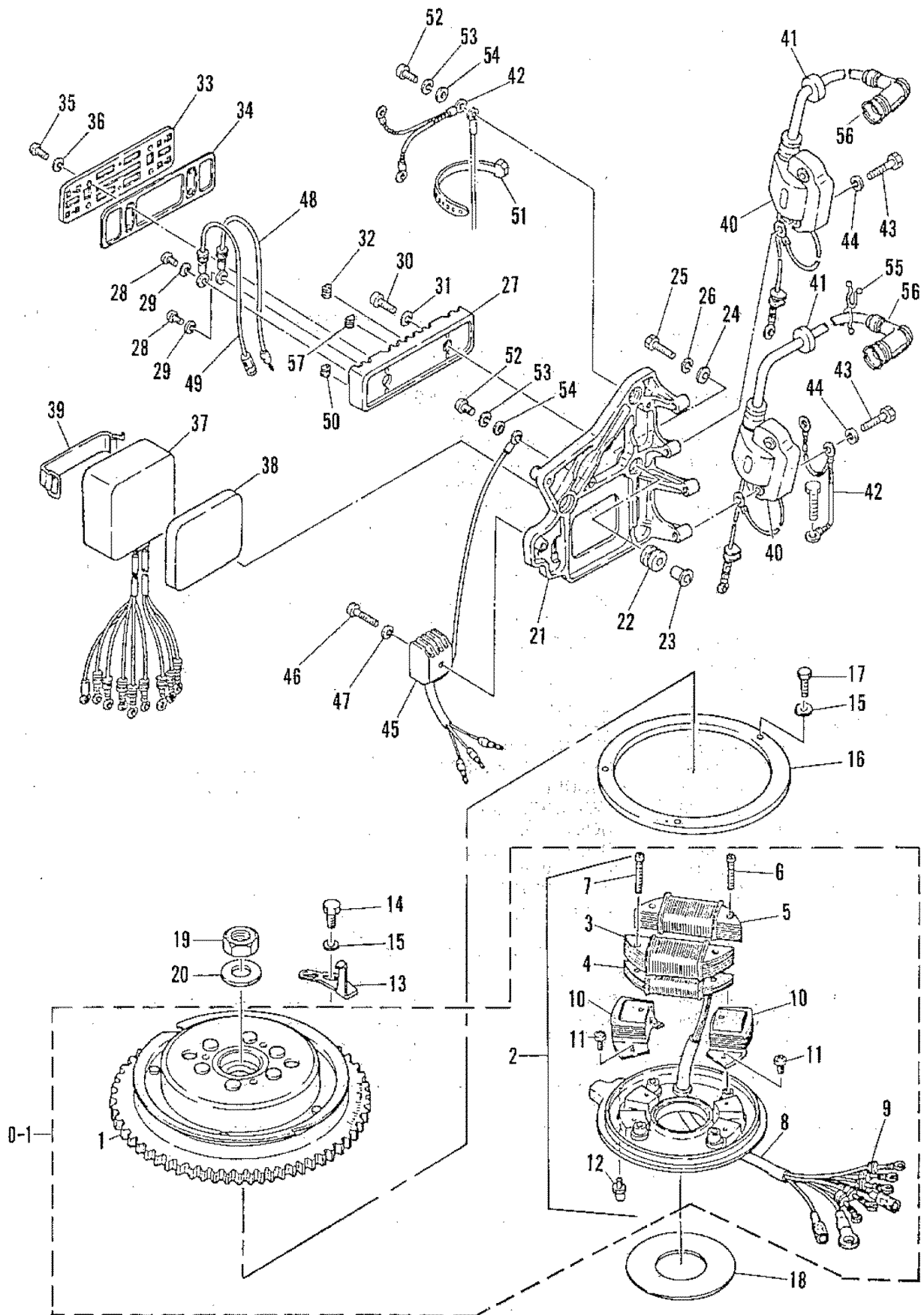


# IGNITION SYSTEM

REF. NO.	PART NO.	SYM.	QTY.	DESCRIPTION
1	253-8438M		1	I. MAGNETO ASS'Y (80 W) SERIAL 00001541-09999999
	253-6845M		1	I MAGNETO ASS'Y (80 W) SERIAL 00000000-00001540
2	97100M		1	BASE ASS'Y SERIAL 0E001541-0Z999999
	83035M		1	BASE ASS'Y SERIAL 00000000-00001540
3	83036M		1	COIL, CHARGE
4	83037M		1	COIL, BLANKING (MASKING)
5	83038M		1	COIL, LIGHTING
6	10-82508M		2	SCREW
7	10-82509M		2	SCREW
8	848-81547M		1	WIRE, LEAD
9	25-82059M		5	GOURMET
10	84212M		2	TIGGER
11	M-83509M		4	SCREW
12	M-84305M		1	BALLJOINT
13	97074M		1	POINTER, TIMING SERIAL 00001541-09999999
	83031M		1	POINTER, TIMING SERIAL 00000000-00001540
14	10-84247M		1	BOLT
15	13-82199M		5	WASHER, LOCK
16	82678M		1	RETAINER, BASE
17	10-83539M		3	BOLT
18	12-81343M		1	WASHER
19	11-81773M		1	NUT, FLYWHEEL
20	12-84436M		1	WASHER, FLYWHEEL
21	81543M		1	BRACKET
22	81523M		3	GROMMET
23	23-82851M		3	COLLAR
24	12-82979M		3	WASHER
25	10-82405M		3	BOLT
26	13-82197M		3	WASHER
27	81518M		1	TERMINAL 1
28	10-82798M		10	SCREW
29	12-82799M		10	WASHER
30	10-82980M		2	SCREW
31	13-82199M		2	WASHER
32	25-82057M		1	GROMMET
33	97076M		1	COVER, TERMINAL SERIAL 00001541-09999999
	81515M		1	COVER, TERMINAL SERIAL 00000000-00001540
34	27-81516M		1	GASKET, TERMINAL
35	10-83048M		4	SCREW
36	13-82184M		4	WASHER
37	83030M		1	I. ASS'Y
38	81544M		1	DAMPER

CONTINUED ON NEXT PAGE ➡

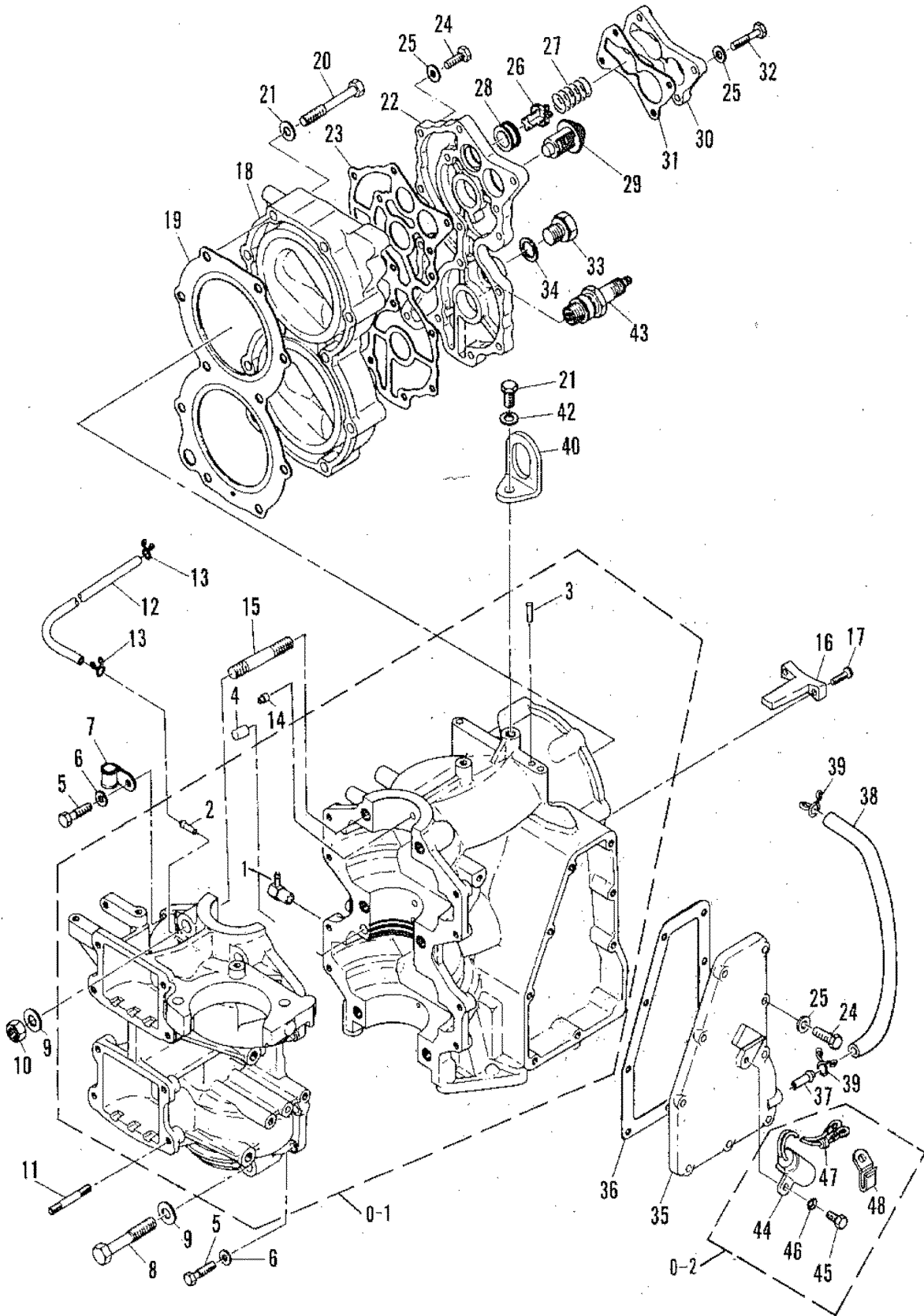
# IGNITION SYSTEM



# IGNITION SYSTEM

REF. NO.	PART NO.	SYM.	QTY.	DESCRIPTION
39	81520M		1	BAND
40	97077M		2	IGNITION COIL ASS'Y <b>SERIAL 00001541-09999999</b>
	81549M		2	IGNITION COIL ASS'Y <b>SERIAL 00000000-00001540</b>
41	25-82069M		2	GROMMET
42	87-97078M		2	WIRE <b>SERIAL 00001541-09999999</b>
	84-81250M		2	WIRE <b>SERIAL 00000000-00001540</b>
43	10-84237M		4	BOLT
44	13-82197M		4	WASHER
45	81652M		1	RECTIFIER ASS'Y
46	10-84245M		1	SCREW
47	13-82193M		1	WASHER
48	84-82998M		1	WIRE MALE
49	84-82997M		1	WIRE FEMALE
50	25-81517M		1	GROMMET
51	81541M		1	BAND
52	10-84435M		2	SCREW
53	13-82212M		2	WASHER
54	12-82214M		2	WASHER
55	54-97079M		1	CLAMP
56	80935M		2	PLUG CAP ASS'Y (NOISE SUPPRESSOR)
	82788M		2	PLUG CAP ASS'Y
57	25-82057M		1	GROMMET

# CRANKCASE AND CYLINDER HEAD

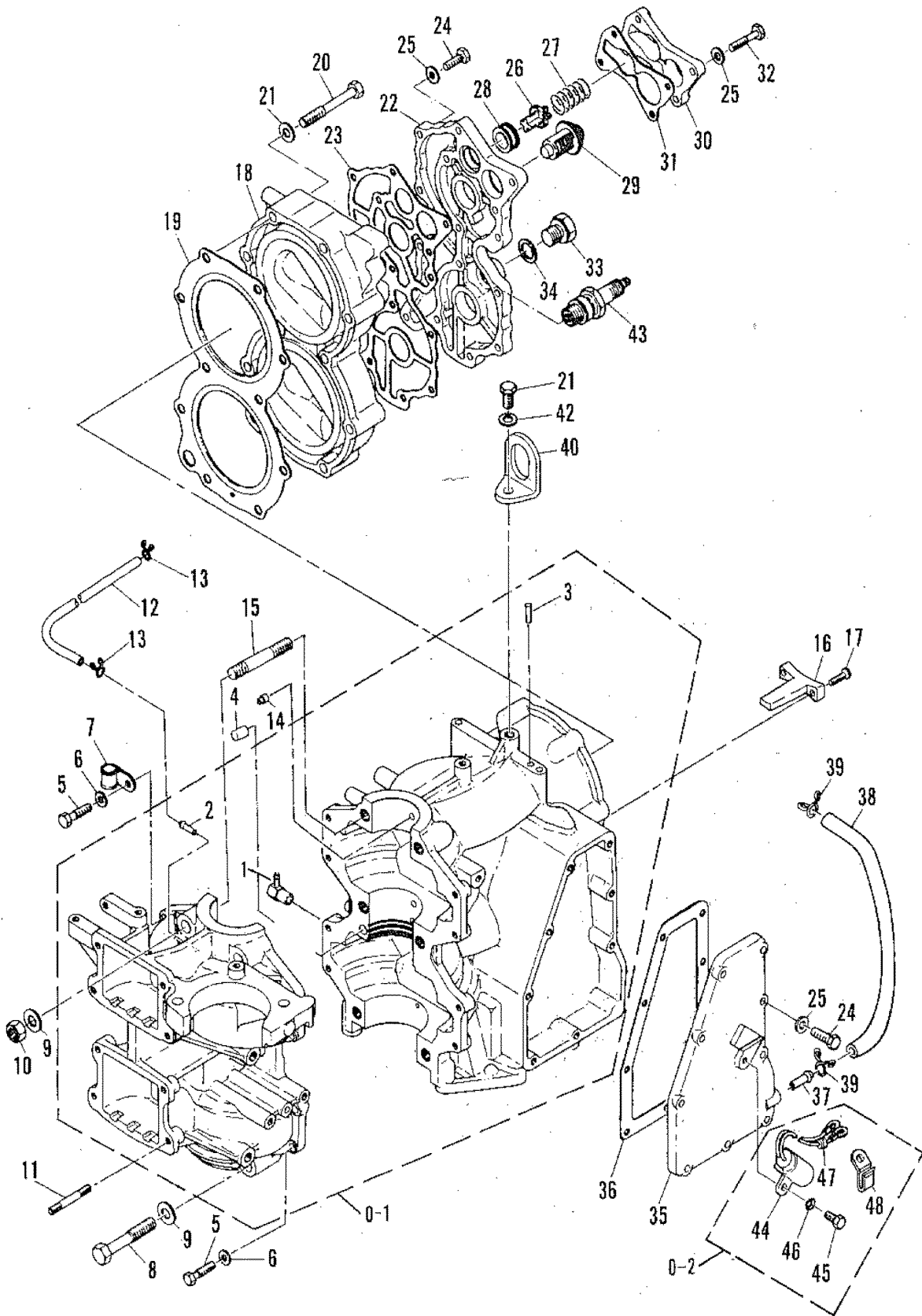


# CRANKCASE AND CYLINDER HEAD

REF. NO.	PART NO.	SYM.	QTY.	DESCRIPTION
0-1	870-7958M		1	CRANKSHAFT ASS'Y
1	21-80727M		2	CHECK VALVE ASS'Y
2	22-80122M		1	FITTING, CRANKSHAFT DRAIN
3	17-82354M		1	PIN, DOWEL
4	17-82368M		1	PIN, DOWEL
5	10-82405M		8	BOLT
6	12-81792M		8	WASHER
7	54-82033M		1	CLAMP, WIRE
8	10-82410M		4	BOLT
9	12-81807M		6	WASHER
10	11-82387M		2	NUT
11	16-81735M		8	STUD, INTAKE MANIFOLD ATTACHING
12	32-81995M		2	HOSE, DRAIN
13	54-82046M		4	CLAMP, HOSE
14	17-81258M		2	LOCK, BEARING
15	16-81743M		2	STUD, CRANKCASE ATTACHING
16	81255M		1	ANODE
17	10-82527M		2	SCREW
18	968-6927M		1	HEAD, CYLINDER
19	27-81252M		1	GASKET, CYLINDER HEAD
20	10-82409M		10	BOLT
21	12-80564M		10	WASHER
22	81253M		1	COVER, CYLINDER HEAD
23	27-81254M		1	GASKET, CYLINDER HEAD COVER
24	10-83539M		21	BOLT
25	13-82199M		25	WASHER, LOCK
26	81267M		1	VALVE, PRESSURE CONTROL
27	24-82086M		1	SPRING, COMPRESSION
28	25-82067M		1	GROMMET
29	81098M		1	THERMOSTAT
30	81265M		1	COVER, THERMOSTAT
31	27-81266M		1	GASKET, THERMOSTAT COVER
32	10-84237M		4	BOLT
33	22-81926M		1	PLUG
34	27-81990M		1	GASKET, PLUG
35	81330M		1	COVER, EXHAUST - OUTER
36	27-81331M		1	GASKET, EXHAUST COVER
37	22-80756M		1	FITTING, EXHAUST COVER
38	32-81324M		1	HOSE, EXHAUST COVER
41	54-82047M		2	CLAMP, HOSE
40	81251M		1	BRACKET, LIFT
41	10-84342M		1	BOLT
42	13-82200M		1	WASHER, LOCK

CONTINUED ON NEXT PAGE ➡

# CRANKCASE AND CYLINDER HEAD

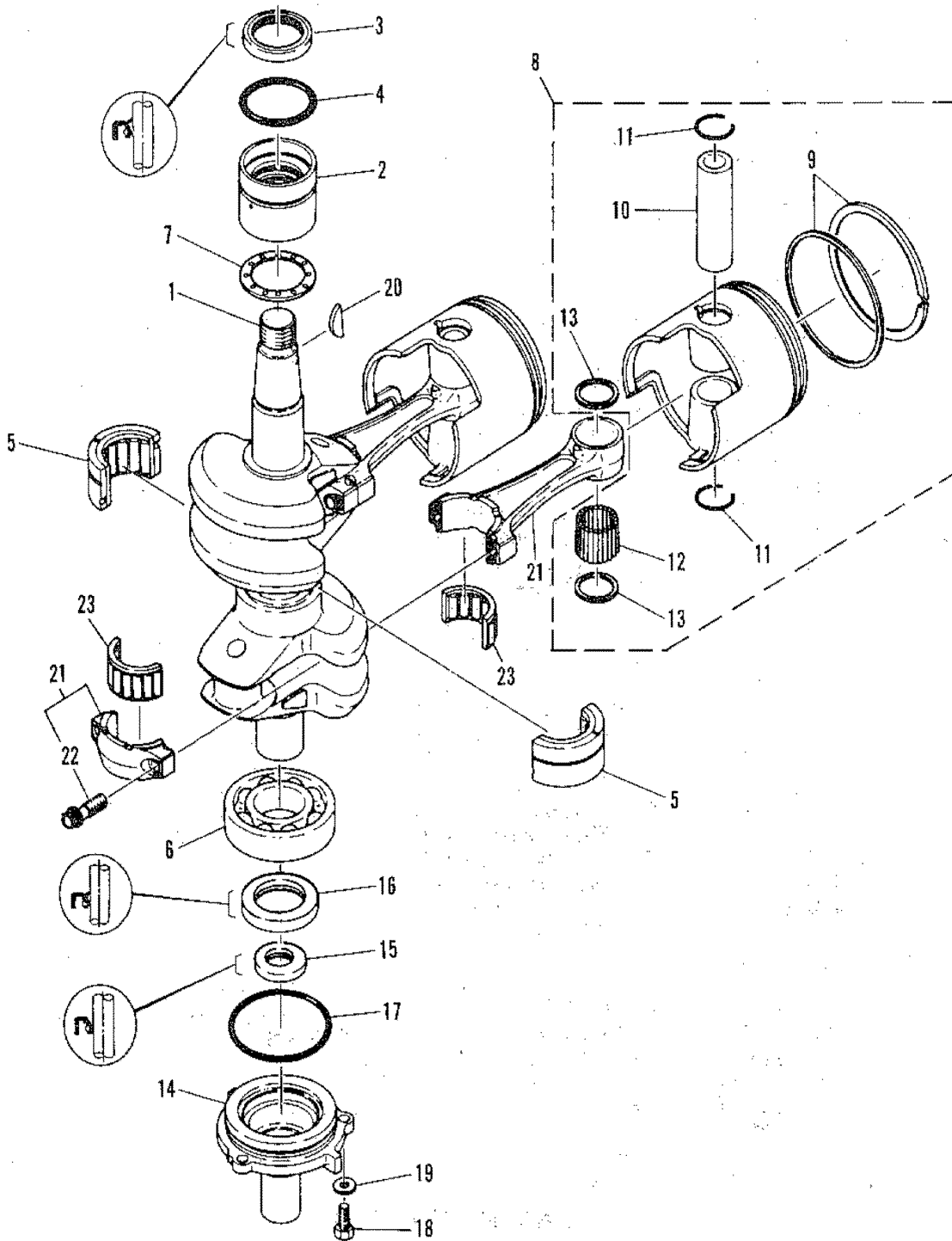




## CRANKCASE AND CYLINDER HEAD

REF. NO.	PART NO.	SYM.	QTY.	DESCRIPTION
43	33-84409M		2	PLUG, SPARKB-8HS10(NGK)(1.0 MM GAP)
0-2	87-82985M		1	TILT STOP SWITCH ASS'Y
44	87-81526M		1	STOP SWITCH
45	10-82417M		1	BOLT
46	13-82210M		1	WASHER
47	25-82057M		1	GROMMET
48	54-82042M		1	CLAMP
-	<b>92624M</b>		1	<b>POWER HEAD ASS'Y REPLACEMENT PARTS FOR REPLACEMENT OF POWER HEAD ASSEMBLY COMPLETE; WHICH INCLUDES CRANKCASE ASSEMBLY, CYLINDER PISTONS, CONNECTING RODS, CRANKSHAFT, BEARINGS, ETC. - ORDER POWER HEAD ASSEMBLY (M-92624M).</b>
-	<b>27-84168M</b>		1	<b>GASKET SET, POWERHEAD REPLACEMENT PARTS</b>

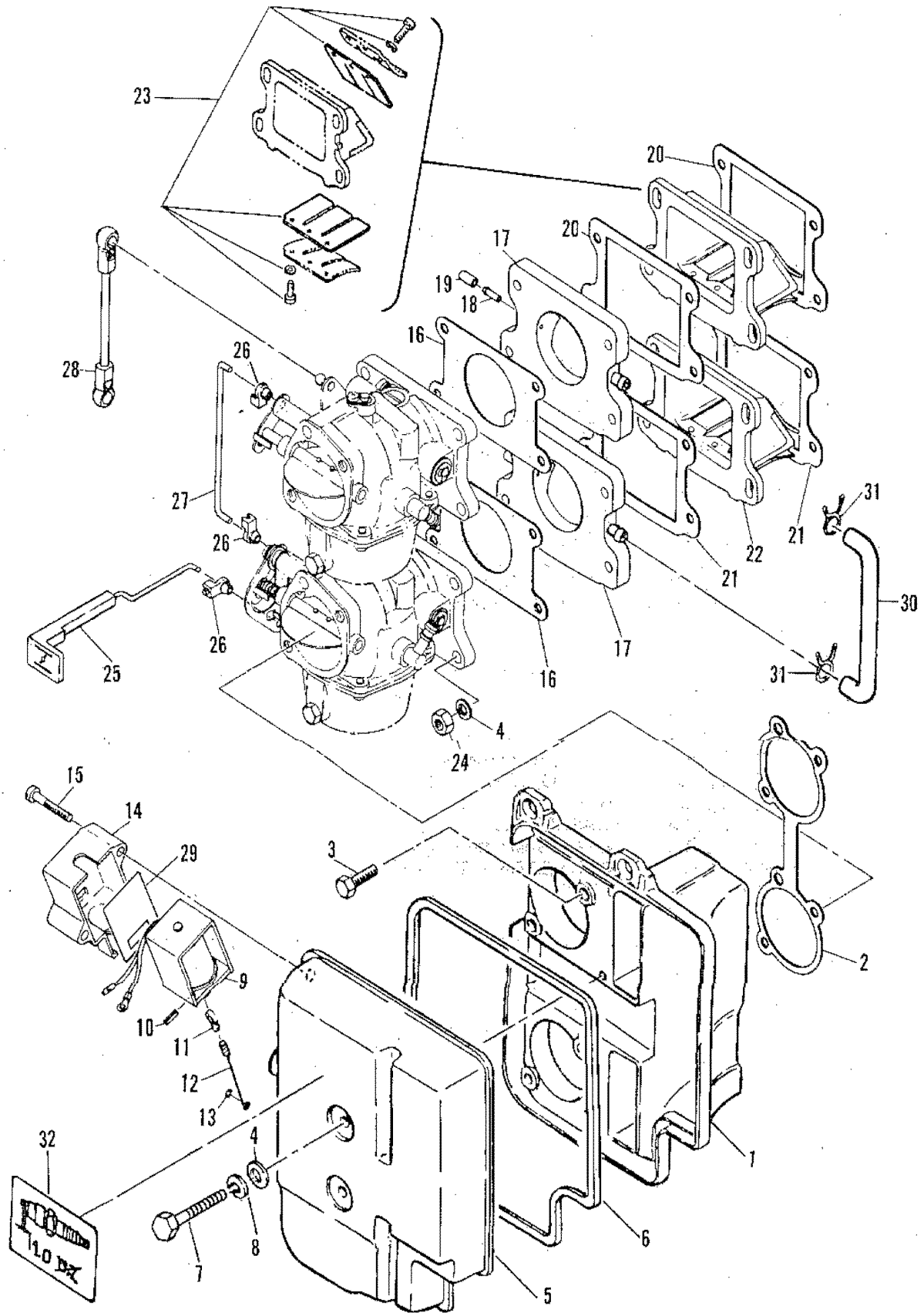
# CRANKSHAFT AND PISTON



# CRANKSHAFT AND PISTON

REF. NO.	PART NO.	SYM.	QTY.	DESCRIPTION
1	463-6825M		1	CRANKSHAFT ASS'Y
2	31-82312M		1	BEARING, NEEDLE
3	26-82249M		1	OIL SEAL, CRANKSHAFT - UPPER
4	25-82276M		1	O-RING, CRANKSHAFT - UPPER
5	31-82313M		1	BEARING, CENTER MAIN
6	30-82304M		1	BEARING, CRANKSHAFT - LOWER
7	M-81259M		1	SHIM, CRANKSHAFT
8	761-8457M		2	PISTON ASS'Y (STD)
	761-8458M		AR	PISTON ASS'Y (1ST O.S 82.25 MM)
	761-8459M		AR	PISTON ASS'Y (2ND O.S. 82.50 MM)
9	39-92625M		2	PISTON RING SET (STD)
	39-92626M		AR	PISTON RING SET 1ST (O.S. 82.25 MM)
	39-92627M		AR	PISTON RING SET 2ND (O.S. 82.20 MM)
10	41-81263M		2	PIN, PISTON
11	53-81264M		4	SNAP RING, PISTON OIN
12	M-82353M		56	BEARING, CONNECTING ROD (PISTON END)
13	M-81831M		4	RETAINER, CONECTING ROD BEARING
14	M-82986M		1	HOUSING, OIL SEAL
15	26-82255M		1	OIL SEAL, CRANKSHAFT - LOWER
16	26-82248M		1	OIL SEAL, CRANKSHAFT - LOWER
17	25-82286M		1	O-RING, OIL SEAL HOUSING
18	10-83395M		3	BOLT
19	12-82214M		3	WASHER
20	28-81915M		1	KEY, CRANKSHAFT TO FLYWHEEL
21	629-7990M		2	CONNECTING ROD ASS'Y
22	10-81715M		4	BOLT
23	31-82311M		2	BEARING, CONNECTING ROD (CRANKSHAFT END)

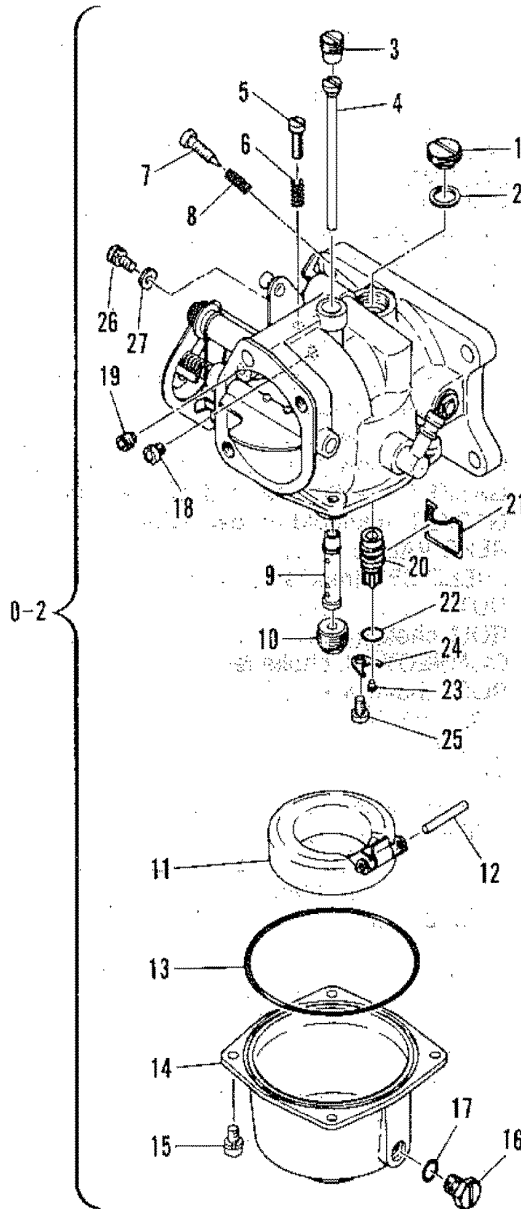
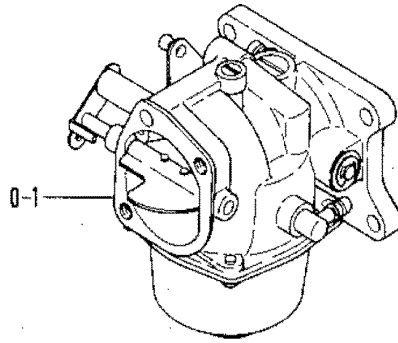
# INTAKE MANIFOLD



# INTAKE MANIFOLD

REF. NO.	PART NO.	SYM.	QTY.	DESCRIPTION
1	92629M		1	BASE, AIR INTAKE
2	27-81276M		1	GASKET, AIR INTAKE TO CARBURETOR
3	10-82405M		4	BOLT
4	13-82197M		10	WAHSER, LOCK
5	92630M		1	COVER, AIR INTAKE
6	27-92631M		1	GASKET, AIR INTAKE
7	10-84657M		2	BOLT
8	13-82199M		2	WAHSER, LOCK
9	89-84410M		1	SOLENOID
10	17-82145M		1	PIN, ROLL
11	84411M		1	HOOK, WIRE PULL
12	84412M		1	WIRE, PULL
13	25-82258M		1	O-RING, PULL WIRE
14	81551M		1	COVER, SOLENOID
15	10-84245M		2	SCREW
16	27-81272M		2	GASKET, CARBURETOR TO MANIFOLD
17	92632M		2	MANIFOLD, INTAKE
18	22-80122M		2	PIPE, OVER GLOW
19	M-80454M		2	CAP, OVER FLOW PIPE
20	27-81269M		2	GASKET, MANIFOLD TO REED VALVE - UPPER
21	27-81270M		2	GASKET, MANIFOLD TO REED VALVE - LOWER
22	34-92633M		2	REED VALVE
23	34-92634M		2	REED SET (REED STOPS NOT INCLUDED)
24	11-82380M		8	NUT
25	81337M		1	ROD, CHOKE
26	81191M		3	CONNECTOR, CHOKE LEVER
27	M-82988M		1	ROD, CHOKE LINK
28	82911M		1	ROD, THROTTLE ADJUSTMENT
29	81554M		1	DAMPER
30	32-84415M		1	HOSE
31	54-82047M		2	CLAMP, HOSE
32	37-84416M		1	DECAL

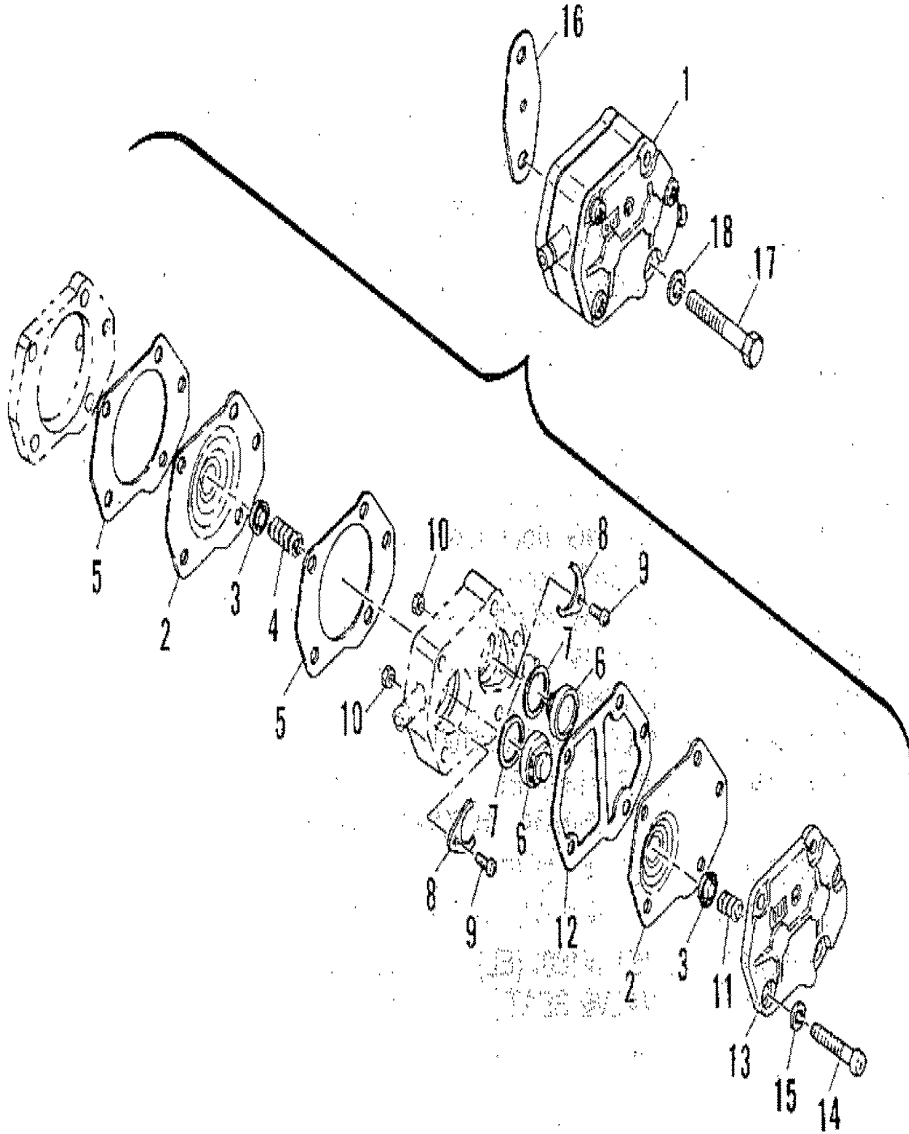
# CARBURETOR



# CARBURETOR

REF. NO.	PART NO.	SYM.	QTY.	DESCRIPTION
0-1	1383-7965M		1	CARBURETOR ASS'Y (UPPER E)
	1383-7967M		1	CARBURETOR ( UPPER EL)
0-2	1383-7966M		1	CARBURETOR ASS'Y (LOWER E)
	1383-7968M		1	CARBURETOR ASS'Y (LOWER EL)
1	10-81292M		2	SCREW, PLUG
2	12-92636M		2	WASHER
3	10-97080M		2	SCREW, PLUG <b>SERIAL 00001541-09999999</b>
	10-81279M		2	SCREW, PLUG <b>SERIAL 00000000-00001540</b>
4	97081M		2	JET, PIOLET (#82) <b>SERIAL 00001540-09999999</b>
	8441M		2	JET, PIOLET (#80) <b>SERIAL 00000000-00001540</b>
5	10-81277M		1	SCREW, THROTTLE (LOWER)
6	24-82080M		1	SPRING, COMPRESSION (LOWER)
7	10-81281M		2	SCREW, IDLE SPEED
8	24-82073M		2	SPRING, COMPRESSION
9	81287M		2	NOZZLE, MAIN
10	92637M		2	JET, MAIN (#165) (E)
	92638M		2	JET, MAIN (#160) (EL)
11	81291M		2	FLOAT
12	17-81278M		2	PIN, FLOAT
13	25-82288M		2	O-RING, FLOAT BOWL
14	81290M		2	FLOAT, BOWL
15	10-81758M		8	SCREW WWASHER
16	10-81293M		2	SCREW
17	25-81695M		2	O-RING
18	81288M		2	PILOT, AIR JEY (#100)
19	97094M		2	JET(#180)(E) <b>SERIAL 00001541-09999999</b>
	92640M		2	JET (#150)(E) <b>SERIAL 0A000000-0E001540</b>
	81286M		2	JET (#160) (EL)
20	82780M		2	VALVE SEAT
21	54-82781M		2	CLIP
22	25-82261M		2	O-RING
23	17-81698M		2	PIN, VALVE <b>SERIAL 0EL30681-0Z999999</b>
	17-92639M		2	PIN, VALVE <b>SERIAL 00000000-00001540</b>
24	80026M		2	PLATE
25	10-82499M		2	SCREW
26	10-97082M		1	SCREW WWASHER (UPPER) <b>SERIAL 00001541-09999999</b>
	10-83371M		1	SCREW WWASHER (UPPER) <b>SERIAL 00000000-00001540</b>
27	12-83372M		1	WASHER ( UPPER)
	84419M		1	REPAIR KIT, CARBURETOR (FITS ALL 4 CARBS) <b>REPLACEMENT PARTS</b>

# FUEL PUMP





# FUEL PUMP

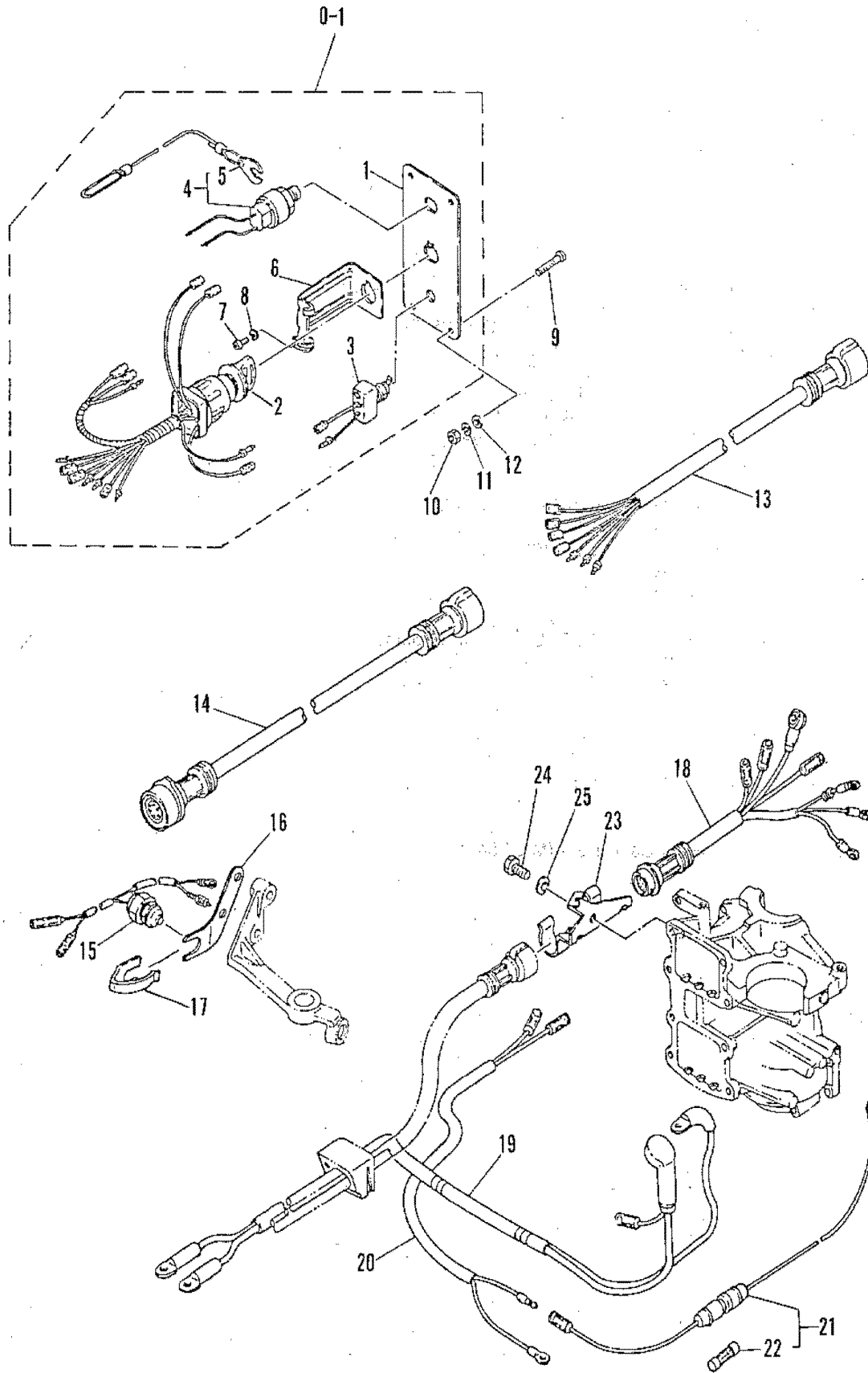
REF. NO.	PART NO.	SYM.	QTY.	DESCRIPTION
1	93045M		1	FUEL PUMP ASS'Y
2	80606M		2	DIAPHRAM
3	80611M		2	PLATE, SPRING GUIDE
4	24-80610M		1	SPRING
5	27-80613M		2	GASKET, BODY TO BASE
6	21-80608M		2	CHECK VALVE
7	27-80612M		2	GASKET, CHECK VALVE
8	80609M		2	RETAINER, CHECK VALVE
9	10-82511M		2	SCREW
10	11-84515M		2	NUT
11	11-84515M		1	SPRING
12	27-80614M		1	GASKET, BODY TO COVER
13	80607M		1	COVER
14	10-82522M		3	SCREW
15	13-82208M		3	WASHER, LOCK
16	27-80757M		1	GASKET, FUEL PUMP TO CRANKCASE
17	10-82428M		2	BOLT
18	12-82198M		2	WASHER



# FUEL LINE AND FILTER

REF. NO.	PART NO.	SYM.	QTY.	DESCRIPTION
1	93099M		1	FUEL LINE CONNECTOR
2	10-83539M		1	BOLT
3	13-82212M		1	WASHER, LOCK
4	35-80617M		1	FILTER ASS'Y
5	27-82790M		1	GASKET, FUEL BOWL
6	35-82783M		1	ELEMENT, FUEL FILTER
7	25-84957M		1	O-RING
8	82784M		1	FUEL BOWL
9	80620M		1	BRACKET, FUEL FILTER
10	10-84211M		1	BOLT
11	13-82197M		1	WASHER, LOCK
12	11-82382M		1	NUT
13	32-82017M		1	FUEL LINE, CONNECTOR TO PUMP
14	54-82037M		1	CLAMP
15	32-82010M		1	FUEL LINE, FILTER TO PUMP
16	32-82020M		1	FUEL LINE, PUMP TO TEE
17	22-97083M		1	TEE FITTING, FUEL LINE <b>SERIAL 00001541-09999999</b>
	22-81697M		1	TEE FITTING, FUEL LINE <b>SERIAL 00000000-00001540</b>
18	32-82004M		2	FUEL LINE, TEE TO CARBURETOR
19	54-82047M		10	CLAMP, HOSE

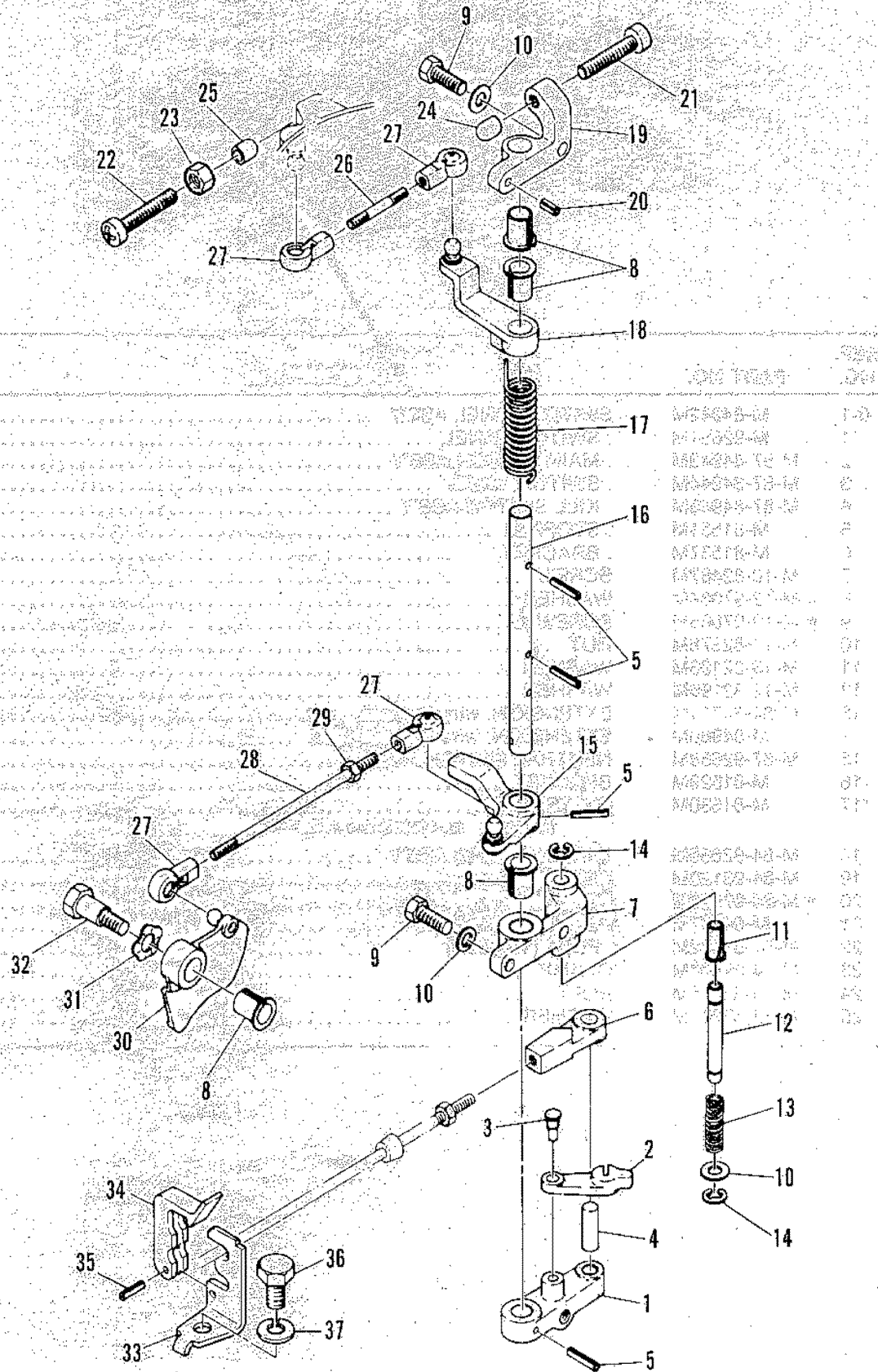
# ELECTRIC START COMPONENTS



# ELECTRIC START COMPONENTS

REF. NO.	PART NO.	SYM.	QTY.	DESCRIPTION
0-1	84942M		1	SWITCH PANEL ASS'Y
1	92661M		1	SWITCH PANEL
2	87-84943M		1	MAIN SWITCH ASS'Y
3	87-84944M		1	SWITCH, CHOKE
4	87-84945M		1	KILL SWITCH ASS'Y
5	81531M		1	STOPPER
6	81537M		1	BRACKET
7	10-82487M		1	SCREW
8	12-97084M		1	WASHER
9	10-84946M		4	SCREW
10	11-82378M		4	NUT
11	13-82193M		1	WASHER
12	12-82196M		4	WASHER
13	84-84711M		1	EXTENTION, WIRE HARNESS
14	84960M		1	EXTENTION, WIRE HARNESS (2M)
15	87-92658M		1	NEUTRAL SWITCH ASS'Y
16	81529M		1	BRACKET
17	81530M		1	PLATE <b>SERIAL 00000000-00001540</b>
18	84-92665M		1	WIRE HARNESS ASS'Y
19	84-93120M		1	WIRE, LEAD
20	84-97086M		1	WIRE LEAD
21	84937M		1	FUSE HOLDER ASS'Y
22	88-81522M		1	FUSE (12V-20A)
23	54-92668M		1	CLAMP
24	10-82436M		1	BOLT
25	12-82202M		1	WASHER

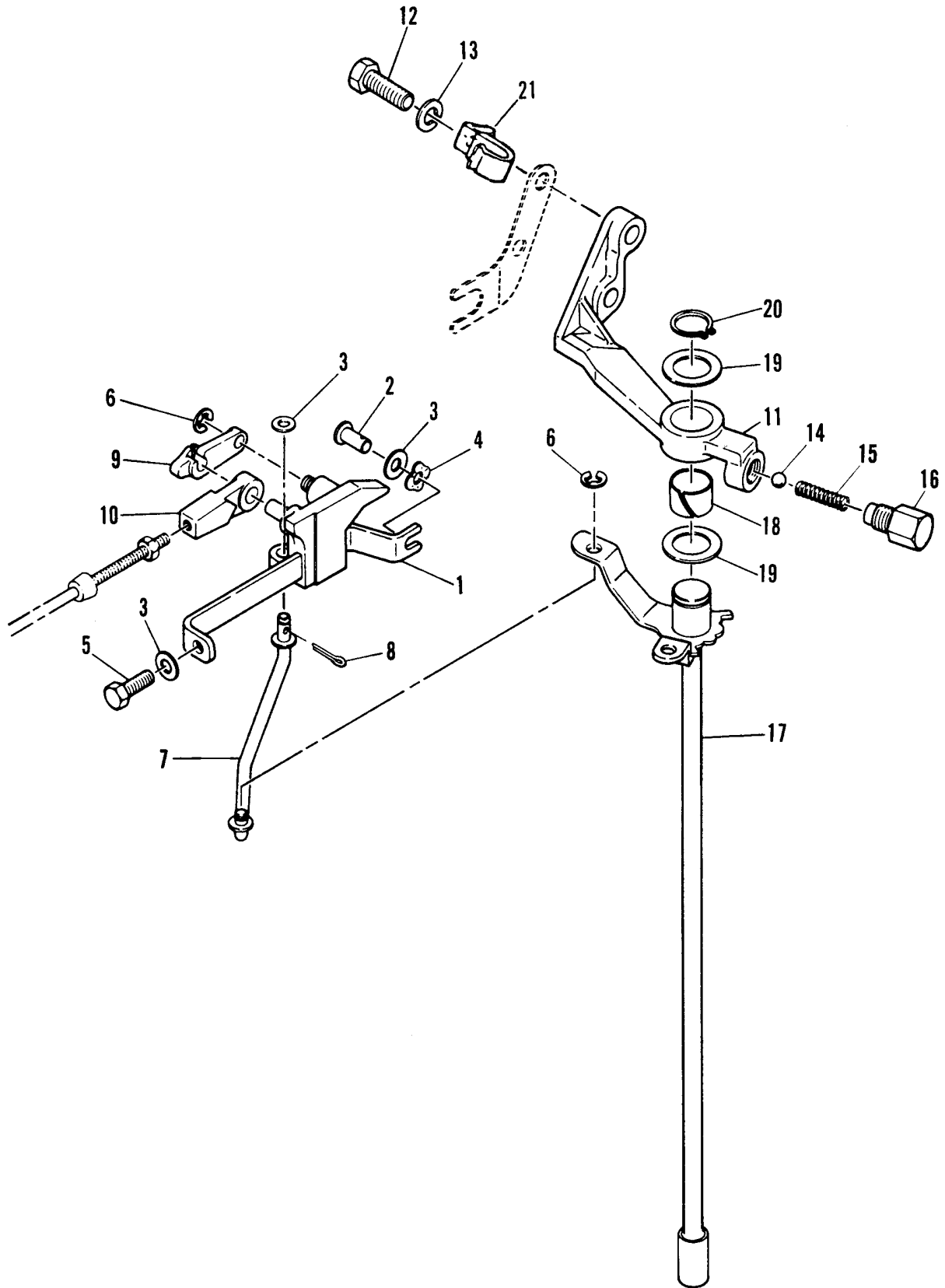
# THROTTLE CONTROL



# THROTTLE CONTROL

REF. NO.	PART NO.	SYM.	QTY.	DESCRIPTION
1	81345M		1	LEVER, C.D.I. CONTROL
2	81341M		1	CAP, CLEVIS LOCK
3	17-82976M		1	PIN
4	17-82367M		1	PIN, DOWEL
5	17-82149M		4	PIN, ROLL
6	81480M		1	CLEVIS, THROTTLE CABLE
7	81350M		1	BRACKET, SHAFT
8	23-81946M		4	BUSHING
9	10-82423M		3	BOLT
10	13-82199M		4	WASHER, LOCK
11	23-81942M		1	BUSHING
12	81403M		1	STOP, SHAFT BRAKET
13	24-82074M		1	SPRING, COMPRESSION
14	53-82330M		2	SNAPPING
15	M-81346M		1	LEVER, C.D.I. CONTROL
16	81347M		1	SHAFT, LINK CONNECTING
17	24-82113M		1	SPRING, TORSION
18	81344M		1	LEVER, C.D.I. CONTROL
19	81349M		1	BRACKER, SHAFT - UPPER
20	17-82154M		1	PIN, ROLL
21	10-82977M		1	SCREW
22	10-83050M		2	SCREW 1
23	11-82381M		2	NUT
24	97087M		1	CAP <b>SERIAL 00001171-09999999</b>
	81415M		1	CAP <b>SERIAL 00000000-00001170</b>
25	81415M		1	CAP
26	81348M		1	ROD, CONTROL
27	81225M		4	CLEVIS
28	92655M		1	ROD, LINK
29	11-82378M		1	NUT
30	81334M		1	CAM
31	13-81868M		1	WASHER, WAVE
32	10-81713M		1	BOLT
33	81483M		1	BRACLET, REMOTE CONTROL
34	M-81484M		1	CLAMP, CABLE
35	17-82146M		1	PIN, ROLL
36	10-82437M		1	BOLT
37	13-82200M		1	WASHER

# GEAR SHIFT LINKAGE

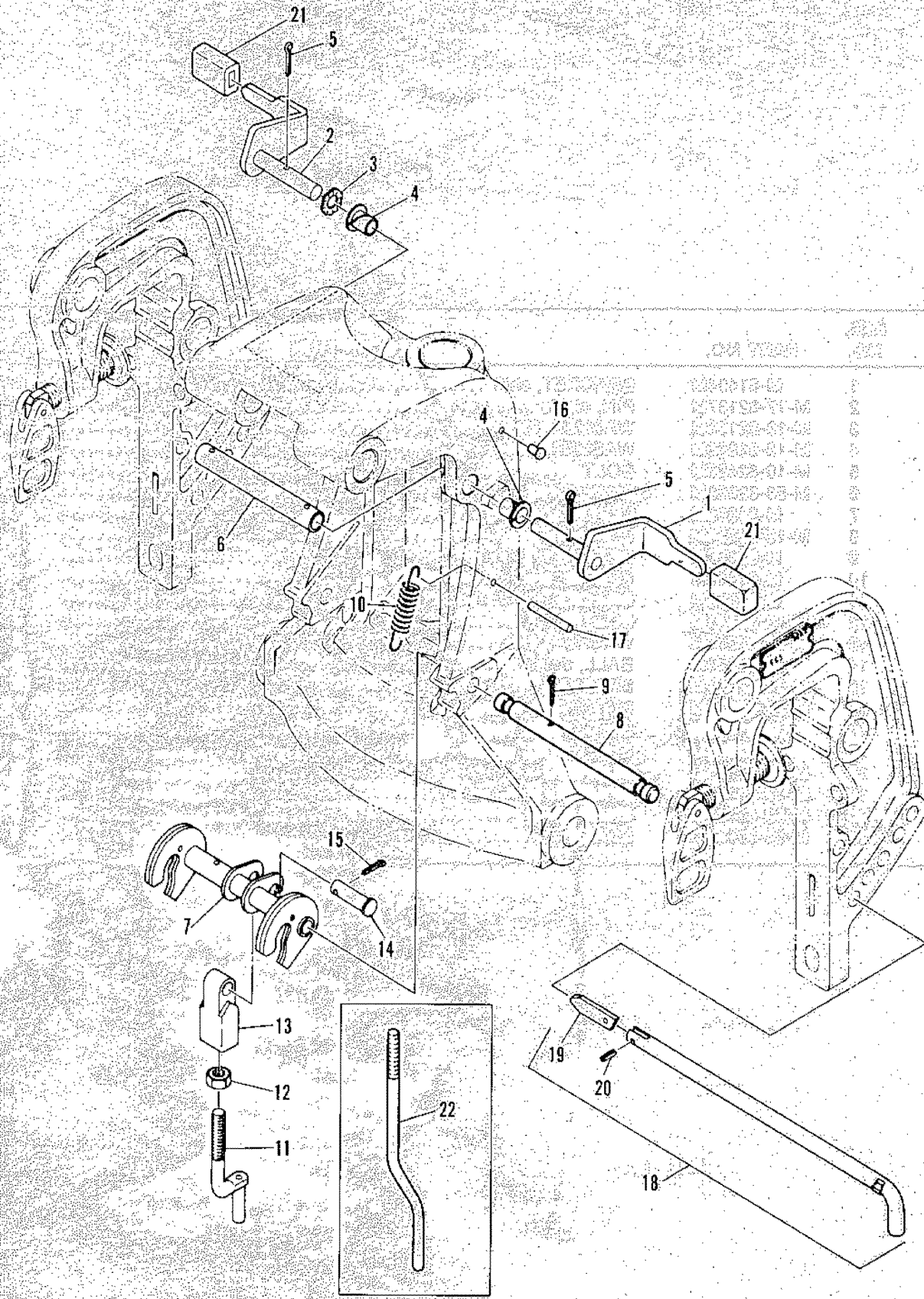




## GEAR SHIFT LINKAGE

REF. NO.	PART NO.	SYM.	QTY.	DESCRIPTION
1	81404M		1	BRACKET, SHIFT
2	17-82137M		1	PIN, CLEVIS
3	13-82199M		3	WASHER, LOCK
4	13-81866M		1	WASHER, WAVE
5	10-82423M		1	BOLT
6	53-82330M		2	SNAP RING
7	84209M		1	LEVER, SHIFT ROD
8	18-82736M		1	PIN, COTTER
9	92657M		1	RETAINER, CLEVIS
10	81480M		1	CLEVIS, SHIFT CONTROL CABLE
11	82556M		1	BRACKET, SHIFT ROD
12	10-82441M		2	BOLT
13	13-82200M		2	WASHER, LOCK
14	92659M		1	BALL, DETENT
15	24-82081M		1	SPRING
16	23-80635M		1	RETAINER, SPRING
17	81405M		1	SHIFT ROD, UPPER-(E)
	92656M		1	SHIFT ROD, UPPER-(EL)
18	23-81953M		1	BUSHING
19	12-81858M		2	SPACER, SHIFT ROD
20	53-82324M		1	SNAP RING
21	54-92664M		1	CLAMP

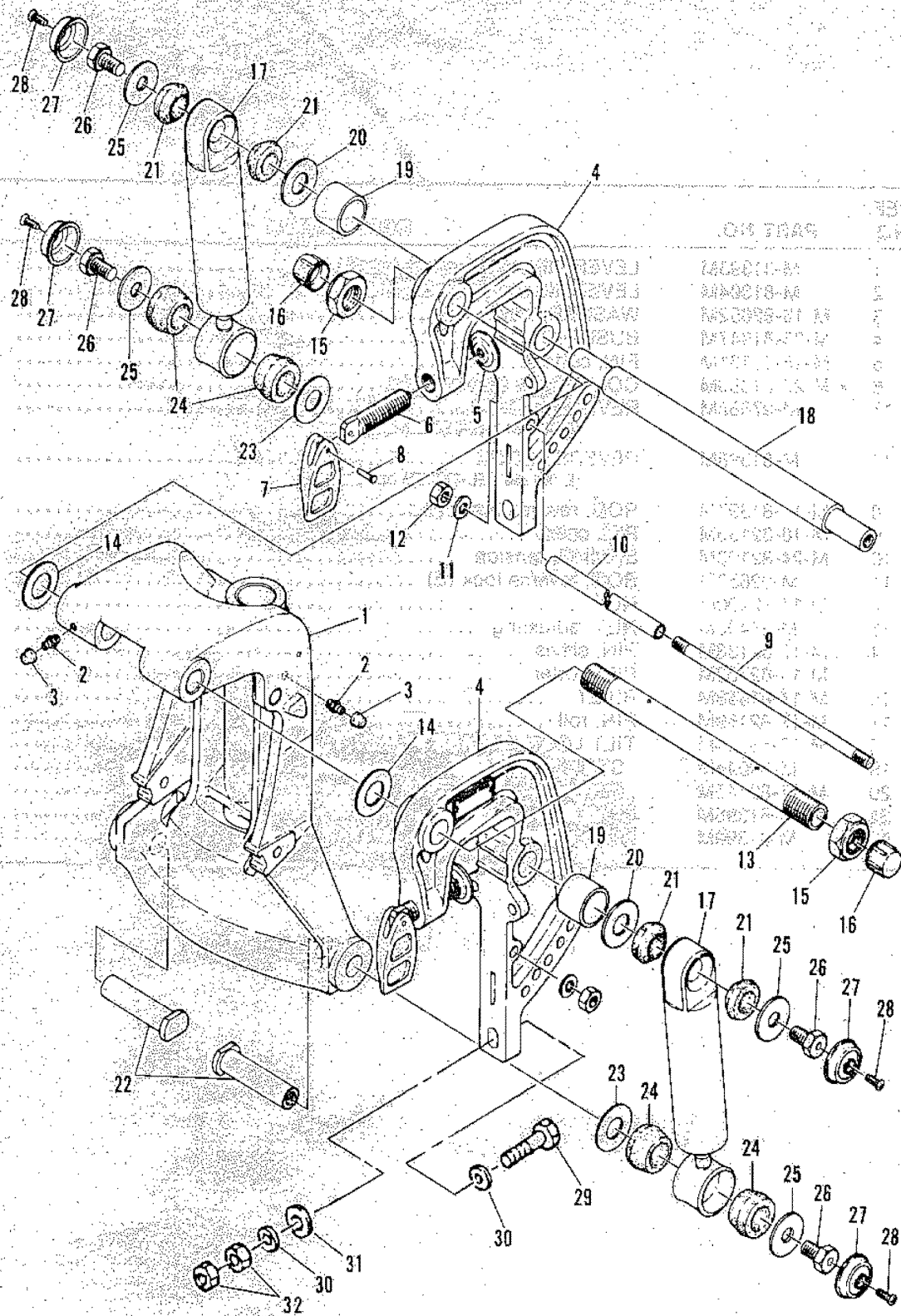
# REVERSE LOCK



# REVERSE LOCK

REF. NO.	PART NO.	SYM.	QTY.	DESCRIPTION
1	81393M		1	LEVER, TILT STOP SUPPORT (PORT)
2	81394M		1	LEVER, TILT STOP SUPPORT (STARBOARD)
3	13-92652M		1	WASHER, WAVE
4	23-81947M		2	BUSHING
5	18-82131M		2	PIN, COTTER
6	23-81980M		1	COLLAR, TILT STOP SUPPORT
7	97088M		1	REVERSE LOCK <b>SERIAL 00001261-09999999</b>
	81396M		1	REVERSE LOCK <b>SERIAL 00000000-00001260</b>
8	17-81397M		1	ROD, REVERSE LOCK
9	18-82130M		1	PIN,COTTER
10	24-82103M		1	SPRING, TENSION
11	92653M		1	ROD, REVERSE LOCK (E)
12	11-82400M		1	NUT
13	81400M		1	NUT, ADJUSTING
14	17-82138M		1	PIN, CLEVIS
15	18-82752M		1	PIN, COTTER
16	17-81909M		1	RIVET
17	17-82159M		1	PIN, ROLL
18	17-83904M		1	TILT LOCK PIN ASS'Y
19	84044M		1	STOPPER PLATE
20	17-82145M		1	PIN, ROLL
21	81395M		2	COVER
22	81399M		1	ROD, REVERSE LOCK (EL)

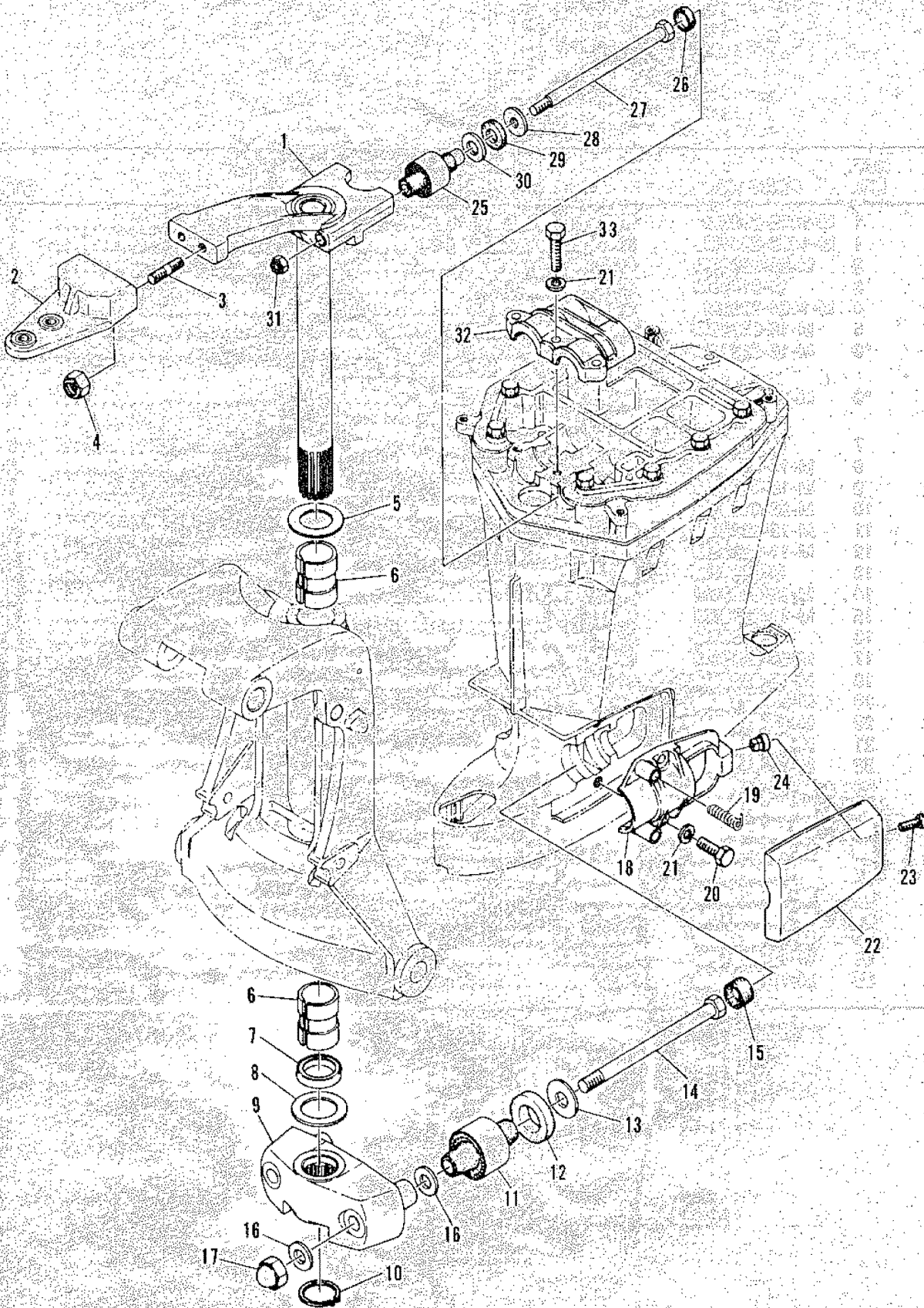
# CLAMP AND SWIVEL BRACKET



# CLAMP AND SWIVEL BRACKET

REF. NO.	PART NO.	SYM.	QTY.	DESCRIPTION
1	1485-6840M		1	SWIVEL BRACKET (E)
	1485-6841M		1	SWIVEL BRACKET (EL)
2	22-82369M		3	FITTING, GREASE
3	81439M		3	CAP, GREASE FITTING
4	1484-6839M		2	CLAMP BRACKET
5	12-80638M		2	PAD, TRANSOM CLAMP SCREW
6	10-81381M		2	SCREW, TRANSOM CLAMP SERIAL 00001261-09999999
	10-92649M		2	SCREW, TRANSOM CLAMP SERIAL 00000000-00001260
7	81382M		2	HANDLE, TRANSOM CLAMP SCREW
8	17-81889M		2	PIN
9	16-81383M		1	STUD, CLAMP BRACKET
10	23-81981M		1	SPACER, CLAMP BRACKET STUD
11	12-82220M		2	WASHER
12	11-82395M		2	NUT
13	81387M		1	STUD, CLAMP BRACKET
14	12-81836M		2	WASHER
15	11-81787M		2	NUT
16	81388M		2	CAP, CLAMP BRACKET STUD
17	M-9265M		2	SHOCK ABSORBER
18	17-81386M		1	SHAFT, UPPER SHOCK MOUNT
19	23-82120M		2	SPACER, SHOCK MOUNT
20	12-81830M		2	WASHER
21	23-81939M		4	BUSHING
22	17-81384M		2	PIN, LOWER SHOCK MOUNT
23	12-81859M		2	WASHER
24	23-81938M		4	BUSHING
25	12-81812M		4	WASHER
26	10-81718M		4	BOLT
27	92651M		4	COVER, SHOCK MOUNT
28	10-82533M		4	SCREW
29	10-84970M		4	BOLT
30	M-82220M		8	WASHER
31	12-81812M		4	WASHER
32	11-82395M		8	NUT

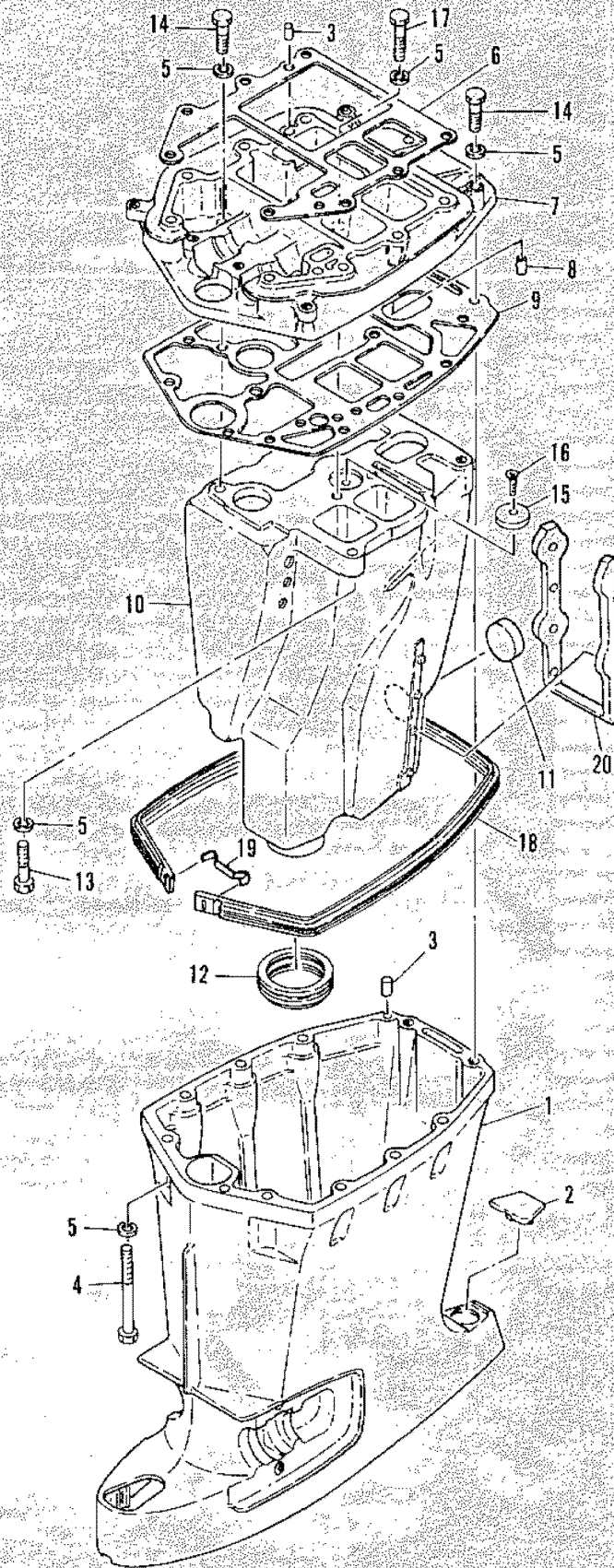
# MOUNTING SYSTEM



# MOUNTING SYSTEM

REF. NO.	PART NO.	SYM.	QTY.	DESCRIPTION
1	81359M		1	ARM & SHAFT (E)
	81360M		1	ARM & SHAFT (EL)
2	81482M		1	PLATE, STEERING (RIDE GUIDE)
3	16-81742M		2	STUD, STEERING PLATE
4	11-81785M		2	NUT
5	12-81838M		1	WASHER
6	23-81955M		2	BUSHING
7	26-82256M		1	OIL SEAL, STEERING SHAFT
8	12-81839M		1	WASHER
9	81432M		1	HOUSING, LOWER MOUNT
10	53-92654M		1	SNAP RING
11	84430M		2	MOUNT, LOWER
12	12-84431M		2	WASHER
13	12-84432M		2	WASHER
14	10-81717M		2	BOLT
15	81436M		2	BUMPER
16	12-84429M		4	WASHER
17	11-82397M		2	NUT
18	84433M		2	RETAINER, LOWER MOUNT
19	24-82087M		4	SPRING, COMPRESSION
20	10-82464M		4	BOLT
21	13-82215M		7	WASHER, LOCK
22	81434M		2	COVER, LOWER MOUNT
23	10-82172M		2	SCREW
24	11-81779M		2	NUT
25	81676M		2	MOUNT, UPPER
26	81431M		2	BUMPER
27	10-81714M		2	BOLT
28	12-81825M		2	WASHER
29	12-81857M		2	WASHER
30	12-81803M		2	WASHER
31	11-81783M		2	NUT
32	81429M		1	RETAINER, UPPER MOUNT
33	10-82466M		3	BOLT

# DRIVESHAFT HOUSING

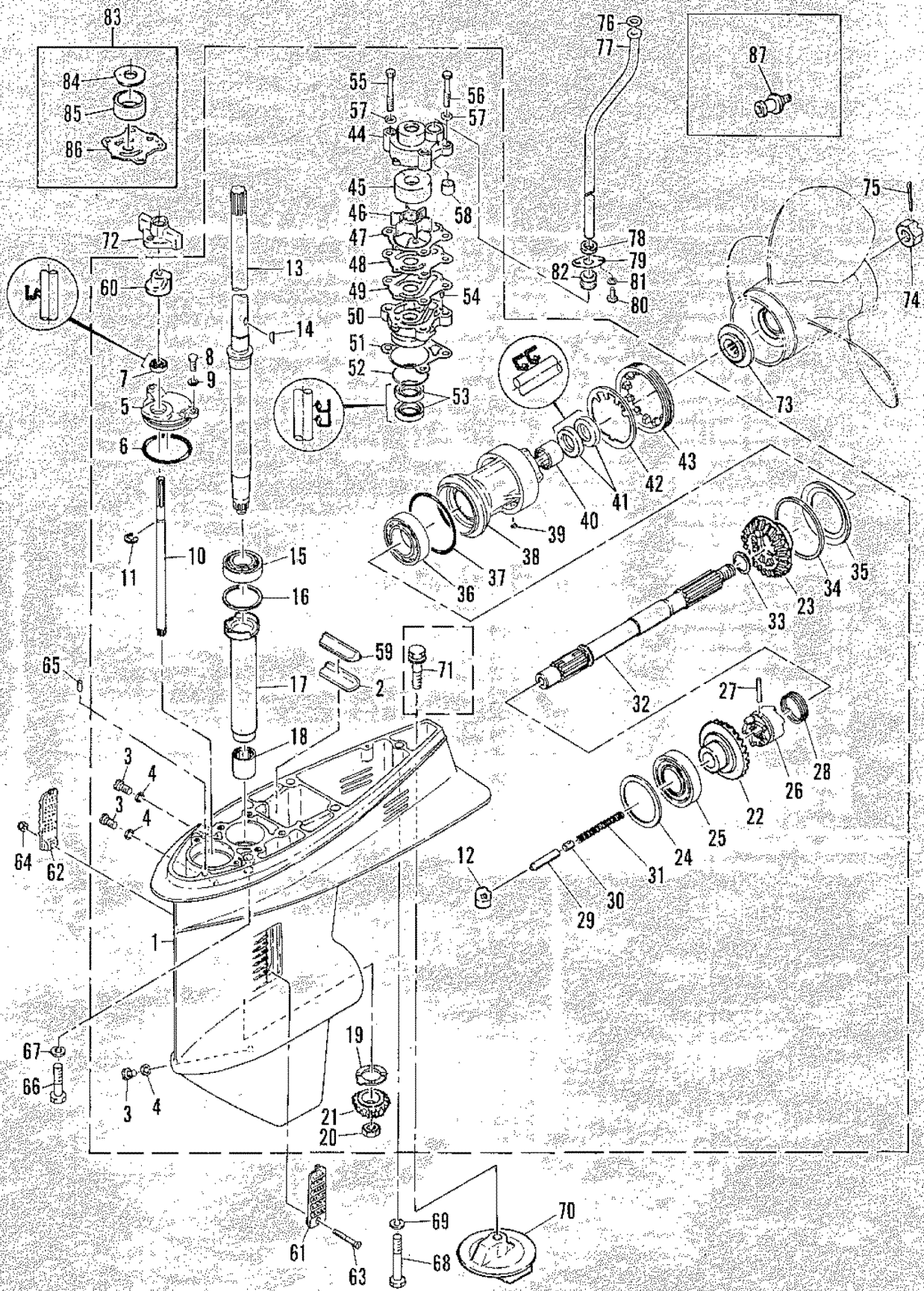




# DRIVESHAFT HOUSING

REF. NO.	PART NO.	SYM.	QTY.	DESCRIPTION
1	1587-7163M		1	DRIVESHAFT HOUSING (E)
	1587-7164M		1	DRIVESHAFT (EL)
2	81441M		1	CAP, DRIVESHAFT HOUSING (E)
	81442M		1	CAP, DRIVESHAFT HOUSING (EL)
3	17-82364M		4	PIN, DOWEL
4	10-84427M		8	BOLT
5	13-82215M		16	WASHER, LOCK
6	27-81437M		1	GASKET, EXHAUST GUIDE-UPPER
7	81332M		1	GUIDE, EXHAUST
8	23-84426M		1	BUSHING
9	27-82794M		1	GASKET, EXHAUST GUIDE-LOWER
10	84420M		1	EXHAUST TUBE HOUSING (E)
	92641M		1	EXHAUST TUBE HOUSING (EL)
11	19-81922M		1	PLUG
12	27-92642M		1	SEAL, INNER TO OUTER HOUSING (E)
	27-81440M		1	GASKET, INNER TO OUTER HOUSING (EL)
13	10-82466M		1	BOLT
14	10-82465M		6	BOLT
15	84422M		1	ANODE
16	10-84423M		1	SCREW
17	10-84056M		1	BOLT
18	27-83033M		1	SEAL, RUBBER
19	83034M		1	HOOK, RUBBER SEAL
20	84424M		1	DAMPER (E)
	84425M		1	DAMPER (EL)

# GEARHOUSING ASS'Y

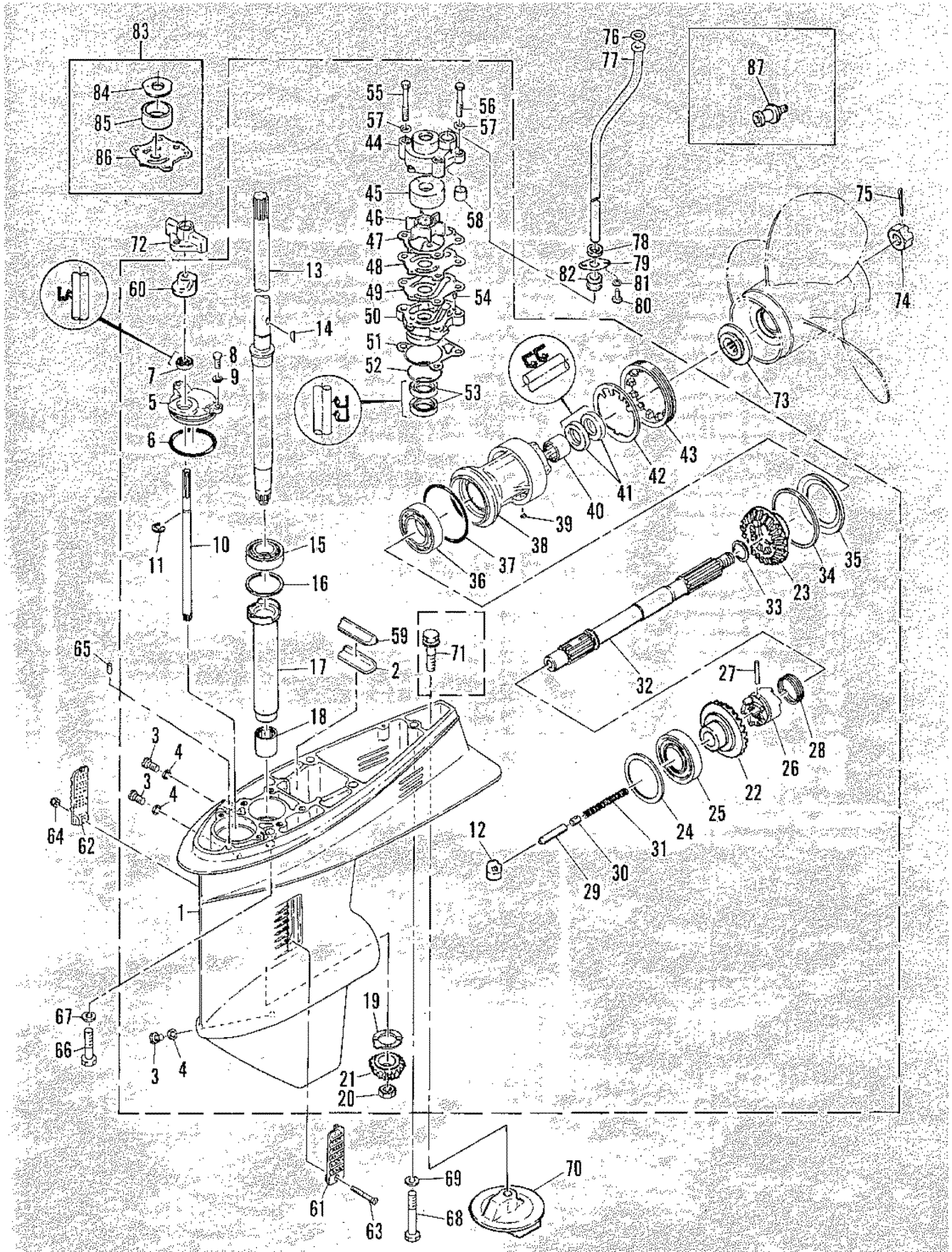


# GEARHOUSING ASS'Y

REF. NO.	PART NO.	SYM.	QTY.	DESCRIPTION
0-1	1651-7969M		1	GEARHOUSING ASS'Y (E)
	1651-7970M		1	GEARHOUSING ASS'Y (EL)
1	1651-7971M		1	GEAR HOUSING
2	81449M		1	GUIDE, SEAL
3	22-81924M		3	PLUG
4	27-81987M		3	GASKET
5	81445M		1	COVER, GEAR HOUSING
6	25-82281M		1	O-RING, COVER TO GEAR HOUSING
7	26-82257M		1	OIL SEAL, GEAR HOUSING COVER
8	10-91725M		2	BOLT
9	12-82214M		2	WASHER
10	81408M		1	ROD, SHIFT-LOWER
11	53-82334M		1	SNAP RING
12	81409M		1	CAM, SHIFT
13	45-81451M		1	DRIVESHAFT (E)
	45-81452M		1	DRIVESHAFT (EL)
14	28-97089M		1	KEY <b>SERIAL 00001331-09999999</b>
	28-81912M		1	KEY <b>SERIAL 00000000-00001330</b>
15	31-82319M		1	BEARING, DRIVESHAFT
16	15-81467M		AR	SHIM, DRIVESHAFT BEARING (0.5MM)
	15-81468M		AR	SHIM, DRIVESHAFT BEARING (.08MM)
	15-81469M		AR	SHIM, DRIVESHAFT BEARING (.12MM)
	15-81470M		AR	SHIM, DRIVESHAFT BEARING (.30MM)
	15-81471M		AR	SHIM, DRIVESHAFT BEARING (.50MM)
17	23-81453M		1	SLEEVE, DRIVESHAFT
18	31-82316M		1	BEARING, NEEDLE-DRIVESHAFT
19	12-81455M		1	THRUST WASHER, DRIVESHAFT
20	11-81772M		1	NUT, DRIVESHAFT
21	43-84208M		1	GEAR, PINION
22	43-84206M		1	GEAR, FORWARD
23	43-84207M		1	GEAR, REVERSE
24	15-81456M		AR	SHIM, FORWARD GEAR ADJUST (.05MM)
	15-81457M		AR	SHIM, FORWARD GEAR ADJUST (.08MM)
	15-81458M		AR	SHIM, FORWARD GEAR ADJUST (.12MM)
	15-81459M		AR	SHIM, FORWARD GEAR ADJUST (.30MM)
	15-81460M		AR	SHIM, FORWARD GEAR ADJUST (.50MM)
25	31-82320M		1	BEARING, FORWARD GEAR
26	52-81473M		1	CLUTCH
27	17-81903M		1	CROSS PIN, CLUTCH
28	81474M		1	RING, CROSS PIN
29	92643M		1	PLUNGER, SHIFT
30	81475M		1	SLIDE, SHIFT
31	24-82091M		1	SPRING, SHIFT

CONTINUED ON NEXT PAGE ➡

# GEARHOUSING ASS'Y

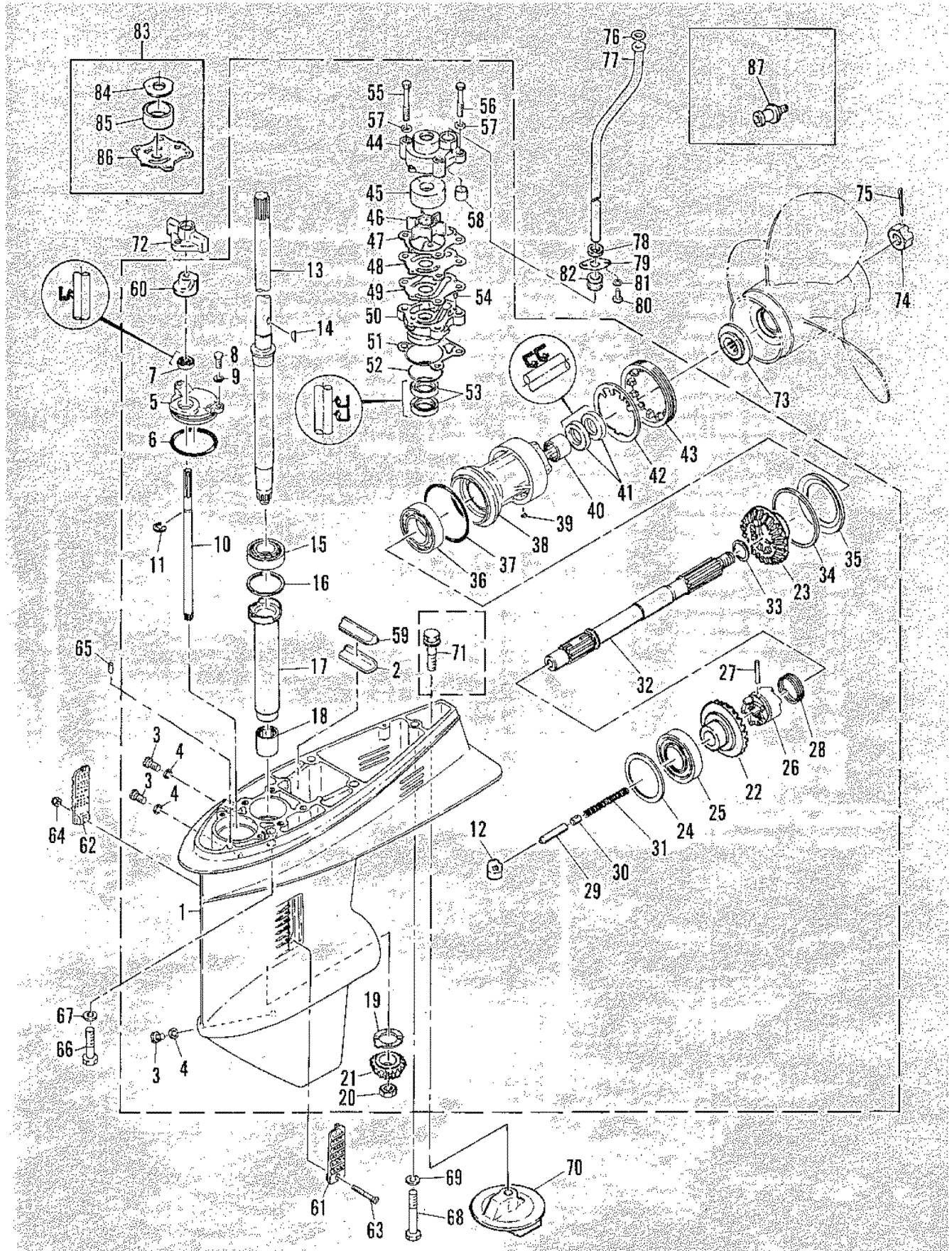


# GEARHOUSING ASS'Y

REF. NO.	PART NO.	SYM.	QTY.	DESCRIPTION
32	44-92644M		1	SHAFT, PROPELLER
33	12-81837M		1	THRUST WASHER, REVERSE GEAR
34	15-81462M		AR	SHIM, REVERSE GEAR ADJ (0.5MM)
	15-81463M		AR	SHIM, REVERSE GEAR ADJ (.08MM)
	15-81464M		AR	SHIM, REVERSE GEAR ADJ (.12MM)
	15-81465M		AR	SHIM, REVERSE GEAR ADJ (.30MM)
	15-81466M		AR	SHIM, REVERSE GEAR ADJ (.50MM)
35	12-81461M		1	THRUST WASHER, REVERSE GEAR
36	30-82296M		1	BEARING, REVERSE GEAR
37	25-82289M		1	O-RING, BEARING HOUSING
38	81446M		1	HOUSING, BEARING
39	28-81916M		1	KEY
40	31-82317M		1	BEARING, NEEDLE-PROPELLER SHAFT
41	26-82233M		2	OIL SEAL, PROPELLER SHAFT
42	14-81877M		1	WASHER, CLAW
43	11-81450M		1	NUT
44	46-81416M		1	BODY, WATER PUMP
45	81419M		1	INSERT, CARTRIDGE
46	47-97108M		1	IMPELLER, WATER PUMP <b>SERIAL 00001396-09999999</b>
	47-82824M		1	IMPELLER, WATER PUMP <b>SERIAL 00000000-00001395</b>
47	27-81417M		1	GASKET, WATER PUMP
48	81420M		1	OUTER PLATE, CARTRIDGE
49	27-81421M		1	GASKET, CARTRIDGE OUTER PLATE
50	46-81422M		1	BASE, WATER PUMP
51	27-81418M		1	GASKET, WATER PUMP BASE
52	25-82275M		1	O-RING, WATER PUMP BASE
53	26-82234M		2	OIL SEAL, WATER PUMP
54	17-82354M		2	PIN, DOWEL
55	10-84057M		2	BOLT
56	10-82468M		2	BOLT
57	12-82217M		4	WASHER
58	26-81426M		1	SEAL, WATER TUBE-UPPER
59	81448M		1	SEAL, RUBBER
60	81410M		1	CAM, REVERSE ROD
61	97091M		1	COVER, WATER INLET-PORT <b>SERIAL 00001396-09999999</b>
	92645M		1	COVER, WATER INLET-PORT <b>SERIAL 00000000-00001395</b>
62	97092M		1	COVER, WATER INLET-STARBOARD <b>SERIAL 00001396-09999999</b>
	92646M		1	COVER, WATER INLET-STARBOARD ( ) AND ABOVE <b>SERIAL 00000000-00001395</b>
63	10-82484M		1	SCREW
64	11-81781M		1	NUT
65	17-82364M		2	PIN, DOWEL
66	10-82474M		4	BOLT

CONTINUED ON NEXT PAGE ➡

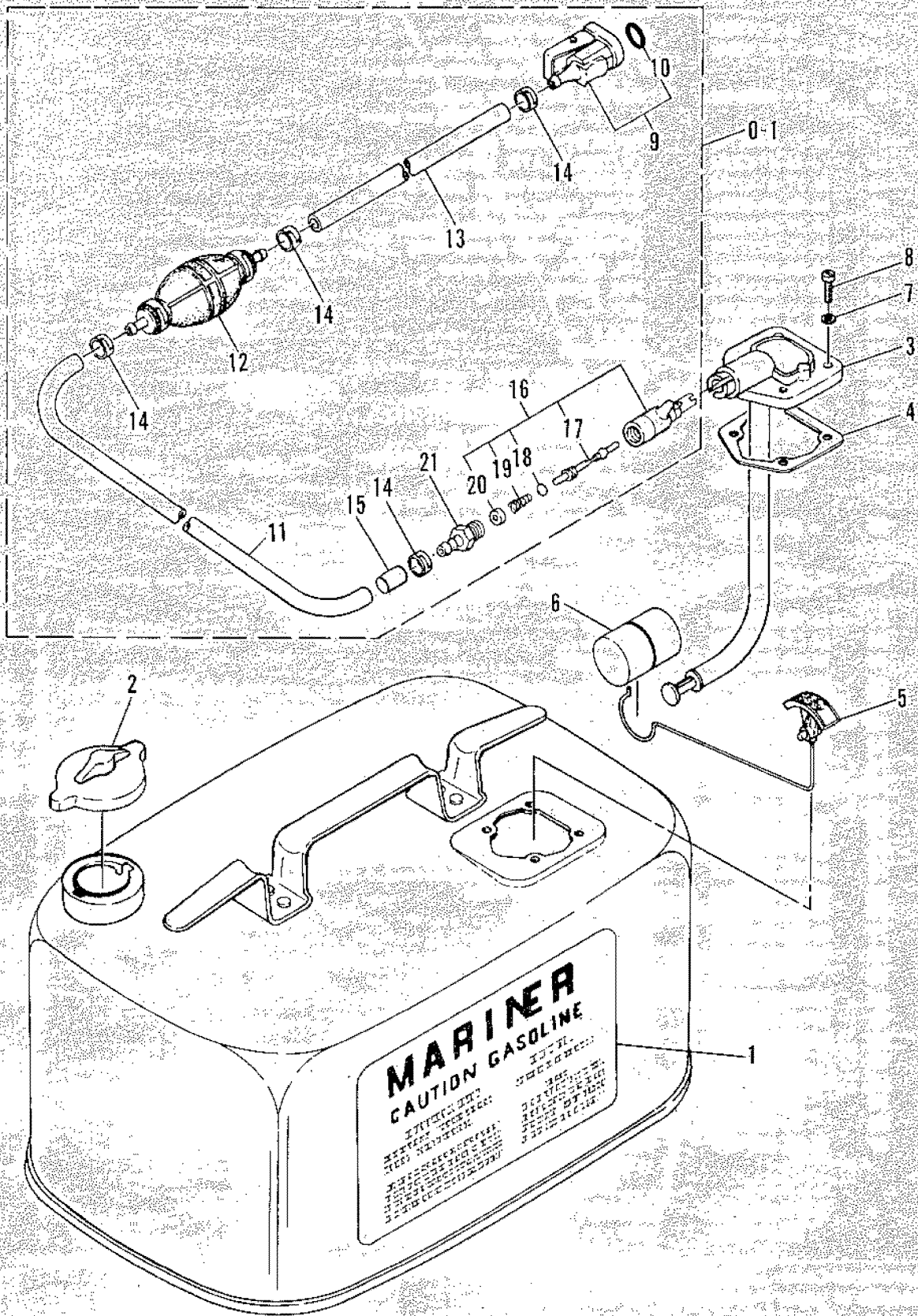
# GEARHOUSING ASS'Y



# GEARHOUSING ASS'Y

REF. NO.	PART NO.	SYM.	QTY.	DESCRIPTION
67	13-82218M		4	WASHER, LOCK
68	10-82470M		1	BOLT
69	13-82215M		1	WASHER, LOCK
70	83859M		1	TRIM TAB
71	10-82801M		1	BOLT
72	81401M		1	GUIDE, REVERSE END
73	12-92647M		1	THRUST WASHER
74	11-81775M		1	NUT, PROPELLER
75	18-82131M		1	PIN, COTTER
76	12-81852M		1	WASHER, WATER TUBE
77	32-81424M		1	TUBE, WATER (E)
	32-81425M		1	TUBE, WATER (EL)
78	25-81989M		1	GASKET, WATER TUBE
79	81428M		1	SET PLATE, WATER TUBE
80	10-91772M		2	BOLT
81	13-82212M		2	WASHER, LOCK
82	26-81427M		1	SEAL, WATER TUBE-LOWER
83	84187M		1	CHROME WATER PUMP KIT (OPT)
84	83131M		1	INNER PLATE
85	81672M		1	INSERT, CARTRIDGE
86	81673M		1	FACE PLATE
87	22-80218M		1	FLUSH PLUG (OPT)
-	<b>27-92648M</b>		<b>1</b>	<b>GASKET SET, LOWER UNIT REPLACEMENT PARTS</b>
-	<b>84188M</b>		<b>1</b>	<b>REPAIR KIT, WATER PUMP REPLACEMENT PARTS</b>

# FUEL TANK AND FUEL LINE ASSEMBLY

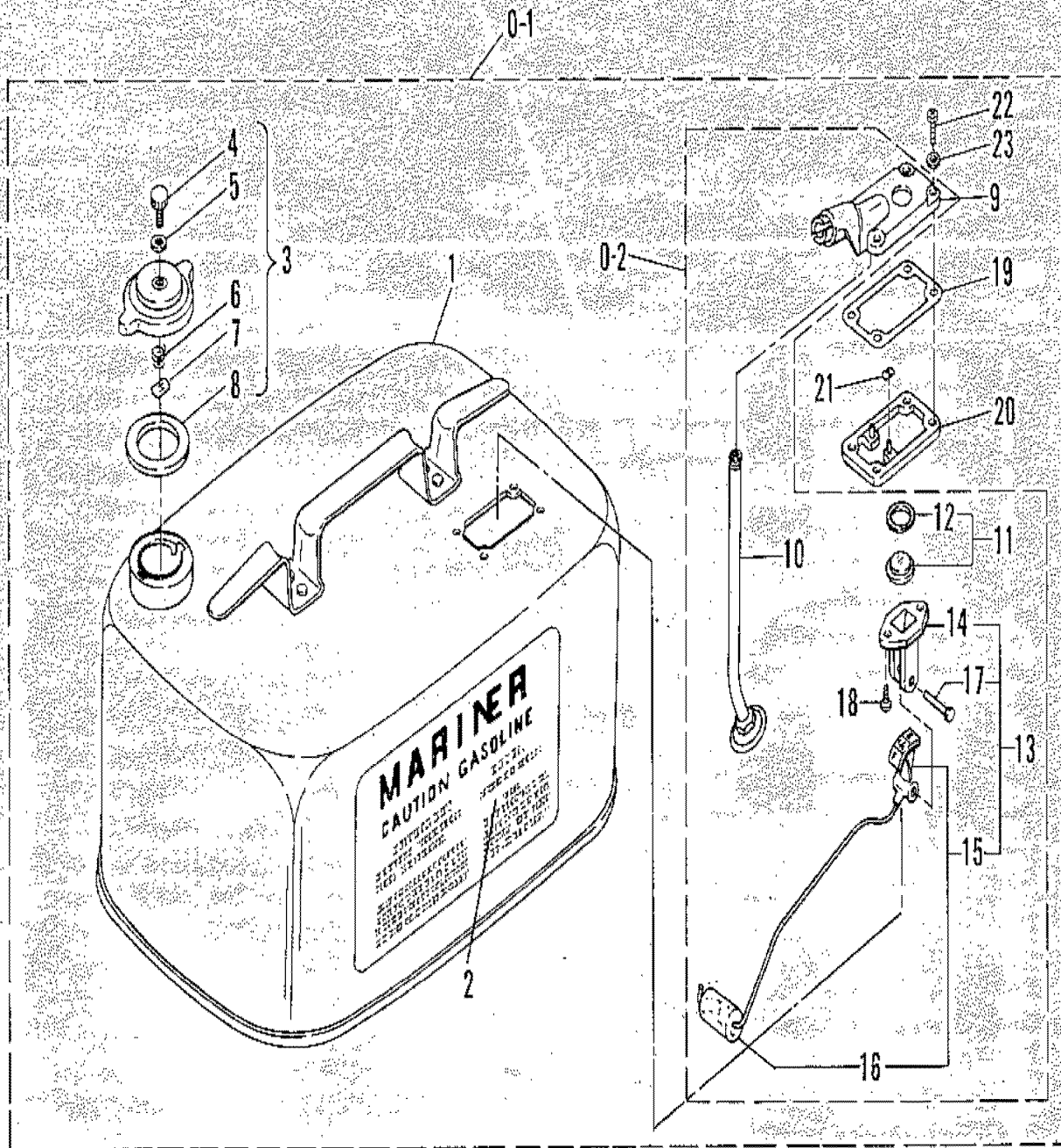




## FUEL TANK AND FUEL LINE ASSEMBLY

REF. NO.	PART NO.	SYM.	QTY.	DESCRIPTION
1	37-82984M		2	DECAL, SIDE
2	36-83617M		1	FUEL TANK CAP
3	83618M		1	FUEL METER
4	27-81320M		1	GASKET, HOUSING TO TANK
5	81318M		1	INDICATOR, FUEL LEVEL
6	81319M		1	FLOAT, INDICATOR
7	12-80271M		4	WASHER, HOUSING SCREW
8	10-82496M		4	SCREW, HOUSING ATTACHING
0-1	32-83628M		1	FUEL LINE ASS'Y
9	22-81042M		1	FUEL CONNECTOR, ENGINE END
10	25-82789M		1	O-RING
11	32-84955M		1	HOSE, CONNECTOR HOUSING TO BULB
12	81325M		1	BULB, PRIMER
13	32-82023M		1	HOSE, BULB TO CONNECTOR
14	54-80752M		4	CLAMP, HOSE
15	23-81327M		1	COLLAR
16	30185A1		1	BAYONET BODY ASS'Y
17	30187		1	STEM, BAYONET BODY
18	25-20415		1	O-RING, BAYONET BODY STEM
19	24-30189		1	SPRING, BAYONET BODY STEM
20	30188		1	WASHER, CAP
21	22-63187		1	FITTING, FUEL LINE

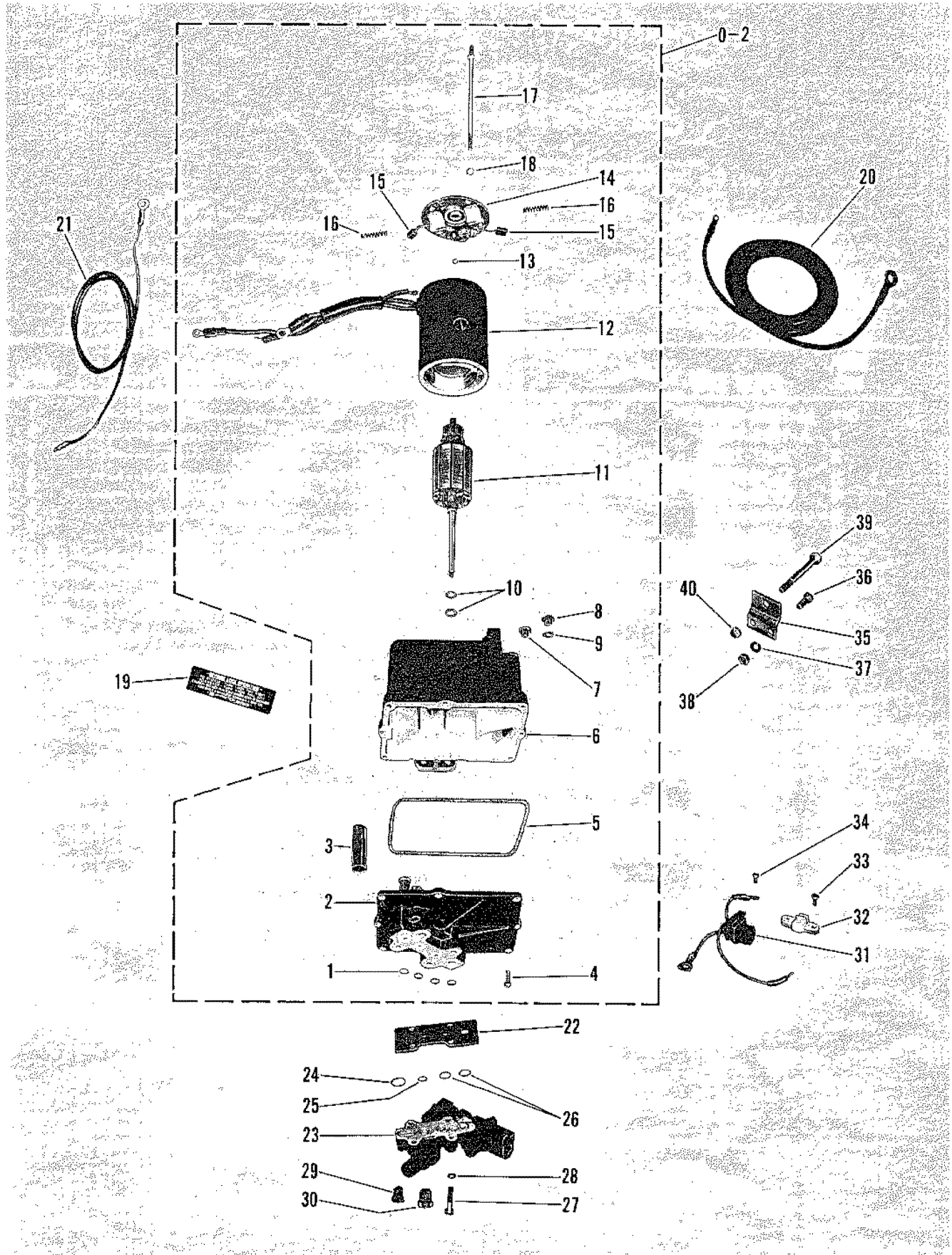
# FUEL TANK



# FUEL TANK

REF. NO.	PART NO.	SYM.	QTY.	DESCRIPTION
0-1	1225-1529A21		1	FUEL TANK ASSEMBLY
1	1225-1529		1	FUEL TANK
2	37-75881		1	DECAL
3	36-25392A2		1	FILLER CAP ASSEMBLY
4	10-25575		1	SCREW, VENT-FILLER CAP
5	12-49221		1	WASHER VENT SCRW
6	24-22227		1	SPRING, TENSION-VENT SCREW
7	11-28587		1	NUT, SPEED-SPRING RETAINER
8	27-25568		1	GASKET, FILLER CAP TO FUEL TANK
0-2	64841A1		1	COVER ASSEMBLY, COMPLETE
9	64841A3		1	COVER ASSEMBLY, FUEL TANK
10	32-33909A3		1	TUBE ASSEMBLY
11	54920A1		1	LENS ASSEMBLY, FUEL GAUGE
12	27-54921		1	GASKET, FUEL GAUGE LENS
13	28897A2		1	FUEL GAUGE ASSEMBLY, COMPLETE
14	20430		1	RETAINER, FUEL GAUGE
15	28897A1		1	INDICATOR AND FLOAT ASSEMBLY
16	20427		1	FLOAT, FUEL GAUGE
17	17-20426		1	RIVET, INICATOR TO RETAINER
18	10-62568		2	SCREW, RETAINER TO FUEL TANK COVER
19	27-28862		1	GASKET, COVER ASSEMBLY TO FRAME
20	28860		1	FRAME, RETAINING-FUEL TANK COVER
21	53-28903		2	FASTENER, RETAINING FRAME TO FUEL TANK
22	10-20411		4	SCREW, FUEL TANK COVER TO FUEL TANK
23	12-74711		4	WASHER, FUEL TANK COVER TASTENING SCREW

# POWER TRIM (OPTIONAL) (PAGE 1)

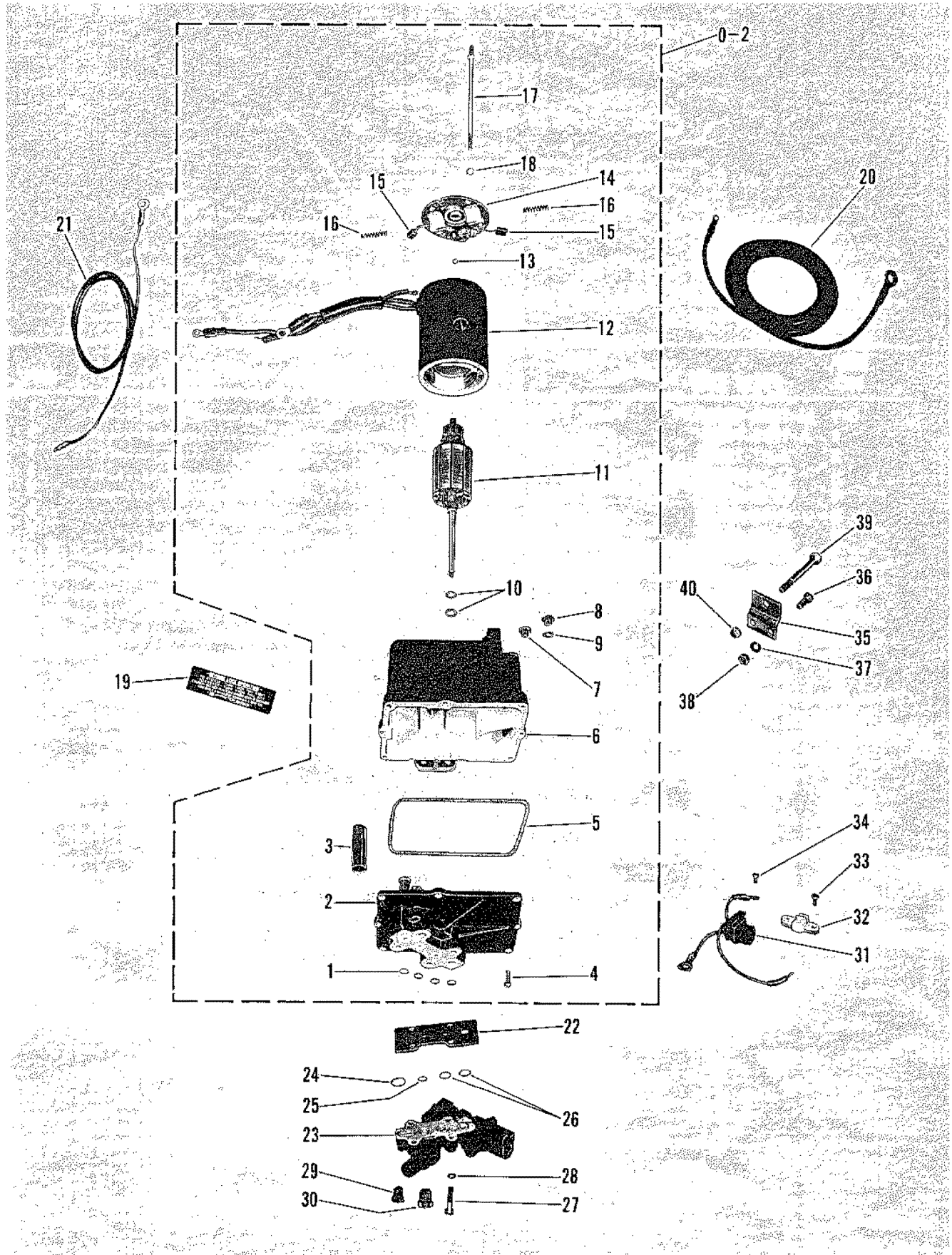


## POWER TRIM (OPTIONAL) (PAGE 1)

REF. NO.	PART NO.	SYM.	QTY.	DESCRIPTION
0-1	45194A23		1	POWER TRIM KIT
0-2	76395A5		1	HYDRAULIC PUMP ASS'Y
1	25-21720		4	O-RING, PUMP BASE
2	392-2936		1	VALVE BODY AND GEAR ASS'Y
3	392-2618		2	CAN, VALVE BODY
4	10-20411		8	SCREW, VALVE TO RESERVOIR
5	392-2937		1	GASKET, VALVE TO RESERVOIR
6	392-2939		1	RESERVOIR ASS'Y
7	10-38257		1	SCREW, VENT
8	10-28634		1	SCREW, FILL
9	12-20260		1	WASHER, FILL SCREW
10	392-2623		AR	THRUST WASHER, ARMATURE
11	392-2943		1	ARMATURE
12	392-2942		1	FIELD AND FRAME ASS'Y
13	392-2944		1	BALL, END PLATE
14	392-2940		1	END PLAT ASS'Y
15	292-2941		1	BRUSH SET
16	392-2529		1	SPRING SET
17	392-2938		1	THRU-BOLT SET
18	13-26996		2	WAHSER, LOCK
19	37-5590		1	DECAL, INSTRUCTION
20	32979		1	BATTERY LEAD (+)
21	32988		1	BATTERY LEAD (-)
22	45336		1	PLATE, MANIFOLD
23	45197A2		1	CONTROL ASS'Y
	25-21720		4	O-RING, PUMP BASE (SEE ITEM 1)
24	25-45254		1	O-RING, VALVE TO MANIFOLD
25	25-21720		1	O-RING, VALVE TO MANIFOLD
26	25-45253		2	O-RING, VALVE TO MANIFOLD
27	10-56500		4	SCREW, VALVE ATTACHING
28	13-26992		4	WASHER, LOCK
29	22-38609		2	PLUG, VALVE (3/8INCH)
30	22-46008		2	PLUG VALVE (1/2INCH)
31	84-74023		1	CONNECTOR AND HARNESS
32	45559		1	TERMINAL BLOCK, PUMP
33	10-35519		2	SCRW, BLOCK TO PUMP
34	10-62568		2	SCREW, HARNESS TO BLOCK
35	45377		2	BRACKET, PUMP MOUNTING

CONTINUED ON NEXT PAGE ➡

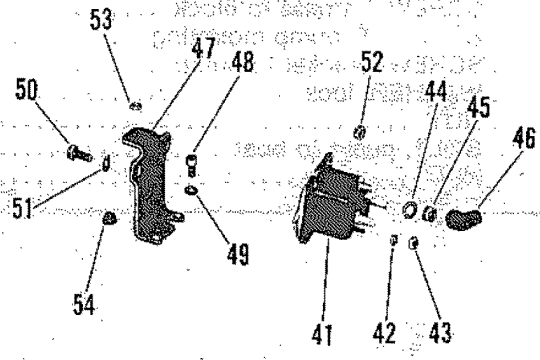
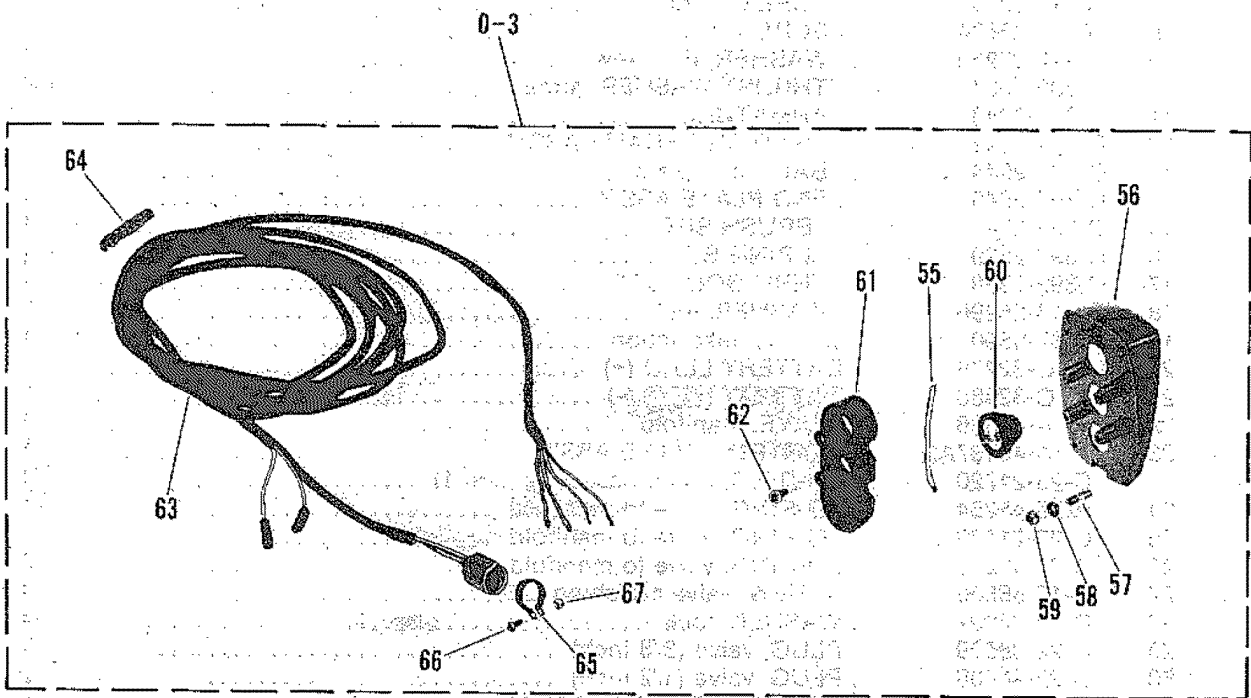
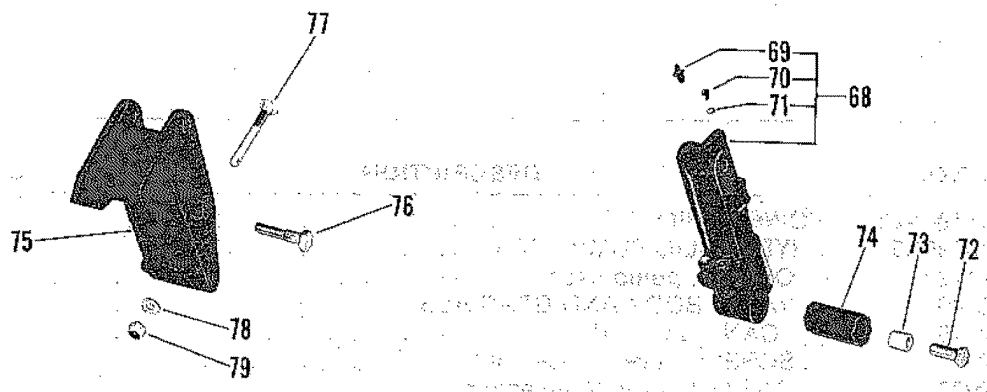
# POWER TRIM (OPTIONAL) (PAGE 1)



## POWER TRIM (OPTIONAL) (PAGE 1)

REF. NO.	PART NO.	SYM.	QTY.	DESCRIPTION
36	10-24234		4	SCREW, BRACKET TO PUMP
37	13-39107		4	WASHER, LOCK
38	11-21908		4	NUT
39	10-68298		2	BOLT, PUMP TO BOAT
40	11-68411		2	NUT

# POWER TRIM (OPTIONAL) (PAGE 2)

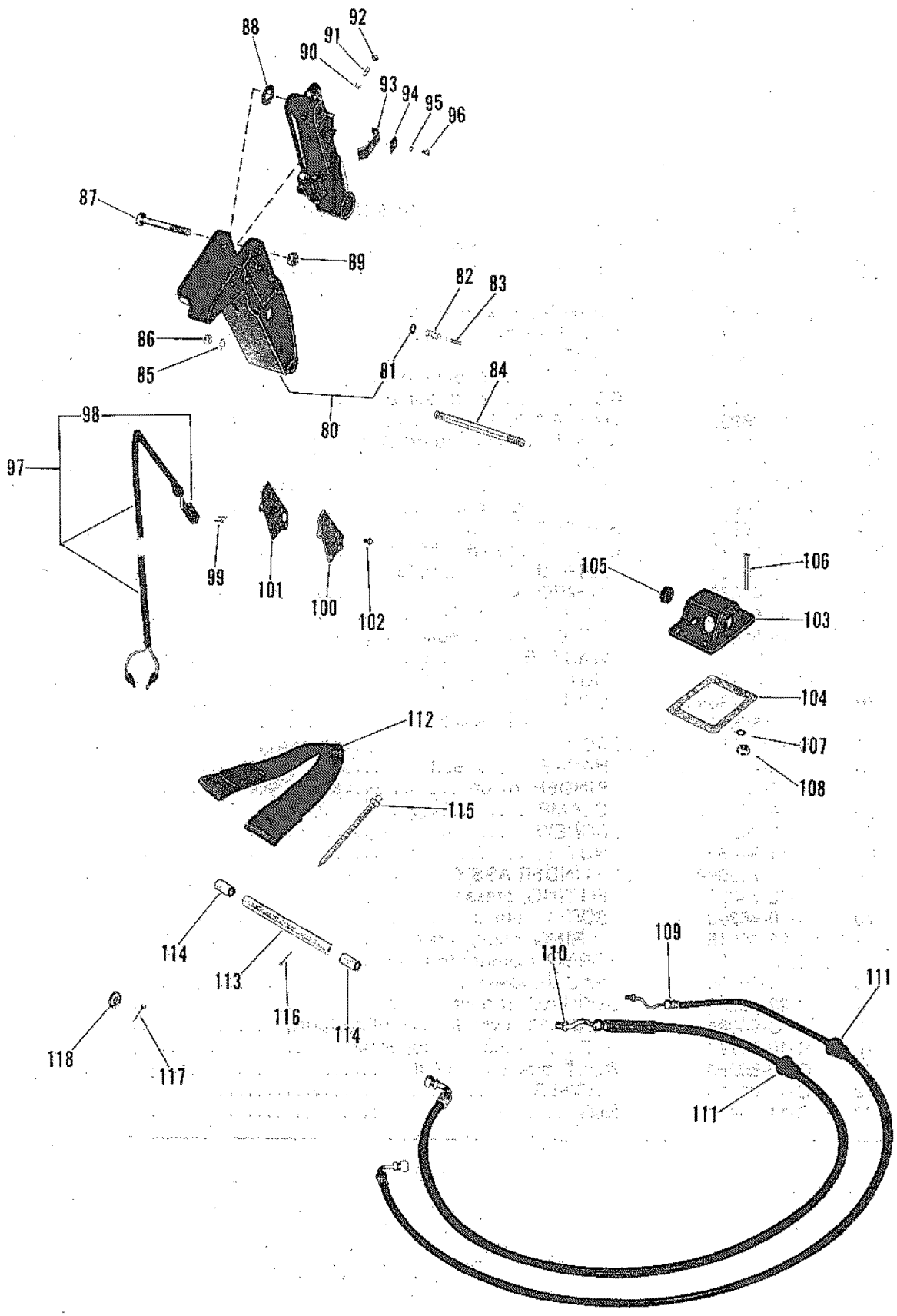




## POWER TRIM (OPTIONAL) (PAGE 2)

REF. NO.	PART NO.	SYM.	QTY.	DESCRIPTION
41	89-68258		1	STARTER SOLENOID
42	13-26996		2	WAHSER, LOCK (#10)
43	11-68219		2	NUT (#10)
44	13-26993		2	WASHER, LOCK (5/16 INCH)
45	11-68292		2	NUT (5/16 INCH)
46	46265		2	BOOT, RUBBER
47	74407		1	BRACKET, SOLENOID MOUNTING
48	10-21140		2	SCREW, BRACKET TO PUMP
49	13-26992		2	WAHSER, LOCK
50	10-69052		2	SCREW, SOLENOID TO BRACKET
51	13-26992		2	WASHER, LOCK
52	11-21825		2	NUT
53	11-24656		1	NUT, BRACKET TO THRU-BOLT
54	26901		1	BUMPER, RUBBER
0-3	55642A7		1	CONTROL PANEL ASS'Y
55	53107		1	JUMPER WIRE (PURPLE)
	48078		1	JUMPER WIRE (RED)
56	55642A1		1	CONTROL PANEL
57	16-55422		4	STUD, PANEL TO BOAT
58	12-24676		4	WASHER
59	11-27164		4	NUT
60	55738A1		3	SWITCH
61	55641		1	RETAINER, SWITCH
62	10-62568		4	SCREW
63	45341-20		1	HARNES (20 FEET)
64	33865		1	BINDER, NYLON
65	54-46770		1	CLAMP
66	10-29227		1	SCREW
67	11-34388		1	NUT
68	76509A3		2	CYLINDER ASS'Y
69	22-74036		2	FITTING, GREASE
70	10-45265		4	SCREW, BLEED
71	25-45016		4	O-RING, BLEED SCREW
72	10-71796		2	SCREW, CYLINDER TO LOWER PIN
73	23-45280		2	SPACER, LOWER
74	23-45281		2	BUSHING, RUBBER
75	66084		1	BRACKET, CYLINDER MOUNTING (PORT)
76	10-71797		2	SCREW, BRACKET TO UPPER PIN
77	10-68298		4	BOLT, BRAKGET TO BOAT
78	12-68410		4	WASHER
79	11-68411		4	NUT

# POWER TRIM (OPTIONAL) (PAGE 3)

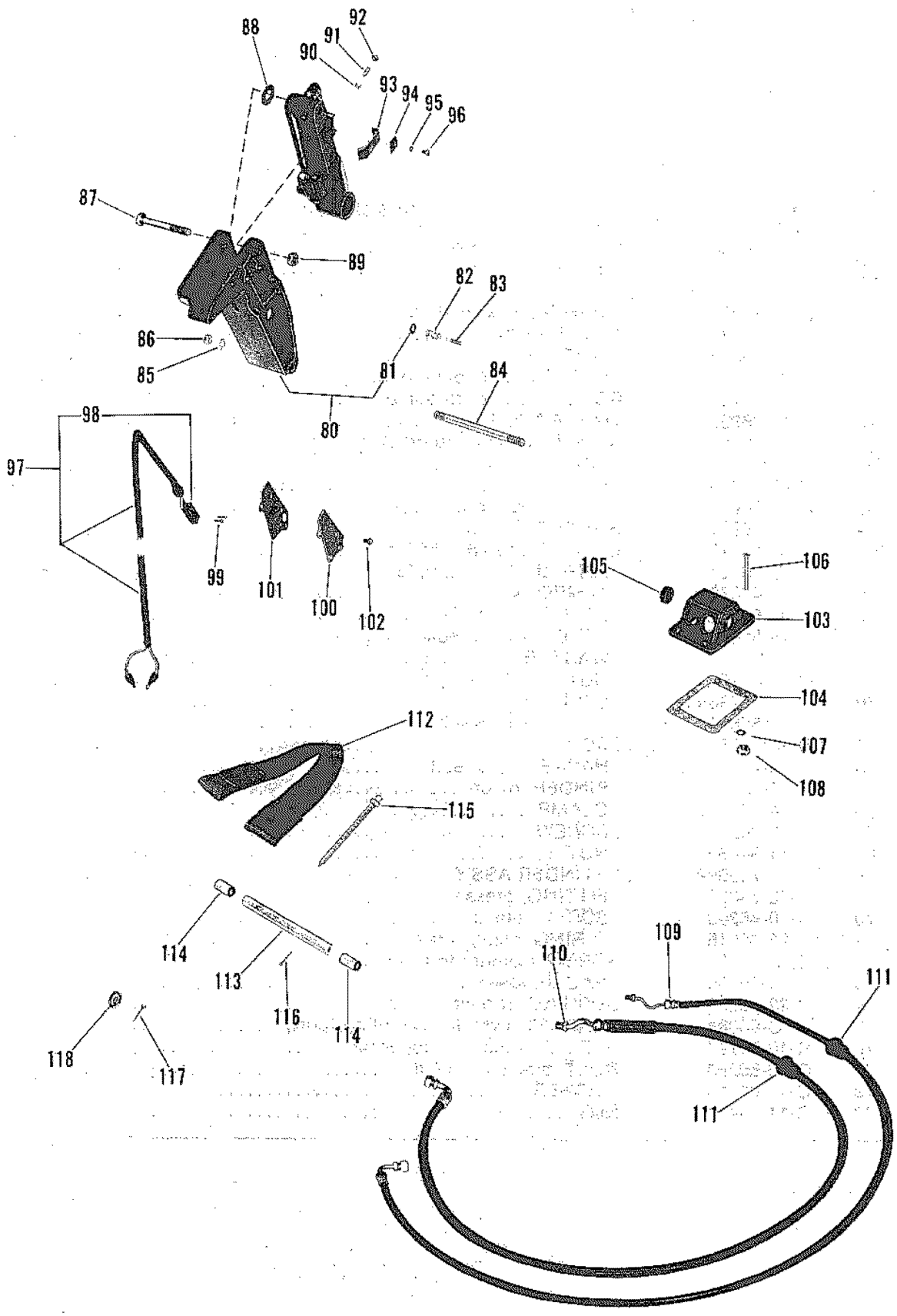


## POWER TRIM (OPTIONAL) (PAGE 3)

REF. NO.	PART NO.	SYM.	QTY.	DESCRIPTION
80	45196A2		1	BRACKET ASS'Y, MOUNTING (STARBOARD)
81	26-70608		1	OIL SEAL
82	45286		1	PLUNGER, LIMIT SWITCH
83	24-45272		1	SPRING, TENSION
84	16-71794		1	STUD
85	13-26993		2	WASHER, LOCK
86	11-20083		2	NUT
87	10-45328		2	SCREW, CYLINDER TO BRACKET
88	12-37807		1	WASHER (STARBOARD ONLY)
89	11-20696		2	NUT
90	24-24390		1	SPRING, TENSION
91	16-21085		1	STUD, ADJUSTING
92	11-45812		1	NUT, JAM
93	71855		1	CAM
94	45509		1	PLATE, CAM RETAINING
95	10-68513		1	SCREW
96	13-26996		1	WAHSER, LOCK
97	45326A2		1	LIMIT SWITCH ASS'Y
98	23-45354		1	BUSHING, RUBBER
99	10-47255		2	SCREW, SWITCH TO BRACKET
100	45287		1	COVER
101	27-45275		1	GASKET
102	10-24942		5	SCREW, COVER TO BRACKET
103	45289		1	COVER, TRANSOM INLET
104	27-45274		1	GASKET
105	25-45507		1	GROMMET, RUBBER
106	10-32866		4	SCREW, INLET COVER TO BOAT
107	12-20878		4	WASHER
108	11-29488		4	NUT
109	32-45327		2	HOSE, TRIM (12/32 INCH OD)
110	32-45959		2	HOSE, LIFT (17/32 INCH OD)
111	23-35977		4	GROMMET, RUBBER
112	73519A1		1	TILT STOP
113	77295		1	TUBE, STOP MOUNTING
114	23-71795		2	SPACER
115	66368		1	STA-STRAP

CONTINUED ON NEXT PAGE ➡

# POWER TRIM (OPTIONAL) (PAGE 3)



## POWER TRIM (OPTIONAL) (PAGE 3)

REF. NO.	PART NO.	SYM.	QTY.	DESCRIPTION
116	18-36391		1	PIN, COTTER
117	18-45882		1	PIN, COTTER
118	12-39304		1	WASHER
	64507A1		1	<b>TRIM CYLINDER REPAIR KIT TRIM CYLINDER REPAIR KIT (A-64507A1) INCLUDES THE PISTON, PISTON SLIPPER SEAL, AND ALL O-RINGS NECESSARY TO REBUILD ON CYLINDER REPLACEMENT PARTS</b>
	64505A1		1	CYLINDER PISTON RETAINER KIT

# PARTS INDEX

Part Number	Description	Pg.	Ref. No.	Part Number	Description	Pg.	Ref. No.
20427	FLOAT, FUEL GAUGE . . . . .	49	16	80611M	PLATE, SPRING GUIDE . . . . .	23	3
20430	RETAINER, FUEL GAUGE . . . . .	49	14	80620M	BRACKET, FUEL FILTER . . . . .	25	9
26901	BUMPER, RUBBER . . . . .	55	54	80935M	PLUG CAP ASS'Y (NOISE SUPPRESSOR) . . . . .	11	56
28860	FRAME, RETAINING-FUEL TANK COVER . . . . .	49	20	81098M	THERMOSTAT . . . . .	13	29
28897A1	INDICATOR AND FLOAT ASSEMBLY . . . . .	49	15	81191M	CONNECTOR, CHOKE LEVER . . . . .	19	26
28897A2	FUEL GAUGE ASSEMBLY, COMPLETE . . . . .	49	13	81225M	CLEVIS . . . . .	29	27
30185A1	BAYONET BODY ASS'Y . . . . .	47	16	81251M	BRACKET, LIFT . . . . .	13	40
30187	STEM, BAYONET BODY . . . . .	47	17	81253M	COVER, CYLINDER HEAD . . . . .	13	22
30188	WASHER, CAP . . . . .	47	20	81255M	ANODE . . . . .	13	16
32979	BATTERY LEAD (+) . . . . .	51	20	81265M	COVER, THERMOSTAT . . . . .	13	30
32988	BATTERY LEAD (-) . . . . .	51	21	81267M	VALVE, PRESSURE CONTROL . . . . .	13	26
33865	BINDER, NYLON . . . . .	55	64	81286M	JET (#160) (EL) . . . . .	21	19
45194A23	POWER TRIM KIT . . . . .	51	0-1	81287M	NOZZLE, MAIN . . . . .	21	9
45196A2	BRACKET ASS'Y, MOUNTING (STARBOARD) . . . . .	57	80	81288M	PILOT, AIR JEY (#100) . . . . .	21	18
45197A2	CONTROL ASS'Y . . . . .	51	23	81290M	FLOAT, BOWL . . . . .	21	14
45286	PLUNGER, LIMIT SWITCH . . . . .	57	82	81291M	FLOAT . . . . .	21	11
45287	COVER . . . . .	57	100	81318M	INDICATOR, FUEL LEVEL . . . . .	47	5
45289	COVER, TRANSOM INLET . . . . .	57	103	81319M	FLOAT, INDICATOR . . . . .	47	6
45326A2	LIMIT SWITCH ASS'Y . . . . .	57	97	81325M	BULB, PRIMER . . . . .	47	12
45336	PLATE, MANIFOLD . . . . .	51	22	81330M	COVER, EXHAUST - OUTER . . . . .	13	35
45341-20	HARNES (20 FEET) . . . . .	55	63	81332M	GUIDE, EXHAUST . . . . .	39	7
45377	BRACKET, PUMP MOUNTING . . . . .	51	35	81334M	CAM . . . . .	29	30
45509	PLATE, CAM RETAINING . . . . .	57	94	81337M	ROD, CHOKE . . . . .	19	25
45559	TERMINAL BLOCK, PUMP . . . . .	51	32	81341M	CAP, CLEVIS LOCK . . . . .	29	2
46265	BOOT, RUBBER . . . . .	55	46	81344M	LEVER, C.D.I. CONTROL . . . . .	29	18
47341A1	ROPE, EMERGENCY START . . . . .	5	53	81345M	LEVER, C.D.I. CONTROL . . . . .	29	1
48078	JUMPER WIRE (RED) . . . . .	55	55	81347M	SHAFT, LINK CONNECTING . . . . .	29	16
53107	JUMPER WIRE (PURPLE) . . . . .	55	55	81348M	ROD, CONTROL . . . . .	29	26
54920A1	LENS ASSEMBLY, FUEL GAUGE . . . . .	49	11	81349M	BRACKER, SHAFT - UPPER . . . . .	29	19
55641	RETAINER, SWITCH . . . . .	55	61	81350M	BRACKET, SHAFT . . . . .	29	7
55642A1	CONTROL PANEL . . . . .	55	56	81359M	ARM & SHAFT (E) . . . . .	37	1
55642A7	CONTROL PANEL ASS'Y . . . . .	55	0-3	81360M	ARM & SHAFT (EL) . . . . .	37	1
55738A1	SWITCH . . . . .	55	60	81370M	BUMPER, COWL . . . . .	3	41
64505A1	CYLINDER PISTON RETAINER KIT . . . . .	59	118	81374M	PARON, COWL - REAR . . . . .	3	43
64507A1	TRIM CYLINDER REPAIR KIT . . . . .	59	118	81378M	APRON, COWL- FRONT . . . . .	3	44
64841A1	COVER ASSEMBLY, COMPLETE . . . . .	49	0-2	81382M	HANDLE, TRANSOM CLAMP SCREW . . . . .	35	7
64841A3	COVER ASSEMBLY, FUEL TANK . . . . .	49	9	81387M	STUD, CLAMP BRACKET . . . . .	35	13
66084	BRACKET, CYLINDER MOUNTING (PORT) . . . . .	55	75	81388M	CAP, CLAMP BRACKET STUD . . . . .	35	16
66368	STA-STRAP . . . . .	57	115	81393M	LEVER, TILT STOP SUPPORT (PORT) . . . . .	33	1
71855	CAM . . . . .	57	93	81394M	LEVER, TILT STOP SUPPORT (STARBOARD) . . . . .	33	2
73519A1	TILT STOP . . . . .	57	112	81395M	COVER . . . . .	33	21
74407	BRACKET, SOLENOID MOUNTING . . . . .	55	47	81396M	REVERSE LOCK . . . . .	33	7
76395A5	HYDRAULIC PUMP ASS'Y . . . . .	51	0-2	81399M	ROD, REVERSE LOCK (EL) . . . . .	33	22
76509A3	CYLINDER ASS'Y . . . . .	55	68	81400M	NUT, ADJUSTING . . . . .	33	13
77295	TUBE, STOP MOUNTING . . . . .	57	113	81401M	GUIDE, REVERSE END . . . . .	45	72
80026M	PLATE . . . . .	21	24	81401M	STOP, SHAFT BRACKET . . . . .	29	12
80606M	DIAPHRAM . . . . .	23	2	81403M	BRACKET, SHIFT . . . . .	31	1
80607M	COVER . . . . .	23	13	81404M	SHIFT ROD, UPPER-(E) . . . . .	31	17
80609M	RETAINER, CHECK VALVE . . . . .	23	8	81405M	ROD, SHIFT-LOWER . . . . .	41	10
				81408M	CAM, SHIFT . . . . .	41	12
				81409M	CAM, REVERSE ROD . . . . .	43	60
				81410M	CAP . . . . .	29	24
				81415M	CAP . . . . .	29	25

# PARTS INDEX

Part Number	Description	Pg.	Ref. No.	Part Number	Description	Pg.	Ref. No.
81419M	INSERT, CARTRIDGE . . . . .	43	45	83024M	COVER, AIR DUCT . . . . .	3	8
81420M	OUTER PLATE, CARTRIDGE . . . . .	43	48	83025M	AIR SHROUD . . . . .	3	9
81428M	SET PLATE, WATER TUBE . . . . .	45	79	83026M	LEVER, COWL CLAMP . . . . .	3	18
81429M	RETAINER, UPPER MOUNT . . . . .	37	32	83027M	CLAMP, COWL . . . . .	3	21
81431M	BUMPER . . . . .	37	26	83030M	I. ASS'Y . . . . .	9	37
81432M	HOUSING, LOWER MOUNT . . . . .	37	9	83031M	POINTER, TIMING . . . . .	9	13
81434M	COVER, LOWER MOUNT . . . . .	37	22	83034M	HOOK, RUBBER SEAL . . . . .	39	19
81436M	BUMPER . . . . .	37	15	83035M	BASE ASS'Y . . . . .	9	2
81439M	CAP, GREASE FITTING . . . . .	35	3	83036M	COIL, CHARGE . . . . .	9	3
81441M	CAP, DRIVESHAFT HOUSING (E) . . . . .	39	2	83037M	COIL, BLANKING (MASKING) . . . . .	9	4
81442M	CAP, DRIVESHAFT HOUSING (EL) . . . . .	39	2	83038M	COIL, LIGHTING . . . . .	9	5
81445M	COVER, GEAR HOUSING . . . . .	41	5	83039M	SEAL, RUBBER . . . . .	3	10
81446M	HOUSING, BEARING . . . . .	43	38	83040M	HOLDER . . . . .	3	14
81448M	SEAL, RUBBER . . . . .	43	59	83041M	HOLDER . . . . .	3	15
81449M	GUIDE, SEAL . . . . .	41	2	83042M	DAMPER . . . . .	3	23
81474M	RING, CROSS PIN . . . . .	41	28	83043M	SEAL, TOP COWL . . . . .	3	4
81475M	SLIDE, SHIFT . . . . .	41	30	83045M	HOOK, COWL CLAMP - FRONT . . . . .	3	30
81480M	CLEVIS, SHIFT CONTROL CABLE . . . . .	31	10	83047M	COVER, BOTTOM . . . . .	5	50
81480M	CLEVIS, THROTTLE CABLE . . . . .	29	6	83131M	INNER PLATE . . . . .	45	84
81482M	PLATE, STEERING (RIDE GUIDE) . . . . .	37	2	83153M	RETAINER, COWL BUMPER . . . . .	3	42
81483M	BRACLET, REMOTE CONTROL . . . . .	29	33	83233M	SOUND BLANKET . . . . .	3	25
81485M	WASHER . . . . .	7	25	83234M	SOUND BLANKET . . . . .	3	26
81493M	STATOR . . . . .	7	6	83618M	FUEL METER . . . . .	47	3
81499M	REAR COVER ASS'Y . . . . .	7	11	83651M	ARMATURE . . . . .	7	5
81504M	GEAR . . . . .	7	4	83654M	FRONT BRACKET . . . . .	7	2
81507M	BRUSH HOLDER . . . . .	7	7	83859M	TRIM TAB . . . . .	45	70
81508M	COVER . . . . .	7	20	84044M	STOPPER PLATE . . . . .	33	19
81515M	COVER, TERMINAL . . . . .	9	33	84187M	CHROME WATER PUMP KIT (OPT) . . . . .	45	83
81518M	TERMINAL 1 . . . . .	9	27	84188M	REPAIR KIT, WATER PUMP . . . . .	45	-
81520M	BAND . . . . .	11	39	84209M	LEVER, SHIFT ROD . . . . .	31	7
81523M	GROMMET . . . . .	9	22	84210M	SOUND BLANKET . . . . .	3	24
81529M	BRACKET . . . . .	27	16	84212M	TIGGER . . . . .	9	10
81530M	PLATE . . . . .	27	17	84213M	SOUND BLANKET . . . . .	3	27
81531M	STOPPER . . . . .	27	5	84411M	HOOK, WIRE PULL . . . . .	19	11
81537M	BRACKET . . . . .	27	6	84412M	WIRE, PULL . . . . .	19	12
81541M	BAND . . . . .	11	51	84419M	REPAIR KIT, CARBURETOR (FITS ALL 4 CARBS) . . . . .	21	27
81543M	BRACKET . . . . .	9	21	8441M	JET, PIOLET (#80) . . . . .	21	4
81544M	DAMPER . . . . .	9	38	84420M	EXHAUST TUBE HOUSING (E) . . . . .	39	10
81549M	IGNITION COIL ASS'Y . . . . .	11	40	84422M	ANODE . . . . .	39	15
81551M	COVER, SOLENOID . . . . .	19	14	84424M	DAMPER (E) . . . . .	39	20
81554M	DAMPER . . . . .	19	29	84425M	DAMPER (EL) . . . . .	39	20
81652M	RECTIFIER ASS'Y . . . . .	11	45	84430M	MOUNT, LOWER . . . . .	37	11
81672M	INSERT, CARTRIDGE . . . . .	45	85	84433M	RETAINER, LOWER MOUNT . . . . .	37	18
81673M	FACE PLATE . . . . .	45	86	84934M	MOUNT . . . . .	7	19
81676M	MOUNT, UPPER . . . . .	37	25	84937M	FUSE HOLDER ASS'Y . . . . .	27	21
82556M	BRACKET, SHIFT ROD . . . . .	31	11	84942M	SWITCH PANEL ASS'Y . . . . .	27	0-1
82678M	RETAINER, BASE . . . . .	9	16	84960M	EXTENTION, WIRE HARNESS (2M) . . . . .	27	14
82780M	VALVE SEAT . . . . .	21	20	92624M	POWER HEAD ASS'Y . . . . .	15	-
82784M	FUEL BOWL . . . . .	25	8	92629M	BASE, AIR INTAKE . . . . .	19	1
82788M	PLUG CAP ASS'Y . . . . .	11	56	92630M	COVER, AIR INTAKE . . . . .	19	5
82911M	ROD, THROTTLE ADJUSTMENT . . . . .	19	28	92632M	MANIFOLD, INTAKE . . . . .	19	17
82912M	EMBLEM,FRONT . . . . .	3	2	92637M	JET, MAIN (#165) (E) . . . . .	21	10
82996M	CLAMP . . . . .	3	31	92638M	JET, MAIN (#160) (EL) . . . . .	21	10
82999M	EMBLEM, REAR . . . . .	3	3	92640M	JET (#150)(E) . . . . .	21	19

# PARTS INDEX

Part Number	Description	Pg.	Ref. No.	Part Number	Description	Pg.	Ref. No.
92643M	PLUNGER, SHIFT	41	29	10-35519	SCRW, BLOCK TO PUMP	51	33
92645M	COVER, WATER INLET-PORT	43	61	10-38257	SCREW, VENT	51	7
92646M	COVER, WATER INLET-STARBOARD ( ) AND ABOVE	43	62	10-45265	SCREW, BLEED	55	70
92651M	COVER, SHOCK MOUNT	35	27	10-45328	SCREW, CYLINDER TO BRACKET	57	87
92653M	ROD, REVERSE LOCK (E)	33	11	10-47255	SCREW, SWITCH TO BRACKET	57	99
92655M	ROD, LINK	29	28	10-56500	SCREW, VALVE ATTACHING	51	27
92656M	SHIFT ROD, UPPER-(EL)	31	17	10-62568	SCREW	55	62
92657M	RETAINER, CLEVIS	31	9	10-62568	SCREW, HARNESS TO BLOCK	51	34
92659M	BALL, DETENT	31	14	10-62568	SCREW, RETAINER TO FUEL TANK COVER	49	18
92661M	SWITCH PANEL	27	1	10-68298	BOLT, BRAKCTET TO BOAT	55	77
92671M	RING, STOP	7	16	10-68298	BOLT, PUMP TO BOAT	53	39
92672M	WIRE, LEAD	7	18	10-68513	SCREW	57	95
93045M	FUEL PUMP ASS'Y	23	1	10-69052	SCREW, SOLENOID TO BRACKET	55	50
93099M	FUEL LINE CONNECTOR	25	1	10-71796	SCREW, CYLINDER TO LOWER PIN	55	72
94475M	BRUSH (+)	7	8	10-71797	SCREW, BRACKET TO UPPER PIN	55	76
94478M	BRUSH (-)	7	9	10-81277M	SCREW, THROTTLE (LOWER)	21	5
97074M	POINTER, TIMING	9	13	10-81279M	SCREW, PLUG	21	3
97076M	COVER, TERMINAL	9	33	10-81281M	SCREW, IDLE SPEED	21	7
97077M	IGNITION COIL ASS'Y	11	40	10-81292M	SCREW, PLUG	21	1
97081M	JET, PIOLET (#82)	21	4	10-81293M	SCREW	21	16
97087M	CAP	29	24	10-81381M	SCREW, TRANSOM CLAMP	35	6
97088M	REVERSE LOCK	33	7	10-81500M	BOLT	7	15
97091M	COVER, WATER INLET-PORT	43	61	10-81713M	BOLT	29	32
97092M	COVER, WATER INLET-STARBOARD	43	62	10-81714M	BOLT	37	27
97094M	JET(#180)(E)	21	19	10-81715M	BOLT	17	22
97100M	BASE ASS'Y	9	2	10-81717M	BOLT	37	14
M-80454M	CAP, OVER FLOW PIPE	19	19	10-81718M	BOLT	35	26
M-81259M	SHIM, CRANKSHAFT	17	7	10-81758M	SCREW W/WASHER	21	15
M-81346M	LEVER, C.D.I. CONTROL	29	15	10-82172M	SCREW	37	23
M-81484M	CLAMP, CABLE	29	34	10-82405M	BOLT	9	25
M-81831M	RETAINER, CONECTING ROD BEARING	17	13	10-82405M	BOLT	13	5
M-82220M	WASHER	35	30	10-82405M	BOLT	19	3
M-82353M	BEARING, CONNECTING ROD (PISTON END)	17	12	10-82409M	BOLT	13	20
M-82986M	HOUSING, OIL SEAL	17	14	10-82410M	BOLT	13	8
M-82988M	ROD, CHOKE LINK	19	27	10-82417M	BOLT	15	45
M-83509M	SCREW	9	11	10-82423M	BOLT	29	9
M-84305M	BALLJOINT	9	12	10-82423M	BOLT	31	5
M-9265M	SHOCK ABSORBER	35	17	10-82428M	BOLT	23	17
10-20411	SCREW, FUEL TANK COVER TO FUEL TANK	49	22	10-82436M	BOLT	27	24
10-20411	SCREW, VALVE TO RESERVOIR	51	4	10-82437M	BOLT	7	26
10-21140	SCREW, BRACKET TO PUMP	55	48	10-82437M	BOLT	29	36
10-24234	SCREW, BRACKET TO PUMP	53	36	10-82441M	BOLT	31	12
10-24942	SCREW, COVER TO BRACKET	57	102	10-82453M	BOLT	5	46
10-25575	SCREW, VENT-FILLER CAP	49	4	10-82464M	BOLT	37	20
10-28634	SCREW, FILL	51	8	10-82465M	BOLT	39	14
10-29227	SCREW	55	66	10-82466M	BOLT	37	33
10-32866	SCREW, INLET COVER TO BOAT	57	106	10-82466M	BOLT	39	13
				10-82468M	BOLT	43	56
				10-82470M	BOLT	45	68
				10-82474M	BOLT	43	66
				10-82484M	SCREW	43	63
				10-82487M	SCREW	27	7



# PARTS INDEX

Part Number	Description	Pg.	Ref. No.	Part Number	Description	Pg.	Ref. No.
10-82496M	SCREW, HOUSING ATTACHING	47	8	11-29488	NUT	57	108
10-82499M	SCREW	21	25	11-34388	NUT	55	67
10-82508M	SCREW	9	6	11-45812	NUT, JAM	57	92
10-82509M	SCREW	9	7	11-68219	NUT (#10)	55	43
10-82511M	SCREW	23	9	11-68292	NUT (5/16 INCH)	55	45
10-82515M	SCREW	7	12	11-68411	NUT	53	40
10-82522M	SCREW	23	14	11-68411	NUT	55	79
10-82527M	SCREW	13	17	11-81450M	NUT	43	43
10-82533M	SCREW	35	28	11-81772M	NUT, DRIVESHAFT	41	20
10-82798M	SCREW	9	28	11-81773M	NUT, FLYWHEEL	9	19
10-82801M	BOLT	45	71	11-81775M	NUT, PROPELLER	45	74
10-82977M	SCREW	29	21	11-81779M	NUT	37	24
10-82980M	SCREW	9	30	11-81781M	NUT	43	64
10-83048M	SCREW	9	35	11-81783M	NUT	37	31
10-83050M	SCREW 1	29	22	11-81785M	NUT	37	4
10-83371M	SCREW W/WASHER (UPPER)	21	26	11-81787M	NUT	35	15
10-83395M	BOLT	17	18	11-82378M	NUT	27	10
10-83539M	BOLT	9	17	11-82378M	NUT	29	29
10-83539M	BOLT	13	24	11-82380M	NUT	19	24
10-83539M	BOLT	25	2	11-82381M	NUT	29	23
10-84056M	BOLT	39	17	11-82382M	NUT	25	12
10-84057M	BOLT	43	55	11-82387M	NUT	13	10
10-84058M	BOLT	5	45	11-82388M	NUT	3	5
10-84211M	BOLT	5	51	11-82395M	NUT	35	12
10-84211M	BOLT	25	10	11-82395M	NUT	35	32
10-84236M	BOLT	7	21	11-82397M	NUT	37	17
10-84237M	BOLT	3	38	11-82400M	NUT	33	12
10-84237M	BOLT	11	43	11-84515M	NUT	23	10
10-84237M	BOLT	13	32	11-84515M	SPRING	23	11
10-84245M	SCREW	11	46	12-20260	WASHER, FILL SCREW	51	9
10-84245M	SCREW	19	15	12-20878	WASHER	57	107
10-84247M	BOLT	3	12	12-24676	WASHER	55	58
10-84247M	BOLT	3	40	12-37807	WASHER (STARBOARD ONLY)	57	88
10-84247M	BOLT	9	14	12-39304	WASHER	59	118
10-84303M	BOLT	3	11	12-49221	WASHER VENT SCRW	49	5
10-84315M	BOLT	7	14	12-68410	WASHER	55	78
10-84342M	BOLT	7	22	12-74711	WASHER, FUEL TANK COVER TASTENING SCREW	49	23
10-84342M	BOLT	13	41	12-80271M	WASHER, HOUSIONG SCREW	47	7
10-84423M	SCREW	39	16	12-80564M	WASHER	13	21
10-84427M	BOLT	39	4	12-80638M	PAD, TRANSOM CLAMP SCREW	35	5
10-84435M	SCREW	11	52	12-81343M	WASHER	9	18
10-84657M	BOLT	19	7	12-81455M	THRUST WASHER, DRIVESHAFT	41	19
10-84946M	SCREW	27	9	12-81461M	THRUST WASHER, REVERSE GEAR	43	35
10-84970M	BOLT	35	29	12-81792M	WASHER	13	6
10-91725M	BOLT	41	8	12-81794M	WASHER	3	22
10-91772M	BOLT	45	80	12-81796M	WASHER	3	37
10-92649M	SCREW, TRANSOM CLAMP	35	6	12-81803M	WASHER	37	30
10-97080M	SCREW, PLUG	21	3	12-81807M	WASHER	13	9
10-97082M	SCREW W/WASHER (UPPER)	21	26	12-81812M	WASHER	35	25
11-20083	NUT	57	86	12-81812M	WASHER	35	31
11-20696	NUT	57	89	12-81825M	WASHER	37	28
11-21825	NUT	55	52	12-81830M	WASHER	35	20
11-21908	NUT	53	38	12-81836M	WASHER	35	14
11-24656	NUT, BRACKET TO THRU-BOLT	55	53				
11-27164	NUT	55	59				

# PARTS INDEX

Part Number	Description	Pg.	Ref. No.	Part Number	Description	Pg.	Ref. No.
12-81837M	THRUST WASHER, REVERSE GEAR .....	43	33	13-82200M	WASHER, LOCK .....	13	42
12-81838M	WASHER .....	37	5	13-82200M	WASHER, LOCK .....	31	13
12-81839M	WASHER .....	37	8	13-82208M	WASHER, LOCK .....	23	15
12-81852M	WASHER, WATER TUBE ...	45	76	13-82210M	WASHER .....	15	46
12-81857M	WASHER .....	37	29	13-82212M	WASHER .....	11	53
12-81858M	SPACER, SHIFT ROD .....	31	19	13-82212M	WASHER, LOCK .....	25	3
12-81859M	WASHER .....	35	23	13-82212M	WASHER, LOCK .....	45	81
12-82196M	WASHER .....	3	6	13-82215M	WASHER, LOCK .....	37	21
12-82196M	WASHER .....	27	12	13-82215M	WASHER, LOCK .....	39	5
12-82197M	WASHER, LOCK .....	3	39	13-82215M	WASHER, LOCK .....	45	69
12-82198M	WASHER .....	23	18	13-82218M	WASHER, LOCK .....	45	67
12-82202M	WASHER .....	7	24	13-92652M	WASHER, WAVE .....	33	3
12-82202M	WASHER .....	27	25	14-81877M	WASHER, CLAW .....	43	42
12-82214M	WASHER .....	11	54	15-81456M	SHIM, FORWARD GEAR ADJUST (.05MM) .....	41	24
12-82214M	WASHER .....	17	19	15-81457M	SHIM, FORWARD GEAR ADJUST (.08MM) .....	41	24
12-82214M	WASHER .....	41	9	15-81458M	SHIM, FORWARD GEAR ADJUST (.12MM) .....	41	24
12-82217M	WASHER .....	43	57	15-81459M	SHIM, FORWARD GEAR ADJUST (.30MM) .....	41	24
12-82220M	WASHER .....	35	11	15-81460M	SHIM, FORWARD GEAR ADJUST (.50MM) .....	41	24
12-82799M	WASHER .....	9	29	15-81462M	SHIM, REVERSE GEAR ADJ (0.5MM) .....	43	34
12-82979M	WASHER .....	9	24	15-81463M	SHIM, REVERSE GEAR ADJ (.08MM) .....	43	34
12-83372M	WASHER ( UPPER) .....	21	27	15-81464M	SHIM, REVERSE GEAR ADJ (.12MM) .....	43	34
12-83652M	WASHER KIT .....	7	17	15-81465M	SHIM, REVERSE GEAR ADJ (.30MM) .....	43	34
12-84429M	WASHER .....	37	16	15-81466M	SHIM, REVERSE GEAR ADJ (.50MM) .....	43	34
12-84431M	WASHER .....	37	12	15-81467M	SHIM, DRIVESHAFT BEARING (0.5MM) .....	41	16
12-84432M	WASHER .....	37	13	15-81468M	SHIM, DRIVESHAFT BEARING (.08MM) .....	41	16
12-84436M	WASHER, FLYWHEEL .....	9	20	15-81469M	SHIM, DRIVESHAFT BEARING (.12MM) .....	41	16
12-92636M	WASHER .....	21	2	15-81470M	SHIM, DRIVESHAFT BEARING (.30MM) .....	41	16
12-92647M	THRUST WASHER .....	45	73	15-81471M	SHIM, DRIVESHAFT BEARING (.50MM) .....	41	16
12-97084M	WASHER .....	27	8	16-21085	STUD, ADJUSTING .....	57	91
13-26992	WASHER, LOCK .....	55	49	16-55422	STUD, PANEL TO BOAT ...	55	57
13-26992	WASHER, LOCK .....	51	28	16-71794	STUD .....	57	84
13-26992	WASHER, LOCK .....	55	51	16-81383M	STUD, CLAMP BRACKET ..	35	9
13-26993	WASHER, LOCK .....	57	85	16-81735M	STUD, INTAKE MANIFOLD ATTACHING .....	13	11
13-26993	WASHER, LOCK (5/16 INCH)	55	44	16-81742M	STUD, STEERING PLATE ..	37	3
13-26996	WASHER, LOCK .....	51	18	16-81743M	STUD, CRANKCASE ATTACHING .....	13	15
13-26996	WASHER, LOCK .....	57	96	17-20426	RIVET, INDICATOR TO RETAINER .....	49	17
13-26996	WASHER, LOCK (#10) .....	55	42	17-81258M	LOCK, BEARING .....	13	14
13-39107	WASHER, LOCK .....	53	37	17-81278M	PIN, FLOAT .....	21	12
13-81866M	WASHER, WAVE .....	31	4	17-81384M	PIN, LOWER SHOCK MOUNT	35	22
13-81868M	WASHER, WAVE .....	29	31	17-81386M	SHAFT, UPPER SHOCK MOUNT .....	35	18
13-81871M	WASHER, WAVE .....	3	20	17-81397M	ROD, REVERSE LOCK ....	33	8
13-82184M	WASHER .....	9	36				
13-82184M	WASHER, LOCK .....	7	13				
13-82193M	WASHER .....	11	47				
13-82193M	WASHER .....	27	11				
13-82197M	WASHER, LOCK .....	19	4				
13-82197M	WASHER .....	9	26				
13-82197M	WASHER .....	11	44				
13-82197M	WASHER, LOCK .....	25	11				
13-82199M	WASHER, LOCK .....	19	8				
13-82199M	WASHER .....	5	47				
13-82199M	WASHER .....	9	31				
13-82199M	WASHER, LOCK .....	3	13				
13-82199M	WASHER, LOCK .....	9	15				
13-82199M	WASHER, LOCK .....	13	25				
13-82199M	WASHER, LOCK .....	29	10				
13-82199M	WASHER, LOCK .....	31	3				
13-82200M	WASHER .....	7	23				
13-82200M	WASHER .....	29	37				

# PARTS INDEX

Part Number	Description	Pg.	Ref. No.	Part Number	Description	Pg.	Ref. No.
17-81698M	PIN, VALVE	21	23	23-81946M	BUSHING	29	8
17-81889M	PIN	35	8	23-81947M	BUSHING	33	4
17-81903M	CROSS PIN, CLUTCH	41	27	23-81952M	BUSHING	3	19
17-81909M	RIVET	33	16	23-81953M	BUSHING	31	18
17-82137M	PIN, CLEVIS	31	2	23-81955M	BUSHING	37	6
17-82138M	PIN, CLEVIS	33	14	23-81980M	COLLAR, TILT STOP SUPPORT	33	6
17-82145M	PIN, ROLL	19	10	23-81981M	SPACER, CLAMP BRACKET STUD	35	10
17-82145M	PIN, ROLL	33	20	23-82120M	SPACER, SHOCK MOUNT	35	19
17-82146M	PIN, ROLL	29	35	23-82851M	COLLAR	9	23
17-82149M	PIN, ROLL	29	5	23-83610M	COLLAR	3	36
17-82154M	PIN, ROLL	29	20	23-84426M	BUSHING	39	8
17-82159M	PIN, ROLL	33	17	24-22227	SPRING, TENSION-VENT SCREW	49	6
17-82354M	PIN, DOWEL	13	3	24-24390	SPRING, TENSION	57	90
17-82354M	PIN, DOWEL	43	54	24-30189	SPRING, BAYONET BODY STEM	47	19
17-82364M	PIN, DOWEL	39	3	24-45272	SPRING, TENSION	57	83
17-82364M	PIN, DOWEL	43	65	24-80610M	SPRING	23	4
17-82367M	PIN, DOWEL	29	4	24-81496M	SPRING, BRUSH	7	10
17-82368M	PIN, DOWEL	13	4	24-82073M	SPRING, COMPRESSION	21	8
17-82976M	PIN	29	3	24-82074M	SPRING, COMPRESSION	29	13
17-82982M	RIVET	3	17	24-82080M	SPRING, COMPRESSION (LOWER)	21	6
17-83904M	TILT LOCK PIN ASS'Y	33	18	24-82081M	SPRING	31	15
17-92639M	PIN, VALVE	21	23	24-82086M	SPRING, COMPRESSION	13	27
18-36391	PIN, COTTER	59	116	24-82087M	SPRING, COMPRESSION	37	19
18-45882	PIN, COTTER	59	117	24-82091M	SPRING, SHIFT	41	31
18-82130M	PIN, COTTER	33	9	24-82103M	SPRING, TENSION	33	10
18-82131M	PIN, COTTER	33	5	24-82113M	SPRING, TORSION	29	17
18-82131M	PIN, COTTER	45	75	25-20415	O-RING, BAYONET BODY STEM	47	18
18-82736M	PIN, COTTER	31	8	25-21720	O-RING, PUMP BASE	51	1
18-82752M	PIN, COTTER	33	15	25-21720	O-RING, PUMP BASE (SEE ITEM 1)	51	23
19-81922M	PLUG	39	11	25-21720	O-RING, VALVE TO MANIFOLD	51	25
21-80608M	CHECK VALVE	23	6	25-45016	O-RING, BLEED SCREW	55	71
21-80727M	CHECK VALVE ASS'Y	13	1	25-45253	O-RING, VALVE TO MANIFOLD	51	26
22-38609	PLUG, VALVE (3/8INCH)	51	29	25-45254	O-RING, VALVE TO MANIFOLD	51	24
22-46008	PLUG VALVE (1/2INCH)	51	30	25-45507	GROMMET, RUBBER	57	105
22-63187	FITTING, FUEL LINE	47	21	25-81369M	GROMMET	3	32
22-74036	FITTING, GREASE	55	69	25-81517M	GROMMET	11	50
22-80122M	FITTING, CRANKSHAFT DRAIN	13	2	25-81695M	O-RING	21	17
22-80122M	PIPE, OVER GLOW	19	18	25-81989M	GASKET, WATER TUBE	45	78
22-80218M	FLUSH PLUG (OPT)	45	87	25-82057M	GROMMET	9	32
22-80756M	FITTING, EXHAUST COVER	13	37	25-82057M	GROMMET	11	57
22-81042M	FUEL CONNECTOR, ENGINE END	47	9	25-82057M	GROMMET	15	47
22-81326M	FITTING, LOWER COWL	3	33	25-82059M	GOURMET	9	9
22-81697M	TEE FITTING, FUEL LINE	25	17	25-82065M	GROMMET	3	35
22-81924M	PLUG	41	3	25-82067M	GROMMET	13	28
22-81926M	PLUG	13	33	25-82069M	GROMMET	11	41
22-82369M	FITTING, GREASE	35	2	25-82258M	O-RING, PULL WIRE	19	13
22-97083M	TEE FITTING, FUEL LINE	25	17	25-82261M	O-RING	21	22
23-35977	GROMMET, RUBBER	57	111	25-82269M	O-RING	3	16
23-45280	SPACER, LOWER	55	73	25-82275M	O-RING, WATER PUMP BASE	43	52
23-45281	BUSHING, RUBBER	55	74				
23-45354	BUSHING, RUBBER	57	98				
23-71795	SPACER	57	114				
23-80635M	RETAINER, SPRING	31	16				
23-81327M	COLLAR	47	15				
23-81453M	SLEEVE, DRIVESHAFT	41	17				
23-81938M	BUSHING	35	24				
23-81939M	BUSHING	35	21				
23-81942M	BUSHING	29	11				

# PARTS INDEX

Part Number	Description	Pg.	Ref. No.	Part Number	Description	Pg.	Ref. No.
25-82276M	O-RING, CRANKSHAFT - UPPER	17	4	27-81440M	GASKET, INNER TO OUTER HOUSING (EL)	39	12
25-82281M	O-RING, COVER TO GEAR HOUSING	41	6	27-81516M	GASKET, TERMINAL	9	34
25-82286M	O-RING, OIL SEAL HOUSING	17	17	27-81987M	GASKET	41	4
25-82288M	O-RING, FLOAT BOWL	21	13	27-81990M	GASKET, PLUG	13	34
25-82289M	O-RING, BEARING HOUSING	43	37	27-82790M	GASKET, FUEL BOWL	25	5
25-82789M	O-RING	47	10	27-82794M	GASKET, EXHAUST GUIDE-LOWER	39	9
25-84957M	O-RING	25	7	27-83033M	SEAL, RUBBER	39	18
26-70608	OIL SEAL	57	81	27-83044M	SEAL, BOTTOM COWL TO APRON	3	29
26-81426M	SEAL, WATER TUBE-UPPER	43	58	27-84168M	GASKET SET, POWERHEAD	15	-
26-81427M	SEAL, WATER TUBE-LOWER	45	82	27-92631M	GASKET, AIR INTAKE	19	6
26-82233M	OIL SEAL, PROPELLER SHAFT	43	41	27-92642M	SEAL, INNER TO OUTER HOUSING (E)	39	12
26-82234M	OIL SEAL, WATER PUMP	43	53	27-92648M	GASKET SET, LOWER UNIT	45	-
26-82248M	OIL SEAL, CRANKSHAFT - LOWER	17	16	28-81912M	KEY	41	14
26-82249M	OIL SEAL, CRANKSHAFT - UPPER	17	3	28-81915M	KEY, CRANKSHAFT TO FLYWHEEL	17	20
26-82255M	OIL SEAL, CRANKSHAFT - LOWER	17	15	28-81916M	KEY	43	39
26-82256M	OIL SEAL, STEERING SHAFT	37	7	28-97089M	KEY	41	14
26-82257M	OIL SEAL, GEAR HOUSING COVER	41	7	30-82296M	BEARING, REVERSE GEAR	43	36
27-25568	GASKET, FILLER CAP TO FUEL TANK	49	8	30-82304M	BEARING, CRANKSHAFT - LOWER	17	6
27-28862	GASKET, COVER ASSEMBLY TO FRAME	49	19	31-82311M	BEARING, CONNECTING ROD (CRANKSHAFT END)	17	23
27-45274	GASKET	57	104	31-82312M	BEARING, NEEDLE	17	2
27-45275	GASKET	57	101	31-82313M	BEARING, CENTER MAIN	17	5
27-54921	GASKET, FUEL GAUGE LENS	49	12	31-82316M	BEARING, NEEDLE-DRIVESHAFT	41	18
27-80612M	GASKET, CHECK VALVE	23	7	31-82317M	BEARING, NEEDLE-PROPELLER SHAFT	43	40
27-80613M	GASKET, BODY TO BASE	23	5	31-82319M	BEARING, DRIVESHAFT	41	15
27-80614M	GASKET, BODY TO COVER	23	12	31-82320M	BEARING, FORWARD GEAR	41	25
27-80757M	GASKET, FUEL PUMP TO CRANKCASE	23	16	32-33909A3	TUBE ASSEMBLY	49	10
27-81252M	GASKET, CYLINDER HEAD	13	19	32-45327	HOSE, TRIM (12/32 INCH OD)	57	109
27-81254M	GASKET, CYLINDER HEAD COVER	13	23	32-45959	HOSE, LIFT (17/32 INCH OD)	57	110
27-81266M	GASKET, THERMOSTAT COVER	13	31	32-81324M	HOSE, EXHAUST COVER	13	38
27-81269M	GASKET, MANIFOLD TO REED VALVE - UPPER	19	20	32-81424M	TUBE, WATER (E)	45	77
27-81270M	GASKET, MANIFOLD TO REED VALVE - LOWER	19	21	32-81425M	TUBE, WATER (EL)	45	77
27-81272M	GASKET, CARBURETOR TO MANIFOLD	19	16	32-81995M	HOSE, DRAIN	13	12
27-81276M	GASKET, AIR INTAKE TO CARBURETOR	19	2	32-82004M	FUEL LINE, TEE TO CARBURETOR	25	18
27-81320M	GASKET, HOUSING TO TANK	47	4	32-82010M	FUEL LINE, FILTER TO PUMP	25	15
27-81331M	GASKET, EXHAUST COVER	13	36	32-82017M	FUEL LINE, CONNECTOR TO PUMP	25	13
27-81417M	GASKET, WATER PUMP	43	47	32-82020M	FUEL LINE, PUMP TO TEE	25	16
27-81418M	GASKET, WATER PUMP BASE	43	51	32-82023M	HOSE, BULB TO CONNECTOR	47	13
27-81421M	GASKET, CARTRIDGE OUTER PLATE	43	49	32-83628M	FUEL LINE ASS'Y	47	0-1
27-81437M	GASKET, EXHAUST GUIDE-UPPER	39	6	32-84415M	HOSE	19	30
				32-84955M	HOSE, CONNECTOR HOUSING TO BULB	47	11
				33-84409M	PLUG, SPARKB-8HS10(NGK)(1.0 MM GAP)	15	43
				34-92633M	REED VALVE	19	22
				34-92634M	REED SET (REED STOPS NOT INCLUDED)	19	23

# PARTS INDEX

Part Number	Description	Pg.	Ref. No.	Part Number	Description	Pg.	Ref. No.
35-80617M	FILTER ASS'Y	25	4	84-97086M	WIRE LEAD	27	20
35-82783M	ELEMENT, FUEL FILTER	25	6	87-81526M	STOP SWITCH	15	44
36-25392A2	FILLER CAP ASSEMBLY	49	3	87-82985M	TILT STOP SWITCH ASS'Y	15	0-2
36-83617M	FUEL TANK CAP	47	2	87-84943M	MAIN SWITCH ASS'Y	27	2
37-5590	DECAL, INSTRUCTION	51	19	87-84944M	SWITCH, CHOKE	27	3
37-75881	DECAL	49	2	87-84945M	KILL SWITCH ASS'Y	27	4
37-82865M	DECAL, SIDE SET	3	7	87-92658M	NEUTRAL SWITCH ASS'Y	27	15
37-82984M	DECAL, SIDE	47	1	87-97078M	WIRE	11	42
37-83028M	DECAL (HP) - PORT	5	48	88-81522M	FUSE (12V-20A)	27	22
37-83029M	DECAL (HP) - STARBOARD	5	49	89-68258	STARTER SOLENOID	55	41
37-84416M	DECAL	19	32	89-84410M	SOLENOID	19	9
39-92625M	PISTON RING SET (STD)	17	9	89-84933M	SWITCH, SOLENOID	7	3
39-92626M	PISTON RING SET 1ST (O.S. 82.25 MM)	17	9	89-96357M	SWITCH, SOLENOID	7	3
39-92627M	PISTON RING SET 2ND (O.S. 82.20 MM)	17	9	91-81669M	TOOL KIT	5	52
41-81263M	PIN, PISTON	17	10	253-6845M	I MAGNETO ASS'Y (80 W)	9	1
43-84206M	GEAR, FORWARD	41	22	253-8438M	I. MAGNETO ASS'Y (80 W)	9	1
43-84207M	GEAR, REVERSE	41	23	292-2941	BRUSH SET	51	15
43-84208M	GEAR, PINION	41	21	392-2529	SPRING SET	51	16
44-92644M	SHAFT, PROPELLER	43	32	392-2618	CAN, VALVE BODY	51	3
45-81451M	DRIVESHAFT (E)	41	13	392-2623	THRUST WASHER, ARMATURE	51	10
45-81452M	DRIVESHAFT (EL)	41	13	392-2936	VALVE BODY AND GEAR ASS'Y	51	2
46-81416M	BODY, WATER PUMP	43	44	392-2937	GASKET, VALVE TO RESERVOIR	51	5
46-81422M	BASE, WATER PUMP	43	50	392-2938	THRU-BOLT SET	51	17
47-82824M	IMPELLER, WATER PUMP	43	46	392-2939	RESERVOIR ASS'Y	51	6
47-97108M	IMPELLER, WATER PUMP	43	46	392-2940	END PLAT ASS'Y	51	14
50-92669M	ELECTRIC MOTOR ASS'Y	7	1	392-2942	FIELD AND FRAME ASS'Y	51	12
50-97072M	ELECTRIC MOTOR ASS'Y	7	1	392-2943	ARMATURE	51	11
52-81473M	CLUTCH	41	26	392-2944	BALL, END PLATE	51	13
53-28903	FASTENER, RETAINING FRAME TO FUEL TANK	49	21	463-6825M	CRANKSHAFT ASS'Y	17	1
53-81264M	SNAP RING, PISTON OIN	17	11	629-7990M	CONNECTING ROD ASS'Y	17	21
53-82324M	SNAP RING	31	20	761-8457M	PISTON ASS'Y (STD)	17	8
53-82330M	SNAP RING	31	6	761-8458M	PISTON ASS'Y (1ST O.S. 82.25 MM)	17	8
53-82330M	SNAPPING	29	14	761-8459M	PISTON ASS'Y (2ND O.S. 82.50 MM)	17	8
53-82334M	SNAP RING	41	11	848-81547M	WIRE, LEAD	9	8
53-92654M	SNAP RING	37	10	870-7958M	CRANKSHAFT ASS'Y	13	0-1
54-46770	CLAMP	55	65	968-6927M	HEAD, CYLINDER	13	18
54-80752M	CLAMP, HOSE	47	14	1225-1529	FUEL TANK	49	1
54-82033M	CLAMP, WIRE	13	7	1225-1529A21	FUEL TANK ASSEMBLY	49	0-1
54-82037M	CLAMP	25	14	1383-7965M	CARBURETOR ASS'Y (UPPER E)	21	0-1
54-82042M	CLAMP	15	48	1383-7966M	CARBURETOR ASS'Y (LOWER E)	21	0-2
54-82046M	CLAMP, HOSE	13	13	1383-7967M	CARBURETOR ( UPPER EL)	21	0-1
54-82047M	CLAMP, HOSE	13	41	1383-7968M	CARBURETOR ASS'Y (LOWER EL)	21	0-2
54-82047M	CLAMP, HOSE	19	31	1484-6839M	CLAMP BRACKET	35	4
54-82047M	CLAMP, HOSE	25	19	1485-6840M	SWIVEL BRACKET (E)	35	1
54-82781M	CLIP	21	21	1485-6841M	SWIVEL BRACKET (EL)	35	1
54-92664M	CLAMP	31	21	1587-7163M	DRIVESHAFT HOUSING (E)	39	1
54-92668M	CLAMP	27	23	1587-7164M	DRIVESHAFT (EL)	39	1
54-97079M	CLAMP	11	55	1651-7969M	GEARHOUSING ASS'Y (E)	41	0-1
84-74023	CONNECTOR AND HARNESS	51	31	1651-7970M	GEARHOUSING ASS'Y (EL)	41	0-1
84-81250M	WIRE	11	42	1651-7971M	GEAR HOUSING	41	1
84-82997M	WIRE FEMALE	11	49	2168-6933M	TOP COWL ASS'Y	3	1
84-82998M	WIRE MALE	11	48	2168-7972M	BOTTOM COWL	3	28
84-84711M	EXTENTION, WIRE HARNESS	27	13				
84-92665M	WIRE HARNESS ASS'Y	27	18				
84-93120M	WIRE, LEAD	27	19				

# PARTS INDEX

Part Number	Description	Pg.	Ref. No.	Part Number	Description	Pg.	Ref. No.
-------------	-------------	-----	-------------	-------------	-------------	-----	-------------