



PARTS CATALOG

MERC V-225

SERIAL NUMBER

V-225 USA 5628028 AND UP

TABLE OF CONTENTS:

CARBURETOR ASSEMBLY	22
COWL MOUNTING BRACKET	4
COWLS AND FRONT COVER	2
CRANKSHAFT, PISTONS AND CONNECTING RODS	32
CYLINDER BLOCK AND END CAPS	24
DRIVE SHAFT HOUSING AND EXHAUST TUBE	34
ENRICHER VALVE AND SOUND ATTENUATOR	16
EXHAUST MANIFOLD AND EXHAUST PLATE	26
FLYWHEEL, STARTER MOTOR AND IGNITION COILS	6
FUEL PUMP AND CARBURETOR	18
GEAR HOUSING (DRIVE SHAFT)	42
GEAR HOUSING (PROPELLER SHAFT)	46
HYDRAULIC PUMP AND MOUNTING BRACKETS	48
HYDRAULIC PUMP ASSEMBLY	52
MISCELLANEOUS PARTS/ACCESSORIES	1
PARTS INDEX	55
PROPELLERS RIGHT HAND ROTATION	54
REED BLOCK AND CYLINDER HEAD	28
SWIVEL BRACKET AND STEERING ARM	36
TACHOMETER, TRIM GAUGE AND ALARM HORN	50
THROTTLE LEVER AND SHIFT SHAFT	12
TRANSOM BRACKETS	40
WIRING HARNESS, STARTER SOLENOID AND RECTIFIER	10

NOTE: Indented description indicate that these parts are included in preceeding assembly.

AR = As Required

NSS = Not Sold Separate

OPT = Optional

NS = Not Shown

NOTE: Following symbols are located in **SYM** column.

● = CONTENTS OF [27-89221A80] GASKET SET

◇ = CONTENTS OF [1395-7826] REPAIR PARTS KIT.

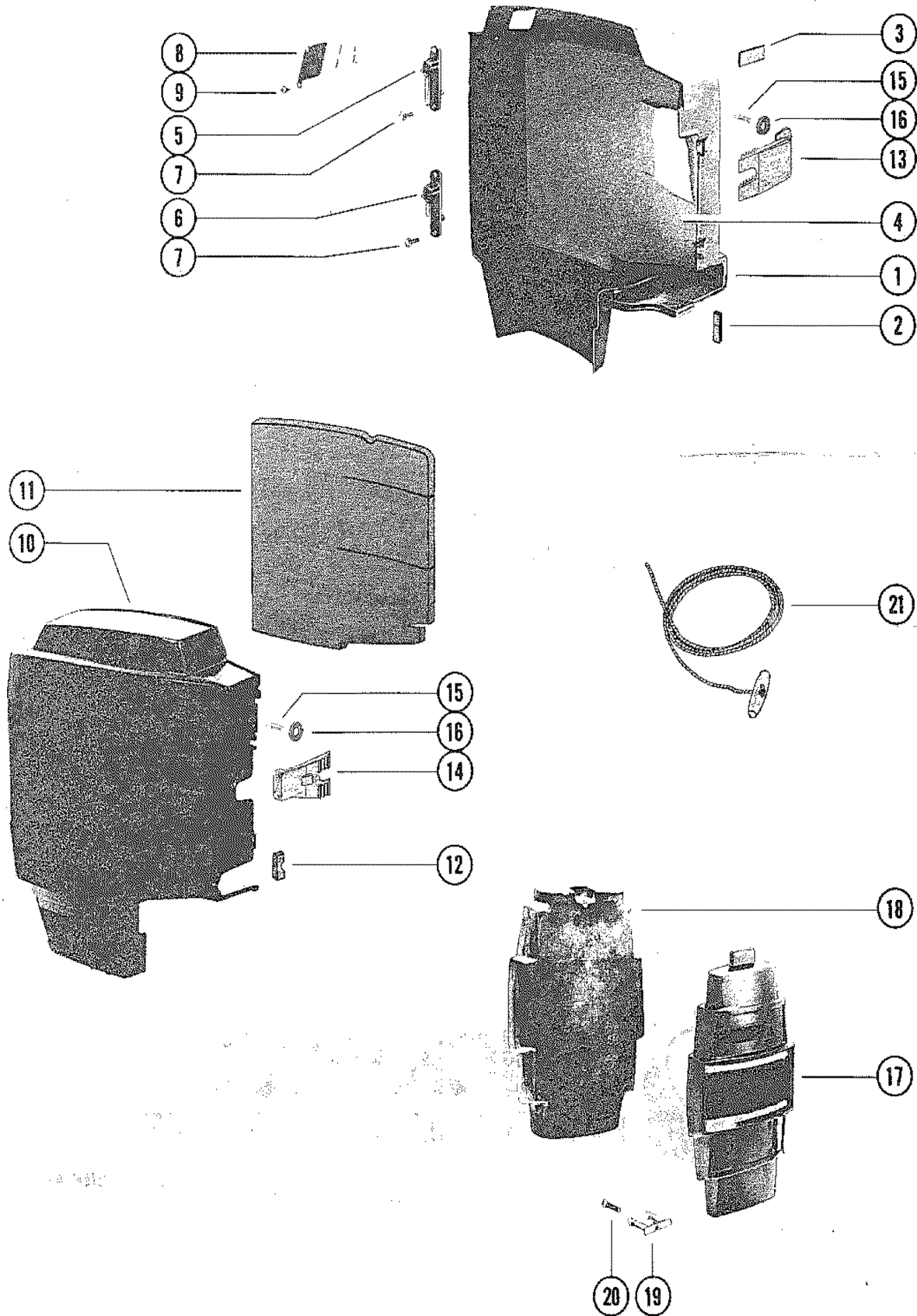
■ = CONTENTS OF [1395-6452] GASKET AND PACKING SET.

THESE PARTS BOOKS/FICHE CARD ARE COPYRIGHTED AND MAY NOT BE DISTRIBUTED OR REPRODUCED IN ANY OTHER FORMAT BY ANYONE OTHER THAN MERCURY MARINE WITHOUT THE PRIOR WRITTEN CONSENT OF MERCURY MARINE.

MISCELLANEOUS PARTS/ACCESSORIES

REF. NO.	PART NO.	SYM.	QTY.	DESCRIPTION
-	90-90673		0	MERC V-225 PARTS MANUAL
-	37-89992A80		0	DECAL SET
-	27-89221A80		0	GASKET SET

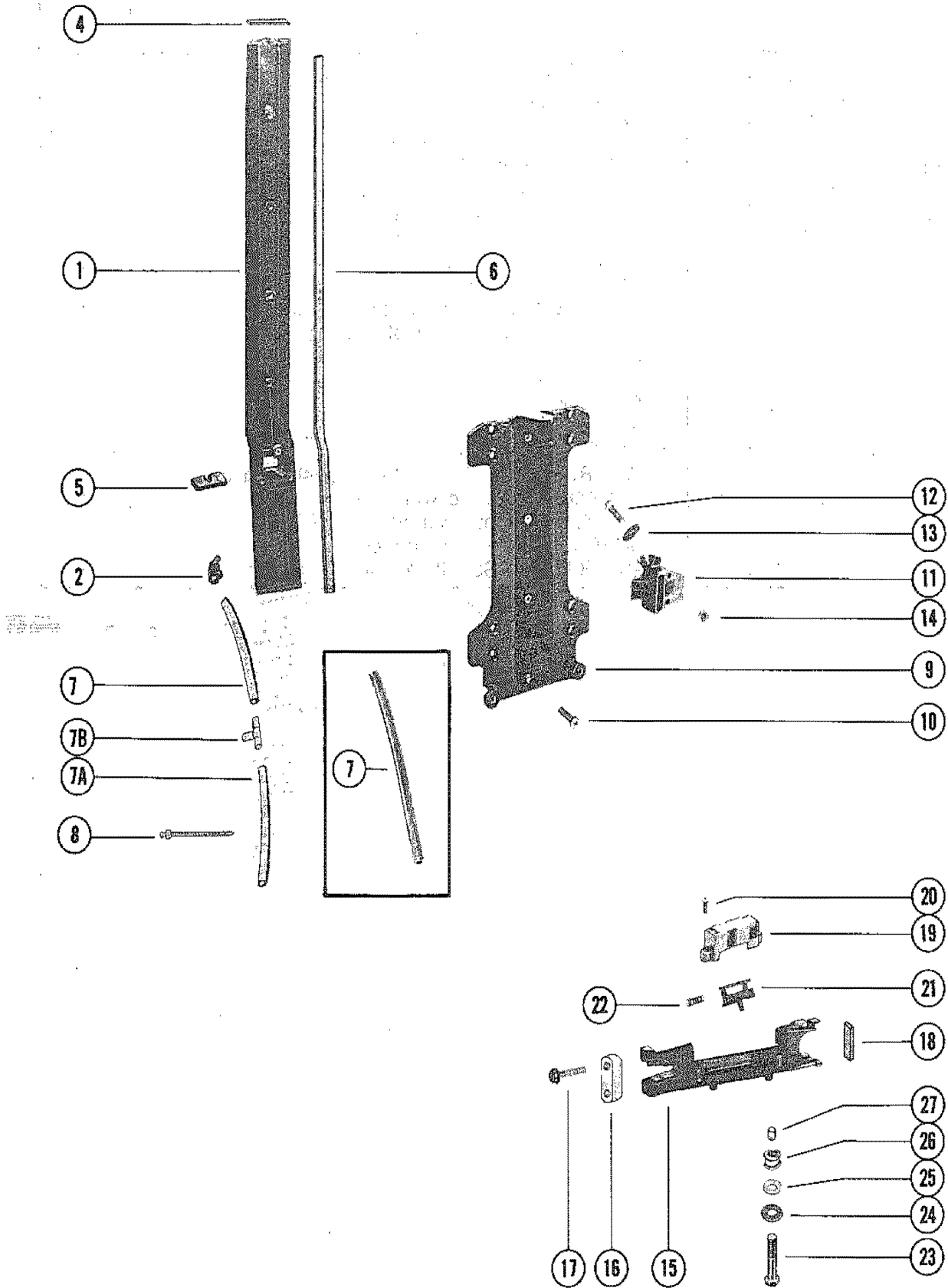
COWLS AND FRONT COVER



COWLS AND FRONT COVER

REF. NO.	PART NO.	SYM.	QTY.	DESCRIPTION
1	2151-7523A2		1	COWL ASSEMBLY, PORT (WITHOUT DECALS)
2	67260		1	SEAL, CONTROL CABLE
3	67258		1	PAD, COWL ASSEMBLY TO FRONT COVER
4	88227		1	BLANKET, SOUND-COWL (PORT)
5	87987		2	BRACKET, COWL ATTACHING - UPPER
6	87985		2	BRACKET, COWL ATTACHING - LOWER
7	10-35386		8	SCREW, UPPER AND LOWER BRACKETS
8	68049		1	SHIELD INLET - COWL (STARBOARD)
	68048		1	SHIELD, INLET - COWL (PORT)
9	10-57807		4	SCREW, SHIELD TO COWL
10	2150-7524A1		1	COWL ASSEMBLY, STARBOARD (WITHOUT DECALS)
11	88226		1	BLANKET, SOUND - COWL (STARBOARD)
12	90274		1	SEAL, HARNESS
13	87900		1	LATCH, COWL - PORT
14	87899		1	LATCH, COWL - STARBOARD
15	10-75710		6	SCREW, COWL LATCH
16	12-22887		6	WASHER, COWL LATCH SCREW
17	2149-7532A2		1	COWL FRONT COVER ASSEMBLY (WITHOUT DECALS)
18	90984		1	BLANKET, SOUND - COWL FRONT COVER
19	87907		1	HOOK, COWL FRONT COVER ATTACHING
20	10-75710		1	SCREW, HOOK TO COWL FRONT COVER
21	47341A1		1	STARTER ROPE ASSEMBLY (FOR MANUAL STARTING)

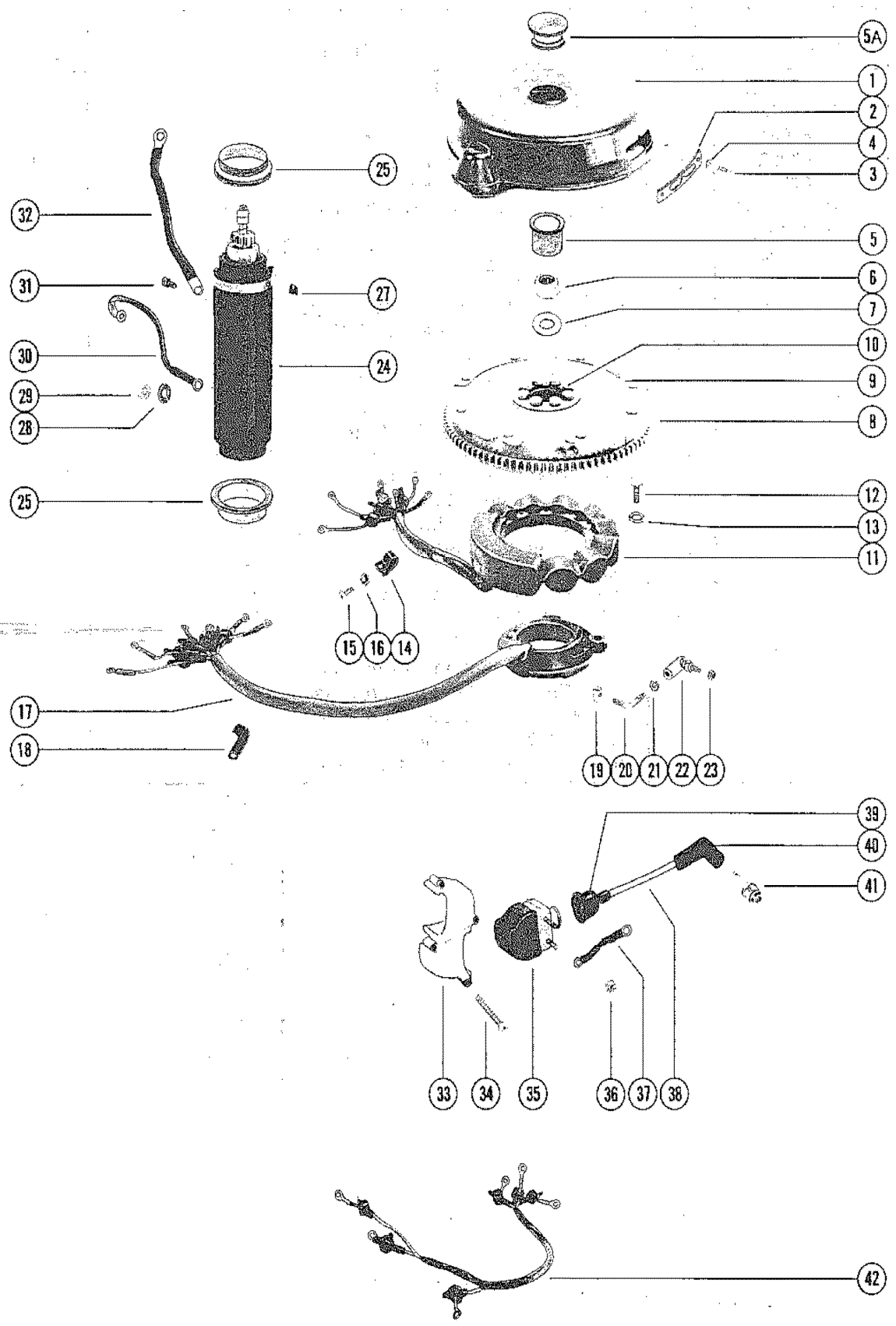
COWL MOUNTING BRACKET



COWL MOUNTING BRACKET

REF. NO.	PART NO.	SYM.	QTY.	DESCRIPTION
1	76258A2		1	BRACKET, REAR COWL
2	22-76256		1	NOZZLE, TELL TALE
4	67984		1	SEAL, REAR COWL BRACKET TO COWL
5	67228		1	SEAL, REAR COWL BRACKET TO COWL
6	67999		2	SEAL, REAR COWL BRACKET TO COWL
7	32-34395A1		1	HOSE, TELL TALE (9") - USE WITHOUT REF. #7B TEE
7A	32-34395A1		2	HOSE, TELL TALE (4") - USE WITH REF. #7B TEE
7B	22-90824		1	TEE, TELL TALE HOSE - USE WITH REF. #7B TEE
8	61990		2	STA-STRAP, TELL TALE HOSE
9	86386A1		1	BRACKET ASSEMBLY, COWL SUPPORT
10	10-66687		4	SCREW, REAR COWL BRACKET (1-1/2")
11	85651		2	HOUSING, COWL HINGE - PORT
	85650		2	HOUSING, COWL HINGE - STARBOARD
12	10-31294		8	SCREW, COWL HINGE HOUSING (1")
13	12-20583		8	WASHER, COWL HINGE HOUSING SCREW
14	11-20361		8	NUT, COWL HINGE HOUSING SCREW
15	87587		1	BRACKET, COWL MOUNTING - LOWER
16	88804		1	RETAINER, WIRING HARNESS
17	10-88865		2	SCREW, RETAINER TO BRACKET (1-3/4")
18	88508		1	SEAL, CONTROL CABLES
19	67241		1	HOUSING, COWL LATCH
20	10-57807		2	SCREW, COWL LATCH HOUSING (3/4")
21	87608		1	COWL LATCH
22	24-60295		1	SPRING, COWL LATCH
23	10-69093		2	SCREW, GROMMET AND LOWER BRACKET
24	12-57427		4	WASHER, LOWER BRACKET SCREW (LARGE)
25	12-20346		4	WASHER, LOWER BRACKET SCREW (SMALL)
26	25-88033		2	GROMMET, LOWER BRACKET
27	23-88180		2	BUSHING, LOWER BRACKET GROMMET

FLYWHEEL, STARTER MOTOR AND IGNITION COILS

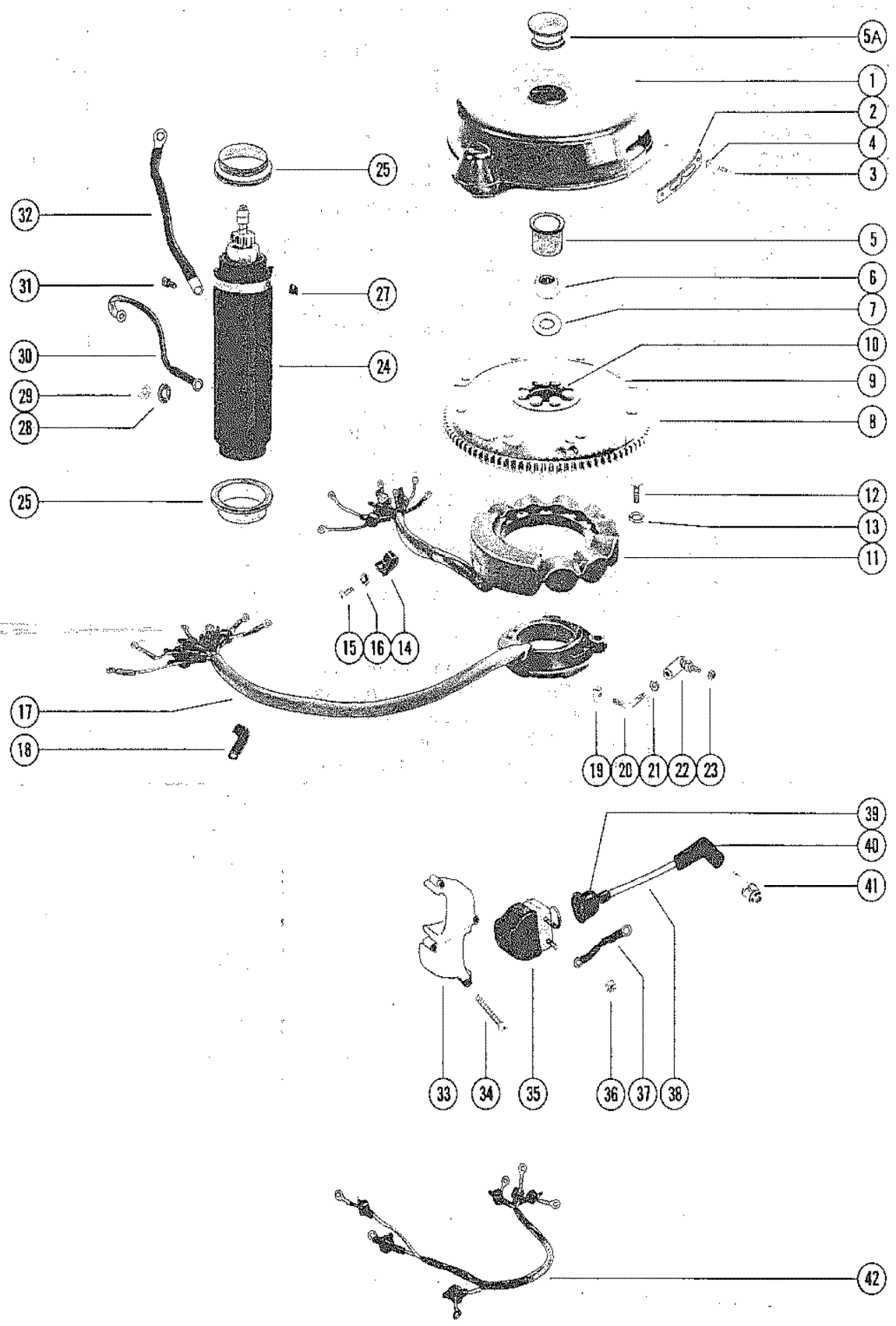


FLYWHEEL, STARTER MOTOR AND IGNITION COILS

REF. NO.	PART NO.	SYM.	QTY.	DESCRIPTION
1	79918A1		1	COVER ASSEMBLY, FLYWHEEL
2	79022		1	MARKER, TIMING
3	10-37572		2	SCREW, TIMING MARKER
4	12-72761		2	WASHER, TIMING MARKER SCREW
5	19-45907		1	PLUG, FLYWHEEL
5A	19-89219		1	PLUG, FLYWHEEL COVER
6	11-52901		1	NUT, FLYWHEEL
7	12-68229		1	WASHER, FLYWHEEL
8	257-7555A3		1	FLYWHEEL ASSEMBLY, COMPLETE
9	10-32417		8	SCREW, FLYWHEEL PLATE
10	10-68997		8	SCREW, FLYWHEEL HUB
11	398-5454A7		1	STATOR ASSEMBLY
12	10-75840		4	SCREW, STATOR (7/8")
13	13-26996		4	LOCKWASHER, STATOR SCREW
14	54-22875		1	CLIP, STATOR HARNESS
15	10-69079		1	SCREW, CLIP TO CYLINDER BLOCK
16	69205		1	"C" WASHER, HARNESS CLIP
17	96455A6		1	TRIGGER PLATE ASSEMBLY
18	54-55098		2	CLAMP TRIGGER HARNESS AND STATOR HARNESS
19	74897		1	PIVOT, TRIGGER PLATE
20	76035		1	LINK ROD, TRIGGER PLATE
21	11-45076		1	NUT, LINK ROD
22	62459		1	BALL JOINT, TRIGGER PLATE
23	11-46438		1	NUT, BALL JOINT
24	50-86976		1	STARTER MOTOR (BOSCH)
25	56703		2	COLLAR, STARTER MOTOR
27	68042		2	STOP, RUBBER - STARTER MOTOR
28	13-26992		1	LOCKWASHER, STARTER MOTOR TERMINAL
29	11-20890		1	NUT, STARTER MOTOR TERMINAL
30	84-93389A5		1	WIRE, SOLENOID TO STARTER MOTOR (YELLOW)
31	10-69035		1	SCREW, CABLE TO STARTER MOTOR
32	84-93388A1		1	WIRE, PLATE TO STARTER MOTOR (BLACK)
33	67614		3	COVER, IGNITION COIL
34	10-88447		12	SCREW, IGNITION COIL COVER (1-5/8")
35	339-7370A2		6	COIL ASSEMBLY, IGNITION
36	11-45076		12	NUT, IGNITION COIL TERMINAL
37	84-88807A6		6	GROUND STRAP, IGNITION COIL (BLACK)
38	84-90816A25		6	CABLE, HIGH TENSION

CONTINUED ON NEXT PAGE ➡

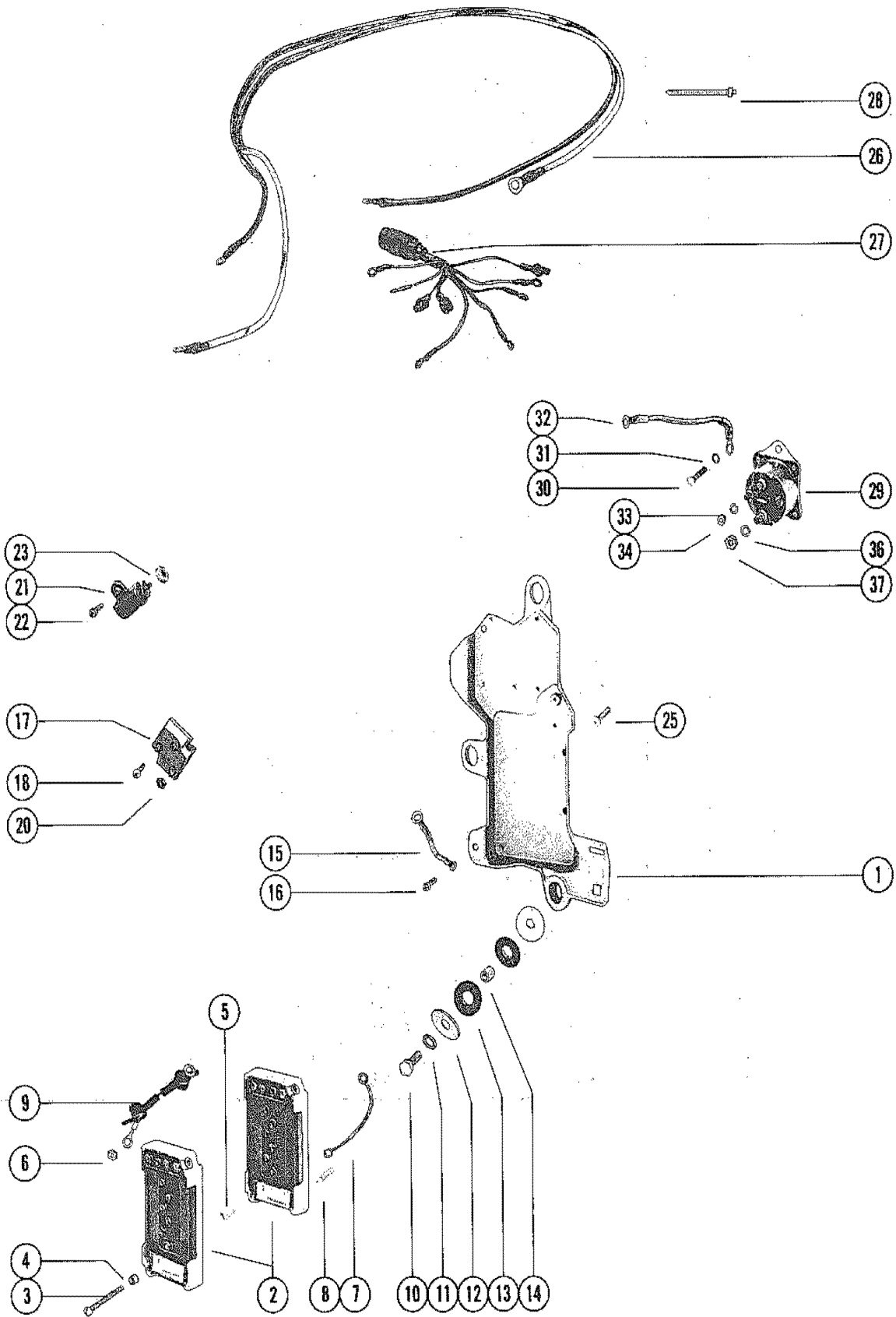
FLYWHEEL, STARTER MOTOR AND IGNITION COILS



FLYWHEEL, STARTER MOTOR AND IGNITION COILS

REF. NO.	PART NO.	SYM.	QTY.	DESCRIPTION
39	332-2854		6	BOOT, HIGH TENSION CABLE
40	85-63709A1		6	PROTECTOR, HIGH TENSION CABLE
41	33-57451		6	SPARK PLUG (AC#V40FFM)
42	84-69738A1		1	HARNESS ASSEMBLY COIL TO SWITCH BOX (#2, 4 AND 6)
	84-69739A1		1	HARNESS ASSEMBLY COIL TO SWITCH BOX (#1, 3 AND 5)

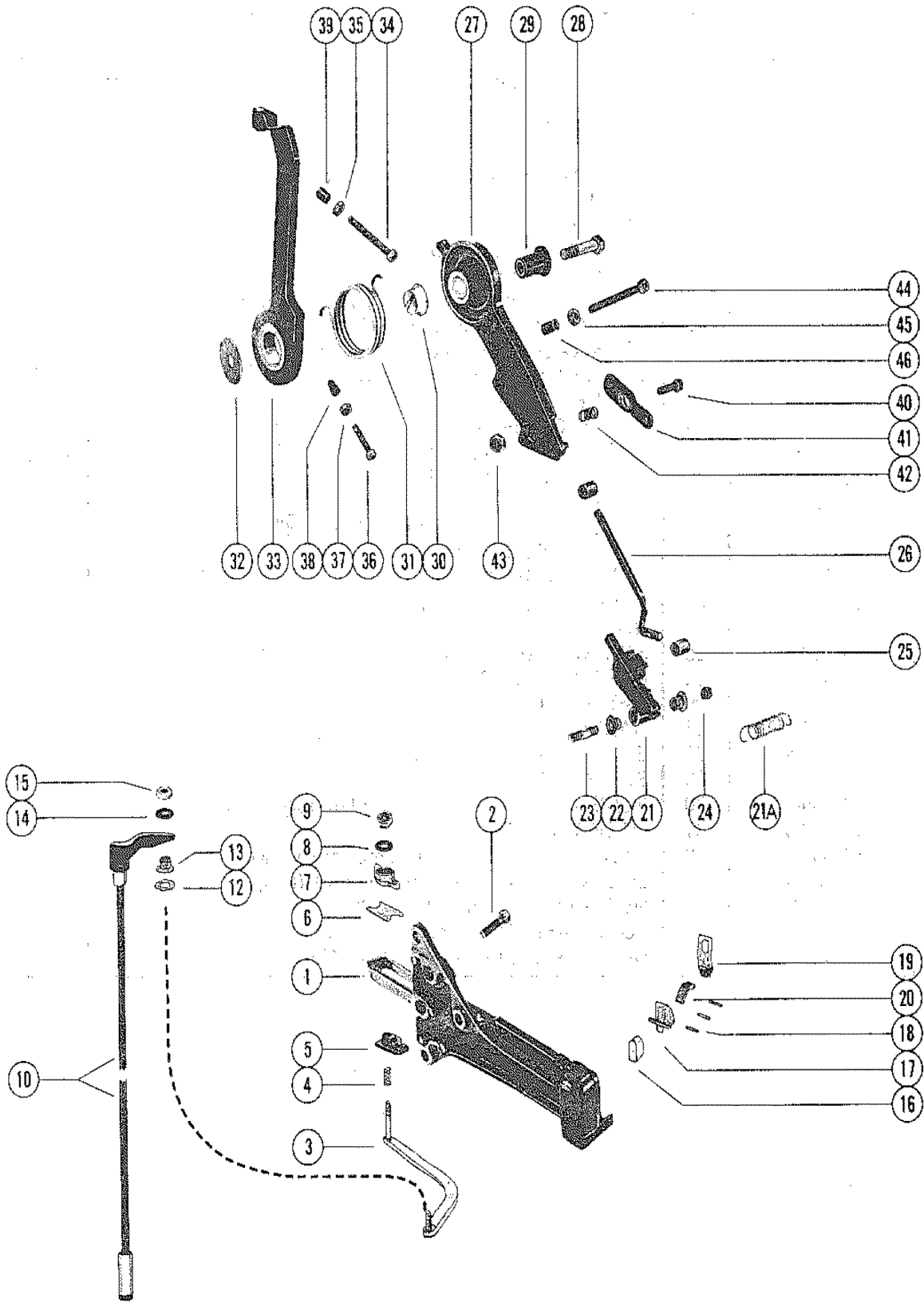
WIRING HARNESS, STARTER SOLENOID AND RECTIFIER



WIRING HARNESS, STARTER SOLENOID AND RECTIFIER

REF. NO.	PART NO.	SYM.	QTY.	DESCRIPTION
1	96290		1	PLATE, IGNITION
2	332-7778A3		2	SWITCH BOX
3	10-90815		2	SCREW, SWITCH BOX (2-1/4")
4	23-94304		2	SPACER, SWITCH BOX SCREW
5	23-94453		2	BUSHING, SWITCH BOX SCREW
6	11-45076		8	NUT, SWITCH BOX TERMINAL
7	84-60871A10		2	WIRE ASSEMBLY, GROUND
8	10-62568		2	NUT, SWITCH BOX TERMINAL
9	84-62310A2		1	CABLE SWITCH BOX TO SWITCH BOX (WHITE/BLACK)
10	10-69092		3	SCREW, IGNITION PLATE (1-1/4")
11	13-26993		3	LOCKWASHER, IGNITION PLATE SCREW
12	12-36042		6	WASHER, IGNITION PLATE SCREW
13	12-67264		6	WASHER, IGNITION PLATE SCREW (RUBBER)
14	23-67268		3	BUSHING, IGNITION PLATE SCREW
15	84-65999A3		2	CABLE ASSEMBLY, BLACK
16	10-20646		1	SCREW, CABLE TO IGNITION PLATE (5/8")
17	62351A1		1	RECTIFIER
18	10-20646		2	SCREW, RECTIFIER TO IGNITION PLATE (5/8")
20	11-45076		3	NUT, RECTIFIER TERMINALS
21	87-33386A3		1	MERCURY SWITCH
22	10-20646		1	SCREW, MERCURY SWITCH (5/8")
23	11-45076		1	NUT, MERCURY SWITCH TERMINAL
25	10-22028		1	SCREW, LEAD ATTACHING (1/2")
26	84-88439A1		1	BATTERY CABLE (POSITIVE)
	84-88439A2		1	BATTERY CABLE (NEGATIVE)
27	84-87266A1		1	HARNESS, ENGINE
28	61990		3	STA-STRAP, HARNESS AND CABLES
29	89-68258		1	SOLENOID, STARTER
30	10-20540		2	SCREW, SOLENOID TO IGNITION PLATE (5/8")
31	13-26992		2	LOCKWASHER, SOLENOID SCREW
32	84-65999A2		1	CABLE ASSEMBLY, UPPER MOUNT (BLACK)
33	13-26996		2	LOCKWASHER, SOLENOID TERMINALS (#10)
34	11-68219		2	NUT, SOLENOID TERMINALS (5/16")
36	13-26993		2	LOCKWASHER, SOLENOID TERMINALS (5/16")
37	11-68292		2	NUT, SOLENOID TERMINALS (5/16 - 18)

THROTTLE LEVER AND SHIFT SHAFT

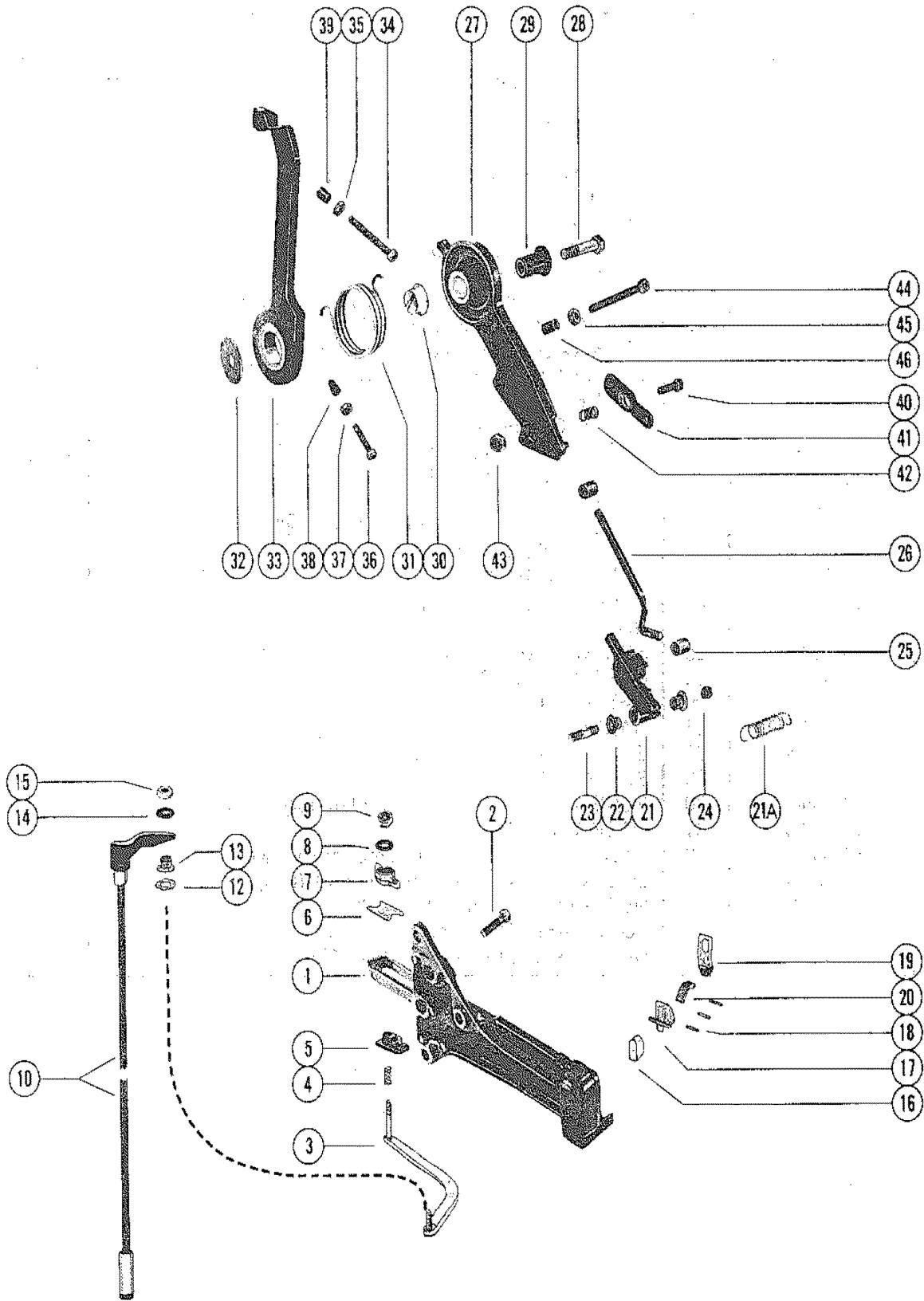


THROTTLE LEVER AND SHIFT SHAFT

REF. NO.	PART NO.	SYM.	QTY.	DESCRIPTION
1	91951		1	BRACKET, ANCHOR - CONTROL CABLES
2	10-53167		3	SCREW, ANCHOR BRACKET
3	67073A1		1	LINK ROD ASSEMBLY
4	24-20099		1	SPRING, LINK ROD TO GUIDE BLOCK
5	37896		1	GUIDE BLOCK, LINK ROD
6	52100		1	WEAR PLATE, LINK ROD
7	38279		1	LATCH, CONTROL CABLE FASTENING
8	12-21631		1	WASHER, LATCH
9	11-20586		1	NUT, LINK ROD
10	79932A7		1	SHIFT SHAFT ASSEMBLY (LONG SHAFT)
	79932A8		1	SHIFT SHAFT ASSEMBLY (EXTRA LONG SHAFT)
12	13-29720		1	WAVE WASHER, LINK ROD
13	23-26600		1	BUSHING, NYLON - LINK ROD
14	12-24664		1	WASHER, LINK ROD
15	11-20586		1	NUT, LINK ROD TO SHIFT SHAFT
16	39519		1	CAP, BARREL RETAINER - ANCHOR BAR
17	87609		1	LEVER, NYLON - SHIFT CABLE LOCKING
18	17-47175		3	PIN, LOCATING LEVER AND COVER
19	65799		1	LINK, LOCKING LEVER TO COVER
20	90211		1	COVER, NYLON - SHIFT CABLE
21	89735		OPT	THROTTLE CAM (CASTING #89715)
	95791		OPT	THROTTLE CAM (CASTING #95790)
21A	24-91821		1	SPRING, THROTTLE RETURN
22	23-26600		2	BUSHING, THROTTLE CAM
23	16-20353		1	STUD, THROTTLE CAM
24	11-36069		1	NUT, THROTTLE CAM STUD
25	60572		2	BARREL, THROTTLE CONTROL ROD
26	95829		1	ROD, THROTTLE CONTROL
27	90561		1	LEVER, THROTTLE CONTROL
28	10-55337		1	SCREW, THROTTLE AND SPARK LEVER (1-3/4")
29	23-55164		1	BUSHING, THROTTLE LEVER
30	23-55171		1	BUSHING, SPARK ADVANCE LEVER
31	24-68784		1	SPRING, THROTTLE AND SPARK ADVANCE LEVER
32	12-68410		1	WASHER, SPARK ADVANCE LEVER
33	75154		1	LEVER, SPARK ADVANCE
34	10-75168		1	SCREW, SPARK LEVER - STOP (2-3/4")
35	11-64484		1	NUT, SPARK ADVANCE LEVER STOP SCREW
36	10-54467		1	SCREW, SPARK ADVANCE LEVER - STOP (1-1/4")
37	11-68219		1	NUT, SPARK ADVANCE LEVER STOP SCREW
38	48039		1	CAP, SPARK ADVANCE LEVER STOP SCREW
39	52023		1	CAP, SPARK ADVANCE LEVER STOP SCREW
40	10-22486		1	SCREW, CABLE LATCH TO THROTTLE LEVER
41	39483		1	LATCH, CABLE

CONTINUED ON NEXT PAGE ➡

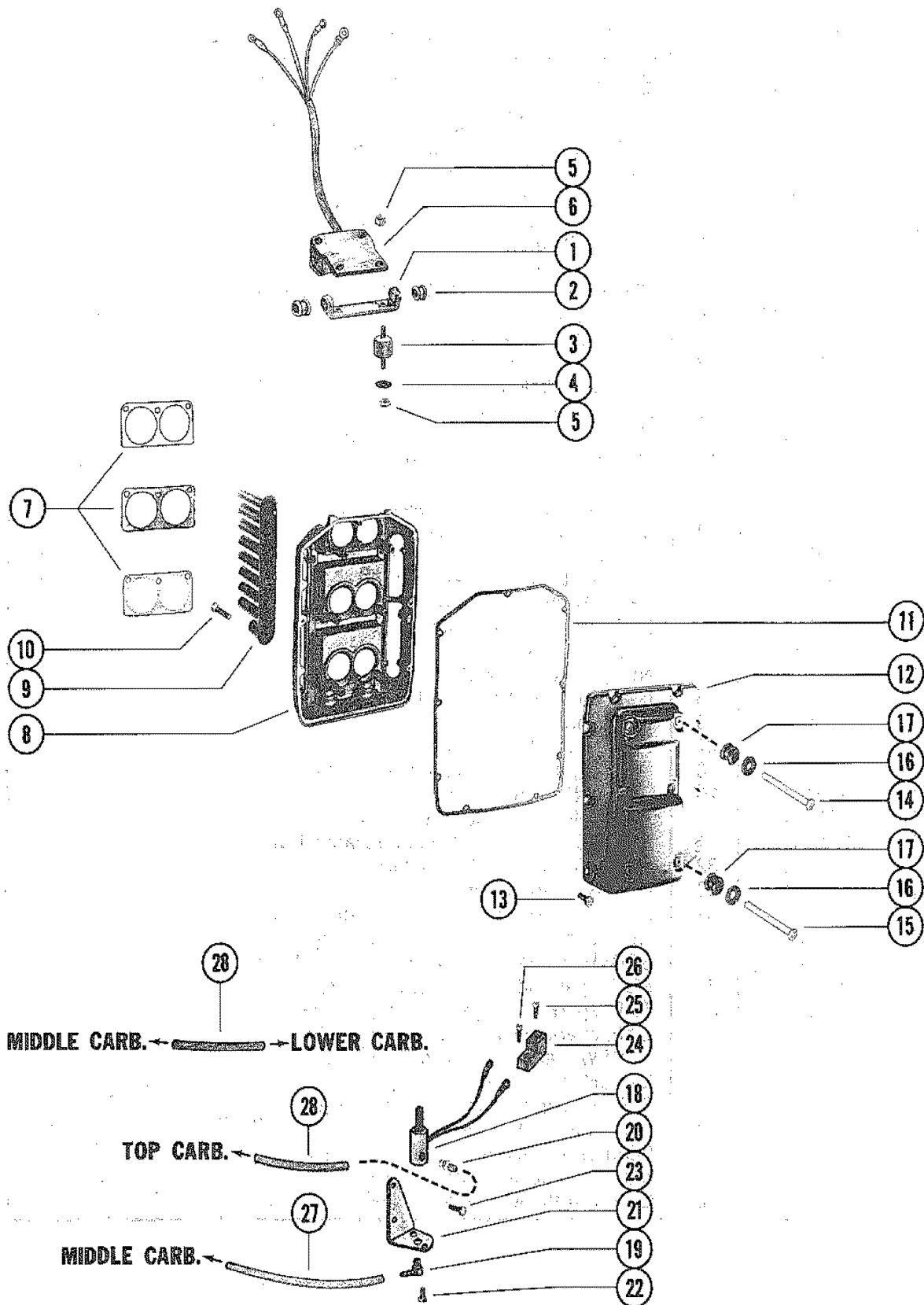
THROTTLE LEVER AND SHIFT SHAFT



THROTTLE LEVER AND SHIFT SHAFT

REF. NO.	PART NO.	SYM.	QTY.	DESCRIPTION
42	24-20099		1	SPRING, CABLE LATCH TO THROTTLE LEVER
43	11-20586		1	NUT, CABLE LATCH SCREW
44	10-64022		1	SCREW, THROTTLE LEVER _ STOP (2-1/8")
45	11-64015		1	NUT, THROTTLE LEVER STOP SCREW
46	52023		1	CAP, THROTTLE LEVER STOP SCREW

ENRICHER VALVE AND SOUND ATTENUATOR

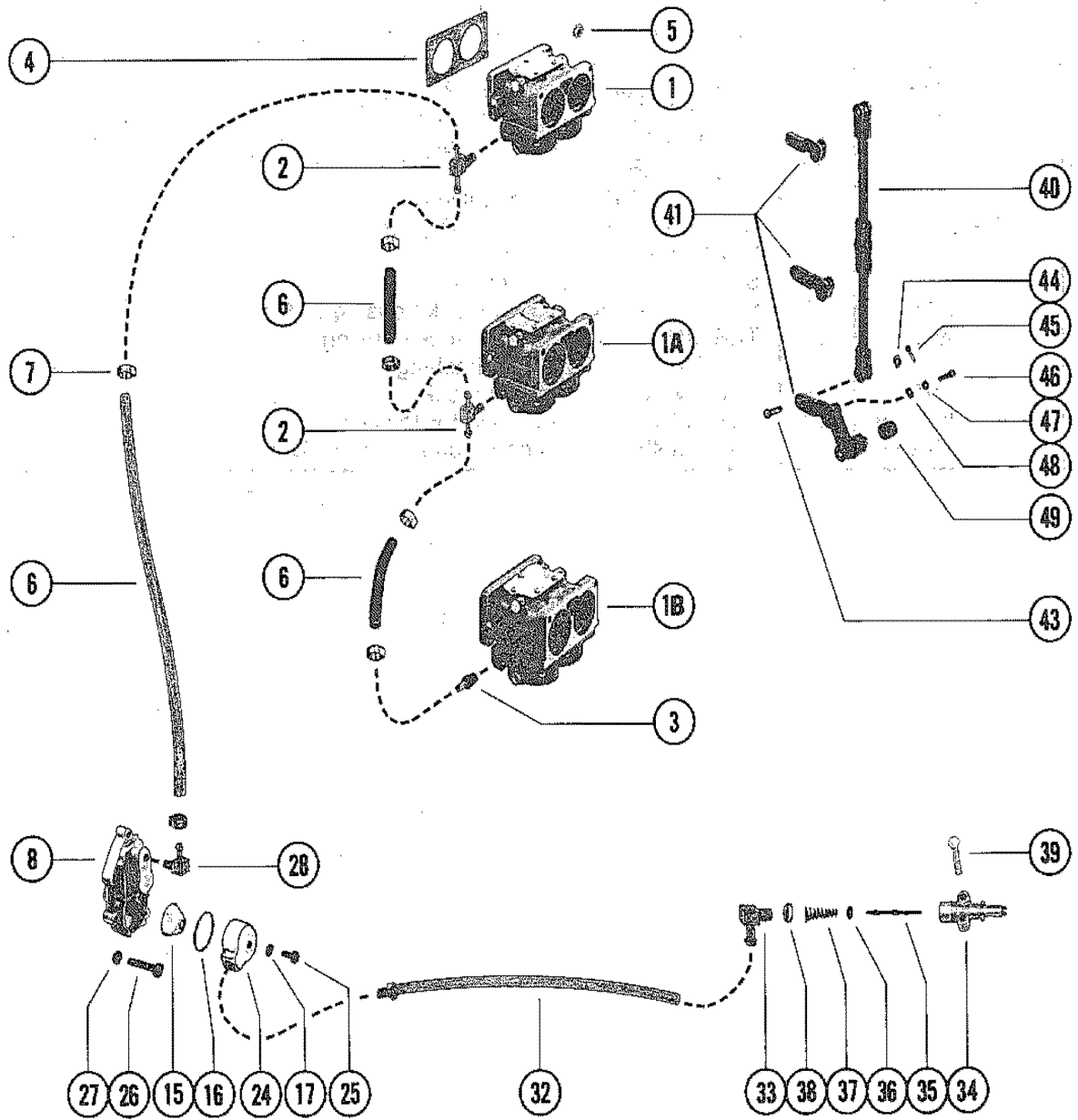
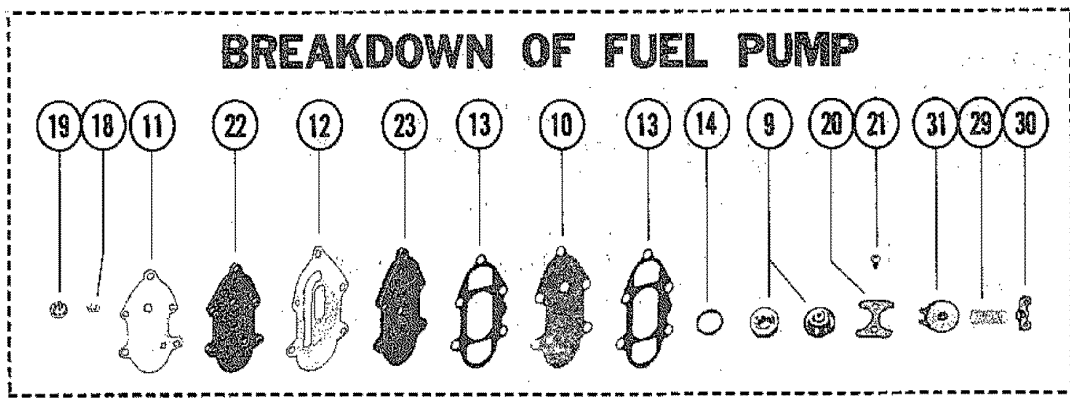


ENRICHER VALVE AND SOUND ATTENUATOR

REF. NO.	PART NO.	SYM.	QTY.	DESCRIPTION
1	67245		1	BRACKET, COWL MOUNTING - UPPER
2	25-67272		2	GROMMET, COWL MOUNTING BRACKET
3	90435		2	MOUNT, COWL MOUNTING BRACKET
4	12-21249		2	WASHER, MOUNT ATTACHING
5	11-20361		4	NUT, MOUNT ATTACHING
6	90552A2		1	HIGH SPEED CONTROL ASSEMBLY
7	27-89221	●	3	GASKET, SOUND ATTENUATOR TO CARBURETOR
8	88509		1	PLATE, SOUND ATTENUATOR
9	87659		2	INLET, SOUND ATTENUATOR
10	10-48408		6	SCREW, INLET TO SOUND ATTENUATOR
11	27-87736	●	1	GASKET, COVER
12	93518A1		1	COVER, SOUND ATTENUATOR
13	10-48408		9	SCREW, COVER TO SOUND ATTENUATOR
14	10-88488		4	SCREW, SOUND ATTENUATOR (3-1/4")
15	10-88489		2	SCREW, SOUND ATTENUATOR (2-1/2")
16	12-35462		6	WASHER, SOUND ATTENUATOR SCREW USED ON EARLY STYLE ENGINES
17	25-89079		6	GROMMET, SOUND ATTENUATOR SCREW USED ON EARLY STYLE ENGINES
18	90365		1	VALVE, ENRICHER
19	22-90275		1	CONNECTOR, ENRICHER VALVE (BOTTOM)
20	22-89097		1	CONNECTOR, ENRICHER VALVE (SIDE)
21	90345		1	BRACKET, ENRICHER VALVE
22	10-89075		2	SCREW, VALVE TO BRACKET
23	10-28688		2	SCREW, BRACKET TO REED BLOCK HOUSING (7/8")
24	45915		1	TERMINAL BLOCK, REED BLOCK HOUSING
25	10-69079		1	SCREW, TERMINAL BLOCK ATTACHING
26	10-69079		1	SCREW, WIRE TO TERMINAL BLOCK
27	32-54935-79		1	FUEL LINE, MIDDLE CARBURETOR TO VALVE
28	32-52742A1		2	FUEL LINE VALVE TO CARBURETOR TO CARBURETOR
-	27-89221A80		0	GASKET SET

● = CONTENTS OF [27-89221A80] GASKET SET

FUEL PUMP AND CARBURETOR



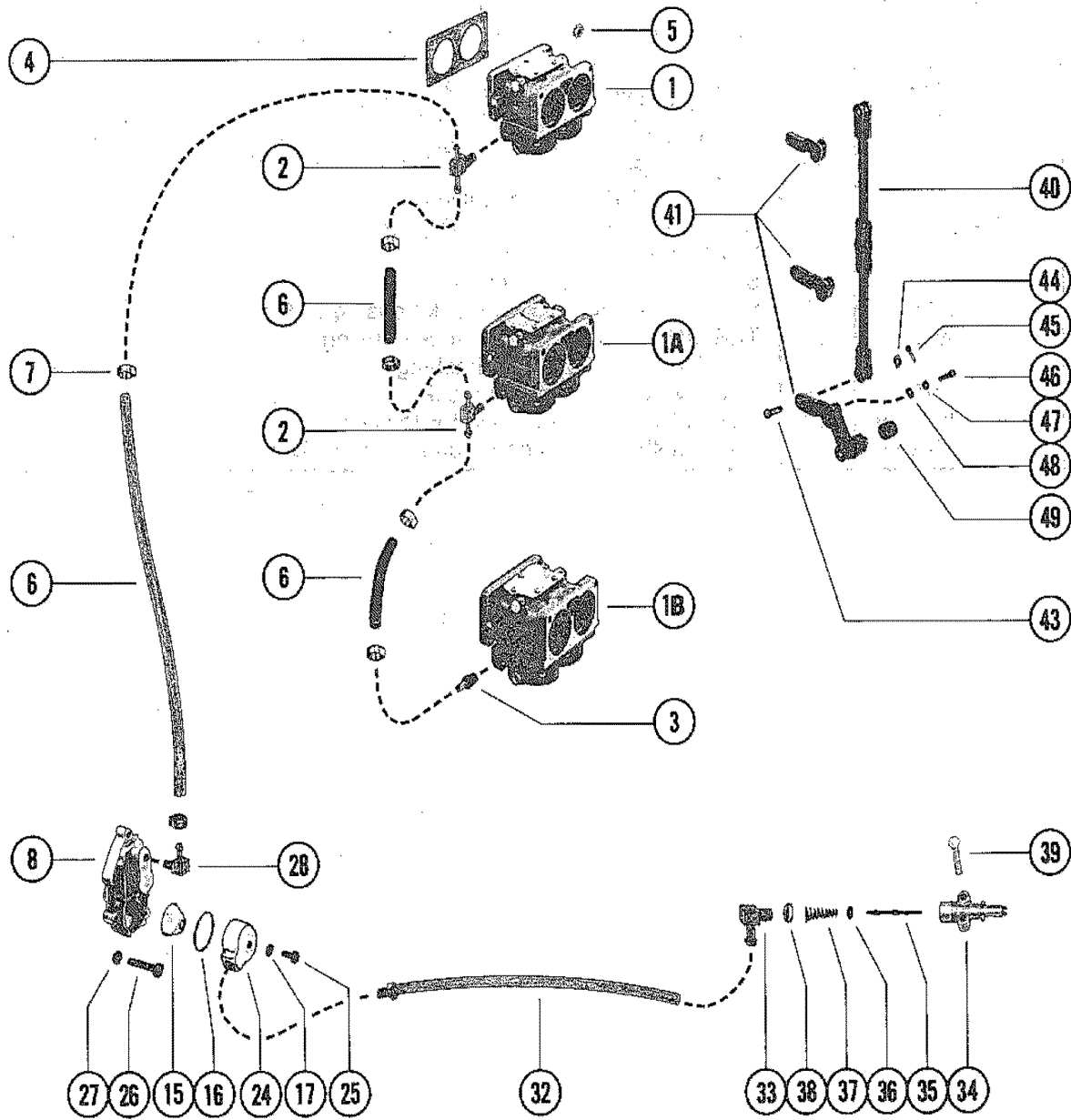
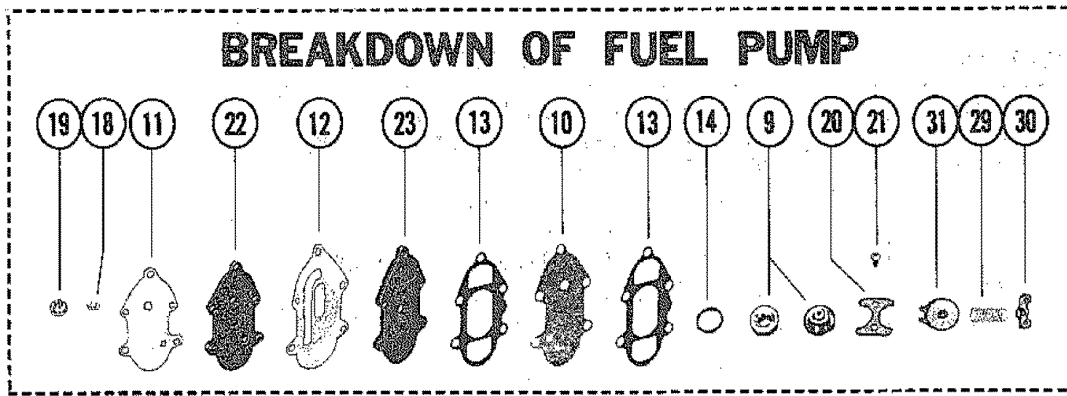
FUEL PUMP AND CARBURETOR

REF. NO.	PART NO.	SYM.	QTY.	DESCRIPTION
1	1386-7599A1		1	CARBURETOR (TOP) WH-15
1A	1386-7599A2		1	CARBURETOR (CENTER)WH-15
1B	1386-7599A3		1	CARBURETOR (BOTTOM) WH-15
1	1386-7599A11		1	CARBURETOR (TOP) WH-20
2	1386-7599A12		1	CARBURETOR (CENTER) WH-20
3	1386-7599A13		1	CARBURETOR (BOTTOM) WH-20
2	1395-7900		2	TEE, FUEL INLET (UPPER AND MIDDLE)
3	1395-7901		1	FITTING, FUEL INLET (LOWER)
4	27-67751	●	3	GASKET, CARBURETOR
5	11-20184		12	NUT, CARBURETOR MOUNTING
6	32-31583109		3	HOSE, CARBURETOR FUEL PUMP (17"-4")
7	54-68424		3	CLAMP, FUEL HOSE TO CARBURETOR
8	88853A1		1	FUEL PUMP ASSEMBLY
9	21-30430A11		1	CHECK VALVE ASSEMBLY
10	90363A1	●	1	DIAPHRAM ASSEMBLY
11		●	1	GASKET, FUEL PUMP
12		●	1	GASKET, PULSE CHAMBER
13		●	2	GASKET, FUEL PUMP
14		●	2	GASKET, CHECK VALVE TO HOUSING
15	35-59072	●	1	SCREEN, FUEL INLET
16		●	1	"O" RING, FUEL INLET COVER
17		●	1	GASKET, COVER SCREW
18	17-26618		1	DOWEL PIN, FUEL PUMP LOCATING
19	21-56011A2		1	CHECK VALVE ASSEMBLY, FUEL PUMP
20	23004		1	RETAINER, CHECK VALVE
21	10-76466		2	SCREW, RETAINER ATTACHING
22	90728		1	BASE, FUEL PUMP
23	88848		1	CHAMBER, PULSE - FUEL PUMP
24	35-91078A1		1	COVER, FUEL FILTER
25	10-89766		1	SCREW, FUEL FILTER COVER (5/8")
26	10-88447		5	SCREW, FUEL PUMP (1-1/2")
27	13-26996		5	LOCKWASHER, FUEL PUMP SCREW
28	22-54090		1	FITTING, FUEL OUTLET
29	24-86207		1	SPRING, COMPRESSION
30	86026		1	RETAINER, SPRING
31	86252		1	CAP, SPRING END
32	32-89020		1	FUEL LINE, INLET (6-3/4")
33	22-63981		1	FITTING, INLET FUEL LINE (90 DEG.)
34	22833		1	ADAPTOR, CHECK UNIT
35	23069		1	STEM, CHECK UNIT ADAPTOR
36	25-20415	●	1	"O" RING, ADAPTOR STEM
37	24-23067		1	SPRING, ADAPTOR STEM

● = CONTENTS OF [27-89221A80] GASKET SET

CONTINUED ON NEXT PAGE ➡

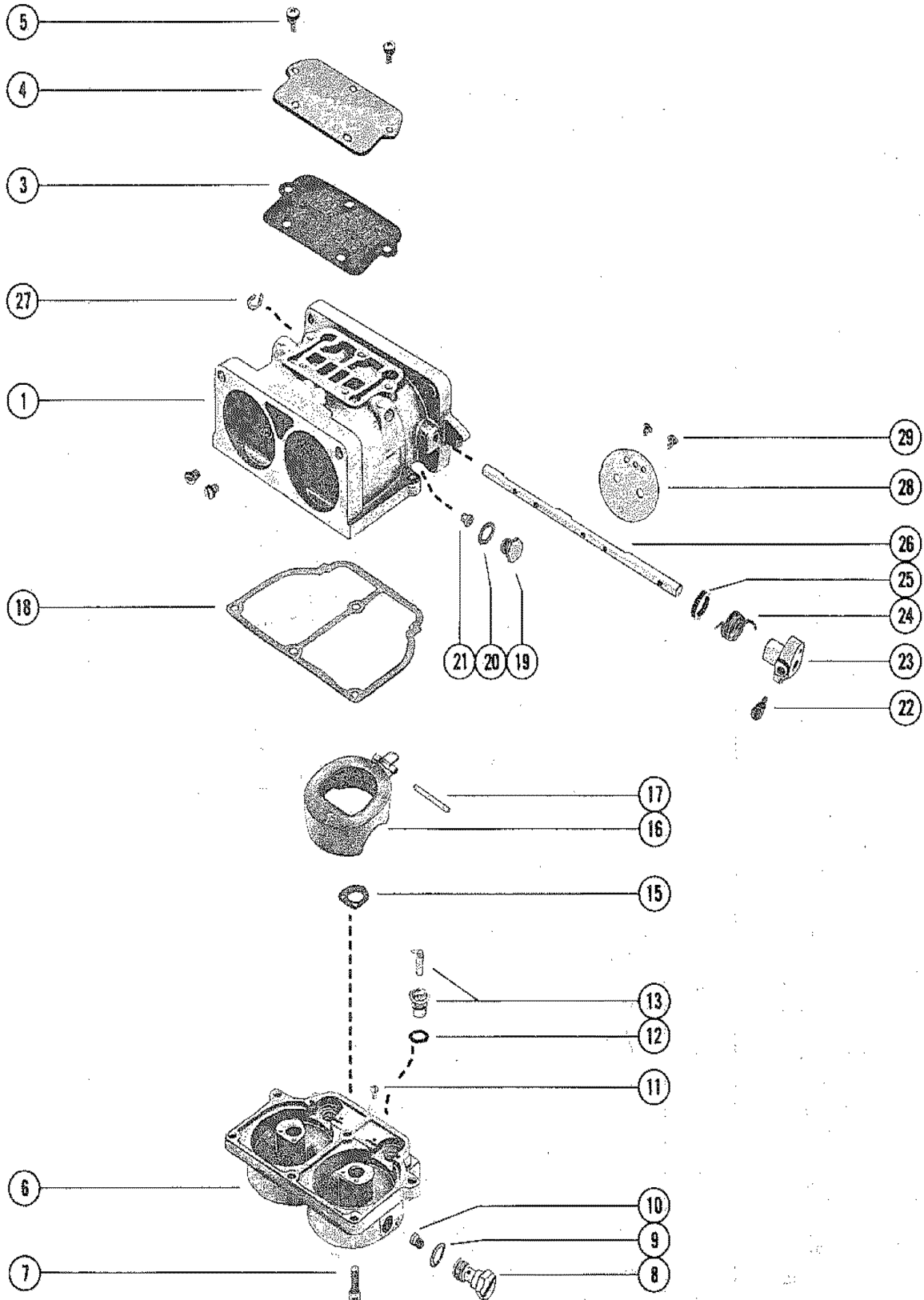
FUEL PUMP AND CARBURETOR



FUEL PUMP AND CARBURETOR

REF. NO.	PART NO.	SYM.	QTY.	DESCRIPTION
38	30188		1	CUP WASHER, ADAPTOR
39	10-76596		2	SCREW, ADAPTOR TO LOWER BRACKET
40	87604		1	THROTTLE LINK
41	93332A1		1	THROTTLE LEVER ASSEMBLY
43	17-67297		3	CLEVIS PIN THROTTLE LEVERS TO THROTTLE LINK
44	12-27736		3	WASHER, CLEVIS PIN
45	18-26953		3	COTTER PIN, CLEVIS PIN ATTACHING
46	10-92501		3	SCREW THROTTLE LEVERS TO THROTTLE STOP (3/4")
47	13-26996		3	LOCKWASHER, THROTTLE LEVERS SCREW
48	12-24676		3	WASHER, THROTTLE LEVERS SCREW
49	67748		1	ROLLER, LOWER THROTTLE LEVER
-	27-89221A80		0	GASKET SET

CARBURETOR ASSEMBLY



CARBURETOR ASSEMBLY

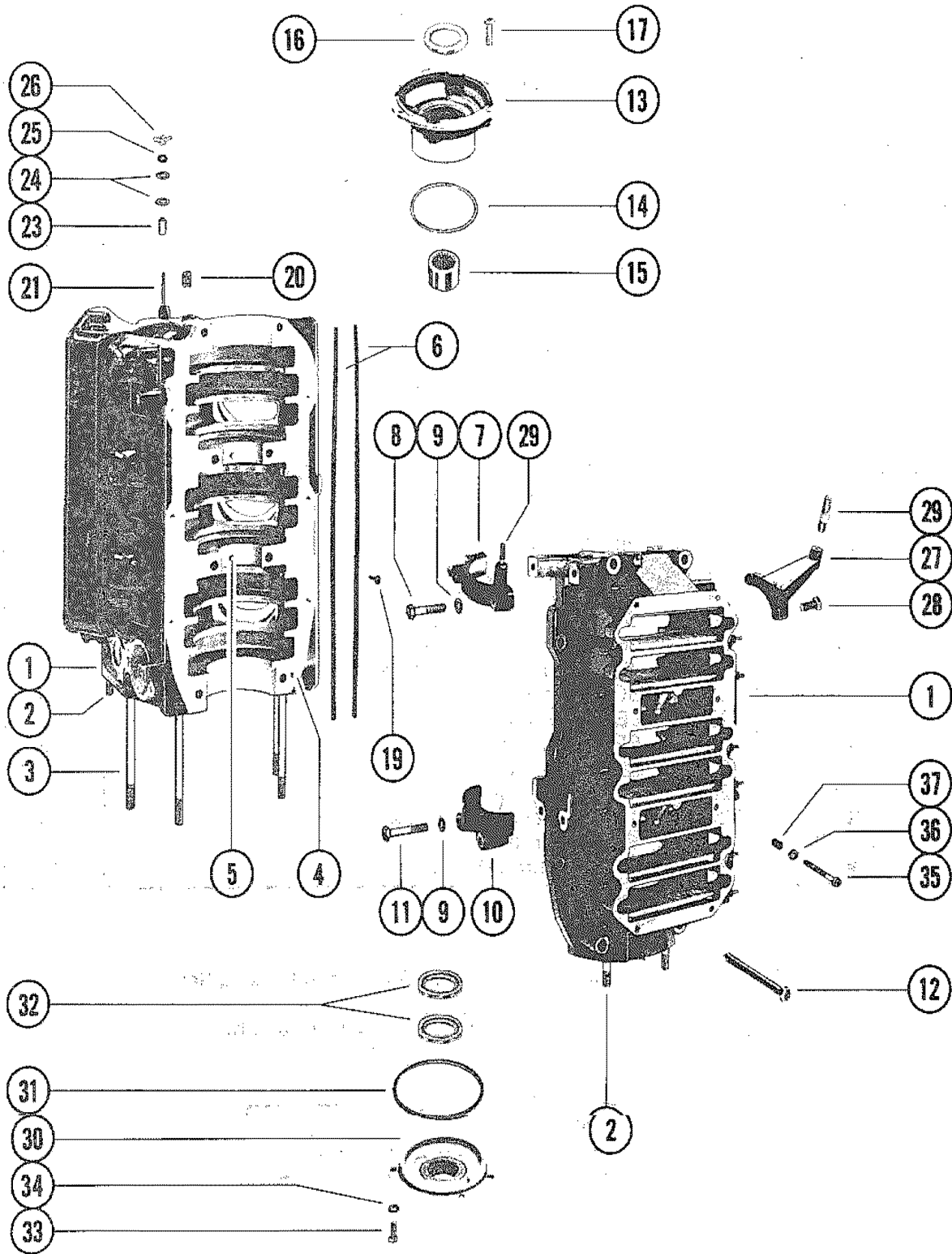
REF. NO.	PART NO.	SYM.	QTY.	DESCRIPTION
-	1386-7599A1		1	CARBURETOR (TOP) WH-5
1	1386-7599A2		1	CARBURETOR (CENTER) WH-5
	1386-7599A3		1	CARBURETOR (BOTTOM) WH-5
	1386-7599A11		1	CARBURETOR (TOP) WH-20
	1386-7599A12		1	CARBURETOR (CENTER) WH-20
	1386-7599A13		1	CARBURETOR (BOTTOM) WH-20
3		■◇	3	GASKET, COVER PLATE
4	1395-6032		3	PLATE, COVER
5		◇	15	SCREW, COVER PLATE
6	1395-7823		1	FUEL BOWL (TOP)
	1395-7822		2	FUEL BOWL (CENTER/BOTTOM)
7		◇	18	SCREW, FUEL BOWL
8	1395-6025		6	PLUG, MAIN JET
9		■◇	6	GASKET, MAIN JET
10	1395-6207		6	JET, MAIN FUEL (.072)
11		◇	6	SCREW, FLOAT PIN
12		■◇	6	GASKET, INLET NEEDLE AND SEAT
13	1395-7824	◇	6	INLET NEEDLE AND SEAT ASSEMBLY
15		■◇	6	GASKET, NOZZLE BOSS
16	1395-7827		6	FLOAT
17		◇	6	PIN, FLOAT LEVER
18		■◇	3	GASKET, FUEL BOWL
19	1395-4541		6	PLUG, IDLE AIR BLEED JET
20		■◇	6	GASKET, BLEED JET PLUG
21	1399-5315		6	JET, IDLE AIR (.042) - WH-15
19	1399-5317		6	JET, IDLE AIR (.046) - WH-20
22	1395-6027		3	SCREW, THROTTLE LEVER
23	87607		3	LEVER, THROTTLE
24		◇	3	SPRING, THROTTLE RETURN
25	1395-6031		3	SPACER, THROTTLE LEVER
26	1395-6022		3	SHAFT, THROTTLE
27		◇	3	RING, RETAINER - THROTTLE SHAFT
28	1395-6023		6	VALVE, THROTTLE
29		◇	12	SCREW, THROTTLE VALVE
-	1395-6452		0	GASKET AND PACKING SET
-	1395-7826		0	REPAIR PARTS KIT

FOR HIGH ALTITUDE JETS, CONSULT YOUR SERVICE MANUAL FOR CORRECT SIZES AND PART NUMBERS.

■ = CONTENTS OF [1395-6452] GASKET AND PACKING SET.

◇ = CONTENTS OF [1395-7826] REPAIR PARTS KIT.

CYLINDER BLOCK AND END CAPS

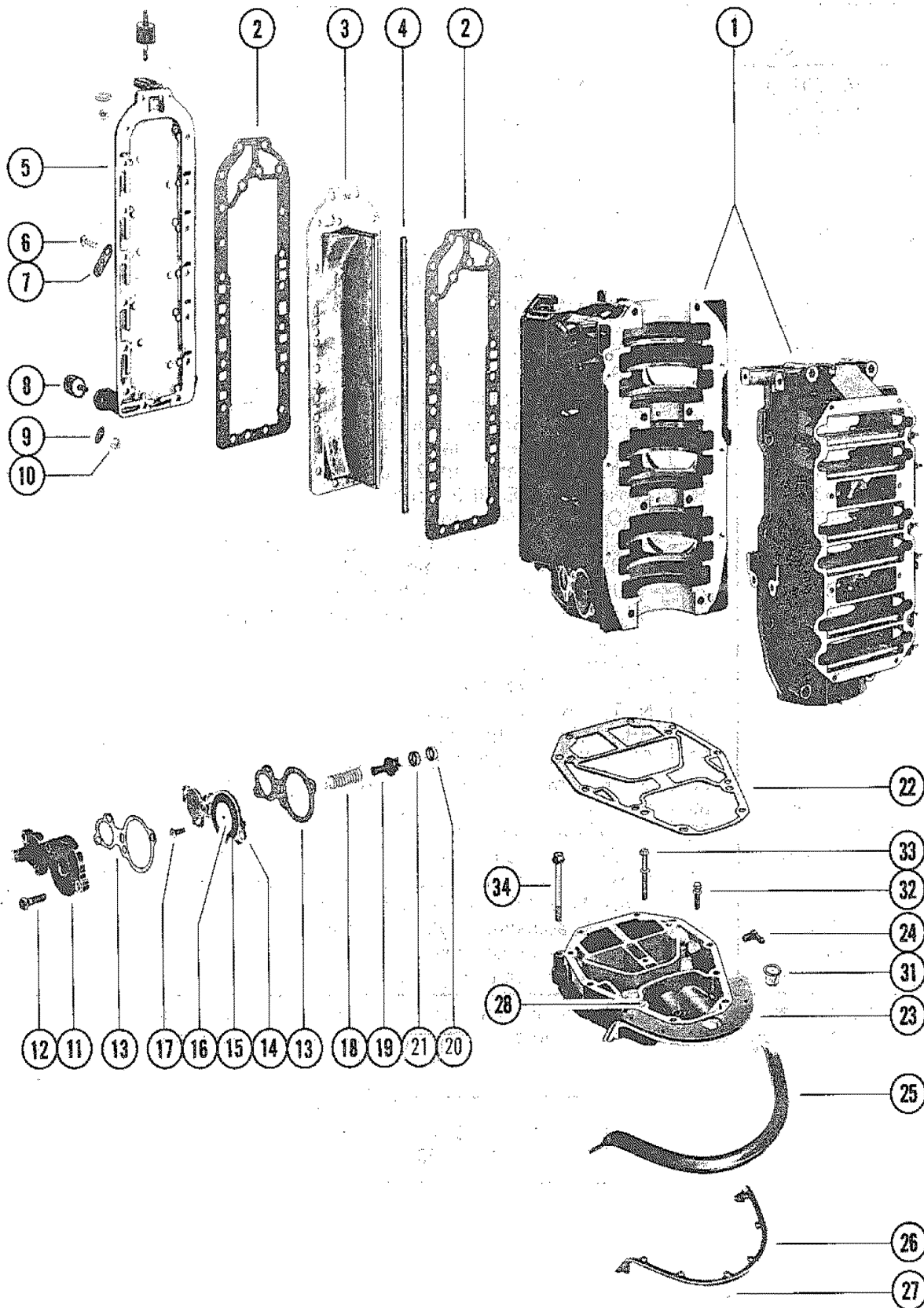


CYLINDER BLOCK AND END CAPS

REF. NO.	PART NO.	SYM.	QTY.	DESCRIPTION
1	858-7801A3		1	CYLINDER BLOCK AND CRANKCASE ASS'Y
2	16-76175		6	STUD, POWERHEAD (1-7/8")
3	16-67065		2	STUD, POWERHEAD (5-1/2")
	16-78438		2	STUD, POWERHEAD (6-15/16")
4	17-20033		2	DOWELL PIN, LOCATING
5	17-67296		2	DOWEL PIN, CYLINDER BLOCK
6	27-67208	●	2	GASELETT, SEALING
7	65974		1	COVER, STARTER MOTOR (UPPER)
8	10-73657		2	SCREW, COVER TO CRANKCASE (1-1/2")
9	13-26993		4	LOCKWASHER, STARTER MOTOR COVER SCREW
10	76867		1	COVER, STARTER MOTOR (LOWER)
11	10-77065		2	SCREW, COVER TO CRANKCASE (2")
12	10-66717		8	SCREW, CRANKCASE TO CYLINDER BLOCK (3-1/4")
	10-53016		6	SCREW, CRANKCASE TO CYLINDER BLOCK (1-1/4")
13	1159-8454A2		1	END CAP ASSEMBLY, UPPER
14	25-67206	●	1	"O" RING, END CAP (3" I.D.)
	25-54029		1	"O" RING END CAP (2-7/8" I.D.)
15	31-93496		1	ROLLER BEARING, END CAP
16	26-29476		1	OIL SEAL, END CAP
17	10-69034		4	SCREW, UPPER END CAP TO CYLINDER BLOCK (1")
19	10-24220		2	SCREW, SET - CYLINDER BLOCK (3/16")
20	22-38407		1	PLUG, CYLINDER BLOCK (WATER JACKET)
21	16-79651		1	STUD FLYWHEEL COVER TO CYLINDER BLOCK (1-7/8")
23	23-67269		1	SPACER, FLYWHEEL COVER STUD
24	12-49221		6	WASHER, FLYWHEEL COVER STUD
25	12-22887		6	WASHER, FLYWHEEL COVER STUD
26	11-73651		3	NUT, FLYWHEEL COVER STUD
27	87691		1	BRACKET, FLYWHEEL COVER
28	10-76630		2	SCREW, BRACKET TO CRANKCASE (1")
29	16-66969		2	STUD, FLYWHEEL COVER TO BRACKET (1")
30	1156-7809A1		1	END CAP ASSEMBLY, LOWER
31	25-62700	●	1	"O" RING, END CAP
32	26-29476		2	OIL SEAL, END CAP
33	10-28636		4	SCREW LOWER END CAP TO CYLINDER BLOCK (3/4")
34	13-26992		4	LOCKWASHER, LOWER END CAP SCREW
35	10-24227		1	SCREW, ADJUSTING - CYLINDER BLOCK
36	11-64015		1	NUT, JAM - ADJUSTING SCREW
37	52023		1	CAP, NYLON - ADJUSTING SCREW
-	27-89221A80		0	GASKET SET

FOR REPLACEMENT OF POWERHEAD ASSEMBLY, COMPLETE, WHICH INCLUDES CYLINDER BLOCK AND CRANKCASE, PISTONS, CONNECTING RODS AND BEARINGS, ETC. ORDER: POWERHEAD ASSEMBLY [90272A80]
 ● = CONTENTS OF [27-89221A80] GASKET SET

EXHAUST MANIFOLD AND EXHAUST PLATE

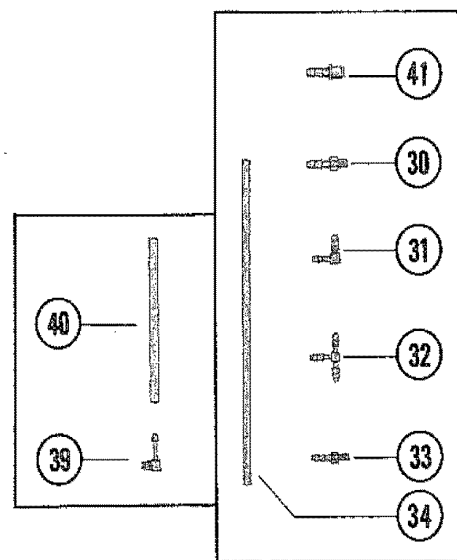
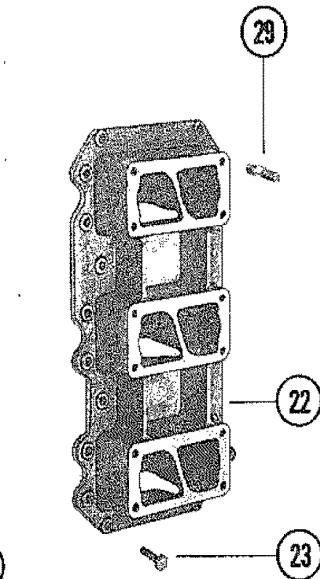
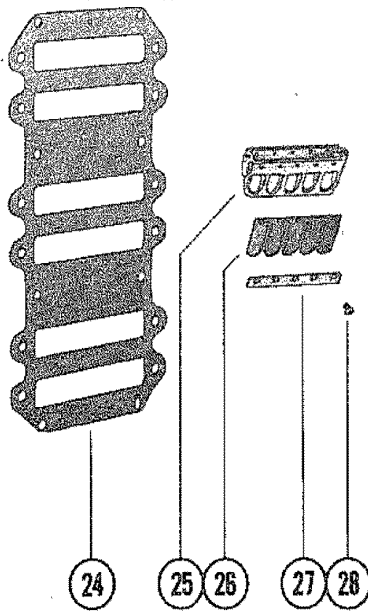
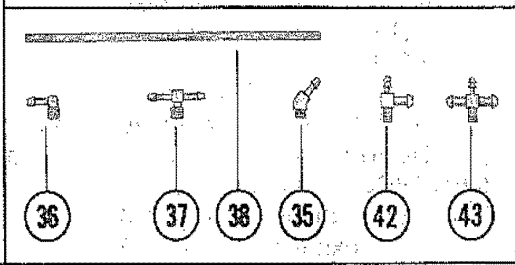
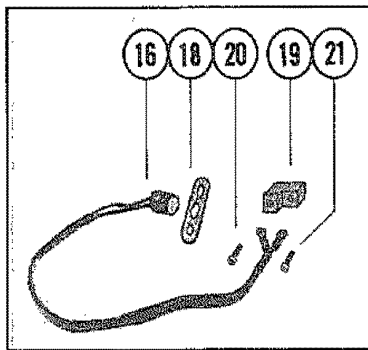
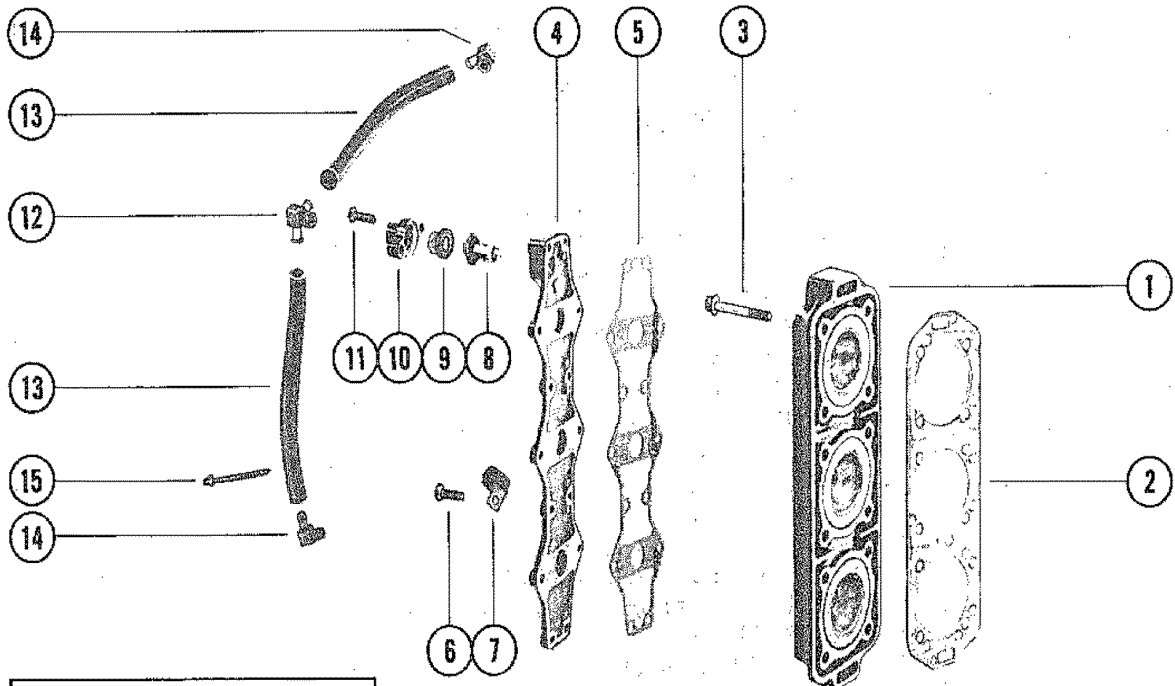


EXHAUST MANIFOLD AND EXHAUST PLATE

REF. NO.	PART NO.	SYM.	QTY.	DESCRIPTION
1	858-7801A3		1	CYLINDER BLOCK AND CRANKCASE ASS'Y
2	27-90484	●	2	GASKET, DIVIDER PLATE
3	87323		1	PLATE, DIVIDER
4	69668	●	1	SEAL, DIVIDER PLATE
5	95067		1	COVER, EXHAUST MANIFOLD
6	10-74824		21	SCREW, COVER AND PLATE TO CYLINDER BLOCK (1-1/4")
7	54-47483		1	"J" CLIP, COVER AND PLATE SCREW
8	90435		3	MOUNT, RUBBER - EXHAUST MANIFOLD COVER
9	12-21249		6	WASHER, RUBBER MOUNT
10	11-20361		6	NUT, RUBBER MOUNT
11	68729		1	COVER, RELIEF VALVE
12	10-38837		4	SCREW, COVER TO CYLINDER BLOCK (1-1/8")
13	27-78690	●	2	GASKETT, RELIEF VALVE PLATE
14	65664		1	PLATE, RELIEF VALVE
15	64877		1	DIAPHRAM
16	12-76451		1	WASHER, DIAPHRAGM SCREW
17	10-69570		1	SCREW, DIAPHRAGM TO PLATE (3/4")
18	24-64878		1	SPRING, COMPRESSION - POPPET VALVE
19	86596		1	POPPET, VALVE
20	65848		1	CARRIER, POPPET RELIEF
21	25-64872		1	GROMMET, POPPET RELIEF
22	27-78069	●	1	GASKET, EXHAUST PLATE
23	78065A1		1	PLATE ASSEMBLY, EXHAUST
24	22-25885		1	ELBOW, EXHAUST PLATE
25	70748--2		1	SEAL, EXHAUST PLATE
26	68010		1	BRACKET, SEAL REATAINING
27	10-48408		8	SCREW, BRACKET TO EXHAUST PLATE (1/2")
28	17-20033		2	DOWEL PIN, LOCATING - EXHAUST PLATE
31	23-27132		1	BUSHING, EXHAUST PLATE
32	10-66727		1	SCREW, EXHAUST PLATE (1-1/4")
33	10-68783		1	SCREW, EXHAUST PLATE (2-1/2")
34	10-66725		3	SCREW, EXHAUST PLATE (3-1/2")
-	27-89221A80		0	GASKET SET

● = CONTENTS OF [27-89221A80] GASKET SET

REED BLOCK AND CYLINDER HEAD



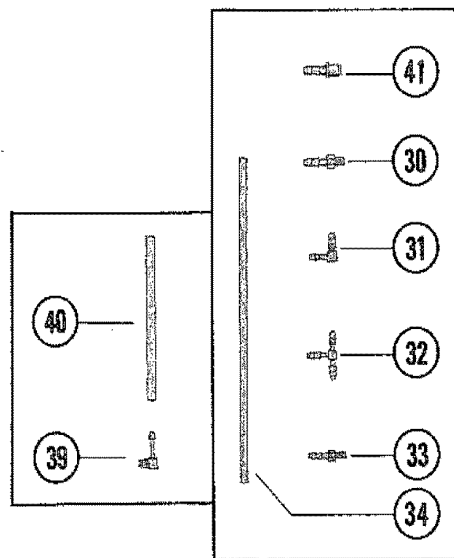
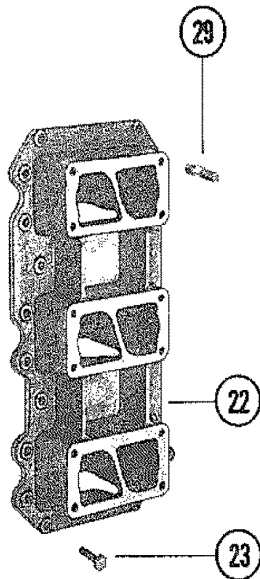
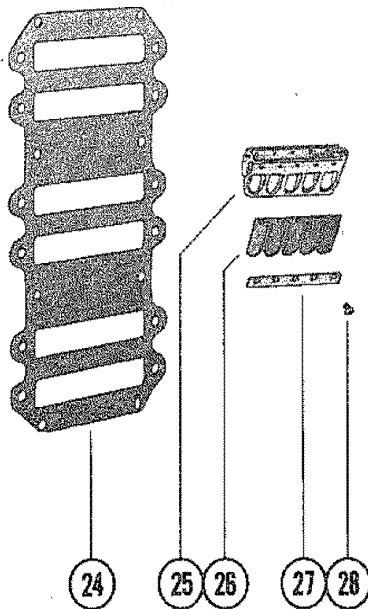
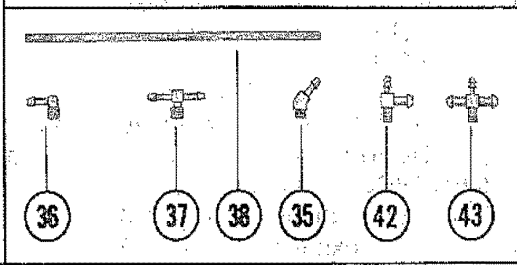
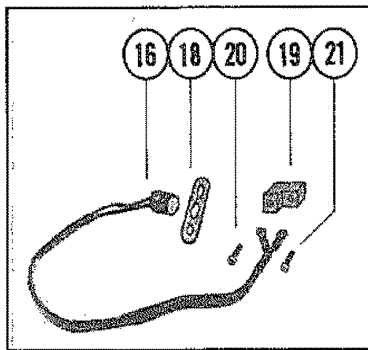
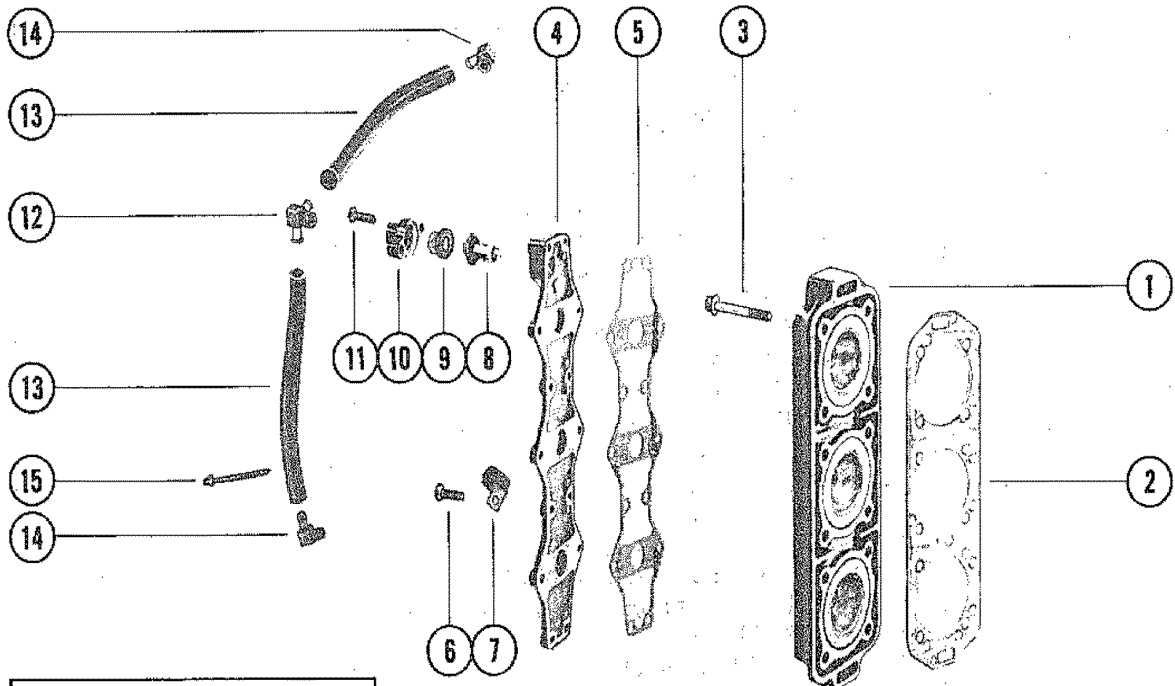
REED BLOCK AND CYLINDER HEAD

REF. NO.	PART NO.	SYM.	QTY.	DESCRIPTION
1	95095		2	CYLINDER HEAD
2	27-96541	●	2	GASKET, CYLINDER HEAD
3	10-66863		24	SCREW, CYLINDER HEAD (2-1/2")
4	1026-7270A1		2	COVER ASSEMBLY, CYLINDER
5	27-65788	●	2	GASKET, CYLINDER COVER
6	10-74824		26	SCREW, CYLINDER COVER (1-1/4")
7	54-47483		2	"J" CLIP, CYLINDER COVER SCREW
8	75692		2	THERMOSTAT
9	27-62386	●	2	GASKET, THERMOSTAT
10	90390A1		2	COVER, THERMOSTAT
11	10-66023		AR	SCREW, THERMOSTAT COVER (2"- FLANGE HEAD)
	10-77065		AR	SCREW, THERMOSTAT COVER (2")
	10-35386		2	SCREW, THERMOSTAT COVER (1")
12	68728		1	FITTING, THERMOSTAT COVER TO WATER HOSES
13	32-77653-67		2	HOSE, WATER DISTRIBUTION (10" AND 14")
14	22-68727		1 OR 2	FITTING, ELBOW - WATER HOSES
15	61990		4	STA-STRAP, WATER HOSES
16	78799		1	TEMPERATURE SENDER
18	78286		1	COVER, TEMPERATURE SENDER
19	45915		1	TERMINAL BLOCK
20	10-69079		1	SCREW TERMINAL BLOCK TO CYLINDER BLOCK (3/8")
21	10-69079		1	SCREW, LEADS TO TERMINAL BLOCK (3/8")
22	87628		20	HOUSING, REED BLOCK (7/8")
24	27-78298	●	1	GASKET, REED BLOCK HOUSING
25	87692		6	REED BLOCK
26	34-78161A1		6	REED ASSEMBLY
27	90391		12	REED STOP
28	10-57583		84	SCREW REED AND REED STOPS TO REED BLOCK (3/8")
29	16-27037		12	STUD, CARBURETOR MOUNTING
30	21-72016		13	CHECK VALVE, BLEED HOSE (STRAIGHT)
31	22-71191		6	ELBOW, BLEED HOSE (PRESS IN)
32	22-59169		6	TEE, BLEED HOSE
33	22-56759		2	FITTING, BLEED HOSE (PRESS IN)
34	32-54935-79		10	HOSE, BLEED
35	22-78279		1	ELBOW, REED BLOCK (45 DEG.)
36	22-25885		2	ELBOW, REED BLOCK (90 DEG.)
37	22-85578		1	TEE, REED BLOCK
38	32-78892-14		4	HOSE, REED BLOCK (2-3/4"-4")
39	22-54090		2	FITTING, PULSE HOSE

● = CONTENTS OF [27-89221A80] GASKET SET

CONTINUED ON NEXT PAGE ➡

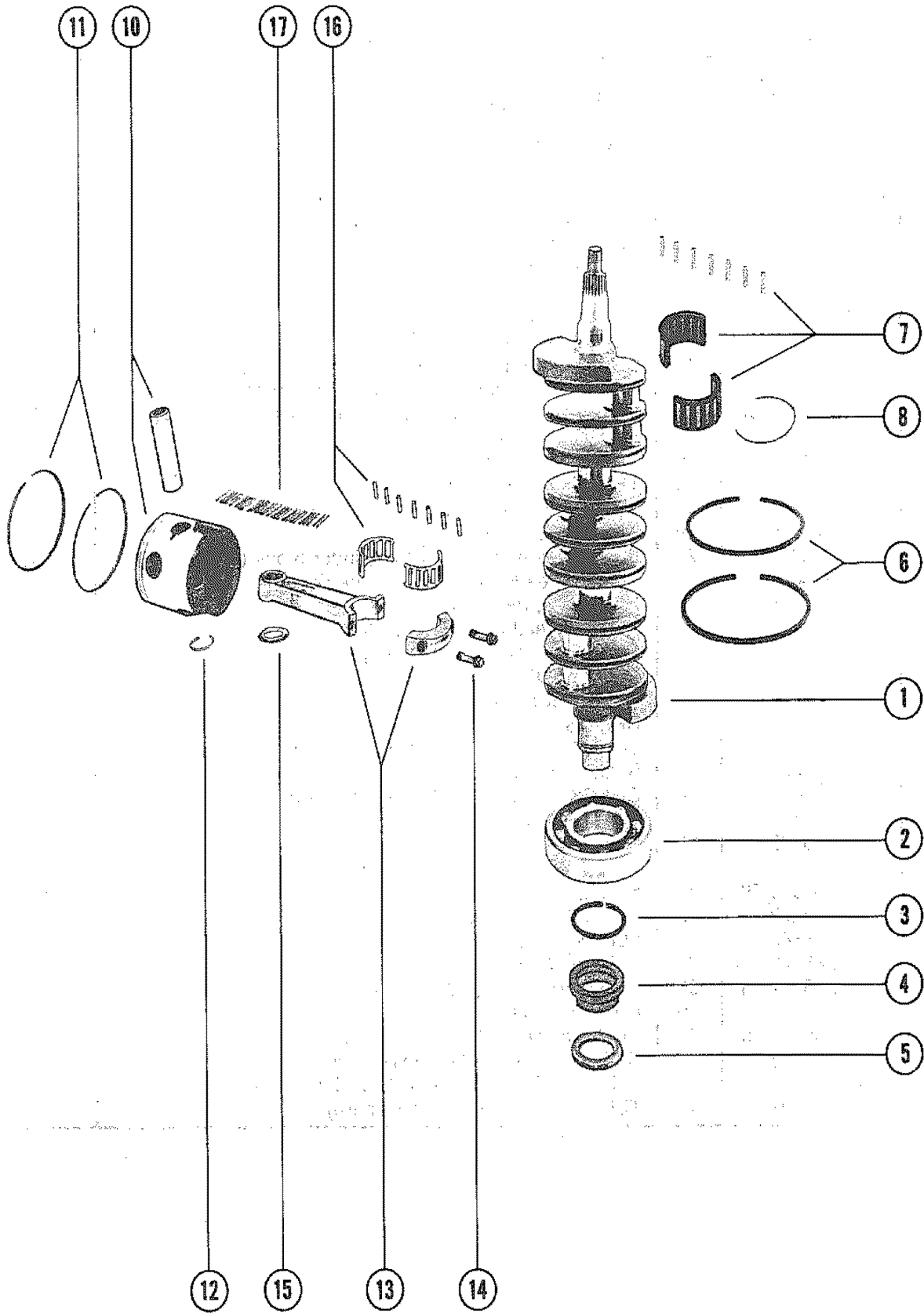
REED BLOCK AND CYLINDER HEAD



REED BLOCK AND CYLINDER HEAD

REF. NO.	PART NO.	SYM.	QTY.	DESCRIPTION
40	32-90729-25		1	HOSE, PULSE (6-3/4")
41	21-91933		1	CHECK VALVE, BLEED HOSE (PRESS-IN)
42	22-93890		1	ELBOW, REED BLOCK (WITH 1/16" BARB) - 90 DEG.
43	22-93891		1	TEE, REED BLOCK (WITH 1/16" BARB)
-	27-89221A80		0	GASKET SET

CRANKSHAFT, PISTONS AND CONNECTING RODS

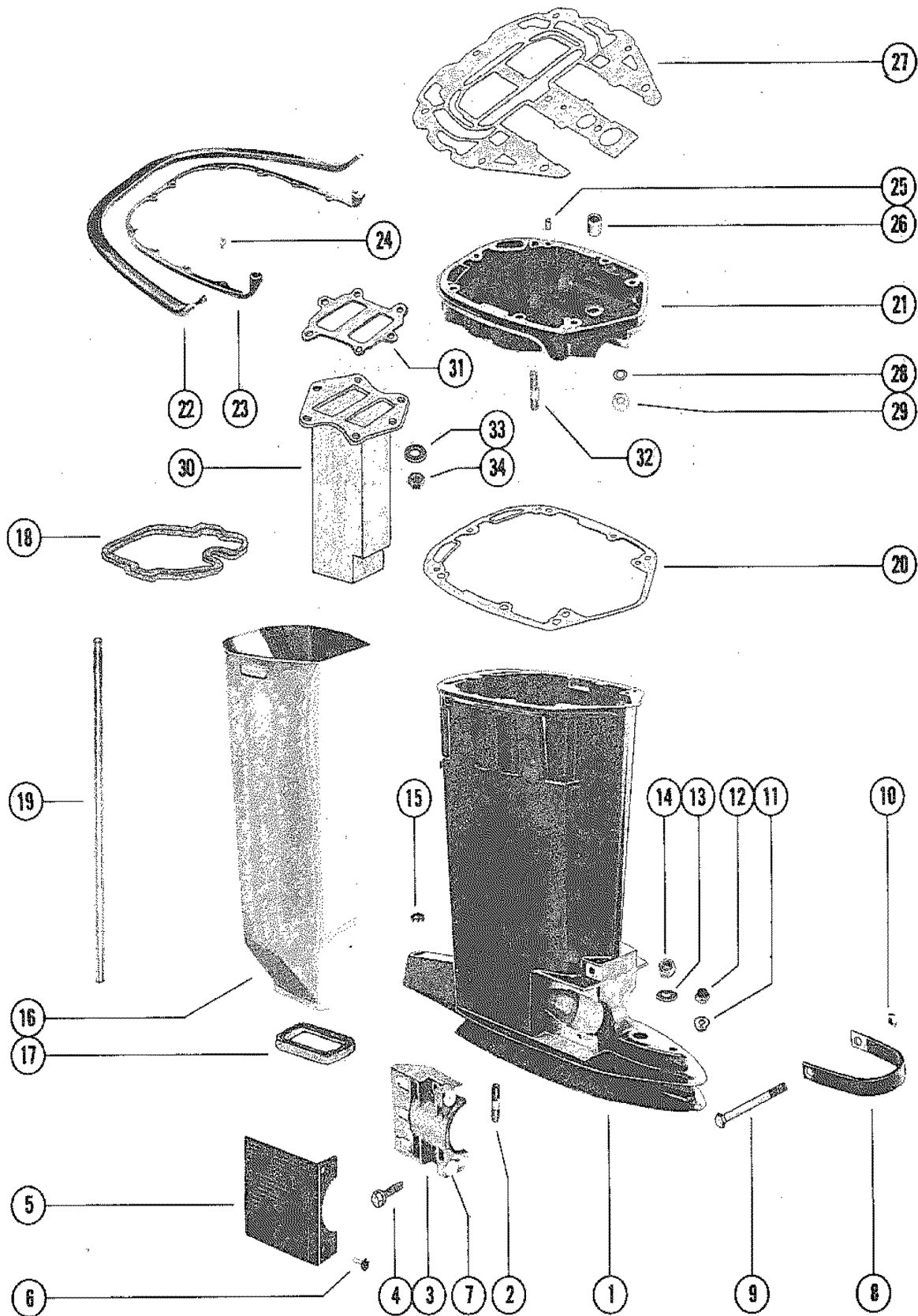


CRANKSHAFT, PISTONS AND CONNECTING RODS

REF. NO.	PART NO.	SYM.	QTY.	DESCRIPTION
1	455-7666A2		1	CRANKSHAFT ASSEMBLY
2	30-67923		1	BALL BEARING, CRANKSHAFT (LOWER)
3	53-67446		1	RETAINING RING, BALL BEARING
4	54196A6		1	CARRIER ASSEMBLY, SEAL
5	65800	●	1	SEAL, CARRIER
6	39-67377		9	RING, SEALING - CRANKSHAFT (.124 THICK)
7	31-93495		2	ROLLER BEARING, CRANKSHAFT
8	53-67444		2	RETAINING RING, ROLLER BEARING
10	766-8333A4		3	PISTON ASSEMBLY (STARBOARD)
	766-8332A4		3	PISTON ASSEMBLY (PORT)
11	39-78996A12		1	PISTON RING ASSEMBLY
12	40-52035		12	LOCK RING, PISTON
13	625-7209A2		6	CONNECTING ROD ASSEMBLY
14	10-76349		12	SCREW, CONNECTING ROD
15	12-47247		12	WASHER, NEEDLE LOCATING
16	31-67526A1		6	ROLLER BEARING ASSEMBLY, CRANKSHAFT END
17	29-67483		174	NEEDLE BEARING, PISTON END
-	27-89221A80		0	GASKET SET

● = CONTENTS OF [27-89221A80] GASKET SET

DRIVE SHAFT HOUSING AND EXHAUST TUBE

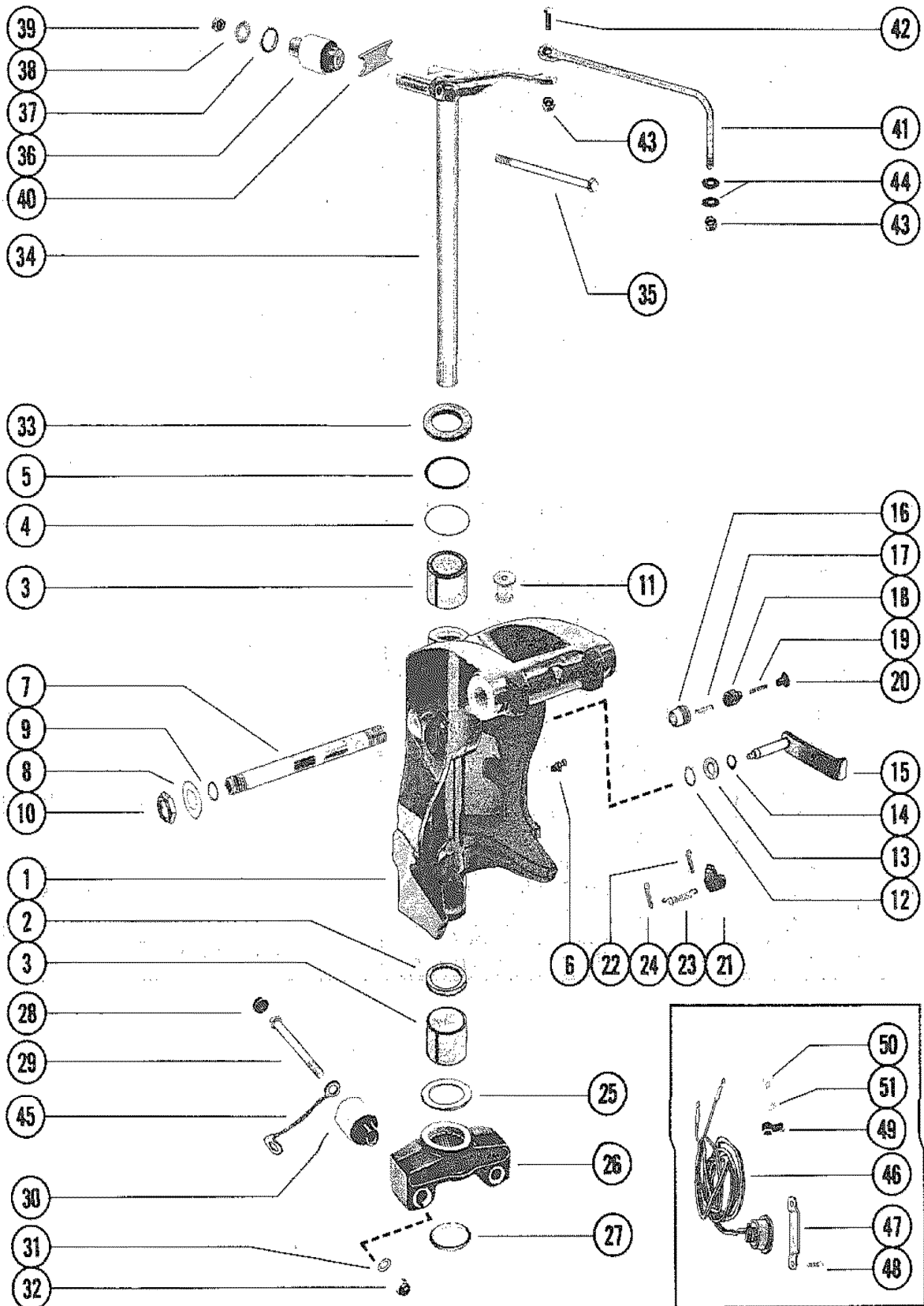


DRIVE SHAFT HOUSING AND EXHAUST TUBE

REF. NO.	PART NO.	SYM.	QTY.	DESCRIPTION
1	1590-8343A7		1	DRIVE SHAFT HOUSING ASSEMBLY
2	16-56295		2	STUD, DRIVE SHAFT HOUSING (LONG SHAFT)
	16-74732		2	STUD, DRIVE SHAFT HOUSING (EXTRA LONG SHAFT)
3	54-67076		2	CLAMP, LOWER MOUNT
4	10-66727		4	SCREW, LOWER MOUNT CLAMP (1-1/4")
5	67077		2	COVER, LOWER MOUNT CLAMP
6	10-88417		4	SCREW, COVER ATTACHING (5/8")
7	11-35521		4	NUT, NYLON - COVER TO CLAMP SCREW
8	67703		1	STRAP, SWIVEL BRACKET RETAINING
9	10-67769		1	SCREW, STRAP TO DRIVE SHAFT HOUSING
10	11-25269		1	NUT, STRAP TO DRIVE SHAFT HOUSING SCREW
11	12-73862		1	WASHER, GEAR HOUSING STUD
12	11-29489		1	NUT, GEAR HOUSING STUD (CAP)
13	12-45176		2	WASHER, GEAR HOUSING STUD
14	11-34933		2	NUT, GEAR HOUSING STUD
15	19-64649		1	PLUG, DRIVE SHAFT HOUSING
16	89743		1	TUBE, EXHAUST
17	66350		1	SEAL, EXHAUST TUBE-LOWER
18	86027		1	SEAL, EXHAUST TUBE - UPPER
19	32-67295		1	TUBE, WATER (LONG SHAFT)
	32-74729		1	TUBE, WATER (EXTRA LONG SHAFT)
20	27-88727	●	1	GASKET, DRIVE SHAFT HOUSING TO PLATE
21	86585A3		1	PLATE ASSEMBLY, DRIVE SHAFT HOUSING
22	70748--2		1	SEAL, BRACKET
23	68011		1	BRACKET, SEAL RETAINING
24	10-48408		12	SCREW, BRACKET TO PLATE (1/2")
25	17-20033		2	DOWEL PIN, LOCATING
26	26-38970	●	1	SEAL, WATER TUBE
27	27-78068	●	1	GASKET, DRIVE SHAFT HOUSING PLATE
28	12-25970		10	WASHER, POWERHEAD STUD
29	11-69254		10	NUT, POWERHEAD STUD
30	78137		1	DIFFUSER, EXHAUST
31	27-78246	●	1	GASKET, EXHAUST DIFFUSER
32	16-66021		6	STUD, DIFFUSER TO PLATE
33	12-20533		6	WASHER, DIFFUSER STUD
34	11-30506		6	NUT, DIFFUSER STUD
-	78148A1		1	SPACER ASSEMBLY (EXTRA LONG SHAFT)
-	17-20033		2	PIN, LOCATING -SPACER (EXTRA LONG SHAFT)
-	27-89221A80		0	GASKET SET

● = CONTENTS OF [27-89221A80] GASKET SET

SWIVEL BRACKET AND STEERING ARM



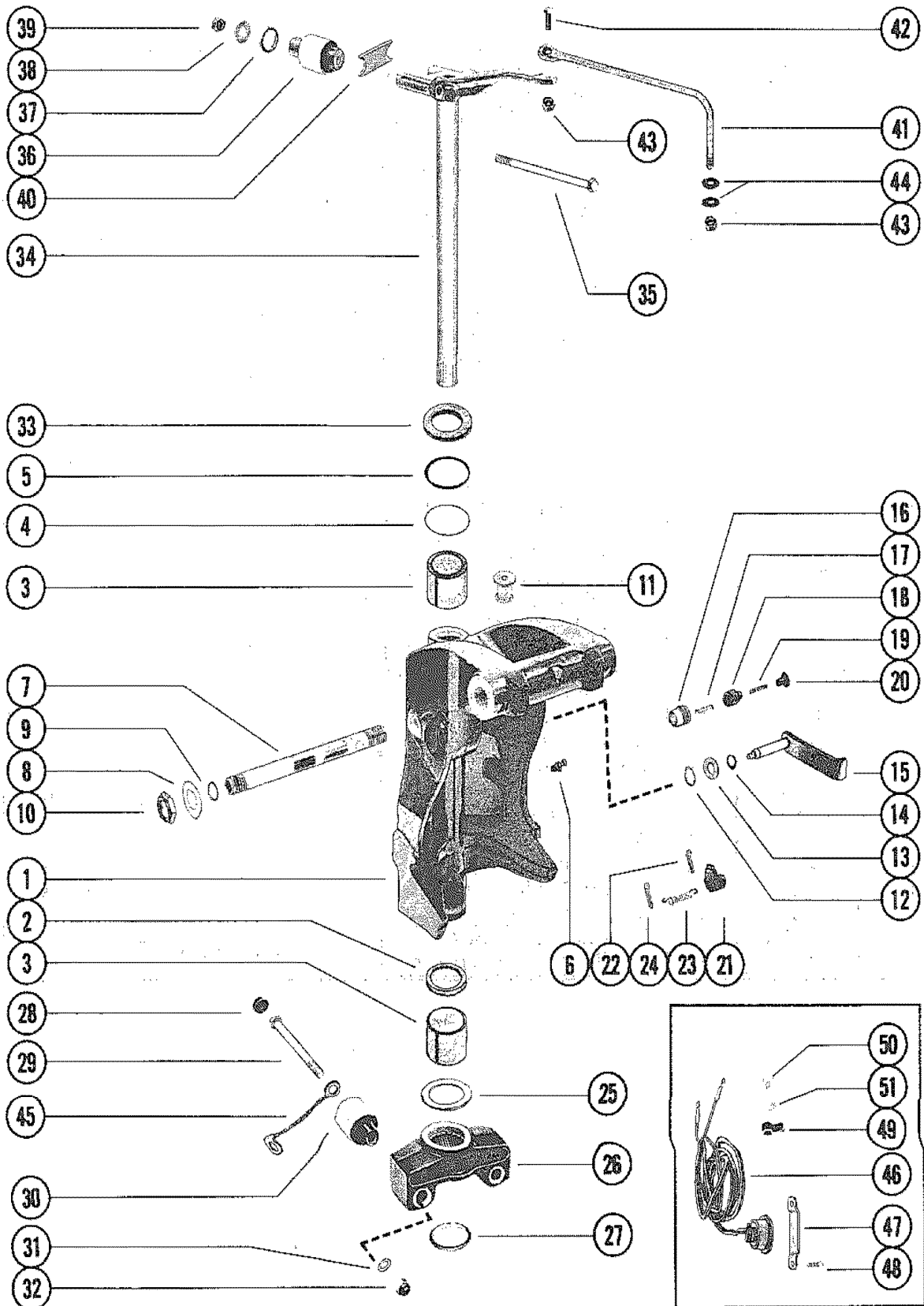
SWIVEL BRACKET AND STEERING ARM

REF. NO.	PART NO.	SYM.	QTY.	DESCRIPTION
1	1491-7945A1		1	SWIVEL BRACKET ASSEMBLY
2	26-87735		1	OIL SEAL, SWIVEL BRACKET (LOWER)
3	23-67669		2	BUSHING, SWIVEL BRACKET - LOWER AND UPPER
4	25-33466	●	1	"O" RING, SWIVEL BRACKET - UPPER
5	23-67668		1	SPACER, SWIVEL BRACKET - UPPER
6	22-74036		4	FITTING, GREASE
7	85366		1	TILT TUBE
8	13-88750		2	WAVE WASHER, TILT TUBE
9	25-48462	●	1	"O" RING, TILT TUBE
10	11-56041		1	NUT, TILT (7/8"-14)
	11-34862		1	NUT, TILT TUBE (1"-14)
11	25-88341		2	GROMMET, SWIVEL BRACKET
12	26-85023		2	OIL SEAL, SWIVEL BRACKET
13	12-87161		2	WASHER, TILT LOCK LEVER
14	25-48171	●	2	"O" RING, TILT LOCK LEVER
15	85030A1		1	LEVER ASSEMBLY, TILT LOCK (PORT)
	85028A1		1	LEVER ASSEMBLY, TILT LOCK (STARBOARD)
16	23-86600		1	BUSHING, TILT LEVER RELEASE
17	24-85367		1	SPRING, TILT LEVER RELEASE
18	85378		1	PLUNGER, TILT LEVER RELEASE
19	16-88876		1	STUD, PLUNGER
20	86603		1	KNOB, PLUNGER
21	86475		1	COUPLING, TILT LOCK LEVER
22	18-87200		2	COTTER PIN, LEVER TO COUPLING
23	24-88049		1	SPRING, TENSION - COUPLING
24	18-93861		1	COTTER PIN, COUPLING SPRING
25	13-78854		1	WAVE WASHER, BOTTOM YOKE
26	86580		1	YOKE, BOTTOM
27	53-67684		1	RETAINING RING, BOTTOM YOKE
28	25067		2	BUMPER, BOTTOM YOKE SCREW
29	10-86581		2	SCREW, BOTTOM YOKE ATTACHING (5-7/8")
30	78249		2	MOUNT, BOTTOM YOKE
31	12-49339		2	WASHER, BOTTOM YOKE SCREW
32	11-25096		2	NUT, BOTTOM YOKE SCREW
33	12-67670		1	WASHER, THRUST - SWIVEL BRACKET
34	17-67706A2		1	SWIVEL PIN AND STEERING ARM ASSEMBLY
35	10-78689		2	SCREW, STEERING ARM TO UPPER MOUNT
36	78687		2	MOUNT, RUBBER - UPPER
37	12-66921		2	WASHER, UPPER MOUNT BOLT
38	12-78688		2	WASHER, UPPER MOUNT BOLT
39	11-34933		2	NUT, UPPER MOUNT BOLT
40	67754		1	BUMPER, STEERING ARM

● = CONTENTS OF [27-89221A80] GASKET SET

CONTINUED ON NEXT PAGE ➡

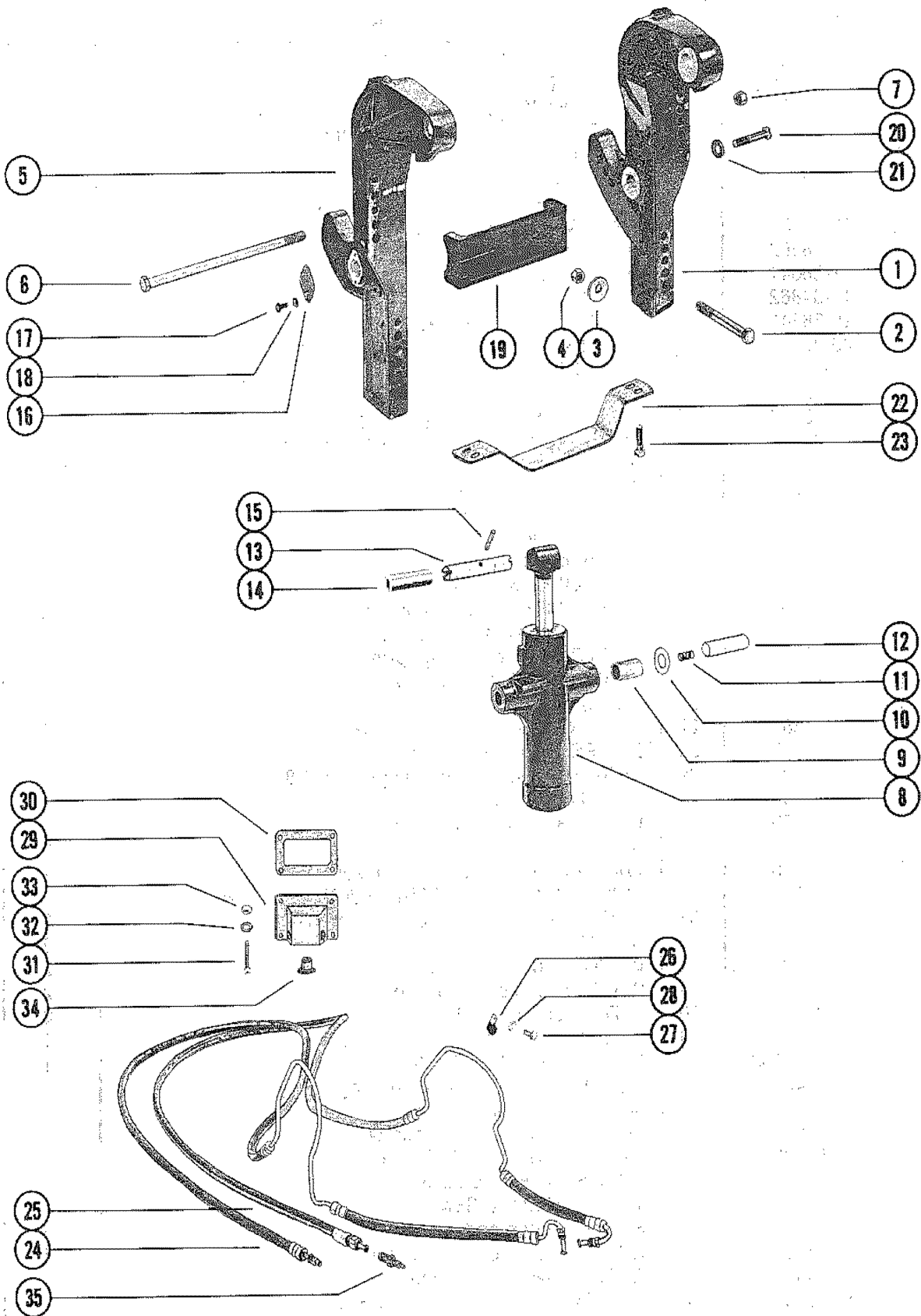
SWIVEL BRACKET AND STEERING ARM



SWIVEL BRACKET AND STEERING ARM

REF. NO.	PART NO.	SYM.	QTY.	DESCRIPTION
41	92876A1		1	STEERING LINK ASSEMBLY
42	10-79401		1	SCREW STEERING LINK TO STEERING ARM (1-1/4")
43	11-34863		2	NUT, STEERING LINK SCREW
44	12-34931		2	WASHER, STEERING LINK SCREW
45	88238A1		1	GROUND WIRE ASSEMBLY
46	86485A1		1	TRIM SENDER ASSEMBLY
	86485A1		1	TRIM SENDER ASSEMBLY
	86485A2		1	TILT SWITCH ASSEMBLY
47	88342		2	STRAP, SWITCH AND SENDER
48	10-87926		4	SCREW, STRAP TO SWIVEL BRACKET
49	54-54457		1	CLAMP, SWITCH AND SENDER LEADS
50	10-46467		1	SCREW, CLAMP TO SWIVEL BRACKET
51	12-29245		1	WASHER, CLAMP SCREW
-	27-89221A80		0	GASKET SET

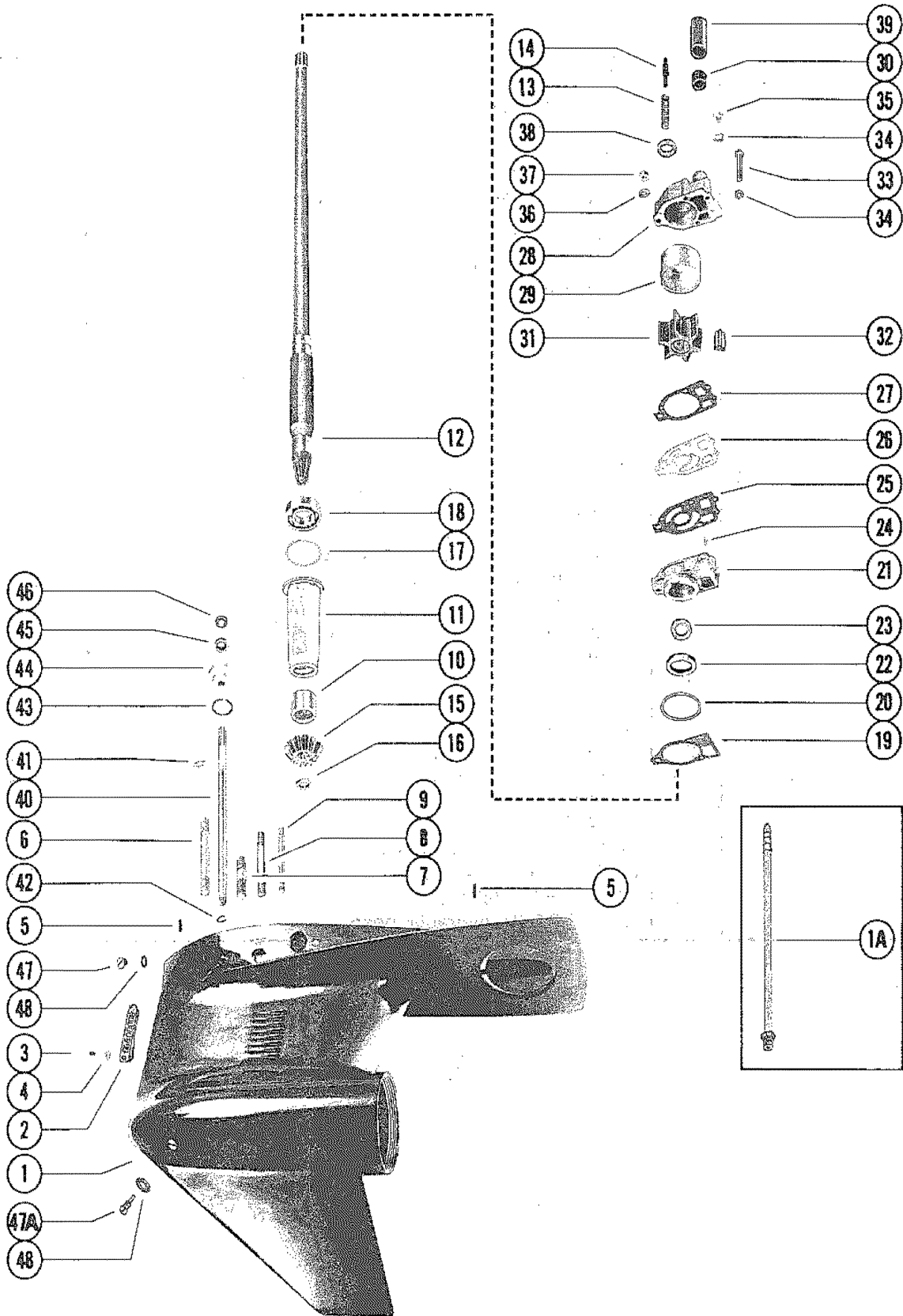
TRANSOM BRACKETS



TRANSOM BRACKETS

REF. NO.	PART NO.	SYM.	QTY.	DESCRIPTION
1	1494-7476		1	BRACKET, TRANSOM (PORT)
2	10-67755		2	SCREW, BRACKET TO TRANSOM (6")
	10-67757		2	SCREW, BRACKET TO TRANSOM (4")
3	12-28421		4	WASHER, BRACKET SCREW
4	11-35000		4	NUT, BRACKET SCREW
5	1495-7478		1	BRACKET, TRANSOM (STARBOARD)
6	10-87180		1	BOLT, TILT
7	11-20220		1	NUT, TILT BOLT
8	79610A6		1	TRIM CYLINDER ASSEMBLY
9	23-86489		2	BUSHING, TRIM CYLINDER
10	12-85022		2	WASHER, TRANSOM BRACKET
11	24-30316		2	SPRING, TRIM CYLINDER
12	17-85020		2	PIVOT PIN, TRIM CYLINDER
13	85024		1	SHAFT, TRIM CYLINDER
14	23-86637		2	BEARING, TRIM SHAFT
15	17-91862		1	PIN, TRIM CYLINDER
16	85026		2	PLATE, PIVOT PIN
17	10-28636		4	SCREW, PLATE TO TRANSOM BRACKET
18	12-29245		4	WASHER, PLATE SCREW
19	85035		1	SPACER, TRANSOM BRACKET
20	10-70732		4	SCREW, SPACER TO TRANSOM BRACKET
21	12-29245		4	WASHER, SPACER SCREW
22	89949A1		1	PLATE ASSEMBLY, TRANSOM BRACKET
23	10-89996		4	SCREW, PLATE TO TRANSOM BRACKET
24	32-85033		1	HOSE, HYDRAULIC - PORT
25	32-85032		1	HOSE, HYDRAULIC - STARBOARD
26	54-88512		4	CLAMP, HYDRAULIC HOSE
27	10-88829		4	SCREW, CLAMP TO TRANSOM BRACKET
28	13-26996		4	LOCKWASHER, CLAMP SCREW
29	87871		1	COVER, INLET-HYDRAULIC HOSE
30	27-87775		1	GASKET, INLET COVER
31	10-32866		4	SCREW, INLET COVER
32	12-20878		4	WASHER, INLET COVER SCREW
33	11-29488		4	NUT, INLET COVER SCREW
34	25-45507		1	GROMMET, INLET COVER
35	22-87207		1	CONNECTOR, HYDRAULIC HOSE

GEAR HOUSING (DRIVE SHAFT)



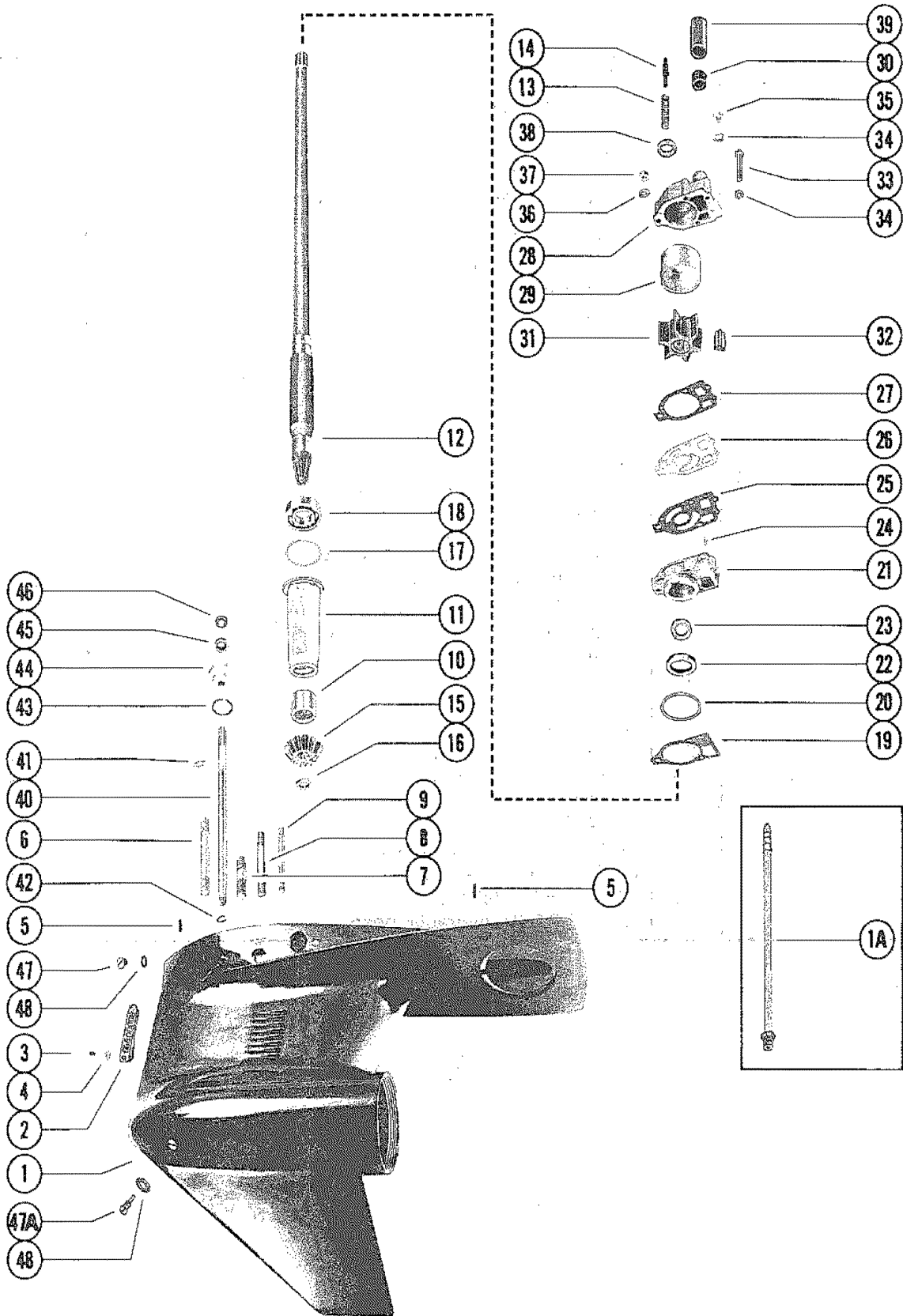
GEAR HOUSING (DRIVE SHAFT)

REF. NO.	PART NO.	SYM.	QTY.	DESCRIPTION
-	1647-7350A26		1	GEAR HOUSING ASS'Y COMPLETE (LONG SHAFT)
-	1647-7350A27		1	GEAR HOUSING ASS'Y, COMP. (EXTRA LONG SHAFT)
1	1647-7350A4		1	GEAR HOUSING ASSEMBLY
1A	22-85822A1		1	CONNECTOR ASSEMBLY, SPEEDOMETER
2	66885		1	INSERT, WATER-STARBOARD
	66884		1	INSERT, WATER-PORT
3	10-76156		1	SCREW, INSERT TO GEAR HOUSING
4	11-45812		1	NUT, INSERT TO GEAR HOUSING SCREW
5	17-20033		2	DOWEL PINE, GEAR HOUSING LOCATING
6	16-78638		1	STUD, GEAR HOUSING (3-1/8")(LONG SHAFT)
	16-78639		1	STUD, GEAR HOUSING (9")(EXTRA LONG SHAFT)
7	16-57920		2	STUD, GEAR HOUSING (2-1/16") (LONG SHAFT)
	16-74730		2	STUD, GEAR HOUSING (7-1/16")(EXTRA LONG SHAFT)
8	16-56297		1	STUD, WATER PUMP (3-3/8")
9	16-69501		2	STUD,WATER PUMP(3-1/8")
10	31-35934		1	BEARING,ROLLER-DRIVE SHAFT
11	79270		1	SLEEVE, LUBRICATION
12	45-67884A2		1	DRIVE SHAFT ASSEMBLY (LONG SHAFT)
	45-74735A2		1	DRIVE SHAFT ASSEMBLY (EXTRA LONG SHAFT)
13	24-34576		1	SPRING, DRIVE SHAFT PIN
14	17-30545		1	PIN, DRIVE SHAFT
15	43-98647		1	GEAR, PINION
16	11-35921		1	NUT,PINION GEAR TO DRIVE SHAFT
17	15-57007A1		AR	SHIM ASSEMBLY, ROLLER BEARING
18	31-53079A1		1	ROLLER BEARING, DRIVE SHAFT
19	27-33146	●	1	GASKET,WATER PUMP
20	25-33145	●	1	"O"RING,WATER PUMP BASE
21	46-96146A6		1	WATER PUMP BASE ASSEMBLY
22	26-89238		1	OIL SEAL, WATER PUMP BASE
23	26-79884		1	OIL SEAL, WATER PUMP BASE
24	17-35973		2	DOWEL PIN, WATER PUMP
25	27-32433	●	1	GASKET, LOWER-WATER PUMP
26	32435		1	PLATE, FACE
27	27-32434	●	1	GASKET,UPPER-WATER PUMP
28	46-96148A1		1	WATER PUMP BODY ASSEMBLY
29	48752		1	INSERT, WATER PUMP BODY
30	26-38970	●	1	SEAL, RUBBER-WATER INLET TUBE
31	47-89984		1	IMPELLER, WATER PUMP
32	28-56654		1	KEY,IMPELLER DRIVE
33	10-30720		OPT	SCREW,WATER PUMP (2-1/4"-HEX HEAD)
	10-96411		OPT	SCREW,WATER PUMP (2-1/4"-HEX WASHER HEAD)
34	12-29245		3	WASHER, WATER PUMP SCREW AND STUD

● = CONTENTS OF [27-89221A80] GASKET SET

CONTINUED ON NEXT PAGE ➡

GEAR HOUSING (DRIVE SHAFT)

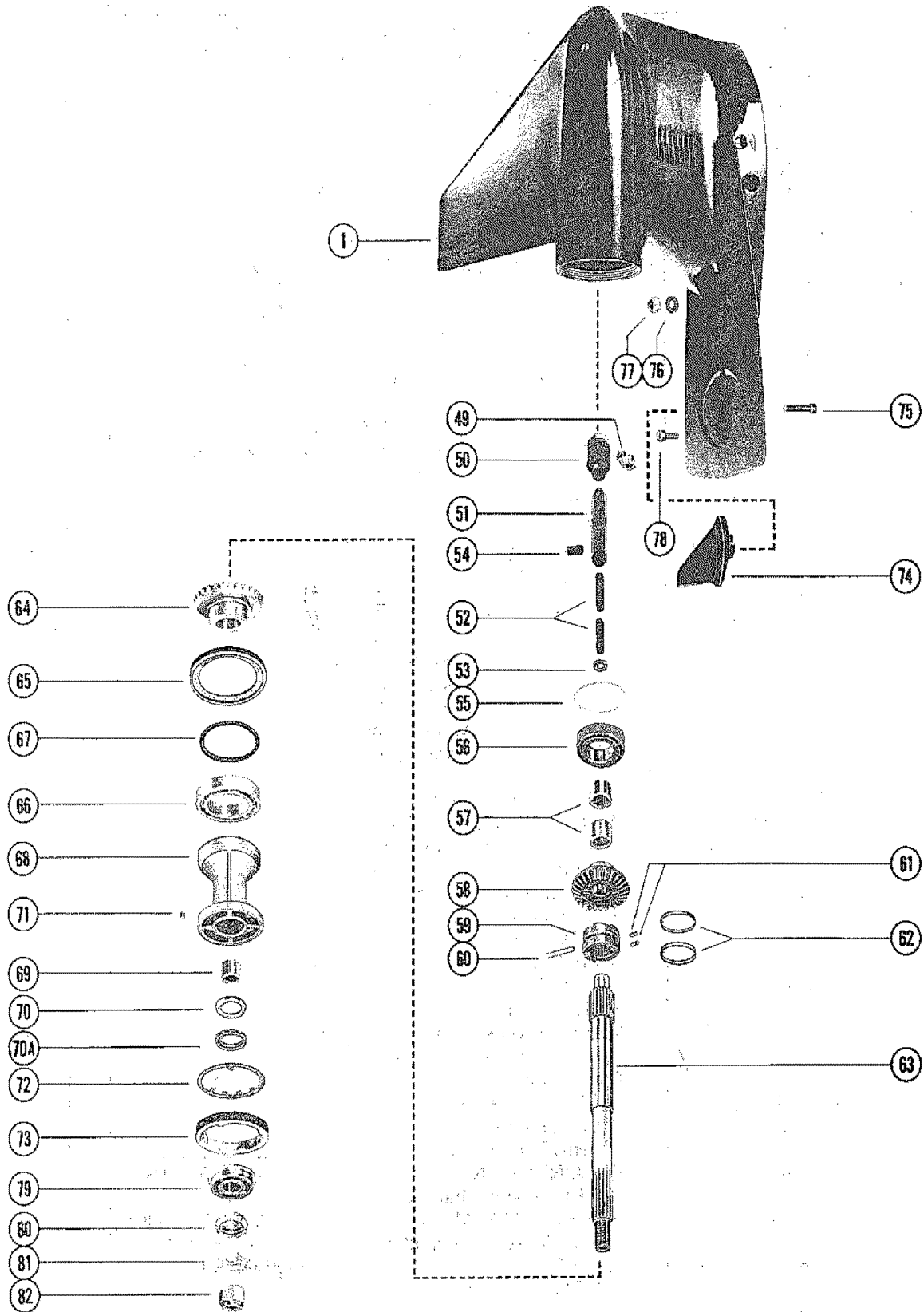


GEAR HOUSING (DRIVE SHAFT)

REF. NO.	PART NO.	SYM.	QTY.	DESCRIPTION
35	11-35888		2	NUT, WATER PUMP STUD
36	12-36001		1	WASHER, WATER PUMP BODY STUD
37	11-45592		1	NUT, WATER PUMP BODY STUD
38	25-30271	●	1	RING RUBBER-CENTRIFUGAL SLINGER (DRIVE SHAFT)
39	23-29804		1	SLEEVE, GUIDE-WATER INLET TUBE
40	78902		1	SHAFT, SHIFT-LOWER
41	53-29641		1	"E"RING,RETAINING-SHIFT SHAFT
42	53-78907		1	RETAINING RING
43	25-25439	●	1	"O"RING,SHIFT SHAFT BUSHING
44	23-77631A2		1	BUSHING ASSEMBLY,SHIFT SHAFT
45	26-89236		1	OIL SEAL, SHIFT SHAFT BUSHING
46	12-77674		1	WASHER,RUBBER-SHIFT SHAFT BUSHING
47	10-79953		1	SCREW, GREASE FILLER
47A	22-67892		1	SCREW,DRAIN (MAGNETIC)
48	12-20260		2	WASHER, GREASE FILLER AND DRAIN SCREW
-	27-89221A80		0	GASKET SET
-	46-78400A2		0	WATER PUMP REPAIR KIT
-	26-55682A1		0	SEAL REPAIR KIT

● = CONTENTS OF [27-89221A80] GASKET SET

GEAR HOUSING (PROPELLER SHAFT)

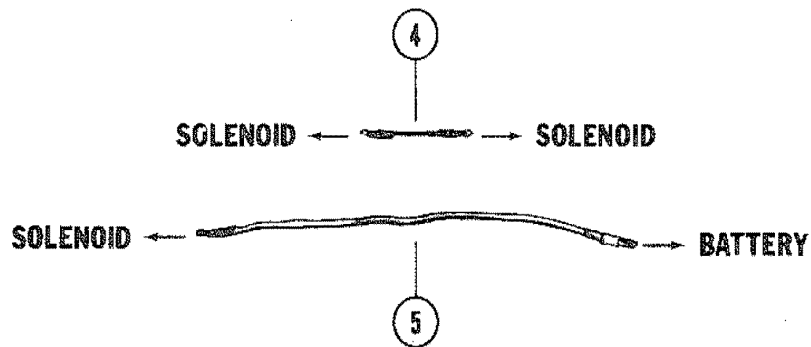
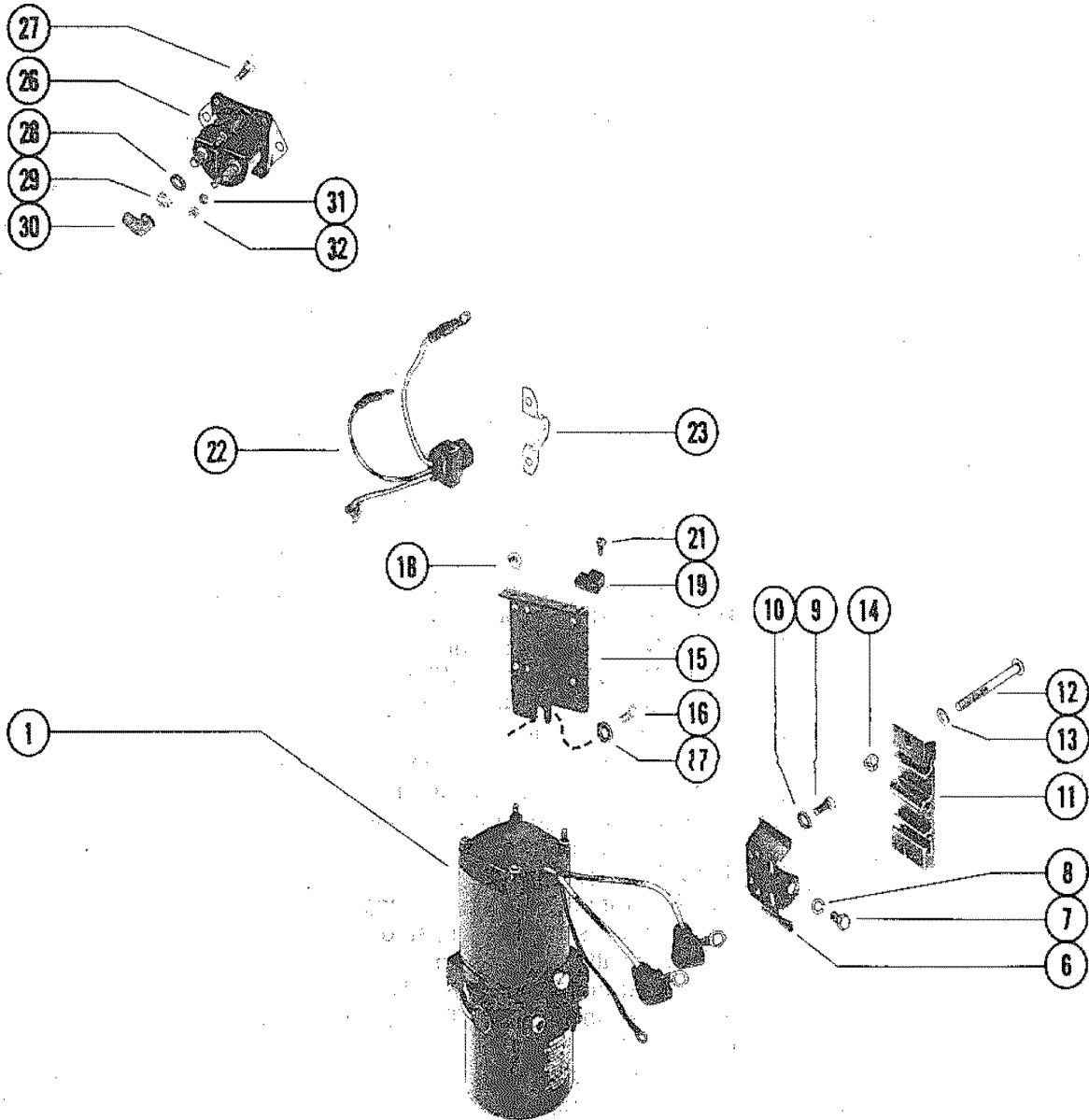


GEAR HOUSING (PROPELLER SHAFT)

REF. NO.	PART NO.	SYM.	QTY.	DESCRIPTION
-	1647-7350A26		1	GEAR HOUSING ASS'Y,COMP.(LONG SHAFT)
-	1647-7350A27		1	GEAR HOUSING ASS'Y,COMP.(EXTRA LONG SHAFT)
1	1647-7350A4		1	GEAR HOUSING ASS'Y SEE "TRANSOM BRACKETS" FOR BREAKDOWN
49/50	89594A1		1	CAM FOLLOWER
51	79911		1	ROD,CLUTCH ACTUATOR
52	24-79910		2	SPRING, COMPRESSION
53	12-78910		AR	WASHER,COMPRESSION SPRING
54	17-78906		1	PIN, SPRING LOCATOR
55	15-47397A1		AR	SHIM, BEARING OUTER RACE(.002-3-5-10)
56	31-78172A1		1	TAPERED ROLLER BEARING ASSEMBLY
57	31-73363		2	ROLLER BEARING, FORWARD GEAR
58	43-77673A3		1	FORWARD GEAR
59	52-78959		1	RATCHET, SLIDING CLUTCH
60	17-78905		1	CROSS PIN,RATCHET TO PROPELLER SHAFT
61	17-78909		2	DETENT PIN, RATCHET
62	24-78962		2	SPRING, RETAINING-CROSS PIN
63	44-94148		1	PROPELLER SHAFT
64	43-78908		1	REVERSE GEAR
65	68100		1	THRUST RING BEARING CARRIER TO GEAR HOUSING
66	30-35914		1	BALL BEARING, REVERSE GEAR
67	25-31534	●	1	"O"RING, BEARING CARRIER
68	96184A1		1	BEARING CARRIER ASSEMBLY
69	31-30956		1	ROLLER BEARING, BEARING CARRIER
70	26-76868		1	OIL SEAL, BEARING CARRIER (INNER)
70A	26-70081		1	OIL SEAL, BEARING CARRIER (OUTER)-CUTTER
71	28-30281		1	KEY,LOCATING-BEARING CARRIER
72	14-79447		1	TAB WASHER, GEAR HOUSING COVER
73	79448		1	COVER, GEAR HOUSING
74	31640A1		1	TRIM TAB, GEAR HOUSING
75	10-66024		1	SCREW,TRIM TAB TO GEAR HOUSING (1-3/4")
76	12-45176		2	WASHER, DRIVE SHAFT HOUSING STUDS
77	11-34933		2	NUT,DRIVE SHAFT HOUSING STUDS
78	10-65210		1	SCREW, GEAR HOUSING (LONG SHAFT)
	10-74727		1	SCREW, GEAR HOUSING (EXTRA LONG SHAFT)
79	77987		1	THRUST HUB
80	12-31211		1	WASHER,SPLINED-PROPELLER NUT
81	14-31210		1	TAB WASHER, PROPELLER NUT
82	11-52707		1	PROPELLER NUT
-	27-89221A80		0	GASKET SET

● = CONTENTS OF [27-89221A80] GASKET SET

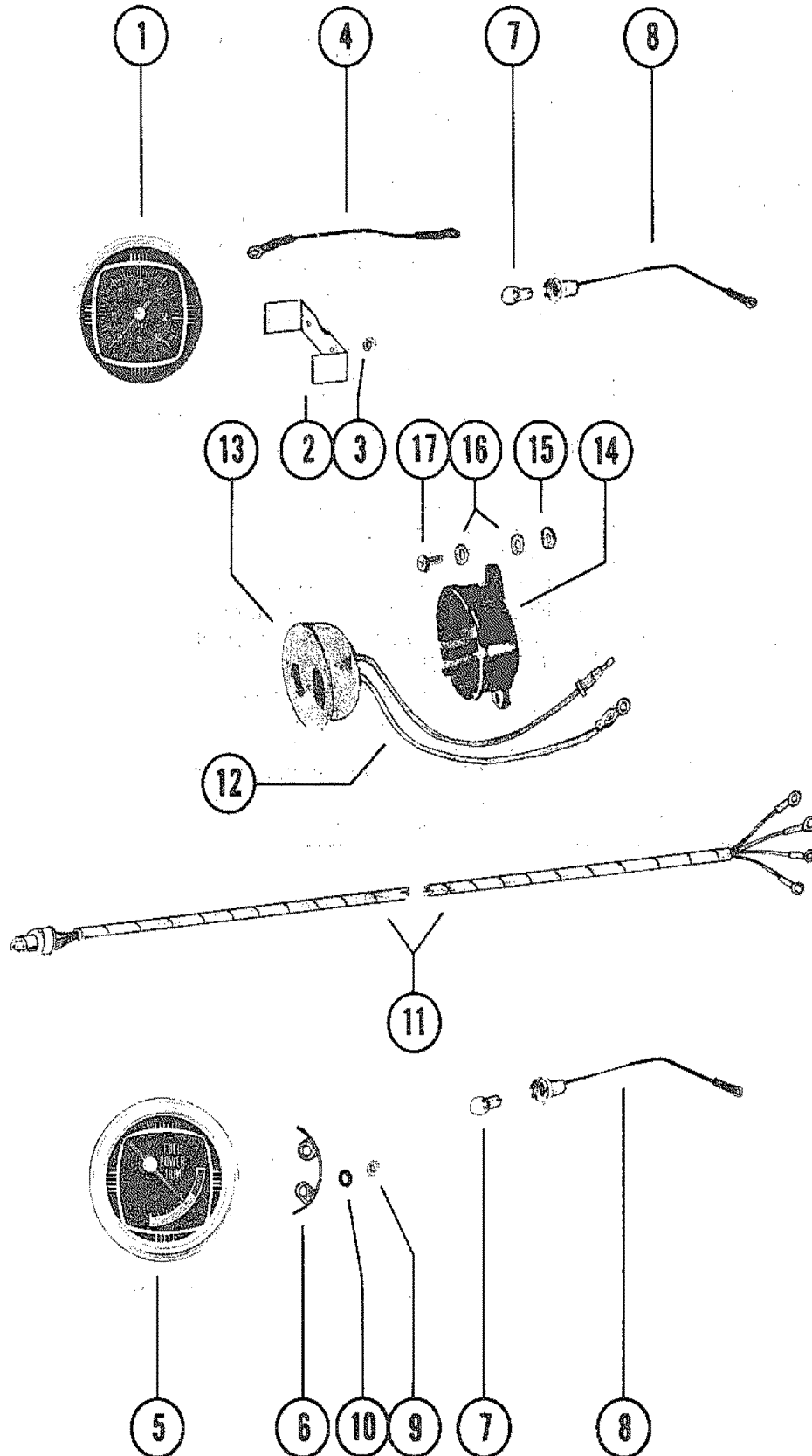
HYDRAULIC PUMP AND MOUNTING BRACKETS



HYDRAULIC PUMP AND MOUNTING BRACKETS

REF. NO.	PART NO.	SYM.	QTY.	DESCRIPTION
1	92459A4		1	HYDRAULIC PUMP ASSEMBLY
4	84-87379A2		1	WIRE,SOLENOID TO SOLENOID (RED)
	84-61600A9		1	WIRE,SOLENOID TO SOLENOID (BLACK)
5	84-79139A1		1	BATTERY CABLE, RED (POSITIVE)
	84-79138A4		1	BATTERY CABLE, BALCK (NEGATIVE)
6	87760		1	PLATE, MOUNTING
7	10-39349		1	SCREW,MOUNTING PLATE TO BRACKET (3/4")
8	13-26993		1	LOCKWASHER,MOUNTING PLATE SCREW
9	10-90271		2	SCREW,HYDRAULIC PUMP (5/8")
10	13-58643		2	LOCKWASHER,HYDRAULIC PUMP SCREW
11	87762		1	BRACKET, HYDRAULIC PUMP
12	10-69698		2	BOLT,BRACKET TO TRANSOM (3-1/2")
13	13-58643		2	LOCKWASHER, BRACKET SCREW
14	11-46335		2	NUT, BRACKET SCREW
15	90318		1	BRACKET, MOUNTING-STARTER SOLENOID
16	10-90285		1	SCREW, MOUNTING BRACKET (5/8")
17	12-56720		1	WASHER, MOUNTING BRACKET SCREW
18	11-29488		2	NUT, MOUNTING BRACKET TO HYDRAULIC PUMP
19	45915		1	TERMINAL BLOCK
21	10-62568		2	SCREW,WIRE TO TERMINAL BLOCK (3/8")
22	84-74023A1		1	HARNESS ASSEMBLY, HYDRAULIC PUMP
23	88075		1	RETAINER, HARNESS TO MOUNTING BRACKET
26	89-68258		2	STARTER SOLENOID
27	10-87903		4	SCREW, STARTER SOLENOID TO BRACKET (3/8")
28	13-26993		4	LOCKWASHER STARTER SOLENOID TERMINAL (5/16")
29	11-68292		4	NUT, STARTER SOLENOID TERMINAL (5/16-18)
30	46265		4	BOOT, RUBBER-STARTER SOLENOID TERMINAL
31	13-26996		4	LOCKWASHER,STARTER SOLENOID TERMINAL (#10)
32	11-68219		4	NUT, STARTER SOLENOID TERMINAL (10-32)

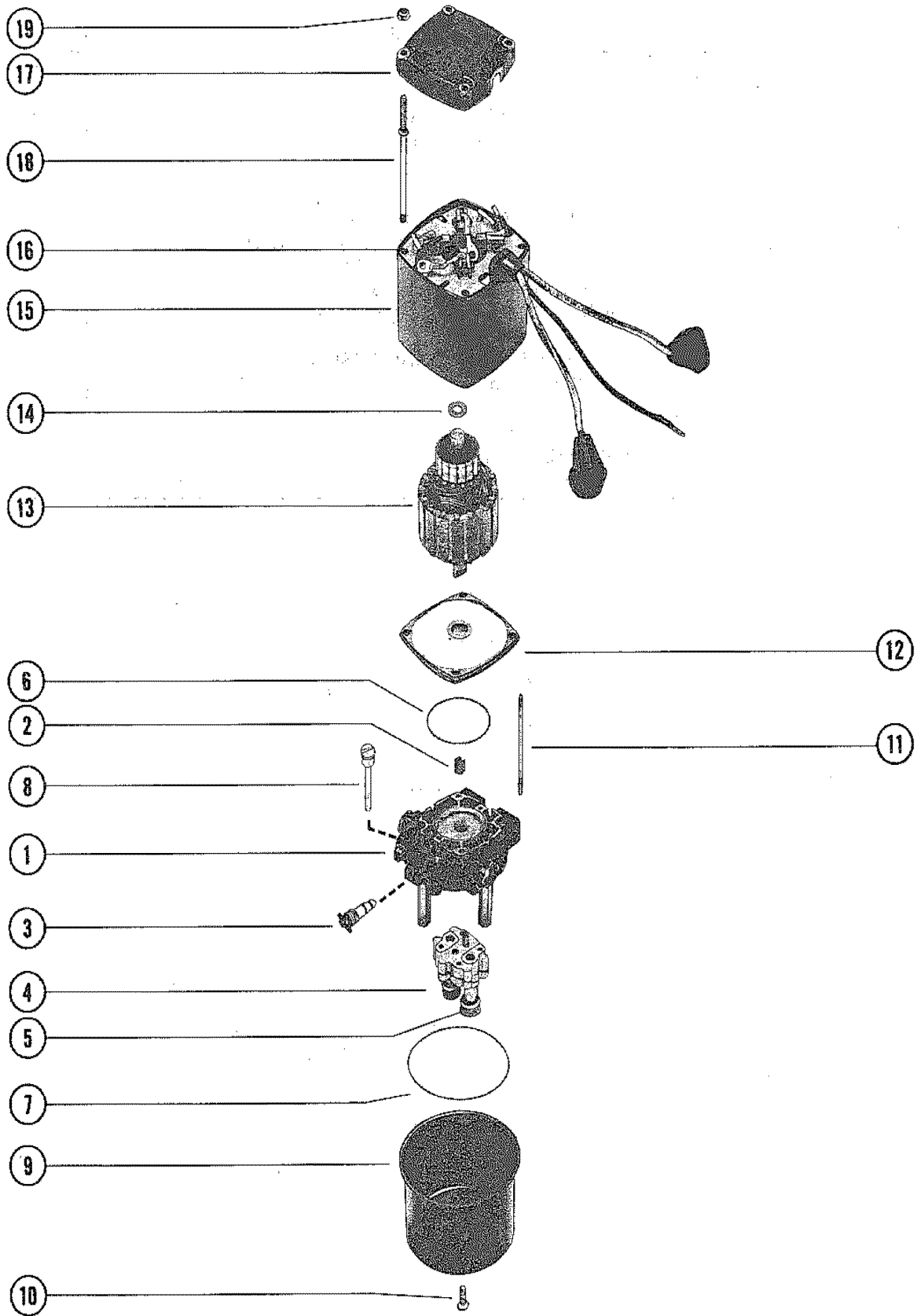
TACHOMETER, TRIM GAUGE AND ALARM HORN



TACHOMETER, TRIM GAUGE AND ALARM HORN

REF. NO.	PART NO.	SYM.	QTY.	DESCRIPTION
1	79-87177A1		1	TACHOMETER
2	79101		1	BRACKET, MOUNTING-TACHOMETER
3	11-45076		5	NUT, TACHOMETER TERMINAL (#10-32)
4	84-86322A7		1	WIRE, TRIM GAUGE (BLACK-1-1/2")
	84-86323A5		1	WIRE, TRIM GAUGE (PURPLE-1-1/2")
5	79-79786A4		1	TRIM GAUGE
6	79480		1	BRACKET, MOUNTING-TRIM GAUGE
7	88-72729		2	LIGHT BULB, TRIM GAUGE AND TACHOMETER
8	88-79888		2	SOCKET, TRIM GAUGE AND TACHOMETER
9	11-26419		4	NUT, TRIM GAUGE TERMINAL (8-32)
10	13-26995		4	LOCKWASHER, TRIM GAUGE TERMINAL (#8)
11	84-86396A1		1	HARNESS
12	68878A2		1	ALARM HORN AND WIRE ASSEMBLY
13	68878		1	HORN, ALARM
14	68879		1	COVER, ALARM HORN
15	23-79697		2	SPACER, ALARM HORN
16	12-24676		4	WASHER, ALARM HORN
17	10-35401		2	SCREW, ALARM HORN

HYDRAULIC PUMP ASSEMBLY



HYDRAULIC PUMP ASSEMBLY

REF. NO.	PART NO.	SYM.	QTY.	DESCRIPTION
-	92459A4		1	HYDRAULIC PUMP ASSEMBLY
1	89492		1	ADAPTOR
2	89493		1	COUPLING
3	89494		AR	MANUAL RELEASE (INCLUDES 2 "O" RINGS)
	96598		AR	MANUAL RELEASE (INCLUDES 3 "O" RINGS)
4	89495		1	PUMP (INCLUDES SCREWS)
5	35-89496		2	FILTER
6	25-89498		1	"O"RING, MOTOR END
7	25-89497		1	"O"RING, RESERVOIR END
8	89499		1	DIPSTICK
9	90587		1	RESERVOIR
10	10-90588		1	SCREW, RESERVOIR (INCLUDES "O" RING)
11	16-90589		1	THRU STUD (SHORT)
	16-90590		1	THRU STUD (LONG)
-	87828		1	MOTOR, HYDRAULIC PUMP
12	89484		1	END FRAME, DRIVE END
13	89485		1	ARMATURE
14	12-89482		1	WASHER, THRUST - ARMATURE
15	89486		1	FIELD AND FRAME
16	89487		1	BRUSH CARD
17	89488		1	END FRAME, COMMUTATOR END
18	10-89483		1	THRU BOLT, MOTOR (4-1/4")
	10-89489		1	THRU BOLT, MOTOR (4-9/16")
19	11-89481		6	NUT, THRU BOLT AND STUD

PROPELLERS RIGHT HAND ROTATION

REF. NO.	PART NO.	SYM.	QTY.	DESCRIPTION
-	48-78126A4		0	PROPELLER ASSEMBLY (ALUMINUM)(PITCH 25") 3 BLADES
-	48-75724A4		0	PROPELLER ASSEMBLY(PITCH 23") (STAINLESS STEEL) 3 BLADES
-	48-78124A4		0	PROPELLER ASSEMBLY (ALUMINUM)(PITCH 23") 3 BLADES
-	48-73982A4		0	PROPELLER ASSEMBLY (PITCH 21") (STAINLESS STEEL) 3 BLADES
-	48-78122A4		0	PROPELLER ASSEMBLY (ALUMINUM)(PITCH 21") 3 BLADES
-	48-73980A4		0	PROPELLER ASSEMBLY (PITCH 19") (STAINLESS STEEL) 3 BLADES
-	48-78120A4		0	PROPELLER ASSEMBLY (ALUMINUM)(PITCH 19") 3 BLADES
-	48-78118A4		0	PROPELLER ASSEMBLY (ALUMINUM)(PITCH 17") 3 BLADES
-	48-78116A4		0	PROPELLER ASSEMBLY (ALUMINUM)(PITCH 15") 3 BLADES
-	48-78114A4		0	PROPELLER ASSEMBLY (ALUMINUM)(PITCH 13") 3 BLADES
-	48-78112A4		0	PROPELLER ASSEMBLY (ALUMINUM)(PITCH 11") 3 BLADES

PARTS INDEX

Part Number	Description	Pg.	Ref. No.	Part Number	Description	Pg.	Ref. No.
22833	ADAPTOR, CHECK UNIT . . .	19	34	67228	SEAL, REAR COWL		
23004	RETAINER, CHECK VALVE .	19	20		BRACKET TO COWL	5	5
23069	STEM, CHECK UNIT			67241	HOUSING, COWL LATCH . .	5	19
	ADAPTOR	19	35	67245	BRACKET, COWL		
25067	BUMPER, BOTTOM YOKE				MOUNTING - UPPER	17	1
	SCREW	37	28	67258	PAD, COWL ASSEMBLY TO		
30188	CUP WASHER, ADAPTOR . .	21	38		FRONT COVER	3	3
31640A1	TRIM TAB, GEAR HOUSING	47	74	67260	SEAL, CONTROL CABLE . . .	3	2
32435	PLATE, FACE	43	26	67614	COVER, IGNITION COIL . . .	7	33
37896	GUIDE BLOCK, LINK ROD . .	13	5	67703	STRAP, SWIVEL BRACKET		
38279	LATCH, CONTROL CABLE				RETAINING	35	8
	FASTENING	13	7	67748	ROLLER, LOWER THROTTLE		
39483	LATCH, CABLE	13	41		LEVER	21	49
39519	CAP, BARREL RETAINER -			67754	BUMPER, STEERING ARM . .	37	40
	ANCHOR BAR	13	16	67984	SEAL, REAR COWL		
45915	TERMINAL BLOCK	29	19		BRACKET TO COWL	5	4
45915	TERMINAL BLOCK	49	19	67999	SEAL, REAR COWL		
45915	TERMINAL BLOCK, REED				BRACKET TO COWL	5	6
	BLOCK HOUSING	17	24	68010	BRACKET, SEAL		
46265	BOOT, RUBBER-STARTER				REATAINING	27	26
	SOLENOID TERMINAL . . .	49	30	68011	BRACKET, SEAL RETAINING	35	23
47341A1	STARTER ROPE ASSEMBLY	3	21	68042	STOP, RUBBER - STARTER		
48039	CAP, SPARK ADVANCE				MOTOR	7	27
	LEVER STOP SCREW . . .	13	38	68048	SHIELD, INLET - COWL		
48752	INSERT, WATER PUMP				(PORT)	3	8
	BODY	43	29	68049	SHIELD INLET - COWL		
52023	CAP, NYLON - ADJUSTING				(STARBOARD)	3	8
	SCREW	25	37	68100	THRUST RING	47	65
52023	CAP, SPARK ADVANCE			68728	FITTING, THERMOSTAT		
	LEVER STOP SCREW . . .	13	39		COVER TO WATER		
52023	CAP, THROTTLE LEVER				HOSES	29	12
	STOP SCREW	15	46	68729	COVER, RELIEF VALVE . . .	27	11
52100	WEAR PLATE, LINK ROD . .	13	6	68878	HORN, ALARM	51	13
54196A6	CARRIER ASSEMBLY, SEAL	33	4	68878A2	ALARM HORN AND WIRE		
56703	COLLAR, STARTER MOTOR	7	25		ASSEMBLY	51	12
60572	BARREL, THROTTLE			68879	COVER, ALARM HORN	51	14
	CONTROL ROD	13	25	69205	"C" WASHER, HARNESS		
61990	STA-STRAP, HARNESS AND				CLIP	7	16
	CABLES	11	28	69668	SEAL, DIVIDER PLATE	27	4
61990	STA-STRAP, TELL TALE			70748--2	SEAL, BRACKET	35	22
	HOSE	5	8	70748--2	SEAL, EXHAUST PLATE . . .	27	25
61990	STA-STRAP, WATER HOSES	29	15	74897	PIVOT, TRIGGER PLATE . . .	7	19
62351A1	RECTIFIER	11	17	75154	LEVER, SPARK ADVANCE . .	13	33
62459	BALL JOINT, TRIGGER			75692	THERMOSTAT	29	8
	PLATE	7	22	76035	LINK ROD, TRIGGER PLATE	7	20
64877	DIAPHRAM	27	15	76258A2	BRACKET, REAR COWL . . .	5	1
65664	PLATE, RELIEF VALVE	27	14	76867	COVER, STARTER MOTOR		
65799	LINK, LOCKING LEVER TO				(LOWER)	25	10
	COVER	13	19	77987	THRUST HUB	47	79
65800	SEAL, CARRIER	33	5	78065A1	PLATE ASSEMBLY,		
65848	CARRIER, POPPET RELIEF	27	20		EXHAUST	27	23
65974	COVER, STARTER MOTOR			78137	DIFFUSER, EXHAUST	35	30
	(UPPER)	25	7	78148A1	SPACER ASSEMBLY (EXTRA		
66350	SEAL, EXHAUST TUBE-				LONG SHAFT)	35	--
	LOWER	35	17	78249	MOUNT, BOTTOM YOKE . . .	37	30
66884	INSERT, WATER-PORT	43	2	78286	COVER, TEMPERATURE		
66885	INSERT, WATER-				SENDER	29	18
	STARBOARD	43	2	78687	MOUNT, RUBBER - UPPER . .	37	36
67073A1	LINK ROD ASSEMBLY	13	3	78799	TEMPERATURE SENDER . . .	29	16
				78902	SHAFT, SHIFT-LOWER	45	40

PARTS INDEX

Part Number	Description	Pg.	Ref. No.	Part Number	Description	Pg.	Ref. No.
79022	MARKER, TIMING	7	2	87692	REED BLOCK	29	25
79101	BRACKET, MOUNTING-TACHOMETER	51	2	87760	PLATE, MOUNTING	49	6
79270	SLEEVE, LUBRICATION	43	11	87762	BRACKET, HYDRAULIC PUMP	49	11
79448	COVER, GEAR HOUSING	47	73	87828	MOTOR, HYDRAULIC PUMP	53	--
79480	BRACKET, MOUNTING-TRIM GAUGE	51	6	87871	COVER, INLET-HYDRAULIC HOSE	41	29
79610A6	TRIM CYLINDER ASSEMBLY	41	8	87899	LATCH, COWL - STARBOARD	3	14
79911	ROD, CLUTCH ACTUATOR	47	51	87900	LATCH, COWL - PORT	3	13
79918A1	COVER ASSEMBLY, FLYWHEEL	7	1	87907	HOOK, COWL FRONT COVER ATTACHING	3	19
79932A7	SHIFT SHAFT ASSEMBLY (LONG SHAFT)	13	10	87985	BRACKET, COWL ATTACHING - LOWER	3	6
79932A8	SHIFT SHAFT ASSEMBLY (EXTRA LONG SHAFT)	13	10	87987	BRACKET, COWL ATTACHING - UPPER	3	5
85024	SHAFT, TRIM CYLINDER	41	13	88075	RETAINER, HARNESS TO MOUNTING BRACKET	49	23
85026	PLATE, PIVOT PIN	41	16	88226	BLANKET, SOUND - COWL (STARBOARD)	3	11
85028A1	LEVER ASSEMBLY, TILT LOCK (STARBOARD)	37	15	88227	BLANKET, SOUND-COWL (PORT)	3	4
85030A1	LEVER ASSEMBLY, TILT LOCK (PORT)	37	15	88238A1	GROUND WIRE ASSEMBLY	39	45
85035	SPACER, TRANSOM BRACKET	41	19	88342	STRAP, SWITCH AND SENDER	39	47
85366	TILT TUBE	37	7	88508	SEAL, CONTROL CABLES	5	18
85378	PLUNGER, TILT LEVER RELEASE	37	18	88509	PLATE, SOUND ATTENUATOR	17	8
85650	HOUSING, COWL HINGE - STARBOARD	5	11	88804	RETAINER, WIRING HARNESS	5	16
85651	HOUSING, COWL HINGE - PORT	5	11	88848	CHAMBER, PULSE - FUEL PUMP	19	23
86026	RETAINER, SPRING	19	30	88853A1	FUEL PUMP ASSEMBLY	19	8
86027	SEAL, EXHAUST TUBE - UPPER	35	18	89484	END FRAME, DRIVE END	53	12
86252	CAP, SPRING END	19	31	89485	ARMATURE	53	13
86386A1	BRACKET ASSEMBLY, COWL SUPPORT	5	9	89486	FIELD AND FRAME	53	15
86475	COUPLING, TILT LOCK LEVER	37	21	89487	BRUSH CARD	53	16
86485A1	TRIM SENDER ASSEMBLY	39	46	89488	END FRAME, COMMUTATOR END	53	17
86485A1	TRIM SENDER ASSEMBLY	39	46	89492	ADAPTOR	53	1
86485A2	TILT SWITCH ASSEMBLY	39	46	89493	COUPLING	53	2
86580	YOKE, BOTTOM	37	26	89494	MANUAL RELEASE (INCLUDES 2 "O" RINGS)	53	3
86585A3	PLATE ASSEMBLY, DRIVE SHAFT HOUSING	35	21	89495	PUMP (INCLUDES SCREWS)	53	4
86596	POPPET, VALVE	27	19	89499	DIPSTICK	53	8
86603	KNOB, PLUNGER	37	20	89594A1	CAM FOLLOWER	47	49/50
87323	PLATE, DIVIDER	27	3	89735	THROTTLE CAM (CASTING #89715)	13	21
87587	BRACKET, COWL MOUNTING - LOWER	5	15	89743	TUBE, EXHAUST	35	16
87604	THROTTLE LINK	21	40	89949A1	PLATE ASSEMBLY, TRANSOM BRACKET	41	22
87607	LEVER, THROTTLE	23	23	90211	COVER, NYLON - SHIFT CABLE	13	20
87608	COWL LATCH	5	21	90274	SEAL, HARNESS	3	12
87609	LEVER, NYLON - SHIFT CABLE LOCKING	13	17	90318	BRACKET, MOUNTING-STARTER SOLENOID	49	15
87628	HOUSING, REED BLOCK (7/8")	29	22	90345	BRACKET, ENRICHER VALVE	17	21
87659	INLET, SOUND ATTENUATOR	17	9	90363A1	DIAPHRAM ASSEMBLY	19	10
87691	BRACKET, FLYWHEEL COVER	25	27	90365	VALVE, ENRICHER	17	18

PARTS INDEX

Part Number	Description	Pg.	Ref. No.	Part Number	Description	Pg.	Ref. No.
90390A1	COVER, THERMOSTAT	29	10	10-31294	SCREW, COWL HINGE HOUSING (1")	5	12
90391	REED STOP	29	27	10-32417	SCREW, FLYWHEEL PLATE	7	9
90435	MOUNT, COWL MOUNTING BRACKET	17	3	10-32866	SCREW, INLET COVER	41	31
90435	MOUNT, RUBBER - EXHAUST MANIFOLD COVER	27	8	10-35386	SCREW, THERMOSTAT COVER (1")	29	11
90552A2	HIGH SPEED CONTROL ASSEMBLY	17	6	10-35386	SCREW, UPPER AND LOWER BRACKETS	3	7
90561	LEVER, THROTTLE CONTROL	13	27	10-35401	SCREW, ALARM HORN	51	17
90587	RESERVOIR	53	9	10-37572	SCREW, TIMING MARKER	7	3
90728	BASE, FUEL PUMP	19	22	10-38837	SCREW, COVER TO CYLINDER BLOCK (1-1/8")	27	12
90984	BLANKET, SOUND - COWL FRONT COVER	3	18	10-39349	SCREW, MOUNTING PLATE TO BRACKET (3/4")	49	7
91951	BRACKET, ANCHOR - CONTROL CABLES	13	1	10-46467	SCREW, CLAMP TO SWIVEL BRACKET	39	50
92459A4	HYDRAULIC PUMP ASSEMBLY	49	1	10-48408	SCREW, BRACKET TO EXHAUST PLATE (1/2")	27	27
92459A4	HYDRAULIC PUMP ASSEMBLY	53	-	10-48408	SCREW, BRACKET TO PLATE (1/2")	35	24
92876A1	STEERING LINK ASSEMBLY	39	41	10-48408	SCREW, COVER TO SOUND ATTENUATOR	17	13
93332A1	THROTTLE LEVER ASSEMBLY	21	41	10-53016	SCREW, INLET TO SOUND ATTENUATOR	17	10
93518A1	COVER, SOUND ATTENUATOR	17	12	10-53167	SCREW, CRANKCASE TO CYLINDER BLOCK (1-1/4")	25	12
95067	COVER, EXHAUST MANIFOLD	27	5	10-54467	SCREW, ANCHOR BRACKET	13	2
95095	CYLINDER HEAD	29	1	10-55337	SCREW, SPARK ADVANCE LEVER - STOP (1-1/4")	13	36
95791	THROTTLE CAM (CASTING #95790)	13	21	10-57583	SCREW, THROTTLE AND SPARK LEVER (1-3/4")	13	28
95829	ROD, THROTTLE CONTROL	13	26	10-57807	SCREW	29	28
96184A1	BEARING CARRIER ASSEMBLY	47	68	10-57807	SCREW, COWL LATCH HOUSING (3/4")	5	20
96290	PLATE, IGNITION	11	1	10-62568	SCREW, SHIELD TO COWL NUT, SWITCH BOX	11	8
96455A6	TRIGGER PLATE ASSEMBLY	7	17	10-62568	SCREW, WIRE TO TERMINAL BLOCK (3/8")	49	21
96598	MANUAL RELEASE (INCLUDES 3 "O" RINGS)	53	3	10-64022	SCREW, THROTTLE LEVER _ STOP (2-1/8")	15	44
10-20540	SCREW, SOLENOID TO IGNITION PLATE (5/8")	11	30	10-65210	SCREW, GEAR HOUSING (LONG SHAFT)	47	78
10-20646	SCREW, CABLE TO IGNITION PLATE (5/8")	11	16	10-66023	SCREW, THERMOSTAT COVER (2"- FLANGE HEAD)	29	11
10-20646	SCREW, MERCURY SWITCH (5/8")	11	22	10-66024	SCREW, TRIM TAB TO GEAR HOUSING (1-3/4")	47	75
10-20646	SCREW, RECTIFIER TO IGNITION PLATE (5/8")	11	18	10-66687	SCREW, REAR COWL BRACKET (1-1/2")	5	10
10-22028	SCREW, LEAD ATTACHING (1/2")	11	25	10-66717	SCREW, CRANKCASE TO CYLINDER BLOCK (3-1/4")	25	12
10-22486	SCREW, CABLE LATCH TO THROTTLE LEVER	13	40	10-66725	SCREW, EXHAUST PLATE (3-1/2")	27	34
10-24220	SCREW, SET - CYLINDER BLOCK (3/16")	25	19	10-66727	SCREW, EXHAUST PLATE (1-1/4")	27	32
10-24227	SCREW, ADJUSTING - CYLINDER BLOCK	25	35	10-66727	SCREW, LOWER MOUNT CLAMP (1-1/4")	35	4
10-28636	SCREW	25	33	10-66863	SCREW, CYLINDER HEAD (2-1/2")	29	3
10-28636	SCREW, PLATE TO TRANSOM BRACKET	41	17				
10-28688	SCREW, BRACKET TO REED BLOCK HOUSING (7/8")	17	23				

PARTS INDEX

Part Number	Description	Pg.	Ref. No.	Part Number	Description	Pg.	Ref. No.
10-67755	SCREW, BRACKET TO TRANSOM (6")	41	2	10-78689	SCREW, STEERING ARM TO UPPER MOUNT	37	35
10-67757	SCREW, BRACKET TO TRANSOM (4")	41	2	10-79401	SCREW	39	42
10-67769	SCREW, STRAP TO DRIVE SHAFT HOUSING	35	9	10-79953	SCREW, GREASE FILLER	45	47
10-68783	SCREW, EXHAUST PLATE (2-1/2")	27	33	10-86581	SCREW, BOTTOM YOKE ATTACHING (5-7/8")	37	29
10-68997	SCREW, FLYWHEEL HUB	7	10	10-87180	BOLT, TILT	41	6
10-69034	SCREW, UPPER END CAP TO CYLINDER BLOCK (1")	25	17	10-87903	SCREW, STARTER SOLENOID TO BRACKET (3/8")	49	27
10-69035	SCREW, CABLE TO STARTER MOTOR	7	31	10-87926	SCREW, STRAP TO SWIVEL BRACKET	39	48
10-69079	SCREW	29	20	10-88417	SCREW, COVER ATTACHING (5/8")	35	6
10-69079	SCREW, CLIP TO CYLINDER BLOCK	7	15	10-88447	SCREW, FUEL PUMP (1-1/2")	19	26
10-69079	SCREW, LEADS TO TERMINAL BLOCK (3/8")	29	21	10-88447	SCREW, IGNITION COIL COVER (1-5/8")	7	34
10-69079	SCREW, TERMINAL BLOCK ATTACHING	17	25	10-88488	SCREW, SOUND ATTENUATOR (3-1/4")	17	14
10-69079	SCREW, WIRE TO TERMINAL BLOCK	17	26	10-88489	SCREW, SOUND ATTENUATOR (2-1/2")	17	15
10-69092	SCREW, IGNITION PLATE (1-1/4")	11	10	10-88829	SCREW, CLAMP TO TRANSOM BRACKET	41	27
10-69093	SCREW, GROMMET AND LOWER BRACKET	5	23	10-88865	SCREW, RETAINER TO BRACKET (1-3/4")	5	17
10-69570	SCREW, DIAPHRAGM TO PLATE (3/4")	27	17	10-89075	SCREW, VALVE TO BRACKET	17	22
10-69698	BOLT, BRACKET TO TRANSOM (3-1/2")	49	12	10-89483	THRU BOLT, MOTOR (4-1/4")	53	18
10-70732	SCREW, SPACER TO TRANSOM BRACKET	41	20	10-89489	THRU BOLT, MOTOR (4-9/16")	53	18
10-73657	SCREW, COVER TO CRANKCASE (1-1/2")	25	8	10-89766	SCREW, FUEL FILTER COVER (5/8")	19	25
10-74727	SCREW, GEAR HOUSING (EXTRA LONG SHAFT)	47	78	10-89996	SCREW, PLATE TO TRANSOM BRACKET	41	23
10-74824	SCREW, COVER AND PLATE TO CYLINDER BLOCK (1-1/4")	27	6	10-90271	SCREW, HYDRAULIC PUMP (5/8")	49	9
10-74824	SCREW, CYLINDER COVER (1-1/4")	29	6	10-90285	SCREW, MOUNTING BRACKET (5/8")	49	16
10-75168	SCREW, SPARK LEVER - STOP (2-3/4")	13	34	10-90588	SCREW, RESERVOIR (INCLUDES "O" RING)	53	10
10-75710	SCREW, COWL LATCH	3	15	10-90815	SCREW, SWITCH BOX (2-1/4")	11	3
10-75710	SCREW, HOOK TO COWL FRONT COVER	3	20	10-92501	SCREW	21	46
10-75840	SCREW, STATOR (7/8")	7	12	10-96411	SCREW, WATER PUMP (2-1/4"-HEX WASHER HEAD)	43	33
10-76156	SCREW, INSERT TO GEAR HOUSING	43	3	11-20184	NUT, CARBURETOR MOUNTING	19	5
10-76349	SCREW, CONNECTING ROD	33	14	11-20220	NUT, TILT BOLT	41	7
10-76466	SCREW, RETAINER ATTACHING	19	21	11-20361	NUT, COWL HINGE HOUSING SCREW	5	14
10-76596	SCREW, ADAPTOR TO LOWER BRACKET	21	39	11-20361	NUT, MOUNT ATTACHING	17	5
10-76630	SCREW, BRACKET TO CRANKCASE (1")	25	28	11-20361	NUT, RUBBER MOUNT	27	10
10-77065	SCREW, COVER TO CRANKCASE (2")	25	11	11-20586	NUT, CABLE LATCH SCREW	15	43
10-77065	SCREW, THERMOSTAT COVER (2")	29	11	11-20586	NUT, LINK ROD	13	9
				11-20586	NUT, LINK ROD TO SHIFT SHAFT	13	15
				11-20890	NUT, STARTER MOTOR TERMINAL	7	29
				11-25096	NUT, BOTTOM YOKE SCREW	37	32

PARTS INDEX

Part Number	Description	Pg.	Ref. No.	Part Number	Description	Pg.	Ref. No.
11-25269	NUT, STRAP TO DRIVE SHAFT HOUSING SCREW	35	10	11-69254	NUT, POWERHEAD STUD	35	29
11-26419	NUT, TRIM GAUGE TERMINAL (8-32)	51	9	11-73651	NUT, FLYWHEEL COVER STUD	25	26
11-29488	NUT, INLET COVER SCREW	41	33	11-89481	NUT, THRU BOLT AND STUD	53	19
11-29488	NUT, MOUNTING BRACKET TO HYDRAULIC PUMP	49	18	12-20260	WASHER, GREASE FILLER AND DRAIN SCREW	45	48
11-29489	NUT, GEAR HOUSING STUD (CAP)	35	12	12-20346	WASHER, LOWER BRACKET SCREW (SMALL)	5	25
11-30506	NUT, DIFFUSER STUD	35	34	12-20533	WASHER, DIFFUSER STUD	35	33
11-34862	NUT, TILT TUBE (1"-14)	37	10	12-20583	WASHER, COWL HINGE HOUSING SCREW	5	13
11-34863	NUT, STEERING LINK SCREW	39	43	12-20878	WASHER, INLET COVER SCREW	41	32
11-34933	NUT, GEAR HOUSING STUD	35	14	12-21249	WASHER, MOUNT ATTACHING	17	4
11-34933	NUT, UPPER MOUNT BOLT	37	39	12-21249	WASHER, RUBBER MOUNT	27	9
11-34933	NUT, DRIVE SHAFT HOUSING STUDS	47	77	12-21631	WASHER, LATCH	13	8
11-35000	NUT, BRACKET SCREW	41	4	12-22887	WASHER, COWL LATCH SCREW	3	16
11-35521	NUT, NYLON - COVER TO CLAMP SCREW	35	7	12-22887	WASHER, FLYWHEEL COVER STUD	25	25
11-35888	NUT, WATER PUMP STUD	45	35	12-24664	WASHER, LINK ROD	13	14
11-35921	NUT, PINION GEAR TO DRIVE SHAFT	43	16	12-24676	WASHER, ALARM HORN	51	16
11-36069	NUT, THROTTLE CAM STUD	13	24	12-24676	WASHER, THROTTLE LEVERS SCREW	21	48
11-45076	NUT, IGNITION COIL TERMINAL	7	36	12-25970	WASHER, POWERHEAD STUD	35	28
11-45076	NUT, LINK ROD	7	21	12-27736	WASHER, CLEVIS PIN	21	44
11-45076	NUT, MERCURY SWITCH TERMINAL	11	23	12-28421	WASHER, BRACKET SCREW	41	3
11-45076	NUT, RECTIFIER TERMINALS	11	20	12-29245	WASHER, CLAMP SCREW	39	51
11-45076	NUT, SWITCH BOX TERMINAL	11	6	12-29245	WASHER, PLATE SCREW	41	18
11-45076	NUT, TACHOMETER TERMINAL (#10-32)	51	3	12-29245	WASHER, SPACER SCREW	41	21
11-45592	NUT, WATER PUMP BODY STUD	45	37	12-31211	WASHER, WATER PUMP SCREW AND STUD	43	34
11-45812	NUT, INSERT TO GEAR HOUSING SCREW	43	4	12-34931	WASHER, SPLINED-PROPELLER NUT	47	80
11-46335	NUT, BRACKET SCREW	49	14	12-34931	WASHER, STEERING LINK SCREW	39	44
11-46438	NUT, BALL JOINT	7	23	12-35462	WASHER, SOUND ATTENUATOR SCREW	17	16
11-52707	PROPELLER NUT	47	82	12-36001	WASHER, WATER PUMP BODY STUD	45	36
11-52901	NUT, FLYWHEEL	7	6	12-36042	WASHER, IGNITION PLATE SCREW	11	12
11-56041	NUT, TILT (7/8"-14)	37	10	12-45176	WASHER, DRIVE SHAFT HOUSING STUDS	47	76
11-64015	NUT, JAM - ADJUSTING SCREW	25	36	12-45176	WASHER, GEAR HOUSING STUD	35	13
11-64015	NUT, THROTTLE LEVER STOP SCREW	15	45	12-47247	WASHER, NEEDLE LOCATING	33	15
11-64484	NUT, SPARK ADVANCE LEVER STOP SCREW	13	35	12-49221	WASHER, FLYWHEEL COVER STUD	25	24
11-68219	NUT, SOLENOID TERMINALS (5/16")	11	34	12-49339	WASHER, BOTTOM YOKE SCREW	37	31
11-68219	NUT, SPARK ADVANCE LEVER STOP SCREW	13	37	12-56720	WASHER, MOUNTING BRACKET SCREW	49	17
11-68219	NUT, STARTER SOLENOID TERMINAL (10-32)	49	32	12-57427	WASHER, LOWER BRACKET SCREW (LARGE)	5	24
11-68292	NUT, SOLENOID TERMINALS (5/16 - 18)	11	37	12-66921	WASHER, UPPER MOUNT BOLT	37	37
11-68292	NUT, STARTER SOLENOID TERMINAL (5/16-18)	49	29				

PARTS INDEX

Part Number	Description	Pg.	Ref. No.	Part Number	Description	Pg.	Ref. No.
12-67264	WASHER, IGNITION PLATE SCREW (RUBBER)	11	13	13-88750	WAVE WASHER, TILT TUBE	37	8
12-67670	WASHER, THRUST - SWIVEL BRACKET	37	33	14-31210	TAB WASHER, PROPELLER NUT	47	81
12-68229	WASHER, FLYWHEEL	7	7	14-79447	TAB WASHER, GEAR HOUSING COVER	47	72
12-68410	WASHER, SPARK ADVANCE LEVER	13	32	15-47397A1	SHIM, BEARING OUTER RACE(.002-3-5-10)	47	55
12-72761	WASHER, TIMING MARKER SCREW	7	4	15-57007A1	SHIM ASSEMBLY, ROLLER BEARING	43	17
12-73862	WASHER, GEAR HOUSING STUD	35	11	16-20353	STUD, THROTTLE CAM	13	23
12-76451	WASHER, DIAPHRAGM SCREW	27	16	16-27037	STUD, CARBURETOR MOUNTING	29	29
12-77674	WASHER,RUBBER-SHIFT SHAFT BUSHING	45	46	16-56295	STUD, DRIVE SHAFT HOUSING (LONG SHAFT)	35	2
12-78688	WASHER, UPPER MOUNT BOLT	37	38	16-56297	STUD, WATER PUMP (3-3/8")	43	8
12-78910	WASHER,COMPRESSION SPRING	47	53	16-57920	STUD, GEAR HOUSING (2-1/16") (LONG SHAFT)	43	7
12-85022	WASHER, TRANSOM BRACKET	41	10	16-66021	STUD, DIFFUSER TO PLATE	35	32
12-87161	WASHER, TILT LOCK LEVER	37	13	16-66969	STUD, FLYWHEEL COVER TO BRACKET (1")	25	29
12-89482	WASHER,THRUST - ARMATURE	53	14	16-67065	STUD, POWERHEAD (5-1/2")	25	3
13-26992	LOCKWASHER, LOWER END CAP SCREW	25	34	16-69501	STUD,WATER PUMP(3-1/8")	43	9
13-26992	LOCKWASHER, SOLENOID SCREW	11	31	16-74730	STUD, GEAR HOUSING (7-1/16")(EXTRA LONG SHAFT)	43	7
13-26992	LOCKWASHER, STARTER MOTOR TERMINAL	7	28	16-74732	STUD, DRIVE SHAFT HOUSING (EXTRA LONG SHAFT)	35	2
13-26993	LOCKWASHER	49	28	16-76175	STUD, POWERHEAD (1-7/8")	25	2
13-26993	LOCKWASHER, IGNITION PLATE SCREW	11	11	16-78438	STUD, POWERHEAD (6-15/16")	25	3
13-26993	LOCKWASHER, SOLENOID TERMINALS (5/16")	11	36	16-78638	STUD, GEAR HOUSING (3-1/8")(LONG SHAFT)	43	6
13-26993	LOCKWASHER, STARTER MOTOR COVER SCREW	25	9	16-78639	STUD, GEAR HOUSING (9")(EXTRA LONG SHAFT)	43	6
13-26993	LOCKWASHER,MOUNTING PLATE SCREW	49	8	16-79651	STUD	25	21
13-26995	LOCKWASHER, TRIM GAUGE TERMINAL (#8)	51	10	16-88876	STUD, PLUNGER	37	19
13-26996	LOCKWASHER, CLAMP SCREW	41	28	16-90589	THRU STUD (SHORT)	53	11
13-26996	LOCKWASHER, FUEL PUMP SCREW	19	27	16-90590	THRU STUD (LONG)	53	11
13-26996	LOCKWASHER, SOLENOID TERMINALS (#10)	11	33	17-20033	DOWEL PIN, LOCATING	35	25
13-26996	LOCKWASHER, STATOR SCREW	7	13	17-20033	DOWEL PIN, LOCATING - EXHAUST PLATE	27	28
13-26996	LOCKWASHER, THROTTLE LEVERS SCREW	21	47	17-20033	DOWEL PINE, GEAR HOUSING LOCATING	43	5
13-26996	LOCKWASHER,STARTER SOLENOID TERMINAL (#10)	49	31	17-20033	DOWELL PIN, LOCATING	25	4
13-29720	WAVE WASHER, LINK ROD	13	12	17-20033	PIN, LOCATING -SPACER (EXTRA LONG SHAFT)	35	--
13-58643	LOCKWASHER, BRACKET SCREW	49	13	17-26618	DOWEL PIN, FUEL PUMP LOCATING	19	18
13-58643	LOCKWASHER,HYDRAULIC PUMP SCREW	49	10	17-30545	PIN, DRIVE SHAFT	43	14
				17-35973	DOWEL PIN, WATER PUMP	43	24
				17-47175	PIN, LOCATING LEVER AND COVER	13	18
				17-67296	DOWEL PIN, CYLINDER BLOCK	25	5
				17-67297	CLEVIS PIN	21	43
				17-67706A2	SWIVEL PIN AND STEERING ARM ASSEMBLY	37	34
				17-78905	CROSS PIN,RATCHET TO PROPELLER SHAFT	47	60

PARTS INDEX

Part Number	Description	Pg.	Ref. No.	Part Number	Description	Pg.	Ref. No.
17-78906	PIN, SPRING LOCATOR . . .	47	54	23-26600	BUSHING, THROTTLE CAM	13	22
17-78909	DETENT PIN, RATCHET . . .	47	61	23-27132	BUSHING, EXHAUST PLATE	27	31
17-85020	PIVOT PIN, TRIM CYLINDER	41	12	23-29804	SLEEVE, GUIDE-WATER		
17-91862	PIN, TRIM CYLINDER	41	15		INLET TUBE	45	39
18-26953	COTTER PIN, CLEVIS PIN			23-55164	BUSHING, THROTTLE		
	ATTACHING	21	45		LEVER	13	29
18-87200	COTTER PIN, LEVER TO			23-55171	BUSHING, SPARK ADVANCE		
	COUPLING	37	22		LEVER	13	30
18-93861	COTTER PIN, COUPLING			23-67268	BUSHING, IGNITION PLATE		
	SPRING	37	24		SCREW	11	14
19-45907	PLUG, FLYWHEEL	7	5	23-67269	SPACER, FLYWHEEL		
19-64649	PLUG, DRIVE SHAFT				COVER STUD	25	23
	HOUSING	35	15	23-67668	SPACER, SWIVEL BRACKET		
19-89219	PLUG, FLYWHEEL COVER .	7	5A		- UPPER	37	5
21-30430A11	CHECK VALVE ASSEMBLY .	19	9	23-67669	BUSHING, SWIVEL		
21-56011A2	CHECK VALVE ASSEMBLY,				BRACKET - LOWER AND		
	FUEL PUMP	19	19		UPPER	37	3
21-72016	CHECK VALVE, BLEED			23-77631A2	BUSHING ASSEMBLY,SHIFT		
	HOSE (STRAIGHT)	29	30		SHAFT	45	44
21-91933	CHECK VALVE, BLEED			23-79697	SPACER, ALARM HORN . . .	51	15
	HOSE (PRESS-IN)	31	41	23-86489	BUSHING, TRIM CYLINDER	41	9
22-25885	ELBOW, EXHAUST PLATE .	27	24	23-86600	BUSHING, TILT LEVER		
22-25885	ELBOW, REED BLOCK (90				RELEASE	37	16
	DEG.)	29	36	23-86637	BEARING, TRIM SHAFT . . .	41	14
22-38407	PLUG, CYLINDER BLOCK			23-88180	BUSHING, LOWER BRACKET		
	(WATER JACKET)	25	20		GROMMET	5	27
22-54090	FITTING, FUEL OUTLET . . .	19	28	23-94304	SPACER, SWITCH BOX		
22-54090	FITTING, PULSE HOSE	29	39		SCREW	11	4
22-56759	FITTING, BLEED HOSE			23-94453	BUSHING, SWITCH BOX		
	(PRESS IN)	29	33		SCREW	11	5
22-59169	TEE, BLEED HOSE	29	32	24-20099	SPRING, CABLE LATCH TO		
22-63981	FITTING, INLET FUEL LINE				THROTTLE LEVER	15	42
	(90 DEG.)	19	33	24-20099	SPRING, LINK ROD TO		
22-67892	SCREW,DRAIN (MAGNETIC)	45	47A		GUIDE BLOCK	13	4
22-68727	FITTING, ELBOW - WATER			24-23067	SPRING, ADAPTOR STEM .	19	37
	HOSES	29	14	24-30316	SPRING, TRIM CYLINDER . .	41	11
22-71191	ELBOW, BLEED H OSE			24-34576	SPRING, DRIVE SHAFT PIN	43	13
	(PRESS IN)	29	31	24-60295	SPRING, COWL LATCH	5	22
22-74036	FITTING, GREASE	37	6	24-64878	SPRING, COMPRESSION -		
22-76256	NOZZLE, TELL TALE	5	2		POPPET VALVE	27	18
22-78279	ELBOW, REED BLOCK (45			24-68784	SPRING, THROTTLE AND		
	DEG.)	29	35		SPARK ADVANCE LEVER	13	31
22-85578	TEE, REED BLOCK	29	37	24-78962	SPRING, RETAINING-CROSS		
22-85822A1	CONNECTOR ASSEMBLY,				PIN	47	62
	SPEEDOMETER	43	1A	24-79910	SPRING, COMPRESSION . .	47	52
22-87207	CONNECTOR, HYDRAULIC			24-85367	SPRING, TILT LEVER		
	HOSE	41	35		RELEASE	37	17
22-89097	CONNECTOR, ENRICHER			24-86207	SPRING, COMPRESSION . .	19	29
	VALVE (SIDE)	17	20	24-88049	SPRING, TENSION -		
22-90275	CONNECTOR, ENRICHER				COUPLING	37	23
	VALVE (BOTTOM)	17	19	24-91821	SPRING, THROTTLE		
22-90824	TEE, TELL TALE HOSE -				RETURN	13	21A
	USE WITH REF. #7B TEE	5	7B	25-20415	"O" RING, ADAPTOR STEM .	19	36
22-93890	ELBOW, REED BLOCK			25-25439	"O"RING,SHIFT SHAFT		
	(WITH 1/16" BARB) - 90				BUSHING	45	43
	DEG.	31	42	25-30271	RING	45	38
22-93891	TEE, REED BLOCK (WITH			25-31534	"O"RING, BEARING		
	1/16" BARB)	31	43		CARRIER	47	67
23-26600	BUSHING, NYLON - LINK			25-33145	"O"RING,WATER PUMP		
	ROD	13	13		BASE	43	20

PARTS INDEX

Part Number	Description	Pg.	Ref. No.	Part Number	Description	Pg.	Ref. No.
25-33466	"O" RING, SWIVEL BRACKET - UPPER	37	4	27-87775	GASKET, INLET COVER	41	30
25-45507	GROMMET, INLET COVER	41	34	27-88727	GASKET, DRIVE SHAFT HOUSING TO PLATE	35	20
25-48171	"O" RING, TILT LOCK LEVER	37	14	27-89221	GASKET, SOUND ATTENUATOR TO CARBURETOR	17	7
25-48462	"O" RING, TILT TUBE	37	9	27-89221A80	GASKET SET	1	-
25-54029	"O" RING END CAP (2-7/8" I.D.)	25	14	27-89221A80	GASKET SET	17	-
25-62700	"O" RING, END CAP	25	31	27-89221A80	GASKET SET	21	-
25-64872	GROMMET, POPPET RELIEF	27	21	27-89221A80	GASKET SET	25	-
25-67206	"O" RING, END CAP (3" I.D.)	25	14	27-89221A80	GASKET SET	27	-
25-67272	GROMMET, COWL MOUNTING BRACKET	17	2	27-89221A80	GASKET SET	31	-
25-88033	GROMMET, LOWER BRACKET	5	26	27-89221A80	GASKET SET	33	-
25-88341	GROMMET, SWIVEL BRACKET	37	11	27-89221A80	GASKET SET	35	--
25-89079	GROMMET, SOUND ATTENUATOR SCREW	17	17	27-89221A80	GASKET SET	39	-
25-89497	"O"RING, RESERVOIR END	53	7	27-90484	GASKET, DIVIDER PLATE	27	2
25-89498	"O"RING, MOTOR END	53	6	27-96541	GASKET, CYLINDER HEAD	29	2
26-29476	OIL SEAL, END CAP	25	16	28-30281	KEY,LOCATING-BEARING CARRIER	47	71
26-29476	OIL SEAL, END CAP	25	32	28-56654	KEY,IMPELLER DRIVE	43	32
26-38970	SEAL, RUBBER-WATER INLET TUBE	43	30	29-67483	NEEDLE BEARING, PISTON END	33	17
26-38970	SEAL, WATER TUBE	35	26	30-35914	BALL BEARING, REVERSE GEAR	47	66
26-55682A1	SEAL REPAIR KIT	45	-	30-67923	BALL BEARING, CRANKSHAFT (LOWER)	33	2
26-70081	OIL SEAL, BEARING CARRIER (OUTER)- CUTTER	47	70A	31-30956	ROLLER BEARING, BEARING CARRIER	47	69
26-76868	OIL SEAL, BEARING CARRIER (INNER)	47	70	31-35934	BEARING,ROLLER-DRIVE SHAFT	43	10
26-79884	OIL SEAL, WATER PUMP BASE	43	23	31-53079A1	ROLLER BEARING, DRIVE SHAFT	43	18
26-85023	OIL SEAL, SWIVEL BRACKET	37	12	31-67526A1	ROLLER BEARING ASSEMBLY, CRANKSHAFT END	33	16
26-87735	OIL SEAL, SWIVEL BRACKET (LOWER)	37	2	31-73363	ROLLER BEARING, FORWARD GEAR	47	57
26-89236	OIL SEAL, SHIFT SHAFT BUSHING	45	45	31-78172A1	TAPERED ROLLER BEARING ASSEMBLY	47	56
26-89238	OIL SEAL, WATER PUMP BASE	43	22	31-93495	ROLLER BEARING, CRANKSHAFT	33	7
27-32433	GASKET, LOWER-WATER PUMP	43	25	31-93496	ROLLER BEARING, END CAP	25	15
27-32434	GASKET,UPPER-WATER PUMP	43	27	32-31583109	HOSE, CARBURETOR FUEL PUMP (17"-4")	19	6
27-33146	GASKET,WATER PUMP	43	19	32-34395A1	HOSE, TELL TALE (4") - USE WITH REF. #7B TEE	5	7A
27-62386	GASKET, THERMOSTAT	29	9	32-34395A1	HOSE, TELL TALE (9") - USE WITHOUT REF. #7B TEE	5	7
27-65788	GASKET, CYLINDER COVER	29	5	32-52742A1	FUEL LINE	17	28
27-67208	GASELETT, SEALING	25	6	32-54935-79	FUEL LINE, MIDDLE CARBURETOR TO VALVE	17	27
27-67751	GASKET, CARBURETOR	19	4	32-54935-79	HOSE, BLEED	29	34
27-78068	GASKET, DRIVE SHAFT HOUSING PLATE	35	27	32-67295	TUBE, WATER (LONG SHAFT)	35	19
27-78069	GASKET, EXHAUST PLATE	27	22	32-74729	TUBE, WATER (EXTRA LONG SHAFT)	35	19
27-78246	GASKET, EXHAUST DIFFUSER	35	31				
27-78298	GASKET, REED BLOCK HOUSING	29	24				
27-78690	GASKETT, RELIEF VALVE PLATE	27	13				
27-87736	GASKET, COVER	17	11				

PARTS INDEX

Part Number	Description	Pg.	Ref. No.	Part Number	Description	Pg.	Ref. No.
32-78892-14	HOSE, REED BLOCK (2-3/4"-4")	29	38	53-67446	RETAINING RING, BALL BEARING	33	3
32-85032	HOSE, HYDRAULIC - STARBOARD	41	25	53-67684	RETAINING RING, BOTTOM YOLK	37	27
32-85033	HOSE, HYDRAULIC - PORT	41	24	53-78907	RETAINING RING	45	42
32-89020	FUEL LINE, INLET (6-3/4")	19	32	54-22875	CLIP, STATOR HARNESS	7	14
32-90729-25	HOSE, PULSE (6-3/4")	31	40	54-47483	"J" CLIP, COVER AND PLATE SCREW	27	7
33-57451	SPARK PLUG (AC#V40FFM)	9	41	54-47483	"J" CLIP, CYLINDER COVER SCREW	29	7
34-78161A1	REED ASSEMBLY	29	26	54-54457	CLAMP, SWITCH AND SENDER LEADS	39	49
35-59072	SCREEN, FUEL INLET	19	15	54-55098	CLAMP	7	18
35-89496	FILTER	53	5	54-67076	CLAMP, LOWER MOUNT	35	3
35-91078A1	COVER, FUEL FILTER	19	24	54-68424	CLAMP, FUEL HOSE TO CARBURETOR	19	7
37-89992A80	DECAL SET	1	-	54-88512	CLAMP, HYDRAULIC HOSE	41	26
39-67377	RING, SEALING - CRANKSHAFT (.124 THICK)	33	6	79-79786A4	TRIM GAUGE	51	5
39-78996A12	PISTON RING ASSEMBLY	33	11	79-87177A1	TACHOMETER	51	1
40-52035	LOCK RING, PISTON	33	12	84-60871A10	WIRE ASSEMBLY, GROUND	11	7
43-77673A3	FORWARD GEAR	47	58	84-61600A9	WIRE, SOLENOID TO SOLENOID (BLACK)	49	4
43-78908	REVERSE GEAR	47	64	84-62310A2	CABLE	11	9
43-98647	GEAR, PINION	43	15	84-65999A2	CABLE ASSEMBLY, UPPER MOUNT (BLACK)	11	32
44-94148	PROPELLER SHAFT	47	63	84-65999A3	CABLE ASSEMBLY, BLACK	11	15
45-67884A2	DRIVE SHAFT ASSEMBLY (LONG SHAFT)	43	12	84-69738A1	HARNESS ASSEMBLY	9	42
45-74735A2	DRIVE SHAFT ASSEMBLY (EXTRA LONG SHAFT)	43	12	84-69739A1	HARNESS ASSEMBLY	9	42
46-78400A2	WATER PUMP REPAIR KIT	45	-	84-74023A1	HARNESS ASSEMBLY, HYDRAULIC PUMP	49	22
46-96146A6	WATER PUMP BASE ASSEMBLY	43	21	84-79138A4	BATTERY CABLE, BALCK (NEGATIVE)	49	5
46-96148A1	WATER PUMP BODY ASSEMBLY	43	28	84-79139A1	BATTERY CABLE, RED (POSITIVE)	49	5
47-89984	IMPELLER, WATER PUMP	43	31	84-86322A7	WIRE, TRIM GAUGE (BLACK-1-1/2")	51	4
48-73980A4	PROPELLER ASSEMBLY (PITCH 19")	54	-	84-86323A5	WIRE, TRIM GAUGE (PURPLE-1-1/2")	51	4
48-73982A4	PROPELLER ASSEMBLY (PITCH 21")	54	-	84-86396A1	HARNESS	51	11
48-75724A4	PROPELLER ASSEMBLY (PITCH 23")	54	-	84-87266A1	HARNESS, ENGINE	11	27
48-78112A4	PROPELLER ASSEMBLY (ALUMINUM)(PITCH 11")	54	-	84-87379A2	WIRE, SOLENOID TO SOLENOID (RED)	49	4
48-78114A4	PROPELLER ASSEMBLY (ALUMINUM)(PITCH 13")	54	-	84-88439A1	BATTERY CABLE (POSITIVE)	11	26
48-78116A4	PROPELLER ASSEMBLY (ALUMINUM)(PITCH 15")	54	-	84-88439A2	BATTERY CABLE (NEGATIVE)	11	26
48-78118A4	PROPELLER ASSEMBLY (ALUMINUM)(PITCH 17")	54	-	84-88807A6	GROUND STRAP, IGNITION COIL (BLACK)	7	37
48-78120A4	PROPELLER ASSEMBLY (ALUMINUM)(PITCH 19")	54	-	84-90816A25	CABLE, HIGH TENSION	7	38
48-78122A4	PROPELLER ASSEMBLY (ALUMINUM)(PITCH 21")	54	-	84-93388A1	WIRE, PLATE TO STARTER MOTOR (BLACK)	7	32
48-78124A4	PROPELLER ASSEMBLY (ALUMINUM)(PITCH 23")	54	-	84-93389A5	WIRE, SOLENOID TO STARTER MOTOR (YELLOW)	7	30
48-78126A4	PROPELLER ASSEMBLY (ALUMINUM)(PITCH 25")	54	-	85-63709A1	PROTECTOR, HIGH TENSION CABLE	9	40
50-86976	STARTER MOTOR (BOSCH)	7	24	87-33386A3	MERCURY SWITCH	11	21
52-78959	RATCHET, SLIDING CLUTCH	47	59	88-72729	LIGHT BULB, TRIM GAUGE AND TACHOMETER	51	7
53-29641	"E"RING, RETAINING-SHIFT SHAFT	45	41	88-79888	SOCKET, TRIM GAUGE AND TACHOMETER	51	8
53-67444	RETAINING RING, ROLLER BEARING	33	8				

PARTS INDEX

Part Number	Description	Pg.	Ref. No.	Part Number	Description	Pg.	Ref. No.
89-68258	SOLENOID, STARTER	11	29	1395-7826	REPAIR PARTS KIT	23	-
89-68258	STARTER SOLENOID	49	26	1395-7827	FLOAT	23	16
90-90673	MERC V-225 PARTS MANUAL	1	-	1395-7900	TEE, FUEL INLET (UPPER AND MIDDLE)	19	2
257-7555A3	FLYWHEEL ASSEMBLY, COMPLETE	7	8	1395-7901	FITTING, FUEL INLET (LOWER)	19	3
332-2854	BOOT, HIGH TENSION CABLE	9	39	1399-5315	JET, IDLE AIR (.042) - WH-15	23	21
332-7778A3	SWITCH BOX	11	2	1399-5317	JET, IDLE AIR (.046 - WH-20	23	19
339-7370A2	COIL ASSEMBLY, IGNITION	7	35	1491-7945A1	SWIVEL BRACKET ASSEMBLY	37	1
398-5454A7	STATOR ASSEMBLY	7	11	1494-7476	BRACKET, TRANSOM (PORT)	41	1
455-7666A2	CRANKSHAFT ASSEMBLY	33	1	1495-7478	BRACKET, TRANSOM (STARBOARD)	41	5
625-7209A2	CONNECTING ROD ASSEMBLY	33	13	1590-8343A7	DRIVE SHAFT HOUSING ASSEMBLY	35	1
766-8332A4	PISTON ASSEMBLY (PORT)	33	10	1647-7350A26	GEAR HOUSING ASS'Y COMPLETE (LONG SHAFT)	43	-
766-8333A4	PISTON ASSEMBLY (STARBOARD)	33	10	1647-7350A26	GEAR HOUSING ASS'Y,COMP.(LONG SHAFT)	47	-
858-7801A3	CYLINDER BLOCK AND CRANKCASE ASS'Y	25	1	1647-7350A27	GEAR HOUSING ASS'Y, COMP. (EXTRA LONG SHAFT)	43	-
858-7801A3	CYLINDER BLOCK AND CRANKCASE ASS'Y	27	1	1647-7350A27	GEAR HOUSING ASS'Y,COMP.(EXTRA LONG SHAFT)	47	-
1026-7270A1	COVER ASSEMBLY, CYLINDER	29	4	1647-7350A4	GEAR HOUSING ASS'Y	47	1
1156-7809A1	END CAP ASSEMBLY, LOWER	25	30	1647-7350A4	GEAR HOUSING ASSEMBLY	43	1
1159-8454A2	END CAP ASSEMBLY, UPPER	25	13	2149-7532A2	COWL FRONT COVER ASSEMBLY (WITHOUT DECALS)	3	17
1386-7599A1	CARBURETOR (TOP) WH-5	23	-	2150-7524A1	COWL ASSEMBLY, STARBOARD (WITHOUT DECALS)	3	10
1386-7599A1	CARBURETOR (TOP) WH-15	19	1	2151-7523A2	COWL ASSEMBLY, PORT (WITHOUT DECALS)	3	1
1386-7599A11	CARBURETOR (TOP) WH-20	19	1				
1386-7599A11	CARBURETOR (TOP) WH-20	23	1				
1386-7599A12	CARBURETOR (CENTER) WH-20	19	2				
1386-7599A12	CARBURETOR (CENTER) WH-20	23	1				
1386-7599A13	CARBURETOR (BOTTOM) WH-20	19	3				
1386-7599A13	CARBURETOR (BOTTOM) WH-20	23	1				
1386-7599A2	CARBURETOR (CENTER) WH-5	23	1				
1386-7599A2	CARBURETOR (CENTER)WH-15	19	1A				
1386-7599A3	CARBURETOR (BOTTOM) WH-15	19	1B				
1386-7599A3	CARBURETOR (BOTTOM) WH-5	23	1				
1395-4541	PLUG, IDLE AIR BLEED JET	23	19				
1395-6022	SHAFT, THROTTLE	23	26				
1395-6023	VALVE, THROTTLE	23	28				
1395-6025	PLUG, MAIN JET	23	8				
1395-6027	SCREW, THROTTLE LEVER	23	22				
1395-6031	SPACER, THROTTLE LEVER	23	25				
1395-6032	PLATE, COVER	23	4				
1395-6207	JET, MAIN FUEL (.072)	23	10				
1395-6452	GASKET AND PACKING SET	23	-				
1395-7822	FUEL BOWL (CENTER/BOTTOM)	23	6				
1395-7823	FUEL BOWL (TOP)	23	6				