



# TABLE OF CONTENTS:

ACCESSORIES .....	55
ALTERNATOR AND ELECTRICAL COMPONENTS .....	8
ALTERNATOR AND ELECTRICAL COMPONENTS FOR MAGNAPOWER MODELS .....	12
CARBURETOR .....	22
CRANKSHAFT AND PISTON GROUP .....	32
ELECTRIC STARTER .....	18
ENGINE COVER AND SUPPORT PLATE .....	2
FUEL PUMP .....	20
FUEL TANK AND LINE .....	46
GEAR HOUSING .....	42
HAND STARTER .....	16
LUBRICATION CHART .....	59
MAGNETO .....	6
MOTOR LEG .....	36
PARTS INDEX .....	61
POWER HEAD .....	26
REED PLATE .....	34
REMOTE CONTROL .....	48
SPECIAL ADJUSTMENTS .....	60
SPECIAL TOOLS - LOWER UNIT .....	53
SPECIAL TOOLS - MANUAL STARTER .....	51
SPECIAL TOOLS - POWER HEAD .....	52
SPECIAL TOOLS - TEST EQUIPMENT .....	54
SPECIAL TOOLS - TUNE-UP .....	50
SPECIFICATIONS .....	58

**NOTE:** Indented description indicate that these parts are included in preceeding assembly.

**AR** = As Required

**NSS** = Not Sold Separate

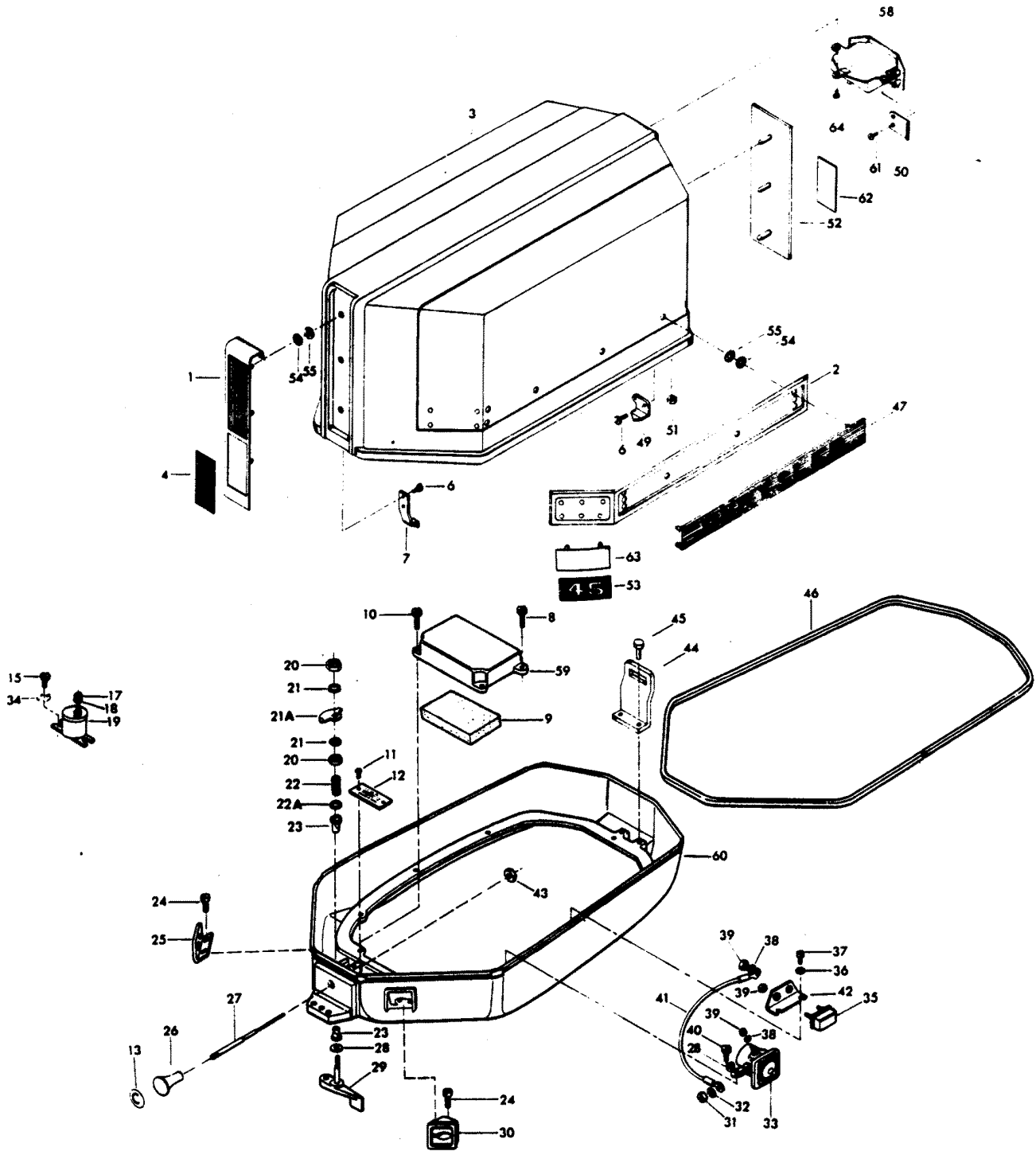
**OPT** = Optional

**NS** = Not Shown

**THESE PARTS BOOKS/FICHE CARD ARE COPYRIGHTED AND MAY NOT BE DISTRIBUTED OR REPRODUCED IN ANY OTHER FORMAT BY ANYONE OTHER THAN MERCURY MARINE WITHOUT THE PRIOR WRITTEN CONSENT OF MERCURY MARINE.**

THIS PAGE INTENTIONALLY LEFT BLANK

# ENGINE COVER AND SUPPORT PLATE

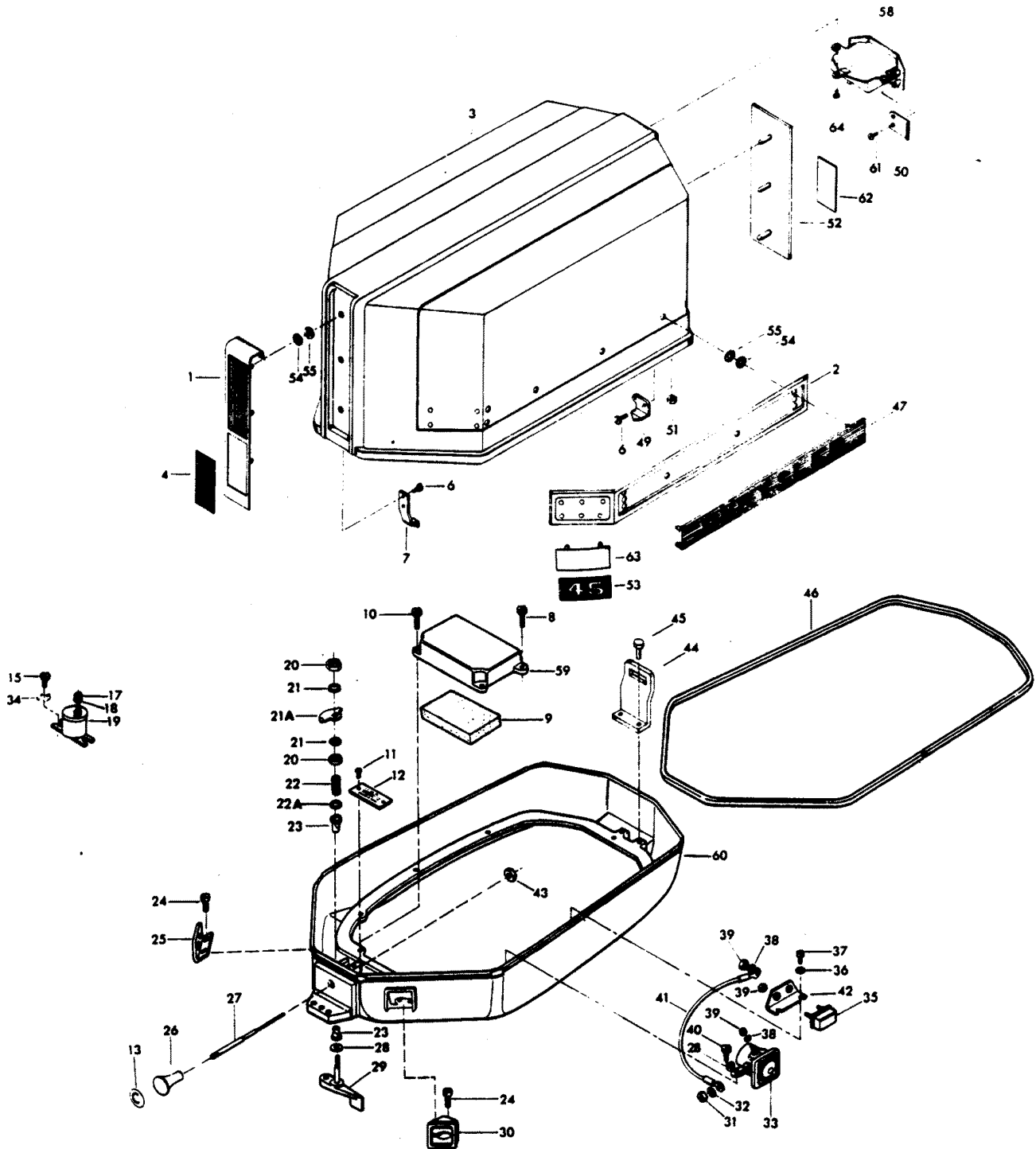


# ENGINE COVER AND SUPPORT PLATE

REF. NO.	PART NO.	SYM.	QTY.	DESCRIPTION
1	F463711-1		1	PLATE, FRONT
2	F366392		2	SIDE PLATE
3	FS463712		1	ENGINE COVER <b>INCLUDES ITEMS 7, 49, 50, 58 AND 61</b>
4	FA463892		1	INSERT, FRONT PLATE, U.S.A. FOR HAND START MODELS
-	<b>A463893</b>		1	<b>INSERT, FRONT PLATE, CANADA FOR HAND START MODELS</b>
-	<b>FA466892</b>		1	<b>INSERT, FRONT PLATE, U.S.A., FOR ALTERNATOR MODELS</b>
-	<b>FA466893</b>		1	<b>INSERT, FRONT PLATE, CANADA, FOR ALTERNATOR MODELS</b>
-	<b>FA467892</b>		1	<b>INSERT, FRONT PLATE, U.S.A., FOR C.D. MODELS</b>
-	<b>FA467893</b>		1	<b>INSERT, FRONT PLATE, CANADA, FOR C.D. MODELS</b>
6	F1475		4	FILL HD SCREW, 10 - 24 X 1/2
7	FA366778		1	ENGINE COVER RETAINER FORWARD W/SCREWS AND NUTS
8	F1864		2	HEX HD SCREW, 1/4 - 20 X 3/4
9	F307860		1	INTAKE SILENCER
10	F1953		2	HEX HD SCREW, 1/4 - 20 X 1
11	F1293		2	RD HD SCREW, 2 X 3/16
12	FA77395-5		1	IDENTIFICATION PLATE W/SCREWS, U.S.A.
-	<b>AC16395-7</b>		1	<b>IDENTIFICATION PLATE W/SCREWS, CANADA</b>
13	F458677		1	INSERT, CHOKE KNOB
15	F1993		2	HEX SLOT HD SCREW, 1/4 - 20 X 5/8
17	F1647		1	HEX NUT, 8 - 32
18	F8056		1	SPRING LOCKWASHER
19	89-817760A2		1	CHOKE SOLENOID
20	F1515		2	HEX NUT, 5/16 - 18
21	F8096		2	SPRING LOCKWASHER
21A	F89777-1		1	LATCH CAM
22	F183300		1	SPRING
22A	F1987		1	PLAIN WASHER
23	F307818		2	BEARING, LATCH SHAFT
24	F1733		3	PAN HD SCREW, 10 - 24 X 9/16
25	F311189-1		1	BUSHING, CABLE ENTRY
26	F286547		1	CHOKE, KNOB
27	F433503		1	CHOKE CABLE
28	F8094		1	PLAIN WASHER
29	FA328763		1	COVER LATCH HANDLE W/SHAFT
30	FA366953		1	BUSHING STARTER HANDLE, FOR HAND START MODELS
-	<b>F310189</b>		1	<b>BUSHING ELECTRIC CABLE ENTRY, FOR ELECTRIC START MODELS</b>
31	F1615		2	HEX NUT, 5/16 - 24
32	F8096		2	SPRING LOCKWASHER
33	F177917		1	STARTER RELAY
34	F8083		2	SPRING LOCKWASHER
35	F91460-2		1	CIRCUIT BREAKER
36	F8011		2	PLAIN WASHER

CONTINUED ON NEXT PAGE ➡

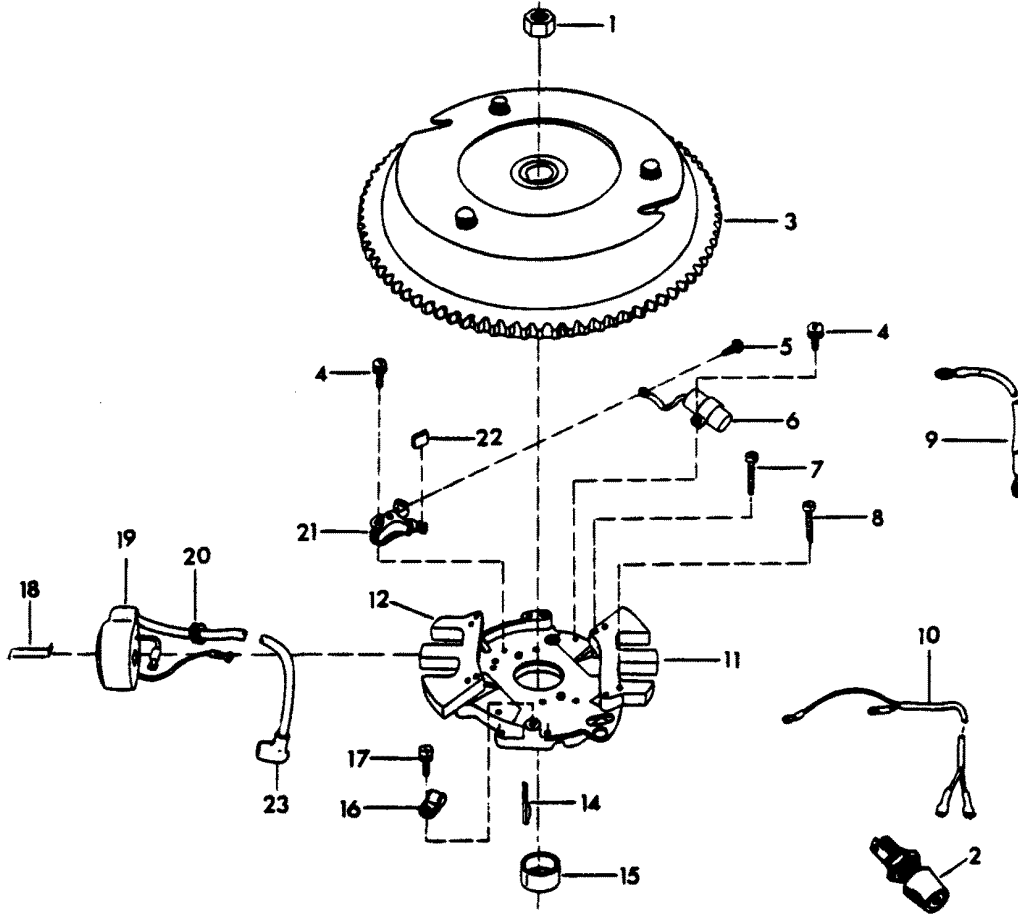
# ENGINE COVER AND SUPPORT PLATE



# ENGINE COVER AND SUPPORT PLATE

REF. NO.	PART NO.	SYM.	QTY.	DESCRIPTION
37	F1733		2	PAN HD SCREW, 10 - 24 X 9/16
38	F1975		3	SPRING LOCKWASHER
39	F1513		5	HEX NUT, 10 - 32
40	F1238		8	HEX HD SCREW, 1/4 - 20 X 3/4
41	F307683		1	CIRCUIT BREAKER WIRE
42	F91446-1		1	CIRCUIT BREAKER BRACKET
43	F1738		1	HEX JAM NUT, 3/8 - 24
44	F458774		1	BRACKET RETAINER REAR
45	F1238		2	HEX CAP SCREW, 1/4 - 20 X 3/4
46	F85756		1	SUPPORT PLATE PACKING
47	F463366		2	NAME PLATE, "CHRYSLER"
49	FA458480		1	ENGINE COVER RETAINER W/SCREWS AND NUTS
50	F463864		2	RETAINER, TILT HANDLE
51	F7011		4	HEX NUT, 10 - 24
52	F433180-1		1	TRIM, REAR
53	FA486385		2	INSERT, PLATE SIDE
54	F85735-1		24	SEAL
55	F1753		24	FASTENER
58	F463269		1	TILT HANDLE
59	FA307779		1	BAFFLE, AIR INTAKE W/SILENCER
60	A310038-2		1	SUPPORT PLATE, FOR HAND START MODELS
-	<b>F307038</b>		<b>1</b>	<b>SUPPORT PLATE, FOR ELECTRIC START MODELS</b>
61	F1728		4	PAN HD SELF-TAPPING SCREW
62	A464528-1		1	INSERT, TRIM REAR
63	F485512		2	INSERT, PLATE
64	F2025		1	PAN HD SCREW, 10 X 5/8
-	<b>F191993-1</b>		<b>1</b>	<b>BRACKET, CHOKE CABLE (NOT SHOWN)</b>
-	<b>321373-2</b>		<b>1</b>	<b>DECAL, "MAGNAPOWER IGNITION" (NOT SHOWN)</b>

# MAGNETO

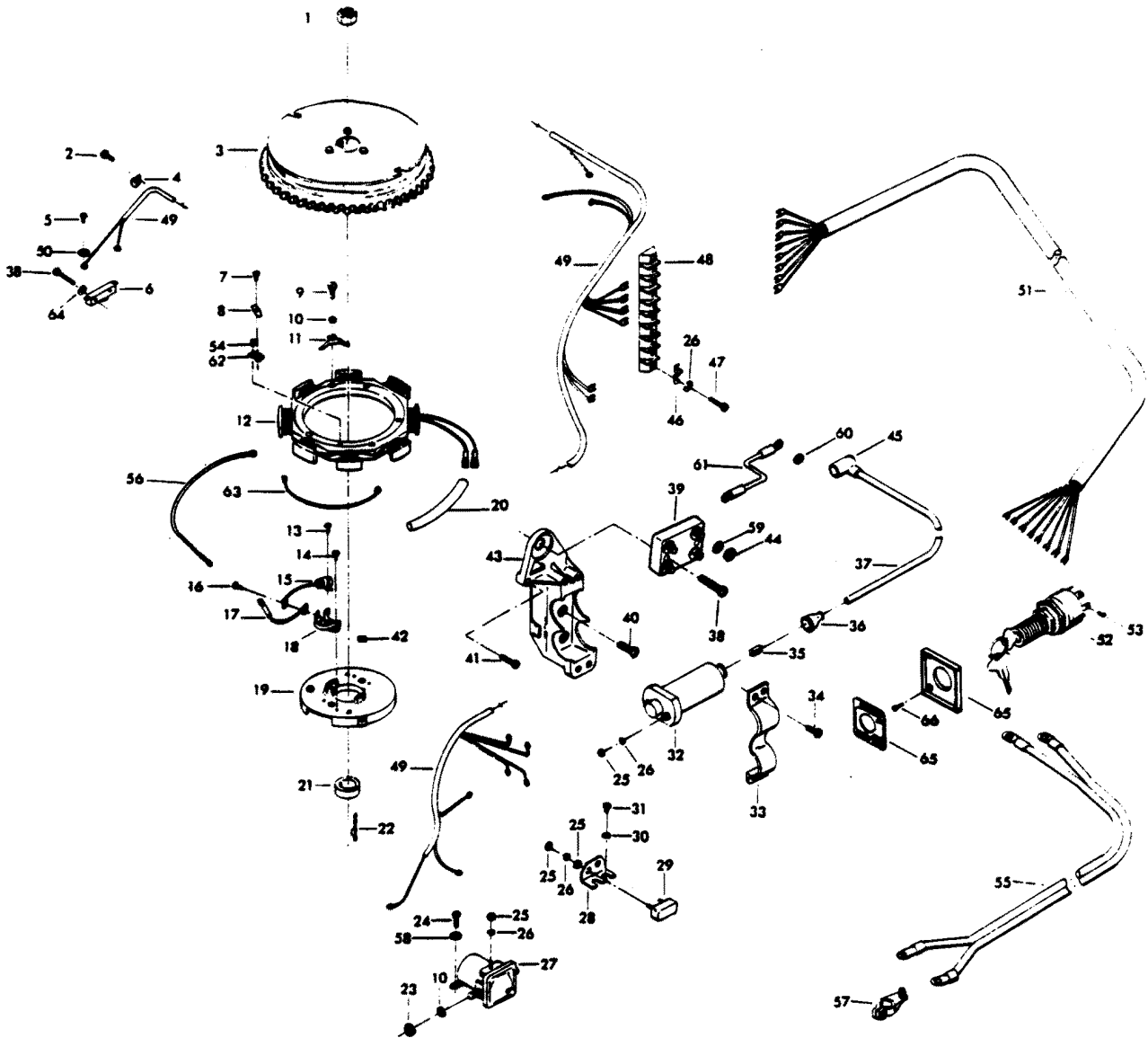




# MAGNETO

REF. NO.	PART NO.	SYM.	QTY.	DESCRIPTION
1	F1920		1	HEX NUT, 5/8 - 18
2	F436449		1	SHORTING SWITCH
3	F93097-6		1	FLYWHEEL AND STARTER GEAR
4	F12014		6	BREAKER POINT AND CONDENSER MOUNTING SCREW, 8 - 32 X 3/8
5	F1300		2	BREAKER POINT TERMINAL SCREW, 6 - 32 X 3/8
6	F12042-1		2	CONDENSER W/MOUNT
7	F1926		2	LAMINATION SCREW, 8 - 32 X 7/8
8	F12023		2	LAMINATION SCREW, 10 - 24 X 1
9	F460664		1	WIRE, STATOR GROUND
10	F12059		1	PRIMARY TERMINAL WIRE
11	F12342		1	STATOR PLATE WITHOUT LAMINATIONS
12	F12341		2	COIL LAMINATIONS
14	F92498		1	KEY
15	F93002		1	CAM
16	F12246		1	CABLE CLIP
17	F12016		1	CABLE CLIP SCREW, 8 - 32 X 1/2
18	F12053		2	COIL RETAINING CLIP
19	F12057		2	COIL W/LEAD WIRE, SPARKIE AND GROMMET
20	F12050		2	GROMMET
21	F12044		2	BREAKER POINT SET
22	F12227		2	CAM WIPER FELT
23	FK750-1		2	SPARKIE KIT

# ALTERNATOR AND ELECTRICAL COMPONENTS

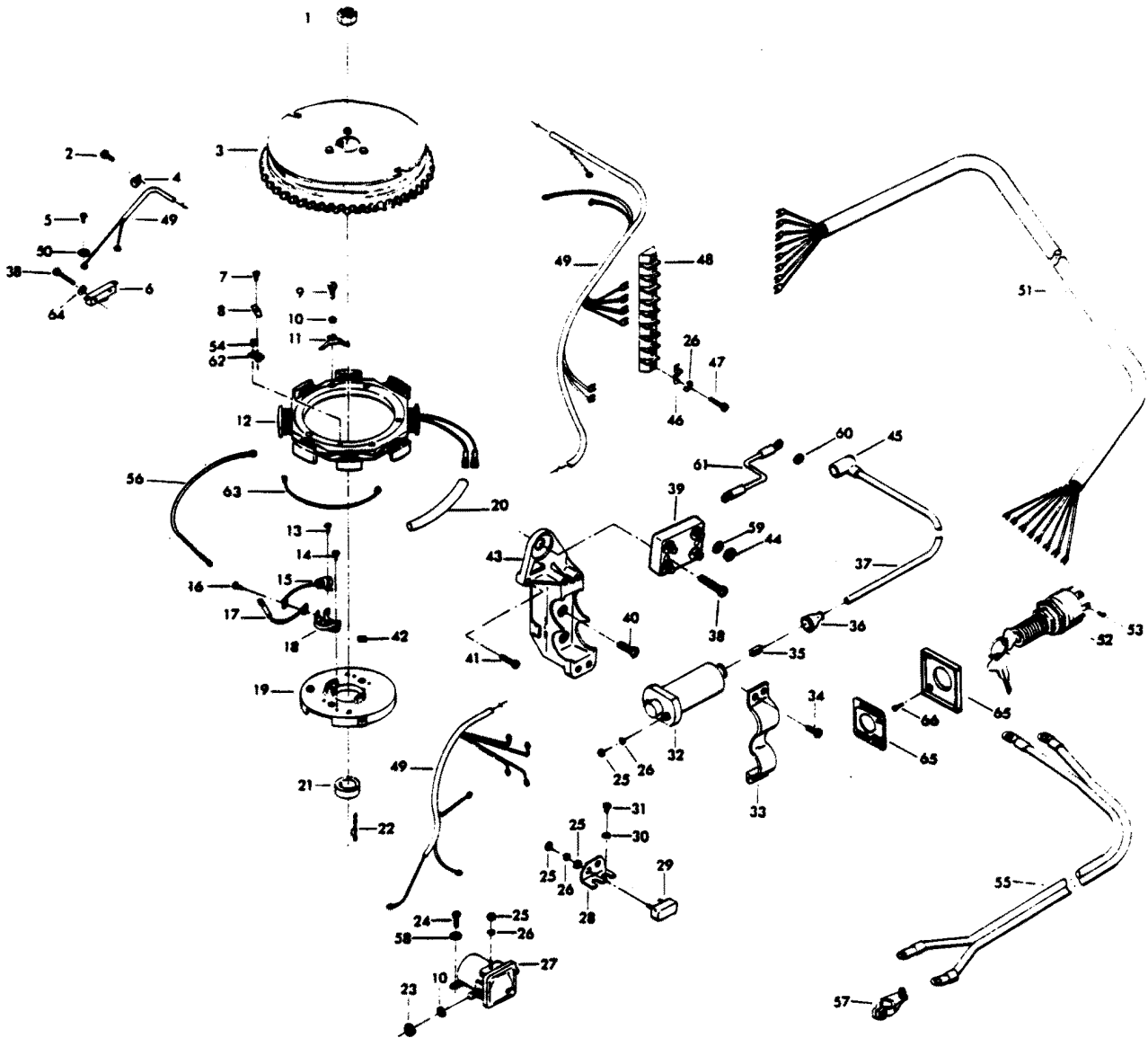


# ALTERNATOR AND ELECTRICAL COMPONENTS

REF. NO.	PART NO.	SYM.	QTY.	DESCRIPTION
1	F1920		1	HEX NUT, 5/8 - 18
2	F1110		1	SLOTTED FILL HD SCREW, 1/4 - 20 X 5/8
3	F203097-4		1	FLYWHEEL
4	F92446		1	CLAMP
5	F1645		2	RD HD SELF-TAPPING SCREW, 6 - 32 X 1/4
6	F84449		1	NEUTRAL INTERLOCK SWITCH
7	F12167		2	SCREW
8	F12172		2	TERMINAL
9	F2071		3	HEX CAP SCREW, 5/16 - 18 X 1 3/8
10	F8096		5	SPRING LOCKWASHER
11	F466479		3	BREAKER PLATE SHOE
12	F466095		1	STATOR
13	F12083		2	CONDENSER MOUNT SCREW W/LOCKWASHER
14	F12090		4	BREAKER CONTACT SCREW
15	F12139-1		2	CONDENSER
16	F12189		2	CONDENSER MOUNT SCREW
17	F12174-1		2	PRIMARY INTERLEAD GROUP
18	F12329-1		2	BREAKER POINT SET
19	F12344		1	BREAKER PLATE
20	F94914		1	SLEEVE
21	F268002-2		1	CAM
22	F92498		1	KEY
23	F1615		2	HEX NUT, 5/16 - 24
24	F1238		2	FILL HD SCREW, 1/4 - 20 X 3/4
25	F1513		9	HEX NUT, 10 - 32
26	F1975		7	LOCKWASHER
27	F177917		1	STARTER RELAY
28	F91446-1		1	CIRCUIT BREAKER BRACKET
29	F91460-2		1	CIRCUIT BREAKER
30	F8011		2	PLAIN WASHER
31	F1733		2	PAN HD SCREW, 10 - 24 X 9/16
32	85-818076A2		2	<b>COIL INCLUDES ITEMS 25, 26, 35 AND 36 ORIGINAL FORCE P/N 2A91475-2</b>
33	F311513		1	COIL CLAMP
34	F1502		4	HEX CAP SCREW, 1/4 - 20 X 5/8
35	F203673		2	TERMINAL CLIP
36	F203276		2	COIL BOOT
37	84-817765A2		2	<b>COIL WIRE INCLUDES ITEMS 35 AND 36 ORIGINAL FORCE P/N A307664-1</b>
38	F2016		4	FILL HD SCREW, 6 - 32 X 7/8
39	F369450		1	RECTIFIER
40	F1164		2	FLAT HD SCREW, 5/16 - 18 X 1 1/8
41	F1953		1	HEX HD SCREW, 1/4 - 20 X 1
42	F12227		2	CAM WIPER FELT

CONTINUED ON NEXT PAGE ➡

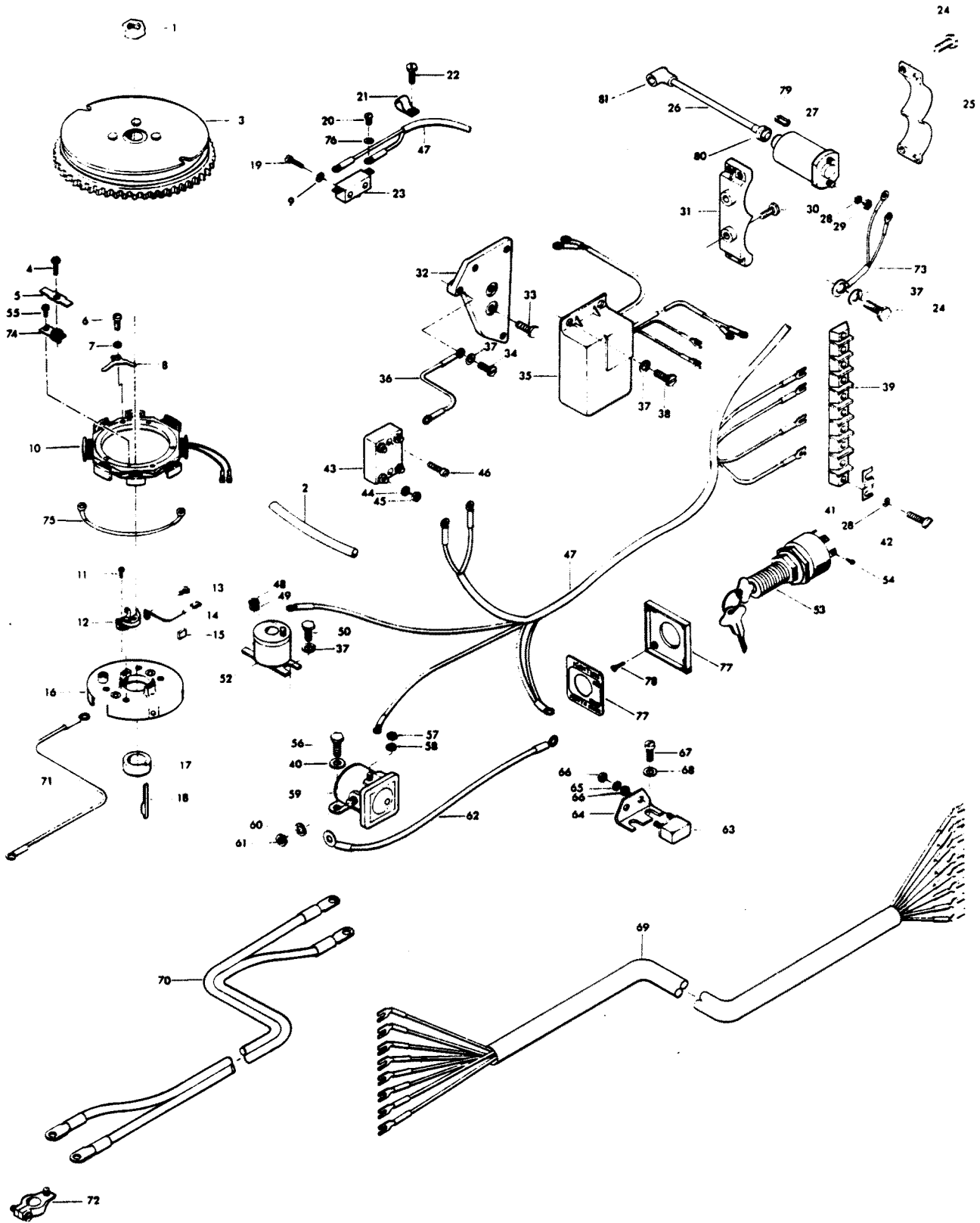
# ALTERNATOR AND ELECTRICAL COMPONENTS



# ALTERNATOR AND ELECTRICAL COMPONENTS

REF. NO.	PART NO.	SYM.	QTY.	DESCRIPTION
43	F311501		1	COIL MOUNT
44	F1647		4	HEX NUT, 8 - 32
45	FK750-1		2	SPARKIE KIT
46	F307317		1	CLIP TERMINAL BLOCK GROUND
47	F1648		2	SLOTTED PAN HD SCREW, 10 - 24 X 3/4
48	FA510497		1	TERMINAL BLOCK
49	F311744-2		1	WIRING HARNESS
50	F1704		2	INTERNAL TOOTH LOCKWASHER
51	F85843-1		1	ELECTRIC CONTROL CABLE
52	F74H20		1	IGNITION SWITCH (ACCESSORY ITEM)
53	F1280		6	PAN HD SCREW, 8 - 32 X 1/4
54	F1958		1	PAN HD SCREW, 6 X 7/16
55	F381896-4		1	BATTERY CABLE
56	F289664		1	WIRE STATOR GROUND
57	F71H26		1	BATTERY TERMINAL KIT (ACCESSORY ITEM)
58	F8094		1	PLAIN WASHER
59	F8056		5	SPRING LOCKWASHER
60	F8083		1	SPRING LOCKWASHER
61	F345683		1	WIRE GROUND
62	F12172		2	TERMINAL COMPLETE <b>INCLUDES ITEMS 7 AND 8</b>
63	F12338		1	GROUND WIRE
64	F8088		2	PLAIN WASHER
65	F71H21		1	IGNITION SWITCH MOUNTING KIT (ACCESSORY ITEM)
66	F1934		4	FLAT HD SLOTTED SCREW, 6 X 1/2
-	<b>F290398-1</b>		<b>1</b>	<b>DECAL, WIRING (NOT SHOWN)</b>
-	<b>FA27232</b>		<b>1</b>	<b>EMERGENCY STARTER ROPE (NOT SHOWN)</b>

# ALTERNATOR AND ELECTRICAL COMPONENTS FOR MAGNAPOWER MODELS

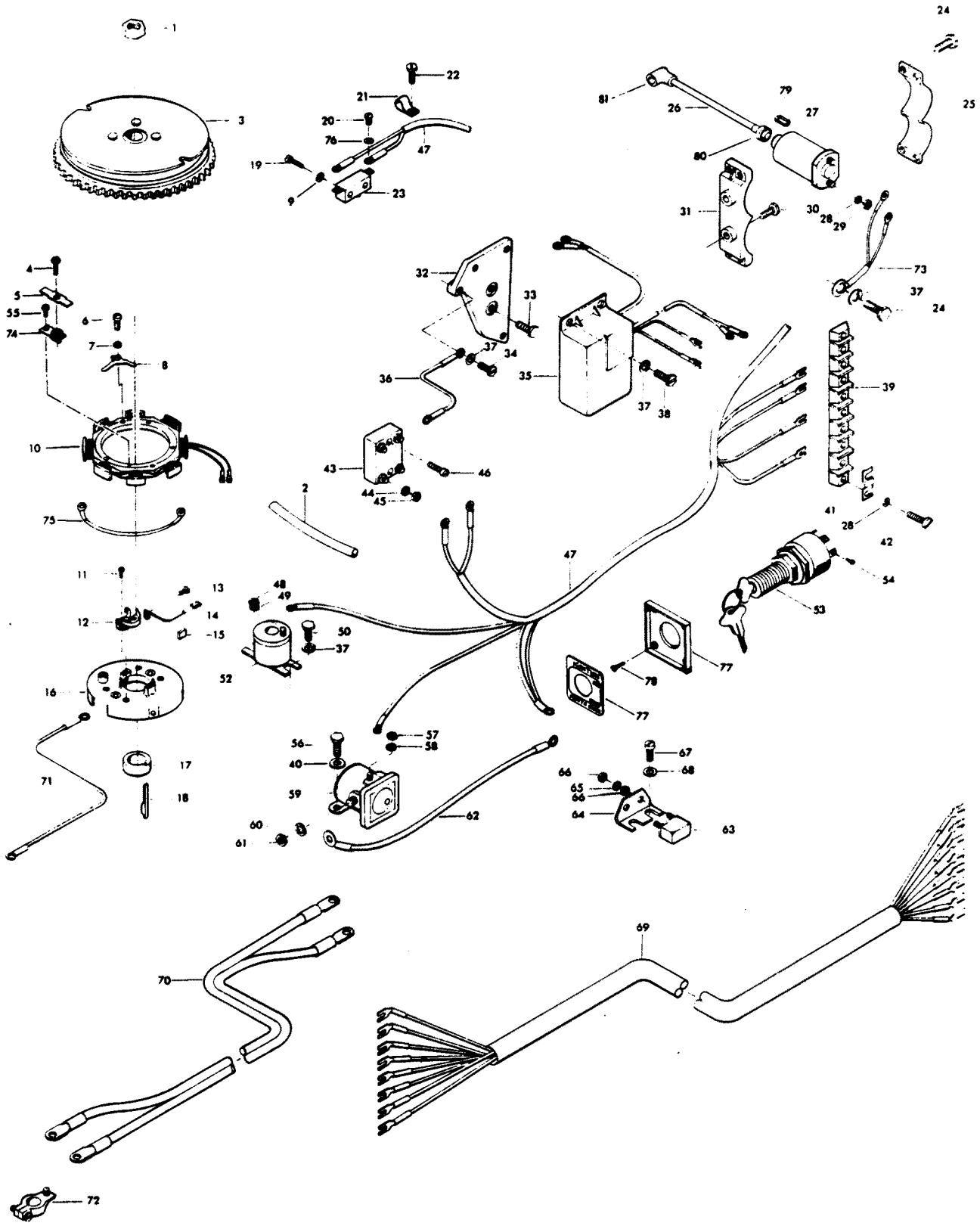


# ALTERNATOR AND ELECTRICAL COMPONENTS FOR MAGNAPOWER MODELS

REF. NO.	PART NO.	SYM.	QTY.	DESCRIPTION
1	F1920		1	HEX NUT, 5/8 - 18
2	F94914		1	SLEEVE
3	F203097-4		1	FLYWHEEL
4	F12167		2	SCREW
5	F12172		2	TERMINAL
6	F2071		3	HEX CAP SCREW, 5/16 - 18 X 1 3/8
7	F8096		3	SPRING LOCKWASHER
8	F466479		3	BREAKER PLATE SHOE
9	F8088		2	PLAIN WASHER
10	F466095		1	STATOR
11	F12090		4	SCREW
12	F12329-1		2	BREAKER POINTS
13	F12083		2	SCREW W/LOCKWASHER
14	F12174-1		2	PRIMARY INTERLEAD WIRE
15	F12227		2	CAM WIPER FELT
16	F12344		1	PLATE, BREAKER
17	F268002-2		1	BREAKER CAM
18	F92498		1	KEY
19	F2016		2	FILL HD SCREW, 6 - 32 X 7/8
20	F1645		2	RD HD SCREW, 6 - 32 X 1/4
21	F92446		1	CLAMP
22	F1110		1	SLOTTED FILL M. SCREW, 1/4 - 20 X 5/8
23	F84449		1	NEUTRAL INTERLOCK SWITCH
24	F1502		4	HEX HD CAP SCREW, 1/4 - 20 X 5/8
25	F345513		1	CLAMP, COIL
26	A345664-1		2	WIRE, HI-TENSION <b>W/ITEMS 79 &amp; 80</b>
27	F345475-1		2	COILS
28	F1975		6	LOCKWASHER
29	F1513		4	HEX NUT, 10 - 32
30	F1861		2	HEX CAP SCREW, 5/16 - 18 X 7/8
31	F345501		1	MOUNT, COIL
32	F345358		1	MOUNT, C.D. UNIT
33	F1861		2	HEX CAP SCREW, 5/16 - 18 X 7/8
34	F1953		1	HEX HD MACHINE SCREW, 1/4 - 20 X 1
35	F345301-1		1	UNIT
36	F345683		1	WIRE, GROUND
37	F8083		7	SPRING LOCKWASHER
38	F1864		3	HEX HD MACHINE SCREW, 1/4 - 20 X 3/4
39	FA510497		1	TERMINAL BLOCK
40	F8094		1	PLAIN WASHER
41	F307317		1	CLIP TERMINAL BLOCK GROUND
42	F1648		2	SLOTTED PAN HD SCREW, 10 - 24 X 3/4
43	F369450		1	RECTIFIER

CONTINUED ON NEXT PAGE ➡

# ALTERNATOR AND ELECTRICAL COMPONENTS FOR MAGNAPOWER MODELS

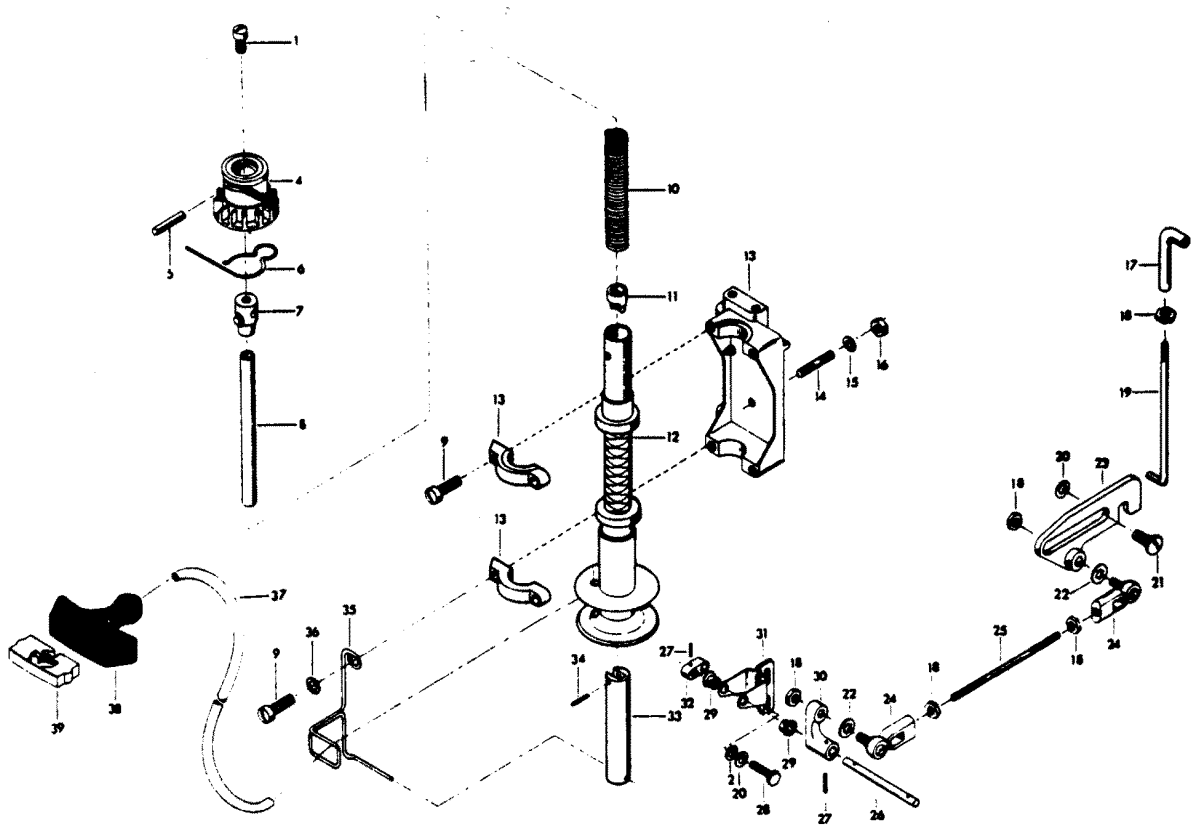




# ALTERNATOR AND ELECTRICAL COMPONENTS FOR MAGNAPOWER MODELS

REF. NO.	PART NO.	SYM.	QTY.	DESCRIPTION
44	F8056		5	SPRING LOCKWASHER
45	F1647		4	HEX MACHINE SCREW, NUT, 10 - 32
46	F2016		2	FILL HD MACHINE SCREW, 6 - 32 X 7/8
47	F345744-1		1	HARNESS, WIRING
48	F1647		1	HEX NUT, 8 - 32
49	F8056		1	SPRING LOCKWASHER
50	F1993		2	HEX SLOT HD SCREW, 1/4 - 20 X 5/8
52	89-817760A2		1	CHOKE SOLENOID
53	F74H20		1	SWITCH, IGNITION (ACCESSORY ITEM)
54	F1280		5	PAN HD MACHINE SCREW, 8 - 32 X 1/4
55	F1958		1	PAN HD SCREW, 6 X 7/16
56	F1238		2	FILL HD SCREW, 1/4 - 20 X 5/16
57	F1513		1	HEX NUT, 10 - 32
58	F1975		1	LOCKWASHER
59	F177917		1	STARTER RELAY
60	F8096		2	SPRING LOCKWASHER
61	F1615		2	HEX NUT, S.S., 5/16 - 24
62	F307683		1	WIRE, CIRCUIT BREAKER
63	F91460-2		1	CIRCUIT BREAKER
64	F91446-1		1	CIRCUIT BREAKER BRACKET
65	F1975		2	LOCKWASHER
66	F1513		4	HEX NUT, 10 - 32
67	F1733		2	PAN HD SCREW, 10 - 24 X 9/16
68	F8011		2	PLAIN WASHER
69	F85843-1		1	ELECTRIC CONTROL CABLE
70	F381896-4		1	BATTERY CABLE
71	F289664		1	WIRE, STATOR GROUND
72	F71H26		1	BATTERY TERMINAL KIT (ACCESSORY ITEM)
73	F345908		1	GROUND WIRE, COIL
74	F12172		2	TERMINAL, COMPLETE <b>INCLUDES ITEMS 4 AND 5</b>
75	F12338		1	WIRE
76	F1704		2	INTERNAL TOOTH LOCKWASHER
77	F71H21		1	IGNITION SWITCH MOUNTING KIT (ACCESSORY ITEM)
78	F1934		4	FLAT HD SLOTTED SCREW, 6 X 1/2
79	F203673		2	TERMINAL CLIP
80	F203276		2	COIL BOOT
81	FK750-1		2	SPARKIE KIT
-	<b>FA27232</b>		<b>1</b>	<b>EMERGENCY STARTER ROPE (NOT SHOWN)</b>
-	<b>F290398-1</b>		<b>1</b>	<b>DECAL, WIRING (NOT SHOWN)</b>

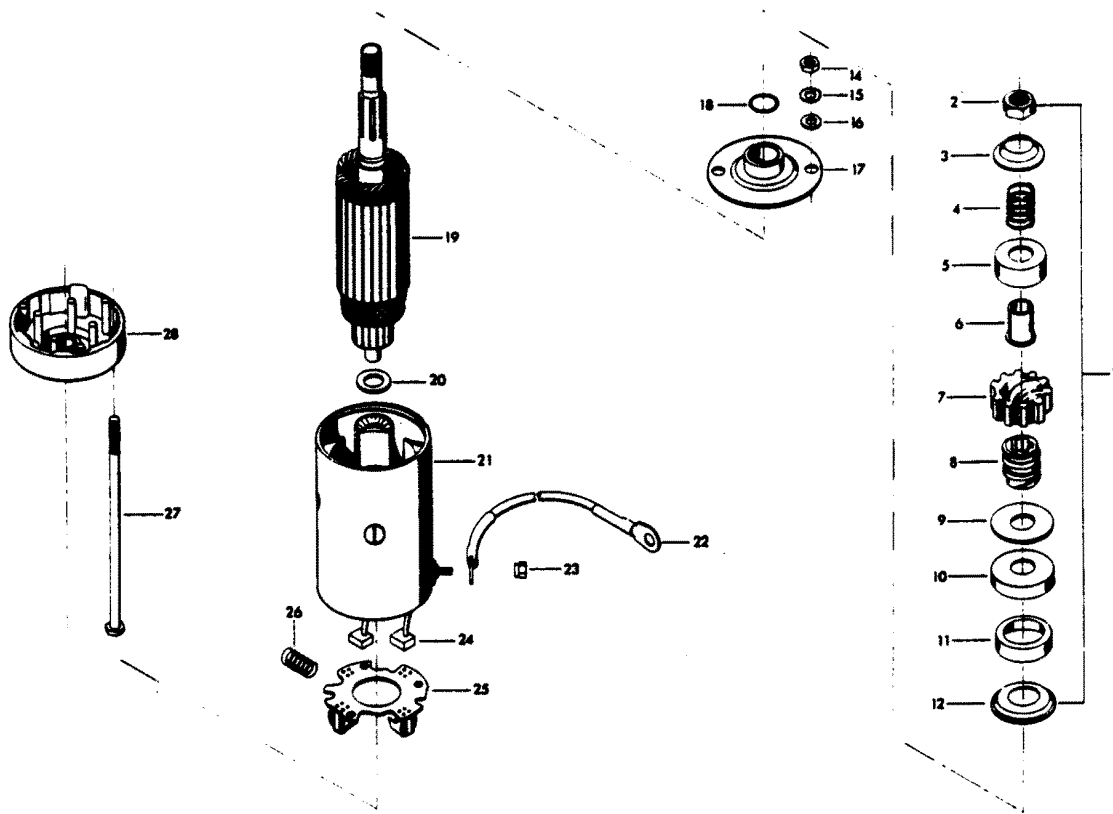
# HAND STARTER



# HAND STARTER

REF. NO.	PART NO.	SYM.	QTY.	DESCRIPTION
1	F1097		1	FILL HD SCREW, 1/4 - 20 X 3/8
2	F8063		1	SPRING LOCKWASHER
4	F456674-1		1	STARTER PINION GEAR
5	F40425		1	STARTER PINION PIN
6	F485424		1	SPRING STARTER PINION
7	F901739		1	STARTER REWIND SPRING DRIVE
8	F901710		1	STARTER ROPE GUIDE POST
9	F1111		4	FILL HD SCREW, 1/4 - 20 X 7/8
10	F901970		1	SPRING STARTER REWIND
11	F191737		1	RETAINER, STARTER SPRING
12	F191239		1	STARTER SPOOL
13	A486427		1	STARTER MOUNTING BRACKET W/CAPS AND SCREWS
14	F307211		3	STUD
15	F8096		3	SPRING LOCKWASHER
16	F1515		3	HEX NUT, 5/16 - 18
17	F485971		1	STARTER SPRING EXTENSION
18	F1513		5	HEX NUT, 10 - 32
19	F486531		1	STARTER INTERLOCK ROD
20	F8028		4	PLAIN WASHER
21	F369887		2	STARTER INTERLOCK SCREW
22	F8058		2	INTERNAL TOOTH LOCKWASHER
23	F485781		1	STARTER INTERLOCK LOCK
24	817747--1		2	BALL JOINT W/BEARING
25	F478502		1	LINK
26	F485105		1	STARTER INTERLOCK SHAFT
27	F1836		2	SPRING PIN
28	F1199		2	HEX HD SCREW, 1/4 - 20 X 1
29	F85610		2	SHIFT ROD BRACKET BEARING
30	F485005		1	INTERLOCK LEVER ARM
31	FA485612		1	SHIFT ROD BRACKET
32	F328621		1	GEAR SHIFT LEVER ARM
33	F191971		1	STARTER RETAINER EXTENSION
34	F8540		1	SPRING PIN
35	F191455-1		1	STARTER ROPE GUIDE
36	F8060		1	EXTERNAL TOOTH LOCKWASHER
37	818020A2		1	STARTER ROPE
38	F286132		1	STARTER ROPE HANDLE
39	817938A1		1	STARTER ROPE HANDLE RETAINER

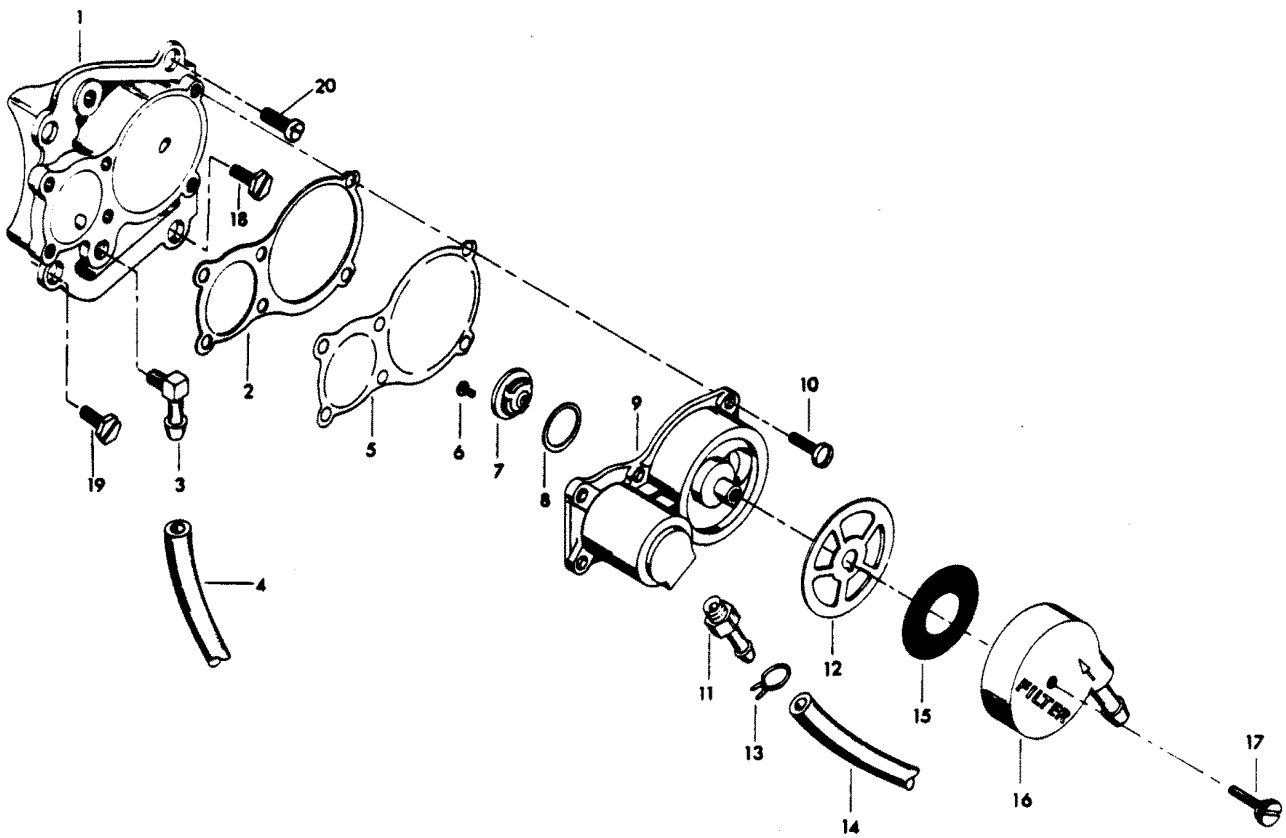
# ELECTRIC STARTER



# ELECTRIC STARTER

REF. NO.	PART NO.	SYM.	QTY.	DESCRIPTION
1	F15113		1	BENDIX DRIVE
2	F15087		1	NUT
3	F15109		1	STOP
4	F15088		1	SPRING
5	F15115		1	CUP, PINION
6	F15116		1	SLEEVE
7	F15114		1	PINION
8	F15084		1	SCREW SHAFT
9	F15091		1	WASHER
10	F15105		1	CUP
11	F15106		1	CUSHION
12	F15104		1	CUP, CUSHION THRUST
14	F1514		2	HEX NUT, 1/4 - 20
15	F8060		2	LOCKWASHER
16	F8028		2	PLAIN WASHER
17	F15021-1		1	HEAD ASSEMBLY, DRIVE END
18	F15000		1	"O" RING SEAL
19	F15044		1	ARMATURE
20	F15073		1	THRUST WASHER PACKAGE
21	F15043		1	FRAME AND FIELD ASSEMBLY <b>INCLUDES ITEM 24</b>
22	F307908		1	STARTER LEAD
23	FA15072		1	HEX LOCK NUT, 1/4 - 20
24	F15042		1	BRUSH SET
25	F15038-1		1	BRUSH PLATE AND HOLDER
26	F15034		1	SPRING SET
27	F15094		1	THRU BOLT PACKAGE (SET OF 2 BOLTS)
28	15037		1	HEAD ASSEMBLY, COMMUTATOR END
-	<b>FA201955</b>		<b>1</b>	<b>STARTER MOTOR COMPLETE (NOT SHOWN)</b>

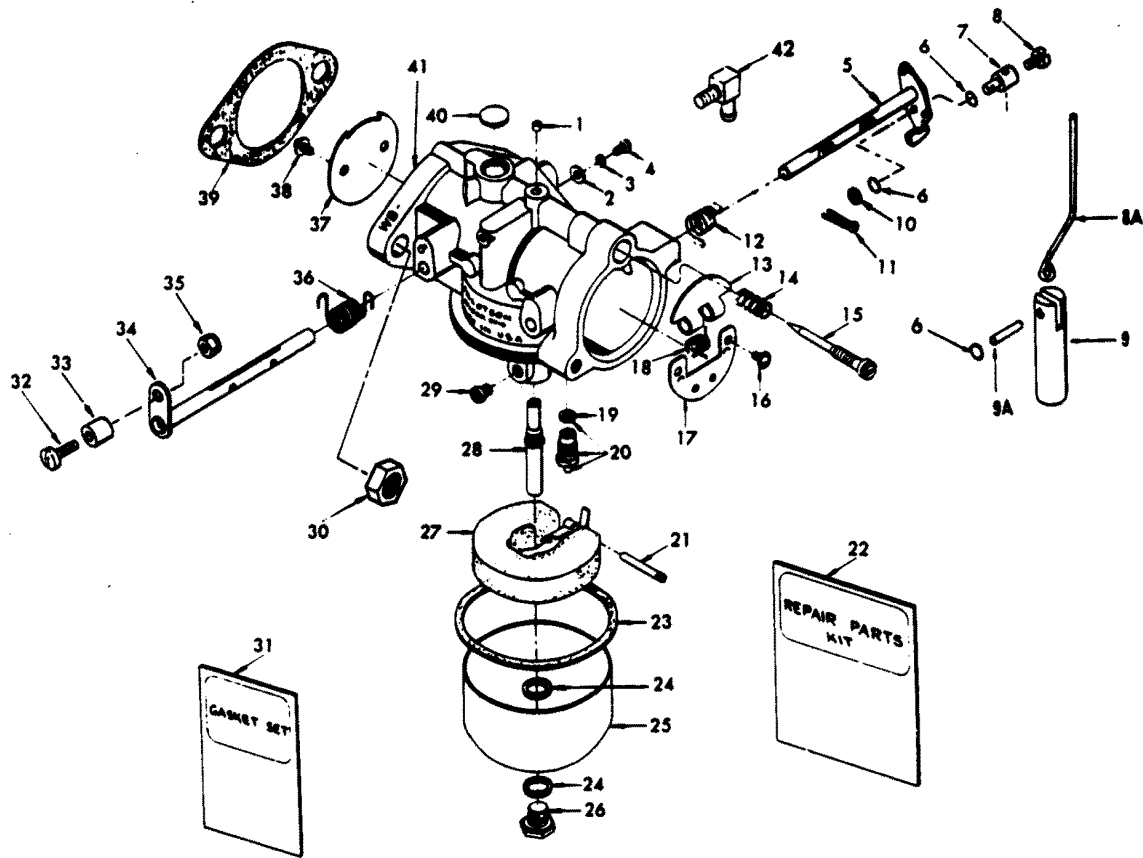
# FUEL PUMP



# FUEL PUMP

REF. NO.	PART NO.	SYM.	QTY.	DESCRIPTION
1	FA439746		1	FUEL PUMP COVER
2	F438760		1	FUEL PUMP GASKET
3	F84314-2		1	ELBOW
4	F434758		1	FUEL PUMP IMPULSE HOSE
5	F438747		1	FUEL PUMP DIAPHRAGM
6	F1860		2	SLOTTED BINDING HD SCREW, 6 - 32 X 1/4
7	F177330		3	FUEL PUMP VALVE
8	F84792		3	FUEL PUMP VALVE GASKET
9	FA438431		1	FUEL PUMP BODY W/VALVES
10	F1108		6	FILL HD SCREW W/SPRING LOCKWASHER, 1/4 - 20 X 3/4
11	F438801		1	ELBOW
12	F438617		1	FUEL SEDIMENT BOWL GASKET
13	F97772		4	FUEL LINE CLAMPS
14	F434754		1	FUEL LINE, PUMP TO CARBURETOR
15	F438653		1	FUEL PUMP SCREEN
16	F438500		1	FUEL SEDIMENT BOWL
17	F438165		1	SCREW, FUEL BOWL
18	F1922		1	HEX HD SCREW, 1/4 - 20 X 5/8
19	F1502		2	HEX HD SCREW, 1/4 - 20 X 5/8
20	F1110		1	SLOTTED FILL HD SCREW, 1/4 - 20 X 5/8

# CARBURETOR



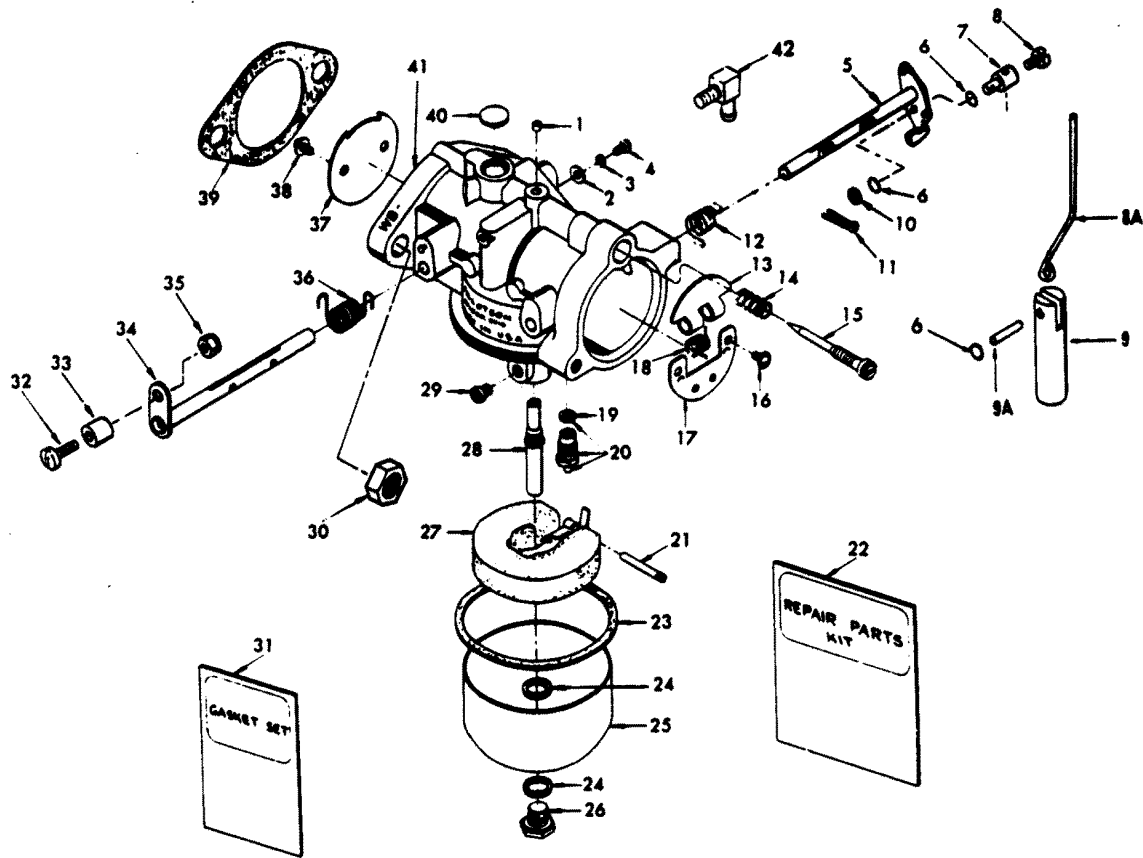


# CARBURETOR

REF. NO.	PART NO.	SYM.	QTY.	DESCRIPTION
1	FO10588		1	BODY CHANNEL CUP PLUG
2	FO3804		1	THROTTLE SHAFT POSITION RETAINING SCREW WASHER
3	FO6396		1	THROTTLE SHAFT POSITION RETAINING SCREW LOCKWASHER
4	FO6393		1	THROTTLE SHAFT POSITION RETAINING SCREW
5	FO16383		1	CHOKE SHAFT AND LEVER
6	F184579		3	SEAL, CHOKE ARM SWIVEL
7	F184033-1		1	SWIVEL, CHOKE ROD
8	F1059		1	FILL HD SCREW, 6 - 32 X 1/4
8A	F452925		1	CHOKE SOLENOID ROD
9	F391926-1		1	CHOKE SOLENOID PLUNGER
9A	F2033		1	GROOVE PIN
10	F8088		1	PLAIN WASHER
11	F1014		1	COTTER PIN
12	FO16385		1	CHOKE SHAFT RETURN SPRING
13	FO15725		1	CHOKE RELIEF VALVE
14	FO11103		1	IDLE MIXTURE SCREW SPRING
15	FO13946		1	IDLE MIXTURE SCREW
16	FO10280		2	CHOKE SHUTTER RETAINING SCREW AND LOCKWASHER
17	FO15724		1	CHOKE SHUTTER
18	FO10883		1	CHOKE RELIEF VALVE SPRING
19	FO10165		1	INLET SEAT GASKET
20	FO10790		1	INLET NEEDLE, SEAT AND GASKET
21	FO13944		1	FLOAT LEVER PIN
22	F10057		1	REPAIR PARTS KIT <b>INCLUDES ALL ITEMS MARKED WITH AN ASTERISK (*)</b>
23	FO15623		1	FUEL BOWL GASKET
24	FO2510		2	FUEL BOWL RETAINING SCREW GASKET
25	FO13552		1	FUEL BOWL
26	FO13945		1	FUEL BOWL RETAINING SCREW
27	FO13554		1	FLOAT
28	FO17355		1	MAIN NOZZLE
29	FO14302		1	MAIN FUEL JET (.084) (STANDARD)
30	F1515		2	HEX NUT, 5/16 - 18
31	F10000		1	GASKET SET
32	F333316		1	THROTTLE ROLLER SHAFT
33	F92759		1	ROLLER
34	FO15728		1	THROTTLE SHAFT AND LEVER
35	F1997		1	STOP NUT, 8 - 32
36	FO14292		1	THROTTLE SHAFT RETURN SPRING
37	FO16340		1	THROTTLE SHUTTER

CONTINUED ON NEXT PAGE ➡

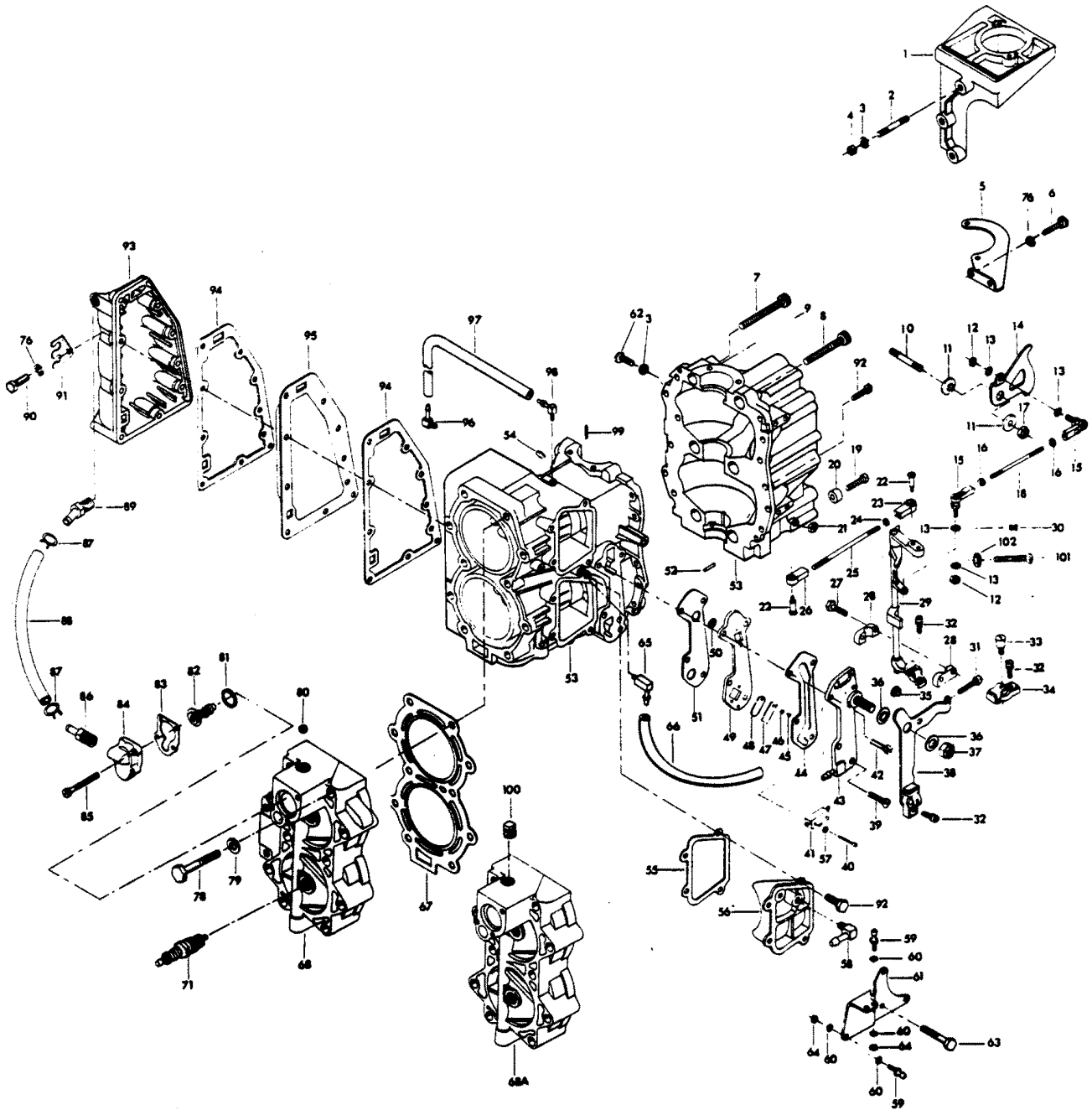
# CARBURETOR



# CARBURETOR

REF. NO.	PART NO.	SYM.	QTY.	DESCRIPTION
38	FO8942		2	THROTTLE SHUTTER RETAINING SCREW AND LOCKWASHER
39	F40906-1		1	FLANGE GASKET
40	FO4326		1	BODY CHANNEL WELCH PLUG
41	F434061-3		1	CARBURETOR COMPLETE (WB16D)
42	F84314-2		1	ELBOW, FUEL LINE CARBURETOR

# POWER HEAD

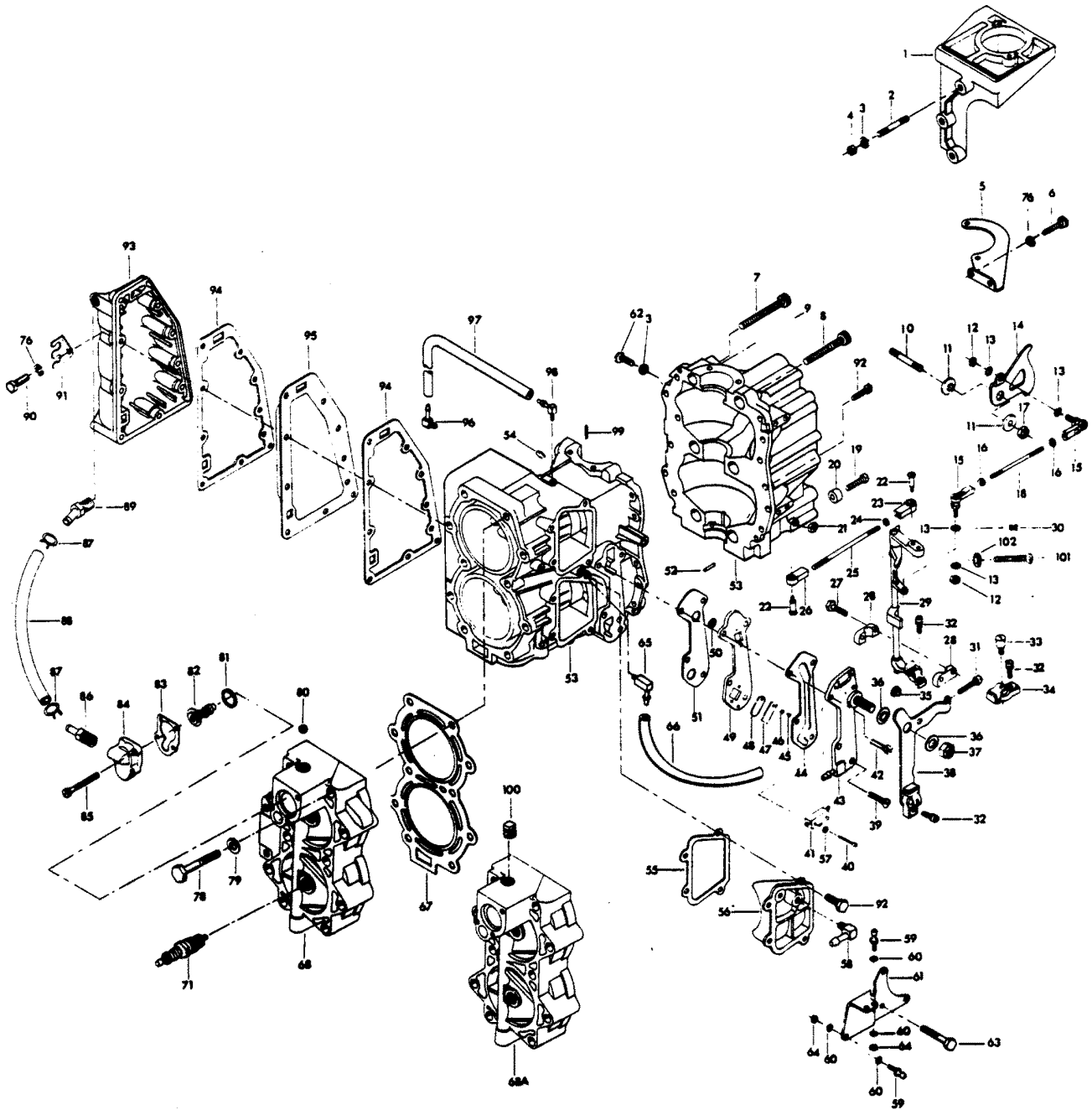


# POWER HEAD

REF. NO.	PART NO.	SYM.	QTY.	DESCRIPTION
1	F345427-1		1	BRACKET, STARTER MOUNTING
2	F307211		3	STUD
3	F8096		4	SPRING LOCKWASHER
4	F1515		3	HEX NUT, 5/16 - 18
5	F433675		1	STARTER MOUNTING BRACKET, LOWER
6	F1993		2	HEX SLOT HD SCREW, 1/4 - 20 X 5/8
7	F1646		1	HEX SOCKET HD CAP SCREW, 3/8 - 16 X 2 1/4
8	F1879		5	HEX SOCKET HD CAP SCREW, 3/8 - 16 X 1 5/8
9	F1864		9	HEX HD SCREW, 1/4 - 20 X 3/4
10	F433209		1	STUD, THROTTLE CAM
11	F269319		2	THROTTLE CAM BEARING
12	F1513		2	HEX NUT, 10 - 32
13	F8058		4	INTERNAL TOOTH LOCKWASHER
14	F433192		1	THROTTLE CAM
15	817747--1		2	BALL JOINT W/BEARING
16	F1513		2	HEX NUT, 10 - 32
17	F1910		1	ELASTIC STOP NUT, 1/4 - 20
18	F85502		1	THROTTLE LINK
19	F1134		2	FILL HD SCREW, 8 - 32 X 1 1/8
20	F307942-1		2	BUMPER
21	F1997		2	STOP NUT, 8 - 32
22	F84026		2	SPARK CONTROL SWIVEL
23	F84036		1	SPARK CONTROL BEARING, L.H.
24	F1473		1	HEX NUT, 10 - 24
25	F269445-1		1	SPARK CONTROL LINK
26	F84035-2		1	SPARK CONTROL BEARING, R.H.
27	F1995		4	FILL HD SCREW, 10 - 24 X 1
28	F433689		4	TOWERSHAFT BEARING
29	FK433838		1	TOWERSHAFT W/CLAMP AND SWIVEL
30	F1727		1	PLASTIC RIVET
31	F1969		1	FILL HD SCREW, 1/4 - 20 X 3/4
32	F1556		2	FILL HD SCREW W/LOCKWASHER, 10 - 24 X 3/8
33	F405457		2	PIVOT SCREW
34	FK405020		1	SWIVEL W/SCREW AND NUT
35	F85610		1	BEARING
36	F269052		2	SHIFT ARM BEARING
37	F7004		1	STOP NUT, 7/16 - 20
38	FA433876		1	SHIFT ARM W/CLAMP AND SWIVEL
39	F1136		2	FLAT HD SCREW, 1/4 - 20 X 1
40	F2016		2	FILL HD SCREW, 6 - 32 X 7/8
41	F84449		1	SWITCH, NEUTRAL INTERLOCK
42	F1446		2	SLOTTED PAN HD SCREW, 1/4 - 20 X 1
43	FA433471		1	CYLINDER DRAIN COVER

CONTINUED ON NEXT PAGE ➡

# POWER HEAD

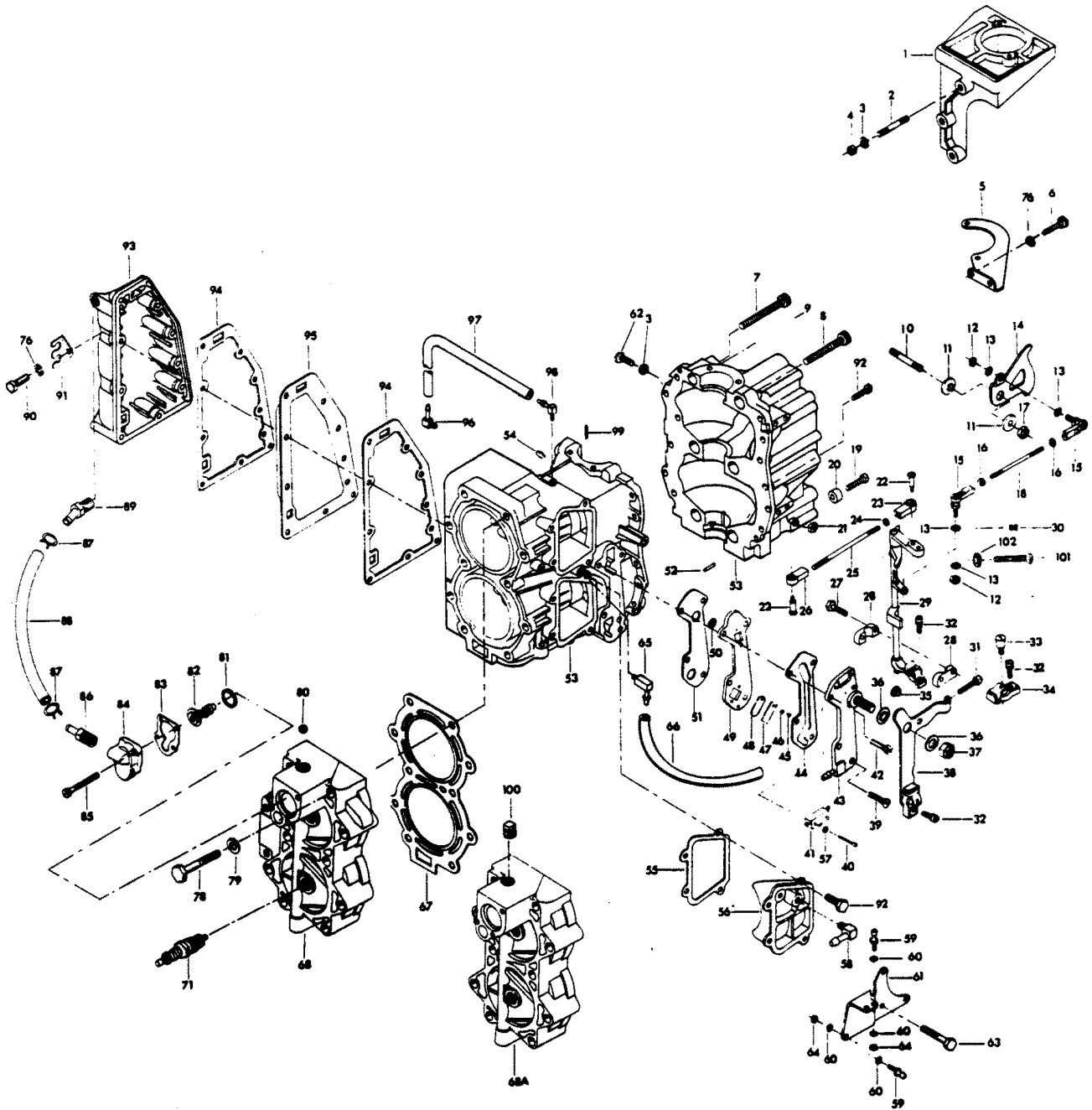


# POWER HEAD

REF. NO.	PART NO.	SYM.	QTY.	DESCRIPTION
44	F93472-1		1	CYLINDER DRAIN COVER GASKET
45	F1286		2	PAN HD SCREW, 4 - 40 X 3/16
46	F8003		2	PLAIN WASHER
47	F93920		2	CYLINDER DRAIN REED STOP
48	F18160-1		2	REED, CYLINDER DRAIN
49	F2A433757		1	CYLNDR DRAIN REED PLATE W/REEDS, REED STOPS, SCREWS & SCREEN
50	F93811		2	SCREEN, CYLINDER DRAIN REED PLATE
51	F93748-1		1	CYLINDER DRAIN REED PLATE GASKET
52	F8559		2	DOWEL PIN
53	FA478010		1	CYLINDER W/CRANKCASE COVER, DEFLECTOR PLATE AND SCREWS
54	F1524		1	WELCH PLUG
55	F40223		2	TRANSFER PORT COVER GASKET
56	FA411222		1	TRANSFER PORT COVER
57	F8088		2	PLAIN WASHER
58	F84314-2		1	ELBOW, FUEL LINE
59	F98273		2	ROD END CONNECTOR STUD
60	F8058		4	INTERNAL TOOTH LOCKWASHER
61	817746A1		1	CONNECTOR STUD BRACKET
62	F1857		1	HEX CAP SCREW, 5/16 - 18 X 5/8
63	F1238		3	HEX CAP SCREW, 1/4 - 20 X 3/4
64	F1513		2	HEX NUT, 10 - 32
65	F404801		1	ELBOW
66	F433254		1	HOSE
67	F201529-1		1	CYLINDER HEAD GASKET
68	F2A467518		1	HEAD, CYLINDER FOR C.D. MODELS
68A	900-818049A2		1	CYLINDER HEAD
71	FS174227		2	SPARK PLUG (L-4-J)
-	<b>33-818007--1</b>		<b>2</b>	<b>SPARK PLUG (UL-18V) FOR C.D. MODELS</b>
76	F8083		11	SPRING LOCKWASHER
78	F1544		10	HEX HD CAP SCREW, 3/8 - 16 X 2 1/4
79	F2014		10	PLAIN WASHER
80	F328109		1	PIPE PLUG
81	F97504		1	GROMMET, THERMOSTAT
82	F97068-1		1	THERMOSTAT
83	F97067		1	THERMOSTAT COVER GASKET
84	F97066-1		1	THERMOSTAT COVER
85	F1995		3	FILL HD SCREW, 10 - 24 X 1 1/16
86	F97275		1	FITTING, THERMOSTAT
87	F97772		2	CLAMP
88	F311247		1	WATER TUBE, THERMOSTAT
89	F141275		1	FITTING, THERMOSTAT
90	F1971		9	HEX HD SCREW, 1/4 - 20 X 2 1/8

CONTINUED ON NEXT PAGE ➡

# POWER HEAD

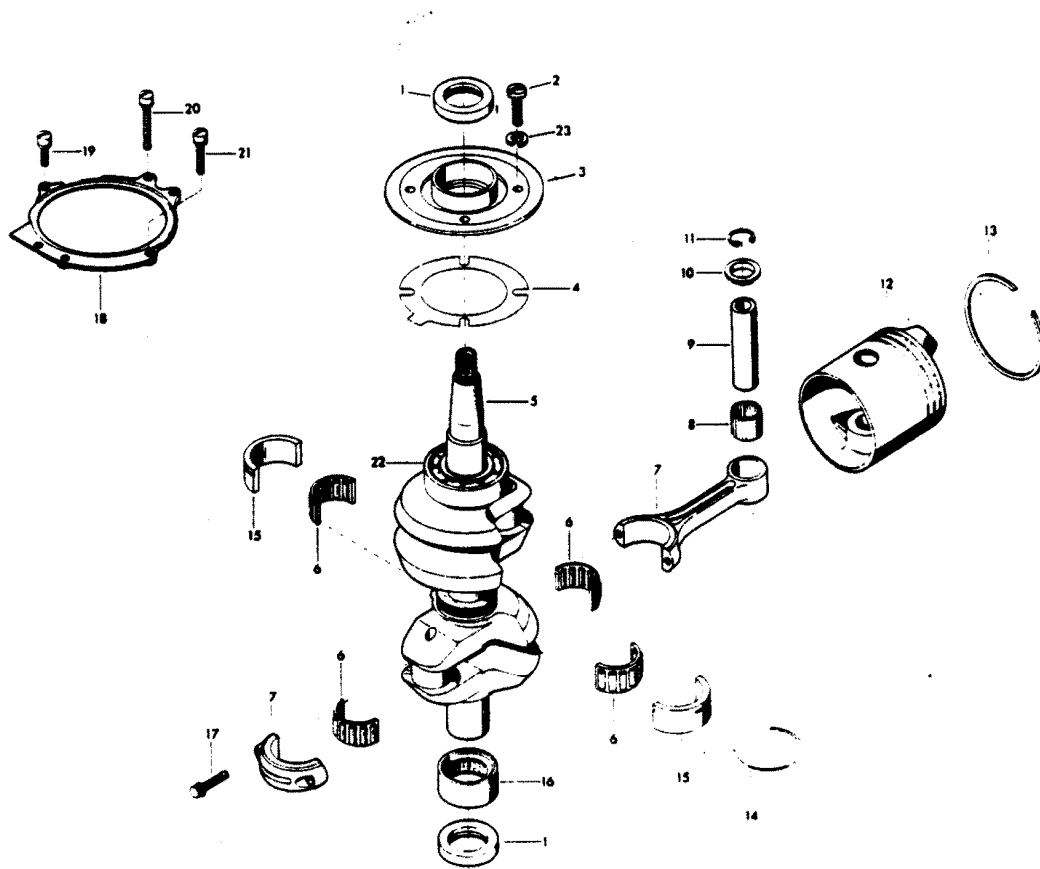




# POWER HEAD

REF. NO.	PART NO.	SYM.	QTY.	DESCRIPTION
91	F901834		1	LEAD WIRE CLIP
92	F1922		4	HEX HD SCREW, 1/4 - 20 X 5/8
93	FA433152		1	EXHAUST PORT COVER
94	F40154-3		2	EXHAUST PORT PLATE GASKET
95	F40151-1		1	EXHAUST PORT PLATE
96	F463314		1	ELBOW
97	FS433758		1	HOSE
98	22-817740A1		1	ELBOW
99	F8545		1	SPRING PIN
100	F328109		1	PLUG
101	F1052		1	FILL HD SCREW, 1/4 - 20 X 1
102	F1341		1	HEX NUT
-	<b>F269122-1</b>		<b>1</b>	<b>CRANKCASE PARTING LINE SEAL (NOT SHOWN)</b>
-	<b>FG1007-1</b>		<b>1</b>	<b>GASKET SET (NOT SHOWN)</b>
-	<b>FC478010</b>		<b>1</b>	<b>SHORT BLOCK INCLUDES ALL ITEMS MARKED WITH AN ASTERISK (*). ALSO REFER TO CRANKSHAFT PAGE.</b>

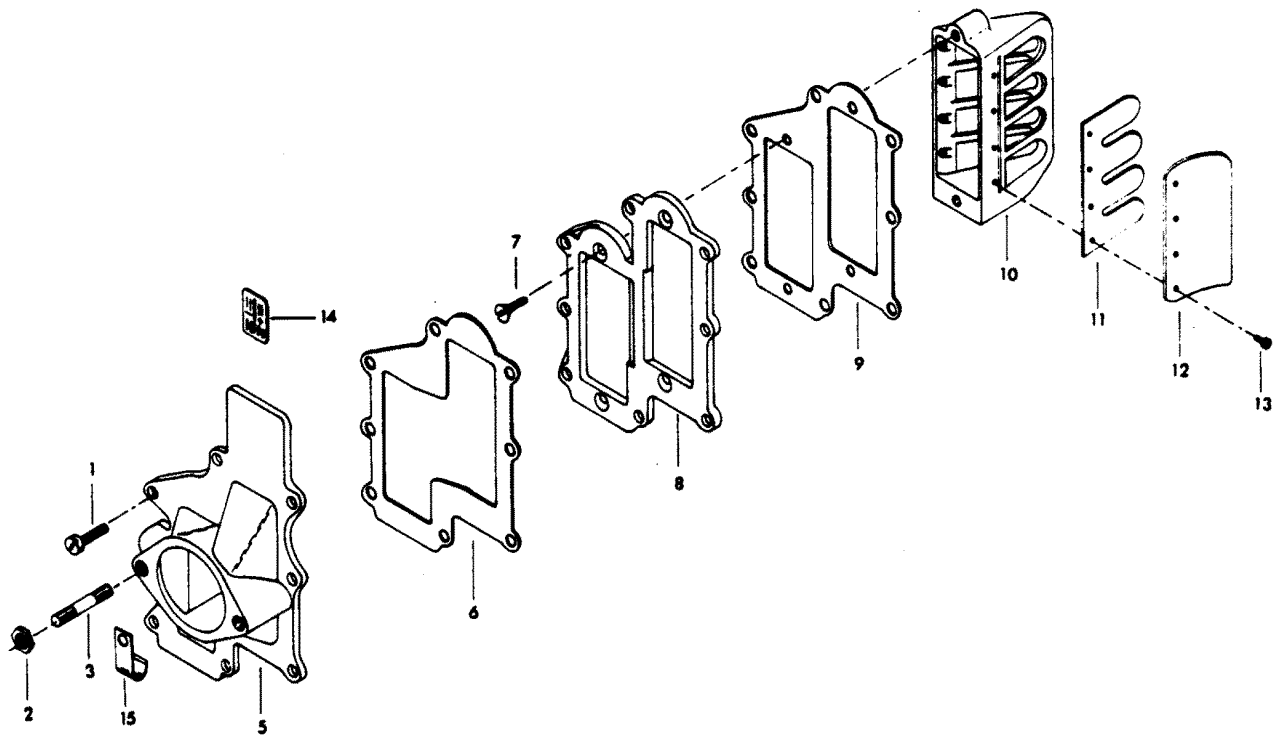
# CRANKSHAFT AND PISTON GROUP



# CRANKSHAFT AND PISTON GROUP

REF. NO.	PART NO.	SYM.	QTY.	DESCRIPTION
1	F40146-1		2	CRANKSHAFT SEAL
2	F1441		4	PAN HD SCREW, 1/4 - 20 X 7/8
3	FA433144		1	CRANKSHAFT BEARING CAGE W/SEAL FOR MAGNETO IGNITION MODELS
-	<b>FA466144</b>		<b>1</b>	<b>CRANKSHAFT BEARING CAGE W/SEAL FOR ALTERNATOR MODELS</b>
4	F366277		1	BEARING CAGE GASKET
5	FA545018		1	CRANKSHAFT W/THRUST BEARING UPPER
6	FK85228		3	BEARING CAGE W/ROLLERS (16 PER SET)
7	600-818052A4		2	CONNECTING ROD W/CAP AND SCREWS
8	F335217-1		2	BEARING
9	F40017-2		2	PISTON PIN
10	F366215		4	SPACER
11	F428096		4	RETAINER, PISTON PIN
12	F486015		2	PISTON
13	FA354260		1	PISTON RING SET (6 PER SET)
14	F40410		1	SNAP RING
15	FA40655		1	CRANKSHAFT CENTER MAIN BEARING RACE W/SNAP RING
16	F90014		1	CRANKSHAFT LOWER MAIN BEARING
17	F85634-1		4	CONNECTING ROD SCREW
18	F366082		1	MAGNETO STATOR RING
19	F1080		1	FILL HD SCREW W/LOCKWASHER, 10 - 24 X 3/4
20	F1812		2	FILL HD SCREW W/LOCKWASHER, 10 - 24 X 1 9/16
21	F1813		1	FILL HD SCREW W/LOCKWASHER, 10 - 24 X 1 1/8
22	30-F366013		1	CRANKSHAFT THRUST BEARING UPPER
23	F8060		4	EXTERNAL TOOTH LOCKWASHER (USE WITH PAN HD SCREW)
-	<b>FS310260</b>		<b>1</b>	<b>PISTON RINGS (6 PER SET) .010 OVERSIZE (NOT SHOWN)</b>
-	<b>39-818113A1</b>		<b>1</b>	<b>PISTON RINGS (6 PER SET) .030 OVERSIZE (NOT SHOWN)</b>
-	<b>FSA486015</b>		<b>2</b>	<b>PISTON .010 OVERSIZE (NOT SHOWN)</b>
-	<b>700-818124A1</b>		<b>2</b>	<b>PISTON .030 OVERSIZE (NOT SHOWN)</b>

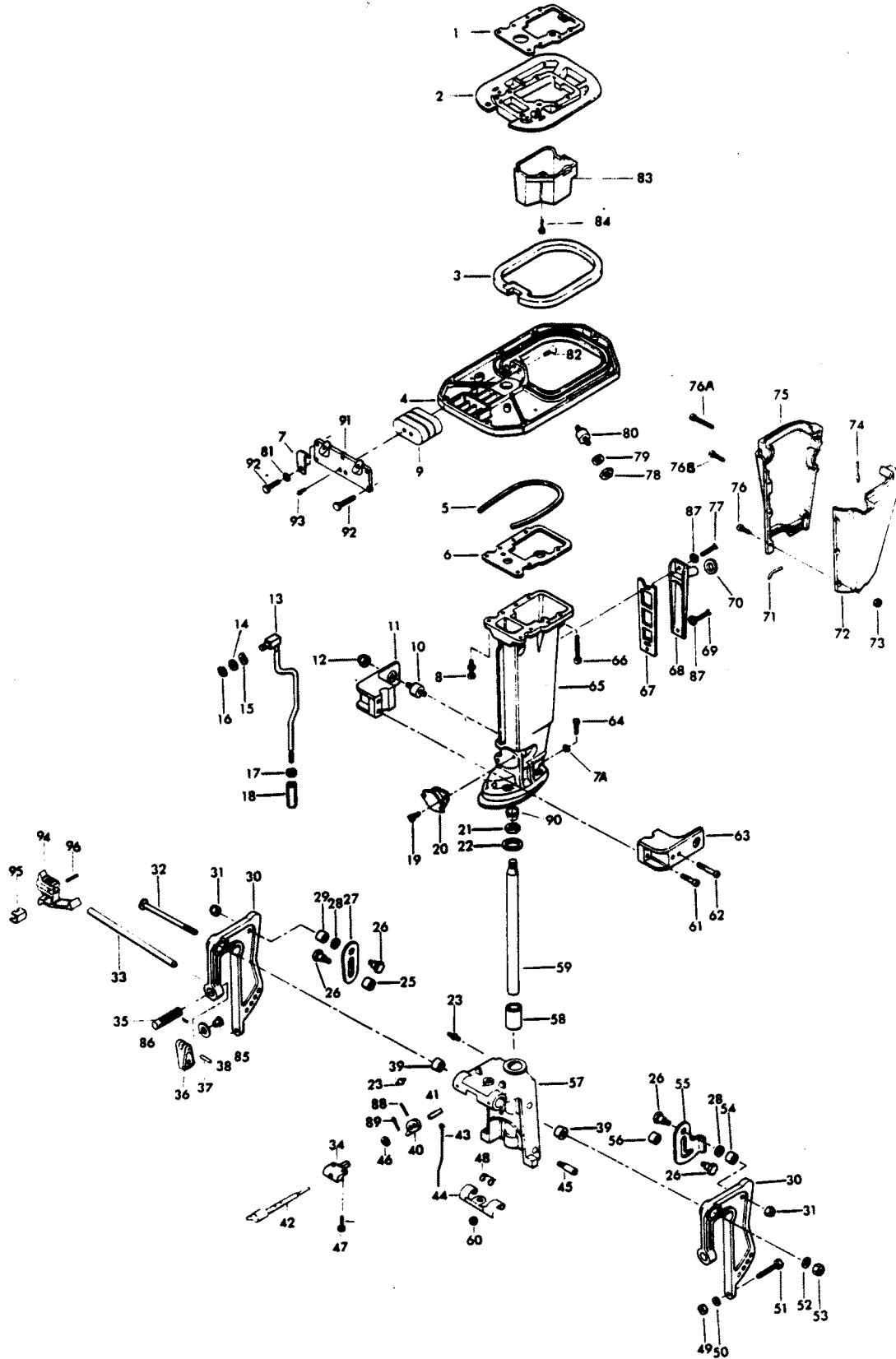
# REED PLATE



# REED PLATE

REF. NO.	PART NO.	SYM.	QTY.	DESCRIPTION
1	F1915		8	HEX HD SCREW, 1/4 - 20 X 7/8
2	F1515		2	HEX NUT, 5/16 - 18
3	F40209		2	CARBURETOR STUD
5	FA433167		1	CARBURETOR ADAPTER FLANGE W/STUDS
6	F433168		1	CARBURETOR ADAPTER GASKET
7	F1141		4	FLAT HD SCREW, 10 - 24 X 1/2
8	F433404		1	DEFLECTOR PLATE
9	F433406		1	DEFLECTOR PLATE GASKET
10	FA433158		2	REED PLATE W/REEDS, STOPS AND SCREWS
11	F335160		4	REED
12	F88161-3		4	REED STOP
13	F1298		16	ROUND HD SCREW W/LOCKWASHER, 6 - 32 X 1/4
14	FA433387		1	DECAL, TIMING
15	F286772-1		1	CLAMP, FOR HAND START MODELS ONLY

# MOTOR LEG

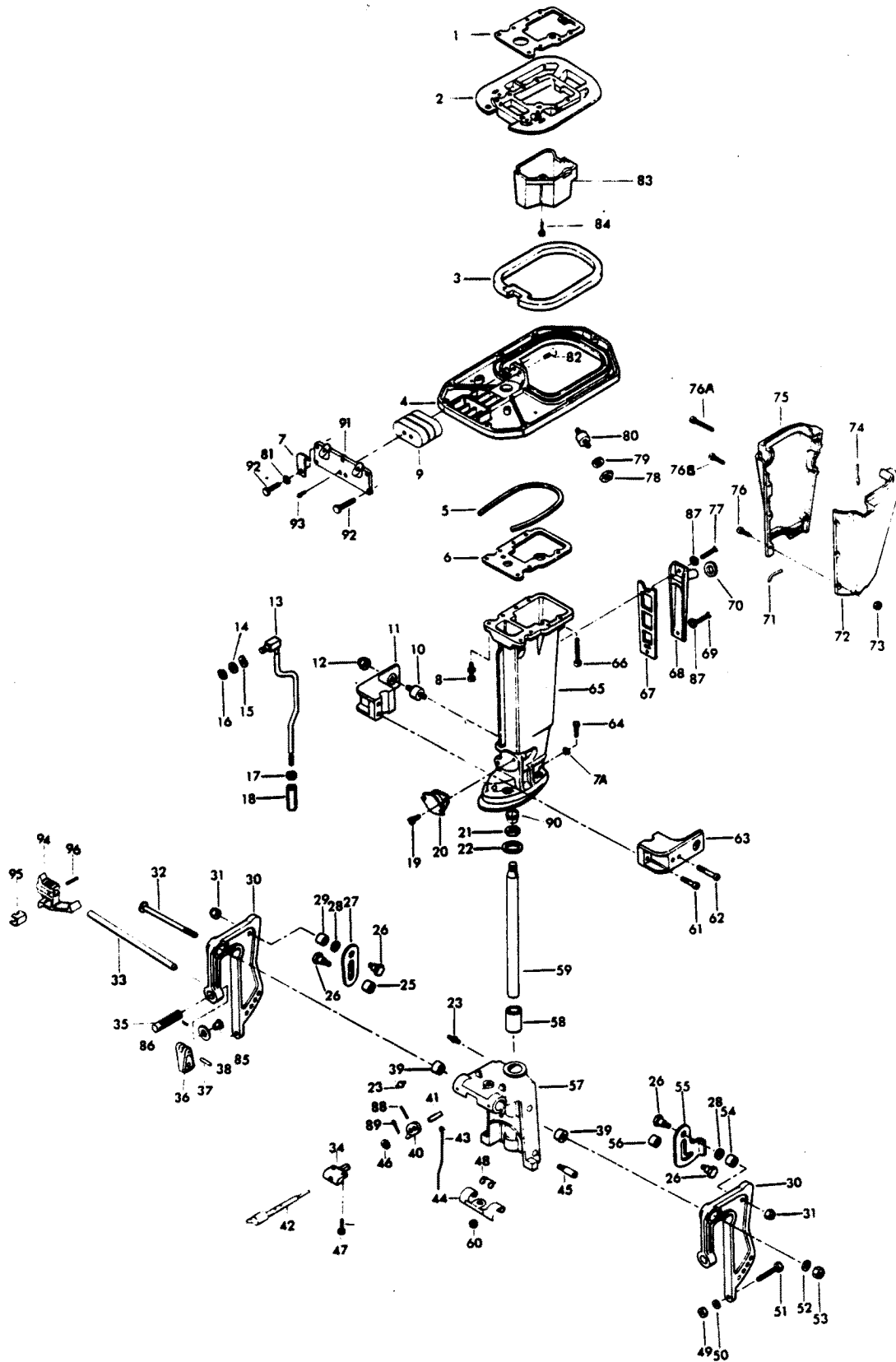


# MOTOR LEG

REF. NO.	PART NO.	SYM.	QTY.	DESCRIPTION
1	F307279-2		1	CYLINDER EXHAUST GASKET UPPER
2	F433680		1	SPACER PLATE
3	F307989-1		1	SEAL, KINGPIN PLATE
4	FS307940		1	KINGPIN PLATE
5	F89025		1	DAMPENING PAD
6	F307453-3		1	CYLINDER EXHAUST GASKET LOWER
7	F286772-1		1	CLAMP, FOR ELECTRIC START MODELS ONLY
7A	F8065		4	SPRING LOCKWASHER
8	F1947		8	FLANGED 12 POINT SCREW, 5/16 - 18 X 2
9	F203965		1	SHOCK MOUNT UPPER
10	F215962		2	SHOCK MOUNT SIDE LOWER
11	F433972		1	SHOCK MOUNT LOWER COVER, STARBOARD
12	F1326		2	ACORN NUT, S.S., 5/16 - 18
13	F307615		1	GEAR SHIFT ROD UPPER
-	<b>F328615</b>		<b>1</b>	<b>GEAR SHIFT ROD UPPER FOR HAND START MODELS ONLY</b>
14	F1987		1	PLAIN WASHER
15	F8049		1	BOWED SPRING WASHER
16	F185764		1	RETAINING RING
17	F1349		1	HEX NUT, S.S., 5/16 - 18
18	F141704		1	GEAR SHIFT ROD COUPLING
19	F1129		4	FILL HD SCREW, S.S., 5/16 - 18 X 1/2
20	F183346-1		1	SHOCK MOUNT LOWER
21	F84280		1	KINGPIN NUT
22	F89011		1	SWIVEL BRACKET WASHER
23	F213274		3	GREASE FITTING
25	F269929		1	SPACER, TILT STOP
26	F366350		4	TILT STOP PIVOT
27	F366433		1	TILT STOP, STARBOARD
28	F1666		2	BOWED SPRING WASHER
29	F269929		1	SPACER, TILT STOP
30	FK433032		2	STERN BRACKET W/CLAMP SCREW AND FOOT
31	F7007		4	NUT
32	F366037		1	STERN BRACKET PIVOT BOLT
33	FA433113		1	STERN BRACKET LOCK BAR W/HANDLE
34	F366884		1	BEARING
35	F463073		2	CLAMP SCREW
36	F288075		2	CLAMP SCREW HANDLE
37	F1638		2	SPRING PIN
38	F24074		2	CLAMP SCREW FOOT
39	F366286		2	STERN BRACKET FRICTION WASHER
40	F366364		1	ARM
41	F369884		1	BEARING
42	F366827		1	HANDLE AND SHAFT

CONTINUED ON NEXT PAGE ➡

# MOTOR LEG



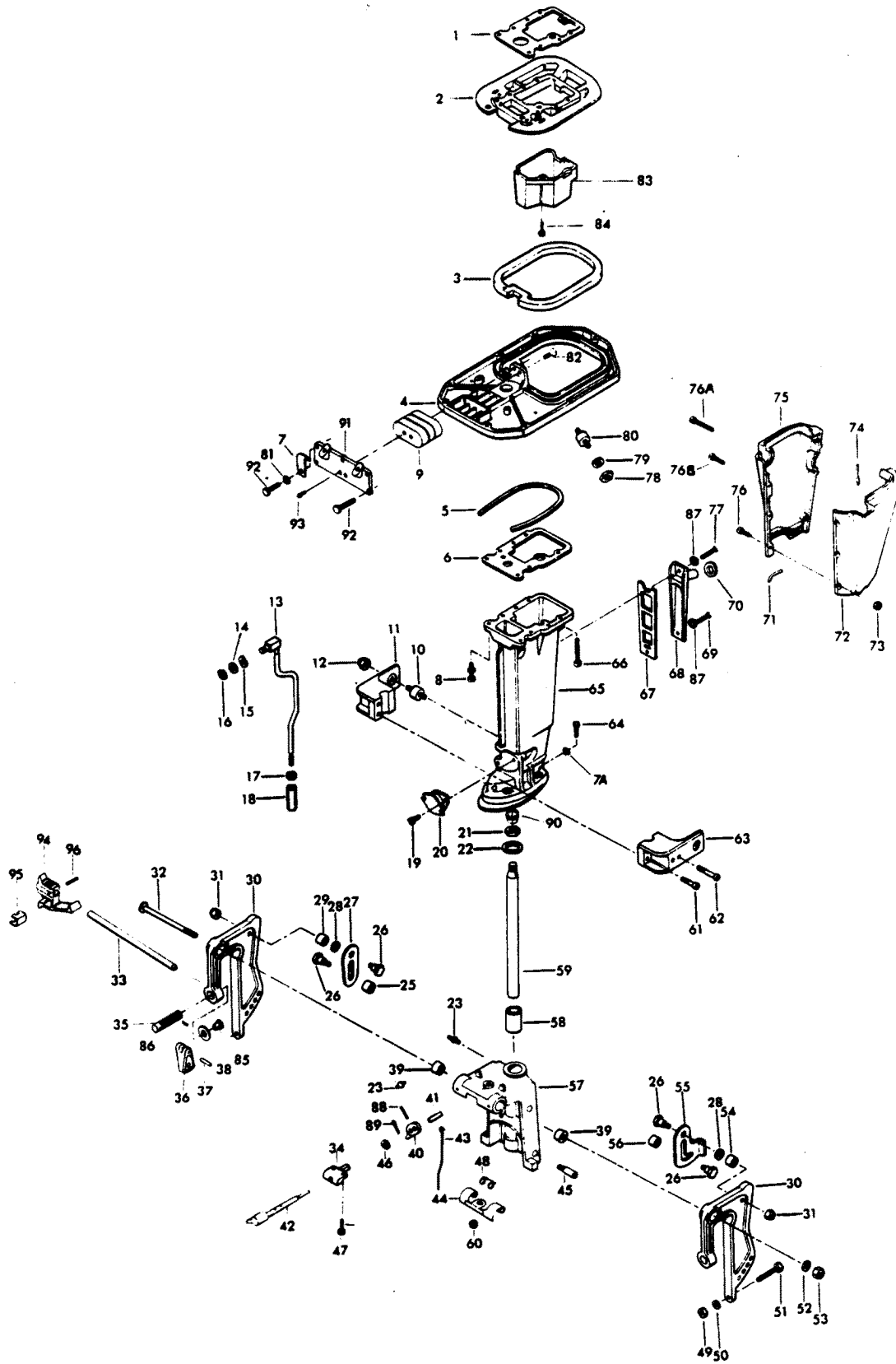


# MOTOR LEG

REF. NO.	PART NO.	SYM.	QTY.	DESCRIPTION
43	F366510		1	LINK
44	F366349		1	REVERSE LOCK
45	F366886		2	PIN
46	F8094		1	WASHER
47	F1733		2	PAN HD SCREW, 10 - 24 X 9/16
48	F366300		2	REVERSE LOCK SPRING
49	F1346		2	HEX NUT, S.S., 3/8 - 16
50	F1904		2	PLAIN WASHER
51	F1593		2	HEX HD SCREW, S.S., 3/8 - 16 X 3
52	F1656		1	PLAIN WASHER
53	F7001		1	ELASTIC STOP NUT
54	F269929		1	SPACER, TILT STOP
55	F366426		1	TILT STOP PORT
56	F269929		1	SPACER, TILT STOP
57	817945A1		1	SWIVEL BRACKET W/BEARINGS AND GREASE FITTING
58	F191169-1		2	SWIVEL BRACKET BEARING
59	FA433019		1	KINGPIN W/PLUG
60	F1669		1	STOP NUT
61	F1636		2	HEX SOCKET HD CAP SCREW, S.S., 3/8 - 16 X 1 1/4
62	F1635		2	HEX SOCKET HD CAP SCREW, S.S., 3/8 - 16 X 3 1/2
63	F433973		1	SHOCK MOUNT LOWER COVER, PORT
64	F1929		4	HEX HD CAP SCREW, S.S., 3/8 - 16 X 1 1/8
66	F1905		1	FILL HD SCREW, 1/4 - 20 X 3 7/16
67	F40833-4		1	MOTOR LEG EXHAUST COVER GASKET
68	FA89832-2		1	MOTOR LEG EXHAUST COVER
69	F1199		1	HEX HD SCREW, 1/4 - 20 X 1
70	F89504		1	GROMMET MOTOR LEG
71	F435323		2	PACKING, LEG COVER LOWER
73	F1473		6	HEX NUT, 10 - 24
74	F435323		2	PACKING, LEG COVER UPPER
76	F1088		3	FILL HD SCREW, 10 - 24 X 9/16
76A	F1767		1	FILL HD SCREW, 10 - 24 X 3
77	F1849		1	HEX HD SCREW, S.S., 1/4 - 20 X 1 3/8
78	F1346		2	HEX NUT, 3/8 - 16
79	F8038		2	PLAIN WASHER
80	F307962		2	SHOCK MOUNT SIDE UPPER
81	F8025		1	PLAIN WASHER
82	F1160		2	FLAT HD SCREW, 1/4 - 28 X 5/8
83	F307660-1		1	LEG EXHAUST TUBE
84	F1851		3	FILL HD M. SCREW W/LOCKWASHER, 10 - 24 X 1/2
85	F353480		2	STUD
86	F8537		2	SPRING PIN
87	F8083		2	SPRING LOCKWASHER

CONTINUED ON NEXT PAGE ➡

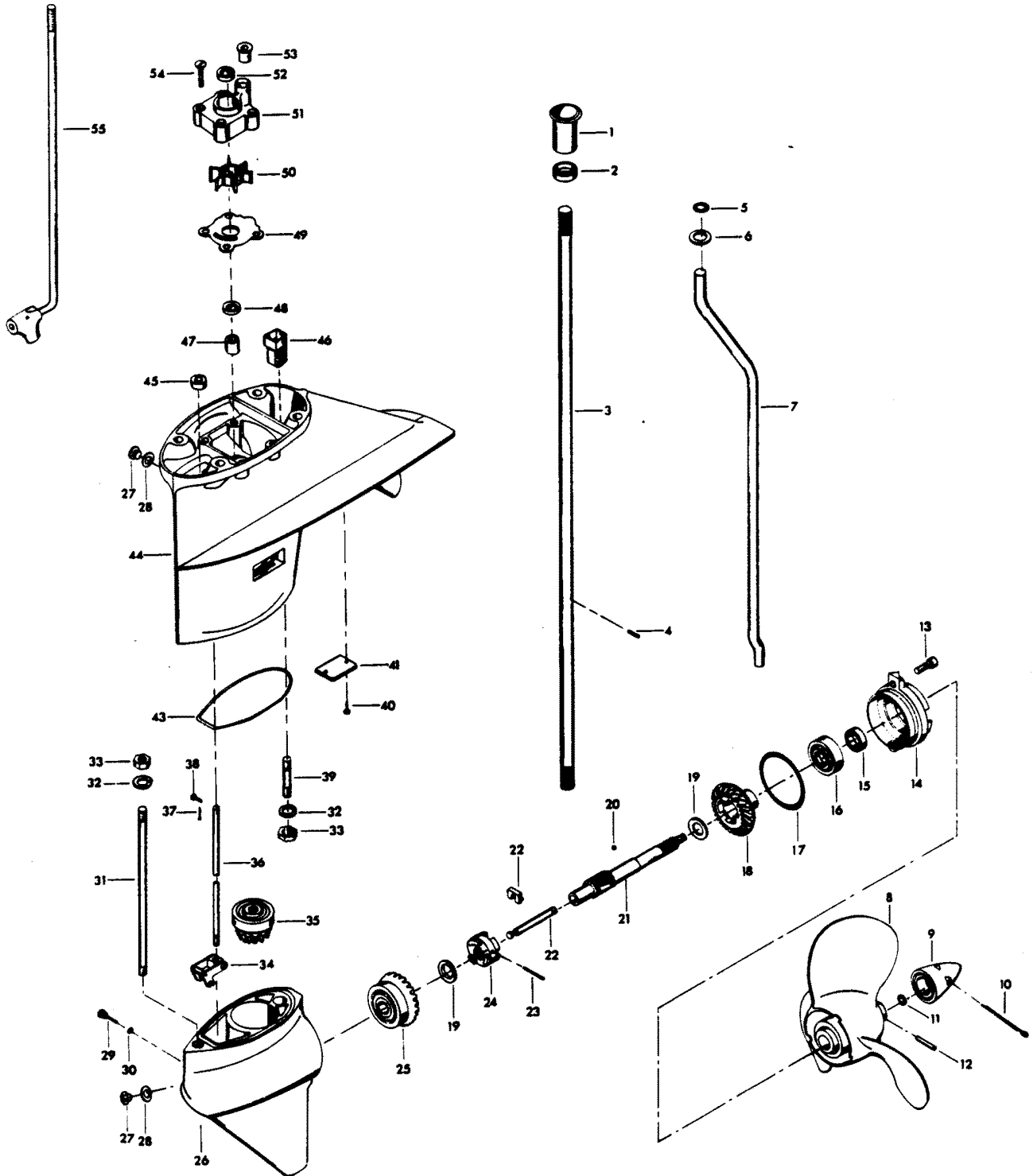
# MOTOR LEG



# MOTOR LEG

REF. NO.	PART NO.	SYM.	QTY.	DESCRIPTION
88	F1836		1	SPRING PIN
89	F1014		1	COTTER PIN
90	F1880		1	PLASTIC PLUG
91	F433946		1	SHOCK MOUNT UPPER COVER
-	<b>F485946</b>		<b>1</b>	<b>SHOCK MOUNT UPPER COVER FOR HAND START MODELS ONLY</b>
92	F1502		5	HEX CAP SCREW, 1/4 - 20 X 5/8
93	F1211		2	HEX HD SCREW W/LOCKWASHER, 1/4 - 28 X 5/8
94	F433114		1	HANDLE, LOCK BAR
95	F286461		1	SPRING LOCK BAR HANDLE
96	F1744		1	SPRING PIN
-	<b>F369390-1</b>		<b>1</b>	<b>DECAL, TILT LOCK (NOT SHOWN)</b>
65	F366133-1		1	MOTOR LEG
72	FA366135		1	LEG COVER (PORT)
75	FA366145		1	LEG COVER (STARBOARD)
-	<b>F434322</b>		<b>1</b>	<b>PACKING - LEG COVER LOWER REAR (NOT SHOWN)</b>
76B	F1768		3	FILL HD SCREW, 10 - 24 X 1 3/8
65	F435133-1		1	MOTOR LEG
76B	F1768		2	FILL HD SCREW, 10 - 24 X 1 3/8
72	FA435135		1	LEG COVER (PORT)
75	FA435145		1	LEG COVER (STARBOARD)

# GEAR HOUSING

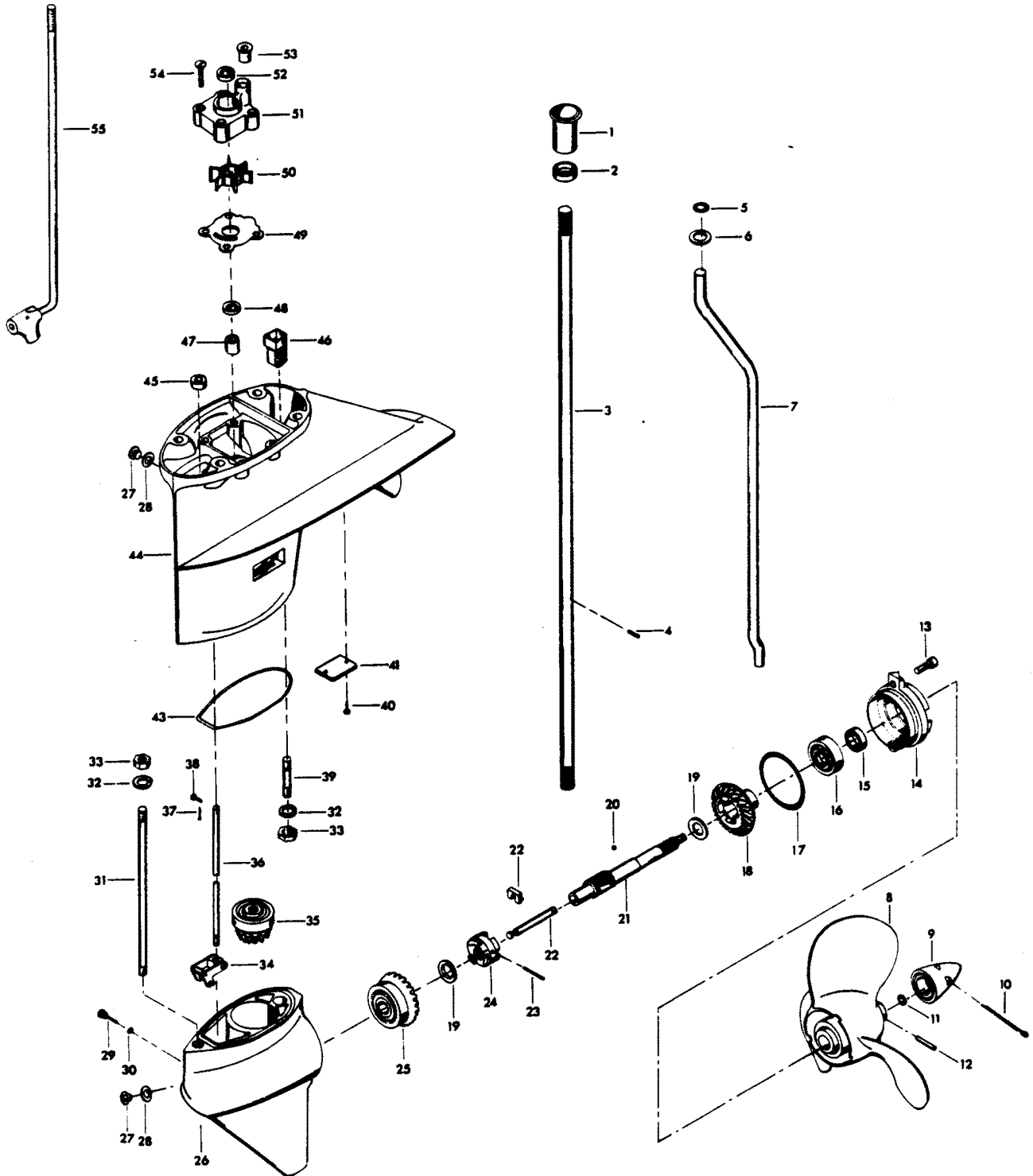


# GEAR HOUSING

REF. NO.	PART NO.	SYM.	QTY.	DESCRIPTION
1	F338129-1		1	BOOT
2	F338271		1	RETAINER
3	45-817737A1		1	DRIVESHAFT W/RETAINER FOR STANDARD SHAFT MODELS
-	<b>FA89128-1</b>		<b>1</b>	<b>DRIVESHAFT W/RETAINER FOR LONG SHAFT MODELS</b>
4	F901563		1	DRIVE PIN, WATER PUMP IMPELLER
5	F40342		1	SEAL
6	F8042		1	PLAIN WASHER
7	F141244		1	INLET WATER LINE FOR STANDARD SHAFT MODELS
-	<b>F435244</b>		<b>1</b>	<b>INLET WATER LINE FOR LONG SHAFT MODELS</b>
8	FP293		1	PROPELLER (ACCESSORY ITEM)
9	FA94094-1		1	PROPELLER NUT W/SEAL AND COTTER PIN
10	F1027		1	COTTER PIN, S.S., 1/8 - 1/2
11	F40342		1	SEAL, PROPELLER NUT
12	FK247		1	PROPELLER PIN, PACK OF 6 W/COTTER PIN
13	F1263		2	HEX SOCKET HD CAP SCREW, S.S., 5/16 - 18 X 9/16
14	F2A366298		1	PROPELLER SHAFT BEARING CAGE <b>INCLUDES ITEMS 15, 16 AND 17</b>
15	F141118		1	SEAL, PROPELLER SHAFT
16	F366058		1	BALL BEARING, PROPELLER SHAFT
17	F141305		1	SEAL, PROPELLER SHAFT BEARING CAGE
18	FA485662		1	BEVEL GEAR REAR W/BEARING
19	F40717		2	THRUST WASHER, BEVEL GEAR
20	F366727		1	BALL, PROPELLER SHAFT
21	44-819500A3		1	PROPELLER SHAFT
22	FA90871-2		1	GEAR SHIFT ARM PIN W/YOKE
23	F2097		1	SPRING PIN
24	F99521-1		1	CLUTCH
25	FA485023		1	BEVEL GEAR FRONT W/BEARING
26	FA486054		1	GEAR HOUSING LOWER W/PLUG, WASHER AND THRUST BEARING CUP
27	F50109		2	PLUG, GEAR HOUSING
28	F8077		2	WASHER, GEAR HOUSING PLUG
29	F90891		1	GEAR SHIFT ARM PIN
30	F8001		1	NYLTITE WASHER
31	F97008-1		1	STUD, LONG
32	F8065		2	LOCKWASHER
33	F1346		2	HEX NUT, S.S., 3/8 - 16
34	817796A2		1	GEAR SHIFT ARM
35	F2A474266		1	BEVEL PINION W/BEARING
36	F435705		1	GEAR SHIFT ROD LOWER
37	F1015		1	COTTER PIN
38	F85372		1	PIN, GEAR SHIFT ROD LOWER
39	F40008		1	STUD, SHORT
40	F1733		2	PAN HD SCREW, 10 - 24 X 9/16

CONTINUED ON NEXT PAGE ➡

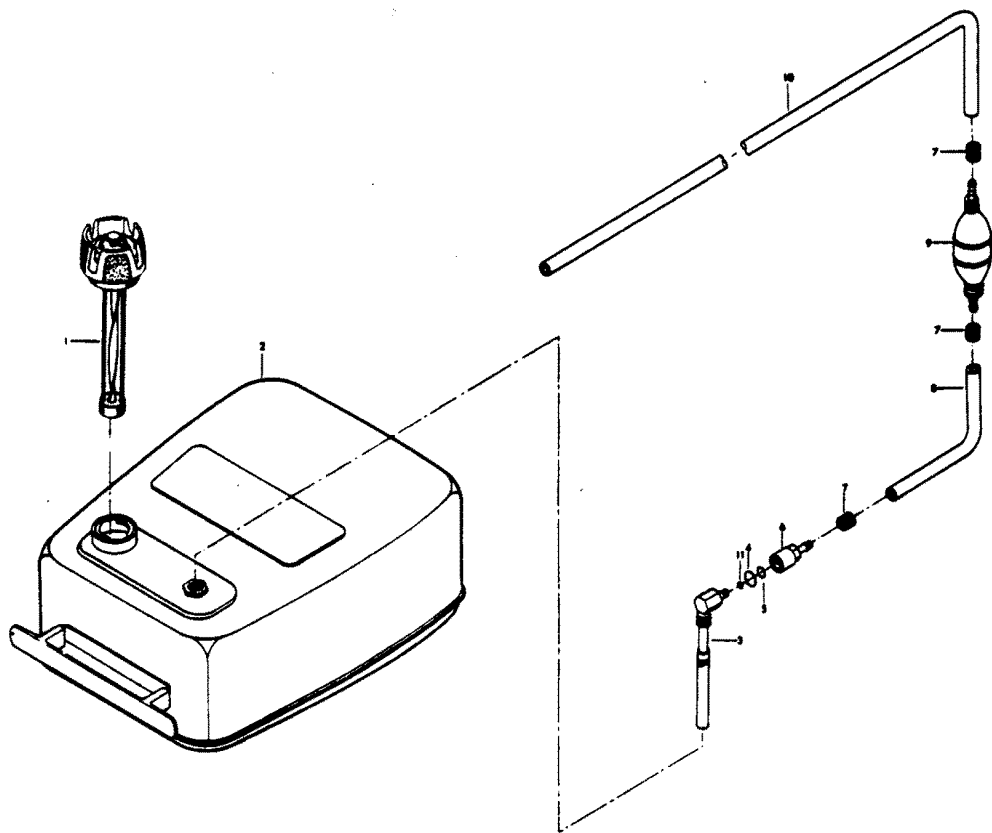
# GEAR HOUSING



# GEAR HOUSING

REF. NO.	PART NO.	SYM.	QTY.	DESCRIPTION
41	F435706		1	COVER, GEAR HOUSING UPPER
43	F435555		1	SEAL, GEAR HOUSING
44	1600-817871A3		1	GEAR HOUSING UPR W/SEAL, WASHER, PLUG AND INLET WATER SCREEN
45	F338618-1		1	SEAL, SHIFT ROD LOWER
46	F435077		1	SCREEN, WATER INLET
47	F435057		1	BEARING, DRIVESHAFT UPPER
48	F40307-2		1	SEAL, DRIVESHAFT
49	F435562		1	WATER PUMP BACK PLATE
50	F433065		1	WATER PUMP IMPELLER
51	FS504060		1	WATER PUMP BODY W/DRIVESHAFT SEAL
52	F349307		1	DRIVESHAFT SEAL
53	F93914		1	SEAL, INLET WATER LINE, LOWER
54	F1149		4	FLAT HD SCREW, S.S., 1/4 - 20 X 1 1/4
55	FA434616		1	GEAR SHIFT ROD INTERMEDIATE FOR STANDARD SHAFT MODELS
-	<b>FA435616</b>		<b>1</b>	<b>GEAR SHIFT ROD INTERMEDIATE FOR LONG SHAFT MODELS</b>
-	<b>FC486054</b>		<b>1</b>	<b>GEAR HOUSING COMPLETE INCLUDES ALL ITEMS MARKED WITH AN ASTERISK (*)</b>

# FUEL TANK AND LINE

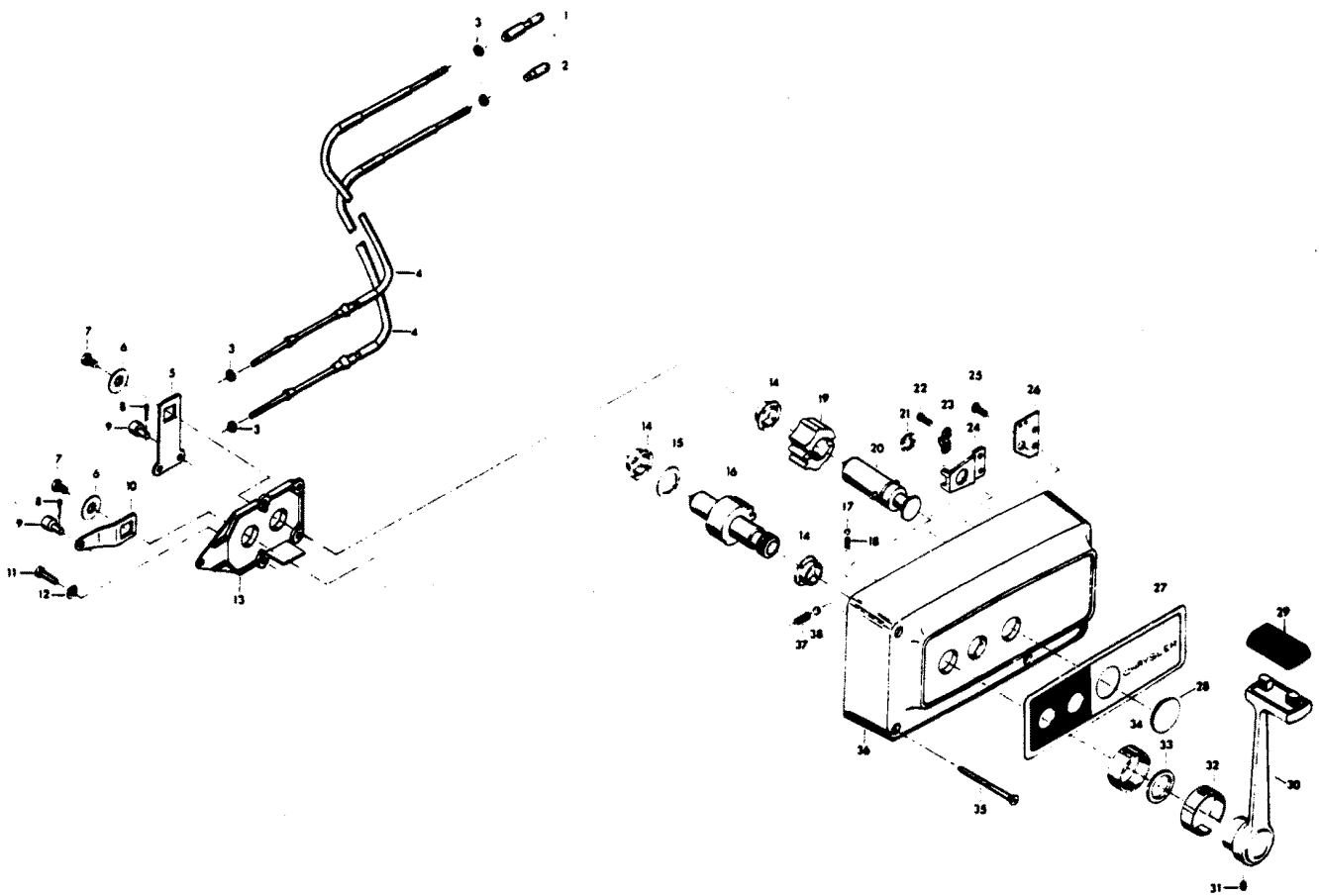




# FUEL TANK AND LINE

REF. NO.	PART NO.	SYM.	QTY.	DESCRIPTION
1	F409251-1		1	GAUGE CAP
2	F71H08		1	FUEL TANK (ACCESSORY ITEM)
3	F485755		1	FUEL TANK ADAPTER
4	F213342		1	SEAL, FUEL LINE COUPLER (LARGE)
5	F213735		1	SEAL, FUEL LINE COUPLER (SMALL)
6	F197787-2		1	FUEL LINE COUPLER
7	F298788		3	FERRULE
8	FA84754-1		1	FUEL LINE SHORT W/FERRULES
9	89396A38		1	PRIME BULB
10	32-817738A1		1	FUEL LINE, LONG W/CLAMP AND FERRULE
11	F17932		1	SEAL, FUEL TANK ADAPTER
-	<b>FS409752</b>		<b>1</b>	<b>FUEL LINE, COMPLETE</b>

# REMOTE CONTROL



# REMOTE CONTROL

REF. NO.	PART NO.	SYM.	QTY.	DESCRIPTION
1	FA58976-1		1	CONNECTOR, THROTTLE CABLE
2	F58685-2		1	CONNECTOR, SHIFT CABLE
3	F1513		4	HEX NUT
4	ÄF58356//		2	REMOTE CONTROL CABLE (SPECIFY LENGTH)
5	F17019		1	CLUTCH ARM
6	F17036		2	INTERNAL TOOTH LOCKWASHER
7	F1715		2	HEX BOLT, 1/4 - 28 X 9/16
8	F17015		2	COTTER PIN
9	F17016		2	CABLE TERMINAL
10	F17014		1	THROTTLE ARM
11	F17013		2	FILL HD SCREW, 1/4 - 20 X 1/2
12	F17020		2	INTERNAL TOOTH LOCKWASHER
13	F17012		1	RETAINING PLATE
14	F17009		3	BEARING
15	F17011		1	BOWED WASHER
16	F17010-1		1	THROTTLE GEAR
17	F17111		1	DETENT BALL
18	F17006		1	DETENT SPRING
19	F17021		1	CLUTCH GEAR
20	F17100		1	CLUTCH SHAFT
21	F17092		1	SNAP RING
22	F17107		2	FILL HD SCREW, 10 - 24 X 5/16
23	F154317		1	CABLE CLAMP
24	F17026		1	SWIVEL
25	F1557		2	FLAT HD SCREW, 10 - 24 X 3/8
26	F17112		1	JUNCTION BOARD, STARBOARD
-	<b>F17113</b>		<b>1</b>	<b>JUNCTION BOARD, PORT</b>
27	F17101		1	DECAL, STARBOARD
-	<b>17102</b>		<b>1</b>	<b>DECAL, PORT</b>
28	F17031		1	SNAP CAP
29	F17116		1	KNOB
30	F17115		1	HANDLE
31	F17030-1		1	SET SCREW
32	F17114		1	INDICATOR
33	F17105		1	FELT WASHER
34	F17106		1	COLLAR
35	17108		3	WOOD SCREW
36	F17099		1	HOUSING
37	F17068		1	DETENT SPRING
38	F17082-1		1	DETENT BALL
-	<b>F1280</b>		<b>2</b>	<b>PAN HD SCREW, 8 - 32 X 1/4 (TERMINAL BOARD) (NOT SHOWN)</b>

## SPECIAL TOOLS - TUNE-UP

REF. NO.	PART NO.	SYM.	QTY.	DESCRIPTION
-	FT2910		0	KNOCK-OFF NUT TO REMOVE FLYWHEEL
-	FTA2937-1		0	TIMING TOOL TO ADJUST SPARK ADVANCE

## SPECIAL TOOLS - MANUAL STARTER

REF. NO.	PART NO.	SYM.	QTY.	DESCRIPTION
-	FT3139-1		0	STARTER REWIND KEY TO REWIND STARTER SPRING

## SPECIAL TOOLS - POWER HEAD

REF. NO.	PART NO.	SYM.	QTY.	DESCRIPTION
-	FT3510		0	SEAL PUNCH TO INSTALL UPPER CRANKSHAFT BEARING CAGE SEAL
-	FT3512		0	SEAL SLEEVE TO INSTALL UPPER CRANKSHAFT BEARING CAGE SEAL
-	FT2953		0	SOCKET TO TORQUE CONNECTING ROD SCREWS
-	FT2990		0	PISTON PIN REMOVER TO REMOVE AND INSTALL PISTON PIN IN PISTON
-	FT8926		0	RING EXPANDER TO INSTALL RINGS ON PISTONS
-	FT2996		0	RING COMPRESSOR TO INSTALL PISTONS IN CYLINDERS

## SPECIAL TOOLS - LOWER UNIT

REF. NO.	PART NO.	SYM.	QTY.	DESCRIPTION
-	FT8948-1		0	PROPELLER SHAFT BEARING CAGE PULLER AND FLYWHEEL PULLER TO REMOVE PROPELLER SHAFT BEARING CAGE FROM LOWER GEAR HOUSING
-	FT8919		0	SPRING PIN PUNCH TO REMOVE CLUTCH SPRING PIN
-	FT8907		0	DRIVER HANDLE TO INSTALL BEARING CUP IN LOWER GEAR HOUSING
-	FT8945		0	RETAINER PUNCH TO INSTALL RETAINER ON DRIVESHAFT SPLINE BOAT
-	FT8918		0	BUSHING GUIDE SET TO REMOVE AND INSTALL BEARING CUP IN LOWER GEAR HOUSING
-	FT8921		0	FORWARD BEARING CUP REMOVER TO REMOVE FORWARD BEARING CUP FROM LOWER GEAR HOUSING
-	FT8904		0	FORWARD BEARING CUP INSTALLER TO INSTALL FORWARD BEARING CUP IN LOWER GEAR HOUSING
-	FT3431		0	DRIVESHAFT SEAL AND PROP SHAFT SEAL INSTALLER TO INSTALL DRIVESHAFT AND PROP SHAFT SEAL IN LOWER UNIT
-	FT8957		0	SEAL INSTALLER TO INSTALL SHIFT ROD SEAL
-	FT8962		0	BEARING INSTALLER TO INSTALL DRIVESHAFT BEARING IN GEAR HOUSING UPPER
-	FT8964		0	BEARING REMOVER TO REMOVE DRIVESHAFT BEARING FROM GEAR HOUSING UPPER

## SPECIAL TOOLS - TEST EQUIPMENT

REF. NO.	PART NO.	SYM.	QTY.	DESCRIPTION
-	FT2955A		0	TEST WHEEL TO TEST MOTOR IN TEST TANK
-	FT8932		0	LIFTING HOOK TO LIFT ENGINE
-	FT8950		0	LEAKAGE TESTER TO TEST LOWER UNIT FOR LEAKAGE
-	T8974		0	BREAKER POINT TENSION GAUGE FOR CHECKING BREAKER POINT SPRING TENSION



# ACCESSORIES

REF. NO.	PART NO.	SYM.	QTY.	DESCRIPTION
-	F75H09		0	BATTERY CABLE LONGER LENGTH - 15 FEET
-	776		0	ADJUSTABLE CARBURETOR BOWL KIT PERMITS ADJUSTING HIGH SPEED FUEL JET FOR PEAK PERFORMANCE.
-	71H25		0	CHARGE INDICATOR LAMP (ALTERNATOR MODELS) GLOWS GREEN WHEN ALTERNATOR IS CHARGING BATTERY.
-	175		0	AMMETER SURFACE MOUNT (FOR ALTERNATOR MODELS ONLY) PERMITS MONITORING OF ALTERNATOR OUTPUT. DO NOT USE AMMETER AND CHARGE LAMP IN SAME INSTALLATION.
-	71H06		0	AMMETER FLUSH MOUNT (FOR ALTERNATOR MODELS ONLY) PERMITS MONITORING OF ALTERNATOR OUTPUT. DO NOT USE AMMETER AND CHARGE LAMP IN SAME INSTALLATION.
-	F70H01		0	ANTI-CORROSION KIT ELECTRICAL UNIT USED TO HELP PREVENT CORROSION.
-	F70H02		0	ANTI-CORROSION SACRIFICIAL ANODE USED TO HELP PREVENT CORROSION.
-	72H13		0	BATTERY, 74 AMP TWELVE VOLT HEAVY DUTY BATTERY TO OPERATE STARTER AND ELECTRICAL ACCESSORIES.
-	172		0	BATTERY CASE HEAVY PLASTIC CASE WITH TIE DOWN STRAPS. PROTECTS BATTERY FROM DAMAGE.
-	F70H05		0	BATTERY EXTENSION CABLE USED TO EXTEND BATTERY CABLE 6 1/2 FEET.
-	F71H26		0	BATTERY TERMINAL KIT ADAPTS MODEL 72H13 BATTERY TERMINALS FOR CONNECTION TO BATTERY CABLES ON ENGINE.
-	494		0	HANDLE PROVIDES REAR HANDLE AND REST PADS.
-	F70H03		0	CARRYING HANDLE PERMITS EASIER TRANSPORTATION OF ENGINE TO AND FROM BOAT (2 MAN).
-	F861		0	FLUSHING ADAPTER PERMITS FRESH WATER FLUSHING OF WATER PASSAGES WITH STANDARD GARDEN HOSE.
-	71H07		0	FUEL GAUGE FLUSH MOUNT MONITORS FUEL SUPPLY.
-	71H24		0	FUEL GAUGE SURFACE MOUNT MONITORS FUEL SUPPLY.
-	F71H10		0	SENDING UNIT FOR USE WITH ABOVE FUEL GAUGES.
-	177		0	TEMPERATURE GAUGE ELECTRIC MODELS (SURFACE MOUNT) MONITORS ENGINE TEMPERATURE. DO NOT USE TEMPERATURE GAUGE AND HEAT LAMP IN THE SAME INSTALLATION.
-	F71H05		0	TEMPERATURE GAUGE ELECTRIC MODELS (FLUSH MOUNT) MONITORS ENGINE TEMPERATURE. DO NOT USE TEMPERATURE GAUGE AND HEAT LAMP IN THE SAME INSTALLATION.
-	F72H20		0	WATER PUMP KIT HEAVY DUTY WATER PUMP RECOMMENDED FOR CONTINUED OPERATION IN SANDY OR SALT WATER.
-	72H31		0	FROST WHITE LACQUER ENGINE TOUCH-UP PAINT IN 16 OZ. SPRAY BOMBS (12 CANS PER CASE).
-	72H32		0	GOLD LACQUER ENGINE TOUCH-UP PAINT IN 16 OZ. SPRAY BOMBS (12 CANS PER CASE).
-	F72H15		0	POWER TRIM ADJUSTS ENGINE TRIM AND TILTS ENGINE.

CONTINUED ON NEXT PAGE ➡

# ACCESSORIES

REF. NO.	PART NO.	SYM.	QTY.	DESCRIPTION
-	F72H21		0	POWER TRIM INDICATOR FLUSH MOUNT - INDICATES TRIM ANGLE.
-	73H06		0	POWER TRIM INDICATOR SURFACE MOUNT - INDICATES TRIM ANGLE.
-	F71H08		0	STEEL, 6 GALLON FUEL TANK AUXILIARY TANK.
-	F71H12		0	FUEL TANK ANCHOR SECURES 71H08 TO DECK.
-	F71H23		0	STEEL, 12 GALLON FUEL TANK AUXILIARY TANK.
-	F71H01		0	POWER TILT TWELVE VOLT UNIT TILTS ENGINE FOR BEACHING, ETC.
-	479		0	HEAT LAMP KIT FOR ELECTRIC START MODELS. WARNS OF ENGINE OVERHEATING.
-	F74H06		0	OVERHEAT BUZZER KIT FOR ELECTRIC START MODELS. WARNS OF ENGINE OVERHEATING.
-	167		0	IGNITION CUT-OFF KIT ALLOWS STOPPING OF ALL MAGNETO ENGINES FROM DASH.
-	478		0	IGNITION LAMP KIT FOR ALTERNATOR ENGINES. TELLS WHEN IGNITION SWITCH IS IN "ON" POSITION.
-	F74H19		0	IGNITION KEY SWITCH FOR ELECTRIC START MODELS SHORT BARREL.
-	F74H20		0	IGNITION KEY SWITCH FOR ELECTRIC START MODELS LONG BARREL.
-	F73H03		0	LONG LEG CONVERSION KIT CONVERTS 15" STANDARD SHAFT MODELS TO 20" LONG SHAFT MODELS.
-	70H24		0	RACING STRIPE KIT ORANGE STRIPING FOR ENGINE COVER.
-	70H25		0	RACING STRIPE KIT BLUE STRIPING FOR ENGINE COVER.
-	F195/___		0	REMOTE CONTROL CABLES CONNECTS REMOTE CONTROL BOX TO THROTTLE AND GEAR SHIFT ON MOTOR. AVAILABLE IN 6 THROUGH 20 FOOT LENGTHS.
-	F72H36		0	REMOTE CONTROL SURFACE MOUNT (SINGLE LEVER) PERMITS REMOTE CONTROL OF THROTTLE AND GEAR SHIFT FROM STARBOARD SIDE OF BOAT.
-	73H08		0	PORT SIDE DECAL KIT CONVERTS 72H36 CONTROL BOX TO PORT SIDE MOUNTING.
-	F590		0	REMOTE CONTROL FLUSH MOUNT (SINGLE LEVER) PERMITS REMOTE CONTROL OF THROTTLE AND GEAR SHIFT. MAY BE MOUNTED ON PORT OR STARBOARD SIDE OF BOAT.
-	865		0	REMOTE CONTROL SURFACE MOUNT (SINGLE LEVER) PERMITS REMOTE CONTROL OF THROTTLE AND GEAR SHIFT ON TWIN ENGINE INSTALLATION. MAY BE MOUNTED ON PORT OR STARBOARD SIDE OF BOAT.
-	F137		0	REMOTE STEERING BRACKET ADAPTS MOTOR TO CABLE TYPE REMOTE STEERING.
-	F165		0	REMOTE STEERING BRACKET ADAPTS MOTOR TO CABLE TYPE REMOTE STEERING.
-	F70H27		0	REMOTE STEERING BRACKET ADAPTS MOTOR TO MECHANICAL TYPE REMOTE STEERING.
-	F166		0	DUAL ENGINE TIE BAR PERMITS DUAL ENGINE INSTALLATION.

CONTINUED ON NEXT PAGE ➡

# ACCESSORIES

REF. NO.	PART NO.	SYM.	QTY.	DESCRIPTION
-	176		0	SPEEDOMETER SURFACE MOUNT 0 TO 50 M.P.H.
-	F71H04		0	SPEEDOMETER FLUSH MOUNT 0 TO 50 M.P.H.
-	74H13		0	TACHOMETER (SURFACE MOUNT) MONITORS ENGINE R.P.M. TO PROVIDE CHECK OF ENGINE PERFORMANCE.
-	F74H09		0	TACHOMETER (FLUSH MOUNT) MONITORS ENGINE R.P.M. TO PROVIDE CHECK OF ENGINE PERFORMANCE.
-	72H25		0	STARTER CONVERSION CONVERTS HAND START MODELS TO ELECTRIC START.
-	F74H01		0	VOLTMETER FLUSH MOUNT - INDICATES BATTERY CONDITION.
-	74H02		0	VOLTMETER SURFACE MOUNT - INDICATES BATTERY CONDITION.
-	72H05		0	CANVAS HOOD PROTECTION FOR ENGINE COVER.
-	F73H11		0	REMOTE ELECTRIC CABLE 25 FEET

# SPECIFICATIONS

REF. NO.	PART NO.	SYM.	QTY.	DESCRIPTION
-			0	HORSEPOWER 45 B.I.A. CERTIFIED BRAKE H.P. AT 4750 R.P.M.
-			0	MOTOR TWO-CYCLE, TWIN CYLINDER ALTERNATE FIRING.
-			0	BORE AND STROKE 3 1/8" BORE X 2.750" STROKE.
-			0	DISPLACEMENT 42.18 CUBIC INCHES.
-			0	CONNECTING RODS FORGED NICKEL STEEL. CAGED ROLLER BEARINGS AT CRANKSHAFT. CASED NEEDLE BEARINGS AT PISTON PIN.
-			0	CRANKSHAFT FORGED NICKEL STEEL. BALL BEARINGS AT UPPER MAIN. CAGED ROLLER BEARINGS AT CENTER AND LOWER MAIN.
-			0	CORROSION PROTECTION ALODINE TREATED CASTINGS, STAINLESS STEEL DRIVE SHAFT, PROPELLER SHAFT, GEAR SHIFT ROD AND UNDERWATER FASTENERS.
-			0	FUEL TANK SEPARATE STEEL TANK, 6 U.S. GALLON, 5 IMPERIAL GALLON CAPACITY.
-			0	FUEL SYSTEM VACUUM - TYPE FUEL PUMP, FLOAT FEED CARBURETOR WITH FIXED HIGH SPEED JET AND ADJUSTABLE LOW SPEED JET.
-			0	FUEL FILTERS FILTER SCREENS IN FUEL TANK AND FUEL PUMP.
-			0	COOLING WATER COOLED, POSITIVE DISPLACEMENT TYPE WATER PUMP.
-			0	TRANSOM HEIGHT 15" OR 20" DEPENDING ON MODEL.
-			0	WEIGHT FROM 127 LBS. FOR STANDARD SHAFT MODEL.
-			0	TILT LOCK POSITIVE TILT LOCK PERMITS ENGINE TO REMAIN IN TILTED POSITION WHEN NOT IN USE.
-			0	RECOMMENDED OPERATING RANGE 4400 - 5100 R.P.M.

# LUBRICATION CHART

REF. NO.	PART NO.	SYM.	QTY.	DESCRIPTION
-			0	UPPER AND LOWER GEAR HOUSINGS CHECK AFTER EVERY THIRTY HOURS OF OPERATION AND REPLACE AFTER EVERY 100 HOURS WITH A NON-CORROSIVE LEADED OUTBOARD GEAR OIL - CHRYSLER OUTBOARD GEAR LUBE. DO NOT USE CORROSIVE HYPOID OIL UNDER ANY CIRCUMSTANCES.
-			0	CONTROL LINKAGE LUBRICATE ALL MOVING PARTS AND CONTROL LINKAGE WITH RYKON #2EP, PART NO. T-2961 TWICE EACH SEASON OR OFTENER IF REQUIRED.
-			0	STERN BRACKET LUBRICATE STERN BRACKET AND ASSOCIATED PARTS WITH RYKON #2EP, PART NO. T-2961, TWICE EACH SEASON OR OFTENER IF REQUIRED.
-			0	GREASE FITTING GREASE FITTINGS ARE PROVIDED AT CRITICAL POINTS WHERE BEARING SURFACES ARE NOT EXPOSED EXTERNALLY. USING AS AUTOMOTIVE-TYPE GREASE GUN AND LUBRICANT, GREASE TWICE EACH SEASON OR OFTENER IF REQUIRED.
-			0	STARTER PINION GEAR LUBRICATE WITH RYKON #2EP, PART NO. T-2961, TWICE EACH SEASON OR OFTENER IF REQUIRED.

# SPECIAL ADJUSTMENTS

REF. NO.	PART NO.	SYM.	QTY.	DESCRIPTION
-			0	BREAKER POINT GAP MAGNETO MODELS .020". ALTERNATOR MODELS .015".
-			0	SPARK PLUG CHAMPION L-4-J, GAP .030". MAGNAPOWER MODELS USE UL-18V.
-			0	FLYWHEEL NUT TORQUE TO 75 FOOT POUNDS.
-			0	CYLINDER HEAD BOLT TORQUE TO 270 INCH POUNDS.
-			0	POINT OF THROTTLE OPENING UNSNAP BALL JOINT CONNECTOR FROM THROTTLE TOWER SHAFT.
-			0	POINT OF THROTTLE OPENING WITH THROTTLE SHUTTER IN CARBURETOR CLOSED, ADJUST ECCENTRIC SCREW HOLDING THROTTLE ROLLER TO THROTTLE SHAFT SO THAT PICK-UP LINE ON LOWER END OF THROTTLE CAM IS EXACTLY CENTERED ON THROTTLE ROLLER.
-			0	POINT OF THROTTLE OPENING ADVANCE THROTTLE TOWER SHAFT AND THROTTLE CAM TO FULL ADVANCE POSITION. (THROTTLE SHUTTER HORIZONTAL).
-			0	POINT OF THROTTLE OPENING ADJUST BALL JOINT CONNECTORS UNTIL SPACING IS IDENTICAL TO SPACING BETWEEN CONNECTOR STUD ON THROTTLE CAM AND THROTTLE TOWER SHAFT.
-			0	POINT OF THROTTLE OPENING

# PARTS INDEX

Part Number	Description	Pg.	Ref. No.	Part Number	Description	Pg.	Ref. No.
ÄF58356//	REMOTE CONTROL CABLE (SPECIFY LENGTH) . . . . .	49	4	A345664-1	WIRE, HI-TENSION . . . . .	13	26
15037	HEAD ASSEMBLY, COMMUTATOR END . . . . .	19	28	A463893	INSERT, FRONT PLATE, CANADA FOR HAND START MODELS . . . . .	3	-
167	IGNITION CUT-OFF KIT . . . . .	56	-	A464528-1	INSERT, TRIM REAR . . . . .	5	62
17102	DECAL, PORT . . . . .	49	-	A486427	STARTER MOUNTING BRACKET W/CAPS AND SCREWS . . . . .	17	13
17108	WOOD SCREW . . . . .	49	35	AC16395-7	IDENTIFICATION PLATE W/SCREWS, CANADA . . . . .	3	-
172	BATTERY CASE . . . . .	55	-	F10000	GASKET SET . . . . .	23	31
175	AMMETER SURFACE MOUNT (FOR ALTERNATOR MODELS ONLY) . . . . .	55	-	F10057	REPAIR PARTS KIT . . . . .	23	22
176	SPEEDOMETER . . . . .	57	-	F1014	COTTER PIN . . . . .	23	11
177	TEMPERATURE GAUGE ELECTRIC MODELS (SURFACE MOUNT) . . . . .	55	-	F1014	COTTER PIN . . . . .	41	89
321373-2	DECAL, "MAGNAPOWER IGNITION" (NOT SHOWN)	5	-	F1015	COTTER PIN . . . . .	43	37
478	IGNITION LAMP KIT . . . . .	56	-	F1027	COTTER PIN, S.S., 1/8 - 1/2 . . . . .	43	10
479	HEAT LAMP KIT . . . . .	56	-	F1052	FILL HD SCREW, 1/4 - 20 X 1	31	101
494	HANDLE . . . . .	55	-	F1059	FILL HD SCREW, 6 - 32 X 1/4	23	8
70H24	RACING STRIPE KIT . . . . .	56	-	F1080	FILL HD SCREW W/LOCKWASHER, 10 - 24 X 3/4 . . . . .	33	19
70H25	RACING STRIPE KIT . . . . .	56	-	F1088	FILL HD SCREW, 10 - 24 X 9/16 . . . . .	39	76
71H06	AMMETER FLUSH MOUNT (FOR ALTERNATOR MODELS ONLY) . . . . .	55	-	F1097	FILL HD SCREW, 1/4 - 20 X 3/8 . . . . .	17	1
71H07	FUEL GAUGE FLUSH MOUNT . . . . .	55	-	F1108	FILL HD SCREW W/SPRING LOCKWASHER, 1/4 - 20 X 3/4 . . . . .	21	10
71H24	FUEL GAUGE SURFACE MOUNT . . . . .	55	-	F1110	SLOTTED FILL HD SCREW, 1/4 - 20 X 5/8 . . . . .	9	2
71H25	CHARGE INDICATOR LAMP (ALTERNATOR MODELS)	55	-	F1110	SLOTTED FILL HD SCREW, 1/4 - 20 X 5/8 . . . . .	21	20
72H05	CANVAS HOOD . . . . .	57	-	F1110	SLOTTED FILL M. SCREW, 1/4 - 20 X 5/8 . . . . .	13	22
72H13	BATTERY, 74 AMP . . . . .	55	-	F1111	FILL HD SCREW, 1/4 - 20 X 7/8 . . . . .	17	9
72H25	STARTER CONVERSION . . . . .	57	-	F1129	FILL HD SCREW, S.S., 5/16 - 18 X 1/2 . . . . .	37	19
72H31	FROST WHITE LACQUER . . . . .	55	-	F1134	FILL HD SCREW, 8 - 32 X 1 1/8 . . . . .	27	19
72H32	GOLD LACQUER . . . . .	55	-	F1136	FLAT HD SCREW, 1/4 - 20 X 1 . . . . .	27	39
73H06	POWER TRIM INDICATOR . . . . .	56	-	F1141	FLAT HD SCREW, 10 - 24 X 1/2 . . . . .	35	7
73H08	PORT SIDE DECAL KIT . . . . .	56	-	F1149	FLAT HD SCREW, S.S., 1/4 - 20 X 1 1/4 . . . . .	45	54
74H02	VOLTMETER . . . . .	57	-	F1160	FLAT HD SCREW, 1/4 - 28 X 5/8 . . . . .	39	82
74H13	TACHOMETER (SURFACE MOUNT) . . . . .	57	-	F1164	FLAT HD SCREW, 5/16 - 18 X 1 1/8 . . . . .	9	40
776	ADJUSTABLE CARBURETOR BOWL KIT . . . . .	55	-	F1199	HEX HD SCREW, 1/4 - 20 X 1	17	28
817746A1	CONNECTOR STUD BRACKET . . . . .	29	61	F1199	HEX HD SCREW, 1/4 - 20 X 1	39	69
817747--1	BALL JOINT W/BEARING . . . . .	17	24	F12014	BREAKER POINT AND CONDENSER MOUNTING SCREW, 8 - 32 X 3/8 . . . . .	7	4
817747--1	BALL JOINT W/BEARING . . . . .	27	15	F12016	CABLE CLIP SCREW, 8 - 32 X 1/2 . . . . .	7	17
817796A2	GEAR SHIFT ARM . . . . .	43	34	F12023	LAMINATION SCREW, 10 - 24 X 1 . . . . .	7	8
817938A1	STARTER ROPE HANDLE RETAINER . . . . .	17	39	F12042-1	CONDENSER W/MOUNT . . . . .	7	6
817945A1	SWIVEL BRACKET W/BEARINGS AND GREASE FITTING . . . . .	39	57				
818020A2	STARTER ROPE . . . . .	17	37				
865	REMOTE CONTROL SURFACE MOUNT (SINGLE LEVER) . . . . .	56	-				
89396A38	PRIME BULB . . . . .	47	9				

# PARTS INDEX

Part Number	Description	Pg.	Ref. No.	Part Number	Description	Pg.	Ref. No.
F12044	BREAKER POINT SET	7	21	F1293	RD HD SCREW, 2 X 3/16	3	11
F12050	GROMMET	7	20	F1298	ROUND HD SCREW W/LOCKWASHER, 6 - 32 X 1/4	35	13
F12053	COIL RETAINING CLIP	7	18	F1300	BREAKER POINT TERMINAL SCREW, 6 - 32 X 3/8	7	5
F12057	COIL W/LEAD WIRE, SPARKIE AND GROMMET	7	19	F1326	ACORN NUT, S.S., 5/16 - 18	37	12
F12059	PRIMARY TERMINAL WIRE	7	10	F1341	HEX NUT	31	102
F12083	CONDENSER MOUNT SCREW W/LOCKWASHER	9	13	F1346	HEX NUT, 3/8 - 16	39	78
F12083	SCREW W/LOCKWASHER	13	13	F1346	HEX NUT, S.S., 3/8 - 16	39	49
F12090	BREAKER CONTACT SCREW	9	14	F1346	HEX NUT, S.S., 3/8 - 16	43	33
F12090	SCREW	13	11	F1349	HEX NUT, S.S., 5/16 - 18	37	17
F1211	HEX HD SCREW W/LOCKWASHER, 1/4 - 28 X 5/8	41	93	F137	REMOTE STEERING BRACKET	56	-
F12139-1	CONDENSER	9	15	F141118	SEAL, PROPELLER SHAFT	43	15
F12167	SCREW	9	7	F141244	INLET WATER LINE FOR STANDARD SHAFT MODELS	43	7
F12167	SCREW	13	4	F141275	FITTING, THERMOSTAT	29	89
F12172	TERMINAL	9	8	F141305	SEAL, PROPELLER SHAFT BEARING CAGE	43	17
F12172	TERMINAL	13	5	F141704	GEAR SHIFT ROD COUPLING	37	18
F12172	TERMINAL COMPLETE	11	62	F1441	PAN HD SCREW, 1/4 - 20 X 7/8	33	2
F12172	TERMINAL, COMPLETE	15	74	F1446	SLOTTED PAN HD SCREW, 1/4 - 20 X 1	27	42
F12174-1	PRIMARY INTERLEAD GROUP	9	17	F1473	HEX NUT, 10 - 24	27	24
F12174-1	PRIMARY INTERLEAD WIRE	13	14	F1473	HEX NUT, 10 - 24	39	73
F12189	CONDENSER MOUNT SCREW	9	16	F1475	FILL HD SCREW, 10 - 24 X 1/2	3	6
F12227	CAM WIPER FELT	7	22	F15000	"O" RING SEAL	19	18
F12227	CAM WIPER FELT	9	42	F1502	HEX CAP SCREW, 1/4 - 20 X 5/8	9	34
F12227	CAM WIPER FELT	13	15	F1502	HEX CAP SCREW, 1/4 - 20 X 5/8	41	92
F12246	CABLE CLIP	7	16	F1502	HEX HD CAP SCREW, 1/4 - 20 X 5/8	13	24
F12329-1	BREAKER POINT SET	9	18	F1502	HEX HD SCREW, 1/4 - 20 X 5/8	21	19
F12329-1	BREAKER POINTS	13	12	F15021-1	HEAD ASSEMBLY, DRIVE END	19	17
F12338	GROUND WIRE	11	63	F15034	SPRING SET	19	26
F12338	WIRE	15	75	F15038-1	BRUSH PLATE AND HOLDER	19	25
F12341	COIL LAMINATIONS	7	12	F15042	BRUSH SET	19	24
F12342	STATOR PLATE WITHOUT LAMINATIONS	7	11	F15043	FRAME AND FIELD ASSEMBLY	19	21
F12344	BREAKER PLATE	9	19	F15044	ARMATURE	19	19
F12344	PLATE, BREAKER	13	16	F15073	THRUST WASHER PACKAGE	19	20
F1238	FILL HD SCREW, 1/4 - 20 X 3/4	9	24	F15084	SCREW SHAFT	19	8
F1238	FILL HD SCREW, 1/4 - 20 X 5/16	15	56	F15087	NUT	19	2
F1238	HEX CAP SCREW, 1/4 - 20 X 3/4	5	45	F15088	SPRING	19	4
F1238	HEX CAP SCREW, 1/4 - 20 X 3/4	29	63	F15091	WASHER	19	9
F1238	HEX HD SCREW, 1/4 - 20 X 3/4	5	40	F15094	THRU BOLT PACKAGE (SET OF 2 BOLTS)	19	27
F1263	HEX SOCKET HD CAP SCREW, S.S., 5/16 - 18 X 9/16	43	13	F15104	CUP, CUSHION THRUST	19	12
F1280	PAN HD MACHINE SCREW, 8 - 32 X 1/4	15	54	F15105	CUP	19	10
F1280	PAN HD SCREW, 8 - 32 X 1/4	11	53	F15106	CUSHION	19	11
F1280	PAN HD SCREW, 8 - 32 X 1/4 (TERMINAL BOARD) (NOT SHOWN)	49	-				



# PARTS INDEX

Part Number	Description	Pg.	Ref. No.	Part Number	Description	Pg.	Ref. No.
F15109	STOP	19	3	F1666	BOWED SPRING WASHER	37	28
F15113	BENDIX DRIVE	19	1	F1669	STOP NUT	39	60
F15114	PINION	19	7	F17006	DETENT SPRING	49	18
F15115	CUP, PINION	19	5	F17009	BEARING	49	14
F15116	SLEEVE	19	6	F17010-1	THROTTLE GEAR	49	16
F1513	HEX NUT	49	3	F17011	BOWED WASHER	49	15
F1513	HEX NUT, 10 - 32	5	39	F17012	RETAINING PLATE	49	13
F1513	HEX NUT, 10 - 32	9	25	F17013	FILL HD SCREW, 1/4 - 20 X		
F1513	HEX NUT, 10 - 32	13	29		1/2	49	11
F1513	HEX NUT, 10 - 32	15	57	F17014	THROTTLE ARM	49	10
F1513	HEX NUT, 10 - 32	15	66	F17015	COTTER PIN	49	8
F1513	HEX NUT, 10 - 32	17	18	F17016	CABLE TERMINAL	49	9
F1513	HEX NUT, 10 - 32	27	12	F17019	CLUTCH ARM	49	5
F1513	HEX NUT, 10 - 32	27	16	F17020	INTERNAL TOOTH		
F1513	HEX NUT, 10 - 32	29	64		LOCKWASHER	49	12
F1514	HEX NUT, 1/4 - 20	19	14	F17021	CLUTCH GEAR	49	19
F1515	HEX NUT, 5/16 - 18	3	20	F17026	SWIVEL	49	24
F1515	HEX NUT, 5/16 - 18	17	16	F17030-1	SET SCREW	49	31
F1515	HEX NUT, 5/16 - 18	23	30	F17031	SNAP CAP	49	28
F1515	HEX NUT, 5/16 - 18	27	4	F17036	INTERNAL TOOTH		
F1515	HEX NUT, 5/16 - 18	35	2		LOCKWASHER	49	6
F1524	WELCH PLUG	29	54	F1704	INTERNAL TOOTH		
F154317	CABLE CLAMP	49	23		LOCKWASHER	11	50
F1544	HEX HD CAP SCREW, 3/8 -			F1704	INTERNAL TOOTH		
	16 X 2 1/4	29	78		LOCKWASHER	15	76
F1556	FILL HD SCREW			F17068	DETENT SPRING	49	37
	W/LOCKWASHER, 10 - 24			F17082-1	DETENT BALL	49	38
	X 3/8	27	32	F17092	SNAP RING	49	21
F1557	FLAT HD SCREW, 10 - 24 X			F17099	HOUSING	49	36
	3/8	49	25	F17100	CLUTCH SHAFT	49	20
F1593	HEX HD SCREW, S.S., 3/8 -			F17101	DECAL, STARBOARD	49	27
	16 X 3	39	51	F17105	FELT WASHER	49	33
F1615	HEX NUT, 5/16 - 24	3	31	F17106	COLLAR	49	34
F1615	HEX NUT, 5/16 - 24	9	23	F17107	FILL HD SCREW, 10 - 24 X		
F1615	HEX NUT, S.S., 5/16 - 24	15	61		5/16	49	22
F1635	HEX SOCKET HD CAP			F17111	DETENT BALL	49	17
	SCREW, S.S., 3/8 - 16 X 3			F17112	JUNCTION BOARD,		
	1/2	39	62		STARBOARD	49	26
F1636	HEX SOCKET HD CAP			F17113	JUNCTION BOARD, PORT	49	-
	SCREW, S.S., 3/8 - 16 X 1			F17114	INDICATOR	49	32
	1/4	39	61	F17115	HANDLE	49	30
F1638	SPRING PIN	37	37	F17116	KNOB	49	29
F1645	RD HD SCREW, 6 - 32 X 1/4	13	20	F1715	HEX BOLT, 1/4 - 28 X 9/16	49	7
F1645	RD HD SELF-TAPPING			F1727	PLASTIC RIVET	27	30
	SCREW, 6 - 32 X 1/4	9	5	F1728	PAN HD SELF-TAPPING		
F1646	HEX SOCKET HD CAP				SCREW	5	61
	SCREW, 3/8 - 16 X 2 1/4	27	7	F1733	PAN HD SCREW, 10 - 24 X		
F1647	HEX MACHINE SCREW,				9/16	3	24
	NUT, 10 - 32	15	45	F1733	PAN HD SCREW, 10 - 24 X		
F1647	HEX NUT, 8 - 32	3	17		9/16	5	37
F1647	HEX NUT, 8 - 32	11	44	F1733	PAN HD SCREW, 10 - 24 X		
F1647	HEX NUT, 8 - 32	15	48		9/16	9	31
F1648	SLOTTED PAN HD SCREW,			F1733	PAN HD SCREW, 10 - 24 X		
	10 - 24 X 3/4	11	47		9/16	15	67
F1648	SLOTTED PAN HD SCREW,			F1733	PAN HD SCREW, 10 - 24 X		
	10 - 24 X 3/4	13	42		9/16	39	47
F165	REMOTE STEERING			F1733	PAN HD SCREW, 10 - 24 X		
	BRACKET	56	-		9/16	43	40
F1656	PLAIN WASHER	39	52	F1738	HEX JAM NUT, 3/8 - 24	5	43
F166	DUAL ENGINE TIE BAR	56	-	F1744	SPRING PIN	41	96

# PARTS INDEX

Part Number	Description	Pg.	Ref. No.	Part Number	Description	Pg.	Ref. No.
F1753	FASTENER	5	55	F191993-1	BRACKET, CHOKE CABLE (NOT SHOWN)	5	-
F1767	FILL HD SCREW, 10 - 24 X 3	39	76A	F1920	HEX NUT, 5/8 - 18	7	1
F1768	FILL HD SCREW, 10 - 24 X 1 3/8	41	76B	F1920	HEX NUT, 5/8 - 18	9	1
F1768	FILL HD SCREW, 10 - 24 X 1 3/8	41	76B	F1920	HEX NUT, 5/8 - 18	13	1
F177330	FUEL PUMP VALVE	21	7	F1922	HEX HD SCREW, 1/4 - 20 X 5/8	21	18
F177917	STARTER RELAY	3	33	F1922	HEX HD SCREW, 1/4 - 20 X 5/8	31	92
F177917	STARTER RELAY	9	27	F1926	LAMINATION SCREW, 8 - 32 X 7/8	7	7
F177917	STARTER RELAY	15	59	F1929	HEX HD CAP SCREW, S.S., 3/8 - 16 X 1 1/8	39	64
F17932	SEAL, FUEL TANK ADAPTER	47	11	F1934	FLAT HD SLOTTED SCREW, 6 X 1/2	11	66
F1812	FILL HD SCREW W/LOCKWASHER, 10 - 24 X 1 9/16	33	20	F1934	FLAT HD SLOTTED SCREW, 6 X 1/2	15	78
F1813	FILL HD SCREW W/LOCKWASHER, 10 - 24 X 1 1/8	33	21	F1947	FLANGED 12 POINT SCREW, 5/16 - 18 X 2	37	8
F18160-1	REED, CYLINDER DRAIN	29	48	F195/___	REMOTE CONTROL CABLES	56	-
F183300	SPRING	3	22	F1953	HEX HD MACHINE SCREW, 1/4 - 20 X 1	13	34
F183346-1	SHOCK MOUNT LOWER	37	20	F1953	HEX HD SCREW, 1/4 - 20 X 1	3	10
F1836	SPRING PIN	17	27	F1953	HEX HD SCREW, 1/4 - 20 X 1	9	41
F1836	SPRING PIN	41	88	F1958	PAN HD SCREW, 6 X 7/16	11	54
F184033-1	SWIVEL, CHOKE ROD	23	7	F1958	PAN HD SCREW, 6 X 7/16	15	55
F184579	SEAL, CHOKE ARM SWIVEL	23	6	F1969	FILL HD SCREW, 1/4 - 20 X 3/4	27	31
F1849	HEX HD SCREW, S.S., 1/4 - 20 X 1 3/8	39	77	F1971	HEX HD SCREW, 1/4 - 20 X 2 1/8	29	90
F1851	FILL HD M. SCREW W/LOCKWASHER, 10 - 24 X 1/2	39	84	F1975	LOCKWASHER	9	26
F1857	HEX CAP SCREW, 5/16 - 18 X 5/8	29	62	F1975	LOCKWASHER	13	28
F185764	RETAINING RING	37	16	F1975	LOCKWASHER	15	58
F1860	SLOTTED BINDING HD SCREW, 6 - 32 X 1/4	21	6	F1975	LOCKWASHER	15	65
F1861	HEX CAP SCREW, 5/16 - 18 X 7/8	13	30	F1975	SPRING LOCKWASHER	5	38
F1861	HEX CAP SCREW, 5/16 - 18 X 7/8	13	33	F197787-2	FUEL LINE COUPLER	47	6
F1864	HEX HD MACHINE SCREW, 1/4 - 20 X 3/4	13	38	F1987	PLAIN WASHER	3	22A
F1864	HEX HD SCREW, 1/4 - 20 X 3/4	3	8	F1987	PLAIN WASHER	37	14
F1864	HEX HD SCREW, 1/4 - 20 X 3/4	27	9	F1993	HEX SLOT HD SCREW, 1/4 - 20 X 5/8	3	15
F1879	HEX SOCKET HD CAP SCREW, 3/8 - 16 X 1 5/8	27	8	F1993	HEX SLOT HD SCREW, 1/4 - 20 X 5/8	15	50
F1880	PLASTIC PLUG	41	90	F1993	HEX SLOT HD SCREW, 1/4 - 20 X 5/8	27	6
F1904	PLAIN WASHER	39	50	F1995	FILL HD SCREW, 10 - 24 X 1	27	27
F1905	FILL HD SCREW, 1/4 - 20 X 3 7/16	39	66	F1995	FILL HD SCREW, 10 - 24 X 1 1/16	29	85
F1910	ELASTIC STOP NUT, 1/4 - 20	27	17	F1997	STOP NUT, 8 - 32	23	35
F191169-1	SWIVEL BRACKET BEARING	39	58	F1997	STOP NUT, 8 - 32	27	21
F191239	STARTER SPOOL	17	12	F2014	PLAIN WASHER	29	79
F191455-1	STARTER ROPE GUIDE	17	35	F201529-1	CYLINDER HEAD GASKET	29	67
F1915	HEX HD SCREW, 1/4 - 20 X 7/8	35	1	F2016	FILL HD MACHINE SCREW, 6 - 32 X 7/8	15	46
F191737	RETAINER, STARTER SPRING	17	11	F2016	FILL HD SCREW, 6 - 32 X 7/8	9	38
F191971	STARTER RETAINER EXTENSION	17	33	F2016	FILL HD SCREW, 6 - 32 X 7/8	13	19
				F2016	FILL HD SCREW, 6 - 32 X 7/8	27	40
				F2025	PAN HD SCREW, 10 X 5/8	5	64
				F203097-4	FLYWHEEL	9	3
				F203097-4	FLYWHEEL	13	3
				F203276	COIL BOOT	9	36

# PARTS INDEX

Part Number	Description	Pg.	Ref. No.	Part Number	Description	Pg.	Ref. No.
F203276	COIL BOOT	15	80	F307317	CLIP TERMINAL BLOCK		
F2033	GROOVE PIN	23	9A		GROUND	11	46
F203673	TERMINAL CLIP	9	35	F307317	CLIP TERMINAL BLOCK		
F203673	TERMINAL CLIP	15	79		GROUND	13	41
F203965	SHOCK MOUNT UPPER	37	9	F307453-3	CYLINDER EXHAUST		
F2071	HEX CAP SCREW, 5/16 - 18				GASKET LOWER	37	6
	X 1 3/8	9	9	F307615	GEAR SHIFT ROD UPPER	37	13
F2071	HEX CAP SCREW, 5/16 - 18			F307660-1	LEG EXHAUST TUBE	39	83
	X 1 3/8	13	6	F307683	CIRCUIT BREAKER WIRE	5	41
F2097	SPRING PIN	43	23	F307683	WIRE, CIRCUIT BREAKER	15	62
F213274	GREASE FITTING	37	23	F307818	BEARING, LATCH SHAFT	3	23
F213342	SEAL, FUEL LINE COUPLER			F307860	INTAKE SILENCER	3	9
	(LARGE)	47	4	F307908	STARTER LEAD	19	22
F213735	SEAL, FUEL LINE COUPLER			F307942-1	BUMPER	27	20
	(SMALL)	47	5	F307962	SHOCK MOUNT SIDE		
F215962	SHOCK MOUNT SIDE				UPPER	39	80
	LOWER	37	10	F307989-1	SEAL, KINGPIN PLATE	37	3
F24074	CLAMP SCREW FOOT	37	38	F310189	BUSHING ELECTRIC CABLE		
F268002-2	BREAKER CAM	13	17		ENTRY, FOR ELECTRIC		
F268002-2	CAM	9	21		START MODELS	3	-
F269052	SHIFT ARM BEARING	27	36	F311189-1	BUSHING, CABLE ENTRY	3	25
F269122-1	CRANKCASE PARTING LINE			F311247	WATER TUBE,		
	SEAL (NOT SHOWN)	31	-		THERMOSTAT	29	88
F269319	THROTTLE CAM BEARING	27	11	F311501	COIL MOUNT	11	43
F269445-1	SPARK CONTROL LINK	27	25	F311513	COIL CLAMP	9	33
F269929	SPACER, TILT STOP	37	25	F311744-2	WIRING HARNESS	11	49
F269929	SPACER, TILT STOP	37	29	F328109	PIPE PLUG	29	80
F269929	SPACER, TILT STOP	39	54	F328109	PLUG	31	100
F269929	SPACER, TILT STOP	39	56	F328615	GEAR SHIFT ROD UPPER		
F286132	STARTER ROPE HANDLE	17	38		FOR HAND START		
F286461	SPRING LOCK BAR HANDLE	41	95		MODELS ONLY	37	-
F286547	CHOKE, KNOB	3	26	F328621	GEAR SHIFT LEVER ARM	17	32
F286772-1	CLAMP, FOR ELECTRIC			F333316	THROTTLE ROLLER SHAFT	23	32
	START MODELS ONLY	37	7	F335160	REED	35	11
F286772-1	CLAMP, FOR HAND START			F335217-1	BEARING	33	8
	MODELS ONLY	35	15	F338129-1	BOOT	43	1
F288075	CLAMP SCREW HANDLE	37	36	F338271	RETAINER	43	2
F289664	WIRE STATOR GROUND	11	56	F338618-1	SEAL, SHIFT ROD LOWER	45	45
F289664	WIRE, STATOR GROUND	15	71	F345301-1	UNIT	13	35
F290398-1	DECAL, WIRING (NOT			F345358	MOUNT, C.D. UNIT	13	32
	SHOWN)	11	-	F345427-1	BRACKET, STARTER		
F290398-1	DECAL, WIRING (NOT				MOUNTING	27	1
	SHOWN)	15	-	F345475-1	COILS	13	27
F298788	FERRULE	47	7	F345501	MOUNT, COIL	13	31
F2A366298	PROPELLER SHAFT			F345513	CLAMP, COIL	13	25
	BEARING CAGE	43	14	F345683	WIRE GROUND	11	61
F2A433757	CYLNR DRRAIN REED			F345683	WIRE, GROUND	13	36
	PLATE W/REEDS, REED			F345744-1	HARNESS, WIRING	15	47
	STOPS, SCREWS &			F345908	GROUND WIRE, COIL	15	73
	SCREEN	29	49	F349307	DRIVESHAFT SEAL	45	52
F2A467518	HEAD, CYLINDER FOR C.D.			F353480	STUD	39	85
	MODELS	29	68	F366037	STERN BRACKET PIVOT		
F2A474266	BEVEL PINION W/BEARING	43	35		BOLT	37	32
F307038	SUPPORT PLATE, FOR			F366058	BALL BEARING, PROPELLER		
	ELECTRIC START				SHAFT	43	16
	MODELS	5	-	F366082	MAGNETO STATOR RING	33	18
F307211	STUD	17	14	F366133-1	MOTOR LEG	41	65
F307211	STUD	27	2	F366215	SPACER	33	10
F307279-2	CYLINDER EXHAUST			F366277	BEARING CAGE GASKET	33	4
	GASKET UPPER	37	1				

# PARTS INDEX

Part Number	Description	Pg.	Ref. No.	Part Number	Description	Pg.	Ref. No.
F366300	REVERSE LOCK SPRING ..	39	48	F433680	SPACER PLATE .....	37	2
F366349	REVERSE LOCK .....	39	44	F433689	TOWERSHAFT BEARING ..	27	28
F366350	TILT STOP PIVOT .....	37	26	F433946	SHOCK MOUNT UPPER COVER .....	41	91
F366364	ARM .....	37	40	F433972	SHOCK MOUNT LOWER COVER, STARBOARD ...	37	11
F366392	SIDE PLATE .....	3	2	F433973	SHOCK MOUNT LOWER COVER, PORT .....	39	63
F366426	TILT STOP PORT .....	39	55	F434061-3	CARBURETOR COMPLETE (WB16D) .....	25	41
F366433	TILT STOP, STARBOARD ..	37	27	F434322	PACKING - LEG COVER LOWER REAR (NOT SHOWN) .....	41	-
F366510	LINK .....	39	43	F434754	FUEL LINE, PUMP TO CARBURETOR .....	21	14
F366727	BALL, PROPELLER SHAFT .	43	20	F434758	FUEL PUMP IMPULSE HOSE	21	4
F366827	HANDLE AND SHAFT .....	37	42	F435057	BEARING, DRIVESHAFT UPPER .....	45	47
F366884	BEARING .....	37	34	F435077	SCREEN, WATER INLET ...	45	46
F366886	PIN .....	39	45	F435133-1	MOTOR LEG .....	41	65
F369390-1	DECAL, TILT LOCK (NOT SHOWN) .....	41	-	F435244	INLET WATER LINE FOR LONG SHAFT MODELS ..	43	-
F369450	RECTIFIER .....	9	39	F435323	PACKING, LEG COVER LOWER .....	39	71
F369450	RECTIFIER .....	13	43	F435323	PACKING, LEG COVER UPPER .....	39	74
F369884	BEARING .....	37	41	F435555	SEAL, GEAR HOUSING ...	45	43
F369887	STARTER INTERLOCK SCREW .....	17	21	F435562	WATER PUMP BACK PLATE	45	49
F381896-4	BATTERY CABLE .....	11	55	F435705	GEAR SHIFT ROD LOWER .	43	36
F381896-4	BATTERY CABLE .....	15	70	F435706	COVER, GEAR HOUSING UPPER .....	45	41
F391926-1	CHOKE SOLENOID PLUNGER .....	23	9	F436449	SHORTING SWITCH .....	7	2
F40008	STUD, SHORT .....	43	39	F438165	SCREW, FUEL BOWL .....	21	17
F40017-2	PISTON PIN .....	33	9	F438500	FUEL SEDIMENT BOWL ...	21	16
F40146-1	CRANKSHAFT SEAL .....	33	1	F438617	FUEL SEDIMENT BOWL GASKET .....	21	12
F40151-1	EXHAUST PORT PLATE ...	31	95	F438653	FUEL PUMP SCREEN .....	21	15
F40154-3	EXHAUST PORT PLATE GASKET .....	31	94	F438747	FUEL PUMP DIAPHRAGM ..	21	5
F40209	CARBURETOR STUD .....	35	3	F438760	FUEL PUMP GASKET .....	21	2
F40223	TRANSFER PORT COVER GASKET .....	29	55	F438801	ELBOW .....	21	11
F40307-2	SEAL, DRIVESHAFT .....	45	48	F452925	CHOKE SOLENOID ROD ...	23	8A
F40342	SEAL .....	43	5	F456674-1	STARTER PINION GEAR ...	17	4
F40342	SEAL, PROPELLER NUT ...	43	11	F458677	INSERT, CHOKE KNOB ...	3	13
F40410	SNAP RING .....	33	14	F458774	BRACKET RETAINER REAR	5	44
F40425	STARTER PINION PIN .....	17	5	F460664	WIRE, STATOR GROUND ..	7	9
F404801	ELBOW .....	29	65	F463073	CLAMP SCREW .....	37	35
F405457	PIVOT SCREW .....	27	33	F463269	TILT HANDLE .....	5	58
F40717	THRUST WASHER, BEVEL GEAR .....	43	19	F463314	ELBOW .....	31	96
F40833-4	MOTOR LEG EXHAUST COVER GASKET .....	39	67	F463366	NAME PLATE, "CHRYSLER"	5	47
F40906-1	FLANGE GASKET .....	25	39	F463711-1	PLATE, FRONT .....	3	1
F409251-1	GAUGE CAP .....	47	1	F463864	RETAINER, TILT HANDLE ..	5	50
F428096	RETAINER, PISTON PIN ...	33	11	F466095	STATOR .....	9	12
F433065	WATER PUMP IMPELLER ..	45	50	F466095	STATOR .....	13	10
F433114	HANDLE, LOCK BAR .....	41	94	F466479	BREAKER PLATE SHOE ...	9	11
F433168	CARBURETOR ADAPTER GASKET .....	35	6	F466479	BREAKER PLATE SHOE ...	13	8
F433180-1	TRIM, REAR .....	5	52	F478502	LINK .....	17	25
F433192	THROTTLE CAM .....	27	14	F485005	INTERLOCK LEVER ARM ..	17	30
F433209	STUD, THROTTLE CAM ...	27	10	F485105	STARTER INTERLOCK SHAFT .....	17	26
F433254	HOSE .....	29	66	F485424	SPRING STARTER PINION .	17	6
F433404	DEFLECTOR PLATE .....	35	8				
F433406	DEFLECTOR PLATE GASKET .....	35	9				
F433503	CHOKE CABLE .....	3	27				
F433675	STARTER MOUNTING BRACKET, LOWER .....	27	5				

# PARTS INDEX

Part Number	Description	Pg.	Ref. No.	Part Number	Description	Pg.	Ref. No.
F485512	INSERT, PLATE . . . . .	5	63	F74H06	OVERHEAT BUZZER KIT . . .	56	-
F485755	FUEL TANK ADAPTER . . . .	47	3	F74H09	TACHOMETER (FLUSH MOUNT) . . . . .	57	-
F485781	STARTER INTERLOCK LOCK	17	23	F74H19	IGNITION KEY SWITCH . . . .	56	-
F485946	SHOCK MOUNT UPPER COVER FOR HAND START MODELS ONLY . . . . .	41	-	F74H20	IGNITION KEY SWITCH . . . .	56	-
F485971	STARTER SPRING EXTENSION . . . . .	17	17	F74H20	IGNITION SWITCH (ACCESSORY ITEM) . . . .	11	52
F486015	PISTON . . . . .	33	12	F74H20	SWITCH, IGNITION (ACCESSORY ITEM) . . . .	15	53
F486531	STARTER INTERLOCK ROD	17	19	F75H09	BATTERY CABLE . . . . .	55	-
F50109	PLUG, GEAR HOUSING . . . .	43	27	F8001	NYLTITE WASHER . . . . .	43	30
F58685-2	CONNECTOR, SHIFT CABLE	49	2	F8003	PLAIN WASHER . . . . .	29	46
F590	REMOTE CONTROL FLUSH MOUNT (SINGLE LEVER)	56	-	F8011	PLAIN WASHER . . . . .	3	36
F7001	ELASTIC STOP NUT . . . . .	39	53	F8011	PLAIN WASHER . . . . .	9	30
F7004	STOP NUT, 7/16 - 20 . . . . .	27	37	F8011	PLAIN WASHER . . . . .	15	68
F7007	NUT . . . . .	37	31	F8025	PLAIN WASHER . . . . .	39	81
F7011	HEX NUT, 10 - 24 . . . . .	5	51	F8028	PLAIN WASHER . . . . .	17	20
F70H01	ANTI-CORROSION KIT . . . .	55	-	F8028	PLAIN WASHER . . . . .	19	16
F70H02	ANTI-CORROSION SACRIFICIAL ANODE . . . .	55	-	F8038	PLAIN WASHER . . . . .	39	79
F70H03	CARRYING HANDLE . . . . .	55	-	F8042	PLAIN WASHER . . . . .	43	6
F70H05	BATTERY EXTENSION CABLE . . . . .	55	-	F8049	BOWED SPRING WASHER . . .	37	15
F70H27	REMOTE STEERING BRACKET . . . . .	56	-	F8056	SPRING LOCKWASHER . . . .	3	18
F71H01	POWER TILT . . . . .	56	-	F8056	SPRING LOCKWASHER . . . .	11	59
F71H04	SPEEDOMETER . . . . .	57	-	F8056	SPRING LOCKWASHER . . . .	15	44
F71H05	TEMPERATURE GAUGE ELECTRIC MODELS (FLUSH MOUNT) . . . . .	55	-	F8056	SPRING LOCKWASHER . . . .	15	49
F71H08	FUEL TANK (ACCESSORY ITEM) . . . . .	47	2	F8058	INTERNAL TOOTH LOCKWASHER . . . . .	17	22
F71H08	STEEL, 6 GALLON FUEL TANK . . . . .	56	-	F8058	INTERNAL TOOTH LOCKWASHER . . . . .	27	13
F71H10	SENDING UNIT . . . . .	55	-	F8058	INTERNAL TOOTH LOCKWASHER . . . . .	29	60
F71H12	FUEL TANK ANCHOR . . . . .	56	-	F8060	EXTERNAL TOOTH LOCKWASHER . . . . .	17	36
F71H21	IGNITION SWITCH MOUNTING KIT (ACCESSORY ITEM) . . . .	11	65	F8060	EXTERNAL TOOTH LOCKWASHER (USE WITH PAN HD SCREW) . . . . .	33	23
F71H21	IGNITION SWITCH MOUNTING KIT (ACCESSORY ITEM) . . . .	15	77	F8060	LOCKWASHER . . . . .	19	15
F71H23	STEEL, 12 GALLON FUEL TANK . . . . .	56	-	F8063	SPRING LOCKWASHER . . . .	17	2
F71H26	BATTERY TERMINAL KIT . . .	55	-	F8065	LOCKWASHER . . . . .	43	32
F71H26	BATTERY TERMINAL KIT (ACCESSORY ITEM) . . . .	11	57	F8065	SPRING LOCKWASHER . . . .	37	7A
F71H26	BATTERY TERMINAL KIT (ACCESSORY ITEM) . . . .	15	72	F8077	WASHER, GEAR HOUSING PLUG . . . . .	43	28
F72H15	POWER TRIM . . . . .	55	-	F8083	SPRING LOCKWASHER . . . .	3	34
F72H20	WATER PUMP KIT . . . . .	55	-	F8083	SPRING LOCKWASHER . . . .	11	60
F72H21	POWER TRIM INDICATOR . .	56	-	F8083	SPRING LOCKWASHER . . . .	13	37
F72H36	REMOTE CONTROL SURFACE MOUNT (SINGLE LEVER) . . . . .	56	-	F8083	SPRING LOCKWASHER . . . .	29	76
F73H03	LONG LEG CONVERSION KIT . . . . .	56	-	F8083	SPRING LOCKWASHER . . . .	39	87
F73H11	REMOTE ELECTRIC CABLE	57	-	F8088	PLAIN WASHER . . . . .	11	64
F74H01	VOLTMETER . . . . .	57	-	F8088	PLAIN WASHER . . . . .	13	9
				F8088	PLAIN WASHER . . . . .	23	10
				F8088	PLAIN WASHER . . . . .	29	57
				F8094	PLAIN WASHER . . . . .	3	28
				F8094	PLAIN WASHER . . . . .	11	58
				F8094	PLAIN WASHER . . . . .	13	40
				F8094	WASHER . . . . .	39	46
				F8096	SPRING LOCKWASHER . . . .	3	21
				F8096	SPRING LOCKWASHER . . . .	3	32
				F8096	SPRING LOCKWASHER . . . .	9	10
				F8096	SPRING LOCKWASHER . . . .	13	7
				F8096	SPRING LOCKWASHER . . . .	15	60

# PARTS INDEX

Part Number	Description	Pg.	Ref. No.	Part Number	Description	Pg.	Ref. No.
F8096	SPRING LOCKWASHER . . .	17	15	F92446	CLAMP . . . . .	9	4
F8096	SPRING LOCKWASHER . . .	27	3	F92446	CLAMP . . . . .	13	21
F84026	SPARK CONTROL SWIVEL . .	27	22	F92498	KEY . . . . .	7	14
F84035-2	SPARK CONTROL BEARING, R.H. . . . .	27	26	F92498	KEY . . . . .	9	22
F84036	SPARK CONTROL BEARING, L.H. . . . .	27	23	F92498	KEY . . . . .	13	18
F84280	KINGPIN NUT . . . . .	37	21	F92759	ROLLER . . . . .	23	33
F84314-2	ELBOW . . . . .	21	3	F93002	CAM . . . . .	7	15
F84314-2	ELBOW, FUEL LINE . . . . .	29	58	F93097-6	FLYWHEEL AND STARTER GEAR . . . . .	7	3
F84314-2	ELBOW, FUEL LINE CARBURETOR . . . . .	25	42	F93472-1	CYLINDER DRAIN COVER GASKET . . . . .	29	44
F84449	NEUTRAL INTERLOCK SWITCH . . . . .	9	6	F93748-1	CYLINDER DRAIN REED PLATE GASKET . . . . .	29	51
F84449	NEUTRAL INTERLOCK SWITCH . . . . .	13	23	F93811	SCREEN, CYLINDER DRAIN REED PLATE . . . . .	29	50
F84449	SWITCH, NEUTRAL INTERLOCK . . . . .	27	41	F93914	SEAL, INLET WATER LINE, LOWER . . . . .	45	53
F84792	FUEL PUMP VALVE GASKET	21	8	F93920	CYLINDER DRAIN REED STOP . . . . .	29	47
F8537	SPRING PIN . . . . .	39	86	F94914	SLEEVE . . . . .	9	20
F85372	PIN, GEAR SHIFT ROD LOWER . . . . .	43	38	F94914	SLEEVE . . . . .	13	2
F8540	SPRING PIN . . . . .	17	34	F97008-1	STUD, LONG . . . . .	43	31
F8545	SPRING PIN . . . . .	31	99	F97066-1	THERMOSTAT COVER . . . .	29	84
F85502	THROTTLE LINK . . . . .	27	18	F97067	THERMOSTAT COVER GASKET . . . . .	29	83
F8559	DOWEL PIN . . . . .	29	52	F97068-1	THERMOSTAT . . . . .	29	82
F85610	BEARING . . . . .	27	35	F97275	FITTING, THERMOSTAT . . .	29	86
F85610	SHIFT ROD BRACKET BEARING . . . . .	17	29	F97504	GROMMET, THERMOSTAT . .	29	81
F85634-1	CONNECTING ROD SCREW	33	17	F97772	CLAMP . . . . .	29	87
F85735-1	SEAL . . . . .	5	54	F97772	FUEL LINE CLAMPS . . . . .	21	13
F85756	SUPPORT PLATE PACKING	5	46	F98273	ROD END CONNECTOR STUD . . . . .	29	59
F85843-1	ELECTRIC CONTROL CABLE	11	51	F99521-1	CLUTCH . . . . .	43	24
F85843-1	ELECTRIC CONTROL CABLE	15	69	FA15072	HEX LOCK NUT, 1/4 - 20 . .	19	23
F861	FLUSHING ADAPTER . . . . .	55	-	FA201955	STARTER MOTOR COMPLETE (NOT SHOWN)	19	-
F88161-3	REED STOP . . . . .	35	12	FA27232	EMERGENCY STARTER ROPE (NOT SHOWN) . . .	11	-
F89011	SWIVEL BRACKET WASHER	37	22	FA27232	EMERGENCY STARTER ROPE (NOT SHOWN) . . .	15	-
F89025	DAMPENING PAD . . . . .	37	5	FA307779	BAFFLE, AIR INTAKE W/SILENCER . . . . .	5	59
F89504	GROMMET MOTOR LEG . . .	39	70	FA328763	COVER LATCH HANDLE W/SHAFT . . . . .	3	29
F89777-1	LATCH CAM . . . . .	3	21A	FA354260	PISTON RING SET (6 PER SET) . . . . .	33	13
F90014	CRANKSHAFT LOWER MAIN BEARING . . . . .	33	16	FA366135	LEG COVER (PORT) . . . . .	41	72
F901563	DRIVE PIN, WATER PUMP IMPELLER . . . . .	43	4	FA366145	LEG COVER (STARBOARD)	41	75
F901710	STARTER ROPE GUIDE POST . . . . .	17	8	FA366778	ENGINE COVER RETAINER FORWARD W/SCREWS AND NUTS . . . . .	3	7
F901739	STARTER REWIND SPRING DRIVE . . . . .	17	7	FA366953	BUSHING STARTER HANDLE, FOR HAND START MODELS . . . . .	3	30
F901834	LEAD WIRE CLIP . . . . .	31	91	FA40655	CRANKSHAFT CENTER MAIN BEARING RACE W/SNAP RING . . . . .	33	15
F901970	SPRING STARTER REWIND	17	10	FA411222	TRANSFER PORT COVER . .	29	56
F90891	GEAR SHIFT ARM PIN . . . .	43	29	FA433019	KINGPIN W/PLUG . . . . .	39	59
F91446-1	CIRCUIT BREAKER BRACKET . . . . .	5	42				
F91446-1	CIRCUIT BREAKER BRACKET . . . . .	9	28				
F91446-1	CIRCUIT BREAKER BRACKET . . . . .	15	64				
F91460-2	CIRCUIT BREAKER . . . . .	3	35				
F91460-2	CIRCUIT BREAKER . . . . .	9	29				
F91460-2	CIRCUIT BREAKER . . . . .	15	63				

# PARTS INDEX

Part Number	Description	Pg.	Ref. No.	Part Number	Description	Pg.	Ref. No.
FA433144	CRANKSHAFT BEARING CAGE W/SEAL FOR MAGNETO IGNITION MODELS .....	33	3	FA58976-1	CONNECTOR, THROTTLE CABLE .....	49	1
FA433152	EXHAUST PORT COVER ...	31	93	FA77395-5	IDENTIFICATION PLATE W/SCREWS, U.S.A. ....	3	12
FA433158	REED PLATE W/REEDS, STOPS AND SCREWS ...	35	10	FA84754-1	FUEL LINE SHORT W/FERRULES .....	47	8
FA433167	CARBURETOR ADAPTER FLANGE W/STUDS .....	35	5	FA89128-1	DRIVESHAFT W/RETAINER FOR LONG SHAFT MODELS .....	43	-
FA433387	DECAL, TIMING .....	35	14	FA89832-2	MOTOR LEG EXHAUST COVER .....	39	68
FA433471	CYLINDER DRAIN COVER .	27	43	FA90871-2	GEAR SHIFT ARM PIN W/YOKE .....	43	22
FA433876	SHIFT ARM W/CLAMP AND SWIVEL .....	27	38	FA94094-1	PROPELLER NUT W/SEAL AND COTTER PIN .....	43	9
FA434616	GEAR SHIFT ROD INTERMEDIATE FOR STANDARD SHAFT MODELS .....	45	55	FC478010	SHORT BLOCK .....	31	-
FA435135	LEG COVER (PORT) .....	41	72	FC486054	GEAR HOUSING COMPLETE	45	-
FA435145	LEG COVER (STARBOARD)	41	75	FG1007-1	GASKET SET (NOT SHOWN)	31	-
FA435616	GEAR SHIFT ROD INTERMEDIATE FOR LONG SHAFT MODELS ..	45	-	FK247	PROPELLER PIN, PACK OF 6 W/COTTER PIN .....	43	12
FA438431	FUEL PUMP BODY W/VALVES .....	21	9	FK405020	SWIVEL W/SCREW AND NUT	27	34
FA439746	FUEL PUMP COVER .....	21	1	FK433032	STERN BRACKET W/CLAMP SCREW AND FOOT .....	37	30
FA458480	ENGINE COVER RETAINER W/SCREWS AND NUTS ..	5	49	FK433838	TOWERSHAFT W/CLAMP AND SWIVEL .....	27	29
FA463892	INSERT, FRONT PLATE, U.S.A. FOR HAND START MODELS .....	3	4	FK750-1	SPARKIE KIT .....	7	23
FA466144	CRANKSHAFT BEARING CAGE W/SEAL FOR ALTERNATOR MODELS .	33	-	FK750-1	SPARKIE KIT .....	11	45
FA466892	INSERT, FRONT PLATE, U.S.A., FOR ALTERNATOR MODELS .....	3	-	FK750-1	SPARKIE KIT .....	15	81
FA466893	INSERT, FRONT PLATE, CANADA, FOR ALTERNATOR MODELS .	3	-	FK85228	BEARING CAGE W/ROLLERS (16 PER SET) .....	33	6
FA467892	INSERT, FRONT PLATE, U.S.A., FOR C.D. MODELS	3	-	FO10165	INLET SEAT GASKET .....	23	19
FA467893	INSERT, FRONT PLATE, CANADA, FOR C.D. MODELS .....	3	-	FO10280	CHOKE SHUTTER RETAINING SCREW AND LOCKWASHER .....	23	16
FA478010	CYLINDER W/CRANKCASE COVER, DEFLECTOR PLATE AND SCREWS ...	29	53	FO10588	BODY CHANNEL CUP PLUG	23	1
FA485023	BEVEL GEAR FRONT W/BEARING .....	43	25	FO10790	INLET NEEDLE, SEAT AND GASKET .....	23	20
FA485612	SHIFT ROD BRACKET .....	17	31	FO10883	CHOKE RELIEF VALVE SPRING .....	23	18
FA485662	BEVEL GEAR REAR W/BEARING .....	43	18	FO11103	IDLE MIXTURE SCREW SPRING .....	23	14
FA486054	GEAR HOUSING LOWER W/PLUG, WASHER AND THRUST BEARING CUP .	43	26	FO13552	FUEL BOWL .....	23	25
FA486385	INSERT, PLATE SIDE .....	5	53	FO13554	FLOAT .....	23	27
FA510497	TERMINAL BLOCK .....	11	48	FO13944	FLOAT LEVER PIN .....	23	21
FA510497	TERMINAL BLOCK .....	13	39	FO13945	FUEL BOWL RETAINING SCREW .....	23	26
FA545018	CRANKSHAFT W/THRUST BEARING UPPER .....	33	5	FO13946	IDLE MIXTURE SCREW ....	23	15
				FO14292	THROTTLE SHAFT RETURN SPRING .....	23	36
				FO14302	MAIN FUEL JET (.084) (STANDARD) .....	23	29
				FO15623	FUEL BOWL GASKET .....	23	23
				FO15724	CHOKE SHUTTER .....	23	17
				FO15725	CHOKE RELIEF VALVE ....	23	13
				FO15728	THROTTLE SHAFT AND LEVER .....	23	34
				FO16340	THROTTLE SHUTTER .....	23	37
				FO16383	CHOKE SHAFT AND LEVER	23	5
				FO16385	CHOKE SHAFT RETURN SPRING .....	23	12

# PARTS INDEX

Part Number	Description	Pg.	Ref. No.	Part Number	Description	Pg.	Ref. No.
FO17355	MAIN NOZZLE	23	28	T8974	BREAKER POINT TENSION GAUGE	54	-
FO2510	FUEL BOWL RETAINING SCREW GASKET	23	24	22-817740A1	ELBOW	31	98
FO3804	THROTTLE SHAFT POSITION RETAINING SCREW WASHER	23	2	30-F366013	CRANKSHAFT THRUST BEARING UPPER	33	22
FO4326	BODY CHANNEL WELCH PLUG	25	40	32-817738A1	FUEL LINE, LONG W/CLAMP AND FERRULE	47	10
FO6393	THROTTLE SHAFT POSITION RETAINING SCREW	23	4	33-818007--1	SPARK PLUG (UL-18V) FOR C.D. MODELS	29	-
FO6396	THROTTLE SHAFT POSITION RETAINING SCREW LOCKWASHER	23	3	39-818113A1	PISTON RINGS (6 PER SET) .030 OVERSIZE (NOT SHOWN)	33	-
FO8942	THROTTLE SHUTTER RETAINING SCREW AND LOCKWASHER	25	38	44-819500A3	PROPELLER SHAFT	43	21
FP293	PROPELLER (ACCESSORY ITEM)	43	8	45-817737A1	DRIVESHAFT W/RETAINER FOR STANDARD SHAFT MODELS	43	3
FS174227	SPARK PLUG (L-4-J)	29	71	84-817765A2	COIL WIRE	9	37
FS307940	KINGPIN PLATE	37	4	85-818076A2	COIL	9	32
FS310260	PISTON RINGS (6 PER SET) .010 OVERSIZE (NOT SHOWN)	33	-	89-817760A2	CHOKER SOLENOID	3	19
FS409752	FUEL LINE, COMPLETE	47	-	89-817760A2	CHOKER SOLENOID	15	52
FS433758	HOSE	31	97	600-818052A4	CONNECTING ROD W/CAP AND SCREWS	33	7
FS463712	ENGINE COVER	3	3	700-818124A1	PISTON .030 OVERSIZE (NOT SHOWN)	33	-
FS504060	WATER PUMP BODY W/DRIVESHAFT SEAL	45	51	900-818049A2	CYLINDER HEAD	29	68A
FSA486015	PISTON .010 OVERSIZE (NOT SHOWN)	33	-	1600-817871A3	GEAR HOUSING UPR W/SEAL, WASHER, PLUG AND INLET WATER SCREEN	45	44
FT2910	KNOCK-OFF NUT	50	-				
FT2953	SOCKET	52	-				
FT2955A	TEST WHEEL	54	-				
FT2990	PISTON PIN REMOVER	52	-				
FT2996	RING COMPRESSOR	52	-				
FT3139-1	STARTER REWIND KEY	51	-				
FT3431	DRIVESHAFT SEAL AND PROP SHAFT SEAL INSTALLER	53	-				
FT3510	SEAL PUNCH	52	-				
FT3512	SEAL SLEEVE	52	-				
FT8904	FORWARD BEARING CUP INSTALLER	53	-				
FT8907	DRIVER HANDLE	53	-				
FT8918	BUSHING GUIDE SET	53	-				
FT8919	SPRING PIN PUNCH	53	-				
FT8921	FORWARD BEARING CUP REMOVER	53	-				
FT8926	RING EXPANDER	52	-				
FT8932	LIFTING HOOK	54	-				
FT8945	RETAINER PUNCH	53	-				
FT8948-1	PROPELLER SHAFT BEARING CAGE PULLER AND FLYWHEEL PULLER	53	-				
FT8950	LEAKAGE TESTER	54	-				
FT8957	SEAL INSTALLER	53	-				
FT8962	BEARING INSTALLER	53	-				
FT8964	BEARING REMOVER	53	-				
FTA2937-1	TIMING TOOL	50	-				