



PARTS CATALOG

25 H.P.

SERIAL NUMBER

25 (1975)	252BA
25 (1975)	252BB
25 (1975)	252HA
25 (1975)	252HB
25 (1975)	253BA
25 (1975)	253BB
25 (1975)	253HA
25 (1975)	253HB
25 (1975)	254BA
25 (1975)	254BB
25 (1975)	254HA
25 (1975)	254HB
25 (1975)	255BA
25 (1975)	255BB
25 (1975)	255HA
25 (1975)	255HB
25 (1975)	256BA
25 (1975)	256HA
25 (1975)	257BA
25 (1975)	257HA
25 (1976)	252BB
25 (1976)	25
25 (1976)	257HB

25 (1976)	257HB
-----------	-------	-------

TABLE OF CONTENTS:

ACCESSORIES	54
ALTERNATOR	18
CARBURETOR	20
CRANKSHAFT AND PISTON GROUP	26
ELECTRIC STARTER	12
ELECTRICAL COMPONENTS	16
ENGINE COVER AND SUPPORT PLATE (ELECTRIC START MODELS)	6
ENGINE COVER AND SUPPORT PLATE (MANUAL START MODELS)	2
FUEL PUMP	28
FUEL TANK AND LINE	48
GEAR HOUSING	44
HAND STARTER	10
LUBRICATION CHART	57
MAGNETO	14
MOTOR LEG	38
PARTS INDEX	59
POWER HEAD	30
REED PLATE	24
SPECIAL ADJUSTMENTS	58
SPECIAL TOOLS - LOWER UNIT	52
SPECIAL TOOLS - POWER HEAD	51
SPECIAL TOOLS - TEST EQUIPMENT	53
SPECIAL TOOLS - TUNE-UP	50
SPECIFICATIONS	56
SWIVEL BRACKET GROUP	34

NOTE: Indented description indicate that these parts are included in preceeding assembly.

AR = As Required

NSS = Not Sold Separate

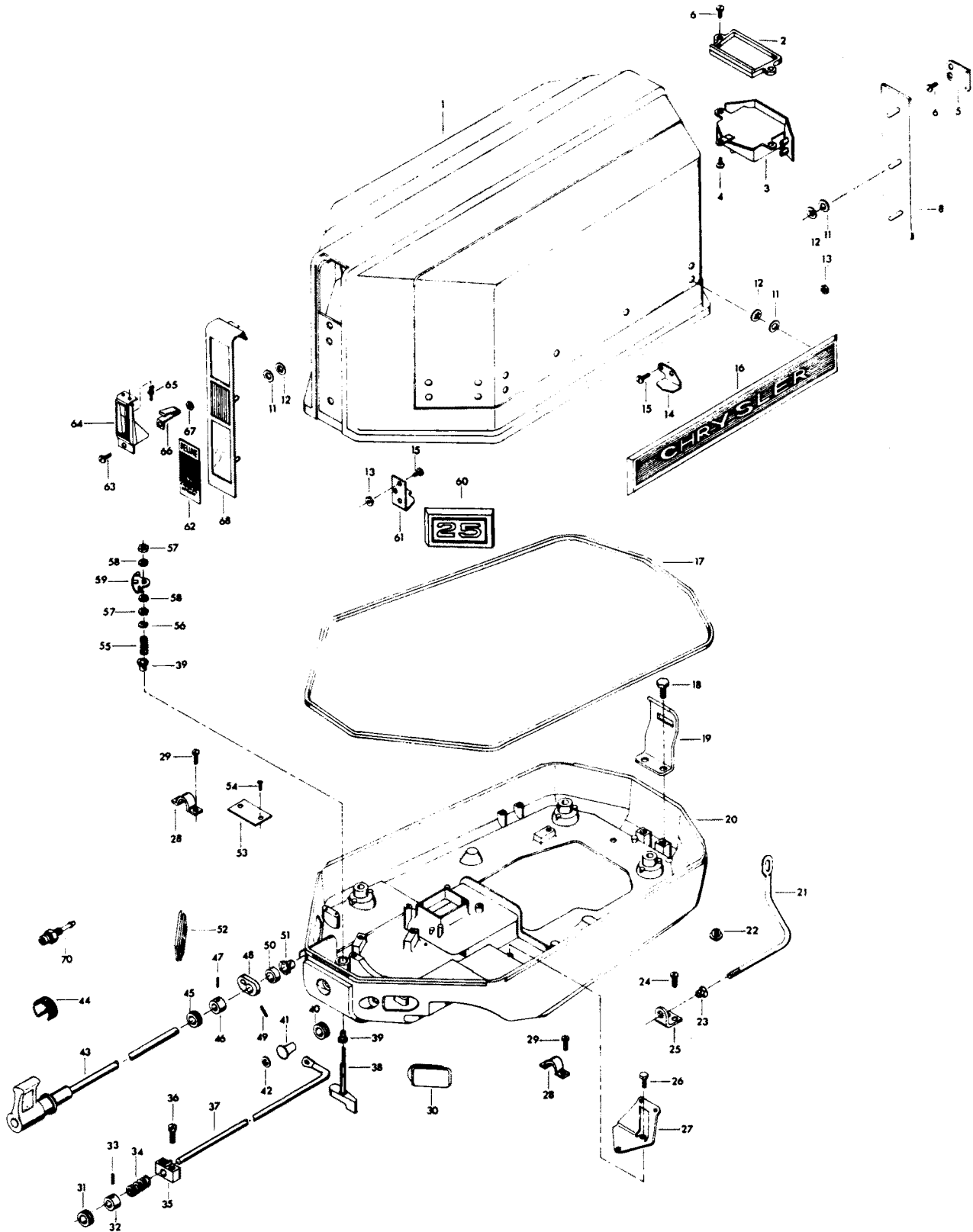
OPT = Optional

NS = Not Shown

THESE PARTS BOOKS/FICHE CARD ARE COPYRIGHTED AND MAY NOT BE DISTRIBUTED OR REPRODUCED IN ANY OTHER FORMAT BY ANYONE OTHER THAN MERCURY MARINE WITHOUT THE PRIOR WRITTEN CONSENT OF MERCURY MARINE.

THIS PAGE INTENTIONALLY LEFT BLANK

ENGINE COVER AND SUPPORT PLATE (MANUAL START MODELS)

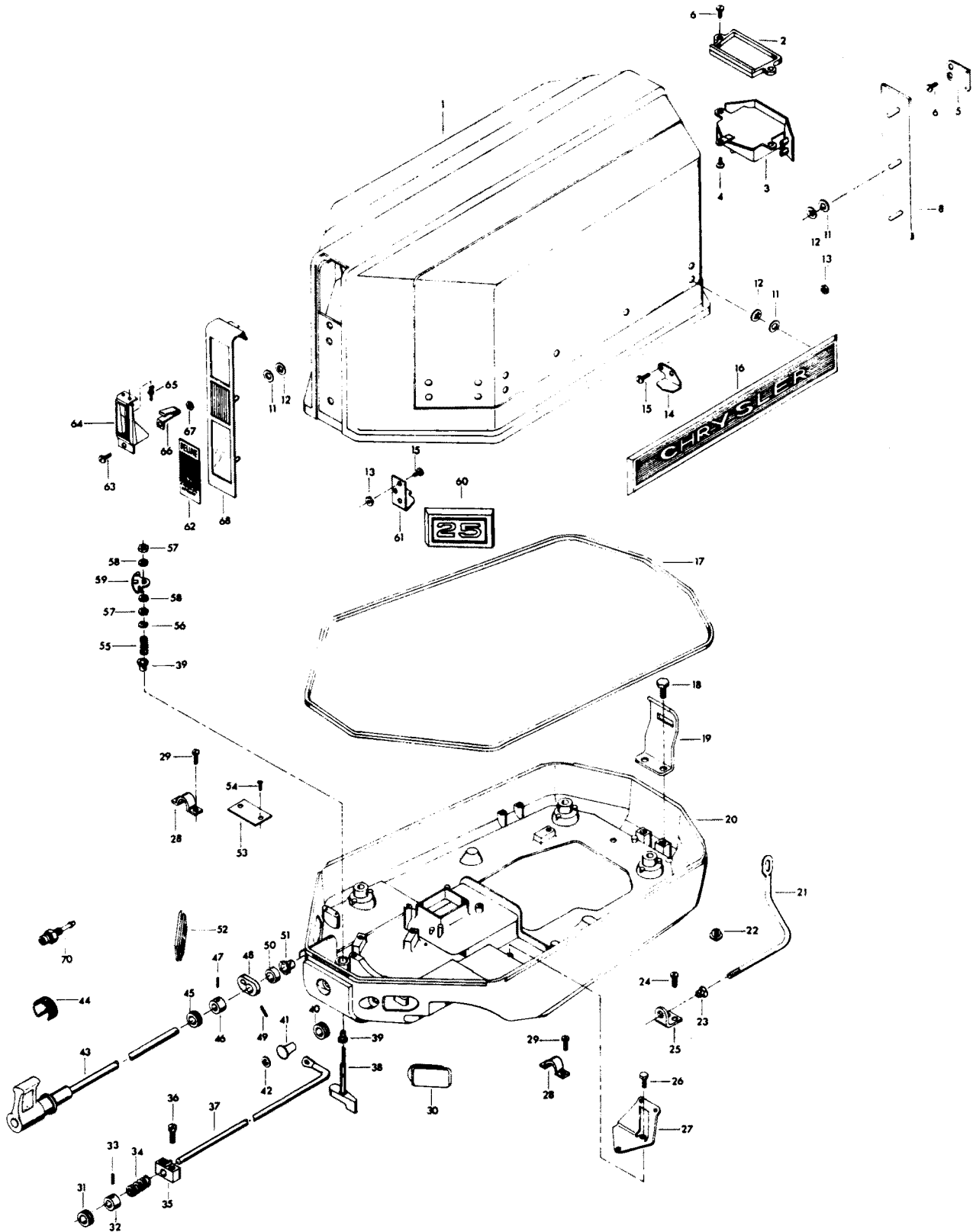


ENGINE COVER AND SUPPORT PLATE (MANUAL START MODELS)

REF. NO.	PART NO.	SYM.	QTY.	DESCRIPTION
1	FA458712		1	ENGINE COVER W/FRONT AND REAR RETAINERS
2	F458245		1	BAFFLE, TILT HANDLE
3	FA513269		1	TILT HANDLE
4	F2025		1	PAN HD SCREW, 10 X 5/8
5	F463864		2	RETAINER, TILT HANDLE
6	F1728		6	PAN HD SCREW, 10 X 3/8
7	F458142		1	FITTING, HANDLE DRAIN
8	504180		1	TRIM, REAR
11	F85735-1		23	SEAL
12	F1753		23	FASTENER
13	F7011		4	HEX NUT
14	FA458480		1	RETAINER, ENGINE COVER REAR W/SCREWS AND NUTS
15	F1475		4	FILL HD SCREW, 10 - 24 X 1/2
16	458366-1		2	PLATE, NAME "CHRYSLER"
17	F85756		1	PACKING, ENGINE COVER
18	F1922		2	HEX HD SCREW, 1/4 - 20 X 5/8
19	F461774		1	BRACKET, RETAINER REAR
20	F458038-2		1	SUPPORT PLATE
21	F458503		1	CHOKE ROD
22	F1632		1	PLASTI-PLUG
23	F183818		1	BEARING, CHOKE ROD
24	F1760		2	PAN HD SCREW, 10 - 24 X 3/8
25	F324993		1	BRACKET, CHOKE ROD BEARING
26	F1236		2	HEX CAP SCREW, 1/4 - 20 X 1/2
27	F458371		1	BRACKET, REMOTE THROTTLE CABLE
28	F154317		2	CLAMP, REMOTE CABLE
29	F2107		4	SLOTTED FILL HD SCREW W/SPRING LOCKWASHER, 10 - 24 X 5/8
30	F324840-1		1	GROMMET, REMOTE THROTTLE CABLE
31	F183504		1	GROMMET, MAGNETO CONTROL SHAFT
32	FA343178		1	RETAINER, MAGNETO CONTROL SHAFT W/SET SCREW
33	F1859		1	HEX SOCKET HEADLESS SET SCREW, 1/4 - 28 X 3/16
34	F183300		1	SPRING, MAGNETO CONTROL SHAFT
35	F324689		1	BEARING, MAGNETO CONTROL SHAFT
36	F1087		2	FILL HD SCREW, 10 - 24 X 7/8
37	FA458838		1	MAGNETO CONTROL SHAFT
38	FA413469		1	COVER LATCH HANDLE W/SHAFT
39	F307818		2	BEARING, LATCH SHAFT
40	F53840-2		1	GROMMET, CHOKE ROD
41	F286547		1	CHOKE KNOB
42	F458677		1	INSERT, CHOKE KNOB
43	F2A504614		1	KNOB, GEAR SHIFT W/SHAFT AND INDICATOR
44	F461400		1	INDICATOR, GEAR SHIFT

CONTINUED ON NEXT PAGE ➡

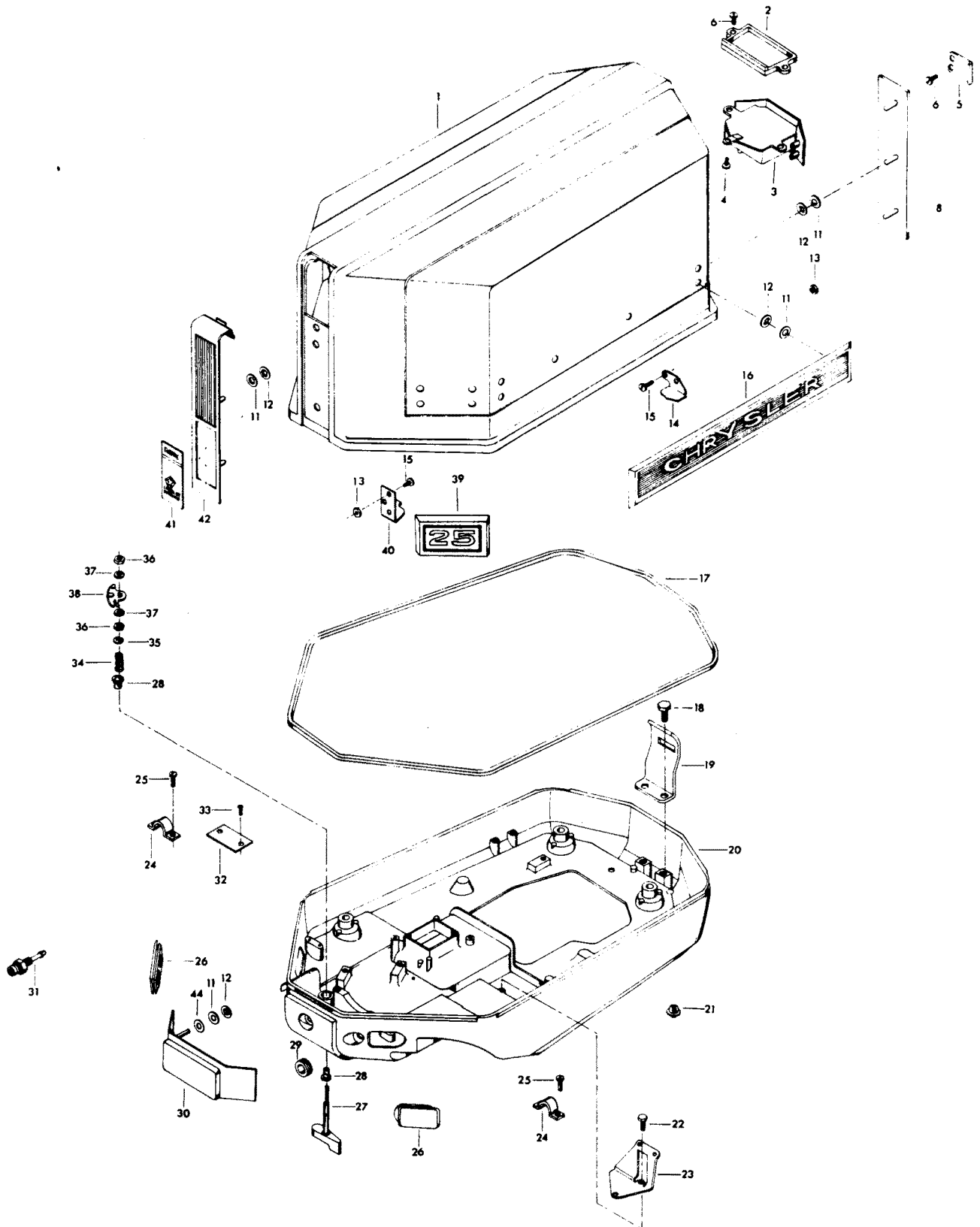
ENGINE COVER AND SUPPORT PLATE (MANUAL START MODELS)



ENGINE COVER AND SUPPORT PLATE (MANUAL START MODELS)

REF. NO.	PART NO.	SYM.	QTY.	DESCRIPTION
45	F24623-1		1	GROMMET, GEAR SHIFT
46	FA343178		1	RETAINER, GEAR SHIFT SHAFT W/SET SCREW
47	F1859		1	HEX SOCKET HEADLESS SET SCREW, 1/4 - 28 X 3/16
48	F504621		1	LEVER, GEAR SHIFT CONTROL
49	F1836		1	SPRING PIN
50	F504836		1	SPACER, GEAR SHIFT SHAFT
51	F307818		1	BEARING
52	F324840-1		1	GROMMET, REMOTE SHIFT CABLE
53	FA77395-5		1	PLATE, IDENTIFICATION W/SCREWS, U.S.A.
-	AC16395-7		1	PLATE, IDENTIFICATION W/SCREWS, CANADA
54	F1293		2	DRIVE SCREWS
55	F183300		1	SPRING, LATCH SHAFT
56	F185764		1	RETAINING RING
57	F1515		2	HEX JAM NUT, 5/16 - 18
58	F8096		2	SPRING LOCKWASHER
59	F89777-1		1	CAM, ENGINE COVER LATCH
60	F461512		2	PLATE, NUMERAL
61	FA458778		1	RETAINER, ENGINE COVER FRONT W/SCREWS AND NUTS
62	FA458892		1	INSERT, PLATE FRONT, U.S.A.
-	A458893		1	INSERT, PLATE FRONT, CANADA
63	F1760		1	PAN HD SCREW, 10 - 24 X 3/8
64	F458888-1		1	TRIM, STARTER HANDLE GUIDE
65	F2026		2	PLASTIC RIVET
66	F458880		1	CLIP, STARTER GUIDE
67	F1473		1	HEX NUT, 10 - 24
68	F458711		1	PLATE, FRONT
70	F434767		1	BUSHING, FUEL LINE

ENGINE COVER AND SUPPORT PLATE (ELECTRIC START MODELS)

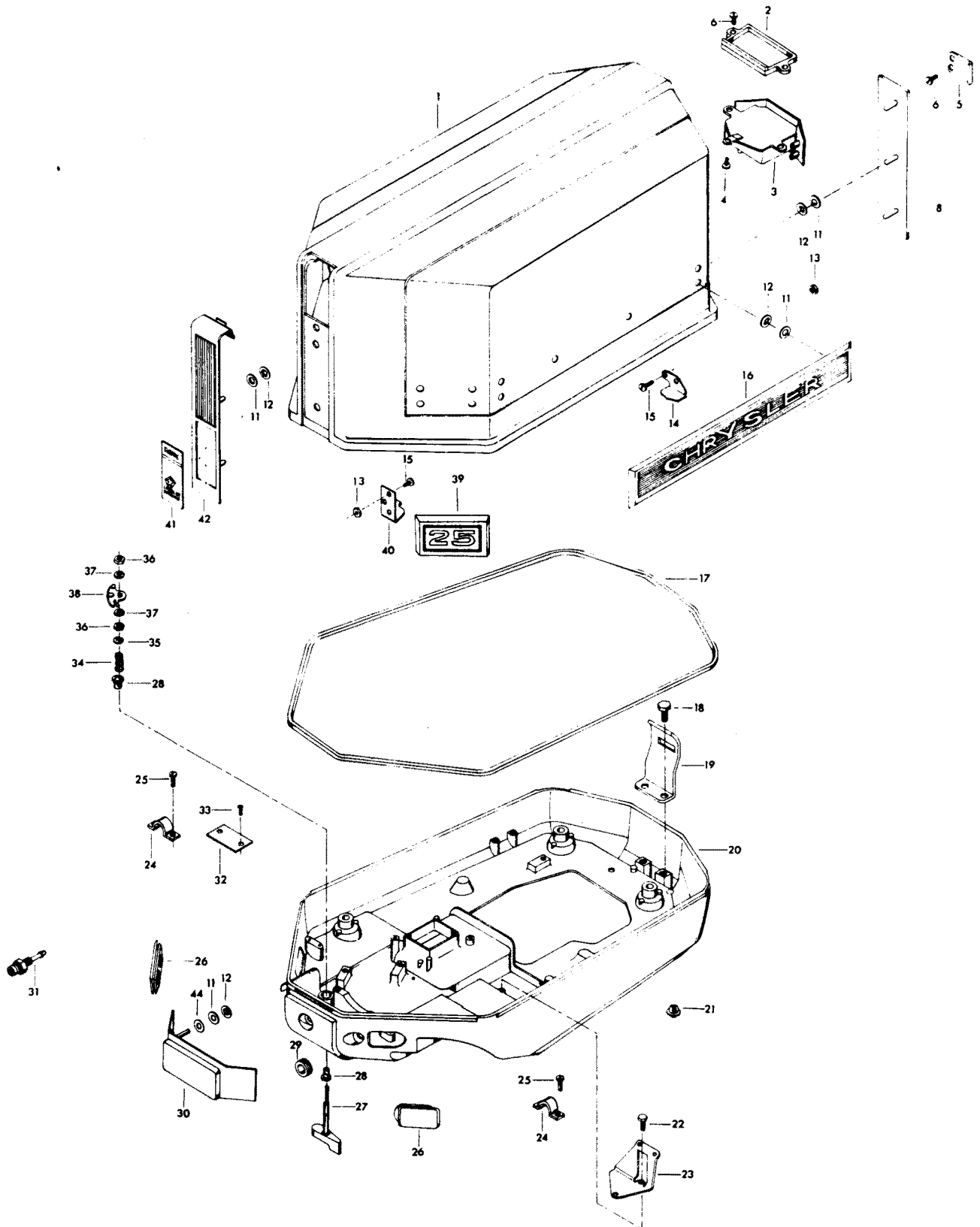


ENGINE COVER AND SUPPORT PLATE (ELECTRIC START MODELS)

REF. NO.	PART NO.	SYM.	QTY.	DESCRIPTION
1	FA458712		1	ENGINE COVER W/FRONT AND REAR RETAINERS
2	F458245		1	BAFFLE, TILT HANDLE
3	FA513269		1	TILT HANDLE
4	F2025		1	PAN HD SCREW, 10 X 5/8
5	F463864		2	RETAINER, TILT HANDLE
6	F1728		6	PAN HD SCREW, 10 X 3/8
8	504180		1	TRIM, REAR
11	F85735-1		25	SEAL
12	F1753		25	FASTENER
13	F7011		4	HEX NUT, 10 - 24
14	FA458480		1	RETAINER, ENGINE COVER REAR W/SCREWS AND NUTS
15	F1475		4	FILL HD SCREW, 10 - 24 X 1/2
16	458366-1		2	PLATE, NAME "CHRYSLER"
17	F85756		1	PACKING, ENGINE COVER
18	F1922		2	HEX HD MACHINE SCREW, 1/4 - 20 X 5/8
19	F461774		1	BRACKET, RETAINER REAR
20	F458038-2		1	SUPPORT PLATE
21	F1632		1	PLASTI-PLUG
22	F1236		2	HEX CAP SCREW, 1/4 - 20 X 1/2
23	F458371		1	BRACKET, REMOTE THROTTLE CABLE
24	F154317		2	CLAMP, REMOTE CABLE
25	F2107		4	SLOTTED FILL HD SCREW W/SPRING LOCKWASHER, 10 - 24 X 5/8
26	F462840		2	GROMMET
27	FA413469		1	COVER LATCH HANDLE W/SHAFT
28	F307818		2	BEARING LATCH SHAFT
29	F53504		1	GROMMET, SUPPORT PLATE
30	F460163-1		1	COVER, SUPPORT PLATE
31	F43467		1	BUSHING, FUEL LINE
32	FA77395-5		1	PLATE, IDENTIFICATION W/SCREWS, U.S.A.
-	AC16395-7		1	PLATE, IDENTIFICATION W/SCREWS, CANADA
33	F1293		2	DRIVE SCREWS
34	F183300		1	SPRING, LATCH SHAFT
35	F185764		1	RETAINING RING
36	F1515		2	HEX JAM NUT, 5/16 - 18
37	F8096		2	SPRING LOCKWASHER
38	F89777-1		1	CAM, ENGINE COVER LATCH
39	F461512		2	PLATE, NUMERAL
40	FA458778		1	RETAINER, ENGINE COVER FRONT W/SCREWS AND NUTS
42	F460711		1	PLATE, FRONT

CONTINUED ON NEXT PAGE ➡

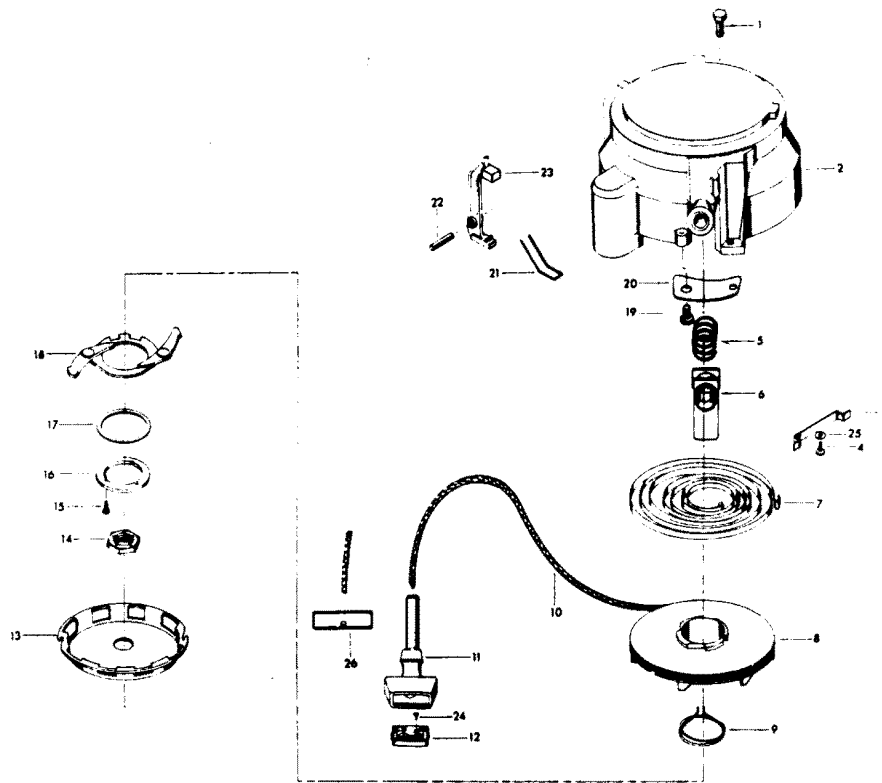
ENGINE COVER AND SUPPORT PLATE (ELECTRIC START MODELS)



ENGINE COVER AND SUPPORT PLATE (ELECTRIC START MODELS)

REF. NO.	PART NO.	SYM.	QTY.	DESCRIPTION
44	F8011		1	PLAIN WASHER
-	A460892		1	INSERT, FRONT PLATE, U.S.A.
-	A460893		1	INSERT, FRONT PLATE, CANADA
-	A505892		1	INSERT, FRONT PLATE, U.S.A.
-	A505893		1	INSERT, FRONT PLATE, CANADA

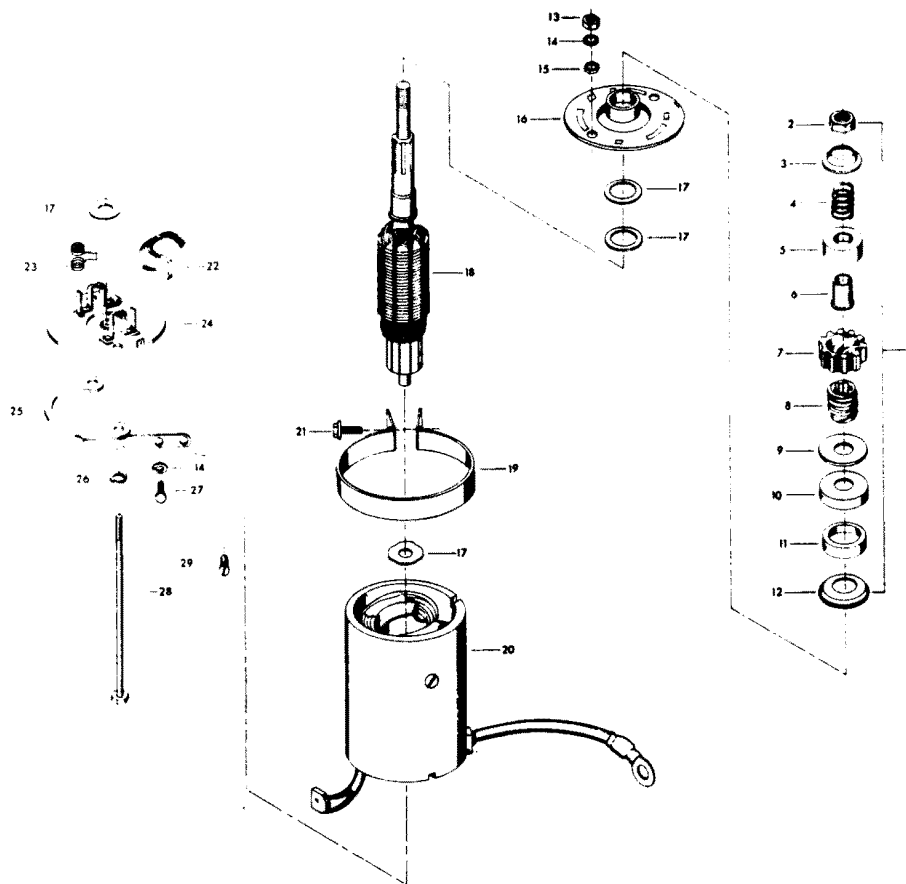
HAND STARTER



HAND STARTER

REF. NO.	PART NO.	SYM.	QTY.	DESCRIPTION
1	F1864		3	SLOTTED HEX HD SCREW, 1/4 - 20 X 3/4
2	817955A1		1	HOUSING, HAND STARTER
3	F458937		1	LINER, STARTER HOUSING
4	F1927		1	PAN HD SCREW, 10 - 32 X 3/8
5	F458071		1	SPRING, STARTER HANDLE GUIDE FOR MANUAL START MODELS
6	F458953-1		1	GUIDE, STARTER HANDLE FOR MANUAL START MODELS
7	F458970		1	SPRING, STARTER REWIND
8	F458239		1	STARTER PULLEY
9	F458424		1	SPRING, STARTER PAWL PLATE
10	F458232		1	STARTER ROPE
11	F458132		1	HANDLE, STARTER ROPE FOR MANUAL START MODELS
12	817938A1		1	RETAINER, STARTER ROPE HANDLE FOR MANUAL START MODELS
13	F458456		1	HAND STARTER COLLAR
14	F2021		1	FLYWHEEL NUT
15	F2004		3	FILL HD SCREW, 8 - 32 X 3/8
16	F458592		1	RETAINER, STARTER PULLEY
17	F9022		0	SHIM .006 (SILVER)
-	F9023		0	SHIM .007 (BRASS)
-	F9024		0	SHIM .010 (BLACK)
18	FA460423		1	STARTER PAWL PLATE ASSEMBLY
19	F2040		1	HEX HD MACHINE SCREW, 1/4 - 20 X 5/8
20	F461952		1	STRAP, HAND STARTER HOUSING
21	F458846		1	SPRING, STARTER INTERLOCK LEVER
22	F1638		1	SPRING PIN
23	F458003		1	STARTER INTERLOCK LEVER
24	F1500		1	RD HD SHEET METAL SCREW, 4 X 1/4 FOR MANUAL START MODELS
25	F8011		1	PLAIN WASHER
26	F18132-1		1	HANDLE, STARTER ROPE FOR ELECTRIC START MODELS

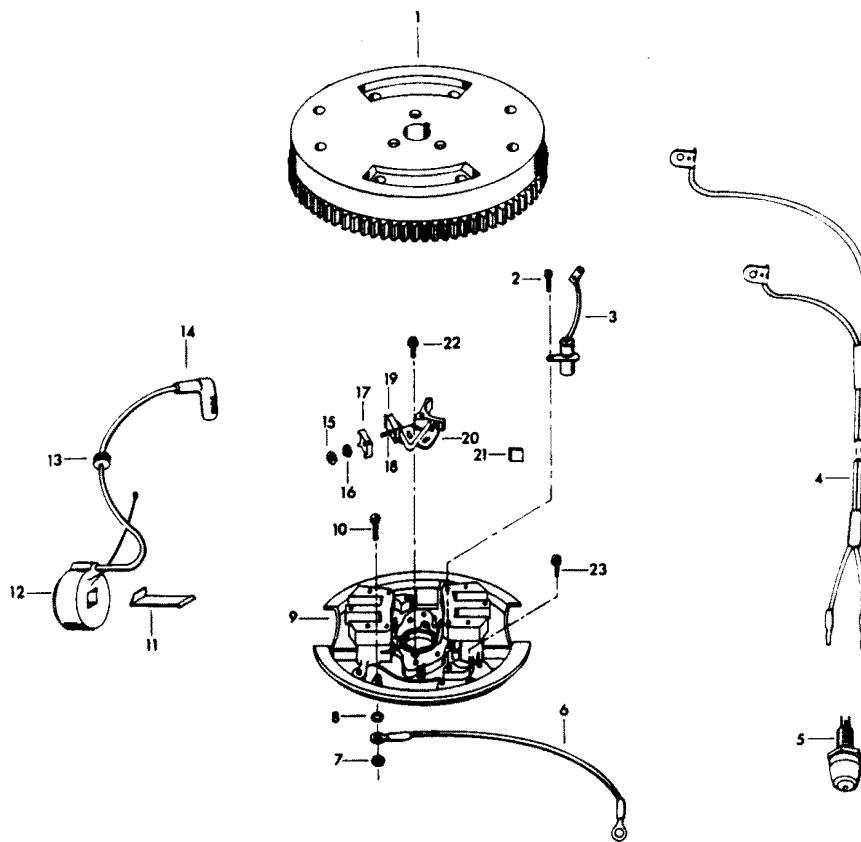
ELECTRIC STARTER



ELECTRIC STARTER

REF. NO.	PART NO.	SYM.	QTY.	DESCRIPTION
1	F15095		1	BENDIX DRIVE
2	F15087		1	HEX NUT
3	F15109		1	CUP, STOP
4	F15102		1	SPRING, ANTI-DRIFT
5	F15107		1	CUP, PINION
6	F15108		1	SLEEVE
7	F15103		1	PINION
8	F15084		1	SCREW SHAFT
9	F15091		1	WASHER
10	F15105		1	CUP, CUSHION
11	F15106		1	CUSHION
12	F15104		1	CUP, CUSHION THRUST
13	F1514		2	HEX JAM NUT, 1/4 - 20
14	F8083		4	SPRING LOCKWASHER
15	F1341		2	HEX NUT, 1/4 - 20
16	F15021-1		1	HEAD ASSEMBLY DRIVE END
17	F15098		1	THRUST WASHER PACKAGE
18	F15010		1	ARMATURE
19	F460573		1	CLAMP, STARTER MOTOR
20	F15117		1	FRAME AND FIELD ASSEMBLY
21	F2040		1	TAPTITE HEX HD SCREW, 1/4 - 20 X 5/8
22	F15015		1	BRUSH SET
23	F15002		1	SPRING SET
24	F15019-1		1	HEAD ASSEMBLY COMMUTATOR END
25	F460675		1	BRACKET, STARTER MOUNTING LOWER
26	F8083		2	SPRING LOCKWASHER
27	F1916		1	HEX HD MACHINE SCREW, 1/4 - 20 X 1 1/8
28	F15097		1	THRU BOLT PACKAGE
29	F1100		1	SLOTTED FILL HD SCREW, 1/4 - 20 X 1 1/8
-	FS460955		1	STARTER MOTOR COMPLETE W/ITEM 25

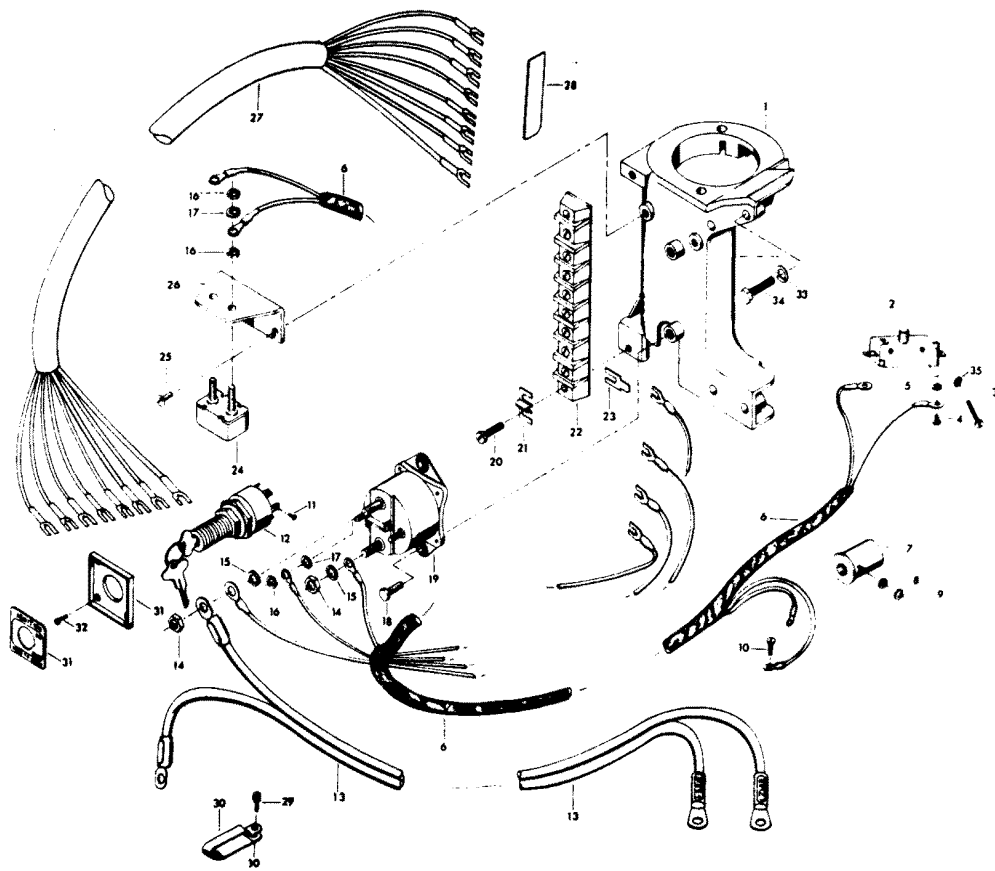
MAGNETO



MAGNETO

REF. NO.	PART NO.	SYM.	QTY.	DESCRIPTION
1	F460097-1		1	FLYWHEEL
2	F12083		2	CONDENSER MOUNTING SCREW
3	F12181-1		1	CONDENSER
4	F12186		1	GROUND LEAD
5	F436449		1	SHORTING SWITCH FOR MANUAL START MODELS
6	F460664		1	STATOR GROUND WIRE
7	F1513		1	HEX NUT
8	F8059		1	SPRING LOCKWASHER
9	F12346		1	STATOR PLATE W/LAMINATIONS
10	F1092		1	FILL HD SCREW, 10 - 32 X 5/8
11	F12146		2	COIL WEDGE SPRING
12	FA12345		2	COIL W/LEAD WIRE
13	F12088		2	GROMMET, LEAD WIRE
14	FK750-1		2	SPARKIE W/SPRING
15	F12127		2	STUD NUT
16	F8055		2	LOCKWASHER
17	F12128		2	INSULATOR, OUTSIDE
18	F12142		2	CONNECTION STUD
19	F12129		2	INSULATOR, INSIDE
20	F12153		2	BREAKER POINT SET
21	F12228		1	CAM WIPER FELT
22	F12170		4	CONTACT SCREW W/LOCKWASHER
23	F2010		3	FILL HD SCREW W/SPRING LOCKWASHER, 10 - 32 X 9/16

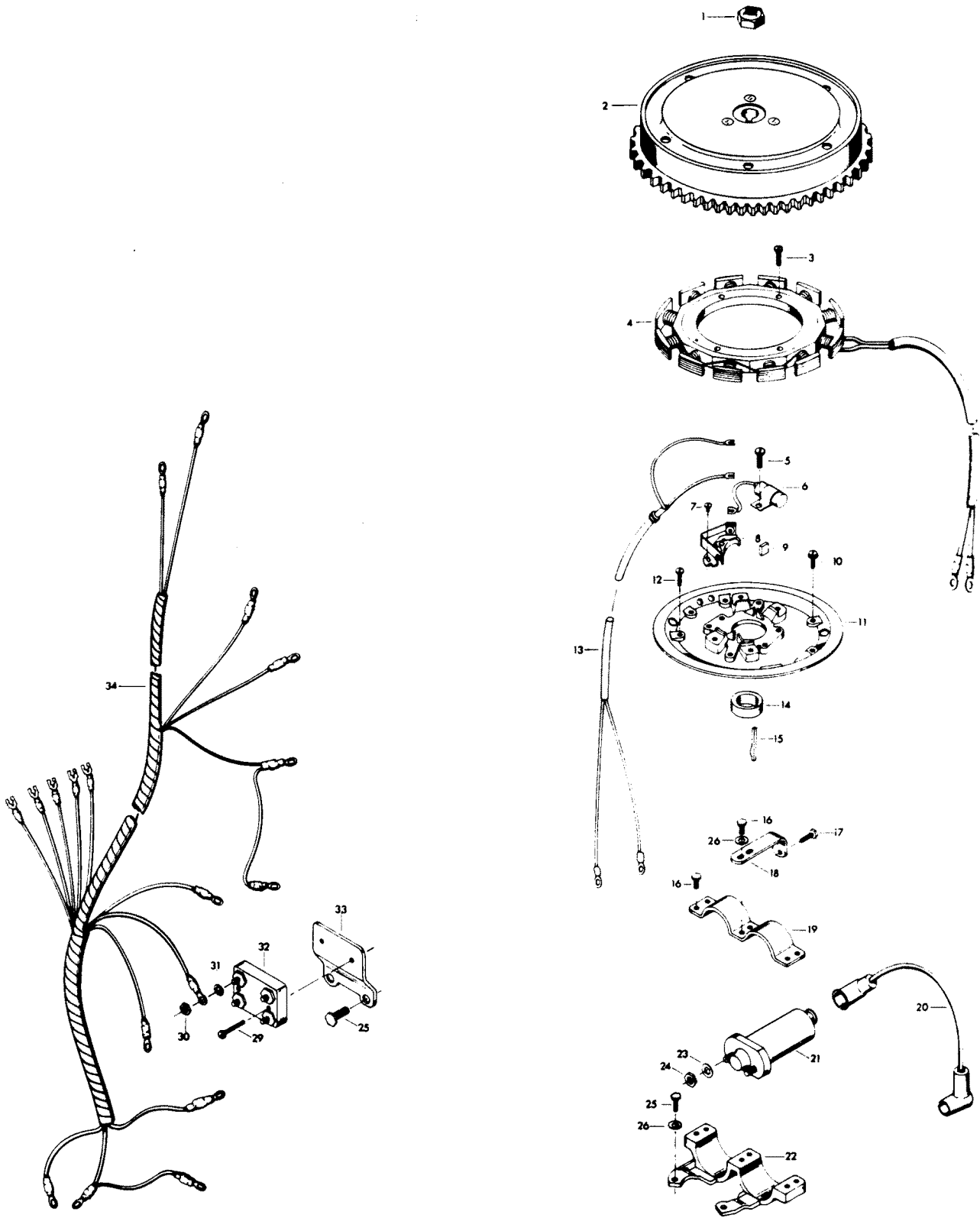
ELECTRICAL COMPONENTS



ELECTRICAL COMPONENTS

REF. NO.	PART NO.	SYM.	QTY.	DESCRIPTION
1	F460427		1	BRACKET, STARTER MOTOR
2	F84449		1	SWITCH, STARTER INTERLOCK
3	F2016		2	FILL HD MACHINE SCREW, 6 - 32 X 7/8
4	F1645		2	ROUND HD SCREW, 6 - 32 X 1/4
5	F1704		2	INTERNAL TOOTH LOCKWASHER
6	F460744		1	WIRING HARNESS FOR MAGNETO MODELS
-	F505744		1	WIRING HARNESS FOR ALTERNATOR MODELS
7	F85924		1	CHOKE SOLENOID
8	F8056		1	SPRING LOCKWASHER
9	F1647		1	HEX NUT
10	F1077		1	FILL HD SCREW, 10 - 24 X 1/4
11	F1280		5	PAN HD SCREW, 8 - 32 X 1/4
12	F74H20		1	IGNITION SWITCH (ACCESSORY ITEM)
13	F381896-4		1	CABLE, BATTERY ENTRY
14	F1515		2	HEX NUT
15	F8096		2	SPRING LOCKWASHER
16	F1513		6	HEX NUT, 10 - 32
17	F1975		4	SPRING LOCKWASHER
18	F1854		2	HEX CAP SCREW, 1/4 - 20 X 5/8
19	F460917		1	STARTER RELAY
20	F1648		2	SLOTTED PAN HD SCREW, 10 - 24 X 3/4
21	F307317		1	CLIP, TERMINAL BLOCK GROUND
22	FA510497		1	TERMINAL BLOCK
23	F296898		2	TERMINAL
24	F91460-2		1	CIRCUIT BREAKER
25	F1979		2	SLOTTED PAN HD SCREW, 10 - 24 X 3/4
26	F91446-1		1	BRACKET, CIRCUIT BREAKER
27	F85843-1		1	CABLE, ELECTRIC CONTROL
28	F460398		1	DECAL, WIRING FOR MAGNETO MODELS
-	F438398		1	DECAL, WIRING FOR ALTERNATOR MODELS
29	F1734		1	FILL HD MACHINE SCREW W/SPRING LOCKWASHER, 1/4 - 20 X 1/2
30	F407446		1	CLAMP, BATTERY CABLE
31	F71H21		1	IGNITION SWITCH MOUNTING KIT (ACCESSORY ITEM)
32	F1934		4	FLAT HD SCREW, 6 X 1/2
33	F8083		4	SPRING LOCKWASHER
34	F1916		2	HEX HD SCREW, 1/4 - 20 X 1 1/8
35	F8088		2	PLAIN WASHER

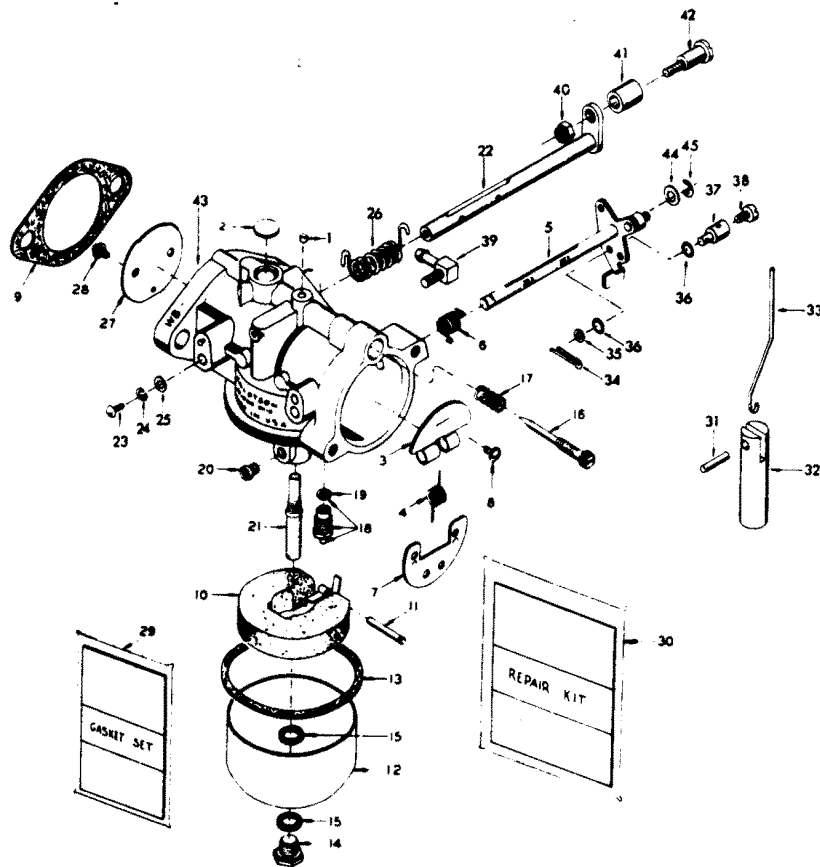
ALTERNATOR



ALTERNATOR

REF. NO.	PART NO.	SYM.	QTY.	DESCRIPTION
1	F2021		1	FLYWHEEL NUT, 5/8 - 18
2	F505097		1	FLYWHEEL
3	F1995		4	SLOTTED FILL HD SCREW, 10 - 24 X 1
4	F505095-1		1	STATOR, ALTERNATOR
5	F12083		2	CONDENSER MOUNTING SCREW
6	F12139-1		2	CONDENSER
7	F12090		4	BREAKER POINT MOUNTING SCREW
8	F12329-1		2	BREAKER POINT SET
9	F12227		2	CAM WIPER FELT
10	F2010		3	FILL HD SCREW W/LOCKWASHER, 10 - 32 X 9/16
11	F12366		1	STATOR PLATE
12	F1092		1	FILL HD SCREW, 10 - 32 X 5/8
13	F12367		1	LEAD WIRE AND GROMMET PACKAGE
14	F268002-2		1	BREAKER CAM
15	F85498		1	FLYWHEEL KEY
16	F1854		6	HEX CAP SCREW, 1/4 - 20 X 5/8
17	F1705		1	HEX CAP SCREW, 1/4 - 20 X 3/4
18	F505993		1	COIL MOUNT BRACKET
19	F505513		1	COIL CLAMP
20	F505841		2	HI-TENSION WIRE
21	85-818076A2		2	IGNITION COIL
22	F505501		1	COIL MOUNT
23	F1975		4	LOCKWASHER
24	F1513		4	HEX NUT, 10 - 32
25	F1953		4	HEX HD SCREW, 1/4 - 20 X 1
26	F2012		4	PLAIN WASHER
29	F2016		2	FILL HD SCREW, 6 - 32 X 7/8
30	F1647		4	HEX NUT
31	F8056		4	LOCKWASHER
32	F369450		1	RECTIFIER
33	F505454		1	RECTIFIER BRACKET
34	F505744		1	WIRING HARNESS

CARBURETOR

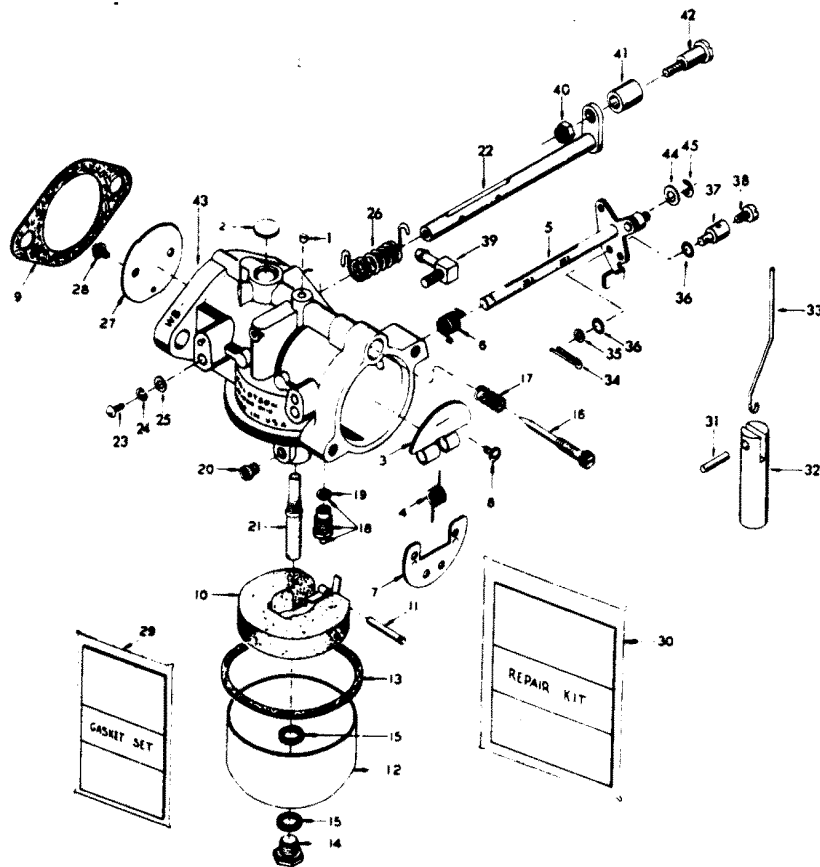


CARBURETOR

REF. NO.	PART NO.	SYM.	QTY.	DESCRIPTION
1	FO10588		1	BODY CHANNEL CUP PLUG
2	FO4326		1	BODY CHANNEL WELCH PLUG
3	FO12251		1	CHOKE RELIEF VALVE
4	FO10883		1	CHOKE RELIEF VALVE SPRING
5	FO16562		1	CHOKE SHAFT AND LEVER
6	FO16397		1	CHOKE SHAFT RETURN SPRING
7	FO12250		1	CHOKE SHUTTER
8	FO10280		2	CHOKE SHUTTER RETAINING SCREW AND LOCKWASHER
9	F40906-1		1	FLANGE GASKET
10	FO13554		1	FLOAT
11	FO13944		1	FLOAT LEVER PIN
12	FO13552		1	FUEL BOWL
13	FO15623		1	FUEL BOWL GASKET
14	FO13945		1	FUEL BOWL RETAINING SCREW
15	FO2510		2	FUEL BOWL RETAINING SCREW GASKET
16	FO14166		1	IDLE MIXTURE SCREW
17	FO11103		1	IDLE MIXTURE SCREW SPRING
18	FO10790		1	INLET NEEDLE, SEAT AND GASKET
19	FO10165		1	INLET SEAT GASKET
20	FO14108		1	MAIN FUEL JET (.064) (STANDARD)
21	FO15213		1	MAIN NOZZLE
22	FO16561		1	THROTTLE SHAFT AND LEVER
23	FO6393		1	THROTTLE SHAFT POSITION RETAINING SCREW
24	FO6396		1	THROTTLE SHAFT POSITION RETAINING SCREW LOCKWASHER
25	FO3804		1	THROTTLE SHAFT POSITION RETAINING SCREW WASHER
26	FO16563		1	THROTTLE SHAFT RETURN SPRING
27	FO16559		1	THROTTLE SHUTTER
28	FO8942		2	THROTTLE SHUTTER RETAINING SCREW AND LOCKWASHER
29	F10025		1	GASKET SET
30	F10027		1	REPAIR PARTS KIT INCLUDES ALL ITEMS MARKED WITH AN ASTERISK (*)
31	F2033		1	GROOVE PIN FOR ELECTRIC START MODELS
32	F391926-1		1	PLUNGER, CHOKE SOLENOID FOR ELECTRIC START MODELS
33	F460925		1	ROD, CHOKE SOLENOID FOR ELECTRIC START MODELS
34	F1014		1	COTTER PIN FOR ELECTRIC START MODELS
35	F8088		1	PLAIN WASHER FOR ELECTRIC START MODELS
36	F184579		2	SEAL, FOR ELECTRIC START MODELS
37	F184033-1		1	SWIVEL, CHOKE ARM FOR ELECTRIC START MODELS
38	F1059		1	FILL HD SCREW, 6 - 32 X 1/4 FOR ELECTRIC START MODELS
39	F84314-2		1	ELBOW
40	F1997		1	LOCK NUT

CONTINUED ON NEXT PAGE ➡

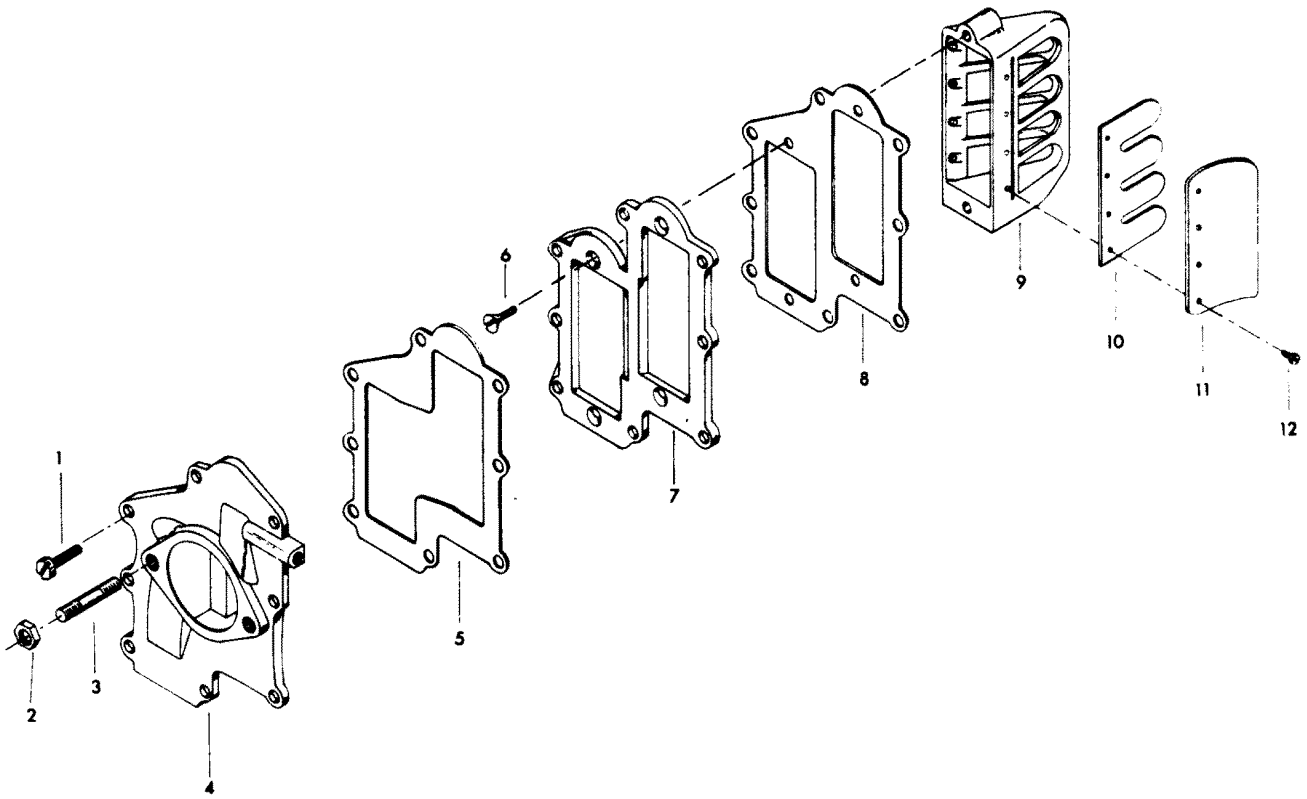
CARBURETOR



CARBURETOR

REF. NO.	PART NO.	SYM.	QTY.	DESCRIPTION
41	F92759		1	ROLLER, THROTTLE CAM FOLLOWER
42	F333316		1	SHAFT, THROTTLE ROLLER
43	F461061-1		1	CARBURETOR COMPLETE (WB19B)
44	F8011		1	PLAIN WASHER FOR MANUAL START MODELS
45	F90807		1	RETAINER, CHOKE ROD FOR MANUAL START MODELS

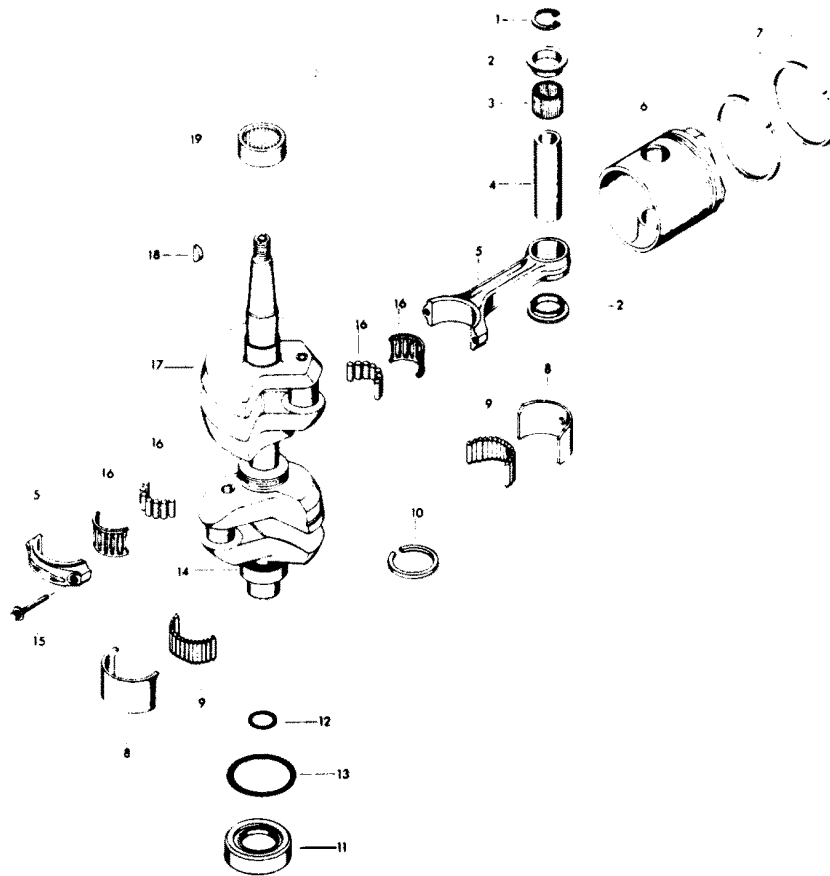
REED PLATE



REED PLATE

REF. NO.	PART NO.	SYM.	QTY.	DESCRIPTION
1	F1915		8	HEX HD SCREW, 1/4 - 20 X 7/8
-	F1915		6	HEX HD SCREW, 1/4 - 20 X 7/8, FOR ALTERNATOR MODELS ONLY
2	F1516		2	HEX NUT, 5/16 - 18
3	F40209		2	CARBURETOR STUD
4	FA458167		1	CARBURETOR ADAPTER
5	F433168		1	GASKET, CARBURETOR ADAPTER W/STUDS
6	F1141		4	FLAT HD SCREW, 10 - 24 X 1/2
7	F433404		1	DEFLECTOR PLATE
8	F433406		1	GASKET, DEFLECTOR PLATE
9	FA458158		2	REED PLATE W/REEDS, STOPS AND SCREWS
10	F316160		4	REED
11	F88161-3		4	REED STOP
12	F1298		16	ROUND HD SCREW W/LOCKWASHER, 6 - 32 X 1/4

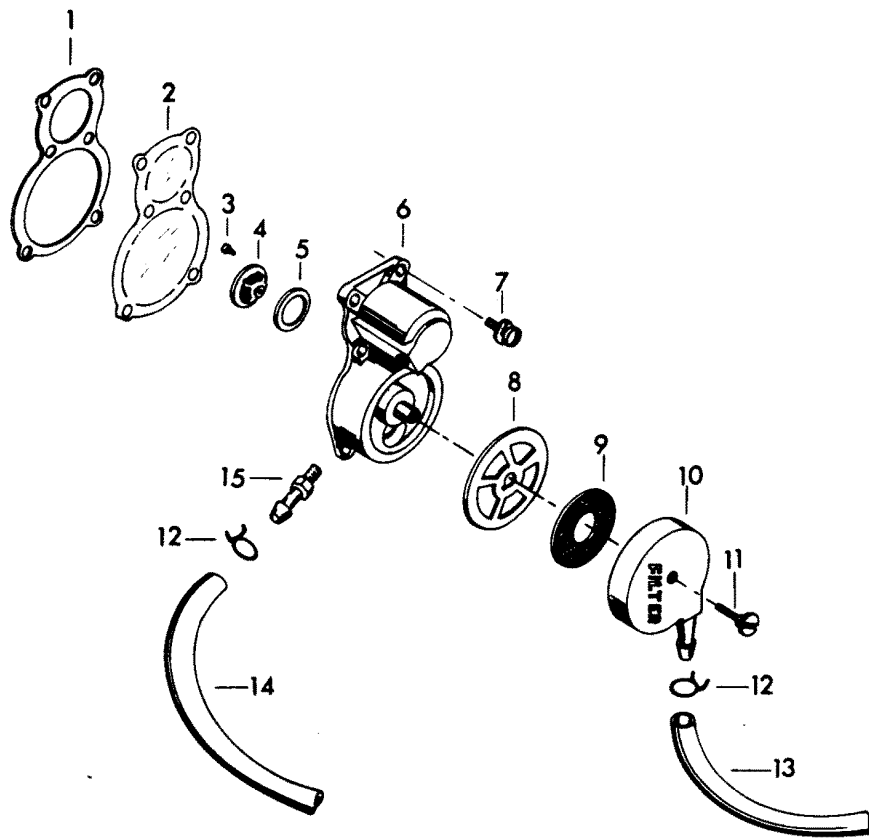
CRANKSHAFT AND PISTON GROUP



CRANKSHAFT AND PISTON GROUP

REF. NO.	PART NO.	SYM.	QTY.	DESCRIPTION
1	F90096		4	RETAINER, PISTON PIN
2	F366215		4	SPACER, PISTON PIN
3	F335217		2	BEARING, PISTON PIN
4	F458017		2	PISTON PIN
5	600-818052A4		2	CONNECTING ROD W/CAP AND SCREWS
6	F458015-1		2	PISTON
7	FA458260		1	PISTON RING SET (4 PER SET)
8	FA458655		1	LINER, CENTER MAIN
9	FA458571		1	ROLLER, CENTER MAIN
10	F458579		1	SEAL, CRANKCASE
11	F2A458581		1	COLLAR W/LOWER CRANKSHAFT SEAL
12	F461342		1	SEAL, DRIVESHAFT SPLINE
13	F455305		1	SEAL, CRANKSHAFT COLLAR
14	F286028-1		1	CRANKSHAFT LOWER MAIN BEARING
15	F85634-1		4	SCREW, CONNECTING ROD
16	FK85228		2	BEARING CAGE W/ROLLERS (16 PER SET)
17	FA461018		1	CRANKSHAFT W/LOWER MAIN BEARING FOR MAGNETO MODELS
-	FA505018		1	CRANKSHAFT W/LOWER MAIN BEARING FOR ALTERNATOR MODELS
18	F458498		1	FLYWHEEL KEY FOR MAGNETO MODELS
-	F85498		1	FLYWHEEL KEY FOR ALTERNATOR MODELS
19	F458028		1	BEARING, CRANKSHAFT UPPER MAIN
-	FSA458260		1	PISTON RINGS (4 PER SET) .010 OVERSIZE (NOT SHOWN)
-	39-818119A1		1	PISTON RINGS (4 PER SET) .030 OVERSIZE (NOT SHOWN)
-	FSA458015		2	PISTON .010 OVERSIZE (NOT SHOWN)
-	700-818118A1		2	PISTON .030 OVERSIZE (NOT SHOWN)

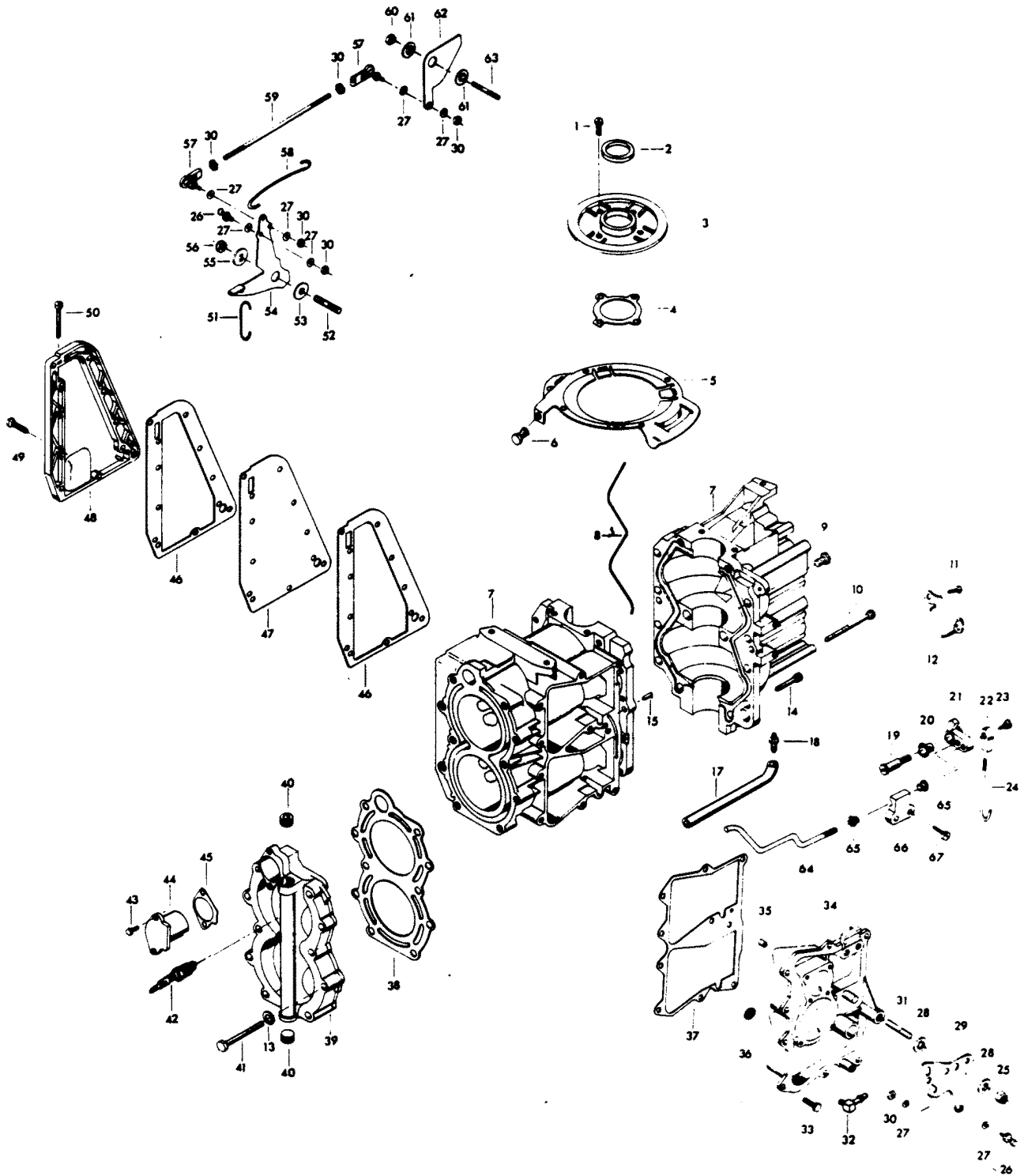
FUEL PUMP



FUEL PUMP

REF. NO.	PART NO.	SYM.	QTY.	DESCRIPTION
1	F438760		1	FUEL PUMP GASKET
2	F438747		1	FUEL PUMP DIAPHRAGM
3	F1860		2	BINDING HD MACHINE SCREW, 6 - 32 X 1/4
4	F177330		3	FUEL PUMP VALVE
5	F84792		3	FUEL PUMP VALVE GASKET
6	FA438431		1	FUEL PUMP BODY W/VALVES
7	F1108		6	FILL HD MACHINE SCREW W/LOCKWASHER, 1/4 - 20 X 3/4
8	F438617		1	GASKET, FUEL PUMP BOWL
9	F438653		1	SCREEN, FUEL PUMP
10	F438500		1	FUEL PUMP BOWL
11	F438165		1	SCREW, FUEL PUMP BOWL
12	F97772		4	FUEL LINE CLAMP
13	FA85754-1		1	HOSE, FUEL PUMP TO BUSHING
14	F458754		1	HOSE, FUEL PUMP TO CARBURETOR
15	F438801		1	FITTING, FUEL PUMP BODY

POWER HEAD

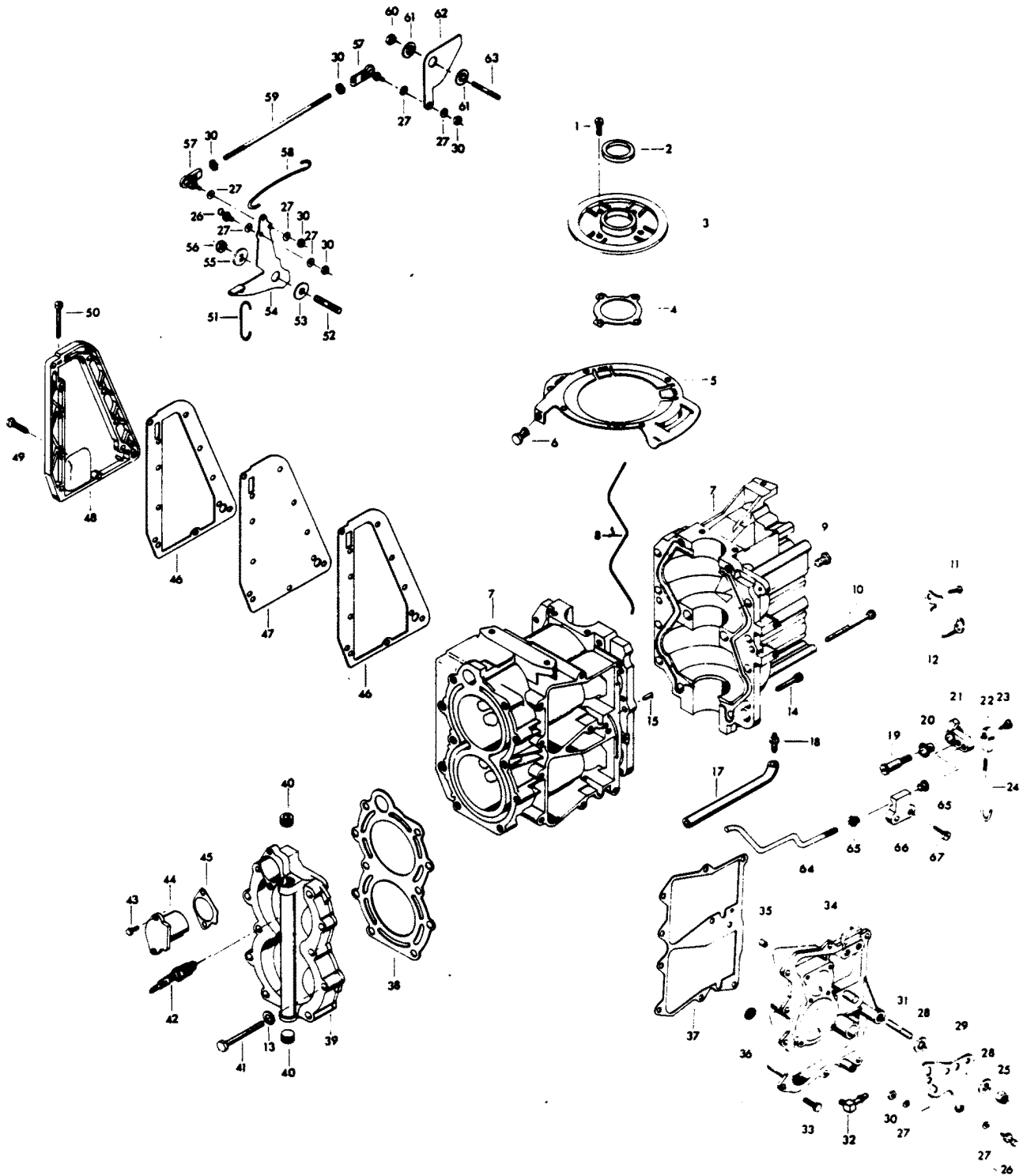


POWER HEAD

REF. NO.	PART NO.	SYM.	QTY.	DESCRIPTION
1	F1107		4	FILL HD SCREW, 1/4 - 20 X 3/4
2	F458146		1	SEAL, CRANKSHAFT UPPER MAIN
3	FA458144		1	CRANKSHAFT BEARING CAGE
4	F458277		1	GASKET, CRANKSHAFT BEARING CAGE
5	FA504082		1	MAGNETO STATOR RING
6	F1727		1	PLASTI-RIVET
7	A458010-1		1	CYLINDER W/CRANKCASE COVER, SCREWS AND DOWEL PINS
8	F269122-1		1	SEAL, CRANKCASE PARTING LINE
9	F1864		8	HEX SLOTTED HD SCREW, 1/4 - 20 X 3/4
10	F2005		2	HEX SOCKET HD CAP SCREW, 5/16 - 18 X 2 3/4
11	F1689		2	HEX CAP SCREW, 1/4 - 20 X 1/2 FOR ELECTRIC START MODELS
12	F460317		1	CLAMP, CHOKE SOLENOID FOR ELECTRIC START MODELS
13	F1739		10	PLAIN WASHER
14	F2013		4	HEX SOCKET HD CAP SCREW, 5/16 - 18 X 1 1/4
15	F8559		2	DOWEL PIN
17	FA458254		2	HOSE, DRAIN
18	F366801		1	FITTING
19	F85026		1	SWIVEL, SHIFT INTERLOCK LEVER
20	F307818		1	BEARING
21	F458977-2		1	LEVER, SHIFT INTERLOCK
22	F84035-2		1	BEARING, SHIFT INTERLOCK ROD
23	F84026		1	SWIVEL, SHIFT INTERLOCK BEARING
24	F458531		1	ROD, SHIFT INTERLOCK
25	F7004		1	LOCK NUT, 3/8 - 16
26	F98273		2	ROD END CONNECTOR STUD
27	F8058		8	INTERNAL TOOTH LOCKWASHER
28	F269052		2	BEARING, SHIFT LEVER
29	817808A2		1	LEVER, GEAR SHIFT
30	F1513		6	HEX NUT, 10 - 32
31	F440209		1	STUD, GEAR SHIFT LEVER
32	F436314-1		1	ELBOW, DRAIN HOSE
33	F1922		10	HEX HD SCREW, 1/4 - 20 X 5/8
34	FA504222		1	TRANSFER PORT COVER W/ITEM 35
35	21-817741A1		2	CHECK VALVE
36	F429811		2	SCREEN, CYLINDER DRAIN
37	F458223		1	GASKET, TRANSFER PORT COVER
38	F458529		1	GASKET, CYLINDER HEAD
39	FA458518		1	CYLINDER HEAD W/PLUGS
40	F458109		2	PLUG, CYLINDER HEAD
41	F458936		10	SCREW, CYLINDER HEAD
42	FS174227		2	SPARK PLUG (L-4-J)
43	F1854		2	HEX CAP SCREW, 1/4 - 20 X 5/8

CONTINUED ON NEXT PAGE ➡

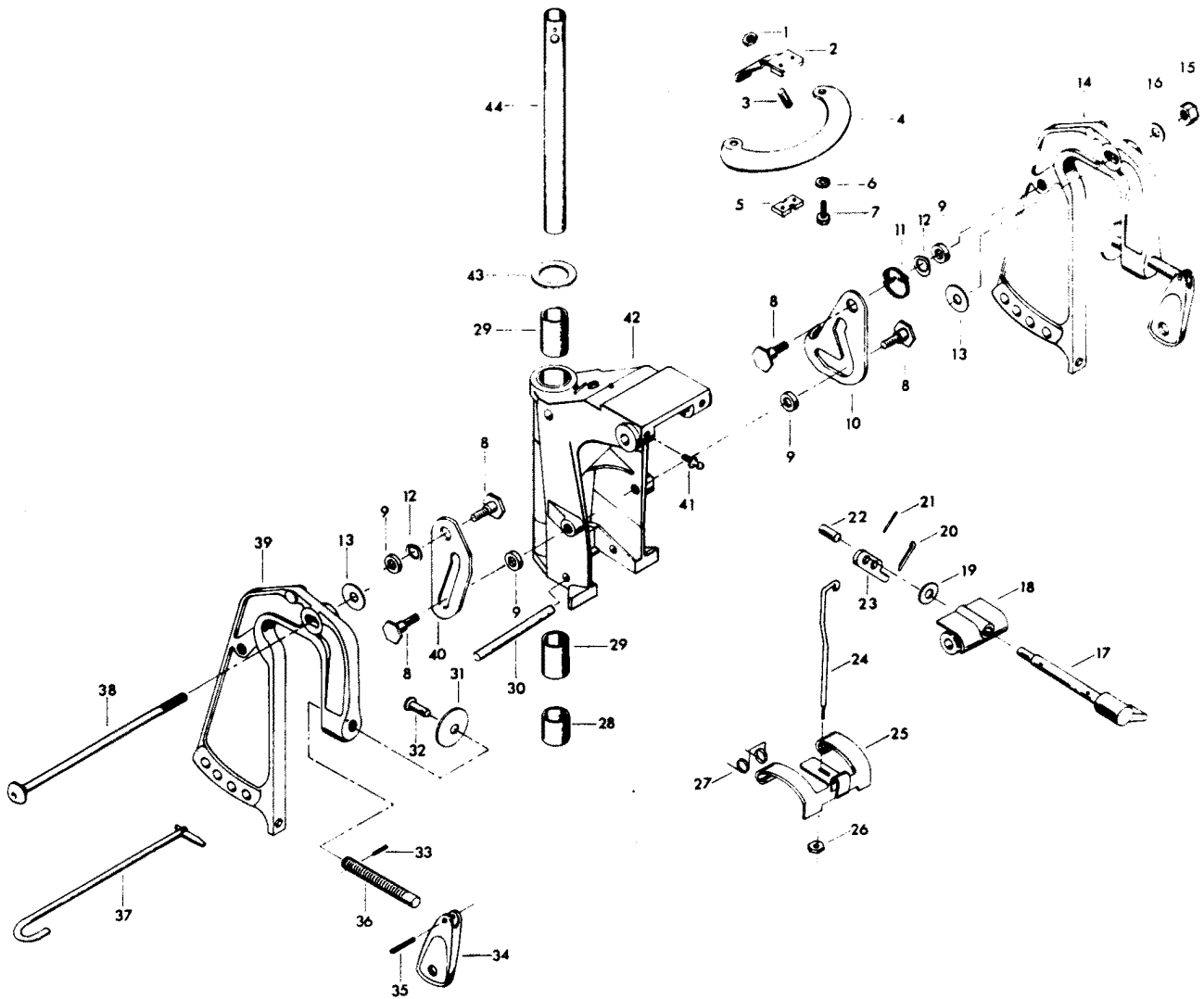
POWER HEAD



POWER HEAD

REF. NO.	PART NO.	SYM.	QTY.	DESCRIPTION
44	F458066		1	THERMOSTAT COVER
45	F458067		1	GASKET, THERMOSTAT COVER
46	F458154		2	GASKET, EXHAUST PORT PLATE
47	F458151		1	EXHAUST PORT PLATE
48	F458152		1	EXHAUST PORT COVER
49	F1953		10	HEX HD SCREW, 1/4 - 20 X 1
50	F458693		1	SCREW, REMOTE IDLE STOP
51	F458445		1	LINK, MAGNETO CONTROL SHAFT
52	F286440		1	STUD, MAGNETO CONTROL LEVER
53	F183813		1	BEARING
54	F2A458081		1	MAGNETO CONTROL LEVER W/ CONNECTOR STUD
55	F286282		1	WASHER
56	F1803		1	STOP NUT
57	817747--1		2	JOINT BALL ASSEMBLY
58	F458509		1	LINK, MAGNETO STATOR
59	F458502		1	ROD, THROTTLE CAM
60	F1910		1	LOCK NUT
61	F269319		2	BEARING, THROTTLE CAM
62	F458192		1	THROTTLE CAM
63	F433209		1	STUD, THROTTLE CAM
64	F504809		1	ROD, STARTER INTERLOCK
65	F504052		2	BEARING
66	F504527		1	CAP, INTERLOCK BEARING
67	F1075		2	FILL HD M. SCREW, 10 - 24 X 1/2
-	FG1010		1	GASKET SET (NOT SHOWN)
-	C461010-1		1	SHORT BLOCK FOR MAGNETO MODELS (NOT SHOWN)
-	FC505010		1	SHORT BLOCK FOR ALTERNATOR MODELS (NOT SHOWN) (SHORT BLOCKS INCLUDE ALL ITEMS MARKED WITH AN ASTERISK (*). ALSO REFER TO CRANKSHAFT PAGE.

SWIVEL BRACKET GROUP

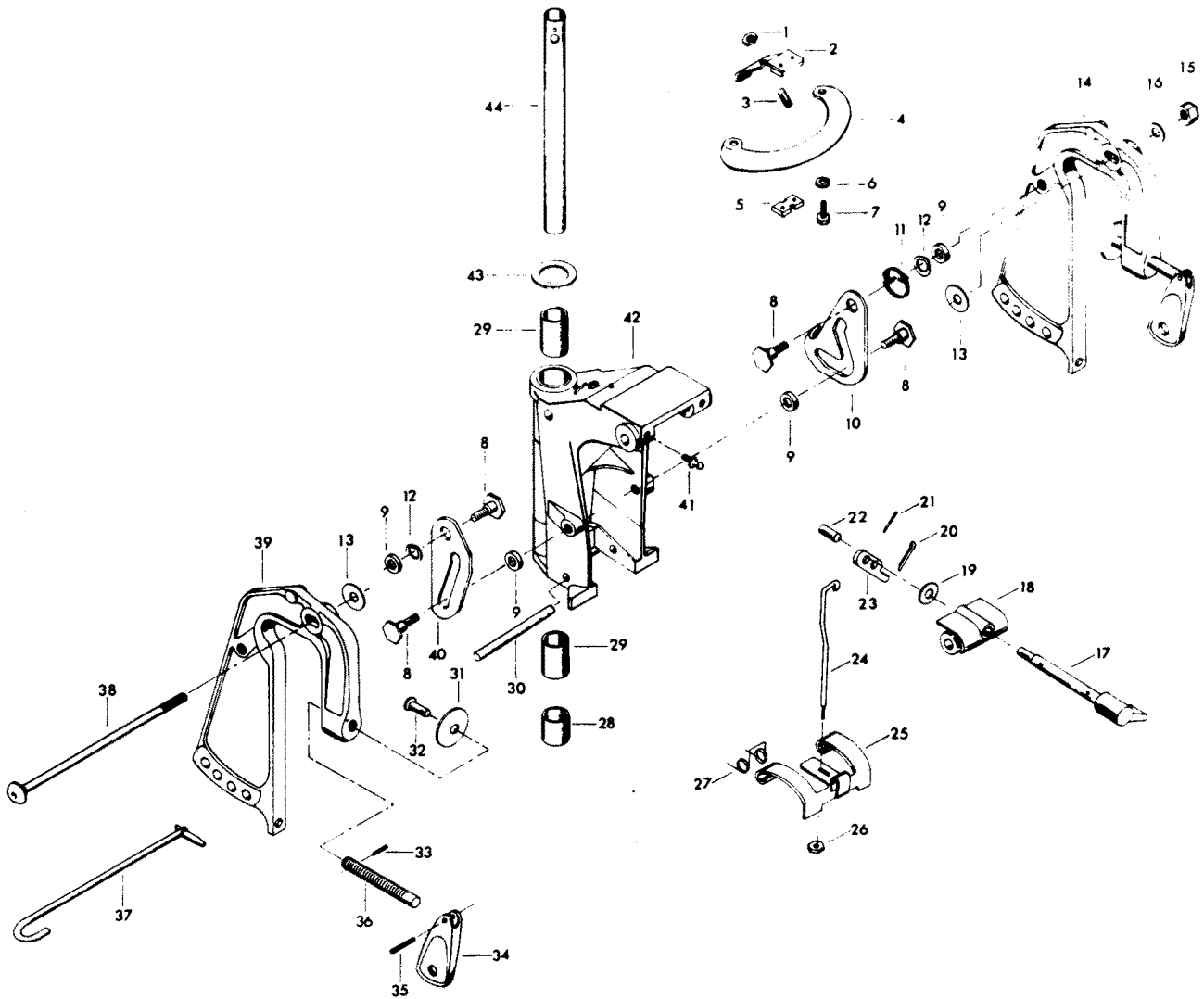


SWIVEL BRACKET GROUP

REF. NO.	PART NO.	SYM.	QTY.	DESCRIPTION
1	F7024		1	STOP NUT
2	817882A1		1	FRICTION SHOE ADJUSTING ARM
3	F901822-1		1	STUD, SWIVEL BRACKET
4	F901775		1	PLATE, FRICTION SHOE
5	F901631-1		1	FRICTION SHOE
6	F8083		2	SPRING LOCKWASHER
7	F1689		2	HEX CAP SCREW, 1/4 - 20 X 1/2
8	F286422-1		4	PIVOT, TILT LOCK
9	F286451		4	SPACER, TILT LOCK
10	F436541		1	TILT LOCK (PORT)
11	F286544-1		1	SPRING, TILT LOCK
12	F1666		2	BOWED SPRING LOCKWASHER
13	F901286-1		2	WASHER, SWIVEL BRACKET FRICTION
14	S385532		1	STERN BRACKET PORT W/CLAMP SCREW AND FOOT
15	F7001		1	STOP NUT
16	F1656		1	PLAIN WASHER
17	F483827		1	LEVER, REVERSE LOCK
18	F483726		1	BEARING
19	F8094		1	PLAIN WASHER
20	F1014		1	COTTER PIN
21	F1836		1	SPRING PIN
22	F483884		1	BEARING
23	F366364		1	ARM, REVERSE LOCK
24	F483510		1	LINK, REVERSE LOCK
25	F483349-1		1	REVERSE LOCK
26	F1669		1	NUT
27	F483300		1	SPRING
28	F183990		1	SPACER, KINGPIN
29	F901169-1		2	BEARING, SWIVEL BRACKET
30	F2095		1	SPRING PIN
31	F24074		2	CLAMP SCREW FOOT
32	F66480		2	STUD
33	F8537		2	SPRING PIN
34	F288075		2	HANDLE, STERN BRACKET CLAMP SCREW
35	F1638		2	SPRING PIN
36	817776A3		1	STERN BRACKET CLAMP SCREW W/FOOT, STUD AND HANDLE
37	FA324113		1	STERN BRACKET LOCK BAR W/END
38	F145037-1		1	PIVOT BOLT
39	S385032		1	STERN BRACKET STARBOARD W/CLAMP SCREW AND FOOT
40	F385433		1	TILT STOP

CONTINUED ON NEXT PAGE ➡

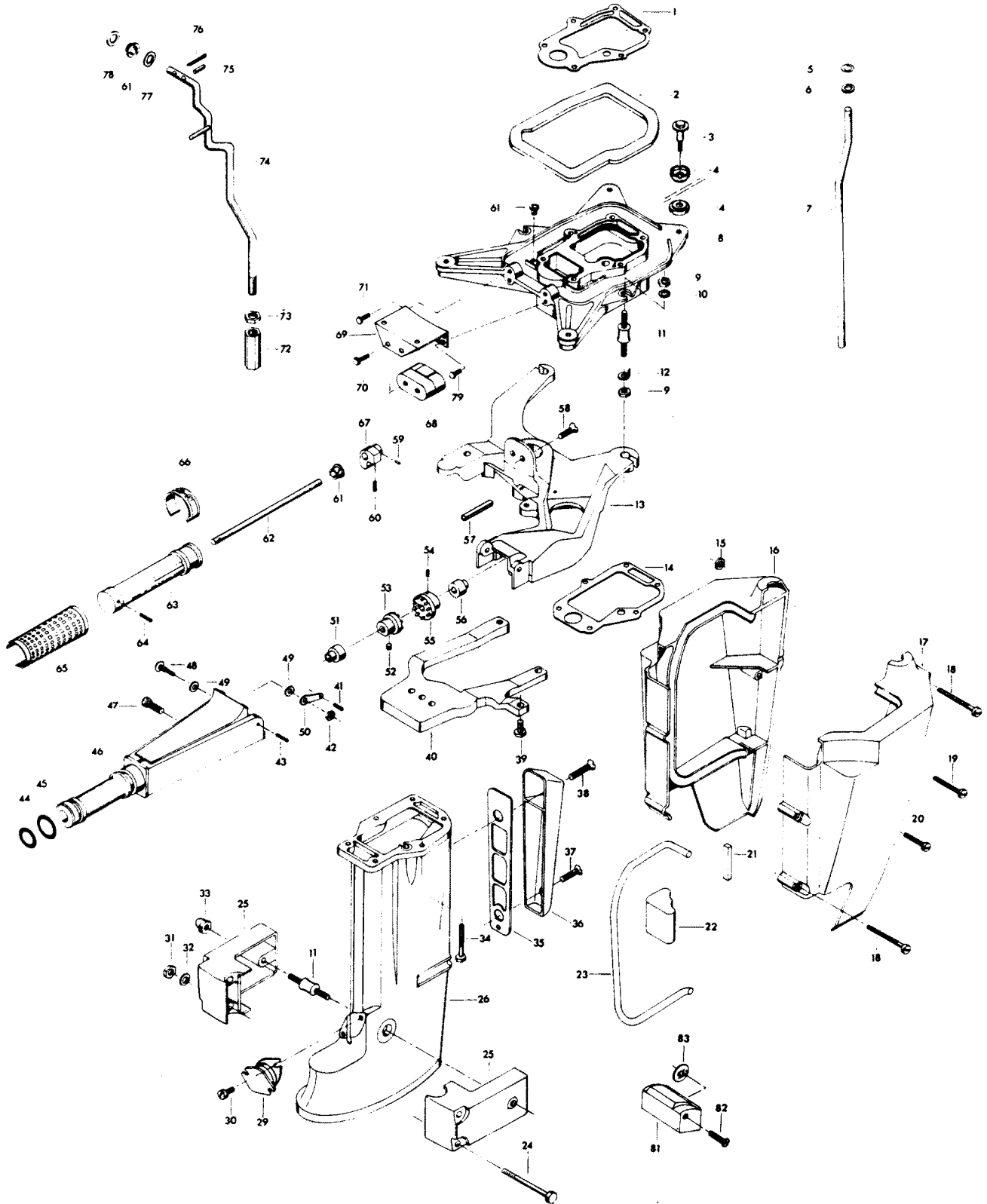
SWIVEL BRACKET GROUP



SWIVEL BRACKET GROUP

REF. NO.	PART NO.	SYM.	QTY.	DESCRIPTION
41	F213274		3	GREASE FITTING
42	FA483072		1	SWIVEL BRACKET W/BEARINGS AND GREASE FITTINGS
43	F901011		1	WASHER, SWIVEL BRACKET
44	F190019-1		1	KINGPIN
-	F369390-1		1	DECAL, REVERSE LOCK (NOT SHOWN)

MOTOR LEG

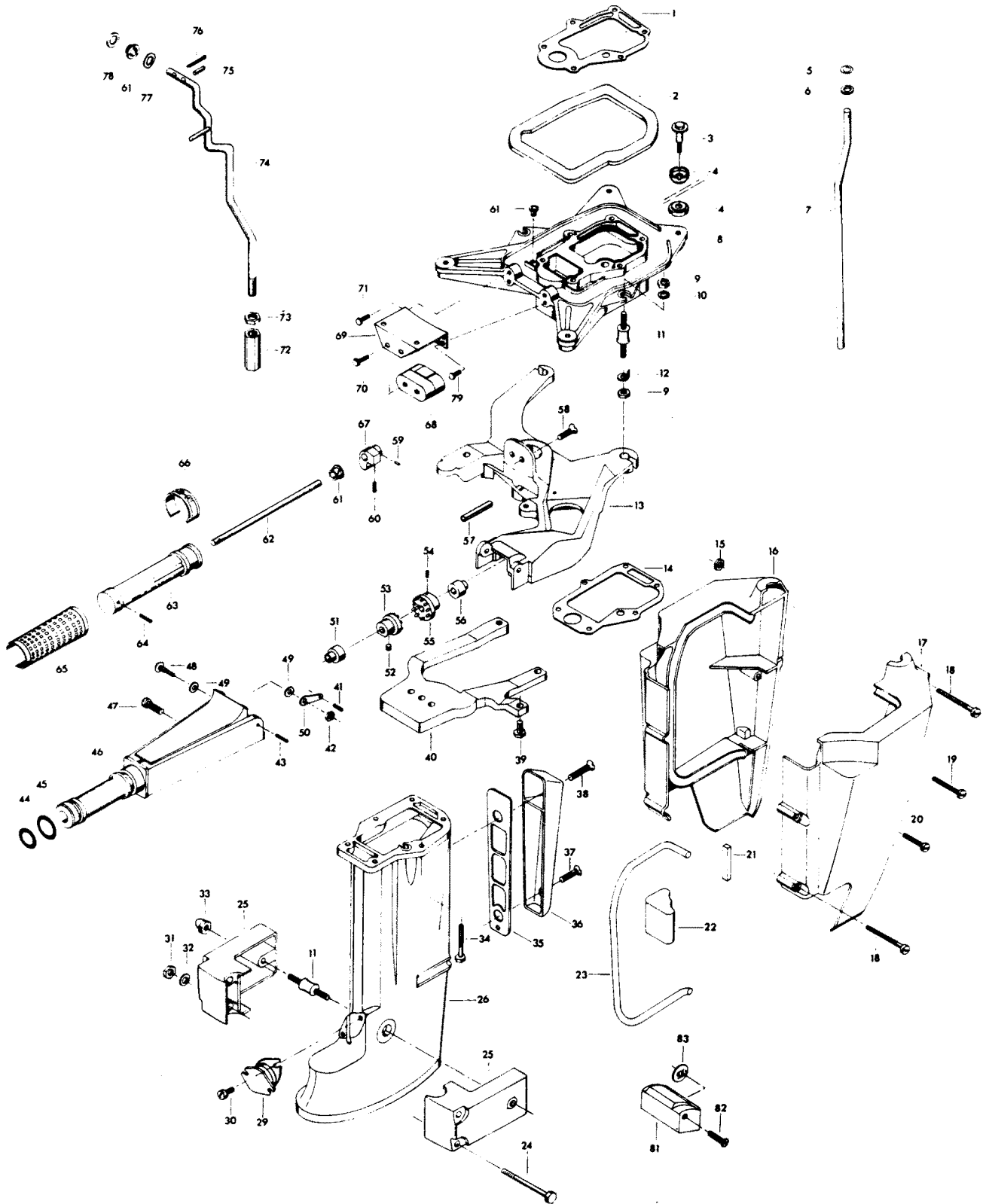


MOTOR LEG

REF. NO.	PART NO.	SYM.	QTY.	DESCRIPTION
1	F458279		1	GASKET, CYLINDER EXHAUST
2	F183756-1		1	PACKING, SUPPORT PLATE
3	F458887		4	FASTENER, SUPPORT PLATE MOUNT
4	F458347		8	MOUNT, SUPPORT PLATE
5	F24342		1	SEAL, WATER LINE UPPER
6	F2014		1	PLAIN WASHER
7	F142244		1	INLET WATER LINE
8	F458963		1	PLATE, SHOCK MOUNT
9	F1347		4	HEX NUT, 3/8 - 16
10	F1778		2	PLAIN WASHER
11	F458962		4	SHOCK MOUNT
12	F458076		2	TAB, SHOCK MOUNT SIDE
13	817809A1		1	PLATE, KINGPIN MOUNTING
14	F458453		1	GASKET, LEG EXHAUST
15	F1473		5	HEX NUT
16	F2A436145		1	MOTOR LEG COVER, STARBOARD W/PACKING
17	F2A436135		1	MOTOR LEG COVER, PORT W/PACKING
18	F1810		3	FILL HD SCREW, 10 - 24 X 2 1/2
19	F1811		1	FILL HD SCREW, 10 - 24 X 1 7/8
20	F1768		1	FILL HD SCREW, 10 - 24 X 1 3/8
21	F190323-1		1	PACKING, LEG COVER UPPER FRONT
22	F436322		2	PACKING, LEG COVER LOWER FRONT
23	F190321-1		2	PACKING, LEG COVER
24	F1491		2	HEX CAP SCREW, 5/16 - 18 X 3 1/4
25	F461707-1		2	COVER, SHOCK MOUNT LOWER
26	F461133-2		1	MOTOR LEG
29	F183346-1		1	SHOCK MOUNT LOWER THRUST
30	F1129		2	FILL HD SCREW, 5/16 - 18 X 1/2
31	F1515		2	HEX NUT, 5/16 - 18
32	F8096		2	SPRING LOCKWASHER
33	F2009		2	ACORN NUT, 3/8 - 16
34	F458166-2		6	SCREW, MOTOR LEG TO CYLINDER
35	F190833		1	GASKET, MOTOR LEG EXHAUST COVER
36	F190832-2		1	COVER, MOTOR LEG EXHAUST
37	F1150		1	FLAT HD SCREW, 1/4 - 20 X 1 1/8
38	F1148		1	FLAT HD SCREW, 1/4 - 20 X 1 1/2
39	F1745		3	HEX HD SCREW W/SPRING LOCKWASHER, 5/16 - 18 X 1
40	F385647		1	CARRYING HANDLE
41	F8550		1	SPRING PIN FOR MANUAL START MODELS
42	F1832		1	LOCK NUT FOR MANUAL START MODELS
43	F1664		1	SPRING PIN FOR MANUAL START MODELS
44	F215795		1	SEAL, STEERING HANDLE GRIP FOR MANUAL START MODELS

CONTINUED ON NEXT PAGE ➡

MOTOR LEG

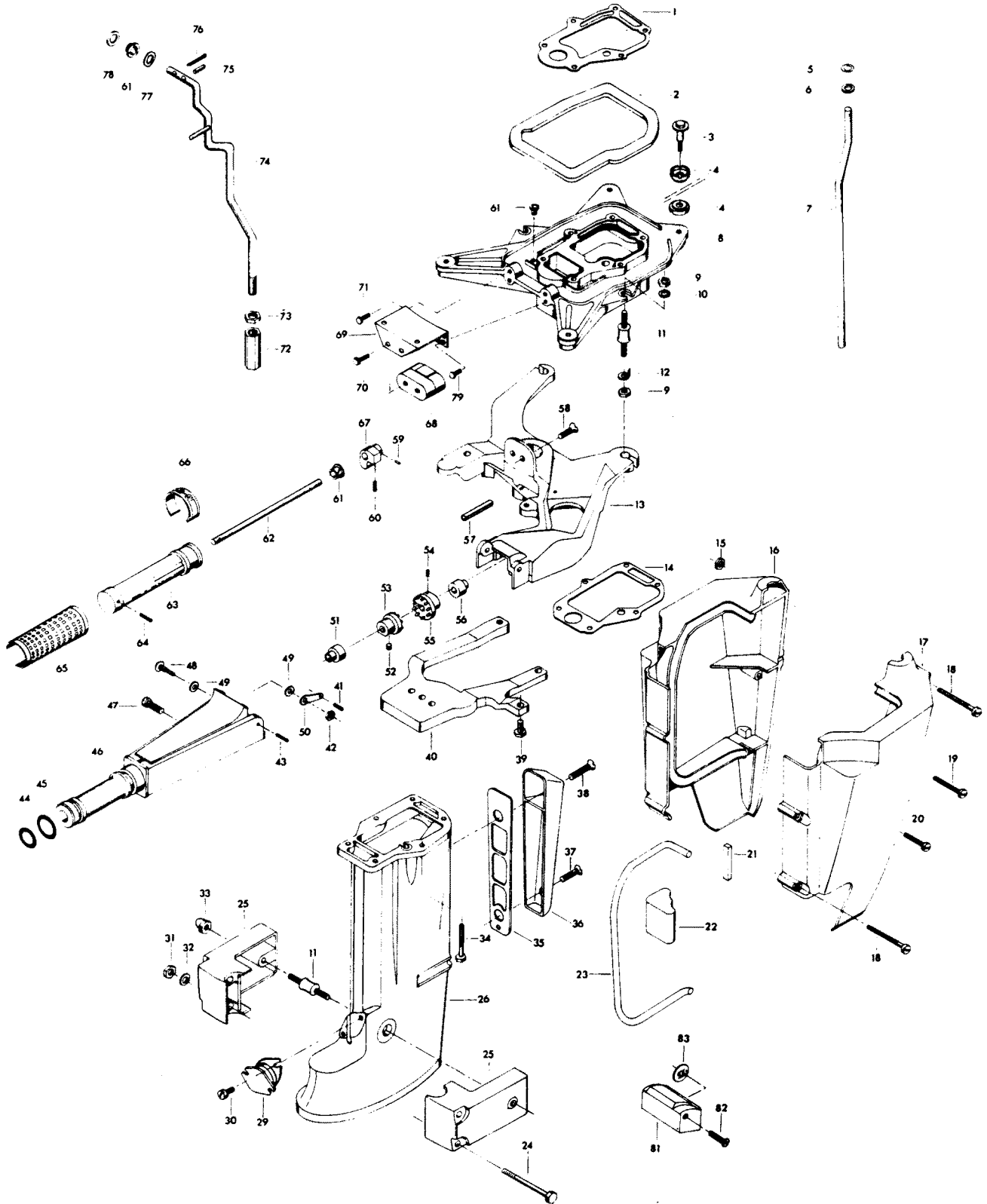


MOTOR LEG

REF. NO.	PART NO.	SYM.	QTY.	DESCRIPTION
45	F53795-1		1	SEAL, STEERING HANDLE GRIP FOR MANUAL START MODELS
46	F458079		1	STEERING HANDLE FOR MANUAL START MODELS
47	F458519		1	SCREW, TILLER IDLE STOP FOR MANUAL START MODELS
48	F295080		1	STEERING HANDLE PIVOT BOLT FOR MANUAL START MODELS
49	F295175		2	WASHER, STEERING HANDLE PIVOT BOLT FOR MANUAL START MODELS
50	F295457		1	WASHER, RETAINING STEERING HANDLE PIVOT BOLT FOR MANUAL START MODELS
51	F295689		1	BEARING, STEERING HANDLE GEAR FOR MANUAL START MODELS
52	F1954		1	HEX SOCKET HEADLESS SET SCREW, 5/16 - 24 X 1/4, FOR MANUAL START MODELS
53	FA413815		1	GEAR, STEERING HANDLE W/SET SCREW FOR MANUAL START MODELS
54	F1642		1	SOCKET HD CAP SCREW, 10 - 24 X 3/4 FOR MANUAL START MODELS
55	F288691		1	GEAR, MAGNETO CONTROL SHAFT FOR MANUAL START MODELS
56	F288689		1	BEARING, MAGNETO CONTROL SHAFT FOR MANUAL START MODELS
57	F1663		1	SPRING PIN
58	F1160		2	FLAT HD SCREW, 1/4 - 28 X 5/8
59	F1978		1	SPRING PIN FOR MANUAL START MODELS
60	F458690		1	SCREW, THROTTLE STOP FOR MANUAL START MODELS
61	F85610		3	BEARING FOR MANUAL START MODELS
62	F458688		1	SHAFT, STEERING HANDLE FOR MANUAL START MODELS
63	FA456137		1	STEERING HANDLE GRIP W/SLEEVE FOR MANUAL START MODELS
64	F8548		1	SPRING PIN FOR MANUAL START MODELS
65	F458695		1	SLEEVE, STEERING HANDLE GRIP FOR MANUAL START MODELS
66	F286894-3		1	INDICATOR, SPEED CONTROL FOR MANUAL START MODELS
67	F458198		1	THROTTLE STOP FOR MANUAL START MODELS
68	F203965		1	SHOCK MOUNT UPPER THRUST
69	F40956		1	BRACKET, SHOCK MOUNT UPPER THRUST
70	F1211		2	HEX HD SCREW W/SPRING LOCKWASHER, 1/4 - 28 X 5/8
71	F1472		2	SLOTTED HEX CAP SCREW W/SPRING LOCKWASHER, 1/4 - 20 X 3/4
72	F901704		1	COUPLING, GEAR SHIFT ROD
73	F1341		1	HEX NUT, 1/4 - 20
74	F461615		1	GEAR SHIFT ROD UPPER
75	F1978		1	SPRING PIN
76	F1020		1	COTTER PIN
77	F8049		1	BOWED WASHER
78	F1739		1	PLAIN WASHER

CONTINUED ON NEXT PAGE ➡

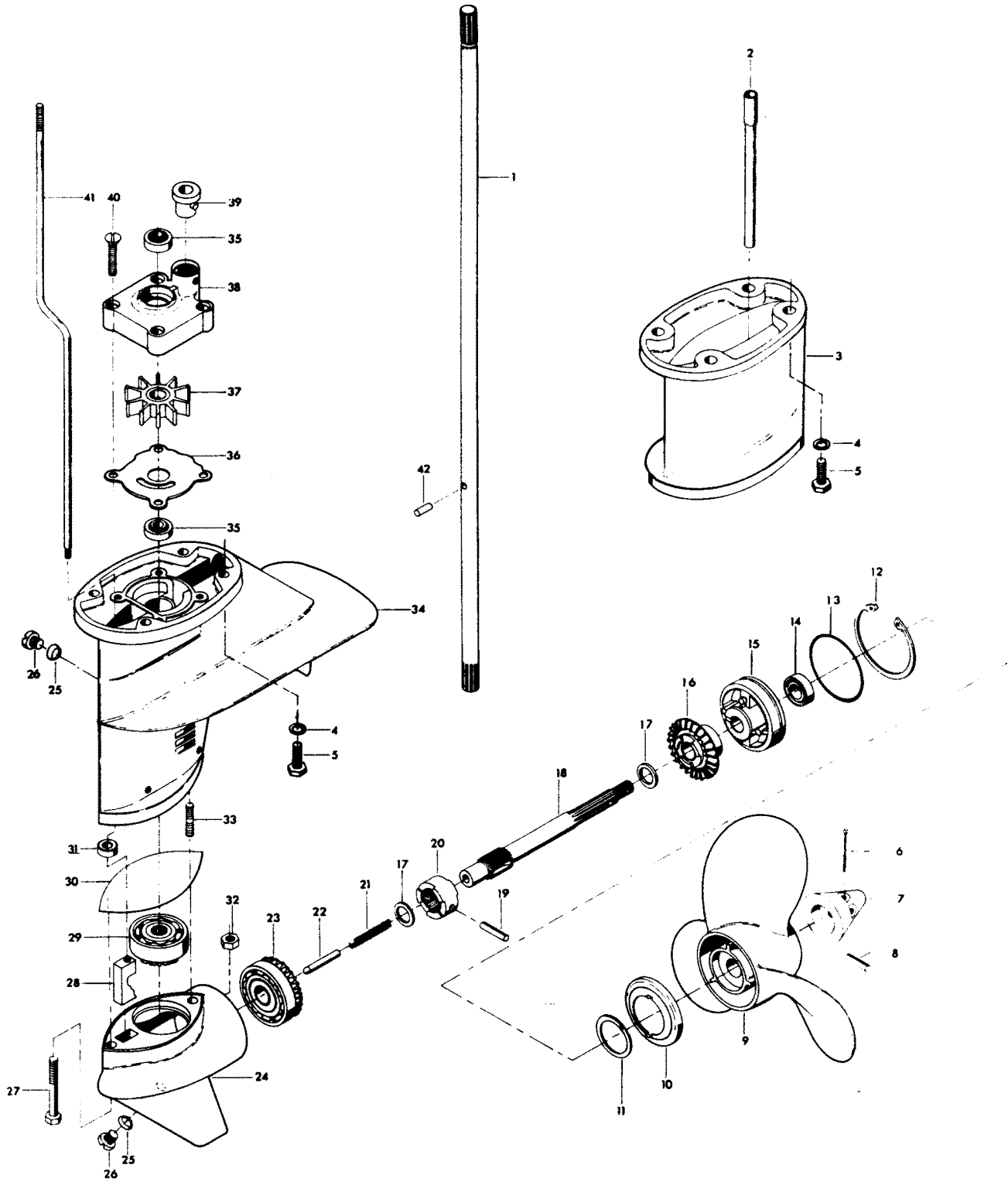
MOTOR LEG



MOTOR LEG

REF. NO.	PART NO.	SYM.	QTY.	DESCRIPTION
79	F1502		2	HEX CAP SCREW, 1/4 - 20 X 5/8
81	F460686		1	COVER, KING PIN MOUNTING PLATE FOR ELECTRIC START MODELS
82	F2011		2	PAN HD SCREW, 1/4 - 20 X 1 1/4 FOR ELECTRIC START MODELS
83	F2018		2	SPEED NUT FOR ELECTRIC START MODELS

GEAR HOUSING

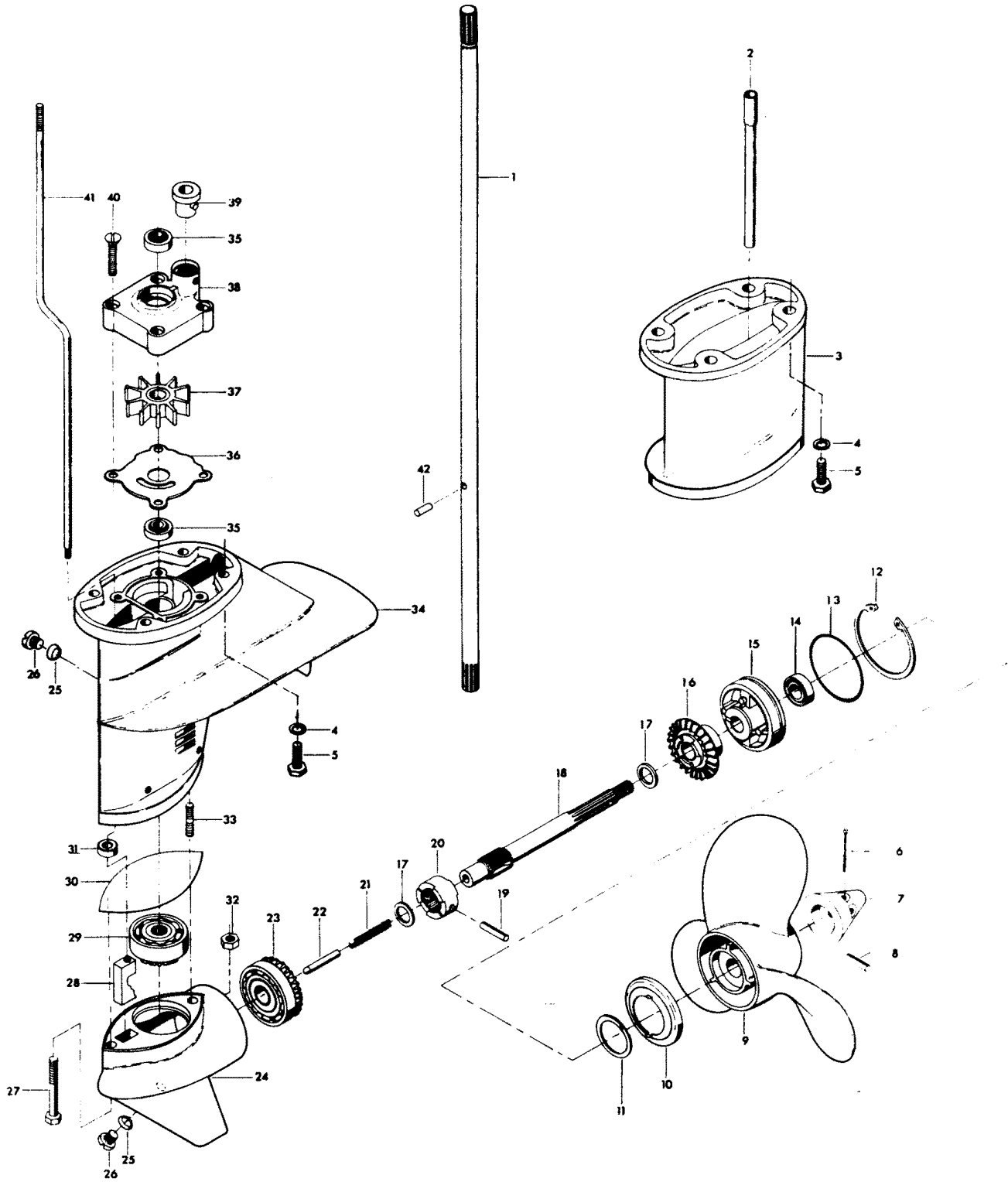


GEAR HOUSING

REF. NO.	PART NO.	SYM.	QTY.	DESCRIPTION
1	F436128		1	DRIVESHAFT FOR STANDARD SHAFT MODELS
-	F437128		1	DRIVESHAFT FOR LONG SHAFT MODELS
2	FS901244		1	EXTENSION, INLET WATER LINE
3	F461845		1	MOTOR LEG EXTENSION
4	F8096		8	SPRING LOCKWASHER
5	F2019		8	HEX CAP SCREW, 5/16 - 18 X 1 1/4
6	F1024		1	COTTER PIN
7	F461094		1	PROPELLER NUT
8	FA324101		1	PROPELLER PIN PACK OF 3 W/COTTER PIN
9	P346		1	PROPELLER (ACCESSORY ITEM)
10	F54262		1	WEED GUARD
11	F53983		1	RETAINING RING, WEED GUARD
12	F50411		1	RETAINING RING
13	F74305		1	SEAL, PROP SHAFT BEARING CAGE
14	F346118		1	SEAL, PROPELLER SHAFT
15	FA324298		1	PROP SHAFT BEARING CAGE W/BEARING AND ITEM 14
16	FA437662		1	BEVEL GEAR REAR W/BEARING
17	F456717		2	THRUST WASHER, BEVEL GEAR
18	FA437098		1	PROPELLER SHAFT
19	F1970		1	SPRING PIN
20	F437521		1	CLUTCH
21	F437719		1	CLUTCH SPRING
22	F901728		1	CLUTCH SHIFT PIN
23	FA437023		1	BEVEL GEAR FRONT W/BEARING
24	FK78054-4		1	GEAR HOUSING LOWER W/PLUG AND WASHER
25	F8077		2	WASHER, GEAR HOUSING PLUG
26	F50109		2	PLUG, GEAR HOUSING
27	F1888		1	HEX SOCKET HD CAP SCREW, 5/16 - 18 X 2 5/16
28	F901721		1	CLUTCH SHIFT CAM
29	FA78266-1		1	BEVEL PINION W/BEARING
30	F483555		1	SEAL, GEAR HOUSING
31	F338618-1		1	SEAL, GEAR SHIFT ROD LOWER
32	F1516		1	FINISHED HEX NUT, 5/16 - 18
33	F901008		1	STUD, GEAR HOUSING
34	A190554-3		1	GEAR HOUSING UPPER W/ITEMS 25, 26, 31 AND 35
35	F901307-2		2	SEAL, DRIVESHAFT AND WATER PUMP
36	F341562		1	BACK PLATE, WATER PUMP
37	F436065		1	IMPELLER, WATER PUMP
38	FK504060		1	WATER PUMP BODY W/ITEM 35 ORIGINAL FORCE P/N A343060-1
39	F55914		1	SEAL, WATER LINE LOWER

CONTINUED ON NEXT PAGE ➡

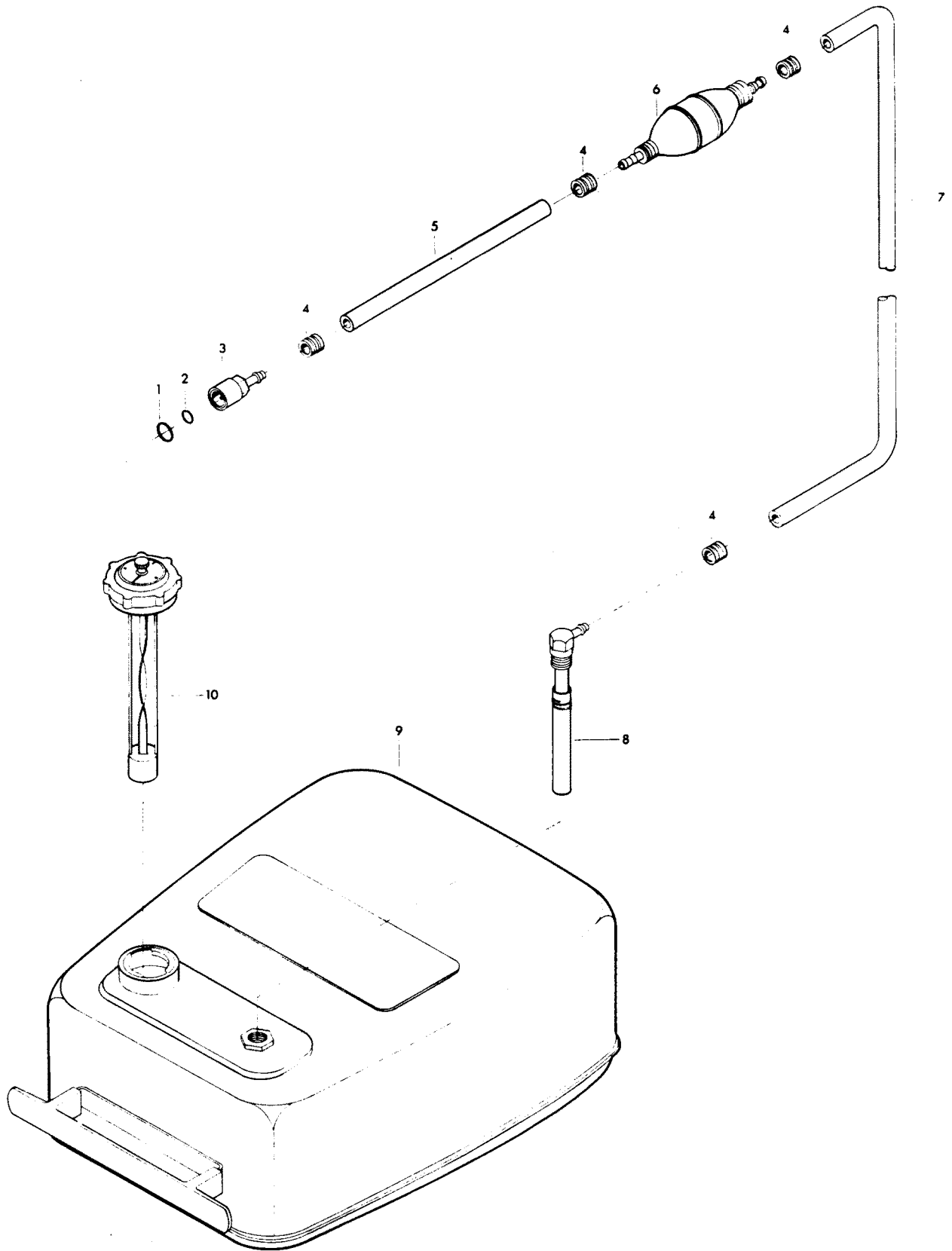
GEAR HOUSING



GEAR HOUSING

REF. NO.	PART NO.	SYM.	QTY.	DESCRIPTION
40	F1150		4	FLAT HD SCREW, 1/4 - 20 X 1 1/8
41	F901705-3		1	GEAR SHIFT ROD LOWER FOR STANDARD SHAFT MODELS
-	F911705-3		1	GEAR SHIFT ROD LOWER FOR LONG SHAFT MODELS
42	F901563		1	DRIVE PIN, WATER PUMP IMPELLER
-	1600-817898A1		1	LOWER GEAR HOUSING COMPLETE (NOT SHOWN) (INCLUDES ALL ITEMS MARKED WITH AN ASTERISK (*)) ORIGINAL FORCE P/N C461054-1

FUEL TANK AND LINE



FUEL TANK AND LINE

REF. NO.	PART NO.	SYM.	QTY.	DESCRIPTION
1	F213342		1	SEAL, FUEL LINE COUPLER
2	F213735		1	SEAL, FUEL LINE COUPLER
3	F197787-2		1	FUEL LINE COUPLER
4	F298788		4	FERRULE
5	FA84754-1		1	FUEL LINE SHORT W/CLAMPS
6	89396A38		1	PRIME BULB
7	32-817738A1		1	FUEL LINE LONG W/CLAMPS AND FERRULE
8	F487755		1	FUEL TANK ADAPTER
9	F71H09		1	FUEL TANK (ACCESSORY ITEM)
10	F409251-1		1	GAUGE CAP
-	FS409752		1	FUEL LINE COMPLETE (NOT SHOWN)

SPECIAL TOOLS - TUNE-UP

REF. NO.	PART NO.	SYM.	QTY.	DESCRIPTION
-	FT2910		0	KNOCK-OFF NUT TO REMOVE FLYWHEEL
-	FTA2937-1		0	TIMING TOOL TO ADJUST SPARK ADVANCE
-	T8974		0	POINT TENSION GAUGE TO MEASURE BREAKER POINT SPRING TENSION

SPECIAL TOOLS - POWER HEAD

REF. NO.	PART NO.	SYM.	QTY.	DESCRIPTION
-	FT8971		0	SEAL INSTALLER TO INSTALL UPPER CRANKSHAFT BEARING CAGE SEAL
-	FT8967		0	SEAL PROTECTOR TO PROTECT UPPER CRANKSHAFT BEARING CAGE SEAL DURING INSTALLATION
-	FT2953		0	SOCKET TO TORQUE CONNECTING ROD SCREWS
-	FT2990		0	PISTON PIN REMOVER TO REMOVE AND INSTALL PISTON PIN IN PISTON
-	FT8926		0	RING EXPANDER TO INSTALL RINGS ON PISTONS
-	FT2996		0	RING COMPRESSOR TO INSTALL PISTONS IN CYLINDERS
-	FT8977		0	SEAL COLLAR INSTALLER TO INSTALL CRANKSHAFT LOWER SEAL COLLAR
-	FT8976		0	SEAL PROTECTOR TO PROTECT CRANKSHAFT LOWER SEAL DURING INSTALLATION.

SPECIAL TOOLS - LOWER UNIT

REF. NO.	PART NO.	SYM.	QTY.	DESCRIPTION
-	FT8948-1		0	PROPELLER SHAFT BEARING CAGE PULLER TO REMOVE PROPELLER SHAFT BEARING CAGE FROM LOWER GEAR HOUSING
-	FT8919		0	SPRING PIN PUNCH TO REMOVE CLUTCH SPRING PIN
-	FT2907		0	DRIVESHAFT SEAL INSTALLER TO INSTALL DRIVESHAFT SEAL
-	FT8957		0	SEAL INSTALLER TO INSTALL SHIFT ROD SEAL

SPECIAL TOOLS - TEST EQUIPMENT

REF. NO.	PART NO.	SYM.	QTY.	DESCRIPTION
-	FT8968A		0	TEST WHEEL TO TEST MOTOR IN TEST TANK
-	FT8932		0	LIFTING HOOK TO LIFT ENGINE
-	FT8950		0	LEAKAGE TESTER TO TEST LOWER UNIT FOR LEAKAGE

ACCESSORIES

REF. NO.	PART NO.	SYM.	QTY.	DESCRIPTION
-	F75H09		0	BATTERY CABLE LONGER LENGTH - 15 FEET
-	F70H01		0	ANTI-CORROSION KIT ELECTRICAL UNIT USED TO HELP PREVENT CORROSION.
-	F71H02		0	ANTI-CORROSION SACRIFICIAL ANODE USED TO HELP PREVENT CORROSION.
-	72H13		0	BATTERY, 74 AMP TWELVE VOLT HEAVY DUTY BATTERY TO OPERATE STARTER AND ELECTRICAL ACCESSORIES.
-	172		0	BATTERY CASE HEAVY PLASTIC CASE WITH TIE DOWN STRAPS. PROTECTS BATTERY FROM DAMAGE.
-	F70H05		0	BATTERY EXTENSION CABLE USED TO EXTEND BATTERY CABLE 6 1/2 FEET.
-	493		0	HANDLE PROVIDES REAR HANDLE AND REST PADS.
-	F70H03		0	CARRYING HANDLE PERMITS EASIER TRANSPORTATION OF ENGINE TO AND FROM BOAT (2 MAN).
-	F588		0	FLUSHING ADAPTER PERMITS FRESH WATER FLUSHING OF WATER PASSAGES WITH STANDARD GARDEN HOSE.
-	71H07		0	FUEL GAUGE FLUSH MOUNT MONITORS FUEL SUPPLY. ELECTRIC START MODELS.
-	71H24		0	FUEL GAUGE SURFACE MOUNT MONITORS FUEL SUPPLY. ELECTRIC START MODELS.
-	F71H10		0	SENDING UNIT FOR USE WITH ABOVE FUEL GAUGES.
-	F72H35		0	WATER PUMP KIT HEAVY DUTY WATER PUMP RECOMMENDED FOR CONTINUED OPERATION IN SANDY OR SALT WATER.
-	72H31		0	FROST WHITE LACQUER ENGINE TOUCH-UP PAINT IN 16 OZ. SPRAY BOMBS (12 CANS PER CASE).
-	72H32		0	GOLD LACQUER ENGINE TOUCH-UP PAINT IN 16 OZ. SPRAY BOMBS (12 CANS PER CASE).
-	F476		0	FUEL LINE ADAPTION KIT ADAPTS MODEL 71H09 FUEL TANK FOR DISCONNECT AT TANK.
-	F71H09		0	STEEL, 6 GALLON FUEL TANK AUXILLIARY TANK.
-	F71H12		0	FUEL TANK ANCHOR SECURES 71H09 TO DECK.
-	73H02		0	CANVAS HOOD PROTECTION FOR ENGINE COVER.
-	F73H11		0	REMOTE ELECTRIC CABLE 21 FEET
-	F71H04		0	SPEEDOMETER FLUSH MOUNT 0 TO 50 M.P.H.
-	F74H05		0	OVERHEAT BUZZER KIT FOR ELECTRIC START MODELS. WARNS OF ENGINE OVERHEATING.
-	167		0	IGNITION CUT-OFF KIT ALLOWS STOPPING OF ALL MAGNETO ENGINES FROM DASH.
-	478		0	IGNITION LAMP KIT FOR ALTERNATOR ENGINES. TELLS WHEN IGNITION SWITCH IS IN "ON" POSITION.
-	F74H19		0	IGNITION KEY SWITCH FOR ELECTRIC START MODELS SHORT BARREL.
-	F74H20		0	IGNITION KEY SWITCH FOR ELECTRIC START MODELS LONG BARREL.
-	FK1025		0	LONG LEG CONVERSION KIT CONVERTS 15" STANDARD SHAFT MODELS TO 20" LONG SHAFT MODELS.
-	70H24		0	RACING STRIPE KIT ORANGE STRIPING FOR ENGINE COVER.

CONTINUED ON NEXT PAGE ➡

ACCESSORIES

REF. NO.	PART NO.	SYM.	QTY.	DESCRIPTION
-	70H25		0	RACING STRIPE KIT BLUE STRIPING FOR ENGINE COVER.
20	F195/___		0	REMOTE CONTROL CABLE CONNECTS REMOTE CONTROL BOX TO THROTTLE AND GEAR SHIFT ON MOTOR. AVAILABLE IN 6 THROUGH 20 FOOT LENGTHS.
-	F72H36		0	REMOTE CONTROL SURFACE MOUNT (SINGLE LEVER) PERMITS REMOTE CONTROL OF THROTTLE AND GEAR SHIFT FROM STARBOARD SIDE OF BOAT.
-	73H08		0	PORT SIDE DECAL KIT CONVERTS 72H36 CONTROL BOX TO PORT SIDE MOUNTING.
-	F590		0	REMOTE CONTROL FLUSH MOUNT (SINGLE LEVER) PERMITS REMOTE CONTROL OF THROTTLE AND GEAR SHIFT. MAY BE MOUNTED ON PORT OR STARBOARD SIDE OF BOAT.
-	865		0	REMOTE CONTROL SURFACE MOUNT (SINGLE LEVER) PERMITS REMOTE CONTROL OF THROTTLE AND GEAR SHIFT ON TWIN ENGINE INSTALLATION. MAY BE MOUNTED ON PORT OR STARBOARD SIDE OF BOAT.
-	F137		0	REMOTE STEERING BRACKET ADAPTS MOTOR TO CABLE TYPE REMOTE STEERING.
-	F165		0	REMOTE STEERING BRACKET ADAPTS MOTOR TO CABLE TYPE REMOTE STEERING.
-	F166		0	DUAL ENGINE TIE BAR PERMITS DUAL ENGINE INSTALLATION.
-	176		0	SPEEDOMETER SURFACE MOUNT 0 TO 50 M.P.H.
-	74H13		0	TACHOMETER (SURFACE MOUNT) MONITORS ENGINE R.P.M. TO PROVIDE CHECK OF ENGINE PERFORMANCE.
-	F74H09		0	TACHOMETER (FLUSH MOUNT) MONITORS ENGINE R.P.M. TO PROVIDE CHECK OF ENGINE PERFORMANCE.
-	F73H07		0	STARTER CONVERSION CONVERTS HAND START MODELS TO ELECTRIC START.
-	F74H01		0	VOLTMETER FLUSH MOUNT - INDICATES BATTERY CONDITION. ELECTRIC START MODELS.
-	74H02		0	VOLTMETER SURFACE MOUNT - INDICATES BATTERY CONDITION. ELECTRIC START MODELS.

SPECIFICATIONS

REF. NO.	PART NO.	SYM.	QTY.	DESCRIPTION
-			0	HORSEPOWER 25 B.I.A. CERTIFIED BRAKE H.P. AT 5000 R.P.M.
-			0	MOTOR TWO-CYCLE, TWIN CYLINDER, ALTERNATE FIRING.
-			0	BORE AND STROKE 2 13/16" BORE X 2.300" STROKE.
-			0	DISPLACEMENT 28.57 CUBIC INCHES.
-			0	CONNECTING RODS FORGED ALLOY STEEL. CAGED ROLLER BEARINGS AT CRANKSHAFT. CASED NEEDLE BEARINGS AT PISTON PIN.
-			0	CRANKSHAFT FORGED ALLOY STEEL. BALL BEARINGS AT LOWER MAIN. ROLLER BEARINGS AT CENTER AND UPPER MAIN.
-			0	CORROSION PROTECTION ALODINE TREATED CASTINGS. STAINLESS STEEL DRIVESHAFT, PROPELLER SHAFT, GEAR SHIFT ROD AND UNDERWATER FASTENERS.
-			0	FUEL TANK SEPARATE STEEL TANK, 6 U.S. GALLON, 5 IMPERIAL GALLON CAPACITY.
-			0	FUEL SYSTEM VACUUM - TYPE FUEL PUMP, FLOAT FEED CARBURETOR WITH FIXED HIGH SPEED JET AND ADJUSTABLE LOW SPEED JET.
-			0	FUEL FILTERS FILTER SCREENS IN FUEL TANK AND FUEL PUMP.
-			0	COOLING WATER COOLED, POSITIVE DISPLACEMENT TYPE WATER PUMP.
-			0	TRANSOM HEIGHT 15" OR 20" DEPENDING ON MODEL.
-			0	WEIGHT 105 - 112 LBS. FOR STANDARD SHAFT MODELS.
-			0	TILT LOCK POSITIVE TILT LOCK PERMITS ENGINE TO REMAIN IN TILTED POSITION WHEN NOT IN USE.
-			0	RECOMMENDED OPERATING RANGE 4500-5500 R.P.M.
-			0	PROPELLER ALUMINUM ALLOY, 8 1/2" DIAMETER, 10" PITCH, RIGHT HAND ROTATION.

LUBRICATION CHART

REF. NO.	PART NO.	SYM.	QTY.	DESCRIPTION
-			0	UPPER AND LOWER GEAR HOUSINGS CHECK AFTER EVERY THIRTY HOURS OF OPERATION AND REPLACE AFTER EVERY 100 HOURS WITH A NON-CORROSIVE LEADED OUTBOARD GEAR OIL -- CHRYSLER OUTBOARD GEAR LUBE. DO NOT USE CORROSIVE HYPOID OIL UNDER ANY CIRCUMSTANCE.
-			0	CONTROL LINKAGE LUBRICATE ALL MOVING PARTS AND CONTROL LINKAGE WITH RYKON # 2EP, PART NUMBER T2961 TWICE EACH SEASON OR OFTENER IF REQUIRED.
-			0	STERN BRACKET LUBRICATE STERN BRACKET AND ASSOCIATED PARTS WITH RYKON # 2#P, PART NUMBER T2961, TWICE EACH SEASON OR OFTENER IF REQUIRED.
-			0	GREASE FITTING GREASE FITTINGS ARE PROVIDED AT CRITICAL POINTS WHERE BEARING SURFACES ARE NOT EXPOSED EXTERNALLY. USING AN AUTOMOTIVE TYPE GREASE GUN AND LUBRICANT, GREASE TWICE EACH SEASON OR OFTENER IF REQUIRED.
-			0	STARTER PINION GEAR LUBRICATE WITH RYKON # 2EP, PART NUMBER T2961, TWICE EACH SEASON OR OFTENER IF REQUIRED.

SPECIAL ADJUSTMENTS

REF. NO.	PART NO.	SYM.	QTY.	DESCRIPTION
-			0	BREAKER POINT GAP .020" FOR MAGNETO MODELS. .015" FOR ALTERNATOR MODELS
-			0	SPARK PLUG CHAMPION L-4-J. GAP .030".
-			0	FLYWHEEL NUT TORQUE TO 45 FOOT POUNDS.
-			0	CYLINDER HEAD BOLT TORQUE TO 225 INCH POUNDS.
-			0	POINT OF THROTTLE OPENING 1. UNSNAP BALL JOINT CONNECTOR FROM THROTTLE CAM.
-			0	POINT OF THROTTLE OPENING 2. WITH THROTTLE SHUTTER IN CARBURETOR CLOSED, ADJUST ECCENTRIC SCREW HOLDING THROTTLE ROLLER TO THROTTLE SHAFT SO THAT PICK-UP LINE ON LOWER END OF THROTTLE CAM IS EXACTLY CENTERED ON THROTTLE ROLLER.
-			0	POINT OF THROTTLE OPENING 3. ADVANCE THROTTLE MAGNETO CONTROL LEVER AND THROTTLE CAM TO FULL ADVANCE POSITION. (THROTTLE SHUTTER HORIZONTAL.)
-			0	POINT OF THROTTLE OPENING 4. ADJUST BALL JOINT CONNECTORS UNTIL SPACING IS IDENTICAL TO SPACING BETWEEN CONNECTOR STUD ON THROTTLE CAM AND MAGNETO CONTROL LEVER.
-			0	POINT OF THROTTLE OPENING

PARTS INDEX

Part Number	Description	Pg.	Ref. No.	Part Number	Description	Pg.	Ref. No.
167	IGNITION CUT-OFF KIT	54	-	F10025	GASKET SET	21	29
172	BATTERY CASE	54	-	F10027	REPAIR PARTS KIT	21	30
176	SPEEDOMETER	55	-	F1014	COTTER PIN	35	20
458366-1	PLATE, NAME "CHRYSLER"	3	16	F1014	COTTER PIN FOR ELECTRIC START MODELS	21	34
458366-1	PLATE, NAME "CHRYSLER"	7	16	F1020	COTTER PIN	41	76
478	IGNITION LAMP KIT	54	-	F1024	COTTER PIN	45	6
493	HANDLE	54	-	F1059	FILL HD SCREW, 6 - 32 X 1/4 FOR ELECTRIC START MODELS	21	38
504180	TRIM, REAR	3	8	F1075	FILL HD M. SCREW, 10 - 24 X 1/2	33	67
504180	TRIM, REAR	7	8	F1077	FILL HD SCREW, 10 - 24 X 1/4	17	10
70H24	RACING STRIPE KIT	54	-	F1087	FILL HD SCREW, 10 - 24 X 7/8	3	36
70H25	RACING STRIPE KIT	55	-	F1092	FILL HD SCREW, 10 - 32 X 5/8	15	10
71H07	FUEL GAUGE FLUSH MOUNT	54	-	F1092	FILL HD SCREW, 10 - 32 X 5/8	19	12
71H24	FUEL GAUGE SURFACE MOUNT	54	-	F1100	SLOTTED FILL HD SCREW, 1/4 - 20 X 1 1/8	13	29
72H13	BATTERY, 74 AMP	54	-	F1107	FILL HD SCREW, 1/4 - 20 X 3/4	31	1
72H31	FROST WHITE LACQUER	54	-	F1108	FILL HD MACHINE SCREW W/LOCKWASHER, 1/4 - 20 X 3/4	29	7
72H32	GOLD LACQUER	54	-	F1129	FILL HD SCREW, 5/16 - 18 X 1/2	39	30
73H02	CANVAS HOOD	54	-	F1141	FLAT HD SCREW, 10 - 24 X 1/2	25	6
73H08	PORT SIDE DECAL KIT	55	-	F1148	FLAT HD SCREW, 1/4 - 20 X 1 1/2	39	38
74H02	VOLTMETER	55	-	F1150	FLAT HD SCREW, 1/4 - 20 X 1 1/8	39	37
74H13	TACHOMETER (SURFACE MOUNT)	55	-	F1150	FLAT HD SCREW, 1/4 - 20 X 1 1/8	47	40
817747--1	JOINT BALL ASSEMBLY	33	57	F1160	FLAT HD SCREW, 1/4 - 28 X 5/8	41	58
817776A3	STERN BRACKET CLAMP SCREW W/FOOT, STUD AND HANDLE	35	36	F12083	CONDENSER MOUNTING SCREW	15	2
817808A2	LEVER, GEAR SHIFT	31	29	F12083	CONDENSER MOUNTING SCREW	19	5
817809A1	PLATE, KINGPIN MOUNTING	39	13	F12088	GROMMET, LEAD WIRE	15	13
817882A1	FRICITION SHOE ADJUSTING ARM	35	2	F12090	BREAKER POINT MOUNTING SCREW	19	7
817938A1	RETAINER, STARTER ROPE HANDLE FOR MANUAL START MODELS	11	12	F1211	HEX HD SCREW W/SPRING LOCKWASHER, 1/4 - 28 X 5/8	41	70
817955A1	HOUSING, HAND STARTER	11	2	F12127	STUD NUT	15	15
865	REMOTE CONTROL SURFACE MOUNT (SINGLE LEVER)	55	-	F12128	INSULATOR, OUTSIDE	15	17
89396A38	PRIME BULB	49	6	F12129	INSULATOR, INSIDE	15	19
A190554-3	GEAR HOUSING UPPER	45	34	F12139-1	CONDENSER	19	6
A458010-1	CYLINDER W/CRANKCASE COVER, SCREWS AND DOWEL PINS	31	7	F12142	CONNECTION STUD	15	18
A458893	INSERT, PLATE FRONT, CANADA	5	-	F12146	COIL WEDGE SPRING	15	11
A460892	INSERT, FRONT PLATE, U.S.A.	9	-	F12153	BREAKER POINT SET	15	20
A460893	INSERT, FRONT PLATE, CANADA	9	-	F12170	CONTACT SCREW W/LOCKWASHER	15	22
A505892	INSERT, FRONT PLATE, U.S.A.	9	-	F12181-1	CONDENSER	15	3
A505893	INSERT, FRONT PLATE, CANADA	9	-	F12186	GROUND LEAD	15	4
AC16395-7	PLATE, IDENTIFICATION W/SCREWS, CANADA	5	-				
AC16395-7	PLATE, IDENTIFICATION W/SCREWS, CANADA	7	-				
C461010-1	SHORT BLOCK FOR MAGNETO MODELS (NOT SHOWN)	33	-				

PARTS INDEX

Part Number	Description	Pg.	Ref. No.	Part Number	Description	Pg.	Ref. No.
F12227	CAM WIPER FELT	19	9	F15107	CUP, PINION	13	5
F12228	CAM WIPER FELT	15	21	F15108	SLEEVE	13	6
F12329-1	BREAKER POINT SET	19	8	F15109	CUP, STOP	13	3
F12346	STATOR PLATE			F15117	FRAME AND FIELD ASSEMBLY	13	20
	W/LAMINATIONS	15	9				
F1236	HEX CAP SCREW, 1/4 - 20 X 1/2	3	26	F1513	HEX NUT	15	7
F1236	HEX CAP SCREW, 1/4 - 20 X 1/2	7	22	F1513	HEX NUT, 10 - 32	17	16
F12366	STATOR PLATE	19	11	F1513	HEX NUT, 10 - 32	19	24
F12367	LEAD WIRE AND GROMMET PACKAGE	19	13	F1513	HEX NUT, 10 - 32	31	30
F1280	PAN HD SCREW, 8 - 32 X 1/4	17	11	F1514	HEX JAM NUT, 1/4 - 20	13	13
F1293	DRIVE SCREWS	5	54	F1515	HEX JAM NUT, 5/16 - 18	5	57
F1293	DRIVE SCREWS	7	33	F1515	HEX JAM NUT, 5/16 - 18	7	36
F1298	ROUND HD SCREW W/LOCKWASHER, 6 - 32 X 1/4	25	12	F1515	HEX NUT	17	14
F1341	HEX NUT, 1/4 - 20	13	15	F1515	HEX NUT, 5/16 - 18	39	31
F1341	HEX NUT, 1/4 - 20	41	73	F1516	FINISHED HEX NUT, 5/16 - 18	45	32
F1347	HEX NUT, 3/8 - 16	39	9	F1516	HEX NUT, 5/16 - 18	25	2
F137	REMOTE STEERING BRACKET	55	-	F154317	CLAMP, REMOTE CABLE	3	28
F142244	INLET WATER LINE	39	7	F154317	CLAMP, REMOTE CABLE	7	24
F145037-1	PIVOT BOLT	35	38	F1632	PLASTI-PLUG	3	22
F1472	SLOTTED HEX CAP SCREW W/SPRING LOCKWASHER, 1/4 - 20 X 3/4	41	71	F1632	PLASTI-PLUG	7	21
F1473	HEX NUT	39	15	F1638	SPRING PIN	11	22
F1473	HEX NUT, 10 - 24	5	67	F1638	SPRING PIN	35	35
F1475	FILL HD SCREW, 10 - 24 X 1/2	3	15	F1642	SOCKET HD CAP SCREW, 10 - 24 X 3/4 FOR MANUAL START MODELS	41	54
F1475	FILL HD SCREW, 10 - 24 X 1/2	7	15	F1645	ROUND HD SCREW, 6 - 32 X 1/4	17	4
F1491	HEX CAP SCREW, 5/16 - 18 X 3 1/4	39	24	F1647	HEX NUT	17	9
F1500	RD HD SHEET METAL SCREW, 4 X 1/4 FOR MANUAL START MODELS	11	24	F1647	HEX NUT	19	30
F15002	SPRING SET	13	23	F1648	SLOTTED PAN HD SCREW, 10 - 24 X 3/4	17	20
F15010	ARMATURE	13	18	F165	REMOTE STEERING BRACKET	55	-
F15015	BRUSH SET	13	22	F1656	PLAIN WASHER	35	16
F15019-1	HEAD ASSEMBLY COMMUTATOR END	13	24	F166	DUAL ENGINE TIE BAR	55	-
F1502	HEX CAP SCREW, 1/4 - 20 X 5/8	43	79	F1663	SPRING PIN	41	57
F15021-1	HEAD ASSEMBLY DRIVE END	13	16	F1664	SPRING PIN FOR MANUAL START MODELS	39	43
F15084	SCREW SHAFT	13	8	F1666	BOWED SPRING LOCKWASHER	35	12
F15087	HEX NUT	13	2	F1669	NUT	35	26
F15091	WASHER	13	9	F1689	HEX CAP SCREW, 1/4 - 20 X 1/2	35	7
F15095	BENDIX DRIVE	13	1	F1689	HEX CAP SCREW, 1/4 - 20 X 1/2 FOR ELECTRIC START MODELS	31	11
F15097	THRU BOLT PACKAGE	13	28	F1704	INTERNAL TOOTH LOCKWASHER	17	5
F15098	THRUST WASHER PACKAGE	13	17	F1705	HEX CAP SCREW, 1/4 - 20 X 3/4	19	17
F15102	SPRING, ANTI-DRIFT	13	4	F1727	PLASTI-RIVET	31	6
F15103	PINION	13	7	F1728	PAN HD SCREW, 10 X 3/8	3	6
F15104	CUP, CUSHION THRUST	13	12	F1728	PAN HD SCREW, 10 X 3/8	7	6
F15105	CUP, CUSHION	13	10	F1734	FILL HD MACHINE SCREW W/SPRING LOCKWASHER, 1/4 - 20 X 1/2	17	29
F15106	CUSHION	13	11	F1739	PLAIN WASHER	31	13
				F1739	PLAIN WASHER	41	78

PARTS INDEX

Part Number	Description	Pg.	Ref. No.	Part Number	Description	Pg.	Ref. No.
F1753	FASTENER	3	12	F190019-1	KINGPIN	37	44
F1753	FASTENER	7	12	F190321-1	PACKING, LEG COVER	39	23
F1760	PAN HD SCREW, 10 - 24 X 3/8	3	24	F190323-1	PACKING, LEG COVER UPPER FRONT	39	21
F1760	PAN HD SCREW, 10 - 24 X 3/8	5	63	F190832-2	COVER, MOTOR LEG EXHAUST	39	36
F1768	FILL HD SCREW, 10 - 24 X 1 3/8	39	20	F190833	GASKET, MOTOR LEG EXHAUST COVER	39	35
F177330	FUEL PUMP VALVE	29	4	F1910	LOCK NUT	33	60
F1778	PLAIN WASHER	39	10	F1915	HEX HD SCREW, 1/4 - 20 X 7/8	25	1
F1803	STOP NUT	33	56	F1915	HEX HD SCREW, 1/4 - 20 X 7/8, FOR ALTERNATOR MODELS ONLY	25	-
F1810	FILL HD SCREW, 10 - 24 X 2 1/2	39	18	F1916	HEX HD MACHINE SCREW, 1/4 - 20 X 1 1/8	13	27
F1811	FILL HD SCREW, 10 - 24 X 1 7/8	39	19	F1916	HEX HD SCREW, 1/4 - 20 X 1 1/8	17	34
F18132-1	HANDLE, STARTER ROPE FOR ELECTRIC START MODELS	11	26	F1922	HEX HD MACHINE SCREW, 1/4 - 20 X 5/8	7	18
F1832	LOCK NUT FOR MANUAL START MODELS	39	42	F1922	HEX HD SCREW, 1/4 - 20 X 5/8	3	18
F183300	SPRING, LATCH SHAFT	5	55	F1922	HEX HD SCREW, 1/4 - 20 X 5/8	31	33
F183300	SPRING, LATCH SHAFT	7	34	F1927	PAN HD SCREW, 10 - 32 X 3/8	11	4
F183300	SPRING, MAGNETO CONTROL SHAFT	3	34	F1934	FLAT HD SCREW, 6 X 1/2	17	32
F183346-1	SHOCK MOUNT LOWER THRUST	39	29	F195/	REMOTE CONTROL CABLE	55	20
F183504	GROMMET, MAGNETO CONTROL SHAFT	3	31	F1953	HEX HD SCREW, 1/4 - 20 X 1	19	25
F1836	SPRING PIN	5	49	F1953	HEX HD SCREW, 1/4 - 20 X 1	33	49
F1836	SPRING PIN	35	21	F1954	HEX SOCKET HEADLESS SET SCREW, 5/16 - 24 X 1/4,	41	52
F183756-1	PACKING, SUPPORT PLATE	39	2	F1970	SPRING PIN	45	19
F183813	BEARING	33	53	F1975	LOCKWASHER	19	23
F183818	BEARING, CHOKE ROD	3	23	F1975	SPRING LOCKWASHER	17	17
F183990	SPACER, KINGPIN	35	28	F197787-2	FUEL LINE COUPLER	49	3
F184033-1	SWIVEL, CHOKE ARM FOR ELECTRIC START MODELS	21	37	F1978	SPRING PIN	41	75
F184579	SEAL, FOR ELECTRIC START MODELS	21	36	F1978	SPRING PIN FOR MANUAL START MODELS	41	59
F1854	HEX CAP SCREW, 1/4 - 20 X 5/8	17	18	F1979	SLOTTED PAN HD SCREW, 10 - 24 X 3/4	17	25
F1854	HEX CAP SCREW, 1/4 - 20 X 5/8	19	16	F1995	SLOTTED FILL HD SCREW, 10 - 24 X 1	19	3
F1854	HEX CAP SCREW, 1/4 - 20 X 5/8	31	43	F1997	LOCK NUT	21	40
F185764	RETAINING RING	5	56	F2004	FILL HD SCREW, 8 - 32 X 3/8	11	15
F185764	RETAINING RING	7	35	F2005	HEX SOCKET HD CAP SCREW, 5/16 - 18 X 2 3/4	31	10
F1859	HEX SOCKET HEADLESS SET SCREW, 1/4 - 28 X 3/16	3	33	F2009	ACORN NUT, 3/8 - 16	39	33
F1859	HEX SOCKET HEADLESS SET SCREW, 1/4 - 28 X 3/16	5	47	F2010	FILL HD SCREW W/LOCKWASHER, 10 - 32 X 9/16	19	10
F1860	BINDING HD MACHINE SCREW, 6 - 32 X 1/4	29	3	F2010	FILL HD SCREW W/SPRING LOCKWASHER, 10 - 32 X 9/16	15	23
F1864	HEX SLOTTED HD SCREW, 1/4 - 20 X 3/4	31	9	F2011	PAN HD SCREW, 1/4 - 20 X 1 1/4 FOR ELECTRIC START MODELS	43	82
F1864	SLOTTED HEX HD SCREW, 1/4 - 20 X 3/4	11	1	F2012	PLAIN WASHER	19	26

PARTS INDEX

Part Number	Description	Pg.	Ref. No.	Part Number	Description	Pg.	Ref. No.
F2014	PLAIN WASHER	39	6	F288691	GEAR, MAGNETO CONTROL SHAFT FOR MANUAL START MODELS	41	55
F2016	FILL HD MACHINE SCREW, 6 - 32 X 7/8	17	3	F295080	STEERING HANDLE PIVOT BOLT FOR MANUAL START MODELS	41	48
F2016	FILL HD SCREW, 6 - 32 X 7/8	19	29	F295175	WASHER, STEERING HANDLE PIVOT BOLT FOR MANUAL START MODELS	41	49
F2018	SPEED NUT FOR ELECTRIC START MODELS	43	83	F295457	WASHER, RETAINING STEERING HANDLE PIVOT BOLT	41	50
F2019	HEX CAP SCREW, 5/16 - 18 X 1 1/4	45	5	F295689	BEARING, STEERING HANDLE GEAR FOR MANUAL START MODELS	41	51
F2021	FLYWHEEL NUT	11	14	F296898	TERMINAL	17	23
F2021	FLYWHEEL NUT, 5/8 - 18	19	1	F298788	FERRULE	49	4
F2025	PAN HD SCREW, 10 X 5/8	3	4	F2A436135	MOTOR LEG COVER, PORT W/PACKING	39	17
F2025	PAN HD SCREW, 10 X 5/8	7	4	F2A436145	MOTOR LEG COVER, STARBOARD W/PACKING	39	16
F2026	PLASTIC RIVET	5	65	F2A458081	MAGNETO CONTROL LEVER W/ CONNECTOR STUD	33	54
F2033	GROOVE PIN FOR ELECTRIC START MODELS	21	31	F2A458581	COLLAR W/LOWER CRANKSHAFT SEAL	27	11
F203965	SHOCK MOUNT UPPER THRUST	41	68	F2A504614	KNOB, GEAR SHIFT W/SHAFT AND INDICATOR	3	43
F2040	HEX HD MACHINE SCREW, 1/4 - 20 X 5/8	11	19	F307317	CLIP, TERMINAL BLOCK GROUND	17	21
F2040	TAPTITE HEX HD SCREW, 1/4 - 20 X 5/8	13	21	F307818	BEARING	5	51
F2095	SPRING PIN	35	30	F307818	BEARING	31	20
F2107	SLOTTED FILL HD SCREW W/SPRING LOCKWASHER, 10 - 24 X 5/8	3	29	F307818	BEARING LATCH SHAFT	7	28
F2107	SLOTTED FILL HD SCREW W/SPRING LOCKWASHER, 10 - 24 X 5/8	7	25	F307818	BEARING, LATCH SHAFT	3	39
F213274	GREASE FITTING	37	41	F316160	REED	25	10
F213342	SEAL, FUEL LINE COUPLER	49	1	F324689	BEARING, MAGNETO CONTROL SHAFT	3	35
F213735	SEAL, FUEL LINE COUPLER	49	2	F324840-1	GROMMET, REMOTE SHIFT CABLE	5	52
F215795	SEAL, STEERING HANDLE GRIP FOR MANUAL START MODELS	39	44	F324840-1	GROMMET, REMOTE THROTTLE CABLE	3	30
F24074	CLAMP SCREW FOOT	35	31	F324993	BRACKET, CHOKE ROD BEARING	3	25
F24342	SEAL, WATER LINE UPPER	39	5	F333316	SHAFT, THROTTLE ROLLER	23	42
F24623-1	GROMMET, GEAR SHIFT	5	45	F335217	BEARING, PISTON PIN	27	3
F268002-2	BREAKER CAM	19	14	F338618-1	SEAL, GEAR SHIFT ROD LOWER	45	31
F269052	BEARING, SHIFT LEVER	31	28	F341562	BACK PLATE, WATER PUMP	45	36
F269122-1	SEAL, CRANKCASE PARTING LINE	31	8	F346118	SEAL, PROPELLER SHAFT	45	14
F269319	BEARING, THROTTLE CAM	33	61	F366215	SPACER, PISTON PIN	27	2
F286028-1	CRANKSHAFT LOWER MAIN BEARING	27	14	F366364	ARM, REVERSE LOCK	35	23
F286282	WASHER	33	55	F366801	FITTING	31	18
F286422-1	PIVOT, TILT LOCK	35	8	F369390-1	DECAL, REVERSE LOCK (NOT SHOWN)	37	-
F286440	STUD, MAGNETO CONTROL LEVER	33	52	F369450	RECTIFIER	19	32
F286451	SPACER, TILT LOCK	35	9	F381896-4	CABLE, BATTERY ENTRY	17	13
F286544-1	SPRING, TILT LOCK	35	11	F385433	TILT STOP	35	40
F286547	CHOKE KNOB	3	41	F385647	CARRYING HANDLE	39	40
F286894-3	INDICATOR, SPEED CONTROL FOR MANUAL START MODELS	41	66				
F288075	HANDLE, STERN BRACKET CLAMP SCREW	35	34				
F288689	BEARING, MAGNETO CONTROL SHAFT FOR MANUAL START MODELS	41	56				

PARTS INDEX

Part Number	Description	Pg.	Ref. No.	Part Number	Description	Pg.	Ref. No.
F40209	CARBURETOR STUD	25	3	F458109	PLUG, CYLINDER HEAD	31	40
F407446	CLAMP, BATTERY CABLE	17	30	F458132	HANDLE, STARTER ROPE FOR MANUAL START		
F40906-1	FLANGE GASKET	21	9		MODELS	11	11
F409251-1	GAUGE CAP	49	10	F458142	FITTING, HANDLE DRAIN	3	7
F40956	BRACKET, SHOCK MOUNT UPPER THRUST	41	69	F458146	SEAL, CRANKSHAFT UPPER MAIN	31	2
F429811	SCREEN, CYLINDER DRAIN	31	36	F458151	EXHAUST PORT PLATE	33	47
F433168	GASKET, CARBURETOR ADAPTER W/STUDS	25	5	F458152	EXHAUST PORT COVER	33	48
F433209	STUD, THROTTLE CAM	33	63	F458154	GASKET, EXHAUST PORT PLATE	33	46
F433404	DEFLECTOR PLATE	25	7	F458166-2	SCREW, MOTOR LEG TO CYLINDER	39	34
F433406	GASKET, DEFLECTOR PLATE	25	8	F458192	THROTTLE CAM	33	62
F43467	BUSHING, FUEL LINE	7	31	F458198	THROTTLE STOP FOR MANUAL START MODELS	41	67
F434767	BUSHING, FUEL LINE	5	70	F458223	GASKET, TRANSFER PORT COVER	31	37
F436065	IMPELLER, WATER PUMP	45	37	F458232	STARTER ROPE	11	10
F436128	DRIVESHAFT FOR STANDARD SHAFT MODELS	45	1	F458239	STARTER PULLEY	11	8
F436314-1	ELBOW, DRAIN HOSE	31	32	F458245	BAFFLE, TILT HANDLE	3	2
F436322	PACKING, LEG COVER LOWER FRONT	39	22	F458245	BAFFLE, TILT HANDLE	7	2
F436449	SHORTING SWITCH FOR MANUAL START MODELS	15	5	F458277	GASKET, CRANKSHAFT BEARING CAGE	31	4
F436541	TILT LOCK (PORT)	35	10	F458279	GASKET, CYLINDER EXHAUST	39	1
F437128	DRIVESHAFT FOR LONG SHAFT MODELS	45	-	F458347	MOUNT, SUPPORT PLATE	39	4
F437521	CLUTCH	45	20	F458371	BRACKET, REMOTE THROTTLE CABLE	3	27
F437719	CLUTCH SPRING	45	21	F458371	BRACKET, REMOTE THROTTLE CABLE	7	23
F438165	SCREW, FUEL PUMP BOWL	29	11	F458424	SPRING, STARTER PAWL PLATE	11	9
F438398	DECAL, WIRING FOR ALTERNATOR MODELS	17	-	F458445	LINK, MAGNETO CONTROL SHAFT	33	51
F438500	FUEL PUMP BOWL	29	10	F458453	GASKET, LEG EXHAUST	39	14
F438617	GASKET, FUEL PUMP BOWL	29	8	F458456	HAND STARTER COLLAR	11	13
F438653	SCREEN, FUEL PUMP	29	9	F458498	FLYWHEEL KEY FOR MAGNETO MODELS	27	18
F438747	FUEL PUMP DIAPHRAGM	29	2	F458502	ROD, THROTTLE CAM	33	59
F438760	FUEL PUMP GASKET	29	1	F458503	CHOKE ROD	3	21
F438801	FITTING, FUEL PUMP BODY	29	15	F458509	LINK, MAGNETO STATOR	33	58
F440209	STUD, GEAR SHIFT LEVER	31	31	F458519	SCREW, TILLER IDLE STOP FOR MANUAL START	41	47
F455305	SEAL, CRANKSHAFT COLLAR	27	13	F458529	GASKET, CYLINDER HEAD	31	38
F456717	THRUST WASHER, BEVEL GEAR	45	17	F458531	ROD, SHIFT INTERLOCK	31	24
F458003	STARTER INTERLOCK LEVER	11	23	F458579	SEAL, CRANKCASE	27	10
F458015-1	PISTON	27	6	F458592	RETAINER, STARTER PULLEY	11	16
F458017	PISTON PIN	27	4	F458677	INSERT, CHOKE KNOB	3	42
F458028	BEARING, CRANKSHAFT UPPER MAIN	27	19	F458688	SHAFT, STEERING HANDLE FOR MANUAL START	41	62
F458038-2	SUPPORT PLATE	3	20	F458690	SCREW, THROTTLE STOP FOR MANUAL START	41	60
F458038-2	SUPPORT PLATE	7	20		MODELS	41	60
F458066	THERMOSTAT COVER	33	44	F458693	SCREW, REMOTE IDLE STOP	33	50
F458067	GASKET, THERMOSTAT COVER	33	45				
F458071	SPRING, STARTER HANDLE GUIDE FOR MANUAL START MODELS	11	5				
F458076	TAB, SHOCK MOUNT SIDE	39	12				
F458079	STEERING HANDLE FOR MANUAL START MODELS	41	46				

PARTS INDEX

Part Number	Description	Pg.	Ref. No.	Part Number	Description	Pg.	Ref. No.
F458711	PLATE, FRONT	5	68	F463864	RETAINER, TILT HANDLE	3	5
F458754	HOSE, FUEL PUMP TO CARBURETOR	29	14	F463864	RETAINER, TILT HANDLE	7	5
F458846	SPRING, STARTER INTERLOCK LEVER	11	21	F476	FUEL LINE ADAPTION KIT	54	-
F458880	CLIP, STARTER GUIDE	5	66	F483300	SPRING	35	27
F458887	FASTENER, SUPPORT PLATE MOUNT	39	3	F483349-1	REVERSE LOCK	35	25
F458888-1	TRIM, STARTER HANDLE GUIDE	5	64	F483510	LINK, REVERSE LOCK	35	24
F458936	SCREW, CYLINDER HEAD	31	41	F483555	SEAL, GEAR HOUSING	45	30
F458937	LINER, STARTER HOUSING	11	3	F483726	BEARING	35	18
F458953-1	GUIDE, STARTER HANDLE FOR MANUAL START MODELS	11	6	F483827	LEVER, REVERSE LOCK	35	17
F458962	SHOCK MOUNT	39	11	F483884	BEARING	35	22
F458963	PLATE, SHOCK MOUNT	39	8	F487755	FUEL TANK ADAPTER	49	8
F458970	SPRING, STARTER REWIND	11	7	F50109	PLUG, GEAR HOUSING	45	26
F458977-2	LEVER, SHIFT INTERLOCK	31	21	F504052	BEARING	33	65
F460097-1	FLYWHEEL	15	1	F50411	RETAINING RING	45	12
F460163-1	COVER, SUPPORT PLATE	7	30	F504527	CAP, INTERLOCK BEARING	33	66
F460317	CLAMP, CHOKE SOLENOID FOR ELECTRIC START MODELS	31	12	F504621	LEVER, GEAR SHIFT CONTROL	5	48
F460398	DECAL, WIRING FOR MAGNETO MODELS	17	28	F504809	ROD, STARTER INTERLOCK	33	64
F460427	BRACKET, STARTER MOTOR	17	1	F504836	SPACER, GEAR SHIFT SHAFT	5	50
F460573	CLAMP, STARTER MOTOR	13	19	F505095-1	STATOR, ALTERNATOR	19	4
F460664	STATOR GROUND WIRE	15	6	F505097	FLYWHEEL	19	2
F460675	BRACKET, STARTER MOUNTING LOWER	13	25	F505454	RECTIFIER BRACKET	19	33
F460686	COVER, KING PIN MOUNTING PLATE FOR ELECTRIC START MODELS	43	81	F505501	COIL MOUNT	19	22
F460711	PLATE, FRONT	7	42	F505513	COIL CLAMP	19	19
F460744	WIRING HARNESS FOR MAGNETO MODELS	17	6	F505744	WIRING HARNESS	19	34
F460917	STARTER RELAY	17	19	F505744	WIRING HARNESS FOR ALTERNATOR MODELS	17	-
F460925	ROD, CHOKE SOLENOID FOR ELECTRIC START MODELS	21	33	F505841	HI-TENSION WIRE	19	20
F461061-1	CARBURETOR COMPLETE (WB19B)	23	43	F505993	COIL MOUNT BRACKET	19	18
F461094	PROPELLER NUT	45	7	F53504	GROMMET, SUPPORT PLATE	7	29
F461133-2	MOTOR LEG	39	26	F53795-1	SEAL, STEERING HANDLE GRIP FOR MANUAL START MODELS	41	45
F461342	SEAL, DRIVESHAFT SPLINE	27	12	F53840-2	GROMMET, CHOKE ROD	3	40
F461400	INDICATOR, GEAR SHIFT	3	44	F53983	RETAINING RING, WEED GUARD	45	11
F461512	PLATE, NUMERAL	5	60	F54262	WEED GUARD	45	10
F461512	PLATE, NUMERAL	7	39	F55914	SEAL, WATER LINE LOWER	45	39
F461615	GEAR SHIFT ROD UPPER	41	74	F588	FLUSHING ADAPTER	54	-
F461707-1	COVER, SHOCK MOUNT LOWER	39	25	F590	REMOTE CONTROL FLUSH MOUNT (SINGLE LEVER)	55	-
F461774	BRACKET, RETAINER REAR	3	19	F66480	STUD	35	32
F461774	BRACKET, RETAINER REAR	7	19	F7001	STOP NUT	35	15
F461845	MOTOR LEG EXTENSION	45	3	F7004	LOCK NUT, 3/8 - 16	31	25
F461952	STRAP, HAND STARTER HOUSING	11	20	F7011	HEX NUT	3	13
F462840	GROMMET	7	26	F7011	HEX NUT, 10 - 24	7	13
				F7024	STOP NUT	35	1
				F70H01	ANTI-CORROSION KIT	54	-
				F70H03	CARRYING HANDLE	54	-
				F70H05	BATTERY EXTENSION CABLE	54	-
				F71H02	ANTI-CORROSION SACRIFICIAL ANODE	54	-
				F71H04	SPEEDOMETER	54	-
				F71H09	FUEL TANK (ACCESSORY ITEM)	49	9
				F71H09	STEEL, 6 GALLON FUEL TANK	54	-

PARTS INDEX

Part Number	Description	Pg.	Ref. No.	Part Number	Description	Pg.	Ref. No.
F71H10	SENDING UNIT	54	-	F8548	SPRING PIN FOR MANUAL		
F71H12	FUEL TANK ANCHOR	54	-		START MODELS	41	64
F71H21	IGNITION SWITCH			F85498	FLYWHEEL KEY	19	15
	MOUNTING KIT			F85498	FLYWHEEL KEY FOR		
	(ACCESSORY ITEM)	17	31		ALTERNATOR MODELS	27	-
F72H35	WATER PUMP KIT	54	-	F8550	SPRING PIN FOR MANUAL		
F72H36	REMOTE CONTROL				START MODELS	39	41
	SURFACE MOUNT			F8559	DOWEL PIN	31	15
	(SINGLE LEVER)	55	-	F85610	BEARING FOR MANUAL		
F73H07	STARTER CONVERSION	55	-		START MODELS	41	61
F73H11	REMOTE ELECTRIC CABLE	54	-	F85634-1	SCREW, CONNECTING ROD	27	15
F74305	SEAL, PROP SHAFT			F85735-1	SEAL	3	11
	BEARING CAGE	45	13	F85735-1	SEAL	7	11
F74H01	VOLTMETER	55	-	F85756	PACKING, ENGINE COVER	3	17
F74H05	OVERHEAT BUZZER KIT	54	-	F85756	PACKING, ENGINE COVER	7	17
F74H09	TACHOMETER (FLUSH			F85843-1	CABLE, ELECTRIC		
	MOUNT)	55	-		CONTROL	17	27
F74H19	IGNITION KEY SWITCH	54	-	F85924	CHOKE SOLENOID	17	7
F74H20	IGNITION KEY SWITCH	54	-	F88161-3	REED STOP	25	11
F74H20	IGNITION SWITCH			F89777-1	CAM, ENGINE COVER		
	(ACCESSORY ITEM)	17	12		LATCH	5	59
F75H09	BATTERY CABLE	54	-	F89777-1	CAM, ENGINE COVER		
F8011	PLAIN WASHER	9	44		LATCH	7	38
F8011	PLAIN WASHER	11	25	F90096	RETAINER, PISTON PIN	27	1
F8011	PLAIN WASHER FOR			F901008	STUD, GEAR HOUSING	45	33
	MANUAL START MODELS	23	44	F901011	WASHER, SWIVEL BRACKET	37	43
F8049	BOWED WASHER	41	77	F901169-1	BEARING, SWIVEL		
F8055	LOCKWASHER	15	16		BRACKET	35	29
F8056	LOCKWASHER	19	31	F901286-1	WASHER, SWIVEL BRACKET		
F8056	SPRING LOCKWASHER	17	8		FRICITION	35	13
F8058	INTERNAL TOOTH			F901307-2	SEAL, DRIVESHAFT AND		
	LOCKWASHER	31	27		WATER PUMP	45	35
F8059	SPRING LOCKWASHER	15	8	F901563	DRIVE PIN, WATER PUMP		
F8077	WASHER, GEAR HOUSING				IMPELLER	47	42
	PLUG	45	25	F901631-1	FRICITION SHOE	35	5
F8083	SPRING LOCKWASHER	13	14	F901704	COUPLING, GEAR SHIFT		
F8083	SPRING LOCKWASHER	13	26		ROD	41	72
F8083	SPRING LOCKWASHER	17	33	F901705-3	GEAR SHIFT ROD LOWER		
F8083	SPRING LOCKWASHER	35	6		FOR STANDARD SHAFT		
F8088	PLAIN WASHER	17	35		MODELS	47	41
F8088	PLAIN WASHER FOR			F901721	CLUTCH SHIFT CAM	45	28
	ELECTRIC START			F901728	CLUTCH SHIFT PIN	45	22
	MODELS	21	35	F901775	PLATE, FRICITION SHOE	35	4
F8094	PLAIN WASHER	35	19	F901822-1	STUD, SWIVEL BRACKET	35	3
F8096	SPRING LOCKWASHER	5	58	F9022	SHIM .006 (SILVER)	11	17
F8096	SPRING LOCKWASHER	7	37	F9023	SHIM .007 (BRASS)	11	-
F8096	SPRING LOCKWASHER	17	15	F9024	SHIM .010 (BLACK)	11	-
F8096	SPRING LOCKWASHER	39	32	F90807	RETAINER, CHOKE ROD		
F8096	SPRING LOCKWASHER	45	4		FOR MANUAL START		
F84026	SWIVEL, SHIFT INTERLOCK				MODELS	23	45
	BEARING	31	23	F911705-3	GEAR SHIFT ROD LOWER		
F84035-2	BEARING, SHIFT				FOR LONG SHAFT		
	INTERLOCK ROD	31	22		MODELS	47	-
F84314-2	ELBOW	21	39	F91446-1	BRACKET, CIRCUIT		
F84449	SWITCH, STARTER				BREAKER	17	26
	INTERLOCK	17	2	F91460-2	CIRCUIT BREAKER	17	24
F84792	FUEL PUMP VALVE GASKET	29	5	F92759	ROLLER, THROTTLE CAM		
F85026	SWIVEL, SHIFT INTERLOCK				FOLLOWER	21	41
	LEVER	31	19	F97772	FUEL LINE CLAMP	29	12
F8537	SPRING PIN	35	33				

PARTS INDEX

Part Number	Description	Pg.	Ref. No.	Part Number	Description	Pg.	Ref. No.
FA12345	COIL W/LEAD WIRE	15	12	FA461018	CRANKSHAFT W/LOWER MAIN BEARING FOR MAGNETO MODELS	27	17
FA324101	PROPELLER PIN PACK OF 3 W/COTTER PIN	45	8	FA483072	SWIVEL BRACKET W/BEARINGS AND GREASE FITTINGS	37	42
FA324113	STERN BRACKET LOCK BAR W/END	35	37	FA504082	MAGNETO STATOR RING	31	5
FA324298	PROP SHAFT BEARING CAGE	45	15	FA504222	TRANSFER PORT COVER	31	34
FA343178	RETAINER, GEAR SHIFT SHAFT W/SET SCREW	5	46	FA505018	CRANKSHAFT W/LOWER MAIN BEARING FOR ALTERNATOR MODELS	27	-
FA343178	RETAINER, MAGNETO CONTROL SHAFT W/SET SCREW	3	32	FA510497	TERMINAL BLOCK	17	22
FA413469	COVER LATCH HANDLE W/SHAFT	3	38	FA513269	TILT HANDLE	3	3
FA413469	COVER LATCH HANDLE W/SHAFT	7	27	FA513269	TILT HANDLE	7	3
FA413815	GEAR, STEERING HANDLE W/SET SCREW FOR MANUAL START MODELS	41	53	FA77395-5	PLATE, IDENTIFICATION W/SCREWS, U.S.A.	5	53
FA437023	BEVEL GEAR FRONT W/BEARING	45	23	FA77395-5	PLATE, IDENTIFICATION W/SCREWS, U.S.A.	7	32
FA437098	PROPELLER SHAFT	45	18	FA78266-1	BEVEL PINION W/BEARING	45	29
FA437662	BEVEL GEAR REAR W/BEARING	45	16	FA84754-1	FUEL LINE SHORT W/CLAMPS	49	5
FA438431	FUEL PUMP BODY W/VALVES	29	6	FA85754-1	HOSE, FUEL PUMP TO BUSHING	29	13
FA456137	STEERING HANDLE GRIP W/SLEEVE FOR MANUAL START MODELS	41	63	FC505010	SHORT BLOCK FOR ALTERNATOR MODELS (NOT SHOWN) (SHORT BLOCKS	33	-
FA458144	CRANKSHAFT BEARING CAGE	31	3	FG1010	GASKET SET (NOT SHOWN)	33	-
FA458158	REED PLATE W/REEDS, STOPS AND SCREWS	25	9	FK1025	LONG LEG CONVERSION KIT	54	-
FA458167	CARBURETOR ADAPTER	25	4	FK504060	WATER PUMP BODY	45	38
FA458254	HOSE, DRAIN	31	17	FK750-1	SPARKIE W/SPRING	15	14
FA458260	PISTON RING SET (4 PER SET)	27	7	FK78054-4	GEAR HOUSING LOWER W/PLUG AND WASHER	45	24
FA458480	RETAINER, ENGINE COVER REAR W/SCREWS AND NUTS	3	14	FK85228	BEARING CAGE W/ROLLERS (16 PER SET)	27	16
FA458480	RETAINER, ENGINE COVER REAR W/SCREWS AND NUTS	7	14	FO10165	INLET SEAT GASKET	21	19
FA458518	CYLINDER HEAD W/PLUGS	31	39	FO10280	CHOKE SHUTTER RETAINING SCREW AND LOCKWASHER	21	8
FA458571	ROLLER, CENTER MAIN	27	9	FO10588	BODY CHANNEL CUP PLUG	21	1
FA458655	LINER, CENTER MAIN	27	8	FO10790	INLET NEEDLE, SEAT AND GASKET	21	18
FA458712	ENGINE COVER W/FRONT AND REAR RETAINERS	3	1	FO10883	CHOKE RELIEF VALVE SPRING	21	4
FA458712	ENGINE COVER W/FRONT AND REAR RETAINERS	7	1	FO11103	IDLE MIXTURE SCREW SPRING	21	17
FA458778	RETAINER, ENGINE COVER FRONT W/SCREWS AND NUTS	5	61	FO12250	CHOKE SHUTTER	21	7
FA458778	RETAINER, ENGINE COVER FRONT W/SCREWS AND NUTS	7	40	FO12251	CHOKE RELIEF VALVE	21	3
FA458838	MAGNETO CONTROL SHAFT	3	37	FO13552	FUEL BOWL	21	12
FA458892	INSERT, PLATE FRONT, U.S.A.	5	62	FO13554	FLOAT	21	10
				FO13944	FLOAT LEVER PIN	21	11
				FO13945	FUEL BOWL RETAINING SCREW	21	14
				FO14108	MAIN FUEL JET (.064) (STANDARD)	21	20
				FO14166	IDLE MIXTURE SCREW	21	16
				FO15213	MAIN NOZZLE	21	21
				FO15623	FUEL BOWL GASKET	21	13

PARTS INDEX

Part Number	Description	Pg.	Ref. No.	Part Number	Description	Pg.	Ref. No.
FO16559	THROTTLE SHUTTER	21	27	T8974	POINT TENSION GAUGE . . .	50	-
FO16561	THROTTLE SHAFT AND LEVER	21	22	21-817741A1	CHECK VALVE	31	35
FO16562	CHOKE SHAFT AND LEVER	21	5	32-817738A1	FUEL LINE LONG W/CLAMPS AND FERRULE	49	7
FO16563	THROTTLE SHAFT RETURN SPRING	21	26	39-818119A1	PISTON RINGS (4 PER SET) .030 OVERSIZE (NOT SHOWN)	27	-
FO2510	FUEL BOWL RETAINING SCREW GASKET	21	15	85-818076A2	IGNITION COIL	19	21
FO3804	THROTTLE SHAFT POSITION RETAINING SCREW WASHER	21	25	600-818052A4	CONNECTING ROD W/CAP AND SCREWS	27	5
FO4326	BODY CHANNEL WELCH PLUG	21	2	700-818118A1	PISTON .030 OVERSIZE (NOT SHOWN)	27	-
FO6393	THROTTLE SHAFT POSITION RETAINING SCREW	21	23	1600-817898A1	LOWER GEAR HOUSING COMPLETE (NOT SHOWN)	47	-
FO6396	THROTTLE SHAFT POSITION RETAINING SCREW LOCKWASHER . .	21	24				
FO8942	THROTTLE SHUTTER RETAINING SCREW AND LOCKWASHER	21	28				
FS174227	SPARK PLUG (L-4-J)	31	42				
FS409752	FUEL LINE COMPLETE (NOT SHOWN)	49	-				
FS460955	STARTER MOTOR COMPLETE	13	-				
FS901244	EXTENSION, INLET WATER LINE	45	2				
FSA458015	PISTON .010 OVERSIZE (NOT SHOWN)	27	-				
FSA458260	PISTON RINGS (4 PER SET) .010 OVERSIZE (NOT SHOWN)	27	-				
FT2907	DRIVESHAFT SEAL INSTALLER	52	-				
FT2910	KNOCK-OFF NUT	50	-				
FT2953	SOCKET	51	-				
FT2990	PISTON PIN REMOVER	51	-				
FT2996	RING COMPRESSOR	51	-				
FT8919	SPRING PIN PUNCH	52	-				
FT8926	RING EXPANDER	51	-				
FT8932	LIFTING HOOK	53	-				
FT8948-1	PROPELLER SHAFT BEARING CAGE PULLER	52	-				
FT8950	LEAKAGE TESTER	53	-				
FT8957	SEAL INSTALLER	52	-				
FT8967	SEAL PROTECTOR	51	-				
FT8968A	TEST WHEEL	53	-				
FT8971	SEAL INSTALLER	51	-				
FT8976	SEAL PROTECTOR	51	-				
FT8977	SEAL COLLAR INSTALLER .	51	-				
FTA2937-1	TIMING TOOL	50	-				
P346	PROPELLER (ACCESSORY ITEM)	45	9				
S385032	STERN BRACKET STARBOARD W/CLAMP SCREW AND FOOT	35	39				