



PARTS CATALOG

6 AND 8 H.P.

SERIAL NUMBER

6 (1977)	62BH
6 (1977)	62HH
6 (1977)	63BH
6 (1977)	63HH
8 (1976)	82BG
8 (1976)	82BH
8 (1976)	82HG
8 (1976)	82HH
8 (1976)	83BG
8 (1976)	83BH
8 (1976)	83HG
8 (1976)	83HH
8 (1977)	82BH
8 (1977)	82HH
8 (1977)	83BH
8 (1977)	83HH

TABLE OF CONTENTS:

ACCESSORIES	33
ENGINE COVER AND SUPPORT PLATE	2
FUEL SYSTEM	10
FUEL TANK AND LINE	26
GEAR HOUSING	24
LUBRICATION CHART	36
MAGNETO	6
MOTOR LEG	18
PARTS INDEX	38
POWER HEAD	14
SPECIAL ADJUSTMENTS	37
SPECIAL TOOLS - LOWER UNIT	31
SPECIAL TOOLS - POWER HEAD	30
SPECIAL TOOLS - STARTER	29
SPECIAL TOOLS - TEST EQUIPMENT	32
SPECIAL TOOLS - TUNE-UP	28
SPECIFICATIONS	35
STARTER	8

NOTE: Indented description indicate that these parts are included in preceeding assembly.

AR = As Required

NSS = Not Sold Separate

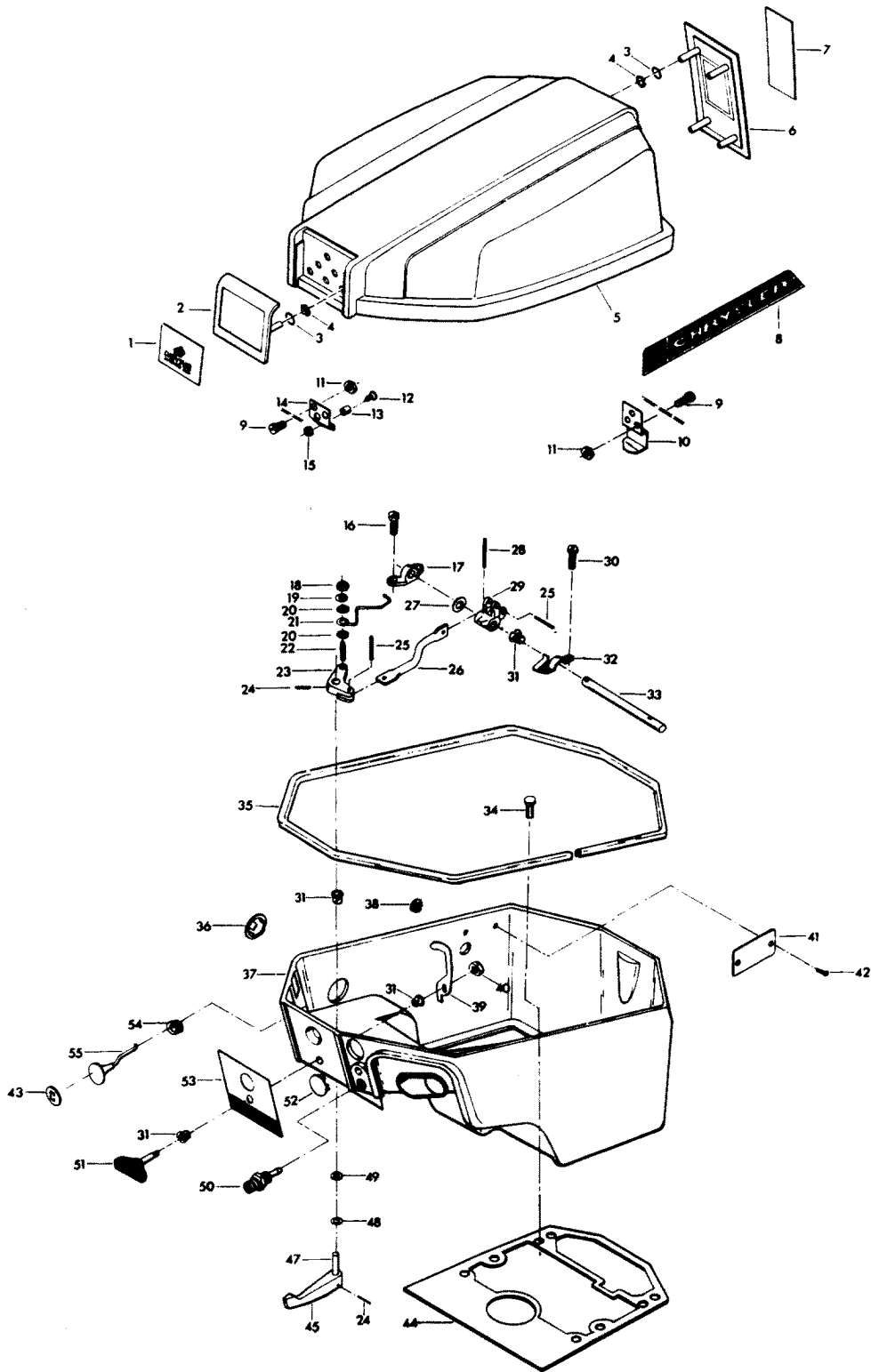
OPT = Optional

NS = Not Shown

THESE PARTS BOOKS/FICHE CARD ARE COPYRIGHTED AND MAY NOT BE DISTRIBUTED OR REPRODUCED IN ANY OTHER FORMAT BY ANYONE OTHER THAN MERCURY MARINE WITHOUT THE PRIOR WRITTEN CONSENT OF MERCURY MARINE.

THIS PAGE INTENTIONALLY LEFT BLANK

ENGINE COVER AND SUPPORT PLATE

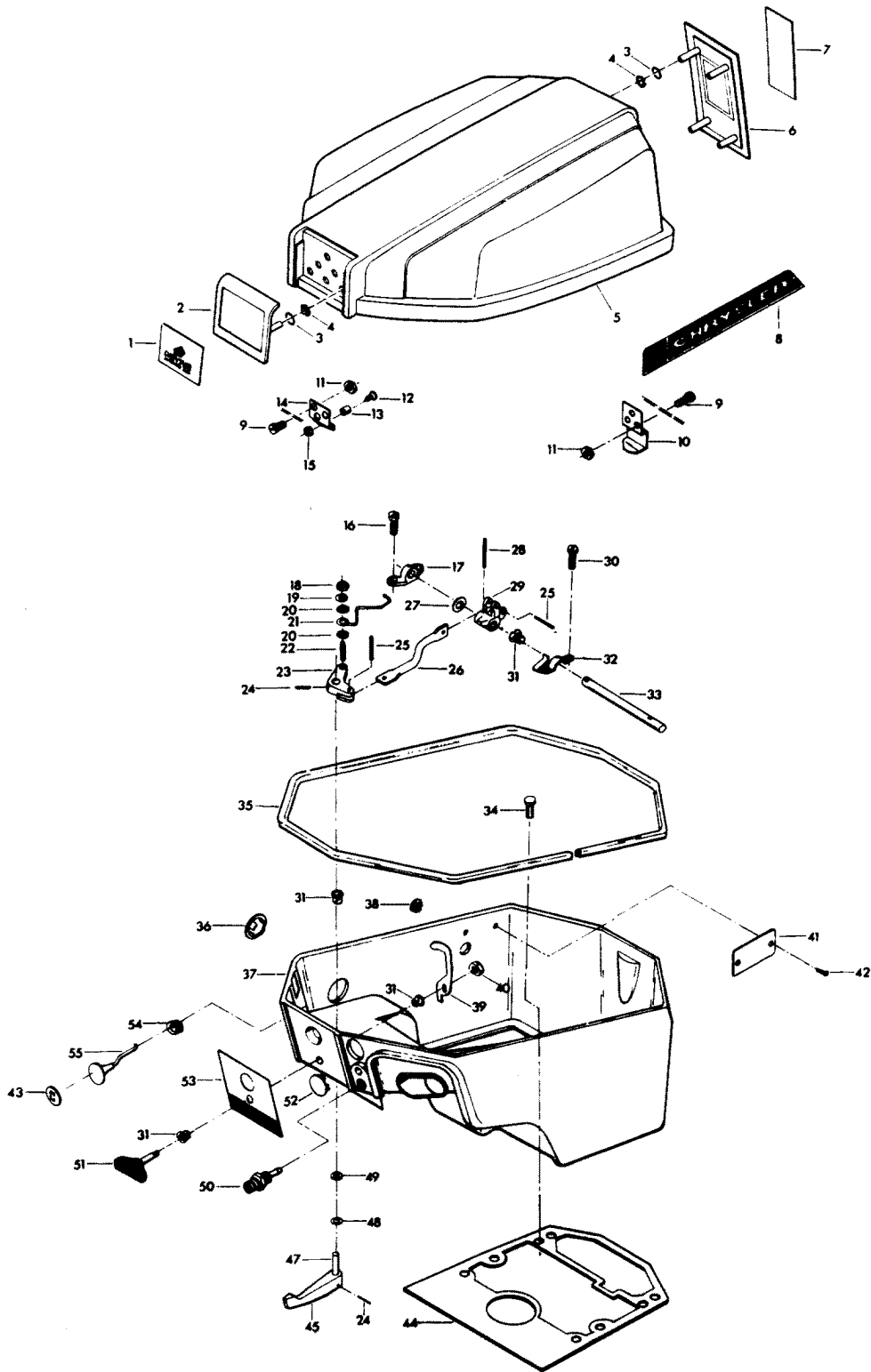


ENGINE COVER AND SUPPORT PLATE

REF. NO.	PART NO.	SYM.	QTY.	DESCRIPTION
1	FA487892		1	INSERT, PLATE FRONT - U.S.A.
-	FA487893		1	INSERT, PLATE FRONT - CANADA
2	F487711		1	PLATE, ENGINE COVER
3	F85735-1		7	SEAL
4	F1753		7	FASTENER
5	FS487712		1	ENGINE COVER W/BRACKET AND RETAINER
6	F487180		1	TRIM, ENGINE COVER, REAR
9	F1475		6	FILL HD SCREW, 10 - 24 X 1/2
10	FA286480		1	RETAINER, ENGINE COVER W/SCREWS AND NUTS
11	F7011		6	ELASTIC STOP NUT, 10 - 24
12	F269316		1	ROLLER SHAFT
13	F92759		1	ROLLER
14	817758A1		1	BRACKET, COVER LATCH W/SCREWS, NUTS AND ROLLER
15	F7011		1	STOP NUT, 10 - 24
16	F1574		2	FILL HD SCREW, 1/4 - 20 X 9/16
17	F318818		1	BEARING
18	F1804		1	STOP NUT
19	F8011		1	PLAIN WASHER
20	F184579		2	SEAL
21	F487263		1	LINK, STARTER INTERLOCK
22	F286134		1	STUD
23	F487619		1	LEVER, GEAR SHIFT SHAFT
24	F8540		1	SPRING PIN
25	F8537		2	SPRING PIN
26	F318611-1		1	GEAR SHIFT ROD
27	F154415		2	WASHER
28	F8547		1	SPRING PIN
29	F318876-1		1	GEAR SHIFT LEVER
30	F1068		2	FILL HD SCREW; 10 - 24 X 7/16
31	F307818		4	BEARING
32	F318895		1	SPRING, SHIFT DETENT
33	F318871		1	SHAFT, GEAR SHIFT LEVER
34	F1689		2	HEX CAP SCREW, 1/4 - 20 X 1/2
35	F318756		1	PACKING, SUPPORT PLATE
36	F487226		1	PLUG
37	A318038-4		1	SUPPORT PLATE W/EYELET AND PLUGS
38	F387226-1		1	PLUG
39	F286777		1	CAM, COVER LATCH
40	F2002		1	STOP NUT, 5/16 - 18
41	FA77395-5		1	PLATE, IDENTIFICATION W/SCREWS FOR U.S.A. MODELS
-	AC16395-7		1	PLATE, IDENTIFICATION W/SCREWS FOR CANADA MODELS
42	F1293		2	DRIVE SCREW, 2 X 3/16
43	F458677		1	INSERT, CHOKE KNOB

CONTINUED ON NEXT PAGE ➡

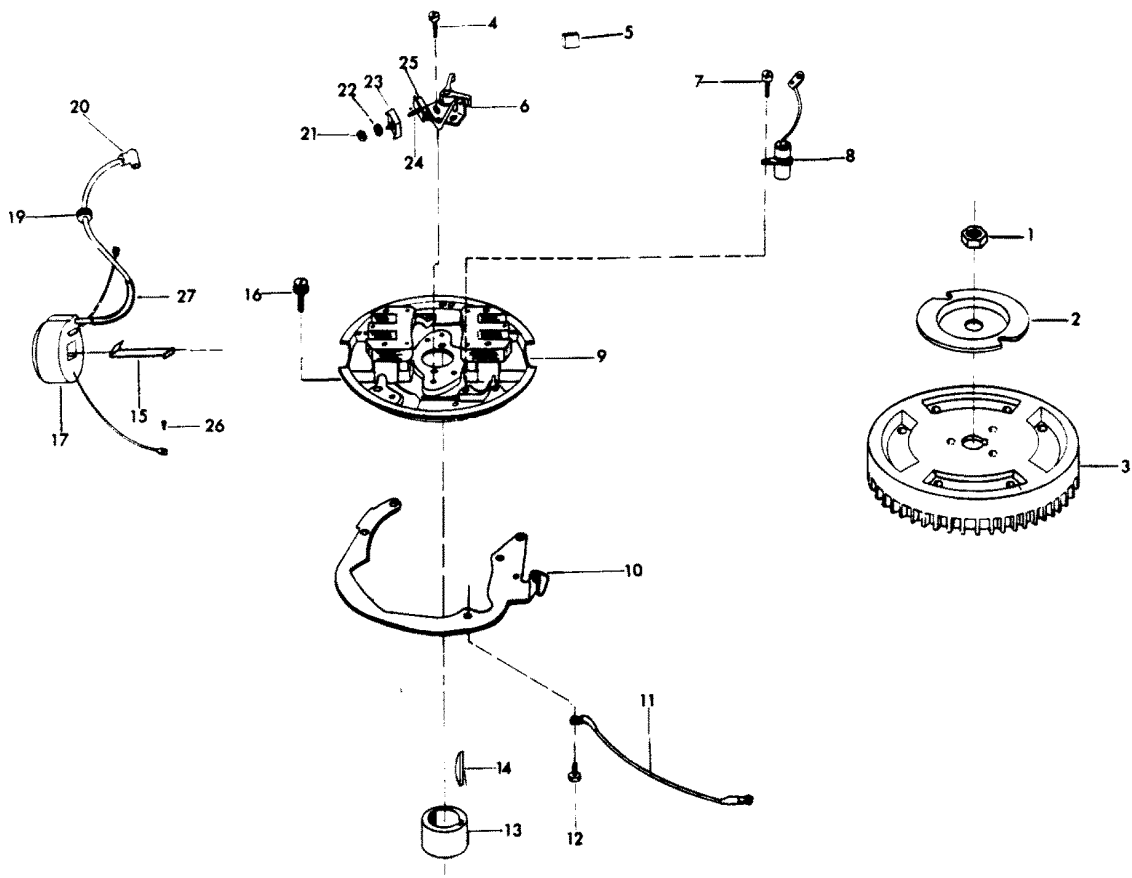
ENGINE COVER AND SUPPORT PLATE



ENGINE COVER AND SUPPORT PLATE

REF. NO.	PART NO.	SYM.	QTY.	DESCRIPTION
44	F318453-1		1	GASKET, LEG MOUNTING
45	F286614		1	GEAR SHIFT HANDLE
47	F487417		1	GEAR SHIFT HANDLE SHAFT
48	F8049		1	BOWED WASHER
49	F154415		1	WASHER
50	F197767-1		1	BUSHING, FUEL LINE
51	FA286469		1	KNOB, COVER LATCH
52	F343226-1		1	PLUG
53	A317711-2		1	PLATE, FRONT
54	F318504		1	GROMMET, CHOKE ROD
55	FA318503		1	CHOKE ROD W/KNOB AND INSERT
7	FA487528		1	INSERT, TRIM REAR
8	F487392		1	DECAL, PORT, "CHRYSLER"
-	F487396		1	DECAL, STARBOARD, "CHRYSLER"
7	FA488528		1	INSERT, TRIM REAR
8	F488392		1	DECAL, PORT, "CHRYSLER"
-	F488396		1	DECAL, STARBOARD, "CHRYSLER"

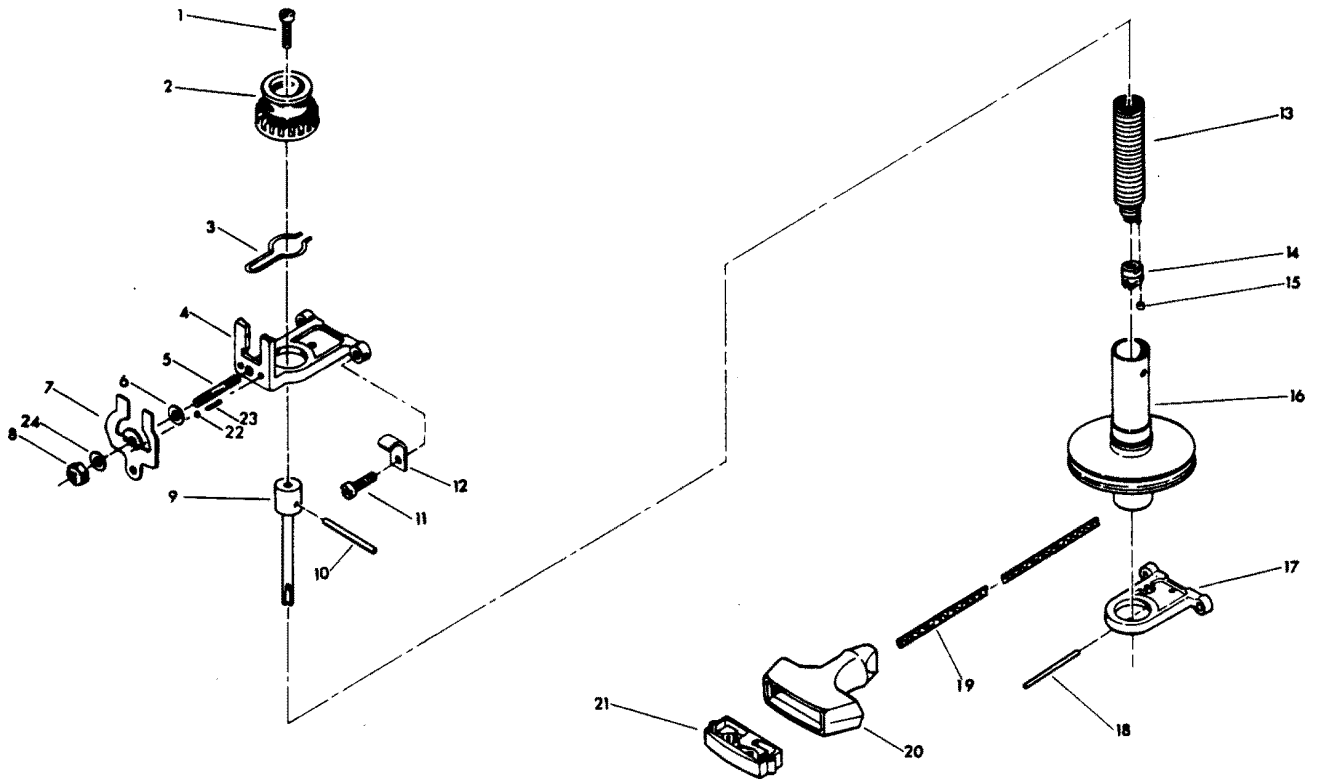
MAGNETO



MAGNETO

REF. NO.	PART NO.	SYM.	QTY.	DESCRIPTION
1	F1352		1	HEX NUT, 7/16 - 20
2	F901456-1		1	EMERGENCY STARTER COLLAR
3	F318097		1	FLYWHEEL
4	F12170		4	CONTACT SCREW W/LOCKWASHER
5	F12228		1	CAM WIPER FELT
6	F12153		2	BREAKER POINT SET
7	F12083		2	CONDENSER SCREW W/LOCKWASHER
8	F12181-1		2	CONDENSER
9	F12343		1	STATOR PLATE W/LAMINATIONS
10	F516192		1	THROTTLE CAM PLATE
11	F289664		1	WIRE, STATOR GROUND
12	F1075		4	FILL HD SCREW, 10 - 24 X 1/2
13	F59002		1	MAGNETO BREAKER CAM, WICO 11417
14	F458498		1	MAGNETO KEY
15	F12146		2	COIL WEDGE SPRING
16	F1090		4	FILL HD SCREW W/LOCKWASHER, 10 - 24 X 9/16
17	FA12345		2	COIL W/LEAD WIRE
19	F12088		4	GROMMET
20	FK750-1		2	SPARKIE W/SPRING
21	F12127		2	STUD NUT
22	F8055		2	LOCKWASHER
23	F12128		2	INSULATOR, OUTSIDE
24	F12142		2	CONNECTION STUD
25	F12129		2	INSULATOR, INSIDE
26	F12114		2	SCREW, COIL GROUND TERMINAL
27	F12141		1	SLEEVE, HIGH TENSION LEAD
-	F12091		1	LEAD WIRE MARKER, TOP (NOT SHOWN)

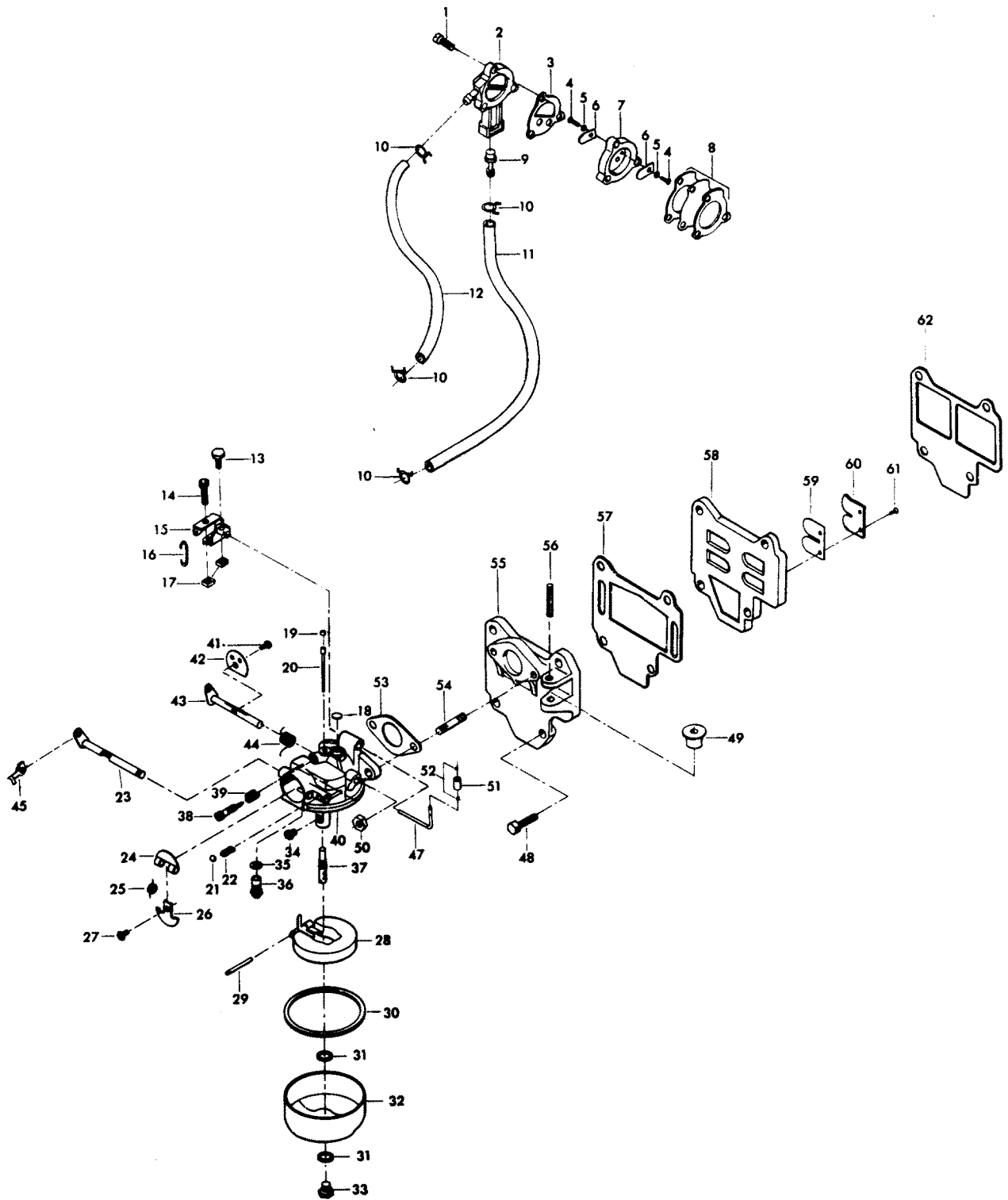
STARTER



STARTER

REF. NO.	PART NO.	SYM.	QTY.	DESCRIPTION
1	F1089		1	FILL HD SCREW, 10 - 24 X 9/16
2	F487674		1	GEAR, STARTER PINION
3	F487424-1		1	STARTER PINION SPRING
4	F487427-1		1	BRACKET, STARTER UPPER
5	F286134		1	STUD
6	F8011		1	PLAIN WASHER
7	F487781-3		1	STARTER INTERLOCK
8	F1804		1	STOP NUT
9	F286710		1	ARBOR, STARTER SPRING
10	F40425		1	STARTER, PINION PIN
11	F1107		4	FILL HD SCREW, 1/4 - 20 X 3/4
13	FA286970		1	STARTER REWIND SPRING W/END AND RETAINER
14	F286737-1		1	RETAINER, STARTER REWIND SPRING
15	F286930		1	END, STARTER SPRING
16	F2A459239		1	STARTER SPOOL W/SHAFT
17	FK317427		1	BRACKET, STARTER LOWER W/SPRING PIN
18	F1875		1	SPRING PIN, STARTER BRACKET
19	F409232		1	STARTER ROPE
20	F286132		1	HANDLE, STARTER ROPE
21	817938A1		1	RETAINER, STARTER ROPE HANDLE
22	F487727		2	BALL, INTERLOCK DETENT
23	F487895		2	SPRING INTERLOCK DETENT
24	F2042		1	PLAIN WASHER

FUEL SYSTEM

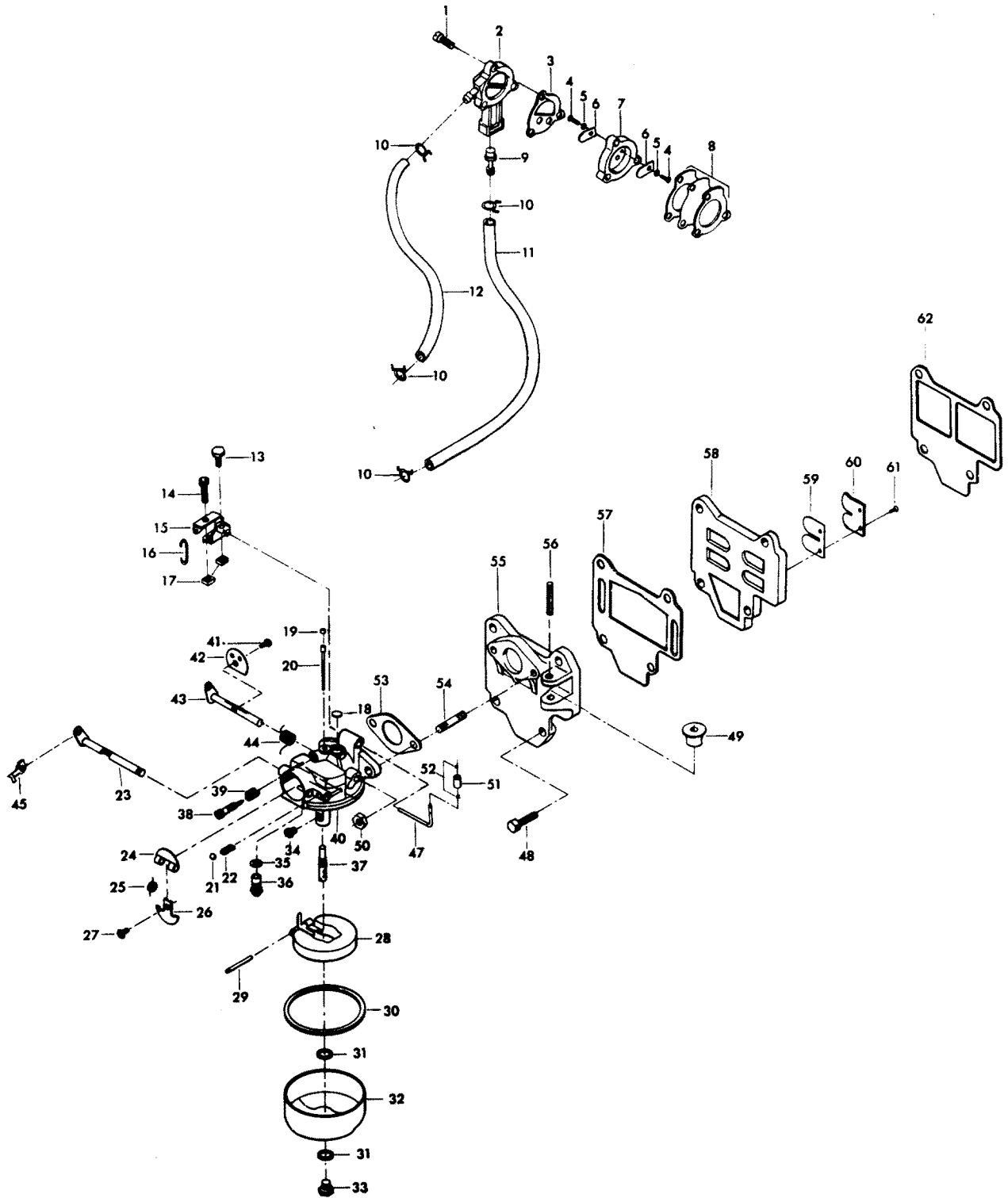


FUEL SYSTEM

REF. NO.	PART NO.	SYM.	QTY.	DESCRIPTION
1	F1069		3	FILL HD SCREW, 10 - 24 X 1 1/16
2	F901746-2		1	FUEL PUMP COVER
3	F24748-2		1	GASKET, FUEL PUMP COVER
4	F1286		2	PAN HD SCREW, 4 - 40 X 3/16
5	F8003		2	PLAIN WASHER
6	F18160-1		2	REED, FUEL PUMP
7	FA24757-3		1	FUEL PUMP REED PLATE W/REEDS AND SCREWS
8	27-818043A1		1	FUEL PUMP DIAPHRAGM W/GASKETS
9	F901811		1	FUEL PUMP FILTER
10	F2706772		4	HOSE CLAMP
11	F516754		1	FUEL LINE W/CLAMPS
12	FA24754-1		1	FUEL LINE W/CLAMPS
13	F1912		1	HEX HD SCREW, 10 - 24 X 1/2
14	F1834		1	FILL HD SCREW, 10 - 24 X 7/8
15	817754A1		1	ARM, CARBURETOR ADJUSTING
16	F66193		1	THROTTLE LINK
17	F1365		2	SQUARE NUT, 10 - 24
18	FO2531		1	BODY CHANNEL WELCH PLUG
19	FO10588		1	BODY CHANNEL CUP PLUG
21	FO4784		1	CHOKE FRICTION BALL
22	FO8805		1	CHOKE FRICTION SPRING
23	FO17362		1	CHOKE SHAFT AND LEVER
24	FO15368		1	CHOKE RELIEF VALVE
25	FO15783		1	CHOKE RELIEF VALVE SPRING
26	FO15367		1	CHOKE SHUTTER
27	FO10280		1	CHOKE SHUTTER RETAINING SCREW AND LOCKWASHER
28	FO13554		1	FLOAT
29	FO13944		1	FLOAT LEVER PIN
30	FO15623		1	FUEL BOWL GASKET
31	FO2510		2	FUEL BOWL RETAINING SCREW GASKET
32	FO15366		1	FUEL BOWL
33	FO13945		1	FUEL BOWL RETAINING SCREW
35	FO10165		1	INLET SEAT GASKET
36	FO10790		1	INLET NEEDLE, SEAT AND GASKET
37	FO15722		1	MAIN NOZZLE
38	FO15520		1	IDLE MIXTURE SCREW
39	FO11103		1	IDLE MIXTURE SCREW SPRING
41	FO8942		1	THROTTLE SHUTTER RETAINING SCREW AND LOCKWASHER
43	FO15718		1	THROTTLE SHAFT AND LEVER
44	FO15526		1	THROTTLE SHAFT RETURN SPRING
45	F341384		1	RETAINER, CHOKE ROD
47	817773A1		1	THROTTLE CAM FOLLOWER
48	F1914		4	HEX HD SCREW, 1/4 - 20 X 3/4

CONTINUED ON NEXT PAGE ➡

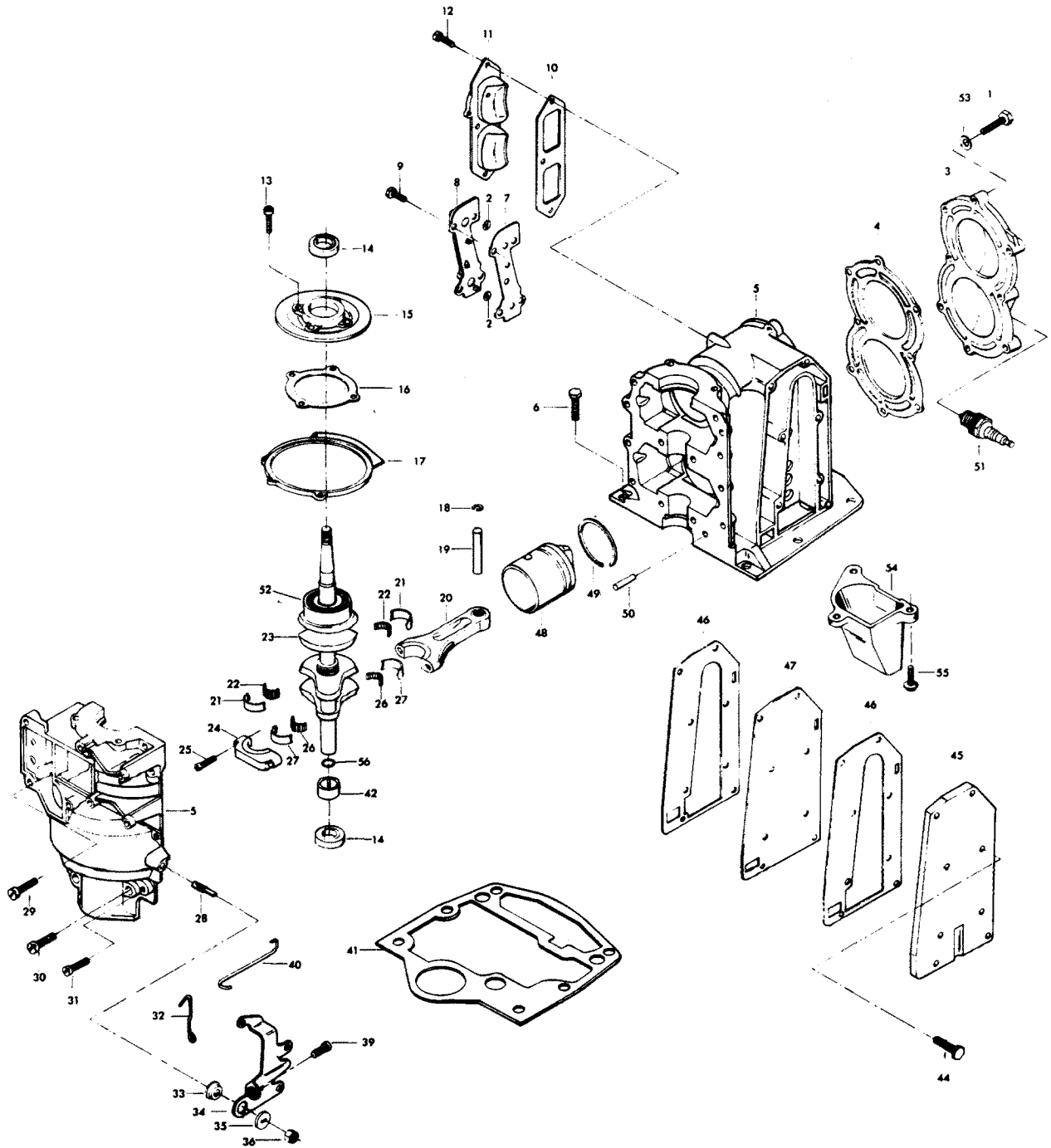
FUEL SYSTEM



FUEL SYSTEM

REF. NO.	PART NO.	SYM.	QTY.	DESCRIPTION
49	F487435		1	PULLEY, STARTER ROPE
50	F1490		2	HEX NUT, 1/4 - 20
51	318318		1	ROLLER, THROTTLE CAM FOLLOWER
52	F78410		1	RETAINER
53	F18906		1	CARBURETOR GASKET
54	F2788004		2	STUD, CARBURETOR
55	2A341167		1	MANIFOLD W/STUDS, PULLEY AND SPRING PIN
56	F1876		1	SPRING PIN
57	F318168		1	GASKET, MANIFOLD
58	FA387158		1	REED PLATE W/REEDS, STOPS AND SCREWS
59	F31160-1		2	REED
60	F424161		2	REED STOP
61	F1298		4	ROUND HD SCREW W/LOCKWASHER, 6 - 32 X 1/4
62	F318159		1	GASKET, REED PLATE
-	F10006		1	GASKET SET (NOT SHOWN)
-	F10008		1	REPAIR PARTS KIT (NOT SHOWN) ASTERISK (*) INDICATES CONTENTS OF REPAIR PARTS KIT.
20	FO16120		1	BYPASS TUBE
34	FO13630		1	MAIN FUEL JET (.033)
40	F429061-2		1	CARBURETOR COMPLETE (CO6C)
42	FO8502		1	THROTTLE SHUTTER
20	FO15723		1	BYPASS TUBE
34	FO12101		1	MAIN FUEL JET (.045)
40	F388061-3		1	CARBURETOR COMPLETE (CO4D)
42	FO15753		1	THROTTLE SHUTTER

POWER HEAD

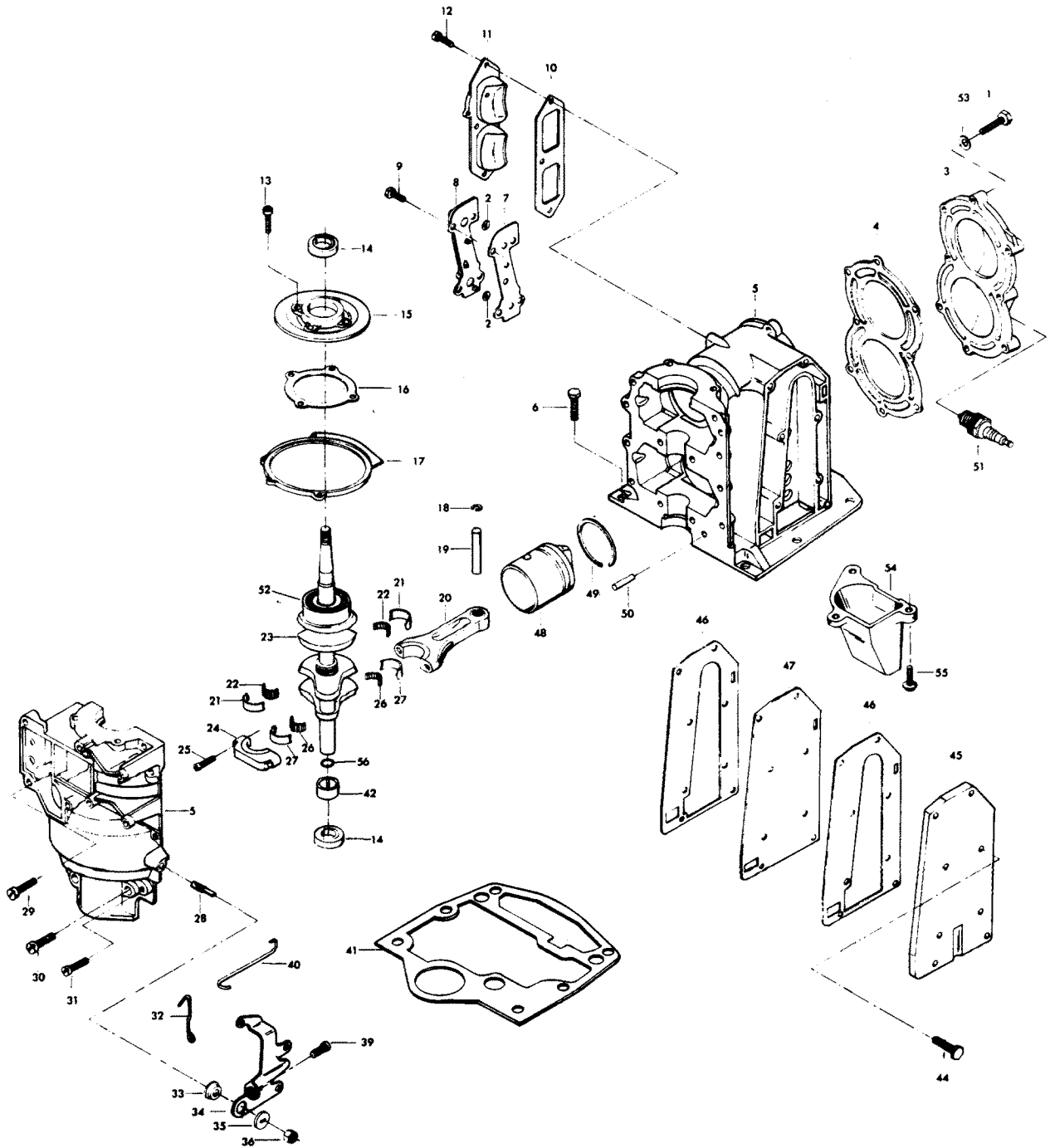


POWER HEAD

REF. NO.	PART NO.	SYM.	QTY.	DESCRIPTION
1	F901938-1		8	SCREW, CYLINDER HEAD
2	F429811		2	SCREENS, CYLINDER DRAIN
3	F318518-4		1	CYLINDER HEAD
4	F318529		1	CYLINDER HEAD GASKET
6	F1823		6	HEX HD CAP SCREW, 5/16 - 18 X 1
7	F429472		1	GASKET, CYLINDER DRAIN COVER
8	FA429471		1	CYLINDER DRAIN COVER W/CHECK VALVES AND SCREENS
9	F1922		4	HEX HD SCREW, 1/4 - 20 X 5/8
10	F318223-1		1	GASKET, TRANSFER PORT COVER
11	F318222-1		1	TRANSFER PORT COVER
12	F1502		4	HEX CAP SCREW, 1/4 - 20 X 5/8
13	F1111		4	FILL HD SCREW, 1/4 - 20 X 7/8
14	F141118		2	SEAL, CRANKSHAFT
15	FA318144		1	CAGE, CRANKSHAFT BEARING W/SEAL (ITEM 14)
16	F286277		1	GASKET, CRANKSHAFT BEARING CAGE
17	F73082		1	MAGNETO STATOR RING
18	F31410		4	RETAINING RING, PISTON PIN
20	F2A430016		2	CONNECTING ROD W/CAP AND SCREWS
21	FA286155		1	MAIN BEARING LINER SET (2 PER SET)
22	F286571		1	CENTER MAIN BEARING ROLLERS (26 PER SET)
23	A318018-2		1	CRANKSHAFT W/UPPER MAIN BEARING
25	F286634-1		4	CONNECTING ROD SCREW
26	F318228		2	CONNECTING ROD, ROLLER SET (24 PER SET)
27	A318229-1		2	CONNECTING ROD LINER (2 PER SET)
28	F286440		1	STUD, MAGNETO CONTROL LEVER
29	F1111		2	FILL HD SCREW, 1/4 - 20 X 1
30	F1335		4	FILL HD SCREW, 5/16 - 18 X 1 1/4
31	F1107		6	FILL HD SCREW, 1/4 - 20 X 3/4
32	F387445-1		1	LINK, MAGNETO CONTROL ROD
33	F183813		1	BEARING, MAGNETO CONTROL LEVER
34	FA387081		1	LEVER, MAGNETO CONTROL
35	F286282		1	WASHER
36	F1803		1	STOP NUT, 5/16 - 24
39	F1052		1	FILL HD SCREW, 1/4 - 20 X 1
40	F318509-3		1	LINK, THROTTLE CAM
41	F318279-1		1	GASKET, CYLINDER MOUNTING
42	F343014		1	BEARING, CRANKSHAFT LOWER MAIN
44	F1915		8	HEX HD SCREW, 1/4 - 20 X 7/8
45	F318152		1	COVER, EXHAUST
46	F318154		2	GASKET, EXHAUST COVER
47	F318151		1	PLATE, EXHAUST
50	F8559		2	DOWEL PIN
51	FS174227		2	SPARK PLUG (L-4-J)

CONTINUED ON NEXT PAGE ➡

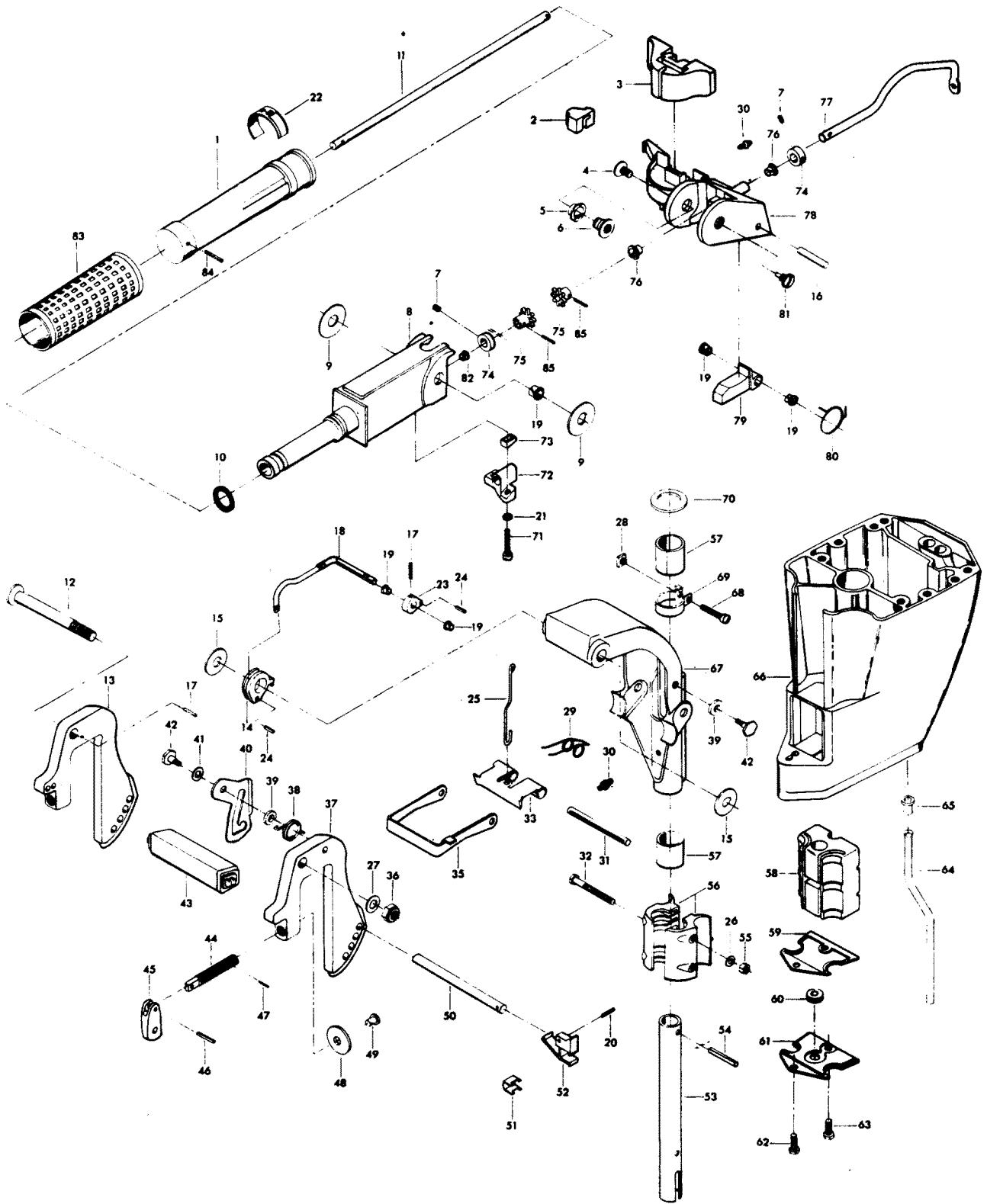
POWER HEAD



POWER HEAD

REF. NO.	PART NO.	SYM.	QTY.	DESCRIPTION
-	FC310227		2	SPARK PLG, CHAMPION (QL-4-J) FOR MDLS 62BH, 63BH, 82BH, 83BH
52	A318028-1		1	BEARING, CRANKSHAFT UPPER MAIN
53	F8025		8	PLAIN WASHER
54	F487660-1		1	EXHAUST TUBE
55	F2040		3	HEX HD SCREW, 1/4 - 20 X 5/8
56	F468342		1	SEAL
-	FG1004-1		1	GASKET SET (NOT SHOWN)
5	A487010-1		1	CYLINDER W/CRANKCASE COVER, DOWEL PINS, SCREWS, STUD & CYLDR
19	F7017		2	PISTON PIN
48	FA429015		2	PISTON
49	FA317260		2	PISTON RING SET (3 PER SET)
-	C487010-1		1	SHORT BLOCK (NOT SHOWN) INCLUDES ALL ITEMS MARKED WITH AN ASTERISK (*).
5	A488010-1		1	CYLNDR W/CRANKCASE COVER, DOWEL PINS, SCREWS, STUD & CYLNDR
19	F430017		2	PISTON PIN
48	FA430015		2	PISTON
49	39-818038A1		2	PISTON RING SET (2 PER SET)
-	C488010-1		1	SHORT BLOCK (NOT SHOWN) INCLUDES ALL ITEMS MARKED WITH AN ASTERISK (*).

MOTOR LEG



MOTOR LEG

REF. NO.	PART NO.	SYM.	QTY.	DESCRIPTION
1	FA456137		1	GRIP, STEERING HANDLE W/SLEEVE
2	F318539		1	BUMPER
3	F318347		1	SHOCK MOUNT UPPER
4	F1799		1	TRUSS HD SCREW, 5/16 - 18 X 5/8
5	F286818		1	BEARING, STEERING HANDLE INSERT
6	F286224		1	INSERT, STEERING HANDLE
7	F1859		2	SOCKET HD SET SCREW, 1/4 - 28 X 3/16
8	F286079-1		1	STEERING HANDLE
9	F286220		2	WASHER
10	F53795-1		1	STEERING HANDLE GRIP DAMPENER
11	F429688		1	SHAFT, STEERING HANDLE
12	F318037		1	STERN BRACKET PIVOT BOLT
13	FS567532		1	STERN BRACKET STARBOARD W/CLAMP SCREW, AND FOOT
14	F286827		1	LEVER, REVERSE LOCK RELEASE
15	F286286-1		2	WASHER, STERN BRACKET
16	F1807		1	GROOVE PIN
17	F8538		2	SPRING PIN
18	FA387742		1	LEVER REVERSE LOCK INTERMEDIATE
19	F197813		5	BEARING
20	F8540		1	SPRING PIN
21	F8058		2	TOOTH LOCKWASHER
22	F286894-3		1	STEERING HANDLE INDICATOR
23	F286364		1	LEVER, REVERSE LOCK
24	F1794		2	SPRING PIN
25	FA341510		1	LINK, REVERSE LOCK LEVER
26	F8083		2	SPRING LOCKWASHER
27	F8039		1	PLAIN WASHER
28	F1608		1	NUT, 1/4 - 20
29	F286300		1	SPRING, REVERSE LOCK
30	F213274		3	GREASE FITTING
31	F1839		1	GROOVE PIN
32	FA1844		2	HEX BOLT, 1/4 - 20 X 2 3/8
33	F318349		1	REVERSE LOCK
35	F318433		1	BRACKET SHALLOW WATER DRIVE
36	F7005		1	STOP NUT, 3/8 - 16
37	FS567532		1	STERN BRACKET PORT W/CLAMP SCREW, AND FOOT
38	F286544-1		1	SPRING, TILT LOCK
39	F286451		2	SPACER, TILT LOCK
40	F429541		1	TILT LOCK
41	F1666		1	BOWED SPRING WASHER
42	F286422-1		2	TILT LOCK PIVOT
43	F318647		1	CARRYING HANDLE

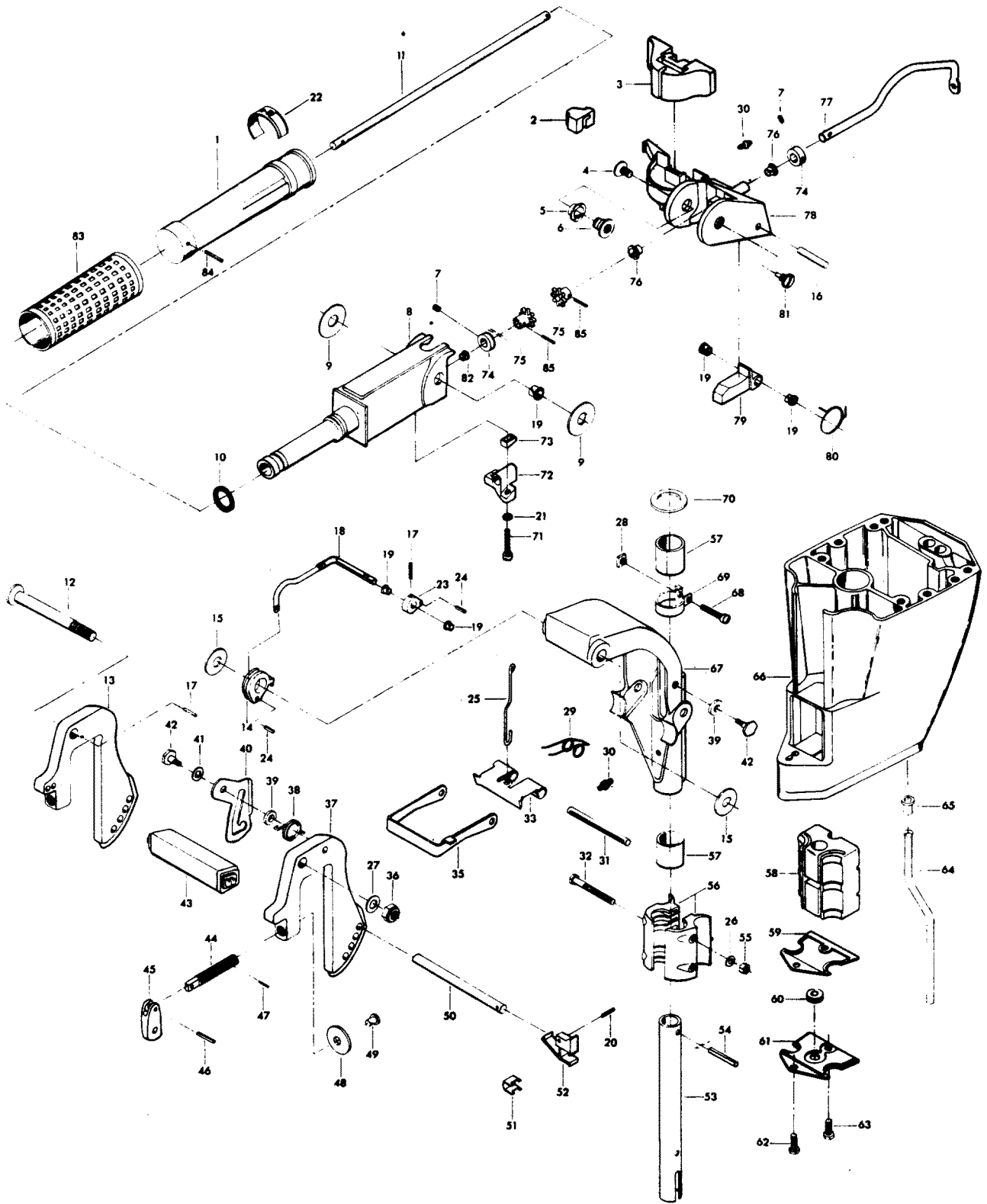
CONTINUED ON NEXT PAGE ➡

MOTOR LEG

REF. NO.	PART NO.	SYM.	QTY.	DESCRIPTION
44	817761A2		2	CLAMP SCREW W/ITEMS 47, 48 & 49 ORIGINAL FORCE P/N A298073-1
45	F424075		2	HANDLE, CLAMP SCREW
46	F8554		2	SPRING PIN
47	F8537		2	SPRING PIN
48	F24074		2	CLAMP SCREW FOOT
49	F66480		2	STUD CLAMP SCREW
50	FA318113		1	LOCK BAR W/HANDLE AND SPRING
51	F286461		1	SPRING, LOCK BAR HANDLE
52	F286114		1	LOCK BAR HANDLE
53	F318019		1	KING PIN
54	F1805		1	SPRING PIN
55	F1341		2	HEX NUT, 1/4 - 20
56	F318956		2	BRACKET SHOCK MOUNT LOWER
57	F286169		2	BEARING, SWIVEL BRACKET
58	F318346		1	SHOCK MOUNT LOWER
59	F318967		1	GASKET, SHOCK MOUNT PLATE
60	F318861		1	SEAL, SHOCK MOUNT PLATE
61	F318963		1	PLATE, SHOCK MOUNT LOWER
62	F1689		1	HEX CAP SCREW, 1/4 - 20 X 1/2
63	F1689		1	HEX CAP SCREW, 1/4 - 20 X 1/2
64	F409244		1	WATER LINE
65	F318342		1	SEAL, INLET WATER LINE UPPER
66	K429133-1		1	MOTOR LEG
67	A318072-3		1	SWIVEL BRACKET W/ITEMS 30 AND 57
68	F1820		1	FILL HD SCREW, 1/4 - 20 X 1 3/8
69	F286573-1		1	STEERING FRICTION CLAMP
70	F286011		1	WASHER, SWIVEL BRACKET
71	F1829		1	FILL HD SCREW, 10 - 24 X 7/8
72	F487816		1	BEARING, STEERING HANDLE
73	F341693		1	WEDGE, STEERING HANDLE
74	FA343178		2	RETAINER W/SET SCREW
75	43-818009--1		2	STEERING HANDLE GEAR
76	F307818		2	BEARING
77	F429838		1	SHAFT, MAGNETO CONTROL
78	817779A1		1	STEERING ARM W/ITEMS 2 AND 30 ORIGINAL FORCE P/N A341582-1
79	F286490		1	STOP, STEERING HANDLE
80	F286868		1	SPRING, STEERING HANDLE STOP
81	F286080		1	SCREW, STEERING HANDLE PIVOT
82	F85610		1	BEARING
83	F458695		1	SLEEVE
84	F8548		1	SPRING PIN
85	F1978		2	SPRING PIN

CONTINUED ON NEXT PAGE ➡

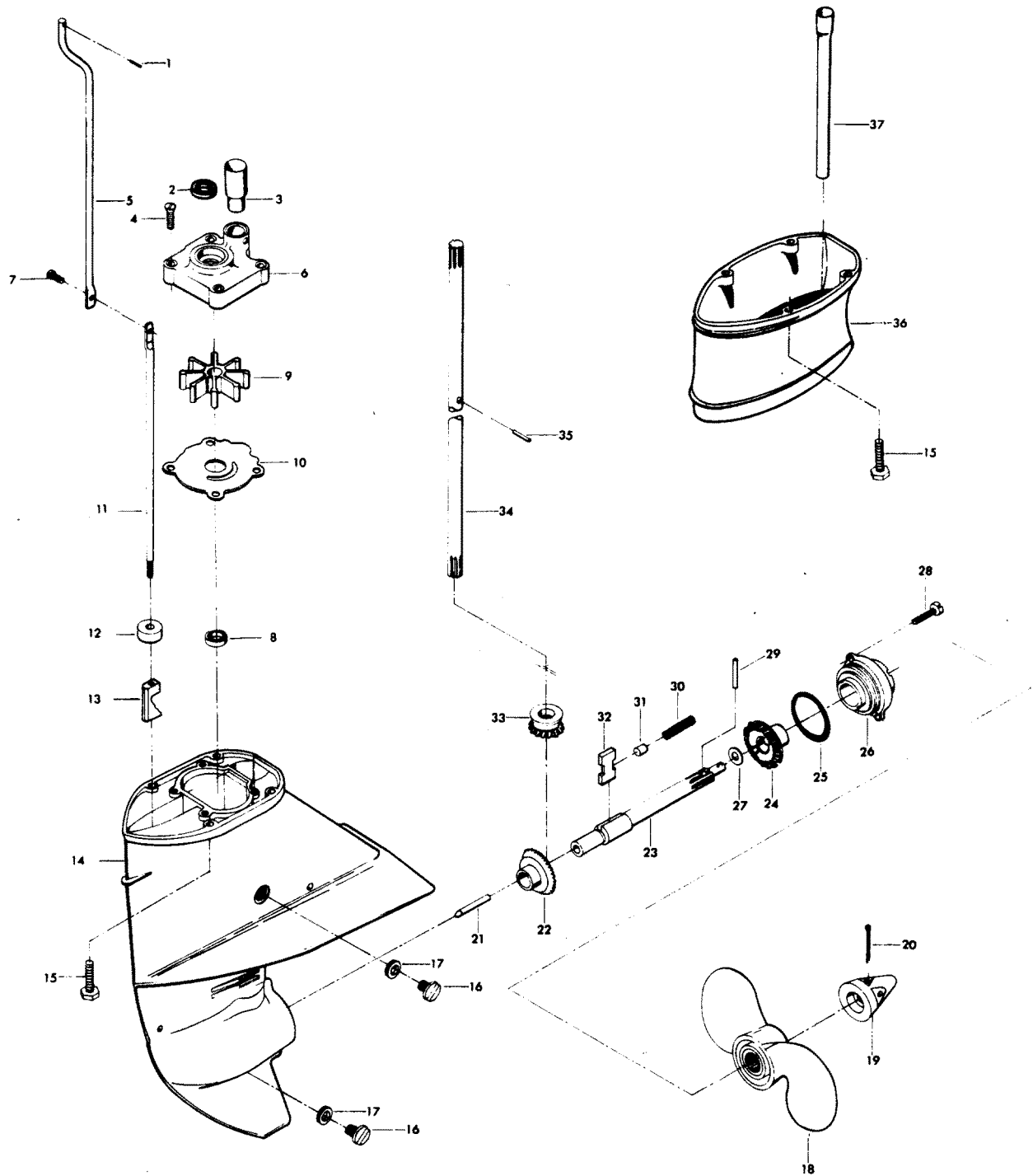
MOTOR LEG



MOTOR LEG

REF. NO.	PART NO.	SYM.	QTY.	DESCRIPTION
-	F286585-1		1	DECAL, TILT RELEASE (NOT SHOWN)

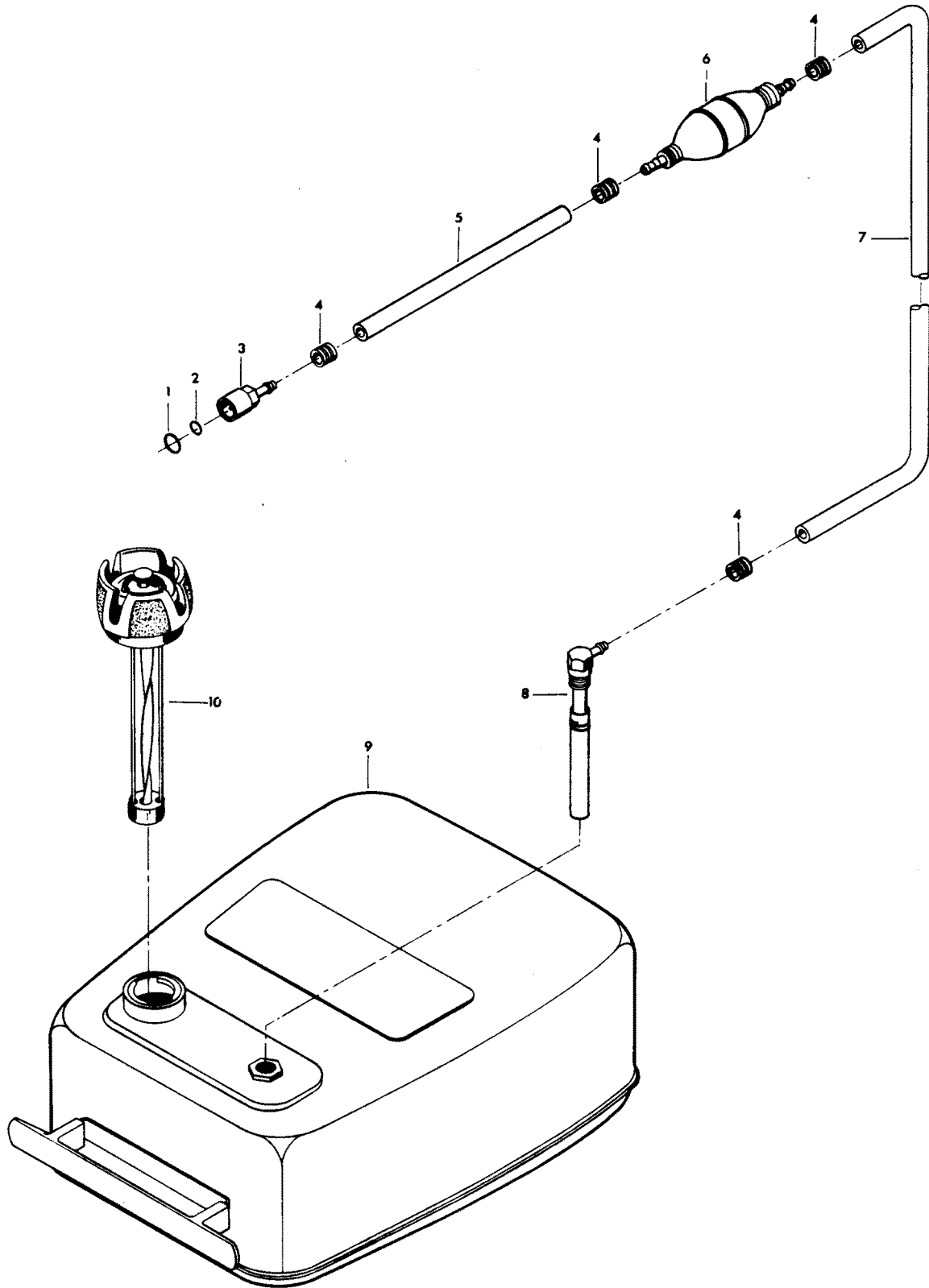
GEAR HOUSING



GEAR HOUSING

REF. NO.	PART NO.	SYM.	QTY.	DESCRIPTION
1	F1850		1	SPRING PIN
2	F318307		1	SEAL, WATER PUMP
3	FA510914		1	SEAL, INLET WATER LINE
4	F1150		4	FLAT HD SCREW, 1/4 - 20 X 1 1/8
5	F318615		1	GEAR SHIFT ROD UPPER
6	46-818010A1		1	WATER PUMP BODY W/WATER PUMP SEAL
7	F1976		1	SOCKET HD SCREW W/WASHER, 10 - 24 X 1/2
8	F318307		1	SEAL, DRIVESHAFT
9	F429065		1	WATER PUMP IMPELLER
10	F341562		1	WATER PUMP BACK PLATE
11	F286705		1	GEAR SHIFT ROD LOWER, FOR STANDARD SHAFT MODELS
-	F330705		1	GEAR SHIFT ROD LOWER, FOR LONG SHAFT MODELS
12	318618		1	SEAL, GEAR SHIFT ROD LOWER
13	F387721		1	CLUTCH, SHIFT CAM
14	FA430054		1	GEAR HOUSING W/BEARINGS AND ITEMS 8, 12, 16 AND 17
15	F430732		8	HEX HD SCREW, 5/16 - 18 X 1 1/4
16	F50109		2	GEAR HOUSING PLUG
17	F8077		2	NYLTITE WASHER
18	FP487		1	PROPELLER (6 H.P.) (ACCESSORY ITEM)
-	P410		1	PROPELLER (8 H.P.) (ACCESSORY ITEM)
19	FA286094		1	PROPELLER NUT W/COTTER PIN
20	F1846		1	COTTER PIN
21	F901728		1	CLUTCH SHIFT PIN
22	43-817770A3		1	BEVEL GEAR W/BEARING
23	FA409098		1	PROPELLER SHAFT W/ITEMS 27 AND 30
24	43-817770A3		1	BEVEL GEAR W/BEARING
25	F286305		1	SEAL, PROPELLER SHAFT BEARING CAGE
26	31-818051A1		1	PROPELLER SHAFT BEARING CAGE W/BEARING AND SEAL
27	F317717		1	WASHER
28	F1802		2	FILL HD SCREW, 1/4 - 20 X 9/16
29	FA324101		1	PROPELLER PIN, PACK OF 3
30	F409719		1	CLUTCH SPRING
31	F318372		1	PIN, CLUTCH GUIDE
32	F409521		1	CLUTCH
33	F318266		1	GEAR, BEVEL PINION
34	F318128		1	DRIVESHAFT, FOR STANDARD SHAFT MODELS
-	F332128		1	DRIVESHAFT, FOR LONG SHAFT MODELS
35	F50563		1	WATER PUMP IMPELLER DRIVE PIN
36	FA487845		1	MOTOR LEG EXTENSION, FOR LONG SHAFT MODELS
37	FS901244		1	INLET WATER LINE EXTENSION, FOR LONG SHAFT MODELS
-	FC430054		1	GEAR HOUSING COMPLETE (NOT SHOWN) INCLUDES ALL ITEMS MARKED WITH AN ASTERISK (*).

FUEL TANK AND LINE



FUEL TANK AND LINE

REF. NO.	PART NO.	SYM.	QTY.	DESCRIPTION
1	F213342		1	SEAL, FUEL LINE COUPLER
2	F213735		1	SEAL, FUEL LINE COUPLER
3	F197787-2		1	FUEL LINE COUPLER
4	F298788		4	FERRULE
5	FA84754-1		1	FUEL LINE SHORT W/FERRULES
6	89396A38		1	PRIME BULB
7	32-817738A1		1	FUEL LINE, LONG W/CLAMP AND FERRULE
8	F487755		1	FUEL TANK ADAPTER
9	F71H09		1	FUEL TANK (ACCESSORY ITEM)
10	F409251-1		1	GAUGE CAP
-	FS409752		1	FUEL LINE COMPLETE (NOT SHOWN)

SPECIAL TOOLS - TUNE-UP

REF. NO.	PART NO.	SYM.	QTY.	DESCRIPTION
-	FT8965		0	KNOCK-OFF NUT TO REMOVE FLYWHEEL
-	FT2989		0	FLYWHEEL WEDGE TO REMOVE FLYWHEEL

SPECIAL TOOLS - STARTER

REF. NO.	PART NO.	SYM.	QTY.	DESCRIPTION
-	FT2985		0	STARTER REWIND KEY TO REWIND STARTER SPRING

SPECIAL TOOLS - POWER HEAD

REF. NO.	PART NO.	SYM.	QTY.	DESCRIPTION
-	FT8949		0	SEAL INSTALLER TO INSTALL UPPER CRANKSHAFT BEARING CAGE SEAL
-	FT8929		0	ADAPTER AND HEX BIT TO TORQUE CONNECTING ROD SCREWS
-	FT2997		0	RING COMPRESSOR TO INSTALL PISTONS IN CYLINDERS
-	FT8926		0	PISTON RING EXPANDER TO INSTALL RINGS ON PISTONS

SPECIAL TOOLS - LOWER UNIT

REF. NO.	PART NO.	SYM.	QTY.	DESCRIPTION
-	FT2915		0	SEAL INSTALLER TO INSTALL DRIVESHAFT SEAL
-	FT2907		0	SEAL INSTALLER TO INSTALL PROPELLER SHAFT SEAL
-	FT2993		0	BEARING CAGE PULLER TO REMOVE PROPELLER SHAFT BEARING CAGE

SPECIAL TOOLS - TEST EQUIPMENT

REF. NO.	PART NO.	SYM.	QTY.	DESCRIPTION
-	FT8438		0	TEST WHEEL (6 H.P.) TO TEST MOTOR IN TEST TANK
-	FT8420		0	TEST WHEEL (8 H.P.) TO TEST MOTOR IN TEST TANK
-	FT8950		0	LEAKAGE TESTER TO TEST LOWER UNIT SEALS FOR LEAKS
-	T8974		0	BREAKER POINT TENSION GAUGE FOR CHECKING BREAKER POINT SPRING TENSION

ACCESSORIES

REF. NO.	PART NO.	SYM.	QTY.	DESCRIPTION
-	F71H02		0	ANTI-CORROSION SACRIFICIAL ANODE USED TO HELP PREVENT CORROSION.
-	FK1018-1		0	5" LONG LEG CONVERSION KIT CONVERTS 15" STANDARD SHAFT MODEL TO 20" LONG SHAFT MODEL.
-	F72H23		0	15" LONG LEG CONVERSION KIT CONVERTS 15" STANDARD SHAFT OR 20" LONG SHAFT MODEL TO 30" LONG SHAFT MODEL.
-	F588		0	FLUSHING ADAPTER PERMITS FRESH WATER FLUSHING OF WATER PASSAGES WITH STANDARD GARDEN HOSE.
-	F72H35		0	WATER PUMP KIT HEAVY DUTY WATER PUMP RECOMMENDED FOR CONTINUED OPERATION IN SANDY OR SALT WATER.
-	F72H16		0	REMOTE CONTROL CONVERSION KIT PERMITS REMOTE CONTROL OF THROTTLE, GEAR SHIFT AND STEERING FROM FRONT OF BOAT.
-	F72H36		0	SYNCHRO-DRIVE CONTROL BOX (SINGLE LEVER) PERMITS REMOTE CONTROL OF THROTTLE AND GEAR SHIFT FROM STARBOARD SIDE OF BOAT.
-	73H08		0	PORT SIDE DECAL KIT CONVERTS 72H36 CONTROL BOX TO PORT SIDE MOUNTING.
-	F866		0	DUO-DRIVE CONTROL BOX (TWIN LEVER) PERMITS REMOTE CONTROL OF THROTTLE AND GEAR SHIFT. MAY BE MOUNTED ON PORT OR STARBOARD SIDE OF BOAT.
-	865		0	TWIN SYNCHRO-DRIVE CONTROL BOX PERMITS REMOTE CONTROL OF THROTTLE AND GEAR SHIFT ON TWIN ENGINE INSTALLATIONS. MAY BE MOUNTED ON PORT OR STARBOARD SIDE OF BOAT.
-	F137		0	REMOTE STEERING BRACKET ADAPTS MOTOR TO CABLE TYPE REMOTE STEERING.
-	F165		0	REMOTE STEERING BRACKET W/PULLEYS ADAPTS MOTOR TO CABLE TYPE REMOTE STEERING.
-	167		0	IGNITION CUT-OFF KIT PERMITS STOPPING OF ENGINE FROM OPERATORS SEAT.
-	F195/___		0	REMOTE CONTROL CABLES CONNECTS REMOTE CONTROL BOX TO THROTTLE AND GEAR SHIFT ON MOTOR. AVAILABLE IN 6 THROUGH 20 FOOT LENGTHS.
-	F72H18		0	REMOTE STEERING BRACKET ADAPTS MOTOR TO REMOTE STEERING.
-	760		0	STEEL, 4 1/4 GALLON FUEL TANK ADDITIONAL TANKS TO CARRY FUEL RESERVE.
-	F71H09		0	STEEL, 6 GALLON FUEL TANK W/HOSE
-	F71H12		0	FUEL TANK ANCHOR RETAINS MODEL 71H09 TANK TO BOAT FLOOR.

CONTINUED ON NEXT PAGE ➡

ACCESSORIES

REF. NO.	PART NO.	SYM.	QTY.	DESCRIPTION
-	F476		0	FUEL LINE ADAPTION KIT ADAPTS MODEL 583 TANK FOR AUTOMATIC VENT AND DISCONNECT AT TANK.
-	491		0	CARRYING HANDLE CARRYING HANDLE FOR MOUNTING ON REAR OF SUPPORT PLATE.
-	72H02		0	CARRYING BAG CANVAS BAG FOR TRANSPORTING AND STORING ENGINE.
-	72H31		0	FROST WHITE LACQUER ENGINE TOUCH-UP PAINT IN 16 OZ. SPRAY BOMBS (12 CANS PER CASE).
-	72H32		0	GOLD LACQUER ENGINE TOUCH-UP PAINT IN 16 OZ. SPRAY BOMBS (12 CANS PER CASE).

SPECIFICATIONS

REF. NO.	PART NO.	SYM.	QTY.	DESCRIPTION
-			0	HORSEPOWER 6 AND 8 B.I.A. CERTIFIED BRAKE H.P. AT 5000 R.P.M.
-			0	ENGINE TWO-CYCLE, TWIN CYLINDER, ALTERNATE FIRING.
-			0	BORE AND STROKE 1 7/8" X 1 5/8" (6 H.P.). 2" X 1 5/8" (8 H.P.).
-			0	DISPLACEMENT 8.99 CUBIC INCHES (6 H.P.). 10.2 CUBIC INCHES (8 H.P.).
-			0	CARBURETOR FLOAT FEED.
-			0	CONNECTING ROD DIE CAST ALUMINUM - STEEL LINERS WITH NEEDLE BEARINGS AT CRANKSHAFT.
-			0	CRANKSHAFT FORGED NICKEL STEEL. BALL BEARINGS AT UPPER MAIN. FULL COMPLEMENT NEEDLE ROLLERS AT CENTER MAIN.
-			0	RECOMMENDED OPERATING RANGE 4500 - 5500 R.P.M.
-			0	FUEL TANK SEPARATE STEEL TANK - 6 U.S. GALLONS, 5 IMPERIAL GALLONS.
-			0	PROPELLER SHAFT AND DRIVESHAFT STAINLESS STEEL, HARDENED, GROUND AND POLISHED.
-			0	PROPELLER ALUMINUM ALLOY - 8" DIAMETER, 5" PITCH, RIGHT HAND ROTATION.
-			0	COOLING WATER COOLED - POSITIVE DISPLACEMENT TYPE WATER PUMP.
-			0	TRANSOM HEIGHT 15" OR 20".
-			0	WEIGHT 47 POUNDS FOR STANDARD SHAFT MODELS (6 H.P.). 49 POUNDS FOR STANDARD SHAFT MODELS (8 H.P.).
-			0	TILT LOCK POSITIVE TILT LOCK PERMITS ENGINE TO REMAIN IN TILTED POSITION WHEN NOT IN USE.

LUBRICATION CHART

REF. NO.	PART NO.	SYM.	QTY.	DESCRIPTION
-			0	STARTER PINION GEAR SAE 30 MOTOR OIL, IF STARTER OPERATION BECOMES SLUGGISH
-			0	STARTER SPOOL BEARINGS SAE 30 MOTOR OIL, IF STARTER OPERATION BECOMES SLUGGISH
-			0	THROTTLE CAM FOLLOWER SAE 30 MOTOR OIL, TWICE EACH SEASON, OFTENER IF REQUIRED
-			0	MAGNETO CONTROL SHAFT BEARINGS SAE 30 MOTOR OIL, TWICE EACH SEASON, OFTENER IF REQUIRED
-			0	STEERING HANDLE PINION GEAR EP-ALL PURPOSE CHASSIS LUBRICANT, TWICE EACH SEASON, OFTENER IF REQUIRED
-			0	STEERING HANDLE BEVEL GEAR EP-ALL PURPOSE CHASSIS LUBRICANT, TWICE EACH SEASON, OFTENER IF REQUIRED
-			0	REVERSE LOCK SAE 30 MOTOR OIL, TWICE EACH SEASON, OFTENER IF REQUIRED
-			0	CLAMP SCREWS SAE 30 MOTOR OIL, TWICE EACH SEASON, OFTENER IF REQUIRED
-			0	STERN BRACKET PIVOT BOLT SAE 30 MOTOR OIL, TWICE EACH SEASON, OFTENER IF REQUIRED
-			0	GEAR HOUSING CHRYSLER OUTBOARD GEAR LUBE, EVERY 30 HOURS, OFTENER IF REQUIRED
-			0	FUEL LINE COUPLER RELEASE RING SAE 30 MOTOR OIL, TWICE EACH SEASON, OFTENER IF REQUIRED
-			0	GREASE FITTINGS GREASE FITTINGS ARE PROVIDED AT CRITICAL POINTS WHERE BEARING SURFACE ARE NOT EXPOSED EXTERNALLY. USING AN AUTOMOTIVE TYPE GREASE GUN AND LUBRICANT, GREASE TWICE EACH SEASON OR OFTENER IF REQUIRED.

SPECIAL ADJUSTMENTS

REF. NO.	PART NO.	SYM.	QTY.	DESCRIPTION
-			0	BREAK POINT GAP .020".
-			0	SPARK PLUG CHAMPION L-4-J, GAP .030". CHAMPION QL-4-J FOR MODELS 62BH, 63BH, 82BH, 83BH
-			0	ADJUSTING STEERING TENSION STEERING TENSION CAN BE ADJUSTED BY TURNING THE ONE (1) STEERING FRICTION ADJUSTING SCREW, ILLUSTRATION 68, PAGE 13, IN THE DIRECTION REQUIRED.
-			0	POINT OF THROTTLE OPENING SEE BLOCK COMMENT 1.
-			0	FLYWHEEL NUT

PARTS INDEX

Part Number	Description	Pg.	Ref. No.	Part Number	Description	Pg.	Ref. No.
167	IGNITION CUT-OFF KIT	33	-	F1089	FILL HD SCREW, 10 - 24 X 9/16	9	1
2A341167	MANIFOLD W/STUDS, PULLEY AND SPRING PIN	13	55	F1090	FILL HD SCREW W/LOCKWASHER, 10 - 24 X 9/16	7	16
318318	ROLLER, THROTTLE CAM FOLLOWER	13	51	F1107	FILL HD SCREW, 1/4 - 20 X 3/4	9	11
318618	SEAL, GEAR SHIFT ROD LOWER	25	12	F1107	FILL HD SCREW, 1/4 - 20 X 3/4	15	31
491	CARRYING HANDLE	34	-	F1111	FILL HD SCREW, 1/4 - 20 X 1 7/8	15	29
72H02	CARRYING BAG	34	-	F1111	FILL HD SCREW, 1/4 - 20 X 7/8	15	13
72H31	FROST WHITE LACQUER	34	-	F1150	FLAT HD SCREW, 1/4 - 20 X 1 1/8	25	4
72H32	GOLD LACQUER	34	-	F12083	CONDENSER SCREW W/LOCKWASHER	7	7
73H08	PORT SIDE DECAL KIT	33	-	F12088	GROMMET	7	19
760	STEEL, 4 1/4 GALLON FUEL TANK	33	-	F12091	LEAD WIRE MARKER, TOP (NOT SHOWN)	7	-
817754A1	ARM, CARBURETOR ADJUSTING	11	15	F12114	SCREW, COIL GROUND TERMINAL	7	26
817758A1	BRACKET, COVER LATCH W/SCREWS, NUTS AND ROLLER	3	14	F12127	STUD NUT	7	21
817761A2	CLAMP SCREW	21	44	F12128	INSULATOR, OUTSIDE	7	23
817773A1	THROTTLE CAM FOLLOWER	11	47	F12129	INSULATOR, INSIDE	7	25
817779A1	STEERING ARM	21	78	F12141	SLEEVE, HIGH TENSION LEAD	7	27
817938A1	RETAINER, STARTER ROPE HANDLE	9	21	F12142	CONNECTION STUD	7	24
865	TWIN SYNCHRO-DRIVE CONTROL BOX	33	-	F12146	COIL WEDGE SPRING	7	15
89396A38	PRIME BULB	27	6	F12153	BREAKER POINT SET	7	6
A317711-2	PLATE, FRONT	5	53	F12170	CONTACT SCREW W/LOCKWASHER	7	4
A318018-2	CRANKSHAFT W/UPPER MAIN BEARING	15	23	F12181-1	CONDENSER	7	8
A318028-1	BEARING, CRANKSHAFT UPPER MAIN	17	52	F12228	CAM WIPER FELT	7	5
A318038-4	SUPPORT PLATE W/EYELET AND PLUGS	3	37	F12343	STATOR PLATE W/LAMINATIONS	7	9
A318072-3	SWIVEL BRACKET	21	67	F1286	PAN HD SCREW, 4 - 40 X 3/16	11	4
A318229-1	CONNECTING ROD LINER (2 PER SET)	15	27	F1293	DRIVE SCREW, 2 X 3/16 . . .	3	42
A487010-1	CYLINDER W/CRANKCASE COVER, DOWEL PINS, SCREWS, STUD & CYLDR	17	5	F1298	ROUND HD SCREW W/LOCKWASHER, 6 - 32 X 1/4	13	61
A488010-1	CYLNR W/CRANKCASE COVER, DOWEL PINS, SCREWS, STUD & CYLNR	17	5	F1335	FILL HD SCREW, 5/16 - 18 X 1 1/4	15	30
AC16395-7	PLATE, IDENTIFICATION W/SCREWS FOR CANADA MODELS	3	-	F1341	HEX NUT, 1/4 - 20	21	55
C487010-1	SHORT BLOCK (NOT SHOWN)	17	-	F1352	HEX NUT, 7/16 - 20	7	1
C488010-1	SHORT BLOCK (NOT SHOWN)	17	-	F1365	SQUARE NUT, 10 - 24	11	17
F10006	GASKET SET (NOT SHOWN)	13	-	F137	REMOTE STEERING BRACKET	33	-
F10008	REPAIR PARTS KIT (NOT SHOWN)	13	-	F141118	SEAL, CRANKSHAFT	15	14
F1052	FILL HD SCREW, 1/4 - 20 X 1 7/16	3	30	F1475	FILL HD SCREW, 10 - 24 X 1/2	3	9
F1068	FILL HD SCREW; 10 - 24 X 1/16	11	1	F1490	HEX NUT, 1/4 - 20	13	50
F1069	FILL HD SCREW, 10 - 24 X 1/16	11	1	F1502	HEX CAP SCREW, 1/4 - 20 X 5/8	15	12
				F154415	WASHER	3	27
				F154415	WASHER	5	49
				F1574	FILL HD SCREW, 1/4 - 20 X 9/16	3	16
				F1608	NUT, 1/4 - 20	19	28

PARTS INDEX

Part Number	Description	Pg.	Ref. No.	Part Number	Description	Pg.	Ref. No.
F1666	BOWED SPRING WASHER	19	41	F213735	SEAL, FUEL LINE COUPLER	27	2
F1689	HEX CAP SCREW, 1/4 - 20 X 1/2	3	34	F24074	CLAMP SCREW FOOT	21	48
F1689	HEX CAP SCREW, 1/4 - 20 X 1/2	21	62	F24748-2	GASKET, FUEL PUMP COVER	11	3
F1689	HEX CAP SCREW, 1/4 - 20 X 1/2	21	63	F269316	ROLLER SHAFT	3	12
F1753	FASTENER	3	4	F2706772	HOSE CLAMP	11	10
F1794	SPRING PIN	19	24	F2788004	STUD, CARBURETOR	13	54
F1799	TRUSS HD SCREW, 5/16 - 18 X 5/8	19	4	F286011	WASHER, SWIVEL BRACKET	21	70
F1802	FILL HD SCREW, 1/4 - 20 X 9/16	25	28	F286079-1	STEERING HANDLE	19	8
F1803	STOP NUT, 5/16 - 24	15	36	F286080	SCREW, STEERING HANDLE PIVOT	21	81
F1804	STOP NUT	3	18	F286114	LOCK BAR HANDLE	21	52
F1804	STOP NUT	9	8	F286132	HANDLE, STARTER ROPE	9	20
F1805	SPRING PIN	21	54	F286134	STUD	3	22
F1807	GROOVE PIN	19	16	F286134	STUD	9	5
F18160-1	REED, FUEL PUMP	11	6	F286169	BEARING, SWIVEL BRACKET	21	57
F1820	FILL HD SCREW, 1/4 - 20 X 1 3/8	21	68	F286220	WASHER	19	9
F1823	HEX HD CAP SCREW, 5/16 - 18 X 1	15	6	F286224	INSERT, STEERING HANDLE	19	6
F1829	FILL HD SCREW, 10 - 24 X 7/8	21	71	F286277	GASKET, CRANKSHAFT BEARING CAGE	15	16
F1834	FILL HD SCREW, 10 - 24 X 7/8	11	14	F286282	WASHER	15	35
F183813	BEARING, MAGNETO CONTROL LEVER	15	33	F286286-1	WASHER, STERN BRACKET	19	15
F1839	GROOVE PIN	19	31	F286300	SPRING, REVERSE LOCK	19	29
F184579	SEAL	3	20	F286305	SEAL, PROPELLER SHAFT BEARING CAGE	25	25
F1846	COTTER PIN	25	20	F286364	LEVER, REVERSE LOCK	19	23
F1850	SPRING PIN	25	1	F286422-1	TILT LOCK PIVOT	19	42
F1859	SOCKET HD SET SCREW, 1/4 - 28 X 3/16	19	7	F286440	STUD, MAGNETO CONTROL LEVER	15	28
F1875	SPRING PIN, STARTER BRACKET	9	18	F286451	SPACER, TILT LOCK	19	39
F1876	SPRING PIN	13	56	F286461	SPRING, LOCK BAR HANDLE	21	51
F18906	CARBURETOR GASKET	13	53	F286490	STOP, STEERING HANDLE	21	79
F1912	HEX HD SCREW, 10 - 24 X 1/2	11	13	F286544-1	SPRING, TILT LOCK	19	38
F1914	HEX HD SCREW, 1/4 - 20 X 3/4	11	48	F286571	CENTER MAIN BEARING ROLLERS (26 PER SET)	15	22
F1915	HEX HD SCREW, 1/4 - 20 X 7/8	15	44	F286573-1	STEERING FRICTION CLAMP	21	69
F1922	HEX HD SCREW, 1/4 - 20 X 5/8	15	9	F286585-1	DECAL, TILT RELEASE (NOT SHOWN)	23	-
F195/___	REMOTE CONTROL CABLES	33	-	F286614	GEAR SHIFT HANDLE	5	45
F1976	SOCKET HD SCREW W/WASHER, 10 - 24 X 1/2	25	7	F286634-1	CONNECTING ROD SCREW	15	25
F197767-1	BUSHING, FUEL LINE	5	50	F286705	GEAR SHIFT ROD LOWER, FOR STANDARD SHAFT MODELS	25	11
F197787-2	FUEL LINE COUPLER	27	3	F286710	ARBOR, STARTER SPRING	9	9
F1978	SPRING PIN	21	85	F286737-1	RETAINER, STARTER REWIND SPRING	9	14
F197813	BEARING	19	19	F286777	CAM, COVER LATCH	3	39
F2002	STOP NUT, 5/16 - 18	3	40	F286818	BEARING, STEERING HANDLE INSERT	19	5
F2040	HEX HD SCREW, 1/4 - 20 X 5/8	17	55	F286827	LEVER, REVERSE LOCK RELEASE	19	14
F2042	PLAIN WASHER	9	24	F286868	SPRING, STEERING HANDLE STOP	21	80
F213274	GREASE FITTING	19	30	F286894-3	STEERING HANDLE INDICATOR	19	22
F213342	SEAL, FUEL LINE COUPLER	27	1	F286930	END, STARTER SPRING	9	15
				F289664	WIRE, STATOR GROUND	7	11

PARTS INDEX

Part Number	Description	Pg.	Ref. No.	Part Number	Description	Pg.	Ref. No.
F298788	FERRULE	27	4	F318967	GASKET, SHOCK MOUNT		
F2A430016	CONNECTING ROD W/CAP AND SCREWS	15	20	F330705	GEAR SHIFT ROD LOWER, FOR LONG SHAFT MODELS	21	59
F2A459239	STARTER SPOOL W/SHAFT	9	16	F332128	DRIVESHAFT, FOR LONG SHAFT MODELS	25	-
F307818	BEARING	3	31	F341384	RETAINER, CHOKE ROD	25	-
F307818	BEARING	21	76	F341562	WATER PUMP BACK PLATE	11	45
F31160-1	REED	13	59	F341693	WEDGE, STEERING HANDLE	25	10
F31410	RETAINING RING, PISTON PIN	15	18	F341693	WEDGE, STEERING HANDLE	21	73
F317717	WASHER	25	27	F343014	BEARING, CRANKSHAFT LOWER MAIN	15	42
F318019	KING PIN	21	53	F343226-1	PLUG	5	52
F318037	STERN BRACKET PIVOT BOLT	19	12	F387226-1	PLUG	3	38
F318097	FLYWHEEL	7	3	F387445-1	LINK, MAGNETO CONTROL ROD	15	32
F318128	DRIVESHAFT, FOR STANDARD SHAFT MODELS	25	34	F387721	CLUTCH, SHIFT CAM	25	13
F318151	PLATE, EXHAUST	15	47	F388061-3	CARBURETOR COMPLETE (CO4D)	13	40
F318152	COVER, EXHAUST	15	45	F40425	STARTER, PINION PIN	9	10
F318154	GASKET, EXHAUST COVER	15	46	F409232	STARTER ROPE	9	19
F318159	GASKET, REED PLATE	13	62	F409244	WATER LINE	21	64
F318168	GASKET, MANIFOLD	13	57	F409251-1	GAUGE CAP	27	10
F318222-1	TRANSFER PORT COVER	15	11	F409521	CLUTCH	25	32
F318223-1	GASKET, TRANSFER PORT COVER	15	10	F409719	CLUTCH SPRING	25	30
F318228	CONNECTING ROD, ROLLER SET (24 PER SET)	15	26	F424075	HANDLE, CLAMP SCREW	21	45
F318266	GEAR, BEVEL PINION	25	33	F424161	REED STOP	13	60
F318279-1	GASKET, CYLINDER MOUNTING	15	41	F429061-2	CARBURETOR COMPLETE (CO6C)	13	40
F318307	SEAL, DRIVESHAFT	25	8	F429065	WATER PUMP IMPELLER	25	9
F318307	SEAL, WATER PUMP	25	2	F429472	GASKET, CYLINDER DRAIN COVER	15	7
F318342	SEAL, INLET WATER LINE UPPER	21	65	F429541	TILT LOCK	19	40
F318346	SHOCK MOUNT LOWER	21	58	F429688	SHAFT, STEERING HANDLE	19	11
F318347	SHOCK MOUNT UPPER	19	3	F429811	SCREENS, CYLINDER DRAIN	15	2
F318349	REVERSE LOCK	19	33	F429838	SHAFT, MAGNETO CONTROL	21	77
F318372	PIN, CLUTCH GUIDE	25	31	F430017	PISTON PIN	17	19
F318433	BRACKET SHALLOW WATER DRIVE	19	35	F430732	HEX HD SCREW, 5/16 - 18 X 1 1/4	25	15
F318453-1	GASKET, LEG MOUNTING	5	44	F458498	MAGNETO KEY	7	14
F318504	GROMMET, CHOKE ROD	5	54	F458677	INSERT, CHOKE KNOB	3	43
F318509-3	LINK, THROTTLE CAM	15	40	F458695	SLEEVE	21	83
F318518-4	CYLINDER HEAD	15	3	F468342	SEAL	17	56
F318529	CYLINDER HEAD GASKET	15	4	F476	FUEL LINE ADAPTION KIT	34	-
F318539	BUMPER	19	2	F487180	TRIM, ENGINE COVER, REAR	3	6
F318611-1	GEAR SHIFT ROD	3	26	F487226	PLUG	3	36
F318615	GEAR SHIFT ROD UPPER	25	5	F487263	LINK, STARTER INTERLOCK	3	21
F318647	CARRYING HANDLE	19	43	F487392	DECAL, PORT, "CHRYSLER"	5	8
F318756	PACKING, SUPPORT PLATE	3	35	F487396	DECAL, STARBOARD, "CHRYSLER"	5	-
F318818	BEARING	3	17	F487417	GEAR SHIFT HANDLE SHAFT	5	47
F318861	SEAL, SHOCK MOUNT PLATE	21	60	F487424-1	STARTER PINION SPRING	9	3
F318871	SHAFT, GEAR SHIFT LEVER	3	33	F487427-1	BRACKET, STARTER UPPER	9	4
F318876-1	GEAR SHIFT LEVER	3	29	F487435	PULLEY, STARTER ROPE	13	49
F318895	SPRING, SHIFT DETENT	3	32	F487619	LEVER, GEAR SHIFT SHAFT	3	23
F318956	BRACKET SHOCK MOUNT LOWER	21	56	F487660-1	EXHAUST TUBE	17	54
F318963	PLATE, SHOCK MOUNT LOWER	21	61				

PARTS INDEX

Part Number	Description	Pg.	Ref. No.	Part Number	Description	Pg.	Ref. No.
F487674	GEAR, STARTER PINION	9	2	F8540	SPRING PIN	19	20
F487711	PLATE, ENGINE COVER	3	2	F8547	SPRING PIN	3	28
F487727	BALL, INTERLOCK DETENT	9	22	F8548	SPRING PIN	21	84
F487755	FUEL TANK ADAPTER	27	8	F8554	SPRING PIN	21	46
F487781-3	STARTER INTERLOCK	9	7	F8559	DOWEL PIN	15	50
F487816	BEARING, STEERING HANDLE	21	72	F85610	BEARING	21	82
F487895	SPRING INTERLOCK DETENT	9	23	F85735-1	SEAL	3	3
F488392	DECAL, PORT, "CHRYSLER"	5	8	F866	DUO-DRIVE CONTROL BOX (TWIN LEVER)	33	-
F488396	DECAL, STARBOARD, "CHRYSLER"	5	-	F901456-1	EMERGENCY STARTER COLLAR	7	2
F50109	GEAR HOUSING PLUG	25	16	F901728	CLUTCH SHIFT PIN	25	21
F50563	WATER PUMP IMPELLER DRIVE PIN	25	35	F901746-2	FUEL PUMP COVER	11	2
F516192	THROTTLE CAM PLATE	7	10	F901811	FUEL PUMP FILTER	11	9
F516754	FUEL LINE W/CLAMPS	11	11	F901938-1	SCREW, CYLINDER HEAD	15	1
F53795-1	STEERING HANDLE GRIP DAMPENER	19	10	F92759	ROLLER	3	13
F588	FLUSHING ADAPTER	33	-	FA12345	COIL W/LEAD WIRE	7	17
F59002	MAGNETO BREAKER CAM, WICO 11417	7	13	FA1844	HEX BOLT, 1/4 - 20 X 2 3/8	19	32
F66193	THROTTLE LINK	11	16	FA24754-1	FUEL LINE W/CLAMPS	11	12
F66480	STUD CLAMP SCREW	21	49	FA24757-3	FUEL PUMP REED PLATE W/REEDS AND SCREWS	11	7
F7005	STOP NUT, 3/8 - 16	19	36	FA286094	PROPELLER NUT W/COTTER PIN	25	19
F7011	ELASTIC STOP NUT, 10 - 24	3	11	FA286155	MAIN BEARING LINER SET (2 PER SET)	15	21
F7011	STOP NUT, 10 - 24	3	15	FA286469	KNOB, COVER LATCH	5	51
F7017	PISTON PIN	17	19	FA286480	RETAINER, ENGINE COVER W/SCREWS AND NUTS	3	10
F71H02	ANTI-CORROSION SACRIFICIAL ANODE	33	-	FA286970	STARTER REWIND SPRING W/END AND RETAINER	9	13
F71H09	FUEL TANK (ACCESSORY ITEM)	27	9	FA317260	PISTON RING SET (3 PER SET)	17	49
F71H09	STEEL, 6 GALLON FUEL TANK W/HOSE	33	-	FA318113	LOCK BAR W/HANDLE AND SPRING	21	50
F71H12	FUEL TANK ANCHOR	33	-	FA318144	CAGE, CRANKSHAFT BEARING W/SEAL (ITEM 14)	15	15
F72H16	REMOTE CONTROL CONVERSION KIT	33	-	FA318503	CHOKE ROD W/KNOB AND INSERT	5	55
F72H18	REMOTE STEERING BRACKET	33	-	FA324101	PROPELLER PIN, PACK OF 3	25	29
F72H23	15" LONG LEG CONVERSION KIT	33	-	FA341510	LINK, REVERSE LOCK LEVER	19	25
F72H35	WATER PUMP KIT	33	-	FA343178	RETAINER W/SET SCREW	21	74
F72H36	SYNCHRO-DRIVE CONTROL BOX (SINGLE LEVER)	33	-	FA387081	LEVER, MAGNETO CONTROL	15	34
F73082	MAGNETO STATOR RING	15	17	FA387158	REED PLATE W/REEDS, STOPS AND SCREWS	13	58
F78410	RETAINER	13	52	FA387742	LEVER REVERSE LOCK INTERMEDIATE	19	18
F8003	PLAIN WASHER	11	5	FA409098	PROPELLER SHAFT	25	23
F8011	PLAIN WASHER	3	19	FA429015	PISTON	17	48
F8011	PLAIN WASHER	9	6	FA429471	CYLINDER DRAIN COVER W/CHECK VALVES AND SCREENS	15	8
F8025	PLAIN WASHER	17	53	FA430015	PISTON	17	48
F8039	PLAIN WASHER	19	27	FA430054	GEAR HOUSING	25	14
F8049	BOWED WASHER	5	48	FA456137	GRIP, STEERING HANDLE W/SLEEVE	19	1
F8055	LOCKWASHER	7	22	FA487528	INSERT, TRIM REAR	5	7
F8058	TOOTH LOCKWASHER	19	21				
F8077	NYLTITE WASHER	25	17				
F8083	SPRING LOCKWASHER	19	26				
F8537	SPRING PIN	3	25				
F8537	SPRING PIN	21	47				
F8538	SPRING PIN	19	17				
F8540	SPRING PIN	3	24				

PARTS INDEX

Part Number	Description	Pg.	Ref. No.	Part Number	Description	Pg.	Ref. No.
FA487845	MOTOR LEG EXTENSION, FOR LONG SHAFT MODELS	25	36	FO4784	CHOKE FRICTION BALL . . .	11	21
FA487892	INSERT, PLATE FRONT - U.S.A.	3	1	FO8502	THROTTLE SHUTTER	13	42
FA487893	INSERT, PLATE FRONT - CANADA	3	-	FO8805	CHOKE FRICTION SPRING .	11	22
FA488528	INSERT, TRIM REAR	5	7	FO8942	THROTTLE SHUTTER RETAINING SCREW AND LOCKWASHER	11	41
FA510914	SEAL, INLET WATER LINE .	25	3	FP487	PROPELLER (6 H.P.) (ACCESSORY ITEM)	25	18
FA77395-5	PLATE, IDENTIFICATION W/SCREWS FOR U.S.A. MODELS	3	41	FS174227	SPARK PLUG (L-4-J)	15	51
FA84754-1	FUEL LINE SHORT W/FERRULES	27	5	FS409752	FUEL LINE COMPLETE (NOT SHOWN)	27	-
FC310227	SPARK PLG, CHAMPION (QL-4-J) FOR MDLS 62BH, 63BH, 82BH, 83BH	17	-	FS487712	ENGINE COVER W/BRACKET AND RETAINER	3	5
FC430054	GEAR HOUSING COMPLETE (NOT SHOWN)	25	-	FS567532	STERN BRACKET PORT W/CLAMP SCREW, AND FOOT	19	37
FG1004-1	GASKET SET (NOT SHOWN)	17	-	FS567532	STERN BRACKET STARBOARD W/CLAMP SCREW, AND FOOT	19	13
FK1018-1	5" LONG LEG CONVERSION KIT	33	-	FS901244	INLET WATER LINE EXTENSION, FOR LONG SHAFT MODELS	25	37
FK317427	BRACKET, STARTER LOWER W/SPRING PIN . .	9	17	FT2907	SEAL INSTALLER	31	-
FK750-1	SPARKIE W/SPRING	7	20	FT2915	SEAL INSTALLER	31	-
FO10165	INLET SEAT GASKET	11	35	FT2985	STARTER REWIND KEY . . .	29	-
FO10280	CHOKE SHUTTER RETAINING SCREW AND LOCKWASHER	11	27	FT2989	FLYWHEEL WEDGE	28	-
FO10588	BODY CHANNEL CUP PLUG	11	19	FT2993	BEARING CAGE PULLER . .	31	-
FO10790	INLET NEEDLE, SEAT AND GASKET	11	36	FT2997	RING COMPRESSOR	30	-
FO11103	IDLE MIXTURE SCREW SPRING	11	39	FT8420	TEST WHEEL (8 H.P.)	32	-
FO12101	MAIN FUEL JET (.045)	13	34	FT8438	TEST WHEEL (6 H.P.)	32	-
FO13554	FLOAT	11	28	FT8926	PISTON RING EXPANDER .	30	-
FO13630	MAIN FUEL JET (.033)	13	34	FT8929	ADAPTER AND HEX BIT . . .	30	-
FO13944	FLOAT LEVER PIN	11	29	FT8949	SEAL INSTALLER	30	-
FO13945	FUEL BOWL RETAINING SCREW	11	33	FT8950	LEAKAGE TESTER	32	-
FO15366	FUEL BOWL	11	32	FT8965	KNOCK-OFF NUT	28	-
FO15367	CHOKE SHUTTER	11	26	K429133-1	MOTOR LEG	21	66
FO15368	CHOKE RELIEF VALVE	11	24	P410	PROPELLER (8 H.P.) (ACCESSORY ITEM)	25	-
FO15520	IDLE MIXTURE SCREW	11	38	T8974	BREAKER POINT TENSION GAUGE	32	-
FO15526	THROTTLE SHAFT RETURN SPRING	11	44	27-818043A1	FUEL PUMP DIAPHRAGM W/GASKETS	11	8
FO15623	FUEL BOWL GASKET	11	30	31-818051A1	PROPELLER SHAFT BEARING CAGE W/BEARING AND SEAL . .	25	26
FO15718	THROTTLE SHAFT AND LEVER	11	43	32-817738A1	FUEL LINE, LONG W/CLAMP AND FERRULE	27	7
FO15722	MAIN NOZZLE	11	37	39-818038A1	PISTON RING SET (2 PER SET)	17	49
FO15723	BYPASS TUBE	13	20	43-817770A3	BEVEL GEAR W/BEARING .	25	22
FO15753	THROTTLE SHUTTER	13	42	43-817770A3	BEVEL GEAR W/BEARING .	25	24
FO15783	CHOKE RELIEF VALVE SPRING	11	25	43-818009--1	STEERING HANDLE GEAR .	21	75
FO16120	BYPASS TUBE	13	20	46-818010A1	WATER PUMP BODY W/WATER PUMP SEAL . .	25	6
FO17362	CHOKE SHAFT AND LEVER	11	23				
FO2510	FUEL BOWL RETAINING SCREW GASKET	11	31				
FO2531	BODY CHANNEL WELCH PLUG	11	18				