



# PARTS CATALOG

## 10 AND 15 H.P.

### SERIAL NUMBER

10 (1976)	.....	102BC
10 (1976)	.....	102BD
10 (1976)	.....	102HC
10 (1976)	.....	102HD
10 (1976)	.....	103BC
10 (1976)	.....	103BD
10 (1976)	.....	103HC
10 (1976)	.....	103HD
10 (1976)	.....	108BA
10 (1976)	.....	108HA
10 (1976)	.....	109BA
10 (1976)	.....	109HA
10 (1977)	.....	102BD
10 (1977)	.....	102HD
10 (1977)	.....	103BD
10 (1977)	.....	103HD
10 (1977)	.....	108HA
10 (1977)	.....	109BA
10 (1977)	.....	109HA
15 (1976)	.....	152BB
15 (1976)	.....	152BC
15 (1976)	.....	152BD
15 (1976)	.....	152BC

# TABLE OF CONTENTS:

ACCESSORIES .....	67
ELECTRIC STARTER .....	24
ELECTRICAL COMPONENTS (C-D ALTERNATOR MODELS) .....	26
ENGINE COVER AND SUPPORT PLATE (ALTERNATOR MODELS) .....	10
ENGINE COVER AND SUPPORT PLATE (ALTERNATOR MODELS) 10 H.P. C .....	14
ENGINE COVER AND SUPPORT PLATE (ALTERNATOR MODELS) 15 H.P. C .....	16
ENGINE COVER AND SUPPORT PLATE (MANUAL START MODELS) .....	2
ENGINE COVER AND SUPPORT PLATE (MANUAL START MODELS) 10 H.P. ....	6
ENGINE COVER AND SUPPORT PLATE (MANUAL START MODELS) 15 H.P. ....	8
FUEL PUMP (C-D ALTERNATOR MODELS) .....	22
FUEL SYSTEM .....	30
FUEL SYSTEM 10 H.P. ....	34
FUEL SYSTEM 15 H.P. ....	36
FUEL TANK AND LINE .....	60
GEAR HOUSING .....	56
LUBRICATION CHART .....	70
MAGNETO (MANUAL START MODELS) .....	18
MOTOR LEG .....	50
PARTS INDEX .....	72
POWER HEAD .....	38
POWER HEAD 10 H.P. C-D ALTERNATOR .....	46
POWER HEAD 10 H.P. MANUAL START .....	42
POWER HEAD 15 H.P. C-D ALTERNATOR .....	48
POWER HEAD 15 H.P. MANUAL START .....	44
SPECIAL ADJUSTMENTS .....	71
SPECIAL TOOLS - LOWER UNIT .....	65
SPECIAL TOOLS - MANUAL STARTER .....	63
SPECIAL TOOLS - POWER HEAD .....	64
SPECIAL TOOLS - TEST EQUIPMENT .....	66
SPECIAL TOOLS - TUNE-UP .....	62
SPECIFICATIONS .....	69
STARTER .....	20

**NOTE:** Indented description indicate that these parts are included in preceeding assembly.

**AR** = As Required

**NSS** = Not Sold Separate

**OPT** = Optional

**NS** = Not Shown

**THESE PARTS BOOKS/FICHE CARD ARE COPYRIGHTED AND MAY NOT BE DISTRIBUTED OR REPRODUCED IN ANY OTHER FORMAT BY ANYONE OTHER THAN MERCURY MARINE WITHOUT THE PRIOR WRITTEN CONSENT OF MERCURY MARINE.**

THIS PAGE INTENTIONALLY LEFT BLANK

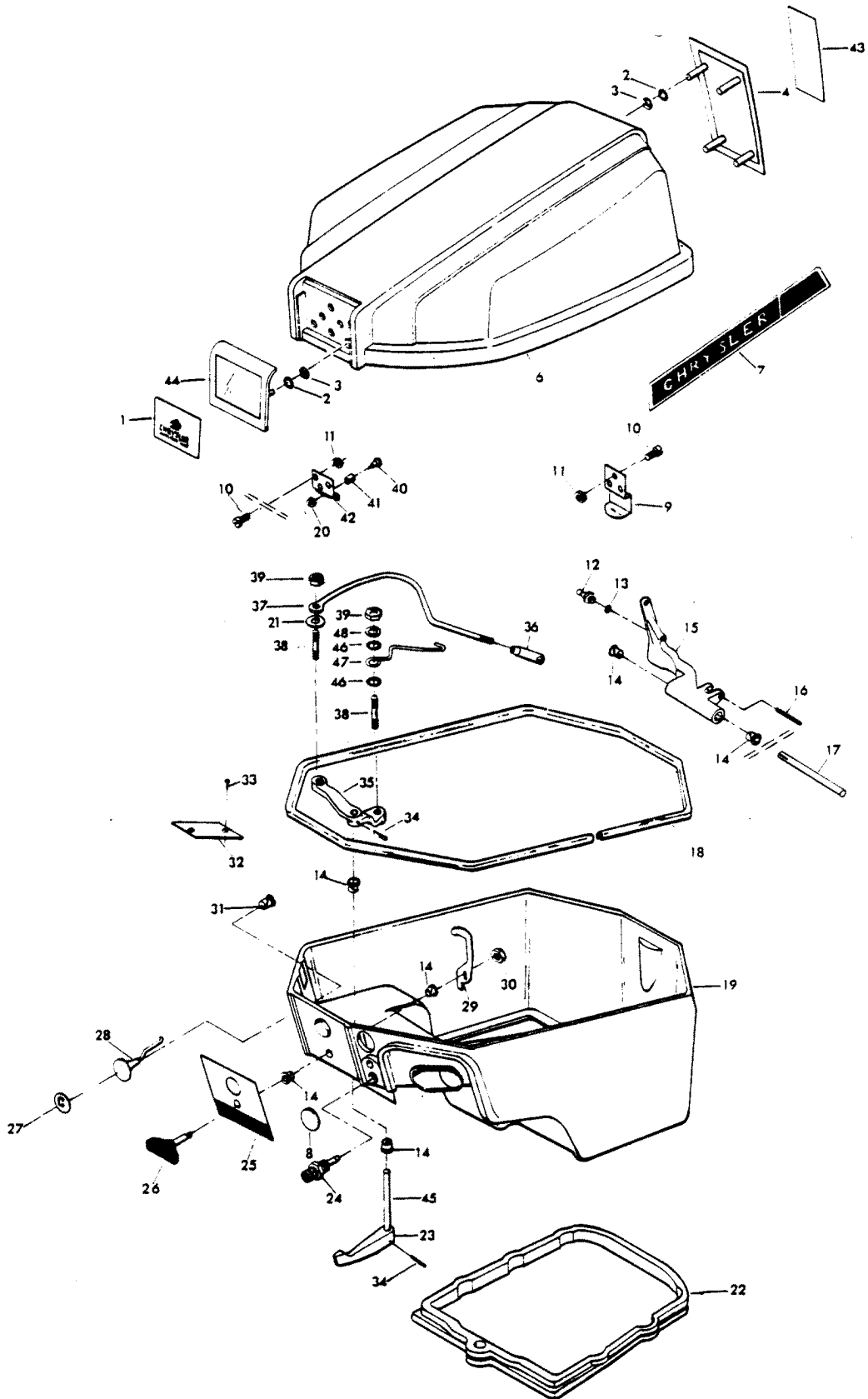


# ENGINE COVER AND SUPPORT PLATE (MANUAL START MODELS)

REF. NO.	PART NO.	SYM.	QTY.	DESCRIPTION
1	FA487892		1	INSERT, PLATE FRONT U.S.A.
-	<b>FA487893</b>		<b>1</b>	<b>INSERT, PLATE FRONT CANADA</b>
2	F85735-1		7	SEAL
3	F1753		7	FASTENER
4	F487180		1	TRIM, ENGINE COVER, REAR
6	FS472712		1	COVER, ENGINE W/BACKET, RETAINER AND TILT HANDLE
8	F343226-1		2	PLUG
9	FA286480		1	RETAINER, ENGINE COVER W/SCREWS AND NUTS
10	F1475		6	FILL HD SCREW, 10 - 24 X 1/2
11	F7011		6	ELASTIC STOP NUT, 10 - 24
12	F98273		1	STUD, GEAR SHIFT ROD CONNECTOR
13	F8058		1	INTERNAL TOOTH LOCKWASHER
14	F307818		6	BEARING
15	F286876		1	LEVER, GEAR SHIFT
16	F8542		1	SPRING PIN
17	F286871		1	PIN, GEAR SHIFT LEVER
18	F392756		1	PACKING, SUPPORT PLATE
19	FA492038		1	PLATE, SUPPORT W/PLUGS
20	F7011		1	STOP NUT, 10 - 24
21	F8048		1	BOWED SPRING WASHER
22	F286989-2		1	SEAL, SUPPORT PLATE
23	F286614		1	HANDLE, GEAR SHIFT
24	F197767-1		1	BUSHING, FUEL LINE
25	817757A4		1	PLATE, FRONT
26	FA286469		1	KNOB, COVER LATCH
27	F458677		1	INSERT, CHOKE KNOB
28	FA286547		1	KNOB, CHOKE W/INSERT AND CHOKE ROD
29	F286777		1	CAM, COVER LATCH
30	F2002		1	STOP NUT, 5/16 - 18
31	F197319		1	BEARING, CHOKE ROD
32	FA77395-5		1	PLATE, IDENTIFICATION W/SCREWS, U.S.A.
-	<b>AC16395-7</b>		<b>1</b>	<b>PLATE, IDENTIFICATION W/SCREWS, CANADA</b>
33	F1293		2	DRIVE SCREW
34	F8540		2	SPRING PIN
35	F492619		1	LEVER, GEAR SHIFT SHAFT
36	F286685		1	CONNECTOR, GEAR SHIFT ROD
37	F286611-1		1	ROD, GEAR SHIFT
38	F286134		2	STUD, GEAR SHIFT LEVER
39	F1804		2	STOP NUT, 10 - 32
40	F269316		1	ROLLER SHAFT
41	F92759		1	ROLLER
42	817758A1		1	BRACKET, COVER LATCH W/SCREWS, NUTS AND ROLLER

CONTINUED ON NEXT PAGE ➡

# ENGINE COVER AND SUPPORT PLATE (MANUAL START MODELS)



## ENGINE COVER AND SUPPORT PLATE (MANUAL START MODELS)

REF. NO.	PART NO.	SYM.	QTY.	DESCRIPTION
44	F487711		1	PLATE, ENGINE COVER
45	F492417		1	SHAFT, GEAR SHIFT HANDLE
46	F184579		2	SEAL
47	F492263		1	LINK, STARTER INTERLOCK
48	F8011		1	PLAIN WASHER

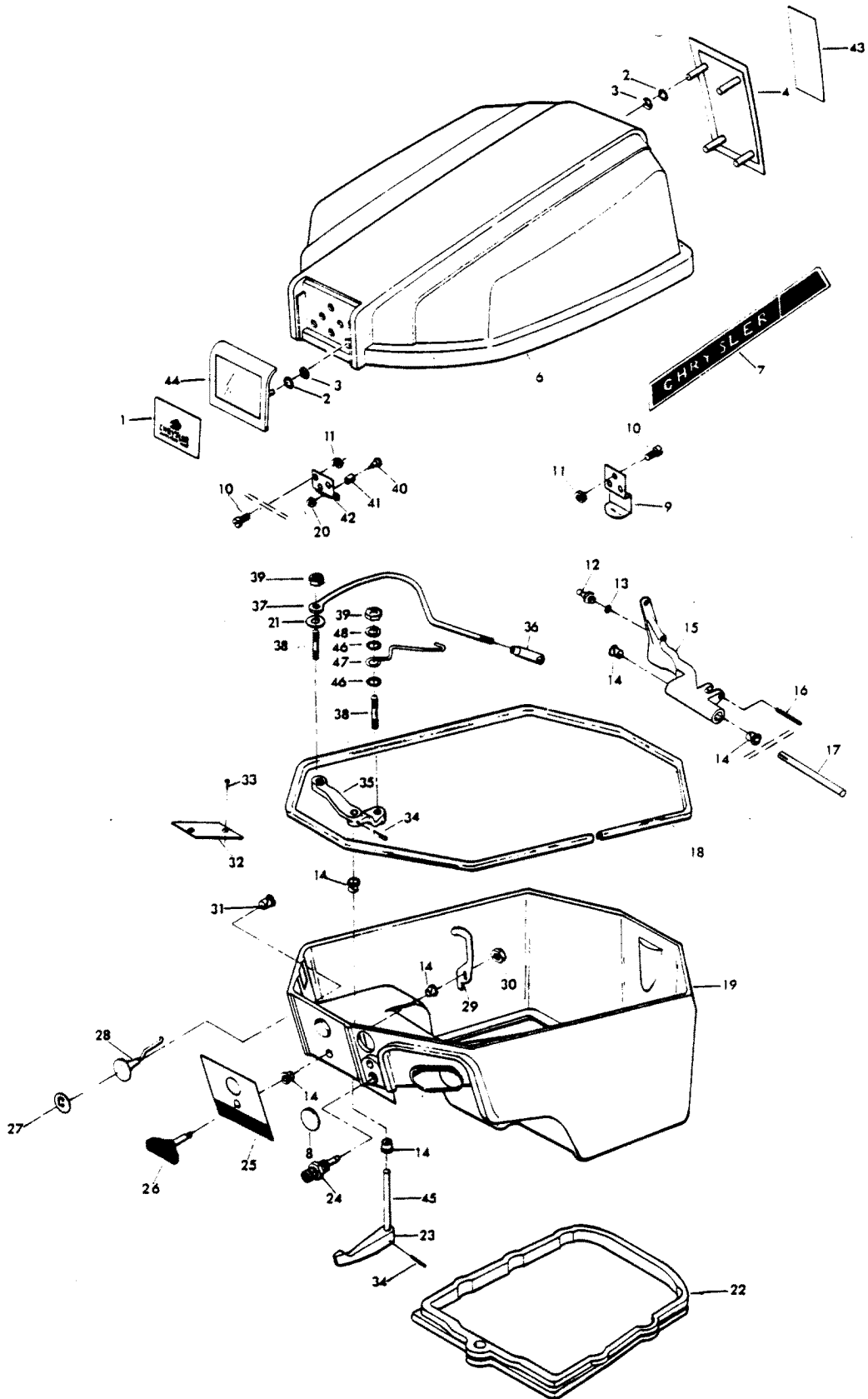




# ENGINE COVER AND SUPPORT PLATE (MANUAL START MODELS) 10 H.P.

REF. NO.	PART NO.	SYM.	QTY.	DESCRIPTION
7	492392		1	DECAL PORT, "CHRYSLER 10 H.P.
-	<b>492396</b>		<b>1</b>	<b>DECAL, STARBOARD, "CHRYSLER" 10 H.P.</b>
43	FA492528		1	INSERT, TRIM REAR 10 H.P.

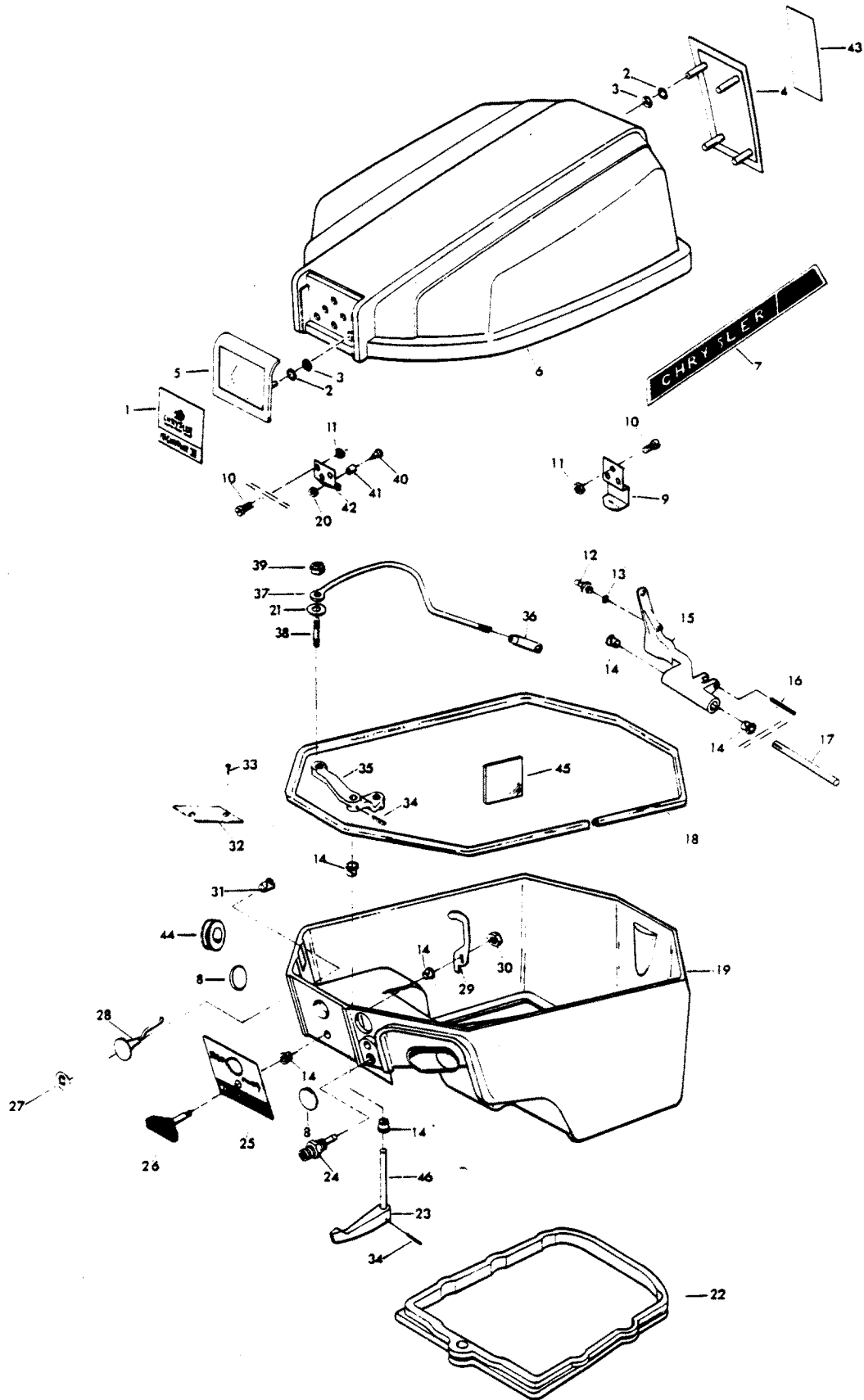
# ENGINE COVER AND SUPPORT PLATE (MANUAL START MODELS) 15 H.P.



# ENGINE COVER AND SUPPORT PLATE (MANUAL START MODELS) 15 H.P.

REF. NO.	PART NO.	SYM.	QTY.	DESCRIPTION
7	F472392		1	DECAL, PORT, "CHRYSLER" 15 H.P.
-	<b>F472396</b>		<b>1</b>	<b>DECAL, STARBOARD, "CHRYSLER" 15 H.P.</b>
43	A472528		1	INSERT, TRIM REAR 15 H.P.

# ENGINE COVER AND SUPPORT PLATE (ALTERNATOR MODELS)

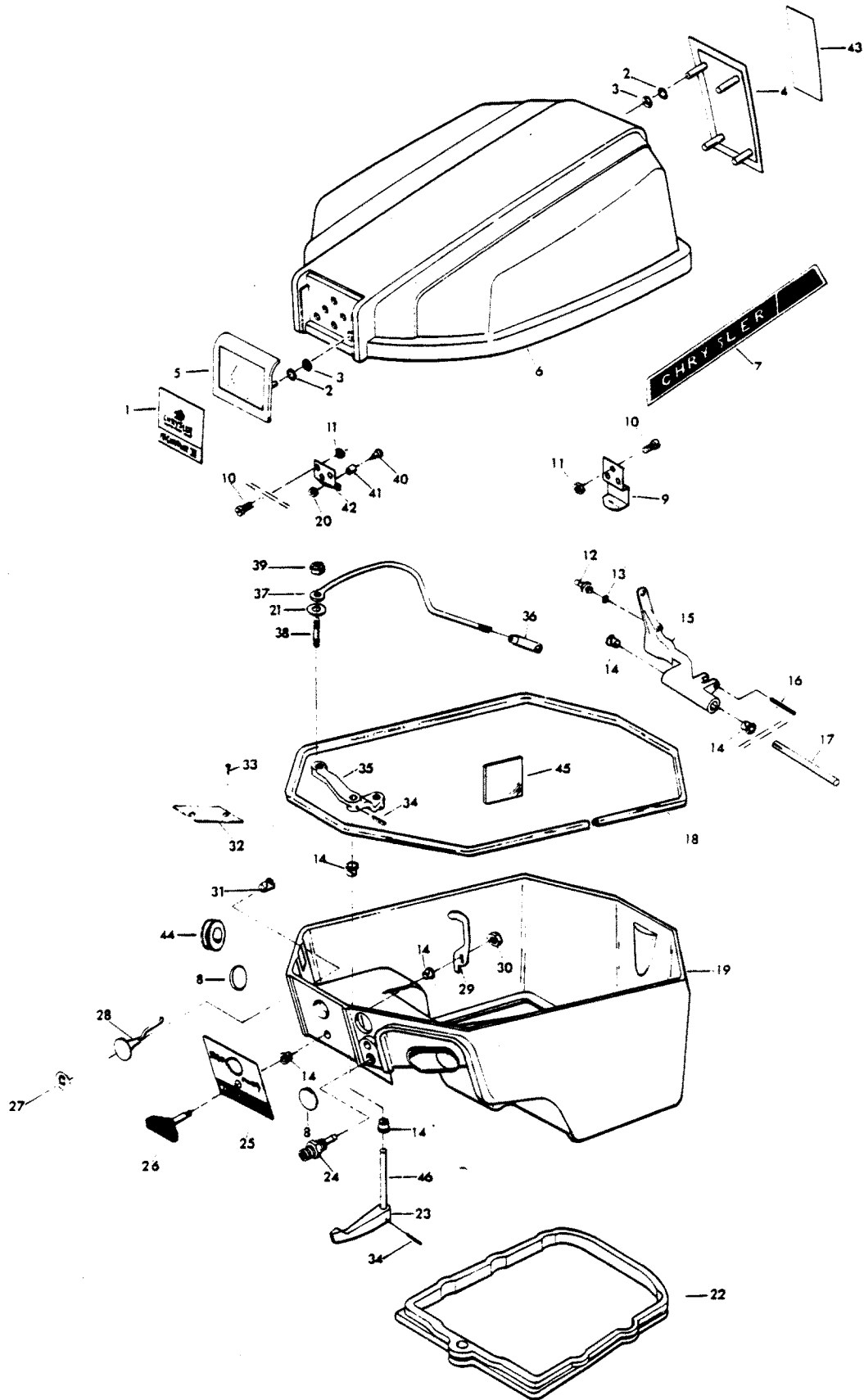


# ENGINE COVER AND SUPPORT PLATE (ALTERNATOR MODELS)

REF. NO.	PART NO.	SYM.	QTY.	DESCRIPTION
1	FA510892		1	INSERT, PLATE FRONT - U.S.A.
-	<b>A510893</b>		<b>1</b>	<b>INSERT, PLATE FRONT - CANADA</b>
2	F85735-1		7	SEAL
3	F1753		7	FASTENER
4	F487180		1	TRIM, ENGINE COVER REAR
5	F487711		1	PLATE, ENGINE COVER FRONT
6	FS472712		1	ENGINE COVER W/BRACKET & RETAINER
8	F343226-1		2	PLUG
9	FA286480		1	RETAINER, ENGINE COVER W/SCREWS AND NUTS
10	F1475		6	FILL HD SCREW, 10 - 24 X 1/2
11	F7011		6	ELASTIC STOP NUT, 10 - 24
12	F98273		1	STUD, GEAR SHIFT ROD CONNECTOR
13	F8058		1	INTERNAL TOOTH LOCKWASHER
14	F307818		6	BEARING
15	F286876		1	LEVER, GEAR SHIFT
16	F8542		1	SPRING PIN
17	F286871		1	PIN, GEAR SHIFT LEVER
18	F392756		1	PACKING, SUPPORT PLATE
19	FA510038		1	SUPPORT PLATE W/PLUGS
20	F7011		1	STOP NUT, 10 - 24
21	F8048		1	BOWED WASHER
22	F286989-1		1	SEAL, SUPPORT PLATE
23	F286614		1	HANDLE, GEAR SHIFT
24	F197767-1		1	BUSHING, FUEL LINE
25	FA510711		1	PLATE, FRONT
26	FA286469		1	KNOB, COVER LATCH
27	F458677		1	INSERT, CHOKE KNOB
28	FA286547		1	KNOB, CHOKE W/INSERT AND CHOKE ROD
29	F286777		1	CAM, COVER LATCH
30	F2002		1	STOP NUT, 5/16 - 18
31	F197319		1	BEARING, CHOKE ROD
32	FA77395-5		1	IDENTIFICATION PLATE W/SCREWS FOR U.S.A. MODELS
-	<b>AC16395-7</b>		<b>1</b>	<b>IDENTIFICATION PLATE W/SCREWS FOR CANADA MODELS</b>
33	F1293		2	DRIVE SCREW
34	F8540		2	SPRING PIN
35	F492619		1	LEVER, GEAR SHIFT SHAFT
36	F286685		1	CONNECTOR, GEAR SHIFT ROD
37	F286611-1		1	ROD, GEAR SHIFT
38	F286134		1	STUD, GEAR SHIFT LEVER
39	F1804		1	STOP NUT, 10 - 32
40	F269319		1	ROLLER SHAFT

CONTINUED ON NEXT PAGE ➡

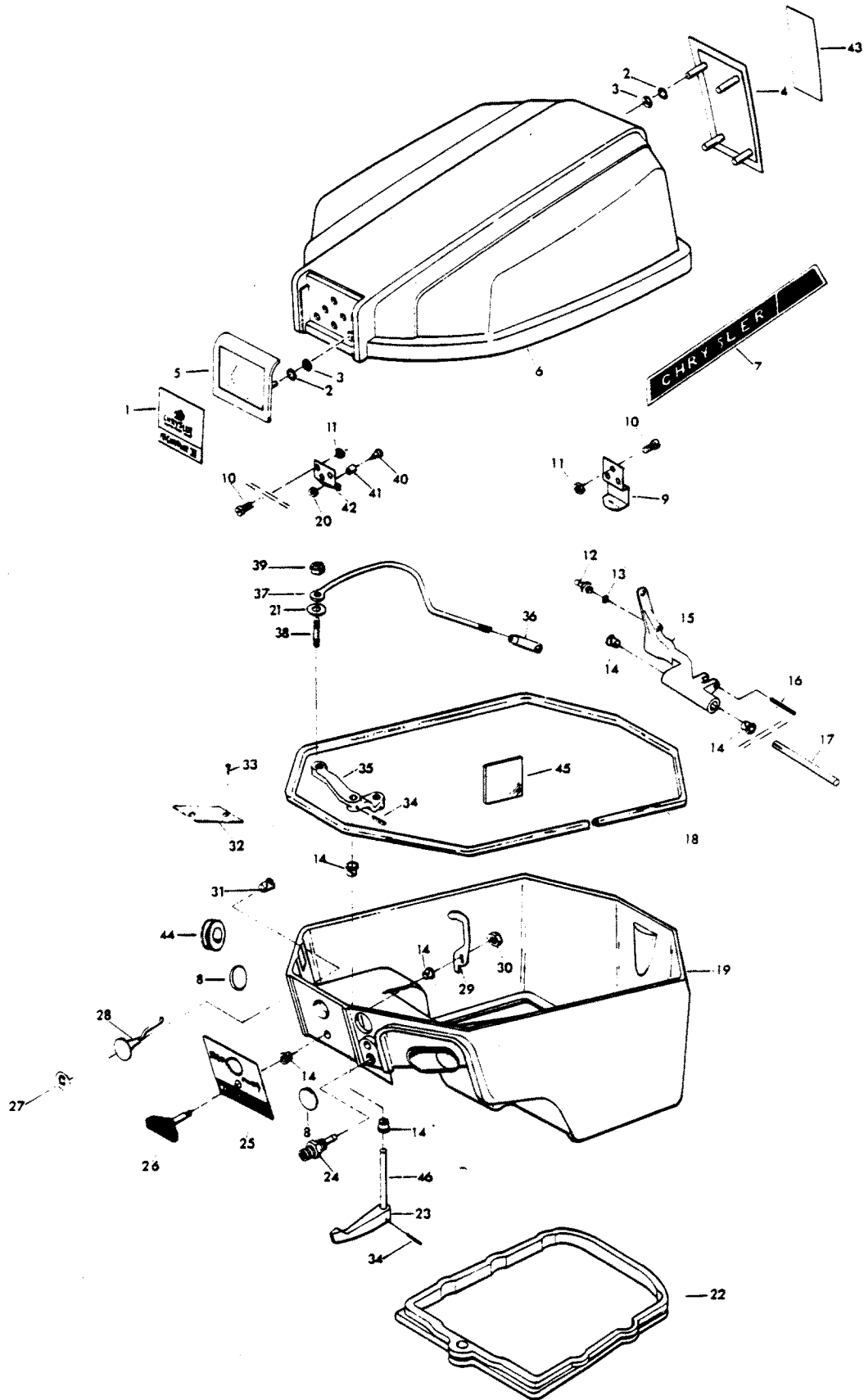
# ENGINE COVER AND SUPPORT PLATE (ALTERNATOR MODELS)



## ENGINE COVER AND SUPPORT PLATE (ALTERNATOR MODELS)

REF. NO.	PART NO.	SYM.	QTY.	DESCRIPTION
41	F92759		1	ROLLER
42	817758A1		1	BRACKET, ENGINE COVER LATCH W/SCREWS, NUTS AND ROLLERS
44	F94840		1	GROMMET, BATTERY CABLE
45	F510661		1	PAD, STARTER MOTOR
46	F492417		1	SHAFT, GEAR SHIFT HANDLE

# ENGINE COVER AND SUPPORT PLATE (ALTERNATOR MODELS) 10 H.P. C

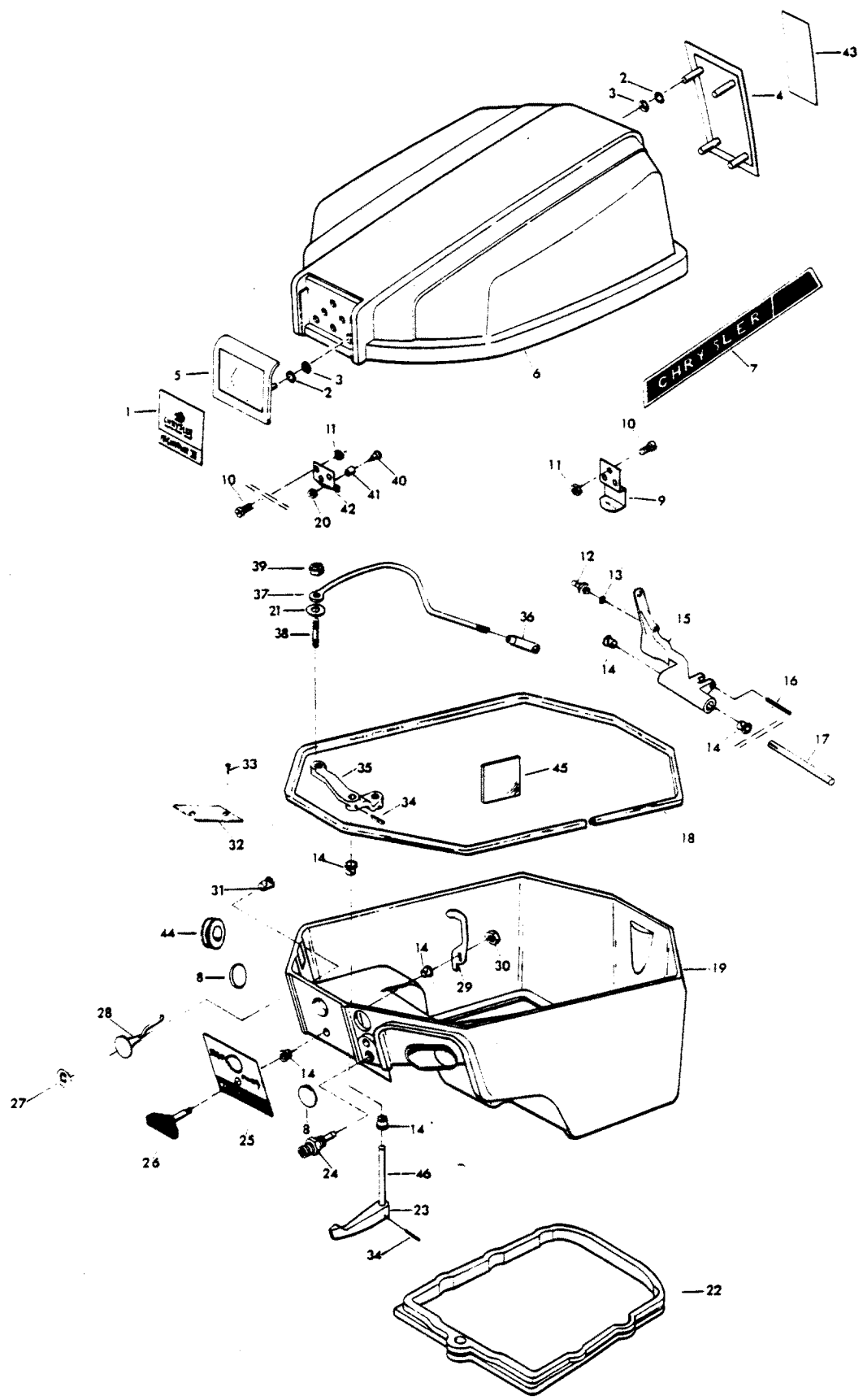




# ENGINE COVER AND SUPPORT PLATE (ALTERNATOR MODELS) 10 H.P. C

REF. NO.	PART NO.	SYM.	QTY.	DESCRIPTION
7	492392		1	DECAL, PORT "CHRYSLER"
-	<b>492396</b>		<b>1</b>	<b>DECAL, STARBOARD "CHRYSLER"</b>
43	FA492528		1	INSERT, TRIM

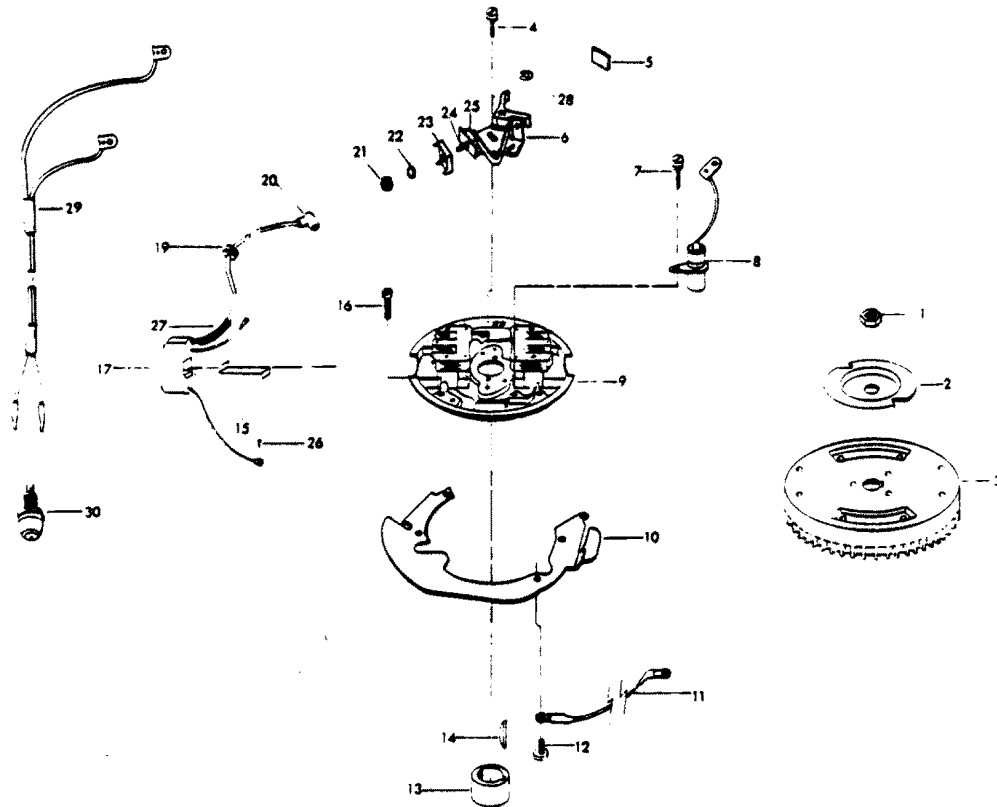
# ENGINE COVER AND SUPPORT PLATE (ALTERNATOR MODELS) 15 H.P. C



# ENGINE COVER AND SUPPORT PLATE (ALTERNATOR MODELS) 15 H.P. C

REF. NO.	PART NO.	SYM.	QTY.	DESCRIPTION
7	F472392		1	DECAL, PORT "CHRYSLER"
-	<b>F472396</b>		<b>1</b>	<b>DECAL, STARBOARD "CHRYSLER"</b>
43	A472528		1	INSERT, TRIM REAR

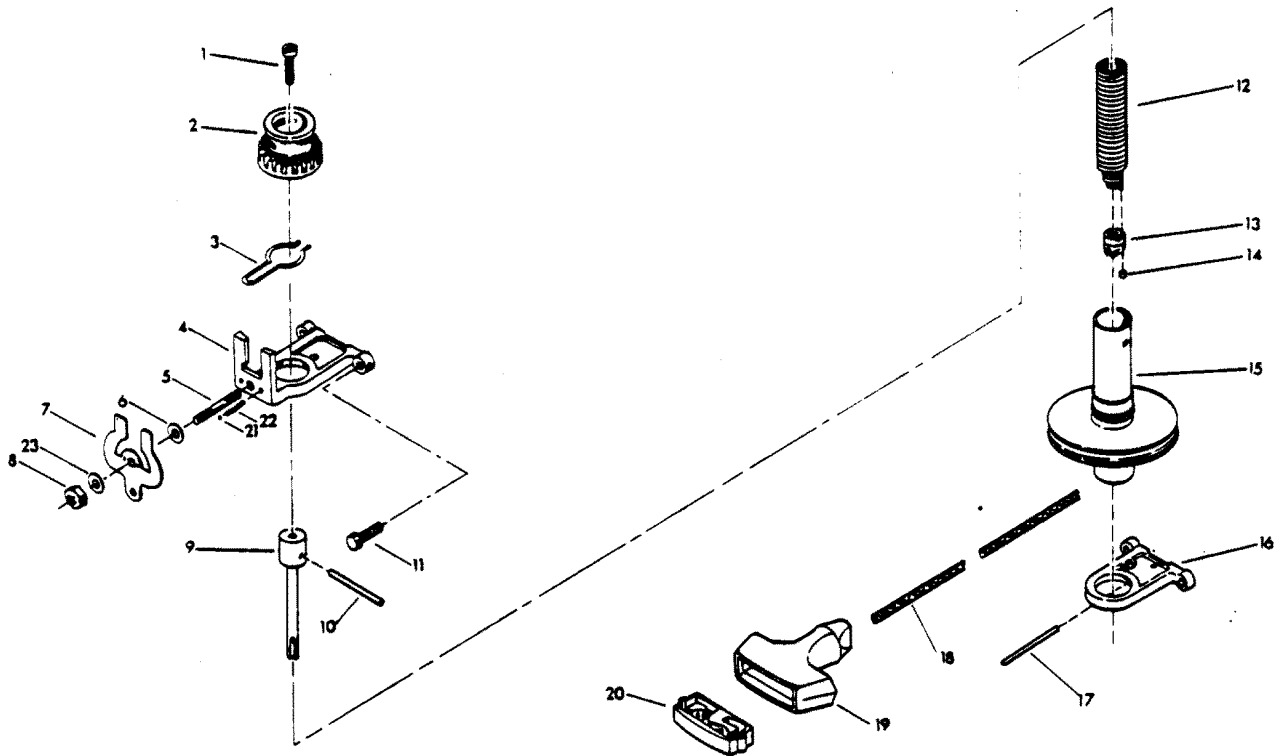
# MAGNETO (MANUAL START MODELS)



## MAGNETO (MANUAL START MODELS)

REF. NO.	PART NO.	SYM.	QTY.	DESCRIPTION
1	F1809		1	HEX NUT, 1/2 - 20
2	F901456-1		1	EMERGENCY STARTER COLLAR
3	F302097		1	FLYWHEEL
4	F12170		4	CONTACT SCREW W/LOCKWASHER
5	F12228		1	CAM WIPER FELT
6	F12153		2	BREAKER POINT SET
7	F12083		2	CONDENSER SCREW W/LOCKWASHER
8	F12181-1		2	CONDENSER
9	F12343		1	STATOR PLATE W/LAMINATIONS
10	F286192		1	THROTTLE CAM PLATE
11	F289664		1	WIRE, STATOR GROUND
12	F1075		4	FILL HD SCREW, 10 - 24 X 1/2
13	F217002		1	MAGNETO BREAKER CAM
14	F458498		1	MAGNETO KEY
15	F12146		2	COIL WEDGE SPRING
16	F1090		4	FILL HD SCREW W/LOCKWASHER, 10 - 24 X 9/16
17	FA12345		2	COIL W/LEAD WIRE
19	F12088		4	GROMMET
20	FK750-1		2	SPARKLE W/SPRING
21	F12127		2	STUD NUT
22	F8055		2	LOCKWASHER
23	F12128		2	INSULATOR, OUTSIDE
24	F12142		2	CONNECTION STUD
25	F12129		2	INSULATOR, INSIDE
26	F12114		2	COIL GROUND TERMINAL SCREW
27	F12141		1	HIGH TENSION LEAD SLEEVE
28	F12097		1	BREAKER ARM PIVOT RETAINING RING
29	F12186		1	PRIMARY TERMINAL WIRE
30	F436449		1	SHORTING SWITCH
-	<b>F12091</b>		<b>1</b>	<b>LEAD WIRE MARKER TOP (NOT SHOWN)</b>

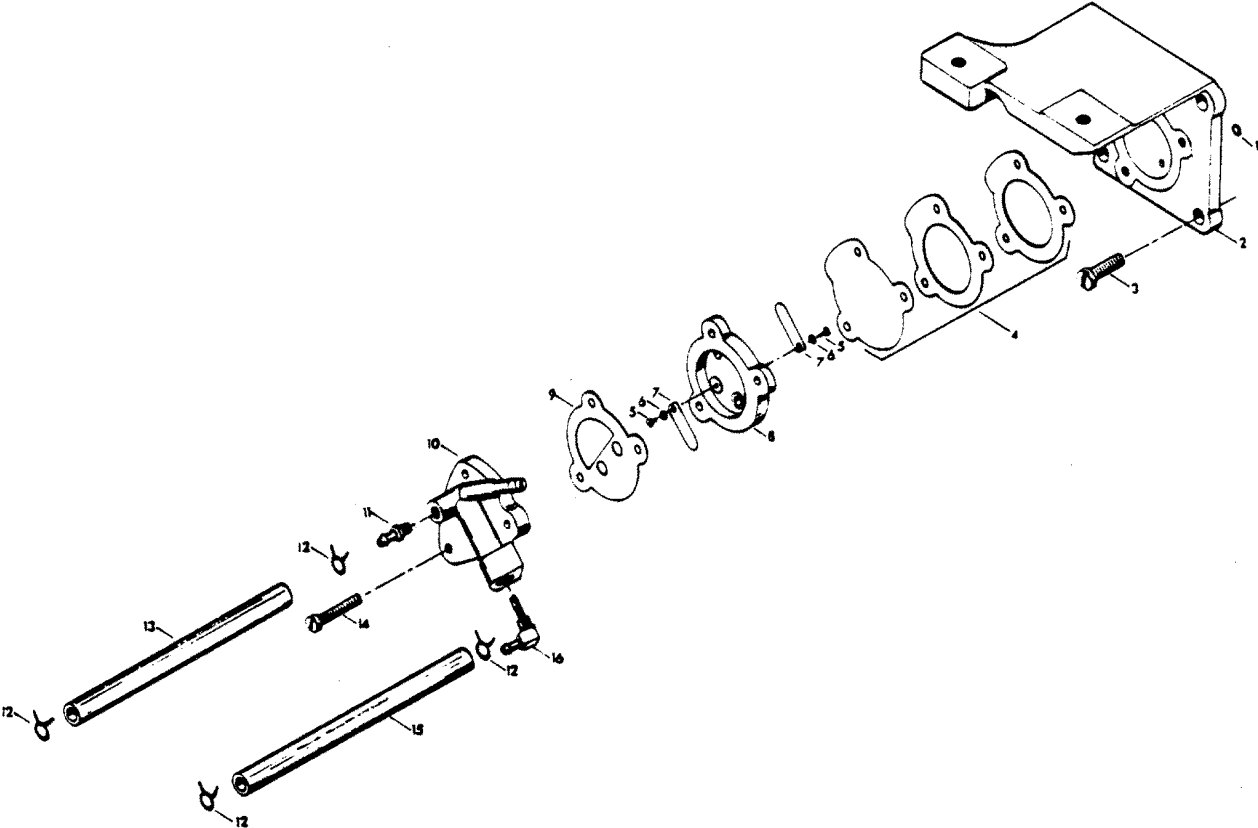
# STARTER



# STARTER

REF. NO.	PART NO.	SYM.	QTY.	DESCRIPTION
1	F1089		1	FILL HD SCREW, 10 - 24 X 9/16
2	F487674		1	GEAR, STARTER PINION
3	F487424-1		1	STARTER PINION SPRING
4	F487427-1		1	BRACKET, STARTER UPPER
5	F286134		1	STUD
6	F8011		1	PLAIN WASHER
7	F487781-3		1	STARTER INTERLOCK
8	F1804		1	STOP NUT
9	F286710		1	ARBOR, STARTER SPRING
10	F40425		1	STARTER PINION PIN
11	F1914		4	HEX HD SCREW, 1/4 - 20 X 3/4
12	FA286970		1	STARTER REWIND SPRING W/END AND RETAINER
13	F286737-1		1	RETAINER, STARTER REWIND SPRING
14	F286930		1	END, STARTER SPRING
15	F2A459239		1	STARTER SPOOL W/SHAFT
16	FK317427		1	BRACKET, STARTER LOWER W/SPRING PIN
17	F1875		1	SPRING PIN, STARTER BRACKET
18	F409232		1	STARTER ROPE
19	F286132		1	HANDLE, STARTER ROPE
20	817938A1		1	RETAINER, STARTER ROPE HANDLE
21	F487727		2	BALL, INTERLOCK DETENT
22	F487895		2	SPRING, INTERLOCK DETENT
23	F2042		1	PLAIN WASHER

# FUEL PUMP (C-D ALTERNATOR MODELS)

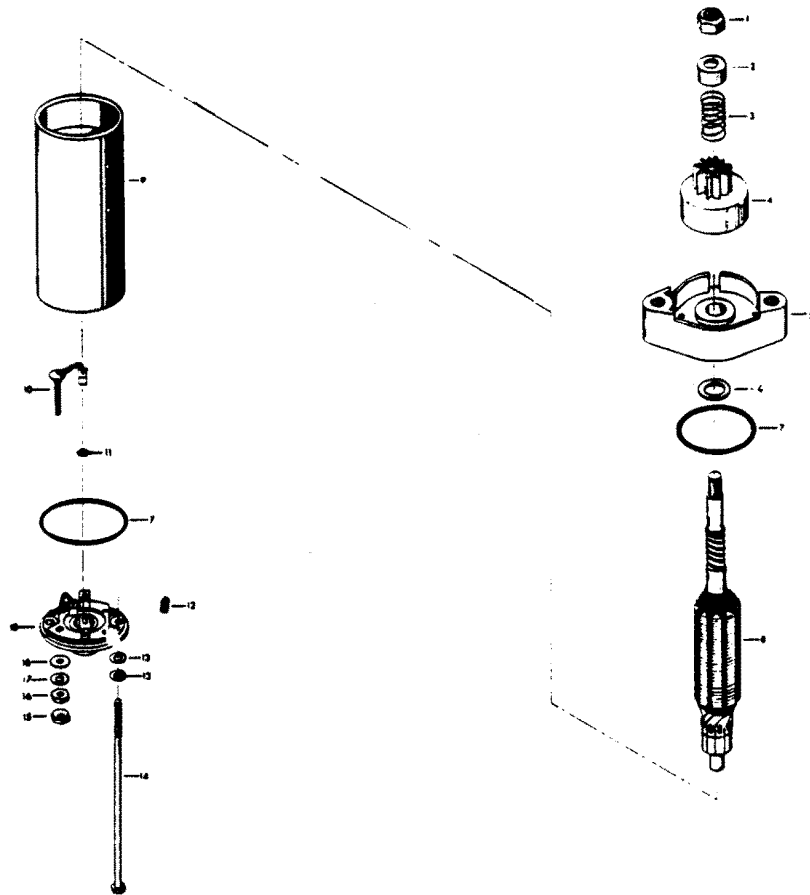




## FUEL PUMP (C-D ALTERNATOR MODELS)

REF. NO.	PART NO.	SYM.	QTY.	DESCRIPTION
1	F455118		1	SEAL, FUEL PUMP BRACKET
2	F510427		1	BRACKET, STARTER SUPPORT
3	F1577		4	FILL HD SCREW, 1/4 - 20 X 3/4
4	27-818043A1		1	FUEL PUMP DIAPHRAGM W/GASKETS
5	F1286		2	PAN HD SCREW, 4 - 40 X 3/16
6	F8003		2	PLAIN WASHER
7	F18160-1		2	REED, FUEL PUMP
8	FA24757-3		1	FUEL PUMP REED PLATE W/REEDS AND SCREWS
9	F24748-2		1	GASKET, FUEL PUMP
10	F510746		1	FUEL PUMP COVER
11	22-818103--1		1	FITTING, FUEL PUMP
12	F2706772		4	HOSE CLAMP
13	F2771254		1	HOSE, FUEL PUMP TO CARBURETOR
14	F1069		3	FILL HD SCREW, 10 - 24 X 1 1/16
15	F2752253		1	HOSE, FUEL PUMP TO BUSHING
16	F510811		1	FILTER, FUEL PUMP

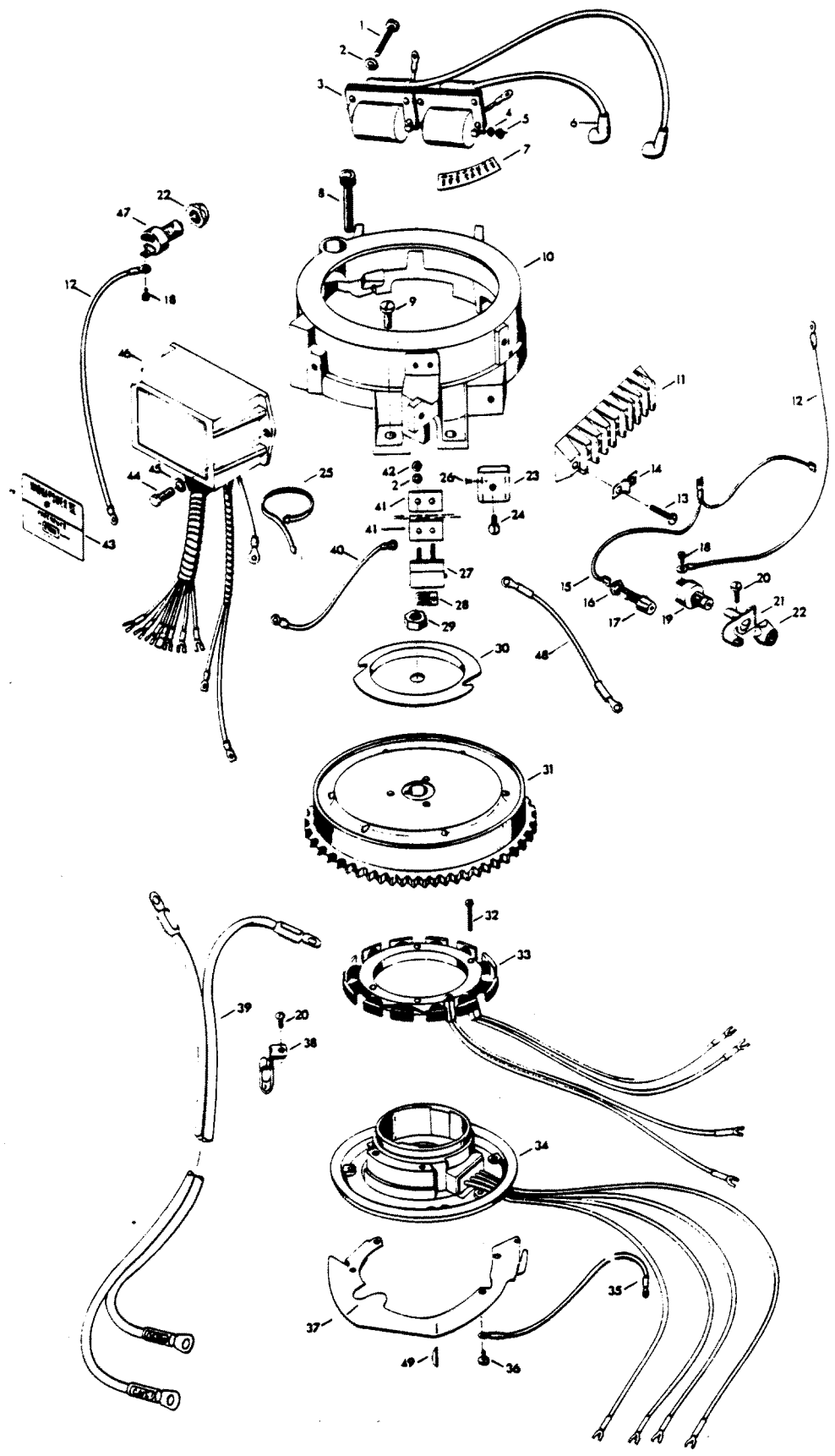
# ELECTRIC STARTER



# ELECTRIC STARTER

REF. NO.	PART NO.	SYM.	QTY.	DESCRIPTION
1	F15142		1	STOP NUT
2	F15141		1	PINION STOP
3	F15140		1	SPRING
4	F15139		1	PINION ASSEMBLY
5	F15135		1	CAP ASSEMBLY, DRIVE END
6	F15137		1	WASHER
7	F15145		2	GASKET
8	F15134		1	ARMATURE
9	F15136		1	HOUSING ASSEMBLY
10	F15127		1	CAP ASSEMBLY, COMMUTATOR END, <b>(INCLUDES ITEMS 15, 16, 17 AND 18)</b>
11	F15143		1	DISC
12	F15138		2	SPRING, BRUSH
13	F15146		4	WASHER
14	F15144		2	SCREW, THRU BOLT
15	F15129		1	NUT W/LOCKWASHER
16	F15130		1	NUT
17	F15133		1	WASHER
18	F15132		1	WASHER, FIBER
-	<b>F510955</b>		<b>1</b>	<b>STARTER MOTOR COMPLETE</b>

# ELECTRICAL COMPONENTS (C-D ALTERNATOR MODELS)

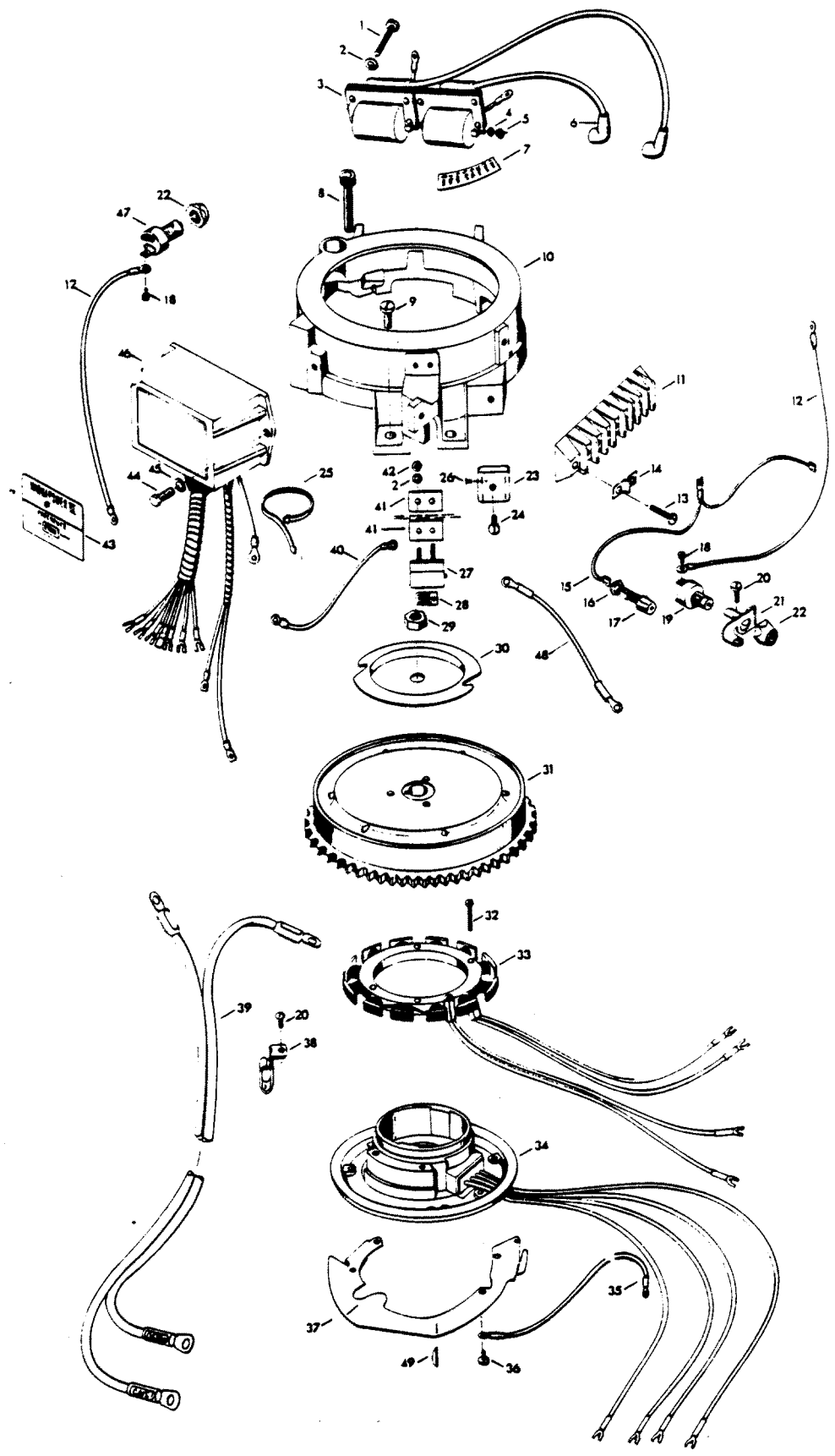


# ELECTRICAL COMPONENTS (C-D ALTERNATOR MODELS)

REF. NO.	PART NO.	SYM.	QTY.	DESCRIPTION
1	F1829		8	FILL HD M. SCREW, 10 - 24 X 7/8
2	F1975		12	SPRING LOCKWASHER
3	F510475		2	IGNITION COIL
4	F1704		2	INTERNAL TOOTH LOCKWASHER
5	F1337		2	HEX NUT, 6 - 32
6	FK750-1		2	SPARKIE W/SPRING
7	F510398		1	DECAL, WIRING
8	F1646		2	HEX SOCKET HD CAP SCREW, 3/8 - 16 X 2 1/4
9	F1577		4	FILL HD SCREW, 1/4 - 20 X 3/4
10	F510675-1		1	STARTER SUPPORT
11	FA510497		1	TERMINAL BLOCK
12	F510841		2	WIRE, STARTER INTERLOCK SWITCH
13	F1648		2	PAN HD SCREW, 10 - 24 X 3/4
14	F307317		1	CLIP, TERMINAL BLOCK GROUND
15	F510908		1	WIRE, GROUND
16	F510288		1	NUT, SHORTING SWITCH
17	F436449		1	SHORTING SWITCH
18	F1556		4	FILL HD M. SCREW W/SPRING LOCKWASHER, 10 - 24 X 3/8
19	F510918		1	STARTER SWITCH
20	F1802		3	FILL HD SCREW, 1/4 - 20 X 9/16
21	F510540		1	BRACKET, STARTER SWITCH
22	F510669		2	NUT, INTERLOCK SWITCH AND STARTER SWITCH
23	F510450-1		1	RECTIFIER
24	F1303		1	PAN HD SCREW, 8 - 32 X 3/4
25	F1845		1	TY-RAP
26	F1645		4	ROUND HD SCREW, 6 - 32 X 1/4
27	F510460		1	CIRCUIT BREAKER
28	F510374		1	DECAL, CIRCUIT BREAKER
29	F1809		1	HEX NUT
30	F901456-1		1	EMERGENCY STARTER COLLAR
31	F510097		1	FLYWHEEL
32	F1678		4	FILL HD SCREW, 10 - 24 X 13/16
33	F510095		1	STATOR, ALTERNATOR
34	F510029		1	STATOR, TRIGGER
35	F404908		1	GROUND WIRE
36	F1075		4	FILL HD SCREW, 10 - 24 X 1/2
37	F286192		1	THROTTLE CAM
38	F510446		1	CLAMP, BATTERY CABLE
39	F510896		1	BATTERY CABLE
40	F493683		1	WIRE
41	F510595		2	INSULATOR, CIRCUIT BREAKER
42	F1513		2	HEX NUT, 10 - 32
43	510373		1	DECAL, MAGNAPOWER III

CONTINUED ON NEXT PAGE ➡

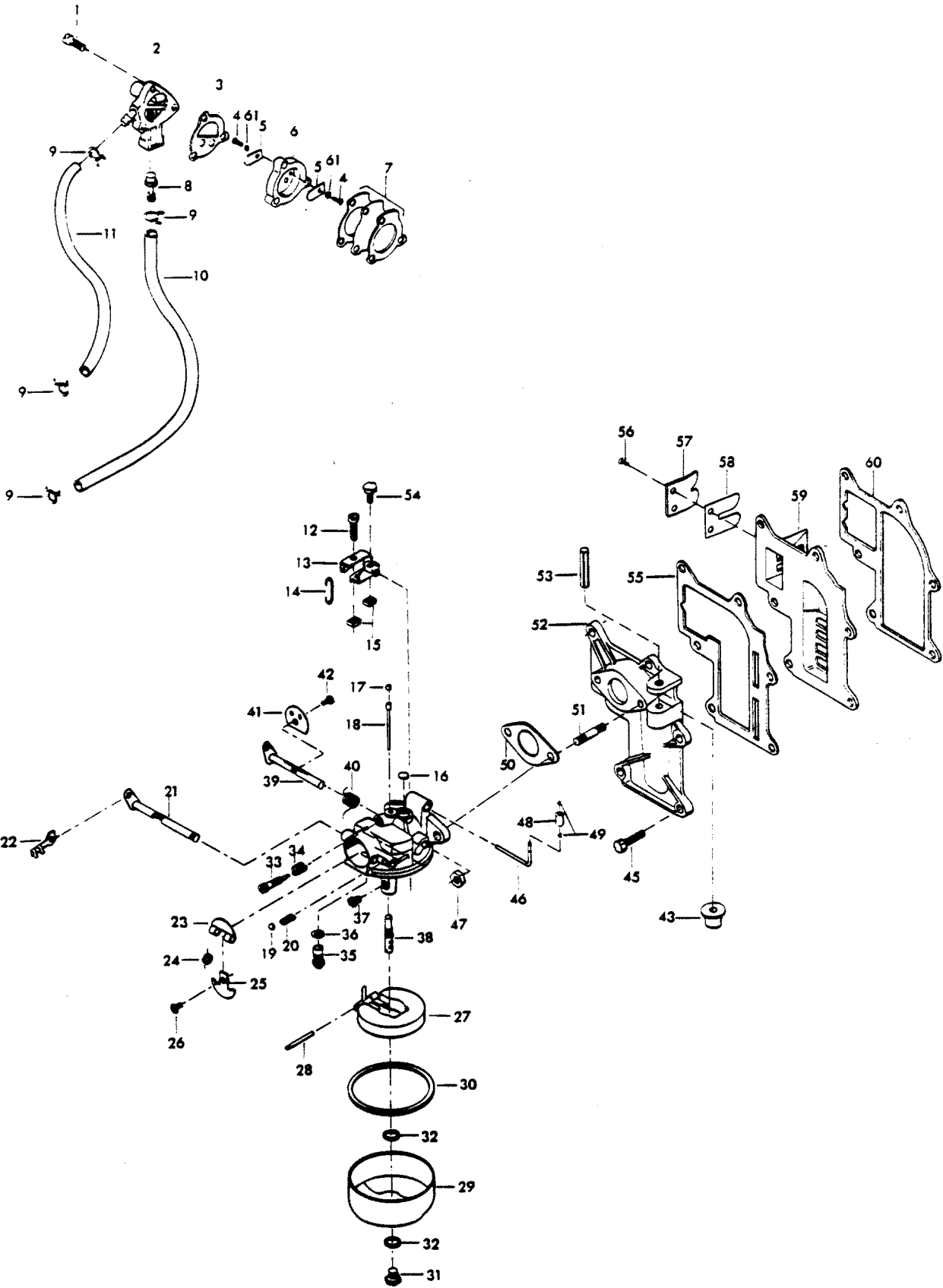
# ELECTRICAL COMPONENTS (C-D ALTERNATOR MODELS)



## ELECTRICAL COMPONENTS (C-D ALTERNATOR MODELS)

REF. NO.	PART NO.	SYM.	QTY.	DESCRIPTION
44	F1999		2	HEX CAP SCREW, 1/4 - 20 X 7/8
45	F8083		1	SPRING LOCKWASHER
46	F510301		1	C-D MODULE
47	F510449		1	NEUTRAL INTERLOCK SWITCH
48	F510683		1	WIRE, RECTIFIER-CIRCUIT BREAKER
49	F458498		1	KEY, FLYWHEEL

# FUEL SYSTEM



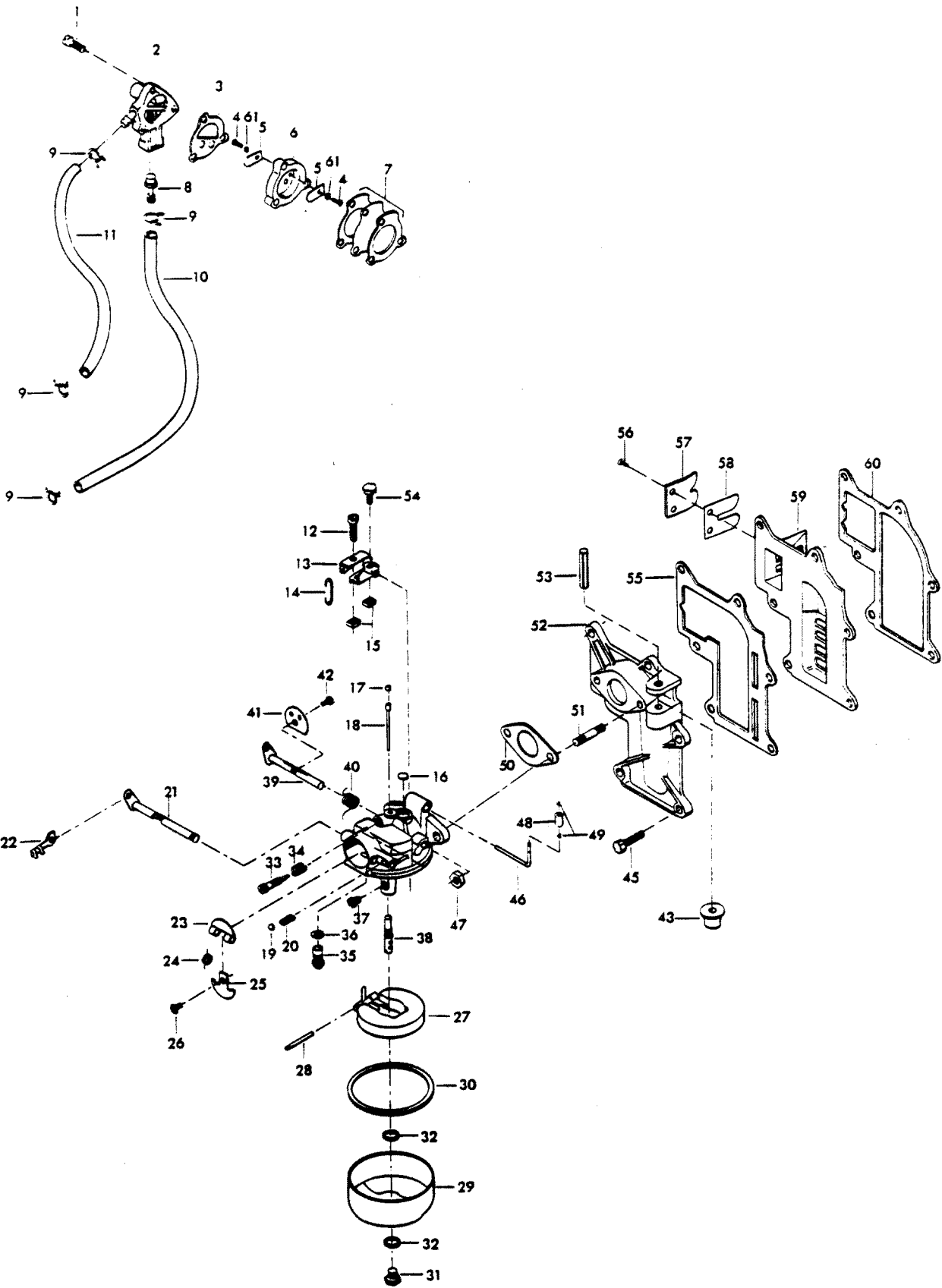


# FUEL SYSTEM

REF. NO.	PART NO.	SYM.	QTY.	DESCRIPTION
1	F1069		3	FILL HD SCREW, 10 - 24 X 1 1/16
2	F901746-2		1	FUEL PUMP COVER
3	F24748-2		1	GASKET, FUEL PUMP
4	F1286		2	PAN HD SCREW, 4 - 40 X 3/16
5	F18160-1		2	REED FUEL PUMP
6	FA24757-3		1	FUEL PUMP REED PLATE W/REEDS AND SCREWS
7	27-818043A1		1	FUEL PUMP DIAPHRAGM W/GASKETS
8	F901811		1	FUEL PUMP FILTER
9	F2706772		4	HOSE CLAMP
10	F40253		1	FUEL LINE
11	FA24754-1		1	FUEL LINE W/CLAMPS
12	F1834		1	FILL HD SCREW, 10 - 24 X 7/8
13	817754A1		1	ARM, CARBURETOR FOLLOWER
14	F66193		1	THROTTLE LINK
15	F1365		2	SQUARE NUT, 10 - 24
16	FO2531		1	BODY CHANNEL WELCH PLUG
17	FO10588		1	BODY CHANNEL CUP PLUG
19	FO4784		1	CHOKE FRICTION BALL
20	FO8805		1	CHOKE FRICTION SPRING
21	FO15736		1	CHOKE SHAFT AND LEVER
22	F341384		1	RETAINER, CHOKE ROD
23	FO15368		1	CHOKE RELIEF VALVE
24	FO15783		1	CHOKE RELIEF VALVE SPRING
25	FO15367		1	CHOKE SHUTTER
26	FO10280		1	CHOKE SHUTTER RETAINER SCREW AND LOCKWASHER
27	FO13554		1	FLOAT
28	FO13944		1	FLOAT LEVER PIN
29	FO15366		1	FUEL BOWL
30	FO15623		1	FUEL BOWL GASKET
31	FO13945		1	FUEL BOWL RETAINING SCREW
32	FO2510		2	FUEL BOWL RETAINING SCREW GASKET
33	FO15520		1	IDLE MIXTURE SCREW
34	FO11103		1	IDLE MIXTURE SCREW SPRING
35	FO10790		1	INLET NEEDLE, SEAT AND GASKET
36	FO10165		1	INLET SEAT GASKET
38	FO15525		1	MAIN NOZZLE
40	FO15526		1	THROTTLE SHAFT RETURN SPRING
43	F487435		1	PULLEY, STARTER ROPE
45	F1914		6	HEX HD SCREW, 1/4 - 20 X 3/4
46	F286316		1	THROTTLE CAM FOLLOWER
47	F1490		2	HEX NUT, 1/4 - 20
48	F78318		1	ROLLER, THROTTLE CAM FOLLOWER
49	F78410		2	RETAINER

CONTINUED ON NEXT PAGE ➡

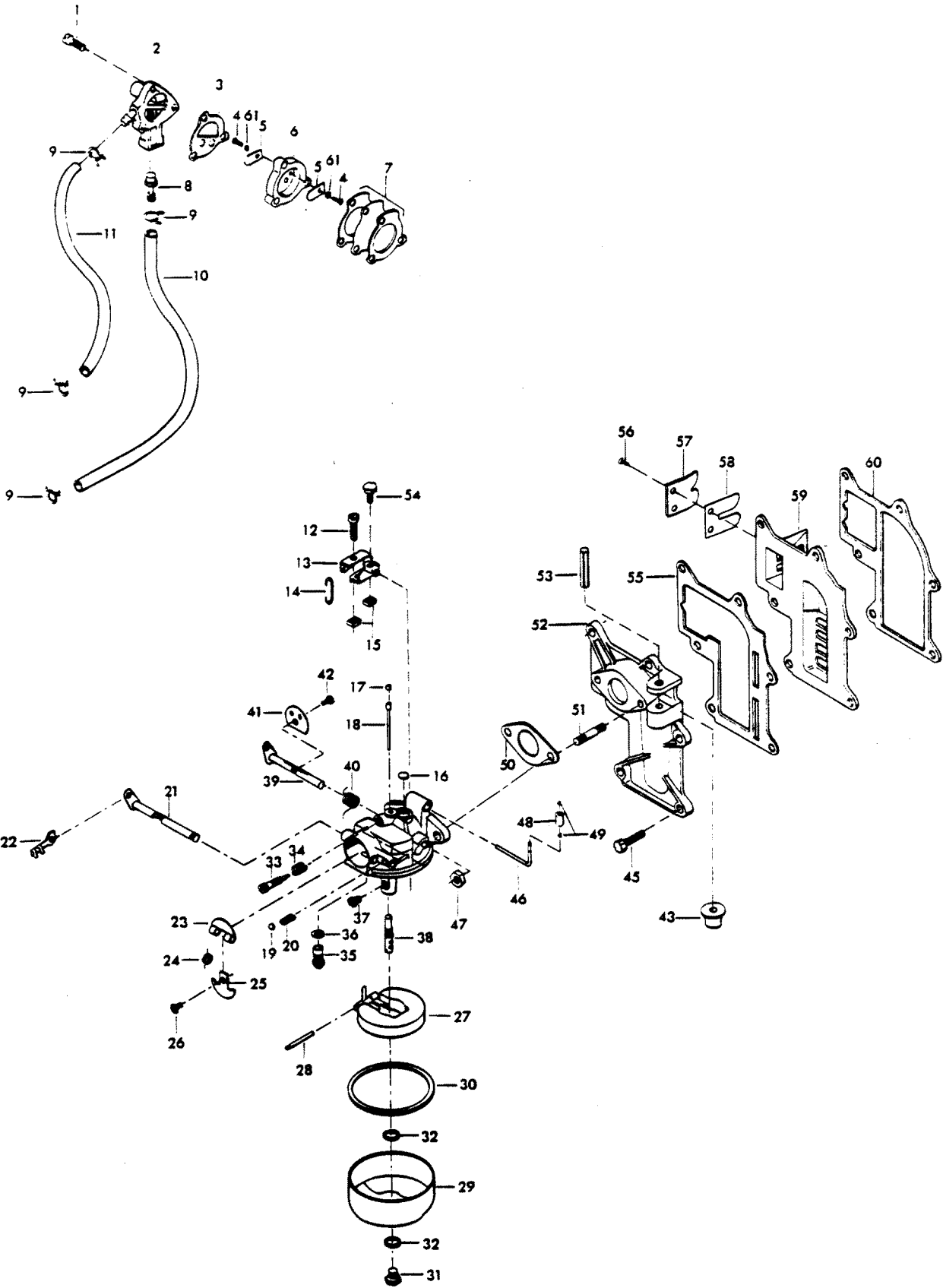
# FUEL SYSTEM



# FUEL SYSTEM

REF. NO.	PART NO.	SYM.	QTY.	DESCRIPTION
50	F18906		1	CARBURETOR GASKET
51	F2788004		2	STUD, CARBURETOR
52	F2A424167		1	MANIFOLD W/STUDS AND PULLEY
53	F1867		1	SPRING PIN
54	F1912		1	HEX HD SCREW, 10 - 24 X 1/2
55	F424168-1		1	GASKET, MANIFOLD
56	F1298		8	HD SCREW W/LOCKWASHER, 6 - 32 X 1/4
57	F424161		4	REED STOP
58	F31160-1		4	REED
59	FA424158		1	REED PLATE W/REEDS, STOPS AND SCREWS
60	F286159-1		1	GASKET, REED PLATE
61	F8003		2	PLAIN WASHER
-	<b>F10006</b>		<b>1</b>	<b>GASKET SET, CARBURETOR (NOT SHOWN)</b>
-			<b>1</b>	<b>REPAIR PARTS KIT, CARBURETOR (NOT SHOWN) ASTERISK (*) INDICATES CONTENT OF REPAIR PARTS KIT</b>

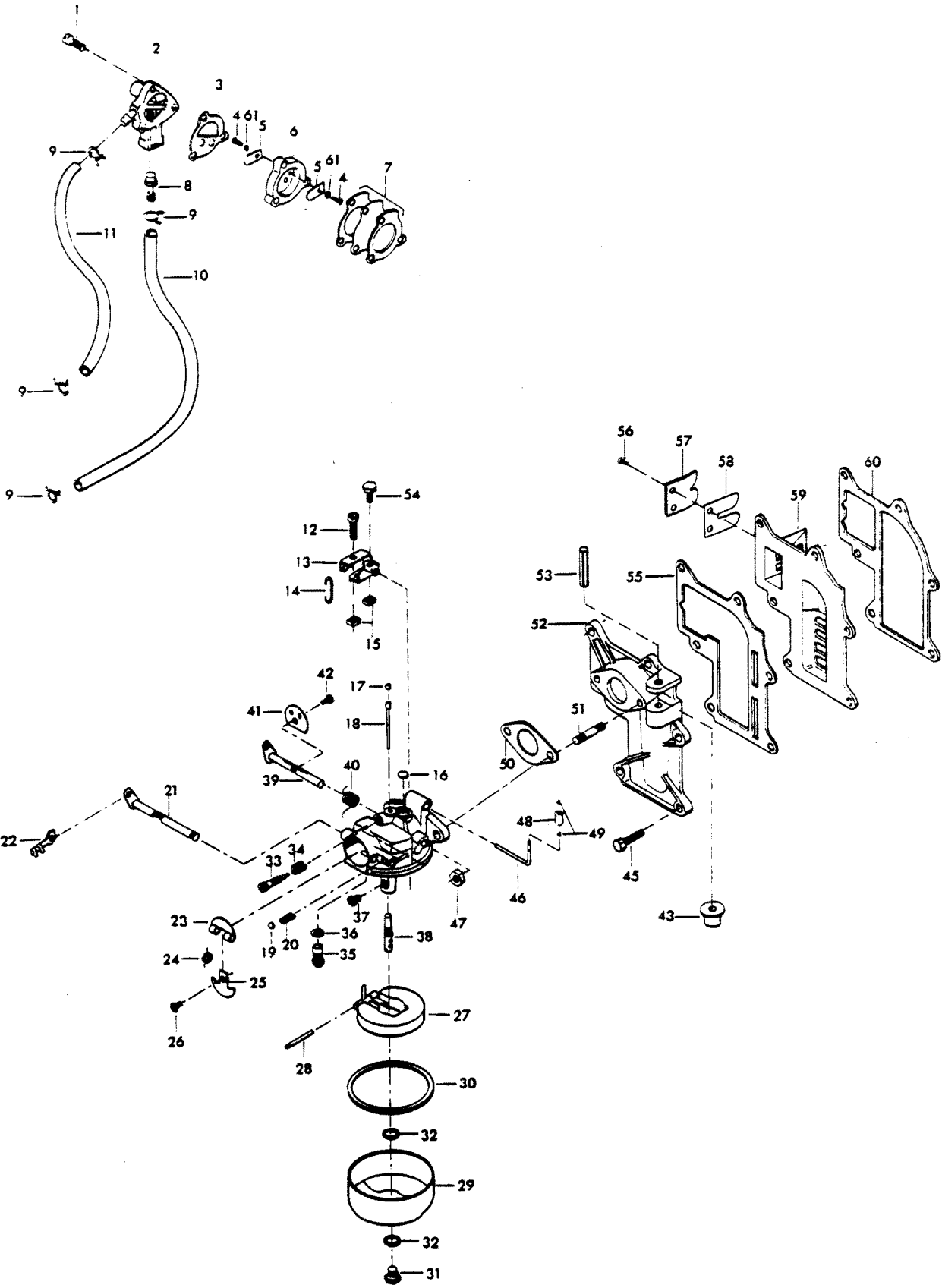
# FUEL SYSTEM 10 H.P.



## FUEL SYSTEM 10 H.P.

REF. NO.	PART NO.	SYM.	QTY.	DESCRIPTION
18	FO16027		1	BYPASS TUBE
37	FO12101		1	MAIN FUEL JET (.045)
39	FO15718		1	THROTTLE SHAFT AND LEVER
41	FO16098		1	THROTTLE SHUTTER
42	FO8942		1	THROTTLE SHUTTER RETAINING SCREW AND LOCKWASHER
62	F431061-2		1	CARBURETOR COMPLETE (CO7C)

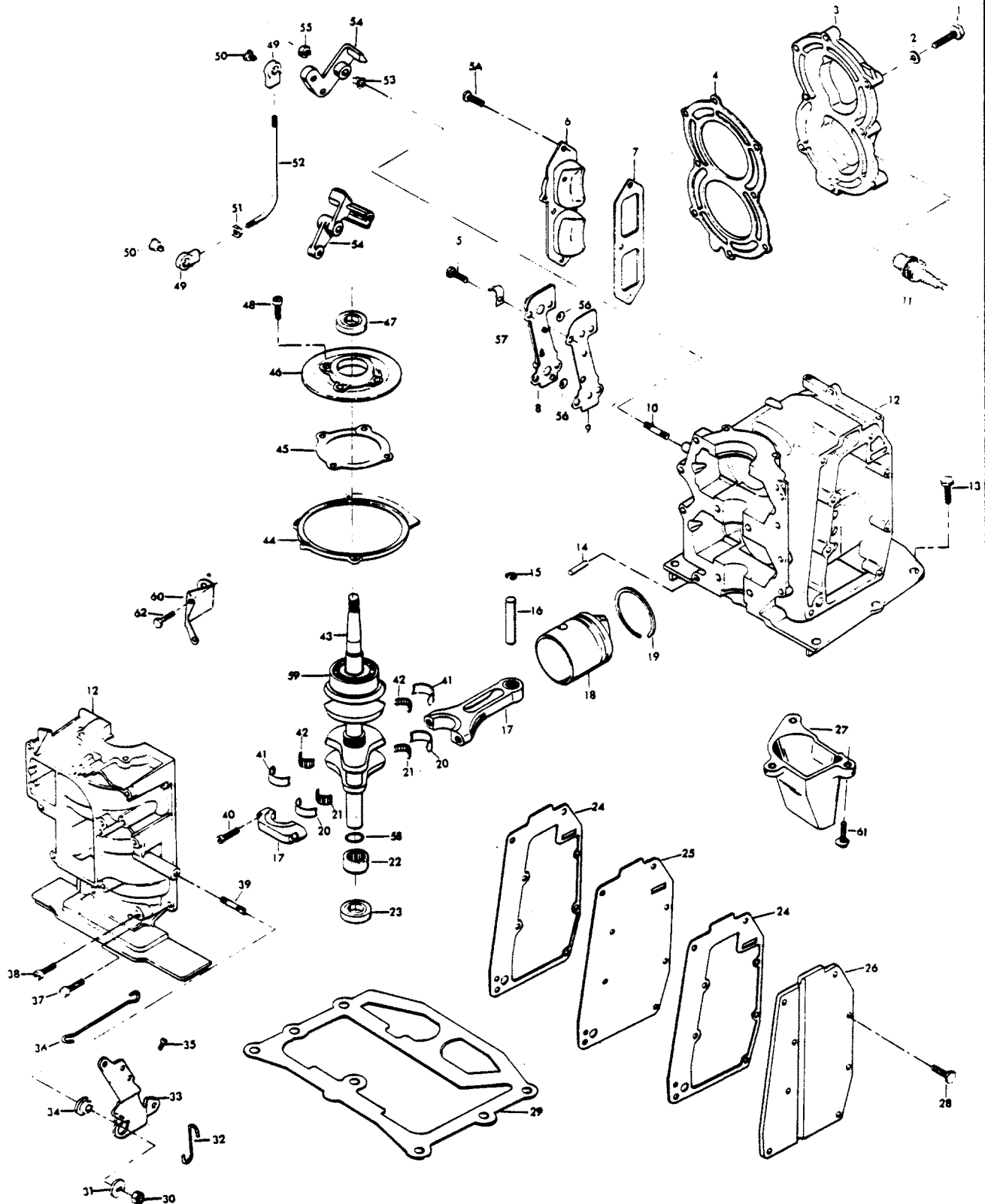
# FUEL SYSTEM 15 H.P.



## FUEL SYSTEM 15 H.P.

REF. NO.	PART NO.	SYM.	QTY.	DESCRIPTION
18	FO15522		1	BYPASS TUBE
37	FO11722		1	MAIN FUEL JET (.055)
39	FO15757		1	THROTTLE SHAFT AND LEVER
41	FO16878		1	THROTTLE SHUTTER
42	FO10280		1	THROTTLE SHUTTER RETAINING SCREW AND LOCKWASHER
62	F472061-1		1	CARBURETOR COMPLETE (CO10B)

# POWER HEAD



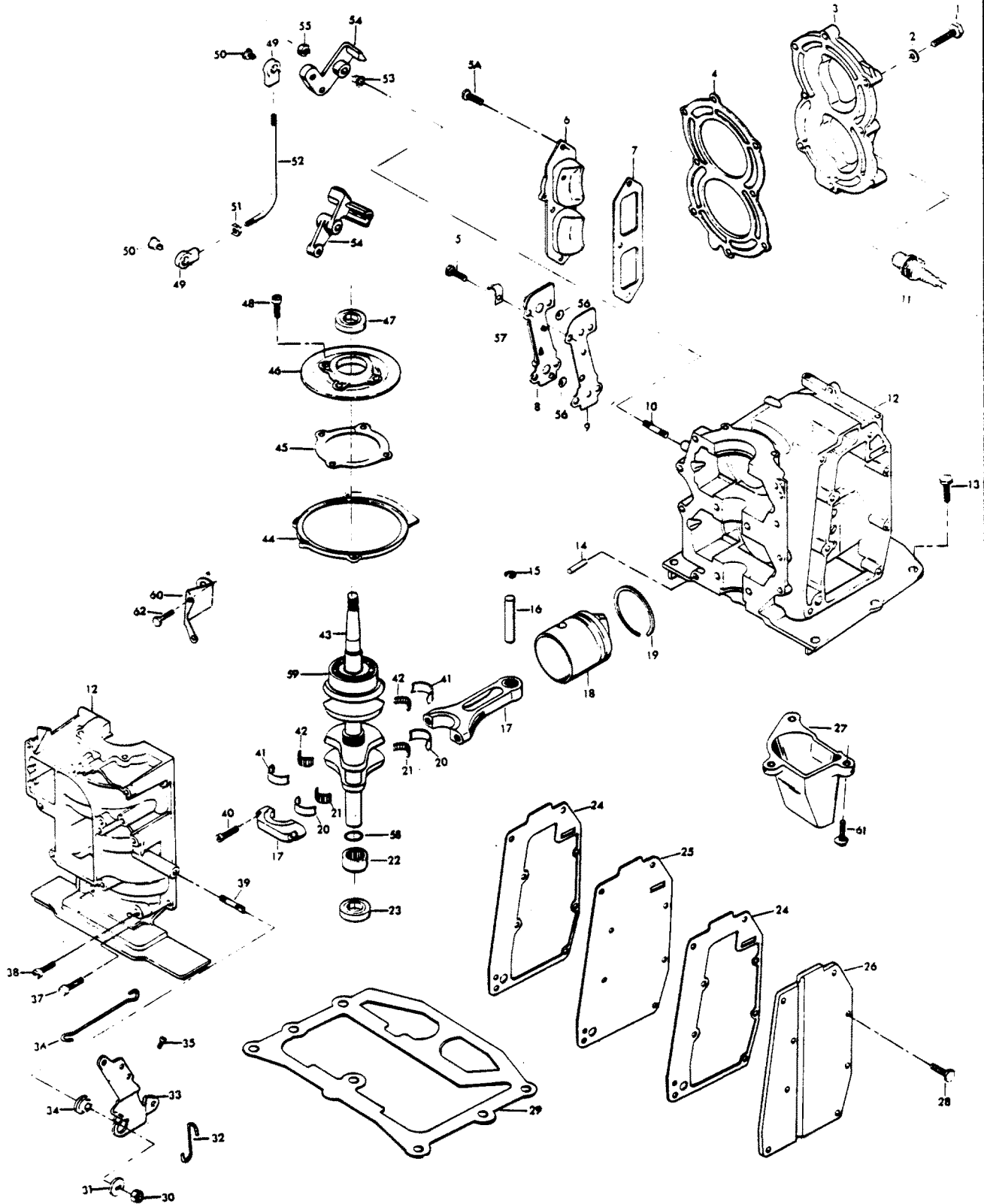


# POWER HEAD

REF. NO.	PART NO.	SYM.	QTY.	DESCRIPTION
1	F901938-1		8	SCREW, CYLINDER HEAD
2	F8025		8	PLAIN WASHER
4	F286529-3		1	GASKET, CYLINDER HEAD
5	F1922		4	HEX HD SCREW, 1/4 - 20 X 5/8
7	F286223		1	GASKET, TRANSFER PORT COVER
8	FA429471		1	COVER, CYLINDER DRAIN W/CHECK
9	F429472		1	GASKET, CYLINDER DRAIN COVER
10	F28004		1	STUD, INTERLOCK LEVER
11	FS174227		2	PLUG, SPARK, L-4-J
-	<b>FC310227</b>		<b>2</b>	<b>PLUG, SPARK CHAMPION (QL-4-J), FOR MODELS 102BD, 103BD, 108B,109BA, 152BC, 153BC, 158BA, 059BA</b>
13	F1823		6	HEX CAP SCREW, 5/16 - 18 X 1
14	F8559		2	DOWEL PIN
15	F31410		4	RETAINING RING, PISTON PIN
16	F174017		2	PIN, PISTON
17	F2A286016		2	ROD, CONNECTING W/CAP AND SCREWS
20	817755A1		2	CONNECTING ROD LINER SET (2 PER SET)
21	F286228		2	ROLLER SET, CONNECTING ROD (26 PER SET)
22	F343014		1	BEARING, CRANKSHAFT LOWER MAIN
23	F141118		1	SEAL, CRANKSHAFT LOWER
24	F286154		2	GASKET, EXHAUST COVER
25	F286151		1	PLATE, EXHAUST
26	F286152		1	COVER, EXHAUST
27	F487660-1		1	EXHAUST TUBE
28	F2008		8	HEX HD SCREW, 1/4 - 20 X 7/8
29	F286279-2		1	GASKET, CYLINDER MOUNTING
30	F1803		1	STOP NUT, 5/16 - 24
31	F286282		1	WASHER
32	F286445		1	LINK, MAGNETO SHAFT
33	817971A3		1	LEVER, MAGNETO CONTROL
34	F183813		1	BEARING, MAGNETO CONTROL LEVER
35	F1504		1	FILL HD SCREW, 1/4 - 20 X 1 1/4
36	F286509		1	LINK, THROTTLE CAM
37	F1107		8	FILL HD SCREW, 1/4 - 20 X 3/4
38	F1335		4	FILL HD SCREW, 5/16 - 18 X 1 1/4
39	F286440		1	STUD, MAGNETO CONTROL LEVER
40	F286634-1		4	SCREW, CONNECTING ROD
41	FA286155		1	MAIN BEARING LINER SET (2 PER SET)
42	F286571		1	ROLLER SET, MAIN BEARING (26 PER SET)
44	F73082		1	RING, MAGNETO STATOR
45	F286277		1	GASKET, CRANKSHAFT BEARING CAGE
46	FA286144		1	CAGE, CRANKSHAFT BEARING W/SEAL
47	F346146		1	SEAL, CRANKSHAFT UPPER

CONTINUED ON NEXT PAGE ➡

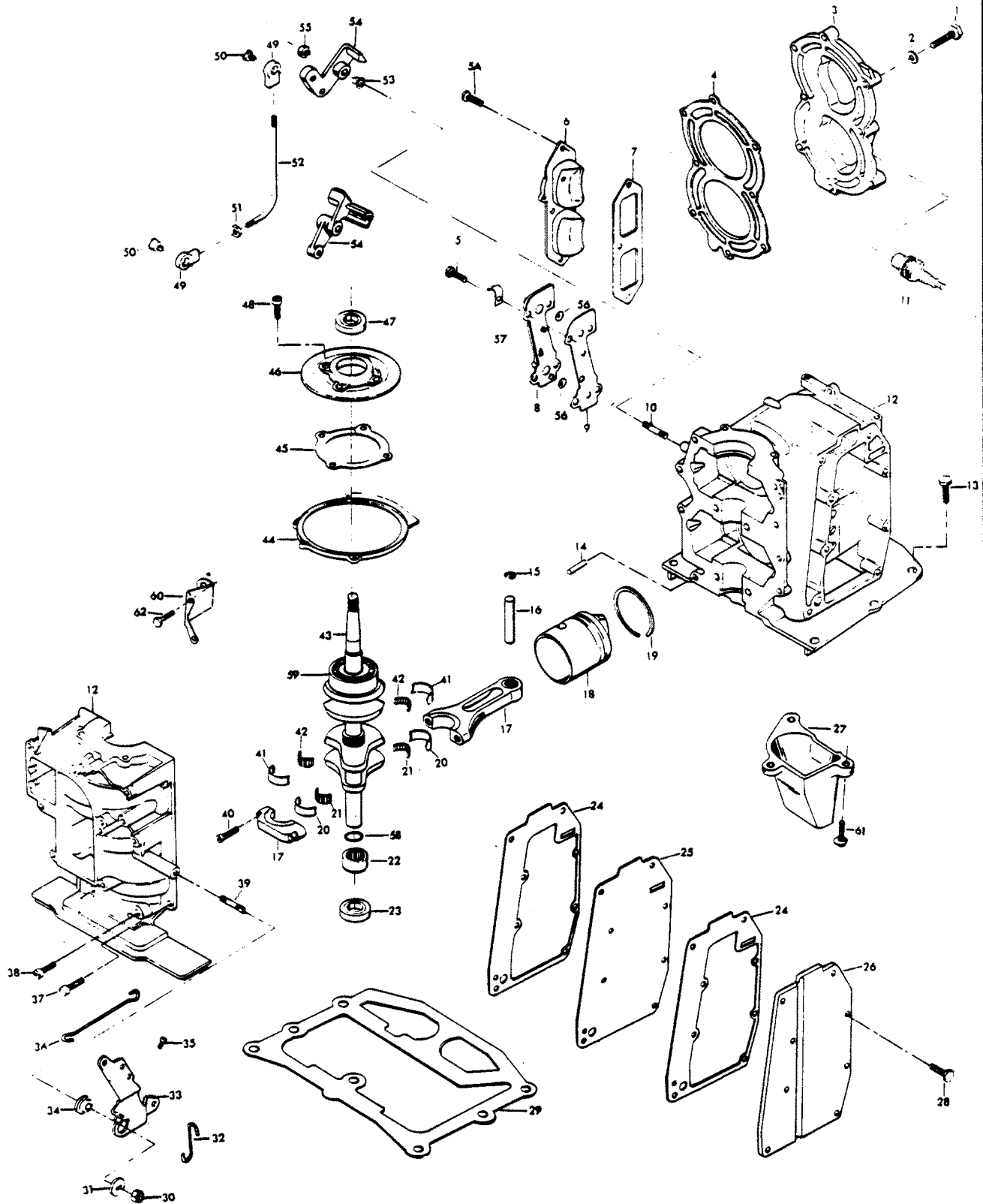
# POWER HEAD



# POWER HEAD

REF. NO.	PART NO.	SYM.	QTY.	DESCRIPTION
48	F1111		4	FILL HD SCREW, 1/4 - 20 X 7/8
49	F84035-2		2	BEARING, INTERLOCK ROD
50	F84026		2	SWIVEL, INTERLOCK ROD BEARING
51	F1339		1	HEX NUT, 10 - 24
53	F197813		1	BEARING, INTERLOCK LEVER
55	F7008		1	STOP NUT, 1/4 - 20
56	F286772-1		1	HOSE CLAMP
57	F429811		2	SCREEN
58	F461342		1	SEAL, DRIVESHAFT SPLINE
59	F286028		1	BEARING, CRANKSHAFT UPPER MAIN
61	F2040		3	HEX WASHER HD M. SCREW, 1/4 - 20 X 5/8
-	<b>FG1005-1</b>		<b>1</b>	<b>GASKET SET (NOT SHOWN)</b>

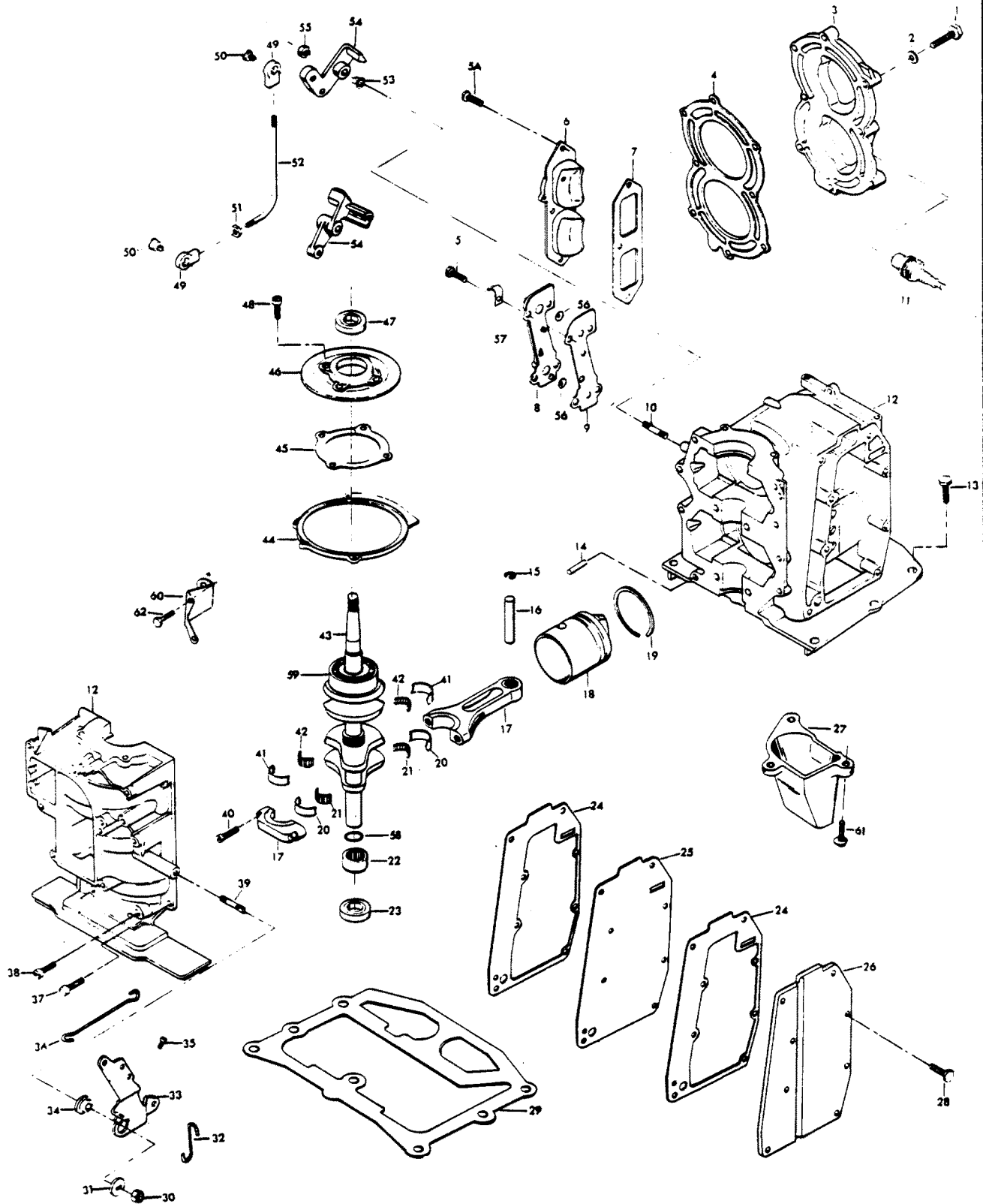
# POWER HEAD 10 H.P. MANUAL START



## POWER HEAD 10 H.P. MANUAL START

REF. NO.	PART NO.	SYM.	QTY.	DESCRIPTION
3	F492518		1	CYLINDER HEAD
5A	F1502		3	HEX CAP SCREW, 1/4 - 20 X 5/8
6	F286222		1	COVER, TRANSFER PORT
12	800-817801A2		1	CYLINDER W/CRANKCASE COVER, CYLINDER DRAIN COVER, DOWEL PIN W/SCREWS AND STUDS ORIGINAL FORCE P/N <b>A442010-2</b>
18	F286015-3		2	PISTON
19	FA174260		2	PISTON RING SET (2 PER SET)
43	400-818047A3		1	CRANKCASE W/UPPER MAIN BEARING
52	F492531		1	INTERLOCK ROD
54	F492977		1	INTERLOCK LEVER
-	<b>800-817893A3</b>		1	<b>SHORT BLOCK (NOT SHOWN) INCLUDES ALL ITEMS MARKED WITH AN ASTERISK (*) ORIGINAL FORCE P/N C431010-2</b>

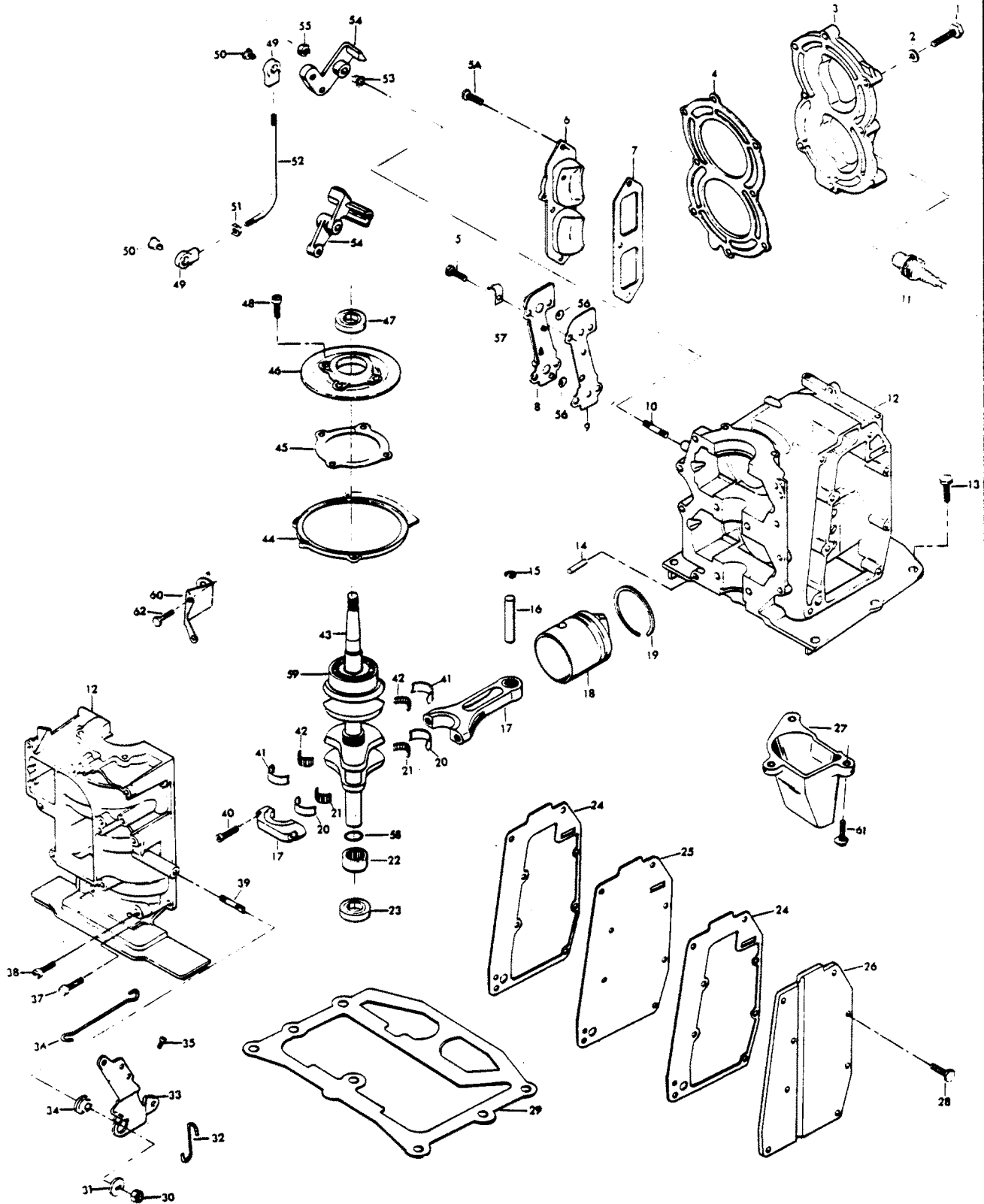
# POWER HEAD 15 H.P. MANUAL START



## POWER HEAD 15 H.P. MANUAL START

REF. NO.	PART NO.	SYM.	QTY.	DESCRIPTION
3	F286518		1	CYLINDER HEAD
5A	F1502		3	HEX CAP SCREW, 1/4 - 20 X 5/8
6	F286222		1	COVER, TRANSFER PORT
12	FA473010		1	CYLINDER W/CRANKCASE COVER, DOWEL PINS, SCREWS AND STUDS
18	F472015-2		2	PISTON
19	FA472260		1	PISTON RING SET (4 PER SET)
43	FA472018		1	CRANKCASE W/UPPER MAIN BEARING
52	F492531		1	INTERLOCK ROD
54	F492977		1	INTERLOCK LEVER
-	<b>FC472010</b>		<b>1</b>	<b>SHORT BLOCK (NOT SHOWN) INCLUDES ALL ITEMS MARKED WITH AN ASTERISK (*)</b>

# POWER HEAD 10 H.P. C-D ALTERNATOR

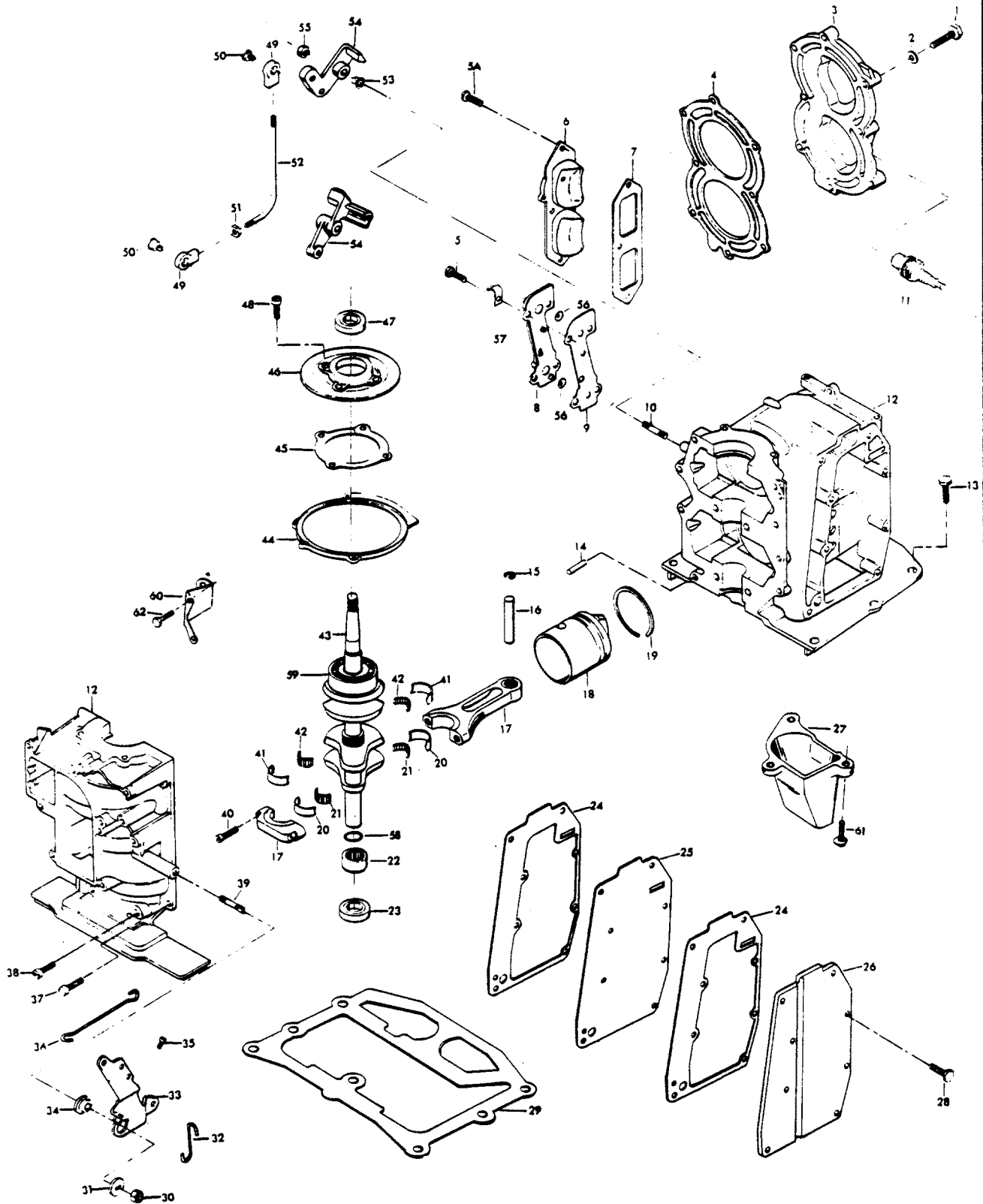




## POWER HEAD 10 H.P. C-D ALTERNATOR

REF. NO.	PART NO.	SYM.	QTY.	DESCRIPTION
3	F492518		1	CYLINDER HEAD
5A	F510165		3	SCREW, TRANSFER PORT COVER
-	<b>F1859</b>		1	<b>HEX SOCKET HEADLESS SET SCREW, 1/4 - 28 X 3/16 (TRANSFER PORT COVER) ORIGINAL FORCE P/N 18591</b>
6	F510222		1	TRANSFER PORT COVER
12	FA510010		1	CYLINDER W/CRANKCASE COVER, DOWEL PINS, SCREWS AND STUDS
18	F286015-3		2	PISTON
19	FA174260		2	PISTON RING SET (2 PER SET)
43	400-818047A3		1	CRANKCASE W/UPPER MAIN BEARING
52	F510531		1	INTERLOCK ROD
54	F510977		1	INTERLOCK LEVER
60	F510551		1	BRACKET, INTERLOCK SWITCH
62	F2008		1	HEX HD SCREW, 1/4 - 20 X 7/8
-	<b>FC510010</b>		1	<b>SHORT BLOCK (NOT SHOWN) INCLUDES ALL ITEMS MARKED WITH AN ASTERISK (*)</b>

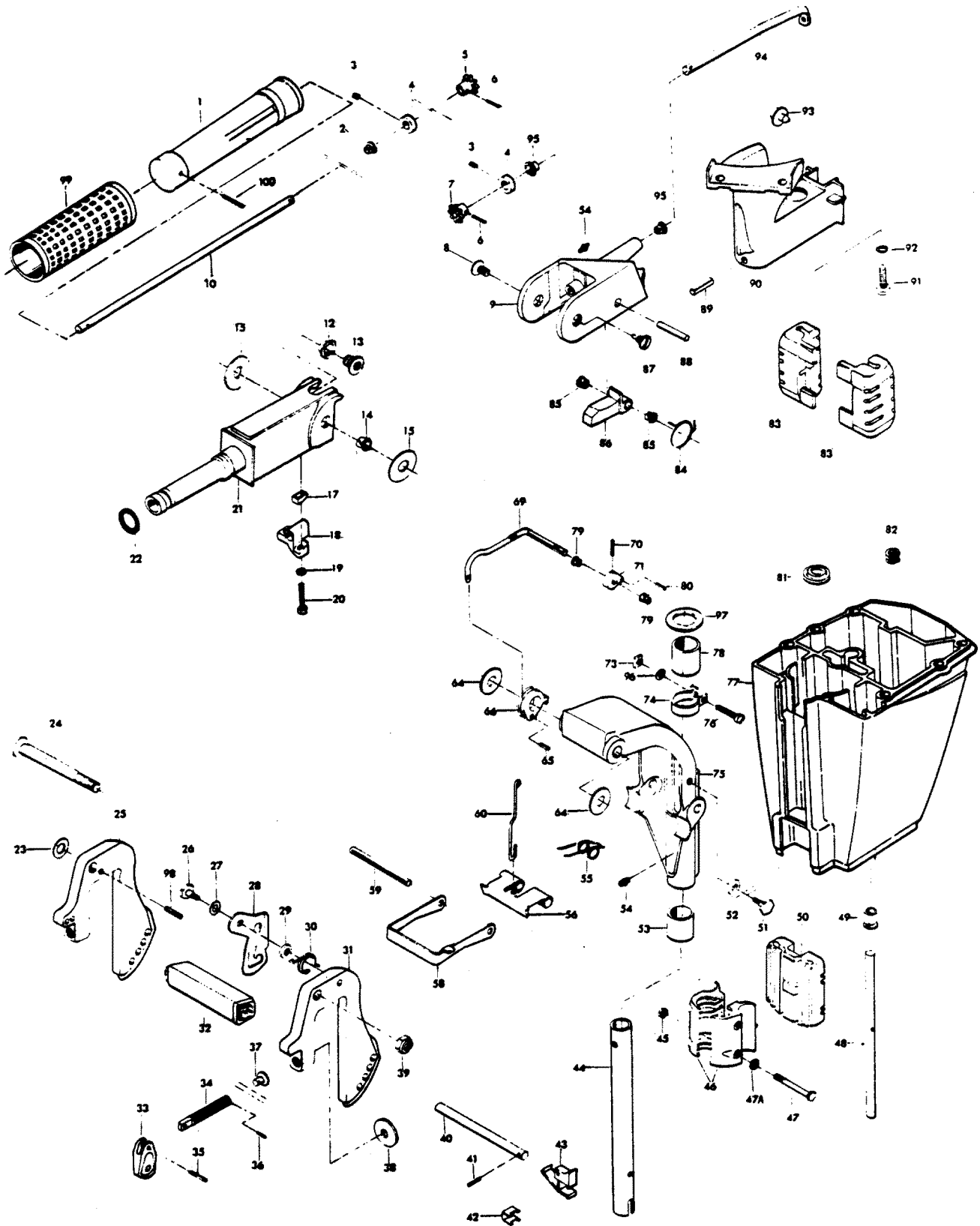
# POWER HEAD 15 H.P. C-D ALTERNATOR



## POWER HEAD 15 H.P. C-D ALTERNATOR

REF. NO.	PART NO.	SYM.	QTY.	DESCRIPTION
3	F286518		1	CYLINDER HEAD
5A	F510165		3	SCREW, TRANSFER PORT COVER
-	<b>F1859</b>		<b>1</b>	<b>HEX SOCKET HEADLESS SET SCREW, 1/4 - 28 X 3/16 (TRANSFER PORT COVER)</b>
6	F510222		1	TRANSFER PORT COVER
12	FA520010		1	CYLINDER W/CRANKCASE COVER, DOWEL PINS, SCREWS AND STUDS
18	F472015-2		2	PISTON
19	FA472260		1	PISTON RING SET (4 PER SET)
43	FA472018		1	CRANKCASE W/UPPER MAIN BEARING
52	F510531		1	INTERLOCK ROD
54	F510977		1	INTERLOCK LEVER
60	F510551		1	BRACKET, INTERLOCK SWITCH
62	F2008		1	HEX HD SCREW, 1/4 - 20 X 7/8
-	<b>FC520010</b>		<b>1</b>	<b>SHORT BLOCK (NOT SHOWN) INCLUDES ALL ITEMS MARKED WITH AN ASTERISK (*)</b>

# MOTOR LEG

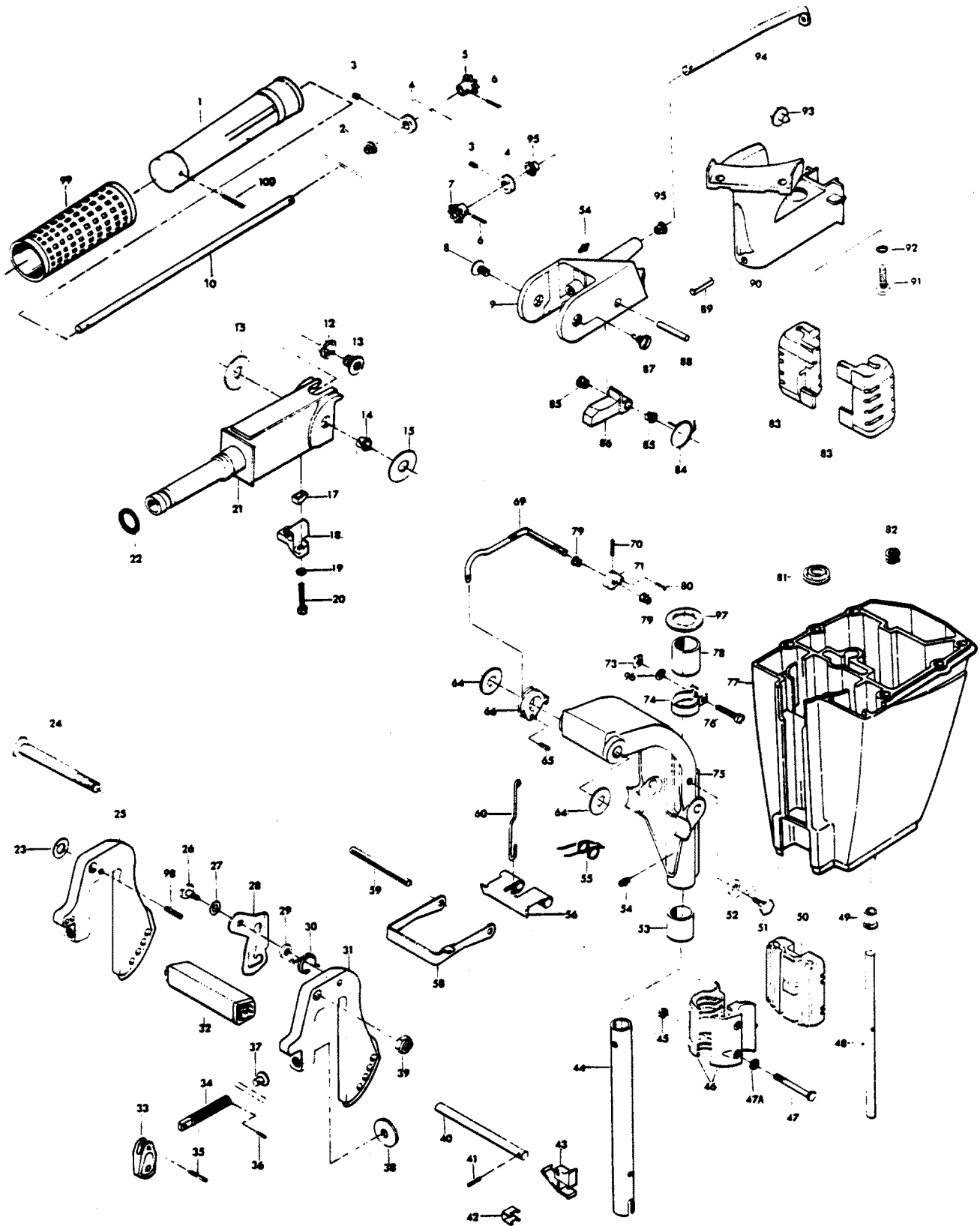


# MOTOR LEG

REF. NO.	PART NO.	SYM.	QTY.	DESCRIPTION
1	FA456137		1	GRIP, STEERING HANDLE W/SLEEVE
2	F85610		1	BEARING
3	F1859		2	HEX SOCKET HEADLESS SET SCREW
4	FA343178		2	RETAINER W/SET SCREW
5	43-818009--1		1	GEAR, STEERING HANDLE SHAFT
6	F1978		2	SPRING PIN
7	43-818009--1		1	GEAR, MAGNETO CONTROL SHAFT
8	F1799		1	TRUSS HD SCREW, 5/16 - 18 X 5/8
9	817751A3		1	STEERING HANDLE BRACKET W/GREASE FITTING
10	F429688		1	SHAFT, STEERING HANDLE
12	F286818		1	BEARING
13	F286224		1	INSERT, STEERING HANDLE PIVOT
14	F197813		1	BEARING
15	F286220		2	WASHER, STEERING HANDLE
17	F341693		1	WEDGE, STEERING HANDLE
19	F8058		2	INT TOOTH LOCKWASHER
20	F1829		1	FILL HD SCREW, 10 - 24 X 7/8
21	F286079-1		1	STEERING HANDLE
22	F53795-1		1	SEAL, STEERING HANDLE GRIP DAMPENER (LARGE)
23	F8039		1	PLAIN WASHER
24	F286037		1	STERN BRACKET PIVOT BOLT
25	FS567532		1	STERN BRACKET STARBOARD W/CLAMP SCREW AND FOOT
26	F286422-1		1	TILT LOCK PIVOT
27	F1666		1	BOWED SPRING WASHER
28	F429541		1	TILT LOCK
29	F286451		1	SPACER, TILT LOCK
30	F286544-1		1	SPRING, TILT STOP
31	FS567532		1	STERN BRACKET PORT W/CLAMP SCREW AND FOOT
32	F286647		1	CARRYING HANDLE
33	F424075		2	HANDLE, CLAMP SCREW
34	817761A2		2	CLAMP SCREW W/FOOT & STUD
3+5	F8554		2	SPRING PIN
36	F8537		2	SPRING PIN
37	F66480		2	STUD CLAMP SCREW
38	F24074		2	CLAMP SCREW FOOT
39	F7005		1	STOP NUT, 3/8 - 16
40	FA286113		1	LOCK BAR W/HANDLE AND SPRING
41	F8540		1	SPRING PIN
42	F286461		1	SPRING, LOCK BAR HANDLE
43	F286114		1	LOCK BAR HANDLE
44	F286019		1	KING PIN
45	F1341		2	HEX NUT, 1/4 - 20
46	F286956		2	BRACKET, SHOCK MOUNT LOWER

CONTINUED ON NEXT PAGE ➡

# MOTOR LEG

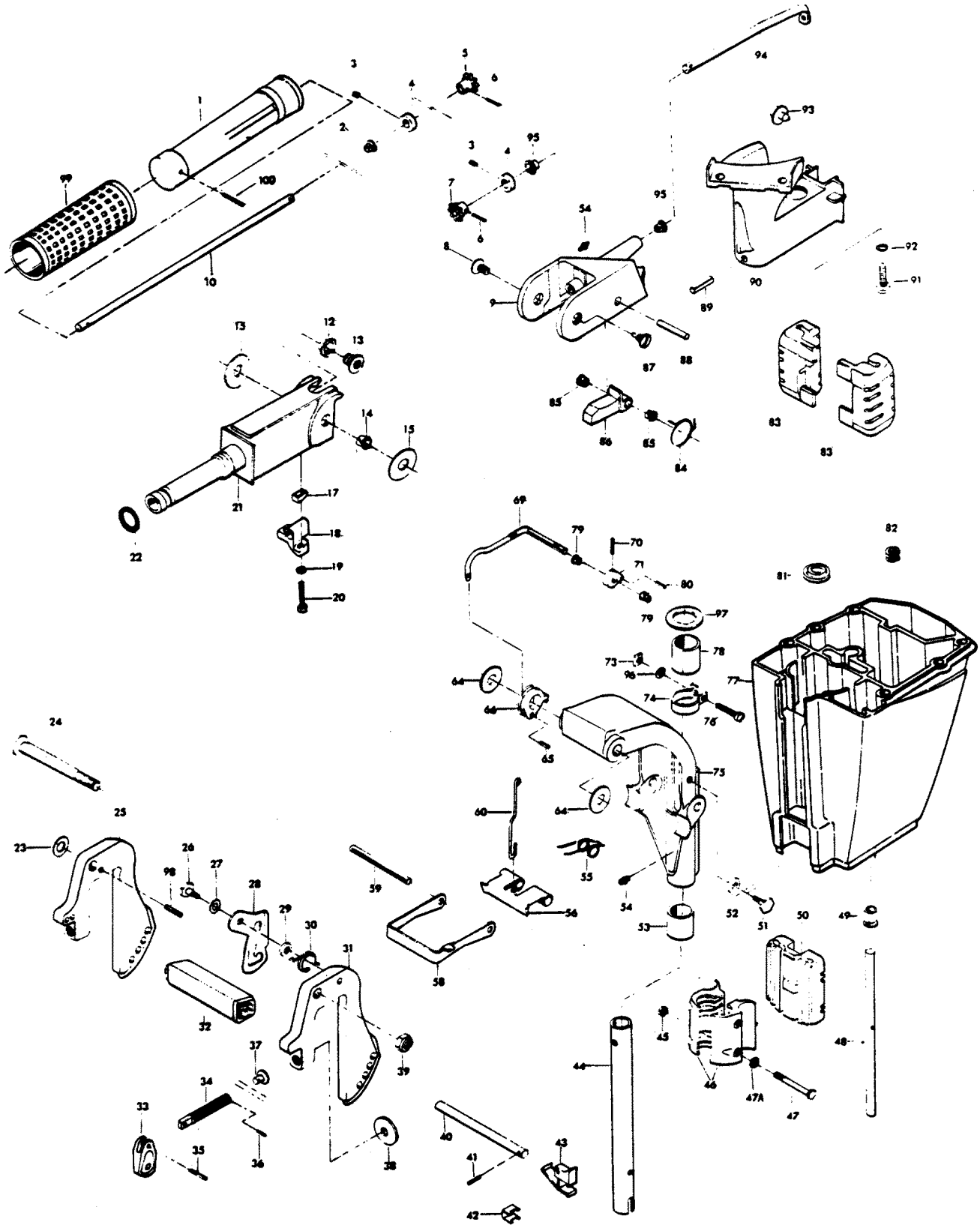


# MOTOR LEG

REF. NO.	PART NO.	SYM.	QTY.	DESCRIPTION
47	FA1844		2	HEX BOLT, 1/4 - 20 X 2 3/8
47A	F8083		2	SPRING LOCKWASHER
48	F286244		1	WATER LINE
49	F286914		1	SLEEVE WATER LINE
50	F286346		1	SHOCK MOUNT LOWER
51	F286422-1		1	TILT LOCK PIVOT
52	F286451		1	SPACER, TILT LOCK
53	F286169		1	BEARING, SWIVEL BRACKET
54	F213274		2	GREASE FITTING
55	F286300		1	SPRING, REVERSE LOCK
56	F286349		1	REVERSE LOCK
58	F286433		1	BRACKET SHALLOW WATER DRIVE
59	F1806		1	GROOVE PIN
60	FA341510		1	LINK, REVERSE LOCK LEVER
64	F286286-1		2	WASHER, STERN BRACKET
65	F1794		1	SPRING PIN
66	F286827		1	REVERSE LOCK RELEASE LEVER
69	FA387742		1	LEVER, REVERSE LOCK INTERMEDIATE
70	F8538		1	SPRING PIN
71	F286364		1	LEVER, REVERSE LOCK
73	F1608		1	SQUARE NUT, 1/4 - 20
74	F286573-1		1	CLAMP, STEERING FRICTION
75	1400-817750A4		1	SWIVEL BRACKET W/GREASE FITTING
76	F1820		1	FILL HD SCREW, 1/4 - 20 X 1 3/8
77	F2A477133		1	MOTOR LEG W/ITEMS 48, 49 & 81
78	F286169		1	BEARING, SWIVEL BRACKET
79	F197813		2	BEARING
80	F1794		1	SPRING PIN
81	F901307-2		1	SEAL, DRIVESHAFT
82	F286414		1	SPRING, LEG WATER BRACKET
83	F286347		2	SHOCK MOUNT UPPER
84	F286868		1	SPRING, STEERING HANDLE STOP
85	F197813		2	BEARING, STEERING HANDLE STOP
86	F286490		1	STEERING HANDLE STOP
87	F286080		1	SCREW, STEERING HANDLE PIVOT
88	F1807		1	GROOVE PIN
89	F1805		1	SPRING PIN
90	FA286582		1	STEERING ARM W/SPRING PIN & BUMPER
91	F1502		2	HEX CAP SCREW, 1/4 - 20 X 5/8
92	F8060		2	TOOTH LOCKWASHER
93	F286539		1	BUMPER
94	F431838		1	MAGNETO CONTROL SHAFT
95	F307818		2	BEARING

CONTINUED ON NEXT PAGE ➡

# MOTOR LEG

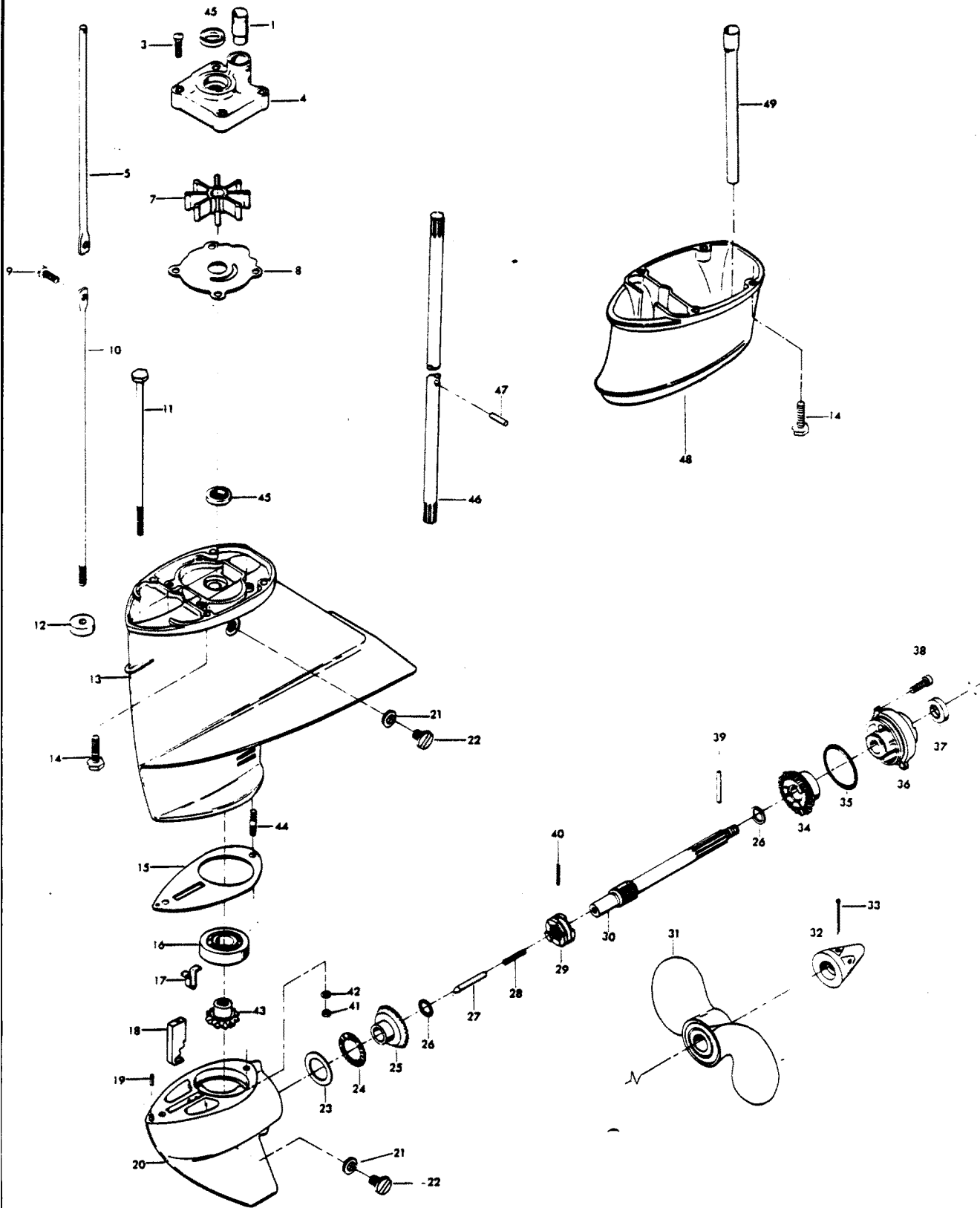




# MOTOR LEG

REF. NO.	PART NO.	SYM.	QTY.	DESCRIPTION
96	F1907		1	WASHER
97	F286011		1	WASHER, SWIVEL BRACKET
98	F8538		1	SPRING PIN
99	F458695		1	SLEEVE
100	F8548		1	SPRING PIN
-	<b>F286894-3</b>		<b>1</b>	<b>STEERING HANDLE INDICATOR (NOT SHOWN)</b>
-	<b>F286585-1</b>		<b>1</b>	<b>DECAL, TILT RELEASE (NOT SHOWN)</b>

# GEAR HOUSING

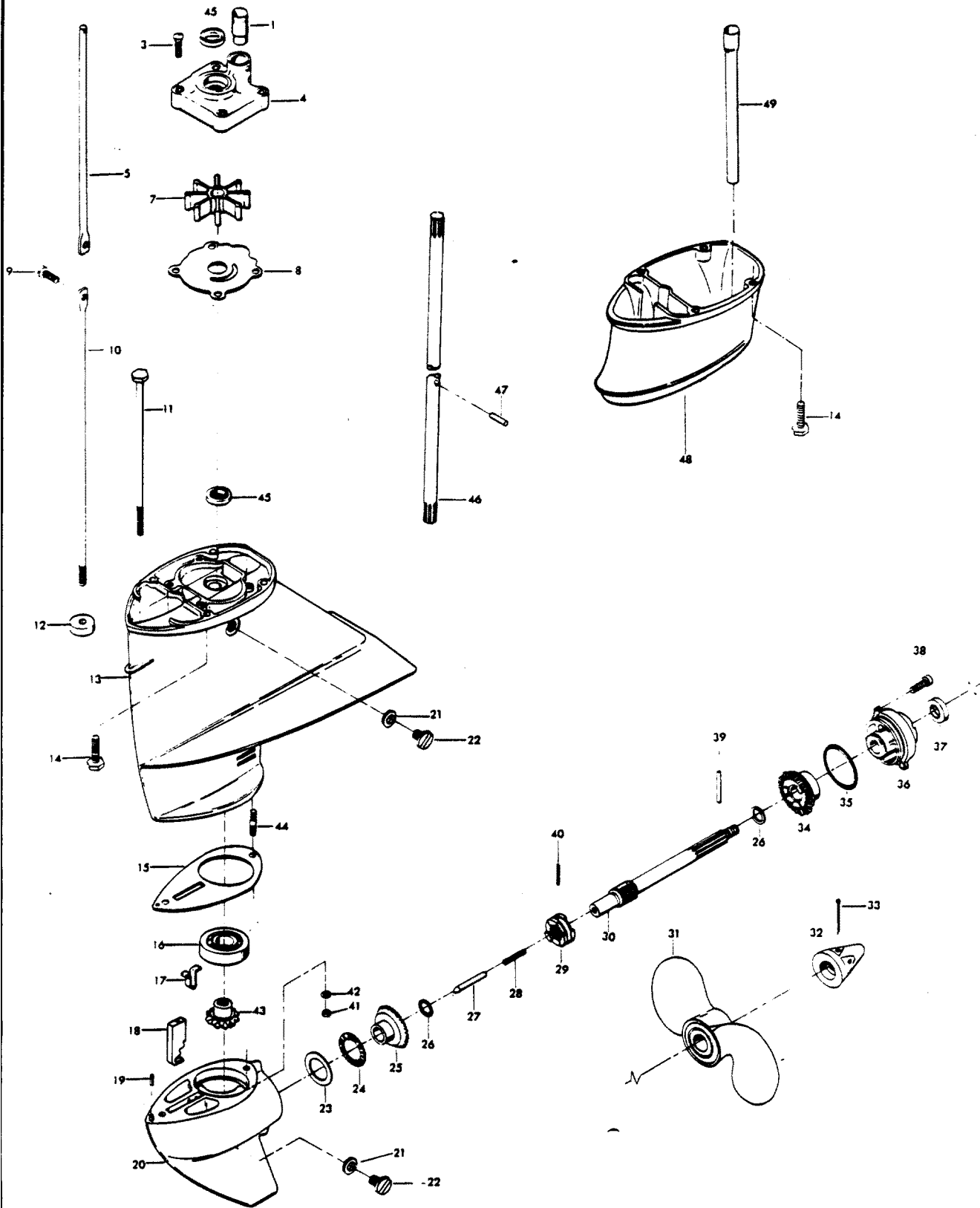


# GEAR HOUSING

REF. NO.	PART NO.	SYM.	QTY.	DESCRIPTION
1	FA510914		1	SEAL, INLET WATER LINE
3	F1150		4	FLAT HD SCREW, 1/4 - 20 X 1 1/8
4	FA495060		1	WATER PUMP BODY W/DRIVESHAFT SEAL
5	F286615		1	GEAR SHIFT ROD UPPER
7	F436065		1	WATER PUMP IMPELLER
8	F341562		1	WATER PUMP BACK PLATE
9	F1976		1	SOCKET HD SCREW W/LOCKWASHER, 10 - 24 X 1/2
10	F286705		1	GEAR SHIFT ROD LOWER, FOR STANDARD SHAFT MODELS
-	<b>F330705</b>		<b>1</b>	<b>GEAR SHIFT ROD LOWER, FOR LONG SHAFT MODELS</b>
11	F1800		1	HEX BOLT, 1/4 - 20 X 7
12	F338618-1		1	SEAL, GEAR SHIFT AND LOWER
13	1600-824916A1		1	GEAR HOUSING UPPER <b>W/BEARING AND ITEMS 12, 21 22 44 AND 45 ORIGINAL FORCE P/N A456554-1</b>
14	F430732		8	HEX HD SCREW, 1/4 - 20 X 1
15	F286555		1	GASKET, GEAR HOUSING
16	F127910-2		1	BALL BEARING
17	F286895		1	SPRING, CAM DETENT
18	F286721		1	CLUTCH, SHIFT CAM
19	F8553		1	SPRING PIN
20	FA286054		1	GEAR HOUSING LOWER W/BEARING, PLUG AND SPRING PIN
21	F8077		2	NYLTITE WASHER
22	F50109		2	GEAR HOUSING PLUG
23	F286903		1	RACE, PROPELLER SHAFT BEARING
24	F286901		1	BEARING, RADIAL, PROPELLER SHAFT
25	FA456023		1	BEVEL GEAR FRONT W/BEARING
26	F456717		2	THRUST WASHER
27	F286728		1	CLUTCH SHIFT PIN
28	F409719		1	CLUTCH SPRING
29	FA456521		1	CLUTCH
30	F456098		1	PROPELLER SHAFT
31	FP286		1	PROPELLER (ACCESSORY ITEM) (10 H.P.)
-	<b>FP408</b>		<b>1</b>	<b>PROPELLER (ACCESSORY ITEM) (15 H.P.)</b>
32	11-817752A1		1	PROPELLER NUT W/COTTER PIN
33	F1846		1	COTTER PIN
34	FA456662		1	BEVEL GEAR REAR W/BEARING
35	F455305		1	SEAL, PROP SHAFT BEARING CAGE
36	31-817756A2		1	PROPELLER SHAFT BEARING CAGE <b>W/BEARING AND ITEMS 35 AND 37 ORIGINAL FORCE P/N A286298-1</b>
37	F346118		1	SEAL, PROPELLER SHAFT
38	F1802		2	FILL HD SCREW, 1/4 - 20 X 9/16
39	FA324101		1	PROPELLER PIN, PACK OF 3
40	F1970		1	SPRING PIN
41	F1490		1	HEX NUT, 1/4 - 20
42	F8063		1	SPRING LOCKWASHER

CONTINUED ON NEXT PAGE ➡

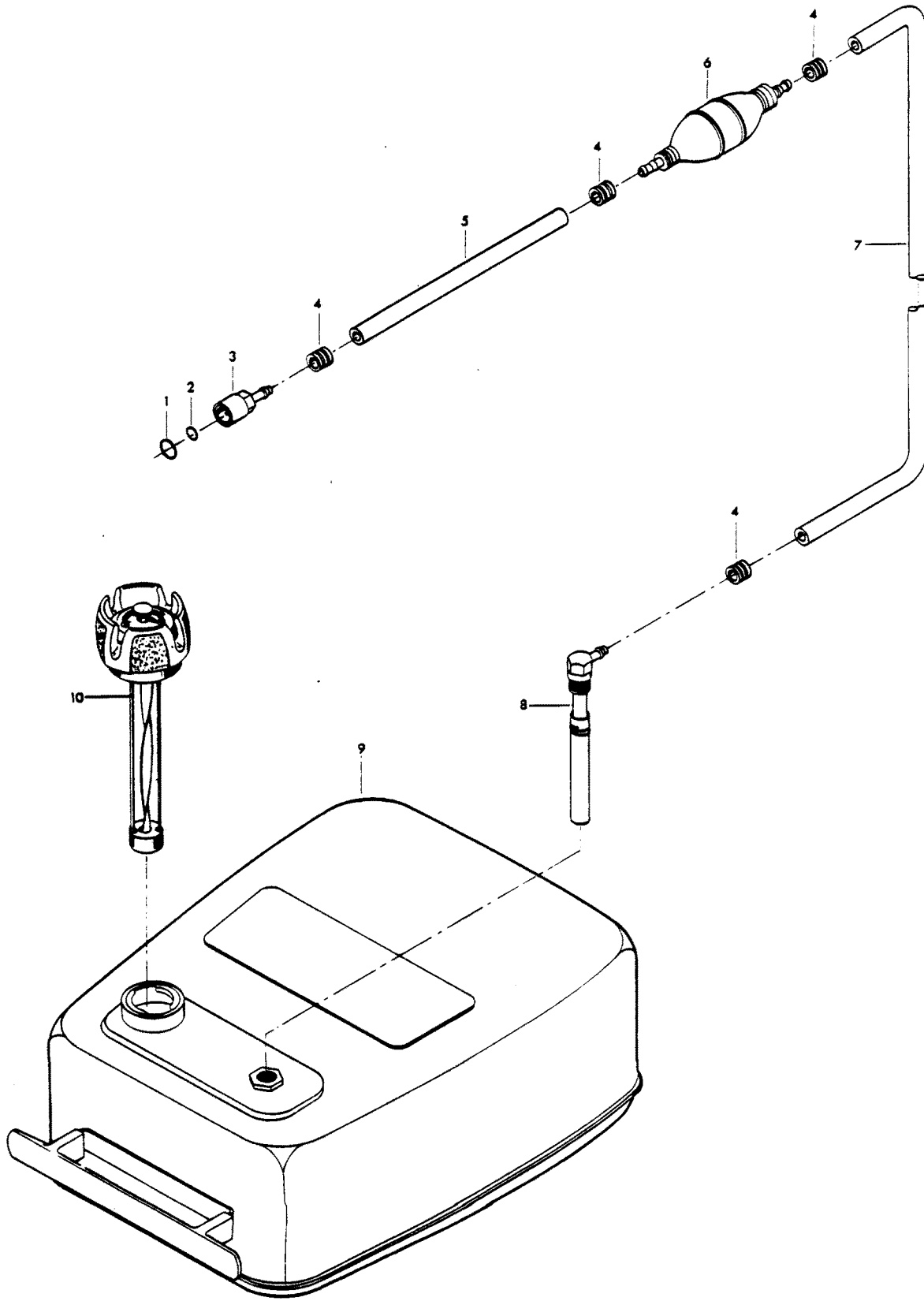
# GEAR HOUSING



# GEAR HOUSING

REF. NO.	PART NO.	SYM.	QTY.	DESCRIPTION
43	FA286266		1	GEAR, BEVEL PINION W/ITEM 16
44	F286008		1	STUD, GEAR HOUSING REAR
45	F901307-2		2	SEAL, DRIVESHAFT AND WATER PUMP
46	F343128		0	<b>1 DRIVESHAFT, FOR STANDARD SHAFT MODELS</b>
-	<b>F344128</b>		<b>1</b>	<b>DRIVESHAFT, FOR LONG SHAFT MODELS</b>
47	F901563		1	WATER PUMP IMPELLER DRIVE PIN
48	FA492845		1	MOTOR LEG EXTENSION
49	FS901244		1	INLET WATER LINE EXTENSION
-	<b>FC456054</b>		<b>1</b>	<b>LOWER GEAR HOUSING COMPLETE (NOT SHOWN) INCLUDES ALL ITEMS MARKED WITH AN ASTERISK (*)</b>

# FUEL TANK AND LINE



## FUEL TANK AND LINE

REF. NO.	PART NO.	SYM.	QTY.	DESCRIPTION
1	F213342		1	SEAL, FUEL LINE COUPLER
2	F213735		1	SEAL, FUEL LINE COUPLER
3	F197787-2		1	FUEL LINE COUPLER
4	F298788		4	FERRULE
5	FA84754-1		1	FUEL LINE SHORT W/CLAMPS
6	89396A38		1	PRIME BULB
7	32-817738A1		1	FUEL LINE, LONG W/CLAMPS AND FERRULE
8	F487755		1	FUEL TANK ADAPTER
9	F71H09		1	FUEL TANK (ACCESSORY ITEM)
10	F409251-1		1	GAUGE CAP
-	<b>FS409752</b>		<b>1</b>	<b>FUEL LINE COMPLETE (NOT SHOWN)</b>

## SPECIAL TOOLS - TUNE-UP

REF. NO.	PART NO.	SYM.	QTY.	DESCRIPTION
-	FT2958		0	KNOCK-OFF SLEEVE TO REMOVE FLYWHEEL (AUTOELECTRIC)
-	FT2989		0	FLYWHEEL WEDGE TO REMOVE FLYWHEEL
-	FT2909		0	KNOCK-OFF NUT TO REMOVE FLYWHEEL (MANUAL)



## SPECIAL TOOLS - MANUAL STARTER

REF. NO.	PART NO.	SYM.	QTY.	DESCRIPTION
-	FT2985		0	STARTER REWIND KEY TO REWIND STARTER SPRING

## SPECIAL TOOLS - POWER HEAD

REF. NO.	PART NO.	SYM.	QTY.	DESCRIPTION
-	FT8949		0	SEAL INSTALLER TO INSTALL CRANKSHAFT SEALS
-	FT3012		0	SEAL INSTALLER TO INSTALL UPPER CRANKSHAFT BEARING CAGE SEAL
-	FT2908		0	SEAL SLEEVE TO INSTALL UPPER CRANKSHAFT BEARING CAGE SEAL
-	FT8929		0	ADAPTER AND HEX BIT TO TORQUE CONNECTING ROD SCREWS
-	FT2997		0	RING COMPRESSOR TO INSTALL PISTONS
-	FT8926		0	RING EXPANDER TO INSTALL RINGS ON PISTONS

## SPECIAL TOOLS - LOWER UNIT

REF. NO.	PART NO.	SYM.	QTY.	DESCRIPTION
-	FT8948-1		0	PULLER TO REMOVE PROPELLER SHAFT BEARING CAGE
-	FT2907		0	SEAL INSTALLER TO INSTALL DRIVESHAFT SEAL IN GEAR HOUSING UPPER AND PROPELLER SHAFT SEAL IN PROPELLER SHAFT BEARING CAGE

## SPECIAL TOOLS - TEST EQUIPMENT

REF. NO.	PART NO.	SYM.	QTY.	DESCRIPTION
-	FT8342		0	TEST WHEEL (10 H.P.) TO TEST MOTOR IN TEST TANK
-	FT8952		0	TEST WHEEL (15 H.P.) TO TEST MOTOR IN TEST TANK
-	FT8950		0	LEAKAGE TESTER TO TEST GEAR HOUSING SEALS FOR LEAKS
-	T8974		0	BREAKER POINT TENSION GAUGE FOR CHECKING BREAKER POINT SPRING TENSION

# ACCESSORIES

REF. NO.	PART NO.	SYM.	QTY.	DESCRIPTION
-	FK1019-1		0	5" LONG LEG CONVERSION KIT CONVERTS 15" STANDARD SHAFT MODEL TO 20" LONG SHAFT MODEL.
-	F72H24		0	15" LONG LEG CONVERSION KIT CONVERTS 15" STANDARD SHAFT OR 20" LONG SHAFT MODEL TO 30" LONG SHAFT MODEL.
-	491		0	CARRYING HANDLE PROVIDES CARRYING HANDLE ON REAR OF ENGINE.
-	F588		0	FLUSHING ADAPTER PERMITS FRESH WATER FLUSHING OF WATER PASSAGES WITH STANDARD GARDEN HOSE.
-	F72H35		0	WATER PUMP KIT HEAVY DUTY WATER PUMP RECOMMENDED FOR CONTINUED OPERATION IN SANDY OR SALT WATER.
-	F72H17		0	REMOTE CONTROL CONVERSION KIT PERMITS REMOTE CONTROL OF THROTTLE AND GEAR SHIFT FROM FRONT OF BOAT.
-	F72H36		0	SYNCHRO-DRIVE CONTROL BOX (SINGLE LEVER) PERMITS REMOTE CONTROL OF THROTTLE AND GEAR SHIFT FROM STARBOARD SIDE OF BOAT.
-	73H08		0	PORT SIDE DECAL KIT CONVERTS 72H36 CONTROL BOX TO PORT SIDE MOUNTING.
-	F866		0	DUO-DRIVE CONTROL BOX (TWIN LEVER) PERMITS REMOTE CONTROL OF THROTTLE AND GEAR SHIFT. MAY BE MOUNTED ON PORT OR STARBOARD SIDE OF BOAT.
-	865		0	TWIN SYNCHRO-DRIVE CONTROL BOX PERMITS REMOTE CONTROL OF THROTTLE AND GEAR SHIFT ON TWIN ENGINE INSTALLATIONS. MAY BE MOUNTED ON PORT OR STARBOARD SIDE OF BOAT.
-	167		0	IGNITION CUT-OFF KIT PERMITS STOPPING OF ENGINE FROM OPERATORS SEAT.
-	F195/___		0	REMOTE CONTROL CABLES CONNECTS REMOTE CONTROL BOX TO THROTTLE AND GEAR SHIFT ON MOTOR. AVAILABLE IN 6 THROUGH 20 FOOT LENGTHS.
-	F72H18		0	REMOTE STEERING BRACKET ADAPTS MOTOR TO REMOTE STEERING.
-	583		0	LOW PROFILE, 6 GALLON FUEL TANK
-	F71H09		0	STEEL, 6 GALLON FUEL TANK
-	F476		0	FUEL LINE ADAPTION KIT ADAPTS MODEL 583 AND 71H09 TANKS FOR DISCONNECT AT TANK.
-	72H03		0	CARRYING BAG CANVAS BAG FOR TRANSPORTING AND STORING ENGINE. (DOES NOT FIT AUTOELECTRIC MODELS.)
-	72H12		0	BATTERY 12 VOLT - 30 AMPERE HOUR MARINE BATTERY.
-	173		0	BATTERY CASE INSULATED CASE FOR 30 AMPERE HOUR BATTERY.

CONTINUED ON NEXT PAGE ➡

## ACCESSORIES

REF. NO.	PART NO.	SYM.	QTY.	DESCRIPTION
-	F71H02		0	ANTI-CORROSION SACRIFICIAL ANODE
-	F74H01		0	VOLTMETER FLUSH MOUNT, INDICATES BATTERY CONDITION.
-	74H02		0	VOLTMETER SURFACE MOUNT, INDICATES BATTERY CONDITION.
-	72H31		0	FROST WHITE LACQUER ENGINE TOUCH-UP PAINT IN 16 OZ. SPRAY BOMBS (12 CANS PER CASE).
-	72H32		0	GOLD LACQUER ENGINE TOUCH-UP PAINT IN 6 OZ. SPRAY BOMBS (12 CANS PER CASE).

# SPECIFICATIONS

REF. NO.	PART NO.	SYM.	QTY.	DESCRIPTION
-			0	HORSEPOWER 10 B.L.A. CERTIFIED BRAKE H.P. AT 4750 R.P.M.

# LUBRICATION CHART

REF. NO.	PART NO.	SYM.	QTY.	DESCRIPTION
-			0	STARTER PINION GEAR SAE 30 MOTOR OIL, IF STARTER OPERATION BECOMES SLUGGISH
-			0	STARTER SPOOL BEARINGS SAE 30 MOTOR OIL, IF STARTER OPERATION BECOMES SLUGGISH
-			0	THROTTLE CAM FOLLOWER SAE 30 MOTOR OIL, TWICE EACH SEASON, OFTENER IF REQUIRED
-			0	MAGNETO CONTROL SHAFT BEARINGS SAE 30 MOTOR OIL, TWICE EACH SEASON, OFTENER IF REQUIRED
-			0	STEERING HANDLE PINION GEAR EP-ALL PURPOSE CHASSIS LUBRICANT, TWICE EACH SEASON, OFTENER IF REQUIRED
-			0	STEERING HANDLE BEVEL GEAR EP-ALL PURPOSE CHASSIS LUBRICANT, TWICE EACH SEASON, OFTENER IF REQUIRED
-			0	REVERSE LOCK SAE 30 MOTOR OIL, TWICE EACH SEASON, OFTENER IF REQUIRED
-			0	STERN BRACKET PIVOT BOLT SAE 30 MOTOR OIL, TWICE EACH SEASON, OFTENER IF REQUIRED
-			0	GEAR HOUSING CHRYSLER OUTBOARD GEAR LUBE, EVERY THIRTY HOURS, OFTENER IF REQUIRED
-			0	FUEL LINE COUPLER RELEASE RING SAE 30 MOTOR OIL, TWICE EACH SEASON, OFTENER IF REQUIRED
-			0	GREASE FITTINGS GREASE FITTINGS ARE PROVIDED AT CRITICAL POINTS WHERE BEARING SURFACES ARE NOT EXPOSED EXTERNALLY. USING AN AUTOMOTIVE TYPE GREASE GUN AND LUBRICANT, GREASE TWICE EACH SEASON OR OFTENER IF REQUIRED.



## SPECIAL ADJUSTMENTS

REF. NO.	PART NO.	SYM.	QTY.	DESCRIPTION
-			0	BREAKER POINT GAP .020".
-			0	SPARK PLUG CHAMPION L-4-J, GAP .030". CHAMPION QL-4-J, GAP .030" FOR MODELS 102BD, 103BD, 108BA, 109BA, 152BC, 153BC, 158BA, 159BA
-			0	ADJUSTING STEERING TENSION STEERING TENSION CAN BE ADJUSTED BY TURNING THE STEERING FRICTION ADJUSTING SCREW, ILLUSTRATION 76, PAGE 15, IN THE DIRECTION REQUIRED.
-			0	POINT OF THROTTLE OPENING SEE BLOCK COMMENT 1.
-			0	FLYWHEEL NUT

# PARTS INDEX

Part Number	Description	Pg.	Ref. No.	Part Number	Description	Pg.	Ref. No.
167	IGNITION CUT-OFF KIT . . . .	67	-	F1075	FILL HD SCREW, 10 - 24 X		
173	BATTERY CASE . . . . .	67	-		1/2 . . . . .	27	36
491	CARRYING HANDLE . . . . .	67	-	F1089	FILL HD SCREW, 10 - 24 X		
492392	DECAL PORT, "CHRYSLER				9/16 . . . . .	21	1
	10 H.P. . . . .	7	7	F1090	FILL HD SCREW		
492392	DECAL, PORT "CHRYSLER"	15	7		W/LOCKWASHER, 10 - 24		
492396	DECAL, STARBOARD				X 9/16 . . . . .	19	16
	"CHRYSLER" . . . . .	15	-	F1107	FILL HD SCREW, 1/4 - 20 X		
492396	DECAL, STARBOARD,				3/4 . . . . .	39	37
	"CHRYSLER" 10 H.P. . . . .	7	-	F1111	FILL HD SCREW, 1/4 - 20 X		
510373	DECAL, MAGNAPOWER III .	27	43		7/8 . . . . .	41	48
583	LOW PROFILE, 6 GALLON			F1150	FLAT HD SCREW, 1/4 - 20 X		
	FUEL TANK . . . . .	67	-		1 1/8 . . . . .	57	3
72H03	CARRYING BAG . . . . .	67	-	F12083	CONDENSER SCREW		
72H12	BATTERY . . . . .	67	-		W/LOCKWASHER . . . . .	19	7
72H31	FROST WHITE LACQUER . .	68	-	F12088	GROMMET . . . . .	19	19
72H32	GOLD LACQUER . . . . .	68	-	F12091	LEAD WIRE MARKER TOP		
73H08	PORT SIDE DECAL KIT . . . .	67	-		(NOT SHOWN) . . . . .	19	-
74H02	VOLTMETER . . . . .	68	-	F12097	BREAKER ARM PIVOT		
817751A3	STEERING HANDLE				RETAINING RING . . . . .	19	28
	BRACKET W/GREASE			F12114	COIL GROUND TERMINAL		
	FITTING . . . . .	51	9		SCREW . . . . .	19	26
817754A1	ARM, CARBURETOR			F12127	STUD NUT . . . . .	19	21
	FOLLOWER . . . . .	31	13	F12128	INSULATOR, OUTSIDE . . . .	19	23
817755A1	CONNECTING ROD LINER			F12129	INSULATOR, INSIDE . . . . .	19	25
	SET (2 PER SET) . . . . .	39	20	F12141	HIGH TENSION LEAD		
817757A4	PLATE, FRONT . . . . .	3	25		SLEEVE . . . . .	19	27
817758A1	BRACKET, COVER LATCH			F12142	CONNECTION STUD . . . . .	19	24
	W/SCREWS, NUTS AND			F12146	COIL WEDGE SPRING . . . . .	19	15
	ROLLER . . . . .	3	42	F12153	BREAKER POINT SET . . . . .	19	6
817758A1	BRACKET, ENGINE COVER			F12170	CONTACT SCREW		
	LATCH W/SCREWS, NUTS				W/LOCKWASHER . . . . .	19	4
	AND ROLLERS . . . . .	13	42	F12181-1	CONDENSER . . . . .	19	8
817761A2	CLAMP SCREW W/FOOT &			F12186	PRIMARY TERMINAL WIRE .	19	29
	STUD . . . . .	51	34	F12228	CAM WIPER FELT . . . . .	19	5
817938A1	RETAINER, STARTER ROPE			F12343	STATOR PLATE		
	HANDLE . . . . .	21	20		W/LAMINATIONS . . . . .	19	9
817971A3	LEVER, MAGNETO			F127910-2	BALL BEARING . . . . .	57	16
	CONTROL . . . . .	39	33	F1286	PAN HD SCREW, 4 - 40 X		
865	TWIN SYNCHRO-DRIVE				3/16 . . . . .	23	5
	CONTROL BOX . . . . .	67	-	F1286	PAN HD SCREW, 4 - 40 X		
89396A38	PRIME BULB . . . . .	61	6		3/16 . . . . .	31	4
A472528	INSERT, TRIM REAR . . . . .	17	43	F1293	DRIVE SCREW . . . . .	3	33
A472528	INSERT, TRIM REAR 15 H.P.	9	43	F1293	DRIVE SCREW . . . . .	11	33
A510893	INSERT, PLATE FRONT -			F1298	HD SCREW		
	CANADA . . . . .	11	-		W/LOCKWASHER, 6 - 32 X		
AC16395-7	IDENTIFICATION PLATE				1/4 . . . . .	33	56
	W/SCREWS FOR CANADA			F1303	PAN HD SCREW, 8 - 32 X 3/4	27	24
	MODELS . . . . .	11	-	F1335	FILL HD SCREW, 5/16 - 18 X		
AC16395-7	PLATE, IDENTIFICATION				1 1/4 . . . . .	39	38
	W/SCREWS, CANADA . . .	3	-	F1337	HEX NUT, 6 - 32 . . . . .	27	5
F10006	GASKET SET,			F1339	HEX NUT, 10 - 24 . . . . .	41	51
	CARBURETOR (NOT			F1341	HEX NUT, 1/4 - 20 . . . . .	51	45
	SHOWN) . . . . .	33	-	F1365	SQUARE NUT, 10 - 24 . . . .	31	15
F1069	FILL HD SCREW, 10 - 24 X 1			F141118	SEAL, CRANKSHAFT		
	1/16 . . . . .	23	14		LOWER . . . . .	39	23
F1069	FILL HD SCREW, 10 - 24 X 1			F1475	FILL HD SCREW, 10 - 24 X		
	1/16 . . . . .	31	1		1/2 . . . . .	3	10
F1075	FILL HD SCREW, 10 - 24 X			F1475	FILL HD SCREW, 10 - 24 X		
	1/2 . . . . .	19	12		1/2 . . . . .	11	10

# PARTS INDEX

Part Number	Description	Pg.	Ref. No.	Part Number	Description	Pg.	Ref. No.
F1490	HEX NUT, 1/4 - 20	31	47	F1803	STOP NUT, 5/16 - 24	39	30
F1490	HEX NUT, 1/4 - 20	57	41	F1804	STOP NUT	21	8
F1502	HEX CAP SCREW, 1/4 - 20 X 5/8	43	5A	F1804	STOP NUT, 10 - 32	3	39
F1502	HEX CAP SCREW, 1/4 - 20 X 5/8	45	5A	F1804	STOP NUT, 10 - 32	11	39
F1502	HEX CAP SCREW, 1/4 - 20 X 5/8	53	91	F1805	SPRING PIN	53	89
F1504	FILL HD SCREW, 1/4 - 20 X 1 1/4	39	35	F1806	GROOVE PIN	53	59
F15127	CAP ASSEMBLY, COMMUTATOR END,	25	10	F1807	GROOVE PIN	53	88
F15129	NUT W/LOCKWASHER	25	15	F1809	HEX NUT	27	29
F1513	HEX NUT, 10 - 32	27	42	F1809	HEX NUT, 1/2 - 20	19	1
F15130	NUT	25	16	F18160-1	REED FUEL PUMP	31	5
F15132	WASHER, FIBER	25	18	F18160-1	REED, FUEL PUMP	23	7
F15133	WASHER	25	17	F1820	FILL HD SCREW, 1/4 - 20 X 1 3/8	53	76
F15134	ARMATURE	25	8	F1823	HEX CAP SCREW, 5/16 - 18 X 1	39	13
F15135	CAP ASSEMBLY, DRIVE END	25	5	F1829	FILL HD M. SCREW, 10 - 24 X 7/8	27	1
F15136	HOUSING ASSEMBLY	25	9	F1829	FILL HD SCREW, 10 - 24 X 7/8	51	20
F15137	WASHER	25	6	F1834	FILL HD SCREW, 10 - 24 X 7/8	31	12
F15138	SPRING, BRUSH	25	12	F183813	BEARING, MAGNETO CONTROL LEVER	39	34
F15139	PINION ASSEMBLY	25	4	F1845	TY-RAP	27	25
F15140	SPRING	25	3	F184579	SEAL	5	46
F15141	PINION STOP	25	2	F1846	COTTER PIN	57	33
F15142	STOP NUT	25	1	F1859	HEX SOCKET HEADLESS SET SCREW	51	3
F15143	DISC	25	11	F1859	HEX SOCKET HEADLESS SET SCREW, 1/4 - 28 X 3/16	47	-
F15144	SCREW, THRU BOLT	25	14	F1859	HEX SOCKET HEADLESS SET SCREW, 1/4 - 28 X 3/16	49	-
F15145	GASKET	25	7	F1867	SPRING PIN	33	53
F15146	WASHER	25	13	F1875	SPRING PIN, STARTER BRACKET	21	17
F1556	FILL HD M. SCREW W/SPRING LOCKWASHER, 10 - 24 X 3/8	27	18	F18906	CARBURETOR GASKET	33	50
F1577	FILL HD SCREW, 1/4 - 20 X 3/4	23	3	F1907	WASHER	55	96
F1577	FILL HD SCREW, 1/4 - 20 X 3/4	27	9	F1912	HEX HD SCREW, 10 - 24 X 1/2	33	54
F1608	SQUARE NUT, 1/4 - 20	53	73	F1914	HEX HD SCREW, 1/4 - 20 X 3/4	21	11
F1645	ROUND HD SCREW, 6 - 32 X 1/4	27	26	F1914	HEX HD SCREW, 1/4 - 20 X 3/4	31	45
F1646	HEX SOCKET HD CAP SCREW, 3/8 - 16 X 2 1/4	27	8	F1922	HEX HD SCREW, 1/4 - 20 X 5/8	39	5
F1648	PAN HD SCREW, 10 - 24 X 3/4	27	13	F195/_	REMOTE CONTROL CABLES	67	-
F1666	BOWED SPRING WASHER	51	27	F1970	SPRING PIN	57	40
F1678	FILL HD SCREW, 10 - 24 X 13/16	27	32	F197319	BEARING, CHOKE ROD	3	31
F1704	INTERNAL TOOTH LOCKWASHER	27	4	F197319	BEARING, CHOKE ROD	11	31
F174017	PIN, PISTON	39	16	F1975	SPRING LOCKWASHER	27	2
F1753	FASTENER	3	3	F1976	SOCKET HD SCREW W/LOCKWASHER, 10 - 24 X 1/2	57	9
F1753	FASTENER	11	3	F197767-1	BUSHING, FUEL LINE	3	24
F1794	SPRING PIN	53	65	F197767-1	BUSHING, FUEL LINE	11	24
F1794	SPRING PIN	53	80	F197787-2	FUEL LINE COUPLER	61	3
F1799	TRUSS HD SCREW, 5/16 - 18 X 5/8	51	8	F1978	SPRING PIN	51	6
F1800	HEX BOLT, 1/4 - 20 X 7	57	11	F197813	BEARING	51	14
F1802	FILL HD SCREW, 1/4 - 20 X 9/16	27	20				

# PARTS INDEX

Part Number	Description	Pg.	Ref. No.	Part Number	Description	Pg.	Ref. No.
F197813	BEARING	53	79	F286192	THROTTLE CAM	27	37
F197813	BEARING, INTERLOCK LEVER	41	53	F286192	THROTTLE CAM PLATE	19	10
F197813	BEARING, STEERING HANDLE STOP	53	85	F286220	WASHER, STEERING HANDLE	51	15
F1999	HEX CAP SCREW, 1/4 - 20 X 7/8	29	44	F286222	COVER, TRANSFER PORT	43	6
F2002	STOP NUT, 5/16 - 18	3	30	F286222	COVER, TRANSFER PORT	45	6
F2002	STOP NUT, 5/16 - 18	11	30	F286223	GASKET, TRANSFER PORT COVER	39	7
F2008	HEX HD SCREW, 1/4 - 20 X 7/8	39	28	F286224	INSERT, STEERING HANDLE PIVOT	51	13
F2008	HEX HD SCREW, 1/4 - 20 X 7/8	47	62	F286228	ROLLER SET, CONNECTING ROD (26 PER SET)	39	21
F2008	HEX HD SCREW, 1/4 - 20 X 7/8	49	62	F286244	WATER LINE	53	48
F2040	HEX WASHER HD M. SCREW, 1/4 - 20 X 5/8	41	61	F286277	GASKET, CRANKSHAFT BEARING CAGE	39	45
F2042	PLAIN WASHER	21	23	F286279-2	GASKET, CYLINDER MOUNTING	39	29
F213274	GREASE FITTING	53	54	F286282	WASHER	39	31
F213342	SEAL, FUEL LINE COUPLER	61	1	F286286-1	WASHER, STERN BRACKET	53	64
F213735	SEAL, FUEL LINE COUPLER	61	2	F286300	SPRING, REVERSE LOCK	53	55
F217002	MAGNETO BREAKER CAM	19	13	F286316	THROTTLE CAM FOLLOWER	31	46
F24074	CLAMP SCREW FOOT	51	38	F286346	SHOCK MOUNT LOWER	53	50
F24748-2	GASKET, FUEL PUMP	23	9	F286347	SHOCK MOUNT UPPER	53	83
F24748-2	GASKET, FUEL PUMP	31	3	F286349	REVERSE LOCK	53	56
F269316	ROLLER SHAFT	3	40	F286364	LEVER, REVERSE LOCK	53	71
F269319	ROLLER SHAFT	11	40	F286414	SPRING, LEG WATER BRACKET	53	82
F2706772	HOSE CLAMP	23	12	F286422-1	TILT LOCK PIVOT	51	26
F2706772	HOSE CLAMP	31	9	F286422-1	TILT LOCK PIVOT	53	51
F2752253	HOSE, FUEL PUMP TO BUSHING	23	15	F286433	BRACKET SHALLOW WATER DRIVE	53	58
F2771254	HOSE, FUEL PUMP TO CARBURETOR	23	13	F286440	STUD, MAGNETO CONTROL LEVER	39	39
F2788004	STUD, CARBURETOR	33	51	F286445	LINK, MAGNETO SHAFT	39	32
F28004	STUD, INTERLOCK LEVER	39	10	F286451	SPACER, TILT LOCK	51	29
F286008	STUD, GEAR HOUSING REAR	59	44	F286451	SPACER, TILT LOCK	53	52
F286011	WASHER, SWIVEL BRACKET	55	97	F286461	SPRING, LOCK BAR HANDLE	51	42
F286015-3	PISTON	43	18	F286490	STEERING HANDLE STOP	53	86
F286015-3	PISTON	47	18	F286509	LINK, THROTTLE CAM	39	36
F286019	KING PIN	51	44	F286518	CYLINDER HEAD	45	3
F286028	BEARING, CRANKSHAFT UPPER MAIN	41	59	F286518	CYLINDER HEAD	49	3
F286037	STERN BRACKET PIVOT BOLT	51	24	F286529-3	GASKET, CYLINDER HEAD	39	4
F286079-1	STEERING HANDLE	51	21	F286539	BUMPER	53	93
F286080	SCREW, STEERING HANDLE PIVOT	53	87	F286544-1	SPRING, TILT STOP	51	30
F286114	LOCK BAR HANDLE	51	43	F286555	GASKET, GEAR HOUSING	57	15
F286132	HANDLE, STARTER ROPE	21	19	F286571	ROLLER SET, MAIN BEARING (26 PER SET)	39	42
F286134	STUD	21	5	F286573-1	CLAMP, STEERING FRICTION	53	74
F286134	STUD, GEAR SHIFT LEVER	3	38	F286585-1	DECAL, TILT RELEASE (NOT SHOWN)	55	-
F286134	STUD, GEAR SHIFT LEVER	11	38	F286611-1	ROD, GEAR SHIFT	3	37
F286151	PLATE, EXHAUST	39	25	F286611-1	ROD, GEAR SHIFT	11	37
F286152	COVER, EXHAUST	39	26	F286614	HANDLE, GEAR SHIFT	3	23
F286154	GASKET, EXHAUST COVER	39	24	F286614	HANDLE, GEAR SHIFT	11	23
F286159-1	GASKET, REED PLATE	33	60	F286615	GEAR SHIFT ROD UPPER	57	5
F286169	BEARING, SWIVEL BRACKET	53	53	F286634-1	SCREW, CONNECTING ROD CARRYING HANDLE	39	40
				F286647		51	32

# PARTS INDEX

Part Number	Description	Pg.	Ref. No.	Part Number	Description	Pg.	Ref. No.
F286685	CONNECTOR, GEAR SHIFT ROD	11	36	F341693	WEDGE, STEERING HANDLE	51	17
F286705	GEAR SHIFT ROD LOWER, FOR STANDARD SHAFT MODELS	57	10	F343014	BEARING, CRANKSHAFT LOWER MAIN	39	22
F286710	ARBOR, STARTER SPRING	21	9	F343128	1	59	46
F286721	CLUTCH, SHIFT CAM	57	18	F343226-1	PLUG	3	8
F286728	CLUTCH SHIFT PIN	57	27	F343226-1	PLUG	11	8
F286737-1	RETAINER, STARTER REWIND SPRING	21	13	F344128	DRIVESHAFT, FOR LONG SHAFT MODELS	59	-
F286772-1	HOSE CLAMP	41	56	F346118	SEAL, PROPELLER SHAFT	57	37
F286777	CAM, COVER LATCH	3	29	F346146	SEAL, CRANKSHAFT UPPER	39	47
F286777	CAM, COVER LATCH	11	29	F392756	PACKING, SUPPORT PLATE	3	18
F286818	BEARING	51	12	F392756	PACKING, SUPPORT PLATE	11	18
F286827	REVERSE LOCK RELEASE LEVER	53	66	F40253	FUEL LINE	31	10
F286868	SPRING, STEERING HANDLE STOP	53	84	F40425	STARTER PINION PIN	21	10
F286871	PIN, GEAR SHIFT LEVER	3	17	F404908	GROUND WIRE	27	35
F286871	PIN, GEAR SHIFT LEVER	11	17	F409232	STARTER ROPE	21	18
F286876	LEVER, GEAR SHIFT	3	15	F409251-1	GAUGE CAP	61	10
F286876	LEVER, GEAR SHIFT	11	15	F409719	CLUTCH SPRING	57	28
F286894-3	STEERING HANDLE INDICATOR (NOT SHOWN)	55	-	F424075	HANDLE, CLAMP SCREW	51	33
F286895	SPRING, CAM DETENT	57	17	F424161	REED STOP	33	57
F286901	BEARING, RADIAL, PROPELLER SHAFT	57	24	F424168-1	GASKET, MANIFOLD	33	55
F286903	RACE, PROPELLER SHAFT BEARING	57	23	F429472	GASKET, CYLINDER DRAIN COVER	39	9
F286914	SLEEVE WATER LINE	53	49	F429541	TILT LOCK	51	28
F286930	END, STARTER SPRING	21	14	F429688	SHAFT, STEERING HANDLE	51	10
F286956	BRACKET, SHOCK MOUNT LOWER	51	46	F429811	SCREEN	41	57
F286989-1	SEAL, SUPPORT PLATE	11	22	F430732	HEX HD SCREW, 1/4 - 20 X 1	57	14
F286989-2	SEAL, SUPPORT PLATE	3	22	F431061-2	CARBURETOR COMPLETE (CO7C)	35	62
F289664	WIRE, STATOR GROUND	19	11	F431838	MAGNETO CONTROL SHAFT	53	94
F298788	FERRULE	61	4	F436065	WATER PUMP IMPELLER	57	7
F2A286016	ROD, CONNECTING W/CAP AND SCREWS	39	17	F436449	SHORTING SWITCH	19	30
F2A424167	MANIFOLD W/STUDS AND PULLEY	33	52	F436449	SHORTING SWITCH	27	17
F2A459239	STARTER SPOOL W/SHAFT	21	15	F455118	SEAL, FUEL PUMP BRACKET	23	1
F2A477133	MOTOR LEG W/ITEMS 48, 49 & 81	53	77	F455305	SEAL, PROP SHAFT BEARING CAGE	57	35
F302097	FLYWHEEL	19	3	F456098	PROPELLER SHAFT	57	30
F307317	CLIP, TERMINAL BLOCK GROUND	27	14	F456717	THRUST WASHER	57	26
F307818	BEARING	3	14	F458498	KEY, FLYWHEEL	29	49
F307818	BEARING	11	14	F458498	MAGNETO KEY	19	14
F307818	BEARING	53	95	F458677	INSERT, CHOKE KNOB	3	27
F31160-1	REED	33	58	F458677	INSERT, CHOKE KNOB	11	27
F31410	RETAINING RING, PISTON PIN	39	15	F458695	SLEEVE	55	99
F330705	GEAR SHIFT ROD LOWER, FOR LONG SHAFT MODELS	57	-	F461342	SEAL, DRIVESHAFT SPLINE	41	58
F338618-1	SEAL, GEAR SHIFT AND LOWER	57	12	F472015-2	PISTON	45	18
F341384	RETAINER, CHOKE ROD	31	22	F472015-2	PISTON	49	18
F341562	WATER PUMP BACK PLATE	57	8	F472061-1	CARBURETOR COMPLETE (CO10B)	37	62
				F472392	DECAL, PORT "CHRYSLER"	17	7
				F472392	DECAL, PORT, "CHRYSLER" 15 H.P.	9	7
				F472396	DECAL, STARBOARD "CHRYSLER"	17	-
				F472396	DECAL, STARBOARD, "CHRYSLER" 15 H.P.	9	-
				F476	FUEL LINE ADAPTION KIT	67	-
				F487180	TRIM, ENGINE COVER REAR	11	4
				F487180	TRIM, ENGINE COVER, REAR	3	4

# PARTS INDEX

Part Number	Description	Pg.	Ref. No.	Part Number	Description	Pg.	Ref. No.
F487424-1	STARTER PINION SPRING .	21	3	F510669	NUT, INTERLOCK SWITCH AND STARTER SWITCH .	27	22
F487427-1	BRACKET, STARTER UPPER	21	4	F510675-1	STARTER SUPPORT . . . . .	27	10
F487435	PULLEY, STARTER ROPE . .	31	43	F510683	WIRE, RECTIFIER-CIRCUIT BREAKER . . . . .	29	48
F487660-1	EXHAUST TUBE . . . . .	39	27	F510746	FUEL PUMP COVER . . . . .	23	10
F487674	GEAR, STARTER PINION . .	21	2	F510811	FILTER, FUEL PUMP . . . . .	23	16
F487711	PLATE, ENGINE COVER . . .	3	44	F510841	WIRE, STARTER INTERLOCK SWITCH . . . . .	27	12
F487711	PLATE, ENGINE COVER FRONT . . . . .	11	5	F510896	BATTERY CABLE . . . . .	27	39
F487727	BALL, INTERLOCK DETENT	21	21	F510908	WIRE, GROUND . . . . .	27	15
F487755	FUEL TANK ADAPTER . . . .	61	8	F510918	STARTER SWITCH . . . . .	27	19
F487781-3	STARTER INTERLOCK . . . .	21	7	F510955	STARTER MOTOR COMPLETE . . . . .	25	-
F487895	SPRING, INTERLOCK DETENT . . . . .	21	22	F510977	INTERLOCK LEVER . . . . .	47	54
F492263	LINK, STARTER INTERLOCK	5	47	F510977	INTERLOCK LEVER . . . . .	49	54
F492417	SHAFT, GEAR SHIFT HANDLE . . . . .	5	45	F53795-1	SEAL, STEERING HANDLE GRIP DAMPENER (LARGE) . . . . .	51	22
F492417	SHAFT, GEAR SHIFT HANDLE . . . . .	13	46	F588	FLUSHING ADAPTER . . . . .	67	-
F492518	CYLINDER HEAD . . . . .	43	3	F66193	THROTTLE LINK . . . . .	31	14
F492518	CYLINDER HEAD . . . . .	47	3	F66480	STUD CLAMP SCREW . . . . .	51	37
F492531	INTERLOCK ROD . . . . .	43	52	F7005	STOP NUT, 3/8 - 16 . . . . .	51	39
F492531	INTERLOCK ROD . . . . .	45	52	F7008	STOP NUT, 1/4 - 20 . . . . .	41	55
F492619	LEVER, GEAR SHIFT SHAFT	3	35	F7011	ELASTIC STOP NUT, 10 - 24	3	11
F492619	LEVER, GEAR SHIFT SHAFT	11	35	F7011	ELASTIC STOP NUT, 10 - 24	11	11
F492977	INTERLOCK LEVER . . . . .	43	54	F7011	STOP NUT, 10 - 24 . . . . .	3	20
F492977	INTERLOCK LEVER . . . . .	45	54	F7011	STOP NUT, 10 - 24 . . . . .	11	20
F493683	WIRE . . . . .	27	40	F71H02	ANTI-CORROSION SACRIFICIAL ANODE . . . . .	68	-
F50109	GEAR HOUSING PLUG . . . .	57	22	F71H09	FUEL TANK (ACCESSORY ITEM) . . . . .	61	9
F510029	STATOR, TRIGGER . . . . .	27	34	F71H09	STEEL, 6 GALLON FUEL TANK . . . . .	67	-
F510095	STATOR, ALTERNATOR . . .	27	33	F72H17	REMOTE CONTROL CONVERSION KIT . . . . .	67	-
F510097	FLYWHEEL . . . . .	27	31	F72H18	REMOTE STEERING BRACKET . . . . .	67	-
F510165	SCREW, TRANSFER PORT COVER . . . . .	47	5A	F72H24	15" LONG LEG CONVERSION KIT . . . . .	67	-
F510165	SCREW, TRANSFER PORT COVER . . . . .	49	5A	F72H35	WATER PUMP KIT . . . . .	67	-
F510222	TRANSFER PORT COVER . .	47	6	F72H36	SYNCHRO-DRIVE CONTROL BOX (SINGLE LEVER) . . . . .	67	-
F510222	TRANSFER PORT COVER . .	49	6	F73082	RING, MAGNETO STATOR .	39	44
F510288	NUT, SHORTING SWITCH . .	27	16	F74H01	VOLTMETER . . . . .	68	-
F510301	C-D MODULE . . . . .	29	46	F78318	ROLLER, THROTTLE CAM FOLLOWER . . . . .	31	48
F510374	DECAL, CIRCUIT BREAKER	27	28	F78410	RETAINER . . . . .	31	49
F510398	DECAL, WIRING . . . . .	27	7	F8003	PLAIN WASHER . . . . .	23	6
F510427	BRACKET, STARTER SUPPORT . . . . .	23	2	F8003	PLAIN WASHER . . . . .	33	61
F510446	CLAMP, BATTERY CABLE . .	27	38	F8011	PLAIN WASHER . . . . .	5	48
F510449	NEUTRAL INTERLOCK SWITCH . . . . .	29	47	F8011	PLAIN WASHER . . . . .	21	6
F510450-1	RECTIFIER . . . . .	27	23	F8025	PLAIN WASHER . . . . .	39	2
F510460	CIRCUIT BREAKER . . . . .	27	27	F8039	PLAIN WASHER . . . . .	51	23
F510475	IGNITION COIL . . . . .	27	3	F8048	BOWED SPRING WASHER .	3	21
F510531	INTERLOCK ROD . . . . .	47	52	F8048	BOWED WASHER . . . . .	11	21
F510531	INTERLOCK ROD . . . . .	49	52	F8055	LOCKWASHER . . . . .	19	22
F510540	BRACKET, STARTER SWITCH . . . . .	27	21	F8058	INT TOOTH LOCKWASHER .	51	19
F510551	BRACKET, INTERLOCK SWITCH . . . . .	47	60	F8058	INTERNAL TOOTH LOCKWASHER . . . . .	3	13
F510551	BRACKET, INTERLOCK SWITCH . . . . .	49	60				
F510595	INSULATOR, CIRCUIT BREAKER . . . . .	27	41				
F510661	PAD, STARTER MOTOR . . .	13	45				

# PARTS INDEX

Part Number	Description	Pg.	Ref. No.	Part Number	Description	Pg.	Ref. No.
F8058	INTERNAL TOOTH LOCKWASHER	11	13	FA286113	LOCK BAR W/HANDLE AND SPRING	51	40
F8060	TOOTH LOCKWASHER	53	92	FA286144	CAGE, CRANKSHAFT BEARING W/SEAL	39	46
F8063	SPRING LOCKWASHER	57	42	FA286155	MAIN BEARING LINER SET (2 PER SET)	39	41
F8077	NYLTITE WASHER	57	21	FA286266	GEAR, BEVEL PINION	59	43
F8083	SPRING LOCKWASHER	29	45	FA286469	KNOB, COVER LATCH	3	26
F8083	SPRING LOCKWASHER	53	47A	FA286469	KNOB, COVER LATCH	11	26
F84026	SWIVEL, INTERLOCK ROD BEARING	41	50	FA286480	RETAINER, ENGINE COVER W/SCREWS AND NUTS	3	9
F84035-2	BEARING, INTERLOCK ROD	41	49	FA286480	RETAINER, ENGINE COVER W/SCREWS AND NUTS	11	9
F8537	SPRING PIN	51	36	FA286547	KNOB, CHOKE W/INSERT AND CHOKE ROD	3	28
F8538	SPRING PIN	53	70	FA286547	KNOB, CHOKE W/INSERT AND CHOKE ROD	11	28
F8538	SPRING PIN	55	98	FA286582	STEERING ARM W/SPRING PIN & BUMPER	53	90
F8540	SPRING PIN	3	34	FA286970	STARTER REWIND SPRING W/END AND RETAINER	21	12
F8540	SPRING PIN	11	34	FA324101	PROPELLER PIN, PACK OF 3	57	39
F8540	SPRING PIN	51	41	FA341510	LINK, REVERSE LOCK LEVER	53	60
F8542	SPRING PIN	3	16	FA343178	RETAINER W/SET SCREW	51	4
F8542	SPRING PIN	11	16	FA387742	LEVER, REVERSE LOCK INTERMEDIATE	53	69
F8548	SPRING PIN	55	100	FA424158	REED PLATE W/REEDS, STOPS AND SCREWS	33	59
F8553	SPRING PIN	57	19	FA429471	COVER, CYLINDER DRAIN W/CHECK	39	8
F8554	SPRING PIN	51	3+5	FA456023	BEVEL GEAR FRONT W/BEARING	57	25
F8559	DOWEL PIN	39	14	FA456137	GRIP, STEERING HANDLE W/SLEEVE	51	1
F85610	BEARING	51	2	FA456521	CLUTCH	57	29
F85735-1	SEAL	3	2	FA456662	BEVEL GEAR REAR W/BEARING	57	34
F85735-1	SEAL	11	2	FA472018	CRANKCASE W/UPPER MAIN BEARING	45	43
F866	DUO-DRIVE CONTROL BOX (TWIN LEVER)	67	-	FA472018	CRANKCASE W/UPPER MAIN BEARING	49	43
F901307-2	SEAL, DRIVESHAFT	53	81	FA472260	PISTON RING SET (4 PER SET)	45	19
F901307-2	SEAL, DRIVESHAFT AND WATER PUMP	59	45	FA472260	PISTON RING SET (4 PER SET)	49	19
F901456-1	EMERGENCY STARTER COLLAR	19	2	FA473010	CYLINDER W/CRANKCASE COVER, DOWEL PINS, SCREWS AND STUDS	45	12
F901456-1	EMERGENCY STARTER COLLAR	27	30	FA487892	INSERT, PLATE FRONT	3	1
F901563	WATER PUMP IMPELLER DRIVE PIN	59	47	FA487893	INSERT, PLATE FRONT	3	-
F901746-2	FUEL PUMP COVER	31	2	FA492038	PLATE, SUPPORT W/PLUGS	3	19
F901811	FUEL PUMP FILTER	31	8	FA492528	INSERT, TRIM	15	43
F901938-1	SCREW, CYLINDER HEAD	39	1	FA492528	INSERT, TRIM REAR 10 H.P.	7	43
F92759	ROLLER	3	41	FA492845	MOTOR LEG EXTENSION	59	48
F92759	ROLLER	13	41	FA495060	WATER PUMP BODY W/DRIVESHAFT SEAL	57	4
F94840	GROMMET, BATTERY CABLE	13	44				
F98273	STUD, GEAR SHIFT ROD CONNECTOR	3	12				
F98273	STUD, GEAR SHIFT ROD CONNECTOR	11	12				
FA12345	COIL W/LEAD WIRE	19	17				
FA174260	PISTON RING SET (2 PER SET)	43	19				
FA174260	PISTON RING SET (2 PER SET)	47	19				
FA1844	HEX BOLT, 1/4 - 20 X 2 3/8	53	47				
FA24754-1	FUEL LINE W/CLAMPS	31	11				
FA24757-3	FUEL PUMP REED PLATE W/REEDS AND SCREWS	23	8				
FA24757-3	FUEL PUMP REED PLATE W/REEDS AND SCREWS	31	6				

# PARTS INDEX

Part Number	Description	Pg.	Ref. No.	Part Number	Description	Pg.	Ref. No.
FA510038	SUPPORT PLATE W/PLUGS	11	19	FO15623	FUEL BOWL GASKET	31	30
FA510497	TERMINAL BLOCK	27	11	FO15718	THROTTLE SHAFT AND LEVER	35	39
FA510711	PLATE, FRONT	11	25	FO15736	CHOKE SHAFT AND LEVER	31	21
FA510892	INSERT, PLATE FRONT - U.S.A.W/SCREWS, NUTS AND ROLLERS	11	1	FO15757	THROTTLE SHAFT AND LEVER	37	39
FA510914	SEAL, INLET WATER LINE	57	1	FO15783	CHOKE RELIEF VALVE SPRING	31	24
FA520010	CYLINDER W/CRANKCASE COVER, DOWEL PINS, SCREWS AND STUDS	49	12	FO16027	BYPASS TUBE	35	18
FA77395-5	IDENTIFICATION PLATE W/SCREWS FOR U.S.A. MODELS	11	32	FO16098	THROTTLE SHUTTER	35	41
FA77395-5	PLATE, IDENTIFICATION W/SCREWS, U.S.A.	3	32	FO16878	THROTTLE SHUTTER	37	41
FA84754-1	FUEL LINE SHORT W/CLAMPS	61	5	FO2510	FUEL BOWL RETAINING SCREW GASKET	31	32
FC310227	PLUG, SPARK CHAMPION (QL-4-J)	39	-	FO2531	BODY CHANNEL WELCH PLUG	31	16
FC456054	LOWER GEAR HOUSING COMPLETE (NOT SHOWN)	59	-	FO4784	CHOKE FRICTION BALL	31	19
FC472010	SHORT BLOCK (NOT SHOWN)	45	-	FO8805	CHOKE FRICTION SPRING	31	20
FC510010	SHORT BLOCK (NOT SHOWN)	47	-	FO8942	THROTTLE SHUTTER RETAINING SCREW AND LOCKWASHER	35	42
FC520010	SHORT BLOCK (NOT SHOWN)	49	-	FP286	PROPELLER (ACCESSORY ITEM) (10 H.P.)	57	31
FG1005-1	GASKET SET (NOT SHOWN)	41	-	FP408	PROPELLER (ACCESSORY ITEM) (15 H.P.)	57	-
FK1019-1	5" LONG LEG CONVERSION KIT	67	-	FS174227	PLUG, SPARK, L-4-J	39	11
FK317427	BRACKET, STARTER LOWER W/SPRING PIN	21	16	FS409752	FUEL LINE COMPLETE (NOT SHOWN)	61	-
FK750-1	SPARKIE W/SPRING	27	6	FS472712	COVER, ENGINE W/BRACKET, RETAINER AND TILT HANDLE	3	6
FK750-1	SPARKLE W/SPRING	19	20	FS472712	ENGINE COVER W/BRACKET & RETAINER	11	6
FO10165	INLET SEAT GASKET	31	36	FS567532	STERN BRACKET PORT W/CLAMP SCREW AND FOOT	51	31
FO10280	CHOKE SHUTTER RETAINER SCREW AND LOCKWASHER	31	26	FS567532	STERN BRACKET STARBOARD W/CLAMP SCREW AND FOOT	51	25
FO10280	THROTTLE SHUTTER RETAINING SCREW AND LOCKWASHER	37	42	FS901244	INLET WATER LINE EXTENSION	59	49
FO10588	BODY CHANNEL CUP PLUG	31	17	FT2907	SEAL INSTALLER	65	-
FO10790	INLET NEEDLE, SEAT AND GASKET	31	35	FT2908	SEAL SLEEVE	64	-
FO11103	IDLE MIXTURE SCREW SPRING	31	34	FT2909	KNOCK-OFF NUT	62	-
FO11722	MAIN FUEL JET (.055)	37	37	FT2958	KNOCK-OFF SLEEVE	62	-
FO12101	MAIN FUEL JET (.045)	35	37	FT2985	STARTER REWIND KEY	63	-
FO13554	FLOAT	31	27	FT2989	FLYWHEEL WEDGE	62	-
FO13944	FLOAT LEVER PIN	31	28	FT2997	RING COMPRESSOR	64	-
FO13945	FUEL BOWL RETAINING SCREW	31	31	FT3012	SEAL INSTALLER	64	-
FO15366	FUEL BOWL	31	29	FT8342	TEST WHEEL (10 H.P.)	66	-
FO15367	CHOKE SHUTTER	31	25	FT8926	RING EXPANDER	64	-
FO15368	CHOKE RELIEF VALVE	31	23	FT8929	ADAPTER AND HEX BIT	64	-
FO15520	IDLE MIXTURE SCREW	31	33	FT8948-1	PULLER	65	-
FO15522	BYPASS TUBE	37	18	FT8949	SEAL INSTALLER	64	-
FO15525	MAIN NOZZLE	31	38	FT8950	LEAKAGE TESTER	66	-
FO15526	THROTTLE SHAFT RETURN SPRING	31	40	FT8952	TEST WHEEL (15 H.P.)	66	-
				T8974	BREAKER POINT TENSION GAUGE	66	-
				11-817752A1	PROPELLER NUT W/COTTER PIN	57	32
				22-818103--1	FITTING, FUEL PUMP	23	11



# PARTS INDEX

Part Number	Description	Pg.	Ref. No.	Part Number	Description	Pg.	Ref. No.
27-818043A1	FUEL PUMP DIAPHRAGM W/GASKETS . . . . .	23	4				
27-818043A1	FUEL PUMP DIAPHRAGM W/GASKETS . . . . .	31	7				
31-817756A2	PROPELLER SHAFT BEARING CAGE . . . . .	57	36				
32-817738A1	FUEL LINE, LONG W/CLAMPS AND FERRULE	61	7				
43-818009--1	GEAR, MAGNETO CONTROL SHAFT . . . . .	51	7				
43-818009--1	GEAR, STEERING HANDLE SHAFT . . . . .	51	5				
400-818047A3	CRANKCASE W/UPPER MAIN BEARING . . . . .	43	43				
400-818047A3	CRANKCASE W/UPPER MAIN BEARING . . . . .	47	43				
800-817801A2	CYLINDER W/CRANKCASE COVER, CYLINDER DRAIN COVER, DOWEL PIN . . . .	43	12				
800-817893A3	SHORT BLOCK (NOT SHOWN) . . . . .	43	-				
1400-817750A4	SWIVEL BRACKET W/GREASE FITTING . . . .	53	75				
1600-824916A1	GEAR HOUSING UPPER . . .	57	13				