



# PARTS CATALOG

## 6 H.P. SAILOR

### SERIAL NUMBER

6 (1978) .....	60B8B
6 (1978) .....	60H8B
6 (1978) .....	61B8A
6 (1978) .....	61H8A

# TABLE OF CONTENTS:

ACCESSORIES .....	37
ELECTRICAL COMPONENTS .....	6
ENGINE COVER AND SUPPORT PLATE .....	2
FUEL SYSTEM .....	14
FUEL TANK AND LINE .....	30
GEAR HOUSING .....	26
LUBRICATION CHART .....	39
MOTOR LEG .....	22
PARTS INDEX .....	41
POWER HEAD .....	18
SPECIAL ADJUSTMENTS .....	40
SPECIAL TOOLS - LOWER UNIT .....	35
SPECIAL TOOLS - POWER HEAD .....	34
SPECIAL TOOLS - STARTER .....	33
SPECIAL TOOLS - TEST EQUIPMENT .....	36
SPECIAL TOOLS - TUNE-UP .....	32
SPECIFICATIONS .....	38
STARTER .....	12
STEERING ARM .....	8

**NOTE:** Indented description indicate that these parts are included in preceeding assembly.

**AR** = As Required

**NSS** = Not Sold Separate

**OPT** = Optional

**NS** = Not Shown

**THESE PARTS BOOKS/FICHE CARD ARE COPYRIGHTED AND MAY NOT BE DISTRIBUTED OR REPRODUCED IN ANY OTHER FORMAT BY ANYONE OTHER THAN MERCURY MARINE WITHOUT THE PRIOR WRITTEN CONSENT OF MERCURY MARINE.**

THIS PAGE INTENTIONALLY LEFT BLANK

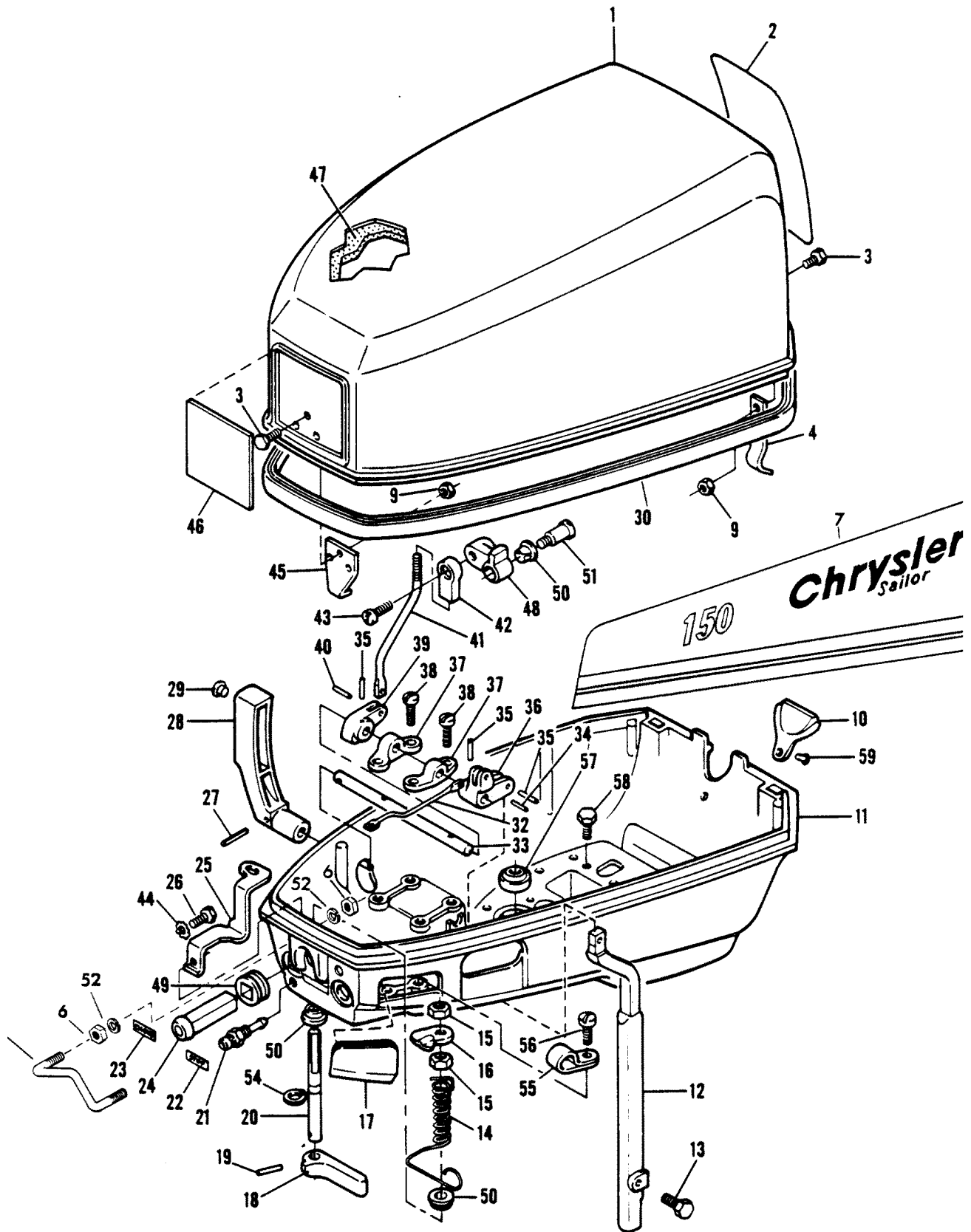


# ENGINE COVER AND SUPPORT PLATE

REF. NO.	PART NO.	SYM.	QTY.	DESCRIPTION
1	FS525712		1	ENGINE COVER W/PACKING, REAR RETAINER AND LATCH BRACKET
2	F516528		1	DECAL REAR TRIM
3	F1475		7	FILL HD SCREW, 10 - 24 X 1/2
4	FA525480		2	RETAINER ENGINE COVER W/NUTS & SCREWS
5	F487455		1	GUIDE, STARTER ROPE
6	F1513		4	NUT 10-32
7	FA516386		1	DECAL STARBOARD
-	<b>A516397</b>		<b>1</b>	<b>DECAL PORT</b>
9	F7011		7	ELASTIC STOP NUT, 10 - 24
10	525156		1	COVER SUPPORT PLATE REAR
11	FA487038		1	SUPPORT PLATE W/EYELET
12	F525615		1	ROD GEAR SHIFT UPPER
13	F1950		1	HEX HD SCREW, 10 - 24 X 5/8
14	F525912		1	SPRING LATCH SHAFT
15	F1518		2	NUT, 5/16 - 18
16	F392777		1	CAM COVER LATCH
17	F525840		1	GROMMET REMOTE THROTTLE CABLE
-	<b>F84991-1</b>		<b>1</b>	<b>GROMMET LIGHTING COIL WIRE</b>
18	F525469		1	HANDLE LATCH
19	F8547		1	SPRING PIN, 1/8 X 5/8
20	F525763		1	SHAFT COVER LATCH
21	F197767-1		1	BUSHING FUEL LINE
22	F525390		1	DECAL STOP (U.S.A.)
-	<b>FC525390</b>		<b>1</b>	<b>DECAL STOP (CANADA)</b>
23	F525394		1	DECAL CHOKE (U.S.A.)
-	<b>FC525394</b>		<b>1</b>	<b>DECAL CHOKE (CANADA)</b>
24	F521547		1	CHOKE KNOB
25	F525925		1	LINK CHOKE KNOB
26	F2041		1	HEX HD SCREW, 10 - 24 X 3/8
27	F8567		1	SPRING PIN, 1/8 X 13/16
28	F525614		1	HANDLE GEAR SHIFT
29	F526524		2	RIVET GEAR SHIFT HANDLE
30	FK525713		1	ENGINE COVER PACKING
32	F525263		1	LINK STATOR INTERLOCK
33	F525871		1	SHAFT GEAR SHIFT LEVER
34	F8538		1	SPRING PIN, 3/32 X 1/2
35	F8547		3	SPRING PIN, 1/8 X 5/8
36	F525876		1	LEVER GEAR SHIFT
37	F318818		2	BEARING, SHIFT LEVER SHAFT
38	F1573		4	FILL HD SCREW, 1/4 - 20 X 1/2
39	F525977		1	LEVER SHIFT INTERLOCK
40	F1978		1	SPRING PIN, 1/8 X 1/2

CONTINUED ON NEXT PAGE ➡

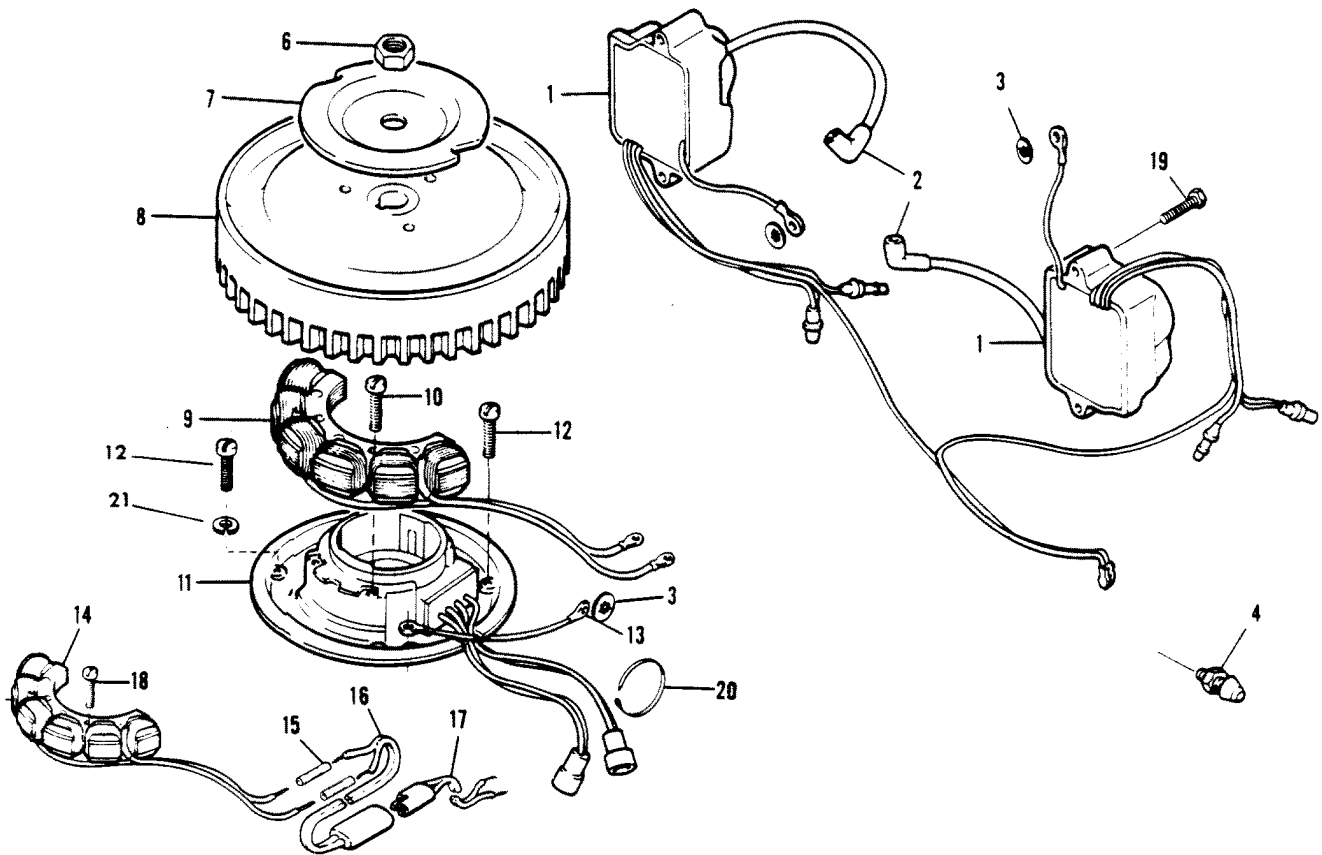
# ENGINE COVER AND SUPPORT PLATE



## ENGINE COVER AND SUPPORT PLATE

REF. NO.	PART NO.	SYM.	QTY.	DESCRIPTION
41	F525531		1	ROD SHIFT INTERLOCK
42	F84035-2		1	BEARING INTERLOCK ROD
43	F84026		1	SCREW SHOULDER
44	F1975		1	LOCKWASHER, #10
45	FA525774		1	BRACKET COVER LATCH W/SCREWS & NUTS
46	FA525892		1	INSERT PLATE FRONT (U.S.A.)
-	<b>FA525893</b>		<b>1</b>	<b>INSERT PLATE FRONT (CANADA)</b>
47	FK516984		1	BLANKET TOP & SIDES
48	F516977		1	LEVER SHIFT INTERLOCK
49	F525504		1	GROMMET, CHOKE ROD
50	F307818		3	BEARING (NYLINER)
51	F85026		1	SWIVEL, INTERLOCK LEVER
52	F8058		4	LOCKWASHER #10
54	F73741-1		1	RING
55	F178446		1	CLAMP LEAD WIRE
56	F1734		1	SLOTTED FILL HD SCREW, 1/4 - 20 X 1/2
57	F318307		1	SEAL, DRIVESHAFT
58	F1200		2	HEX HD SCREW, 1/4 - 20 X 1/2
59	F2026		1	RIVET, SUPPORT PLATE COVER

# ELECTRICAL COMPONENTS

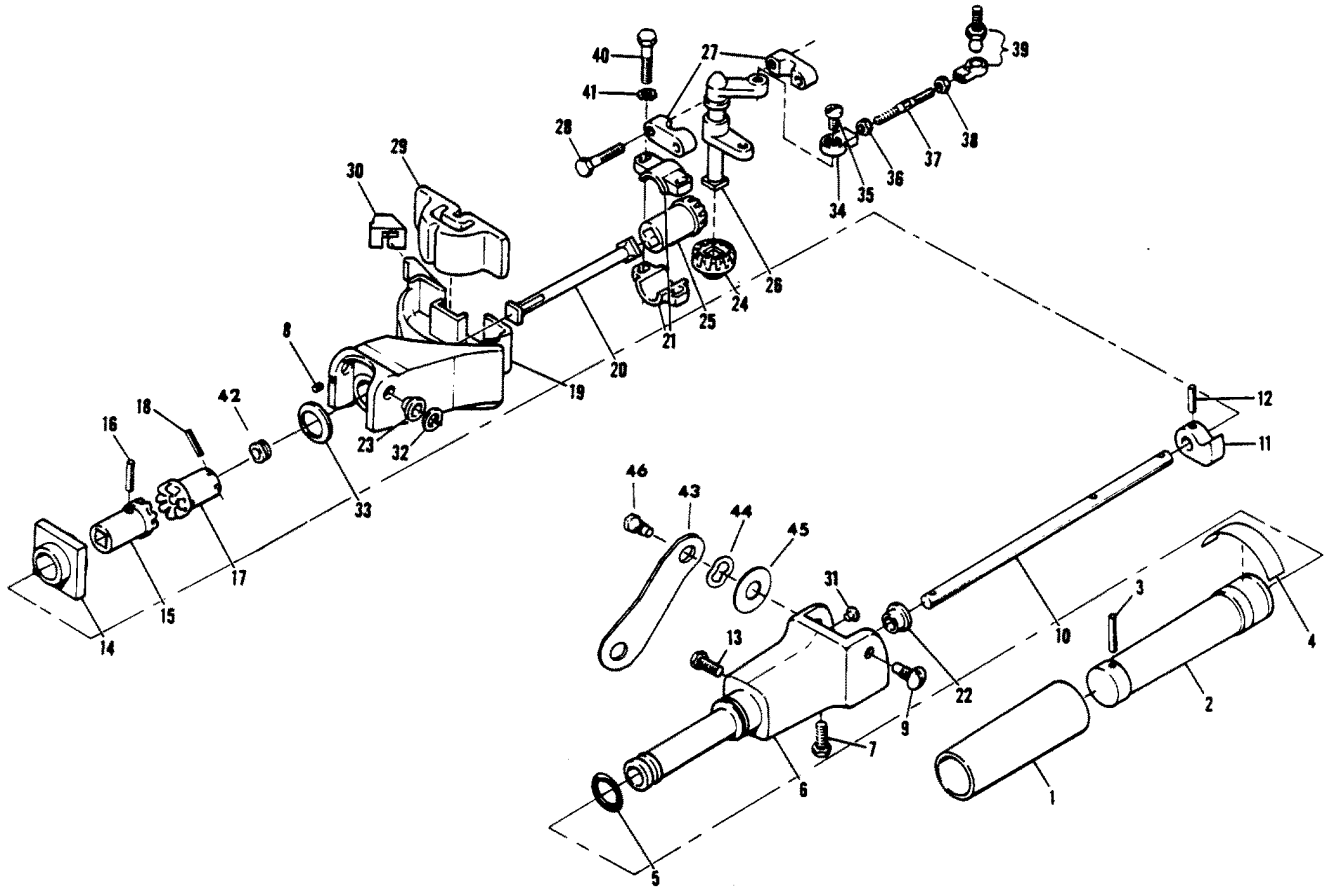




# ELECTRICAL COMPONENTS

REF. NO.	PART NO.	SYM.	QTY.	DESCRIPTION
1	F525475		2	C-D MODULE - COIL
2	FK750-2		2	SPARKIE KIT
3	F2106		3	LOCKWASHER
4	F436449		1	SHORTING SWITCH
6	F1809		1	FLYWHEEL NUT
7	F901456-1		1	COLLAR, EMERGENCY START
8	F525097		1	FLYWHEEL
9	F525301		1	STATOR - C-D
10	F1678		2	FILL HD SCREW, 10 - 24 X 13/16
11	F525029		1	STATOR - TRIGGER
12	F2010		4	FILL HD SCREW, 10 - 32 X 9/16
13	F404908		1	WIRE, STATOR GROUND
14	F525095		1	STATOR ALTERNATOR
15	F448874		2	SPLICE
16	F521843		1	CABLE LIGHTING COIL EXT.
17	FA521841		1	CABLE LIGHTING COIL W/SPLICES
18	F1678		2	SLOTTED FILL HD SCREW, 10 - 24 X 13/16
19	F525064		4	SCREW - C-D COIL
20	F1877		2	TY-RAP
21	F1975		1	LOCKWASHER (MAG. STATOR SCREW ALONG SIDE INTERLOCK TAB)

# STEERING ARM

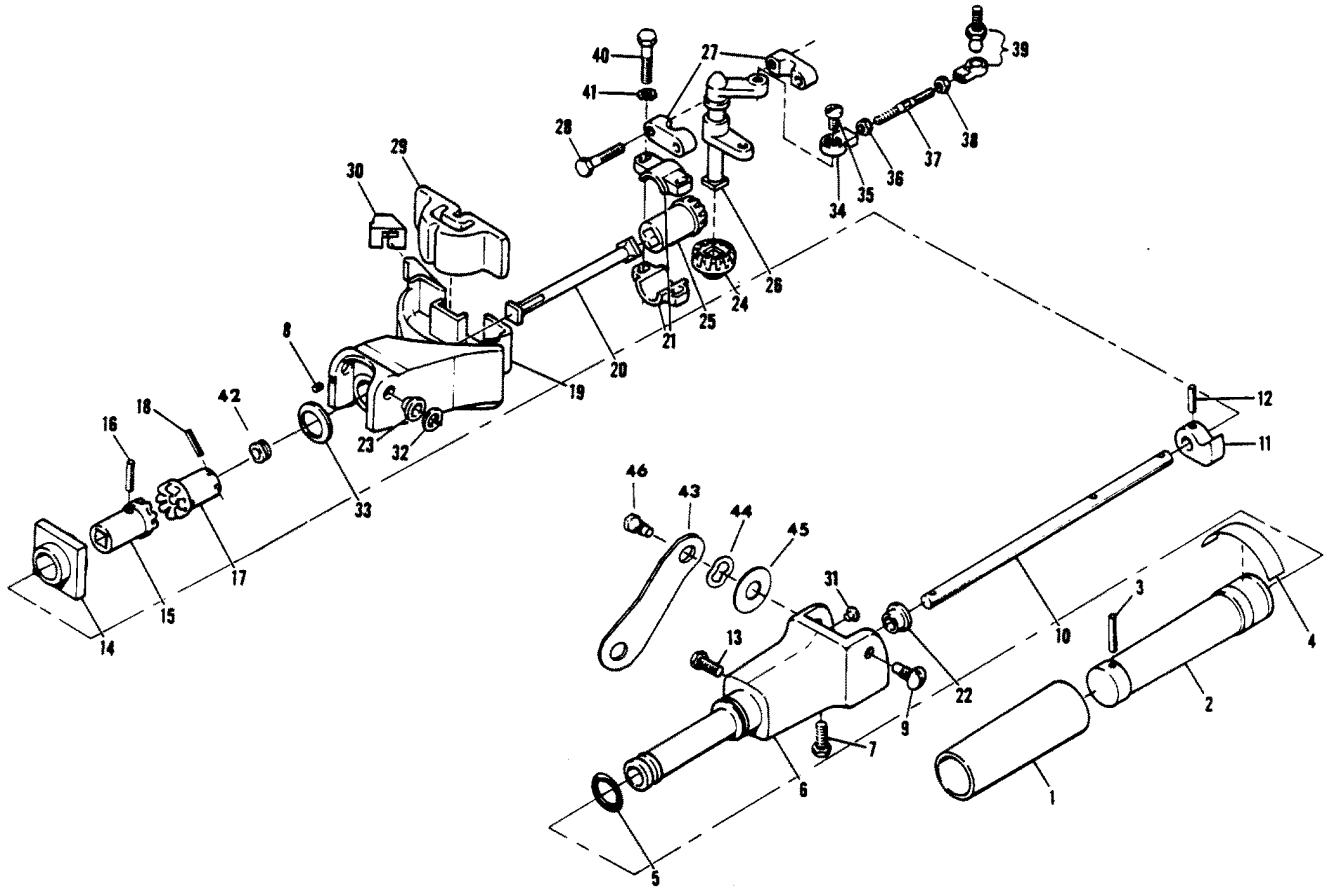


# STEERING ARM

REF. NO.	PART NO.	SYM.	QTY.	DESCRIPTION
1	F458695		1	SLEEVE, STEERING HANDLE GRIP
2	FA456137		1	GRIP, STEERING HANDLE W/SLEEVE
3	F8548		1	SPRING PIN, 1/8 X 1
4	F286894-3		1	INDICATOR STEERING HANDLE - U.S.A.
-	<b>37-F286894-3</b>		<b>1</b>	<b>INDICATOR STEERING HANDLE - CANADA</b>
5	F53795-1		1	SEAL, STEERING HANDLE DAMPENER
6	F525079		1	HANDLE-STEERING
7	F525552		1	SCREW, STEERING HANDLE BEARING
8	F1449		1	HEX SET SCREW, 10 - 24 X 1/4
9	F525080		2	SCREW, STEERING HANDLE PIVOT
10	F525688		1	SHAFT, STEERING HANDLE
11	F525198		1	THROTTLE STOP
12	F8547		1	SPRING PIN, 1/8 X 5/8
13	F458519		1	SCREW, IDLE STOP
14	F525816		1	BEARING, STEERING HANDLE GEAR
15	F525815		1	GEAR, STEERING HANDLE
16	F8567		1	SPRING PIN, 1/8 X 13/16
17	F525691		1	GEAR, STEERING ARM
18	F8540		1	SPRING PIN, 3/32 X 5/8
19	F525582-1		1	STEERING ARM
20	F525877		1	SHAFT, MAGNETO CONTROL
21	F525665		2	BEARING, GEAR PINION TOWERSHAFT
22	F307818		1	BEARING, STEERING HANDLE SHAFT
23	F390689		2	BEARING, STEERING ARM PIVOT SCREW
24	F525605		1	GEAR, TOWERSHAFT
25	F525627		1	GEAR, TOWERSHAFT PINION
26	F525838		1	TOWERSHAFT
27	F525689		2	TOWERSHAFT BEARING
28	F1699		2	HEX HD SCREW, 1/4 - 20 X 1 1/8
29	F318347-1		1	UPPER MOUNT
30	F318539		1	BUMPER
31	F525524		1	RIVET, STEERING HANDLE
32	F525220		2	WASHER, STEERING HANDLE
33	F8043		1	WAVE WASHER
34	F84036		1	BEARING, SPARK CONTROL
35	F84026		1	SHOULDER SCREW
36	F7027		1	NUT (LEFT HAND), 10 - 24
37	F525445		1	LINK, MAGNETO STATOR CONTROL
38	F1513		1	NUT, 10 - 32
39	817747--1		1	JOINT, BALL ASSEMBLY
40	F525751		2	SCREW
41	F8060		2	LOCKWASHER

CONTINUED ON NEXT PAGE ➡

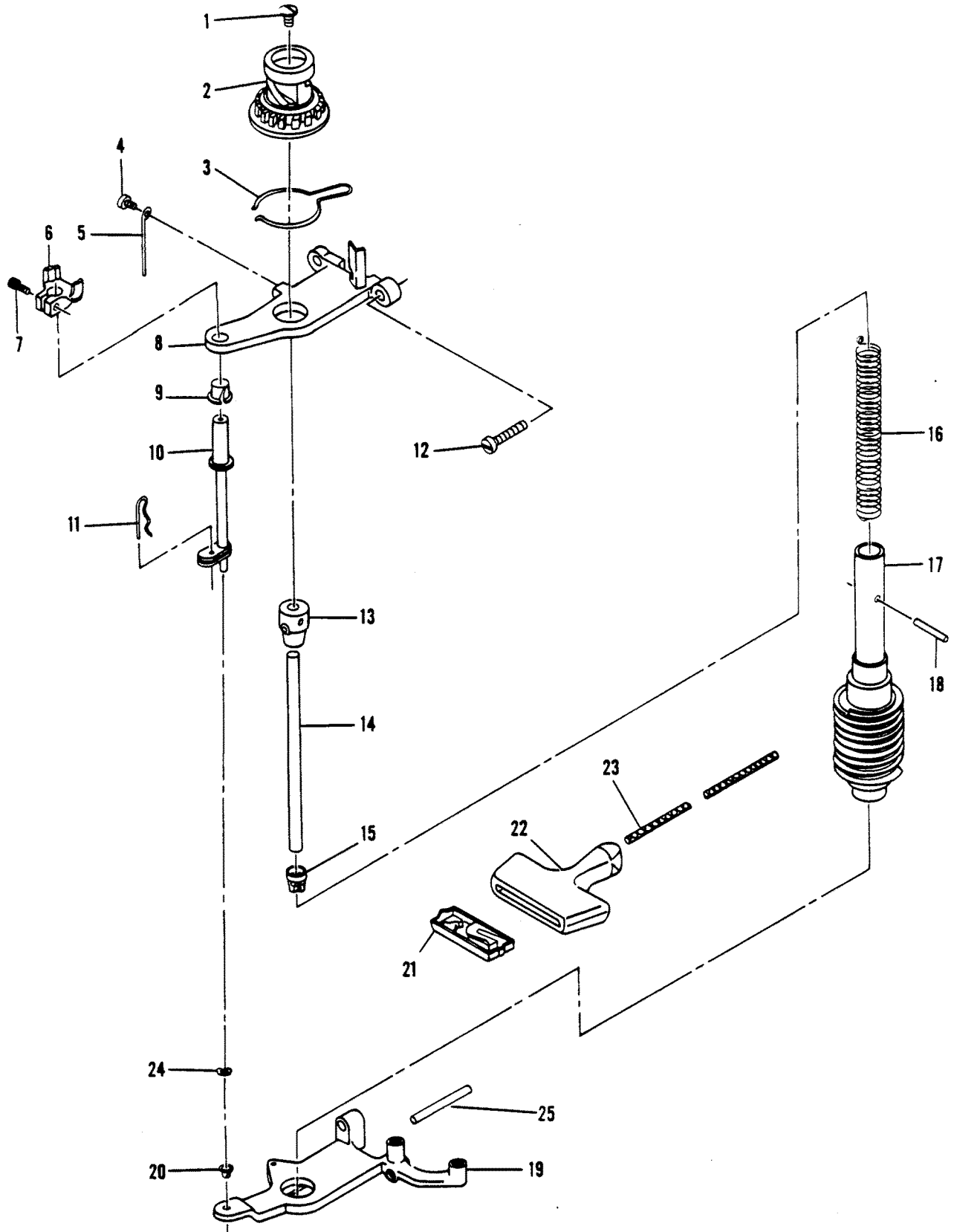
# STEERING ARM



# STEERING ARM

REF. NO.	PART NO.	SYM.	QTY.	DESCRIPTION
42	F318504		1	GROMMET
43	F487078		1	BRACKET, LOCK STEERING
44	F516821		1	WASHER, PIVOT SCREW
45	F516124		1	WASHER, PLAIN
46	F516080		1	SCREW, PIVOT

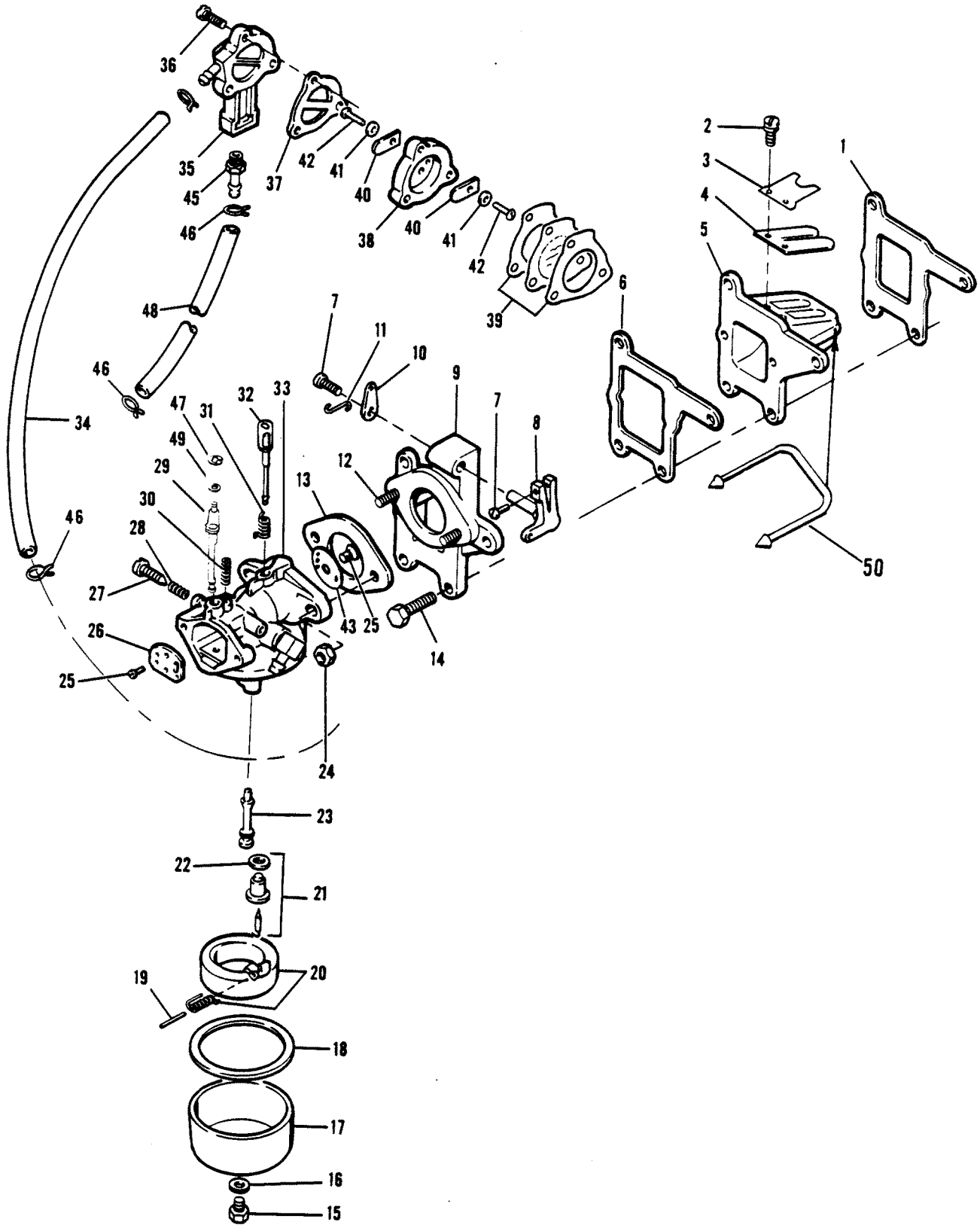
# STARTER



# STARTER

REF. NO.	PART NO.	SYM.	QTY.	DESCRIPTION
1	F1156		1	FLAT HD SCREW, 1/4 - 20 X 1/2
2	F525674		1	GEAR STARTER PINION
3	F525424		1	SPRING STARTER PINION
4	F1760		1	PAN HD SCREW, 10 - 24 X 3/8
5	F525455		1	GUIDE STARTER ROPE
6	F525781		1	INTERLOCK STARTER
7	F2031		1	HEX HD SCREW, 1/4 - 20 X 3/4
8	F525427		1	BRACKET STARTER UPPER
9	F269689		1	BEARING STARTER BRACKET UPPER
10	F525105		1	SHAFT INTERLOCK
11	F525629		1	COTTER PIN
12	F1052		4	FILL HD SCREW, 1/4 - 20 X 1
13	F901739		1	DRIVE STARTER REWIND SPRING
14	F901710		1	POST STARTER SPRING GUIDE
15	F525737		1	RETAINER STARTER REWIND SPRING
16	F901970		1	SPRING STARTER REWIND
17	FA525239		1	SPOOL STARTER W/SCREW
18	F40425		1	PIN STARTER PINION
19	F525675		1	BRACKET STARTER LOWER
20	F197813		1	BEARING STARTER BRACKET LOWER
21	817938A1		1	RETAINER STARTER ROPE HANDLE
22	F286132		1	HANDLE STARTER ROPE
23	F409232		1	ROPE STARTER
24	F8070		1	BOWED SPRING WASHER
25	F8571		1	SPRING PIN, 1/8 X 1 3/4

# FUEL SYSTEM



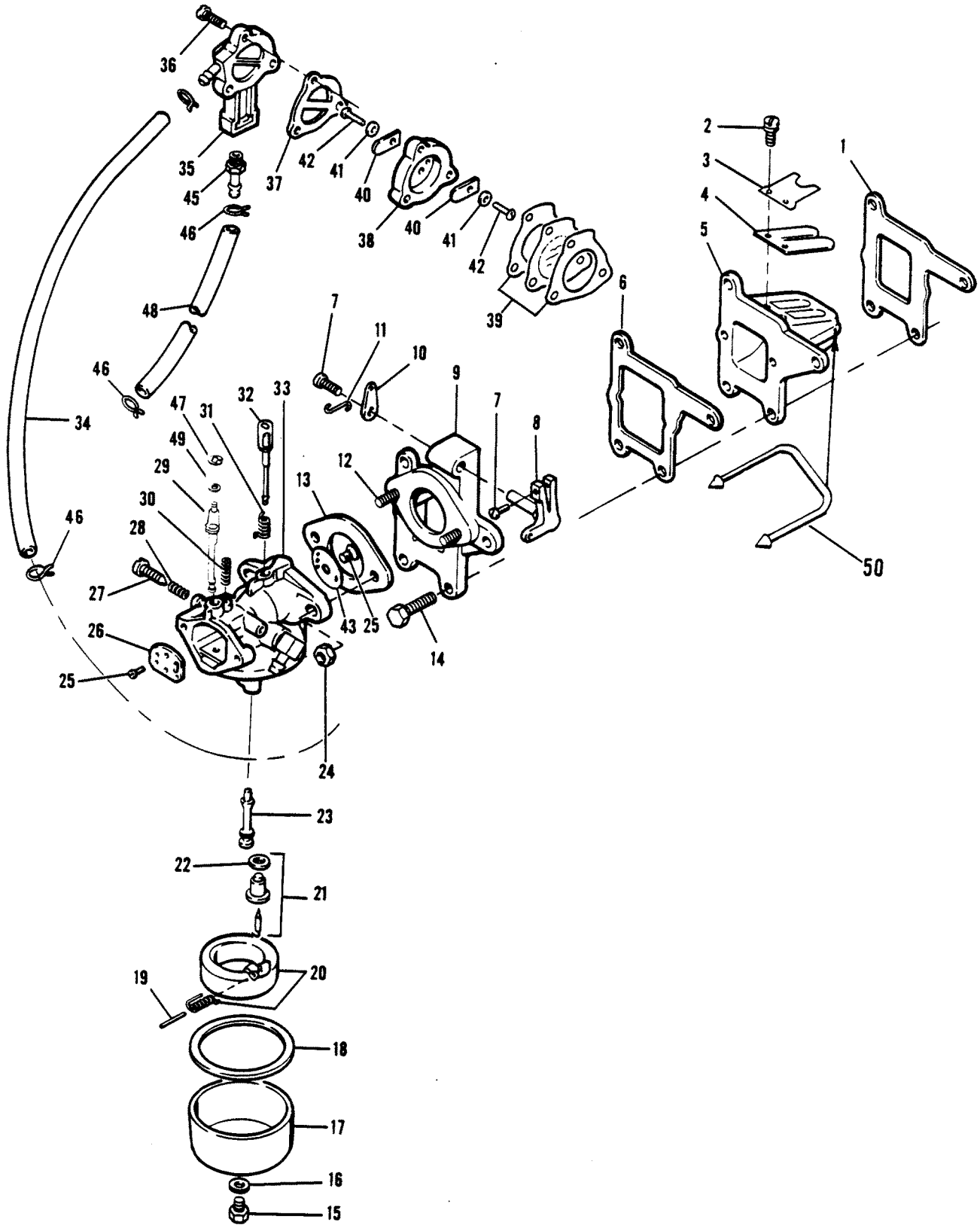


# FUEL SYSTEM

REF. NO.	PART NO.	SYM.	QTY.	DESCRIPTION
1	F525159		1	GASKET, REED PLATE
2	F1755		4	RD HD SCREW & SPRING LOCKWASHER ASSEMBLY, 6 - 32 X 5/16
3	F525161		2	REED STOP
4	F31160-1		2	REED
5	F2A525158		1	PLATE REED W/SEAL
6	F525168		1	GASKET MANIFOLD
7	F1772		2	HEX HD SCREW, 8 - 32 X 1/2
8	F525316-1		1	FOLLOWER THROTTLE CAM
9	FA525167		1	MANIFOLD W/STUDS
10	F525081		1	LEVER THROTTLE
11	F525193		1	LINK THROTTLE
12	F2788004		2	STUD CARBURETOR
13	F18906		1	GASKET CARBURETOR
14	F1953		4	HEX HD SCREW, 1/4 - 20 X 1
15	F10096		1	JET ASSEMBLY (.039) STANDARD <b>(FOR OTHER THAN STANDARD, SEE BELOW)</b>
16	F10090		1	GASKET FUEL BOWL RETAINER
17	F10058		1	FUEL BOWL
18	F10068		1	GASKET BODY TO BOWL
19	F10064		1	SHAFT - FLOAT
20	F10063		1	FLOAT
21	F10101		1	KIT - VALVE, SEAT, SPRING & GASKET
22	F10066		1	GASKET VALVE SEAT
23	F10082		1	NOZZLE
24	F1490		2	NUT, 1/4 - 20
25	F10070		2	SCREW ASSEMBLY - CHOKE VALVE
26	F10062		1	CHOKE VALVE ASSEMBLY
27	F10077		1	NEEDLE - IDLE
28	F10073		1	SPRING IDLE NEEDLE
29	F10061		1	CHOKE SHAFT ASSEMBLY
30	F10072		1	SPRING CHOKE STOP
31	F10085		1	SPRING THROTTLE RETURN
32	F10081		1	SHAFT ASSEMBLY - THROTTLE
33	F525061		1	CARBURETOR
34	F84253		1	HOSE
35	F901746-2		1	COVER FUEL PUMP
36	F1069		3	FILL HD SCREW, 10 - 24 X 1 1/16
37	F24748-2		1	GASKET FUEL PUMP
38	FA24757-3		1	PLATE FUEL PUMP REED W/REEDS & SCREWS
39	27-818043A1		1	DIAPHRAGM, FUEL PUMP W/GASKETS
40	F18160-2		2	REED FUEL PUMP
41	F8003		2	PLAIN WASHER
42	F1286		2	PAN HD SCREW, #4 - 40 X 3/16

CONTINUED ON NEXT PAGE ➡

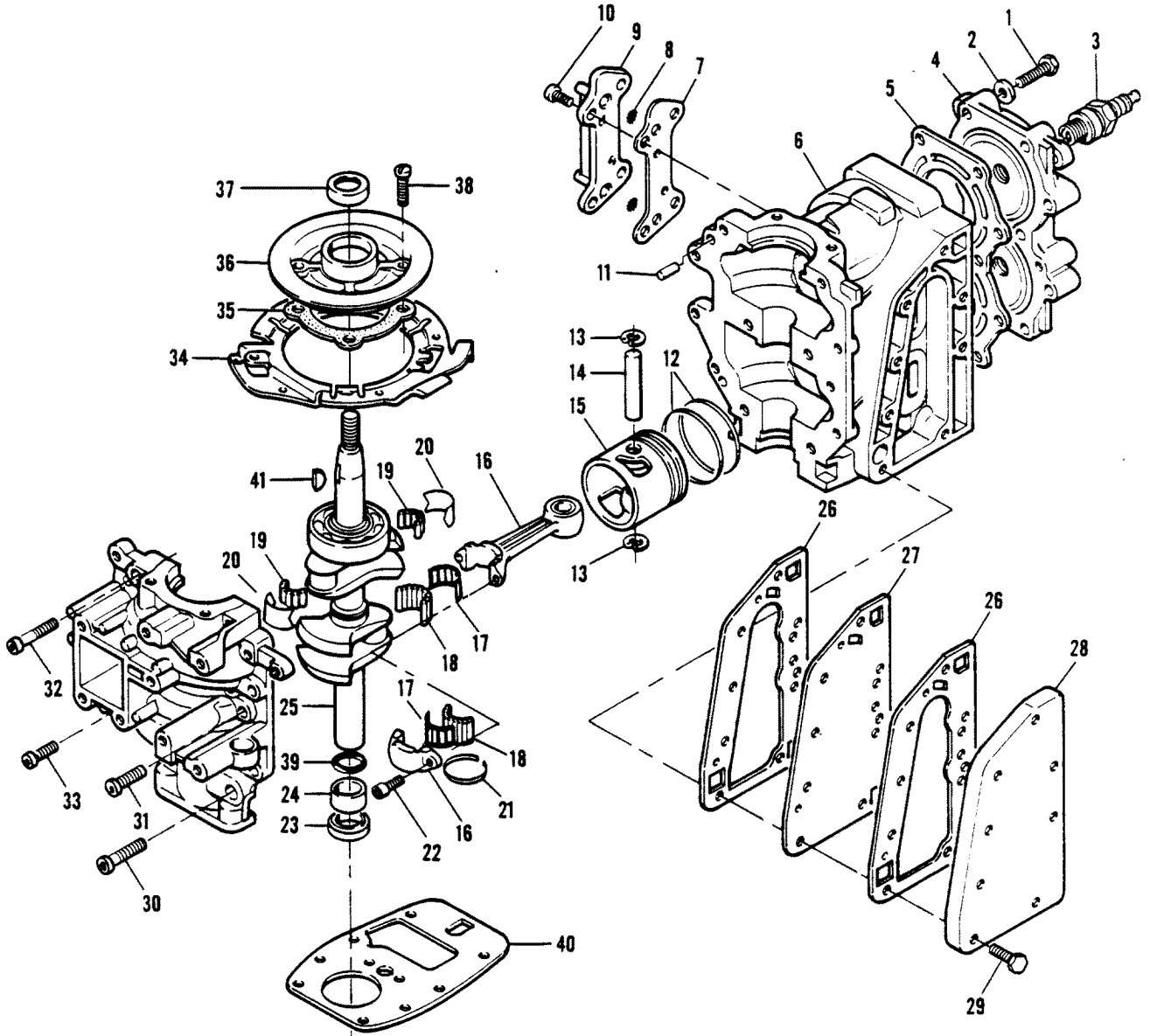
# FUEL SYSTEM



# FUEL SYSTEM

REF. NO.	PART NO.	SYM.	QTY.	DESCRIPTION
43	F10091		1	VALVE THROTTLE
44	F10071		1	SCREW, THROTTLE VALVE
45	F901811		1	FILTER FUEL PUMP
46	F2706772		4	CLAMP HOSE
47	F90807		1	RING, RETAINING
48	F84253		1	HOSE
49	F2042		1	PLAIN WASHER
50	F525984		1	SEAL, REED PLATE
-	<b>F10087</b>		<b>1</b>	<b>REPAIR KIT (INCL ITEMS PRECEDED WITH **)</b>
-	<b>F10069</b>		<b>1</b>	<b>GASKET KIT (INCL ITEMS PRECEDED WITH *)</b>

# POWER HEAD

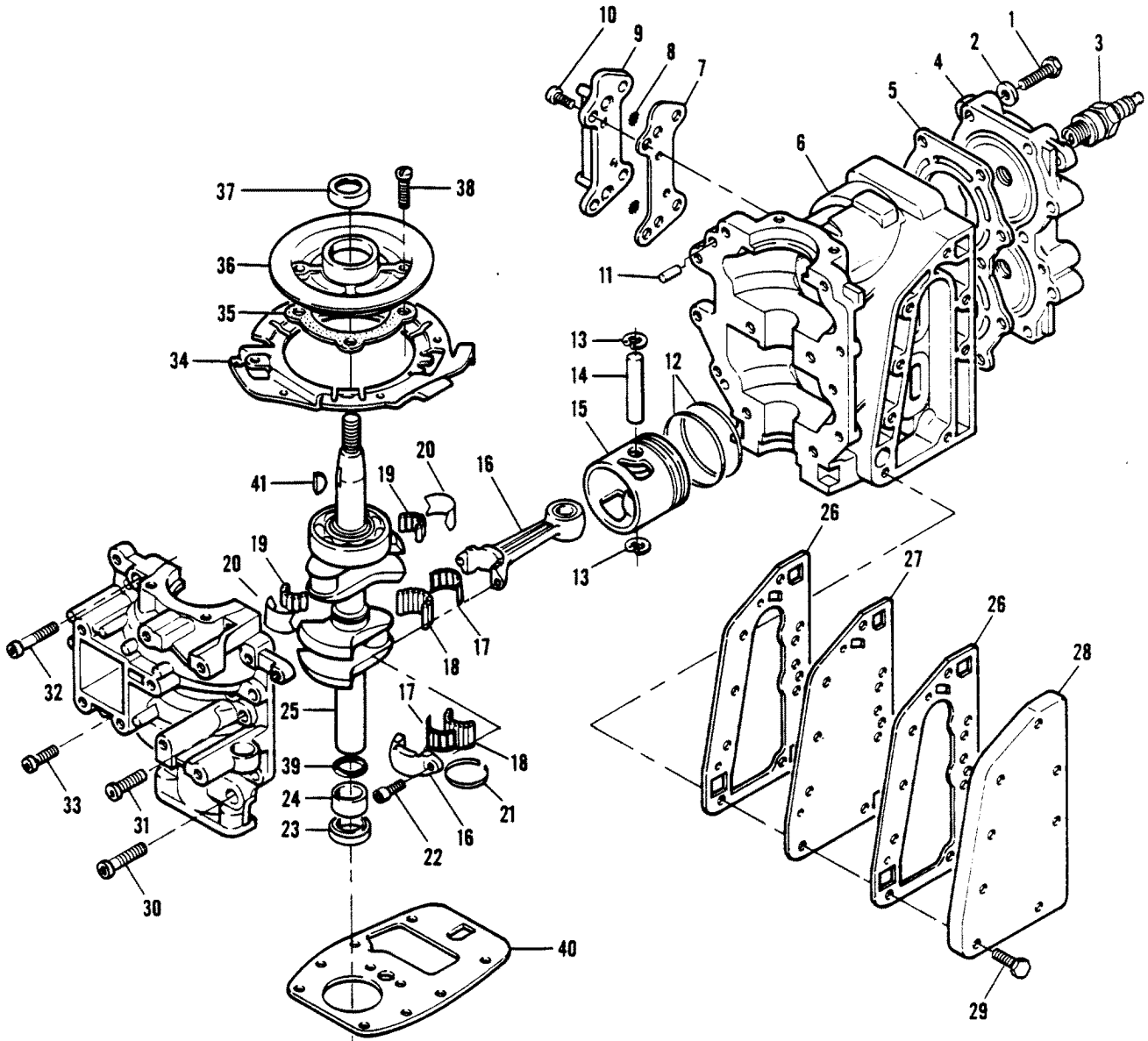


# POWER HEAD

REF. NO.	PART NO.	SYM.	QTY.	DESCRIPTION
1	F901938-1		10	SCREW, CYLINDER HEAD
2	F8025		10	PLAIN WASHER
3	33-82370M		2	SPARK PLUG (L-86)
-	<b>C341227-1</b>		<b>2</b>	<b>SPARK PLUG (QL-86) CANADA ONLY</b>
4	F525518		1	CYLINDER HEAD
5	F525529		1	GASKET, CYLINDER HEAD
6	F2A525010		1	CYLINDER
7	F525472		1	GASKET, CYLINDER DRAIN COVER
8	F429811		2	SCREEN, CYLINDER DRAIN
9	FA525471		1	COVER, CYLINDER DRAIN W/SCREEN
10	F1110		4	SCREW, 1/4 - 20 X 5/8
11	F8559		2	DOWEL PIN
12	39-818038A1		2	PISTON RING
13	F250410		4	PISTON PIN RETAINING RING
14	F250017		2	PISTON PIN
15	F525015		2	PISTON
16	F2A521016		2	CONNECTING ROD <b>W/ITEM 22</b>
17	FA525241		2	CRANKPIN ROLLER CAGE
18	FA525228		2	ROLLER CRANKPIN
19	F286571		1	ROLLER ASSEMBLY, CENTER MAIN BEARING
20	FA286155		1	LINER, CENTER MAIN
21	F525579		1	CRANKCASE SEAL
22	F36634		4	CONNECTING ROD SCREW
23	F141118		1	SEAL, CRANKSHAFT LOWER
24	F343014		1	BEARING, CRANKSHAFT LOWER MAIN
25	F2A525018		1	CRANKSHAFT W/UPPER BEARING
26	F525154		2	GASKET EXHAUST
27	F525151		1	PLATE EXHAUST
28	F525152		1	COVER EXHAUST
29	F1953		8	SCREW, 1/4 - 20 X 1
30	F1257		2	SCREW, 5/16 - 18 X 1 1/4
31	F1994		2	SCREW, 5/16 - 18 X 1
32	F1044		2	SCREW, 1/4 - 20 X 1 3/8
33	F1107		6	SCREW, 1/4 - 20 X 3/4
34	F525082		1	RING STATOR
35	F286277		1	GASKET, CRANKSHAFT BEARING CAGE
36	1100-817753A1		1	CAGE, CRANKSHAFT BEARING W/UPPER CRANKSHAFT SEAL
37	F346146		1	SEAL, CRANKSHAFT UPPER
38	F1111		4	FILL HD SCREW, 1/4 - 20 X 7/8
39	F468342		1	SEAL, CRANKSHAFT SPLINE
40	F525279		1	GASKET, CYLINDER MOUNTING
41	F458498		1	MAGNETO KEY
-	<b>FC525010</b>		<b>1</b>	<b>CYLINDER COMPLETE (NOT SHOWN)</b>

CONTINUED ON NEXT PAGE ➡

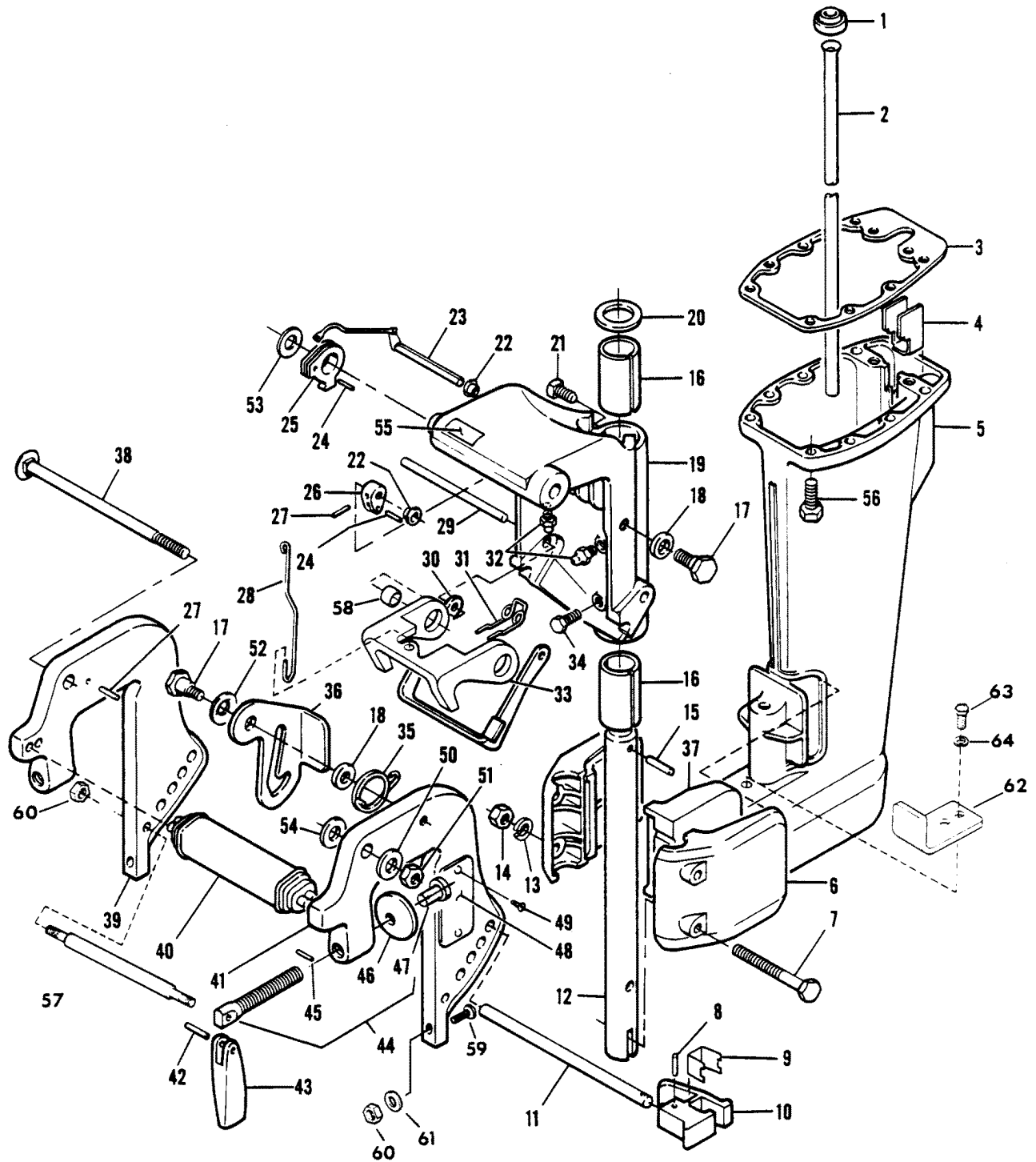
# POWER HEAD



# POWER HEAD

REF. NO.	PART NO.	SYM.	QTY.	DESCRIPTION
-	FG1018		1	GASKET SET (SEE BELOW)
-	F18906		1	GASKET, CARB.
-	F286277		1	GASKET, C'SHAFT BRG. CAGE
-	F525154		2	GASKET, EXHAUST
-	F525159		1	GASKET, REED PLATE
-	F525168		1	GASKET, MANIFOLD
-	F525279		1	GASKET, CYL. MOUNTING
-	F525453		1	GASKET, LEG MOUNTING
-	F525529		1	GASKET, CYL. HEAD
-	F525472		1	GASKET, CYL. DRAIN COVER

# MOTOR LEG



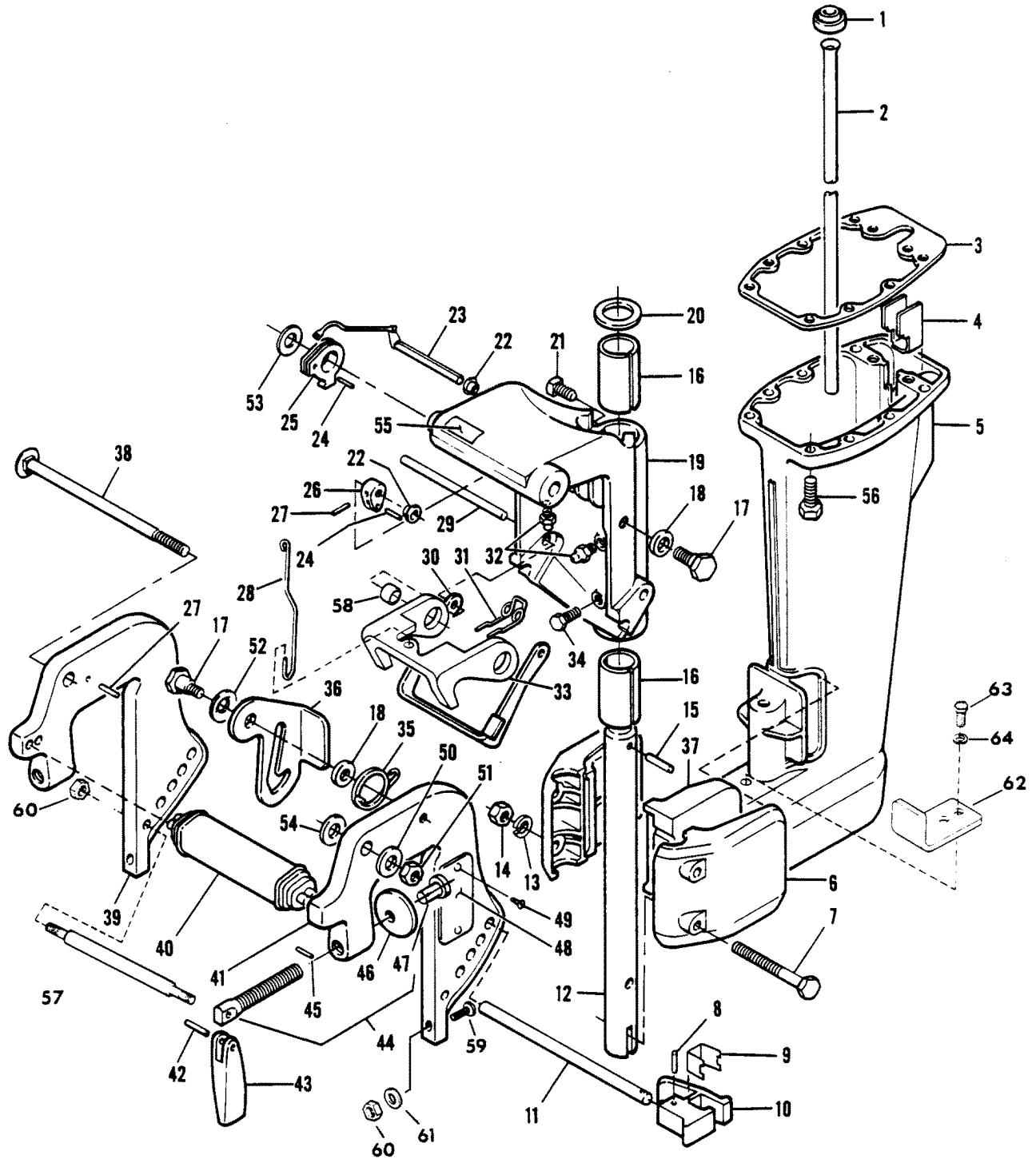


# MOTOR LEG

REF. NO.	PART NO.	SYM.	QTY.	DESCRIPTION
1	F318342		1	SEAL, WATERLINE INLET UPPER
2	F516244		1	WATERLINE
3	F525453		1	GASKET LEG MOUNTING
4	F525779		1	BAFFLE IDLE RELIEF
5	F526133		1	MOTOR LEG
6	F525707		2	COVER, SHOCK MOUNT LOWER
7	F1972		2	HEX HD SCREW, 1/4 - 20 X 2 1/2
8	F8540		1	SPRING PIN, 3/32 X 5/8
9	F286461		1	SPRING LOCK BAR HANDLE
10	F286114		1	HANDLE LOCK BAR
11	FA286113		1	BAR LOCK W/8, 9, 10
12	F525019		1	KINGPIN
13	F8083		2	LOCKWASHER
14	F1341		2	NUT, 1/4 - 20
15	F1805		1	SPRING PIN, 1/4 X 1 3/8
16	F286169		2	BEARING SWIVEL BRACKET
17	F286422-1		2	PIVOT TILT LOCK
18	F286451		2	SPACER TILT LOCK
19	1400-817964A2		1	SWIVEL BRACKET W/16, 32
20	F286011		1	WASHER SWIVEL BRACKET
21	F525839		1	SCREW, STEERING FRICTION
22	F197813		2	BEARING
23	FA387742		1	LEVER REVERSE LOCK INTERMEDIATE
24	F1794		2	SPRING PIN, 3/32 X 3/8
25	F286827		1	LEVER REVERSE LOCK RELEASE
26	F286364		1	LEVER REVERSE LOCK
27	F8538		2	SPRING PIN, 3/32 X 1/2
28	F341510		1	LINK REVERSE LOCK LEVER
29	F1806		1	GROOVE PIN, 5/16 - 3 3/4
30	F286433		1	BRACKET SHALLOW WATER DRIVE
31	F286300		1	SPRING REVERSE LOCK
32	F213274		2	FITTING GREASE
33	F516349		1	LOCK REVERSE
34	F1467		1	SCREW SWIVEL BRACKET
35	F286544-1		1	SPRING TILT LOCK
36	F429541		1	LOCK TILT
37	F525346		2	MOUNT LOWER SHOCK
38	F286037		1	BOLT STERN BRACKET
39	FK517032		1	BRACKET STERN STARBOARD W/SCREW CLAMP
40	F286647		1	HANDLE CARRYING
41	FK567532		1	BRACKET STERN PORT W/SCREW CLAMP
42	F8554		2	SPRING PIN, 3/16 X 3/4
43	F424075		2	HANDLE CLAMP SCREW

CONTINUED ON NEXT PAGE ➡

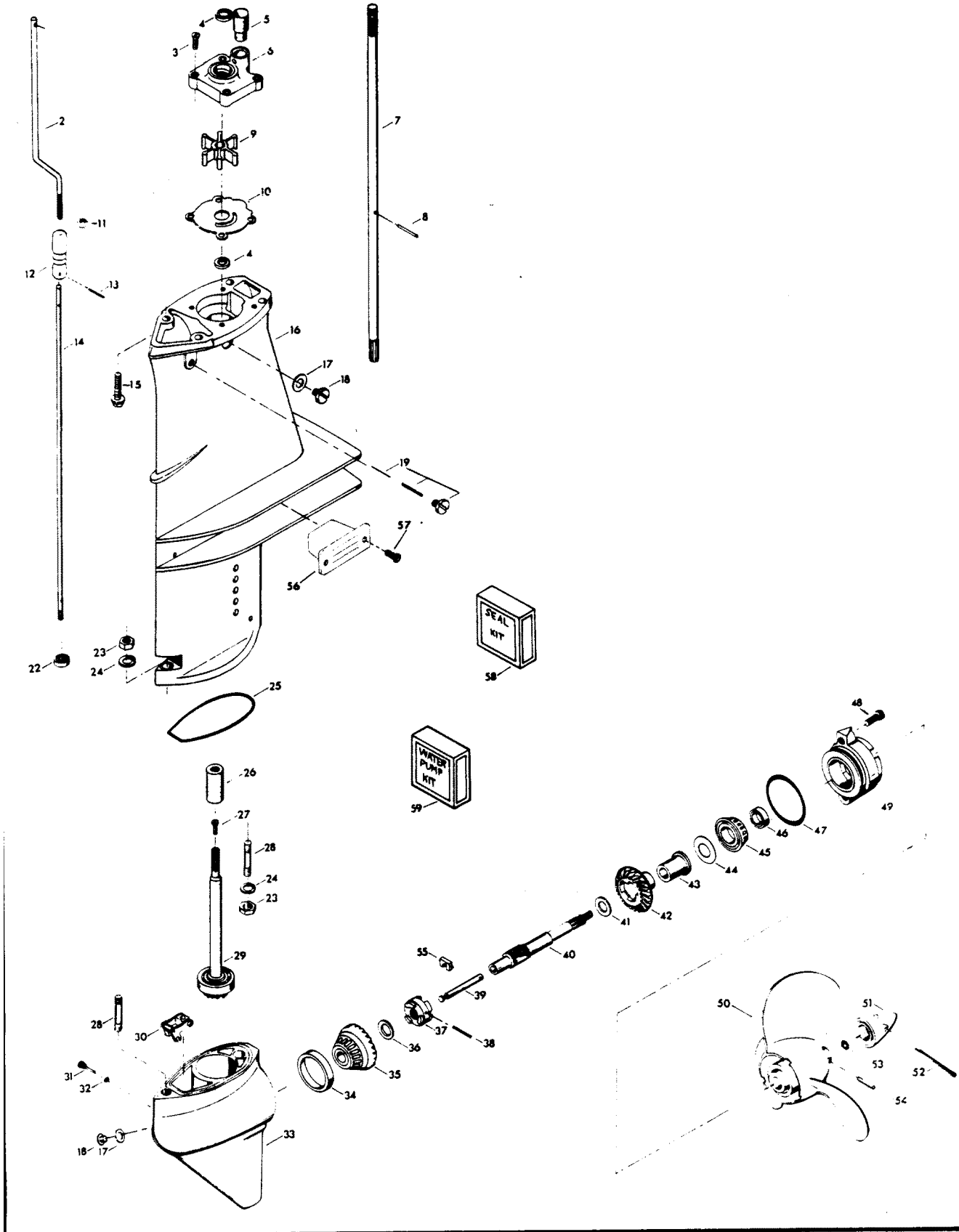
# MOTOR LEG



# MOTOR LEG

REF. NO.	PART NO.	SYM.	QTY.	DESCRIPTION
44	817761A2		2	SCREW CLAMP W/45, 46, 47
45	F8537		2	SPRING PIN
46	F24074		2	FOOT CLAMP SCREW
47	F66480		2	STUD CLAMP SCREW
48	FA77395-5		1	IDENTIFICATION PLATE - U.S.A. W/SCREWS
-	<b>AC16395-8</b>		<b>1</b>	<b>IDENTIFICATION PLATE - CANADA W/SCREWS</b>
49	F1447		2	RD HD DRIVE SCREW, #2 X 3/16
50	F8039		1	PLAIN WASHER
51	F516697		1	NUT, 3/8 - 16
52	F1666		1	WAVE WASHER
53	F525286		2	WASHER
54	F286286-1		2	WASHER
55	F286585-1		1	DECAL, TILT RELEASE - U.S.A.
-	<b>37-F286585-2</b>		<b>1</b>	<b>DECAL, TILT RELEASE - CANADA</b>
56	F1833		8	HEX CAP SCREW, 1/4 - 20 X 1
57	F517273		1	TIE BAR
58	F516677		2	SPACER, REVERSE LOCK
59	F1887		2	SLOTTED HD M. SC 1/4 - 20 X 3 3/16
60	F7024		4	NUT, 1/4 - 20
61	F2012		2	PLAIN WASHER
62	F516463		1	BRACKET, REVERSE THRUST
63	F1464		2	HEX HD SCREW, 1/4 - 28 X 3/8
64	F2106		2	LOCKWASHER

# GEAR HOUSING

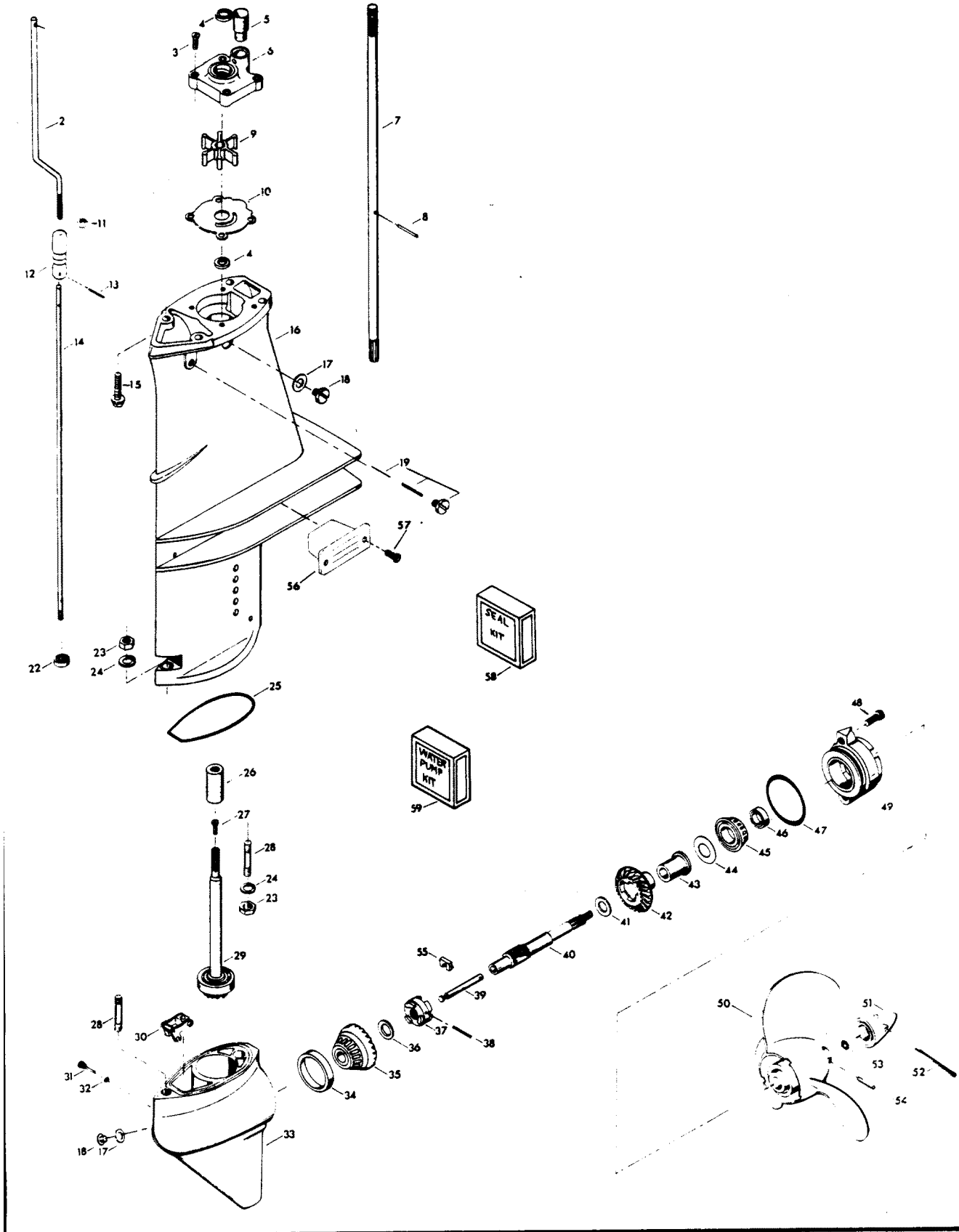


# GEAR HOUSING

REF. NO.	PART NO.	SYM.	QTY.	DESCRIPTION
1	F1850		1	SPRING PIN
2	F487616		1	GEAR SHIFT ROD INTERMEDIATE
3	F2030		4	FLAT HD SC 1/4 - 20 X 1 1/4
4	F318307		2	SEAL
5	FA510914		1	SEAL, INLET WATERLINE
6	FA516060		1	WATER PUMP BODY W/WATER PUMP SEAL
7	F487128		1	DRIVESHAFT (STD. LEG)
-	<b>F517128</b>		<b>1</b>	<b>DRIVESHAFT (LONG LEG)</b>
8	F50563		1	WATER PUMP IMPELLER DRIVE PIN
9	F429065		1	WATER PUMP IMPELLER
10	F341562		1	WATER PUMP BACKPLATE
11	F1341		1	NUT 1/4 - 20
12	F487704		1	COUPLING, SHIFT ROD
13	F8540		1	SPRING PIN
14	F487705		1	GEAR SHIFT ROD LOWER (STD. LEG)
-	<b>F516705</b>		<b>1</b>	<b>GEAR SHIFT ROD LOWER (LONG LEG)</b>
15	F430732		4	HEX HD SC 5/16 - 18 X 1 1/4
16	FA516554		1	GEAR HOUSING UPPER W/BEARING, SEALS, WASHER AND PLUG (STD. LEG)
-	<b>1600-817817A3</b>		<b>1</b>	<b>GEAR HOUSING UPPER W/BEARING, SEALS, WASHER AND PLUG (LONG LEG) ORIGINAL FORCE P/N A471554-3</b>
17	F8077		2	NYLTITE WASHER
18	F50109		2	GEAR HOUSING PLUG
19	FA487885		1	GUIDE, SPRING DETENT
22	F338618-1		1	SEAL, SHIFT ROD LOWER
23	F1346		2	HEX NUT S.S. 3/8 - 16
24	F8065		2	LOCKWASHER
25	F435555		1	SEAL, GEAR HOUSING LOWER
26	F516125		1	COUPLING, DRIVESHAFT
27	F1035		1	FILL HD SC 1/4 - 20 X 5/8
28	F40008		2	STUD
29	F2A516266		1	PINION SHAFT W/BEARING
30	817796A2		1	GEAR SHIFT ARM
31	F498891		1	GEAR SHIFT ARM PIN
32	F498618		1	"O" RING SEAL
33	FA516054		1	GEAR HOUSING LOWER W/PLUG, WASHER AND BEARING CUP
34	F458250		1	BEARING CUP
35	F2A516023		1	BEVEL GEAR FORWARD W/BEARING, SPACER, AND BEVEL GEAR FRONT
37	F99521-1		1	CLUTCH
38	F2097		1	SPRING PIN
39	F90871-3		1	GEAR SHIFT ARM PIN
40	FA474098		1	PROPELLER SHAFT

CONTINUED ON NEXT PAGE ➡

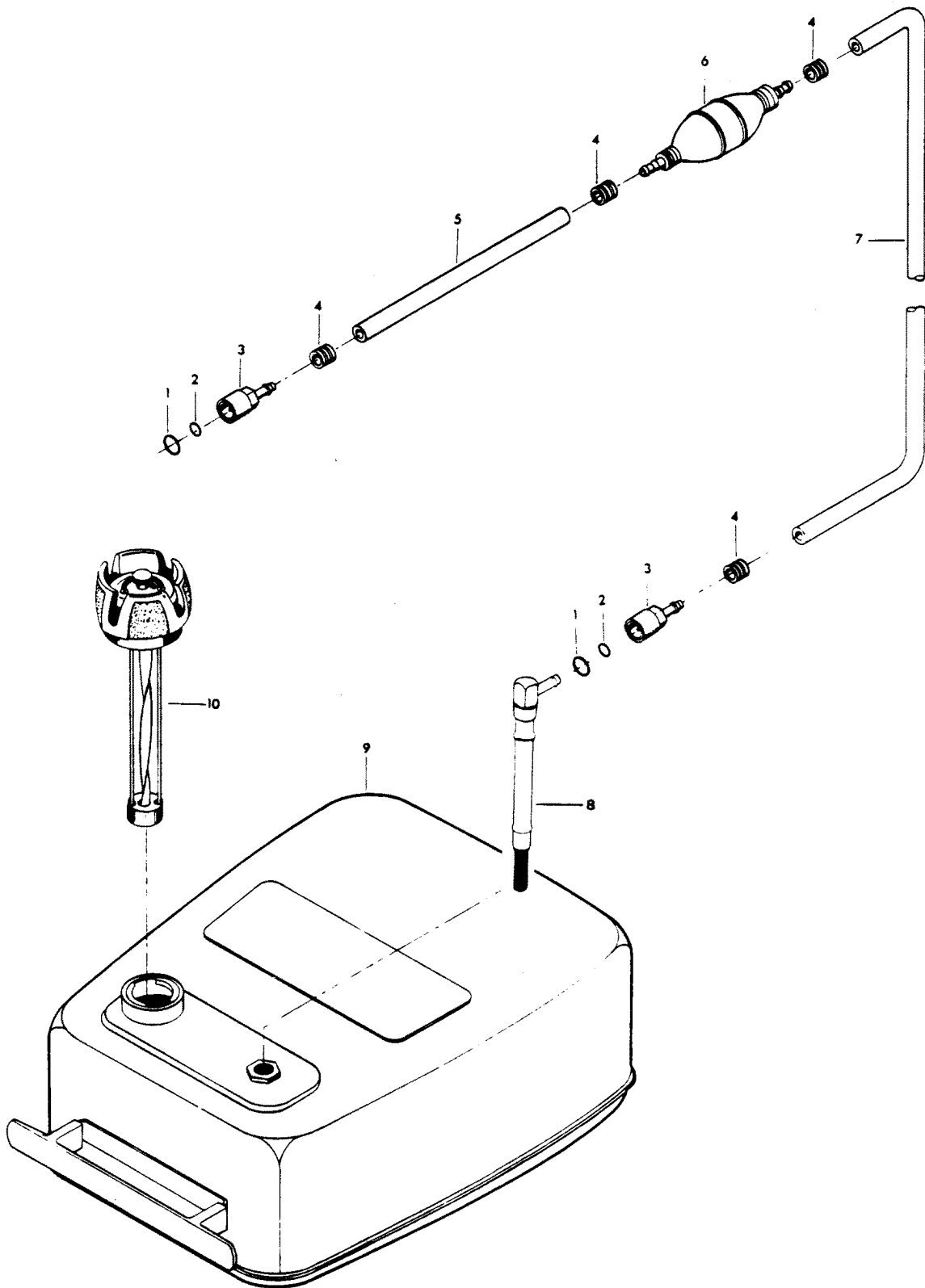
# GEAR HOUSING



# GEAR HOUSING

REF. NO.	PART NO.	SYM.	QTY.	DESCRIPTION
41	F40717		1	THRUST WASHER BEVEL GEAR
42	F516662		1	GEAR, BEVEL REAR
43	F474143		1	BEARING, BEVEL GEAR REAR
45	F474225		1	BEARING, PROPELLER SHAFT REVERSE THRUST
46	F141118		1	SEAL, PROPELLER SHAFT
47	F141305		1	SEAL, PROPELLER SHAFT BEARING CAGE
48	F1994		2	HEX HD CAP SC 5/16 - 18 X 1
49	F2A474298		1	PROPELLER SHAFT BEARING CAGE W/SEALS AND BEARING CUP
50	FP296		1	PROPELLER
51	FA94094-2		1	PROPELLER NUT W/SEAL & COTTER PIN
52	F1027		1	COTTER PIN
53	F40342		1	SEAL, PROPELLER NUT
54	FK247		1	PROPELLER PIN (PACK OF 6 W/COTTER PIN)
55	F90619-1		1	YOKE, GEAR SHIFT ARM
56	FA516485		1	ANODE, ANTI-CORROSION
57	F1733		2	PAN HD SC 10 - 24 X 9/16
-	<b>FC516054</b>		<b>1</b>	<b>GEAR HOUSING COMPLETE (NOT SHOWN) INCLUDES ALL ITEMS MARKED WITH AN ASTERISK (*).</b>

# FUEL TANK AND LINE





## FUEL TANK AND LINE

REF. NO.	PART NO.	SYM.	QTY.	DESCRIPTION
1	F213342		1	SEAL, FUEL LINE COUPLER
2	F213735		1	SEAL, FUEL LINE COUPLER
3	F197787-3		2	FUEL LINE COUPLER
4	F298788		4	FERRULE
5	FA84754-1		1	FUEL LINE SHORT W/FERRULES
6	89396A38		1	PRIME BULB
7	32-817738A1		1	FUEL LINE, LONG W/CLAMP AND FERRULE
8	F487755		1	FUEL TANK ADAPTER
9	F5H027		1	FUEL TANK (ACCESSORY ITEM)
10	F409251-1		1	GAUGE CAP
-	<b>FS409752</b>		<b>1</b>	<b>FUEL LINE COMPLETE (NOT SHOWN)</b>
-	<b>FC409398</b>		<b>1</b>	<b>DECAL (NOT SHOWN)</b>

## SPECIAL TOOLS - TUNE-UP

REF. NO.	PART NO.	SYM.	QTY.	DESCRIPTION
-	FT2909		0	KNOCK-OFF NUT TO REMOVE FLYWHEEL
-	FT2989		0	FLYWHEEL WEDGE TO REMOVE FLYWHEEL

## SPECIAL TOOLS - STARTER

REF. NO.	PART NO.	SYM.	QTY.	DESCRIPTION
-	FT3139-1		0	STARTER REWIND KEY TO REWIND STARTER SPRING

## SPECIAL TOOLS - POWER HEAD

REF. NO.	PART NO.	SYM.	QTY.	DESCRIPTION
-	FT1749		0	SNAP RING PLIERS
-	FT2997		0	RING COMPRESSOR TO INSTALL PISTONS IN CYLINDER
-	FT3012		0	SEAL INSTALLER TO INSTALL UPPER CRANKSHAFT BEARING CAGE SEAL
-	FT8919		0	PIN PUNCH
-	FT8926		0	PISTON RING EXPANDER TO INSTALL RINGS ON PISTONS
-	FT8929		0	ADAPTER AND HEX BIT TO TORQUE CONNECTING ROD SCREWS
-	FT11202		0	SEAL INSTALLER TO INSTALL CRANKSHAFT SEAL

## SPECIAL TOOLS - LOWER UNIT

REF. NO.	PART NO.	SYM.	QTY.	DESCRIPTION
-	FT2915		0	SEAL INSTALLER TO INSTALL DRIVESHAFT & PROPELLER SHAFT SEAL
-	FT3431		0	SEAL INSTALLER TO INSTALL BEARING CAGE SEAL
-	FT8901		0	INDICATOR HOLDER HOLD DIAL INDICATOR T8902 ON CHECKING GAUGE
-	FT8902		0	INDICATOR (DIAL) READ END FLOAT AND END PLAY
-	FT8907		0	DRIVER HANDLE INSTALL BEARING CUPS & SEALS
-	FT8918		0	SET BUSHING GUIDE REMOVAL AND INSTALLATION OF FORWARD BEARING CUP
-	FT8920		0	BEARING REPLACER INSTALL DRIVESHAFT BEARING
-	FT8921		0	RACE PULLER REMOVE FORWARD BEARING CUP
-	FT8924-1		0	SHIM SELECT SHIMS & SPACERS FOR GEAR CLEARANCE
-	FT8904		0	RACE INSTALLER INSTALL FORWARD BEARING CUP
-	FT8957		0	SEAL INSTALLER INSTALL SHIFT ROD SEAL
-	FT8982		0	SHIM ADAPTER USED WITH T8924-1 TO CHECK GEAR CLEARANCE
-	FT8995		0	SHIM SPACER USED WITH T8924-1

## SPECIAL TOOLS - TEST EQUIPMENT

REF. NO.	PART NO.	SYM.	QTY.	DESCRIPTION
-	FT2955A		0	TEST WHEEL TO TEST MOTOR
-	FT8950		0	LEAKAGE TESTER TO TEST LOWER UNIT SEALS FOR LEAKS
-	FT8953		0	IGNITION TESTER TO TEST IGNITION SYSTEM
-	T8974		0	BREAKER POINT TENSION GAUGE FOR CHECKING BREAKER POINT SPRING TENSION
-	FT8996		0	IGNITION TESTER TO TEST IGNITION SYSTEM
-	FT11201		0	HARNESS ADAPTER USED WITH IGNITION TESTERS

## ACCESSORIES

REF. NO.	PART NO.	SYM.	QTY.	DESCRIPTION
-	F5H105		0	BATTERY CHARGING SYSTEM LIGHTING COIL
-	F5H113		0	REMOTE CONTROL KIT PERMITS REMOTE CONTROL OF THROTTLE, GEAR SHIFT AND STEERING FROM FRONT OF BOAT
-	F5H114		0	REMOTE STEERING BRACKET ADAPTS MOTOR TO CABLE TYPE REMOTE STEERING

# SPECIFICATIONS

REF. NO.	PART NO.	SYM.	QTY.	DESCRIPTION
-			0	HORSEPOWER 6 B.I.A. CERTIFIED BRAKE H.P. AT 4750 R.P.M.
-			0	ENGINE TWO-CYCLE, TWIN CYLINDER, ALTERNATE FIRING.
-			0	BORE AND STROKE 2" X 1.584" (6 H.P.).
-			0	DISPLACEMENT 10.0 CUBIC INCHES (6 H.P.).
-			0	CARBURETOR FLOAT FEED.
-			0	CONNECTING ROD STEEL FORGING - STEEL CAGES WITH NEEDLE BEARING AT CRANKSHAFT.
-			0	CRANKSHAFT FORGED NICKEL STEEL. BALL BEARINGS AT UPPER MAIN. FULL COMPLEMENT NEEDLE ROLLERS AT CENTER MAIN.
-			0	RECOMMENDED OPERATING RANGE 4250 - 5250 R.P.M.
-			0	FUEL TANK SEPARATE STEEL TANK - 6 U.S. GALLONS, 5 IMPERIAL GALLONS.
-			0	PROPELLER SHAFT AND DRIVESHAFT STAINLESS STEEL, HARDENED, GROUND AND POLISHED.
-			0	PROPELLER 10 1/2" DIAMETER, 7" PITCH, RIGHT HAND ROTATION, 3 BLADE.
-			0	COOLING WATER COOLED - POSITIVE DISPLACEMENT TYPE WATER PUMP.
-			0	WEIGHT 47 POUNDS FOR STANDARD SHAFT MODELS (6 H.P.).
-			0	TILT LOCK POSITIVE TILT LOCK PERMITS ENGINE TO REMAIN IN TILTED POSITION WHEN NOT IN USE.



# LUBRICATION CHART

REF. NO.	PART NO.	SYM.	QTY.	DESCRIPTION
-			0	STARTER PINION GEAR SAE 30 MOTOR OIL, IF STARTER OPERATION BECOMES SLUGGISH
-			0	STARTER SPOOL BEARINGS SAE 30 MOTOR OIL, IF STARTER OPERATION BECOMES SLUGGISH
-			0	THROTTLE CAM FOLLOWER SAE 30 MOTOR OIL, TWICE EACH SEASON, OFTENER IF REQUIRED
-			0	MAGNETO CONTROL SHAFT BEARINGS SAE 30 MOTOR OIL, TWICE EACH SEASON, OFTENER IF REQUIRED
-			0	STEERING HANDLE PINION GEAR EP-ALL PURPOSE CHASSIS LUBRICANT, TWICE EACH SEASON, OFTENER IF REQUIRED
-			0	STEERING HANDLE BEVEL GEAR EP-ALL PURPOSE CHASSIS LUBRICANT, TWICE EACH SEASON, OFTENER IF REQUIRED
-			0	REVERSE LOCK SAE 30 MOTOR OIL, TWICE EACH SEASON, OFTENER IF REQUIRED
-			0	CLAMP SCREWS SAE 30 MOTOR OIL, TWICE EACH SEASON, OFTENER IF REQUIRED
-			0	STERN BRACKET PIVOT BOLT SAE 30 MOTOR OIL, TWICE EACH SEASON, OFTENER IF REQUIRED
-			0	GEAR HOUSING CHRYSLER OUTBOARD GEAR LUBE, EVERY 30 HOURS, OFTENER IF REQUIRED
-			0	FUEL LINE COUPLE RELEASE RING SAE 30 MOTOR OIL, TWICE EACH SEASON, OFTENER IF REQUIRED

## SPECIAL ADJUSTMENTS

REF. NO.	PART NO.	SYM.	QTY.	DESCRIPTION
-			0	SPARK PLUG CHAMPION L-86, GAP. 030". CHAMPION QL-86 FOR CANADIAN MODELS
-			0	ADJUSTING STEERING TENSION STEERING TENSION CAN BE ADJUSTED BY TURNING THE ONE (1) STEERING FRICTION ADJUSTING SCREW, IN THE DIRECTION REQUIRED
-			0	POINT OF THROTTLE OPENING SEE BLOCK COMMENT 1.
-			0	FLYWHEEL NUT

# PARTS INDEX

Part Number	Description	Pg.	Ref. No.	Part Number	Description	Pg.	Ref. No.
525156	COVER SUPPORT PLATE			F141118	SEAL, CRANKSHAFT		
	REAR .....	3	10		LOWER .....	19	23
817747--1	JOINT, BALL ASSEMBLY ...	9	39	F141118	SEAL, PROPELLER SHAFT .	29	46
817761A2	SCREW CLAMP W/45, 46, 47	25	44	F141305	SEAL, PROPELLER SHAFT		
817796A2	GEAR SHIFT ARM .....	27	30		BEARING CAGE .....	29	47
817938A1	RETAINER STARTER ROPE			F1447	RD HD DRIVE SCREW, #2 X		
	HANDLE .....	13	21		3/16 .....	25	49
89396A38	PRIME BULB .....	31	6	F1449	HEX SET SCREW, 10 - 24 X		
A516397	DECAL PORT .....	3	-		1/4 .....	9	8
AC16395-8	IDENTIFICATION PLATE -			F1464	HEX HD SCREW, 1/4 - 28 X		
	CANADA W/SCREWS ...	25	-		3/8 .....	25	63
C341227-1	SPARK PLUG (QL-86)			F1467	SCREW SWIVEL BRACKET .	23	34
	CANADA ONLY .....	19	-	F1475	FILL HD SCREW, 10 - 24 X		
F10058	FUEL BOWL .....	15	17		1/2 .....	3	3
F10061	CHOKE SHAFT ASSEMBLY .	15	29	F1490	NUT, 1/4 - 20 .....	15	24
F10062	CHOKE VALVE ASSEMBLY .	15	26	F1513	NUT 10-32 .....	3	6
F10063	FLOAT .....	15	20	F1513	NUT, 10 - 32 .....	9	38
F10064	SHAFT - FLOAT .....	15	19	F1518	NUT, 5/16 - 18 .....	3	15
F10066	GASKET VALVE SEAT .....	15	22	F1573	FILL HD SCREW, 1/4 - 20 X		
F10068	GASKET BODY TO BOWL ..	15	18		1/2 .....	3	38
F10069	GASKET KIT .....	17	-	F1666	WAVE WASHER .....	25	52
F10070	SCREW ASSEMBLY -			F1678	FILL HD SCREW, 10 - 24 X		
	CHOKE VALVE .....	15	25		13/16 .....	7	10
F10071	SCREW, THROTTLE VALVE	17	44	F1678	SLOTTED FILL HD SCREW,		
F10072	SPRING CHOKE STOP .....	15	30		10 - 24 X 13/16 .....	7	18
F10073	SPRING IDLE NEEDLE .....	15	28	F1699	HEX HD SCREW, 1/4 - 20 X 1		
F10077	NEEDLE - IDLE .....	15	27		1/8 .....	9	28
F10081	SHAFT ASSEMBLY -			F1733	PAN HD SC 10 - 24 X 9/16 ..	29	57
	THROTTLE .....	15	32	F1734	SLOTTED FILL HD SCREW,		
F10082	NOZZLE .....	15	23		1/4 - 20 X 1/2 .....	5	56
F10085	SPRING THROTTLE			F1755	RD HD SCREW & SPRING		
	RETURN .....	15	31		LOCKWASHER		
F10087	REPAIR KIT .....	17	-		ASSEMBLY, 6 - 32 X 5/16	15	2
F10090	GASKET FUEL BOWL			F1760	PAN HD SCREW, 10 - 24 X		
	RETAINER .....	15	16		3/8 .....	13	4
F10091	VALVE THROTTLE .....	17	43	F1772	HEX HD SCREW, 8 - 32 X 1/2	15	7
F10096	JET ASSEMBLY (.039)			F178446	CLAMP LEAD WIRE .....	5	55
	STANDARD .....	15	15	F1794	SPRING PIN, 3/32 X 3/8 ....	23	24
F10101	KIT - VALVE, SEAT, SPRING			F1805	SPRING PIN, 1/4 X 1 3/8 ...	23	15
	& GASKET .....	15	21	F1806	GROOVE PIN, 5/16 - 3 3/4 ..	23	29
F1027	COTTER PIN .....	29	52	F1809	FLYWHEEL NUT .....	7	6
F1035	FILL HD SC 1/4 - 20 X 5/8 ..	27	27	F18160-2	REED FUEL PUMP .....	15	40
F1044	SCREW, 1/4 - 20 X 1 3/8 ...	19	32	F1833	HEX CAP SCREW, 1/4 - 20 X		
F1052	FILL HD SCREW, 1/4 - 20 X 1	13	12		1 .....	25	56
F1069	FILL HD SCREW, 10 - 24 X 1			F1850	SPRING PIN .....	27	1
	1/16 .....	15	36	F1877	TY-RAP .....	7	20
F1107	SCREW, 1/4 - 20 X 3/4 .....	19	33	F1887	SLOTTED HD M. SC 1/4 - 20		
F1110	SCREW, 1/4 - 20 X 5/8 .....	19	10		X 3 3/16 .....	25	59
F1111	FILL HD SCREW, 1/4 - 20 X			F18906	GASKET CARBURETOR ...	15	13
	7/8 .....	19	38	F18906	GASKET, CARB. ....	21	-
F1156	FLAT HD SCREW, 1/4 - 20 X			F1950	HEX HD SCREW, 10 - 24 X		
	1/2 .....	13	1		5/8 .....	3	13
F1200	HEX HD SCREW, 1/4 - 20 X			F1953	HEX HD SCREW, 1/4 - 20 X 1	15	14
	1/2 .....	5	58	F1953	SCREW, 1/4 - 20 X 1 .....	19	29
F1257	SCREW, 5/16 - 18 X 1 1/4 ..	19	30	F1972	HEX HD SCREW, 1/4 - 20 X 2		
F1286	PAN HD SCREW, #4 - 40 X				1/2 .....	23	7
	3/16 .....	15	42	F1975	LOCKWASHER (MAG.		
F1341	NUT 1/4 - 20 .....	27	11		STATOR SCREW ALONG		
F1341	NUT, 1/4 - 20 .....	23	14		SIDE INTERLOCK TAB) ..	7	21
F1346	HEX NUT S.S. 3/8 - 16 .....	27	23	F1975	LOCKWASHER, #10 .....	5	44

# PARTS INDEX

Part Number	Description	Pg.	Ref. No.	Part Number	Description	Pg.	Ref. No.
F197767-1	BUSHING FUEL LINE	3	21	F286894-3	INDICATOR STEERING HANDLE - U.S.A.	9	4
F197787-3	FUEL LINE COUPLER	31	3	F298788	FERRULE	31	4
F1978	SPRING PIN, 1/8 X 1/2	3	40	F2A474298	PROPELLER SHAFT BEARING CAGE W/SEALS AND BEARING CUP	29	49
F197813	BEARING	23	22	F2A516023	BEVEL GEAR FORWARD W/BEARING, SPACER, AND BEVEL GEAR FRONT	27	35
F197813	BEARING STARTER BRACKET LOWER	13	20	F2A516266	PINION SHAFT W/BEARING	27	29
F1994	HEX HD CAP SC 5/16 - 18 X 1	29	48	F2A521016	CONNECTING ROD	19	16
F1994	SCREW, 5/16 - 18 X 1	19	31	F2A525010	CYLINDER	19	6
F2010	FILL HD SCREW, 10 - 32 X 9/16	7	12	F2A525018	CRANKSHAFT W/UPPER BEARING	19	25
F2012	PLAIN WASHER	25	61	F2A525158	PLATE REED W/SEAL	15	5
F2026	RIVET, SUPPORT PLATE COVER	5	59	F307818	BEARING (NYLINER)	5	50
F2030	FLAT HD SC 1/4 - 20 X 1 1/4	27	3	F307818	BEARING, STEERING HANDLE SHAFT	9	22
F2031	HEX HD SCREW, 1/4 - 20 X 3/4	13	7	F31160-1	REED	15	4
F2041	HEX HD SCREW, 10 - 24 X 3/8	3	26	F318307	SEAL	27	4
F2042	PLAIN WASHER	17	49	F318307	SEAL, DRIVESHAFT	5	57
F2097	SPRING PIN	27	38	F318342	SEAL, WATERLINE INLET UPPER	23	1
F2106	LOCKWASHER	7	3	F318347-1	UPPER MOUNT	9	29
F2106	LOCKWASHER	25	64	F318504	GROMMET	9	42
F213274	FITTING GREASE	23	32	F318539	BUMPER	9	30
F213342	SEAL, FUEL LINE COUPLER	31	1	F318818	BEARING, SHIFT LEVER SHAFT	3	37
F213735	SEAL, FUEL LINE COUPLER	31	2	F338618-1	SEAL, SHIFT ROD LOWER	27	22
F24074	FOOT CLAMP SCREW	25	46	F341510	LINK REVERSE LOCK LEVER	23	28
F24748-2	GASKET FUEL PUMP	15	37	F341562	WATER PUMP BACKPLATE	27	10
F250017	PISTON PIN	19	14	F343014	BEARING, CRANKSHAFT LOWER MAIN	19	24
F250410	PISTON PIN RETAINING RING	19	13	F346146	SEAL, CRANKSHAFT UPPER	19	37
F269689	BEARING STARTER BRACKET UPPER	13	9	F36634	CONNECTING ROD SCREW	19	22
F2706772	CLAMP HOSE	17	46	F390689	BEARING, STEERING ARM PIVOT SCREW	9	23
F2788004	STUD CARBURETOR	15	12	F392777	CAM COVER LATCH	3	16
F286011	WASHER SWIVEL BRACKET	23	20	F40008	STUD	27	28
F286037	BOLT STERN BRACKET	23	38	F40342	SEAL, PROPELLER NUT	29	53
F286114	HANDLE LOCK BAR	23	10	F40425	PIN STARTER PINION	13	18
F286132	HANDLE STARTER ROPE	13	22	F404908	WIRE, STATOR GROUND	7	13
F286169	BEARING SWIVEL BRACKET	23	16	F40717	THRUST WASHER BEVEL GEAR	29	41
F286277	GASKET, C'SHAFT BRG. CAGE	21	-	F409232	ROPE STARTER	13	23
F286277	GASKET, CRANKSHAFT BEARING CAGE	19	35	F409251-1	GAUGE CAP	31	10
F286286-1	WASHER	25	54	F424075	HANDLE CLAMP SCREW	23	43
F286300	SPRING REVERSE LOCK	23	31	F429065	WATER PUMP IMPELLER	27	9
F286364	LEVER REVERSE LOCK	23	26	F429541	LOCK TILT	23	36
F286422-1	PIVOT TILT LOCK	23	17	F429811	SCREEN, CYLINDER DRAIN	19	8
F286433	BRACKET SHALLOW WATER DRIVE	23	30	F430732	HEX HD SC 5/16 - 18 X 1 1/4	27	15
F286451	SPACER TILT LOCK	23	18	F435555	SEAL, GEAR HOUSING LOWER	27	25
F286461	SPRING LOCK BAR HANDLE	23	9	F436449	SHORTING SWITCH	7	4
F286544-1	SPRING TILT LOCK	23	35	F448874	SPLICE	7	15
F286571	ROLLER ASSEMBLY, CENTER MAIN BEARING	19	19	F458250	BEARING CUP	27	34
F286585-1	DECAL, TILT RELEASE - U.S.A.	25	55	F458498	MAGNETO KEY	19	41
F286647	HANDLE CARRYING	23	40	F458519	SCREW, IDLE STOP	9	13
F286827	LEVER REVERSE LOCK RELEASE	23	25				

# PARTS INDEX

Part Number	Description	Pg.	Ref. No.	Part Number	Description	Pg.	Ref. No.
F468342	SEAL, CRANKSHAFT SPLINE	19	39	F525193	LINK THROTTLE	15	11
F474143	BEARING, BEVEL GEAR			F525198	THROTTLE STOP	9	11
	REAR	29	43	F525220	WASHER, STEERING		
F474225	BEARING, PROPELLER				HANDLE	9	32
	SHAFT REVERSE THRUST	29	45	F525263	LINK STATOR INTERLOCK	3	32
F487078	BRACKET, LOCK STEERING	11	43	F525279	GASKET, CYL. MOUNTING	21	-
F487128	DRIVESHAFT (STD. LEG)	27	7	F525279	GASKET, CYLINDER		
F487455	GUIDE, STARTER ROPE	3	5		MOUNTING	19	40
F487616	GEAR SHIFT ROD			F525286	WASHER	25	53
	INTERMEDIATE	27	2	F525301	STATOR - C-D	7	9
F487704	COUPLING, SHIFT ROD	27	12	F525316-1	FOLLOWER THROTTLE CAM	15	8
F487705	GEAR SHIFT ROD LOWER			F525346	MOUNT LOWER SHOCK	23	37
	(STD. LEG)	27	14	F525390	DECAL STOP (U.S.A.)	3	22
F487755	FUEL TANK ADAPTER	31	8	F525394	DECAL CHOKE (U.S.A.)	3	23
F498618	"O" RING SEAL	27	32	F525424	SPRING STARTER PINION	13	3
F498891	GEAR SHIFT ARM PIN	27	31	F525427	BRACKET STARTER UPPER	13	8
F50109	GEAR HOUSING PLUG	27	18	F525445	LINK, MAGNETO STATOR		
F50563	WATER PUMP IMPELLER				CONTROL	9	37
	DRIVE PIN	27	8	F525453	GASKET LEG MOUNTING	23	3
F516080	SCREW, PIVOT	11	46	F525453	GASKET, LEG MOUNTING	21	-
F516124	WASHER, PLAIN	11	45	F525455	GUIDE STARTER ROPE	13	5
F516125	COUPLING, DRIVESHAFT	27	26	F525469	HANDLE LATCH	3	18
F516244	WATERLINE	23	2	F525472	GASKET, CYL. DRAIN		
F516349	LOCK REVERSE	23	33		COVER	21	-
F516463	BRACKET, REVERSE			F525472	GASKET, CYLINDER DRAIN		
	THRUST	25	62		COVER	19	7
F516528	DECAL REAR TRIM	3	2	F525475	C-D MODULE - COIL	7	1
F516662	GEAR, BEVEL REAR	29	42	F525504	GROMMET, CHOKE ROD	5	49
F516677	SPACER, REVERSE LOCK	25	58	F525518	CYLINDER HEAD	19	4
F516697	NUT, 3/8 - 16	25	51	F525524	RIVET, STEERING HANDLE	9	31
F516705	GEAR SHIFT ROD LOWER			F525529	GASKET, CYL. HEAD	21	-
	(LONG LEG)	27	-	F525529	GASKET, CYLINDER HEAD	19	5
F516821	WASHER, PIVOT SCREW	11	44	F525531	ROD SHIFT INTERLOCK	5	41
F516977	LEVER SHIFT INTERLOCK	5	48	F525552	SCREW, STEERING HANDLE		
F517128	DRIVESHAFT (LONG LEG)	27	-		BEARING	9	7
F517273	TIE BAR	25	57	F525579	CRANKCASE SEAL	19	21
F521547	CHOKE KNOB	3	24	F525582-1	STEERING ARM	9	19
F521843	CABLE LIGHTING COIL EXT.	7	16	F525605	GEAR, TOWERSHAFT	9	24
F525015	PISTON	19	15	F525614	HANDLE GEAR SHIFT	3	28
F525019	KINGPIN	23	12	F525615	ROD GEAR SHIFT UPPER	3	12
F525029	STATOR - TRIGGER	7	11	F525627	GEAR, TOWERSHAFT		
F525061	CARBURETOR	15	33		PINION	9	25
F525064	SCREW - C-D COIL	7	19	F525629	COTTER PIN	13	11
F525079	HANDLE-STEERING	9	6	F525665	BEARING, GEAR PINION		
F525080	SCREW, STEERING HANDLE				TOWERSHAFT	9	21
	PIVOT	9	9	F525674	GEAR STARTER PINION	13	2
F525081	LEVER THROTTLE	15	10	F525675	BRACKET STARTER LOWER	13	19
F525082	RING STATOR	19	34	F525688	SHAFT, STEERING HANDLE	9	10
F525095	STATOR ALTERNATOR	7	14	F525689	TOWERSHAFT BEARING	9	27
F525097	FLYWHEEL	7	8	F525691	GEAR, STEERING ARM	9	17
F525105	SHAFT INTERLOCK	13	10	F525707	COVER, SHOCK MOUNT		
F525151	PLATE EXHAUST	19	27		LOWER	23	6
F525152	COVER EXHAUST	19	28	F525737	RETAINER STARTER		
F525154	GASKET EXHAUST	19	26		REWIND SPRING	13	15
F525154	GASKET, EXHAUST	21	-	F525751	SCREW	9	40
F525159	GASKET, REED PLATE	15	1	F525763	SHAFT COVER LATCH	3	20
F525159	GASKET, REED PLATE	21	-	F525779	BAFFLE IDLE RELIEF	23	4
F525161	REED STOP	15	3	F525781	INTERLOCK STARTER	13	6
F525168	GASKET MANIFOLD	15	6	F525815	GEAR, STEERING HANDLE	9	15
F525168	GASKET, MANIFOLD	21	-				

# PARTS INDEX

Part Number	Description	Pg.	Ref. No.	Part Number	Description	Pg.	Ref. No.
F525838	TOWERSHAFT . . . . .	9	26	F8567	SPRING PIN, 1/8 X 13/16 . . .	3	27
F525839	SCREW, STEERING FRICTION . . . . .	23	21	F8567	SPRING PIN, 1/8 X 13/16 . . .	9	16
F525840	GROMMET REMOTE THROTTLE CABLE . . . . .	3	17	F8571	SPRING PIN, 1/8 X 1 3/4 . . .	13	25
F525871	SHAFT GEAR SHIFT LEVER	3	33	F901456-1	COLLAR, EMERGENCY START . . . . .	7	7
F525876	LEVER GEAR SHIFT . . . . .	3	36	F901710	POST STARTER SPRING GUIDE . . . . .	13	14
F525877	SHAFT, MAGNETO CONTROL . . . . .	9	20	F901739	DRIVE STARTER REWIND SPRING . . . . .	13	13
F525912	SPRING LATCH SHAFT . . . . .	3	14	F901746-2	COVER FUEL PUMP . . . . .	15	35
F525925	LINK CHOKE KNOB . . . . .	3	25	F901811	FILTER FUEL PUMP . . . . .	17	45
F525977	LEVER SHIFT INTERLOCK . . .	3	39	F901938-1	SCREW, CYLINDER HEAD . . .	19	1
F525984	SEAL, REED PLATE . . . . .	17	50	F901970	SPRING STARTER REWIND	13	16
F526133	MOTOR LEG . . . . .	23	5	F90619-1	YOKE, GEAR SHIFT ARM . . .	29	55
F526524	RIVET GEAR SHIFT HANDLE	3	29	F90807	RING, RETAINING . . . . .	17	47
F53795-1	SEAL, STEERING HANDLE DAMPENER . . . . .	9	5	F90871-3	GEAR SHIFT ARM PIN . . . . .	27	39
F5H027	FUEL TANK (ACCESSORY ITEM) . . . . .	31	9	F99521-1	CLUTCH . . . . .	27	37
F5H105	BATTERY CHARGING SYSTEM . . . . .	37	-	FA24757-3	PLATE FUEL PUMP REED W/REEDS & SCREWS . . .	15	38
F5H113	REMOTE CONTROL KIT . . . . .	37	-	FA286113	BAR LOCK W/8, 9, 10 . . . . .	23	11
F5H114	REMOTE STEERING BRACKET . . . . .	37	-	FA286155	LINER, CENTER MAIN . . . . .	19	20
F66480	STUD CLAMP SCREW . . . . .	25	47	FA387742	LEVER REVERSE LOCK INTERMEDIATE . . . . .	23	23
F7011	ELASTIC STOP NUT, 10 - 24	3	9	FA456137	GRIP, STEERING HANDLE W/SLEEVE . . . . .	9	2
F7024	NUT, 1/4 - 20 . . . . .	25	60	FA474098	PROPELLER SHAFT . . . . .	27	40
F7027	NUT (LEFT HAND), 10 - 24 . .	9	36	FA487038	SUPPORT PLATE W/EYELET	3	11
F73741-1	RING . . . . .	5	54	FA487885	GUIDE, SPRING DETENT . . .	27	19
F8003	PLAIN WASHER . . . . .	15	41	FA510914	SEAL, INLET WATERLINE . . .	27	5
F8025	PLAIN WASHER . . . . .	19	2	FA516054	GEAR HOUSING LOWER W/PLUG, WASHER AND BEARING CUP . . . . .	27	33
F8039	PLAIN WASHER . . . . .	25	50	FA516060	WATER PUMP BODY W/WATER PUMP SEAL . . .	27	6
F8043	WAVE WASHER . . . . .	9	33	FA516386	DECAL STARBOARD . . . . .	3	7
F8058	LOCKWASHER #10 . . . . .	5	52	FA516485	ANODE, ANTI-CORROSION . .	29	56
F8060	LOCKWASHER . . . . .	9	41	FA516554	GEAR HOUSING UPPER W/BEARING, SEALS, WASHER AND PLUG . . . . .	27	16
F8065	LOCKWASHER . . . . .	27	24	FA521841	CABLE LIGHTING COIL W/SPLICES . . . . .	7	17
F8070	BOWED SPRING WASHER . . . .	13	24	FA525167	MANIFOLD W/STUDS . . . . .	15	9
F8077	NYLTITE WASHER . . . . .	27	17	FA525228	ROLLER CRANKPIN . . . . .	19	18
F8083	LOCKWASHER . . . . .	23	13	FA525239	SPOOL STARTER W/SCREW	13	17
F84026	SCREW SHOULDER . . . . .	5	43	FA525241	CRANKPIN ROLLER CAGE . . .	19	17
F84026	SHOULDER SCREW . . . . .	9	35	FA525471	COVER, CYLINDER DRAIN W/SCREEN . . . . .	19	9
F84035-2	BEARING INTERLOCK ROD	5	42	FA525480	RETAINER ENGINE COVER W/NUTS & SCREWS . . . . .	3	4
F84036	BEARING, SPARK CONTROL	9	34	FA525774	BRACKET COVER LATCH W/SCREWS & NUTS . . . . .	5	45
F84253	HOSE . . . . .	15	34	FA525892	INSERT PLATE FRONT (U.S.A.) . . . . .	5	46
F84253	HOSE . . . . .	17	48	FA525893	INSERT PLATE FRONT (CANADA) . . . . .	5	-
F84991-1	GROMMET LIGHTING COIL WIRE . . . . .	3	-	FA77395-5	IDENTIFICATION PLATE - U.S.A. W/SCREWS . . . . .	25	48
F85026	SWIVEL, INTERLOCK LEVER	5	51	FA84754-1	FUEL LINE SHORT W/FERRULES . . . . .	31	5
F8537	SPRING PIN . . . . .	25	45				
F8538	SPRING PIN, 3/32 X 1/2 . . . .	3	34				
F8538	SPRING PIN, 3/32 X 1/2 . . . .	23	27				
F8540	SPRING PIN . . . . .	27	13				
F8540	SPRING PIN, 3/32 X 5/8 . . . . .	9	18				
F8540	SPRING PIN, 3/32 X 5/8 . . . . .	23	8				
F8547	SPRING PIN, 1/8 X 5/8 . . . . .	3	19				
F8547	SPRING PIN, 1/8 X 5/8 . . . . .	3	35				
F8547	SPRING PIN, 1/8 X 5/8 . . . . .	9	12				
F8548	SPRING PIN, 1/8 X 1 . . . . .	9	3				
F8554	SPRING PIN, 3/16 X 3/4 . . . .	23	42				
F8559	DOWEL PIN . . . . .	19	11				

# PARTS INDEX

Part Number	Description	Pg.	Ref. No.	Part Number	Description	Pg.	Ref. No.
FC409398	DECAL (NOT SHOWN) . . . . .	31	-	37-F286585-2	DECAL, TILT RELEASE -		
FC516054	GEAR HOUSING COMPLETE (NOT SHOWN) . . . . .	29	-	37-F286894-3	CANADA . . . . .	25	-
FC525010	CYLINDER COMPLETE (NOT SHOWN) . . . . .	19	-	39-818038A1	INDICATOR STEERING HANDLE - CANADA . . . . .	9	-
FC525390	DECAL STOP (CANADA) . . .	3	-	1100-817753A1	PISTON RING . . . . .	19	12
FC525394	DECAL CHOKE (CANADA) . .	3	-		CAGE, CRANKSHAFT BEARING W/UPPER CRANKSHAFT SEAL . . . . .	19	36
FG1018	GASKET SET (SEE BELOW)	21	-	1400-817964A2	SWIVEL BRACKET W/16, 32	23	19
FK247	PROPELLER PIN (PACK OF 6 W/COTTER PIN) . . . . .	29	54	1600-817817A3	GEAR HOUSING UPPER W/BEARING, SEALS, WASHER AND PLUG . . . . .	27	-
FK516984	BLANKET TOP & SIDES . . .	5	47				
FK517032	BRACKET STERN STARBOARD W/SCREW CLAMP . . . . .	23	39				
FK525713	ENGINE COVER PACKING . .	3	30				
FK567532	BRACKET STERN PORT W/SCREW CLAMP . . . . .	23	41				
FK750-2	SPARKIE KIT . . . . .	7	2				
FP296	PROPELLER . . . . .	29	50				
FS409752	FUEL LINE COMPLETE (NOT SHOWN) . . . . .	31	-				
FS525712	ENGINE COVER W/PACKING, REAR RETAINER AND LATCH BRACKET . . . . .	3	1				
FT11201	HARNESS ADAPTER . . . . .	36	-				
FT11202	SEAL INSTALLER . . . . .	34	-				
FT1749	SNAP RING PLIERS . . . . .	34	-				
FT2909	KNOCK-OFF NUT . . . . .	32	-				
FT2915	SEAL INSTALLER . . . . .	35	-				
FT2955A	TEST WHEEL . . . . .	36	-				
FT2989	FLYWHEEL WEDGE . . . . .	32	-				
FT2997	RING COMPRESSOR . . . . .	34	-				
FT3012	SEAL INSTALLER . . . . .	34	-				
FT3139-1	STARTER REWIND KEY . . .	33	-				
FT3431	SEAL INSTALLER . . . . .	35	-				
FT8901	INDICATOR HOLDER . . . . .	35	-				
FT8902	INDICATOR (DIAL) . . . . .	35	-				
FT8904	RACE INSTALLER . . . . .	35	-				
FT8907	DRIVER HANDLE . . . . .	35	-				
FT8918	SET BUSHING GUIDE . . . . .	35	-				
FT8919	PIN PUNCH . . . . .	34	-				
FT8920	BEARING REPLACER . . . . .	35	-				
FT8921	RACE PULLER . . . . .	35	-				
FT8924-1	SHIM . . . . .	35	-				
FT8926	PISTON RING EXPANDER . .	34	-				
FT8929	ADAPTER AND HEX BIT . . .	34	-				
FT8950	LEAKAGE TESTER . . . . .	36	-				
FT8953	IGNITION TESTER . . . . .	36	-				
FT8957	SEAL INSTALLER . . . . .	35	-				
FT8982	SHIM ADAPTER . . . . .	35	-				
FT8995	SHIM SPACER . . . . .	35	-				
FT8996	IGNITION TESTER . . . . .	36	-				
T8974	BREAKER POINT TENSION GAUGE . . . . .	36	-				
27-818043A1	DIAPHRAGM, FUEL PUMP W/GASKETS . . . . .	15	39				
32-817738A1	FUEL LINE, LONG W/CLAMP AND FERRULE . . . . .	31	7				
33-82370M	SPARK PLUG (L-86) . . . . .	19	3				