



PARTS CATALOG

4 H.P.

SERIAL NUMBER

4 (1977)	42BB
4 (1977)	47BB
4 (1977)	47HB

TABLE OF CONTENTS:

ACCESSORIES	24
CARBURETOR AND REED PLATE	8
ENGINE COVER AND FUEL TANK	2
GEAR HOUSING	20
LUBRICATION CHART	26
MAGNETO	6
MOTOR LEG	16
PARTS INDEX	28
POWER HEAD AND SUPPORT PLATE	12
SPECIAL ADJUSTMENTS	27
SPECIFICATIONS	25
STARTER	4

NOTE: *Indented description indicate that these parts are included in preceeding assembly.*

AR = As Required

NSS = Not Sold Separate

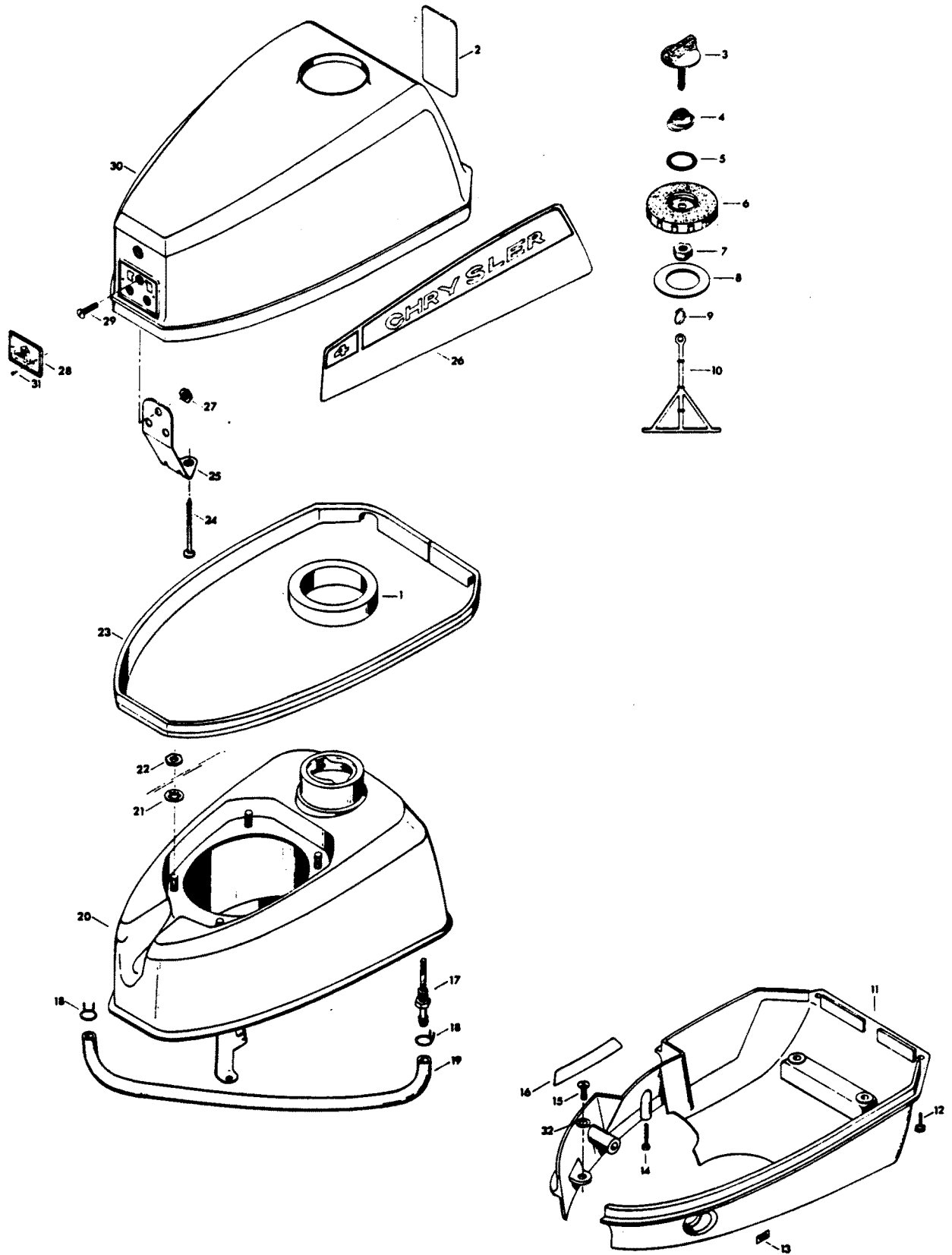
OPT = Optional

NS = Not Shown

THESE PARTS BOOKS/FICHE CARD ARE COPYRIGHTED AND MAY NOT BE DISTRIBUTED OR REPRODUCED IN ANY OTHER FORMAT BY ANYONE OTHER THAN MERCURY MARINE WITHOUT THE PRIOR WRITTEN CONSENT OF MERCURY MARINE.

THIS PAGE INTENTIONALLY LEFT BLANK

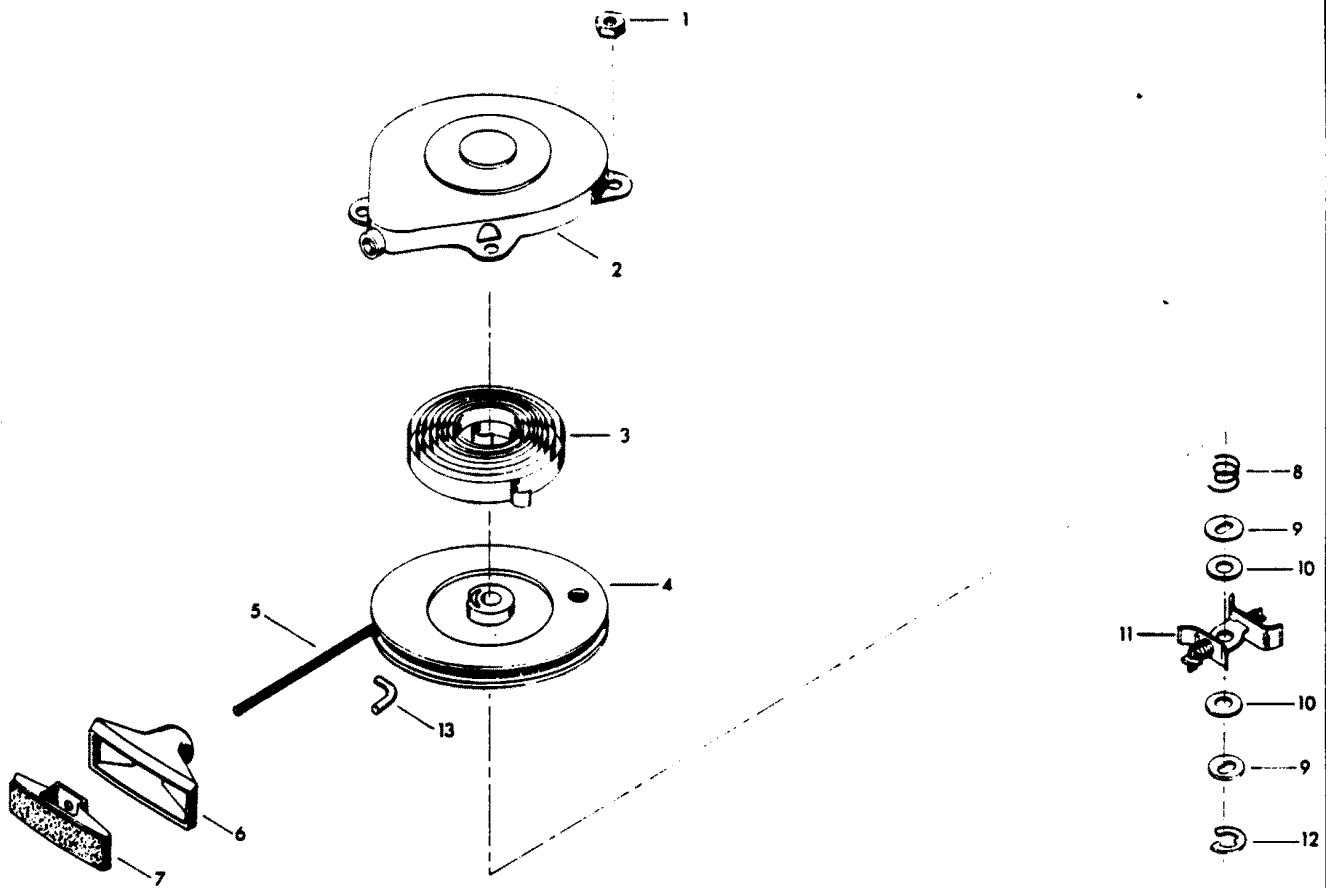
ENGINE COVER AND FUEL TANK



ENGINE COVER AND FUEL TANK

REF. NO.	PART NO.	SYM.	QTY.	DESCRIPTION
1	F459186		1	COLLAR, FUEL TANK
2	F521528		1	DECAL, TRIM REAR
3	F17940		1	VENT CAP
4	F17942		1	CAP TENSION SPRING
5	F17935		1	GASKET, "O" RING
6	F17936		1	FUEL CAP
7	F17941		1	NUT, VENT SCREW
8	F17939		1	FUEL CAP GASKET
9	F427249		1	RETAINING RING
10	F17938		1	ANCHOR
11	F521944		1	ENGINE COVER, BOTTOM
12	F1371		2	PAN HD SCREW W/EXTERNAL TOOTH LOCKWASHER, 10 - 24 X 5/8
13	F521894		1	DECAL, "OFF"
14	F1829		1	FILL HD M. SCREW, 10 - 24 X 7/8
15	F1493		3	SLOTTED PAN HD SCREW, 1/4 - 20 X 5/8
16	F521391		1	DECAL, SPEED RANGE
17	F901811		1	FITTING, GAS TANK
18	F97772		2	HOSE CLAMP
19	F521754		1	HOSE
20	F521034-1		1	FUEL TANK
21	F8061		4	INTERNAL TOOTH LOCKWASHER
22	F1896		4	HEX NUT
23	FK521713		1	PACKING, TOP COVER TRIM
24	F1752		1	SLOTTED PAN HD THREAD FORMING SCREW, #10 X 2
25	FA521778		1	RETAINER, ENGINE COVER FRONT W/SCREWS & NUTS
26	F521392		1	DECAL, CHRYSLER - PORT
-	F521396		1	DECAL, CHRYSLER - STARBOARD
27	F7009		3	HEX NUT
28	FA521892		1	INSERT, PLATE FRONT - U.S.A.
-	FA521893		1	INSERT, PLATE FRONT - CANADA
29	F1979		3	PAN HD SCREW, 10 - 24 X 1/2
30	100-FS665712		1	ENGINE COVER TOP W/RETAINER AND PACKING
31	F1293		2	ROUND HD DRIVE SCREW, #2 X 3/16
32	F8088		3	PLAIN WASHER

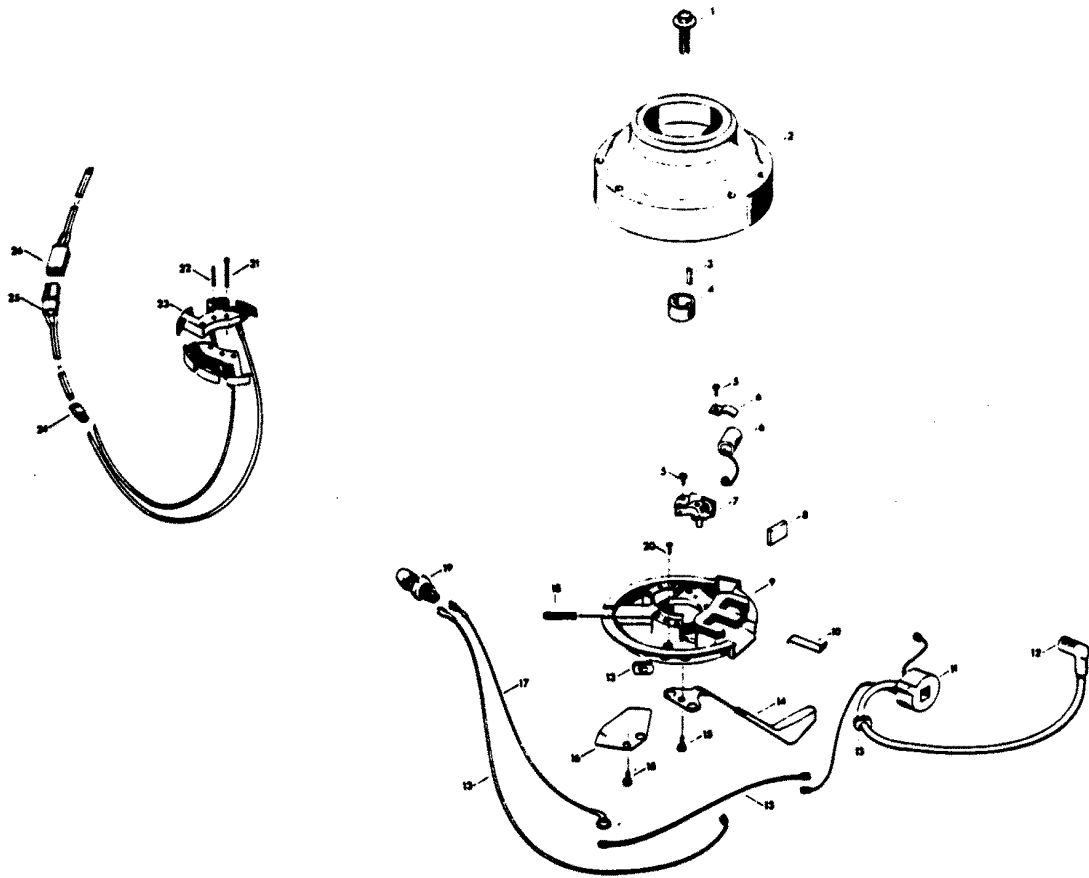
STARTER



STARTER

REF. NO.	PART NO.	SYM.	QTY.	DESCRIPTION
1	F1896		4	HEX NUT
2	F15592		1	COVER
3	F15570		1	SPRING
4	F15591		1	ROTOR
5	F15582		1	STARTER ROPE
6	F521132		1	HANDLE, STARTER ROPE
7	521817		1	RETAINER, STARTER ROPE HANDLE
8	F15576		1	SPRING
9	F15510		2	WASHER
10	F15574		2	FIBER WASHER
11	F15535		1	FRICITION SHOE ASSEMBLY
12	F15577		1	RETAINING RING
13	F521369		1	PIN, STARTER ROPE
-	F521063		1	STARTER COMPLETE

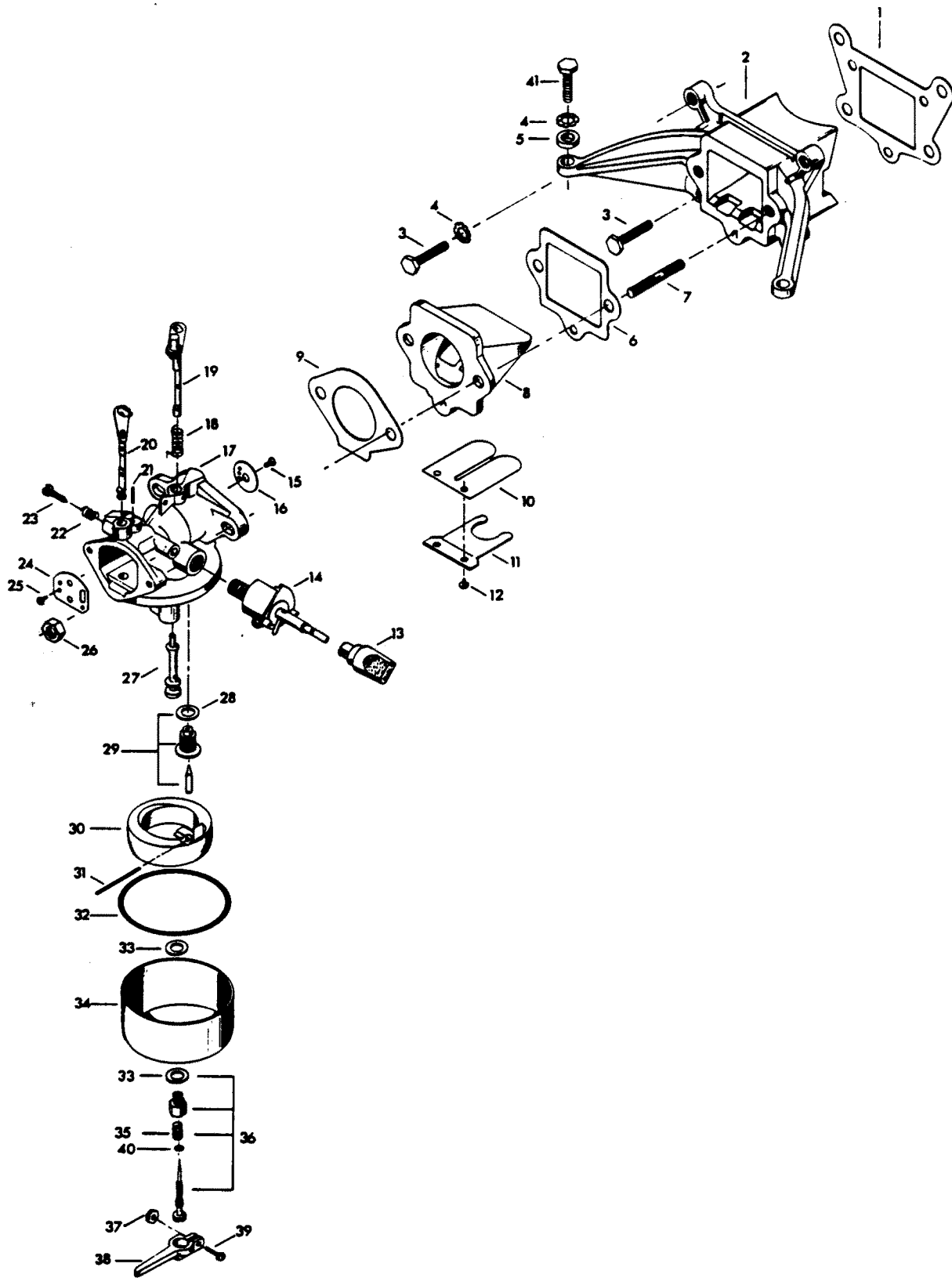
MAGNETO



MAGNETO

REF. NO.	PART NO.	SYM.	QTY.	DESCRIPTION
1	F521552		1	SCREW, FLYWHEEL
2	F521097-1		1	FLYWHEEL
3	F521498		1	KEY, FLYWHEEL
4	F521002		1	CAM
5	F12090		2	MOUNTING SCREW
6	F12357		1	CONDENSER W/CLAMP
7	F12359		1	CONTACT SET
8	F12360		1	FELT CAM
9	F12362		1	STATOR PLATE W/CORE
10	F12363		1	WEDGE SPRING
11	F12358		1	COIL W/LEAD WIRE AND WEDGE SPRING
12	FK750-1		1	SPARKIE KIT
13	F12361		1	LEAD WIRE AND GROMMET PACKAGE
14	F521549-1		1	THROTTLE LEVER
15	F1655		1	HEX HD SCREW W/SPRING LOCKWASHER, 1/4 - 20 X 3/8
16	F521192		1	THROTTLE CAM
17	F521908		1	GROUND WIRE
18	F12066		1	FRICTION SCREW
19	F436449		1	SHORTING SWITCH
20	F1298		1	ROUND HD SCREW W/LOCKWASHER,
21	F1829		4	FILL HD SCREW, 10 - 24 X 7/8, FOR MODELS 47HB, 47BB
22	F1876		2	SPRING PIN FOR MODELS 47HB, 47BB
23	FA523095		1	STATOR, ALTERNATOR FOR MODELS 47HB, 47BB
24	F448874		1	PARALLEL SPLICE FOR MODELS 47HB, 47BB
25	F521843		1	CABLE LIGHTING COIL EXTENSION, FOR MODELS 47HB, 47BB
26	FA521841		1	CABLE, LIGHTING COIL, FOR MODELS 47HB, 47BB

CARBURETOR AND REED PLATE

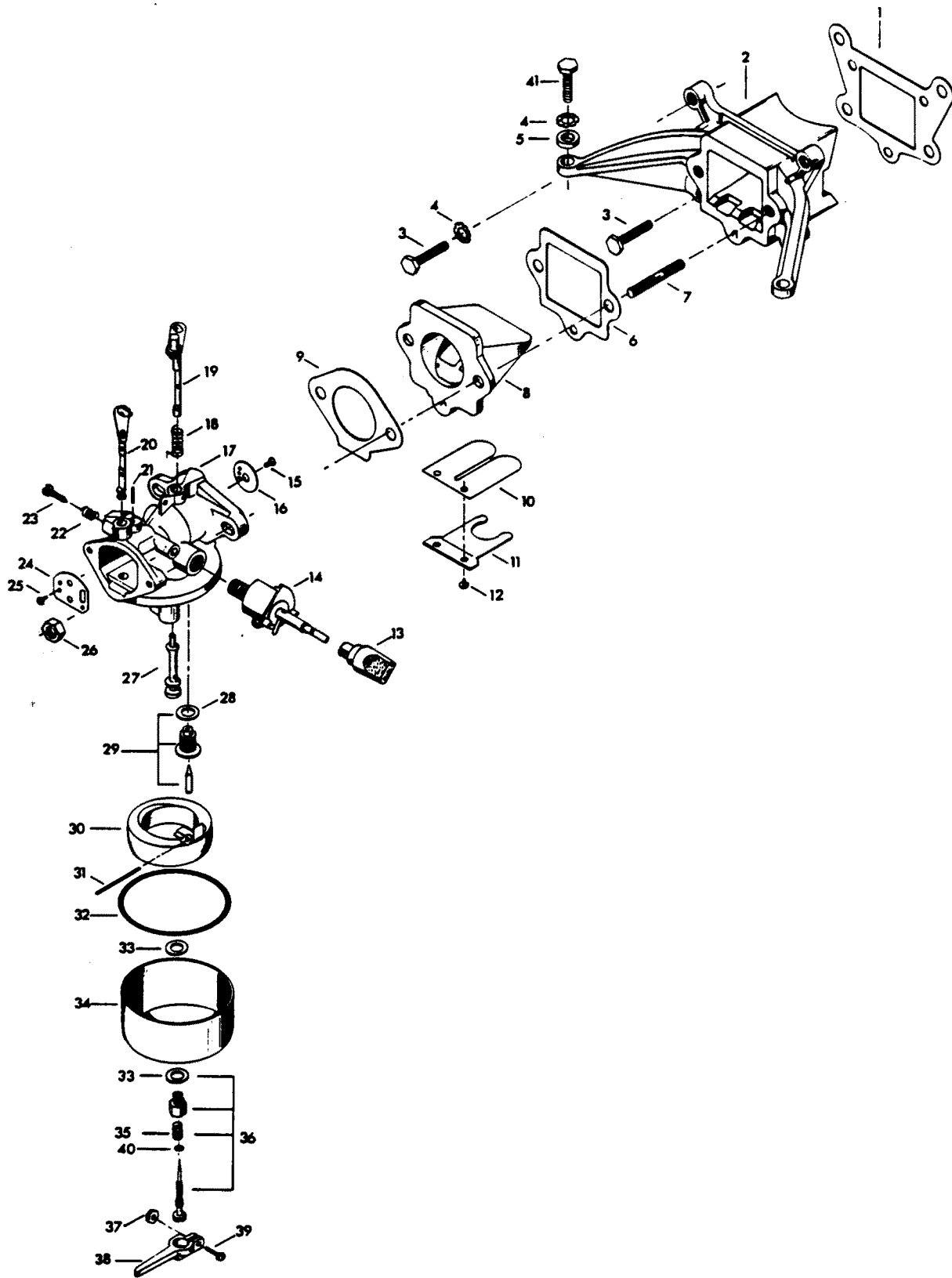


CARBURETOR AND REED PLATE

REF. NO.	PART NO.	SYM.	QTY.	DESCRIPTION
1	F521168		1	GASKET CARBURETOR ADAPTER
2	2A521167		1	CARBURETOR ADAPTER W/STUDS
3	F1833		4	HEX CAP SCREW, 1/4 - 20 X 1
4	F8060		4	INTERNAL TOOTH LOCKWASHER
5	F8026		2	PLAIN WASHER
6	F521159-1		1	GASKET, REED PLATE
7	F27209-1		1	STUD, CARBURETOR
8	F2A521158		1	REED PLATE W/REED, STOP & SCREWS
9	F521906		1	GASKET, CARBURETOR
10	F31160-1		1	REED
11	F424161		1	REED STOP
12	F1298		2	ROUND HD SCREW W/LOCKWASHER, 6 - 32 X 1/4
13	F521550		1	KNOB, FUEL SHUT-OFF
14	F521489		1	VALVE, FUEL SHUT-OFF
15	F10071		1	SCREW
16	F10060		1	THROTTLE VALVE
17	F521061-1		1	CARBURETOR COMPLETE
18	F10075		1	SPRING, THROTTLE RETURN
19	F10059		1	THROTTLE SHAFT
20	F10061		1	CHOKE SHAFT
21	F10072		1	SPRING, CHOKE STOP
22	F10073		1	SPRING, IDLE ADJUSTMENT NEEDLE
23	F10077		1	NEEDLE, IDLE
24	F10062		1	CHOKE VALVE
25	F10070		2	SCREW, CHOKE VALVE
26	F1490		2	HEX NUT, 1/4 - 20
27	F10065		1	NOZZLE
28	F10066		1	GASKET, VALVE SEAT
29	F10078		1	VALVE, SEAT AND GASKET ASSEMBLY
30	F10063		1	FLOAT
31	F10064		1	FLOAT PIN
32	F10068		1	GASKET, FUEL BOWL
33	F10067		2	GASKET, BOWL RETAINER
34	F10058		1	FUEL BOWL
35	F10074		1	SPRING, POWER NEEDLE
36	F10076		1	NEEDLE ASSEMBLY
37	F1473		1	HEX NUT
38	F521548		1	LEVER, HI-SPEED ADJUSTING

CONTINUED ON NEXT PAGE ➡

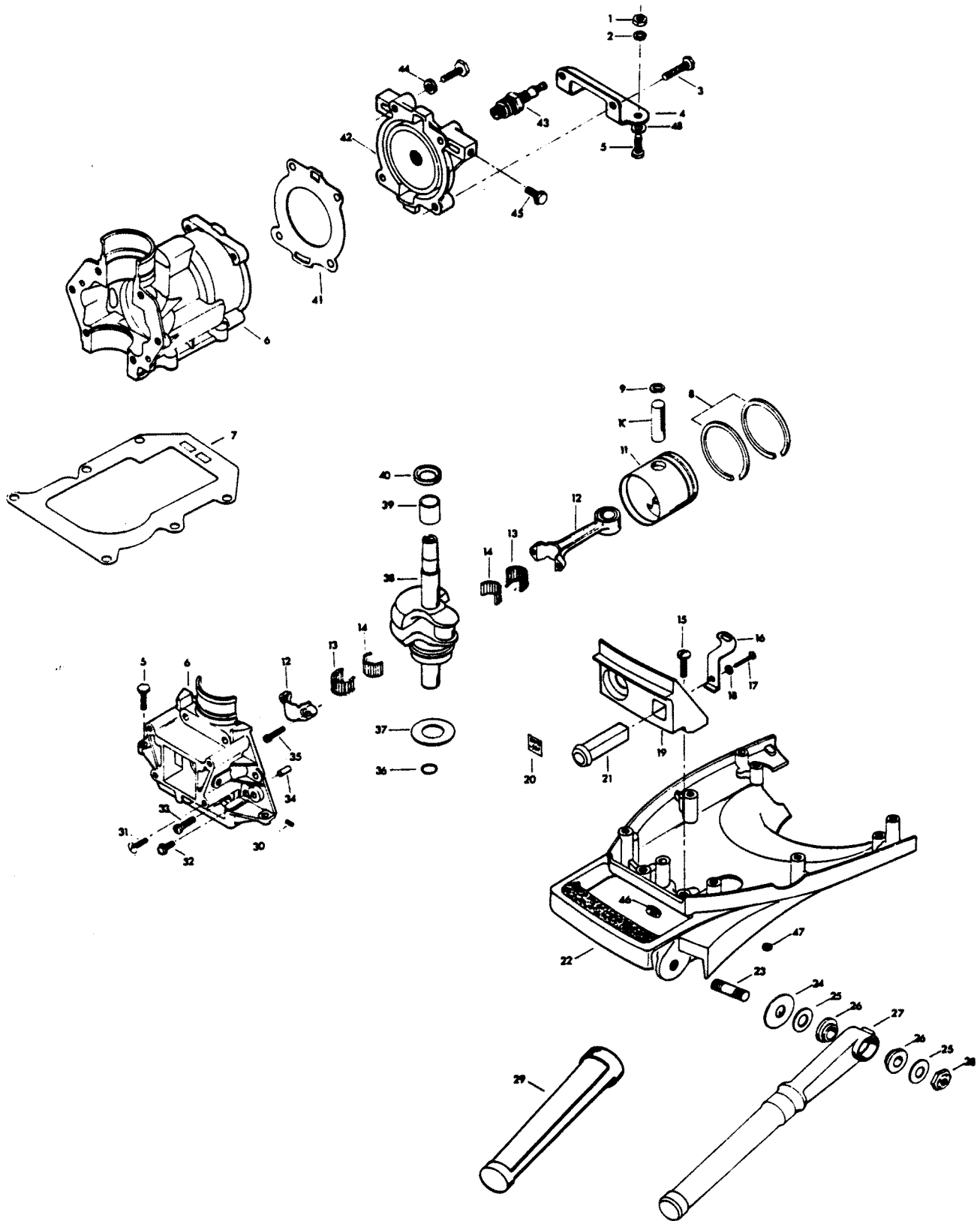
CARBURETOR AND REED PLATE



CARBURETOR AND REED PLATE

REF. NO.	PART NO.	SYM.	QTY.	DESCRIPTION
39	F1475		1	FILL HD SCREW, 10 - 24 X 1/2
40	F10080		1	SEAL, "O" RING
41	F1199		2	HEX CAP SCREW, 1/4 - 20 X 1
-	F10079		1	REPAIR KIT INCLUDES ALL ITEMS MARKED WITH AN ASTERISK (*)
-	F10069		1	GASKET SET INCLUDES ALL ITEMS MARKED WITH A DOUBLE ASTERISK (**)

POWER HEAD AND SUPPORT PLATE

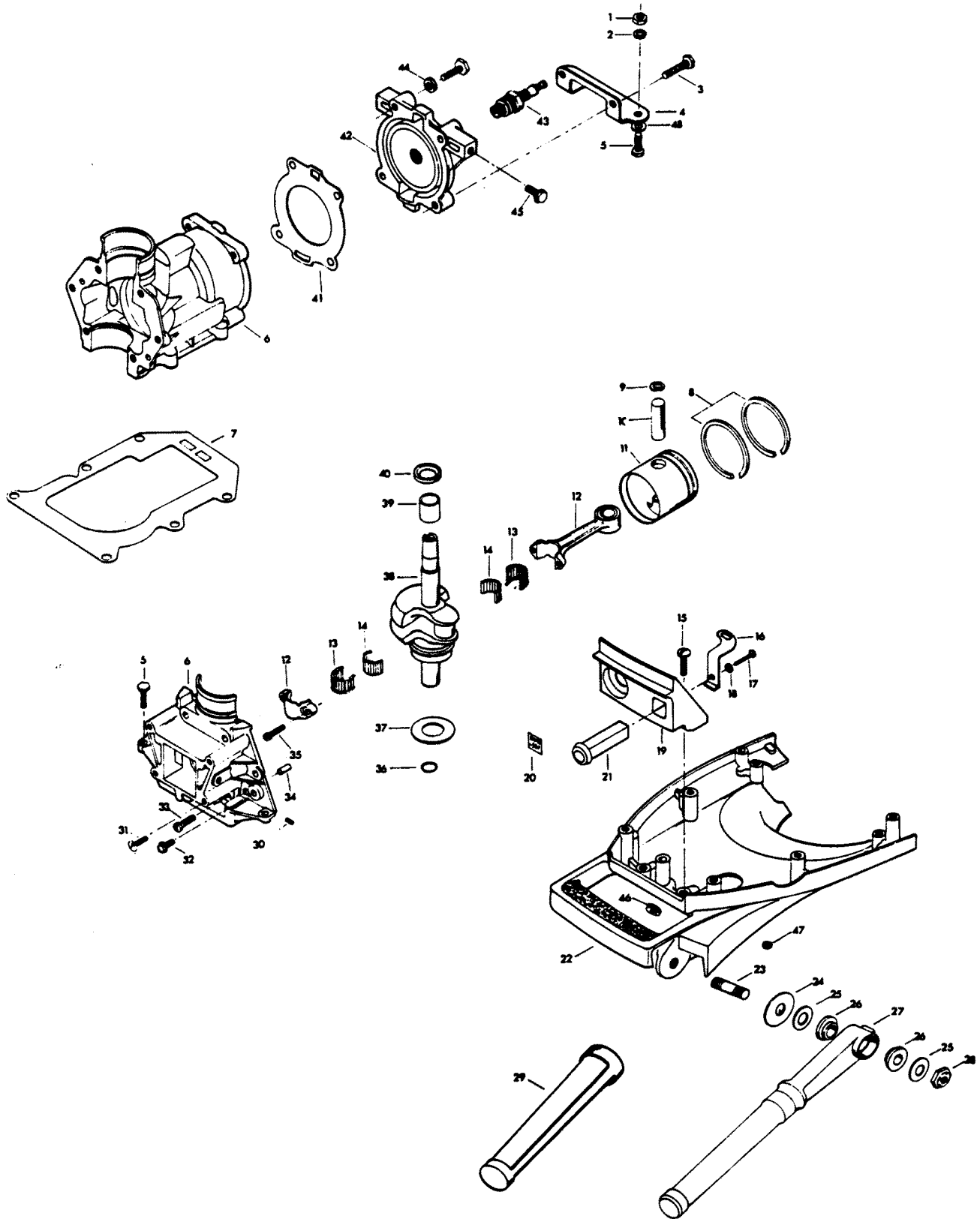


POWER HEAD AND SUPPORT PLATE

REF. NO.	PART NO.	SYM.	QTY.	DESCRIPTION
1	F1341		2	HEX NUT
2	F8083		2	SPRING LOCKWASHER
3	F901938-1		4	SCREW, CYLINDER HEAD
4	F521774		1	BRACKET, ENGINE COVER LOWER MOUNTING
5	F1705		2	HEX HD CAP SCREW, 1/4 - 20 X 3/4
6	F2A521010		1	CYLINDER W/CRANKCASE COVER, DOWEL PINS AND SCREWS
7	F521279		1	GASKET, CYLINDER EXHAUST
8	39-818038A1		2	PISTON RING SET
9	F250410		2	PISTON PIN RETAINING RING
10	F250017		1	PISTON PIN
11	F521015		1	PISTON
12	F2A521016		1	CONNECTING ROD W/SCREWS AND BEARING
13	F237241		2	CAGE, CRANKPIN ROLLER
14	FA237228		1	CRANKPIN ROLLER SET
15	F1493		2	PAN HD SCREW, 1/4 - 20 X 5/8
16	F521925		1	LINK, CHOKE KNOB
17	F2041		1	HEX HD M. SCREW, 10 - 24 X 3/8
18	F1975		1	SPRING LOCKWASHER
19	F521163		1	COVER, SUPPORT PLATE
20	F521248		1	DECAL
21	F521547		1	CHOKE KNOB
22	FA341038		1	SUPPORT PLATE
23	F521004		1	STUD
24	F286286-1		1	WASHER, NYLON
25	F8015		2	PLAIN WASHER
26	F521319		2	BUSHING, STEERING HANDLE
27	F521079		1	STEERING HANDLE
28	F1756		1	STOP NUT
29	F390137		1	GRIP, STEERING HANDLE
30	F1789		1	PIPE PLUG
31	F1107		2	FILL HD M. SCREW, 1/4 - 20 X 3/4
32	F1890		1	HEX WASHER HD TAPTITE SCREW, 1/4 - 20 X 5/8
33	F1099		4	SLOTTED FILL HD SCREW, 1/4 - 20 X 1 1/4
34	F8559		2	DOWEL PIN
35	F36634		2	SCREW, CONNECTING ROD
36	F521579		1	SEAL, CRANKSHAFT SPLINE
37	F521118		1	SEAL, CRANKSHAFT LOWER
38	F2A521018		1	CRANKSHAFT W/SLINGER AND LOWER BEARING
39	F521013		1	BEARING, CRANKSHAFT UPPER
40	F521146		1	SEAL, CRANKSHAFT UPPER
41	F521529		1	GASKET, CYLINDER HEAD
42	F521518		1	CYLINDER HEAD

CONTINUED ON NEXT PAGE ➡

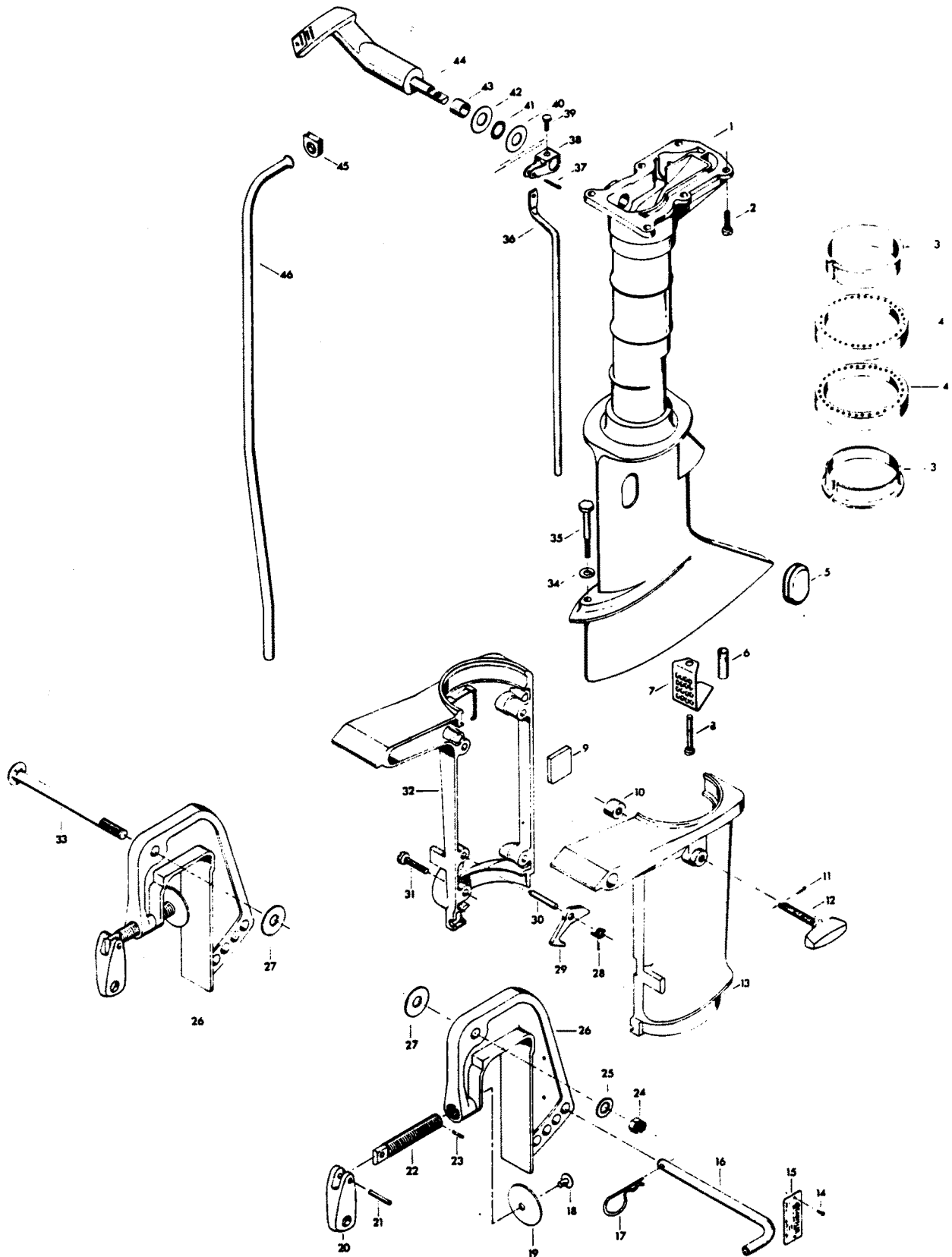
POWER HEAD AND SUPPORT PLATE



POWER HEAD AND SUPPORT PLATE

REF. NO.	PART NO.	SYM.	QTY.	DESCRIPTION
43	FS521227		1	SPARK PLUG (L-7-J)
-	C247227		1	SPARK PLUG RL-7-J FOR MODELS 42BB, 47BB
44	F8028		2	PLAIN WASHER
45	F1426		2	HEX HD SCREW W/LOCKWASHER, 1/4 - 20 X 7/16
46	F84991-1		1	GROMMET FOR MODELS 47HB, 47BB
47	F53991-2		1	GROMMET
48	F8088		2	PLAIN WASHER
-	FC521010		1	SHORT BLOCK (NOT SHOWN) INCLUDES ALL ITEMS MARKED WITH AN ASTERISK (*)
-	FG1015		1	GASKET SET (NOT SHOWN)

MOTOR LEG

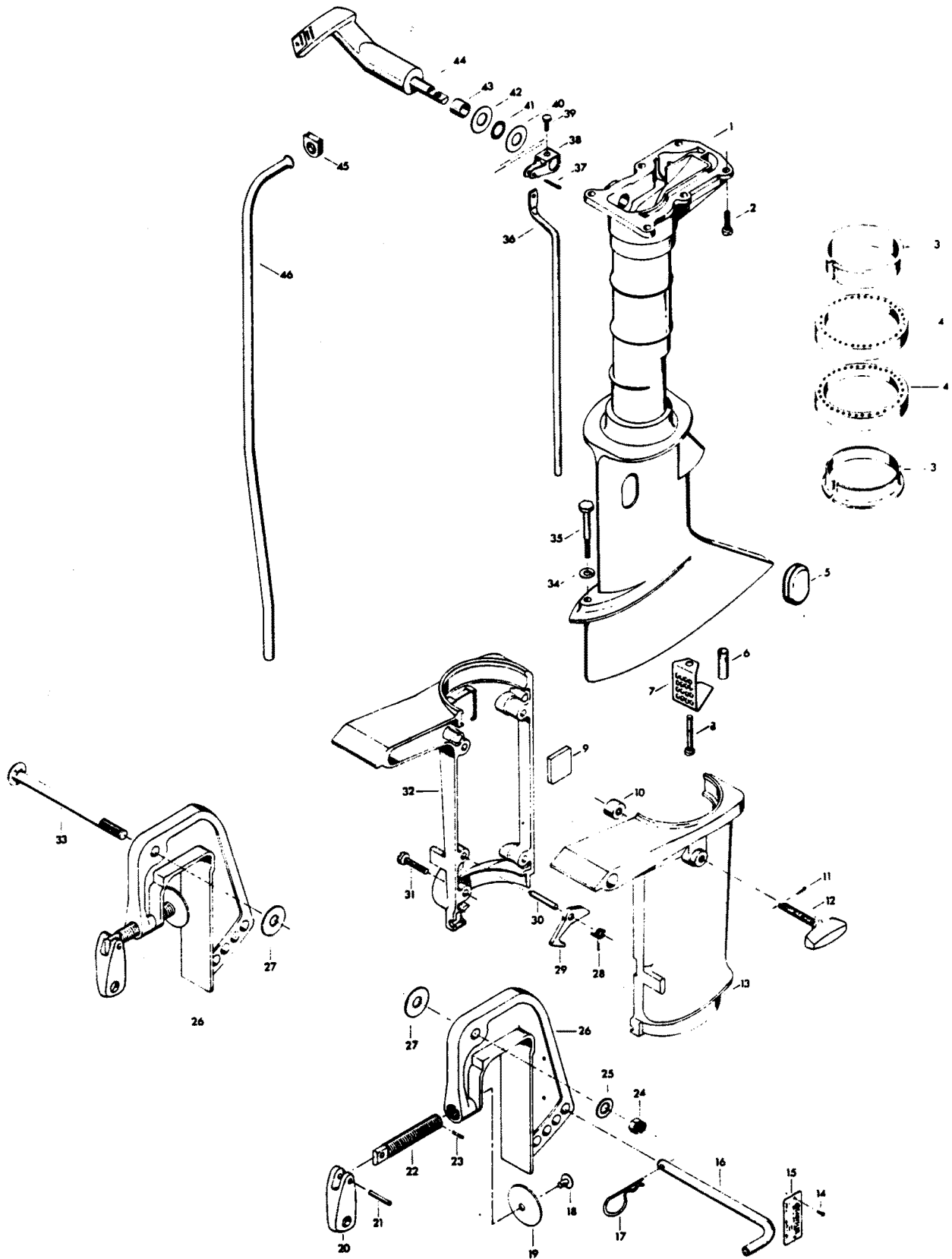


MOTOR LEG

REF. NO.	PART NO.	SYM.	QTY.	DESCRIPTION
1	F521133		1	MOTOR LEG
2	F1922		6	HEX HD SCREW, 1/4 - 20 X 5/8
3	F468169		2	BEARING, SWIVEL BRACKET
4	F468346		2	SHOCK MOUNT
5	F46899-1		1	COVER, SHIFT COUPLING
6	F521727		1	SLEEVE, IDLE BAFFLE
7	F521779		1	BAFFLE, IDLE RELIEF
8	F1747		1	FILL HD SCREW, 10 - 24 X 1 11/16
9	F521661		1	PAD, SWIVEL FRICTION
10	F521631		1	SHOE, SWIVEL FRICTION
11	F1014		1	COTTER PIN
12	F521514		1	KNOB, STEERING FRICTION W/SCREW
13	F521072		1	SWIVEL BRACKET - PORT
14	F1293		2	DRIVE SCREW, 2 X 3/16
15	FA77395-5		0	PLATE, IDENTIFICATION W/SCREWS - USA
-	AC16395-7		0	PLATE, IDENTIFICATION W/SCREWS - CANADA
16	F459113		1	LOCK BAR
17	F1985		1	HAIR PIN, COTTER
18	F66480		2	STUD
19	F24074		2	CLAMP SCREW FOOT
20	F424075		2	HANDLE, CLAMP SCREW
21	F8554		2	SPRING PIN
22	817761A2		2	CLAMP SCREW W/FOOT AND STUD
23	F8537		2	SPRING PIN
24	F7005		1	STOP NUT
25	F8039		1	PLAIN WASHER
26	1400-817850A4		2	STERN BRACKET W/CLAMP SCREW AND FOOT
27	F2037		2	PLAIN WASHER
28	F468300		1	SPRING, REVERSE LOCK
29	F468349		1	REVERSE LOCK
30	F468350		1	PIN, REVERSE LOCK
31	F2035		4	PHILLIPS FILL HD SCREW, 1/4 - 20 X 1
32	F468572-1		1	SWIVEL BRACKET - STARBOARD
33	F468037-1		1	PIVOT BOLT
34	F8083		1	SPRING LOCKWASHER
35	F1175		1	HEX CAP SCREW, 1/4 - 20 X 1 7/8, FOR MODELS 42HB, 42BB
36	F521615		1	ROD, GEAR SHIFT UPPER
37	F1406		1	COTTER PIN
38	F521621		1	LEVER, GEAR SHIFT
39	F2041		1	HEX M. SCREW, 10 - 24 X 3/8
40	F2014		1	PLAIN WASHER
41	F19342		1	SEAL, SHIFT LEVER SHAFT

CONTINUED ON NEXT PAGE ➡

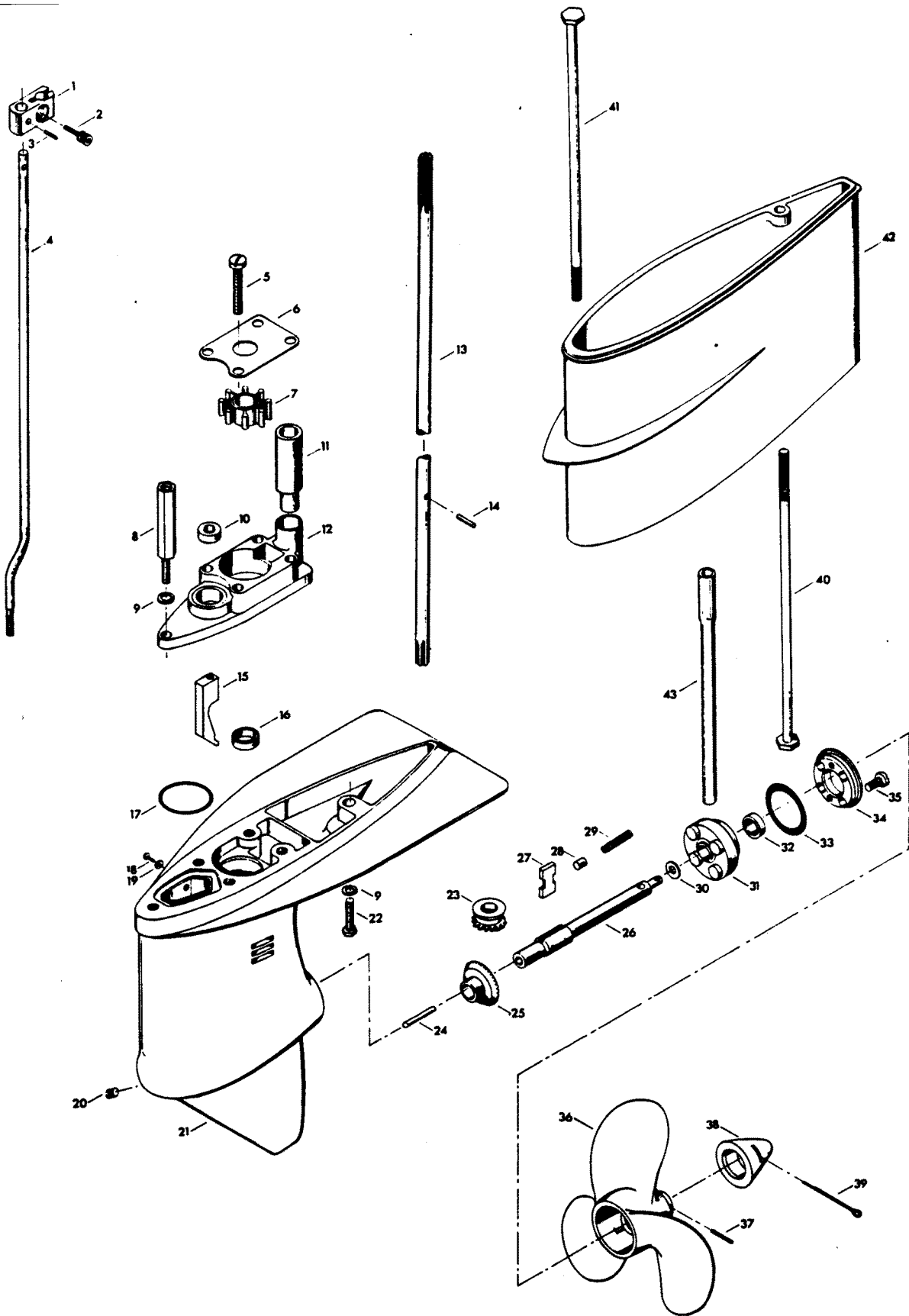
MOTOR LEG



MOTOR LEG

REF. NO.	PART NO.	SYM.	QTY.	DESCRIPTION
42	F521415		1	WASHER, GEAR SHIFT HANDLE
43	F521610		1	BEARING, GEAR SHIFT SHAFT
44	F521614		1	HANDLE, GEAR SHIFT W/SHAFT
45	F521342		1	SEAL, WATER LINE
46	F521244		1	WATER LINE

GEAR HOUSING

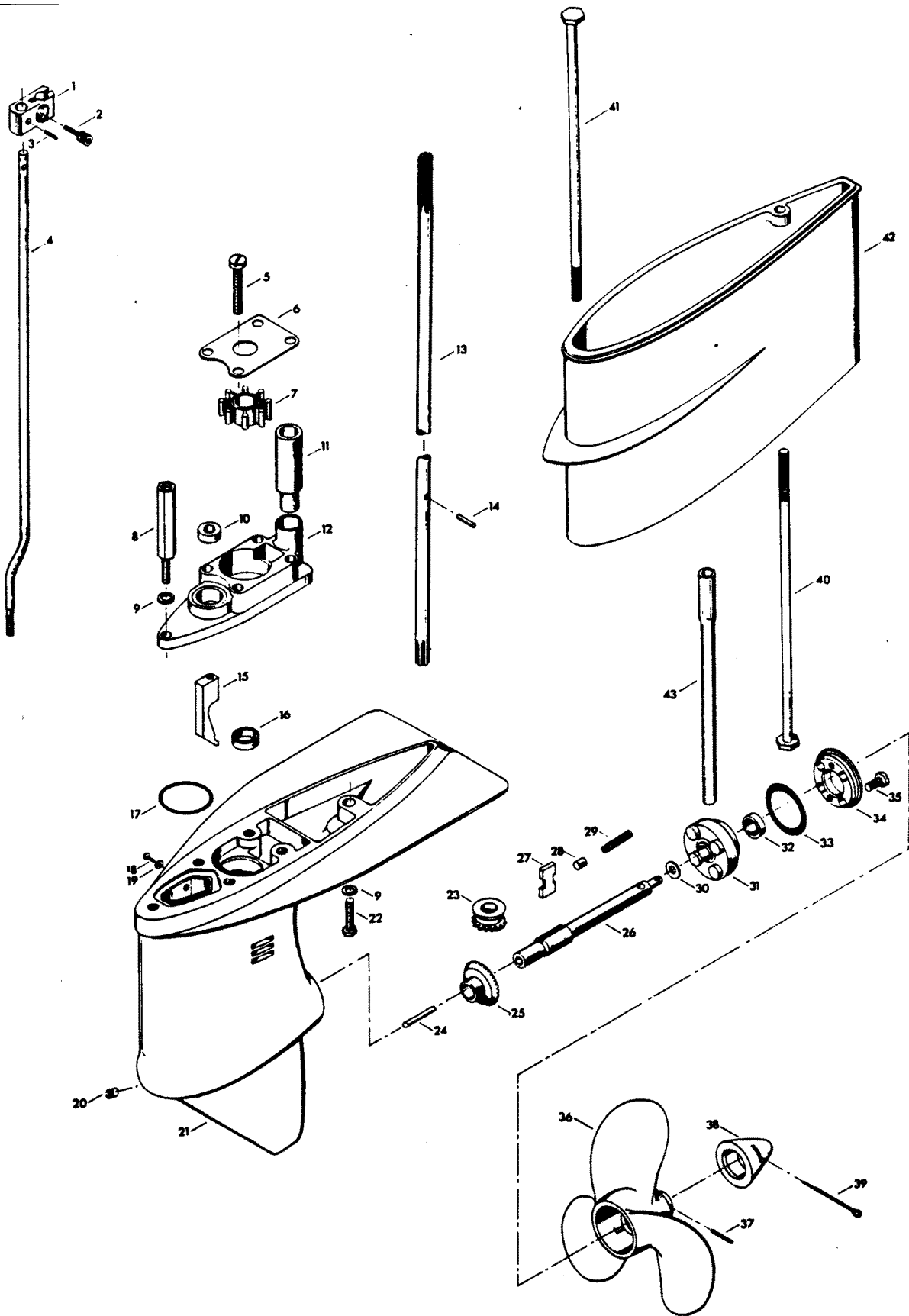


GEAR HOUSING

REF. NO.	PART NO.	SYM.	QTY.	DESCRIPTION
1	F521704		1	COUPLING, GEAR SHIFT ROD
2	F1976		1	SOCKET HD SCREW W/LOCKWASHER, 10 - 24 X 1/2
3	F8538		1	SPRING PIN
4	F521705		1	ROD, GEAR SHIFT LOWER
-	F332705		1	GEAR SHIFT ROD LOWER, FOR MODELS 47HB, 47BB
5	F1504		4	FILL HD SCREW, 1/4 - 20 X 1 1/4
6	F521537		1	PLATE, WATER PUMP
7	F521065		1	IMPELLER
8	F521006		1	STUD
9	F8083		2	SPRING LOCKWASHER
10	F338618-1		1	SEAL, SHIFT ROD
11	FA521735		1	SEAL, WATERLINE
12	FA735060		1	WATER PUMP BODY
13	F521128		1	DRIVESHAFT
-	F341128		1	DRIVESHAFT FOR MODELS 47HB, 47BB
14	F390563		1	PIN, WATER PUMP IMPELLER DRIVE
15	F521721		1	CAM, CLUTCH SHIFT
16	F318307		1	SEAL, DRIVESHAFT
17	F521783		1	SEAL
18	F1077		1	FILL HD SCREW, 10 - 24 X 1/4
19	F8074		1	WASHER
20	F19109		1	PLUG, GEAR HOUSING
21	F2A521054		1	GEAR HOUSING, WASHER, DRIVESHAFT BEARING AND SEAL W/PLUG VENT SCREW
22	F1199		1	HEX CAP SCREW, 1/4 - 20 X 1, FOR MODELS 42HB, 42BB
23	F521266		1	BEVEL PINION GEAR
24	F521728		1	CLUTCH SHIFT PIN
25	FA521023		1	BEVEL GEAR W/BEARING
26	F459098		1	PROPELLER SHAFT
27	F409521		1	CLUTCH
28	F318372		1	PIN, CLUTCH GUIDE
29	F409719		1	CLUTCH SPRING
30	F521099		1	SPACER
31	FA521298		1	BEARING CAGE W/BEARING AND SEAL
32	F521307		1	SEAL, PROPELLER SHAFT
33	F521305		1	SEAL, "O" RING
34	F521296		1	RETAINER, PROPELLER SHAFT BEARING CAGE
35	F1035		4	FILL HD SCREW, 1/4 - 20 X 5/8
36	FP341		1	PROPELLER
37	FA459101		1	PROPELLER PIN, PACK OF 3
38	11-817752A1		1	PROPELLER NUT W/COTTER PIN
39	F1846		1	COTTER PIN

CONTINUED ON NEXT PAGE ➡

GEAR HOUSING



GEAR HOUSING

REF. NO.	PART NO.	SYM.	QTY.	DESCRIPTION
40	F1808		1	HEX CAP SCREW, 1/4 - 20 X 7, FOR MODELS 47HB, 47BB
41	F1825		1	HEX CAP SCREW, 1/4 - 20 X 6, FOR MODELS 47HB, 47BB
42	F521845		1	EXTENSION, MOTOR, FOR MODELS 47HB, 47BB
43	F341244		1	WATERLINE, FOR MODELS 47HB, 47BB
-	FC521054		1	GEAR HOUSING COMPLETE (NOT SHOWN) (INCLUDES ALL ITEMS MARKED WITH AN ASTERISK *)

ACCESSORIES

REF. NO.	PART NO.	SYM.	QTY.	DESCRIPTION
-	F76H07		0	A-C LIGHTING COIL KIT PROVIDES 12 VOLT, 60 WATT OUTPUT FOR OUTBOARD RUNNING LIGHTS.
-	F76H11		0	BATTERY CHARGING SYSTEM USED IN CONJUNCTION WITH 76H07 LIGHTING COIL KIT OR 47HB, 47BB MODEL ENGINES.
-	76H12		0	FUEL PUMP KIT ADAPTS ENGINE TO USE WITH REMOTE FUEL TANK.
-	F71H09		0	6 GALLON FUEL TANK USED IN CONJUNCTION WITH 76H12 FUEL PUMP KIT TO PERMIT EXTENDED CRUISING RANGE.
-	760		0	4 1/4 GALLON FUEL TANK USED IN CONJUNCTION WITH 76H12 FUEL PUMP KIT TO PERMIT EXTENDED CRUISING RANGE.
-	F76H23		0	LEG EXTENSION KIT CONVERTS 15 INCH STANDARD SHAFT MODEL TO 20 INCH LONG SHAFT MODEL.

SPECIFICATIONS

REF. NO.	PART NO.	SYM.	QTY.	DESCRIPTION
-			0	HORSEPOWER 4 B.I.A. CERTIFIED BRAKE H.P. AT 5500 R.P.M.
-			0	ENGINE TWO-CYCLE, SINGLE CYLINDER.
-			0	BORE AND STROKE 2.0" BORE X 1 9/16" STROKE.
-			0	PISTON DISPLACEMENT 5.00 CUBIC INCHES.
-			0	FUEL SYSTEM FLOAT FEED CARBURETOR.
-			0	CONNECTING ROD ALLOY STEEL FORGING.
-			0	CRANKSHAFT STEEL FORGING - MOLDED NODULAR IRON, GROUND FINISH.
-			0	FUEL TANK STEEL TANK, CAPACITY 4 U.S. PINTS OR 2 LITERS.
-			0	PROPELLER SHAFT AND DRIVESHAFT STAINLESS STEEL, HARDENED GROUND AND POLISHED.
-			0	PROPELLER ALUMINUM, DIAMETER 7 1/4", PITCH 5 1/2" LEFT HAND ROTATION.
-			0	COOLING SYSTEM WATER COOLED - POSITIVE DISPLACEMENT TYPE WATER PUMP.
-			0	TRANSOM HEIGHT 15"
-			0	WEIGHT 38 POUNDS

LUBRICATION CHART

REF. NO.	PART NO.	SYM.	QTY.	DESCRIPTION
-			0	CLAMP SCREWS SAE 30 MOTOR OIL, TWICE EACH SEASON
-			0	SWIVEL BRACKET BEARING GRAPHITE GREASE, TWICE EACH SEASON
-			0	CONTACT SURFACE BETWEEN MAGNETO STATR PLATE & UPR BEARG CAGE EP - ALL PURPOSE CHASSIS LUBRICANT, IF MAGNETO CONTROL LEVER BECOMES HARD TO MOVE
-			0	GEAR HOUSING CHRYSLER OUTBOARD GEAR LUBE, EVERY 30 HOURS, OFTENER IF REQUIRED
-			0	PROPELLER SHAFT ANTI-SEIZE (SPECIAL TOOL T2987-1), TWICE EACH SEASON

SPECIAL ADJUSTMENTS

REF. NO.	PART NO.	SYM.	QTY.	DESCRIPTION
-			0	STEERING TENSION IF MOTOR STEERS TOO HARD, LOOSEN THE STEERING FRICTION SCREW, ILLUSTRATION 12, PAGE 11. IF MOTOR TURNS TOO EASILY, TIGHTEN THE SCREW.
-			0	MAGNETO BREAKER POINT GAP SPACING .020".
-			0	SPARK PLUG CHAMPION L-7-J FOR MODELS 42HB AND 47HB
-			0	SPARK PLUG

PARTS INDEX

Part Number	Description	Pg.	Ref. No.	Part Number	Description	Pg.	Ref. No.
2A521167	CARBURETOR ADAPTER W/STUDS	9	2	F12359	CONTACT SET	7	7
521817	RETAINER, STARTER ROPE HANDLE	5	7	F12360	FELT CAM	7	8
760	4 1/4 GALLON FUEL TANK	24	-	F12361	LEAD WIRE AND GROMMET PACKAGE	7	13
76H12	FUEL PUMP KIT	24	-	F12362	STATOR PLATE W/CORE	7	9
817761A2	CLAMP SCREW W/FOOT AND STUD	17	22	F12363	WEDGE SPRING	7	10
AC16395-7	PLATE, IDENTIFICATION W/SCREWS - CANADA	17	-	F1293	DRIVE SCREW, 2 X 3/16	17	14
C247227	SPARK PLUG RL-7-J FOR MODELS 42BB, 47BB	15	-	F1293	ROUND HD DRIVE SCREW, #2 X 3/16	3	31
F10058	FUEL BOWL	9	34	F1298	ROUND HD SCREW W/LOCKWASHER,	7	20
F10059	THROTTLE SHAFT	9	19	F1298	ROUND HD SCREW W/LOCKWASHER, 6 - 32 X 1/4	9	12
F10060	THROTTLE VALVE	9	16	F1341	HEX NUT	13	1
F10061	CHOKE SHAFT	9	20	F1371	PAN HD SCREW W/EXTERNAL TOOTH LOCKWASHER, 10 - 24 X 5/8	3	12
F10062	CHOKE VALVE	9	24	F1406	COTTER PIN	17	37
F10063	FLOAT	9	30	F1426	HEX HD SCREW W/LOCKWASHER, 1/4 - 20 X 7/16	15	45
F10064	FLOAT PIN	9	31	F1473	HEX NUT	9	37
F10065	NOZZLE	9	27	F1475	FILL HD SCREW, 10 - 24 X 1/2	11	39
F10066	GASKET, VALVE SEAT	9	28	F1490	HEX NUT, 1/4 - 20	9	26
F10067	GASKET, BOWL RETAINER	9	33	F1493	PAN HD SCREW, 1/4 - 20 X 5/8	13	15
F10068	GASKET, FUEL BOWL	9	32	F1493	SLOTTED PAN HD SCREW, 1/4 - 20 X 5/8	3	15
F10069	GASKET SET	11	-	F1504	FILL HD SCREW, 1/4 - 20 X 1 1/4	21	5
F10070	SCREW, CHOKE VALVE	9	25	F15510	WASHER	5	9
F10071	SCREW	9	15	F15535	FRICTION SHOE ASSEMBLY	5	11
F10072	SPRING, CHOKE STOP	9	21	F15570	SPRING	5	3
F10073	SPRING, IDLE ADJUSTMENT NEEDLE	9	22	F15574	FIBER WASHER	5	10
F10074	SPRING, POWER NEEDLE	9	35	F15576	SPRING	5	8
F10075	SPRING, THROTTLE RETURN	9	18	F15577	RETAINING RING	5	12
F10076	NEEDLE ASSEMBLY	9	36	F15582	STARTER ROPE	5	5
F10077	NEEDLE, IDLE	9	23	F15591	ROTOR	5	4
F10078	VALVE, SEAT AND GASKET ASSEMBLY	9	29	F15592	COVER	5	2
F10079	REPAIR KIT	11	-	F1655	HEX HD SCREW W/SPRING LOCKWASHER, 1/4 - 20 X 3/8	7	15
F10080	SEAL, "O" RING	11	40	F1705	HEX HD CAP SCREW, 1/4 - 20 X 3/4	13	5
F1014	COTTER PIN	17	11	F1747	FILL HD SCREW, 10 - 24 X 1 11/16	17	8
F1035	FILL HD SCREW, 1/4 - 20 X 5/8	21	35	F1752	SLOTTED PAN HD THREAD FORMING SCREW, #10 X 2	3	24
F1077	FILL HD SCREW, 10 - 24 X 1/4	21	18	F1756	STOP NUT	13	28
F1099	SLOTTED FILL HD SCREW, 1/4 - 20 X 1 1/4	13	33	F1789	PIPE PLUG	13	30
F1107	FILL HD M. SCREW, 1/4 - 20 X 3/4	13	31	F17935	GASKET, "O" RING	3	5
F1175	HEX CAP SCREW, 1/4 - 20 X 1 7/8, FOR MODELS 42HB, 42BB	17	35	F17936	FUEL CAP	3	6
F1199	HEX CAP SCREW, 1/4 - 20 X 1	11	41	F17938	ANCHOR	3	10
F1199	HEX CAP SCREW, 1/4 - 20 X 1, FOR MODELS 42HB, 42BB	21	22	F17939	FUEL CAP GASKET	3	8
F12066	FRICTION SCREW	7	18	F17940	VENT CAP	3	3
F12090	MOUNTING SCREW	7	5	F17941	NUT, VENT SCREW	3	7
F12357	CONDENSER W/CLAMP	7	6				
F12358	COIL W/LEAD WIRE AND WEDGE SPRING	7	11				

PARTS INDEX

Part Number	Description	Pg.	Ref. No.	Part Number	Description	Pg.	Ref. No.
F17942	CAP TENSION SPRING	3	4	F31160-1	REED	9	10
F1808	HEX CAP SCREW, 1/4 - 20 X 7, FOR MODELS 47HB, 47BB	21	40	F318307	SEAL, DRIVESHAFT	21	16
F1825	HEX CAP SCREW, 1/4 - 20 X 6, FOR MODELS 47HB, 47BB	23	41	F318372	PIN, CLUTCH GUIDE	21	28
F1829	FILL HD M. SCREW, 10 - 24 X 7/8	3	14	F332705	GEAR SHIFT ROD LOWER, FOR MODELS 47HB, 47BB	21	-
F1829	FILL HD SCREW, 10 - 24 X 7/8, FOR MODELS 47HB, 47BB	7	21	F338618-1	SEAL, SHIFT ROD	21	10
F1833	HEX CAP SCREW, 1/4 - 20 X 1	9	3	F341128	DRIVESHAFT FOR MODELS 47HB, 47BB	21	-
F1846	COTTER PIN	21	39	F341244	WATERLINE, FOR MODELS 47HB, 47BB	23	43
F1876	SPRING PIN FOR MODELS 47HB, 47BB	7	22	F36634	SCREW, CONNECTING ROD	13	35
F1890	HEX WASHER HD TAPTITE SCREW, 1/4 - 20 X 5/8	13	32	F390137	GRIP, STEERING HANDLE .	13	29
F1896	HEX NUT	3	22	F390563	PIN, WATER PUMP IMPELLER DRIVE	21	14
F1896	HEX NUT	5	1	F409521	CLUTCH	21	27
F19109	PLUG, GEAR HOUSING	21	20	F409719	CLUTCH SPRING	21	29
F1922	HEX HD SCREW, 1/4 - 20 X 5/8	17	2	F424075	HANDLE, CLAMP SCREW . .	17	20
F19342	SEAL, SHIFT LEVER SHAFT	17	41	F424161	REED STOP	9	11
F1975	SPRING LOCKWASHER	13	18	F427249	RETAINING RING	3	9
F1976	SOCKET HD SCREW W/LOCKWASHER, 10 - 24 X 1/2	21	2	F436449	SHORTING SWITCH	7	19
F1979	PAN HD SCREW, 10 - 24 X 1/2	3	29	F448874	PARALLEL SPLICE FOR MODELS 47HB, 47BB	7	24
F1985	HAIR PIN, COTTER	17	17	F459098	PROPELLER SHAFT	21	26
F2014	PLAIN WASHER	17	40	F459113	LOCK BAR	17	16
F2035	PHILLIPS FILL HD SCREW, 1/4 - 20 X 1	17	31	F459186	COLLAR, FUEL TANK	3	1
F2037	PLAIN WASHER	17	27	F468037-1	PIVOT BOLT	17	33
F2041	HEX HD M. SCREW, 10 - 24 X 3/8	13	17	F468169	BEARING, SWIVEL BRACKET	17	3
F2041	HEX M. SCREW, 10 - 24 X 3/8	17	39	F468300	SPRING, REVERSE LOCK . .	17	28
F237241	CAGE, CRANKPIN ROLLER .	13	13	F468346	SHOCK MOUNT	17	4
F24074	CLAMP SCREW FOOT	17	19	F468349	REVERSE LOCK	17	29
F250017	PISTON PIN	13	10	F468350	PIN, REVERSE LOCK	17	30
F250410	PISTON PIN RETAINING RING	13	9	F468572-1	SWIVEL BRACKET - STARBOARD	17	32
F27209-1	STUD, CARBURETOR	9	7	F46899-1	COVER, SHIFT COUPLING .	17	5
F286286-1	WASHER, NYLON	13	24	F521002	CAM	7	4
F2A521010	CYLINDER W/CRANKCASE COVER, DOWEL PINS AND SCREWS	13	6	F521004	STUD	13	23
F2A521016	CONNECTING ROD W/SCREWS AND BEARING	13	12	F521006	STUD	21	8
F2A521018	CRANKSHAFT W/SLINGER AND LOWER BEARING . .	13	38	F521013	BEARING, CRANKSHAFT UPPER	13	39
F2A521054	GEAR HOUSING, WASHER, DRIVESHAFT BEARING AND SEAL	21	21	F521015	PISTON	13	11
F2A521158	REED PLATE W/REED, STOP & SCREWS	9	8	F521034-1	FUEL TANK	3	20
				F521061-1	CARBURETOR COMPLETE .	9	17
				F521063	STARTER COMPLETE	5	-
				F521065	IMPELLER	21	7
				F521072	SWIVEL BRACKET - PORT .	17	13
				F521079	STEERING HANDLE	13	27
				F521097-1	FLYWHEEL	7	2
				F521099	SPACER	21	30
				F521118	SEAL, CRANKSHAFT LOWER	13	37
				F521128	DRIVESHAFT	21	13
				F521132	HANDLE, STARTER ROPE .	5	6
				F521133	MOTOR LEG	17	1
				F521146	SEAL, CRANKSHAFT UPPER	13	40
				F521159-1	GASKET, REED PLATE	9	6
				F521163	COVER, SUPPORT PLATE .	13	19
				F521168	GASKET CARBURETOR ADAPTER	9	1
				F521192	THROTTLE CAM	7	16

PARTS INDEX

Part Number	Description	Pg.	Ref. No.	Part Number	Description	Pg.	Ref. No.
F521244	WATER LINE	19	46	F521908	GROUND WIRE	7	17
F521248	DECAL	13	20	F521925	LINK, CHOKE KNOB	13	16
F521266	BEVEL PINION GEAR	21	23	F521944	ENGINE COVER, BOTTOM	3	11
F521279	GASKET, CYLINDER EXHAUST	13	7	F53991-2	GROMMET	15	47
F521296	RETAINER, PROPELLER SHAFT BEARING CAGE	21	34	F66480	STUD	17	18
F521305	SEAL, "O" RING	21	33	F7005	STOP NUT	17	24
F521307	SEAL, PROPELLER SHAFT	21	32	F7009	HEX NUT	3	27
F521319	BUSHING, STEERING HANDLE	13	26	F71H09	6 GALLON FUEL TANK	24	-
F521342	SEAL, WATER LINE	19	45	F76H07	A-C LIGHTING COIL KIT	24	-
F521369	PIN, STARTER ROPE	5	13	F76H11	BATTERY CHARGING SYSTEM	24	-
F521391	DECAL, SPEED RANGE	3	16	F76H23	LEG EXTENSION KIT	24	-
F521392	DECAL, CHRYSLER - PORT	3	26	F8015	PLAIN WASHER	13	25
F521396	DECAL, CHRYSLER - STARBOARD	3	-	F8026	PLAIN WASHER	9	5
F521415	WASHER, GEAR SHIFT HANDLE	17	42	F8028	PLAIN WASHER	15	44
F521489	VALVE, FUEL SHUT-OFF	9	14	F8039	PLAIN WASHER	17	25
F521498	KEY, FLYWHEEL	7	3	F8060	INTERNAL TOOTH LOCKWASHER	9	4
F521514	KNOB, STEERING FRICTION W/SCREW	17	12	F8061	INTERNAL TOOTH LOCKWASHER	3	21
F521518	CYLINDER HEAD	13	42	F8074	WASHER	21	19
F521528	DECAL, TRIM REAR	3	2	F8083	SPRING LOCKWASHER	13	2
F521529	GASKET, CYLINDER HEAD	13	41	F8083	SPRING LOCKWASHER	17	34
F521537	PLATE, WATER PUMP	21	6	F8083	SPRING LOCKWASHER	21	9
F521547	CHOKE KNOB	13	21	F8088	PLAIN WASHER	3	32
F521548	LEVER, HI-SPEED ADJUSTING	9	38	F8088	PLAIN WASHER	15	48
F521549-1	THROTTLE LEVER	7	14	F84991-1	GROMMET FOR MODELS 47HB, 47BB	15	46
F521550	KNOB, FUEL SHUT-OFF	9	13	F8537	SPRING PIN	17	23
F521552	SCREW, FLYWHEEL	7	1	F8538	SPRING PIN	21	3
F521579	SEAL, CRANKSHAFT SPLINE	13	36	F8554	SPRING PIN	17	21
F521610	BEARING, GEAR SHIFT SHAFT	19	43	F8559	DOWEL PIN	13	34
F521614	HANDLE, GEAR SHIFT W/SHAFT	19	44	F901811	FITTING, GAS TANK	3	17
F521615	ROD, GEAR SHIFT UPPER	17	36	F901938-1	SCREW, CYLINDER HEAD	13	3
F521621	LEVER, GEAR SHIFT	17	38	F97772	HOSE CLAMP	3	18
F521631	SHOE, SWIVEL FRICTION	17	10	FA237228	CRANKPIN ROLLER SET	13	14
F521661	PAD, SWIVEL FRICTION	17	9	FA341038	SUPPORT PLATE	13	22
F521704	COUPLING, GEAR SHIFT ROD	21	1	FA459101	PROPELLER PIN, PACK OF 3	21	37
F521705	ROD, GEAR SHIFT LOWER	21	4	FA521023	BEVEL GEAR W/BEARING	21	25
F521721	CAM, CLUTCH SHIFT	21	15	FA521298	BEARING CAGE W/BEARING AND SEAL	21	31
F521727	SLEEVE, IDLE BAFFLE	17	6	FA521735	SEAL, WATERLINE	21	11
F521728	CLUTCH SHIFT PIN	21	24	FA521778	RETAINER, ENGINE COVER FRONT W/SCREWS & NUTS	3	25
F521754	HOSE	3	19	FA521841	CABLE, LIGHTING COIL, FOR MODELS 47HB, 47BB	7	26
F521774	BRACKET, ENGINE COVER LOWER MOUNTING	13	4	FA521892	INSERT, PLATE FRONT - U.S.A.	3	28
F521779	BAFFLE, IDLE RELIEF	17	7	FA521893	INSERT, PLATE FRONT - CANADA	3	-
F521783	SEAL	21	17	FA523095	STATOR, ALTERNATOR FOR MODELS 47HB, 47BB	7	23
F521843	CABLE LIGHTING COIL EXTENSION, FOR MODELS 47HB, 47BB	7	25	FA735060	WATER PUMP BODY	21	12
F521845	EXTENSION, MOTOR, FOR MODELS 47HB, 47BB	23	42	FA77395-5	PLATE, IDENTIFICATION W/SCREWS - USA	17	15
F521894	DECAL, "OFF"	3	13	FC521010	SHORT BLOCK (NOT SHOWN)	15	-
F521906	GASKET, CARBURETOR	9	9				

PARTS INDEX

Part Number	Description	Pg.	Ref. No.	Part Number	Description	Pg.	Ref. No.
FG1015	GASKET SET (NOT SHOWN)	15	-				
FK521713	PACKING, TOP COVER TRIM	3	23				
FK750-1	SPARKIE KIT	7	12				
FP341	PROPELLER	21	36				
FS521227	SPARK PLUG (L-7-J)	15	43				
11-817752A1	PROPELLER NUT W/COTTER PIN	21	38				
39-818038A1	PISTON RING SET	13	8				
100-FS665712	ENGINE COVER TOP W/RETAINER AND PACKING	3	30				
1400-817850A4	STERN BRACKET W/CLAMP SCREW AND FOOT	17	26				