



# PARTS CATALOG

## 75 H.P.

### SERIAL NUMBER

75 (1978) .....	756B8D
75 (1978) .....	756H8D
75 (1978) .....	757B8D
75 (1978) .....	757H8D

# TABLE OF CONTENTS:

ACCESSORIES .....	48
CARBURETOR .....	16
CRANKSHAFT AND PISTON GROUP .....	28
DISTRIBUTOR .....	12
ELECTRIC STARTER .....	10
ELECTRICAL COMPONENTS .....	6
ENGINE COVER AND SUPPORT PLATE .....	2
FUEL TANK AND LINE .....	38
GEAR HOUSING .....	34
LUBRICATION CHART .....	51
MOTOR LEG .....	30
PARTS INDEX .....	53
POWER HEAD .....	22
REMOTE CONTROL .....	40
SPECIAL ADJUSTMENTS .....	52
SPECIAL TOOLS - GEAR HOUSING .....	46
SPECIAL TOOLS - POWER HEAD .....	45
SPECIAL TOOLS - TEST EQUIPMENT .....	47
SPECIAL TOOLS - TUNE-UP .....	44
SPECIFICATIONS .....	50

**NOTE:** Indented description indicate that these parts are included in preceeding assembly.

**AR** = As Required

**NSS** = Not Sold Separate

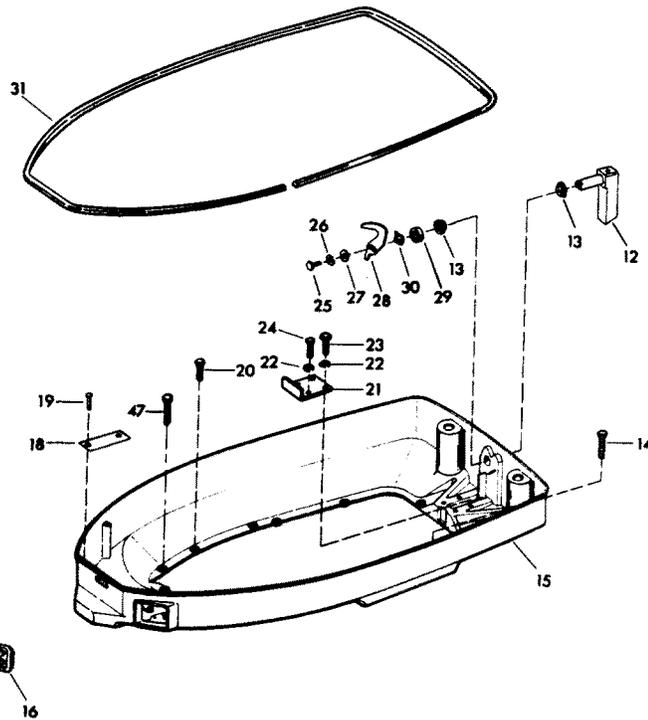
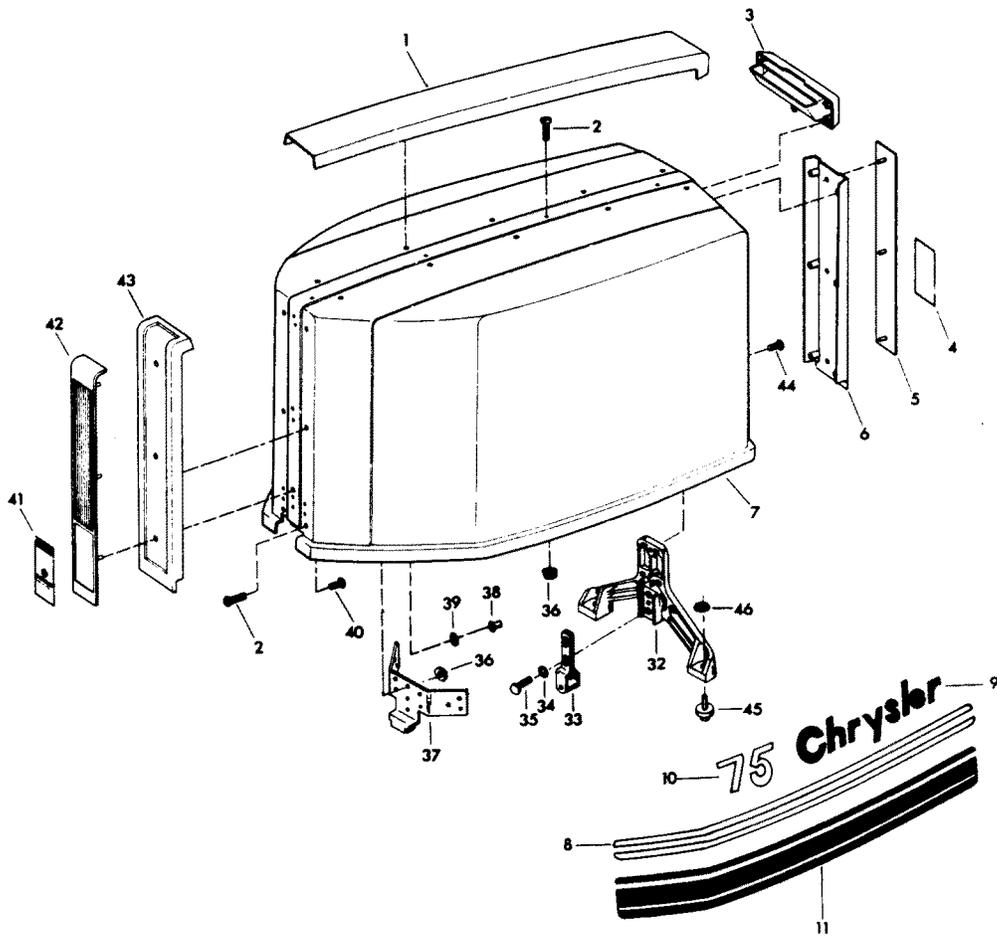
**OPT** = Optional

**NS** = Not Shown

**THESE PARTS BOOKS/FICHE CARD ARE COPYRIGHTED AND MAY NOT BE DISTRIBUTED OR REPRODUCED IN ANY OTHER FORMAT BY ANYONE OTHER THAN MERCURY MARINE WITHOUT THE PRIOR WRITTEN CONSENT OF MERCURY MARINE.**

THIS PAGE INTENTIONALLY LEFT BLANK

# ENGINE COVER AND SUPPORT PLATE

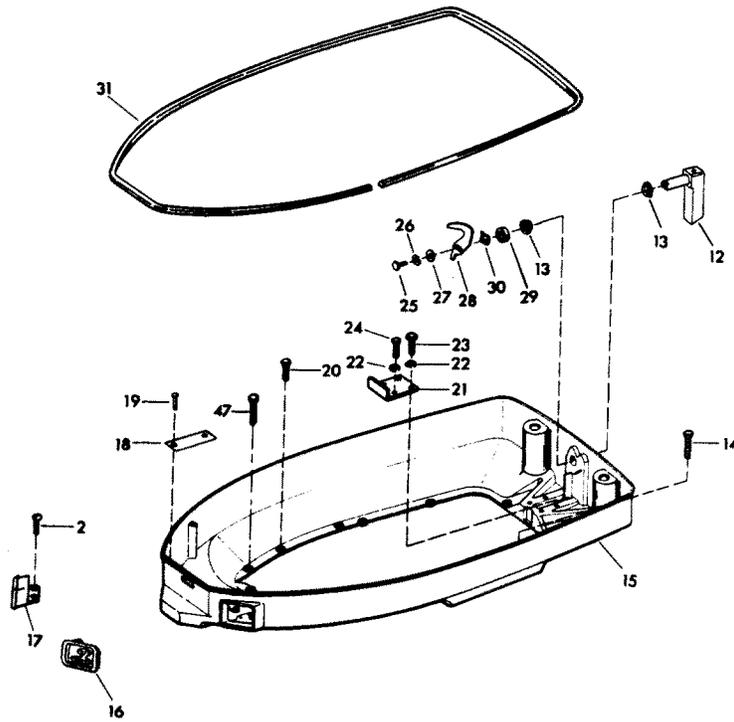
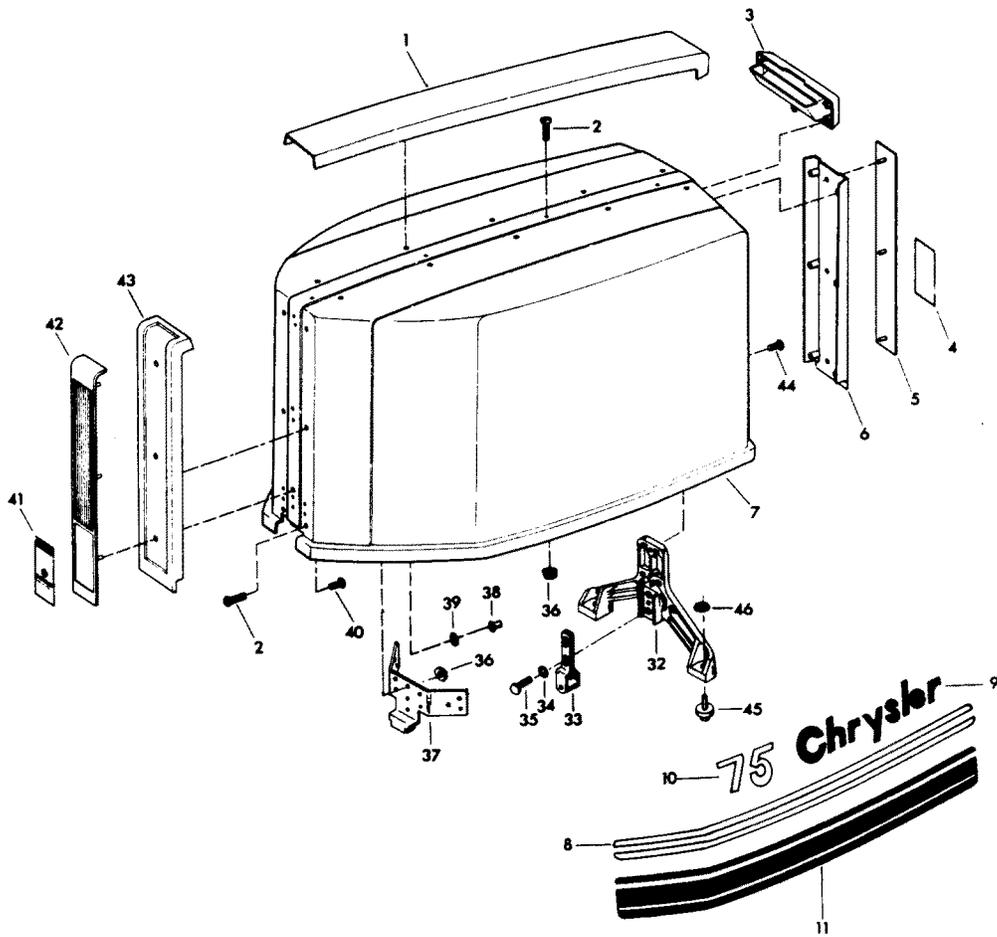


# ENGINE COVER AND SUPPORT PLATE

REF. NO.	PART NO.	SYM.	QTY.	DESCRIPTION
1	F2S480179		1	TRIM, TOP
2	F1733		10	PAN HD SCREW, 10 - 24 X 9/16
3	F2S480269		1	TILT HANDLE
4	FA480528		1	INSERT, PLATE REAR
5	F438386		1	PLATE, REAR
6	F2S480180		1	TRIM, REAR
7	S498944		1	ENGINE COVER W/RETAINER, SCREWS AND NUTS
8	F498396		2	DECAL, STRIPE UPPER
9	F498392		2	DECAL, "CHRYSLER"
10	F498386		2	DECAL, NUMERAL 75
11	F498397		2	DECAL, STRIPE LOWER
12	FA481469		1	ENGINE COVER LATCH HANDLE W/SHAFT
13	F480818		2	BEARING, LATCH SHAFT
14	F1238		6	HEX CAP SCREW, 1/4 - 20 X 3/4
15	F480038-2		1	SUPPORT PLATE
16	F310189		1	BUSHING, ELECTRIC CABLE
17	F311189-1		1	BUSHING, CABLE ENTRY
18	FA77395-5		1	IDENTIFICATION PLATE W/SCREWS FOR U.S.A. MODELS
-	<b>AC16395-8</b>		<b>1</b>	<b>IDENTIFICATION PLATE W/SCREWS FOR CANADA MODELS</b>
19	F1447		2	ROUND HD SCREW, 2 X 3/16
20	F1502		5	HEX SLOT HD SCREW, 1/4 - 20 X 5/8
21	F335654-1		1	DEFLECTION STOP
22	F8096		4	SPRING LOCKWASHER
23	F1857		2	HEX CAP SCREW, 5/16 - 18 X 5/8
24	F1858		2	HEX CAP SCREW, 5/16 - 18 X 1
25	F1854		1	HEX CAP SCREW, 1/4 - 20 X 5/8
26	F8083		1	SPRING LOCKWASHER
27	F8094		1	PLAIN WASHER
28	F481777		1	CAM, LATCH SHAFT
29	F481382-1		1	SPACER, LATCH SHAFT
30	F2047		1	WAVE SPRING WASHER
31	F321756		1	PACKING
32	F481774		1	BRACKET, ENGINE COVER LATCH
33	FA481743		1	LATCH, ROLLER BRACKET
34	F8096		2	SPRING LOCKWASHER
35	F1857		2	HEX CAP SCREW, 5/16 - 18 X 5/8
36	F1473		7	HEX NUT, 10 - 24
37	F373778-1		1	RETAINER, ENGINE COVER
38	F1753		6	FASTENER
39	F85735-1		6	SEAL
40	F2066		26	PAN HD TAPPING SCREW, 10 X 7/16
41	FA467892		1	INSERT, PLATE FRONT - U.S.A
-	<b>FA467893</b>		<b>1</b>	<b>INSERT, PLATE FRONT - CANADA</b>

CONTINUED ON NEXT PAGE ➡

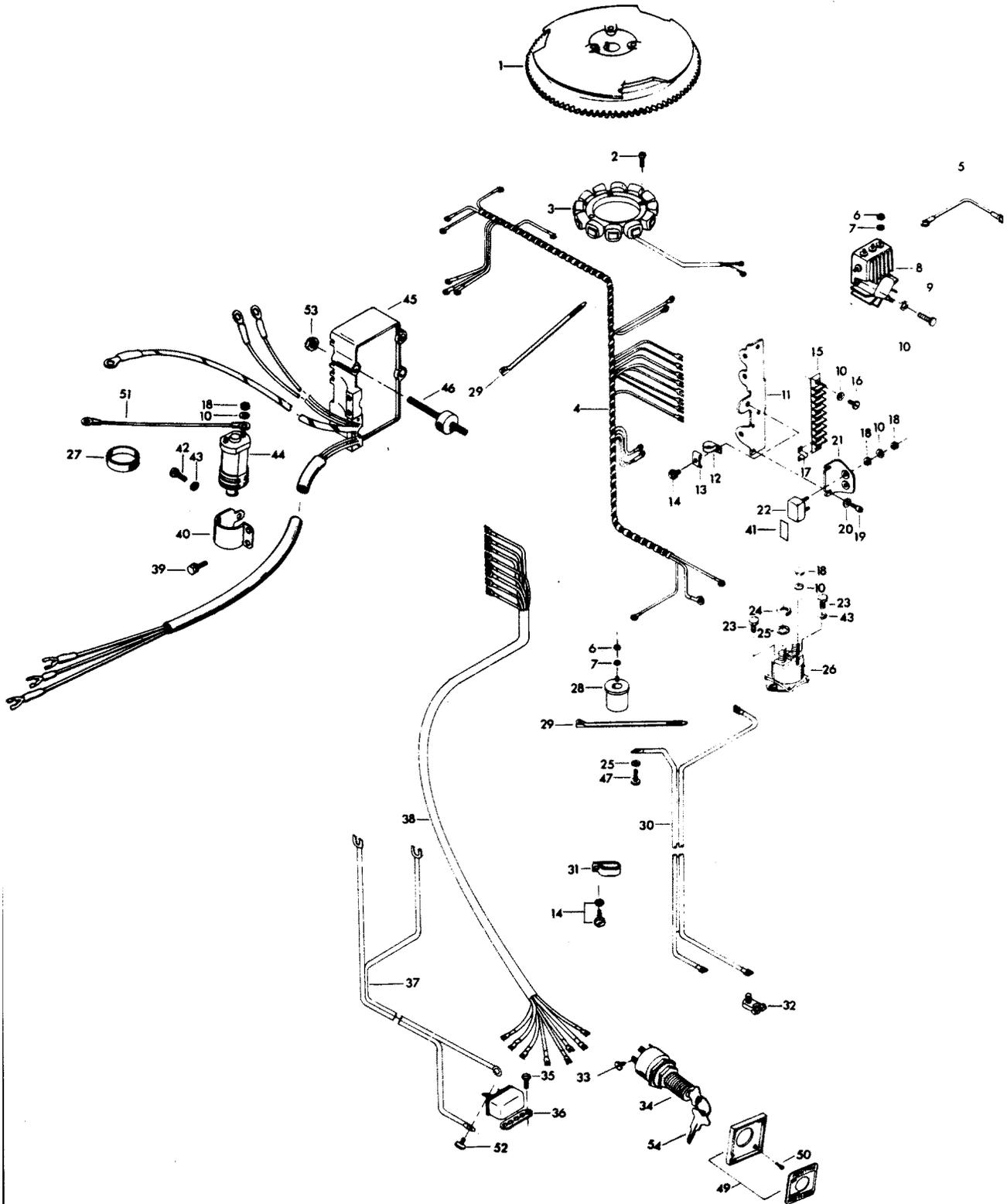
# ENGINE COVER AND SUPPORT PLATE



# ENGINE COVER AND SUPPORT PLATE

REF. NO.	PART NO.	SYM.	QTY.	DESCRIPTION
42	F498711		1	PLATE, ENGINE COVER FRONT
43	F2S480888		1	TRIM, FRONT
44	F1730		3	PAN HD SCREW W/SPRING LOCKWASHER, 1/4 - 20 X 5/8
-	<b>F438984-1</b>		<b>1</b>	<b>BLANKET, SILENCER TOP (NOT SHOWN)</b>
-	<b>F480985</b>		<b>2</b>	<b>BLANKET, SILENCER SIDE (NOT SHOWN)</b>
45	F481434		2	GUIDE, ENGINE COVER
46	F2088		2	FASTENER
47	F1849		2	HEX HD CAP SCREW, 1/4 - 20 X 1 3/8

# ELECTRICAL COMPONENTS

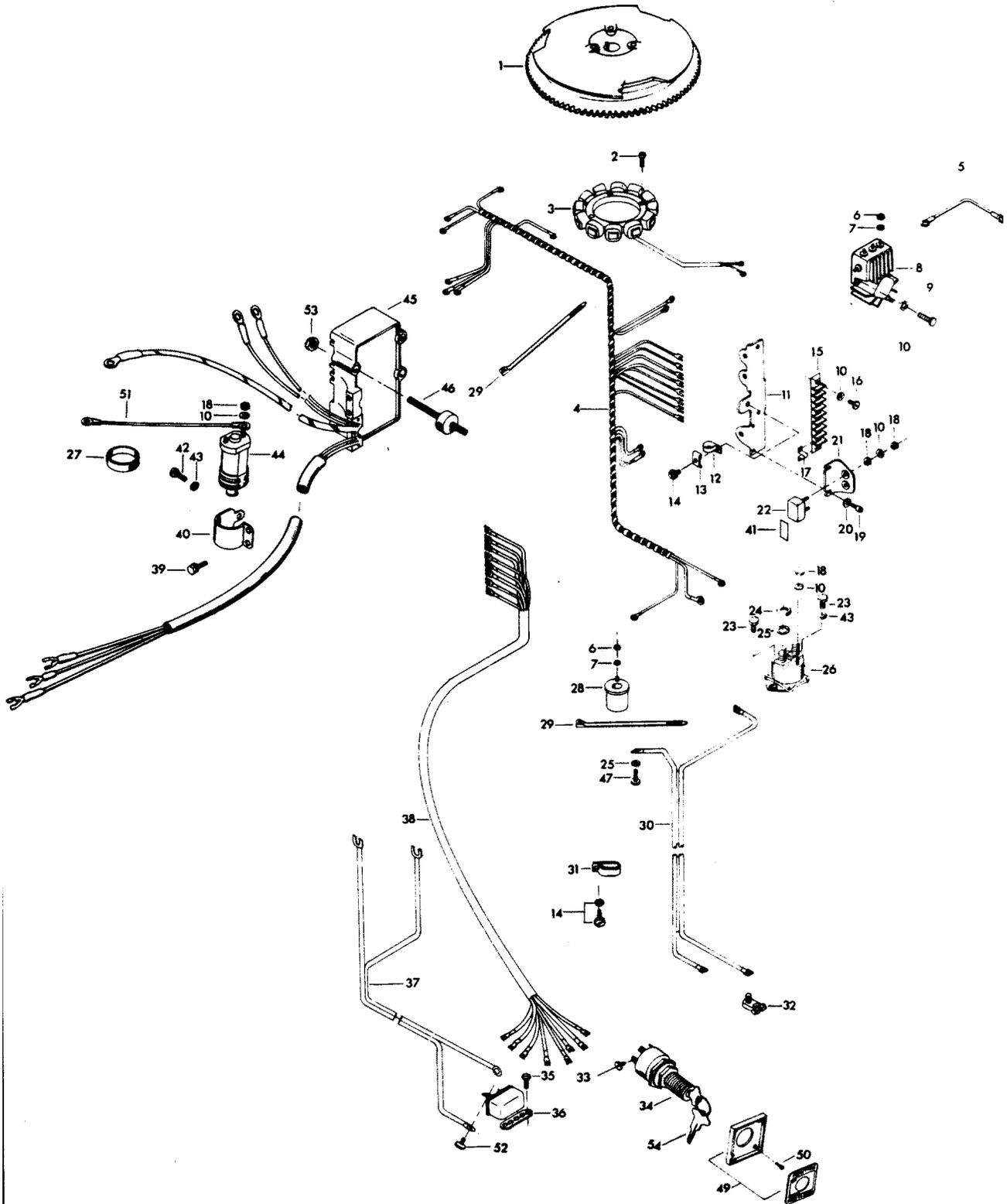


# ELECTRICAL COMPONENTS

REF. NO.	PART NO.	SYM.	QTY.	DESCRIPTION
1	F404097		1	FLYWHEEL
2	F1678		6	FILL HD SCREW, 10 - 24 X 13/16
3	F85095-2		1	STATOR
4	F438744-1		1	WIRING HARNESS
5	F345683		1	WIRE, REGULATOR-RECTIFIER GROUND
6	F1647		5	HEX NUT, 8 - 32
7	F8056		5	SPRING LOCKWASHER
8	F404470-1		1	REGULATOR-RECTIFIER
9	F2001		3	FILL HD SCREW, 10 - 24 X 5/8
10	F1975		11	SPRING LOCKWASHER
11	FA438493		1	TERMINAL BLOCK BRACKET
12	F289446-1		1	CLAMP
13	F438668		1	RETAINER, CABLE CLAMP
14	F1734		2	FILL HD SCREW W/LOCKWASHER, 1/4 - 20 X 1/2
15	FA510497		1	TERMINAL BLOCK
16	F1648		2	PAN HD SCREW, 10 - 24 X 3/4
17	F307317		1	CLIP, TERMINAL BLOCK
18	F1513		8	HEX NUT
19	F1760		2	PAN HD SCREW, 10 - 24 X 3/8
20	F8011		2	PLAIN WASHER
21	F91446-1		1	CIRCUIT BREAKER BRACKET
22	F510460		1	CIRCUIT BREAKER
23	F1705		2	HEX CAP SCREW, 1/4 - 20 X 3/4
24	F1515		2	HEX NUT
25	F8096		3	SPRING LOCKWASHER
26	F460917		1	STARTER RELAY
27	F391983		2	RETAINING BAND
28	F85924		1	CHOKE SOLENOID
29	F1877		2	TY-RAP
30	F381896-4		1	BATTERY CABLE
31	F407446		1	CLAMP
32	F71H26		1	BATTERY CABLE CLAMP KIT, (ACCESSORY ITEM)
33	F1280		5	PAN HD SCREW, 8 - 32 X 1/4
34	F5H078		1	IGNITION SWITCH W/KEYS AND SCREWS (ACCESSORY ITEM) <b>(LONG BARREL)</b>
35	F1741		2	PAN HD SCREW, 8 X 3/4
36	F5H043		1	OVERHEAT BUZZER (ACCESSORY ITEM)
37	F404841		1	CABLE, HEAT INDICATOR
38	F85843-1		1	REMOTE ELECTRIC CABLE, 18 FEET
39	F1851		2	FILL HD SCREW W/LOCKWASHER, 10 - 24 X 1/2
40	F404513		1	COIL CLAMP
41	F510374		1	DECAL, CIRCUIT BREAKER
-	<b>FC510374</b>		<b>1</b>	<b>DECAL, CIRCUIT BREAKER - CANADA</b>

CONTINUED ON NEXT PAGE ➡

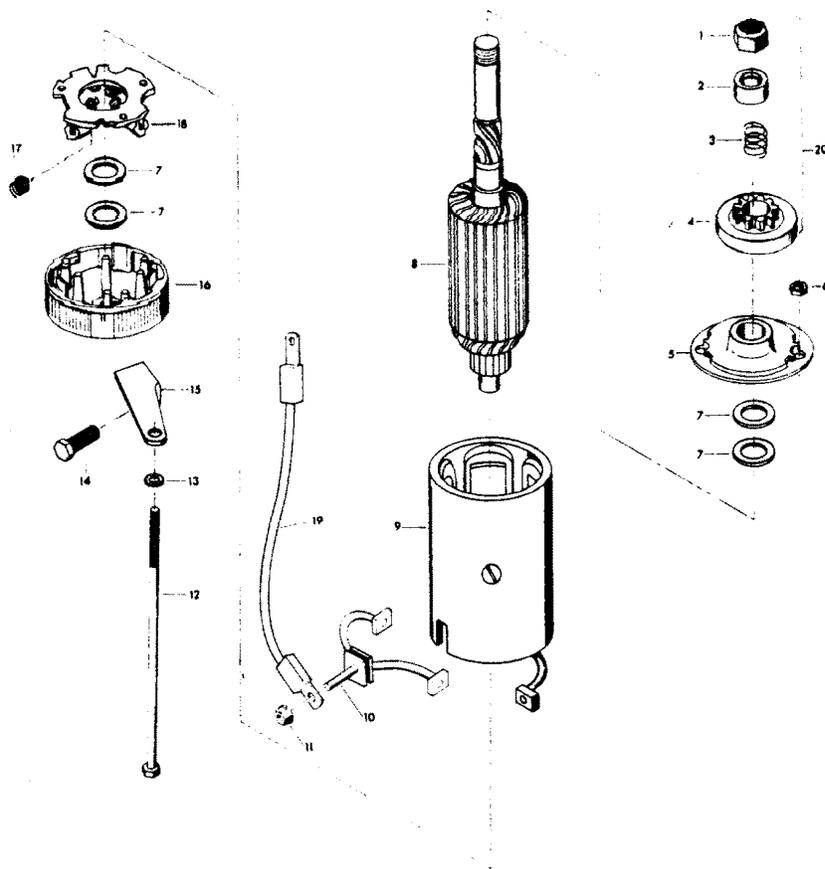
# ELECTRICAL COMPONENTS



# ELECTRICAL COMPONENTS

REF. NO.	PART NO.	SYM.	QTY.	DESCRIPTION
42	F1689		1	HEX HD CAP SCREW, 1/4 - 20 X 1/2
43	F8083		2	SPRING LOCKWASHER
44	F345475-1		1	COIL
45	FA523301		1	UNIT W/DECAL
46	F523962		3	SHOCK MOUNT - C.D. UNIT
47	F2000		1	HEX CAP SCREW, 5/16 - 18 X 3/4
49	F5H038		1	IGNITION SWITCH MOUNTING KIT (ACCESSORY ITEM)
50	F1934		4	FLAT HD SLOTTED SCREW, 6 X 1/2
51	F85664		1	WIRE, DISTRIBUTOR GROUND
52	F1645		2	RD HD SCREW, 6 - 32 X 1/4
53	F1892		3	STOP NUT
-	<b>480373</b>		<b>1</b>	<b>DECAL, MAGNAPOWER IGNITION (NOT SHOWN)</b>
-	<b>F474387</b>		<b>1</b>	<b>TIMING DECAL (NOT SHOWN)</b>
-	<b>FC474387</b>		<b>1</b>	<b>TIMING DECAL - CANADA (NOT SHOWN)</b>

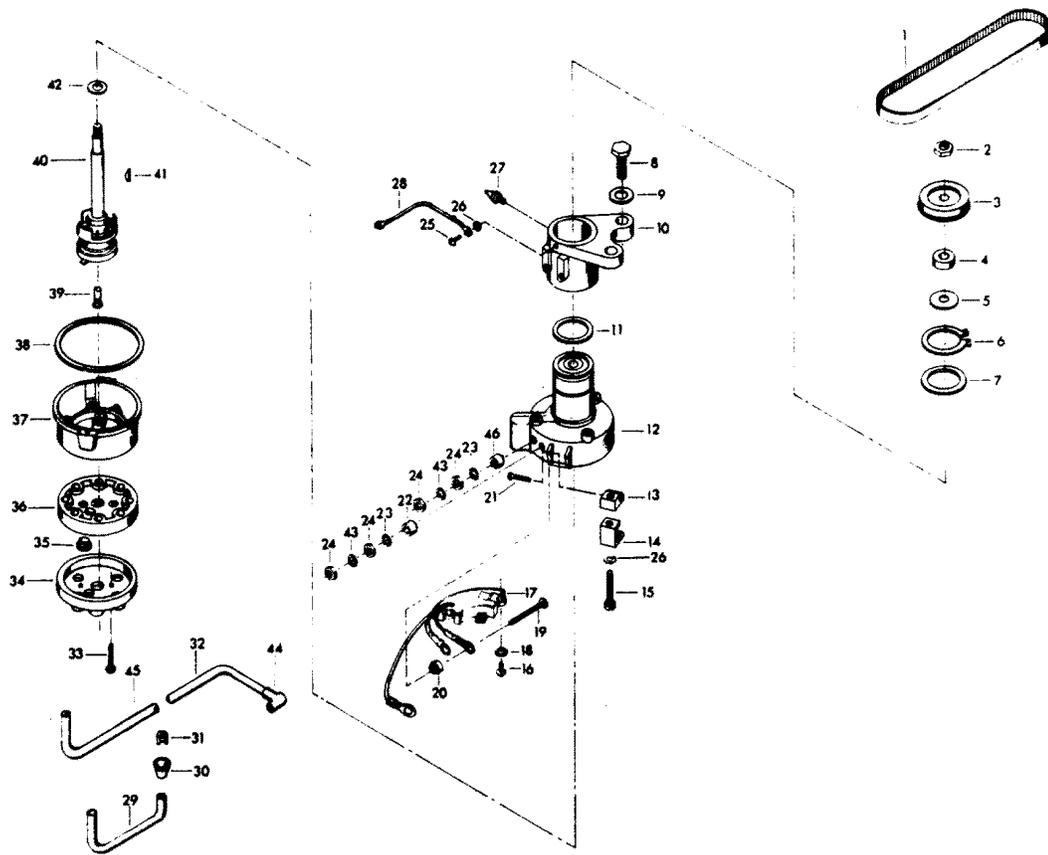
# ELECTRIC STARTER



# ELECTRIC STARTER

REF. NO.	PART NO.	SYM.	QTY.	DESCRIPTION
1	F15111		1	NUT, STOP RETAINING
2	F15112		1	STOP, PINION
3	F15080		1	SPRING
4	F15110		1	CLUTCH ASSEMBLY
5	F15167		1	HEAD ASSEMBLY DRIVE END
6	F1641		2	LOCK NUT
7	F15126		1	THRUST WASHER PACKAGE
8	F15099		1	ARMATURE
9	15169		1	FRAME AND FIELD ASSEMBLY
10	F15165		1	BRUSH TERMINAL SET
11	FA15072		1	HEX LOCK NUT, 1/4 - 20
12	F15168		1	THRU BOLT PACKAGE
13	F8028		2	PLAIN WASHER
14	F1502		1	HEX HD SCREW, 1/4 - 20 X 5/8
15	F511675		1	STARTER BRACKET, LOWER
16	F15125		1	HEAD ASSEMBLY, COMMUTATOR END
17	F15034		1	SPRING SET
18	F15057		1	BRUSH PLATE AND HOLDER
19	F85908		1	STARTER LEAD WIRE
20	F15100		1	BENDIX
-	<b>FS480955</b>		<b>1</b>	<b>STARTER COMPLETE</b>

# DISTRIBUTOR



# DISTRIBUTOR

REF. NO.	PART NO.	SYM.	QTY.	DESCRIPTION
1	F85311		1	DISTRIBUTOR BELT
2	F7013		1	STOP NUT
3	817786A1		1	DISTRIBUTOR PULLEY
4	F14025		1	SPACER
5	F14028		1	THRUST WASHER
6	F85173		1	RETAINING RING
7	F14029		1	THRUST WASHER
8	F1612		2	HEX CAP SCREW, 3/8 - 16 X 1 1/4
9	F2014		2	PLAIN WASHER
10	FA321574		1	DISTRIBUTOR BRACKET
11	F1759		2	SHIM, DISTRIBUTOR (QTY. AS REQUIRED)
12	F14042		1	DISTRIBUTOR HOUSING W/BEARINGS
13	F14036		2	SWIVEL
14	F14037		2	CAP CLIPS
15	F14038		2	CAP CLIP SCREWS
16	F14045		2	SCREW
17	14048-2		1	PREAMPLIFIER
18	F8056		2	LOCKWASHER
19	F14046		2	TERMINAL SCREW
20	F14047		2	TERMINAL INSULATOR (INSIDE)
21	F14015		2	CAP CLIP RIVET
22	F14049		1	TERMINAL INSULATOR (OUTSIDE)
23	F14041		2	EXTERNAL TOOTH LOCKWASHER
24	F1647		2	HEX NUT, 8 - 32
25	F1760		2	PAN HD SCREW, 10 - 24 X 3/8
26	F1975		2	SPRING LOCKWASHER
27	F213274		1	GREASE FITTING
28	F85664		1	DISTRIBUTOR GROUND
29	84-817775A1		1	COIL WIRE W/TERMINAL CLIP
30	F203276		1	BOOT
31	F203673		1	TERMINAL CLIP
32	F321841-3		3	LEAD WIRE
33	F14007		2	CAP SCREW
34	F14011-1		1	CAP COVER
35	F14040		2	VENT
36	F14020-1		1	CAP SEAL
37	F14006-2		1	CAP BASE
38	F14030		1	CAP GASKET
39	F14012-1		1	BRUSH
40	F14043		1	DISTRIBUTOR SHAFT
41	F1692		1	WOODRUFF KEY
42	F14024		1	SPACER

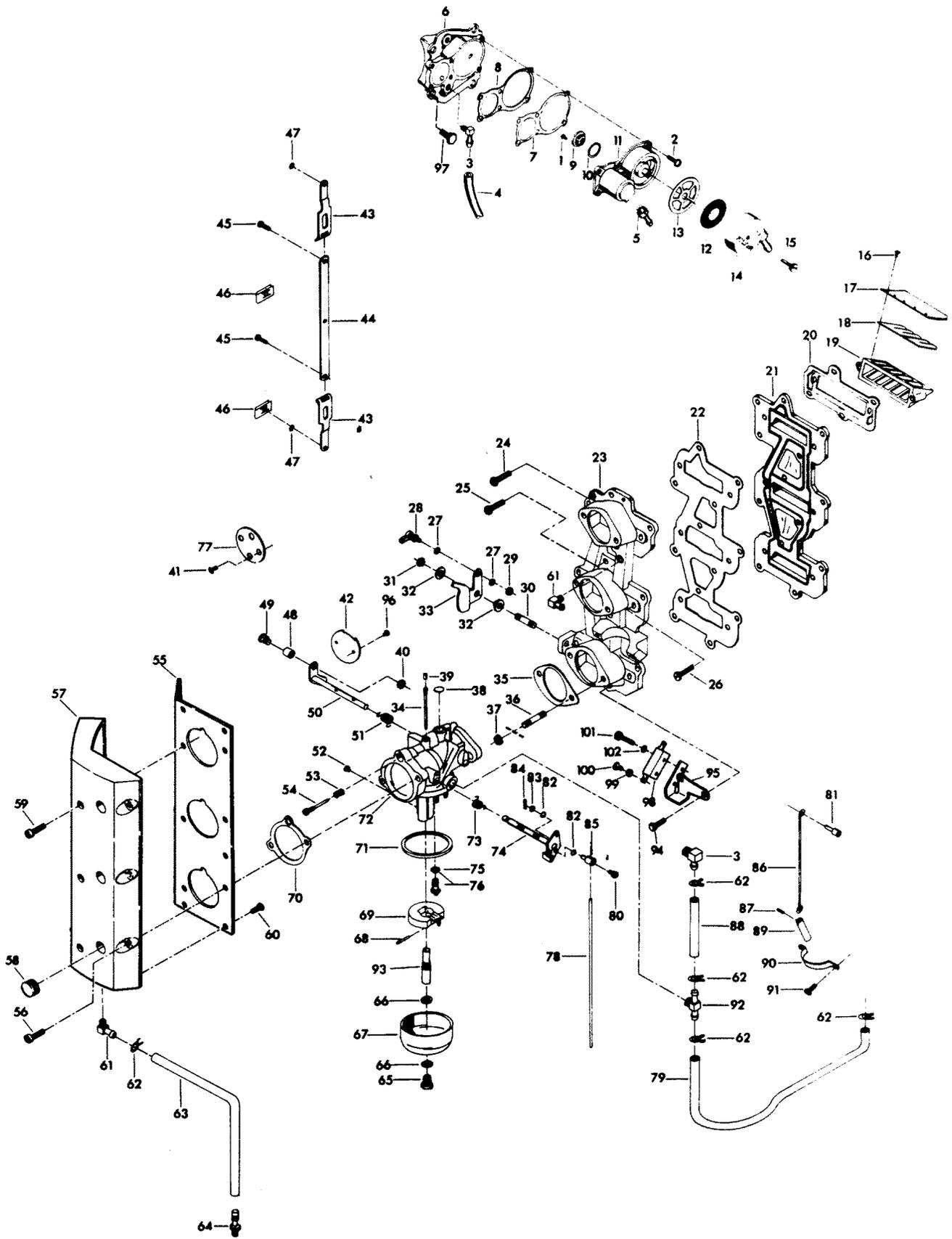
CONTINUED ON NEXT PAGE ➡



# DISTRIBUTOR

REF. NO.	PART NO.	SYM.	QTY.	DESCRIPTION
43	F8056		2	LOCKWASHER
44	FK750-1		3	SPARKIE W/SPRING
46	F14017		1	TERMINAL INSULATOR (OUTSIDE)
-	<b>817822A1</b>		<b>1</b>	<b>DISTRIBUTOR</b>
-	<b>481373-1</b>		<b>1</b>	<b>DECAL, "ELECTRONIC"</b>

# CARBURETOR

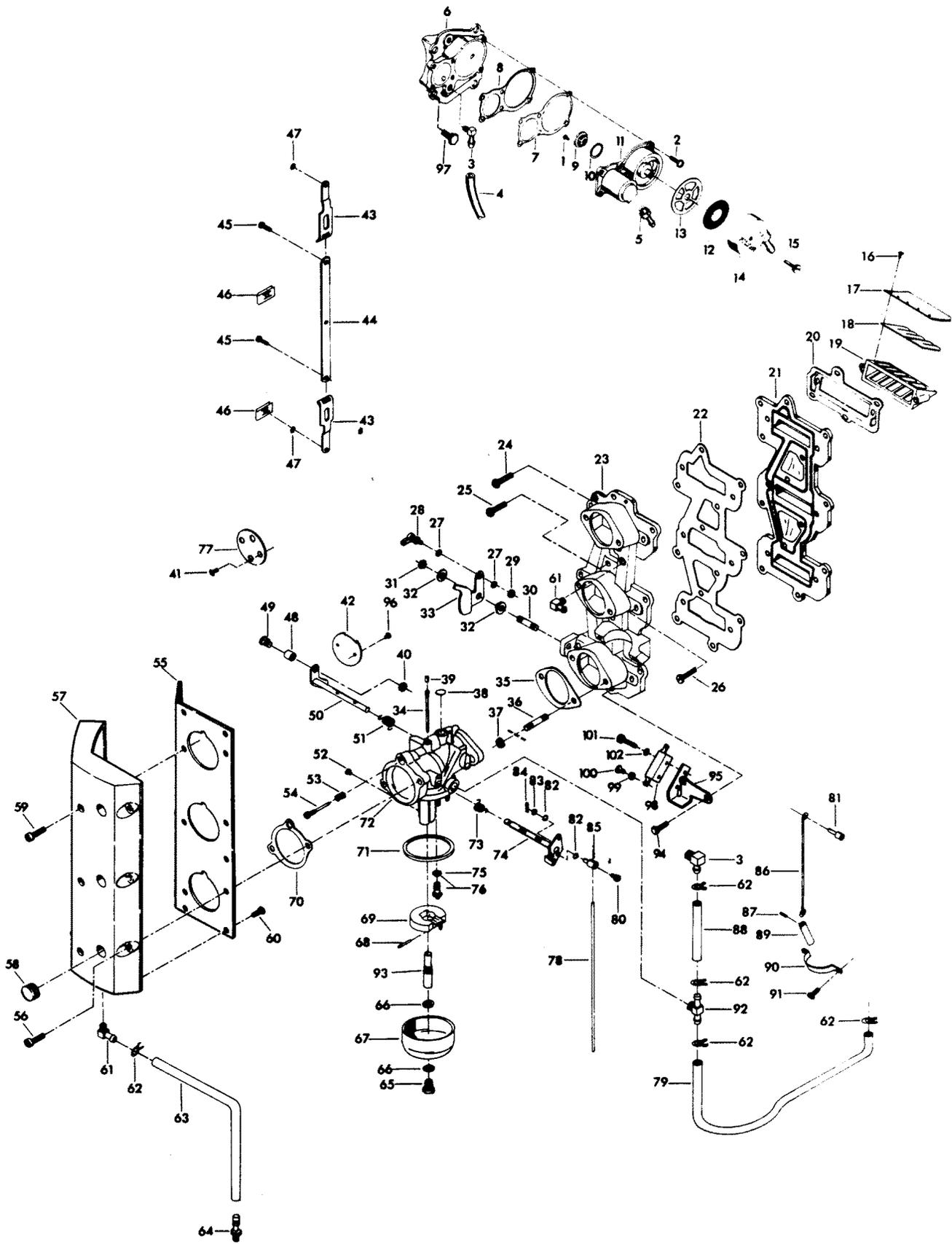


# CARBURETOR

REF. NO.	PART NO.	SYM.	QTY.	DESCRIPTION
1	F1860		2	SLOTTED BINDING HD SCREW, 6 - 32 X 1/4
2	F1108		6	FILL HD SCREW W/LOCKWASHER, 1/4 - 20 X 3/4
3	F84314-2		2	ELBOW
4	F89758		1	FUEL PUMP AIR HOSE, TOP
5	F438801		1	FITTING
6	FA439746		1	FUEL PUMP COVER
7	F438747		1	FUEL PUMP DIAPHRAGM
8	F438760		1	FUEL PUMP GASKET
9	F177330		3	FUEL PUMP VALVE
10	F84792		1	GASKET, FUEL PUMP VALVE
11	FA438431		1	FUEL PUMP BODY W/VALVES
12	F438653		1	FUEL SEDIMENT BOWL SCREEN
13	F438617		1	FUEL SEDIMENT BOWL GASKET
14	F438500		1	FUEL SEDIMENT BOWL
15	F438165		1	SCREW, FUEL PUMP BOWL
16	F1755		30	RD HD SCREW W/LOCKWASHER, 6 - 32 X 5/16
17	F85161-1		6	REED STOP
18	F316160		6	REED (4 PETAL)
-	<b>F316164</b>		<b>6</b>	<b>REED (1 PETAL)</b>
19	F2A321158		3	REED PLATE W/REEDS, REED STOP AND SCREW
20	F85168		3	GASKET REED PLATE ADAPTER
21	F85162		1	REED PLATE ADAPTER
22	F85159		1	GASKET, INTAKE MANIFOLD
23	817959A3		1	INTAKE MANIFOLD
24	F2008		8	HEX HD SCREW, 1/4 - 20 X 7/8
25	F1916		2	HEX HD SCREW, 1/4 - 20 X 1 1/8
26	F1773		6	HEX HD SCREW, 1/4 - 20 X 1 1/2
27	F8058		2	INTERNAL TOOTH LOCKWASHER
28	817747--1		1	BALL JOINT W/STUD
29	F1513		1	HEX NUT, 10 - 32
30	F433209-1		1	STUD
31	F1910		1	STOP NUT, 1/4 - 20
32	F269319		2	BEARING
33	F85192-1		1	THROTTLE CAM
34	FO13966		1	IDLE TUBE, FOR 75 H.P. ENGINE CARBURETORS ONLY
35	F85906		3	CARBURETOR GASKET
36	F40209		6	CARBURETOR STUD
37	F1515		6	HEX NUT, 5/16 - 18
38	FO4326		1	BODY CHANNEL WELCH PLUG
39	FO10588		1	BODY CHANNEL CUP PLUG
40	F1997		1	STOP NUT, 8 - 32
41	FO8942		2	SHUTTER SCREW W/LOCKWASHER
42	FO14167		0	THROTTLE SHUTTER

CONTINUED ON NEXT PAGE ➡

# CARBURETOR

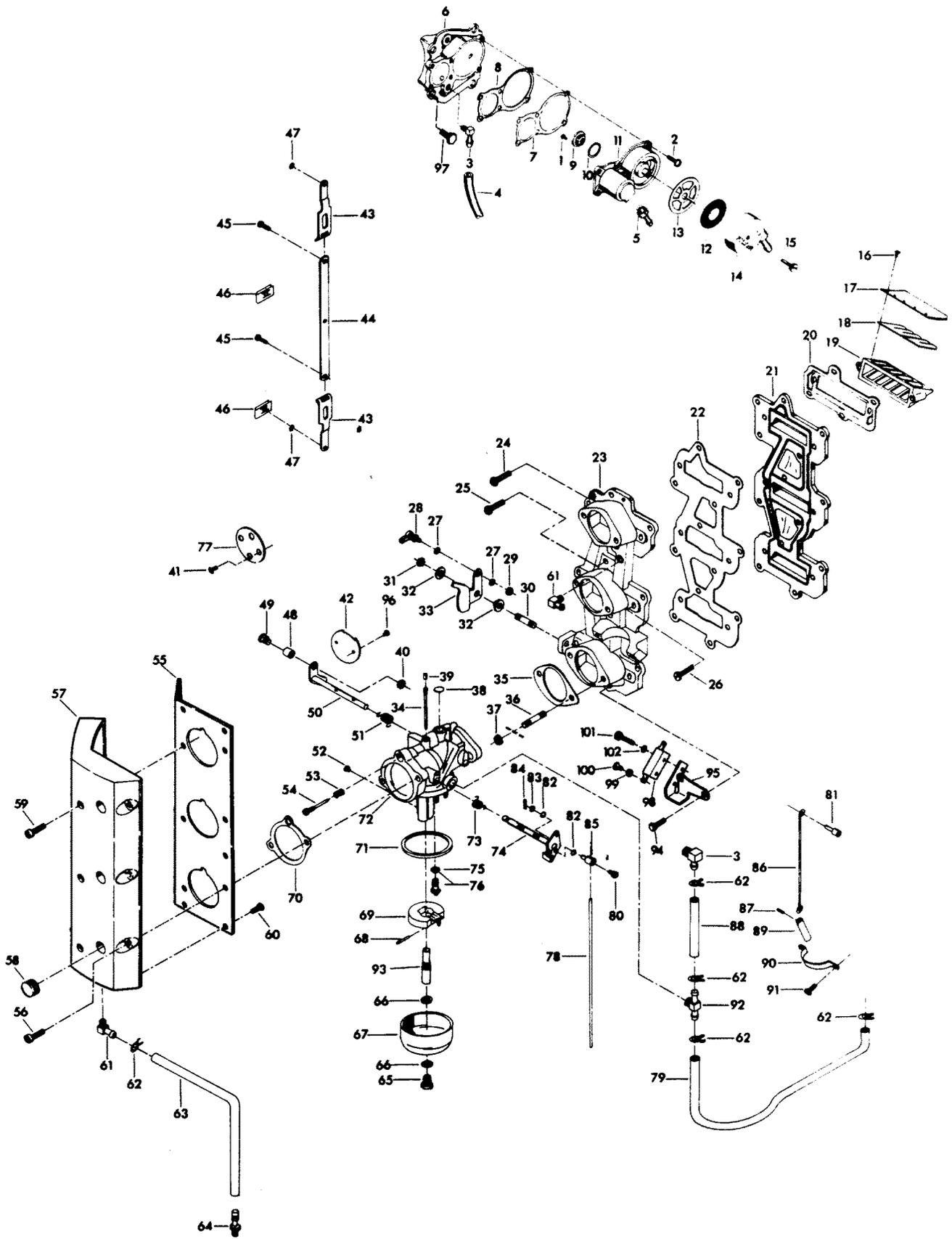


# CARBURETOR

REF. NO.	PART NO.	SYM.	QTY.	DESCRIPTION
43	FA85193		2	TIE BAR END W/SWIVEL
44	FA85511		1	THROTTLE TIE BAR W/SWIVEL
45	F1064		2	FILL HD SCREW, S.S., 8 - 32 X 3/8
46	F1693		2	TIE BAR RETAINER
47	F90807		3	RETAINING RING
48	F92759		1	THROTTLE ROLLER
49	F333316		1	THROTTLE ROLLER SHAFT
50	FO15230		1	THROTTLE SHAFT AND LEVER
51	FO16008		1	THROTTLE SHAFT RETURN SPRING
52	FO14188		0	MAIN FUEL JET (.066)
53	FO11103		1	IDLE SCREW SPRING
54	FO14166		0	IDLE SCREW
55	F481567		1	CARBURETOR INTAKE ADAPTER
56	F1504		3	FILL HD SCREW, 1/4 - 20 X 1 1/4
57	F481860-1		1	CARBURETOR, INTAKE
58	F53504		3	GROMMET
59	F1072		3	FILL HD SCREW, 1/4 - 20 X 1 3/4
60	F1760		6	PAN HD SCREW, 10 - 24 X 3/8
61	22-818103--1		2	ELBOW
62	F97772		6	HOSE CLAMP
63	F63754		1	HOSE INTAKE DRAIN
64	22-817789A1		1	DRAIN FITTING
65	FO13945		1	FUEL BOWL RETAINING SCREW
66	FO2510		2	GASKET, FUEL BOWL RETAINING SCREW
67	FO13552		1	FUEL BOWL
68	FO13944		1	FLOAT LEVER PIN
69	FO13554		1	FLOAT
70	F481836		3	INTAKE GASKET
71	FO15623		1	FUEL BOWL GASKET
72	F498061-1		0	CARBURETOR COMPLETE (WB26B)
73	FO16397		0	CHOKE SHAFT RETURN SPRING
74	FO16850		1	CHOKE SHAFT AND LEVER
75	FO10165		1	INLET SEAT GASKET
76	FO10790		1	INLET NEEDLE, SEAT AND GASKET
77	FO14471		0	CHOKE SHUTTER
78	F85509-1		1	CHOKE LINK
79	F438754		1	FUEL LINE W/CLAMPS
80	F1059		3	FILL HD SCREW, S.S., 6 - 32 X 1/4
81	F85033		1	CHOKE ROD SWIVEL
82	F184579		6	SEAL, CHOKE ARM SWIVEL
83	F8088		3	PLAIN WASHER
84	F1014		3	COTTER PIN
85	F184033-1		2	CHOKE ARM SWIVEL

CONTINUED ON NEXT PAGE ➡

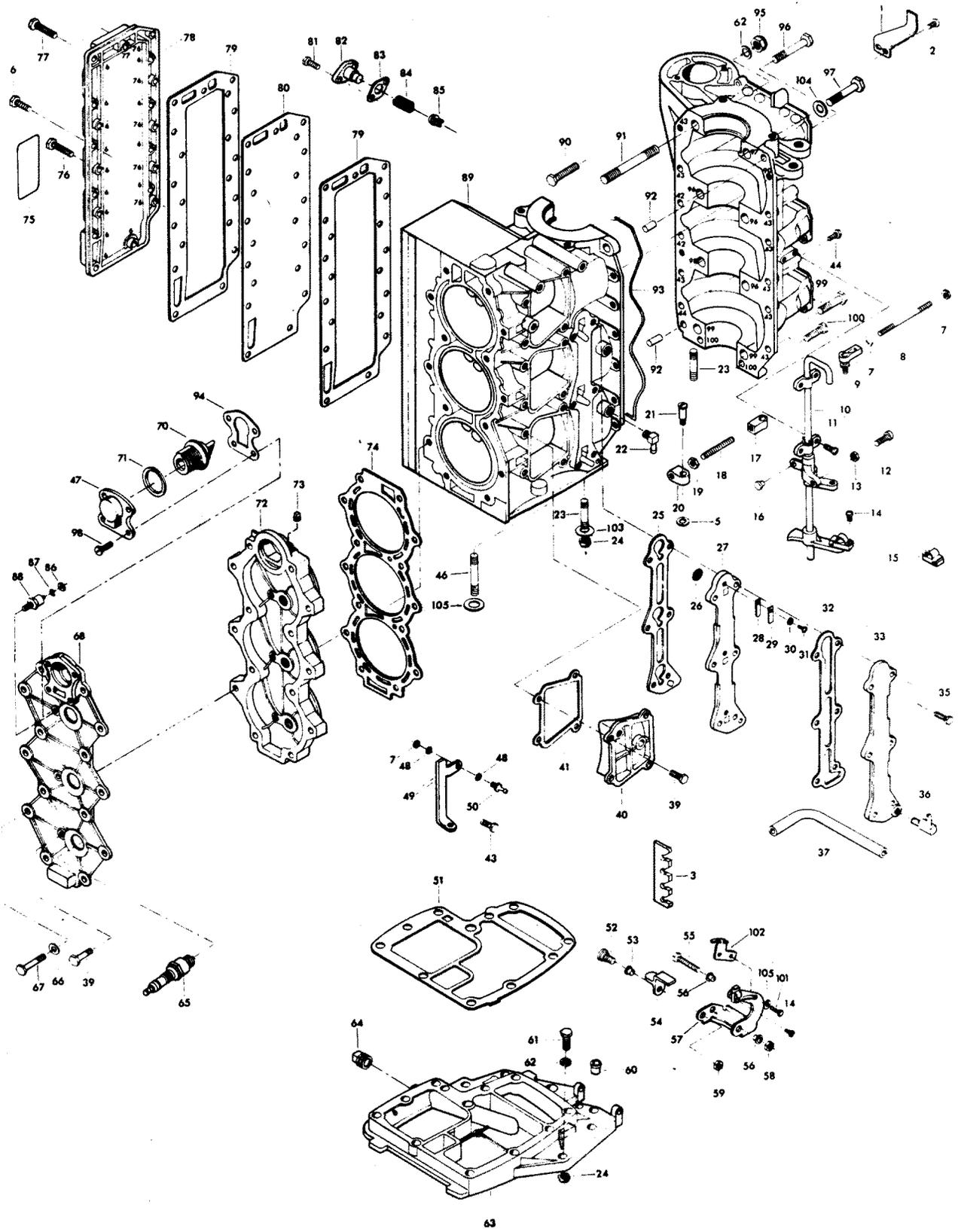
# CARBURETOR



# CARBURETOR

REF. NO.	PART NO.	SYM.	QTY.	DESCRIPTION
86	F85925		1	CHOKE ROD
87	F2033		1	GROOVE PIN
88	F85253-1		2	FUEL LINE W/CLAMPS
89	F391926-1		1	CHOKE SOLENOID PLUNGER
90	F85317-1		1	CLAMP
91	F1236		2	HEX HD SCREW, 1/4 - 20 X 1/2
92	F85314-1		2	FUEL FITTING
93	FO15209		0	MAIN NOZZLE
94	F1953		2	HEX HD SCREW, 1/4 - 20 X 1
95	F480551-1		1	BRACKET INTERLOCK SWITCH
96	FO8942		2	THROTTLE SHUTTER SCREW AND LOCKWASHER
97	F1502		4	HEX CAP SCREW, 1/4 - 20 X 5/8
98	F84449		1	INTERLOCK SWITCH
99	F1704		2	INTERNAL TOOTH LOCKWASHER
100	F1645		2	RD HD SCREW, 6 - 32 X 1/4
101	F2016		2	FILL HD SCREW, 6 - 32 X 7/8
102	F8088		2	PLAIN WASHER
-	<b>F10000</b>		<b>1</b>	<b>GASKET SET (NOT SHOWN)</b>
-	<b>F10026</b>		<b>0</b>	<b>REPAIR PARTS KIT (NOT SHOWN) INCLUDES ALL ITEMS MARKED WITH AN ASTERISK (*).</b>

# POWER HEAD

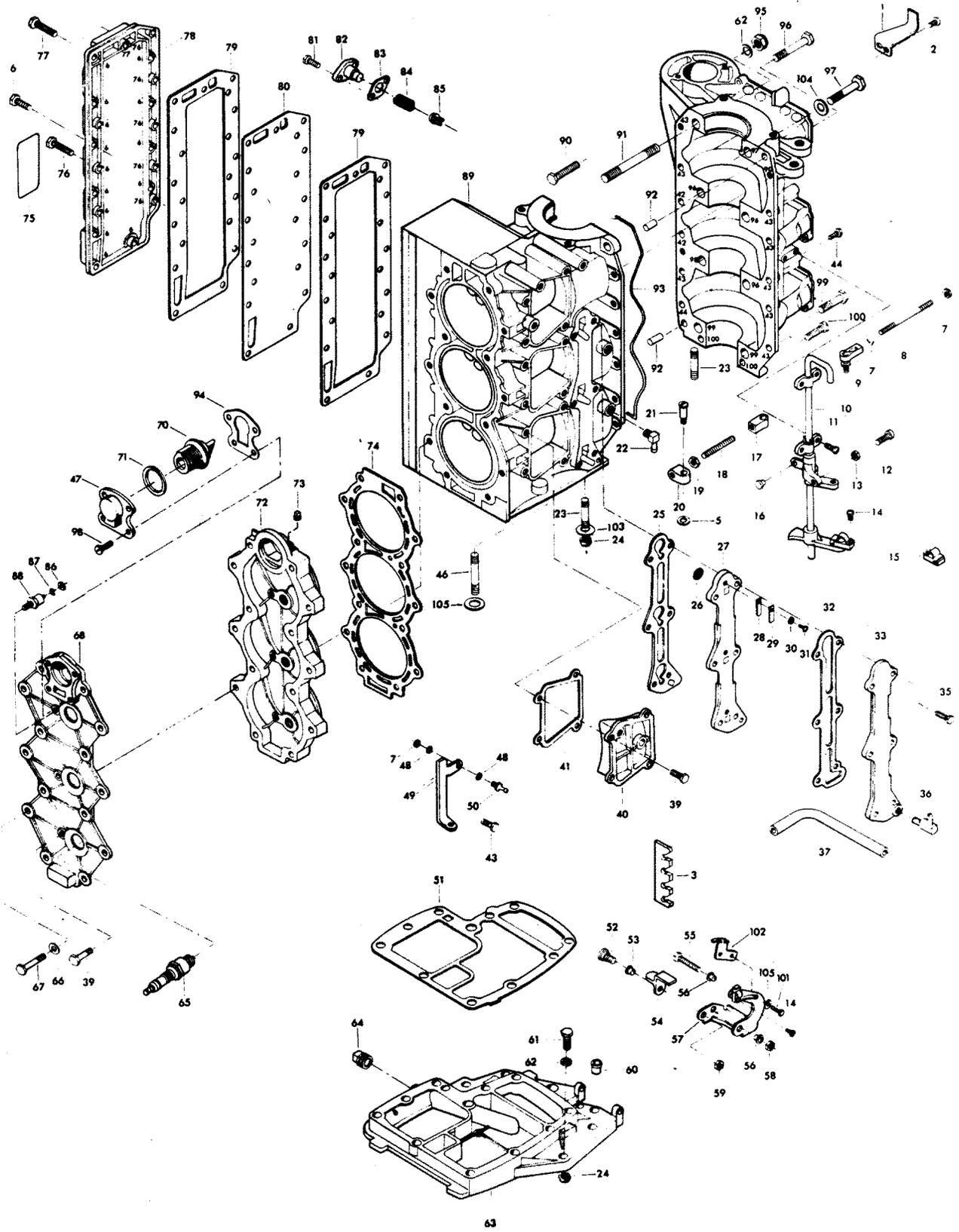


# POWER HEAD

REF. NO.	PART NO.	SYM.	QTY.	DESCRIPTION
1	FA480894		1	TIMING POINTER
2	F1760		2	PAN HD SCREW, 10 - 24 X 3/8
3	F523834		1	SPARK PLUG WIRE
5	F2042		1	PLAIN WASHER
6	F1203		14	HEX BOLT, 1/4 - 20 X 7/8
7	F1513		4	HEX NUT, 10 - 32
8	F85502		1	THROTTLE LINK
9	817747--1		1	BALL JOINT W/STUD
10	FA85838-5		1	TOWERSHAFT W/BEARINGS, SWIVEL, ARMS AND SCREW
11	F1475		4	FILL HD SCREW, 10 - 24 X 1/2
12	F1504		1	FILL HD SCREW, 1/4 - 20 X 1 1/4
13	F1341		1	HEX NUT, 1/4 - 20
14	F1556		2	FILL HD SCREW W/LOCKWASHER, 10 - 24 X 3/8
15	FK405020		2	SWIVEL W/PIVOT SCREW AND NUT
16	F1727		1	PLASTIC RIVET
17	F85036		1	TOWERSHAFT CONTROL ROD END
18	F85445		1	DISTRIBUTOR CONTROL ROD
19	F2015		1	HEX NUT, 1/4 - 28
20	F85035		1	DISTRIBUTOR CONTROL ROD END
21	F85026		1	SWIVEL
22	F84314-2		1	ELBOW
23	F85859		4	STUD, FORWARD
24	F7004		10	STOP NUT, 3/18 - 16
25	F85748-2		1	GASKET, CYLINDER DRAIN REED PLATE
26	F93811		3	SCREEN
27	F2A404757		1	CYLINDER DRAIN REED PLATE, STOPS, METERING CUP AND SCREWS <b>W/REEDS ORIGINAL FORCE P/N A404757-1</b>
28	F18160-1		3	REED
29	F93920		3	REED STOP
30	F8003		3	PLAIN WASHER
31	F1286		3	PAN HD SCREW, 4 - 40 X 3/16
32	F85472-2		1	GASKET, CYLINDER DRAIN COVER
33	817787A1		1	CYLINDER DRAIN COVER
35	F1187		6	HEX HD SCREW, 1/4 - 20 X 1
36	F404801		1	FITTING
37	F433253		1	HOSE
39	F1502		8	HEX HD SCREW, 1/4 - 20 X 5/8
40	FA411222		2	TRANSFER PORT COVER W/PLUG
41	F40223		3	GASKET, TRANSFER PORT COVER
42	F1999		2	HEX CAP SCREW, 1/4 - 20 X 7/8
43	F1238		10	HEX HD SCREW, 1/4 - 20 X 3/4
44	F1199		1	HEX CAP SCREW, 1/4 - 20 X 1
46	F85211		6	STUD, REAR

CONTINUED ON NEXT PAGE ➡

# POWER HEAD

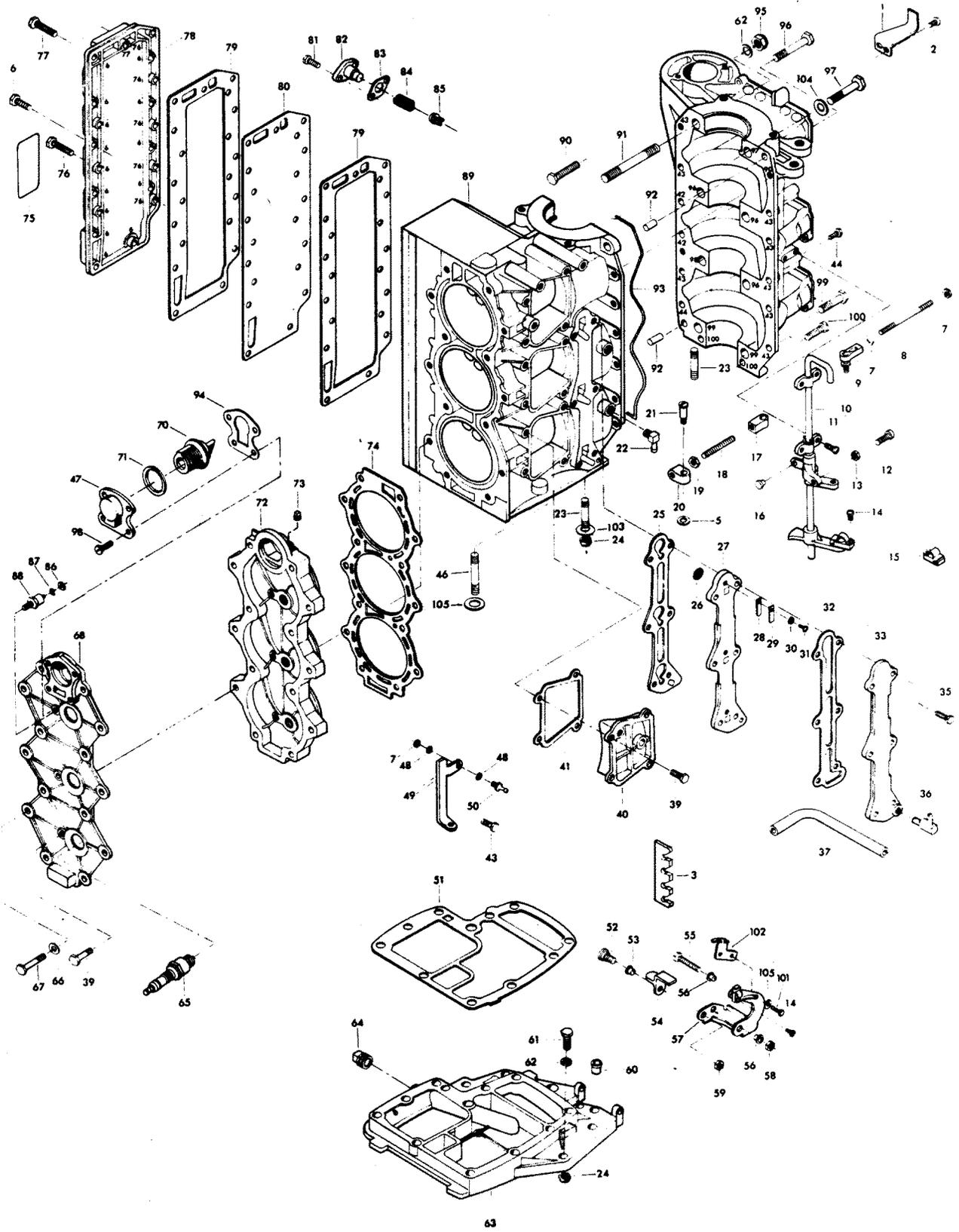


# POWER HEAD

REF. NO.	PART NO.	SYM.	QTY.	DESCRIPTION
47	F476066-1		1	COVER, THERMOSTAT
48	F8058		4	INTERNAL TOOTH LOCKWASHER
49	85872-1		1	BRACKET
50	F98273		2	ROD END CONNECTOR STUD
51	F85279-2		1	CYLINDER EXHAUST GASKET, UPPER
52	F369887		1	SHOULDER SCREW
53	F369610		1	BEARING
54	F369977-1		1	INTERLOCK ARM
55	F1885		1	HEX BOLT, 5/16 - 18 X 4 1/4
56	F85610		2	BEARING
57	FA480876		1	GEAR SHIFT ARM W/SWIVEL, INTERLOCK ARM AND BEARINGS
58	F2108		1	STOP NUT, 5/16 - 18
59	F1832		1	STOP NUT, 1/4 - 20
60	FA98689		1	BEARING, TOWERSHAFT
61	F1869		6	HEX BOLT, 3/8 - 16 X 1 1/4
62	F1703		7	SPRING LOCKWASHER
63	817788A3		1	SPACER PLATE W/PLUGS
64	F2090		1	PLUG
65	33-97180		3	SPARK PLUG (CHAMPION L-20-V)
66	F1987		14	PLAIN WASHER
67	F1883		14	HEX BOLT, 5/16 - 18 X 2 3/8
68	F499995		1	CYLINDER HEAD COVER
70	F528068		1	THERMOSTAT
71	F84504		1	GROMMET
72	F480518		1	CYLINDER HEAD
73	F19109		1	PLUG
74	F369529		1	CYLINDER HEAD GASKET
75	F438398		1	DECAL, WIRING
-	<b>FC438398</b>		<b>1</b>	<b>DECAL, WIRING - CANADA</b>
76	F1709		5	HEX HD SCREW, 1/4 - 20 X 1/8
77	F1849		1	HEX HD SCREW, 1/4 - 20 X 1 3/8
78	F85152-4		1	EXHAUST PORT COVER
79	F85154-1		2	GASKET, EXHAUST PORT PLATE
80	F85151-1		1	EXHAUST PORT PLATE
81	F1950		2	HEX HD SCREW, 10 - 24 X 5/8
82	F438066		1	BY-PASS VALVE COVER
83	F85762		1	GASKET, BY-PASS VALVE
84	F404268		1	SPRING, BY-PASS VALVE
85	F85916-1		1	BY-PASS VALVE
86	F1647		1	HEX NUT, 10 - 32
87	F8056		1	SPRING LOCKWASHER
88	87-817778A1		1	THERMOSWITCH

CONTINUED ON NEXT PAGE ➡

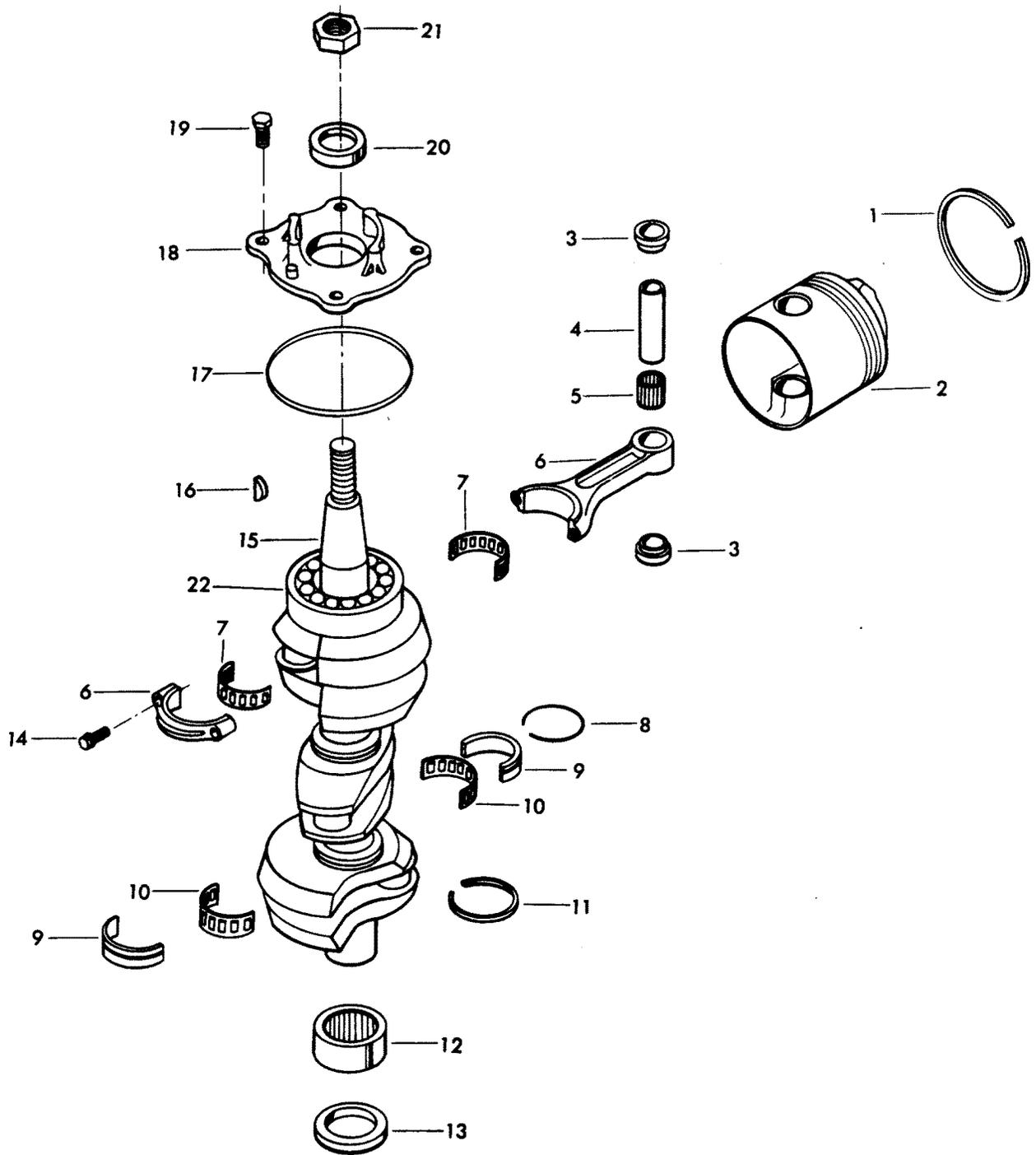
# POWER HEAD



# POWER HEAD

REF. NO.	PART NO.	SYM.	QTY.	DESCRIPTION
89	A438010-4		0	CYLINDER ASSEMBLY LINE SEAL & LOWER MAIN BEARING ASSEMBLY <b>W/PARTING</b>
90	F1864		1	HEX HD SCREW, 1/4 - 20 X 3/4
91	F85210		1	STUD
92	F8563		2	DOWEL PIN
93	F85122		1	PARTING LINE SEAL
94	F476067		1	GASKET, THERMOSTAT COVER
95	F1347		1	HEX NUT, 3/8 - 16
96	F1873		4	HEX BOLT, 3/8 - 16 X 3
97	F1009		1	HEX BOLT, 3/8 - 16 X 2 3/4
98	F1110		4	FILL HD SCREW, 1/4 - 20 X 5/8
99	F1872		2	HEX BOLT, 3/8 - 16 X 1 3/4
100	F1099		2	FILL HD SCREW, 1/4 - 20 X 1 1/4
101	F2089		2	SLOTTED PAN HD MACHINE SCREW, 10 - 24 X 5/16
102	F480107-1		1	CAM, STARTER INTERLOCK
103	F8038		4	PLAIN WASHER
104	F8095		14	PLAIN WASHER
105	F2042		2	PLAIN WASHER
-	<b>FG460-1</b>		<b>1</b>	<b>GASKET SET (NOT SHOWN)</b>
-	<b>C523227</b>		<b>3</b>	<b>SPARK PLUG (CHAMPION QL-76-V) FOR MODEL 757BD</b>
-	<b>C438010-4</b>		<b>1</b>	<b>SHORT BLOCK INCLUDES ALL ITEMS MARKED WITH AN ASTERISK (*). ALSO REFER TO CRANKSHAFT PAGE.</b>

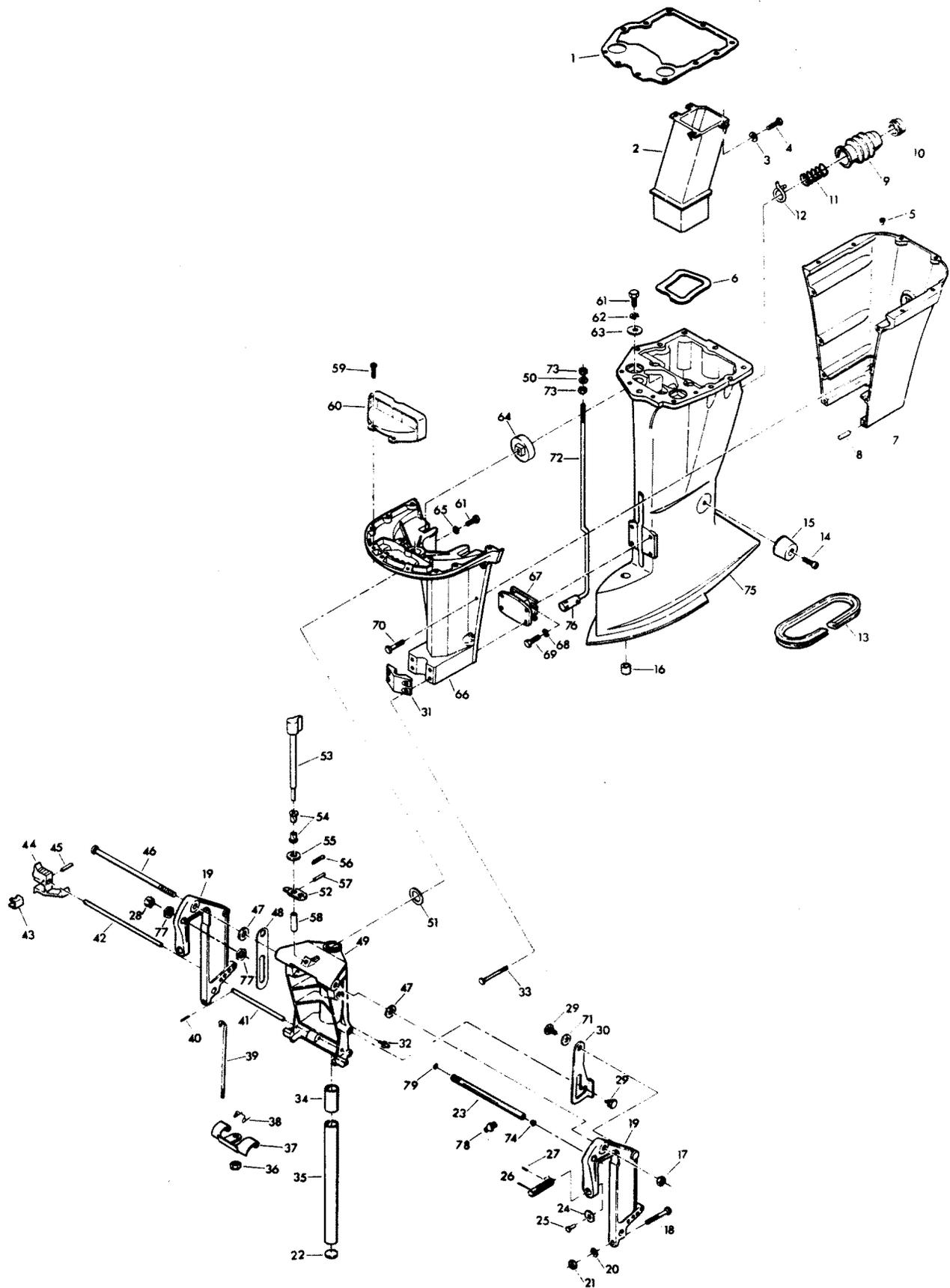
# CRANKSHAFT AND PISTON GROUP



# CRANKSHAFT AND PISTON GROUP

REF. NO.	PART NO.	SYM.	QTY.	DESCRIPTION
1	FA335260		3	PISTON RING SET (3 PER SET)
2	700-F372015-3		3	PISTON
3	F335215		6	SPACER, PISTON PIN (2 PER PISTON)
4	F85017		3	PISTON PIN
5	F335217-1		3	BEARING PISTON PIN (26 PER SET)
6	600-818052A4		3	CONNECTING ROD W/CAP AND SCREWS
7	FK85228		3	BEARING CAGE W/ROLLER
8	F85410		2	SNAP RING
9	FA85655-1		2	CRANKSHAFT MAIN BEARING RACE W/SNAP RING
10	F85571		2	BEARING CAGE W/ROLLER
11	F316579		2	SEAL, CRANKCASE
12	31-FA523014		1	CRANKSHAFT LOWER MAIN BEARING W/SEAL
13	F523146		1	SEAL, CRANKSHAFT LOWER
14	F85634-1		6	CONNECTING ROD SCREW
15	FA85018-2		1	CRANKSHAFT W/BEARING
16	F85498		1	FLYWHEEL KEY
17	F84278		1	SEAL, CRANKSHAFT BEARING CAGE
18	31-817785A2		1	CRANKSHAFT BEARING CAGE W/SEAL
19	F1867		4	HEX CAP SCREW, 3/8 - 16 X 1
20	F84146-2		1	SEAL
21	F1968		1	FLYWHEEL NUT
22	30-F284659-2		1	CRANKSHAFT THRUST BEARING UPPER
-	<b>F2067</b>		<b>1</b>	<b>PLASTISOL CAP (NOT SHOWN)</b>
-	<b>FSA335260</b>		<b>3</b>	<b>PISTON RINGS (3 PER SET) .010 OVERSIZE (NOT SHOWN)</b>
-	<b>39-818110A1</b>		<b>3</b>	<b>PISTON RINGS (3 PER SET) .030 OVERSIZE (NOT SHOWN)</b>
-	<b>700-817988A2</b>		<b>3</b>	<b>PISTON .010 OVERSIZE (NOT SHOWN)</b>
-	<b>700-818111A2</b>		<b>3</b>	<b>PISTON .030 OVERSIZE (NOT SHOWN)</b>

# MOTOR LEG

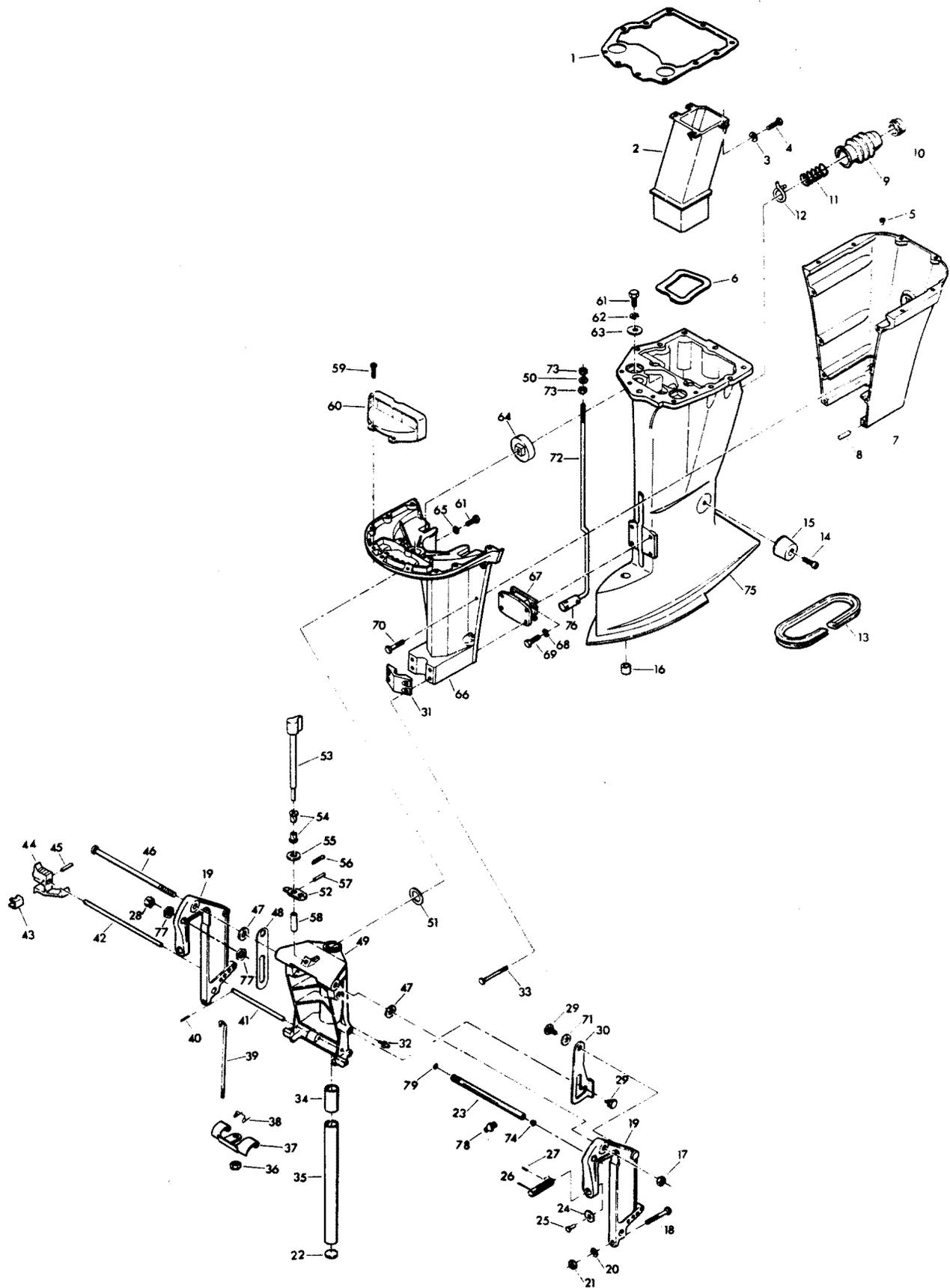


# MOTOR LEG

REF. NO.	PART NO.	SYM.	QTY.	DESCRIPTION
1	F85453-1		1	GASKET, EXHAUST LOWER
2	F85660-1		1	EXHAUST TUBE
3	F8083		4	SPRING LOCKWASHER
4	F1864		4	HEX SLOT HD SCREW 1/4 - 20 X 3/4
5	F1729		2	PLUG
6	F439736		1	SEAL EXHAUST TUBE
7	817931A7		1	MOTOR LEG COVER REAR
8	F1664		2	SPRING PIN
9	F85130		1	BOOT, IDLE EXHAUST
10	F85258		1	INSERT
11	F85380		1	SPRING
12	F85772		1	CLAMP
13	F178323		1	SEAL, MOTOR LEG
14	F1263		2	HEX SOCKET HD CAP SCREW 5/16 - 18 X 9/16
15	F438962		2	SHOCK MOUNT SIDE
16	F338618-1		1	SEAL, GEAR SHIFT ROD
17	F7012		1	LOCK NUT, 1/2 - 20
18	F1593		2	HEX HD SCREW 3/8 - 16 X 3
19	1400-817958A6		2	STERN BRACKET
20	F1904		2	PLAIN WASHER
21	F1346		2	HEX NUT 3/8 - 16
22	F1528		1	WELCH PLUG
23	F511125-2		2	TUBE, STEERING SUPPORT
24	F84074		2	CLAMP SCREW FOOT
25	F353480		2	STUD
26	F474073-1		2	CLAMP SCREW
27	F8538		2	SPRING PIN
28	F9018		1	CAP
29	F85350-1		4	TILT STOP PIVOT
30	F85541-1		1	TILT LOCK
31	F85606		1	KINGPIN CAP
32	F213274		3	GREASE FITTING
33	F1696		4	HEX BOLT 5/16 - 18 X 1 3/4
34	F438169		2	BEARING
35	FA85019		1	KINGPIN W/PLUG
36	F1669		1	LOCK NUT
37	F369349		1	REVERSE LOCK
38	F85300		1	REVERSE LOCK SPRING
39	F369510		1	LINK
40	F8547		1	SPRING PIN
41	F177350		1	REVERSE LOCK PIN
42	FA438113		1	STERN BRACKET LOCK BAR W/HANDLE
43	F286461		1	SPRING LOCK BAR HANDLE

CONTINUED ON NEXT PAGE ➡

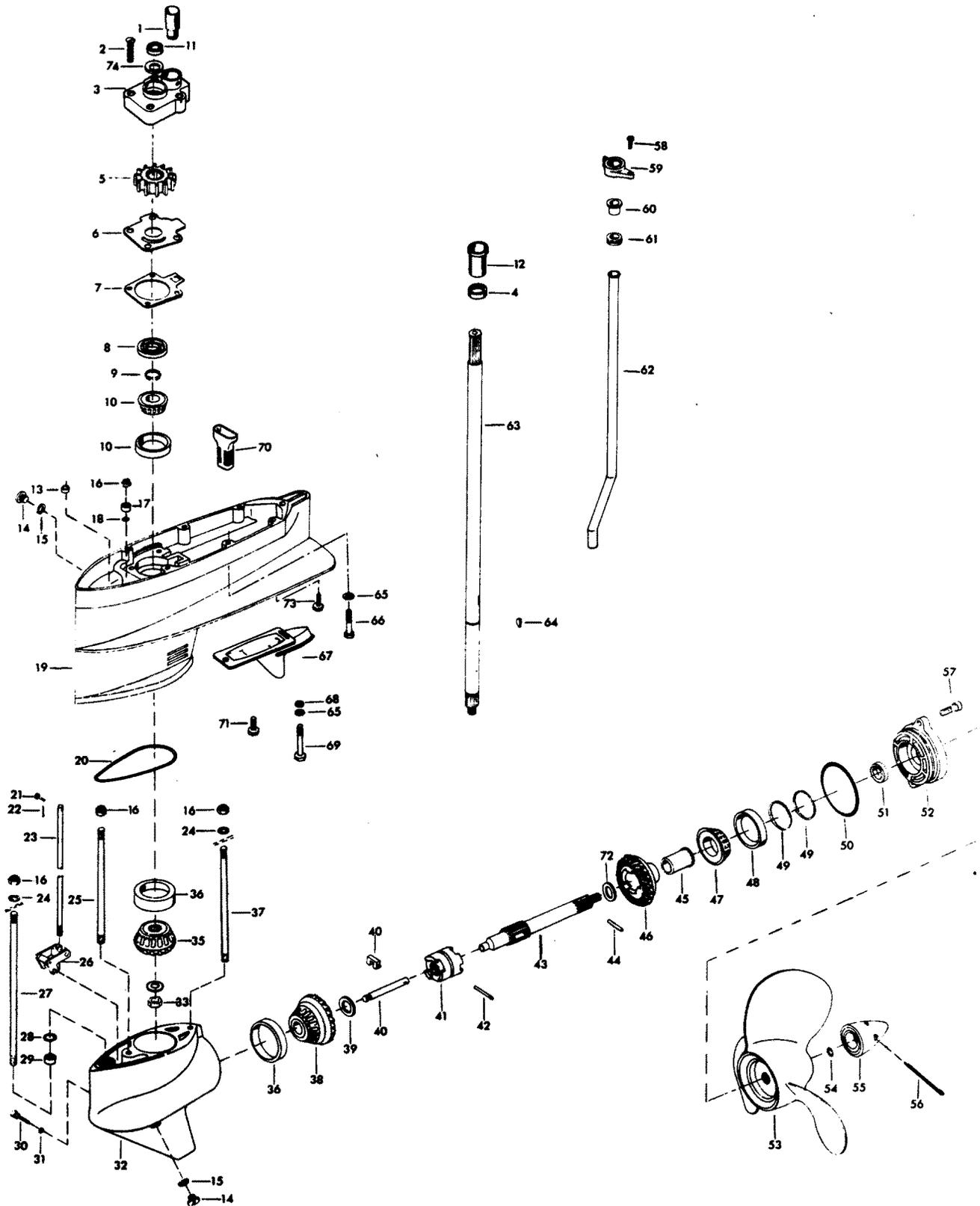
# MOTOR LEG



# MOTOR LEG

REF. NO.	PART NO.	SYM.	QTY.	DESCRIPTION
44	F433114		1	HANDLE, LOCK BAR
45	F1744		1	SPRING PIN
46	F85037-1		1	STERN BRACKET PIVOT BOLT
47	F84286-1		4	FRICTION WASHER
48	F85426		1	TILT STOP
49	817783A5		1	SWIVEL BRACKET W/BEARING AND GREASE FITTINGS
50	F1987		1	PLAIN WASHER
51	F84011		1	WASHER
52	F369364		1	REVERSE LOCK ARM
53	F369827		1	HANDLE AND SHAFT
54	F197813		2	BEARING
55	F8094		1	PLAIN WASHER
56	F1014		1	COTTER PIN
57	F1836		1	SPRING PIN
58	F483884		1	BEARING
59	F1912		4	HEX HD SCREW 10 - 24 X 1/2
60	F85779-1		1	BAFFLE, AIR INTAKE
61	F1871		4	HEX HD SCREW 3/8 - 16 X 3/4
62	F2014		2	PLAIN WASHER
63	FA85355-1		2	WASHER SHOCK MOUNT UPPER
64	F85965		2	SHOCK MOUNT, UPPER
65	F1703		2	SPRING LOCKWASHER
66	A85135-3		1	LEG COVER, FRONT
67	F438346		1	SHOCK MOUNT, LOWER
68	F8096		4	SPRING LOCKWASHER
69	F1822		4	HEX BOLT 5/16 - 18 X 7/8
70	F2030		6	HEX HD SCREW 1/4 - 20 X 1 1/4
71	F1666		2	BOWED SPRING WASHER
72	F85615		1	GEAR SHIFT ROD UPPER
73	F2108		2	LOCK NUT 5/16 - 18
74	F9052		1	PLUG
75	A438133-1		1	MOTOR LEG
76	F85704		1	COUPLER, GEARSHIFT ROD UPPER
77	F523280		2	NUT, STEERING SUPPORT TUBE
78	F523274		1	GREASE FITTING
79	F316599		1	SEAL, STEERING SUPPORT TUBE
-	<b>F474390-1</b>		<b>1</b>	<b>DECAL, REVERSE LOCK (NOT SHOWN)</b>
-	<b>37-819450</b>		<b>1</b>	<b>DECAL, REVERSE LOCK - CANADA (NOT SHOWN)</b>

# GEAR HOUSING

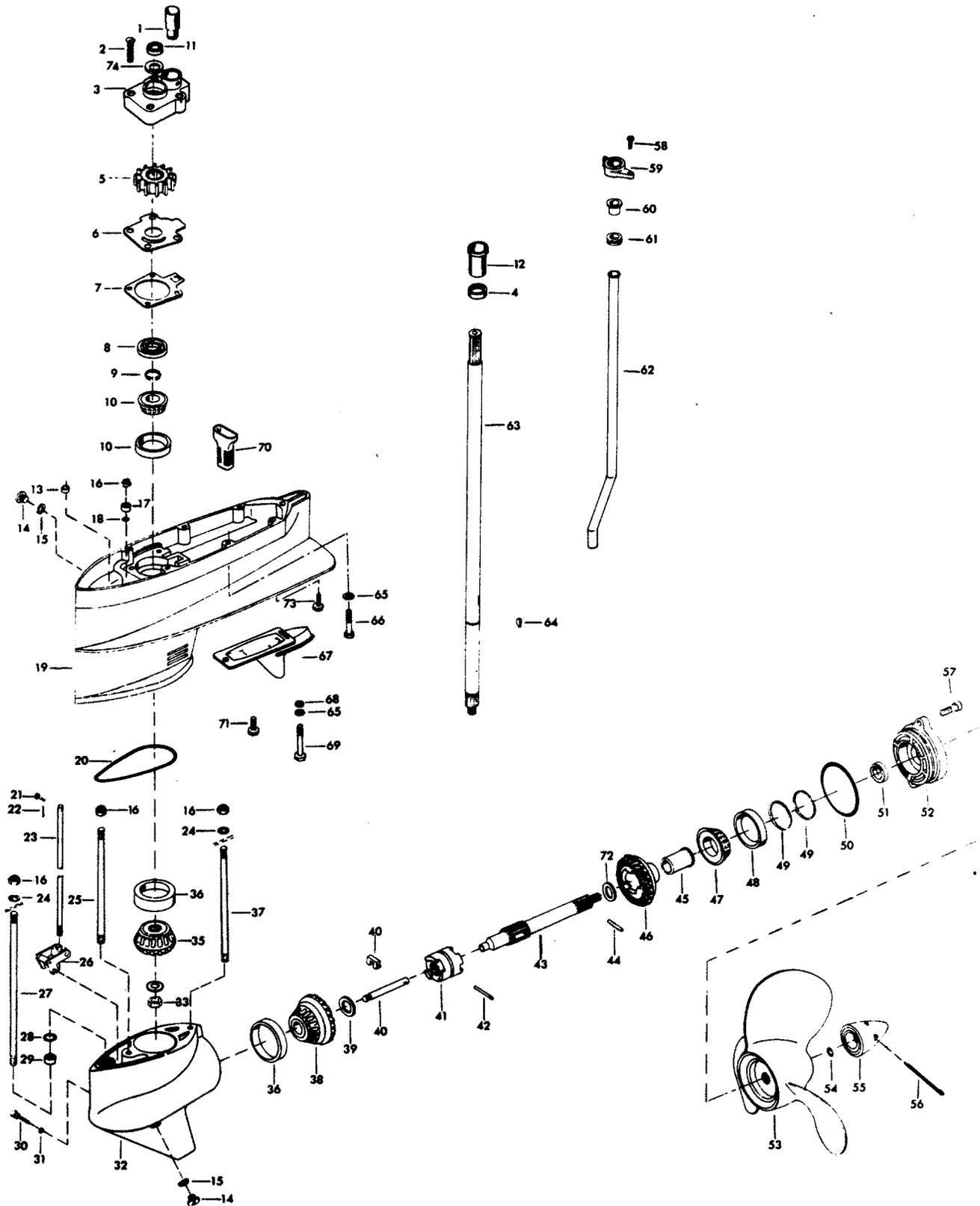


# GEAR HOUSING

REF. NO.	PART NO.	SYM.	QTY.	DESCRIPTION
1	FA523735		1	SEAL, INLET WATER LINE, LOWER
2	F1849		4	FLAT HD SCREW, S.S., 1/4 - 20 X 1 3/8
3	FK475060		1	WATER PUMP BODY <b>W/ITEMS 1 AND 11</b>
4	F438271		1	RETAINER, CRANKSHAFT SPLINE SEAL
5	F438065		1	WATER PUMP IMPELLER
6	F369562		1	WATER PUMP BACK PLATE
7	F84031		1	GASKET, WATER PUMP
8	F84307-1		1	SEAL, DRIVESHAFT
9	F84173		1	RETAINING RING
10	FA40901		1	BEARING, DRIVESHAFT W/CUP
11	F351307		1	SEAL, WATER PUMP
12	F438129		1	SEAL, DRIVESHAFT SPLINE
13	F338618-1		1	SEAL, GEAR SHIFT ROD
14	F50109		2	PLUG, GEAR HOUSING
15	F8077		2	WASHER, GEAR HOUSING PLUG
16	F7025		3	HEX NUT, 3/8 - 16
17	F84215		1	SPACER
18	F19342		1	SEAL
19	A316554-2		1	GEAR HOUSING UPPER W/PLUG AND WASHER
20	F316555		1	SEAL
21	F85372		1	PIN, GEAR SHIFT ROD LOWER
22	F1015		1	COTTER PIN, S.S.
23	F85705-1		1	GEAR SHIFT ROD LOWER
24	F1778		2	PLAIN WASHER
25	F316165		1	STUD, GEAR HOUSING CENTER
26	FA84621-1		1	COUPLING, GEAR SHIFT ARM W/BUSHING
27	F85006-1		1	STUD, GEAR HOUSING, FRONT
28	F316599		1	SEAL, GEAR HOUSING STUD, FRONT
29	F85012		1	PILOT, GEAR HOUSING
30	F90891		1	PIN, GEAR SHIFT ARM
31	F8001		1	WASHER
32	1600-817767A2		1	GEAR HOUSING LOWER W/PLUG AND WASHER
33	FA511188		1	NUT, BEVEL PINION RETAINING
35	FA481266		1	BEVEL PINION GEAR W/BEARING
36	84903		2	BEARING CUP
37	F84008-4		1	STUD, GEAR HOUSING, REAR
38	F2A481023		1	BEVEL GEAR FRONT W/BEARINGS
40	FA84871-1		1	PIN, GEAR SHIFT W/YOKE
41	F84521-1		1	CLUTCH
42	F1713		1	SPRING PIN
43	A85098-2		1	PROPELLER SHAFT
44	FK280		1	PROPELLER PIN
45	F384143		1	BEARING, BEVEL GEAR REAR

CONTINUED ON NEXT PAGE ➡

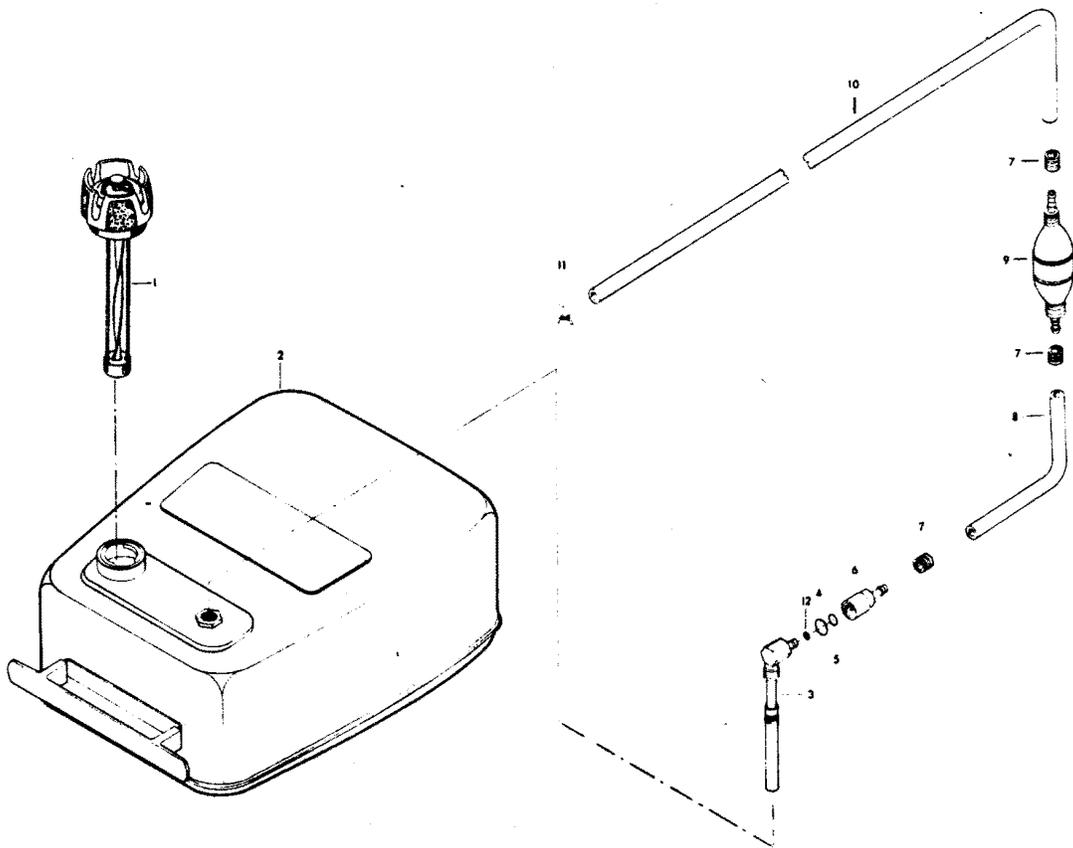
# GEAR HOUSING



# GEAR HOUSING

REF. NO.	PART NO.	SYM.	QTY.	DESCRIPTION
46	F481662		1	BEVEL GEAR, REAR
47	FA84225		1	BEARING W/CUP
48	84250		1	BEARING CUP
50	F84305		1	SEAL, PROPELLER SHAFT BEARING CAGE
51	F84118		1	SEAL, PROPELLER SHAFT
52	FA84298-3		1	PROPELLER SHAFT BEARING CAGE <b>W/ITEM 51</b>
53	FP372		1	PROPELLER (ACCESSORY ITEM) FOR 75 H.P. ENGINES
-	<b>FP383</b>		<b>1</b>	<b>PROPELLER (ACCESSORY ITEM) FOR 90 H.P. ENGINES</b>
54	F40342		1	SEAL, PROPELLER NUT
55	11-817784A1		1	PROPELLER NUT W/COTTER PIN AND SEAL
56	F1028		1	COTTER PIN, S.S.
57	F1252		2	HEX SOCKET HD CAP SCREW, S.S., 3/8 - 16 X 1
58	F1705		2	HEX CAP SCREW, S.S., 1/4 - 20 X 3/4
59	F85117		1	BRACKET, WATER LINE
60	F84342		1	SEAL, INLET WATER LINE, UPPER
61	F381899		1	GROMMET, WATER LINE
62	F85244		1	INLET WATER LINE
63	FK85128-1		1	DRIVESHAFT
64	F9038		1	DRIVE KEY, WATER PUMP
65	F8096		7	SPRING LOCKWASHER, S.S.
66	F1696		6	HEX BOLT, S.S., 5/16 - 18 X 1 3/4
67	817797A2		1	EXHAUST OUTLET, GEAR HOUSING UPPER
68	F1907		1	PLAIN WASHER
69	F1994		1	HEX SOCKET HD CAP SCREW, 5/16 - 18 X 1
70	F438077		1	SCREEN, WATER INLET
71	F438930		1	RETAINER, SNOUT
72	F84717		1	THRUST WASHER, BEVEL GEAR, REAR
73	F1213		1	HEX CAP SCREW, 5/16 - 18 X 1 1/8
74	F480388		1	DISC, WATER PUMP LOCATING
75	F136717		1	WASHER, BEVEL GEAR THRUST
-	<b>FC481054</b>		<b>0</b>	<b>GEAR HOUSING COMPLETE. INCLUDES ALL ITEMS MARKED WITH AN ASTERISK (*).</b>

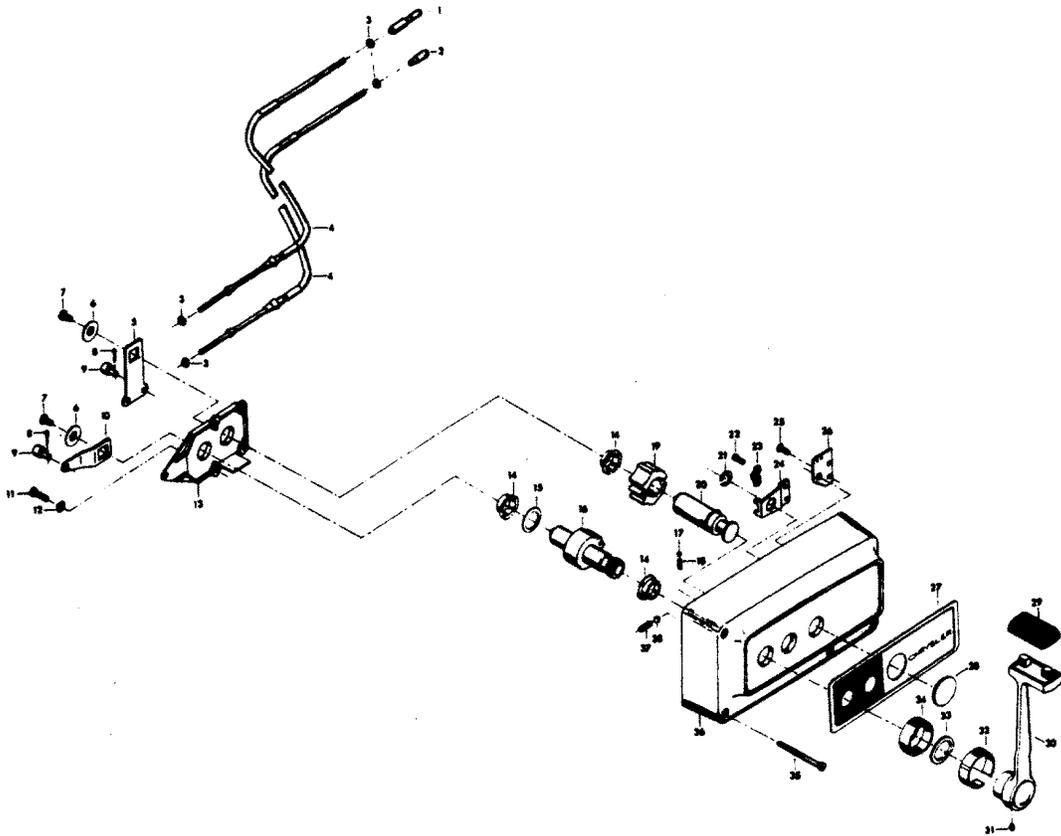
# FUEL TANK AND LINE



## FUEL TANK AND LINE

REF. NO.	PART NO.	SYM.	QTY.	DESCRIPTION
1	F409251-1		1	GAUGE CAP
2	F71H08		1	FUEL TANK (ACCESSORY ITEM)
3	F485755-1		1	FUEL TANK ADAPTER
4	F213342		1	SEAL, FUEL LINE COUPLER (LARGE)
5	F213735		1	SEAL, FUEL LINE COUPLER (SMALL)
6	F197787-3		1	FUEL LINE COUPLER
7	F298788		3	FERRULE
8	FA84754-1		1	FUEL LINE SHORT W/FERRULES
9	89396A38		1	PRIME BULB
10	32-817738A1		1	FUEL LINE LONG W/CLAMP AND FERRULE
11	F97772		1	FUEL LINE CLAMP
12	F17932		1	SEAL, FUEL TANK ADAPTER
-	<b>FS409752</b>		<b>1</b>	<b>FUEL LINE COMPLETE (NOT SHOWN)</b>
-	<b>FC409398</b>		<b>1</b>	<b>DECAL, TOTE TANK - CANADA (NOT SHOWN)</b>

# REMOTE CONTROL

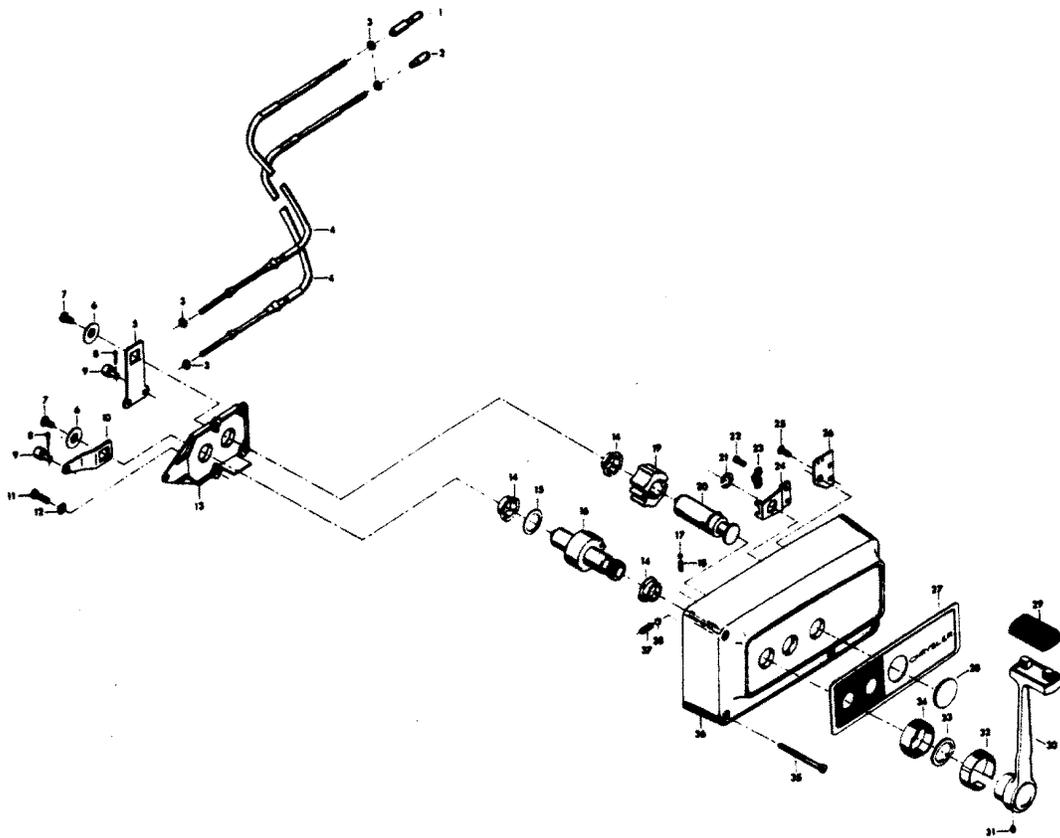


# REMOTE CONTROL

REF. NO.	PART NO.	SYM.	QTY.	DESCRIPTION
1	FA58976-1		1	CONNECTOR, THROTTLE CABLE
2	F58685-2		1	CONNECTOR, SHIFT CABLE
3	F1513		4	HEX NUT
4	ÄF58356//		2	REMOTE CONTROL CABLE (SPECIFY LENGTH)
5	F17019		1	CLUTCH ARM
6	F17036		2	INTERNAL TOOTH LOCKWASHER
7	F1715		2	HEX BOLT, 1/4 - 28 X 9/16
8	F17015		2	COTTER PIN
9	F17016		2	CABLE TERMINAL
10	F17014		1	THROTTLE ARM
11	F17013		2	FILL HD SCREW, 1/4 - 20 X 1/2
12	F17020		2	INTERNAL TOOTH LOCKWASHER
13	F17012		1	RETAINING PLATE
14	F17009		3	BEARING
15	F17011		1	BOWED WASHER
16	F17010-1		1	THROTTLE GEAR
17	F17111		1	DETENT BALL
18	F17006		1	DETENT SPRING
19	F17021		1	CLUTCH GEAR
20	F17100		1	CLUTCH SHAFT
21	F17092		1	SNAP RING
22	F17107		2	FILL HD SCREW, 10 - 24 X 5/16
23	F154317		1	CABLE CLAMP
24	F17026		1	SWIVEL
25	F1557		2	FLAT HD SCREW, 10 - 24 X 3/8
26	F17112		1	JUNCTION BOARD, STARBOARD
-	<b>F17113</b>		<b>1</b>	<b>JUNCTION BOARD, PORT</b>
27	F17101		1	DECAL, STARBOARD
-	<b>17102</b>		<b>1</b>	<b>DECAL, PORT</b>
28	F17031		1	SNAP CAP
29	F17116		1	KNOB
30	F17115		1	HANDLE
31	F17030-1		1	SET SCREW
32	FK17114-1		1	INDICATOR
33	F17105		1	FELT WASHER
34	F17106		1	COLLAR
35	17108		3	WOOD SCREW

CONTINUED ON NEXT PAGE ➡

# REMOTE CONTROL



# REMOTE CONTROL

REF. NO.	PART NO.	SYM.	QTY.	DESCRIPTION
36	F17099		1	HOUSING
37	F17068		1	DETENT SPRING
38	F17082-1		1	DETENT BALL
39	F72H36		1	REMOTE CONTROL UNIT COMPLETE (SINGLE LEVER STARBOARD)
-	<b>F1280</b>		<b>2</b>	<b>PAN HD SCREW, 8 - 32 X 1/4 (TERMINAL BOARD) (NOT SHOWN)</b>

## SPECIAL TOOLS - TUNE-UP

REF. NO.	PART NO.	SYM.	QTY.	DESCRIPTION
-	FT8948-1		0	FLYWHEEL PULLER TO REMOVE FLYWHEEL
-	FTA2937-1		0	TIMING TOOL TO ADJUST SPARK ADVANCE.

## SPECIAL TOOLS - POWER HEAD

REF. NO.	PART NO.	SYM.	QTY.	DESCRIPTION
-	FT8914		0	SEAL REMOVER TO REMOVE UPPER CRANKSHAFT BEARING CAGE SEAL.
-	FT8903		0	SEAL INSTALLER TO INSTALL UPPER CRANKSHAFT BEARING CAGE SEAL.
-	FT8927		0	SEAL PROTECTOR TO INSTALL UPPER CRANKSHAFT BEARING CAGE SEAL.
-	FT8907		0	DRIVE HANDLE USED WITH T8910, T8909, T8908 AND T8903.
-	FT8922		0	SLIDE HAMMER TO REMOVE UPPER CRANKSHAFT BEARING CAGE SEAL. ALSO USED TO REMOVE BEARING CUPS FROM PROPELLER SHAFT BEARING CAGE.
-	FT2953		0	SOCKET TO TORQUE CONNECTING ROD SCREWS.
-	FT2990		0	PISTON PIN TOOL TO REMOVE AND INSTALL PISTON PINS.
-	FT2996		0	RING COMPRESSOR TO INSTALL PISTON RINGS.
-	FT8926		0	RING EXPANDER TO INSTALL PISTON RINGS.

# SPECIAL TOOLS - GEAR HOUSING

REF. NO.	PART NO.	SYM.	QTY.	DESCRIPTION
-	FT2993		0	PROPELLER SHAFT BEARING CAGE PULLER TO REMOVE PROPELLER SHAFT BEARING CAGE FROM GEAR HOUSING.
-	FT8918		0	BEARING GUIDE SET TO REMOVE AND INSTALL BEARING CUP IN LOWER GEAR HOUSING.
-	FT2995		0	FORWARD BEARING CUP REMOVER TO REMOVE FORWARD BEARING CUP IN LOWER GEAR HOUSING.
-	FT8909		0	FORWARD BEARING CUP INSTALLER TO INSTALL FORWARD BEARING CUP IN LOWER GEAR HOUSING.
-	FT8917		0	REAR BEARING CUP REMOVER TO REMOVE REAR BEARING CUP FROM PROPELLER SHAFT BEARING CAGE.
-	FT8910		0	REAR BEARING CUP INSTALLER TO INSTALL REAR BEARING CUP IN PROPELLER SHAFT BEARING CAGE.
-	FT8957		0	SEAL INSTALLER TO INSTALL SHIFT ROD SEAL.
-	FT8908		0	PROPELLER SHAFT SEAL INSTALLER TO INSTALL PROPELLER SHAFT SEAL IN PROPELLER SHAFT BEARING CAGE.
-	FT8915		0	PROPELLER SHAFT SEAL PROTECTOR TO INSTALL PROPELLER SHAFT SEAL IN PROPELLER SHAFT BEARING CAGE.
-	FT8916		0	PROPELLER SHAFT BEARING INSTALLER TO INSTALL REVERSE GEAR AND BEARING ON PROPELLER SHAFT.
-	FT8906		0	PROPELLER SHAFT BEARING SUPPORT TO INSTALL REVERSE GEAR AND BEARING ON PROPELLER SHAFT.
-	FT8911		0	DRIVESHAFT KNOCK-OFF NUT TO REMOVE DRIVESHAFT FROM UPPER GEAR HOUSING.
-	FT8905		0	DRIVESHAFT BEARING REMOVER TO REMOVE BEARING FROM DRIVESHAFT.
-	FT8920		0	DRIVESHAFT BEARING INSTALLER TO INSTALL BEARING ON DRIVESHAFT.
-	FT8925		0	DRIVESHAFT SEAL INSTALLER TO INSTALL DRIVESHAFT SEAL IN UPPER HOUSING.
-	FT8924-1		0	CHECKING GAUGE TO MEASURE PROPELLER SHAFT END PLAY AND END FLOAT.
-	FT8907		0	DRIVER HANDLE TO INSTALL BEARING CUPS AND SEALS.
-	FT8901		0	INDICATOR HOLDER USED IN CONJUNCTION WITH T8924.
-	FT8902		0	DIAL INDICATOR USED IN CONJUNCTION WITH T8924.
-	FT2992		0	GAUGE TO CENTER WATER PUMP BODY.
-	FT8919		0	SPRING PIN PUNCH TO REMOVE CLUTCH SPRING PIN.

## SPECIAL TOOLS - TEST EQUIPMENT

REF. NO.	PART NO.	SYM.	QTY.	DESCRIPTION
-	FT2981A		0	TEST WHEEL TO TEST MOTOR IN TEST TANK.
-	FT8933		0	LIFTING HOOK TO LIFT ENGINE.
-	FT8950		0	LEAKAGE TESTER TO TEST LOWER UNIT SEALS FOR LEAKAGE.
-	T8974		0	BREAKER POINT TENSION GAUGE FOR CHECKING BREAKER POINT SPRING TENSION.

# ACCESSORIES

REF. NO.	PART NO.	SYM.	QTY.	DESCRIPTION
-	F5H014		0	FLUSHING ADAPTER PERMITS FRESH WATER FLUSHING OF WATER PASSAGES WITH STANDARD GARDEN HOSE.
-	F5H063		0	SYNCHRO-DRIVE CONTROL BOX (SINGLE LEVER) PERMITS REMOTE CONTROL OF THROTTLE AND GEAR SHIFT FROM STARBOARD SIDE OF BOAT.
-	5H067		0	PORT SIDE DECAL KIT CONVERTS 72H36 CONTROL BOX TO PORT SIDE MOUNTING.
-	F590		0	SYNCHRO-DRIVE CONTROL HEAD (SINGLE LEVER) FLUSH MOUNT CONTROL UNIT PERMITS REMOTE CONTROL OF THROTTLE AND GEAR SHIFT. MAY BE MOUNTED ON PORT OR STARBOARD SIDE OF BOAT.
-	865		0	TWIN SYNCHRO-DRIVE CONTROL BOX PERMITS REMOTE CONTROL OF THROTTLE AND GEAR SHIFT ON TWIN ENGINE INSTALLATIONS. MAY BE MOUNTED ON PORT OR STARBOARD SIDE OF BOAT.
-	F195/___		0	REMOTE CONTROL CABLES CONNECTS REMOTE CONTROL BOX TO THROTTLE AND GEAR SHIFT ON ENGINE. AVAILABLE IN 6 THROUGH 40 FOOT LENGTHS.
-	F165		0	REMOTE STEERING BRACKET ADAPTS ENGINE TO CABLE TYPE REMOTE STEERING.
-	F5H018		0	DUAL ENGINE TIE BAR PERMITS DUAL ENGINE INSTALLATIONS.
-	F5H026		0	STEEL, 6 GALLON FUEL TANK (LOW PROFILE)
-	F5H029		0	TANK ANCHOR SECURES 71H08 TO BOAT.
-	F5H040		0	STEEL, 12 GALLON FUEL TANK
-	F5H019		0	ANTI-CORROSION KIT ELECTRICAL KIT FOR MOUNTING ON BOAT (12V) TO REDUCE CORROSION.
-	F5H027		0	ANTI-CORROSION SACRIFICIAL ANODE KIT USED TO REDUCE CORROSION.
-	F5H010		0	POWER TRIM INDICATOR INDICATES ENGINE TRIM ANGLE. (FLUSH MOUNT)
-	5H061		0	FROST WHITE LACQUER ENGINE TOUCH-UP PAINT IN 16 OZ. SPRAY BOMBS (12 CANS PER CASE)
-	5H016		0	GOLD LACQUER ENGINE TOUCH-UP PAINT IN 6 OZ. SPRAY BOMBS (12 CANS PER CASE)
-	F5H044		0	TILT STOP KIT LIMITS TILTING ANGLE.
-	F5H068		0	RFI SUPPRESSION KIT PROVIDES RADIO NOISE SUPPRESSION.
-	F461		0	SHOCK ABSORBER KIT
-	F5H064		0	EXHAUST SNOOT
-	F5H081		0	BATTERY CABLE LONGER LENGTH - 15 FEET.
-	5H051		0	BATTERY, 74 AMP 12 VOLT HEAVY DUTY BATTERY.
-	F5H021		0	EXTENSION CABLE FOR LENGTHENING BATTERY CABLE 6 1/2 FEET.
-	F5H041		0	BATTERY TERMINAL KIT ADAPTS MODEL 72H13 BATTERY TERMINALS FOR CONNECTIONS TO BATTERY CABLE ON ENGINE.
-	F5H037		0	CIGAR LIGHTER FOR USE AS CONVENIENCE OUTLET.
-	168		0	CONTROL PANEL FOR MOUNTING LAMPS, SWITCHES, ETC.

CONTINUED ON NEXT PAGE ➡

# ACCESSORIES

REF. NO.	PART NO.	SYM.	QTY.	DESCRIPTION
-	877		0	DECAL SET FOR RACING ENGINE IDENTIFICATION.
-	F5H008		0	FUEL GAUGE FLUSH MOUNT MONITORS FUEL SUPPLY.
-	F5H049		0	HYDRAULIC TILT HYDRAULIC UNIT TO RAISE AND LOWER THE LOWER UNIT WHEN BEACHING OR TRAILERING BOAT.
-	F5H077		0	IGNITION KEY SWITCH SHORT BARREL WITH KEYS.
-	F5H078		0	IGNITION KEY SWITCH LONG BARREL WITH KEYS.
-	F762		0	REMOTE ELECTRIC CABLE 25 FOOT CABLE FOR LARGE BOATS.
-	F5H070		0	REMOTE ELECTRIC CABLE 21 FOOT CABLE FOR LARGE BOATS.
-	F5H028		0	SENDING UNIT FOR USE WITH 71H07 FUEL GAUGE.
-	F5H005		0	TEMPERATURE GAUGE FLUSH MOUNT MONITORS ENGINE TEMPERATURE. DO NOT USE TEMPERATURE GAUGE AND HEAT LAMP IN SAME INSTALLATION.
-	F5H012		0	TACHOMETER FLUSH MOUNT MONITORS ENGINE R.P.M. TO PROVIDE CHECK OF ENGINE PERFORMANCE.
-	F794		0	WATER PUMP KIT HEAVY DUTY WATER PUMP KIT.
-	F5H045		0	POWER TRIM ADJUSTS ENGINE TRIM AND TILTS ENGINE.
-	F5H004		0	SPEEDOMETER FLUSH MOUNT MONITORS BOAT SPEED (10-50 M.P.H.)
-	F5H002		0	SPEEDOMETER FLUSH MOUNT MONITORS BOAT SPEED (10-65 M.P.H.)
-	F5H003		0	SPEEDOMETER FLUSH MOUNT MONITORS BOAT SPEED (20-100 KM/H)
-	F5H007		0	HOURMETER
-	F5H098		0	STEERING CONVERSION KIT
-	F5H006		0	VOLTMETER - FLUSH MOUNT INDICATES BATTERY CONDITION.
-	5H047		0	CANVAS HOOD PROTECTION FOR ENGINE COVER.
-	F5H115		0	TRAILERING TILT LOCK

# SPECIFICATIONS

REF. NO.	PART NO.	SYM.	QTY.	DESCRIPTION
-			0	HORSEPOWER 75 B.I.A. CERTIFIED BRAKE H.P. AT 4750 R.P.M.
-			0	MOTOR TWO-CYCLE, THREE CYLINDER, ALTERNATE FIRING.
-			0	BORE AND STROKE 3 - 5/16" BORE X 2.8" -- STROKE.
-			0	DISPLACEMENT 72.39 CUBIC INCHES.
-			0	CONNECTING RODS NICKEL STEEL. CAGED NEEDLE BEARINGS AT CRANKSHAFT. FULL COMPLIMENT NEEDLE BEARINGS AT PISTON PIN.
-			0	CRANKSHAFT NICKEL STEEL. BALL BEARINGS AT UPPER MAIN. CAGED NEEDLE BEARINGS AT CENTER MAIN AND CAGED NEEDLE BEARINGS AT LOWER MAIN.
-			0	CORROSION PROTECTION ALODINE TREATED CASTINGS, STAINLESS STEEL DRIVE SHAFT, PROPELLER SHAFT, GEAR SHIFT ROD AND UNDERWATER FASTENERS.
-			0	FUEL TANK SEPARATE STEEL 6 U.S. GALLON, 5 IMPERIAL GALLON CAPACITY.
-			0	FUEL SYSTEM VACUUM TYPE FUEL PUMP. FLOAT FEED CARBURETOR WITH FIXED HIGH SPEED JET AND ADJUSTABLE LOW SPEED JET.
-			0	FUEL FILTERS FILTER SCREENS IN FUEL TANK AND FUEL PUMP.
-			0	STARTER ELECTRIC.
-			0	COOLING WATER COOLED, THERMOSTATICALLY CONTROLLED, POSITIVE DISPLACEMENT TYPE WATER PUMP.
-			0	TRANSOM HEIGHT 15" OR 20", DEPENDING ON MODEL.
-			0	WEIGHT 221 LBS. FOR SHORT SHAFT MODELS.
-			0	TILT LOCK POSITIVE TILT LOCK PERMITS ENGINE TO REMAIN IN TILTED POSITION WHEN NOT IN USE.
-			0	RECOMMENDED OPERATING RANGE 75 H.P. - 4400-5100 R.P.M.

# LUBRICATION CHART

REF. NO.	PART NO.	SYM.	QTY.	DESCRIPTION
-			0	UPPER AND LOWER GEAR HOUSINGS SEE BLOCK COMMENT 1.
-			0	CONTROL LINKAGE LUBRICATE ALL MOVING PARTS AND CONTROL LINKAGE WITH RYKON #2EP, PART NO. T2961 EACH SEASON OR OFTENER IF REQUIRED.
-			0	STERN BRACKET LUBRICATE STERN BRACKET AND ASSOCIATED PARTS WITH RYKON #2EP, PART NO. T2961 TWICE EACH SEASON OR OFTENER IF REQUIRED.
-			0	GREASE FITTINGS GREASE FITTINGS ARE PROVIDED AT CRITICAL POINTS WHERE BEARING SURFACES ARE NOT EXPOSED EXTERNALLY. USING AN AUTOMOTIVE-TYPE GREASE GUN AND LUBRICANT, GREASE TWICE EACH SEASON OR OFTENER IF REQUIRED.
-			0	STARTER PINION GEAR LUBRICATE WITH RYKON #2EP PART NO. T-2961, TWICE EACH SEASON OR OFTENER IF REQUIRED.

## SPECIAL ADJUSTMENTS

REF. NO.	PART NO.	SYM.	QTY.	DESCRIPTION
-			0	FLYWHEEL NUT TORQUE TO 90 FOOT POUNDS.
-			0	CYLINDER HEAD BOLT TORQUE TO 270 INCH POUNDS.
-			0	SPARK PLUG (CHAMPION) L-20-V, FOR MODEL 757HD.
-			0	SPARK PLUG

# PARTS INDEX

Part Number	Description	Pg.	Ref. No.	Part Number	Description	Pg.	Ref. No.
ÄF58356//	REMOTE CONTROL CABLE (SPECIFY LENGTH) . . . . .	41	4	F1064	FILL HD SCREW, S.S., 8 - 32 X 3/8 . . . . .	19	45
14048-2	PREAMPLIFIER . . . . .	13	17	F1072	FILL HD SCREW, 1/4 - 20 X 1 3/4 . . . . .	19	59
15169	FRAME AND FIELD ASSEMBLY . . . . .	11	9	F1099	FILL HD SCREW, 1/4 - 20 X 1 1/4 . . . . .	27	100
168	CONTROL PANEL . . . . .	48	-	F1108	FILL HD SCREW W/LOCKWASHER, 1/4 - 20 X 3/4 . . . . .	17	2
17102	DECAL, PORT . . . . .	41	-	F1110	FILL HD SCREW, 1/4 - 20 X 5/8 . . . . .	27	98
17108	WOOD SCREW . . . . .	41	35	F1187	HEX HD SCREW, 1/4 - 20 X 1	23	35
480373	DECAL, MAGNAPOWER IGNITION (NOT SHOWN) . . . . .	9	-	F1199	HEX CAP SCREW, 1/4 - 20 X 1 . . . . .	23	44
481373-1	DECAL, "ELECTRONIC" . . . . .	15	-	F1203	HEX BOLT, 1/4 - 20 X 7/8 . . . . .	23	6
5H016	GOLD LACQUER . . . . .	48	-	F1213	HEX CAP SCREW, 5/16 - 18 X 1 1/8 . . . . .	37	73
5H047	CANVAS HOOD . . . . .	49	-	F1236	HEX HD SCREW, 1/4 - 20 X 1/2 . . . . .	21	91
5H051	BATTERY, 74 AMP . . . . .	48	-	F1238	HEX CAP SCREW, 1/4 - 20 X 3/4 . . . . .	3	14
5H061	FROST WHITE LACQUER . . . . .	48	-	F1238	HEX HD SCREW, 1/4 - 20 X 3/4 . . . . .	23	43
5H067	PORT SIDE DECAL KIT . . . . .	48	-	F1252	HEX SOCKET HD CAP SCREW, S.S., 3/8 - 16 X 1	37	57
817747--1	BALL JOINT W/STUD . . . . .	17	28	F1263	HEX SOCKET HD CAP SCREW 5/16 - 18 X 9/16 . . . . .	31	14
817747--1	BALL JOINT W/STUD . . . . .	23	9	F1280	PAN HD SCREW, 8 - 32 X 1/4	7	33
817783A5	SWIVEL BRACKET W/BEARING AND GREASE FITTINGS . . . . .	33	49	F1280	PAN HD SCREW, 8 - 32 X 1/4 (TERMINAL BOARD) (NOT SHOWN) . . . . .	43	-
817786A1	DISTRIBUTOR PULLEY . . . . .	13	3	F1286	PAN HD SCREW, 4 - 40 X 3/16 . . . . .	23	31
817787A1	CYLINDER DRAIN COVER . . . . .	23	33	F1341	HEX NUT, 1/4 - 20 . . . . .	23	13
817788A3	SPACER PLATE W/PLUGS . . . . .	25	63	F1346	HEX NUT 3/8 - 16 . . . . .	31	21
817797A2	EXHAUST OUTLET, GEAR HOUSING UPPER . . . . .	37	67	F1347	HEX NUT, 3/8 - 16 . . . . .	27	95
817822A1	DISTRIBUTOR . . . . .	15	-	F136717	WASHER, BEVEL GEAR THRUST . . . . .	37	75
817931A7	MOTOR LEG COVER REAR . . . . .	31	7	F14006-2	CAP BASE . . . . .	13	37
817959A3	INTAKE MANIFOLD . . . . .	17	23	F14007	CAP SCREW . . . . .	13	33
84250	BEARING CUP . . . . .	37	48	F14011-1	CAP COVER . . . . .	13	34
84903	BEARING CUP . . . . .	35	36	F14012-1	BRUSH . . . . .	13	39
85872-1	BRACKET . . . . .	25	49	F14015	CAP CLIP RIVET . . . . .	13	21
865	TWIN SYNCHRO-DRIVE CONTROL BOX . . . . .	48	-	F14017	TERMINAL INSULATOR (OUTSIDE) . . . . .	15	46
877	DECAL SET . . . . .	49	-	F14020-1	CAP SEAL . . . . .	13	36
89396A38	PRIME BULB . . . . .	39	9	F14024	SPACER . . . . .	13	42
A316554-2	GEAR HOUSING UPPER W/PLUG AND WASHER . . . . .	35	19	F14025	SPACER . . . . .	13	4
A438010-4	CYLINDER ASSEMBLY LINE SEAL & LOWER MAIN BEARING ASSEMBLY . . . . .	27	89	F14028	THRUST WASHER . . . . .	13	5
A438133-1	MOTOR LEG . . . . .	33	75	F14029	THRUST WASHER . . . . .	13	7
A85098-2	PROPELLER SHAFT . . . . .	35	43	F14030	CAP GASKET . . . . .	13	38
A85135-3	LEG COVER, FRONT . . . . .	33	66	F14036	SWIVEL . . . . .	13	13
AC16395-8	IDENTIFICATION PLATE W/SCREWS FOR CANADA MODELS . . . . .	3	-	F14037	CAP CLIPS . . . . .	13	14
C438010-4	SHORT BLOCK . . . . .	27	-	F14038	CAP CLIP SCREWS . . . . .	13	15
C523227	SPARK PLUG (CHAMPION QL-76-V) FOR MODEL 757BD . . . . .	27	-	F14040	VENT . . . . .	13	35
F10000	GASKET SET (NOT SHOWN)	21	-	F14041	EXTERNAL TOOTH LOCKWASHER . . . . .	13	23
F10026	REPAIR PARTS KIT (NOT SHOWN) . . . . .	21	-	F14042	DISTRIBUTOR HOUSING W/BEARINGS . . . . .	13	12
F1009	HEX BOLT, 3/8 - 16 X 2 3/4 . . . . .	27	97	F14043	DISTRIBUTOR SHAFT . . . . .	13	40
F1014	COTTER PIN . . . . .	19	84				
F1014	COTTER PIN . . . . .	33	56				
F1015	COTTER PIN, S.S. . . . . .	35	22				
F1028	COTTER PIN, S.S. . . . . .	37	56				

# PARTS INDEX

Part Number	Description	Pg.	Ref. No.	Part Number	Description	Pg.	Ref. No.
F14045	SCREW	13	16	F1647	HEX NUT, 8 - 32	7	6
F14046	TERMINAL SCREW	13	19	F1647	HEX NUT, 8 - 32	13	24
F14047	TERMINAL INSULATOR (INSIDE)	13	20	F1648	PAN HD SCREW, 10 - 24 X 3/4	7	16
F14049	TERMINAL INSULATOR (OUTSIDE)	13	22	F165	REMOTE STEERING BRACKET	48	-
F1447	ROUND HD SCREW, 2 X 3/16	3	19	F1664	SPRING PIN	31	8
F1473	HEX NUT, 10 - 24	3	36	F1666	BOWED SPRING WASHER	33	71
F1475	FILL HD SCREW, 10 - 24 X 1/2	23	11	F1669	LOCK NUT	31	36
F1502	HEX CAP SCREW, 1/4 - 20 X 5/8	21	97	F1678	FILL HD SCREW, 10 - 24 X 13/16	7	2
F1502	HEX HD SCREW, 1/4 - 20 X 5/8	11	14	F1689	HEX HD CAP SCREW, 1/4 - 20 X 1/2	9	42
F1502	HEX HD SCREW, 1/4 - 20 X 5/8	23	39	F1692	WOODRUFF KEY	13	41
F1502	HEX SLOT HD SCREW, 1/4 - 20 X 5/8	3	20	F1693	TIE BAR RETAINER	19	46
F15034	SPRING SET	11	17	F1696	HEX BOLT 5/16 - 18 X 1 3/4	31	33
F1504	FILL HD SCREW, 1/4 - 20 X 1 1/4	19	56	F1696	HEX BOLT, S.S., 5/16 - 18 X 1 3/4	37	66
F1504	FILL HD SCREW, 1/4 - 20 X 1 1/4	23	12	F17006	DETENT SPRING	41	18
F15057	BRUSH PLATE AND HOLDER	11	18	F17009	BEARING	41	14
F15080	SPRING	11	3	F17010-1	THROTTLE GEAR	41	16
F15099	ARMATURE	11	8	F17011	BOWED WASHER	41	15
F15100	BENDIX	11	20	F17012	RETAINING PLATE	41	13
F15110	CLUTCH ASSEMBLY	11	4	F17013	FILL HD SCREW, 1/4 - 20 X 1/2	41	11
F15111	NUT, STOP RETAINING	11	1	F17014	THROTTLE ARM	41	10
F15112	STOP, PINION	11	2	F17015	COTTER PIN	41	8
F15125	HEAD ASSEMBLY, COMMUTATOR END	11	16	F17016	CABLE TERMINAL	41	9
F15126	THRUST WASHER PACKAGE	11	7	F17019	CLUTCH ARM	41	5
F1513	HEX NUT	7	18	F17020	INTERNAL TOOTH LOCKWASHER	41	12
F1513	HEX NUT	41	3	F17021	CLUTCH GEAR	41	19
F1513	HEX NUT, 10 - 32	17	29	F17026	SWIVEL	41	24
F1513	HEX NUT, 10 - 32	23	7	F1703	SPRING LOCKWASHER	25	62
F1515	HEX NUT	7	24	F1703	SPRING LOCKWASHER	33	65
F1515	HEX NUT, 5/16 - 18	17	37	F17030-1	SET SCREW	41	31
F15165	BRUSH TERMINAL SET	11	10	F17031	SNAP CAP	41	28
F15167	HEAD ASSEMBLY DRIVE END	11	5	F17036	INTERNAL TOOTH LOCKWASHER	41	6
F15168	THRU BOLT PACKAGE	11	12	F1704	INTERNAL TOOTH LOCKWASHER	21	99
F1528	WELCH PLUG	31	22	F1705	HEX CAP SCREW, 1/4 - 20 X 3/4	7	23
F154317	CABLE CLAMP	41	23	F1705	HEX CAP SCREW, S.S., 1/4 - 20 X 3/4	37	58
F1556	FILL HD SCREW W/LOCKWASHER, 10 - 24 X 3/8	23	14	F17068	DETENT SPRING	43	37
F1557	FLAT HD SCREW, 10 - 24 X 3/8	41	25	F17082-1	DETENT BALL	43	38
F1593	HEX HD SCREW 3/8 - 16 X 3	31	18	F1709	HEX HD SCREW, 1/4 - 20 X 1/8	25	76
F1612	HEX CAP SCREW, 3/8 - 16 X 1 1/4	13	8	F17092	SNAP RING	41	21
F1641	LOCK NUT	11	6	F17099	HOUSING	43	36
F1645	RD HD SCREW, 6 - 32 X 1/4	9	52	F17100	CLUTCH SHAFT	41	20
F1645	RD HD SCREW, 6 - 32 X 1/4	21	100	F17101	DECAL, STARBOARD	41	27
F1647	HEX NUT, 10 - 32	25	86	F17105	FELT WASHER	41	33
				F17106	COLLAR	41	34
				F17107	FILL HD SCREW, 10 - 24 X 5/16	41	22
				F17111	DETENT BALL	41	17
				F17112	JUNCTION BOARD, STARBOARD	41	26

# PARTS INDEX

Part Number	Description	Pg.	Ref. No.	Part Number	Description	Pg.	Ref. No.
F17113	JUNCTION BOARD, PORT ..	41	-	F1860	SLOTTED BINDING HD		
F17115	HANDLE .....	41	30		SCREW, 6 - 32 X 1/4 .....	17	1
F17116	KNOB .....	41	29	F1864	HEX HD SCREW, 1/4 - 20 X		
F1713	SPRING PIN .....	35	42		3/4 .....	27	90
F1715	HEX BOLT, 1/4 - 28 X 9/16 ..	41	7	F1864	HEX SLOT HD SCREW 1/4 -		
F1727	PLASTIC RIVET .....	23	16		20 X 3/4 .....	31	4
F1729	PLUG .....	31	5	F1867	HEX CAP SCREW, 3/8 - 16 X		
F1730	PAN HD SCREW W/SPRING				1 .....	29	19
	LOCKWASHER, 1/4 - 20 X			F1869	HEX BOLT, 3/8 - 16 X 1 1/4 .	25	61
	5/8 .....	5	44	F1871	HEX HD SCREW 3/8 - 16 X		
F1733	PAN HD SCREW, 10 - 24 X				3/4 .....	33	61
	9/16 .....	3	2	F1872	HEX BOLT, 3/8 - 16 X 1 3/4 .	27	99
F1734	FILL HD SCREW			F1873	HEX BOLT, 3/8 - 16 X 3 .....	27	96
	W/LOCKWASHER, 1/4 - 20			F1877	TY-RAP .....	7	29
	X 1/2 .....	7	14	F1883	HEX BOLT, 5/16 - 18 X 2 3/8	25	67
F1741	PAN HD SCREW, 8 X 3/4 .....	7	35	F1885	HEX BOLT, 5/16 - 18 X 4 1/4	25	55
F1744	SPRING PIN .....	33	45	F1892	STOP NUT .....	9	53
F1753	FASTENER .....	3	38	F1904	PLAIN WASHER .....	31	20
F1755	RD HD SCREW			F1907	PLAIN WASHER .....	37	68
	W/LOCKWASHER, 6 - 32 X			F1910	STOP NUT, 1/4 - 20 .....	17	31
	5/16 .....	17	16	F19109	PLUG .....	25	73
F1759	SHIM, DISTRIBUTOR (QTY.			F1912	HEX HD SCREW 10 - 24 X		
	AS REQUIRED) .....	13	11		1/2 .....	33	59
F1760	PAN HD SCREW, 10 - 24 X			F1916	HEX HD SCREW, 1/4 - 20 X 1		
	3/8 .....	7	19		1/8 .....	17	25
F1760	PAN HD SCREW, 10 - 24 X			F1934	FLAT HD SLOTTED SCREW,		
	3/8 .....	13	25		6 X 1/2 .....	9	50
F1760	PAN HD SCREW, 10 - 24 X			F19342	SEAL .....	35	18
	3/8 .....	19	60	F195/___	REMOTE CONTROL CABLES	48	-
F1760	PAN HD SCREW, 10 - 24 X			F1950	HEX HD SCREW, 10 - 24 X		
	3/8 .....	23	2		5/8 .....	25	81
F1773	HEX HD SCREW, 1/4 - 20 X 1			F1953	HEX HD SCREW, 1/4 - 20 X 1	21	94
	1/2 .....	17	26	F1968	FLYWHEEL NUT .....	29	21
F177330	FUEL PUMP VALVE .....	17	9	F1975	SPRING LOCKWASHER ...	7	10
F177350	REVERSE LOCK PIN .....	31	41	F1975	SPRING LOCKWASHER ...	13	26
F1778	PLAIN WASHER .....	35	24	F197787-3	FUEL LINE COUPLER .....	39	6
F178323	SEAL, MOTOR LEG .....	31	13	F197813	BEARING .....	33	54
F17932	SEAL, FUEL TANK ADAPTER	39	12	F1987	PLAIN WASHER .....	25	66
F18160-1	REED .....	23	28	F1987	PLAIN WASHER .....	33	50
F1822	HEX BOLT 5/16 - 18 X 7/8 ..	33	69	F1994	HEX SOCKET HD CAP		
F1832	STOP NUT, 1/4 - 20 .....	25	59		SCREW, 5/16 - 18 X 1 ...	37	69
F1836	SPRING PIN .....	33	57	F1997	STOP NUT, 8 - 32 .....	17	40
F184033-1	CHOKE ARM SWIVEL .....	19	85	F1999	HEX CAP SCREW, 1/4 - 20 X		
F184579	SEAL, CHOKE ARM SWIVEL	19	82		7/8 .....	23	42
F1849	FLAT HD SCREW, S.S., 1/4 -			F2000	HEX CAP SCREW, 5/16 - 18		
	20 X 1 3/8 .....	35	2		X 3/4 .....	9	47
F1849	HEX HD CAP SCREW, 1/4 -			F2001	FILL HD SCREW, 10 - 24 X		
	20 X 1 3/8 .....	5	47		5/8 .....	7	9
F1849	HEX HD SCREW, 1/4 - 20 X 1			F2008	HEX HD SCREW, 1/4 - 20 X		
	3/8 .....	25	77		7/8 .....	17	24
F1851	FILL HD SCREW			F2014	PLAIN WASHER .....	13	9
	W/LOCKWASHER, 10 - 24			F2014	PLAIN WASHER .....	33	62
	X 1/2 .....	7	39	F2015	HEX NUT, 1/4 - 28 .....	23	19
F1854	HEX CAP SCREW, 1/4 - 20 X			F2016	FILL HD SCREW, 6 - 32 X 7/8	21	101
	5/8 .....	3	25	F2030	HEX HD SCREW 1/4 - 20 X 1		
F1857	HEX CAP SCREW, 5/16 - 18				1/4 .....	33	70
	X 5/8 .....	3	23	F203276	BOOT .....	13	30
F1857	HEX CAP SCREW, 5/16 - 18			F2033	GROOVE PIN .....	21	87
	X 5/8 .....	3	35	F203673	TERMINAL CLIP .....	13	31
				F2042	PLAIN WASHER .....	23	5

# PARTS INDEX

Part Number	Description	Pg.	Ref. No.	Part Number	Description	Pg.	Ref. No.
F2042	PLAIN WASHER	27	105	F351307	SEAL, WATER PUMP	35	11
F2047	WAVE SPRING WASHER	3	30	F353480	STUD	31	25
F2066	PAN HD TAPPING SCREW, 10 X 7/16	3	40	F369349	REVERSE LOCK	31	37
F2067	PLASTISOL CAP (NOT SHOWN)	29	-	F369364	REVERSE LOCK ARM	33	52
F2088	FASTENER	5	46	F369510	LINK	31	39
F2089	SLOTTED PAN HD MACHINE SCREW, 10 - 24 X 5/16	27	101	F369529	CYLINDER HEAD GASKET	25	74
F2090	PLUG	25	64	F369562	WATER PUMP BACK PLATE	35	6
F2108	LOCK NUT 5/16 - 18	33	73	F369610	BEARING	25	53
F2108	STOP NUT, 5/16 - 18	25	58	F369827	HANDLE AND SHAFT	33	53
F213274	GREASE FITTING	13	27	F369887	SHOULDER SCREW	25	52
F213274	GREASE FITTING	31	32	F369977-1	INTERLOCK ARM	25	54
F213342	SEAL, FUEL LINE COUPLER (LARGE)	39	4	F373778-1	RETAINER, ENGINE COVER	3	37
F213735	SEAL, FUEL LINE COUPLER (SMALL)	39	5	F381896-4	BATTERY CABLE	7	30
F269319	BEARING	17	32	F381899	GROMMET, WATER LINE	37	61
F286461	SPRING LOCK BAR HANDLE	31	43	F384143	BEARING, BEVEL GEAR REAR	35	45
F289446-1	CLAMP	7	12	F391926-1	CHOKE SOLENOID PLUNGER	21	89
F298788	FERRULE	39	7	F391983	RETAINING BAND	7	27
F2A321158	REED PLATE W/REEDS, REED STOP AND SCREW	17	19	F40209	CARBURETOR STUD	17	36
F2A404757	CYLINDER DRAIN REED PLATE, STOPS, METERING CUP AND SCREWS	23	27	F40223	GASKET, TRANSFER PORT COVER	23	41
F2A481023	BEVEL GEAR FRONT W/BEARINGS	35	38	F40342	SEAL, PROPELLER NUT	37	54
F2S480179	TRIM, TOP	3	1	F404097	FLYWHEEL	7	1
F2S480180	TRIM, REAR	3	6	F404268	SPRING, BY-PASS VALVE	25	84
F2S480269	TILT HANDLE	3	3	F404470-1	REGULATOR-RECTIFIER	7	8
F2S480888	TRIM, FRONT	5	43	F404513	COIL CLAMP	7	40
F307317	CLIP, TERMINAL BLOCK	7	17	F404801	FITTING	23	36
F310189	BUSHING, ELECTRIC CABLE	3	16	F404841	CABLE, HEAT INDICATOR	7	37
F311189-1	BUSHING, CABLE ENTRY	3	17	F407446	CLAMP	7	31
F316160	REED (4 PETAL)	17	18	F409251-1	GAUGE CAP	39	1
F316164	REED (1 PETAL)	17	-	F433114	HANDLE, LOCK BAR	33	44
F316165	STUD, GEAR HOUSING CENTER	35	25	F433209-1	STUD	17	30
F316555	SEAL	35	20	F433253	HOSE	23	37
F316579	SEAL, CRANKCASE	29	11	F438065	WATER PUMP IMPELLER	35	5
F316599	SEAL, GEAR HOUSING STUD, FRONT	35	28	F438066	BY-PASS VALVE COVER	25	82
F316599	SEAL, STEERING SUPPORT TUBE	33	79	F438077	SCREEN, WATER INLET	37	70
F321756	PACKING	3	31	F438129	SEAL, DRIVESHAFT SPLINE	35	12
F321841-3	LEAD WIRE	13	32	F438165	SCREW, FUEL PUMP BOWL	17	15
F333316	THROTTLE ROLLER SHAFT	19	49	F438169	BEARING	31	34
F335215	SPACER, PISTON PIN (2 PER PISTON)	29	3	F438271	RETAINER, CRANKSHAFT SPLINE SEAL	35	4
F335217-1	BEARING PISTON PIN (26 PER SET)	29	5	F438346	SHOCK MOUNT, LOWER	33	67
F335654-1	DEFLECTION STOP	3	21	F438386	PLATE, REAR	3	5
F338618-1	SEAL, GEAR SHIFT ROD	31	16	F438398	DECAL, WIRING	25	75
F338618-1	SEAL, GEAR SHIFT ROD	35	13	F438500	FUEL SEDIMENT BOWL	17	14
F345475-1	COIL	9	44	F438617	FUEL SEDIMENT BOWL GASKET	17	13
F345683	WIRE, REGULATOR- RECTIFIER GROUND	7	5	F438653	FUEL SEDIMENT BOWL SCREEN	17	12
				F438668	RETAINER, CABLE CLAMP	7	13
				F438744-1	WIRING HARNESS	7	4
				F438747	FUEL PUMP DIAPHRAGM	17	7
				F438754	FUEL LINE W/CLAMPS	19	79
				F438760	FUEL PUMP GASKET	17	8
				F438801	FITTING	17	5
				F438930	RETAINER, SNOUT	37	71
				F438962	SHOCK MOUNT SIDE	31	15
				F438984-1	BLANKET, SILENCER TOP (NOT SHOWN)	5	-

# PARTS INDEX

Part Number	Description	Pg.	Ref. No.	Part Number	Description	Pg.	Ref. No.
F439736	SEAL EXHAUST TUBE . . . . .	31	6	F5H002	SPEEDOMETER FLUSH MOUNT . . . . .	49	-
F460917	STARTER RELAY . . . . .	7	26	F5H003	SPEEDOMETER FLUSH MOUNT . . . . .	49	-
F461	SHOCK ABSORBER KIT . . . . .	48	-	F5H004	SPEEDOMETER FLUSH MOUNT . . . . .	49	-
F474073-1	CLAMP SCREW . . . . .	31	26	F5H005	TEMPERATURE GAUGE FLUSH MOUNT . . . . .	49	-
F474387	TIMING DECAL (NOT SHOWN) . . . . .	9	-	F5H006	VOLTMETER - FLUSH MOUNT . . . . .	49	-
F474390-1	DECAL, REVERSE LOCK (NOT SHOWN) . . . . .	33	-	F5H007	HOURMETER . . . . .	49	-
F476066-1	COVER, THERMOSTAT . . . . .	25	47	F5H008	FUEL GAUGE FLUSH MOUNT . . . . .	49	-
F476067	GASKET, THERMOSTAT COVER . . . . .	27	94	F5H010	POWER TRIM INDICATOR . . . . .	48	-
F480038-2	SUPPORT PLATE . . . . .	3	15	F5H012	TACHOMETER FLUSH MOUNT . . . . .	49	-
F480107-1	CAM, STARTER INTERLOCK . . . . .	27	102	F5H014	FLUSHING ADAPTER . . . . .	48	-
F480388	DISC, WATER PUMP LOCATING . . . . .	37	74	F5H018	DUAL ENGINE TIE BAR . . . . .	48	-
F480518	CYLINDER HEAD . . . . .	25	72	F5H019	ANTI-CORROSION KIT . . . . .	48	-
F480551-1	BRACKET INTERLOCK SWITCH . . . . .	21	95	F5H021	EXTENSION CABLE . . . . .	48	-
F480818	BEARING, LATCH SHAFT . . . . .	3	13	F5H026	STEEL, 6 GALLON FUEL TANK (LOW PROFILE) . . . . .	48	-
F480985	BLANKET, SILENCER SIDE (NOT SHOWN) . . . . .	5	-	F5H027	ANTI-CORROSION SACRIFICIAL ANODE . . . . .	48	-
F481382-1	SPACER, LATCH SHAFT . . . . .	3	29	F5H028	SENDING UNIT . . . . .	49	-
F481434	GUIDE, ENGINE COVER . . . . .	5	45	F5H029	TANK ANCHOR . . . . .	48	-
F481567	CARBURETOR INTAKE ADAPTER . . . . .	19	55	F5H037	CIGAR LIGHTER . . . . .	48	-
F481662	BEVEL GEAR, REAR . . . . .	37	46	F5H038	IGNITION SWITCH MOUNTING KIT (ACCESSORY ITEM) . . . . .	9	49
F481774	BRACKET, ENGINE COVER LATCH . . . . .	3	32	F5H040	STEEL, 12 GALLON FUEL TANK . . . . .	48	-
F481777	CAM, LATCH SHAFT . . . . .	3	28	F5H041	BATTERY TERMINAL KIT . . . . .	48	-
F481836	INTAKE GASKET . . . . .	19	70	F5H043	OVERHEAT BUZZER (ACCESSORY ITEM) . . . . .	7	36
F481860-1	CARBURETOR, INTAKE . . . . .	19	57	F5H044	TILT STOP KIT . . . . .	48	-
F483884	BEARING . . . . .	33	58	F5H045	POWER TRIM . . . . .	49	-
F485755-1	FUEL TANK ADAPTER . . . . .	39	3	F5H049	HYDRAULIC TILT . . . . .	49	-
F498061-1	CARBURETOR COMPLETE (WB26B) . . . . .	19	72	F5H063	SYNCHRO-DRIVE CONTROL BOX (SINGLE LEVER) . . . . .	48	-
F498386	DECAL, NUMERAL 75 . . . . .	3	10	F5H064	EXHAUST SNOOT . . . . .	48	-
F498392	DECAL, "CHRYSLER" . . . . .	3	9	F5H068	RFI SUPPRESSION KIT . . . . .	48	-
F498396	DECAL, STRIPE UPPER . . . . .	3	8	F5H070	REMOTE ELECTRIC CABLE . . . . .	49	-
F498397	DECAL, STRIPE LOWER . . . . .	3	11	F5H077	IGNITION KEY SWITCH . . . . .	49	-
F498711	PLATE, ENGINE COVER FRONT . . . . .	5	42	F5H078	IGNITION KEY SWITCH . . . . .	49	-
F499995	CYLINDER HEAD COVER . . . . .	25	68	F5H078	IGNITION SWITCH W/KEYS AND SCREWS (ACCESSORY ITEM) . . . . .	7	34
F50109	PLUG, GEAR HOUSING . . . . .	35	14	F5H081	BATTERY CABLE . . . . .	48	-
F510374	DECAL, CIRCUIT BREAKER . . . . .	7	41	F5H098	STEERING CONVERSION KIT . . . . .	49	-
F510460	CIRCUIT BREAKER . . . . .	7	22	F5H115	TRAILERING TILT LOCK . . . . .	49	-
F511125-2	TUBE, STEERING SUPPORT . . . . .	31	23	F63754	HOSE INTAKE DRAIN . . . . .	19	63
F511675	STARTER BRACKET, LOWER . . . . .	11	15	F7004	STOP NUT, 3/18 - 16 . . . . .	23	24
F523146	SEAL, CRANKSHAFT LOWER . . . . .	29	13	F7012	LOCK NUT, 1/2 - 20 . . . . .	31	17
F523274	GREASE FITTING . . . . .	33	78	F7013	STOP NUT . . . . .	13	2
F523280	NUT, STEERING SUPPORT TUBE . . . . .	33	77	F7025	HEX NUT, 3/8 - 16 . . . . .	35	16
F523834	SPARK PLUG WIRE . . . . .	23	3	F71H08	FUEL TANK (ACCESSORY ITEM) . . . . .	39	2
F523962	SHOCK MOUNT - C.D. UNIT . . . . .	9	46				
F528068	THERMOSTAT . . . . .	25	70				
F53504	GROMMET . . . . .	19	58				
F58685-2	CONNECTOR, SHIFT CABLE . . . . .	41	2				
F590	SYNCHRO-DRIVE CONTROL HEAD (SINGLE LEVER) . . . . .	48	-				

# PARTS INDEX

Part Number	Description	Pg.	Ref. No.	Part Number	Description	Pg.	Ref. No.
F72H36	REMOTE CONTROL UNIT COMPLETE (SINGLE LEVER STARBOARD) . . .	43	39	F85012	PILOT, GEAR HOUSING . . .	35	29
F762	REMOTE ELECTRIC CABLE	49	-	F85017	PISTON PIN . . . . .	29	4
F794	WATER PUMP KIT . . . . .	49	-	F85026	SWIVEL . . . . .	23	21
F8001	WASHER . . . . .	35	31	F85033	CHOKE ROD SWIVEL . . . . .	19	81
F8003	PLAIN WASHER . . . . .	23	30	F85035	DISTRIBUTOR CONTROL ROD END . . . . .	23	20
F8011	PLAIN WASHER . . . . .	7	20	F85036	TOWERSHAFT CONTROL ROD END . . . . .	23	17
F8028	PLAIN WASHER . . . . .	11	13	F85037-1	STERN BRACKET PIVOT BOLT . . . . .	33	46
F8038	PLAIN WASHER . . . . .	27	103	F85095-2	STATOR . . . . .	7	3
F8056	LOCKWASHER . . . . .	13	18	F85117	BRACKET, WATER LINE . . .	37	59
F8056	LOCKWASHER . . . . .	13	43	F85122	PARTING LINE SEAL . . . . .	27	93
F8056	SPRING LOCKWASHER . . .	7	7	F85130	BOOT, IDLE EXHAUST . . . .	31	9
F8056	SPRING LOCKWASHER . . .	25	87	F85151-1	EXHAUST PORT PLATE . . . .	25	80
F8058	INTERNAL TOOTH LOCKWASHER . . . . .	17	27	F85152-4	EXHAUST PORT COVER . . . .	25	78
F8058	INTERNAL TOOTH LOCKWASHER . . . . .	25	48	F85154-1	GASKET, EXHAUST PORT PLATE . . . . .	25	79
F8077	WASHER, GEAR HOUSING PLUG . . . . .	35	15	F85159	GASKET, INTAKE MANIFOLD	17	22
F8083	SPRING LOCKWASHER . . .	3	26	F85161-1	REED STOP . . . . .	17	17
F8083	SPRING LOCKWASHER . . .	9	43	F85162	REED PLATE ADAPTER . . . .	17	21
F8083	SPRING LOCKWASHER . . .	31	3	F85168	GASKET REED PLATE ADAPTER . . . . .	17	20
F8088	PLAIN WASHER . . . . .	19	83	F85173	RETAINING RING . . . . .	13	6
F8088	PLAIN WASHER . . . . .	21	102	F85192-1	THROTTLE CAM . . . . .	17	33
F8094	PLAIN WASHER . . . . .	3	27	F85210	STUD . . . . .	27	91
F8094	PLAIN WASHER . . . . .	33	55	F85211	STUD, REAR . . . . .	23	46
F8095	PLAIN WASHER . . . . .	27	104	F85244	INLET WATER LINE . . . . .	37	62
F8096	SPRING LOCKWASHER . . .	3	22	F85253-1	FUEL LINE W/CLAMPS . . . .	21	88
F8096	SPRING LOCKWASHER . . .	3	34	F85258	INSERT . . . . .	31	10
F8096	SPRING LOCKWASHER . . .	7	25	F85279-2	CYLINDER EXHAUST GASKET, UPPER . . . . .	25	51
F8096	SPRING LOCKWASHER . . .	33	68	F85300	REVERSE LOCK SPRING . . .	31	38
F8096	SPRING LOCKWASHER, S.S.	37	65	F85311	DISTRIBUTOR BELT . . . . .	13	1
F84008-4	STUD, GEAR HOUSING, REAR . . . . .	35	37	F85314-1	FUEL FITTING . . . . .	21	92
F84011	WASHER . . . . .	33	51	F85317-1	CLAMP . . . . .	21	90
F84031	GASKET, WATER PUMP . . .	35	7	F85350-1	TILT STOP PIVOT . . . . .	31	29
F84074	CLAMP SCREW FOOT . . . .	31	24	F85372	PIN, GEAR SHIFT ROD LOWER . . . . .	35	21
F84118	SEAL, PROPELLER SHAFT .	37	51	F8538	SPRING PIN . . . . .	31	27
F84146-2	SEAL . . . . .	29	20	F85380	SPRING . . . . .	31	11
F84173	RETAINING RING . . . . .	35	9	F85410	SNAP RING . . . . .	29	8
F84215	SPACER . . . . .	35	17	F85426	TILT STOP . . . . .	33	48
F84278	SEAL, CRANKSHAFT BEARING CAGE . . . . .	29	17	F85445	DISTRIBUTOR CONTROL ROD . . . . .	23	18
F84286-1	FRICTION WASHER . . . . .	33	47	F85453-1	GASKET, EXHAUST LOWER	31	1
F84305	SEAL, PROPELLER SHAFT BEARING CAGE . . . . .	37	50	F8547	SPRING PIN . . . . .	31	40
F84307-1	SEAL, DRIVESHAFT . . . . .	35	8	F85472-2	GASKET, CYLINDER DRAIN COVER . . . . .	23	32
F84314-2	ELBOW . . . . .	17	3	F85498	FLYWHEEL KEY . . . . .	29	16
F84314-2	ELBOW . . . . .	23	22	F85502	THROTTLE LINK . . . . .	23	8
F84342	SEAL, INLET WATER LINE, UPPER . . . . .	37	60	F85509-1	CHOKE LINK . . . . .	19	78
F84449	INTERLOCK SWITCH . . . .	21	98	F85541-1	TILT LOCK . . . . .	31	30
F84504	GROMMET . . . . .	25	71	F85571	BEARING CAGE W/ROLLER	29	10
F84521-1	CLUTCH . . . . .	35	41	F85606	KINGPIN CAP . . . . .	31	31
F84717	THRUST WASHER, BEVEL GEAR, REAR . . . . .	37	72	F85610	BEARING . . . . .	25	56
F84792	GASKET, FUEL PUMP VALVE . . . . .	17	10	F85615	GEAR SHIFT ROD UPPER . .	33	72
				F8563	DOWEL PIN . . . . .	27	92
				F85634-1	CONNECTING ROD SCREW	29	14
				F85660-1	EXHAUST TUBE . . . . .	31	2

# PARTS INDEX

Part Number	Description	Pg.	Ref. No.	Part Number	Description	Pg.	Ref. No.
F85664	DISTRIBUTOR GROUND . . .	13	28	FA481469	ENGINE COVER LATCH		
F85664	WIRE, DISTRIBUTOR				HANDLE W/SHAFT . . . . .	3	12
	GROUND . . . . .	9	51	FA481743	LATCH, ROLLER BRACKET .	3	33
F85704	COUPLER, GEARSHIFT ROD			FA510497	TERMINAL BLOCK . . . . .	7	15
	UPPER . . . . .	33	76	FA511188	NUT, BEVEL PINION		
F85705-1	GEAR SHIFT ROD LOWER	35	23		RETAINING . . . . .	35	33
F85735-1	SEAL . . . . .	3	39	FA523301	UNIT W/DECAL . . . . .	9	45
F85748-2	GASKET, CYLINDER DRAIN			FA523735	SEAL, INLET WATER LINE,		
	REED PLATE . . . . .	23	25		LOWER . . . . .	35	1
F85762	GASKET, BY-PASS VALVE .	25	83	FA58976-1	CONNECTOR, THROTTLE		
F85772	CLAMP . . . . .	31	12		CABLE . . . . .	41	1
F85779-1	BAFFLE, AIR INTAKE . . . .	33	60	FA77395-5	IDENTIFICATION PLATE		
F85843-1	REMOTE ELECTRIC CABLE,				W/SCREWS FOR U.S.A.		
	18 FEET . . . . .	7	38		MODELS . . . . .	3	18
F85859	STUD, FORWARD . . . . .	23	23	FA84225	BEARING W/CUP . . . . .	37	47
F85906	CARBURETOR GASKET . . .	17	35	FA84298-3	PROPELLER SHAFT		
F85908	STARTER LEAD WIRE . . . .	11	19		BEARING CAGE . . . . .	37	52
F85916-1	BY-PASS VALVE . . . . .	25	85	FA84621-1	COUPLING, GEAR SHIFT		
F85924	CHOKE SOLENOID . . . . .	7	28		ARM W/BUSHING . . . . .	35	26
F85925	CHOKE ROD . . . . .	21	86	FA84754-1	FUEL LINE SHORT		
F85965	SHOCK MOUNT, UPPER . . .	33	64		W/FERRULES . . . . .	39	8
F89758	FUEL PUMP AIR HOSE, TOP	17	4	FA84871-1	PIN, GEAR SHIFT W/YOKE .	35	40
F9018	CAP . . . . .	31	28	FA85018-2	CRANKSHAFT W/BEARING .	29	15
F9038	DRIVE KEY, WATER PUMP .	37	64	FA85019	KINGPIN W/PLUG . . . . .	31	35
F9052	PLUG . . . . .	33	74	FA85193	TIE BAR END W/SWIVEL . .	19	43
F90807	RETAINING RING . . . . .	19	47	FA85355-1	WASHER SHOCK MOUNT		
F90891	PIN, GEAR SHIFT ARM . . . .	35	30		UPPER . . . . .	33	63
F91446-1	CIRCUIT BREAKER			FA85511	THROTTLE TIE BAR		
	BRACKET . . . . .	7	21		W/SWIVEL . . . . .	19	44
F92759	THROTTLE ROLLER . . . . .	19	48	FA85655-1	CRANKSHAFT MAIN		
F93811	SCREEN . . . . .	23	26		BEARING RACE W/SNAP		
F93920	REED STOP . . . . .	23	29		RING . . . . .	29	9
F97772	FUEL LINE CLAMP . . . . .	39	11	FA85838-5	TOWERSHAFT		
F97772	HOSE CLAMP . . . . .	19	62		W/BEARINGS, SWIVEL,		
F98273	ROD END CONNECTOR				ARMS AND SCREW . . . . .	23	10
	STUD . . . . .	25	50	FA98689	BEARING, TOWERSHAFT . .	25	60
FA15072	HEX LOCK NUT, 1/4 - 20 . .	11	11	FC409398	DECAL, TOTE TANK -		
FA321574	DISTRIBUTOR BRACKET . .	13	10		CANADA (NOT SHOWN) .	39	-
FA335260	PISTON RING SET . . . . .	29	1	FC438398	DECAL, WIRING - CANADA .	25	-
FA40901	BEARING, DRIVESHAFT			FC474387	TIMING DECAL - CANADA		
	W/CUP . . . . .	35	10		(NOT SHOWN) . . . . .	9	-
FA411222	TRANSFER PORT COVER			FC481054	GEAR HOUSING		
	W/PLUG . . . . .	23	40		COMPLETE. . . . .	37	-
FA438113	STERN BRACKET LOCK BAR			FC510374	DECAL, CIRCUIT BREAKER -		
	W/HANDLE . . . . .	31	42		CANADA . . . . .	7	-
FA438431	FUEL PUMP BODY			FG460-1	GASKET SET (NOT SHOWN)	27	-
	W/VALVES . . . . .	17	11	FK17114-1	INDICATOR . . . . .	41	32
FA438493	TERMINAL BLOCK BRACKET	7	11	FK280	PROPELLER PIN . . . . .	35	44
FA439746	FUEL PUMP COVER . . . . .	17	6	FK405020	SWIVEL W/PIVOT SCREW		
FA467892	INSERT, PLATE FRONT -				AND NUT . . . . .	23	15
	U.S.A . . . . .	3	41	FK475060	WATER PUMP BODY . . . . .	35	3
FA467893	INSERT, PLATE FRONT -			FK750-1	SPARKIE W/SPRING . . . . .	15	44
	CANADA . . . . .	3	-	FK85128-1	DRIVESHAFT . . . . .	37	63
FA480528	INSERT, PLATE REAR . . . .	3	4	FK85228	BEARING CAGE W/ROLLER	29	7
FA480876	GEAR SHIFT ARM			FO10165	INLET SEAT GASKET . . . . .	19	75
	W/SWIVEL, INTERLOCK			FO10588	BODY CHANNEL CUP PLUG	17	39
	ARM AND BEARINGS . . .	25	57	FO10790	INLET NEEDLE, SEAT AND		
FA480894	TIMING POINTER . . . . .	23	1		GASKET . . . . .	19	76
FA481266	BEVEL PINION GEAR			FO11103	IDLE SCREW SPRING . . . .	19	53
	W/BEARING . . . . .	35	35	FO13552	FUEL BOWL . . . . .	19	67

# PARTS INDEX

Part Number	Description	Pg.	Ref. No.	Part Number	Description	Pg.	Ref. No.
FO13554	FLOAT	19	69	FT8909	FORWARD BEARING CUP		
FO13944	FLOAT LEVER PIN	19	68		INSTALLER	46	-
FO13945	FUEL BOWL RETAINING SCREW	19	65	FT8910	REAR BEARING CUP		
					INSTALLER	46	-
FO13966	IDLE TUBE, FOR 75 H.P. ENGINE CARBURETORS ONLY	17	34	FT8911	DRIVESHAFT KNOCK-OFF NUT	46	-
						46	-
FO14166	IDLE SCREW	19	54	FT8914	SEAL REMOVER	45	-
FO14167	THROTTLE SHUTTER	17	42	FT8915	PROPELLER SHAFT SEAL PROTECTOR	46	-
FO14188	MAIN FUEL JET (.066)	19	52	FT8916	PROPELLER SHAFT BEARING INSTALLER	46	-
FO14471	CHOKE SHUTTER	19	77	FT8917	REAR BEARING CUP		
FO15209	MAIN NOZZLE	21	93		REMOVER	46	-
FO15230	THROTTLE SHAFT AND LEVER	19	50	FT8918	BEARING GUIDE SET	46	-
FO15623	FUEL BOWL GASKET	19	71	FT8919	SPRING PIN PUNCH	46	-
FO16008	THROTTLE SHAFT RETURN SPRING	19	51	FT8920	DRIVESHAFT BEARING		
					INSTALLER	46	-
FO16397	CHOKE SHAFT RETURN SPRING	19	73	FT8922	SLIDE HAMMER	45	-
FO16850	CHOKE SHAFT AND LEVER	19	74	FT8924-1	CHECKING GAUGE	46	-
FO2510	GASKET, FUEL BOWL			FT8925	DRIVESHAFT SEAL		
	RETAINING SCREW	19	66		INSTALLER	46	-
FO4326	BODY CHANNEL WELCH PLUG	17	38	FT8926	RING EXPANDER	45	-
FO8942	SHUTTER SCREW			FT8927	SEAL PROTECTOR	45	-
	W/LOCKWASHER	17	41	FT8933	LIFTING HOOK	47	-
FO8942	THROTTLE SHUTTER SCREW AND LOCKWASHER	21	96	FT8948-1	FLYWHEEL PULLER	44	-
				FT8950	LEAKAGE TESTER	47	-
FP372	PROPELLER (ACCESSORY ITEM) FOR 75 H.P. ENGINES	37	53	FT8957	SEAL INSTALLER	46	-
				FTA2937-1	TIMING TOOL	44	-
FP383	PROPELLER (ACCESSORY ITEM) FOR 90 H.P. ENGINES	37	-	S498944	ENGINE COVER		
					W/RETAINER, SCREWS AND NUTS	3	7
FS409752	FUEL LINE COMPLETE (NOT SHOWN)	39	-	T8974	BREAKER POINT TENSION GAUGE	47	-
FS480955	STARTER COMPLETE	11	-	11-817784A1	PROPELLER NUT		
FSA335260	PISTON RINGS (3 PER SET) .010 OVERSIZE (NOT SHOWN)	29	-		W/COTTER PIN AND SEAL	37	55
				22-817789A1	DRAIN FITTING	19	64
FT2953	SOCKET	45	-	22-818103--1	ELBOW	19	61
FT2981A	TEST WHEEL	47	-	30-F284659-2	CRANKSHAFT THRUST BEARING UPPER	29	22
FT2990	PISTON PIN TOOL	45	-		CRANKSHAFT BEARING		
FT2992	GAUGE	46	-		CAGE W/SEAL	29	18
FT2993	PROPELLER SHAFT BEARING CAGE PULLER	46	-	31-817785A2	CRANKSHAFT LOWER MAIN BEARING W/SEAL	29	12
FT2995	FORWARD BEARING CUP REMOVER	46	-	31-FA523014	FUEL LINE LONG W/CLAMP AND FERRULE	39	10
FT2996	RING COMPRESSOR	45	-	32-817738A1	SPARK PLUG (CHAMPION L-20-V)	25	65
FT8901	INDICATOR HOLDER	46	-	33-97180	DECAL, REVERSE LOCK - CANADA (NOT SHOWN)	33	-
FT8902	DIAL INDICATOR	46	-	37-819450	PISTON RINGS (3 PER SET) .030 OVERSIZE (NOT SHOWN)	29	-
FT8903	SEAL INSTALLER	45	-	39-818110A1	COIL WIRE W/TERMINAL CLIP	13	29
FT8905	DRIVESHAFT BEARING REMOVER	46	-	84-817775A1	THERMOSWITCH	25	88
FT8906	PROPELLER SHAFT BEARING SUPPORT	46	-	87-817778A1	CONNECTING ROD W/CAP AND SCREWS	29	6
FT8907	DRIVE HANDLE	45	-	600-818052A4	PISTON .010 OVERSIZE (NOT SHOWN)	29	-
FT8907	DRIVER HANDLE	46	-	700-817988A2			

# PARTS INDEX

Part Number	Description	Pg.	Ref. No.	Part Number	Description	Pg.	Ref. No.
700-F372015-3	PISTON . . . . .	29	2				
1400-817958A6	STERN BRACKET . . . . .	31	19				
1600-817767A2	GEAR HOUSING LOWER W/PLUG AND WASHER . .	35	32				