



PARTS CATALOG

115 H.P. CHARGER

SERIAL NUMBER

115 (1977) 1159BA
115 (1977) 1159HA

TABLE OF CONTENTS:

ACCESSORIES	54
CARBURETOR	16
CRANKSHAFT AND PISTON GROUP	30
DISTRIBUTOR	12
ELECTRICAL COMPONENTS	6
ENGINE COVER AND SUPPORT PLATE	2
FUEL PUMP AND REED PLATE	20
FUEL TANK AND LINE	40
GEAR HOUSING	36
LUBRICATION CHART	57
MOTOR LEG	32
PARTS INDEX	59
POWER HEAD	24
POWER TRIM	46
REMOTE CONTROL	42
SPECIAL ADJUSTMENTS	58
SPECIAL TOOLS - GEAR HOUSING	52
SPECIAL TOOLS - POWER HEAD	51
SPECIAL TOOLS - TEST EQUIPMENT	53
SPECIAL TOOLS - TUNE-UP	50
SPECIFICATIONS	56
STARTER	10

NOTE: *Indented description indicate that these parts are included in preceeding assembly.*

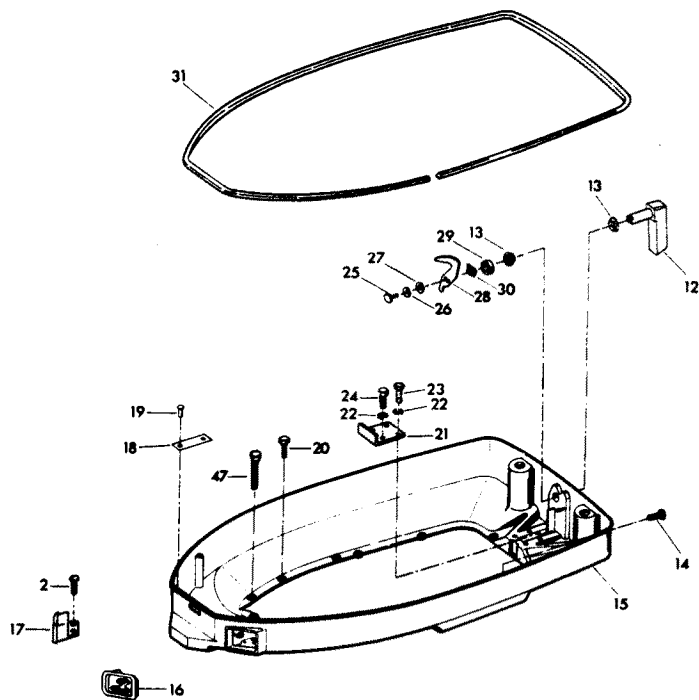
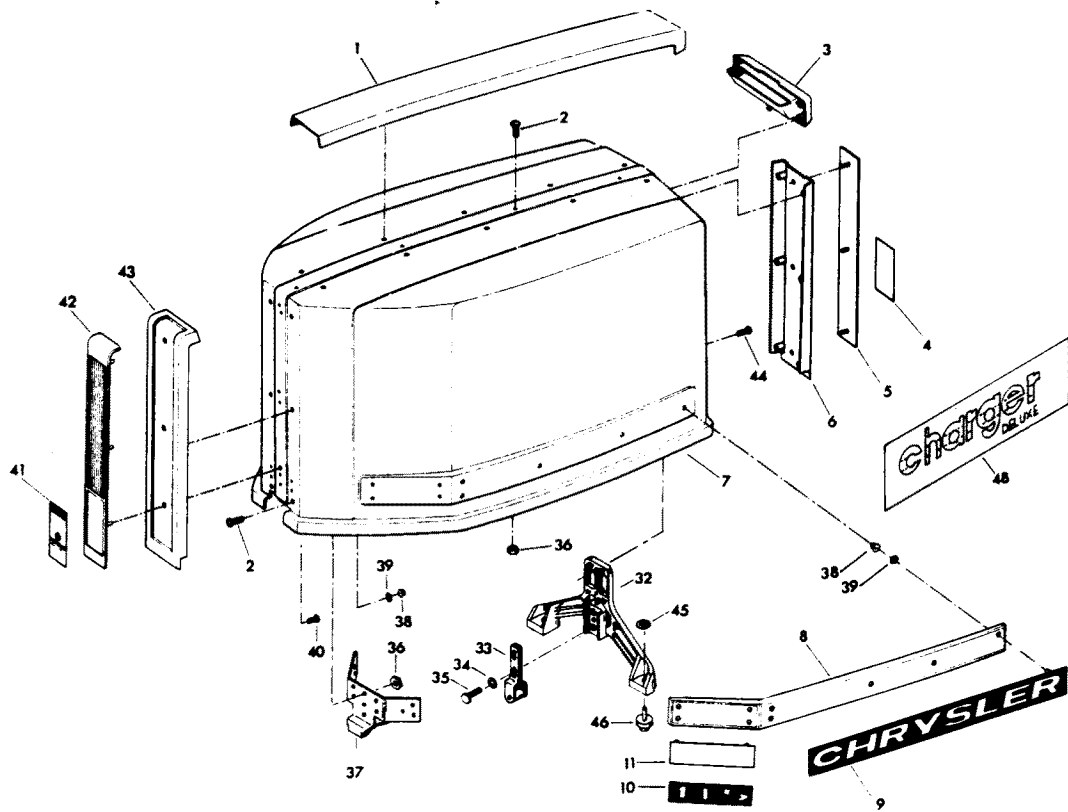
AR = As Required
OPT = Optional

NSS = Not Sold Separate
NS = Not Shown

THESE PARTS BOOKS/FICHE CARD ARE COPYRIGHTED AND MAY NOT BE DISTRIBUTED OR REPRODUCED IN ANY OTHER FORMAT BY ANYONE OTHER THAN MERCURY MARINE WITHOUT THE PRIOR WRITTEN CONSENT OF MERCURY MARINE.

THIS PAGE INTENTIONALLY LEFT BLANK

ENGINE COVER AND SUPPORT PLATE

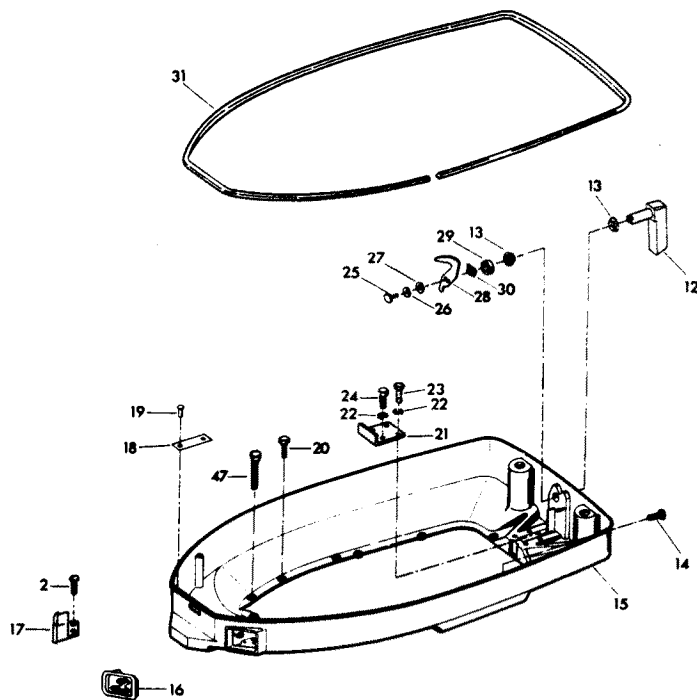
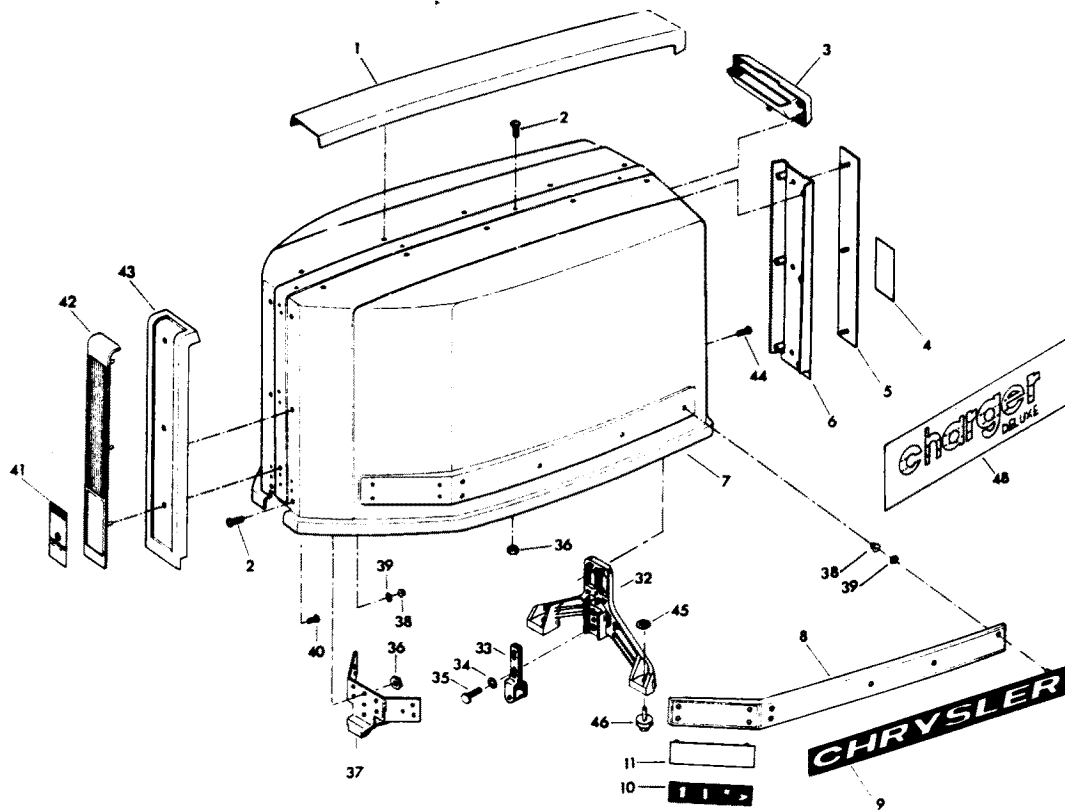


ENGINE COVER AND SUPPORT PLATE

REF. NO.	PART NO.	SYM.	QTY.	DESCRIPTION
1	F2S480179		1	TRIM TOP
2	F1733		10	PAN HD MACHINE SCREW, 10 - 24 X 9/16
3	F2S480269		1	TILT HANDLE
4	FA333528		1	INSERT, PLATE REAR
5	F333386		1	PLATE, REAR
6	F2S489180		1	TRIM REAR
7	FS523944		1	ENGINE COVER W/RETAINER, SCREWS AND NUTS
8	F333392		2	PLATE SIDE
9	F370366		2	NAME, "CHRYSLER"
10	FA333385		2	INSERT, PLATE SIDE
11	F373512		2	PLATE INSERT
12	FA481469		1	HANDLE W/SHAFT
13	F480818		2	BEARING
14	F1238		6	HEX CAP SCREW, 1/4 - 20 X 3/4
15	F480038-2		1	SUPPORT PLATE
16	F310189		1	BUSHING, ELECTRIC CABLE
17	F311189-1		1	BUSHING, CABLE ENTRY
18	FA77395-5		1	IDENTIFICATION PLATE W/SCREWS FOR U.S.A. MODELS
-	AC16395-8		1	IDENTIFICATION PLATE W/SCREWS FOR CANADA MODELS.
19	F1447		2	ROUND HD SCREW, 2 X 3/16
20	F1502		5	HEX CAP SCREW, 1/4 - 20 X 5/8
21	F335654-1		1	DEFLECTION STOP
22	F8096		4	SPRING LOCKWASHER
23	F1857		2	HEX CAP SCREW, 5/16 - 18 X 5/8
24	F1858		2	HEX CAP SCREW, 5/16 - 18 X 1
25	F1854		1	HEX CAP SCREW, 1/4 - 20 X 5/8
26	F8083		1	SPRING LOCKWASHER
27	F8094		1	PLAIN WASHER
28	F481777		1	CAM, LATCH
29	F481382-1		1	SPACER, LATCH SHAFT
30	F2047		1	WAVE SPRING LOCKWASHER
31	F321756		1	PACKING, COVER
32	F481774		1	BRACKET, COVER LATCH
33	FA481743		1	ROLLER BRACKET
34	F8096		2	SPRING LOCKWASHER
35	F1857		2	HEX CAP SCREW, 5/16 - 18 X 5/8
36	F1473		7	HEX NUT
37	F373778-1		1	RETAINER, ENGINE COVER
38	F1753		25	FASTENER
39	F85735-1		25	SEAL
40	F2066		30	PAN HD TAPPING SCREW, 10 X 7/16 (TRIM TO COVER)
41	FA467892		1	INSERT PLATE FRONT - U.S.A.
-	FA467893		1	INSERT PLATE FRONT - CANADA

CONTINUED ON NEXT PAGE ➡

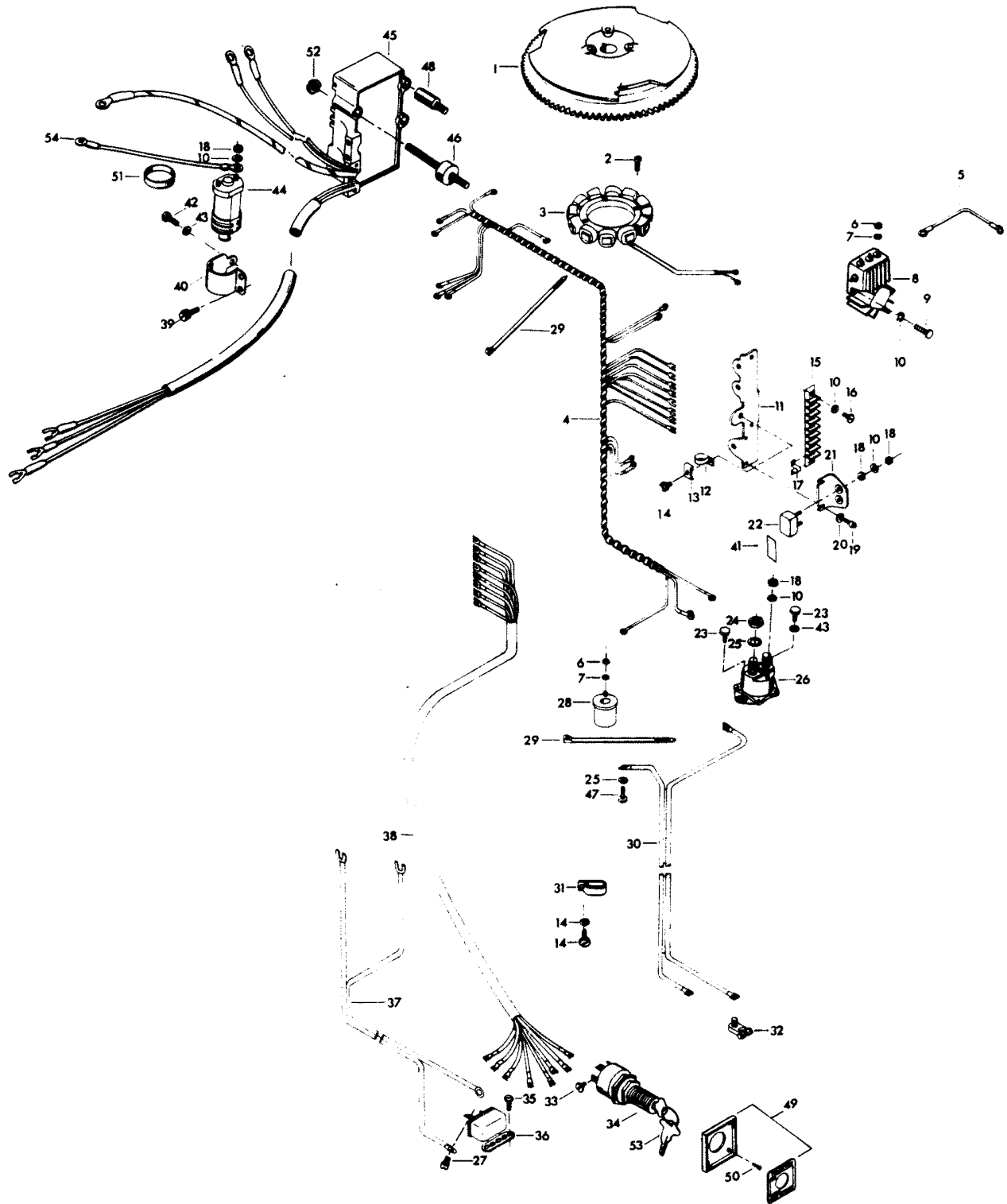
ENGINE COVER AND SUPPORT PLATE



ENGINE COVER AND SUPPORT PLATE

REF. NO.	PART NO.	SYM.	QTY.	DESCRIPTION
42	F489711		1	PLATE, ENGINE COVER FRONT
43	F2S489888		1	TRIM FRONT
44	F1730		4	PAN HD SCREW W/SPRING LOCKWASHER, 1/4 - 20 X 5/8
45	F2088		2	FASTENER
46	F481434		2	GUIDE, ENGINE COVER
47	F1849		2	HEX HD CAP SCREW, 1/4 - 20 X 1 3/8
48	F370785		1	DECAL, CHARGER
-	F438984-1		1	BLANKET, SILENCER TOP (NOT SHOWN)
-	F489985		2	BLANKET, SILENCER SIDE (NOT SHOWN)

ELECTRICAL COMPONENTS

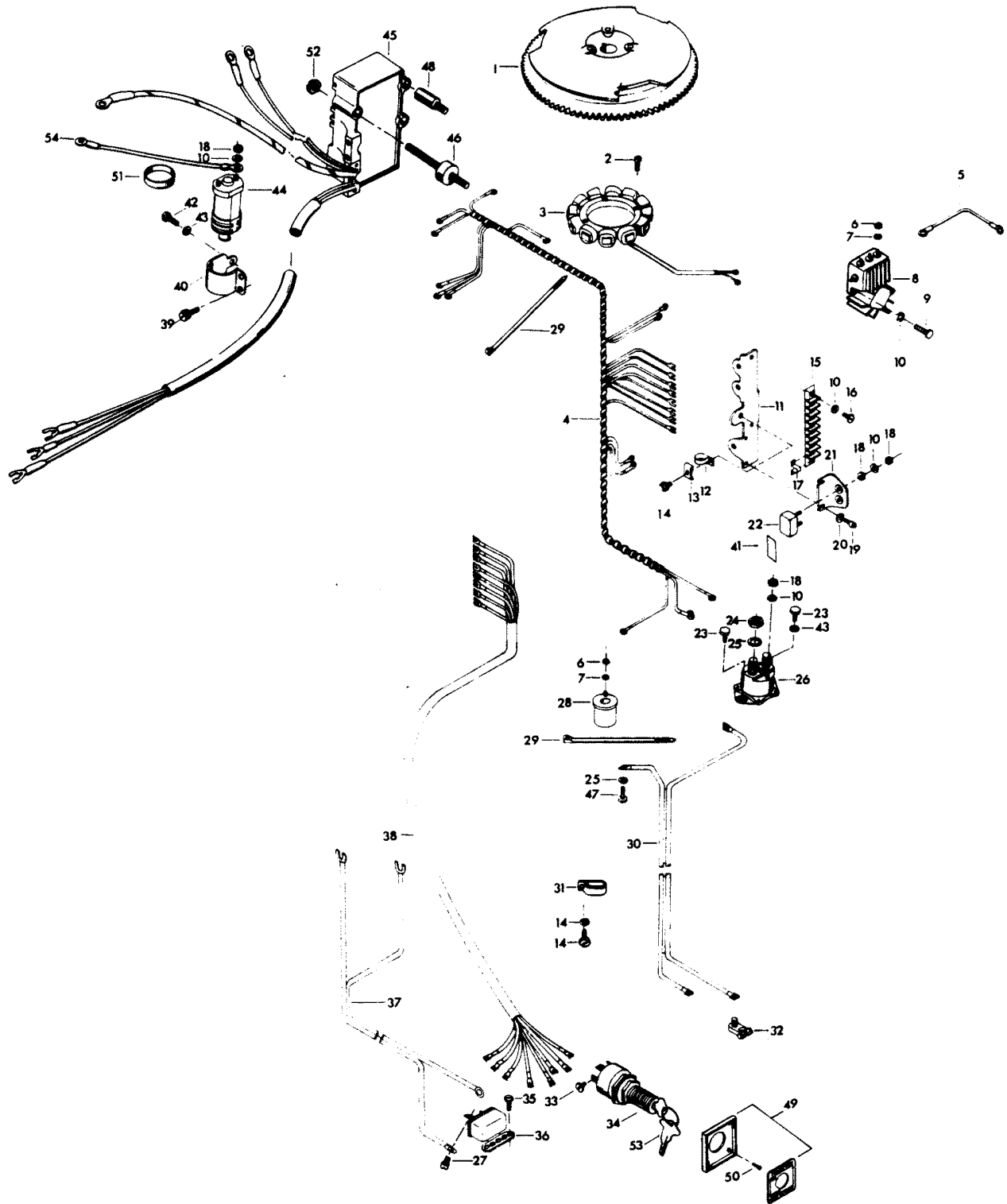


ELECTRICAL COMPONENTS

REF. NO.	PART NO.	SYM.	QTY.	DESCRIPTION
1	F404097		1	FLYWHEEL
2	F1678		6	FILL HD SCREW, 10 - 24 X 13/16
3	F85095-2		1	STATOR
4	F438744-1		1	WIRING HARNESS
5	F345683		1	WIRE, REGULATOR-RECTIFIER GROUND
6	F1647		5	HEX NUT, 8 - 32
7	F8056		5	SPRING LOCKWASHER
8	F404470-1		1	REGULATOR-RECTIFIER
9	F2001		3	FILL HD SCREW, 10 - 24 X 5/8
10	F1975		9	SPRING LOCKWASHER
11	FA438493		1	TERMINAL BLOCK BRACKET
12	F289446-1		1	CLAMP
13	F438668		1	RETAINER, CABLE CLAMP
14	F1734		2	FILL HD SCREW W/LOCKWASHER, 1/4 - 20 X 1/2
15	FA510497		1	TERMINAL BLOCK
16	F1648		2	PAN HD SCREW, 10 - 24 X 3/4
17	F307317		1	CLIP, TERMINAL BLOCK
18	F1513		8	HEX NUT
19	F1760		2	PAN HD SCREW, 10 - 24 X 3/8
20	F8011		2	PLAIN WASHER
21	F91446-1		1	CIRCUIT BREAKER BRACKET
22	F510460		1	CIRCUIT BREAKER
23	F1705		2	HEX CAP SCREW, 1/4 - 20 X 3/4
24	F1515		2	HEX NUT
25	F8096		3	SPRING LOCKWASHER
26	F460917		1	STARTER RELAY
27	F1645		2	RD HD THD. CUTTING SCREW. 6 - 32 X 1/4
28	F85924		1	CHOKE SOLENOID
29	F1877		2	TY-RAP
30	F381896-4		1	BATTERY CABLE
31	F407446		1	CLAMP
32	F71H26		1	BATTERY CABLE CLAMP KIT (ACCESSORY ITEM)
33	F1280		5	PAN HD SCREW, 8 - 32 X 1/4
34	F74H20		1	IGNITION SWITCH (LONG BARREL) W/KEYS AND SCREWS (ACCESSORY ITEMS)
35	F1741		2	PAN HD SCREW, 8 X 3/4
36	F71H30		1	OVERHEAT BUZZER (ACCESSORY ITEM)
37	F404841		1	CABLE, HEAT INDICATOR
38	F85843-1		1	REMOTE ELECTRIC CABLE, 18 FEET
39	F1851		2	FILL HD SCREW W/LOCKWASHER, 10 - 24 X 1/2
40	F404513		1	COIL CLAMP
41	F510374		1	DECAL, CIRCUIT BREAKER
-	FC510374		1	DECAL, CIRCUIT BREAKER - CANADA

CONTINUED ON NEXT PAGE ➡

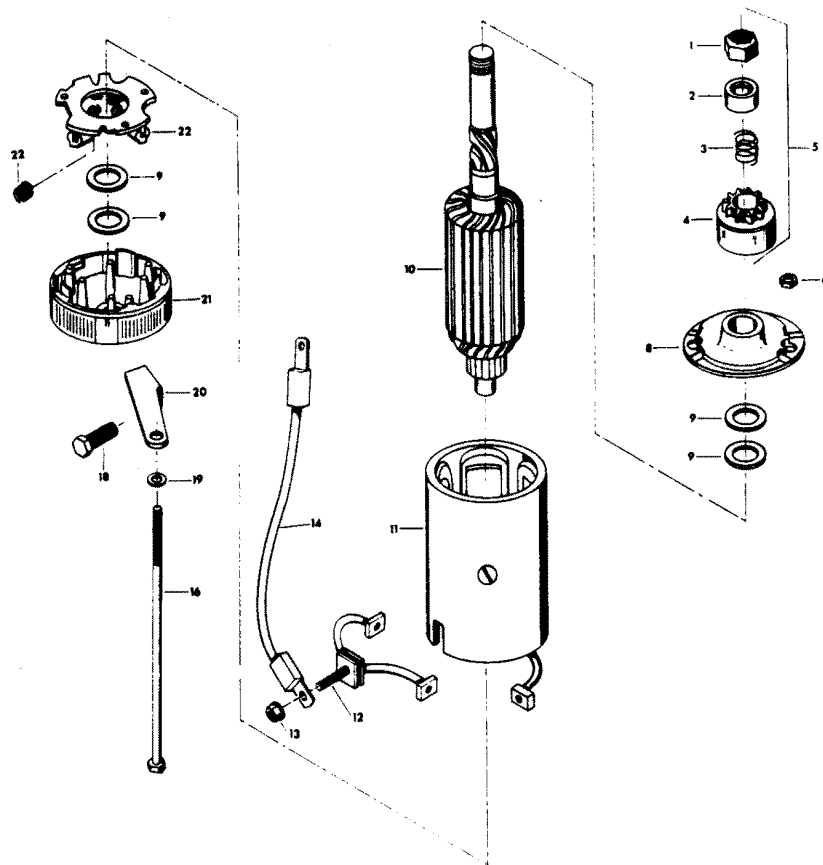
ELECTRICAL COMPONENTS



ELECTRICAL COMPONENTS

REF. NO.	PART NO.	SYM.	QTY.	DESCRIPTION
-	FC474387		1	DECAL, TIMING - CANADA (NOT SHOWN)
42	F1689		1	HEX HD CAP SCREW, 1/4 - 20 X 1/2
43	F8083		2	SPRING LOCKWASHER
44	F345475-1		1	COIL
45	FA523301		1	UNIT W/DECAL
46	F523962		3	SHOCK MOUNT - C.D. UNIT
47	F2000		1	HEX CAP SCREW, 5/16 - 18 X 3/4
48	F322273		1	STUD, C.D. UNIT
49	F71H21		1	IGNITION SWITCH MOUNTING KIT (ACCESSORY ITEM)
50	F1934		4	FLAT HD SLOTTED SCREW, 6 X 12
51	F391983		2	RETAINING BAND
52	F1892		3	STOP NUT
54	F85664		1	GROUND WIRE
-	480373		1	DECAL, MAGNAPOWER IGNITION (NOT SHOWN)
-	F474387		1	TIMING DECAL (NOT SHOWN)

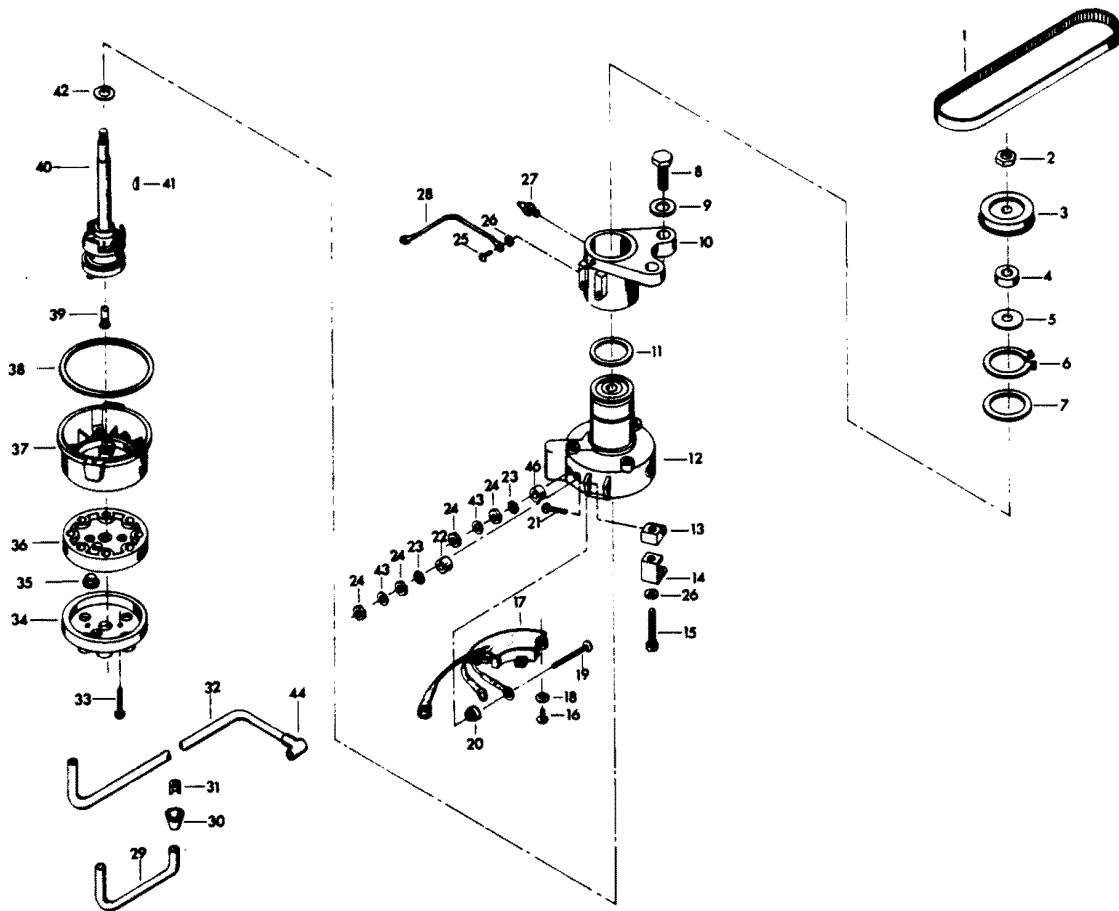
STARTER



STARTER

REF. NO.	PART NO.	SYM.	QTY.	DESCRIPTION
5	F15118		1	BENDIX DRIVE ASSEMBLY
6	F1641		2	LOCK NUT, 1/4 - 28
8	F15167		1	HEAD ASSEMBLY, DRIVE END
9	F15126		1	THRUST WASHER PACKAGE
10	F15099		1	ARMATURE
11	F15166		1	FRAME AND FIELD ASSEMBLY
12	F15054		1	BRUSH AND TERMINAL SET
13	FA15072		1	HEX LOCK NUT, 1/4 - 20
14	F85908		1	STARTER LEAD WIRE
16	F15168		1	THRU BOLT PACKAGE
18	F1502		1	HEX CAP SCREW, 1/4 - 20 X 5/8
19	F8028		2	PLAIN WASHER
20	F511675		1	STARTER BRACKET, LOWER
21	F15125		1	HEAD ASSEMBLY, COMMUTATOR END
22	F15034		1	SPRING SET
23	F15057		1	BRUSH PLATE AND HOLDER ASSEMBLY
-	FS490955		1	STARTER COMPLETE
-	FC500390		1	DECAL, STARTER - CANADA

DISTRIBUTOR

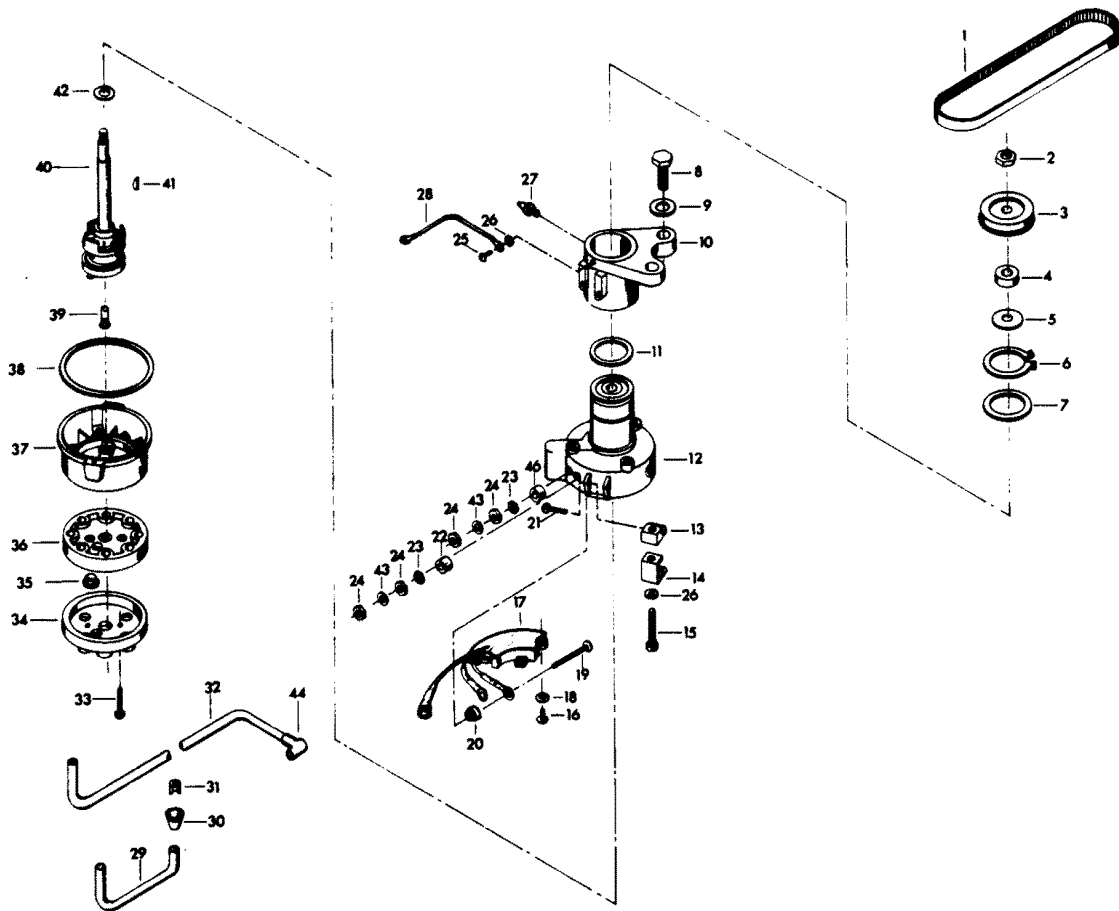


DISTRIBUTOR

REF. NO.	PART NO.	SYM.	QTY.	DESCRIPTION
1	F85311		1	DISTRIBUTOR BELT
2	F7013		1	STOP NUT
3	817786A1		1	DISTRIBUTOR PULLEY
4	F14025		1	SPACER
5	F14028		1	THRUST WASHER
6	F85173		1	RETAINING RING
7	F14029		1	THRUST WASHER
8	F1612		2	HEX CAP SCREW, 3/8 - 16 X 1 1/4
9	F2014		2	PLAIN WASHER
10	FA321574		1	DISTRIBUTOR BRACKET
11	F1759		2	SHIM, DISTRIBUTOR (QTY. AS REQUIRED)
12	F14042		1	DISTRIBUTOR HOUSING W/BEARINGS
13	F14036		2	SWIVEL
14	F14037		2	CAP CLIPS
15	F14038		2	CAP CLIP SCREWS
16	F14045		2	SCREW
17	14048-2		1	PREAMPLIFIER
18	F8056		2	LOCKWASHER
19	F14046		2	TERMINAL SCREW
20	F14047		2	TERMINAL INSULATOR (INSIDE)
21	F14015		2	CAP CLIP RIVET
22	F14049		1	TERMINAL INSULATOR (OUTSIDE)
23	F14041		2	EXTERNAL TOOTH LOCKWASHER
24	F1647		2	HEX NUT, 8 - 32
25	F1760		2	PAN HD SCREW, 10 - 24 X 3/8
26	F1975		2	SPRING LOCKWASHER
27	F213274		1	GREASE FITTING
28	F85664		1	DISTRIBUTOR GROUND
29	84-817775A1		1	COIL WIRE W/TERMINAL CLIP
30	F203276		1	BOOT
31	F203673		1	TERMINAL CLIP
32	F321841-3		4	LEAD WIRE
33	F14007		2	CAP SCREW
34	F14010-1		1	CAP COVER
35	F14040		2	VENT
36	F14021-1		1	CAP SEAL
37	F14005-2		1	CAP BASE
38	F14030		1	CAP GASKET
39	F14012-1		1	BRUSH
40	F14044		1	DISTRIBUTOR SHAFT
41	F1692		1	WOODRUFF KEY
42	F14024		1	SPACER

CONTINUED ON NEXT PAGE ➡

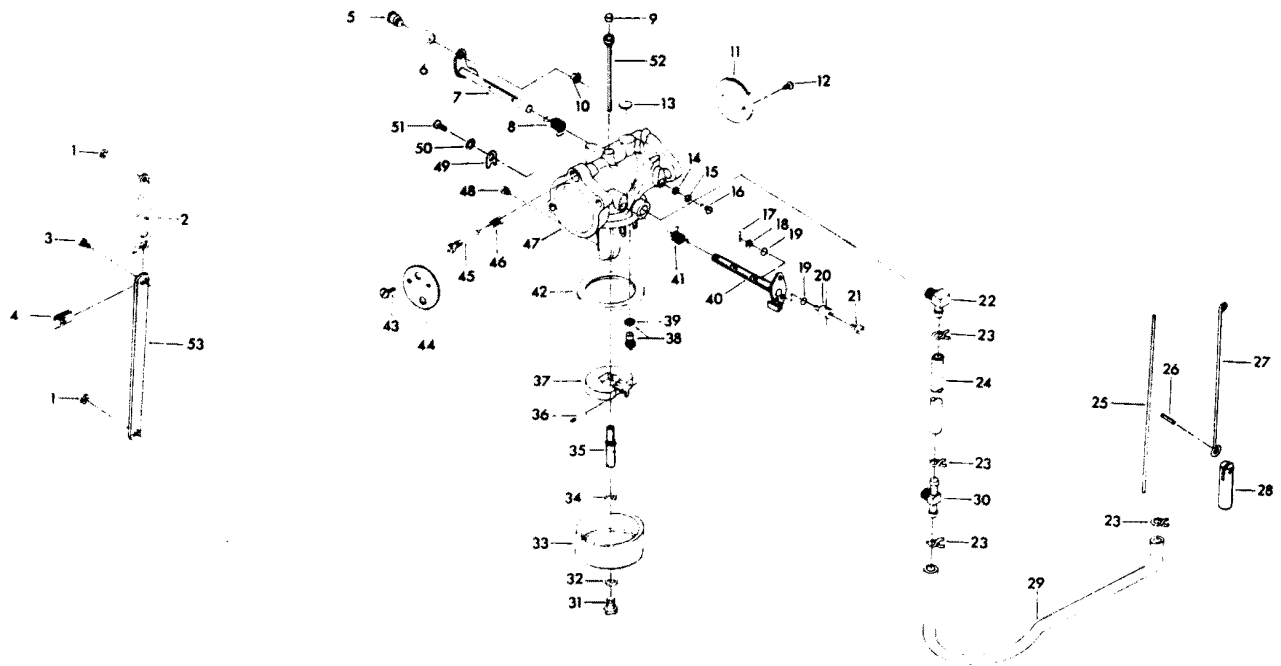
DISTRIBUTOR



DISTRIBUTOR

REF. NO.	PART NO.	SYM.	QTY.	DESCRIPTION
43	F8056		2	LOCKWASHER
44	FK750-1		4	SPARKIE W/SPRING
46	F14017		1	TERMINAL INSULATOR (OUTSIDE)
-	817828A1		1	DISTRIBUTOR
-	481373-1		1	DECAL, "ELECTRONIC" (NOT SHOWN)

CARBURETOR

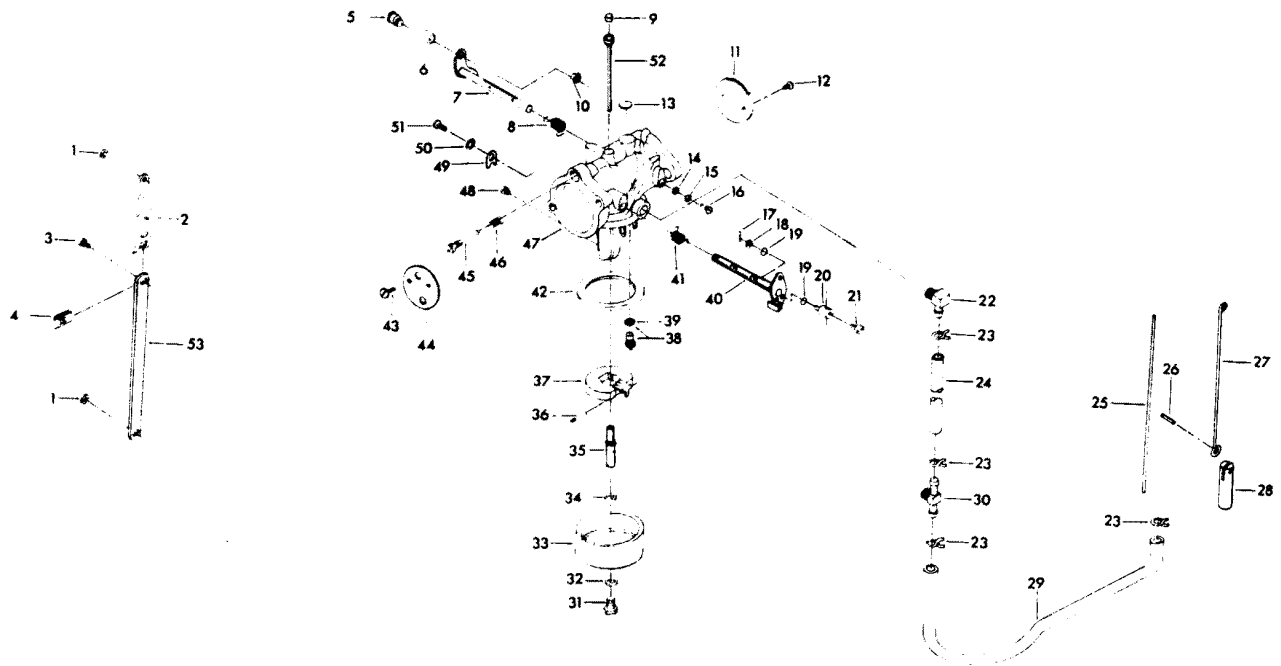


CARBURETOR

REF. NO.	PART NO.	SYM.	QTY.	DESCRIPTION
1	F90807		2	RETAINING RING
2	FA85193		1	TIE BAR END W/SWIVEL
3	F1064		1	FILL HD SCREW, 8 - 32 X 3/8
4	F1693		1	TIE BAR RETAINER
5	F333316		1	THROTTLE ROLLER SHAFT
6	F92759		1	THROTTLE ROLLER
7	FO15231		1	THROTTLE SHAFT AND LEVER
8	FO16008		1	THROTTLE SHAFT RETURN SPRING
9	FO10588		1	BODY CHANNEL CUP PLUG
10	F1997		1	STOP NUT, 8 - 32
11	FO13942		1	THROTTLE SHUTTER
12	FO8942		2	THROTTLE SHUTTER RETAINING SCREW AND LOCKWASHER
13	FO4326		1	BODY CHANNEL WELCH PLUG
14	FO3804		1	RETAINING SCREW WASHER
15	FO6396		1	RETAINING SCREW LOCKWASHER
16	FO6393		1	RETAINING SCREW
17	F1014		2	COTTER PIN
18	F8088		3	PLAIN WASHER
19	F184579		5	"O" RING SEAL
20	F184033-1		1	SWIVEL, TOP CARBURETOR
21	F1059		2	FILL HD SCREW, 6 - 32 X 1/4
22	F84314-2		1	ELBOW
23	F97772		4	CLAMP
24	F178754-1		1	FUEL LINE
25	F85509-1		1	LINK, CHOKE
26	F2033		1	GROOVE PIN
27	F372925		1	CHOKE ROD
28	F391926-1		1	PLUNGER
29	F438754		1	FUEL LINE W/CLAMP, PUMP TO CARBURETOR
30	F85314-1		1	FUEL FITTING
31	FO13945		1	FUEL BOWL RETAINING SCREW
32	FO2510		2	FUEL BOWL RETAINING SCREW GASKET
33	FO13552		1	FUEL BOWL
34	FO2510		1	FUEL BOWL RETAINING SCREW WASHER
35	FO15217		1	MAIN NOZZLE
36	FO13944		1	FLOAT LEVER PIN
37	FO13554		1	FLOAT
38	FO10790		1	INLET NEEDLE, SEAT AND GASKET
39	FO10165		1	INLET SEAT GASKET
40	FO17241		1	CHOKE SHAFT AND LEVER
41	FO13947		1	CHOKE SHAFT RETURN SPRING
42	FO15623		1	FUEL BOWL GASKET
43	FO8942		2	CHOKE SHUTTER RETAINING SCREW AND LOCKWASHER

CONTINUED ON NEXT PAGE ➡

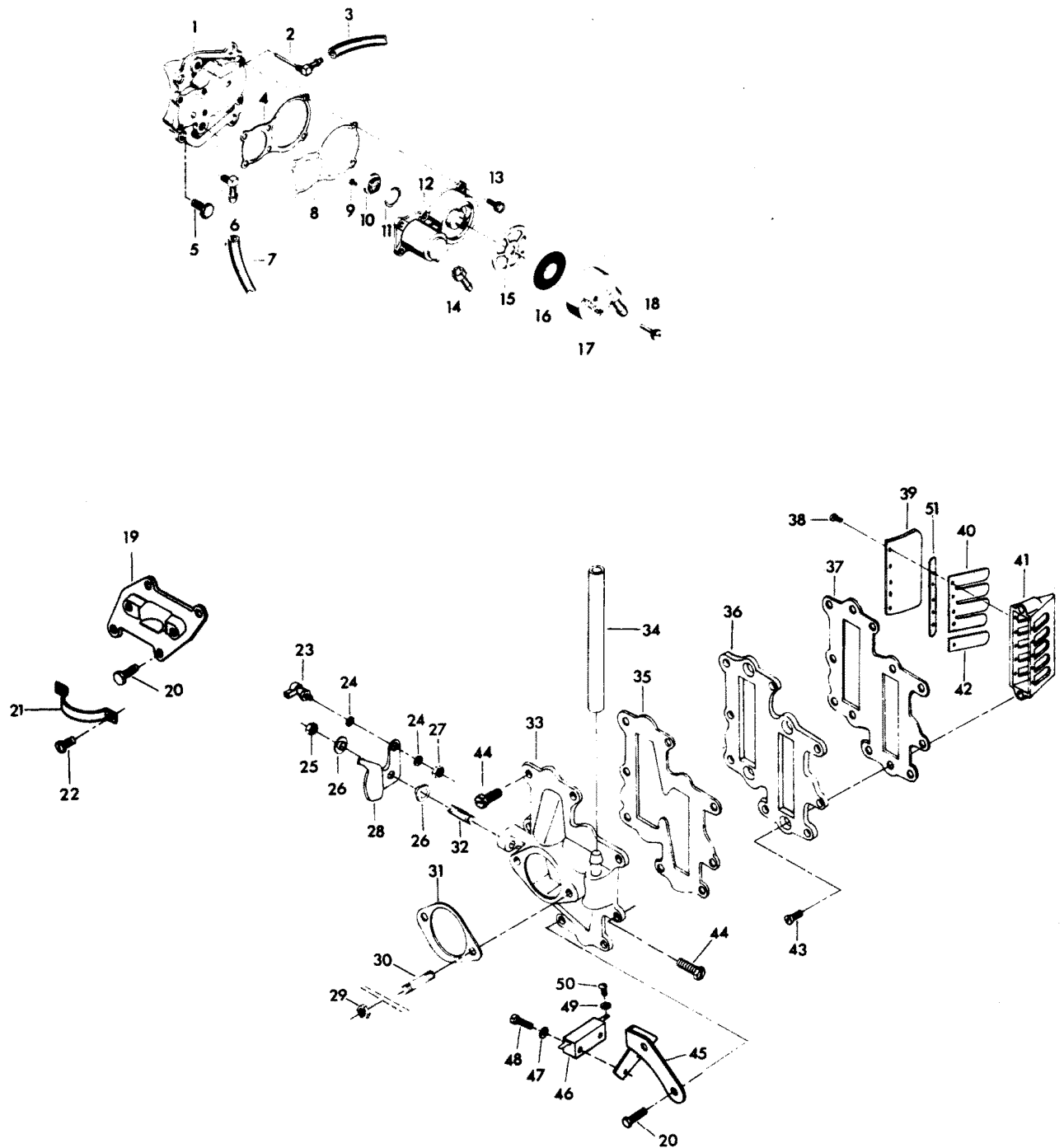
CARBURETOR



CARBURETOR

REF. NO.	PART NO.	SYM.	QTY.	DESCRIPTION
44	FO13555		1	CHOKE SHUTTER
45	FO13946		1	IDLE MIXTURE SCREW
46	FO11103		1	IDLE MIXTURE SCREW SPRING
47	F501061-1		1	CARBURETOR COMPLETE (WB25B)
48	FO13949		1	MAIN FUEL JET (.086)
49	FO9678		1	CLIP, CHOKE SHAFT
50	FO992		1	LOCKWASHER
51	FO1974		1	SCREW
52	FO17181		1	IDLE TUBE
53	FA178233		1	THROTTLE TIE BAR W/SWIVEL
-	F85033		1	SWIVEL, CHOKE ROD (BOTTOM CARBURETOR) (NOT SHOWN)
-	F10000		1	GASKET SET (NOT SHOWN)
-	F10005		1	REPAIR PARTS KIT INCLUDES ALL ITEMS MARKED WITH AN ASTERISK (*).

FUEL PUMP AND REED PLATE

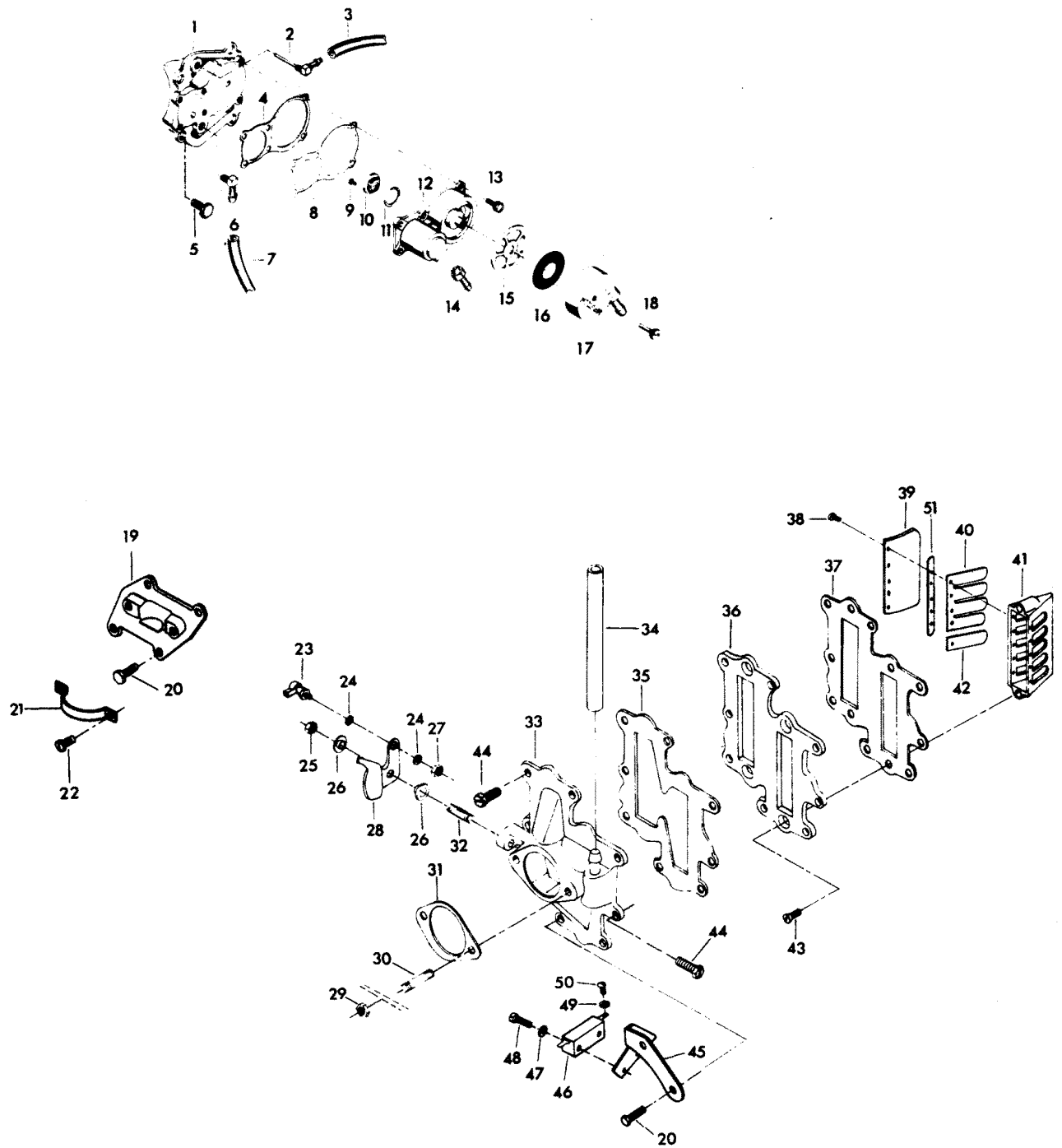


FUEL PUMP AND REED PLATE

REF. NO.	PART NO.	SYM.	QTY.	DESCRIPTION
1	FA439746		1	FUEL PUMP COVER
2	F404314		1	ELBOW, FUEL PUMP COVER
3	F441754-1		1	HOSE
4	F438760		1	FUEL PUMP GASKET
5	F1502		4	HEX CAP SCREW, 1/4 - 20 X 5/8
6	F84314-2		1	ELBOW
7	F89758		1	FUEL PUMP AIR HOSE - TOP
8	F438747		1	FUEL PUMP DIAPHRAGM W/GASKET
9	F1860		2	RD HD SCREW, 6 - 32 X 1/4
10	F177330		3	FUEL PUMP VALVE
11	F84792		1	GASKET, CENTER FUEL PUMP VALVE
12	FA438431		1	FUEL PUMP BODY W/VALVES
13	F1108		6	FILL HD SCREW, 1/4 - 20 X 3/4
14	F438801		1	FITTING
15	F438617		1	FUEL SEDIMENT BOWL GASKET
16	F438653		1	FUEL SEDIMENT BOWL SCREEN
17	F438500		1	FUEL SEDIMENT BOWL
18	F438165		1	SCREW, FUEL PUMP BOWL
19	F372958		1	CHOKE BRACKET
20	F1953		6	HEX HD SCREW, 1/4 - 20 X 1
21	F85317-1		1	SOLENOID CLAMP
22	F1236		2	SCREW, 1/4 - 20 X 1/2
23	817747--1		1	BALL JOINT W/STUD
24	F8058		2	INTERNAL TOOTH LOCKWASHER
25	F1910		1	STOP NUT, 1/4 - 20
26	F269319		2	THROTTLE CAM BEARING
27	F1513		1	HEX NUT, 10 - 32
28	F85192-1		1	THROTTLE CAM
29	F1515		4	HEX NUT
30	F40209		4	CARBURETOR STUD
31	F85906		2	CARBURETOR GASKET
32	F433209-1		1	THROTTLE CAM STUD
33	FA178167		1	CARBURETOR ADAPTER, LOWER W/FITTING AND STUD
-	FA178157		1	CARBURETOR ADAPTER, UPPER W/FITTING AND STUD
34	32-77653-77		1	BALANCE TUBE
35	F178168-1		2	GASKET, CARBURETOR ADAPTER
36	F178404-1		2	DEFLECTOR PLATE
37	F406406		2	GASKET DEFLECTOR PLATE
38	F1755		40	ROUND HD SCREW W/LOCKWASHER, 6 - 32 X 1/4
39	F85161-1		8	REED STOP
40	F316160		8	REED (4 PETAL)
41	F2A523158		4	REED PLATE W/REEDS, REED STOPS AND SCREWS
42	F316164		8	REED (1 PETAL)

CONTINUED ON NEXT PAGE ➡

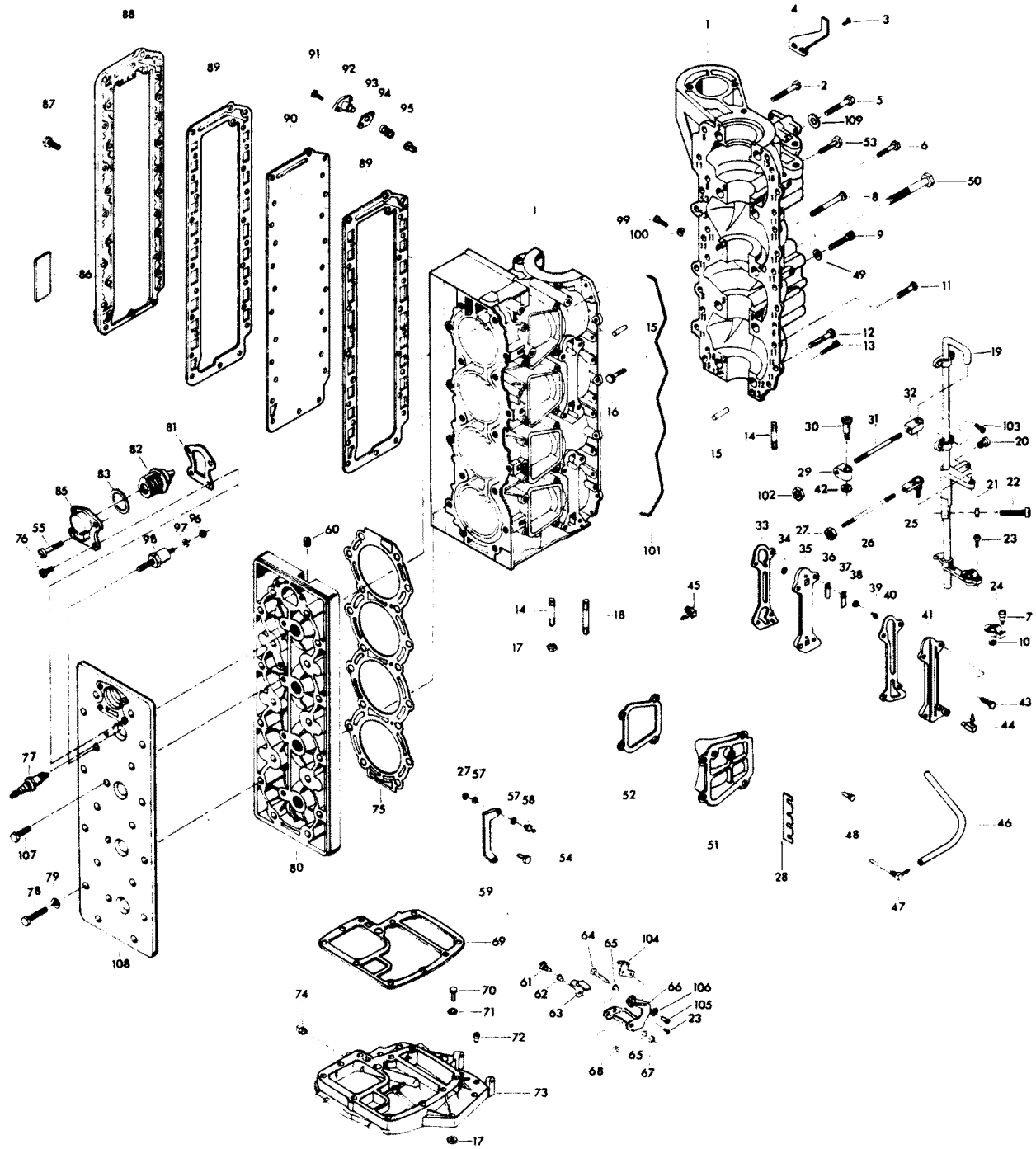
FUEL PUMP AND REED PLATE



FUEL PUMP AND REED PLATE

REF. NO.	PART NO.	SYM.	QTY.	DESCRIPTION
43	F1831		8	FLAT HD SCREW, 1/4 - 20 X 5/8
44	F1915		10	HEX HD SCREW, 1/4 - 20 X 7/8
45	F489551		1	BRACKET NEUTRAL INTERLOCK SWITCH
46	F84449		1	INTERLOCK SWITCH
47	F8088		2	PLAIN WASHER
48	F2016		2	FILL HD SCREW, 6 - 32 X 7/8
49	F1704		2	INTERNAL TOOTH LOCKWASHER
50	F1645		2	RD HD SCREW, 6 - 32 X 1/4
51	F523451		8	SPACER, REED STOP

POWER HEAD

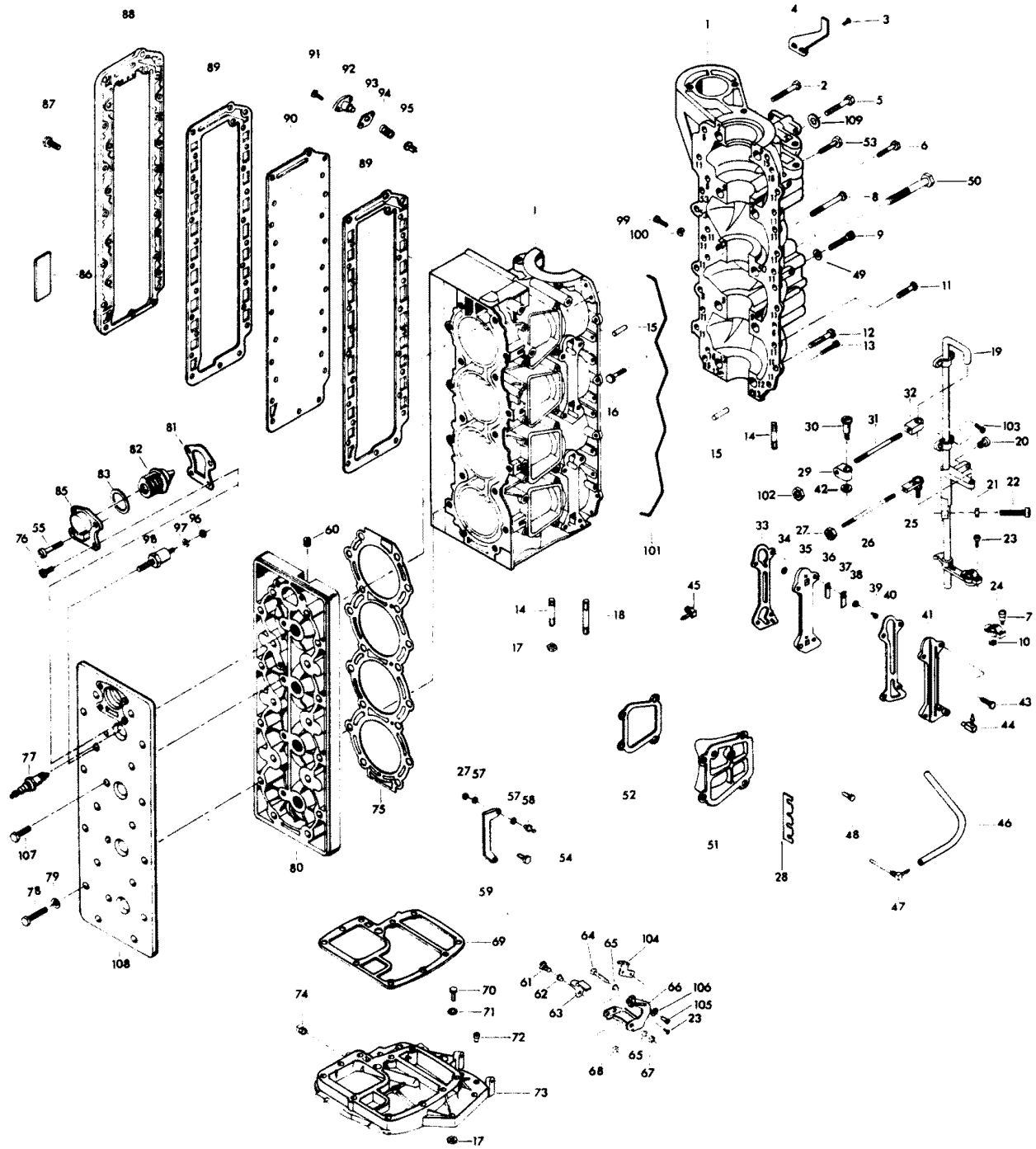


POWER HEAD

REF. NO.	PART NO.	SYM.	QTY.	DESCRIPTION
1	A512010-1		1	CYLINDER, PARTING LINE SEAL, SCREWS & DOWEL PINS W/CRANKCASE COVER
2	F1874		1	HEX HD SCREW, 3/8 - 16 X 3 1/8
3	F1760		2	PAN HD SCREW, 10 - 24 X 3/8
4	FA480894		1	TIMING POINTER
5	F1009		1	HEX HD SCREW, 3/8 - 16 X 2 3/4
6	F1915		3	HEX HD SCREW, 1/4 - 20 X 7/8
7	F405457		1	PIVOT SCREW
8	F1699		1	HEX HD SCREW, 1/4 - 20 X 1 1/8
9	F1253		4	HEX SOCKET HD CAP SCREW, 3/8 - 16 X 2
10	F7008		1	ELASTIC STOP NUT
11	F1914		16	HEX HD SCREW, 1/4 - 20 X 3/4
12	F1872		2	HEX CAP SCREW, 3/8 - 16 X 1 3/4
13	F1099		2	FILL HD SCREW, 1/4 - 20 X 1 1/4
14	F85859		4	STUD
15	F8563		2	DOWEL PIN
16	F1953		2	HEX HD SCREW, 1/4 - 20 X 1
17	F7004		10	STOP NUT, 3/8 - 16
18	F85211		6	STUD
19	817932A6		1	TOWERSHAFT W/SWIVEL, BEARINGS AND SCREWS
20	F1727		1	PLASTIC RIVET
21	F1341		1	HEX NUT, 1/4 - 20
22	F1052		1	FILL HD SCREW, 1/4 - 20 X 1
23	F1556		2	FILL HD SCREW W/LOCKWASHER, 10 - 24 X 3/8
24	FK405020		2	SWIVEL W/CLAMP, SHOULDER SCREW AND NUT
25	817747--1		1	BALL JOINT W/STUD
26	F85502		1	THROTTLE LINK
27	F1513		4	HEX NUT, 10 - 32
28	F523834		1	CLIP, SPARK PLUG WIRE
29	F85035		1	DISTRIBUTOR, CONTROL ROD END
30	F85026		1	SWIVEL
31	F85445		1	CONTROL ROD
32	F85036		1	TOWERSHAFT CONTROL ROD END
33	F84748-3		2	GASKET
34	F93811		4	SCREEN
35	F2A476757		2	CYLINDER DRAIN REED PLATE W/REEDS, STOPS AND SCREWS
36	F18160-1		4	CYLINDER DRAIN REED
37	F93920		4	REED STOP
38	F8003		4	PLAIN WASHER
39	F1286		4	PAN HD SCREW, 4 - 40 X 3/16
40	F84472-5		2	GASKET, CYLINDER DRAIN COVER
41	F406471-1		2	CYLINDER DRAIN COVER
42	F1935		1	PLAIN WASHER

CONTINUED ON NEXT PAGE ➡

POWER HEAD

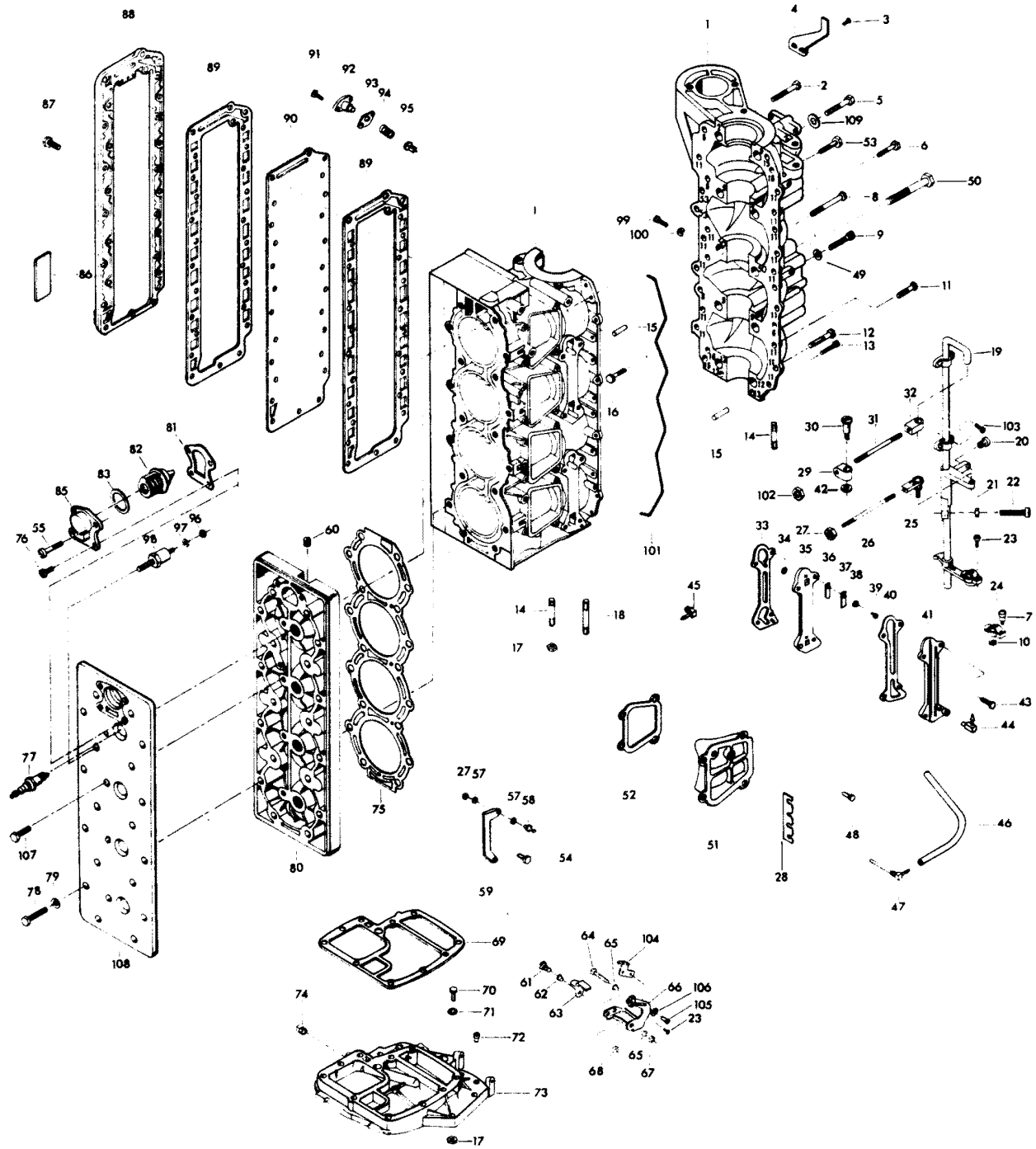


POWER HEAD

REF. NO.	PART NO.	SYM.	QTY.	DESCRIPTION
43	F1187		8	HEX HD SCREW, 1/4 - 20 X 1
44	22-818103--1		1	ELBOW, CYLINDER DRAIN LOWER
-	F404801		1	ELBOW, CYLINDER DRAIN UPPER
45	F84314-2		1	ELBOW
46	F406754-1		1	HOSE
47	F404314		1	FITTING
48	F1502		6	HEX CAP SCREW, 1/4 - 20 X 5/8
49	F8104		4	PLAIN WASHER
50	F1873		2	HEX CAP SCREW, 3/8 - 16 X 3
51	FA411222		3	TRANSFER PORT COVER
52	F40223		4	GASKET, TRANSFER PORT COVER
53	F2008		2	HEX HD SCREW, 1/4 - 20 X 7/8
54	F1238		2	HEX CAP SCREW, 1/4 - 20 X 3/4
55	F1099		2	FILL HD SCREW, 1/4 - 20 X 1 1/4
57	F8058		4	INTERNAL TOOTH LOCKWASHER
58	F98273		2	ROD END CONNECTOR STUD
59	85872-1		1	BRACKET
60	F19109		1	PLUG
61	F369887		1	SHOULDER SCREW
62	F369610		1	BEARING
63	F369977-1		1	INTERLOCK ARM
64	F1885		1	HEX BOLTS, S.S., 5/16 - 18 X 4 1/4
65	F85610		2	BEARING
66	FA480876		1	GEAR SHIFT ARM, BEARINGS, INTERLOCK ARM AND SHOULDER SCREW W/SWIVEL
67	F2108		1	STOP NUT, 5/16 - 18
68	F1832		1	STOP NUT, 1/4 - 20
69	F85279-2		1	GASKET, CYLINDER EXHAUST UPPER
70	F1869		6	HEX CAP SCREW, 3/8 - 16 X 1 1/4
71	F1703		6	LOCKWASHER
72	FA98689		1	BEARING
73	817788A3		1	SPACER PLATE W/PLUGS
74	F2090		1	PLUG
75	F476529		1	CYLINDER HEAD GASKET
76	F1107		2	SLOTTED FILL HD CAP SCREW, 1/4 - 20 X 3/4
77	33-97180		4	SPARK PLUG (CHAMPION L20V)
-	C523227		4	SPARK PLUG (CHAMPION QL-76V) FOR MODEL 1159BA
78	F2049		18	HEX CAP SCREW, 5/16 - 18 X 2 5/8
79	F1987		18	PLAIN WASHER
80	900-817832A2		1	CYLINDER HEAD
81	F476067		1	GASKET
82	F528068		1	THERMOSTAT
83	F84504		1	GROMMET (THERMOSTAT)

CONTINUED ON NEXT PAGE ➡

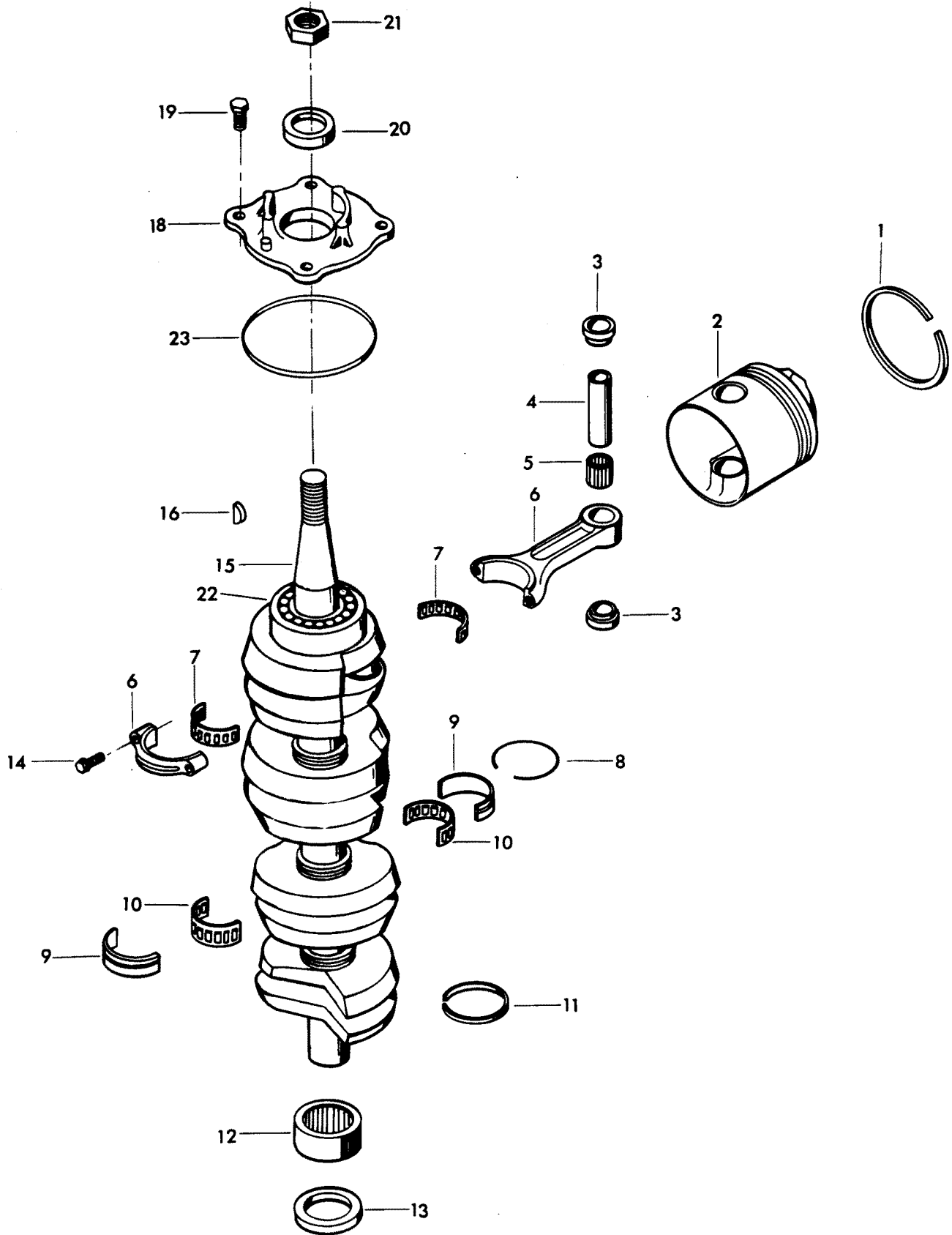
POWER HEAD



POWER HEAD

REF. NO.	PART NO.	SYM.	QTY.	DESCRIPTION
85	F476066-1		1	THERMOSTAT COVER
86	F438398		1	DECAL, WIRING
-	FC438398		1	DECAL, WIRING - CANADA
87	F1709		27	HEX BOLT, 1/4 - 20 X 1 1/8
88	F372152-1		1	EXHAUST PORT COVER
89	F372154-1		2	GASKET, EXHAUST PORT PLATE
90	F372151-1		1	EXHAUST PORT PLATE
91	F1950		2	HEX CAP SCREW, 10 - 24 X 5/8
92	F438066		1	BY-PASS VALVE COVER
93	F85762		1	BY-PASS VALVE COVER GASKET
94	F404268		1	BY-PASS VALVE SPRING
95	F85916-1		1	BY-PASS VALVE
96	F1647		1	HEX NUT, 8 - 32
97	F8056		1	LOCKWASHER
98	87-817778A1		1	THERMOSWITCH
99	F2000		1	HEX CAP SCREW, 5/16 - 18 X 3/4
100	F8096		1	SPRING LOCKWASHER
101	F184122-1		1	SEAL, PARTING LINE
102	F2015		1	HEX NUT, 1/4 - 28
103	F1475		4	FILL HD SCREW, 10 - 24 X 1/2
104	F480107-1		1	CAM STARTER INTERLOCK
105	F2089		2	SLOTTED PAN HD M. SCREW, 10 - 24 X 5/16
106	F2042		2	PLAIN WASHER
107	F1203		4	HEX CAP SCREW, 1/4 - 20 X 7/8
108	F528995		1	COVER, CYLINDER HEAD
109	F8095		6	PLAIN WASHER
-	FG1003-1		1	GASKET SET (NOT SHOWN)
-	C512010-1		1	SHORT BLOCK CONTAINS ALL ITEMS MARKED WITH AN ASTERISK (*). ALSO REFER TO CRANKSHAFT PAGE.

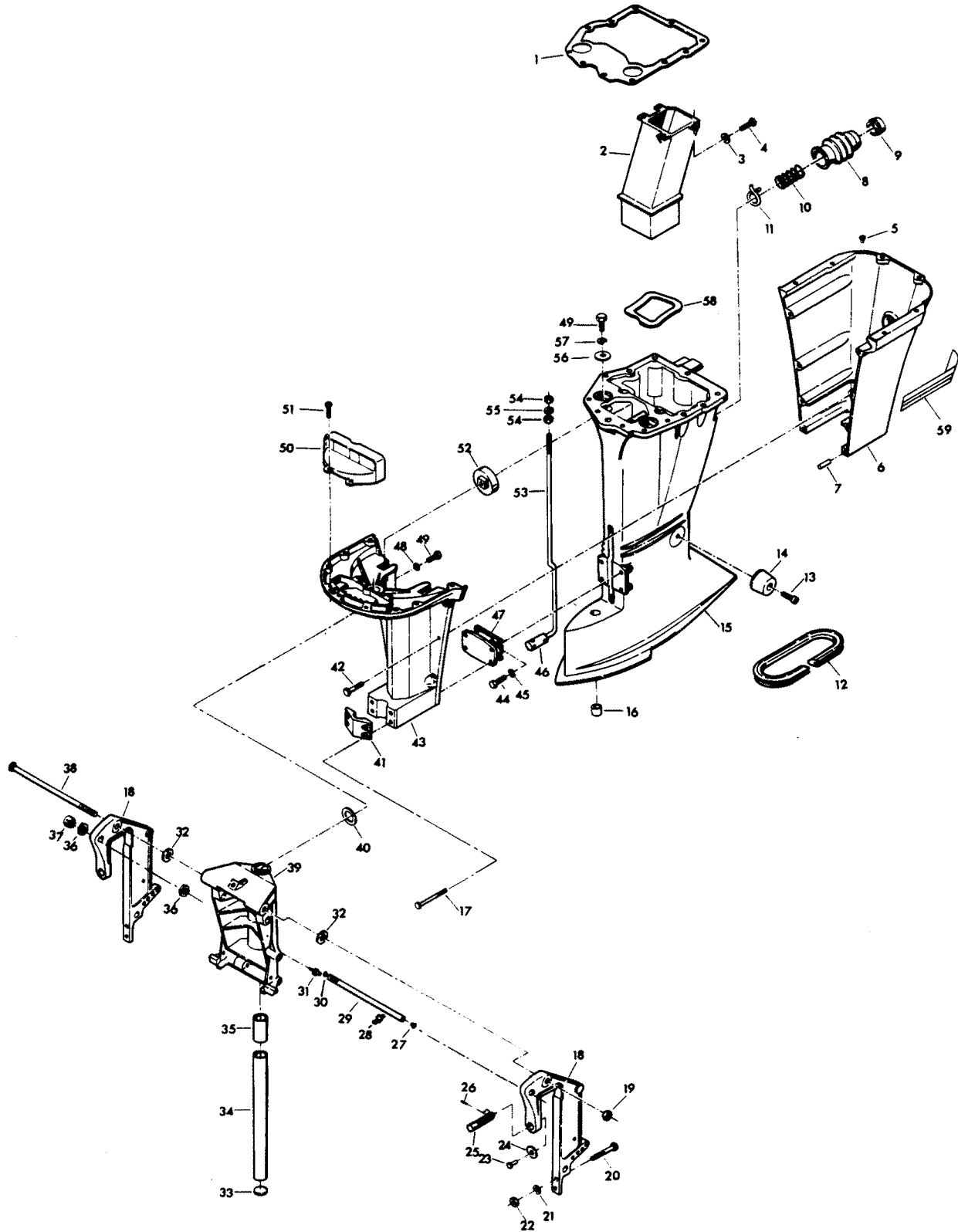
CRANKSHAFT AND PISTON GROUP



CRANKSHAFT AND PISTON GROUP

REF. NO.	PART NO.	SYM.	QTY.	DESCRIPTION
1	FA335260		2	PISTON RING SET (4 PER SET)
2	700-F372015-3		4	PISTON
3	F335215		8	SPACER, PISTON PIN (2 PER PISTON)
4	F85017		4	PISTON PIN
5	F335217-1		4	BEARING, PISTON PIN (26 PER SET)
6	600-818052A4		4	CONNECTING ROD W/CAP AND SCREWS
7	FK85228-1		4	BEARING CAGE W/ROLLER
8	F85410		3	SNAP RING
9	FA85655-1		3	CRANKSHAFT MAIN BEARING RACE W/SNAP RING
10	F85571		3	BEARING CAGE W/ROLLER
11	F316579		3	SEAL, CRANKCASE
12	31-FA523014		1	CRANKSHAFT LOWER MAIN BEARING W/ITEM 13 ORIGINAL FORCE P/N A373014-1
13	F523146		1	SEAL, CRANKSHAFT LOWER
14	F85634-1		8	CONNECTING ROD SCREW
15	400-817735A4		1	CRANKSHAFT W/BEARING
16	F85498		1	FLYWHEEL KEY
18	31-817785A2		1	CRANKSHAFT BEARING CAGE W/SEAL
19	F1867		4	HEX CAP SCREW, 3/8 - 16 X 1
20	F84146-2		1	SEAL
21	F1968		1	FLYWHEEL NUT
22	30-F284659-2		1	BEARING, CRANKSHAFT UPPER MAIN
23	F84278		1	SEAL
-	F2067		1	PLASTISOL CAP (NOT SHOWN)
-	FSA335260		2	PISTON RING (4 PER SET) .010 OVERSIZE (NOT SHOWN)
-	39-818110A1		2	PISTON RING (4 PER SET) .030 OVERSIZE (NOT SHOWN)
-	700-817988A2		4	PISTON .010 OVERSIZE (NOT SHOWN)
-	700-818111A2		4	PISTON .030 OVERSIZE (NOT SHOWN)

MOTOR LEG

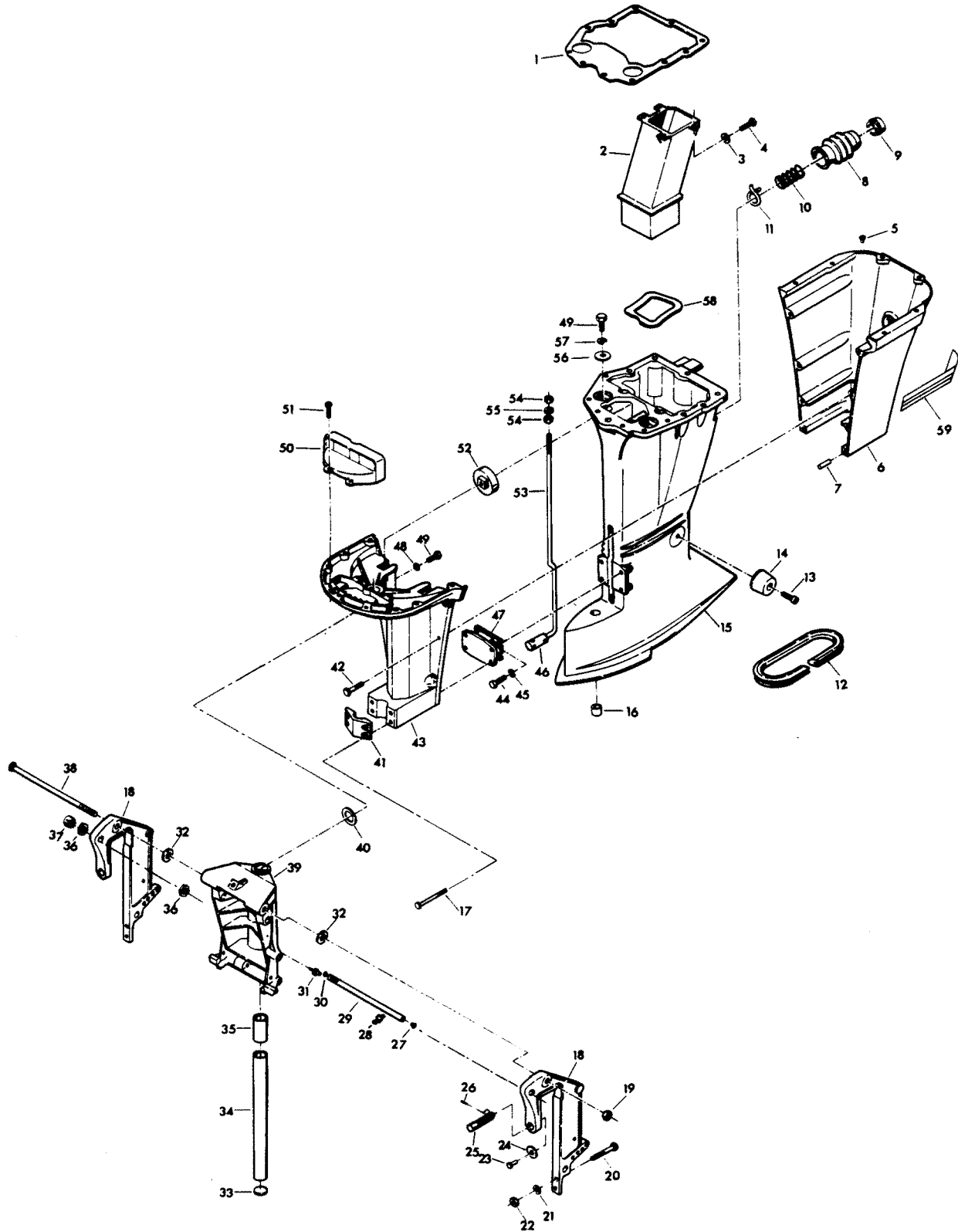


MOTOR LEG

REF. NO.	PART NO.	SYM.	QTY.	DESCRIPTION
1	F85453-1		1	GASKET, EXHAUST LOWER
2	F85660-1		1	EXHAUST TUBE
3	F8083		4	SPRING LOCKWASHER
4	F1864		4	HEX SLOT HD SCREW, 1/4 - 20 X 3/4
5	F1729		2	PLUG
6	F178145-3		1	MOTOR LEG COVER REAR
7	F1664		2	SPRING PIN
8	F85130		1	BOOT IDLE EXHAUST
9	F85258		1	INSERT
10	F85380		1	SPRING
11	F85772		1	CLAMP
12	F178323		1	SEAL, MOTOR LEG
13	F1263		2	HEX SOCKET HD CAP SCREW, 5/16 - 18 X 9/16
14	F438962		2	SHOCK MOUNT LOWER REAR
15	F523133-2		1	MOTOR LEG
16	F338618-1		1	SEAL, GEAR SHIFT ROD
17	F1696		4	HEX BOLT, 5/16 - 18 X 1 3/4
18	1400-817958A6		2	STERN BRACKET
19	F7012		1	STOP NUT
20	F1593		2	HEX HD SCREW, 3/8 - 16 X 3
21	F1904		2	PLAIN WASHER
22	F1346		2	HEX NUT
23	F353480		2	STUD
24	F84074		2	CLAMP SCREW FOOT
25	F474073-1		2	CLAMP SCREW
26	F8538		2	SPRING PIN
27	F9052		1	PLUG
28	F523274		1	GREASE FITTING
29	F511125-2		1	TUBE, STEERING SUPPORT
30	F316599		1	SEAL, STEERING TUBE
31	F213274		3	GREASE FITTING
32	F84286-1		4	FRICTION WASHER
33	F1528		1	WELCH PLUG
34	FA85019		1	KINGPIN W/PLUG
35	F438169		2	BEARING
36	F523280		1	NUT, STEERING SUPPORT TUBE
37	F9018		1	CAP
38	F85037-1		1	STERN BRACKET PIVOT BOLT
39	817783A5		1	SWIVEL BRACKET W/BEARINGS & GREASE FITTINGS
40	F84011		1	WASHER
41	F85606		1	KINGPIN CAP
42	F2030		6	HEX HD M. SCREW, 1/4 - 20 X 1 1/4
43	A85135-3		1	LEG COVER FRONT

CONTINUED ON NEXT PAGE ➡

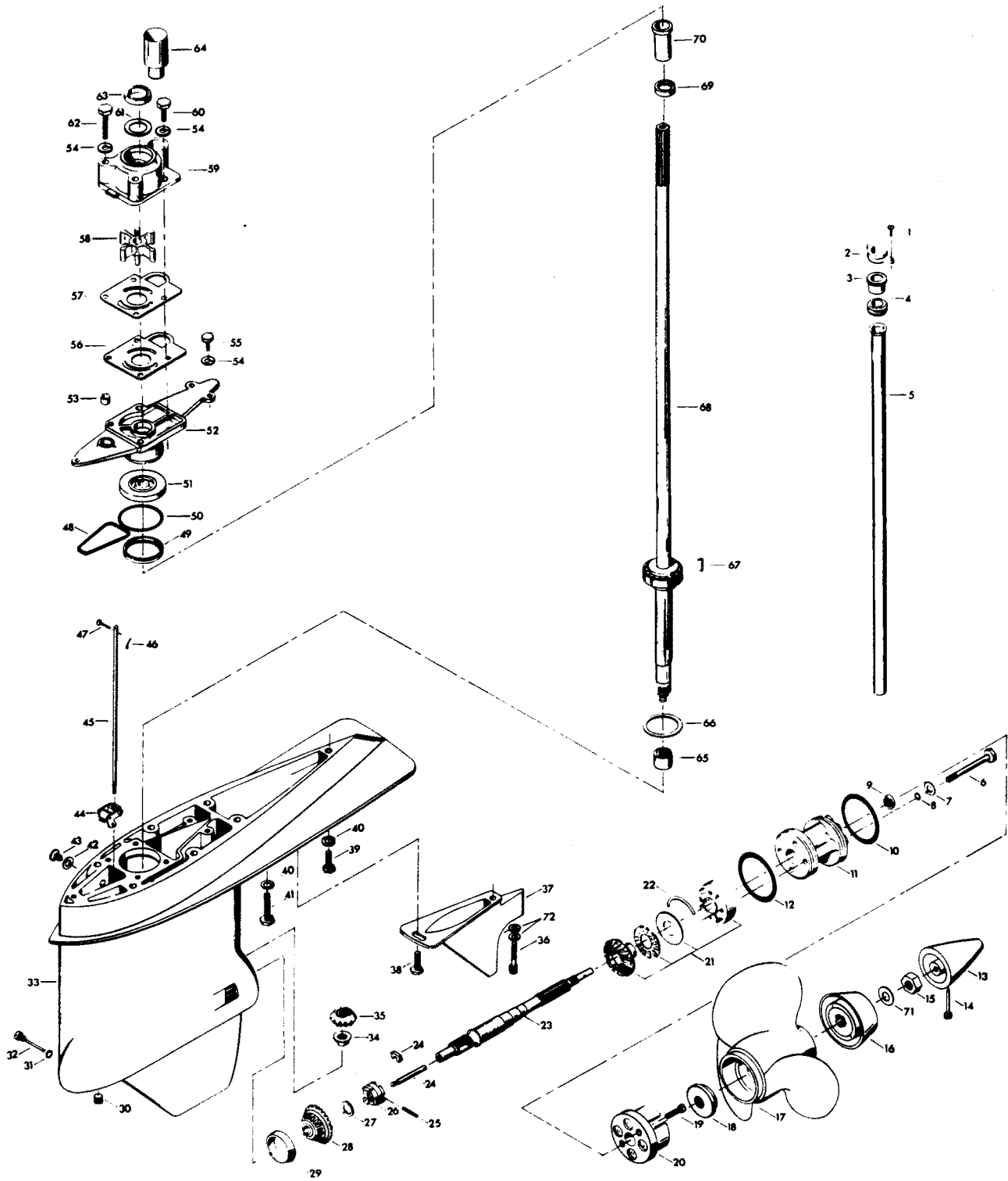
MOTOR LEG



MOTOR LEG

REF. NO.	PART NO.	SYM.	QTY.	DESCRIPTION
44	F1822		4	HEX BOLT, 5/16 - 18 X 7/8
45	F8096		4	SPRING LOCKWASHER
46	F85704		1	COUPLER, GEAR SHIFT ROD
47	F438346		1	SHOCK MOUNT LOWER
48	F1703		2	SPRING LOCKWASHER
49	F1871		4	HEX HD SCREW, 3/8 - 16 X 3/4
50	F85779-1		1	BAFFLE, AIR INTAKE
51	F1912		4	HEX HD SCREW, 10 - 24 X 1/2
52	F85965		2	SHOCK MOUNT UPPER
53	F85615		1	GEAR SHIFT ROD UPPER
54	F2108		2	LOCK NUT
55	F1987		1	PLAIN WASHER
56	FA85355-1		2	WASHER
57	F2014		2	PLAIN WASHER
58	F439736		1	SEAL, EXHAUST TUBE
59	370397		1	DECAL, LEG COVER PORT (NOT SHOWN)
-	370396		1	DECAL, LEG COVER STARBOARD (NOT SHOWN)

GEAR HOUSING

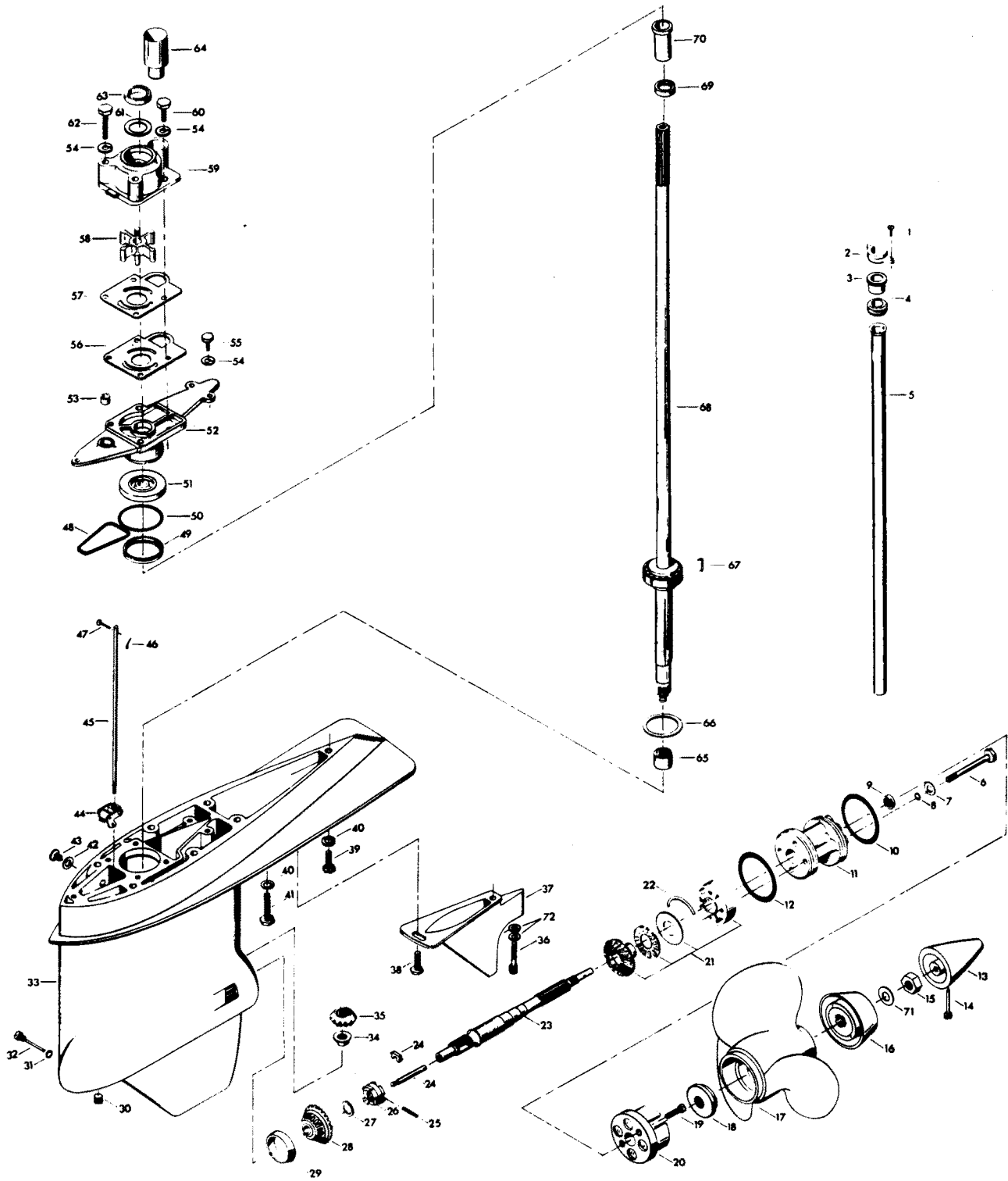


GEAR HOUSING

REF. NO.	PART NO.	SYM.	QTY.	DESCRIPTION
1	F1705		2	HEX CAP SCREW, 1/4 - 20 X 3/4
2	F85117		1	BRACKET, WATER LINE
3	F84342		1	SEAL, INLET WATER LINE, UPPER
4	F523899		1	GROMMET, WATER LINE
5	F523244		1	INLET WATER LINE
6	F1885		4	HEX CAP SCREW, 5/16 - 18 X 4 1/4
7	F1907		4	PLAIN WASHER
8	F50342-1		4	SEAL, "O" RING
9	F506118		1	SEAL, PROPELLER SHAFT
10	F24278		1	SEAL, "O" RING PROPELLER SHAFT SPOOL
11	F2A523239		1	SPOOL, PROPELLER SHAFT BEARING W/SEALS
12	F84305		1	SEAL, "O" RING PROPELLER SHAFT SPOOL
13	F523094-2		1	PROPELLER NUT
14	F90891		1	PIN, PROPELLER NUT RETAINING
15	F1788		1	STOP NUT
16	F509299		1	WASHER
17	FP511		1	PROPELLER (ACCESSORY ITEM)
18	F523099		1	SPACER, PROPELLER
19	F1577		2	FILL HD SCREW, 1/4 - 20 X 3/4
20	FA523485		1	ANTICORROSION ANODE
21	F2A523662		1	BEVEL GEAR REAR W/BEARING CAGE SPACER AND BEARING
22	F523411		2	RETAINING RING, BEARING CAGE
23	FA523098		1	PROPELLER SHAFT
24	FA84871-1		1	PIN, GEAR SHIFT W/YOKE
25	F1713		1	SPRING PIN
26	F84521-1		1	CLUTCH
28	F2A523023		1	BEVEL GEAR FRONT W/BEARING
29	F523813		1	BEARING CUP
30	F19109		1	PLUG
31	F8001		1	WASHER
32	F90891		1	PIN, GEAR SHIFT ARM
33	FA523054		1	GEAR HOUSING, DRIVESHAFT BEARING LOWER, PLUGS & WASHERS W/BEARING CUP
34	F523188		1	NUT, BEVEL PINION
35	FA523266		1	BEVEL PINION GEAR W/CRUSH RING AND SHIMS
36	F1994		1	HEX SOCKET HD CAP SCREW, 5/16 - 18 X 1
37	F523116		1	EXHAUST SNOUT
38	F438930		1	RETAINER, SNOUT
39	F1858		1	HEX CAP SCREW, 5/16 - 18 X 1
40	F8096		7	SPRING LOCKWASHER
41	F1491		6	HEX HD SCREW, 5/16 - 18 X 3 1/4
42	F8077		2	WASHER, GEAR HOUSING PLUG
43	F50109		2	PLUG, GEAR HOUSING

CONTINUED ON NEXT PAGE ➡

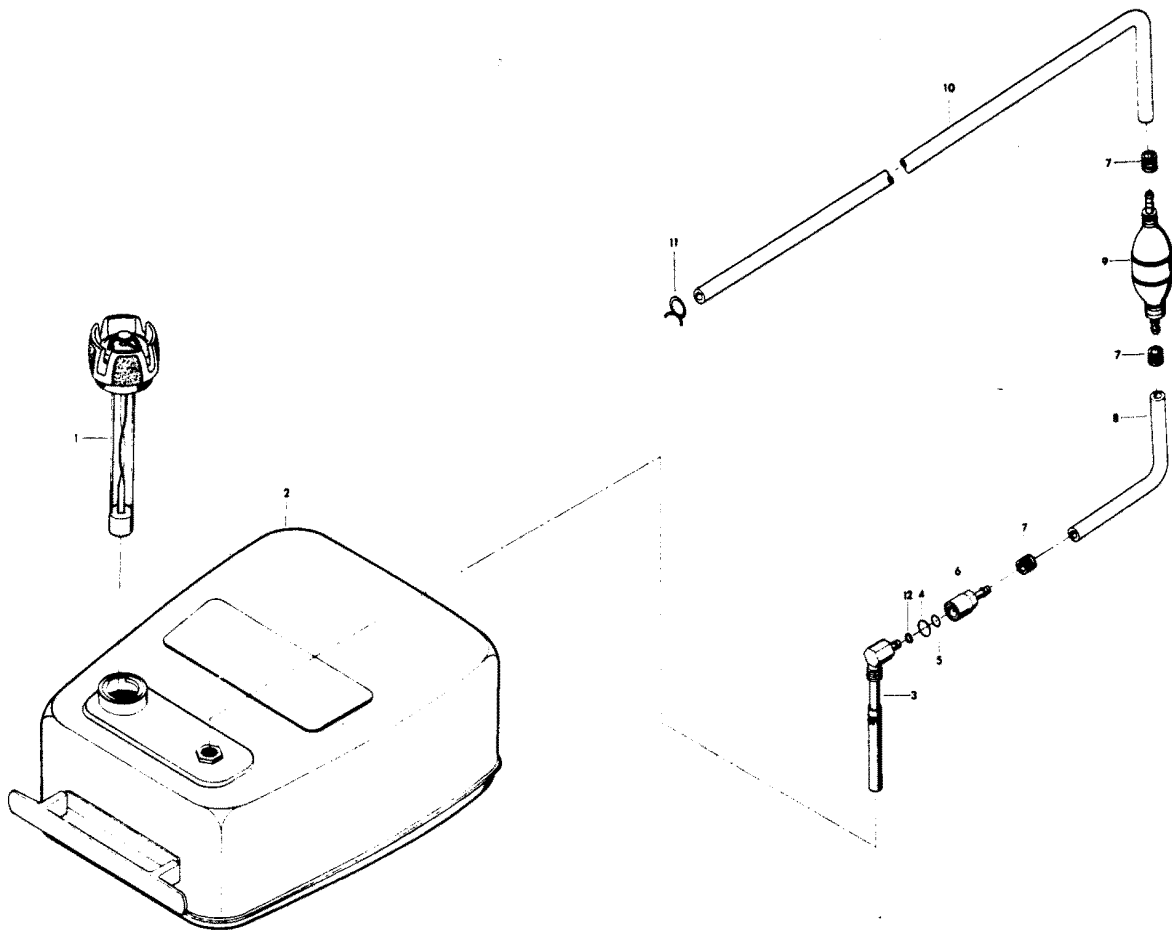
GEAR HOUSING



GEAR HOUSING

REF. NO.	PART NO.	SYM.	QTY.	DESCRIPTION
44	FA84621-1		1	COUPLING, GEAR SHIFT ARM W/BUSHING
45	F523705		1	GEAR SHIFT ROD LOWER
46	F1015		1	COTTER PIN
47	F85372		1	PIN, GEAR SHIFT ROD LOWER
48	F523555		1	SEAL, "O" RING, GEAR HOUSING COVER
49	F523961		1	CRUSH RING
50	F74305		1	SEAL, DRIVESHAFT BEARING CAGE
51	F84307-1		1	SEAL, DRIVESHAFT
52	FA523706		1	GEAR HOUSING COVER W/SEALS
53	F338618-1		1	SEAL, GEAR SHIFT ROD
54	F8083		7	SPRING LOCKWASHER
55	F1999		3	HEX CAP SCREW, 1/4 - 20 X 7/8
56	F523031		1	GASKET, WATER PUMP
57	F523562		1	PLATE, WATER PUMP
58	F523065		1	IMPELLER, WATER PUMP
59	FA523060		1	WATER PUMP BODY W/DRIVESHAFT SEAL, DISC AND WATERLINE SEAL
60	F1990		2	HEX CAP SCREW, 1/4 - 20 X 1 5/8
61	F480388		1	DISC, WATER PUMP LOCATING
62	F1425		2	HEX CAP SCREW, 1/4 - 20 X 1 5/8
63	F351307		1	SEAL, DRIVESHAFT - WATER PUMP
64	FA523735		1	SEAL, INLET WATER LINE, LOWER
65	F523057		1	BEARING, DRIVESHAFT LOWER
67	F523498		1	DRIVE KEY, WATER PUMP
68	45-818017A3		1	DRIVESHAFT W/BEARING, SHIMS AND CRUSH RING
69	F438271		1	RETAINER, CRANKSHAFT SPLINE SEAL
70	F438129		1	SEAL, DRIVESHAFT SPLINE
71	F1866		1	PLAIN WASHER
72	F1856		2	PLAIN WASHER
-	FC523054		1	GEAR HOUSING COMPLETE INCLUDES ALL ITEMS MARKED WITH AN ASTERISK (*).

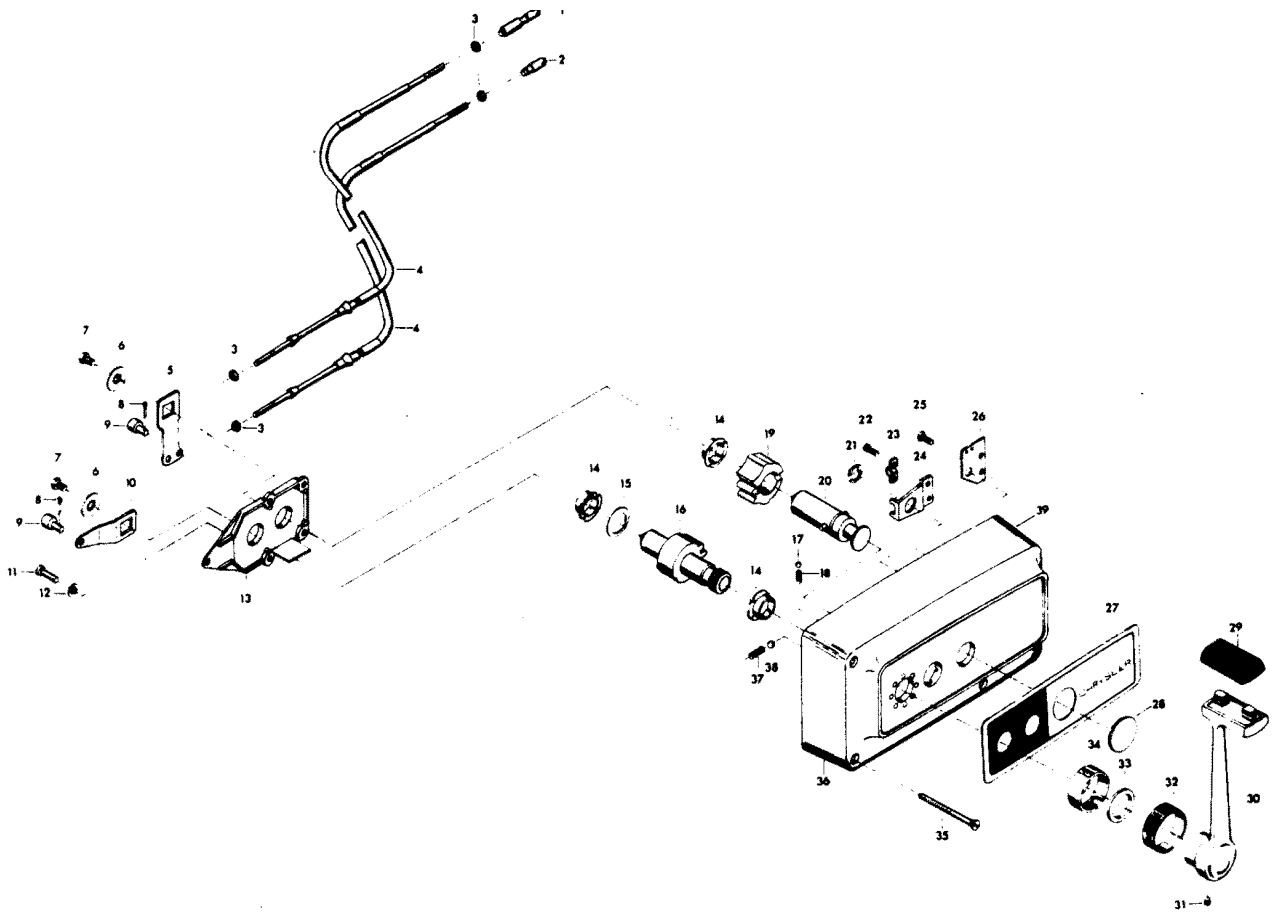
FUEL TANK AND LINE



FUEL TANK AND LINE

REF. NO.	PART NO.	SYM.	QTY.	DESCRIPTION
1	F409251-1		1	GAUGE CAP
2	F71H08		1	FUEL TANK (ACCESSORY ITEM)
3	F485755-1		1	FUEL TANK ADAPTER
4	F213342		1	SEAL, FUEL LINE COUPLER (LARGE)
5	F213735		1	SEAL, FUEL LINE COUPLER (SMALL)
6	F197787-3		1	FUEL LINE COUPLER
7	F298788		3	FERRULE
8	FA84754-1		1	FUEL LINE SHORT W/FERRULES
9	89396A38		1	PRIME BULB
10	32-817738A1		1	FUEL LINE LONG W/CLAMP AND FERRULE
11	F97772		1	FUEL LINE CLAMP
12	F17932		1	SEAL, FUEL LINE COUPLER
-	FS409752		1	FUEL LINE COMPLETE (NOT SHOWN)
-	FC409398		1	DECAL TOTE TANK - CANADA (NOT SHOWN)

REMOTE CONTROL

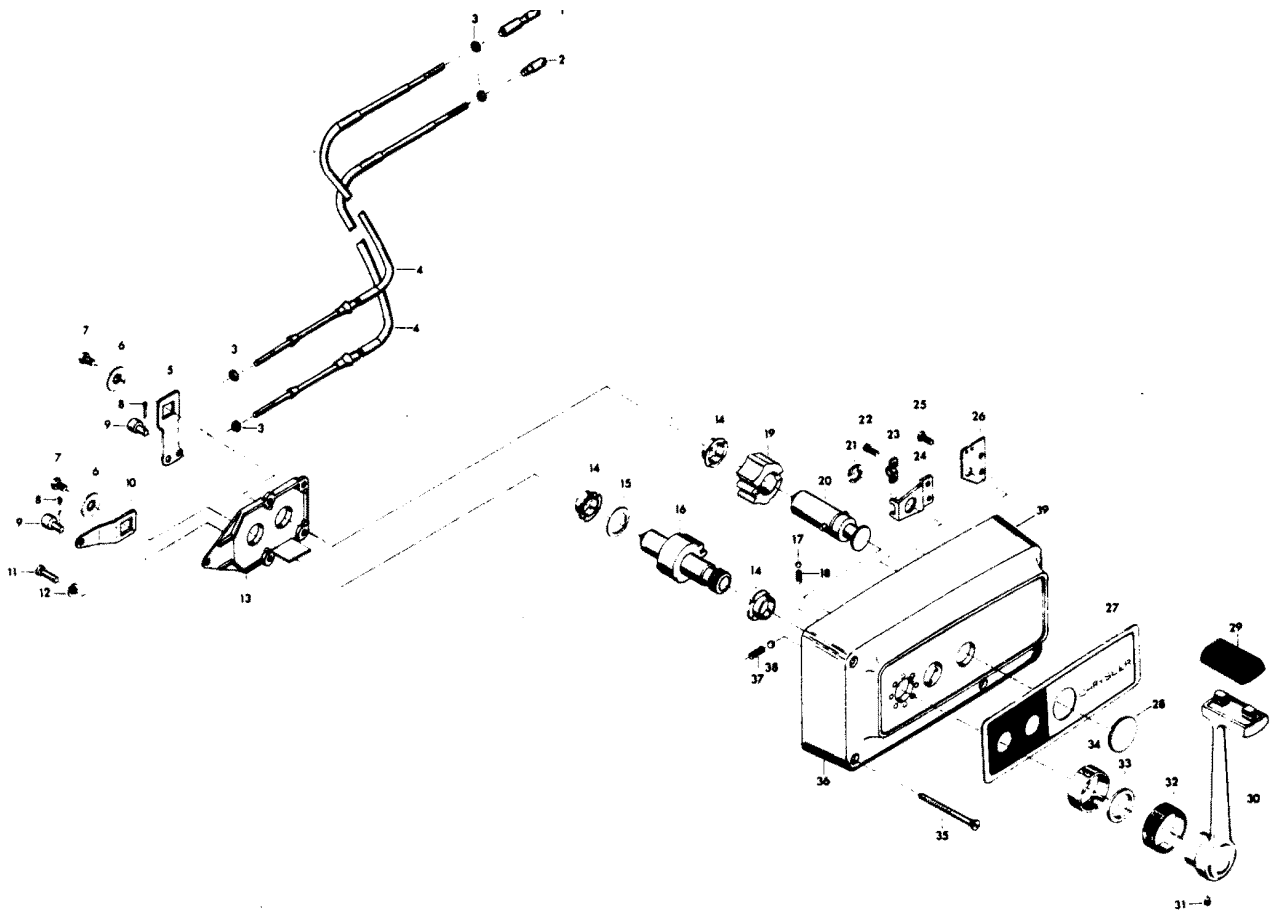


REMOTE CONTROL

REF. NO.	PART NO.	SYM.	QTY.	DESCRIPTION
1	FA58976-1		1	CONNECTOR, THROTTLE CABLE
2	F58685-2		1	CONNECTOR, SHIFT CABLE
3	F1513		4	HEX NUT
4	ÄF58356//		2	REMOTE CONTROL CABLE (SPECIFY LENGTH)
5	F17019		1	CLUTCH ARM
6	F17036		2	INTERNAL TOOTH LOCKWASHER
7	F1715		2	HEX BOLT, 1/4 - 28 X 9/16
8	F17015		2	COTTER PIN
9	F17016		2	CABLE TERMINAL
10	F17014		1	THROTTLE ARM
11	F17013		2	FILL HD SCREW, 1/4 - 20 X 1/2
12	F17020		2	INTERNAL TOOTH LOCKWASHER
13	F17012		1	RETAINING PLATE
14	F17009		3	BEARING
15	F17011		1	BOWED WASHER
16	F17010-1		1	THROTTLE GEAR
17	F17111		1	DETENT BALL
18	F17006		1	DETENT SPRING
19	F17021		1	CLUTCH GEAR
20	F17100		1	CLUTCH SHAFT
21	F17092		1	SNAP RING
22	F17107		2	FILL HD SCREW, 10 - 24 X 5/16
23	F154317		1	CABLE CLAMP
24	F17026		1	SWIVEL
25	F1557		2	FLAT HD SCREW, 10 - 24 X 3/8
26	F17112		1	JUNCTION BOARD, STARBOARD
-	F17113		1	JUNCTION BOARD, PORT
27	F17101		1	DECAL, STARBOARD
-	17102		1	DECAL, PORT
28	F17031		1	SNAP CAP
29	F17116		1	KNOB
30	F17115		1	HANDLE
31	F17030-1		1	SET SCREW
32	FK17114-1		1	INDICATOR
33	F17105		1	FELT WASHER
34	F17106		1	COLLAR
35	17108		1	WOOD SCREW

CONTINUED ON NEXT PAGE ➡

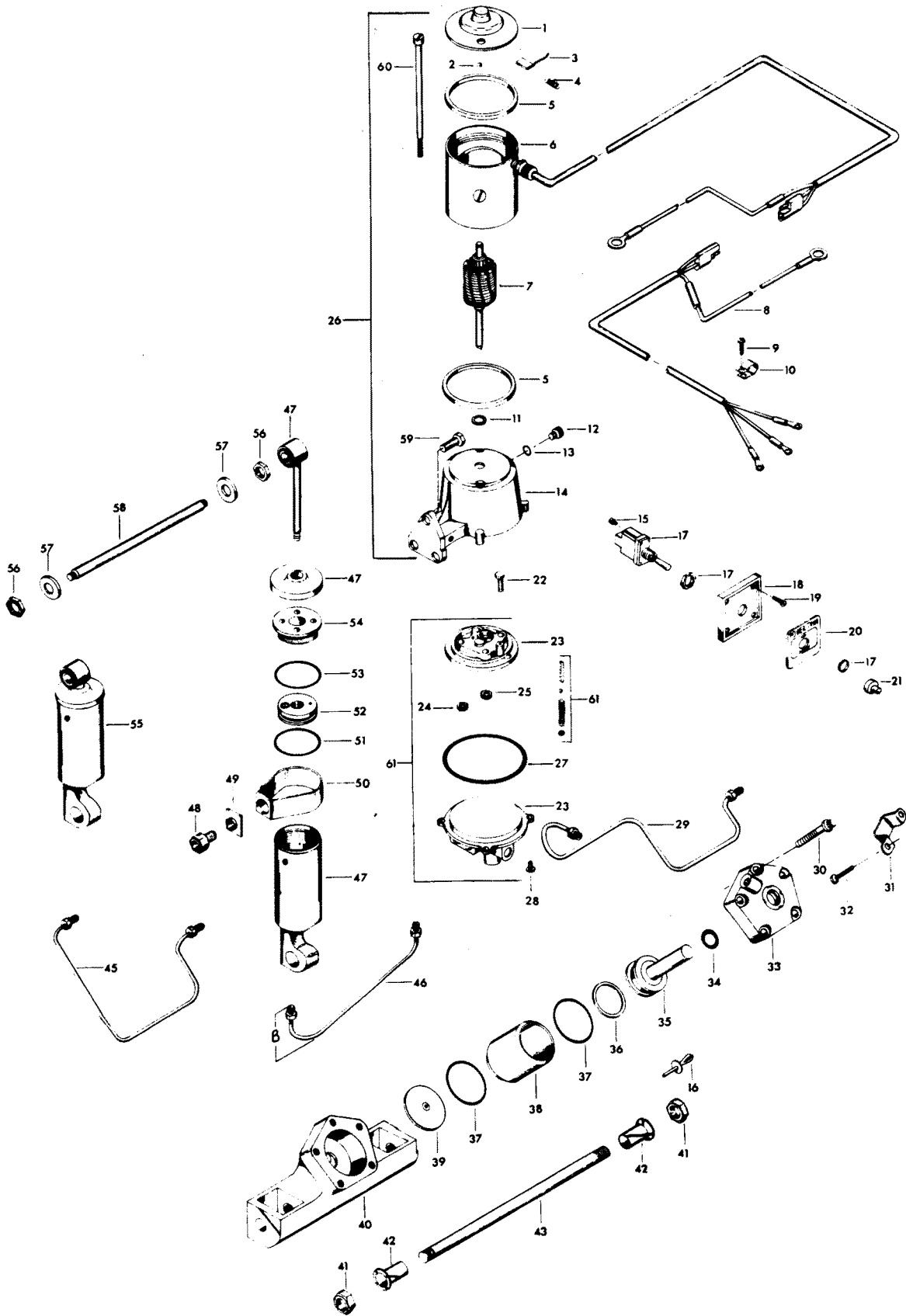
REMOTE CONTROL



REMOTE CONTROL

REF. NO.	PART NO.	SYM.	QTY.	DESCRIPTION
36	F17068		1	HOUSING
37	F17008		1	DETENT SPRING
38	F17082-1		1	DETENT BALL
39	F72H36		1	REMOTE CONTROL UNIT, SINGLE LEVER STARBOARD MOUNT (ACCESSORY ITEM)
-	F1280		2	PAN HD SCREW, 8 - 32 X 1/4 (TERMINAL BOARD) (NOT SHOWN)

POWER TRIM

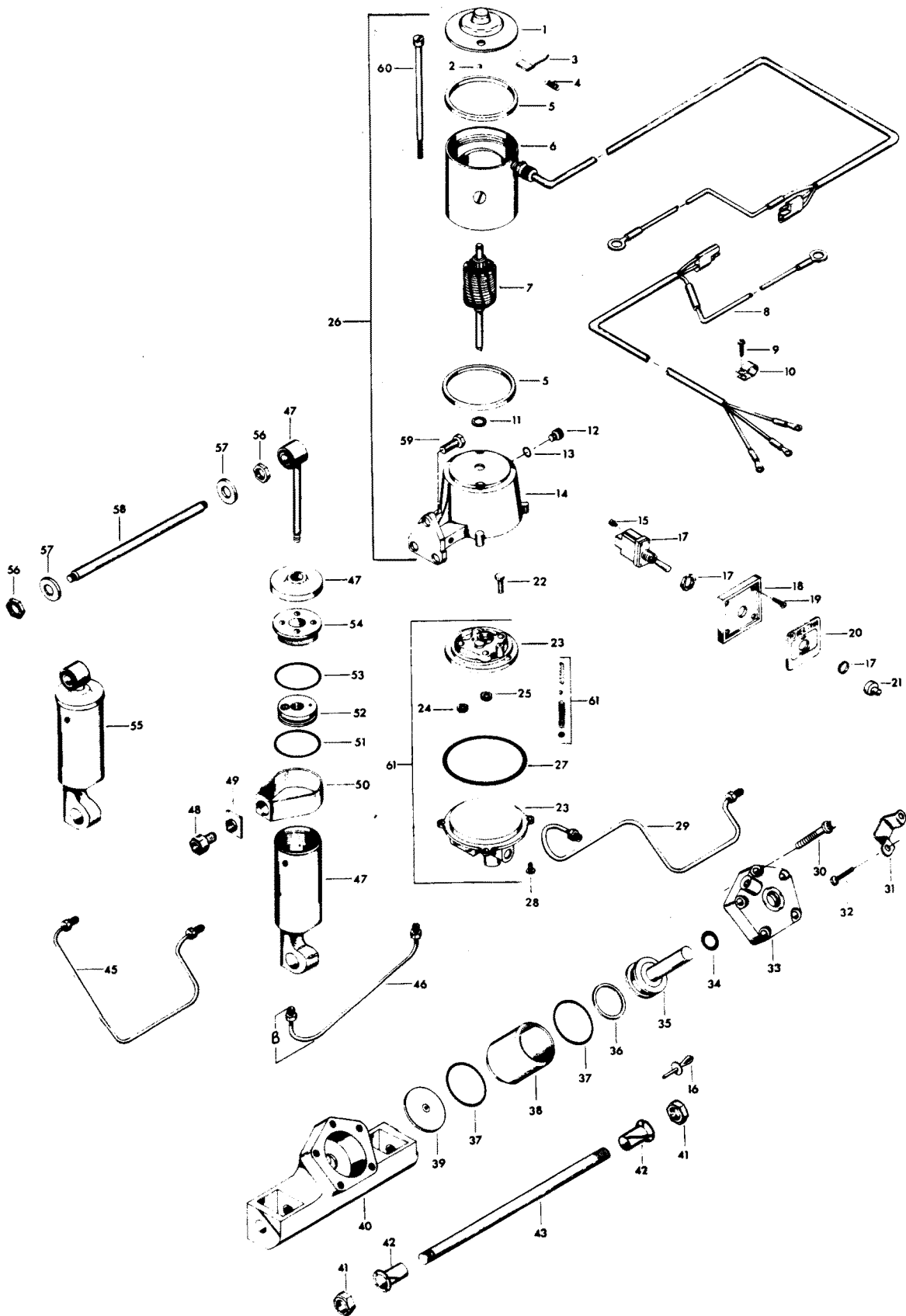


POWER TRIM

REF. NO.	PART NO.	SYM.	QTY.	DESCRIPTION
1	F17543		1	HEAD ASSEMBLY, COMMUTATOR END
2	F17539		1	BALL
3	F17504		1	BRUSH SET
4	F17500		1	SPRING SET
5	F17557		2	GASKET
6	F17556		1	FIELD AND FRAME ASSEMBLY
7	F17555		1	ARMATURE
8	F449843		1	CABLE
9	F1741		2	THREAD FORMING SCREW, 8 X 3/4
10	F178446		2	CLAMP
11	F17508		AR	THRUST WASHER
12	F17518		1	FILLER CAP
13	F17510		1	"O" RING
14	F17505		1	RESERVOIR AND BRACKET ASSEMBLY W/SEAL
15	F1280		3	PAN HD SCREW, 8 - 32 X 1/4
16	F1966		1	PLUG, SWIVEL BRACKET
17	F299449-3		1	SWITCH W/HARDWARE
18	F413420		1	SWITCH RETAINER
19	F1934		4	FLAT HD SCREW, 6 X 1/2
20	F449181		1	SWITCH PLATE
21	F351276		1	SWITCH BOOT
22	F1203		1	HEX CAP SCREW, 1/4 - 20 X 7/8
23	F17564		1	VALVE BODY AND PUMP
24	F17566		1	IDLE GEAR
25	F17565		1	DRIVE GEAR
26	F17563		1	MOTOR AND RESERVOIR ASSEMBLY
27	F17522		1	"O" RING
28	F1310		4	RD HD SCREW, 10 - 24 X 5/8
29	F449254		1	HYDRAULIC LINE, TRIM CYLINDER UPPER
30	F1959		5	FERRY HD CAP SCREW, 1/4 - 20 X 3/4, STAINLESS STEEL
31	F449354		1	THRUST BRACKET
32	F1734		2	FILL HD MOUNTING SCREW AND LOCKWASHER, 1/4 - 20 X 1/2
33	FA449149		1	COVER ASSEMBLY W/SEALS AND RETAINER
34	F449342		1	SEAL, PISTON SHAFT
35	FA449015		1	PISTON
36	F449278		1	PISTON SEAL
37	F40278		2	SEAL, CYLINDER
38	F449010		1	CYLINDER
39	FA449799		1	PLATE ASSEMBLY
40	F449545-2		1	CYLINDER HOUSING
41	F1963		2	ELASTIC STOP NUT, 5/8 - 18
42	F178362		2	BEARING

CONTINUED ON NEXT PAGE ➡

POWER TRIM



POWER TRIM

REF. NO.	PART NO.	SYM.	QTY.	DESCRIPTION
43	F449632		1	SHAFT
44	F449253-1		1	HYDRAULIC LINE, TRIM CYLINDER, LOWER
45	F449758		1	HYDRAULIC LINE, LIFT CYLINDER, UPPER
46	F449754-1		1	HYDRAULIC LINE, LIFT CYLINDER, LOWER
47	FA17559		1	LIFT CYLINDER, COMPLETE
48	F17577		1	ADAPTER FITTING PACKAGE
49	F17577		1	ADAPTER FITTING PACKAGE
50	F17577		1	ADAPTER FITTING PACKAGE
51	F17561-1		1	"O" RING, PISTON
52	F17562-1		1	PISTON ASSEMBLY
53	F17528		1	"O" RING
54	F17560		1	HEAD ASSEMBLY
55	FA178962		1	SHOCK ABSORBER W/BUSHING
56	F1931		2	STOP NUT, 1/2 - 20, S/S
57	F1960		2	PLAIN WASHER
58	F449889		1	SHAFT, UPPER
59	F1822		3	HEX CAP SCREW, 5/16 - 18 X 7/8, STAINLESS STEEL
60	F17558		1	THRU-BOLT PACKAGE
61	F17568		1	HYDRAULIC PUMP AND VALVE ASSEMBLY
62	F1877		2	TY-RAP (NOT SHOWN)

SPECIAL TOOLS - TUNE-UP

REF. NO.	PART NO.	SYM.	QTY.	DESCRIPTION
-	FT8948-1		0	FLYWHEEL PULLER TO REMOVE FLYWHEEL.
-	FTA2937-1		0	TIMING TOOL TO SET INITIAL SPARK ADVANCE.
-	FT8978		0	POWER TIMING LIGHT FOR FINAL ADJUSTMENT OF SPARK ADVANCE.

SPECIAL TOOLS - POWER HEAD

REF. NO.	PART NO.	SYM.	QTY.	DESCRIPTION
-	FT8914		0	SEAL REMOVER TO REMOVE UPPER CRANKSHAFT BEARING CAGE SEAL.
-	FT8903		0	SEAL INSTALLER TO INSTALL UPPER CRANKSHAFT BEARING CAGE SEAL.
-	FT8927		0	SEAL PROTECTOR TO INSTALL UPPER CRANKSHAFT BEARING CAGE SEAL.
-	FT8907		0	DRIVE HANDLE USED WITH T8910, T8909, T8908 AND T8903.
-	FT8922		0	SLIDE HAMMER TO REMOVE UPPER CRANKSHAFT BEARING CAGE SEAL. ALSO USED TO REMOVE BEARING CUPS FROM PROPELLER SHAFT BEARING CAGE.
-	FT2953		0	SOCKET TO TORQUE CONNECTING ROD SCREWS.
-	FT2990		0	PISTON PIN TOOL TO REMOVE AND INSTALL PISTON PINS (105 - 120).
-	FTA8994		0	PISTON PIN TOOL TO REMOVE AND INSTALL PISTON PINS (135).
-	FT2996		0	RING COMPRESSOR TO INSTALL PISTON RINGS.
-	FT8926		0	RING EXPANDER TO INSTALL PISTON RINGS.

SPECIAL TOOLS - GEAR HOUSING

REF. NO.	PART NO.	SYM.	QTY.	DESCRIPTION
-	FT8948-1		0	PROPELLER SHAFT BEARING CAGE PULLER TO REMOVE PROPELLER SHAFT BEARING CAGE AND SPOOL FROM GEAR HOUSING.
-	FT8985		0	PROPELLER SHAFT SPOOL SEAL INSTALLER TO INSTALL PROPELLER SHAFT SEAL IN PROPELLER SHAFT SPOOL.
-	FT8925		0	DRIVESHAFT SEAL INSTALLER TO INSTALL DRIVESHAFT SEAL IN GEAR HOUSING COVER.
-	FT8901		0	INDICATOR HOLDER USED IN CONJUNCTION WITH T8997.
-	FT8902		0	DIAL INDICATOR USED IN CONJUNCTION WITH T8997.
-	FT8919		0	SPRING PIN PUNCH TO REMOVE CLUTCH SPRING PIN.
-	FT8957		0	SEAL INSTALLER TO INSTALL SHIFT ROD SEAL.
-	FT8997		0	SHIMMING TOOL TO SHIM LOWER UNIT.

SPECIAL TOOLS - TEST EQUIPMENT

REF. NO.	PART NO.	SYM.	QTY.	DESCRIPTION
-	FT8933		0	LIFTING HOOK TO LIFT ENGINE.
-	FT8950		0	LEAKAGE TESTER TO TEST LOWER UNIT SEALS FOR LEAKAGE.

ACCESSORIES

REF. NO.	PART NO.	SYM.	QTY.	DESCRIPTION
-	F5H015		0	FLUSHING ADAPTER PERMITS FRESH WATER FLUSHING OF WATER PASSAGES WITH STANDARD GARDEN HOSE.
-	F5H063		0	SYNCHRO-DRIVE CONTROL BOX (SINGLE LEVER) PERMITS REMOTE CONTROL OF THROTTLE AND GEAR SHIFT FROM STARBOARD SIDE OF BOAT.
-	5H067		0	PORT SIDE DECAL KIT CONVERTS 72H36 CONTROL BOX TO PORT SIDE MOUNTING.
-	F590		0	SYNCHRO-DRIVE CONTROL HEAD (SINGLE LEVER) FLUSH MOUNT CONTROL UNIT PERMITS REMOTE CONTROL OF THROTTLE AND GEAR SHIFT. MAY BE MOUNTED ON PORT OR STARBOARD SIDE OF BOAT.
-	865		0	TWIN SYNCHRO-DRIVE CONTROL BOX PERMITS REMOTE CONTROL OF THROTTLE AND GEAR SHIFT ON TWIN ENGINE INSTALLATIONS. MAY BE MOUNTED ON PORT OR STARBOARD SIDE OF BOAT.
-	F5H079		0	SYNCHRO-DRIVE CONTROL BOX FOR MOUNTING ON CONSOLE OF BOAT.
-	F5H080		0	TWIN SYNCHRO-DRIVE CONTROL BOX FOR MOUNTING ON CONSOLE OF BOAT.
-	F195/___		0	REMOTE CONTROL CABLES CONNECTS REMOTE CONTROL BOX TO THROTTLE AND GEAR SHIFT ON ENGINE. AVAILABLE IN 6 THROUGH 40 FOOT LENGTHS.
-	F165		0	REMOTE STEERING BRACKET ADAPTS ENGINE TO CABLE TYPE REMOTE STEERING.
-	F5H018		0	DUAL ENGINE TIE BAR PERMITS DUAL ENGINE INSTALLATIONS.
-	F5H026		0	STEEL, 6 GALLON FUEL TANK (LOW PROFILE)
-	F5H029		0	TANK ANCHOR SECURES 71H08 TO BOAT.
-	F5H040		0	STEEL, 12 GALLON FUEL TANK
-	F5H019		0	ANTI-CORROSION KIT ELECTRICAL KIT FOR MOUNTING ON BOAT (12V) TO REDUCE CORROSION.
-	F5H025		0	ANTI-CORROSION SACRIFICIAL ANODE KIT USED TO REDUCE CORROSION.
-	F5H043		0	OVERHEAT BUZZER SOUNDS WARNING BUZZER IF ENGINE OVERHEATS.
-	F5H010		0	POWER TRIM INDICATOR INDICATES ENGINE TRIM ANGLE. (FLUSH MOUNT)
-	5H061		0	FROST WHITE LACQUER ENGINE TOUCH-UP PAINT IN 16 OZ. SPRAY BOMBS (12 CANS PER CASE).
-	5H016		0	GOLD LACQUER ENGINE TOUCH-UP PAINT IN 6 OZ. SPRAY BOMBS (12 CANS PER CASE).
-	F5H064		0	EXHAUST SNOOT
-	F5H081		0	BATTERY CABLE LONGER LENGTH - 15 FEET.
-	F5H006		0	VOLTMETER - FLUSH MOUNT INDICATES BATTERY CONDITION.
-	5H048		0	CANVAS HOOD PROTECTION FOR ENGINE COVER.
-	5H051		0	BATTERY, 74 AMP 12 VOLT HEAVY DUTY BATTERY.
-	F5H021		0	EXTENSION CABLE FOR LENGTHENING BATTERY CABLE 6 1/2 FEET.

CONTINUED ON NEXT PAGE ➡

ACCESSORIES

REF. NO.	PART NO.	SYM.	QTY.	DESCRIPTION
-	F5H037		0	CIGAR LIGHTER FOR MOUNTING LAMPS, SWITCHES, ETC.
-	877		0	DECAL SET FOR RACING ENGINE IDENTIFICATION.
-	F5H008		0	FUEL GAUGE FLUSH MOUNT MONITORS FUEL SUPPLY.
-	F5H050		0	HYDRAULIC TILT HYDRAULIC UNIT TO RAISE AND LOWER THE LOWER UNIT WHEN BEACHING OR TRAILERING BOAT.
-	F5H077		0	IGNITION KEY SWITCH SHORT BARREL WITH KEYS.
-	F5H078		0	IGNITION KEY SWITCH LONG BARREL WITH KEYS.
-	F762		0	REMOTE ELECTRIC CABLE 25 FOOT CABLE FOR LARGE BOATS.
-	F5H070		0	REMOTE ELECTRIC CABLE 21 FOOT CABLE FOR LARGE BOATS.
-	F5H028		0	SENDING UNIT FOR USE WITH FUEL GAUGE.
-	F5H005		0	TEMPERATURE GAUGE FLUSH MOUNT MONITORS ENGINE TEMPERATURE. DO NOT USE TEMPERATURE GAUGE AND HEAT LAMP IN SAME INSTALLATIONS.
-	F5H012		0	TACHOMETER FLUSH MOUNT MONITORS ENGINE R.P.M. TO PROVIDE CHECK OF ENGINE PERFORMANCE.
-	F5H074		0	WATER PUMP KIT HEAVY DUTY WATER PUMP KIT.
-	F5H042		0	POWER TRIM ADJUSTS ENGINE TRIM AND TILTS ENGINE.
-	F5H004		0	SPEEDOMETER MONITORS BOAT SPEED 10-50 M.P.H.
-	F5H076		0	SWITCH EXTENSION CABLE 5 FOOT LONG SWITCH WIRING HARNESS.
-	F5H012		0	SPEEDOMETER FLUSH MOUNT MONITORS BOAT SPEED (10-65 M.P.H.) ORIGINAL FORCE P/N 5H0012
-	F5H003		0	SPEEDOMETER FLUSH MOUNT MONITORS BOAT SPEED (TO 100 KM/H)
-	F5H044		0	TILT STOP KIT LIMITS TILTING ANGLE.

SPECIFICATIONS

REF. NO.	PART NO.	SYM.	QTY.	DESCRIPTION
-			0	HORSEPOWER 115 B.I.A. CERTIFIED BRAKE H.P. AT 5000 R.P.M.
-			0	MOTOR TWO-CYCLE, FOUR CYLINDER ALTERNATE FIRING.
-			0	BORE AND STROKE 3 5/16" BORE X 2.8" STROKE.
-			0	DISPLACEMENT 99.8 CUBIC INCHES
-			0	CONNECTING RODS NICKEL STEEL. CAGED NEEDLE BEARINGS AT CRANKSHAFT. FULL COMPLIMENT NEEDLE BEARINGS AT PISTON PIN.
-			0	CRANKSHAFT NICKEL STEEL. BALL BEARINGS AT UPPER MAIN. CAGED NEEDLE BEARINGS AT CENTER MAIN AND CASED NEEDLE BEARINGS AT LOWER MAIN.
-			0	CORROSION PROTECTION ALODINE TREATED CASTINGS, STAINLESS STEEL DRIVE SHAFT, PROPELLER SHAFT, GEAR SHIFT ROD AND UNDERWATER FASTENERS.
-			0	FUEL SYSTEM VACUUM TYPE FUEL PUMP. FLOAT FEED CARBURETOR WITH FIXED HIGH SPEED JET AND ADJUSTABLE LOW SPEED JET.
-			0	FUEL FILTERS FILTER SCREENS IN FUEL TANK AND FUEL PUMP.
-			0	STARTER ELECTRIC.
-			0	COOLING WATER COOLED, THERMOSTATICALLY CONTROLLED. POSITIVE DISPLACEMENT TYPE WATER PUMP.
-			0	TRANSOM HEIGHT 20".
-			0	WEIGHT 248 LBS.
-			0	RECOMMENDED OPERATING RANGE 4500-5500 R.P.M.
-			0	FUEL TANK SEPARATE STEEL, 6 U.S. GALLONS, 5 IMPERIAL GALLON CAPACITY.

LUBRICATION CHART

REF. NO.	PART NO.	SYM.	QTY.	DESCRIPTION
-			0	GEAR HOUSING SEE BLOCK COMMENT 1.
-			0	CONTROL LINKAGE LUBRICATE ALL MOVING PARTS AND CONTROL LINKAGE WITH RYKON #2 EP, PART #T-2961 TWICE EACH SEASON OR OFTENER IF REQUIRED.
-			0	STERN BRACKET LUBRICATE STERN BRACKET AND ASSOCIATED PARTS WITH RYKON #2 EP, PART #T-2961 TWICE EACH SEASON OR OFTENER IF REQUIRED.
-			0	GREASE FITTINGS GREASE FITTINGS ARE PROVIDED AT CRITICAL POINTS WHERE BEARING SURFACES ARE NOT EXPOSES EXTERNALLY. USING AN AUTOMOTIVE - TYPE GREASE GUN AND LUBRICANT, GREASE TWICE EACH SEASON OR OFTENER IF REQUIRED.
-			0	STARTER PINION GEAR LUBRICATE WITH RYKON #2 EP, PART NO. T2961, TWICE EACH SEASON OR OFTENER IF REQUIRED.

SPECIAL ADJUSTMENTS

REF. NO.	PART NO.	SYM.	QTY.	DESCRIPTION
-			0	SPARK PLUG CHAMPION (L20V)
-			0	SPARK PLUG CHAMPION (QL-76V) FOR MODEL 1159BA
-			0	FLYWHEEL NUT TORQUE TO 90 FOOT POUNDS.
-			0	CYLINDER HEAD BOLT

PARTS INDEX

Part Number	Description	Pg.	Ref. No.	Part Number	Description	Pg.	Ref. No.
ÄF58356//	REMOTE CONTROL CABLE (SPECIFY LENGTH)	43	4	F1108	FILL HD SCREW, 1/4 - 20 X 3/4	21	13
14048-2	PREAMPLIFIER	13	17	F1187	HEX HD SCREW, 1/4 - 20 X 1	27	43
17102	DECAL, PORT	43	-	F1203	HEX CAP SCREW, 1/4 - 20 X 7/8	29	107
17108	WOOD SCREW	43	35	F1203	HEX CAP SCREW, 1/4 - 20 X 7/8	47	22
370396	DECAL, LEG COVER STARBOARD (NOT SHOWN)	35	-	F1236	SCREW, 1/4 - 20 X 1/2	21	22
370397	DECAL, LEG COVER PORT (NOT SHOWN)	35	59	F1238	HEX CAP SCREW, 1/4 - 20 X 3/4	3	14
480373	DECAL, MAGNAPOWER IGNITION (NOT SHOWN) .	9	-	F1238	HEX CAP SCREW, 1/4 - 20 X 3/4	27	54
481373-1	DECAL, "ELECTRONIC" (NOT SHOWN)	15	-	F1253	HEX SOCKET HD CAP SCREW, 3/8 - 16 X 2	25	9
5H016	GOLD LACQUER	54	-	F1263	HEX SOCKET HD CAP SCREW, 5/16 - 18 X 9/16 .	33	13
5H048	CANVAS HOOD	54	-	F1280	PAN HD SCREW, 8 - 32 X 1/4	7	33
5H051	BATTERY, 74 AMP	54	-	F1280	PAN HD SCREW, 8 - 32 X 1/4	47	15
5H061	FROST WHITE LACQUER . .	54	-	F1280	PAN HD SCREW, 8 - 32 X 1/4 (TERMINAL BOARD) (NOT SHOWN)	45	-
5H067	PORT SIDE DECAL KIT	54	-	F1286	PAN HD SCREW, 4 - 40 X 3/16	25	39
817747--1	BALL JOINT W/STUD	21	23	F1310	RD HD SCREW, 10 - 24 X 5/8	47	28
817747--1	BALL JOINT W/STUD	25	25	F1341	HEX NUT, 1/4 - 20	25	21
817783A5	SWIVEL BRACKET W/BEARINGS & GREASE FITTINGS	33	39	F1346	HEX NUT	33	22
817786A1	DISTRIBUTOR PULLEY	13	3	F14005-2	CAP BASE	13	37
817788A3	SPACER PLATE W/PLUGS . .	27	73	F14007	CAP SCREW	13	33
817828A1	DISTRIBUTOR	15	-	F14010-1	CAP COVER	13	34
817932A6	TOWERSHAFT W/SWIVEL, BEARINGS AND SCREWS	25	19	F14012-1	BRUSH	13	39
85872-1	BRACKET	27	59	F14015	CAP CLIP RIVET	13	21
865	TWIN SYNCHRO-DRIVE CONTROL BOX	54	-	F14017	TERMINAL INSULATOR (OUTSIDE)	15	46
877	DECAL SET	55	-	F14021-1	CAP SEAL	13	36
89396A38	PRIME BULB	41	9	F14024	SPACER	13	42
A512010-1	CYLINDER, PARTING LINE SEAL, SCREWS & DOWEL PINS	25	1	F14025	SPACER	13	4
A85135-3	LEG COVER FRONT	33	43	F14028	THRUST WASHER	13	5
AC16395-8	IDENTIFICATION PLATE W/SCREWS FOR CANADA MODELS.	3	-	F14029	THRUST WASHER	13	7
C512010-1	SHORT BLOCK	29	-	F14030	CAP GASKET	13	38
C523227	SPARK PLUG (CHAMPION QL-76V) FOR MODEL 1159BA	27	-	F14036	SWIVEL	13	13
F10000	GASKET SET (NOT SHOWN)	19	-	F14037	CAP CLIPS	13	14
F10005	REPAIR PARTS KIT	19	-	F14038	CAP CLIP SCREWS	13	15
F1009	HEX HD SCREW, 3/8 - 16 X 2 3/4	25	5	F14040	VENT	13	35
F1014	COTTER PIN	17	17	F14041	EXTERNAL TOOTH LOCKWASHER	13	23
F1015	COTTER PIN	39	46	F14042	DISTRIBUTOR HOUSING W/BEARINGS	13	12
F1052	FILL HD SCREW, 1/4 - 20 X 1	25	22	F14044	DISTRIBUTOR SHAFT	13	40
F1059	FILL HD SCREW, 6 - 32 X 1/4	17	21	F14045	SCREW	13	16
F1064	FILL HD SCREW, 8 - 32 X 3/8	17	3	F14046	TERMINAL SCREW	13	19
F1099	FILL HD SCREW, 1/4 - 20 X 1 1/4	25	13	F14047	TERMINAL INSULATOR (INSIDE)	13	20
F1099	FILL HD SCREW, 1/4 - 20 X 1 1/4	27	55	F14049	TERMINAL INSULATOR (OUTSIDE)	13	22
F1107	SLOTTED FILL HD CAP SCREW, 1/4 - 20 X 3/4 . . .	27	76	F1425	HEX CAP SCREW, 1/4 - 20 X 1 5/8	39	62
				F1447	ROUND HD SCREW, 2 X 3/16	3	19
				F1473	HEX NUT	3	36

PARTS INDEX

Part Number	Description	Pg.	Ref. No.	Part Number	Description	Pg.	Ref. No.
F1491	HEX HD SCREW, 5/16 - 18 X 3 1/4	37	41	F1693	TIE BAR RETAINER	17	4
F1502	HEX CAP SCREW, 1/4 - 20 X 5/8	3	20	F1696	HEX BOLT, 5/16 - 18 X 1 3/4	33	17
F1502	HEX CAP SCREW, 1/4 - 20 X 5/8	11	18	F1699	HEX HD SCREW, 1/4 - 20 X 1 1/8	25	8
F1502	HEX CAP SCREW, 1/4 - 20 X 5/8	21	5	F17006	DETENT SPRING	43	18
F1502	HEX CAP SCREW, 1/4 - 20 X 5/8	27	48	F17008	DETENT SPRING	45	37
F15034	SPRING SET	11	22	F17009	BEARING	43	14
F15054	BRUSH AND TERMINAL SET	11	12	F17010-1	THROTTLE GEAR	43	16
F15057	BRUSH PLATE AND HOLDER ASSEMBLY	11	23	F17011	BOWED WASHER	43	15
F15099	ARMATURE	11	10	F17012	RETAINING PLATE	43	13
F15118	BENDIX DRIVE ASSEMBLY	11	5	F17013	FILL HD SCREW, 1/4 - 20 X 1/2	43	11
F15125	HEAD ASSEMBLY, COMMUTATOR END	11	21	F17014	THROTTLE ARM	43	10
F15126	THRUST WASHER PACKAGE	11	9	F17015	COTTER PIN	43	8
F1513	HEX NUT	7	18	F17016	CABLE TERMINAL	43	9
F1513	HEX NUT	43	3	F17019	CLUTCH ARM	43	5
F1513	HEX NUT, 10 - 32	21	27	F17020	INTERNAL TOOTH LOCKWASHER	43	12
F1513	HEX NUT, 10 - 32	25	27	F17021	CLUTCH GEAR	43	19
F1515	HEX NUT	7	24	F17026	SWIVEL	43	24
F1515	HEX NUT	21	29	F1703	LOCKWASHER	27	71
F15166	FRAME AND FIELD ASSEMBLY	11	11	F1703	SPRING LOCKWASHER	35	48
F15167	HEAD ASSEMBLY, DRIVE END	11	8	F17030-1	SET SCREW	43	31
F15168	THRU BOLT PACKAGE	11	16	F17031	SNAP CAP	43	28
F1528	WELCH PLUG	33	33	F17036	INTERNAL TOOTH LOCKWASHER	43	6
F154317	CABLE CLAMP	43	23	F1704	INTERNAL TOOTH LOCKWASHER	23	49
F1556	FILL HD SCREW W/LOCKWASHER, 10 - 24 X 3/8	25	23	F1705	HEX CAP SCREW, 1/4 - 20 X 3/4	7	23
F1557	FLAT HD SCREW, 10 - 24 X 3/8	43	25	F1705	HEX CAP SCREW, 1/4 - 20 X 3/4	37	1
F1577	FILL HD SCREW, 1/4 - 20 X 3/4	37	19	F17068	HOUSING	45	36
F1593	HEX HD SCREW, 3/8 - 16 X 3	33	20	F17082-1	DETENT BALL	45	38
F1612	HEX CAP SCREW, 3/8 - 16 X 1 1/4	13	8	F1709	HEX BOLT, 1/4 - 20 X 1 1/8	29	87
F1641	LOCK NUT, 1/4 - 28	11	6	F17092	SNAP RING	43	21
F1645	RD HD SCREW, 6 - 32 X 1/4	23	50	F17100	CLUTCH SHAFT	43	20
F1645	RD HD THD. CUTTING SCREW. 6 - 32 X 1/4	7	27	F17101	DECAL, STARBOARD	43	27
F1647	HEX NUT, 8 - 32	7	6	F17105	FELT WASHER	43	33
F1647	HEX NUT, 8 - 32	13	24	F17106	COLLAR	43	34
F1647	HEX NUT, 8 - 32	29	96	F17107	FILL HD SCREW, 10 - 24 X 5/16	43	22
F1648	PAN HD SCREW, 10 - 24 X 3/4	7	16	F17111	DETENT BALL	43	17
F165	REMOTE STEERING BRACKET	54	-	F17112	JUNCTION BOARD, STARBOARD	43	26
F1664	SPRING PIN	33	7	F17113	JUNCTION BOARD, PORT	43	-
F1678	FILL HD SCREW, 10 - 24 X 13/16	7	2	F17115	HANDLE	43	30
F1689	HEX HD CAP SCREW, 1/4 - 20 X 1/2	9	42	F17116	KNOB	43	29
F1692	WOODRUFF KEY	13	41	F1713	SPRING PIN	37	25
				F1715	HEX BOLT, 1/4 - 28 X 9/16	43	7
				F1727	PLASTIC RIVET	25	20
				F1729	PLUG	33	5
				F1730	PAN HD SCREW W/SPRING LOCKWASHER, 1/4 - 20 X 5/8	5	44
				F1733	PAN HD MACHINE SCREW, 10 - 24 X 9/16	3	2
				F1734	FILL HD MOUNTING SCREW AND LOCKWASHER, 1/4 - 20 X 1/2	47	32

PARTS INDEX

Part Number	Description	Pg.	Ref. No.	Part Number	Description	Pg.	Ref. No.
F1734	FILL HD SCREW W/LOCKWASHER, 1/4 - 20 X 1/2	7	14	F1788	STOP NUT	37	15
F1741	PAN HD SCREW, 8 X 3/4	7	35	F17932	SEAL, FUEL LINE COUPLER	41	12
F1741	THREAD FORMING SCREW, 8 X 3/4	47	9	F18160-1	CYLINDER DRAIN REED	25	36
F17500	SPRING SET	47	4	F1822	HEX BOLT, 5/16 - 18 X 7/8	35	44
F17504	BRUSH SET	47	3	F1822	HEX CAP SCREW, 5/16 - 18 X 7/8, STAINLESS STEEL	49	59
F17505	RESERVOIR AND BRACKET ASSEMBLY W/SEAL	47	14	F1831	FLAT HD SCREW, 1/4 - 20 X 5/8	23	43
F17508	THRUST WASHER	47	11	F1832	STOP NUT, 1/4 - 20	27	68
F17510	"O" RING	47	13	F184033-1	SWIVEL, TOP CARBURETOR	17	20
F17518	FILLER CAP	47	12	F184122-1	SEAL, PARTING LINE	29	101
F17522	"O" RING	47	27	F184579	"O" RING SEAL	17	19
F17528	"O" RING	49	53	F1849	HEX HD CAP SCREW, 1/4 - 20 X 1 3/8	5	47
F1753	FASTENER	3	38	F1851	FILL HD SCREW W/LOCKWASHER, 10 - 24 X 1/2	7	39
F17539	BALL	47	2	F1854	HEX CAP SCREW, 1/4 - 20 X 5/8	3	25
F17543	HEAD ASSEMBLY, COMMUTATOR END	47	1	F1856	PLAIN WASHER	39	72
F1755	ROUND HD SCREW W/LOCKWASHER, 6 - 32 X 1/4	21	38	F1857	HEX CAP SCREW, 5/16 - 18 X 5/8	3	23
F17555	ARMATURE	47	7	F1857	HEX CAP SCREW, 5/16 - 18 X 5/8	3	35
F17556	FIELD AND FRAME ASSEMBLY	47	6	F1858	HEX CAP SCREW, 5/16 - 18 X 1	3	24
F17557	GASKET	47	5	F1858	HEX CAP SCREW, 5/16 - 18 X 1	37	39
F17558	THRU-BOLT PACKAGE	49	60	F1860	RD HD SCREW, 6 - 32 X 1/4	21	9
F17560	HEAD ASSEMBLY	49	54	F1864	HEX SLOT HD SCREW, 1/4 - 20 X 3/4	33	4
F17561-1	"O" RING, PISTON	49	51	F1866	PLAIN WASHER	39	71
F17562-1	PISTON ASSEMBLY	49	52	F1867	HEX CAP SCREW, 3/8 - 16 X 1	31	19
F17563	MOTOR AND RESERVOIR ASSEMBLY	47	26	F1869	HEX CAP SCREW, 3/8 - 16 X 1 1/4	27	70
F17564	VALVE BODY AND PUMP	47	23	F1871	HEX HD SCREW, 3/8 - 16 X 3/4	35	49
F17565	DRIVE GEAR	47	25	F1872	HEX CAP SCREW, 3/8 - 16 X 1 3/4	25	12
F17566	IDLE GEAR	47	24	F1873	HEX CAP SCREW, 3/8 - 16 X 3	27	50
F17568	HYDRAULIC PUMP AND VALVE ASSEMBLY	49	61	F1874	HEX HD SCREW, 3/8 - 16 X 3 1/8	25	2
F17577	ADAPTER FITTING PACKAGE	49	48	F1877	TY-RAP	7	29
F17577	ADAPTER FITTING PACKAGE	49	49	F1877	TY-RAP (NOT SHOWN)	49	62
F17577	ADAPTER FITTING PACKAGE	49	50	F1885	HEX BOLTS, S.S., 5/16 - 18 X 4 1/4	27	64
F1759	SHIM, DISTRIBUTOR (QTY. AS REQUIRED)	13	11	F1885	HEX CAP SCREW, 5/16 - 18 X 4 1/4	37	6
F1760	PAN HD SCREW, 10 - 24 X 3/8	7	19	F1892	STOP NUT	9	52
F1760	PAN HD SCREW, 10 - 24 X 3/8	13	25	F1904	PLAIN WASHER	33	21
F1760	PAN HD SCREW, 10 - 24 X 3/8	25	3	F1907	PLAIN WASHER	37	7
F177330	FUEL PUMP VALVE	21	10	F1910	STOP NUT, 1/4 - 20	21	25
F178145-3	MOTOR LEG COVER REAR	33	6	F19109	PLUG	27	60
F178168-1	GASKET, CARBURETOR ADAPTER	21	35	F19109	PLUG	37	30
F178323	SEAL, MOTOR LEG	33	12	F1912	HEX HD SCREW, 10 - 24 X 1/2	35	51
F178362	BEARING	47	42	F1914	HEX HD SCREW, 1/4 - 20 X 3/4	25	11
F178404-1	DEFLECTOR PLATE	21	36				
F178446	CLAMP	47	10				
F178754-1	FUEL LINE	17	24				

PARTS INDEX

Part Number	Description	Pg.	Ref. No.	Part Number	Description	Pg.	Ref. No.
F1915	HEX HD SCREW, 1/4 - 20 X 7/8	23	44	F2088	FASTENER	5	45
F1915	HEX HD SCREW, 1/4 - 20 X 7/8	25	6	F2089	SLOTTED PAN HD M. SCREW, 10 - 24 X 5/16	29	105
F1931	STOP NUT, 1/2 - 20, S/S	49	56	F2090	PLUG	27	74
F1934	FLAT HD SCREW, 6 X 1/2	47	19	F2108	LOCK NUT	35	54
F1934	FLAT HD SLOTTED SCREW, 6 X 12	9	50	F2108	STOP NUT, 5/16 - 18	27	67
F1935	PLAIN WASHER	25	42	F213274	GREASE FITTING	13	27
F195/	REMOTE CONTROL CABLES	54	-	F213274	GREASE FITTING	33	31
F1950	HEX CAP SCREW, 10 - 24 X 5/8	29	91	F213342	SEAL, FUEL LINE COUPLER (LARGE)	41	4
F1953	HEX HD SCREW, 1/4 - 20 X 1	21	20	F213735	SEAL, FUEL LINE COUPLER (SMALL)	41	5
F1953	HEX HD SCREW, 1/4 - 20 X 1	25	16	F24278	SEAL, "O" RING PROPELLER SHAFT SPOOL	37	10
F1959	FERRY HD CAP SCREW, 1/4 - 20 X 3/4, STAINLESS STEEL	47	30	F269319	THROTTLE CAM BEARING	21	26
F1960	PLAIN WASHER	49	57	F289446-1	CLAMP	7	12
F1963	ELASTIC STOP NUT, 5/8 - 18	47	41	F298788	FERRULE	41	7
F1966	PLUG, SWIVEL BRACKET	47	16	F299449-3	SWITCH W/HARDWARE	47	17
F1968	FLYWHEEL NUT	31	21	F2A476757	CYLINDER DRAIN REED PLATE W/REEDS, STOPS AND SCREWS	25	35
F1975	SPRING LOCKWASHER	7	10	F2A523023	BEVEL GEAR FRONT W/BEARING	37	28
F1975	SPRING LOCKWASHER	13	26	F2A523158	REED PLATE W/REEDS, REED STOPS AND SCREWS	21	41
F197787-3	FUEL LINE COUPLER	41	6	F2A523239	SPOOL, PROPELLER SHAFT BEARING W/SEALS	37	11
F1987	PLAIN WASHER	27	79	F2A523662	BEVEL GEAR REAR W/BEARING CAGE SPACER AND BEARING	37	21
F1987	PLAIN WASHER	35	55	F2S480179	TRIM TOP	3	1
F1990	HEX CAP SCREW, 1/4 - 20 X 1 5/8	39	60	F2S480269	TILT HANDLE	3	3
F1994	HEX SOCKET HD CAP SCREW, 5/16 - 18 X 1	37	36	F2S489180	TRIM REAR	3	6
F1997	STOP NUT, 8 - 32	17	10	F2S489888	TRIM FRONT	5	43
F1999	HEX CAP SCREW, 1/4 - 20 X 7/8	39	55	F307317	CLIP, TERMINAL BLOCK	7	17
F2000	HEX CAP SCREW, 5/16 - 18 X 3/4	9	47	F310189	BUSHING, ELECTRIC CABLE	3	16
F2000	HEX CAP SCREW, 5/16 - 18 X 3/4	29	99	F311189-1	BUSHING, CABLE ENTRY	3	17
F2001	FILL HD SCREW, 10 - 24 X 5/8	7	9	F316160	REED (4 PETAL)	21	40
F2008	HEX HD SCREW, 1/4 - 20 X 7/8	27	53	F316164	REED (1 PETAL)	21	42
F2014	PLAIN WASHER	13	9	F316579	SEAL, CRANKCASE	31	11
F2014	PLAIN WASHER	35	57	F316599	SEAL, STEERING TUBE	33	30
F2015	HEX NUT, 1/4 - 28	29	102	F321756	PACKING, COVER	3	31
F2016	FILL HD SCREW, 6 - 32 X 7/8	23	48	F321841-3	LEAD WIRE	13	32
F2030	HEX HD M. SCREW, 1/4 - 20 X 1 1/4	33	42	F322273	STUD, C.D. UNIT	9	48
F203276	BOOT	13	30	F333316	THROTTLE ROLLER SHAFT	17	5
F2033	GROOVE PIN	17	26	F333386	PLATE, REAR	3	5
F203673	TERMINAL CLIP	13	31	F333392	PLATE SIDE	3	8
F2042	PLAIN WASHER	29	106	F335215	SPACER, PISTON PIN (2 PER PISTON)	31	3
F2047	WAVE SPRING LOCKWASHER	3	30	F335217-1	BEARING, PISTON PIN (26 PER SET)	31	5
F2049	HEX CAP SCREW, 5/16 - 18 X 2 5/8	27	78	F335654-1	DEFLECTION STOP	3	21
F2066	PAN HD TAPPING SCREW, 10 X 7/16 (TRIM TO COVER)	3	40	F338618-1	SEAL, GEAR SHIFT ROD	33	16
F2067	PLASTISOL CAP (NOT SHOWN)	31	-	F338618-1	SEAL, GEAR SHIFT ROD	39	53
				F345475-1	COIL	9	44
				F345683	WIRE, REGULATOR-RECTIFIER GROUND	7	5
				F351276	SWITCH BOOT	47	21

PARTS INDEX

Part Number	Description	Pg.	Ref. No.	Part Number	Description	Pg.	Ref. No.
F353480	STUD	33	23	F438930	RETAINER, SNOUT	37	38
F369610	BEARING	27	62	F438962	SHOCK MOUNT LOWER REAR	33	14
F369887	SHOULDER SCREW	27	61	F438984-1	BLANKET, SILENCER TOP (NOT SHOWN)	5	-
F369977-1	INTERLOCK ARM	27	63	F439736	SEAL, EXHAUST TUBE	35	58
F370366	NAME, "CHRYSLER"	3	9	F441754-1	HOSE	21	3
F370785	DECAL, CHARGER	5	48	F449010	CYLINDER	47	38
F372151-1	EXHAUST PORT PLATE	29	90	F449181	SWITCH PLATE	47	20
F372152-1	EXHAUST PORT COVER	29	88	F449253-1	HYDRAULIC LINE, TRIM CYLINDER, LOWER	49	44
F372154-1	GASKET, EXHAUST PORT PLATE	29	89	F449254	HYDRAULIC LINE, TRIM CYLINDER UPPER	47	29
F372925	CHOKE ROD	17	27	F449278	PISTON SEAL	47	36
F372958	CHOKE BRACKET	21	19	F449342	SEAL, PISTON SHAFT	47	34
F373512	PLATE INSERT	3	11	F449354	THRUST BRACKET	47	31
F373778-1	RETAINER, ENGINE COVER	3	37	F449545-2	CYLINDER HOUSING	47	40
F381896-4	BATTERY CABLE	7	30	F449632	SHAFT	49	43
F391926-1	PLUNGER	17	28	F449754-1	HYDRAULIC LINE, LIFT CYLINDER, LOWER	49	46
F391983	RETAINING BAND	9	51	F449758	HYDRAULIC LINE, LIFT CYLINDER, UPPER	49	45
F40209	CARBURETOR STUD	21	30	F449843	CABLE	47	8
F40223	GASKET, TRANSFER PORT COVER	27	52	F449889	SHAFT, UPPER	49	58
F40278	SEAL, CYLINDER	47	37	F460917	STARTER RELAY	7	26
F404097	FLYWHEEL	7	1	F474073-1	CLAMP SCREW	33	25
F404268	BY-PASS VALVE SPRING	29	94	F474387	TIMING DECAL (NOT SHOWN)	9	-
F404314	ELBOW, FUEL PUMP COVER	21	2	F476066-1	THERMOSTAT COVER	29	85
F404314	FITTING	27	47	F476067	GASKET	27	81
F404470-1	REGULATOR-RECTIFIER	7	8	F476529	CYLINDER HEAD GASKET	27	75
F404513	COIL CLAMP	7	40	F480038-2	SUPPORT PLATE	3	15
F404801	ELBOW, CYLINDER DRAIN UPPER	27	-	F480107-1	CAM STARTER INTERLOCK	29	104
F404841	CABLE, HEAT INDICATOR	7	37	F480388	DISC, WATER PUMP LOCATING	39	61
F405457	PIVOT SCREW	25	7	F480818	BEARING	3	13
F406406	GASKET DEFLECTOR PLATE	21	37	F481382-1	SPACER, LATCH SHAFT	3	29
F406471-1	CYLINDER DRAIN COVER	25	41	F481434	GUIDE, ENGINE COVER	5	46
F406754-1	HOSE	27	46	F481774	BRACKET, COVER LATCH	3	32
F407446	CLAMP	7	31	F481777	CAM, LATCH	3	28
F409251-1	GAUGE CAP	41	1	F485755-1	FUEL TANK ADAPTER	41	3
F413420	SWITCH RETAINER	47	18	F489551	BRACKET NEUTRAL INTERLOCK SWITCH	23	45
F433209-1	THROTTLE CAM STUD	21	32	F489711	PLATE, ENGINE COVER FRONT	5	42
F438066	BY-PASS VALVE COVER	29	92	F489985	BLANKET, SILENCER SIDE (NOT SHOWN)	5	-
F438129	SEAL, DRIVESHAFT SPLINE	39	70	F501061-1	CARBURETOR COMPLETE (WB25B)	19	47
F438165	SCREW, FUEL PUMP BOWL	21	18	F50109	PLUG, GEAR HOUSING	37	43
F438169	BEARING	33	35	F50342-1	SEAL, "O" RING	37	8
F438271	RETAINER, CRANKSHAFT SPLINE SEAL	39	69	F506118	SEAL, PROPELLER SHAFT	37	9
F438346	SHOCK MOUNT LOWER	35	47	F509299	WASHER	37	16
F438398	DECAL, WIRING	29	86	F510374	DECAL, CIRCUIT BREAKER	7	41
F438500	FUEL SEDIMENT BOWL	21	17	F510460	CIRCUIT BREAKER	7	22
F438617	FUEL SEDIMENT BOWL GASKET	21	15	F511125-2	TUBE, STEERING SUPPORT	33	29
F438653	FUEL SEDIMENT BOWL SCREEN	21	16	F511675	STARTER BRACKET, LOWER	11	20
F438668	RETAINER, CABLE CLAMP	7	13	F523031	GASKET, WATER PUMP	39	56
F438744-1	WIRING HARNESS	7	4				
F438747	FUEL PUMP DIAPHRAGM W/GASKET	21	8				
F438754	FUEL LINE W/CLAMP, PUMP TO CARBURETOR	17	29				
F438760	FUEL PUMP GASKET	21	4				
F438801	FITTING	21	14				

PARTS INDEX

Part Number	Description	Pg.	Ref. No.	Part Number	Description	Pg.	Ref. No.
F523065	IMPELLER, WATER PUMP	39	58	F5H050	HYDRAULIC TILT	55	-
F523094-2	PROPELLER NUT	37	13	F5H063	SYNCHRO-DRIVE CONTROL BOX (SINGLE LEVER)	54	-
F523099	SPACER, PROPELLER	37	18	F5H064	EXHAUST SNOOT	54	-
F523116	EXHAUST SNOOT	37	37	F5H070	REMOTE ELECTRIC CABLE	55	-
F523133-2	MOTOR LEG	33	15	F5H074	WATER PUMP KIT	55	-
F523146	SEAL, CRANKSHAFT LOWER	31	13	F5H076	SWITCH EXTENSION CABLE	55	-
F523188	NUT, BEVEL PINION	37	34	F5H077	IGNITION KEY SWITCH	55	-
F523244	INLET WATER LINE	37	5	F5H078	IGNITION KEY SWITCH	55	-
F523274	GREASE FITTING	33	28	F5H079	SYNCHRO-DRIVE CONTROL BOX	54	-
F523280	NUT, STEERING SUPPORT TUBE	33	36	F5H080	TWIN SYNCHRO-DRIVE CONTROL BOX	54	-
F523411	RETAINING RING, BEARING CAGE	37	22	F5H081	BATTERY CABLE	54	-
F523451	SPACER, REED STOP	23	51	F7004	STOP NUT, 3/8 - 16	25	17
F523498	DRIVE KEY, WATER PUMP	39	67	F7008	ELASTIC STOP NUT	25	10
F523555	SEAL, "O" RING, GEAR HOUSING COVER	39	48	F7012	STOP NUT	33	19
F523562	PLATE, WATER PUMP	39	57	F7013	STOP NUT	13	2
F523705	GEAR SHIFT ROD LOWER	39	45	F71H08	FUEL TANK (ACCESSORY ITEM)	41	2
F523813	BEARING CUP	37	29	F71H21	IGNITION SWITCH MOUNTING KIT (ACCESSORY ITEM)	9	49
F523834	CLIP, SPARK PLUG WIRE	25	28	F71H26	BATTERY CABLE CLAMP KIT (ACCESSORY ITEM)	7	32
F523899	GROMMET, WATER LINE	37	4	F71H30	OVERHEAT BUZZER (ACCESSORY ITEM)	7	36
F523961	CRUSH RING	39	49	F72H36	REMOTE CONTROL UNIT, SINGLE LEVER	45	39
F523962	SHOCK MOUNT - C.D. UNIT	9	46	F74305	SEAL, DRIVESHAFT BEARING CAGE	39	50
F528068	THERMOSTAT	27	82	F74H20	IGNITION SWITCH (LONG BARREL) W/KEYS AND SCREWS	7	34
F528995	COVER, CYLINDER HEAD	29	108	F762	REMOTE ELECTRIC CABLE	55	-
F58685-2	CONNECTOR, SHIFT CABLE	43	2	F8001	WASHER	37	31
F590	SYNCHRO-DRIVE CONTROL HEAD (SINGLE LEVER)	54	-	F8003	PLAIN WASHER	25	38
F5H003	SPEEDOMETER FLUSH MOUNT	55	-	F8011	PLAIN WASHER	7	20
F5H004	SPEEDOMETER	55	-	F8028	PLAIN WASHER	11	19
F5H005	TEMPERATURE GAUGE FLUSH MOUNT	55	-	F8056	LOCKWASHER	13	18
F5H006	VOLTMETER - FLUSH MOUNT	54	-	F8056	LOCKWASHER	13	43
F5H008	FUEL GAUGE FLUSH MOUNT	55	-	F8056	LOCKWASHER	29	97
F5H010	POWER TRIM INDICATOR	54	-	F8056	SPRING LOCKWASHER	7	7
F5H012	SPEEDOMETER FLUSH MOUNT	55	-	F8058	INTERNAL TOOTH LOCKWASHER	21	24
F5H012	TACHOMETER FLUSH MOUNT	55	-	F8058	INTERNAL TOOTH LOCKWASHER	27	57
F5H015	FLUSHING ADAPTER	54	-	F8077	WASHER, GEAR HOUSING PLUG	37	42
F5H018	DUAL ENGINE TIE BAR	54	-	F8083	SPRING LOCKWASHER	3	26
F5H019	ANTI-CORROSION KIT	54	-	F8083	SPRING LOCKWASHER	9	43
F5H021	EXTENSION CABLE	54	-	F8083	SPRING LOCKWASHER	33	3
F5H025	ANTI-CORROSION SACRIFICIAL ANODE	54	-	F8088	PLAIN WASHER	17	18
F5H026	STEEL, 6 GALLON FUEL TANK (LOW PROFILE)	54	-	F8088	PLAIN WASHER	23	47
F5H028	SENDING UNIT	55	-	F8094	PLAIN WASHER	3	27
F5H029	TANK ANCHOR	54	-	F8095	PLAIN WASHER	29	109
F5H037	CIGAR LIGHTER	55	-	F8096	SPRING LOCKWASHER	3	22
F5H040	STEEL, 12 GALLON FUEL TANK	54	-	F8096	SPRING LOCKWASHER	3	34
F5H042	POWER TRIM	55	-				
F5H043	OVERHEAT BUZZER	54	-				
F5H044	TILT STOP KIT	55	-				

PARTS INDEX

Part Number	Description	Pg.	Ref. No.	Part Number	Description	Pg.	Ref. No.
F8096	SPRING LOCKWASHER . . .	7	25	F85571	BEARING CAGE W/ROLLER	31	10
F8096	SPRING LOCKWASHER . . .	29	100	F85606	KINGPIN CAP	33	41
F8096	SPRING LOCKWASHER . . .	35	45	F85610	BEARING	27	65
F8096	SPRING LOCKWASHER . . .	37	40	F85615	GEAR SHIFT ROD UPPER . .	35	53
F8104	PLAIN WASHER	27	49	F8563	DOWEL PIN	25	15
F84011	WASHER	33	40	F85634-1	CONNECTING ROD SCREW	31	14
F84074	CLAMP SCREW FOOT	33	24	F85660-1	EXHAUST TUBE	33	2
F84146-2	SEAL	31	20	F85664	DISTRIBUTOR GROUND . . .	13	28
F84278	SEAL	31	23	F85664	GROUND WIRE	9	54
F84286-1	FRICTION WASHER	33	32	F85704	COUPLER, GEAR SHIFT		
F84305	SEAL, "O" RING PROPELLER				ROD	35	46
	SHAFT SPOOL	37	12	F85735-1	SEAL	3	39
F84307-1	SEAL, DRIVESHAFT	39	51	F85762	BY-PASS VALVE COVER		
F84314-2	ELBOW	17	22		GASKET	29	93
F84314-2	ELBOW	21	6	F85772	CLAMP	33	11
F84314-2	ELBOW	27	45	F85779-1	BAFFLE, AIR INTAKE	35	50
F84342	SEAL, INLET WATER LINE,			F85843-1	REMOTE ELECTRIC CABLE,		
	UPPER	37	3		18 FEET	7	38
F84449	INTERLOCK SWITCH	23	46	F85859	STUD	25	14
F84472-5	GASKET, CYLINDER DRAIN			F85906	CARBURETOR GASKET . . .	21	31
	COVER	25	40	F85908	STARTER LEAD WIRE	11	14
F84504	GROMMET (THERMOSTAT)	27	83	F85916-1	BY-PASS VALVE	29	95
F84521-1	CLUTCH	37	26	F85924	CHOKE SOLENOID	7	28
F84748-3	GASKET	25	33	F85965	SHOCK MOUNT UPPER . . .	35	52
F84792	GASKET, CENTER FUEL			F89758	FUEL PUMP AIR HOSE -		
	PUMP VALVE	21	11		TOP	21	7
F85017	PISTON PIN	31	4	F9018	CAP	33	37
F85026	SWIVEL	25	30	F9052	PLUG	33	27
F85033	SWIVEL, CHOKE ROD			F90807	RETAINING RING	17	1
	(BOTTOM CARBURETOR)			F90891	PIN, GEAR SHIFT ARM	37	32
	(NOT SHOWN)	19	-	F90891	PIN, PROPELLER NUT		
F85035	DISTRIBUTOR, CONTROL				RETAINING	37	14
	ROD END	25	29	F91446-1	CIRCUIT BREAKER		
F85036	TOWERSHAFT CONTROL				BRACKET	7	21
	ROD END	25	32	F92759	THROTTLE ROLLER	17	6
F85037-1	STERN BRACKET PIVOT			F93811	SCREEN	25	34
	BOLT	33	38	F93920	REED STOP	25	37
F85095-2	STATOR	7	3	F97772	CLAMP	17	23
F85117	BRACKET, WATER LINE . . .	37	2	F97772	FUEL LINE CLAMP	41	11
F85130	BOOT IDLE EXHAUST	33	8	F98273	ROD END CONNECTOR		
F85161-1	REED STOP	21	39		STUD	27	58
F85173	RETAINING RING	13	6	FA15072	HEX LOCK NUT, 1/4 - 20 . . .	11	13
F85192-1	THROTTLE CAM	21	28	FA17559	LIFT CYLINDER, COMPLETE	49	47
F85211	STUD	25	18	FA178157	CARBURETOR ADAPTER,		
F85258	INSERT	33	9		UPPER W/FITTING AND		
F85279-2	GASKET, CYLINDER				STUD	21	-
	EXHAUST UPPER	27	69	FA178167	CARBURETOR ADAPTER,		
F85311	DISTRIBUTOR BELT	13	1		LOWER W/FITTING AND		
F85314-1	FUEL FITTING	17	30		STUD	21	33
F85317-1	SOLENOID CLAMP	21	21	FA178233	THROTTLE TIE BAR		
F85372	PIN, GEAR SHIFT ROD				W/SWIVEL	19	53
	LOWER	39	47	FA178962	SHOCK ABSORBER		
F8538	SPRING PIN	33	26		W/BUSHING	49	55
F85380	SPRING	33	10	FA321574	DISTRIBUTOR BRACKET . . .	13	10
F85410	SNAP RING	31	8	FA333385	INSERT, PLATE SIDE	3	10
F85445	CONTROL ROD	25	31	FA333528	INSERT, PLATE REAR	3	4
F85453-1	GASKET, EXHAUST LOWER	33	1	FA335260	PISTON RING SET (4 PER		
F85498	FLYWHEEL KEY	31	16		SET)	31	1
F85502	THROTTLE LINK	25	26	FA411222	TRANSFER PORT COVER . .	27	51
F85509-1	LINK, CHOKE	17	25				

PARTS INDEX

Part Number	Description	Pg.	Ref. No.	Part Number	Description	Pg.	Ref. No.
FA438493	TERMINAL BLOCK BRACKET	7	11	FC523054	GEAR HOUSING COMPLETE	39	-
FA439746	FUEL PUMP COVER	21	1	FG1003-1	GASKET SET (NOT SHOWN)	29	-
FA449015	PISTON	47	35	FK17114-1	INDICATOR	43	32
FA449149	COVER ASSEMBLY W/SEALS AND RETAINER	47	33	FK405020	SWIVEL W/CLAMP, SHOULDER SCREW AND NUT	25	24
FA449799	PLATE ASSEMBLY	47	39	FK750-1	SPARKIE W/SPRING	15	44
FA467892	INSERT PLATE FRONT - U.S.A.	3	41	FK85228-1	BEARING CAGE W/ROLLER	31	7
FA467893	INSERT PLATE FRONT - CANADA	3	-	FO10165	INLET SEAT GASKET	17	39
FA480876	GEAR SHIFT ARM, BEARINGS, INTERLOCK ARM AND SHOULDER SCREW	27	66	FO10588	BODY CHANNEL CUP PLUG	17	9
FA480894	TIMING POINTER	25	4	FO10790	INLET NEEDLE, SEAT AND GASKET	17	38
FA481469	HANDLE W/SHAFT	3	12	FO11103	IDLE MIXTURE SCREW SPRING	19	46
FA481743	ROLLER BRACKET	3	33	FO13552	FUEL BOWL	17	33
FA510497	TERMINAL BLOCK	7	15	FO13554	FLOAT	17	37
FA523054	GEAR HOUSING, DRIVESHAFT BEARING LOWER, PLUGS & WASHERS	37	33	FO13555	CHOKE SHUTTER	19	44
FA523060	WATER PUMP BODY W/DRIVESHAFT SEAL, DISC AND WATERLINE SEAL	39	59	FO13942	THROTTLE SHUTTER	17	11
FA523098	PROPELLER SHAFT	37	23	FO13944	FLOAT LEVER PIN	17	36
FA523266	BEVEL PINION GEAR W/CRUSH RING AND SHIMS	37	35	FO13945	FUEL BOWL RETAINING SCREW	17	31
FA523301	UNIT W/DECAL	9	45	FO13946	IDLE MIXTURE SCREW	19	45
FA523485	ANTICORROSION ANODE	37	20	FO13947	CHOKE SHAFT RETURN SPRING	17	41
FA523706	GEAR HOUSING COVER W/SEALS	39	52	FO13949	MAIN FUEL JET (.086)	19	48
FA523735	SEAL, INLET WATER LINE, LOWER	39	64	FO15217	MAIN NOZZLE	17	35
FA58976-1	CONNECTOR, THROTTLE CABLE	43	1	FO15231	THROTTLE SHAFT AND LEVER	17	7
FA77395-5	IDENTIFICATION PLATE W/SCREWS FOR U.S.A. MODELS	3	18	FO15623	FUEL BOWL GASKET	17	42
FA84621-1	COUPLING, GEAR SHIFT ARM W/BUSHING	39	44	FO16008	THROTTLE SHAFT RETURN SPRING	17	8
FA84754-1	FUEL LINE SHORT W/FERRULES	41	8	FO17181	IDLE TUBE	19	52
FA84871-1	PIN, GEAR SHIFT W/YOKE	37	24	FO17241	CHOKE SHAFT AND LEVER SCREW	19	51
FA85019	KINGPIN W/PLUG	33	34	FO1974	FUEL BOWL RETAINING SCREW GASKET	17	32
FA85193	TIE BAR END W/SWIVEL	17	2	FO2510	FUEL BOWL RETAINING SCREW WASHER	17	34
FA85355-1	WASHER	35	56	FO2510	FUEL BOWL RETAINING SCREW WASHER	17	34
FA85655-1	CRANKSHAFT MAIN BEARING RACE W/SNAP RING	31	9	FO3804	RETAINING SCREW WASHER	17	14
FA98689	BEARING	27	72	FO4326	BODY CHANNEL WELCH PLUG	17	13
FC409398	DECAL TOTE TANK - CANADA (NOT SHOWN)	41	-	FO6393	RETAINING SCREW	17	16
FC438398	DECAL, WIRING - CANADA	29	-	FO6396	RETAINING SCREW LOCKWASHER	17	15
FC474387	DECAL, TIMING - CANADA (NOT SHOWN)	9	-	FO8942	CHOKE SHUTTER RETAINING SCREW AND LOCKWASHER	17	43
FC500390	DECAL, STARTER - CANADA	11	-	FO8942	THROTTLE SHUTTER RETAINING SCREW AND LOCKWASHER	17	12
				FO9678	CLIP, CHOKE SHAFT	19	49
				FO992	LOCKWASHER	19	50
				FP511	PROPELLER (ACCESSORY ITEM)	37	17
				FS409752	FUEL LINE COMPLETE (NOT SHOWN)	41	-
				FS490955	STARTER COMPLETE	11	-

PARTS INDEX

Part Number	Description	Pg.	Ref. No.	Part Number	Description	Pg.	Ref. No.
FSA335260	PISTON RING (4 PER SET) .010 OVERSIZE (NOT SHOWN)	31	-				
FT2953	SOCKET	51	-				
FT2990	PISTON PIN TOOL	51	-				
FT2996	RING COMPRESSOR	51	-				
FT8901	INDICATOR HOLDER	52	-				
FT8902	DIAL INDICATOR	52	-				
FT8903	SEAL INSTALLER	51	-				
FT8907	DRIVE HANDLE	51	-				
FT8914	SEAL REMOVER	51	-				
FT8919	SPRING PIN PUNCH	52	-				
FT8922	SLIDE HAMMER	51	-				
FT8925	DRIVESHAFT SEAL INSTALLER	52	-				
FT8926	RING EXPANDER	51	-				
FT8927	SEAL PROTECTOR	51	-				
FT8933	LIFTING HOOK	53	-				
FT8948-1	FLYWHEEL PULLER	50	-				
FT8948-1	PROPELLER SHAFT BEARING CAGE PULLER	52	-				
FT8950	LEAKAGE TESTER	53	-				
FT8957	SEAL INSTALLER	52	-				
FT8978	POWER TIMING LIGHT	50	-				
FT8985	PROPELLER SHAFT SPOOL SEAL INSTALLER	52	-				
FT8997	SHIMMING TOOL	52	-				
FTA2937-1	TIMING TOOL	50	-				
FTA8994	PISTON PIN TOOL	51	-				
22-818103--1	ELBOW, CYLINDER DRAIN LOWER	27	44				
30-F284659-2	BEARING, CRANKSHAFT UPPER MAIN	31	22				
31-817785A2	CRANKSHAFT BEARING CAGE W/SEAL	31	18				
31-FA523014	CRANKSHAFT LOWER MAIN BEARING	31	12				
32-77653-77	BALANCE TUBE	21	34				
32-817738A1	FUEL LINE LONG W/CLAMP AND FERRULE	41	10				
33-97180	SPARK PLUG (CHAMPION L20V)	27	77				
39-818110A1	PISTON RING (4 PER SET) .030 OVERSIZE (NOT SHOWN)	31	-				
45-818017A3	DRIVESHAFT W/BEARING, SHIMS AND CRUSH RING	39	68				
84-817775A1	COIL WIRE W/TERMINAL CLIP	13	29				
87-817778A1	THERMOSWITCH	29	98				
400-817735A4	CRANKSHAFT W/BEARING	31	15				
600-818052A4	CONNECTING ROD W/CAP AND SCREWS	31	6				
700-817988A2	PISTON .010 OVERSIZE (NOT SHOWN)	31	-				
700-818111A2	PISTON .030 OVERSIZE (NOT SHOWN)	31	-				
700-F372015-3	PISTON	31	2				
900-817832A2	CYLINDER HEAD	27	80				
1400-817958A6	STERN BRACKET	33	18				