



# PARTS CATALOG

## 140 H.P. CHARGER

### SERIAL NUMBER

140 (1978)	.....	.1409B8A
140 (1978)	.....	.1409H8A

# TABLE OF CONTENTS:

ACCESSORIES .....	56
CARBURETOR .....	16
CRANKSHAFT AND PISTON GROUP .....	32
DISTRIBUTOR .....	12
ELECTRICAL COMPONENTS .....	6
ENGINE COVER AND SUPPORT PLATE .....	2
FUEL PUMP AND REED PLATE .....	20
FUEL TANK AND LINE .....	42
GEAR HOUSING .....	38
LUBRICATION CHART .....	60
MOTOR LEG .....	34
PARTS INDEX .....	62
POWER HEAD .....	24
POWER TRIM UNIT .....	48
REMOTE CONTROL .....	44
SPECIAL ADJUSTMENTS .....	61
SPECIAL TOOLS - GEAR HOUSING .....	54
SPECIAL TOOLS - POWER HEAD .....	53
SPECIAL TOOLS - TEST EQUIPMENT .....	55
SPECIAL TOOLS - TUNE-UP .....	52
SPECIFICATIONS .....	59
STARTER .....	10

**NOTE:** Indented description indicate that these parts are included in preceding assembly.

**AR** = As Required

**NSS** = Not Sold Separate

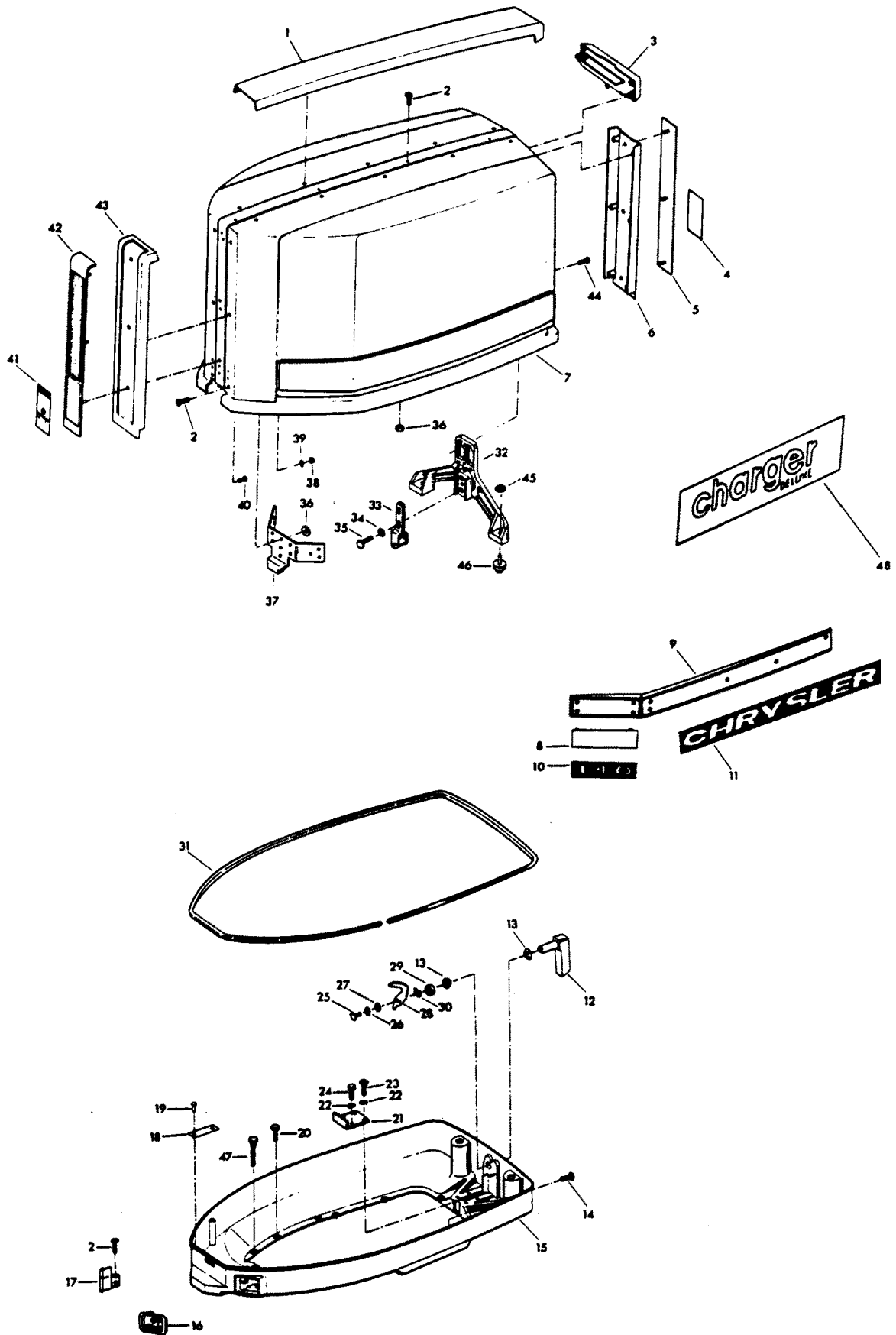
**OPT** = Optional

**NS** = Not Shown

**THESE PARTS BOOKS/FICHE CARD ARE COPYRIGHTED AND MAY NOT BE DISTRIBUTED OR REPRODUCED IN ANY OTHER FORMAT BY ANYONE OTHER THAN MERCURY MARINE WITHOUT THE PRIOR WRITTEN CONSENT OF MERCURY MARINE.**

THIS PAGE INTENTIONALLY LEFT BLANK

# ENGINE COVER AND SUPPORT PLATE

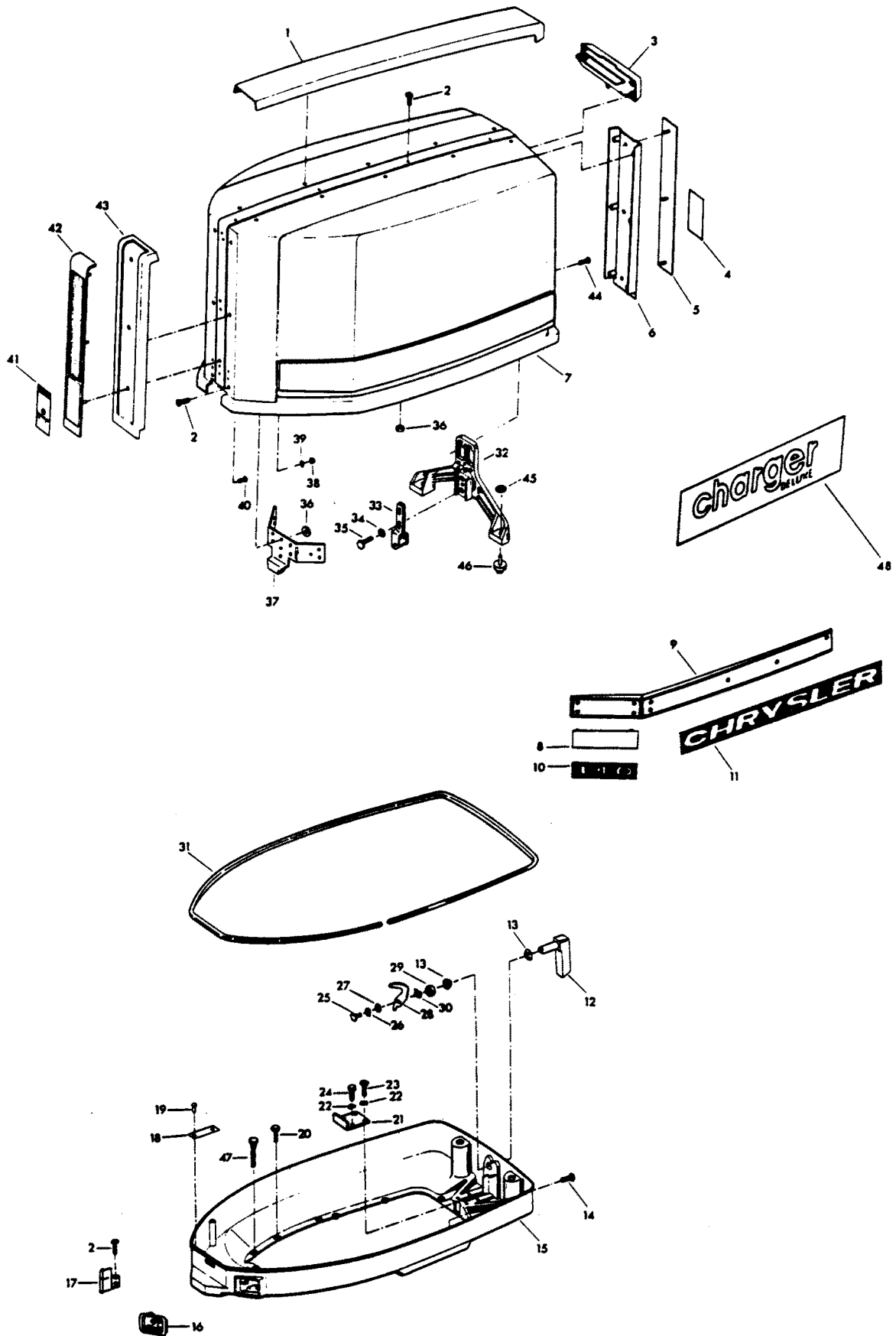


# ENGINE COVER AND SUPPORT PLATE

REF. NO.	PART NO.	SYM.	QTY.	DESCRIPTION
1	F2S480179		1	TRIM TOP
2	F1733		10	PAN HD MACHINE SCREW, 10 - 24 X 9/16
3	F2S480269		1	TILT HANDLE
4	FA528528		1	INSERT, PLATE REAR
5	F333386		1	PLATE, ENG. COVER REAR
6	F2S489180		1	TRIM REAR
7	FS523944		1	ENGINE COVER W/RETAINER, SCREWS AND NUTS
8	F373512		2	PLATE, INSERT
9	F333392		2	PLATE, SIDE
10	FA523385		2	INSERT, PLATE SIDE
11	F370366		2	PLATE, (CHRYSLER)
12	FA481469		1	HANDLE W/SHAFT
13	F480818		2	BEARING
14	F1238		6	HEX CAP SCREW, 1/4 - 20 X 3/4
15	F480038-2		1	SUPPORT PLATE
16	F310189		1	BUSHING, ELECTRIC CABLE
17	F311189-1		1	BUSHING, CABLE ENTRY
18	FA77395-5		1	IDENTIFICATION PLATE W/SCREWS FOR U. S. A. MODELS
-	<b>AC16395-8</b>		<b>1</b>	<b>IDENTIFICATION PLATE W/SCREWS FOR CANADA MODELS</b>
19	F1447		2	ROUND HD SCREWS, 2 X 3/16
20	F1502		5	HEX CAP SCREW, 1/4 - 20 X 5/8
21	F335654-1		1	DEFLECTION STOP
22	F8096		4	SPRING LOCKWASHER
23	F1857		2	HEX CAP SCREW, 5/16 - 18 X 5/8
24	F1858		2	HEX CAP SCREW, 5/16 - 18 X 1
25	F1854		1	HEX CAP SCREW, 1/4 - 20 X 5/8
26	F8083		1	SPRING LOCKWASHER
27	F8094		1	PLAIN WASHER
28	F481777		1	CAM, LATCH
29	F481382-1		1	SPACER, LATCH SHAFT
30	F2047		1	WAVE SPRING LOCKWASHER
31	F321756		1	PACKING, COVER
32	F481774		1	BRACKET, COVER LATCH
33	FA481743		1	ROLLER BRACKET
34	F8096		2	SPRING LOCKWASHER
35	F1857		2	HEX CAP SCREW, 5/16 - 18 X 5/8
36	F1473		7	HEX NUT
37	F373778-1		1	RETAINER, ENGINE COVER
38	F1753		25	FASTENER
39	F85735-1		25	SEAL
40	F2066		30	PAN HD TAPPING SCREW, 10 X 7/16 (TRIM TO COVER)
41	A467892-1		1	INSERT PLATE FRONT - U. S. A.
-	<b>A467893-1</b>		<b>1</b>	<b>INSERT PLATE FRONT - CANADA</b>

CONTINUED ON NEXT PAGE ➡

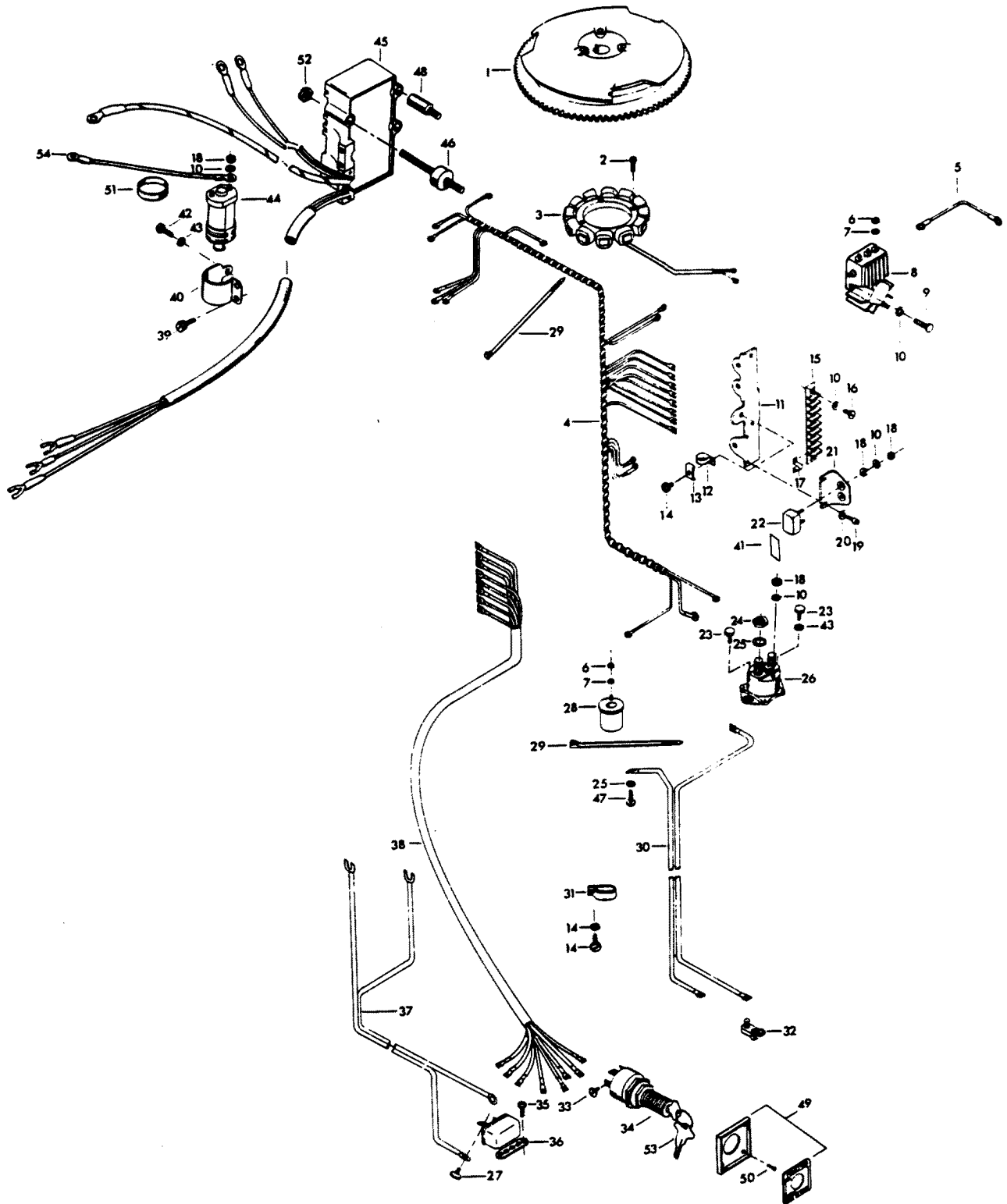
# ENGINE COVER AND SUPPORT PLATE



## ENGINE COVER AND SUPPORT PLATE

REF. NO.	PART NO.	SYM.	QTY.	DESCRIPTION
42	F489711		1	PLATE, ENGINE COVER FRONT
43	F2S489888		1	TRIM FRONT
44	F1730		3	PAN HD SCREW W/SPRING LOCKWASHER, 1/4 - 20 X 5/8
45	F2088		2	FASTENER
46	F481434		2	GUIDE, ENGINE COVER
47	F1849		2	HEX HD CAP SCREW, 1/4 - 20 X 1 3/8
-	<b>F438984-1</b>		<b>1</b>	<b>BLANKET, SILENCER TOP (NOT SHOWN)</b>
-	<b>F489985</b>		<b>2</b>	<b>BLANKET, SILENCER SIDE (NOT SHOWN)</b>
48	A370785		1	DECAL "CHARGER"

# ELECTRICAL COMPONENTS



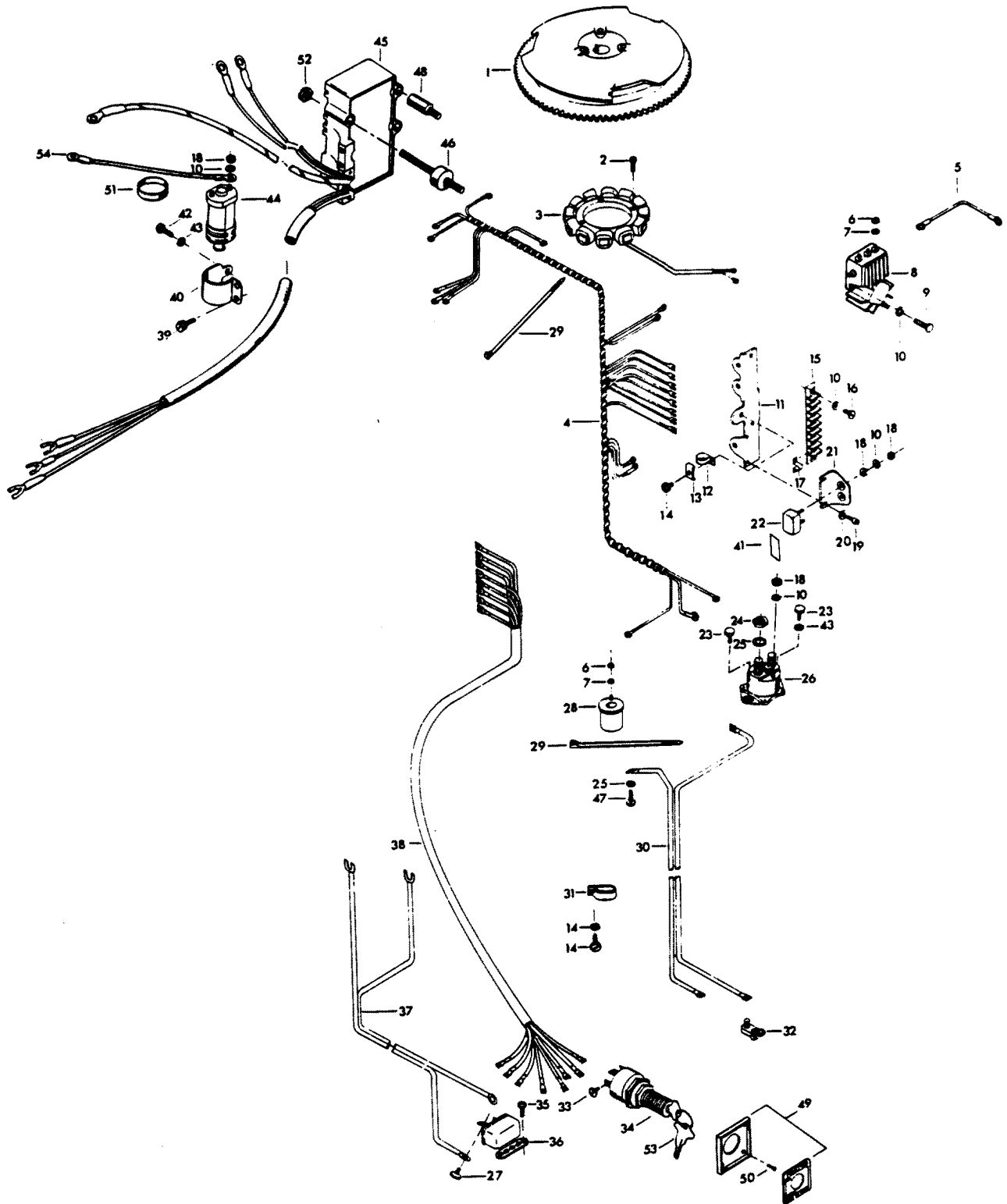


# ELECTRICAL COMPONENTS

REF. NO.	PART NO.	SYM.	QTY.	DESCRIPTION
1	F404097		1	FLYWHEEL
2	F1678		6	FILL HD SCREW, 10 - 24 X 13/16
3	F85095-2		1	STATOR
4	F438744-1		1	WIRING HARNESS
5	F345683		1	WIRE, REGULATOR-RECTIFIER GROUND
6	F1647		5	HEX NUT, 8 - 32
7	F8056		5	SPRING LOCKWASHER
8	F404470-1		1	REGULATOR-RECTIFIER
9	F2001		3	FILL HD SCREW, 10 - 24 X 5/8
10	F1975		9	SPRING LOCKWASHER
11	FA438493		1	TERMINAL BLOCK BRACKET
12	F289446-1		1	CLAMP
13	F438668		1	RETAINER, CABLE CLAMP
14	F1734		2	FILL HD SCREW W/LOCKWASHER, 1/4 - 20 X 1/2
15	FA510497		1	TERMINAL BLOCK
16	F1648		2	PAN HD SCREW, 10 - 24 X 3/4
17	F307317		1	CLIP, TERMINAL BLOCK
18	F1513		8	HEX NUT
19	F1760		2	PAN HD SCREW, 10 - 24 X 3/8
20	F8011		2	PLAIN WASHER
21	F91446-1		1	CIRCUIT BREAKER BRACKET
22	F510460		1	CIRCUIT BREAKER
23	F1705		2	HEX CAP SCREW, 1/4 - 20 X 3/4
24	F1515		2	HEX NUT
25	F8096		3	SPRING LOCKWASHER
26	F460917		1	STARTER RELAY
27	F1645		2	HD. SCREW, 6 - 32 X 1/4
28	F85924		1	CHOKE SOLENOID
29	F1877		2	TY-RAP
30	F381896-4		1	BATTERY CABLE
31	F407446		1	CLAMP
32	F5H041		1	BATTERY CABLE CLAMP KIT (ACCESSORY ITEM)
33	F1280		5	PAN HD SCREW, 8 - 32 X 1/4
34	F5H078		1	IGNITION SWITCH W/KEYS AND SCREWS <b>(LONG BARREL)</b> <b>(ACCESSORY ITEM)</b>
35	F1741		2	PAN HD SCREW, 8 X 3/4
36	F5H043		1	OVERHEAT BUZZER (ACCESSORY ITEM)
37	F404841		1	CABLE, HEAT INDICATOR
38	F85843-1		1	REMOTE ELECTRIC CABLE, 18 FEET
39	F1851		2	FILL HD SCREW W/LOCKWASHER, 10 - 24 X 1/2
40	F404513		1	COIL CLAMP
41	F510374		1	DECAL, CIRCUIT BREAKER U.S.A.
-	<b>FC510374</b>		<b>1</b>	<b>DECAL, CIRCUIT BREAKER CANADA</b>

CONTINUED ON NEXT PAGE ➡

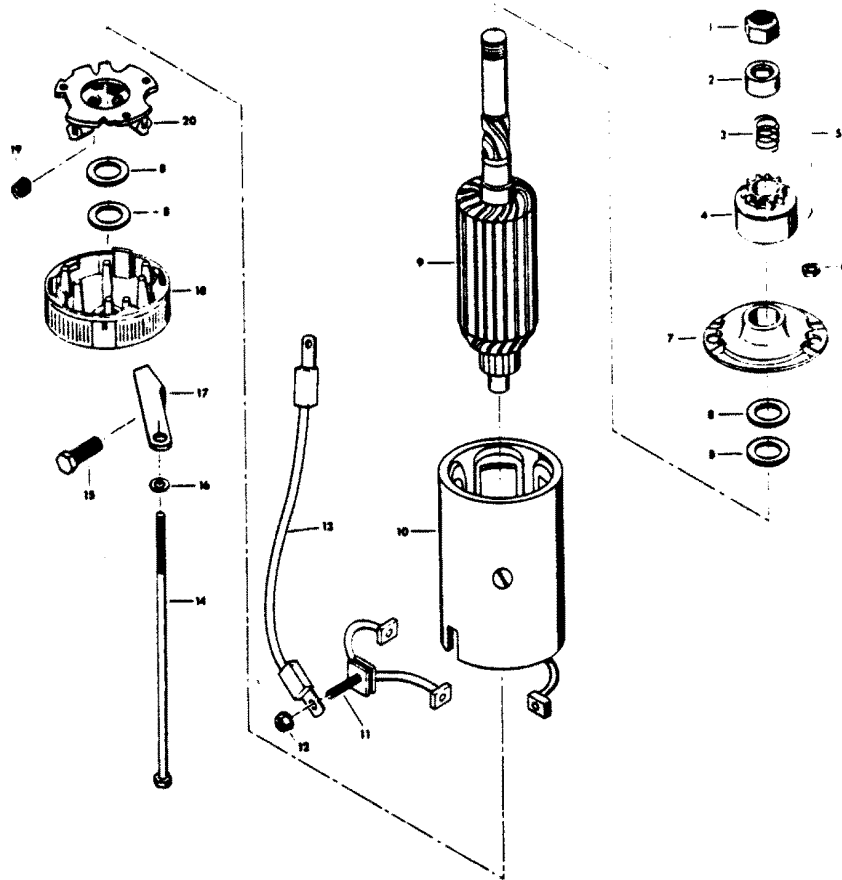
# ELECTRICAL COMPONENTS



# ELECTRICAL COMPONENTS

REF. NO.	PART NO.	SYM.	QTY.	DESCRIPTION
42	F1689		1	HEX HD CAP SCREW, 1/4 - 20 X 1/2
43	F8083		2	SPRING LOCKWASHER
44	F345475-1		1	COIL
45	FA523301		1	UNIT W/DECAL
46	F523962		3	SHOCK MOUNT - C. D. UNIT
47	F2000		1	HEX CAP SCREW, 5/16 - 18 X 3/4
48	F322273		1	STUD, C. D. UNIT
49	F5H038		1	IGNITION SWITCH MOUNTING KIT (ACCESSORY ITEM)
50	F1934		4	FLAT HD SLOTTED SCREW, 6 X 12
51	F391983		2	RETAINING BAND
52	F1892		3	STOP NUT
54	F85664		1	GROUND WIRE
-	<b>480373</b>		<b>1</b>	<b>DECAL, MAGNAPOWER IGNITION (NOT SHOWN)</b>
-	<b>F474387</b>		<b>1</b>	<b>TIMING DECAL (NOT SHOWN) U.S.A.</b>
-	<b>FC474387</b>		<b>1</b>	<b>TIMING DECAL - CANADA</b>

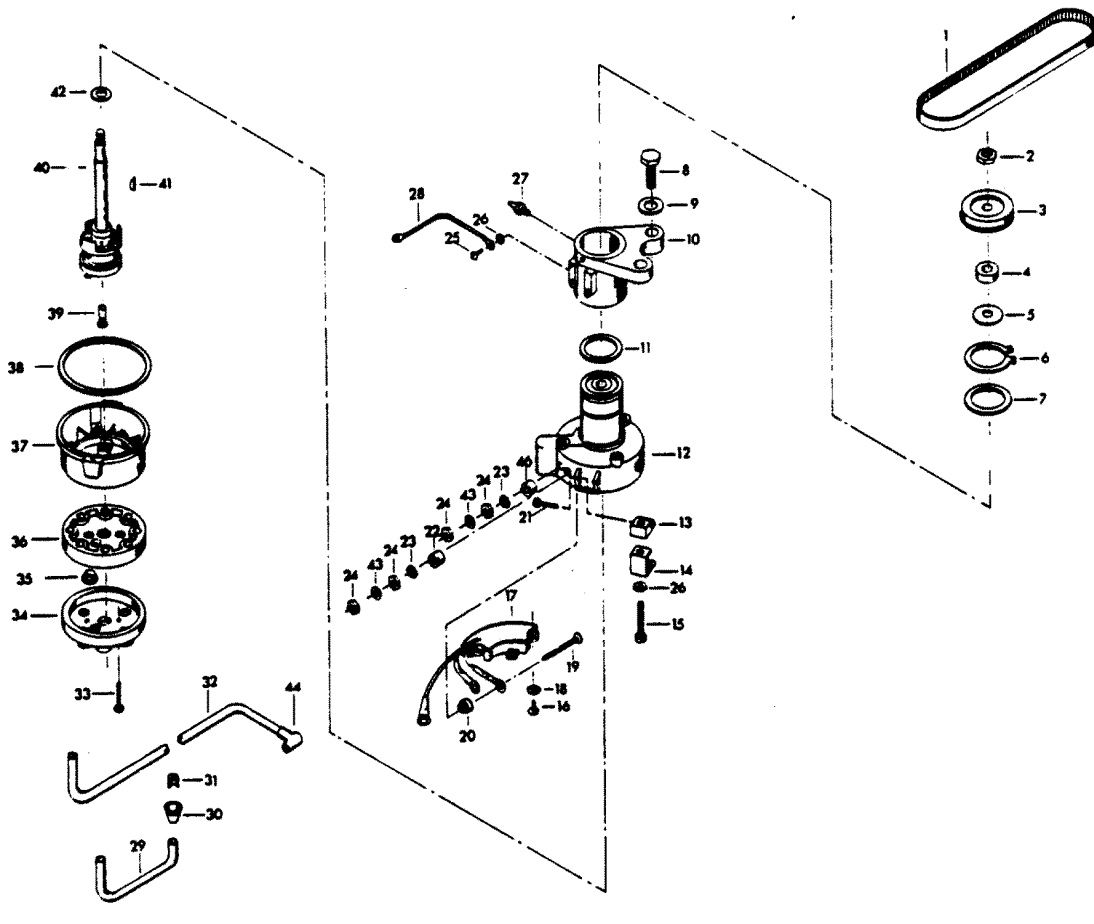
# STARTER



# STARTER

REF. NO.	PART NO.	SYM.	QTY.	DESCRIPTION
5	F15118		1	BENDIX DRIVE ASSEMBLY
6	F1641		2	LOCK NUT
7	F15167		1	HEAD ASSEMBLY, DRIVE END
8	F15126		1	THRUST WASHER PACKAGE
9	F15099		1	ARMATURE
10	F15166		1	FRAME AND FIELD ASSEMBLY
11	F15054		1	BRUSH AND TERMINAL SET
12	FA15072		1	HEX LOCK NUT, 1/4 - 20
13	F85908		1	STARTER LEAD WIRE
14	F15168		1	THRU BOLT PACKAGE
15	F1502		1	HEX CAP SCREW, 1/4 - 20 X 5/8
16	F8028		2	PLAIN WASHER
17	F511675		1	STARTER BRACKET, LOWER
18	F15125		1	HEAD ASSEMBLY, COMMUTATOR END
19	F15034		1	SPRING SET
20	F15057		1	BRUSH PLATE AND HOLDER ASSEMBLY
-	<b>FS490955</b>		<b>1</b>	<b>STARTER COMPLETE</b>
-	<b>FC500390</b>		<b>1</b>	<b>DECAL CANADA (NOT SHOWN)</b>

# DISTRIBUTOR

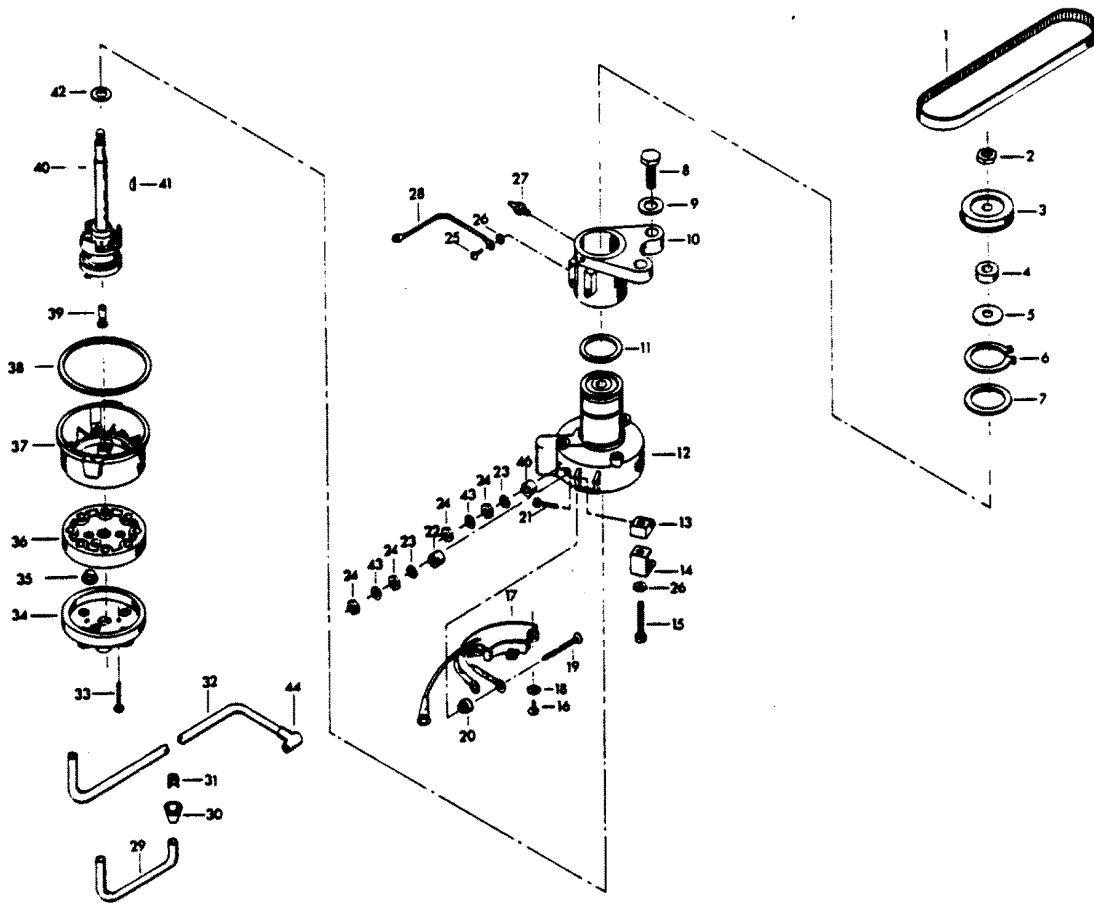


# DISTRIBUTOR

REF. NO.	PART NO.	SYM.	QTY.	DESCRIPTION
1	F85311		1	DISTRIBUTOR BELT
2	F7013		1	STOP NUT
3	817786A1		1	DISTRIBUTOR PULLEY
4	F14025		1	SPACER
5	F14028		1	THRUST WASHER
6	F85173		1	RETAINING RING
7	F14029		1	THRUST WASHER
8	F1612		2	HEX CAP SCREW, 3/8 - 16 X 1 1/4
9	F2014		2	PLAIN WASHER
10	FA321574		1	DISTRIBUTOR BRACKET
11	F1759		2	SHIM, DISTRIBUTOR (QTY. AS REQUIRED)
12	F14042		1	DISTRIBUTOR HOUSING W/BEARINGS
13	F14036		2	SWIVEL
14	F14037		2	CAP CLIPS
15	F14038		2	CAP CLIP SCREWS
16	F14045		2	SCREW
17	FA14048-2		1	PREAMPLIFIER
18	F8056		2	LOCKWASHER
19	F14046		2	TERMINAL SCREW
20	F14047		2	TERMINAL INSULATOR (INSIDE)
21	F14015		2	CAP CLIP RIVET
22	F14049		1	TERMINAL INSULATOR (OUTSIDE)
23	F14041		2	EXTERNAL TOOTH LOCKWASHER
24	F1647		4	HEX NUT, 8 - 32
25	F1760		2	PAN HD SCREW, 10 - 24 X 3/8
26	F1975		2	SPRING LOCKWASHER
27	F213274		1	GREASE FITTING
28	F85664		1	DISTRIBUTOR GROUND
29	84-817775A1		1	COIL WIRE W/TERMINAL CLIP
30	F203276		1	BOOT
31	F203673		1	TERMINAL CLIP
32	F321841-3		4	LEAD WIRE
33	F14007		2	CAP SCREW
34	F14010-1		1	CAP COVER
35	F14040		2	VENT
36	F14021-1		1	CAP SEAL
37	F14005-2		1	CAP BASE
38	F14030		1	CAP GASKET
39	F14012-1		1	BRUSH
40	F14044		1	DISTRIBUTOR SHAFT
41	F1692		1	WOODRUFF KEY
42	F14024		1	SPACER

CONTINUED ON NEXT PAGE ➡

# DISTRIBUTOR

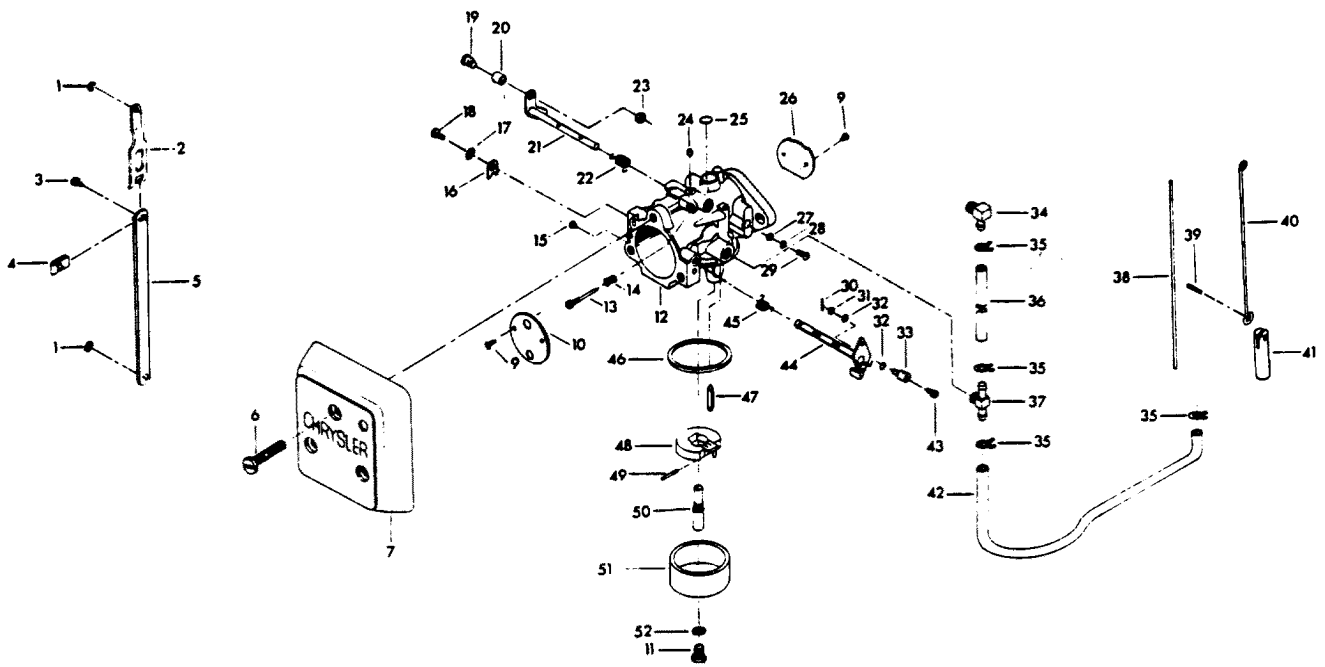




# DISTRIBUTOR

REF. NO.	PART NO.	SYM.	QTY.	DESCRIPTION
43	F8056		2	LOCKWASHER
44	FK750-2		4	SPARKIE W/SPRING
46	F14017		1	TERMINAL INSULATOR (OUTSIDE)
-	<b>817828A1</b>		<b>1</b>	<b>DISTRIBUTOR</b>
-	<b>481373-1</b>		<b>1</b>	<b>DECAL, "ELECTRONIC" (NOT SHOWN)</b>

# CARBURETOR

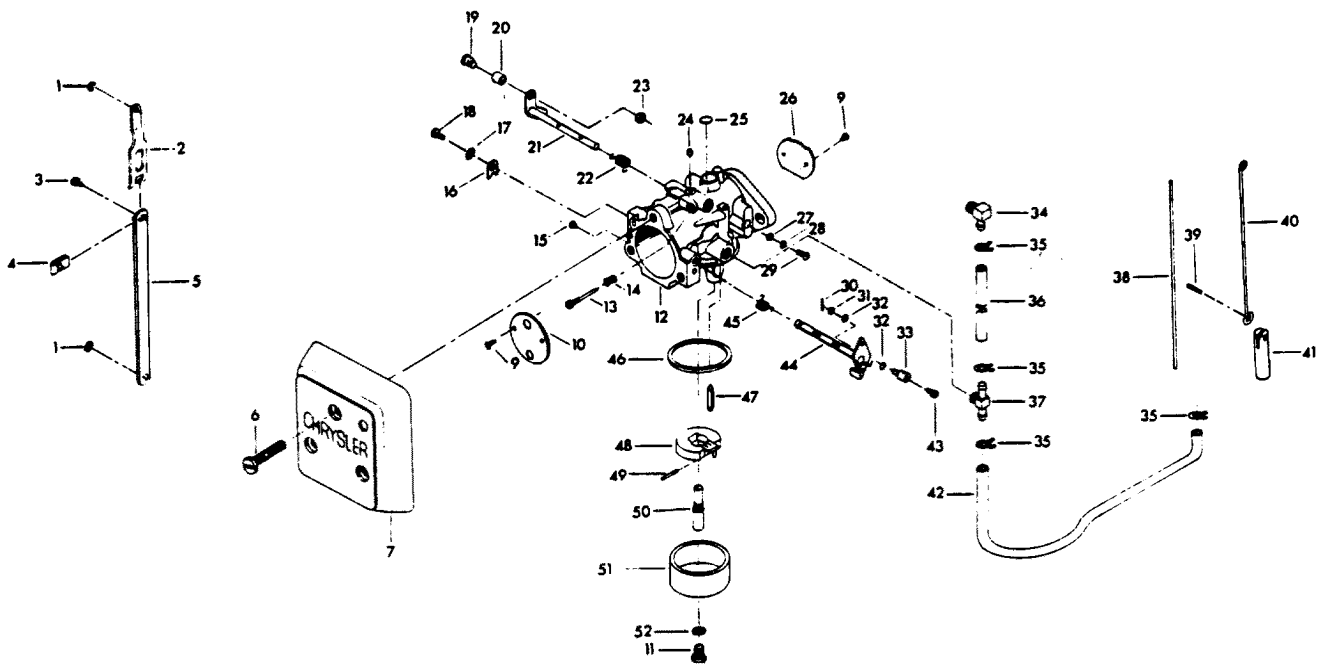


# CARBURETOR

REF. NO.	PART NO.	SYM.	QTY.	DESCRIPTION
1	F90807		2	RETAINING RING
2	FA85193		1	TIE BAR END W/SWIVEL
3	F1064		1	FILL HD SCREW, 8 - 32 X 3/8
4	F1693		1	TIE BAR RETAINER
5	FA178233		1	THROTTLE TIE BAR W/SWIVEL
6	F1034		6	PAN HD SCREW, 1/4 - 20 X 1 3/8
7	F511708		2	COVER, CARBURETOR
9	FO15912		4	CHOKE AND THROTTLE SHUTTER SCREW
10	FO17719		1	CHOKE SHUTTER
11	FO16132		1	FUEL BOWL RETAINING SCREW
13	FO14166		1	IDLE MIXTURE SCREW
14	FO11103		1	IDLE MIXTURE SCREW SPRING
15	FO12947		1	MAIN FUEL JET, .096 STANDARD
16	FO9678		1	CLIP, CHOKE SHAFT
17	FO992		1	LOCKWASHER
18	FO1974		1	SCREW
19	F333316		1	THROTTLE ROLLER SHAFT
20	F92759		1	THROTTLE ROLLER
21	FO16145		1	THROTTLE SHAFT AND LEVER
22	FO16143		1	THROTTLE SHAFT RETURN SPRING
23	F1997		1	STOP NUT, 8 - 32
24	FO10588		5	BODY CHANNEL CUP PLUG
25	FO16128		1	BODY CHANNEL WELCH PLUG
26	FO16142		1	THROTTLE SHUTTER
27	FO12400		1	RETAINING SCREW WASHER
28	FO6396		1	RETAINING SCREW LOCKWASHER
29	FO6393		1	RETAINING SCREW
30	F1014		2	COTTER PIN
31	F8088		3	PLAIN WASHER
32	F184579		5	"O" RING SEAL
33	F184033-1		1	SWIVEL, TOP CARBURETOR
34	F84314-2		1	ELBOW
35	F97772		4	CLAMP
36	F178754-1		1	FUEL LINE
37	F85314-1		1	FUEL FITTING
38	F85509-1		1	LINK, CHOKE
39	F2033		1	GROOVE PIN
40	F440925		1	CHOKE ROD
41	F391926-1		1	PLUNGER
42	F438754		1	FUEL LINE W/CLAMP, PUMP TO CARBURETOR
43	F1059		2	FILL HD SCREW, 6 - 32 X 1/4
44	FO16301		1	CHOKE SHAFT AND LEVER
45	FO16136		1	CHOKE SHAFT RETURN SPRING

CONTINUED ON NEXT PAGE ➡

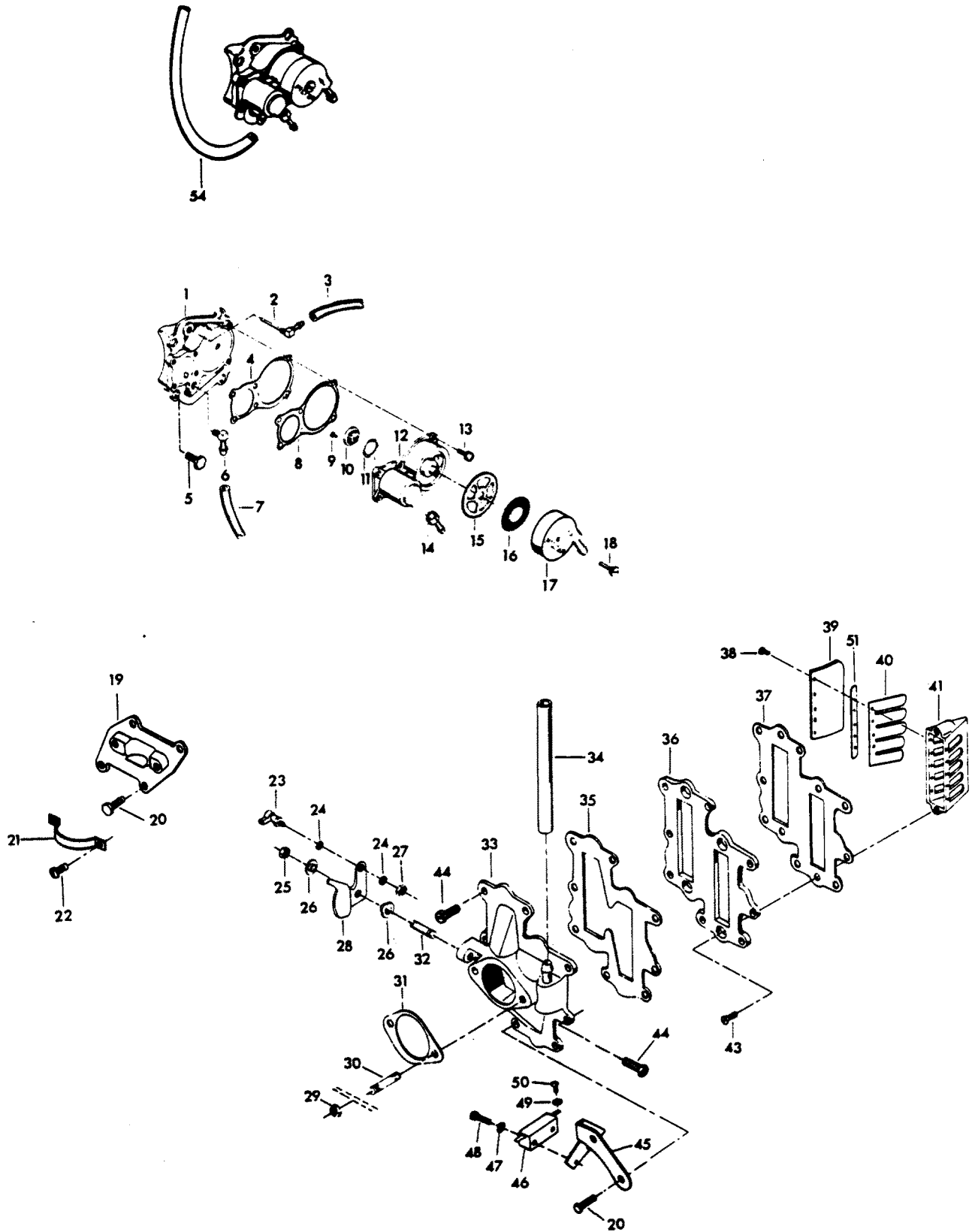
# CARBURETOR



# CARBURETOR

REF. NO.	PART NO.	SYM.	QTY.	DESCRIPTION
46	FO15623		1	FUEL BOWL GASKET
47	FO16697		1	INLET NEEDLE
48	FO13554		1	FLOAT
49	FO13944		1	FLOAT LEVER PIN
50	FO16133		1	MAIN NOZZLE
51	FO16130		1	FUEL BOWL
52	FO5323		1	FUEL BOWL RETAINING SCREW GASKET
-	<b>F85033</b>		<b>1</b>	<b>SWIVEL, CHOKE ROD (BOTTOM CARBURETOR) (NOT SHOWN)</b>
-	<b>F10023</b>		<b>1</b>	<b>GASKET SET (NOT SHOWN)</b>
-	<b>F10051</b>		<b>1</b>	<b>REPAIR PARTS KIT (NOT SHOWN) INCLUDES ALL ITEMS MARKED WITH AN ASTERISK (*)</b>
-	<b>F476061-4</b>		<b>1</b>	<b>CARBURETOR COMPLETE (TC-SE)</b>
-	<b>F434754</b>		<b>1</b>	<b>FUEL LINE (TOP FUEL PUMP TO LOWER CARBURETOR)</b>

# FUEL PUMP AND REED PLATE

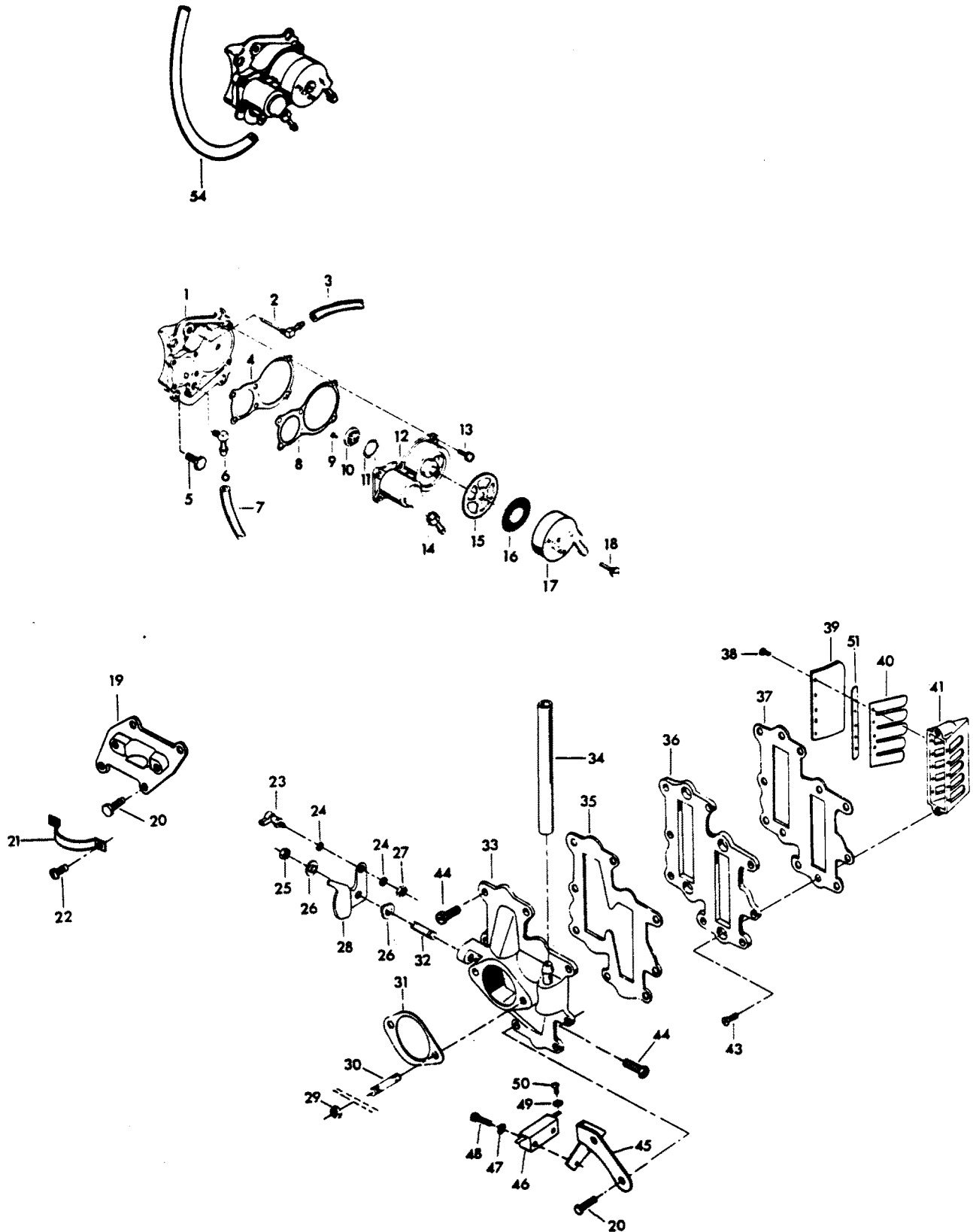


# FUEL PUMP AND REED PLATE

REF. NO.	PART NO.	SYM.	QTY.	DESCRIPTION
1	FA439746		2	FUEL PUMP COVER
2	F404314		1	ELBOW, FUEL PUMP COVER
3	F441754-1		1	HOSE
4	F438760		2	FUEL PUMP GASKET
5	F1502		8	HEX CAP SCREW, 1/4 - 20 X 5/8
6	F84314-2		2	ELBOW
7	F89758		1	FUEL PUMP AIR HOSE - TOP
8	F438747		2	FUEL PUMP DIAPHRAGM W/GASKET
9	F1860		4	RD HD SCREW, 6 - 32 X 1/4
10	F177330		6	FUEL PUMP VALVE
11	F84792		2	GASKET, CENTER FUEL PUMP VALVE
12	FA438431		2	FUEL PUMP BODY W/VALVES
13	F1108		12	FILL HD SCREW, 1/4 - 20 X 3/4
14	F438801		2	FITTING
15	F438617		2	FUEL SEDIMENT BOWL GASKET
16	F438653		2	FUEL SEDIMENT BOWL SCREEN
17	F438500		2	FUEL SEDIMENT BOWL
18	F438165		2	SCREW, FUEL PUMP BOWL
19	F372958		1	CHOKE BRACKET
20	F1953		6	HEX HD SCREW, 1/4 - 20 X 1
21	F85317-1		1	SOLENOID CLAMP
22	F1236		2	SCREW, 1/4 - 20 X 1/2
23	817747--1		1	BALL JOINT W/STUD
24	F8058		2	INTERNAL TOOTH LOCKWASHER
25	F1910		1	STOP NUT, 1/4 - 20
26	F269319		2	THROTTLE CAM BEARING
27	F1513		1	HEX NUT, 10 - 32
28	F440192-1		1	THROTTLE CAM
29	F1346		4	HEX NUT
30	F440209		4	CARBURETOR STUD
31	F440906		2	CARBURETOR GASKET
32	F433209-1		1	THROTTLE CAM STUD
33	FA440167		1	CARBURETOR ADAPTER, LOWER W/FITTING AND STUD
-	<b>FA440157</b>		<b>1</b>	<b>CARBURETOR ADAPTER, UPPER W/FITTING AND STUD</b>
34	F440254		1	BALANCE TUBE
35	F178168-1		2	GASKET, CARBURETOR ADAPTER
36	F178404-1		2	DEFLECTOR PLATE
37	F406406		2	GASKET DEFLECTOR PLATE
38	F1755		40	ROUND HD SCREW W/LOCKWASHER, 6 - 32 X 1/4
39	F85161-1		8	REED STOP
40	F530160		8	REED (PETAL)
41	F2A523158		4	REED PLATE W/REEDS, REED STOPS AND SCREWS
43	F1831		8	FLAT HD SCREW, 1/4 - 20 X 5/8

CONTINUED ON NEXT PAGE ➡

# FUEL PUMP AND REED PLATE

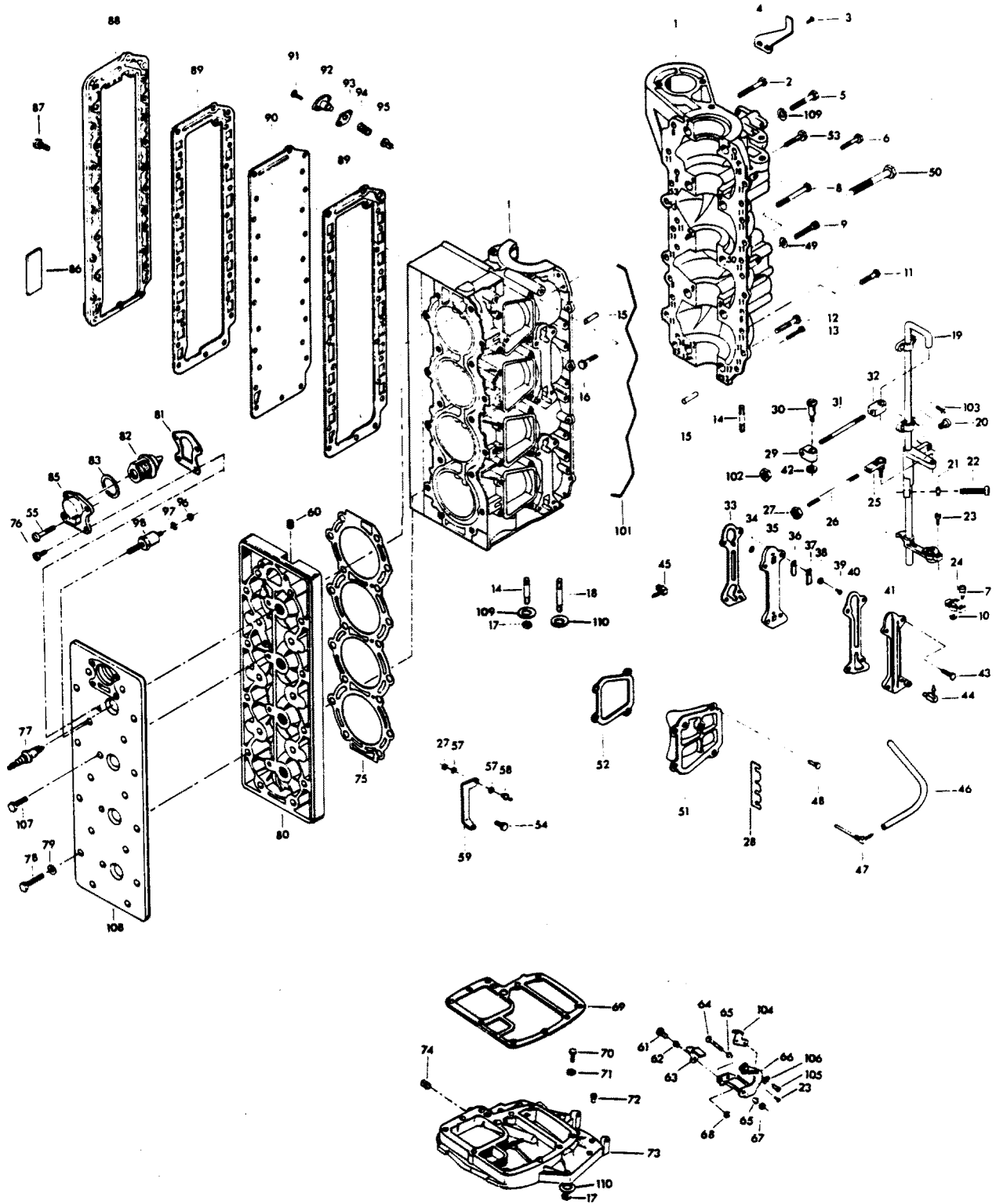




## FUEL PUMP AND REED PLATE

REF. NO.	PART NO.	SYM.	QTY.	DESCRIPTION
44	F1915		10	HEX HD SCREW, 1/4 - 20 X 5/8
45	F489551		1	BRACKET NEUTRAL INTERLOCK SWITCH
46	F84449		1	INTERLOCK SWITCH
47	F8088		2	PLAIN WASHER
48	F2016		2	FILL HD SCREW, 6 - 32 X 7/8
49	F1704		2	INTERNAL TOOTH LOCKWASHER
50	F1645		2	RD HD SCREW, 6 - 32 X 1/4
51	F523451		8	SPACER, REED STOP
52	F97772		2	CLAMP
54	F154758		1	HOSE (FUEL PUMP UPPER)

# POWER HEAD

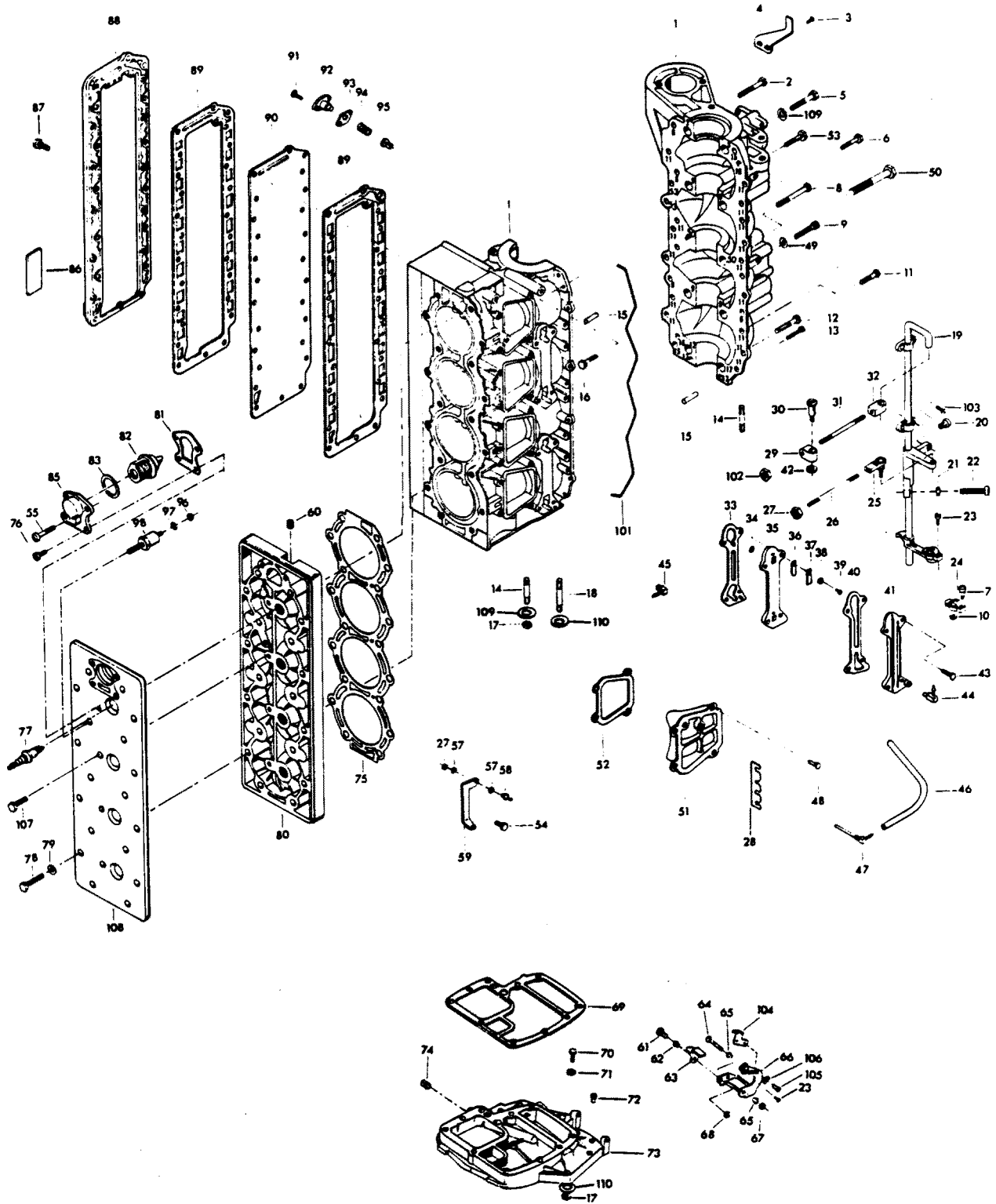


# POWER HEAD

REF. NO.	PART NO.	SYM.	QTY.	DESCRIPTION
1	A476010-1		1	CYLINDER W/CRANKCASE COVER, PARTING LINE SEAL.
2	F1874		1	HEX HD SCREW, 3/8 - 16 X 3 1/8
3	F1760		2	PAN HD SCREW, 10 - 24 X 3/8
4	FA480894		1	TIMING POINTER
5	F1009		1	HEX HD SCREW, 3/8 - 16 X 2 3/4
6	F1915		3	HEX HD SCREW, 1/4 - 20 X 7/8
8	F1699		1	HEX HD SCREW, 1/4 - 20 X 1 1/8
9	F1253		4	HEX SOCKET HD CAP SCREW, 3/8 - 16 X 2
10	F7008		1	ELASTIC STOP NUT
11	F1914		16	HEX HD SCREW, 1/4 - 20 X 3/4
12	F1872		2	HEX CAP SCREW, 3/8 - 16 X 1 3/4
13	F1099		2	FILL HD SCREW, 1/4 - 20 X 1 1/4
14	F85859		4	STUD
15	F8563		2	DOWEL PIN
16	F1953		2	HEX HD SCREW, 1/4 - 20 X 1
17	F7004		10	STOP NUT, 3/8 - 16
18	F85211		6	STUD
19	817932A6		1	TOWERSHAFT W/SWIVEL, BEARINGS AND SCREWS
20	F1727		1	PLASTIC RIVET
21	F1341		1	HEX NUT, 1/4 - 20
22	F1052		1	FILL HD SCREW, 1/4 - 20 X 1
23	F1556		2	FILL HD SCREW W/LOCKWASHER, 10 - 24 X 3/8
24	FK405020		2	SWIVEL W/CLAMP, SHOULDER SCREW AND NUT
25	817747--1		1	BALL JOINT W/STUD
26	F85502		1	THROTTLE LINK
27	F1513		4	HEX NUT, 10 - 32
28	F523834		1	CLIP, SPARK PLUG WIRE
29	F85035		1	DISTRIBUTOR, CONTROL ROD END
30	F85026		1	SWIVEL
31	F85445		1	CONTROL ROD
32	F85036		1	TOWERSHAFT CONTROL ROD END
33	F84748-3		2	GASKET
34	F93811		4	SCREEN
35	F2A476757		2	CYLINDER DRAIN REED PLATE W/REEDS, STOPS AND SCREWS
36	F18160-2		4	CYLINDER DRAIN REED
37	F93920		4	REED STOP
38	F8003		4	PLAIN WASHER
39	F1286		4	PAN HD SCREW, 4 - 40 X 3/16
40	F84472-5		2	GASKET, CYLINDER DRAIN COVER
41	F406471-1		2	CYLINDER DRAIN COVER
42	F1935		1	PLAIN WASHER
43	F1187		8	HEX HD SCREW, 1/4 - 20 X 1

CONTINUED ON NEXT PAGE ➡

# POWER HEAD

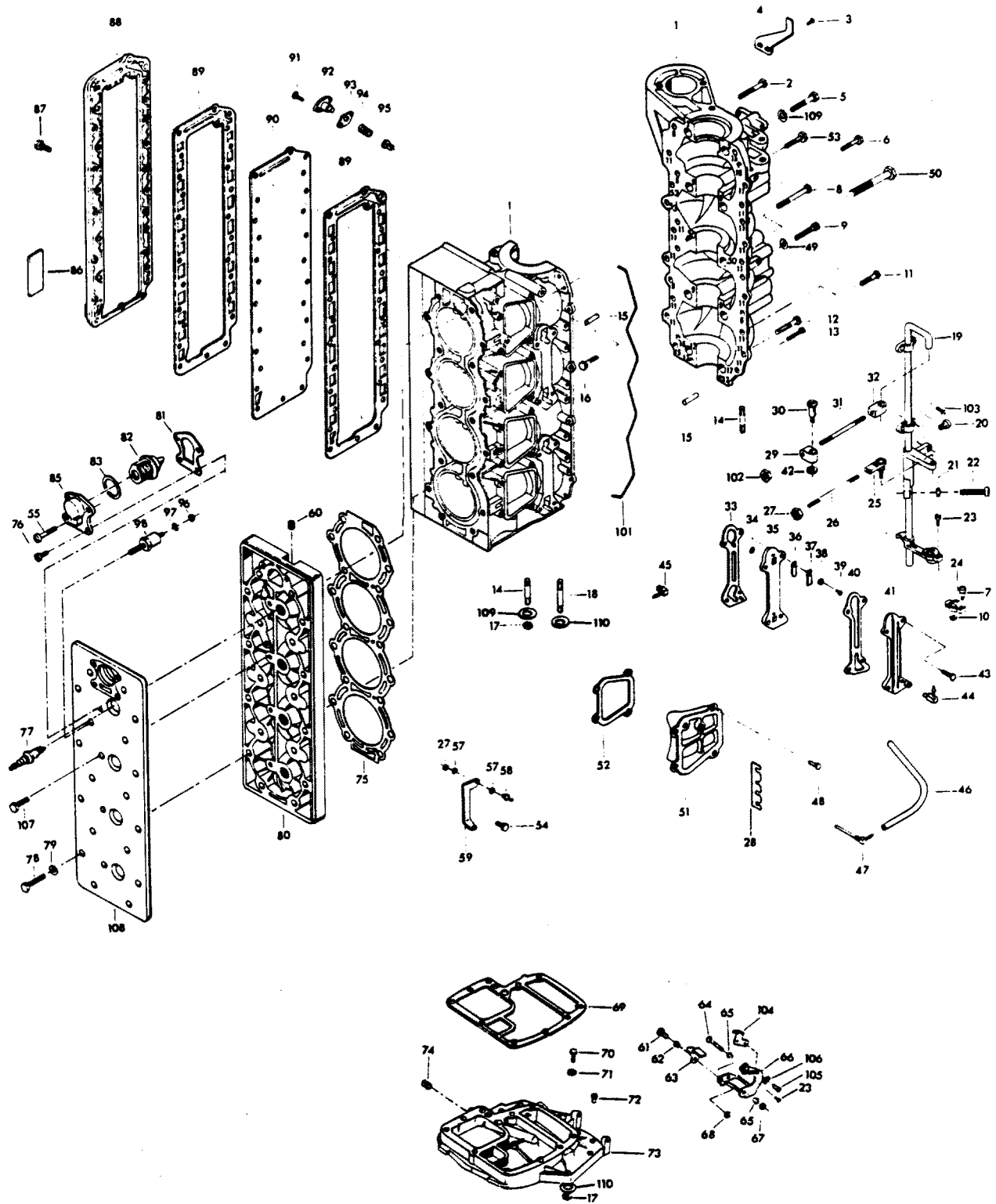


# POWER HEAD

REF. NO.	PART NO.	SYM.	QTY.	DESCRIPTION
44	22-818103--1		1	ELBOW, CYLINDER DRAIN LOWER
-	<b>F404801</b>		<b>1</b>	<b>ELBOW, CYLINDER DRAIN UPPER</b>
45	F84314-2		1	ELBOW
46	F406754-1		1	HOSE
47	F404314		1	FITTING
48	F1502		6	HEX CAP SCREW, 1/4 - 20 X 5/8
49	F8104		4	PLAIN WASHER
50	F1873		2	HEX CAP SCREW, 3/8 - 16 X 3
51	FA411222		3	TRANSFER PORT COVER
52	F40223		4	GASKET, TRANSFER PORT COVER
-	<b>FG1003-1</b>		<b>1</b>	<b>GASKET SET (SEE BELOW)</b>
53	F2008		2	HEX HD SCREW, 1/4 - 20 X 7/8
54	F1238		2	HEX CAP SCREW, 1/4 - 20 X 3/4
55	F1099		2	FILL HD SCREW, 1/4 - 20 X 1 1/4
57	F8058		4	INTERNAL TOOTH LOCKWASHER
58	F98273		2	ROD END CONNECTOR STUD
59	85872-1		1	BRACKET
60	F19109		1	PLUG
61	F369887		1	SHOULDER SCREW
62	F369610		1	BEARING
63	F369977-1		1	INTERLOCK ARM
64	F1885		1	HEX BOLTS, S. S., 5/16 - 18 X 4 1/4
65	F85610		2	BEARING
66	FA480876		1	GEAR SHIFT ARM, BEARINGS, INTERLOCK ARM AND SHOULDER SCREW <b>W/SWIVEL</b>
67	F2108		1	STOP NUT, 5/16 - 18
68	F1832		1	STOP NUT, 1/4 - 20
69	F85279-2		1	GASKET, CYLINDER EXHAUST UPPER
70	F1869		6	HEX CAP SCREW, 3/8 - 16 X 1 1/4
71	F1703		6	LOCKWASHER
72	FA98689		1	BEARING
73	817788A3		1	SPACER PLATE W/PLUG
74	F2090		1	PLUG
75	F476529		1	CYLINDER HEAD GASKET
76	F1107		2	SLOTTED FILL HD CAP SCREW, 1/4 - 20 X 3/4
77	33-97180		4	SPARK PLUG (CHAMPION L20V)
-	<b>C523227</b>		<b>4</b>	<b>SPARK PLUG (CHAMPION QL-76V) FOR MODELS 1409B8A</b>
78	F2049		18	HEX CAP SCREW, 5/16 - 18 X 2 5/8
79	F1987		18	PLAIN WASHER
80	FA528518		1	CYLINDER HEAD
81	F476067		1	GASKET
82	F528068		1	THERMOSTAT
83	F84504		1	GROMMET (THERMOSTAT)

CONTINUED ON NEXT PAGE ➡

# POWER HEAD

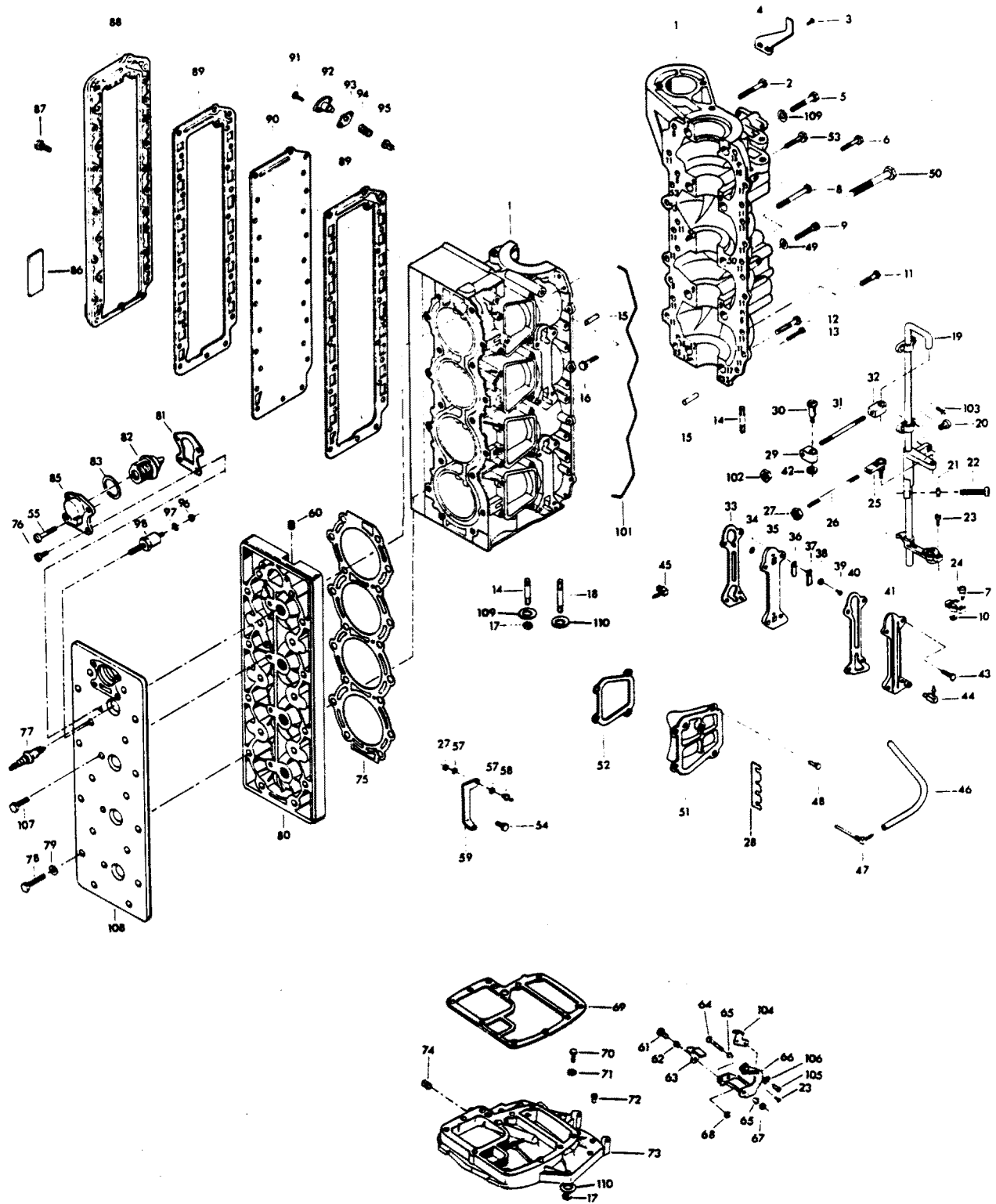


# POWER HEAD

REF. NO.	PART NO.	SYM.	QTY.	DESCRIPTION
85	F476066-1		1	THERMOSTAT COVER
86	F438398		1	DECAL, WIRING
-	<b>FC438398</b>		<b>1</b>	<b>DECAL, WIRING - CANADA</b>
87	F1709		27	HEX BOLT, 1/4 - 20 X 1 1/8
88	F372152-2		1	EXHAUST PORT COVER
89	F372154-1		2	GASKET, EXHAUST PORT PLATE
90	F372151-1		1	EXHAUST PORT PLATE
91	F1950		2	HEX CAP SCREW, 10 - 24 X 5/8
92	F438066		1	BY-PASS VALVE COVER
93	F85762		1	BY-PASS VALVE COVER GASKET
94	F404268		1	BY-PASS VALVE SPRING
95	F85916-1		1	BY-PASS VALVE
96	F1647		1	HEX NUT, 8 - 32
97	F8056		1	LOCKWASHER
98	87-817778A1		1	THERMOSWITCH
101	F184122-1		1	SEAL, PARTING LINE
102	F2015		1	HEX NUT 1/4 - 28
103	F1475		4	FILL HD SCREW, 10 - 24 X 1/2
104	F480107-1		1	CAM STARTER INTERLOCK
105	F2089		2	SLOTTED PAN HD M. SCREW, 10 - 24 X 5/16
106	F2042		2	PLAIN WASHER
107	F1203		4	HEX CAP SCREW, 1/4 - 20 X 7/8
108	F528995		1	COVER, CYLINDER HEAD
109	F8095		2	PLAIN WASHER
110	F8038		4	PLAIN WASHER
111	F1907		6	PLAIN WASHER
-	<b>C528010</b>		<b>1</b>	<b>SHORT BLOCK CONTAINS ALL ITEMS MARKED WITH AN ASTERISK. ALSO REFER TO CRANKSHAFT PAGE.</b>
-	<b>F40223</b>		<b>0</b>	<b>TRANSFER PORT COVER</b>
-	<b>F84067-1</b>		<b>0</b>	<b>THERMOSTAT COVER</b>
-	<b>F84472-5</b>		<b>0</b>	<b>CYLINDER DRAIN COVER</b>
-	<b>F84748-3</b>		<b>0</b>	<b>CYLINDER DRAIN</b>
-	<b>F85279-2</b>		<b>0</b>	<b>CYLINDER EXHAUST UPPER</b>
-	<b>F85453-1</b>		<b>0</b>	<b>CYLINDER EXHAUST LOWER</b>
-	<b>F85762</b>		<b>0</b>	<b>BY-PASS</b>
-	<b>F85906</b>		<b>0</b>	<b>CARBURETOR</b>
-	<b>F178168-1</b>		<b>0</b>	<b>CARBURETOR ADAPTOR</b>
-	<b>F184122-1</b>		<b>0</b>	<b>SEAL</b>
-	<b>F372154-1</b>		<b>0</b>	<b>EXHAUST PORT PLATE</b>
-	<b>F372529</b>		<b>0</b>	<b>CYLINDER HEAD</b>
-	<b>F406406</b>		<b>0</b>	<b>DEFLECTOR PLATE</b>
-	<b>F440906</b>		<b>0</b>	<b>CARBURETOR</b>
-	<b>F476067</b>		<b>0</b>	<b>THERMOSTAT COVER</b>

CONTINUED ON NEXT PAGE ➡

# POWER HEAD

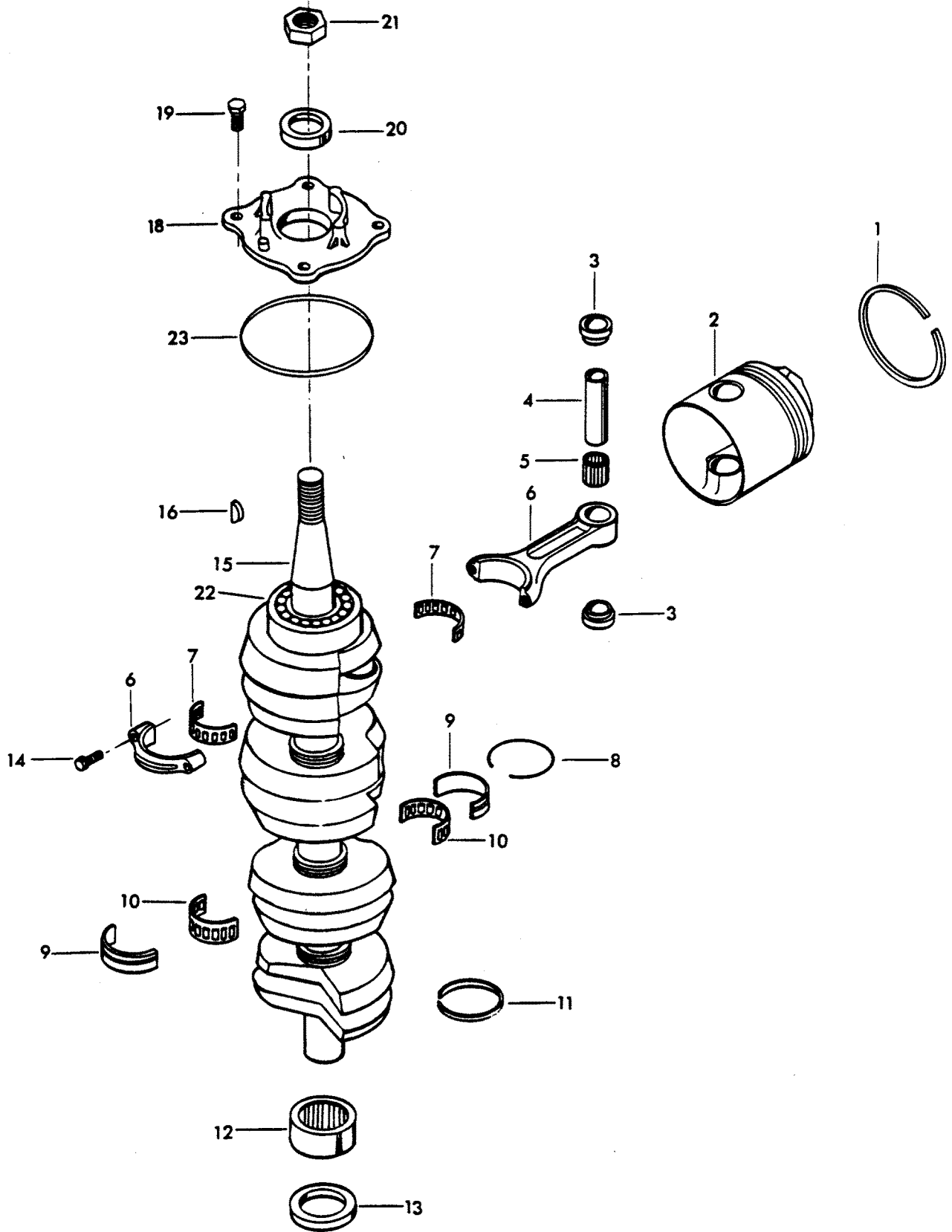




# POWER HEAD

REF. NO.	PART NO.	SYM.	QTY.	DESCRIPTION
-	F476529		0	CYLINDER HEAD

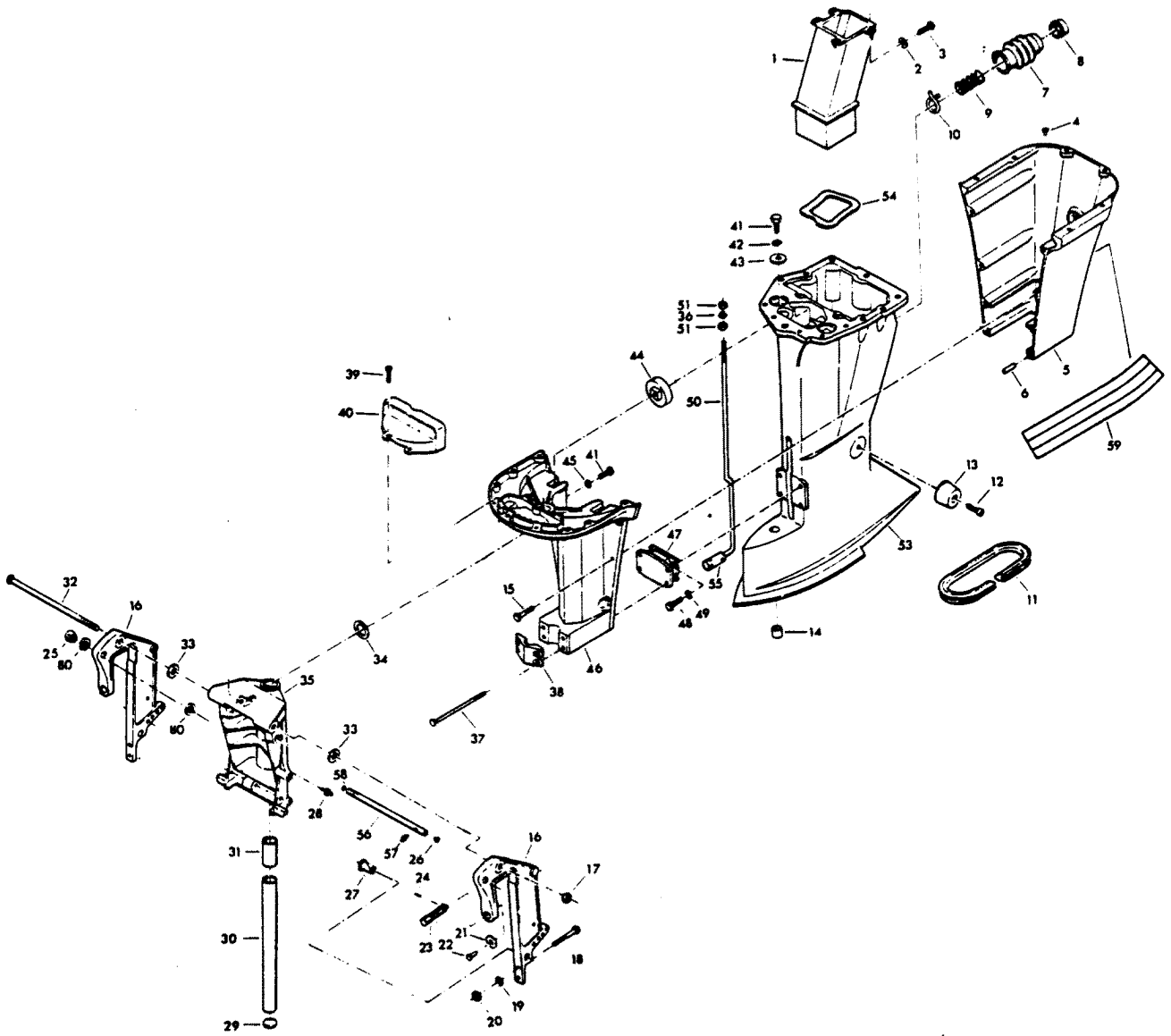
# CRANKSHAFT AND PISTON GROUP



# CRANKSHAFT AND PISTON GROUP

REF. NO.	PART NO.	SYM.	QTY.	DESCRIPTION
3	F335215		8	SPACER, PISTON PIN (2 PER PISTON)
4	F85017		4	PISTON PIN
5	F335217-1		4	BEARING, PISTON PIN (26 PER SET)
6	600-818052A4		4	CONNECTING ROD W/CAP AND SCREWS
7	FK85228-1		4	BEARING CAGE W/ROLLER
8	F85410		3	SNAP RING
9	FA85655-1		3	CRANKSHAFT MAIN BEARING RACE W/SNAP RING
10	F85571		3	BEARING CAGE W/ROLLER
11	F316579		3	SEAL, CRANKCASE
12	FA523014		1	CRANKSHAFT LOWER MAIN BEARING <b>W/ITEM 13</b>
13	F523146		1	SEAL, CRANKSHAFT LOWER
14	F85634-2		8	CONNECTING ROD SCREW
15	FA528018		1	CRANKSHAFT W/BEARING
16	F85498		1	FLYWHEEL KEY
18	31-817785A2		1	CRANKSHAFT BEARING CAGE W/SEAL
19	F1867		4	HEX CAP SCREW, 3/8 - 16 X 1
20	F84146-2		1	SEAL
21	F1968		1	FLYWHEEL NUT
22	F284659-2		1	BEARING, CRANKSHAFT UPPER MAIN
23	F84278		1	SEAL
-	<b>F2067</b>		<b>1</b>	<b>PLASTISOL CAP (NOT SHOWN)</b>
1	39-817820A1		2	PISTON RING SET FOR 2 PISTONS
2	F475015-6		4	PISTON
-	<b>FSA474260</b>		<b>2</b>	<b>PISTON RING SET FOR 2 PISTONS .010 OVERSIZE (NOT SHOWN)</b>
-	<b>39-818122A1</b>		<b>2</b>	<b>PISTON RING SET FOR 2 PISTONS .030 OVERSIZE (NOT SHOWN)</b>
-	<b>SA475015</b>		<b>4</b>	<b>PISTON .010 OVERSIZE (NOT SHOWN)</b>
-	<b>3SA475015</b>		<b>4</b>	<b>PISTON .030 OVERSIZE (NOT SHOWN)</b>

# MOTOR LEG

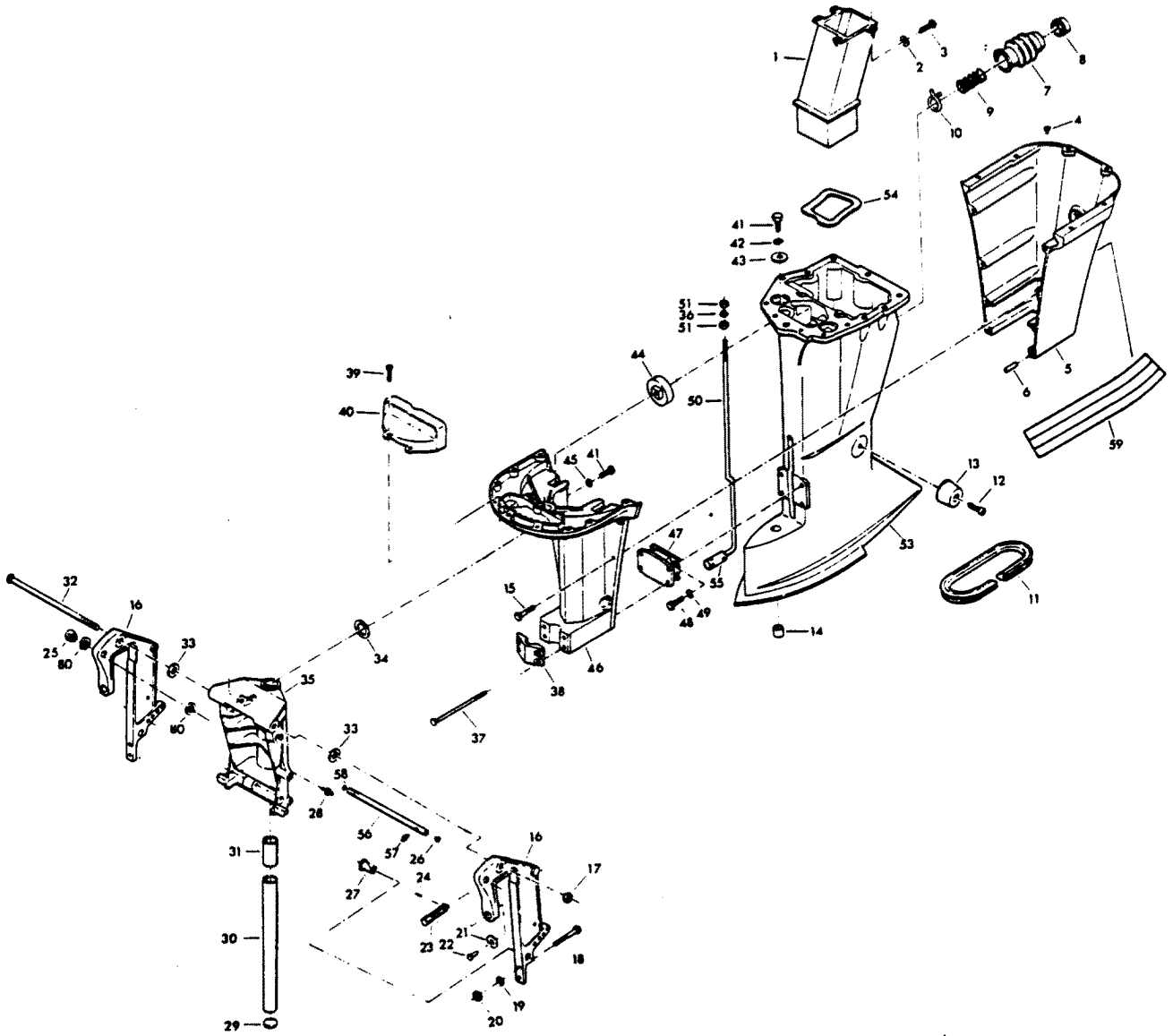


# MOTOR LEG

REF. NO.	PART NO.	SYM.	QTY.	DESCRIPTION
1	F85660-1		1	EXHAUST TUBE
2	F8083		4	SPRING LOCKWASHER
3	F1864		4	HEX SLOT HD SCREW 1/4 - 20 X 3/4
4	F1729		2	PLUG
5	817931A7		1	MOTOR LEG COVER REAR
6	F1664		2	SPRING PIN
7	F85130		1	BOOT IDLE EXHAUST
8	F85258		1	INSERT
9	F85380		1	SPRING
10	F85772		1	CLAMP
11	F178323		1	SEAL, MOTOR LEG
12	F1263		2	HEX SOCKET HD CAP SCREW 5/16 - 18 X 9/16
13	F438962		2	SHOCK MOUNT LOWER REAR
14	F338618-1		1	SEAL GEAR SHIFT ROD
15	F2030		6	HEX HD M. SCREW 1/4 - 20 X 1 1/4
16	1400-817958A6		2	STEARN BRACKET
17	F7012		1	STOP NUT
18	F1593		2	HEX HD SCREW 3/8 - 16 X 3
19	F1904		2	PLAIN WASHER
20	F1346		2	HEX NUT
21	F84074		2	CLAMP SCREW FOOT
22	F353480		2	STUD
23	F474073-1		2	CLAMP SCREW
24	F8538		2	SPRING PIN
25	F9018		1	CAP
26	F9052		1	PLUG
27	F178362		2	BEARING
28	F213274		3	GREASE FITTING
29	F1528		1	WELCH PLUG
30	FA85019		1	KINGPIN W/PLUG
31	F438169		2	BEARING
32	F85037-1		1	STERN BRACKET PIVOT BOLT
33	F84286-1		4	FRICTION WASHER
34	F84011		1	WASHER
35	817783A5		1	SWIVEL BRACKET W/BEARINGS AND GREASE FITTINGS
36	F1987		1	PLAIN WASHER
37	F1696		4	HEX BOLT 5/16 - 18 X 1 3/4
38	F85606		1	KINGPIN CAP
39	F1912		4	HEX HD SCREW 10 - 24 X 1/2
40	F85779-1		1	BAFFLE, AIR INTAKE
41	F1871		4	HEX HD SCREW 3/8 - 16 X 3/4
42	F2014		2	PLAIN WASHER
43	FA85355-1		2	WASHER

CONTINUED ON NEXT PAGE ➡

# MOTOR LEG



# MOTOR LEG

REF. NO.	PART NO.	SYM.	QTY.	DESCRIPTION
44	F85965		2	SHOCK MOUNT UPPER
45	F1703		2	SPRING LOCKWASHER
46	FA85135-4		1	LEG COVER FRONT
47	F438346		1	SHOCK MOUNT LOWER
48	F1822		4	HEX BOLT 5/16 - 18 X 7/8
49	F8096		4	SPRING LOCKWASHER
50	F85615		1	GEAR SHIFT ROD UPPER
51	F2108		2	LOCK NUT
52	F523280		1	NUT, STEERING SUPPORT TUBE
53	F523133-2		1	MOTOR LEG
54	F439736		1	SEAL, EXHAUST TUBE
55	F85704		1	COUPLER, GEAR SHIFT ROD
56	F511125-2		1	TUBE, STEERING SUPPORT
57	F523274		1	GREASE FITTING
58	F316599		1	SEAL, STEERING SUPPORT TUBE
-	<b>37-819450</b>		<b>1</b>	<b>DECAL, REVERSE LOCK - CANADA (NOT SHOWN)</b>
59	370397		1	DECAL (LEG COVER PORT)
-	<b>370396</b>		<b>1</b>	<b>DECAL (LEG COVER STARBOARD)</b>



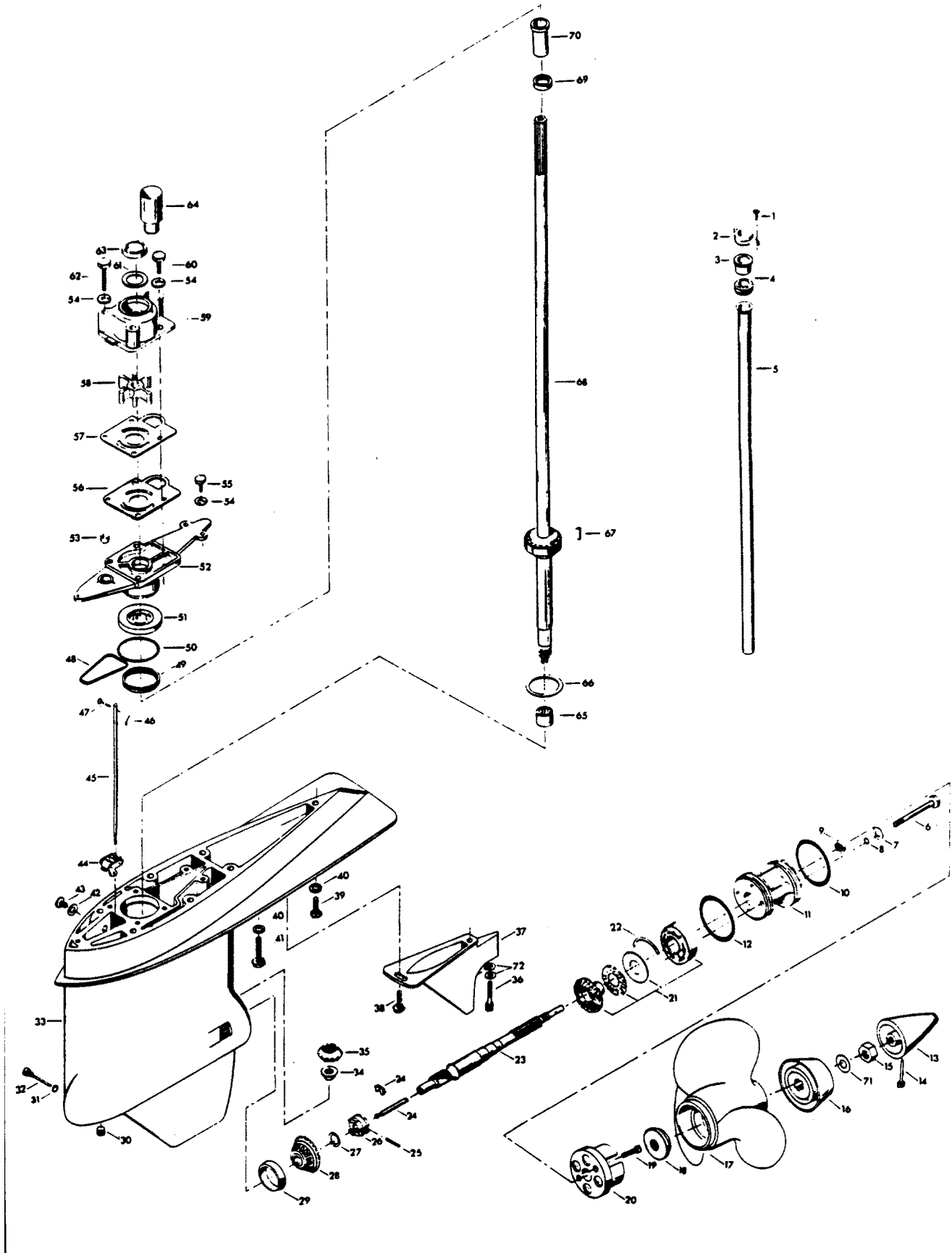


# GEAR HOUSING

REF. NO.	PART NO.	SYM.	QTY.	DESCRIPTION
1	F1705		2	HEX CAP SCREW, 1/4 - 20 X 3/4
2	F85117		1	BRACKET, WATER LINE
3	F84342		1	SEAL, INLET WATER LINE, UPPER
4	F523899		1	GROMMET, WATER LINE
5	F523244		1	INLET WATER LINE
6	F1885		4	HEX CAP SCREW, 5/16 - 18 X 4 1/4
7	F1907		4	PLAIN WASHER
8	F50342-1		4	SEAL, "O" RING
9	F506118		1	SEAL, PROPELLER SHAFT
10	F24278		1	SEAL, "O" RING PROPELLER SHAFT SPOOL
11	F2A523239		1	SPOOL, PROPELLER SHAFT BEARING W/SEALS
12	F84305		1	SEAL, "O" RING PROPELLER SHAFT SPOOL
13	F523094-2		1	PROPELLER NUT
14	F498891		1	PIN, PROPELLER NUT RETAINING
15	F1788		1	STOP NUT
16	F509299		1	WASHER
17	FP476		1	PROPELLER - 140 H. P. (ACCESSORY ITEM)
18	F523099-1		1	SPACER, PROPELLER
19	F1577		2	FILL HD SCREW, 1/4 - 20 X 3/4
20	FA523485		1	ANTICORROSION ANODE
21	F2A523662		1	BEVEL GEAR REAR W/BEARING CAGE SPACER AND BEARING
22	F523411		2	RETAINING RING, BEARING CAGE
23	FA523098		1	PROPELLER SHAFT
24	FA84871-1		1	PIN, GEAR SHIFT W/YOKE
25	F1713		1	SPRING PIN
26	F84521-1		1	CLUTCH
28	F2A523023		1	BEVEL GEAR FRONT W/BEARING
29	F523813		1	BEARING CUP
30	F19109		1	PLUG
31	F498618		1	SEAL, GEAR SHIFT ARM PIN
32	F498891		1	PIN, GEAR SHIFT ARM
33	FA523054		1	GEAR HOUSING, DRIVESHAFT BEARING LOWER, PLUGS & WASHERS <b>W/BEARING CUP</b>
34	F523188		1	NUT, BEVEL PINION
35	FA523266		1	BEVEL PINION GEAR W/CRUSH RING AND SHIMS
36	F1994		1	HEX SOCKET HD CAP SCREW, 5/16 - 18 X 1
37	F523116		1	EXHAUST SNOUT
38	F438930		1	RETAINER, SNOUT
39	F1858		1	HEX CAP SCREW, 5/16 - 18 X 1
40	F8096		7	SPRING LOCKWASHER
41	F1491		6	HEX HD SCREW, 5/16 - 18 X 3 1/4
42	F8077		2	WASHER, GEAR HOUSING PLUG
43	F50109		2	PLUG, GEAR HOUSING

CONTINUED ON NEXT PAGE ➡

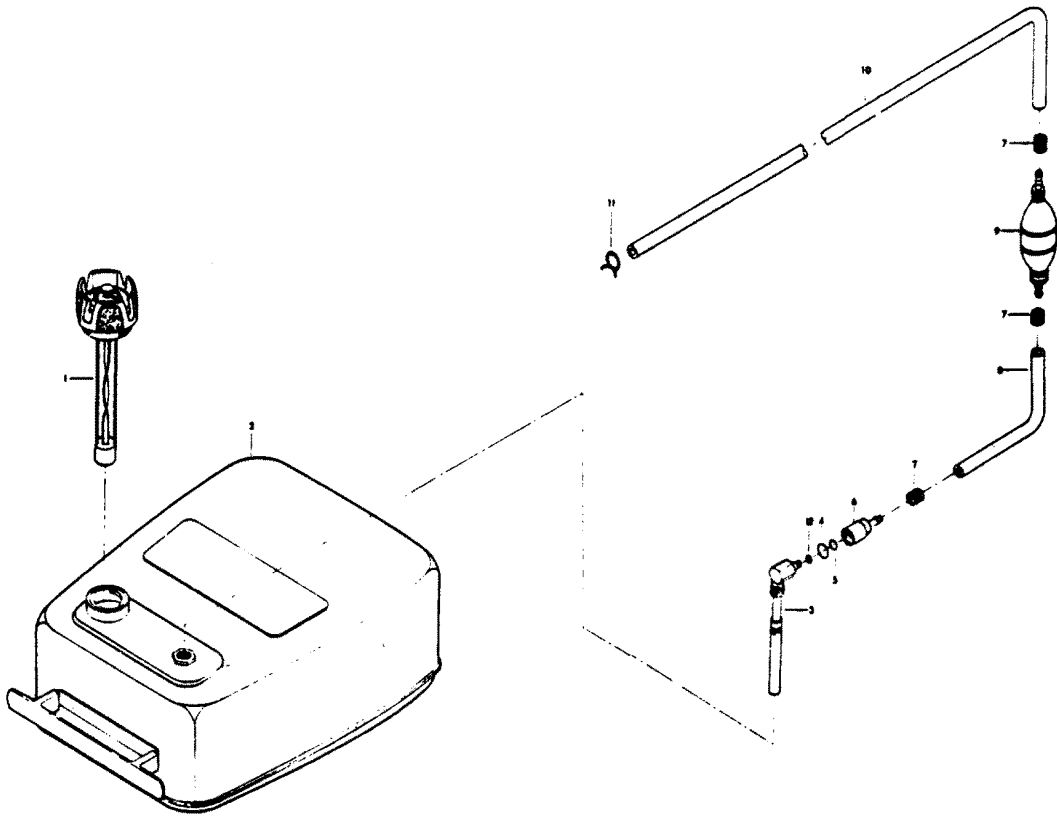
# GEAR HOUSING



# GEAR HOUSING

REF. NO.	PART NO.	SYM.	QTY.	DESCRIPTION
44	FA84621-1		1	COUPLING, GEAR SHIFT ARM W/BUSHING
45	F523705		1	GEAR SHIFT ROD LOWER
46	F1015		1	COTTER PIN
47	F85372		1	PIN, GEAR SHIFT ROD LOWER
48	F523555		1	SEAL, "O" RING, GEAR HOUSING COVER
49	F523961		1	CRUSH RING
50	F74305		1	SEAL, DRIVESHAFT BEARING CAGE
51	F84307-1		1	SEAL, DRIVESHAFT
52	FA523706		1	GEAR HOUSING COVER W/SEALS
53	F338618-1		1	SEAL, GEAR SHIFT ROD
54	F8083		7	SPRING LOCKWASHER
55	F1999		3	HEX CAP SCREW, 1/4 - 20 X 7/8
56	F523031		1	GASKET, WATER PUMP
57	F523562		1	PLATE, WATER PUMP
58	F523065		1	IMPELLER, WATER PUMP
59	46-817853A1		1	WATER PUMP BODY W/DRIVESHAFT SEAL, DISC AND WATERLINE SEAL
60	F1990		2	HEX CAP SCREW, 1/4 - 20 X 1 5/8
61	F480388		1	DISC, WATER PUMP LOCATING
62	F1425		2	HEX CAP SCREW, 1/4 - 20 X 1 5/8
63	F351307		1	SEAL, DRIVESHAFT - WATER PUMP
64	FA523735		1	SEAL, INLET WATER LINE, LOWER
65	F523057		1	BEARING, DRIVESHAFT LOWER
67	F523498		1	DRIVE KEY, WATER PUMP
68	FK523128		1	DRIVESHAFT W/BEARING, SHIMS AND CRUSH RING
69	F438271		1	RETAINER, CRANKSHAFT SPINE SEAL
70	F438129		1	SEAL, DRIVESHAFT SPLINE
71	F1866		1	PLAIN WASHER
72	F1856		2	PLAIN WASHER
-	<b>FC523054</b>		<b>1</b>	<b>GEAR HOUSING COMPLETE (INCLUDES ALL ITEMS MARKED WITH AN ASTERISK (*)).</b>

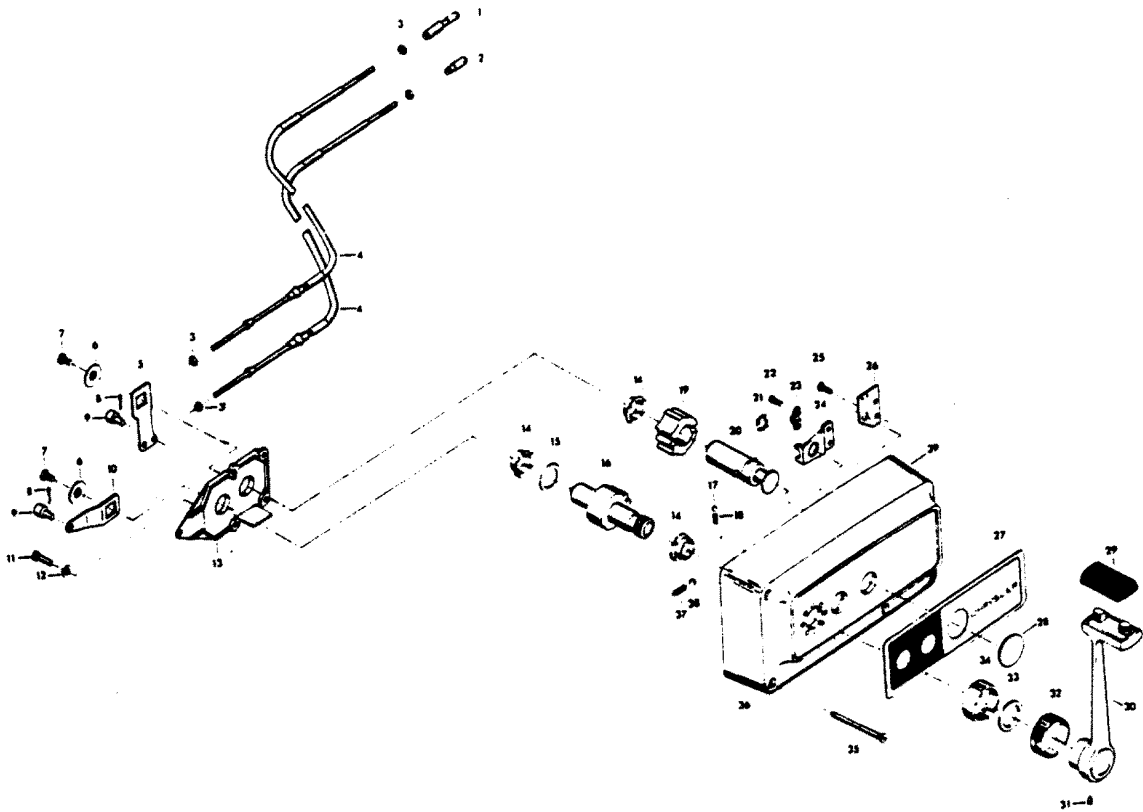
# FUEL TANK AND LINE



## FUEL TANK AND LINE

REF. NO.	PART NO.	SYM.	QTY.	DESCRIPTION
1	F409251-1		1	GAUGE CAP
2	F5H026		1	FUEL TANK (ACCESSORY ITEM)
3	F485755-1		1	FUEL TANK ADAPTER
4	F213342		1	SEAL, FUEL LINE COUPLER (LARGE)
5	F213735		1	SEAL, FUEL LINE COUPLER (SMALL)
6	F197787-3		1	FUEL LINE COUPLER
7	F298788		3	FERRULE
8	FA84754-1		1	FUEL LINE SHORT W/FERRULES
9	89396A38		1	PRIME BULB
10	32-817738A1		1	FUEL LINE LONG W/CLAMP AND FERRULE
11	F97772		1	FUEL LINE CLAMP
12	F17932		1	SEAL, FUEL LINE COUPLER
-	<b>FS409752</b>		<b>1</b>	<b>FUEL LINE COMPLETE (NOT SHOWN)</b>
-	<b>FC409398</b>		<b>1</b>	<b>DECAL, TOTE TANK (NOT SHOWN)</b>

# REMOTE CONTROL

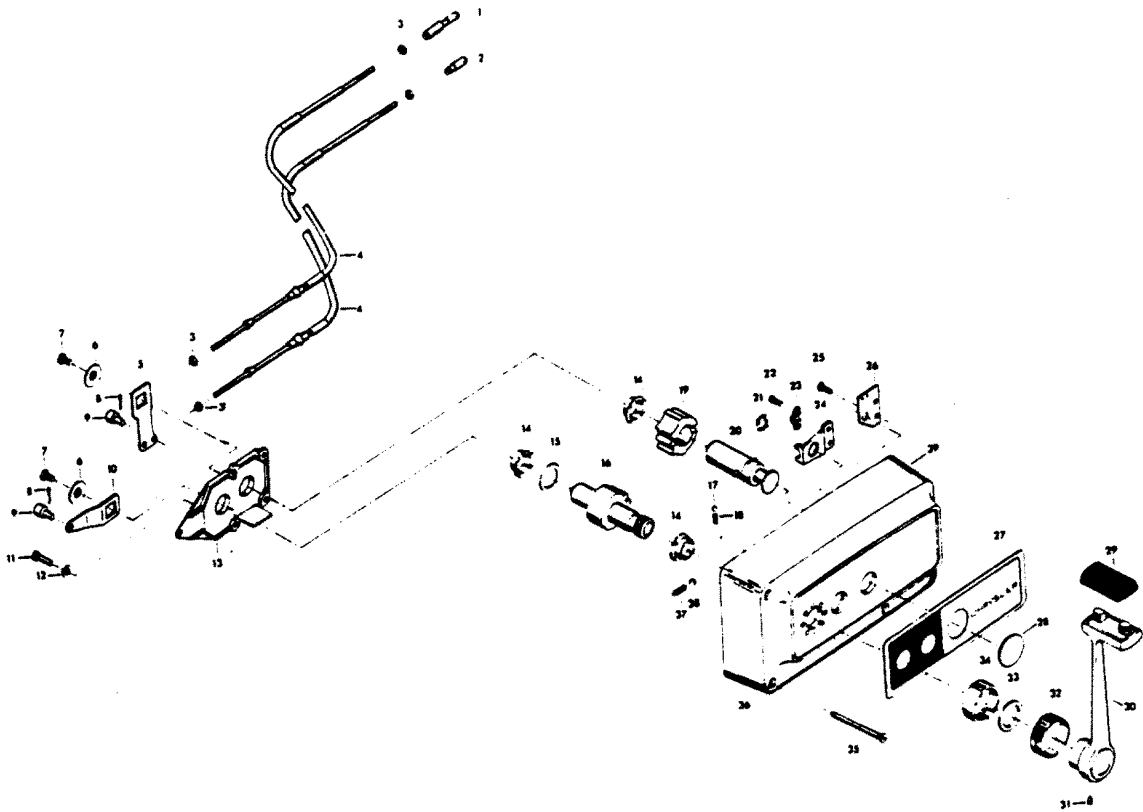


# REMOTE CONTROL

REF. NO.	PART NO.	SYM.	QTY.	DESCRIPTION
1	FA58976-1		1	CONNECTOR, THROTTLE CABLE
2	F58685-2		1	CONNECTOR, SHIFT CABLE
3	F1513		4	HEX NUT
4	ÄF58356//		2	REMOTE CONTROL CABLE (SPECIFY LENGTH)
5	F17019		1	CLUTCH ARM
6	F17036		2	INTERNAL TOOTH LOCKWASHER
7	F1715		2	HEX BOLT, 1/4 - 28 X 9/16
8	F17015		2	COTTER PIN
9	F17016		2	CABLE TERMINAL
10	F17014		1	THROTTLE ARM
11	F17013		2	FILL HD SCREW, 1/4 - 20 X 1/2
12	F17020		2	INTERNAL TOOTH LOCKWASHER
13	F17012		1	RETAINING PLATE
14	F17009		3	BEARING
15	F17011		1	BOWED WASHER
16	F17010-1		1	THROTTLE GEAR
17	F17111		1	DETENT BALL
18	F17006		1	DETENT SPRING
19	F17021		1	CLUTCH GEAR
20	F17100		1	CLUTCH SHAFT
21	F17092		1	SNAP RING
22	F17107		2	FILL HD SCREW, 10 - 24 X 5/16
23	F154317		1	CABLE CLAMP
24	F17026		1	SWIVEL
25	F1557		2	FLAT HD SCREW, 10 - 24 X 3/8
26	F17112		1	JUNCTION BOARD, STARBOARD
-	<b>F17113</b>		<b>1</b>	<b>JUNCTION BOARD, PORT</b>
27	F17101		1	DECAL, STARBOARD
-	<b>17102</b>		<b>1</b>	<b>DECAL, PORT</b>
28	F17031		1	SNAP CAP
29	F17116		1	KNOB
30	F17115		1	HANDLE
31	F17030-1		1	SET SCREW
32	FK17114-1		1	INDICATOR
33	F17105		1	FELT WASHER
34	F17106		1	COLLAR
35	17108		3	WOOD SCREW

CONTINUED ON NEXT PAGE ➡

# REMOTE CONTROL

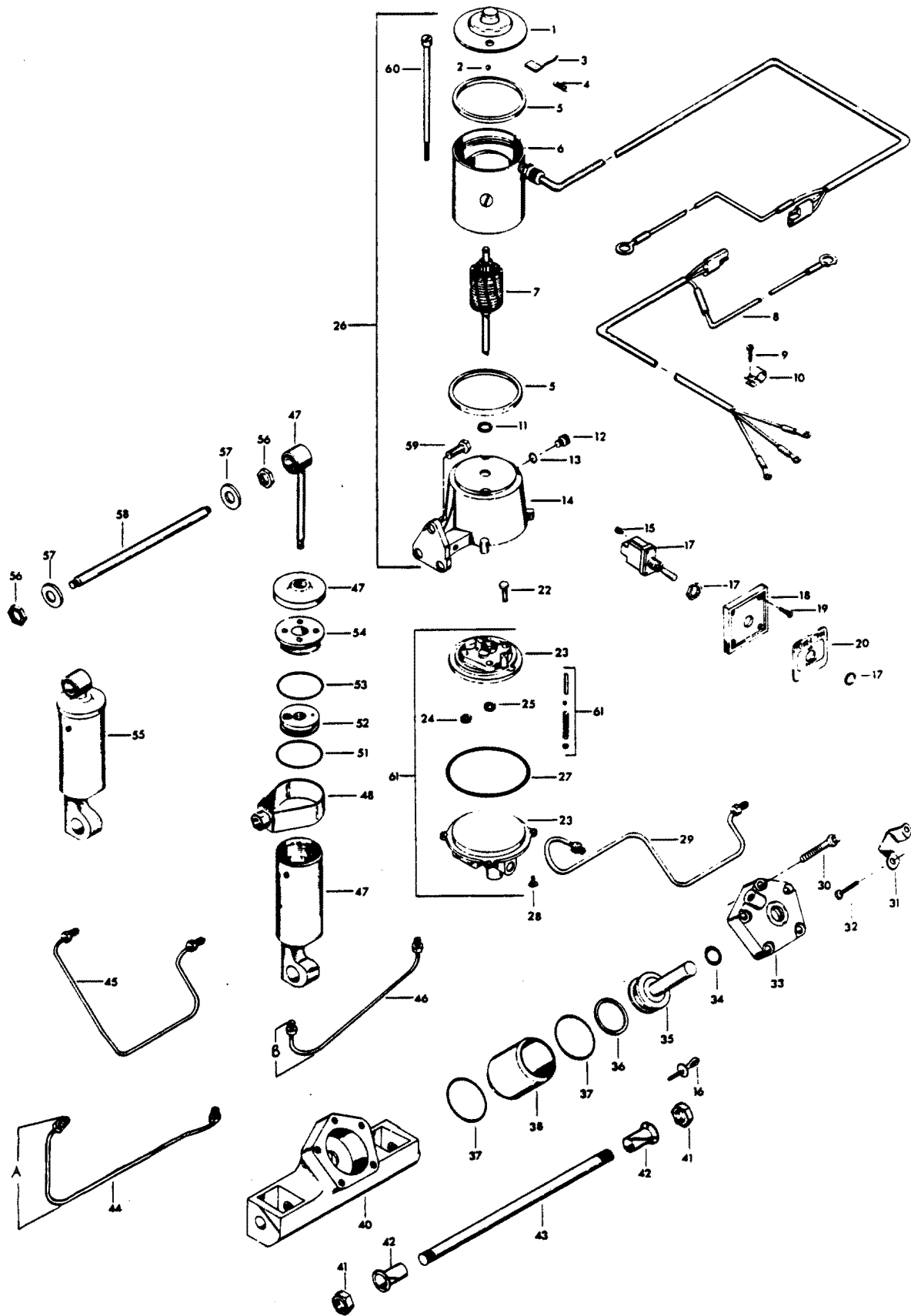




# REMOTE CONTROL

REF. NO.	PART NO.	SYM.	QTY.	DESCRIPTION
36	F17068		1	HOUSING
37	F17008		1	DETENT SPRING
38	F17082-1		1	DETENT BALL
39	F5H063		1	REMOTE CONTROL UNIT, SINGLE LEVER STARBOARD MOUNT ( <b>ACCESSORY ITEM</b> )
-	<b>F1280</b>		<b>2</b>	<b>PAN HD SCREW, 8 - 32 X 1/4 (TERMINAL BOARD) (NOT SHOWN)</b>

# POWER TRIM UNIT

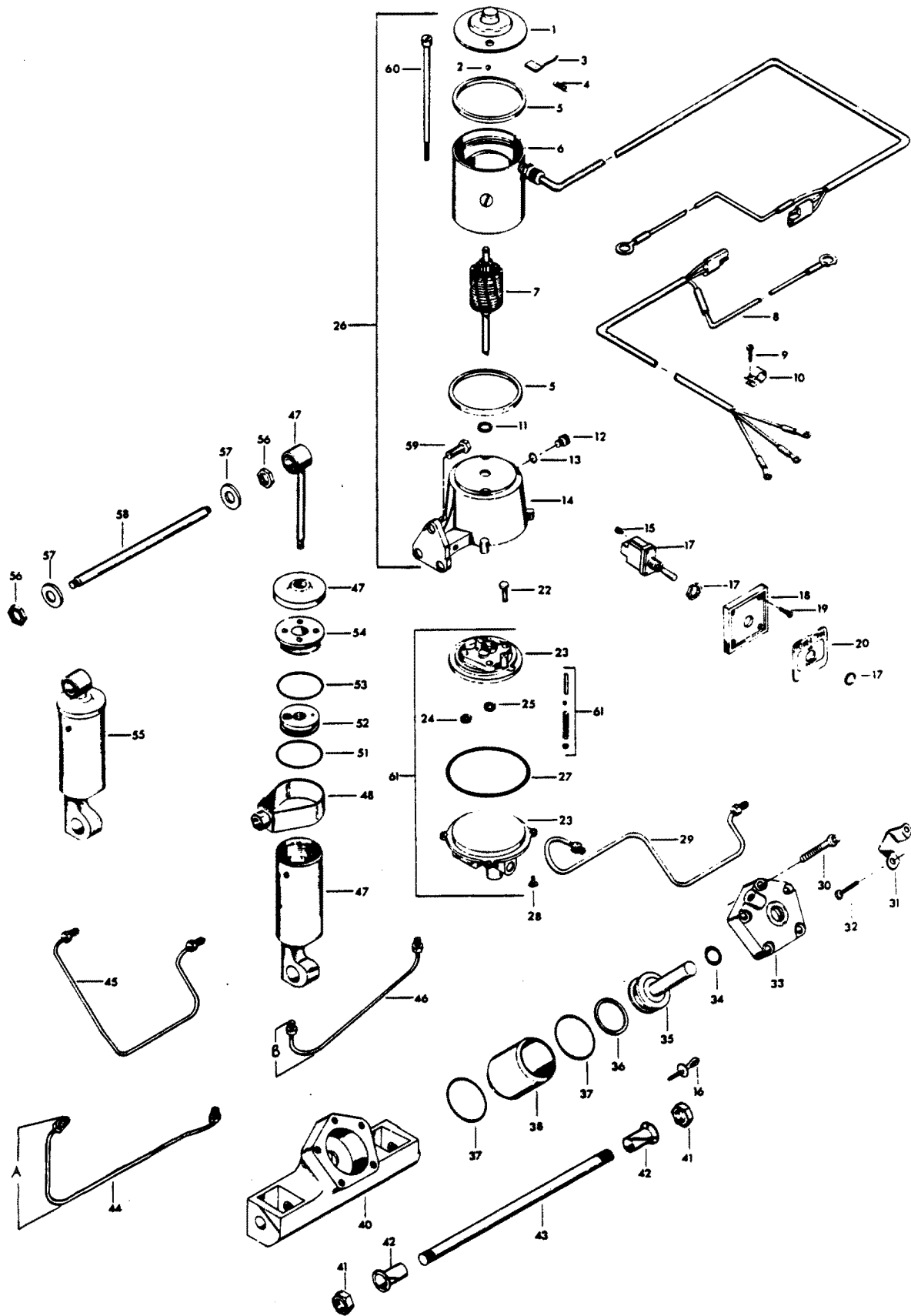


# POWER TRIM UNIT

REF. NO.	PART NO.	SYM.	QTY.	DESCRIPTION
1	F17543		1	HEAD ASSEMBLY, COMMUTATOR END
2	F17539		1	BALL
3	F17504		1	BRUSH SET
4	F17500		1	SPRING SET
5	F17557		2	GASKET
6	F17556		1	FIELD AND FRAME ASSEMBLY
7	F17555		1	ARMATURE
8	F449843		1	CABLE
9	F1741		2	THREAD FORMING SCREW, 8 X 3/4
10	F178446		2	CLAMP
11	F17508		AR	THRUST WASHER
12	F17518		1	FILLER CAP
13	F17510		1	"O" RING
14	F17505		1	RESERVOIR AND BRACKET ASSEMBLY W/SEAL
15	F1280		3	PAN HD SCREW, 8 - 32 X 1/4
16	F1966		1	PLUG, SWIVEL BRACKET
17	F299449-4		1	SWITCH W/HARDWARE
18	F413420		1	SWITCH RETAINER
19	F1934		4	FLAT HD SCREW, 6 X 1/2
20	F449181		1	SWITCH PLATE
22	F1203		1	HEX CAP SCREW, 1/4 - 20 X 7/8
23	F17564		1	VALVE BODY AND PUMP
24	F17566		1	IDLE GEAR
25	F17565		1	DRIVE GEAR
26	F17563		1	MOTOR AND RESERVOIR ASSEMBLY
27	F17522		1	"O" RING
28	F1310		4	RD HD SCREW, 10 - 24 X 5/8
29	F449254		1	HYDRAULIC LINE, TRIM CYLINDER UPPER
30	F1959		5	FERRY HD CAP SCREW, 1/4 - 20 X 3/4, STAINLESS STEEL
31	F449354		1	THRUST BRACKET
32	F1734		2	FILL HD MOUNTING SCREW AND LOCKWASHER, 1/4 - 20 X 1/2
33	FA449149		1	COVER ASSEMBLY W/SEALS AND RETAINER
34	F449342		1	SEAL, PISTON SHAFT
35	FA449015		1	PISTON
36	F449278		1	PISTON SEAL
37	F40278		2	SEAL, CYLINDER
38	F449010		1	CYLINDER
40	F449545-2		1	CYLINDER HOUSING
41	F1963		2	ELASTIC STOP NUT, 5/8 - 18
42	F178362		2	BEARING
43	F449632		1	SHAFT
44	F449253-1		1	HYDRAULIC LINE, TRIM CYLINDER, LOWER

CONTINUED ON NEXT PAGE ➡

# POWER TRIM UNIT



## POWER TRIM UNIT

REF. NO.	PART NO.	SYM.	QTY.	DESCRIPTION
45	F449758		1	HYDRAULIC LINE, LIFT CYLINDER, UPPER
46	F449754-1		1	HYDRAULIC LINE, LIFT CYLINDER, LOWER
47	FA17559		1	LIFT CYLINDER, COMPLETE
48	F17577		1	ADAPTER FITTING PACKAGE
51	F17561-1		1	"O" RING, PISTON
52	F17562-1		1	PISTON ASSEMBLY
53	F17528		1	"O" RING
54	F17560		1	HEAD ASSEMBLY
55	FA178962		1	SHOCK ABSORBER W/BUSHING
56	F1931		2	STOP NUT, 1/2 - 20, S/S
57	F1960		2	PLAIN WASHER
58	F449889		1	SHAFT, UPPER
59	F1822		3	HEX CAP SCREW, 5/16 - 18 X 7/8, STAINLESS STEEL
60	F17558		1	THRU-BOLT PACKAGE
61	F17568		1	HYDRAULIC PUMP AND VALVE ASSEMBLY
62	F1877		2	TY-RAP (NOT SHOWN)

## SPECIAL TOOLS - TUNE-UP

REF. NO.	PART NO.	SYM.	QTY.	DESCRIPTION
-	FT8948-1		0	FLYWHEEL PULLER TO REMOVE FLYWHEEL.
-	FT2951		0	CIRCUIT TRACER TO TROUBLESHOOT ELECTRICAL SYSTEM.
-	FTA2937-1		0	TIMING TOOL TO SET INITIAL SPARK ADVANCE.
-	FT8930-1		0	FEELER GAUGE TO ADJUST DISTRIBUTOR BELT TENSION.
-	FT8978		0	POWER TIMING LIGHT FOR FINAL ADJUSTMENT OF SPARK ADVANCE.
-	FT2937A		0	ROD FOR USE WITH T2937-1.

## SPECIAL TOOLS - POWER HEAD

REF. NO.	PART NO.	SYM.	QTY.	DESCRIPTION
-	FT8914		0	SEAL REMOVER TO REMOVE UPPER CRANKSHAFT BEARING CAGE SEAL.
-	FT8900		0	CLAMP PLIERS TO REMOVE AND INSTALL HOSE CLAMPS.
-	FT8903		0	SEAL INSTALLER TO INSTALL UPPER CRANKSHAFT BEARING CAGE SEAL.
-	FT1082		0	RETAINING RING PLIERS TO REMOVE RETAINING RING.
-	FT8927		0	SEAL PROTECTOR TO INSTALL UPPER CRANKSHAFT BEARING CAGE SEAL.
-	FT8907		0	DRIVE HANDLE USED WITH T8903.
-	FT8915		0	SEAL PROTECTOR TO INSTALL CRANKSHAFT SEAL.
-	FT2953		0	SOCKET TO TORQUE CONNECTING ROD SCREWS.
-	FT2990		0	PISTON PIN TOOL TO REMOVE AND INSTALL PISTON PINS (105 - 120).
-	FTA8994		0	PISTON PIN TOOL TO REMOVE AND INSTALL PISTON PINS (135).
-	FT2996		0	RING COMPRESSOR TO INSTALL PISTON RINGS.
-	FT8926		0	RING EXPANDER TO INSTALL PISTON RINGS.
-	FT1082		0	RING PLIERS TO REMOVE AND INSTALL DISTRIBUTOR RETAINING RING.

## SPECIAL TOOLS - GEAR HOUSING

REF. NO.	PART NO.	SYM.	QTY.	DESCRIPTION
-	FT3012		0	SEAL INSTALLER TO INSTALL DRIVESHAFT SEAL.
-	FT8948-1		0	PROPELLER SHAFT BEARING CAGE PULLER TO REMOVE PROPELLER SHAFT BEARING CAGE AND SPOOL FROM GEAR HOUSING.
-	FT8918		0	BEARING GUIDE SET TO REMOVE AND INSTALL BEARING CUP IN GEAR HOUSING.
-	FT8985		0	PROPELLER SHAFT SPOOL SEAL INSTALLER TO INSTALL PROPELLER SHAFT SEAL IN PROPELLER SHAFT SPOOL.
-	FT11209		0	BEARING GUIDE SET USE WITH T8918.
-	FT8925		0	DRIVE SHAFT SEAL INSTALLER TO INSTALL DRIVESHAFT SEAL IN GEAR HOUSING COVER.
-	FT11207		0	FORWARD BEARING CUP REMOVER TO REMOVE FORWARD BEARING CUP IN GEAR HOUSING.
-	FT8901		0	INDICATOR HOLDER USED IN CONJUNCTION WITH T8997.
-	FT11204		0	FORWARD BEARING CUP INSTALLER TO INSTALL FORWARD BEARING CUP IN GEAR HOUSING.
-	FT8902		0	DIAL INDICATOR USED IN CONJUNCTION WITH T8997.
-	FT11205		0	LOWER DRIVESHAFT BEARING INSTALLER/REMOVER TO INSTALL AND REMOVE LOWER DRIVESHAFT BEARING IN GEAR HOUSING.
-	FT8919		0	SPRING PIN PUNCH TO REMOVE CLUTCH SPRING PIN.
-	FT7848		0	SPLINE ADAPTER TO BE USED WITH T2995.
-	FT8957		0	SEAL INSTALLER TO INSTALL SHIFT ROD SEAL.
-	FT2998		0	TORQUE WRENCH TO REMOVE PINION NUT.
-	FTA8997		0	SHIMMING TOOL TO SHIM LOWER UNIT. ORIGINAL FORCE P/N T8997A
-	FT7848		0	TORQUING ADAPTER HOLDS DRIVESHAFT WHILE INSTALLING OR REMOVING PINION NUT.



## SPECIAL TOOLS - TEST EQUIPMENT

REF. NO.	PART NO.	SYM.	QTY.	DESCRIPTION
-	FT8933		0	LIFTING HOOK TO LIFT ENGINE.
-	FT2938-1		0	TEST LIGHT TO TEST DISTRIBUTOR
-	FT8950		0	LEAKAGE TESTER TO TEST LOWER UNIT SEALS FOR LEAKAGE.
-	FTK8999		0	TEST WHEEL TO TEST MOTOR IN TEST TANK. ORIGINAL FORCE P/N TA8999
-	FT8953		0	IGNITION TESTER TO TEST OUTPUT OF C-D UNIT.

# ACCESSORIES

REF. NO.	PART NO.	SYM.	QTY.	DESCRIPTION
-	F861		0	FLUSHING ADAPTER PERMITS FRESH WATER FLUSHING OF WATER PASSAGES WITH STANDARD GARDEN HOSE.
-	F5H063		0	SYNCHRO-DRIVE CONTROL BOX (SINGLE LEVER) PERMITS REMOTE CONTROL OF THROTTLE AND GEAR SHIFT FROM STARBOARD SIDE OF BOAT.
-	5H067		0	PORT SIDE DECAL KIT CONVERTS 5H063 CONTROL BOX TO PORT SIDE MOUNTING.
-	F590		0	SYNCHRO-DRIVE CONTROL HEAD (SINGLE LEVER) FLUSH MOUNT CONTROL UNIT PERMITS REMOTE CONTROL OF THROTTLE AND GEAR SHIFT. MAY BE MOUNTED ON PORT OR STARBOARD SIDE OF BOAT.
-	865		0	TWIN SYNCHRO-DRIVE CONTROL BOX PERMITS REMOTE CONTROL OF THROTTLE AND GEAR SHIFT ON TWIN ENGINE INSTALLATION. MAY BE MOUNTED ON PORT OR STARBOARD SIDE OF BOAT.
-	F5H079		0	SYNCHRO-DRIVE CONTROL BOX FOR MOUNTING ON CONSOLE OF BOAT.
-	F75H08		0	TWIN SYNCHRO-DRIVE CONTROL BOX FOR MOUNTING ON CONSOLE OF BOAT.
-	F195/___		0	REMOTE CONTROL CABLES CONNECTS REMOTE CONTROL BOX TO THROTTLE AND GEAR SHIFT ON ENGINE. AVAILABLE IN 6 THROUGH 20 FOOT LENGTHS.
-	F165		0	REMOTE STEERING BRACKET ADAPTS ENGINE TO CABLE TYPE REMOTE STEERING.
-	F166		0	DUAL ENGINE TIE BAR PERMITS DUAL ENGINE INSTALLATIONS.
-	F862		0	STEEL, 6 GALLON FUEL TANK ADDITIONAL TANK TO CARRY FUEL RESERVE.
-	F5H026		0	STEEL, 6 GALLON FUEL TANK (LOW PROFILE
-	F5H029		0	TANK ANCHOR SECURES 5H026 TO BOAT.
-	F5H040		0	STEEL, 12 GALLON FUEL TANK
-	F5H019		0	ANTI-CORROSION KIT ELECTRICAL KIT FOR MOUNTING ON BOAT (12V) TO REDUCE CORROSION.
-	F5H025		0	ANTI-CORROSION SACRIFICIAL ANODE KIT USED TO REDUCE CORROSION.
-	F5H043		0	OVERHEAT BUZZER SOUNDS WARNING BUZZER IF ENGINE OVERHEATS.
-	F75H16		0	POWER TRIM INDICATOR INDICATES ENGINE TRIM ANGLE. (FLUSH MOUNT)
-	75H19		0	POWER TRIM INDICATOR INDICATES ENGINE TRIM ANGLE. (SURFACE MOUNT)
-	5H061		0	FROST WHITE LACQUER ENGINE TOUCH-UP PAINT IN 16 OZ. SPRAY BOMBS (12 CANS PER CASE).
-	F5H136		0	CHARGER BLUE ENGINE TOUCH-UP PAINT IN 16 OZ. SPRAY BOMBS (12 CANS PER CASE).
-	F5H044		0	TILT STOP KIT LIMITS TILTING ANGLE.
-	F5H064		0	EXHAUST SNOOT
-	F5H081		0	BATTERY CABLE LONGER LENGTH - 15 FEET.
-	F74H01		0	VOLTMETER - FLUSH MOUNT INDICATES BATTERY CONDITION.

CONTINUED ON NEXT PAGE ➡

# ACCESSORIES

REF. NO.	PART NO.	SYM.	QTY.	DESCRIPTION
-	74H02		0	VOLTMETER - SURFACE MOUNT INDICATES BATTERY CONDITION.
-	5H048		0	CANVAS HOOD PROTECTION FOR ENGINE COVER.
-	5H051		0	BATTERY, 74 AMP 12 VOLT HEAVY DUTY BATTERY.
-	172		0	BATTERY CASE HEAVY PLASTIC CASE WITH TIE DOWN STRAPS. PROTECTS BATTERY FROM DAMAGE.
-	F5H021		0	EXTENSION CABLE FOR LENGTHENING BATTERY CABLE 6 1/2 FEET.
-	F5H037		0	CIGAR LIGHTER FOR USE AS CONVENIENCE OUTLET.
-	168		0	CONTROL PANEL FOR MOUNTING LAMPS, SWITCHES, ETC.
-	877		0	DECAL SET FOR RACING ENGINE IDENTIFICATION.
-	75H20		0	FUEL GAUGE SURFACE MOUNT MONITORS FUEL SUPPLY.
-	75H17		0	FUEL GAUGE FLUSH MOUNT MONITORS FUEL SUPPLY.
-	F5H050		0	HYDRAULIC TILT HYDRAULIC UNIT TO RAISE AND LOWER THE LOWER UNIT WHEN BEACHING OR TRAILERING BOAT.
-	479		0	HEAT LAMP KIT GLOWS RED IF ENGINE OVERHEATS. DO NOT USE HEAD LAMP AND TEMPERATURE GAUGE IN SAME INSTALLATION.
-	478		0	IGNITION LAMP KIT GLOWS ORANGE WHEN IGNITION SWITCH IS IN "ON" POSITION.
-	F5H077		0	IGNITION KEY SWITCH SHORT BARREL WITH KEYS.
-	F5H078		0	IGNITION KEY SWITCH LONG BARREL WITH KEYS.
-	71H11		0	RACING LOWER UNIT (15") FOR RACING APPLICATIONS.
-	72H19		0	RACING LOWER UNIT (17 1/4") FOR RACING APPLICATIONS.
-	70H24		0	RACING STRIPE KIT ORANGE STRIPING FOR ENGINE COVER.
-	70H25		0	RACING STRIPE KIT BLUE STRIPING FOR ENGINE COVER.
-	F762		0	REMOTE ELECTRIC CABLE 25 FOOT CABLE FOR LARGE BOATS.
-	F5H070		0	REMOTE ELECTRIC CABLE 21 FOOT CABLE FOR LARGE BOATS.
-	F5H028		0	SENDING UNIT FOR USE WITH FUEL GAUGE.
-	F5H069		0	TEMPERATURE GAUGE FLUSH MOUNT MONITORS ENGINE TEMPERATURE. DO NOT USE TEMPERATURE GAUGE AND HEAT LAMP IN SAME INSTALLATION.
-	74H14		0	TEMPERATURE GAUGE SURFACE MOUNT MONITORS ENGINE TEMPERATURE. DO NOT USE TEMPERATURE GAUGE AND HEAT LAMP IN SAME INSTALLATION.
-	75H18		0	TACHOMETER SURFACE MOUNT MONITORS ENGINE R. P. M. TO PROVIDE CHECK OF ENGINE PERFORMANCE.
-	75H15		0	TACHOMETER FLUSH MOUNT MONITORS ENGINE R. P. M. TO PROVIDE CHECK OF ENGINE PERFORMANCE.
-	F5H074		0	WATER PUMP KIT HEAVY DUTY WATER PUMP KIT.
-	F5H042		0	POWER TRIM ADJUSTS ENGINE TRIM AND TILTS ENGINE.
-	176		0	SPEEDOMETER SURFACE MOUNT MONITORS BOAT SPEED (0 - 50 M. P. H.)
-	F71H04		0	SPEEDOMETER FLUSH MOUNT MONITORS BOAT SPEED (0 - 50 M. P. H.)

CONTINUED ON NEXT PAGE ➡

# ACCESSORIES

REF. NO.	PART NO.	SYM.	QTY.	DESCRIPTION
-	F5H076		0	SWITCH EXTENSION CABLE 5 FOOT LONG SWITCH WIRING HARNESS.

# SPECIFICATIONS

REF. NO.	PART NO.	SYM.	QTY.	DESCRIPTION
-			0	HORSEPOWER 140 B. I. A. CERTIFIED BRAKE H. P. AT 5000 R. P. M.
-			0	MOTOR TWO-CYCLE, FOUR CYLINDER ALTERNATE FIRING.
-			0	BORE AND STROKE 140 H. P. - 3 3/8" BORE X 2.8" STROKE.
-			0	DISPLACEMENT 140 H. P. - 99.8 CUBIC INCHES
-			0	CONNECTING RODS NICKEL STEEL. CAGED NEEDLE BEARINGS AT CRANKSHAFT. FULL COMPLIMENT NEEDLE BEARINGS AT PISTON PIN.
-			0	CRANKSHAFT NICKEL STEEL. BALL BEARINGS AT UPPER MAIN. CAGED NEEDLE BEARINGS AT CENTER MAIN AND CASED NEEDLE BEARINGS AT LOWER MAIN.
-			0	CORROSION PROTECTION ALODINE TREATED CASTINGS, STAINLESS STEEL DRIVE SHAFT, PROPELLER SHAFT, GEAR SHIFT ROD AND UNDERWATER FASTENERS.
-			0	FUEL SYSTEM VACUUM TYPE FUEL PUMP. FLOAT FEED CARBURETOR WITH FIXED HIGH SPEED JET AND ADJUSTABLE LOW SPEED JET.
-			0	FUEL FILTERS FILTER SCREENS IN FUEL TANK AND FUEL PUMP.
-			0	STARTER ELECTRIC.
-			0	COOLING WATER COOLED, THERMOSTATICALLY CONTROLLED. POSITIVE DISPLACEMENT TYPE WATER PUMP.
-			0	TRANSOM HEIGHT 15" OR 20", DEPENDING ON MODEL.
-			0	WEIGHT 248 LBS. - 250 LBS. FOR SHORT SHAFT MODELS.
-			0	TILT LOCK POSITIVE TILT LOCK PERMITS ENGINE TO REMAIN IN TILTED POSITION WHEN NOT IN USE.
-			0	RECOMMENDED OPERATING RANGE 140 H. P. - 4500-5500 R. P. M.
-			0	FUEL TANK SEPARATE STEEL, 6 U. S. GALLONS, 5 IMPERIAL GALLON CAPACITY.

# LUBRICATION CHART

REF. NO.	PART NO.	SYM.	QTY.	DESCRIPTION
-			0	UPPER AND LOWER GEAR HOUSINGS SEE BLOCK COMMENT 1.
-			0	CONTROL LINKAGE LUBRICATE ALL MOVING PARTS AND CONTROL LINKAGE WITH RYKON #2 EP, PART #T-2961 TWICE EACH SEASON OR OFTENER IF REQUIRED.
-			0	STERN BRACKET LUBRICATE STERN BRACKET AND ASSOCIATED PARTS WITH RYKON #2 EP, PART #T-2961 TWICE EACH SEASON OR OFTENER IF REQUIRED.
-			0	GREASE FITTINGS GREASE FITTINGS ARE PROVIDED AT CRITICAL POINTS WHERE BEARING SURFACES ARE NOT EXPOSED EXTERNALLY. USING AN AUTOMOTIVE - TYPE GREASE GUN AND LUBRICANT, GREASE TWICE EACH SEASON OR OFTENER IF REQUIRED.
-			0	STARTER PINION GEAR LUBRICATE WITH RYKON #2 EP, PART NO. T2961, TWICE EACH SEASON OR OFTENER IF REQUIRED

## SPECIAL ADJUSTMENTS

REF. NO.	PART NO.	SYM.	QTY.	DESCRIPTION
-			0	SPARK PLUG CHAMPION (L20V)
-			0	SPARK PLUG CHAMPION (QL-76V) FOR MODEL 1409B8A
-			0	FLYWHEEL NUT TORQUE TO 90 FOOT POUNDS.
-			0	CYLINDER HEAD BOLT

# PARTS INDEX

Part Number	Description	Pg.	Ref. No.	Part Number	Description	Pg.	Ref. No.
ÄF58356//	REMOTE CONTROL CABLE (SPECIFY LENGTH) . . . . .	45	4	A476010-1	CYLINDER W/CRANKCASE COVER, PARTING LINE SEAL. . . . .	25	1
168	CONTROL PANEL . . . . .	57	-	AC16395-8	IDENTIFICATION PLATE W/SCREWS FOR CANADA MODELS . . . . .	3	-
17102	DECAL, PORT . . . . .	45	-	C523227	SPARK PLUG (CHAMPION QL-76V) FOR MODELS 1409B8A . . . . .	27	-
17108	WOOD SCREW . . . . .	45	35	C528010	SHORT BLOCK . . . . .	29	-
172	BATTERY CASE . . . . .	57	-	F10023	GASKET SET (NOT SHOWN)	19	-
176	SPEEDOMETER SURFACE MOUNT . . . . .	57	-	F10051	REPAIR PARTS KIT (NOT SHOWN) . . . . .	19	-
370396	DECAL (LEG COVER STARBOARD) . . . . .	37	-	F1009	HEX HD SCREW, 3/8 - 16 X 2 3/4 . . . . .	25	5
370397	DECAL (LEG COVER PORT)	37	59	F1014	COTTER PIN . . . . .	17	30
3SA475015	PISTON .030 OVERSIZE (NOT SHOWN) . . . . .	33	-	F1015	COTTER PIN . . . . .	41	46
478	IGNITION LAMP KIT . . . . .	57	-	F1034	PAN HD SCREW, 1/4 - 20 X 1 3/8 . . . . .	17	6
479	HEAT LAMP KIT . . . . .	57	-	F1052	FILL HD SCREW, 1/4 - 20 X 1	25	22
480373	DECAL, MAGNAPOWER IGNITION (NOT SHOWN) .	9	-	F1059	FILL HD SCREW, 6 - 32 X 1/4	17	43
481373-1	DECAL, "ELECTRONIC" (NOT SHOWN) . . . . .	15	-	F1064	FILL HD SCREW, 8 - 32 X 3/8	17	3
5H048	CANVAS HOOD . . . . .	57	-	F1099	FILL HD SCREW, 1/4 - 20 X 1 1/4 . . . . .	25	13
5H051	BATTERY, 74 AMP . . . . .	57	-	F1099	FILL HD SCREW, 1/4 - 20 X 1 1/4 . . . . .	27	55
5H061	FROST WHITE LACQUER . .	56	-	F1107	SLOTTED FILL HD CAP SCREW, 1/4 - 20 X 3/4 . . .	27	76
5H067	PORT SIDE DECAL KIT . . . .	56	-	F1108	FILL HD SCREW, 1/4 - 20 X 3/4 . . . . .	21	13
70H24	RACING STRIPE KIT . . . . .	57	-	F1187	HEX HD SCREW, 1/4 - 20 X 1	25	43
70H25	RACING STRIPE KIT . . . . .	57	-	F1203	HEX CAP SCREW, 1/4 - 20 X 7/8 . . . . .	29	107
71H11	RACING LOWER UNIT . . . . .	57	-	F1203	HEX CAP SCREW, 1/4 - 20 X 7/8 . . . . .	49	22
72H19	RACING LOWER UNIT . . . . .	57	-	F1236	SCREW, 1/4 - 20 X 1/2 . . . .	21	22
74H02	VOLTMETER - SURFACE MOUNT . . . . .	57	-	F1238	HEX CAP SCREW, 1/4 - 20 X 3/4 . . . . .	3	14
74H14	TEMPERATURE GAUGE SURFACE MOUNT . . . . .	57	-	F1238	HEX CAP SCREW, 1/4 - 20 X 3/4 . . . . .	27	54
75H15	TACHOMETER FLUSH MOUNT . . . . .	57	-	F1253	HEX SOCKET HD CAP SCREW, 3/8 - 16 X 2 . . . .	25	9
75H17	FUEL GAUGE FLUSH MOUNT . . . . .	57	-	F1263	HEX SOCKET HD CAP SCREW 5/16 - 18 X 9/16 .	35	12
75H18	TACHOMETER SURFACE MOUNT . . . . .	57	-	F1280	PAN HD SCREW, 8 - 32 X 1/4	7	33
75H19	POWER TRIM INDICATOR .	56	-	F1280	PAN HD SCREW, 8 - 32 X 1/4	49	15
75H20	FUEL GAUGE SURFACE MOUNT . . . . .	57	-	F1280	PAN HD SCREW, 8 - 32 X 1/4 (TERMINAL BOARD) (NOT SHOWN) . . . . .	47	-
817747--1	BALL JOINT W/STUD . . . . .	21	23	F1286	PAN HD SCREW, 4 - 40 X 3/16 . . . . .	25	39
817747--1	BALL JOINT W/STUD . . . . .	25	25	F1310	RD HD SCREW, 10 - 24 X 5/8	49	28
817783A5	SWIVEL BRACKET W/BEARINGS AND GREASE FITTINGS . . . . .	35	35	F1341	HEX NUT, 1/4 - 20 . . . . .	25	21
817786A1	DISTRIBUTOR PULLEY . . . .	13	3	F1346	HEX NUT . . . . .	21	29
817788A3	SPACER PLATE W/PLUG . .	27	73	F1346	HEX NUT . . . . .	35	20
817828A1	DISTRIBUTOR . . . . .	15	-	F14005-2	CAP BASE . . . . .	13	37
817931A7	MOTOR LEG COVER REAR	35	5	F14007	CAP SCREW . . . . .	13	33
817932A6	TOWERSHAFT W/SWIVEL, BEARINGS AND SCREWS	25	19	F14010-1	CAP COVER . . . . .	13	34
85872-1	BRACKET . . . . .	27	59	F14012-1	BRUSH . . . . .	13	39
865	TWIN SYNCHRO-DRIVE CONTROL BOX . . . . .	56	-	F14015	CAP CLIP RIVET . . . . .	13	21
877	DECAL SET . . . . .	57	-				
89396A38	PRIME BULB . . . . .	43	9				
A370785	DECAL "CHARGER" . . . . .	5	48				
A467892-1	INSERT PLATE FRONT - U. S. A. . . . .	3	41				



# PARTS INDEX

Part Number	Description	Pg.	Ref. No.	Part Number	Description	Pg.	Ref. No.
F14017	TERMINAL INSULATOR (OUTSIDE)	15	46	F1528	WELCH PLUG	35	29
F14021-1	CAP SEAL	13	36	F154317	CABLE CLAMP	45	23
F14024	SPACER	13	42	F154758	HOSE (FUEL PUMP UPPER)	23	54
F14025	SPACER	13	4	F1556	FILL HD SCREW W/LOCKWASHER, 10 - 24 X 3/8	25	23
F14028	THRUST WASHER	13	5	F1557	FLAT HD SCREW, 10 - 24 X 3/8	45	25
F14029	THRUST WASHER	13	7	F1577	FILL HD SCREW, 1/4 - 20 X 3/4	39	19
F14030	CAP GASKET	13	38	F1593	HEX HD SCREW 3/8 - 16 X 3	35	18
F14036	SWIVEL	13	13	F1612	HEX CAP SCREW, 3/8 - 16 X 1 1/4	13	8
F14037	CAP CLIPS	13	14	F1641	LOCK NUT	11	6
F14038	CAP CLIP SCREWS	13	15	F1645	HD. SCREW, 6 - 32 X 1/4	7	27
F14040	VENT	13	35	F1645	RD HD SCREW, 6 - 32 X 1/4	23	50
F14041	EXTERNAL TOOTH LOCKWASHER	13	23	F1647	HEX NUT, 8 - 32	7	6
F14042	DISTRIBUTOR HOUSING W/BEARINGS	13	12	F1647	HEX NUT, 8 - 32	13	24
F14044	DISTRIBUTOR SHAFT	13	40	F1647	HEX NUT, 8 - 32	29	96
F14045	SCREW	13	16	F1648	PAN HD SCREW, 10 - 24 X 3/4	7	16
F14046	TERMINAL SCREW	13	19	F165	REMOTE STEERING BRACKET	56	-
F14047	TERMINAL INSULATOR (INSIDE)	13	20	F166	DUAL ENGINE TIE BAR	56	-
F14049	TERMINAL INSULATOR (OUTSIDE)	13	22	F1664	SPRING PIN	35	6
F1425	HEX CAP SCREW, 1/4 - 20 X 1 5/8	41	62	F1678	FILL HD SCREW, 10 - 24 X 13/16	7	2
F1447	ROUND HD SCREWS, 2 X 3/16	3	19	F1689	HEX HD CAP SCREW, 1/4 - 20 X 1/2	9	42
F1473	HEX NUT	3	36	F1692	WOODRUFF KEY	13	41
F1475	FILL HD SCREW, 10 - 24 X 1/2	29	103	F1693	TIE BAR RETAINER	17	4
F1491	HEX HD SCREW, 5/16 - 18 X 3 1/4	39	41	F1696	HEX BOLT 5/16 - 18 X 1 3/4	35	37
F1502	HEX CAP SCREW, 1/4 - 20 X 5/8	3	20	F1699	HEX HD SCREW, 1/4 - 20 X 1 1/8	25	8
F1502	HEX CAP SCREW, 1/4 - 20 X 5/8	11	15	F17006	DETENT SPRING	45	18
F1502	HEX CAP SCREW, 1/4 - 20 X 5/8	21	5	F17008	DETENT SPRING	47	37
F1502	HEX CAP SCREW, 1/4 - 20 X 5/8	27	48	F17009	BEARING	45	14
F15034	SPRING SET	11	19	F17010-1	THROTTLE GEAR	45	16
F15054	BRUSH AND TERMINAL SET	11	11	F17011	BOWED WASHER	45	15
F15057	BRUSH PLATE AND HOLDER ASSEMBLY	11	20	F17012	RETAINING PLATE	45	13
F15099	ARMATURE	11	9	F17013	FILL HD SCREW, 1/4 - 20 X 1/2	45	11
F15118	BENDIX DRIVE ASSEMBLY	11	5	F17014	THROTTLE ARM	45	10
F15125	HEAD ASSEMBLY, COMMUTATOR END	11	18	F17015	COTTER PIN	45	8
F15126	THRUST WASHER PACKAGE	11	8	F17016	CABLE TERMINAL	45	9
F1513	HEX NUT	7	18	F17019	CLUTCH ARM	45	5
F1513	HEX NUT	45	3	F17020	INTERNAL TOOTH LOCKWASHER	45	12
F1513	HEX NUT, 10 - 32	21	27	F17021	CLUTCH GEAR	45	19
F1513	HEX NUT, 10 - 32	25	27	F17026	SWIVEL	45	24
F1515	HEX NUT	7	24	F1703	LOCKWASHER	27	71
F15166	FRAME AND FIELD ASSEMBLY	11	10	F1703	SPRING LOCKWASHER	37	45
F15167	HEAD ASSEMBLY, DRIVE END	11	7	F17030-1	SET SCREW	45	31
F15168	THRU BOLT PACKAGE	11	14	F17031	SNAP CAP	45	28
				F17036	INTERNAL TOOTH LOCKWASHER	45	6
				F1704	INTERNAL TOOTH LOCKWASHER	23	49
				F1705	HEX CAP SCREW, 1/4 - 20 X 3/4	7	23

# PARTS INDEX

Part Number	Description	Pg.	Ref. No.	Part Number	Description	Pg.	Ref. No.
F1705	HEX CAP SCREW, 1/4 - 20 X 3/4	39	1	F17563	MOTOR AND RESERVOIR ASSEMBLY	49	26
F17068	HOUSING	47	36	F17564	VALVE BODY AND PUMP	49	23
F17082-1	DETENT BALL	47	38	F17565	DRIVE GEAR	49	25
F1709	HEX BOLT, 1/4 - 20 X 1 1/8	29	87	F17566	IDLE GEAR	49	24
F17092	SNAP RING	45	21	F17568	HYDRAULIC PUMP AND VALVE ASSEMBLY	51	61
F17100	CLUTCH SHAFT	45	20	F17577	ADAPTER FITTING PACKAGE	51	48
F17101	DECAL, STARBOARD	45	27	F1759	SHIM, DISTRIBUTOR (QTY. AS REQUIRED)	13	11
F17105	FELT WASHER	45	33	F1760	PAN HD SCREW, 10 - 24 X 3/8	7	19
F17106	COLLAR	45	34	F1760	PAN HD SCREW, 10 - 24 X 3/8	13	25
F17107	FILL HD SCREW, 10 - 24 X 5/16	45	22	F1760	PAN HD SCREW, 10 - 24 X 3/8	25	3
F17111	DETENT BALL	45	17	F177330	FUEL PUMP VALVE	21	10
F17112	JUNCTION BOARD, STARBOARD	45	26	F178168-1	CARBURETOR ADAPTOR	29	-
F17113	JUNCTION BOARD, PORT	45	-	F178168-1	GASKET, CARBURETOR ADAPTER	21	35
F17115	HANDLE	45	30	F178323	SEAL, MOTOR LEG	35	11
F17116	KNOB	45	29	F178362	BEARING	35	27
F1713	SPRING PIN	39	25	F178362	BEARING	49	42
F1715	HEX BOLT, 1/4 - 28 X 9/16	45	7	F178404-1	DEFLECTOR PLATE	21	36
F1727	PLASTIC RIVET	25	20	F178446	CLAMP	49	10
F1729	PLUG	35	4	F178754-1	FUEL LINE	17	36
F1730	PAN HD SCREW W/SPRING LOCKWASHER, 1/4 - 20 X 5/8	5	44	F1788	STOP NUT	39	15
F1733	PAN HD MACHINE SCREW, 10 - 24 X 9/16	3	2	F17932	SEAL, FUEL LINE COUPLER	43	12
F1734	FILL HD MOUNTING SCREW AND LOCKWASHER, 1/4 - 20 X 1/2	49	32	F18160-2	CYLINDER DRAIN REED	25	36
F1734	FILL HD SCREW W/LOCKWASHER, 1/4 - 20 X 1/2	7	14	F1822	HEX BOLT 5/16 - 18 X 7/8	37	48
F1741	PAN HD SCREW, 8 X 3/4	7	35	F1822	HEX CAP SCREW, 5/16 - 18 X 7/8, STAINLESS STEEL	51	59
F1741	THREAD FORMING SCREW, 8 X 3/4	49	9	F1831	FLAT HD SCREW, 1/4 - 20 X 5/8	21	43
F17500	SPRING SET	49	4	F1832	STOP NUT, 1/4 - 20	27	68
F17504	BRUSH SET	49	3	F184033-1	SWIVEL, TOP CARBURETOR	17	33
F17505	RESERVOIR AND BRACKET ASSEMBLY W/SEAL	49	14	F184122-1	SEAL	29	-
F17508	THRUST WASHER	49	11	F184122-1	SEAL, PARTING LINE	29	101
F17510	"O" RING	49	13	F184579	"O" RING SEAL	17	32
F17518	FILLER CAP	49	12	F1849	HEX HD CAP SCREW, 1/4 - 20 X 1 3/8	5	47
F17522	"O" RING	49	27	F1851	FILL HD SCREW W/LOCKWASHER, 10 - 24 X 1/2	7	39
F17528	"O" RING	51	53	F1854	HEX CAP SCREW, 1/4 - 20 X 5/8	3	25
F1753	FASTENER	3	38	F1856	PLAIN WASHER	41	72
F17539	BALL	49	2	F1857	HEX CAP SCREW, 5/16 - 18 X 5/8	3	23
F17543	HEAD ASSEMBLY, COMMUTATOR END	49	1	F1857	HEX CAP SCREW, 5/16 - 18 X 5/8	3	35
F1755	ROUND HD SCREW W/LOCKWASHER, 6 - 32 X 1/4	21	38	F1858	HEX CAP SCREW, 5/16 - 18 X 1	3	24
F17555	ARMATURE	49	7	F1858	HEX CAP SCREW, 5/16 - 18 X 1	39	39
F17556	FIELD AND FRAME ASSEMBLY	49	6	F1860	RD HD SCREW, 6 - 32 X 1/4	21	9
F17557	GASKET	49	5	F1864	HEX SLOT HD SCREW 1/4 - 20 X 3/4	35	3
F17558	THRU-BOLT PACKAGE	51	60	F1866	PLAIN WASHER	41	71
F17560	HEAD ASSEMBLY	51	54				
F17561-1	"O" RING, PISTON	51	51				
F17562-1	PISTON ASSEMBLY	51	52				

# PARTS INDEX

Part Number	Description	Pg.	Ref. No.	Part Number	Description	Pg.	Ref. No.
F1867	HEX CAP SCREW, 3/8 - 16 X 1	33	19	F1999	HEX CAP SCREW, 1/4 - 20 X 7/8	41	55
F1869	HEX CAP SCREW, 3/8 - 16 X 1 1/4	27	70	F2000	HEX CAP SCREW, 5/16 - 18 X 3/4	9	47
F1871	HEX HD SCREW 3/8 - 16 X 3/4	35	41	F2001	FILL HD SCREW, 10 - 24 X 5/8	7	9
F1872	HEX CAP SCREW, 3/8 - 16 X 1 3/4	25	12	F2008	HEX HD SCREW, 1/4 - 20 X 7/8	27	53
F1873	HEX CAP SCREW, 3/8 - 16 X 3	27	50	F2014	PLAIN WASHER	13	9
F1874	HEX HD SCREW, 3/8 - 16 X 3 1/8	25	2	F2014	PLAIN WASHER	35	42
F1877	TY-RAP	7	29	F2015	HEX NUT 1/4 - 28	29	102
F1877	TY-RAP (NOT SHOWN)	51	62	F2016	FILL HD SCREW, 6 - 32 X 7/8	23	48
F1885	HEX BOLTS, S. S., 5/16 - 18 X 4 1/4	27	64	F2030	HEX HD M. SCREW 1/4 - 20 X 1 1/4	35	15
F1885	HEX CAP SCREW, 5/16 - 18 X 4 1/4	39	6	F203276	BOOT	13	30
F1892	STOP NUT	9	52	F2033	GROOVE PIN	17	39
F1904	PLAIN WASHER	35	19	F203673	TERMINAL CLIP	13	31
F1907	PLAIN WASHER	29	111	F2042	PLAIN WASHER	29	106
F1907	PLAIN WASHER	39	7	F2047	WAVE SPRING LOCKWASHER	3	30
F1910	STOP NUT, 1/4 - 20	21	25	F2049	HEX CAP SCREW, 5/16 - 18 X 2 5/8	27	78
F19109	PLUG	27	60	F2066	PAN HD TAPPING SCREW, 10 X 7/16 (TRIM TO COVER)	3	40
F19109	PLUG	39	30	F2067	PLASTISOL CAP (NOT SHOWN)	33	-
F1912	HEX HD SCREW 10 - 24 X 1/2	35	39	F2088	FASTENER	5	45
F1914	HEX HD SCREW, 1/4 - 20 X 3/4	25	11	F2089	SLOTTED PAN HD M. SCREW, 10 - 24 X 5/16	29	105
F1915	HEX HD SCREW, 1/4 - 20 X 5/8	23	44	F2090	PLUG	27	74
F1915	HEX HD SCREW, 1/4 - 20 X 7/8	25	6	F2108	LOCK NUT	37	51
F1931	STOP NUT, 1/2 - 20, S/S	51	56	F2108	STOP NUT, 5/16 - 18	27	67
F1934	FLAT HD SCREW, 6 X 1/2	49	19	F213274	GREASE FITTING	13	27
F1934	FLAT HD SLOTTED SCREW, 6 X 12	9	50	F213274	GREASE FITTING	35	28
F1935	PLAIN WASHER	25	42	F213342	SEAL, FUEL LINE COUPLER (LARGE)	43	4
F195/	REMOTE CONTROL CABLES	56	-	F213735	SEAL, FUEL LINE COUPLER (SMALL)	43	5
F1950	HEX CAP SCREW, 10 - 24 X 5/8	29	91	F24278	SEAL, "O" RING PROPELLER SHAFT SPOOL	39	10
F1953	HEX HD SCREW, 1/4 - 20 X 1	21	20	F269319	THROTTLE CAM BEARING	21	26
F1953	HEX HD SCREW, 1/4 - 20 X 1	25	16	F284659-2	BEARING, CRANKSHAFT UPPER MAIN	33	22
F1959	FERRY HD CAP SCREW, 1/4 - 20 X 3/4, STAINLESS STEEL	49	30	F289446-1	CLAMP	7	12
F1960	PLAIN WASHER	51	57	F298788	FERRULE	43	7
F1963	ELASTIC STOP NUT, 5/8 - 18	49	41	F299449-4	SWITCH W/HARDWARE	49	17
F1966	PLUG, SWIVEL BRACKET	49	16	F2A476757	CYLINDER DRAIN REED PLATE W/REEDS, STOPS AND SCREWS	25	35
F1968	FLYWHEEL NUT	33	21	F2A523023	BEVEL GEAR FRONT W/BEARING	39	28
F1975	SPRING LOCKWASHER	7	10	F2A523158	REED PLATE W/REEDS, REED STOPS AND SCREWS	21	41
F1975	SPRING LOCKWASHER	13	26	F2A523239	SPOOL, PROPELLER SHAFT BEARING W/SEALS	39	11
F197787-3	FUEL LINE COUPLER	43	6	F2A523662	BEVEL GEAR REAR W/BEARING CAGE SPACER AND BEARING	39	21
F1987	PLAIN WASHER	27	79				
F1987	PLAIN WASHER	35	36				
F1990	HEX CAP SCREW, 1/4 - 20 X 1 5/8	41	60				
F1994	HEX SOCKET HD CAP SCREW, 5/16 - 18 X 1	39	36				
F1997	STOP NUT, 8 - 32	17	23				

# PARTS INDEX

Part Number	Description	Pg.	Ref. No.	Part Number	Description	Pg.	Ref. No.
F2S480179	TRIM TOP	3	1	F406471-1	CYLINDER DRAIN COVER	25	41
F2S480269	TILT HANDLE	3	3	F406754-1	HOSE	27	46
F2S489180	TRIM REAR	3	6	F407446	CLAMP	7	31
F2S489888	TRIM FRONT	5	43	F409251-1	GAUGE CAP	43	1
F307317	CLIP, TERMINAL BLOCK	7	17	F413420	SWITCH RETAINER	49	18
F310189	BUSHING, ELECTRIC CABLE	3	16	F433209-1	THROTTLE CAM STUD	21	32
F311189-1	BUSHING, CABLE ENTRY	3	17	F434754	FUEL LINE (TOP FUEL PUMP TO LOWER CARBURETOR)	19	-
F316579	SEAL, CRANKCASE	33	11	F438066	BY-PASS VALVE COVER	29	92
F316599	SEAL, STEERING SUPPORT TUBE	37	58	F438129	SEAL, DRIVESHAFT SPLINE	41	70
F321756	PACKING, COVER	3	31	F438165	SCREW, FUEL PUMP BOWL	21	18
F321841-3	LEAD WIRE	13	32	F438169	BEARING	35	31
F322273	STUD, C. D. UNIT	9	48	F438271	RETAINER, CRANKSHAFT SPINE SEAL	41	69
F333316	THROTTLE ROLLER SHAFT	17	19	F438346	SHOCK MOUNT LOWER	37	47
F333386	PLATE, ENG. COVER REAR	3	5	F438398	DECAL, WIRING	29	86
F333392	PLATE, SIDE	3	9	F438500	FUEL SEDIMENT BOWL	21	17
F335215	SPACER, PISTON PIN (2 PER PISTON)	33	3	F438617	FUEL SEDIMENT BOWL GASKET	21	15
F335217-1	BEARING, PISTON PIN (26 PER SET)	33	5	F438653	FUEL SEDIMENT BOWL SCREEN	21	16
F335654-1	DEFLECTION STOP	3	21	F438668	RETAINER, CABLE CLAMP	7	13
F338618-1	SEAL GEAR SHIFT ROD	35	14	F438744-1	WIRING HARNESS	7	4
F338618-1	SEAL, GEAR SHIFT ROD	41	53	F438747	FUEL PUMP DIAPHRAGM W/GASKET	21	8
F345475-1	COIL	9	44	F438754	FUEL LINE W/CLAMP, PUMP TO CARBURETOR	17	42
F345683	WIRE, REGULATOR- RECTIFIER GROUND	7	5	F438760	FUEL PUMP GASKET	21	4
F351307	SEAL, DRIVESHAFT - WATER PUMP	41	63	F438801	FITTING	21	14
F353480	STUD	35	22	F438930	RETAINER, SNOUT	39	38
F369610	BEARING	27	62	F438962	SHOCK MOUNT LOWER REAR	35	13
F369887	SHOULDER SCREW	27	61	F438984-1	BLANKET, SILENCER TOP (NOT SHOWN)	5	-
F369977-1	INTERLOCK ARM	27	63	F439736	SEAL, EXHAUST TUBE	37	54
F370366	PLATE, (CHRYSLER)	3	11	F440192-1	THROTTLE CAM	21	28
F372151-1	EXHAUST PORT PLATE	29	90	F440209	CARBURETOR STUD	21	30
F372152-2	EXHAUST PORT COVER	29	88	F440254	BALANCE TUBE	21	34
F372154-1	EXHAUST PORT PLATE	29	-	F440906	CARBURETOR	29	-
F372154-1	GASKET, EXHAUST PORT PLATE	29	89	F440906	CARBURETOR GASKET	21	31
F372529	CYLINDER HEAD	29	-	F440925	CHOKE ROD	17	40
F372958	CHOKE BRACKET	21	19	F441754-1	HOSE	21	3
F373512	PLATE, INSERT	3	8	F449010	CYLINDER	49	38
F373778-1	RETAINER, ENGINE COVER	3	37	F449181	SWITCH PLATE	49	20
F381896-4	BATTERY CABLE	7	30	F449253-1	HYDRAULIC LINE, TRIM CYLINDER, LOWER	49	44
F391926-1	PLUNGER	17	41	F449254	HYDRAULIC LINE, TRIM CYLINDER UPPER	49	29
F391983	RETAINING BAND	9	51	F449278	PISTON SEAL	49	36
F40223	GASKET, TRANSFER PORT COVER	27	52	F449342	SEAL, PISTON SHAFT	49	34
F40223	TRANSFER PORT COVER	29	-	F449354	THRUST BRACKET	49	31
F40278	SEAL, CYLINDER	49	37	F449545-2	CYLINDER HOUSING	49	40
F404097	FLYWHEEL	7	1	F449632	SHAFT	49	43
F404268	BY-PASS VALVE SPRING	29	94	F449754-1	HYDRAULIC LINE, LIFT CYLINDER, LOWER	51	46
F404314	ELBOW, FUEL PUMP COVER	21	2	F449758	HYDRAULIC LINE, LIFT CYLINDER, UPPER	51	45
F404314	FITTING	27	47	F449843	CABLE	49	8
F404470-1	REGULATOR-RECTIFIER	7	8	F449889	SHAFT, UPPER	51	58
F404513	COIL CLAMP	7	40				
F404801	ELBOW, CYLINDER DRAIN UPPER	27	-				
F404841	CABLE, HEAT INDICATOR	7	37				
F406406	DEFLECTOR PLATE	29	-				

# PARTS INDEX

Part Number	Description	Pg.	Ref. No.	Part Number	Description	Pg.	Ref. No.
F460917	STARTER RELAY	7	26	F523451	SPACER, REED STOP	23	51
F474073-1	CLAMP SCREW	35	23	F523498	DRIVE KEY, WATER PUMP	41	67
F474387	TIMING DECAL (NOT SHOWN) U.S.A.	9	-	F523555	SEAL, "O" RING, GEAR HOUSING COVER	41	48
F475015-6	PISTON	33	2	F523562	PLATE, WATER PUMP	41	57
F476061-4	CARBURETOR COMPLETE (TC-SE)	19	-	F523705	GEAR SHIFT ROD LOWER	41	45
F476066-1	THERMOSTAT COVER	29	85	F523813	BEARING CUP	39	29
F476067	GASKET	27	81	F523834	CLIP, SPARK PLUG WIRE	25	28
F476067	THERMOSTAT COVER	29	-	F523899	GROMMET, WATER LINE	39	4
F476529	CYLINDER HEAD	31	-	F523961	CRUSH RING	41	49
F476529	CYLINDER HEAD GASKET	27	75	F523962	SHOCK MOUNT - C. D. UNIT	9	46
F480038-2	SUPPORT PLATE	3	15	F528068	THERMOSTAT	27	82
F480107-1	CAM STARTER INTERLOCK	29	104	F528995	COVER, CYLINDER HEAD	29	108
F480388	DISC, WATER PUMP LOCATING	41	61	F530160	REED (PETAL)	21	40
F480818	BEARING	3	13	F58685-2	CONNECTOR, SHIFT CABLE	45	2
F481382-1	SPACER, LATCH SHAFT	3	29	F590	SYNCHRO-DRIVE CONTROL HEAD (SINGLE LEVER)	56	-
F481434	GUIDE, ENGINE COVER	5	46	F5H019	ANTI-CORROSION KIT	56	-
F481774	BRACKET, COVER LATCH	3	32	F5H021	EXTENSION CABLE	57	-
F481777	CAM, LATCH	3	28	F5H025	ANTI-CORROSION SACRIFICIAL ANODE	56	-
F485755-1	FUEL TANK ADAPTER	43	3	F5H026	FUEL TANK (ACCESSORY ITEM)	43	2
F489551	BRACKET NEUTRAL INTERLOCK SWITCH	23	45	F5H026	STEEL, 6 GALLON FUEL TANK (LOW PROFILE)	56	-
F489711	PLATE, ENGINE COVER FRONT	5	42	F5H028	SENDING UNIT	57	-
F489985	BLANKET, SILENCER SIDE (NOT SHOWN)	5	-	F5H029	TANK ANCHOR	56	-
F498618	SEAL, GEAR SHIFT ARM PIN	39	31	F5H037	CIGAR LIGHTER	57	-
F498891	PIN, GEAR SHIFT ARM	39	32	F5H038	IGNITION SWITCH MOUNTING KIT (ACCESSORY ITEM)	9	49
F498891	PIN, PROPELLER NUT RETAINING	39	14	F5H040	STEEL, 12 GALLON FUEL TANK	56	-
F50109	PLUG, GEAR HOUSING	39	43	F5H041	BATTERY CABLE CLAMP KIT (ACCESSORY ITEM)	7	32
F50342-1	SEAL, "O" RING	39	8	F5H042	POWER TRIM	57	-
F506118	SEAL, PROPELLER SHAFT	39	9	F5H043	OVERHEAT BUZZER	56	-
F509299	WASHER	39	16	F5H043	OVERHEAT BUZZER (ACCESSORY ITEM)	7	36
F510374	DECAL, CIRCUIT BREAKER U.S.A.	7	41	F5H044	TILT STOP KIT	56	-
F510460	CIRCUIT BREAKER	7	22	F5H050	HYDRAULIC TILT	57	-
F511125-2	TUBE, STEERING SUPPORT	37	56	F5H063	REMOTE CONTROL UNIT, SINGLE LEVER	47	39
F511675	STARTER BRACKET, LOWER	11	17	F5H063	SYNCHRO-DRIVE CONTROL BOX (SINGLE LEVER)	56	-
F511708	COVER, CARBURETOR	17	7	F5H064	EXHAUST SNOOT	56	-
F523031	GASKET, WATER PUMP	41	56	F5H069	TEMPERATURE GAUGE FLUSH MOUNT	57	-
F523057	BEARING, DRIVESHAFT LOWER	41	65	F5H070	REMOTE ELECTRIC CABLE	57	-
F523065	IMPELLER, WATER PUMP	41	58	F5H074	WATER PUMP KIT	57	-
F523094-2	PROPELLER NUT	39	13	F5H076	SWITCH EXTENSION CABLE	58	-
F523099-1	SPACER, PROPELLER	39	18	F5H077	IGNITION KEY SWITCH	57	-
F523116	EXHAUST SNOOT	39	37	F5H078	IGNITION KEY SWITCH	57	-
F523133-2	MOTOR LEG	37	53	F5H078	IGNITION SWITCH W/KEYS AND SCREWS	7	34
F523146	SEAL, CRANKSHAFT LOWER	33	13	F5H079	SYNCHRO-DRIVE CONTROL BOX	56	-
F523188	NUT, BEVEL PINION	39	34	F5H081	BATTERY CABLE	56	-
F523244	INLET WATER LINE	39	5	F5H136	CHARGER BLUE	56	-
F523274	GREASE FITTING	37	57				
F523280	NUT, STEERING SUPPORT TUBE	37	52				
F523411	RETAINING RING, BEARING CAGE	39	22				

# PARTS INDEX

Part Number	Description	Pg.	Ref. No.	Part Number	Description	Pg.	Ref. No.
F7004	STOP NUT, 3/8 - 16	25	17	F84504	GROMMET (THERMOSTAT)	27	83
F7008	ELASTIC STOP NUT	25	10	F84521-1	CLUTCH	39	26
F7012	STOP NUT	35	17	F84748-3	CYLINDER DRAIN	29	-
F7013	STOP NUT	13	2	F84748-3	GASKET	25	33
F71H04	SPEEDOMETER FLUSH MOUNT	57	-	F84792	GASKET, CENTER FUEL PUMP VALVE	21	11
F74305	SEAL, DRIVESHAFT BEARING CAGE	41	50	F85017	PISTON PIN	33	4
F74H01	VOLTMETER - FLUSH MOUNT	56	-	F85026	SWIVEL	25	30
F75H08	TWIN SYNCHRO-DRIVE CONTROL BOX	56	-	F85033	SWIVEL, CHOKE ROD (BOTTOM CARBURETOR) (NOT SHOWN)	19	-
F75H16	POWER TRIM INDICATOR	56	-	F85035	DISTRIBUTOR, CONTROL ROD END	25	29
F762	REMOTE ELECTRIC CABLE	57	-	F85036	TOWERSHAFT CONTROL ROD END	25	32
F8003	PLAIN WASHER	25	38	F85037-1	STERN BRACKET PIVOT BOLT	35	32
F8011	PLAIN WASHER	7	20	F85095-2	STATOR	7	3
F8028	PLAIN WASHER	11	16	F85117	BRACKET, WATER LINE	39	2
F8038	PLAIN WASHER	29	110	F85130	BOOT IDLE EXHAUST	35	7
F8056	LOCKWASHER	13	18	F85161-1	REED STOP	21	39
F8056	LOCKWASHER	13	43	F85173	RETAINING RING	13	6
F8056	LOCKWASHER	29	97	F85211	STUD	25	18
F8056	SPRING LOCKWASHER	7	7	F85258	INSERT	35	8
F8058	INTERNAL TOOTH LOCKWASHER	21	24	F85279-2	CYLINDER EXHAUST UPPER	29	-
F8058	INTERNAL TOOTH LOCKWASHER	27	57	F85279-2	GASKET, CYLINDER EXHAUST UPPER	27	69
F8077	WASHER, GEAR HOUSING PLUG	39	42	F85311	DISTRIBUTOR BELT	13	1
F8083	SPRING LOCKWASHER	3	26	F85314-1	FUEL FITTING	17	37
F8083	SPRING LOCKWASHER	9	43	F85317-1	SOLENOID CLAMP	21	21
F8083	SPRING LOCKWASHER	35	2	F85372	PIN, GEAR SHIFT ROD LOWER	41	47
F8083	SPRING LOCKWASHER	41	54	F8538	SPRING PIN	35	24
F8088	PLAIN WASHER	17	31	F85380	SPRING	35	9
F8088	PLAIN WASHER	23	47	F85410	SNAP RING	33	8
F8094	PLAIN WASHER	3	27	F85445	CONTROL ROD	25	31
F8095	PLAIN WASHER	29	109	F85453-1	CYLINDER EXHAUST LOWER	29	-
F8096	SPRING LOCKWASHER	3	22	F85498	FLYWHEEL KEY	33	16
F8096	SPRING LOCKWASHER	3	34	F85502	THROTTLE LINK	25	26
F8096	SPRING LOCKWASHER	7	25	F85509-1	LINK, CHOKE	17	38
F8096	SPRING LOCKWASHER	37	49	F85571	BEARING CAGE W/ROLLER	33	10
F8096	SPRING LOCKWASHER	39	40	F85606	KINGPIN CAP	35	38
F8104	PLAIN WASHER	27	49	F85610	BEARING	27	65
F84011	WASHER	35	34	F85615	GEAR SHIFT ROD UPPER	37	50
F84067-1	THERMOSTAT COVER	29	-	F8563	DOWEL PIN	25	15
F84074	CLAMP SCREW FOOT	35	21	F85634-2	CONNECTING ROD SCREW	33	14
F84146-2	SEAL	33	20	F85660-1	EXHAUST TUBE	35	1
F84278	SEAL	33	23	F85664	DISTRIBUTOR GROUND	13	28
F84286-1	FRICTION WASHER	35	33	F85664	GROUND WIRE	9	54
F84305	SEAL, "O" RING PROPELLER SHAFT SPOOL	39	12	F85704	COUPLER, GEAR SHIFT ROD	37	55
F84307-1	SEAL, DRIVESHAFT	41	51	F85735-1	SEAL	3	39
F84314-2	ELBOW	17	34	F85762	BY-PASS	29	-
F84314-2	ELBOW	21	6	F85762	BY-PASS VALVE COVER GASKET	29	93
F84314-2	ELBOW	27	45	F85772	CLAMP	35	10
F84342	SEAL, INLET WATER LINE, UPPER	39	3	F85779-1	BAFFLE, AIR INTAKE	35	40
F84449	INTERLOCK SWITCH	23	46	F85843-1	REMOTE ELECTRIC CABLE, 18 FEET	7	38
F84472-5	CYLINDER DRAIN COVER	29	-				
F84472-5	GASKET, CYLINDER DRAIN COVER	25	40				

# PARTS INDEX

Part Number	Description	Pg.	Ref. No.	Part Number	Description	Pg.	Ref. No.
F85859	STUD	25	14	FA523098	PROPELLER SHAFT	39	23
F85906	CARBURETOR	29	-	FA523266	BEVEL PINION GEAR W/CRUSH RING AND SHIMS	39	35
F85908	STARTER LEAD WIRE	11	13	FA523301	UNIT W/DECAL	9	45
F85916-1	BY-PASS VALVE	29	95	FA523385	INSERT, PLATE SIDE	3	10
F85924	CHOKE SOLENOID	7	28	FA523485	ANTICORROSION ANODE	39	20
F85965	SHOCK MOUNT UPPER	37	44	FA523706	GEAR HOUSING COVER W/SEALS	41	52
F861	FLUSHING ADAPTER	56	-	FA523735	SEAL, INLET WATER LINE, LOWER	41	64
F862	STEEL, 6 GALLON FUEL TANK	56	-	FA528018	CRANKSHAFT W/BEARING	33	15
F89758	FUEL PUMP AIR HOSE - TOP	21	7	FA528518	CYLINDER HEAD	27	80
F9018	CAP	35	25	FA528528	INSERT, PLATE REAR	3	4
F9052	PLUG	35	26	FA58976-1	CONNECTOR, THROTTLE CABLE	45	1
F90807	RETAINING RING	17	1	FA77395-5	IDENTIFICATION PLATE W/SCREWS FOR U. S. A. MODELS	3	18
F91446-1	CIRCUIT BREAKER BRACKET	7	21	FA84621-1	COUPLING, GEAR SHIFT ARM W/BUSHING	41	44
F92759	THROTTLE ROLLER	17	20	FA84754-1	FUEL LINE SHORT W/FERRULES	43	8
F93811	SCREEN	25	34	FA84871-1	PIN, GEAR SHIFT W/YOKE	39	24
F93920	REED STOP	25	37	FA85019	KINGPIN W/PLUG	35	30
F97772	CLAMP	17	35	FA85135-4	LEG COVER FRONT	37	46
F97772	CLAMP	23	52	FA85193	TIE BAR END W/SWIVEL	17	2
F97772	FUEL LINE CLAMP	43	11	FA85355-1	WASHER	35	43
F98273	ROD END CONNECTOR STUD	27	58	FA85655-1	CRANKSHAFT MAIN BEARING RACE W/SNAP RING	33	9
FA14048-2	PREAMPLIFIER	13	17	FA98689	BEARING	27	72
FA15072	HEX LOCK NUT, 1/4 - 20	11	12	FC409398	DECAL, TOTE TANK (NOT SHOWN)	43	-
FA17559	LIFT CYLINDER, COMPLETE	51	47	FC438398	DECAL, WIRING - CANADA	29	-
FA178233	THROTTLE TIE BAR W/SWIVEL	17	5	FC474387	TIMING DECAL - CANADA	9	-
FA178962	SHOCK ABSORBER W/BUSHING	51	55	FC500390	DECAL CANADA (NOT SHOWN)	11	-
FA321574	DISTRIBUTOR BRACKET	13	10	FC510374	DECAL, CIRCUIT BREAKER CANADA	7	-
FA411222	TRANSFER PORT COVER	27	51	FC523054	GEAR HOUSING COMPLETE	41	-
FA438431	FUEL PUMP BODY W/VALVES	21	12	FG1003-1	GASKET SET (SEE BELOW)	27	-
FA438493	TERMINAL BLOCK BRACKET	7	11	FK17114-1	INDICATOR	45	32
FA439746	FUEL PUMP COVER	21	1	FK405020	SWIVEL W/CLAMP, SHOULDER SCREW AND NUT	25	24
FA440157	CARBURETOR ADAPTER, UPPER W/FITTING AND STUD	21	-	FK523128	DRIVESHAFT W/BEARING, SHIMS AND CRUSH RING	41	68
FA440167	CARBURETOR ADAPTER, LOWER W/FITTING AND STUD	21	33	FK750-2	SPARKIE W/SPRING	15	44
FA449015	PISTON	49	35	FK85228-1	BEARING CAGE W/ROLLER	33	7
FA449149	COVER ASSEMBLY W/SEALS AND RETAINER	49	33	FO10588	BODY CHANNEL CUP PLUG	17	24
FA480876	GEAR SHIFT ARM, BEARINGS, INTERLOCK ARM AND SHOULDER SCREW	27	66	FO11103	IDLE MIXTURE SCREW SPRING	17	14
FA480894	TIMING POINTER	25	4	FO12400	RETAINING SCREW WASHER	17	27
FA481469	HANDLE W/SHAFT	3	12	FO12947	MAIN FUEL JET, .096 STANDARD	17	15
FA481743	ROLLER BRACKET	3	33	FO13554	FLOAT	19	48
FA510497	TERMINAL BLOCK	7	15	FO13944	FLOAT LEVER PIN	19	49
FA523014	CRANKSHAFT LOWER MAIN BEARING	33	12	FO14166	IDLE MIXTURE SCREW	17	13
FA523054	GEAR HOUSING, DRIVESHAFT BEARING LOWER, PLUGS & WASHERS	39	33				

# PARTS INDEX

Part Number	Description	Pg.	Ref. No.	Part Number	Description	Pg.	Ref. No.
FO15623	FUEL BOWL GASKET	19	46	FT8902	DIAL INDICATOR	54	-
FO15912	CHOKE AND THROTTLE SHUTTER SCREW	17	9	FT8903	SEAL INSTALLER	53	-
FO16128	BODY CHANNEL WELCH PLUG	17	25	FT8907	DRIVE HANDLE	53	-
FO16130	FUEL BOWL	19	51	FT8914	SEAL REMOVER	53	-
FO16132	FUEL BOWL RETAINING SCREW	17	11	FT8915	SEAL PROTECTOR	53	-
FO16133	MAIN NOZZLE	19	50	FT8918	BEARING GUIDE SET	54	-
FO16136	CHOKE SHAFT RETURN SPRING	17	45	FT8919	SPRING PIN PUNCH	54	-
FO16142	THROTTLE SHUTTER	17	26	FT8925	DRIVE SHAFT SEAL INSTALLER	54	-
FO16143	THROTTLE SHAFT RETURN SPRING	17	22	FT8926	RING EXPANDER	53	-
FO16145	THROTTLE SHAFT AND LEVER	17	21	FT8927	SEAL PROTECTOR	53	-
FO16301	CHOKE SHAFT AND LEVER	17	44	FT8930-1	FEELER GAUGE	52	-
FO16697	INLET NEEDLE	19	47	FT8933	LIFTING HOOK	55	-
FO17719	CHOKE SHUTTER	17	10	FT8948-1	FLYWHEEL PULLER	52	-
FO1974	SCREW	17	18	FT8948-1	PROPELLER SHAFT BEARING CAGE PULLER	54	-
FO5323	FUEL BOWL RETAINING SCREW GASKET	19	52	FT8950	LEAKAGE TESTER	55	-
FO6393	RETAINING SCREW	17	29	FT8953	IGNITION TESTER	55	-
FO6396	RETAINING SCREW LOCKWASHER	17	28	FT8957	SEAL INSTALLER	54	-
FO9678	CLIP, CHOKE SHAFT	17	16	FT8978	POWER TIMING LIGHT	52	-
FO992	LOCKWASHER	17	17	FT8985	PROPELLER SHAFT SPOOL SEAL INSTALLER	54	-
FP476	PROPELLER - 140 H. P. (ACCESSORY ITEM)	39	17	FTA2937-1	TIMING TOOL	52	-
FS409752	FUEL LINE COMPLETE (NOT SHOWN)	43	-	FTA8994	PISTON PIN TOOL	53	-
FS490955	STARTER COMPLETE	11	-	FTA8997	SHIMMING TOOL	54	-
FS523944	ENGINE COVER W/RETAINER, SCREWS AND NUTS	3	7	FTK8999	TEST WHEEL	55	-
FSA474260	PISTON RING SET FOR 2 PISTONS .010 OVERSIZE (NOT SHOWN)	33	-	SA475015	PISTON .010 OVERSIZE (NOT SHOWN)	33	-
FT1082	RETAINING RING PLIERS	53	-	22-818103--1	ELBOW, CYLINDER DRAIN LOWER	27	44
FT1082	RING PLIERS	53	-	31-817785A2	CRANKSHAFT BEARING CAGE W/SEAL	33	18
FT11204	FORWARD BEARING CUP INSTALLER	54	-	32-817738A1	FUEL LINE LONG W/CLAMP AND FERRULE	43	10
FT11205	LOWER DRIVESHAFT BEARING INSTALLER/REMOVER	54	-	33-97180	SPARK PLUG (CHAMPION L20V)	27	77
FT11207	FORWARD BEARING CUP REMOVER	54	-	37-819450	DECAL, REVERSE LOCK - CANADA (NOT SHOWN)	37	-
FT11209	BEARING GUIDE SET	54	-	39-817820A1	PISTON RING SET FOR 2 PISTONS	33	1
FT2937A	ROD	52	-	39-818122A1	PISTON RING SET FOR 2 PISTONS .030 OVERSIZE (NOT SHOWN)	33	-
FT2938-1	TEST LIGHT	55	-	46-817853A1	WATER PUMP BODY W/DRIVESHAFT SEAL, DISC AND WATERLINE SEAL	41	59
FT2951	CIRCUIT TRACER	52	-	84-817775A1	COIL WIRE W/TERMINAL CLIP	13	29
FT2953	SOCKET	53	-	87-817778A1	THERMOSWITCH	29	98
FT2990	PISTON PIN TOOL	53	-	600-818052A4	CONNECTING ROD W/CAP AND SCREWS	33	6
FT2996	RING COMPRESSOR	53	-	1400-817958A6	STERN BRACKET	35	16
FT2998	TORQUE WRENCH	54	-				
FT3012	SEAL INSTALLER	54	-				
FT7848	SPLINE ADAPTER	54	-				
FT7848	TORQUING ADAPTER	54	-				
FT8900	CLAMP PLIERS	53	-				
FT8901	INDICATOR HOLDER	54	-				