



PARTS CATALOG

4 H.P.

SERIAL NUMBER

4 (1978)	42B8D
4 (1978)	42H8D
4 (1978)	47B8D
4 (1978)	47H8D

TABLE OF CONTENTS:

ACCESSORIES	22
CARBURETOR AND REED PLATE	8
ENGINE COVER AND FUEL TANK	2
GEAR HOUSING	18
LUBRICATION CHART	24
MAGNETO	6
MOTOR LEG	14
PARTS INDEX	26
POWER HEAD AND SUPPORT PLATE	10
SPECIAL ADJUSTMENTS	25
SPECIFICATIONS	23
STARTER	4

NOTE: *Indented description indicate that these parts are included in preceeding assembly.*

AR = As Required

NSS = Not Sold Separate

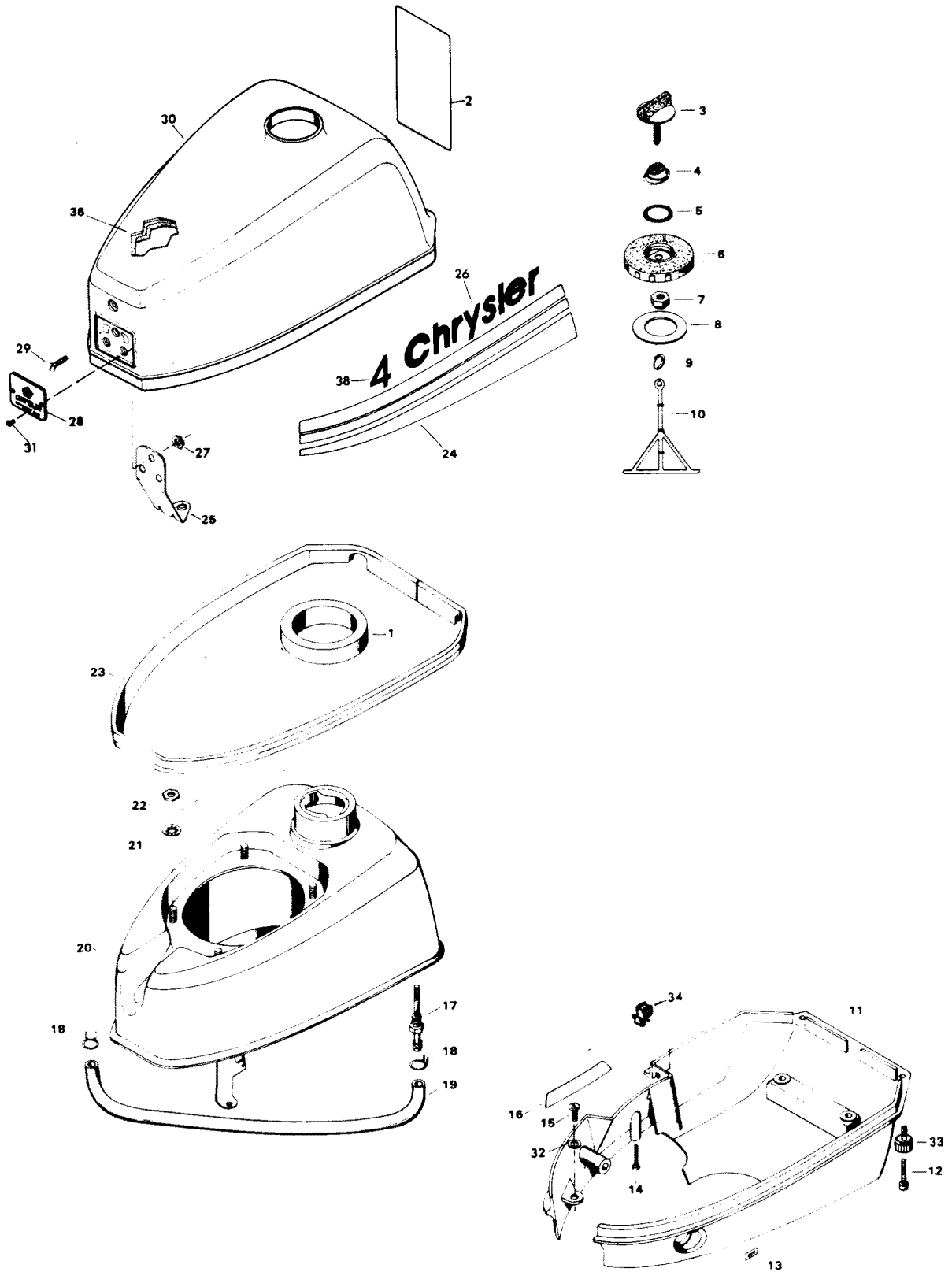
OPT = Optional

NS = Not Shown

THESE PARTS BOOKS/FICHE CARD ARE COPYRIGHTED AND MAY NOT BE DISTRIBUTED OR REPRODUCED IN ANY OTHER FORMAT BY ANYONE OTHER THAN MERCURY MARINE WITHOUT THE PRIOR WRITTEN CONSENT OF MERCURY MARINE.

THIS PAGE INTENTIONALLY LEFT BLANK

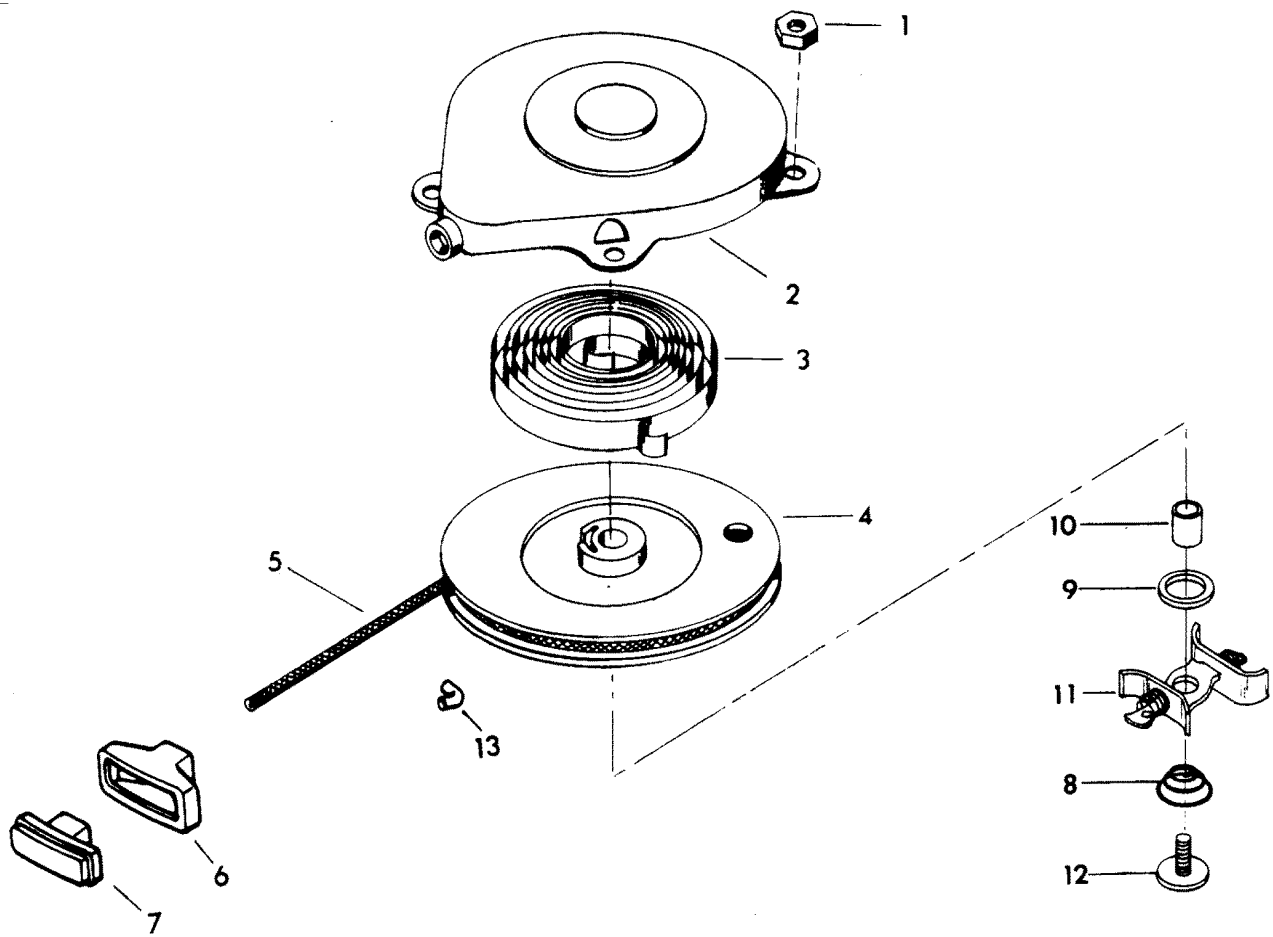
ENGINE COVER AND FUEL TANK



ENGINE COVER AND FUEL TANK

REF. NO.	PART NO.	SYM.	QTY.	DESCRIPTION
1	F459186		1	COLLAR, FUEL TANK
2	527528		1	DECAL, TRIM REAR
3	F17940		1	VENT CAP
4	F17942		1	CAP, TENSION SPRING
5	F17935		1	GASKET, "O" RING
6	F17936		1	FUEL CAP
7	F17941		1	NUT, VENT SCREW
8	F17943-1		1	FUEL CAP GASKET
9	F427249		1	RETAINING RING
10	F17938		1	ANCHOR
11	341944		1	ENGINE COVER, BOTTOM
12	F1995		2	SLOTTED FILL HD SCREW, 10 - 24 X 1
13	F521894		1	DECAL, "OFF" (U.S.A.)
-	FC521894		1	DECAL, "OFF" (CANADA)
14	F1829		1	FILL HD M. SCREW, 10 - 24 X 7/8
15	F1035		3	SLOTTED FILL HD SCREW, 1/4 - 20 X 5/8
16	F521391-1		1	DECAL, SPEED RANGE (U.S.A.)
-	37-817908--3		1	DECAL, SPEED RANGE (CANADA)
17	F521811		1	FITTING, GAS TANK
18	F2706772		2	HOSE CLAMP
19	F901754		1	HOSE
20	F521034-1		1	FUEL TANK
21	F8061		4	INTERNAL TOOTH LOCKWASHER
22	F1896		4	HEX NUT
23	FK525713		1	PACKING, TOP COVER TRIM
24	F527397		1	DECAL, STRIPE - PORT
-	F527396		1	DECAL, STRIPE - STARBOARD
25	FA521778		1	RETAINER, ENGINE COVER FRONT W/SCREWS AND NUTS
26	F527392		2	DECAL, CHRYSLER
27	F7009		3	HEX NUT
28	FA521892		1	INSERT, PLATE FRONT - U.S.A.
-	FA521893		1	INSERT, PLATE FRONT - CANADA
29	F1979		3	PAN HD SCREW, 10 - 24 X 1/2
30	100-FS665712		1	ENGINE COVER TOP W/RETAINER & PACKING
31	F1447		2	ROUND HD DRIVE SCREW, #2 X 3/16
32	F8008		3	PLAIN WASHER
33	F521284		2	KNOB, ENGINE COVER RETAINER
34	FA521448		1	CLIP, THROTTLE STOP
36	F521984		1	ENGINE COVER PACKING
38	F521386-1		1	DECAL, NUMERAL
-	F521251-3		1	GAS CAP COMPLETE (NOT SHOWN)

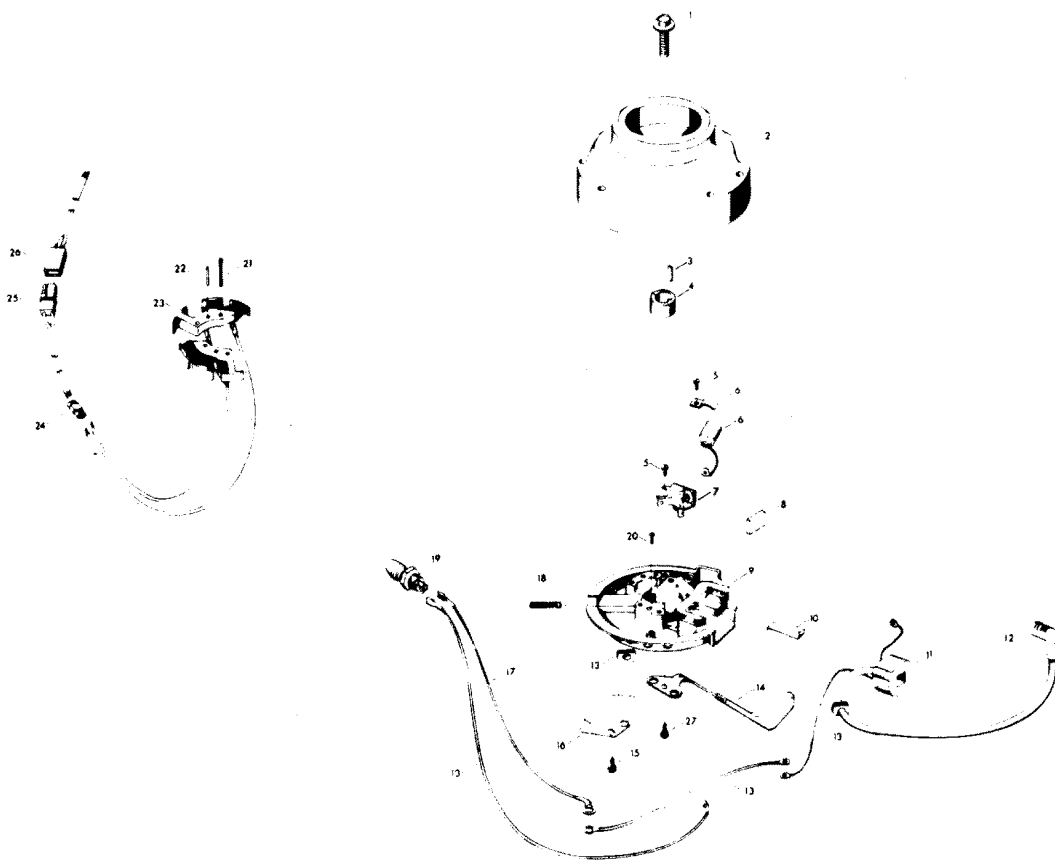
STARTER



STARTER

REF. NO.	PART NO.	SYM.	QTY.	DESCRIPTION
1	F1896		4	HEX NUT
2	F15601		1	COVER
3	F15570		1	SPRING
4	F15591		1	ROTOR
5	F15600		1	STARTER ROPE
6	F521132		1	HANDLE, STARTER ROPE
7	521817		1	RETAINER, STARTER ROPE HANDLE
8	F15596		1	SPRING
9	F15594		2	WASHER
10	F15602		2	NYLINER
11	F15595		1	FRICITION SHOE ASSEMBLY
12	F15597		1	SCREW
13	F521369		1	PIN, STARTER ROPE
-	F521063-2		1	STARTER COMPLETE

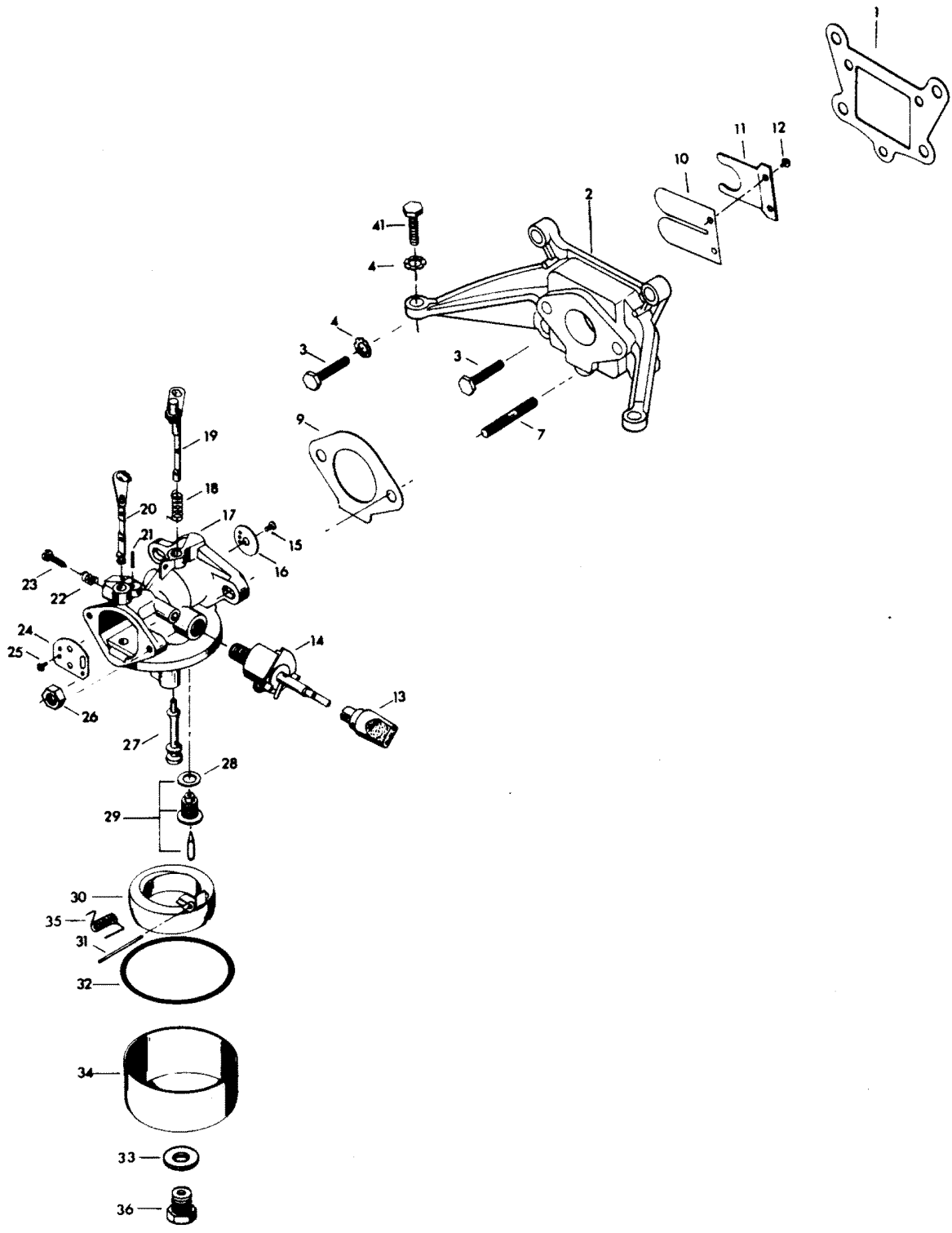
MAGNETO



MAGNETO

REF. NO.	PART NO.	SYM.	QTY.	DESCRIPTION
1	F521552		1	SCREW, FLYWHEEL
2	F521097-1		1	FLYWHEEL
3	F521498		1	KEY, FLYWHEEL
4	F521002		1	CAM
5	F12090		2	MOUNTING SCREW
6	F12357		1	CONDENSER W/CLAMP
7	F12359		1	CONTACT SET
8	F12360		1	FELT CAM
9	F12362		1	STATOR PLATE W/CORE
10	F12363		1	WEDGE SPRING
11	F12358		1	COIL W/LEAD WIRE AND WEDGE SPRING
12	FK750-2		1	SPARKIE KIT
13	F12361		1	LEAD WIRE AND GROMMET PACKAGE
14	F521549-2		1	THROTTLE LEVER
15	F1655		1	HEX HD SCREW W/SPRING LOCKWASHER, 1/4 - 20 X 3/8
16	F521192		1	THROTTLE CAM
17	F521908		1	GROUND WIRE
18	F12066		1	FRICTION SCREW
19	F436449		1	SHORTING SWITCH
20	F1298		1	ROUND HD SCREW W/LOCKWASHER.
21	F1829		4	FILL HD SCREW, 10 - 24 X 7/8, FOR MODELS 47H8D, 47B8D
22	F1876		2	SPRING PIN FOR MODELS 47H8D, 47B8D
23	FA523095		1	STATOR, ALTERNATOR FOR MODELS 47H8D, 47B8D
24	F448874		1	PARALLEL SPLICE FOR MODELS 47H8D, 47B8D
25	F521843		1	CABLE LIGHTING COIL EXTENSION, FOR MODELS 47H8D, 47B8D
26	FA521841		1	CABLE, LIGHTING COIL, FOR MODELS 47H8D, 47B8D
27	F1734		1	SLOTTED FILL HD SCREW, 1/4 - 20 X 1/2

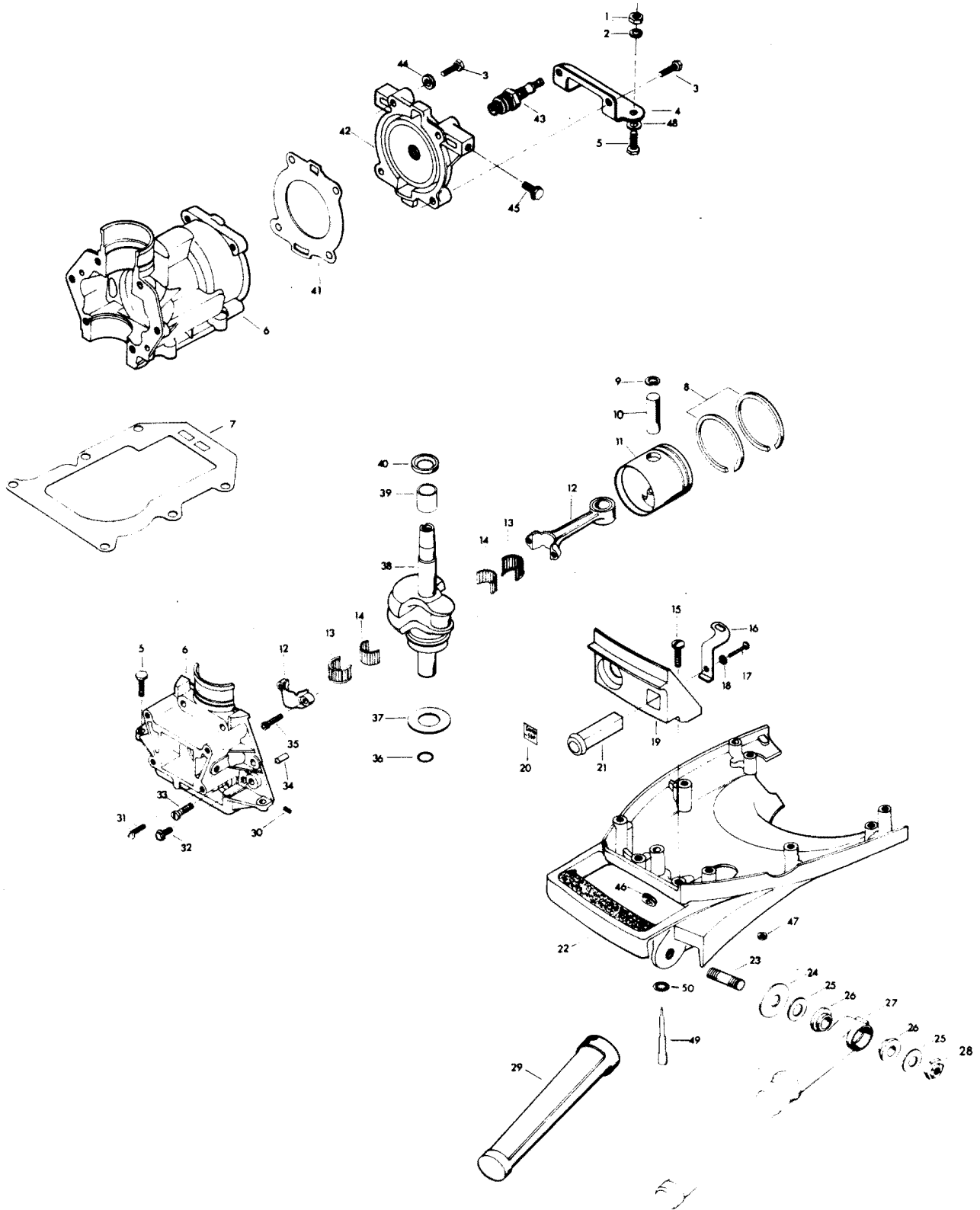
CARBURETOR AND REED PLATE



CARBURETOR AND REED PLATE

REF. NO.	PART NO.	SYM.	QTY.	DESCRIPTION
1	F521168		1	GASKET, CARBURETOR ADAPTER
2	FA332167		1	CARBURETOR ADAPTER W/STUDS
3	F1833		4	HEX CAP SCREW, 1/4 - 20 X 1
4	F8060		4	INTERNAL TOOTH LOCKWASHER
7	F27209-1		2	STUD, CARBURETOR
9	F521906		1	GASKET, CARBURETOR
10	F31160-1		1	REED
11	F424161		1	REED STOP
12	F1755		2	ROUND HD SCREW W/LOCKWASHER, 6 - 32 X 5/16
13	F521550		1	KNOB, FUEL SHUT-OFF
14	F521489		1	VALVE, FUEL SHUT-OFF
15	F10071		1	SCREW
16	F10060		1	THROTTLE VALVE
17	F521061-4		1	CARBURETOR COMPLETE
18	F10075		1	SPRING, THROTTLE RETURN
19	F10059		1	THROTTLE SHAFT
20	F10061		1	CHOKE SHAFT
21	F10072		1	SPRING, CHOKE STOP
22	F10073		1	SPRING, IDLE ADJUSTMENT NEEDLE
23	F10077		1	NEEDLE, IDLE
24	F10062		1	CHOKE VALVE
25	F10070		2	SCREW, CHOKE VALVE
26	F1490		2	HEX NUT, 1/4 - 20
27	F10065		1	NOZZLE
28	F10066		1	GASKET, VALVE SEAT
29	F10092		1	VALVE, SEAT AND GASKET ASSEMBLY
30	F10063		1	FLOAT
31	F10064		1	FLOAT PIN
32	F10068		1	GASKET, FUEL BOWL
33	F10067		2	GASKET, BOWL RETAINER
34	F10058		1	FUEL BOWL
35	F10084		1	SPRING, FLOAT SUPPORT
36	F10093		1	NEEDLE ASSEMBLY
41	F2008		2	HEX CAP SCREW, 1/4 - 20 X 7/8
-	F10098		1	REPAIR KIT INCLUDES ALL ITEMS MARKED WITH AN ASTERISK (*).
-	F10069		1	GASKET SET INCLUDES ALL ITEMS MARKED WITH A DOUBLE ASTERISK (**).

POWER HEAD AND SUPPORT PLATE

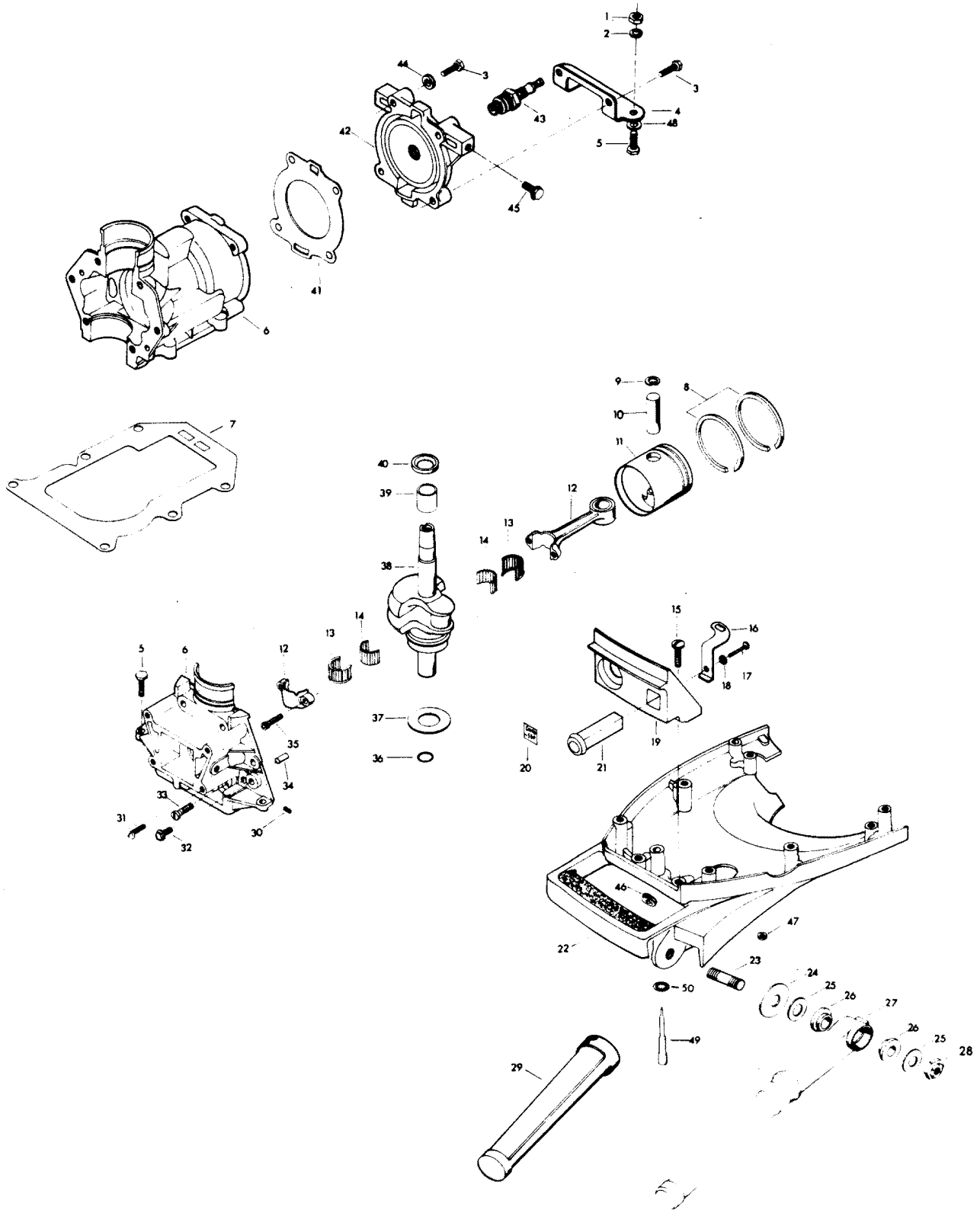


POWER HEAD AND SUPPORT PLATE

REF. NO.	PART NO.	SYM.	QTY.	DESCRIPTION
1	F1341		2	HEX NUT
2	F8083		2	SPRING LOCKWASHER
3	F901938-1		4	SCREW, CYLINDER HEAD
4	F521774		1	BRACKET, ENGINE COVER LOWER MOUNTING
5	F1705		4	HEX HD CAP SCREW, 1/4 - 20 X 3/4
6	F2A521010		1	CYLINDER W/CRANKCASE COVER, DOWEL PINS AND SCREWS
7	F521279		1	GASKET, CYLINDER EXHAUST
8	39-818038A1		2	PISTON RING SET
9	F250410		2	PISTON PIN RETAINING RING
10	F250017		1	PISTON PIN
11	F521015		1	PISTON
12	F2A521016		1	CONNECTING ROD W/SCREWS AND BEARING
13	F237241		2	CAGE, CRANKPIN ROLLER
14	FA237228		1	CRANKPIN ROLLER SET
15	F1493		2	PAN HD SCREW, 1/4 - 20 X 5/8
16	F521925		1	LINK, CHOKE KNOB
17	F2041		1	HEX HD M. SCREW, 10 - 24 X 3/8
18	F1975		1	SPRING LOCKWASHER
19	F521163		1	COVER, SUPPORT PLATE
20	F521248		1	DECAL, CHOKE (U.S.A.)
-	FC521248		1	DECAL, CHOKE (CANADA)
21	F521547		1	CHOKE KNOB
22	F332038		1	SUPPORT PLATE (42H8D, 42B8D)
-	F226038		1	SUPPORT PLATE (47H8D, 47B8D)
23	F521004		1	STUD
24	F286286-1		1	WASHER, NYLON
25	F8015		2	PLAIN WASHER
26	F521319		2	BUSHING, STEERING HANDLE
27	F521079		1	STEERING HANDLE
28	F1756		1	STOP NUT
29	F390137		1	GRIP, STEERING HANDLE
30	F1789		1	PIPE PLUG
31	F1107		2	FILL HD M. SCREW, 1/4 - 20 X 3/4
32	F2040		1	HEX WASHER HD TAPTITE SCREW, 1/4 - 20 X 5/8
33	F1099		4	SLOTTED FILL HD SCREW, 1/4 - 20 X 1/4
34	F8559		2	DOWEL PIN
35	F36634		2	SCREW, CONNECTING ROD
36	F521579		1	SEAL, CRANKSHAFT SPLINE
37	F521118-1		1	SEAL, CRANKSHAFT LOWER
38	F2A521018		1	CRANKSHAFT W/SLINGER AND LOWER BEARING
39	F521013		1	BEARING, CRANKSHAFT UPPER
40	F521146		1	SEAL, CRANKSHAFT UPPER

CONTINUED ON NEXT PAGE ➡

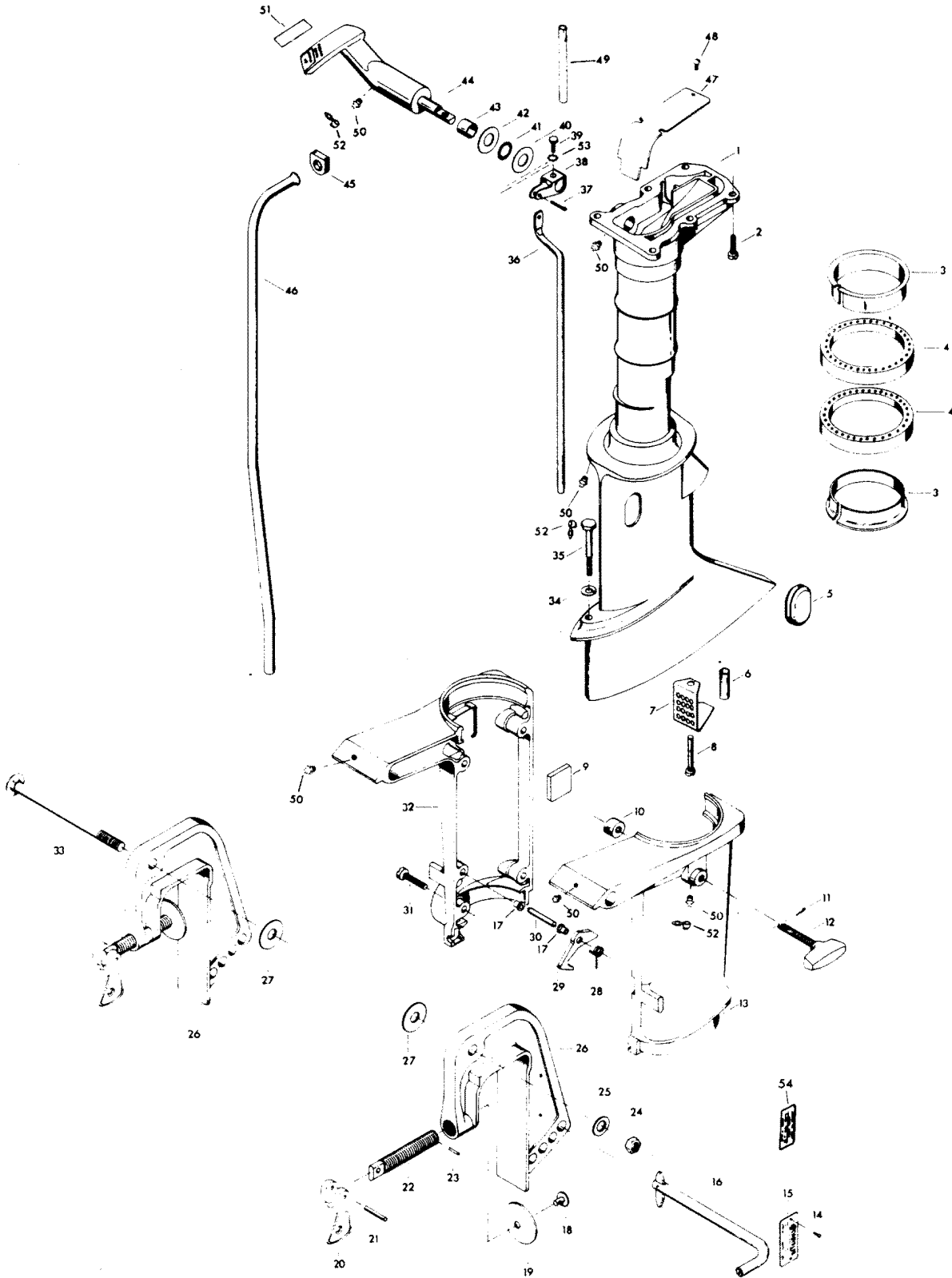
POWER HEAD AND SUPPORT PLATE



POWER HEAD AND SUPPORT PLATE

REF. NO.	PART NO.	SYM.	QTY.	DESCRIPTION
41	F521529		1	GASKET, CYLINDER HEAD
42	F521518		1	CYLINDER HEAD
43	FS521227		1	SPARK PLUG (L-7-J)
-	C247227		1	SPARK PLUG (FOR MODELS 42B8D, 47B8D - RL-7-J)
44	F8028		2	PLAIN WASHER
45	F1426		2	HEX HD SCREW W/LOCKWASHER, 1/4 - 20 X 7/16
46	F84991-1		1	GROMMET FOR MODELS 47H8D, 47B8D
47	F53991-2		1	GROMMET, SHEAR PIN
48	F8008		2	PLAIN WASHER
49	F341284-1		1	KNOB, ENGINE COVER RETAINER
50	F9102		1	RETAINING RING
-	FC521010		1	SHORT BLOCK (NOT SHOWN) INCLUDES ALL ITEMS MARKED WITH AN ASTERISK (*).
-	FG1015		1	GASKET SET (SEE BELOW)
-	F521159		2	REED PLATE G1015 GASKET SET
-	F521168		1	CARBURETOR ADAPTER G1015 GASKET SET
-	F521279		1	CYLINDER EXHAUST G1015 GASKET SET
-	F521529		1	CYLINDER HEAD G1015 GASKET SET
-	F521906		1	CARBURETOR G1015 GASKET SET

MOTOR LEG

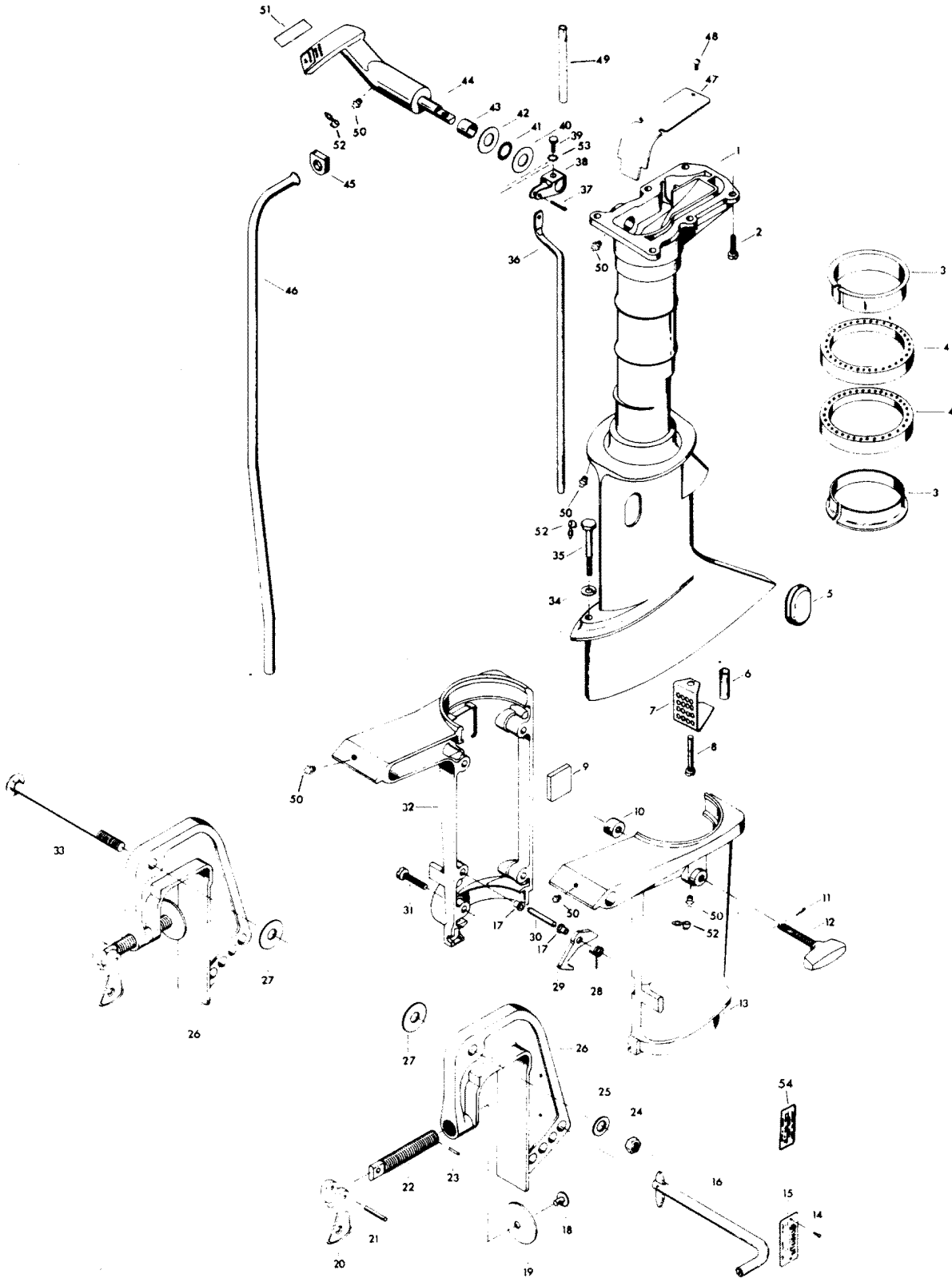


MOTOR LEG

REF. NO.	PART NO.	SYM.	QTY.	DESCRIPTION
1	1500-817940A6		1	MOTOR LEG W/ITEMS 47, 48, 43, 49 AND 50 ORIGINAL FORCE P/N K341133-2
2	F1922		6	HEX HD SCREW, 1/4 - 20 X 5/8
3	F468169		2	BEARING, SWIVEL BRACKET
4	F468346		2	SHOCK MOUNT
5	F46899-1		1	COVER, SHIFT COUPLING
6	F521727		1	SLEEVE, IDLE BAFFLE
7	F521779		1	BAFFLE, IDLE RELIEF
8	F1747		1	FILL HD SCREW, 10 - 24 X 1 11/16
9	F521661-1		1	PAD, SWIVEL FRICTION
10	F521631		1	SHOE, SWIVEL FRICTION
11	F1014		1	COTTER PIN
12	F521514		1	KNOB, STEERING FRICTION W/SCREWS
13	817815A4		1	SWIVEL BRACKET - PORT
14	F1293		2	DRIVE SCREW, 2 X 3/16
15	FA77395-5		0	PLATE, IDENTIFICATION W/SCREWS - USA
-	AC16395-8		0	PLATE, IDENTIFICATION W/SCREWS - CANADA
16	817810A1		1	LOCK BAR
17	F197813		2	BEARING
18	F66480		2	STUD
19	F24074		2	CLAMP SCREW FOOT
20	F298075		2	HANDLE, CLAMP SCREW
21	F8554		2	SPRING PIN
22	817761A2		2	CLAMP SCREW W/FOOT AND STUD
23	F8537		2	SPRING PIN
24	F7005		1	STOP NUT
25	F8039		1	PLAIN WASHER
26	1400-817850A4		2	STERN BRACKET W/CLAMP SCREW & FOOT
27	F2037		2	PLAIN WASHER
28	F468300		1	SPRING, REVERSE LOCK
29	F468349		1	REVERSE LOCK
30	F468350		1	PIN, REVERSE LOCK
31	F2035		4	PHILLIPS FILL HD SCREW, 1/4 - 20 X 1
32	817816A6		1	SWIVEL BRACKET - STARBOARD
33	F468037-1		1	PIVOT BOLT
34	F8083		1	SPRING LOCKWASHER
35	F1175		1	HEX CAP SCREW, 1/4 - 20 X 1 7/8 FOR MODELS 42H8D, 42B8D
36	F521615		1	ROD, GEAR SHIFT UPPER
37	F1406		1	COTTER PIN
38	F521621		1	LEVER, GEAR SHIFT
39	F2041		1	HEX M. SCREW, 10 - 24 X 3/8
40	F2014		1	PLAIN WASHER
41	F19342		1	SEAL, SHIFT LEVER SHAFT

CONTINUED ON NEXT PAGE ➡

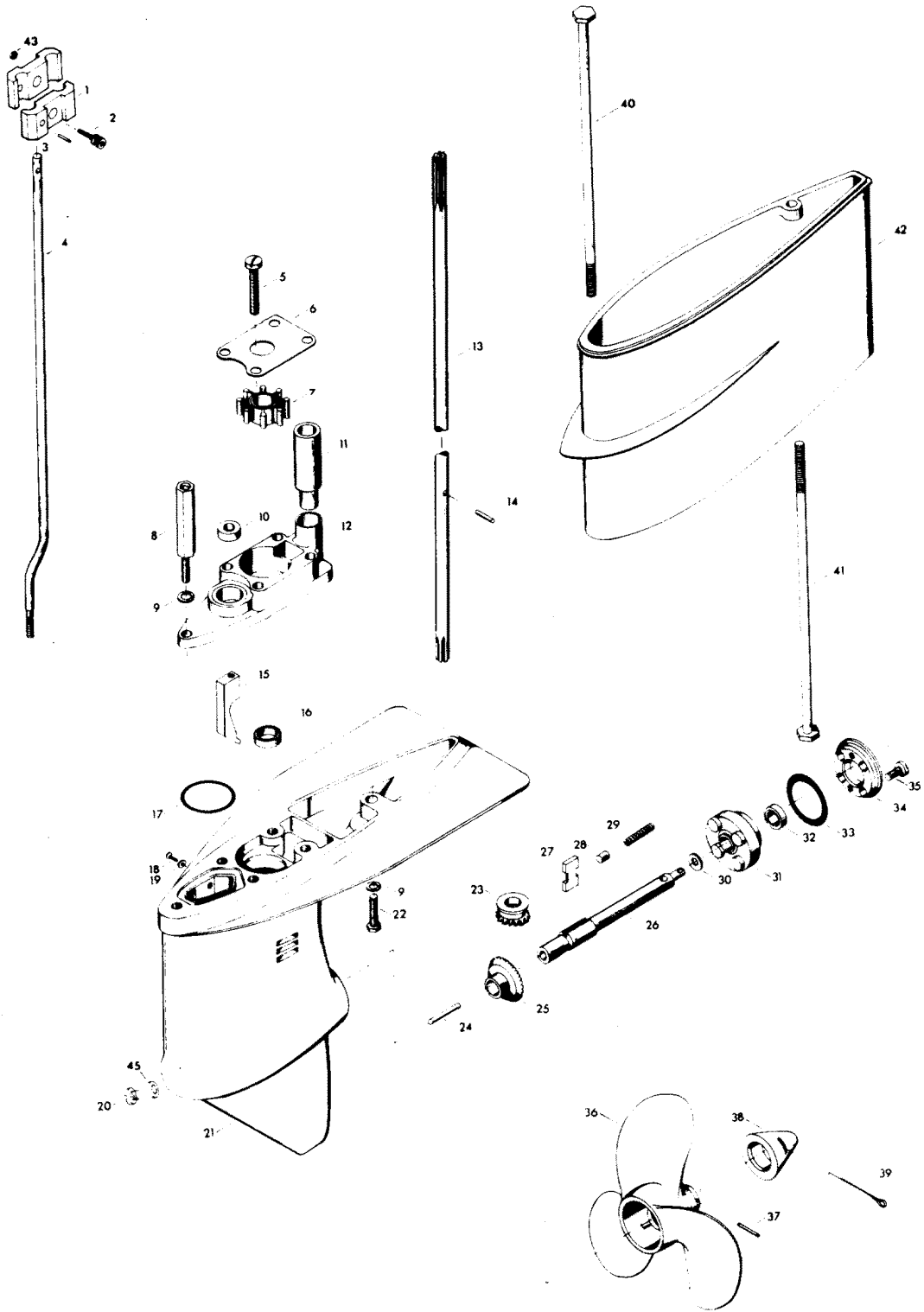
MOTOR LEG



MOTOR LEG

REF. NO.	PART NO.	SYM.	QTY.	DESCRIPTION
42	F521415		1	WASHER, GEAR SHIFT HANDLE
43	F341610		1	BEARING, GEAR SHIFT SHAFT
44	820433T		1	HANDLE, GEAR SHIFT W/SHAFT
45	F521342-1		1	SEAL, WATER LINE
46	F521244		1	WATER LINE (42H8D, 42B8D)
-	F341244		1	WATER LINE (47H8D, 47B8D)
47	FA341151		1	PLATE, EXHAUST
48	F1645		3	RD HD THD. CUTTING, 6 - 32 X 1/4
49	F521261		1	LINE, WATER OUTLET
50	F213274		6	FITTING, GREASE
51	FC521400		1	DECAL, GEAR SHIFT HANDLE (CANADA)
52	F521569		3	CAP, GREASE FITTING
53	F1975		1	LOCKWASHER, #10
54	F235785		1	DECAL, COMPLIANCE (CANADA)

GEAR HOUSING

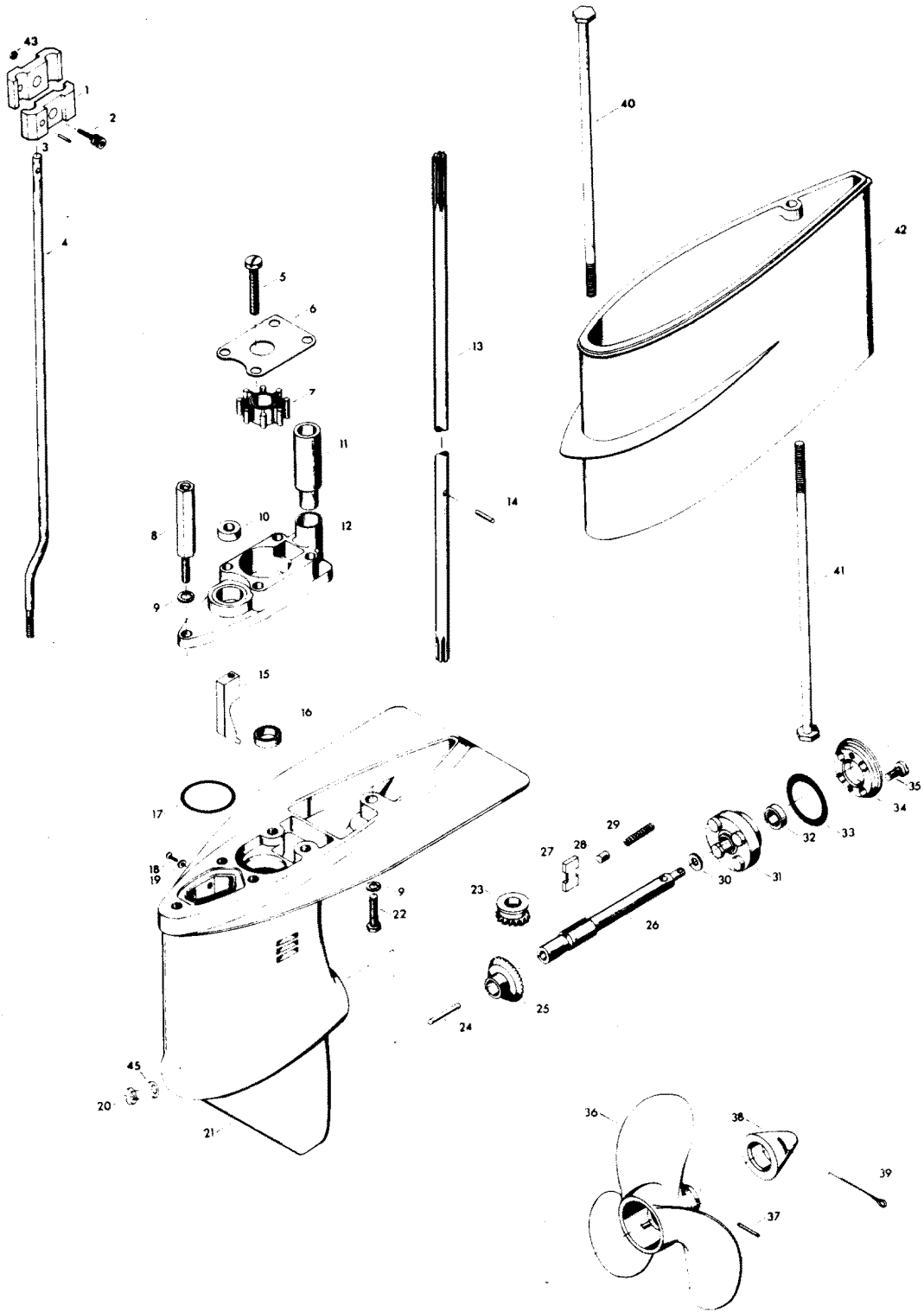


GEAR HOUSING

REF. NO.	PART NO.	SYM.	QTY.	DESCRIPTION
1	F341704		2	COUPLING, GEAR SHIFT ROD
2	F1371		1	SOCKET HD SCREW W/LOCKWASHER, 10 - 24 X 5/8
3	F8538		1	SPRING PIN
4	F521705		1	ROD, GEAR SHIFT LOWER (42H8D, 42B8D)
-	F332705		1	GEAR SHIFT ROD LOWER, FOR MODELS 47H8D, 47B89D
5	F1504		4	FILL HD SCREW, 1/4 - 20 X 1/4
6	F521537		1	PLATE, WATER PUMP
7	F521065		1	IMPELLER
8	F521006		1	STUD
9	F8083		2	SPRING LOCKWASHER
10	F338618-1		1	SEAL, SHIFT ROD
11	FA521735		1	SEAL, WATERLINE
12	FA735060		1	WATER PUMP BODY
13	F521128		1	DRIVESHAFT
-	F341128		1	DRIVESHAFT FOR MODELS (47H8D, 47B8D)
14	F390563		1	PIN, WATER PUMP IMPELLER DRIVE
15	F521721		1	CAM, CLUTCH SHIFT
16	F318307		1	SEAL, DRIVESHAFT
17	F521783		1	SEAL
18	F1077		1	FILL HD SCREW, 10 - 24 X 1/4
19	F8074		1	WASHER
20	F50109		1	PLUG, GEAR HOUSING
21	F2A521054		1	GEAR HOUSING, WASHER, DRIVESHAFT BEARING & SEAL W/PLUG VENT SCREW
22	F1199		1	HEX CAP SCREW, 1/4 - 20 X 1, FOR MODELS (42H8D, 42B8D)
23	F521266		1	BEVEL PINION GEAR
24	F521728		1	CLUTCH SHIFT PIN
25	FA521023		1	BEVEL GEAR W/BEARING
26	F409098		1	PROPELLER SHAFT
27	F409521		1	CLUTCH
28	F318372		1	PIN, CLUTCH GUIDE
29	F409719		1	CLUTCH SPRING
30	F521099		1	SPACER
31	FA521298		1	BEARING CAGE W/BEARING AND SEAL
32	F521307		1	SEAL, PROPELLER SHAFT
33	F521305		1	SEAL, "O" RING
34	F521296		1	RETAINER, PROPELLER SHAFT BEARING CAGE
35	F525457		4	FILL HD SCREW, 1/4 - 20 X 5/8
36	FP488		1	PROPELLER 47H8D, 47B8D
-	FP332		1	PROPELLER (42H8D, 42B8D)
37	FA324101		1	PROPELLER PIN, PACK OF 3
38	11-817752A1		1	PROPELLER NUT W/COTTER PIN
39	F1846		1	COTTER PIN

CONTINUED ON NEXT PAGE ➡

GEAR HOUSING



GEAR HOUSING

REF. NO.	PART NO.	SYM.	QTY.	DESCRIPTION
40	F1808		1	HEX CAP SCREW, 1/4 - 20 X 7, FOR MODELS 47H8D, 47B8D
41	F1825		1	HEX CAP SCREW, 1/4 - 20 X 6, FOR MODELS 47H8D, 47B8D
42	F521845		1	EXTENSION, MOTOR - FOR MODELS 47H8D, 47B8D
43	F7009		1	LOCK NUT, 10 - 24
44	F8077		1	WASHER
-	FC341054		1	GEAR HOUSING COMPLETE (NOT SHOWN) (INCLUDES ALL ITEMS MARKED WITH AN ASTERISK (*)).
-	F5H089		0	A-C LIGHTING COIL KIT PROVIDES 12 VOLT, 60 WATT OUTPUT FOR OUTBOARD RUNNING LIGHTS.
-	F5H091		0	BATTERY CHARGING SYSTEM USED IN CONJUNCTION WITH 5H089 LIGHTING COIL KIT OR 47H8D, 47B8D MODEL ENGINES.
-	5H092		0	FUEL PUMP KIT ADAPTS ENGINE TO USE WITH REMOTE FUEL TANK.
-	F71H09		0	6 GALLON FUEL TANK USED IN CONJUNCTION WITH 5H092 FUEL PUMP KIT TO PERMIT EXTENDED CRUISING RANGE.
-	760		0	4 1/4 GALLON FUEL TANK USED IN CONJUNCTION WITH 5H092 FUEL PUMP KIT TO PERMIT EXTENDED CRUISING RANGE.
-	F5H093		0	LEG EXTENSION KIT CONVERTS 15 INCH STANDARD SHAFT MODEL TO 20 INCH LONG SHAFT MODEL.

ACCESSORIES

THIS PAGE INTENTIONALLY LEFT BLANK

SPECIFICATIONS

REF. NO.	PART NO.	SYM.	QTY.	DESCRIPTION
-			0	HORSEPOWER 4 B.I.A. CERTIFIED BRAKE H.P. AT 5500 R.P.M.
-			0	ENGINE TWO-CYCLE, SINGLE CYLINDER.
-			0	BORE AND STROKE 2.0" BORE X 1 9/16" STROKE.
-			0	PISTON DISPLACEMENT 5.00 CUBIC INCHES.
-			0	FUEL SYSTEM FLOAT FEED CARBURETOR.
-			0	CONNECTING ROD ALLOY STEEL FORGING.
-			0	CRANKSHAFT STEEL FORGING - MOLDED NODULAR IRON, GROUND FINISH.
-			0	FUEL TANK STEEL TANK, CAPACITY 4 U.S. PINTS OR 2 LITERS.
-			0	PROPELLER SHAFT AND DRIVESHAFT STAINLESS STEEL, HARDENED GROUND AND POLISHED.
-			0	PROPELLER ALUMINUM, DIAMETER 7 1/4", PITCH 5 1/2" LEFT HAND ROTATION.
-			0	COOLING SYSTEM WATER COOLED -- POSITIVE DISPLACEMENT TYPE WATER PUMP.
-			0	TRANSOM HEIGHT 15"
-			0	WEIGHT 38 POUNDS

LUBRICATION CHART

REF. NO.	PART NO.	SYM.	QTY.	DESCRIPTION
-			0	CLAMP SCREWS SAE 30 MOTOR OIL, TWICE EACH SEASON
-			0	SWIVEL BRACKET BEARING GRAPHITE GREASE, TWICE EACH SEASON
-			0	CONTACT SURFCE BETWEEN MAGNETO STATOR PLATE & UPR BEARG CAGE EP - ALL PURPOSE CHASSIS LUBRICANT, IF MAGNETO CONTROL LEVER BECOMES HARD TO MOVE
-			0	GEAR HOUSING CHRYSLER OUTBOARD GEAR LUBE, EVERY 30 HOURS, OFTENER IF REQUIRED
-			0	PROPELLER SHAFT ANTI-SEIZE (SPECIAL TOOL T2987-1), TWICE EACH SEASON
-			0	GREASE FITTINGS HIGH TEMPERATURE GREASE, TWICE EACH SEASON

SPECIAL ADJUSTMENTS

REF. NO.	PART NO.	SYM.	QTY.	DESCRIPTION
-			0	STEERING TENSION IF MOTOR STEERS TOO HARD, LOOSEN THE STEERING FRICTION SCREW, ILLUSTRATION 12, PAGE 11. IF MOTOR TURNS TOO EASILY, TIGHTEN THE SCREW.
-			0	MAGNETO BREAKER POINT GAP SPACING .20".
-			0	SPARK PLUG

PARTS INDEX

Part Number	Description	Pg.	Ref. No.	Part Number	Description	Pg.	Ref. No.
341944	ENGINE COVER, BOTTOM	3	11	F12357	CONDENSER W/CLAMP	7	6
521817	RETAINER, STARTER ROPE HANDLE	5	7	F12358	COIL W/LEAD WIRE AND WEDGE SPRING	7	11
527528	DECAL, TRIM REAR	3	2	F12359	CONTACT SET	7	7
5H092	FUEL PUMP KIT	21	-	F12360	FELT CAM	7	8
760	4 1/4 GALLON FUEL TANK	21	-	F12361	LEAD WIRE AND GROMMET PACKAGE	7	13
817761A2	CLAMP SCREW W/FOOT AND STUD	15	22	F12362	STATOR PLATE W/CORE	7	9
817810A1	LOCK BAR	15	16	F12363	WEDGE SPRING	7	10
817815A4	SWIVEL BRACKET - PORT	15	13	F1293	DRIVE SCREW, 2 X 3/16	15	14
817816A6	SWIVEL BRACKET - STARBOARD	15	32	F1298	ROUND HD SCREW W/LOCKWASHER.	7	20
820433T	HANDLE, GEAR SHIFT W/SHAFT	17	44	F1341	HEX NUT	11	1
AC16395-8	PLATE, IDENTIFICATION W/SCREWS - CANADA	15	-	F1371	SOCKET HD SCREW W/LOCKWASHER, 10 - 24 X 5/8	19	2
C247227	SPARK PLUG (FOR MODELS 42B8D, 47B8D - RL-7-J)	13	-	F1406	COTTER PIN	15	37
F10058	FUEL BOWL	9	34	F1426	HEX HD SCREW W/LOCKWASHER, 1/4 - 20 X 7/16	13	45
F10059	THROTTLE SHAFT	9	19	F1447	ROUND HD DRIVE SCREW, #2 X 3/16	3	31
F10060	THROTTLE VALVE	9	16	F1490	HEX NUT, 1/4 - 20	9	26
F10061	CHOKE SHAFT	9	20	F1493	PAN HD SCREW, 1/4 - 20 X 5/8	11	15
F10062	CHOKE VALVE	9	24	F1504	FILL HD SCREW, 1/4 - 20 X 1/4	19	5
F10063	FLOAT	9	30	F15570	SPRING	5	3
F10064	FLOAT PIN	9	31	F15591	ROTOR	5	4
F10065	NOZZLE	9	27	F15594	WASHER	5	9
F10066	GASKET, VALVE SEAT	9	28	F15595	FRICTION SHOE ASSEMBLY	5	11
F10067	GASKET, BOWL RETAINER	9	33	F15596	SPRING	5	8
F10068	GASKET, FUEL BOWL	9	32	F15597	SCREW	5	12
F10069	GASKET SET	9	-	F15600	STARTER ROPE	5	5
F10070	SCREW, CHOKE VALVE	9	25	F15601	COVER	5	2
F10071	SCREW	9	15	F15602	NYLINER	5	10
F10072	SPRING, CHOKE STOP	9	21	F1645	RD HD THD. CUTTING, 6 - 32 X 1/4	17	48
F10073	SPRING, IDLE ADJUSTMENT NEEDLE	9	22	F1655	HEX HD SCREW W/SPRING LOCKWASHER, 1/4 - 20 X 3/8	7	15
F10075	SPRING, THROTTLE RETURN	9	18	F1705	HEX HD CAP SCREW, 1/4 - 20 X 3/4	11	5
F10077	NEEDLE, IDLE	9	23	F1734	SLOTTED FILL HD SCREW, 1/4 - 20 X 1/2	7	27
F10084	SPRING, FLOAT SUPPORT	9	35	F1747	FILL HD SCREW, 10 - 24 X 1 11/16	15	8
F10092	VALVE, SEAT AND GASKET ASSEMBLY	9	29	F1755	ROUND HD SCREW W/LOCKWASHER, 6 - 32 X 5/16	9	12
F10093	NEEDLE ASSEMBLY	9	36	F1756	STOP NUT	11	28
F10098	REPAIR KIT	9	-	F1789	PIPE PLUG	11	30
F1014	COTTER PIN	15	11	F17935	GASKET, "O" RING	3	5
F1035	SLOTTED FILL HD SCREW, 1/4 - 20 X 5/8	3	15	F17936	FUEL CAP	3	6
F1077	FILL HD SCREW, 10 - 24 X 1/4	19	18	F17938	ANCHOR	3	10
F1099	SLOTTED FILL HD SCREW, 1/4 - 20 X 1/4	11	33	F17940	VENT CAP	3	3
F1107	FILL HD M. SCREW, 1/4 - 20 X 3/4	11	31	F17941	NUT, VENT SCREW	3	7
F1175	HEX CAP SCREW, 1/4 - 20 X 1 7/8 FOR MODELS 42H8D, 42B8D	15	35	F17942	CAP, TENSION SPRING	3	4
F1199	HEX CAP SCREW, 1/4 - 20 X 1, FOR MODELS (42H8D, 42B8D)	19	22	F17943-1	FUEL CAP GASKET	3	8
F12066	FRICTION SCREW	7	18				
F12090	MOUNTING SCREW	7	5				

PARTS INDEX

Part Number	Description	Pg.	Ref. No.	Part Number	Description	Pg.	Ref. No.
F1825	HEX CAP SCREW, 1/4 - 20 X 6, FOR MODELS 47H8D, 47B8D	21	41	F31160-1	REED	9	10
F1829	FILL HD M. SCREW, 10 - 24 X 7/8	3	14	F318307	SEAL, DRIVESHAFT	19	16
F1829	FILL HD SCREW, 10 - 24 X 7/8, FOR MODELS 47H8D, 47B8D	7	21	F318372	PIN, CLUTCH GUIDE	19	28
F1833	HEX CAP SCREW, 1/4 - 20 X 1	9	3	F332038	SUPPORT PLATE (42H8D, 42B8D)	11	22
F1846	COTTER PIN	19	39	F332705	GEAR SHIFT ROD LOWER, FOR MODELS 47H8D, 47B89D	19	-
F1876	SPRING PIN FOR MODELS 47H8D, 47B8D	7	22	F338618-1	SEAL, SHIFT ROD	19	10
F1896	HEX NUT	3	22	F341128	DRIVESHAFT FOR MODELS (47H8D, 47B8D)	19	-
F1896	HEX NUT	5	1	F341244	WATER LINE (47H8D, 47B8D)	17	-
F1922	HEX HD SCREW, 1/4 - 20 X 5/8	15	2	F341284-1	KNOB, ENGINE COVER RETAINER	13	49
F19342	SEAL, SHIFT LEVER SHAFT	15	41	F341610	BEARING, GEAR SHIFT SHAFT	17	43
F1975	LOCKWASHER, #10	17	53	F341704	COUPLING, GEAR SHIFT ROD	19	1
F1975	SPRING LOCKWASHER	11	18	F36634	SCREW, CONNECTING ROD	11	35
F197813	BEARING	15	17	F390137	GRIP, STEERING HANDLE	11	29
F1979	PAN HD SCREW, 10 - 24 X 1/2	3	29	F390563	PIN, WATER PUMP IMPELLER DRIVE	19	14
F1995	SLOTTED FILL HD SCREW, 10 - 24 X 1	3	12	F409098	PROPELLER SHAFT	19	26
F2008	HEX CAP SCREW, 1/4 - 20 X 7/8	9	41	F409521	CLUTCH	19	27
F2014	PLAIN WASHER	15	40	F409719	CLUTCH SPRING	19	29
F2035	PHILLIPS FILL HD SCREW, 1/4 - 20 X 1	15	31	F424161	REED STOP	9	11
F2037	PLAIN WASHER	15	27	F427249	RETAINING RING	3	9
F2040	HEX WASHER HD TAPTITE SCREW, 1/4 - 20 X 5/8	11	32	F436449	SHORTING SWITCH	7	19
F2041	HEX HD M. SCREW, 10 - 24 X 3/8	11	17	F448874	PARALLEL SPLICE FOR MODELS 47H8D, 47B8D	7	24
F2041	HEX M. SCREW, 10 - 24 X 3/8	15	39	F459186	COLLAR, FUEL TANK	3	1
F213274	FITTING, GREASE	17	50	F468037-1	PIVOT BOLT	15	33
F226038	SUPPORT PLATE (47H8D, 47B8D)	11	-	F468169	BEARING, SWIVEL BRACKET	15	3
F235785	DECAL, COMPLIANCE (CANADA)	17	54	F468300	SPRING, REVERSE LOCK	15	28
F237241	CAGE, CRANKPIN ROLLER	11	13	F468346	SHOCK MOUNT	15	4
F24074	CLAMP SCREW FOOT	15	19	F468349	REVERSE LOCK	15	29
F250017	PISTON PIN	11	10	F468350	PIN, REVERSE LOCK	15	30
F250410	PISTON PIN RETAINING RING	11	9	F46899-1	COVER, SHIFT COUPLING	15	5
F2706772	HOSE CLAMP	3	18	F50109	PLUG, GEAR HOUSING	19	20
F27209-1	STUD, CARBURETOR	9	7	F521002	CAM	7	4
F286286-1	WASHER, NYLON	11	24	F521004	STUD	11	23
F298075	HANDLE, CLAMP SCREW	15	20	F521006	STUD	19	8
F2A521010	CYLINDER W/CRANKCASE COVER, DOWEL PINS AND SCREWS	11	6	F521013	BEARING, CRANKSHAFT UPPER	11	39
F2A521016	CONNECTING ROD W/SCREWS AND BEARING	11	12	F521015	PISTON	11	11
F2A521018	CRANKSHAFT W/SLINGER AND LOWER BEARING	11	38	F521034-1	FUEL TANK	3	20
				F521061-4	CARBURETOR COMPLETE	9	17
				F521063-2	STARTER COMPLETE	5	-
				F521065	IMPELLER	19	7
				F521079	STEERING HANDLE	11	27
				F521097-1	FLYWHEEL	7	2
				F521099	SPACER	19	30
				F521118-1	SEAL, CRANKSHAFT LOWER	11	37
				F521128	DRIVESHAFT	19	13
				F521132	HANDLE, STARTER ROPE	5	6
				F521146	SEAL, CRANKSHAFT UPPER	11	40
				F521159	REED PLATE	13	-

PARTS INDEX

Part Number	Description	Pg.	Ref. No.	Part Number	Description	Pg.	Ref. No.
F521163	COVER, SUPPORT PLATE . . .	11	19	F521845	EXTENSION, MOTOR - FOR		
F521168	CARBURETOR ADAPTER . . .	13	-		MODELS 47H8D, 47B8D . . .	21	42
F521168	GASKET, CARBURETOR			F521894	DECAL, "OFF" (U.S.A.)	3	13
	ADAPTER	9	1	F521906	CARBURETOR	13	-
F521192	THROTTLE CAM	7	16	F521906	GASKET, CARBURETOR	9	9
F521244	WATER LINE (42H8D,			F521908	GROUND WIRE	7	17
	42B8D)	17	46	F521925	LINK, CHOKE KNOB	11	16
F521248	DECAL, CHOKE (U.S.A.)	11	20	F521984	ENGINE COVER PACKING	3	36
F521251-3	GAS CAP COMPLETE (NOT			F525457	FILL HD SCREW, 1/4 - 20 X		
	SHOWN)	3	-		5/8	19	35
F521261	LINE, WATER OUTLET	17	49	F527392	DECAL, CHRYSLER	3	26
F521266	BEVEL PINION GEAR	19	23	F527396	DECAL, STRIPE -		
F521279	CYLINDER EXHAUST	13	-		STARBOARD	3	-
F521279	GASKET, CYLINDER			F527397	DECAL, STRIPE - PORT	3	24
	EXHAUST	11	7	F53991-2	GROMMET, SHEAR PIN	13	47
F521284	KNOB, ENGINE COVER			F5H089	A-C LIGHTING COIL KIT	21	-
	RETAINER	3	33	F5H091	BATTERY CHARGING		
F521296	RETAINER, PROPELLER				SYSTEM	21	-
	SHAFT BEARING CAGE	19	34	F5H093	LEG EXTENSION KIT	21	-
F521305	SEAL, "O" RING	19	33	F66480	STUD	15	18
F521307	SEAL, PROPELLER SHAFT	19	32	F7005	STOP NUT	15	24
F521319	BUSHING, STEERING			F7009	HEX NUT	3	27
	HANDLE	11	26	F7009	LOCK NUT, 10 - 24	21	43
F521342-1	SEAL, WATER LINE	17	45	F71H09	6 GALLON FUEL TANK	21	-
F521369	PIN, STARTER ROPE	5	13	F8008	PLAIN WASHER	3	32
F521386-1	DECAL, NUMERAL	3	38	F8008	PLAIN WASHER	13	48
F521391-1	DECAL, SPEED RANGE			F8015	PLAIN WASHER	11	25
	(U.S.A.)	3	16	F8028	PLAIN WASHER	13	44
F521415	WASHER, GEAR SHIFT			F8039	PLAIN WASHER	15	25
	HANDLE	17	42	F8060	INTERNAL TOOTH		
F521489	VALVE, FUEL SHUT-OFF	9	14		LOCKWASHER	9	4
F521498	KEY, FLYWHEEL	7	3	F8061	INTERNAL TOOTH		
F521514	KNOB, STEERING FRICTION				LOCKWASHER	3	21
	W/SCREWS	15	12	F8074	WASHER	19	19
F521518	CYLINDER HEAD	13	42	F8077	WASHER	21	44
F521529	CYLINDER HEAD	13	-	F8083	SPRING LOCKWASHER	11	2
F521529	GASKET, CYLINDER HEAD	13	41	F8083	SPRING LOCKWASHER	15	34
F521537	PLATE, WATER PUMP	19	6	F8083	SPRING LOCKWASHER	19	9
F521547	CHOKE KNOB	11	21	F84991-1	GROMMET FOR MODELS		
F521549-2	THROTTLE LEVER	7	14		47H8D, 47B8D	13	46
F521550	KNOB, FUEL SHUT-OFF	9	13	F8537	SPRING PIN	15	23
F521552	SCREW, FLYWHEEL	7	1	F8538	SPRING PIN	19	3
F521569	CAP, GREASE FITTING	17	52	F8554	SPRING PIN	15	21
F521579	SEAL, CRANKSHAFT SPLINE			F8559	DOWEL PIN	11	34
F521615	ROD, GEAR SHIFT UPPER	15	36	F901754	HOSE	3	19
F521621	LEVER, GEAR SHIFT	15	38	F901938-1	SCREW, CYLINDER HEAD	11	3
F521631	SHOE, SWIVEL FRICTION	15	10	F9102	RETAINING RING	13	50
F521661-1	PAD, SWIVEL FRICTION	15	9	FA237228	CRANKPIN ROLLER SET	11	14
F521705	ROD, GEAR SHIFT LOWER			FA324101	PROPELLER PIN, PACK OF		
	(42H8D, 42B8D)	19	4		3	19	37
F521721	CAM, CLUTCH SHIFT	19	15	FA332167	CARBURETOR ADAPTER		
F521727	SLEEVE, IDLE BAFFLE	15	6		W/STUDS	9	2
F521728	CLUTCH SHIFT PIN	19	24	FA341151	PLATE, EXHAUST	17	47
F521774	BRACKET, ENGINE COVER			FA521023	BEVEL GEAR W/BEARING	19	25
	LOWER MOUNTING	11	4	FA521298	BEARING CAGE W/BEARING		
F521779	BAFFLE, IDLE RELIEF	15	7		AND SEAL	19	31
F521783	SEAL	19	17	FA521448	CLIP, THROTTLE STOP	3	34
F521811	FITTING, GAS TANK	3	17	FA521735	SEAL, WATERLINE	19	11

PARTS INDEX

Part Number	Description	Pg.	Ref. No.	Part Number	Description	Pg.	Ref. No.
FA521841	CABLE, LIGHTING COIL, FOR MODELS 47H8D, 47B8D	7	26				
FA521892	INSERT, PLATE FRONT - U.S.A.	3	28				
FA521893	INSERT, PLATE FRONT - CANADA	3	-				
FA523095	STATOR, ALTERNATOR FOR MODELS 47H8D, 47B8D .	7	23				
FA735060	WATER PUMP BODY	19	12				
FA77395-5	PLATE, IDENTIFICATION W/SCREWS - USA	15	15				
FC341054	GEAR HOUSING COMPLETE (NOT SHOWN)	21	-				
FC521010	SHORT BLOCK (NOT SHOWN)	13	-				
FC521248	DECAL, CHOKE (CANADA) .	11	-				
FC521400	DECAL, GEAR SHIFT HANDLE (CANADA)	17	51				
FC521894	DECAL, "OFF" (CANADA) . .	3	-				
FG1015	GASKET SET (SEE BELOW)	13	-				
FK525713	PACKING, TOP COVER TRIM	3	23				
FK750-2	SPARKIE KIT	7	12				
FP332	PROPELLER (42H8D, 42B8D)	19	-				
FP488	PROPELLER 47H8D, 47B8D	19	36				
FS521227	SPARK PLUG (L-7-J)	13	43				
11-817752A1	PROPELLER NUT W/COTTER PIN	19	38				
37-817908--3	DECAL, SPEED RANGE (CANADA)	3	-				
39-818038A1	PISTON RING SET	11	8				
100-FS665712	ENGINE COVER TOP W/RETAINER & PACKING	3	30				
1400-817850A4	STERN BRACKET W/CLAMP SCREW & FOOT	15	26				
1500-817940A6	MOTOR LEG	15	1				