



# PARTS CATALOG

## 7.5 H.P. SAILOR

### SERIAL NUMBER

7.5 (1979) .....	70B9A
7.5 (1979) .....	70H9A
7.5 (1979) .....	71B9A
7.5 (1979) .....	71H9A

# TABLE OF CONTENTS:

ACCESSORIES .....	38
ELECTRICAL COMPONENTS .....	6
ENGINE COVER AND SUPPORT PLATE .....	2
FUEL SYSTEM .....	14
FUEL TANK AND LINE .....	30
GEAR HOUSING .....	26
MOTOR LEG .....	22
PARTS INDEX .....	39
POWER HEAD .....	18
SPECIAL TOOLS - LOWER UNIT .....	35
SPECIAL TOOLS - LUBRICANTS AND SEALANTS .....	37
SPECIAL TOOLS - POWER HEAD .....	34
SPECIAL TOOLS - STARTER .....	33
SPECIAL TOOLS - TEST EQUIPMENT .....	36
SPECIAL TOOLS - TUNE-UP .....	32
STARTER .....	12
STEERING ARM .....	8

**NOTE:** Indented description indicate that these parts are included in preceding assembly.

**AR** = As Required

**NSS** = Not Sold Separate

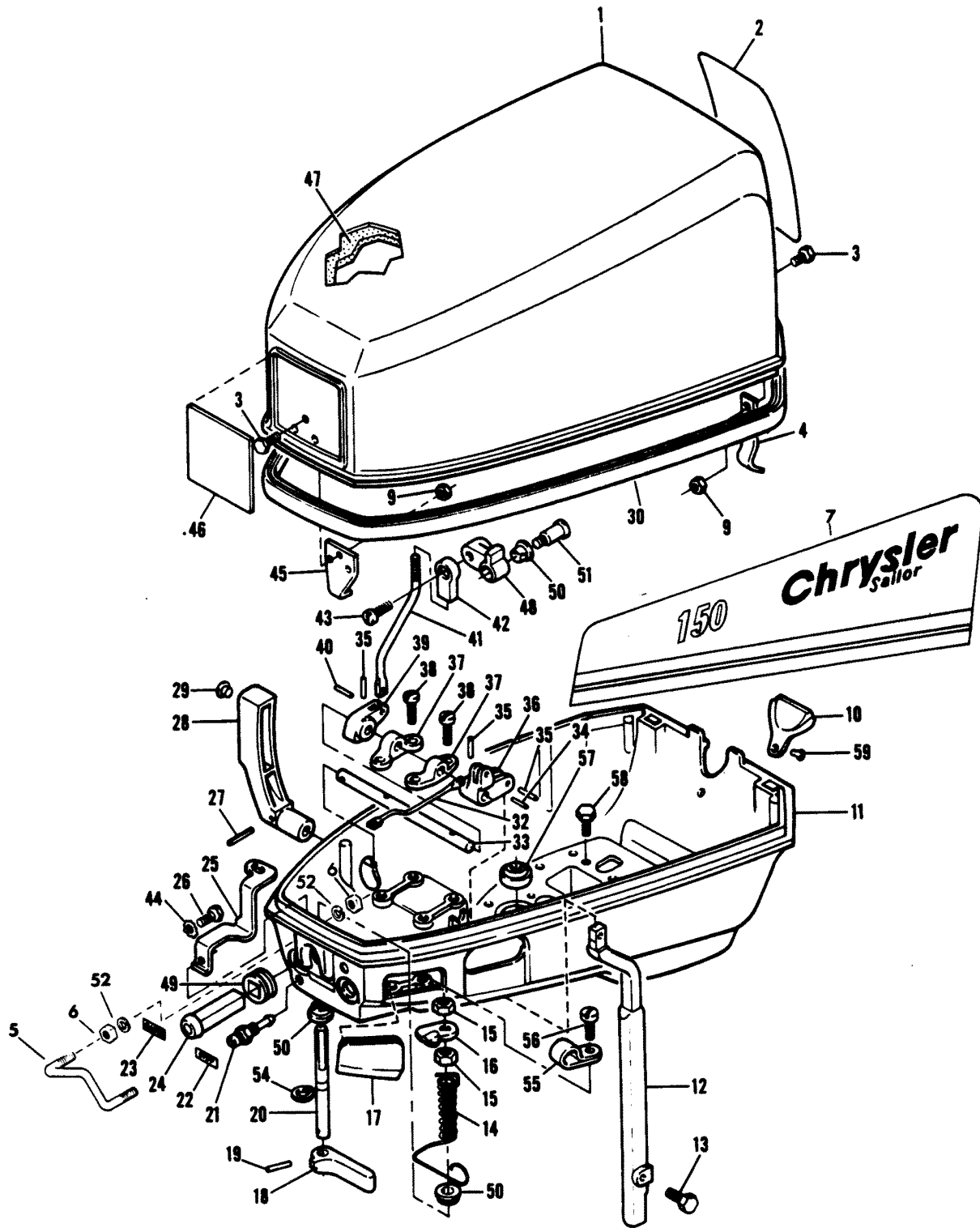
**OPT** = Optional

**NS** = Not Shown

**THESE PARTS BOOKS/FICHE CARD ARE COPYRIGHTED AND MAY NOT BE DISTRIBUTED OR REPRODUCED IN ANY OTHER FORMAT BY ANYONE OTHER THAN MERCURY MARINE WITHOUT THE PRIOR WRITTEN CONSENT OF MERCURY MARINE.**

THIS PAGE INTENTIONALLY LEFT BLANK

# ENGINE COVER AND SUPPORT PLATE

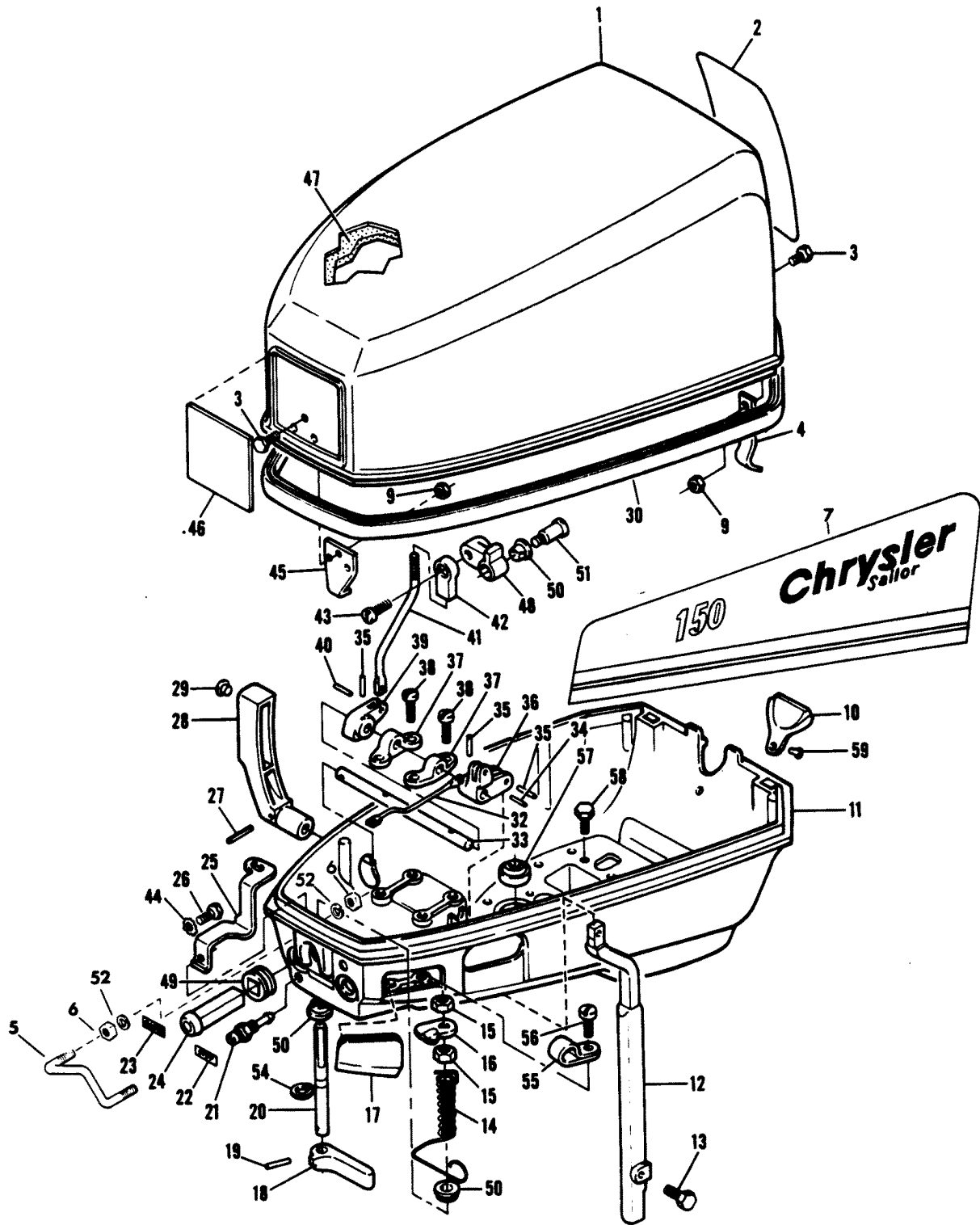


# ENGINE COVER AND SUPPORT PLATE

REF. NO.	PART NO.	SYM.	QTY.	DESCRIPTION
1	FS537712		1	ENGINE COVER W/PACKING, REAR RETAINER AND LATCH BRACKET
-	<b>2C539712</b>		<b>1</b>	<b>ENGINE COVER COMPLETE INCLUDES ALL ITEMS MARKED WITH AN ASTERISK (*)</b>
2	FA539528		1	DECAL ENGINE COVER REAR
3	F1475		7	FILL HD SCREW, 10 - 24 X 1/2
4	FA525480		2	RETAINER ENGINE COVER W/NUTS AND SCREWS
5	F487455		1	GUIDE STARTER ROPE
6	F1513		4	HEX NUT
7	A539396		1	DECAL "CHRYSLER" - STARBOARD
-	<b>A539397</b>		<b>1</b>	<b>DECAL "CHRYSLER" - PORT</b>
9	F7011		7	ELASTIC STOP NUT, 10 - 24
10	525156		1	COVER SUPPORT PLATE REAR
11	FA487038		1	SUPPORT PLATE W/EYELET
12	F525615		1	ROD GEAR SHIFT UPPER
13	F1950		1	HEX HD SCREW, 10 - 24 X 5/8
14	F525912		1	SPRING LATCH SHAFT
15	F1518		2	NUT, 5/16 - 18
16	F392777		1	CAM COVER LATCH
17	F525840		1	GROMMET REMOTE THROTTLE CABLE
-	<b>F84991-1</b>		<b>1</b>	<b>GROMMET LIGHTING COIL WIRE</b>
18	F525469		1	HANDLE LATCH
19	F8547		1	SPRING PIN, 1/8 X 5/8
20	F525763		1	SHAFT COVER LATCH
21	F197767-1		1	BUSHING FUEL LINE
22	F525390		1	DECAL STOP - U.S.A.
-	<b>FC525390</b>		<b>1</b>	<b>DECAL STOP - CANADA</b>
23	F525394		1	DECAL CHOKE - U.S.A.
-	<b>FC525394</b>		<b>1</b>	<b>DECAL CHOKE - CANADA</b>
24	F521547		1	CHOKE KNOB
25	F525925		1	LINK CHOKE KNOB
26	F2041		1	HEX HD SCREW, 10 - 24 X 3/8
27	F8567		1	SPRING PIN, 1/8 X 13/16
28	F525614		1	HANDLE GEAR SHIFT
29	F526524		2	RIVET GEAR SHIFT HANDLE
30	FK525713		1	ENGINE COVER PACKING
32	F525263		1	LINK STATOR INTERLOCK
33	F525871		1	SHAFT GEAR SHIFT LEVER
34	F8538		1	SPRING PIN, 3/32 X 1/2
35	F8547		3	SPRING PIN, 1/8 X 5/8
36	F525876		1	LEVER GEAR SHIFT
37	F318818		2	BEARING, SHIFT LEVER SHAFT
38	F1573		4	FILL HD SCREW, 1/4 - 20 X 1/2
39	F525977		1	LEVER SHIFT INTERLOCK

CONTINUED ON NEXT PAGE ➡

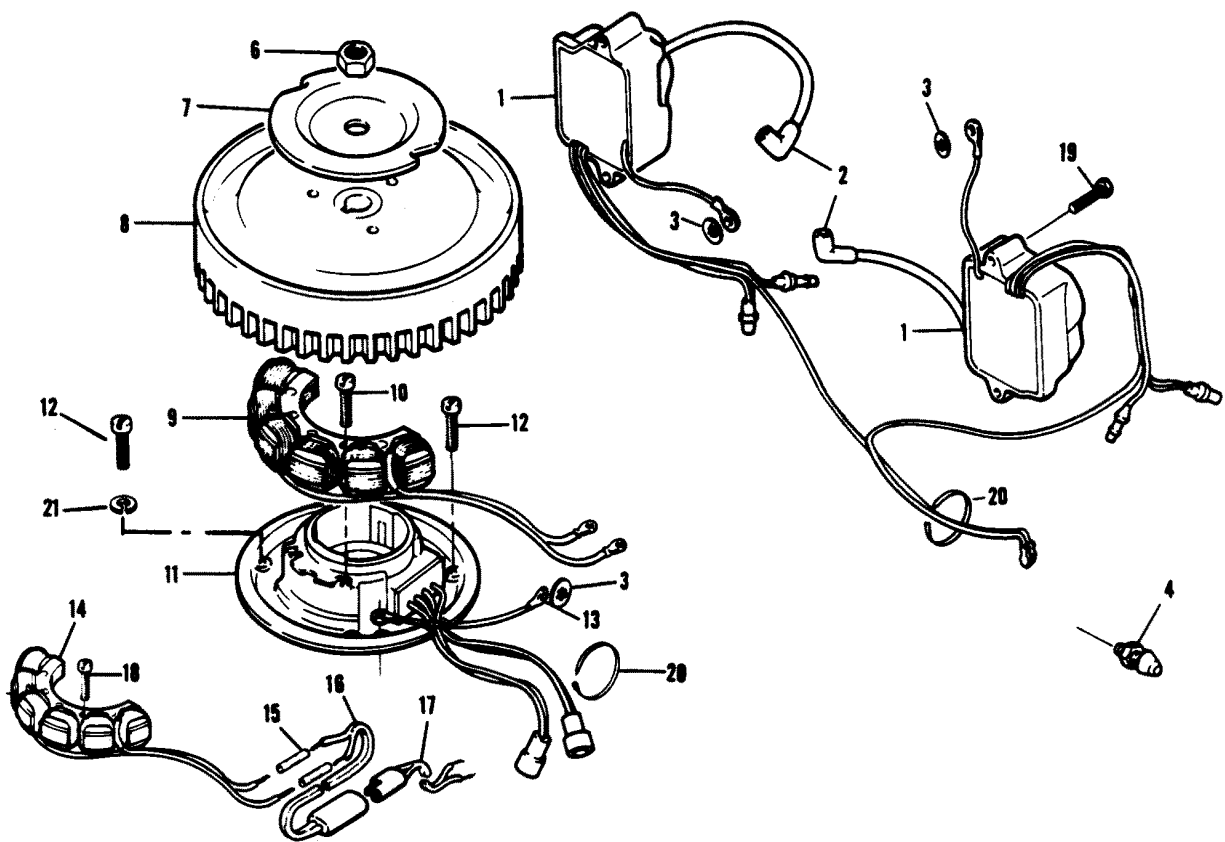
# ENGINE COVER AND SUPPORT PLATE



## ENGINE COVER AND SUPPORT PLATE

REF. NO.	PART NO.	SYM.	QTY.	DESCRIPTION
40	F1978		1	SPRING PIN, 1/8 X 1/2
41	F525531		1	ROD SHIFT INTERLOCK
42	F84035-2		1	BEARING INTERLOCK ROD
43	F84026		1	SCREW SHOULDER
44	F1975		1	LOCKWASHER, #10
45	FA525774		1	BRACKET COVER LATCH W/SCREWS & NUTS
46	FA539892		1	DECAL ENGINE COVER FRONT
47	FK516984		1	BLANKET TOP AND SIDES
48	F516977		1	LEVER SHIFT INTERLOCK
49	F525504		1	GROMMET, CHOKE ROD
50	F307818		3	BEARING (NYLINER)
51	F85026		1	SCREW
52	F8058		4	INTERNAL TOOTH LOCKWASHER
54	F73741-1		1	RING
55	F178446		1	CLAMP LEAD WIRE
56	F1734		1	SLOTTED FILL HD SCREW, 1/4 - 20 X 1/2
57	F318307		1	SEAL, DRIVESHAFT
58	F1200		2	HEX HD SCREW, 1/4 - 20 X 1/2
59	F2026		1	RIVET, SUPPORT PLATE COVER

# ELECTRICAL COMPONENTS

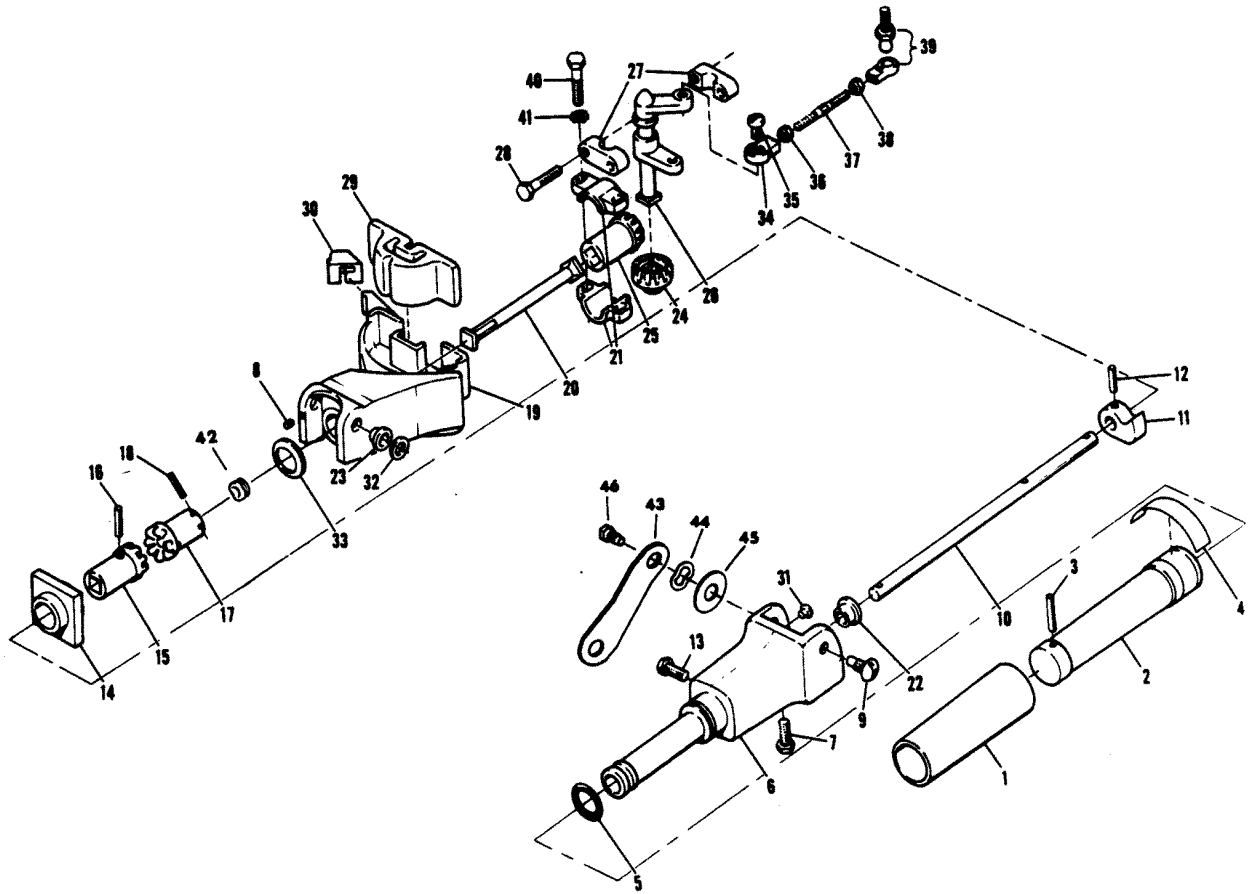




# ELECTRICAL COMPONENTS

REF. NO.	PART NO.	SYM.	QTY.	DESCRIPTION
1	F525475		2	C-D MODULE - COIL
	FK750-2		2	SPARKIE KIT
3	F2106		3	LOCKWASHER
4	F436449		1	SHORTING SWITCH
6	F1809		1	FLYWHEEL NUT
7	F901456-1		1	COLLAR, EMERGENCY START
8	F525097		1	FLYWHEEL
9	F525301		1	STATOR - C-D
10	F1678		2	FILL HD SCREW, 10 - 24 X 13/16
11	F525029		1	STATOR - TRIGGER
12	F2010		4	FILL HD SCREW, 10 - 32 X 9/16
13	F404908		1	WIRE, STATOR GROUND
14	F525095		1	STATOR ALTERNATOR
15	F448874		2	SPLICE
16	F521843		1	CABLE LIGHTING COIL EXT.
17	FA521841		1	CABLE LIGHTING COIL W/SPLICES
18	F1678		2	SLOTTED FILL HD SCREW, 10 - 24 X 13/16
19	F525064		4	SCREW - C-D COIL
20	F1877		2	TY-RAP
21	F1975		1	SPRING LOCKWASHER
-	<b>F235785</b>		<b>1</b>	<b>DECAL, COMPLIANCE - CANADA (NOT SHOWN)</b>

# STEERING ARM

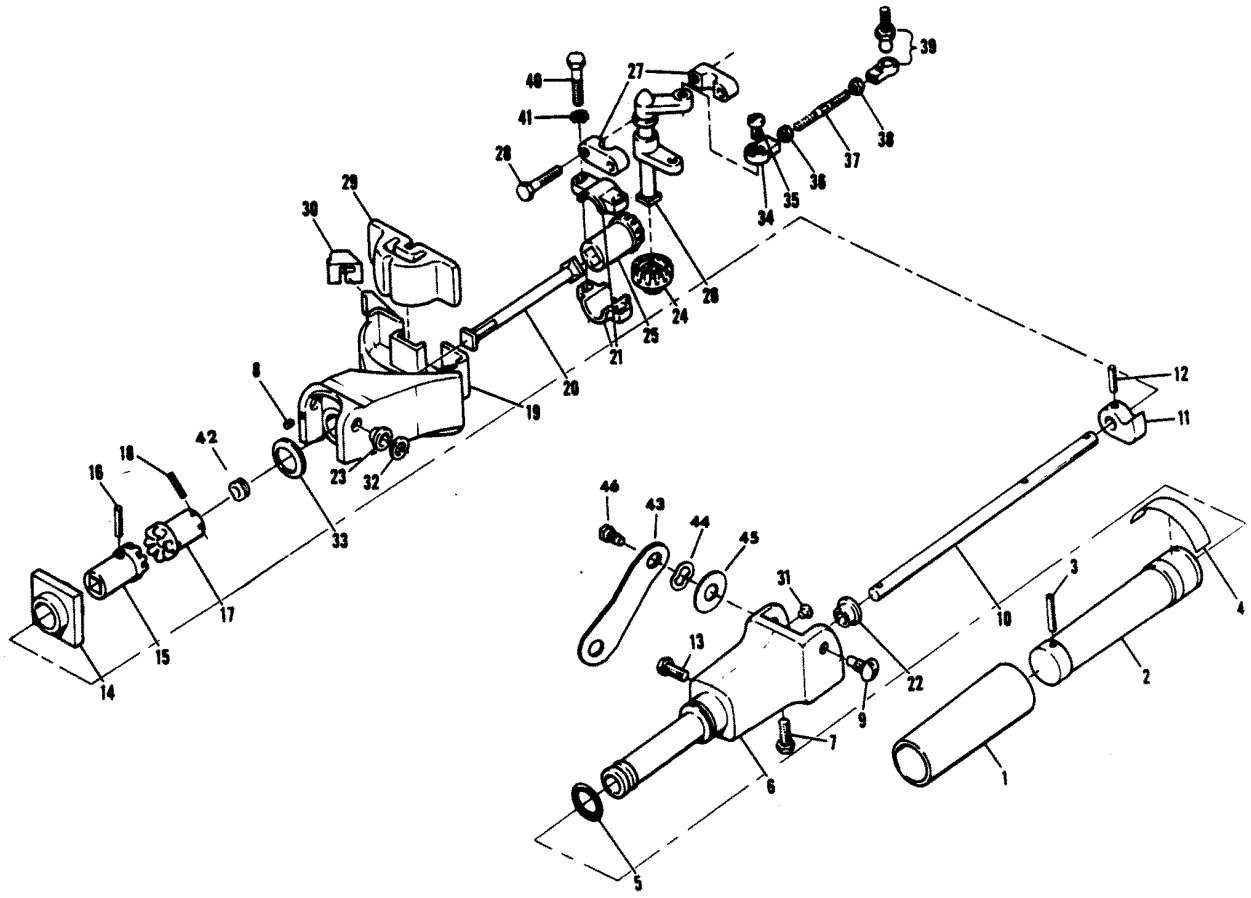


# STEERING ARM

REF. NO.	PART NO.	SYM.	QTY.	DESCRIPTION
1	F458695		1	SLEEVE, STEERING HANDLE GRIP
2	FA456137		1	GRIP, STEERING HANDLE W/SLEEVE
3	F8548		1	SPRING PIN, 1/8 X 1
4	F286894-3		0	1 INDICATOR STEERING HANDLE - U.S.A.
-	<b>37-F286894-3</b>		<b>1</b>	<b>INDICATOR STEERING HANDLE - CANADA</b>
5	F53795-1		1	SEAL, STEERING HANDLE DAMPENER
6	F525079		1	HANDLE-STEERING
7	F525552		1	SCREW, STEERING HANDLE BEARING
8	F1471		1	HEX SET SCREW, 10 - 24 X 1/4
9	F525080		2	SCREW, STEERING HANDLE PIVOT
10	F525688		1	SHAFT, STEERING HANDLE
11	F525198		1	THROTTLE STOP
12	F8547		1	SPRING PIN, 1/8 X 5/8
13	F458519		1	SCREW, IDLE STOP
14	F525816		1	BEARING, STEERING HANDLE GEAR
15	F525815		1	GEAR, STEERING HANDLE
16	F8567		1	SPRING PIN, 1/8 X 13/16
17	F525691		1	GEAR, STEERING ARM
18	F8540		1	SPRING PIN, 3/32 X 5/8
19	F525582-1		1	STEERING ARM
20	F525877		1	SHAFT, MAGNETO CONTROL
21	F525665		2	BEARING, GEAR PINION TOWERSHAFT
22	F307818		1	BEARING, STEERING HANDLE SHAFT
23	F390689		2	BEARING, STEERING ARM PIVOT SCREW
24	F525605		1	GEAR, TOWERSHAFT
25	F525627		1	GEAR, TOWERSHAFT PINION
26	F525838		1	TOWERSHAFT
27	F525689		2	TOWERSHAFT BEARING
28	F1699		2	HEX HD SCREW, 1/4 - 20 X 1 1/8
29	F318347-1		1	UPPER MOUNT
30	F318539		1	BUMPER
31	F525524		1	RIVET, STEERING HANDLE
32	F525220		2	WASHER, STEERING HANDLE
33	F8043		1	WAVE WASHER
34	F84036		1	BEARING, SPARK CONTROL
35	F84026		1	SHOULDER SCREW
36	F7027		1	NUT (LEFT HAND), 10 - 24
37	F525445		1	LINK, MAGNETO STATOR CONTROL
38	F1513		1	NUT, 10 - 32
39	817747--1		1	JOINT, BALL ASSEMBLY
40	F525751		2	SCREW
41	F8060		2	LOCKWASHER

CONTINUED ON NEXT PAGE ➡

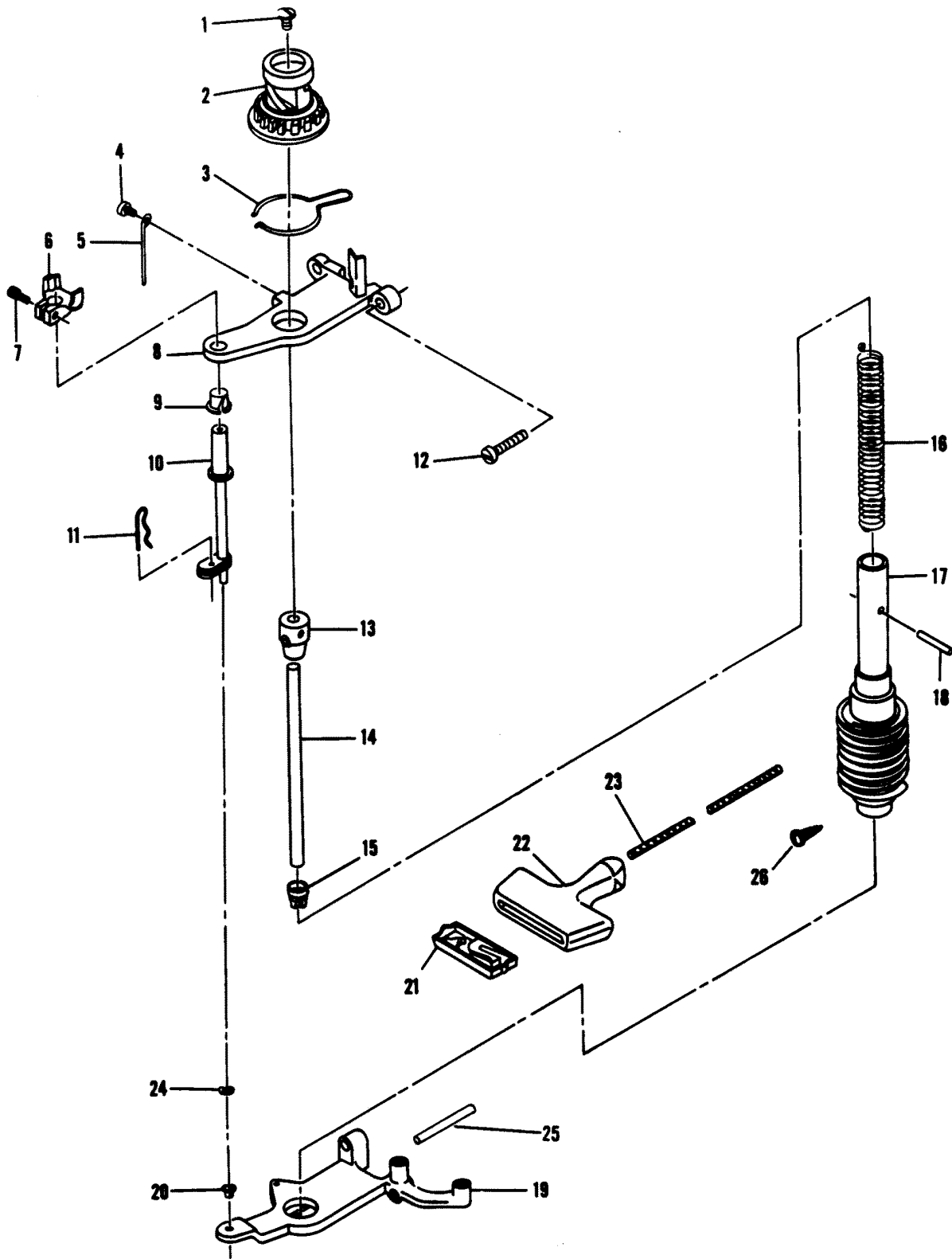
# STEERING ARM



# STEERING ARM

REF. NO.	PART NO.	SYM.	QTY.	DESCRIPTION
42	F318504		1	GROMMET STEERING HANDLE GEAR
43	F487078		1	STEERING LOCK BRACKET
44	F516821		1	WAVE WASHER, STEERING LOCK PIVOT SCREW
45	F516124		1	PLAIN WASHER
46	F516080		1	SCREW PIVOT

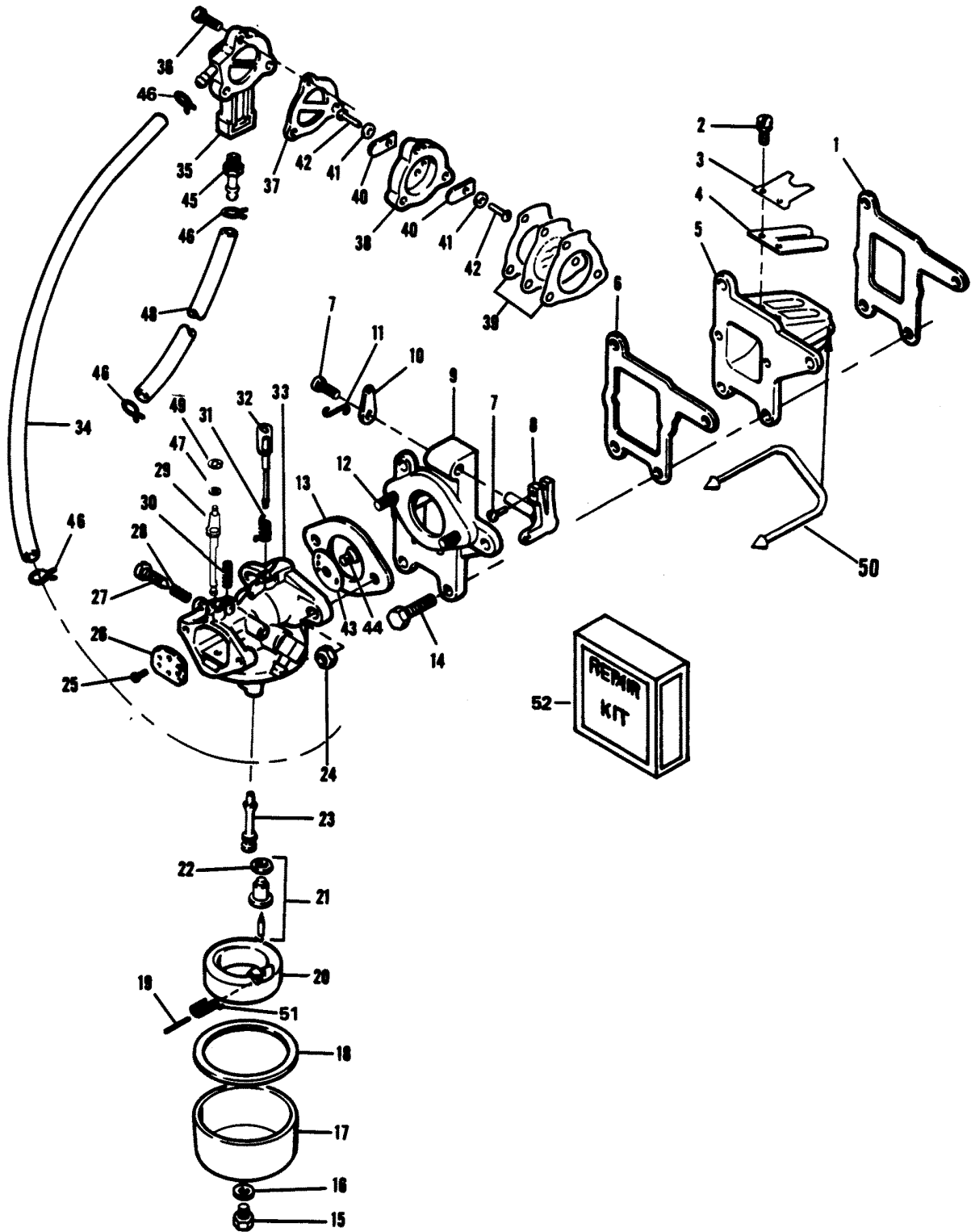
# STARTER



# STARTER

REF. NO.	PART NO.	SYM.	QTY.	DESCRIPTION
1	F1156		1	FLAT HD SCREW, 1/4 - 20 X 1/2
2	F525674		1	GEAR STARTER PINION
3	F525424		1	SPRING STARTER PINION
4	F1760		1	PAN HD SCREW, 10 - 24 X 3/8
5	F525455		1	GUIDE STARTER ROPE
6	F525781		1	INTERLOCK STARTER
7	F2031		1	HEX HD SCREW, 1/4 - 20 X 3/4
8	F525427		1	BRACKET STARTER UPPER
9	F269689		1	BEARING STARTER BRACKET UPPER
10	F525105		1	SHAFT INTERLOCK
11	F525629		1	COTTER PIN
12	F1052		4	FILL HD SCREW, 1/4 - 20 X 1
13	F901739		1	DRIVE STARTER REWIND SPRING
14	F901710		1	POST STARTER SPRING GUIDE
15	F525737		1	RETAINER STARTER REWIND SPRING
16	F901970		1	SPRING STARTER REWIND
17	FA525239		1	SPOOL STARTER W/SCREW
18	F40425		1	PIN STARTER PINION
19	F525675		1	BRACKET STARTER LOWER
20	F197813		1	BEARING STARTER BRACKET LOWER
21	817938A1		1	RETAINER STARTER ROPE HANDLE
22	F286132		1	HANDLE STARTER ROPE
23	F409232		1	ROPE STARTER
24	F8070		1	BOWED SPRING WASHER
25	F8571		1	SPRING PIN, 1/8 X 1-3/4
26	F1500		1	HEAD SHEET METAL SCREW 4 X 1/4

# FUEL SYSTEM



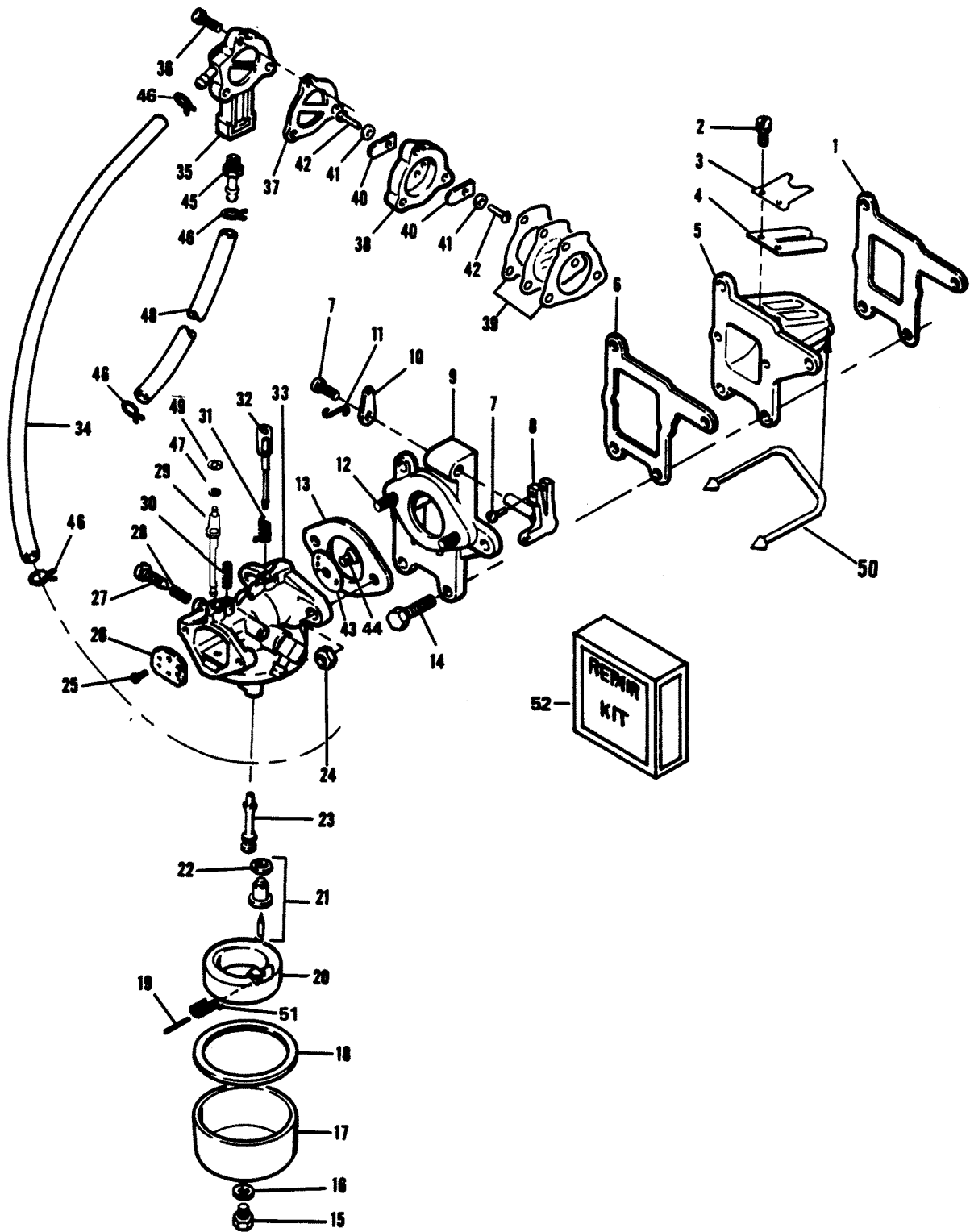


# FUEL SYSTEM

REF. NO.	PART NO.	SYM.	QTY.	DESCRIPTION
1	F525159		1	GASKET, REED PLATE
2	F1755		4	RD HD SCREW & SPRING LOCKWASHER ASSEMBLY 6 - 32 X 5/16
3	F526161		2	REED STOP
4	F31160-1		2	REED
5	F2A525158		1	PLATE REED W/SEAL
6	F525168		1	GASKET MANIFOLD
7	F1772		2	HEX HD SCREW, 8 - 32 X 1/2
8	F525316-1		1	FOLLOWER THROTTLE CAM
9	FA525167		1	MANIFOLD W/STUDS
10	F525081		1	LEVER THROTTLE
11	F525193		1	LINK THROTTLE
12	F2788004		2	STUD CARBURETOR
13	F18906		1	GASKET, CARBURETOR
14	F1953		4	HEX HD SCREW, 1/4 - 20 X 1
15	F10089		1	JET ASSEMBLY, STD. .041 SEA LEVEL - 3000 FT.
-	<b>F10097</b>		-	<b>JET ASSEMBLY, OPT. .040 SEA LEVEL - 3000 - 5000 FT.</b>
-	<b>F10096</b>		-	<b>JET ASSEMBLY, OPT. .039 SEA LEVEL - 5000 - 7000 FT.</b>
-	<b>F10093</b>		-	<b>JET ASSEMBLY, OPT. .038 SEA LEVEL - 7000 FT. AND UP</b>
16	F10090		1	GASKET, FUEL BOWL RETAINER
17	F10058		1	FUEL BOWL
18	F10068		1	GASKET, BODY TO BOWL
19	F10064		1	SHAFT - FLOAT
20	F10063		1	FLOAT
21	F10101		1	KIT - VALVE, SEAT, SPRING AND GASKET
22	F10066		1	GASKET, VALVE SEAT
23	F10088		1	NOZZLE
24	F1490		2	NUT, 1/4 - 20
25	F10070		2	SCREW ASSEMBLY - CHOKE VALVE
26	F10062		1	CHOKE VALVE ASSEMBLY
27	F10077		1	NEEDLE - IDLE
28	F10073		1	SPRING IDLE NEEDLE
29	F10061		1	CHOKE SHAFT ASSEMBLY
30	F10072		1	SPRING CHOKE STOP
31	F10085		1	SPRING THROTTLE RETURN
32	F10081		1	SHAFT ASSEMBLY - THROTTLE
33	F526061-2		1	CARBURETOR
34	F84253		1	HOSE
35	F901746-2		1	COVER FUEL PUMP
36	F1069		3	FILL HD SCREW, 10 - 24 X 1-1/16
37	F24748-2		1	GASKET, FUEL PUMP
38	FA24757-3		1	PLATE FUEL PUMP REED W/REEDS AND SCREWS
39	27-818043A1		1	DIAPHRAGM, FUEL PUMP W/GASKETS

CONTINUED ON NEXT PAGE ➡

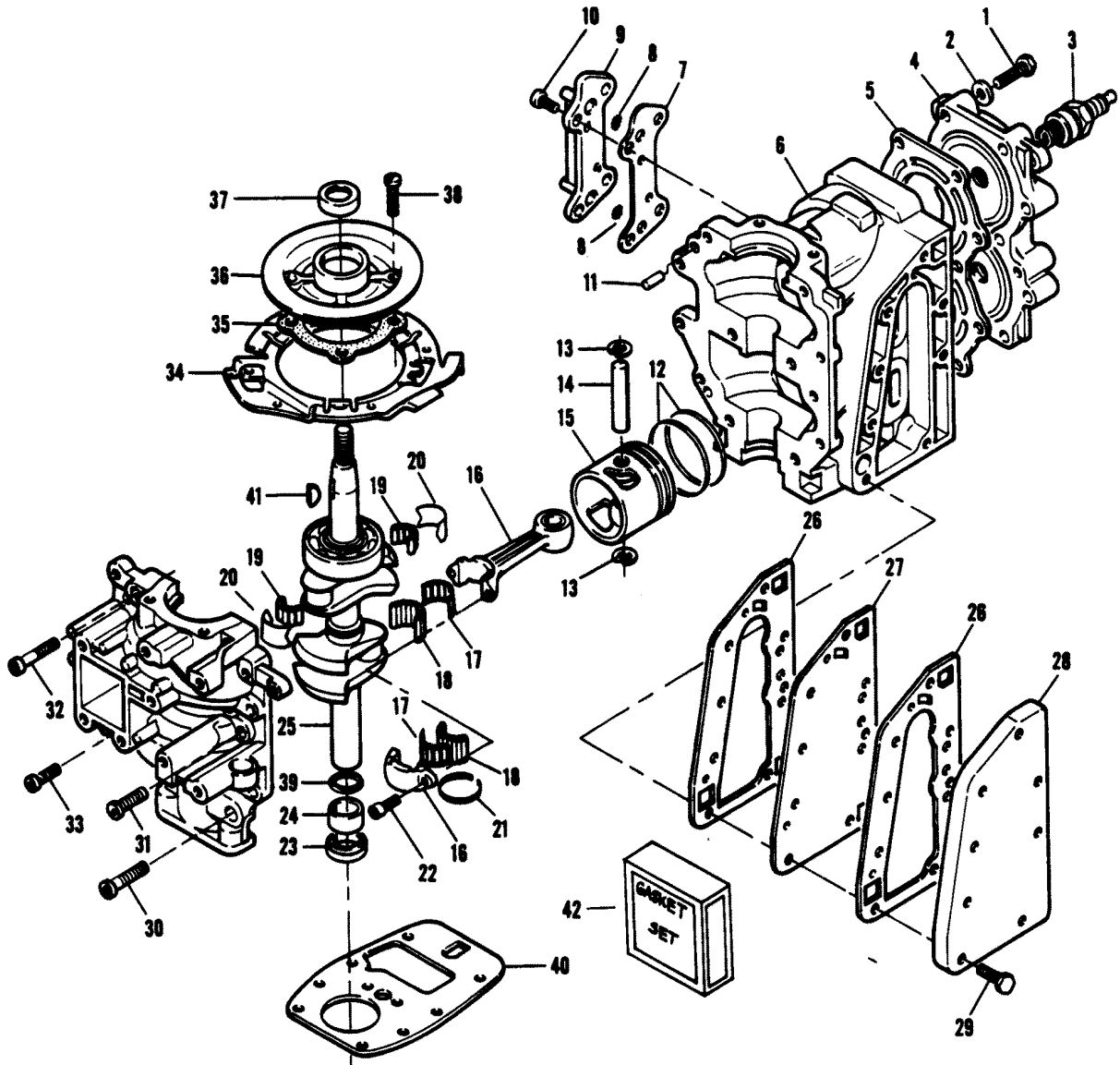
# FUEL SYSTEM



# FUEL SYSTEM

REF. NO.	PART NO.	SYM.	QTY.	DESCRIPTION
40	F18160-2		2	REED FUEL PUMP
41	F8003		2	PLAIN WASHER
42	F1286		2	PAN HD SCREW, #4 - 40 X 3/16
43	F10091		1	VALVE THROTTLE
44	F10071		1	SCREW, THROTTLE VALVE
45	F901811		1	FILTER FUEL PUMP
46	F2706772		4	CLAMP HOSE
47	F2042		1	WASHER
48	F84253		1	HOSE
49	F90807		1	RETAINING RING
50	F525984		1	SEAL, REED PLATE
51	F10084		1	SPRING, FLOAT SUPPORT
52	F10083		1	<b>REPAIR KIT INCLUDES ALL ITEMS MARKED WITH A DOUBLE ASTERISK (**)</b>
-	<b>F10069</b>		<b>1</b>	<b>GASKET KIT INCLUDES ALL ITEMS MARKED WITH AN ASTERISK (*)</b>

# POWER HEAD

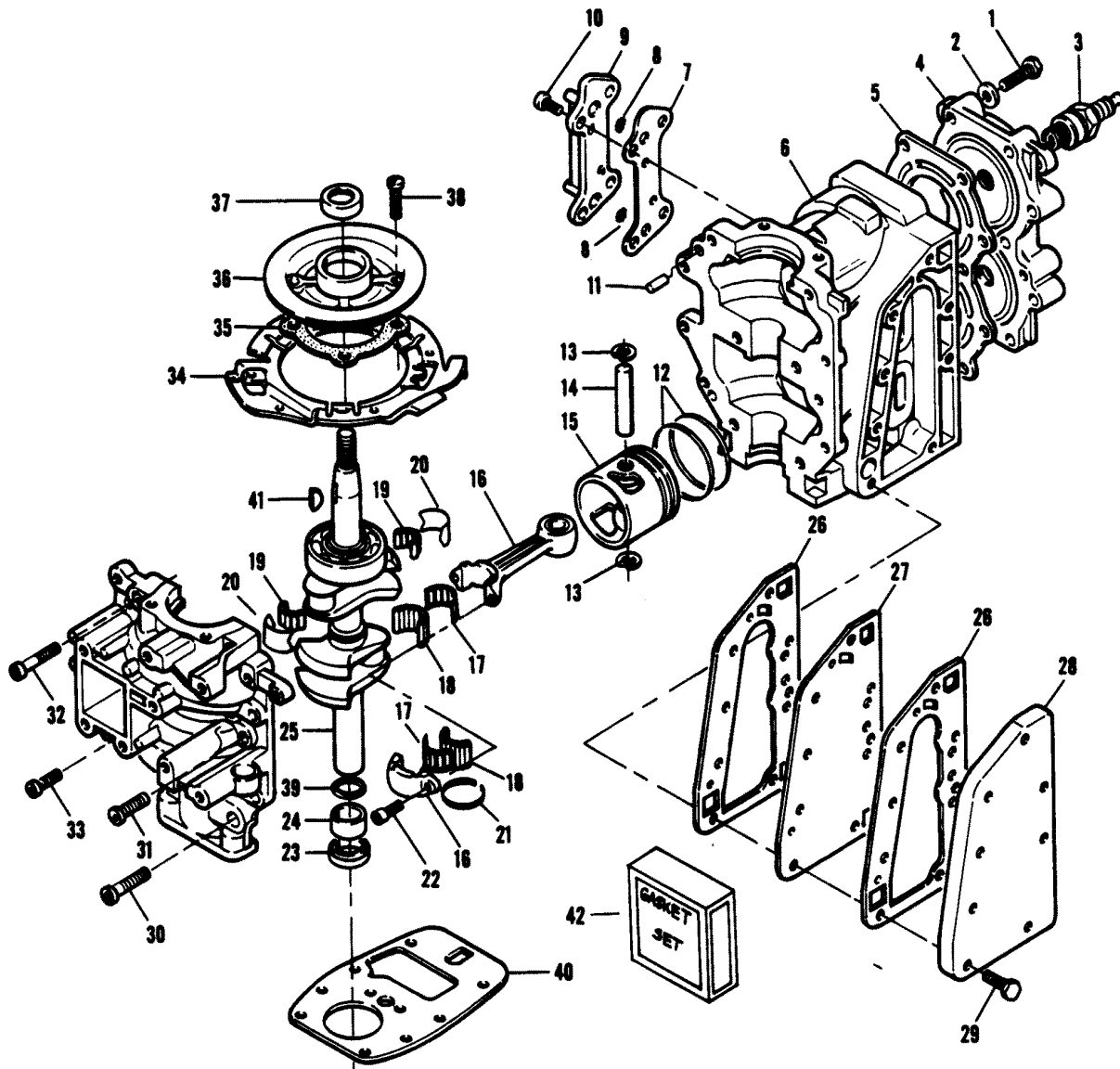


# POWER HEAD

REF. NO.	PART NO.	SYM.	QTY.	DESCRIPTION
1	F901938-1		10	SCREW, CYLINDER HEAD
2	F8025		10	PLAIN WASHER
3	33-82370M		2	SPARK PLUG (L-86)
-	<b>C341227-1</b>		<b>2</b>	<b>SPARK PLUG (QL-86) CANADA ONLY</b>
4	F525518		1	CYLINDER HEAD
5	F525529		1	GASKET, CYLINDER HEAD
6	F2A525010		1	CYLINDER
-	<b>FC525010</b>		<b>1</b>	<b>CYLINDER COMPLETE INCLUDES ALL ITEMS MARKED WITH AN ASTERISK (*)</b>
7	F525472		1	GASKET, CYLINDER DRAIN COVER
8	F429811		2	SCREEN, CYLINDER DRAIN
9	FA525471		1	COVER, CYLINDER DRAIN W/SCREEN
10	F1110		4	SCREW, 1/4 - 20 X 5/8
11	F8559		2	DOWEL PIN
12	39-818038A1		2	PISTON RING
13	F250410		4	PISTON PIN RETAINING RING
14	F250017		2	PISTON PIN
15	F525015		2	PISTON
16	F2A521016		2	CONNECTING ROD W/SCREWS
17	FA525241		2	CRANKPIN ROLLER CAGE
18	FA525228		2	ROLLER CRANKPIN
19	F286571		1	ROLLER ASSEMBLY, CENTER MAIN BEARING
20	FA286155		1	LINER, CENTER MAIN
21	F525579		1	CRANKCASE SEAL
22	F36634		4	CONNECTING ROD SCREW
23	F141118		1	SEAL, CRANKSHAFT LOWER
24	F343014		1	BEARING, CRANKSHAFT LOWER MAIN
25	F2A525018		1	CRANKSHAFT W/UPPER BEARING
26	F525154		2	GASKET EXHAUST
27	F525151		1	PLATE EXHAUST
28	F525152		1	COVER EXHAUST
29	F1953		8	SCREW, 1/4 - 20 X 1
30	F1257		2	SCREW, 5/16 - 18 X 1-1/4
31	F1994		2	SCREW, 5/16 - 18 X 1
32	F1044		2	SCREW, 1/4 - 20 X 1-3/8
33	F1107		6	SCREW, 1/4 - 20 X 3/4
34	F525082		1	RING STATOR
35	F286277		1	GASKET, CRANKSHAFT BEARING CAGE
36	1100-817753A1		1	CAGE, CRANKSHAFT BEARING W/UPPER CRANKSHAFT SEAL
37	F346146		1	SEAL, CRANKSHAFT UPPER
38	F1111		4	FILL HD SCREW, 1/4 - 20 X 7/8
39	F468342		1	SEAL, CRANKSHAFT SPLINE
40	F525279		1	GASKET, CYLINDER MOUNTING

CONTINUED ON NEXT PAGE ➡

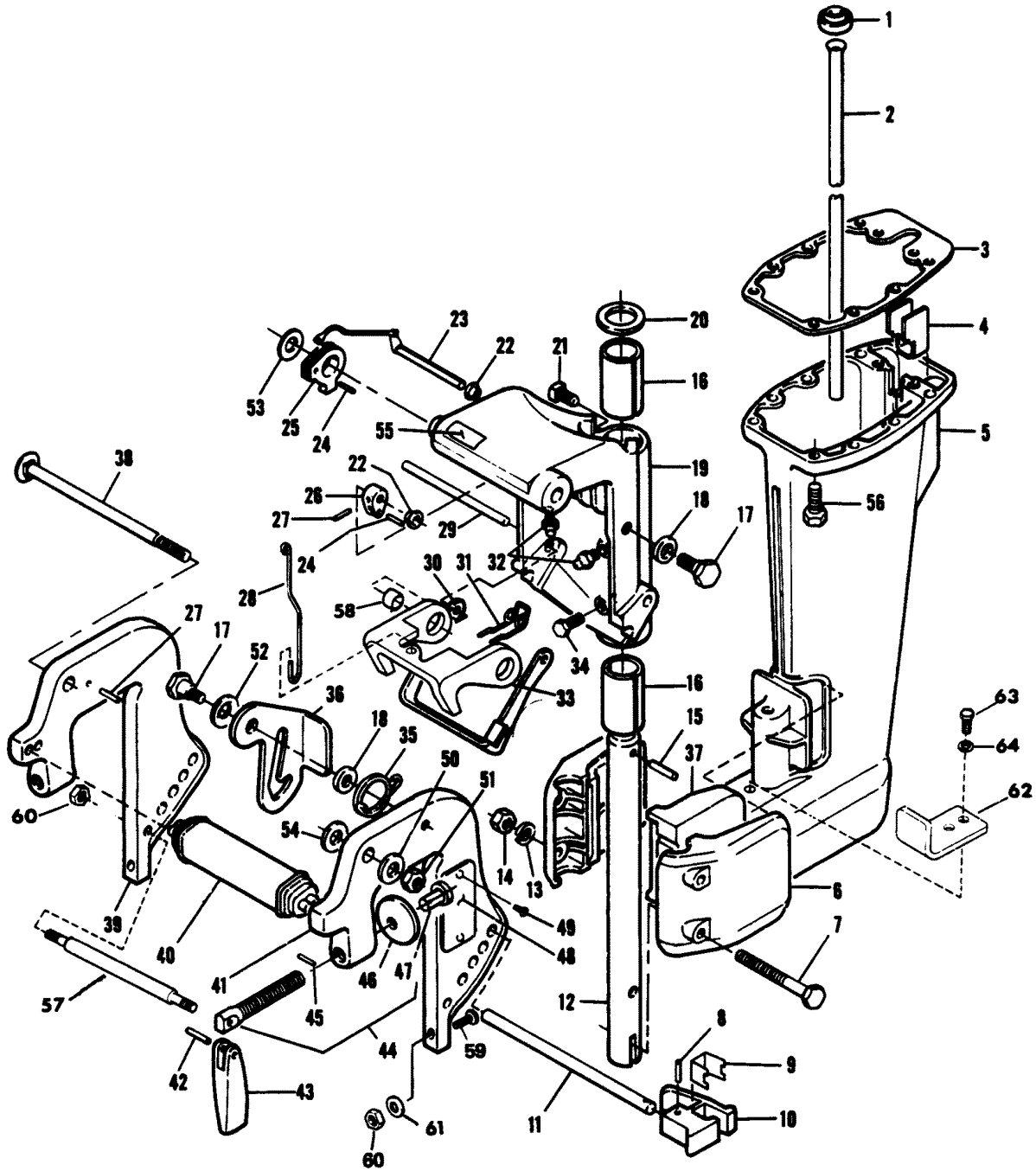
# POWER HEAD



# POWER HEAD

REF. NO.	PART NO.	SYM.	QTY.	DESCRIPTION
41	F458498		1	MAGNETO KEY
42	FG1018		1	GASKET SET INCLUDES ITEMS LISTED BELOW:
-	F18906		1	GASKET, CARBURETOR
-	F286277		1	GASKET, CRANKSHAFT BEARING CAGE
-	F525154		2	GASKET, EXHAUST
-	F525159		1	GASKET, REED PLATE
-	F525168		1	GASKET, MANIFOLD
-	F525279		1	GASKET, CYLINDER MOUNTING
-	F525453		1	GASKET, LEG MOUNTING
-	F525529		1	GASKET, CYLINDER HEAD
-	F525472		1	GASKET, CYLINDER DRAIN COVER

# MOTOR LEG



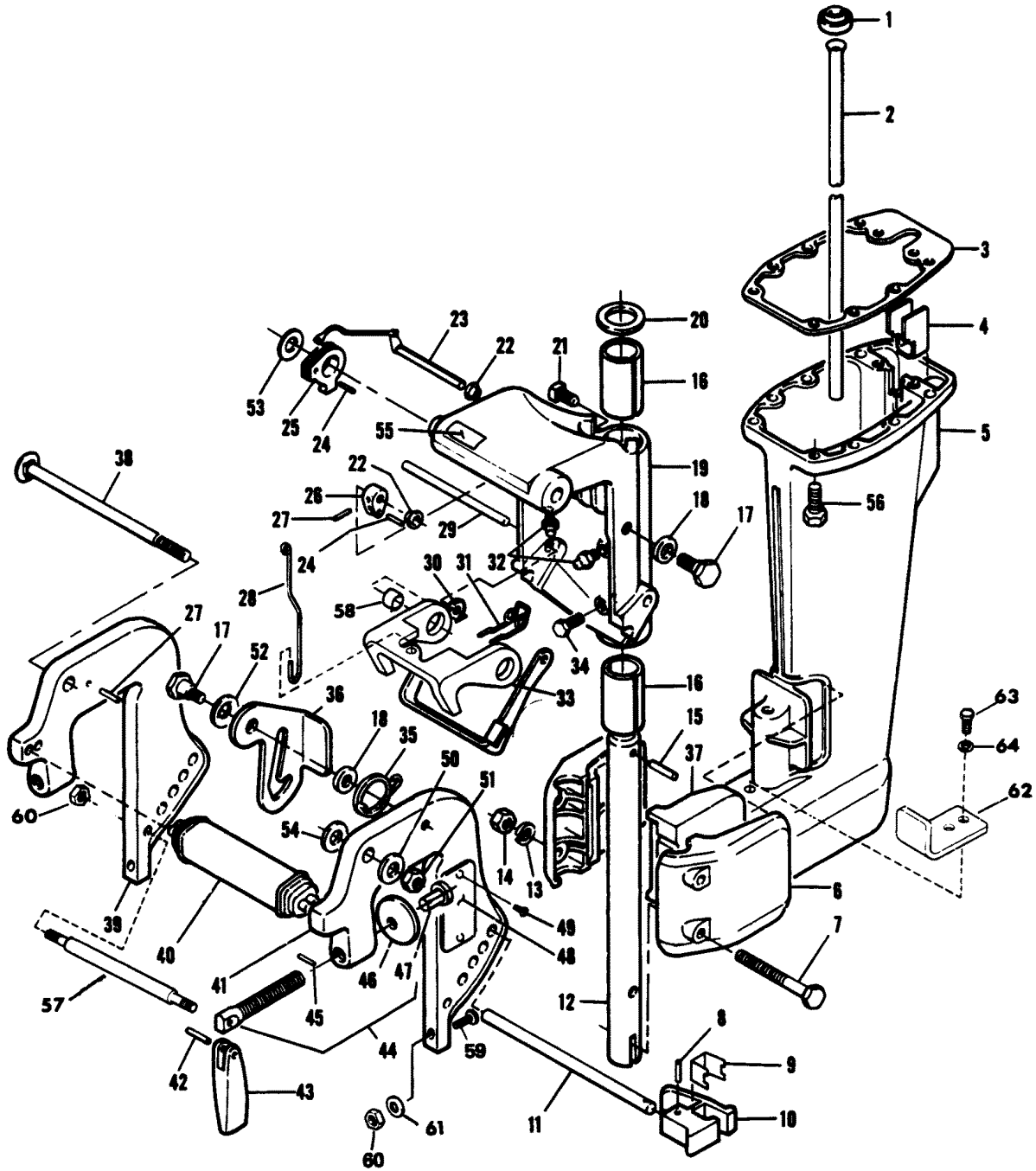


# MOTOR LEG

REF. NO.	PART NO.	SYM.	QTY.	DESCRIPTION
1	F318342		1	SEAL, WATERLINE INLET UPPER
2	F516244		1	WATERLINE (STD. LEG)
-	<b>F526244</b>		<b>1</b>	<b>WATERLINE (LONG LEG)</b>
3	F525453		1	GASKET LEG MOUNTING
4	F525779		1	BAFFLE IDLE RELIEF
5	F526133		1	MOTOR LEG
6	F525707		2	COVER, SHOCK MOUNT LOWER
7	F1972		2	HEX HD SCREW, 1/4 - 20 X 2-1/2
8	F8540		1	SPRING PIN, 3/32 X 5/8
9	F286461		1	SPRING LOCK BAR HANDLE
10	F286114		1	HANDLE LOCK BAR
11	FA286113		1	BAR LOCK <b>W/ITEMS 8, 9 AND 10</b>
12	F525019		1	KING PIN
13	F8083		2	LOCKWASHER
14	F1341		2	NUT, 1/4 - 20
15	F1805		1	SPRING PIN, 1/4 X 1-3/8
16	F286169		2	BEARING SWIVEL BRACKET
17	F286422-1		2	PIVOT TILT LOCK
18	F286451		2	SPACER TILT LOCK
19	1400-817964A2		1	SWIVEL BRACKET <b>W/ITEMS 16 AND 32 ORIGINAL FORCE P/N K525072-1</b>
20	F286011		1	WASHER SWIVEL BRACKET
21	F525839		1	SCREW, STEERING FRICTION
22	F197813		2	BEARING
23	FA387742		1	LEVER REVERSE LOCK INTERMEDIATE
24	F1794		2	SPRING PIN, 3/32 X 3/8
25	F286827		1	LEVER REVERSE LOCK RELEASE
26	F286364		1	LEVER REVERSE LOCK
27	F8538		2	SPRING PIN, 3/32 X 1/2
28	F341510		1	LINK REVERSE LOCK LEVER
29	F1806		1	GROOVE PIN, 5/16 - 3-3/4
30	F286433		1	BRACKET SHALLOW WATER DRIVE
31	F286300		1	SPRING REVERSE LOCK
32	F213274		2	FITTING GREASE
33	F516349		1	LOCK REVERSE
34	F1467		1	SCREW SWIVEL BRACKET
35	F286544-1		1	SPRING TILT LOCK
36	F429541		1	LOCK TILT
37	F525346		2	MOUNT LOWER SHOCK
38	F286037		1	BOLT STERN BRACKET
39	FK517032		1	BRACKET STERN STARBOARD W/SCREW CLAMP
40	F286647		1	HANDLE CARRYING
41	FK567532		1	BRACKET STERN PORT W/SCREW CLAMP

CONTINUED ON NEXT PAGE ➡

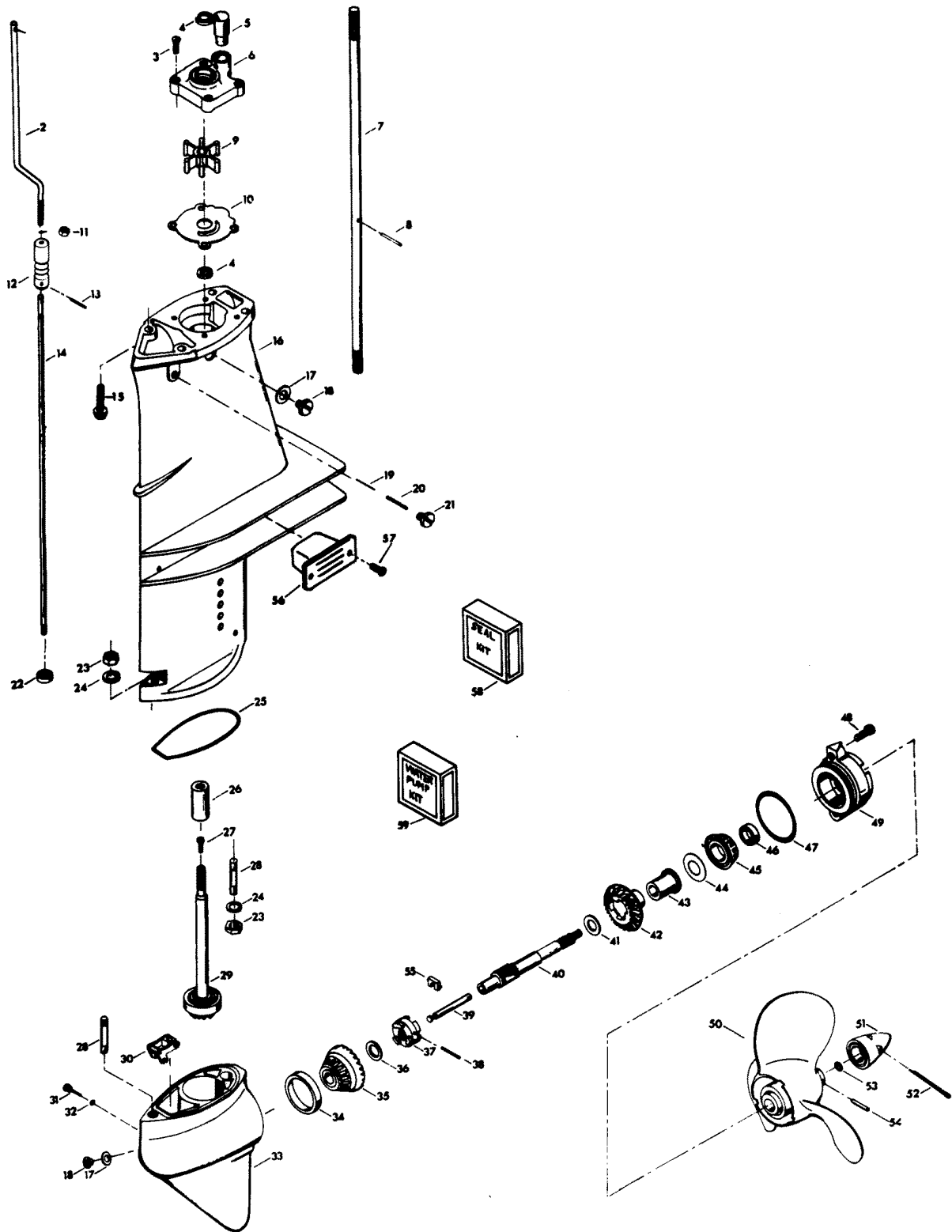
# MOTOR LEG



# MOTOR LEG

REF. NO.	PART NO.	SYM.	QTY.	DESCRIPTION
42	F8554		2	SPRING PIN, 3/16 X 3/4
43	F424075		2	HANDLE CLAMP SCREW
44	817761A2		2	SCREW CLAMP W/ITEMS 45, 46 AND 47 ORIGINAL FORCE <b>P/N A298073-2</b>
45	F8537		2	SPRING PIN
46	F24074		2	FOOT CLAMP SCREW
47	F66480		2	STUD CLAMP SCREW
48	FA535395		1	IDENTIFICATION PLATE - U.S.A. W/SCREWS
-	<b>FAC535395</b>		<b>1</b>	<b>IDENTIFICATION PLATE - CANADA W/SCREWS</b>
49	F1447		2	RD HD DRIVE SCREW, #2 X 3/16
50	F8039		1	PLAIN WASHER
51	F516697		1	NUT STEERING LOCK BRACKET
52	F1666		1	WAVE WASHER
53	F525286		1	WASHER
54	F286286-1		2	WASHER
55	F286585-1		1	DECAL, TILT RELEASE - U.S.A.
-	<b>37-F286585-2</b>		<b>1</b>	<b>DECAL, TILT RELEASE - CANADA</b>
56	F1833		8	HEX CAP SCREW, 1/4 - 20 X 1
57	F517273		1	TIE BAR
58	F516677		2	SPACER REVERSE LOCK
59	F1887		2	HEX SLOTTED HD SCREW 1/4 - 20 X 3-3/16
60	F7024		4	LOCK NUT
61	F2012		2	PLAIN WASHER
62	F516463		1	BRACKET, REVERSE THRUST
63	F1464		2	HEX HD M. SCREW 1/4 - 28 X 3/8
64	F2106		2	INTERNAL TOOTH LOCKWASHER

# GEAR HOUSING

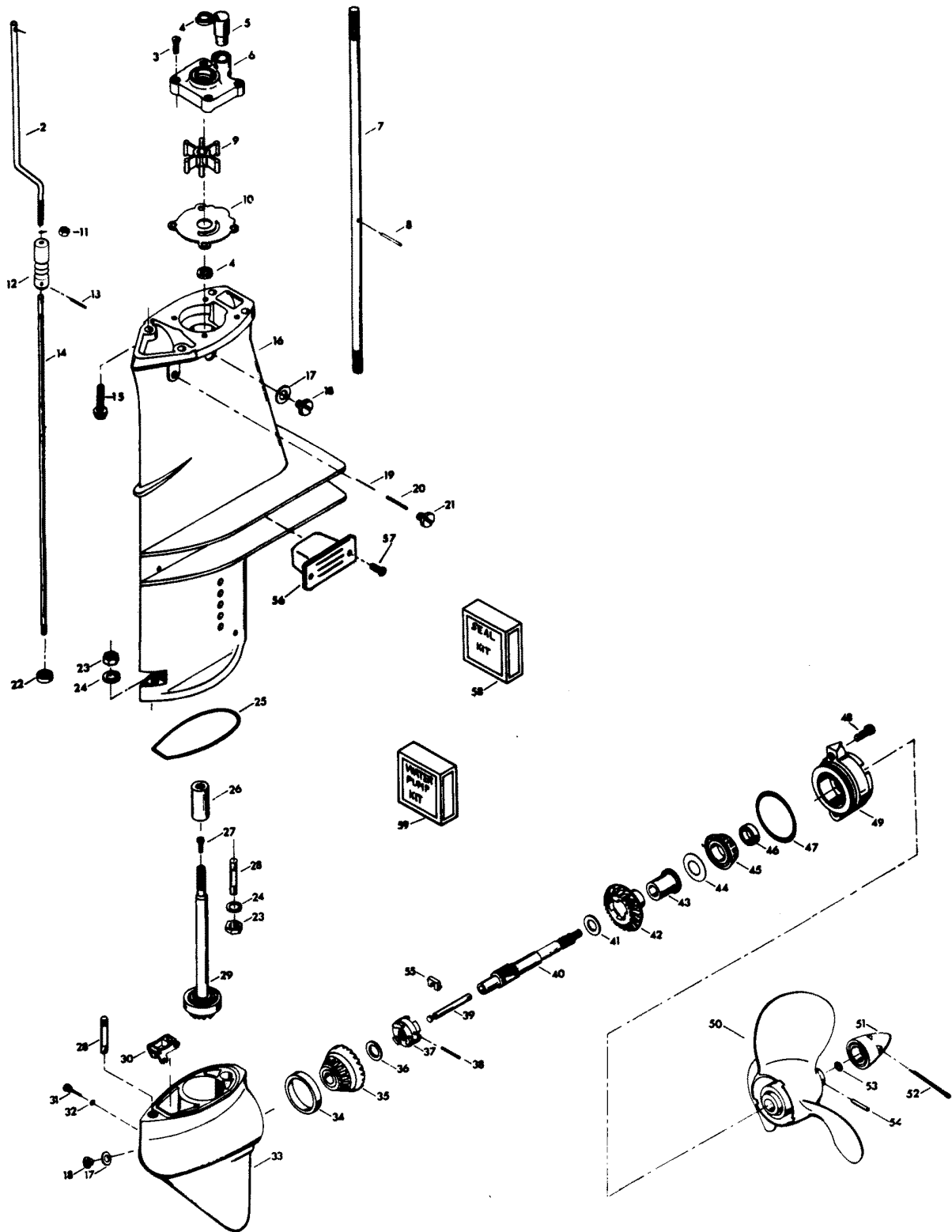


# GEAR HOUSING

REF. NO.	PART NO.	SYM.	QTY.	DESCRIPTION
1	F1850		1	SPRING PIN
2	F487616		1	GEAR SHIFT ROD UPPER
3	F2030		4	HEX HD SCREW, 1/4 - 20 X 1-1/4
4	F318307		2	SEAL
5	FA510914		1	SEAL, INLET WATER LINE
6	FA516060		1	WATER PUMP BODY W/WATER PUMP SEAL
7	F487128		1	DRIVESHAFT (STANDARD LEG)
-	<b>F517128</b>		<b>1</b>	<b>DRIVESHAFT (LONG LEG)</b>
8	F50563		1	WATER PUMP IMPELLER DRIVE PIN
9	F429065		1	WATER PUMP IMPELLER
10	F341562		1	WATER PUMP BACK PLATE
11	F1341		1	HEX NUT
12	F487704		1	COUPLING, SHIFT ROD
13	F8540		1	SPRING PIN
14	F487705		1	GEAR SHIFT ROD LOWER (STANDARD LEG)
-	<b>F516705</b>		<b>1</b>	<b>GEAR SHIFT ROD LOWER (LONG LEG)</b>
15	F430732		4	HEX HD SCREW, 5/16 - 18 X 1-1/4
16	FA516554		1	GEAR HOUSING UPPER W/BEARING, SEALS, WASHER AND PLUG
-	<b>1600-817817A3</b>		<b>1</b>	<b>GEAR HOUSING UPPER W/BEARING, SEALS, WASHER AND PLUG (LONG LEG) ORIGINAL FORCE P/N A471554-3</b>
17	F8077		2	NYLTITE WASHER
18	F50109		2	GEAR HOUSING PLUG
19	F487584		1	GUIDE, SPRING DETENT
20	F516895		1	SPRING, SHIFT DETENT
21	F516885		1	PLUG, SPRING HOLDING
22	F338618-1		1	SEAL, SHIFT ROD LOWER
23	F1346		2	HEX NUT, S.S., 3/8 - 16
24	F8065		2	LOCKWASHER
25	F435555		1	SEAL, GEAR HOUSING LOWER
26	F516125		1	COUPLING, DRIVESHAFT
27	F1035		1	FILL HD SCREW, 1/4 - 20 X 5/8
28	F40008		2	STUD
29	F2A516266		1	PINION SHAFT W/BEARING
30	817796A2		1	GEAR SHIFT ARM
31	F498891		1	GEAR SHIFT ARM PIN
32	F498618		1	SEAL, "O" RING
33	FA516054		1	GEAR HOUSING LOWER W/PLUG, WASHER AND BEARING CUP
-	<b>FC516054</b>		<b>0</b>	<b>GEAR HOUSING COMPLETE (NOT SHOWN) INCLUDES ALL ITEMS MARKED WITH AN ASTERISK (*)</b>
34	F458250		1	BEARING CUP
35	F2A516023		1	BEVEL GEAR FORWARD W/BEARING
36	F2055		A/R	SPACER, BEVEL GEAR FRONT .059

CONTINUED ON NEXT PAGE ➡

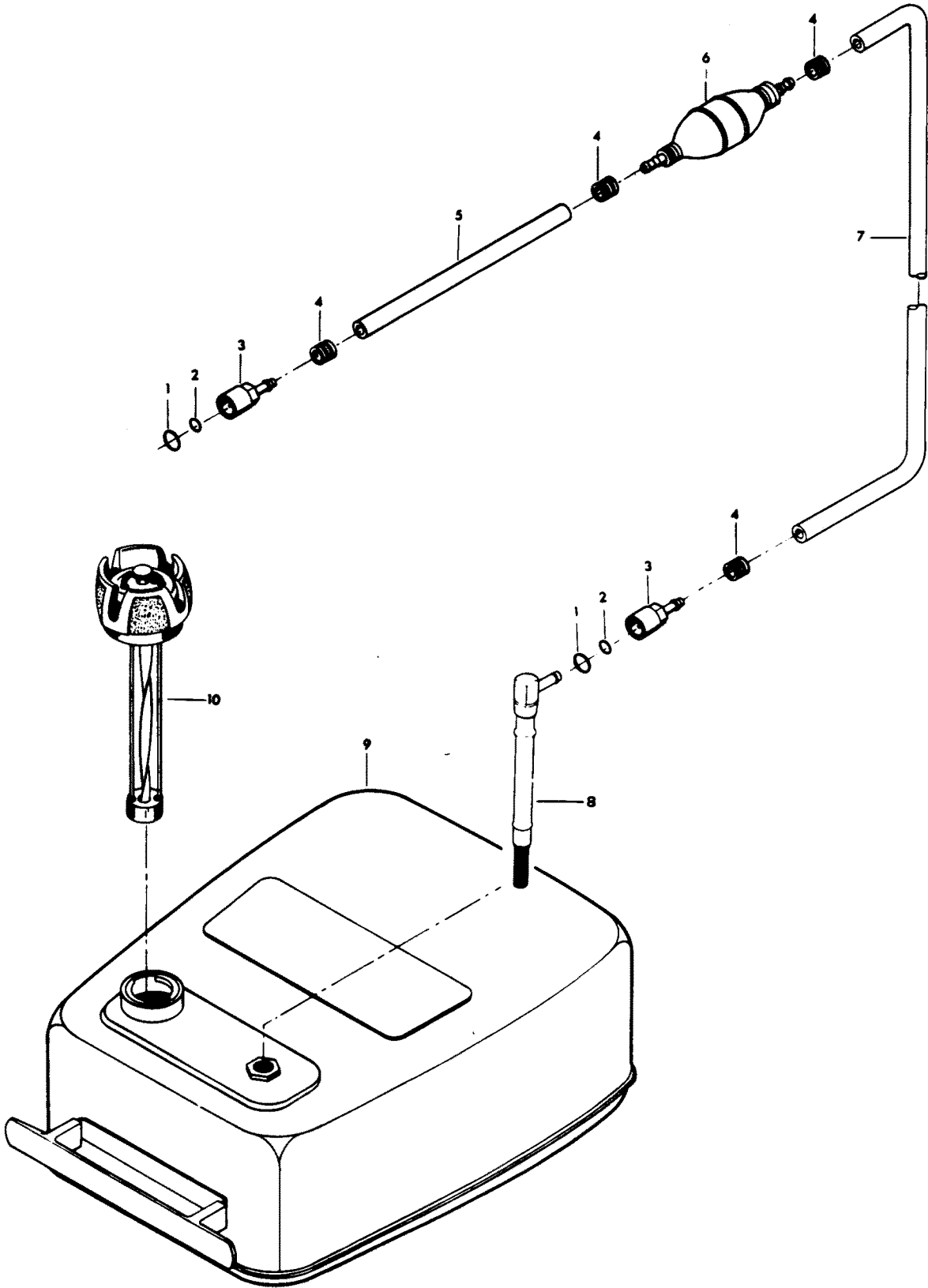
# GEAR HOUSING



# GEAR HOUSING

REF. NO.	PART NO.	SYM.	QTY.	DESCRIPTION
-	F2056		A/R	SPACER, BEVEL GEAR FRONT .062
-	F2057		A/R	SPACER, BEVEL GEAR FRONT .065
-	F2058		A/R	SPACER, BEVEL GEAR FRONT .068
-	F2059		A/R	SPACER, BEVEL GEAR FRONT .071
-	F2060		A/R	SPACER, BEVEL GEAR FRONT .074
-	F2061		A/R	SPACER, BEVEL GEAR FRONT .077
-	F2062		A/R	SPACER, BEVEL GEAR FRONT .080
-	F2063		A/R	SPACER, BEVEL GEAR FRONT .083
-	F2064		A/R	SPACER, BEVEL GEAR FRONT .086
-	F2087		A/R	SPACER, BEVEL GEAR FRONT .056
37	F99521-1		1	CLUTCH
38	F2097		1	SPRING PIN
39	F90871-3		1	GEAR SHIFT ARM PIN
40	FA474098		1	PROPELLER SHAFT
41	F40717		1	THRUST WASHER BEVEL GEAR
42	F516662		1	GEAR, BEVEL REAR
43	F474143		1	BEARING, BEVEL GEAR REAR
44	F2052		0	SHIM, PROPELLER SHAFT BEARING CAGE .005 (SILVER)
-	<b>F2053</b>		<b>0</b>	<b>SHIM, PROPELLER SHAFT BEARING CAGE .006 (RED)</b>
-	<b>F2054</b>		<b>0</b>	<b>SHIM, PROPELLER SHAFT BEARING CAGE .008 (BLACK)</b>
45	F474225		1	BEARING, PROPELLER SHAFT REVERSE THRUST
46	F141118		1	SEAL, PROPELLER SHAFT
47	F141305		1	SEAL, PROPELLER SHAFT BEARING CAGE
48	F1994		2	HEX SOCKET HD CAP SCREW, 5/16 - 18 X 1
49	F2A474298		1	PROPELLER SHAFT BEARING CAGE W/SEALS AND BEARING CUP
50	FP296		1	PROPELLER
51	FA94094-2		1	PROPELLER NUT W/SEAL & COTTER PIN
52	F1027		1	COTTER PIN
53	F40342		1	SEAL, PROPELLER NUT
54	FK247		1	PROPELLER PIN (PACK OF 6 W/COTTER PIN)
55	F90619-1		1	YOKE, GEAR SHIFT ARM
56	FA516485		1	ANTICORROSION ANODE
57	F1733		2	PAN HD SCREW 10 - 24 X 9/16
58	FK1064		1	GEAR HOUSING SEAL KIT <b>INCLUDES ALL ITEMS MARKED WITH A DOUBLE ASTERISK (**)</b>
59	FK1071		1	WATER PUMP KIT

# FUEL TANK AND LINE





# FUEL TANK AND LINE

REF. NO.	PART NO.	SYM.	QTY.	DESCRIPTION
1	F213342		2	SEAL, FUEL LINE COUPLER
2	F213735		2	SEAL, FUEL LINE COUPLER
3	F197787-3		2	FUEL LINE COUPLER
4	F298788		4	FERRULE
5	FA84754-1		1	FUEL LINE SHORT W/FERRULES
6	89396A38		1	PRIME BULB
7	32-817738A1		1	FUEL LINE, LONG W/CLAMP AND FERRULE
8	F487755		1	FUEL TANK ADAPTER
9	F5H027		1	FUEL TANK (ACCESSORY ITEM)
10	F409251-1		1	GAUGE CAP
-	<b>FS409752</b>		<b>1</b>	<b>FUEL LINE COMPLETE (NOT SHOWN)</b>
-	<b>FC409398</b>		<b>1</b>	<b>DECAL, TOTE TANK - CANADA (NOT SHOWN)</b>

## SPECIAL TOOLS - TUNE-UP

REF. NO.	PART NO.	SYM.	QTY.	DESCRIPTION
-	FT2909		0	KNOCK-OFF NUT TO REMOVE FLYWHEEL
-	FT2989		0	FLYWHEEL WEDGE TO REMOVE FLYWHEEL

## SPECIAL TOOLS - STARTER

REF. NO.	PART NO.	SYM.	QTY.	DESCRIPTION
-	FT3139-1		0	STARTER REWIND KEY TO REWIND STARTER SPRING

## SPECIAL TOOLS - POWER HEAD

REF. NO.	PART NO.	SYM.	QTY.	DESCRIPTION
-	FT3012		0	SEAL INSTALLER TO INSTALL UPPER CRANKSHAFT BEARING CAGE SEAL
-	FT8929		0	ADAPTER AND HEX BIT TO TORQUE CONNECTING ROD SCREWS
-	FT1749		0	SNAP RING PLIERS TO REMOVE AND INSTALL PISTON PIN RETAINING RINGS
-	FT2997		0	RING COMPRESSOR TO INSTALL PISTONS IN CYLINDERS
-	FT8926		0	PISTON RING EXPANDER TO INSTALL RINGS ON PISTONS
-	FT11202		0	SEAL INSTALLER TO INSTALL LOWER CRANKSHAFT SEAL

## SPECIAL TOOLS - LOWER UNIT

REF. NO.	PART NO.	SYM.	QTY.	DESCRIPTION
-	FT8957		0	SEAL INSTALLER TO INSTALL SHIFT ROD SEAL
-	FT2915		0	SEAL INSTALLER TO INSTALL DRIVESHAFT SEAL - UPPER AND LOWER
-	FT3431		0	SEAL INSTALLER TO INSTALL PROPELLER SHAFT SEAL
-	FT8948-1		0	BEARING CAGE PULLER TO REMOVE PROPELLER SHAFT BEARING CAGE
-	FT8921		0	BEARING CUP REMOVER TO REMOVE FORWARD BEARING CUP
-	FT8918		0	BEARING GUIDE SET TO REMOVE AND INSTALL FORWARD BEARING CUP. TO USE WITH BEARING CUP REMOVER (T8921).
-	FT8907		0	DRIVER HANDLE TO INSTALL BEARING CUPS AND SEALS
-	FT8920		0	BEARING INSTALLER TO REMOVE AND INSTALL PROPELLER SHAFT BEARING
-	FT8924-1		0	CHECKING GAUGE TO SHIM LOWER UNIT
-	FT8982		0	SHIM ADAPTER USE WITH T8924-1 CHECKING GAUGE
-	FT8995		0	SHIM SPACERS TO USE WITH CHECKING GAUGE (T8924-1)
-	FT8901		0	INDICATOR HOLDER TO USE WITH SHIM ADAPTER (T8982)
-	FT8902		0	DIAL INDICATOR TO USE WITH CHECKING GAUGE (T8924-1)

## SPECIAL TOOLS - TEST EQUIPMENT

REF. NO.	PART NO.	SYM.	QTY.	DESCRIPTION
-	FT8950		0	LEAKAGE TESTER TO TEST LOWER UNIT SEALS FOR LEAKS
-	FT8996		0	IGNITION TESTER TO TEST TRIGGER OUTPUT
-	FT8953		0	C-D TESTER TO TEST STATOR OUTPUT AND SECONDARY VOLTAGE

## SPECIAL TOOLS - LUBRICANTS AND SEALANTS

REF. NO.	PART NO.	SYM.	QTY.	DESCRIPTION
-	FT2961		0	LUBRICANT
-	FT2987		0	LUBRICANT
-	FT8969		0	LUBRICANT
-	FT8983		0	SEALANT
-	FT8936		0	SEALANT
-	FT2962-1		0	SEALANT
-	FT2963-1		0	SEALANT
-	FT8935		0	SEALANT PRIMER

# ACCESSORIES

REF. NO.	PART NO.	SYM.	QTY.	DESCRIPTION
-	F5H105		0	BATTERY CHARGING SYSTEM USED IN CONJUNCTION WITH LIGHTING COIL
-	F5H113		0	REMOTE CONTROL KIT PERMITS REMOTE CONTROL OF THROTTLE, GEAR SHIFT AND STEERING FROM FRONT OF BOAT
-	F5H114		0	REMOTE STEERING BRACKET ADAPTS MOTOR TO CABLE TYPE REMOTE STEERING
-	F5H013		0	FLUSHING ADAPTER FOR CLEANING COOLING SYSTEM
-	F5H130		0	REMOTE CONTROL BOX SINGLE LEVER SURFACE MOUNT - STARBOARD
-	F5H131		0	REMOTE CONTROL DECAL KIT DECAL FOR PORT SIDE MOUNTING OF 5H130 CONTROL
-	F195/___		0	REMOTE CONTROL CABLES SHIFT AND THROTTLE, HEAVY DUTY, LENGTHS 6 TO 40 FEET
-	F5H027		0	FUEL TANK, 6 GALLON, STEEL AUXILIARY FUEL TANK
-	F5H040		0	FUEL TANK, 12 GALLON AUXILIARY FUEL TANK
-	F5H029		0	FUEL TANK ANCHOR RETAINS TOTE TANK ON BOAT FLOOR
-	F5H134		0	BOAT WHITE LACQUER ENGINE TOUCH-UP PAINT IN 12 3/4 OZ. SPRAY BOMBS (6 CANS PER CASE).
-	F5H135		0	SAND TAN LACQUER ENGINE TOUCH-UP PAINT IN 12 3/4 OZ. SPRAY BOMBS (6 CANS PER CASE).
-			0	CHRYSLER OUTBOARD OIL SEE BLOCK COMMENT 1.
-			0	CHRYSLER OUTBOARD GEAR LUBE SEE BLOCK COMMENT 2.
-			0	CHRYSLER OUTBOARD FUEL AID REMOVES MOISTURE. PREVENTS SLUDGE AND VARNISH AND STABILIZES GAS. AVAILABLE IN 16 OZ. CANS AND 12 CAN CASES.
-			0	CHRYSLER OUTBOARD STORAGE LUBRICANT WORKS AS A CORROSION INHIBITOR AND PROTECTS INTERNAL ENGINE PARTS DURING STORAGE. AVAILABLE IN 16 OZ. CANS AND 12 CAN CASES.
-			0	CHRYSLER OUTBOARD MULTI-PURPOSE SPRAY LUBE WORKS AS A LUBRICANT, CLEANER, MOISTURE REMOVER AND ELECTRIC INSULATOR. AVAILABLE IN 9 OZ. CAN AND 12 CAN CASES.
-			0	CHRYSLER OUTBOARD MULTI-PURPOSE GREASE LUBRICATES BEARINGS AND OTHER MOVING PARTS. AVAILABLE IN 8 OZ. TUBES AND 12 TUBE CASES.
-			0	CHRYSLER OUTBOARD GREASE GUN USED WITH CHRYSLER OUTBOARD MULTI-PURPOSE GREASE TUBES FOR PRESSURE FITTINGS.
-			0	CHRYSLER OUTBOARD MULTI-PURPOSE CLEANER



# PARTS INDEX

Part Number	Description	Pg.	Ref. No.	Part Number	Description	Pg.	Ref. No.
2C539712	ENGINE COVER COMPLETE	3	-	F1156	FLAT HD SCREW, 1/4 - 20 X		
525156	COVER SUPPORT PLATE				1/2	13	1
	REAR	3	10	F1200	HEX HD SCREW, 1/4 - 20 X		
817747--1	JOINT, BALL ASSEMBLY	9	39		1/2	5	58
817761A2	SCREW CLAMP	25	44	F1257	SCREW, 5/16 - 18 X 1-1/4	19	30
817796A2	GEAR SHIFT ARM	27	30	F1286	PAN HD SCREW, #4 - 40 X		
817938A1	RETAINER STARTER ROPE				3/16	17	42
	HANDLE	13	21	F1341	HEX NUT	27	11
89396A38	PRIME BULB	31	6	F1341	NUT, 1/4 - 20	23	14
A539396	DECAL "CHRYSLER" -			F1346	HEX NUT, S.S., 3/8 - 16	27	23
	STARBOARD	3	7	F141118	SEAL, CRANKSHAFT		
A539397	DECAL "CHRYSLER" - PORT	3	-		LOWER	19	23
C341227-1	SPARK PLUG (QL-86)	19	-	F141118	SEAL, PROPELLER SHAFT	29	46
F10058	FUEL BOWL	15	17	F141305	SEAL, PROPELLER SHAFT		
F10061	CHOKE SHAFT ASSEMBLY	15	29		BEARING CAGE	29	47
F10062	CHOKE VALVE ASSEMBLY	15	26	F1447	RD HD DRIVE SCREW, #2 X		
F10063	FLOAT	15	20		3/16	25	49
F10064	SHAFT - FLOAT	15	19	F1464	HEX HD M. SCREW 1/4 - 28		
F10066	GASKET, VALVE SEAT	15	22		X 3/8	25	63
F10068	GASKET, BODY TO BOWL	15	18	F1467	SCREW SWIVEL BRACKET	23	34
F10069	GASKET KIT	17	-	F1471	HEX SET SCREW, 10 - 24 X		
F10070	SCREW ASSEMBLY -				1/4	9	8
	CHOKE VALVE	15	25	F1475	FILL HD SCREW, 10 - 24 X		
F10071	SCREW, THROTTLE VALVE	17	44		1/2	3	3
F10072	SPRING CHOKE STOP	15	30	F1490	NUT, 1/4 - 20	15	24
F10073	SPRING IDLE NEEDLE	15	28	F1500	HEAD SHEET METAL		
F10077	NEEDLE - IDLE	15	27		SCREW 4 X 1/4	13	26
F10081	SHAFT ASSEMBLY -			F1513	HEX NUT	3	6
	THROTTLE	15	32	F1513	NUT, 10 - 32	9	38
F10083	REPAIR KIT	17	52	F1518	NUT, 5/16 - 18	3	15
F10084	SPRING, FLOAT SUPPORT	17	51	F1573	FILL HD SCREW, 1/4 - 20 X		
F10085	SPRING THROTTLE				1/2	3	38
	RETURN	15	31	F1666	WAVE WASHER	25	52
F10088	NOZZLE	15	23	F1678	FILL HD SCREW, 10 - 24 X		
F10089	JET ASSEMBLY, STD. .041				13/16	7	10
	SEA LEVEL - 3000 FT.	15	15	F1678	SLOTTED FILL HD SCREW,		
F10090	GASKET, FUEL BOWL				10 - 24 X 13/16	7	18
	RETAINER	15	16	F1699	HEX HD SCREW, 1/4 - 20 X 1		
F10091	VALVE THROTTLE	17	43		1/8	9	28
F10093	JET ASSEMBLY, OPT. .038			F1733	PAN HD SCREW 10 - 24 X		
	SEA LEVEL - 7000 FT.				9/16	29	57
	AND UP	15	-	F1734	SLOTTED FILL HD SCREW,		
F10096	JET ASSEMBLY, OPT. .039				1/4 - 20 X 1/2	5	56
	SEA LEVEL - 5000 - 7000			F1755	RD HD SCREW & SPRING		
	FT.	15	-		LOCKWASHER		
F10097	JET ASSEMBLY, OPT. .040				ASSEMBLY 6 - 32 X 5/16	15	2
	SEA LEVEL - 3000 - 5000			F1760	PAN HD SCREW, 10 - 24 X		
	FT.	15	-		3/8	13	4
F10101	KIT - VALVE, SEAT, SPRING			F1772	HEX HD SCREW, 8 - 32 X 1/2	15	7
	AND GASKET	15	21	F178446	CLAMP LEAD WIRE	5	55
F1027	COTTER PIN	29	52	F1794	SPRING PIN, 3/32 X 3/8	23	24
F1035	FILL HD SCREW, 1/4 - 20 X			F1805	SPRING PIN, 1/4 X 1-3/8	23	15
	5/8	27	27	F1806	GROOVE PIN, 5/16 - 3-3/4	23	29
F1044	SCREW, 1/4 - 20 X 1-3/8	19	32	F1809	FLYWHEEL NUT	7	6
F1052	FILL HD SCREW, 1/4 - 20 X 1	13	12	F18160-2	REED FUEL PUMP	17	40
F1069	FILL HD SCREW, 10 - 24 X 1-			F1833	HEX CAP SCREW, 1/4 - 20 X		
	1/16	15	36		1	25	56
F1107	SCREW, 1/4 - 20 X 3/4	19	33	F1850	SPRING PIN	27	1
F1110	SCREW, 1/4 - 20 X 5/8	19	10	F1877	TY-RAP	7	20

# PARTS INDEX

Part Number	Description	Pg.	Ref. No.	Part Number	Description	Pg.	Ref. No.
F18906	GASKET, CARBURETOR ...	15	13	F2087	SPACER, BEVEL GEAR		
F18906	GASKET, CARBURETOR ...	21	-		FRONT .056 .....	29	-
F195/	REMOTE CONTROL CABLES	38	-	F2097	SPRING PIN .....	29	38
F1950	HEX HD SCREW, 10 - 24 X			F2106	INTERNAL TOOTH		
	5/8 .....	3	13		LOCKWASHER .....	25	64
F1953	HEX HD SCREW, 1/4 - 20 X 1	15	14	F2106	LOCKWASHER .....	7	3
F1953	SCREW, 1/4 - 20 X 1 .....	19	29	F213274	FITTING GREASE .....	23	32
F1972	HEX HD SCREW, 1/4 - 20 X			F213342	SEAL, FUEL LINE COUPLER	31	1
	2-1/2 .....	23	7	F213735	SEAL, FUEL LINE COUPLER	31	2
F1975	LOCKWASHER, #10 .....	5	44	F235785	DECAL, COMPLIANCE -		
F1975	SPRING LOCKWASHER ...	7	21		CANADA (NOT SHOWN) .	7	-
F197767-1	BUSHING FUEL LINE .....	3	21	F24074	FOOT CLAMP SCREW ....	25	46
F197787-3	FUEL LINE COUPLER .....	31	3	F24748-2	GASKET, FUEL PUMP .....	15	37
F1978	SPRING PIN, 1/8 X 1/2 .....	5	40	F250017	PISTON PIN .....	19	14
F197813	BEARING .....	23	22	F250410	PISTON PIN RETAINING		
F197813	BEARING STARTER				RING .....	19	13
	BRACKET LOWER .....	13	20	F269689	BEARING STARTER		
F1994	HEX SOCKET HD CAP				BRACKET UPPER .....	13	9
	SCREW, 5/16 - 18 X 1 ...	29	48	F2706772	CLAMP HOSE .....	17	46
F1994	SCREW, 5/16 - 18 X 1 .....	19	31	F2788004	STUD CARBURETOR .....	15	12
F2010	FILL HD SCREW, 10 - 32 X			F286011	WASHER SWIVEL BRACKET	23	20
	9/16 .....	7	12	F286037	BOLT STERN BRACKET ...	23	38
F2012	PLAIN WASHER .....	25	61	F286114	HANDLE LOCK BAR .....	23	10
F2026	RIVET, SUPPORT PLATE			F286132	HANDLE STARTER ROPE ..	13	22
	COVER .....	5	59	F286169	BEARING SWIVEL BRACKET	23	16
F2030	HEX HD SCREW, 1/4 - 20 X			F286277	GASKET, CRANKSHAFT		
	1-1/4 .....	27	3		BEARING CAGE .....	19	35
F2031	HEX HD SCREW, 1/4 - 20 X			F286277	GASKET, CRANKSHAFT		
	3/4 .....	13	7		BEARING CAGE .....	21	-
F2041	HEX HD SCREW, 10 - 24 X			F286286-1	WASHER .....	25	54
	3/8 .....	3	26	F286300	SPRING REVERSE LOCK ..	23	31
F2042	WASHER .....	17	47	F286364	LEVER REVERSE LOCK ...	23	26
F2052	SHIM, PROPELLER SHAFT			F286422-1	PIVOT TILT LOCK .....	23	17
	BEARING CAGE .005			F286433	BRACKET SHALLOW WATER		
	(SILVER) .....	29	44		DRIVE .....	23	30
F2053	SHIM, PROPELLER SHAFT			F286451	SPACER TILT LOCK .....	23	18
	BEARING CAGE .006			F286461	SPRING LOCK BAR HANDLE	23	9
	(RED) .....	29	-	F286544-1	SPRING TILT LOCK .....	23	35
F2054	SHIM, PROPELLER SHAFT			F286571	ROLLER ASSEMBLY,		
	BEARING CAGE .008				CENTER MAIN BEARING .	19	19
	(BLACK) .....	29	-	F286585-1	DECAL, TILT RELEASE -		
F2055	SPACER, BEVEL GEAR				U.S.A. ....	25	55
	FRONT .059 .....	27	36	F286647	HANDLE CARRYING .....	23	40
F2056	SPACER, BEVEL GEAR			F286827	LEVER REVERSE LOCK		
	FRONT .062 .....	29	-		RELEASE .....	23	25
F2057	SPACER, BEVEL GEAR			F286894-3	1 .....	9	4
	FRONT .065 .....	29	-	F298788	FERRULE .....	31	4
F2058	SPACER, BEVEL GEAR			F2A474298	PROPELLER SHAFT		
	FRONT .068 .....	29	-		BEARING CAGE W/SEALS		
F2059	SPACER, BEVEL GEAR				AND BEARING CUP .....	29	49
	FRONT .071 .....	29	-	F2A516023	BEVEL GEAR FORWARD		
F2060	SPACER, BEVEL GEAR				W/BEARING .....	27	35
	FRONT .074 .....	29	-	F2A516266	PINION SHAFT W/BEARING	27	29
F2061	SPACER, BEVEL GEAR			F2A521016	CONNECTING ROD		
	FRONT .077 .....	29	-		W/SCREWS .....	19	16
F2062	SPACER, BEVEL GEAR			F2A525010	CYLINDER .....	19	6
	FRONT .080 .....	29	-	F2A525018	CRANKSHAFT W/UPPER		
F2063	SPACER, BEVEL GEAR				BEARING .....	19	25
	FRONT .083 .....	29	-	F2A525158	PLATE REED W/SEAL .....	15	5
				F307818	BEARING (NYLINER) .....	5	50

# PARTS INDEX

Part Number	Description	Pg.	Ref. No.	Part Number	Description	Pg.	Ref. No.
F307818	BEARING, STEERING			F487755	FUEL TANK ADAPTER . . . .	31	8
	HANDLE SHAFT . . . . .	9	22	F498618	SEAL, "O" RING . . . . .	27	32
F31160-1	REED . . . . .	15	4	F498891	GEAR SHIFT ARM PIN . . . .	27	31
F318307	SEAL . . . . .	27	4	F50109	GEAR HOUSING PLUG . . . .	27	18
F318307	SEAL, DRIVESHAFT . . . . .	5	57	F50563	WATER PUMP IMPELLER		
F318342	SEAL, WATERLINE INLET				DRIVE PIN . . . . .	27	8
	UPPER . . . . .	23	1	F516080	SCREW PIVOT . . . . .	11	46
F318347-1	UPPER MOUNT . . . . .	9	29	F516124	PLAIN WASHER . . . . .	11	45
F318504	GROMMET STEERING			F516125	COUPLING, DRIVESHAFT . .	27	26
	HANDLE GEAR . . . . .	9	42	F516244	WATERLINE (STD. LEG) . . .	23	2
F318539	BUMPER . . . . .	9	30	F516349	LOCK REVERSE . . . . .	23	33
F318818	BEARING, SHIFT LEVER			F516463	BRACKET, REVERSE		
	SHAFT . . . . .	3	37		THRUST . . . . .	25	62
F338618-1	SEAL, SHIFT ROD LOWER .	27	22	F516662	GEAR, BEVEL REAR . . . . .	29	42
F341510	LINK REVERSE LOCK			F516677	SPACER REVERSE LOCK . .	25	58
	LEVER . . . . .	23	28	F516697	NUT STEERING LOCK		
F341562	WATER PUMP BACK PLATE	27	10		BRACKET . . . . .	25	51
F343014	BEARING, CRANKSHAFT			F516705	GEAR SHIFT ROD LOWER		
	LOWER MAIN . . . . .	19	24		(LONG LEG) . . . . .	27	-
F346146	SEAL, CRANKSHAFT UPPER	19	37	F516821	WAVE WASHER, STEERING		
F36634	CONNECTING ROD SCREW	19	22		LOCK PIVOT SCREW . . . .	11	44
F390689	BEARING, STEERING ARM			F516885	PLUG, SPRING HOLDING . .	27	21
	PIVOT SCREW . . . . .	9	23	F516895	SPRING, SHIFT DETENT . . .	27	20
F392777	CAM COVER LATCH . . . . .	3	16	F516977	LEVER SHIFT INTERLOCK . .	5	48
F40008	STUD . . . . .	27	28	F517128	DRIVESHAFT (LONG LEG) . .	27	-
F40342	SEAL, PROPELLER NUT . . .	29	53	F517273	TIE BAR . . . . .	25	57
F40425	PIN STARTER PINION . . . .	13	18	F521547	CHOKE KNOB . . . . .	3	24
F404908	WIRE, STATOR GROUND . .	7	13	F521843	CABLE LIGHTING COIL EXT.	7	16
F40717	THRUST WASHER BEVEL			F525015	PISTON . . . . .	19	15
	GEAR . . . . .	29	41	F525019	KING PIN . . . . .	23	12
F409232	ROPE STARTER . . . . .	13	23	F525029	STATOR - TRIGGER . . . . .	7	11
F409251-1	GAUGE CAP . . . . .	31	10	F525064	SCREW - C-D COIL . . . . .	7	19
F424075	HANDLE CLAMP SCREW . . .	25	43	F525079	HANDLE-STEERING . . . . .	9	6
F429065	WATER PUMP IMPELLER . .	27	9	F525080	SCREW, STEERING HANDLE		
F429541	LOCK TILT . . . . .	23	36		PIVOT . . . . .	9	9
F429811	SCREEN, CYLINDER DRAIN	19	8	F525081	LEVER THROTTLE . . . . .	15	10
F430732	HEX HD SCREW, 5/16 - 18 X			F525082	RING STATOR . . . . .	19	34
	1-1/4 . . . . .	27	15	F525095	STATOR ALTERNATOR . . . .	7	14
F435555	SEAL, GEAR HOUSING			F525097	FLYWHEEL . . . . .	7	8
	LOWER . . . . .	27	25	F525105	SHAFT INTERLOCK . . . . .	13	10
F436449	SHORTING SWITCH . . . . .	7	4	F525151	PLATE EXHAUST . . . . .	19	27
F448874	SPLICE . . . . .	7	15	F525152	COVER EXHAUST . . . . .	19	28
F458250	BEARING CUP . . . . .	27	34	F525154	GASKET EXHAUST . . . . .	19	26
F458498	MAGNETO KEY . . . . .	21	41	F525154	GASKET, EXHAUST . . . . .	21	-
F458519	SCREW, IDLE STOP . . . . .	9	13	F525159	GASKET, REED PLATE . . . .	15	1
F458695	SLEEVE, STEERING			F525159	GASKET, REED PLATE . . . .	21	-
	HANDLE GRIP . . . . .	9	1	F525168	GASKET MANIFOLD . . . . .	15	6
F468342	SEAL, CRANKSHAFT SPLINE	19	39	F525168	GASKET, MANIFOLD . . . . .	21	-
F474143	BEARING, BEVEL GEAR			F525193	LINK THROTTLE . . . . .	15	11
	REAR . . . . .	29	43	F525198	THROTTLE STOP . . . . .	9	11
F474225	BEARING, PROPELLER			F525220	WASHER, STEERING		
	SHAFT REVERSE THRUST	29	45		HANDLE . . . . .	9	32
F487078	STEERING LOCK BRACKET	11	43	F525263	LINK STATOR INTERLOCK . .	3	32
F487128	DRIVESHAFT (STANDARD			F525279	GASKET, CYLINDER		
	LEG) . . . . .	27	7		MOUNTING . . . . .	19	40
F487455	GUIDE STARTER ROPE . . .	3	5	F525279	GASKET, CYLINDER		
F487584	GUIDE, SPRING DETENT . .	27	19		MOUNTING . . . . .	21	-
F487616	GEAR SHIFT ROD UPPER . .	27	2	F525286	WASHER . . . . .	25	53
F487704	COUPLING, SHIFT ROD . . .	27	12	F525301	STATOR - C-D . . . . .	7	9
				F525316-1	FOLLOWER THROTTLE CAM	15	8

# PARTS INDEX

Part Number	Description	Pg.	Ref. No.	Part Number	Description	Pg.	Ref. No.
F525346	MOUNT LOWER SHOCK . . .	23	37	F525925	LINK CHOKE KNOB . . . . .	3	25
F525390	DECAL STOP - U.S.A. . . . .	3	22	F525977	LEVER SHIFT INTERLOCK . .	3	39
F525394	DECAL CHOKE - U.S.A. . . . .	3	23	F525984	SEAL, REED PLATE . . . . .	17	50
F525424	SPRING STARTER PINION . .	13	3	F526061-2	CARBURETOR . . . . .	15	33
F525427	BRACKET STARTER UPPER . .	13	8	F526133	MOTOR LEG . . . . .	23	5
F525445	LINK, MAGNETO STATOR CONTROL . . . . .	9	37	F526161	REED STOP . . . . .	15	3
F525453	GASKET LEG MOUNTING . .	23	3	F526244	WATERLINE (LONG LEG) . .	23	-
F525453	GASKET, LEG MOUNTING . .	21	-	F526524	RIVET GEAR SHIFT HANDLE	3	29
F525455	GUIDE STARTER ROPE . . .	13	5	F53795-1	SEAL, STEERING HANDLE DAMPENER . . . . .	9	5
F525469	HANDLE LATCH . . . . .	3	18	F5H013	FLUSHING ADAPTER . . . . .	38	-
F525472	GASKET, CYLINDER DRAIN COVER . . . . .	19	7	F5H027	FUEL TANK (ACCESSORY ITEM) . . . . .	31	9
F525472	GASKET, CYLINDER DRAIN COVER . . . . .	21	-	F5H027	FUEL TANK, 6 GALLON, STEEL . . . . .	38	-
F525475	C-D MODULE - COIL . . . . .	7	1	F5H029	FUEL TANK ANCHOR . . . . .	38	-
F525504	GROMMET, CHOKE ROD . . .	5	49	F5H040	FUEL TANK, 12 GALLON . . .	38	-
F525518	CYLINDER HEAD . . . . .	19	4	F5H105	BATTERY CHARGING SYSTEM . . . . .	38	-
F525524	RIVET, STEERING HANDLE	9	31	F5H113	REMOTE CONTROL KIT . . .	38	-
F525529	GASKET, CYLINDER HEAD . .	19	5	F5H114	REMOTE STEERING BRACKET . . . . .	38	-
F525529	GASKET, CYLINDER HEAD . .	21	-	F5H130	REMOTE CONTROL BOX . . .	38	-
F525531	ROD SHIFT INTERLOCK . . .	5	41	F5H131	REMOTE CONTROL DECAL KIT . . . . .	38	-
F525552	SCREW, STEERING HANDLE BEARING . . . . .	9	7	F5H134	BOAT WHITE LACQUER . . .	38	-
F525579	CRANKCASE SEAL . . . . .	19	21	F5H135	SAND TAN LACQUER . . . . .	38	-
F525582-1	STEERING ARM . . . . .	9	19	F66480	STUD CLAMP SCREW . . . . .	25	47
F525605	GEAR, TOWERSHAFT . . . . .	9	24	F7011	ELASTIC STOP NUT, 10 - 24	3	9
F525614	HANDLE GEAR SHIFT . . . . .	3	28	F7024	LOCK NUT . . . . .	25	60
F525615	ROD GEAR SHIFT UPPER . . .	3	12	F7027	NUT (LEFT HAND), 10 - 24 .	9	36
F525627	GEAR, TOWERSHAFT PINION . . . . .	9	25	F73741-1	RING . . . . .	5	54
F525629	COTTER PIN . . . . .	13	11	F8003	PLAIN WASHER . . . . .	17	41
F525665	BEARING, GEAR PINION TOWERSHAFT . . . . .	9	21	F8025	PLAIN WASHER . . . . .	19	2
F525674	GEAR STARTER PINION . . .	13	2	F8039	PLAIN WASHER . . . . .	25	50
F525675	BRACKET STARTER LOWER . .	13	19	F8043	WAVE WASHER . . . . .	9	33
F525688	SHAFT, STEERING HANDLE	9	10	F8058	INTERNAL TOOTH LOCKWASHER . . . . .	5	52
F525689	TOWERSHAFT BEARING . . .	9	27	F8060	LOCKWASHER . . . . .	9	41
F525691	GEAR, STEERING ARM . . . .	9	17	F8065	LOCKWASHER . . . . .	27	24
F525707	COVER, SHOCK MOUNT LOWER . . . . .	23	6	F8070	BOWED SPRING WASHER . .	13	24
F525737	RETAINER STARTER REWIND SPRING . . . . .	13	15	F8077	NYLTITE WASHER . . . . .	27	17
F525751	SCREW . . . . .	9	40	F8083	LOCKWASHER . . . . .	23	13
F525763	SHAFT COVER LATCH . . . . .	3	20	F84026	SCREW SHOULDER . . . . .	5	43
F525779	BAFFLE IDLE RELIEF . . . . .	23	4	F84026	SHOULDER SCREW . . . . .	9	35
F525781	INTERLOCK STARTER . . . . .	13	6	F84035-2	BEARING INTERLOCK ROD	5	42
F525815	GEAR, STEERING HANDLE . .	9	15	F84036	BEARING, SPARK CONTROL	9	34
F525816	BEARING, STEERING HANDLE GEAR . . . . .	9	14	F84253	HOSE . . . . .	15	34
F525838	TOWERSHAFT . . . . .	9	26	F84253	HOSE . . . . .	17	48
F525839	SCREW, STEERING FRICTION . . . . .	23	21	F84991-1	GROMMET LIGHTING COIL WIRE . . . . .	3	-
F525840	GROMMET REMOTE THROTTLE CABLE . . . . .	3	17	F85026	SCREW . . . . .	5	51
F525871	SHAFT GEAR SHIFT LEVER	3	33	F8537	SPRING PIN . . . . .	25	45
F525876	LEVER GEAR SHIFT . . . . .	3	36	F8538	SPRING PIN, 3/32 X 1/2 . . .	3	34
F525877	SHAFT, MAGNETO CONTROL . . . . .	9	20	F8538	SPRING PIN, 3/32 X 1/2 . . .	23	27
F525912	SPRING LATCH SHAFT . . . .	3	14	F8540	SPRING PIN . . . . .	27	13
				F8540	SPRING PIN, 3/32 X 5/8 . . .	9	18
				F8540	SPRING PIN, 3/32 X 5/8 . . .	23	8
				F8547	SPRING PIN, 1/8 X 5/8 . . . .	3	19
				F8547	SPRING PIN, 1/8 X 5/8 . . . .	3	35

# PARTS INDEX

Part Number	Description	Pg.	Ref. No.	Part Number	Description	Pg.	Ref. No.
F8547	SPRING PIN, 1/8 X 5/8	9	12	FA94094-2	PROPELLER NUT W/SEAL & COTTER PIN	29	51
F8548	SPRING PIN, 1/8 X 1	9	3	FAC535395	IDENTIFICATION PLATE - CANADA W/SCREWS	25	-
F8554	SPRING PIN, 3/16 X 3/4	25	42	FC409398	DECAL, TOTE TANK - CANADA (NOT SHOWN)	31	-
F8559	DOWEL PIN	19	11	FC516054	GEAR HOUSING COMPLETE (NOT SHOWN)	27	-
F8567	SPRING PIN, 1/8 X 13/16	3	27	FC525010	CYLINDER COMPLETE	19	-
F8567	SPRING PIN, 1/8 X 13/16	9	16	FC525390	DECAL STOP - CANADA	3	-
F8571	SPRING PIN, 1/8 X 1-3/4	13	25	FC525394	DECAL CHOKE - CANADA	3	-
F901456-1	COLLAR, EMERGENCY START	7	7	FG1018	GASKET SET	21	42
F901710	POST STARTER SPRING GUIDE	13	14	FK1064	GEAR HOUSING SEAL KIT	29	58
F901739	DRIVE STARTER REWIND SPRING	13	13	FK1071	WATER PUMP KIT	29	59
F901746-2	COVER FUEL PUMP	15	35	FK247	PROPELLER PIN (PACK OF 6 W/COTTER PIN)	29	54
F901811	FILTER FUEL PUMP	17	45	FK516984	BLANKET TOP AND SIDES	5	47
F901938-1	SCREW, CYLINDER HEAD	19	1	FK517032	BRACKET STERN STARBOARD W/SCREW CLAMP	23	39
F901970	SPRING STARTER REWIND	13	16	FK525713	ENGINE COVER PACKING	3	30
F90619-1	YOKE, GEAR SHIFT ARM	29	55	FK567532	BRACKET STERN PORT W/SCREW CLAMP	23	41
F90807	RETAINING RING	17	49	FK750-2	SPARKIE KIT	7	1
F90871-3	GEAR SHIFT ARM PIN	29	39	FP296	PROPELLER	29	50
F99521-1	CLUTCH	29	37	FS409752	FUEL LINE COMPLETE (NOT SHOWN)	31	-
FA24757-3	PLATE FUEL PUMP REED W/REEDS AND SCREWS	15	38	FS537712	ENGINE COVER W/PACKING, REAR RETAINER AND LATCH BRACKET	3	1
FA286113	BAR LOCK	23	11	FT11202	SEAL INSTALLER	34	-
FA286155	LINER, CENTER MAIN	19	20	FT1749	SNAP RING PLIERS	34	-
FA387742	LEVER REVERSE LOCK INTERMEDIATE	23	23	FT2909	KNOCK-OFF NUT	32	-
FA456137	GRIP, STEERING HANDLE W/SLEEVE	9	2	FT2915	SEAL INSTALLER	35	-
FA474098	PROPELLER SHAFT	29	40	FT2961	LUBRICANT	37	-
FA487038	SUPPORT PLATE W/EYELET	3	11	FT2962-1	SEALANT	37	-
FA510914	SEAL, INLET WATER LINE	27	5	FT2963-1	SEALANT	37	-
FA516054	GEAR HOUSING LOWER W/PLUG, WASHER AND BEARING CUP	27	33	FT2987	LUBRICANT	37	-
FA516060	WATER PUMP BODY W/WATER PUMP SEAL	27	6	FT2989	FLYWHEEL WEDGE	32	-
FA516485	ANTICORROSION ANODE	29	56	FT2997	RING COMPRESSOR	34	-
FA516554	GEAR HOUSING UPPER W/BEARING, SEALS, WASHER AND PLUG	27	16	FT3012	SEAL INSTALLER	34	-
FA521841	CABLE LIGHTING COIL W/SPLICES	7	17	FT3139-1	STARTER REWIND KEY	33	-
FA525167	MANIFOLD W/STUDS	15	9	FT3431	SEAL INSTALLER	35	-
FA525228	ROLLER CRANKPIN	19	18	FT8901	INDICATOR HOLDER	35	-
FA525239	SPOOL STARTER W/SCREW	13	17	FT8902	DIAL INDICATOR	35	-
FA525241	CRANKPIN ROLLER CAGE	19	17	FT8907	DRIVER HANDLE	35	-
FA525471	COVER, CYLINDER DRAIN W/SCREEN	19	9	FT8918	BEARING GUIDE SET	35	-
FA525480	RETAINER ENGINE COVER W/NUTS AND SCREWS	3	4	FT8920	BEARING INSTALLER	35	-
FA525774	BRACKET COVER LATCH W/SCREWS & NUTS	5	45	FT8921	BEARING CUP REMOVER	35	-
FA535395	IDENTIFICATION PLATE - U.S.A. W/SCREWS	25	48	FT8924-1	CHECKING GAUGE	35	-
FA539528	DECAL ENGINE COVER REAR	3	2	FT8926	PISTON RING EXPANDER	34	-
FA539892	DECAL ENGINE COVER FRONT	5	46	FT8929	ADAPTER AND HEX BIT	34	-
				FT8935	SEALANT PRIMER	37	-
				FT8936	SEALANT	37	-
				FT8948-1	BEARING CAGE PULLER	35	-
				FT8950	LEAKAGE TESTER	36	-
				FT8953	C-D TESTER	36	-
				FT8957	SEAL INSTALLER	35	-
				FT8969	LUBRICANT	37	-

# PARTS INDEX

Part Number	Description	Pg.	Ref. No.	Part Number	Description	Pg.	Ref. No.
FT8982	SHIM ADAPTER . . . . .	35	-				
FT8983	SEALANT . . . . .	37	-				
FT8995	SHIM SPACERS . . . . .	35	-				
FT8996	IGNITION TESTER . . . . .	36	-				
27-818043A1	DIAPHRAGM, FUEL PUMP W/GASKETS . . . . .	15	39				
32-817738A1	FUEL LINE, LONG W/CLAMP AND FERRULE . . . . .	31	7				
33-82370M	SPARK PLUG (L-86) . . . . .	19	3				
37-F286585-2	DECAL, TILT RELEASE - CANADA . . . . .	25	-				
37-F286894-3	INDICATOR STEERING HANDLE - CANADA . . . . .	9	-				
39-818038A1	PISTON RING . . . . .	19	12				
1100-817753A1	CAGE, CRANKSHAFT BEARING W/UPPER CRANKSHAFT SEAL . . . . .	19	36				
1400-817964A2	SWIVEL BRACKET . . . . .	23	19				
1600-817817A3	GEAR HOUSING UPPER W/BEARING, SEALS, WASHER AND PLUG . . . . .	27	-				