



PARTS CATALOG

12 H.P.

SERIAL NUMBER

12 (1979)122B9E
12 (1979)122H9E
12 (1979)123B9E
12 (1979)123H9E
12 (1979)	128B9A
12 (1979)	128H9A
12 (1979)	129B9A
12 (1979)	129H9A

TABLE OF CONTENTS:

ACCESSORIES	50
ELECTRIC STARTER	16
ELECTRICAL COMPONENTS (C-D ALTERNATOR MODELS)	18
ENGINE COVER AND SUPPORT PLATE (ALTERNATOR MODELS)	6
ENGINE COVER AND SUPPORT PLATE (MANUAL START MODELS)	2
FUEL PUMP (C-D ALTERNATOR MODELS)	14
FUEL SYSTEM	22
FUEL TANK AND LINE	42
GEAR HOUSING	38
MAGNETO (MANUAL START MODELS)	10
MOTOR LEG	32
PARTS INDEX	52
POWER HEAD	26
SPECIAL TOOLS - LOWER UNIT	47
SPECIAL TOOLS - LUBRICANTS AND SEALANTS	49
SPECIAL TOOLS - MANUAL STARTER	45
SPECIAL TOOLS - POWER HEAD	46
SPECIAL TOOLS - TEST EQUIPMENT	48
SPECIAL TOOLS - TUNE-UP	44
STARTER	12

NOTE: Indented description indicate that these parts are included in preceeding assembly.

AR = As Required

NSS = Not Sold Separate

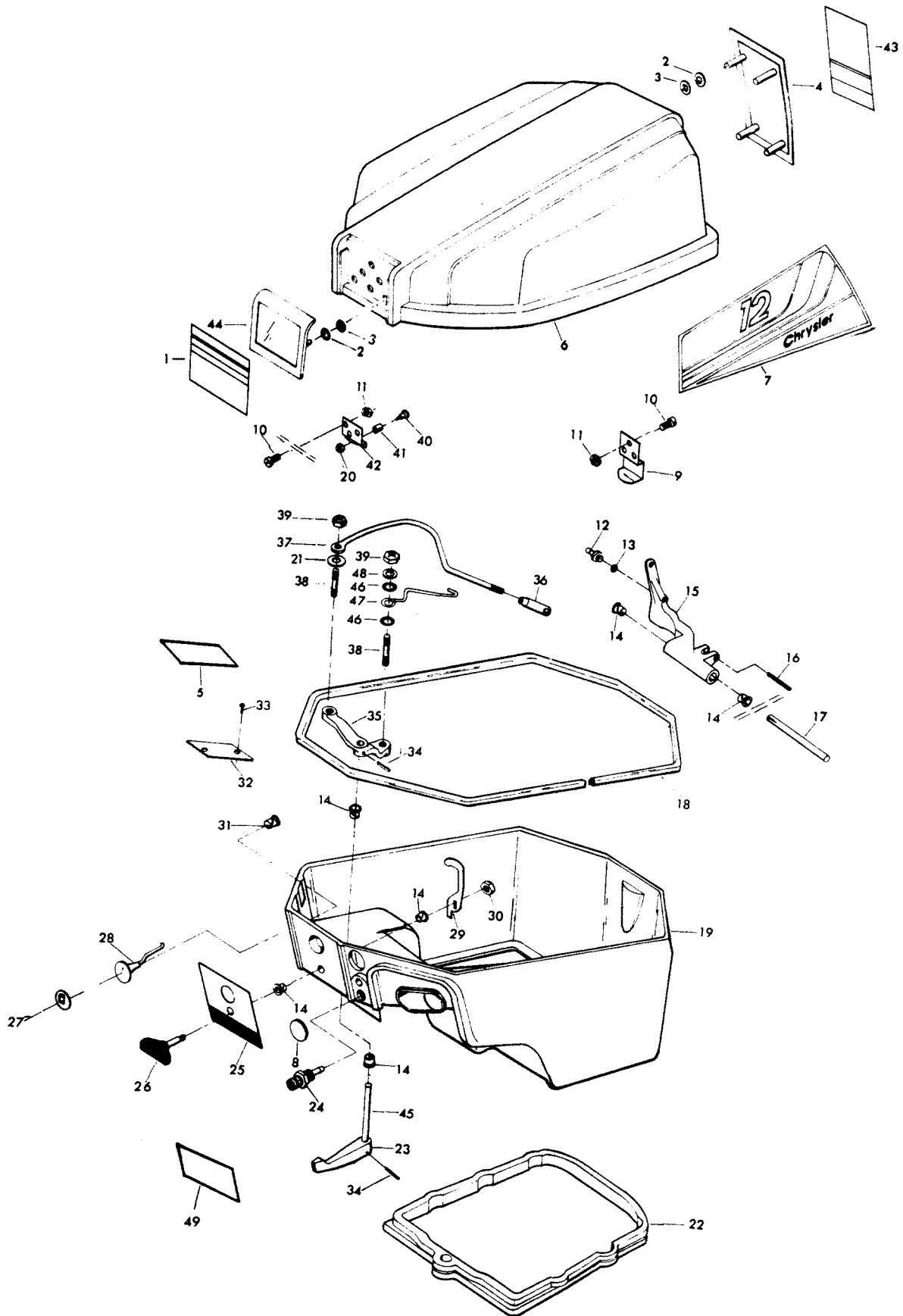
OPT = Optional

NS = Not Shown

THESE PARTS BOOKS/FICHE CARD ARE COPYRIGHTED AND MAY NOT BE DISTRIBUTED OR REPRODUCED IN ANY OTHER FORMAT BY ANYONE OTHER THAN MERCURY MARINE WITHOUT THE PRIOR WRITTEN CONSENT OF MERCURY MARINE.

THIS PAGE INTENTIONALLY LEFT BLANK

ENGINE COVER AND SUPPORT PLATE (MANUAL START MODELS)

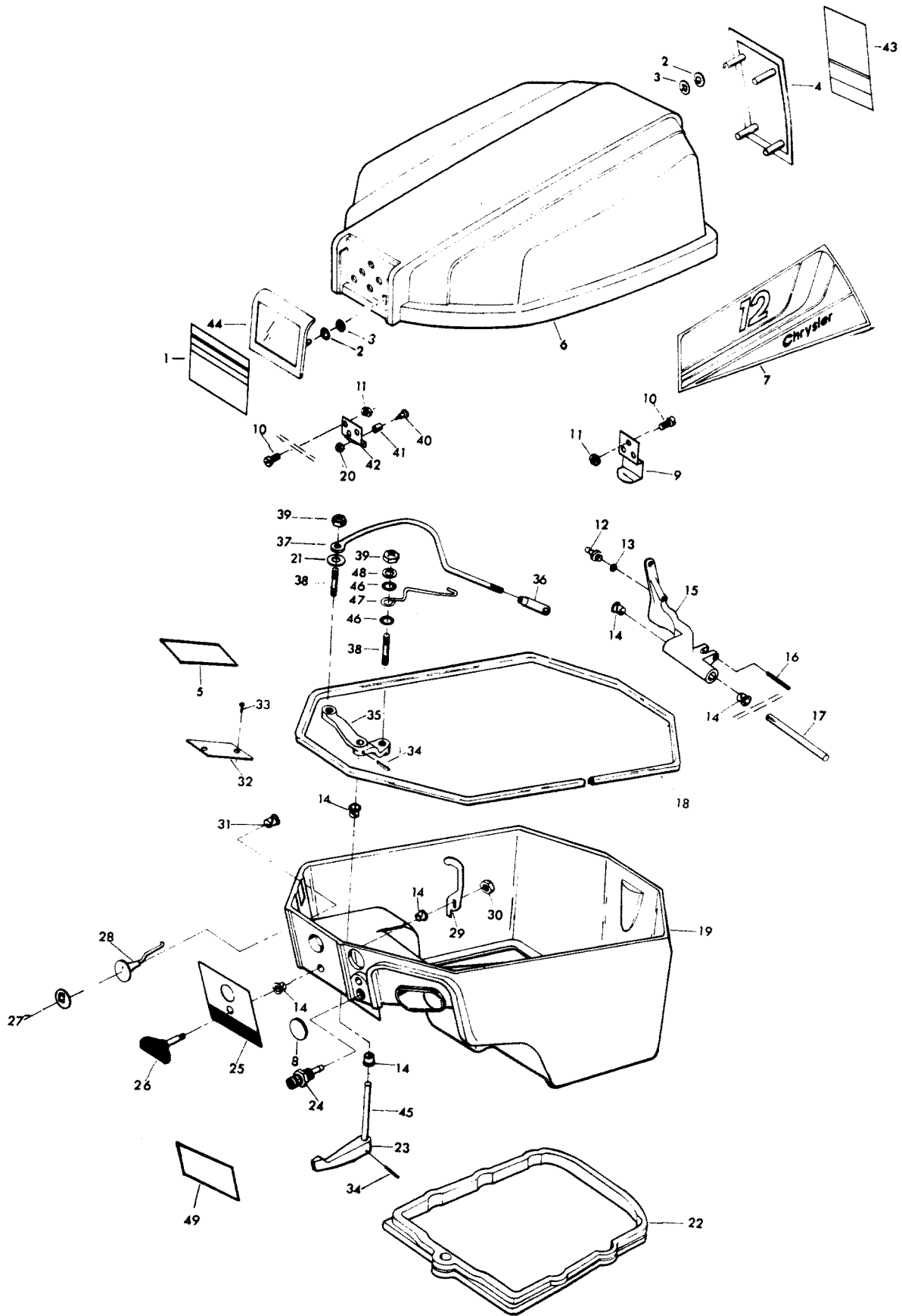


ENGINE COVER AND SUPPORT PLATE (MANUAL START MODELS)

REF. NO.	PART NO.	SYM.	QTY.	DESCRIPTION
1	FA541892		1	DECAL, ENGINE COVER, FRONT
2	F85735-1		7	SEAL
3	F1753		7	FASTENER
4	F540180		1	TRIM, ENGINE COVER, REAR
5	F235785		1	DECAL, COMPLIANCE - CANADA
6	FS541712		1	COVER, ENGINE W/BACKET, RETAINER AND TILT HANDLE
-	2C541712		1	ENGINE COVER COMPLETE INCLUDES ALL ITEMS MARKED WITH AN ASTERISK (*)
7	FA541397		1	DECAL, PORT, "CHRYSLER"
-	FA541396		1	DECAL, STARBOARD, "CHRYSLER"
8	F343226-1		2	PLUG
9	FA286480		1	RETAINER, ENGINE COVER W/SCREWS AND NUTS
10	F1475		6	FILL HD SCREW, 10 - 24 X 1/2
11	F7011		6	ELASTIC STOP NUT, 10 - 24
12	F98273		1	STUD, GEAR SHIFT ROD CONNECTOR
13	F8058		1	INTERNAL TOOTH LOCKWASHER
14	F307818		6	BEARING
15	F286876		1	LEVER, GEAR SHIFT
16	F8542		1	SPRING PIN
17	F286871		1	PIN, GEAR SHIFT LEVER
18	F392756		1	PACKING, SUPPORT PLATE
19	FA492038		1	PLATE, SUPPORT W/PLUGS
20	F7011		1	STOP NUT, 10 - 24
21	F8048		1	BOWED SPRING WASHER
22	F286989-2		1	SEAL, SUPPORT PLATE
23	F286614		1	HANDLE, GEAR SHIFT
24	F197767-1		1	BUSHING, FUEL LINE
25	817757A4		1	PLATE, FRONT
26	FA286469		1	KNOB, COVER LATCH
27	F458677		1	INSERT, CHOKE KNOB
28	FA286547		1	KNOB, CHOKE W/INSERT AND CHOKE ROD
29	F286777		1	CAM, COVER LATCH
30	F2002		1	STOP NUT, 5/16 - 18
31	F197319		1	BEARING, CHOKE ROD
32	FA535395		1	PLATE, IDENTIFICATION W/SCREWS, U.S.A.
-	FAC535395		1	PLATE, IDENTIFICATION W/SCREWS, CANADA
33	F1447		2	DRIVE SCREW
34	F8540		2	SPRING PIN
35	F492619		1	LEVER, GEAR SHIFT SHAFT
36	F286685		1	CONNECTOR, GEAR SHIFT ROD
37	F286611-1		1	ROD, GEAR SHIFT
38	F286134		2	STUD, GEAR SHIFT LEVER
39	F1804		2	STOP NUT, 10 - 32

CONTINUED ON NEXT PAGE ➡

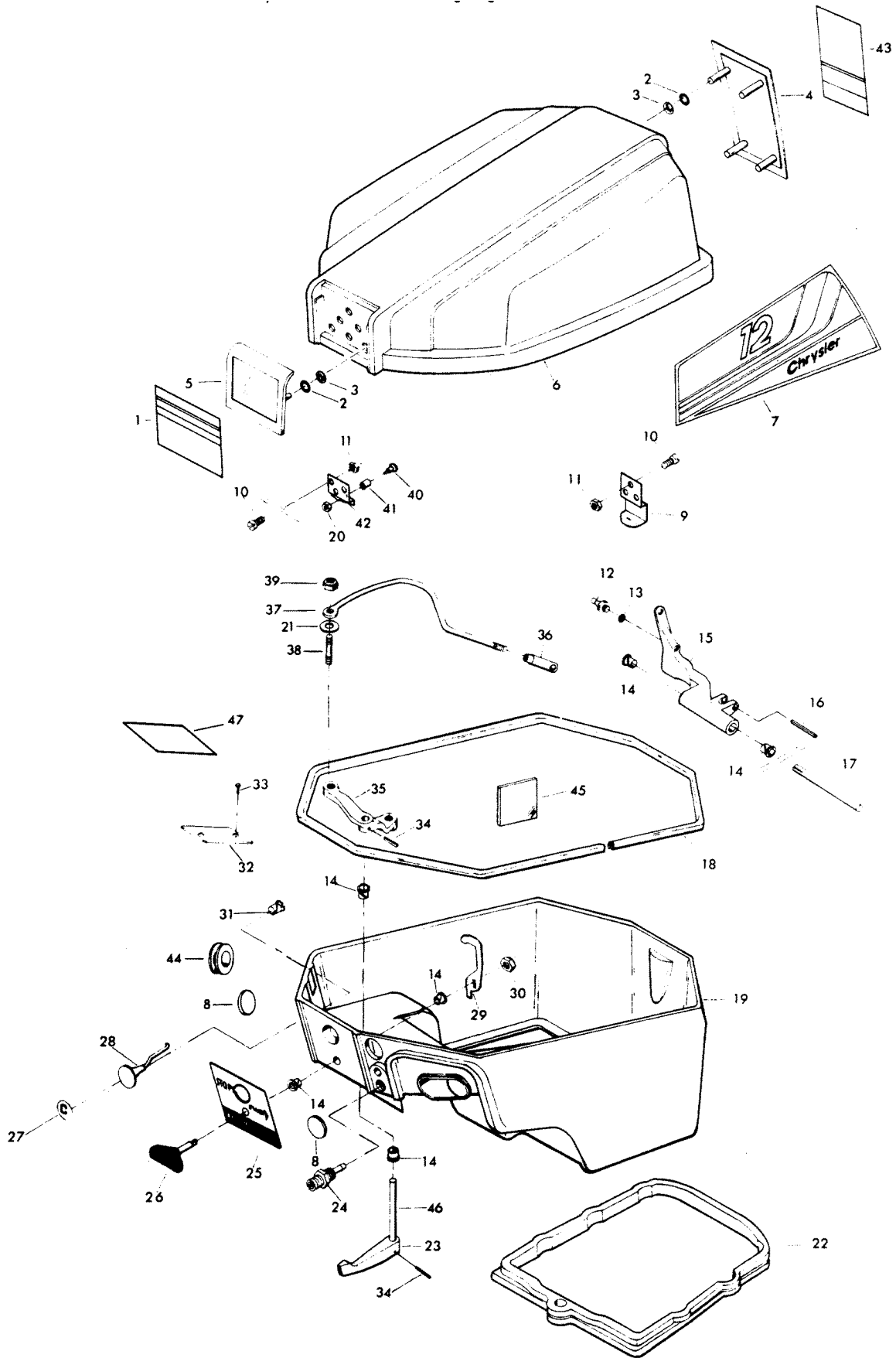
ENGINE COVER AND SUPPORT PLATE (MANUAL START MODELS)



ENGINE COVER AND SUPPORT PLATE (MANUAL START MODELS)

REF. NO.	PART NO.	SYM.	QTY.	DESCRIPTION
40	F269316		1	ROLLER SHAFT
41	F92759		1	ROLLER
42	817758A1		1	BRACKET, COVER LATCH W/SCREWS, NUTS AND ROLLER
43	FA541528		1	DECAL, ENGINE COVER, REAR
44	F487711		1	PLATE, ENGINE COVER
45	F492417		1	SHAFT, GEAR SHIFT HANDLE
46	F184579		2	SEAL
47	F492263		1	LINK, STARTER INTERLOCK
48	F8011		1	PLAIN WASHER
49	FC516400		1	DECAL, SHIFT - CANADA

ENGINE COVER AND SUPPORT PLATE (ALTERNATOR MODELS)

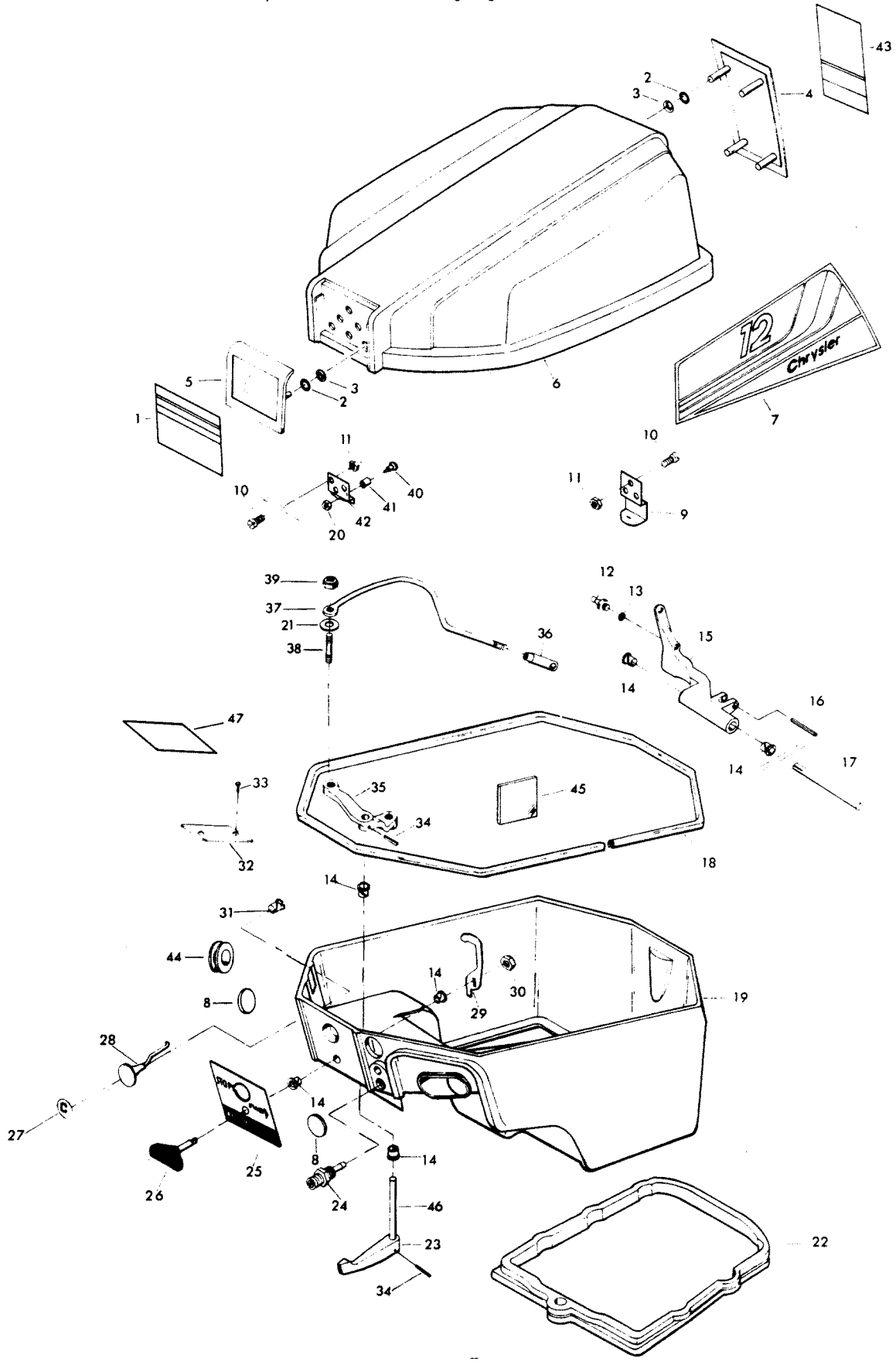


ENGINE COVER AND SUPPORT PLATE (ALTERNATOR MODELS)

REF. NO.	PART NO.	SYM.	QTY.	DESCRIPTION
1	FA541892		1	DECAL, ENGINE COVER, FRONT
2	F85735-1		7	SEAL
3	F1753		7	FASTENER
4	F540180		1	TRIM, ENGINE COVER REAR
5	F487711		1	PLATE, ENGINE COVER FRONT
6	FS541712		1	ENGINE COVER W/BRACKET & RETAINER
-	2C541712		1	ENGINE COVER COMPLETE INCLUDES ALL ITEMS MARKED WITH AN ASTERISK (*)
7	FA541397		1	DECAL, PORT "CHRYSLER"
-	FA541396		1	DECAL, STARBOARD "CHRYSLER"
8	F343226-1		2	PLUG
9	FA286480		1	RETAINER, ENGINE COVER W/SCREWS AND NUTS
10	F1475		6	FILL HD SCREW, 10 - 24 X 1/2
11	F7011		6	ELASTIC STOP NUT, 10 - 24
12	F98273		1	STUD, GEAR SHIFT ROD CONNECTOR
13	F8058		1	INTERNAL TOOTH LOCKWASHER
14	F307818		6	BEARING
15	F286876		1	LEVER, GEAR SHIFT
16	F8542		1	SPRING PIN
17	F286871		1	PIN, GEAR SHIFT LEVER
18	F392756		1	PACKING, SUPPORT PLATE
19	FA510038		1	SUPPORT PLATE W/PLUGS
20	F7011		1	STOP NUT, 10 - 24
21	F8048		1	BOWED WASHER
22	F286989-2		1	SEAL, SUPPORT PLATE
23	F286614		1	HANDLE, GEAR SHIFT
24	F197767-1		1	BUSHING, FUEL LINE
25	FA510711		1	PLATE, FRONT
-	FC510711		1	PLATE, FRONT - CANADA
26	FA286469		1	KNOB, COVER LATCH
27	F458677		1	INSERT, CHOKE KNOB
28	FA286547		1	KNOB, CHOKE W/INSERT AND CHOKE ROD
29	F286777		1	CAM, COVER LATCH
30	F2002		1	STOP NUT, 5/16 - 18
31	F197319		1	BEARING, CHOKE ROD
32	FA535395		1	IDENTIFICATION PLATE W/SCREWS FOR U.S.A. MODELS
-	FAC535395		1	IDENTIFICATION PLATE W/SCREWS FOR CANADA MODELS
33	F1447		2	DRIVE SCREW
34	F8540		2	SPRING PIN
35	F492619		1	LEVER, GEAR SHIFT SHAFT
36	F286685		1	CONNECTOR, GEAR SHIFT ROD
37	F286611-1		1	ROD, GEAR SHIFT
38	F286134		1	STUD, GEAR SHIFT LEVER

CONTINUED ON NEXT PAGE ➡

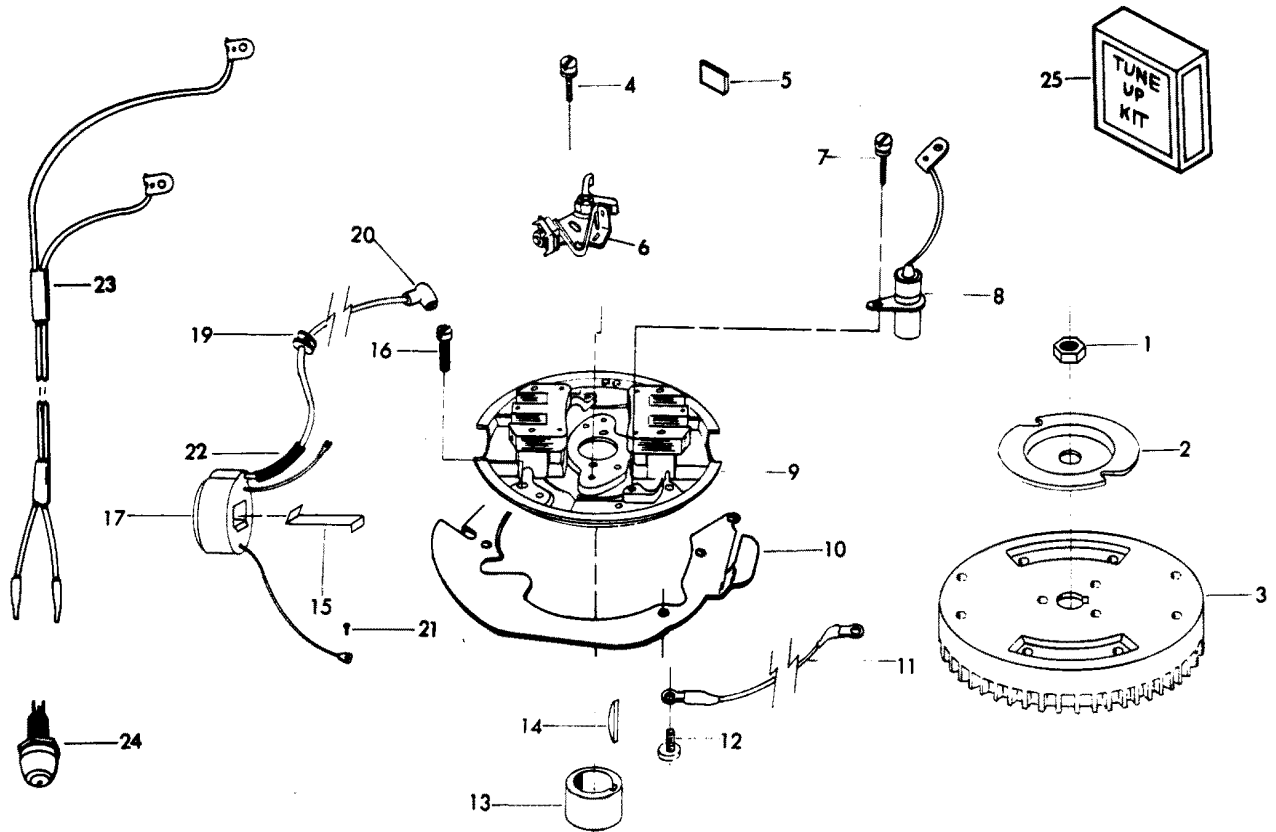
ENGINE COVER AND SUPPORT PLATE (ALTERNATOR MODELS)



ENGINE COVER AND SUPPORT PLATE (ALTERNATOR MODELS)

REF. NO.	PART NO.	SYM.	QTY.	DESCRIPTION
39	F1804		1	STOP NUT, 10 - 32
40	F269319		1	ROLLER SHAFT
41	F92759		1	ROLLER
42	817758A1		1	BRACKET, ENGINE COVER LATCH W/SCREWS, NUTS AND ROLLERS
43	FA541528		1	DECAL, ENGINE COVER, REAR
44	F94840		1	GROMMET, BATTERY CABLE
45	F510661		1	PAD, STARTER MOTOR
46	F492417		1	SHAFT, GEAR SHIFT HANDLE
47	F235785		1	DECAL, COMPLIANCE - CANADA

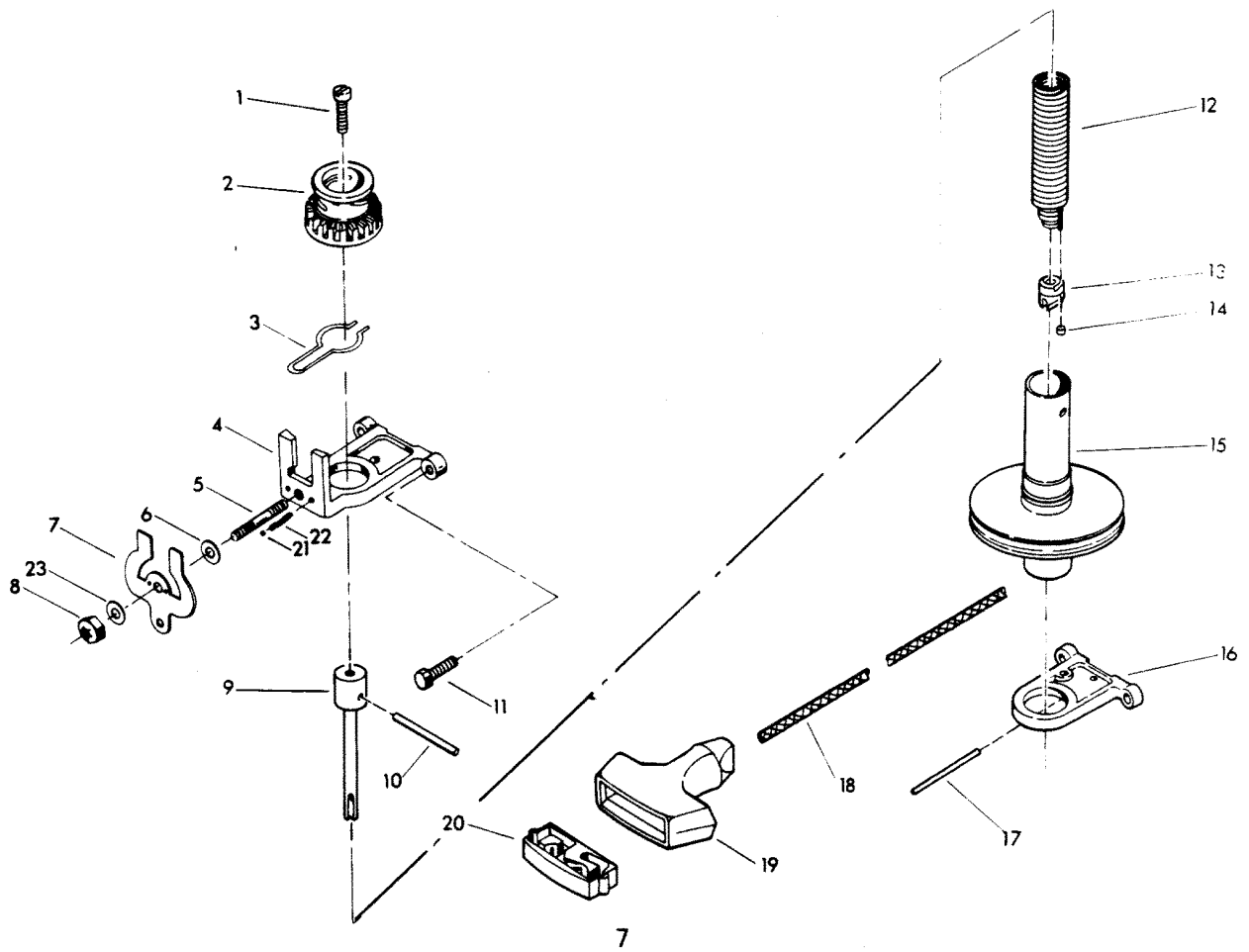
MAGNETO (MANUAL START MODELS)



MAGNETO (MANUAL START MODELS)

REF. NO.	PART NO.	SYM.	QTY.	DESCRIPTION
1	F1809		1	HEX NUT, 1/2 - 20
2	F901456-1		1	EMERGENCY STARTER COLLAR
3	F302097		1	FLYWHEEL
4	F12170		4	CONTACT SCREW W/LOCKWASHER
5	F12228		1	CAM WIPER FELT
6	F12153		2	BREAKER POINT SET
7	F12083		2	CONDENSER SCREW W/LOCKWASHER
8	F12181-1		2	CONDENSER
9	F12343		1	STATOR PLATE W/LAMINATIONS
10	F286192		1	THROTTLE CAM PLATE
11	F289664		1	WIRE, STATOR GROUND
12	F1075		4	FILL HD SCREW, 10 - 24 X 1/2
13	F217002		1	MAGNETO BREAKER CAM
14	F458498		1	MAGNETO KEY
15	F12146		2	COIL WEDGE SPRING
16	F1090		4	FILL HD SCREW W/LOCKWASHER, 10 - 24 X 9/16
17	FA12370		2	COIL W/LEAD WIRE AND WEDGE SPRING
19	F12088		4	GROMMET
20	FK750-2		2	SPARKIE W/SPRING
21	F12114		2	COIL GROUND TERMINAL SCREW
22	F12141		1	HIGH TENSION LEAD SLEEVE
23	F12186		1	PRIMARY TERMINAL WIRE
24	F436449		1	SHORTING SWITCH
-	F12091		1	LEAD WIRE MARKER TOP (NOT SHOWN)
25	FK1066		1	TUNE UP KIT INCLUDES ALL ITEMS MARKED WITH AN ASTERISK (*)

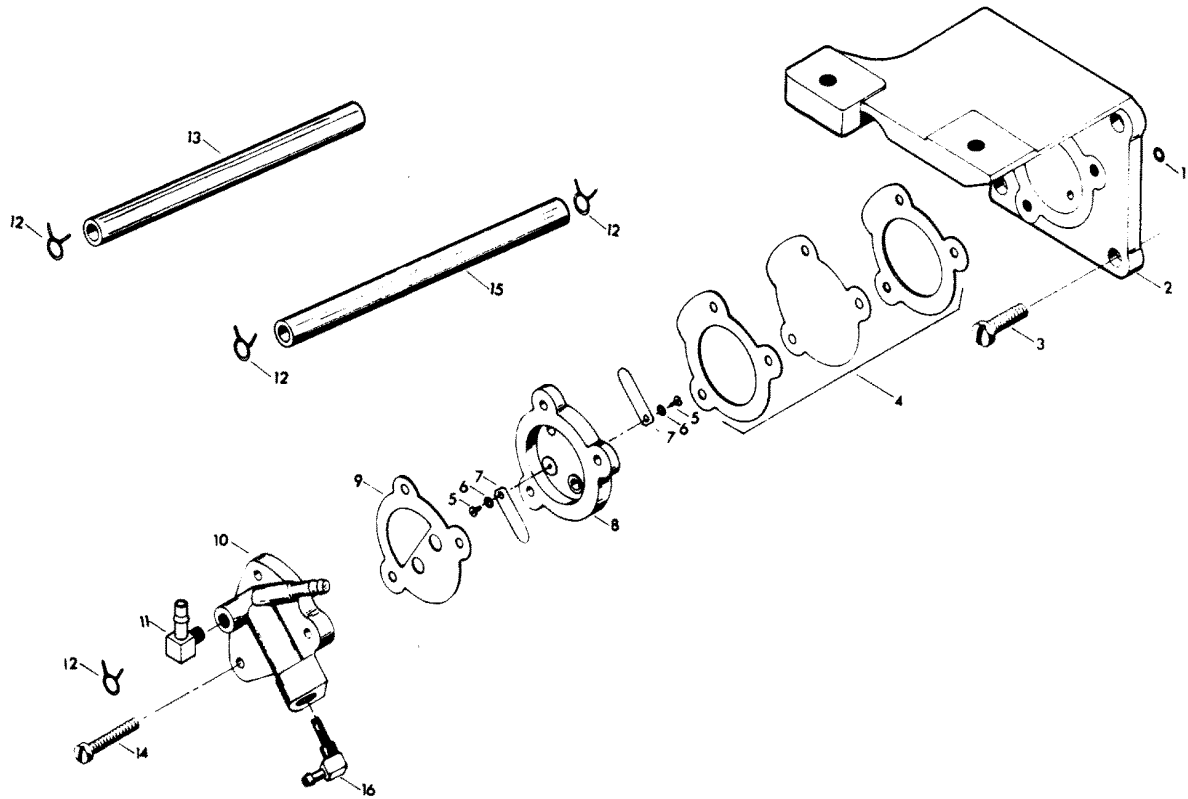
STARTER



STARTER

REF. NO.	PART NO.	SYM.	QTY.	DESCRIPTION
1	F1089		1	FILL HD SCREW, 10 - 24 X 9/16
2	F487674		1	GEAR, STARTER PINION
3	F487424-1		1	STARTER PINION SPRING
4	F487427-1		1	BRACKET, STARTER UPPER
5	F286134		1	STUD
6	F8011		1	PLAIN WASHER
7	F487781-3		1	STARTER INTERLOCK
8	F1804		1	STOP NUT
9	F286710		1	ARBOR, STARTER SPRING
10	F40425		1	STARTER PINION PIN
11	F1914		4	HEX HD SCREW, 1/4 - 20 X 3/4
12	FA286970		1	STARTER REWIND SPRING W/END AND RETAINER
13	F286737-1		1	RETAINER, STARTER REWIND SPRING
14	F286930		1	END, STARTER SPRING
15	F2A459239		1	STARTER SPOOL W/SHAFT
16	FK317427		1	BRACKET, STARTER LOWER W/SPRING PIN
17	F1875		1	SPRING PIN, STARTER BRACKET
18	F409232		1	STARTER ROPE
19	F286132		1	HANDLE, STARTER ROPE
20	817938A1		1	RETAINER, STARTER ROPE HANDLE
21	F487727		2	BALL, INTERLOCK DETENT
22	F487895		2	SPRING, INTERLOCK DETENT
23	F2042		1	PLAIN WASHER

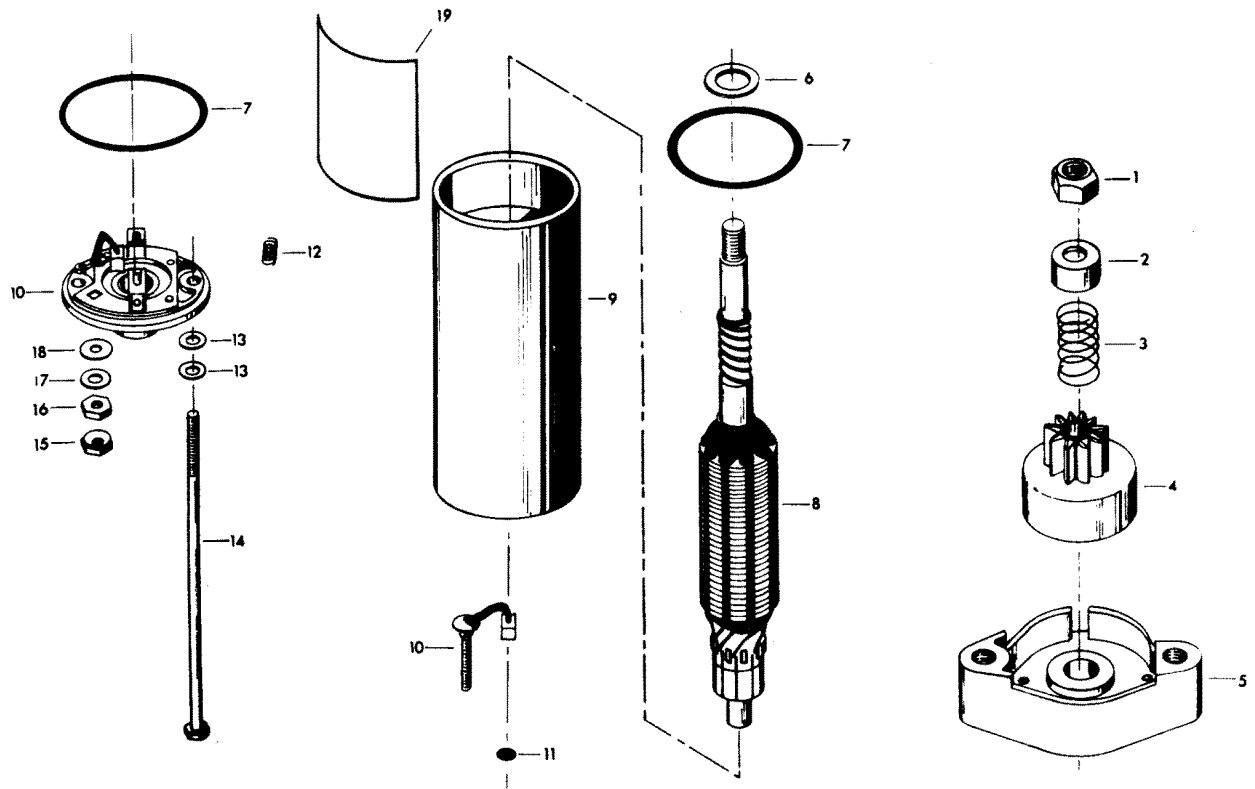
FUEL PUMP (C-D ALTERNATOR MODELS)



FUEL PUMP (C-D ALTERNATOR MODELS)

REF. NO.	PART NO.	SYM.	QTY.	DESCRIPTION
1	F455118		1	SEAL, FUEL PUMP BRACKET
2	F510427		1	BRACKET, STARTER SUPPORT
3	F1577		4	FILL HD SCREW, 1/4 - 20 X 3/4
4	27-818043A1		1	FUEL PUMP DIAPHRAGM W/GASKETS
5	F1286		2	PAN HD SCREW, 4 - 40 X 3/16
6	F8003		2	PLAIN WASHER
7	F18160-1		2	REED, FUEL PUMP
8	FA24757-3		1	FUEL PUMP REED PLATE W/REEDS AND SCREWS
9	F24748-2		1	GASKET, FUEL PUMP
10	F510746		1	FUEL PUMP COVER
11	22-818103--1		1	FITTING, FUEL PUMP
12	F2706772		4	HOSE CLAMP
13	F2771254		1	HOSE, FUEL PUMP TO CARBURETOR
14	F1069		3	FILL HD SCREW, 10 - 24 X 1-1/6
15	F2752253		1	HOSE, FUEL PUMP TO BUSHING
16	F510811		1	FILTER, FUEL PUMP

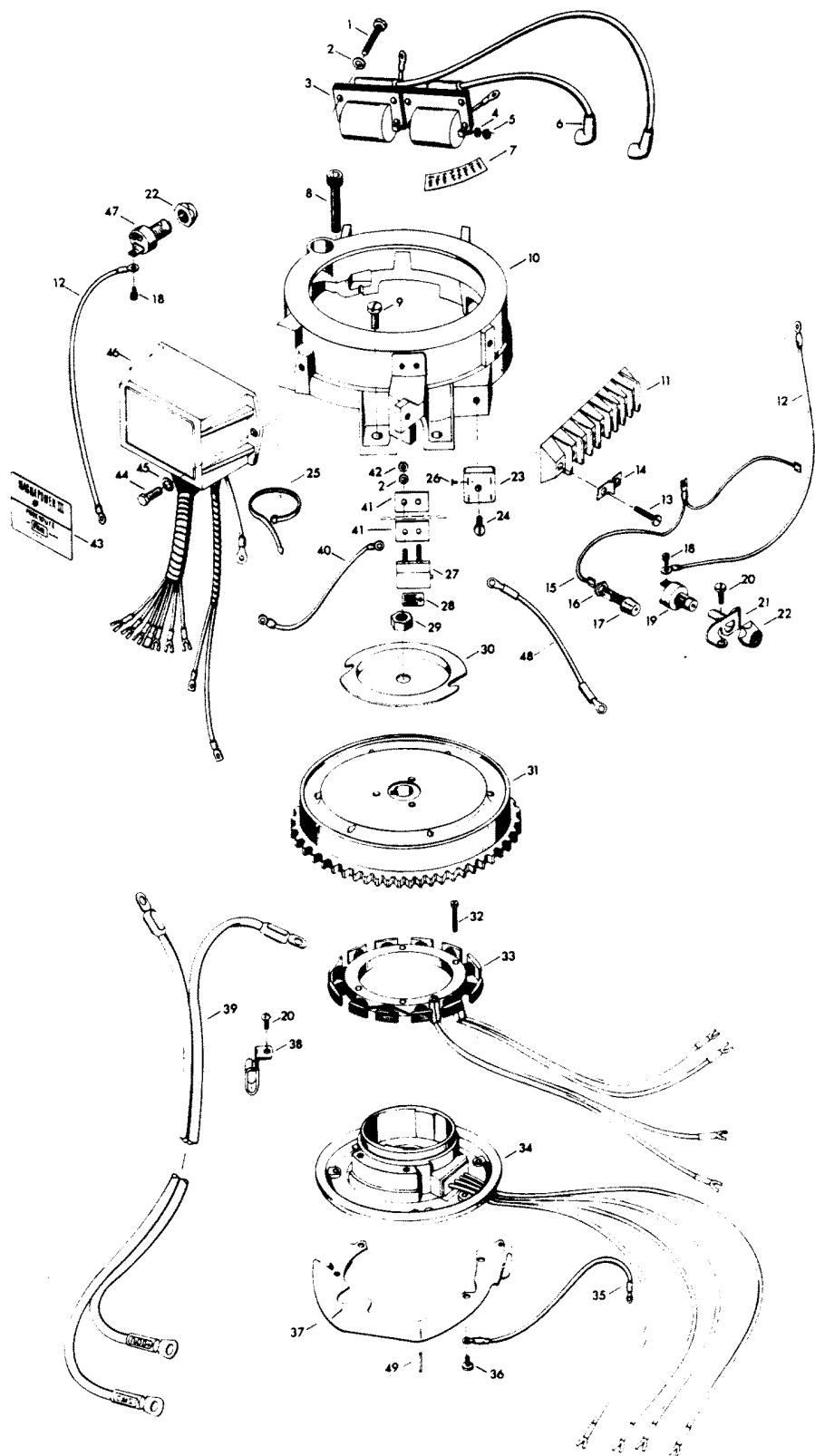
ELECTRIC STARTER



ELECTRIC STARTER

REF. NO.	PART NO.	SYM.	QTY.	DESCRIPTION
1	F15142		1	STOP NUT
2	F15141		1	PINION STOP
3	F15140		1	SPRING
4	F15139		1	PINION ASSEMBLY
5	F15135		1	CAP ASSEMBLY, DRIVE END
6	F15137		1	WASHER
7	F15145		2	GASKET
8	F15134		1	ARMATURE
9	F15136		1	HOUSING ASSEMBLY
10	F15127		1	CAP ASSEMBLY, COMMUTATOR END (INCLUDES ITEMS 15, 16, 17 AND 18)
11	F15143		1	DISC
12	F15138		2	SPRING, BRUSH
13	F15146		4	WASHER
14	F15144		2	SCREW, THRU BOLT
15	F15129		1	NUT W/LOCKWASHER
16	F15130		1	NUT
17	F15133		1	WASHER
18	F15132		1	WASHER, FIBER
-	F510955		1	STARTER MOTOR COMPLETE
19	FC520390		1	DECAL, STARTER - CANADA

ELECTRICAL COMPONENTS (C-D ALTERNATOR MODELS)

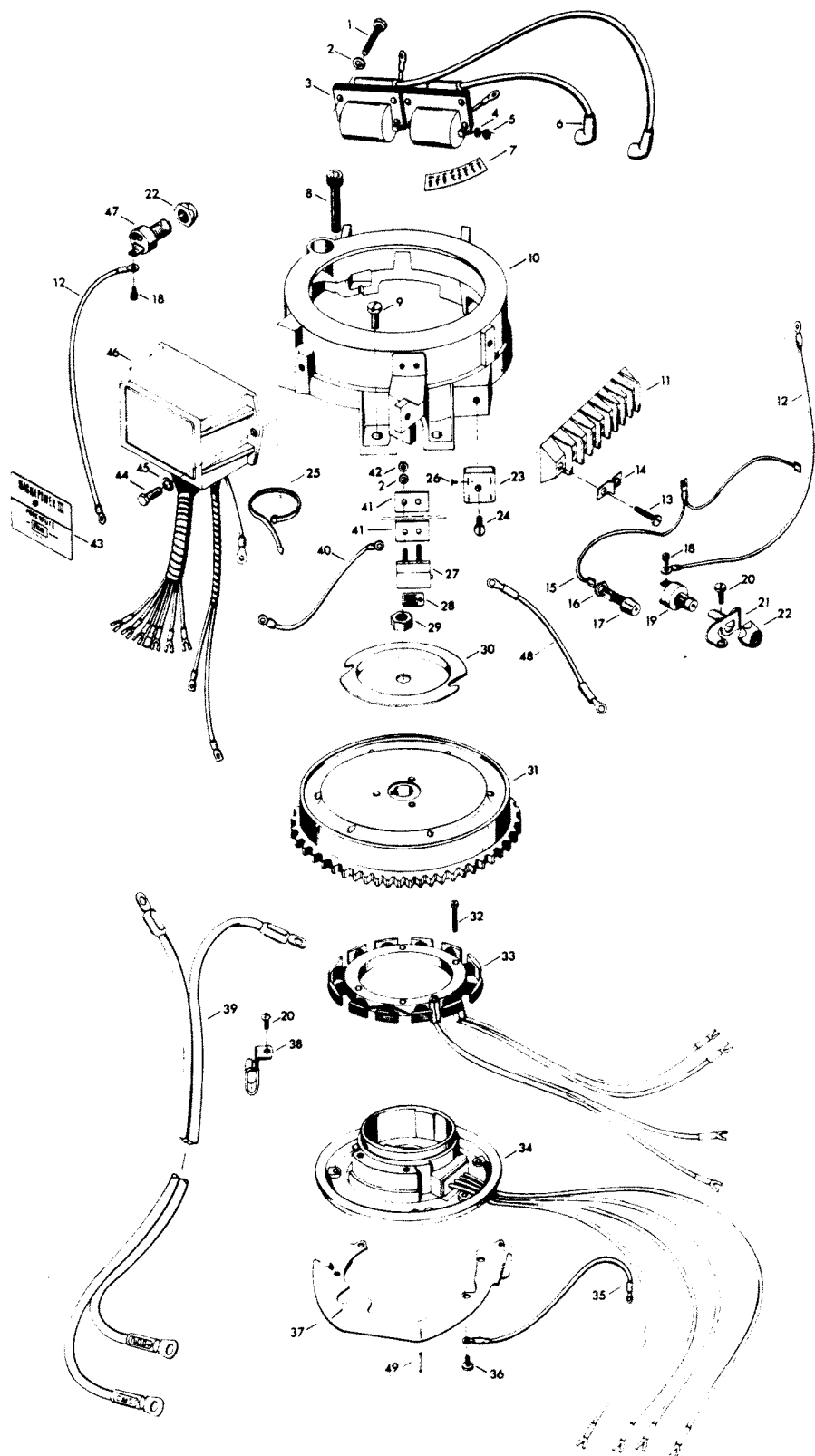


ELECTRICAL COMPONENTS (C-D ALTERNATOR MODELS)

REF. NO.	PART NO.	SYM.	QTY.	DESCRIPTION
1	F1829		8	FILL HD M. SCREW, 10 - 24 X 7/8
2	F1975		12	SPRING LOCKWASHER
3	F510475		2	IGNITION COIL
4	F1704		2	INTERNAL TOOTH LOCKWASHER
5	F1337		2	HEX NUT, 6 - 32
6	FK750-2		2	SPARKIE W/SPRING
7	F510398		1	DECAL, WIRING
-	FC510398		1	DECAL, WIRING - CANADA
8	F1646		2	HEX SOCKET HD CAP SCREW, 3/8 - 16 X 2 1/4
9	F1577		4	FILL HD SCREW, 1/4 - 20 X 3/4
10	F510675-1		1	STARTER SUPPORT
11	FA510497		1	TERMINAL BLOCK
12	F510841		2	WIRE, STARTER INTERLOCK SWITCH
13	F1648		2	PAN HD SCREW, 10 - 24 X 3/4
14	F307317		1	CLIP, TERMINAL BLOCK GROUND
15	F510908		1	WIRE, GROUND
16	F510288		1	NUT, SHORTING SWITCH
17	F436449		1	SHORTING SWITCH
18	F1556		4	FILL HD M. SCREW W/SPRING LOCKWASHER, 10 - 24 X 3/8
19	F510918		1	STARTER SWITCH
20	F1802		3	FILL HD SCREW, 1/4 - 20 X 9/16
21	F510540		1	BRACKET, STARTER SWITCH
22	F510669		2	NUT, INTERLOCK SWITCH AND STARTER SWITCH
23	F510450-1		1	RECTIFIER
24	F1303		1	PAN HD SCREW, 8 - 32 X 3/4
25	F1845		5	TY-RAP
26	F1645		4	ROUND HD SCREW, 6 - 32 X 1/4
27	F510460		1	CIRCUIT BREAKER
28	F510374		1	DECAL, CIRCUIT BREAKER
-	FC510374		1	DECAL, CIRCUIT BREAKER - CANADA
29	F1809		1	HEX NUT
30	F901456-1		1	EMERGENCY STARTER COLLAR
31	F510097		1	FLYWHEEL
32	F1678		4	FILL HD SCREW, 10 - 24 X 13/16
33	F510095		1	STATOR, ALTERNATOR
34	F510029		1	STATOR, TRIGGER
35	F404908		1	GROUND WIRE
36	F1075		4	FILL HD SCREW, 10 - 24 X 1/2
37	F286192		1	THROTTLE CAM
38	F510446		1	CLAMP, BATTERY CABLE
39	F510896		1	BATTERY CABLE
40	F493683		1	WIRE
41	F510595		2	INSULATOR, CIRCUIT BREAKER

CONTINUED ON NEXT PAGE ➡

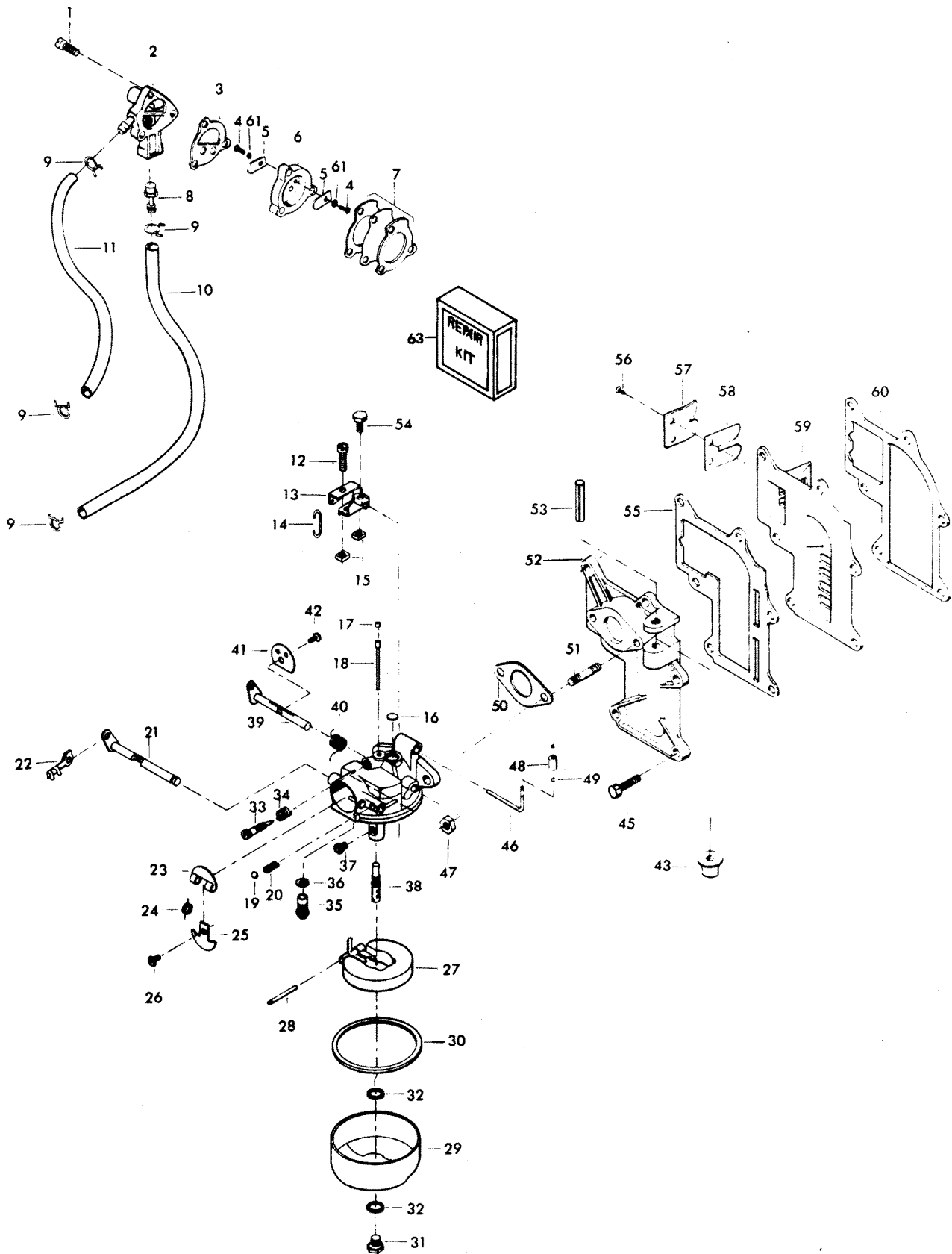
ELECTRICAL COMPONENTS (C-D ALTERNATOR MODELS)



ELECTRICAL COMPONENTS (C-D ALTERNATOR MODELS)

REF. NO.	PART NO.	SYM.	QTY.	DESCRIPTION
42	F1513		2	HEX NUT, 10 - 32
43	510373		1	DECAL, MAGNAPOWER III
44	F1999		2	HEX CAP SCREW, 1/4 - 20 X 7/8
45	F8083		1	SPRING LOCKWASHER
46	F510301		1	C-D MODULE
47	F510449		1	NEUTRAL INTERLOCK SWITCH
48	F510683		1	WIRE, RECTIFIER-CIRCUIT BREAKER
49	F458498		1	KEY, FLYWHEEL

FUEL SYSTEM

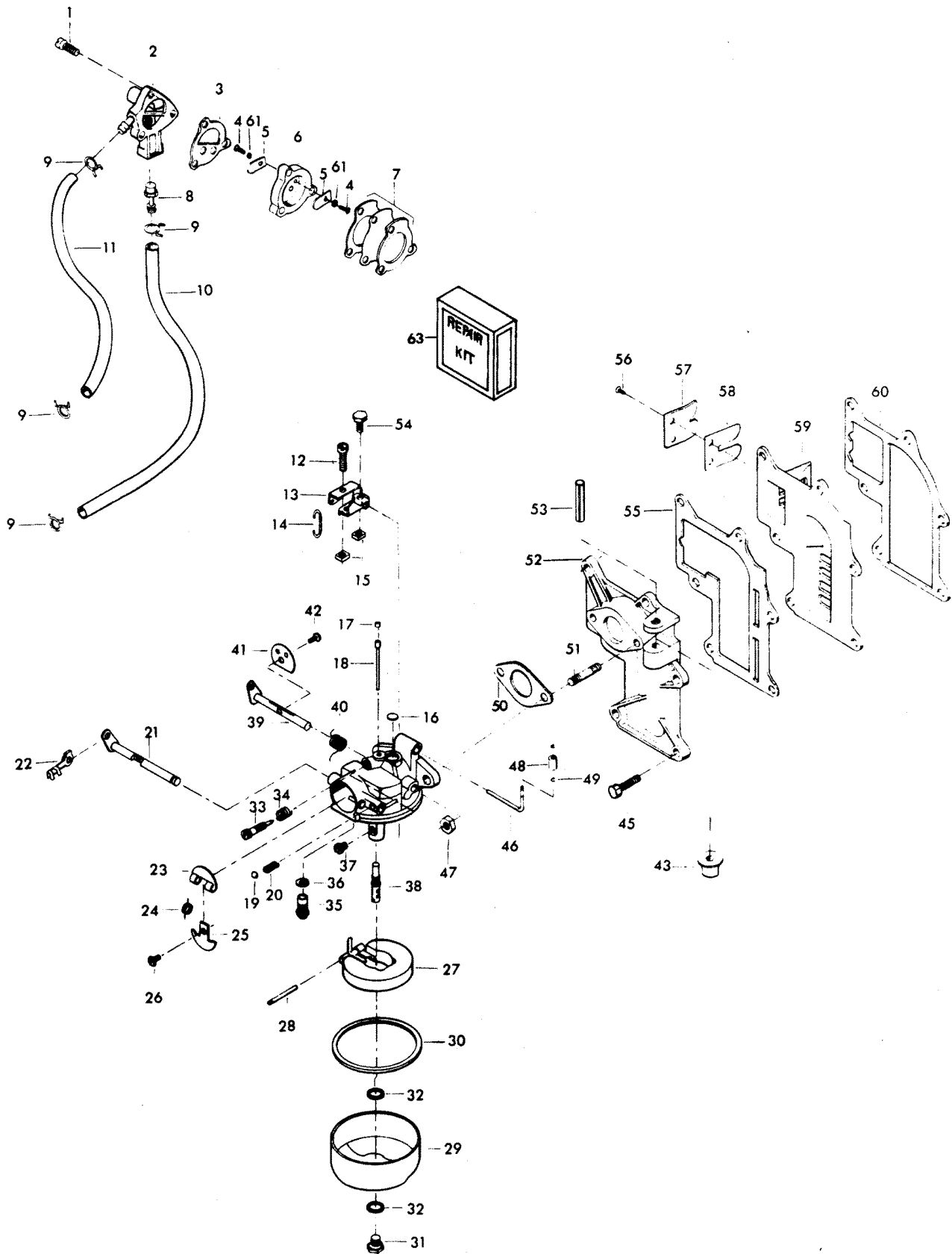


FUEL SYSTEM

REF. NO.	PART NO.	SYM.	QTY.	DESCRIPTION
1	F1069		3	FILL HD SCREW, 10 - 24 X 1-1/16
2	F901746-2		1	FUEL PUMP COVER
3	F24748-2		1	GASKET, FUEL PUMP
4	F1286		2	PAN HD SCREW, 4 - 40 X 3/16
5	F18160-1		2	REED FUEL PUMP
6	FA24757-3		1	FUEL PUMP REED PLATE W/REEDS AND SCREWS
7	27-818043A1		1	FUEL PUMP DIAPHRAGM W/GASKETS
8	F901811		1	FUEL PUMP FILTER
9	F2706772		4	HOSE CLAMP
10	F40253-1		1	FUEL LINE
11	FA24754-1		1	FUEL LINE W/CLAMPS
12	F1834		1	FILL HD SCREW, 10 - 24 X 7/8
13	817754A1		1	ARM, CARBURETOR FOLLOWER
14	F66193		2	THROTTLE LINK
15	F1365		2	SQUARE NUT, 10 - 24
16	FO2531		1	BODY CHANNEL WELCH PLUG
17	FO10588		1	BODY CHANNEL CUP PLUG
18	FO15522		1	BYPASS TUBE
19	FO4784		1	CHOKE FRICTION BALL
20	FO8805		1	CHOKE FRICTION SPRING
21	FO15736		1	CHOKE SHAFT AND LEVER
22	F341384		1	RETAINER, CHOKE ROD
23	FO15368		1	CHOKE RELIEF VALVE
24	FO15783		1	CHOKE RELIEF VALVE SPRING
25	FO15367		1	CHOKE SHUTTER
26	FO10280		1	CHOKE SHUTTER RETAINER SCREW AND LOCKWASHER
27	FO13554		1	FLOAT
28	FO13944		1	FLOAT LEVER PIN
29	FO15366		1	FUEL BOWL
30	FO15623		1	FUEL BOWL GASKET
31	FO13945		1	FUEL BOWL RETAINING SCREW
32	FO2510		2	FUEL BOWL RETAINING SCREW GASKET
33	FO15520		1	IDLE MIXTURE SCREW
34	FO11103		1	IDLE MIXTURE SCREW SPRING
35	FO10790		1	INLET NEEDLE, SEAT AND GASKET
36	FO10165		1	INLET SEAT GASKET
37	FO11722		1	MAIN FUEL JET, STD. .055 SEA LEVEL - 3000 FT.
-	FO11765		-	MAIN FUEL JET, OPT. .053 SEA LEVEL - 3000 - 6000 FT.
-	FO11764		-	MAIN FUEL JET, OPT. .051 SEA LEVEL - 6000 FT. AND UP
38	FO15525		1	MAIN NOZZLE
39	FO15757		1	THROTTLE SHAFT AND LEVER
40	FO15526		1	THROTTLE SHAFT RETURN SPRING
41	FO16878		1	THROTTLE SHUTTER

CONTINUED ON NEXT PAGE ➡

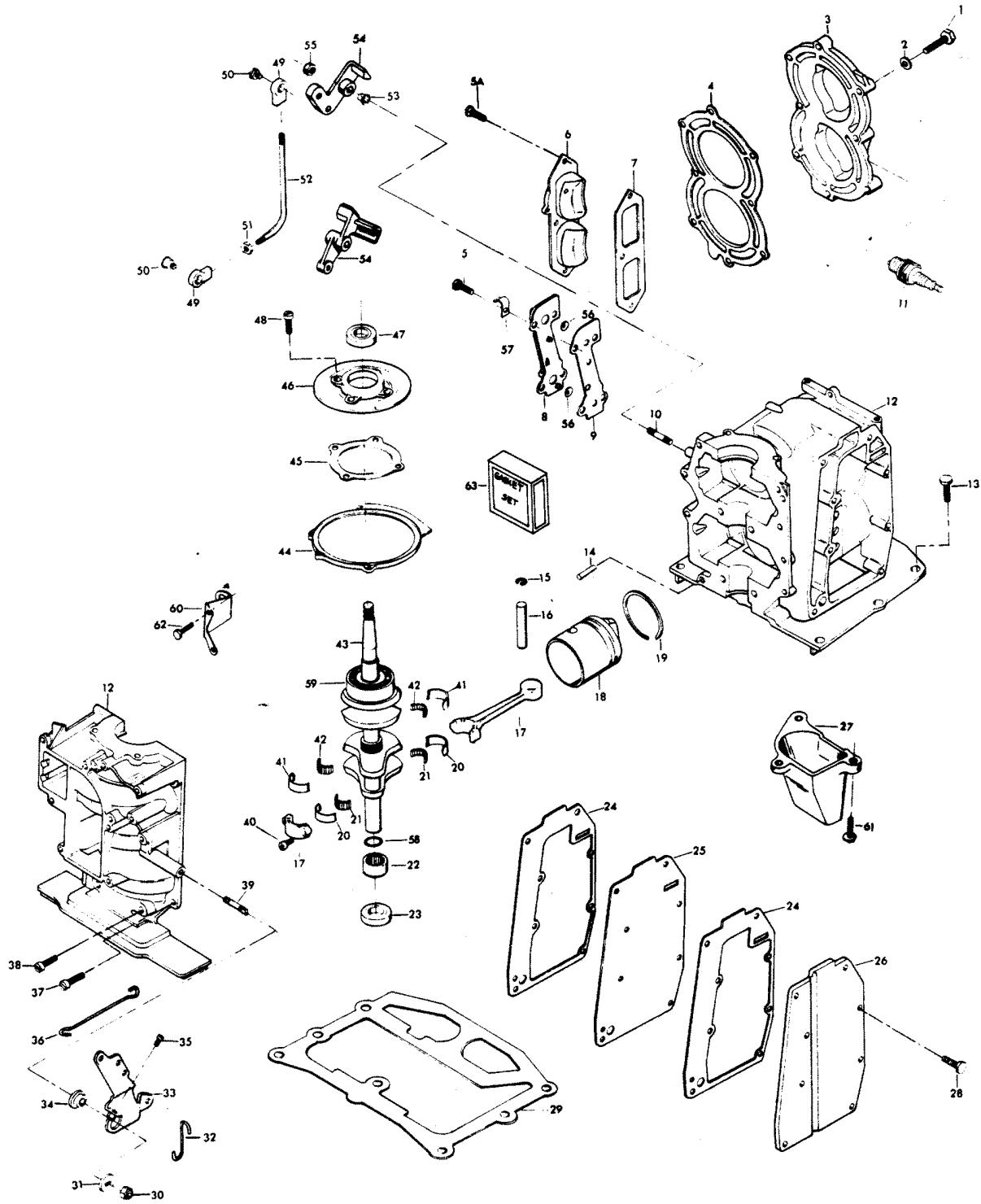
FUEL SYSTEM



FUEL SYSTEM

REF. NO.	PART NO.	SYM.	QTY.	DESCRIPTION
42	FO10280		1	THROTTLE SHUTTER RETAINING SCREW AND LOCKWASHER
43	F487435		1	PULLEY, STARTER ROPE
45	F1914		6	HEX HD SCREW, 1/4 - 20 X 3/4
46	F286316		1	THROTTLE CAM FOLLOWER
47	F1490		2	HEX NUT, 1/4 - 20
48	F78318		1	ROLLER, THROTTLE CAM FOLLOWER
49	F78410		2	RETAINER
50	F18906		1	CARBURETOR GASKET
51	F2788004		2	STUD, CARBURETOR
52	F2A424167		1	MANIFOLD W/STUDS AND PULLEY
53	F1876		1	SPRING PIN
54	F1912		1	HEX HD SCREW, 10 - 24 X 1/2
55	F424168-1		1	GASKET, MANIFOLD
56	F1755		8	HD SCREW W/LOCKWASHER, 6 - 32 X 5/16
57	F424161		4	REED STOP
58	F31160-1		4	REED
59	FA424158		1	REED PLATE W/REEDS, STOPS AND SCREWS
60	F286159-1		1	GASKET, REED PLATE
61	F8003		2	PLAIN WASHER
62	F472061-1		1	CARBURETOR COMPLETE (CO10B)
-	F10006		1	GASKET SET, CARBURETOR
63	F10007		1	REPAIR PARTS KIT INCLUDES ALL ITEMS MARKED WITH AN ASTERISK (*)

POWER HEAD

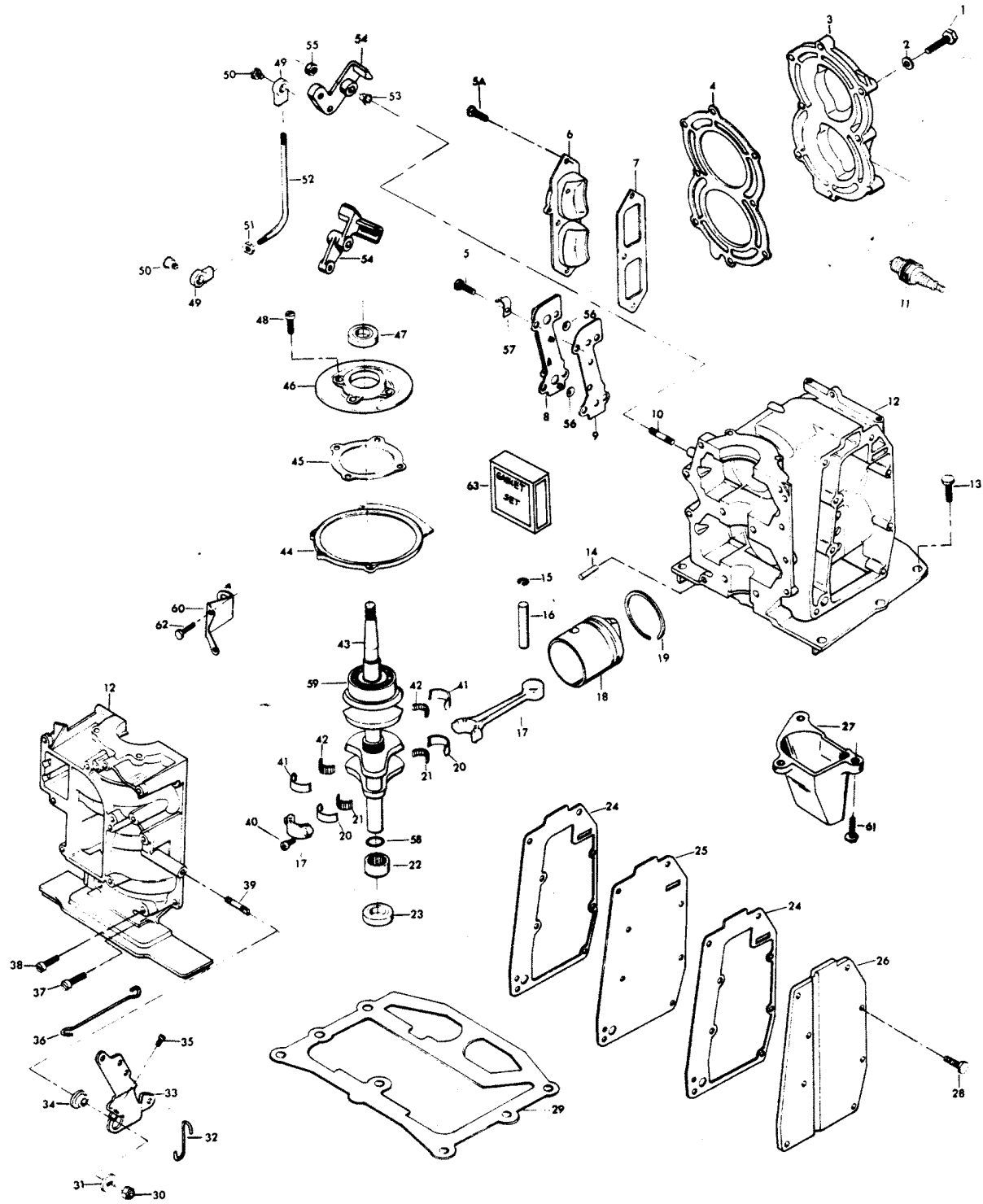


POWER HEAD

REF. NO.	PART NO.	SYM.	QTY.	DESCRIPTION
1	F901938-1		8	SCREW, CYLINDER HEAD
2	F8025		8	PLAIN WASHER
3	F286518		1	HEAD, CYLINDER
4	F286529-3		1	GASKET, CYLINDER HEAD
5	F1922		4	HEX HD SCREW, 1/4 - 20 X 5/8
5A	F1502		3	HEX CAP SCREW, 1/4 - 20 X 5/8 12 H.P. MANUAL START
-	F510165		3	SCREW, TRANSFER PORT COVER 12 H.P. C-D ALTERNATOR
-	F1859		1	HEX SOCKET HEADLESS SET SCREW, 1/4 - 28 X 3/16 (TRANSFER PORT COVER)
6	F286222		1	COVER, TRANSFER PORT 12 H.P. MANUAL START
-	F510222		1	TRANSFER PORT COVER 12 H.P. C-D ALTERNATOR
7	F286223		1	GASKET, TRANSFER PORT COVER
8	FA429471		1	COVER, CYLINDER DRAIN W/CHECK VALVES AND SCREWS
9	F429472		1	GASKET, CYLINDER DRAIN COVER
10	F28004		1	STUD, INTERLOCK LEVER
11	FS174227		2	PLUG, SPARK, L-4-J
-	FC235227		2	PLUG, SPARK CHAMPION (RL-4-J), FOR MODELS 122B9E AND 123B9E
-	FC503227		2	PLUG, SPARK CHAMPION (QL-77-J4), FOR MODELS 128B9A & 129B9A
12	FA473010		1	CYLINDER W/CRANKCASE COVER, DOWEL PINS, SCREWS AND STUDS 12 H.P. MANUAL START
-	800-819091A1		1	SHORT BLOCK (NOT SHOWN). INCLUDES ALL ITEMS MARKED WITH AN ASTERISK (*) ORIGINAL FORCE P/N C472010-1
-	FA520010		1	CYLINDER W/CRANKCASE COVER, DOWEL PINS, SCREWS AND STUDS - 12 H.P. C-D ALTERNATOR
-	800-817907A2		1	SHORT BLOCK (NOT SHOWN). INCLUDES ALL ITEMS MARKED WITH AN ASTERISK (*) ORIGINAL FORCE P/N C520010-1
13	F1823		6	HEX CAP SCREW, 5/16 - 18 X 1
14	F8559		2	DOWEL PIN
15	F31410		4	RETAINING RING, PISTON PIN
16	F174017		2	PIN, PISTON
17	FS36016-5		2	ROD, CONNECTING W/CAP AND SCREWS
18	F472015-2		2	PISTONS
19	FA472260		2	PISTON RING SET (2 PER SET)
20	FA525241		2	CRANK PIN ROLLER BEARING CAGE (2 PER SET)
21	FA525228		2	ROLLER SET, CONNECTING ROD (26 PER SET)
22	F343014		1	BEARING, CRANKSHAFT LOWER MAIN
23	F141118		1	SEAL, CRANKSHAFT LOWER
24	F286154		2	GASKET, EXHAUST COVER
25	F286151		1	PLATE, EXHAUST
26	F286152		1	COVER, EXHAUST
27	F487660-1		1	EXHAUST TUBE

CONTINUED ON NEXT PAGE ➡

POWER HEAD

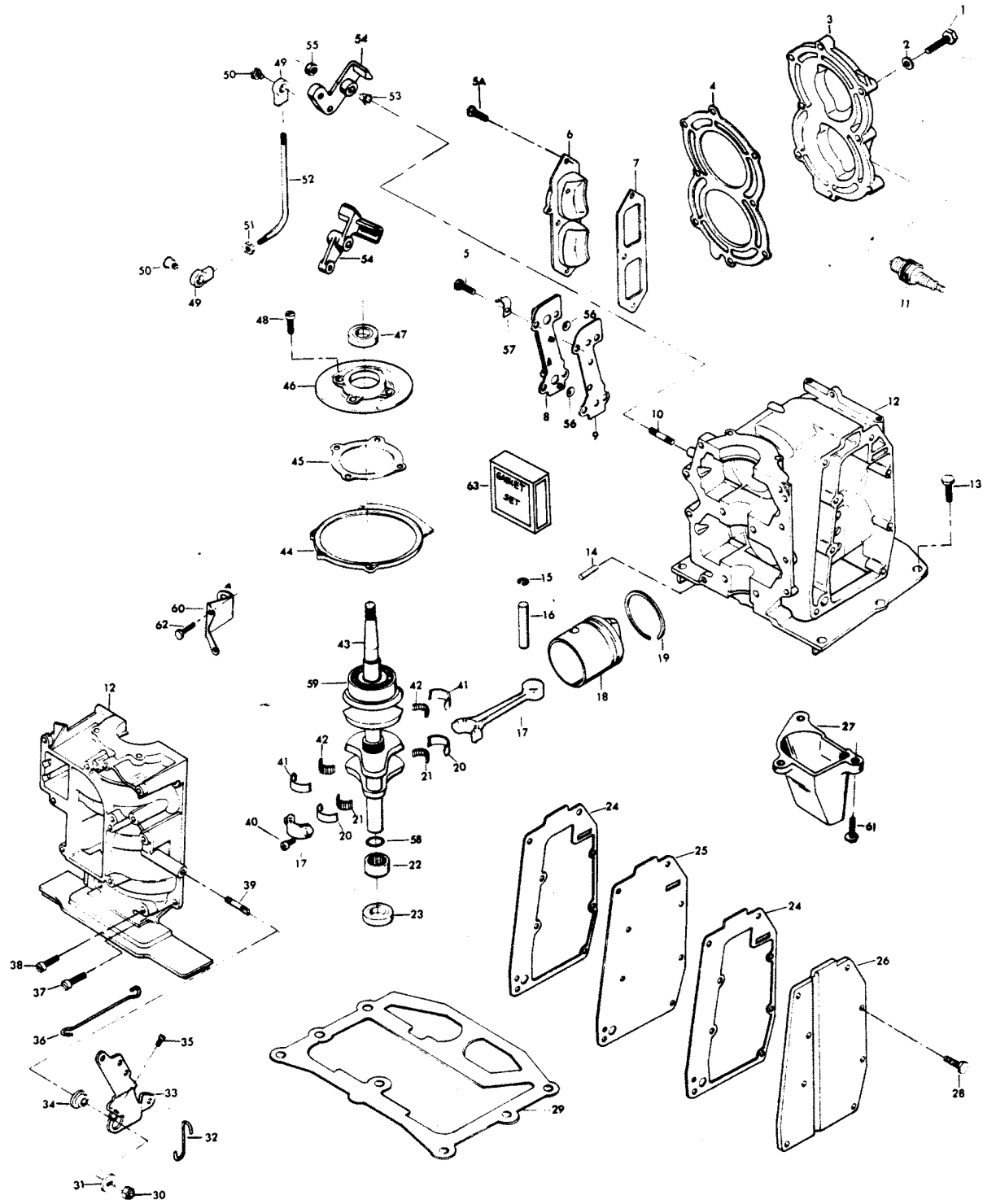


POWER HEAD

REF. NO.	PART NO.	SYM.	QTY.	DESCRIPTION
28	F2008		8	HEX HD SCREW, 1/4 - 20 X 7/8
29	F286279-2		1	GASKET, CYLINDER MOUNTING
30	F1803		1	STOP NUT, 5/16 - 24
31	F286282		1	WASHER
32	F286445		1	LINK, MAGNETO SHAFT
33	817971A3		1	LEVER, MAGNETO CONTROL
34	F183813		1	BEARING, MAGNETO CONTROL LEVER
35	F1504		1	FILL HD SCREW, 1/4 - 20 X 1 1/4
36	F286509		1	LINK, THROTTLE CAM
37	F1107		8	FILL HD SCREW, 1/4 - 20 X 3/4
38	F1335		4	FILL HD SCREW, 5/16 - 18 X 1 1/4
39	F286440		1	STUD, MAGNETO CONTROL LEVER
40	F36634		4	SCREW, CONNECTING ROD
41	FA286155		1	MAIN BEARING LINER SET (2 PER SET)
42	F286571		1	ROLLER SET, MAIN BEARING (26 PER SET)
43	FA472018		1	CRANKSHAFT W/UPPER MAIN BEARING
44	F73082		1	RING, MAGNETO STATOR
45	F286277		1	GASKET, CRANKSHAFT BEARING CAGE
46	1100-817753A1		1	CAGE, CRANKSHAFT BEARING W/SEAL
47	F346146		1	SEAL, CRANKSHAFT UPPER
48	F1111		4	FILL HD SCREW, 1/4 - 20 X 7/8
49	F84035-2		2	BEARING, INTERLOCK ROD
50	F84026		2	SWIVEL, INTERLOCK ROD BEARING
51	F1339		1	HEX NUT, 10 - 24
52	F492531		1	INTERLOCK ROD 12 H.P. MANUAL START
-	F510531		1	INTERLOCK ROD 12 H.P. C-D ALTERNATOR
53	F197813		1	BEARING, INTERLOCK LEVER
54	F492977		1	INTERLOCK LEVER 12 H.P. MANUAL START
-	F510977-1		1	INTERLOCK LEVER 12 H.P. C-D ALTERNATOR
55	F7008		1	STOP NUT, 1/4 - 20
56	F286772-1		1	HOSE CLAMP
57	F429811		2	SCREEN
58	F461342		1	SEAL, DRIVESHAFT SPLINE
59	F286028		1	BEARING, CRANKSHAFT UPPER MAIN
60	F510551		1	BRACKET, INTERLOCK SWITCH 12 H.P. C-D ALTERNATOR
61	F2040		3	HEX WASHER HD M. SCREW, 1/4 - 20 X 5/8
62	F2008		2	HEX HD SCREW, 1/4 - 20 X 7/8 12 H.P. C-D ALTERNATOR
63	FG1005-1		1	GASKET SET INCLUDES ITEMS LISTED BELOW
-	F18906		1	GASKET, CARBURETOR
-	F286154		2	GASKET, EXHAUST
-	F286159-1		1	GASKET, REED PLATE
-	F286223		1	GASKET, TRANSFER PORT
-	F286277		1	GASKET CRANKSHAFT

CONTINUED ON NEXT PAGE ➡

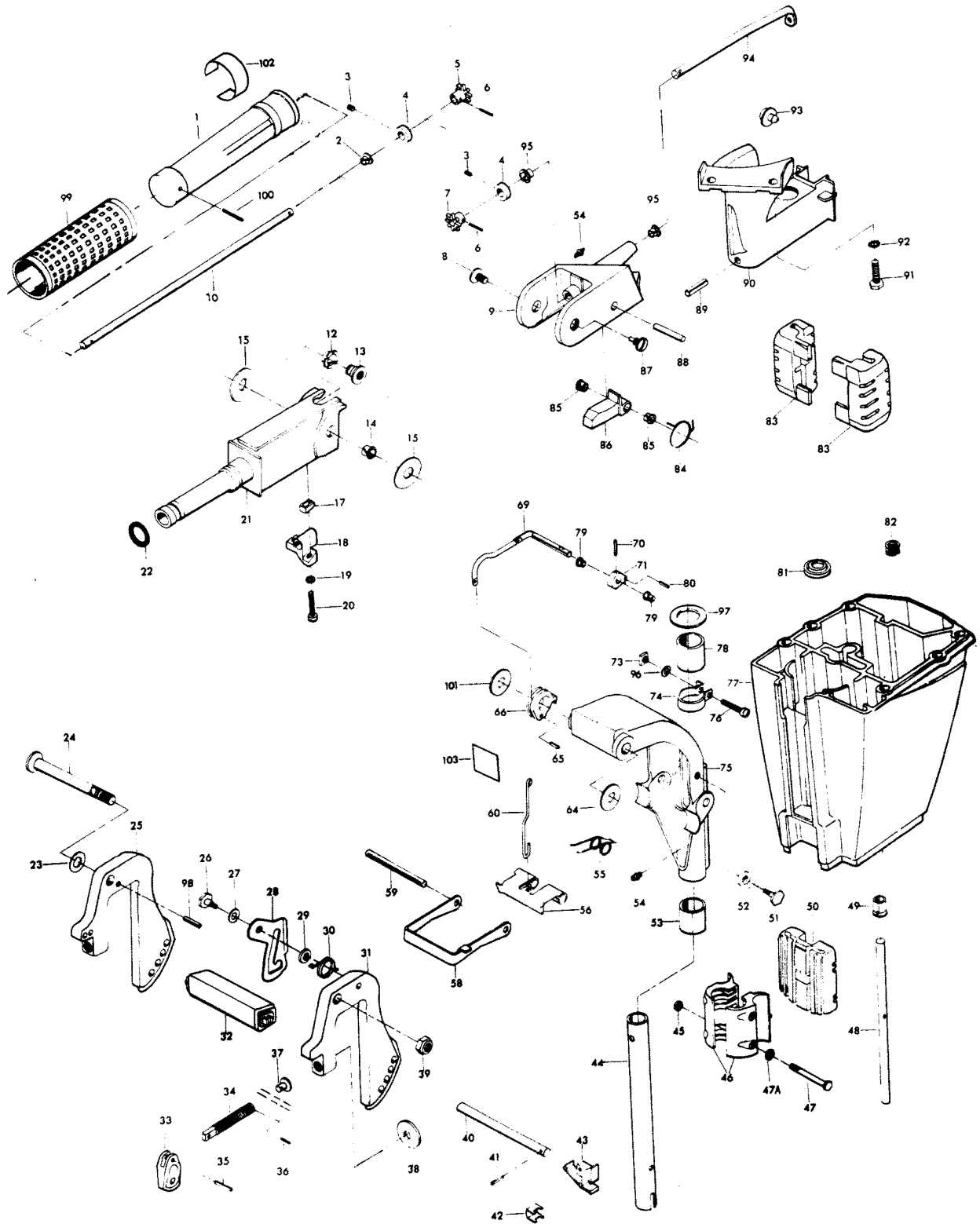
POWER HEAD



POWER HEAD

REF. NO.	PART NO.	SYM.	QTY.	DESCRIPTION
-	F286279-2		1	GASKET CYLINDER MOUNTING
-	F286529-3		1	GASKET, CYLINDER HEAD
-	F424168-1		1	GASKET, MANIFOLD
-	F429472		1	GASKET CYLINDER DRAIN COVER

MOTOR LEG

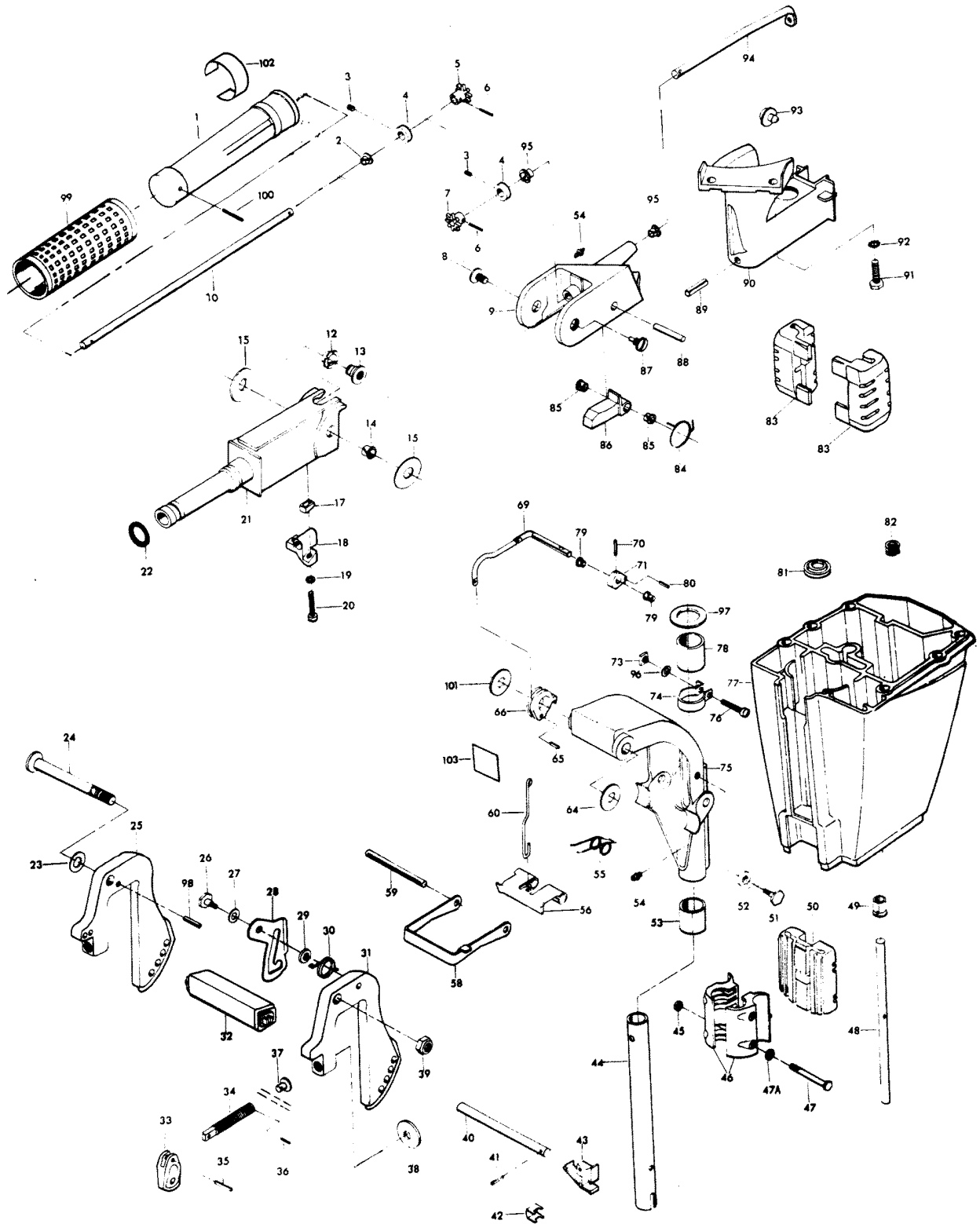


MOTOR LEG

REF. NO.	PART NO.	SYM.	QTY.	DESCRIPTION
1	FA456137		1	GRIP, STEERING HANDLE W/SLEEVE
2	F85610		1	BEARING
3	F1859		2	HEX SOCKET HEADLESS SET SCREW
4	FA343178		2	RETAINER W/SET SCREW
5	43-818009--1		1	GEAR, STEERING HANDLE SHAFT
6	F1978		2	SPRING PIN
7	43-818009--1		1	GEAR, MAGNETO CONTROL SHAFT
8	F1799		1	TRUSS HD SCREW, 5/16 - 18 X 5/8
9	817751A3		1	STEERING HANDLE BRACKET W/GREASE FITTING
10	F429688		1	SHAFT, STEERING HANDLE
12	F286818		1	BEARING
13	F286224		1	INSERT, STEERING HANDLE PIVOT
14	F197813		1	BEARING
15	F286220		2	WASHER, STEERING HANDLE
17	F341693		1	WEDGE, STEERING HANDLE
18	F487816		1	BEARING, STEERING HANDLE
19	F8058		2	INT TOOTH LOCKWASHER
20	F1829		1	FILL HD SCREW, 10 - 24 X 7/8
21	F286079-1		1	STEERING HANDLE
22	F53795-1		1	SEAL, STEERING HANDLE GRIP DAMPENER (LARGE)
23	F8039		1	PLAIN WASHER
24	F286037		1	STERN BRACKET PIVOT BOLT
25	FS567532		1	STERN BRACKET STARBOARD W/CLAMP SCREW AND FOOT
26	F286422-1		1	TILT LOCK PIVOT
27	F1666		1	BOWED SPRING WASHER
28	F429541		1	TILT LOCK
29	F286451		1	SPACER, TILT LOCK
30	F286544-1		1	SPRING, TILT STOP
31	FS567532		1	STERN BRACKET PORT W/CLAMP SCREW AND FOOT
32	F286647		1	CARRYING HANDLE
33	F424075		2	HANDLE, CLAMP SCREW
34	817761A2		2	CLAMP SCREW W/FOOT AND STUD
35	F8554		2	SPRING PIN
36	F8537		2	SPRING PIN
37	F66480		2	STUD CLAMP SCREW
38	F24074		2	CLAMP SCREW FOOT
39	F7005		1	STOP NUT, 3/8 - 16
40	FA286113		1	LOCK BAR W/HANDLE AND SPRING
41	F8540		1	SPRING PIN
42	F286461		1	SPRING, LOCK BAR HANDLE
43	F286114		1	LOCK BAR HANDLE
44	F286019		1	KING PIN
45	F1341		2	HEX NUT, 1/4 - 20

CONTINUED ON NEXT PAGE ➡

MOTOR LEG

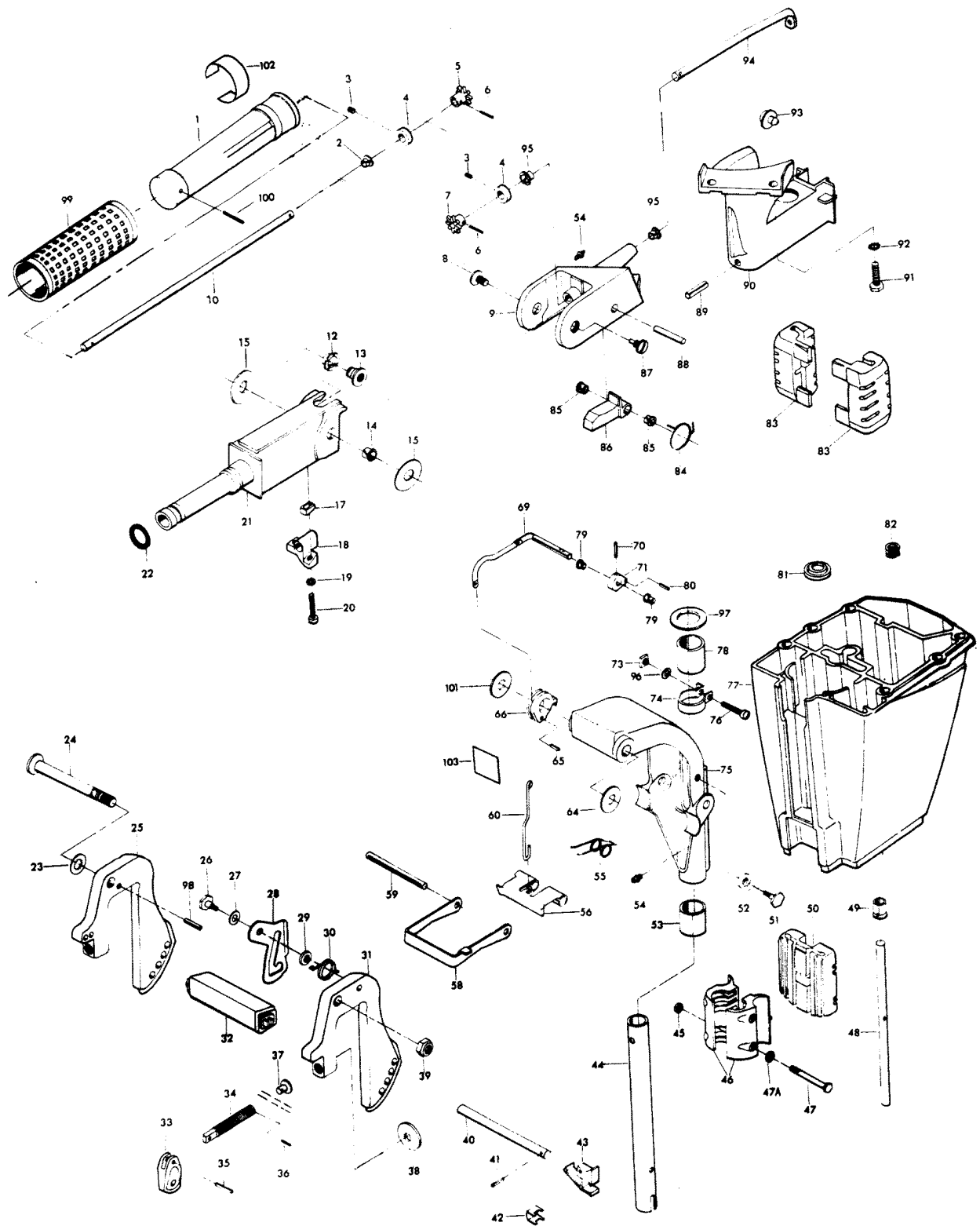


MOTOR LEG

REF. NO.	PART NO.	SYM.	QTY.	DESCRIPTION
46	F286956		2	BRACKET, SHOCK MOUNT LOWER
47	FA1844		2	HEX BOLT, 1/4 - 20 X 2 3/8
47A	F8083		2	SPRING LOCKWASHER
48	F286244		1	WATER LINE
49	F286914		1	SLEEVE WATER LINE
50	F286346		1	SHOCK MOUNT LOWER
51	F286422-1		1	TILT LOCK PIVOT
52	F286451		1	SPACER, TILT LOCK
53	F286169		1	BEARING, SWIVEL BRACKET
54	F213274		3	GREASE FITTING
55	F286300		1	SPRING, REVERSE LOCK
56	F286349		1	REVERSE LOCK
58	F286433		1	BRACKET SHALLOW WATER DRIVE
59	F1806		1	GROOVE PIN
60	FA341510		1	LINK, REVERSE LOCK LEVER
64	F286286-1		1	WASHER, STERN BRACKET
65	F1794		1	SPRING PIN
66	F286827		1	REVERSE LOCK RELEASE LEVER
69	FA387742		1	LEVER, REVERSE LOCK INTERMEDIATE
70	F8538		1	SPRING PIN
71	F286364		1	LEVER, REVERSE LOCK
73	F1608		1	SQUARE NUT, 1/4 - 20
74	F286573-1		1	CLAMP, STEERING FRICTION
75	1400-817750A4		1	SWIVEL BRACKET W/GREASE FITTING
76	F1820		1	FILL HD SCREW, 1/4 - 20 X 1 3/8
77	F2A477133		1	MOTOR LEG W/ITEMS 48, 49 & 81
78	F286169		1	BEARING, SWIVEL BRACKET
79	F197813		2	BEARING
80	F1794		1	SPRING PIN
81	F901307-2		1	SEAL, DRIVESHAFT
82	F286414		1	SPRING, LEG WATER BRACKET
83	F286347		2	SHOCK MOUNT UPPER
84	F286868		1	SPRING, STEERING HANDLE STOP
85	F197813		2	BEARING, STEERING HANDLE STOP
86	F286490		1	STEERING HANDLE STOP
87	F286080		1	SCREW, STEERING HANDLE PIVOT
88	F1807		1	GROOVE PIN
89	F1805		1	SPRING PIN
90	FA286582		1	STEERING ARM W/SPRING PIN & BUMPER
91	F1502		2	HEX CAP SCREW, 1/4 - 20 X 5/8
92	F8060		2	TOOTH LOCKWASHER
93	F286539		1	BUMPER
94	F431838		1	MAGNETO CONTROL SHAFT

CONTINUED ON NEXT PAGE ➡

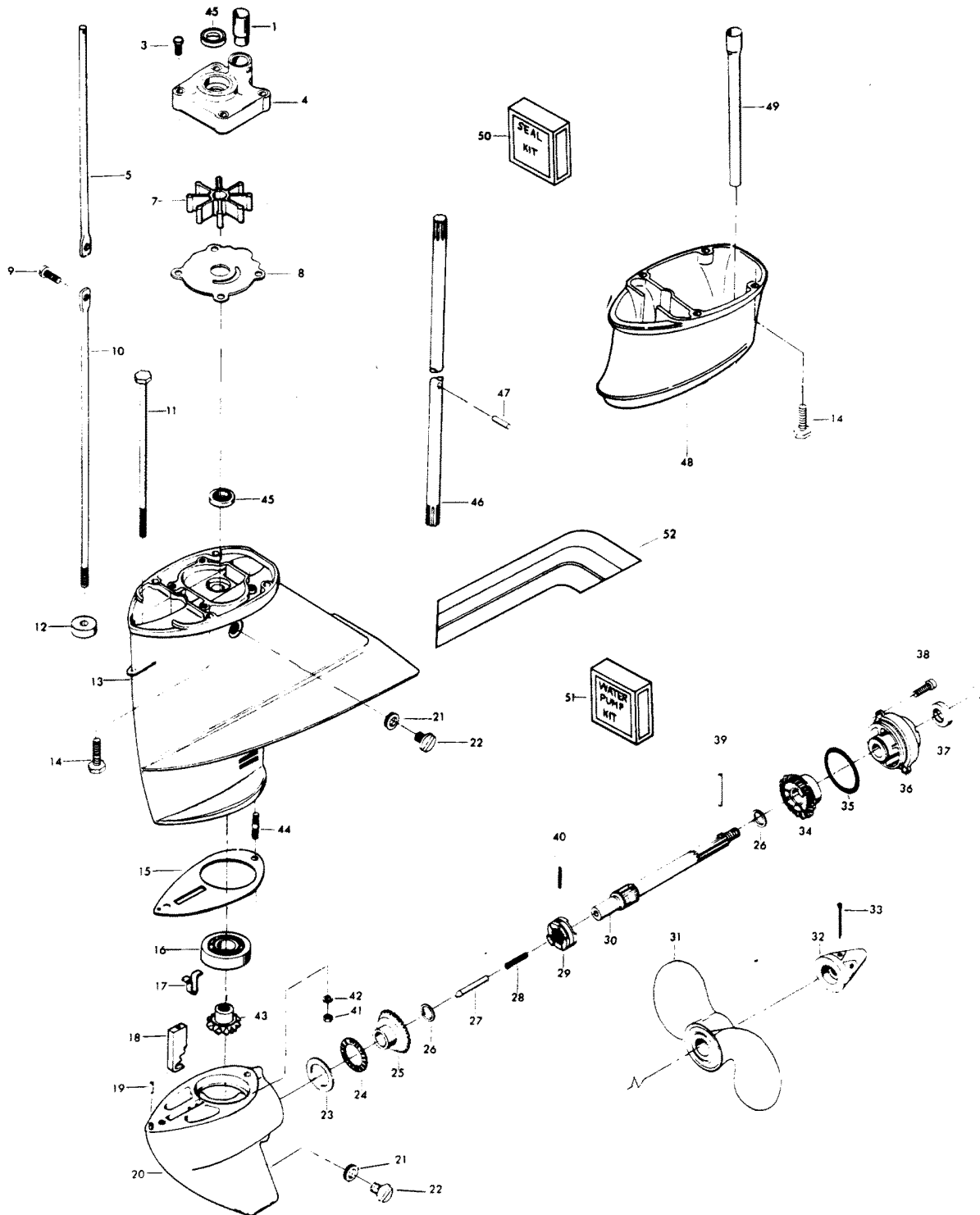
MOTOR LEG



MOTOR LEG

REF. NO.	PART NO.	SYM.	QTY.	DESCRIPTION
95	F307818		2	BEARING
96	F1907		1	WASHER
97	F286011		1	WASHER, SWIVEL BRACKET
98	F8538		1	SPRING PIN
99	F458695		1	SLEEVE
100	F8548		1	SPRING PIN
101	F525286		1	WASHER
102	F286894-3		1	STEERING HANDLE INDICATOR
-	37-F286894-3		1	STEERING HANDLE INDICATOR - CANADA
103	F286585-1		1	DECAL, TILT RELEASE
-	37-F286585-2		1	DECAL, TILT RELEASE - CANADA

GEAR HOUSING

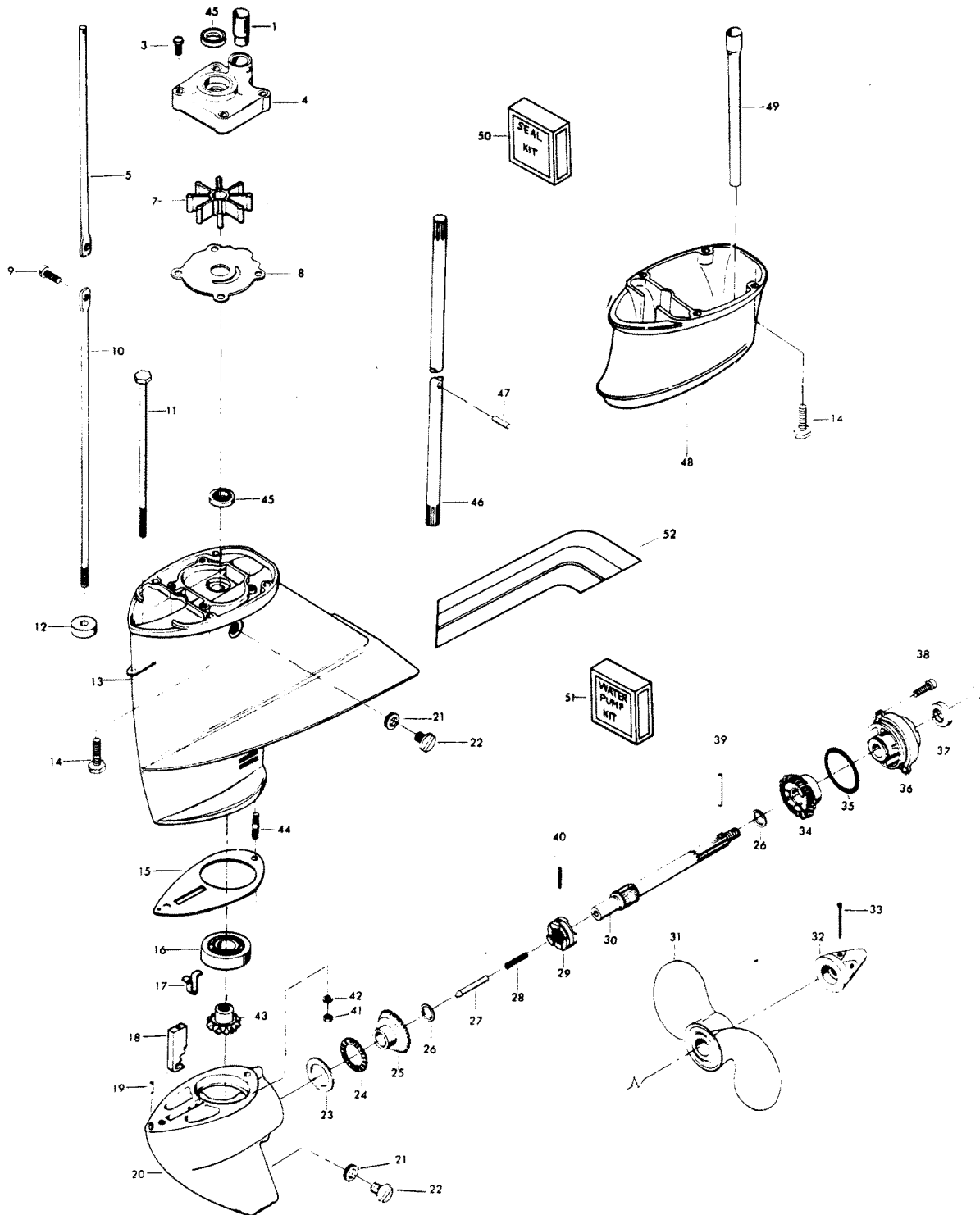


GEAR HOUSING

REF. NO.	PART NO.	SYM.	QTY.	DESCRIPTION
1	FA510914		1	SEAL, INLET WATER LINE
3	F2030		4	HEX HD SCREW, 1/4 - 20 X 1 1/4
4	FA510060		1	WATER PUMP BODY W/DRIVESHAFT SEAL
5	F286615		1	GEAR SHIFT ROD UPPER
7	F436065		1	WATER PUMP IMPELLER
8	F341562		1	WATER PUMP BACK PLATE
9	F1976		1	SOCKET HD SCREW W/LOCKWASHER, 10 - 24 X 1/2
10	F286705		1	GEAR SHIFT ROD LOWER, FOR STANDARD SHAFT MODELS
-	F330705		1	GEAR SHIFT ROD LOWER, FOR LONG SHAFT MODELS
11	F1800		1	HEX BOLT, 1/4 - 20 X 7
12	F338618-1		1	SEAL, GEAR SHIFT ROD LOWER
13	1600-824916A1		1	GEAR HOUSING UPPER W/BEARING AND ITEMS 12, 21, 22, 44 AND 45 ORIGINAL FORCE P/N A456554-1
14	F430732		8	HEX HD SCREW, 1/4 - 20 X 1
15	F286555		1	GASKET, GEAR HOUSING
16	F127910-2		1	BALL BEARING
17	F286895		1	SPRING, CAM DETENT
18	F286721		1	CLUTCH, SHIFT CAM
19	F8553		1	SPRING PIN
20	FA286054		1	GEAR HOUSING LOWER W/BEARING, PLUG AND SPRING PIN
-	FC456054		1	LOWER GEAR HOUSING COMPLETE (NOT SHOWN) INCLUDES ALL ITEMS MARKED WITH AN ASTERISK (*)
21	F8077		2	NYLTITE WASHER
22	F50109		2	GEAR HOUSING PLUG
23	F286903		1	RACE, PROPELLER SHAFT BEARING
24	F286901		1	BEARING, RADIAL, PROPELLER SHAFT
25	FA456023		1	BEVEL GEAR FRONT W/BEARING
26	F456717		2	THRUST WASHER
27	F286728		1	CLUTCH SHIFT PIN
28	F409719		1	CLUTCH SPRING
29	FA456521		1	CLUTCH
30	F456098		1	PROPELLER SHAFT
31	FP408		1	PROPELLER (ACCESSORY ITEM)
32	11-817752A1		1	PROPELLER NUT W/COTTER PIN
33	F1846		1	COTTER PIN
34	FA456662		1	BEVEL GEAR REAR W/BEARING
35	F455305		1	SEAL, PROP SHAFT BEARING CAGE
36	31-817756A2		1	PROPELLER SHAFT BEARING CAGE W/BEARING AND ITEMS 35 AND 37 ORIGINAL FORCE P/N A286298-1
37	F346118		1	SEAL, PROPELLER SHAFT
38	F1802		2	FILL HD SCREW, 1/4 - 20 X 9/16
39	FA324101		1	PROPELLER PIN, PACK OF 3
40	F8564		1	SPRING PIN
41	F1490		1	HEX NUT, 1/4 - 20

CONTINUED ON NEXT PAGE ➡

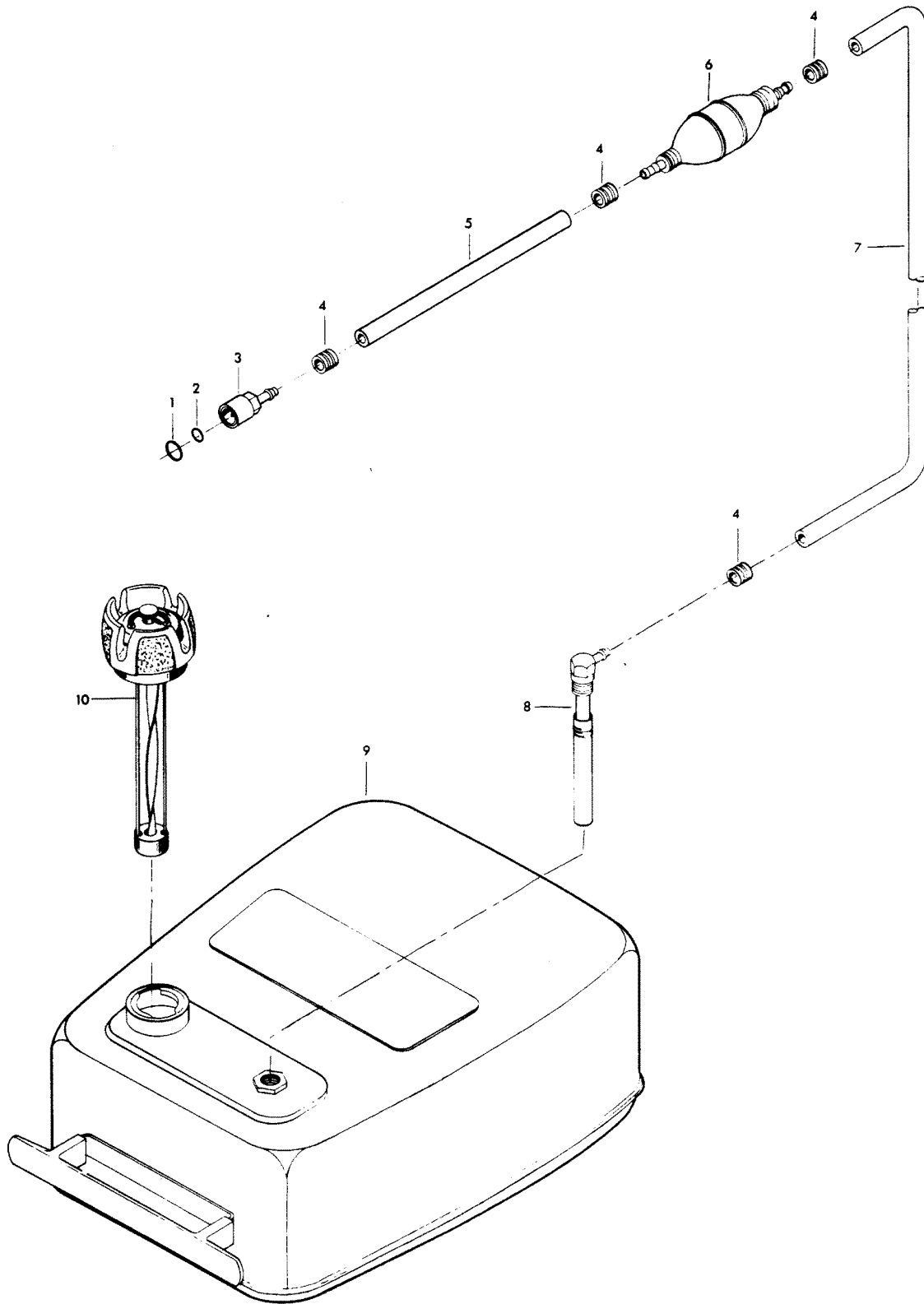
GEAR HOUSING



GEAR HOUSING

REF. NO.	PART NO.	SYM.	QTY.	DESCRIPTION
42	F8063		1	SPRING LOCKWASHER
43	FA286266		1	GEAR, BEVEL PINION W/ITEM 16
44	F286008		1	STUD, GEAR HOUSING REAR
45	F901307-2		2	SEAL, DRIVESHAFT AND WATER PUMP
46	F343128		1	DRIVESHAFT, FOR STANDARD SHAFT MODELS
-	F344128		1	DRIVESHAFT, FOR LONG SHAFT MODELS
47	F901563		1	WATER PUMP IMPELLER DRIVE PIN
48	FA492845		1	MOTOR LEG EXTENSION
49	FS901244		1	INLET WATER LINE EXTENSION
50	FK1065		1	GEAR HOUSING SEAL KIT INCLUDES ALL ITEMS WITH A DOUBLE ASTERISK (**)
51	FK1031-1		1	WATER PUMP KIT
52	A541392		1	DECAL LEG - PORT
-	A541391		1	DECAL LEG - STARBOARD

FUEL TANK AND LINE



FUEL TANK AND LINE

REF. NO.	PART NO.	SYM.	QTY.	DESCRIPTION
1	F213342		1	SEAL, FUEL LINE COUPLER
2	F213735		1	SEAL, FUEL LINE COUPLER
3	F197787-3		1	FUEL LINE COUPLER
4	F298788		4	FERRULE
5	FA84754-1		1	FUEL LINE, SHORT W/CLAMPS
6	89396A38		1	PRIME BULB
7	32-817738A1		1	FUEL LINE, LONG W/CLAMPS AND FERRULE
8	F487755		1	FUEL TANK ADAPTER
9	F5H027		1	FUEL TANK (ACCESSORY ITEM)
10	F409251-1		1	GAUGE CAP
-	FS409752		1	FUEL LINE COMPLETE (NOT SHOWN)
-	FC409398		1	DECAL TOTE TANK - CANADA (NOT SHOWN)

SPECIAL TOOLS - TUNE-UP

REF. NO.	PART NO.	SYM.	QTY.	DESCRIPTION
-	FT2989		0	FLYWHEEL WEDGE TO REMOVE FLYWHEEL
-	FT2909		0	KNOCK-OFF NUT TO REMOVE FLYWHEEL

SPECIAL TOOLS - MANUAL STARTER

REF. NO.	PART NO.	SYM.	QTY.	DESCRIPTION
-	FT2985		0	STARTER REWIND KEY TO REWIND STARTER SPRING

SPECIAL TOOLS - POWER HEAD

REF. NO.	PART NO.	SYM.	QTY.	DESCRIPTION
-	FT8949		0	SEAL INSTALLER TO INSTALL CRANKSHAFT SEALS
-	FT3012		0	SEAL INSTALLER TO INSTALL UPPER CRANKSHAFT BEARING CAGE SEAL
-	FT2908		0	SEAL SLEEVE TO INSTALL UPPER CRANKSHAFT BEARING CAGE SEAL
-	FT8929		0	ADAPTER AND HEX BIT TO TORQUE CONNECTING ROD SCREWS
-	FT1749		0	SNAP RING PLIERS TO REMOVE AND INSTALL PISTON PIN RETAINING RINGS
-	FT2997		0	RING COMPRESSOR TO INSTALL PISTONS
-	FT8926		0	RING EXPANDER TO INSTALL RINGS ON PISTONS

SPECIAL TOOLS - LOWER UNIT

REF. NO.	PART NO.	SYM.	QTY.	DESCRIPTION
-	FT8948-1		0	PULLER TO REMOVE PROPELLER SHAFT BEARING CAGE
-	FT8957		0	SEAL INSTALLER TO INSTALL SHIFT ROD SEAL
-	FT2907		0	SEAL INSTALLER TO INSTALL DRIVESHAFT SEAL IN GEAR HOUSING UPPER, PROPELLER SHAFT SEAL AND WATER PUMP SEAL

SPECIAL TOOLS - TEST EQUIPMENT

REF. NO.	PART NO.	SYM.	QTY.	DESCRIPTION
-	FT8952		0	TEST WHEEL TO TEST MOTOR IN TEST TANK
-	FT8950		0	LEAKAGE TESTER TO TEST GEAR HOUSING SEALS FOR LEAKS
-	FT8996		0	IGNITION TESTER TO TEST TRIGGER OUTPUT
-	T8974		0	BREAKER POINT TENSION GAUGE FOR CHECKING BREAKER POINT SPRING TENSION
-	FT8953		0	C-D TESTER TO TEST STATOR OUTPUT AND SECONDARY VOLTAGE

SPECIAL TOOLS - LUBRICANTS AND SEALANTS

REF. NO.	PART NO.	SYM.	QTY.	DESCRIPTION
-	FT2961		0	LUBRICANT
-	FT2987-1		0	LUBRICANT
-	FT8969		0	LUBRICANT
-	FT8983		0	SEALANT
-	FT8936		0	SEALANT
-	FT2962-1		0	SEALANT
-	FT2963-1		0	SEALANT
-	FT8935		0	SEALANT PRIMER

ACCESSORIES

REF. NO.	PART NO.	SYM.	QTY.	DESCRIPTION
-	FK1019-1		0	5" LONG LEG CONVERSION KIT CONVERTS 15" STANDARD SHAFT MODEL TO 20" LONG SHAFT MODEL.
-	F72H24		0	15" LONG LEG CONVERSION KIT CONVERTS 15" STANDARD SHAFT OR 20" LONG SHAFT MODEL TO 30" LONG SHAFT MODEL.
-	491		0	CARRYING HANDLE PROVIDES CARRYING HANDLE ON REAR OF ENGINE.
-	F588		0	FLUSHING ADAPTER PERMITS FRESH WATER FLUSHING OF WATER PASSAGES WITH STANDARD GARDEN HOSE.
-	F5H062		0	WATER PUMP KIT HEAVY DUTY WATER PUMP RECOMMENDED FOR CONTINUED OPERATION IN SANDY OR SALT WATER.
-	F5H088		0	REMOTE CONTROL CONVERSION KIT PERMITS REMOTE CONTROL OF THROTTLE AND GEAR SHIFT FROM FRONT OF BOAT.
-	F5H090		0	REMOTE ELECTRIC START KIT PROVIDES REMOTE ELECTRIC START AND CHOKE.
-	F5H130		0	SYNCHRO-DRIVE CONTROL BOX (SINGLE LEVER) PERMITS REMOTE CONTROL OF THROTTLE AND GEAR SHIFT FROM STARBOARD SIDE OF BOAT.
-	F5H131		0	PORT SIDE DECAL KIT CONVERTS 5H130 CONTROL BOX TO PORT SIDE MOUNTING.
-	F866		0	DUO-DRIVE CONTROL BOX (TWIN LEVER) PERMITS REMOTE CONTROL OF THROTTLE AND GEAR SHIFT. MAY BE MOUNTED ON PORT OR STARBOARD SIDE OF BOAT.
-	865		0	TWIN SYNCHRO-DRIVE CONTROL BOX PERMITS REMOTE CONTROL OF THROTTLE AND GEAR SHIFT ON TWIN ENGINE INSTALLATIONS. MAY BE MOUNTED ON PORT OR STARBOARD SIDE OF BOAT.
-	167		0	IGNITION CUT-OFF KIT PERMITS STOPPING OF ENGINE FROM OPERATOR'S SEAT.
-	F195/___		0	REMOTE CONTROL CABLES CONNECTS REMOTE CONTROL BOX TO THROTTLE AND GEAR SHIFT ON MOTOR. AVAILABLE IN 6 THROUGH 40 FOOT LENGTHS.
-	F5H027		0	STEEL, 6 GALLON FUEL TANK AUXILIARY TANK.
-	F476		0	FUEL LINE ADAPTION KIT ADAPTS MODEL 5H027 TANK FOR DISCONNECT AT TANK.
-	72H03		0	CARRYING BAG CANVAS BAG FOR TRANSPORTING AND STORING ENGINE.
-	72H12		0	BATTERY 12 VOLT - 30 AMPERE HOUR MARINE BATTERY.
-	173		0	BATTERY CASE INSULATED CASE FOR 30 AMPERE HOUR BATTERY.
-	F71H02		0	ANTI-CORROSION SACRIFICIAL ANODE
-	F5H006		0	VOLTMETER FLUSH MOUNT, INDICATES BATTERY CONDITION.
-	F5H134		0	BOAT WHITE LACQUER ENGINE TOUCH-UP PAINT IN 12 3/4 OZ. SPRAY BOMBS (6 CANS PER CASE).
-	F5H135		0	SAND TAN LACQUER ENGINE TOUCH-UP PAINT IN 12 3/4 OZ. SPRAY BOMBS (6 CANS PER CASE).
-			0	CHRYSLER OUTBOARD OIL SEE BLOCK COMMENT 1.

CONTINUED ON NEXT PAGE ➡

ACCESSORIES

REF. NO.	PART NO.	SYM.	QTY.	DESCRIPTION
-			0	CHRYSLER OUTBOARD GEAR LUBE SEE BLOCK COMMENT 2.
-			0	CHRYSLER OUTBOARD FUEL AID REMOVES MOISTURE. PREVENTS SLUDGE AND VARNISH AND STABILIZES GAS. AVAILABLE IN 16 OZ. CANS AND 12 CAN CASES.
-			0	CHRYSLER OUTBOARD STORAGE LUBRICANT WORKS AS A CORROSION INHIBITOR AND PROTECTS INTERNAL ENGINE PARTS DURING STORAGE. AVAILABLE IN 16 OZ. CANS AND 12 CAN CASES.
-			0	CHRYSLER OUTBOARD MULTI-PURPOSE SPRAY LUBE WORKS AS A LUBRICANT, CLEANER, MOISTURE REMOVER AND ELECTRIC INSULATOR. AVAILABLE IN 9 OZ. CANS AND 12 CAN CASES.
-			0	CHRYSLER OUTBOARD MULTI-PURPOSE GREASE LUBRICATES BEARINGS AND OTHER MOVING PARTS. AVAILABLE IN 8 OZ. TUBES AND 12 TUBE CASES.
-			0	CHRYSLER OUTBOARD GREASE GUN USED WITH CHRYSLER OUTBOARD MULTI-PURPOSE GREASE TUBES FOR PRESSURE FITTINGS.
-			0	CHRYSLER OUTBOARD MULTI-PURPOSE CLEANER

PARTS INDEX

Part Number	Description	Pg.	Ref. No.	Part Number	Description	Pg.	Ref. No.
167	IGNITION CUT-OFF KIT	50	-	F12146	COIL WEDGE SPRING	11	15
173	BATTERY CASE	50	-	F12153	BREAKER POINT SET	11	6
2C541712	ENGINE COVER COMPLETE	3	-	F12170	CONTACT SCREW		
2C541712	ENGINE COVER COMPLETE	7	-		W/LOCKWASHER	11	4
491	CARRYING HANDLE	50	-	F12181-1	CONDENSER	11	8
510373	DECAL, MAGNAPOWER III . . .	21	43	F12186	PRIMARY TERMINAL WIRE . .	11	23
72H03	CARRYING BAG	50	-	F12228	CAM WIPER FELT	11	5
72H12	BATTERY	50	-	F12343	STATOR PLATE		
817751A3	STEERING HANDLE				W/LAMINATIONS	11	9
	BRACKET W/GREASE			F127910-2	BALL BEARING	39	16
	FITTING	33	9	F1286	PAN HD SCREW, 4 - 40 X		
817754A1	ARM, CARBURETOR				3/16	15	5
	FOLLOWER	23	13	F1286	PAN HD SCREW, 4 - 40 X		
817757A4	PLATE, FRONT	3	25		3/16	23	4
817758A1	BRACKET, COVER LATCH			F1303	PAN HD SCREW, 8 - 32 X 3/4	19	24
	W/SCREWS, NUTS AND			F1335	FILL HD SCREW, 5/16 - 18 X		
	ROLLER	5	42		1 1/4	29	38
817758A1	BRACKET, ENGINE COVER			F1337	HEX NUT, 6 - 32	19	5
	LATCH W/SCREWS, NUTS			F1339	HEX NUT, 10 - 24	29	51
	AND ROLLERS	9	42	F1341	HEX NUT, 1/4 - 20	33	45
817761A2	CLAMP SCREW W/FOOT			F1365	SQUARE NUT, 10 - 24	23	15
	AND STUD	33	34	F141118	SEAL, CRANKSHAFT		
817938A1	RETAINER, STARTER ROPE				LOWER	27	23
	HANDLE	13	20	F1447	DRIVE SCREW	3	33
817971A3	LEVER, MAGNETO			F1447	DRIVE SCREW	7	33
	CONTROL	29	33	F1475	FILL HD SCREW, 10 - 24 X		
865	TWIN SYNCHRO-DRIVE				1/2	3	10
	CONTROL BOX	50	-	F1475	FILL HD SCREW, 10 - 24 X		
89396A38	PRIME BULB	43	6		1/2	7	10
A541391	DECAL LEG - STARBOARD . . .	41	-	F1490	HEX NUT, 1/4 - 20	25	47
A541392	DECAL LEG - PORT	41	52	F1490	HEX NUT, 1/4 - 20	39	41
F10006	GASKET SET,			F1502	HEX CAP SCREW, 1/4 - 20 X		
	CARBURETOR	25	-		5/8	35	91
F10007	REPAIR PARTS KIT	25	63	F1502	HEX CAP SCREW, 1/4 - 20 X		
F1069	FILL HD SCREW, 10 - 24 X 1-				5/8 12 H.P. MANUAL		
	1/16	23	1	F1504	START	27	5A
F1069	FILL HD SCREW, 10 - 24 X 1-				FILL HD SCREW, 1/4 - 20 X 1		
	1/6	15	14		1/4	29	35
F1075	FILL HD SCREW, 10 - 24 X			F15127	CAP ASSEMBLY,		
	1/2	11	12		COMMUTATOR END	17	10
F1075	FILL HD SCREW, 10 - 24 X			F15129	NUT W/LOCKWASHER	17	15
	1/2	19	36	F1513	HEX NUT, 10 - 32	21	42
F1089	FILL HD SCREW, 10 - 24 X			F15130	NUT	17	16
	9/16	13	1	F15132	WASHER, FIBER	17	18
F1090	FILL HD SCREW			F15133	WASHER	17	17
	W/LOCKWASHER, 10 - 24			F15134	ARMATURE	17	8
	X 9/16	11	16	F15135	CAP ASSEMBLY, DRIVE END	17	5
F1107	FILL HD SCREW, 1/4 - 20 X			F15136	HOUSING ASSEMBLY	17	9
	3/4	29	37	F15137	WASHER	17	6
F1111	FILL HD SCREW, 1/4 - 20 X			F15138	SPRING, BRUSH	17	12
	7/8	29	48	F15139	PINION ASSEMBLY	17	4
F12083	CONDENSER SCREW			F15140	SPRING	17	3
	W/LOCKWASHER	11	7	F15141	PINION STOP	17	2
F12088	GROMMET	11	19	F15142	STOP NUT	17	1
F12091	LEAD WIRE MARKER TOP			F15143	DISC	17	11
	(NOT SHOWN)	11	-	F15144	SCREW, THRU BOLT	17	14
F12114	COIL GROUND TERMINAL			F15145	GASKET	17	7
	SCREW	11	21	F15146	WASHER	17	13
F12141	HIGH TENSION LEAD						
	SLEEVE	11	22				

PARTS INDEX

Part Number	Description	Pg.	Ref. No.	Part Number	Description	Pg.	Ref. No.
F1577	FILL HD SCREW, 1/4 - 20 X 3/4	15	3	F1875	SPRING PIN, STARTER BRACKET	13	17
F1577	FILL HD SCREW, 1/4 - 20 X 3/4	19	9	F1876	SPRING PIN	25	53
F1608	SQUARE NUT, 1/4 - 20	35	73	F18906	CARBURETOR GASKET	25	50
F1645	ROUND HD SCREW, 6 - 32 X 1/4	19	26	F18906	GASKET, CARBURETOR	29	-
F1646	HEX SOCKET HD CAP SCREW, 3/8 - 16 X 2 1/4	19	8	F1907	WASHER	37	96
F1648	PAN HD SCREW, 10 - 24 X 3/4	19	13	F1912	HEX HD SCREW, 10 - 24 X 1/2	25	54
F1666	BOWED SPRING WASHER	33	27	F1914	HEX HD SCREW, 1/4 - 20 X 3/4	13	11
F1678	FILL HD SCREW, 10 - 24 X 13/16	19	32	F1914	HEX HD SCREW, 1/4 - 20 X 3/4	25	45
F1704	INTERNAL TOOTH LOCKWASHER	19	4	F1922	HEX HD SCREW, 1/4 - 20 X 5/8	27	5
F174017	PIN, PISTON	27	16	F195/_	REMOTE CONTROL CABLES	50	-
F1753	FASTENER	3	3	F197319	BEARING, CHOKE ROD	3	31
F1753	FASTENER	7	3	F197319	BEARING, CHOKE ROD	7	31
F1755	HD SCREW W/LOCKWASHER, 6 - 32 X 5/16	25	56	F1975	SPRING LOCKWASHER	19	2
F1794	SPRING PIN	35	65	F1976	SOCKET HD SCREW W/LOCKWASHER, 10 - 24 X 1/2	39	9
F1794	SPRING PIN	35	80	F197767-1	BUSHING, FUEL LINE	3	24
F1799	TRUSS HD SCREW, 5/16 - 18 X 5/8	33	8	F197767-1	BUSHING, FUEL LINE	7	24
F1800	HEX BOLT, 1/4 - 20 X 7	39	11	F197787-3	FUEL LINE COUPLER	43	3
F1802	FILL HD SCREW, 1/4 - 20 X 9/16	19	20	F1978	SPRING PIN	33	6
F1802	FILL HD SCREW, 1/4 - 20 X 9/16	39	38	F197813	BEARING	33	14
F1803	STOP NUT, 5/16 - 24	29	30	F197813	BEARING	35	79
F1804	STOP NUT	13	8	F197813	BEARING, INTERLOCK LEVER	29	53
F1804	STOP NUT, 10 - 32	3	39	F197813	BEARING, STEERING HANDLE STOP	35	85
F1804	STOP NUT, 10 - 32	9	39	F1999	HEX CAP SCREW, 1/4 - 20 X 7/8	21	44
F1805	SPRING PIN	35	89	F2002	STOP NUT, 5/16 - 18	3	30
F1806	GROOVE PIN	35	59	F2002	STOP NUT, 5/16 - 18	7	30
F1807	GROOVE PIN	35	88	F2008	HEX HD SCREW, 1/4 - 20 X 7/8	29	28
F1809	HEX NUT	19	29	F2008	HEX HD SCREW, 1/4 - 20 X 7/8 12 H.P. C-D ALTERNATOR	29	62
F1809	HEX NUT, 1/2 - 20	11	1	F2030	HEX HD SCREW, 1/4 - 20 X 1 1/4	39	3
F18160-1	REED FUEL PUMP	23	5	F2040	HEX WASHER HD M. SCREW, 1/4 - 20 X 5/8	29	61
F18160-1	REED, FUEL PUMP	15	7	F2042	PLAIN WASHER	13	23
F1820	FILL HD SCREW, 1/4 - 20 X 1 3/8	35	76	F213274	GREASE FITTING	35	54
F1823	HEX CAP SCREW, 5/16 - 18 X 1	27	13	F213342	SEAL, FUEL LINE COUPLER	43	1
F1829	FILL HD M. SCREW, 10 - 24 X 7/8	19	1	F213735	SEAL, FUEL LINE COUPLER	43	2
F1829	FILL HD SCREW, 10 - 24 X 7/8	33	20	F217002	MAGNETO BREAKER CAM	11	13
F1834	FILL HD SCREW, 10 - 24 X 7/8	23	12	F235785	DECAL, COMPLIANCE - CANADA	3	5
F183813	BEARING, MAGNETO CONTROL LEVER	29	34	F235785	DECAL, COMPLIANCE - CANADA	9	47
F1845	TY-RAP	19	25	F24074	CLAMP SCREW FOOT	33	38
F184579	SEAL	5	46	F24748-2	GASKET, FUEL PUMP	15	9
F1846	COTTER PIN	39	33	F24748-2	GASKET, FUEL PUMP	23	3
F1859	HEX SOCKET HEADLESS SET SCREW	33	3	F269316	ROLLER SHAFT	5	40
				F269319	ROLLER SHAFT	9	40
				F2706772	HOSE CLAMP	15	12
				F2706772	HOSE CLAMP	23	9

PARTS INDEX

Part Number	Description	Pg.	Ref. No.	Part Number	Description	Pg.	Ref. No.
F2752253	HOSE, FUEL PUMP TO			F286422-1	TILT LOCK PIVOT	33	26
	BUSHING	15	15	F286422-1	TILT LOCK PIVOT	35	51
F2771254	HOSE, FUEL PUMP TO			F286433	BRACKET SHALLOW WATER		
	CARBURETOR	15	13		DRIVE	35	58
F2788004	STUD, CARBURETOR	25	51	F286440	STUD, MAGNETO CONTROL		
F28004	STUD, INTERLOCK LEVER	27	10		LEVER	29	39
F286008	STUD, GEAR HOUSING			F286445	LINK, MAGNETO SHAFT	29	32
	REAR	41	44	F286451	SPACER, TILT LOCK	33	29
F286011	WASHER, SWIVEL BRACKET	37	97	F286451	SPACER, TILT LOCK	35	52
F286019	KING PIN	33	44	F286461	SPRING, LOCK BAR		
F286028	BEARING, CRANKSHAFT				HANDLE	33	42
	UPPER MAIN	29	59	F286490	STEERING HANDLE STOP	35	86
F286037	STERN BRACKET PIVOT			F286509	LINK, THROTTLE CAM	29	36
	BOLT	33	24	F286518	HEAD, CYLINDER	27	3
F286079-1	STEERING HANDLE	33	21	F286529-3	GASKET, CYLINDER HEAD	27	4
F286080	SCREW, STEERING HANDLE			F286529-3	GASKET, CYLINDER HEAD	31	-
	PIVOT	35	87	F286539	BUMPER	35	93
F286114	LOCK BAR HANDLE	33	43	F286544-1	SPRING, TILT STOP	33	30
F286132	HANDLE, STARTER ROPE	13	19	F286555	GASKET, GEAR HOUSING	39	15
F286134	STUD	13	5	F286571	ROLLER SET, MAIN		
F286134	STUD, GEAR SHIFT LEVER	3	38		BEARING (26 PER SET)	29	42
F286134	STUD, GEAR SHIFT LEVER	7	38	F286573-1	CLAMP, STEERING		
F286151	PLATE, EXHAUST	27	25		FRICTION	35	74
F286152	COVER, EXHAUST	27	26	F286585-1	DECAL, TILT RELEASE	37	103
F286154	GASKET, EXHAUST	29	-	F286611-1	ROD, GEAR SHIFT	3	37
F286154	GASKET, EXHAUST COVER	27	24	F286611-1	ROD, GEAR SHIFT	7	37
F286159-1	GASKET, REED PLATE	25	60	F286614	HANDLE, GEAR SHIFT	3	23
F286159-1	GASKET, REED PLATE	29	-	F286614	HANDLE, GEAR SHIFT	7	23
F286169	BEARING, SWIVEL			F286615	GEAR SHIFT ROD UPPER	39	5
	BRACKET	35	53	F286647	CARRYING HANDLE	33	32
F286169	BEARING, SWIVEL			F286685	CONNECTOR, GEAR SHIFT		
	BRACKET	35	78		ROD	3	36
F286192	THROTTLE CAM	19	37	F286685	CONNECTOR, GEAR SHIFT		
F286192	THROTTLE CAM PLATE	11	10		ROD	7	36
F286220	WASHER, STEERING			F286705	GEAR SHIFT ROD LOWER,		
	HANDLE	33	15		FOR STANDARD SHAFT		
F286222	COVER, TRANSFER PORT				MODELS	39	10
	12 H.P. MANUAL START	27	6	F286710	ARBOR, STARTER SPRING	13	9
F286223	GASKET, TRANSFER PORT	29	-	F286721	CLUTCH, SHIFT CAM	39	18
F286223	GASKET, TRANSFER PORT			F286728	CLUTCH SHIFT PIN	39	27
	COVER	27	7	F286737-1	RETAINER, STARTER		
F286224	INSERT, STEERING HANDLE				REWIND SPRING	13	13
	PIVOT	33	13	F286772-1	HOSE CLAMP	29	56
F286244	WATER LINE	35	48	F286777	CAM, COVER LATCH	3	29
F286277	GASKET CRANKSHAFT	29	-	F286777	CAM, COVER LATCH	7	29
F286277	GASKET, CRANKSHAFT			F286818	BEARING	33	12
	BEARING CAGE	29	45	F286827	REVERSE LOCK RELEASE		
F286279-2	GASKET CYLINDER				LEVER	35	66
	MOUNTING	31	-	F286868	SPRING, STEERING		
F286279-2	GASKET, CYLINDER				HANDLE STOP	35	84
	MOUNTING	29	29	F286871	PIN, GEAR SHIFT LEVER	3	17
F286282	WASHER	29	31	F286871	PIN, GEAR SHIFT LEVER	7	17
F286286-1	WASHER, STERN BRACKET	35	64	F286876	LEVER, GEAR SHIFT	3	15
F286300	SPRING, REVERSE LOCK	35	55	F286876	LEVER, GEAR SHIFT	7	15
F286316	THROTTLE CAM FOLLOWER	25	46	F286894-3	STEERING HANDLE		
F286346	SHOCK MOUNT LOWER	35	50		INDICATOR	37	102
F286347	SHOCK MOUNT UPPER	35	83	F286895	SPRING, CAM DETENT	39	17
F286349	REVERSE LOCK	35	56	F286901	BEARING, RADIAL,		
F286364	LEVER, REVERSE LOCK	35	71		PROPELLER SHAFT	39	24

PARTS INDEX

Part Number	Description	Pg.	Ref. No.	Part Number	Description	Pg.	Ref. No.
F286914	SLEEVE WATER LINE	35	49	F430732	HEX HD SCREW, 1/4 - 20 X 1	39	14
F286930	END, STARTER SPRING . . .	13	14	F431838	MAGNETO CONTROL SHAFT	35	94
F286956	BRACKET, SHOCK MOUNT LOWER	35	46	F436065	WATER PUMP IMPELLER . .	39	7
F286989-2	SEAL, SUPPORT PLATE . . .	3	22	F436449	SHORTING SWITCH	11	24
F286989-2	SEAL, SUPPORT PLATE . . .	7	22	F436449	SHORTING SWITCH	19	17
F289664	WIRE, STATOR GROUND . .	11	11	F455118	SEAL, FUEL PUMP BRACKET	15	1
F298788	FERRULE	43	4	F455305	SEAL, PROP SHAFT BEARING CAGE	39	35
F2A424167	MANIFOLD W/STUDS AND PULLEY	25	52	F456098	PROPELLER SHAFT	39	30
F2A459239	STARTER SPOOL W/SHAFT	13	15	F456717	THRUST WASHER	39	26
F2A477133	MOTOR LEG	35	77	F458498	KEY, FLYWHEEL	21	49
F302097	FLYWHEEL	11	3	F458498	MAGNETO KEY	11	14
F307317	CLIP, TERMINAL BLOCK GROUND	19	14	F458677	INSERT, CHOKE KNOB	3	27
F307818	BEARING	3	14	F458677	INSERT, CHOKE KNOB	7	27
F307818	BEARING	7	14	F458695	SLEEVE	37	99
F307818	BEARING	37	95	F461342	SEAL, DRIVESHAFT SPLINE	29	58
F31160-1	REED	25	58	F472015-2	PISTONS	27	18
F31410	RETAINING RING, PISTON PIN	27	15	F472061-1	CARBURETOR COMPLETE (CO10B)	25	62
F330705	GEAR SHIFT ROD LOWER, FOR LONG SHAFT MODELS	39	-	F476	FUEL LINE ADAPTION KIT .	50	-
F338618-1	SEAL, GEAR SHIFT ROD LOWER	39	12	F487424-1	STARTER PINION SPRING .	13	3
F341384	RETAINER, CHOKE ROD . . .	23	22	F487427-1	BRACKET, STARTER UPPER	13	4
F341562	WATER PUMP BACK PLATE	39	8	F487435	PULLEY, STARTER ROPE . .	25	43
F341693	WEDGE, STEERING HANDLE	33	17	F487660-1	EXHAUST TUBE	27	27
F343014	BEARING, CRANKSHAFT LOWER MAIN	27	22	F487674	GEAR, STARTER PINION . .	13	2
F343128	DRIVESHAFT, FOR STANDARD SHAFT MODELS	41	46	F487711	PLATE, ENGINE COVER . . .	5	44
F343226-1	PLUG	3	8	F487711	PLATE, ENGINE COVER FRONT	7	5
F343226-1	PLUG	7	8	F487727	BALL, INTERLOCK DETENT	13	21
F344128	DRIVESHAFT, FOR LONG SHAFT MODELS	41	-	F487755	FUEL TANK ADAPTER	43	8
F346118	SEAL, PROPELLER SHAFT .	39	37	F487781-3	STARTER INTERLOCK	13	7
F346146	SEAL, CRANKSHAFT UPPER	29	47	F487816	BEARING, STEERING HANDLE	33	18
F36634	SCREW, CONNECTING ROD	29	40	F487895	SPRING, INTERLOCK DETENT	13	22
F392756	PACKING, SUPPORT PLATE	3	18	F492263	LINK, STARTER INTERLOCK	5	47
F392756	PACKING, SUPPORT PLATE	7	18	F492417	SHAFT, GEAR SHIFT HANDLE	5	45
F40253-1	FUEL LINE	23	10	F492417	SHAFT, GEAR SHIFT HANDLE	9	46
F40425	STARTER PINION PIN	13	10	F492531	INTERLOCK ROD 12 H.P. MANUAL START	29	52
F404908	GROUND WIRE	19	35	F492619	LEVER, GEAR SHIFT SHAFT	3	35
F409232	STARTER ROPE	13	18	F492619	LEVER, GEAR SHIFT SHAFT	7	35
F409251-1	GAUGE CAP	43	10	F492977	INTERLOCK LEVER 12 H.P. MANUAL START	29	54
F409719	CLUTCH SPRING	39	28	F493683	WIRE	19	40
F424075	HANDLE, CLAMP SCREW . .	33	33	F50109	GEAR HOUSING PLUG	39	22
F424161	REED STOP	25	57	F510029	STATOR, TRIGGER	19	34
F424168-1	GASKET, MANIFOLD	25	55	F510095	STATOR, ALTERNATOR . . .	19	33
F424168-1	GASKET, MANIFOLD	31	-	F510097	FLYWHEEL	19	31
F429472	GASKET CYLINDER DRAIN COVER	31	-	F510165	SCREW, TRANSFER PORT COVER 12 H.P. C-D ALTERNATOR	27	-
F429472	GASKET, CYLINDER DRAIN COVER	27	9	F510222	TRANSFER PORT COVER 12 H.P. C-D ALTERNATOR . .	27	-
F429541	TILT LOCK	33	28	F510288	NUT, SHORTING SWITCH . .	19	16
F429688	SHAFT, STEERING HANDLE	33	10	F510301	C-D MODULE	21	46
F429811	SCREEN	29	57	F510374	DECAL, CIRCUIT BREAKER	19	28

PARTS INDEX

Part Number	Description	Pg.	Ref. No.	Part Number	Description	Pg.	Ref. No.
F510398	DECAL, WIRING	19	7	F7005	STOP NUT, 3/8 - 16	33	39
F510427	BRACKET, STARTER SUPPORT	15	2	F7008	STOP NUT, 1/4 - 20	29	55
F510446	CLAMP, BATTERY CABLE	19	38	F7011	ELASTIC STOP NUT, 10 - 24	3	11
F510449	NEUTRAL INTERLOCK SWITCH	21	47	F7011	ELASTIC STOP NUT, 10 - 24	7	11
F510450-1	RECTIFIER	19	23	F7011	STOP NUT, 10 - 24	3	20
F510460	CIRCUIT BREAKER	19	27	F7011	STOP NUT, 10 - 24	7	20
F510475	IGNITION COIL	19	3	F71H02	ANTI-CORROSION SACRIFICIAL ANODE	50	-
F510531	INTERLOCK ROD 12 H.P. C-D ALTERNATOR	29	-	F72H24	15" LONG LEG CONVERSION KIT	50	-
F510540	BRACKET, STARTER SWITCH	19	21	F73082	RING, MAGNETO STATOR	29	44
F510551	BRACKET, INTERLOCK SWITCH 12 H.P. C-D ALTERNATOR	29	60	F78318	ROLLER, THROTTLE CAM FOLLOWER	25	48
F510595	INSULATOR, CIRCUIT BREAKER	19	41	F78410	RETAINER	25	49
F510661	PAD, STARTER MOTOR	9	45	F8003	PLAIN WASHER	15	6
F510669	NUT, INTERLOCK SWITCH AND STARTER SWITCH	19	22	F8003	PLAIN WASHER	25	61
F510675-1	STARTER SUPPORT	19	10	F8011	PLAIN WASHER	5	48
F510683	WIRE, RECTIFIER-CIRCUIT BREAKER	21	48	F8011	PLAIN WASHER	13	6
F510746	FUEL PUMP COVER	15	10	F8025	PLAIN WASHER	27	2
F510811	FILTER, FUEL PUMP	15	16	F8039	PLAIN WASHER	33	23
F510841	WIRE, STARTER INTERLOCK SWITCH	19	12	F8048	BOWED SPRING WASHER	3	21
F510896	BATTERY CABLE	19	39	F8048	BOWED WASHER	7	21
F510908	WIRE, GROUND	19	15	F8058	INT TOOTH LOCKWASHER	33	19
F510918	STARTER SWITCH	19	19	F8058	INTERNAL TOOTH LOCKWASHER	3	13
F510955	STARTER MOTOR COMPLETE	17	-	F8058	INTERNAL TOOTH LOCKWASHER	7	13
F510977-1	INTERLOCK LEVER 12 H.P. C-D ALTERNATOR	29	-	F8060	TOOTH LOCKWASHER	35	92
F525286	WASHER	37	101	F8063	SPRING LOCKWASHER	41	42
F53795-1	SEAL, STEERING HANDLE GRIP DAMPENER (LARGE)	33	22	F8077	NYLTITE WASHER	39	21
F540180	TRIM, ENGINE COVER REAR	7	4	F8083	SPRING LOCKWASHER	21	45
F540180	TRIM, ENGINE COVER, REAR	3	4	F8083	SPRING LOCKWASHER	35	47A
F588	FLUSHING ADAPTER	50	-	F84026	SWIVEL, INTERLOCK ROD BEARING	29	50
F5H006	VOLTMETER	50	-	F84035-2	BEARING, INTERLOCK ROD	29	49
F5H027	FUEL TANK (ACCESSORY ITEM)	43	9	F8537	SPRING PIN	33	36
F5H027	STEEL, 6 GALLON FUEL TANK	50	-	F8538	SPRING PIN	35	70
F5H062	WATER PUMP KIT	50	-	F8538	SPRING PIN	37	98
F5H088	REMOTE CONTROL CONVERSION KIT	50	-	F8540	SPRING PIN	3	34
F5H090	REMOTE ELECTRIC START KIT	50	-	F8540	SPRING PIN	7	34
F5H130	SYNCHRO-DRIVE CONTROL BOX (SINGLE LEVER)	50	-	F8540	SPRING PIN	33	41
F5H131	PORT SIDE DECAL KIT	50	-	F8542	SPRING PIN	3	16
F5H134	BOAT WHITE LACQUER	50	-	F8542	SPRING PIN	7	16
F5H135	SAND TAN LACQUER	50	-	F8548	SPRING PIN	37	100
F66193	THROTTLE LINK	23	14	F8553	SPRING PIN	39	19
F66480	STUD CLAMP SCREW	33	37	F8554	SPRING PIN	33	35
				F8559	DOWEL PIN	27	14
				F85610	BEARING	33	2
				F8564	SPRING PIN	39	40
				F85735-1	SEAL	3	2
				F85735-1	SEAL	7	2
				F866	DUO-DRIVE CONTROL BOX (TWIN LEVER)	50	-
				F901307-2	SEAL, DRIVESHAFT	35	81
				F901307-2	SEAL, DRIVESHAFT AND WATER PUMP	41	45
				F901456-1	EMERGENCY STARTER COLLAR	11	2
				F901456-1	EMERGENCY STARTER COLLAR	19	30

PARTS INDEX

Part Number	Description	Pg.	Ref. No.	Part Number	Description	Pg.	Ref. No.
F901563	WATER PUMP IMPELLER			FA456662	BEVEL GEAR REAR		
	DRIVE PIN	41	47		W/BEARING	39	34
F901746-2	FUEL PUMP COVER	23	2	FA472018	CRANKSHAFT W/UPPER		
F901811	FUEL PUMP FILTER	23	8		MAIN BEARING	29	43
F901938-1	SCREW, CYLINDER HEAD	27	1	FA472260	PISTON RING SET (2 PER		
F92759	ROLLER	5	41		SET)	27	19
F92759	ROLLER	9	41	FA473010	CYLINDER W/CRANKCASE		
F94840	GROMMET, BATTERY				COVER, DOWEL PINS,		
	CABLE	9	44		SCREWS AND STUDS	27	12
F98273	STUD, GEAR SHIFT ROD			FA492038	PLATE, SUPPORT W/PLUGS	3	19
	CONNECTOR	3	12	FA492845	MOTOR LEG EXTENSION	41	48
F98273	STUD, GEAR SHIFT ROD			FA510038	SUPPORT PLATE W/PLUGS	7	19
	CONNECTOR	7	12	FA510060	WATER PUMP BODY		
FA12370	COIL W/LEAD WIRE AND				W/DRIVESHAFT SEAL	39	4
	WEDGE SPRING	11	17	FA510497	TERMINAL BLOCK	19	11
FA1844	HEX BOLT, 1/4 - 20 X 2 3/8	35	47	FA510711	PLATE, FRONT	7	25
FA24754-1	FUEL LINE W/CLAMPS	23	11	FA510914	SEAL, INLET WATER LINE	39	1
FA24757-3	FUEL PUMP REED PLATE			FA520010	CYLINDER W/CRANKCASE		
	W/REEDS AND SCREWS	15	8		COVER, DOWEL PINS,		
FA24757-3	FUEL PUMP REED PLATE				SCREWS AND STUDS -	27	-
	W/REEDS AND SCREWS	23	6	FA525228	ROLLER SET, CONNECTING		
FA286054	GEAR HOUSING LOWER				ROD (26 PER SET)	27	21
	W/BEARING, PLUG AND			FA525241	CRANK PIN ROLLER		
	SPRING PIN	39	20		BEARING CAGE (2 PER		
FA286113	LOCK BAR W/HANDLE AND				SET)	27	20
	SPRING	33	40	FA535395	IDENTIFICATION PLATE		
FA286155	MAIN BEARING LINER SET				W/SCREWS FOR U.S.A.		
	(2 PER SET)	29	41		MODELS	7	32
FA286266	GEAR, BEVEL PINION	41	43	FA535395	PLATE, IDENTIFICATION		
FA286469	KNOB, COVER LATCH	3	26		W/SCREWS, U.S.A.	3	32
FA286469	KNOB, COVER LATCH	7	26	FA541396	DECAL, STARBOARD		
FA286480	RETAINER, ENGINE COVER				"CHRYSLER"	7	-
	W/SCREWS AND NUTS	3	9	FA541396	DECAL, STARBOARD,		
FA286480	RETAINER, ENGINE COVER				"CHRYSLER"	3	-
	W/SCREWS AND NUTS	7	9	FA541397	DECAL, PORT "CHRYSLER"	7	7
FA286547	KNOB, CHOKE W/INSERT			FA541397	DECAL, PORT, "CHRYSLER"	3	7
	AND CHOKE ROD	3	28	FA541528	DECAL, ENGINE COVER,		
FA286547	KNOB, CHOKE W/INSERT				REAR	5	43
	AND CHOKE ROD	7	28	FA541528	DECAL, ENGINE COVER,		
FA286582	STEERING ARM W/SPRING				REAR	9	43
	PIN & BUMPER	35	90	FA541892	DECAL, ENGINE COVER,		
FA286970	STARTER REWIND SPRING				FRONT	3	1
	W/END AND RETAINER	13	12	FA541892	DECAL, ENGINE COVER,		
FA324101	PROPELLER PIN, PACK OF				FRONT	7	1
	3	39	39	FA84754-1	FUEL LINE, SHORT		
FA341510	LINK, REVERSE LOCK				W/CLAMPS	43	5
	LEVER	35	60	FAC535395	IDENTIFICATION PLATE		
FA343178	RETAINER W/SET SCREW	33	4		W/SCREWS FOR CANADA		
FA387742	LEVER, REVERSE LOCK				MODELS	7	-
	INTERMEDIATE	35	69	FAC535395	PLATE, IDENTIFICATION		
FA424158	REED PLATE W/REEDS,				W/SCREWS, CANADA	3	-
	STOPS AND SCREWS	25	59	FC235227	PLUG, SPARK CHAMPION		
FA429471	COVER, CYLINDER DRAIN				(RL-4-J), FOR MODELS		
	W/CHECK VALVES AND				122B9E AND 123B9E	27	-
	SCREWS	27	8	FC409398	DECAL TOTE TANK -		
FA456023	BEVEL GEAR FRONT				CANADA (NOT SHOWN)	43	-
	W/BEARING	39	25	FC456054	LOWER GEAR HOUSING		
FA456137	GRIP, STEERING HANDLE				COMPLETE (NOT SHOWN)	39	-
	W/SLEEVE	33	1				
FA456521	CLUTCH	39	29				

PARTS INDEX

Part Number	Description	Pg.	Ref. No.	Part Number	Description	Pg.	Ref. No.
FC510374	DECAL, CIRCUIT BREAKER - CANADA	19	-	FO8805	CHOKE FRICTION SPRING	23	20
FC510398	DECAL, WIRING - CANADA	19	-	FP408	PROPELLER (ACCESSORY ITEM)	39	31
FC510711	PLATE, FRONT - CANADA	7	-	FS174227	PLUG, SPARK, L-4-J	27	11
FC516400	DECAL, SHIFT - CANADA	5	49	FS36016-5	ROD, CONNECTING W/CAP AND SCREWS	27	17
FC520390	DECAL, STARTER - CANADA	17	19	FS409752	FUEL LINE COMPLETE (NOT SHOWN)	43	-
FG1005-1	GASKET SET	29	63	FS541712	COVER, ENGINE W/BRACKET, RETAINER AND TILT HANDLE	3	6
FK1019-1	5" LONG LEG CONVERSION KIT	50	-	FS541712	ENGINE COVER W/BRACKET & RETAINER	7	6
FK1031-1	WATER PUMP KIT	41	51	FS567532	STERN BRACKET PORT W/CLAMP SCREW AND FOOT	33	31
FK1065	GEAR HOUSING SEAL KIT	41	50	FS567532	STERN BRACKET STARBOARD W/CLAMP SCREW AND FOOT	33	25
FK1066	TUNE UP KIT	11	25	FS901244	INLET WATER LINE EXTENSION	41	49
FK317427	BRACKET, STARTER LOWER W/SPRING PIN	13	16	FT1749	SNAP RING PLIERS	46	-
FK750-2	SPARKIE W/SPRING	11	20	FT2907	SEAL INSTALLER	47	-
FK750-2	SPARKIE W/SPRING	19	6	FT2908	SEAL SLEEVE	46	-
FO10165	INLET SEAT GASKET	23	36	FT2909	KNOCK-OFF NUT	44	-
FO10280	CHOKE SHUTTER RETAINER SCREW AND LOCKWASHER	23	26	FT2961	LUBRICANT	49	-
FO10280	THROTTLE SHUTTER RETAINING SCREW AND LOCKWASHER	25	42	FT2962-1	SEALANT	49	-
FO10588	BODY CHANNEL CUP PLUG	23	17	FT2963-1	SEALANT	49	-
FO10790	INLET NEEDLE, SEAT AND GASKET	23	35	FT2985	STARTER REWIND KEY	45	-
FO11103	IDLE MIXTURE SCREW SPRING	23	34	FT2987-1	LUBRICANT	49	-
FO11722	MAIN FUEL JET, STD. .055 SEA LEVEL - 3000 FT.	23	37	FT2989	FLYWHEEL WEDGE	44	-
FO11764	MAIN FUEL JET, OPT. .051 SEA LEVEL - 6000 FT. AND UP	23	-	FT2997	RING COMPRESSOR	46	-
FO11765	MAIN FUEL JET, OPT. .053 SEA LEVEL - 3000 - 6000 FT.	23	-	FT3012	SEAL INSTALLER	46	-
FO13554	FLOAT	23	27	FT8926	RING EXPANDER	46	-
FO13944	FLOAT LEVER PIN	23	28	FT8929	ADAPTER AND HEX BIT	46	-
FO13945	FUEL BOWL RETAINING SCREW	23	31	FT8935	SEALANT PRIMER	49	-
FO15366	FUEL BOWL	23	29	FT8936	SEALANT	49	-
FO15367	CHOKE SHUTTER	23	25	FT8948-1	PULLER	47	-
FO15368	CHOKE RELIEF VALVE	23	23	FT8949	SEAL INSTALLER	46	-
FO15520	IDLE MIXTURE SCREW	23	33	FT8950	LEAKAGE TESTER	48	-
FO15522	BYPASS TUBE	23	18	FT8952	TEST WHEEL	48	-
FO15525	MAIN NOZZLE	23	38	FT8953	C-D TESTER	48	-
FO15526	THROTTLE SHAFT RETURN SPRING	23	40	FT8957	SEAL INSTALLER	47	-
FO15623	FUEL BOWL GASKET	23	30	FT8969	LUBRICANT	49	-
FO15736	CHOKE SHAFT AND LEVER	23	21	FT8983	SEALANT	49	-
FO15757	THROTTLE SHAFT AND LEVER	23	39	FT8996	IGNITION TESTER	48	-
FO15783	CHOKE RELIEF VALVE SPRING	23	24	T8974	BREAKER POINT TENSION GAUGE	48	-
FO16878	THROTTLE SHUTTER	23	41	11-817752A1	PROPELLER NUT W/COTTER PIN	39	32
FO2510	FUEL BOWL RETAINING SCREW GASKET	23	32	22-818103--1	FITTING, FUEL PUMP	15	11
FO2531	BODY CHANNEL WELCH PLUG	23	16	27-818043A1	FUEL PUMP DIAPHRAGM W/GASKETS	15	4
FO4784	CHOKE FRICTION BALL	23	19	27-818043A1	FUEL PUMP DIAPHRAGM W/GASKETS	23	7
				31-817756A2	PROPELLER SHAFT BEARING CAGE	39	36
				32-817738A1	FUEL LINE, LONG W/CLAMPS AND FERRULE	43	7

PARTS INDEX

Part Number	Description	Pg.	Ref. No.	Part Number	Description	Pg.	Ref. No.
37-F286894-3	STEERING HANDLE INDICATOR - CANADA . . .	37	-				
43-818009--1	GEAR, MAGNETO CONTROL SHAFT	33	7				
43-818009--1	GEAR, STEERING HANDLE SHAFT	33	5				
800-817907A2	SHORT BLOCK (NOT SHOWN).	27	-				
800-819091A1	SHORT BLOCK (NOT SHOWN).	27	-				
1100-817753A1	CAGE, CRANKSHAFT BEARING W/SEAL	29	46				
1400-817750A4	SWIVEL BRACKET W/GREASE FITTING	35	75				
1600-824916A1	GEAR HOUSING UPPER . . .	39	13				