



PARTS CATALOG

30 H.P.

SERIAL NUMBER

30 (1979)	302B9C
30 (1979)	302H9C
30 (1979)	303B9C
30 (1979)	303H9C
30 (1979)	306B9B
30 (1979)	306H9B
30 (1979)	307B9B
30 (1979)	307H9B

TABLE OF CONTENTS:

ACCESSORIES	59
ALTERNATOR	20
CARBURETOR	22
CRANKSHAFT AND PISTON GROUP	28
ELECTRIC STARTER	12
ELECTRICAL COMPONENTS	16
ENGINE COVER AND SUPPORT PLATE (ALTERNATOR MODELS)	6
ENGINE COVER AND SUPPORT PLATE (MANUAL START MODELS)	2
FUEL PUMP	30
FUEL TANK AND LINE	52
GEAR HOUSING	48
HAND STARTER	10
MAGNETO	14
MOTOR LEG	42
PARTS INDEX	61
POWER HEAD	32
REED PLATE	26
SPECIAL TOOLS - LOWER UNIT	56
SPECIAL TOOLS - LUBRICANTS AND SEALANTS	58
SPECIAL TOOLS - POWER HEAD	55
SPECIAL TOOLS - TEST EQUIPMENT	57
SPECIAL TOOLS - TUNE-UP	54
SWIVEL BRACKET GROUP	38

NOTE: Indented description indicate that these parts are included in preceding assembly.

AR = As Required

NSS = Not Sold Separate

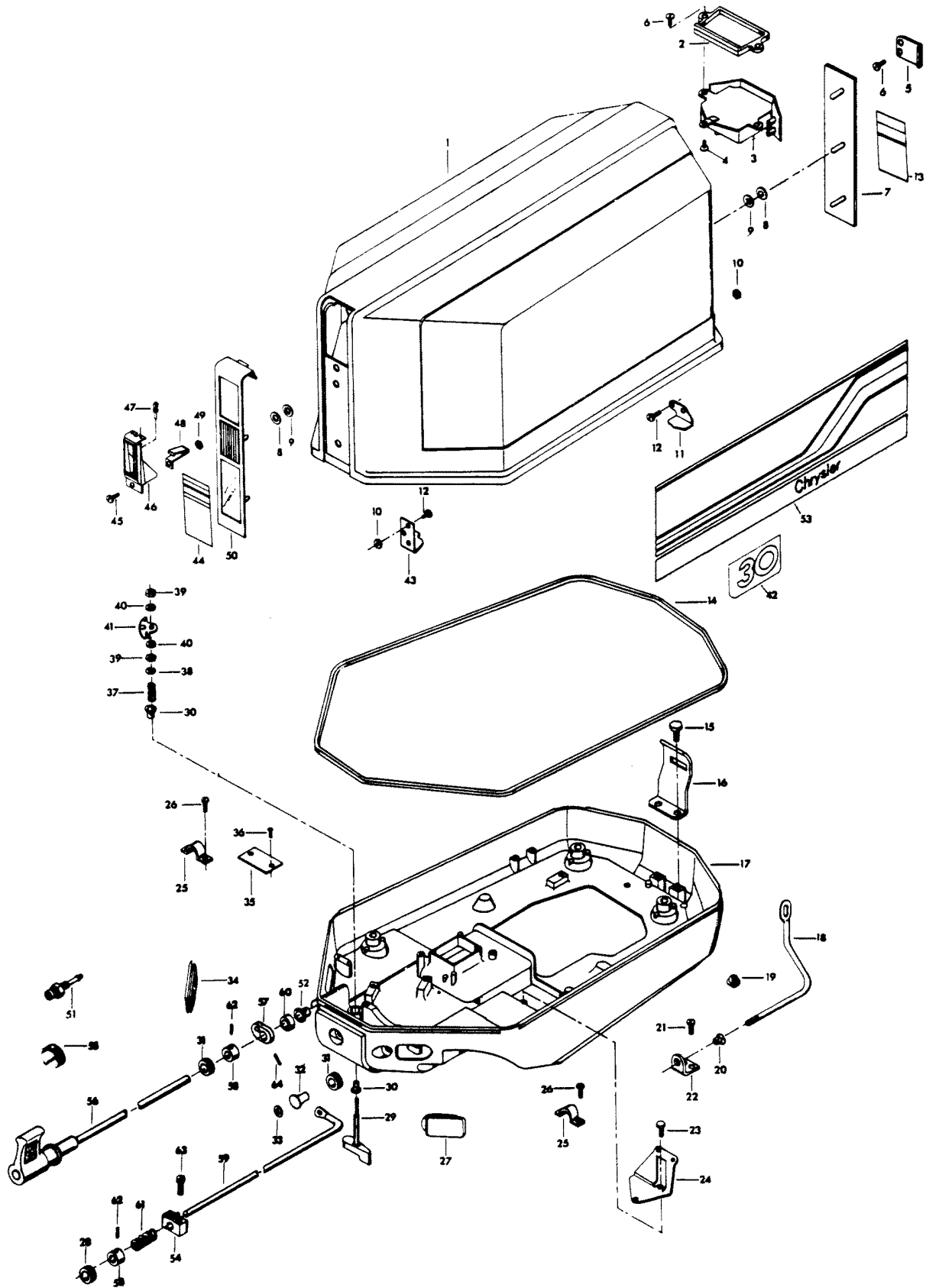
OPT = Optional

NS = Not Shown

THESE PARTS BOOKS/FICHE CARD ARE COPYRIGHTED AND MAY NOT BE DISTRIBUTED OR REPRODUCED IN ANY OTHER FORMAT BY ANYONE OTHER THAN MERCURY MARINE WITHOUT THE PRIOR WRITTEN CONSENT OF MERCURY MARINE.

THIS PAGE INTENTIONALLY LEFT BLANK

ENGINE COVER AND SUPPORT PLATE (MANUAL START MODELS)

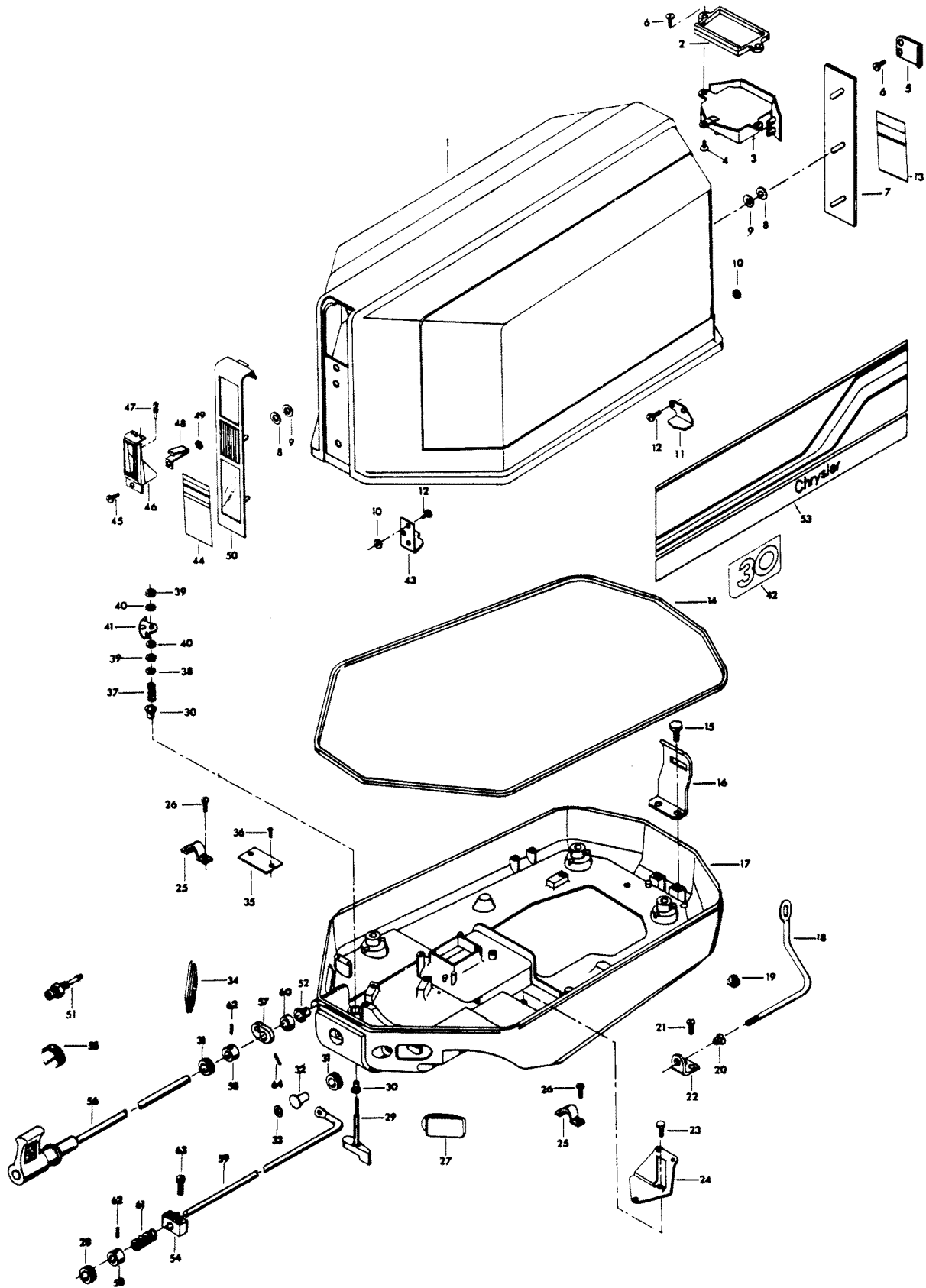


ENGINE COVER AND SUPPORT PLATE (MANUAL START MODELS)

REF. NO.	PART NO.	SYM.	QTY.	DESCRIPTION
1	FS529712		1	ENGINE COVER W/FRONT AND REAR RETAINERS
-	3C542712		1	ENGINE COVER COMPLETE INCLUDES ALL ITEMS MARKED WITH AN ASTERISK (*).
2	F458245		1	BAFFLE, TILT HANDLE
3	F542269		1	TILT HANDLE
4	F2025		1	PAN HD SCREW, 10 X 5/8
5	F463864		2	RETAINER, TILT HANDLE
6	F2066		6	PAN HD SCREW, 10 X 3/8
7	F542180		1	TRIM, REAR
8	F85735-1		5	SEAL
9	F1753		5	FASTENER
10	F7011		4	HEX NUT, 10 - 24
11	FA458480		1	RETAINER, ENGINE COVER REAR W/SCREWS AND NUTS
12	F1475		4	FILL HD SCREW, 10 - 24 X 1/2
13	FA542528		1	DECAL, ENGINE COVER
14	F85756		1	PACKING, ENGINE COVER
15	F1502		2	HEX HD MACHINE SCREW, 1/4 - 20 X 5/8
16	F461774		1	BRACKET, RETAINER REAR
17	F458038-2		1	SUPPORT PLATE
18	F458503		1	CHOKE ROD
19	F1632		1	PLASTI-PLUG
20	F183818		1	BEARING, CHOKE ROD
21	F1760		2	PAN HD SCREW, 10 - 24 X 3/8
22	F324993		1	BRACKET, CHOKE ROD BEARING
23	F1236		2	HEX CAP SCREW, 1/4 - 20 X 1/2
24	F458371		1	BRACKET, REMOTE THROTTLE CABLE
25	F154317		2	CLAMP, REMOTE CABLE
26	F2107		4	SLOTTED FILL HD SCREW W/SPRING LOCKWASHER, 10 -24 X 5/8
27	F324840-1		1	GROMMET, REMOTE THROTTLE CABLE
28	F183504		1	GROMMET, MAGNETO CONTROL SHAFT
29	FA413469		1	COVER LATCH HANDLE W/SHAFT
30	F307818		2	BEARING, LATCH SHAFT
31	F24623-1		2	GROMMET, CHOKE ROD, GEAR SHIFT
32	F286547		1	CHOKE KNOB
33	F458677		1	INSERT, CHOKE KNOB
34	F324840-1		1	GROMMET, REMOTE SHIFT CABLE
35	FA535395		1	PLATE, IDENTIFICATION W/SCREWS - U.S.A.
-	FAC535395		1	PLATE, IDENTIFICATION W/SCREWS - CANADA
36	F1447		2	DRIVE SCREWS
37	F183300		1	SPRING, LATCH SHAFT
38	F185764		1	RETAINING RING
39	F1515		2	HEX JAM NUT, 5/16 - 18
40	F8096		2	SPRING LOCKWASHER

CONTINUED ON NEXT PAGE ➡

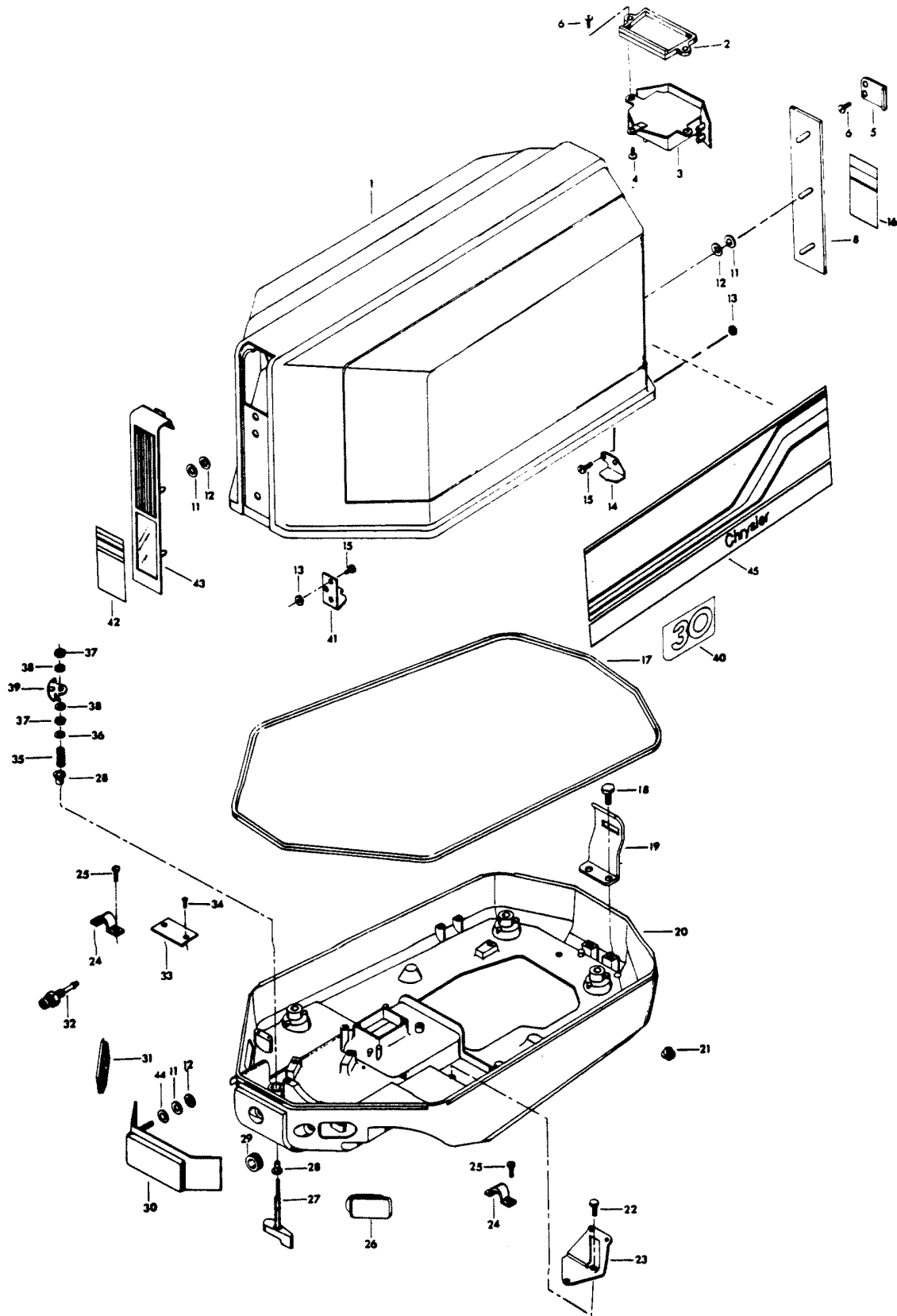
ENGINE COVER AND SUPPORT PLATE (MANUAL START MODELS)



ENGINE COVER AND SUPPORT PLATE (MANUAL START MODELS)

REF. NO.	PART NO.	SYM.	QTY.	DESCRIPTION
41	F89777-1		1	CAM, ENGINE COVER LATCH
42	FA543386		2	DECAL, NUMERAL 30
43	FA458778		1	RETAINER, ENGINE COVER FRONT W/SCREWS AND NUTS
44	FA542892		1	DECAL, ENGINE COVER FRONT
45	F1760		1	PAN HD SCREW, 10 - 24 X 3/8
46	F458888-1		1	TRIM, STARTER HANDLE GUIDE
47	F2026		2	PLASTIC RIVET
48	FA458880		1	CLIP, STARTER GUIDE
49	F1473		1	HEX NUT, 10 - 24
50	F542711		1	PLATE, FRONT
51	F434767		1	BUSHING, FUEL LINE
52	F307818		1	BEARING, GEAR SHIFT SHAFT
53	FA542397		1	DECAL, ENGINE COVER - PORT
-	FA542396		1	DECAL, ENGINE COVER - STARBOARD
54	F324689		1	BEARING, MAGNETO CONTROL SHAFT, REAR
55	F461400		1	INDICATOR, GEAR SHIFT - U.S.A
-	FC461400		1	INDICATOR, GEAR SHIFT - CANADA
56	F2A504614		1	KNOB, GEAR SHIFT W/SHAFT AND INDICATOR
57	F504621		1	LEVER, GEAR SHIFT CONTROL
58	FA343178		2	RETAINER W/SET SCREW
59	FA458838		1	MAGNETO CONTROL SHAFT
60	F504836		1	SPACER, GEAR SHIFT SHAFT
61	F183300		1	SPRING MAGNETO CONTROL SHAFT
62	F1859		2	HEX SOCKET HEADLESS SET SCREW, 1/4 - 28 X 3/16
63	F1087		2	FILL HD SCREW 10 - 24 X 7/8
64	F1836		1	SPRING PIN

ENGINE COVER AND SUPPORT PLATE (ALTERNATOR MODELS)

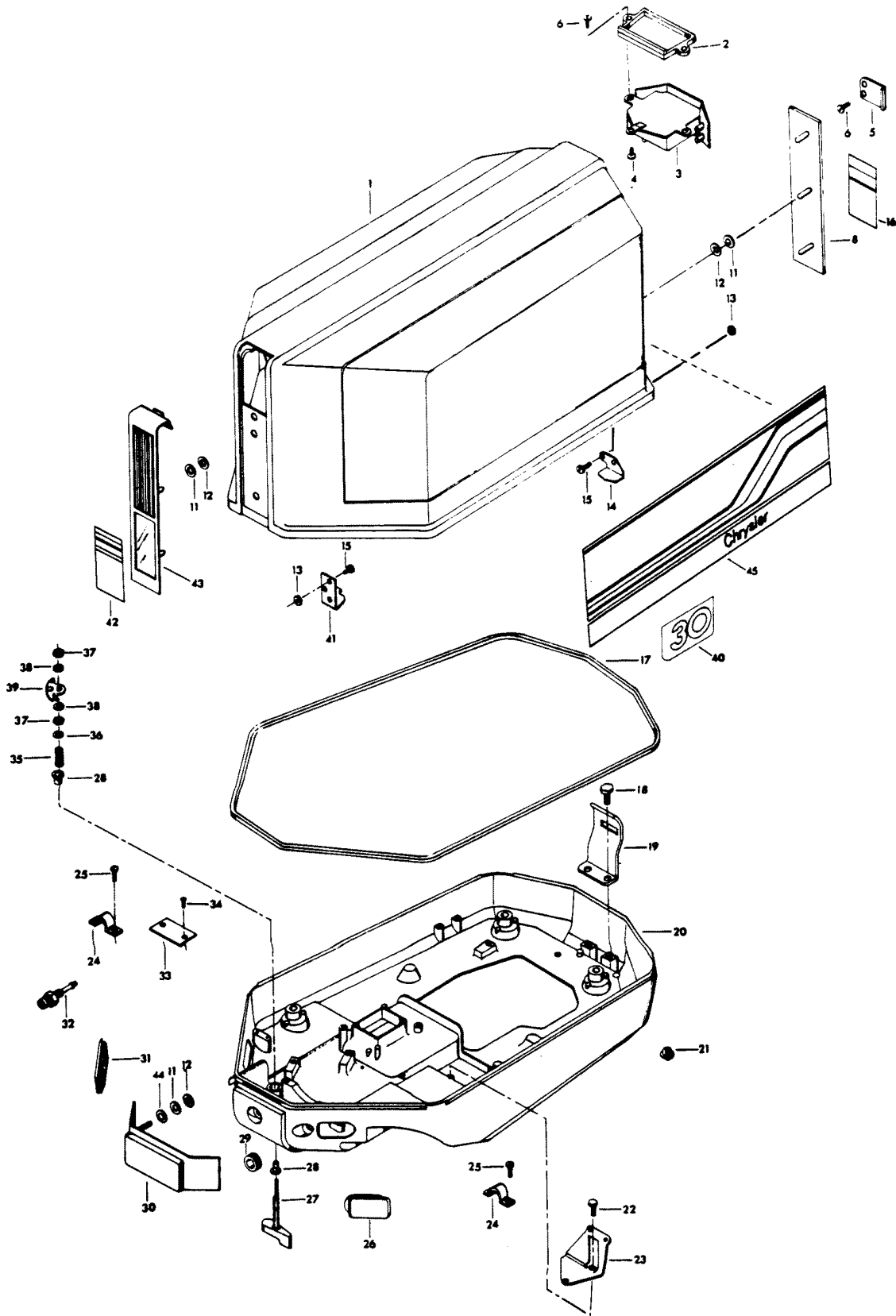


ENGINE COVER AND SUPPORT PLATE (ALTERNATOR MODELS)

REF. NO.	PART NO.	SYM.	QTY.	DESCRIPTION
1	FS529712		1	ENGINE COVER W/FRONT AND REAR RETAINERS
-	3C543712		1	ENGINE COVER COMPLETE INCLUDES ALL ITEMS MARKED WITH AN ASTERISK (*)
2	F458245		1	BAFFLE TILT HANDLE
3	F542269		1	TILT HANDLE
4	F2025		1	PAN HD SCREW, 10 X 5/8
5	F463864		2	RETAINER, TILT HANDLE
6	F2066		6	PAN HD SCREW, 10 X 7/16
8	F542180		1	TRIM, REAR
11	F85735-1		7	SEAL
12	F1753		7	FASTENER
13	F7011		4	HEX NUT, 10 - 24
14	FA458480		1	RETAINER, ENGINE COVER REAR W/SCREWS AND NUTS
15	F1475		4	FILL HD SCREW, 10 - 24 X 1/2
16	FA542528		2	DECAL, ENGINE COVER REAR
17	F85756		1	PACKING, ENGINE COVER
18	F1502		2	HEX HD MACHINE SCREW, 1/4 - 20 X 5/8
19	F461774		1	BRACKET, RETAINER REAR
20	F458038-2		1	SUPPORT PLATE
21	F1632		1	PLASTI-PLUG
22	F1236		2	HEX CAP SCREW, 1/4 - 20 X 1/2
23	F458371		1	BRACKET, REMOTE THROTTLE CABLE
24	F154317		2	CLAMP, REMOTE CABLE
25	F2107		4	SLOTTED FILL HD SCREW W/SPRING LOCKWASHER, 10 - 24 X 5/8
26	F462840		1	GROMMET, REMOTE THROTTLE CABLE
27	FA413469		1	COVER LATCH HANDLE W/SHAFT
28	F307818		2	BEARING, LATCH SHAFT
29	F53504		1	GROMMET, SUPPORT PLATE
30	F542163		1	COVER, SUPPORT PLATE
31	F462840		1	GROMMET, REMOTE SHIFT CABLE
32	F434767		1	BUSHING, FUEL LINE
33	FA535395		1	PLATE, IDENTIFICATION W/SCREWS - U.S.A.
-	FAC535395		1	PLATE, IDENTIFICATION W/SCREWS - CANADA
34	F1447		2	DRIVE SCREW
35	F183300		1	SPRING, LATCH SHAFT
36	F185764		1	RETAINING RING
37	F1515		2	HEX JAM NUT, 5/16 - 18
38	F8096		2	SPRING LOCKWASHER
39	F89777-1		1	CAM, ENGINE COVER LATCH
40	FA543386		2	DECAL, NUMERAL 30
41	FA458778		1	RETAINER, ENGINE COVER FRONT W/SCREWS AND NUTS

CONTINUED ON NEXT PAGE ➡

ENGINE COVER AND SUPPORT PLATE (ALTERNATOR MODELS)

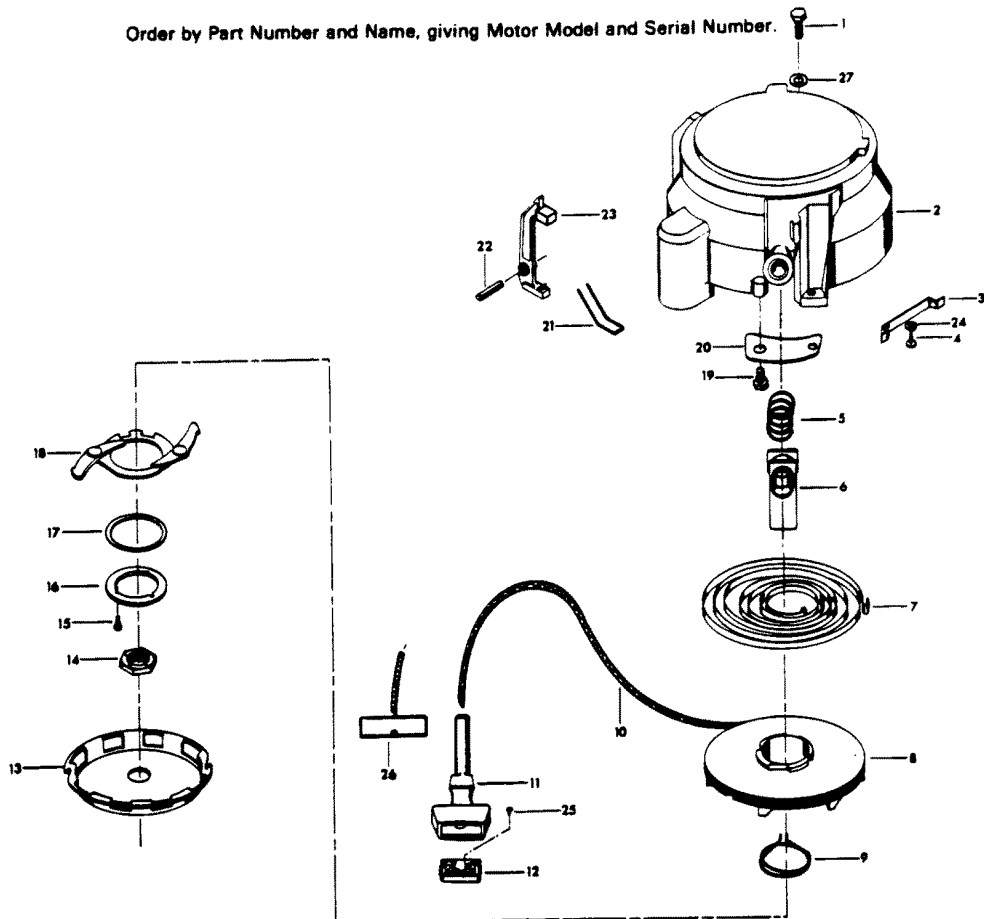


ENGINE COVER AND SUPPORT PLATE (ALTERNATOR MODELS)

REF. NO.	PART NO.	SYM.	QTY.	DESCRIPTION
42	FA542892		1	DECAL, ENGINE COVER FRONT
43	F542711		1	PLATE, FRONT
44	F8011		1	PLAIN WASHER
45	FA542397		1	DECAL, ENGINE COVER - PORT
-	FA542396		1	DECAL, ENGINE COVER - STARBOARD

HAND STARTER

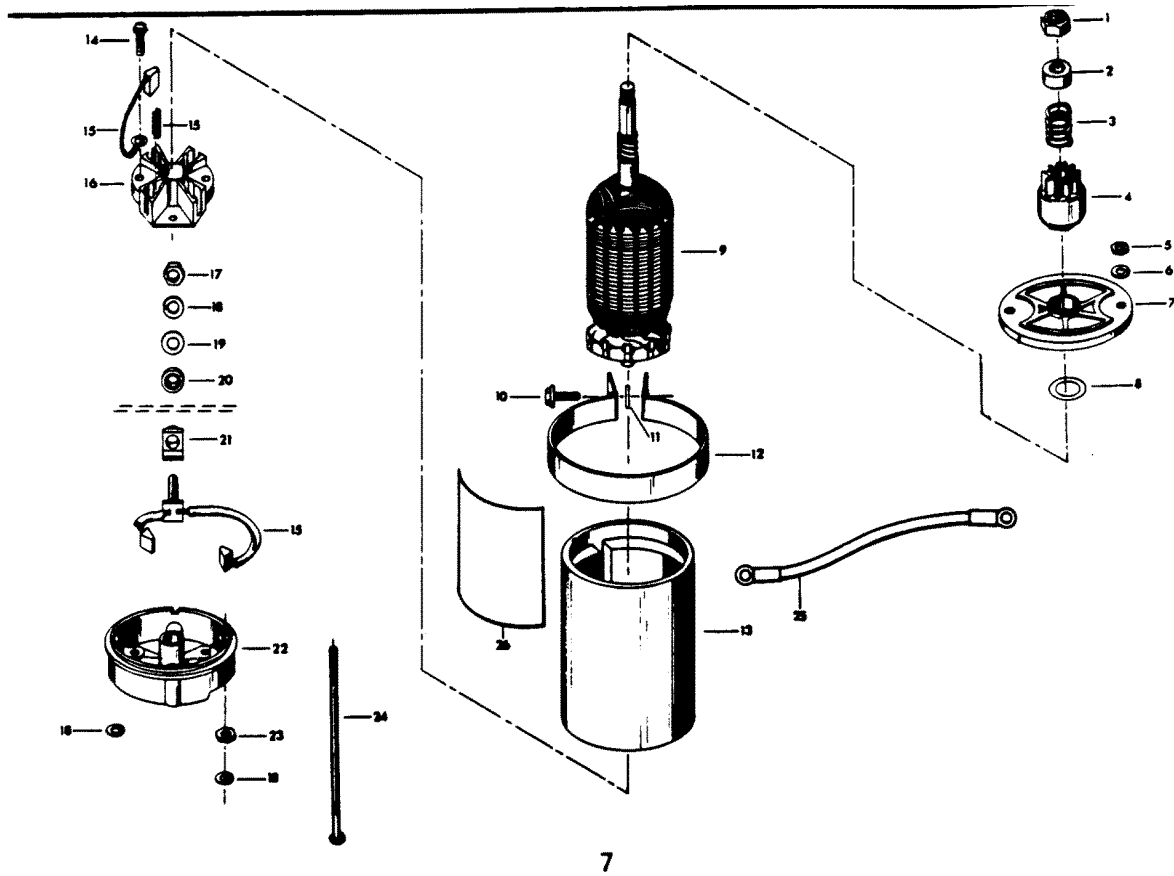
Order by Part Number and Name, giving Motor Model and Serial Number.



HAND STARTER

REF. NO.	PART NO.	SYM.	QTY.	DESCRIPTION
1	F1864		3	HEX HD SCREW, 1/4 - 20 X 3/4
-	F1864		1	HEX HD SCREW, 1/4 - 20 X 3/4, ELECTRIC START MODELS
2	817955A1		1	HOUSING, HAND STARTER
3	F458937		1	LINER, STARTER HOUSING
4	F1927		1	PAN HD SCREW, 10 - 32 X 3/8
5	F458071		1	SPRING, STARTER HANDLE GUIDE FOR MANUAL START MODELS ONLY
6	F458953-1		1	GUIDE, STARTER HANDLE FOR MANUAL START MODELS ONLY
7	F458970		1	SPRING, STARTER REWIND
8	F458239		1	STARTER PULLEY
9	F458424		1	SPRING, STARTER PAWL PLATE
10	F458232		1	STARTER ROPE
11	F458132		1	HANDLE, STARTER ROPE FOR MANUAL START MODELS ONLY
12	817938A1		1	RETAINER, STARTER ROPE HANDLE FOR MANUAL START MODELS ONLY
13	F458456		1	HAND STARTER COLLAR
14	F2021		1	FLYWHEEL NUT
15	F2004		3	FILL HD SCREW, 8 - 32 X 3/8
16	F458592		1	RETAINER, STARTER PULLEY
17	F9022		0	SHIM .006" (SILVER)
-	F9023		0	SHIM .007" (BRASS)
-	F9024		0	SHIM .010" (BLACK)
18	FA460423		1	STARTER PAWL PLATE ASSEMBLY
19	F2040		1	HEX HD MACHINE SCREW W/SPRING LOCKWASHER, 1/4 - 20 X 5/8
20	F461952		1	STRAP, HAND STARTER HOUSING
21	F458846		1	SPRING
22	F1638		1	SPRING PIN
23	F458003		1	STARTER INTERLOCK LEVER
24	F8011		1	PLAIN WASHER
25	F1500		1	RD HD SHEET METAL SCREW FOR MANUAL START MODELS ONLY
26	F18132-1		1	STARTER ROPE HANDLE FOR ELECTRIC START MODELS ONLY
27	F2012		3	PLAIN WASHER
-	F2012		1	PLAIN WASHER, ELECTRIC START MODELS ONLY

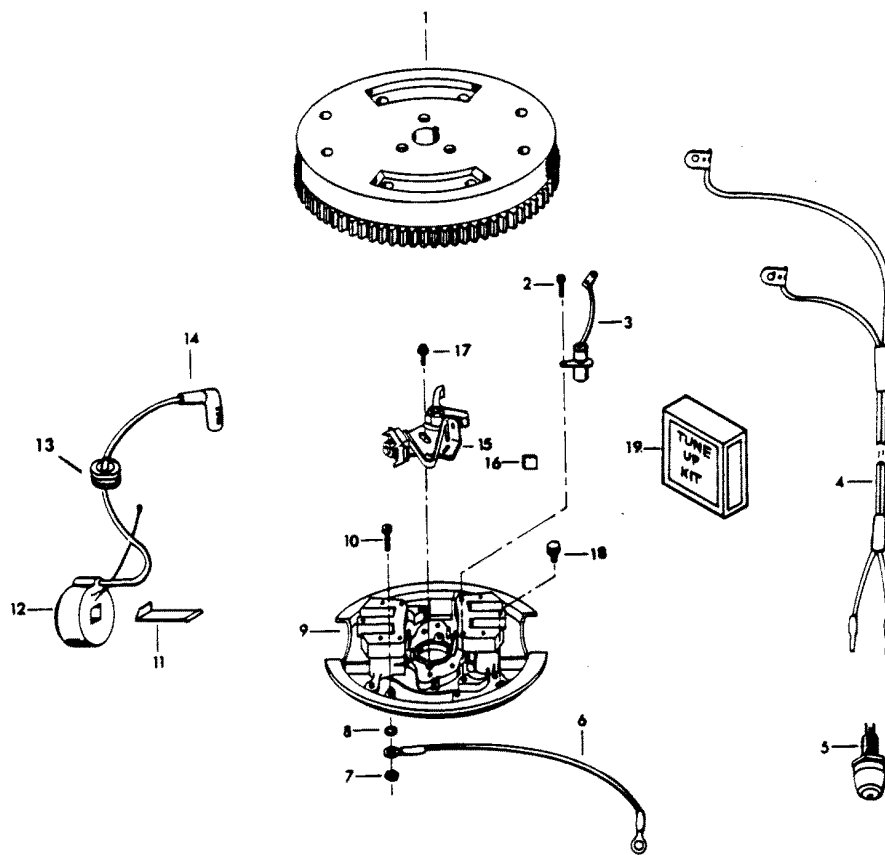
ELECTRIC STARTER



ELECTRIC STARTER

REF. NO.	PART NO.	SYM.	QTY.	DESCRIPTION
1	F15147		1	STOP NUT, PINION
2	F15148		1	STOP, PINION
3	F15149		1	SPRING, ANTI-DRIFT
4	F15150		1	DRIVE PINION
5	F1514		2	HEX JAM NUT, 1/4 - 20
6	F8083		2	SPRING LOCKWASHER
7	F15154		1	CAP, DRIVE END
8	F15155		1	WASHER, THRUST
9	F15156		1	ARMATURE
10	F1705		1	HEX CAP SCREW, 1/4 - 20 X 3/4
11	F8028		1	PLAIN WASHER
12	F460573		1	CLAMP, STARTER MOTOR
14	F15158		2	SCREW, BRUSH HOLDER
15	F15164		1	BRUSH KIT
16	F15157		1	HOLDER, BRUSH
17	F15162		1	NUT, HOT LEAD
18	F15152		3	LOCKWASHER
19	F15161		1	PLAIN WASHER
20	F15160		1	INSULATOR WASHER
21	F15159		1	INSULATOR
22	F15163		1	CAP, COMMUTATOR END
23	F15153		1	SPACER WASHER, THRU BOLT
24	F15151		2	THRU BOLT
-	F514955		1	STARTER MOTOR COMPLETE (NOT SHOWN)
25	F307908		1	WIRE, STARTER
26	FC513390		1	DECAL, STARTER - CANADA

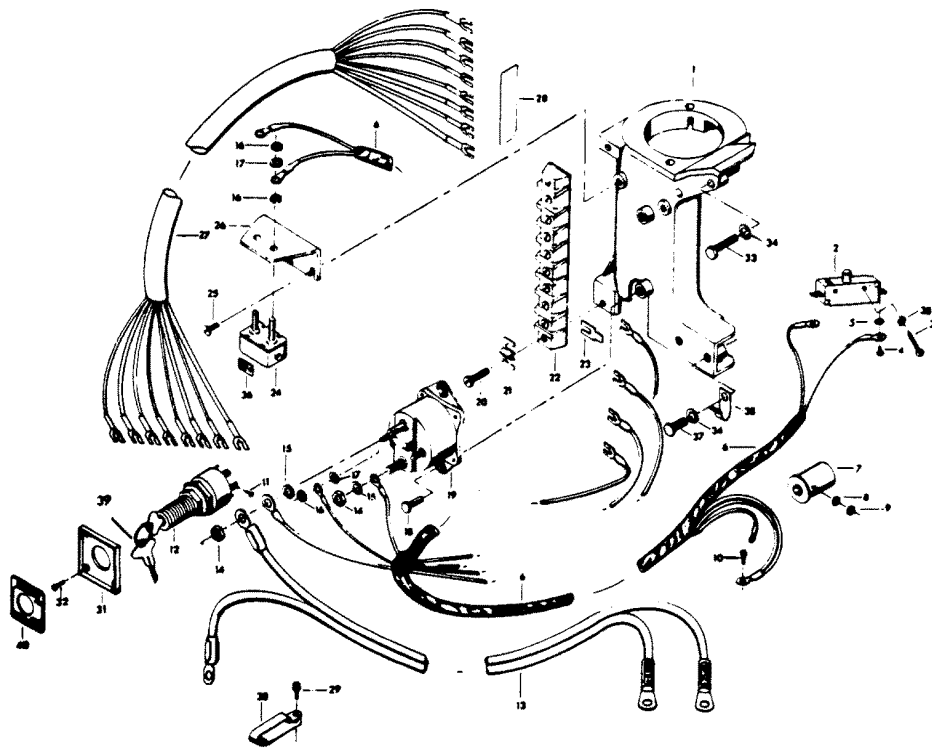
MAGNETO



MAGNETO

REF. NO.	PART NO.	SYM.	QTY.	DESCRIPTION
1	F460097-1		1	FLYWHEEL
2	F12170		2	CONDENSER MOUNTING SCREW
3	F12181-1		2	CONDENSER
4	F12186		1	GROUND LEAD
5	F436449		1	SHORTING SWITCH FOR MANUAL START MODELS ONLY
6	F460664		1	STATOR GROUND WIRE
7	F1513		1	HEX NUT
8	F8059		1	SPRING LOCKWASHER
9	F12346		1	STATOR PLATE W/LAMINATIONS
10	F1092		1	FILL HD SCREW, 10 - 32 X 5/8
11	F12146		2	COIL WEDGE SPRING
12	FA12370		2	COIL W/LEAD WIRE
13	F12088		1	GROMMET, LEAD WIRE
14	FK750-2		2	SPARKIE W/SPRING
15	F12153		2	BREAKER POINT SET
16	F12228		1	CAM WIPER FELT
17	F12170		4	CONTACT SCREW W/LOCKWASHER
18	F2010		3	FILL HD SCREW W/SPRING LOCKWASHER, 10 - 32 X 9/16
19	FK1066		1	TUNE-UP KIT INCLUDES ALL ITEMS MARKED WITH AN ASTERISK (*)

ELECTRICAL COMPONENTS

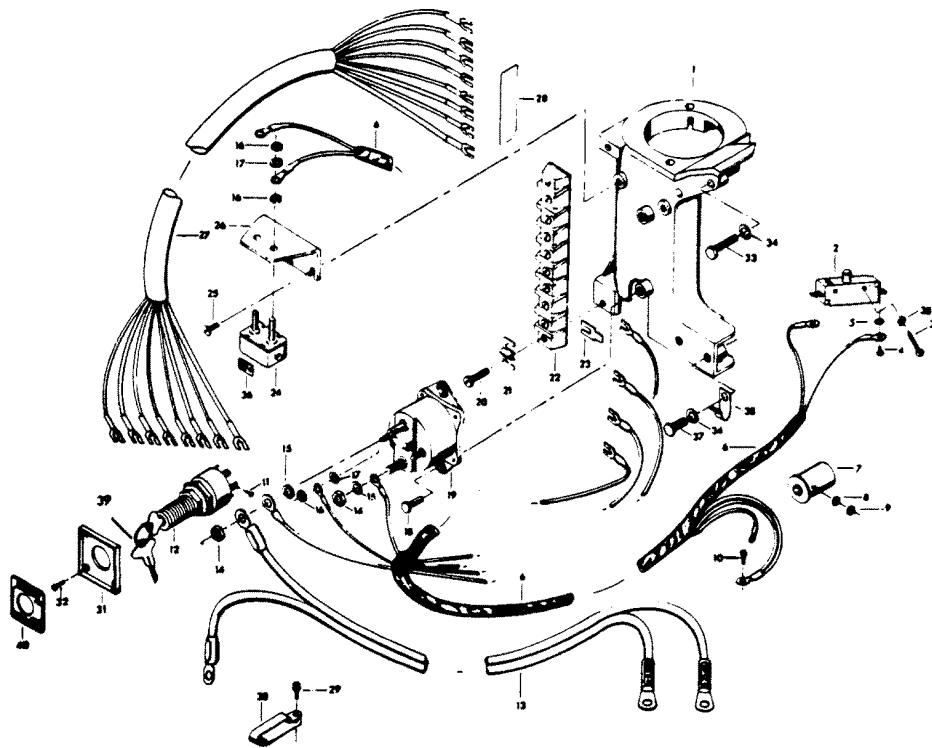


ELECTRICAL COMPONENTS

REF. NO.	PART NO.	SYM.	QTY.	DESCRIPTION
1	F514427		1	BRACKET, STARTER MOTOR
2	F84449		1	SWITCH, STARTER INTERLOCK
3	F2016		2	FILL HD SCREW, 6 - 32 X 7/8
4	F1645		2	ROUND HD SCREW, 6 - 32 X 7/8
5	F1704		2	INTERNAL TOOTH LOCKWASHER
6	F529744		1	WIRING HARNESS
7	F85924		1	CHOKE SOLENOID
8	F8056		1	SPRING LOCKWASHER
9	F1647		1	HEX NUT
10	F1077		1	FILL HD SCREW, 10 - 24 X 1/2
11	F1280		5	PAN HD SCREW, 8 - 32 X 1/4
12	F5H078		1	IGNITION SWITCH (ACCESSORY ITEM)
13	F381896-4		1	CABLE, BATTERY ENTRY
14	F1515		2	HEX NUT
15	F8096		2	SPRING LOCKWASHER
16	F1513		6	HEX NUT, 10 - 32
17	F1975		4	SPRING LOCKWASHER
18	F1854		2	HEX CAP SCREW, 1/4 - 20 X 5/8
19	F460917		1	STARTER RELAY
20	F1648		2	PAN HD SCREW, 10 - 24 X 3/4
21	F307317		1	CLIP, TERMINAL BLOCK GROUND
22	FA510497		1	TERMINAL BLOCK
23	F296898		2	TERMINAL
24	F510460		1	CIRCUIT BREAKER
25	F1979		2	PAN HD SCREW, 10 - 24 X 1/2
26	F91446-1		1	BRACKET, CIRCUIT BREAKER
27	F85843-1		1	CABLE, ELECTRIC CONTROL
28	F529398		1	DECAL, WIRING - U.S.A.
-	FC529398		1	DECAL, WIRING - CANADA
29	F1734		1	FILL HD MACHINE SCREW W/SPRING LOCKWASHER, 1/4 - 20 X 1/2
30	F407446		1	CLAMP, BATTERY CABLE
31	F411420		1	RETAINER, SWITCH PLATE
32	F1934		4	FLAT HD SLOTTED SCREW
33	F1916		3	HEX HD M. SCREW, 1/4 - 20 X 1-1/8
34	F8083		4	SPRING LOCKWASHER
35	F8088		2	PLAIN WASHER
36	F510374		1	DECAL, CIRCUIT BREAKER - U.S.A.
-	FC510374		1	DECAL, CIRCUIT BREAKER - CANADA
37	F1100		1	SLOTTED FILL HD SCREW, 1/4 - 20 X 1-1/8
38	F286772-1		1	CLAMP, FUEL PUMP TO CARBURETOR HOSE
39	FA368700		1	IGNITION KEY - NO LETTER OR STAMPED A
-	FB368700		1	IGNITION KEY - STAMPED B

CONTINUED ON NEXT PAGE ➡

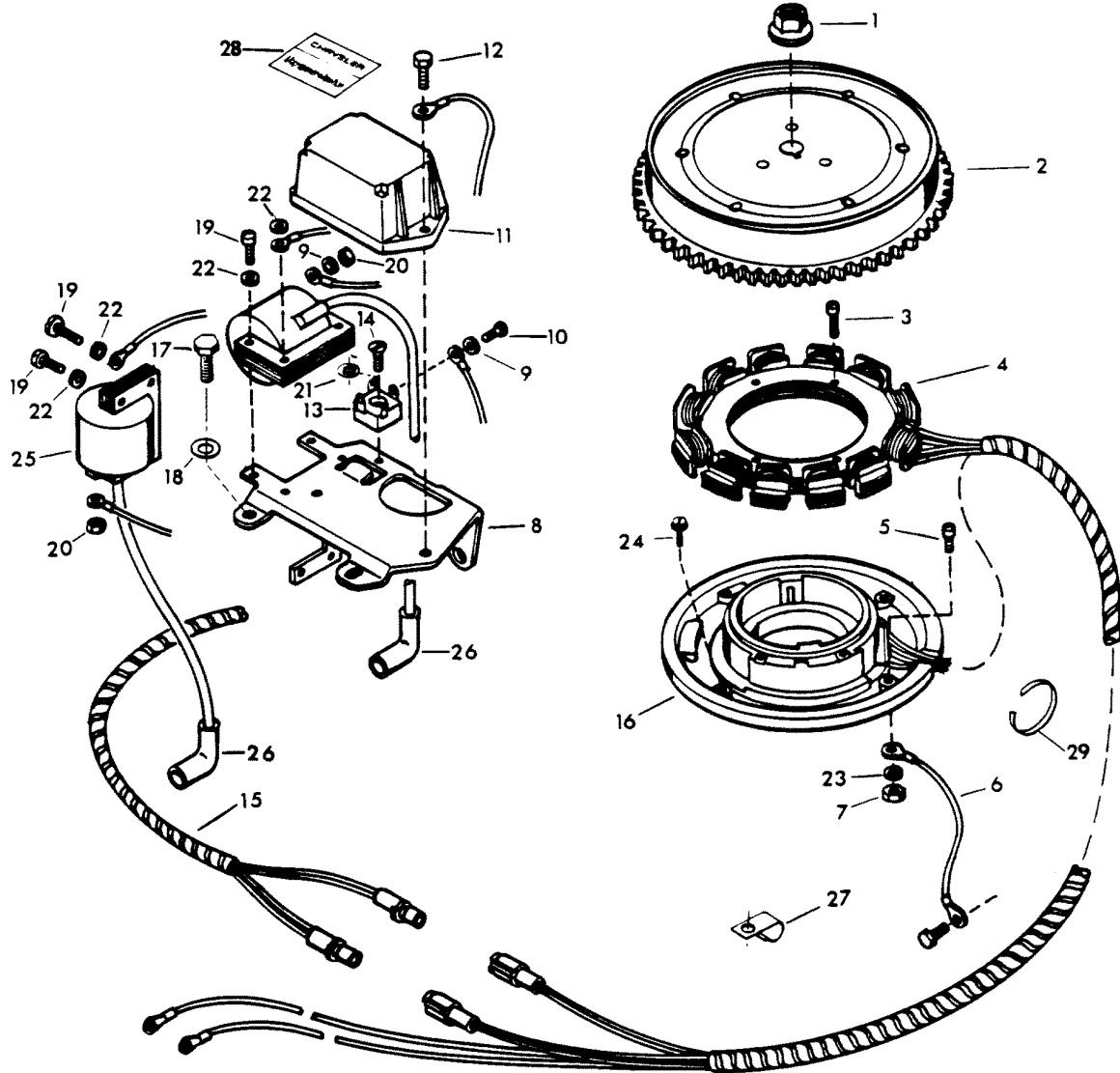
ELECTRICAL COMPONENTS



ELECTRICAL COMPONENTS

REF. NO.	PART NO.	SYM.	QTY.	DESCRIPTION
-	FC368700		1	IGNITION KEY - STAMPED C
-	FD368700		1	IGNITION KEY - STAMPED D
-	FE368700		1	IGNITION KEY - STAMPED E
40	F412181-1		1	PLATE, IGNITION - U.S.A.
-	817892--1		1	PLATE, IGNITION - CANADA

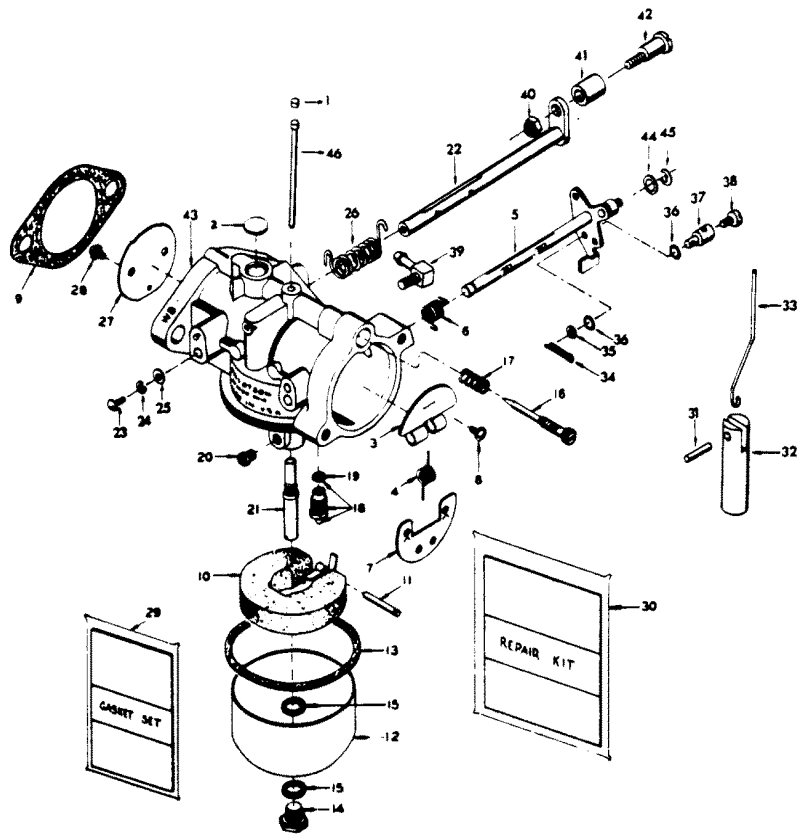
ALTERNATOR



ALTERNATOR

REF. NO.	PART NO.	SYM.	QTY.	DESCRIPTION
1	F2021		1	FLYWHEEL NUT, 5/8 - 18
2	F529097		1	FLYWHEEL
3	F1050		4	SLOTTED FIL HD SCREW, 10 - 24 X 1
4	F529095		1	STATOR, ALTERNATOR
5	F2010		3	FILL HD SCREW, 10 - 32 X 9/16
6	F460664		1	STATOR GROUND WIRE
7	F1513		1	HEX NUT, 10 - 32
8	F529358		1	BRACKET, ELECTRICAL COMPONENTS
9	F1704		2	LOCKWASHER #6
10	F1645		4	ROUND HD SCREW, 6 - 32 X 1/4
11	F529301		1	C-D MODULE
12	F1746		2	HEX CAP SCREW, 1/4 - 28 X 5/8
13	F510450-1		1	RECTIFIER
14	F1552		1	PAN HD SCREW, 8 - 32 X 1/2
15	F529744		1	WIRING HARNESS
16	F529029		1	STATOR TRIGGER
17	F2008		2	HEX HD SCREW, 1/4 - 20 X 7/8
18	F2012		2	PLAIN WASHER
19	F1648		8	PAN HD SCREW, 10 - 24 X 3/4
20	F1337		2	NUT, 6 - 32
21	F8078		1	LOCKWASHER #8
22	F1975		8	LOCKWASHER
23	F8059		1	SPRING LOCKWASHER
24	F1092		1	FILL HD SCREW, 10 - 32 X 5/8
25	F510475		2	IGNITION COIL
26	FK750-2		2	SPARKIE KIT
27	F286772-1		1	CLAMP
-	F235785		1	DECAL, COMPLIANCE - CANADA (NOT SHOWN)
28	510373-1		1	DECAL, MAGNAPOWER
29	F1877		1	TY-RAP

CARBURETOR

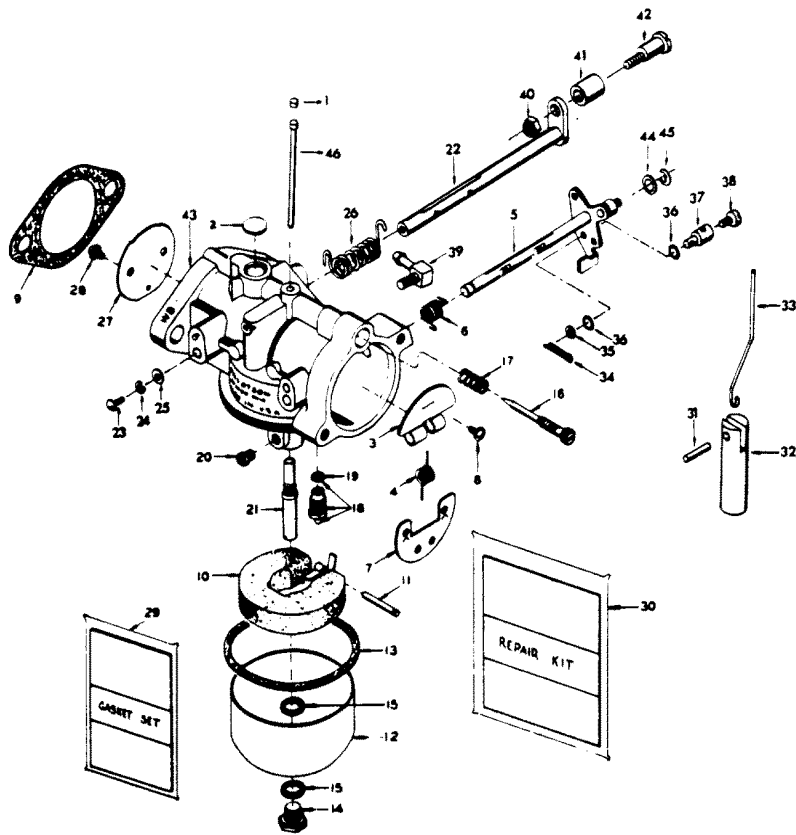


CARBURETOR

REF. NO.	PART NO.	SYM.	QTY.	DESCRIPTION
1	FO10588		3	BODY CHANNEL CUP PLUG
2	FO4326		1	BODY CHANNEL WELCH PLUG
3	FO12251		1	CHOKE RELIEF VALVE
4	FO10883		1	CHOKE RELIEF VALVE SPRING
5	FO16562		1	CHOKE SHAFT AND LEVER
6	FO16397		1	CHOKE SHAFT RETURN SPRING
7	FO12250		1	CHOKE SHUTTER
8	FO10280		1	CHOKE SHUTTER RETAINING SCREW AND LOCKWASHER
9	F40906-1		1	FLANGE GASKET
10	FO13554		1	FLOAT
11	FO13944		1	FLOAT LEVER PIN
12	FO13552		1	FUEL BOWL
13	FO15623		1	FUEL BOWL GASKET
14	FO13945		1	FUEL BOWL RETAINING SCREW
15	FO2510		2	FUEL BOWL RETAINING SCREW GASKET
16	FO14166		1	IDLE MIXTURE SCREW
17	FO11103		1	IDLE MIXTURE SCREW SPRING
18	FO10790		1	INLET NEEDLE, SEAT AND GASKET
19	FO10165		1	INLET SEAT GASKET
20	FO14108		1	MAIN FUEL JET .064 - STANDARD
-	FO14187		0	MAIN FUEL JET .062 - 1250 - 3750 FT. (OPT.)
-	FO14186		0	MAIN FUEL JET .060 - 3750 - 6250 FT. (OPT.)
-	FO15337		0	MAIN FUEL JET .058 - 6250 - 8250 FT. (OPT.)
21	FO15213		1	MAIN NOZZLE
22	FO16561		1	THROTTLE SHAFT AND LEVER
23	FO6393		1	THROTTLE SHAFT POSITION RETAINING SCREW
24	FO6396		1	THROTTLE SHAFT POSITION RETAINING SCREW LOCKWASHER
25	FO3804		1	THROTTLE SHAFT POSITION RETAINING SCREW WASHER
26	FO16563		1	THROTTLE SHAFT RETURN SPRING
27	FO17486		1	THROTTLE SHUTTER
28	FO8942		2	THROTTLE SHUTTER RETAINING SCREW AND LOCKWASHER
29	F10025		1	GASKET SET
30	F10027		1	REPAIR PARTS KIT INCLUDES ALL ITEMS MARKED WITH AN ASTERISK (*)
31	F2033		1	GROOVE PIN FOR ELECTRIC START MODELS
32	F391926-1		1	PLUNGER FOR ELECTRIC START MODELS
33	F460925		1	ROD FOR ELECTRIC START MODELS
34	F1014		1	COTTER PIN FOR ELECTRIC START MODELS
35	F8088		1	PLAIN WASHER FOR ELECTRIC START MODELS
36	F184579		2	SEAL, CHOKE ARM SWIVEL FOR ELECTRIC MODELS
37	F184033-1		1	SWIVEL, CHOKE ARM FOR ELECTRIC START MODELS
38	F1059		1	FILL HD SCREW, 6 - 32 X 1/4 FOR ELECTRIC START MODELS
39	F84314-2		1	ELBOW, CARBURETOR

CONTINUED ON NEXT PAGE ➡

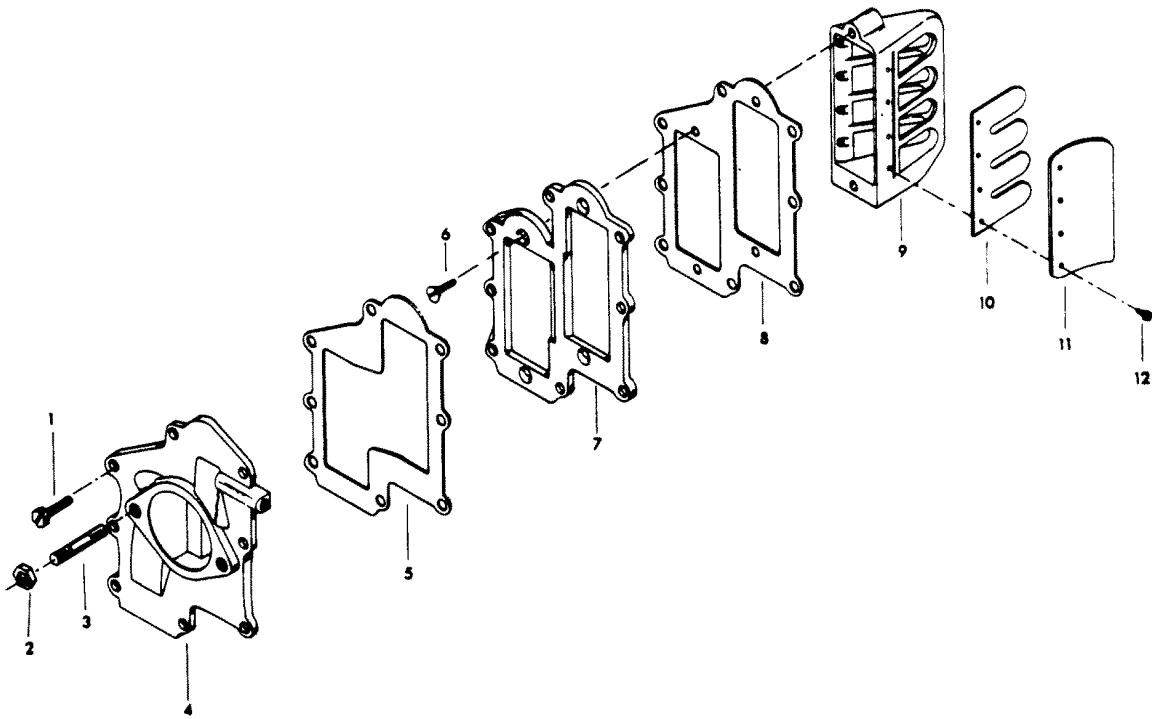
CARBURETOR



CARBURETOR

REF. NO.	PART NO.	SYM.	QTY.	DESCRIPTION
40	F1997		1	LOCK NUT
41	F92759		1	ROLLER, THROTTLE CAM FOLLOWER
42	F333316		1	SHAFT, THROTTLE ROLLER
43	F543061		1	CARBURETOR COMPLETE
44	F8011		1	PLAIN WASHER FOR MANUAL START MODELS
45	F90807		1	RETAINER, CHOKE ROD FOR MANUAL START MODELS
46	FO16791		1	IDLE TUBE

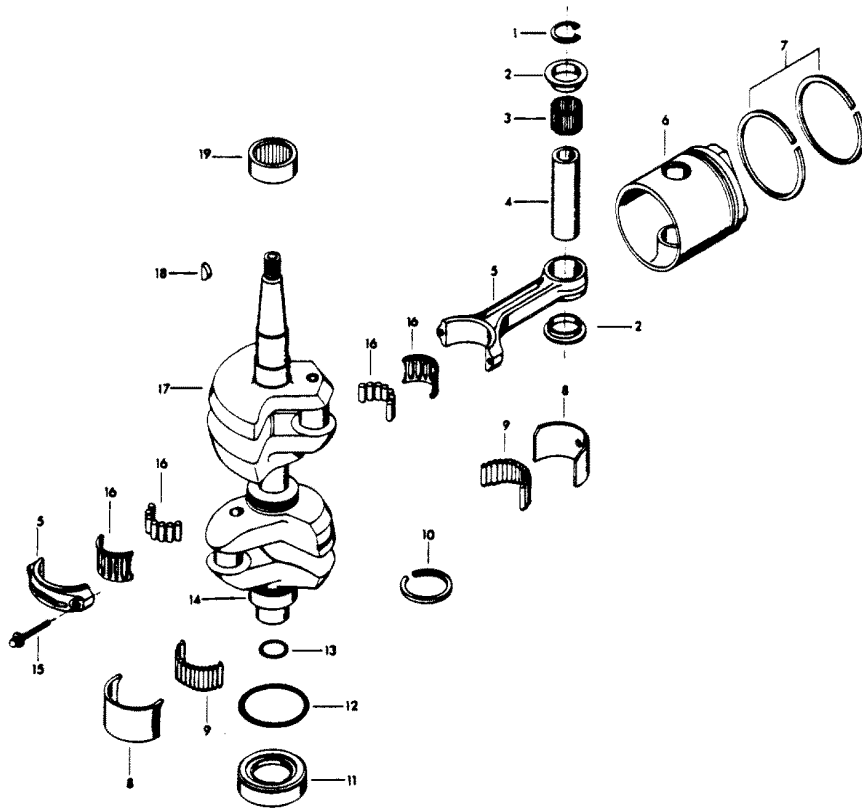
REED PLATE



REED PLATE

REF. NO.	PART NO.	SYM.	QTY.	DESCRIPTION
1	F1915		8	HEX HD MACHINE SCREW, 1/4 - 20 X 7/8
2	F1515		2	HEX NUT, 5/16 - 18
3	F40209		2	CARBURETOR STUD
4	FA458167		1	CARBURETOR ADAPTER
5	F433168		1	GASKET, CARBURETOR ADAPTER
6	F1141		4	FLAT HD SCREW, 10 - 24 X 1/2
7	F433404		1	DEFLECTOR PLATE
8	F433406		1	GASKET, DEFLECTOR PLATE
9	FA458158		2	REED PLATE W/REEDS, STOPS AND SCREWS
10	F316160		4	REED
11	F502161		4	REED STOP
12	F1755		16	ROUND HD SCREW W/LOCKWASHER, 6 - 32 X 5/16

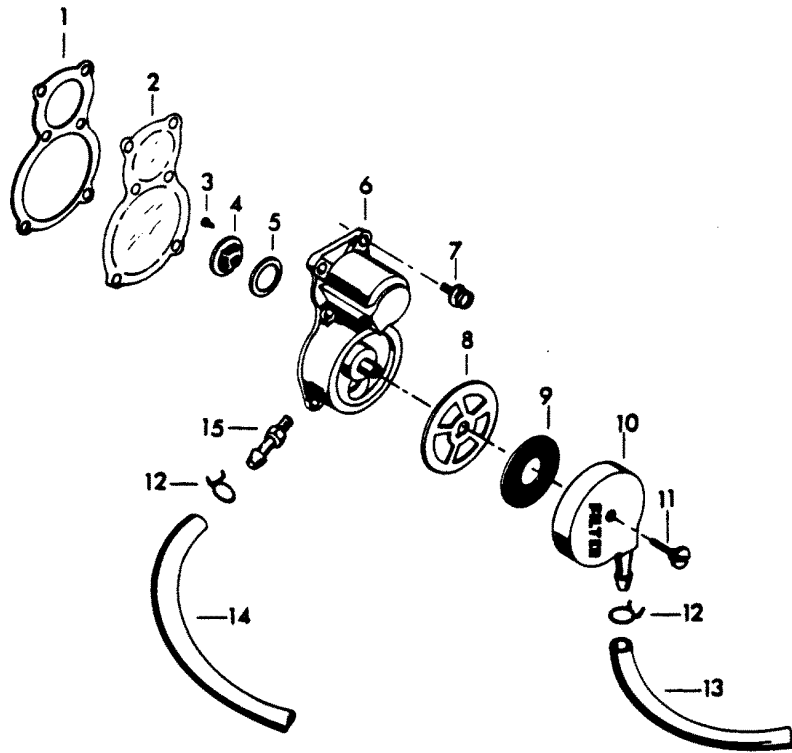
CRANKSHAFT AND PISTON GROUP



CRANKSHAFT AND PISTON GROUP

REF. NO.	PART NO.	SYM.	QTY.	DESCRIPTION
1	F428096		4	RETAINER, PISTON PIN
2	F366215		4	SPACER, PISTON PIN
3	F335217-1		2	BEARING, PISTON PIN
4	F40017-2		2	PISTON PIN
5	600-818052A4		2	CONNECTING ROD W/CAP AND SCREWS
6	F513015-1		2	PISTON
7	FA463260		1	PISTON RING SET (4 PER SET)
8	FA458655		1	LINER, CENTER MAIN
9	FA458571		1	ROLLER, CENTER MAIN
10	F458579		1	SEAL, CRANKCASE
11	F2A458581		1	COLLAR W/LOWER CRANKSHAFT SEAL
12	F455305		1	SEAL, CRANKSHAFT COLLAR
13	F458342		1	SEAL, CRANKSHAFT SPLINE
14	F286028-1		1	CRANKSHAFT LOWER MAIN BEARING
15	F85634-1		4	SCREW, CONNECTING ROD
16	FK85228		2	BEARING CAGE W/ROLLERS (16 PER SET)
17	A458018-1		1	CRANKSHAFT W/LOWER MAIN BEARING FOR MAGNETO MODELS
-	400-818061A1		1	CRANKSHAFT W/LOWER MAIN BEARING FOR ALTERNATOR MODELS
18	F458498		1	FLYWHEEL KEY
-	F85498		1	FLYWHEEL KEY FOR ALTERNATOR MODELS
19	F458028		1	BEARING, CRANKSHAFT UPPER MAIN

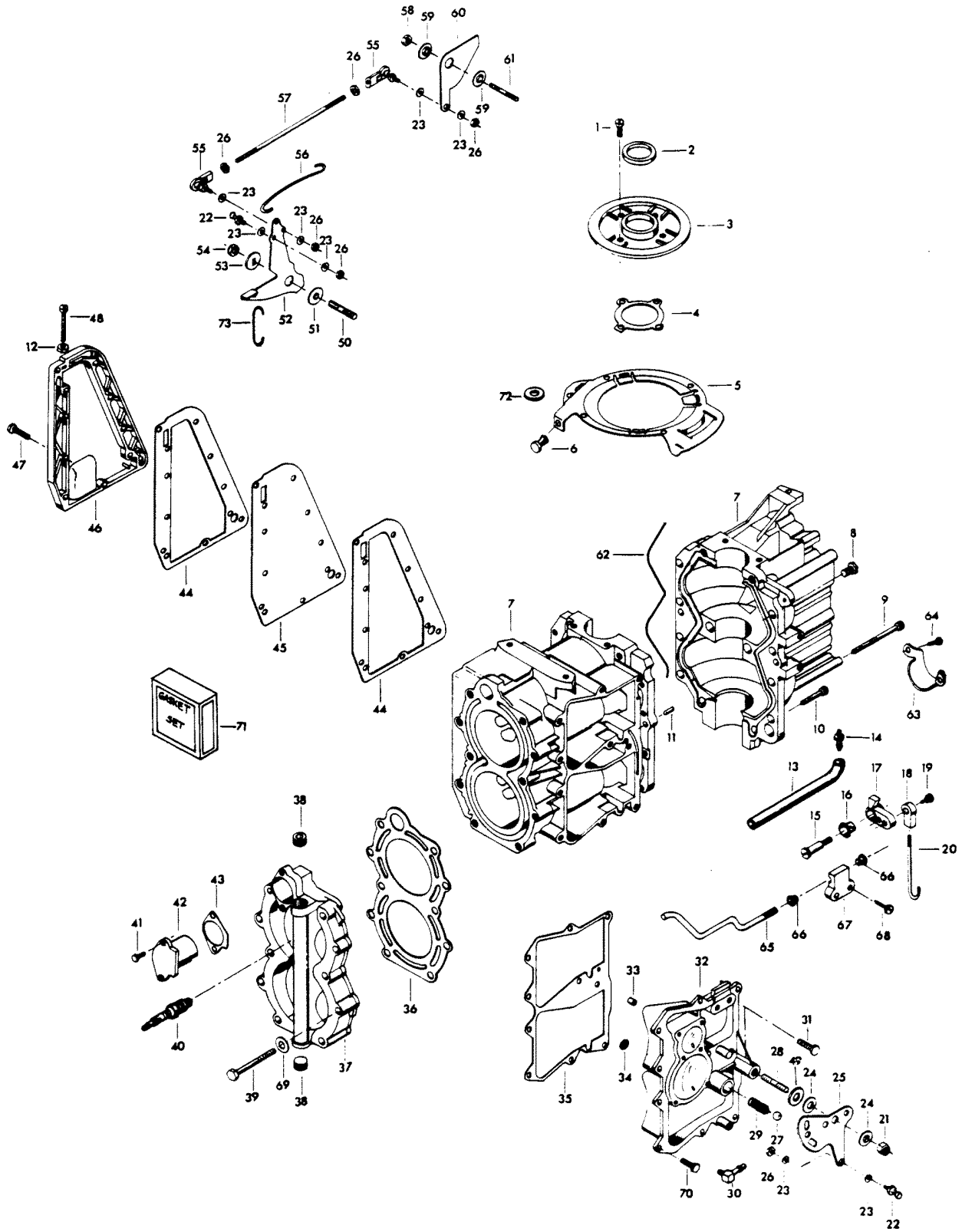
FUEL PUMP



FUEL PUMP

REF. NO.	PART NO.	SYM.	QTY.	DESCRIPTION
1	F438760		1	FUEL PUMP GASKET
2	F438747		1	FUEL PUMP DIAPHRAGM
3	F1860		2	BINDING HD MACHINE SCREW, 6 - 32 X 1/4
4	F177330		3	FUEL PUMP VALVE
5	F84792		3	FUEL PUMP GASKET
6	FA438431		1	FUEL PUMP BODY W/VALVES
7	F1108		6	FILL HD MACHINE SCREW W/LOCKWASHER, 1/4 - 20 X 3/4
8	F438617		1	GASKET, FUEL PUMP BOWL
9	F438653		1	SCREEN, FUEL PUMP
10	F438500		1	FUEL PUMP BOWL
11	F438165		1	SCREW, FUEL PUMP BOWL
12	F97772		4	FUEL LINE CLAMP
13	FA85754-1		1	HOSE, FUEL PUMP TO BUSHING
14	F458754		1	HOSE, FUEL PUMP TO CARBURETOR
15	F438801		1	FITTING, FUEL PUMP BODY

POWER HEAD

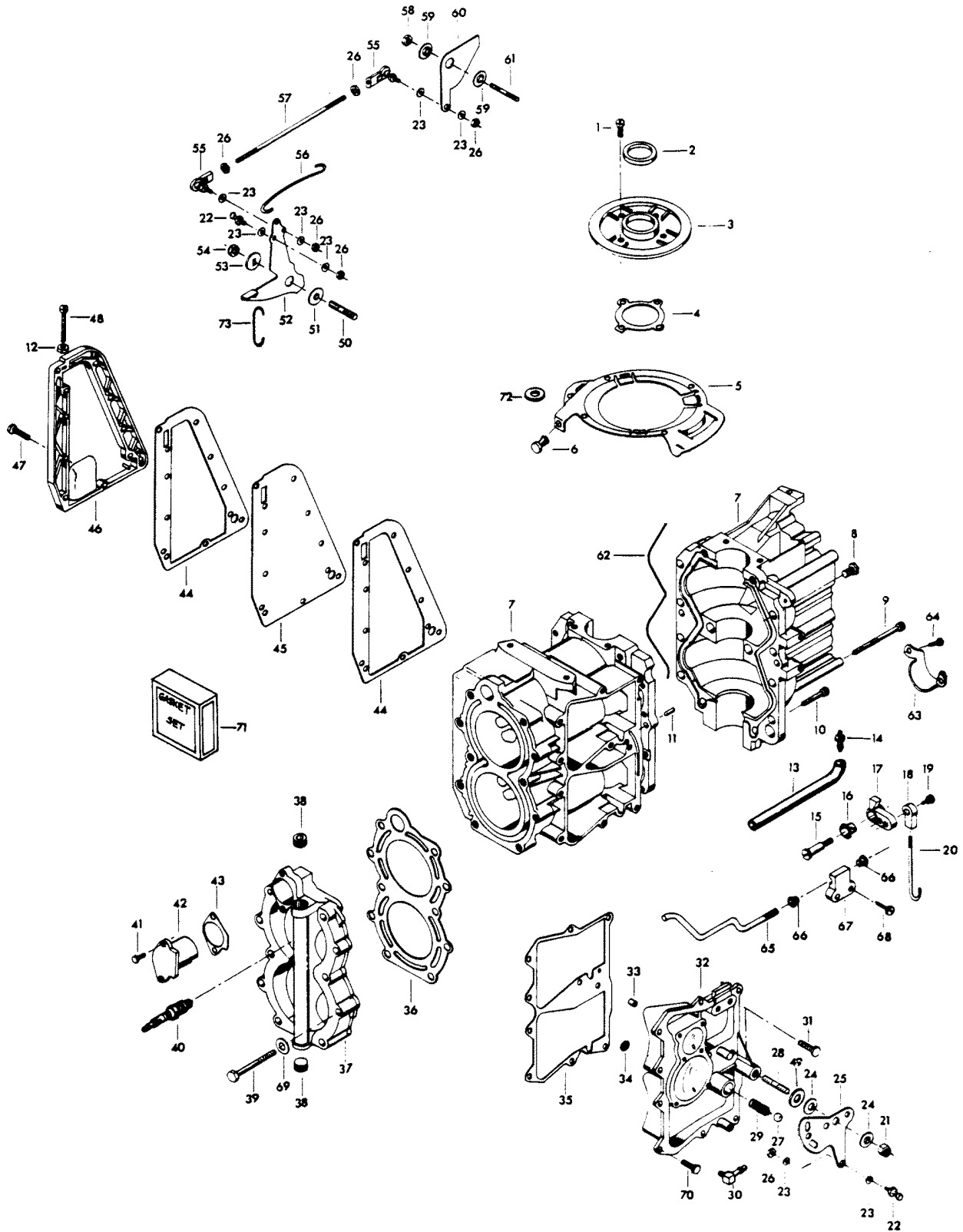


POWER HEAD

REF. NO.	PART NO.	SYM.	QTY.	DESCRIPTION
1	F1107		4	FILL HD SCREW, 1/4 - 20 X 3/4
2	F458146		1	SEAL, CRANKSHAFT UPPER MAIN
3	FA458144		1	CRANKSHAFT BEARING CAGE
4	F458277		1	GASKET, CRANKSHAFT BEARING CAGE
5	FA504082		1	MAGNETO STATOR RING
6	F1727		1	PLASTI-RIVET
7	FA513010		1	CYLINDER W/CRANKCASE COVER, SCREWS AND DOWEL PINS
-	C513010		1	SHORT BLOCK FOR MAGNETO MODELS
-	FC514010		1	SHORT BLOCK FOR ALTERNATOR MODELS INCLUDES ALL ITEMS MARKED WITH AN ASTERISK (*). ALSO REFER TO CRANKSHAFT AND PISTON PAGE.
8	F1914		8	HEX HD SCREW, 1/4 - 20 X 3/4
9	F2005		2	HEX SOCKET HD CAP SCREW, 5/16 - 18 X 2-3/4
10	F2013		4	HEX SOCKET HD CAP SCREW, 5/16 - 18 X 1-1/4
11	F8559		2	DOWEL PIN
12	F1341		1	HEX NUT
13	FA458254		1	HOSE, DRAIN
14	F366801		1	FITTING
15	F85026		1	SWIVEL, SHIFT INTERLOCK LEVER
16	F307818		1	BEARING
17	F458977-3		1	LEVER, SHIFT INTERLOCK
18	F84035-2		1	BEARING, SHIFT INTERLOCK ROD
19	F84026		1	SWIVEL, SHIFT INTERLOCK BEARING
20	F458531		1	ROD, SHIFT INTERLOCK
21	F7004		1	LOCK NUT, 3/8 - 16
22	F98273		2	ROD END CONNECTOR STUD
23	F8058		8	INTERNAL TOOTH LOCKWASHER
24	F269052		2	BEARING, SHIFT LEVER
25	817808A2		1	LEVER, GEAR SHIFT
26	F1513		6	HEX NUT, 10 - 32
27	F458727		1	BALL, SHIFT LEVER DETENT
28	F440209		1	STUD, GEAR SHIFT LEVER
29	F183300		1	SPRING, SHIFT DETENT
30	F436314-1		1	ELBOW, DRAIN HOSE
31	F1922		1	HEX HD SCREW, 1/4 - 20 X 5/8
32	FA504222		1	TRANSFER PORT COVER
33	21-817741A1		2	VALVE, CHECK
34	F429811		2	SCREEN, CYLINDER DRAIN
35	F458223		1	GASKET, TRANSFER PORT COVER
36	F513529		1	GASKET, CYLINDER HEAD
37	FA513518		1	CYLINDER HEAD W/PLUGS
38	F458109		2	PLUG, CYLINDER HEAD
39	F458936		10	SCREW, CYLINDER HEAD

CONTINUED ON NEXT PAGE ➡

POWER HEAD

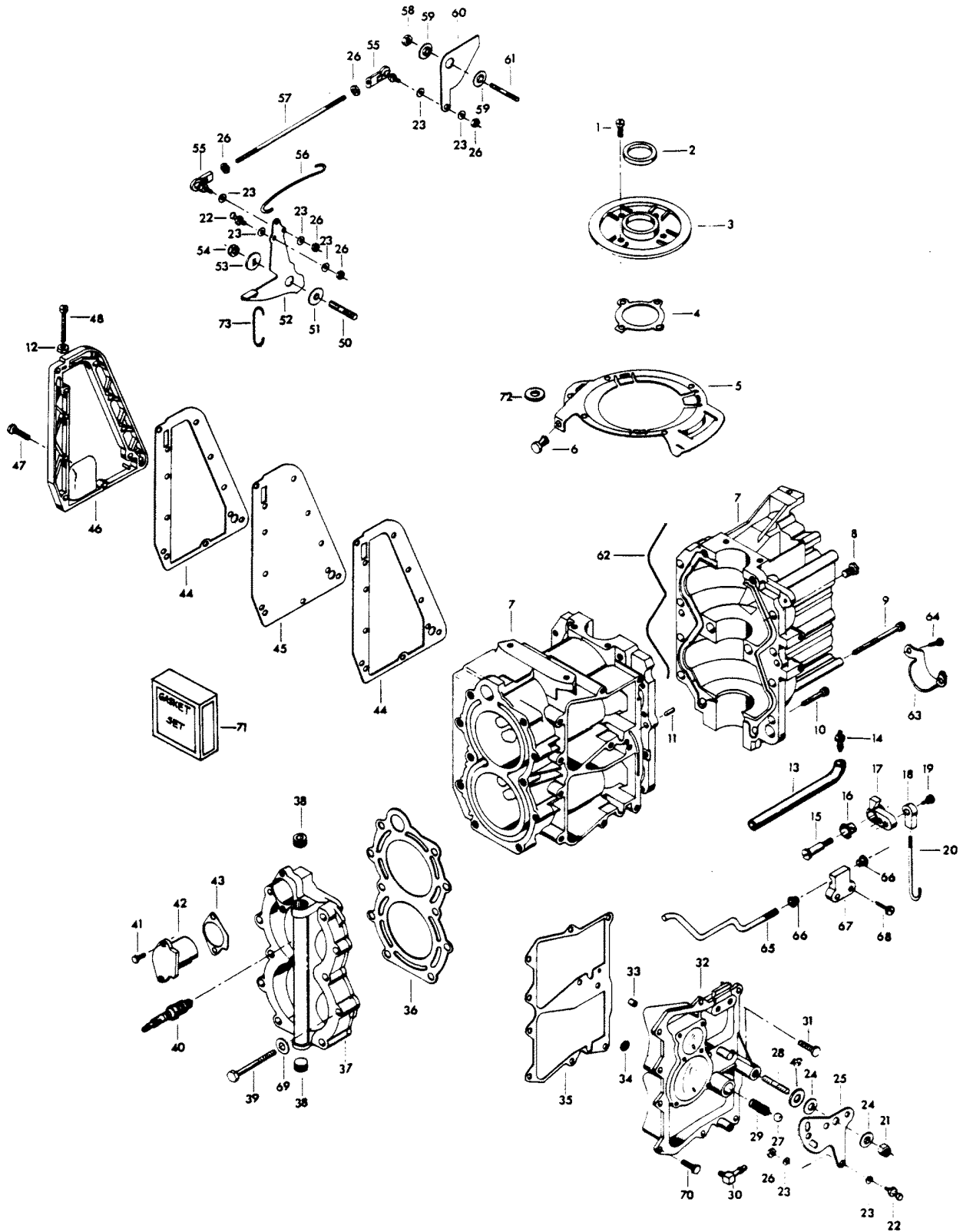


POWER HEAD

REF. NO.	PART NO.	SYM.	QTY.	DESCRIPTION
40	FS174227		2	SPARK PLUG (L-4-J)
-	FC235227		2	SPARK PLUG (CHAMPION RL-4-J) FOR MODELS 302B9C AND 303B9C
-	FC503227		2	SPARK PLUG (CHAMPION QL-77-4J) FOR MODELS 306B9B AND 307B9B
41	F1854		2	HEX CAP SCREW, 1/4 - 20 X 5/8
-	F1854		1	HEX CAP SCREW, 1/4 - 20 X 5/8 FOR ELECTRIC START MODELS
42	F458066		1	THERMOSTAT COVER
43	F458067		1	GASKET, THERMOSTAT COVER
44	F458154		2	GASKET, EXHAUST PORT PLATE
45	F458151		1	EXHAUST PORT PLATE
46	F458152		1	EXHAUST PORT COVER
47	F1833		10	HEX HD SCREW, 1/4 - 20 X 1
48	F1072		1	FILL HD SCREW, 1/4 - 20 X 1-3/4
49	F2014		1	PLAIN WASHER
50	F286440		1	STUD, MAGNETO CONTROL LEVER
51	F183813		1	BEARING
52	F2A458081		1	MAGNETO CONTROL LEVER
53	F286282		1	WASHER
54	F1803		1	STOP NUT
55	817747--1		2	JOINT, BALL ASSEMBLY
56	F458509		1	LINK, MAGNETO STATOR
57	F458502		1	ROD, THROTTLE CAM
58	F1910		1	LOCK NUT
59	F269319		2	BEARING, THROTTLE CAM
60	F458192		1	THROTTLE CAM
61	F433209-1		1	STUD, THROTTLE CAM
62	F269122-1		1	SEAL, CRANKCASE PARTING LINE
63	F460317		1	CLAMP, SOLENOID FOR ELECTRIC START
64	F1689		2	HEX CAP SCREW, 1/4 - 20 X 1/2 FOR ELECTRIC START MODELS
65	F504809		1	ROD, STARTER INTERLOCK
66	F504052		2	BEARING, STARTER INTERLOCK
67	F504527		1	STARTER INTERLOCK BEARING CAP
68	F1075		2	FILL HD M. SCREW, 10 - 24 X 1/2
69	F1739		10	PLAIN WASHER (MANUAL START)
-	F1739		7	PLAIN WASHER (ELECTRIC START)
70	F1502		9	HEX CAP SCREW, 1/4 - 20 X 5/8
71	FG1014		1	GASKET SET INCLUDES ITEMS LISTED BELOW:
-	F40906-1		1	GASKET, CARBURETOR
-	F84792		3	GASKET, FUEL PUMP VALVE
-	F433168		1	GASKET, CARBURETOR ADAPTER
-	F433406		1	GASKET, DEFLECTOR PLATE

CONTINUED ON NEXT PAGE ➡

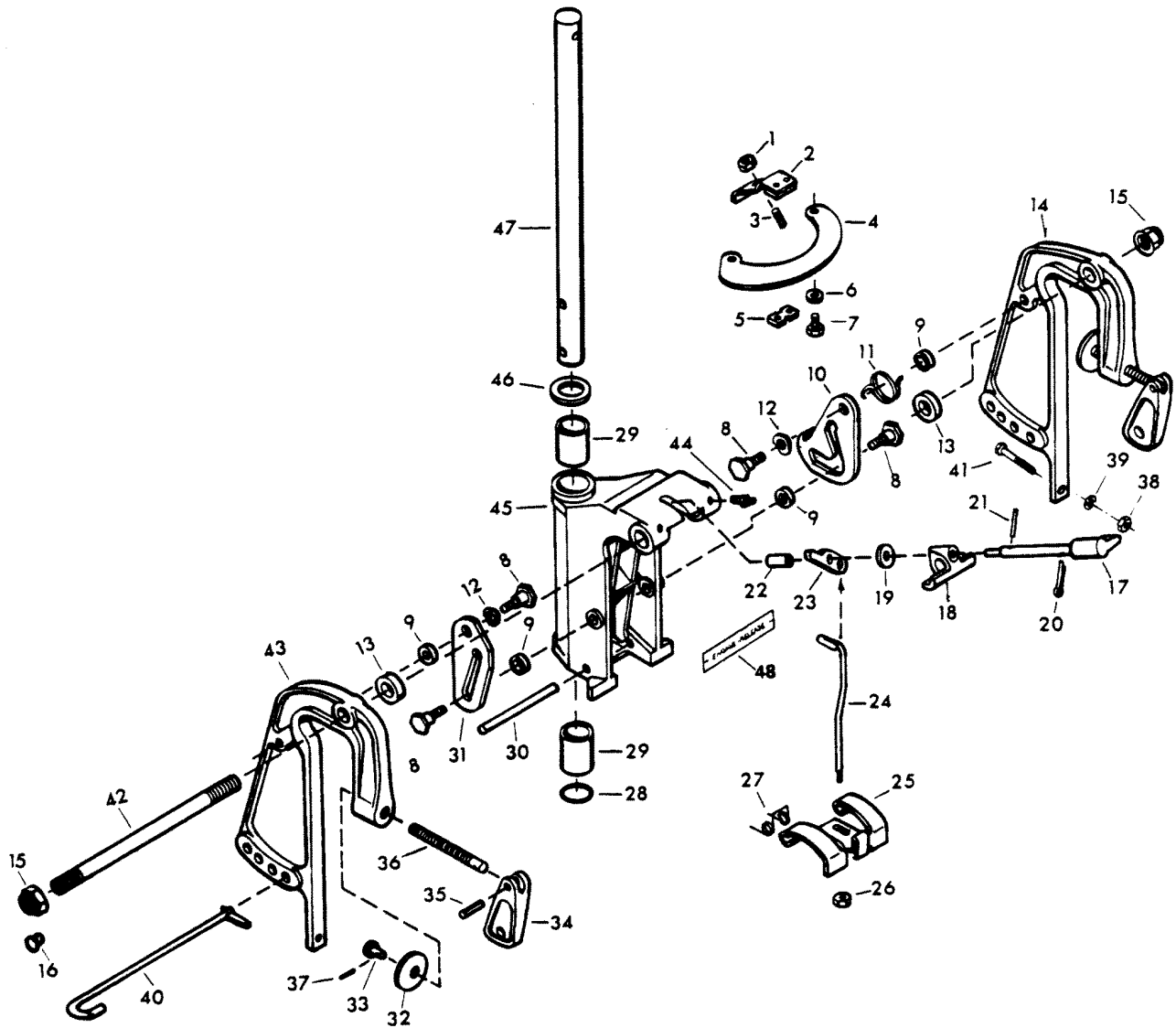
POWER HEAD



POWER HEAD

REF. NO.	PART NO.	SYM.	QTY.	DESCRIPTION
-	F438617		1	GASKET, FUEL PUMP BOWL
-	F438760		1	GASKET, FUEL PUMP
-	F458067		1	GASKET, THERMOSTAT COVER
-	F458154		2	GASKET, EXHAUST PORT PLATE
-	F458223		1	GASKET, TRANSFER PORT COVER
-	F458277		1	GASKET, CRANKSHAFT BEARING CAGE
-	F458279		1	GASKET, CYLINDER EXHAUST
-	F458453		1	GASKET, LEG EXHAUST
-	F513529		1	GASKET, CYLINDER HEAD
72	F8000		1	PLAIN WASHER
73	F458445		1	LINK MAGNETO CONTROL SHAFT FOR MANUAL START MODELS

SWIVEL BRACKET GROUP

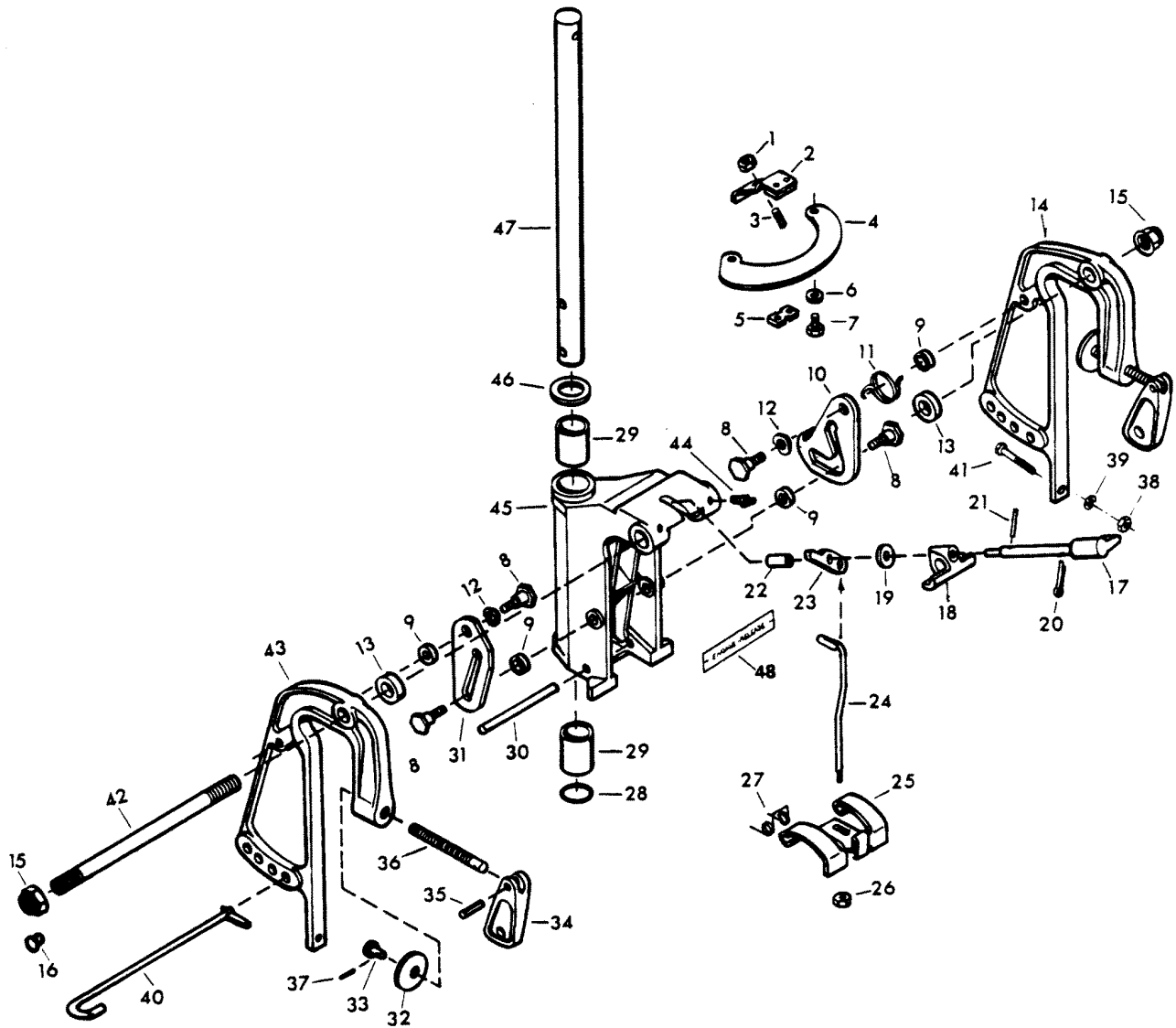


SWIVEL BRACKET GROUP

REF. NO.	PART NO.	SYM.	QTY.	DESCRIPTION
1	F7024		1	STOP NUT
2	817882A1		1	FRICITION SHOE ADJUSTING ARM
3	F901822-1		1	STUD, SWIVEL BRACKET
4	F901775		1	PLATE, FRICTION SHOE
5	F901631-1		1	FRICTION SHOE
6	F8083		2	SPRING LOCKWASHER
7	F1689		2	HEX CAP SCREW, 1/4 - 20 X 1/2
8	F286422-1		4	PIVOT, TILT LOCK
9	F286451		4	SPACER, TILT LOCK
10	F436541		1	TILT LOCK (PORT)
11	F286544-1		1	SPRING, TILT LOCK
12	F1666		2	BOWED SPRING WASHER
13	F529286		2	WASHER, SWIVEL BRACKET FRICTION
14	FS529532		1	STERN BRACKET PORT W/CLAMP, SCREW AND FOOT
15	F1600		2	STOP NUT
16	F9018		2	CAP, PIVOT STEERING TUBE
17	F483827		1	LEVER, REVERSE LOCK
18	F529726		1	BEARING, REVERSE LOCK
19	F8094		1	PLAIN WASHER
20	F1014		1	COTTER PIN
21	F1836		1	SPRING PIN
22	F483884		1	BEARING, REVERSE LOCK
23	F366364		1	ARM, REVERSE LOCK
24	F483510-1		1	LINK, REVERSE LOCK
25	F483349-1		1	REVERSE LOCK
26	F1669		1	NUT
27	F483300		1	SPRING
28	F458783		1	SEAL, SWIVEL BRACKET
29	F901169-1		2	BEARING, SWIVEL BRACKET
30	F2095		1	SPRING PIN
31	F385433		1	TILT STOP
32	F24074		2	CLAMP SCREW FOOT
33	F66480		2	STUD
34	F288075		2	HANDLE, STERN BRACKET CLAMP SCREW
35	F1638		2	SPRING PIN
36	817776A3		2	STERN BRACKET CLAMP SCREW W/FOOT AND STUD
37	F1632		2	SPRING PIN
38	F1515		2	HEX NUT, 5/16 - 18
39	F1904		2	PLAIN WASHER
40	FA324113		1	STERN BRACKET LOCK BAR W/END
41	F2027		2	HEX CAP SCREW, 5/16 - 18 X 3
42	F529125		2	TUBE, PIVOT STEERING

CONTINUED ON NEXT PAGE ➡

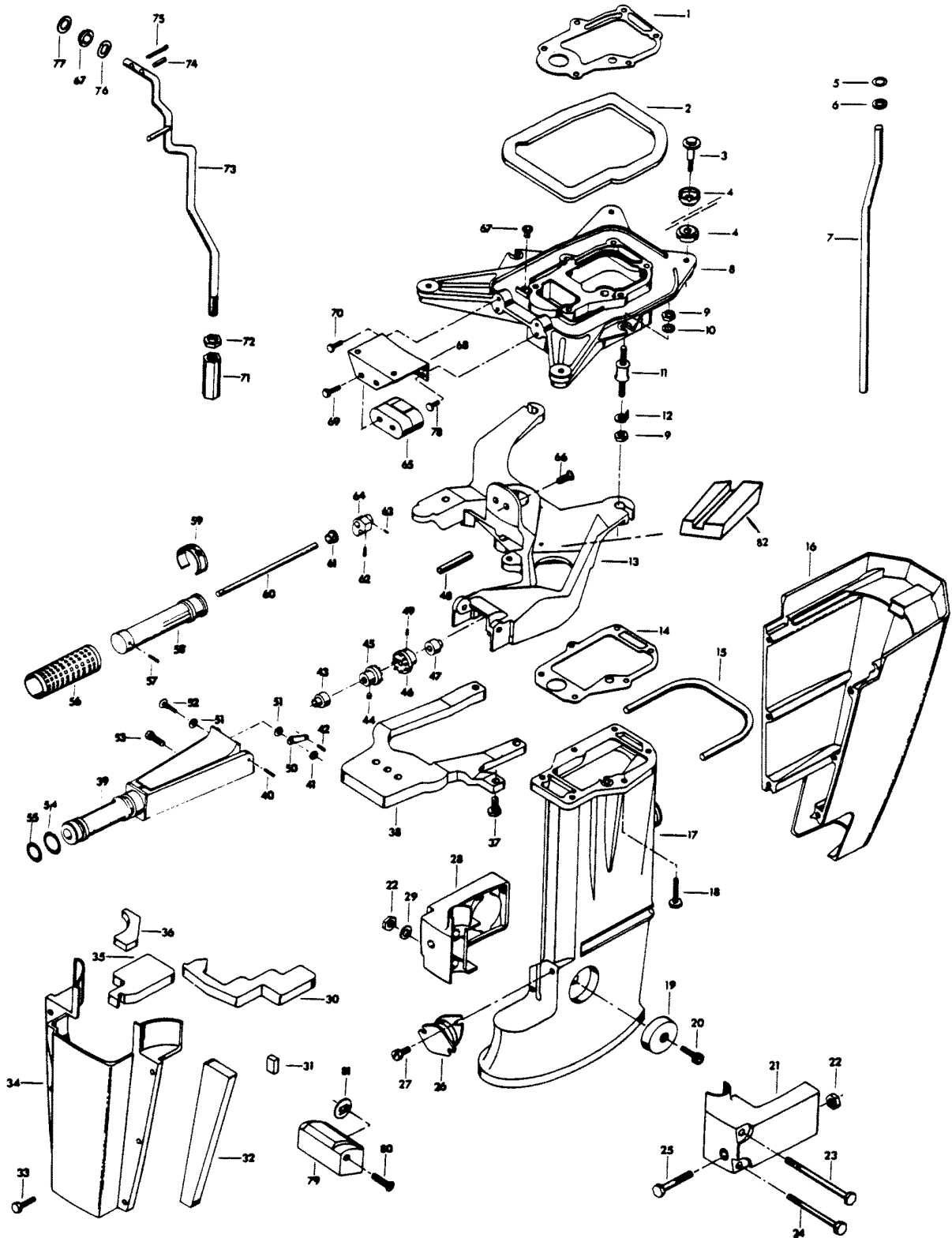
SWIVEL BRACKET GROUP



SWIVEL BRACKET GROUP

REF. NO.	PART NO.	SYM.	QTY.	DESCRIPTION
43	FS529032		1	STERN BRACKET, STARBOARD, W/CLAMP, SCREW AND FOOT
44	F213274		3	GREASE FITTING
45	FA529072		1	SWIVEL BRACKET W/BEARINGS AND GREASE FITTINGS
46	F901011		1	WASHER, SWIVEL BRACKET
47	F458019		1	KINGPIN
48	F529390		1	DECAL, REVERSE LOCK - U.S.A.
-	FC529390		1	DECAL, REVERSE LOCK - CANADA (NOT SHOWN)

MOTOR LEG

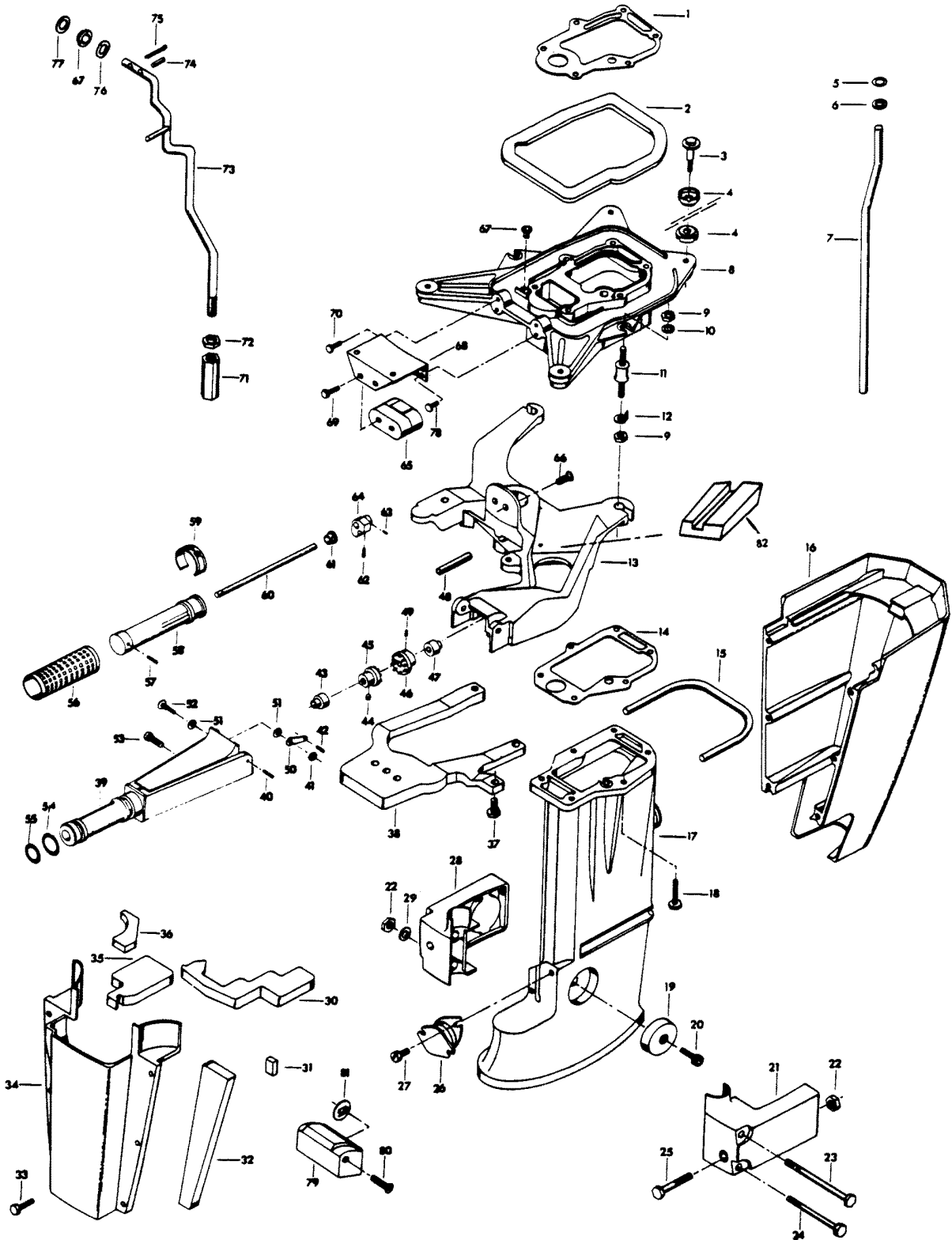


MOTOR LEG

REF. NO.	PART NO.	SYM.	QTY.	DESCRIPTION
1	F458279		1	GASKET, CYLINDER EXHAUST
2	F183756-1		1	PACKING, SUPPORT PLATE
3	F458887		4	FASTENER, SUPPORT PLATE MOUNT
4	F458347		8	MOUNT, SUPPORT PLATE
5	F24342		1	SEAL, WATER LINE UPPER
6	F8039		1	PLAIN WASHER
7	F458244-1		1	INLET WATER LINE
8	F458963		1	PLATE, SHOCK MOUNT
9	F1347		4	HEX NUT, 3/8 - 16
10	F1778		2	PLAIN WASHER
11	F458962		2	MOUNT, SIDE UPPER
12	F458076		2	TAB, SHOCK MOUNT SIDE
13	817809A1		1	PLATE, KINGPIN MOUNTING
14	F458453		1	GASKET, LEG EXHAUST
15	F458322		2	PACKING, LEG COVER REAR
16	818057A1		1	LEG COVER REAR W/PACKING
17	F458133		1	MOTOR LEG
18	F458166-2		6	SCREW, MOTOR LEG TO CYLINDER
19	F462962		2	SHOCK MOUNT LOWER SIDE
20	F1263		2	HEX SOCKET HD CAP SCREW, 5/16 - 18 X 9/16
21	F458973-1		1	COVER, SHOCK MOUNT PORT
22	F1515		4	HEX NUT, 5/16 - 18
23	F2006		1	HEX CAP SCREW, 5/16 - 18 X 4-3/4
24	F2007		1	HEX CAP SCREW, 5/16 - 18 X 4
25	F1696		2	HEX CAP SCREW, 5/16 - 18 X 1-3/4
26	F183346-1		1	SHOCK MOUNT LOWER THRUST
27	F1129		2	FILL HD SCREW, 5/16 - 18 X 1/2
28	F458972-1		1	COVER, SHOCK MOUNT STARBOARD
29	F8096		2	SPRING LOCKWASHER
30	F458320		1	PACKING, LEG COVER FRONT UPPER PORT
31	F458323-1		3	PACKING, LEG COVER FRONT
32	F458312		2	PACKING, LEG COVER SIDE
33	F1705		6	HEX CAP SCREW, 1/4 - 20 X 3/4
34	818056A2		1	LEG COVER FRONT W/PACKING
35	F458324		1	PACKING, LEG COVER FRONT UPPER - STARBOARD
36	F458315		2	PACKING, LEG COVER SIDE UPPER
37	F1745		3	HEX HD SCREW W/SPRING LOCKWASHER, 5/16 - 18 X 1
38	F385647		1	CARRYING HANDLE
39	F458079		1	STEERING HANDLE FOR MANUAL START MODELS
40	F1664		1	SPRING PIN FOR MANUAL START MODELS
41	F1832		1	HEX LOCK NUT FOR MANUAL START MODELS
42	F8550		1	SPRING PIN FOR MANUAL START MODELS

CONTINUED ON NEXT PAGE ➡

MOTOR LEG

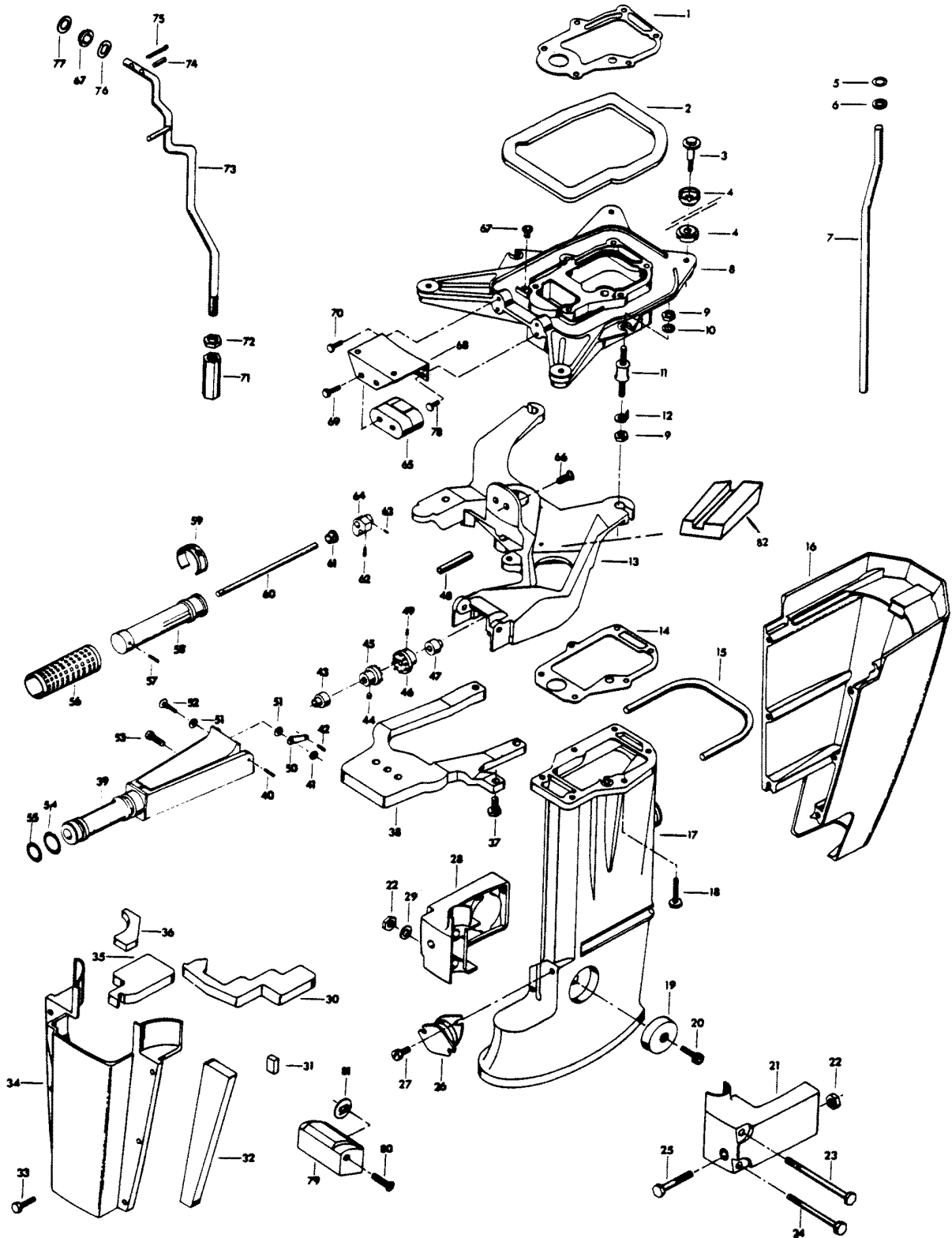


MOTOR LEG

REF. NO.	PART NO.	SYM.	QTY.	DESCRIPTION
43	F295689		1	BEARING, STEERING HANDLE GEAR FOR MANUAL START MODELS
44	F1954		1	HEX SOCKET HEADLESS SET SCREW, 5/16 - 24 X 1/4 FOR MANUAL START MODELS
45	F413815		1	GEAR, STEERING HANDLE FOR MANUAL START MODELS
46	F288691		1	GEAR, MAGNETO CONTROL SHAFT FOR MANUAL START MODELS
47	F288689		1	BEARING, MAGNETO CONTROL SHAFT FOR MANUAL START MODELS
48	F1663		1	SPRING PIN
49	F1642		1	SOCKET HD CAP SCREW, 10 - 24 X 3/4 FOR MANUAL START MODELS
50	F295457		1	RETAINING WASHER STEERING HANDLE PIVOT FOR MANUAL START MODELS
51	F295175		2	WASHER, STEERING HANDLE PIVOT BOLT FOR MANUAL START MODELS
52	F295080		1	STEERING HANDLE PIVOT BOLT FOR MANUAL START MODELS
53	F458519		1	SCREW, TILLER IDLE STOP FOR MANUAL START MODELS
54	F53795-1		1	SEAL, STEERING HANDLE GRIP FOR MANUAL START MODELS
55	F215795		1	SEAL, STEERING HANDLE GRIP FOR MANUAL START MODELS
56	F458695		1	SLEEVE FOR MANUAL START MODELS
57	F8548		1	SPRING PIN FOR MANUAL START MODELS
58	FA456137		1	GRIP, STEERING HANDLE W/SLEEVES FOR MANUAL START MODELS
59	F286894-3		1	INDICATOR, SPEED CONTROL FOR MANUAL START MODELS
-	37-F286894-3		0	INDICATOR, SPEED CONTROL - CANADA
60	F458688		1	SHAFT, STEERING HANDLE FOR MANUAL START MODELS
61	F85610		1	BEARING FOR MANUAL START MODELS
62	F458690		1	SCREW, THROTTLE STOP FOR MANUAL START MODELS
63	F1978		1	SPRING PIN FOR MANUAL START MODELS
64	F458198		1	THROTTLE STOP FOR MANUAL START MODELS
65	F203965		1	SHOCK MOUNT UPPER THRUST
66	F1160		2	FLAT HD SCREW, 1/4 - 28 X 5/8
67	F85610		2	BEARING
68	F40956		1	BRACKET, SHOCK MOUNT UPPER THRUST
69	F1211		2	HEX HD SCREW W/SPRING LOCKWASHER, 1/4 - 28 X 5/8
70	F1472		4	HEX SLOT HD SCREW W/LOCKWASHER, 1/4 - 20 X 3/4
71	F141704		1	COUPLING, GEAR SHIFT ROD
72	F1349		1	HEX NUT
73	F458615		1	GEAR SHIFT ROD UPPER
74	F1978		1	SPRING PIN
75	F1020		1	COTTER PIN
76	F8049		1	BOWED SPRING WASHER

CONTINUED ON NEXT PAGE ➡

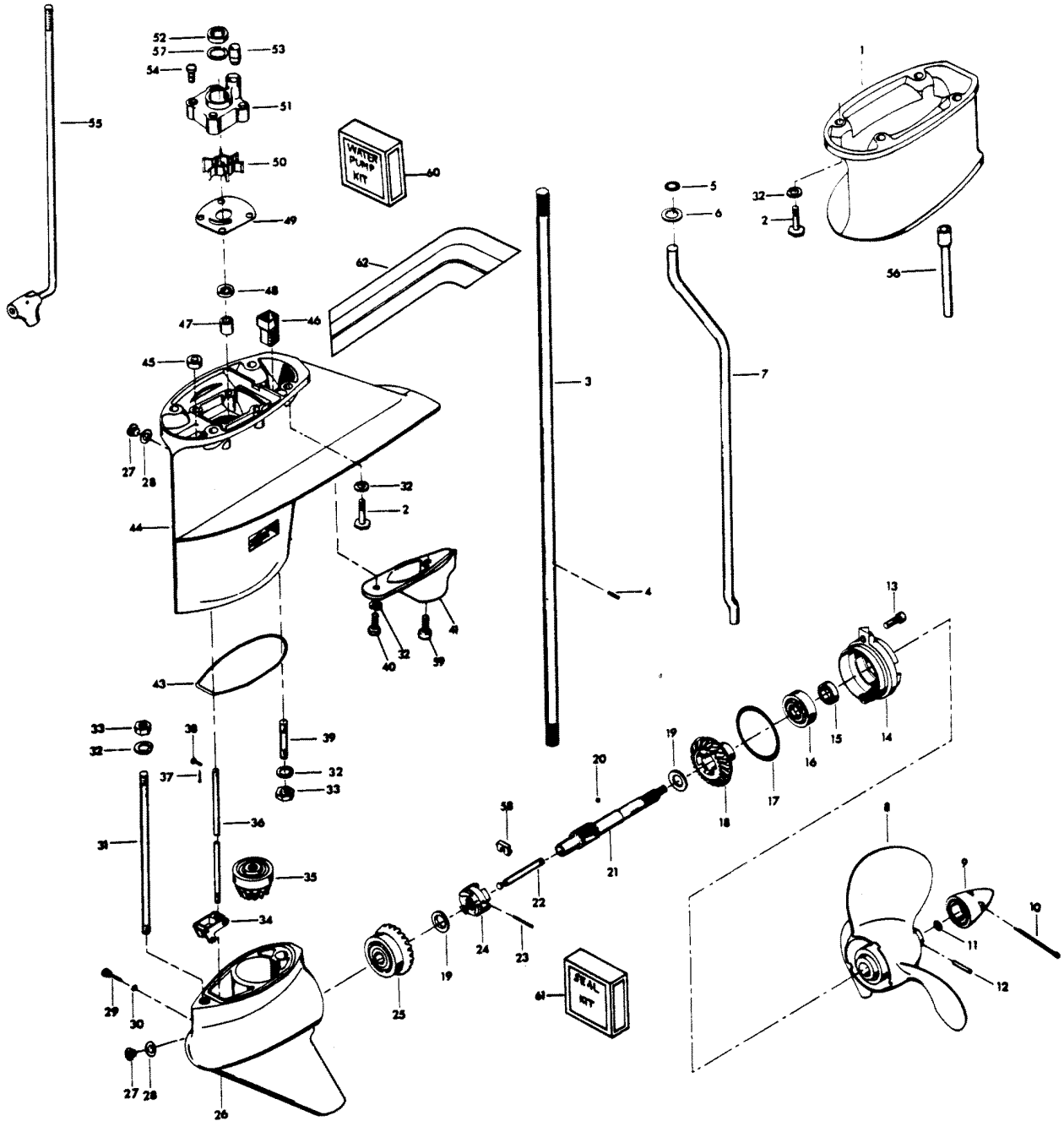
MOTOR LEG



MOTOR LEG

REF. NO.	PART NO.	SYM.	QTY.	DESCRIPTION
77	F1739		1	PLAIN WASHER
78	F1502		2	HEX CAP SCREW, 1/4 - 20 X 5/8
79	F542686		1	COVER, KINGPIN MOUNTING PLATE FOR ELECTRIC START MODELS
80	F2011		2	PAN HD SCREW, 1/4 - 20 X 1-1/4 FOR ELECTRIC START MODELS
81	F2018		2	SPEED NUT, 1/4 - 20 FOR ELECTRIC START MODELS
82	F458345		1	PAD, KINGPIN MOUNTING PLATE

GEAR HOUSING

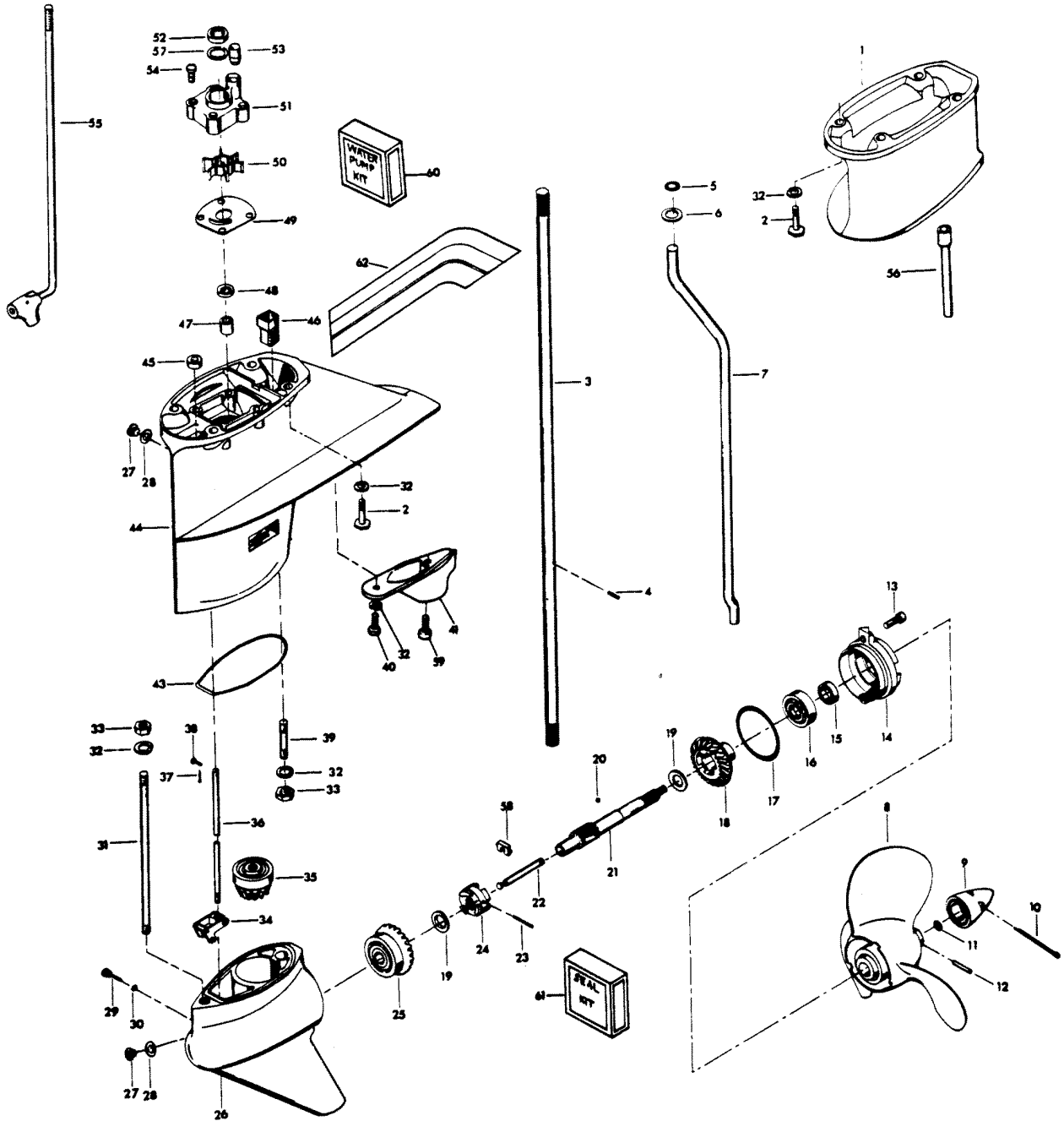


GEAR HOUSING

REF. NO.	PART NO.	SYM.	QTY.	DESCRIPTION
1	F458845		1	EXTENSION, MOTOR LEG
2	F1929		8	HEX CAP SCREW, 3/8 - 16 X 1-1/8
3	F458128		1	DRIVESHAFT FOR STANDARD SHAFT MODELS
-	F462128		1	DRIVESHAFT FOR LONG SHAFT MODELS
4	F901563		1	DRIVE PIN, WATER PUMP IMPELLER
5	F24342		1	SEAL, INLET WATER LINE UPPER
6	F8039		1	PLAIN WASHER
7	F458244-1		1	INLET WATER LINE FOR STANDARD SHAFT MODELS
8	FP273		1	PROPELLER (ACCESSORY ITEM)
9	FA94094-2		1	PROP NUT W/SEAL AND COTTER PIN
10	F1027		1	COTTER PIN
11	F40342		1	SEAL, PROPELLER NUT
12	FK247		1	PROPELLER PIN, PACK OF 6 W/COTTER PIN
13	F1263		2	HEX SOCKET HD CAP SCREW, 5/16 - 18 X 9/16
14	F2A366298		1	PROP SHAFT BEARING CAGE W/ITEMS 15 AND 16
15	F141118		1	SEAL, PROPELLER SHAFT
16	F366058		1	BALL BEARING, PROPELLER SHAFT
17	F141305		1	SEAL, PROPELLER SHAFT BEARING CAGE
18	FA485662		1	BEVEL GEAR REAR W/BUSHING
19	F40717		2	THRUST WASHER
20	F366727		1	BALL, PROPELLER SHAFT
21	44-819500A3		1	PROPELLER SHAFT
22	F90871-3		1	GEAR SHIFT ARM PIN
23	F2097		1	SPRING PIN
24	F99521-1		1	CLUTCH
25	FS458023		1	BEVEL GEAR FRONT W/BEARING
26	1600-817804A3		1	GEAR HOUSING LOWER W/PLUG, WASHER AND THRUST BEARING CUP
-	1600-817896A2		1	LOWER GEAR HOUSING COMPLETE (NOT SHOWN) INCLUDES ALL ITEMS MARKED WITH AN ASTERISK (*) ORIGINAL FORCE P/N C458054-1
27	F50109		2	PLUG, GEAR HOUSING
28	F8077		2	WASHER, GEAR HOUSING PLUG
29	F498891		1	GEAR SHIFT ARM PIN
30	F498618		1	SEAL, "O" RING
31	F97008-1		1	STUD, LONG
32	F8065		10	SPRING LOCKWASHER
33	F1346		2	HEX NUT
34	817796A2		1	GEAR SHIFT ARM
35	F2A458266		1	BEVEL PINION W/BEARING
36	F435705		1	GEAR SHIFT ROD LOWER
37	F1015		1	COTTER PIN
38	F85372		1	PIN, GEAR SHIFT ROD LOWER
39	F40008		1	STUD, SHORT

CONTINUED ON NEXT PAGE ➡

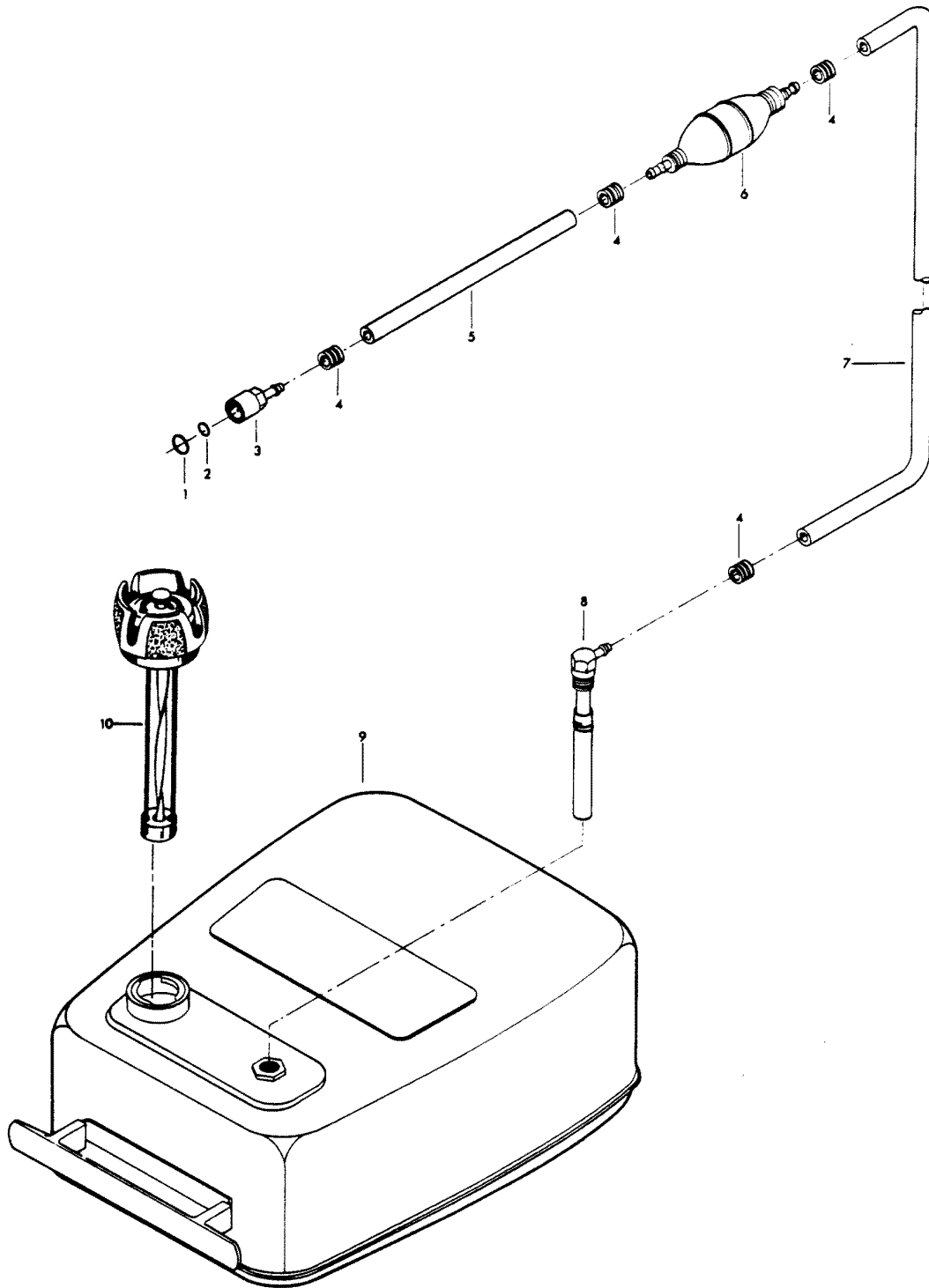
GEAR HOUSING



GEAR HOUSING

REF. NO.	PART NO.	SYM.	QTY.	DESCRIPTION
40	F438930		1	RETAINER, SNOUT
41	FA435116		1	EXHAUST SNOUT
43	F435555		1	SEAL, GEAR HOUSING
44	FA502554		1	GEAR HOUSING UPPER W/ITEMS 27, 28, 41, 45, 46, 47, AND 48
45	F338618-1		1	SEAL, SHIFT ROD LOWER
46	F435077		1	SCREEN, WATER INLET
47	F458057		1	BEARING, DRIVESHAFT UPPER
48	F458307		1	SEAL, DRIVESHAFT
49	F435562		1	WATER PUMP BACK PLATE
50	F458065		1	WATER PUMP IMPELLER
51	FA504060		1	WATER PUMP BODY W/ITEM 52
52	F458736		1	SEAL, WATER PUMP
53	FA510914		1	SEAL, INLET WATER LINE LOWER
54	F2030		4	HEX HD CAP SCREW, 1/4 - 20 X 1-1/4
55	FA434616		1	GEAR SHIFT ROD INTERMEDIATE FOR STANDARD SHAFT MODELS
-	FA435616		1	GEAR SHIFT ROD INTERMEDIATE FOR LONG SHAFT MODELS
56	FS901244		1	EXTENSION, INLET WATER LINE
57	F513388		1	DISC, WATER PUMP LOCATING
58	F90619-1		1	YOKE, GEAR SHIFT ARM
59	F1994		1	HEX SOCKET HD CAP SCREW, 5/16 - 18 X 1
60	FK1053		1	WATER PUMP KIT
61	FK1068		1	GEAR HOUSING SEAL KIT INCLUDES ALL ITEMS MARKED WITH A DOUBLE ASTERISK (**)
62	A467392		1	DECAL, LEG - PORT
-	A467391		1	DECAL, LEG - STARBOARD

FUEL TANK AND LINE



FUEL TANK AND LINE

REF. NO.	PART NO.	SYM.	QTY.	DESCRIPTION
1	F213342		1	SEAL, FUEL LINE COUPLER
2	F213735		1	SEAL, FUEL LINE COUPLER
3	F197787-3		1	FUEL LINE COUPLER
4	F298788		4	FERRULE
5	FA84754-1		1	FUEL LINE, SHORT W/CLAMPS
6	89396A38		1	PRIME BULB
7	32-817738A1		1	FUEL LINE, LONG W/CLAMPS AND FERRULE
8	F487755		1	FUEL TANK ADAPTER
9	F5H027		1	FUEL TANK (ACCESSORY ITEM)
10	F409251-1		1	GAUGE CAP
-	FS409752		1	FUEL LINE COMPLETE (NOT SHOWN)
-	FC409398		1	DECAL, TOTE TANK - CANADA (NOT SHOWN)

SPECIAL TOOLS - TUNE-UP

REF. NO.	PART NO.	SYM.	QTY.	DESCRIPTION
-	FT2910		0	KNOCK-OFF NUT TO REMOVE FLYWHEEL
-	FTA2937-1		0	TIMING TOOL TO ADJUST SPARK ADVANCE

SPECIAL TOOLS - POWER HEAD

REF. NO.	PART NO.	SYM.	QTY.	DESCRIPTION
-	FT8971		0	SEAL INSTALLER TO INSTALL UPPER CRANKSHAFT BEARING CAGE SEAL
-	FT8967		0	SEAL PROTECTOR TO PROTECT UPPER CRANKSHAFT BEARING CAGE SEAL DURING INSTALLATION.
-	FT2953		0	SOCKET TO TORQUE CONNECTING ROD SCREWS
-	FT2990		0	PISTON PIN REMOVER TO REMOVE AND INSTALL PISTON PIN IN PISTON
-	FT8926		0	RING EXPANDER TO INSTALL RINGS ON PISTONS
-	FT2996		0	RING COMPRESSOR TO INSTALL PISTONS IN CYLINDERS
-	FT8977		0	SEAL COLLAR INSTALLER TO INSTALL CRANKSHAFT LOWER SEAL COLLAR
-	FT8976		0	SEAL PROTECTOR TO PROTECT CRANKSHAFT LOWER SEAL DURING INSTALLATION

SPECIAL TOOLS - LOWER UNIT

REF. NO.	PART NO.	SYM.	QTY.	DESCRIPTION
-	FT8948-1		0	PROPELLER SHAFT BEARING CAGE PULLER TO REMOVE PROPELLER SHAFT BEARING CAGE FROM LOWER GEAR HOUSING
-	FT8919		0	SPRING PIN PUNCH TO REMOVE CLUTCH SPRING PIN
-	FT8907		0	DRIVER HANDLE TO INSTALL BEARING CUP IN LOWER GEAR HOUSING
-	FT8918		0	BUSHING GUIDE SET TO REMOVE AND INSTALL BEARING CUP IN LOWER GEAR HOUSING
-	FT8921		0	FORWARD BEARING CUP REMOVER TO REMOVE FORWARD BEARING CUP FROM LOWER GEAR HOUSING
-	FT8904		0	FORWARD BEARING CUP INSTALLER TO INSTALL FORWARD BEARING CUP IN LOWER GEAR HOUSING
-	FT8972		0	DRIVESHAFT SEAL INSTALLER TO INSTALL DRIVESHAFT SEAL
-	FT8957		0	SEAL INSTALLER TO INSTALL SHIFT ROD SEAL
-	FT8962		0	BEARING INSTALLER TO INSTALL DRIVESHAFT BEARING IN GEAR HOUSING UPPER
-	FT8964		0	BEARING REMOVER TO REMOVE DRIVESHAFT BEARING FROM GEAR HOUSING UPPER

SPECIAL TOOLS - TEST EQUIPMENT

REF. NO.	PART NO.	SYM.	QTY.	DESCRIPTION
-	FT2954A		0	TEST WHEEL TO TEST MOTOR IN TEST TANK
-	FT8932		0	LIFTING HOOK TO LIFE ENGINE
-	FT8950		0	LEAKAGE TESTER TO TEST LOWER UNIT FOR LEAKAGE
-	T8974		0	POINT TENSION GAUGE TO MEASURE BREAKER POINT SPRING TENSION

SPECIAL TOOLS - LUBRICANTS AND SEALANTS

REF. NO.	PART NO.	SYM.	QTY.	DESCRIPTION
-	FT2961		0	LUBRICANT
-	FT2987-1		0	LUBRICANT
-	FT8969		0	LUBRICANT
-	FT8983		0	SEALANT
-	FT8936		0	SEALANT
-	FT2962-1		0	SEALANT
-	FT2963-1		0	SEALANT
-	FT8935		0	SEALANT PRIMER

ACCESSORIES

REF. NO.	PART NO.	SYM.	QTY.	DESCRIPTION
-	F5H081		0	BATTERY CABLE LONGER LENGTH - 15 FEET
-	F5H019		0	ANTI-CORROSION KIT ELECTRICAL UNIT USED TO HELP PREVENT CORROSION
-	F5H025		0	ANTI-CORROSION SACRIFICIAL ANODE USED TO HELP PREVENT CORROSION
-	5H051		0	BATTERY, 74 AMP TWELVE VOLT HEAVY DUTY BATTERY TO OPERATE STARTER AND ELECTRICAL ACCESSORIES.
-	F5H021		0	BATTERY EXTENSION CABLE USED TO EXTEND BATTERY CABLE 6-1/2 FEET
-	493		0	HANDLE PROVIDES REAR HANDLE AND REST PADS
-	F5H020		0	CARRYING HANDLE PERMITS EASIER TRANSPORTATION OF ENGINE TO AND FROM BOAT (2 MAN)
-	F5H014		0	FLUSHING ADAPTER PERMITS FRESH WATER FLUSHING OF WATER PASSAGES WITH STANDARD GARDEN HOSE.
-	F5H008		0	FUEL GAUGE FLUSH MOUNT MONITORS FUEL SUPPLY. ELECTRIC START MODELS.
-	F5H028		0	SENDING UNIT FOR USE WITH ABOVE FUEL GAUGES
-	F5H055		0	WATER PUMP KIT HEAVY DUTY WATER PUMP RECOMMENDED FOR CONTINUED OPERATION IN SANDY OR SALT WATER.
-	F5H134		0	BOAT WHITE LACQUER ENGINE TOUCH-UP PAINT IN 12 3/4 OZ. SPRAY BOMBS (6 CANS PER CASE).
-	F5H135		0	SAND TAN LACQUER ENGINE TOUCH-UP PAINT IN 12 3/4 OZ. SPRAY BOMBS (6 CANS PER CASE).
-	F476		0	FUEL LINE ADAPTION KIT ADAPTS MODEL 5H027 FUEL TANK FOR DISCONNECT AT TANK.
-	F5H027		0	FUEL TANK, 6 GALLON, STEEL AUXILIARY TANK
-	F5H029		0	FUEL TANK ANCHOR SECURES 5H027 TO DECK
-	5H065		0	CANVAS HOOD PROTECTION FOR ENGINE COVER
-	F5H070		0	REMOTE ELECTRIC CABLE 21 FEET
-	F5H004		0	SPEEDOMETER FLUSH MOUNT 0 TO 50 M.P.H.
-	F5H072		0	OVERHEAT BUZZER KIT FOR ELECTRIC START MODELS. WARNS OF ENGINE OVERHEATING.
-	167		0	IGNITION CUT-OFF KIT ALLOWS STOPPING OF ALL MAGNETO ENGINES FROM DASH
-	F5H077		0	IGNITION KEY SWITCH FOR ELECTRIC START MODELS, SHORT BARREL
-	F5H078		0	IGNITION KEY SWITCH FOR ELECTRIC START MODELS, LONG BARREL
-	FK1026		0	LONG LEG CONVERSION KIT CONVERTS 15" STANDARD SHAFT MODELS TO 20" LONG SHAFT MODELS.
-	ÄF195//		0	REMOTE CONTROL CABLE CONNECTS REMOTE CONTROL BOX TO THROTTLE AND GEAR SHIFT ON MOTOR. AVAILABLE IN 6 THROUGH 40 FOOT LENGTHS.
-	F5H130		0	REMOTE CONTROL SURFACE MOUNT (SINGLE LEVER) PERMITS REMOTE CONTROL OF THROTTLE AND GEAR SHIFT FROM STARBOARD SIDE OF BOAT.
-	F5H131		0	PORT SIDE DECAL KIT CONVERTS 5H130 CONTROL BOX TO PORT SIDE MOUNTING

CONTINUED ON NEXT PAGE ➡

ACCESSORIES

REF. NO.	PART NO.	SYM.	QTY.	DESCRIPTION
-	F590		0	REMOTE CONTROL FLUSH MOUNT PERMITS REMOTE CONTROL OF THROTTLE AND GEAR SHIFT. MAY BE MOUNTED ON PORT OR STARBOARD SIDE OF BOAT.
-	865		0	REMOTE CONTROL SURFACE MOUNT (SINGLE LEVER) PERMITS REMOTE CONTROL OF THROTTLE AND GEAR SHIFT ON TWIN ENGINE INSTALLATION. MAY BE MOUNTED ON PORT OR STARBOARD SIDE OF BOAT.
-	F137		0	REMOTE STEERING BRACKET ADAPTS MOTOR TO CABLE TYPE REMOTE STEERING
-	F165		0	REMOTE STEERING BRACKET ADAPTS MOTOR TO CABLE TYPE REMOTE STEERING
-	F5H018		0	DUAL ENGINE TIE BAR PERMITS DUAL ENGINE INSTALLATION.
-	F5H012		0	TACHOMETER (FLUSH MOUNT) MONITORS ENGINE R.P.M. TO PROVIDE CHECK OF ENGINE PERFORMANCE.
-	F73H07		0	STARTER CONVERSION CONVERTS MANUAL START MODELS TO ELECTRIC START
-	F5H006		0	VOLTMETER FLUSH MOUNT - INDICATES BATTERY CONDITION. ELECTRIC START MODELS.
-			0	CHRYSLER OUTBOARD OIL CHRYSLER OUTBOARD OIL IS COMPOUNDED FROM SELECTED HIGH QUALITY HEAT RESISTANT BASE OIL AND A NON-METALLIC ADDITIVE TO LUBRICATE AND MAINTAIN CLEANLINESS OF CHRYSLER OUTBOARD MOTORS.
-			0	CHRYSLER OUTBOARD GEAR LUBE CHRYSLER OUTBOARD GEAR LUBE IS AN EXTREME PRESSURE LUBRICANT FORMULATED TO HANDLE THE HIGH GEAR LOADS PRESENT IN AN OUTBOARD LOWER UNIT. CHRYSLER OUTBOARD GEAR LUBE ALLOWS THE LOWER UNIT TO WORK MORE EFFICIENTLY.
-			0	CHRYSLER OUTBOARD FUEL AID REMOVES MOISTURE. PREVENTS SLUDGE AND VARNISH AND STABILIZES GAS. AVAILABLE IN 16 OZ. CANS AND 12 CAN CASES.
-			0	CHRYSLER OUTBOARD STORAGE LUBRICANT WORKS AS A CORROSION INHIBITOR AND PROTECTS INTERNAL ENGINE PARTS DURING STORAGE. AVAILABLE IN 16 OZ. CANS AND 12 CAN CASES.
-			0	CHRYSLER OUTBOARD MULTI-PURPOSE SPRAY LUBE WORKS AS A LUBRICANT, CLEANER, MOISTURE REMOVER AND ELECTRIC INSULATOR. AVAILABLE IN 9 OZ. CANS AND 12 CAN CASES.
-			0	CHRYSLER OUTBOARD MULTI-PURPOSE GREASE LUBRICATES BEARINGS AND OTHER MOVING PARTS. AVAILABLE IN 8 OZ. TUBES AND 12 TUBES CASES.
-			0	CHRYSLER OUTBOARD GREASE GUN USED WITH CHRYSLER OUTBOARD MULTI-PURPOSE GREASE TUBES FOR PRESSURE FITTINGS.
-			0	CHRYSLER OUTBOARD MULTI-PURPOSE CLEANER

PARTS INDEX

Part Number	Description	Pg.	Ref. No.	Part Number	Description	Pg.	Ref. No.
ÄF195//	REMOTE CONTROL CABLE	59	-	F1092	FILL HD SCREW, 10 - 32 X		
167	IGNITION CUT-OFF KIT	59	-		5/8	21	24
3C542712	ENGINE COVER COMPLETE	3	-	F1100	SLOTTED FILL HD SCREW,		
3C543712	ENGINE COVER COMPLETE	7	-		1/4 - 20 X 1-1/8	17	37
493	HANDLE	59	-	F1107	FILL HD SCREW, 1/4 - 20 X		
510373-1	DECAL, MAGNAPOWER	21	28		3/4	33	1
5H051	BATTERY, 74 AMP	59	-	F1108	FILL HD MACHINE SCREW		
5H065	CANVAS HOOD	59	-		W/LOCKWASHER, 1/4 - 20		
817747--1	JOINT, BALL ASSEMBLY	35	55		X 3/4	31	7
817776A3	STERN BRACKET CLAMP			F1129	FILL HD SCREW, 5/16 - 18 X		
	SCREW W/FOOT AND				1/2	43	27
	STUD	39	36	F1141	FLAT HD SCREW, 10 - 24 X		
817796A2	GEAR SHIFT ARM	49	34		1/2	27	6
817808A2	LEVER, GEAR SHIFT	33	25	F1160	FLAT HD SCREW, 1/4 - 28 X		
817809A1	PLATE, KINGPIN MOUNTING	43	13		5/8	45	66
817882A1	FRICITION SHOE ADJUSTING			F12088	GROMMET, LEAD WIRE	15	13
	ARM	39	2	F1211	HEX HD SCREW W/SPRING		
817892--1	PLATE, IGNITION - CANADA	19	-		LOCKWASHER, 1/4 - 28 X		
817938A1	RETAINER, STARTER ROPE				5/8	45	69
	HANDLE FOR MANUAL			F12146	COIL WEDGE SPRING	15	11
	START MODELS ONLY	11	12	F12153	BREAKER POINT SET	15	15
817955A1	HOUSING, HAND STARTER	11	2	F12170	CONDENSER MOUNTING		
818056A2	LEG COVER FRONT				SCREW	15	2
	W/PACKING	43	34	F12170	CONTACT SCREW		
818057A1	LEG COVER REAR				W/LOCKWASHER	15	17
	W/PACKING	43	16	F12181-1	CONDENSER	15	3
865	REMOTE CONTROL			F12186	GROUND LEAD	15	4
	SURFACE MOUNT			F12228	CAM WIPER FELT	15	16
	(SINGLE LEVER)	60	-	F12346	STATOR PLATE		
89396A38	PRIME BULB	53	6		W/LAMINATIONS	15	9
A458018-1	CRANKSHAFT W/LOWER			F1236	HEX CAP SCREW, 1/4 - 20 X		
	MAIN BEARING FOR				1/2	3	23
	MAGNETO MODELS	29	17	F1236	HEX CAP SCREW, 1/4 - 20 X		
A467391	DECAL, LEG - STARBOARD	51	-		1/2	7	22
A467392	DECAL, LEG - PORT	51	62	F1263	HEX SOCKET HD CAP		
C513010	SHORT BLOCK FOR				SCREW, 5/16 - 18 X 9/16	43	20
	MAGNETO MODELS	33	-	F1263	HEX SOCKET HD CAP		
F10025	GASKET SET	23	29		SCREW, 5/16 - 18 X 9/16	49	13
F10027	REPAIR PARTS KIT	23	30	F1280	PAN HD SCREW, 8 - 32 X 1/4	17	11
F1014	COTTER PIN	39	20	F1337	NUT, 6 - 32	21	20
F1014	COTTER PIN FOR ELECTRIC			F1341	HEX NUT	33	12
	START MODELS	23	34	F1346	HEX NUT	49	33
F1015	COTTER PIN	49	37	F1347	HEX NUT, 3/8 - 16	43	9
F1020	COTTER PIN	45	75	F1349	HEX NUT	45	72
F1027	COTTER PIN	49	10	F137	REMOTE STEERING		
F1050	SLOTTED FIL HD SCREW,				BRACKET	60	-
	10 - 24 X 1	21	3	F141118	SEAL, PROPELLER SHAFT	49	15
F1059	FILL HD SCREW, 6 - 32 X 1/4			F141305	SEAL, PROPELLER SHAFT		
	FOR ELECTRIC START				BEARING CAGE	49	17
	MODELS	23	38	F141704	COUPLING, GEAR SHIFT		
F1072	FILL HD SCREW, 1/4 - 20 X				ROD	45	71
	1-3/4	35	48	F1447	DRIVE SCREW	7	34
F1075	FILL HD M. SCREW, 10 - 24			F1447	DRIVE SCREWS	3	36
	X 1/2	35	68	F1472	HEX SLOT HD SCREW		
F1077	FILL HD SCREW, 10 - 24 X				W/LOCKWASHER, 1/4 - 20		
	1/2	17	10		X 3/4	45	70
F1087	FILL HD SCREW 10 - 24 X			F1473	HEX NUT, 10 - 24	5	49
	7/8	5	63	F1475	FILL HD SCREW, 10 - 24 X		
F1092	FILL HD SCREW, 10 - 32 X				1/2	3	12
	5/8	15	10				

PARTS INDEX

Part Number	Description	Pg.	Ref. No.	Part Number	Description	Pg.	Ref. No.
F1500	RD HD SHEET METAL SCREW FOR MANUAL START MODELS ONLY	11	25	F1648	PAN HD SCREW, 10 - 24 X 3/4	21	19
F1502	HEX CAP SCREW, 1/4 - 20 X 5/8	35	70	F165	REMOTE STEERING BRACKET	60	-
F1502	HEX CAP SCREW, 1/4 - 20 X 5/8	47	78	F1663	SPRING PIN	45	48
F1502	HEX HD MACHINE SCREW, 1/4 - 20 X 5/8	3	15	F1664	SPRING PIN FOR MANUAL START MODELS	43	40
F1502	HEX HD MACHINE SCREW, 1/4 - 20 X 5/8	7	18	F1666	BOWED SPRING WASHER	39	12
F1513	HEX NUT	15	7	F1669	NUT	39	26
F1513	HEX NUT, 10 - 32	17	16	F1689	HEX CAP SCREW, 1/4 - 20 X 1/2	39	7
F1513	HEX NUT, 10 - 32	21	7	F1689	HEX CAP SCREW, 1/4 - 20 X 1/2 FOR ELECTRIC START MODELS	35	64
F1513	HEX NUT, 10 - 32	33	26	F1696	HEX CAP SCREW, 5/16 - 18 X 1-3/4	43	25
F1514	HEX JAM NUT, 1/4 - 20	13	5	F1704	INTERNAL TOOTH LOCKWASHER	17	5
F15147	STOP NUT, PINION	13	1	F1704	LOCKWASHER #6	21	9
F15148	STOP, PINION	13	2	F1705	HEX CAP SCREW, 1/4 - 20 X 3/4	13	10
F15149	SPRING, ANTI-DRIFT	13	3	F1705	HEX CAP SCREW, 1/4 - 20 X 3/4	43	33
F1515	HEX JAM NUT, 5/16 - 18	3	39	F1727	PLASTI-RIVET	33	6
F1515	HEX JAM NUT, 5/16 - 18	7	37	F1734	FILL HD MACHINE SCREW W/SPRING LOCKWASHER, 1/4 - 20 X 1/2	17	29
F1515	HEX NUT	17	14	F1739	PLAIN WASHER	47	77
F1515	HEX NUT, 5/16 - 18	27	2	F1739	PLAIN WASHER (ELECTRIC START)	35	-
F1515	HEX NUT, 5/16 - 18	39	38	F1739	PLAIN WASHER (MANUAL START)	35	69
F1515	HEX NUT, 5/16 - 18	43	22	F1745	HEX HD SCREW W/SPRING LOCKWASHER, 5/16 - 18 X 1	43	37
F15150	DRIVE PINION	13	4	F1746	HEX CAP SCREW, 1/4 - 28 X 5/8	21	12
F15151	THRU BOLT	13	24	F1753	FASTENER	3	9
F15152	LOCKWASHER	13	18	F1753	FASTENER	7	12
F15153	SPACER WASHER, THRU BOLT	13	23	F1755	ROUND HD SCREW W/LOCKWASHER, 6 - 32 X 5/16	27	12
F15154	CAP, DRIVE END	13	7	F1760	PAN HD SCREW, 10 - 24 X 3/8	3	21
F15155	WASHER, THRUST	13	8	F1760	PAN HD SCREW, 10 - 24 X 3/8	5	45
F15156	ARMATURE	13	9	F177330	FUEL PUMP VALVE	31	4
F15157	HOLDER, BRUSH	13	16	F1778	PLAIN WASHER	43	10
F15158	SCREW, BRUSH HOLDER	13	14	F1803	STOP NUT	35	54
F15159	INSULATOR	13	21	F18132-1	STARTER ROPE HANDLE FOR ELECTRIC START MODELS ONLY	11	26
F15160	INSULATOR WASHER	13	20	F1832	HEX LOCK NUT FOR MANUAL START MODELS	43	41
F15161	PLAIN WASHER	13	19	F1833	HEX HD SCREW, 1/4 - 20 X 1	35	47
F15162	NUT, HOT LEAD	13	17	F183300	SPRING MAGNETO CONTROL SHAFT	5	61
F15163	CAP, COMMUTATOR END	13	22	F183300	SPRING, LATCH SHAFT	3	37
F15164	BRUSH KIT	13	15	F183300	SPRING, LATCH SHAFT	7	35
F154317	CLAMP, REMOTE CABLE	3	25	F183300	SPRING, SHIFT DETENT	33	29
F154317	CLAMP, REMOTE CABLE	7	24				
F1552	PAN HD SCREW, 8 - 32 X 1/2	21	14				
F1600	STOP NUT	39	15				
F1632	PLASTI-PLUG	3	19				
F1632	PLASTI-PLUG	7	21				
F1632	SPRING PIN	39	37				
F1638	SPRING PIN	11	22				
F1638	SPRING PIN	39	35				
F1642	SOCKET HD CAP SCREW, 10 - 24 X 3/4 FOR MANUAL START MODELS	45	49				
F1645	ROUND HD SCREW, 6 - 32 X 1/4	21	10				
F1645	ROUND HD SCREW, 6 - 32 X 7/8	17	4				
F1647	HEX NUT	17	9				
F1648	PAN HD SCREW, 10 - 24 X 3/4	17	20				

PARTS INDEX

Part Number	Description	Pg.	Ref. No.	Part Number	Description	Pg.	Ref. No.
F183346-1	SHOCK MOUNT LOWER THRUST	43	26	F1994	HEX SOCKET HD CAP SCREW, 5/16 - 18 X 1	51	59
F183504	GROMMET, MAGNETO CONTROL SHAFT	3	28	F1997	LOCK NUT	25	40
F1836	SPRING PIN	5	64	F2004	FILL HD SCREW, 8 - 32 X 3/8	11	15
F1836	SPRING PIN	39	21	F2005	HEX SOCKET HD CAP SCREW, 5/16 - 18 X 2-3/4	33	9
F183756-1	PACKING, SUPPORT PLATE	43	2	F2006	HEX CAP SCREW, 5/16 - 18 X 4-3/4	43	23
F183813	BEARING	35	51	F2007	HEX CAP SCREW, 5/16 - 18 X 4	43	24
F183818	BEARING, CHOKE ROD	3	20	F2008	HEX HD SCREW, 1/4 - 20 X 7/8	21	17
F184033-1	SWIVEL, CHOKE ARM FOR ELECTRIC START MODELS	23	37	F2010	FILL HD SCREW W/SPRING LOCKWASHER, 10 - 32 X 9/16	15	18
F184579	SEAL, CHOKE ARM SWIVEL FOR ELECTRIC MODELS	23	36	F2010	FILL HD SCREW, 10 - 32 X 9/16	21	5
F1854	HEX CAP SCREW, 1/4 - 20 X 5/8	17	18	F2011	PAN HD SCREW, 1/4 - 20 X 1-1/4 FOR ELECTRIC START MODELS	47	80
F1854	HEX CAP SCREW, 1/4 - 20 X 5/8	35	41	F2012	PLAIN WASHER	11	27
F1854	HEX CAP SCREW, 1/4 - 20 X 5/8 FOR ELECTRIC START MODELS	35	-	F2012	PLAIN WASHER	21	18
F185764	RETAINING RING	3	38	F2012	PLAIN WASHER, ELECTRIC START MODELS ONLY	11	-
F185764	RETAINING RING	7	36	F2013	HEX SOCKET HD CAP SCREW, 5/16 - 18 X 1-1/4	33	10
F1859	HEX SOCKET HEADLESS SET SCREW, 1/4 - 28 X 3/16	5	62	F2014	PLAIN WASHER	35	49
F1860	BINDING HD MACHINE SCREW, 6 - 32 X 1/4	31	3	F2016	FILL HD SCREW, 6 - 32 X 7/8	17	3
F1864	HEX HD SCREW, 1/4 - 20 X 3/4	11	1	F2018	SPEED NUT, 1/4 - 20 FOR ELECTRIC START MODELS	47	81
F1864	HEX HD SCREW, 1/4 - 20 X 3/4, ELECTRIC START MODELS	11	-	F2021	FLYWHEEL NUT	11	14
F1877	TY-RAP	21	29	F2021	FLYWHEEL NUT, 5/8 - 18	21	1
F1904	PLAIN WASHER	39	39	F2025	PAN HD SCREW, 10 X 5/8	3	4
F1910	LOCK NUT	35	58	F2025	PAN HD SCREW, 10 X 5/8	7	4
F1914	HEX HD SCREW, 1/4 - 20 X 3/4	33	8	F2026	PLASTIC RIVET	5	47
F1915	HEX HD MACHINE SCREW, 1/4 - 20 X 7/8	27	1	F2027	HEX CAP SCREW, 5/16 - 18 X 3	39	41
F1916	HEX HD M. SCREW, 1/4 - 20 X 1-1/8	17	33	F2030	HEX HD CAP SCREW, 1/4 - 20 X 1-1/4	51	54
F1922	HEX HD SCREW, 1/4 - 20 X 5/8	33	31	F2033	GROOVE PIN FOR ELECTRIC START MODELS	23	31
F1927	PAN HD SCREW, 10 - 32 X 3/8	11	4	F203965	SHOCK MOUNT UPPER THRUST	45	65
F1929	HEX CAP SCREW, 3/8 - 16 X 1-1/8	49	2	F2040	HEX HD MACHINE SCREW W/SPRING LOCKWASHER, 1/4 - 20 X 5/8	11	19
F1934	FLAT HD SLOTTED SCREW	17	32	F2066	PAN HD SCREW, 10 X 3/8	3	6
F1954	HEX SOCKET HEADLESS SET SCREW, 5/16 - 24 X 1/4	45	44	F2066	PAN HD SCREW, 10 X 7/16	7	6
F1975	LOCKWASHER	21	22	F2095	SPRING PIN	39	30
F1975	SPRING LOCKWASHER	17	17	F2097	SPRING PIN	49	23
F197787-3	FUEL LINE COUPLER	53	3	F2107	SLOTTED FILL HD SCREW W/SPRING LOCKWASHER, 10 - 24 X 5/8	7	25
F1978	SPRING PIN	45	74	F2107	SLOTTED FILL HD SCREW W/SPRING LOCKWASHER, 10 - 24 X 5/8	3	26
F1978	SPRING PIN FOR MANUAL START MODELS	45	63	F213274	GREASE FITTING	41	44
F1979	PAN HD SCREW, 10 - 24 X 1/2	17	25	F213342	SEAL, FUEL LINE COUPLER	53	1

PARTS INDEX

Part Number	Description	Pg.	Ref. No.	Part Number	Description	Pg.	Ref. No.
F213735	SEAL, FUEL LINE COUPLER	53	2	F307317	CLIP, TERMINAL BLOCK		
F215795	SEAL, STEERING HANDLE				GROUND	17	21
	GRIP FOR MANUAL			F307818	BEARING	33	16
	START MODELS	45	55	F307818	BEARING, GEAR SHIFT		
F235785	DECAL, COMPLIANCE -				SHAFT	5	52
	CANADA (NOT SHOWN) .	21	-	F307818	BEARING, LATCH SHAFT ..	3	30
F24074	CLAMP SCREW FOOT	39	32	F307818	BEARING, LATCH SHAFT ..	7	28
F24342	SEAL, INLET WATER LINE			F307908	WIRE, STARTER	13	25
	UPPER	49	5	F316160	REED	27	10
F24342	SEAL, WATER LINE UPPER	43	5	F324689	BEARING, MAGNETO		
F24623-1	GROMMET, CHOKE ROD,				CONTROL SHAFT, REAR	5	54
	GEAR SHIFT	3	31	F324840-1	GROMMET, REMOTE SHIFT		
F269052	BEARING, SHIFT LEVER ...	33	24		CABLE	3	34
F269122-1	SEAL, CRANKCASE			F324840-1	GROMMET, REMOTE		
	PARTING LINE	35	62		THROTTLE CABLE	3	27
F269319	BEARING, THROTTLE CAM .	35	59	F324993	BRACKET, CHOKE ROD		
F286028-1	CRANKSHAFT LOWER MAIN				BEARING	3	22
	BEARING	29	14	F333316	SHAFT, THROTTLE ROLLER	25	42
F286282	WASHER	35	53	F335217-1	BEARING, PISTON PIN	29	3
F286422-1	PIVOT, TILT LOCK	39	8	F338618-1	SEAL, SHIFT ROD LOWER .	51	45
F286440	STUD, MAGNETO CONTROL			F366058	BALL BEARING, PROPELLER		
	LEVER	35	50		SHAFT	49	16
F286451	SPACER, TILT LOCK	39	9	F366215	SPACER, PISTON PIN	29	2
F286544-1	SPRING, TILT LOCK	39	11	F366364	ARM, REVERSE LOCK	39	23
F286547	CHOKE KNOB	3	32	F366727	BALL, PROPELLER SHAFT .	49	20
F286772-1	CLAMP	21	27	F366801	FITTING	33	14
F286772-1	CLAMP, FUEL PUMP TO			F381896-4	CABLE, BATTERY ENTRY ..	17	13
	CARBURETOR HOSE ...	17	38	F385433	TILT STOP	39	31
F286894-3	INDICATOR, SPEED			F385647	CARRYING HANDLE	43	38
	CONTROL FOR MANUAL			F391926-1	PLUNGER FOR ELECTRIC		
	START MODELS	45	59		START MODELS	23	32
F288075	HANDLE, STERN BRACKET			F40008	STUD, SHORT	49	39
	CLAMP SCREW	39	34	F40017-2	PISTON PIN	29	4
F288689	BEARING, MAGNETO			F40209	CARBURETOR STUD	27	3
	CONTROL SHAFT FOR			F40342	SEAL, PROPELLER NUT ...	49	11
	MANUAL START MODELS	45	47	F40717	THRUST WASHER	49	19
F288691	GEAR, MAGNETO CONTROL			F407446	CLAMP, BATTERY CABLE ..	17	30
	SHAFT FOR MANUAL			F40906-1	FLANGE GASKET	23	9
	START MODELS	45	46	F40906-1	GASKET, CARBURETOR ...	35	-
F295080	STEERING HANDLE PIVOT			F409251-1	GAUGE CAP	53	10
	BOLT FOR MANUAL			F40956	BRACKET, SHOCK MOUNT		
	START MODELS	45	52		UPPER THRUST	45	68
F295175	WASHER, STEERING			F411420	RETAINER, SWITCH PLATE	17	31
	HANDLE PIVOT BOLT FOR			F412181-1	PLATE, IGNITION - U.S.A. .	19	40
	MANUAL START MODELS	45	51	F413815	GEAR, STEERING HANDLE		
F295457	RETAINING WASHER				FOR MANUAL START		
	STEERING HANDLE				MODELS	45	45
	PIVOT	45	50	F428096	RETAINER, PISTON PIN ...	29	1
F295689	BEARING, STEERING			F429811	SCREEN, CYLINDER DRAIN	33	34
	HANDLE GEAR FOR			F433168	GASKET, CARBURETOR		
	MANUAL START MODELS	45	43		ADAPTER	27	5
F296898	TERMINAL	17	23	F433168	GASKET, CARBURETOR		
F298788	FERRULE	53	4		ADAPTER	35	-
F2A366298	PROP SHAFT BEARING			F433209-1	STUD, THROTTLE CAM	35	61
	CAGE	49	14	F433404	DEFLECTOR PLATE	27	7
F2A458081	MAGNETO CONTROL LEVER	35	52	F433406	GASKET, DEFLECTOR		
F2A458266	BEVEL PINION W/BEARING	49	35		PLATE	27	8
F2A458581	COLLAR W/LOWER			F433406	GASKET, DEFLECTOR		
	CRANKSHAFT SEAL	29	11		PLATE	35	-
				F434767	BUSHING, FUEL LINE	5	51

PARTS INDEX

Part Number	Description	Pg.	Ref. No.	Part Number	Description	Pg.	Ref. No.
F434767	BUSHING, FUEL LINE	7	32	F458166-2	SCREW, MOTOR LEG TO CYLINDER	43	18
F435077	SCREEN, WATER INLET . . .	51	46	F458192	THROTTLE CAM	35	60
F435555	SEAL, GEAR HOUSING	51	43	F458198	THROTTLE STOP FOR MANUAL START MODELS	45	64
F435562	WATER PUMP BACK PLATE	51	49	F458223	GASKET, TRANSFER PORT COVER	33	35
F435705	GEAR SHIFT ROD LOWER . .	49	36	F458223	GASKET, TRANSFER PORT COVER	37	-
F436314-1	ELBOW, DRAIN HOSE	33	30	F458232	STARTER ROPE	11	10
F436449	SHORTING SWITCH FOR MANUAL START MODELS ONLY	15	5	F458239	STARTER PULLEY	11	8
F436541	TILT LOCK (PORT)	39	10	F458244-1	INLET WATER LINE	43	7
F438165	SCREW, FUEL PUMP BOWL	31	11	F458244-1	INLET WATER LINE FOR STANDARD SHAFT MODELS	49	7
F438500	FUEL PUMP BOWL	31	10	F458245	BAFFLE TILT HANDLE	7	2
F438617	GASKET, FUEL PUMP BOWL	31	8	F458245	BAFFLE, TILT HANDLE	3	2
F438617	GASKET, FUEL PUMP BOWL	37	-	F458277	GASKET, CRANKSHAFT BEARING CAGE	33	4
F438653	SCREEN, FUEL PUMP	31	9	F458277	GASKET, CRANKSHAFT BEARING CAGE	37	-
F438747	FUEL PUMP DIAPHRAGM . .	31	2	F458279	GASKET, CYLINDER EXHAUST	37	-
F438760	FUEL PUMP GASKET	31	1	F458279	GASKET, CYLINDER EXHAUST	43	1
F438760	GASKET, FUEL PUMP	37	-	F458307	SEAL, DRIVESHAFT	51	48
F438801	FITTING, FUEL PUMP BODY	31	15	F458312	PACKING, LEG COVER SIDE UPPER	43	36
F438930	RETAINER, SNOOT	51	40	F458320	PACKING, LEG COVER FRONT UPPER PORT . . .	43	30
F440209	STUD, GEAR SHIFT LEVER	33	28	F458322	PACKING, LEG COVER REAR	43	15
F455305	SEAL, CRANKSHAFT COLLAR	29	12	F458323-1	PACKING, LEG COVER FRONT	43	31
F458003	STARTER INTERLOCK LEVER	11	23	F458324	PACKING, LEG COVER FRONT UPPER - STARBOARD	43	35
F458019	KINGPIN	41	47	F458342	SEAL, CRANKSHAFT SPLINE	29	13
F458028	BEARING, CRANKSHAFT UPPER MAIN	29	19	F458345	PAD, KINGPIN MOUNTING PLATE	47	82
F458038-2	SUPPORT PLATE	3	17	F458347	MOUNT, SUPPORT PLATE . .	43	4
F458038-2	SUPPORT PLATE	7	20	F458371	BRACKET, REMOTE THROTTLE CABLE	3	24
F458057	BEARING, DRIVESHAFT UPPER	51	47	F458371	BRACKET, REMOTE THROTTLE CABLE	7	23
F458065	WATER PUMP IMPELLER . .	51	50	F458424	SPRING, STARTER PAWL PLATE	11	9
F458066	THERMOSTAT COVER	35	42	F458445	LINK MAGNETO CONTROL SHAFT FOR MANUAL START MODELS	37	73
F458067	GASKET, THERMOSTAT COVER	35	43	F458453	GASKET, LEG EXHAUST . . .	37	-
F458067	GASKET, THERMOSTAT COVER	37	-	F458453	GASKET, LEG EXHAUST . . .	43	14
F458071	SPRING, STARTER HANDLE GUIDE FOR MANUAL START MODELS ONLY	11	5	F458456	HAND STARTER COLLAR . .	11	13
F458076	TAB, SHOCK MOUNT SIDE . .	43	12	F458498	FLYWHEEL KEY	29	18
F458079	STEERING HANDLE FOR MANUAL START MODELS	43	39	F458502	ROD, THROTTLE CAM	35	57
F458109	PLUG, CYLINDER HEAD . . .	33	38	F458503	CHOKE ROD	3	18
F458128	DRIVESHAFT FOR STANDARD SHAFT MODELS	49	3	F458509	LINK, MAGNETO STATOR . .	35	56
F458132	HANDLE, STARTER ROPE FOR MANUAL START MODELS ONLY	11	11				
F458133	MOTOR LEG	43	17				
F458146	SEAL, CRANKSHAFT UPPER MAIN	33	2				
F458151	EXHAUST PORT PLATE . . .	35	45				
F458152	EXHAUST PORT COVER . . .	35	46				
F458154	GASKET, EXHAUST PORT PLATE	35	44				
F458154	GASKET, EXHAUST PORT PLATE	37	-				

PARTS INDEX

Part Number	Description	Pg.	Ref. No.	Part Number	Description	Pg.	Ref. No.
F458531	ROD, SHIFT INTERLOCK . . .	33	20	F463864	RETAINER, TILT HANDLE . .	3	5
F458579	SEAL, CRANKCASE	29	10	F463864	RETAINER, TILT HANDLE . .	7	5
F458592	RETAINER, STARTER PULLEY	11	16	F476	FUEL LINE ADAPTION KIT . .	59	-
F458615	GEAR SHIFT ROD UPPER . .	45	73	F483300	SPRING	39	27
F458677	INSERT, CHOKE KNOB	3	33	F483349-1	REVERSE LOCK	39	25
F458688	SHAFT, STEERING HANDLE FOR MANUAL START MODELS	45	60	F483510-1	LINK, REVERSE LOCK	39	24
F458690	SCREW, THROTTLE STOP FOR MANUAL START MODELS	45	62	F483827	LEVER, REVERSE LOCK . . .	39	17
F458695	SLEEVE FOR MANUAL START MODELS	45	56	F483884	BEARING, REVERSE LOCK . .	39	22
F458727	BALL, SHIFT LEVER DETENT	33	27	F487755	FUEL TANK ADAPTER	53	8
F458736	SEAL, WATER PUMP	51	52	F498618	SEAL, "O" RING	49	30
F458754	HOSE, FUEL PUMP TO CARBURETOR	31	14	F498891	GEAR SHIFT ARM PIN	49	29
F458783	SEAL, SWIVEL BRACKET . .	39	28	F50109	PLUG, GEAR HOUSING	49	27
F458845	EXTENSION, MOTOR LEG . .	49	1	F502161	REED STOP	27	11
F458846	SPRING	11	21	F504052	BEARING, STARTER INTERLOCK	35	66
F458887	FASTENER, SUPPORT PLATE MOUNT	43	3	F504527	STARTER INTERLOCK BEARING CAP	35	67
F458888-1	TRIM, STARTER HANDLE GUIDE	5	46	F504621	LEVER, GEAR SHIFT CONTROL	5	57
F458936	SCREW, CYLINDER HEAD . .	33	39	F504809	ROD, STARTER INTERLOCK	35	65
F458937	LINER, STARTER HOUSING	11	3	F504836	SPACER, GEAR SHIFT SHAFT	5	60
F458953-1	GUIDE, STARTER HANDLE FOR MANUAL START MODELS ONLY	11	6	F510374	DECAL, CIRCUIT BREAKER - U.S.A.	17	36
F458962	MOUNT, SIDE UPPER	43	11	F510450-1	RECTIFIER	21	13
F458963	PLATE, SHOCK MOUNT . . .	43	8	F510460	CIRCUIT BREAKER	17	24
F458970	SPRING, STARTER REWIND	11	7	F510475	IGNITION COIL	21	25
F458972-1	COVER, SHOCK MOUNT STARBOARD	43	28	F513015-1	PISTON	29	6
F458973-1	COVER, SHOCK MOUNT PORT	43	21	F513388	DISC, WATER PUMP LOCATING	51	57
F458977-3	LEVER, SHIFT INTERLOCK . .	33	17	F513529	GASKET, CYLINDER HEAD . .	33	36
F460097-1	FLYWHEEL	15	1	F513529	GASKET, CYLINDER HEAD . .	37	-
F460317	CLAMP, SOLENOID FOR ELECTRIC START	35	63	F514427	BRACKET, STARTER MOTOR	17	1
F460573	CLAMP, STARTER MOTOR . .	13	12	F514955	STARTER MOTOR COMPLETE (NOT SHOWN)	13	-
F460664	STATOR GROUND WIRE . . .	15	6	F529029	STATOR TRIGGER	21	16
F460664	STATOR GROUND WIRE . . .	21	6	F529095	STATOR, ALTERNATOR	21	4
F460917	STARTER RELAY	17	19	F529097	FLYWHEEL	21	2
F460925	ROD FOR ELECTRIC START MODELS	23	33	F529125	TUBE, PIVOT STEERING . . .	39	42
F461400	INDICATOR, GEAR SHIFT - U.S.A	5	55	F529286	WASHER, SWIVEL BRACKET FRICTION	39	13
F461774	BRACKET, RETAINER REAR	3	16	F529301	C-D MODULE	21	11
F461774	BRACKET, RETAINER REAR	7	19	F529358	BRACKET, ELECTRICAL COMPONENTS	21	8
F461952	STRAP, HAND STARTER HOUSING	11	20	F529390	DECAL, REVERSE LOCK - U.S.A.	41	48
F462128	DRIVESHAFT FOR LONG SHAFT MODELS	49	-	F529398	DECAL, WIRING - U.S.A. . . .	17	28
F462840	GROMMET, REMOTE SHIFT CABLE	7	31	F529726	BEARING, REVERSE LOCK . .	39	18
F462840	GROMMET, REMOTE THROTTLE CABLE	7	26	F529744	WIRING HARNESS	17	6
				F529744	WIRING HARNESS	21	15
				F53504	GROMMET, SUPPORT PLATE	7	29
				F53795-1	SEAL, STEERING HANDLE GRIP FOR MANUAL START MODELS	45	54
				F542163	COVER, SUPPORT PLATE . . .	7	30
				F542180	TRIM, REAR	3	7
				F542180	TRIM, REAR	7	8
				F542269	TILT HANDLE	3	3

PARTS INDEX

Part Number	Description	Pg.	Ref. No.	Part Number	Description	Pg.	Ref. No.
F542269	TILT HANDLE	7	3	F8058	INTERNAL TOOTH LOCKWASHER	33	23
F542686	COVER, KINGPIN MOUNTING PLATE FOR ELECTRIC START MODELS	47	79	F8059	SPRING LOCKWASHER	15	8
F542711	PLATE, FRONT	5	50	F8059	SPRING LOCKWASHER	21	23
F542711	PLATE, FRONT	9	43	F8065	SPRING LOCKWASHER	49	32
F543061	CARBURETOR COMPLETE	25	43	F8077	WASHER, GEAR HOUSING PLUG	49	28
F590	REMOTE CONTROL FLUSH MOUNT	60	-	F8078	LOCKWASHER #8	21	21
F5H004	SPEEDOMETER	59	-	F8083	SPRING LOCKWASHER	13	6
F5H006	VOLTMETER	60	-	F8083	SPRING LOCKWASHER	17	34
F5H008	FUEL GAUGE FLUSH MOUNT	59	-	F8083	SPRING LOCKWASHER	39	6
F5H012	TACHOMETER (FLUSH MOUNT)	60	-	F8088	PLAIN WASHER	17	35
F5H014	FLUSHING ADAPTER	59	-	F8088	PLAIN WASHER FOR ELECTRIC START MODELS	23	35
F5H018	DUAL ENGINE TIE BAR	60	-	F8094	PLAIN WASHER	39	19
F5H019	ANTI-CORROSION KIT	59	-	F8096	SPRING LOCKWASHER	3	40
F5H020	CARRYING HANDLE	59	-	F8096	SPRING LOCKWASHER	7	38
F5H021	BATTERY EXTENSION CABLE	59	-	F8096	SPRING LOCKWASHER	17	15
F5H025	ANTI-CORROSION SACRIFICIAL ANODE	59	-	F8096	SPRING LOCKWASHER	43	29
F5H027	FUEL TANK (ACCESSORY ITEM)	53	9	F84026	SWIVEL, SHIFT INTERLOCK BEARING	33	19
F5H027	FUEL TANK, 6 GALLON, STEEL	59	-	F84035-2	BEARING, SHIFT INTERLOCK ROD	33	18
F5H028	SENDING UNIT	59	-	F84314-2	ELBOW, CARBURETOR	23	39
F5H029	FUEL TANK ANCHOR	59	-	F84449	SWITCH, STARTER INTERLOCK	17	2
F5H055	WATER PUMP KIT	59	-	F84792	FUEL PUMP GASKET	31	5
F5H070	REMOTE ELECTRIC CABLE	59	-	F84792	GASKET, FUEL PUMP VALVE	35	-
F5H072	OVERHEAT BUZZER KIT	59	-	F85026	SWIVEL, SHIFT INTERLOCK LEVER	33	15
F5H077	IGNITION KEY SWITCH	59	-	F85372	PIN, GEAR SHIFT ROD LOWER	49	38
F5H078	IGNITION KEY SWITCH	59	-	F8548	SPRING PIN FOR MANUAL START MODELS	45	57
F5H078	IGNITION SWITCH (ACCESSORY ITEM)	17	12	F85498	FLYWHEEL KEY FOR ALTERNATOR MODELS	29	-
F5H081	BATTERY CABLE	59	-	F8550	SPRING PIN FOR MANUAL START MODELS	43	42
F5H130	REMOTE CONTROL SURFACE MOUNT (SINGLE LEVER)	59	-	F8559	DOWEL PIN	33	11
F5H131	PORT SIDE DECAL KIT	59	-	F85610	BEARING	45	67
F5H134	BOAT WHITE LACQUER	59	-	F85610	BEARING FOR MANUAL START MODELS	45	61
F5H135	SAND TAN LACQUER	59	-	F85634-1	SCREW, CONNECTING ROD	29	15
F66480	STUD	39	33	F85735-1	SEAL	3	8
F7004	LOCK NUT, 3/8 - 16	33	21	F85735-1	SEAL	7	11
F7011	HEX NUT, 10 - 24	3	10	F85756	PACKING, ENGINE COVER	3	14
F7011	HEX NUT, 10 - 24	7	13	F85756	PACKING, ENGINE COVER	7	17
F7024	STOP NUT	39	1	F85843-1	CABLE, ELECTRIC CONTROL	17	27
F73H07	STARTER CONVERSION	60	-	F85924	CHOKE SOLENOID	17	7
F8000	PLAIN WASHER	37	72	F89777-1	CAM, ENGINE COVER LATCH	5	41
F8011	PLAIN WASHER	9	44	F89777-1	CAM, ENGINE COVER LATCH	7	39
F8011	PLAIN WASHER	11	24	F901011	WASHER, SWIVEL BRACKET	41	46
F8011	PLAIN WASHER FOR MANUAL START MODELS	25	44	F901169-1	BEARING, SWIVEL BRACKET	39	29
F8028	PLAIN WASHER	13	11				
F8039	PLAIN WASHER	43	6				
F8039	PLAIN WASHER	49	6				
F8049	BOWED SPRING WASHER	45	76				
F8056	SPRING LOCKWASHER	17	8				

PARTS INDEX

Part Number	Description	Pg.	Ref. No.	Part Number	Description	Pg.	Ref. No.
F901631-1	FRICITION SHOE	39	5	FA458778	RETAINER, ENGINE COVER		
F901775	PLATE, FRICTION SHOE . . .	39	4		FRONT W/SCREWS AND		
F9018	CAP, PIVOT STEERING				NUTS	7	41
	TUBE	39	16	FA458838	MAGNETO CONTROL SHAFT	5	59
F901822-1	STUD, SWIVEL BRACKET . .	39	3	FA458880	CLIP, STARTER GUIDE	5	48
F9022	SHIM .006" (SILVER)	11	17	FA460423	STARTER PAWL PLATE		
F9023	SHIM .007" (BRASS)	11	-		ASSEMBLY	11	18
F9024	SHIM .010" (BLACK)	11	-	FA463260	PISTON RING SET (4 PER		
F90619-1	YOKE, GEAR SHIFT ARM . .	51	58		SET)	29	7
F90807	RETAINER, CHOKE ROD			FA485662	BEVEL GEAR REAR		
	FOR MANUAL START				W/BUSHING	49	18
	MODELS	25	45	FA502554	GEAR HOUSING UPPER . . .	51	44
F90871-3	GEAR SHIFT ARM PIN	49	22	FA504060	WATER PUMP BODY	51	51
F91446-1	BRACKET, CIRCUIT			FA504082	MAGNETO STATOR RING . .	33	5
	BREAKER	17	26	FA504222	TRANSFER PORT COVER . .	33	32
F92759	ROLLER, THROTTLE CAM			FA510497	TERMINAL BLOCK	17	22
	FOLLOWER	25	41	FA510914	SEAL, INLET WATER LINE		
F97008-1	STUD, LONG	49	31		LOWER	51	53
F97772	FUEL LINE CLAMP	31	12	FA513010	CYLINDER W/CRANKCASE		
F98273	ROD END CONNECTOR				COVER, SCREWS AND		
	STUD	33	22		DOWEL PINS	33	7
F99521-1	CLUTCH	49	24	FA513518	CYLINDER HEAD W/PLUGS	33	37
FA12370	COIL W/LEAD WIRE	15	12	FA529072	SWIVEL BRACKET		
FA324113	STERN BRACKET LOCK BAR				W/BEARINGS AND		
	W/END	39	40	FA535395	GREASE FITTINGS	41	45
FA343178	RETAINER W/SET SCREW . .	5	58		PLATE, IDENTIFICATION		
FA368700	IGNITION KEY - NO LETTER				W/SCREWS - U.S.A.	3	35
	OR STAMPED A	17	39	FA535395	PLATE, IDENTIFICATION		
FA413469	COVER LATCH HANDLE				W/SCREWS - U.S.A.	7	33
	W/SHAFT	3	29	FA542396	DECAL, ENGINE COVER -		
FA413469	COVER LATCH HANDLE				STARBOARD	5	-
	W/SHAFT	7	27	FA542396	DECAL, ENGINE COVER -		
FA434616	GEAR SHIFT ROD				STARBOARD	9	-
	INTERMEDIATE FOR			FA542397	DECAL, ENGINE COVER -		
	STANDARD SHAFT				PORT	5	53
	MODELS	51	55	FA542397	DECAL, ENGINE COVER -		
FA435116	EXHAUST SNOUT	51	41		PORT	9	45
FA435616	GEAR SHIFT ROD			FA542528	DECAL, ENGINE COVER . . .	3	13
	INTERMEDIATE FOR			FA542528	DECAL, ENGINE COVER		
	LONG SHAFT MODELS . .	51	-		REAR	7	16
FA438431	FUEL PUMP BODY			FA542892	DECAL, ENGINE COVER		
	W/VALVES	31	6		FRONT	5	44
FA456137	GRIP, STEERING HANDLE			FA542892	DECAL, ENGINE COVER		
	W/SLEEVES FOR MANUAL				FRONT	9	42
	START MODELS	45	58	FA543386	DECAL, NUMERAL 30	5	42
FA458144	CRANKSHAFT BEARING			FA543386	DECAL, NUMERAL 30	7	40
	CAGE	33	3	FA84754-1	FUEL LINE, SHORT		
FA458158	REED PLATE W/REEDS,				W/CLAMPS	53	5
	STOPS AND SCREWS . . .	27	9	FA85754-1	HOSE, FUEL PUMP TO		
FA458167	CARBURETOR ADAPTER . .	27	4		BUSHING	31	13
FA458254	HOSE, DRAIN	33	13	FA94094-2	PROP NUT W/SEAL AND		
FA458480	RETAINER, ENGINE COVER				COTTER PIN	49	9
	REAR W/SCREWS AND			FAC535395	PLATE, IDENTIFICATION		
	NUTS	3	11		W/SCREWS - CANADA . .	3	-
FA458480	RETAINER, ENGINE COVER			FAC535395	PLATE, IDENTIFICATION		
	REAR W/SCREWS AND				W/SCREWS - CANADA . .	7	-
	NUTS	7	14	FB368700	IGNITION KEY - STAMPED B	17	-
FA458571	ROLLER, CENTER MAIN . . .	29	9	FC235227	SPARK PLUG (CHAMPION		
FA458655	LINER, CENTER MAIN	29	8		RL-4-J) FOR MODELS		
					302B9C AND 303B9C	35	-

PARTS INDEX

Part Number	Description	Pg.	Ref. No.	Part Number	Description	Pg.	Ref. No.
FC368700	IGNITION KEY - STAMPED C	19	-	FO16561	THROTTLE SHAFT AND		
FC409398	DECAL, TOTE TANK -				LEVER	23	22
	CANADA (NOT SHOWN)	53	-	FO16562	CHOKE SHAFT AND LEVER	23	5
FC461400	INDICATOR, GEAR SHIFT -			FO16563	THROTTLE SHAFT RETURN		
	CANADA	5	-		SPRING	23	26
FC503227	SPARK PLUG (CHAMPION			FO16791	IDLE TUBE	25	46
	QL-77-4J) FOR MODELS			FO17486	THROTTLE SHUTTER	23	27
	306B9B AND 307B9B	35	-	FO2510	FUEL BOWL RETAINING		
FC510374	DECAL, CIRCUIT BREAKER -				SCREW GASKET	23	15
	CANADA	17	-	FO3804	THROTTLE SHAFT		
FC513390	DECAL, STARTER - CANADA	13	26		POSITION RETAINING		
FC514010	SHORT BLOCK FOR				SCREW WASHER	23	25
	ALTERNATOR MODELS	33	-	FO4326	BODY CHANNEL WELCH		
FC529390	DECAL, REVERSE LOCK -				PLUG	23	2
	CANADA (NOT SHOWN)	41	-	FO6393	THROTTLE SHAFT		
FC529398	DECAL, WIRING - CANADA	17	-		POSITION RETAINING		
FD368700	IGNITION KEY - STAMPED D	19	-		SCREW	23	23
FE368700	IGNITION KEY - STAMPED E	19	-	FO6396	THROTTLE SHAFT		
FG1014	GASKET SET	35	71		POSITION RETAINING		
FK1026	LONG LEG CONVERSION				SCREW LOCKWASHER ..	23	24
	KIT	59	-	FO8942	THROTTLE SHUTTER		
FK1053	WATER PUMP KIT	51	60		RETAINING SCREW AND		
FK1066	TUNE-UP KIT	15	19		LOCKWASHER	23	28
FK1068	GEAR HOUSING SEAL KIT	51	61	FP273	PROPELLER (ACCESSORY		
FK247	PROPELLER PIN, PACK OF				ITEM)	49	8
	6 W/COTTER PIN	49	12	FS174227	SPARK PLUG (L-4-J)	35	40
FK750-2	SPARKIE KIT	21	26	FS409752	FUEL LINE COMPLETE (NOT		
FK750-2	SPARKIE W/SPRING	15	14		SHOWN)	53	-
FK85228	BEARING CAGE W/ROLLERS			FS458023	BEVEL GEAR FRONT		
	(16 PER SET)	29	16		W/BEARING	49	25
FO10165	INLET SEAT GASKET	23	19	FS529032	STERN BRACKET,		
FO10280	CHOKE SHUTTER				STARBOARD, W/CLAMP,		
	RETAINING SCREW AND				SCREW AND FOOT	41	43
	LOCKWASHER	23	8	FS529532	STERN BRACKET PORT		
FO10588	BODY CHANNEL CUP PLUG	23	1		W/CLAMP, SCREW AND		
FO10790	INLET NEEDLE, SEAT AND				FOOT	39	14
	GASKET	23	18	FS529712	ENGINE COVER W/FRONT		
FO10883	CHOKE RELIEF VALVE				AND REAR RETAINERS	3	1
	SPRING	23	4	FS529712	ENGINE COVER W/FRONT		
FO11103	IDLE MIXTURE SCREW				AND REAR RETAINERS	7	1
	SPRING	23	17	FS901244	EXTENSION, INLET WATER		
FO12250	CHOKE SHUTTER	23	7		LINE	51	56
FO12251	CHOKE RELIEF VALVE	23	3	FT2910	KNOCK-OFF NUT	54	-
FO13552	FUEL BOWL	23	12	FT2953	SOCKET	55	-
FO13554	FLOAT	23	10	FT2954A	TEST WHEEL	57	-
FO13944	FLOAT LEVER PIN	23	11	FT2961	LUBRICANT	58	-
FO13945	FUEL BOWL RETAINING			FT2962-1	SEALANT	58	-
	SCREW	23	14	FT2963-1	SEALANT	58	-
FO14108	MAIN FUEL JET .064 -			FT2987-1	LUBRICANT	58	-
	STANDARD	23	20	FT2990	PISTON PIN REMOVER	55	-
FO14166	IDLE MIXTURE SCREW	23	16	FT2996	RING COMPRESSOR	55	-
FO14186	MAIN FUEL JET .060 - 3750 -			FT8904	FORWARD BEARING CUP		
	6250 FT. (OPT.)	23	-		INSTALLER	56	-
FO14187	MAIN FUEL JET .062 - 1250 -			FT8907	DRIVER HANDLE	56	-
	3750 FT. (OPT.)	23	-	FT8918	BUSHING GUIDE SET	56	-
FO15213	MAIN NOZZLE	23	21	FT8919	SPRING PIN PUNCH	56	-
FO15337	MAIN FUEL JET .058 - 6250 -			FT8921	FORWARD BEARING CUP		
	8250 FT. (OPT.)	23	-		REMOVER	56	-
FO15623	FUEL BOWL GASKET	23	13	FT8926	RING EXPANDER	55	-
				FT8932	LIFTING HOOK	57	-

PARTS INDEX

Part Number	Description	Pg.	Ref. No.	Part Number	Description	Pg.	Ref. No.
FT8935	SEALANT PRIMER	58	-				
FT8936	SEALANT	58	-				
FT8948-1	PROPELLER SHAFT BEARING CAGE PULLER	56	-				
FT8950	LEAKAGE TESTER	57	-				
FT8957	SEAL INSTALLER	56	-				
FT8962	BEARING INSTALLER	56	-				
FT8964	BEARING REMOVER	56	-				
FT8967	SEAL PROTECTOR	55	-				
FT8969	LUBRICANT	58	-				
FT8971	SEAL INSTALLER	55	-				
FT8972	DRIVESHAFT SEAL INSTALLER	56	-				
FT8976	SEAL PROTECTOR	55	-				
FT8977	SEAL COLLAR INSTALLER .	55	-				
FT8983	SEALANT	58	-				
FTA2937-1	TIMING TOOL	54	-				
T8974	POINT TENSION GAUGE . . .	57	-				
21-817741A1	VALVE, CHECK	33	33				
32-817738A1	FUEL LINE, LONG W/CLAMPS AND FERRULE	53	7				
37-F286894-3	INDICATOR, SPEED CONTROL - CANADA	45	-				
44-819500A3	PROPELLER SHAFT	49	21				
400-818061A1	CRANKSHAFT W/LOWER MAIN BEARING FOR ALTERNATOR MODELS .	29	-				
600-818052A4	CONNECTING ROD W/CAP AND SCREWS	29	5				
1600-817804A3	GEAR HOUSING LOWER W/PLUG, WASHER AND THRUST BEARING CUP .	49	26				
1600-817896A2	LOWER GEAR HOUSING COMPLETE (NOT SHOWN)	49	-				