



PARTS CATALOG

4 H.P.

SERIAL NUMBER

4 (1979)42B9F
4 (1979)42H9F
4 (1979)47B9F
4 (1979)47H9F

TABLE OF CONTENTS:

ACCESSORIES	29
CARBURETOR & REED PLATE	8
ENGINE COVER AND FUEL TANK	2
GEAR HOUSING	20
MAGNETO	6
MOTOR LEG	16
PARTS INDEX	30
POWER HEAD & SUPPORT PLATE	12
SPECIAL TOOLS - LOWER UNIT	26
SPECIAL TOOLS - LUBRICANTS AND SEALANTS	28
SPECIAL TOOLS - POWER HEAD	25
SPECIAL TOOLS - TEST EQUIPMENT	27
SPECIAL TOOLS - TUNE-UP	24
STARTER	4

NOTE: *Indented description indicate that these parts are included in preceeding assembly.*

AR = As Required

NSS = Not Sold Separate

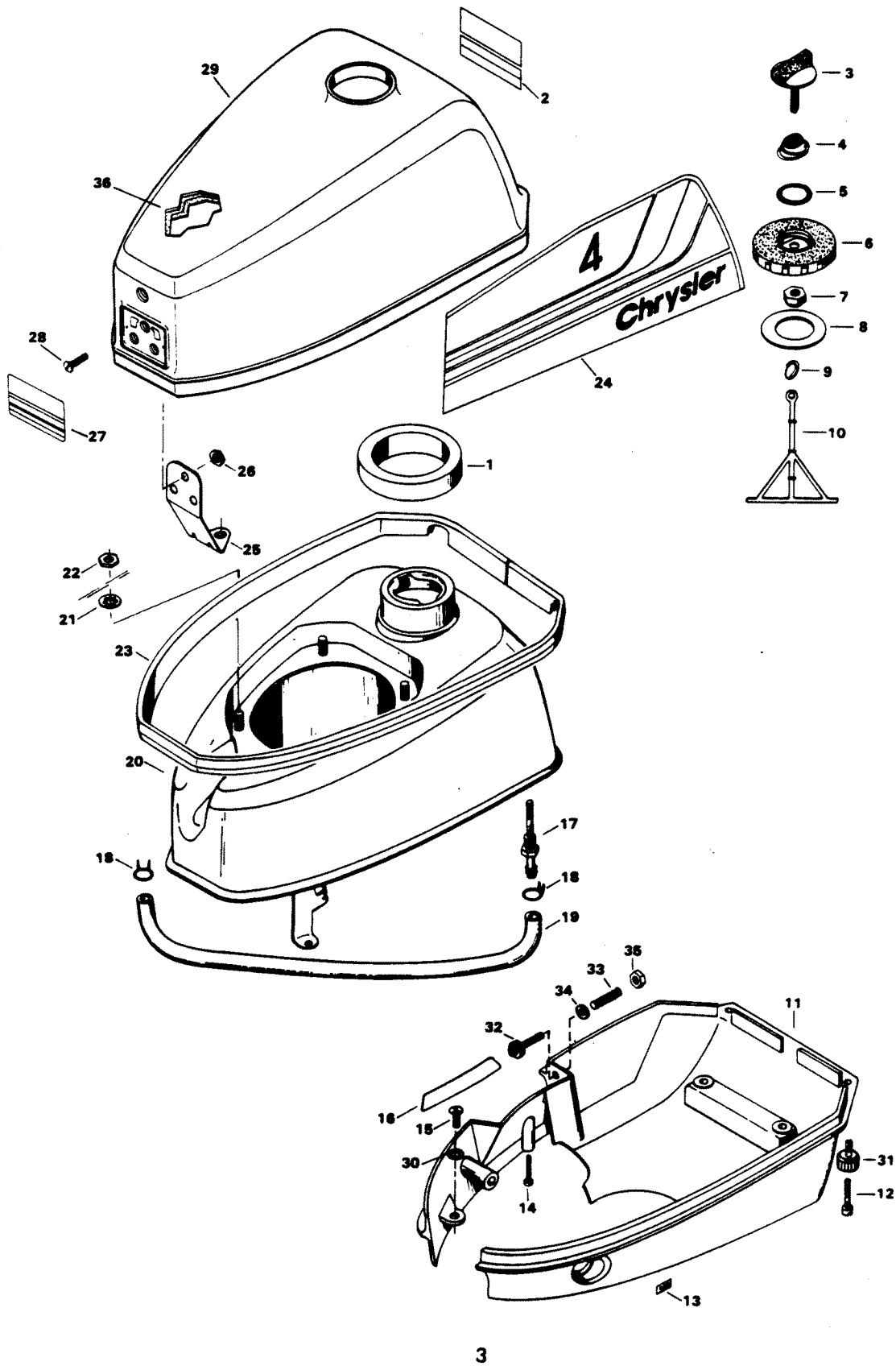
OPT = Optional

NS = Not Shown

THESE PARTS BOOKS/FICHE CARD ARE COPYRIGHTED AND MAY NOT BE DISTRIBUTED OR REPRODUCED IN ANY OTHER FORMAT BY ANYONE OTHER THAN MERCURY MARINE WITHOUT THE PRIOR WRITTEN CONSENT OF MERCURY MARINE.

THIS PAGE INTENTIONALLY LEFT BLANK

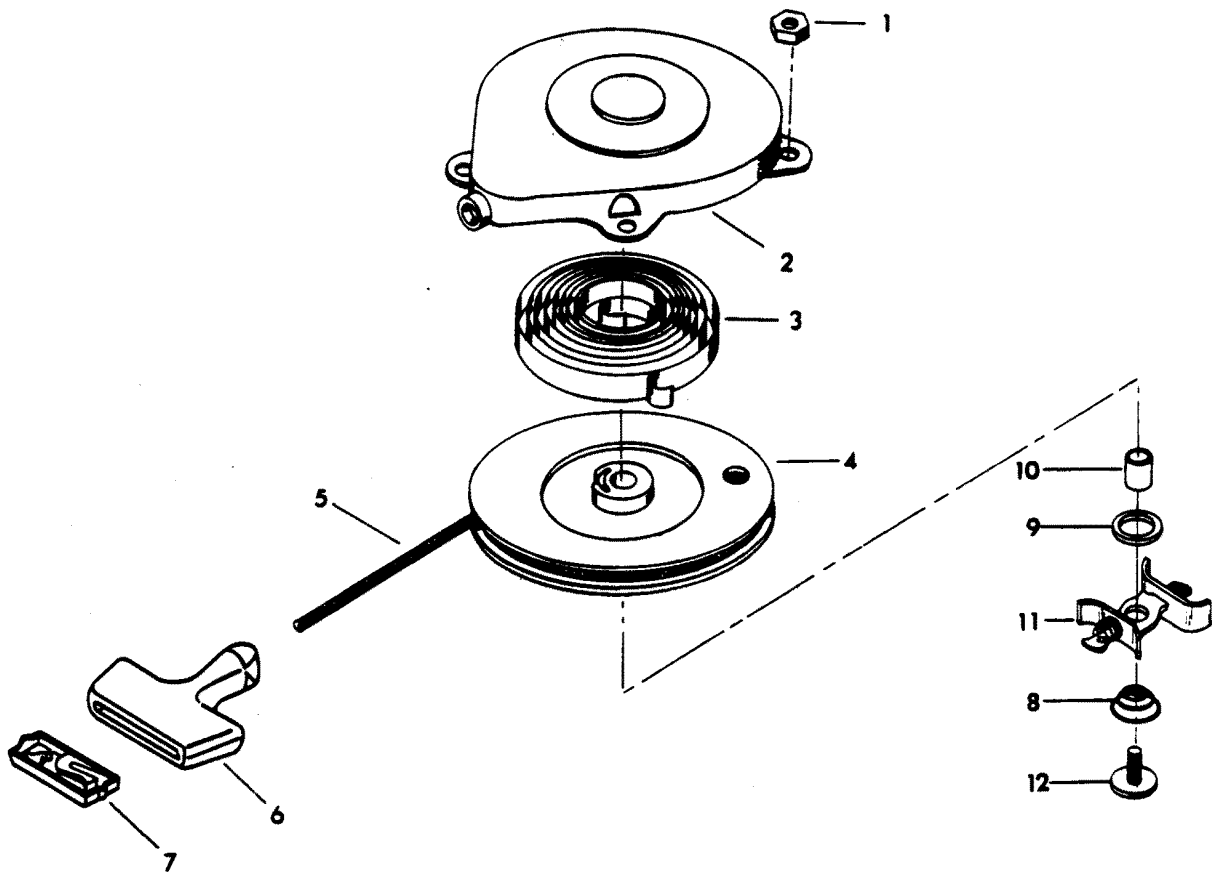
ENGINE COVER AND FUEL TANK



ENGINE COVER AND FUEL TANK

REF. NO.	PART NO.	SYM.	QTY.	DESCRIPTION
1	F459186		1	COLLAR, FUEL TANK
2	FA535528		1	DECAL, ENGINE COVER REAR
3	F17940		1	VENT CAP
4	F17942		1	CAP, TENSION SPRING
5	F17935		1	GASKET, "O" RING
6	F17936		1	FUEL CAP
7	F17941		1	NUT, VENT SCREW
8	F17943-1		1	FUEL CAP GASKET
9	F427249		1	RETAINING RING
10	F17938		1	ANCHOR
11	F535944		1	ENGINE COVER, BOTTOM
12	F1995		2	SLOTTED FILL HD SCREW, 10 - 24 X 1
13	F521894		1	DECAL, "OFF" (U.S.A.)
-	FC521894		1	DECAL, "OFF" (CANADA)
14	F1829		1	FILL HD M. SCREW, 10 - 24 X 7/8
15	F1035		3	SLOTTED FILL HD SCREW, 1/4 - 20 X 5/8
16	F521391-1		1	DECAL, SPEED RANGE (U.S.A.)
-	37-817908--3		1	DECAL, SPEED RANGE (CANADA)
17	F521811		1	FITTING, GAS TANK
18	F2706772		2	HOSE CLAMP
19	F901754		1	HOSE
20	F521034-1		1	FUEL TANK
21	F8061		4	INTERNAL TOOTH LOCKWASHER
22	F1896		4	HEX NUT
23	FK525713		1	PACKING, TOP COVER TRIM
24	FA535397		1	DECAL, ENGINE COVER - PORT
-	FA535396		1	DECAL, ENGINE COVER - STARBOARD
25	FA521778		1	RETAINER, ENGINE COVER FRONT
26	F7009		3	HEX NUT
27	FA535892		1	DECAL, ENGINE COVER - FRONT
28	F1979		3	PAN HD SCREW, 10 - 24 X 1/2
29	FS535712		1	ENGINE COVER TOP W/RETAINER & PACKING
-	2C535712		1	ENGINE COVER COMPLETE INCLUDES ALL ITEMS MARKED WITH AN ASTERISK (*)
30	F8008		3	PLAIN WASHER
31	F521284		2	KNOB, ENGINE COVER RETAINER
32	F521690-1		1	SCREW, THROTTLE LEVER ADJUSTMENT
33	F521199		1	SPRING, THROTTLE LEVER ADJUSTMENT
34	F2042		1	PLAIN WASHER, #10 NARROW
35	F1473		1	HEX NUT
36	F521984		1	BLANKET, SILENCER TOP
-	F521251-2		1	GAS CAP COMPLETE (NOT SHOWN)

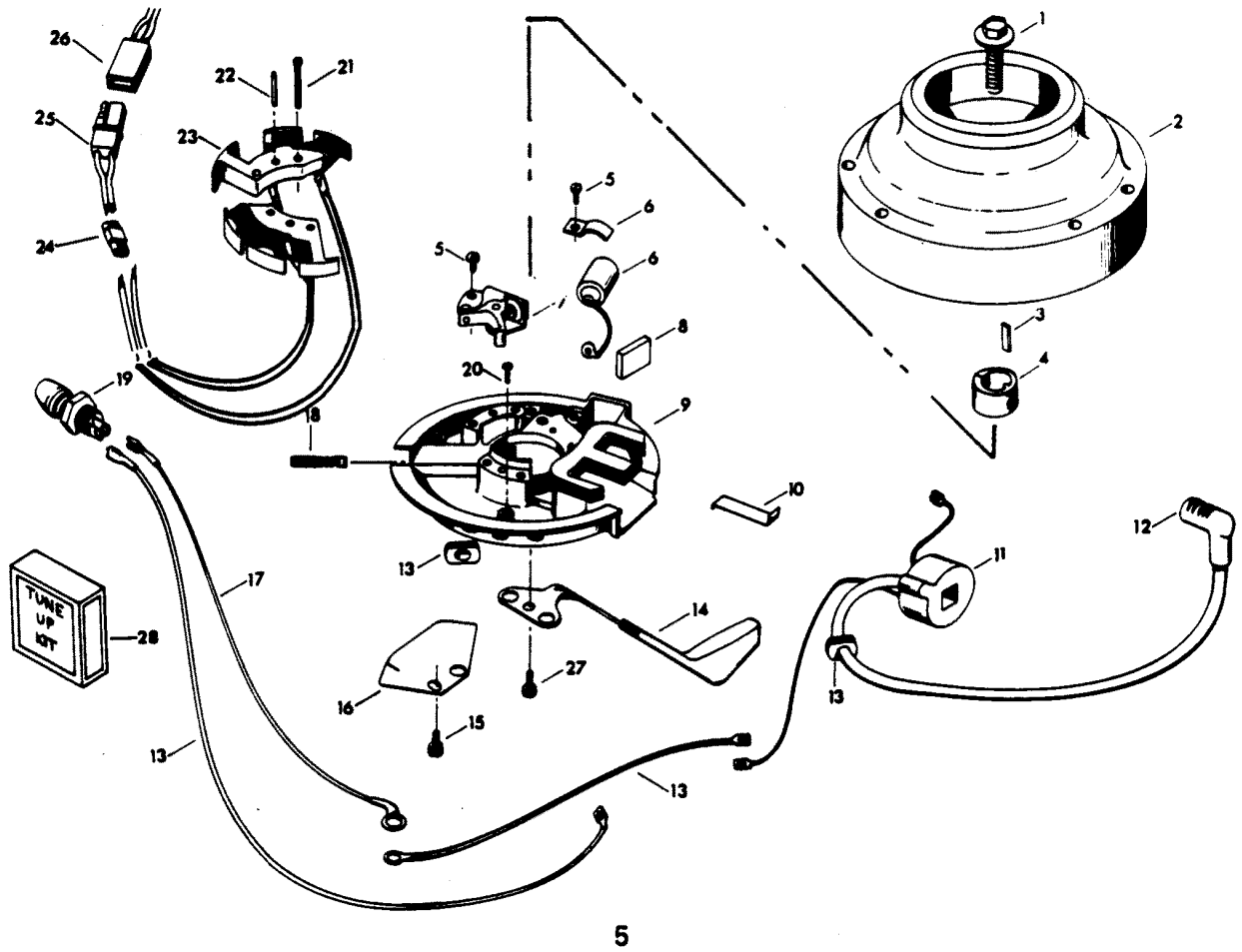
STARTER



STARTER

REF. NO.	PART NO.	SYM.	QTY.	DESCRIPTION
1	F1896		4	HEX NUT
2	F15601		1	COVER
3	F15570		1	SPRING, REWIND
4	F15591		1	ROTOR
5	F15600		1	STARTER ROPE
6	F286132		1	HANDLE, STARTER ROPE
7	817938A1		1	RETAINER, STARTER ROPE HANDLE
8	F15596		1	SPRING
9	F15594		2	WASHER
10	F15602		1	NYLINER
11	F15595		1	FRICTION SHOE ASSEMBLY
12	F15597		1	SCREW
-	F521063-2		1	STARTER COMPLETE

MAGNETO

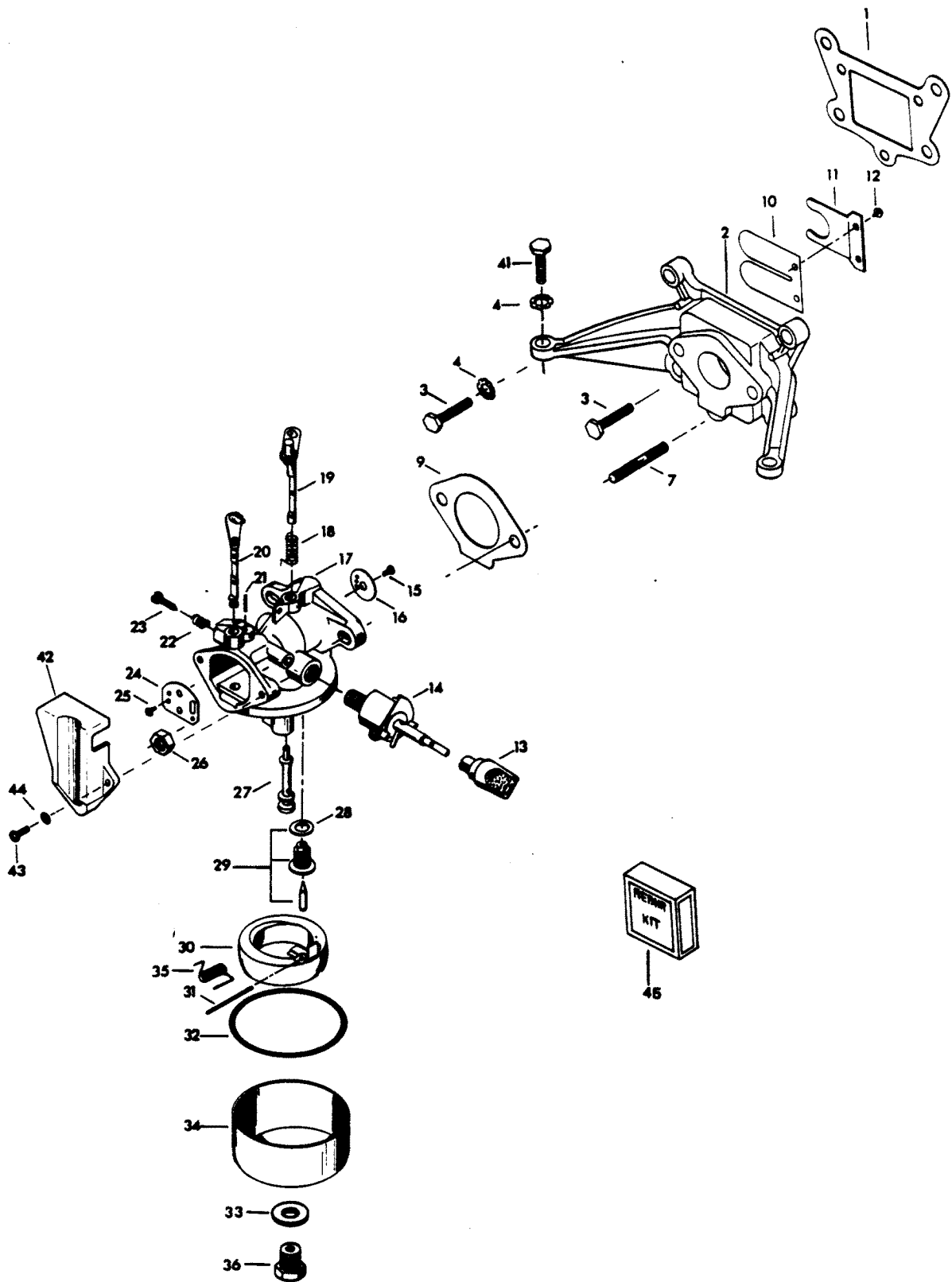


5

MAGNETO

REF. NO.	PART NO.	SYM.	QTY.	DESCRIPTION
1	F521552		1	SCREW, FLYWHEEL
2	F521097-1		1	FLYWHEEL
3	F521498		1	KEY, FLYWHEEL
4	F521002		1	CAM
5	F12090		2	MOUNTING SCREW
6	F12357		1	CONDENSER W/CLAMP
7	F12359		1	CONTACT SET
8	F12360		1	FELT CAM
9	F12362		1	STATOR PLATE W/CORE
10	F12363		1	WEDGE SPRING
11	F12358		1	COIL W/LEAD WIRE AND WEDGE SPRING
12	FK750-2		1	SPARKIE KIT
13	F12361		1	LEAD WIRE AND GROMMET PACKAGE
14	F521549-2		1	THROTTLE LEVER
15	F1655		1	HEX HD SCREW W/SPRING LOCKWASHER, 1/4 - 20 X 3/8
16	F521192		1	THROTTLE CAM
17	F521908		1	GROUND WIRE
18	F12066		1	FRICTION SCREW
19	F436449		1	SHORTING SWITCH
20	F1298		1	ROUND HD SCREW W/LOCKWASHER
21	F1829		4	FILL HD SCREW, 10 - 24 X 7/8, FOR MODELS 47H9F, 47B9F
22	F1876		2	SPRING PIN FOR MODELS 47H9F, 47B9F
23	FA523095		1	STATOR, ALTERNATOR FOR MODELS 47H9F, 47B9F
24	F448874		1	PARALLEL SPLICE FOR MODELS 47H9F,47B9F
25	F521843		1	CABLE LIGHTING COIL EXTENSION, FOR MODELS 47H9F, 47B9F
26	FA521841		1	CABLE, LIGHTING COIL, FOR MODELS 47H9F, 47B9F
27	F1734		1	SLOTTED FILL HD SCREW, 1/4 - 20 X 1/2
28	FK1058		1	TUNE UP KIT INCLUDES ITEMS MARKED WITH AN ASTERISK (*)
-	F235785		1	DECAL COMPLIANCE - CANADA (NOT SHOWN)

CARBURETOR & REED PLATE

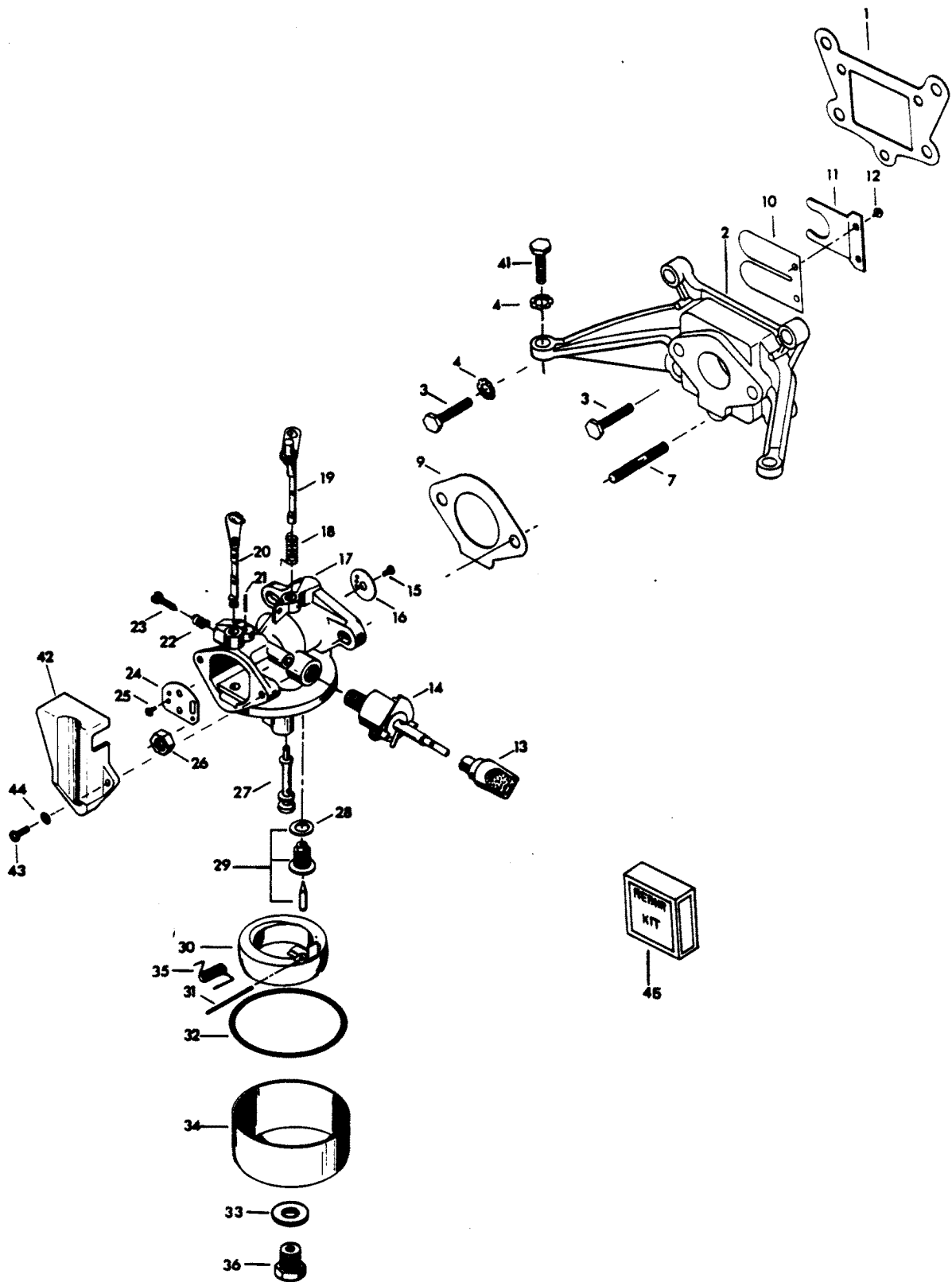


CARBURETOR & REED PLATE

REF. NO.	PART NO.	SYM.	QTY.	DESCRIPTION
1	F521168		1	GASKET, CARBURETOR ADAPTER
2	F2A332167		1	CARBURETOR ADAPTER W/STUDS, REED AND STOP
3	F1833		4	HEX CAP SCREW, 1/4 - 20 X 1
4	F8060		4	INTERNAL TOOTH LOCKWASHER
7	F27209-1		1	STUD, CARBURETOR
9	F521906		1	GASKET, CARBURETOR
10	F31160-1		1	REED
11	F424161		1	REED STOP
12	F1755		2	ROUND HD SCREW W/LOCKWASHER, 6 - 32 X 5/16
13	F521550		1	KNOB, FUEL SHUT-OFF
14	F521489		1	VALVE, FUEL SHUT-OFF
15	F10071		1	SCREW
16	F10060		1	THROTTLE VALVE
17	F521061-4		1	CARBURETOR COMPLETE
18	F10075		1	SPRING, THROTTLE RETURN
19	F10059		1	THROTTLE SHAFT
20	F10061		1	CHOKE SHAFT
21	F10072		1	SPRING, CHOKE STOP
22	F10073		1	SPRING, IDLE ADJUSTMENT NEEDLE
23	F10077		1	NEEDLE, IDLE
24	F10062		1	CHOKE VALVE
25	F10070		2	SCREW, CHOKE VALVE
26	F1490		2	HEX NUT, 1/4 - 20
27	F10065		1	NOZZLE
28	F10066		1	GASKET, VALVE SEAT
29	F10100		1	VALVE, SEAT AND GASKET ASSEMBLY
30	F10063		1	FLOAT
31	F10064		1	FLOAT PIN
32	F10068		1	GASKET, FUEL BOWL
33	F10090		2	GASKET, BOWL RETAINER
34	F10058		1	FUEL BOWL
35	F10084		1	SPRING, FLOAT SUPPORT
36	F10093		1	JET ASSEMBLY (.038) STD. SEA LEVEL - 3000 FT.
-	F10086		-	JET ASSEMBLY (.037) OPT. 3000 FT. - 5000 FT.
-	F10094		-	JET ASSEMBLY (.036) OPT. 5000 FT. - 7000 FT.
-	F10095		-	JET ASSEMBLY (.035) OPT. 7000 FT. AND UP OPTIONAL SIZE MAIN FUEL JETS (USE ONLY AT ALTITUDES INDICATED)
41	F2008		2	HEX CAP SCREW, 1/4 - 20 X 7/8

CONTINUED ON NEXT PAGE ➡

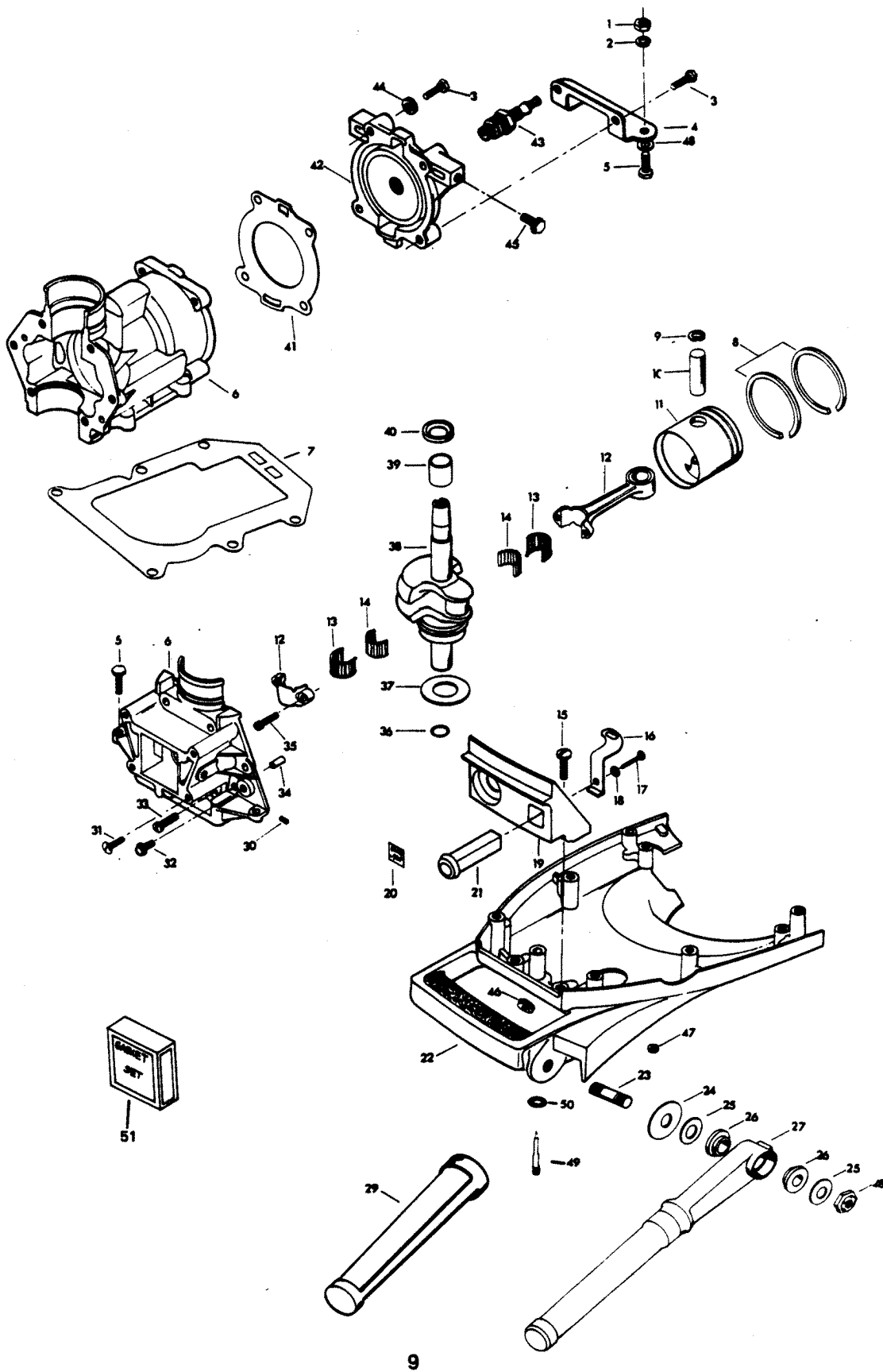
CARBURETOR & REED PLATE



CARBURETOR & REED PLATE

REF. NO.	PART NO.	SYM.	QTY.	DESCRIPTION
42	F521708		1	CARBURETOR COVER
43	F1064		2	FILL HD. SCREW, 8 - 32 X 3/8
44	F8078		2	LOCKWASHER, INT. TOOTH
45	F10098		1	REPAIR KIT INCLUDES ALL ITEMS MARKED WITH AN ASTERISK (*) .
-	F10069		1	GASKET SET INCLUDES ALL ITEMS MARKED WITH A DOUBLE ASTERISK(**) .

POWER HEAD & SUPPORT PLATE

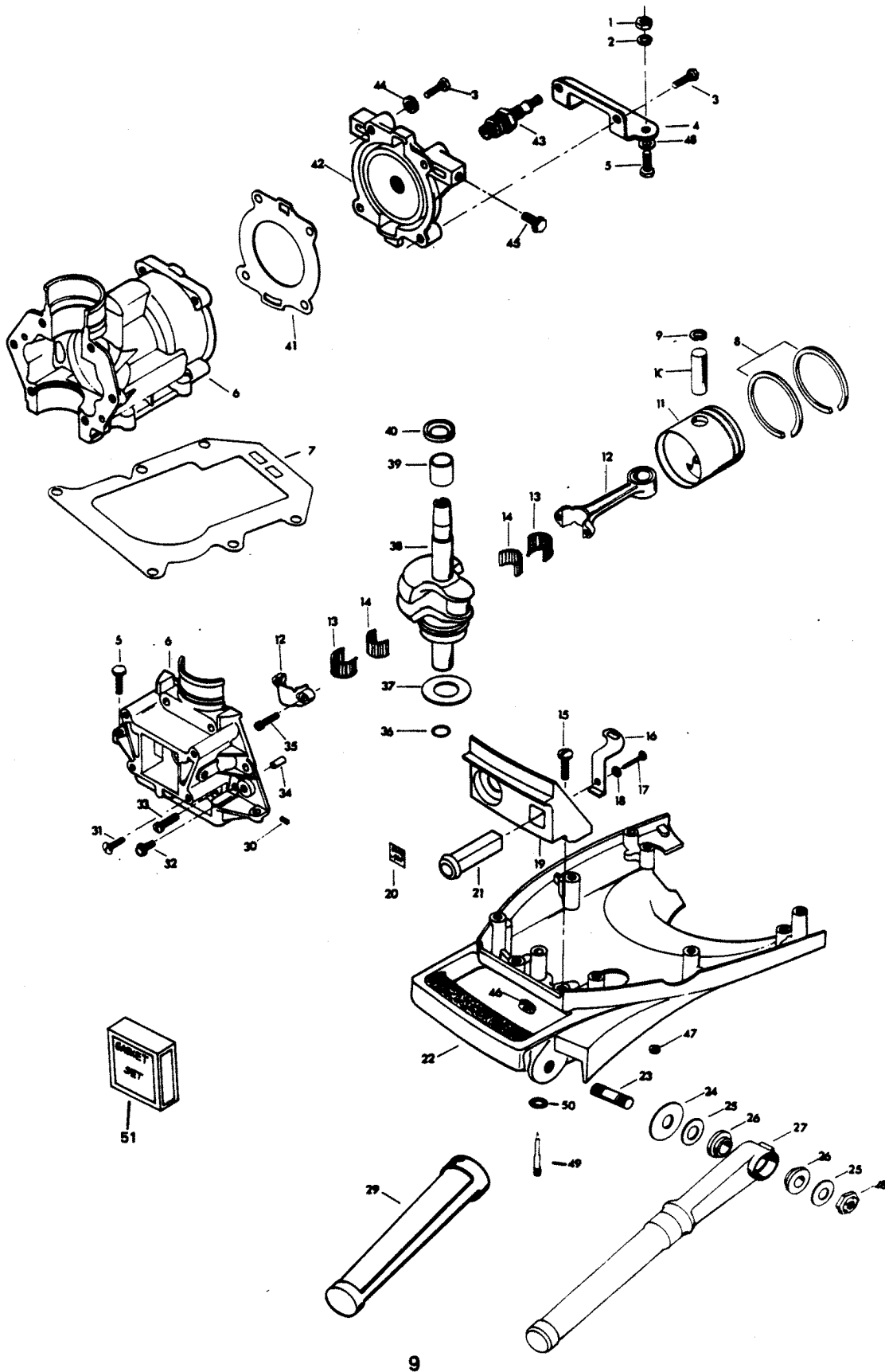


POWER HEAD & SUPPORT PLATE

REF. NO.	PART NO.	SYM.	QTY.	DESCRIPTION
1	F1341		2	HEX NUT
2	F8083		2	SPRING LOCKWASHER
3	F901938-1		4	SCREW, CYLINDER HEAD
4	F521774		1	BRACKET, ENGINE COVER LOWER MOUNTING
5	F1705		4	HEX HD CAP SCREW, 1/4 - 20 X 3/4
6	F2A521010		1	CYLINDER W/CRANKCASE COVER, DOWEL PINS AND SCREWS
-	FC521010		1	SHORT BLOCK (NOT SHOWN) INCLUDES ALL ITEMS MARKED WITH AN ASTERISK (*).
7	F521279		1	GASKET, CYLINDER EXHAUST
8	39-818038A1		2	PISTON RING SET
9	F250410		2	PISTON PIN RETAINING RING
10	F250017		1	PISTON PIN
11	F521015		1	PISTON
12	F2A521016		1	CONNECTING ROD W/SCREWS AND BEARING
13	FA525241		2	CAGE, CRANKPIN ROLLER
14	FA525228		1	CRANKPIN ROLLER SET
15	F1493		2	PAN HD SCREW, 1/4 - 20 X 5/8
16	F521925		1	LINK, CHOKE KNOB
17	F2041		1	HEX HD M. SCREW, 10 - 24 X 3/8
18	F1975		1	SPRING LOCKWASHER
19	F535163		1	COVER, SUPPORT PLATE
20	F521248		1	DECAL, CHOKE (U.S.A.)
-	FC521248		1	DECAL, CHOKE (CANADA)
21	F521547		1	CHOKE KNOB
22	F270038		1	SUPPORT PLATE (42H9F, 42B9F)
-	F226038		1	SUPPORT PLATE (47H9F, 47B9F)
23	F521004		1	STUD
24	F286286-1		1	WASHER, NYLON
25	F8015		2	PLAIN WASHER
26	F521319		2	BUSHING, STEERING HANDLE
27	F521079		1	STEERING HANDLE
28	F1756		1	STOP NUT
29	F390137		1	GRIP, STEERING HANDLE
30	F1789		1	PIPE PLUG
31	F1107		1	FILL HD M. SCREW, 1/4 - 20 X 3/4
32	F2040		1	HEX WASHER HD TAPTITE SCREW, 1/4 - 20 X 5/8
33	F1099		4	SLOTTED FILL HD SCREW, 1/4 - 20 X 1 1/4
34	F8559		2	DOWEL PIN
35	F36634		2	SCREW, CONNECTING ROD
36	F521579		1	SEAL, CRANKSHAFT SPLINE
37	F521118-1		1	SEAL, CRANKSHAFT LOWER
38	F2A521018		1	CRANKSHAFT W/SLINGER AND LOWER BEARING
39	F521013		1	BEARING, CRANKSHAFT UPPER

CONTINUED ON NEXT PAGE ➡

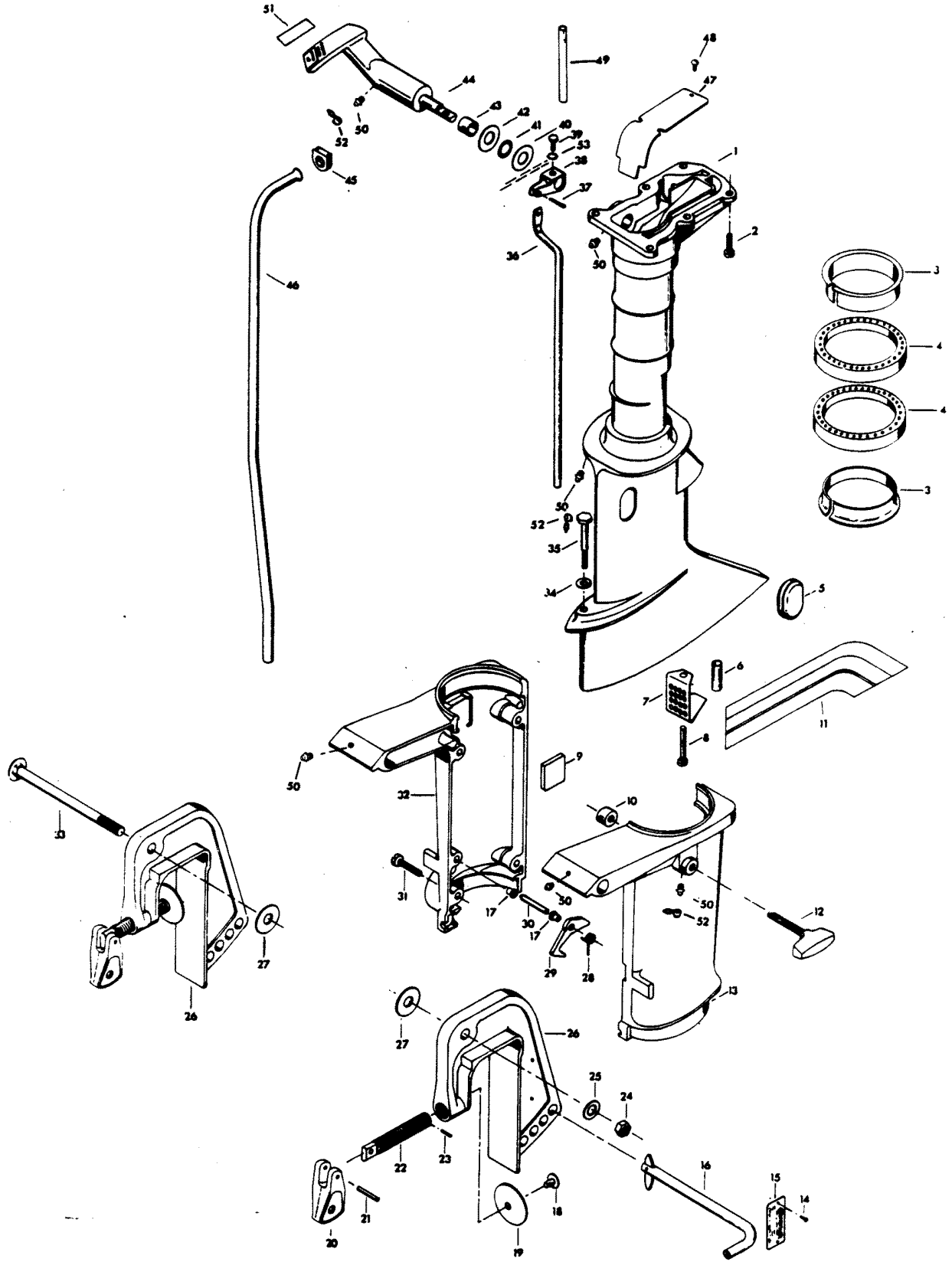
POWER HEAD & SUPPORT PLATE



POWER HEAD & SUPPORT PLATE

REF. NO.	PART NO.	SYM.	QTY.	DESCRIPTION
40	F521146		1	SEAL, CRANKSHAFT UPPER
41	F521529		1	GASKET, CYLINDER HEAD
42	F521518		1	CYLINDER HEAD
43	33-82370M		1	SPARK PLUG (L-86)
-	C247227-1		1	SPARK PLUG (RL-86) FOR MODELS 42B9F, 47B9F
44	F8028		2	PLAIN WASHER
45	F1426		2	HEX HD SCREW W/LOCKWASHER, 1/4 - 20 X 7/16
46	F84991-1		1	GROMMET FOR MODELS 47H9F, 47B9F
47	F53991-2		1	GROMMET, SHEAR PIN
48	F8008		2	PLAIN WASHER
49	F341284-1		1	KNOB, ENGINE COVER RETAINER
50	F9102		1	RETAINING RING
51	FG1015		1	GASKET SET (INCLUDES ITEMS LISTED BELOW)
-	F521159		2	REED PLATE GASKET
-	F521168		1	CARBURETOR ADAPTER GASKET
-	F521279		1	CYLINDER EXHAUST GASKET
-	F521529		1	CYLINDER HEAD GASKET
-	F521906		1	CARBURETOR GASKET

MOTOR LEG

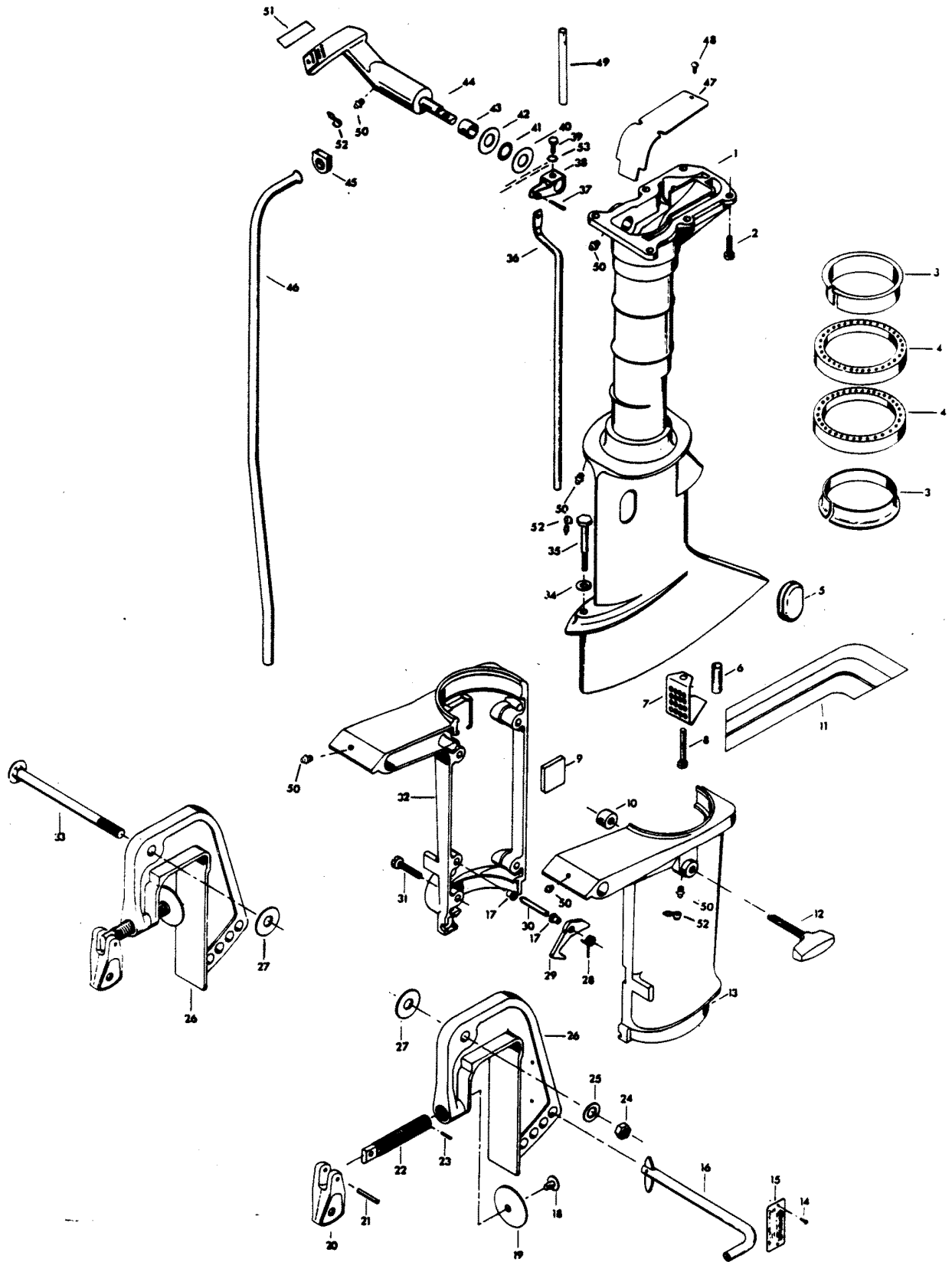


MOTOR LEG

REF. NO.	PART NO.	SYM.	QTY.	DESCRIPTION
1	1500-817940A6		1	MOTOR LEG W/ITEMS 47, 48, 43, 49 AND 50 ORIGINAL FORCE P/N K341133-2
2	F1922		6	HEX HD SCREW, 1/4 - 20 X 5/8
3	F468169		2	BEARING, SWIVEL BRACKET
4	F468346		2	SHOCK MOUNT
5	F46899-1		1	COVER, SHIFT COUPLING
6	F521727		1	SLEEVE, IDLE BAFFLE
7	F521779		1	BAFFLE, IDLE RELIEF
8	F1747		1	FILL HD SCREW, 10 - 24 X 1-11/16
9	F521661-1		1	PAD, SWIVEL FRICTION
10	F521631		1	SHOE, SWIVEL FRICTION
11	A535392		1	DECAL, LEG - PORT
-	A535391		1	DECAL, LEG - STARBOARD
12	F531514		1	KNOB, STEERING FRICTION W/SCREW
13	817815A4		1	SWIVEL BRACKET - PORT
14	F1447		2	DRIVE SCREW, 2 X 3/16
15	FA535395		0	PLATE, IDENTIFICATION W/SCREWS - USA
-	FAC535395		0	PLATE, IDENTIFICATION W/SCREWS - CANADA
16	817810A1		1	LOCK BAR
17	F197813		2	BEARING
18	F66480		2	STUD
19	F24074		2	CLAMP SCREW FOOT
20	F298075		2	HANDLE, CLAMP SCREW
21	F8554		2	SPRING PIN
22	817761A2		2	CLAMP SCREW W/FOOT AND STUD
23	F8537		2	SPRING PIN
24	F7005		1	STOP NUT
25	F8039		1	PLAIN WASHER
26	1400-817850A4		2	STERN BRACKET W/CLAMP SCREW & FOOT
27	F2037		2	PLAIN WASHER
28	F468300		1	SPRING, REVERSE LOCK
29	F468349		1	REVERSE LOCK
30	F468350		1	PIN, REVERSE LOCK
31	F2035		4	PHILLIPS FILL HD SCREW, 1/4 - 20 X 1
32	817816A6		1	SWIVEL BRACKET - STARBOARD
33	F468037-1		1	PIVOT BOLT
34	F8083		1	SPRING LOCKWASHER
35	F1175		1	HEX CAP SCREW, 1/4 - 20 X 1 7/8 FOR MODELS 42H9FB, 42B9FB
36	F521615		1	ROD, GEAR SHIFT UPPER
37	F1406		1	COTTER PIN
38	F521621		1	LEVER, GEAR SHIFT
39	F2041		1	HEX M. SCREW, 10 - 24 X 3/8
40	F2014		1	PLAIN WASHER

CONTINUED ON NEXT PAGE ➡

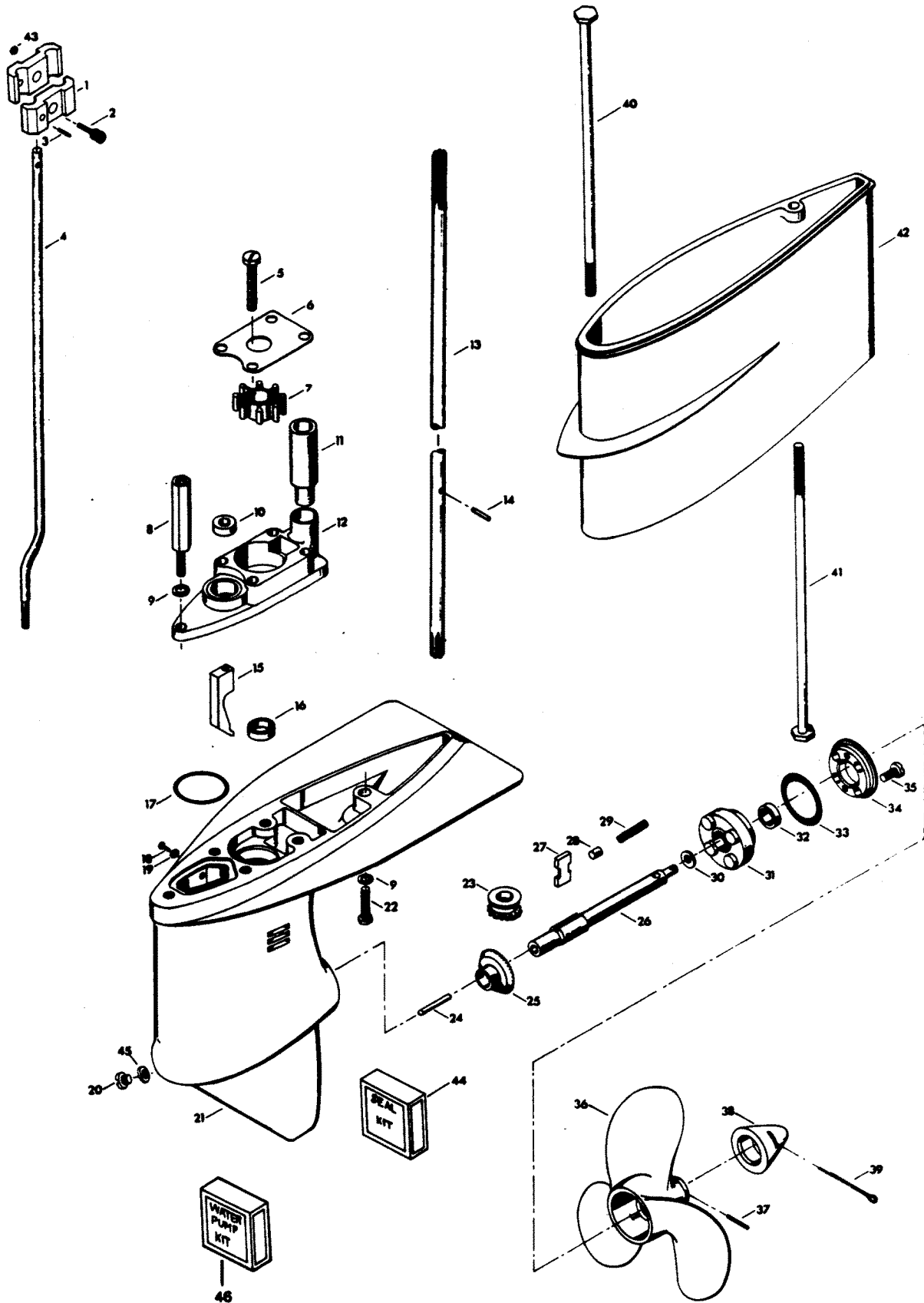
MOTOR LEG



MOTOR LEG

REF. NO.	PART NO.	SYM.	QTY.	DESCRIPTION
41	F19342		1	SEAL, SHIFT LEVER SHAFT
42	F521415		1	WASHER, GEAR SHIFT HANDLE
43	F341610		1	BEARING, GEAR SHIFT SHAFT
44	820433T		1	HANDLE, GEAR SHIFT W/SHAFT
45	F521342-1		1	SEAL, WATER LINE
46	F521244		1	WATER LINE STANDARD LEG
-	F341244		1	WATER LINE LONG LEG
47	FA341151		1	PLATE, EXHAUST
48	F1645		3	RD HD THD. CUTTING, 6 - 32 X 1/4
49	F521261		1	LINE, WATER OUTLET
50	F213274		6	FITTING, GREASE
51	FC521400		1	DECAL, GEAR SHIFT HANDLE (CANADA)
52	F521569		3	CAP, GREASE FITTING
53	F1975		1	LOCKWASHER, #10

GEAR HOUSING

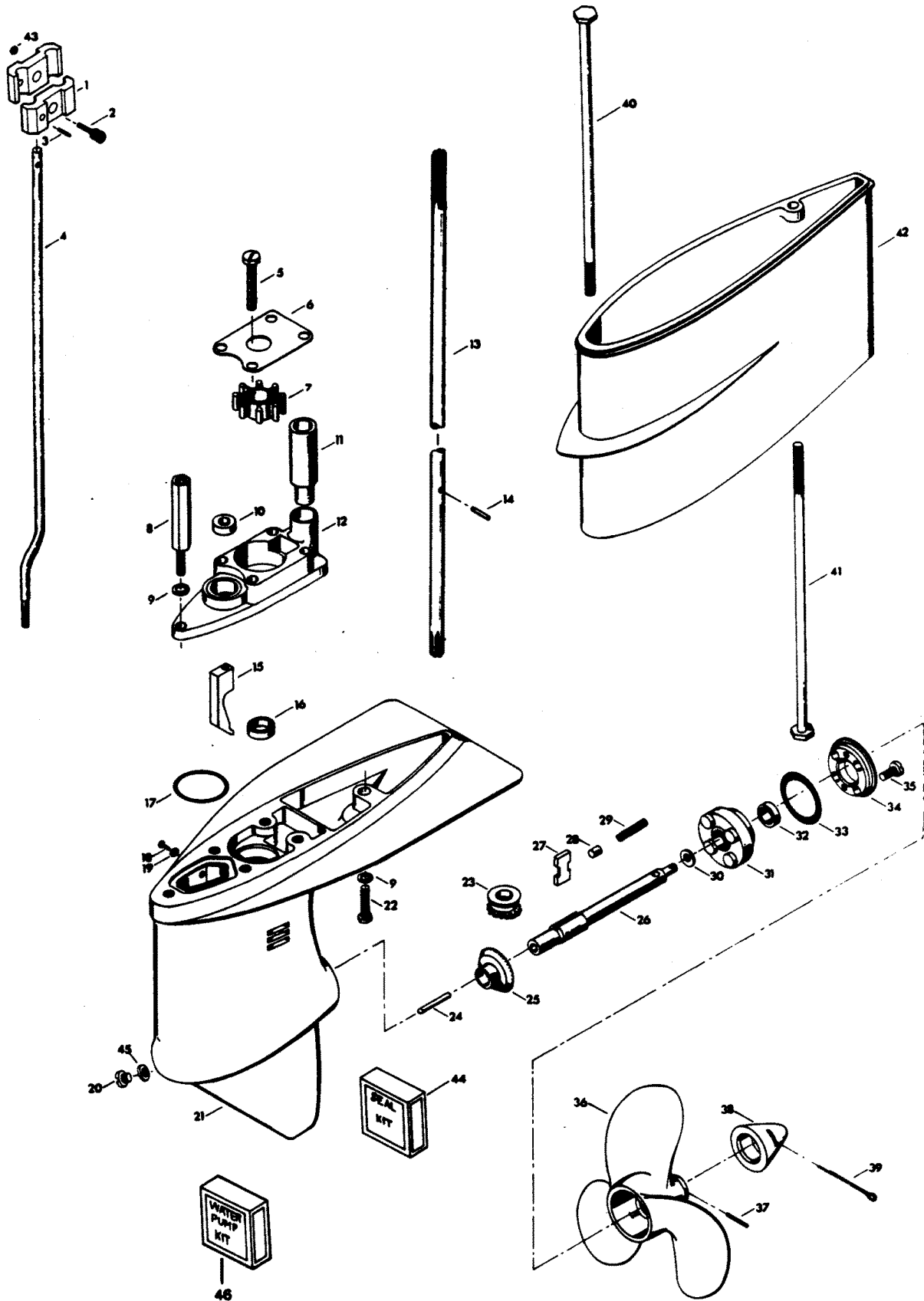


GEAR HOUSING

REF. NO.	PART NO.	SYM.	QTY.	DESCRIPTION
1	F341704		2	COUPLING, GEAR SHIFT ROD
2	F1371		1	SOCKET HD SCREW W/LOCKWASHER, 10 - 24 X 5/8
3	F8538		1	SPRING PIN
4	F521705		1	ROD, GEAR SHIFT LOWER (42H9F, 42B9F)
-	F332705		1	GEAR SHIFT ROD LOWER, FOR MODELS 47H9F, 47B9F
5	F1504		4	FILL HD SCREW, 1/4 - 20 X 1 1/4
6	F521537		1	PLATE, WATER PUMP
7	F521065		1	IMPELLER
8	F521006		1	STUD
9	F8083		3	SPRING LOCKWASHER
10	F338618-1		1	SEAL, SHIFT ROD
11	FA521735		1	SEAL, WATERLINE
12	FA735060		1	WATER PUMP BODY
13	F521128		1	DRIVESHAFT - STANDARD LEG
-	F341128		1	DRIVESHAFT - LONG LEG
14	F390563		1	PIN, WATER PUMP IMPELLER DRIVE
15	F521721		1	CAM, CLUTCH SHIFT
16	F318307		1	SEAL, DRIVESHAFT
17	F521783		1	SEAL
18	F1077		1	FILL HD SCREW, 10 - 24 X 1/4
19	F8074		1	WASHER
20	F50109		1	PLUG, GEAR HOUSING
21	F2A521054		1	GEAR HOUSG W/PLUG VENT SCRW, WASHR, DRIVESHAFT BEARG & SEAL
-	FC521054		1	GEAR HOUSING COMPLETE (47H9F, 47B9F) (INCLUDES ALL ITEMS MARKED WITH AN ASTERISK (*)).
-	FC341054		1	GEAR HOUSING COMPLETE (42H9F, 42B9F) (INCLUDES ALL ITEMS MARKED WITH AN ASTERISK (*)).
22	F1199		1	HEX CAP SCREW, 1/4 - 20 X 1, FOR MODELS 42H9F, 42B9F
23	F521266		1	BEVEL PINION GEAR
24	F521728		1	CLUTCH SHIFT PIN
25	FA521023		1	BEVEL GEAR W/BEARING
26	F409098		1	PROPELLER SHAFT (42H9F, 42B9F)
-	F459098		1	PROPELLER SHAFT (47H9F, 47B9F)
27	F409521		1	CLUTCH
28	F318372		1	PIN, CLUTCH GUIDE
29	F409719		1	CLUTCH SPRING
30	F521099		1	SPACER
31	FA521298		1	BEARING CAGE W/BEARING AND SEAL
32	F521307		1	SEAL, PROPELLER SHAFT
33	F521305		1	SEAL, "O" RING
34	F521296		1	RETAINER, PROPELLER SHAFT BEARING CAGE
35	F525457		4	FILL HD SCREW, 1/4 - 20 X 5/8
36	FP341		1	PROPELLER (47H9F, 47B9F)

CONTINUED ON NEXT PAGE ➡

GEAR HOUSING



GEAR HOUSING

REF. NO.	PART NO.	SYM.	QTY.	DESCRIPTION
-	FP332		1	PROPELLER (42H9F, 42B9F)
37	FA459101		1	PROPELLER PIN, PACK OF 3 (47H9F, 47B9F)
-	FA324101		1	PROPELLER PIN, PACK OF 3 (42H9F, 42B9F)
38	11-817752A1		1	PROPELLER NUT W/COTTER PIN
39	F1846		1	COTTER PIN
40	F1808		1	HEX CAP SCREW, 1/4 - 20 X 7, FOR MODELS 47H9F, 47B9F
41	F1825		1	HEX CAP SCREW, 1/4 - 20 X 6, FOR MODELS 47H9F, 47B9F
42	F521845		1	EXTENSION, MOTOR - FOR MODELS 47H9F, 47B9F
43	F7009		1	LOCK NUT, 10 - 24
44	FK1057		1	GEAR HOUSING SEAL KIT. INCLUDES ALL ITEMS MARKED WITH A DOUBLE ASTERISK (**)
45	F8077		1	WASHER
46	FK1072		1	WATER PUMP KIT

SPECIAL TOOLS - TUNE-UP

REF. NO.	PART NO.	SYM.	QTY.	DESCRIPTION
-	FT8998		0	KNOCK-OFF SCREW TO REMOVE FLYWHEEL
-	FT2989		0	FLYWHEEL WEDGE TO REMOVE FLYWHEEL
-	FT2993		0	SPANNER WRENCH TO HOLD FLYWHEEL WHEN REMOVING FLYWHEEL SCREW

SPECIAL TOOLS - POWER HEAD

REF. NO.	PART NO.	SYM.	QTY.	DESCRIPTION
-	FT8929		0	CONNECTING ROD TOOL TO REMOVE CONNECTING ROD SCREWS
-	FT8926		0	RING EXPANDER TO REMOVE AND INSTALL PISTON RINGS
-	FT1749		0	SNAP RING PLIERS TO REMOVE AND INSTALL PISTON PIN RETAINING RINGS
-	FT2997		0	RING COMPRESSOR INSTALL PISTON AND RINGS IN CYLINDER

SPECIAL TOOLS - LOWER UNIT

REF. NO.	PART NO.	SYM.	QTY.	DESCRIPTION
-	FT8948-1		0	PULLER TO REMOVE BEARING CAGE RETAINER
-	FT2915		0	SEAL INSTALLER TO INSTALL PROPELLER SHAFT SEAL AND DRIVE SHAFT SEAL
-	FT8957		0	SEAL INSTALLER TO INSTALL SHIFT ROD SEAL

SPECIAL TOOLS - TEST EQUIPMENT

REF. NO.	PART NO.	SYM.	QTY.	DESCRIPTION
-	T8974		0	BREAKER POINT TENSION GAUGE TO CHECK BREAKER POINT SPRING TENSION
-	FT8950		0	LEAKAGE TESTER TO CHECK GEAR HOUSING FOR LEAKS

SPECIAL TOOLS - LUBRICANTS AND SEALANTS

REF. NO.	PART NO.	SYM.	QTY.	DESCRIPTION
-	FT8969		0	LUBRICANT
-	FT2987-1		0	LUBRICANT
-	FT2961		0	LUBRICANT
-	FT8983		0	SEALANT
-	FT2962-1		0	SEALANT
-	FT2963-1		0	SEALANT
-	FT8936		0	SEALANT
-	FT8935		0	SEALANT PRIMER

ACCESSORIES

REF. NO.	PART NO.	SYM.	QTY.	DESCRIPTION
-	F5H089		0	A-C LIGHTING COIL KIT PROVIDES 12 VOLT, 60 WATT OUTPUT FOR OUTBOARD RUNNING LIGHTS.
-	F5H091		0	BATTERY CHARGING SYSTEM USED IN CONJUNCTION WITH 5H089 LIGHTING COIL KIT OR 47H9F, 47B9F MODEL ENGINES.
-	5H092		0	FUEL PUMP KIT ADAPTS ENGINE TO USE WITH REMOTE FUEL TANK.
-	F5H027		0	6 GALLON FUEL TANK USED IN CONJUNCTION WITH 5H092 FUEL PUMP KIT TO PERMIT EXTENDED CRUISING RANGE.
-	760		0	4-1/4 GALLON FUEL TANK USED IN CONJUNCTION WITH 5H092 FUEL PUMP KIT TO PERMIT EXTENDED CRUISING RANGE.
-	F5H093		0	LEG EXTENSION KIT CONVERTS 15 INCH STANDARD SHAFT MODEL TO 20 INCH LONG SHAFT MODEL.
-			0	CHRYSLER OUTBOARD OIL SEE BLOCK COMMENT 1.
-			0	CHRYSLER OUTBOARD GEAR LUBE SEE BLOCK COMMENT 2.
-			0	CHRYSLER OUTBOARD FUEL AID REMOVES MOISTURE, PREVENTS SLUDGE AND VARNISH AND STABILIZES GAS. AVAILABLE IN 16 OZ. CANS AND 12 CAN CASES.
-			0	CHRYSLER OUTBOARD STORAGE LUBRICANT WORKS AS A CORROSION INHIBITOR AND PROTECTS INTERNAL ENGINE PARTS DURING STORAGE. AVAILABLE IN 16 OZ. CANS AND 12 CAN CASES.
-			0	CHRYSLER OUTBOARD MULTI PURPOSE SPRAY LUBE WORKS AS A LUBRICANT, CLEANER, MOISTURE REMOVER AND ELECTRICAL INSULATOR. AVAILABLE IN 9 OZ. CANS AND 12 CAN CASES.
-			0	CHRYSLER OUTBOARD MULTI PURPOSE GREASE LUBRICATE BEARINGS AND OTHER MOVING PARTS. AVAILABLE IN 8 OZ. TUBES AND 12 TUBE CASES.
-			0	CHRYSLER OUTBOARD GREASE GUN USED WITH CHRYSLER OUTBOARD MULTI PURPOSE GREASE TUBES FOR PRESSURE FITTINGS.
-			0	CHRYSLER OUTBOARD MULTI PURPOSE CLEANER CLEANS METAL, PAINTED FIBERGLASS AND VINYL SURFACES. AVAILABLE IN 32 OZ. PLASTIC BOTTLES AND 12 BOTTLE CASES.
-	F5H134		0	BOAT WHITE LACQUER ENGINE TOUCH UP PAINT IN 12 3/4 OZ. SPRAY BOMBS (6 CANS PER CASE)
-	F5H135		0	SAND TAN LACQUER

PARTS INDEX

Part Number	Description	Pg.	Ref. No.	Part Number	Description	Pg.	Ref. No.
2C535712	ENGINE COVER COMPLETE	3	-	F1199	HEX CAP SCREW, 1/4 - 20 X 1, FOR MODELS 42H9F, 42B9F	21	22
5H092	FUEL PUMP KIT	29	-	F12066	FRICTION SCREW	7	18
760	4-1/4 GALLON FUEL TANK	29	-	F12090	MOUNTING SCREW	7	5
817761A2	CLAMP SCREW W/FOOT AND STUD	17	22	F12357	CONDENSER W/CLAMP	7	6
817810A1	LOCK BAR	17	16	F12358	COIL W/LEAD WIRE AND WEDGE SPRING	7	11
817815A4	SWIVEL BRACKET - PORT	17	13	F12359	CONTACT SET	7	7
817816A6	SWIVEL BRACKET - STARBOARD	17	32	F12360	FELT CAM	7	8
817938A1	RETAINER, STARTER ROPE HANDLE	5	7	F12361	LEAD WIRE AND GROMMET PACKAGE	7	13
820433T	HANDLE, GEAR SHIFT W/SHAFT	19	44	F12362	STATOR PLATE W/CORE	7	9
A535391	DECAL, LEG - STARBOARD	17	-	F12363	WEDGE SPRING	7	10
A535392	DECAL, LEG - PORT	17	11	F1298	ROUND HD SCREW W/LOCKWASHER	7	20
C247227-1	SPARK PLUG (RL-86) FOR MODELS 42B9F, 47B9F	15	-	F1341	HEX NUT	13	1
F10058	FUEL BOWL	9	34	F1371	SOCKET HD SCREW W/LOCKWASHER, 10 - 24 X 5/8	21	2
F10059	THROTTLE SHAFT	9	19	F1406	COTTER PIN	17	37
F10060	THROTTLE VALVE	9	16	F1426	HEX HD SCREW W/LOCKWASHER, 1/4 - 20 X 7/16	15	45
F10061	CHOKE SHAFT	9	20	F1447	DRIVE SCREW, 2 X 3/16	17	14
F10062	CHOKE VALVE	9	24	F1473	HEX NUT	3	35
F10063	FLOAT	9	30	F1490	HEX NUT, 1/4 - 20	9	26
F10064	FLOAT PIN	9	31	F1493	PAN HD SCREW, 1/4 - 20 X 5/8	13	15
F10065	NOZZLE	9	27	F1504	FILL HD SCREW, 1/4 - 20 X 1/4	21	5
F10066	GASKET, VALVE SEAT	9	28	F15570	SPRING, REWIND	5	3
F10068	GASKET, FUEL BOWL	9	32	F15591	ROTOR	5	4
F10069	GASKET SET	11	-	F15594	WASHER	5	9
F10070	SCREW, CHOKE VALVE	9	25	F15595	FRICTION SHOE ASSEMBLY	5	11
F10071	SCREW	9	15	F15596	SPRING	5	8
F10072	SPRING, CHOKE STOP	9	21	F15597	SCREW	5	12
F10073	SPRING, IDLE ADJUSTMENT NEEDLE	9	22	F15600	STARTER ROPE	5	5
F10075	SPRING, THROTTLE RETURN	9	18	F15601	COVER	5	2
F10077	NEEDLE, IDLE	9	23	F15602	NYLINER	5	10
F10084	SPRING, FLOAT SUPPORT	9	35	F1645	RD HD THD. CUTTING, 6 - 32 X 1/4	19	48
F10086	JET ASSEMBLY (.037) OPT. 3000 FT. - 5000 FT.	9	-	F1655	HEX HD SCREW W/SPRING LOCKWASHER, 1/4 - 20 X 3/8	7	15
F10090	GASKET, BOWL RETAINER	9	33	F1705	HEX HD CAP SCREW, 1/4 - 20 X 3/4	13	5
F10093	JET ASSEMBLY (.038) STD. SEA LEVEL - 3000 FT.	9	36	F1734	SLOTTED FILL HD SCREW, 1/4 - 20 X 1/2	7	27
F10094	JET ASSEMBLY (.036) OPT. 5000 FT. - 7000 FT.	9	-	F1747	FILL HD SCREW, 10 - 24 X 1-11/16	17	8
F10095	JET ASSEMBLY (.035) OPT. 7000 FT. AND UP	9	-	F1755	ROUND HD SCREW W/LOCKWASHER, 6 - 32 X 5/16	9	12
F10098	REPAIR KIT	11	45	F1756	STOP NUT	13	28
F10100	VALVE, SEAT AND GASKET ASSEMBLY	9	29	F1789	PIPE PLUG	13	30
F1035	SLOTTED FILL HD SCREW, 1/4 - 20 X 5/8	3	15	F17935	GASKET, "O" RING	3	5
F1064	FILL HD. SCREW, 8 - 32 X 3/8	11	43	F17936	FUEL CAP	3	6
F1077	FILL HD SCREW, 10 - 24 X 1/4	21	18	F17936	FUEL CAP	3	6
F1099	SLOTTED FILL HD SCREW, 1/4 - 20 X 1 1/4	13	33	F17938	ANCHOR	3	10
F1107	FILL HD M. SCREW, 1/4 - 20 X 3/4	13	31	F17940	VENT CAP	3	3

PARTS INDEX

Part Number	Description	Pg.	Ref. No.	Part Number	Description	Pg.	Ref. No.
F17941	NUT, VENT SCREW	3	7	F298075	HANDLE, CLAMP SCREW . .	17	20
F17942	CAP, TENSION SPRING . . .	3	4	F2A332167	CARBURETOR ADAPTER W/STUDS, REED AND STOP	9	2
F17943-1	FUEL CAP GASKET	3	8	F2A521010	CYLINDER W/CRANKCASE COVER, DOWEL PINS AND SCREWS	13	6
F1808	HEX CAP SCREW, 1/4 - 20 X 7, FOR MODELS 47H9F, 47B9F	23	40	F2A521016	CONNECTING ROD W/SCREWS AND BEARING	13	12
F1825	HEX CAP SCREW, 1/4 - 20 X 6, FOR MODELS 47H9F, 47B9F	23	41	F2A521018	CRANKSHAFT W/SLINGER AND LOWER BEARING . .	13	38
F1829	FILL HD M. SCREW, 10 - 24 X 7/8	3	14	F2A521054	GEAR HOUSG W/PLUG VENT SCRW, WASHR, DRIVESHAFT BEARG & SEAL	21	21
F1829	FILL HD SCREW, 10 - 24 X 7/8, FOR MODELS 47H9F, 47B9F	7	21	F31160-1	REED	9	10
F1833	HEX CAP SCREW, 1/4 - 20 X 1	9	3	F318307	SEAL, DRIVESHAFT	21	16
F1846	COTTER PIN	23	39	F318372	PIN, CLUTCH GUIDE	21	28
F1876	SPRING PIN FOR MODELS 47H9F, 47B9F	7	22	F332705	GEAR SHIFT ROD LOWER, FOR MODELS 47H9F, 47B9F	21	-
F1896	HEX NUT	3	22	F338618-1	SEAL, SHIFT ROD	21	10
F1896	HEX NUT	5	1	F341128	DRIVESHAFT - LONG LEG .	21	-
F1922	HEX HD SCREW, 1/4 - 20 X 5/8	17	2	F341244	WATER LINE LONG LEG . .	19	-
F19342	SEAL, SHIFT LEVER SHAFT	19	41	F341284-1	KNOB, ENGINE COVER RETAINER	15	49
F1975	LOCKWASHER, #10	19	53	F341610	BEARING, GEAR SHIFT SHAFT	19	43
F1975	SPRING LOCKWASHER . . .	13	18	F341704	COUPLING, GEAR SHIFT ROD	21	1
F197813	BEARING	17	17	F36634	SCREW, CONNECTING ROD	13	35
F1979	PAN HD SCREW, 10 - 24 X 1/2	3	28	F390137	GRIP, STEERING HANDLE .	13	29
F1995	SLOTTED FILL HD SCREW, 10 - 24 X 1	3	12	F390563	PIN, WATER PUMP IMPELLER DRIVE	21	14
F2008	HEX CAP SCREW, 1/4 - 20 X 7/8	9	41	F409098	PROPELLER SHAFT (42H9F, 42B9F)	21	26
F2014	PLAIN WASHER	17	40	F409521	CLUTCH	21	27
F2035	PHILLIPS FILL HD SCREW, 1/4 - 20 X 1	17	31	F409719	CLUTCH SPRING	21	29
F2037	PLAIN WASHER	17	27	F424161	REED STOP	9	11
F2040	HEX WASHER HD TAPTITE SCREW, 1/4 - 20 X 5/8 . . .	13	32	F427249	RETAINING RING	3	9
F2041	HEX HD M. SCREW, 10 - 24 X 3/8	13	17	F436449	SHORTING SWITCH	7	19
F2041	HEX M. SCREW, 10 - 24 X 3/8	17	39	F448874	PARALLEL SPLICE FOR MODELS 47H9F,47B9F . .	7	24
F2042	PLAIN WASHER, #10 NARROW	3	34	F459098	PROPELLER SHAFT (47H9F, 47B9F)	21	-
F213274	FITTING, GREASE	19	50	F459186	COLLAR, FUEL TANK	3	1
F226038	SUPPORT PLATE (47H9F, 47B9F)	13	-	F468037-1	PIVOT BOLT	17	33
F235785	DECAL COMPLIANCE - CANADA (NOT SHOWN) .	7	-	F468169	BEARING, SWIVEL BRACKET	17	3
F24074	CLAMP SCREW FOOT	17	19	F468300	SPRING, REVERSE LOCK . .	17	28
F250017	PISTON PIN	13	10	F468346	SHOCK MOUNT	17	4
F250410	PISTON PIN RETAINING RING	13	9	F468349	REVERSE LOCK	17	29
F270038	SUPPORT PLATE (42H9F, 42B9F)	13	22	F468350	PIN, REVERSE LOCK	17	30
F2706772	HOSE CLAMP	3	18	F46899-1	COVER, SHIFT COUPLING .	17	5
F27209-1	STUD, CARBURETOR	9	7	F50109	PLUG, GEAR HOUSING . . .	21	20
F286132	HANDLE, STARTER ROPE . .	5	6	F521002	CAM	7	4
F286286-1	WASHER, NYLON	13	24	F521004	STUD	13	23
				F521006	STUD	21	8

PARTS INDEX

Part Number	Description	Pg.	Ref. No.	Part Number	Description	Pg.	Ref. No.
F521015	PISTON	13	11	F521661-1	PAD, SWIVEL FRICTION	17	9
F521034-1	FUEL TANK	3	20	F521690-1	SCREW, THROTTLE LEVER ADJUSTMENT	3	32
F521061-4	CARBURETOR COMPLETE	9	17	F521705	ROD, GEAR SHIFT LOWER (42H9F, 42B9F)	21	4
F521063-2	STARTER COMPLETE	5	-	F521708	CARBURETOR COVER	11	42
F521065	IMPELLER	21	7	F521721	CAM, CLUTCH SHIFT	21	15
F521079	STEERING HANDLE	13	27	F521727	SLEEVE, IDLE BAFFLE	17	6
F521097-1	FLYWHEEL	7	2	F521728	CLUTCH SHIFT PIN	21	24
F521099	SPACER	21	30	F521774	BRACKET, ENGINE COVER LOWER MOUNTING	13	4
F521118-1	SEAL, CRANKSHAFT LOWER	13	37	F521779	BAFFLE, IDLE RELIEF	17	7
F521128	DRIVESHAFT - STANDARD LEG	21	13	F521783	SEAL	21	17
F521146	SEAL, CRANKSHAFT UPPER	15	40	F521811	FITTING, GAS TANK	3	17
F521159	REED PLATE GASKET	15	-	F521843	CABLE LIGHTING COIL EXTENSION, FOR MODELS 47H9F, 47B9F	7	25
F521168	CARBURETOR ADAPTER GASKET	15	-	F521845	EXTENSION, MOTOR - FOR MODELS 47H9F, 47B9F	23	42
F521168	GASKET, CARBURETOR ADAPTER	9	1	F521894	DECAL, "OFF" (U.S.A.)	3	13
F521192	THROTTLE CAM	7	16	F521906	CARBURETOR GASKET	15	-
F521199	SPRING, THROTTLE LEVER ADJUSTMENT	3	33	F521906	GASKET, CARBURETOR	9	9
F521244	WATER LINE STANDARD LEG	19	46	F521908	GROUND WIRE	7	17
F521248	DECAL, CHOKE (U.S.A.)	13	20	F521925	LINK, CHOKE KNOB	13	16
F521251-2	GAS CAP COMPLETE (NOT SHOWN)	3	-	F521984	BLANKET, SILENCER TOP	3	36
F521261	LINE, WATER OUTLET	19	49	F525457	FILL HD SCREW, 1/4 - 20 X 5/8	21	35
F521266	BEVEL PINION GEAR	21	23	F531514	KNOB, STEERING FRICTION W/SCREW	17	12
F521279	CYLINDER EXHAUST GASKET	15	-	F535163	COVER, SUPPORT PLATE	13	19
F521279	GASKET, CYLINDER EXHAUST	13	7	F535944	ENGINE COVER, BOTTOM	3	11
F521284	KNOB, ENGINE COVER RETAINER	3	31	F53991-2	GROMMET, SHEAR PIN	15	47
F521296	RETAINER, PROPELLER SHAFT BEARING CAGE	21	34	F5H027	6 GALLON FUEL TANK	29	-
F521305	SEAL, "O" RING	21	33	F5H089	A-C LIGHTING COIL KIT	29	-
F521307	SEAL, PROPELLER SHAFT	21	32	F5H091	BATTERY CHARGING SYSTEM	29	-
F521319	BUSHING, STEERING HANDLE	13	26	F5H093	LEG EXTENSION KIT	29	-
F521342-1	SEAL, WATER LINE	19	45	F5H134	BOAT WHITE LACQUER	29	-
F521391-1	DECAL, SPEED RANGE (U.S.A.)	3	16	F5H135	SAND TAN LACQUER	29	-
F521415	WASHER, GEAR SHIFT HANDLE	19	42	F66480	STUD	17	18
F521489	VALVE, FUEL SHUT-OFF	9	14	F7005	STOP NUT	17	24
F521498	KEY, FLYWHEEL	7	3	F7009	HEX NUT	3	26
F521518	CYLINDER HEAD	15	42	F7009	LOCK NUT, 10 - 24	23	43
F521529	CYLINDER HEAD GASKET	15	-	F8008	PLAIN WASHER	3	30
F521529	GASKET, CYLINDER HEAD	15	41	F8008	PLAIN WASHER	15	48
F521537	PLATE, WATER PUMP	21	6	F8015	PLAIN WASHER	13	25
F521547	CHOKE KNOB	13	21	F8028	PLAIN WASHER	15	44
F521549-2	THROTTLE LEVER	7	14	F8039	PLAIN WASHER	17	25
F521550	KNOB, FUEL SHUT-OFF	9	13	F8060	INTERNAL TOOTH LOCKWASHER	9	4
F521552	SCREW, FLYWHEEL	7	1	F8061	INTERNAL TOOTH LOCKWASHER	3	21
F521569	CAP, GREASE FITTING	19	52	F8074	WASHER	21	19
F521579	SEAL, CRANKSHAFT SPLINE	13	36	F8077	WASHER	23	45
F521615	ROD, GEAR SHIFT UPPER	17	36	F8078	LOCKWASHER, INT. TOOTH	11	44
F521621	LEVER, GEAR SHIFT	17	38	F8083	SPRING LOCKWASHER	13	2
F521631	SHOE, SWIVEL FRICTION	17	10	F8083	SPRING LOCKWASHER	17	34
				F8083	SPRING LOCKWASHER	21	9
				F84991-1	GROMMET FOR MODELS 47H9F, 47B9F	15	46

PARTS INDEX

Part Number	Description	Pg.	Ref. No.	Part Number	Description	Pg.	Ref. No.
F8537	SPRING PIN	17	23	FT2961	LUBRICANT	28	-
F8538	SPRING PIN	21	3	FT2962-1	SEALANT	28	-
F8554	SPRING PIN	17	21	FT2963-1	SEALANT	28	-
F8559	DOWEL PIN	13	34	FT2987-1	LUBRICANT	28	-
F901754	HOSE	3	19	FT2989	FLYWHEEL WEDGE	24	-
F901938-1	SCREW, CYLINDER HEAD	13	3	FT2993	SPANNER WRENCH	24	-
F9102	RETAINING RING	15	50	FT2997	RING COMPRESSOR	25	-
FA324101	PROPELLER PIN, PACK OF 3 (42H9F, 42B9F)	23	-	FT8926	RING EXPANDER	25	-
FA341151	PLATE, EXHAUST	19	47	FT8929	CONNECTING ROD TOOL	25	-
FA459101	PROPELLER PIN, PACK OF 3 (47H9F, 47B9F)	23	37	FT8935	SEALANT PRIMER	28	-
FA521023	BEVEL GEAR W/BEARING	21	25	FT8936	SEALANT	28	-
FA521298	BEARING CAGE W/BEARING AND SEAL	21	31	FT8948-1	PULLER	26	-
FA521735	SEAL, WATERLINE	21	11	FT8950	LEAKAGE TESTER	27	-
FA521778	RETAINER, ENGINE COVER FRONT	3	25	FT8957	SEAL INSTALLER	26	-
FA521841	CABLE, LIGHTING COIL, FOR MODELS 47H9F, 47B9F	7	26	FT8969	LUBRICANT	28	-
FA523095	STATOR, ALTERNATOR FOR MODELS 47H9F, 47B9F	7	23	FT8983	SEALANT	28	-
FA525228	CRANKPIN ROLLER SET	13	14	FT8998	KNOCK-OFF SCREW	24	-
FA525241	CAGE, CRANKPIN ROLLER	13	13	T8974	BREAKER POINT TENSION GAUGE	27	-
FA535395	PLATE, IDENTIFICATION W/SCREWS - USA	17	15	11-817752A1	PROPELLER NUT W/COTTER PIN	23	38
FA535396	DECAL, ENGINE COVER - STARBOARD	3	-	33-82370M	SPARK PLUG (L-86)	15	43
FA535397	DECAL, ENGINE COVER - PORT	3	24	37-817908--3	DECAL, SPEED RANGE (CANADA)	3	-
FA535528	DECAL, ENGINE COVER REAR	3	2	39-818038A1	PISTON RING SET	13	8
FA535892	DECAL, ENGINE COVER - FRONT	3	27	1400-817850A4	STERN BRACKET W/CLAMP SCREW & FOOT	17	26
FA735060	WATER PUMP BODY	21	12	1500-817940A6	MOTOR LEG	17	1
FAC535395	PLATE, IDENTIFICATION W/SCREWS - CANADA	17	-				
FC341054	GEAR HOUSING COMPLETE (42H9F, 42B9F)	21	-				
FC521010	SHORT BLOCK (NOT SHOWN)	13	-				
FC521054	GEAR HOUSING COMPLETE (47H9F, 47B9F)	21	-				
FC521248	DECAL, CHOKE (CANADA)	13	-				
FC521400	DECAL, GEAR SHIFT HANDLE (CANADA)	19	51				
FC521894	DECAL, "OFF" (CANADA)	3	-				
FG1015	GASKET SET	15	51				
FK1057	GEAR HOUSING SEAL KIT	23	44				
FK1058	TUNE UP KIT	7	28				
FK1072	WATER PUMP KIT	23	46				
FK525713	PACKING, TOP COVER TRIM	3	23				
FK750-2	SPARKIE KIT	7	12				
FP332	PROPELLER (42H9F, 42B9F)	23	-				
FP341	PROPELLER (47H9F, 47B9F)	21	36				
FS535712	ENGINE COVER TOP W/RETAINER & PACKING	3	29				
FT1749	SNAP RING PLIERS	25	-				
FT2915	SEAL INSTALLER	26	-				