



PARTS CATALOG

85 H.P. CHARGER

SERIAL NUMBER

85 (1979) 859B9B
85 (1979) 859H9B

TABLE OF CONTENTS:

ACCESSORIES	55
CARBURETOR	16
CRANKSHAFT AND PISTON	28
DISTRIBUTOR	12
ELECTRICAL COMPONENTS	6
ENGINE COVER AND SUPPORT PLATE	2
FUEL TANK AND LINE	40
GEAR HOUSING	34
MOTOR LEG	30
PARTS INDEX	58
POWER HEAD	22
POWER TRIM UNIT	46
REMOTE CONTROL	42
SPECIAL TOOLS - GEAR HOUSING	52
SPECIAL TOOLS - LUBRICANTS AND SEALANTS	54
SPECIAL TOOLS - POWER HEAD	51
SPECIAL TOOLS - TEST EQUIPMENT	53
SPECIAL TOOLS - TUNE-UP	50
STARTER	10

NOTE: Indented description indicate that these parts are included in preceeding assembly.

AR = As Required

NSS = Not Sold Separate

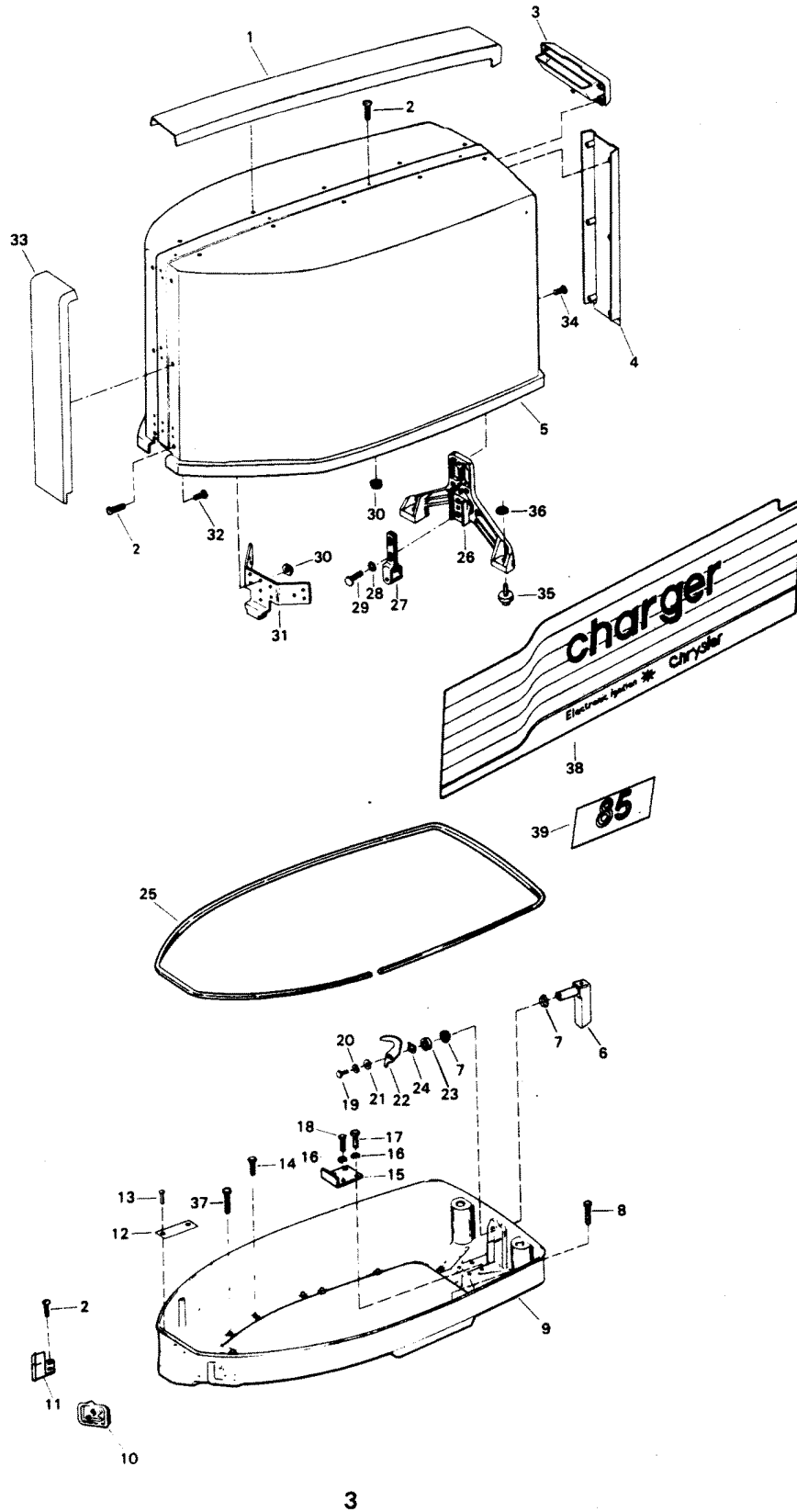
OPT = Optional

NS = Not Shown

THESE PARTS BOOKS/FICHE CARD ARE COPYRIGHTED AND MAY NOT BE DISTRIBUTED OR REPRODUCED IN ANY OTHER FORMAT BY ANYONE OTHER THAN MERCURY MARINE WITHOUT THE PRIOR WRITTEN CONSENT OF MERCURY MARINE.

THIS PAGE INTENTIONALLY LEFT BLANK

ENGINE COVER AND SUPPORT PLATE

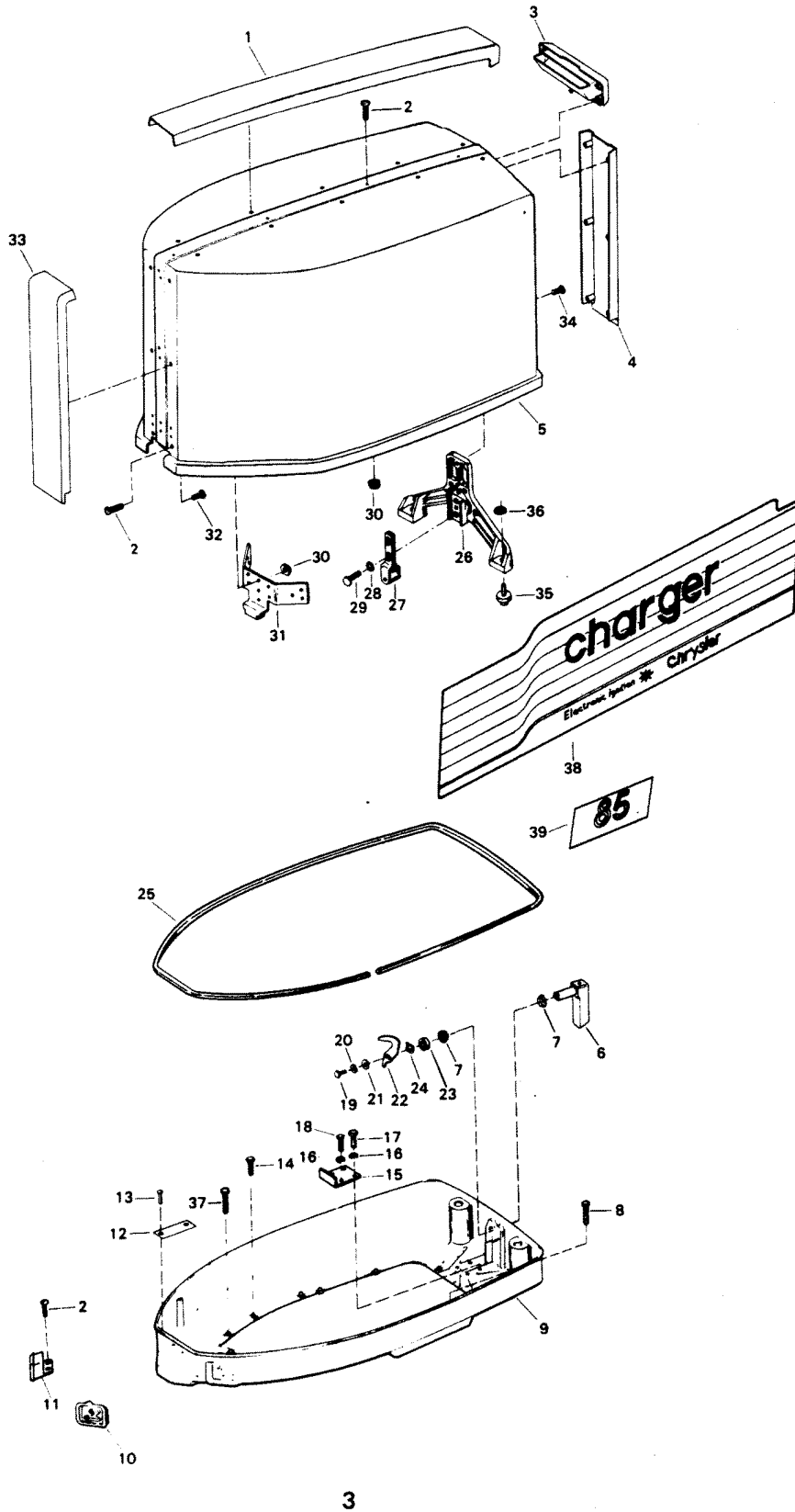


ENGINE COVER AND SUPPORT PLATE

REF. NO.	PART NO.	SYM.	QTY.	DESCRIPTION
1	FS548179		1	TRIM, TOP
2	F1733		10	PAN HD SCREW, 10 - 24 X 9/16
3	FS548269		1	TILT HANDLE
4	FS548180		1	TRIM, REAR
5	FA549944		1	ENGINE COVER W/RETAINER, SCREWS AND NUTS
-	3C551944		1	ENGINE COVER COMPLETE INCLUDES ALL ITEMS MARKED WITH AN ASTERISK (*).
6	FA481469		1	ENGINE COVER LATCH HANDLE W/SHAFT
7	F480818		2	BEARING, LATCH SHAFT
8	F1238		6	HEX CAP SCREW, 1/4 - 20 X 3/4
9	F480038-2		1	SUPPORT PLATE
10	F549189		1	BUSHING, ELECTRIC CABLE
11	F545189		1	BUSHING, CABLE ENTRY
12	FA535395		1	IDENTIFICATION PLATE W/SCREWS FOR U.S.A. MODELS
-	FAC535395		1	IDENTIFICATION PLATE W/SCREWS FOR CANADA MODELS
13	F1447		2	ROUND HD SCREW, 2 X 3/16
14	F1502		5	HEX SLOT HD SCREW, 1/4 - 20 X 5/8
15	F335654-1		1	DEFLECTION STOP
16	F8096		4	SPRING LOCKWASHER
17	F1857		2	HEX CAP SCREW, 5/16 - 18 X 5/8
18	F1858		2	HEX CAP SCREW, 5/16 - 18 X 1
19	F1854		1	HEX CAP SCREW, 1/4 - 20 X 5/8
20	F8083		1	SPRING LOCKWASHER
21	F8094		1	PLAIN WASHER
22	F481777		1	CAM, LATCH SHAFT
23	F481382-1		1	SPACER, LATCH SHAFT
24	F2047		1	WAVE SPRING WASHER
25	F321756		1	PACKING
26	F481774		1	BRACKET, ENGINE COVER LATCH
27	FA481743		1	BRACKET, ROLLER LATCH
28	F8096		2	SPRING LOCKWASHER
29	F1857		2	HEX CAP SCREW, 5/16 - 18 X 5/8
30	F1473		7	HEX NUT, 10 - 24
31	F373778-1		1	RETAINER, ENGINE COVER
32	F2066		26	PAN HD TAPPING SCREW, 10 X 7/16
33	FS548888		1	TRIM, FRONT
34	F1730		3	PAN HD SCREW W/SPRING LOCKWASHER, 1/4 - 20 X 5/8
-	F548984		1	BLANKET, SILENCER TOP (NOT SHOWN)
-	F548985		2	BLANKET, SILENCER SIDE (NOT SHOWN)
35	F481434		2	GUIDE, ENGINE COVER

CONTINUED ON NEXT PAGE ➡

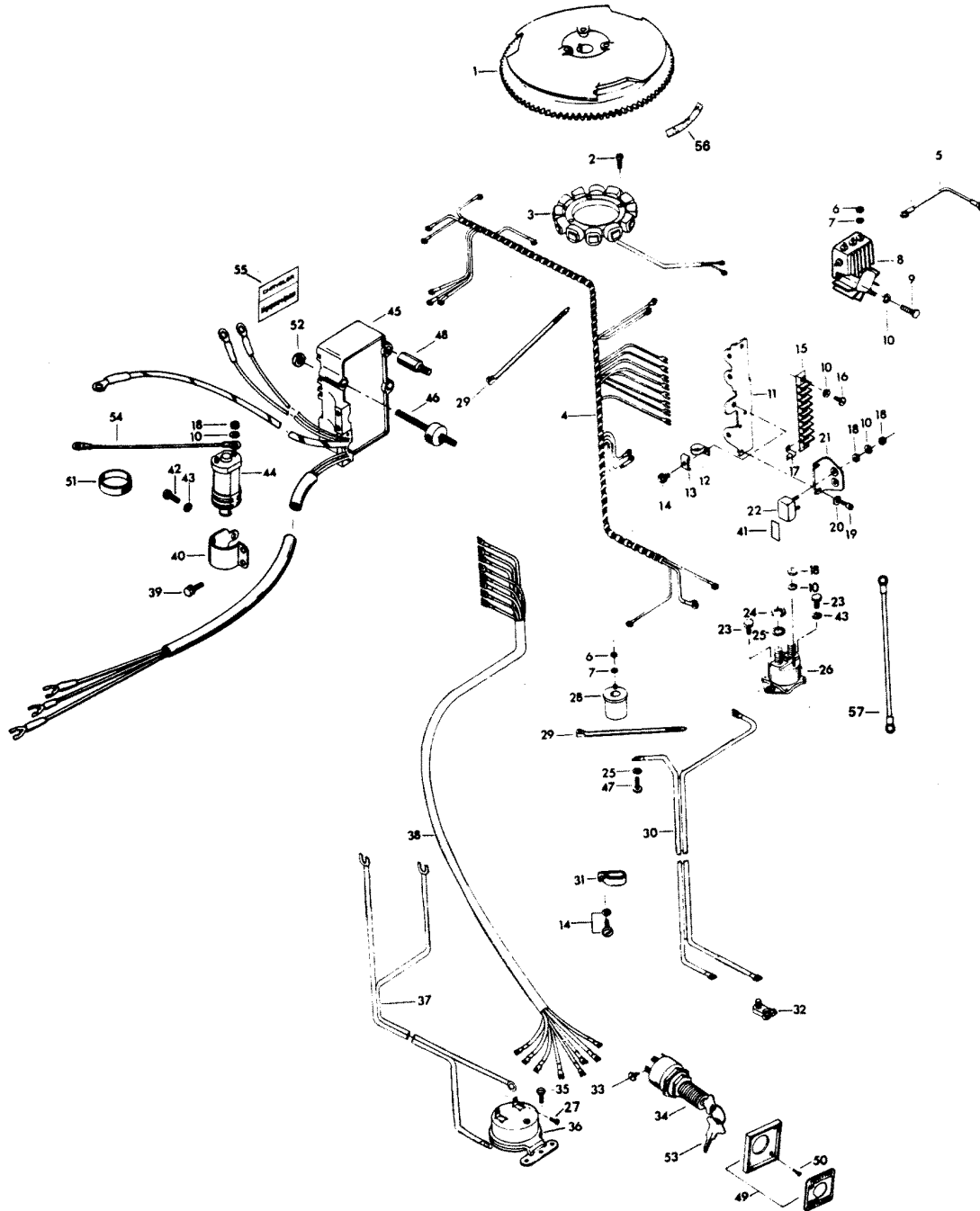
ENGINE COVER AND SUPPORT PLATE



ENGINE COVER AND SUPPORT PLATE

REF. NO.	PART NO.	SYM.	QTY.	DESCRIPTION
36	F2088		2	FASTENER
37	F1849		2	HEX HD CAP SCREW, 1/4 - 20 X 1 3/8
38	FA551397		1	DECAL, PORT
-	FA551396		1	DECAL, STARBOARD
39	A551386		2	DECAL, NUMERAL "85"

ELECTRICAL COMPONENTS

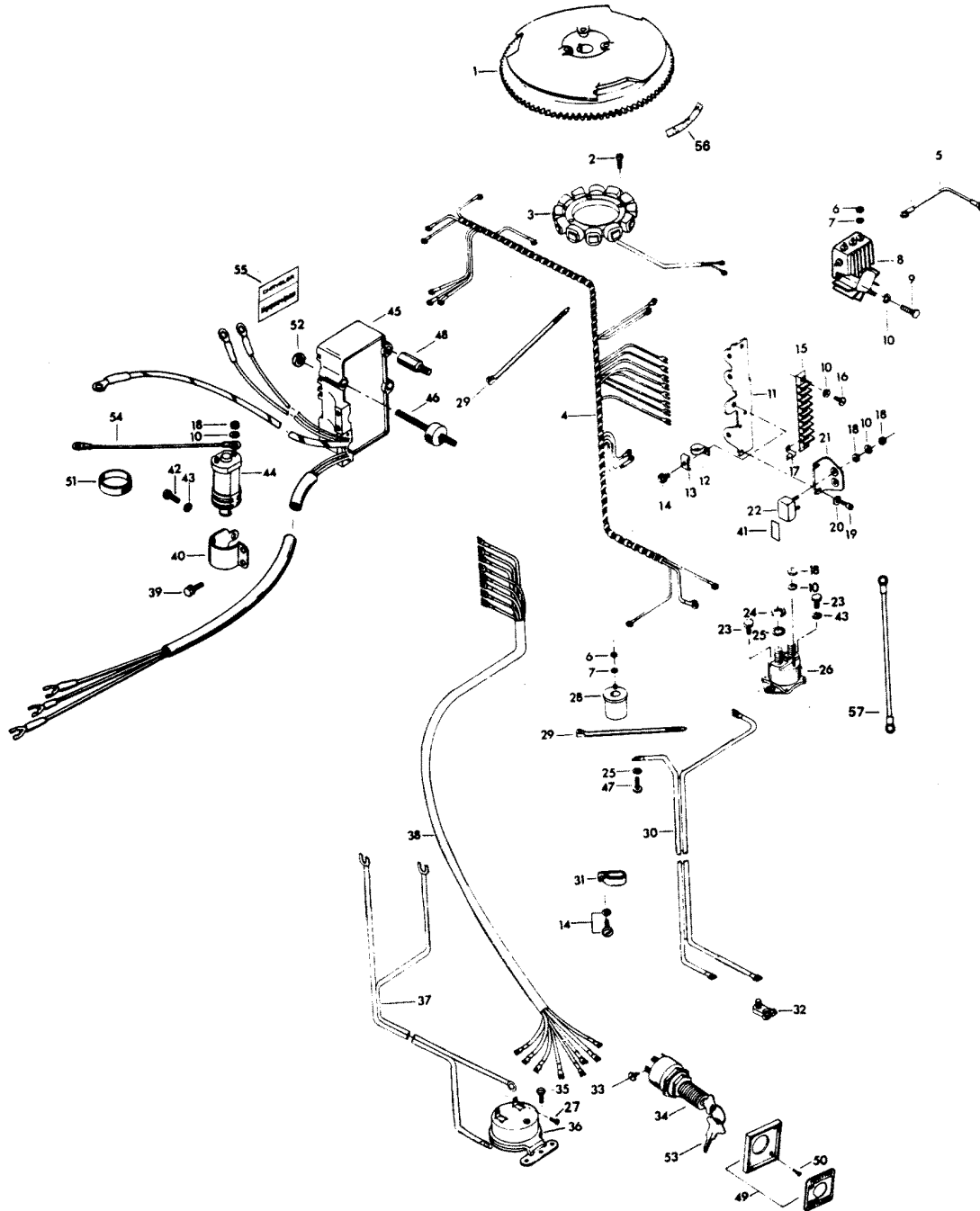


ELECTRICAL COMPONENTS

REF. NO.	PART NO.	SYM.	QTY.	DESCRIPTION
1	F404097		1	FLYWHEEL
2	F1678		6	FILL HD SCREW, 10 - 24 X 13/16
3	F85095-2		1	STATOR
4	F438744-1		1	WIRING HARNESS
5	F345683		1	WIRE, REGULATOR - RECTIFIER GROUND
6	F1647		5	HEX NUT, 8 - 32
7	F8056		5	SPRING LOCKWASHER
8	F404470-1		1	REGULATOR-RECTIFIER
9	F2001		3	FILL HD SCREW, 10 - 24 X 5/8
10	F1975		11	SPRING LOCKWASHER
11	FA438493		1	TERMINAL BLOCK BRACKET
12	F289446-1		1	CLAMP
13	F438668		1	RETAINER, CABLE CLAMP
14	F1734		2	FILL HD SCREW W/LOCKWASHER, 1/4 - 20 X 1/2
15	FA510497		1	TERMINAL BLOCK
16	F1648		2	PAN HD SCREW, 10 - 24 X 3/4
17	F307317		1	CLIP, TERMINAL BLOCK
18	F1513		8	HEX NUT
19	F1760		2	PAN HD SCREW, 10 - 24 X 3/8
20	F8011		2	PLAIN WASHER
21	F91446-1		1	CIRCUIT BREAKER BRACKET
22	F510460		1	CIRCUIT BREAKER
23	F1705		2	HEX CAP SCREW, 1/4 - 20 X 3/4
24	F1515		2	HEX NUT
25	F8096		3	SPRING LOCKWASHER
26	F460917		1	STARTER RELAY
27	F1645		2	HD. SCREW, 6 - 32 X 1/4
28	F85924		1	CHOKE SOLENOID
29	F1877		2	TY-RAP
30	F381896-4		1	BATTERY CABLE
31	F407446		1	CLAMP
32	F5H041		1	BATTERY TERMINAL KIT (ACCESSORY ITEM)
33	F1280		5	PAN HD SCREW, 8 - 32 X 1/4
34	F5H078		1	IGNITION SWITCH (LONG BARREL) W/KEYS AND SCREWS (ACCESSORY IITEM)
35	F1741		2	PAN HD SCREW, 8 X 3/4
36	F5H043		1	OVERHEAT BUZZER (ACCESSORY ITEM)
37	F404841		1	CABLE, HEAT INDICATOR
38	F85843-1		1	REMOTE ELECTRIC CABLE, 18 FEET
39	F1851		2	FILL HD SCREW W/LOCKWASHER, 10 - 24 X 1/2
40	F404513		1	COIL CLAMP
41	F510374		1	DECAL, CIRCUIT BREAKER, USA
-	FC510374		1	DECAL, CIRCUIT BREAKER, CANADA

CONTINUED ON NEXT PAGE ➡

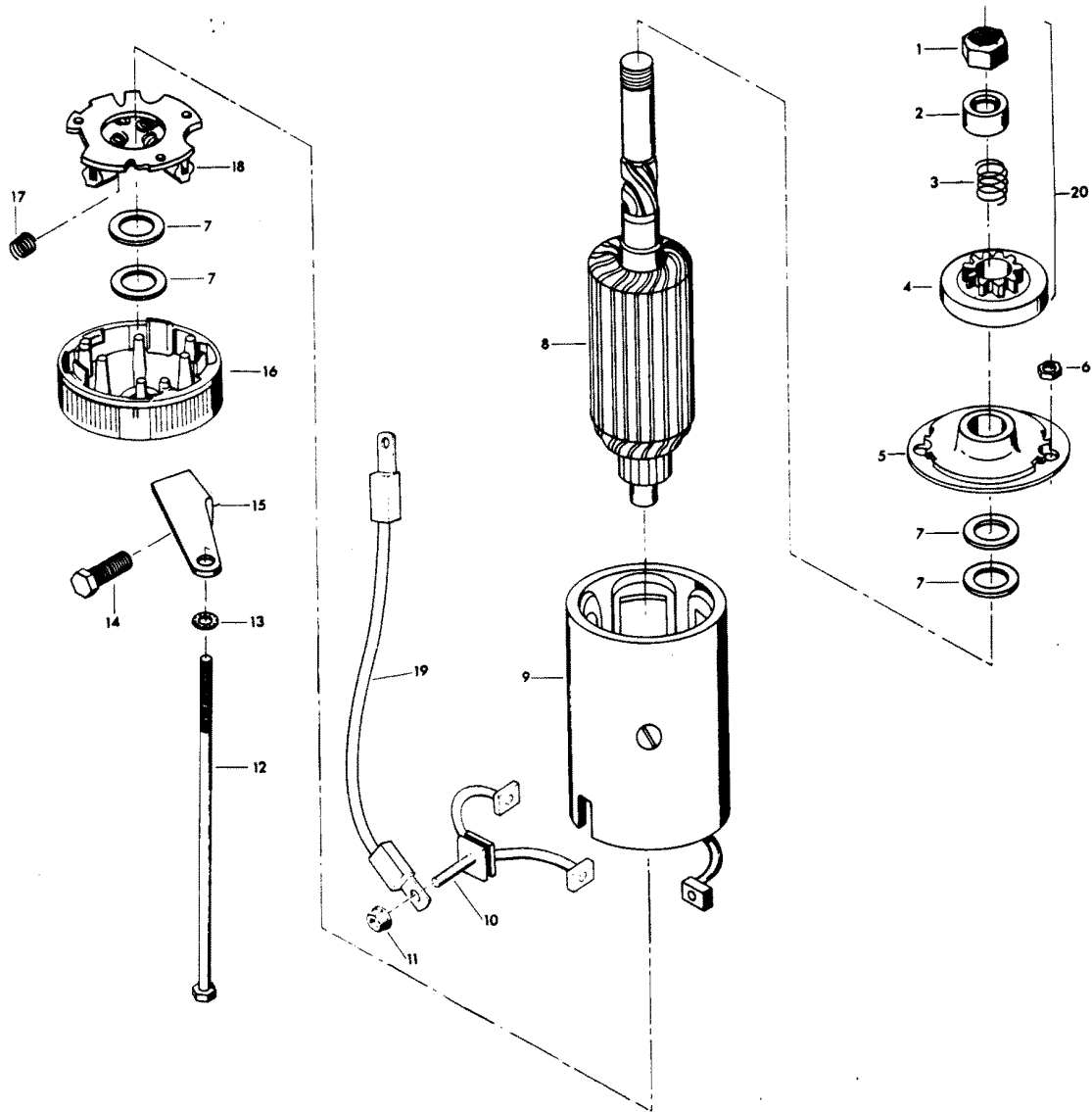
ELECTRICAL COMPONENTS



ELECTRICAL COMPONENTS

REF. NO.	PART NO.	SYM.	QTY.	DESCRIPTION
42	F1689		1	HEX HD SCREW, 1/4 - 20 X 1/2
43	F8083		2	SPRING LOCKWASHER
44	F345475-1		1	COIL
45	FA523301		1	UNIT W/DECAL
46	F523962		3	SHOCK MOUNT
47	F2000		1	HEX CAP SCREW 5/16 - 18 X 3/4
49	F5H038		1	IGNITION SWITCH MOUNTING KIT (ACCESSORY ITEM)
-	817892--1		1	PLATE, IGNITION SWITCH, CANADA (NOT SHOWN)
50	F1934		4	FLAT HD SLOTTED SCREW, 6 X 1/2
51	F391983		2	BAND, RETAINING
52	F1892		3	STOP NUT
53	FA368700		1	IGNITION KEY - NO LETTER OR STAMPED A
-	FB368700		1	IGNITION KEY - STAMPED B
-	FC368700		1	IGNITION KEY - STAMPED C
-	FD368700		1	IGNITION KEY - STAMPED D
-	FE368700		1	IGNITION KEY - STAMPED E
54	F85664		1	GROUND WIRE
55	480373		1	DECAL, MAGNAPOWER IGNITION
56	F474387		1	TIMING DECAL - USA
-	FC474387		1	TIMING DECAL - CANADA
-	F235785		1	DECAL, COMPLIANCE - CANADA (NOT SHOWN)
57	F319908		1	GROUND WIRE - CANADA

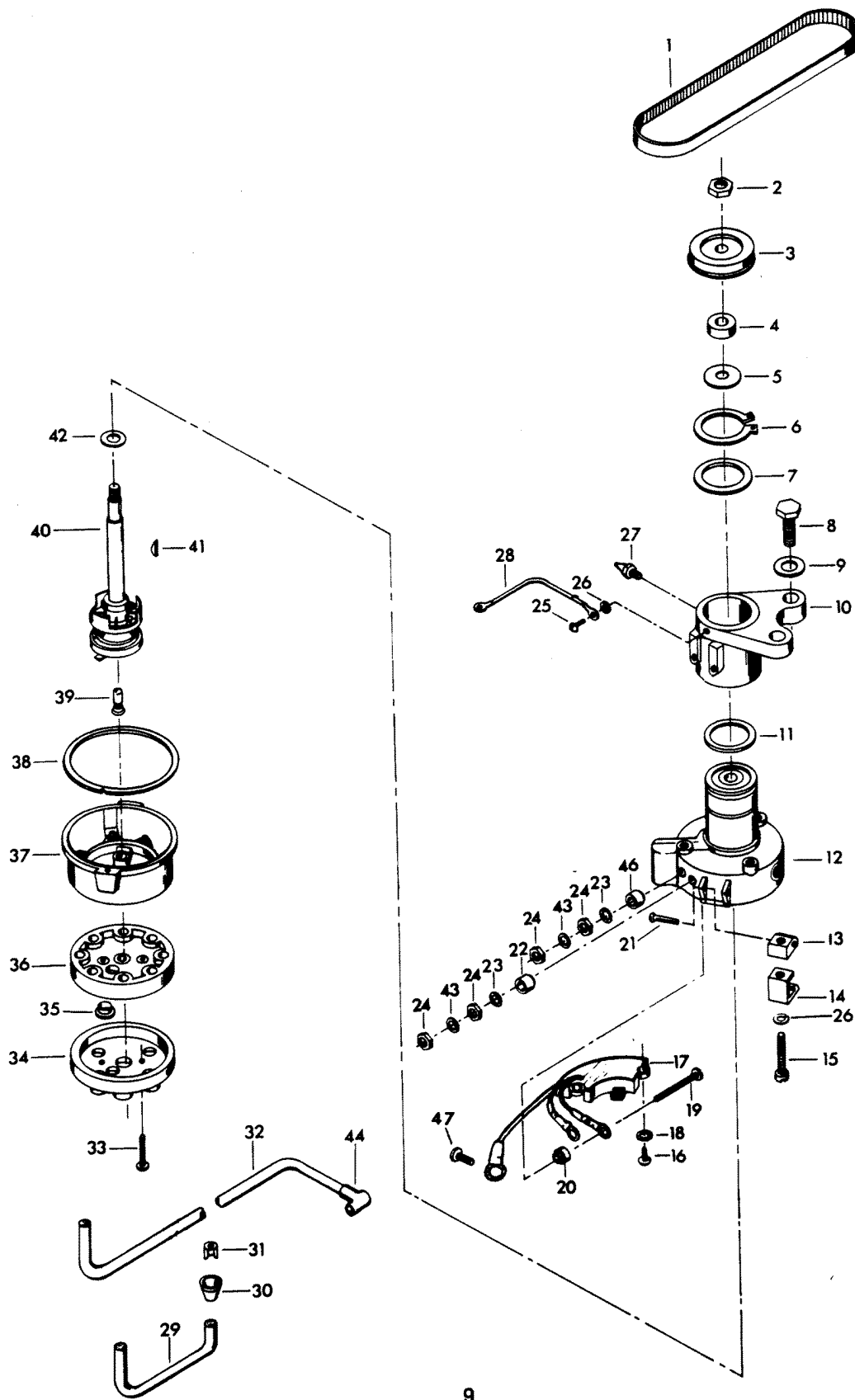
STARTER



STARTER

REF. NO.	PART NO.	SYM.	QTY.	DESCRIPTION
1	F15111		1	NUT, STOP RETAINING
2	F15112		1	STOP, PINION
3	F15080		1	SPRING
4	F15110		1	CLUTCH ASSEMBLY
5	F15167		1	HEAD ASSEMBLY DRIVE END
6	F1641		2	LOCK NUT, 1/4 - 28
7	F15126		1	THRUST WASHER PACKAGE
8	F15099		1	ARMATURE
9	15169		1	FRAME AND FIELD ASSEMBLY
10	F15165		1	BRUSH TERMINAL SET
11	FA15072		1	HEX LOCK NUT, 1/4 - 20
12	F15168		1	THRU BOLT PACKAGE
13	F8028		2	PLAIN WASHER
14	F1502		1	HEX HD SCREW, 1/4 - 20 X 5/8
15	F511675		1	STARTER BRACKET, LOWER
16	F15125		1	HEAD ASSEMBLY, COMMUTATOR END
17	F15034		1	SPRING SET
18	F15057		1	BRUSH PLATE AND HOLDER
19	F85908		1	STARTER LEAD WIRE
20	F15100		1	BENDIX
-	FS480955		1	STARTER COMPLETE

DISTRIBUTOR

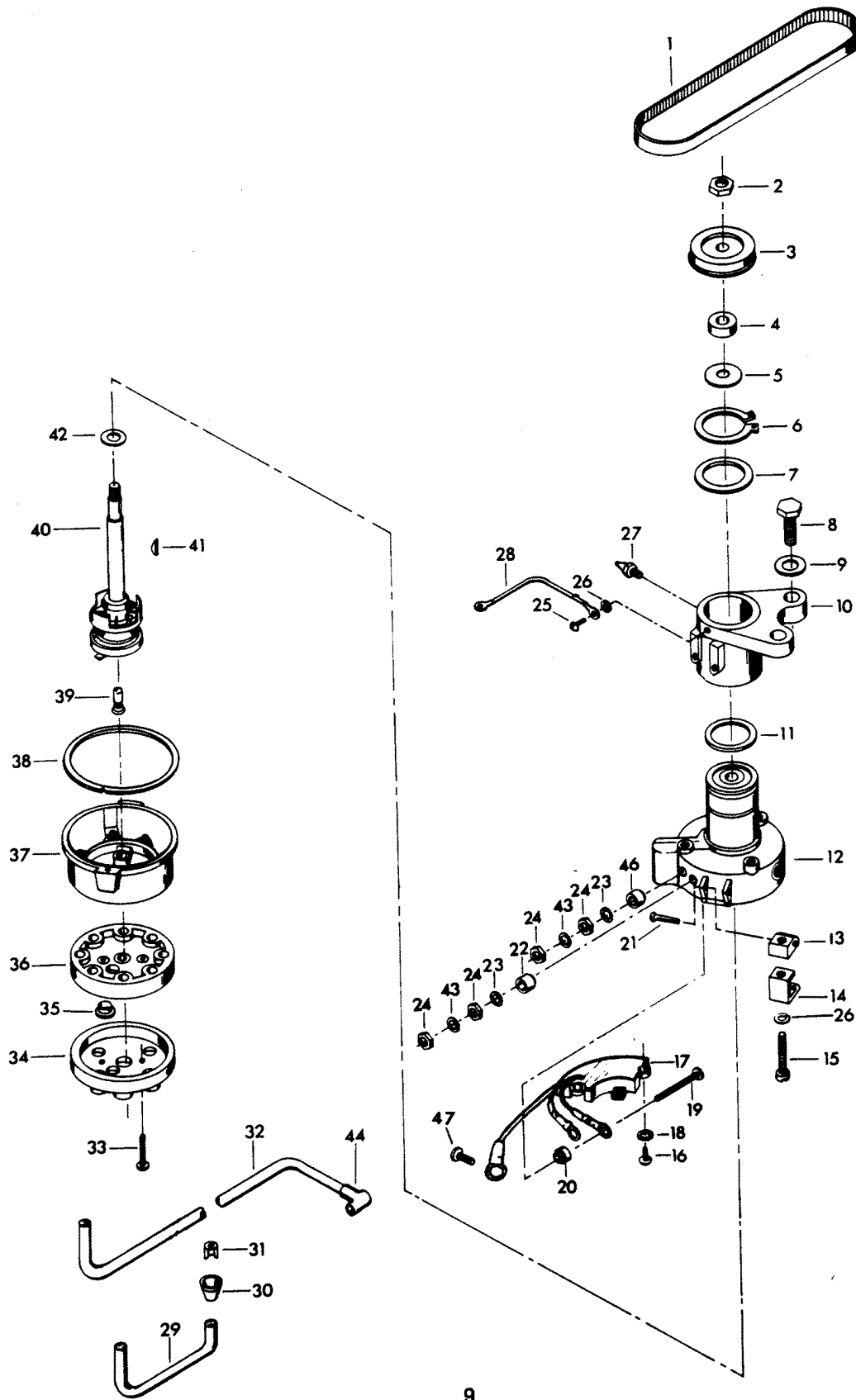


DISTRIBUTOR

REF. NO.	PART NO.	SYM.	QTY.	DESCRIPTION
1	F85311		1	DISTRIBUTOR BELT
2	F7013		1	STOP NUT
3	817786A1		1	DISTRIBUTOR PULLEY
4	F14025		1	SPACER
5	F14028		1	THRUST WASHER
6	F85173		1	RETAINING RING
7	F14029		1	THRUST WASHER
8	F1612		2	HEX CAP SCREW, 3/8 - 16 X 1 1/4
9	F1778		2	PLAIN WASHER
10	FA321574		1	DISTRIBUTOR BRACKET
11	F1759		2	SHIM, DISTRIBUTOR (QTY. AS REQUIRED)
12	F14042		1	DISTRIBUTOR HOUSING W/BEARINGS
13	F14036		2	SWIVEL
14	F14037		2	CAP CLIPS
15	F14038		2	CAP CLIP SCREWS
16	F14045		2	SCREW
17	FA14048-2		1	PREAMPLIFIER
18	F8056		2	LOCKWASHER
19	F14046		2	TERMINAL SCREW
20	F14047		2	TERMINAL INSULATOR (INSIDE)
21	F14015		2	CAP CLIP RIVET
22	F14049		1	TERMINAL INSULATOR (OUTSIDE)
23	F14041		2	EXTERNAL TOOTH LOCKWASHER
24	F1647		4	HEX NUT, 8 - 32
25	F1760		2	PAN HD SCREW, 10 - 24 X 3/8
26	F1975		2	SPRING LOCKWASHER
27	F213274		1	GREASE FITTING
28	F85664		1	DISTRIBUTOR GROUND
29	84-817775A1		1	COIL WIRE W/TERMINAL CLIP - U.S.A
-	F438905		1	COIL WIRE - CANADA
30	F203276		1	BOOT
31	F203673		1	TERMINAL CLIP
32	F321841-3		3	LEAD WIRE - USA
-	F438841-1		3	LEAD WIRE - CANADA
33	F14007		2	CAP SCREW
34	F14011-1		1	CAP COVER
35	F14040		2	VENT
36	F14020-1		1	CAP SEAL
37	F14006-2		1	CAP BASE
38	F14030		1	CAP GASKET
39	F14012-1		1	BRUSH
40	F14043		1	DISTRIBUTOR SHAFT
41	F1692		1	WOODRUFF KEY

CONTINUED ON NEXT PAGE ➡

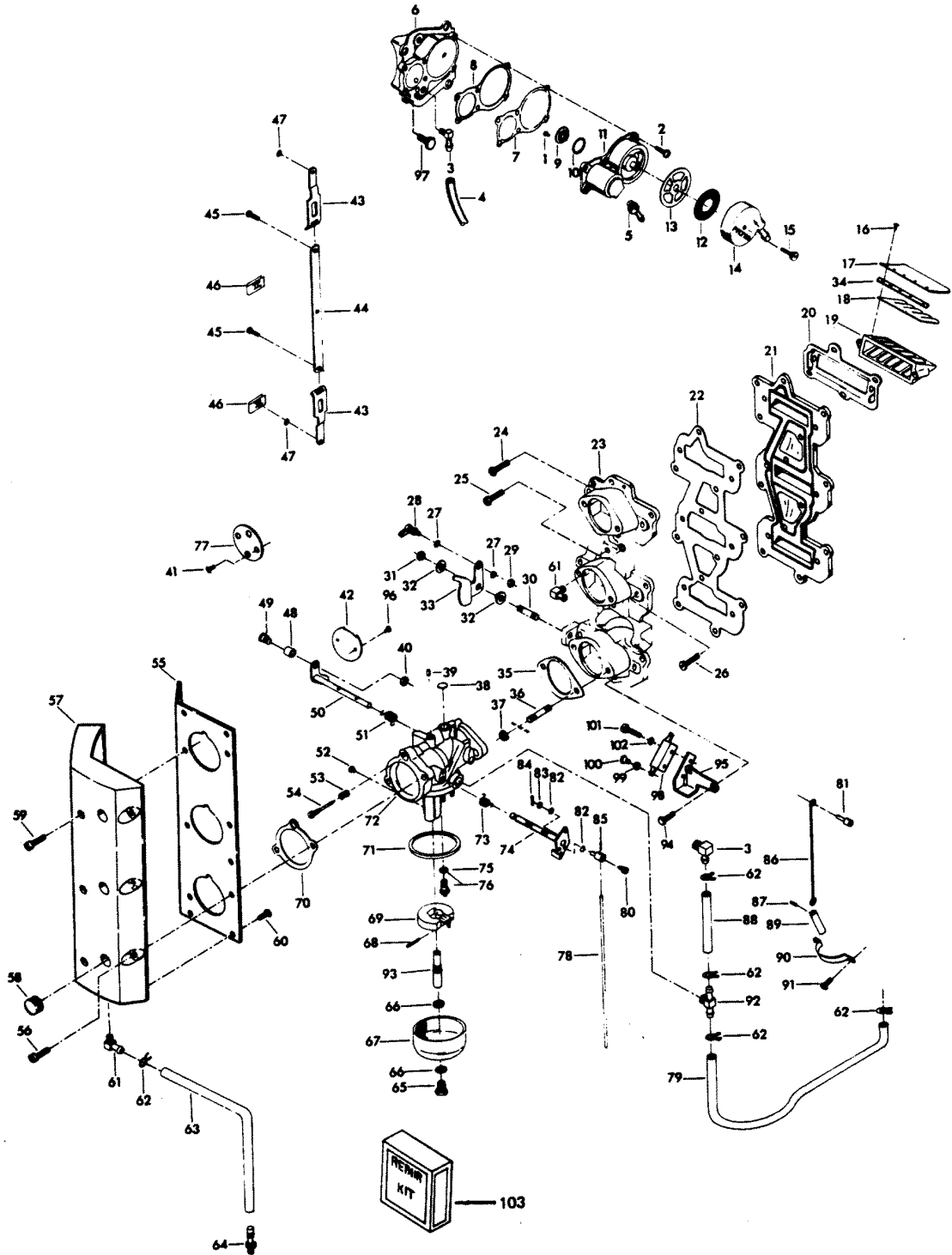
DISTRIBUTOR



DISTRIBUTOR

REF. NO.	PART NO.	SYM.	QTY.	DESCRIPTION
42	F14024		1	SPACER
43	F8056		2	LOCKWASHER
44	FK750-1		3	SPARKIE W/SPRING
46	F14017		1	TERMINAL INSULATOR (OUTSIDE)
47	F14056		1	SCREW
-	817822A1		1	DISTRIBUTOR
-	481373-1		1	DECAL, "ELECTRONIC" (NOT SHOWN)

CARBURETOR

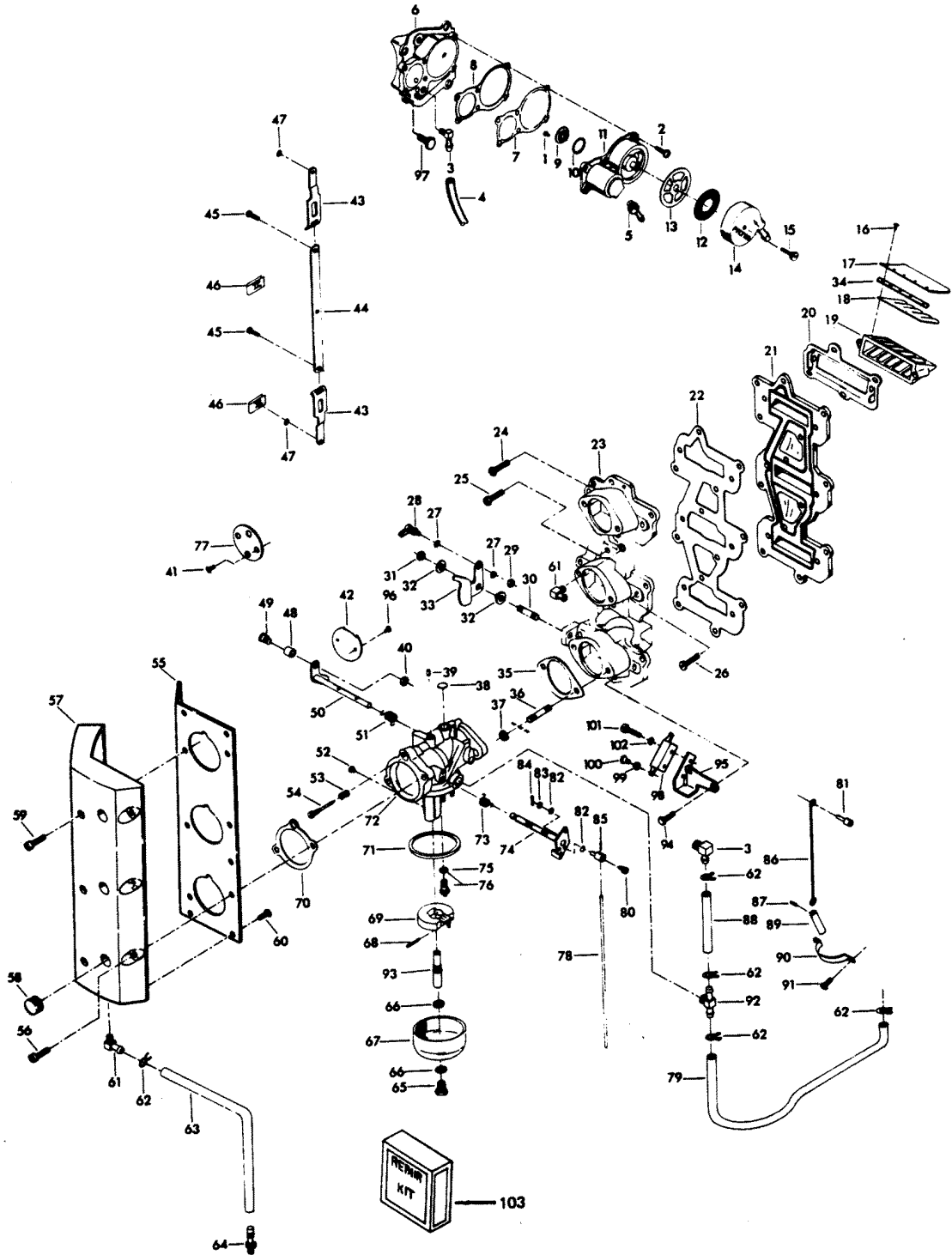


CARBURETOR

REF. NO.	PART NO.	SYM.	QTY.	DESCRIPTION
1	F1860		2	SLOTTED BINDING HD SCREW, 6 - 32 X 1/4
2	F1108		6	FILL HD SCREW W/LOCKWASHER, 1/4 -20 X 3/4
3	F84314-2		2	ELBOW
4	F89758		1	FUEL PUMP AIR HOSE, TOP
5	F438801		1	FITTING
6	FA439746		1	FUEL PUMP COVER
7	F438747		1	FUEL PUMP DIAPHRAGM
8	F438760		1	FUEL PUMP GASKET
9	F177330		3	FUEL PUMP VALVE
10	F84792		1	GASKET, FUEL PUMP VALVE
11	FA438431		1	FUEL PUMP BODY W/VALVES
12	F438653		1	FUEL SEDIMENT BOWL SCREEN
13	F438617		1	FUEL SEDIMENT BOWL GASKET
14	F438500		1	FUEL SEDIMENT BOWL
15	F438165		1	SCREW, FUEL PUMP BOWL
16	F1755		30	RD HD SCREW W/LOCKWASHER, 6 - 32 X 5/16
17	F85161-1		6	REED STOP
18	F530160		6	REED (5 PETAL)
19	F3A523158		3	REED PLATE W/REEDS, REED STOP & SCREW
20	F85168		3	GASKET REED PLATE ADAPTER
21	F85162		1	REED PLATE ADAPTER
22	F85159		1	GASKET, INTAKE MANIFOLD
23	817959A3		1	INTAKE MANIFOLD
24	F2008		7	HEX HD SCREW, 1/4 - 20 X 7/8
25	F1916		2	HEX HD SCREW, 1/4 - 20 X 1 1/8
26	F1773		6	HEX HD SCREW, 1/4 - 20 X 1 1/2
27	F8058		2	INTERNAL TOOTH LOCKWASHER
28	817747--1		1	BALL JOINT W/STUD
29	F1513		1	HEX NUT, 10 - 32
30	F433209-1		1	STUD
31	F1910		1	STOP NUT, 1/4 - 20
32	F269319		2	BEARING
33	F85192-1		1	THROTTLE CAM
34	F523451		6	SPACER, REED STOP
35	F85906		3	CARBURETOR GASKET
36	F40209		6	CARBURETOR STUD
37	F1515		6	HEX NUT, 5/16 - 18
38	FO4326		1	BODY CHANNEL WELCH PLUG
39	FO10588		1	BODY CHANNEL CUP PLUG
40	F1997		1	STOP NUT, 8 - 32
41	FO8942		2	SHUTTER SCREW W/LOCKWASHER
42	FO16851		1	THROTTLE SHUTTER
43	FA85193		2	TIE BAR END W/SWIVEL

CONTINUED ON NEXT PAGE ➡

CARBURETOR

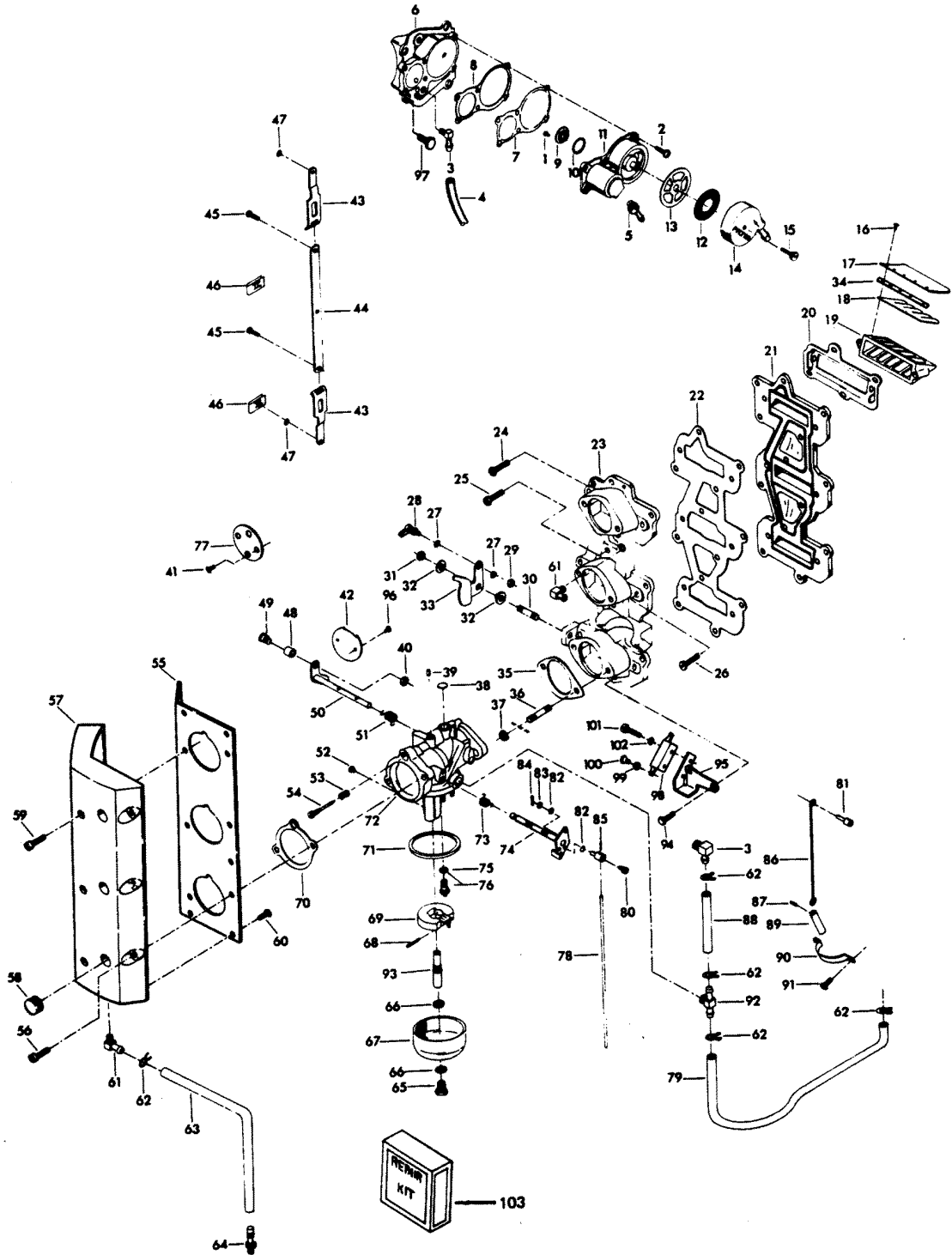


CARBURETOR

REF. NO.	PART NO.	SYM.	QTY.	DESCRIPTION
44	FA85511		1	THROTTLE TIE BAR W/SWIVEL
45	F1064		2	FILL HD SCREW, S.S., 8 - 32 X 3/8
46	F1693		2	TIE BAR RETAINER NUT
47	F90807		3	RETAINING RING
48	F92759		1	THROTTLE ROLLER
49	F333316		1	THROTTLE ROLLER SHAFT
50	FO15230		1	THROTTLE SHAFT AND LEVER
51	FO16008		1	THROTTLE SHAFT RETURN SPRING
52	FO15026		1	MAIN FUEL JET STD. .072 - SEA LEVEL TO 1500 FT.
-	FO13430		-	MAIN FUEL JET OPT. .070 - 1500 FT. - 3000 FT.
-	FO13967		-	MAIN FUEL JET OPT. .068 - 3000 FT. - 4500 FT.
-	FO14188		-	MAIN FUEL JET OPT. .066 - 4500 FT. 6000 FT.
-	FO14108		-	MAIN FUEL JET OPT. .064 - 6000 FT. & UP
53	FO11103		1	IDLE SCREW SPRING
54	FO13946		1	IDLE SCREW
55	F481567		1	CARBURETOR INTAKE ADAPTER
56	F1504		3	FILL HD SCREW, 1/4 - 20 X 1 1/4
57	F481860-1		1	CARBURETOR, INTAKE
58	F53504		3	GROMMET
59	F1072		3	FILL HD SCREW, 1/4 - 20 X 1 3/4
60	F1760		6	PAN HD SCREW, 10 - 24 X 3/8
61	22-818103--1		2	ELBOW
62	F97772		6	HOSE CLAMP
63	F63754		1	HOSE INTAKE DRAIN
64	22-817789A1		1	DRAIN FITTING
65	FO13945		1	FUEL BOWL RETAINING SCREW
66	FO2510		2	GASKET, FUEL BOWL RETAINING SCREW
67	FO13552		1	FUEL BOWL
68	FO13944		1	FLOAT LEVER PIN
69	FO13554		1	FLOAT
70	F481836		3	INTAKE GASKET
71	FO15623		1	FUEL BOWL GASKET
72	F481061-2		3	CARBURETOR COMPLETE (WB-21C)
73	FO13947		1	CHOKE SHAFT RETURN SPRING
74	FO16850		1	CHOKE SHAFT AND LEVER
75	FO10165		1	INLET SEAT GASKET
76	FO10790		1	INLET NEEDLE, SEAT AND GASKET
77	FO13555		1	CHOKE SHUTTER
78	F85509-1		1	CHOKE LINK
79	F438754		1	FUEL LINE
80	F1059		3	FILL HD SCREW, S.S., 6 - 32 X 1/4
81	F85033		1	CHOKE ROD SWIVEL
82	F184579		6	SEAL, CHOKE ARM SWIVEL

CONTINUED ON NEXT PAGE ➡

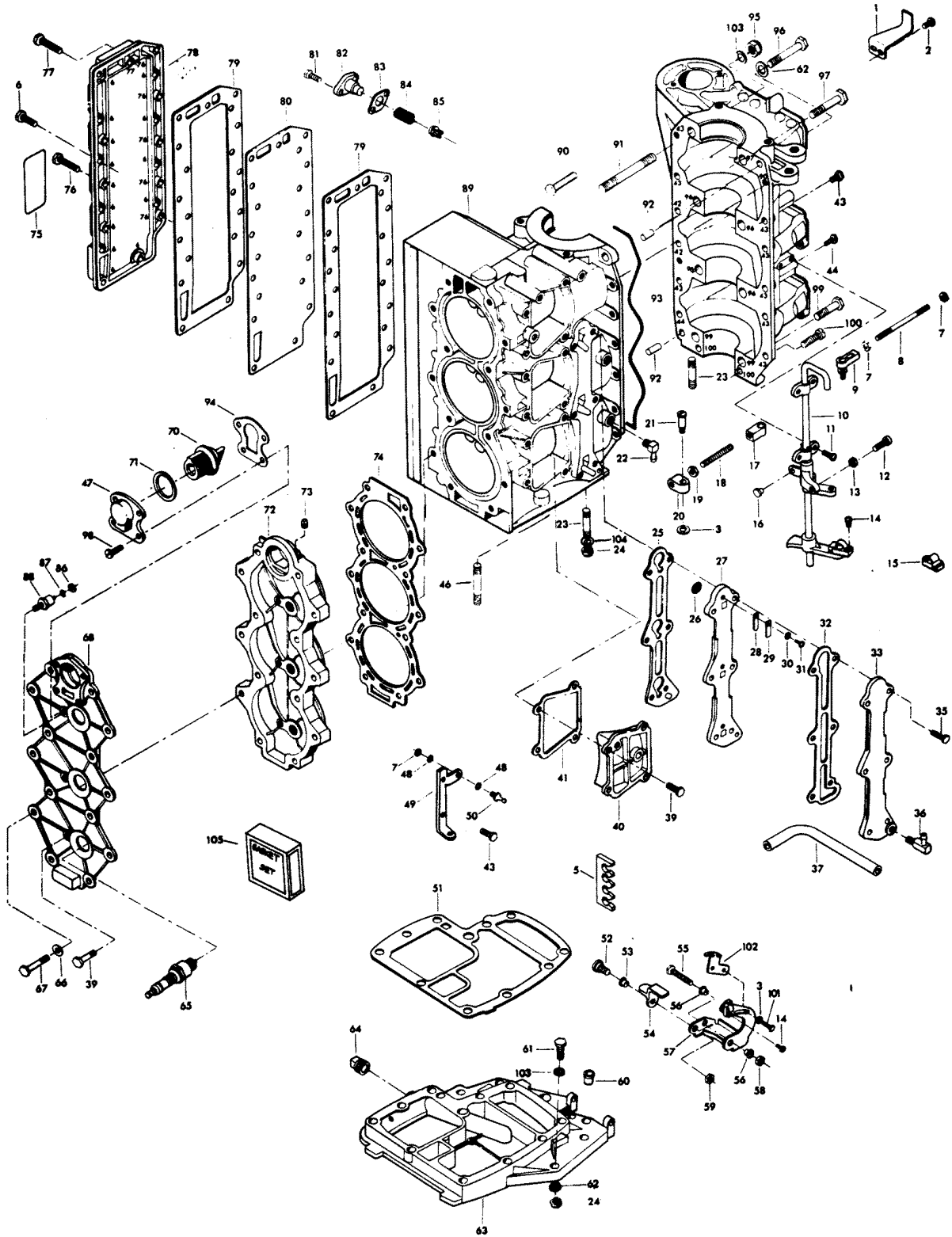
CARBURETOR



CARBURETOR

REF. NO.	PART NO.	SYM.	QTY.	DESCRIPTION
83	F8088		3	PLAIN WASHER
84	F1014		3	COTTER PIN
85	F184033-1		2	CHOKE ARM SWIVEL
86	F85925		1	CHOKE ROD
87	F2033		1	GROOVE PIN
88	F85253-1		2	FUEL LINE
89	F391926-1		1	CHOKE SOLENOID PLUNGER
90	F85317-1		1	CLAMP
91	F1236		2	HEX HD SCREW, 1/4 - 20 X 1/2
92	F85314-1		2	FUEL FITTING
93	FO15217		1	MAIN NOZZLE
94	F1953		3	HEX HD SCREW, 1/4 - 20 X 1
95	F480551-1		1	BRACKET INTERLOCK SWITCH
96	FO8942		2	THROTTLE SHUTTER SCREW AND LOCKWASHER
97	F1502		4	HEX CAP SCREW, 1/4 - 20 X 5/8
98	F84449		1	INTERLOCK SWITCH
99	F1704		2	INTERNAL TOOTH LOCKWASHER
100	F1645		2	RD HD SCREW, 6 - 32 X 1/4
101	F2016		2	FILL HD SCREW, 6 - 32 X 7/8
102	F8088		2	PLAIN WASHER
103	F10102		1	REPAIR PARTS KIT INCLUDES ALL ITEMS MARKED WITH AN ASTERISK (*) .
-	F10000		1	GASKET SET (NOT SHOWN)
-	F8026		1	PLAIN WASHER (UNDER 2ND FROM BOTTOM CENTER MANIFOLD TO CRANKCASE COVER SCREW). (NOT SHOWN)

POWER HEAD

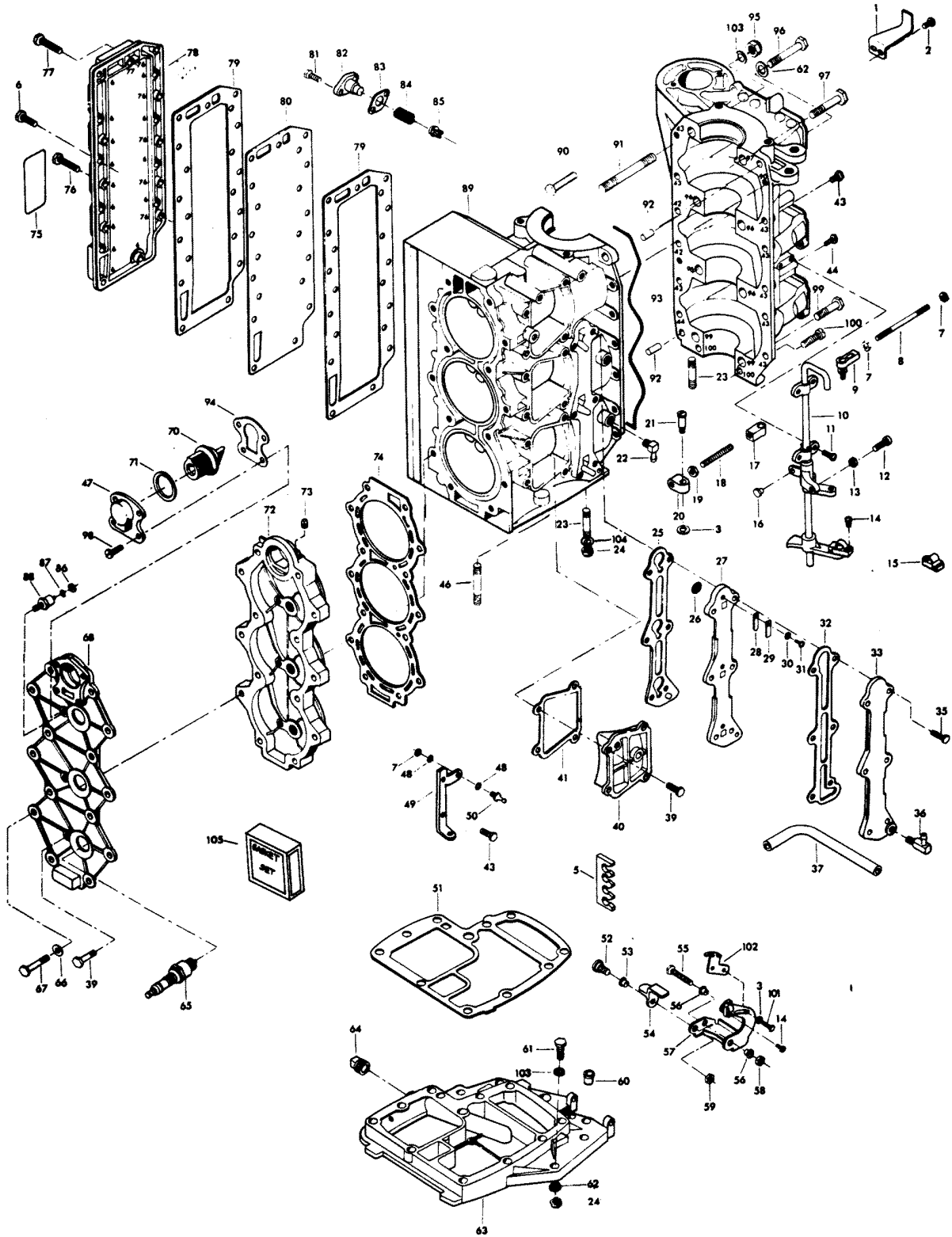


POWER HEAD

REF. NO.	PART NO.	SYM.	QTY.	DESCRIPTION
1	FA480894		1	TIMING POINTER
2	F1760		2	PAN HD SCREW, 10 - 24 X 3/8
3	F2042		3	PLAIN WASHER
5	F523834		1	CLIP, SPARK PLUG WIRE
6	F1203		14	HEX BOLT, 1/4 - 20 X 7/8
7	F1513		4	HEX NUT, 10 - 32
8	F85502		1	THROTTLE LINK
9	817747--1		1	BALL JOINT W/STUD
10	FA85838-5		1	TOWERSHAFT W/BEARINGS, SWIVEL, ARMS AND SCREW
11	F1475		4	FILL HD SCREW, 10 - 24 X 1/2
12	F1504		1	FILL HD SCREW, 1/4 - 20 X 1 1/4
13	F1341		1	HEX NUT, 1/4 - 20
14	F1556		2	FILL HD SCREW W/LOCKWASHER, 10 - 24 X 3/8
15	FK405020		2	SWIVEL W/PIVOT SCREW AND NUT
16	F1727		1	PLASTIC RIVET
17	F85036		1	TOWERSHAFT CONTROL ROD END
18	F85445		1	DISTRIBUTOR CONTROL ROD
19	F2015		1	HEX NUT, 1/4 - 28
20	F85035		1	DISTRIBUTOR CONTROL ROD END
21	F85026		1	SWIVEL
22	F84314-2		1	ELBOW
23	F85859		4	STUD, FORWARD
24	F7004		10	STOP NUT, 3/8 - 16
25	F85748-2		1	GASKET, CYLINDER DRAIN REED PLATE
26	F93811		3	SCREEN
27	F2A404757		1	CYLNR DRN REED PLATE W/REEDS, STOPS, METERING CUP & SCREW
28	F18160-2		3	REED
29	F93920		3	REED STOP
30	F8003		3	PLAIN WASHER
31	F1286		3	PAN HD SCREW, 4 - 40 X 3/16
32	F85472-2		1	GASKET, CYLINDER DRAIN COVER
33	817787A1		1	CYLINDER DRAIN COVER
35	F1187		6	HEX HD SCREW, 1/4 - 20 X 1
36	F404801		1	FITTING
37	F433253		1	HOSE
39	F1502		8	HEX HD SCREW, 1/4 - 20 X 5/8
40	FA411222		2	TRANSFER PORT COVER W/PLUG
41	F40223		3	GASKET, TRANSFER PORT COVER
42	F1999		2	HEX CAP SCREW, 1/4 - 20 X 7/8
43	F1238		10	HEX HD SCREW, 1/4 - 20 X 3/4
44	F1199		1	HEX CAP SCREW, 1/4 - 20 X 1
46	F85211		6	STUD, REAR

CONTINUED ON NEXT PAGE ➡

POWER HEAD

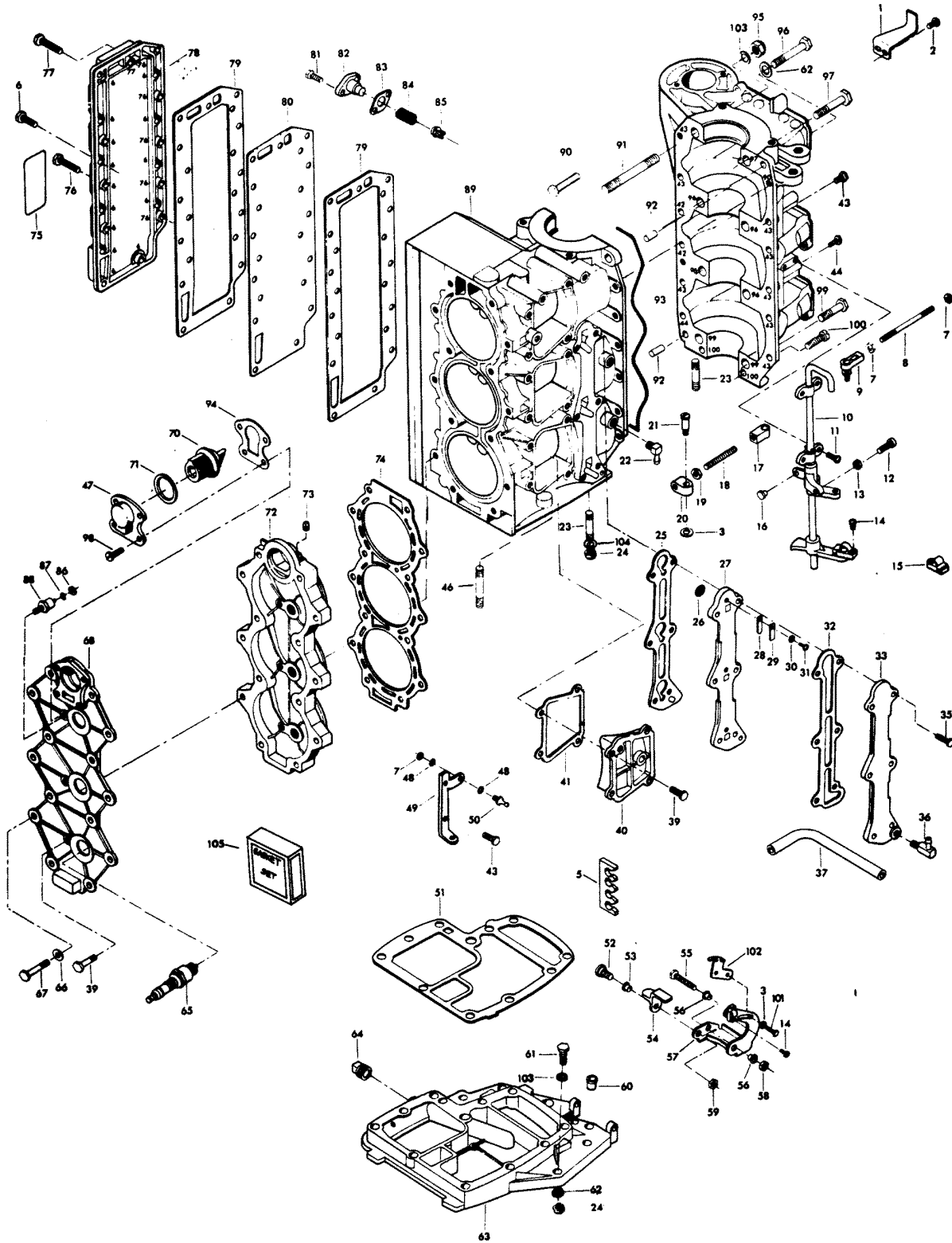


POWER HEAD

REF. NO.	PART NO.	SYM.	QTY.	DESCRIPTION
47	F476066-1		1	COVER, THERMOSTAT
48	F8058		4	INTERNAL TOOTH LOCKWASHER
49	85872-1		1	BRACKET
50	F98273		1	ROD END CONNECTOR STUD
51	F85279-2		1	CYLINDER EXHAUST GASKET, UPPER
52	F369887		1	SHOULDER SCREW
53	F369610		1	BEARING
54	F369977-1		1	INTERLOCK ARM
55	F1885		1	HEX BOLT, 5/16 - 18 X 4 1/4
56	F85610		2	BEARING
57	FA480876		1	GEAR SHIFT ARM W/SWIVEL, INTERLOCK ARM AND BEARINGS
58	F2108		1	STOP NUT, 5/16 - 18
59	F1832		1	STOP NUT, 1/4 - 20
60	F40689-1		1	BEARING, TOWERSHAFT
61	F1869		6	HEX BOLT, 3/8 - 16 X 1 1/4
62	F8095		14	PLAIN WASHER
63	817788A3		1	SPACER PLATE W/PLUGS
64	F2090		1	PLUG
65	33-97180		3	SPARK PLUG (CHAMPION L-20-V) USA
-	FC522227		3	SPARK PLUG (CHAMPION QUI-77V) FOR MODEL 859B9B (CANADA)
66	F1987		14	PLAIN WASHER
67	F1883		14	HEX BOLT, 5/16 - 18 X 2 3/8
68	F499995		1	CYLINDER HEAD COVER
70	F528068		1	THERMOSTAT
71	F84504		1	GROMMET
72	F480518		1	CYLINDER HEAD
73	F19109		1	PLUG
74	F369529		1	CYLINDER HEAD GASKET
75	F438398		1	DECAL, WIRING - USA
-	FC438398		1	DECAL, WIRING - CANADA
76	F1709		5	HEX HD SCREW, 1/4 - 20 X 1 1/8
77	F1849		1	HEX HD SCREW, 1/4 - 20 X 1 3/8
78	F85152-4		1	EXHAUST PORT COVER
79	F85154-1		2	GASKET, EXHAUST PORT PLATE
80	F85151-1		1	EXHAUST PORT PLATE
81	F1950		2	HEX HD SCREW, 10 - 24 X 5/8
82	F438066		1	BY-PASS VALVE COVER
83	F85762		1	GASKET, BY-PASS VALVE
84	F404268		1	SPRING, BY-PASS VALVE
85	F85916-1		1	BY-PASS VALVE
86	F1647		1	HEX NUT, 10 - 32
87	F8056		1	SPRING LOCKWASHER

CONTINUED ON NEXT PAGE ➡

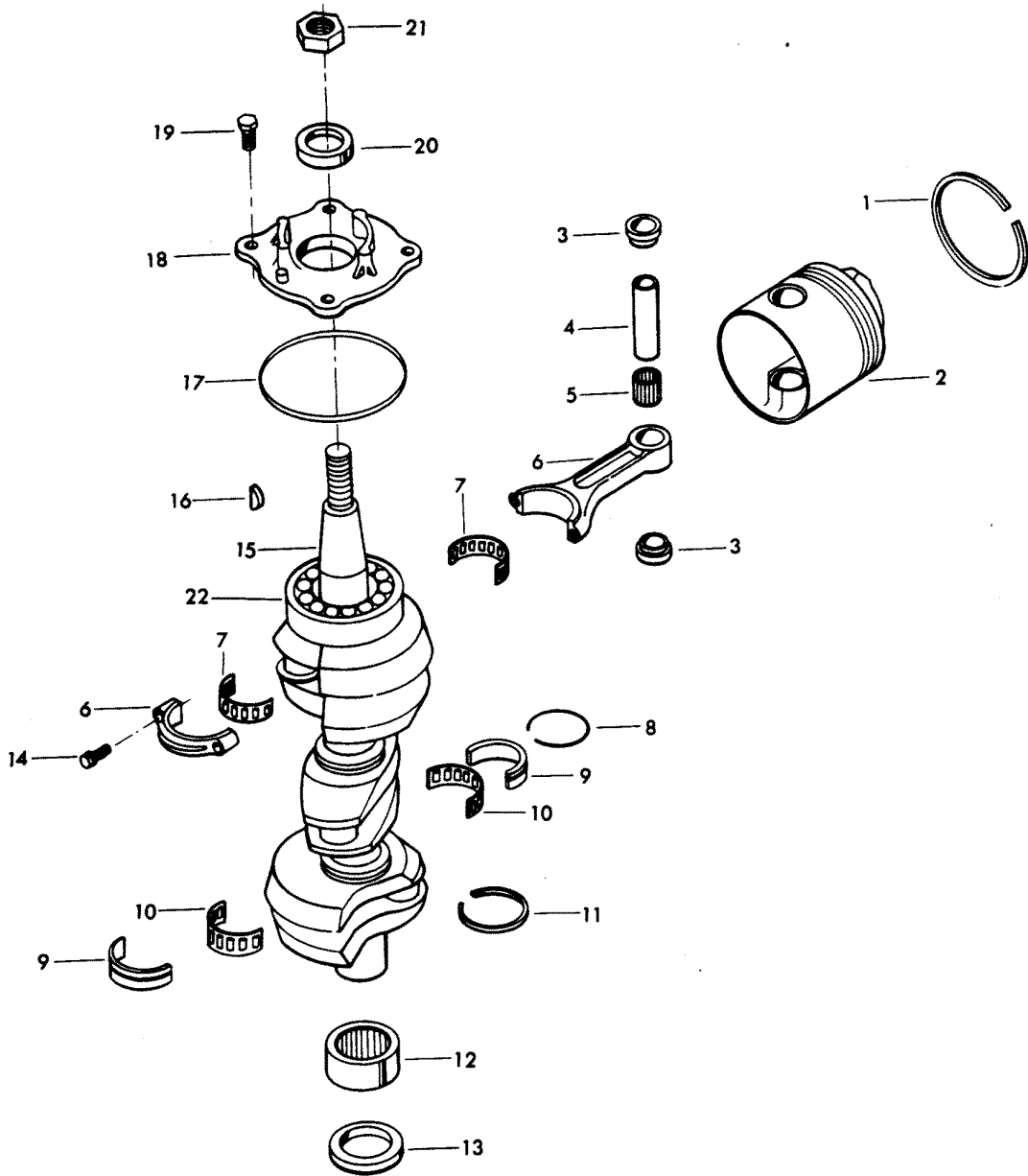
POWER HEAD



POWER HEAD

REF. NO.	PART NO.	SYM.	QTY.	DESCRIPTION
88	87-817778A1		1	THERMOSWITCH
89	800-817823A7		1	CYLINDER W/CRANKCASE COVER, PARTING LINE SEAL, SCREWS & DOWEL PINS ORIGINAL FORCE P/N A481010-4
-	800-817901A9		1	SHORT BLOCK (NOT SHOWN) INCLUDES ALL ITEMS MARKED WITH AN ASTERISK (*). ALSO REFER TO CRANKSHAFT AND PISTON PAGE. ORIGINAL FORCE P/N C481010-4
90	F1864		1	HEX HD SCREW, 1/4 - 20 X 3/4
91	F85210		1	STUD
92	F8563		2	DOWEL PIN
93	F85122		1	PARTING LINE SEAL
94	F476067		1	GASKET, THERMOSTAT COVER
95	F1346		1	HEX NUT, 3/8 - 16
96	F1873		4	HEX BOLT, 3/8 - 16 X 3
97	F1009		1	HEX BOLT, 3/8 - 16 X 2 3/4
98	F1110		4	FILL HD SCREW, 1/4 - 20 X 5/8
99	F1872		2	HEX BOLT, 3/8 - 16 X 1 3/4
100	F1099		2	FILL HD SCREW, 1/4 - 20 X 1 1/4
101	F2089		2	SLOTTED PAN HD MACHINE SCREW, 10 - 24 X 5/16
102	F480107-1		1	CAM, STARTER INTERLOCK
103	F1703		6	SPRING LOCKWASHER
104	F8038		4	PLAIN WASHER
105	FG460-1		1	GASKET SET
-	F40223		3	TRANSFER PORT COVER GASKET
-	F84031		1	WATER PUMP GASKET
-	F84278		1	CRANKSHAFT BRG. SEAL CAGE SEAL
-	F84504		1	THERMOSTAT GROMMET
-	F85122		1	CRANKCASE SEAL
-	F85154-1		2	EXHAUST PORT PLATE GASKET
-	F85159		1	MANIFOLD GASKET
-	F85168		3	CARBURETOR ADAPTER FLANGE GASKET
-	F85279-2		1	CYLINDER, EXHAUST - UPPER GASKET
-	F85453-1		1	CYLINDER, EXHAUST - LOWER GASKET
-	F85472-2		1	CYLINDER DRAIN COVER GASKET
-	F85748-2		1	CYLINDER DRAIN REED PLATE GASKET
-	F85762		1	BY-PASS VALVE GASKET
-	F85836-1		3	INTAKE GASKET
-	F85906		3	CARBURETOR GASKET
-	F316555		1	GEAR HOUSING SEAL
-	F369529		1	CYLINDER HEAD GASKET
-	F476067		1	THERMOSTAT COVER GASKET
-	F481836		3	INTAKE GASKET

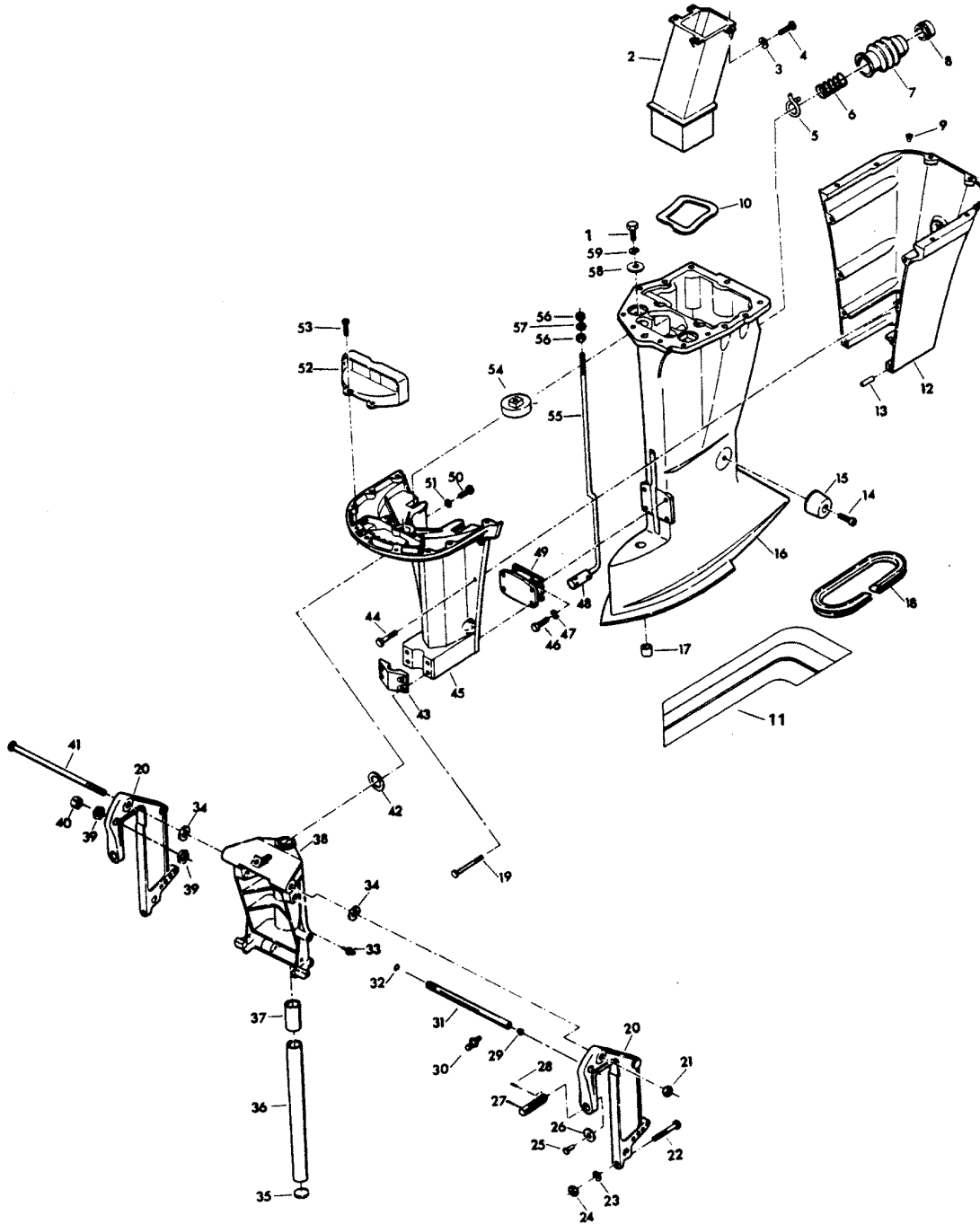
CRANKSHAFT AND PISTON



CRANKSHAFT AND PISTON

REF. NO.	PART NO.	SYM.	QTY.	DESCRIPTION
1	FA335260		3	PISTON RING SET (3 PER SET)
-	FSA335260		3	PISTON RINGS (3 PER SET) .010 OVERSIZE
-	39-818110A1		3	PISTON RINGS (3 PER SET) .030 OVERSIZE
2	700-F372015-3		3	PISTON
-	700-817988A2		3	PISTON .010 OVERSIZE
-	700-818111A2		3	PISTON .030 OVERSIZE
3	F335215		6	SPACER, PISTON PIN (2 PER PISTON)
4	F85017		3	PISTON PIN
5	F335217-1		3	BEARING PISTON PIN (26 PER SET)
6	600-818052A4		3	CONNECTING ROD W/CAP AND SCREWS
7	FK85228		3	BEARING CAGE W/ROLLER
8	F85410		2	SNAP RING
9	FA85655-1		2	CRANKSHAFT MAIN BEARING RACE W/SNAP RING
10	F85571		2	BEARING CAGE W/ROLLER
11	F316579		2	SEAL, CRANKCASE
12	FA523014		1	CRANKSHAFT LOWER MAIN BEARING W/SEAL
13	F523146		1	SEAL
14	F85634-2		6	CONNECTING ROD SCREW
15	FA85018-2		1	CRANKSHAFT W/BEARING
16	F85498		1	FLYWHEEL KEY
17	F84278		1	SEAL, CRANKSHAFT BEARING CAGE
18	31-817785A2		1	CRANKSHAFT BEARING CAGE W/SEAL
19	F1867		4	HEX CAP SCREW, 3/8 - 16 X 1
20	F84146-2		1	SEAL
21	F1968		1	FLYWHEEL NUT
22	F284659-2		1	CRANKSHAFT THRUST BEARING UPPER
-	F2067		1	PLASTISOL CAP (NOT SHOWN)

MOTOR LEG

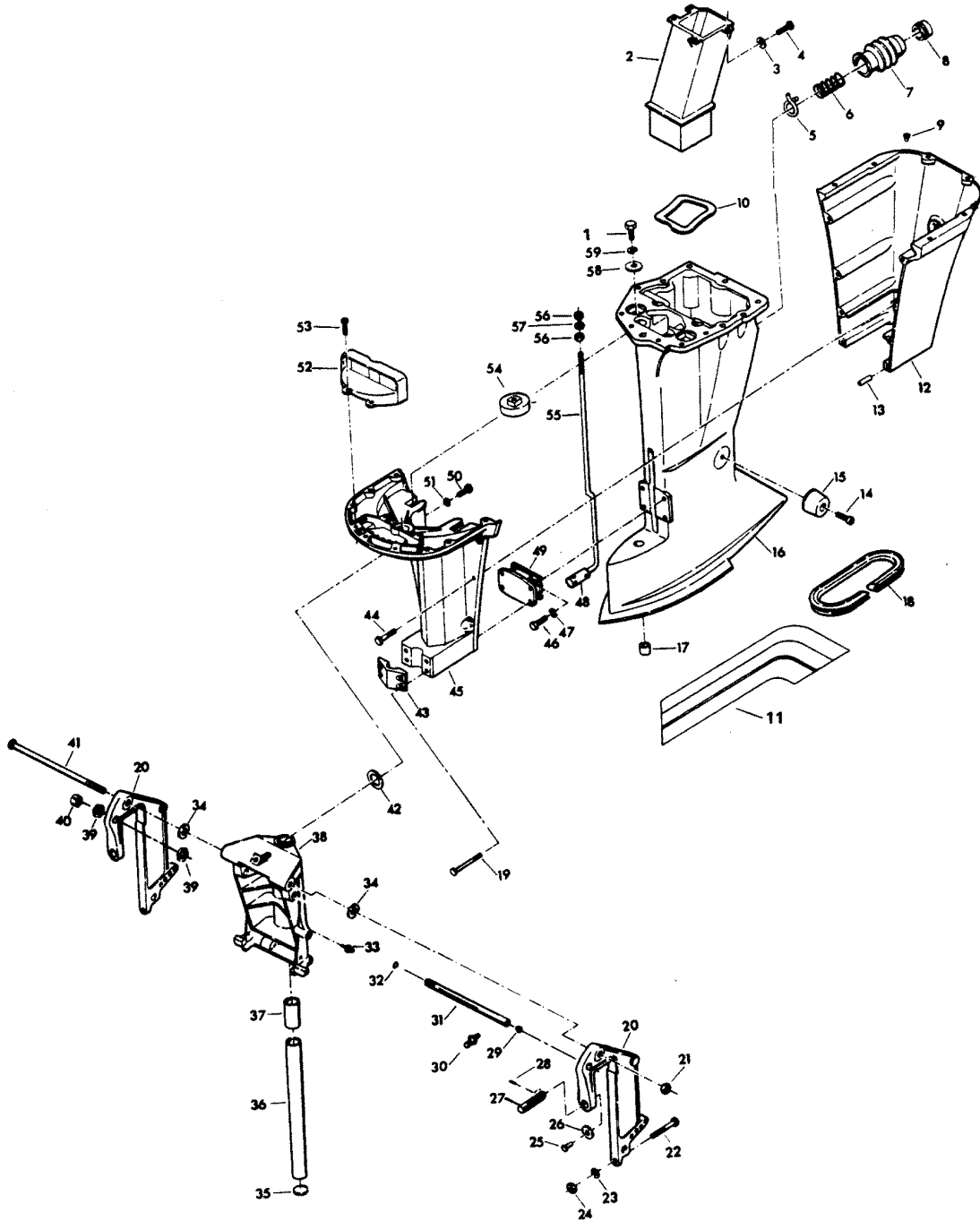


MOTOR LEG

REF. NO.	PART NO.	SYM.	QTY.	DESCRIPTION
1	F1871		2	HEX HD SCREW 3/8 - 16 X 3/4
2	F85660-1		1	EXHAUST TUBE
3	F8083		4	SPRING LOCKWASHER
4	F1864		4	HEX SLOT HD SCREW, 1/4 - 20 X 3/4
5	F85772		1	CLAMP
6	F85380		1	SPRING
7	F85130		1	BOOT, IDLE EXHAUST
8	F85258		1	INSERT
9	F1729		2	PLUG
10	F439736		1	SEAL, EXHAUST TUBE
11	A551392		1	DECAL, LEG (PORT)
-	A551391		1	DECAL, LEG (STARBOARD)
12	817931A7		1	MOTOR LEG COVER, REAR
13	F1664		2	SPRING PIN
14	F1263		2	HEX SOCKET HD CAP SCREW, 5/16 - 18 X 9/16
15	F438962		2	SHOCK MOUNT SIDE
16	F523133-2		1	MOTOR LEG
17	F338618-1		1	SEAL, GEAR SHIFT ROD
18	F178323		1	SEAL, MOTOR LEG
19	F1696		4	HEX BOLT, 5/16 - 18 X 1 3/4
20	1400-817958A6		2	STERN BRACKET
21	F7012		1	LOCK NUT, 1/2 - 20
22	F1593		2	HEX HD SCREW, 3/8 - 16 X 3
23	F1904		2	PLAIN WASHER
24	F1346		2	HEX NUT, 3/8 - 16
25	F353480		2	STUD
26	F84074		2	CLAMP SCREW FOOT
27	F474073-1		2	CLAMP SCREW
28	F8538		2	SPRING PIN
29	F9052		1	PLUG
30	F523274		1	GREASE FITTING
31	F511125-2		1	TUBE, STEERING SUPPORT
32	F316599		1	SEAL, STEERING SUPPORT TUBE
33	F213274		3	GREASE FITTING
34	F84286-1		4	FRICTION WASHER
35	F1528		1	WELCH PLUG
36	FA85019		1	KINGPIN W/PLUG
37	F438169		2	BEARING
38	817783A5		1	SWIVEL BRACKET W/BEARING AND GREASE FITTINGS.
39	F523280		2	NUT, STEERING SUPPORT TUBE
40	F9018		1	CAP
41	F85037-1		1	STERN BRACKET PIVOT BOLT
42	F84011		1	WASHER

CONTINUED ON NEXT PAGE ➡

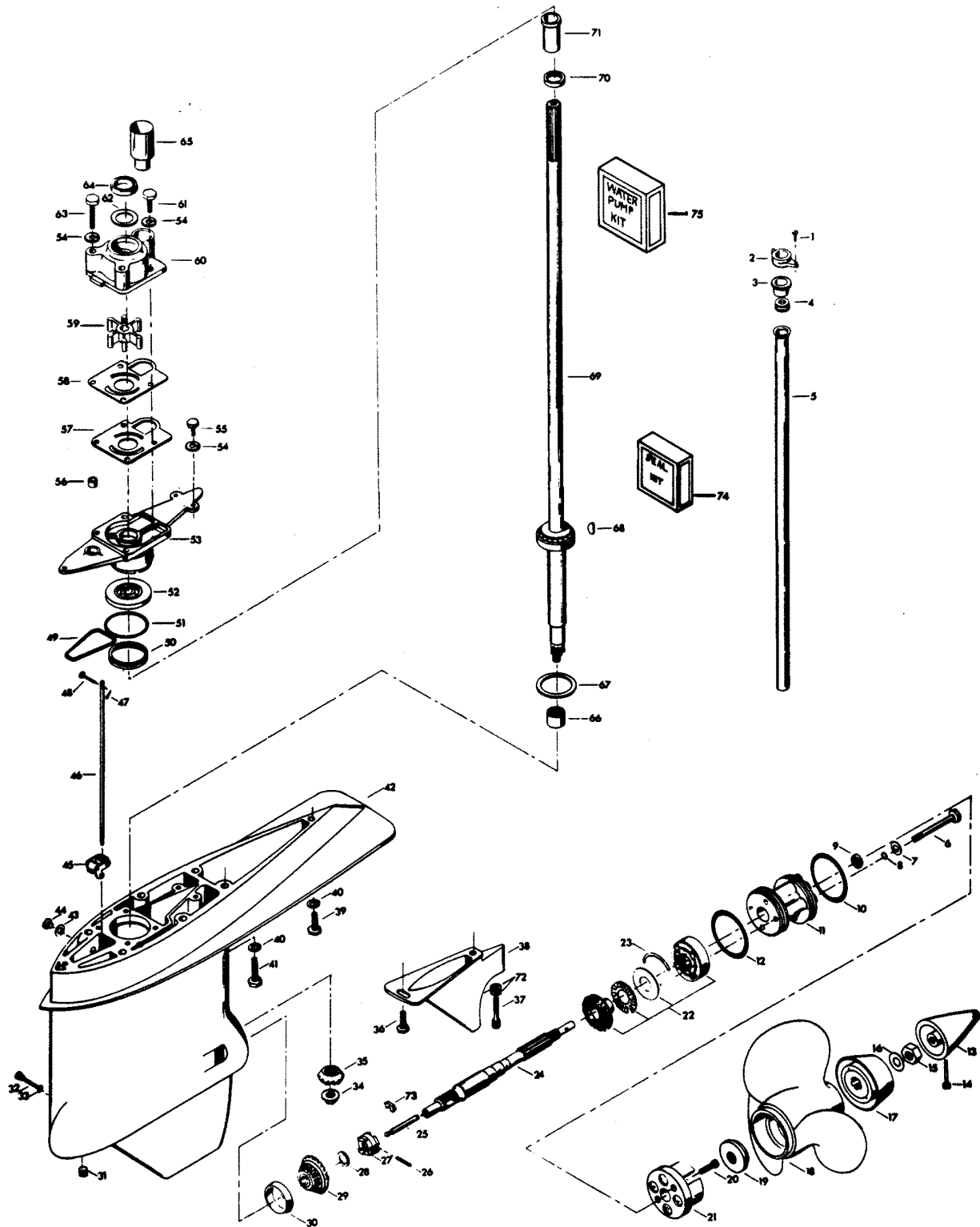
MOTOR LEG



MOTOR LEG

REF. NO.	PART NO.	SYM.	QTY.	DESCRIPTION
43	F85606		1	KINGPIN CAP
44	F2030		6	HEX HD SCREW, 1/4 - 20 X 1 1/4
45	A85135-3		1	LEG COVER, FRONT
46	F1822		4	HEX BOLT, 5/16 - 18 X 7/8
47	F8096		4	SPRING LOCKWASHER
48	F85704		1	COUPLER, GEARSHIFT ROD UPPER
49	F438346		1	SHOCK MOUNT, LOWER
50	F1871		2	HEX HD SCREW, 3/8 - 16 X 3/4
51	F1703		2	SPRING LOCKWASHER
52	F85779-1		1	BAFFLE, AIR INTAKE
53	F1912		4	HEX HD SCREW, 10 - 24 X 1/2
54	F85965		2	SHOCK MOUNT, UPPER
55	F85615		1	GEAR SHIFT ROD UPPER
56	F2108		2	LOCK NUT, 5/16 - 18
57	F1987		1	PLAIN WASHER
58	FA85355-1		2	WASHER, SHOCK MOUNT UPPER
59	F8039		2	PLAIN WASHER

GEAR HOUSING

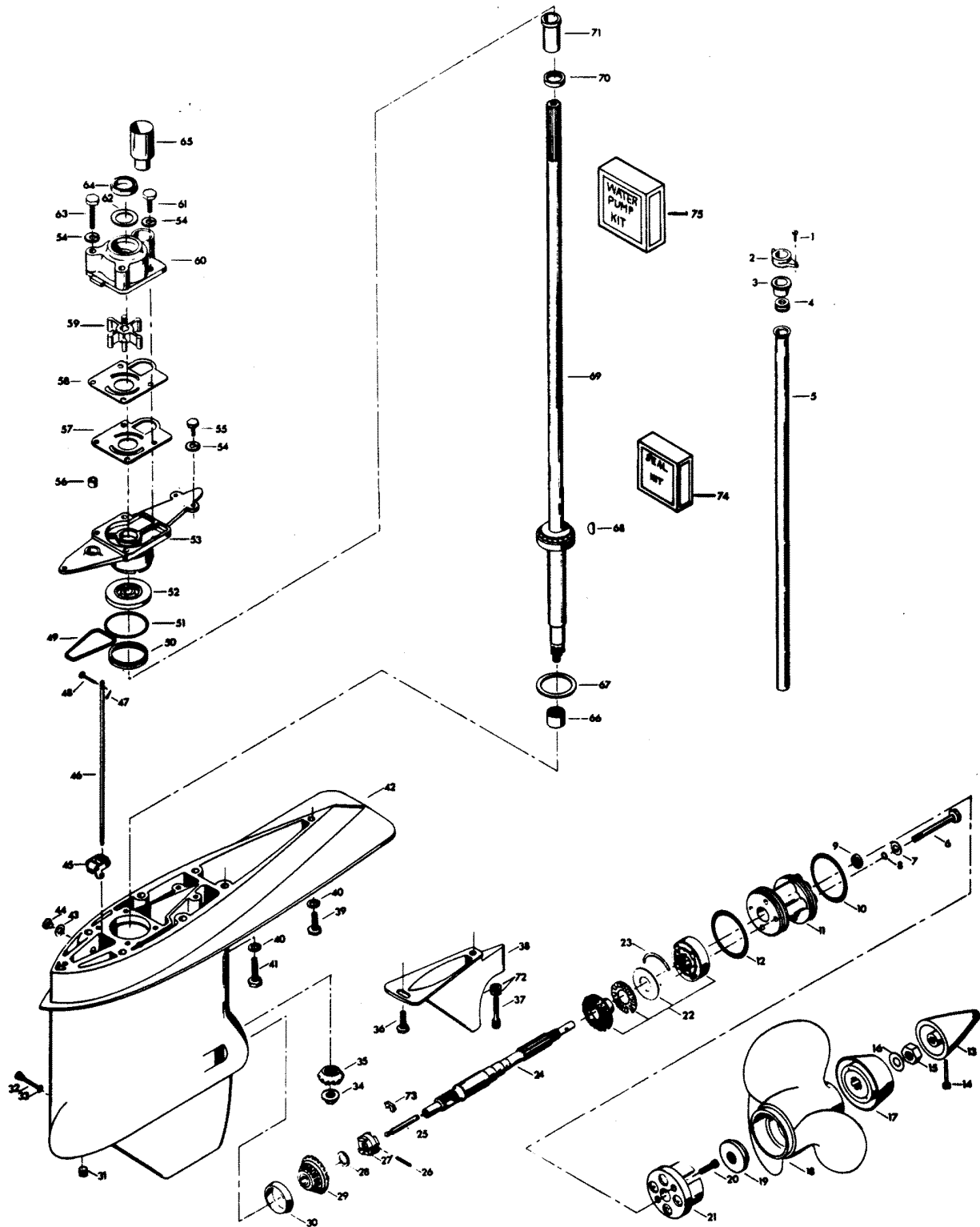


GEAR HOUSING

REF. NO.	PART NO.	SYM.	QTY.	DESCRIPTION
1	F1705		2	HEX CAP SCREW, 1/4 - 20 X 3/4
2	F85117		1	BRACKET, WATER LINE
3	F84342		1	SEAL, INLET WATER LINE UPPER
4	F523899		1	GROMMET, WATER LINE
5	F523244		1	INLET WATER LINE
6	F1885		4	HEX CAP SCREW, 5/16 - 18 X 4 1/4
7	F1907		4	PLAIN WASHER
8	F50342-1		4	SEAL, BEARING CAGE BOLTS
9	F506118		1	SEAL, PROPELLER SHAFT
10	F24278		1	SEAL, "O" RING PROPELLER SHAFT SPOOL
11	F2A523239		1	SPOOL, PROPELLER SHAFT BEARING W/SEALS
12	F84305		1	SEAL, PROPELLER SHAFT BEARING SPOOL
13	F523094-2		1	PROPELLER NUT
14	F498891		1	PIN, PROPELLER NUT RETAINING
15	F1788		1	STOP NUT
16	F1866		1	PLAIN WASHER
17	F509299		1	WASHER, PROPELLER SPLINE
18	FP511		1	PROPELLER (ACCESSORY ITEM)
19	F523099-1		1	SPACER, PROPELLER
20	F1577		2	FILL HD SCREW 1/4 - 20 X 3/4
21	FA523485		1	ANTI-CORROSION ANODE
22	F2A498662		1	BEVEL GEAR REAR W/BEARING CAGE, SPACER AND BEARING
23	F523411		2	RETAINING RING
24	FA523098		1	PROPELLER SHAFT
25	F84871-1		1	PIN, GEAR SHIFT
26	F1713		1	SPRING PIN
27	F84521-1		1	CLUTCH
28	F1936		A/R	SPACER, BEVEL GEAR FRONT .059
-	F1937		A/R	SPACER, BEVEL GEAR FRONT .062
-	F1938		A/R	SPACER, BEVEL GEAR FRONT .065
-	F1939		A/R	SPACER, BEVEL GEAR FRONT .068
-	F1940		A/R	SPACER, BEVEL GEAR FRONT .071
-	F1941		A/R	SPACER, BEVEL GEAR FRONT .074
-	F1942		A/R	SPACER, BEVEL GEAR FRONT .077
-	F2113		A/R	SPACER, BEVEL GEAR FRONT .080
-	F2114		A/R	SPACER, BEVEL GEAR FRONT .083
-	F2115		A/R	SPACER, BEVEL GEAR FRONT .086
-	F2116		A/R	SPACER, BEVEL GEAR FRONT .089
-	F2121		A/R	SPACER, BEVEL GEAR FRONT .057
-	F2122		A/R	SPACER, BEVEL GEAR FRONT .054
29	F2A498023		1	BEVEL GEAR FRONT W/BEARING
30	F523813		1	BEARING CUP

CONTINUED ON NEXT PAGE ➡

GEAR HOUSING

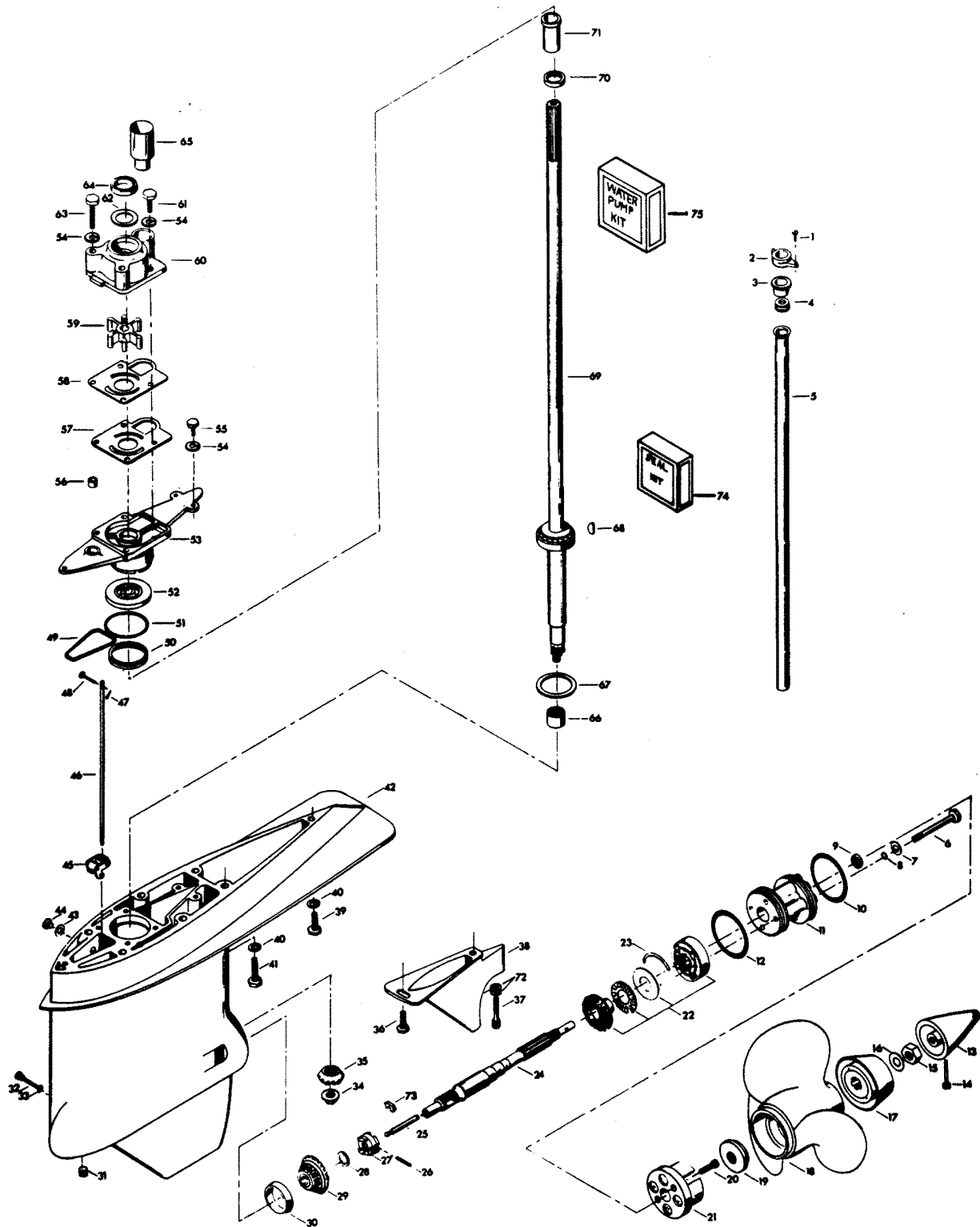


GEAR HOUSING

REF. NO.	PART NO.	SYM.	QTY.	DESCRIPTION
31	F19109		1	PLUG, GEAR HOUSING
32	F498891		1	PIN, GEAR SHIFT ARM
33	F498618		1	SEAL
34	F523188		1	NUT, BEVEL PINION RETAINING
35	FA498266		1	BEVEL PINION GEAR W/CRUSH RING AND SHIMS
36	F438930		1	RETAINER, SNOUT
37	F1994		1	HEX SOCKET HD CAP SCREW, 5/16 - 18 X 1
38	F523116		1	EXHAUST SNOUT
39	F1858		1	HEX CAP SCREW, 5/16 - 18 X 1
40	F8096		7	SPRING LOCKWASHER
41	F1491		6	HEX CAP SCREW, 5/16 - 18 X 3 1/4
42	FA523054		1	GEAR HOUSING W/BEARING CUP DRIVESHAFT BEARING LOWER, PLUGS AND WASHERS
-	FC498054		1	GEAR HOUSING COMPLETE INCLUDES ALL ITEMS MARKED WITH AN ASTERISK (*).
43	F8077		2	WASHER, GEAR HOUSING PLUG
44	F50109		2	PLUG, GEAR HOUSING
45	FA84621-1		1	COUPLING, GEAR SHIFT ARM W/BUSHING
46	F523705		1	GEAR SHIFT ROD LOWER
47	F1015		1	COTTER PIN
48	F85372		1	PIN, GEAR SHIFT ROD LOWER
49	F523555		1	SEAL, "O" RING - GEAR HOUSING COVER
50	F523961		1	CRUSH RING
51	F74305		1	SEAL, DRIVESHAFT BEARING CAGE
52	F84307-1		1	SEAL, DRIVESHAFT
53	FA523706		1	GEAR HOUSING COVER W/SEALS
54	F8083		7	SPRING LOCKWASHER
55	F1999		3	HEX CAP SCREW, 1/4 - 20 X 7/8
56	F338618-1		1	SEAL, GEAR SHIFT ROD
57	F523031		1	GASKET, WATER PUMP
58	F523562		1	WATER PUMP BACK PLATE
59	F523065		1	WATER PUMP IMPELLER
60	46-817853A1		1	WATER PUMP BODY W/DRIVESHAFT SEAL, DISC AND WATER LINE SEAL
61	F1990		2	HEX CAP SCREW, 1/4 - 20 X 1 5/8
62	F480388		1	DISC, WATER PUMP LOCATING
63	F1425		2	HEX CAP SCREW, 1/4 - 20 X 2 5/8
64	F351307		1	SEAL, WATER PUMP
65	FA523735		1	SEAL, INLET WATER LINE LOWER
66	F523057		1	BEARING, DRIVESHAFT LOWER
67	F9106		A/R	SHIM, DRIVESHAFT BEARING UPPER .003 - BRASS
-	F9095		A/R	SHIM, DRIVESHAFT BEARING UPPER .005 - SILVER
-	F9097		A/R	SHIM, DRIVESHAFT BEARING UPPER .010 - BLACK
68	F523498		1	DRIVE KEY, WATER PUMP

CONTINUED ON NEXT PAGE ➡

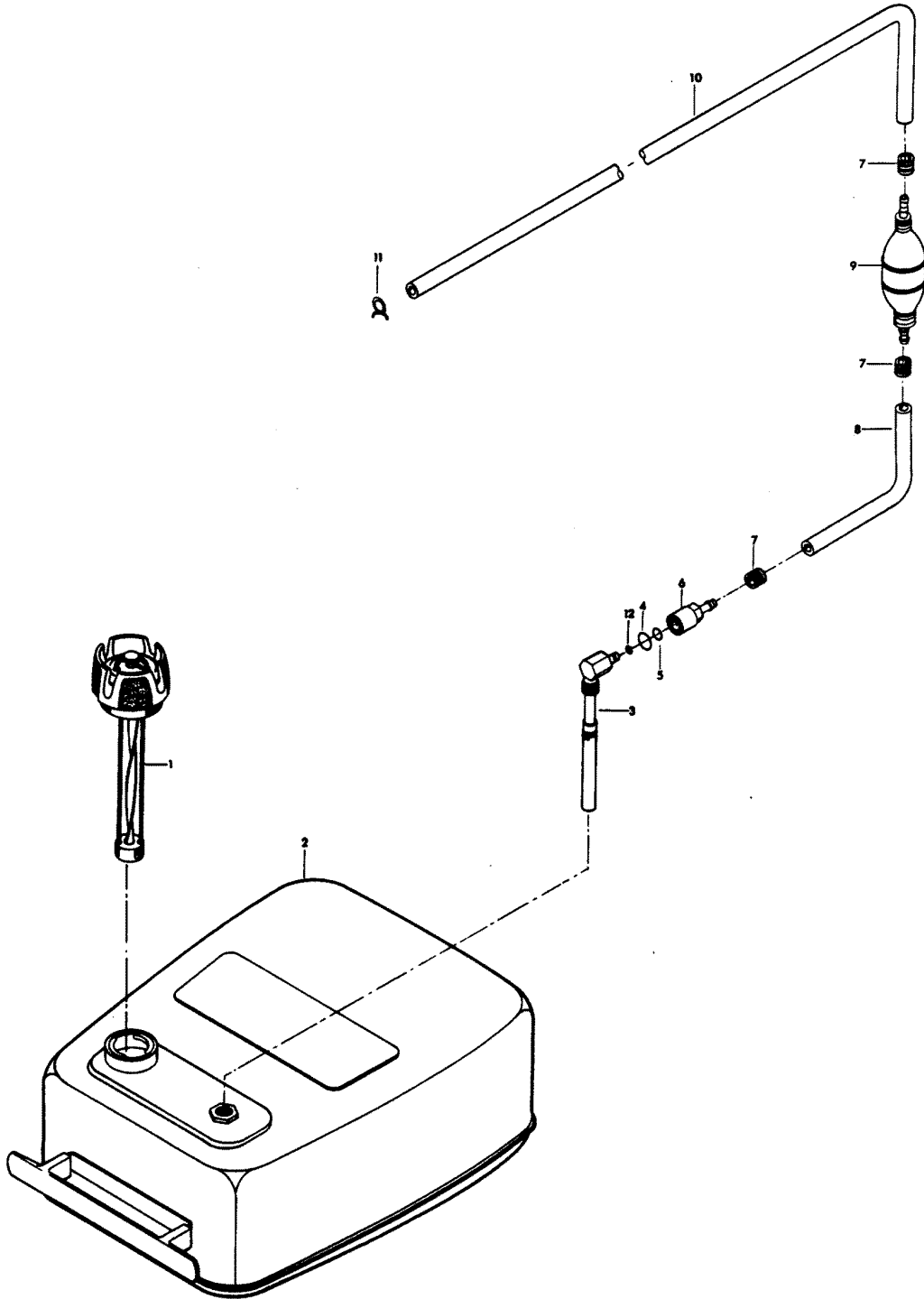
GEAR HOUSING



GEAR HOUSING

REF. NO.	PART NO.	SYM.	QTY.	DESCRIPTION
69	45-818017A3		1	DRIVESHAFT W/BEARING, SHIMS AND CRUSH RING
70	F438271		1	RETAINER, CRANKSHAFT SPLINE SEAL
71	F438129		1	SEAL, DRIVESHAFT SPLINE
72	F1856		2	PLAIN WASHER
73	F90619-1		1	YOKE
74	FK1063		1	SEAL KIT
-	F50342-1		4	BEARING CAGE BOLT SEAL
-	F506118		1	PROPELLER SHAFT SEAL
-	F24278		1	PROPELLER SHAFT SPOOL SEAL
-	F84305		1	PROPELLER SHAFT SPOOL SEAL
-	F498618		1	GEAR SHIFT ARM PIN SEAL
-	F8077		2	WASHER
-	F523555		1	GEAR HOUSING COVER SEAL
-	F74305		1	GEAR HOUSING COVER SEAL
-	F84307-1		1	DRIVE SHAFT SEAL
-	F338618-1		1	GEAR SHIFT ROD SEAL
75	FK1069		0	WATER PUMP KIT

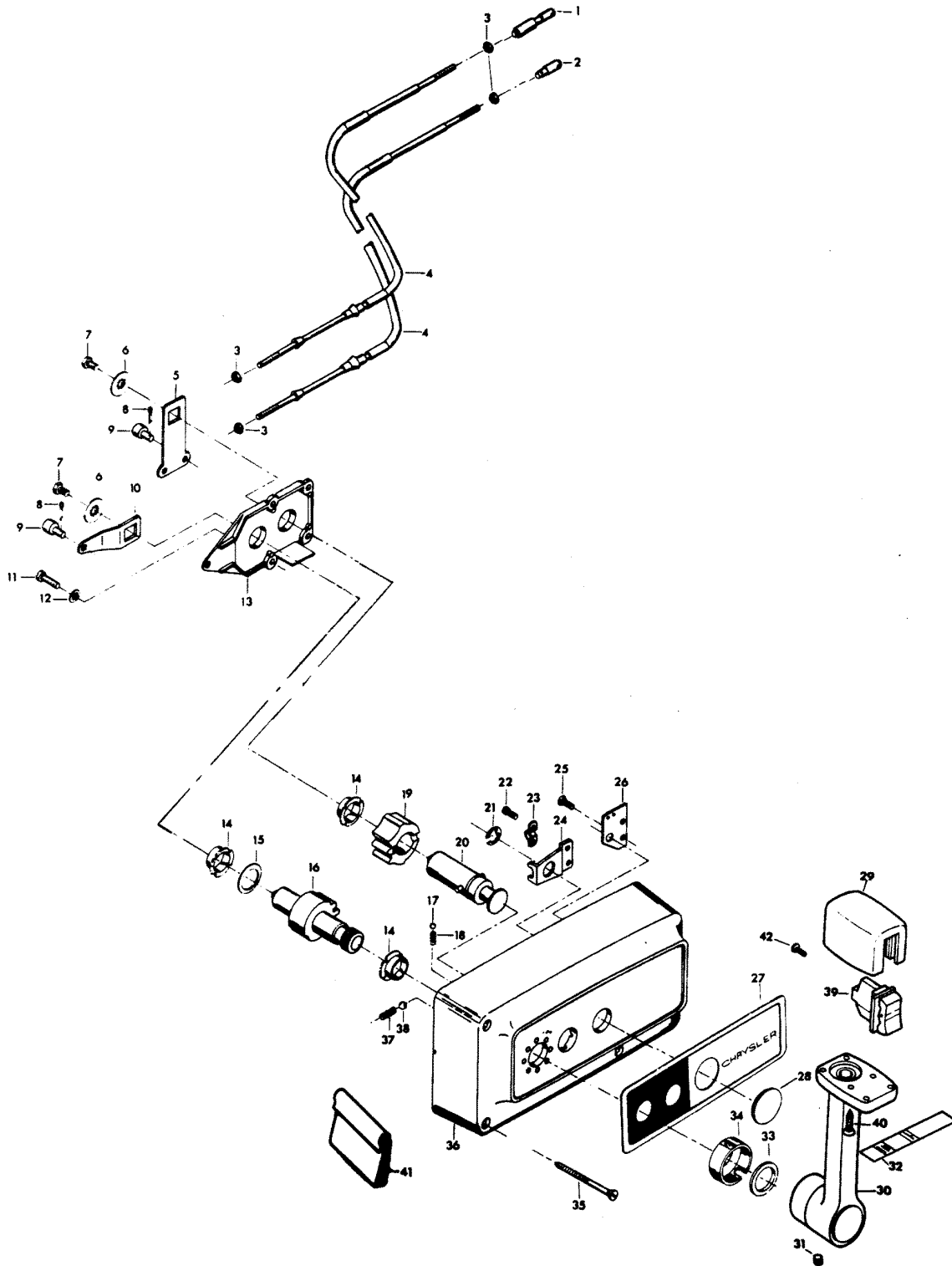
FUEL TANK AND LINE



FUEL TANK AND LINE

REF. NO.	PART NO.	SYM.	QTY.	DESCRIPTION
1	F409251-1		1	GAUGE CAP
2	F5H026		1	FUEL TANK (ACCESSORY ITEM)
3	F485755-1		1	FUEL TANK ADAPTER
4	F213342		1	SEAL, FUEL LINE COUPLER (LARGE)
5	F213735		1	SEAL, FUEL LINE COUPLER (SMALL)
6	F197787-3		1	FUEL LINE COUPLER
7	F298788		3	FERRULE
8	FA84754-1		1	FUEL LINE SHORT W/FERRULES
9	89396A38		1	PRIME BULB
10	32-817738A1		1	FUEL LINE LONG W/CLAMP AND FERRULE
11	F97772		1	FUEL LINE CLAMP
12	F17932		1	SEAL, FUEL TANK ADAPTER
-	FS409752		1	FUEL LINE COMPLETE
-	FC409398		1	DECAL, TOTE TANK - CANADA (NOT SHOWN)

REMOTE CONTROL

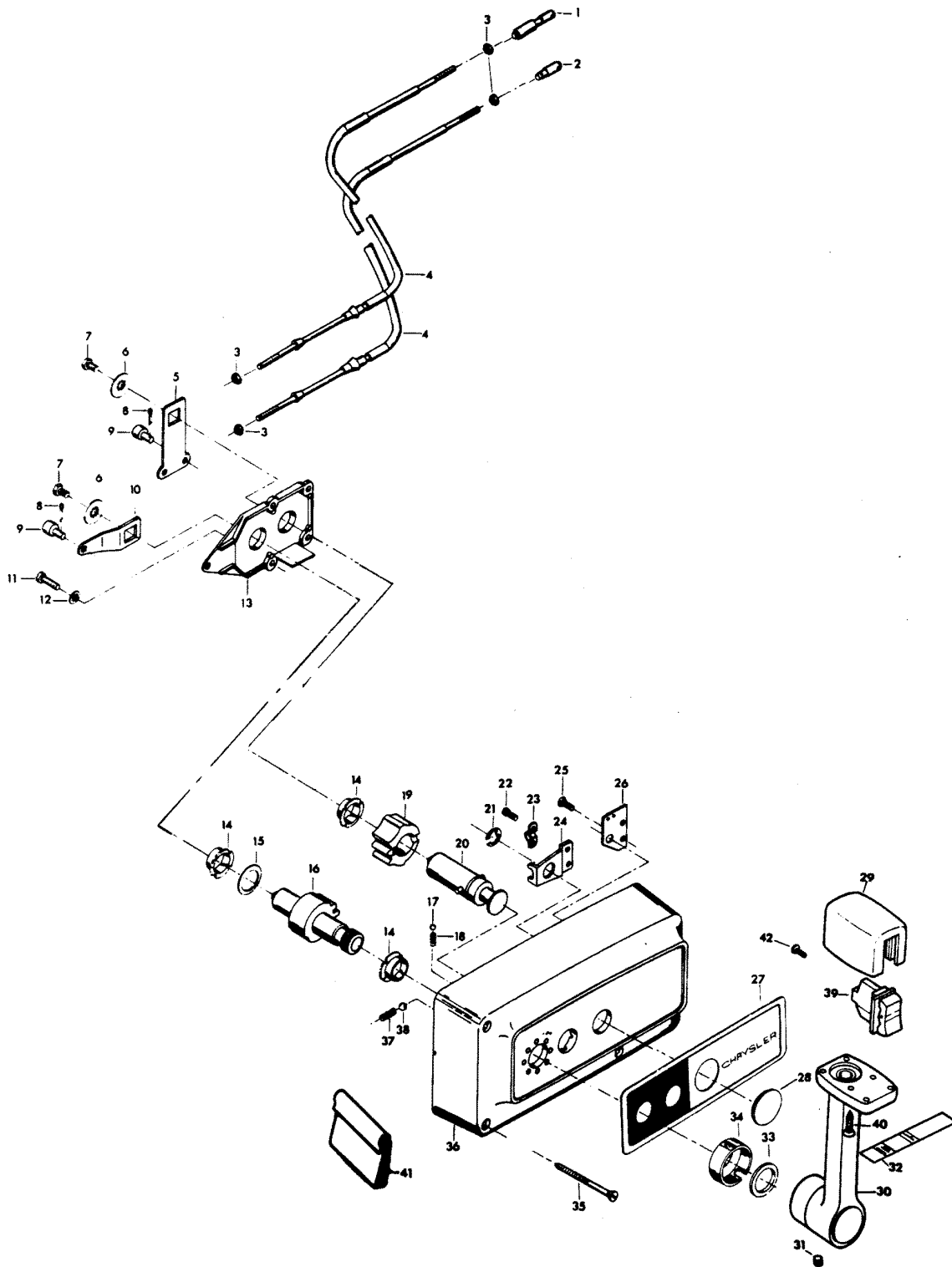


REMOTE CONTROL

REF. NO.	PART NO.	SYM.	QTY.	DESCRIPTION
1	FA58976-1		1	CONNECTOR, THROTTLE CABLE
2	F58685-2		1	CONNECTOR, SHIFT CABLE
3	1531		4	HEX NUT
4	ÄF58356//		2	REMOTE CONTROL CABLE (SPECIFY LENGTH)
5	F17019		1	CLUTCH ARM
6	F17036		2	INTERNAL TOOTH LOCKWASHER
7	F1715		2	HEX BOLT, 1/4 - 28 X 9/16
8	F17149		2	COTTER PIN
9	F17016		2	CABLE TERMINAL
10	F17014		1	THROTTLE ARM
11	F17013		2	FILL HD SCREW, 1/4 - 20 X 1/2
12	F17147		2	INTERNAL TOOTH LOCKWASHER
13	F17012		1	RETAINING PLATE
14	F17009		3	BEARING
15	F17011		1	BOWED WASHER
16	F17010-1		1	THROTTLE GEAR
17	F17111		1	DETENT BALL
18	F17006		1	DETENT SPRING
19	F17021		1	CLUTCH GEAR
20	F17100		1	CLUTCH SHAFT
21	F17092		1	SNAP RING
22	F17071		2	FILL HD SCREW, 10 - 24 X 5/16
23	F154317		1	CABLE CLAMP
24	F17026		1	SWIVEL
25	F1557		2	FLAT HD SCREW, 10 - 24 X 3/8
26	F17112		1	JUNCTION BOARD, STARBOARD
-	F17113		1	JUNCTION BOARD, PORT
27	F17148		1	DECAL, STARBOARD
-	F531892		1	DECAL, PORT
28	F17031-1		1	SNAP CAP
29	F448543		1	KNOB
30	F448611		1	LEVER
31	F445690		1	SET SCREW
32	F449894		1	INDICATOR - STARBOARD
-	F448894		1	INDICATOR - PORT
33	F17105		1	FELT WASHER
34	F17106		1	COLLAR
35	F17146		3	WOOD SCREW
36	F17099-1		1	HOUSING
37	F17068		1	DETENT SPRING
38	F17082-1		1	DETENT BALL
39	F455449		1	SWITCH, TRIM
40	F1461		2	SCREW #6 X 7/8

CONTINUED ON NEXT PAGE ➡

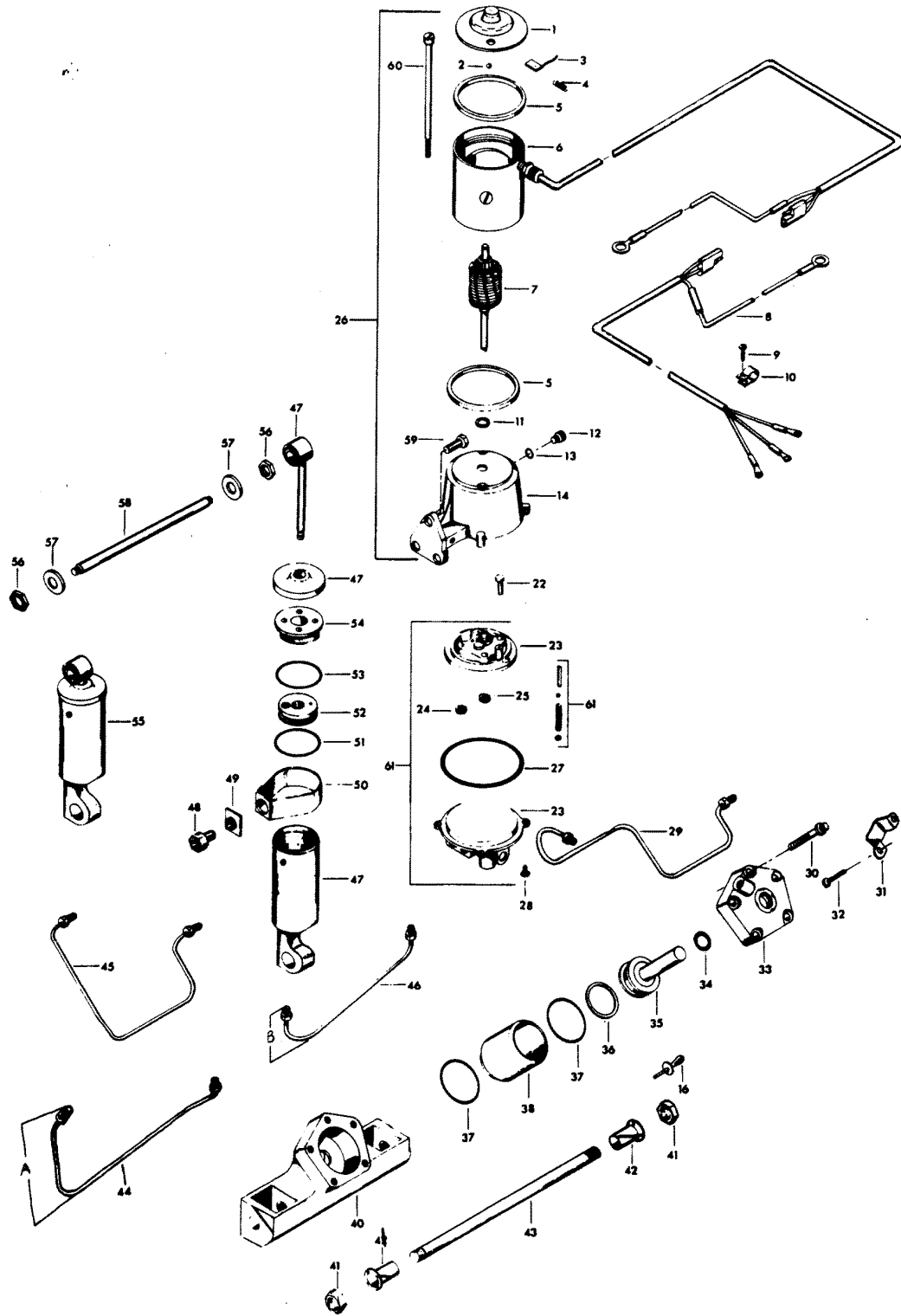
REMOTE CONTROL



REMOTE CONTROL

REF. NO.	PART NO.	SYM.	QTY.	DESCRIPTION
41	F448446		1	CLAMP, TRIM SWITCH CABLE
-	F1280		2	PAN HD SCREW, 8 - 32 X 1/4 (TERMINAL BOARD) (NOT SHOWN)
-	OB3061		1	LITERATURE (NOT SHOWN)
-	F17103-1		1	BAG ASSEMBLY (NOT SHOWN) INCLUDES ITEMS MARKED WITH AN ASTERISK (*)
42	F1280		3	PAN HD SCREW, 8 - 32 X 1/4

POWER TRIM UNIT

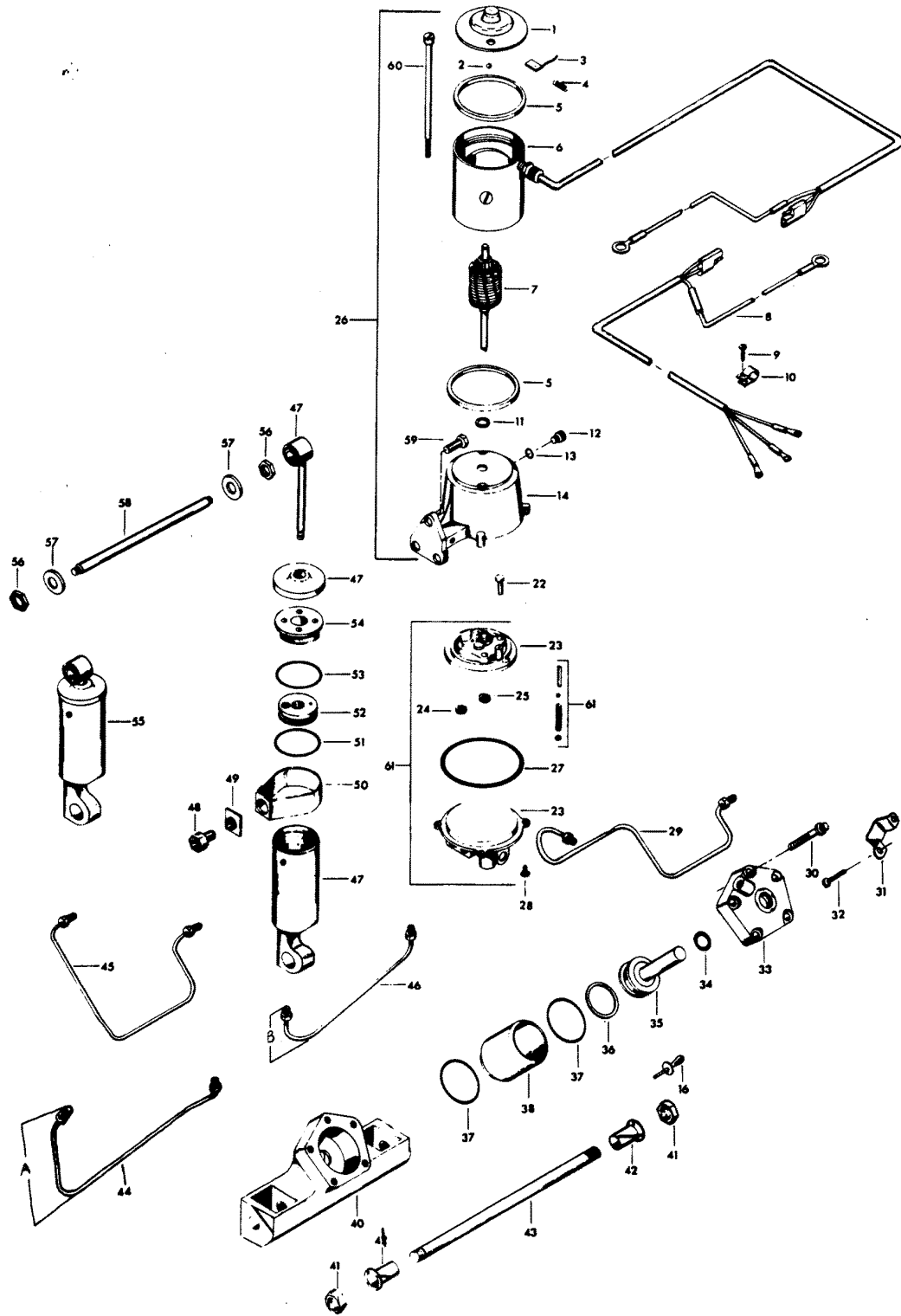


POWER TRIM UNIT

REF. NO.	PART NO.	SYM.	QTY.	DESCRIPTION
1	F17543		1	HEAD ASSEMBLY, COMMUTATOR END
2	F17539		1	BALL
3	F17504		1	BRUSH SET
4	F17500		1	SPRING SET
5	F17557		2	GASKET
6	F17556		1	FIELD AND FRAME ASSEMBLY
7	F17555		1	ARMATURE
8	F500843		1	CABLE
9	F1741		2	THREAD FORMING SCREW, 8 X 3/4
10	F178446		2	CLAMP
11	F17508		A/R	THRUST WASHER
12	F17518		1	FILLER CAP
13	F17510		1	"O" RING
14	F17505		1	RESERVOIR AND BRACKET W/SEAL
16	F1966		1	PLUG, SWIVEL BRACKET
22	F1203		1	HEX CAP SCREW, 1/4 - 20 X 7/8
23	F17564		1	VALVE BODY AND PUMP
24	F17566		1	IDLE GEAR
25	F17565		1	DRIVE GEAR
26	F17563		1	MOTOR AND RESERVOIR
27	F17522		1	"O" RING
28	F1310		4	ROUND HD SCREW, 10 - 24 X 5/8
29	F449254		1	HYDRAULIC LINE, TRIM CYLINDER, UPPER
30	F1959		5	FERRY HD CAP SCREW, 1/4 - 20 X 1 3/4, STAINLESS STEEL
31	F449354		1	THRUST BRACKET
32	F1734		2	FILL HD MOUNTING SCREW AND LOCKWASHER, 1/4 - 20 X 1/2
33	FA449149		1	COVER W/SEALS AND RETAINER
43	F449342		1	SEAL, PISTON SHAFT
35	FA449015		1	PISTON
36	F449278		1	PISTON SEAL
37	F40278		2	SEAL, CYLINDER
38	F449010		1	CYLINDER
40	F449545-2		1	CYLINDER HOUSING
41	F1963		2	ELASTIC STOP NUT, 5/8 - 18
42	F178362		2	BEARING
43	F449632		1	SHAFT
44	F449253-1		1	HYDRAULIC LINE, TRIM CYLINDER, LOWER
45	F449758		1	HYDRAULIC LINE, LIFT CYLINDER, UPPER
46	F449754-1		1	HYDRAULIC LINE, LIFT CYLINDER, LOWER
47	FA17559		1	LIFT CYLINDER COMPLETE
48	F17577		1	ADAPTER FITTING PACKAGE
49	F17577		1	ADAPTER FITTING PACKAGE

CONTINUED ON NEXT PAGE ➡

POWER TRIM UNIT



POWER TRIM UNIT

REF. NO.	PART NO.	SYM.	QTY.	DESCRIPTION
50	F17577		1	ADAPTER FITTING PACKAGE
51	F17561-1		1	"O" RING
52	F17562-1		1	PISTON ASSEMBLY
53	F17528		1	"O" RING
54	F17560		1	HEAD ASSEMBLY
55	FA178962		1	SHOCK ABSORBER W/BUSHING
56	F1931		2	STOP NUT, 1/2 - 20, STAINLESS STEEL
57	F1960		2	PLAIN WASHER
58	F449889		1	SHAFT, UPPER
59	F1822		3	HEX CAP SCREW, 5/16 - 18 X 7/8, STAINLESS STEEL
60	F17558		1	THRU-BOLT PACKAGE
61	F17568		1	HYDRAULIC PUMP AND VALVE ASSEMBLY
-	F1877		2	TY-RAP (NOT SHOWN)

SPECIAL TOOLS - TUNE-UP

REF. NO.	PART NO.	SYM.	QTY.	DESCRIPTION
-	FT8948-1		0	PULLER TO REMOVE FLYWHEEL.
-	FTA2937-1		0	TIMING TOOL TO ADJUST TIMING POINTER.
-	FT2951		0	CIRCUIT TRACER TO TROUBLESHOOT ELECTRICAL SYSTEM.

SPECIAL TOOLS - POWER HEAD

REF. NO.	PART NO.	SYM.	QTY.	DESCRIPTION
-	FT8914		0	SEAL REMOVER TO REMOVE UPPER CRANKSHAFT BEARING CAGE SEAL.
-	FT8903		0	SEAL INSTALLER TO INSTALL UPPER CRANKSHAFT BEARING CAGE SEAL.
-	FT8927		0	SEAL PROTECTOR TO INSTALL UPPER CRANKSHAFT BEARING CAGE.
-	FT8907		0	DRIVE HANDLE USED WITH T8903.
-	FT8925		0	SEAL INSTALLER TO INSTALL LOWER CRANKSHAFT SEAL.
-	FT2953		0	SOCKET TO TORQUE CONNECTING ROD SCREWS.
-	FT2990		0	PISTON PIN TOOL TO REMOVE AND INSTALL PISTON PINS.
-	FT2996		0	RING COMPRESSOR TO INSTALL PISTONS IN CYLINDER.
-	FT8926		0	RING EXPANDER TO INSTALL PISTON RINGS.
-	FT1082		0	SNAP RING PLIER TO REMOVE AND INSTALL DISTRIBUTOR RETAINING RING.

SPECIAL TOOLS - GEAR HOUSING

REF. NO.	PART NO.	SYM.	QTY.	DESCRIPTION
-	FT8948-1		0	PULLER TO REMOVE SPOOL FROM GEAR HOUSING. ORIGINAL FORCE P/N T8941-1
-	FT8918		0	BEARING GUIDE SET TO REMOVE AND INSTALL BEARING CUP IN GEAR HOUSING.
-	FT11209		0	BEARING GUIDE SET USE WITH T8918
-	FT11207		0	BEARING CUP REMOVER TO REMOVE FORWARD BEARING CUP IN GEAR HOUSING.
-	FT11204		0	BEARING CUP INSTALLER TO INSTALL FORWARD BEARING CUP IN GEAR HOUSING.
-	FT8957		0	SEAL INSTALLER TO INSTALL SHIFT ROD SEAL.
-	FT3012		0	SEAL INSTALLER TO INSTALL WATER PUMP SEAL.
-	FT8997		0	SHIMMING TOOL SET TO OBTAIN PROPER GEAR CLEARANCE AND PROP SHAFT END FLOAT.
-	FT8985		0	SEAL INSTALLER TO INSTALL PROPELLER SHAFT SEAL IN PROPELLER SHAFT BEARING SPOOL.
-	FT11205		0	BEARING INSTALLER/REMOVER TO INSTALL AND REMOVE LOWER DRIVE SHAFT BEARING IN GEAR HOUSING.
-	FT8925		0	SEAL INSTALLER TO INSTALL DRIVESHAFT SEAL IN GEAR HOUSING.
-	FT8907		0	DRIVER HANDLE TO INSTALL BEARING CUPS AND SEALS.
-	FT8901		0	INDICATOR HOLDER USED IN CONJUNCTION WITH T8997.
-	FT8902		0	DIAL INDICATOR USED IN CONJUNCTION WITH T8997
-	FT8919		0	SPRING PIN PUNCH TO REMOVE CLUTCH SPRING PIN.
-	FT7848		0	TORQUING ADAPTER HOLDS DRIVESHAFT WHILE INSTALLING OR REMOVING PINION NUT.

SPECIAL TOOLS - TEST EQUIPMENT

REF. NO.	PART NO.	SYM.	QTY.	DESCRIPTION
-	FTK8999		0	TEST WHEEL TO TEST MOTOR IN TEST TANK. ORIGINAL FORCE P/N TA8999
-	FT8933		0	LIFTING HOOK TO LIFT ENGINE.
-	FT8950		0	LEAKAGE TESTER TO TEST LOWER UNIT SEALS FOR LEAKAGE.
-	FT8953		0	IGNITION TESTER TO TEST OUTPUT OF C-D UNIT.
-	FT8978		0	TIMING LIGHT FOR SETTING IGNITION TIMING.

SPECIAL TOOLS - LUBRICANTS AND SEALANTS

REF. NO.	PART NO.	SYM.	QTY.	DESCRIPTION
-	FT2961		0	LUBRICANT
-	FT2987-1		0	LUBRICANT
-	FT8969		0	LUBRICANT
-	FT8955		0	SEALANT
-	FT8993		0	SEALANT
-	FT8936		0	SEALANT
-	FT2962-1		0	SEALANT
-	FT2963-1		0	SEALANT
-	FT8935		0	SEALANT PRIMER

ACCESSORIES

REF. NO.	PART NO.	SYM.	QTY.	DESCRIPTION
-	F5H014		0	FLUSHING ADAPTER PERMITS FRESH WATER FLUSHING OF WATER PASSAGE WITH STANDARD GARDEN HOSE.
-	F5H130		0	REMOTE CONTROL BOX (SINGLE LEVER) (SURFACE MOUNT) PERMITS REMOTE CONTROL OF THROTTLE AND GEAR SHIFT FROM STARBOARD SIDE OF BOAT.
-	F5H131		0	PORT SIDE DECAL KIT CONVERTS 5H130 CONTROL BOX TO PORT SIDE MOUNTING.
-	F590		0	REMOTE CONTROL HEAD (SINGLE LEVER) (FLUSH MOUNT) FLUSH MOUNT CONTROL UNIT PERMITS REMOTE CONTROL OF THROTTLE AND GEAR SHIFT. MAY BE MOUNTED ON PORT OR STARBOARD SIDE OF BOAT.
-	865		0	DUAL SINGLE LEVER CONTROL BOX (SURFACE MOUNT) PERMITS REMOTE CONTROL OF THROTTLE AND GEAR SHIFT ON TWIN ENGINE INSTALLATIONS. MAY BE MOUNTED ON PORT OR STARBOARD SIDE OF BOAT.
-	F195/___		0	REMOTE CONTROL CABLES CONNECTS REMOTE CONTROL BOX TO THROTTLE AND GEAR SHIFT ON ENGINE. AVAILABLE IN 6 THROUGH 40 FOOT LENGTHS.
-	F5H094		0	STEERING LINK KIT CONNECTS ENGINE TO REMOTE STEERING CABLE.
-	F5H018		0	DUAL ENGINE TIE BAR PERMITS DUAL ENGINE INSTALLATIONS.
-	F5H026		0	STEEL, 6 GALLON FUEL TANK (LOW PROFILE) AUXILIARY TANK
-	F5H029		0	TANK ANCHOR SECURES 5H026 TO BOAT.
-	F5H040		0	STEEL, 12 GALLON FUEL TANK AUXILIARY TANK
-	F5H019		0	ANTI-CORROSION KIT ELECTRICAL KIT FOR MOUNTING ON BOAT (12V) TO REDUCE CORROSION.
-	F5H025		0	ANTI-CORROSION SACRIFICIAL ANODE KIT USED TO REDUCE CORROSION.
-	F5H043		0	OVERHEAT BUZZER SOUNDS WARNING BUZZER IF ENGINE OVERHEATS.
-	F5H010		0	POWER TRIM INDICATOR INDICATES ENGINE TRIM ANGLE. (FLUSH MOUNT)
-	F5H134		0	BOAT WHITE LACQUER ENGINE TOUCH-UP PAINT IN 12 3/4 OZ. SPRAY BOMBS (6 CANS PER CASE).
-	F5H003		0	SPEEDOMETER FLUSH MOUNT MONITORS BOAT SPEED (0-100 KM/H)
-	F5H030		0	SWITCH KIT - RUNNING LIGHTS DASH MOUNTED TOGGLE SWITCH.
-	F5H031		0	SWITCH KIT - SPOT LIGHT DASH MOUNTED TOGGLE SWITCH.
-	F5H032		0	SWITCH KIT - WIPER DASH MOUNTED TOGGLE SWITCH
-	F5H034		0	SWITCH KIT - BILGE PUMP DASH MOUNTED TOGGLE SWITCH
-	F5H035		0	SWITCH KIT - HORN DASH MOUNTED TOGGLE SWITCH (MOMENTARY)
-	F5H036		0	SWITCH KIT - TACHOMETER DASH MOUNTED TOGGLE SWITCH FOR ONE TACHOMETER ON DUAL ENGINE INSTALLATION.

CONTINUED ON NEXT PAGE ➡

ACCESSORIES

REF. NO.	PART NO.	SYM.	QTY.	DESCRIPTION
-	F5H038		0	SWITCH KIT - IGNITION TO MOUNT IGNITION SWITCH ON DASH.
-	F5H039		0	SWITCH KIT - INSTRUMENT LIGHT DASH MOUNTED TOGGLE SWITCH
-	479		0	UNIMOUNT UNDER DASH MOUNT FOR INDICATOR LAMPS AND IGNITION SWITCH.
-	F5H075		0	WIRING HARNESS - IGNITION SWITCH - 24" USE WITH 563 TERMINAL BLOCK.
-	F5H135		0	SAND TAN LACQUER ENGINE TOUCH-UP PAINT IN 12 3/4 OZ. SPRAY BOMBS (6 CANS PER CASE)
-	F5H068		0	RFI SUPPRESSION KIT PROVIDES RADIO NOISE SUPPRESSION
-	F5H081		0	BATTERY CABLE LONGER LENGTH - 15 FEET.
-	71H06		0	AMMETER - FLUSH MOUNT MONITORS OUTPUT OF ALTERNATOR
-	F5H006		0	VOLTMETER - FLUSH MOUNT INDICATES BATTERY CONDITION
-	71H25		0	CHARGE MONITOR LAMP INDICATES ALTERNATOR OUTPUT
-	5H047		0	CANVAS HOOD PROTECTION FOR ENGINE COVER
-	5H051		0	BATTERY, 74 AMP 12 VOLT HEAVY DUTY BATTERY.
-	F5H021		0	EXTENSION CABLE FOR LENGTHENING BATTERY CABLE 6 1/2 FEET.
-	F5H041		0	BATTERY TERMINAL KIT ADAPTS MODEL 5H051 BATTERY TERMINALS FOR CONNECTIONS TO BATTERY CABLE ON ENGINE.
-	F5H037		0	CIGAR LIGHTER FOR USE AS CONVENIENCE OUTLET.
-	168		0	CONTROL PANEL FOR MOUNTING LAMPS, SWITCHES, ETC.
-	F5H008		0	FUEL GAUGE - FLUSH MOUNT MONITORS FUEL SUPPLY.
-	F5H077		0	IGNITION KEY SWITCH SHORT BARREL WITH KEYS.
-	F5H078		0	IGNITION KEY SWITCH LONG BARREL WITH KEYS.
-	478		0	IGNITION LAMP INDICATES WHEN IGNITION SWITCH IS "ON"
-	F762		0	REMOTE ELECTRIC CABLE 25 FOOT CABLE FOR LARGER BOATS.
-	5H082		0	REMOTE ELECTRIC CABLE 35 FOOT CABLE FOR LARGE BOATS.
-	F5H119		0	PROPELLER SPACER-FLARED REDUCES PROPELLER VENTILLATION
-	F5H070		0	REMOTE ELECTRIC CABLE 21 FOOT CABLE FOR LARGE BOATS.
-	F5H007		0	HOURLMETER - FLUSH MOUNT RECORDS ENGINE RUNNING TIME.
-	F5H028		0	SENDING UNIT FOR USE WITH 5H008 FUEL GAUGE.
-	F5H005		0	TEMPERATURE GAUGE FLUSH MOUNT MONITORS ENGINE TEMPERATURE. DO NOT USE TEMPERATURE GAUGE AND HEAT LAMP IN SAME INSTALLATION.
-	479		0	OVERHEAT LAMP KIT WARNS OF ENGINE OVERHEATING.
-	F5H012		0	TACHOMETER - FLUSH MOUNT MONITORS ENGINE R.P.M. TO PROVIDE CHECK OF ENGINE PERFORMANCE.

CONTINUED ON NEXT PAGE ➡

ACCESSORIES

REF. NO.	PART NO.	SYM.	QTY.	DESCRIPTION
-	F5H004		0	SPEEDOMETER - FLUSH MOUNT MONITORS BOAT SPEED (0-50 M.P.H.)
-	F5H002		0	SPEEDOMETER - FLUSH MOUNT MONITORING BOAT SPEED (0-65 M.P.H.)
-	5H111		0	INSTRUMENT ADAPTER - 2" PROVIDES FOR SURFACE MOUNTING OF 2" INSTRUMENTS.
-	F5H112		0	INSTRUMENT ADAPTER - 3 1/2 PROVIDES FOR SURFACE MOUNTING OF 3 1/2" INSTRUMENTS.
-	F5H120		0	REMOTE CONTROL BACK PLATE PROTECTS CONTROL MECHANISM FROM PADDED BOAT SURFACES.
-	F5H108		0	STEERING CONNECTOR CLEVIS TYPE FOR BOAT MOUNTED STEERING AND NON-THREADED CABLE END.
-	F5H076		0	SWITCH EXTENSION CABLE - 5' ALLOWS INSTALLATION OF IGNITION SWITCH IN 5H130 CONTROL BOX WITH 563 TERMINAL BLOCK.
-	F563		0	TERMINAL BLOCK KIT DOUBLE ROW 10 SECTION TO SIMPLIFY ACCESSORY INSTALLATION.
-			0	CHRYSLER OUTBOARD OIL SEE BLOCK COMMENT 1.
-			0	CHRYSLER OUTBOARD GEAR LUBE SEE BLOCK COMMENT 2.
-			0	CHRYSLER OUTBOARD FUEL AID REMOVES MOISTURE, PREVENTS SLUDGE AND VARNISH AND STABILIZES GAS. AVAILABLE IN 16 OZ. CANS AND 12 CAN CASES.
-			0	CHRYSLER OUTBOARD STORAGE LUBRICANT WORKS AS A CORROSION INHIBITOR AND PROTECTS INTERNAL ENGINE PARTS DURING STORAGE. AVAILABLE IN 16 OZ. CANS AND 12 CAN CASES.
-			0	CHRYSLER OUTBOARD MULTI-PURPOSE START LUBE WORKS AS A LUBRICANT, CLEANER, MOISTURE REMOVER AND ELECTRICAL INSULATOR. AVAILABLE IN 9 OZ. CANS AND 12 CAN CASES.
-			0	CHRYSLER OUTBOARD MULTI-PURPOSE GREASE LUBRICATES BEARINGS AND OTHER MOVING PARTS. AVAILABLE IN 8 OZ. TUBES AND 12 TUBE CASES.
-			0	CHRYSLER OUTBOARD GREASE GUN USED WITH CHRYSLER OUTBOARD MULTI-PURPOSE GREASE TUBES FOR PRESSURE FITTINGS.
-			0	CHRYSLER OUTBOARD MULTI-PURPOSE CLEANER

PARTS INDEX

Part Number	Description	Pg.	Ref. No.	Part Number	Description	Pg.	Ref. No.
ÄF58356//	REMOTE CONTROL CABLE (SPECIFY LENGTH)	43	4	F1187	HEX HD SCREW, 1/4 - 20 X 1	23	35
15169	FRAME AND FIELD ASSEMBLY	11	9	F1199	HEX CAP SCREW, 1/4 - 20 X 1	23	44
1531	HEX NUT	43	3	F1203	HEX BOLT, 1/4 - 20 X 7/8 . .	23	6
168	CONTROL PANEL	56	-	F1203	HEX CAP SCREW, 1/4 - 20 X 7/8	47	22
3C551944	ENGINE COVER COMPLETE	3	-	F1236	HEX HD SCREW, 1/4 - 20 X 1/2	21	91
478	IGNITION LAMP	56	-	F1238	HEX CAP SCREW, 1/4 - 20 X 3/4	3	8
479	OVERHEAT LAMP KIT	56	-	F1238	HEX HD SCREW, 1/4 - 20 X 3/4	23	43
479	UNIMOUNT	56	-	F1263	HEX SOCKET HD CAP SCREW, 5/16 - 18 X 9/16 .	31	14
480373	DECAL, MAGNAPOWER IGNITION	9	55	F1280	PAN HD SCREW, 8 - 32 X 1/4	7	33
481373-1	DECAL, "ELECTRONIC" (NOT SHOWN)	15	-	F1280	PAN HD SCREW, 8 - 32 X 1/4	45	42
5H047	CANVAS HOOD	56	-	F1280	PAN HD SCREW, 8 - 32 X 1/4 (TERMINAL BOARD) (NOT SHOWN)	45	-
5H051	BATTERY, 74 AMP	56	-	F1286	PAN HD SCREW, 4 - 40 X 3/16	23	31
5H082	REMOTE ELECTRIC CABLE	56	-	F1310	ROUND HD SCREW, 10 - 24 X 5/8	47	28
5H111	INSTRUMENT ADAPTER - 2"	57	-	F1341	HEX NUT, 1/4 - 20	23	13
71H06	AMMETER - FLUSH MOUNT	56	-	F1346	HEX NUT, 3/8 - 16	27	95
71H25	CHARGE MONITOR LAMP .	56	-	F1346	HEX NUT, 3/8 - 16	31	24
817747--1	BALL JOINT W/STUD	17	28	F14006-2	CAP BASE	13	37
817747--1	BALL JOINT W/STUD	23	9	F14007	CAP SCREW	13	33
817783A5	SWIVEL BRACKET W/BEARING AND GREASE FITTINGS.	31	38	F14011-1	CAP COVER	13	34
817786A1	DISTRIBUTOR PULLEY	13	3	F14012-1	BRUSH	13	39
817787A1	CYLINDER DRAIN COVER .	23	33	F14015	CAP CLIP RIVET	13	21
817788A3	SPACER PLATE W/PLUGS .	25	63	F14017	TERMINAL INSULATOR (OUTSIDE)	15	46
817822A1	DISTRIBUTOR	15	-	F14020-1	CAP SEAL	13	36
817892--1	PLATE, IGNITION SWITCH, CANADA (NOT SHOWN) .	9	-	F14024	SPACER	15	42
817931A7	MOTOR LEG COVER, REAR	31	12	F14025	SPACER	13	4
817959A3	INTAKE MANIFOLD	17	23	F14028	THRUST WASHER	13	5
85872-1	BRACKET	25	49	F14029	THRUST WASHER	13	7
865	DUAL SINGLE LEVER CONTROL BOX (SURFACE MOUNT)	55	-	F14030	CAP GASKET	13	38
89396A38	PRIME BULB	41	9	F14036	SWIVEL	13	13
A551386	DECAL, NUMERAL "85"	5	39	F14037	CAP CLIPS	13	14
A551391	DECAL, LEG (STARBOARD)	31	-	F14038	CAP CLIP SCREWS	13	15
A551392	DECAL, LEG (PORT)	31	11	F14040	VENT	13	35
A85135-3	LEG COVER, FRONT	33	45	F14041	EXTERNAL TOOTH LOCKWASHER	13	23
F10000	GASKET SET (NOT SHOWN)	21	-	F14042	DISTRIBUTOR HOUSING W/BEARINGS	13	12
F1009	HEX BOLT, 3/8 - 16 X 2 3/4 .	27	97	F14043	DISTRIBUTOR SHAFT	13	40
F10102	REPAIR PARTS KIT	21	103	F14045	SCREW	13	16
F1014	COTTER PIN	21	84	F14046	TERMINAL SCREW	13	19
F1015	COTTER PIN	37	47	F14047	TERMINAL INSULATOR (INSIDE)	13	20
F1059	FILL HD SCREW, S.S., 6 - 32 X 1/4	19	80	F14049	TERMINAL INSULATOR (OUTSIDE)	13	22
F1064	FILL HD SCREW, S.S., 8 - 32 X 3/8	19	45	F14056	SCREW	15	47
F1072	FILL HD SCREW, 1/4 - 20 X 1 3/4	19	59	F1425	HEX CAP SCREW, 1/4 - 20 X 2 5/8	37	63
F1099	FILL HD SCREW, 1/4 - 20 X 1 1/4	27	100	F1447	ROUND HD SCREW, 2 X 3/16	3	13
F1108	FILL HD SCREW W/LOCKWASHER, 1/4 -20 X 3/4	17	2	F1461	SCREW #6 X 7/8	43	40
F1110	FILL HD SCREW, 1/4 - 20 X 5/8	27	98				

PARTS INDEX

Part Number	Description	Pg.	Ref. No.	Part Number	Description	Pg.	Ref. No.
F1473	HEX NUT, 10 - 24	3	30	F1678	FILL HD SCREW, 10 - 24 X		
F1475	FILL HD SCREW, 10 - 24 X				13/16	7	2
	1/2	23	11	F1689	HEX HD SCREW, 1/4 - 20 X		
F1491	HEX CAP SCREW, 5/16 - 18				1/2	9	42
	X 3 1/4	37	41	F1692	WOODRUFF KEY	13	41
F1502	HEX CAP SCREW, 1/4 - 20 X			F1693	TIE BAR RETAINER NUT	19	46
	5/8	21	97	F1696	HEX BOLT, 5/16 - 18 X 1 3/4	31	19
F1502	HEX HD SCREW, 1/4 - 20 X			F17006	DETENT SPRING	43	18
	5/8	11	14	F17009	BEARING	43	14
F1502	HEX HD SCREW, 1/4 - 20 X			F17010-1	THROTTLE GEAR	43	16
	5/8	23	39	F17011	BOWED WASHER	43	15
F1502	HEX SLOT HD SCREW, 1/4 -			F17012	RETAINING PLATE	43	13
	20 X 5/8	3	14	F17013	FILL HD SCREW, 1/4 - 20 X		
F15034	SPRING SET	11	17		1/2	43	11
F1504	FILL HD SCREW, 1/4 - 20 X 1			F17014	THROTTLE ARM	43	10
	1/4	19	56	F17016	CABLE TERMINAL	43	9
F1504	FILL HD SCREW, 1/4 - 20 X 1			F17019	CLUTCH ARM	43	5
	1/4	23	12	F17021	CLUTCH GEAR	43	19
F15057	BRUSH PLATE AND			F17026	SWIVEL	43	24
	HOLDER	11	18	F1703	SPRING LOCKWASHER	27	103
F15080	SPRING	11	3	F1703	SPRING LOCKWASHER	33	51
F15099	ARMATURE	11	8	F17031-1	SNAP CAP	43	28
F15100	BENDIX	11	20	F17036	INTERNAL TOOTH		
F15110	CLUTCH ASSEMBLY	11	4		LOCKWASHER	43	6
F15111	NUT, STOP RETAINING	11	1	F1704	INTERNAL TOOTH		
F15112	STOP, PINION	11	2		LOCKWASHER	21	99
F15125	HEAD ASSEMBLY,			F1705	HEX CAP SCREW, 1/4 - 20 X		
	COMMUTATOR END	11	16		3/4	7	23
F15126	THRUST WASHER			F1705	HEX CAP SCREW, 1/4 - 20 X		
	PACKAGE	11	7		3/4	35	1
F1513	HEX NUT	7	18	F17068	DETENT SPRING	43	37
F1513	HEX NUT, 10 - 32	17	29	F17071	FILL HD SCREW, 10 - 24 X		
F1513	HEX NUT, 10 - 32	23	7		5/16	43	22
F1515	HEX NUT	7	24	F17082-1	DETENT BALL	43	38
F1515	HEX NUT, 5/16 - 18	17	37	F1709	HEX HD SCREW, 1/4 - 20 X 1		
F15165	BRUSH TERMINAL SET	11	10		1/8	25	76
F15167	HEAD ASSEMBLY DRIVE			F17092	SNAP RING	43	21
	END	11	5	F17099-1	HOUSING	43	36
F15168	THRU BOLT PACKAGE	11	12	F17100	CLUTCH SHAFT	43	20
F1528	WELCH PLUG	31	35	F17103-1	BAG ASSEMBLY (NOT		
F154317	CABLE CLAMP	43	23		SHOWN)	45	-
F1556	FILL HD SCREW			F17105	FELT WASHER	43	33
	W/LOCKWASHER, 10 - 24			F17106	COLLAR	43	34
	X 3/8	23	14	F17111	DETENT BALL	43	17
F1557	FLAT HD SCREW, 10 - 24 X			F17112	JUNCTION BOARD,		
	3/8	43	25		STARBOARD	43	26
F1577	FILL HD SCREW 1/4 - 20 X			F17113	JUNCTION BOARD, PORT	43	-
	3/4	35	20	F1713	SPRING PIN	35	26
F1593	HEX HD SCREW, 3/8 - 16 X 3	31	22	F17146	WOOD SCREW	43	35
F1612	HEX CAP SCREW, 3/8 - 16 X			F17147	INTERNAL TOOTH		
	1 1/4	13	8		LOCKWASHER	43	12
F1641	LOCK NUT, 1/4 - 28	11	6	F17148	DECAL, STARBOARD	43	27
F1645	HD. SCREW, 6 - 32 X 1/4	7	27	F17149	COTTER PIN	43	8
F1645	RD HD SCREW, 6 - 32 X 1/4	21	100	F1715	HEX BOLT, 1/4 - 28 X 9/16	43	7
F1647	HEX NUT, 10 - 32	25	86	F1727	PLASTIC RIVET	23	16
F1647	HEX NUT, 8 - 32	7	6	F1729	PLUG	31	9
F1647	HEX NUT, 8 - 32	13	24	F1730	PAN HD SCREW W/SPRING		
F1648	PAN HD SCREW, 10 - 24 X				LOCKWASHER, 1/4 - 20 X		
	3/4	7	16		5/8	3	34
F1664	SPRING PIN	31	13				

PARTS INDEX

Part Number	Description	Pg.	Ref. No.	Part Number	Description	Pg.	Ref. No.
F1734	FILL HD MOUNTING SCREW AND LOCKWASHER, 1/4 - 20 X 1/2	47	32	F178446	CLAMP	47	10
F1734	FILL HD SCREW W/LOCKWASHER, 1/4 - 20 X 1/2	7	14	F1788	STOP NUT	35	15
F1741	PAN HD SCREW, 8 X 3/4	7	35	F17932	SEAL, FUEL TANK ADAPTER	41	12
F1741	THREAD FORMING SCREW, 8 X 3/4	47	9	F18160-2	REED	23	28
F17500	SPRING SET	47	4	F1822	HEX BOLT, 5/16 - 18 X 7/8	33	46
F17504	BRUSH SET	47	3	F1822	HEX CAP SCREW, 5/16 - 18 X 7/8, STAINLESS STEEL	49	59
F17505	RESERVOIR AND BRACKET W/SEAL	47	14	F1832	STOP NUT, 1/4 - 20	25	59
F17508	THRUST WASHER	47	11	F184033-1	CHOKE ARM SWIVEL	21	85
F17510	"O" RING	47	13	F184579	SEAL, CHOKE ARM SWIVEL	19	82
F17518	FILLER CAP	47	12	F1849	HEX HD CAP SCREW, 1/4 - 20 X 1 3/8	5	37
F17522	"O" RING	47	27	F1849	HEX HD SCREW, 1/4 - 20 X 1 3/8	25	77
F17528	"O" RING	49	53	F1851	FILL HD SCREW W/LOCKWASHER, 10 - 24 X 1/2	7	39
F17539	BALL	47	2	F1854	HEX CAP SCREW, 1/4 - 20 X 5/8	3	19
F17543	HEAD ASSEMBLY, COMMUTATOR END	47	1	F1856	PLAIN WASHER	39	72
F1755	RD HD SCREW W/LOCKWASHER, 6 - 32 X 5/16	17	16	F1857	HEX CAP SCREW, 5/16 - 18 X 5/8	3	17
F17555	ARMATURE	47	7	F1857	HEX CAP SCREW, 5/16 - 18 X 5/8	3	29
F17556	FIELD AND FRAME ASSEMBLY	47	6	F1858	HEX CAP SCREW, 5/16 - 18 X 1	3	18
F17557	GASKET	47	5	F1858	HEX CAP SCREW, 5/16 - 18 X 1	37	39
F17558	THRU-BOLT PACKAGE	49	60	F1860	SLOTTED BINDING HD SCREW, 6 - 32 X 1/4	17	1
F17560	HEAD ASSEMBLY	49	54	F1864	HEX HD SCREW, 1/4 - 20 X 3/4	27	90
F17561-1	"O" RING	49	51	F1864	HEX SLOT HD SCREW, 1/4 - 20 X 3/4	31	4
F17562-1	PISTON ASSEMBLY	49	52	F1866	PLAIN WASHER	35	16
F17563	MOTOR AND RESERVOIR	47	26	F1867	HEX CAP SCREW, 3/8 - 16 X 1	29	19
F17564	VALVE BODY AND PUMP	47	23	F1869	HEX BOLT, 3/8 - 16 X 1 1/4	25	61
F17565	DRIVE GEAR	47	25	F1871	HEX HD SCREW 3/8 - 16 X 3/4	31	1
F17566	IDLE GEAR	47	24	F1871	HEX HD SCREW, 3/8 - 16 X 3/4	33	50
F17568	HYDRAULIC PUMP AND VALVE ASSEMBLY	49	61	F1872	HEX BOLT, 3/8 - 16 X 1 3/4	27	99
F17577	ADAPTER FITTING PACKAGE	47	48	F1873	HEX BOLT, 3/8 - 16 X 3	27	96
F17577	ADAPTER FITTING PACKAGE	47	49	F1877	TY-RAP	7	29
F17577	ADAPTER FITTING PACKAGE	49	50	F1877	TY-RAP (NOT SHOWN)	49	-
F1759	SHIM, DISTRIBUTOR (QTY. AS REQUIRED)	13	11	F1883	HEX BOLT, 5/16 - 18 X 2 3/8	25	67
F1760	PAN HD SCREW, 10 - 24 X 3/8	7	19	F1885	HEX BOLT, 5/16 - 18 X 4 1/4	25	55
F1760	PAN HD SCREW, 10 - 24 X 3/8	13	25	F1885	HEX CAP SCREW, 5/16 - 18 X 4 1/4	35	6
F1760	PAN HD SCREW, 10 - 24 X 3/8	19	60	F1892	STOP NUT	9	52
F1760	PAN HD SCREW, 10 - 24 X 3/8	23	2	F1904	PLAIN WASHER	31	23
F1773	HEX HD SCREW, 1/4 - 20 X 1 1/2	17	26	F1907	PLAIN WASHER	35	7
F177330	FUEL PUMP VALVE	17	9	F1910	STOP NUT, 1/4 - 20	17	31
F1778	PLAIN WASHER	13	9	F19109	PLUG	25	73
F178323	SEAL, MOTOR LEG	31	18	F19109	PLUG, GEAR HOUSING	37	31
F178362	BEARING	47	42	F1912	HEX HD SCREW, 10 - 24 X 1/2	33	53
				F1916	HEX HD SCREW, 1/4 - 20 X 1 1/8	17	25

PARTS INDEX

Part Number	Description	Pg.	Ref. No.	Part Number	Description	Pg.	Ref. No.
F1931	STOP NUT, 1/2 - 20, STAINLESS STEEL	49	56	F2067	PLASTISOL CAP (NOT SHOWN)	29	-
F1934	FLAT HD SLOTTED SCREW, 6 X 1/2	9	50	F2088	FASTENER	5	36
F1936	SPACER, BEVEL GEAR FRONT .059	35	28	F2089	SLOTTED PAN HD MACHINE SCREW, 10 - 24 X 5/16	27	101
F1937	SPACER, BEVEL GEAR FRONT .062	35	-	F2090	PLUG	25	64
F1938	SPACER, BEVEL GEAR FRONT .065	35	-	F2108	LOCK NUT, 5/16 - 18	33	56
F1939	SPACER, BEVEL GEAR FRONT .068	35	-	F2108	STOP NUT, 5/16 - 18	25	58
F1940	SPACER, BEVEL GEAR FRONT .071	35	-	F2113	SPACER, BEVEL GEAR FRONT .080	35	-
F1941	SPACER, BEVEL GEAR FRONT .074	35	-	F2114	SPACER, BEVEL GEAR FRONT .083	35	-
F1942	SPACER, BEVEL GEAR FRONT .077	35	-	F2115	SPACER, BEVEL GEAR FRONT .086	35	-
F195/ F1950	REMOTE CONTROL CABLES HEX HD SCREW, 10 - 24 X 5/8	55	-	F2116	SPACER, BEVEL GEAR FRONT .089	35	-
F1953	HEX HD SCREW, 1/4 - 20 X 1	21	94	F2121	SPACER, BEVEL GEAR FRONT .057	35	-
F1959	FERRY HD CAP SCREW, 1/4 - 20 X 1 3/4, STAINLESS STEEL	47	30	F2122	SPACER, BEVEL GEAR FRONT .054	35	-
F1960	PLAIN WASHER	49	57	F213274	GREASE FITTING	13	27
F1963	ELASTIC STOP NUT, 5/8 - 18	47	41	F213274	GREASE FITTING	31	33
F1966	PLUG, SWIVEL BRACKET	47	16	F213342	SEAL, FUEL LINE COUPLER (LARGE)	41	4
F1968	FLYWHEEL NUT	29	21	F213735	SEAL, FUEL LINE COUPLER (SMALL)	41	5
F1975	SPRING LOCKWASHER	7	10	F235785	DECAL, COMPLIANCE - CANADA (NOT SHOWN)	9	-
F1975	SPRING LOCKWASHER	13	26	F24278	PROPELLER SHAFT SPOOL SEAL	39	-
F197787-3	FUEL LINE COUPLER	41	6	F24278	SEAL, "O" RING PROPELLER SHAFT SPOOL	35	10
F1987	PLAIN WASHER	25	66	F269319	BEARING	17	32
F1987	PLAIN WASHER	33	57	F284659-2	CRANKSHAFT THRUST BEARING UPPER	29	22
F1990	HEX CAP SCREW, 1/4 - 20 X 1 5/8	37	61	F289446-1	CLAMP	7	12
F1994	HEX SOCKET HD CAP SCREW, 5/16 - 18 X 1	37	37	F298788	FERRULE	41	7
F1997	STOP NUT, 8 - 32	17	40	F2A404757	CYLNR DRN REED PLATE W/REEDS, STOPS, METERING CUP & SCREW	23	27
F1999	HEX CAP SCREW, 1/4 - 20 X 7/8	23	42	F2A498023	BEVEL GEAR FRONT W/BEARING	35	29
F1999	HEX CAP SCREW, 1/4 - 20 X 7/8	37	55	F2A498662	BEVEL GEAR REAR W/BEARING CAGE, SPACER AND BEARING	35	22
F2000	HEX CAP SCREW 5/16 - 18 X 3/4	9	47	F2A523239	SPOOL, PROPELLER SHAFT BEARING W/SEALS	35	11
F2001	FILL HD SCREW, 10 - 24 X 5/8	7	9	F307317	CLIP, TERMINAL BLOCK	7	17
F2008	HEX HD SCREW, 1/4 - 20 X 7/8	17	24	F316555	GEAR HOUSING SEAL	27	-
F2015	HEX NUT, 1/4 - 28	23	19	F316579	SEAL, CRANKCASE	29	11
F2016	FILL HD SCREW, 6 - 32 X 7/8	21	101	F316599	SEAL, STEERING SUPPORT TUBE	31	32
F2030	HEX HD SCREW, 1/4 - 20 X 1 1/4	33	44	F319908	GROUND WIRE - CANADA	9	57
F203276	BOOT	13	30	F321756	PACKING	3	25
F2033	GROOVE PIN	21	87	F321841-3	LEAD WIRE - USA	13	32
F203673	TERMINAL CLIP	13	31	F333316	THROTTLE ROLLER SHAFT	19	49
F2042	PLAIN WASHER	23	3	F335215	SPACER, PISTON PIN (2 PER PISTON)	29	3
F2047	WAVE SPRING WASHER	3	24	F335217-1	BEARING PISTON PIN (26 PER SET)	29	5
F2066	PAN HD TAPPING SCREW, 10 X 7/16	3	32				

PARTS INDEX

Part Number	Description	Pg.	Ref. No.	Part Number	Description	Pg.	Ref. No.
F335654-1	DEFLECTION STOP	3	15	F438962	SHOCK MOUNT SIDE	31	15
F338618-1	GEAR SHIFT ROD SEAL	39	-	F439736	SEAL, EXHAUST TUBE	31	10
F338618-1	SEAL, GEAR SHIFT ROD	31	17	F445690	SET SCREW	43	31
F338618-1	SEAL, GEAR SHIFT ROD	37	56	F448446	CLAMP, TRIM SWITCH		
F345475-1	COIL	9	44		CABLE	45	41
F345683	WIRE, REGULATOR - RECTIFIER GROUND	7	5	F448543	KNOB	43	29
F351307	SEAL, WATER PUMP	37	64	F448611	LEVER	43	30
F353480	STUD	31	25	F448894	INDICATOR - PORT	43	-
F369529	CYLINDER HEAD GASKET	25	74	F449010	CYLINDER	47	38
F369529	CYLINDER HEAD GASKET	27	-	F449253-1	HYDRAULIC LINE, TRIM CYLINDER, LOWER	47	44
F369610	BEARING	25	53	F449254	HYDRAULIC LINE, TRIM CYLINDER, UPPER	47	29
F369887	SHOULDER SCREW	25	52	F449278	PISTON SEAL	47	36
F369977-1	INTERLOCK ARM	25	54	F449342	SEAL, PISTON SHAFT	47	43
F373778-1	RETAINER, ENGINE COVER	3	31	F449354	THRUST BRACKET	47	31
F381896-4	BATTERY CABLE	7	30	F449545-2	CYLINDER HOUSING	47	40
F391926-1	CHOKE SOLENOID PLUNGER	21	89	F449632	SHAFT	47	43
F391983	BAND, RETAINING	9	51	F449754-1	HYDRAULIC LINE, LIFT CYLINDER, LOWER	47	46
F3A523158	REED PLATE W/REEDS, REED STOP & SCREW	17	19	F449758	HYDRAULIC LINE, LIFT CYLINDER, UPPER	47	45
F40209	CARBURETOR STUD	17	36	F449889	SHAFT, UPPER	49	58
F40223	GASKET, TRANSFER PORT COVER	23	41	F449894	INDICATOR - STARBOARD	43	32
F40223	TRANSFER PORT COVER GASKET	27	-	F455449	SWITCH, TRIM	43	39
F40278	SEAL, CYLINDER	47	37	F460917	STARTER RELAY	7	26
F404097	FLYWHEEL	7	1	F474073-1	CLAMP SCREW	31	27
F404268	SPRING, BY-PASS VALVE	25	84	F474387	TIMING DECAL - USA	9	56
F404470-1	REGULATOR-RECTIFIER	7	8	F476066-1	COVER, THERMOSTAT	25	47
F404513	COIL CLAMP	7	40	F476067	GASKET, THERMOSTAT COVER	27	94
F404801	FITTING	23	36	F476067	THERMOSTAT COVER GASKET	27	-
F404841	CABLE, HEAT INDICATOR	7	37	F480038-2	SUPPORT PLATE	3	9
F40689-1	BEARING, TOWERSHAFT	25	60	F480107-1	CAM, STARTER INTERLOCK	27	102
F407446	CLAMP	7	31	F480388	DISC, WATER PUMP LOCATING	37	62
F409251-1	GAUGE CAP	41	1	F480518	CYLINDER HEAD	25	72
F433209-1	STUD	17	30	F480551-1	BRACKET INTERLOCK SWITCH	21	95
F433253	HOSE	23	37	F480818	BEARING, LATCH SHAFT	3	7
F438066	BY-PASS VALVE COVER	25	82	F481061-2	CARBURETOR COMPLETE (WB-21C)	19	72
F438129	SEAL, DRIVESHAFT SPLINE	39	71	F481382-1	SPACER, LATCH SHAFT	3	23
F438165	SCREW, FUEL PUMP BOWL	17	15	F481434	GUIDE, ENGINE COVER	3	35
F438169	BEARING	31	37	F481567	CARBURETOR INTAKE ADAPTER	19	55
F438271	RETAINER, CRANKSHAFT SPLINE SEAL	39	70	F481774	BRACKET, ENGINE COVER LATCH	3	26
F438346	SHOCK MOUNT, LOWER	33	49	F481777	CAM, LATCH SHAFT	3	22
F438398	DECAL, WIRING - USA	25	75	F481836	INTAKE GASKET	19	70
F438500	FUEL SEDIMENT BOWL	17	14	F481836	INTAKE GASKET	27	-
F438617	FUEL SEDIMENT BOWL GASKET	17	13	F481860-1	CARBURETOR, INTAKE	19	57
F438653	FUEL SEDIMENT BOWL SCREEN	17	12	F485755-1	FUEL TANK ADAPTER	41	3
F438668	RETAINER, CABLE CLAMP	7	13	F498618	GEAR SHIFT ARM PIN SEAL	39	-
F438744-1	WIRING HARNESS	7	4	F498618	SEAL	37	33
F438747	FUEL PUMP DIAPHRAGM	17	7	F498891	PIN, GEAR SHIFT ARM	37	32
F438754	FUEL LINE	19	79	F498891	PIN, PROPELLER NUT RETAINING	35	14
F438760	FUEL PUMP GASKET	17	8	F499995	CYLINDER HEAD COVER	25	68
F438801	FITTING	17	5				
F438841-1	LEAD WIRE - CANADA	13	-				
F438905	COIL WIRE - CANADA	13	-				
F438930	RETAINER, SNOUT	37	36				

PARTS INDEX

Part Number	Description	Pg.	Ref. No.	Part Number	Description	Pg.	Ref. No.
F500843	CABLE	47	8	F5H003	SPEEDOMETER FLUSH MOUNT	55	-
F50109	PLUG, GEAR HOUSING	37	44	F5H004	SPEEDOMETER - FLUSH MOUNT	57	-
F50342-1	BEARING CAGE BOLT SEAL	39	-	F5H005	TEMPERATURE GAUGE FLUSH MOUNT	56	-
F50342-1	SEAL, BEARING CAGE BOLTS	35	8	F5H006	VOLTMETER - FLUSH MOUNT	56	-
F506118	PROPELLER SHAFT SEAL	39	-	F5H007	HOURMETER - FLUSH MOUNT	56	-
F506118	SEAL, PROPELLER SHAFT	35	9	F5H008	FUEL GAUGE - FLUSH MOUNT	56	-
F509299	WASHER, PROPELLER SPLINE	35	17	F5H010	POWER TRIM INDICATOR	55	-
F510374	DECAL, CIRCUIT BREAKER, USA	7	41	F5H012	TACHOMETER - FLUSH MOUNT	56	-
F510460	CIRCUIT BREAKER	7	22	F5H014	FLUSHING ADAPTER	55	-
F511125-2	TUBE, STEERING SUPPORT	31	31	F5H018	DUAL ENGINE TIE BAR	55	-
F511675	STARTER BRACKET, LOWER	11	15	F5H019	ANTI-CORROSION KIT	55	-
F523031	GASKET, WATER PUMP	37	57	F5H021	EXTENSION CABLE	56	-
F523057	BEARING, DRIVESHAFT LOWER	37	66	F5H025	ANTI-CORROSION SACRIFICIAL ANODE	55	-
F523065	WATER PUMP IMPELLER	37	59	F5H026	FUEL TANK (ACCESSORY ITEM)	41	2
F523094-2	PROPELLER NUT	35	13	F5H026	STEEL, 6 GALLON FUEL TANK (LOW PROFILE)	55	-
F523099-1	SPACER, PROPELLER	35	19	F5H028	SENDING UNIT	56	-
F523116	EXHAUST SNOOT	37	38	F5H029	TANK ANCHOR	55	-
F523133-2	MOTOR LEG	31	16	F5H030	SWITCH KIT - RUNNING LIGHTS	55	-
F523146	SEAL	29	13	F5H031	SWITCH KIT - SPOT LIGHT	55	-
F523188	NUT, BEVEL PINION RETAINING	37	34	F5H032	SWITCH KIT - WIPER	55	-
F523244	INLET WATER LINE	35	5	F5H034	SWITCH KIT - BILGE PUMP	55	-
F523274	GREASE FITTING	31	30	F5H035	SWITCH KIT - HORN	55	-
F523280	NUT, STEERING SUPPORT TUBE	31	39	F5H036	SWITCH KIT - TACHOMETER	55	-
F523411	RETAINING RING	35	23	F5H037	CIGAR LIGHTER	56	-
F523451	SPACER, REED STOP	17	34	F5H038	IGNITION SWITCH MOUNTING KIT (ACCESSORY ITEM)	9	49
F523498	DRIVE KEY, WATER PUMP	37	68	F5H038	SWITCH KIT - IGNITION	56	-
F523555	GEAR HOUSING COVER SEAL	39	-	F5H039	SWITCH KIT - INSTRUMENT LIGHT	56	-
F523555	SEAL, "O" RING - GEAR HOUSING COVER	37	49	F5H040	STEEL, 12 GALLON FUEL TANK	55	-
F523562	WATER PUMP BACK PLATE	37	58	F5H041	BATTERY TERMINAL KIT	56	-
F523705	GEAR SHIFT ROD LOWER	37	46	F5H041	BATTERY TERMINAL KIT (ACCESSORY ITEM)	7	32
F523813	BEARING CUP	35	30	F5H043	OVERHEAT BUZZER	55	-
F523834	CLIP, SPARK PLUG WIRE	23	5	F5H043	OVERHEAT BUZZER (ACCESSORY ITEM)	7	36
F523899	GROMMET, WATER LINE	35	4	F5H068	RFI SUPPRESSION KIT	56	-
F523961	CRUSH RING	37	50	F5H070	REMOTE ELECTRIC CABLE	56	-
F523962	SHOCK MOUNT	9	46	F5H075	WIRING HARNESS - IGNITION SWITCH - 24"	56	-
F528068	THERMOSTAT	25	70	F5H076	SWITCH EXTENSION CABLE - 5'	57	-
F530160	REED (5 PETAL)	17	18	F5H077	IGNITION KEY SWITCH	56	-
F531892	DECAL, PORT	43	-	F5H078	IGNITION KEY SWITCH	56	-
F53504	GROMMET	19	58	F5H078	IGNITION SWITCH (LONG BARREL) W/KEYS AND SCREWS	7	34
F545189	BUSHING, CABLE ENTRY	3	11				
F548984	BLANKET, SILENCER TOP (NOT SHOWN)	3	-				
F548985	BLANKET, SILENCER SIDE (NOT SHOWN)	3	-				
F549189	BUSHING, ELECTRIC CABLE	3	10				
F563	TERMINAL BLOCK KIT	57	-				
F58685-2	CONNECTOR, SHIFT CABLE	43	2				
F590	REMOTE CONTROL HEAD (SINGLE LEVER) (FLUSH MOUNT)	55	-				

PARTS INDEX

Part Number	Description	Pg.	Ref. No.	Part Number	Description	Pg.	Ref. No.
F5H081	BATTERY CABLE	56	-	F84278	SEAL, CRANKSHAFT		
F5H094	STEERING LINK KIT	55	-		BEARING CAGE	29	17
F5H108	STEERING CONNECTOR	57	-	F84286-1	FRICTION WASHER	31	34
F5H112	INSTRUMENT ADAPTER - 3 1/2	57	-	F84305	PROPELLER SHAFT SPOOL SEAL	39	-
F5H119	PROPELLER SPACER- FLARED	56	-	F84305	SEAL, PROPELLER SHAFT BEARING SPOOL	35	12
F5H120	REMOTE CONTROL BACK PLATE	57	-	F84307-1	DRIVE SHAFT SEAL	39	-
F5H130	REMOTE CONTROL BOX (SINGLE LEVER) (SURFACE MOUNT)	55	-	F84307-1	SEAL, DRIVESHAFT	37	52
F5H131	PORT SIDE DECAL KIT	55	-	F84314-2	ELBOW	17	3
F5H134	BOAT WHITE LACQUER	55	-	F84314-2	ELBOW	23	22
F5H135	SAND TAN LACQUER	56	-	F84342	SEAL, INLET WATER LINE UPPER	35	3
F63754	HOSE INTAKE DRAIN	19	63	F84449	INTERLOCK SWITCH	21	98
F7004	STOP NUT, 3/8 - 16	23	24	F84504	GROMMET	25	71
F7012	LOCK NUT, 1/2 - 20	31	21	F84504	THERMOSTAT GROMMET	27	-
F7013	STOP NUT	13	2	F84521-1	CLUTCH	35	27
F74305	GEAR HOUSING COVER SEAL	39	-	F84792	GASKET, FUEL PUMP VALVE	17	10
F74305	SEAL, DRIVESHAFT BEARING CAGE	37	51	F84871-1	PIN, GEAR SHIFT	35	25
F762	REMOTE ELECTRIC CABLE	56	-	F85017	PISTON PIN	29	4
F8003	PLAIN WASHER	23	30	F85026	SWIVEL	23	21
F8011	PLAIN WASHER	7	20	F85033	CHOKE ROD SWIVEL	19	81
F8026	PLAIN WASHER	21	-	F85035	DISTRIBUTOR CONTROL ROD END	23	20
F8028	PLAIN WASHER	11	13	F85036	TOWERSHAFT CONTROL ROD END	23	17
F8038	PLAIN WASHER	27	104	F85037-1	STERN BRACKET PIVOT BOLT	31	41
F8039	PLAIN WASHER	33	59	F85095-2	STATOR	7	3
F8056	LOCKWASHER	13	18	F85117	BRACKET, WATER LINE	35	2
F8056	LOCKWASHER	15	43	F85122	CRANKCASE SEAL	27	-
F8056	SPRING LOCKWASHER	7	7	F85122	PARTING LINE SEAL	27	93
F8056	SPRING LOCKWASHER	25	87	F85130	BOOT, IDLE EXHAUST	31	7
F8058	INTERNAL TOOTH LOCKWASHER	17	27	F85151-1	EXHAUST PORT PLATE	25	80
F8058	INTERNAL TOOTH LOCKWASHER	25	48	F85152-4	EXHAUST PORT COVER	25	78
F8077	WASHER	39	-	F85154-1	EXHAUST PORT PLATE GASKET	27	-
F8077	WASHER, GEAR HOUSING PLUG	37	43	F85154-1	GASKET, EXHAUST PORT PLATE	25	79
F8083	SPRING LOCKWASHER	3	20	F85159	GASKET, INTAKE MANIFOLD	17	22
F8083	SPRING LOCKWASHER	9	43	F85159	MANIFOLD GASKET	27	-
F8083	SPRING LOCKWASHER	31	3	F85161-1	REED STOP	17	17
F8083	SPRING LOCKWASHER	37	54	F85162	REED PLATE ADAPTER	17	21
F8088	PLAIN WASHER	21	102	F85168	CARBURETOR ADAPTER FLANGE GASKET	27	-
F8088	PLAIN WASHER	21	83	F85168	GASKET REED PLATE ADAPTER	17	20
F8094	PLAIN WASHER	3	21	F85173	RETAINING RING	13	6
F8095	PLAIN WASHER	25	62	F85192-1	THROTTLE CAM	17	33
F8096	SPRING LOCKWASHER	3	16	F85210	STUD	27	91
F8096	SPRING LOCKWASHER	3	28	F85211	STUD, REAR	23	46
F8096	SPRING LOCKWASHER	7	25	F85253-1	FUEL LINE	21	88
F8096	SPRING LOCKWASHER	33	47	F85258	INSERT	31	8
F8096	SPRING LOCKWASHER	37	40	F85279-2	CYLINDER EXHAUST GASKET, UPPER	25	51
F84011	WASHER	31	42	F85279-2	CYLINDER, EXHAUST - UPPER GASKET	27	-
F84031	WATER PUMP GASKET	27	-	F85311	DISTRIBUTOR BELT	13	1
F84074	CLAMP SCREW FOOT	31	26	F85314-1	FUEL FITTING	21	92
F84146-2	SEAL	29	20				
F84278	CRANKSHAFT BRG. SEAL CAGE SEAL	27	-				

PARTS INDEX

Part Number	Description	Pg.	Ref. No.	Part Number	Description	Pg.	Ref. No.
F85317-1	CLAMP	21	90	F91446-1	CIRCUIT BREAKER		
F85372	PIN, GEAR SHIFT ROD				BRACKET	7	21
	LOWER	37	48	F92759	THROTTLE ROLLER	19	48
F8538	SPRING PIN	31	28	F93811	SCREEN	23	26
F85380	SPRING	31	6	F93920	REED STOP	23	29
F85410	SNAP RING	29	8	F97772	FUEL LINE CLAMP	41	11
F85445	DISTRIBUTOR CONTROL			F97772	HOSE CLAMP	19	62
	ROD	23	18	F98273	ROD END CONNECTOR		
F85453-1	CYLINDER, EXHAUST -				STUD	25	50
	LOWER GASKET	27	-	FA14048-2	PREAMPLIFIER	13	17
F85472-2	CYLINDER DRAIN COVER			FA15072	HEX LOCK NUT, 1/4 - 20	11	11
	GASKET	27	-	FA17559	LIFT CYLINDER COMPLETE	47	47
F85472-2	GASKET, CYLINDER DRAIN			FA178962	SHOCK ABSORBER		
	COVER	23	32		W/BUSHING	49	55
F85498	FLYWHEEL KEY	29	16	FA321574	DISTRIBUTOR BRACKET	13	10
F85502	THROTTLE LINK	23	8	FA335260	PISTON RING SET (3 PER		
F85509-1	CHOKE LINK	19	78		SET)	29	1
F85571	BEARING CAGE W/ROLLER	29	10	FA368700	IGNITION KEY - NO LETTER		
F85606	KINGPIN CAP	33	43		OR STAMPED A	9	53
F85610	BEARING	25	56	FA411222	TRANSFER PORT COVER		
F85615	GEAR SHIFT ROD UPPER	33	55		W/PLUG	23	40
F8563	DOWEL PIN	27	92	FA438431	FUEL PUMP BODY		
F85634-2	CONNECTING ROD SCREW	29	14		W/VALVES	17	11
F85660-1	EXHAUST TUBE	31	2	FA438493	TERMINAL BLOCK BRACKET	7	11
F85664	DISTRIBUTOR GROUND	13	28	FA439746	FUEL PUMP COVER	17	6
F85664	GROUND WIRE	9	54	FA449015	PISTON	47	35
F85704	COUPLER, GEARSHIFT ROD			FA449149	COVER W/SEALS AND		
	UPPER	33	48		RETAINER	47	33
F85748-2	CYLINDER DRAIN REED			FA480876	GEAR SHIFT ARM		
	PLATE GASKET	27	-		W/SWIVEL, INTERLOCK		
F85748-2	GASKET, CYLINDER DRAIN				ARM AND BEARINGS	25	57
	REED PLATE	23	25	FA480894	TIMING POINTER	23	1
F85762	BY-PASS VALVE GASKET	27	-	FA481469	ENGINE COVER LATCH		
F85762	GASKET, BY-PASS VALVE	25	83		HANDLE W/SHAFT	3	6
F85772	CLAMP	31	5	FA481743	BRACKET, ROLLER LATCH	3	27
F85779-1	BAFFLE, AIR INTAKE	33	52	FA498266	BEVEL PINION GEAR		
F85836-1	INTAKE GASKET	27	-		W/CRUSH RING AND		
F85843-1	REMOTE ELECTRIC CABLE,				SHIMS	37	35
	18 FEET	7	38	FA510497	TERMINAL BLOCK	7	15
F85859	STUD, FORWARD	23	23	FA523014	CRANKSHAFT LOWER MAIN		
F85906	CARBURETOR GASKET	17	35		BEARING W/SEAL	29	12
F85906	CARBURETOR GASKET	27	-	FA523054	GEAR HOUSING	37	42
F85908	STARTER LEAD WIRE	11	19	FA523098	PROPELLER SHAFT	35	24
F85916-1	BY-PASS VALVE	25	85	FA523301	UNIT W/DECAL	9	45
F85924	CHOKE SOLENOID	7	28	FA523485	ANTI-CORROSION ANODE	35	21
F85925	CHOKE ROD	21	86	FA523706	GEAR HOUSING COVER		
F85965	SHOCK MOUNT, UPPER	33	54		W/SEALS	37	53
F89758	FUEL PUMP AIR HOSE, TOP	17	4	FA523735	SEAL, INLET WATER LINE		
F9018	CAP	31	40		LOWER	37	65
F9052	PLUG	31	29	FA535395	IDENTIFICATION PLATE		
F90619-1	YOKE	39	73		W/SCREWS FOR U.S.A.		
F90807	RETAINING RING	19	47		MODELS	3	12
F9095	SHIM, DRIVESHAFT			FA549944	ENGINE COVER		
	BEARING UPPER .005 -				W/RETAINER, SCREWS		
	SILVER	37	-	FA551396	AND NUTS	3	5
F9097	SHIM, DRIVESHAFT			FA551397	DECAL, STARBOARD	5	-
	BEARING UPPER .010 -			FA58976-1	DECAL, PORT	5	38
	BLACK	37	-		CONNECTOR, THROTTLE		
					CABLE	43	1

PARTS INDEX

Part Number	Description	Pg.	Ref. No.	Part Number	Description	Pg.	Ref. No.
FA84754-1	FUEL LINE SHORT W/FERRULES	41	8	FO15026	MAIN FUEL JET STD. .072 - SEA LEVEL TO 1500 FT. . .	19	52
FA85018-2	CRANKSHAFT W/BEARING	29	15	FO15217	MAIN NOZZLE	21	93
FA85019	KINGPIN W/PLUG	31	36	FO15230	THROTTLE SHAFT AND LEVER	19	50
FA85193	TIE BAR END W/SWIVEL	17	43	FO15623	FUEL BOWL GASKET	19	71
FA85355-1	WASHER, SHOCK MOUNT UPPER	33	58	FO16008	THROTTLE SHAFT RETURN SPRING	19	51
FA85511	THROTTLE TIE BAR W/SWIVEL	19	44	FO16850	CHOKE SHAFT AND LEVER	19	74
FA85655-1	CRANKSHAFT MAIN BEARING RACE W/SNAP RING	29	9	FO16851	THROTTLE SHUTTER	17	42
FA85838-5	TOWERSHAFT W/BEARINGS, SWIVEL, ARMS AND SCREW	23	10	FO2510	GASKET, FUEL BOWL RETAINING SCREW	19	66
FAC535395	IDENTIFICATION PLATE W/SCREWS FOR CANADA MODELS	3	-	FO4326	BODY CHANNEL WELCH PLUG	17	38
FB368700	IGNITION KEY - STAMPED B	9	-	FO8942	SHUTTER SCREW W/LOCKWASHER	17	41
FC368700	IGNITION KEY - STAMPED C	9	-	FO8942	THROTTLE SHUTTER SCREW AND LOCKWASHER	21	96
FC409398	DECAL, TOTE TANK - CANADA (NOT SHOWN)	41	-	FP511	PROPELLER (ACCESSORY ITEM)	35	18
FC438398	DECAL, WIRING - CANADA	25	-	FS409752	FUEL LINE COMPLETE	41	-
FC474387	TIMING DECAL - CANADA	9	-	FS480955	STARTER COMPLETE	11	-
FC498054	GEAR HOUSING COMPLETE	37	-	FS548179	TRIM, TOP	3	1
FC510374	DECAL, CIRCUIT BREAKER, CANADA	7	-	FS548180	TRIM, REAR	3	4
FC522227	SPARK PLUG (CHAMPION QUI-77V) FOR MODEL 859B9B (CANADA)	25	-	FS548269	TILT HANDLE	3	3
FD368700	IGNITION KEY - STAMPED D	9	-	FS548888	TRIM, FRONT	3	33
FE368700	IGNITION KEY - STAMPED E	9	-	FSA335260	PISTON RINGS (3 PER SET) .010 OVERSIZE	29	-
FG460-1	GASKET SET	27	105	FT1082	SNAP RING PLIER	51	-
FK1063	SEAL KIT	39	74	FT11204	BEARING CUP INSTALLER	52	-
FK1069	WATER PUMP KIT	39	75	FT11205	BEARING INSTALLER/REMOVER	52	-
FK405020	SWIVEL W/PIVOT SCREW AND NUT	23	15	FT11207	BEARING CUP REMOVER	52	-
FK750-1	SPARKIE W/SPRING	15	44	FT11209	BEARING GUIDE SET	52	-
FK85228	BEARING CAGE W/ROLLER	29	7	FT2951	CIRCUIT TRACER	50	-
FO10165	INLET SEAT GASKET	19	75	FT2953	SOCKET	51	-
FO10588	BODY CHANNEL CUP PLUG	17	39	FT2961	LUBRICANT	54	-
FO10790	INLET NEEDLE, SEAT AND GASKET	19	76	FT2962-1	SEALANT	54	-
FO11103	IDLE SCREW SPRING	19	53	FT2963-1	SEALANT	54	-
FO13430	MAIN FUEL JET OPT. .070 - 1500 FT. - 3000 FT.	19	-	FT2987-1	LUBRICANT	54	-
FO13552	FUEL BOWL	19	67	FT2990	PISTON PIN TOOL	51	-
FO13554	FLOAT	19	69	FT2996	RING COMPRESSOR	51	-
FO13555	CHOKE SHUTTER	19	77	FT3012	SEAL INSTALLER	52	-
FO13944	FLOAT LEVER PIN	19	68	FT7848	TORQUING ADAPTER	52	-
FO13945	FUEL BOWL RETAINING SCREW	19	65	FT8901	INDICATOR HOLDER	52	-
FO13946	IDLE SCREW	19	54	FT8902	DIAL INDICATOR	52	-
FO13947	CHOKE SHAFT RETURN SPRING	19	73	FT8903	SEAL INSTALLER	51	-
FO13967	MAIN FUEL JET OPT. .068 - 3000 FT. - 4500 FT.	19	-	FT8907	DRIVE HANDLE	51	-
FO14108	MAIN FUEL JET OPT. .064 - 6000 FT. & UP	19	-	FT8907	DRIVER HANDLE	52	-
				FT8914	SEAL REMOVER	51	-
				FT8918	BEARING GUIDE SET	52	-
				FT8919	SPRING PIN PUNCH	52	-
				FT8925	SEAL INSTALLER	51	-
				FT8925	SEAL INSTALLER	52	-
				FT8926	RING EXPANDER	51	-
				FT8927	SEAL PROTECTOR	51	-
				FT8933	LIFTING HOOK	53	-
				FT8935	SEALANT PRIMER	54	-
				FT8936	SEALANT	54	-

PARTS INDEX

Part Number	Description	Pg.	Ref. No.	Part Number	Description	Pg.	Ref. No.
FT8948-1	PULLER	50	-				
FT8948-1	PULLER	52	-				
FT8950	LEAKAGE TESTER	53	-				
FT8953	IGNITION TESTER	53	-				
FT8955	SEALANT	54	-				
FT8957	SEAL INSTALLER	52	-				
FT8969	LUBRICANT	54	-				
FT8978	TIMING LIGHT	53	-				
FT8985	SEAL INSTALLER	52	-				
FT8993	SEALANT	54	-				
FT8997	SHIMMING TOOL SET	52	-				
FTA2937-1	TIMING TOOL	50	-				
FTK8999	TEST WHEEL	53	-				
OB3061	LITERATURE (NOT SHOWN)	45	-				
22-817789A1	DRAIN FITTING	19	64				
22-818103--1	ELBOW	19	61				
31-817785A2	CRANKSHAFT BEARING CAGE W/SEAL	29	18				
32-817738A1	FUEL LINE LONG W/CLAMP AND FERRULE	41	10				
33-97180	SPARK PLUG (CHAMPION L- 20-V) USA	25	65				
39-818110A1	PISTON RINGS (3 PER SET) .030 OVERSIZE	29	-				
45-818017A3	DRIVESHAFT W/BEARING, SHIMS AND CRUSH RING	39	69				
46-817853A1	WATER PUMP BODY W/DRIVESHAFT SEAL, DISC AND WATER LINE SEAL	37	60				
84-817775A1	COIL WIRE W/TERMINAL CLIP - U.S.A	13	29				
87-817778A1	THERMOSWITCH	27	88				
600-818052A4	CONNECTING ROD W/CAP AND SCREWS	29	6				
700-817988A2	PISTON .010 OVERSIZE ...	29	-				
700-818111A2	PISTON .030 OVERSIZE ...	29	-				
700-F372015-3	PISTON	29	2				
800-817823A7	CYLINDER	27	89				
800-817901A9	SHORT BLOCK (NOT SHOWN)	27	-				
1400-817958A6	STERN BRACKET	31	20				