



# PARTS CATALOG

## 55 H.P.

### SERIAL NUMBER

55 (1979) .....	558B9L
55 (1979) .....	558H9L
55 (1979) .....	559B9L
55 (1979) .....	559H9L

# TABLE OF CONTENTS:

ACCESSORIES .....	51
CARBURETOR .....	10
CRANKSHAFT AND PISTON GROUP .....	20
ELECTRICAL COMPONENTS .....	6
ENGINE COVER AND SUPPORT PLATE .....	2
FUEL PUMP .....	16
FUEL TANK AND LINE .....	40
GEAR HOUSING .....	34
MOTOR LEG .....	28
PARTS INDEX .....	54
POWERHEAD .....	22
REED PLATE .....	14
REMOTE CONTROL .....	42
SPECIAL TOOLS - LOWER UNIT .....	48
SPECIAL TOOLS - LUBRICANTS AND SEALANTS .....	50
SPECIAL TOOLS - POWERHEAD .....	47
SPECIAL TOOLS - TEST EQUIPMENT .....	49
SPECIAL TOOLS - TUNE-UP .....	46
STARTER .....	18

**NOTE:** Indented description indicate that these parts are included in preceeding assembly.

**AR** = As Required

**NSS** = Not Sold Separate

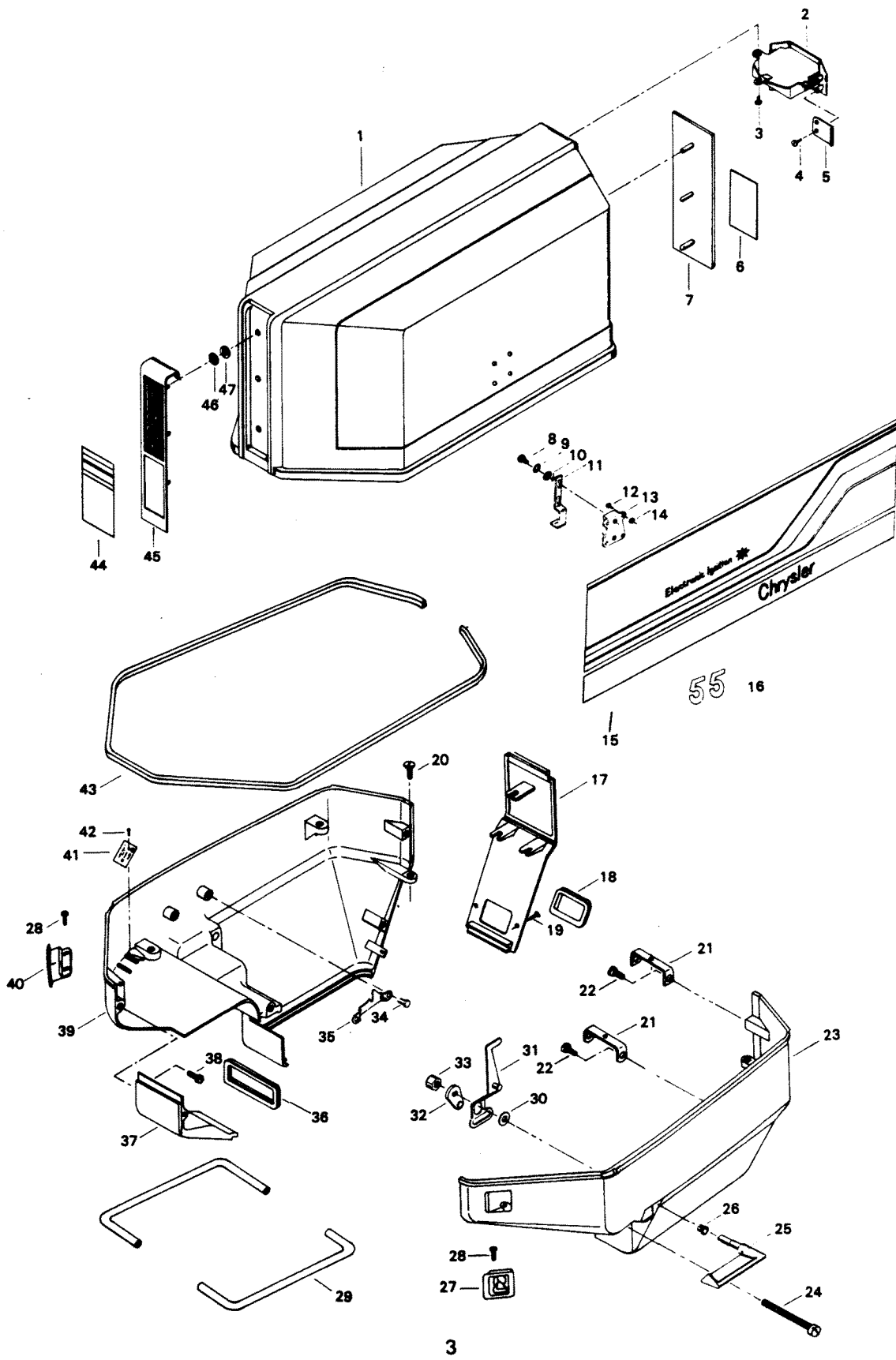
**OPT** = Optional

**NS** = Not Shown

**THESE PARTS BOOKS/FICHE CARD ARE COPYRIGHTED AND MAY NOT BE DISTRIBUTED OR REPRODUCED IN ANY OTHER FORMAT BY ANYONE OTHER THAN MERCURY MARINE WITHOUT THE PRIOR WRITTEN CONSENT OF MERCURY MARINE.**

THIS PAGE INTENTIONALLY LEFT BLANK

# ENGINE COVER AND SUPPORT PLATE

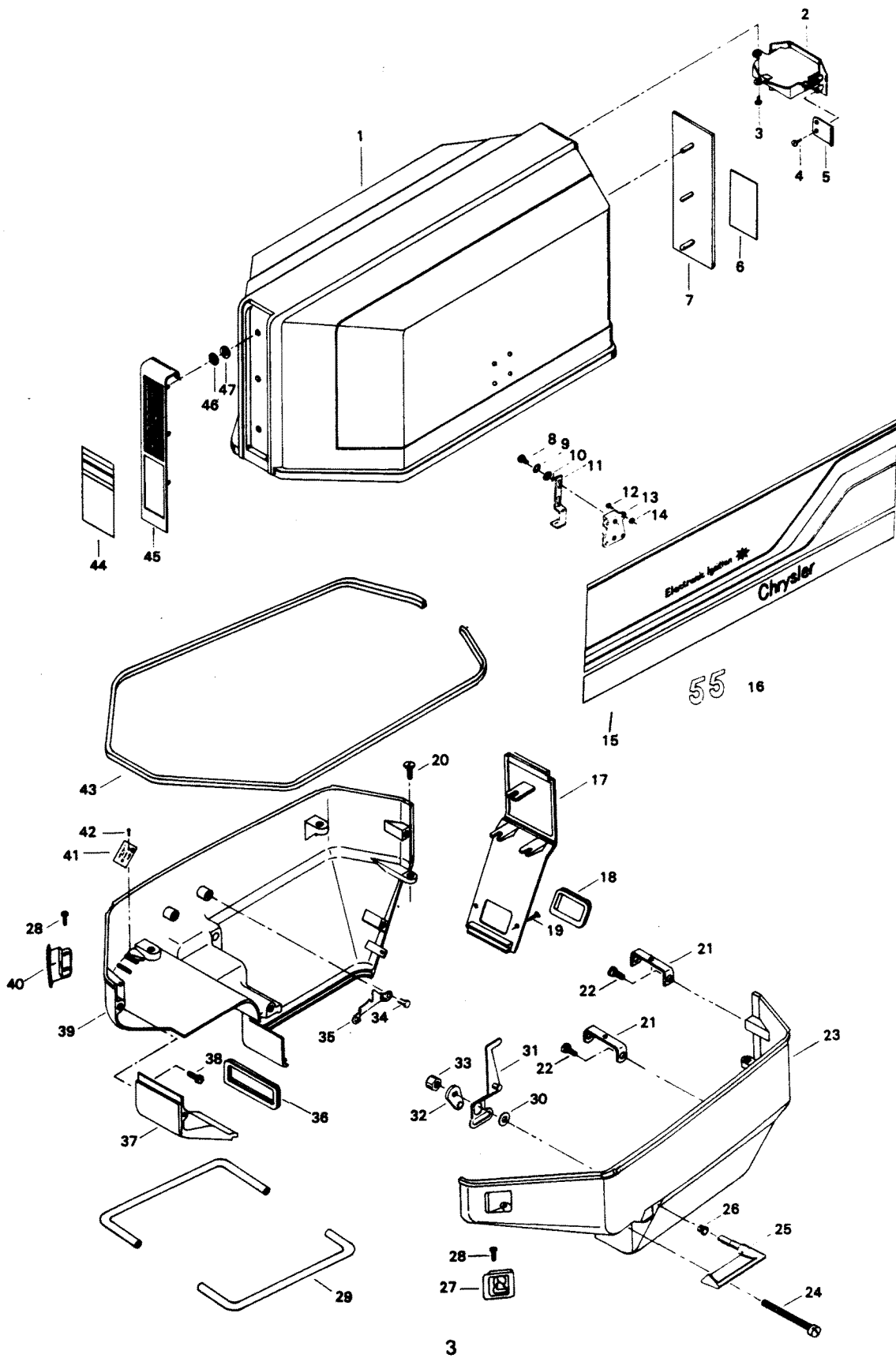


# ENGINE COVER AND SUPPORT PLATE

REF. NO.	PART NO.	SYM.	QTY.	DESCRIPTION
1	FS547712		1	ENGINE COVER W/BRACKETS AND RETAINERS
-	<b>2C547712</b>		<b>1</b>	<b>ENGINE COVER COMPLETE (INCLUDES ITEMS MARKED WITH AN ASTERISK (*).</b>
2	F547269		1	TILT HANDLE
3	F2025		1	PAN HD SCREW, 10 X 5/8
4	F2066		4	PAN HD SCREW, 10 - 7/16
5	F463864		2	RETAINER, TILT HANDLE
6	545528		1	DECAL, REAR
7	F545180		1	REAR TRIM
8	F1854		4	HEX CAP SCREW, 1/4 - 20 X 5/8
9	F8083		4	LOCKWASHER
10	F8094		4	PLAIN WASHER
11	F474864		2	RETAINER, COVER LATCH
12	F1979		8	PAN HD SCREW, 10 - 24 X 1/2
13	FA474774		2	BRACKET, COVER LATCH W/SCREWS & NUTS
14	F7011		8	STOP NUT
15	A547397		1	DECAL, PORT
-	<b>A547396</b>		<b>1</b>	<b>DECAL, STARBOARD</b>
16	FA547386		2	DECAL, NUMERAL 55
17	F547156		1	COVER, SUPPORT PLATE REAR
18	F474991		1	GROMMET
19	F2072		2	OVAL COUNTERSUNK HD M. SCREW, 10 - 24 X 3/8
20	F2017		3	PAN HD SCREW W/PLAIN WASHER, 10 - 24 X 3/8
21	F474817		2	RETAINER, SUPPORT PLATE
22	F1689		4	HEX CAP SCREW, 1/4 - 20 X 1/2
23	FA474038		1	SUPPORT PLATE PORT W/LOWER PACKING
24	F2075		1	SLOTTED HD SCREW, S.S., 1/4 - 20 X 2 1/2
25	FA474469		1	HANDLE, COVER LATCH PORT W/SHAFT & PIN
-	<b>FA474499</b>		<b>1</b>	<b>HANDLE, COVER LATCH STARBOARD W/SHAFT AND PIN (NOT SHOWN)</b>
26	F390689		2	BEARING, LATCH SHAFT
27	F549189		1	BUSHING, ELECTRIC CABLE ENTRY
28	F1733		3	PAN HD SCREW, 10 - 24 X 9/16
29	F474315		2	PACKING, SUPPORT PLATE LOWER
30	F269052		2	BEARING, LATCH CAM
31	FA474777		1	CAM, PORT LATCH W/PIN
-	<b>FA474780</b>		<b>1</b>	<b>CAM, STARBOARD LATCH W/PIN (NOT SHOWN)</b>
32	F474377		1	LEVER, COVER LATCH PORT
-	<b>F474378</b>		<b>1</b>	<b>LEVER, COVER LATCH STARBOARD (NOT SHOWN)</b>
33	F7025		2	LOCKNUT, 3/8 - 16
34	F1689		4	HEX CAP SCREW, 1/4 - 20 X 1/2
35	F474897		1	GUIDE, COVER LATCH STARBOARD
-	<b>F474487</b>		<b>1</b>	<b>GUIDE, COVER LATCH PORT (NOT SHOWN)</b>
36	F474913		1	GROMMET

CONTINUED ON NEXT PAGE ➡

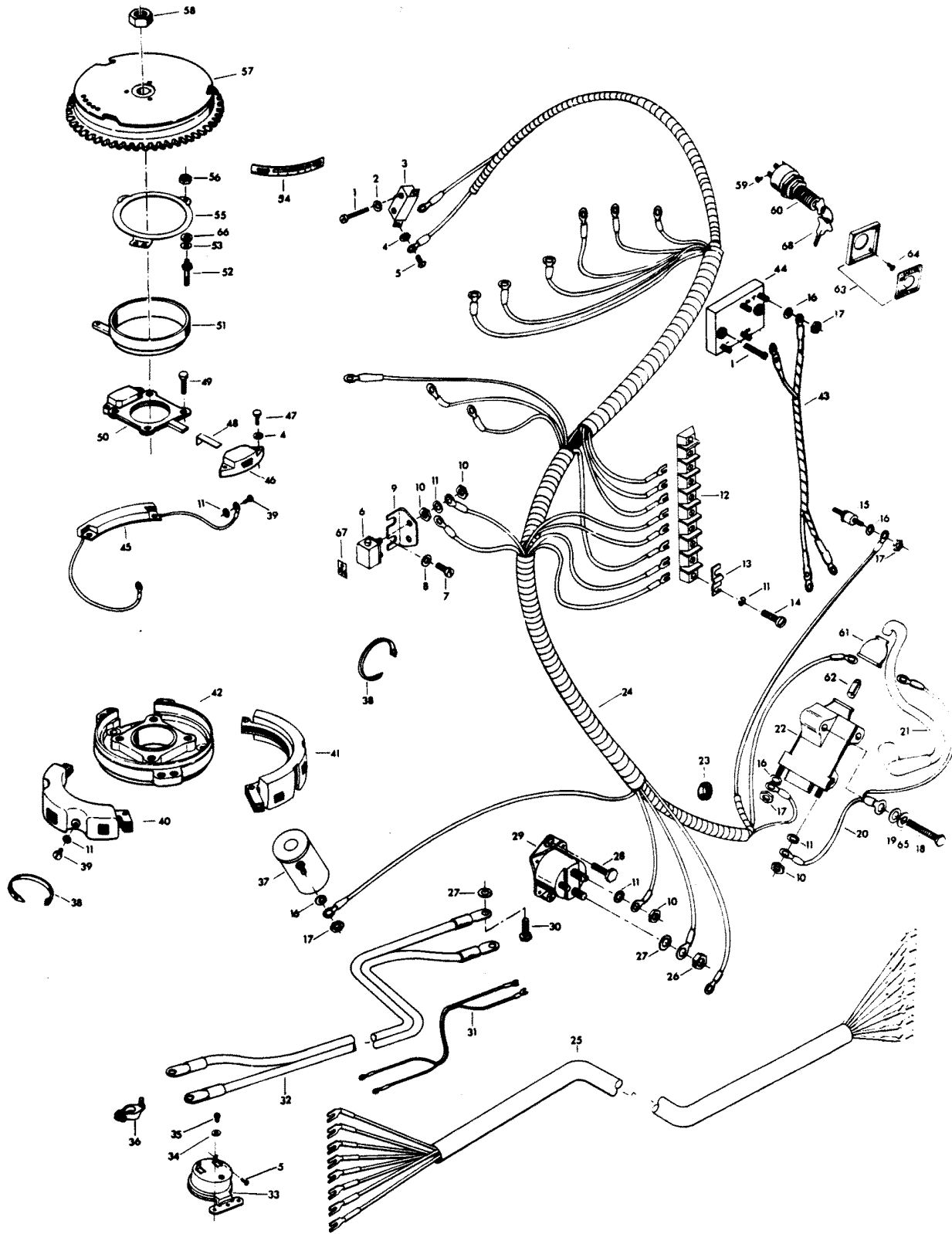
# ENGINE COVER AND SUPPORT PLATE



## ENGINE COVER AND SUPPORT PLATE

REF. NO.	PART NO.	SYM.	QTY.	DESCRIPTION
37	F474163		1	COVER, SUPPORT PLATE FRONT
38	F1993		2	HEX SLOTTED HD M. SCREW, 1/4 - 20 5/8
39	FA474088		1	SUPPORT PLATE STARBOARD W/LOWER PACKING
40	F545189		1	BUSHING, CABLE ENTRY
41	FA535395		1	IDENT, PLATE W/SCREWS, (USA)
-	<b>FAC535395</b>		<b>1</b>	<b>IDENT, PLATE W/SCREWS, (CANADA)</b>
42	F1447		2	DRIVE SCREW, 2 X 3/16
43	F474756		1	PACKING, SUPPORT PLATE FRONT
44	545892		1	DECAL, FRONT
45	F545711		1	FRONT PLATE
46	F85735-1		6	SEAL, MEDALLION
47	F1753		6	FASTENER
-	<b>F474985</b>		<b>2</b>	<b>BLANKET, SILENCER, SIDE (NOT SHOWN)</b>
-	<b>F474984</b>		<b>1</b>	<b>BLANKET, SILENCER, TOP (NOT SHOWN)</b>
-	<b>F474992</b>		<b>1</b>	<b>BLANKET, SILENCER, FRONT, (NOT SHOWN)</b>

# ELECTRICAL COMPONENTS



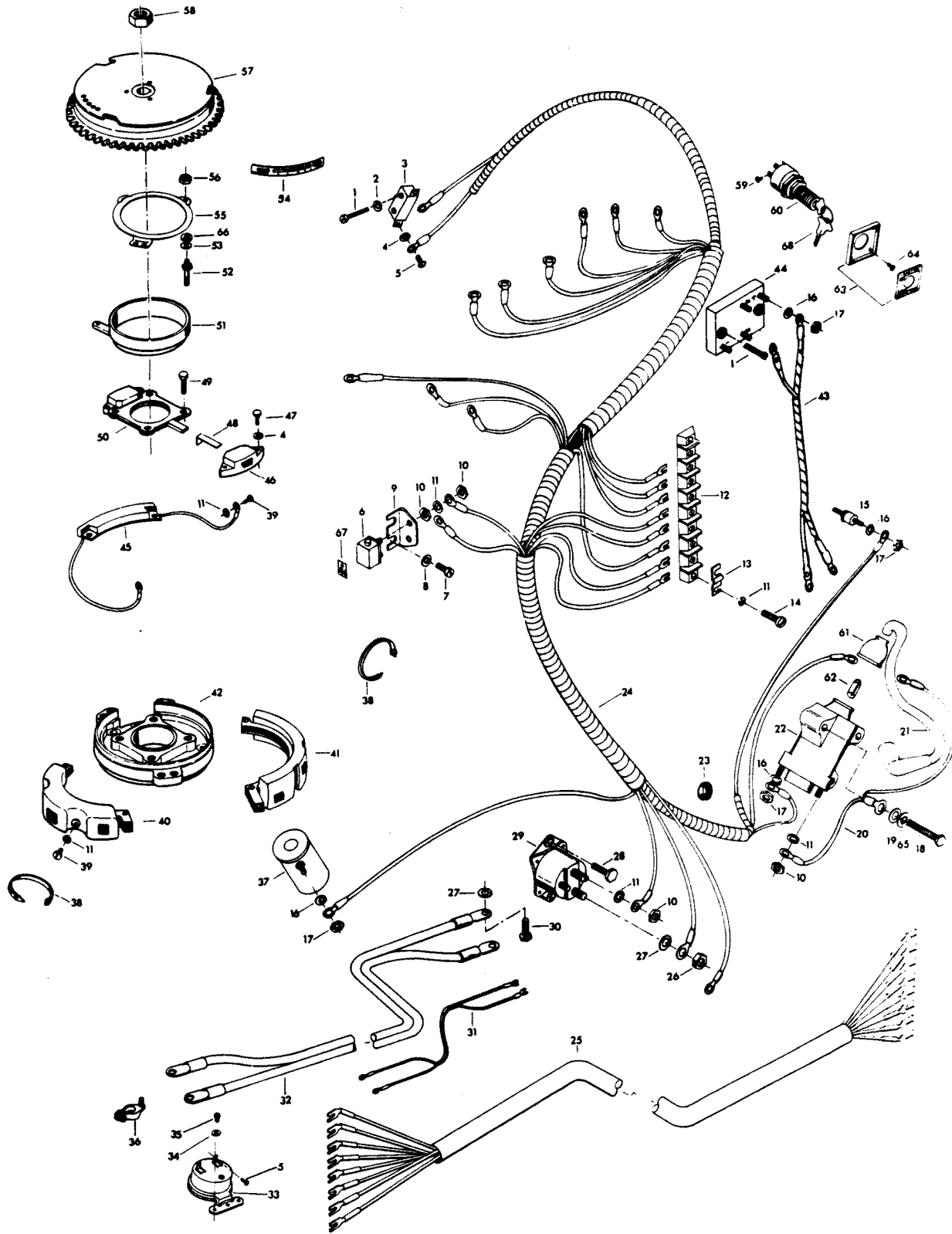


# ELECTRICAL COMPONENTS

REF. NO.	PART NO.	SYM.	QTY.	DESCRIPTION
1	F2016		4	SLOTTED FILL HD SCREW, 6 - 32 X 7/8
2	F8088		2	PLAIN WASHER
3	F84449		1	NEUTRAL INTERLOCK SWITCH
4	F1704		2	INTERNAL TOOTH LOCKWASHER
5	F1645		4	RD HD SCREW, 6 - 32 X 1/4
6	F510460		1	CIRCUIT BREAKER
7	F1733		2	SLOTTED PAN HD SCREW, 10 - 24 X 9/16
8	F8011		2	PLAIN WASHER
9	F91446-1		1	CIRCUIT BREAKER BRACKET
10	F1513		8	HEX NUT, 10 - 32
11	F1975		15	LOCKWASHER
12	FA510497		1	TERMINAL BLOCK
13	F307317		1	CLIP, TERMINAL BLOCK GROUND
14	F1648		2	PAN HD SCREW, 10 - 24 X 3/4
15	F404449		1	THERMOSWITCH
16	F8056		8	SPRING LOCKWASHER
17	F1647		8	HEX NUT, 8 - 32
18	F1891		6	HEX HD M. SCREW, 1/4 - 20 X 1 1/2
19	F2012		6	PLAIN WASHER
20	F345908		1	GROUND WIRE, COIL
21	84-817821A1		2	HI-TENSION WIRE
22	FS474475		2	IGNITION COIL
23	F24623-1		1	GROMMET
24	F522744		1	WIRING HARNESS
25	F85843-1		1	ELECTRIC CONTROL CABLE, 18 FEET
26	F1515		2	HEX NUT, S.S., 5/16 - 18
27	F8096		3	SPRING LOCKWASHER
28	F1705		2	HEX CAP SCREW, 1/4 - 20 X 3/4
29	F460917		1	STARTER RELAY
30	F1857		1	HEX CAP SCREW, 5/16 - 18 X 5/8
31	F404841		1	CABLE
32	F381896-4		1	BATTERY CABLE
33	F5H043		1	BUZZER, HEAT INDICATOR, (ACCESSORY ITEM)
34	F8011		2	PLAIN WASHER
35	F1741		2	PAN HD SCREW, 8 X 3/4
36	F5H041		1	BATTERY TERMINAL KIT (ACCESSORY ITEM)
37	F85924		1	CHOKE SOLENOID
38	F1845		2	TY-RAP, REGULATOR TO POWER PACK LEADS
39	F2077		7	SLOTTED PAN HD M. SCREW, 10 - 32 X 1/4
40	FS474095		1	ALTERNATOR STATOR
41	S474301-1		1	MODULE
42	F2A474144		1	BEARING CAGE W/CRANKSHAFT SEAL
43	F522636		1	STATOR HARNESS

CONTINUED ON NEXT PAGE ➡

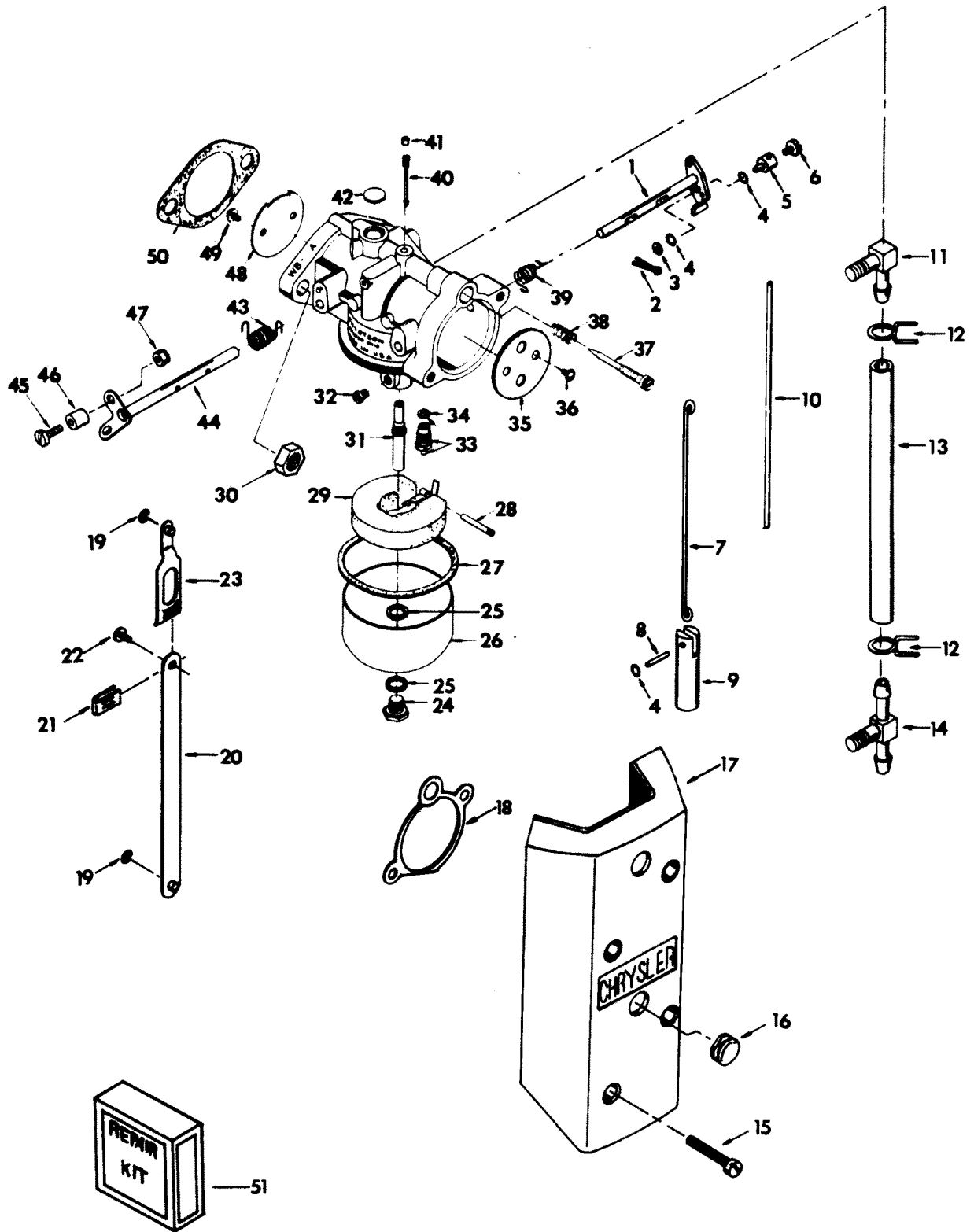
# ELECTRICAL COMPONENTS



# ELECTRICAL COMPONENTS

REF. NO.	PART NO.	SYM.	QTY.	DESCRIPTION
44	F369450		1	RECTIFIER
45	FS474030		1	CAPACITOR
46	F12352-1		2	TRIGGER COIL
47	F1036		4	SLOTTED FILL HD M. SCREW W/SPRING LOCKWASHER, 6 - 32 X 1/4
48	F12353		2	CLIP
49	F2050		4	HEX CAP SCREW, 1/4 - 20 X 1/2
50	F12354		1	SPIDER
51	S474082-2		1	TIMING RING
52	F474531		4	STUD, TIMING RING RETAINER
53	F8048		4	BOWED WASHER
54	F474387		1	TIMING DECAL
-	<b>FC474387</b>		<b>1</b>	<b>DECAL, TIMING - CANADA</b>
55	F474178		1	RETAINER, TIMING RING
56	F1804		4	STOP NUT, 10 - 22
57	FS474097		1	FLYWHEEL
58	F1968		1	HEX NUT, 3/4 - 16
59	F1280		5	SLOTTED PAN HD SCREW, 8 - 32 X 1/4
60	F5H078		1	SWITCH, IGNITION (ACCESSORY ITEM) LONG BARREL <b>W/KEYS AND SCREWS</b>
61	F203276		2	BOOT, COIL
62	F203673		2	CLIP
63	F5H038		1	IGNITION SWITCH MOUNTING KIT (ACCESSORY ITEM)
-	<b>817892--1</b>		<b>1</b>	<b>IGNITION SWITCH PLATE - CANADA (NOT SHOWN)</b>
64	F1934		4	FLAT HD SCREW, 6 X 1/2
65	F2106		1	INTERNAL TOOTH LOCKWASHER
66	F2042		4	PLAIN WASHER
67	F510374		1	DECAL, CIRCUIT BREAKER - USA
-	<b>FC510374</b>		<b>1</b>	<b>DECAL, CIRCUIT BREAKER - CANADA</b>
68	FA368700		-	KEY IGNITION - NO LETTER OR STAMPED A.
-	<b>FB368700</b>		-	<b>KEY IGNITION - STAMPED B</b>
-	<b>FC368700</b>		-	<b>KEY IGNITION - STAMPED C</b>
-	<b>FD368700</b>		-	<b>KEY IGNITION - STAMPED D</b>
-	<b>FE368700</b>		-	<b>KEY IGNITION - STAMPED E</b>
-	<b>FA27232</b>		<b>1</b>	<b>EMERGENCY STARTER ROPE (NOT SHOWN)</b>
-	<b>F235785</b>		<b>1</b>	<b>DECAL, COMPLIANCE - CANADA (NOT SHOWN)</b>

# CARBURETOR

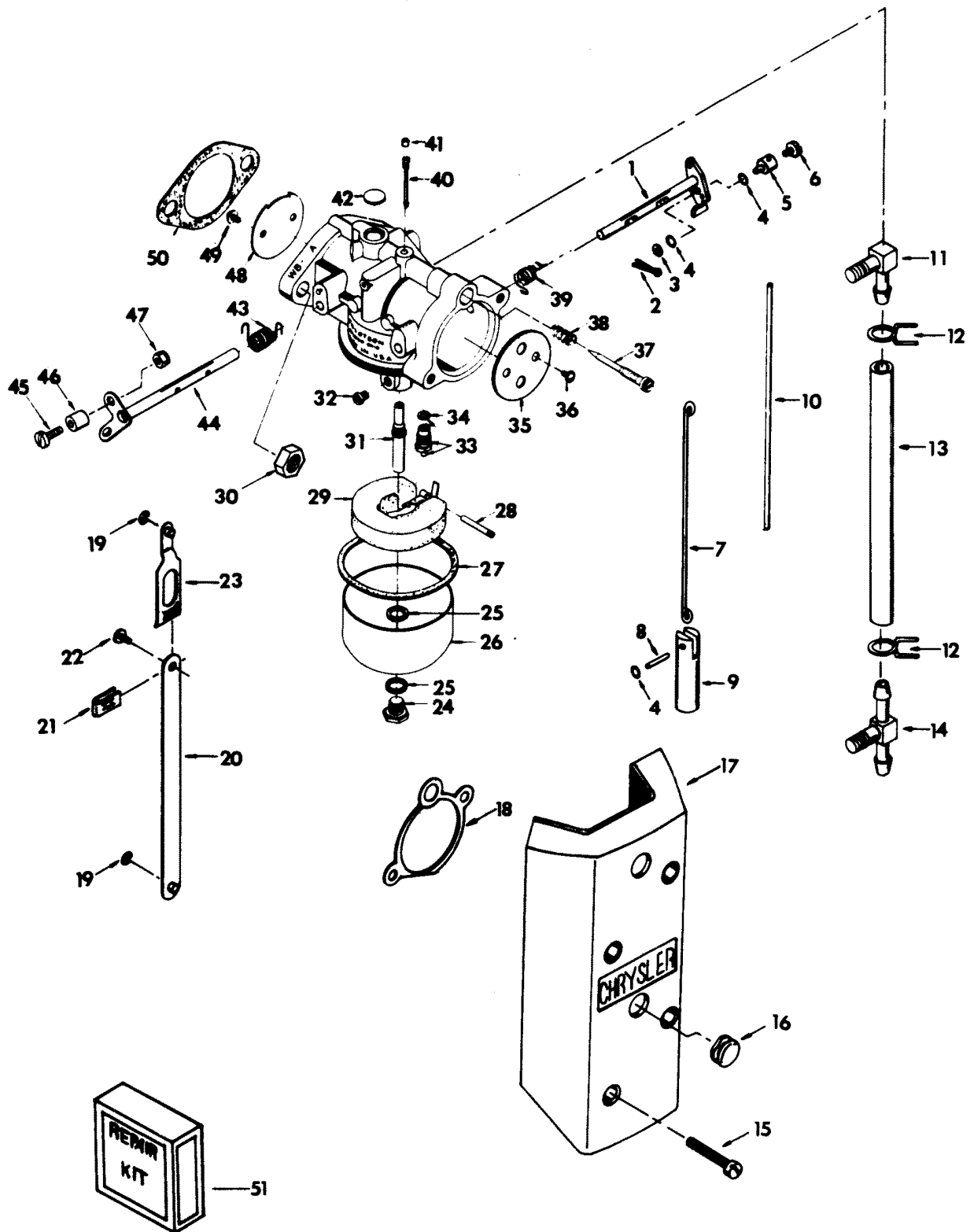


# CARBURETOR

REF. NO.	PART NO.	SYM.	QTY.	DESCRIPTION
1	FO16850		1	CHOKE SHAFT AND LEVER
2	F1014		3	COTTER PIN
3	F8088		3	PLAIN WASHER
4	F184579		7	SEAL, CHOKE ARM SWIVEL
5	F184033-1		2	SWIVEL, CHOKE ROD
-	<b>F522033</b>		<b>1</b>	<b>SWIVEL, CHOKE ROD FOR TOP CARB (NOT SHOWN)</b>
6	F1059		2	FILL HD SCREW, 6 - 32 X 1/4
7	F85925		1	CHOKE SOLENOID ROD
8	F2033		1	GROOVE PIN
9	F391926-1		1	PLUNGER, CHOKE SOLENOID
10	F474509		1	CHOKE LINK
11	F84314-2		1	ELBOW, FUEL LINE
12	F97772		2	HOSE CLAMP
13	F474253		1	FUEL LINE
14	F85314-1		1	ELBOW, FUEL LINE FOR BOTTOM CARB.
15	F1820		4	FILL HD SCREW, 1/4 - 20 X 1 3/8
16	F53504		2	GROMMET
17	F522826		1	SILENCER, CARB AIR
18	F481836		2	GASKET
19	F90807		2	RETAINING RING
20	FA474511		1	TIE BAR W/SWIVEL
21	F1693		1	TIE BAR RETAINER
22	F1064		1	SLOTTED HD SCREW, 8 - 32 X 3/8
23	FA85193		1	TIE BAR END W/SWIVEL
24	FO13945		1	FUEL BOWL RETAINING SCREW
25	FO2510		2	GASKET, FUEL BOWL RETAINING SCREW
26	FO13552		1	FUEL BOWL
27	FO15623		1	FUEL BOWL GASKET
28	FO13944		1	FLOAT LEVER PIN
29	FO13554		1	FLOAT
30	F1515		4	HEX NUT, 5/16 - 18
31	FO15217		1	MAIN NOZZLE
32	FO14188		1	MAIN FUEL JET (.066) STD. SEA LEVEL - 3000 FT
-	<b>FO14108</b>		-	<b>MAIN FUEL JET (.064) OPT. 3000 - 4500 FT.</b>
-	<b>FO14187</b>		-	<b>MAIN FUEL JET (.062) OPT. 4500 - 6000 FT.</b>
-	<b>FO14186</b>		-	<b>MAIN FUEL JET (.060) OPT. 6000 FT. &amp; UP OPTIONAL SIZE MAIN FUEL JET, USE ONLY AT ALTITUDES AS INDICATED.</b>
33	FO10790		1	INLET NEEDLE, SEAT AND GASKET
34	FO10165		1	INLET SEAT GASKET
35	FO13555		1	CHOKE SHUTTER
36	FO8942		2	SHUTTER SCREW W/LOCKWASHER
37	FO13946		1	IDLE SCREW
38	FO11103		1	IDLE SCREW SPRING

CONTINUED ON NEXT PAGE ➡

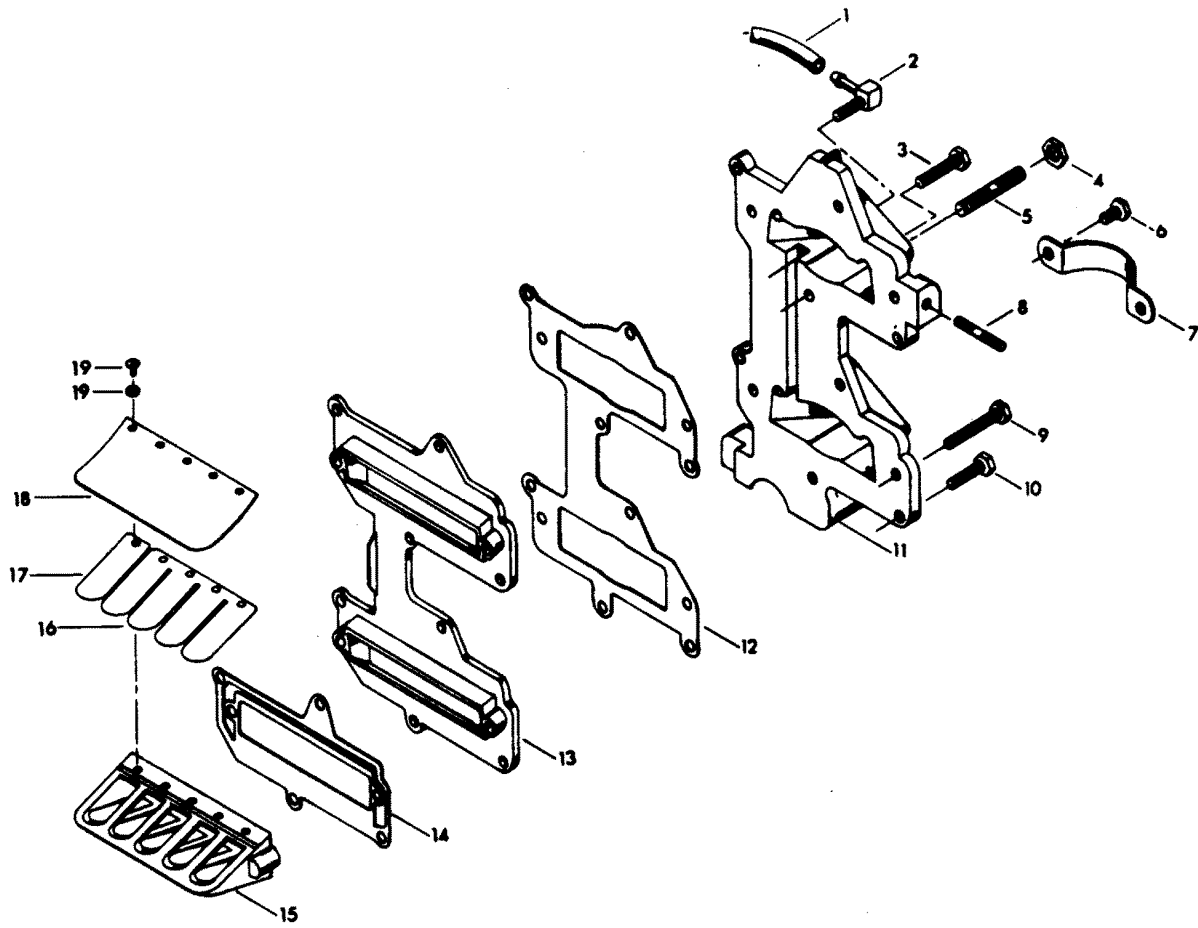
# CARBURETOR



# CARBURETOR

REF. NO.	PART NO.	SYM.	QTY.	DESCRIPTION
39	FO13947		1	CHOKE SHAFT RETURN SPRING
40	FO17181		1	IDLE TUBE
41	FO10588		1	BODY CHANNEL CUP PLUG
42	FO4326		1	BODY CHANNEL WELCH PLUG
43	FO16008		1	THROTTLE SHAFT RETURN SPRING
44	FO15230		1	THROTTLE SHAFT AND LEVER
45	F333316		1	THROTTLE ROLLER SHAFT
46	F92759		1	THROTTLE ROLLER
47	F1997		1	LOCK NUT, 8 - 32
48	FO16851		1	THROTTLE SHUTTER
49	FO8942		2	THROTTLE SHUTTER SCREW W/LOCKWASHER
50	F40906-1		2	CARBURETOR GASKET
-	<b>F475061-1</b>		<b>2</b>	<b>CARBURETOR COMPLETE (WB27B) (NOT SHOWN)</b>
51	F10053		1	REPAIR PARTS KIT <b>INCLUDES ALL ITEMS MARKED WITH AN ASTERISK (*)</b>
-	<b>F10000</b>		<b>1</b>	<b>GASKET SET (NOT SHOWN)</b>

# REED PLATE

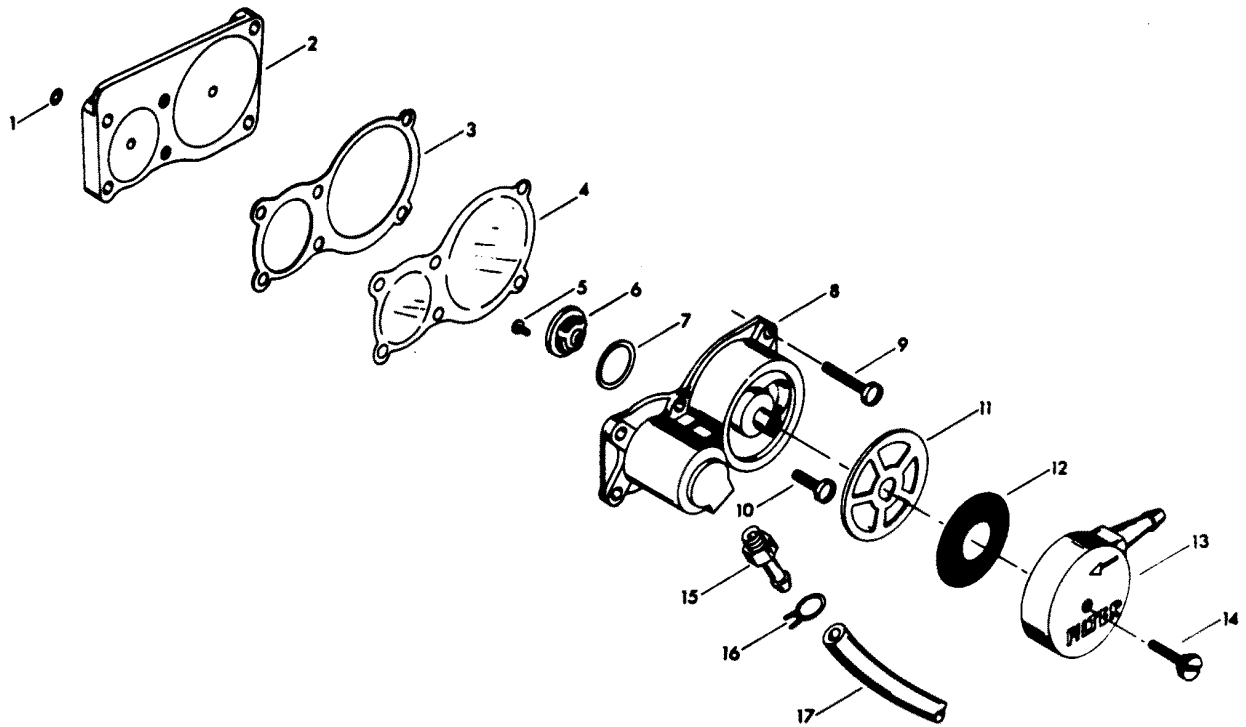




# REED PLATE

REF. NO.	PART NO.	SYM.	QTY.	DESCRIPTION
1	F406754-1		1	DRAIN HOSE
2	22-817740A1		1	PUDDLE DRAIN FITTING
3	F1916		1	HEX HD M. SCREW, 1/4 - 20 X 1 1/8
4	F1515		4	HEX NUT, 5/16 - 18
5	F40209		4	CARBURETOR STUD
6	F1236		2	HEX CAP SCREW, 1/4 - 20 X 1/2
7	F85317-1		1	SOLENOID CLAMP
8	F433209-1		1	STUD
9	F1708		4	HEX HD M. SCREW, 1/4 - 20 X 1 3/8
10	F1915		7	HEX HD M. SCREW, 1/4 - 20 X 7/8
11	F474167		1	CARBURETOR ADAPTER
12	F474168		1	CARBURETOR ADAPTER GASKET
13	F474162		1	REED PLATE ADAPTER
14	F85168		2	REED PLATE ADAPTER GASKET
15	F2A335158		2	REED PLATE W/REEDS, STOPS AND SCREWS
16	F335160		4	REED (4 PETAL)
17	F335164		4	REED (1 PETAL)
18	F85161-1		4	REED STOP
19	F1755		20	ROUND HD SCREW W/LOCKWASHER, 6 - 32 X 5/16

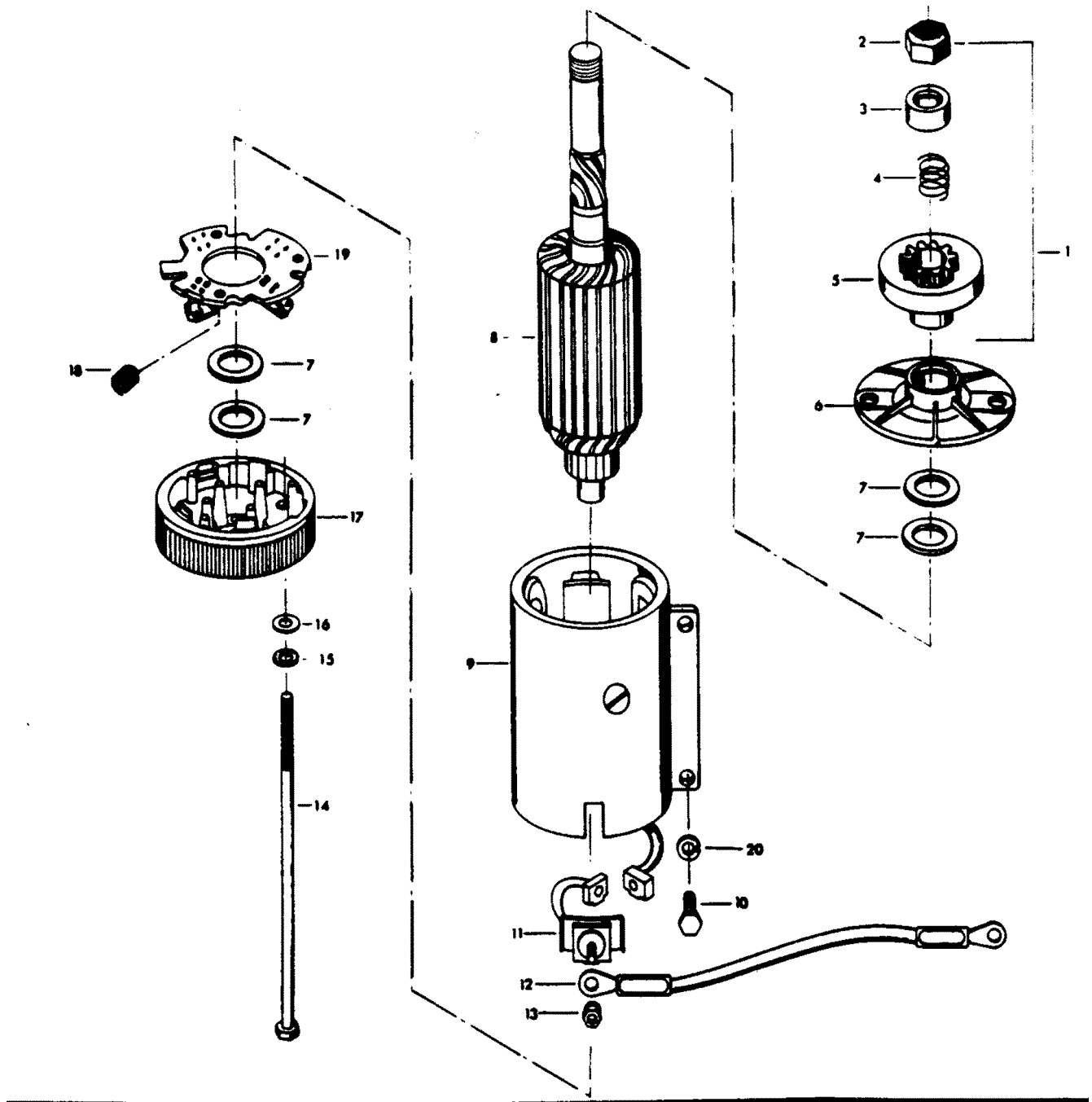
# FUEL PUMP



# FUEL PUMP

REF. NO.	PART NO.	SYM.	QTY.	DESCRIPTION
1	F50342-1		2	SEAL
2	F474746		1	FUEL PUMP COVER
3	F438760		1	FUEL PUMP GASKET
4	F438747		1	FUEL PUMP DIAPHRAGM
5	F1860		2	SLOTTED HD M. SCREW, 6 - 32 X 1/4
6	F177330		3	FUEL PUMP VALVE
7	F84792		1	FUEL PUMP VALVE GASKET (CENTER VALVE)
8	FA438431		1	FUEL PUMP BODY W/VALVES
9	F1889		4	FILL HD SCREW, 1/4 - 20 X 1 1/4
10	F1108		2	FILL HD SCREW, 1/4 - 20 X 3/4
11	F438617		1	FUEL SEDIMENT BOWL GASKET
12	F438653		1	FUEL PUMP SCREEN
13	F438500		1	FUEL SEDIMENT BOWL
14	F438165		1	SCREW, FUEL BOWL
15	F438801		1	FITTING
16	F97772		3	FUEL LINE CLAMPS
17	F438754		1	FUEL LINE, PUMP TO CARBURETOR

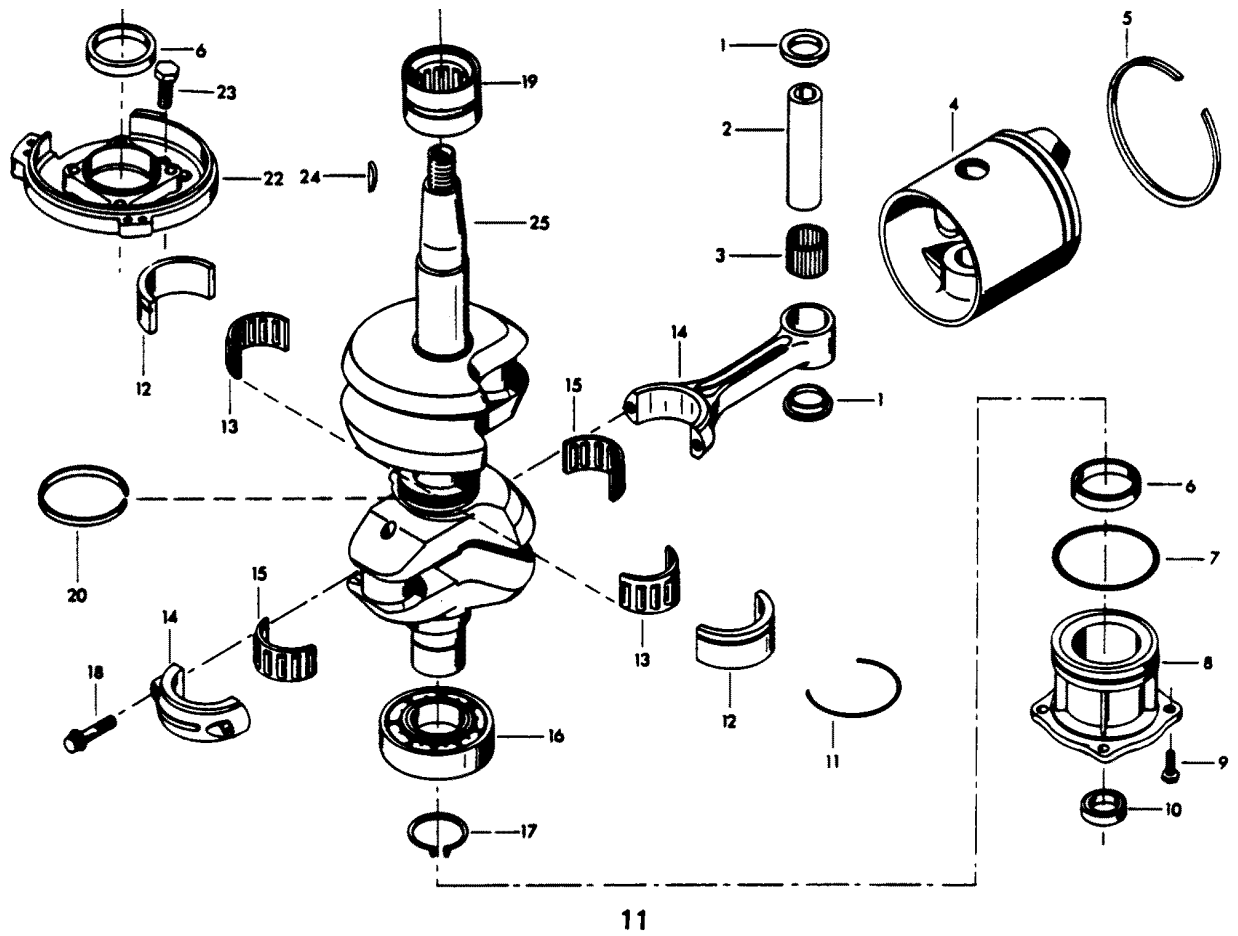
# STARTER



# STARTER

REF. NO.	PART NO.	SYM.	QTY.	DESCRIPTION
1	F15100		1	BENDIX DRIVE
6	F15120		1	HEAD ASSEMBLY, DRIVE END
7	F15126		1	THRUST WASHER PACKAGE
8	F15099		1	ARMATURE
9	F15119		1	FRAME AND FIELD ASSEMBLY
10	F1822		3	HEX CAP SCREW, 5/16 - 18 X 7/8
11	F15165		1	BRUSH AND TERMINAL SET
12	F307908		1	STARTER WIRE
13	FA15072		1	HEX LOCK NUT AND WASHER ASSEMBLY, 1/4 - 20
14	F15123		1	THRU BOLT PACKAGE
15	F8060		2	LOCKWASHER
16	F8028		2	PLAIN WASHER
17	F15125		1	HEAD ASSEMBLY, COMMUTATOR END
18	F15034		1	SPRING SET
19	F15057		1	BRUSH PLATE AND HOLDER
20	F8096		3	SPRING LOCKWASHER
-	<b>S474955-2</b>		<b>1</b>	<b>STARTER COMPLETE</b>
-	<b>FC522390</b>		<b>1</b>	<b>DECAL, STARTER - CANADA (NOT SHOWN)</b>

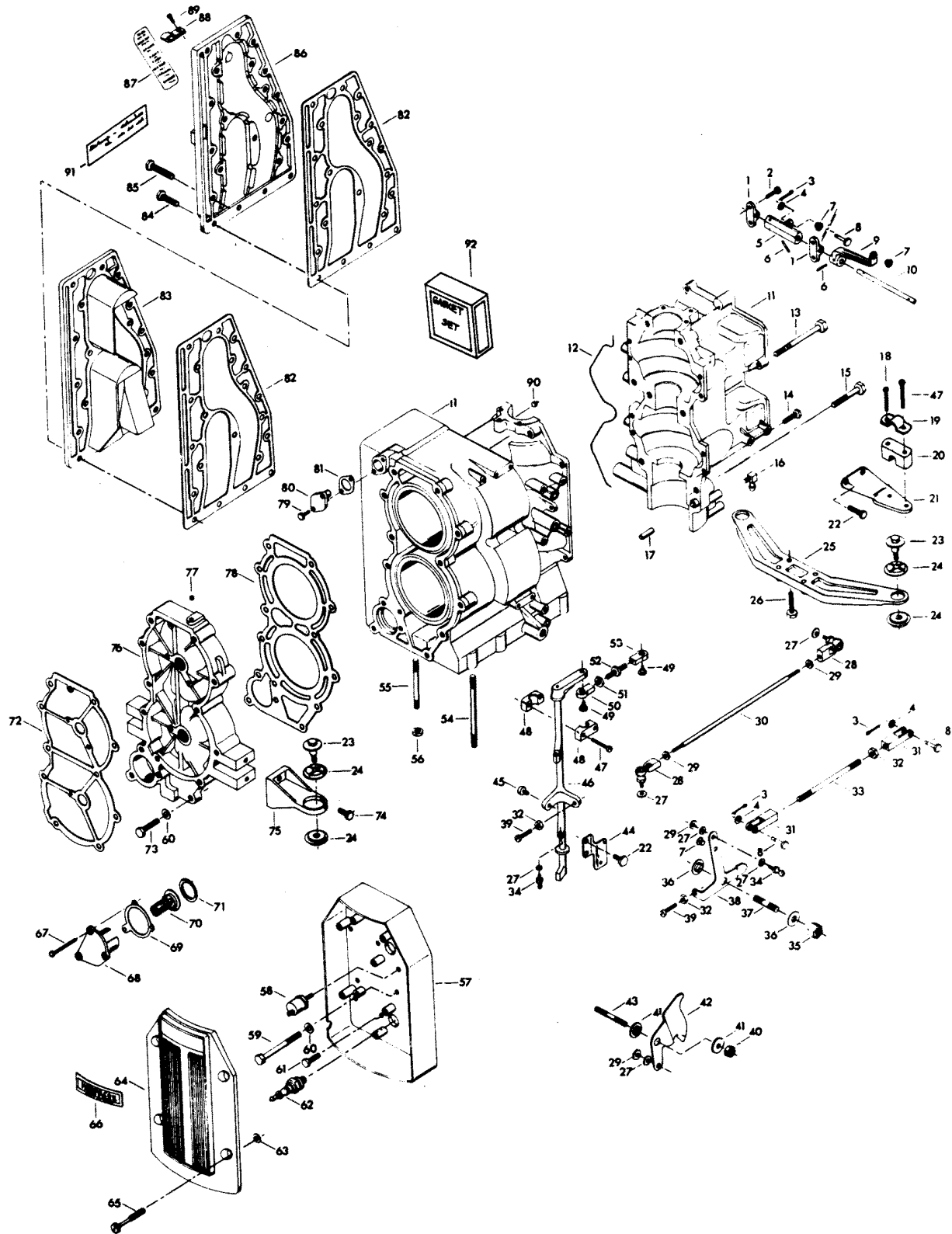
# CRANKSHAFT AND PISTON GROUP



# CRANKSHAFT AND PISTON GROUP

REF. NO.	PART NO.	SYM.	QTY.	DESCRIPTION
1	F522215		4	SPACER (2 PER PISTON)
2	F522017		2	PISTON PIN
3	F522217		2	BEARING
4	F522015		2	PISTON (STANDARD)
-	<b>FS522015</b>		<b>2</b>	<b>PISTON (.010 OVERSIZE)</b>
-	<b>F3S522015</b>		<b>2</b>	<b>PISTON (.030 OVERSIZE)</b>
5	FA474260		1	PISTON RING SET (4 PER SET) - (STANDARD)
-	<b>FSA474260</b>		<b>1</b>	<b>PISTON RING SET (4 PER SET - .010 OVERSIZE)</b>
-	<b>39-818122A1</b>		<b>1</b>	<b>PISTON RING SET (4 PER SET - .030 OVERSIZE)</b>
6	F474146		2	SEAL, CRANKSHAFT
7	F84278		1	SEAL
8	31-818060A1		1	BEARING CAGE LOWER W/SEALS (ITEMS 6, 7 & 10) <b>ORIGINAL FORCE P/N 2A474644-1</b>
9	F1238		4	HEX CAP SCREW, 1/4 - 20 X 3/4
10	F474278		1	SEAL
11	F85410		1	SNAP RING
12	FA85655-1		1	CRANKSHAFT CENTER MAIN BEARING RACE W/SNAP RING
13	F85571		1	CENTER MAIN BEARING CAGE W/ROLLERS
14	FA522016		2	CONNECTING ROD W/CAP AND SCREWS
15	FA474228		2	BEARING CAGE W/ROLLERS (SPLIT HALF)
16	F284659-2		1	CRANKSHAFT LOWER MAIN BEARING
17	F2045		1	RETAINING RING
18	F435634		4	CONNECTING ROD SCREW
19	F474013		1	CRANKSHAFT UPPER MAIN BEARING
20	F316579		1	SEAL, CRANKCASE
22	F2A474144		1	CRANKSHAFT UPPER BEARING CAGE W/SEAL
23	F1238		2	HEX CAP SCREW, 1/4 - 20 X 3/4
24	F85498		1	FLYWHEEL KEY
25	F2A522018		1	CRANKSHAFT W/LOWER MAIN BEARING AND RETAINING RING
-	<b>F2067</b>		<b>1</b>	<b>PLASTISOL CAP (NOT SHOWN)</b>

# POWERHEAD



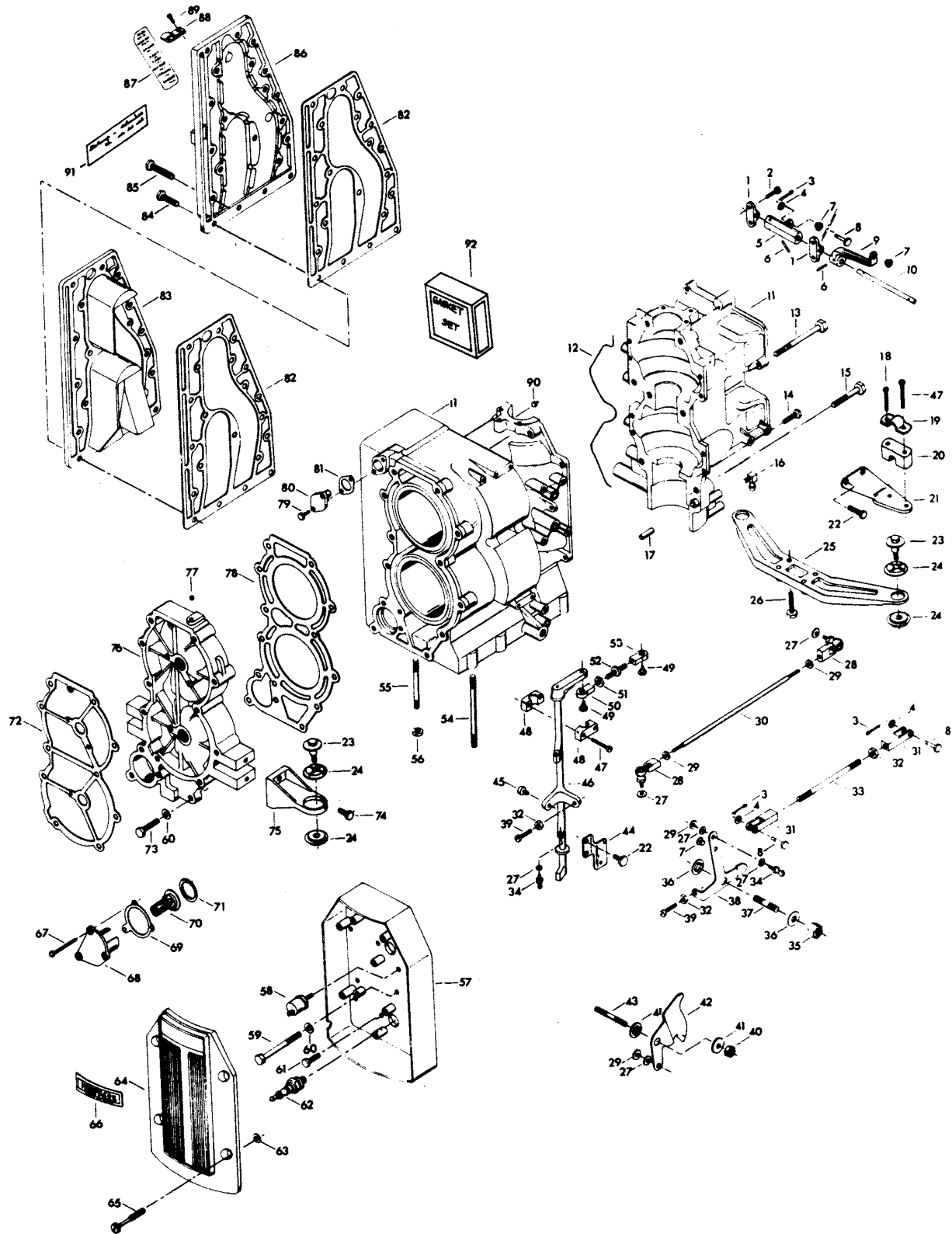


# POWERHEAD

REF. NO.	PART NO.	SYM.	QTY.	DESCRIPTION
1	F85689-1		2	BEARING
2	F1475		4	SLOTTED FILL HD SCREW, 10 - 24 X 1/2
3	F1017		3	COTTER PIN
4	F8094		3	PLAIN WASHER
5	F474640		1	PIVOT, GEAR SHIFT
6	F8547		2	SPRING PIN
7	F183818		3	BEARING, GEAR SHIFT COUPLER
8	F474620		3	PIN, GEAR SHIFT
9	F474621		1	LEVER, GEAR SHIFT
10	F474871		1	SHAFT, GEAR SHIFT
11	A474010-2		1	CYLINDER W/CRANKCASE COVER, STUDS, SCREWS AND DOWEL PINS
-	<b>C474010-2</b>		<b>1</b>	<b>SHORT BLOCK (NOT SHOWN) INCLUDES ALL ITEMS MARKED WITH AN ASTERISK (*). ALSO REFER TO CRANKSHAFT AND PISTON PAGE.</b>
12	F269122-1		1	CRANKCASE PARTING LINE SEAL
13	F1873		2	HEX CAP SCREW, 3/8 - 16 X 3
14	F1914		8	HEX HD SCREW, 1/4 - 20 X 3/4
15	F1872		4	HEX CAP SCREW, 3/8 - 16 X 1 3/4
16	22-817740A1		1	FITTING, PUDDLE DRAIN W/METERING CUP
17	F8563		2	DOWEL PIN
18	F1829		1	SLOTTED FILL HD SCREW, 10 - 24 X 7/8
19	F154317		1	CABLE CLAMP
20	F474932		1	SPACER, CONTROL CABLE
21	F474371		1	REMOTE CABLE BRACKET
22	F1502		4	HEX CAP SCREW, 1/4 - 20 X 5/8
23	F458887		4	FASTENER, SUPPORT PLATE MOUNT
24	F458347		8	MOUNT
25	F474980-1		1	STABILIZER, FRONT
26	F2071		4	HEX CAP SCREW, 5/16 - 18 X 1 3/8
27	F8058		6	INTERNAL TOOTH LOCKWASHER
28	817747--1		2	BALL JOINT W/BEARING
29	F1513		4	HEX NUT, 10 - 32
30	F474193		1	THROTTLE LINK
31	F474704		2	COUPLER
32	F1341		3	HEX NUT, 1/4 - 20
33	F474881		1	LINK, GEAR SHIFT
34	F98273		2	ROD END CONNECTOR STUD
35	F7025		1	STOP NUT, S.S., 3/8 - 16
36	F269052		2	SHIFT ARM BEARING
37	F474859		1	STUD, SHIFT ARM
38	F474876		1	SHIFT ARM
39	F1052		2	FILL HD M. SCREW, 1/4 - 20 X 1
40	F1910		1	ELASTIC STOP NUT, 1/4 - 20

CONTINUED ON NEXT PAGE ➡

# POWERHEAD

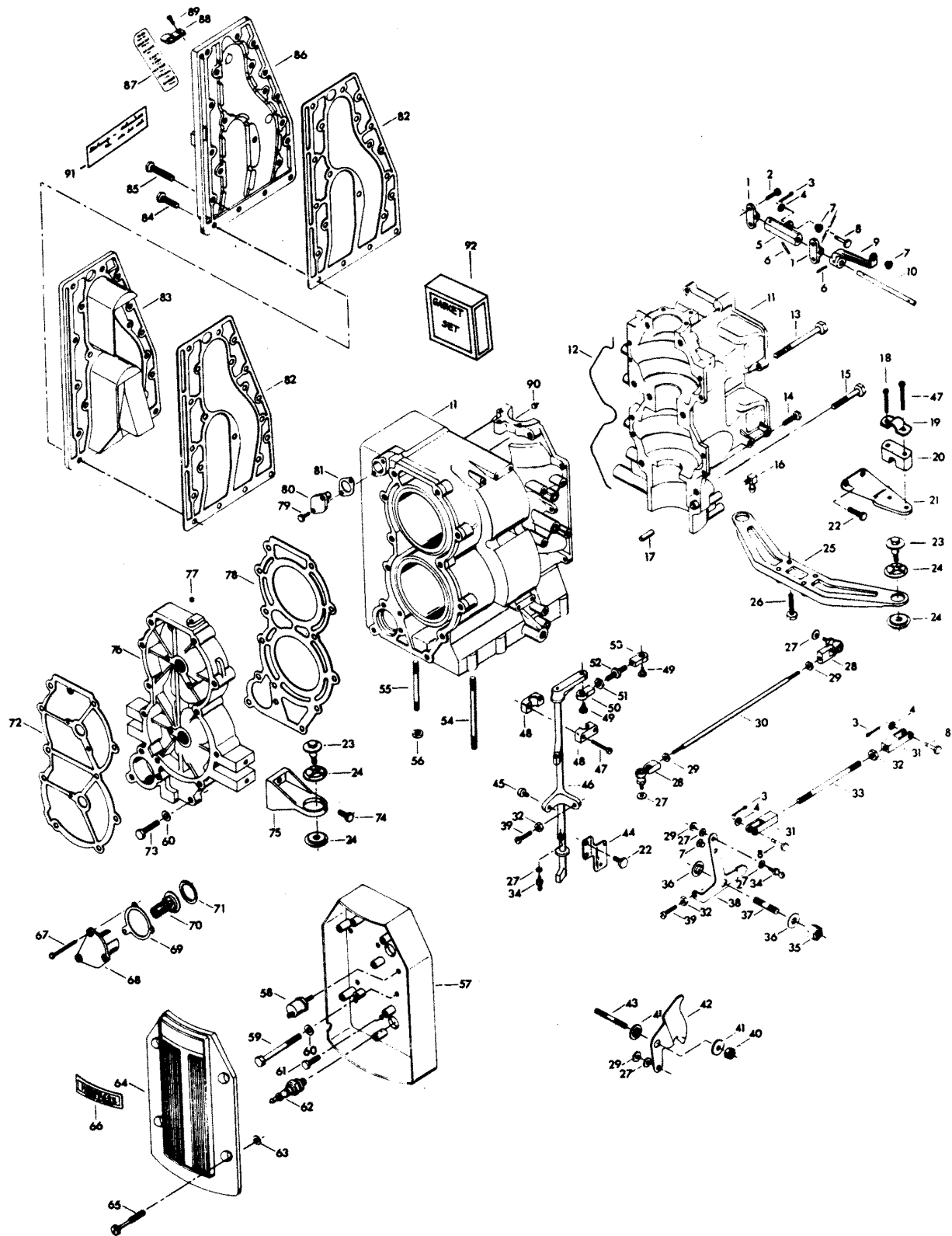


# POWERHEAD

REF. NO.	PART NO.	SYM.	QTY.	DESCRIPTION
41	F269319		2	THROTTLE CAM BEARING
42	F474192		1	THROTTLE CAM
43	F433209-1		1	STUD, THROTTLE CAM
44	F474551		1	BRACKET, INTERLOCK SWITCH
45	F1727		1	PLASTIC RIVET
46	F474838-1		1	TOWERSHAFT
47	F1995		5	FILL HD SCREW, 10 - 24 X 1
48	F433689		4	TOWERSHAFT BEARING
49	F84026		2	SPARK CONTROL SWIVEL
50	F84035-2		1	SPARK CONTROL BEARING, R.H.
51	F1473		1	HEX NUT, 10 - 24
52	F474445		1	SPARK CONTROL LINK
53	F84036		1	SPARK CONTROL BEARING, L.H.
54	F474211		8	STUD, CYLINDER
55	F474210		1	STUD, CYLINDER
56	F2002		9	LOCK NUT
57	F474995		1	CYLINDER HEAD COVER
58	F404449		1	THERMOSWITCH
59	F2049		10	HEX CAP SCREW, 5/16 - 18 X 2 5/8
60	F1987		11	PLAIN WASHER
61	F1238		3	HEX CAP SCREW, 1/4 - 20 X 3/4
62	33-818007--1		2	SPARK PLUG (UL-18V) - USA
-	<b>FC522227</b>		<b>2</b>	<b>SPARK PLUG (QUL-77V), MODELS 558B9L, 559B9L, (CANADA)</b>
63	F85735-1		4	SEAL
64	F474648		1	SPARK PLUG COVER
65	F474751		4	SCREW, SPARK PLUG COVER
66	474373-1		1	DECAL, MAGNAPOWER
67	F2051		3	HEX CAP SCREW, 1/4 - 20 X 2 1/4
68	F474066		1	THERMOSTAT COVER
69	F474067		1	THERMOSTAT COVER GASKET
70	F84068-2		1	THERMOSTAT
71	F84504		1	THERMOSTAT GROMMET
72	F474996		1	CYLINDER HEAD COVER GASKET
73	F2076		1	HEX CAP SCREW, 5/16 - 18 X 1 1/8
74	F1902		4	HEX CAP SCREW 5/16 - 18 X 3/4
75	F474982		2	STABILIZER, REAR
76	A474518-2		1	CYLINDER HEAD W/PLUG
77	F19109		1	PLUG, CYLINDER HEAD
78	F474529		1	CYLINDER HEAD GASKET
79	F1913		2	HEX CAP SCREW, 10 - 24 X 5/8
80	F438066		1	COVER, BY-PASS VALVE
81	F85762		1	GASKET, BY-PASS VALVE COVER

CONTINUED ON NEXT PAGE ➡

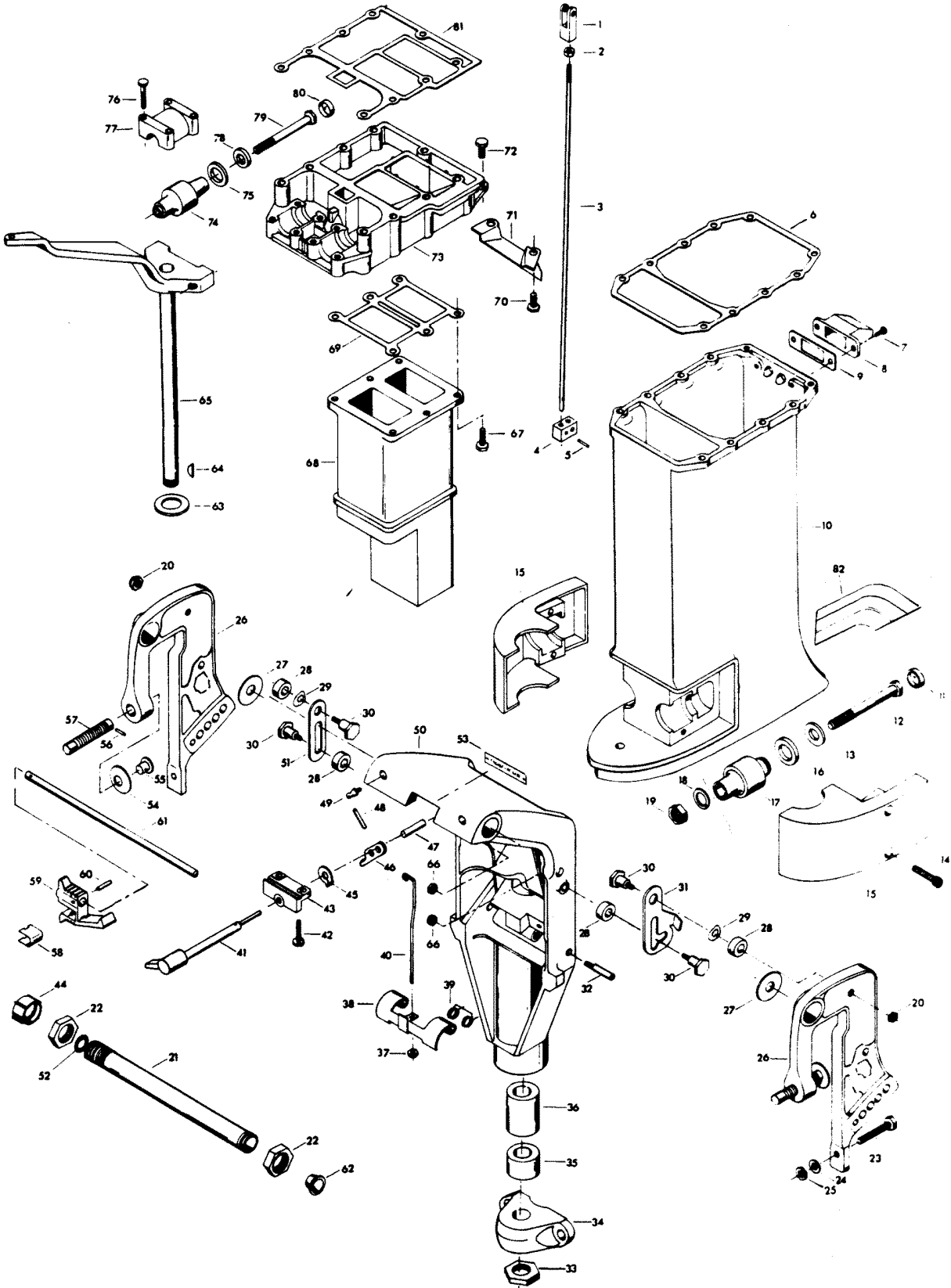
# POWERHEAD



# POWERHEAD

REF. NO.	PART NO.	SYM.	QTY.	DESCRIPTION
82	F474154		2	EXHAUST PORT PLATE GASKET
83	F474151		1	EXHAUST PORT PLATE
84	F1833		4	HEX CAP SCREW, 1/4 - 20 X 1
85	F1581		17	HEX CAP SCREW, 1/4 - 20 X 1 1/4
86	F474152		1	EXHAUST PORT COVER
87	F474398		1	DECAL, WIRING - USA
-	<b>FC474398</b>		<b>1</b>	<b>DECAL, WIRING - CANADA</b>
88	F289446-1		1	CLAMP
89	F1734		1	SLOTTED FILL HD SCREW & LOCKWASHER, 1/4 - 20 X 1/2
90	F474909		2	LOCATING PIN
91	F474374-1		1	DECAL, IGNITION - USA
-	<b>FC474374</b>		<b>1</b>	<b>DECAL, IGNITION - CANADA</b>
92	FG1013-1		1	GASKET SET (INCLUDES THE FOLLOWING)
-	<b>F40906-1</b>		<b>2</b>	<b>CARBURETOR GASKET</b>
-	<b>F85168</b>		<b>2</b>	<b>REED PLATE ADAPTER GASKET</b>
-	<b>F85762</b>		<b>1</b>	<b>BY-PASS VALVE COVER GASKET</b>
-	<b>F474067</b>		<b>1</b>	<b>THERMOSTAT COVER GASKET</b>
-	<b>F474154</b>		<b>2</b>	<b>EXHAUST PORT COVER GASKET</b>
-	<b>F474168</b>		<b>1</b>	<b>CARBURETOR ADAPTER GASKET</b>
-	<b>F474279</b>		<b>1</b>	<b>CYLINDER EXHAUST GASKET</b>
-	<b>F474529</b>		<b>1</b>	<b>CYLINDER HEAD GASKET</b>
-	<b>F474867</b>		<b>1</b>	<b>EXHAUST TUBE GASKET</b>
-	<b>F474996</b>		<b>1</b>	<b>CYLINDER HEAD COVER GASKET</b>
-	<b>F522279</b>		<b>1</b>	<b>CYLINDER EXHAUST GASKET</b>
-	<b>F522867</b>		<b>1</b>	<b>EXHAUST TUBE GASKET</b>

# MOTOR LEG

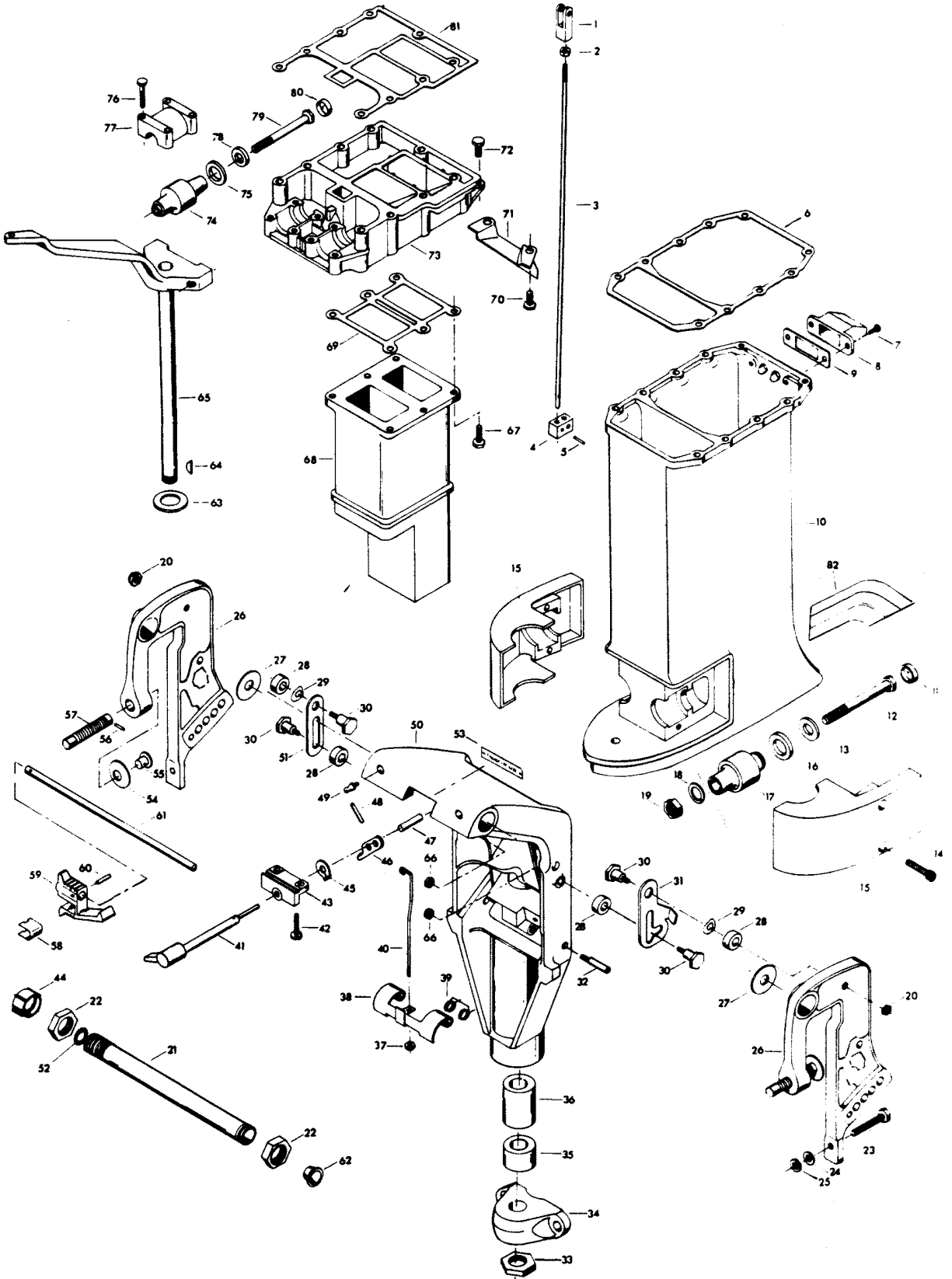


# MOTOR LEG

REF. NO.	PART NO.	SYM.	QTY.	DESCRIPTION
1	F474704		1	COUPLER, SHIFT ROD
2	F1341		1	HEX NUT, 1/4 - 20
3	F474615		1	ROD, GEAR SHIFT - UPPER, LONG SHAFT
-	<b>F475615</b>		<b>1</b>	<b>ROD, GEAR SHIFT - UPPER, SHORT SHAFT</b>
4	F474273		1	COUPLING, GEAR SHIFT ROD
5	F8547		1	SPRING PIN
6	F474453		1	LEG EXHAUST GASKET
7	F1705		2	HEX CAP SCREW, 1/4 - 20 X 3/4
8	F474832-1		1	IDLE RELIEF COVER
9	F474833		1	GASKET, IDLE RELIEF COVER
10	F474133		1	MOTOR LEG - LONG SHAFT
-	<b>F475133</b>		<b>1</b>	<b>MOTOR LEG - SHORT SHAFT</b>
11	F474539		2	BUMPER
12	F2069		2	HEX CAP SCREW, 7/16 - 14 X 4
13	F474359		2	WASHER
14	F1257		4	HEX SOCKET HD CAP SCREW, S.S., 5/16 - 18 X 1 1/4
15	F474707		2	SHOCK MOUNT COVER LOWER
16	F474847		2	WASHER
17	F474346-2		2	SHOCK MOUNT LOWER
18	F8067		2	SPRING LOCKWASHER
19	F2065		2	HEX NUT, 7/16 - 14
20	F7007		2	STOP NUT, 5/16 - 18
21	F522125-1		1	TUBE, STEERING SUPPORT
22	F1600		2	LOCK NUT
23	F1593		2	HEX HD SCREW, S.S., 3/8 - 16 X 3
24	F1904		2	PLAIN WASHER
25	F1346		2	HEX NUT, 3/8 - 16
26	F522032		2	STERN BRACKET - STARBOARD
-	<b>F522532</b>		<b>1</b>	<b>STERN BRACKET - PORT</b>
27	F522286		2	STERN BRACKET FRICTION WASHER
28	F269929		4	SPACER, TILT STOP
29	F1666		2	BOWED SPRING WASHER
30	F366350		4	TILT STOP PIVOT
31	F366426		1	TILT STOP, PORT
32	F366886		2	PIN
33	F84280		1	KING PIN NUT
34	F474607		1	KING PIN YOKE
35	F474990		1	SPACER
36	F191169-1		2	SWIVEL BRACKET BEARING
37	F1669		1	LOCK NUT
38	F366349		1	REVERSE LOCK
39	F366300		2	REVERSE LOCK SPRING
40	F474510		1	LINK

CONTINUED ON NEXT PAGE ➡

# MOTOR LEG



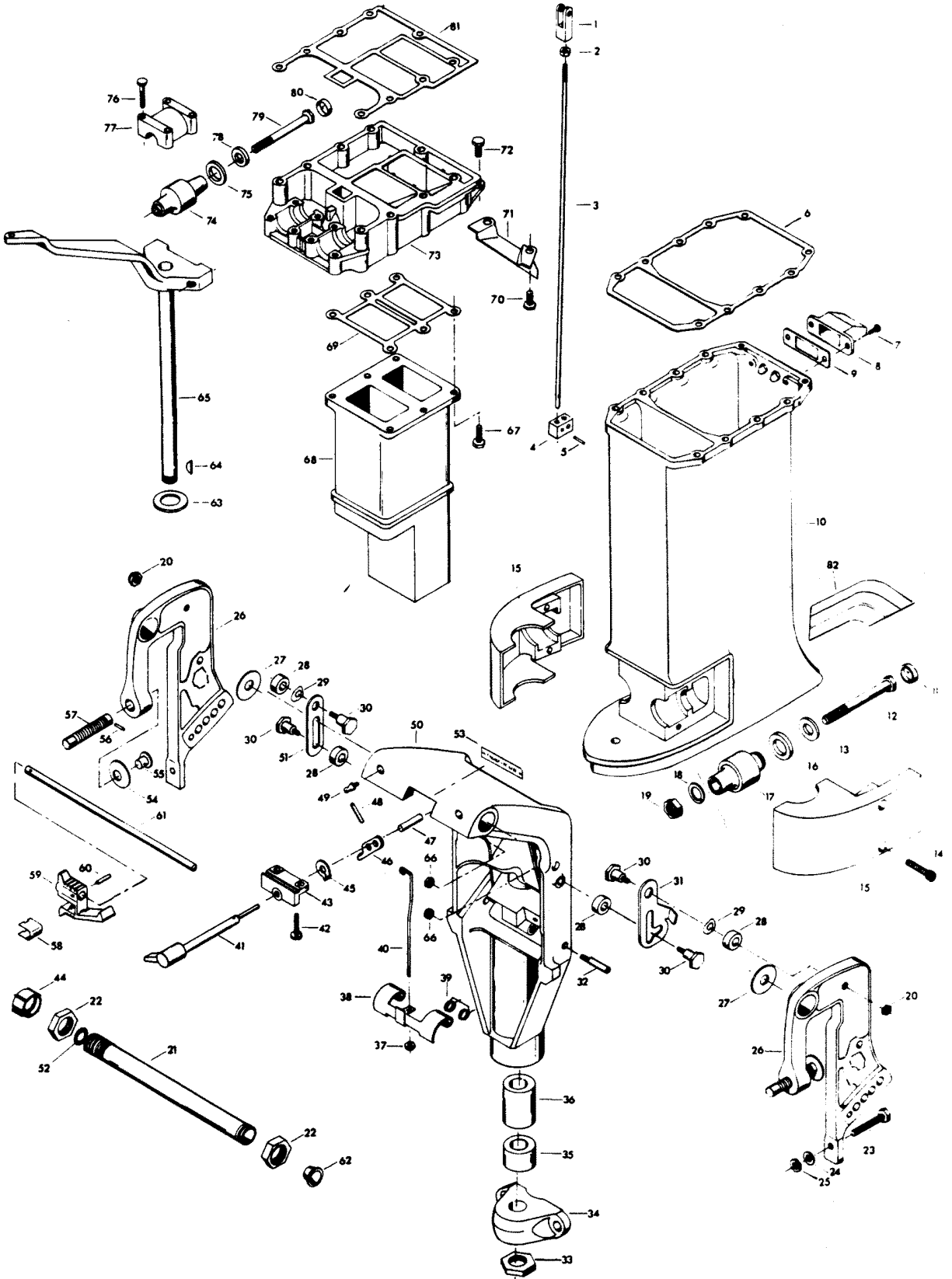


# MOTOR LEG

REF. NO.	PART NO.	SYM.	QTY.	DESCRIPTION
41	FA522827		1	HANDLE AND SHAFT
42	F1733		2	PAN HD SCREW, 10 - 24 X 9/16
43	F522884		1	BEARING
44	F9018		1	CAP
45	F522741		1	RETAINING RING
46	F366364		1	ARM, REVERSE LOCK
47	F483884		1	BEARING
48	F1836		1	SPRING PIN
49	F213274		3	GREASE FITTING
50	FA524072		1	SWIVEL BRACKET - LONG SHAFT
-	<b>FA465072</b>		<b>1</b>	<b>SWIVEL BRACKET - SHORT SHAFT</b>
51	F366433		1	TILT STOP, STARBOARD
52	F316599		1	SEAL, PIVOT TUBE
53	F474390-1		1	DECAL, REVERSE LOCK - USA
-	<b>37-819450</b>		<b>1</b>	<b>DECAL, REVERSE LOCK - CANADA</b>
54	F24074		2	CLAMP SCREW FOOT
55	F353480		2	STUD
56	F8538		2	SPRING PIN
57	F474073-1		2	CLAMP SCREW
58	F286461		1	SPRING, LOCK BAR HANDLE
59	F433114		1	HANDLE, LOCK BAR
60	F1744		1	SPRING PIN
61	FA433113		1	STERN BRACKET LOCK BAR W/HANDLE
62	F9052		1	PLUG
63	F89011		1	SWIVEL BRACKET WASHER
64	F458498		1	KEY
65	A474019		1	KING PIN ASSEMBLY - LONG SHAFT
-	<b>FA475019</b>		<b>1</b>	<b>KING PIN ASSEMBLY - SHORT SHAFT</b>
66	F7007		2	LOCK NUT, 5/16 - 18
67	F1914		4	HEX CAP SCREW, 1/4 - 20 X 3/4
68	F474660		1	LEG EXHAUST TUBE
69	F474867		1	UPPER EXHAUST TUBE GASKET
70	F1689		2	HEX CAP SCREW, 1/4 - 20 X 1/2
71	F474106-3		1	DEFLECTOR, WATER DISCHARGE
72	F1902		2	HEX CAP SCREW, 5/16 - 18 X 3/4
73	F474680		1	SPACER PLATE
74	F474965-1		2	SHOCK MOUNT UPPER
75	F474849		2	WASHER
76	F1581		8	HEX CAP SCREW, 1/4 - 20 X 1 1/4
77	F474946		2	SHOCK MOUNT COVER UPPER
78	F474355		2	WASHER
79	F1430		2	HEX CAP SCREW, 3/8 - 24 X 4
80	F474942		2	BUMPER

CONTINUED ON NEXT PAGE ➡

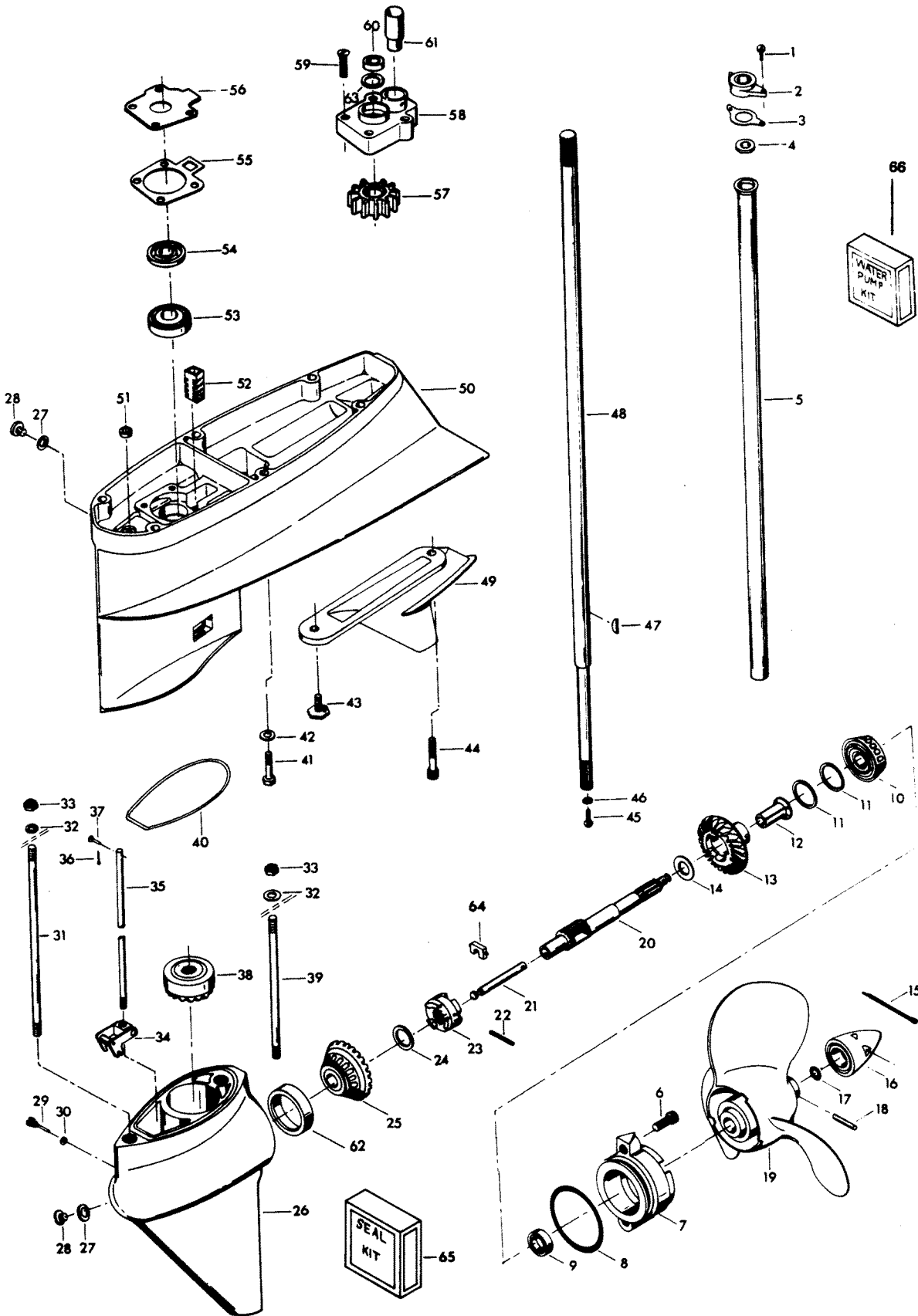
# MOTOR LEG



# MOTOR LEG

REF. NO.	PART NO.	SYM.	QTY.	DESCRIPTION
81	F474279		1	CYLINDER EXHAUST GASKET
82	A547392		1	DECAL, LEG - PORT
-	<b>A547391</b>		<b>1</b>	<b>DECAL, LEG - STARBOARD</b>

# GEAR HOUSING



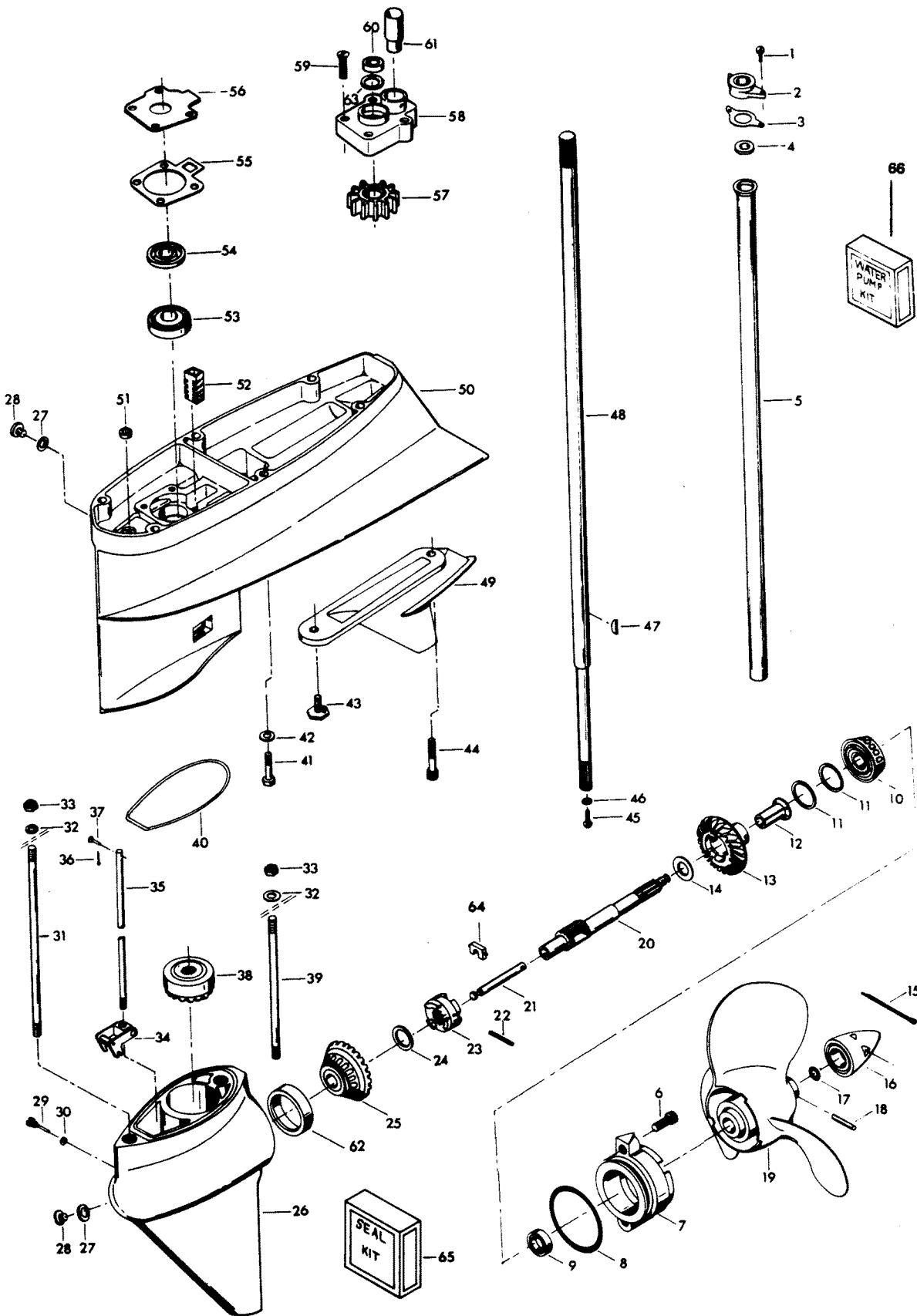
21

# GEAR HOUSING

REF. NO.	PART NO.	SYM.	QTY.	DESCRIPTION
1	F2074		2	HEX HD SCREW, 10 - 24 X 9/16
2	F474117		1	WATER LINE BRACKET
3	F474830		1	WATER LINE BRACKET GASKET
4	F474342		1	SEAL
5	F474244		1	WATER LINE, INLET (LONG SHAFT)
-	<b>F475244</b>		<b>1</b>	<b>WATER LINE INLET (SHORT SHAFT)</b>
6	F1994		2	HEX SOCKET HD CAP SCREW, S.S. 5/16 - 18 X 1
7	F2A474298		1	PROP SHAFT BRG. CAGE W/SEALS & BRG. CUP
8	F141305		1	SEAL, PROPELLER SHAFT BEARING CAGE
9	F141118		1	SEAL, PROPELLER SHAFT
10	F474225		1	BEARING, PROPELLER SHAFT REVERSE THRUST
11	F2052		A/R	SHIM, PROPELLER SHAFT BRG. CAGE .005 (SILVER)
-	<b>F2053</b>		<b>A/R</b>	<b>SHIM, PROPELLER SHAFT BRG. CAGE .006 (COPPER)</b>
-	<b>F2054</b>		<b>A/R</b>	<b>SHIM, PROPELLER SHAFT BRG. CAGE .008 (BLACK)</b>
12	F474143		1	BEARING, BEVEL GEAR REAR
13	F474662		1	BEVEL GEAR REAR
14	F40717		1	THRUST WASHER, BEVEL GEAR
15	F1027		1	COTTER PIN, S.S., 1/8 - 1/2
16	FA94094-2		1	PROPELLER NUT W/SEAL AND COTTER PIN
17	F40342		1	SEAL, PROPELLER NUT
18	FK247		1	PROPELLER PIN, PACK OF 6 W/COTTER PIN
19	FP475		1	PROPELLER, (ACCESSORY ITEM)
20	FA474098		1	PROPELLER SHAFT
21	F90871-3		1	GEAR SHIFT ARM PIN
22	F2097		1	SPRING PIN
23	F99521-1		1	CLUTCH
24	F2087		A/R	SPACER, BEVEL GEAR FRONT (.056)
-	<b>F2055</b>		<b>A/R</b>	<b>SPACER, BEVEL GEAR FRONT (.059)</b>
-	<b>F2056</b>		<b>A/R</b>	<b>SPACER, BEVEL GEAR FRONT (.062)</b>
-	<b>F2057</b>		<b>A/R</b>	<b>SPACER, BEVEL GEAR FRONT (.065)</b>
-	<b>F2058</b>		<b>A/R</b>	<b>SPACER, BEVEL GEAR FRONT (.068)</b>
-	<b>F2059</b>		<b>A/R</b>	<b>SPACER, BEVEL GEAR FRONT (.071)</b>
-	<b>F2060</b>		<b>A/R</b>	<b>SPACER, BEVEL GEAR FRONT (.074)</b>
-	<b>F2061</b>		<b>A/R</b>	<b>SPACER, BEVEL GEAR FRONT (.077)</b>
-	<b>F2062</b>		<b>A/R</b>	<b>SPACER, BEVEL GEAR FRONT (.080)</b>
-	<b>F2063</b>		<b>A/R</b>	<b>SPACER, BEVEL GEAR FRONT (.083)</b>
-	<b>F2064</b>		<b>A/R</b>	<b>SPACER, BEVEL GEAR FRONT (.086)</b>
25	F2A474023		1	BEVEL GEAR FRONT W/BEARING
26	1600-817819A1		1	GEAR HOUSING LOWER W/PLUG, WASHER AND THRUST BEARING CUP
-	<b>1600-817900A1</b>		<b>1</b>	<b>GEAR HOUSING COMPLETE INCLUDES ALL ITEMS MARKED WITH AN ASTERISK (*). ORIGINAL FORCE P/N C474054-1</b>
27	F8077		2	WASHER, GEAR HOUSING PLUG
28	F50109		2	PLUG, GEAR HOUSING

CONTINUED ON NEXT PAGE ➡

# GEAR HOUSING



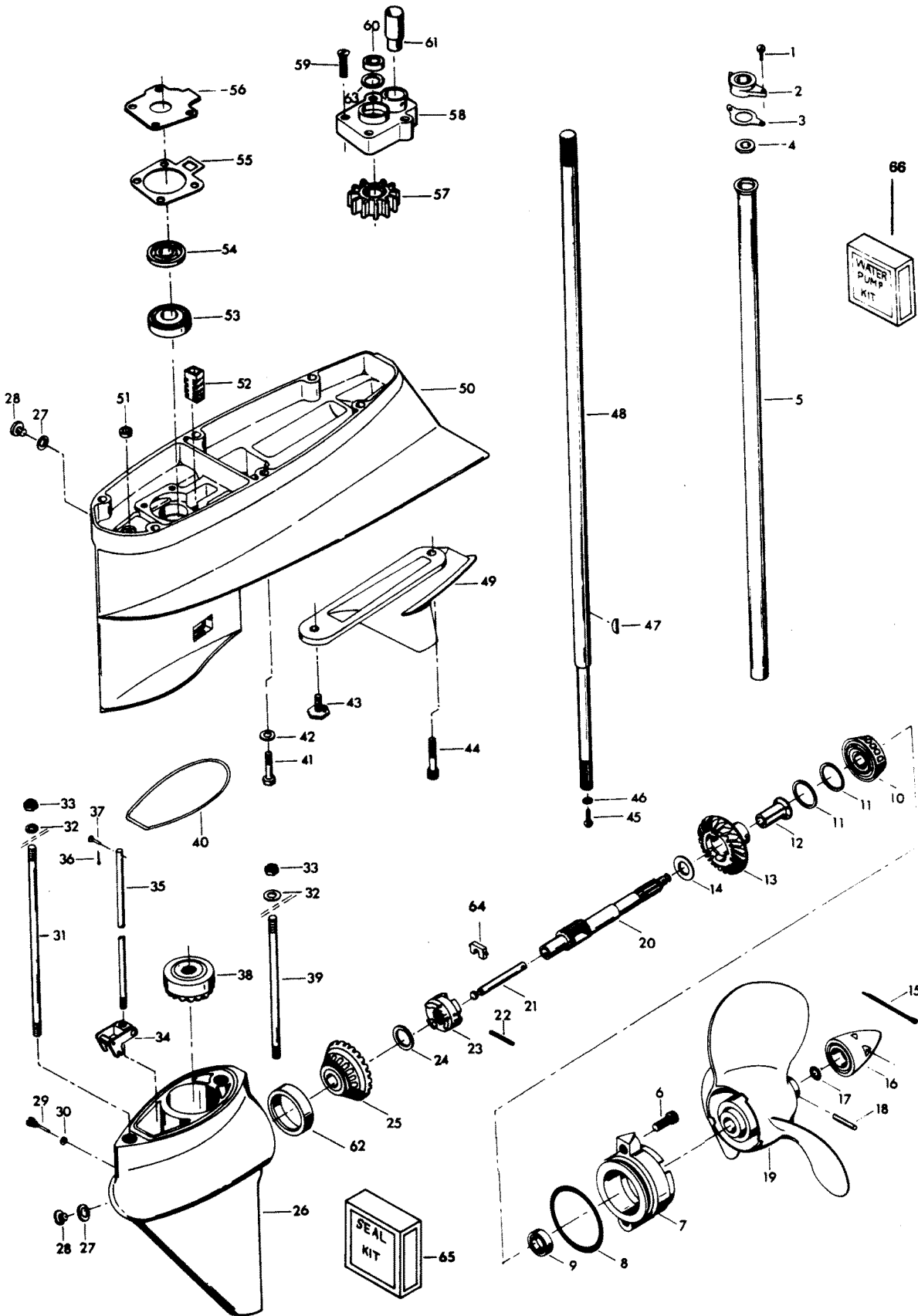
21

# GEAR HOUSING

REF. NO.	PART NO.	SYM.	QTY.	DESCRIPTION
29	F90891		1	GEAR SHIFT ARM PIN
30	F8001		1	NYLTITE WASHER
31	F474006		1	STUD, LONG
32	F8065		2	LOCKWASHER
33	F1346		2	HEX NUT, S.S., 3/8 - 16
34	817796A2		1	GEAR SHIFT ARM
35	F474705		1	GEAR SHIFT ROD LOWER
36	F1015		1	COTTER PIN
37	F85372		1	PIN, GEAR SHIFT ROD LOWER
38	F2A474266		1	BEVEL PINION GEAR W/BEARING AND CUP
39	F40008		1	STUD, SHORT
40	F435555		1	SEAL, GEAR HOUSING
41	F1696		6	HEX CAP SCREW, S.S., 5/16 - 18 X 1 3/4
42	F8096		6	SPRING LOCKWASHER
43	F438930		1	RETAINER, SNOOT
44	F1994		1	HEX SOCKET HD CAP SCREW, 5/16 - 18 X 1
45	F474165-1		1	SCREW, BEVEL PINION RETAINING
46	F474717		1	WASHER, BEVEL PINION RETAINING
47	F9038		1	WOODRUFF KEY
48	FA474128		1	DRIVESHAFT W/BEARING, SCREW & WASHER (LONG SHAFT)
-	<b>FA475128</b>		<b>1</b>	<b>DRIVESHAFT W/BEARING, SCREW &amp; WASHER (SHORT SHAFT)</b>
49	F474116-1		1	SNOOT
50	FA474554		1	GEAR HOUSING UPPER, W/SHIFT ROD SEAL, WASHER AND PLUG
51	F338618-1		1	SEAL, SHIFT ROD LOWER
52	F474077		1	SCREEN, WATER INLET
53	FA474901		1	BEARING, DRIVESHAFT UPPER W/CUP
54	F474307		1	SEAL, DRIVESHAFT
55	F84031		1	WATER PUMP GASKET
56	F369562		1	WATER PUMP BACK PLATE
57	F474065		1	WATER PUMP IMPELLER
58	FA474060		1	WATER PUMP BODY W/DRIVESHAFT SEAL
59	F1849		4	HEX HD SCREW, S.S., 1/4 - 20 X 1 3/8
60	F474736		1	DRIVESHAFT SEAL
61	FA523735		1	SEAL, INLET WATER LINE LOWER
62	F458250		1	BEARING CUP
63	F474388		1	DISC, WATER PUMP
64	F90619-1		1	YOKE, GEAR SHIFT ARM
65	FK1060		1	SEAL KIT (INCLUDES THE FOLLOWING)
-	<b>F141305</b>		<b>1</b>	<b>PROP SHAFT BEARING CAGE SEAL</b>
-	<b>F141118</b>		<b>1</b>	<b>PROP SHAFT SEAL</b>
-	<b>F8077</b>		<b>2</b>	<b>WASHER</b>
-	<b>F8001</b>		<b>1</b>	<b>WASHER</b>

CONTINUED ON NEXT PAGE ➡

# GEAR HOUSING

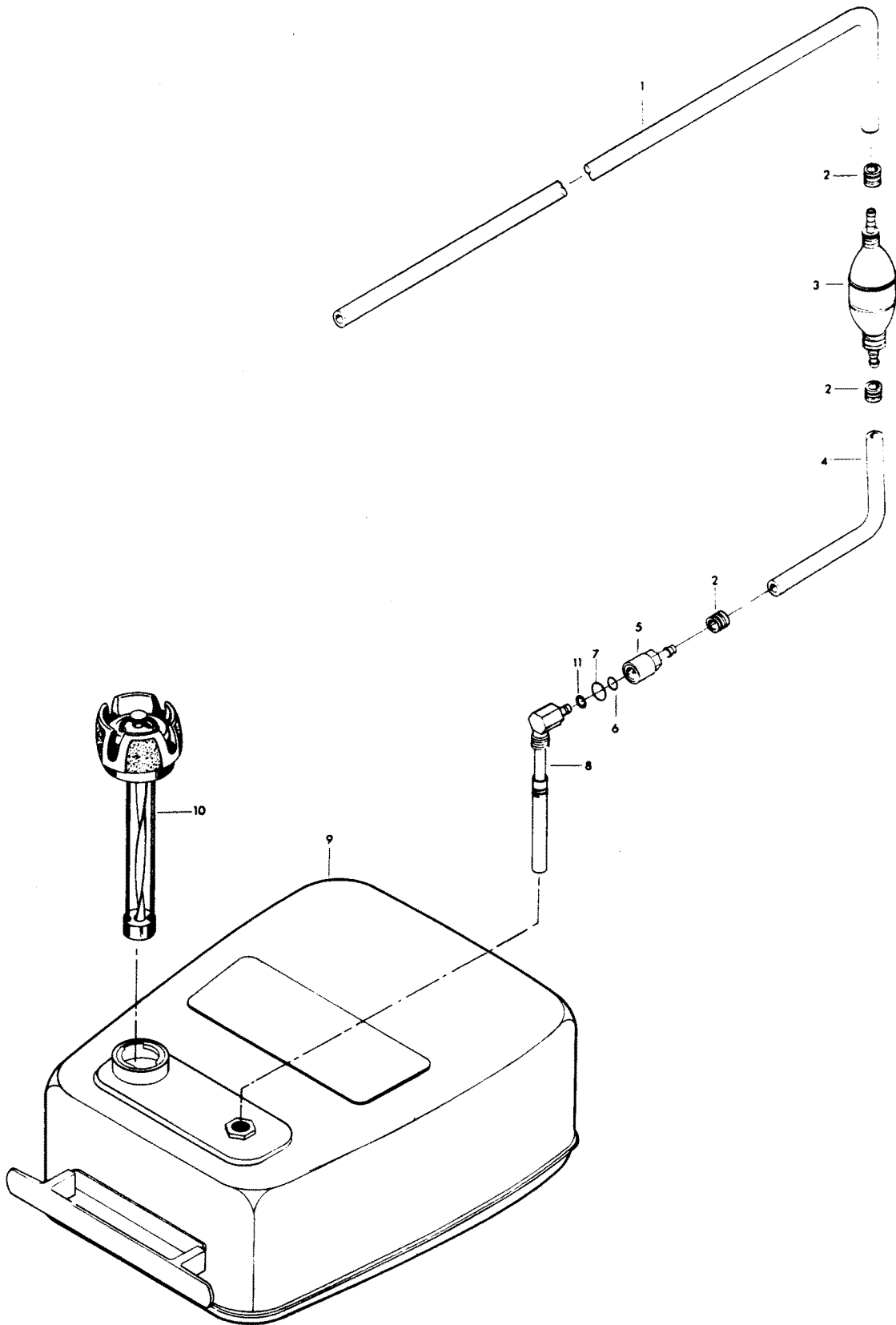




# GEAR HOUSING

REF. NO.	PART NO.	SYM.	QTY.	DESCRIPTION
-	F435555		1	GEAR HOUSING SEAL
-	F338618-1		1	SHIFT ROD, LOWER SEAL
-	F474307		1	DRIVE SHAFT SEAL
66	FK1070		1	WATER PUMP KIT

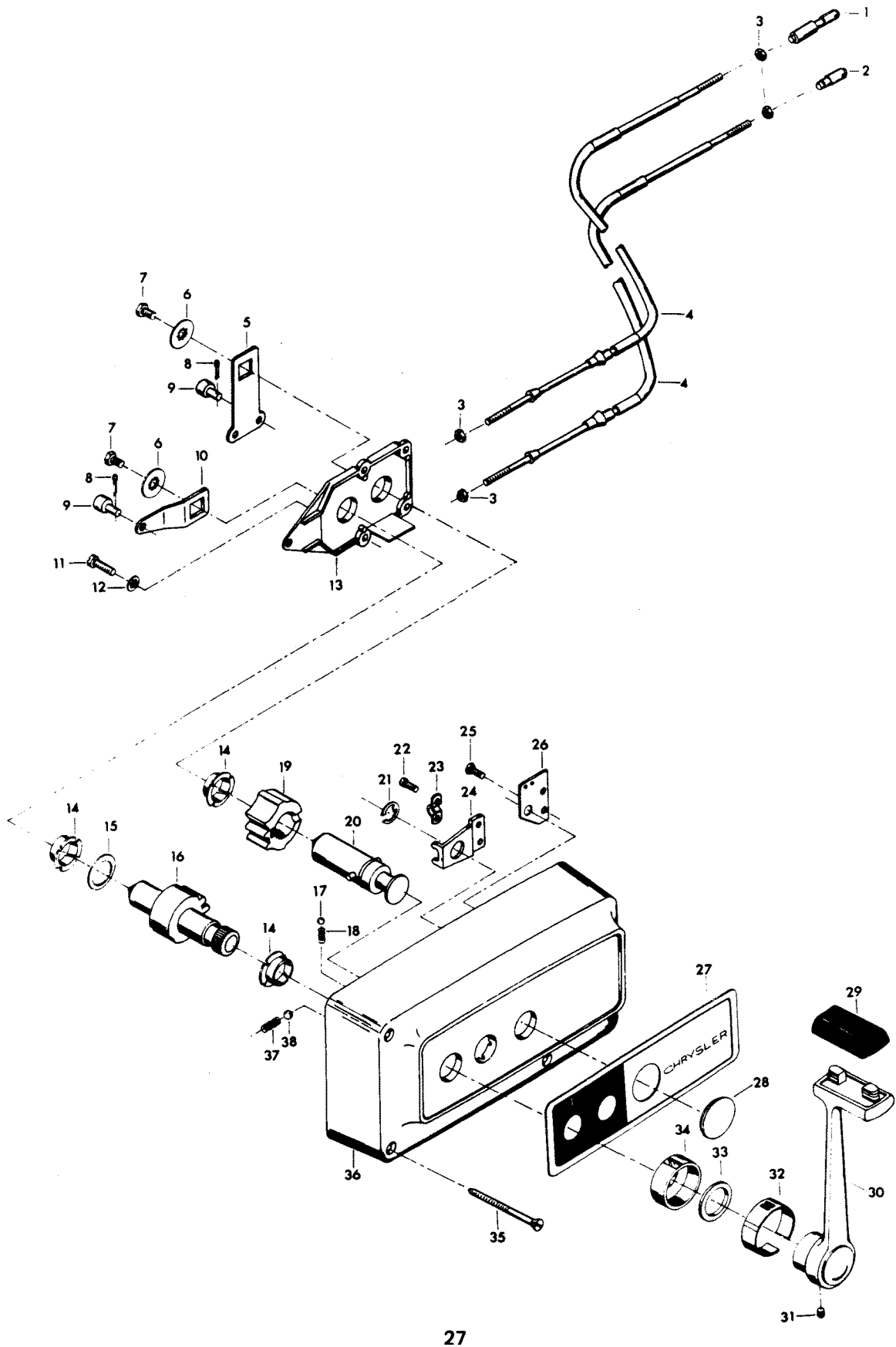
# FUEL TANK AND LINE



## FUEL TANK AND LINE

REF. NO.	PART NO.	SYM.	QTY.	DESCRIPTION
1	32-817738A1		1	FUEL LINE, LONG W/CLAMP AND FERRULE
2	F298788		3	FERRULE
3	89396A38		1	PRIME BULB
4	FA84754-1		1	FUEL LINE SHORT W/FERRULES
5	F197787-3		1	FUEL LINE COUPLER
6	F213735		1	SEAL, FUEL LINE COUPLER (SMALL)
7	F213342		1	SEAL, FUEL LINE COUPLER (LARGE)
8	F485755-1		1	FUEL TANK ADAPTER
9	F5H026		1	FUEL TANK (ACCESSORY ITEM)
10	F409251-1		1	GAUGE CAP
11	F17932		1	SEAL, FUEL TANK ADAPTER
-	<b>FS409752</b>		<b>1</b>	<b>FUEL LINE, COMPLETE</b>
-	<b>FC409398</b>		<b>1</b>	<b>DECAL, TOTE TANK - CANADA (NOT SHOWN)</b>

# REMOTE CONTROL

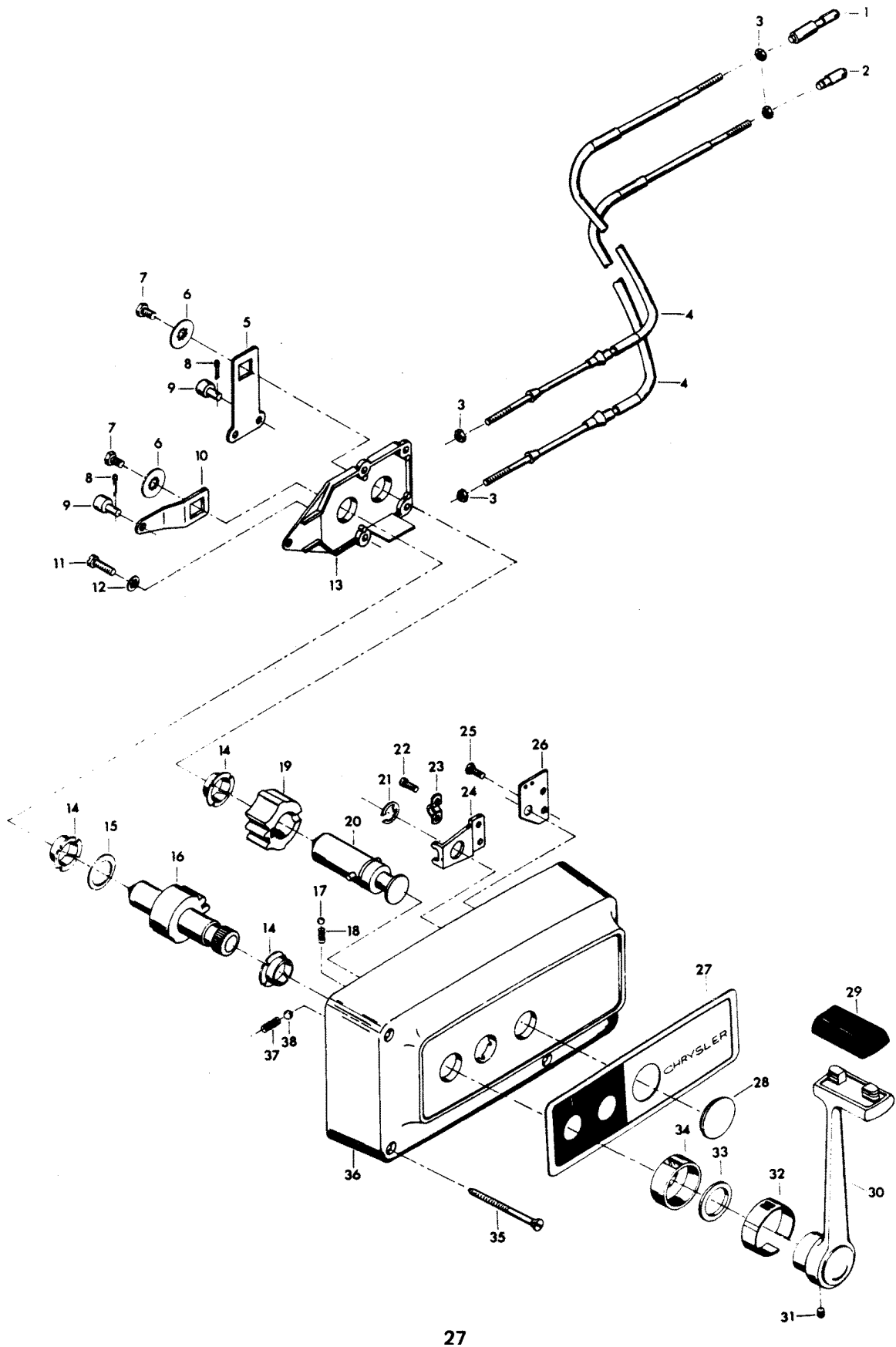


# REMOTE CONTROL

REF. NO.	PART NO.	SYM.	QTY.	DESCRIPTION
1	FA58976-1		1	CONNECTOR, THROTTLE CABLE
2	F58685-2		1	CONNECTOR, SHIFT CABLE
3	F1513		4	HEX NUT
4	ÄF58356//		2	REMOTE CONTROL CABLE (SPECIFY LENGTH)
5	F17019		1	CLUTCH ARM
6	F17036		2	INTERNAL TOOTH LOCKWASHER
7	F1715		2	HEX BOLT, 1/4 - 28 X 9/16
8	F17149		2	COTTER PIN
9	F17016		2	CABLE TERMINAL
10	F17014		1	THROTTLE ARM
11	F17013		2	FILL HD SCREW, 1/4 - 20 X 1/2
12	F17147		2	INTERNAL TOOTH LOCKWASHER
13	F17012		1	RETAINING PLATE
14	F17009		3	BEARING
15	F17011		1	BOWED WASHER
16	F17010-1		1	THROTTLE GEAR
17	F17111		1	DETENT BALL
18	F17006		1	DETENT SPRING
19	F17021		1	CLUTCH GEAR
20	F17100		1	CLUTCH SHAFT
21	F17092		1	SNAP RING
22	F17071		2	FILL HD SCREW, 10 - 24 X 5/16
23	F154317		1	CABLE CLAMP
24	F17026		1	SWIVEL
25	F1557		2	FLAT HD SCREW, 10 - 24 X 3/8
26	F17112		1	JUNCTION BOARD, STARBOARD
-	<b>F17113</b>		<b>1</b>	<b>JUNCTION BOARD, PORT</b>
27	F17148		1	DECAL, STARBOARD
-	<b>F531892</b>		<b>1</b>	<b>DECAL, PORT</b>
28	F17031-1		1	SNAP CAP
29	F17116		1	KNOB
30	F17115-1		1	HANDLE
31	F17030-1		1	SET SCREW
32	FK17114-1		1	INDICATOR
33	F17105		1	FELT WASHER
34	F17106		1	COLLAR
35	F17146		3	WOOD SCREW
36	F17099-1		1	HOUSING

CONTINUED ON NEXT PAGE ➡

# REMOTE CONTROL



# REMOTE CONTROL

REF. NO.	PART NO.	SYM.	QTY.	DESCRIPTION
37	F17068		1	DETENT SPRING
38	F17082-1		1	DETENT BALL
-	F1280		2	PAN HD SCREW, 8 - 32 X 1/4 (TERMINAL BOARD) (NOT SHOWN)
-	F17103-1		1	BAG ASSEMBLY, (NOT SHOWN) INCLUDES ITEMS MARKED WITH AN ASTERISK (*).
-	OB3061		1	LITERATURE (NOT SHOWN)

## SPECIAL TOOLS - TUNE-UP

REF. NO.	PART NO.	SYM.	QTY.	DESCRIPTION
-	FT8948-1		0	PULLER TO REMOVE FLYWHEEL
-	FTA2937-1		0	TIMING TOOL TO LOCATE TIMING DECAL
-	FT8978		0	POWER TIMING LIGHT TO TIME ENGINE
-	FT2951		0	CIRCUIT TRACER TO TROUBLE SHOOT ELECTRICAL SYSTEM



## SPECIAL TOOLS - POWERHEAD

REF. NO.	PART NO.	SYM.	QTY.	DESCRIPTION
-	T8984		0	SEAL INSTALLER TO INSTALL UPPER AND LOWER CRANKSHAFT SEALS - USE WITH T8907
-	FT3431		0	SEAL INSTALLER TO INSTALL UPPER DRIVESHAFT SEAL
-	FT8926		0	RING EXPANDER TO INSTALL RINGS ON PISTONS
-	FT2996		0	RING COMPRESSOR TO INSTALL PISTONS IN CYLINDERS
-	FT8933		0	LIFTING HOOK TO PROVIDE SAFE METHOD OF LIFTING ENGINE
-	FT2990		0	PISTON PIN TOOL REMOVE AND INSTALL PISTON PINS
-	FTA8994		0	PISTON PIN TOOL REMOVE AND INSTALL PISTON PINS - USE WITH T2990

## SPECIAL TOOLS - LOWER UNIT

REF. NO.	PART NO.	SYM.	QTY.	DESCRIPTION
-	FT8948-1		0	PULLER TO REMOVE PROPELLER SHAFT BEARING CAGE FROM LOWER GEAR HOUSING
-	FT8901		0	INDICATOR HOLDER TO USE WITH CHECKING GAUGE T8924-1
-	FT8920		0	BEARING INSTALLER TO INSTALL PROP SHAFT BEARING
-	FT8902		0	DIAL INDICATOR TO USE WITH CHECKING GAUGE T8924-1
-	FT3012		0	SEAL INSTALLER TO INSTALL WATER PUMP SEAL
-	FT8979		0	WATER PUMP CENTERING TOOL TO CENTER WATER PUMP
-	FT3431		0	SEAL INSTALLER TO INSTALL REAR PROP SHAFT SEAL
-	FT8957		0	SEAL INSTALLER TO INSTALL SHIFT ROD SEAL
-	FT8918		0	BUSHING GUIDE SET TO REMOVE AND INSTALL FORWARD BEARING CUP
-	FT8924-1		0	CHECKING GAUGE TO SHIM LOWER UNIT
-	FT8921		0	CUP REMOVER TO REMOVE FORWARD BEARING CUP
-	FT8982		0	SHIM ADAPTER TO USE WITH CHECKING GAUGE T8924-1
-	FT8904		0	CUP INSTALLER TO INSTALL FORWARD BEARING CUP
-	FT8985		0	SEAL INSTALLER TO INSTALL DRIVESHAFT SEAL
-	FT8907		0	DRIVER HANDLE TO INSTALL FORWARD BEARING CUP

## SPECIAL TOOLS - TEST EQUIPMENT

REF. NO.	PART NO.	SYM.	QTY.	DESCRIPTION
-	FT8950		0	LEAKAGE TESTER TO TEST LOWER UNIT FOR LEAKS
-	FT8986A		0	TEST WHEEL TO TEST MOTOR IN TEST TANK
-	FT8953		0	IGNITION TESTER TO TEST IGNITION SYSTEM

# SPECIAL TOOLS - LUBRICANTS AND SEALANTS

REF. NO.	PART NO.	SYM.	QTY.	DESCRIPTION
-	FT2961		0	LUBRICANT
-	FT2987-1		0	LUBRICANT
-	FT8969		0	LUBRICANT
-	FT8983		0	SEALANT
-	FT8936		0	SEALANT
-	FT2962-1		0	SEALANT
-	FT2963-1		0	SEALANT
-	FT8935		0	SEALANT PRIMER

# ACCESSORIES

REF. NO.	PART NO.	SYM.	QTY.	DESCRIPTION
-			0	CHRYSLER OUTBOARD OIL SEE BLOCK COMMENT 1.
-			0	CHRYSLER OUTBOARD GEAR LUBE SEE BLOCK COMMENT 2.
-	F5H074		0	WATER PUMP KIT HEAVY DUTY WATER PUMP RECOMMENDED FOR CONTINUED OPERATION IN SANDY OR SALT WATER.
-	F861		0	FLUSHING ADAPTER FOR CLEANING COOLING SYSTEM
-	5H051		0	BATTERY, 74 AMP TWELVE VOLT HEAVY DUTY BATTERY TO OPERATE STARTER AND ELECTRICAL ACCESSORIES
-	F5H021		0	BATTERY EXTENSION CABLE USED TO EXTEND BATTERY CABLE 6 1/2 FEET.
-	F5H041		0	BATTERY TERMINAL KIT ADAPTS MODEL 5H051 BATTERY TERMINALS FOR CONNECTION TO BATTERY CABLES ON ENGINES.
-	5H111		0	2" INSTRUMENT ADAPTER ALLOWS INSTRUMENTS TO BE MOUNTED ON SURFACE OF DASH
-	F5H008		0	FUEL GAUGE (FLUSH MOUNT) MONITORS FUEL SUPPLY
-	F5H028		0	SENDING UNIT FOR USE WITH ABOVE FUEL GAUGE.
-	F5H007		0	HOURMETER (FLUSH MOUNT) MONITORS ENGINE RUNNING TIME.
-	F5H006		0	BATTERY BOLTMETER (FLUSH MOUNT) MONITORS BATTERY CONDITION.
-	F5H005		0	TEMPERATURE GAUGE (FLUSH MOUNT) MONITORS ENGINE TEMPERATURE. DO NOT USE TEMPERATURE GAUGE AND HEAT LAMP IN THE SAME INSTALLATION.
-	F5H134		0	BOAT WHITE LACQUER ENGINE TOUCH-UP PAINT IN 12 3/4 OZ. SPRAY BOMBS (12 CANS PER CASE).
-	F5H135		0	SAND TAN LACQUER ENGINE TOUCH-UP PAINT IN 12 3/4 OZ. SPRAY BOMBS (6 CANS PER CASE).
-	5H046		0	CANVAS HOOD PROTECTION FOR ENGINE COVER.
-	F5H084		0	TRAILERING TILT LOCK KEEPS ENGINE IN TILTED POSITION FOR TRAILERING.
-	F5H026		0	STEEL, 6 GALLON FUEL TANK AUXILIARY TANK.
-	F5H029		0	FUEL TANK ANCHOR SECURES 5H026 TO DECK.
-	F5H040		0	STEEL, 12 GALLON FUEL TANK AUXILIARY TANK.
-	479		0	HEAT LAMP KIT FOR ELECTRIC START MODELS. WARNS OF ENGINE OVERHEATING.
-	F5H077		0	IGNITION KEY SWITCH FOR ELECTRIC START MODELS (SHORT BARREL)
-	F5H078		0	IGNITION KEY SWITCH FOR ELECTRIC START MODELS (LONG BARREL)
-	F195/___		0	REMOTE CONTROL CABLES CONNECTS REMOTE CONTROL BOX TO THROTTLE AND GEAR SHIFT ON MOTOR. AVAILABLE IN 6 THROUGH 30 FOOT LENGTHS (IN 1 FOOT INCREMENTS) (30 THROUGH 40 FOOT IN 2 FOOT INCREMENTS).
-	F5H130		0	REMOTE CONTROL SURFACE MOUNT (SINGLE LEVER) PERMITS REMOTE CONTROL OF THROTTLE AND GEAR SHIFT FROM STARBOARD SIDE OF BOAT.

CONTINUED ON NEXT PAGE ➡

# ACCESSORIES

REF. NO.	PART NO.	SYM.	QTY.	DESCRIPTION
-	F5H120		0	REMOTE CONTROL BACK PLATE TO PREVENT CONTROL INTERFERENCE WITH PADDED SIDE OF BOAT.
-	F5H131		0	PORT SIDE DECAL KIT CONVERTS 5H130 CONTROL BOX TO PORT SIDE MOUNTING.
-	F590		0	REMOTE CONTROL, FLUSH MOUNT (SINGLE LEVER) PERMITS REMOTE CONTROL OF THROTTLE AND GEAR SHIFT. MAY BE MOUNTED ON PORT OR STARBOARD SIDE OF BOAT.
-	865		0	REMOTE CONTROL, SURFACE MOUNT (SINGLE LEVER PER ENGINE) PERMITS REMOTE CONTROL OF THROTTLE AND GEAR SHIFT ON TWIN ENGINE INSTALLATION. MAY BE MOUNTED ON PORT OR STARBOARD SIDE OF BOAT.
-	F5H108		0	STEERING CONNECTOR CLEVIS CONNECTOR TO USE WITH STEERING CABLES HAVING 3/8" CROSS HOLE AT CABLE END INSTEAD OF THREADED HOLE.
-	F5H001		0	STEERING LINK CONNECTS ENGINE TO STEERING CABLE
-	F5H109		0	STEERING CONNECTOR (DUAL) CONNECTS DUAL ENGINES TO MECHANICAL STEERING CABLE.
-	F5H112		0	3 1/2" INSTRUMENT ADAPTER ALLOWS INSTRUMENTS TO BE MOUNTED ON SURFACE OF DASH.
-	F5H002		0	SPEEDOMETER (FLUSH MOUNT) 0 TO 65 M.P.H.
-	F5H004		0	SPEEDOMETER (FLUSH MOUNT) 0 TO 50 M.P.H.
-	5H011		0	TACHOMETER (FLUSH MOUNT) MONITORS ENGINE R.P.M. TO PROVIDE CHECK OF ENGINE PERFORMANCE.
-	F5H126		0	POWER TRIM ADJUSTS ENGINE TRIM AND TILTS ENGINE.
-	F5H009		0	POWER TRIM INDICATOR (FLUSH) INDICATES ENGINE TRIM ANGLE.
-	F5H122		0	POWER TILT TILTS ENGINE.
-	F5H132		0	REMOTE CONTROL HANDLE TRIM SWITCH HAS POWER TRIM CONTROL SWITCH IN HANDLE - REPLACES STANDARD CONTROL LEVER ON 5H130 CONTROL BOX.
-	F5H019		0	ANTI-CORROSION KIT ELECTRICAL KIT FOR MOUNTING ON BOAT (12 V).
-	F5H025		0	ANTI-CORROSION SACRIFICIAL ANODE USED TO REDUCE CORROSION.
-	F5H081		0	BATTERY CABLE LONGER LENGTH - 15 FT.
-	168		0	CONTROL PANEL FOR MOUNTING LAMPS, SWITCHES, ETC.
-	F5H043		0	OVERHEAT BUZZER KIT WARNS OF ENGINE OVERHEATING.
-	F5H079		0	REMOTE CONTROL BOX FOR MOUNTING ON CONSOLE OF BOAT (CHROME).
-	F5H080		0	TWIN REMOTE CONTROL BOX FOR MOUNTING ON CONSOLE OF BOAT (CHROME).
-	F762		0	REMOTE ELECTRIC CABLE 25 FOOT CABLE FOR LARGER BOATS.
-	F5H070		0	REMOTE ELECTRIC CABLE 21 FOOT CABLE FOR LARGER BOATS.
-	5H082		0	REMOTE ELECTRIC CABLE 35 FOOT CABLE FOR LARGER BOATS.
-	F5H003		0	SPEEDOMETER 0-200KM/H

CONTINUED ON NEXT PAGE ➡

# ACCESSORIES

REF. NO.	PART NO.	SYM.	QTY.	DESCRIPTION
-	F5H076		0	SWITCH EXTENSION CABLE - 5 FT. ALLOWS FOR INSTALLATION OF IGNITION SWITCH IN CONTROL BOX.
-	F5H030		0	SWITCH KIT - RUNNING LIGHTS DASH MOUNTED TOGGLE SWITCH.
-	F5H031		0	SWITCH KIT - SPOT LIGHT DASH MOUNTED TOGGLE SWITCH.
-	F5H032		0	SWITCH KIT - WIPER DASH MOUNTED TOGGLE SWITCH.
-	F5H034		0	SWITCH KIT - BILGE PUMP DASH MOUNTED TOGGLE SWITCH
-	F5H035		0	SWITCH KIT - HORN DASH MOUNTED TOGGLE SWITCH
-	F5H039		0	SWITCH KIT - INSTRUMENT LIGHTS DASH MOUNTED TOGGLE SWITCH.
-	F5H036		0	SWITCH KIT - TACHOMETER TRANSFER DASH MOUNTED TOGGLE SWITCH FOR ONE TACHOMETER ON DUAL ENGINE INSTALLATION.
-	F5H038		0	SWITCH KIT - IGNITION SWITCH TO MOUNT IGNITION SWITCH IN DASH.
-	F563		0	TERMINAL BLOCK KIT DOUBLE ROW, 10 SECTION TO SIMPLIFY ACCESSORY INSTALLATION
-	F5H084		0	TRAILERING TILT LOCK SECURE ENGINE IN TILTED POSITION FOR TRAILERING.
-	479		0	UNIMOUNT UNDER DASH MOUNT FOR INDICATOR LIGHTS AND IGNITION SWITCH.
-	F5H075		0	WIRINGHARNES-IGNITION SWTCH-24" CHRYSLER OUTBOARD FUEL AID USE W/563 TERMINAL BLOCK. REMOVES MOISTURE, PREVENTS SLUDGE AND VARNISH AND STABILIZES GAS. AVAILABLE IN 16 OZ. CANS AND 12 CAN CASES.
-			0	CHRYSLER OUTBOARD STORAGE LUBRICANT WORKS AS A CORROSION INHIBITOR AND PROTECTS INTERNAL ENGINE PARTS DURING STORAGE. AVAILABLE IN 16 OZ. CANS AND 12 CAN CASES.
-			0	CHRYSLER OUTBOARD MULTI-PURPOSE SPRAY LUBE WORKS AS A LUBRICATING CLEANER, MOISTURE REMOVER AND ELECTRICAL INSULATOR. AVAILABLE IN 9 OZ. CANS AND 12 CAN CASES.
-			0	CHRYSLER OUTBOARD MULTI-PURPOSE GREASE LUBRICATES BEARINGS AND OTHER MOVING PARTS. AVAILABLE IN 8 OZ. TUBES AND 12 TUBE CASES.
-			0	CHRYSLER OUTBOARD GREASE GUN USED WITH CHRYSLER OUTBOARD MULTI-PURPOSE GREASE TUBES FOR PRESSURE FITTINGS.
-			0	CHRYSLER OUTBOARD MULTI-PURPOSE CLEANER

# PARTS INDEX

Part Number	Description	Pg.	Ref. No.	Part Number	Description	Pg.	Ref. No.
ÄF58356//	REMOTE CONTROL CABLE (SPECIFY LENGTH) . . . . .	43	4	F1238	HEX CAP SCREW, 1/4 - 20 X 3/4 . . . . .	21	9
168	CONTROL PANEL . . . . .	52	-	F1238	HEX CAP SCREW, 1/4 - 20 X 3/4 . . . . .	25	61
2C547712	ENGINE COVER COMPLETE	3	-	F1257	HEX SOCKET HD CAP SCREW, S.S., 5/16 - 18 X 1 1/4 . . . . .	29	14
474373-1	DECAL, MAGNAPOWER . . . . .	25	66	F1280	PAN HD SCREW, 8 - 32 X 1/4 (TERMINAL BOARD) (NOT SHOWN) . . . . .	45	-
479	HEAT LAMP KIT . . . . .	51	-	F1280	SLOTTED PAN HD SCREW, 8 - 32 X 1/4 . . . . .	9	59
479	UNIMOUNT . . . . .	53	-	F1341	HEX NUT, 1/4 - 20 . . . . .	23	32
545528	DECAL, REAR . . . . .	3	6	F1341	HEX NUT, 1/4 - 20 . . . . .	29	2
545892	DECAL, FRONT . . . . .	5	44	F1346	HEX NUT, 3/8 - 16 . . . . .	29	25
5H011	TACHOMETER (FLUSH MOUNT) . . . . .	52	-	F1346	HEX NUT, S.S., 3/8 - 16 . . . . .	37	33
5H046	CANVAS HOOD . . . . .	51	-	F141118	PROP SHAFT SEAL . . . . .	37	-
5H051	BATTERY, 74 AMP . . . . .	51	-	F141118	SEAL, PROPELLER SHAFT . . . . .	35	9
5H082	REMOTE ELECTRIC CABLE	52	-	F141305	PROP SHAFT BEARING CAGE SEAL . . . . .	37	-
5H111	2" INSTRUMENT ADAPTER . . . . .	51	-	F141305	SEAL, PROPELLER SHAFT BEARING CAGE . . . . .	35	8
817747--1	BALL JOINT W/BEARING . . . . .	23	28	F1430	HEX CAP SCREW, 3/8 - 24 X 4 . . . . .	31	79
817796A2	GEAR SHIFT ARM . . . . .	37	34	F1447	DRIVE SCREW, 2 X 3/16 . . . . .	5	42
817892--1	IGNITION SWITCH PLATE - CANADA (NOT SHOWN) . . . . .	9	-	F1473	HEX NUT, 10 - 24 . . . . .	25	51
865	REMOTE CONTROL, SURFACE MOUNT (SINGLE LEVER PER ENGINE) . . . . .	52	-	F1475	SLOTTED FILL HD SCREW, 10 - 24 X 1/2 . . . . .	23	2
89396A38	PRIME BULB . . . . .	41	3	F1502	HEX CAP SCREW, 1/4 - 20 X 5/8 . . . . .	23	22
A474010-2	CYLINDER W/CRANKCASE COVER, STUDS, SCREWS AND DOWEL PINS . . . . .	23	11	F15034	SPRING SET . . . . .	19	18
A474019	KING PIN ASSEMBLY - LONG SHAFT . . . . .	31	65	F15057	BRUSH PLATE AND HOLDER . . . . .	19	19
A474518-2	CYLINDER HEAD W/PLUG . . . . .	25	76	F15099	ARMATURE . . . . .	19	8
A547391	DECAL, LEG - STARBOARD	33	-	F15100	BENDIX DRIVE . . . . .	19	1
A547392	DECAL, LEG - PORT . . . . .	33	82	F15119	FRAME AND FIELD ASSEMBLY . . . . .	19	9
A547396	DECAL, STARBOARD . . . . .	3	-	F15120	HEAD ASSEMBLY, DRIVE END . . . . .	19	6
A547397	DECAL, PORT . . . . .	3	15	F15123	THRU BOLT PACKAGE . . . . .	19	14
C474010-2	SHORT BLOCK (NOT SHOWN) . . . . .	23	-	F15125	HEAD ASSEMBLY, COMMUTATOR END . . . . .	19	17
F10000	GASKET SET (NOT SHOWN)	13	-	F15126	THRUST WASHER PACKAGE . . . . .	19	7
F10053	REPAIR PARTS KIT . . . . .	13	51	F1513	HEX NUT . . . . .	43	3
F1014	COTTER PIN . . . . .	11	2	F1513	HEX NUT, 10 - 32 . . . . .	7	10
F1015	COTTER PIN . . . . .	37	36	F1513	HEX NUT, 10 - 32 . . . . .	23	29
F1017	COTTER PIN . . . . .	23	3	F1515	HEX NUT, 5/16 - 18 . . . . .	11	30
F1027	COTTER PIN, S.S., 1/8 - 1/2 . . . . .	35	15	F1515	HEX NUT, 5/16 - 18 . . . . .	15	4
F1036	SLOTTED FILL HD M. SCREW W/SPRING LOCKWASHER, 6 - 32 X 1/4 . . . . .	9	47	F1515	HEX NUT, S.S., 5/16 - 18 . . . . .	7	26
F1052	FILL HD M. SCREW, 1/4 - 20 X 1 . . . . .	23	39	F15165	BRUSH AND TERMINAL SET	19	11
F1059	FILL HD SCREW, 6 - 32 X 1/4	11	6	F154317	CABLE CLAMP . . . . .	23	19
F1064	SLOTTED HD SCREW, 8 - 32 X 3/8 . . . . .	11	22	F154317	CABLE CLAMP . . . . .	43	23
F1108	FILL HD SCREW, 1/4 - 20 X 3/4 . . . . .	17	10	F1557	FLAT HD SCREW, 10 - 24 X 3/8 . . . . .	43	25
F12352-1	TRIGGER COIL . . . . .	9	46	F1581	HEX CAP SCREW, 1/4 - 20 X 1 1/4 . . . . .	27	85
F12353	CLIP . . . . .	9	48	F1581	HEX CAP SCREW, 1/4 - 20 X 1 1/4 . . . . .	31	76
F12354	SPIDER . . . . .	9	50				
F1236	HEX CAP SCREW, 1/4 - 20 X 1/2 . . . . .	15	6				
F1238	HEX CAP SCREW, 1/4 - 20 X 3/4 . . . . .	21	23				



# PARTS INDEX

Part Number	Description	Pg.	Ref. No.	Part Number	Description	Pg.	Ref. No.
F1600	LOCK NUT	29	22	F17148	DECAL, STARBOARD	43	27
F1645	RD HD SCREW, 6 - 32 X 1/4	7	5	F17149	COTTER PIN	43	8
F1647	HEX NUT, 8 - 32	7	17	F1715	HEX BOLT, 1/4 - 28 X 9/16	43	7
F1648	PAN HD SCREW, 10 - 24 X 3/4	7	14	F1727	PLASTIC RIVET	25	45
F1666	BOWED SPRING WASHER	29	29	F1733	PAN HD SCREW, 10 - 24 X 9/16	3	28
F1669	LOCK NUT	29	37	F1733	PAN HD SCREW, 10 - 24 X 9/16	31	42
F1689	HEX CAP SCREW, 1/4 - 20 X 1/2	3	22	F1733	SLOTTED PAN HD SCREW, 10 - 24 X 9/16	7	7
F1689	HEX CAP SCREW, 1/4 - 20 X 1/2	3	34	F1734	SLOTTED FILL HD SCREW & LOCKWASHER, 1/4 - 20 X 1/2	27	89
F1689	HEX CAP SCREW, 1/4 - 20 X 1/2	31	70	F1741	PAN HD SCREW, 8 X 3/4	7	35
F1693	TIE BAR RETAINER	11	21	F1744	SPRING PIN	31	60
F1696	HEX CAP SCREW, S.S., 5/16 - 18 X 1 3/4	37	41	F1753	FASTENER	5	47
F17006	DETENT SPRING	43	18	F1755	ROUND HD SCREW W/LOCKWASHER, 6 - 32 X 5/16	15	19
F17009	BEARING	43	14	F177330	FUEL PUMP VALVE	17	6
F17010-1	THROTTLE GEAR	43	16	F17932	SEAL, FUEL TANK ADAPTER	41	11
F17011	BOWED WASHER	43	15	F1804	STOP NUT, 10 - 22	9	56
F17012	RETAINING PLATE	43	13	F1820	FILL HD SCREW, 1/4 - 20 X 1 3/8	11	15
F17013	FILL HD SCREW, 1/4 - 20 X 1/2	43	11	F1822	HEX CAP SCREW, 5/16 - 18 X 7/8	19	10
F17014	THROTTLE ARM	43	10	F1829	SLOTTED FILL HD SCREW, 10 - 24 X 7/8	23	18
F17016	CABLE TERMINAL	43	9	F1833	HEX CAP SCREW, 1/4 - 20 X 1	27	84
F17019	CLUTCH ARM	43	5	F1836	SPRING PIN	31	48
F17021	CLUTCH GEAR	43	19	F183818	BEARING, GEAR SHIFT COUPLER	23	7
F17026	SWIVEL	43	24	F184033-1	SWIVEL, CHOKE ROD	11	5
F17030-1	SET SCREW	43	31	F1845	TY-RAP, REGULATOR TO POWER PACK LEADS	7	38
F17031-1	SNAP CAP	43	28	F184579	SEAL, CHOKE ARM SWIVEL	11	4
F17036	INTERNAL TOOTH LOCKWASHER	43	6	F1849	HEX HD SCREW, S.S., 1/4 - 20 X 1 3/8	37	59
F1704	INTERNAL TOOTH LOCKWASHER	7	4	F1854	HEX CAP SCREW, 1/4 - 20 X 5/8	3	8
F1705	HEX CAP SCREW, 1/4 - 20 X 3/4	7	28	F1857	HEX CAP SCREW, 5/16 - 18 X 5/8	7	30
F1705	HEX CAP SCREW, 1/4 - 20 X 3/4	29	7	F1860	SLOTTED HD M. SCREW, 6 - 32 X 1/4	17	5
F17068	DETENT SPRING	45	37	F1872	HEX CAP SCREW, 3/8 - 16 X 1 3/4	23	15
F17071	FILL HD SCREW, 10 - 24 X 5/16	43	22	F1873	HEX CAP SCREW, 3/8 - 16 X 3	23	13
F1708	HEX HD M. SCREW, 1/4 - 20 X 1 3/8	15	9	F1889	FILL HD SCREW, 1/4 - 20 X 1 1/4	17	9
F17082-1	DETENT BALL	45	38	F1891	HEX HD M. SCREW, 1/4 - 20 X 1 1/2	7	18
F17092	SNAP RING	43	21	F1902	HEX CAP SCREW 5/16 - 18 X 3/4	25	74
F17099-1	HOUSING	43	36	F1902	HEX CAP SCREW, 5/16 - 18 X 3/4	31	72
F17100	CLUTCH SHAFT	43	20	F1904	PLAIN WASHER	29	24
F17103-1	BAG ASSEMBLY, (NOT SHOWN)	45	-	F1910	ELASTIC STOP NUT, 1/4 - 20	23	40
F17105	FELT WASHER	43	33	F19109	PLUG, CYLINDER HEAD	25	77
F17106	COLLAR	43	34				
F17111	DETENT BALL	43	17				
F17112	JUNCTION BOARD, STARBOARD	43	26				
F17113	JUNCTION BOARD, PORT	43	-				
F17115-1	HANDLE	43	30				
F17116	KNOB	43	29				
F17146	WOOD SCREW	43	35				
F17147	INTERNAL TOOTH LOCKWASHER	43	12				

# PARTS INDEX

Part Number	Description	Pg.	Ref. No.	Part Number	Description	Pg.	Ref. No.
F191169-1	SWIVEL BRACKET BEARING	29	36	F2059	SPACER, BEVEL GEAR		
F1913	HEX CAP SCREW, 10 - 24 X 5/8	25	79	F2060	FRONT (.071)	35	-
F1914	HEX CAP SCREW, 1/4 - 20 X 3/4	31	67	F2061	SPACER, BEVEL GEAR	35	-
F1914	HEX HD SCREW, 1/4 - 20 X 3/4	23	14	F2062	FRONT (.077)	35	-
F1915	HEX HD M. SCREW, 1/4 - 20 X 7/8	15	10	F2063	SPACER, BEVEL GEAR	35	-
F1916	HEX HD M. SCREW, 1/4 - 20 X 1 1/8	15	3	F2064	FRONT (.083)	35	-
F1934	FLAT HD SCREW, 6 X 1/2	9	64	F2064	SPACER, BEVEL GEAR		
F195/___	REMOTE CONTROL CABLES	51	-	F2065	FRONT (.086)	35	-
F1968	HEX NUT, 3/4 - 16	9	58	F2065	HEX NUT, 7/16 - 14	29	19
F1975	LOCKWASHER	7	11	F2066	PAN HD SCREW, 10 - 7/16	3	4
F197787-3	FUEL LINE COUPLER	41	5	F2067	PLASTISOL CAP (NOT SHOWN)	21	-
F1979	PAN HD SCREW, 10 - 24 X 1/2	3	12	F2069	HEX CAP SCREW, 7/16 - 14 X 4	29	12
F1987	PLAIN WASHER	25	60	F2071	HEX CAP SCREW, 5/16 - 18 X 1 3/8	23	26
F1993	HEX SLOTTED HD M. SCREW, 1/4 - 20 5/8	5	38	F2072	OVAL COUNTERSUNK HD M. SCREW, 10 - 24 X 3/8	3	19
F1994	HEX SOCKET HD CAP SCREW, 5/16 - 18 X 1	37	44	F2074	HEX HD SCREW, 10 - 24 X 9/16	35	1
F1994	HEX SOCKET HD CAP SCREW, S.S. 5/16 - 18 X 1	35	6	F2075	SLOTTED HD SCREW, S.S., 1/4 - 20 X 2 1/2	3	24
F1995	FILL HD SCREW, 10 - 24 X 1	25	47	F2076	HEX CAP SCREW, 5/16 - 18 X 1 1/8	25	73
F1997	LOCK NUT, 8 - 32	13	47	F2077	SLOTTED PAN HD M. SCREW, 10 - 32 X 1/4	7	39
F2002	LOCK NUT	25	56	F2087	SPACER, BEVEL GEAR		
F2012	PLAIN WASHER	7	19	F2087	FRONT (.056)	35	24
F2016	SLOTTED FILL HD SCREW, 6 - 32 X 7/8	7	1	F2097	SPRING PIN	35	22
F2017	PAN HD SCREW W/PLAIN WASHER, 10 - 24 X 3/8	3	20	F2106	INTERNAL TOOTH LOCKWASHER	9	65
F2025	PAN HD SCREW, 10 X 5/8	3	3	F213274	GREASE FITTING	31	49
F203276	BOOT, COIL	9	61	F213342	SEAL, FUEL LINE COUPLER (LARGE)	41	7
F2033	GROOVE PIN	11	8	F213735	SEAL, FUEL LINE COUPLER (SMALL)	41	6
F203673	CLIP	9	62	F235785	DECAL, COMPLIANCE - CANADA (NOT SHOWN)	9	-
F2042	PLAIN WASHER	9	66	F24074	CLAMP SCREW FOOT	31	54
F2045	RETAINING RING	21	17	F24623-1	GROMMET	7	23
F2049	HEX CAP SCREW, 5/16 - 18 X 2 5/8	25	59	F269052	BEARING, LATCH CAM	3	30
F2050	HEX CAP SCREW, 1/4 - 20 X 1/2	9	49	F269052	SHIFT ARM BEARING	23	36
F2051	HEX CAP SCREW, 1/4 - 20 X 2 1/4	25	67	F269122-1	CRANKCASE PARTING LINE SEAL	23	12
F2052	SHIM, PROPELLER SHAFT BRG. CAGE .005 (SILVER)	35	11	F269319	THROTTLE CAM BEARING	25	41
F2053	SHIM, PROPELLER SHAFT BRG. CAGE .006 (COPPER)	35	-	F269929	SPACER, TILT STOP	29	28
F2054	SHIM, PROPELLER SHAFT BRG. CAGE .008 (BLACK)	35	-	F284659-2	CRANKSHAFT LOWER MAIN BEARING	21	16
F2055	SPACER, BEVEL GEAR FRONT (.059)	35	-	F286461	SPRING, LOCK BAR HANDLE	31	58
F2056	SPACER, BEVEL GEAR FRONT (.062)	35	-	F289446-1	CLAMP	27	88
F2057	SPACER, BEVEL GEAR FRONT (.065)	35	-	F298788	FERRULE	41	2
F2058	SPACER, BEVEL GEAR FRONT (.068)	35	-	F2A335158	REED PLATE W/REEDS, STOPS AND SCREWS	15	15
				F2A474023	BEVEL GEAR FRONT W/BEARING	35	25

# PARTS INDEX

Part Number	Description	Pg.	Ref. No.	Part Number	Description	Pg.	Ref. No.
F2A474144	BEARING CAGE			F438653	FUEL PUMP SCREEN . . . . .	17	12
	W/CRANKSHAFT SEAL . . . . .	7	42	F438747	FUEL PUMP DIAPHRAGM . . . . .	17	4
F2A474144	CRANKSHAFT UPPER			F438754	FUEL LINE, PUMP TO		
	BEARING CAGE W/SEAL . . . . .	21	22		CARBURETOR . . . . .	17	17
F2A474266	BEVEL PINION GEAR			F438760	FUEL PUMP GASKET . . . . .	17	3
	W/BEARING AND CUP . . . . .	37	38	F438801	FITTING . . . . .	17	15
F2A474298	PROP SHAFT BRG. CAGE			F438930	RETAINER, SNOUT . . . . .	37	43
	W/SEALS & BRG. CUP . . . . .	35	7	F458250	BEARING CUP . . . . .	37	62
F2A522018	CRANKSHAFT W/LOWER			F458347	MOUNT . . . . .	23	24
	MAIN BEARING AND			F458498	KEY . . . . .	31	64
	RETAINING RING . . . . .	21	25	F458887	FASTENER, SUPPORT		
F307317	CLIP, TERMINAL BLOCK				PLATE MOUNT . . . . .	23	23
	GROUND . . . . .	7	13	F460917	STARTER RELAY . . . . .	7	29
F307908	STARTER WIRE . . . . .	19	12	F463864	RETAINER, TILT HANDLE . . . . .	3	5
F316579	SEAL, CRANKCASE . . . . .	21	20	F474006	STUD, LONG . . . . .	37	31
F316599	SEAL, PIVOT TUBE . . . . .	31	52	F474013	CRANKSHAFT UPPER MAIN		
F333316	THROTTLE ROLLER SHAFT	13	45		BEARING . . . . .	21	19
F335160	REED (4 PETAL) . . . . .	15	16	F474065	WATER PUMP IMPELLER . . . . .	37	57
F335164	REED (1 PETAL) . . . . .	15	17	F474066	THERMOSTAT COVER . . . . .	25	68
F338618-1	SEAL, SHIFT ROD LOWER . . . . .	37	51	F474067	THERMOSTAT COVER		
F338618-1	SHIFT ROD, LOWER SEAL . . . . .	39	-		GASKET . . . . .	25	69
F345908	GROUND WIRE, COIL . . . . .	7	20	F474067	THERMOSTAT COVER		
F353480	STUD . . . . .	31	55		GASKET . . . . .	27	-
F366300	REVERSE LOCK SPRING . . . . .	29	39	F474073-1	CLAMP SCREW . . . . .	31	57
F366349	REVERSE LOCK . . . . .	29	38	F474077	SCREEN, WATER INLET . . . . .	37	52
F366350	TILT STOP PIVOT . . . . .	29	30	F474106-3	DEFLECTOR, WATER		
F366364	ARM, REVERSE LOCK . . . . .	31	46		DISCHARGE . . . . .	31	71
F366426	TILT STOP, PORT . . . . .	29	31	F474116-1	SNOUT . . . . .	37	49
F366433	TILT STOP, STARBOARD . . . . .	31	51	F474117	WATER LINE BRACKET . . . . .	35	2
F366886	PIN . . . . .	29	32	F474133	MOTOR LEG - LONG SHAFT	29	10
F369450	RECTIFIER . . . . .	9	44	F474143	BEARING, BEVEL GEAR		
F369562	WATER PUMP BACK PLATE	37	56		REAR . . . . .	35	12
F381896-4	BATTERY CABLE . . . . .	7	32	F474146	SEAL, CRANKSHAFT . . . . .	21	6
F390689	BEARING, LATCH SHAFT . . . . .	3	26	F474151	EXHAUST PORT PLATE . . . . .	27	83
F391926-1	PLUNGER, CHOKE			F474152	EXHAUST PORT COVER . . . . .	27	86
	SOLENOID . . . . .	11	9	F474154	EXHAUST PORT COVER		
F3S522015	PISTON (.030 OVERSIZE) . . . . .	21	-		GASKET . . . . .	27	-
F40008	STUD, SHORT . . . . .	37	39	F474154	EXHAUST PORT PLATE		
F40209	CARBURETOR STUD . . . . .	15	5		GASKET . . . . .	25	82
F40342	SEAL, PROPELLER NUT . . . . .	35	17	F474162	REED PLATE ADAPTER . . . . .	15	13
F404449	THERMOSWITCH . . . . .	7	15	F474163	COVER, SUPPORT PLATE		
F404449	THERMOSWITCH . . . . .	25	58		FRONT . . . . .	5	37
F404841	CABLE . . . . .	7	31	F474165-1	SCREW, BEVEL PINION		
F406754-1	DRAIN HOSE . . . . .	15	1		RETAINING . . . . .	37	45
F40717	THRUST WASHER, BEVEL			F474167	CARBURETOR ADAPTER . . . . .	15	11
	GEAR . . . . .	35	14	F474168	CARBURETOR ADAPTER		
F40906-1	CARBURETOR GASKET . . . . .	13	50		GASKET . . . . .	15	12
F40906-1	CARBURETOR GASKET . . . . .	27	-	F474168	CARBURETOR ADAPTER		
F409251-1	GAUGE CAP . . . . .	41	10		GASKET . . . . .	27	-
F433114	HANDLE, LOCK BAR . . . . .	31	59	F474178	RETAINER, TIMING RING . . . . .	9	55
F433209-1	STUD . . . . .	15	8	F474192	THROTTLE CAM . . . . .	25	42
F433209-1	STUD, THROTTLE CAM . . . . .	25	43	F474193	THROTTLE LINK . . . . .	23	30
F433689	TOWERSHAFT BEARING . . . . .	25	48	F474210	STUD, CYLINDER . . . . .	25	55
F435555	GEAR HOUSING SEAL . . . . .	39	-	F474211	STUD, CYLINDER . . . . .	25	54
F435555	SEAL, GEAR HOUSING . . . . .	37	40	F474225	BEARING, PROPELLER		
F435634	CONNECTING ROD SCREW	21	18		SHAFT REVERSE THRUST	35	10
F438066	COVER, BY-PASS VALVE . . . . .	25	80	F474244	WATER LINE, INLET (LONG		
F438165	SCREW, FUEL BOWL . . . . .	17	14		SHAFT) . . . . .	35	5
F438500	FUEL SEDIMENT BOWL . . . . .	17	13	F474253	FUEL LINE . . . . .	11	13

# PARTS INDEX

Part Number	Description	Pg.	Ref. No.	Part Number	Description	Pg.	Ref. No.
F474278	SEAL	21	10	F474817	RETAINER, SUPPORT PLATE	3	21
F474279	CYLINDER EXHAUST GASKET	27	-	F474830	WATER LINE BRACKET GASKET	35	3
F474279	CYLINDER EXHAUST GASKET	33	81	F474832-1	IDLE RELIEF COVER	29	8
F474307	DRIVE SHAFT SEAL	39	-	F474833	GASKET, IDLE RELIEF COVER	29	9
F474307	SEAL, DRIVESHAFT	37	54	F474838-1	TOWERSHAFT	25	46
F474315	PACKING, SUPPORT PLATE LOWER	3	29	F474847	WASHER	29	16
F474342	SEAL	35	4	F474849	WASHER	31	75
F474346-2	SHOCK MOUNT LOWER	29	17	F474859	STUD, SHIFT ARM	23	37
F474355	WASHER	31	78	F474864	RETAINER, COVER LATCH	3	11
F474359	WASHER	29	13	F474867	EXHAUST TUBE GASKET	27	-
F474371	REMOTE CABLE BRACKET	23	21	F474867	UPPER EXHAUST TUBE GASKET	31	69
F474374-1	DECAL, IGNITION - USA	27	91	F474871	SHAFT, GEAR SHIFT	23	10
F474377	LEVER, COVER LATCH PORT	3	32	F474876	SHIFT ARM	23	38
F474378	LEVER, COVER LATCH STARBOARD (NOT SHOWN)	3	-	F474881	LINK, GEAR SHIFT	23	33
F474387	TIMING DECAL	9	54	F474897	GUIDE, COVER LATCH STARBOARD	3	35
F474388	DISC, WATER PUMP	37	63	F474909	LOCATING PIN	27	90
F474390-1	DECAL, REVERSE LOCK - USA	31	53	F474913	GROMMET	3	36
F474398	DECAL, WIRING - USA	27	87	F474932	SPACER, CONTROL CABLE	23	20
F474445	SPARK CONTROL LINK	25	52	F474942	BUMPER	31	80
F474453	LEG EXHAUST GASKET	29	6	F474946	SHOCK MOUNT COVER UPPER	31	77
F474487	GUIDE, COVER LATCH PORT (NOT SHOWN)	3	-	F474965-1	SHOCK MOUNT UPPER	31	74
F474509	CHOKE LINK	11	10	F474980-1	STABILIZER, FRONT	23	25
F474510	LINK	29	40	F474982	STABILIZER, REAR	25	75
F474529	CYLINDER HEAD GASKET	25	78	F474984	BLANKET, SILENCER, TOP (NOT SHOWN)	5	-
F474529	CYLINDER HEAD GASKET	27	-	F474985	BLANKET, SILENCER, SIDE (NOT SHOWN)	5	-
F474531	STUD, TIMING RING RETAINER	9	52	F474990	SPACER	29	35
F474539	BUMPER	29	11	F474991	GROMMET	3	18
F474551	BRACKET, INTERLOCK SWITCH	25	44	F474992	BLANKET, SILENCER, FRONT, (NOT SHOWN)	5	-
F474607	KING PIN YOKE	29	34	F474995	CYLINDER HEAD COVER	25	57
F474615	ROD, GEAR SHIFT - UPPER, LONG SHAFT	29	3	F474996	CYLINDER HEAD COVER GASKET	25	72
F474620	PIN, GEAR SHIFT	23	8	F474996	CYLINDER HEAD COVER GASKET	27	-
F474621	LEVER, GEAR SHIFT	23	9	F475061-1	CARBURETOR COMPLETE (WB27B) (NOT SHOWN)	13	-
F474640	PIVOT, GEAR SHIFT	23	5	F475133	MOTOR LEG - SHORT SHAFT	29	-
F474648	SPARK PLUG COVER	25	64	F475244	WATER LINE INLET (SHORT SHAFT)	35	-
F474660	LEG EXHAUST TUBE	31	68	F475615	ROD, GEAR SHIFT - UPPER, SHORT SHAFT	29	-
F474662	BEVEL GEAR REAR	35	13	F481836	GASKET	11	18
F474680	SPACER PLATE	31	73	F483884	BEARING	31	47
F474704	COUPLER	23	31	F485755-1	FUEL TANK ADAPTER	41	8
F474704	COUPLER, SHIFT ROD	29	1	F50109	PLUG, GEAR HOUSING	35	28
F474705	GEAR SHIFT ROD LOWER	37	35	F50342-1	SEAL	17	1
F474707	SHOCK MOUNT COVER LOWER	29	15	F510374	DECAL, CIRCUIT BREAKER - USA	9	67
F474717	WASHER, BEVEL PINION RETAINING	37	46	F510460	CIRCUIT BREAKER	7	6
F474736	DRIVESHAFT SEAL	37	60	F522015	PISTON (STANDARD)	21	4
F474746	FUEL PUMP COVER	17	2	F522017	PISTON PIN	21	2
F474751	SCREW, SPARK PLUG COVER	25	65				

# PARTS INDEX

Part Number	Description	Pg.	Ref. No.	Part Number	Description	Pg.	Ref. No.
F522032	STERN BRACKET - STARBOARD .....	29	26	F5H031	SWITCH KIT - SPOT LIGHT ..	53	-
F522033	SWIVEL, CHOKE ROD FOR TOP CARB (NOT SHOWN)	11	-	F5H032	SWITCH KIT - WIPER .....	53	-
F522125-1	TUBE, STEERING SUPPORT	29	21	F5H034	SWITCH KIT - BILGE PUMP ..	53	-
F522215	SPACER (2 PER PISTON) ..	21	1	F5H035	SWITCH KIT - HORN .....	53	-
F522217	BEARING .....	21	3	F5H036	SWITCH KIT - TACHOMETER TRANSFER .....	53	-
F522279	CYLINDER EXHAUST GASKET .....	27	-	F5H038	IGNITION SWITCH MOUNTING KIT (ACCESSORY ITEM) .....	9	63
F522286	STERN BRACKET FRICTION WASHER .....	29	27	F5H038	SWITCH KIT - IGNITION SWITCH .....	53	-
F522532	STERN BRACKET - PORT ..	29	-	F5H039	SWITCH KIT - INSTRUMENT LIGHTS .....	53	-
F522636	STATOR HARNESS .....	7	43	F5H040	STEEL, 12 GALLON FUEL TANK .....	51	-
F522741	RETAINING RING .....	31	45	F5H041	BATTERY TERMINAL KIT ..	51	-
F522744	WIRING HARNESS .....	7	24	F5H041	BATTERY TERMINAL KIT (ACCESSORY ITEM) .....	7	36
F522826	SILENCER, CARB AIR .....	11	17	F5H043	BUZZER, HEAT INDICATOR, (ACCESSORY ITEM) .....	7	33
F522867	EXHAUST TUBE GASKET ..	27	-	F5H043	OVERHEAT BUZZER KIT ...	52	-
F522884	BEARING .....	31	43	F5H070	REMOTE ELECTRIC CABLE	52	-
F531892	DECAL, PORT .....	43	-	F5H074	WATER PUMP KIT .....	51	-
F53504	GROMMET .....	11	16	F5H075	WIRING HARNESS-IGNITION SWITCH-24" CHRYSLER OUTBOARD FUEL AID ...	53	-
F545180	REAR TRIM .....	3	7	F5H076	SWITCH EXTENSION CABLE - 5 FT. ....	53	-
F545189	BUSHING, CABLE ENTRY ..	5	40	F5H077	IGNITION KEY SWITCH ....	51	-
F545711	FRONT PLATE .....	5	45	F5H078	IGNITION KEY SWITCH ....	51	-
F547156	COVER, SUPPORT PLATE REAR .....	3	17	F5H078	SWITCH, IGNITION (ACCESSORY ITEM) LONG BARREL .....	9	60
F547269	TILT HANDLE .....	3	2	F5H079	REMOTE CONTROL BOX ..	52	-
F549189	BUSHING, ELECTRIC CABLE ENTRY .....	3	27	F5H080	TWIN REMOTE CONTROL BOX .....	52	-
F563	TERMINAL BLOCK KIT ....	53	-	F5H081	BATTERY CABLE .....	52	-
F58685-2	CONNECTOR, SHIFT CABLE	43	2	F5H084	TRAILERING TILT LOCK ...	51	-
F590	REMOTE CONTROL, FLUSH MOUNT (SINGLE LEVER)	52	-	F5H084	TRAILERING TILT LOCK ...	53	-
F5H001	STEERING LINK .....	52	-	F5H108	STEERING CONNECTOR ..	52	-
F5H002	SPEEDOMETER (FLUSH MOUNT) .....	52	-	F5H109	STEERING CONNECTOR (DUAL) .....	52	-
F5H003	SPEEDOMETER .....	52	-	F5H112	3 1/2" INSTRUMENT ADAPTER .....	52	-
F5H004	SPEEDOMETER (FLUSH MOUNT) .....	52	-	F5H120	REMOTE CONTROL BACK PLATE .....	52	-
F5H005	TEMPERATURE GAUGE (FLUSH MOUNT) .....	51	-	F5H122	POWER TILT .....	52	-
F5H006	BATTERY BOLTMETER (FLUSH MOUNT) .....	51	-	F5H126	POWER TRIM .....	52	-
F5H007	HOURLY METER (FLUSH MOUNT) .....	51	-	F5H130	REMOTE CONTROL SURFACE MOUNT (SINGLE LEVER) .....	51	-
F5H008	FUEL GAUGE (FLUSH MOUNT) .....	51	-	F5H131	PORT SIDE DECAL KIT ....	52	-
F5H009	POWER TRIM INDICATOR (FLUSH) .....	52	-	F5H132	REMOTE CONTROL HANDLE TRIM SWITCH .....	52	-
F5H019	ANTI-CORROSION KIT ....	52	-	F5H134	BOAT WHITE LACQUER ...	51	-
F5H021	BATTERY EXTENSION CABLE .....	51	-	F5H135	SAND TAN LACQUER .....	51	-
F5H025	ANTI-CORROSION SACRIFICIAL ANODE ....	52	-	F7007	LOCK NUT, 5/16 - 18 .....	31	66
F5H026	FUEL TANK (ACCESSORY ITEM) .....	41	9	F7007	STOP NUT, 5/16 - 18 .....	29	20
F5H026	STEEL, 6 GALLON FUEL TANK .....	51	-	F7011	STOP NUT .....	3	14
F5H028	SENDING UNIT .....	51	-	F7025	LOCKNUT, 3/8 - 16 .....	3	33
F5H029	FUEL TANK ANCHOR .....	51	-				

# PARTS INDEX

Part Number	Description	Pg.	Ref. No.	Part Number	Description	Pg.	Ref. No.
F7025	STOP NUT, S.S., 3/8 - 16	23	35	F85735-1	SEAL, MEDALLION	5	46
F762	REMOTE ELECTRIC CABLE	52	-	F85762	BY-PASS VALVE COVER		
F8001	NYLTITE WASHER	37	30		GASKET	27	-
F8001	WASHER	37	-	F85762	GASKET, BY-PASS VALVE		
F8011	PLAIN WASHER	7	34		COVER	25	81
F8011	PLAIN WASHER	7	8	F85843-1	ELECTRIC CONTROL		
F8028	PLAIN WASHER	19	16		CABLE, 18 FEET	7	25
F8048	BOWED WASHER	9	53	F85924	CHOKE SOLENOID	7	37
F8056	SPRING LOCKWASHER	7	16	F85925	CHOKE SOLENOID ROD	11	7
F8058	INTERNAL TOOTH			F861	FLUSHING ADAPTER	51	-
	LOCKWASHER	23	27	F89011	SWIVEL BRACKET WASHER	31	63
F8060	LOCKWASHER	19	15	F9018	CAP	31	44
F8065	LOCKWASHER	37	32	F9038	WOODRUFF KEY	37	47
F8067	SPRING LOCKWASHER	29	18	F9052	PLUG	31	62
F8077	WASHER	37	-	F90619-1	YOKE, GEAR SHIFT ARM	37	64
F8077	WASHER, GEAR HOUSING			F90807	RETAINING RING	11	19
	PLUG	35	27	F90871-3	GEAR SHIFT ARM PIN	35	21
F8083	LOCKWASHER	3	9	F90891	GEAR SHIFT ARM PIN	37	29
F8088	PLAIN WASHER	7	2	F91446-1	CIRCUIT BREAKER		
F8088	PLAIN WASHER	11	3		BRACKET	7	9
F8094	PLAIN WASHER	3	10	F92759	THROTTLE ROLLER	13	46
F8094	PLAIN WASHER	23	4	F97772	FUEL LINE CLAMPS	17	16
F8096	SPRING LOCKWASHER	7	27	F97772	HOSE CLAMP	11	12
F8096	SPRING LOCKWASHER	19	20	F98273	ROD END CONNECTOR		
F8096	SPRING LOCKWASHER	37	42		STUD	23	34
F84026	SPARK CONTROL SWIVEL	25	49	F99521-1	CLUTCH	35	23
F84031	WATER PUMP GASKET	37	55	FA15072	HEX LOCK NUT AND		
F84035-2	SPARK CONTROL BEARING,				WASHER ASSEMBLY, 1/4 -		
	R.H.	25	50		20	19	13
F84036	SPARK CONTROL BEARING,			FA27232	EMERGENCY STARTER		
	L.H.	25	53		ROPE (NOT SHOWN)	9	-
F84068-2	THERMOSTAT	25	70	FA368700	KEY IGNITION - NO LETTER		
F84278	SEAL	21	7		OR STAMPED A.	9	68
F84280	KING PIN NUT	29	33	FA433113	STERN BRACKET LOCK BAR		
F84314-2	ELBOW, FUEL LINE	11	11		W/HANDLE	31	61
F84449	NEUTRAL INTERLOCK			FA438431	FUEL PUMP BODY		
	SWITCH	7	3		W/VALVES	17	8
F84504	THERMOSTAT GROMMET	25	71	FA465072	SWIVEL BRACKET - SHORT		
F84792	FUEL PUMP VALVE GASKET				SHAFT	31	-
	(CENTER VALVE)	17	7	FA474038	SUPPORT PLATE PORT		
F85161-1	REED STOP	15	18		W/LOWER PACKING	3	23
F85168	REED PLATE ADAPTER			FA474060	WATER PUMP BODY		
	GASKET	15	14		W/DRIVESHAFT SEAL	37	58
F85168	REED PLATE ADAPTER			FA474088	SUPPORT PLATE		
	GASKET	27	-		STARBOARD W/LOWER		
F85314-1	ELBOW, FUEL LINE FOR				PACKING	5	39
	BOTTOM CARB.	11	14	FA474098	PROPELLER SHAFT	35	20
F85317-1	SOLENOID CLAMP	15	7	FA474128	DRIVESHAFT W/BEARING,		
F85372	PIN, GEAR SHIFT ROD				SCREW & WASHER		
	LOWER	37	37		(LONG SHAFT)	37	48
F8538	SPRING PIN	31	56	FA474228	BEARING CAGE W/ROLLERS		
F85410	SNAP RING	21	11		(SPLIT HALF)	21	15
F8547	SPRING PIN	23	6	FA474260	PISTON RING SET (4 PER		
F8547	SPRING PIN	29	5		SET) - (STANDARD)	21	5
F85498	FLYWHEEL KEY	21	24	FA474469	HANDLE, COVER LATCH		
F85571	CENTER MAIN BEARING				PORT W/SHAFT & PIN	3	25
	CAGE W/ROLLERS	21	13	FA474499	HANDLE, COVER LATCH		
F8563	DOWEL PIN	23	17		STARBOARD W/SHAFT		
F85689-1	BEARING	23	1		AND PIN (NOT SHOWN)	3	-
F85735-1	SEAL	25	63	FA474511	TIE BAR W/SWIVEL	11	20

# PARTS INDEX

Part Number	Description	Pg.	Ref. No.	Part Number	Description	Pg.	Ref. No.
FA474554	GEAR HOUSING UPPER, W/SHIFT ROD SEAL, WASHER AND PLUG . . . .	37	50	FO10165	INLET SEAT GASKET . . . . .	11	34
FA474774	BRACKET, COVER LATCH W/SCREWS & NUTS . . . .	3	13	FO10588	BODY CHANNEL CUP PLUG	13	41
FA474777	CAM, PORT LATCH W/PIN . .	3	31	FO10790	INLET NEEDLE, SEAT AND GASKET . . . . .	11	33
FA474780	CAM, STARBOARD LATCH W/PIN (NOT SHOWN) . . . .	3	-	FO11103	IDLE SCREW SPRING . . . . .	11	38
FA474901	BEARING, DRIVESHAFT UPPER W/CUP . . . . .	37	53	FO13552	FUEL BOWL . . . . .	11	26
FA475019	KING PIN ASSEMBLY - SHORT SHAFT . . . . .	31	-	FO13554	FLOAT . . . . .	11	29
FA475128	DRIVESHAFT W/BEARING, SCREW & WASHER (SHORT SHAFT) . . . . .	37	-	FO13555	CHOKE SHUTTER . . . . .	11	35
FA510497	TERMINAL BLOCK . . . . .	7	12	FO13944	FLOAT LEVER PIN . . . . .	11	28
FA522016	CONNECTING ROD W/CAP AND SCREWS . . . . .	21	14	FO13945	FUEL BOWL RETAINING SCREW . . . . .	11	24
FA522827	HANDLE AND SHAFT . . . . .	31	41	FO13946	IDLE SCREW . . . . .	11	37
FA523735	SEAL, INLET WATER LINE LOWER . . . . .	37	61	FO13947	CHOKE SHAFT RETURN SPRING . . . . .	13	39
FA524072	SWIVEL BRACKET - LONG SHAFT . . . . .	31	50	FO14108	MAIN FUEL JET (.064) OPT. 3000 - 4500 FT. . . . .	11	-
FA535395	IDENT, PLATE W/SCREWS, (USA) . . . . .	5	41	FO14186	MAIN FUEL JET (.060) OPT. 6000 FT. & UP . . . . .	11	-
FA547386	DECAL, NUMERAL 55 . . . . .	3	16	FO14187	MAIN FUEL JET (.062) OPT. 4500 - 6000 FT. . . . .	11	-
FA58976-1	CONNECTOR, THROTTLE CABLE . . . . .	43	1	FO14188	MAIN FUEL JET (.066) STD. SEA LEVEL - 3000 FT . . . .	11	32
FA84754-1	FUEL LINE SHORT W/FERRULES . . . . .	41	4	FO15217	MAIN NOZZLE . . . . .	11	31
FA85193	TIE BAR END W/SWIVEL . . .	11	23	FO15230	THROTTLE SHAFT AND LEVER . . . . .	13	44
FA85655-1	CRANKSHAFT CENTER MAIN BEARING RACE W/SNAP RING . . . . .	21	12	FO15623	FUEL BOWL GASKET . . . . .	11	27
FA94094-2	PROPELLER NUT W/SEAL AND COTTER PIN . . . . .	35	16	FO16008	THROTTLE SHAFT RETURN SPRING . . . . .	13	43
FAC535395	IDENT, PLATE W/SCREWS, (CANADA) . . . . .	5	-	FO16850	CHOKE SHAFT AND LEVER	11	1
FB368700	KEY IGNITION - STAMPED B	9	-	FO16851	THROTTLE SHUTTER . . . . .	13	48
FC368700	KEY IGNITION - STAMPED C	9	-	FO17181	IDLE TUBE . . . . .	13	40
FC409398	DECAL, TOTE TANK - CANADA (NOT SHOWN) . . . .	41	-	FO2510	GASKET, FUEL BOWL RETAINING SCREW . . . . .	11	25
FC474374	DECAL, IGNITION - CANADA	27	-	FO4326	BODY CHANNEL WELCH PLUG . . . . .	13	42
FC474387	DECAL, TIMING - CANADA . .	9	-	FO8942	SHUTTER SCREW W/LOCKWASHER . . . . .	11	36
FC474398	DECAL, WIRING - CANADA . .	27	-	FO8942	THROTTLE SHUTTER SCREW W/LOCKWASHER	13	49
FC510374	DECAL, CIRCUIT BREAKER - CANADA . . . . .	9	-	FP475	PROPELLER, (ACCESSORY ITEM) . . . . .	35	19
FC522227	SPARK PLUG (QUL-77V), MODELS 558B9L, 559B9L, (CANADA) . . . . .	25	-	FS409752	FUEL LINE, COMPLETE . . . .	41	-
FC522390	DECAL, STARTER - CANADA (NOT SHOWN) . . . . .	19	-	FS474030	CAPACITOR . . . . .	9	45
FD368700	KEY IGNITION - STAMPED D	9	-	FS474095	ALTERNATOR STATOR . . . .	7	40
FE368700	KEY IGNITION - STAMPED E	9	-	FS474097	FLYWHEEL . . . . .	9	57
FG1013-1	GASKET SET . . . . .	27	92	FS474475	IGNITION COIL . . . . .	7	22
FK1060	SEAL KIT . . . . .	37	65	FS522015	PISTON (.010 OVERSIZE) . .	21	-
FK1070	WATER PUMP KIT . . . . .	39	66	FS547712	ENGINE COVER W/BRACKETS AND RETAINERS . . . . .	3	1
FK17114-1	INDICATOR . . . . .	43	32	FSA474260	PISTON RING SET (4 PER SET - .010 OVERSIZE) . . . .	21	-
FK247	PROPELLER PIN, PACK OF 6 W/COTTER PIN . . . . .	35	18	FT2951	CIRCUIT TRACER . . . . .	46	-
				FT2961	LUBRICANT . . . . .	50	-
				FT2962-1	SEALANT . . . . .	50	-
				FT2963-1	SEALANT . . . . .	50	-
				FT2987-1	LUBRICANT . . . . .	50	-
				FT2990	PISTON PIN TOOL . . . . .	47	-
				FT2996	RING COMPRESSOR . . . . .	47	-
				FT3012	SEAL INSTALLER . . . . .	48	-

# PARTS INDEX

Part Number	Description	Pg.	Ref. No.	Part Number	Description	Pg.	Ref. No.
FT3431	SEAL INSTALLER .....	47	-				
FT3431	SEAL INSTALLER .....	48	-				
FT8901	INDICATOR HOLDER .....	48	-				
FT8902	DIAL INDICATOR .....	48	-				
FT8904	CUP INSTALLER .....	48	-				
FT8907	DRIVER HANDLE .....	48	-				
FT8918	BUSHING GUIDE SET .....	48	-				
FT8920	BEARING INSTALLER .....	48	-				
FT8921	CUP REMOVER .....	48	-				
FT8924-1	CHECKING GAUGE .....	48	-				
FT8926	RING EXPANDER .....	47	-				
FT8933	LIFTING HOOK .....	47	-				
FT8935	SEALANT PRIMER .....	50	-				
FT8936	SEALANT .....	50	-				
FT8948-1	PULLER .....	46	-				
FT8948-1	PULLER .....	48	-				
FT8950	LEAKAGE TESTER .....	49	-				
FT8953	IGNITION TESTER .....	49	-				
FT8957	SEAL INSTALLER .....	48	-				
FT8969	LUBRICANT .....	50	-				
FT8978	POWER TIMING LIGHT .....	46	-				
FT8979	WATER PUMP CENTERING TOOL .....	48	-				
FT8982	SHIM ADAPTER .....	48	-				
FT8983	SEALANT .....	50	-				
FT8985	SEAL INSTALLER .....	48	-				
FT8986A	TEST WHEEL .....	49	-				
FTA2937-1	TIMING TOOL .....	46	-				
FTA8994	PISTON PIN TOOL .....	47	-				
OB3061	LITERATURE (NOT SHOWN)	45	-				
S474082-2	TIMING RING .....	9	51				
S474301-1	MODULE .....	7	41				
S474955-2	STARTER COMPLETE .....	19	-				
T8984	SEAL INSTALLER .....	47	-				
22-817740A1	FITTING, PUDDLE DRAIN W/METERING CUP .....	23	16				
22-817740A1	PUDDLE DRAIN FITTING ...	15	2				
31-818060A1	BEARING CAGE LOWER W/SEALS .....	21	8				
32-817738A1	FUEL LINE, LONG W/CLAMP AND FERRULE .....	41	1				
33-818007--1	SPARK PLUG (UL-18V) - USA	25	62				
37-819450	DECAL, REVERSE LOCK - CANADA .....	31	-				
39-818122A1	PISTON RING SET (4 PER SET - .030 OVERSIZE) ...	21	-				
84-817821A1	HI-TENSION WIRE .....	7	21				
1600-817819A1	GEAR HOUSING LOWER W/PLUG, WASHER AND THRUST BEARING CUP .	35	26				
1600-817900A1	GEAR HOUSING COMPLETE	35	-				