



PARTS CATALOG

55 H.P.

SERIAL NUMBER

55 (1980)	559B0M
55 (1980)	559H0M

TABLE OF CONTENTS:

ACCESSORIES	52
CARBURETOR	10
CRANKSHAFT AND PISTON GROUP	20
ELECTRICAL COMPONENTS	6
ENGINE COVER AND SUPPORT PLATE	2
FUEL PUMP	16
FUEL TANK AND LINE	40
GEAR HOUSING	34
MOTOR LEG	28
PARTS INDEX	56
POWER HEAD	22
REED PLATE	14
REMOTE CONTROL	42
SPECIAL TOOLS - LOWER UNIT	48
SPECIAL TOOLS - LUBRICANTS AND SEALANTS	50
SPECIAL TOOLS - POWER HEAD	47
SPECIAL TOOLS - REPAIR DECALS - ENGINE COVERS	51
SPECIAL TOOLS - TEST EQUIPMENT	49
SPECIAL TOOLS - TUNE-UP	46
STARTER	18

NOTE: Indented description indicate that these parts are included in preceeding assembly.

AR = As Required

NSS = Not Sold Separate

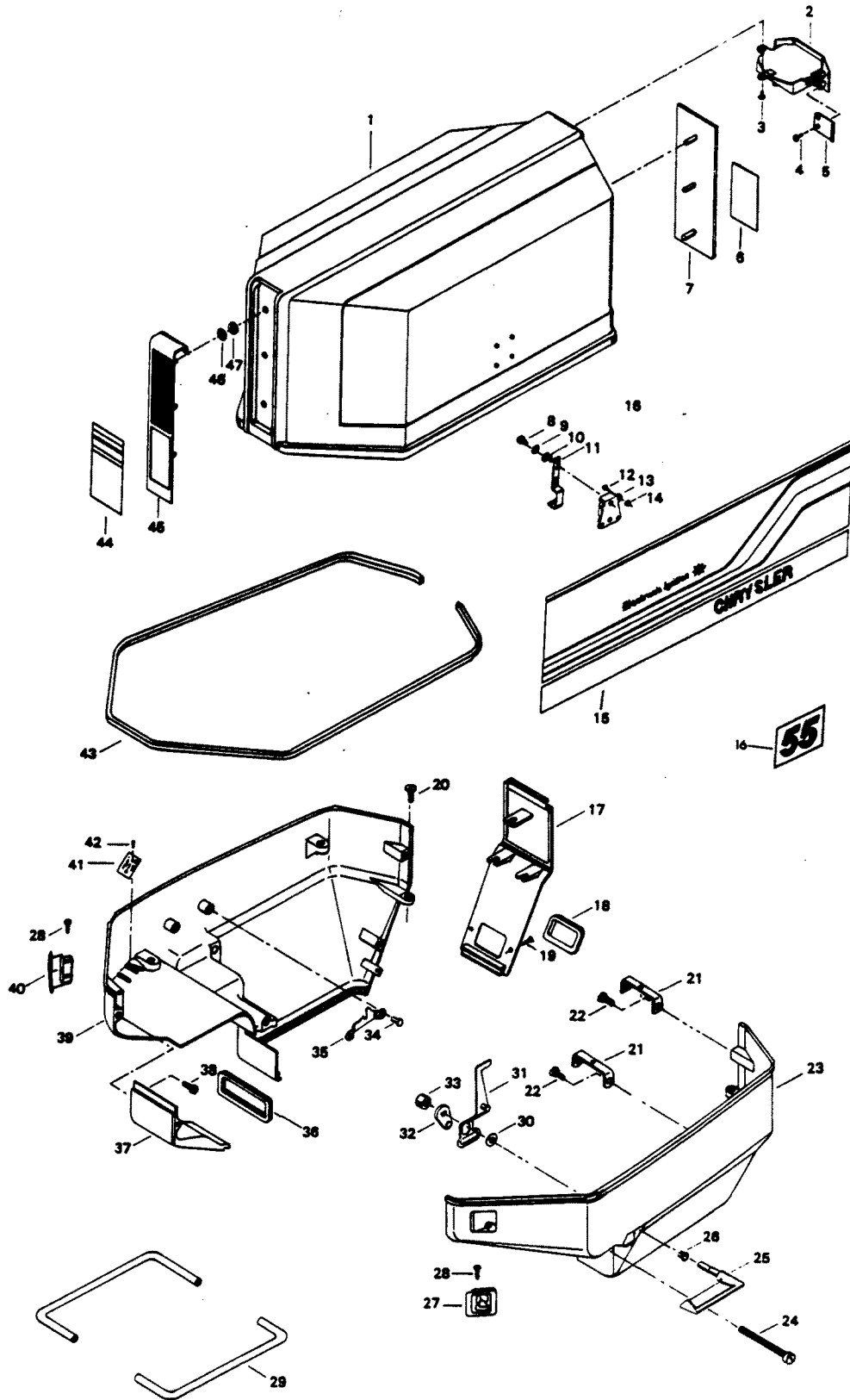
OPT = Optional

NS = Not Shown

THESE PARTS BOOKS/FICHE CARD ARE COPYRIGHTED AND MAY NOT BE DISTRIBUTED OR REPRODUCED IN ANY OTHER FORMAT BY ANYONE OTHER THAN MERCURY MARINE WITHOUT THE PRIOR WRITTEN CONSENT OF MERCURY MARINE.

THIS PAGE INTENTIONALLY LEFT BLANK

ENGINE COVER AND SUPPORT PLATE

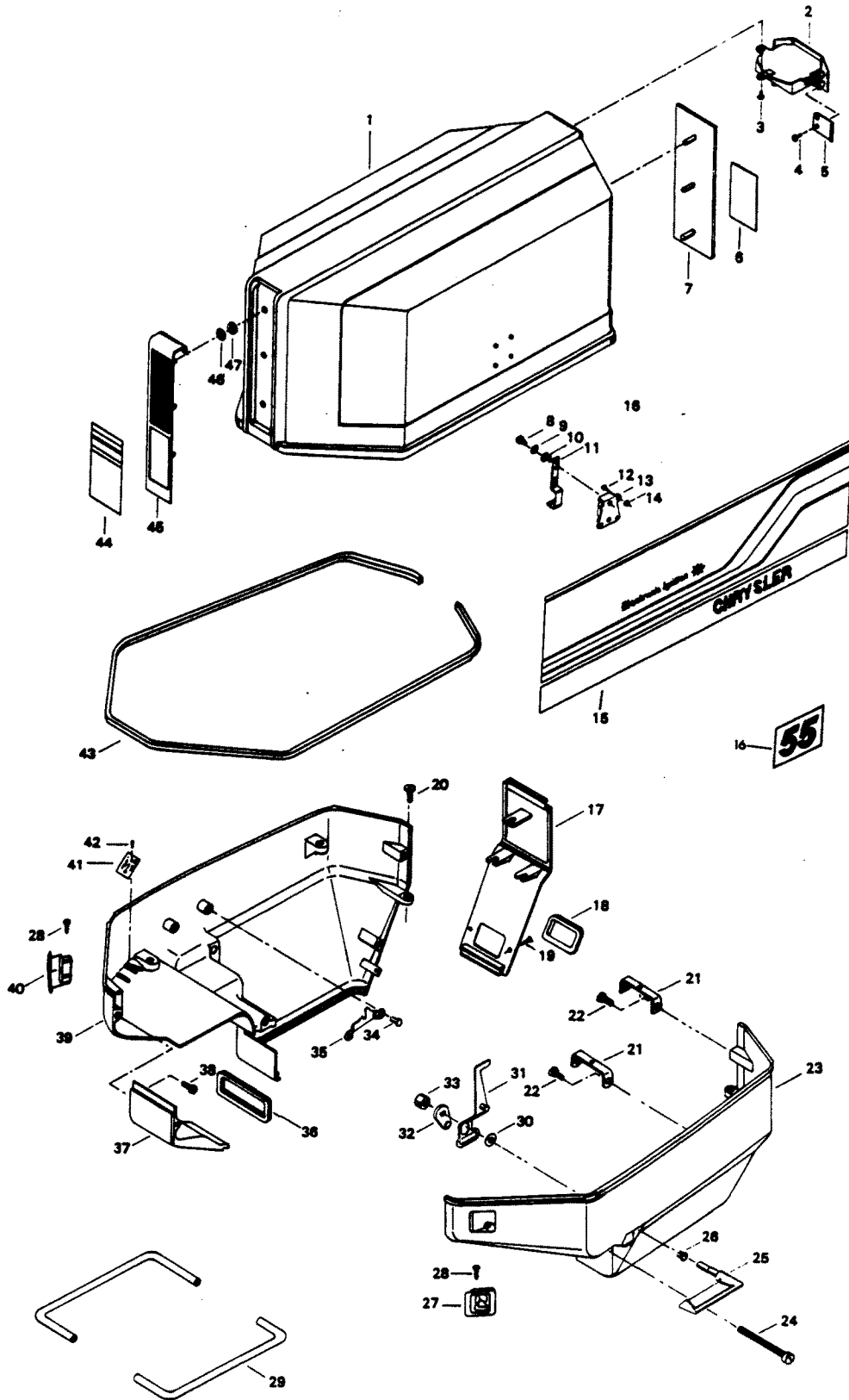


ENGINE COVER AND SUPPORT PLATE

REF. NO.	PART NO.	SYM.	QTY.	DESCRIPTION
1	FS547712		1	ENGINE COVER W/BRACKETS AND RETAINERS
-	2C577712		1	ENGINE COVER COMPLETE. INCLUDES ITEMS MARKED WITH AN ASTERISK (*).
2	F474269-1		1	TILT HANDLE
3	F2025		1	PAN HD SCREW, 10 X 5/8
4	F2066		4	PAN HD SCREW, 10 - 7/6
5	F463864		2	RETAINER, TILT HANDLE
6	FA575528		1	DECAL, REAR W/LITERATURE
7	F575180		1	REAR TRIM
8	F1854		4	HEX CAP SCREW, 1/4 - 20 X 5/8
9	F8083		4	LOCKWASHER
10	F8094		4	PLAIN WASHER
11	F474864		2	RETAINER, COVER LATCH
12	2032		8	PAN HD SCREW, 10 - 24 X 1/2
13	FA474774		2	BRACKET, COVER LATCH W/SCREWS & NUTS
14	F7011		8	STOP NUT
15	FA577397		1	DECAL, PORT
-	FA577396		1	DECAL, STARBOARD
16	FA547386		2	DECAL, NUMBER 55
17	F547156		1	COVER, SUPPORT PLATE REAR
18	F474991		1	GROMMET
19	F2072		2	OVAL COUNTERSUNK HD M. SCREW 10 - 24 X 3/8
20	F2017		3	PAN HD SCREW W/PLAIN WASHER, 10 - 24 X 3/8
21	F474817		2	RETAINER, SUPPORT PLATE
22	F1546		4	HEX CAP SCREW, 1/4 - 20 X 1/2
23	FA474038		1	SUPPORT PLATE PORT W/LOWER PACKING
24	F2075		1	SLOTTED HD SCREW, S.S., 1/4 - 20 X 2 1/2
25	FA474469		1	HANDLE, COVER LATCH PORT W/SHAFT & PIN
-	FA474499		1	HANDLE, COVER LATCH STARBOARD W/SHAFT AND PIN (NOT SHOWN)
26	F390689		2	BEARING, LATCH SHAFT
27	F549189		1	BUSHING, ELECTRIC CABLE ENTRY
28	F1733		3	PAN HD SCREW, 10 - 24 X 9/16
29	F474315		2	PACKING, SUPPORT PLATE LOWER
30	F269052		2	BEARING, LATCH CAM
31	FA474777		1	CAM, PORT LATCH W/PIN
-	FA474780		1	CAM, STARBOARD LATCH W/PIN (NOT SHOWN)
32	F474377		1	LEVER, COVER LATCH PORT
-	F474378		1	LEVER, COVER LATCH STARBOARD (NOT SHOWN)
33	F7025		2	LOCKNUT, 3/8 - 16
34	F1546		4	HEX CAP SCREW, 1/4 - 20 X 1/2
35	F474897		1	GUIDE, COVER LATCH STARBOARD
-	F474487		1	GUIDE, COVER LATCH PORT (NOT SHOWN)
36	FA475913		1	GROMMET (2 PER SET)

CONTINUED ON NEXT PAGE ➡

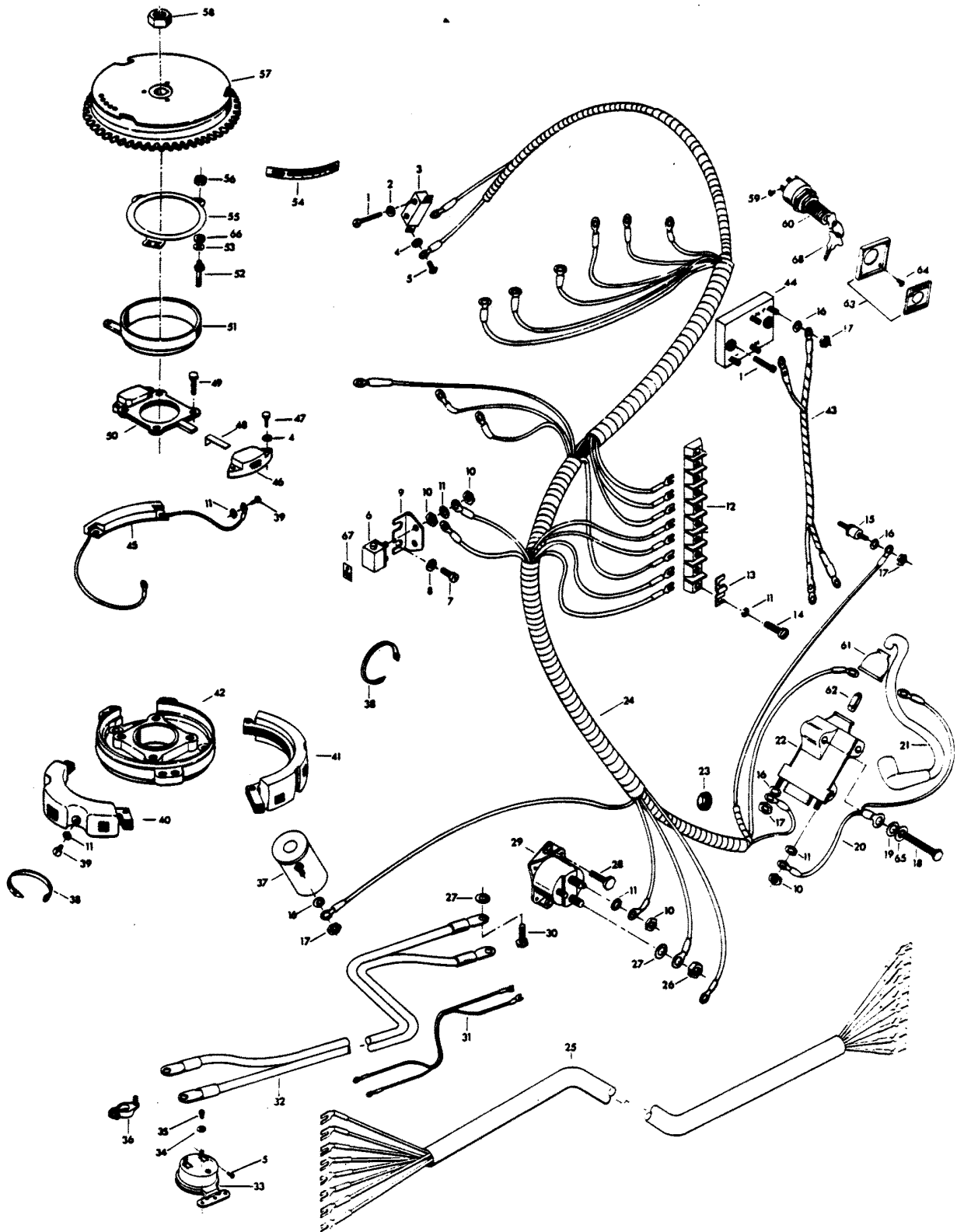
ENGINE COVER AND SUPPORT PLATE



ENGINE COVER AND SUPPORT PLATE

REF. NO.	PART NO.	SYM.	QTY.	DESCRIPTION
37	F474163		1	COVER, SUPPORT PLATE FRONT
38	F1541		2	HEX SLOTTED HD M. SCREW, 1/4 - 20 X 5/8
39	FA474088		1	SUPPORT PLATE STARBOARD W/LOWER PACKING
40	F545189		1	BUSHING, CABLE ENTRY
41	FA538395		1	IDENT, PLATE W/SCREWS
42	F1447		2	DRIVE SCREW, 2 X 3/16
43	F474756		1	PACKING, SUPPORT PLATE FRONT
44	FA575892		1	DECAL, FRONT W/LITERATURE
45	F575711		1	FRONT PLATE
46	F85735-1		6	SEAL, MEDALLION
47	F1753		6	FASTENER
-	F474985		2	BLANKET, SILENCER, SIDE (NOT SHOWN)
-	F474984		1	BLANKET, SILENCER, TOP (NOT SHOWN)
-	F474992		1	BLANKET, SILENCER, FRONT (NOT SHOWN)

ELECTRICAL COMPONENTS

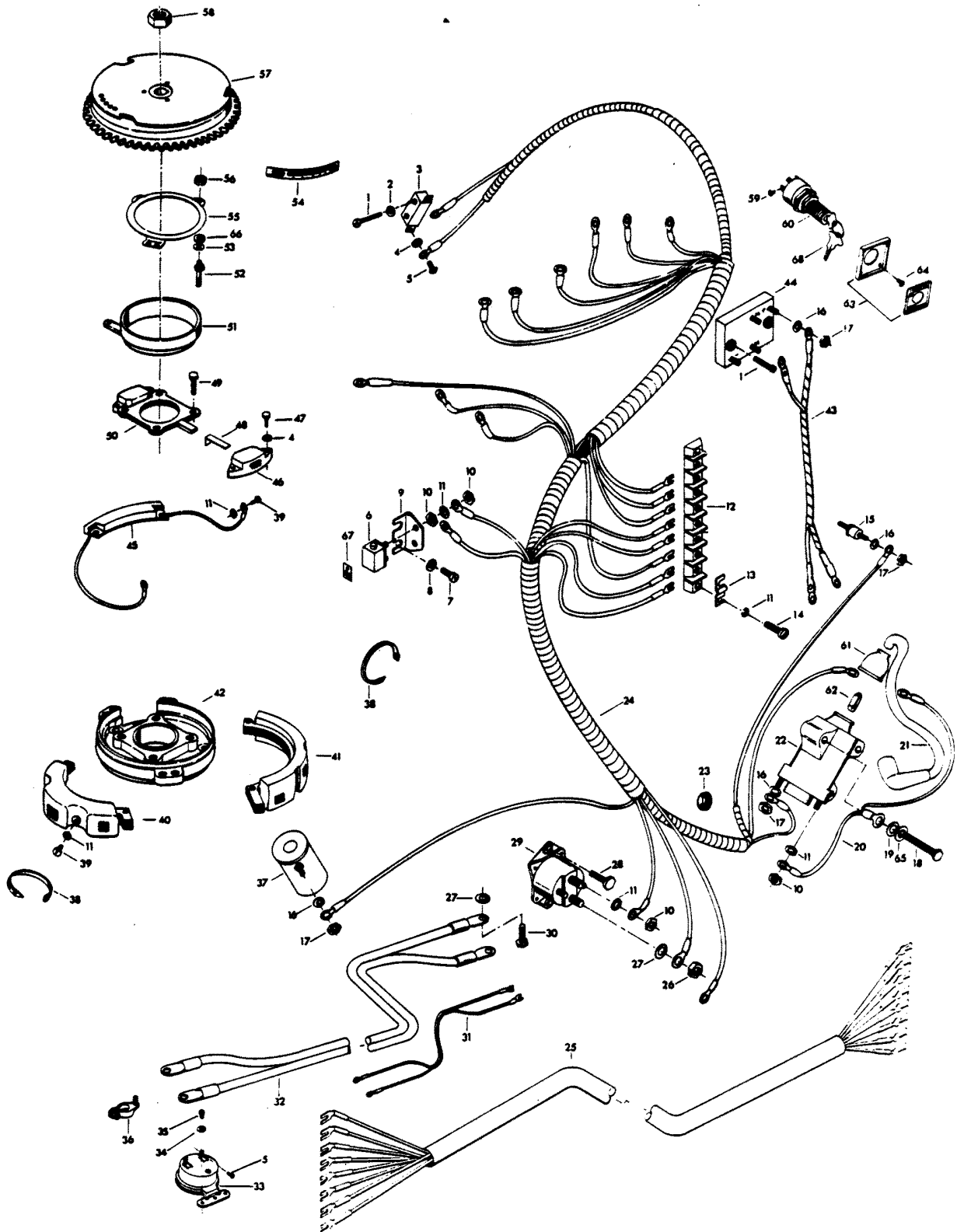


ELECTRICAL COMPONENTS

REF. NO.	PART NO.	SYM.	QTY.	DESCRIPTION
1	F2016		4	SLOTTED FILL HD SCREW, 6 - 32 X 7/8
2	F8088		2	PLAIN WASHER
3	F84449		1	NEUTRAL INTERLOCK SWITCH
4	F1704		2	INTERNAL TOOTH LOCKWASHER
5	F1645		4	RD HD SCREW, 6 - 32 X 1/4
6	F510460		1	CIRCUIT BREAKER
7	F1733		2	SLOTTED PAN HD SCREW, 10 - 24 X 9/16
8	F8011		2	PLAIN WASHER
9	F91446-1		1	CIRCUIT BREAKER BRACKET
10	F1513		8	HEX NUT, 10 -32
11	F1975		15	LOCKWASHER
12	FA510497		1	TERMINAL BLOCK W/ILLUSTRATION 14 ORIGINAL FORCE P/N K 289497-2
13	F307317		1	CLIP, TERMINAL BLOCK GROUND
14	F1974		2	PAN HD SCREW, 10 - 24 X 3/4
15	F404449		1	THERMOSWITCH
16	F8056		8	SPRING LOCKWASHER
17	F1647		8	HEX NUT, 8 - 32
18	F1891		6	HEX HD M. SCREW, 1/4 - 20 X 1 1/2
19	F2012		6	PLAIN WASHER
20	F345908		1	GROUND WIRE, COIL
21	84-817821A1		2	HI-TENSION WIRE W/ILLUSTRATION 61 & 62 ORIGINAL FORCE P/N A 474841-1
22	FS474475		2	IGNITION COIL
23	F24623-1		1	GROMMET
24	F522744		1	WIRING HARNESS
25	F85843-1		1	ELECTRIC CONTROL CABLE, 18 FEET
26	F1515		2	HEX NUT, S.S., 5/16 - 18
27	F8096		3	SPRING LOCKWASHER
28	F1536		2	HEX CAP SCREW, 1/4 - 20 X 3/4
29	F460917		1	STARTER RELAY
30	F1857		1	HEX CAP SCREW, 5/16 - 18 X 5/8
31	F404841		1	CABLE
32	F381896-4		1	BATTERY CABLE
33	F5H043		1	BUZZER, HEAT INDICATOR, (ACCESSORY ITEM)
34	F8011		2	PLAIN WASHER
35	F1741		2	PAN HD SCREW, 8 X 3/4
36	F5H041		1	BATTERY TERMINAL KIT (ACCESSORY ITEM)
37	F85924		1	CHOKE SOLENOID
38	F1845		2	TY-RAP, REGULATOR TO POWER PACK LEADS
39	F2077		7	SLOTTED PAN HD M. SCREW, 10 - 32 X 1/4
40	FS474095		1	ALTERNATOR STATOR
41	S474301		1	MODULE
42	F2A474144		1	BEARING CAGE W/CRANKSHAFT SEAL

CONTINUED ON NEXT PAGE ➡

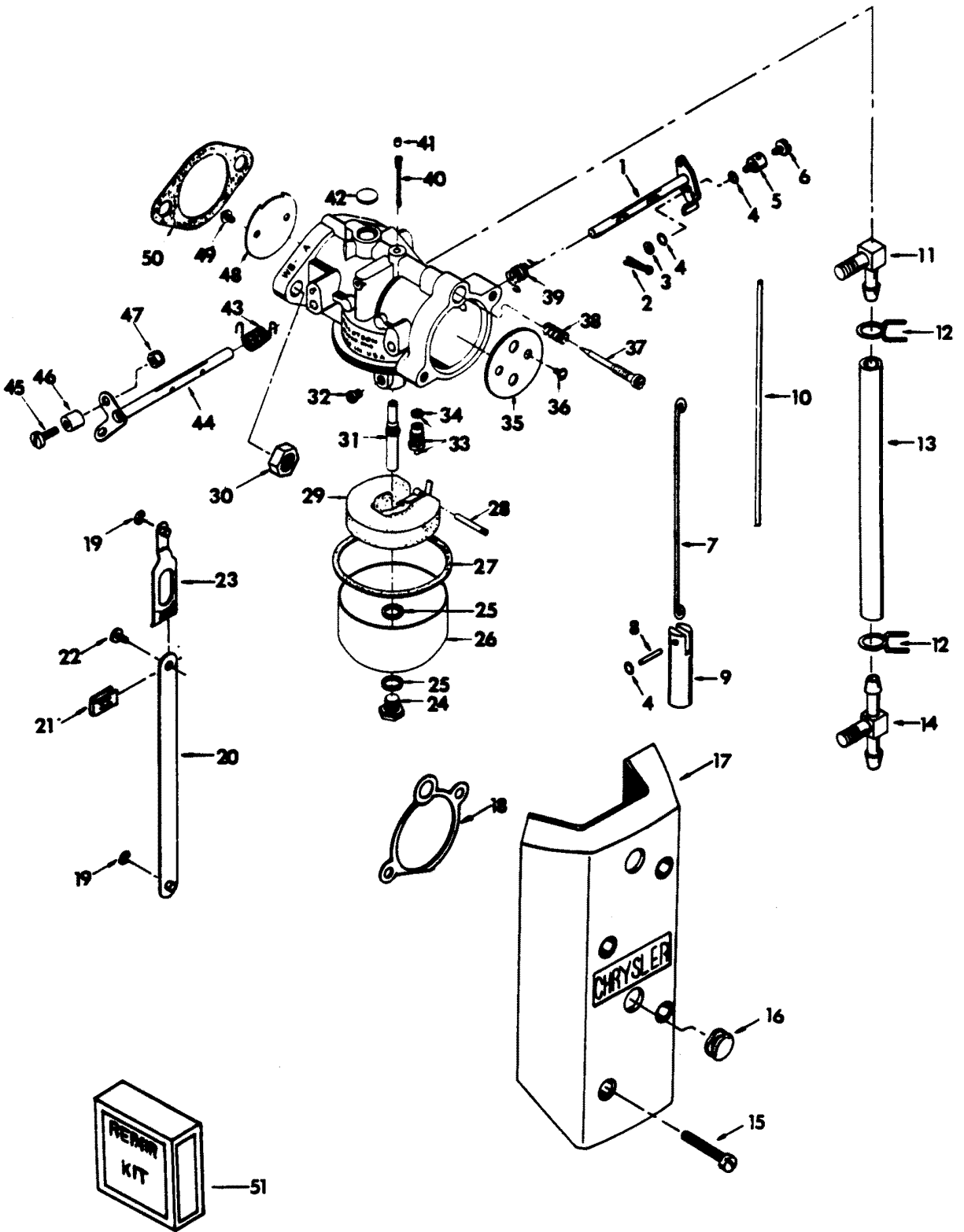
ELECTRICAL COMPONENTS



ELECTRICAL COMPONENTS

REF. NO.	PART NO.	SYM.	QTY.	DESCRIPTION
43	F522636		1	STATOR HARNESS
44	F369450		1	RECTIFIER
45	FS474030		1	CAPACITOR
46	F12352-1		2	TRIGGER COIL
47	F1036		4	SLOTTED FILL HD M. SCREW W/SPRING LOCKWASHER, 6 - 32 X 1/4
48	F12353		2	CLIP
49	F2050		4	HEX CAP SCREW, 1/4 - 20 X 1/2
50	F12354		1	SPIDER
51	S474082		1	TIMING RING
52	F474531		4	STUD, TIMING RING RETAINER
53	F8048		4	BOWED WASHER
54	F474387		1	TIMING DECAL
-	FC474387		1	DECAL, TIMING - CANADA
55	F474178		1	RETAINER, TIMING RING
56	F1804		4	STOP NUT, 10 - 22
57	FS474097		1	FLYWHEEL
58	F1968		1	HEX NUT, 3/4 - 16
59	F1280		5	SLOTTED PAN HD SCREW, 8 - 32 X 1/4
60	F5H078		1	SWITCH, IGNITION (ACCESSORY ITEM) LONG BARREL W/KEYS AND SCREWS
61	F203276		2	BOOT, COIL
62	F203673		2	CLIP
63	F5H038		1	IGNITION SWITCH MOUNTING KIT (ACCESSORY ITEM)
-	817892--1		1	IGNITION SWITCH PLATE - CANADA (NOT SHOWN)
64	F1934		4	FLAT HD SCREW, 6 X 1/2
65	F2106		1	INTERNAL TOOTH LOCKWASHER
66	F2042		4	PLAIN WASHER
67	F510374		1	DECAL, CIRCUIT BREAKER - USA
-	FC510374		1	DECAL, CIRCUIT BREAKER - CANADA
68	FA368700		-	KEY IGNITION - NO LETTER OR STAMPED A
-	FB368700		-	KEY IGNITION - STAMPED B
-	FC368700		-	KEY IGNITION - STAMPED C
-	FD368700		-	KEY IGNITION - STAMPED D
-	FE368700		-	KEY IGNITION - STAMPED E
-	FA27232		1	EMERGENCY STARTER ROPE (NOT SHOWN)
-	F235785		1	DECAL, COMPLIANCE - CANADA (NOT SHOWN)

CARBURETOR

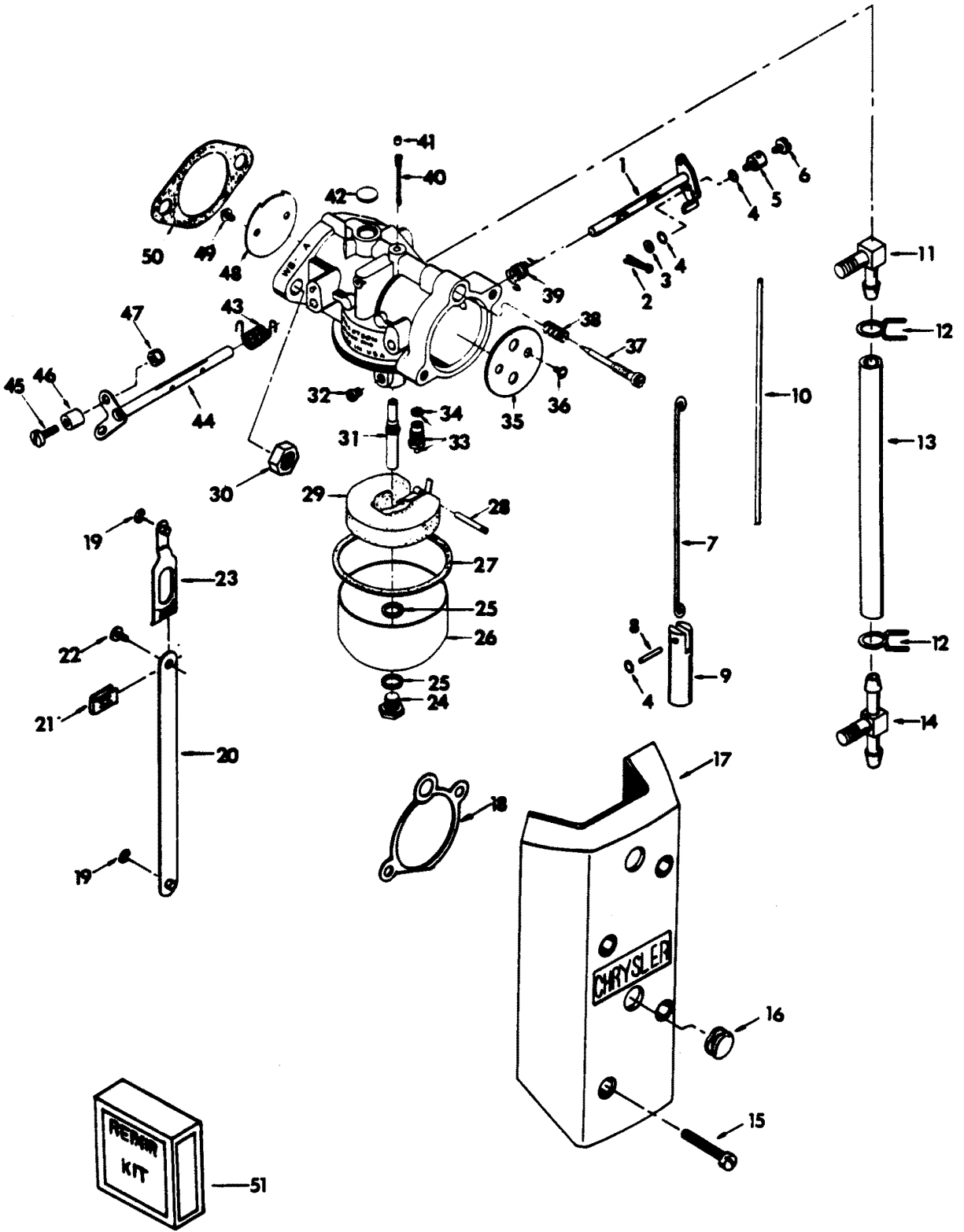


CARBURETOR

REF. NO.	PART NO.	SYM.	QTY.	DESCRIPTION
1	FO16850		1	CHOKE SHAFT AND LEVER
2	F1014		3	COTTER PIN
3	F8088		3	PLAIN WASHER
4	F184579		7	SEAL, CHOKE ARM SWIVEL
5	F184033-1		2	SWIVEL, CHOKE ROD
-	F522033		1	SWIVEL, CHOKE ROD FOR TOP CARB (NOT SHOWN)
6	F1059		2	FILL HD SCREW, 6 - 32 X 1/4
7	F85925		1	CHOKE SOLENOID ROD
8	F2033		1	GROOVE PIN
9	F391926-1		1	PLUNGER, CHOKE SOLENOID
10	F474509		1	CHOKE LINK
11	F84314-2		1	ELBOW, FUEL LINE
12	F97772		2	HOSE CLAMP
13	F474253		1	FUEL LINE
14	F85314-1		1	ELBOW, FUEL LINE FOR BOTTOM CARB.
15	F1034		4	FILL HD SCREW, 1/4 - 20 X 1 3/8
16	F53504		2	GROMMET
17	F522826		1	SILENCER, CARB AIR
18	F481836		2	GASKET
19	F90807		2	RETAINING RING
20	FA474511		1	TIE BAR W/SWIVEL
21	F1693		1	TIE BAR RETAINER
22	F1064		1	SLOTTED HD SCREW, 8 - 32 X 3/8
23	FA85193		1	TIE BAR END W/SWIVEL
24	FO13945		1	FUEL BOWL RETAINING SCREW
25	FO2510		2	GASKET, FUEL BOWL RETAINING SCREW
26	FO13552		1	FUEL BOWL
27	FO15623		1	FUEL BOWL GASKET
28	FO13944		1	FLOAT LEVER PIN
20	FO13554		1	FLOAT
30	F1515		4	HEX NUT, 5/16 - 18
31	FO15217		1	MAIN NOZZLE
32	FO14188		1	MAIN FUEL JET (.066) STD. SEAL LEVEL - 3000 FT.
-	FO14108		-	MAIN FUEL JET (.064) OPT. 3000 - 4500 FT.
-	FO14187		-	MAIN FUEL JET (.062) OPT. 4500 - 6000 FT.
-	FO14186		-	MAIN FUEL JET (.060) OPT. 6000 FT. & UP, OPTIONAL SIZE MAIN FUEL JET, USE ONLY AT ALTITUDES AS INDICATED.
33	FO10790		1	INLET NEEDLE, SEAT AND GASKET
34	FO10165		1	INLET SEAT GASKET
35	FO13555		1	CHOKE SHUTTER
36	FO8942		2	SHUTTER SCREW W/LOCKWASHER
37	FO13946		1	IDLE SCREW
38	FO11103		1	IDLE SCREW SPRING

CONTINUED ON NEXT PAGE ➡

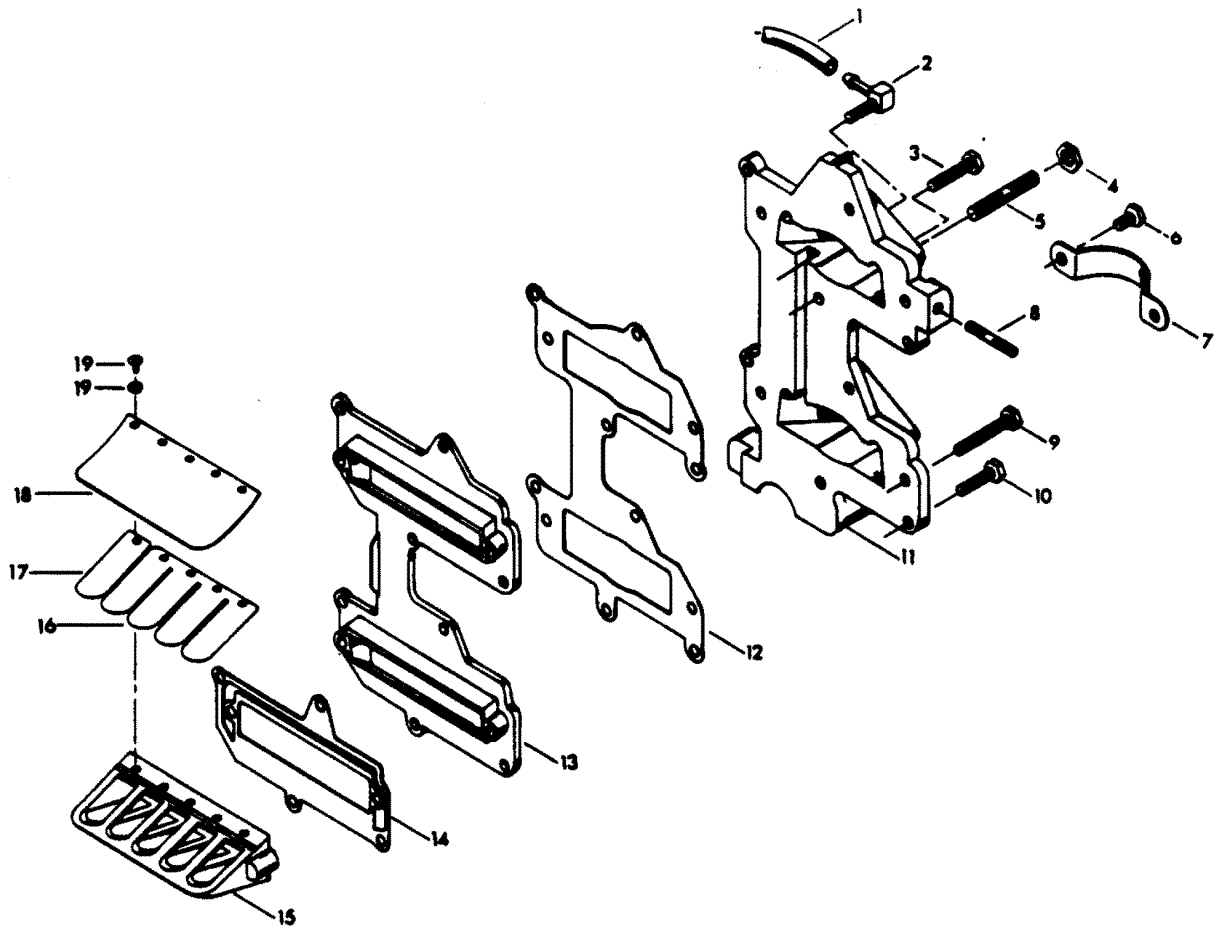
CARBURETOR



CARBURETOR

REF. NO.	PART NO.	SYM.	QTY.	DESCRIPTION
39	FO13947		1	CHOKE SHAFT RETURN SPRING
40	FO17181		1	IDLE TUBE
41	FO10588		1	BODY CHANNEL CUP PLUG
42	FO4326		1	BODY CHANNEL WELCH PLUG
43	FO16008		1	THROTTLE SHAFT RETURN SPRING
44	FO15230		1	THROTTLE SHAFT AND LEVER
45	F333316		1	THROTTLE ROLLER SHAFT
46	F92759		1	THROTTLE ROLLER
47	F1977		1	LOCK NUT, 8 - 32
48	FO16851		1	THROTTLE SHUTTER
49	FO8942		2	THROTTLE SHUTTER SCREW W/LOCKWASHER
50	F40906-1		2	CARBURETOR GASKET
-	F475061-1		2	CARBURETOR COMPLETE (WB27B) (NOT SHOWN)
51	F10053		1	REPAIR PARTS KIT. INCLUDES ALL ITEMS MARKED WITH AN ASTERISK (*)
-	F10000		1	GASKET SET (NOT SHOWN)

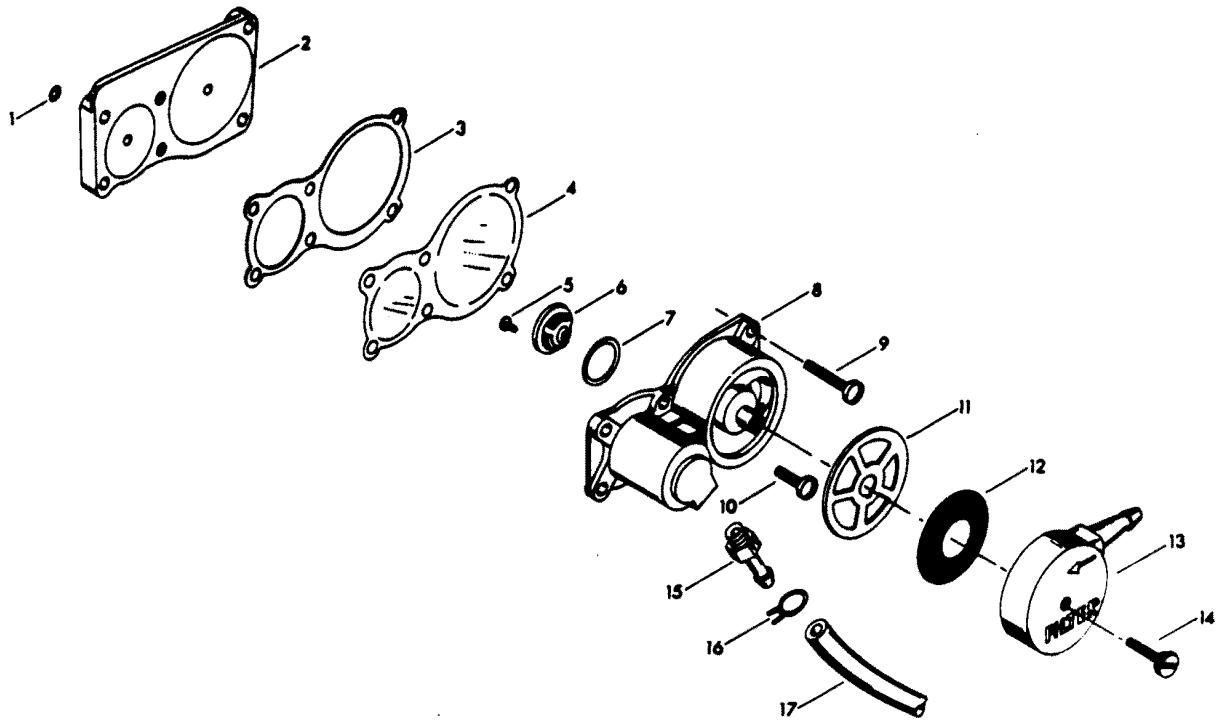
REED PLATE



REED PLATE

REF. NO.	PART NO.	SYM.	QTY.	DESCRIPTION
1	F406754-1		1	DRAIN HOSE
2	22-817740A1		1	PUDDLE DRAIN FITTING W/METERING CUP
3	F1916		1	HEX HD M. SCREW, 1/4 - 20 X 1 1/8
4	F1515		4	HEX NUT, 5/16 - 18
5	F40209		4	CARBURETOR STUD
6	F1545		2	HEX CAP SCREW, 1/4 - 20 X 1/2
7	F85317-1		1	SOLENOID CLAMP
8	F433209-1		1	STUD
9	F1708		4	HEX HD M. SCREW, 1/4 - 20 X 1 3/8
10	F1533		7	HEX HD M. SCREW, 1/4 X 20 X 7/8
11	F474167		1	CARBURETOR ADAPTER
12	F474168		1	CARBURETOR ADAPTER GASKET
13	F474162		1	REED PLATE ADAPTER
14	F85168		2	REED PLATE ADAPTER GASKET
15	F2A335158		2	REED PLATE W/REEDS, STOPS AND SCREWS
16	F335160		4	REED (4 PETAL)
17	F335164		4	REED (1 PETAL)
18	F85161		4	REED STOP
19	F1755		20	ROUND HD SCREW W/LOCKWASHER, 6 - 32 X 5/16

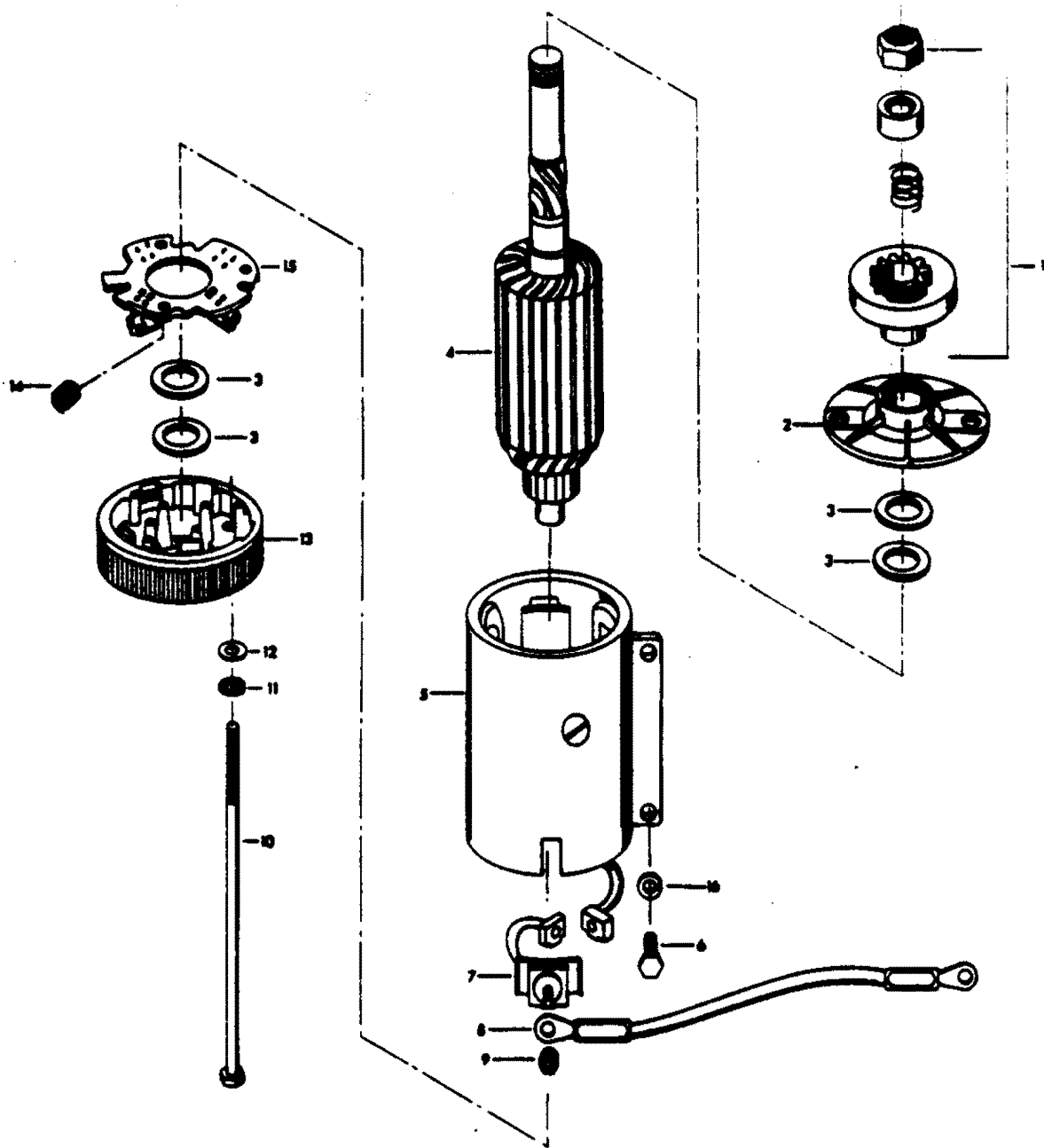
FUEL PUMP



FUEL PUMP

REF. NO.	PART NO.	SYM.	QTY.	DESCRIPTION
1	F50342-1		2	SEAL
2	F474746		1	FUEL PUMP COVER
3	F438760		1	FUEL PUMP GASKET
4	F438747		1	FUEL PUMP DIAPHRAGM
5	F1860		2	SLOTTED HD M. SCREW, 6 - 32 X 1/4
6	F177330		3	FUEL PUMP VALVE
7	F84792		1	FUEL PUMP VALVE GASKET (CENTER VALVE)
8	FA438431		1	FUEL PUMP BODY W/VALVES
9	F1889		4	FILL HD SCREW, 1/4 - 20 X 1 1/4
10	F1108		2	FILL HD SCREW, 1/4 - 20 X 3/4
11	F438617		1	FUEL SEDIMENT BOWL GASKET
12	F438653		1	FUEL PUMP SCREEN
13	F438500		1	FUEL SEDIMENT BOWL
14	F438165		1	SCREW, FUEL BOWL
15	F438801		1	FITTING
16	F97772		3	FUEL LINE CLAMPS
17	F438754		1	FUEL LINE, PUMP TO CARBURETOR

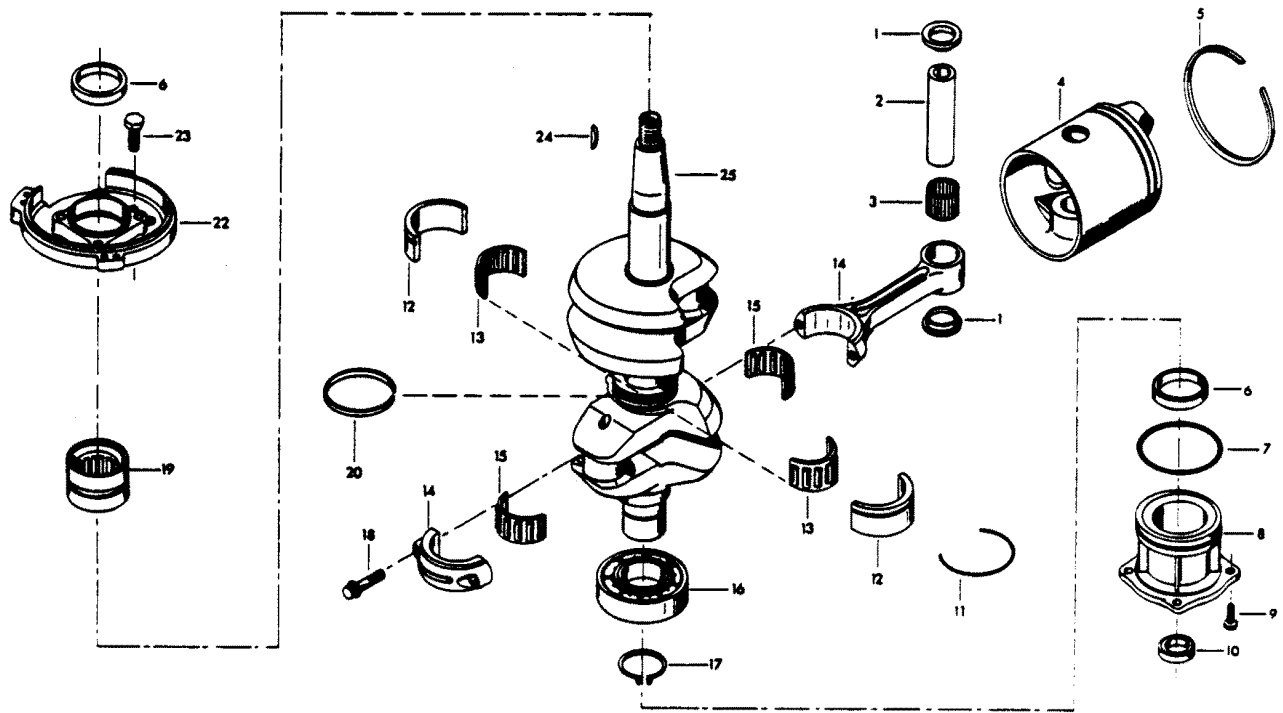
STARTER



STARTER

REF. NO.	PART NO.	SYM.	QTY.	DESCRIPTION
1	F15100		1	BENDIX DRIVE
2	F15120		1	HEAD ASSEMBLY, DRIVE END
3	F15126		1	THRUST WASHER PACKAGE
4	F15099		1	ARMATURE
5	F15119		1	FRAME AND FIELD ASSEMBLY
6	F1822		3	HEX CAP SCREW, 5/16 - 18 X 7/8
7	F15165		1	BRUSH AND TERMINAL SET
8	F307908		1	STARTER WIRE
9	FA15072		1	HEX LOCK NUT AND WASHER ASSEMBLY, 1/4 - 20
10	F15123		1	THRU BOLT PACKAGE
11	F8060		2	LOCKWASHER
12	F8028		2	PLAIN WASHER
13	F15125		1	HEAD ASSEMBLY, COMMUTATOR END
14	F15034		1	SPRING SET
15	F15057		1	BRUSH PLATE AND HOLDER
16	F8096		3	SPRING LOCKWASHER
-	S474955		1	STARTER COMPLETE. INCLUDES ITEMS MARKED WITH AN ASTERISK (*).
-	FC522390		1	DECAL, STARTER - CANADA (NOT SHOWN)

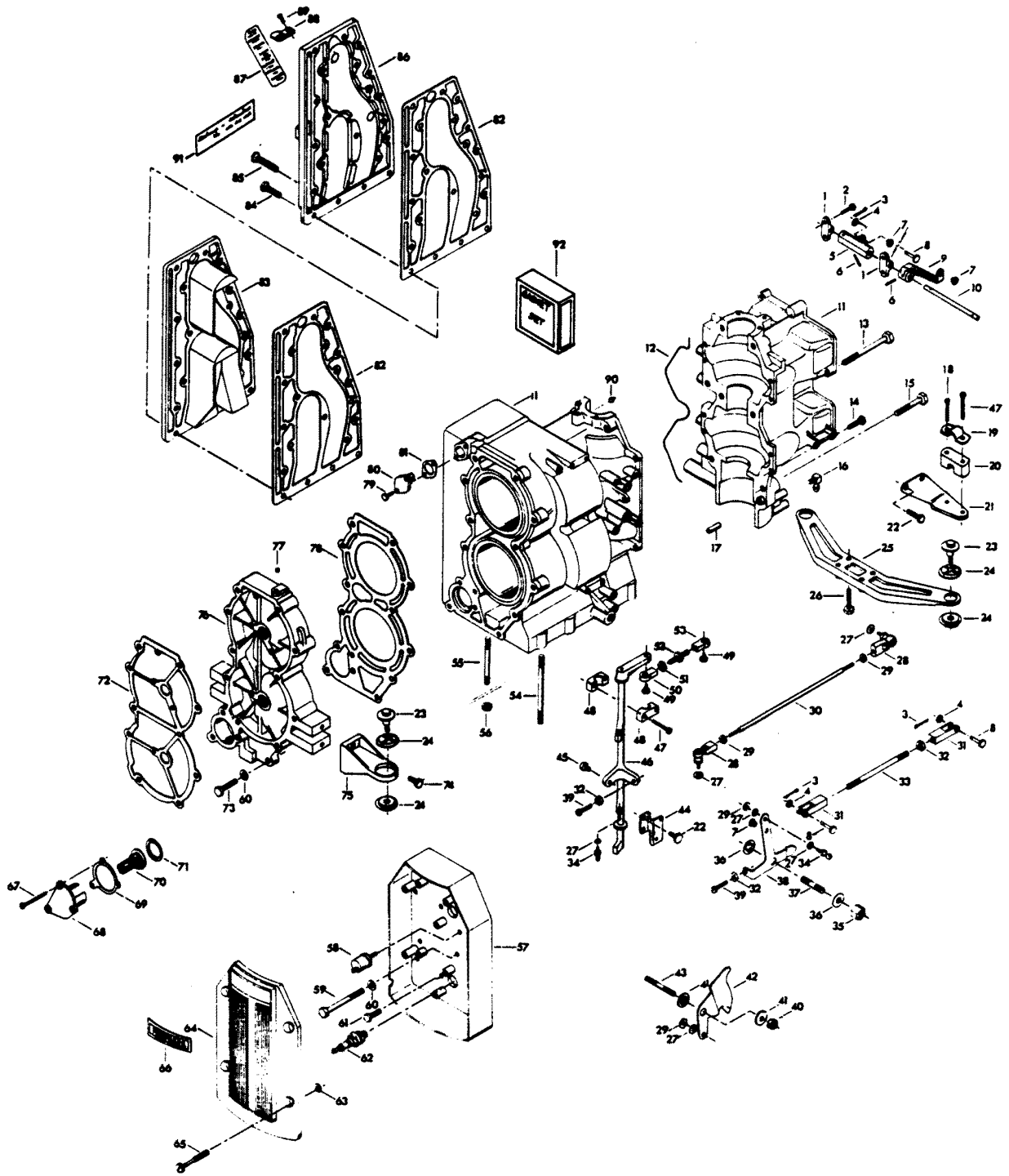
CRANKSHAFT AND PISTON GROUP



CRANKSHAFT AND PISTON GROUP

REF. NO.	PART NO.	SYM.	QTY.	DESCRIPTION
1	F522215		4	SPACER (2 PER PISTON)
2	F522017		2	PISTON PIN
3	F522217		2	BEARING
4	F522015		2	PISTON (STANDARD)
-	FS522015		2	PISTON (.010 OVERSIZE)
-	F3S522015		2	PISTON (.030 OVERSIZE)
5	FA474260		1	PISTON RING SET (4 PER SET) - (STANDARD)
-	FSA474260		1	PISTON RING SET (4 PER SET - .010 OVERSIZE)
-	39-818122A1		1	PISTON RING SET (4 PER SET - .030 OVERSIZE)
6	F474146		2	SEAL, CRANKSHAFT
7	F84278		1	SEAL
8	31-818060A1		1	BEARING CAGE LOWER W/SEALS (ITEMS 6, 7 & 10)
9	F1238		4	HEX CAP SCREW, 1/4 - 20 X 3/4
10	F474278		1	SEAL
11	F85410		1	SNAP RING
12	FA85655-1		1	CRANKSHAFT CENTER MAIN BEARING RACE W/SNAP RING
13	F85571		1	CENTER MAIN BEARING CAGE W/ROLLERS
14	FA522016		2	CONNECTING ROD W/CAP AND SCREWS
15	FA474228		2	BEARING CAGE W/ROLLERS (SPLIT HALF)
16	F284659-2		1	CRANKSHAFT LOWER MAIN BEARING
17	F2045		1	RETAINING RING
18	F435634		4	CONNECTING ROD SCREW
19	F474013		1	CRANKSHAFT UPPER MAIN BEARING
20	F316579		1	SEAL, CRANKCASE
22	F2A474144		1	CRANKSHAFT UPPER BEARING CAGE W/SEAL
23	F1238		2	HEX CAP SCREW, 1/4 - 20 X 3/4
24	F85498		1	FLYWHEEL KEY
25	F2A522018		1	CRANKSHAFT W/LOWER MAIN BEARING AND RETAINING RING
-	F2067		1	PLASTISOL CAP (NOT SHOWN)

POWER HEAD

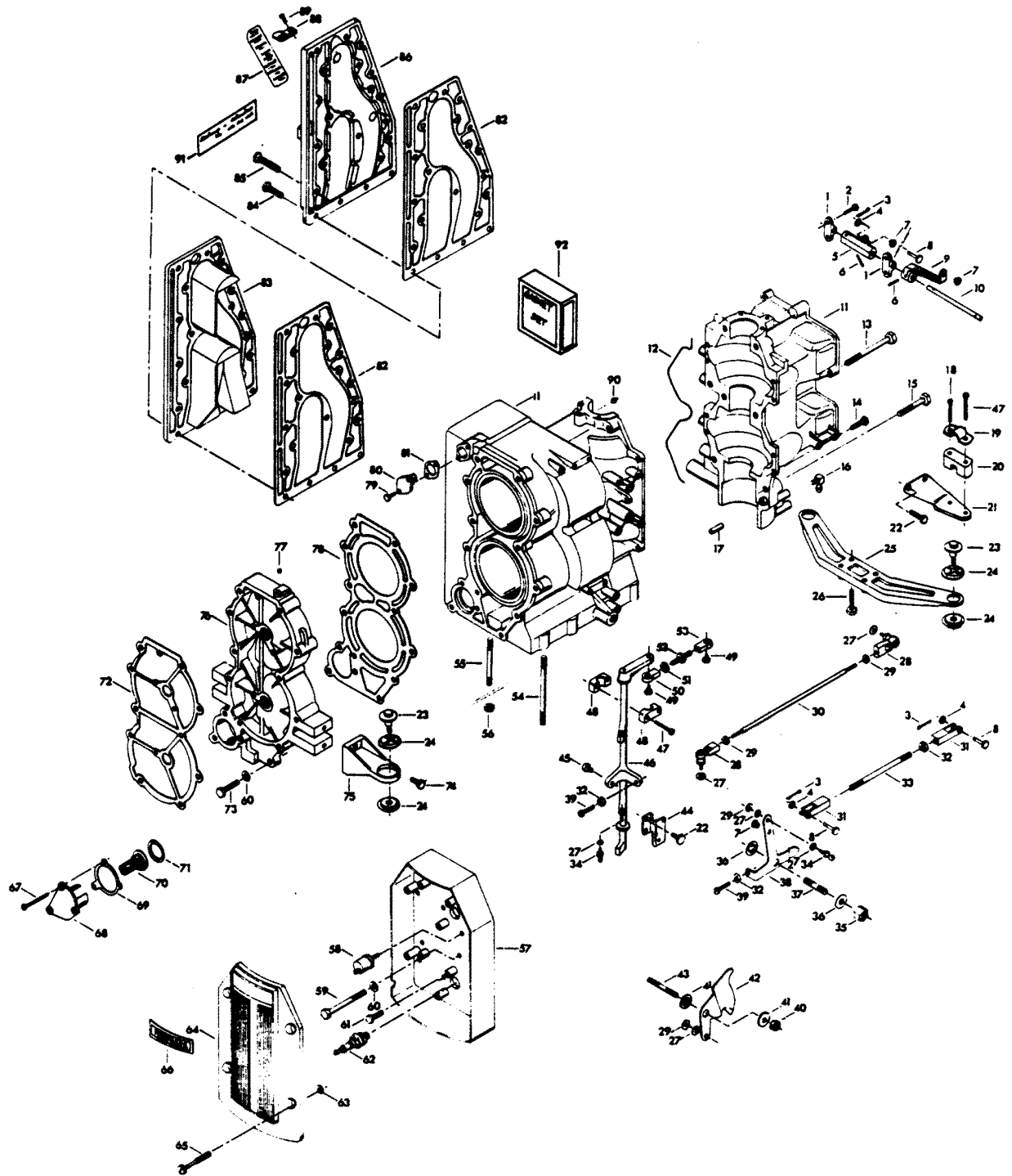


POWER HEAD

REF. NO.	PART NO.	SYM.	QTY.	DESCRIPTION
1	F85689-1		2	BEARING
2	F1475		4	SLOTTED FILL HD SCREW, 10 - 24 X 1/2
3	F1017		3	COTTER PIN
4	F8094		3	PLAIN WASHER
5	F474640		1	PIVOT, GEAR SHIFT
6	F8547		2	SPRING PIN
7	F183818		3	BEARING, GEAR SHIFT COUPLER
8	F474620		3	PIN, GEAR SHIFT
9	F474621		1	LEVER, GEAR SHIFT
10	F474871		1	SHAFT, GEAR SHIFT
11	A474010		1	CYLINDER W/CRANKCASE COVER, STUDS, SCREWS AND DOWEL PINS
-	C474010		1	SHORT BLOCK (NOT SHOWN). INCLUDES ALL ITEMS MARKED WITH AN ASTERISK (*). ALSO REFER TO CRANKSHAFT AND PISTON PAGE.
12	F269122-1		1	CRANKCASE PARTING LINE SEAL
13	F1873		2	HEX CAP SCREW, 3/8 - 16 X 3
14	F1535		8	HEX HD SCREW, 1/4 - 20 X 3/4
15	F1872		4	HEX CAP SCREW, 3/8 - 16 X 1 3/4
16	22-817740A1		1	FITTING, PUDDLE DRAIN W/METERING CAP
17	F8563		2	DOWELL PIN
18	F1829		1	SLOTTED FILL HD SCREW, 10 - 24 X 7/8
19	F154317		1	CABLE CLAMP
20	F474932		1	SPACER, CONTROL CABLE
21	F474371		1	REMOTE CABLE BRACKET
22	F1540		4	HEX CAP SCREW, 1/4 - 20 X 5/8
23	F458887		4	FASTENER, SUPPORT PLATE MOUNT
24	F458347		8	MOUNT
25	F474980-1		1	STABILIZER, FRONT
26	F2071		4	HEX CAP SCREW, 5/16 - 18 X 1 3/8
27	F8058		6	INTERNAL TOOTH LOCKWASHER
28	817747--1		2	BALL JOINT W/BEARING
29	F1513		4	HEX NUT, 10 - 32
30	F474193		1	THROTTLE LINK
31	F474704		2	COUPLER
32	F1341		3	HEX NUT, 1/4 - 20
33	F474881		1	LINK, GEAR SHIFT
34	F98273		2	ROD END CONNECTOR STUD
35	F7025		1	STOP NUT, S.S., 3/8 - 16
36	F269052		2	SHIFT ARM BEARING
37	F474859		1	STUD, SHIFT ARM
38	F474876		1	SHIFT ARM
39	F1052		2	FILL HD M. SCREW, 1/4 - 20 X 1
40	F1910		1	ELASTIC STOP NUT, 1/4 - 20

CONTINUED ON NEXT PAGE ➡

POWER HEAD

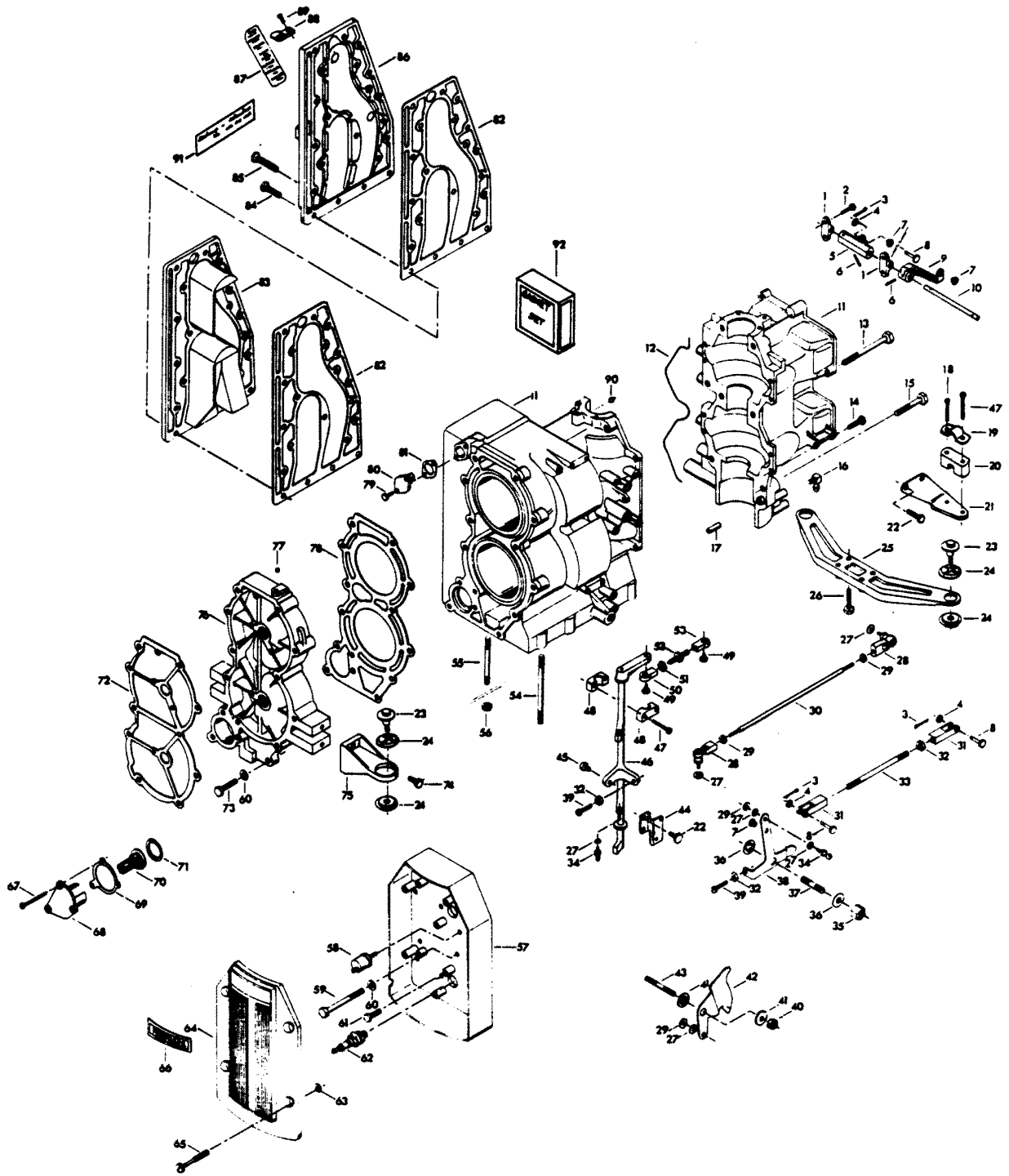


POWER HEAD

REF. NO.	PART NO.	SYM.	QTY.	DESCRIPTION
41	F269319		2	THROTTLE CAM BEARING
42	F474192		1	THROTTLE CAM
43	F433209-1		1	STUD, THROTTLE CAM
44	F474551		1	BRACKET, INTERLOCK SWITCH
45	F1727		1	PLASTIC RIVET
46	F474838-1		1	TOWERSHAFT
47	F1995		5	FILL HD SCREW, 10 - 24 X 1
48	F433689		4	TOWERSHAFT BEARING
49	F84026		2	SPARK CONTROL SWIVEL
50	F84035-2		1	SPARK CONTROL BEARING, R.H.
51	F1473		1	HEX NUT, 10 - 24
52	F474445		1	SPARK CONTROL LINK
53	F84036		1	SPARK CONTROL BEARING, L.H.
54	F474211		8	STUD, CYLINDER
55	F474210		1	STUD, CYLINDER
56	F7006		9	LOCK NUT
57	F474995		1	CYLINDER HEAD COVER
58	F404449		1	THERMOSWITCH
59	F2049		10	HEX CAP SCREW, 5/16 - 18 X 2 5/8
60	F1987		11	PLAINWASHER
61	F1238		3	HEX CAP SCREW, 1/4 - 20 X 3/4
62	33-818007--1		2	SPARK PLUG (UL-18V) - USA
-	FC522227		2	SPARK PLUG (QUL-77V)
63	F85735-1		4	SEAL
64	F474648		1	SPARK PLUG COVER
65	F474751		4	SCREW, SPARK PLUG COVER
66	474373-1		1	DECAL, MAGNAPOWER
67	F2051		3	HEX CAP SCREW, 1/4 - 20 X 2 1/4
68	F474066		1	THERMOSTAT COVER
69	F474067		1	THERMOSTAT COVER GASKET
70	F84068-2		1	THERMOSTAT
71	F53504		1	THERMOSTAT GROMMET
72	F474996-1		1	CYLINDER HEAD COVER GASKET
73	F2076		1	HEX CAP SCREW, 5/16 - 18 X 1 1/8
74	F1902		4	HEX CAP SCREW, 5/16 - 18 X 3/4
75	F474982		2	STABILIZER, REAR
76	A474518		1	CYLINDER HEAD W/PLUG
77	F19109		1	PLUG, CYLINDER HEAD
78	F474529-1		1	CYLINDER HEAD GASKET
79	F1913		2	HEX CAP SCREW, 10 - 24 X 5/8
80	F438066		1	COVER, BY-PASS VALVE
81	F85762		1	GASKET, BY-PASS VALVE COVER
82	F474154		2	EXHAUST PORT PLATE GASKET

CONTINUED ON NEXT PAGE ➡

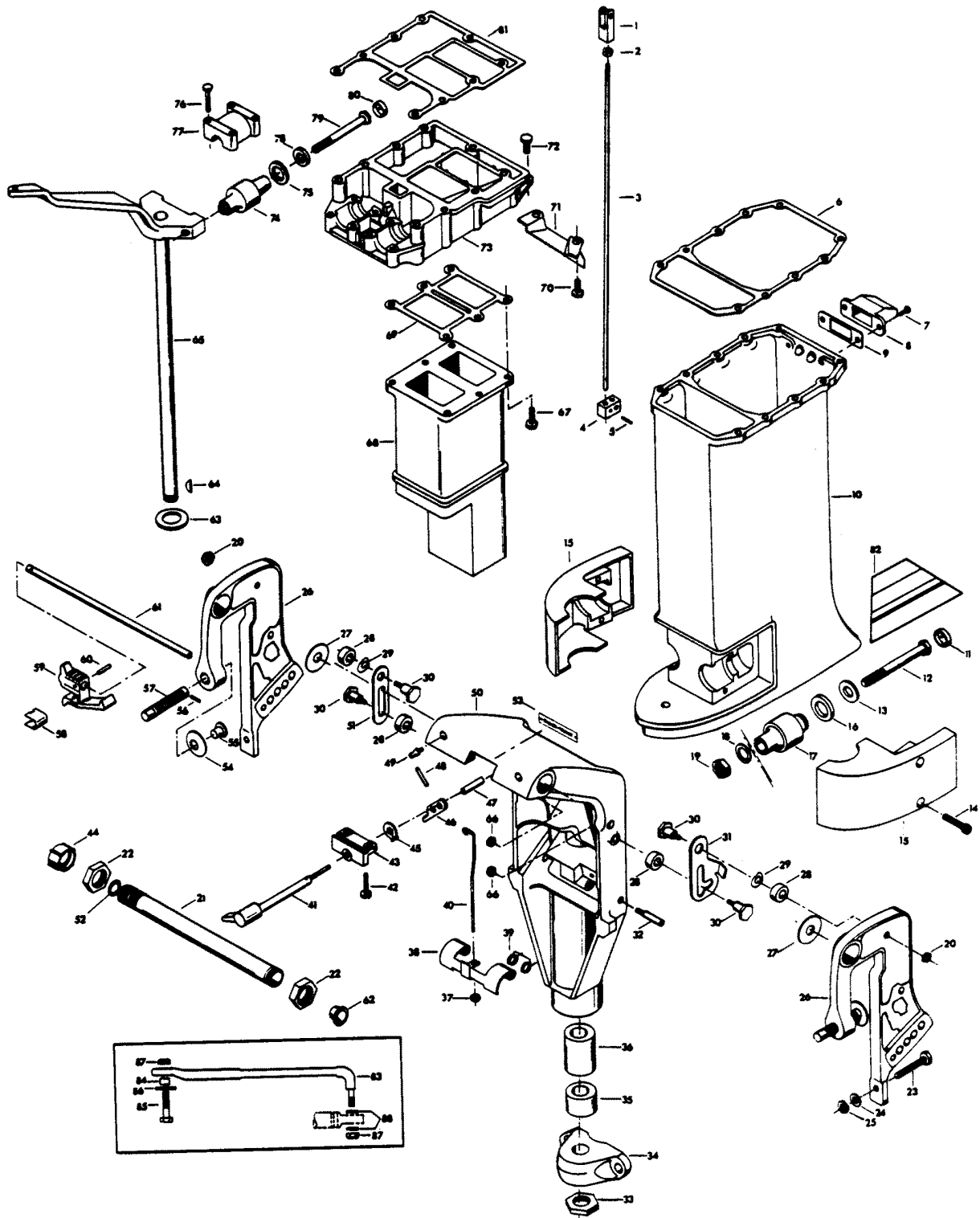
POWER HEAD



POWER HEAD

REF. NO.	PART NO.	SYM.	QTY.	DESCRIPTION
83	F474151		1	EXHAUST PORT PLATE
84	F1532		4	HEX CAP SCREW, 1/4 - 20 X 1
85	F1581		17	HEX CAP SCREW, 1/4 - 20 X 1 1/4
86	F474152		1	EXHAUST PORT COVER
87	F474398		1	DECAL, WIRING - USA
-	FC474398		1	DECAL, WIRING - CANADA
88	F289446-1		1	CLAMP
89	F1734		1	SLOTTED FILL HD SCREW & LOCKWASHER, 1/4 - 20 X 1/2
90	F474909		2	LOCATING PIN
91	F474374-1		1	DECAL, IGNITION - USA
-	FC474374		1	DECAL, IGNITION - CANADA
92	FG1013-1		1	GASKET SET. INCLUDES THE FOLLOWING
-	F40906-1		2	CARBURETOR GASKET
-	F85168		2	REED PLATE ADAPTER GASKET
-	F85762		1	BY-PASS VALVE COVER GASKET
-	F474067		1	THERMOSTAT COVER GASKET
-	F474154		2	EXHAUST PORT COVER GASKET
-	F474168		1	CARBURETOR ADAPTER GASKET
-	F474279		1	CYLINDER EXHAUST GASKET
-	F474529		1	CYLINDER HEAD GASKET
-	F474867		1	EXHAUST TUBE GASKET
-	F474996		1	CYLINDER HEAD COVER GASKET
-	F522279		1	CYLINDER EXHAUST GASKET
-	F522867		1	EXHAUST TUBE GASKET

MOTOR LEG

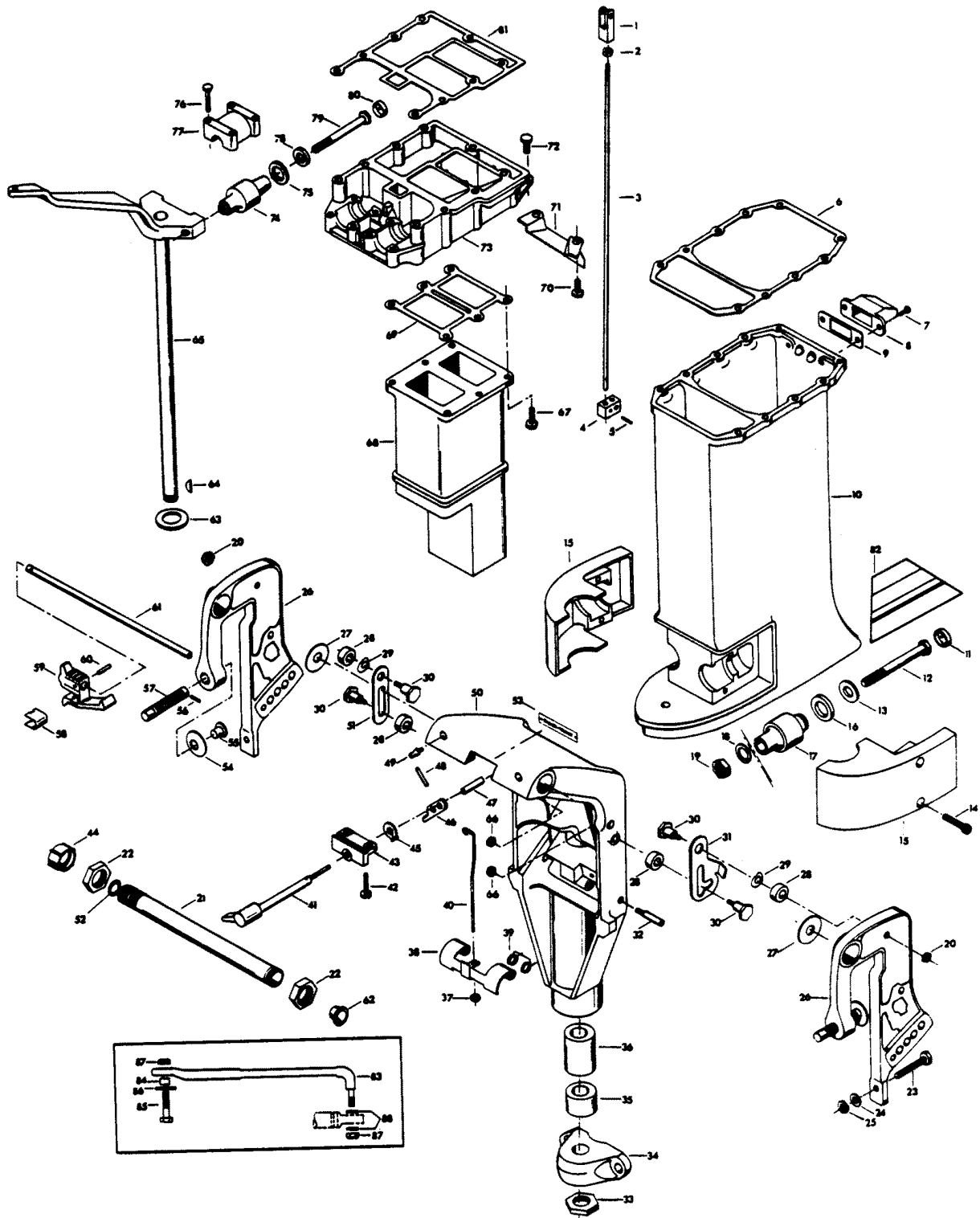


MOTOR LEG

REF. NO.	PART NO.	SYM.	QTY.	DESCRIPTION
1	F474704		1	COUPLER, SHIFT ROD
2	F1341		1	HEX NUT, 1/4 - 20
3	F474615		1	ROD, GEAR SHIFT - UPPER, LONG SHAFT
-	F475615		1	ROD, GEAR SHIFT - UPPER, SHORT SHAFT
4	F474273		1	COUPLING, GEAR SHIFT ROD
5	F8547		1	SPRING PIN
6	F474453		1	LEG EXHAUST GASKET
7	F1705		2	HEX CAP SCREW, 1/4 - 20 X 3/4
8	F474832-1		1	IDLE RELIEF COVER
9	F474833		1	GASKET, IDLE RELIEF COVER
10	F474133		1	MOTOR LEG - LONG SHAFT
-	F475133		1	MOTOR LEG - SHORT SHAFT
11	F474539		2	BUMPER
12	F2069		2	HEX CAP SCREW, 7/16 - 14 X 4
13	F474359		2	WASHER
14	F1257		4	HEX SOCKET HD CAP SCREW, S.S., 5/16 - 18 X 1/4
15	F474707		2	SHOCK MOUNT COVER, LOWER
16	F474847		2	WASHER
17	F474346-2		2	SHOCK MOUNT LOWER
18	F8067		2	SPRING LOCKWASHER
19	F2065		2	HEX NUT, 7/16 - 14
20	F7007		2	STOP NUT, 5/16 - 18
21	F522125-1		1	TUBE, STEERING SUPPORT
22	F1600		2	LOCK NUT
23	F1593		2	HEX HD SCREW, S.S., 3/8 - 16 X 3
24	F1904		2	PLAIN WASHER
25	F1346		2	HEX NUT, 3/8 - 16
26	F522032		2	STERN BRACKET - STARBOARD
-	F522532		1	STERN BRACKET - PORT
27	F522286		2	STERN BRACKET FRICTION WASHER
28	F269929		4	SPACER, TILT STOP
29	F1666		2	BOWED SPRING WASHER
30	F366350		4	TILT STOP PIVOT
31	F366426		1	TILT STOP - PORT
32	F366886		2	PIN
33	F84280		1	KING PIN NUT
34	F474607		1	KING PIN YOKE
35	F474990		1	SPACER
36	F191169-1		2	SWIVEL BRACKET BEARING
37	F1669		1	LOCK NUT
38	F366349		1	REVERSE LOCK
39	F366300		2	REVERSE LOCK SPRING
40	F474510		1	LINK

CONTINUED ON NEXT PAGE ➡

MOTOR LEG



MOTOR LEG

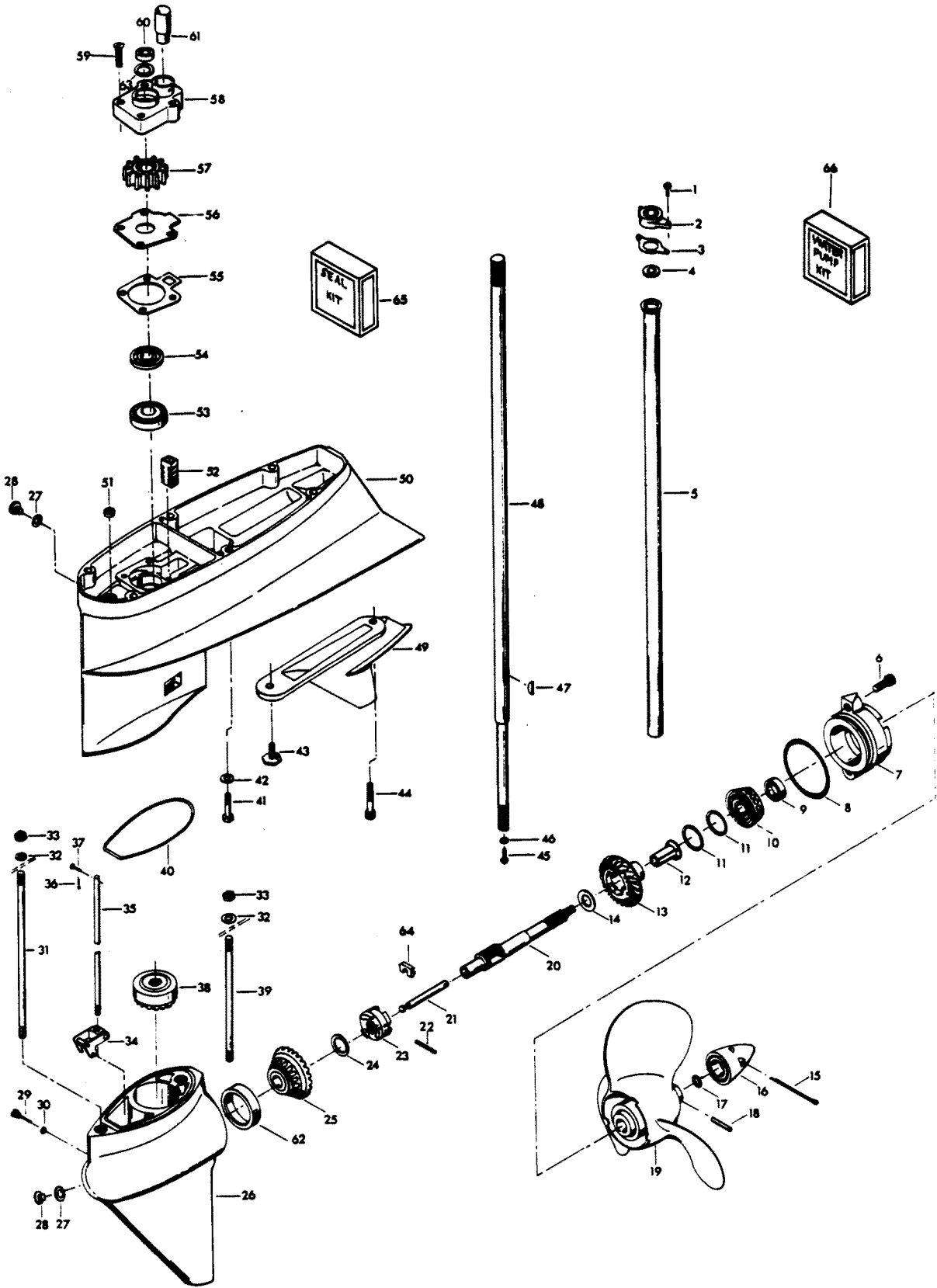
REF. NO.	PART NO.	SYM.	QTY.	DESCRIPTION
41	FA522827		1	HANDLE AND SHAFT W/ILLUSTRATION 43, 45, 46, 47 AND 48
42	F1733		2	PAN HD SCREW, 10 - 24 X 9/16
43	F522884		1	BEARING
44	F9018		1	CAP
45	F522741		1	RETAINING RING
46	F366364		1	ARM, REVERSE LOCK
47	F483884		1	BEARING
48	F1836		1	SPRING PIN
49	F213274		3	GREASE FITTING
50	FA524072		1	SWIVEL BRACKET - LONG SHAFT W/ILLUSTRATION 36 AND 49
-	FA465072		1	SWIVEL BRACKET - SHORT SHAFT W/ILLUSTRATION 36 AND 49
51	F366433		1	TILT STOP, STARBOARD
52	F316599		1	SEAL, PIVOT TUBE
53	F529390		1	DECAL, REVERSE LOCK - USA
-	FC529390		1	DECAL, REVERSE LOCK - CANADA
54	F24074		2	CLAMP SCREW FOOT
55	F353480		2	STUD
56	F8538		2	SPRING PIN
57	F474073-1		2	CLAMP SCREW
58	F286461		1	SPRING, LOCK BAR HANDLE
59	F433114		1	HANDLE, LOCK BAR
60	F1744		1	SPRING PIN
61	FA433113		1	STERN BRACKET LOCK BAR W/HANDLE
62	F9052		1	PLUG
63	F89011		1	SWIVEL BRACKET WASHER
64	F458498		1	KEY
65	A474019		1	KING PIN ASSEMBLY - LONG SHAFT
-	FA475019		1	KING PIN ASSEMBLY - SHORT SHAFT
66	F7007		2	LOCK NUT, 5/16 - 18
67	F1535		4	HEX CAP SCREW, 1/4 - 20 X 3/4
68	F474660		1	LEG EXHAUST TUBE
69	F474867		1	UPPER EXHAUST TUBE GASKET
70	F1546		2	HEX CAP SCREW, 1/4 - 20 X 1/2
71	F474106-3		1	DEFLECTOR, WATER DISCHARGE
72	F1902		2	HEX CAP SCREW, 5/16 - 18 X 3/4
73	F474680		1	SPACER PLATE
74	F474965-1		2	SHOCK MOUNT UPPER
75	F474849		2	WASHER
76	F1581		8	HEX CAP SCREW, 1/4 - 20 X 1 1/4
77	F474946		2	SHOCK MOUNT COVER UPPER
78	F474355		2	WASHER
79	F1430		2	HEX CAP SCREW, 3/8 - 24 X 4

CONTINUED ON NEXT PAGE ➡

MOTOR LEG

REF. NO.	PART NO.	SYM.	QTY.	DESCRIPTION
80	F474942		2	BUMPER
81	F474279		1	CYLINDER EXHAUST GASKET
82	A524391		1	DECAL, LEG - PORT W/LITERATURE
-	A524392		1	DECAL, LEG - STARBOARD W/LITERATURE
83	F522881		1	LINK STEERING
84	F522359		1	SPACER STEERING LINK
85	F1469		1	SCREW 308, 24 X 1, 104
86	F2014		1	PLAIN WASHER, 308 S.S.
87	F2093		2	STOP NUT, 308 24 S.S.
88	F8038		2	PLAIN WASHER

GEAR HOUSING

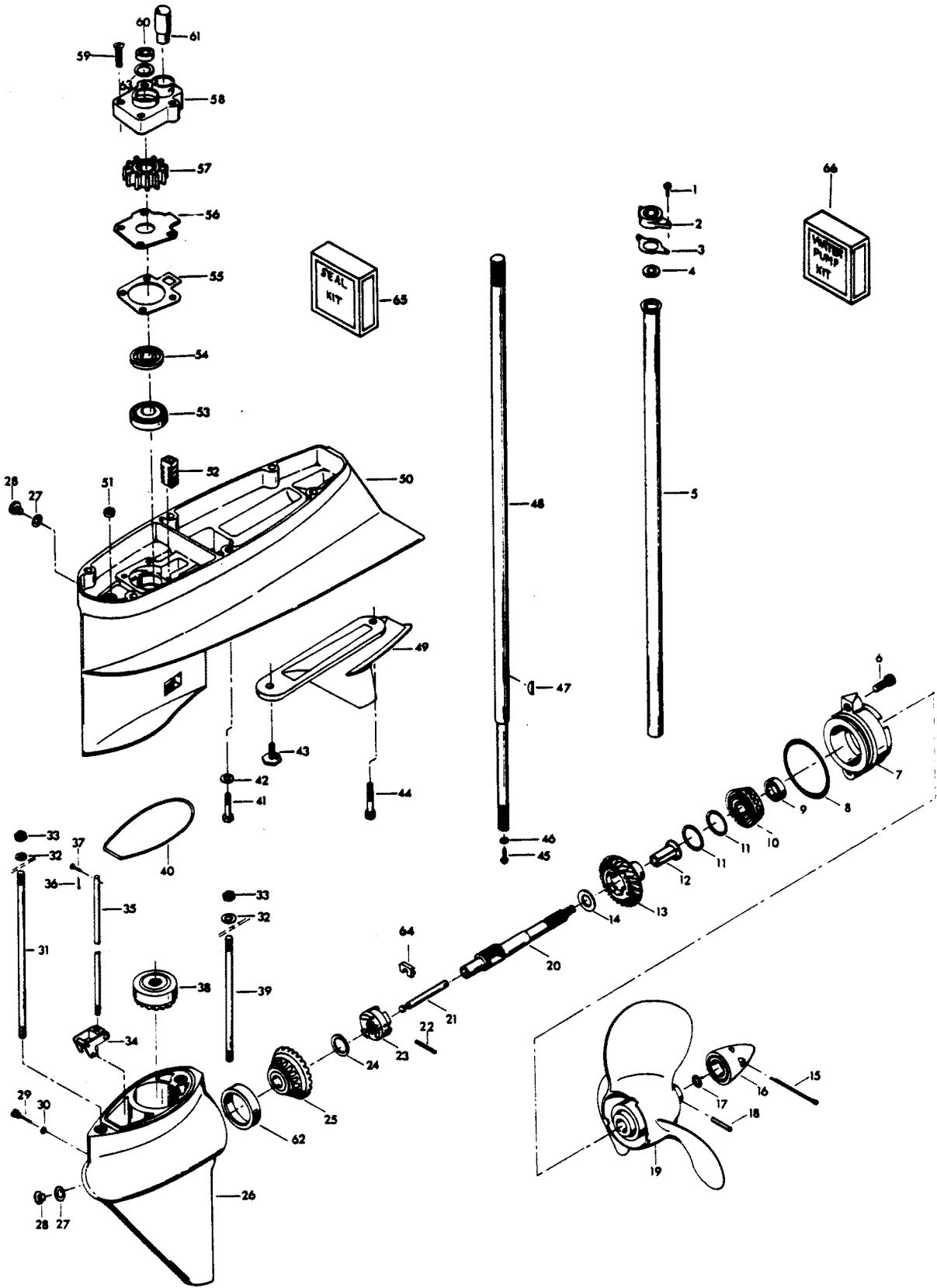


GEAR HOUSING

REF. NO.	PART NO.	SYM.	QTY.	DESCRIPTION
1	F1950		2	HEX HD SCREW, 10 - 24 X 9/16
2	F474117		1	WATER LINE BRACKET
3	F474830		1	WATER LINE BRACKET GASKET
4	F474342		1	SEAL
5	F474244		1	WATER LINE, INLET - LONG SHAFT
-	F475244		1	WATER LINE INLET - SHORT SHAFT
6	F1994		2	HEX SOCKET HD CAP SCREW, S.S., 5/16 - 18 X 1
7	F2A474298		1	PROP SHAFT BEARING CAGE W/SEALS & BEARING CUP
8	F141305		1	SEAL, PROPELLER SHAFT BEARING CAGE
9	F141118		1	SEAL, PROPELLER SHAFT
10	F474225		1	BEARING, PROPELLER SHAFT REVERSE THRUST
11	F2052		A/R	SHIM, PROPELLER SHAFT BEARING CAGE .005 (SILVER)
-	F2053		A/R	SHIM, PROPELLER SHAFT BEARING CAGE .006 (COPPER)
-	F2054		A/R	SHIM, PROPELLER SHAFT BEARING CAGE .008 (BLACK) SHIMS AVAILABLE FOR PROPELLER SHAFT BEARING CAGE.
12	F474143		1	BEARING, BEVEL GEAR, REAR
13	F474662		1	BEVEL GEAR, REAR
14	F40717		1	THRUST WASHER, BEVEL GEAR
15	F1027		1	COTTER PIN, S.S., 1/8 - 1/2
16	FA94094-2		1	PROPELLER NUT W/SEAL AND COTTER PIN
17	F40342		1	SEAL, PROPELLER NUT
18	FK247		1	PROPELLER PIN (PACK OF 6) W/COTTER PIN
19	FP475		1	PROPELLER (ACCESSORY ITEM)
20	FA474098		1	PROPELLER SHAFT ASSEMBLY
21	F90871-3		1	GEAR SHIFT ARM PIN
22	F2097		1	SPRING PIN
23	F99521-1		1	CLUTCH
24	F2087		A/R	SPACER, BEVEL GEAR FRONT .056
-	F2055		A/R	SPACER, BEVEL GEAR FRONT .059
-	F2056		A/R	SPACER, BEVEL GEAR FRONT .062
-	F2057		A/R	SPACER, BEVEL GEAR FRONT .065
-	F2058		A/R	SPACER, BEVEL GEAR FRONT .068
-	F2059		A/R	SPACER, BEVEL GEAR FRONT .071
-	F2060		A/R	SPACER, BEVEL GEAR FRONT .074
-	F2061		A/R	SPACER, BEVEL GEAR FRONT .077
-	F2062		A/R	SPACER, BEVEL GEAR FRONT .080
-	F2063		A/R	SPACER, BEVEL GEAR FRONT .083
-	F2064		A/R	SPACER, BEVEL GEAR FRONT .086 SPACERS AVAILABLE FOR BEVEL GEAR THRUST FRONT POSITION
25	F2A474023		1	BEVEL GEAR FRONT W/BEARING
26	F2A516023		1	GEAR HOUSING LOWER W/PLUG, WASHER & THRUST BEARING CUP

CONTINUED ON NEXT PAGE ➡

GEAR HOUSING

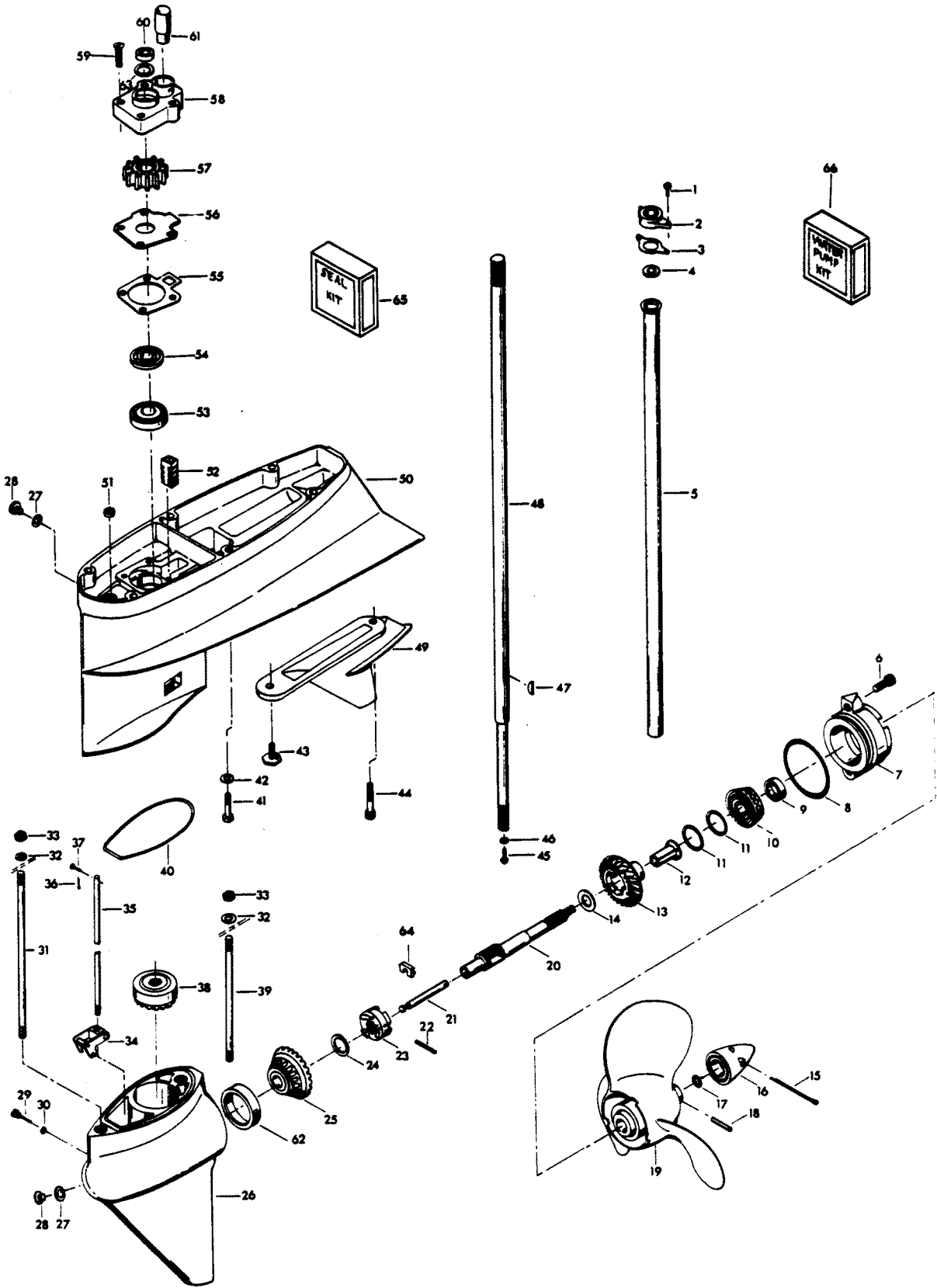


GEAR HOUSING

REF. NO.	PART NO.	SYM.	QTY.	DESCRIPTION
-	1600-817900A1		1	GEAR HOUSING - COMPLETE. INCLUDES ALL ITEMS MARKED WITH AN ASTERISK (*) ORIGINAL FORCE P/N C 474054-1
27	F8077		2	WASHER, GEAR HOUSING PLUG
28	F50109		2	PLUG, GEAR HOUSING
29	F90891		1	GEAR SHIFT ARM PIN
30	F8001		1	NYLTITE WASHER
31	F474006		1	STUD, LONG
32	F8065		2	LOCKWASHER
33	F1346		2	HEX NUT, S.S., 3/8 - 16
34	817796A2		1	GEAR SHIFT ARM ASSEMBLY
35	F474705		1	GEAR SHIFT ROD LOWER
36	F1015		1	COTTER PIN
37	F85372		1	PIN, GEAR SHIFT ROD LOWER
38	F2A474266		1	BEVEL PINION GEAR W/BEARING AND CUP
39	F40008		1	STUD, SHORT
40	F435555		1	SEAL, GEAR HOUSING
41	F1696		6	HEX CAP SCREW, S.S., 5/16 - 18 X 1 3/4
42	F8096		6	SPRING LOCKWASHER
43	F438930		1	RETAINER, SNOUT
44	F1994		1	HEX SOCKET HD CAP SCREW, 5/16 - 18 X 1
45	F474165-1		1	SCREW, BEVEL PINION RETAINING
46	F474717		1	WASHER, BEVEL PINION RETAINING
47	F9038		1	WOODRUFF KEY
48	FA474128		1	DRIVESHAFT W/BEARING, SCREW & WASHER - LONG SHAFT
49	F474116-1		1	SNOUT W/LITERATURE ORIGINAL FORCE P/N A 474116-1
50	FA474554		1	GEAR HOUSING UPPER, W/SHIFT ROD SEAL, WASHER AND PLUG
51	F338618-1		1	SEAL, SHIFT ROD, LOWER
52	F474077		1	SCREEN, WATER INLET
53	FA474901		1	BEARING, DRIVESHAFT UPPER W/CUP
54	F474307		1	SEAL, DRIVESHAFT
55	F84031		1	WATER PUMP GASKET
56	F369562		1	WATER PUMP BACK PLATE
57	F474065		1	WATER PUMP IMPELLER
58	FA474060		1	WATER PUMP BODY W/DRIVESHAFT SEAL
59	F1849		4	HEX HD SCREW, S.S., 1/4 - 20 X 1 3/8
60	F474736		1	DRIVESHAFT SEAL
61	FA523735		1	SEAL, INLET WATER LINE LOWER W/LITERATURE
62	F458250		1	BEARING CUP
63	F474388		1	DISC, WATER PUMP
64	F90619-1		1	YOKE, GEAR SHIFT ARM
65	FK1060		1	SEAL KIT. INCLUDES THE FOLLOWING.
-	F141305		1	PROP SHAFT BEARING CAGE SEAL

CONTINUED ON NEXT PAGE ➡

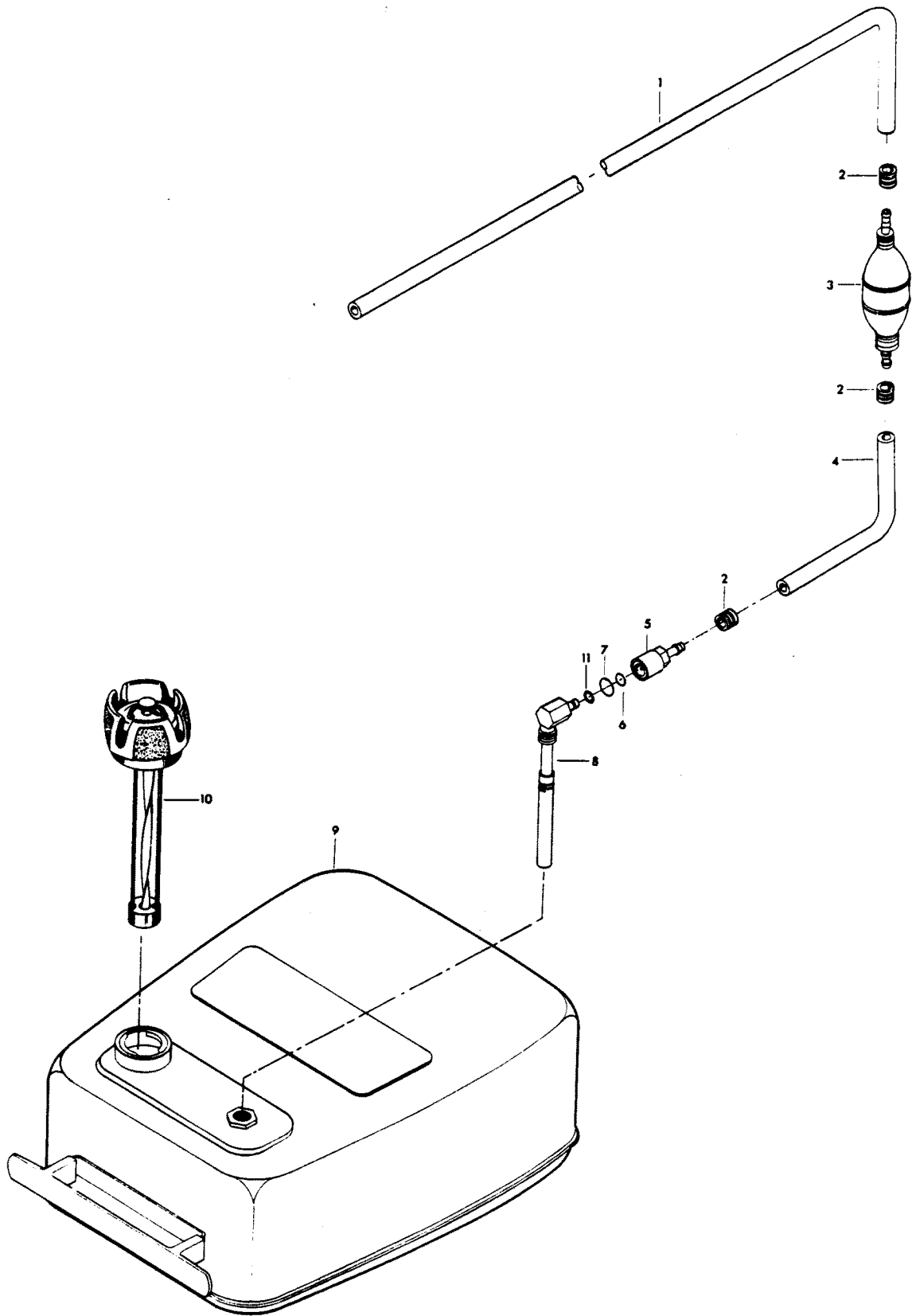
GEAR HOUSING



GEAR HOUSING

REF. NO.	PART NO.	SYM.	QTY.	DESCRIPTION
-	F141118		1	PROP SHAFT SEAL
-	F8077		2	WASHER
-	F8001		1	WASHER
-	F435555		1	GEAR HOUSING SEAL
-	F338618-1		1	SHIFT ROD, LOWER SEAL
-	F474307		1	DRIVE SHAFT SEAL
66	FK1070		1	WATER PUMP KIT
-	F9038		1	WOODRUFF KEY
-	F84031		1	GASKET, WATER PUMP
-	F369562		1	PLATE, WATER PUMP BACK
-	F474065		1	IMPELLER
-	FK475060		1	WATER PUMP KIT

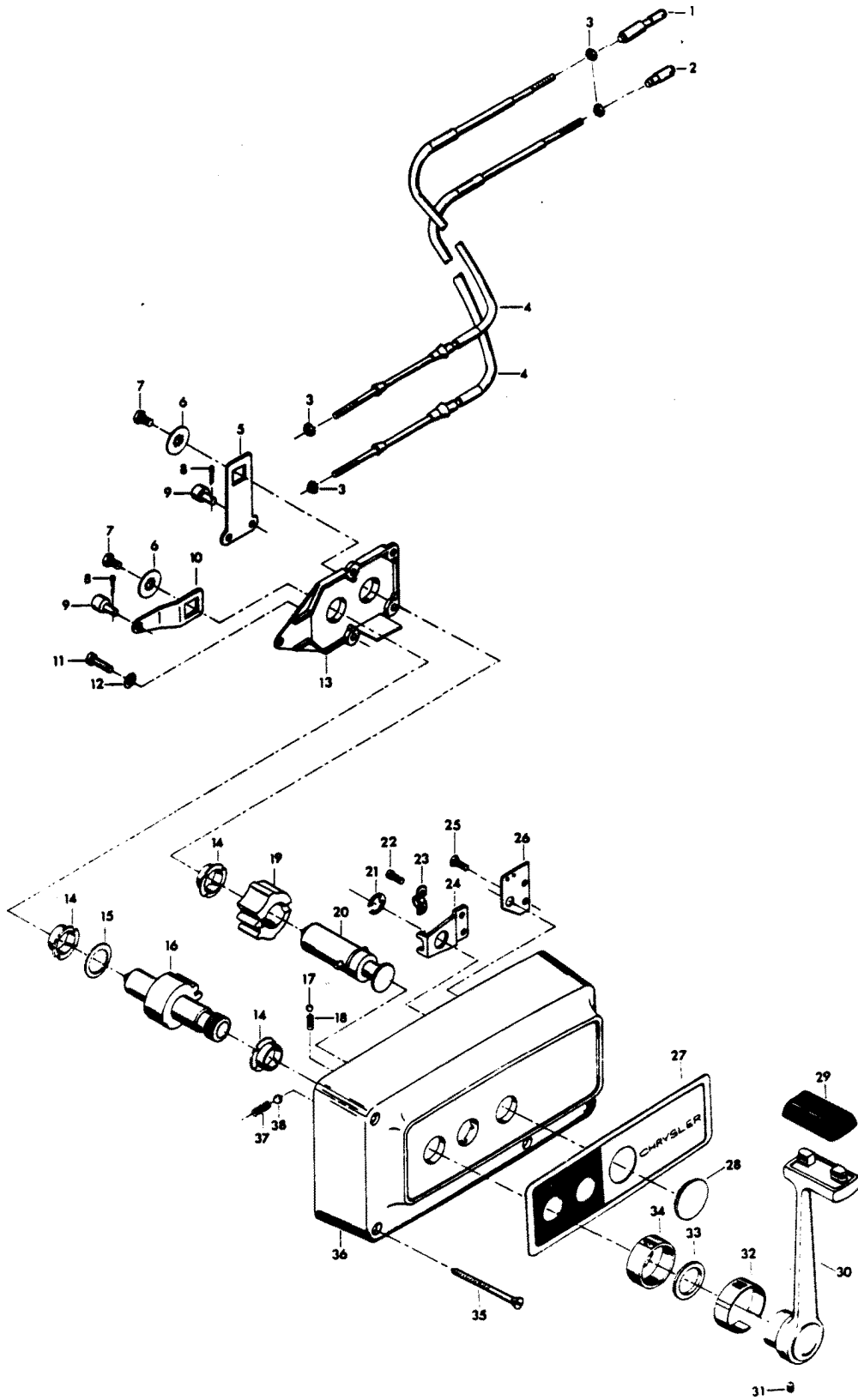
FUEL TANK AND LINE



FUEL TANK AND LINE

REF. NO.	PART NO.	SYM.	QTY.	DESCRIPTION
1	32-817738A1		1	FUEL LINE, LONG W/CLAMP AND FERRULE
2	F298788		3	FERRULE
3	89396A38		1	PRIME BULB
4	FA84754-1		1	FUEL LINE SHORT W/FERRULES
5	F197787-3		1	FUEL LINE COUPLER
6	F213735		1	SEAL, FUEL LINE COUPLER - SMALL
7	F213342		1	SEAL, FUEL LINE COUPLER - LARGE
8	F485755-1		1	FUEL TANK ADAPTER
9	F5H026		1	FUEL TANK (ACCESSORY ITEM)
10	F409251-1		1	GAUGE CAP
11	F17932		1	SEAL, FUEL TANK ADAPTER
-	FS409752		1	FUEL LINE - COMPLETE. INCLUDES ITEMS MARKED WITH AN ASTERISK (*).
-	FC409398		1	DECAL, TOTE TANK - CANADA (NOT SHOWN)

REMOTE CONTROL

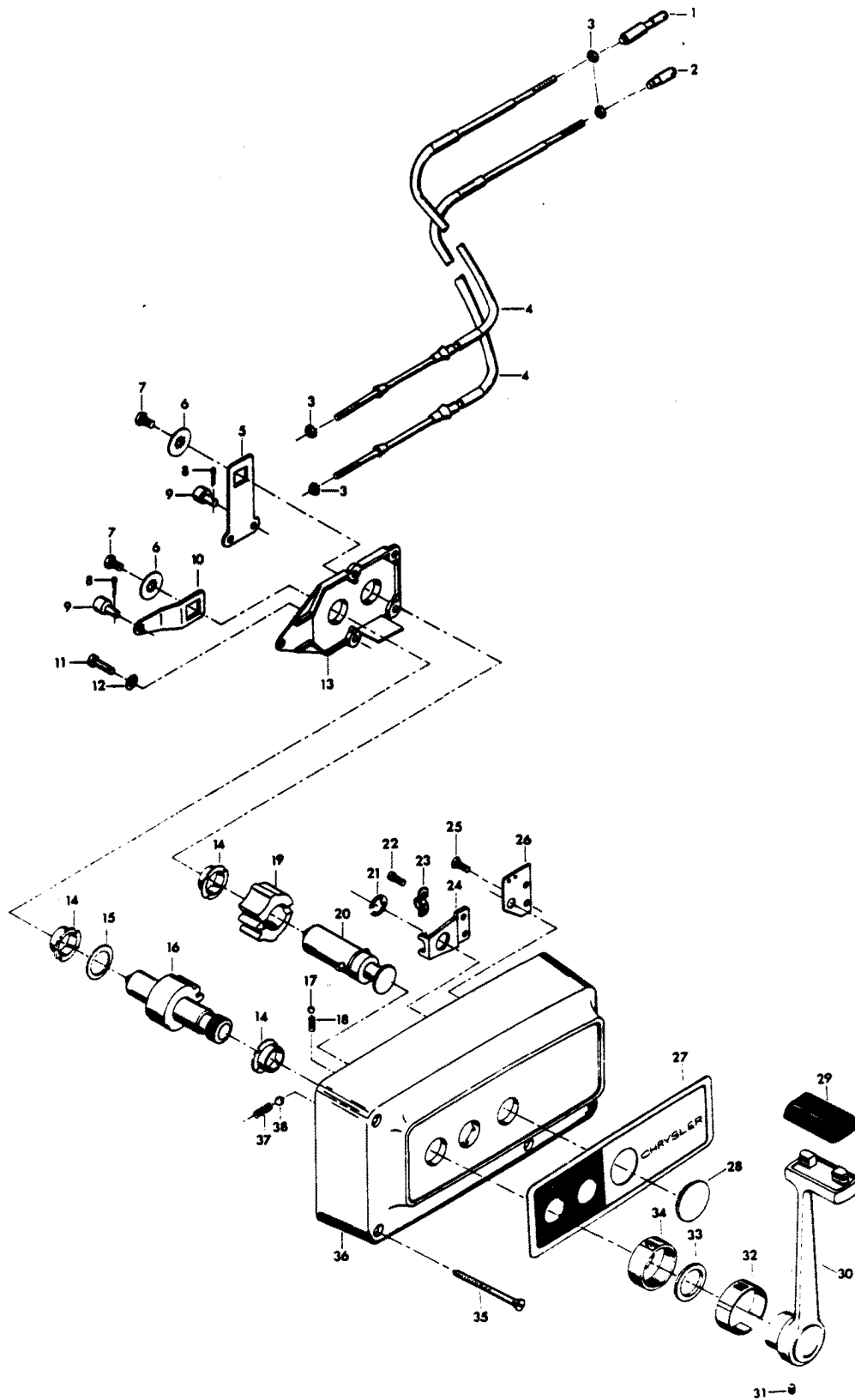


REMOTE CONTROL

REF. NO.	PART NO.	SYM.	QTY.	DESCRIPTION
1	FA58976-1		1	CONNECTOR, THROTTLE CABLE
2	F58685-2		1	CONNECTOR, SHIFT CABLE
3	F1513		4	HEX NUT
4	ÄF58356//		2	REMOTE CONTROL CABLE (SPECIFY LENGTH)
5	F17019		1	CLUTCH ARM
6	F17036		2	INTERNAL TOOTH LOCKWASHER
7	F1715		2	HEX BOLT, 1/4 - 28 X 9/16
8	F17149		2	COTTER PIN
9	F17016		2	CABLE TERMINAL
10	F17014		1	THROTTLE ARM
11	F17013		2	FILL HD SCREW, 1/4 - 20 X 1/2
12	F17147		2	INTERNAL TOOTH LOCKWASHER
13	F17012		1	RETAINING PLATE
14	F17009		3	BEARING
15	F17011		1	BOWED WASHER
16	F17010-1		1	THROTTLE GEAR
17	F17111		1	DETENT BALL
18	F17006		1	DETENT SPRING
19	F17021		1	CLUTCH GEAR
20	F17100		1	CLUTCH SHAFT
21	F17092		1	SNAP RING
22	F17071		2	FILL HD SCREW, 10 - 24 X 5/16
23	F154317		1	CABLE CLAMP
24	F17026		1	SWIVEL
25	F1557		2	FLAT HD SCREW, 10 - 24 X 3/8
26	F17112		1	JUNCTION BOARD - STARBOARD
-	F17113		1	JUNCTION BOARD - PORT
27	F17148		1	DECAL - STARBOARD
-	F531892		1	DECAL - PORT
28	F17031-1		1	SNAP CAP
29	F17116		1	KNOB
30	F17115-1		1	HANDLE
31	F17030-1		1	SET SCREW
32	FK17114-1		1	INDICATOR
33	F17105		1	FELT WASHER
34	F17106		1	COLLAR
35	F17146		3	WOOD SCREW
36	F17099-1		1	HOUSING

CONTINUED ON NEXT PAGE ➡

REMOTE CONTROL



REMOTE CONTROL

REF. NO.	PART NO.	SYM.	QTY.	DESCRIPTION
37	F17068		1	DETENT SPRING
38	F17082-1		1	DETENT BALL
-	F1280		2	PAN HD SCREW, 8 - 32 X 1/4 (TERMINAL BOARD) (NOT SHOWN)
-	F17103-1		1	BAG ASSEMBLY. (NOT SHOWN) INCLUDES ALL ITEMS MARKED WITH AN ASTERISK (*)
-	OB3061		1	LITERATURE (NOT SHOWN)

SPECIAL TOOLS - TUNE-UP

REF. NO.	PART NO.	SYM.	QTY.	DESCRIPTION
-	FT8948-1		0	PULLER TO REMOVE FLYWHEEL.
-	FTA2937-1		0	TIMING TOOL TO LOCATE TIMING DECAL.
-	FT2951		0	CIRCUIT TRACER TO TROUBLESHOOT ELECTRICAL SYSTEM.
-	FT8978		0	POWER TIMING LIGHT TO TIME ENGINE.

SPECIAL TOOLS - POWER HEAD

REF. NO.	PART NO.	SYM.	QTY.	DESCRIPTION
-	T8984		0	SEAL INSTALLER TO INSTALL UPPER AND LOWER CRANKSHAFT SEALS USE WITH T 8907.
-	FT3431		0	SEAL INSTALLER TO INSTALL UPPER DRIVESHAFT SEAL.
-	FT2990		0	PISTON PIN TOOL TO REMOVE AND INSTALL PISTON PINS.
-	FT2996		0	RING COMPRESSOR TO INSTALL PISTONS IN CYLINDER.
-	FT8926		0	RING EXPANDER TO INSTALL RINGS ON PISTON.
-	FT8933		0	LIFTING HOOK TO PROVIDE SAFE METHOD OF LIFTING ENGINE.

SPECIAL TOOLS - LOWER UNIT

REF. NO.	PART NO.	SYM.	QTY.	DESCRIPTION
-	FT8948-1		0	PULLER TO REMOVE PROPELLER SHAFT BEARING CAGE FROM LOWER GEAR HOUSING.
-	FT8918		0	BUSHING GUIDE SET TO REMOVE AND INSTALL FORWARD BEARING CUP.
-	FT8957		0	SEAL INSTALLER TO INSTALL SHIFT ROD SEAL.
-	FT8920		0	BEARING INSTALLER TO INSTALL PROPER SHAFT BEARING.
-	FT8925		0	SEAL INSTALLER TO INSTALL DRIVESHAFT SEAL IN UPPER HOUSING.
-	FT3012		0	SEAL INSTALLER TO INSTALL DRIVESHAFT SEAL IN WATER PUMP.
-	FT8924-1		0	CHECKING GAUGE TO SHIM LOWER UNIT.
-	FT8901		0	INDICATOR HOLDER TO USE WITH CHECKING GAUGE T 8924-1.
-	FT8902		0	DIAL INDICATOR TO USE WITH CHECKING GAUGE T 8924-1.
-	FT8907		0	DRIVER HANDLE TO INSTALL FORWARD BEARING.
-	FT8979		0	WATER PUMP CENTERING TOOL TO CENTER WATER PUMP.
-	FT3431		0	SEAL INSTALLER TO INSTALL REAR PROP SHAFT SEAL.
-	FT8921		0	CUP REMOVER TO REMOVE FORWARD BEARING CUP.
-	FT8982		0	SHIM ADAPTER TO USE WITH CHECKING GAUGE T 8924-1.
-	FT8904		0	CUP INSTALLER TO INSTALL FORWARD BEARING CUP.
-	FT8985		0	SEAL INSTALLER TO INSTALL DRIVESHAFT SEAL.
-	FT8907		0	DRIVE HANDLE TO INSTALL FORWARD BEARING CUP.

SPECIAL TOOLS - TEST EQUIPMENT

REF. NO.	PART NO.	SYM.	QTY.	DESCRIPTION
-	FTA8986		0	TEST WHEEL TO TEST MOTOR IN TEST TANK.
-	FT8950		0	LEAKAGE TESTER TO TEST LOWER UNIT FOR LEAKS.
-	FT8953		0	IGNITION TESTER TO TEST IGNITION SYSTEM.

SPECIAL TOOLS - LUBRICANTS AND SEALANTS

REF. NO.	PART NO.	SYM.	QTY.	DESCRIPTION
-	FT2961		0	LUBRICANT - RYKON #2EP
-	FT2987-1		0	LUBRICANT - ANTI-SEIZE
-	FT8969		0	LUBRICANT - 7 OZ. 2 PSI LUBRICANT
-	FT8955		0	SEALANT - 5 OZ. EC-750 INDUSTRIAL SEALANT
-	FT8993		0	SEALANT - 3 OZ. RTV SEALANT FROM IN PLACE GASKETS
-	FT8936		0	SEALANT - 2 CC LOCTITE RETAINING COMPOUND #75
-	FT2962-1		0	SEALANT - 50 CC LOCTITE H, NON-HARDENING GRADE
-	FT2963-1		0	SEALANT - 2 OZ. LOCTITE D, HARDENING GRADE
-	FT8935		0	SEALANT PRIMER - 6 OZ.

SPECIAL TOOLS - REPAIR DECALS - ENGINE COVERS

REF. NO.	PART NO.	SYM.	QTY.	DESCRIPTION
-	T11236		0	METALLIC SILVER
-	T11233		0	MEDIUM METALLIC SILVER
-	T11212		0	BOAT BLACK
-	T11211		0	BOAT WHITE
-	T11230		0	ORANGE

ACCESSORIES

REF. NO.	PART NO.	SYM.	QTY.	DESCRIPTION
-	F861		0	FLUSHING ADAPTER PERMITS FRESH WATER FLUSHING OF WATER PASSAGES WITH STANDARD GARDEN HOSE.
-	F5H130		0	REMOTE CONTROL - SURFACE MOUNT PERMITS REMOTE CONTROL OF THROTTLE AND GEAR SHIFT FROM STARBOARD SIDE OF BOAT.
-	F5H120		0	REMOTE CONTROL BACK PLATE TO PREVENT INTERFERENCE WITH PADDED SIDE OF BOAT.
-	F5H131		0	PORT SIDE DECAL KIT CONVERTS 5H130 CONTROL BOX TO PORT SIDE MOUNTING.
-	F590		0	REMOTE CONTROL - FLUSH MOUNT FLUSH MOUNT CONTROL UNIT PERMITS REMOTE CONTROL OF THROTTLE AND GEAR SHIFT. MAY BE MOUNTED ON PORT OR STARBOARD SIDE OF BOAT.
-	865		0	REMOTE CONTROL - SURFACE MOUNT PERMITS REMOTE CONTROL OF THROTTLE AND GEAR SHIFT ON TWIN ENGINE INSTALLATIONS. MAY BE MOUNTED ON PORT OR STARBOARD SIDE OF BOAT.
-	F5H079		0	SINGLE REMOTE CONTROL BOX PERMITS REMOTE CONTROL OF THROTTLE AND GEAR SHIFT. CONSOLE MOUNTED.
-	F5H080		0	TWIN REMOTE CONTROL BOX PERMITS REMOTE CONTROL OF THROTTLE AND GEAR SHIFT - TWO ENGINES. CONSOLE MOUNTED.
-	F195/___		0	REMOTE CONTROL CABLES CONNECTS REMOTE CONTROL BOX TO THROTTLE AND GEAR SHIFT ON ENGINE. AVAILABLE IN 6 THROUGH 40 FOOT LENGTHS.
-	F5H132		0	REMOTE CONTROL HANDLE TRIM SWITCH HAS POWER TRIM CONTROL SWITCH IN HANDLE. REPLACES STANDARD CONTROL LEVER ON 5H130 CONTROL BOX.
-	F5H108		0	STEERING CONNECTOR CLEVIS TYPE FOR BOAT MOUNTED STEERING AND NONTHREADED CABLE END.
-	F5H094		0	STEERING LINK KIT CONNECTS STEERING CABLE TO ENGINE WHEN USING ENGINE MOUNTED STEERING SYSTEM.
-	5H139		0	SWITCH KIT - LIVWELL FOR OPERATING PUMP IN BASS BOATS.
-	F5H018		0	DUAL STEERING CONNECTOR PERMITS DUAL ENGINE INSTALLATIONS.
-	F5H026		0	STEEL, 6 GALLON FUEL TANK (LOW PROFILE) AUXILIARY TANK.
-	F5H029		0	TANK ANCHOR SECURES 5H026 TO BOAT.
-	F5H040		0	STEEL, 12 GALLON FUEL TANK AUXILIARY TANK.
-	5H111		0	INSTRUMENT ADAPTER - 2" PROVIDES SURFACE MOUNTING OF INSTRUMENTS.
-	F5H112		0	INSTRUMENT ADAPTER - 3 1/2" PROVIDES SURFACE MOUNTING OF INSTRUMENTS.
-	71H06		0	AMMETER FLUSH MOUNT MONITORS OUTPUT OF ALTERNATOR.
-	F5H019		0	ANTI-CORROSION KIT ELECTRICAL KIT FOR MOUNTING ON BOAT (12V) TO REDUCE CORROSION.

CONTINUED ON NEXT PAGE ➡

ACCESSORIES

REF. NO.	PART NO.	SYM.	QTY.	DESCRIPTION
-	F5H025		0	ANTI-CORROSION SACRIFICIAL ANODE KIT USED TO REDUCE CORROSION.
-	F5H043		0	OVERHEAT BUZZER SOUNDS WARNING BUZZER IF ENGINE OVERHEATS.
-	F5H010		0	POWER TRIM INDICATOR INDICATES ENGINE TRIM ANGLE. (FLUSH MOUNT).
-	F5H134		0	BOAT WHITE LACQUER ENGINE TOUCH-UP PAINT IN 12 3/4 OZ. SPRAY BOMBS (6 CANS PER CASE).
-	F5H044		0	TILT STOP KIT LIMITS TILTING ANGLE.
-	F5H068		0	RFI SUPPRESSION KIT PROVIDES RADIO NOISE SUPPRESSION.
-	F5H151		0	SHOCK ABSORBER KIT
-	F5H064		0	EXHAUST SNOUT FOR UNUSUAL BOAT COMBINATIONS AND MORE CLEARANCE.
-	F5H081		0	BATTERY CABLE LONGER LENGTH - 15 FEET.
-	F5H006		0	VOLTMETER - FLUSH MOUNT INDICATES BATTERY CONDITION.
-	5H047		0	CANVAS HOOD PROTECTION FOR ENGINE COVER.
-	5H051		0	BATTERY, 74 AMP 12 VOLT HEAVY DUTY BATTERY.
-	F5H021		0	EXTENSION CABLE FOR LENGTHENING BATTERY CABLE 6 1/2 FEET.
-	F5H041		0	BATTERY TERMINAL KIT ADAPTS MODEL 5H051 BATTERY TERMINALS FOR CONNECTIONS TO BATTERY CABLE ON ENGINE.
-	71H25		0	CHARGE INDICATOR LAMP GLOWS GREEN WHEN ALTERNATOR IS RECHARGING BATTERY. DO NOT USE INDICATOR LAMP AND AMMETER IN SAME INSTALLATION.
-	F5H037		0	CIGAR LIGHTER FOR USE AS CONVENIENCE OUTLET.
-	F5H008		0	FUEL GAUGE FLUSH MOUNT MONITORS FUEL SUPPLY.
-	F5H123		0	HYDRAULIC TILT HYDRAULIC UNIT TO RAISE AND LOWER THE LOWER UNIT WHEN BEACHING OR TRAILERING BOAT.
-	479		0	HEAT LAMP KIT GLOWS RED IF ENGINE OVERHEATS. DO NOT USE HEAT LAMP AND TEMPERATURE GAUGE IN SAME INSTALLATION.
-	F5H007		0	HOURLY METER RECORDS ENGINE RUNNING TIME.
-	478		0	IGNITION LAMP KIT GLOWS ORANGE WHEN IGNITION SWITCH IS IN "ON" POSITION.
-	F5H077		0	IGNITION KEY SWITCH SHORT BARREL WITH KEYS.
-	F5H078		0	IGNITION KEY SWITCH LONG BARREL WITH KEYS.
-	F762		0	REMOTE ELECTRIC CABLE 25 FOOT CABLE FOR LARGE BOATS.
-	F5H070		0	REMOTE ELECTRIC CABLE 21 FOOT CABLE FOR LARGE BOATS.
-	5H082		0	REMOTE ELECTRIC CABLE 35 FOOT CABLE FOR LARGE BOATS.
-	F5H028		0	SENDING UNIT FOR USE WITH 5H008 FUEL GAUGE.
-	F5H005		0	TEMPERATURE GAUGE FLUSH MOUNT MONITORS ENGINE TEMPERATURE. DO NOT USE TEMPERATURE GAUGE AND HEAT LAMP IN SAME INSTALLATION.

CONTINUED ON NEXT PAGE ➡

ACCESSORIES

REF. NO.	PART NO.	SYM.	QTY.	DESCRIPTION
-	F5H012		0	TACHOMETER FLUSH MOUNT MONITORS ENGINE R.P.M. TO PROVIDE CHECK OF ENGINE PERFORMANCE.
-	F5H074		0	WATER PUMP KIT HEAVY DUTY WATER PUMP KIT.
-	F5H149		0	POWER TRIM ADJUSTS ENGINE TRIM AND TILTS ENGINE.
-	F5H002		0	SPEEDOMETER FLUSH MOUNT MONITORS BOAT SPEED (0 - 65 M.P.H.).
-	F5H004		0	SPEEDOMETER FLUSH MOUNT MONITORS BOAT SPEED (0 - 65 M.P.H.).
-	F5H115		0	TRAILERING TILT LOCK SECURES ENGINE IN HALF TILT POSITION FOR TRAILERING.
-	F5H076		0	SWITCH EXTENSION CABLE ALLOWS INSTALLATION OF IGNITION SWITCH IN 5H130 CONTROL BOX WITH 563 TERMINAL BLOCK.
-	F5H030		0	SWITCH KIT - RUNNING LIGHTS DASH MOUNTED TOGGLE SWITCH.
-	F5H031		0	SWITCH KIT - SPOT LIGHT DASH MOUNTED TOGGLE SWITCH.
-	F5H032		0	SWITCH KIT - WIPER DASH MOUNTED TOGGLE SWITCH.
-	F5H034		0	SWITCH KIT - BILGE PUMP DASH MOUNTED TOGGLE SWITCH.
-	F5H035		0	SWITCH KIT - HORN DASH MOUNTED TOGGLE SWITCH (MOMENTARY).
-	F5H036		0	SWITCH KIT - TACHOMETER TRANSFER DASH MOUNTED TOGGLE SWITCH FOR ONE TACHOMETER ON DUAL ENGINE INSTALLATION.
-	F5H038		0	SWITCH KIT - IGNITION SWITCH TO MOUNT IGNITION SWITCH ON DASH.
-	F5H039		0	SWITCH KIT - INSTRUMENT LIGHT DASH MOUNTED TOGGLE SWITCH.
-	5H139		0	SWITCH KIT - LIVEWELL FOR OPERATING PUMP IN BASSBOAT.
-	F563		0	TERMINAL BLOCK KIT DOUBLE ROW 10 SECTION TO SIMPLIFY ACCESSORY INSTALLATION.
-	479		0	UNIMOUNT UNDER DASH MOUNT FOR INDICATORS, LAMPS AND IGNITION SWITCHES.
-	F5H075		0	WIRING HARNESS - IGNITION SWITCH (24") USE WITH 563 TERMINAL BLOCK.
-	F596		0	CHRYSLER OUTBOARD OIL SEE BLOCK COMMENT 1.
-	F597		0	CHRYSLER OUTBOARD GEAR LUBE SEE BLOCK COMMENT 2.
-	72H26		0	CHRYSLER OUTBOARD FUEL AID REMOVES MOISTURE, PREVENTS SLUDGE AND VARNISH AND STABILIZES GAS. AVAILABLE IN 16 OZ. CANS AND 12 CAN CASES.
-	72H27		0	CHRYSLER OUTBOARD STORAGE LUBRICANT WORKS AS A CORROSION INHIBITOR AND PROTECTS INTERNAL ENGINE PARTS DURING STORAGE. AVAILABLE IN 16 OZ. CANS AND 12 CAN CASES.

CONTINUED ON NEXT PAGE ➡

ACCESSORIES

REF. NO.	PART NO.	SYM.	QTY.	DESCRIPTION
-	72H28		0	CHRYSLER OUTBOARD MULTI-PURPOSE SPRAY LUBE WORKS AS A LUBRICANT, CLEANER, MOISTURE REMOVER AND ELECTRIC INSULATOR. AVAILABLE IN 9 OZ. CANS AND 12 CAN CASES.
-	F72H29		0	CHRYSLER OUTBOARD MULTI-PURPOSE GREASE LUBRICATES BEARINGS AND OTHER MOVING PARTS. AVAILABLE IN 8 OZ. TUBES AND 12 TUBE CASES.
-	F72H30		0	CHRYSLER OUTBOARD GREASE GUN USED WITH CHRYSLER OUTBOARD MULTI-PURPOSE GREASE TUBES FOR PRESSURE FITTINGS.
-	72H34		0	CHRYSLER OUTBOARD MULTI-PURPOSE CLEANER

PARTS INDEX

Part Number	Description	Pg.	Ref. No.	Part Number	Description	Pg.	Ref. No.
ÄF58356//	REMOTE CONTROL CABLE (SPECIFY LENGTH)	43	4	F1064	SLOTTED HD SCREW, 8 - 32 X 3/8	11	22
2032	PAN HD SCREW, 10 - 24 X 1/2	3	12	F1108	FILL HD SCREW, 1/4 - 20 X 3/4	17	10
2C577712	ENGINE COVER COMPLETE.	3	-	F12352-1	TRIGGER COIL	9	46
474373-1	DECAL, MAGNAPOWER	25	66	F12353	CLIP	9	48
478	IGNITION LAMP KIT	53	-	F12354	SPIDER	9	50
479	HEAT LAMP KIT	53	-	F1238	HEX CAP SCREW, 1/4 - 20 X 3/4	21	23
479	UNIMOUNT	54	-	F1238	HEX CAP SCREW, 1/4 - 20 X 3/4	21	9
5H047	CANVAS HOOD	53	-	F1238	HEX CAP SCREW, 1/4 - 20 X 3/4	25	61
5H051	BATTERY, 74 AMP	53	-	F1238	HEX CAP SCREW, 1/4 - 20 X 3/4	29	14
5H082	REMOTE ELECTRIC CABLE	53	-	F1257	HEX SOCKET HD CAP SCREW, S.S., 5/16 - 18 X 1/4	29	14
5H111	INSTRUMENT ADAPTER - 2"	52	-	F1280	PAN HD SCREW, 8 - 32 X 1/4 (TERMINAL BOARD) (NOT SHOWN)	45	-
5H139	SWITCH KIT - LIVEWELL	52	-	F1280	SLOTTED PAN HD SCREW, 8 - 32 X 1/4	9	59
5H139	SWITCH KIT - LIVEWELL	54	-	F1341	HEX NUT, 1/4 - 20	23	32
71H06	AMMETER FLUSH MOUNT	52	-	F1341	HEX NUT, 1/4 - 20	29	2
71H25	CHARGE INDICATOR LAMP	53	-	F1346	HEX NUT, 3/8 - 16	29	25
72H26	CHRYSLER OUTBOARD FUEL AID	54	-	F1346	HEX NUT, S.S., 3/8 - 16	37	33
72H27	CHRYSLER OUTBOARD STORAGE LUBRICANT	54	-	F141118	PROP SHAFT SEAL	39	-
72H28	CHRYSLER OUTBOARD MULTI-PURPOSE SPRAY LUBE	55	-	F141118	SEAL, PROPELLER SHAFT	35	9
72H34	CHRYSLER OUTBOARD MULTI-PURPOSE CLEANER	55	-	F141305	PROP SHAFT BEARING CAGE SEAL	37	-
817747--1	BALL JOINT W/BEARING	23	28	F141305	SEAL, PROPELLER SHAFT BEARING CAGE	35	8
817796A2	GEAR SHIFT ARM ASSEMBLY	37	34	F1430	HEX CAP SCREW, 3/8 - 24 X 4	31	79
817892--1	IGNITION SWITCH PLATE - CANADA (NOT SHOWN)	9	-	F1447	DRIVE SCREW, 2 X 3/16	5	42
865	REMOTE CONTROL - SURFACE MOUNT	52	-	F1469	SCREW 308, 24 X 1, 104	33	85
89396A38	PRIME BULB	41	3	F1473	HEX NUT, 10 - 24	25	51
A474010	CYLINDER W/CRANKCASE COVER, STUDS, SCREWS AND DOWEL PINS	23	11	F1475	SLOTTED FILL HD SCREW, 10 - 24 X 1/2	23	2
A474019	KING PIN ASSEMBLY - LONG SHAFT	31	65	F15034	SPRING SET	19	14
A474518	CYLINDER HEAD W/PLUG	25	76	F15057	BRUSH PLATE AND HOLDER	19	15
A524391	DECAL, LEG - PORT	33	82	F15099	ARMATURE	19	4
A524392	DECAL, LEG - STARBOARD	33	-	F15100	BENDIX DRIVE	19	1
C474010	SHORT BLOCK (NOT SHOWN).	23	-	F15119	FRAME AND FIELD ASSEMBLY	19	5
F10000	GASKET SET (NOT SHOWN)	13	-	F15120	HEAD ASSEMBLY, DRIVE END	19	2
F10053	REPAIR PARTS KIT.	13	51	F15123	THRU BOLT PACKAGE	19	10
F1014	COTTER PIN	11	2	F15125	HEAD ASSEMBLY, COMMUTATOR END	19	13
F1015	COTTER PIN	37	36	F15126	THRUST WASHER PACKAGE	19	3
F1017	COTTER PIN	23	3	F1513	HEX NUT	43	3
F1027	COTTER PIN, S.S., 1/8 - 1/2	35	15	F1513	HEX NUT, 10 - 32	23	29
F1034	FILL HD SCREW, 1/4 - 20 X 1 3/8	11	15	F1513	HEX NUT, 10 - 32	7	10
F1036	SLOTTED FILL HD M. SCREW W/SPRING LOCKWASHER, 6 - 32 X 1/4	9	47	F1515	HEX NUT, 5/16 - 18	11	30
F1052	FILL HD M. SCREW, 1/4 - 20 X 1	23	39	F1515	HEX NUT, 5/16 - 18	15	4
F1059	FILL HD SCREW, 6 - 32 X 1/4	11	6	F1515	HEX NUT, S.S., 5/16 - 18	7	26
				F15165	BRUSH AND TERMINAL SET	19	7

PARTS INDEX

Part Number	Description	Pg.	Ref. No.	Part Number	Description	Pg.	Ref. No.
F1533	HEX HD M. SCREW, 1/4 X 20 X 7/8	15	10	F1708	HEX HD M. SCREW, 1/4 - 20 X 1 3/8	15	9
F1535	HEX CAP SCREW, 1/4 - 20 X 3/4	31	67	F17082-1	DETENT BALL	45	38
F1535	HEX HD SCREW, 1/4 - 20 X 3/4	23	14	F17092	SNAP RING	43	21
F1536	HEX CAP SCREW, 1/4 - 20 X 3/4	7	28	F17099-1	HOUSING	43	36
F1540	HEX CAP SCREW, 1/4 - 20 X 5/8	23	22	F17100	CLUTCH SHAFT	43	20
F1541	HEX SLOTTED HD M. SCREW, 1/4 - 20 X 5/8	5	38	F17103-1	BAG ASSEMBLY. (NOT SHOWN)	45	-
F154317	CABLE CLAMP	23	19	F17105	FELT WASHER	43	33
F154317	CABLE CLAMP	43	23	F17106	COLLAR	43	34
F1545	HEX CAP SCREW, 1/4 - 20 X 1/2	15	6	F17111	DETENT BALL	43	17
F1546	HEX CAP SCREW, 1/4 - 20 X 1/2	3	22	F17112	JUNCTION BOARD - STARBOARD	43	26
F1546	HEX CAP SCREW, 1/4 - 20 X 1/2	3	34	F17113	JUNCTION BOARD - PORT	43	-
F1546	HEX CAP SCREW, 1/4 - 20 X 1/2	31	70	F17115-1	HANDLE	43	30
F1557	FLAT HD SCREW, 10 - 24 X 3/8	43	25	F17116	KNOB	43	29
F1581	HEX CAP SCREW, 1/4 - 20 X 1 1/4	27	85	F17146	WOOD SCREW	43	35
F1581	HEX CAP SCREW, 1/4 - 20 X 1 1/4	31	76	F17147	INTERNAL TOOTH LOCKWASHER	43	12
F1593	HEX HD SCREW, S.S., 3/8 - 16 X 3	29	23	F17148	DECAL - STARBOARD	43	27
F1600	LOCK NUT	29	22	F17149	COTTER PIN	43	8
F1645	RD HD SCREW, 6 - 32 X 1/4	7	5	F1715	HEX BOLT, 1/4 - 28 X 9/16	43	7
F1647	HEX NUT, 8 - 32	7	17	F1727	PLASTIC RIVET	25	45
F1666	BOWED SPRING WASHER	29	29	F1733	PAN HD SCREW, 10 - 24 X 9/16	3	28
F1669	LOCK NUT	29	37	F1733	PAN HD SCREW, 10 - 24 X 9/16	31	42
F1693	TIE BAR RETAINER	11	21	F1733	SLOTTED PAN HD SCREW, 10 - 24 X 9/16	7	7
F1696	HEX CAP SCREW, S.S., 5/16 - 18 X 1 3/4	37	41	F1734	SLOTTED FILL HD SCREW & LOCKWASHER, 1/4 - 20 X 1/2	27	89
F17006	DETENT SPRING	43	18	F1741	PAN HD SCREW, 8 X 3/4	7	35
F17009	BEARING	43	14	F1744	SPRING PIN	31	60
F17010-1	THROTTLE GEAR	43	16	F1753	FASTENER	5	47
F17011	BOWED WASHER	43	15	F1755	ROUND HD SCREW W/LOCKWASHER, 6 - 32 X 5/16	15	19
F17012	RETAINING PLATE	43	13	F177330	FUEL PUMP VALVE	17	6
F17013	FILL HD SCREW, 1/4 - 20 X 1/2	43	11	F17932	SEAL, FUEL TANK ADAPTER	41	11
F17014	THROTTLE ARM	43	10	F1804	STOP NUT, 10 - 22	9	56
F17016	CABLE TERMINAL	43	9	F1822	HEX CAP SCREW, 5/16 - 18 X 7/8	19	6
F17019	CLUTCH ARM	43	5	F1829	SLOTTED FILL HD SCREW, 10 - 24 X 7/8	23	18
F17021	CLUTCH GEAR	43	19	F1836	SPRING PIN	31	48
F17026	SWIVEL	43	24	F183818	BEARING, GEAR SHIFT COUPLER	23	7
F17030-1	SET SCREW	43	31	F184033-1	SWIVEL, CHOKE ROD	11	5
F17031-1	SNAP CAP	43	28	F1845	TY-RAP, REGULATOR TO POWER PACK LEADS	7	38
F17036	INTERNAL TOOTH LOCKWASHER	43	6	F184579	SEAL, CHOKE ARM SWIVEL	11	4
F1704	INTERNAL TOOTH LOCKWASHER	7	4	F1849	HEX HD SCREW, S.S., 1/4 - 20 X 1 3/8	37	59
F1705	HEX CAP SCREW, 1/4 - 20 X 3/4	29	7	F1854	HEX CAP SCREW, 1/4 - 20 X 5/8	3	8
F17068	DETENT SPRING	45	37	F1857	HEX CAP SCREW, 5/16 - 18 X 5/8	7	30
				F1860	SLOTTED HD M. SCREW, 6 - 32 X 1/4	17	5

PARTS INDEX

Part Number	Description	Pg.	Ref. No.	Part Number	Description	Pg.	Ref. No.
F1872	HEX CAP SCREW, 3/8 - 16 X 1 3/4	23	15	F2054	SHIM, PROPELLER SHAFT BEARING CAGE .008 (BLACK)	35	-
F1873	HEX CAP SCREW, 3/8 - 16 X 3	23	13	F2055	SPACER, BEVEL GEAR FRONT .059	35	-
F1889	FILL HD SCREW, 1/4 - 20 X 1 1/4	17	9	F2056	SPACER, BEVEL GEAR FRONT .062	35	-
F1891	HEX HD M. SCREW, 1/4 - 20 X 1 1/2	7	18	F2057	SPACER, BEVEL GEAR FRONT .065	35	-
F1902	HEX CAP SCREW, 5/16 - 18 X 3/4	25	74	F2058	SPACER, BEVEL GEAR FRONT .068	35	-
F1902	HEX CAP SCREW, 5/16 - 18 X 3/4	31	72	F2059	SPACER, BEVEL GEAR FRONT .071	35	-
F1904	PLAIN WASHER	29	24	F2060	SPACER, BEVEL GEAR FRONT .074	35	-
F1910	ELASTIC STOP NUT, 1/4 - 20	23	40	F2061	SPACER, BEVEL GEAR FRONT .077	35	-
F19109	PLUG, CYLINDER HEAD	25	77	F2062	SPACER, BEVEL GEAR FRONT .080	35	-
F191169-1	SWIVEL BRACKET BEARING	29	36	F2063	SPACER, BEVEL GEAR FRONT .083	35	-
F1913	HEX CAP SCREW, 10 - 24 X 5/8	25	79	F2064	SPACER, BEVEL GEAR FRONT .086	35	-
F1916	HEX HD M. SCREW, 1/4 - 20 X 1 1/8	15	3	F2065	HEX NUT, 7/16 - 14	29	19
F1934	FLAT HD SCREW, 6 X 1/2	9	64	F2066	PAN HD SCREW, 10 - 7/6	3	4
F195/	REMOTE CONTROL CABLES	52	-	F2067	PLASTISOL CAP (NOT SHOWN)	21	-
F1950	HEX HD SCREW, 10 - 24 X 9/16	35	1	F2069	HEX CAP SCREW, 7/16 - 14 X 4	29	12
F1968	HEX NUT, 3/4 - 16	9	58	F2071	HEX CAP SCREW, 5/16 - 18 X 1 3/8	23	26
F1974	PAN HD SCREW, 10 - 24 X 3/4	7	14	F2072	OVAL COUNTERSUNK HD M. SCREW 10 - 24 X 3/8	3	19
F1975	LOCKWASHER	7	11	F2075	SLOTTED HD SCREW, S.S., 1/4 - 20 X 2 1/2	3	24
F1977	LOCK NUT, 8 - 32	13	47	F2076	HEX CAP SCREW, 5/16 - 18 X 1 1/8	25	73
F197787-3	FUEL LINE COUPLER	41	5	F2077	SLOTTED PAN HD M. SCREW, 10 - 32 X 1/4	7	39
F1987	PLAIN WASHER	25	60	F2087	SPACER, BEVEL GEAR FRONT .056	35	24
F1994	HEX SOCKET HD CAP SCREW, 5/16 - 18 X 1	37	44	F2093	STOP NUT, 308 24 S.S.	33	87
F1994	HEX SOCKET HD CAP SCREW, S.S., 5/16 - 18 X 1	35	6	F2097	SPRING PIN	35	22
F1995	FILL HD SCREW, 10 - 24 X 1	25	47	F2106	INTERNAL TOOTH LOCKWASHER	9	65
F2012	PLAIN WASHER	7	19	F213274	GREASE FITTING	31	49
F2014	PLAIN WASHER, 308 S.S.	33	86	F213342	SEAL, FUEL LINE COUPLER - LARGE	41	7
F2016	SLOTTED FILL HD SCREW, 6 - 32 X 7/8	7	1	F213735	SEAL, FUEL LINE COUPLER - SMALL	41	6
F2017	PAN HD SCREW W/PLAIN WASHER, 10 - 24 X 3/8	3	20	F235785	DECAL, COMPLIANCE - CANADA (NOT SHOWN)	9	-
F2025	PAN HD SCREW, 10 X 5/8	3	3	F24074	CLAMP SCREW FOOT	31	54
F203276	BOOT, COIL	9	61	F24623-1	GROMMET	7	23
F2033	GROOVE PIN	11	8	F269052	BEARING, LATCH CAM	3	30
F203673	CLIP	9	62	F269052	SHIFT ARM BEARING	23	36
F2042	PLAIN WASHER	9	66	F269122-1	CRANKCASE PARTING LINE SEAL	23	12
F2045	RETAINING RING	21	17	F269319	THROTTLE CAM BEARING	25	41
F2049	HEX CAP SCREW, 5/16 - 18 X 2 5/8	25	59	F269929	SPACER, TILT STOP	29	28
F2050	HEX CAP SCREW, 1/4 - 20 X 1/2	9	49				
F2051	HEX CAP SCREW, 1/4 - 20 X 2 1/4	25	67				
F2052	SHIM, PROPELLER SHAFT BEARING CAGE .005 (SILVER)	35	11				
F2053	SHIM, PROPELLER SHAFT BEARING CAGE .006 (COPPER)	35	-				

PARTS INDEX

Part Number	Description	Pg.	Ref. No.	Part Number	Description	Pg.	Ref. No.
F284659-2	CRANKSHAFT LOWER MAIN BEARING	21	16	F40906-1	CARBURETOR GASKET	13	50
F286461	SPRING, LOCK BAR HANDLE	31	58	F40906-1	CARBURETOR GASKET	27	-
F289446-1	CLAMP	27	88	F409251-1	GAUGE CAP	41	10
F298788	FERRULE	41	2	F433114	HANDLE, LOCK BAR	31	59
F2A335158	REED PLATE W/REEDS, STOPS AND SCREWS	15	15	F433209-1	STUD	15	8
F2A474023	BEVEL GEAR FRONT W/BEARING	35	25	F433209-1	STUD, THROTTLE CAM	25	43
F2A474144	BEARING CAGE W/CRANKSHAFT SEAL	7	42	F433689	TOWERSHAFT BEARING	25	48
F2A474144	CRANKSHAFT UPPER BEARING CAGE W/SEAL	21	22	F435555	GEAR HOUSING SEAL	39	-
F2A474266	BEVEL PINION GEAR W/BEARING AND CUP	37	38	F435555	SEAL, GEAR HOUSING	37	40
F2A474298	PROP SHAFT BEARING CAGE W/SEALS & BEARING CUP	35	7	F435634	CONNECTING ROD SCREW	21	18
F2A516023	GEAR HOUSING LOWER W/PLUG, WASHER & THRUST BEARING CUP	35	26	F438066	COVER, BY-PASS VALVE	25	80
F2A522018	CRANKSHAFT W/LOWER MAIN BEARING AND RETAINING RING	21	25	F438165	SCREW, FUEL BOWL	17	14
F307317	CLIP, TERMINAL BLOCK GROUND	7	13	F438500	FUEL SEDIMENT BOWL	17	13
F307908	STARTER WIRE	19	8	F438617	FUEL SEDIMENT BOWL GASKET	17	11
F316579	SEAL, CRANKCASE	21	20	F438653	FUEL PUMP SCREEN	17	12
F316599	SEAL, PIVOT TUBE	31	52	F438747	FUEL PUMP DIAPHRAGM	17	4
F333316	THROTTLE ROLLER SHAFT	13	45	F438754	FUEL LINE, PUMP TO CARBURETOR	17	17
F335160	REED (4 PETAL)	15	16	F438760	FUEL PUMP GASKET	17	3
F335164	REED (1 PETAL)	15	17	F438801	FITTING	17	15
F338618-1	SEAL, SHIFT ROD, LOWER	37	51	F438930	RETAINER, SNOUT	37	43
F338618-1	SHIFT ROD, LOWER SEAL	39	-	F458250	BEARING CUP	37	62
F345908	GROUND WIRE, COIL	7	20	F458347	MOUNT	23	24
F353480	STUD	31	55	F458498	KEY	31	64
F366300	REVERSE LOCK SPRING	29	39	F458887	FASTENER, SUPPORT PLATE MOUNT	23	23
F366349	REVERSE LOCK	29	38	F460917	STARTER RELAY	7	29
F366350	TILT STOP PIVOT	29	30	F463864	RETAINER, TILT HANDLE	3	5
F366364	ARM, REVERSE LOCK	31	46	F474006	STUD, LONG	37	31
F366426	TILT STOP - PORT	29	31	F474013	CRANKSHAFT UPPER MAIN BEARING	21	19
F366433	TILT STOP, STARBOARD	31	51	F474065	IMPELLER	39	-
F366886	PIN	29	32	F474065	WATER PUMP IMPELLER	37	57
F369450	RECTIFIER	9	44	F474066	THERMOSTAT COVER	25	68
F369562	PLATE, WATER PUMP BACK	39	-	F474067	THERMOSTAT COVER GASKET	25	69
F369562	WATER PUMP BACK PLATE	37	56	F474067	THERMOSTAT COVER GASKET	27	-
F381896-4	BATTERY CABLE	7	32	F474073-1	CLAMP SCREW	31	57
F390689	BEARING, LATCH SHAFT	3	26	F474077	SCREEN, WATER INLET	37	52
F391926-1	PLUNGER, CHOKE SOLENOID	11	9	F474106-3	DEFLECTOR, WATER DISCHARGE	31	71
F3S522015	PISTON (.030 OVERSIZE)	21	-	F474116-1	SNOUT	37	49
F40008	STUD, SHORT	37	39	F474117	WATER LINE BRACKET	35	2
F40209	CARBURETOR STUD	15	5	F474133	MOTOR LEG - LONG SHAFT	29	10
F40342	SEAL, PROPELLER NUT	35	17	F474143	BEARING, BEVEL GEAR, REAR	35	12
F404449	THERMOSWITCH	7	15	F474146	SEAL, CRANKSHAFT	21	6
F404449	THERMOSWITCH	25	58	F474151	EXHAUST PORT PLATE	27	83
F404841	CABLE	7	31	F474152	EXHAUST PORT COVER	27	86
F406754-1	DRAIN HOSE	15	1	F474154	EXHAUST PORT COVER GASKET	27	-
				F474154	EXHAUST PORT PLATE GASKET	25	82
				F474162	REED PLATE ADAPTER	15	13
				F474163	COVER, SUPPORT PLATE FRONT	5	37
				F474165-1	SCREW, BEVEL PINION RETAINING	37	45

PARTS INDEX

Part Number	Description	Pg.	Ref. No.	Part Number	Description	Pg.	Ref. No.
F474167	CARBURETOR ADAPTER	15	11	F474648	SPARK PLUG COVER	25	64
F474168	CARBURETOR ADAPTER			F474660	LEG EXHAUST TUBE	31	68
	GASKET	15	12	F474662	BEVEL GEAR, REAR	35	13
F474168	CARBURETOR ADAPTER			F474680	SPACER PLATE	31	73
	GASKET	27	-	F474704	COUPLER	23	31
F474178	RETAINER, TIMING RING	9	55	F474704	COUPLER, SHIFT ROD	29	1
F474192	THROTTLE CAM	25	42	F474705	GEAR SHIFT ROD LOWER	37	35
F474193	THROTTLE LINK	23	30	F474707	SHOCK MOUNT COVER,		
F474210	STUD, CYLINDER	25	55		LOWER	29	15
F474211	STUD, CYLINDER	25	54	F474717	WASHER, BEVEL PINION		
F474225	BEARING, PROPELLER				RETAINING	37	46
	SHAFT REVERSE THRUST	35	10	F474736	DRIVESHAFT SEAL	37	60
F474244	WATER LINE, INLET - LONG			F474746	FUEL PUMP COVER	17	2
	SHAFT	35	5	F474751	SCREW, SPARK PLUG		
F474253	FUEL LINE	11	13		COVER	25	65
F474269-1	TILT HANDLE	3	2	F474756	PACKING, SUPPORT PLATE		
F474273	COUPLING, GEAR SHIFT				FRONT	5	43
	ROD	29	4	F474817	RETAINER, SUPPORT		
F474278	SEAL	21	10		PLATE	3	21
F474279	CYLINDER EXHAUST			F474830	WATER LINE BRACKET		
	GASKET	27	-		GASKET	35	3
F474279	CYLINDER EXHAUST			F474832-1	IDLE RELIEF COVER	29	8
	GASKET	33	81	F474833	GASKET, IDLE RELIEF		
F474307	DRIVE SHAFT SEAL	39	-		COVER	29	9
F474307	SEAL, DRIVESHAFT	37	54	F474838-1	TOWERSHAFT	25	46
F474315	PACKING, SUPPORT PLATE			F474847	WASHER	29	16
	LOWER	3	29	F474849	WASHER	31	75
F474342	SEAL	35	4	F474859	STUD, SHIFT ARM	23	37
F474346-2	SHOCK MOUNT LOWER	29	17	F474864	RETAINER, COVER LATCH	3	11
F474355	WASHER	31	78	F474867	EXHAUST TUBE GASKET	27	-
F474359	WASHER	29	13	F474867	UPPER EXHAUST TUBE		
F474371	REMOTE CABLE BRACKET	23	21		GASKET	31	69
F474374-1	DECAL, IGNITION - USA	27	91	F474871	SHAFT, GEAR SHIFT	23	10
F474377	LEVER, COVER LATCH			F474876	SHIFT ARM	23	38
	PORT	3	32	F474881	LINK, GEAR SHIFT	23	33
F474378	LEVER, COVER LATCH			F474897	GUIDE, COVER LATCH		
	STARBOARD (NOT				STARBOARD	3	35
	SHOWN)	3	-	F474909	LOCATING PIN	27	90
F474387	TIMING DECAL	9	54	F474932	SPACER, CONTROL CABLE	23	20
F474388	DISC, WATER PUMP	37	63	F474942	BUMPER	33	80
F474398	DECAL, WIRING - USA	27	87	F474946	SHOCK MOUNT COVER		
F474445	SPARK CONTROL LINK	25	52		UPPER	31	77
F474453	LEG EXHAUST GASKET	29	6	F474965-1	SHOCK MOUNT UPPER	31	74
F474487	GUIDE, COVER LATCH			F474980-1	STABILIZER, FRONT	23	25
	PORT (NOT SHOWN)	3	-	F474982	STABILIZER, REAR	25	75
F474509	CHOKE LINK	11	10	F474984	BLANKET, SILENCER, TOP		
F474510	LINK	29	40		(NOT SHOWN)	5	-
F474529	CYLINDER HEAD GASKET	27	-	F474985	BLANKET, SILENCER, SIDE		
F474529-1	CYLINDER HEAD GASKET	25	78		(NOT SHOWN)	5	-
F474531	STUD, TIMING RING			F474990	SPACER	29	35
	RETAINER	9	52	F474991	GROMMET	3	18
F474539	BUMPER	29	11	F474992	BLANKET, SILENCER,		
F474551	BRACKET, INTERLOCK				FRONT (NOT SHOWN)	5	-
	SWITCH	25	44	F474995	CYLINDER HEAD COVER	25	57
F474607	KING PIN YOKE	29	34	F474996	CYLINDER HEAD COVER		
F474615	ROD, GEAR SHIFT - UPPER,				GASKET	27	-
	LONG SHAFT	29	3	F474996-1	CYLINDER HEAD COVER		
F474620	PIN, GEAR SHIFT	23	8		GASKET	25	72
F474621	LEVER, GEAR SHIFT	23	9	F475061-1	CARBURETOR COMPLETE		
F474640	PIVOT, GEAR SHIFT	23	5		(WB27B) (NOT SHOWN)	13	-

PARTS INDEX

Part Number	Description	Pg.	Ref. No.	Part Number	Description	Pg.	Ref. No.
F475133	MOTOR LEG - SHORT SHAFT	29	-	F5H006	VOLTMETER - FLUSH MOUNT	53	-
F475244	WATER LINE INLET - SHORT SHAFT	35	-	F5H007	HOURMETER	53	-
F475615	ROD, GEAR SHIFT - UPPER, SHORT SHAFT	29	-	F5H008	FUEL GAUGE FLUSH MOUNT	53	-
F481836	GASKET	11	18	F5H010	POWER TRIM INDICATOR	53	-
F483884	BEARING	31	47	F5H012	TACHOMETER FLUSH MOUNT	54	-
F485755-1	FUEL TANK ADAPTER	41	8	F5H018	DUAL STEERING CONNECTOR	52	-
F50109	PLUG, GEAR HOUSING	37	28	F5H019	ANTI-CORROSION KIT	52	-
F50342-1	SEAL	17	1	F5H021	EXTENSION CABLE	53	-
F510374	DECAL, CIRCUIT BREAKER - USA	9	67	F5H025	ANTI-CORROSION SACRIFICIAL ANODE	53	-
F510460	CIRCUIT BREAKER	7	6	F5H026	FUEL TANK (ACCESSORY ITEM)	41	9
F522015	PISTON (STANDARD)	21	4	F5H026	STEEL, 6 GALLON FUEL TANK (LOW PROFILE)	52	-
F522017	PISTON PIN	21	2	F5H026	SENDING UNIT	53	-
F522032	STERN BRACKET - STARBOARD	29	26	F5H029	TANK ANCHOR	52	-
F522033	SWIVEL, CHOKE ROD FOR TOP CARB (NOT SHOWN)	11	-	F5H030	SWITCH KIT - RUNNING LIGHTS	54	-
F522125-1	TUBE, STEERING SUPPORT	29	21	F5H031	SWITCH KIT - SPOT LIGHT	54	-
F522215	SPACER (2 PER PISTON)	21	1	F5H032	SWITCH KIT - WIPER	54	-
F522217	BEARING	21	3	F5H034	SWITCH KIT - BILGE PUMP	54	-
F522279	CYLINDER EXHAUST GASKET	27	-	F5H035	SWITCH KIT - HORN	54	-
F522286	STERN BRACKET FRICTION WASHER	29	27	F5H036	SWITCH KIT - TACHOMETER TRANSFER	54	-
F522359	SPACER STEERING LINK	33	84	F5H037	CIGAR LIGHTER	53	-
F522532	STERN BRACKET - PORT	29	-	F5H038	IGNITION SWITCH MOUNTING KIT (ACCESSORY ITEM)	9	63
F522636	STATOR HARNESS	9	43	F5H038	SWITCH KIT - IGNITION SWITCH	54	-
F522741	RETAINING RING	31	45	F5H039	SWITCH KIT - INSTRUMENT LIGHT	54	-
F522744	WIRING HARNESS	7	24	F5H040	STEEL, 12 GALLON FUEL TANK	52	-
F522826	SILENCER, CARB AIR	11	17	F5H041	BATTERY TERMINAL KIT	53	-
F522867	EXHAUST TUBE GASKET	27	-	F5H041	BATTERY TERMINAL KIT (ACCESSORY ITEM)	7	36
F522881	LINK STEERING	33	83	F5H043	BUZZER, HEAT INDICATOR, (ACCESSORY ITEM)	7	33
F522884	BEARING	31	43	F5H043	OVERHEAT BUZZER	53	-
F529390	DECAL, REVERSE LOCK - USA	31	53	F5H044	TILT STOP KIT	53	-
F531892	DECAL - PORT	43	-	F5H064	EXHAUST SNOUT	53	-
F53504	GROMMET	11	16	F5H068	RFI SUPPRESSION KIT	53	-
F53504	THERMOSTAT GROMMET	25	71	F5H070	REMOTE ELECTRIC CABLE	53	-
F545189	BUSHING, CABLE ENTRY	5	40	F5H074	WATER PUMP KIT	54	-
F547156	COVER, SUPPORT PLATE REAR	3	17	F5H075	WIRING HARNESS - IGNITION SWITCH (24")	54	-
F549189	BUSHING, ELECTRIC CABLE ENTRY	3	27	F5H076	SWITCH EXTENSION CABLE	54	-
F563	TERMINAL BLOCK KIT	54	-	F5H077	IGNITION KEY SWITCH	53	-
F575180	REAR TRIM	3	7	F5H078	IGNITION KEY SWITCH	53	-
F575711	FRONT PLATE	5	45	F5H078	SWITCH, IGNITION (ACCESSORY ITEM)	9	60
F58685-2	CONNECTOR, SHIFT CABLE	43	2	F5H079	SINGLE REMOTE CONTROL BOX	52	-
F590	REMOTE CONTROL - FLUSH MOUNT	52	-				
F596	CHRYSLER OUTBOARD OIL	54	-				
F597	CHRYSLER OUTBOARD GEAR LUBE	54	-				
F5H002	SPEEDOMETER FLUSH MOUNT	54	-				
F5H004	SPEEDOMETER FLUSH MOUNT	54	-				

PARTS INDEX

Part Number	Description	Pg.	Ref. No.	Part Number	Description	Pg.	Ref. No.
F5H081	BATTERY CABLE	53	-	F84278	SEAL	21	7
F5H094	STEERING LINK KIT	52	-	F84280	KING PIN NUT	29	33
F5H108	STEERING CONNECTOR	52	-	F84314-2	ELBOW, FUEL LINE	11	11
F5H112	INSTRUMENT ADAPTER - 3 1/2"	52	-	F84449	NEUTRAL INTERLOCK SWITCH	7	3
F5H115	TRAILERING TILT LOCK	54	-	F84792	FUEL PUMP VALVE GASKET (CENTER VALVE)	17	7
F5H120	REMOTE CONTROL BACK PLATE	52	-	F85161	REED STOP	15	18
F5H123	HYDRAULIC TILT	53	-	F85168	REED PLATE ADAPTER GASKET	15	14
F5H130	REMOTE CONTROL - SURFACE MOUNT	52	-	F85168	REED PLATE ADAPTER GASKET	27	-
F5H131	PORT SIDE DECAL KIT	52	-	F85314-1	ELBOW, FUEL LINE FOR BOTTOM CARB.	11	14
F5H132	REMOTE CONTROL HANDLE TRIM SWITCH	52	-	F85317-1	SOLENOID CLAMP	15	7
F5H134	BOAT WHITE LACQUER	53	-	F85372	PIN, GEAR SHIFT ROD LOWER	37	37
F5H149	POWER TRIM	54	-	F8538	SPRING PIN	31	56
F5H151	SHOCK ABSORBER KIT	53	-	F85410	SNAP RING	21	11
F7006	LOCK NUT	25	56	F8547	SPRING PIN	23	6
F7007	LOCK NUT, 5/16 - 18	31	66	F8547	SPRING PIN	29	5
F7007	STOP NUT, 5/16 - 18	29	20	F85498	FLYWHEEL KEY	21	24
F7011	STOP NUT	3	14	F85571	CENTER MAIN BEARING CAGE W/ROLLERS	21	13
F7025	LOCKNUT, 3/8 - 16	3	33	F8563	DOWELL PIN	23	17
F7025	STOP NUT, S.S., 3/8 - 16	23	35	F85689-1	BEARING	23	1
F72H29	CHRYSLER OUTBOARD MULTI-PURPOSE GREASE	55	-	F85735-1	SEAL	25	63
F72H30	CHRYSLER OUTBOARD GREASE GUN	55	-	F85735-1	SEAL, MEDALLION	5	46
F762	REMOTE ELECTRIC CABLE	53	-	F85762	BY-PASS VALVE COVER GASKET	27	-
F8001	NYLTITE WASHER	37	30	F85762	GASKET, BY-PASS VALVE COVER	25	81
F8001	WASHER	39	-	F85843-1	ELECTRIC CONTROL CABLE, 18 FEET	7	25
F8011	PLAIN WASHER	7	34	F85924	CHOKE SOLENOID	7	37
F8011	PLAIN WASHER	7	8	F85925	CHOKE SOLENOID ROD	11	7
F8028	PLAIN WASHER	19	12	F861	FLUSHING ADAPTER	52	-
F8038	PLAIN WASHER	33	88	F89011	SWIVEL BRACKET WASHER	31	63
F8048	BOWED WASHER	9	53	F9018	CAP	31	44
F8056	SPRING LOCKWASHER	7	16	F9038	WOODRUFF KEY	37	47
F8058	INTERNAL TOOTH LOCKWASHER	23	27	F9038	WOODRUFF KEY	39	-
F8060	LOCKWASHER	19	11	F9052	PLUG	31	62
F8065	LOCKWASHER	37	32	F90619-1	YOKE, GEAR SHIFT ARM	37	64
F8067	SPRING LOCKWASHER	29	18	F90807	RETAINING RING	11	19
F8077	WASHER	39	-	F90871-3	GEAR SHIFT ARM PIN	35	21
F8077	WASHER, GEAR HOUSING PLUG	37	27	F90891	GEAR SHIFT ARM PIN	37	29
F8083	LOCKWASHER	3	9	F91446-1	CIRCUIT BREAKER BRACKET	7	9
F8088	PLAIN WASHER	7	2	F92759	THROTTLE ROLLER	13	46
F8088	PLAIN WASHER	11	3	F97772	FUEL LINE CLAMPS	17	16
F8094	PLAIN WASHER	3	10	F97772	HOSE CLAMP	11	12
F8094	PLAIN WASHER	23	4	F98273	ROD END CONNECTOR STUD	23	34
F8096	SPRING LOCKWASHER	7	27	F99521-1	CLUTCH	35	23
F8096	SPRING LOCKWASHER	19	16	FA15072	HEX LOCK NUT AND WASHER ASSEMBLY, 1/4 - 20	19	9
F8096	SPRING LOCKWASHER	37	42	FA27232	EMERGENCY STARTER ROPE (NOT SHOWN)	9	-
F84026	SPARK CONTROL SWIVEL	25	49				
F84031	GASKET, WATER PUMP	39	-				
F84031	WATER PUMP GASKET	37	55				
F84035-2	SPARK CONTROL BEARING, R.H.	25	50				
F84036	SPARK CONTROL BEARING, L.H.	25	53				
F84068-2	THERMOSTAT	25	70				

PARTS INDEX

Part Number	Description	Pg.	Ref. No.	Part Number	Description	Pg.	Ref. No.
FA433113	STERN BRACKET LOCK BAR W/HANDLE	31	61	FA85655-1	CRANKSHAFT CENTER MAIN BEARING RACE W/SNAP RING	21	12
FA438431	FUEL PUMP BODY W/VALVES	17	8	FA94094-2	PROPELLER NUT W/SEAL AND COTTER PIN	35	16
FA465072	SWIVEL BRACKET - SHORT SHAFT	31	-	FB368700	KEY IGNITION - STAMPED B	9	-
FA474038	SUPPORT PLATE PORT W/LOWER PACKING	3	23	FC368700	KEY IGNITION - STAMPED C	9	-
FA474060	WATER PUMP BODY W/DRIVESHAFT SEAL	37	58	FC409398	DECAL, TOTE TANK - CANADA (NOT SHOWN)	41	-
FA474088	SUPPORT PLATE STARBOARD W/LOWER PACKING	5	39	FC474374	DECAL, IGNITION - CANADA	27	-
FA474098	PROPELLER SHAFT ASSEMBLY	35	20	FC474387	DECAL, TIMING - CANADA	9	-
FA474128	DRIVESHAFT W/BEARING, SCREW & WASHER - LONG SHAFT	37	48	FC474398	DECAL, WIRING - CANADA	27	-
FA474228	BEARING CAGE W/ROLLERS (SPLIT HALF)	21	15	FC510374	DECAL, CIRCUIT BREAKER - CANADA	9	-
FA474260	PISTON RING SET (4 PER SET) - (STANDARD)	21	5	FC522227	SPARK PLUG (QUL-77V)	25	-
FA474469	HANDLE, COVER LATCH PORT W/SHAFT & PIN	3	25	FC522390	DECAL, STARTER - CANADA (NOT SHOWN)	19	-
FA474499	HANDLE, COVER LATCH STARBOARD W/SHAFT AND PIN (NOT SHOWN)	3	-	FC529390	DECAL, REVERSE LOCK - CANADA	31	-
FA474511	TIE BAR W/SWIVEL	11	20	FD368700	KEY IGNITION - STAMPED D	9	-
FA474554	GEAR HOUSING UPPER, W/SHIFT ROD SEAL, WASHER AND PLUG	37	50	FE368700	KEY IGNITION - STAMPED E	9	-
FA474774	BRACKET, COVER LATCH W/SCREWS & NUTS	3	13	FG1013-1	GASKET SET.	27	92
FA474777	CAM, PORT LATCH W/PIN	3	31	FK1060	SEAL KIT.	37	65
FA474780	CAM, STARBOARD LATCH W/PIN (NOT SHOWN)	3	-	FK1070	WATER PUMP KIT	39	66
FA474901	BEARING, DRIVESHAFT UPPER W/CUP	37	53	FK17114-1	INDICATOR	43	32
FA475019	KING PIN ASSEMBLY - SHORT SHAFT	31	-	FK247	PROPELLER PIN (PACK OF 6) W/COTTER PIN	35	18
FA475913	GROMMET (2 PER SET)	3	36	FK475060	WATER PUMP KIT	39	-
FA510497	TERMINAL BLOCK	7	12	FO10165	INLET SEAT GASKET	11	34
FA522016	CONNECTING ROD W/CAP AND SCREWS	21	14	FO10588	BODY CHANNEL CUP PLUG	13	41
FA522827	HANDLE AND SHAFT	31	41	FO10790	INLET NEEDLE, SEAT AND GASKET	11	33
FA523735	SEAL, INLET WATER LINE LOWER	37	61	FO11103	IDLE SCREW SPRING	11	38
FA524072	SWIVEL BRACKET - LONG SHAFT	31	50	FO13552	FUEL BOWL	11	26
FA538395	IDENT, PLATE W/SCREWS	5	41	FO13554	FLOAT	11	20
FA547386	DECAL, NUMBER 55	3	16	FO13555	CHOKE SHUTTER	11	35
FA575528	DECAL, REAR	3	6	FO13944	FLOAT LEVER PIN	11	28
FA575892	DECAL, FRONT	5	44	FO13945	FUEL BOWL RETAINING SCREW	11	24
FA577396	DECAL, STARBOARD	3	-	FO13946	IDLE SCREW	11	37
FA577397	DECAL, PORT	3	15	FO13947	CHOKE SHAFT RETURN SPRING	13	39
FA58976-1	CONNECTOR, THROTTLE CABLE	43	1	FO14108	MAIN FUEL JET (.064) OPT. 3000 - 4500 FT.	11	-
FA84754-1	FUEL LINE SHORT W/FERRULES	41	4	FO14186	MAIN FUEL JET (.060) OPT. 6000 FT. & UP,	11	-
FA85193	TIE BAR END W/SWIVEL	11	23	FO14187	MAIN FUEL JET (.062) OPT. 4500 - 6000 FT.	11	-
				FO14188	MAIN FUEL JET (.066) STD. SEAL LEVEL - 3000 FT.	11	32
				FO15217	MAIN NOZZLE	11	31
				FO15230	THROTTLE SHAFT AND LEVER	13	44
				FO15623	FUEL BOWL GASKET	11	27
				FO16008	THROTTLE SHAFT RETURN SPRING	13	43
				FO16850	CHOKE SHAFT AND LEVER	11	1
				FO16851	THROTTLE SHUTTER	13	48
				FO17181	IDLE TUBE	13	40

PARTS INDEX

Part Number	Description	Pg.	Ref. No.	Part Number	Description	Pg.	Ref. No.
FO4326	BODY CHANNEL WELCH PLUG	13	42	FT8982	SHIM ADAPTER	48	-
FO8942	SHUTTER SCREW W/LOCKWASHER	11	36	FT8985	SEAL INSTALLER	48	-
FO8942	THROTTLE SHUTTER SCREW W/LOCKWASHER	13	49	FT8993	SEALANT - 3 OZ. RTV SEALANT FROM IN PLACE GASKETS	50	-
FP475	PROPELLER (ACCESSORY ITEM)	35	19	FTA2937-1	TIMING TOOL	46	-
FS409752	FUEL LINE - COMPLETE.	41	-	FTA8986	TEST WHEEL	49	-
FS474030	CAPACITOR	9	45	OB3061	LITERATURE (NOT SHOWN)	45	-
FS474095	ALTERNATOR STATOR	7	40	S474082	TIMING RING	9	51
FS474097	FLYWHEEL	9	57	S474301	MODULE	7	41
FS474475	IGNITION COIL	7	22	S474955	STARTER COMPLETE.	19	-
FS522015	PISTON (.010 OVERSIZE)	21	-	T11211	BOAT WHITE	51	-
FS547712	ENGINE COVER W/BRACKETS AND RETAINERS	3	1	T11212	BOAT BLACK	51	-
FSA474260	PISTON RING SET (4 PER SET - .010 OVERSIZE)	21	-	T11230	ORANGE	51	-
FT2951	CIRCUIT TRACER	46	-	T11233	MEDIUM METALLIC SILVER	51	-
FT2961	LUBRICANT - RYKON #2EP	50	-	T11236	METALLIC SILVER	51	-
FT2962-1	SEALANT - 50 CC LOCTITE H, NON-HARDENING GRADE	50	-	T8984	SEAL INSTALLER	47	-
FT2963-1	SEALANT - 2 OZ. LOCTITE D, HARDENING GRADE	50	-	22-817740A1	FITTING, PUDDLE DRAIN W/METERING CAP	23	16
FT2987-1	LUBRICANT - ANTI-SEIZE	50	-	22-817740A1	PUDDLE DRAIN FITTING W/METERING CUP	15	2
FT2990	PISTON PIN TOOL	47	-	31-818060A1	BEARING CAGE LOWER W/SEALS (ITEMS 6, 7 & 10)	21	8
FT2996	RING COMPRESSOR	47	-	32-817738A1	FUEL LINE, LONG W/CLAMP AND FERRULE	41	1
FT3012	SEAL INSTALLER	48	-	33-818007--1	SPARK PLUG (UL-18V) - USA	25	62
FT3431	SEAL INSTALLER	47	-	39-818122A1	PISTON RING SET (4 PER SET - .030 OVERSIZE)	21	-
FT3431	SEAL INSTALLER	48	-	84-817821A1	HI-TENSION WIRE	7	21
FT8901	INDICATOR HOLDER	48	-	1600-817900A1	GEAR HOUSING - COMPLETE.	37	-
FT8902	DIAL INDICATOR	48	-				
FT8904	CUP INSTALLER	48	-				
FT8907	DRIVE HANDLE	48	-				
FT8907	DRIVER HANDLE	48	-				
FT8918	BUSHING GUIDE SET	48	-				
FT8920	BEARING INSTALLER	48	-				
FT8921	CUP REMOVER	48	-				
FT8924-1	CHECKING GAUGE	48	-				
FT8925	SEAL INSTALLER	48	-				
FT8926	RING EXPANDER	47	-				
FT8933	LIFTING HOOK	47	-				
FT8935	SEALANT PRIMER - 6 OZ.	50	-				
FT8936	SEALANT - 2 CC LOCTITE RETAINING COMPOUND #75	50	-				
FT8948-1	PULLER	46	-				
FT8948-1	PULLER	48	-				
FT8950	LEAKAGE TESTER	49	-				
FT8953	IGNITION TESTER	49	-				
FT8955	SEALANT - 5 OZ. EC-750 INDUSTRIAL SEALANT	50	-				
FT8957	SEAL INSTALLER	48	-				
FT8969	LUBRICANT - 7 OZ. 2 PSI LUBRICANT	50	-				
FT8978	POWER TIMING LIGHT	46	-				
FT8979	WATER PUMP CENTERING TOOL	48	-				