



PARTS CATALOG

115 H.P.

SERIAL NUMBER

115 (1979)1154B9A
115 (1979)1154H9A

TABLE OF CONTENTS:

ACCESSORIES	60
CARBURETOR	16
CRANKSHAFT AND PISTON GROUP	32
DISTRIBUTOR	12
ELECTRICAL COMPONENTS	6
ENGINE COVER AND SUPPORT PLATE	2
FUEL PUMP AND REED PLATE	20
FUEL TANK AND LINE	44
GEAR HOUSING	38
MOTOR LEG	34
PARTS INDEX	63
POWER HEAD	24
POWER TRIM UNIT	50
REMOTE CONTROL	46
SPECIAL TOOLS - DECAL REPAIR SHEET	59
SPECIAL TOOLS - GEAR HOUSING	56
SPECIAL TOOLS - LUBRICANTS AND SEALANTS	58
SPECIAL TOOLS - POWER HEAD	55
SPECIAL TOOLS - TEST EQUIPMENT	57
SPECIAL TOOLS - TUNE-UP	54
STARTER	10

NOTE: *Indented description indicate that these parts are included in preceding assembly.*

AR = As Required

NSS = Not Sold Separate

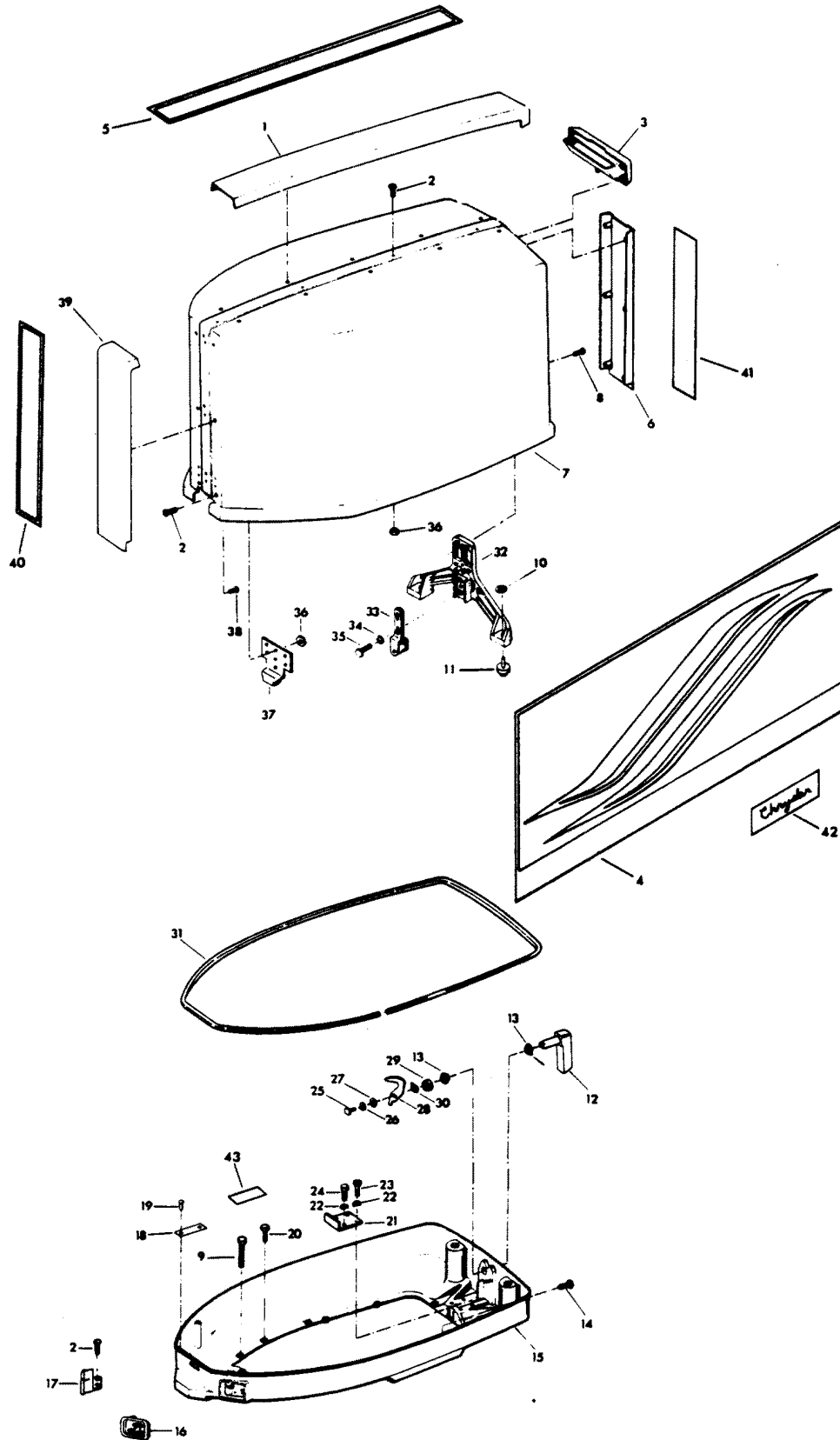
OPT = Optional

NS = Not Shown

THESE PARTS BOOKS/FICHE CARD ARE COPYRIGHTED AND MAY NOT BE DISTRIBUTED OR REPRODUCED IN ANY OTHER FORMAT BY ANYONE OTHER THAN MERCURY MARINE WITHOUT THE PRIOR WRITTEN CONSENT OF MERCURY MARINE.

THIS PAGE INTENTIONALLY LEFT BLANK

ENGINE COVER AND SUPPORT PLATE

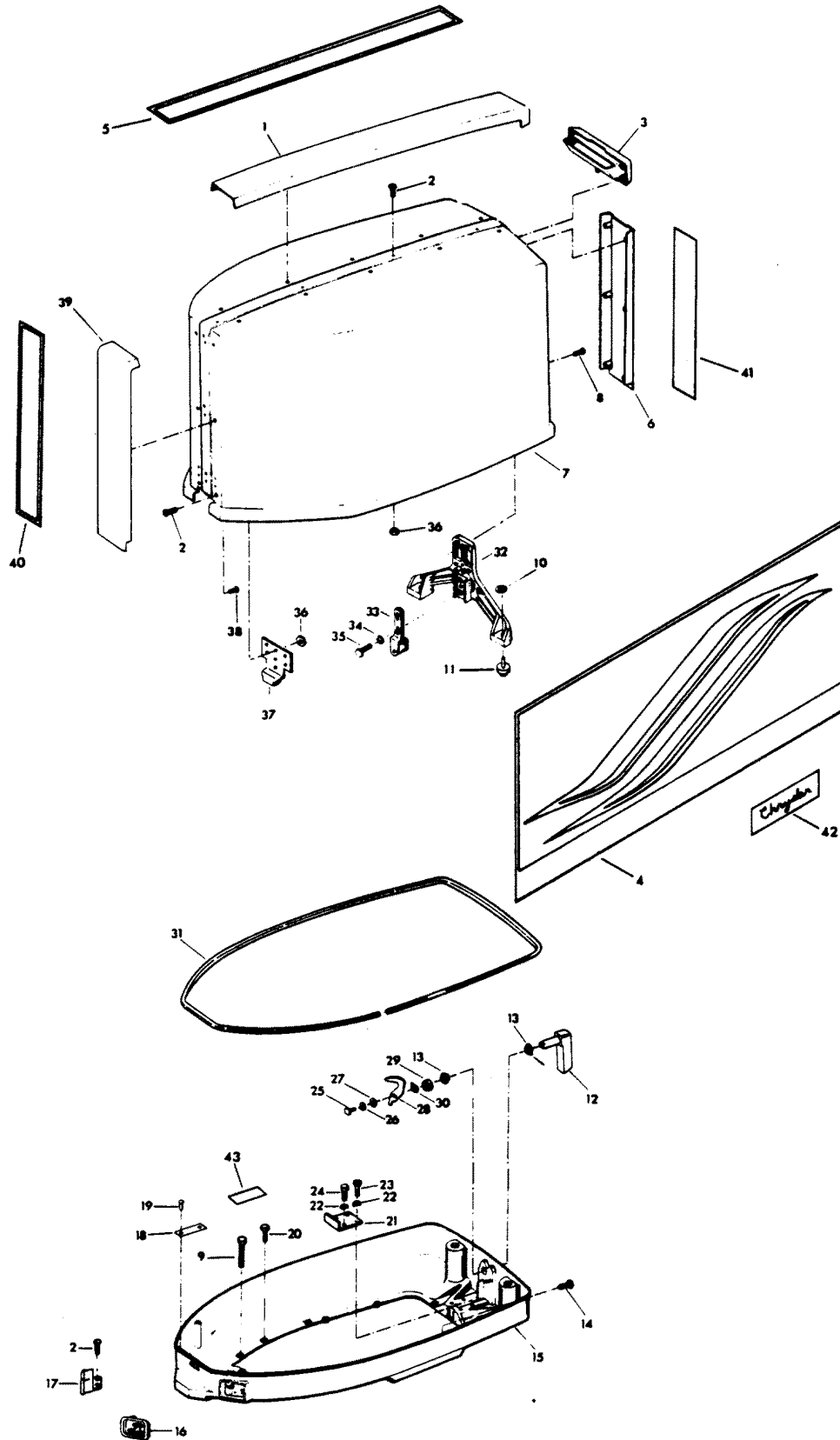


ENGINE COVER AND SUPPORT PLATE

REF. NO.	PART NO.	SYM.	QTY.	DESCRIPTION
1	FS548179		1	TRIM TOP
2	F1733		10	PAN HD MACHINE SCREW, 10 - 24 X 9/16
3	FS548269		1	TILT HANDLE
4	FA553397		1	DECAL, ENGINE COVER PORT
-	FA553396		1	DECAL, ENGINE COVER STBD.
5	FA553785		2	DECAL, ENGINE COVER - TOP
6	FS552180		1	TRIM REAR
7	A553944		1	ENGINE COVER W/RETAINER, SCREWS AND NUTS
-	5C553944		1	ENGINE COVER COMPLETE INCLUDES ALL ITEMS MARKED WITH AN ASTERISK (*).
8	F1730		3	PAN HD SCREW W/SPRING LOCKWASHER, 1/4 - 20 X 5/8
9	F1849		2	HEX HD CAP SCREW, 1/4 - 20 X 1-3/8
10	F2088		2	FASTENER
11	F481434		2	GUIDE, ENGINE COVER
12	FA481469		1	HANDLE W/SHAFT
13	F480818		2	BEARING
14	F1238		6	HEX CAP SCREW, 1/4 - 20 X 3/4
15	F480038-2		1	SUPPORT PLATE
16	F549189		1	BUSHING, ELECTRIC CABLE
17	F545189		1	BUSHING, CABLE ENTRY
18	FA535395		1	IDENTIFICATION PLATE W/SCREWS FOR U.S.A. MODELS
-	FAC535395		1	IDENTIFICATION PLATE W/SCREWS FOR CANADA MODELS.
19	F1447		2	ROUND HD SCREW, 2 X 3/16
20	F1502		5	SCREW, 1/4 - 20 X 5/8
21	F335654-1		1	DEFLECTION STOP
22	F8096		4	SPRING LOCKWASHER
23	F1857		2	HEX CAP SCREW, 5/16 - 18 X 5/8
24	F1858		2	HEX CAP SCREW, 5/16 - 18 X 1
25	F1854		1	HEX CAP SCREW, 1/4 - 20 X 5/8
26	F8083		1	SPRING LOCKWASHER
27	F8094		1	PLAIN WASHER
28	F481777		1	CAM, LATCH
29	F481382-1		1	SPACER, LATCH SHAFT
30	F2047		1	WAVE SPRING LOCKWASHER
31	F321756		1	PACKING, COVER
32	F481774		1	BRACKET, COVER LATCH
33	FA481743		1	ROLLER BRACKET
34	F8096		2	SPRING LOCKWASHER
35	F1857		2	HEX CAP SCREW, 5/16 - 18 X 5/8
36	F1473		7	HEX NUT
37	F333480-1		1	RETAINER, ENGINE COVER
38	F2066		30	PAN HD TAPPING SCREW, 10 X 7/16 (TRIM TO COVER)
39	FS552888		1	TRIM FRONT

CONTINUED ON NEXT PAGE ➡

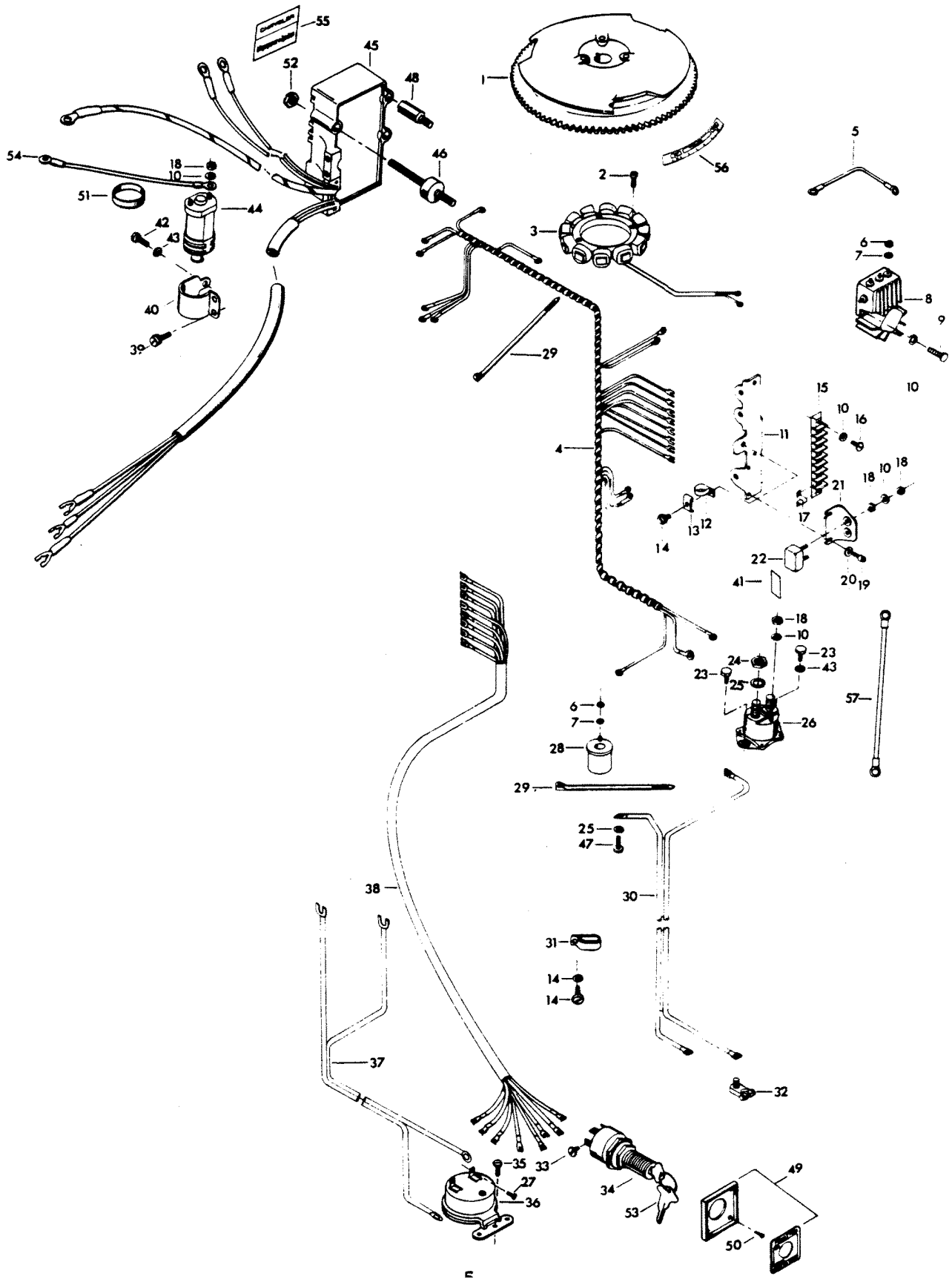
ENGINE COVER AND SUPPORT PLATE



ENGINE COVER AND SUPPORT PLATE

REF. NO.	PART NO.	SYM.	QTY.	DESCRIPTION
-	F548984		1	BLANKET, SILENCER TOP (NOT SHOWN)
-	F552985		2	BLANKET, SILENCER SIDE (NOT SHOWN)
40	FA553892		1	DECAL, FRONT
41	FA553528		1	DECAL, ENGINE COVER - REAR
42	FA552392		2	DECAL, CHRYSLER
43	F235785		1	DECAL COMPLIANCE (CANADA)

ELECTRICAL COMPONENTS

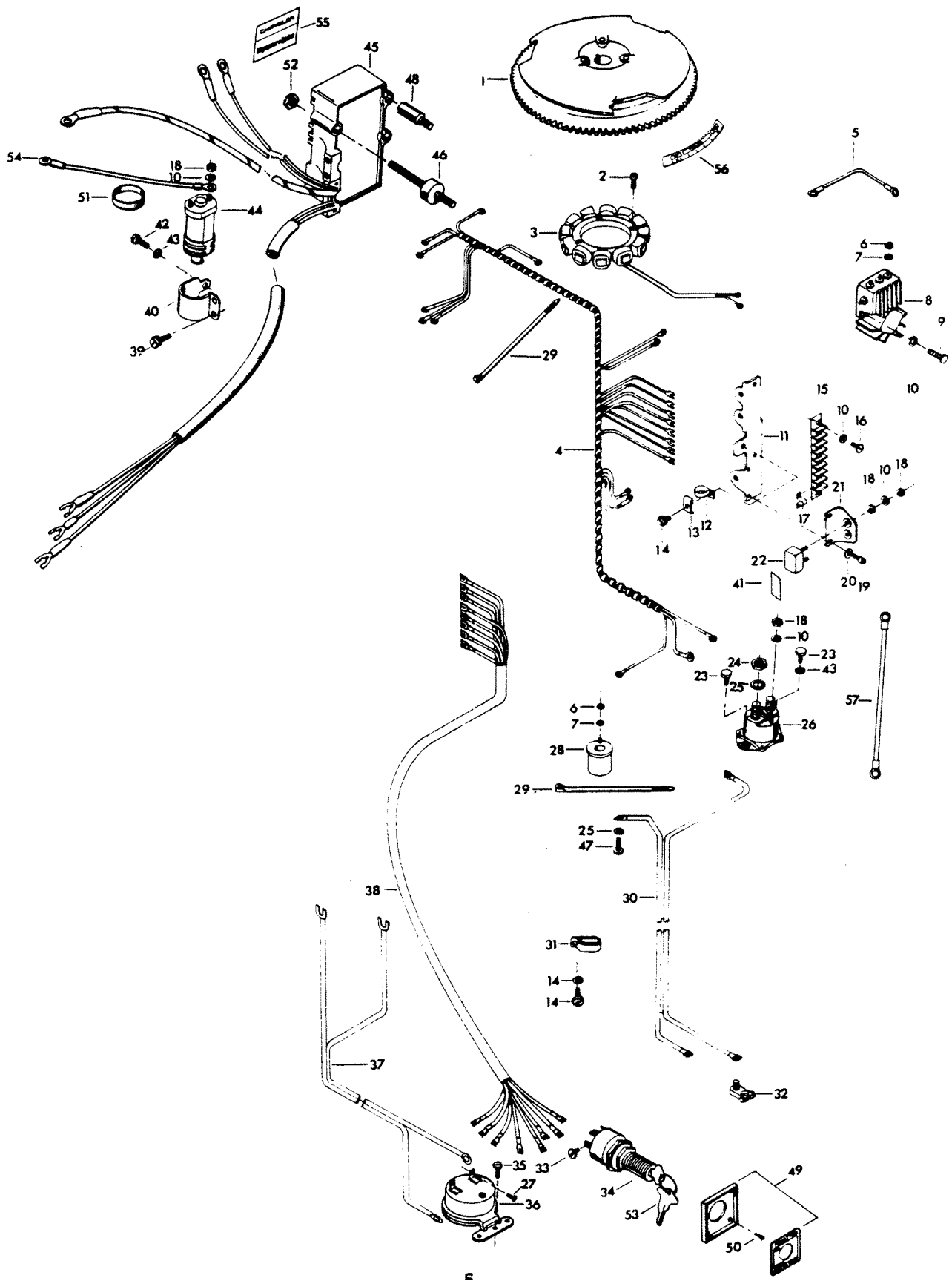


ELECTRICAL COMPONENTS

REF. NO.	PART NO.	SYM.	QTY.	DESCRIPTION
1	F404097		1	FLYWHEEL
2	F1678		6	FILL HD SCREW, 10 - 24 X 13/16
3	F85095-2		1	STATOR
4	F438744-1		1	WIRING HARNESS
5	F345683		1	WIRE, REGULATOR-RECTIFIER GROUND
6	F1647		5	HEX NUT, 8 - 32
7	F8056		5	SPRING LOCKWASHER
8	F404470-1		1	REGULATOR-RECTIFIER
9	F2001		3	FILL HD SCREW, 10 - 24 X 5/8
10	F1975		9	SPRING LOCKWASHER
11	FA439493		1	TERMINAL BLOCK BRACKET
12	F289446-1		1	CLAMP
13	F438668		1	RETAINER, CABLE CLAMP
14	F1734		2	FILL HD SCREW W/LOCKWASHER, 1/4 - 20 X 1/2
15	FA510497		1	TERMINAL BLOCK
16	F1648		2	PAN HD SCREW, 10 - 24 X 3/4
17	F307317		1	CLIP, TERMINAL BLOCK
18	F1513		8	HEX NUT
19	F1760		2	PAN HD SCREW, 10 - 24 X 3/8
20	F8011		2	PLAIN WASHER
21	F91446-1		1	CIRCUIT BREAKER BRACKET
22	F510460		1	CIRCUIT BREAKER
23	F1705		2	HEX CAP SCREW, 1/4 - 20 X 3/4
24	F1515		2	HEX NUT
25	F8096		3	SPRING LOCKWASHER
26	F460917		1	STARTER RELAY
27	F1645		2	SCREW, 6 - 32 X 1/4
28	F85924		1	CHOKE SOLENOID
29	F1877		2	TY-RAP
30	F381896-4		1	BATTERY CABLE
31	F407446		1	CLAMP
32	F5H041		1	BATTERY TERMINAL KIT (ACCESSORY ITEM)
33	F1280		5	SCREW, 8 - 32 X 1/4
34	F5H078		1	IGNITION SWITCH (LONG BARREL) W/KEYS AND SCREWS (ACCESSORY ITEM)
35	F1741		2	SCREW, 8 X 3/4
36	F5H043		1	OVERHEAT BUZZER (ACCESSORY ITEM)
37	F404841		1	CABLE, HEAT INDICATOR
38	F85843-1		1	REMOTE ELECTRIC CABLE, 18 FEET
39	F1851		2	FILL HD SCREW W/LOCKWASHER, 10 - 24 X 1/2
40	F404513		1	COIL CLAMP
41	F510374		1	DECAL, CIRCUIT BREAKER - USA
-	FC510374		1	DECAL, CIRCUIT BREAKER - CANADA

CONTINUED ON NEXT PAGE ➡

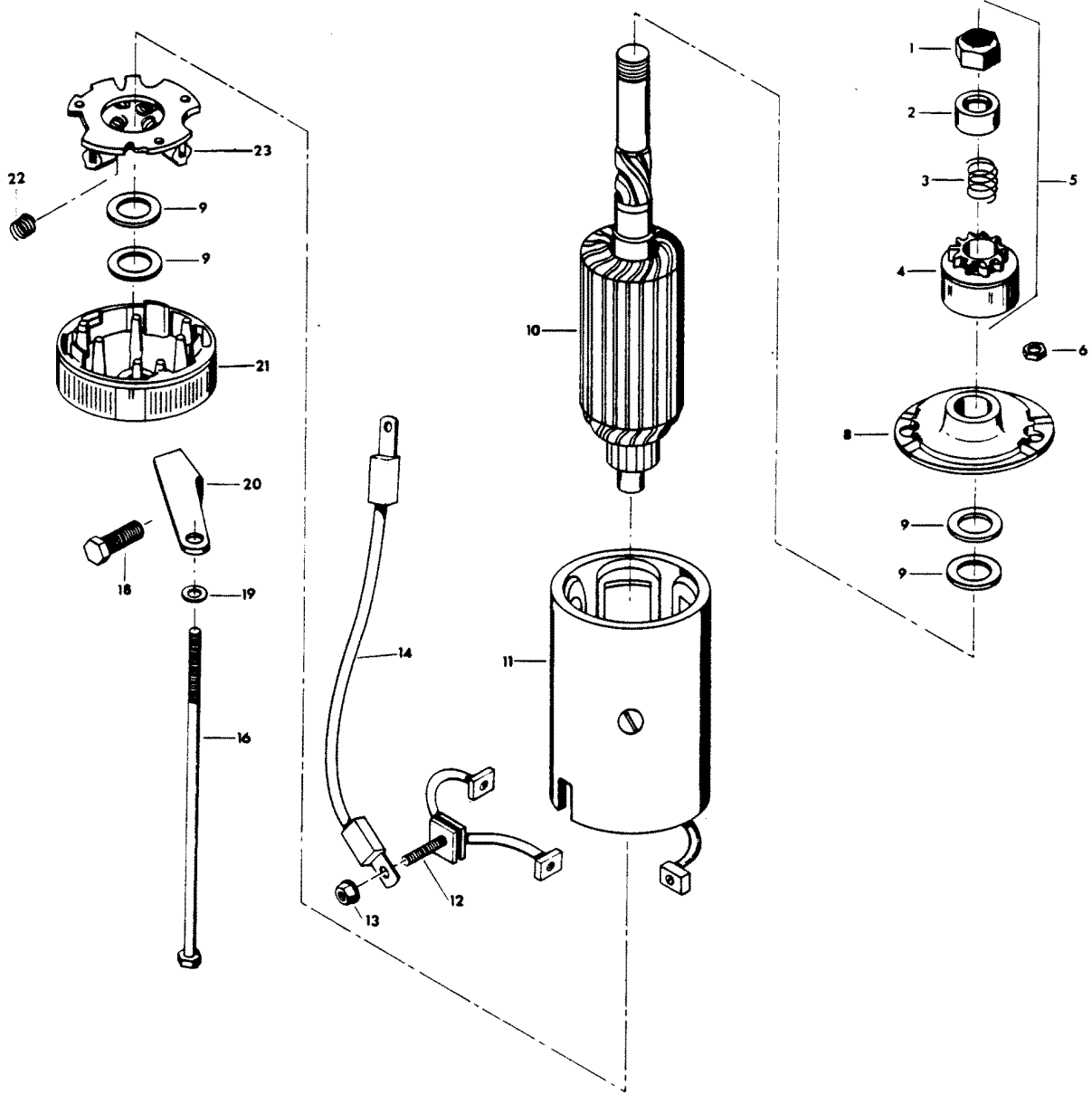
ELECTRICAL COMPONENTS



ELECTRICAL COMPONENTS

REF. NO.	PART NO.	SYM.	QTY.	DESCRIPTION
42	F1689		1	HEX HD CAP SCREW, 1/4 - 20 X 1/2
43	F8083		2	SPRING LOCKWASHER
44	F345475-1		1	COIL
45	300-817855A1		1	UNIT W/DECAL (ORIGINAL FORCE P/N A 523301-1)(Does not include Coil & Clamp)
46	F523962		3	SHOCK MOUNT - C.D. UNIT
47	F2000		1	HEX CAP SCREW, 5/16 - 18 X 3/4
48	F322273		1	STUD, C.D. UNIT
49	F5H038		1	IGNITION SWITCH MOUNTING KIT (ACCESSORY ITEM)
-	817892--1		1	PLATE, IGNITION SWITCH - CANADA
50	F1934		4	SCREW, 6 X 12
51	F391983		2	RETAINING BAND
52	F1892		3	STOP NUT
53	FA368700		-	IGNITION KEY - NO LETTER OR STAMPED A
-	FB368700		-	IGNITION KEY - STAMPED B
-	FC368700		-	IGNITION KEY - STAMPED C
-	FD368700		-	IGNITION KEY - STAMPED D
-	FE368700		-	IGNITION KEY - STAMPED E
54	F85664		1	GROUND WIRE
55	480373		1	DECAL, MAGNAPOWER IGNITION
56	F474387		1	TIMING DECAL - USA
-	FC474387		1	TIMING DECAL - CANADA
57	F319908		1	GROUND WIRE - CANADA

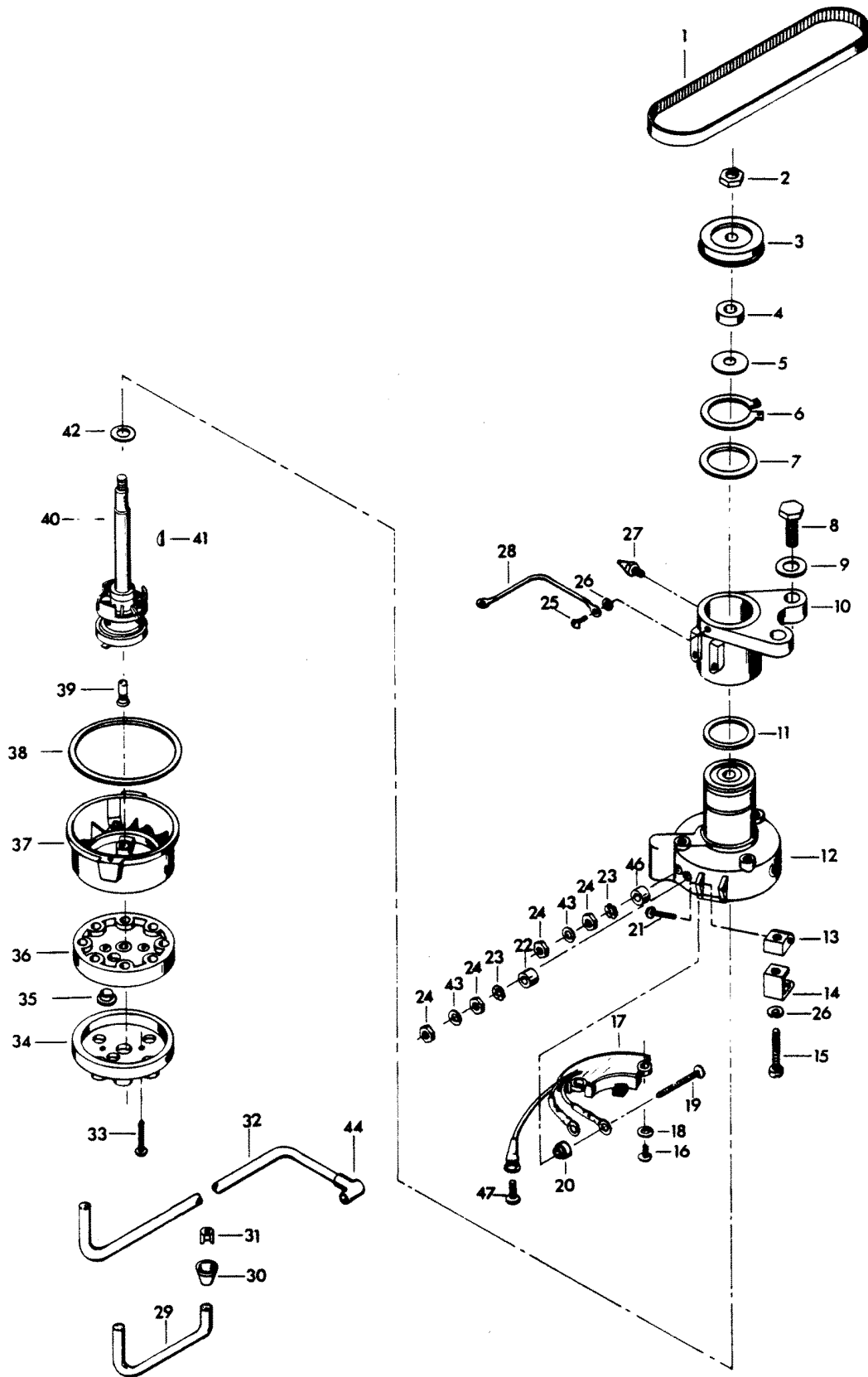
STARTER



STARTER

REF. NO.	PART NO.	SYM.	QTY.	DESCRIPTION
5	F15118		1	BENDIX DRIVE ASSEMBLY
6	F1641		2	LOCK NUT, 1/4 - 28
8	F15167		1	HEAD ASSEMBLY, DRIVE END
9	F15126		1	THRUST WASHER PACKAGE
10	F15099		1	ARMATURE
11	F15166		1	FRAME AND FIELD ASSEMBLY
12	F15054		1	BRUSH AND TERMINAL SET
13	FA15072		1	HEX LOCK NUT, 1/4 - 20
14	F85908		1	STARTER LEAD WIRE
16	F15168		1	THRU BOLT PACKAGE
18	F1502		1	HEX CAP SCREW, 1/4 - 20 X 5/8
19	F8028		2	PLAIN WASHER
20	F511675		1	STARTER BRACKET, LOWER
21	F15125		1	HEAD ASSEMBLY, COMMUTATOR END
22	F15034		1	SPRING SET
23	F15057		1	BRUSH PLATE AND HOLDER ASSEMBLY
-	FS490955		1	STARTER COMPLETE
-	FC500390		1	DECAL, STARTER - CANADA (NOT SHOWN)

DISTRIBUTOR

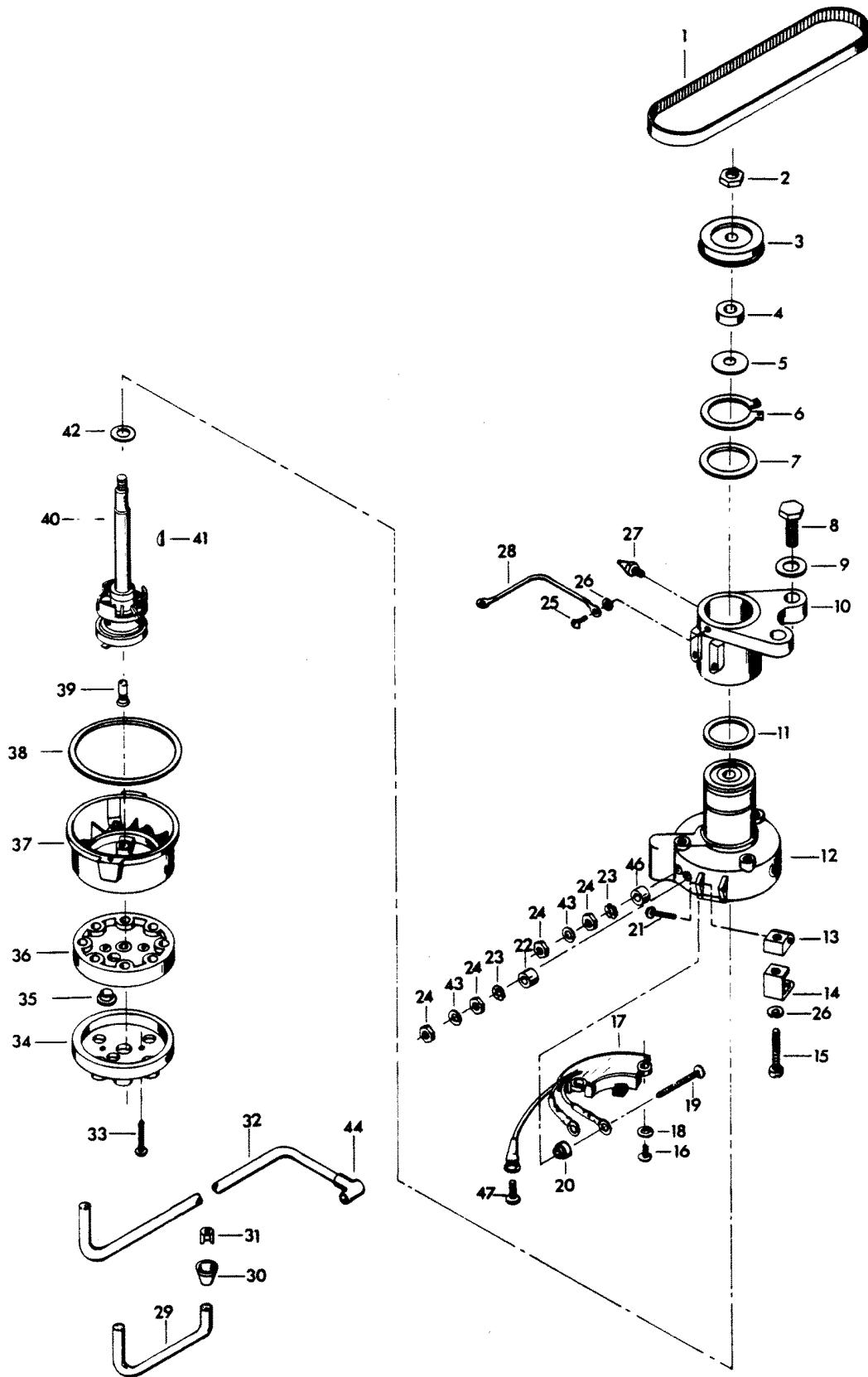


DISTRIBUTOR

REF. NO.	PART NO.	SYM.	QTY.	DESCRIPTION
1	F85311		1	DISTRIBUTOR BELT
2	F7013		1	STOP NUT
3	817786A1		1	DISTRIBUTOR PULLEY
4	F14025		1	SPACER
5	F14028		1	THRUST WASHER
6	F85173		1	RETAINING RING
7	F14029		1	THRUST WASHER
8	F1612		2	HEX CAP SCREW, 3/8 - 16 X 1-1/4
9	F1778		2	PLAIN WASHER
10	FA321574		1	DISTRIBUTOR BRACKET
11	F1759		2	SHIM, DISTRIBUTOR (QTY. AS REQUIRED)
12	F14042		1	DISTRIBUTOR HOUSING W/BEARINGS
13	F14036		2	SWIVEL
14	F14037		2	CAP CLIPS
15	F14038		2	CAP CLIP SCREWS
16	F14045		2	SCREW
17	FA14048-2		1	PREAMPLIFIER
18	F8056		2	LOCKWASHER
19	F14046		2	TERMINAL SCREW
20	F14047		2	TERMINAL INSULATOR (INSIDE)
21	F14015		2	CAP CLIP RIVET
22	F14049		1	TERMINAL INSULATOR (OUTSIDE)
23	F14041		2	EXTERNAL TOOTH LOCKWASHER
24	F1647		2	HEX NUT, 8 - 32
25	F1760		2	PAN HD SCREW, 10 - 24 X 3/8
26	F1975		2	SPRING LOCKWASHER
27	F213274		1	GREASE FITTING
28	F85664		1	DISTRIBUTOR GROUND
29	84-817775A1		1	COIL WIRE W/TERMINAL CLIP
-	F438905		1	COIL WIRE - CANADA
30	F203276		1	BOOT
31	F203673		1	TERMINAL CLIP
32	F321841-3		4	LEAD WIRE
-	F438841-1		4	LEAD WIRE - CANADA
33	F14007		2	CAP SCREW
34	F14010-1		1	CAP COVER
35	F14040		2	VENT
36	F14021-1		1	CAP SEAL
37	F14005-2		1	CAP BASE
38	F14030		1	CAP GASKET
39	F14012-1		1	BRUSH
40	F14044		1	DISTRIBUTOR SHAFT
41	F1692		1	WOODRUFF KEY

CONTINUED ON NEXT PAGE ➡

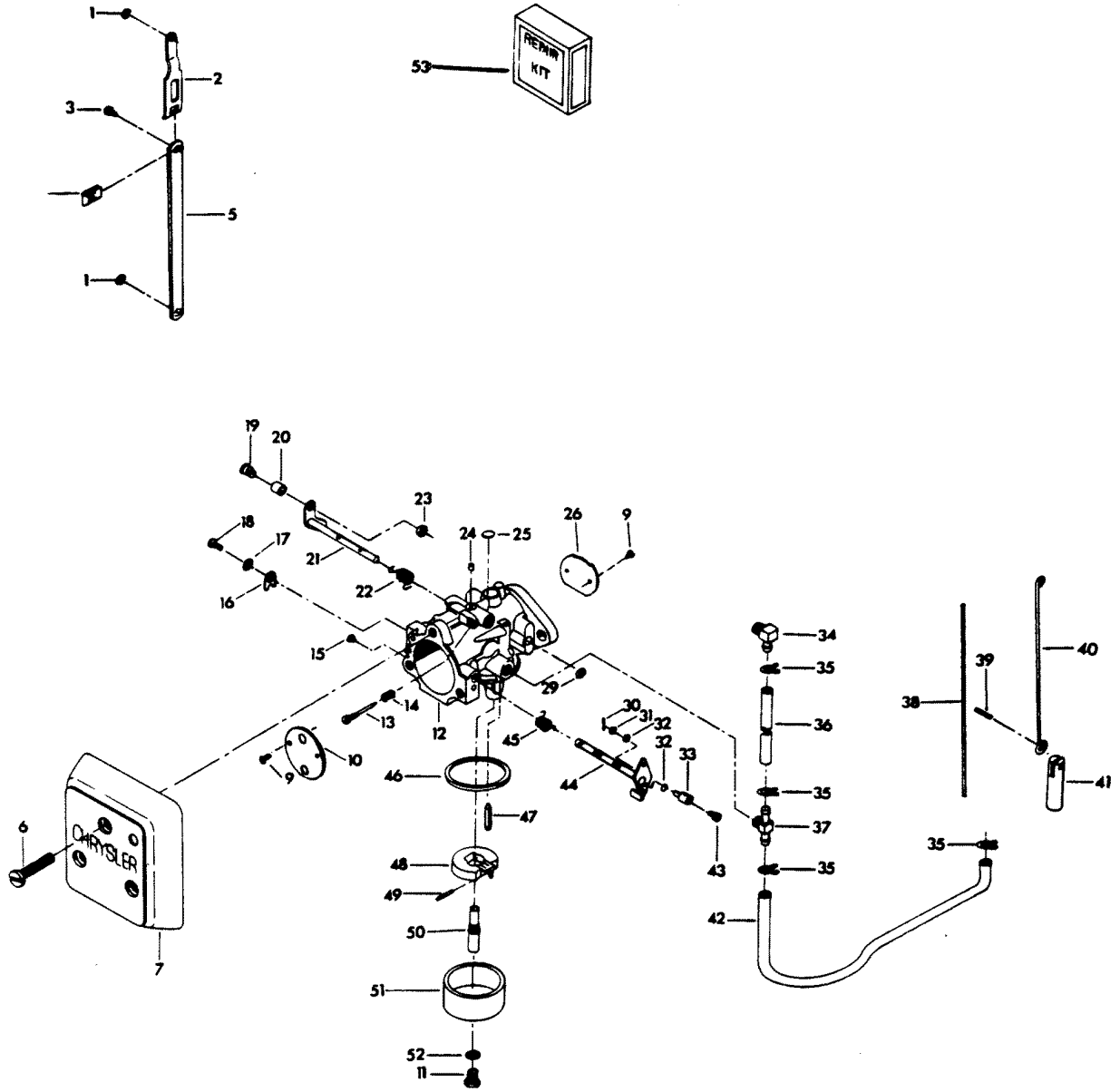
DISTRIBUTOR



DISTRIBUTOR

REF. NO.	PART NO.	SYM.	QTY.	DESCRIPTION
42	F14024		1	SPACER
43	F8056		2	LOCKWASHER
44	FK750-3		4	SPARKIE
46	F14017		1	TERMINAL INSULATOR (OUTSIDE)
-	817828A1		1	DISTRIBUTOR
-	481373-1		1	DECAL, "ELECTRONIC" NOT SHOWN
47	F14056		1	SCREW

CARBURETOR



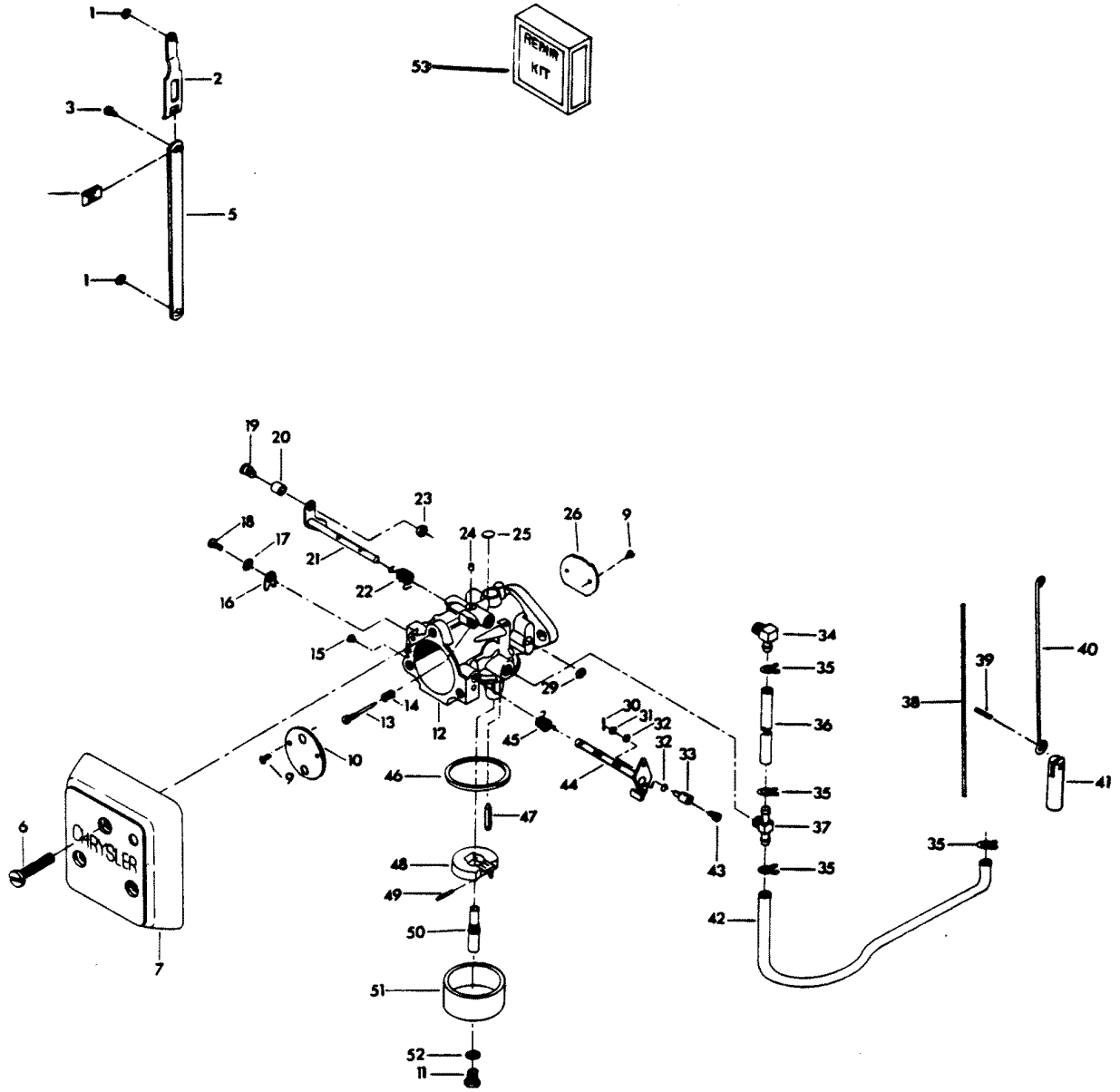
..

CARBURETOR

REF. NO.	PART NO.	SYM.	QTY.	DESCRIPTION
1	F90807		2	RETAINING RING
2	FA85193		1	TIE BAR END W/SWIVEL
3	F1064		1	FILL HD SCREW, 8 - 32 X 3/8
4	F1693		1	TIE BAR RETAINER NUT
5	FA178233		1	THROTTLE TIE BAR W/SWIVEL
6	F1034		6	SCREW, 1/4 - 20 X 1-3/8
7	F511708		2	COVER, CARBURETOR
9	FO15912		4	CHOKE AND THROTTLE SHUTTER SCREW
10	FO17719		1	CHOKE, SHUTTER
11	FO16132		1	FUEL BOWL RETAINING SCREW
12	F553061		2	CARBURETOR COMPLETE (TC-7A)
13	FO14166		1	IDLE MIXTURE SCREW
14	FO11103		1	IDLE MIXTURE SCREW SPRING
15	FO15406		1	MAIN FUEL JET STD. .090 SEA LEVEL - 1500 FT.
-	FO13193		-	MAIN FUEL JET OPT. .088 1500 - 3000 FT.
-	FO13949		-	MAIN FUEL JET OPT. .086 3000 - 4500 FT.
-	FO14302		-	MAIN FUEL JET OPT. .084 4500 - 6000 FT.
-	FO14109		-	MAIN FUEL JET OPT. .082 6000 FT & UP
16	FO9678		1	CLIP, CHOKE SHAFT
17	FO992		1	LOCKWASHER
18	FO1974		1	SCREW
19	F333316		1	THROTTLE ROLLER SHAFT
20	F92759		1	THROTTLE ROLLER
21	FO17884		1	THROTTLE SHAFT AND LEVER
22	FO16143		1	THROTTLE SHAFT RETURN SPRING
23	F1997		1	STOP NUT, 8 - 32
24	FO10588		5	BODY CHANNEL CUP PLUG
25	FO16128		1	BODY CHANNEL WELCH PLUG
26	FO16142		1	THROTTLE SHUTTER
29	FO16620		1	"E" RING
30	F1014		2	COTTER PIN
31	F8088		3	PLAIN WASHER
32	F184579		5	"O" RING SEAL
33	F184033-1		1	SWIVEL, TOP CARBURETOR
34	F84314-2		1	ELBOW
35	F97772		4	CLAMP
36	F178754-1		1	FUEL LINE
37	F85314-1		1	FUEL FITTING
38	F85509-1		1	LINK, CHOKE
39	F2033		1	GROOVE PIN
40	F440925		1	CHOKE ROD
41	F391926-1		1	PLUNGER
42	F438754		1	FUEL LINE

CONTINUED ON NEXT PAGE ➡

CARBURETOR

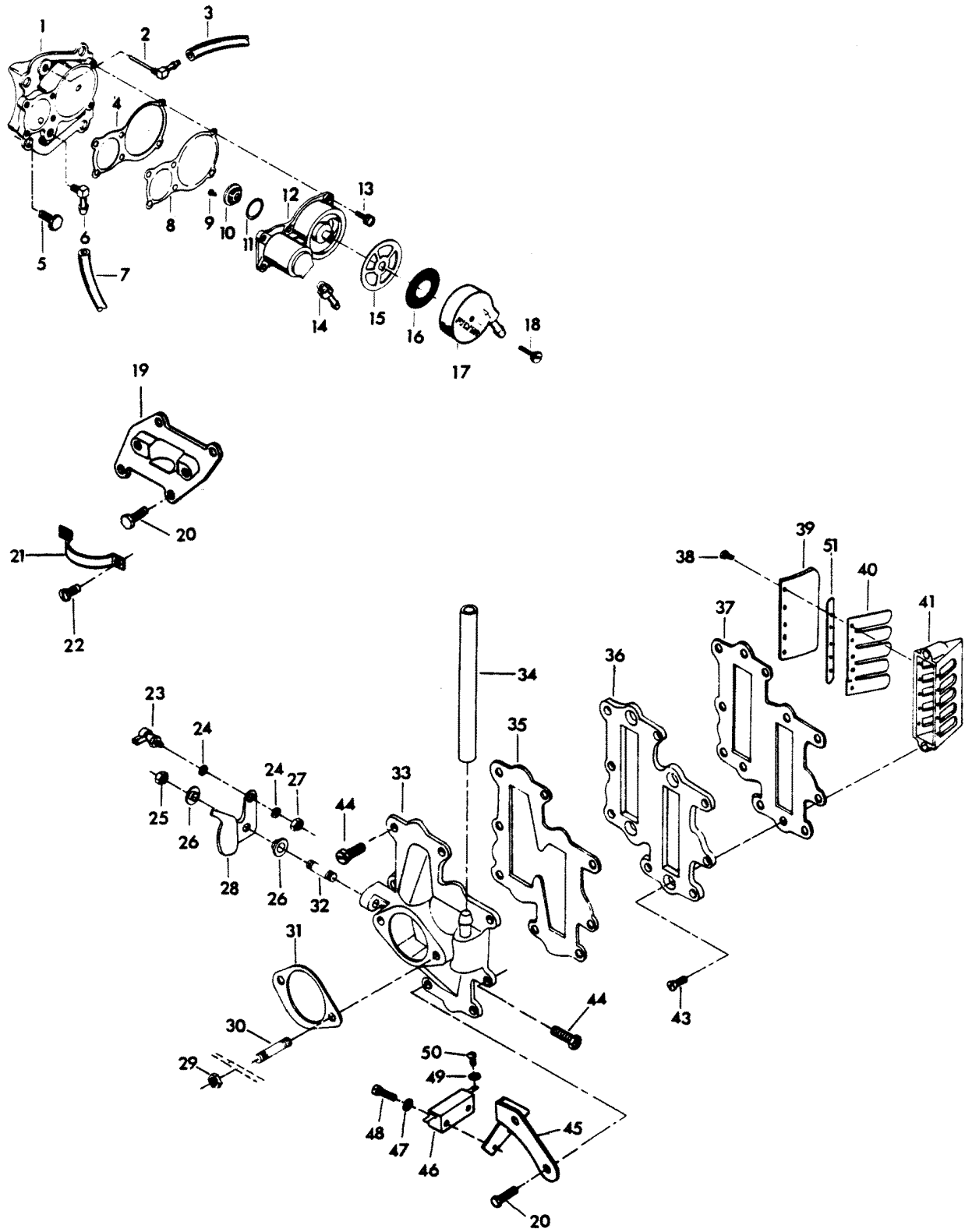


..

CARBURETOR

REF. NO.	PART NO.	SYM.	QTY.	DESCRIPTION
43	F1059		2	FILL HD SCREW, 6 - 32 X 1/4
44	FO16301		1	CHOKE SHAFT AND LEVER
45	FO17885		1	CHOKE SHAFT RETURN SPRING
46	FO15623		1	FUEL BOWL GASKET
47	FO16697		1	INLET NEEDLE
48	FO13554		1	FLOAT
49	FO13944		1	FLOAT LEVER PIN
50	FO16133		1	MAIN NOZZLE
51	FO16130		1	FUEL BOWL
52	FO5323		2	FUEL BOWL RETAINING SCREW GASKET
-	F85033		1	SWIVEL, CHOKE ROD (BOTTOM CARBURETOR) (NOT SHOWN)
-	F10023		1	GASKET SET (NOT SHOWN)
53	F10103		1	REPAIR PARTS KIT INCLUDES ALL ITEMS MARKED WITH AN ASTERISK (*) .

FUEL PUMP AND REED PLATE

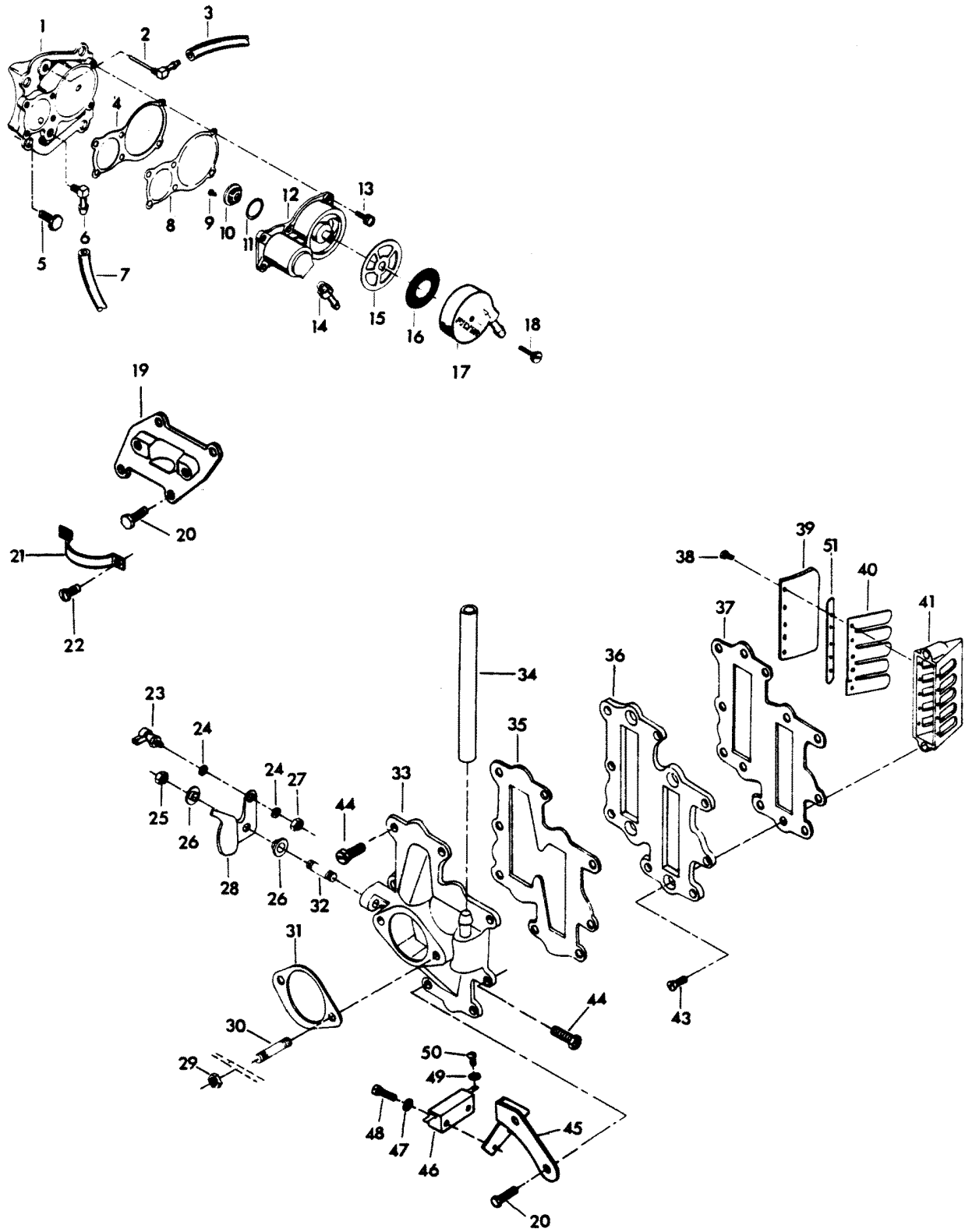


FUEL PUMP AND REED PLATE

REF. NO.	PART NO.	SYM.	QTY.	DESCRIPTION
1	FA439746		1	FUEL PUMP COVER
2	F404314		1	ELBOW, FUEL PUMP COVER
3	F441754-1		1	HOSE
4	F438760		1	FUEL PUMP GASKET
5	F1502		4	HEX CAP SCREW, 1/4 - 20 X 5/8
6	F84314-2		1	ELBOW
7	F89758		1	HOSE, FUEL PUMP USA
8	F438747		1	FUEL PUMP DIAPHRAGM
9	F1860		2	RD HD SCREW, 6 - 32 X 1/4
10	F177330		3	FUEL PUMP VALVE
11	F84792		1	GASKET, CENTER FUEL PUMP VALVE
12	FA438431		1	FUEL PUMP BODY W/VALVES
13	F1108		6	FILL HD SCREW, 1/4 - 20 X 3/4
14	F438801		1	FITTING
15	F438617		1	FUEL SEDIMENT BOWL GASKET
16	F438653		1	FUEL SEDIMENT BOWL SCREEN
17	F438500		1	FUEL SEDIMENT BOWL
18	F438165		1	SCREW, FUEL PUMP BOWL
19	F372958		1	CHOKE BRACKET
20	F1953		6	HEX HD SCREW, 1/4 - 20 X 1
21	F85317-1		1	SOLENOID CLAMP
22	F1236		2	SCREW, 1/4 - 20 X 1/2
23	817747--1		1	BALL JOINT W/STUD
24	F8058		2	INTERNAL TOOTH LOCKWASHER
25	F1910		1	STOP NUT, 1/4 - 20
26	F269319		2	THROTTLE CAM BEARING
27	F1513		1	HEX NUT, 10 - 32
28	F440192-1		1	THROTTLE CAM
29	F1346		4	HEX NUT
30	F440209		4	CARBURETOR STUD
31	F440906		2	CARBURETOR GASKET
32	F433209-1		1	THROTTLE CAM STUD
33	FA440167		1	CARBURETOR ADAPTER, LOWER W/FITTING AND STUDS
-	FA440157		1	CARBURETOR ADAPTER, UPPER W/FITTING AND STUDS (NOT SHOWN)
34	F440254		1	BALANCE TUBE
35	F178168-1		1	GASKET, CARBURETOR ADAPTER
36	F178404-1		2	DEFLECTOR PLATE
37	F406406		2	GASKET DEFLECTOR PLATE
38	F1755		40	ROUND HD SCREW W/LOCKWASHER 6 - 32 X 1/4
39	F85161-1		8	REED STOP
40	F530160		8	REED (5 PETAL)
41	F2A523158		4	REED PLATE W/REEDS, REED STOPS AND SCREWS

CONTINUED ON NEXT PAGE ➡

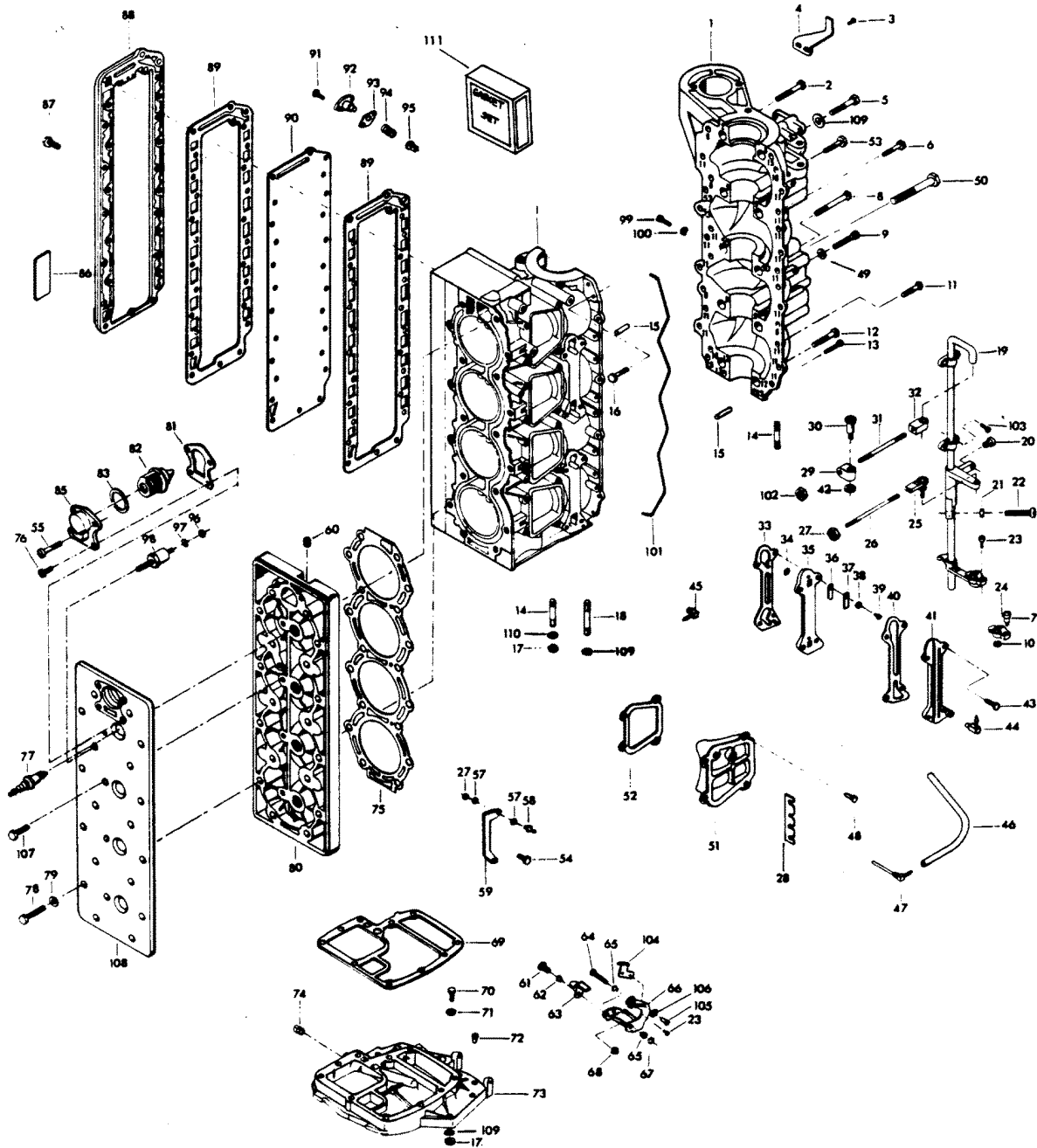
FUEL PUMP AND REED PLATE



FUEL PUMP AND REED PLATE

REF. NO.	PART NO.	SYM.	QTY.	DESCRIPTION
43	F1831		8	FLAT HD SCREW, 1/4 - 20 X 5/8
44	F1915		10	HEX HD SCREW, 1/4 - 20 X 7/8
45	F489551		1	BRACKET NEUTRAL INTERLOCK SWITCH
46	F84449		1	INTERLOCK SWITCH
47	F8088		2	PLAIN WASHER
48	F2016		2	FILL HD SCREW, 6 - 32 X 7/8
49	F1704		2	INTERNAL TOOTH LOCKWASHER
50	F1645		2	RD HD SCREW, 6 - 32 X 1/4
51	F523451		8	SPACER, REEDS STOP

POWER HEAD

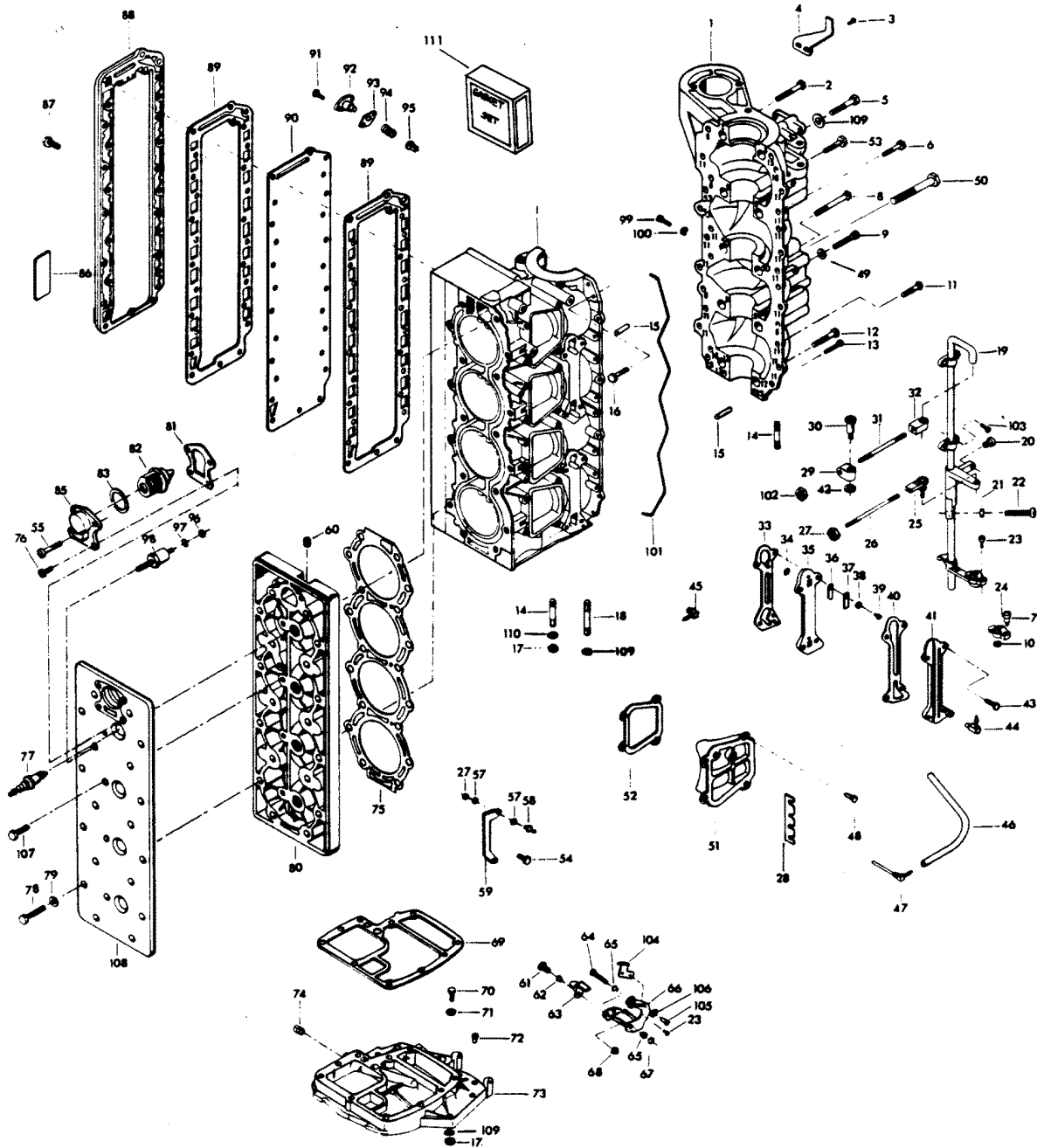


POWER HEAD

REF. NO.	PART NO.	SYM.	QTY.	DESCRIPTION
1	FA553010		1	CYLINDER W/CRANKCASE COVER, PARTING LINE SEAL, SCREWS & DOWEL PIN
-	FC553010		1	SHORT BLOCK CONTAINS ALL ITEMS MARKED WITH AN ASTERISK (*). ALSO REFER TO CRANKSHAFT PAGE.
2	F1874		1	HEX HD SCREW, 3/8 - 16 X 1/8
3	F1760		2	PAN HD SCREW, 10 - 24 X 3/8
4	FA480894		1	TIMING POINTER
5	F1009		1	HEX HD SCREW, 3/8 - 16 X 2-3/4
6	F1915		3	HEX HD SCREW, 1/4 - 20 X 7/8
7	F405457		1	PIVOT SCREW
8	F1699		1	HEX HD SCREW, 1/4 - 20 X 1-1/8
9	F1253		4	HEX SOCKET HD CAP SCREW, 3/8 - 16 X 2
10	F7008		1	ELASTIC STOP NUT
11	F1914		16	HEX HD SCREW, 1/4 - 20 X 3/4
12	F1872		2	HEX CAP SCREW, 3/8 - 16 X 1-3/4
13	F1099		2	FILL HD SCREW, 1/4 - 20 X 1-1/4
14	F85859		4	STUD
15	F8563		2	DOWEL PIN
16	F1953		2	HEX HD SCREW, 1/4 - 20 X 1
17	F7004		10	STOP NUT, 3/8 - 16
18	F85211		6	STUD
19	817932A6		1	TOWERSHAFT W/SWIVEL, BEARINGS AND SCREWS
20	F1727		1	PLASTIC RIVET
21	F1341		1	HEX NUT, 1/4 - 20
22	F1052		1	FILL HD SCREW, 1/4 - 20 X 1
23	F1556		2	FILL HD SCREW W/LOCKWASHER, 10 - 24 X 3/8
24	FK405020		2	SWIVEL W/CLAMP, SHOULDER SCREW AND NUT
25	817747--1		1	BALL JOINT W/STUD
26	F85502		1	THROTTLE LINK
27	F1513		4	HEX NUT, 10 - 32
28	F523834		1	CLIP, SPARK PLUG WIRE
29	F85035		1	DISTRIBUTOR, CONTROL ROD END
30	F85026		1	SWIVEL
31	F85445		1	CONTROL ROD
32	F85036		1	TOWERSHAFT CONTROL ROD END
33	F84748-3		2	GASKET, CYL. DRAIN REED PLATE
34	F93811		4	SCREEN
35	F2A476757		2	CYLINDER DRAIN REED PLATE W/REEDS, STOPS AND SCREWS
36	F18160-2		4	CYLINDER DRAIN REED
37	F93920		4	REED STOP
38	F8003		4	PLAIN WASHER
39	F1286		4	PAN HD SCREW, 4 - 40 X 3/16
40	F84472-5		2	GASKET, CYLINDER DRAIN COVER

CONTINUED ON NEXT PAGE ➡

POWER HEAD

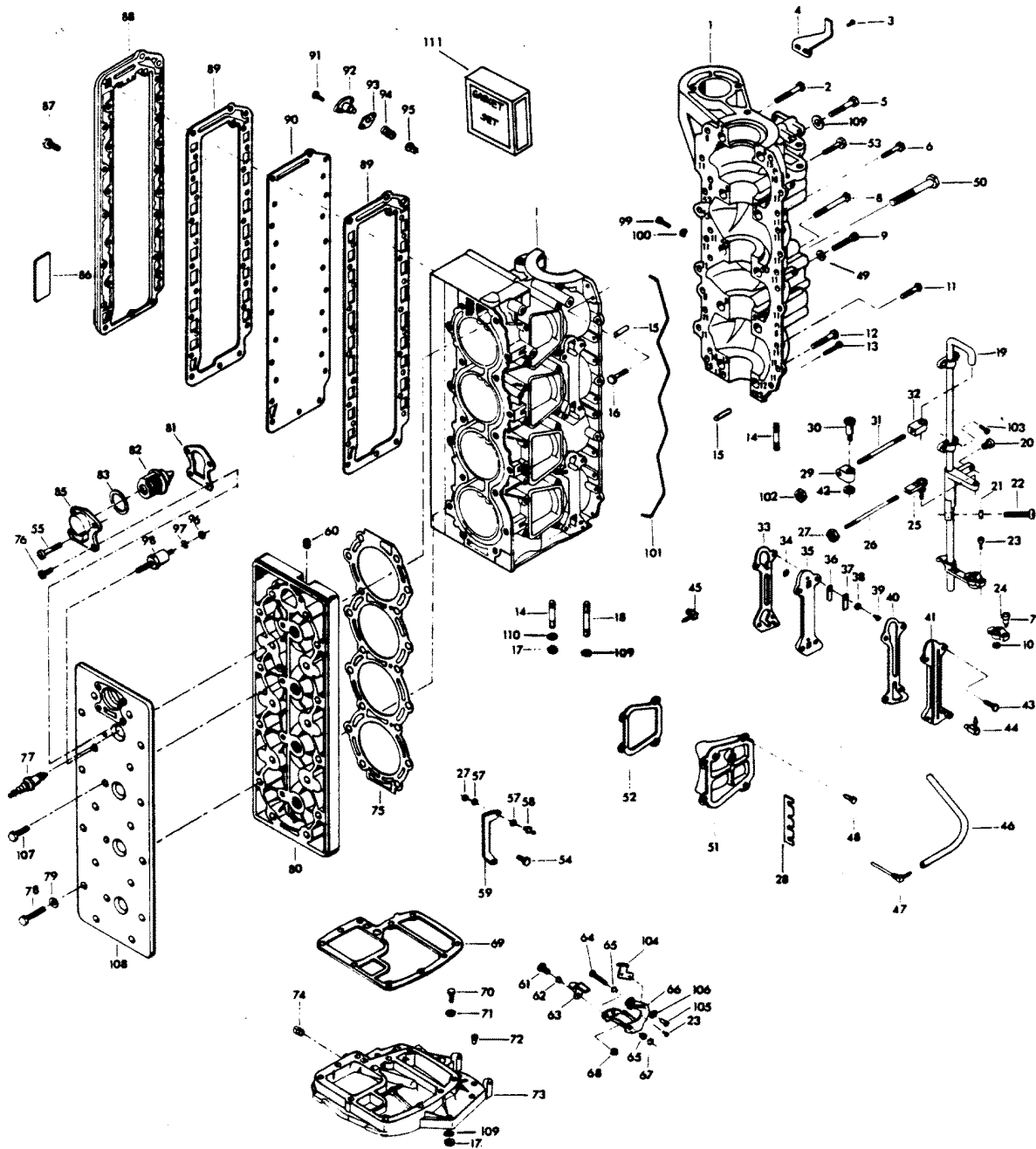


POWER HEAD

REF. NO.	PART NO.	SYM.	QTY.	DESCRIPTION
41	F406471-1		2	CYLINDER DRAIN COVER
42	F1935		1	PLAIN WASHER
43	F1187		8	HEX HD SCREW, 1/4 - 20 X 1
44	22-818103--1		1	ELBOX, CYLINDER DRAIN LOWER
-	F404801		1	ELBOW, CYLINDER DRAIN UPPER (NOT SHOWN)
45	F84314-2		1	ELBOW
46	F406754-1		1	HOSE
47	F404314		1	FITTING
48	F1502		10	HEX CAP SCREW, 1/4 - 20 X 5/8
49	F8104		4	PLAIN WASHER
50	F1873		2	HEX CAP SCREW, 3/8 - 16 X 3
51	FA411222		3	TRANSFER PORT COVER
52	F40223		4	GASKET, TRANSFER PORT COVER
53	F2008		2	HEX HD SCREW, 1/4 - 20 X 7/8
54	F1238		2	HEX CAP SCREW, 1/4 - 20 X 3/4
55	F1099		2	FILL HD SCREW, 1/4 - 20 - 1-1/4
57	F8058		4	INTERNAL TOOTH LOCKWASHER
58	F98273		2	ROD END CONNECTOR STUD
59	85872-1		1	BRACKET
60	F19109		1	PLUG
61	F369887		1	SHOULDER SCREW
62	F369610		1	BEARING
63	F369977-1		1	INTERLOCK ARM
64	F1885		1	HEX BOLTS. S.S., 5/16 - 18 X 4-1/4
65	F85610		2	BEARING
66	FA480876		1	GEAR SHIFT ARM W/SWIVEL, BEARINGS, INTERLOCK ARM AND SHOULDER SCREW
67	F2108		1	STOP NUT, 5/16 - 18
68	F1832		1	STOP NUT, 1/4 - 20
69	F85279-2		1	GASKET, CYLINDER EXHAUST UPPER
70	F1869		6	HEX CAP SCREW, 3/8 - 16 X 1-1/4
71	F1703		6	LOCKWASHER
72	F40689-1		1	BEARING
73	817788A3		1	SPACER PLATE W/PLUG
74	F2090		1	PLUG
75	F476529		1	CYLINDER HEAD GASKET
76	F1107		2	SLOTTED FILL HD CAP SCREW, 1/4 - 20 X 3/4
77	33-97180		4	SPARK PLUG (CHAMPION L20V) - USA
-	C523227		4	SPARK PLUG (CHAMPION QL-76V) - CANADA. FOR MODEL 1154B9AN
78	F2049		18	HEX CAP SCREW, 5/16 - 18 X 2-5/8
79	F1987		18	PLAIN WASHER
80	FA528518		1	CYLINDER HEAD
81	F476067		1	GASKET

CONTINUED ON NEXT PAGE ➡

POWER HEAD

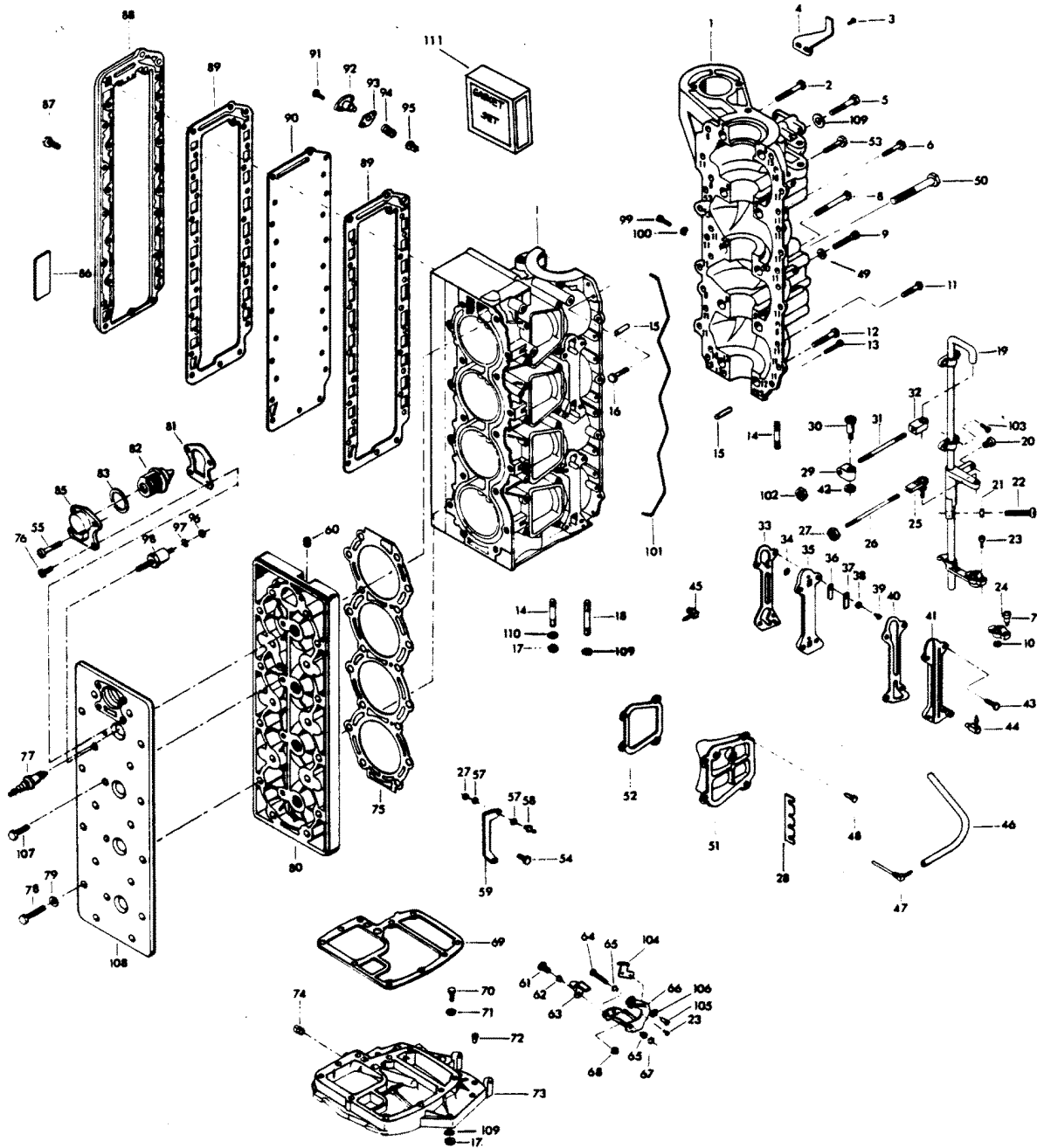


POWER HEAD

REF. NO.	PART NO.	SYM.	QTY.	DESCRIPTION
82	F528068		1	THERMOSTAT
83	F84504		1	GROMMET (THERMOSTAT)
85	F476066-1		1	THERMOSTAT COVER
86	F438398		1	DECAL, WIRING - USA
-	FC438398		1	DECAL, WIRING - CANADA
87	F1709		27	HEX BOLT, 1/4 - 20 X 1-1/8
88	F372152-1		1	EXHAUST PORT COVER
89	F372154-1		2	GASKET, EXHAUST PORT PLATE
90	F372151-1		1	EXHAUST PORT PLATE
91	F1950		2	HEX CAP SCREW, 10 - 24 X 5/8
92	F438066		1	BY-PASS VALVE COVER
93	F85762		1	BY-PASS VALVE COVER GASKET
94	F404268		1	BY-PASS VALVE SPRING
95	F85916-1		1	BY-PASS VALVE
96	F1647		1	HEX NUT, 8 - 32
97	F8056		1	LOCKWASHER
98	87-817778A1		1	THERMOSWITCH WILLUSTRATION 96, 97 ORIGINAL FORCE P/N A335449-1
99	F2000		1	HEX CAP SCREW, 5/16 - 18 X 3/4
100	F8096		1	SPRING LOCKWASHER
101	F184122-1		1	SEAL, PARTING LINE
102	F2015		1	HEX NUT, 1/4 - 28
103	F1475		4	FILL HD SCREW, 10 - 24 X 1/2
104	F480107-1		1	CAM STARTER INTERLOCK
105	F2089		2	SLOTTED PAN HD M. SCREW 10 - 24 X 5/16
106	F2042		2	PLAIN WASHER
107	F1203		4	HEX CAP SCREW, 1/4 - 20 X 7/8
108	F528995		1	COVER, CYLINDER HEAD
109	F8038		4	PLAIN WASHER
110	F8095		12	PLAIN WASHER
111	FG1003-1		1	GASKET SET (INCLUDES THE FOLLOWING)
-	F40223		4	TRANSFER PORT COVER GASKET
-	F84067-1		1	THERMOSTAT COVER GASKET
-	F84472-5		2	CYLINDER DRAIN COVER GASKET
-	F84748-3		2	CYLINDER DRAIN REED PLATE GASKET
-	F85279-2		1	CYLINDER EXHAUST UPPER GASKET
-	F85453-1		1	CYLINDER EXHAUST LOWER GASKET
-	F85762		1	BY-PASS COVER GASKET
-	F85906		2	CARBURETOR GASKET
-	F178168-1		2	CARBURETOR ADAPTER GASKET
-	F184122-1		1	SEAL
-	F372154-1		2	EXHAUST PLATE GASKET
-	F372529		1	CYLINDER HEAD GASKET

CONTINUED ON NEXT PAGE ➡

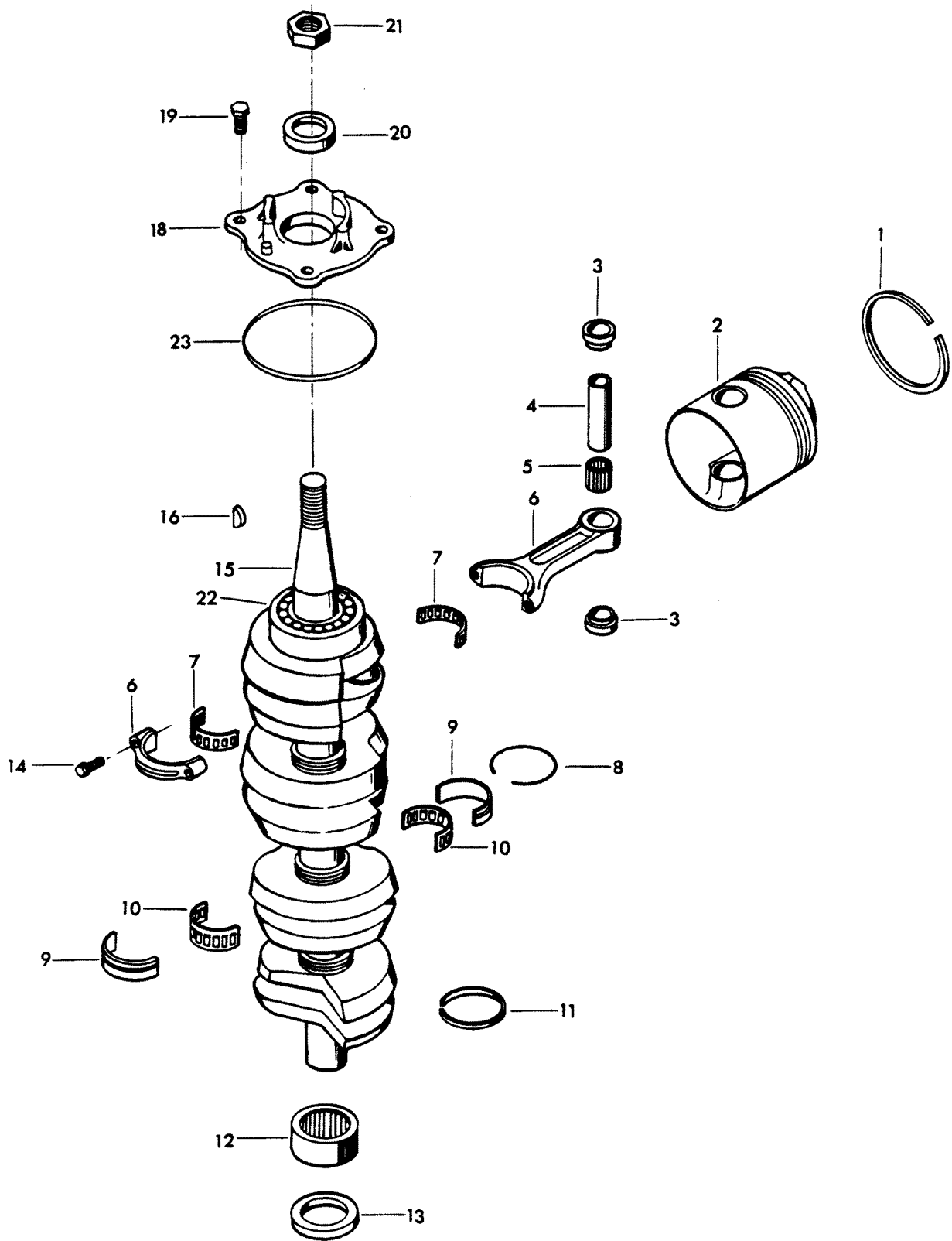
POWER HEAD



POWER HEAD

REF. NO.	PART NO.	SYM.	QTY.	DESCRIPTION
-	F406406		2	DEFLECTOR PLATE GASKET
-	F440906		2	CARBURETOR GASKET
-	F476067		1	THERMOSTAT COVER GASKET
-	F476529		1	CYLINDER HEAD GASKET

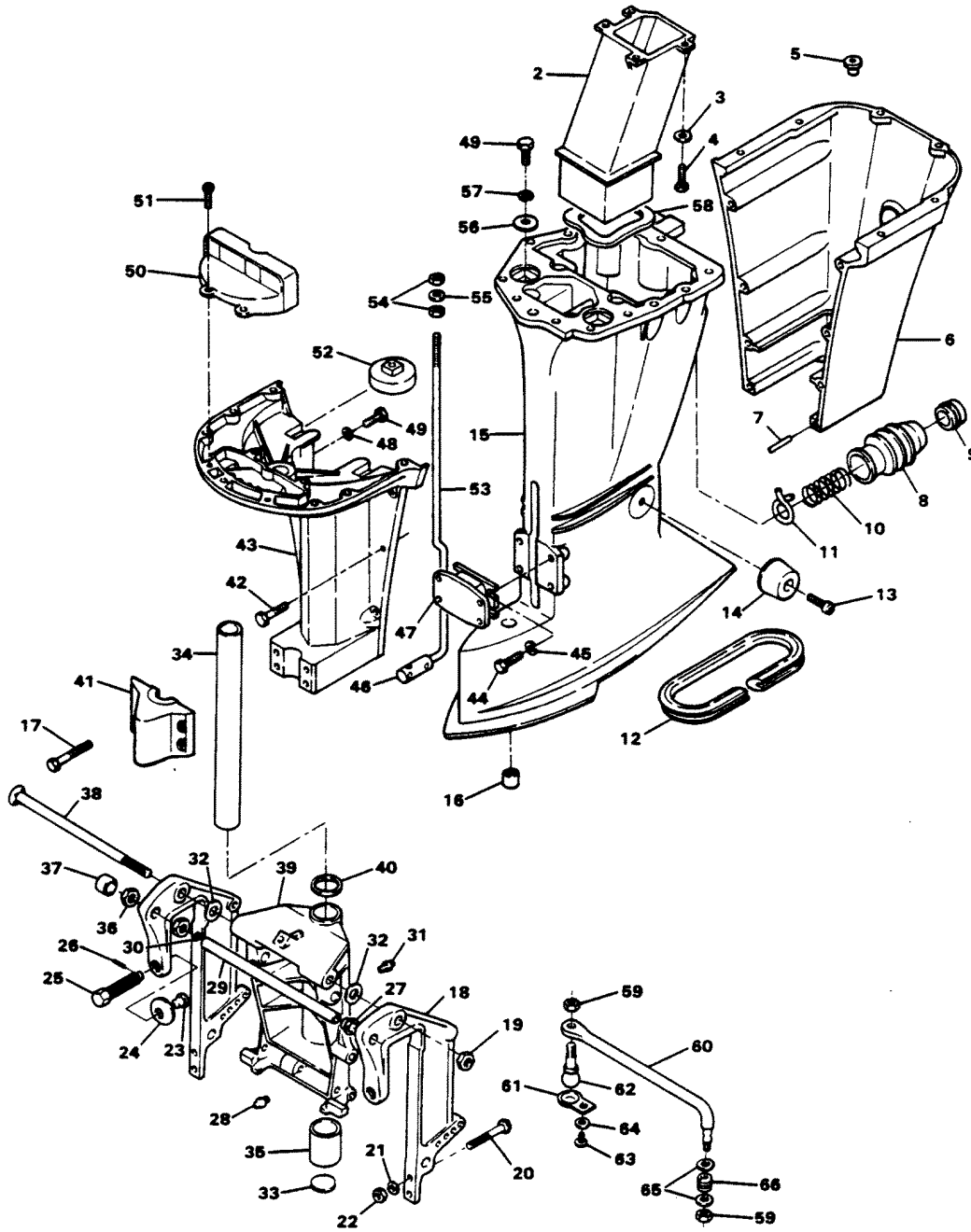
CRANKSHAFT AND PISTON GROUP



CRANKSHAFT AND PISTON GROUP

REF. NO.	PART NO.	SYM.	QTY.	DESCRIPTION
1	FA475260		4	PISTON RING SET - STANDARD (2 PER SET)
-	FSA475260		4	PISTON RING (2 PER SET) .010 OVERSIZE (NOT SHOWN)
-	39-818123A1		4	PISTON RING (2 PER SET) .030 OVERSIZE (NOT SHOWN)
2	F511015-2		4	PISTON - STANDARD
-	700-819409A3		4	PISTON .010 OVERSIZE (NOT SHOWN)
-	700-819409A4		4	PISTON .030 OVERSIZE (NOT SHOWN)
3	F335215		8	SPACER, PISTON PIN (2 PER PISTON)
4	F85017		4	PISTON PIN
5	F335217-1		4	BEARING, PISTON PIN (26 PER SET)
6	600-818052A4		4	CONNECTING ROD W/CAP AND SCREWS
7	FK85228-1		4	BEARING CAGE W/ROLLER
8	F85410		3	SNAP RING
9	FA85655-1		3	CRANKSHAFT MAIN BEARING RACE W/SNAP RING
10	F85571		3	BEARING CAGE W/ROLLER
11	F316579		3	SEAL, CRANKCASE
12	FA523014		1	CRANKSHAFT LOWER MAIN BEARING W/ITEM 13
13	F523146		1	SEAL, CRANKSHAFT LOWER
14	F85634-2		8	CONNECTING ROD SCREW
15	400-817735A4		1	CRANKSHAFT W/BEARING
16	F85498		1	FLYWHEEL KEY
18	31-817785A2		1	CRANKSHAFT BEARING CAGE W/SEAL
19	F1867		4	HEX CAP SCREW, 3/8 - 16 X 1
20	F84146-2		1	SEAL
21	F1968		1	FLYWHEEL NUT
22	F284659-2		1	BEARING, CRANKSHAFT UPPER MAIN
23	F84278		1	SEAL
-	F2067		1	PLASTISOL CAP (NOT SHOWN).

MOTOR LEG

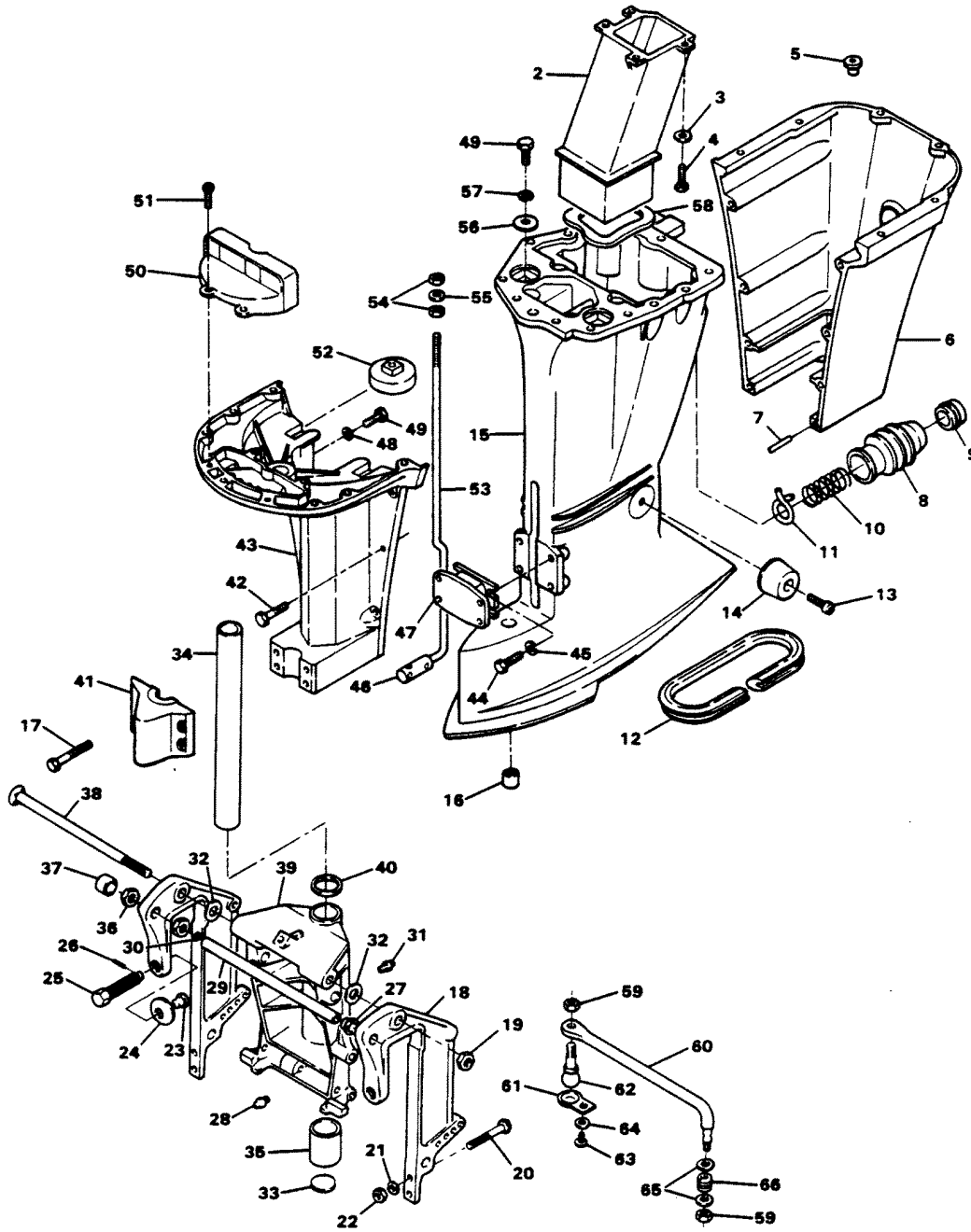


MOTOR LEG

REF. NO.	PART NO.	SYM.	QTY.	DESCRIPTION
1	A553392		1	DECAL - LEG (PORT)
2	F85660-1		1	EXHAUST TUBE
3	F8083		4	SPRING LOCKWASHER
4	F1864		4	HEX SLOT HD SCREW, 1/4 - 20 X 3/4
5	F1729		2	PLUG
6	817931A7		1	MOTOR LEG COVER REAR
7	F1664		2	SPRING PIN
8	F85130		1	BOOT IDLE EXHAUST
9	F85258		1	INSERT
10	F85380		1	SPRING
11	F85772		1	CLAMP
12	F178323		1	SEAL, MOTOR LEG
13	F1263		2	HEX SOCKET HD CAP SCREWS, 5/16 - 18 X 9/16
14	F438962		2	SHOCK MOUNT LOWER REAR
15	F523133-2		1	MOTOR LEG
16	F338618-1		1	SEAL, GEAR SHIFT ROD
17	F1696		4	SCREW, 5/16 - 18 X 1-3/4
18	1400-817958A6		2	STERN BRACKET
19	F7012		1	STOP NUT
20	F1593		2	HEX HD SCREW, 3/8 - 16 X 3
21	F1904		2	PLAIN WASHER
22	F1346		2	HEX NUT
23	F353480		2	STUD
24	F84074		2	CLAMP SCREW FOOT
25	F474073-1		2	CLAMP SCREW
26	F8538		2	SPRING PIN
27	F9052		1	PLUG
28	F523274		1	GREASE FITTING
29	F511125-2		1	TUBE, STEERING SUPPORT
30	F316599		1	SEAL, STEERING TUBE
31	F213274		3	GREASE FITTING
32	F84286-1		4	FRICTION WASHER
33	F1528		1	WELCH PLUG
34	FA85019		1	KINGPIN W/PLUG
35	F438169		2	BEARING
36	F523280		1	NUT, STEERING SUPPORT TUBE
37	F9018		1	CAP
38	F85037-1		1	STERN BRACKET PIVOT BOLT
39	817783A5		1	SWIVEL BRACKET W/BEARINGS & GREASE FITTINGS
40	F84011		1	WASHER
41	F85606		1	KINGPIN CAP
42	F2030		6	HEX HD M. SCREW, 1/4 - 20 X 1-1/4
43	A85135-3		1	LEG COVER FRONT

CONTINUED ON NEXT PAGE ➡

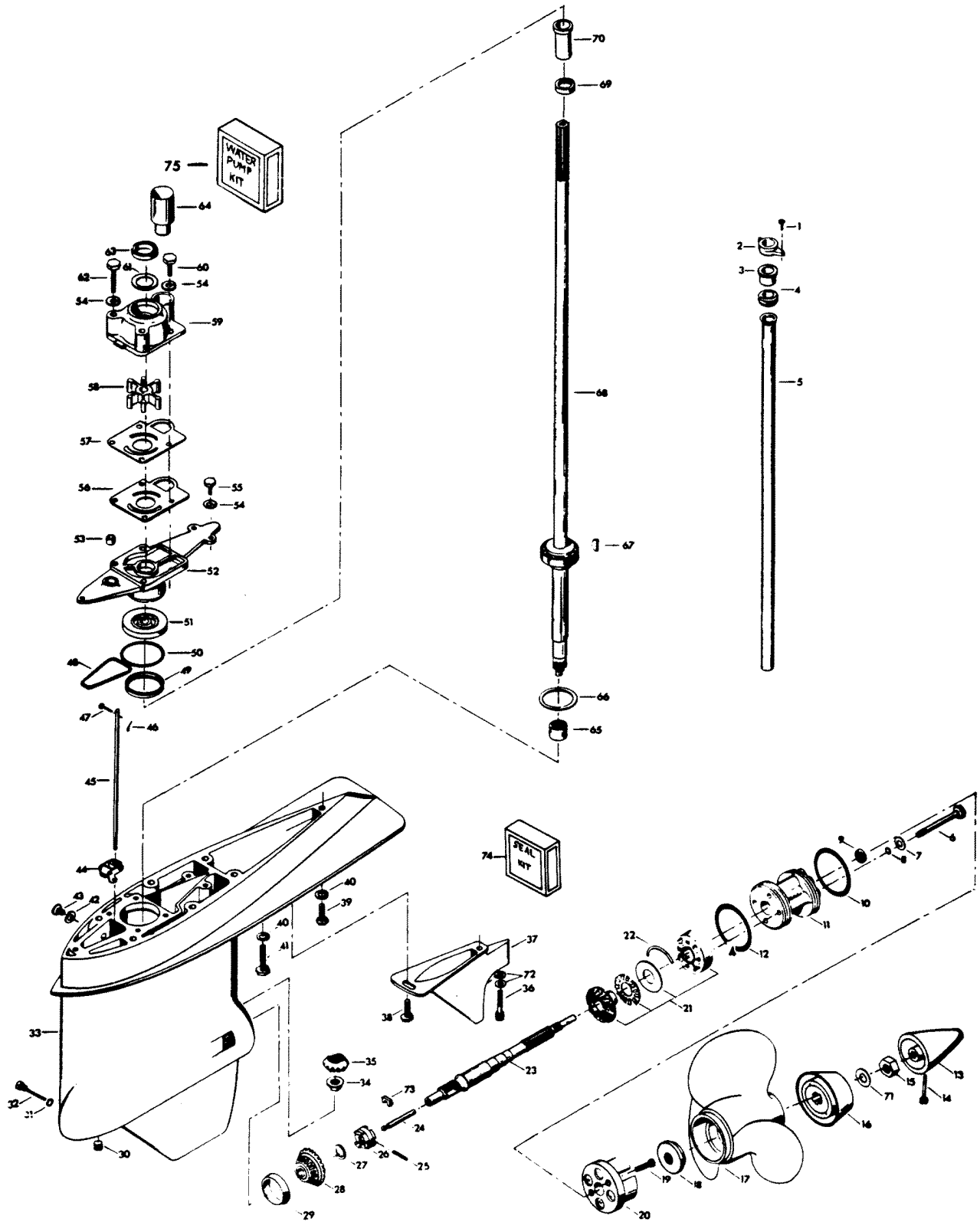
MOTOR LEG



MOTOR LEG

REF. NO.	PART NO.	SYM.	QTY.	DESCRIPTION
44	F1822		4	HEX BOLT, 5/16 - 18 X 7/8
45	F8096		4	SPRING LOCKWASHER
46	F85704		1	COUPLER, GEAR SHIFT ROD
47	F438346		1	SHOCK MOUNT LOWER
48	F1703		2	SPRING LOCKWASHER
49	F1871		4	HEX HD SCREW, 3/8 - 16 X 3/4
50	F85779-1		1	BAFFLE, AIR INTAKE
51	F1912		4	HEX HD SCREW, 10 - 24 X 1/2
52	F85965		2	SHOCK MOUNT UPPER
53	F85615		1	GEAR SHIFT ROD UPPER
54	F2108		2	LOCK NUT
55	F1987		1	PLAIN WASHER
56	FA85355-1		2	WASHER
57	F8039		2	PLAIN WASHER
58	F439736		1	SEAL, EXHAUST TUBE
59	F2093		2	STOP NUT 3/8 - 24
60	F523881-1		1	STEERING LINK
61	F523930		1	RETAINER
62	F523273		1	STEERING BALL STUD
63	F1280		1	PAN HD SCREW 8 - 32 X 1/4
64	F8080		1	SPRING LOCKWASHER
65	F8038		2	PLAIN WASHER
66	F523300-1		1	SPRING

GEAR HOUSING

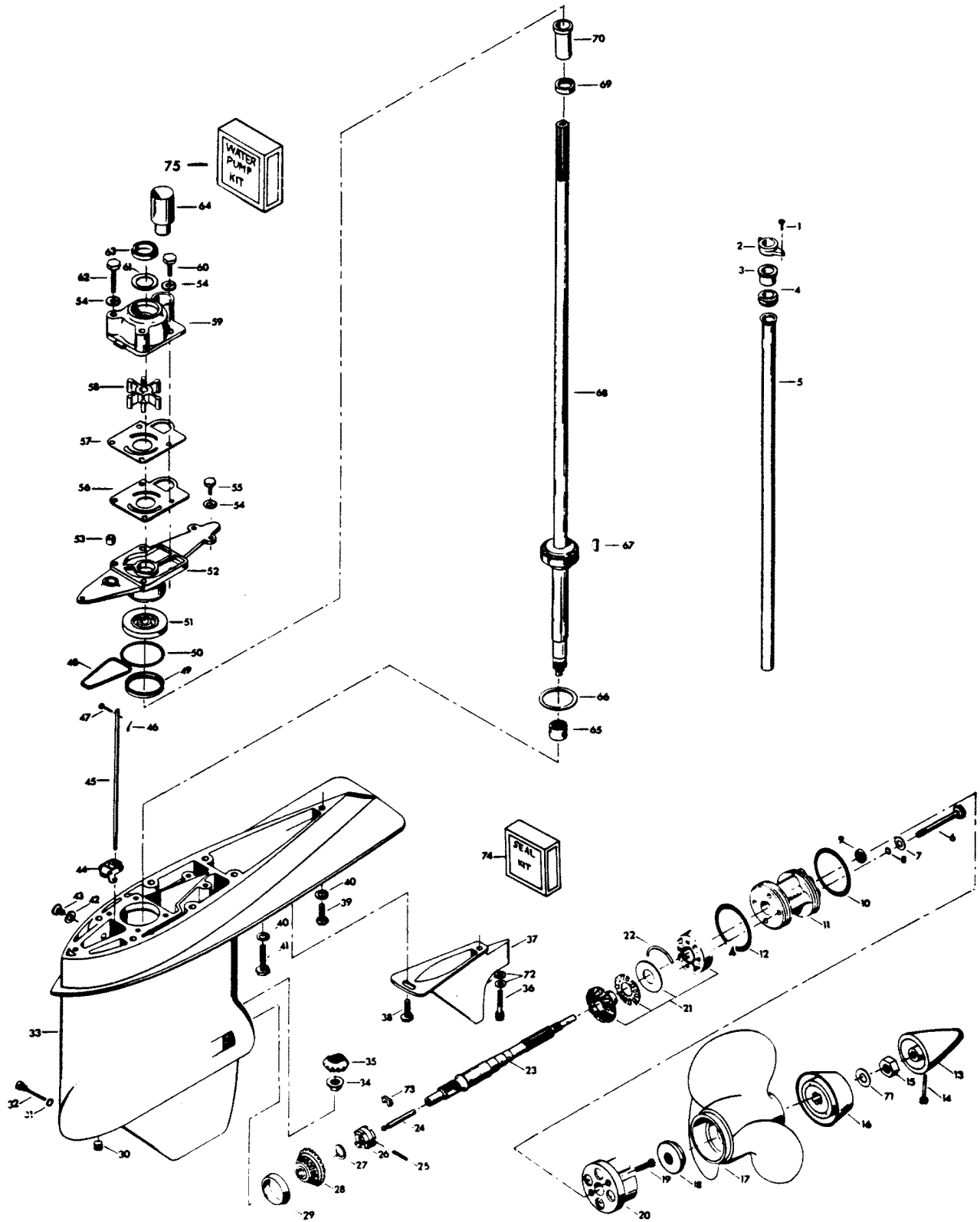


GEAR HOUSING

REF. NO.	PART NO.	SYM.	QTY.	DESCRIPTION
1	F1705		2	HEX CAP SCREW, 1/4 - 20 X 3/4
2	F85117		1	BRACKET, WATER LINE
3	F84342		1	SEAL, INLET WATER LINE, UPPER
4	F523899		1	GROMMET, WATER LINE
5	F523244		1	INLET WATER LINE
6	F1885		4	HEX CAP SCREW, 5/16 - 18 X 4-1/4
7	F1907		4	PLAIN WASHER
8	F50342-1		4	SEAL, "O" RING
9	F506118		1	SEAL, PROPELLER SHAFT
10	F24278		1	SEAL, "O" RING PROPELLER SHAFT SPOOL
11	F2A523239		1	SPOOL, PROPELLER SHAFT BEARING W/SEALS
12	F84305		1	SEAL, "O" RING PROPELLER SHAFT SPOOL
13	F523094-2		1	PROPELLER NUT
14	F498891		1	PIN, PROPELLER NUT RETAINING
15	F1788		1	STOP NUT
16	F532299		1	WASHER
17	FPS524		1	PROPELLER (ACCESSORY ITEM)
18	F523099-1		1	SPACER, PROPELLER
19	F1577		2	FILL HD SCREW, 1/4 - 20 X 3/4
20	FA523845		1	ANTICORROSION ANODE
21	F2A523662		1	BEVEL GEAR REAR W/BEARING CAGE SPACER AND BEARING
22	F523411		2	RETAINING RING, BEARING CAGE
23	FA523098		1	PROPELLER SHAFT
24	F84871-1		1	PIN, GEAR SHIFT W/YOKE
25	F1713		1	SPRING PIN
26	F84521-1		1	CLUTCH
27	F1936		A/R	SPACER, BEVEL GEAR FRONT .059
-	F1937		A/R	SPACER, BEVEL GEAR FRONT .062
-	F1938		A/R	SPACER, BEVEL GEAR FRONT .065
-	F1939		A/R	SPACER, BEVEL GEAR FRONT .068
-	F1940		A/R	SPACER, BEVEL GEAR FRONT .071
-	F1941		A/R	SPACER, BEVEL GEAR FRONT .074
-	F1942		A/R	SPACER, BEVEL GEAR FRONT .077
-	F2113		A/R	SPACER, BEVEL GEAR FRONT .080
-	F2114		A/R	SPACER, BEVEL GEAR FRONT .083
-	F2115		A/R	SPACER, BEVEL GEAR FRONT .086
-	F2116		A/R	SPACER, BEVEL GEAR FRONT .089
-	F2121		A/R	SPACER, BEVEL GEAR FRONT .057
-	F2122		A/R	SPACER, BEVEL GEAR FRONT .054
28	F2A523023		1	BEVEL GEAR FRONT W/BEARING
29	F523813		1	BEARING CUP
30	F19109		1	PLUG

CONTINUED ON NEXT PAGE ➡

GEAR HOUSING

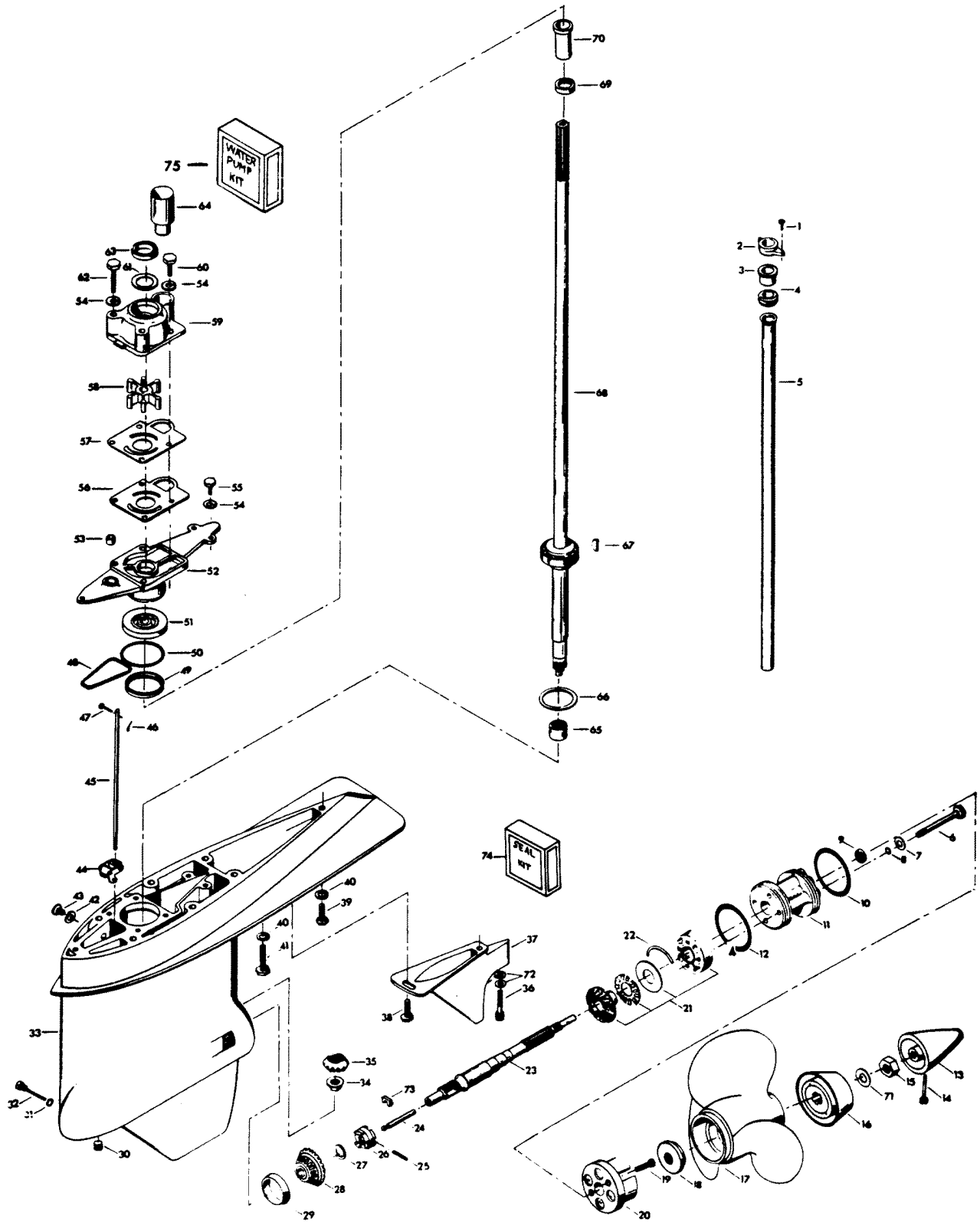


GEAR HOUSING

REF. NO.	PART NO.	SYM.	QTY.	DESCRIPTION
31	F498618		1	"O" RING
32	F498891		1	PIN, GEAR SHIFT ARM
33	FA523054		1	GEAR HOUSING W/BEARING CUP, DRIVESHAFT BEARING LOWER, PLUGS AND WASHERS
-	FC552054		1	GEAR HOUSING COMPLETE INCLUDES ALL ITEMS MARKED WITH AN ASTERISK (*).
34	F523188		1	NUT, BEVEL PINION
35	43-817854A2		1	BEVEL PINION GEAR W/CRUSH RING AND SHIMS
36	F1994		1	HEX SOCKET HD CAP SCREW, 5/16 - 18 X 1
37	F523116		1	EXHAUST SNOUT
38	F438930		1	RETAINER, SNOUT
39	F1858		1	HEX CAP SCREW, 5/16 - 18 X 1
40	F8096		7	SPRING LOCKWASHER
41	F1491		6	HEX HD SCREW, 5/16 - 18 X 3-1/4
42	F8077		2	WASHER, GEAR HOUSING PLUG
43	F50109		2	PLUG, GEAR HOUSING
44	FA84621-1		1	COUPLING, GEAR SHIFT ARM W/BUSHING
45	F523705		1	GEAR SHIFT ROD LOWER
46	F1015		1	COTTER PIN
47	F85372		1	PIN, GEAR SHIFT ROD LOWER
48	F523555		1	SEAL, "O" RING, GEAR HOUSING COVER
49	F523961		1	CRUSH RING
50	F74305		1	SEAL, DRIVESHAFT BEARING CAGE
51	F506118		1	SEAL, DRIVESHAFT
52	FA523706		1	GEAR HOUSING COVER W/SEALS
53	F338618-1		1	SEAL, GEAR SHIFT ROD
54	F8083		7	SPRING LOCKWASHER
55	F1999		3	HEX CAP SCREW, 1/4 - 20 X 7/8
56	F523031		1	GASKET, WATER PUMP
57	F523562		1	PLATE, WATER PUMP
58	F523065		1	IMPELLER, WATER PUMP
59	46-817853A1		1	WATER PUMP BODY W/DRIVESHAFT SEAL, DISC AND WATERLINE SEAL
60	F1990		2	HEX CAP SCREW, 1/4 - 20 X 1-5/8
61	F480388		1	DISC, WATER PUMP LOCATING
62	F1425		2	HEX CAP SCREW, 1/4 - 20 X 1-5/8
63	F351307		1	SEAL, DRIVESHAFT - WATER PUMP
64	FA523735		1	SEAL, INLET WATER LINE, LOWER
65	F523057		1	BEARING, DRIVESHAFT LOWER
66	F9106		A/R	SHIM, DRIVESHAFT BEARING UPPER .003 BRASS
-	F9095		A/R	SHIM, DRIVESHAFT BEARING UPPER .005 BRASS
-	F9097		A/R	SHIM, DRIVESHAFT BEARING UPPER .010 BLACK
67	F523498		1	DRIVE KEY, WATER PUMP
68	45-818017A3		1	DRIVESHAFT W/BEARING, SHIMS AND CRUSH RING

CONTINUED ON NEXT PAGE ➡

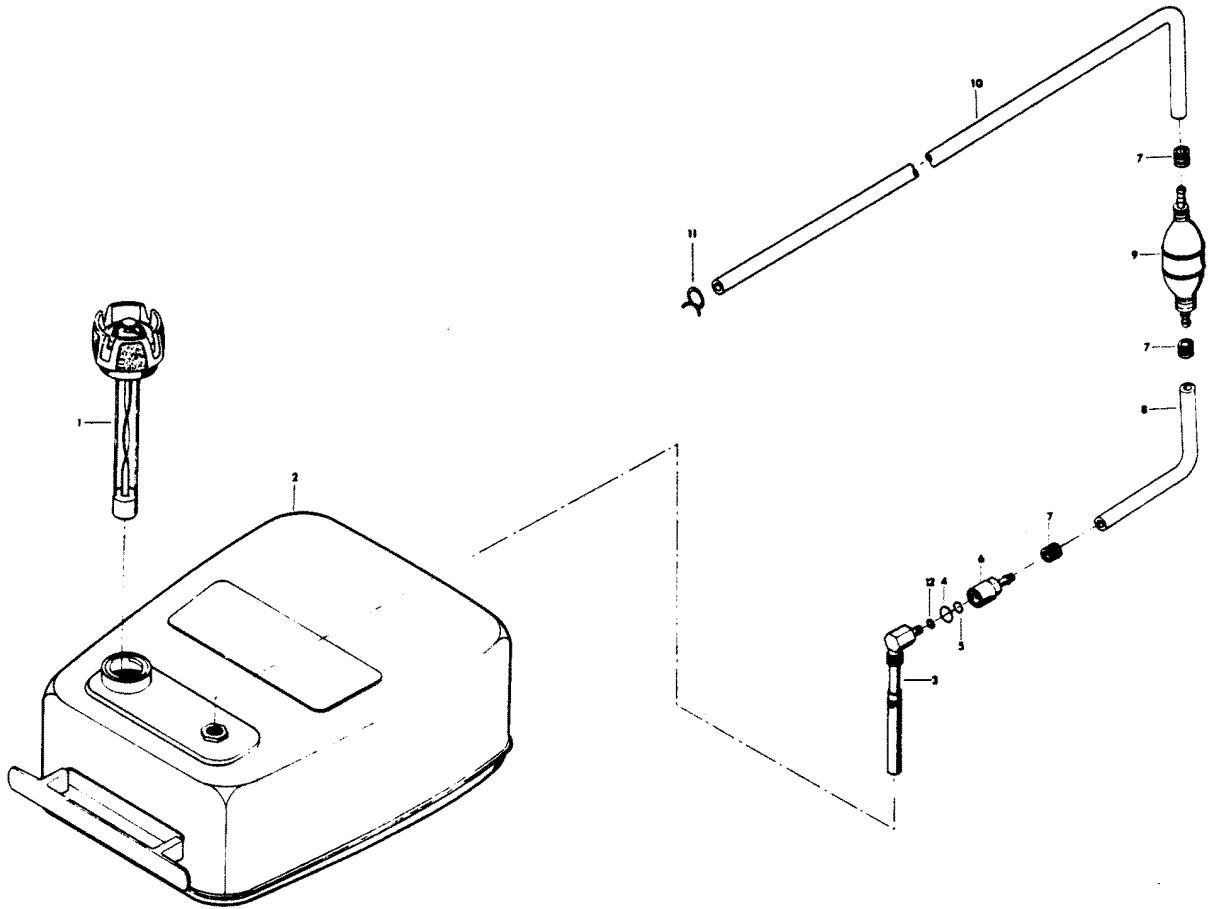
GEAR HOUSING



GEAR HOUSING

REF. NO.	PART NO.	SYM.	QTY.	DESCRIPTION
69	F438271		1	RETAINER, CRANKSHAFT SPLINE SEAL
70	F438129		1	SEAL, DRIVESHAFT SPLINE
71	F1866		1	PLAIN WASHER
72	F1856		2	PLAIN WASHER
73	F90619-1		1	YOKE
74	FK1063-1		1	SEAL KIT (INCLUDES THE FOLLOWING)
-	F50342-1		4	BEARING CAGE BOLT SEAL
-	F506118		2	PROPELLER SHAFT SEAL
-	F24278		1	PROPELLER SHAFT SPOOL SEAL
-	F84305		1	PROPELLER SHAFT SPOOL SEAL
-	F498618		1	GEAR SHIFT ARM PIN SEAL
-	F8077		2	WASHER
-	F523555		1	GEAR HOUSING COVER SEAL
-	F74305		1	GEAR HOUSING COVER SEAL
-	F84307-1		1	DRIVESHAFT SEAL
-	F338618-1		1	GEAR SHIFT ROD SEAL
75	FK1069		1	WATER PUMP KIT
-	F1425		2	HEX CAP SC. 1/4 - 20 X 5/8
-	F1990		2	HEX CAP SCREW
-	F8083		4	SPRING LOCKWASHER
-	F523031		1	GASKET, WATER PUMP
-	F523065		1	IMPELLER
-	F523498		1	KEY
-	F523562		1	PLATE, WATER PUMP
-	46-817853A1		1	WATER PUMP

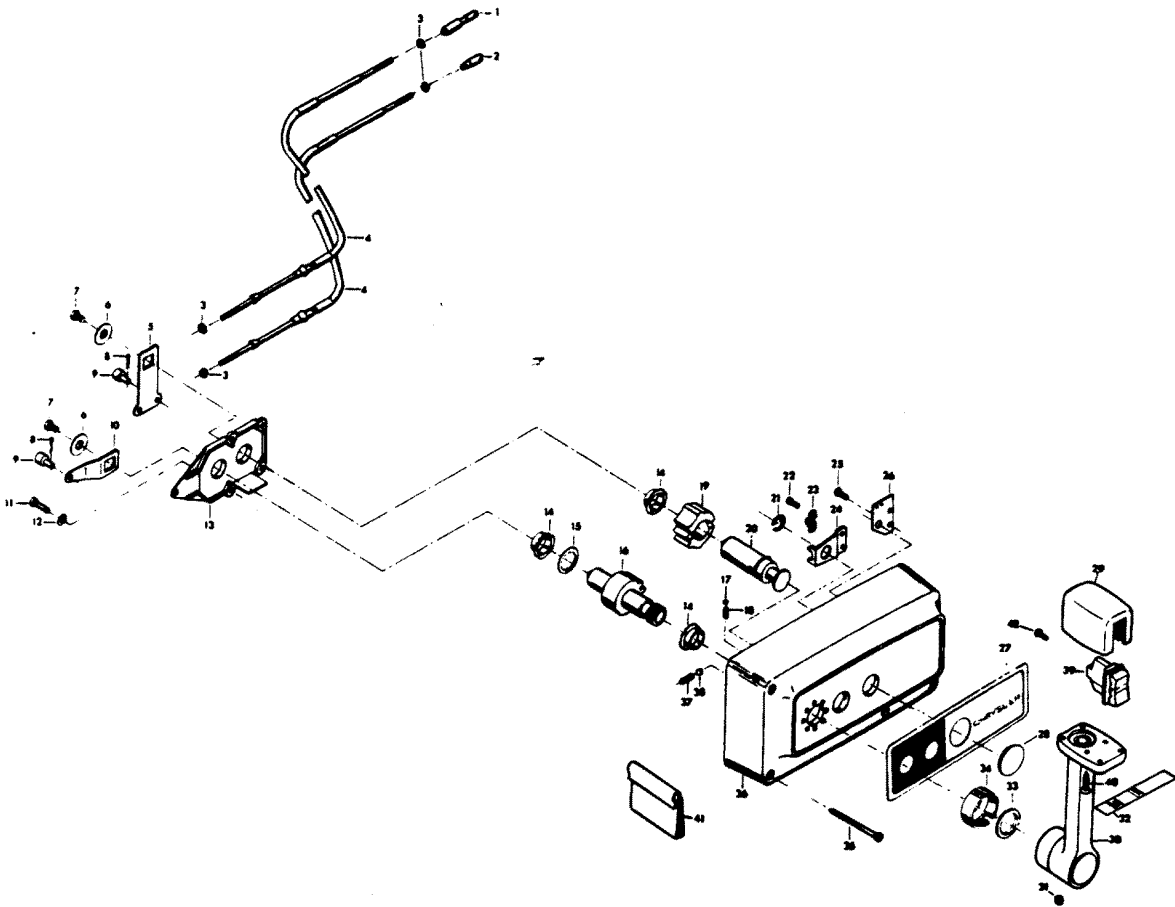
FUEL TANK AND LINE



FUEL TANK AND LINE

REF. NO.	PART NO.	SYM.	QTY.	DESCRIPTION
1	F409251-1		1	GAUGE CAP
2	F5H026		1	FUEL TANK (ACCESSORY ITEM)
3	F485755-1		1	FUEL TANK ADAPTER
4	F213342		1	SEAL, FUEL LINE COUPLER (LARGE)
5	F213735		1	SEAL, FUEL LINE COUPLER (SMALL)
6	F197787-3		1	FUEL LINE COUPLER
7	F298788		3	FERRULE
8	FA84754-1		1	FUEL LINE SHORT W/FERRULES
9	89396A38		1	PRIME BULB
10	32-817738A1		1	FUEL LINE LONG W/CLAMP AND FERRULE
11	F97772		1	FUEL LINE CLAMP
12	F17932		1	SEAL, FUEL TANK ADAPTER
-	FS409752		1	FUEL LINE COMPLETE
-	FC409398		1	DECAL, TOTE TANK - CANADA (NOT SHOWN)

REMOTE CONTROL

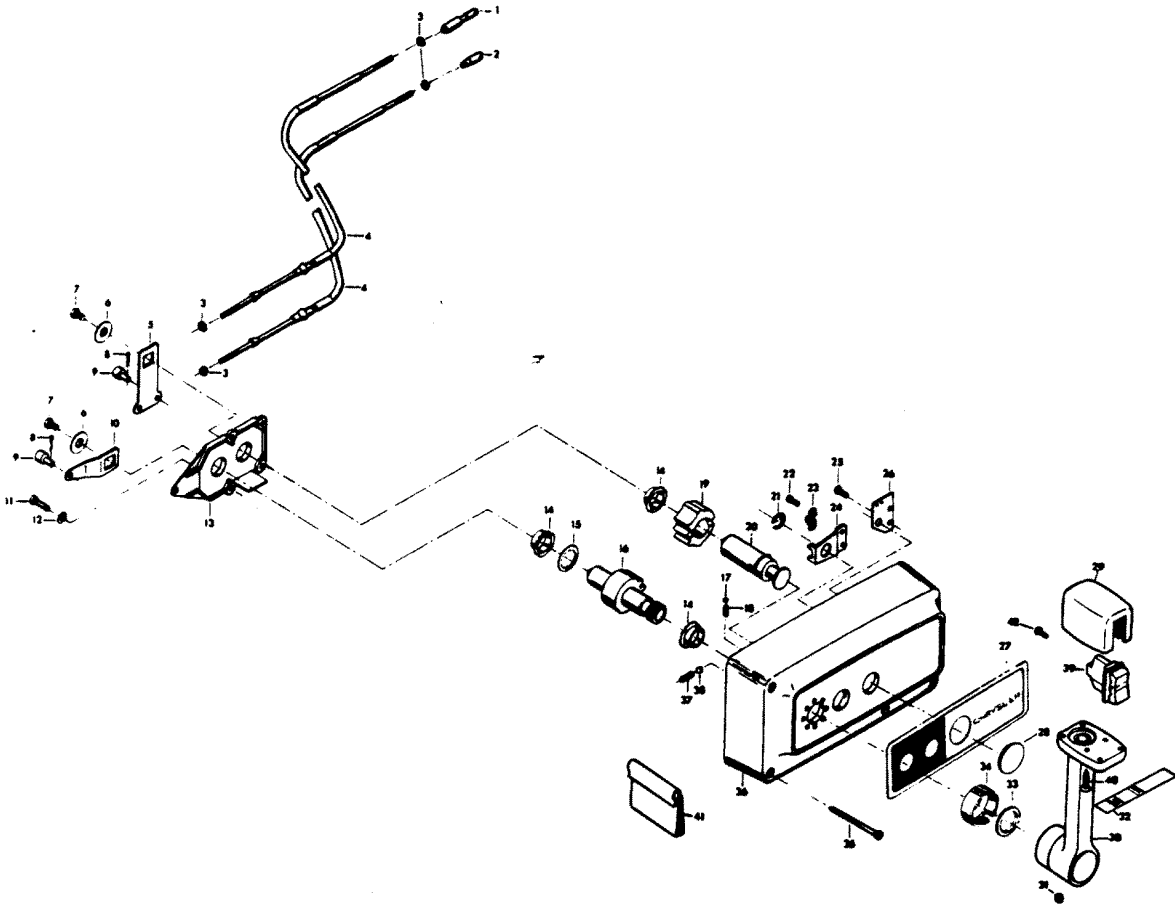


REMOTE CONTROL

REF. NO.	PART NO.	SYM.	QTY.	DESCRIPTION
1	FA58976-1		1	CONNECTOR, THROTTLE CABLE
2	F58685-2		1	CONNECTOR, SHIFT CABLE
3	F1513		4	HEX NUT
4	ÄF58356//		2	REMOTE CONTROL CABLE (SPECIFY LENGTH)
5	F17019		1	CLUTCH ARM
6	F17036		2	INTERNAL TOOTH LOCKWASHER
7	F1715		2	HEX BOLT, 1/4 - 28 X 9/16
8	F17149		2	COTTER PIN
9	F17016		2	CABLE TERMINAL
10	F17014		1	THROTTLE ARM
11	F17013		2	FILL HD SCREW, 1/4 - 20 X 1/2
12	F17147		2	INTERNAL TOOTH LOCKWASHER
13	F17012		1	RETAINING PLATE
14	F17009		3	BEARING
15	F17011		1	BOWED WASHER
16	F17010-1		1	THROTTLE GEAR
17	F17111		1	DETENT BALL
18	F17006		1	DETENT SPRING
19	F17021		1	CLUTCH GEAR
20	F17100		1	CLUTCH SHAFT
21	F17092		1	SNAP RING
22	F17071		2	FILL HD SCREW, 10 - 24 X 5/16
23	F154317		1	CABLE CLAMP
24	F17026		1	SWIVEL
25	F1557		2	FLAT HD SCREW, 10 - 24 X 3/8
26	F17112		1	JUNCTION BOARD, STARBOARD
-	F17113		1	JUNCTION BOARD, PORT
27	F17148		1	DECAL, STARBOARD
-	F531892		1	DECAL, PORT
28	F17031-1		1	SNAP CAP
29	F448543		1	KNOB
30	F448611-1		1	LEVER
31	F455690		1	SET SCREW
32	F449894		1	INDICATOR - STARBOARD
-	F448894		1	INDICATOR - PORT
33	F17105		1	FELT WASHER
34	F17106		1	COLLAR
35	F17146		3	WOOD SCREW
36	F17099-1		1	HOUSING
37	F17068		1	DETENT SPRING
38	F17082-1		1	DETENT BALL
39	F455449		1	SWITCH, TRIM
40	F1461		2	SCREW #6 X 7/8

CONTINUED ON NEXT PAGE ➡

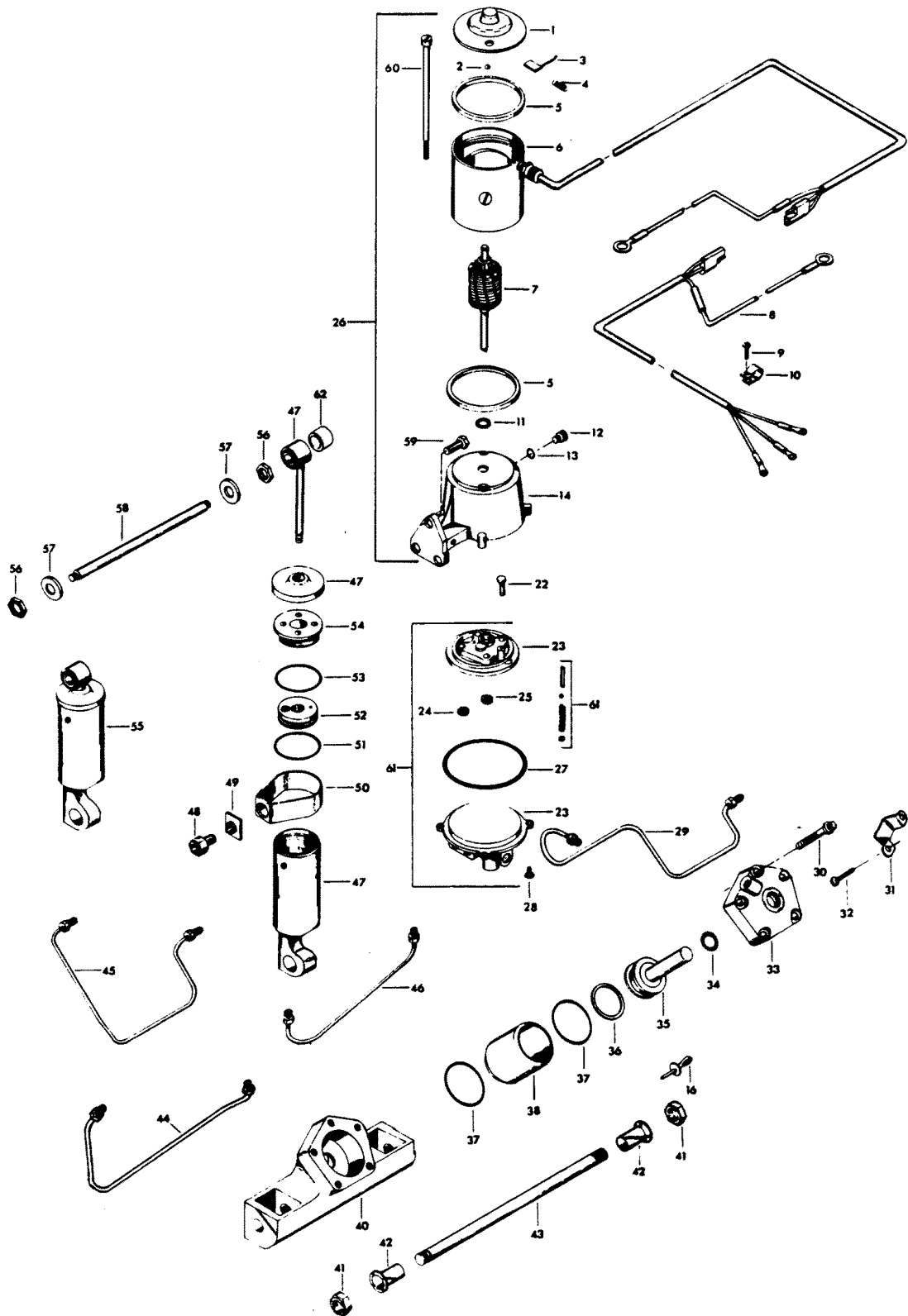
REMOTE CONTROL



REMOTE CONTROL

REF. NO.	PART NO.	SYM.	QTY.	DESCRIPTION
41	F448446		1	CLAMP, TRIM SWITCH CABLE
-	F1280		2	PAN HD SCREW, 8 - 32 X 1/4 (TERMINAL BOARD) (NOT SHOWN)
-	OB3061		2	LITERATURE (NOT SHOWN)
-	F17103-1		1	BAG ASSEMBLY (NOT SHOWN) INCLUDES ITEMS MARKED WITH AN ASTERISK (*)
42	F1280		3	PAN HD SCREW, 8 - 32 X 1/4

POWER TRIM UNIT

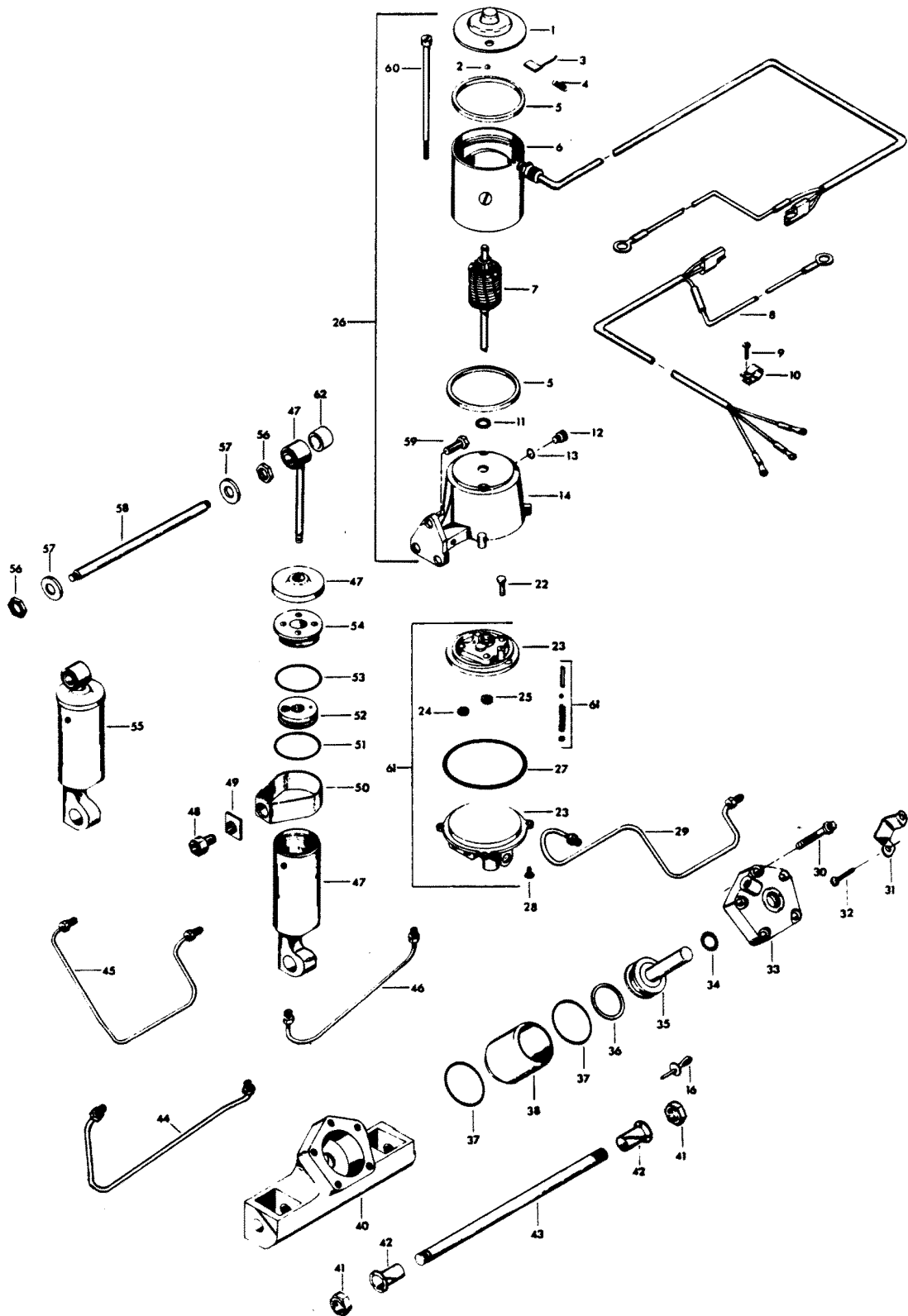


POWER TRIM UNIT

REF. NO.	PART NO.	SYM.	QTY.	DESCRIPTION
1	F17543		1	HEAD ASSEMBLY, COMMUTATOR END
2	F17539		1	BALL
3	F17504		1	BRUSH SET
4	F17500		1	SPRING SET
5	F17557		2	GASKET
6	F17556		1	FIELD AND FRAME ASSEMBLY
7	F17555		1	ARMATURE
8	F500843		1	CABLE
9	F1741		2	THREAD FORMING SCREW, 8 X 3/4
10	F178446		2	CLAMP
11	F17508		A/R	THRUST WASHER
12	F17518		1	FILLER CAP
13	F17510		1	"O" RING
14	F17505		1	RESERVOIR AND BRACKET W/SEAL
16	F1966		1	PLUG, SWIVEL BRACKET
22	F1203		1	HEX CAP SCREW, 1/4 - 20 X 7/8
23	F17564		1	VALVE BODY AND PUMP
24	F17566		1	IDLE GEAR
25	F17565		1	DRIVE GEAR
26	F17563		1	MOTOR AND RESERVOIR
27	F17522		1	"O" RING
28	F1310		4	ROUND HD SCREW, 10 - 24 X 5/8
29	F449254		1	HYDRAULIC LINE, TRIM CYLINDER, UPPER
30	F1959		5	SCREW, 1/4 - 20 X 1-3/4, STAINLESS STEEL
31	F449354		1	THRUST BRACKET
32	F1734		2	SCREW AND LOCKWASHER, 1/4 - 20 X 1/2
33	FA449149		1	COVER W/SEALS AND RETAINER
34	F449342		1	SEAL, PISTON SHAFT
35	FA449015		1	PISTON
36	F449278		1	PISTON SEAL
37	F40278		2	SEAL, CYLINDER
38	F449010		1	CYLINDER
40	F449545-2		1	CYLINDER HOUSING
41	F1963		2	NUT, 5/8 - 18
42	F178362		2	BEARING
43	F449632		1	SHAFT
44	F449253-1		1	HYDRAULIC LINE, TRIM CYLINDER, LOWER
45	F449758		1	HYDRAULIC LINE, LIFT CYLINDER, UPPER
46	F449754-1		1	HYDRAULIC LINE, LIFT CYLINDER, LOWER
47	FA17559		1	LIFT CYLINDER COMPLETE
48	F17577		1	ADAPTER FITTING PACKAGE
49	F17577		1	ADAPTER FITTING PACKAGE
50	F17577		1	ADAPTER FITTING PACKAGE

CONTINUED ON NEXT PAGE ➡

POWER TRIM UNIT



POWER TRIM UNIT

REF. NO.	PART NO.	SYM.	QTY.	DESCRIPTION
51	F17561-1		1	"O" RING
52	F17562-1		1	PISTON ASSEMBLY
53	F17528		1	"O" RING
54	F17560		1	HEAD ASSEMBLY
55	FA178962		1	SHOCK ABSORBER W/BUSHING
56	F1931		2	NUT, 1/2 - 20, STAINLESS STEEL
57	F1960		2	PLAIN WASHER
58	F449889		1	SHAFT, UPPER
59	F1822		3	SCREW, 5/16 - 18 X 7/8, STAINLESS STEEL
60	F17558		1	THRU-BOLT PACKAGE
61	F17568		1	HYDRAULIC PUMP AND VALVE ASSEMBLY
-	F1877		2	TY-RAP (NOT SHOWN)
62	F178344		2	BUSHING, SHOCK ABSORBER - UPPER

SPECIAL TOOLS - TUNE-UP

REF. NO.	PART NO.	SYM.	QTY.	DESCRIPTION
-	FT8948-1		0	PULLER TO REMOVE FLYWHEEL.
-	FTA2937-1		0	TIMING TOOL TO ADJUST TIMING POINTER.
-	FT8978		0	POWER TIMING LIGHT FOR ADJUSTMENT OF ENGINE TIMING.
-	FT2951		0	CIRCUIT TRACER TO TROUBLESHOOT ELECTRICAL SYSTEM.

SPECIAL TOOLS - POWER HEAD

REF. NO.	PART NO.	SYM.	QTY.	DESCRIPTION
-	FT8914		0	SEAL REMOVER TO REMOVE UPPER CRANKSHAFT BEARING CAGE SEAL.
-	FT8927		0	SEAL PROTECTOR TO INSTALL UPPER CRANKSHAFT BEARING CAGE.
-	FT8907		0	DRIVE HANDLE USED WITH T8903.
-	FT8925		0	SEAL INSTALLER TO INSTALL LOWER CRANKSHAFT SEAL.
-	FT2953		0	SOCKET TO TORQUE CONNECTING ROD SCREWS.
-	FT2990		0	PISTON PIN TOOL TO REMOVE AND INSTALL PISTON PINS.
-	FTA8994		0	PISTON PIN TOOL USE WITH T2990.
-	FT2996		0	RING COMPRESSOR TO INSTALL PISTON IN CYLINDER.
-	FT8926		0	RING EXPANDER TO INSTALL PISTON RINGS.
-	FT8903		0	SEAL INSTALLER TO INSTALL UPPER CRANKSHAFT BEARING CAGE SEAL.
-	FT1082		0	SNAP RING PLIER TO REMOVE AND INSTALL DISTRIBUTOR RETAINING RING.

SPECIAL TOOLS - GEAR HOUSING

REF. NO.	PART NO.	SYM.	QTY.	DESCRIPTION
-	FT8948-1		0	PULLER TO REMOVE SPOOL FROM GEAR HOUSING.
-	FT8985		0	SEAL INSTALLER TO INSTALL PROPELLER SHAFT SEAL IN PROPELLER SHAFT BEARING SPOOL.
-	FT8925		0	SEAL INSTALLER TO INSTALL DRIVESHAFT SEAL IN GEAR HOUSING COVER.
-	FT8907		0	DRIVER HANDLE TO INSTALL BEARING CUPS AND SEALS.
-	FT8901		0	INDICATOR HOLDER USED IN CONJUNCTION WITH T8997.
-	FT8902		0	DIAL INDICATOR USED IN CONJUNCTION WITH T8997.
-	FT8919		0	SPRING PIN PUNCH TO REMOVE CLUTCH SPRING PIN.
-	FT8957		0	SEAL INSTALLER TO INSTALL SHIFT ROD SEAL.
-	FT8997		0	SHIMMING TOOL TO SHIM LOWER UNIT.
-	FT8918		0	BEARING GUIDE SET TO REMOVE FORWARD BEARING CUP IN GEAR HOUSING.
-	FT11209		0	BEARING GUIDE SET USE WITH T8918.
-	FT11207		0	BEARING CUP REMOVER TO REMOVE FORWARD BEARING CUP IN GEAR HOUSING.
-	FT11204		0	BEARING CUP INSTALLER TO INSTALL FORWARD BEARING CUP IN GEAR HOUSING.
-	FT3012		0	SEAL INSTALLER TO INSTALL WATER PUMP SEAL.
-	FT11205		0	BEARING INSTALLER/REMOVER TO INSTALL AND REMOVE LOWER DRIVESHAFT BEARING IN GEAR HOUSING.
-	FT7848		0	TORQUING ADAPTER HOLD DRIVESHAFT WHILE INSTALLING OR REMOVING PINION NUT.

SPECIAL TOOLS - TEST EQUIPMENT

REF. NO.	PART NO.	SYM.	QTY.	DESCRIPTION
-	FT8933		0	LIFTING HOOK TO LIFT ENGINE.
-	FT8950		0	LEAKAGE TESTER TO TEST LOWER UNIT SEALS FOR LEAKAGE.
-	FTK8999		0	TEST WHEEL TO TEST MOTOR IN TEST TANK. ORIGINAL FORCE P/N TA8999
-	FT8953		0	IGNITION TESTER TO TEST OUTPUT OF C-D UNIT.

SPECIAL TOOLS - LUBRICANTS AND SEALANTS

REF. NO.	PART NO.	SYM.	QTY.	DESCRIPTION
-	FT2961		0	LUBRICANT
-	FT2987-1		0	LUBRICANT
-	FT8969		0	LUBRICANT
-	FT8955		0	SEALANT
-	FT8993		0	SEALANT
-	FT8936		0	SEALANT
-	FT2962-1		0	SEALANT
-	FT2963-1		0	SEALANT
-	FT8935		0	SEALANT PRIMER

SPECIAL TOOLS - DECAL REPAIR SHEET

REF. NO.	PART NO.	SYM.	QTY.	DESCRIPTION
-	T11227		0	DARK BROWN REPAIR DECALS ON ENGINE COVERS.
-	T11228		0	DARK METALLIC BROWN REPAIR DECALS ON ENGINE COVERS AND LEG.
-	T11229		0	SAND TAN REPAIR DECALS ON ENGINE COVERS.
-	T11230		0	ORANGE REPAIR DECALS ON ENGINE COVERS AND LEG.
-	T11231		0	GOLD REPAIR DECALS ON ENGINE COVERS AND LEG.

ACCESSORIES

REF. NO.	PART NO.	SYM.	QTY.	DESCRIPTION
-	F5H014		0	FLUSHING ADAPTER PERMITS FRESH WATER FLUSHING OF WATER PASSAGES WITH STANDARD GARDEN HOSE.
-	F5H130		0	REMOTE CONTROL BOX (SINGLE LEVER) (SURFACE MOUNT) PERMITS REMOTE CONTROL OF THROTTLE AND GEAR SHIFT FROM STARBOARD SIDE OF BOAT.
-	F5H120		0	REMOTE CONTROL BACK PLATE PROTECTS CONTROL MECHANISM FROM PADDED BOAT SURFACES.
-	F5H131		0	PORT SIDE DECAL KIT CONVERTS 5H130 CONTROL BOX TO PORT SIDE MOUNTING.
-	F590		0	REMOTE CONTROL HEAD (SINGLE LEVER) FLUSH MOUNT CONTROL UNIT PERMITS REMOTE CONTROL OF THROTTLE AND GEAR SHIFT. MAY BE MOUNTED ON PORT OR STARBOARD SIDE OF BOAT.
-	865		0	TWIN REMOTE CONTROL BOX PERMITS REMOTE CONTROL OF THROTTLE, AND GEAR SHIFT ON TWIN ENGINE INSTALLATIONS. MAY BE MOUNTED ON PORT OR STARBOARD SIDE OF BOAT.
-	F5H079		0	REMOTE CONTROL BOX FOR MOUNTING ON CONSOLE OF BOAT.
-	F5H080		0	TWIN REMOTE CONTROL BOX FOR MOUNTING ON CONSOLE OF BOAT.
-	F195/___		0	REMOTE CONTROL CABLES CONNECTS REMOTE CONTROL BOX TO THROTTLE AND GEAR SHIFT ON ENGINE. AVAILABLE IN 6 THROUGH 40 FOOT LENGTHS.
-	F5H108		0	STEERING CONNECTOR CLEVIS TYPE FOR BOAT MOUNTED STEERING AND NON THREADED CABLE END.
-	F5H018		0	DUAL ENGINE TIE BAR PERMITS DUAL ENGINE INSTALLATIONS.
-	F5H094		0	STEERING LINK CONNECTS ENGINE TO REMOTE STEERING CABLE.
-	F5H026		0	STEEL, 6 GALLON FUEL TANK (LOW PROFILE) AUXILIARY TANK.
-	F5H029		0	TANK ANCHOR SECURES 5H026 TO BOAT.
-	F5H040		0	STEEL, 12 GALLON FUEL TANK AUXILIARY TANK.
-	F5H019		0	ANTI-CORROSION KIT ELECTRICAL KIT FOR MOUNTING ON BOAT (12V) TO REDUCE CORROSION.
-	F5H025		0	ANTI-CORROSION SACRIFICIAL ANODE KIT USED TO REDUCE CORROSION.
-	F5H043		0	OVERHEAT BUZZER SOUNDS WARNING BUZZER IF ENGINE OVERHEATS.
-	479		0	OVERHEAT LAMP WARNS OF ENGINE OVERHEATING. DO NOT USE GAUGE AND LAMP IN SAME INSTALLATION.
-	F5H010		0	POWER TRIM INDICATOR INDICATES ENGINE TRIM ANGLE. (FLUSH MOUNT).
-	F5H081		0	BATTERY CABLE LONGER LENGTH - 15 FEET.
-	71H06		0	AMMETER - FLUSH MOUNT INDICATES ALTERNATOR OUTPUT.
-	F5H006		0	VOLTMETER - FLUSH MOUNT INDICATES BATTERY CONDITION.

CONTINUED ON NEXT PAGE ➡

ACCESSORIES

REF. NO.	PART NO.	SYM.	QTY.	DESCRIPTION
-	71H25		0	CHARGE INDICATOR LAMP INDICATES ALTERNATOR OUTPUT.
-	F5H007		0	HOURMETER - FLUSH MOUNT RECORDS ENGINE RUNNING TIME.
-	5H111		0	INSTRUMENT ADAPTER - 2" PROVIDES SURFACE MOUNTING OF INSTRUMENTS.
-	F5H112		0	INSTRUMENT ADAPTER - 3-1/2" PROVIDES SURFACE MOUNTING OF INSTRUMENTS.
-	F5H119		0	PROPELLER SPACER - FLARED REDUCES PROPELLER VENTILATION ON SOME BOAT APPLICATIONS.
-	F5H069		0	RFI SUPPRESSION KIT PROVIDES RADIO NOISE SUPPRESSION.
-	5H048		0	CANVAS HOOD PROTECTION FOR ENGINE COVER.
-	5H051		0	BATTERY, 74 AMP. 12 VOLT HEAVY DUTY BATTERY.
-	F5H041		0	BATTERY TERMINAL KIT ADAPTS MODEL 5H051 BATTERY TERMINALS FOR CONNECTIONS TO CABLE ON ENGINE.
-	F5H021		0	EXTENSION CABLE FOR LENGTHENING BATTERY CABLE 6-1/2 FEET.
-	F5H037		0	CIGAR LIGHTER FOR USE AS CONVENIENCE OUTLET.
-	168		0	CONTROL PANEL FOR MOUNTING LAMPS, SWITCHES, ETC.
-	F5H008		0	FUEL GAUGE FLUSH MOUNT MONITORS FUEL SUPPLY.
-	F5H076		0	SWITCH EXTENSION CABLE 5 FOOT LONG SWITCH WIRING HARNESS.
-	F5H077		0	IGNITION KEY SWITCH SHORT BARREL WITH KEYS.
-	F5H078		0	IGNITION KEY SWITCH LONG BARREL WITH KEYS.
-	478		0	IGNITION LAMP INDICATES WHEN IGNITION SWITCH IS "ON".
-	F762		0	REMOTE ELECTRIC CABLE 25 FOOT CABLE FOR LARGE BOATS.
-	5H082		0	REMOTE ELECTRIC CABLE 35 FOOT CABLE FOR LARGE BOATS.
-	F5H070		0	REMOTE ELECTRIC CABLE 21 FOOT CABLE FOR LARGE BOATS.
-	F5H028		0	SENDING UNIT FOR USE WITH FUEL GAUGE.
-	F5H005		0	TEMPERATURE GAUGE - FLUSH MOUNT MONITORS ENGINE TEMPERATURE. DO NOT USE TEMPERATURE GAUGE AND HEAT LAMP IN SAME INSTALLATION.
-	F5H012		0	TACHOMETER FLUSH MOUNT MONITORS ENGINE R.P.M. TO PROVIDE CHECK OF ENGINE PERFORMANCE.
-	F5H128		0	POWER TRIM ADJUSTS ENGINE TRIM AND TILTS ENGINE.
-	F5H004		0	SPEEDOMETER FLUSH MOUNT MONITORS BOAT SPEED (0-50 M.P.H.)
-	F5H002		0	SPEEDOMETER - FLUSH MOUNT MONITORS BOAT SPEED (0-65 M.P.H.)
-	F5H076		0	SWITCH EXTENSION CABLE 5 FOOT LONG SWITCH WIRING HARNESS.
-	F5H003		0	SPEEDOMETER FLUSH MOUNT MONITORS BOAT SPEED (TO 100 KM/H).

CONTINUED ON NEXT PAGE ➡

ACCESSORIES

REF. NO.	PART NO.	SYM.	QTY.	DESCRIPTION
-	F5H030		0	SWITCH KIT - RUNNING LIGHTS DASH MOUNTED TOGGLE SWITCH
-	F5H031		0	SWITCH KIT - SPOT LIGHT DASH MOUNTED TOGGLE SWITCH
-	F5H032		0	SWITCH KIT - WIPER DASH MOUNTED TOGGLE SWITCH
-	F5H034		0	SWITCH KIT - BILGE PUMP DASH MOUNTED TOGGLE SWITCH
-	F5H035		0	SWITCH KIT - HORN DASH MOUNTED TOGGLE SWITCH
-	F5H039		0	SWITCH KIT - INSTRUMENT LIGHTS DASH MOUNTED TOGGLE SWITCH
-	F5H036		0	SWITCH KIT - TACHOMETER TRANSFER FOR ONE TACHOMETER ON DUAL ENGINE INSTALLATION.
-	F5H038		0	SWITCH KIT - IGNITION SWITCH TO MOUNT IGNITION SWITCH IN DASH.
-	F563		0	TERMINAL BLOCK KIT DOUBLE ROW 10 SECTION, TO SIMPLIFY ACCESSORY INSTALLATION.
-	479		0	UNIMOUNT UNDER DASH MOUNT FOR INDICATOR LIGHTS AND IGNITION SWITCH.
-	F5H075		0	WIRING HARNESS - IGNITION SWITCH - 24" USE WITH 563 TERMINAL BLOCK.
-			0	CHRYSLER OUTBOARD OIL SEE BLOCK COMMENT 1.
-			0	CHRYSLER OUTBOARD GEAR LUBE SEE BLOCK COMMENT 2.
-			0	CHRYSLER OUTBOARD FUEL AID REMOVES MOISTURE, PREVENTS SLUDGE AND VARNISH AND STABILIZES GAS. AVAILABLE IN 16 OZ. CANS AND 12 CAN CASES.
-			0	CHRYSLER OUTBOARD STORAGE LUBRICANT WORKS AS A CORROSION INHIBITOR AND PROTECTS INTERNAL ENGINE PARTS DURING STORAGE. AVAILABLE IN 16 OZ. CANS AND 12 CAN CASES.
-			0	CHRYSLER OUTBOARD MULTI-PURPOSE SPRAY LUBE WORKS AS A LUBRICANT, CLEANER, MOISTURE REMOVER AND ELECTRIC INSULATOR. AVAILABLE IN 9 OZ. CANS AND 12 CAN CASES.
-			0	CHRYSLER OUTBOARD MULTI-PURPOSE GREASE LUBRICATES BEARINGS AND OTHER MOVING PARTS. AVAILABLE IN 8 OZ. TUBES AND 12 TUBE CASES.
-			0	CHRYSLER OUTBOARD GREASE GUN USED WITH CHRYSLER OUTBOARD MULTI-PURPOSE GREASE TUBES FOR PRESSURE FITTINGS.
-			0	CHRYSLER OUTBOARD MULTI-PURPOSE CLEANER

PARTS INDEX

Part Number	Description	Pg.	Ref. No.	Part Number	Description	Pg.	Ref. No.
ÄF58356//	REMOTE CONTROL CABLE (SPECIFY LENGTH)	47	4	F1187	HEX HD SCREW, 1/4 - 20 X 1	27	43
168	CONTROL PANEL	61	-	F1203	HEX CAP SCREW, 1/4 - 20 X 7/8	29	107
478	IGNITION LAMP	61	-	F1203	HEX CAP SCREW, 1/4 - 20 X 7/8	51	22
479	OVERHEAT LAMP	60	-	F1236	SCREW, 1/4 - 20 X 1/2	21	22
479	UNIMOUNT	62	-	F1238	HEX CAP SCREW, 1/4 - 20 X 3/4	3	14
480373	DECAL, MAGNAPOWER IGNITION	9	55	F1238	HEX CAP SCREW, 1/4 - 20 X 3/4	27	54
481373-1	DECAL, "ELECTRONIC" NOT SHOWN	15	-	F1253	HEX SOCKET HD CAP SCREW, 3/8 - 16 X 2	25	9
5C553944	ENGINE COVER COMPLETE	3	-	F1263	HEX SOCKET HD CAP SCREWS, 5/16 - 18 X 9/16	35	13
5H048	CANVAS HOOD	61	-	F1280	PAN HD SCREW 8 - 32 X 1/4	37	63
5H051	BATTERY, 74 AMP.	61	-	F1280	PAN HD SCREW, 8 - 32 X 1/4	49	42
5H082	REMOTE ELECTRIC CABLE	61	-	F1280	PAN HD SCREW, 8 - 32 X 1/4 (TERMINAL BOARD) (NOT SHOWN)	49	-
5H111	INSTRUMENT ADAPTER - 2"	61	-	F1280	SCREW, 8 - 32 X 1/4	7	33
71H06	AMMETER - FLUSH MOUNT	60	-	F1286	PAN HD SCREW, 4 - 40 X 3/16	25	39
71H25	CHARGE INDICATOR LAMP	61	-	F1310	ROUND HD SCREW, 10 - 24 X 5/8	51	28
817747--1	BALL JOINT W/STUD	21	23	F1341	HEX NUT, 1/4 - 20	25	21
817747--1	BALL JOINT W/STUD	25	25	F1346	HEX NUT	21	29
817783A5	SWIVEL BRACKET W/BEARINGS & GREASE FITTINGS	35	39	F1346	HEX NUT	35	22
817786A1	DISTRIBUTOR PULLEY	13	3	F14005-2	CAP BASE	13	37
817788A3	SPACER PLATE W/PLUG	27	73	F14007	CAP SCREW	13	33
817828A1	DISTRIBUTOR	15	-	F14010-1	CAP COVER	13	34
817892--1	PLATE, IGNITION SWITCH - CANADA	9	-	F14012-1	BRUSH	13	39
817931A7	MOTOR LEG COVER REAR	35	6	F14015	CAP CLIP RIVET	13	21
817932A6	TOWERSHAFT W/SWIVEL, BEARINGS AND SCREWS	25	19	F14017	TERMINAL INSULATOR (OUTSIDE)	15	46
85872-1	BRACKET	27	59	F14021-1	CAP SEAL	13	36
865	TWIN REMOTE CONTROL BOX	60	-	F14024	SPACER	15	42
89396A38	PRIME BULB	45	9	F14025	SPACER	13	4
A553392	DECAL - LEG (PORT)	35	1	F14028	THRUST WASHER	13	5
A553944	ENGINE COVER W/RETAINER, SCREWS AND NUTS	3	7	F14029	THRUST WASHER	13	7
A85135-3	LEG COVER FRONT	35	43	F14030	CAP GASKET	13	38
C523227	SPARK PLUG (CHAMPION QL-76V) - CANADA. FOR MODEL 1154B9AN	27	-	F14036	SWIVEL	13	13
F10023	GASKET SET (NOT SHOWN)	19	-	F14037	CAP CLIPS	13	14
F1009	HEX HD SCREW, 3/8 - 16 X 2-3/4	25	5	F14038	CAP CLIP SCREWS	13	15
F10103	REPAIR PARTS KIT	19	53	F14040	VENT	13	35
F1014	COTTER PIN	17	30	F14041	EXTERNAL TOOTH LOCKWASHER	13	23
F1015	COTTER PIN	41	46	F14042	DISTRIBUTOR HOUSING W/BEARINGS	13	12
F1034	SCREW, 1/4 - 20 X 1-3/8	17	6	F14044	DISTRIBUTOR SHAFT	13	40
F1052	FILL HD SCREW, 1/4 - 20 X 1	25	22	F14045	SCREW	13	16
F1059	FILL HD SCREW, 6 - 32 X 1/4	19	43	F14046	TERMINAL SCREW	13	19
F1064	FILL HD SCREW, 8 - 32 X 3/8	17	3	F14047	TERMINAL INSULATOR (INSIDE)	13	20
F1099	FILL HD SCREW, 1/4 - 20 - 1- 1/4	27	55	F14049	TERMINAL INSULATOR (OUTSIDE)	13	22
F1099	FILL HD SCREW, 1/4 - 20 X 1-1/4	25	13	F14056	SCREW	15	47
F1107	SLOTTED FILL HD CAP SCREW, 1/4 - 20 X 3/4	27	76	F1425	HEX CAP SC. 1/4 - 20 X 5/8	43	-
F1108	FILL HD SCREW, 1/4 - 20 X 3/4	21	13	F1425	HEX CAP SCREW, 1/4 - 20 X 1-5/8	41	62

PARTS INDEX

Part Number	Description	Pg.	Ref. No.	Part Number	Description	Pg.	Ref. No.
F1461	SCREW #6 X 7/8	47	40	F1696	SCREW, 5/16 - 18 X 1-3/4	35	17
F1473	HEX NUT	3	36	F1699	HEX HD SCREW, 1/4 - 20 X 1-1/8	25	8
F1475	FILL HD SCREW, 10 - 24 X 1/2	29	103	F17006	DETENT SPRING	47	18
F1491	HEX HD SCREW, 5/16 - 18 X 3-1/4	41	41	F17009	BEARING	47	14
F1502	HEX CAP SCREW, 1/4 - 20 X 5/8	11	18	F17010-1	THROTTLE GEAR	47	16
F1502	HEX CAP SCREW, 1/4 - 20 X 5/8	21	5	F17011	BOWED WASHER	47	15
F1502	HEX CAP SCREW, 1/4 - 20 X 5/8	27	48	F17012	RETAINING PLATE	47	13
F1502	SCREW, 1/4 - 20 X 5/8	3	20	F17013	FILL HD SCREW, 1/4 - 20 X 1/2	47	11
F15034	SPRING SET	11	22	F17014	THROTTLE ARM	47	10
F15054	BRUSH AND TERMINAL SET	11	12	F17016	CABLE TERMINAL	47	9
F15057	BRUSH PLATE AND HOLDER ASSEMBLY	11	23	F17019	CLUTCH ARM	47	5
F15099	ARMATURE	11	10	F17021	CLUTCH GEAR	47	19
F15118	BENDIX DRIVE ASSEMBLY	11	5	F17026	SWIVEL	47	24
F15125	HEAD ASSEMBLY, COMMUTATOR END	11	21	F1703	LOCKWASHER	27	71
F15126	THRUST WASHER PACKAGE	11	9	F1703	SPRING LOCKWASHER	37	48
F1513	HEX NUT	7	18	F17031-1	INTERNAL TOOTH LOCKWASHER	47	28
F1513	HEX NUT	47	3	F17036	INTERNAL TOOTH LOCKWASHER	47	6
F1513	HEX NUT, 10 - 32	21	27	F1704	INTERNAL TOOTH LOCKWASHER	23	49
F1513	HEX NUT, 10 - 32	25	27	F1705	HEX CAP SCREW, 1/4 - 20 X 3/4	7	23
F1515	HEX NUT	7	24	F1705	HEX CAP SCREW, 1/4 - 20 X 3/4	39	1
F15166	FRAME AND FIELD ASSEMBLY	11	11	F17068	DETENT SPRING	47	37
F15167	HEAD ASSEMBLY, DRIVE END	11	8	F17071	FILL HD SCREW, 10 - 24 X 5/16	47	22
F15168	THRU BOLT PACKAGE	11	16	F17082-1	DETENT BALL	47	38
F1528	WELCH PLUG	35	33	F1709	HEX BOLT, 1/4 - 20 X 1-1/8	29	87
F154317	CABLE CLAMP	47	23	F17092	SNAP RING	47	21
F1556	FILL HD SCREW W/LOCKWASHER, 10 - 24 X 3/8	25	23	F17099-1	HOUSING	47	36
F1557	FLAT HD SCREW, 10 - 24 X 3/8	47	25	F17100	CLUTCH SHAFT	47	20
F1577	FILL HD SCREW, 1/4 - 20 X 3/4	39	19	F17103-1	BAG ASSEMBLY (NOT SHOWN)	49	-
F1593	HEX HD SCREW, 3/8 - 16 X 3	35	20	F17105	FELT WASHER	47	33
F1612	HEX CAP SCREW, 3/8 - 16 X 1-1/4	13	8	F17106	COLLAR	47	34
F1641	LOCK NUT, 1/4 - 28	11	6	F17111	DETENT BALL	47	17
F1645	RD HD SCREW, 6 - 32 X 1/4	23	50	F17112	JUNCTION BOARD, STARBOARD	47	26
F1645	SCREW, 6 - 32 X 1/4	7	27	F17113	JUNCTION BOARD, PORT	47	-
F1647	HEX NUT, 8 - 32	7	6	F1713	SPRING PIN	39	25
F1647	HEX NUT, 8 - 32	13	24	F17146	WOOD SCREW	47	35
F1647	HEX NUT, 8 - 32	29	96	F17147	INTERNAL TOOTH LOCKWASHER	47	12
F1648	PAN HD SCREW, 10 - 24 X 3/4	7	16	F17148	DECAL, STARBOARD	47	27
F1664	SPRING PIN	35	7	F17149	COTTER PIN	47	8
F1678	FILL HD SCREW, 10 - 24 X 13/16	7	2	F1715	HEX BOLT, 1/4 - 28 X 9/16	47	7
F1689	HEX HD CAP SCREW, 1/4 - 20 X 1/2	9	42	F1727	PLASTIC RIVET	25	20
F1692	WOODRUFF KEY	13	41	F1729	PLUG	35	5
F1693	TIE BAR RETAINER NUT	17	4	F1730	PAN HD SCREW W/SPRING LOCKWASHER, 1/4 - 20 X 5/8	3	8
				F1733	PAN HD MACHINE SCREW, 10 - 24 X 9/16	3	2
				F1734	FILL HD SCREW W/LOCKWASHER, 1/4 - 20 X 1/2	7	14

PARTS INDEX

Part Number	Description	Pg.	Ref. No.	Part Number	Description	Pg.	Ref. No.
F1741	SCREW, 8 X 3/4	7	35	F17932	SEAL, FUEL TANK ADAPTER	45	12
F1741	THREAD FORMING SCREW, 8 X 3/4	51	9	F18160-2	CYLINDER DRAIN REED	25	36
F17500	SPRING SET	51	4	F1822	HEX BOLT, 5/16 - 18 X 7/8	37	44
F17504	BRUSH SET	51	3	F1822	SCREW, 5/16 - 18 X 7/8, STAINLESS STEEL	53	59
F17505	RESERVOIR AND BRACKET W/SEAL	51	14	F1831	FLAT HD SCREW, 1/4 - 20 X 5/8	23	43
F17508	THRUST WASHER	51	11	F1832	STOP NUT, 1/4 - 20	27	68
F17510	"O" RING	51	13	F184033-1	SWIVEL, TOP CARBURETOR	17	33
F17518	FILLER CAP	51	12	F184122-1	SEAL	29	-
F17522	"O" RING	51	27	F184122-1	SEAL, PARTING LINE	29	101
F17528	"O" RING	53	53	F184579	"O" RING SEAL	17	32
F17539	BALL	51	2	F1849	HEX HD CAP SCREW, 1/4 - 20 X 1-3/8	3	9
F17543	HEAD ASSEMBLY, COMMUTATOR END	51	1	F1851	FILL HD SCREW W/LOCKWASHER, 10 - 24 X 1/2	7	39
F1755	ROUND HD SCREW W/LOCKWASHER 6 - 32 X 1/4	21	38	F1854	HEX CAP SCREW, 1/4 - 20 X 5/8	3	25
F17555	ARMATURE	51	7	F1856	PLAIN WASHER	43	72
F17556	FIELD AND FRAME ASSEMBLY	51	6	F1857	HEX CAP SCREW, 5/16 - 18 X 5/8	3	23
F17557	GASKET	51	5	F1857	HEX CAP SCREW, 5/16 - 18 X 5/8	3	35
F17558	THRU-BOLT PACKAGE	53	60	F1858	HEX CAP SCREW, 5/16 - 18 X 1	3	24
F17560	HEAD ASSEMBLY	53	54	F1858	HEX CAP SCREW, 5/16 - 18 X 1	41	39
F17561-1	"O" RING	53	51	F1860	RD HD SCREW, 6 - 32 X 1/4	21	9
F17562-1	PISTON ASSEMBLY	53	52	F1864	HEX SLOT HD SCREW, 1/4 - 20 X 3/4	35	4
F17563	MOTOR AND RESERVOIR	51	26	F1866	PLAIN WASHER	43	71
F17564	VALVE BODY AND PUMP	51	23	F1867	HEX CAP SCREW, 3/8 - 16 X 1	33	19
F17565	DRIVE GEAR	51	25	F1869	HEX CAP SCREW, 3/8 - 16 X 1-1/4	27	70
F17566	IDLE GEAR	51	24	F1871	HEX HD SCREW, 3/8 - 16 X 3/4	37	49
F17568	HYDRAULIC PUMP AND VALVE ASSEMBLY	53	61	F1872	HEX CAP SCREW, 3/8 - 16 X 1-3/4	25	12
F17577	ADAPTER FITTING PACKAGE	51	48	F1873	HEX CAP SCREW, 3/8 - 16 X 3	27	50
F17577	ADAPTER FITTING PACKAGE	51	49	F1874	HEX HD SCREW, 3/8 - 16 X 1/8	25	2
F17577	ADAPTER FITTING PACKAGE	51	50	F1877	TY-RAP	7	29
F1759	SHIM, DISTRIBUTOR (QTY. AS REQUIRED)	13	11	F1877	TY-RAP (NOT SHOWN)	53	-
F1760	PAN HD SCREW, 10 - 24 X 3/8	7	19	F1885	HEX BOLTS. S.S., 5/16 - 18 X 4-1/4	27	64
F1760	PAN HD SCREW, 10 - 24 X 3/8	13	25	F1885	HEX CAP SCREW, 5/16 - 18 X 4-1/4	39	6
F1760	PAN HD SCREW, 10 - 24 X 3/8	25	3	F1892	STOP NUT	9	52
F177330	FUEL PUMP VALVE	21	10	F1904	PLAIN WASHER	35	21
F1778	PLAIN WASHER	13	9	F1907	PLAIN WASHER	39	7
F178168-1	CARBURETOR ADAPTER GASKET	29	-	F1910	STOP NUT, 1/4 - 20	21	25
F178168-1	GASKET, CARBURETOR ADAPTER	21	35	F19109	PLUG	27	60
F178323	SEAL, MOTOR LEG	35	12	F19109	PLUG	39	30
F178344	BUSHING, SHOCK ABSORBER - UPPER	53	62	F1912	HEX HD SCREW, 10 - 24 X 1/2	37	51
F178362	BEARING	51	42	F1914	HEX HD SCREW, 1/4 - 20 X 3/4	25	11
F178404-1	DEFLECTOR PLATE	21	36				
F178446	CLAMP	51	10				
F178754-1	FUEL LINE	17	36				
F1788	STOP NUT	39	15				

PARTS INDEX

Part Number	Description	Pg.	Ref. No.	Part Number	Description	Pg.	Ref. No.
F1915	HEX HD SCREW, 1/4 - 20 X 7/8	23	44	F203673	TERMINAL CLIP	13	31
F1915	HEX HD SCREW, 1/4 - 20 X 7/8	25	6	F2042	PLAIN WASHER	29	106
F1931	NUT, 1/2 - 20, STAINLESS STEEL	53	56	F2047	WAVE SPRING LOCKWASHER	3	30
F1934	SCREW, 6 X 12	9	50	F2049	HEX CAP SCREW, 5/16 - 18 X 2-5/8	27	78
F1935	PLAIN WASHER	27	42	F2066	PAN HD TAPPING SCREW, 10 X 7/16 (TRIM TO COVER)	3	38
F1936	SPACER, BEVEL GEAR FRONT .059	39	27	F2067	PLASTISOL CAP (NOT SHOWN).	33	-
F1937	SPACER, BEVEL GEAR FRONT .062	39	-	F2088	FASTENER	3	10
F1938	SPACER, BEVEL GEAR FRONT .065	39	-	F2089	SLOTTED PAN HD M. SCREW 10 - 24 X 5/16	29	105
F1939	SPACER, BEVEL GEAR FRONT .068	39	-	F2090	PLUG	27	74
F1940	SPACER, BEVEL GEAR FRONT .071	39	-	F2093	STOP NUT 3/8 - 24	37	59
F1941	SPACER, BEVEL GEAR FRONT .074	39	-	F2108	LOCK NUT	37	54
F1942	SPACER, BEVEL GEAR FRONT .077	39	-	F2108	STOP NUT, 5/16 - 18	27	67
F195/	REMOTE CONTROL CABLES	60	-	F2113	SPACER, BEVEL GEAR FRONT .080	39	-
F1950	HEX CAP SCREW, 10 - 24 X 5/8	29	91	F2114	SPACER, BEVEL GEAR FRONT .083	39	-
F1953	HEX HD SCREW, 1/4 - 20 X 1	21	20	F2115	SPACER, BEVEL GEAR FRONT .086	39	-
F1953	HEX HD SCREW, 1/4 - 20 X 1	25	16	F2116	SPACER, BEVEL GEAR FRONT .089	39	-
F1959	SCREW, 1/4 - 20 X 1-3/4, STAINLESS STEEL	51	30	F2121	SPACER, BEVEL GEAR FRONT .057	39	-
F1960	PLAIN WASHER	53	57	F2122	SPACER, BEVEL GEAR FRONT .054	39	-
F1963	NUT, 5/8 - 18	51	41	F213274	GREASE FITTING	13	27
F1966	PLUG, SWIVEL BRACKET	51	16	F213274	GREASE FITTING	35	31
F1968	FLYWHEEL NUT	33	21	F213342	SEAL, FUEL LINE COUPLER (LARGE)	45	4
F1975	SPRING LOCKWASHER	7	10	F213735	SEAL, FUEL LINE COUPLER (SMALL)	45	5
F1975	SPRING LOCKWASHER	13	26	F235785	DECAL COMPLIANCE (CANADA)	5	43
F197787-3	FUEL LINE COUPLER	45	6	F24278	PROPELLER SHAFT SPOOL SEAL	43	-
F1987	PLAIN WASHER	27	79	F24278	SEAL, "O" RING PROPELLER SHAFT SPOOL	39	10
F1987	PLAIN WASHER	37	55	F269319	THROTTLE CAM BEARING	21	26
F1990	HEX CAP SCREW	43	-	F284659-2	BEARING, CRANKSHAFT UPPER MAIN	33	22
F1990	HEX CAP SCREW, 1/4 - 20 X 1-5/8	41	60	F289446-1	CLAMP	7	12
F1994	HEX SOCKET HD CAP SCREW, 5/16 - 18 X 1	41	36	F298788	FERRULE	45	7
F1997	STOP NUT, 8 - 32	17	23	F2A476757	CYLINDER DRAIN REED PLATE W/REEDS, STOPS AND SCREWS	25	35
F1999	HEX CAP SCREW, 1/4 - 20 X 7/8	41	55	F2A523023	BEVEL GEAR FRONT W/BEARING	39	28
F2000	HEX CAP SCREW, 5/16 - 18 X 3/4	9	47	F2A523158	REED PLATE W/REEDS, REED STOPS AND SCREWS	21	41
F2000	HEX CAP SCREW, 5/16 - 18 X 3/4	29	99	F2A523239	SPOOL, PROPELLER SHAFT BEARING W/SEALS	39	11
F2001	FILL HD SCREW, 10 - 24 X 5/8	7	9	F2A523662	BEVEL GEAR REAR W/BEARING CAGE	39	21
F2008	HEX HD SCREW, 1/4 - 20 X 7/8	27	53		SPACER AND BEARING	39	21
F2015	HEX NUT, 1/4 - 28	29	102				
F2016	FILL HD SCREW, 6 - 32 X 7/8	23	48				
F2030	HEX HD M. SCREW, 1/4 - 20 X 1-1/4	35	42				
F203276	BOOT	13	30				
F2033	GROOVE PIN	17	39				

PARTS INDEX

Part Number	Description	Pg.	Ref. No.	Part Number	Description	Pg.	Ref. No.
F307317	CLIP, TERMINAL BLOCK . . .	7	17	F433209-1	THROTTLE CAM STUD	21	32
F316579	SEAL, CRANKCASE	33	11	F438066	BY-PASS VALVE COVER . . .	29	92
F316599	SEAL, STEERING TUBE . . .	35	30	F438129	SEAL, DRIVESHAFT SPLINE	43	70
F319908	GROUND WIRE - CANADA . .	9	57	F438165	SCREW, FUEL PUMP BOWL	21	18
F321756	PACKING, COVER	3	31	F438169	BEARING	35	35
F321841-3	LEAD WIRE	13	32	F438271	RETAINER, CRANKSHAFT SPLINE SEAL	43	69
F322273	STUD, C.D. UNIT	9	48	F438346	SHOCK MOUNT LOWER . . .	37	47
F333316	THROTTLE ROLLER SHAFT	17	19	F438398	DECAL, WIRING - USA	29	86
F333480-1	RETAINER, ENGINE COVER	3	37	F438500	FUEL SEDIMENT BOWL . . .	21	17
F335215	SPACER, PISTON PIN (2 PER PISTON)	33	3	F438617	FUEL SEDIMENT BOWL GASKET	21	15
F335217-1	BEARING, PISTON PIN (26 PER SET)	33	5	F438653	FUEL SEDIMENT BOWL SCREEN	21	16
F335654-1	DEFLECTION STOP	3	21	F438668	RETAINER, CABLE CLAMP .	7	13
F338618-1	GEAR SHIFT ROD SEAL . . .	43	-	F438744-1	WIRING HARNESS	7	4
F338618-1	SEAL, GEAR SHIFT ROD . . .	35	16	F438747	FUEL PUMP DIAPHRAGM . .	21	8
F338618-1	SEAL, GEAR SHIFT ROD . . .	41	53	F438754	FUEL LINE	17	42
F345475-1	COIL	9	44	F438760	FUEL PUMP GASKET	21	4
F345683	WIRE, REGULATOR- RECTIFIER GROUND	7	5	F438801	FITTING	21	14
F351307	SEAL, DRIVESHAFT - WATER PUMP	41	63	F438841-1	LEAD WIRE - CANADA	13	-
F353480	STUD	35	23	F438905	COIL WIRE - CANADA	13	-
F369610	BEARING	27	62	F438930	RETAINER, SNOUT	41	38
F369887	SHOULDER SCREW	27	61	F438962	SHOCK MOUNT LOWER REAR	35	14
F369977-1	INTERLOCK ARM	27	63	F439736	SEAL, EXHAUST TUBE	37	58
F372151-1	EXHAUST PORT PLATE . . .	29	90	F440192-1	THROTTLE CAM	21	28
F372152-1	EXHAUST PORT COVER . . .	29	88	F440209	CARBURETOR STUD	21	30
F372154-1	EXHAUST PLATE GASKET .	29	-	F440254	BALANCE TUBE	21	34
F372154-1	GASKET, EXHAUST PORT PLATE	29	89	F440906	CARBURETOR GASKET . . .	21	31
F372529	CYLINDER HEAD GASKET .	29	-	F440906	CARBURETOR GASKET . . .	31	-
F372958	CHOKE BRACKET	21	19	F440925	CHOKE ROD	17	40
F381896-4	BATTERY CABLE	7	30	F441754-1	HOSE	21	3
F391926-1	PLUNGER	17	41	F448446	CLAMP, TRIM SWITCH CABLE	49	41
F391983	RETAINING BAND	9	51	F448543	KNOB	47	29
F40223	GASKET, TRANSFER PORT COVER	27	52	F448611-1	LEVER	47	30
F40223	TRANSFER PORT COVER GASKET	29	-	F448894	INDICATOR - PORT	47	-
F40278	SEAL, CYLINDER	51	37	F449010	CYLINDER	51	38
F404097	FLYWHEEL	7	1	F449253-1	HYDRAULIC LINE, TRIM CYLINDER, LOWER	51	44
F404268	BY-PASS VALVE SPRING . .	29	94	F449254	HYDRAULIC LINE, TRIM CYLINDER, UPPER	51	29
F404314	ELBOW, FUEL PUMP COVER	21	2	F449278	PISTON SEAL	51	36
F404314	FITTING	27	47	F449342	SEAL, PISTON SHAFT	51	34
F404470-1	REGULATOR-RECTIFIER . .	7	8	F449354	THRUST BRACKET	51	31
F404513	COIL CLAMP	7	40	F449545-2	CYLINDER HOUSING	51	40
F404801	ELBOW, CYLINDER DRAIN UPPER (NOT SHOWN) . .	27	-	F449632	SHAFT	51	43
F404841	CABLE, HEAT INDICATOR .	7	37	F449754-1	HYDRAULIC LINE, LIFT CYLINDER, LOWER	51	46
F405457	PIVOT SCREW	25	7	F449758	HYDRAULIC LINE, LIFT CYLINDER, UPPER	51	45
F406406	DEFLECTOR PLATE GASKET	31	-	F449889	SHAFT, UPPER	53	58
F406406	GASKET DEFLECTOR PLATE	21	37	F449894	INDICATOR - STARBOARD .	47	32
F406471-1	CYLINDER DRAIN COVER .	27	41	F455449	SWITCH, TRIM	47	39
F406754-1	HOSE	27	46	F455690	SET SCREW	47	31
F40689-1	BEARING	27	72	F460917	STARTER RELAY	7	26
F407446	CLAMP	7	31	F474073-1	CLAMP SCREW	35	25
F409251-1	GAUGE CAP	45	1	F474387	TIMING DECAL - USA	9	56
				F476066-1	THERMOSTAT COVER	29	85

PARTS INDEX

Part Number	Description	Pg.	Ref. No.	Part Number	Description	Pg.	Ref. No.
F476067	GASKET	27	81	F523498	KEY	43	-
F476067	THERMOSTAT COVER			F523555	GEAR HOUSING COVER		
	GASKET	31	-		SEAL	43	-
F476529	CYLINDER HEAD GASKET	27	75	F523555	SEAL, "O" RING, GEAR		
F476529	CYLINDER HEAD GASKET	31	-		HOUSING COVER	41	48
F480038-2	SUPPORT PLATE	3	15	F523562	PLATE, WATER PUMP	41	57
F480107-1	CAM STARTER INTERLOCK	29	104	F523562	PLATE, WATER PUMP	43	-
F480388	DISC, WATER PUMP			F523705	GEAR SHIFT ROD LOWER	41	45
	LOCATING	41	61	F523813	BEARING CUP	39	29
F480818	BEARING	3	13	F523834	CLIP, SPARK PLUG WIRE	25	28
F481382-1	SPACER, LATCH SHAFT	3	29	F523881-1	STEERING LINK	37	60
F481434	GUIDE, ENGINE COVER	3	11	F523899	GROMMET, WATER LINE	39	4
F481774	BRACKET, COVER LATCH	3	32	F523930	RETAINER	37	61
F481777	CAM, LATCH	3	28	F523961	CRUSH RING	41	49
F485755-1	FUEL TANK ADAPTER	45	3	F523962	SHOCK MOUNT - C.D. UNIT	9	46
F489551	BRACKET NEUTRAL			F528068	THERMOSTAT	29	82
	INTERLOCK SWITCH	23	45	F528995	COVER, CYLINDER HEAD	29	108
F498618	"O" RING	41	31	F530160	REED (5 PETAL)	21	40
F498618	GEAR SHIFT ARM PIN SEAL	43	-	F531892	DECAL, PORT	47	-
F498891	PIN, GEAR SHIFT ARM	41	32	F532299	WASHER	39	16
F498891	PIN, PROPELLER NUT			F545189	BUSHING, CABLE ENTRY	3	17
	RETAINING	39	14	F548984	BLANKET, SILENCER TOP		
F500843	CABLE	51	8		(NOT SHOWN)	5	-
F50109	PLUG, GEAR HOUSING	41	43	F549189	BUSHING, ELECTRIC CABLE	3	16
F50342-1	BEARING CAGE BOLT SEAL	43	-	F552985	BLANKET, SILENCER SIDE		
F50342-1	SEAL, "O" RING	39	8		(NOT SHOWN)	5	-
F506118	PROPELLER SHAFT SEAL	43	-	F553061	CARBURETOR COMPLETE		
F506118	SEAL, DRIVESHAFT	41	51		(TC-7A)	17	12
F506118	SEAL, PROPELLER SHAFT	39	9	F563	TERMINAL BLOCK KIT	62	-
F510374	DECAL, CIRCUIT BREAKER -			F58685-2	CONNECTOR, SHIFT CABLE	47	2
	USA	7	41	F590	REMOTE CONTROL HEAD		
F510460	CIRCUIT BREAKER	7	22		(SINGLE LEVER)	60	-
F511015-2	PISTON - STANDARD	33	2	F5H002	SPEEDOMETER - FLUSH		
F511125-2	TUBE, STEERING SUPPORT	35	29		MOUNT	61	-
F511675	STARTER BRACKET,			F5H003	SPEEDOMETER FLUSH		
	LOWER	11	20		MOUNT	61	-
F511708	COVER, CARBURETOR	17	7	F5H004	SPEEDOMETER FLUSH		
F523031	GASKET, WATER PUMP	41	56		MOUNT	61	-
F523031	GASKET, WATER PUMP	43	-	F5H005	TEMPERATURE GAUGE -		
F523057	BEARING, DRIVESHAFT				FLUSH MOUNT	61	-
	LOWER	41	65	F5H006	VOLTMETER - FLUSH		
F523065	IMPELLER	43	-		MOUNT	60	-
F523065	IMPELLER, WATER PUMP	41	58	F5H007	HOURMETER - FLUSH		
F523094-2	PROPELLER NUT	39	13		MOUNT	61	-
F523099-1	SPACER, PROPELLER	39	18	F5H008	FUEL GAUGE FLUSH		
F523116	EXHAUST SNOOT	41	37		MOUNT	61	-
F523133-2	MOTOR LEG	35	15	F5H010	POWER TRIM INDICATOR	60	-
F523146	SEAL, CRANKSHAFT			F5H012	TACHOMETER FLUSH		
	LOWER	33	13		MOUNT	61	-
F523188	NUT, BEVEL PINION	41	34	F5H014	FLUSHING ADAPTER	60	-
F523244	INLET WATER LINE	39	5	F5H018	DUAL ENGINE TIE BAR	60	-
F523273	STEERING BALL STUD	37	62	F5H019	ANTI-CORROSION KIT	60	-
F523274	GREASE FITTING	35	28	F5H021	EXTENSION CABLE	61	-
F523280	NUT, STEERING SUPPORT			F5H025	ANTI-CORROSION		
	TUBE	35	36		SACRIFICIAL ANODE	60	-
F523300-1	SPRING	37	66	F5H026	FUEL TANK (ACCESSORY		
F523411	RETAINING RING, BEARING				ITEM)	45	2
	CAGE	39	22	F5H026	STEEL, 6 GALLON FUEL		
F523451	SPACER, REEDS STOP	23	51		TANK (LOW PROFILE)	60	-
F523498	DRIVE KEY, WATER PUMP	41	67	F5H028	SENDING UNIT	61	-

PARTS INDEX

Part Number	Description	Pg.	Ref. No.	Part Number	Description	Pg.	Ref. No.
F5H029	TANK ANCHOR	60	-	F762	REMOTE ELECTRIC CABLE	61	-
F5H030	SWITCH KIT - RUNNING LIGHTS	62	-	F8003	PLAIN WASHER	25	38
F5H031	SWITCH KIT - SPOT LIGHT	62	-	F8011	PLAIN WASHER	7	20
F5H032	SWITCH KIT - WIPER	62	-	F8028	PLAIN WASHER	11	19
F5H034	SWITCH KIT - BILGE PUMP	62	-	F8038	PLAIN WASHER	29	109
F5H035	SWITCH KIT - HORN	62	-	F8038	PLAIN WASHER	37	65
F5H036	SWITCH KIT - TACHOMETER TRANSFER	62	-	F8039	PLAIN WASHER	37	57
F5H037	CIGAR LIGHTER	61	-	F8056	LOCKWASHER	13	18
F5H038	IGNITION SWITCH MOUNTING KIT (ACCESSORY ITEM)	9	49	F8056	LOCKWASHER	15	43
F5H038	SWITCH KIT - IGNITION SWITCH	62	-	F8056	LOCKWASHER	29	97
F5H039	SWITCH KIT - INSTRUMENT LIGHTS	62	-	F8056	SPRING LOCKWASHER	7	7
F5H040	STEEL, 12 GALLON FUEL TANK	60	-	F8058	INTERNAL TOOTH LOCKWASHER	21	24
F5H041	BATTERY TERMINAL KIT	61	-	F8058	INTERNAL TOOTH LOCKWASHER	27	57
F5H041	BATTERY TERMINAL KIT (ACCESSORY ITEM)	7	32	F8077	WASHER	43	-
F5H043	OVERHEAT BUZZER	60	-	F8077	WASHER, GEAR HOUSING PLUG	41	42
F5H043	OVERHEAT BUZZER (ACCESSORY ITEM)	7	36	F8080	SPRING LOCKWASHER	37	64
F5H069	RFI SUPPRESSION KIT	61	-	F8083	SPRING LOCKWASHER	3	26
F5H070	REMOTE ELECTRIC CABLE	61	-	F8083	SPRING LOCKWASHER	9	43
F5H075	WIRING HARNESS - IGNITION SWITCH - 24"	62	-	F8083	SPRING LOCKWASHER	35	3
F5H076	SWITCH EXTENSION CABLE	61	-	F8083	SPRING LOCKWASHER	41	54
F5H076	SWITCH EXTENSION CABLE	61	-	F8083	SPRING LOCKWASHER	43	-
F5H077	IGNITION KEY SWITCH	61	-	F8088	PLAIN WASHER	17	31
F5H078	IGNITION KEY SWITCH	61	-	F8088	PLAIN WASHER	23	47
F5H078	IGNITION SWITCH (LONG BARREL) W/KEYS AND SCREWS	7	34	F8094	PLAIN WASHER	3	27
F5H079	REMOTE CONTROL BOX	60	-	F8095	PLAIN WASHER	29	110
F5H080	TWIN REMOTE CONTROL BOX	60	-	F8096	SPRING LOCKWASHER	3	22
F5H081	BATTERY CABLE	60	-	F8096	SPRING LOCKWASHER	3	34
F5H094	STEERING LINK	60	-	F8096	SPRING LOCKWASHER	7	25
F5H108	STEERING CONNECTOR	60	-	F8096	SPRING LOCKWASHER	29	100
F5H112	INSTRUMENT ADAPTER - 3-1/2"	61	-	F8096	SPRING LOCKWASHER	37	45
F5H119	PROPELLER SPACER - FLARED	61	-	F8096	SPRING LOCKWASHER	41	40
F5H120	REMOTE CONTROL BACK PLATE	60	-	F8104	PLAIN WASHER	27	49
F5H128	POWER TRIM	61	-	F84011	WASHER	35	40
F5H130	REMOTE CONTROL BOX (SINGLE LEVER) (SURFACE MOUNT)	60	-	F84067-1	THERMOSTAT COVER GASKET	29	-
F5H131	PORT SIDE DECAL KIT	60	-	F84074	CLAMP SCREW FOOT	35	24
F7004	STOP NUT, 3/8 - 16	25	17	F84146-2	SEAL	33	20
F7008	ELASTIC STOP NUT	25	10	F84278	SEAL	33	23
F7012	STOP NUT	35	19	F84286-1	FRICTION WASHER	35	32
F7013	STOP NUT	13	2	F84305	PROPELLER SHAFT SPOOL SEAL	43	-
F74305	GEAR HOUSING COVER SEAL	43	-	F84305	SEAL, "O" RING PROPELLER SHAFT SPOOL	39	12
				F84307-1	DRIVESHAFT SEAL	43	-
				F84314-2	ELBOW	17	34
				F84314-2	ELBOW	21	6
				F84314-2	ELBOW	27	45
				F84342	SEAL, INLET WATER LINE, UPPER	39	3
				F84449	INTERLOCK SWITCH	23	46
				F84472-5	CYLINDER DRAIN COVER GASKET	29	-
				F84472-5	GASKET, CYLINDER DRAIN COVER	25	40
				F84504	GROMMET (THERMOSTAT)	29	83
				F84521-1	CLUTCH	39	26

PARTS INDEX

Part Number	Description	Pg.	Ref. No.	Part Number	Description	Pg.	Ref. No.
F84748-3	GASKET, CYL. DRAIN REED PLATE	25	33	F85906	CARBURETOR GASKET	29	-
F84792	GASKET, CENTER FUEL PUMP VALVE	21	11	F85908	STARTER LEAD WIRE	11	14
F84871-1	PIN, GEAR SHIFT W/YOKE	39	24	F85916-1	BY-PASS VALVE	29	95
F85017	PISTON PIN	33	4	F85924	CHOKE SOLENOID	7	28
F85026	SWIVEL	25	30	F85965	SHOCK MOUNT UPPER	37	52
F85033	SWIVEL, CHOKE ROD (BOTTOM CARBURETOR) (NOT SHOWN)	19	-	F89758	HOSE, FUEL PUMP USA	21	7
F85035	DISTRIBUTOR, CONTROL ROD END	25	29	F9018	CAP	35	37
F85036	TOWERSHAFT CONTROL ROD END	25	32	F9052	PLUG	35	27
F85037-1	STERN BRACKET PIVOT BOLT	35	38	F90619-1	YOKE	43	73
F85095-2	STATOR	7	3	F90807	RETAINING RING	17	1
F85117	BRACKET, WATER LINE	39	2	F9095	SHIM, DRIVESHAFT BEARING UPPER .005 BRASS	41	-
F85130	BOOT IDLE EXHAUST	35	8	F9097	SHIM, DRIVESHAFT BEARING UPPER .010 BLACK	41	-
F85161-1	REED STOP	21	39	F9106	SHIM, DRIVESHAFT BEARING UPPER .003 BRASS	41	66
F85173	RETAINING RING	13	6	F91446-1	CIRCUIT BREAKER BRACKET	7	21
F85211	STUD	25	18	F92759	THROTTLE ROLLER	17	20
F85258	INSERT	35	9	F93811	SCREEN	25	34
F85279-2	CYLINDER EXHAUST UPPER GASKET	29	-	F93920	REED STOP	25	37
F85279-2	GASKET, CYLINDER EXHAUST UPPER	27	69	F97772	CLAMP	17	35
F85311	DISTRIBUTOR BELT	13	1	F97772	FUEL LINE CLAMP	45	11
F85314-1	FUEL FITTING	17	37	F98273	ROD END CONNECTOR STUD	27	58
F85317-1	SOLENOID CLAMP	21	21	FA14048-2	PREAMPLIFIER	13	17
F85372	PIN, GEAR SHIFT ROD LOWER	41	47	FA15072	HEX LOCK NUT, 1/4 - 20	11	13
F8538	SPRING PIN	35	26	FA17559	LIFT CYLINDER COMPLETE	51	47
F85380	SPRING	35	10	FA178233	THROTTLE TIE BAR W/SWIVEL	17	5
F85410	SNAP RING	33	8	FA178962	SHOCK ABSORBER W/BUSHING	53	55
F85445	CONTROL ROD	25	31	FA321574	DISTRIBUTOR BRACKET	13	10
F85453-1	CYLINDER EXHAUST LOWER GASKET	29	-	FA368700	IGNITION KEY - NO LETTER OR STAMPED A	9	53
F85498	FLYWHEEL KEY	33	16	FA411222	TRANSFER PORT COVER	27	51
F85502	THROTTLE LINK	25	26	FA438431	FUEL PUMP BODY W/VALVES	21	12
F85509-1	LINK, CHOKE	17	38	FA439493	TERMINAL BLOCK BRACKET	7	11
F85571	BEARING CAGE W/ROLLER	33	10	FA439746	FUEL PUMP COVER	21	1
F85606	KINGPIN CAP	35	41	FA440157	CARBURETOR ADAPTER, UPPER W/FITTING AND STUDS (NOT SHOWN)	21	-
F85610	BEARING	27	65	FA440167	CARBURETOR ADAPTER, LOWER W/FITTING AND STUDS	21	33
F85615	GEAR SHIFT ROD UPPER	37	53	FA449015	PISTON	51	35
F8563	DOWEL PIN	25	15	FA449149	COVER W/SEALS AND RETAINER	51	33
F85634-2	CONNECTING ROD SCREW	33	14	FA475260	PISTON RING SET - STANDARD (2 PER SET)	33	1
F85660-1	EXHAUST TUBE	35	2	FA480876	GEAR SHIFT ARM	27	66
F85664	DISTRIBUTOR GROUND	13	28	FA480894	TIMING POINTER	25	4
F85664	GROUND WIRE	9	54	FA481469	HANDLE W/SHAFT	3	12
F85704	COUPLER, GEAR SHIFT ROD	37	46	FA481743	ROLLER BRACKET	3	33
F85762	BY-PASS COVER GASKET	29	-	FA510497	TERMINAL BLOCK	7	15
F85762	BY-PASS VALVE COVER GASKET	29	93				
F85772	CLAMP	35	11				
F85779-1	BAFFLE, AIR INTAKE	37	50				
F85843-1	REMOTE ELECTRIC CABLE, 18 FEET	7	38				
F85859	STUD	25	14				

PARTS INDEX

Part Number	Description	Pg.	Ref. No.	Part Number	Description	Pg.	Ref. No.
FA523054	GEAR HOUSING	41	33	FO11103	IDLE MIXTURE SCREW		
FA523098	PROPELLER SHAFT	39	23		SPRING	17	14
FA523706	GEAR HOUSING COVER			FO13193	MAIN FUEL JET OPT. .088		
	W/SEALS	41	52		1500 - 3000 FT.	17	-
FA523735	SEAL, INLET WATER LINE,			FO13554	FLOAT	19	48
	LOWER	41	64	FO13944	FLOAT LEVER PIN	19	49
FA523845	ANTICORROSION ANODE	39	20	FO13949	MAIN FUEL JET OPT. .086		
FA528518	CYLINDER HEAD	27	80		3000 - 4500 FT.	17	-
FA535395	IDENTIFICATION PLATE			FO14109	MAIN FUEL JET OPT. .082		
	W/SCREWS FOR U.S.A.				6000 FT & UP	17	-
	MODELS	3	18	FO14166	IDLE MIXTURE SCREW	17	13
FA552392	DECAL, CHRYSLER	5	42	FO14302	MAIN FUEL JET OPT. .084		
FA553010	CYLINDER	25	1		4500 - 6000 FT.	17	-
FA553396	DECAL, ENGINE COVER			FO15406	MAIN FUEL JET STD. .090		
	STBD.	3	-		SEA LEVEL - 1500 FT.	17	15
FA553397	DECAL, ENGINE COVER			FO15623	FUEL BOWL GASKET	19	46
	PORT	3	4	FO15912	CHOKE AND THROTTLE		
FA553528	DECAL, ENGINE COVER -				SHUTTER SCREW	17	9
	REAR	5	41	FO16128	BODY CHANNEL WELCH		
FA553785	DECAL, ENGINE COVER -				PLUG	17	25
	TOP	3	5	FO16130	FUEL BOWL	19	51
FA553892	DECAL, FRONT	5	40	FO16132	FUEL BOWL RETAINING		
FA58976-1	CONNECTOR, THROTTLE				SCREW	17	11
	CABLE	47	1	FO16133	MAIN NOZZLE	19	50
FA84621-1	COUPLING, GEAR SHIFT			FO16142	THROTTLE SHUTTER	17	26
	ARM W/BUSHING	41	44	FO16143	THROTTLE SHAFT RETURN		
FA84754-1	FUEL LINE SHORT				SPRING	17	22
	W/FERRULES	45	8	FO16301	CHOKE SHAFT AND LEVER	19	44
FA85019	KINGPIN W/PLUG	35	34	FO16620	"E" RING	17	29
FA85193	TIE BAR END W/SWIVEL	17	2	FO16697	INLET NEEDLE	19	47
FA85355-1	WASHER	37	56	FO17719	CHOKE, SHUTTER	17	10
FA85655-1	CRANKSHAFT MAIN			FO17884	THROTTLE SHAFT AND		
	BEARING RACE W/SNAP				LEVER	17	21
	RING	33	9	FO17885	CHOKE SHAFT RETURN		
	RING	33	9		SPRING	19	45
FAC535395	IDENTIFICATION PLATE			FO1974	SCREW	17	18
	W/SCREWS FOR CANADA			FO5323	FUEL BOWL RETAINING		
	MODELS.	3	-		SCREW GASKET	19	52
FB368700	IGNITION KEY - STAMPED B	9	-	FO9678	CLIP, CHOKE SHAFT	17	16
FC368700	IGNITION KEY - STAMPED C	9	-	FO992	LOCKWASHER	17	17
FC409398	DECAL, TOTE TANK -			FPS524	PROPELLER (ACCESSORY		
	CANADA (NOT SHOWN)	45	-		ITEM)	39	17
FC438398	DECAL, WIRING - CANADA	29	-	FS409752	FUEL LINE COMPLETE	45	-
FC474387	TIMING DECAL - CANADA	9	-	FS490955	STARTER COMPLETE	11	-
FC500390	DECAL, STARTER - CANADA			FS548179	TRIM TOP	3	1
	(NOT SHOWN)	11	-	FS548269	TILT HANDLE	3	3
FC510374	DECAL, CIRCUIT BREAKER -			FS552180	TRIM REAR	3	6
	CANADA	7	-	FS552888	TRIM FRONT	3	39
FC552054	GEAR HOUSING COMPLETE	41	-	FSA475260	PISTON RING (2 PER SET)		
FC553010	SHORT BLOCK	25	-		.010 OVERSIZE (NOT		
FD368700	IGNITION KEY - STAMPED D	9	-		SHOWN)	33	-
FE368700	IGNITION KEY - STAMPED E	9	-	FT1082	SNAP RING PLIER	55	-
FG1003-1	GASKET SET	29	111	FT11204	BEARING CUP INSTALLER	56	-
FK1063-1	SEAL KIT	43	74	FT11205	BEARING		
FK1069	WATER PUMP KIT	43	75		INSTALLER/REMOVER	56	-
FK405020	SWIVEL W/CLAMP,			FT11207	BEARING CUP REMOVER	56	-
	SHOULDER SCREW AND			FT11209	BEARING GUIDE SET	56	-
	NUT	25	24	FT2951	CIRCUIT TRACER	54	-
FK750-3	SPARKIE	15	44	FT2953	SOCKET	55	-
FK85228-1	BEARING CAGE W/ROLLER	33	7	FT2961	LUBRICANT	58	-
FO10588	BODY CHANNEL CUP PLUG	17	24				

PARTS INDEX

Part Number	Description	Pg.	Ref. No.	Part Number	Description	Pg.	Ref. No.
FT2962-1	SEALANT	58	-	84-817775A1	COIL WIRE W/TERMINAL		
FT2963-1	SEALANT	58	-		CLIP	13	29
FT2987-1	LUBRICANT	58	-	87-817778A1	THERMOSWITCH	29	98
FT2990	PISTON PIN TOOL	55	-	300-817855A1	UNIT W/DECAL	9	45
FT2996	RING COMPRESSOR	55	-	400-817735A4	CRANKSHAFT W/BEARING .	33	15
FT3012	SEAL INSTALLER	56	-	600-818052A4	CONNECTING ROD W/CAP		
FT7848	TORQUING ADAPTER	56	-		AND SCREWS	33	6
FT8901	INDICATOR HOLDER	56	-	700-819409A3	PISTON .010 OVERSIZE		
FT8902	DIAL INDICATOR	56	-		(NOT SHOWN)	33	-
FT8903	SEAL INSTALLER	55	-	700-819409A4	PISTON .030 OVERSIZE		
FT8907	DRIVE HANDLE	55	-		(NOT SHOWN)	33	-
FT8907	DRIVER HANDLE	56	-	1400-817958A6	STERN BRACKET	35	18
FT8914	SEAL REMOVER	55	-				
FT8918	BEARING GUIDE SET	56	-				
FT8919	SPRING PIN PUNCH	56	-				
FT8925	SEAL INSTALLER	55	-				
FT8925	SEAL INSTALLER	56	-				
FT8926	RING EXPANDER	55	-				
FT8927	SEAL PROTECTOR	55	-				
FT8933	LIFTING HOOK	57	-				
FT8935	SEALANT PRIMER	58	-				
FT8936	SEALANT	58	-				
FT8948-1	PULLER	54	-				
FT8948-1	PULLER	56	-				
FT8950	LEAKAGE TESTER	57	-				
FT8953	IGNITION TESTER	57	-				
FT8955	SEALANT	58	-				
FT8957	SEAL INSTALLER	56	-				
FT8969	LUBRICANT	58	-				
FT8978	POWER TIMING LIGHT	54	-				
FT8985	SEAL INSTALLER	56	-				
FT8993	SEALANT	58	-				
FT8997	SHIMMING TOOL	56	-				
FTA2937-1	TIMING TOOL	54	-				
FTA8994	PISTON PIN TOOL	55	-				
FTK8999	TEST WHEEL	57	-				
OB3061	LITERATURE (NOT SHOWN)	49	-				
T11227	DARK BROWN	59	-				
T11228	DARK METALLIC BROWN ..	59	-				
T11229	SAND TAN	59	-				
T11230	ORANGE	59	-				
T11231	GOLD	59	-				
22-818103--1	ELBOX, CYLINDER DRAIN						
	LOWER	27	44				
31-817785A2	CRANKSHAFT BEARING						
	CAGE W/SEAL	33	18				
32-817738A1	FUEL LINE LONG W/CLAMP						
	AND FERRULE	45	10				
33-97180	SPARK PLUG (CHAMPION						
	L20V) - USA	27	77				
39-818123A1	PISTON RING (2 PER SET)						
	.030 OVERSIZE (NOT						
	SHOWN)	33	-				
43-817854A2	BEVEL PINION GEAR						
	W/CRUSH RING AND						
	SHIMS	41	35				
45-818017A3	DRIVESHAFT W/BEARING,						
	SHIMS AND CRUSH RING	41	68				
46-817853A1	WATER PUMP	43	-				