



PARTS CATALOG

6 H.P. SAILOR

SERIAL NUMBER

6 (1980)	60B0D
6 (1980)	60H0D
6 (1980)	61B0C

TABLE OF CONTENTS:

ACCESSORIES	39
ELECTRICAL COMPONENTS	6
ENGINE COVER AND SUPPORT PLATE	2
FUEL SYSTEM	14
FUEL TANK AND LINE	30
GEAR HOUSING	26
MOTOR LEG	22
PARTS INDEX	40
POWER HEAD	18
SPECIAL TOOLS - LOWER UNIT	35
SPECIAL TOOLS - LUBRICANTS AND SEALANTS	37
SPECIAL TOOLS - POWER HEAD	34
SPECIAL TOOLS - REPAIR DECALS - ENGINE COVERS	38
SPECIAL TOOLS - STARTER	33
SPECIAL TOOLS - TEST EQUIPMENT	36
SPECIAL TOOLS - TUNE-UP	32
STARTER	12
STEERING ARM	8

NOTE: *Indented description indicate that these parts are included in preceeding assembly.*

AR = As Required

NSS = Not Sold Separate

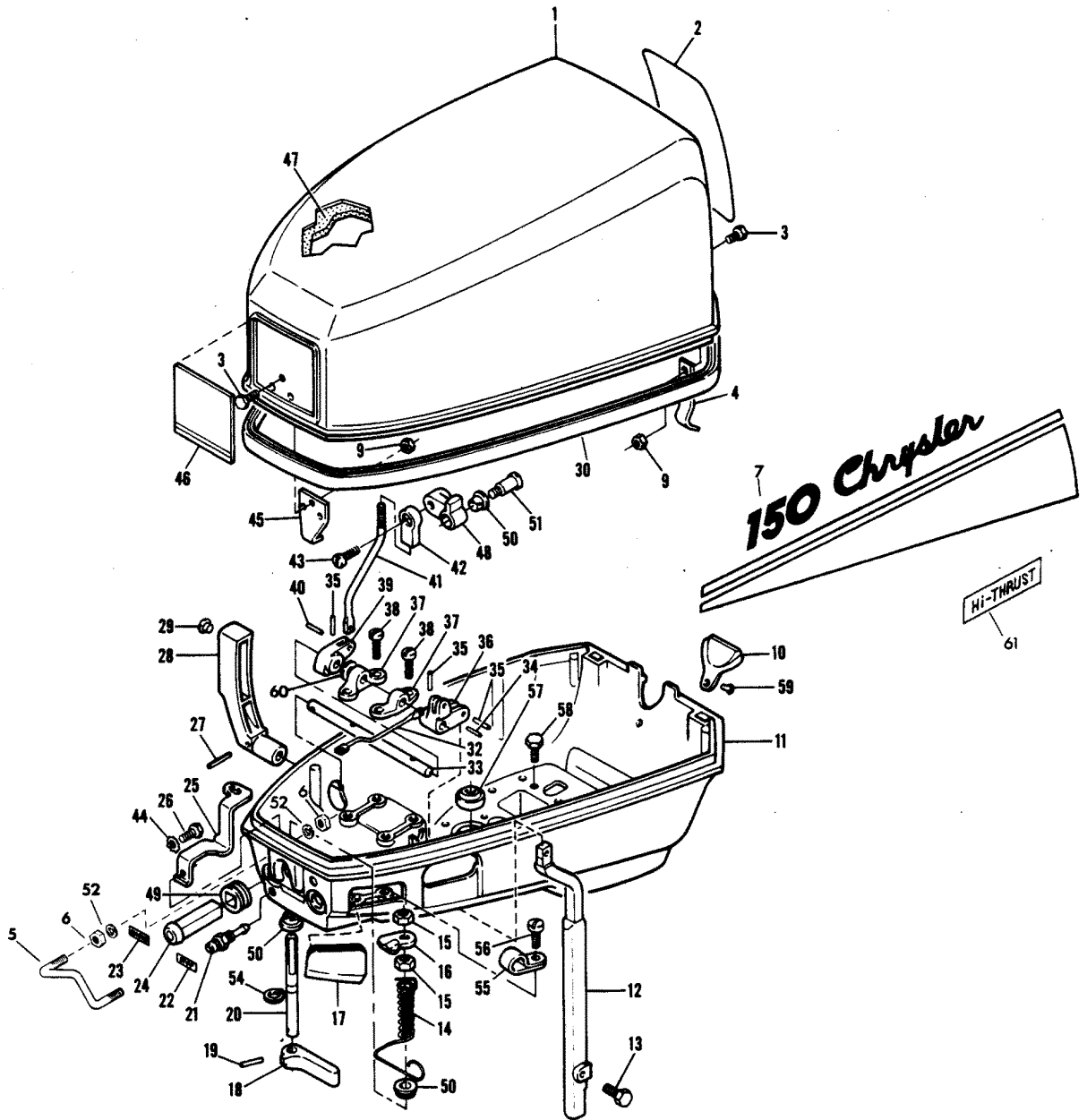
OPT = Optional

NS = Not Shown

THESE PARTS BOOKS/FICHE CARD ARE COPYRIGHTED AND MAY NOT BE DISTRIBUTED OR REPRODUCED IN ANY OTHER FORMAT BY ANYONE OTHER THAN MERCURY MARINE WITHOUT THE PRIOR WRITTEN CONSENT OF MERCURY MARINE.

THIS PAGE INTENTIONALLY LEFT BLANK

ENGINE COVER AND SUPPORT PLATE

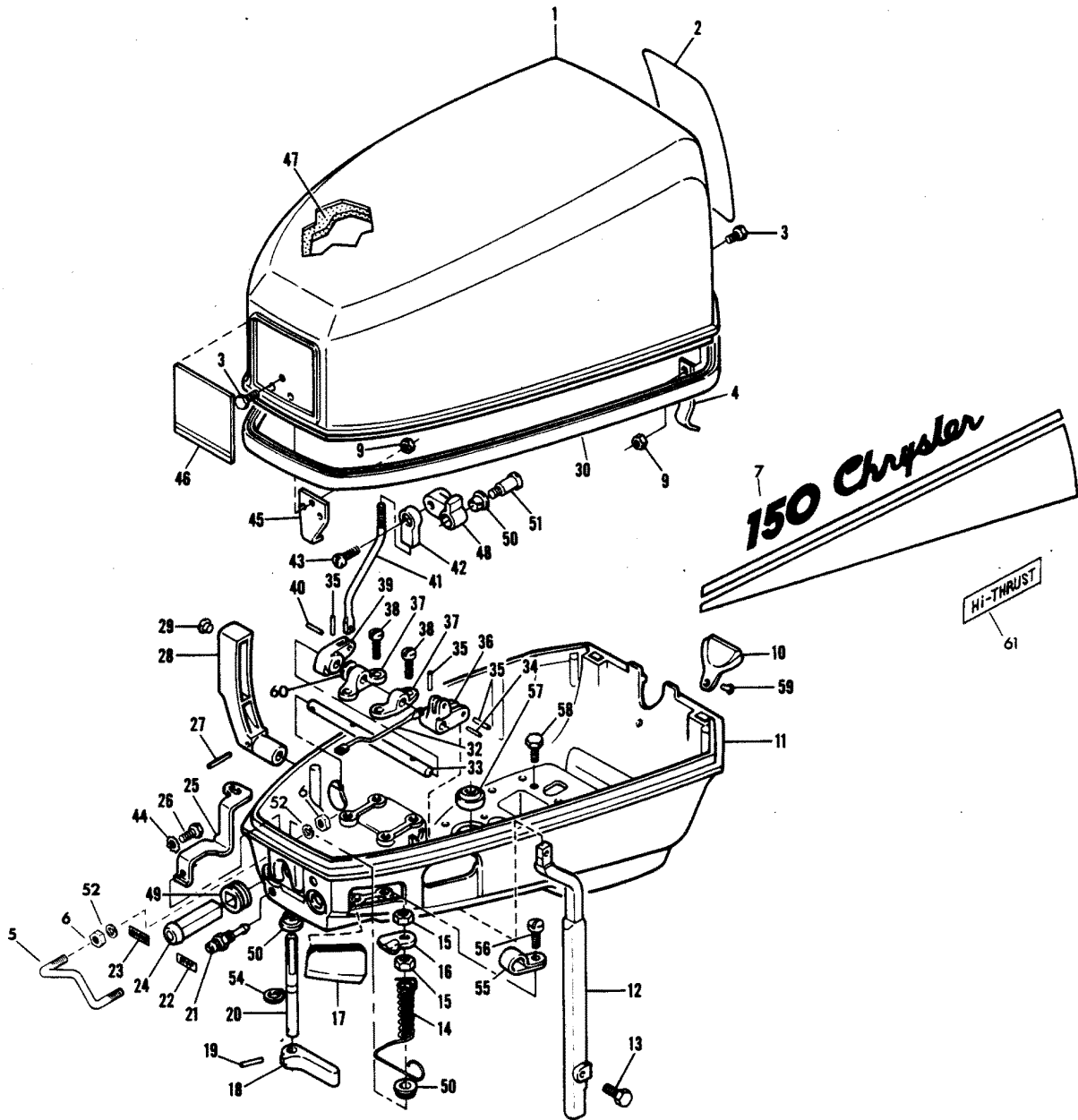


ENGINE COVER AND SUPPORT PLATE

REF. NO.	PART NO.	SYM.	QTY.	DESCRIPTION
1	FS537712		1	ENGINE COVER W/PACKING, REAR RETAINER AND LATCH BRACKET
-	F2C565712		1	ENGINE COVER COMPLETE. INCLUDES ALL ITEMS MARKED WITH AN ASTERISK (*)
2	FA539528		1	DECAL ENGINE COVER, REAR W/LITERATURE
3	F1475		7	FILL HD SCREW, 10 - 24 X 1/2
4	FA525480		2	RETAINER ENGINE COVER W/NUTS & SCREWS
5	F487455		1	GUIDE STARTER ROPE
6	F1513		4	HEX NUT
7	FA565396		1	DECAL "CHRYSLER" - STARBOARD W/LITERATURE
-	FA565397		1	DECAL "CHRYSLER" - PORT W/LITERATURE
9	F7011		7	ELASTIC STOP NUT, 10 - 24
10	525156-1		1	COVER SUPPORT PLATE REAR
11	A487038		1	SUPPORT PLATE W/EYELET
12	F525615		1	ROD GEAR SHIFT UPPER
13	F1950		1	HEX HD SCREW, 10 - 24 X 5/8
14	F525912		1	SPRING LATCH SHAFT
15	F1518		2	NUT, 5/16 - 18
16	F392777		1	CAM COVER LATCH
17	F525840		1	GROMMET REMOTE THROTTLE CABLE
-	F84991-1		1	GROMMET LIGHTING COIL WIRE
18	F525469		1	HANDLE LATCH
19	F8547		1	SPRING PIN, 1/8 X 5/8
20	F525763		1	SHAFT COVER LATCH
21	F197767-1		1	BUSHING FUEL LINE
22	F525390		1	DECAL STOP - USA
23	F525394		1	DECAL CHOKE - USA
24	F521547		1	CHOKE KNOB
25	F525925		1	LINK CHOKE KNOB
26	F2041		1	HEX HD SCREW, 10 - 24 X 3/8
27	F8567		1	SPRING PIN, 1/8 X 13/16
28	F525614		1	HANDLE GEAR SHIFT
29	F526524		2	RIVET GEAR SHIFT HANDLE
30	FK525713		1	ENGINE COVER PACKING W/LITERATURE
32	F525263		1	LINK STARTER INTERLOCK
33	F525871		1	SHAFT GEAR SHIFT LEVER
34	F8538		1	SPRING PIN, 3/32 X 1/2
35	F8547		3	SPRING PIN, 1/8 X 5/8
36	F525876		1	LEVER GEAR SHIFT
37	F318818		2	BEARING, SHIFT LEVER SHAFT
38	F1573		4	FILL HD SCREW, 1/4 - 20 X 1/2
39	F525977		1	LEVER SHIFT INTERLOCK
40	F1978		1	SPRING PIN, 1/8 X 1/2
41	F525531		1	ROD SHIFT INTERLOCK

CONTINUED ON NEXT PAGE ➡

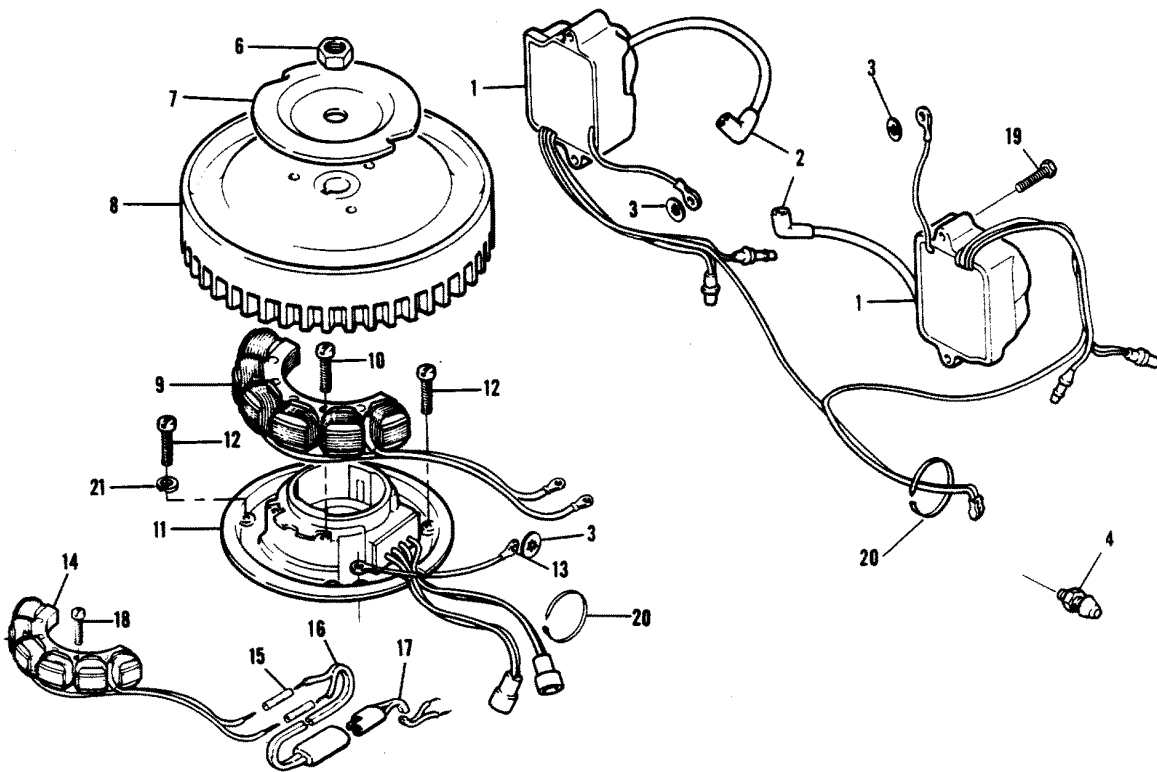
ENGINE COVER AND SUPPORT PLATE



ENGINE COVER AND SUPPORT PLATE

REF. NO.	PART NO.	SYM.	QTY.	DESCRIPTION
42	F84035-2		1	BEARING INTERLOCK ROD
43	F84026		1	SCREW SHOULDER
44	F1975		1	LOCKWASHER, #10
45	FA525774		1	BRACKET COVER LATCH W/SCREWS & NUTS
46	FA539892		1	DECAL ENGINE COVER FRONT W/LITERATURE
47	FK516984		1	BLANKET TOP & SIDES
48	F516977		1	LEVER SHIFT INTERLOCK
49	F525504		1	GROMMET, CHOKE ROD
50	F307818		3	BEARING (NYLINER)
51	F85026		1	SCREW
52	F8058		4	INTERNAL TOOTH LOCKWASHER
54	F73741-1		1	RING
55	F178446		1	CLAMP LEAD WIRE
56	F1734		1	SLOTTED FILL HD SCREW, 1/4 - 20 X 1/2
57	F318307		1	SEAL, DRIVESHAFT
58	F1200		2	HEX HD SCREW, 1/4 - 20 X 1/2
59	F2026		1	RIVET, SUPPORT PLATE COVER
60	F8049		1	WASHER BOWED SPRING
61	F569392		2	DECAL, HI-THRUST

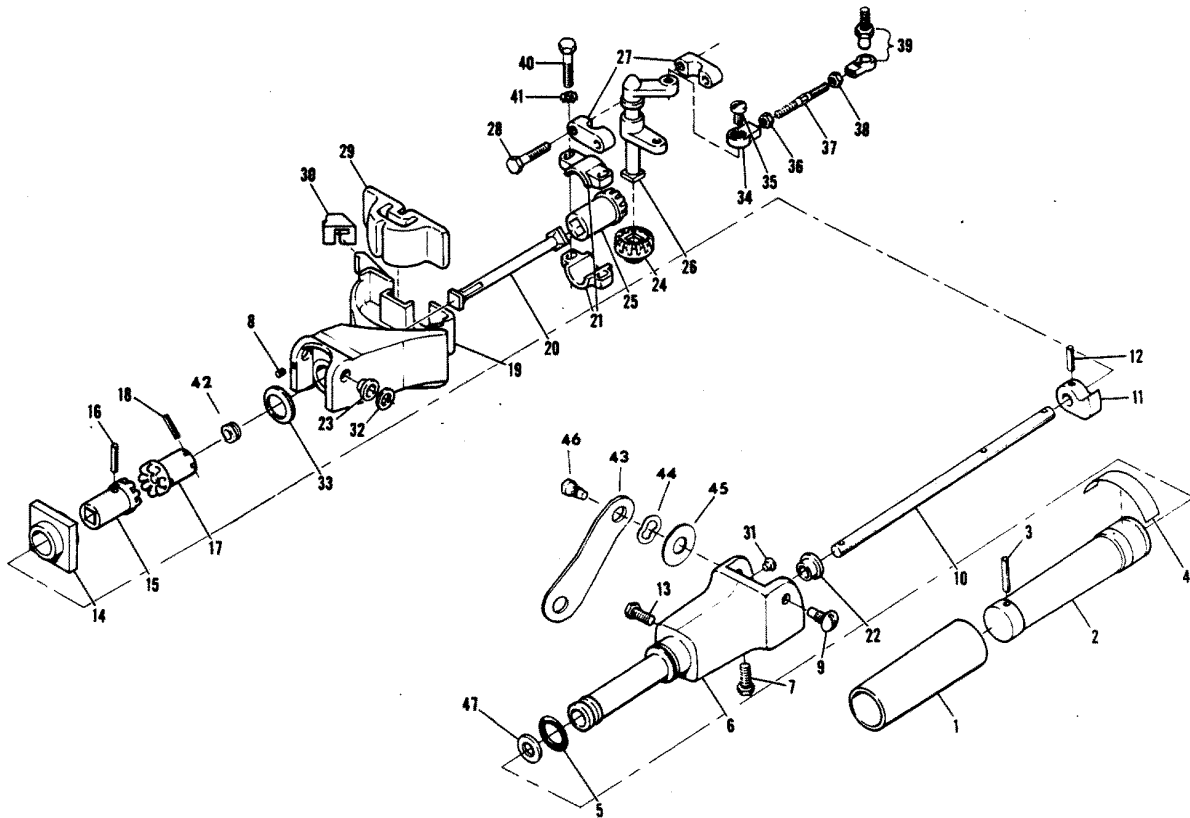
ELECTRICAL COMPONENTS



ELECTRICAL COMPONENTS

REF. NO.	PART NO.	SYM.	QTY.	DESCRIPTION
1	F525475		2	C-D MODULE COIL
2	FK750-3		2	SPARKIE KIT
3	F2106		3	LOCKWASHER
4	F436449		1	SHORTING SWITCH
6	F1809		1	FLYWHEEL NUT
7	F901456-1		1	COLLAR, EMERGENCY START
8	F525097		1	FLYWHEEL
9	F525301		1	STATOR - C-D
10	F1678		2	FILL HD SCREW, 10 - 24 X 13/16
11	F525029		1	STATOR - TRIGGER
12	F2010		4	FILL HD SCREW, 10 - 32 X 9/16
13	F404908		1	WIRE, STATOR GROUND
14	F525095		1	STATOR ALTERNATOR
15	F448874		2	SPLICE
16	F521843		1	CABLE LIGHTING COIL EXT.
17	FA521841		1	CABLE LIGHTING COIL W/SPLICES
18	F1678		2	SLOTTED FILL HD SCREW, 10 - 24 X 13/16
19	F525064		4	SCREW - C-D COIL
20	F1877		2	TY-RAP
21	F1975		1	SPRING LOCKWASHER

STEERING ARM

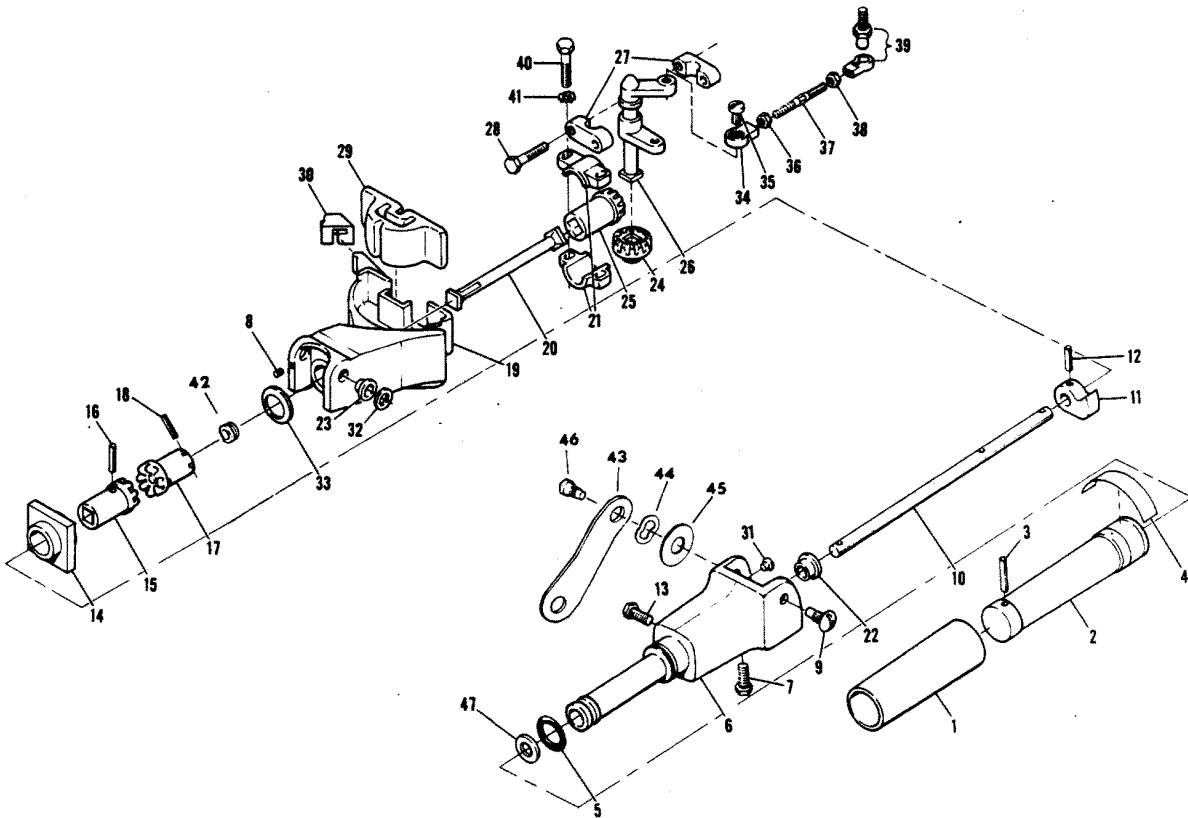


STEERING ARM

REF. NO.	PART NO.	SYM.	QTY.	DESCRIPTION
1	F458695		1	SLEEVE, STEERING HANDLE GRIP
2	FA456137		1	GRIP, STEERING HANDLE W/SLEEVE
3	F8548		1	SPRING PIN, 1/8 X 1
4	F286894-3		1	INDICATOR STEERING HANDLE - USA
5	F215795		1	SEAL, STEERING HANDLE DAMPENER
6	F525079		1	HANDLE - STEERING
7	F1974		1	SCREW, STEERING HANDLE BEARING
8	F1471		1	HEX SET SCREW, 10 - 24 X 1/4
9	F525080		2	SCREW, STEERING HANDLE PIVOT
10	F525688		1	SHAFT, STEERING HANDLE
11	F525198		1	THROTTLE STOP
12	F8547		1	SPRING PIN, 1/8 X 5/8
13	F458519		1	SCREW, IDLE STOP
14	F525816-1		1	BEARING, STEERING HANDLE GEAR
15	F525815		1	GEAR, STEERING HANDLE
16	F8567		1	SPRING PIN, 1/8 X 13/16
17	F525691		1	GEAR, STEERING ARM
18	F8540		1	SPRING PIN, 3/32 X 5/8
19	F525582-1		1	STEERING ARM
20	F525877		1	SHAFT, MAGNETO CONTROL
21	F525665		2	BEARING, GEAR PINION TOWERSHAFT
22	F307818		1	BEARING, STEERING HANDLE SHAFT
23	F390689		2	BEARING, STEERING ARM PIVOT SCREW
24	F525605		1	GEAR, TOWERSHAFT
25	F525627		1	GEAR, TOWERSHAFT PINION
26	F525838		1	TOWERSHAFT
27	F525689		2	TOWERSHAFT BEARING
28	F1699		2	HEX HD SCREW, 1/4 - 20 X 1/8
29	F318347-1		1	UPPER MOUNT
30	F318539		1	BUMPER
31	F525524		1	RIVET, STEERING HANDLE
32	F525220		2	WASHER, STEERING HANDLE
33	F8043		1	WAVE WASHER
34	F84036		1	BEARING, SPARK CONTROL
35	F84026		1	SHOULDER SCREW
36	F7027		1	NUT (LEFT HAND), 10 - 24
37	F525445		1	LINK, MAGNETO STATOR CONTROL
38	F1513		1	NUT, 10 - 32
39	817747--1		1	JOINT, BALL ASSEMBLY
40	F525751		2	SCREW
41	F8060		2	LOCKWASHER
42	F318504		1	GROMMET

CONTINUED ON NEXT PAGE ➡

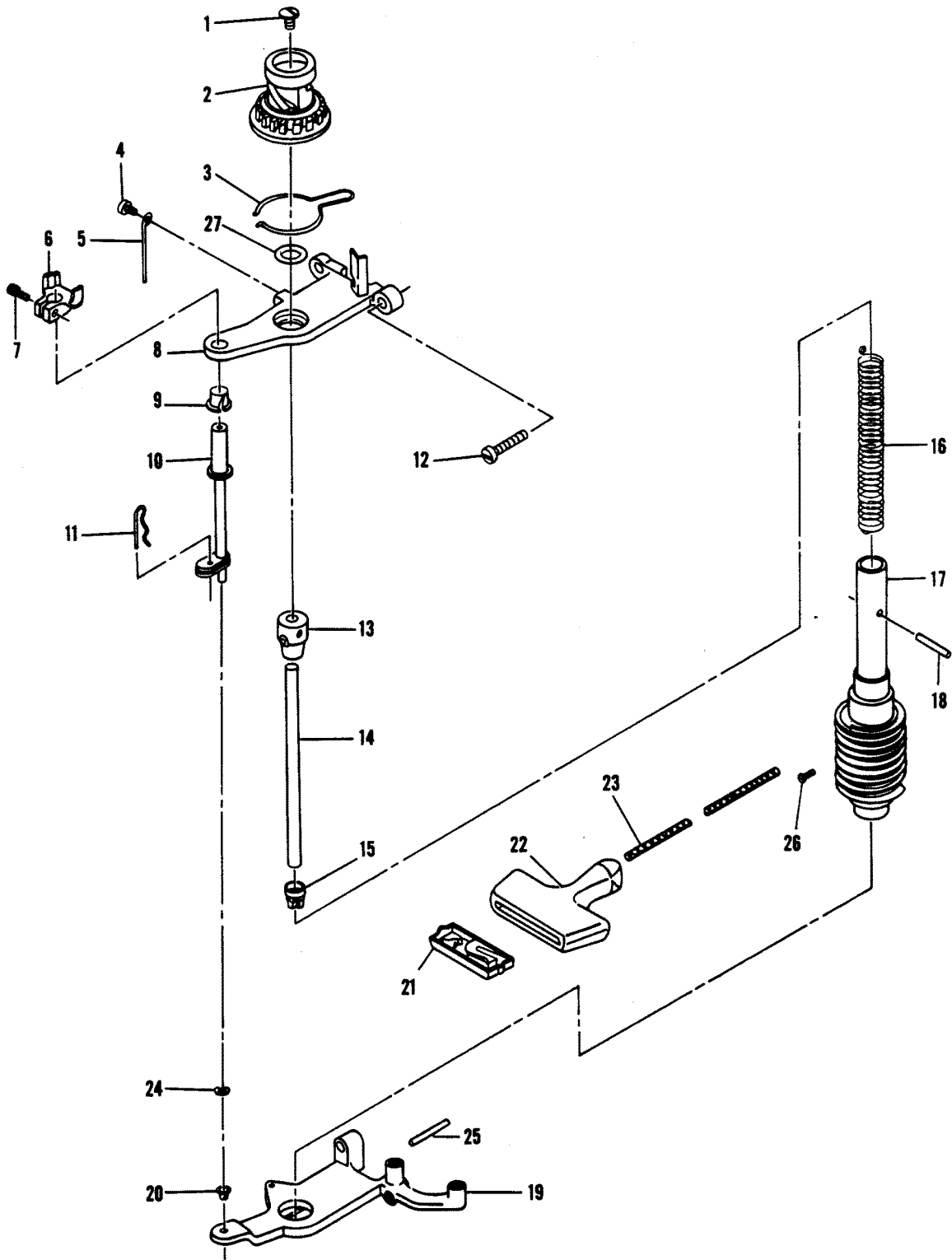
STEERING ARM



STEERING ARM

REF. NO.	PART NO.	SYM.	QTY.	DESCRIPTION
43	F487078		1	STEERING LOCK BRACKET
44	F516821		1	WAVE WASHER, STEERING PIVOT SCREW
45	F516124		1	PLAIN WASHER
46	F516080		1	SCREW PIVOT
47	F215795		1	SEAL, STEERING HANDLE DAMPENER

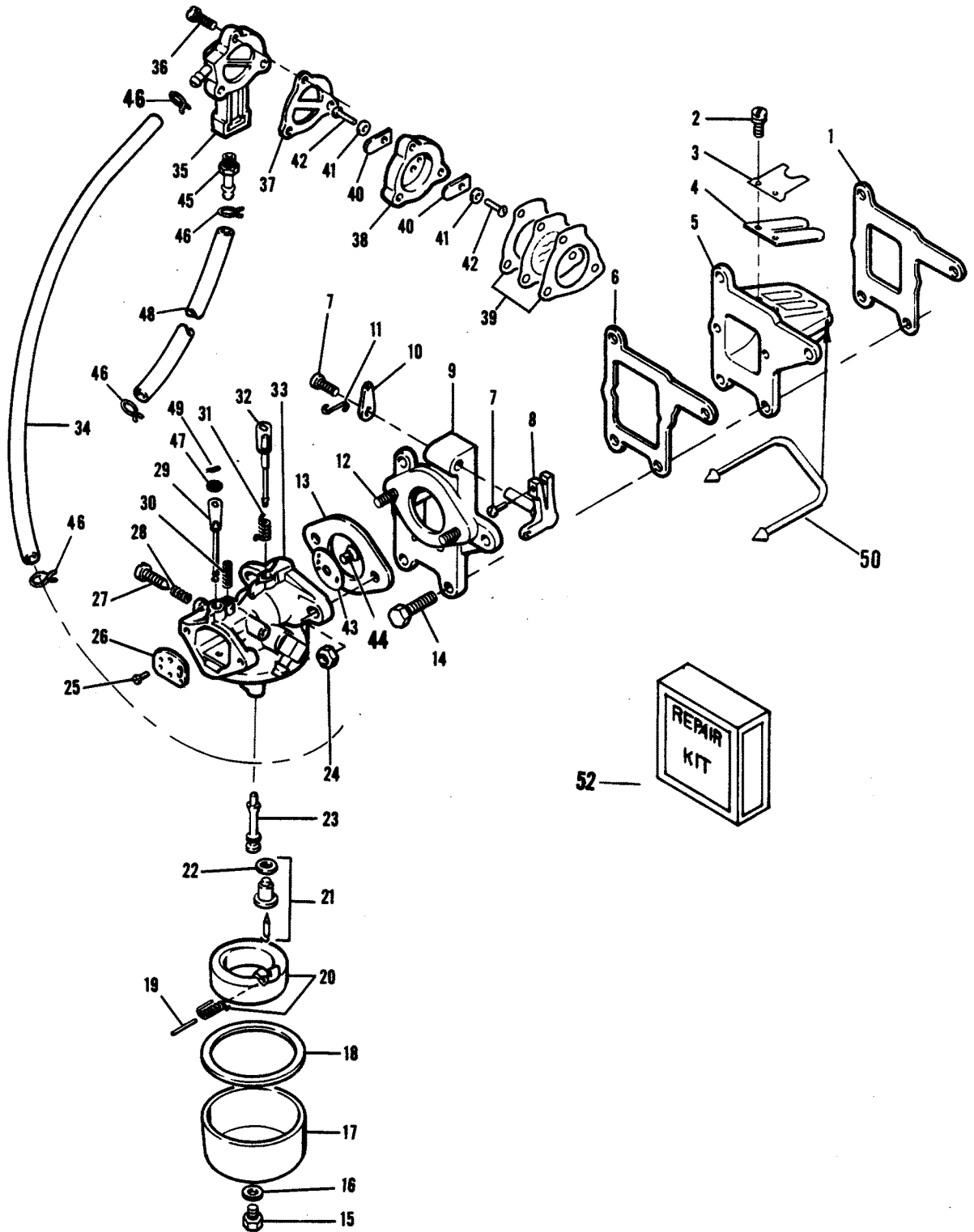
STARTER



STARTER

REF. NO.	PART NO.	SYM.	QTY.	DESCRIPTION
1	F525457		1	SCREW
2	F525674-1		1	GEAR STARTER PINION
3	F525424		1	SPRING STARTER PINION
4	F1760		1	PAN HD SCREW, 10 - 24 X 3/8
5	F525455		1	GUIDE STARTER ROPE
6	F525781		1	INTERLOCK STARTER
7	F2031		1	HEX HD SCREW, 1/4 - 20 X 3/4
8	F525427-1		1	BRACKET STARTER UPPER
9	F269689		1	BEARING STARTER BRACKET UPPER
10	F525105		1	SHAFT INTERLOCK
11	F525629		1	COTTER PIN
12	F1052		4	FILL HD SCREW, 1/4 - 20 X 1
13	F901739		1	DRIVE STARTER REWIND SPRING
14	F901710		1	POST STARTER SPRING GUIDE
15	F525737		1	RETAINER STARTER REWIND SPRING
16	F901970		1	SPRING STARTER REWIND
17	817856A1		1	SPOOL STARTER W/SCREW
18	F40425		1	PIN STARTER PINION
19	F525675		1	BRACKET STARTER LOWER
20	F197813		1	BEARING STARTER BRACKET LOWER
21	817938A1		1	RETAINER STARTER ROPE HANDLE W/LITERATURE ORIGINAL FORCE P/N K 286817-1
22	F286132		1	HANDLE STARTER ROPE
23	F409232		1	ROPE STARTER
24	F8070		1	BOWED SPRING WASHER
25	F8571		1	SPRING PIN, 1/8 X 1 3/4
26	F1500		1	RD HD SHEET METAL SCREW #4 X 1/4
27	F53795-1		1	SEAL

FUEL SYSTEM

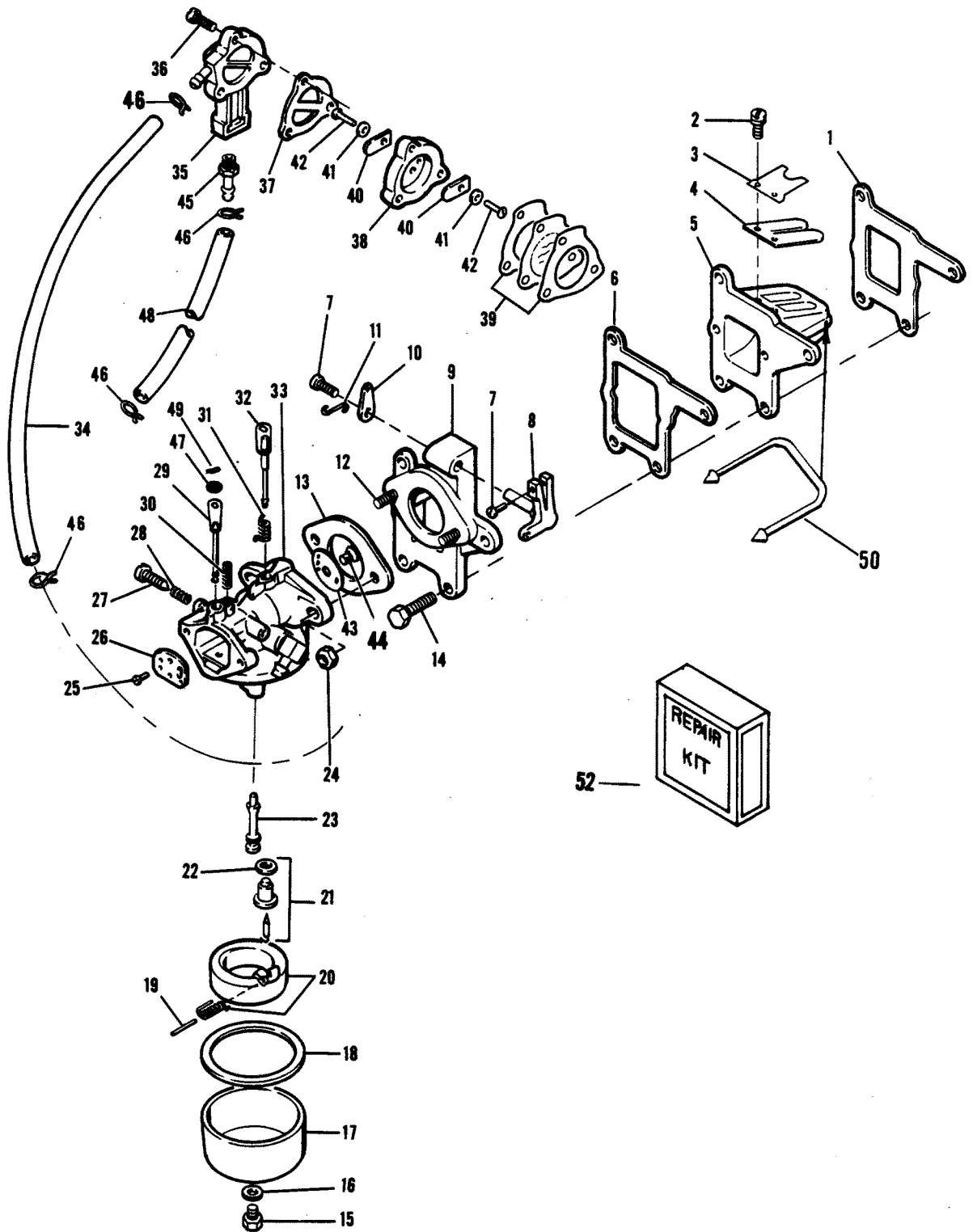


FUEL SYSTEM

REF. NO.	PART NO.	SYM.	QTY.	DESCRIPTION
1	F525159		1	GASKET, REED PLATE
2	F1755		4	RD HD SCREW & SPRING LOCKWASHER ASSEMBLY, 6 - 32 X 5/16
3	F525161		2	REED STOP
4	F31160-1		2	REED
5	F2A525158		1	PLATE REED W/SEAL
6	F525168		1	GASKET MANIFOLD
7	F1772		2	HEX HD SCREW, 8 - 32 X 1/2
8	F525316-1		1	FOLLOWER THROTTLE CAM
9	FA525167		1	MANIFOLD W/STUDS
10	F525081-1		1	LEVER THROTTLE
11	F525193		1	LINK THROTTLE
12	F2788004		2	STUD CARBURETOR
13	F18906		1	GASKET CARBURETOR
14	F1953		4	HEX HD SCREW, 1/4 - 20 X 1
15	F10096		1	JET ASSEMBLY, STD. .039 SEA LEVEL - 3000 FT.
-	F10093		-	JET ASSEMBLY, OPT. .038 3000 - 5000 FT.
-	F10086		-	JET ASSEMBLY, OPT. .037 5000 - 7000 FT.
-	F10094		-	JET ASSEMBLY, OPT. .036 7000 FT. & UP
16	F10090		1	GASKET FUEL BOWL RETAINER
17	F10058		1	FUEL BOWL
18	F10068		1	GASKET BODY TO BOWL
19	F10064		1	SHAFT - FLOAT
20	F10063		1	FLOAT
21	F10101		1	KIT - VALVE, SEAT, SPRING & GASKET
22	F10066		1	GASKET VALVE SEAT
23	F10104		1	NOZZLE
24	F1490		2	NUT, 1/4 - 20
25	F10070		2	SCREW ASSEMBLY - CHOKE VALVE
26	F10062		1	CHOKE VALVE ASSEMBLY
27	F10077		1	NEEDLE - IDLE
28	F10073		1	SPRING IDLE NEEDLE
29	F10061		1	CHOKE SHAFT ASSEMBLY
30	F10072		1	SPRING CHOKE STOP
31	F10085		1	SPRING THROTTLE RETURN
32	F10081		1	SHAFT ASSEMBLY - THROTTLE
33	817963A4		1	CARBURETOR
34	F84253		1	HOSE
35	F901746-2		1	COVER FUEL PUMP
36	F1069		3	FILL HD SCREW, 10 - 24 X 1/16
37	F24748-2		1	GASKET FUEL PUMP
38	F2A24757		1	PLATE FUEL PUMP REED W/REEDS & SCREWS
39	27-818043A1		1	DIAPHRAGM, FUEL PUMP W/GASKETS

CONTINUED ON NEXT PAGE ➡

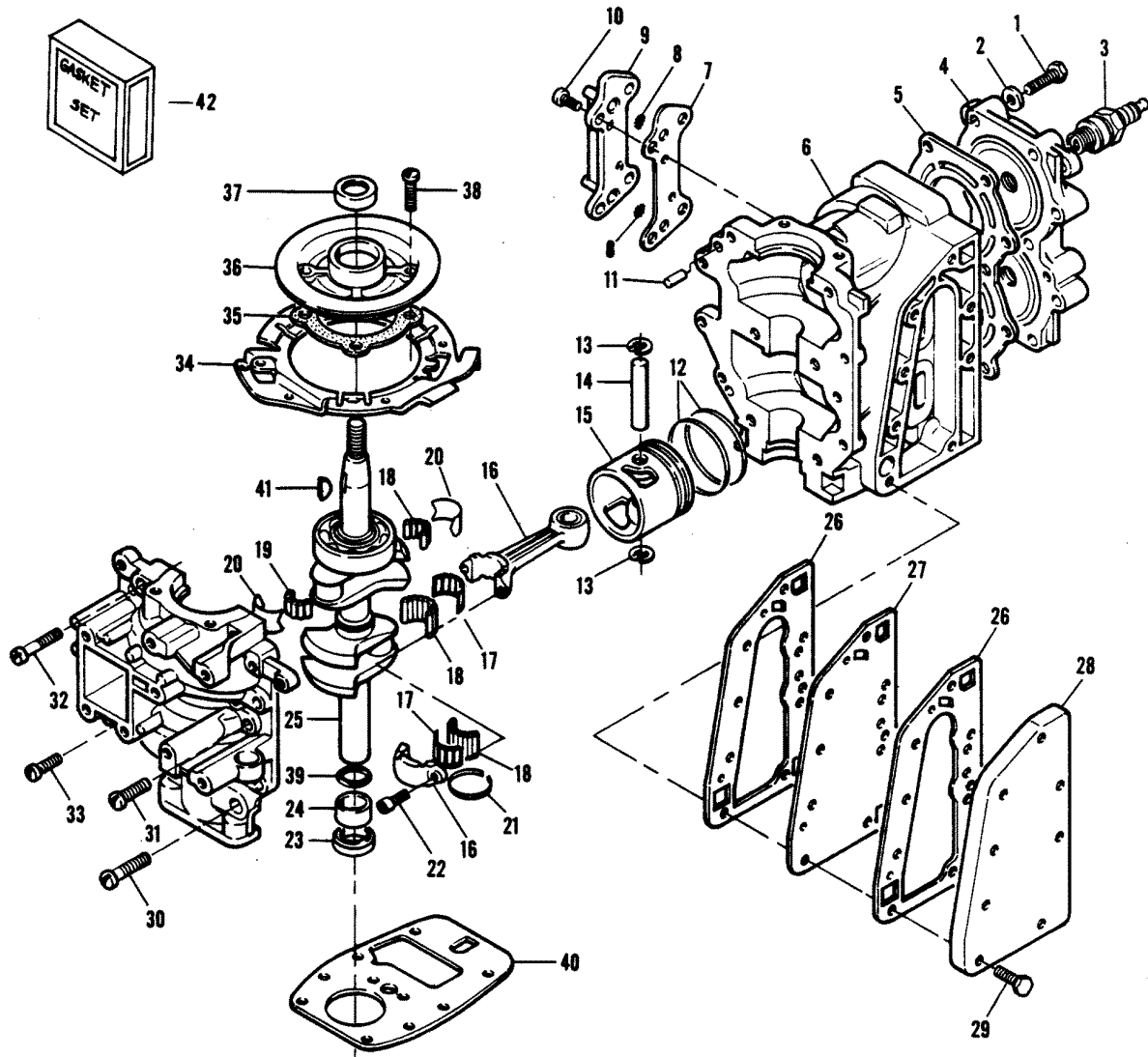
FUEL SYSTEM



FUEL SYSTEM

REF. NO.	PART NO.	SYM.	QTY.	DESCRIPTION
40	F18160-2		2	REED FUEL PUMP
41	F8003		2	PLAIN WASHER
42	F1286		2	PAN HD SCREW, #4 - 40 X 3/16
43	F10091		1	VALVE THROTTLE
44	F10071		1	SCREW, THROTTLE VALVE
45	F901811		1	FILTER FUEL PUMP
46	F2706772		4	CLAMP HOSE
47	F2042		1	WASHER
48	F84253		1	HOSE
49	F90807		1	RETAINING RING
50	F525984		1	SEAL, REED PLATE
51	F10084		1	FLOAT SUPPORT SPRING
52	F10087		1	REPAIR KIT. INCLUDES ALL ITEMS MARKED WITH DOUBLE ASTERISK (**)
-	F10069		1	GASKET KIT. INCLUDES ALL ITEMS MARKED WITH AN ASTERISK (*)

POWER HEAD

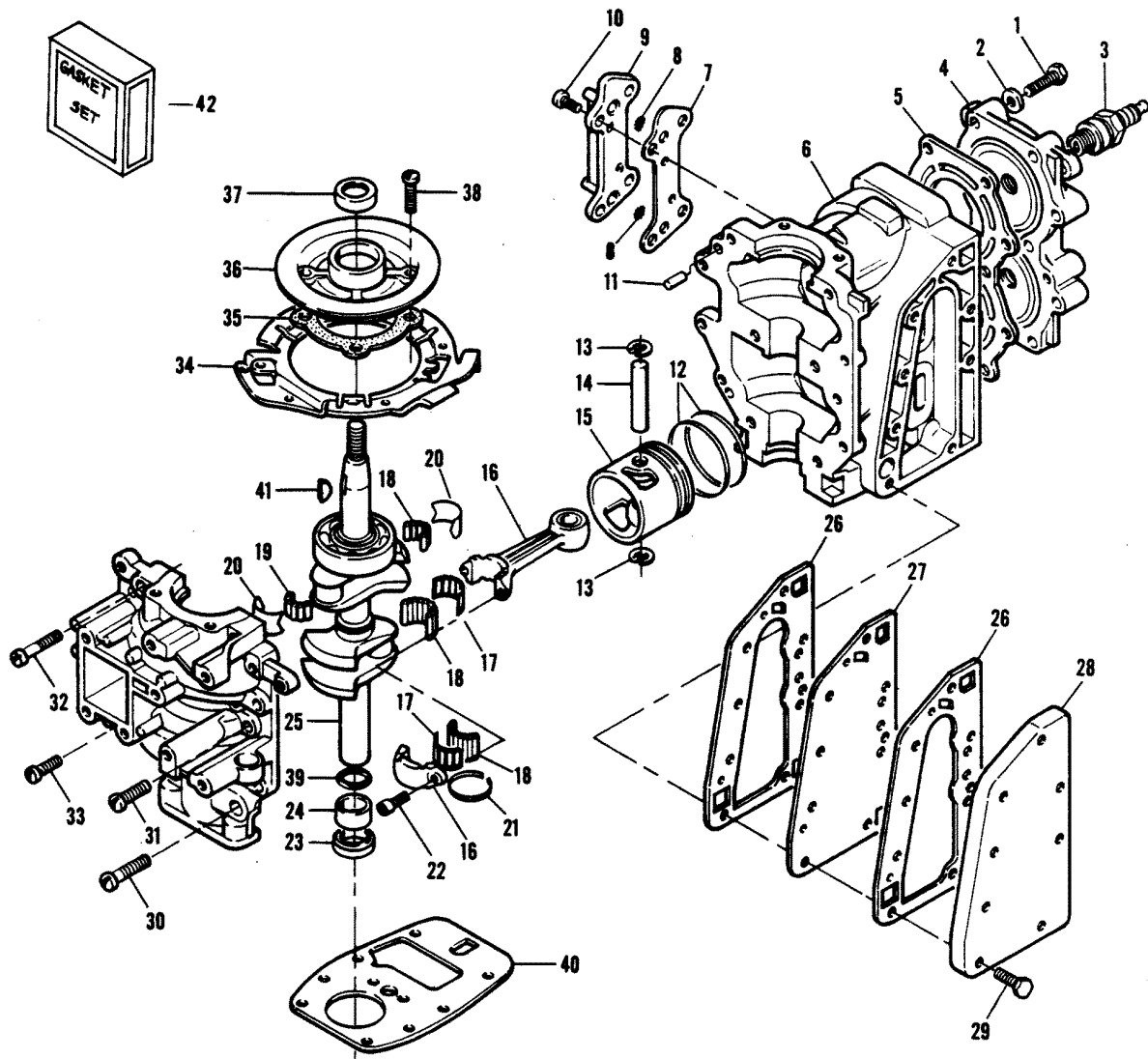


POWER HEAD

REF. NO.	PART NO.	SYM.	QTY.	DESCRIPTION
1	F901938-1		10	SCREW, CYLINDER HEAD
2	F8025		10	PLAIN WASHER
3	33-82370M		2	SPARK PLUG (L-86)
4	F525518		1	CYLINDER HEAD
5	F525529		1	GASKET, CYLINDER HEAD
6	F2A525010		1	CYLINDER
-	FC525010		1	CYLINDER COMPLETE. (NOT SHOWN). INCLUDES ALL ITEMS MARKED WITH AN ASTERISK (*)
7	F525472		1	GASKET, CYLINDER DRAIN COVER
8	F429811		2	SCREEN, CYLINDER DRAIN
9	FA525471		1	COVER, CYLINDER DRAIN W/SCREEN
10	F1110		4	SCREW, 1/4 - 20 X 5/8
11	F8559		2	DOWEL PIN
12	39-818038A1		2	PISTON RING (2 RINGS)
13	F250410		4	PISTON PIN RETAINING RING
14	F250017		2	PISTON PIN
15	F525015		2	PISTON
16	F2A521016		2	CONNECTING ROD W/ITEM 22
17	FA525241		2	CRANKPIN ROLLER CAGE
18	FA525228		2	ROLLER CRANKPIN (16 ROLLERS)
19	F286571		1	ROLLER ASSEMBLY, CENTER MAIN BEARING
20	FA286155		1	LINER, CENTER MAIN W/LITERATURE
21	F525579		1	CRANKCASE SEAL
22	F36634		4	CONNECTING ROD SCREW
23	F141118		1	SEAL, CRANKSHAFT LOWER
24	F343014		1	BEARING, CRANKSHAFT LOWER MAIN
25	F2A525018		1	CRANKSHAFT W/UPPER BEARING
26	F525154		2	GASKET EXHAUST
27	F525151		1	PLATE EXHAUST
28	F525152		1	COVER EXHAUST
29	F1953		8	SCREW, 1/4 - 20 X 1
30	F1257		2	SCREW, 5/16 - 18 X 1/4
31	F1994		2	SCREW, 5/16 - 18 X 1
32	F1044		2	SCREW, 1/4 - 20 X 1 3/8
33	F1107		6	SCREW, 1/4 - 20 X 3/4
34	F525082		1	RING STATOR
35	F286277		1	GASKET, CRANKSHAFT BEARING CAGE
36	1100-817753A1		1	CAGE, CRANKSHAFT BEARING W/UPPER CRANKSHAFT SEAL
37	F346146		1	SEAL, CRANKSHAFT UPPER
38	F1111		4	FILL HD SCREW, 1/4 - 20 X 7/8
39	F468342		1	SEAL, CRANKSHAFT SPLINE
40	F525279		1	GASKET, CYLINDER MOUNTING
41	F458498		1	MAGNETO KEY

CONTINUED ON NEXT PAGE ➡

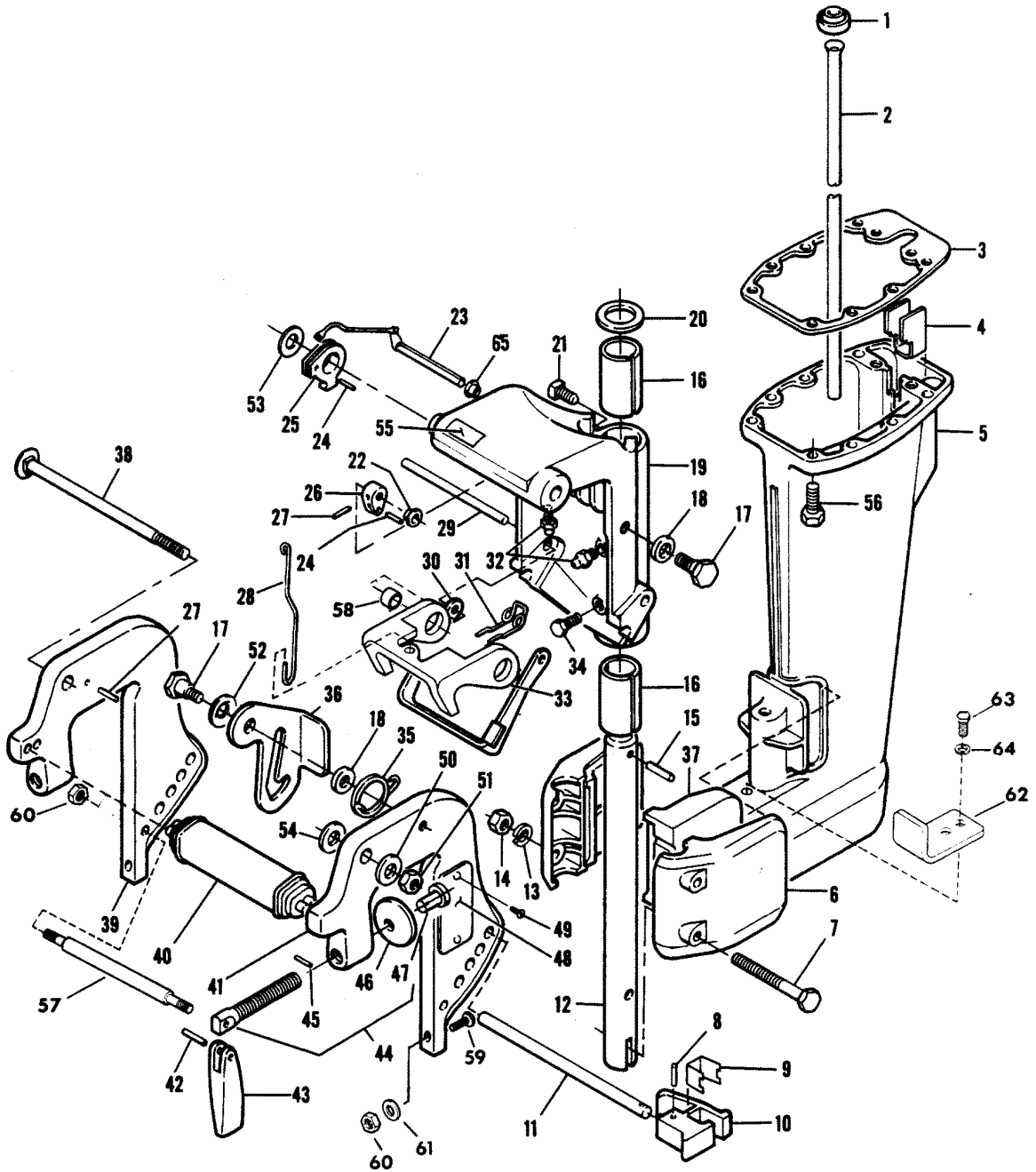
POWER HEAD



POWER HEAD

REF. NO.	PART NO.	SYM.	QTY.	DESCRIPTION
42	FG1018		1	GASKET SET. INCLUDES ITEMS LISTED BELOW
-	F18906		1	GASKET, CARBURETOR
-	F286277		1	GASKET, CRANKSHAFT BEARING CAGE
-	F525154		2	GASKET, EXHAUST
-	F525159		1	GASKET, REED PLATE
-	F525168		1	GASKET, MANIFOLD
-	F525279		1	GASKET, CYLINDER MOUNTING
-	F525453		1	GASKET, LEG MOUNTING
-	F525529		1	GASKET, CYLINDER HEAD
-	F525472		1	GASKET, CYLINDER DRAIN COVER
-	F286028-1		1	BEARING, CRANKSHAFT UPPER MAIN

MOTOR LEG

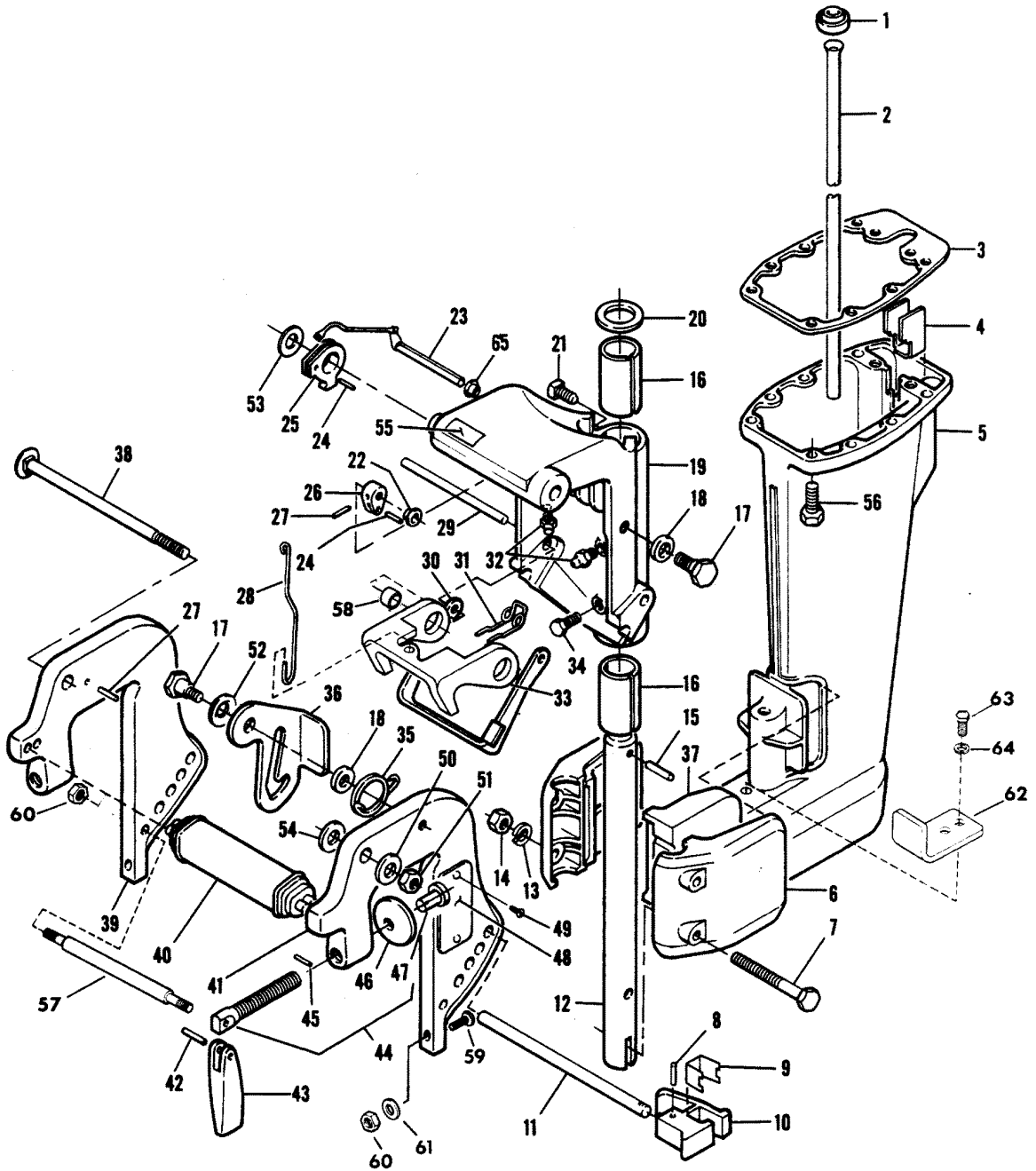


MOTOR LEG

REF. NO.	PART NO.	SYM.	QTY.	DESCRIPTION
1	F318342		1	SEAL, WATERLINE INLET UPPER
2	F516244		1	WATERLINE (STD. LEG)
3	F525453		1	GASKET LEG MOUNTING
4	F525779		1	BAFFLE IDLE RELIEF
5	F525133		1	MOTOR LEG
6	F525707		2	COVER, SHOCK MOUNT LOWER
7	F1972		2	HEX HD SCREW, 1/4 - 20 X 2 1/2
8	F8540		1	SPRING PIN, 3/32 X 5/8
9	F286461		1	SPRING LOCK BAR HANDLE
10	F286114		1	HANDLE LOCK BAR
11	FA286113		1	BAR LOCK W/ILLUSTRATIONS 8, 9, 10
12	F525019		1	KINGPIN
13	F8083		2	LOCKWASHER
14	F1341		2	NUT, 1/4 - 20
15	F1805		1	SPRING PIN, 1/4 X 3/8
16	F286169		2	BEARING SWIVEL BRACKET
17	F286422-1		2	PIVOT TILT LOCK
18	F286451		2	SPACER TILT LOCK
19	1400-817964A2		1	SWIVEL BRACKET W/ILLUSTRATIONS 16, 32 ORIGINAL FORCE P/N K 525072-1
20	F286011		1	WASHER SWIVEL BRACKET
21	F525839		1	SCREW, STEERING FRICTION
22	F197813		1	BEARING
23	FA387742		1	LEVER REVERSE LOCK INTERMEDIATE
24	F1794		2	SPRING PIN, 3/32 X 3/8
25	F286827		1	LEVER REVERSE LOCK RELEASE
26	F286364		1	LEVER REVERSE LOCK
27	F8538		2	SPRING PIN, 3/32 X 1/2
28	F341510		1	LINK REVERSE LOCK LEVER
29	F1806		1	GROOVE PIN, 5/16 - 3/4
30	F286433		1	BRACKET SHALLOW WATER DRIVE
31	F286300		1	SPRING REVERSE LOCK
32	F213274		2	FITTING GREASE
33	F286349		1	LOCK REVERSE
34	F1467		1	SCREW SWIVEL BRACKET
35	F286544-1		1	SPRING TILT LOCK
36	F429541		1	LOCK TILT
37	F525346		2	MOUNT LOWER SHOCK
38	F286037		1	BOLT STERN BRACKET
39	FK517032		1	BRACKET STERN STARBOARD W/SCREW CLAMP
40	F286647		1	HANDLE CARRYING
41	FK567532		1	BRACKET STERN PORT, W/SCREW CLAMP
42	F8554		2	SPRING PIN, 3/16 X 3/4

CONTINUED ON NEXT PAGE ➡

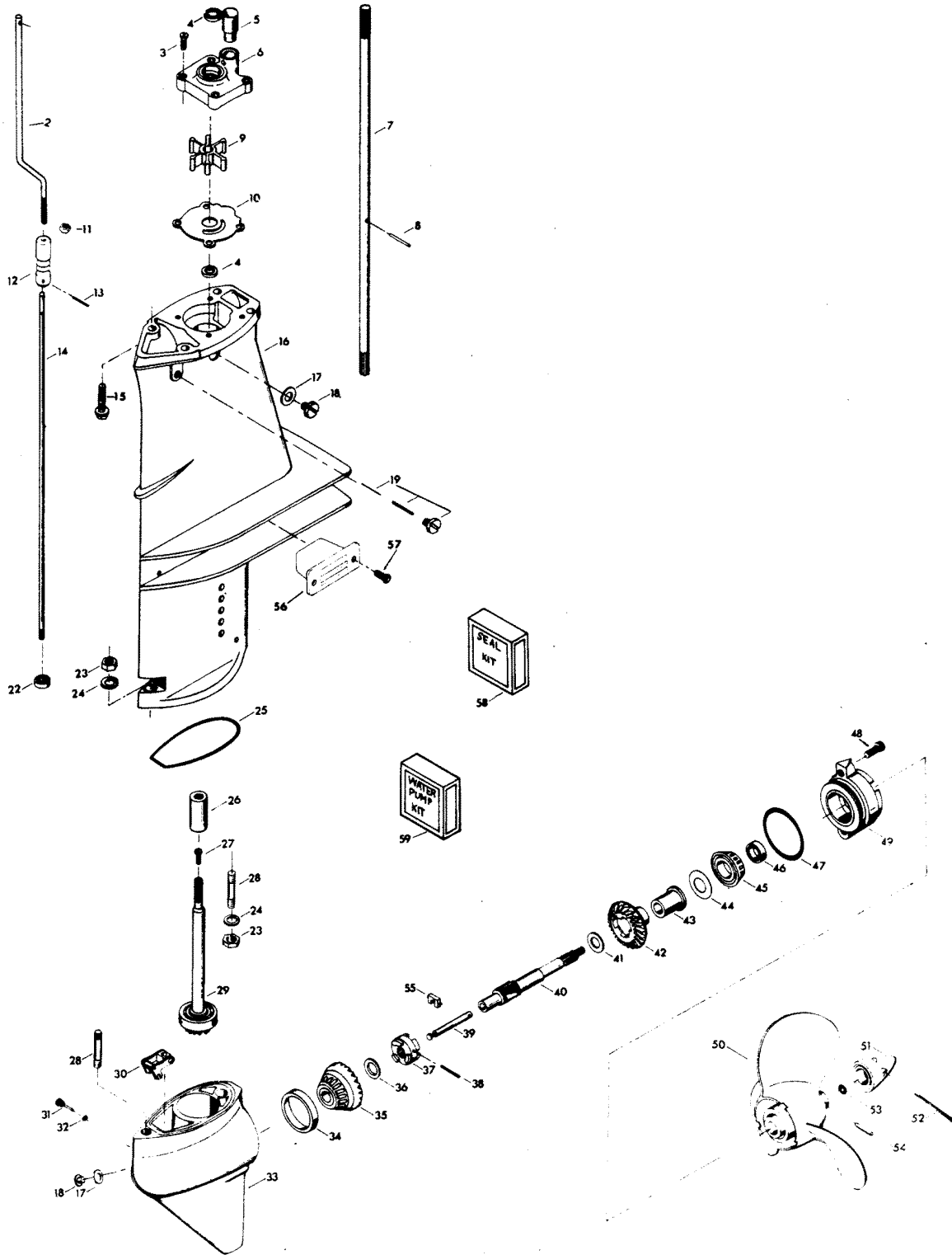
MOTOR LEG



MOTOR LEG

REF. NO.	PART NO.	SYM.	QTY.	DESCRIPTION
43	F424075		2	HANDLE CLAMP SCREW
44	817761A2		2	SCREW CLAMP W/45, 46, 47
45	F8537		2	SPRING PIN
46	F24074		2	FOOT CLAMP SCREW
47	F66480		2	STUD CLAMP SCREW
48	FA538395		1	IDENTIFICATION PLATE W/SCREWS
49	F1447		2	RD HD DRIVE SCREW, #2 X 3/16
50	F8039		1	PLAIN WASHER
51	F516697		1	NUT STEERING LOCK BRACKET
52	F1666		1	WAVE WASHER
53	F525286		1	WASHER
54	F286286-1		1	WASHER
55	F286585-1		1	DECAL, TILT RELEASE - USA
56	F1833		8	HEX CAP SCREW, 1/4 - 20 X 1
57	F517273		1	TIE BAR
58	F516677		2	SPACER REVERSE LOCK
59	F1887		2	HEX SLOTTED HD SCREW, 1/4 - 20 X 3/16
60	F7024		4	LOCK NUT
61	F2012		2	PLAIN WASHER
62	F516463		1	BRACKET, REVERSE THRUST
63	F1464		2	HEX HD M. SCREW, 1/4 - 28 X 3/8
64	F2106		2	INTERNAL TOOTH LOCKWASHER
65	F536813		1	BEARING

GEAR HOUSING

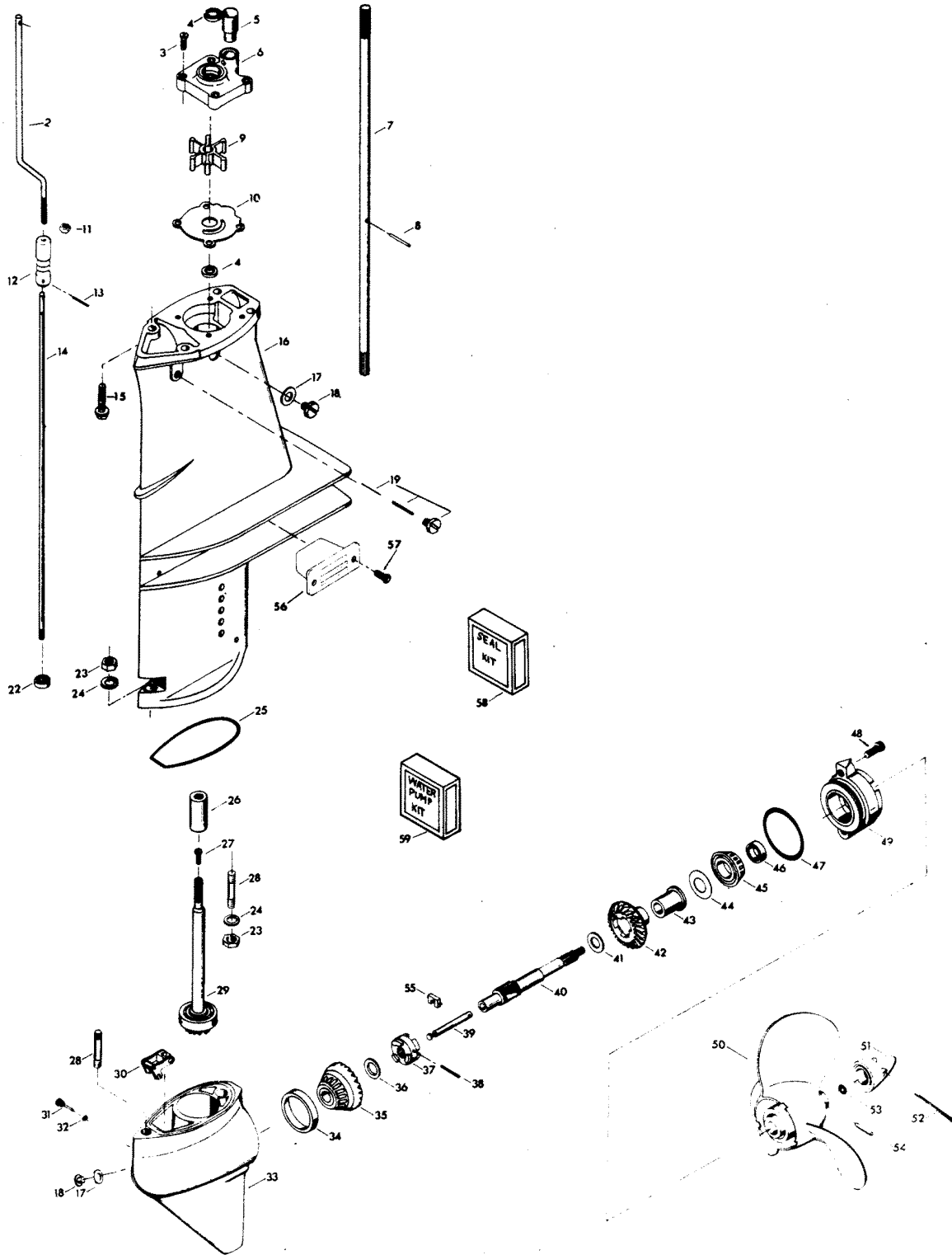


GEAR HOUSING

REF. NO.	PART NO.	SYM.	QTY.	DESCRIPTION
2	F487616		1	GEAR SHIFT ROD INTERMEDIATE
3	F2030		4	HEX HD SCREW, 1/4 - 20 X 1/4
4	F318307		2	SEAL
5	FA510914		1	SEAL, INLET WATER LINE W/LITERATURE
6	FA516060		1	WATER PUMP BODY W/WATER PUMP SEAL
7	F487128		1	DRIVESHAFT (STANDARD LEG)
-	F517128		1	DRIVESHAFT (LONG LEG)
8	F50563		1	WATER PUMP IMPELLER DRIVE PIN
9	F429065		1	WATER PUMP IMPELLER
10	F341562		1	WATER PUMP BACK PLATE
11	F1341		1	HEX NUT
12	F487704		1	COUPLING, SHIFT ROD
13	F8540		1	SPRING PIN
14	F487705		1	GEAR SHIFT ROD LOWER (STANDARD LEG)
-	F516705		1	GEAR SHIFT ROD LOWER (LONG LEG)
15	F430732		4	HEX HD SCREW, 5/16 - 18 X 1/4
16	FA516554		1	GEAR HOUSING UPPER W/BEARING, SEALS, WASHER AND PLUG
-	1600-817817A3		1	GEAR HOUSING UPPER W/BEARING, SEALS, WASHER AND PLUG (LONG LEG) ORIGINAL FORCE P/N A 471554-3
17	F8077		2	NYLTITE WASHER
18	F50109		2	GEAR HOUSING PLUG
19	F487584		1	GUIDE, SPRING DETENT
20	F516895		1	SPRING, SHIFT DETENT
21	F516885		1	PLUG, SPRING HOLDING
22	F338618-1		1	SEAL, SHIFT ROD LOWER
23	F1346		2	HEX NUT, S.S., 3/8 - 16
24	F8065		2	LOCKWASHER
25	F435555		1	SEAL, GEAR HOUSING LOWER
26	F516125		1	COUPLING, DRIVESHAFT
27	F1035		1	FILL HD SCREW, 1/4 - 20 X 5/8
28	F40008		2	STUD
29	F2A516266		1	PINION SHAFT W/BEARING
30	817796A2		1	GEAR SHIFT ARM ASSEMBLY
31	F498891		1	GEAR SHIFT ARM PIN
32	F498618		1	SEAL, "O" RING
33	FA516054		1	GEAR HOUSING LOWER W/PLUG, WASHER AND BEARING CUP
-	FC516054		-	GEAR HOUSING COMPLETE (NOT SHOWN). INCLUDES ALL ITEMS MARKED WITH AN ASTERISK (*)
34	F458250		1	BEARING CUP
35	F2A516023		1	BEVEL GEAR FORWARD W/BEARING
36	F2055		A/R	SPACER, BEVEL GEAR FRONT .059
-	F2056		A/R	SPACER, BEVEL GEAR FRONT .062

CONTINUED ON NEXT PAGE ➡

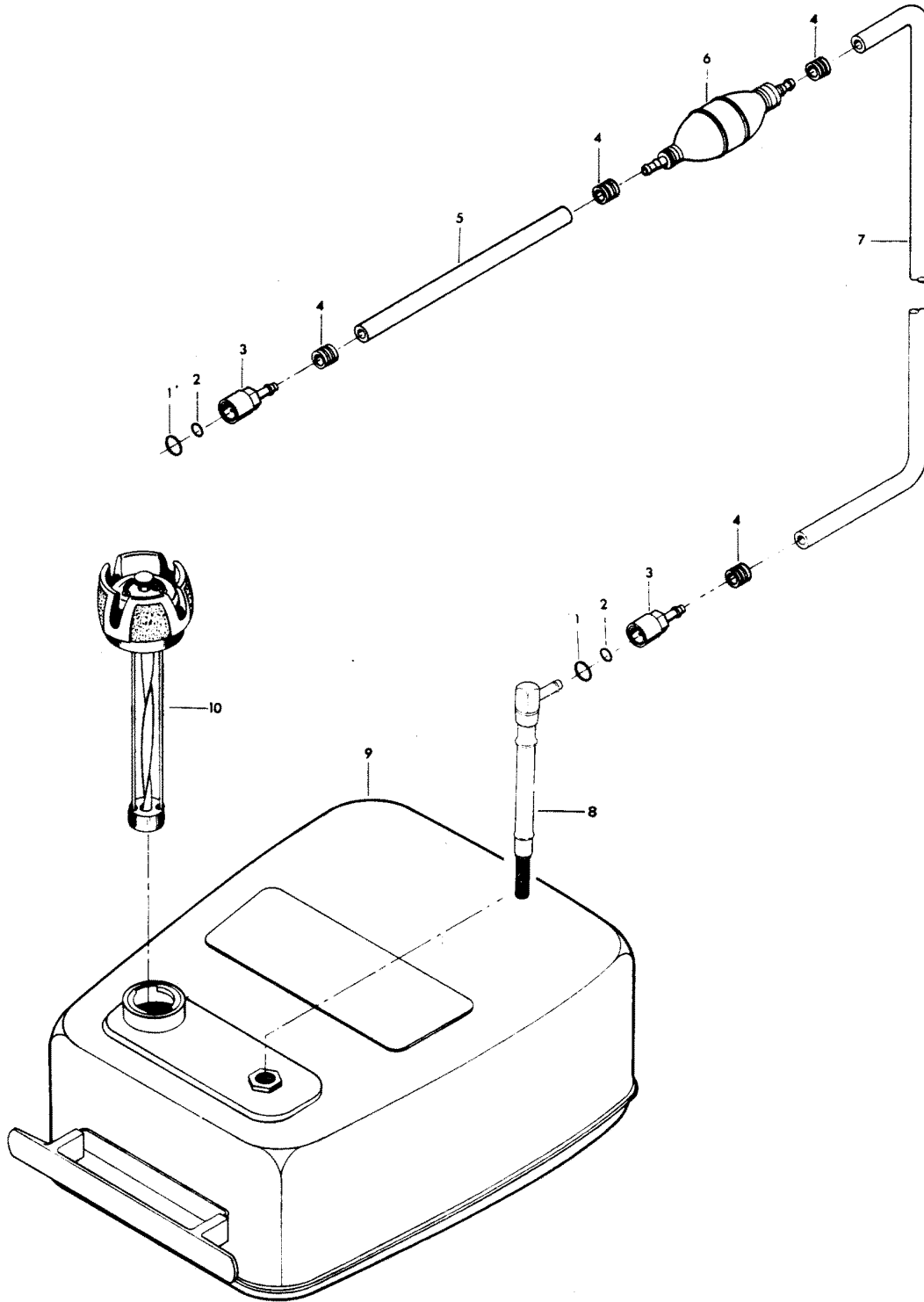
GEAR HOUSING



GEAR HOUSING

REF. NO.	PART NO.	SYM.	QTY.	DESCRIPTION
-	F2057		A/R	SPACER, BEVEL GEAR FRONT .065
-	F2058		A/R	SPACER, BEVEL GEAR FRONT .068
-	F2059		A/R	SPACER, BEVEL GEAR FRONT .071
-	F2060		A/R	SPACER, BEVEL GEAR FRONT .074
-	F2061		A/R	SPACER, BEVEL GEAR FRONT .077
-	F2062		A/R	SPACER, BEVEL GEAR FRONT .080
-	F2063		A/R	SPACER, BEVEL GEAR FRONT .083
-	F2064		A/R	SPACER, BEVEL GEAR FRONT .086
-	F2087		A/R	SPACER, BEVEL GEAR FRONT .056
37	F99521-1		1	CLUTCH
38	F2097		1	SPRING PIN
39	F90871-3		1	GEAR SHIFT ARM PIN
40	FA474098		1	PROPELLER SHAFT ASSEMBLY
41	F40717		1	THRUST WASHER BEVEL GEAR
42	F516662		1	GEAR, BEVEL REAR
43	F474143		1	BEARING, BEVEL GEAR REAR
44	F2052		-	SHIM, PROPELLER SHAFT BEARING CAGE .005 (SIVER)
-	F2053		-	SHIM, PROPELLER SHAFT BEARING CAGE .006 (RED)
-	F2054		-	SHIM, PROPELLER SHAFT BEARING CAGE .008 (BLACK)
45	F474225		1	BEARING, PROPELLER SHAFT REVERSE THRUST
46	F141118		1	SEAL, PROPELLER SHAFT
47	F141305		1	SEAL, PROPELLER SHAFT BEARING CAGE
48	F1994		2	HEX SOCKET HD CAP SCREW, 5/16 - 18 X 1
49	F2A474298		1	PROPELLER SHAFT BEARING CAGE W/SEALS AND BEARING CUP
50	FP296		1	PROPELLER
51	FA94094-2		1	PROPELLER NUT W/SEAL & COTTER PIN
52	F1027		1	COTTER PIN
53	F40342		1	SEAL, PROPELLER NUT
54	FK247		1	PROPELLER PIN (PACK OF 6 W/COTTER PIN)
55	F90619-1		1	YOKE, GEAR SHIFT ARM
56	FA516485		1	ANTI-CORROSION ANODE W/LITERATURE
57	F1733		2	PAN HD SCREW, 10 - 24 X 9/16
58	FK1064		1	GEAR HOUSING SEAL KIT. INCLUDES ALL ITEMS MARKED WITH A DOUBLE ASTERISK (**)
59	FK1071		1	WATER PUMP KIT W/ILLUSTRATIONS 3, 6, 9 AND 10

FUEL TANK AND LINE



FUEL TANK AND LINE

REF. NO.	PART NO.	SYM.	QTY.	DESCRIPTION
1	F213342		1	SEAL, FUEL LINE COUPLER
2	F213735		1	SEAL, FUEL LINE COUPLER
3	F197787-3		1	FUEL LINE COUPLER
4	F298788		4	FERRULE
5	FA84754-1		1	FUEL LINE SHORT W/FERRULES
6	89396A38		1	PRIME BULB
7	32-817738A1		1	FUEL LINE, LONG W/CLAMP AND FERRULE
8	F487755		1	FUEL TANK ADAPTER
9	F5H027		1	FUEL TANK (ACCESSORY ITEM)
10	F409251-1		1	GAUGE CAP
-	FS409752		1	FUEL LINE, COMPLETE (NOT SHOWN). INCLUDES ALL ITEMS MARKED WITH AN ASTERISK (*)
-	FC409398		1	DECAL TOTE TANK

SPECIAL TOOLS - TUNE-UP

REF. NO.	PART NO.	SYM.	QTY.	DESCRIPTION
-	FT2909		0	KNOCK-OFF NUT TO REMOVE FLYWHEEL
-	FT2989		0	FLYWHEEL WEDGE TO REMOVE FLYWHEEL

SPECIAL TOOLS - STARTER

REF. NO.	PART NO.	SYM.	QTY.	DESCRIPTION
-	FT3139-1		0	STARTER REWIND KEY TO REWIND STARTER SPRING

SPECIAL TOOLS - POWER HEAD

REF. NO.	PART NO.	SYM.	QTY.	DESCRIPTION
-	FT3012		0	SEAL INSTALLER TO INSTALL UPPER CRANKSHAFT BEARING CAGE SEAL
-	FT8929		0	ADAPTER AND HEX BIT TO TORQUE CONNECTING ROD SCREWS
-	FT2997		0	RING COMPRESSOR TO INSTALL PISTONS IN CYLINDERS
-	FT1749		0	SNAP RING PLIERS TO REMOVE AND INSTALL PISTON PIN RETAINING RINGS
-	FT8926		0	PISTON RING EXPANDER TO INSTALL RINGS ON PISTONS
-	FT11202		0	SEAL INSTALLER TO INSTALL LOWER CRANKSHAFT SEAL

SPECIAL TOOLS - LOWER UNIT

REF. NO.	PART NO.	SYM.	QTY.	DESCRIPTION
-	FT8957		0	SEAL INSTALLER TO INSTALL SHIFT ROD SEAL
-	FT2915		0	SEAL INSTALLER TO INSTALL DRIVESHAFT SEAL - UPPER AND LOWER AND PROPELLER SHAFT SEAL
-	FT3431		0	SEAL INSTALLER TO INSTALL PROPELLER SHAFT SEAL
-	FT8948-1		0	BEARING CAGE PULLER TO REMOVE PROPELLER SHAFT BEARING CAGE
-	FT8921		0	BEARING CUP REMOVER TO REMOVE FORWARD BEARING CUP
-	FT8918		0	BEARING GUIDE SET TO REMOVE AND INSTALL FORWARD BEARING CUP.
-	FT8907		0	DRIVER HANDLE TO INSTALL BEARING CUPS AND SEALS.
-	FT8920		0	BEARING INSTALLER TO REMOVE AND INSTALL PROPELLER SHAFT BEARING.
-	FT8924-1		0	CHECKING GAUGE TO SHIM LOWER UNIT
-	FT8982		0	SHIM ADAPTER USE WITH T8924-1 CHECKING GAUGE.
-	FT8995		0	SHIM SPACERS TO USE WITH CHECKING GAUGE (T8924-1)
-	FT8901		0	INDICATOR HOLDER TO USE WITH SHIM ADAPTER (T8982)
-	FT8902		0	DIAL INDICATOR TO USE WITH CHECKING GAUGE (T8924-1)

SPECIAL TOOLS - TEST EQUIPMENT

REF. NO.	PART NO.	SYM.	QTY.	DESCRIPTION
-	FT8950		0	LEAKAGE TESTER TO TEST LOWER UNIT SEALS FOR LEAKS
-	FT8996		0	IGNITION TESTER TO TEST TRIGGER OUTPUT
-	FT8953		0	C-D TESTER TO TEST STATOR OUTPUT AND SECONDARY VOLTAGE

SPECIAL TOOLS - LUBRICANTS AND SEALANTS

REF. NO.	PART NO.	SYM.	QTY.	DESCRIPTION
-	FT2961		0	LUBRICANT - RYKON #2EP
-	FT2987		0	LUBRICANT - ANTI-SEIZE
-	FT8969		0	LUBRICANT - 7 OZ. 2 PSI LUBRICANT
-	FT8983		0	SEALANT - 5 OZ EC-750 INDUSTRIAL SEALANT
-	FT8936		0	SEALANT - 2 CC LOCTITE RETAINING COMPOUND #75
-	FT2962-1		0	SEALANT - 50 CC LOCTITE H, NON-HARDENING GRADE
-	FT2963-1		0	SEALANT - 2 OZ. LOCTITE D, HARDENING GRADE
-	FT8935		0	SEALANT PRIMER - 6 OZ.

SPECIAL TOOLS - REPAIR DECALS - ENGINE COVERS

REF. NO.	PART NO.	SYM.	QTY.	DESCRIPTION
-	T11212		0	BOAT BLACK
-	T11211		0	BOAT WHITE
-	T11229		0	SAND TAN

ACCESSORIES

REF. NO.	PART NO.	SYM.	QTY.	DESCRIPTION
-	F5H105		0	BATTERY CHARGING SYSTEM USED IN CONJUNCTION WITH LIGHTING COIL.
-	F5H113		0	REMOTE CONTROL KIT PERMITS REMOTE CONTROL OF THROTTLE, GEAR SHIFT AND STEERING FROM FRONT OF BOAT.
-	F5H114		0	REMOTE STEERING BRACKET ADAPTS MOTOR TO CABLE TYPE REMOTE STEERING.
-	F5H013		0	FLUSHING ADAPTER FOR CLEANING COOLING SYSTEM.
-	F5H130		0	REMOTE CONTROL BOX SINGLE LEVER SURFACE MOUNT - STARBOARD.
-	F5H131		0	REMOTE CONTROL DECAL KIT DECAL FOR PORT SIDE MOUNTING OF 5H130 CONTROL.
-	F195/___		0	REMOTE CONTROL CABLES SHIFT AND THROTTLE, HEAVY DUTY, LENGTHS 6 TO 40 FEET.
-	F5H027		0	FUEL TANK, 6 GALLON, STEEL AUXILIARY FUEL TANK.
-	F5H029		0	FUEL TANK ANCHOR RETAINS TOTE TANK ON BOAT FLOOR.
-	F5H040		0	STEEL 12 GALLON FUEL TANK AUXILIARY TANK.
-	F5H134		0	BOAT WHITE LACQUER ENGINE TOUCH-UP PAINT IN 12 3/4 OZ. SPRAY BOMBS (6 CANS PER CASE).
-	F596		0	CHRYSLER OUTBOARD OIL SEE BLOCK COMMENT 1.
-	F597		0	CHRYSLER OUTBOARD GEAR LUBE SEE BLOCK COMMENT 2.
-	72H26		0	CHRYSLER OUTBOARD FUEL AID REMOVES MOISTURE. PREVENTS SLUDGE AND VARNISH AND STABILIZES GAS. AVAILABLE IN 16 OZ. CANS AND 12 CAN CASES.
-	72H27		0	CHRYSLER OUTBOARD STORAGE LUBRICANT WORKS AS A CORROSION INHIBITOR AND PROTECTS INTERNAL ENGINE PARTS DURING STORAGE. AVAILABLE IN 16 OZ. CANS AND 12 CAN CASES.
-	72H28		0	CHRYSLER OUTBOARD MULTI-PURPOSE SPRAY LUBE WORKS AS A LUBRICANT, CLEANER, MOISTURE REMOVER AND ELECTRIC INSULATOR. AVAILABLE IN 9 OZ. CANS AND 12 CAN CASES.
-	F72H29		0	CHRYSLER OUTBOARD MULTI-PURPOSE GREASE LUBRICATES BEARINGS AND OTHER MOVING PARTS. AVAILABLE IN 8 OZ. TUBES AND 12 TUBE CASES.
-	F72H30		0	CHRYSLER OUTBOARD GREASE GUN USED WITH CHRYSLER OUTBOARD MULTI-PURPOSE GREASE TUBES FOR PRESSURE FITTINGS.
-	72H34		0	CHRYSLER OUTBOARD MULTI-PURPOSE CLEANER

PARTS INDEX

Part Number	Description	Pg.	Ref. No.	Part Number	Description	Pg.	Ref. No.
525156-1	COVER SUPPORT PLATE REAR	3	10	F1052	FILL HD SCREW, 1/4 - 20 X 1	13	12
72H26	CHRYSLER OUTBOARD FUEL AID	39	-	F1069	FILL HD SCREW, 10 - 24 X 1/16	15	36
72H27	CHRYSLER OUTBOARD STORAGE LUBRICANT	39	-	F1107	SCREW, 1/4 - 20 X 3/4	19	33
72H28	CHRYSLER OUTBOARD MULTI-PURPOSE SPRAY LUBE	39	-	F1110	SCREW, 1/4 - 20 X 5/8	19	10
72H34	CHRYSLER OUTBOARD MULTI-PURPOSE CLEANER	39	-	F1111	FILL HD SCREW, 1/4 - 20 X 7/8	19	38
817747--1	JOINT, BALL ASSEMBLY	9	39	F1200	HEX HD SCREW, 1/4 - 20 X 1/2	5	58
817761A2	SCREW CLAMP W/45, 46, 47	25	44	F1257	SCREW, 5/16 - 18 X 1/4	19	30
817796A2	GEAR SHIFT ARM ASSEMBLY	27	30	F1286	PAN HD SCREW, #4 - 40 X 3/16	17	42
817856A1	SPOOL STARTER W/SCREW	13	17	F1341	HEX NUT	27	11
817938A1	RETAINER STARTER ROPE HANDLE	13	21	F1341	NUT, 1/4 - 20	23	14
817963A4	CARBURETOR	15	33	F1346	HEX NUT, S.S., 3/8 - 16	27	23
89396A38	PRIME BULB	31	6	F141118	SEAL, CRANKSHAFT LOWER	19	23
A487038	SUPPORT PLATE W/EYELET	3	11	F141118	SEAL, PROPELLER SHAFT	29	46
F10058	FUEL BOWL	15	17	F141305	SEAL, PROPELLER SHAFT BEARING CAGE	29	47
F10061	CHOKE SHAFT ASSEMBLY	15	29	F1447	RD HD DRIVE SCREW, #2 X 3/16	25	49
F10062	CHOKE VALVE ASSEMBLY	15	26	F1464	HEX HD M. SCREW, 1/4 - 28 X 3/8	25	63
F10063	FLOAT	15	20	F1467	SCREW SWIVEL BRACKET	23	34
F10064	SHAFT - FLOAT	15	19	F1471	HEX SET SCREW, 10 - 24 X 1/4	9	8
F10066	GASKET VALVE SEAT	15	22	F1475	FILL HD SCREW, 10 - 24 X 1/2	3	3
F10068	GASKET BODY TO BOWL	15	18	F1490	NUT, 1/4 - 20	15	24
F10069	GASKET KIT.	17	-	F1500	RD HD SHEET METAL SCREW #4 X 1/4	13	26
F10070	SCREW ASSEMBLY - CHOKE VALVE	15	25	F1513	HEX NUT	3	6
F10071	SCREW, THROTTLE VALVE	17	44	F1513	NUT, 10 - 32	9	38
F10072	SPRING CHOKE STOP	15	30	F1518	NUT, 5/16 - 18	3	15
F10073	SPRING IDLE NEEDLE	15	28	F1573	FILL HD SCREW, 1/4 - 20 X 1/2	3	38
F10077	NEEDLE - IDLE	15	27	F1666	WAVE WASHER	25	52
F10081	SHAFT ASSEMBLY - THROTTLE	15	32	F1678	FILL HD SCREW, 10 - 24 X 13/16	7	10
F10084	FLOAT SUPPORT SPRING	17	51	F1678	SLOTTED FILL HD SCREW, 10 - 24 X 13/16	7	18
F10085	SPRING THROTTLE RETURN	15	31	F1699	HEX HD SCREW, 1/4 - 20 X 1/8	9	28
F10086	JET ASSEMBLY, OPT. .037 5000 - 7000 FT.	15	-	F1733	PAN HD SCREW, 10 - 24 X 9/16	29	57
F10087	REPAIR KIT.	17	52	F1734	SLOTTED FILL HD SCREW, 1/4 - 20 X 1/2	5	56
F10090	GASKET FUEL BOWL RETAINER	15	16	F1755	RD HD SCREW & SPRING LOCKWASHER ASSEMBLY, 6 - 32 X 5/16	15	2
F10091	VALVE THROTTLE	17	43	F1760	PAN HD SCREW, 10 - 24 X 3/8	13	4
F10093	JET ASSEMBLY, OPT. .038 3000 - 5000 FT.	15	-	F1772	HEX HD SCREW, 8 - 32 X 1/2	15	7
F10094	JET ASSEMBLY, OPT. .036 7000 FT. & UP	15	-	F178446	CLAMP LEAD WIRE	5	55
F10096	JET ASSEMBLY, STD. .039 SEA LEVEL - 3000 FT.	15	15	F1794	SPRING PIN, 3/32 X 3/8	23	24
F10101	KIT - VALVE, SEAT, SPRING & GASKET	15	21	F1805	SPRING PIN, 1/4 X 3/8	23	15
F10104	NOZZLE	15	23	F1806	GROOVE PIN, 5/16 - 3/4	23	29
F1027	COTTER PIN	29	52	F1809	FLYWHEEL NUT	7	6
F1035	FILL HD SCREW, 1/4 - 20 X 5/8	27	27	F18160-2	REED FUEL PUMP	17	40
F1044	SCREW, 1/4 - 20 X 1 3/8	19	32				

PARTS INDEX

Part Number	Description	Pg.	Ref. No.	Part Number	Description	Pg.	Ref. No.
F1833	HEX CAP SCREW, 1/4 - 20 X 1	25	56	F2061	SPACER, BEVEL GEAR FRONT .077	29	-
F1877	TY-RAP	7	20	F2062	SPACER, BEVEL GEAR FRONT .080	29	-
F1887	HEX SLOTTED HD SCREW, 1/4 - 20 X 3/16	25	59	F2063	SPACER, BEVEL GEAR FRONT .083	29	-
F18906	GASKET CARBURETOR ...	15	13	F2064	SPACER, BEVEL GEAR FRONT .086	29	-
F18906	GASKET, CARBURETOR ...	21	-	F2087	SPACER, BEVEL GEAR FRONT .056	29	-
F195/	REMOTE CONTROL CABLES	39	-	F2097	SPRING PIN	29	38
F1950	HEX HD SCREW, 10 - 24 X 5/8	3	13	F2106	INTERNAL TOOTH LOCKWASHER	25	64
F1953	HEX HD SCREW, 1/4 - 20 X 1	15	14	F2106	LOCKWASHER	7	3
F1953	SCREW, 1/4 - 20 X 1	19	29	F213274	FITTING GREASE	23	32
F1972	HEX HD SCREW, 1/4 - 20 X 2 1/2	23	7	F213342	SEAL, FUEL LINE COUPLER	31	1
F1974	SCREW, STEERING HANDLE BEARING	9	7	F213735	SEAL, FUEL LINE COUPLER	31	2
F1975	LOCKWASHER, #10	5	44	F215795	SEAL, STEERING HANDLE DAMPENER	9	5
F1975	SPRING LOCKWASHER ...	7	21	F215795	SEAL, STEERING HANDLE DAMPENER	11	47
F197767-1	BUSHING FUEL LINE	3	21	F24074	FOOT CLAMP SCREW	25	46
F197787-3	FUEL LINE COUPLER	31	3	F24748-2	GASKET FUEL PUMP	15	37
F1978	SPRING PIN, 1/8 X 1/2	3	40	F250017	PISTON PIN	19	14
F197813	BEARING	23	22	F250410	PISTON PIN RETAINING RING	19	13
F197813	BEARING STARTER BRACKET LOWER	13	20	F269689	BEARING STARTER BRACKET UPPER	13	9
F1994	HEX SOCKET HD CAP SCREW, 5/16 - 18 X 1 ...	29	48	F2706772	CLAMP HOSE	17	46
F1994	SCREW, 5/16 - 18 X 1	19	31	F2788004	STUD CARBURETOR	15	12
F2010	FILL HD SCREW, 10 - 32 X 9/16	7	12	F286011	WASHER SWIVEL BRACKET	23	20
F2012	PLAIN WASHER	25	61	F286028-1	BEARING, CRANKSHAFT UPPER MAIN	21	-
F2026	RIVET, SUPPORT PLATE COVER	5	59	F286037	BOLT STERN BRACKET ...	23	38
F2030	HEX HD SCREW, 1/4 - 20 X 1/4	27	3	F286114	HANDLE LOCK BAR	23	10
F2031	HEX HD SCREW, 1/4 - 20 X 3/4	13	7	F286132	HANDLE STARTER ROPE ..	13	22
F2041	HEX HD SCREW, 10 - 24 X 3/8	3	26	F286169	BEARING SWIVEL BRACKET	23	16
F2042	WASHER	17	47	F286277	GASKET, CRANKSHAFT BEARING CAGE	19	35
F2052	SHIM, PROPELLER SHAFT BEARING CAGE .005 (SIVER)	29	44	F286277	GASKET, CRANKSHAFT BEARING CAGE	21	-
F2053	SHIM, PROPELLER SHAFT BEARING CAGE .006 (RED)	29	-	F286286-1	WASHER	25	54
F2054	SHIM, PROPELLER SHAFT BEARING CAGE .008 (BLACK)	29	-	F286300	SPRING REVERSE LOCK ..	23	31
F2055	SPACER, BEVEL GEAR FRONT .059	27	36	F286349	LOCK REVERSE	23	33
F2056	SPACER, BEVEL GEAR FRONT .062	27	-	F286364	LEVER REVERSE LOCK ...	23	26
F2057	SPACER, BEVEL GEAR FRONT .065	29	-	F286422-1	PIVOT TILT LOCK	23	17
F2058	SPACER, BEVEL GEAR FRONT .068	29	-	F286433	BRACKET SHALLOW WATER DRIVE	23	30
F2059	SPACER, BEVEL GEAR FRONT .071	29	-	F286451	SPACER TILT LOCK	23	18
F2060	SPACER, BEVEL GEAR FRONT .074	29	-	F286461	SPRING LOCK BAR HANDLE	23	9
				F286544-1	SPRING TILT LOCK	23	35
				F286571	ROLLER ASSEMBLY, CENTER MAIN BEARING .	19	19
				F286585-1	DECAL, TILT RELEASE - USA	25	55
				F286647	HANDLE CARRYING	23	40
				F286827	LEVER REVERSE LOCK RELEASE	23	25
				F286894-3	INDICATOR STEERING HANDLE - USA	9	4

PARTS INDEX

Part Number	Description	Pg.	Ref. No.	Part Number	Description	Pg.	Ref. No.
F298788	FERRULE	31	4	F458695	SLEEVE, STEERING		
F2A24757	PLATE FUEL PUMP REED W/REEDS & SCREWS	15	38	F468342	HANDLE GRIP	9	1
F2A474298	PROPELLER SHAFT BEARING CAGE W/SEALS AND BEARING CUP	29	49	F474143	SEAL, CRANKSHAFT SPLINE	19	39
F2A516023	BEVEL GEAR FORWARD W/BEARING	27	35	F474225	BEARING, BEVEL GEAR REAR	29	43
F2A516266	PINION SHAFT W/BEARING	27	29	F487078	BEARING, PROPELLER SHAFT REVERSE THRUST	29	45
F2A521016	CONNECTING ROD	19	16	F487128	STEERING LOCK BRACKET	9	43
F2A525010	CYLINDER	19	6	F487455	DRIVESHAFT (STANDARD LEG)	27	7
F2A525018	CRANKSHAFT W/UPPER BEARING	19	25	F487584	GUIDE STARTER ROPE	3	5
F2A525158	PLATE REED W/SEAL	15	5	F487584	GUIDE, SPRING DETENT	27	19
F2C565712	ENGINE COVER COMPLETE.	3	-	F487616	GEAR SHIFT ROD INTERMEDIATE	27	2
F307818	BEARING (NYLINER)	5	50	F487704	COUPLING, SHIFT ROD	27	12
F307818	BEARING, STEERING HANDLE SHAFT	9	22	F487705	GEAR SHIFT ROD LOWER (STANDARD LEG)	27	14
F31160-1	REED	15	4	F487755	FUEL TANK ADAPTER	31	8
F318307	SEAL	27	4	F498618	SEAL, "O" RING	27	32
F318307	SEAL, DRIVESHAFT	5	57	F498891	GEAR SHIFT ARM PIN	27	31
F318342	SEAL, WATERLINE INLET UPPER	23	1	F50109	GEAR HOUSING PLUG	27	18
F318347-1	UPPER MOUNT	9	29	F50563	WATER PUMP IMPELLER DRIVE PIN	27	8
F318504	GROMMET	9	42	F516080	SCREW PIVOT	11	46
F318539	BUMPER	9	30	F516124	PLAIN WASHER	11	45
F318818	BEARING, SHIFT LEVER SHAFT	3	37	F516125	COUPLING, DRIVESHAFT	27	26
F338618-1	SEAL, SHIFT ROD LOWER	27	22	F516244	WATERLINE (STD. LEG)	23	2
F341510	LINK REVERSE LOCK LEVER	23	28	F516463	BRACKET, REVERSE THRUST	25	62
F341562	WATER PUMP BACK PLATE	27	10	F516662	GEAR, BEVEL REAR	29	42
F343014	BEARING, CRANKSHAFT LOWER MAIN	19	24	F516677	SPACER REVERSE LOCK	25	58
F346146	SEAL, CRANKSHAFT UPPER	19	37	F516697	NUT STEERING LOCK BRACKET	25	51
F36634	CONNECTING ROD SCREW	19	22	F516705	GEAR SHIFT ROD LOWER (LONG LEG)	27	-
F390689	BEARING, STEERING ARM PIVOT SCREW	9	23	F516821	WAVE WASHER, STEERING PIVOT SCREW	11	44
F392777	CAM COVER LATCH	3	16	F516885	PLUG, SPRING HOLDING	27	21
F40008	STUD	27	28	F516895	SPRING, SHIFT DETENT	27	20
F40342	SEAL, PROPELLER NUT	29	53	F516977	LEVER SHIFT INTERLOCK	5	48
F40425	PIN STARTER PINION	13	18	F517128	DRIVESHAFT (LONG LEG)	27	-
F404908	WIRE, STATOR GROUND	7	13	F517273	TIE BAR	25	57
F40717	THRUST WASHER BEVEL GEAR	29	41	F521547	CHOKE KNOB	3	24
F409232	ROPE STARTER	13	23	F521843	CABLE LIGHTING COIL EXT.	7	16
F409251-1	GAUGE CAP	31	10	F525015	PISTON	19	15
F424075	HANDLE CLAMP SCREW	25	43	F525019	KINGPIN	23	12
F429065	WATER PUMP IMPELLER	27	9	F525029	STATOR - TRIGGER	7	11
F429541	LOCK TILT	23	36	F525064	SCREW - C-D COIL	7	19
F429811	SCREEN, CYLINDER DRAIN	19	8	F525079	HANDLE - STEERING	9	6
F430732	HEX HD SCREW, 5/16 - 18 X 1/4	27	15	F525080	SCREW, STEERING HANDLE PIVOT	9	9
F435555	SEAL, GEAR HOUSING LOWER	27	25	F525081-1	LEVER THROTTLE	15	10
F436449	SHORTING SWITCH	7	4	F525082	RING STATOR	19	34
F448874	SPLICE	7	15	F525095	STATOR ALTERNATOR	7	14
F458250	BEARING CUP	27	34	F525097	FLYWHEEL	7	8
F458498	MAGNETO KEY	19	41	F525105	SHAFT INTERLOCK	13	10
F458519	SCREW, IDLE STOP	9	13	F525133	MOTOR LEG	23	5
				F525151	PLATE EXHAUST	19	27
				F525152	COVER EXHAUST	19	28
				F525154	GASKET EXHAUST	19	26

PARTS INDEX

Part Number	Description	Pg.	Ref. No.	Part Number	Description	Pg.	Ref. No.
F525154	GASKET, EXHAUST	21	-	F525751	SCREW	9	40
F525159	GASKET, REED PLATE	15	1	F525763	SHAFT COVER LATCH	3	20
F525159	GASKET, REED PLATE	21	-	F525779	BAFFLE IDLE RELIEF	23	4
F525161	REED STOP	15	3	F525781	INTERLOCK STARTER	13	6
F525168	GASKET MANIFOLD	15	6	F525815	GEAR, STEERING HANDLE	9	15
F525168	GASKET, MANIFOLD	21	-	F525816-1	BEARING, STEERING HANDLE GEAR	9	14
F525193	LINK THROTTLE	15	11	F525838	TOWERSHAFT	9	26
F525198	THROTTLE STOP	9	11	F525839	SCREW, STEERING FRICTION	23	21
F525220	WASHER, STEERING HANDLE	9	32	F525840	GROMMET REMOTE THROTTLE CABLE	3	17
F525263	LINK STARTER INTERLOCK	3	32	F525871	SHAFT GEAR SHIFT LEVER	3	33
F525279	GASKET, CYLINDER MOUNTING	19	40	F525876	LEVER GEAR SHIFT	3	36
F525279	GASKET, CYLINDER MOUNTING	21	-	F525877	SHAFT, MAGNETO CONTROL	9	20
F525286	WASHER	25	53	F525912	SPRING LATCH SHAFT	3	14
F525301	STATOR - C-D	7	9	F525925	LINK CHOKE KNOB	3	25
F525316-1	FOLLOWER THROTTLE CAM	15	8	F525977	LEVER SHIFT INTERLOCK	3	39
F525346	MOUNT LOWER SHOCK	23	37	F525984	SEAL, REED PLATE	17	50
F525390	DECAL STOP - USA	3	22	F526524	RIVET GEAR SHIFT HANDLE	3	29
F525394	DECAL CHOKE - USA	3	23	F536813	BEARING	25	65
F525424	SPRING STARTER PINION	13	3	F53795-1	SEAL	13	27
F525427-1	BRACKET STARTER UPPER	13	8	F569392	DECAL, HI-THRUST	5	61
F525445	LINK, MAGNETO STATOR CONTROL	9	37	F596	CHRYSLER OUTBOARD OIL	39	-
F525453	GASKET LEG MOUNTING	23	3	F597	CHRYSLER OUTBOARD GEAR LUBE	39	-
F525453	GASKET, LEG MOUNTING	21	-	F5H013	FLUSHING ADAPTER	39	-
F525455	GUIDE STARTER ROPE	13	5	F5H027	FUEL TANK (ACCESSORY ITEM)	31	9
F525457	SCREW	13	1	F5H027	FUEL TANK, 6 GALLON, STEEL	39	-
F525469	HANDLE LATCH	3	18	F5H029	FUEL TANK ANCHOR	39	-
F525472	GASKET, CYLINDER DRAIN COVER	19	7	F5H040	STEEL 12 GALLON FUEL TANK	39	-
F525472	GASKET, CYLINDER DRAIN COVER	21	-	F5H105	BATTERY CHARGING SYSTEM	39	-
F525475	C-D MODULE COIL	7	1	F5H113	REMOTE CONTROL KIT	39	-
F525504	GROMMET, CHOKE ROD	5	49	F5H114	REMOTE STEERING BRACKET	39	-
F525518	CYLINDER HEAD	19	4	F5H130	REMOTE CONTROL BOX	39	-
F525524	RIVET, STEERING HANDLE	9	31	F5H131	REMOTE CONTROL DECAL KIT	39	-
F525529	GASKET, CYLINDER HEAD	19	5	F5H134	BOAT WHITE LACQUER	39	-
F525529	GASKET, CYLINDER HEAD	21	-	F66480	STUD CLAMP SCREW	25	47
F525531	ROD SHIFT INTERLOCK	3	41	F7011	ELASTIC STOP NUT, 10 - 24	3	9
F525579	CRANKCASE SEAL	19	21	F7024	LOCK NUT	25	60
F525582-1	STEERING ARM	9	19	F7027	NUT (LEFT HAND), 10 - 24	9	36
F525605	GEAR, TOWERSHAFT	9	24	F72H29	CHRYSLER OUTBOARD MULTI-PURPOSE GREASE	39	-
F525614	HANDLE GEAR SHIFT	3	28	F72H30	CHRYSLER OUTBOARD GREASE GUN	39	-
F525615	ROD GEAR SHIFT UPPER	3	12	F73741-1	RING	5	54
F525627	GEAR, TOWERSHAFT PINION	9	25	F8003	PLAIN WASHER	17	41
F525629	COTTER PIN	13	11	F8025	PLAIN WASHER	19	2
F525665	BEARING, GEAR PINION TOWERSHAFT	9	21	F8039	PLAIN WASHER	25	50
F525674-1	GEAR STARTER PINION	13	2	F8043	WAVE WASHER	9	33
F525675	BRACKET STARTER LOWER	13	19	F8049	WASHER BOWED SPRING	5	60
F525688	SHAFT, STEERING HANDLE	9	10	F8058	INTERNAL TOOTH LOCKWASHER	5	52
F525689	TOWERSHAFT BEARING	9	27				
F525691	GEAR, STEERING ARM	9	17				
F525707	COVER, SHOCK MOUNT LOWER	23	6				
F525737	RETAINER STARTER REWIND SPRING	13	15				

PARTS INDEX

Part Number	Description	Pg.	Ref. No.	Part Number	Description	Pg.	Ref. No.
F8060	LOCKWASHER	9	41	FA521841	CABLE LIGHTING COIL		
F8065	LOCKWASHER	27	24		W/SPLICES	7	17
F8070	BOWED SPRING WASHER	13	24	FA525167	MANIFOLD W/STUDS	15	9
F8077	NYLTITE WASHER	27	17	FA525228	ROLLER CRANKPIN (16		
F8083	LOCKWASHER	23	13		ROLLERS)	19	18
F84026	SCREW SHOULDER	5	43	FA525241	CRANKPIN ROLLER CAGE	19	17
F84026	SHOULDER SCREW	9	35	FA525471	COVER, CYLINDER DRAIN		
F84035-2	BEARING INTERLOCK ROD	5	42		W/SCREEN	19	9
F84036	BEARING, SPARK CONTROL	9	34	FA525480	RETAINER ENGINE COVER		
F84253	HOSE	15	34		W/NUTS & SCREWS	3	4
F84253	HOSE	17	48	FA525774	BRACKET COVER LATCH		
F84991-1	GROMMET LIGHTING COIL				W/SCREWS & NUTS	5	45
	WIRE	3	-	FA538395	IDENTIFICATION PLATE		
F85026	SCREW	5	51		W/SCREWS	25	48
F8537	SPRING PIN	25	45	FA539528	DECAL ENGINE COVER,		
F8538	SPRING PIN, 3/32 X 1/2	3	34		REAR	3	2
F8538	SPRING PIN, 3/32 X 1/2	23	27	FA539892	DECAL ENGINE COVER		
F8540	SPRING PIN	27	13		FRONT	5	46
F8540	SPRING PIN, 3/32 X 5/8	9	18	FA565396	DECAL "CHRYSLER" -		
F8540	SPRING PIN, 3/32 X 5/8	23	8		STARBOARD	3	7
F8547	SPRING PIN, 1/8 X 5/8	3	19	FA565397	DECAL "CHRYSLER" - PORT	3	-
F8547	SPRING PIN, 1/8 X 5/8	3	35	FA84754-1	FUEL LINE SHORT		
F8547	SPRING PIN, 1/8 X 5/8	9	12		W/FERRULES	31	5
F8548	SPRING PIN, 1/8 X 1	9	3	FA94094-2	PROPELLER NUT W/SEAL &		
F8554	SPRING PIN, 3/16 X 3/4	23	42		COTTER PIN	29	51
F8559	DOWEL PIN	19	11	FC409398	DECAL TOTE TANK	31	-
F8567	SPRING PIN, 1/8 X 13/16	3	27	FC516054	GEAR HOUSING COMPLETE		
F8567	SPRING PIN, 1/8 X 13/16	9	16		(NOT SHOWN).	27	-
F8571	SPRING PIN, 1/8 X 1 3/4	13	25	FC525010	CYLINDER COMPLETE.		
					(NOT SHOWN).	19	-
F901456-1	COLLAR, EMERGENCY			FG1018	GASKET SET.	21	42
	START	7	7	FK1064	GEAR HOUSING SEAL KIT.	29	58
F901710	POST STARTER SPRING			FK1071	WATER PUMP KIT	29	59
	GUIDE	13	14	FK247	PROPELLER PIN (PACK OF		
F901739	DRIVE STARTER REWIND				6 W/COTTER PIN)	29	54
	SPRING	13	13	FK516984	BLANKET TOP & SIDES	5	47
F901746-2	COVER FUEL PUMP	15	35	FK517032	BRACKET STERN		
F901811	FILTER FUEL PUMP	17	45		STARBOARD W/SCREW		
F901938-1	SCREW, CYLINDER HEAD	19	1		CLAMP	23	39
F901970	SPRING STARTER REWIND	13	16	FK525713	ENGINE COVER PACKING	3	30
F90619-1	YOKE, GEAR SHIFT ARM	29	55	FK567532	BRACKET STERN PORT,		
F90807	RETAINING RING	17	49		W/SCREW CLAMP	23	41
F90871-3	GEAR SHIFT ARM PIN	29	39	FK750-3	SPARKIE KIT	7	2
F99521-1	CLUTCH	29	37	FP296	PROPELLER	29	50
FA286113	BAR LOCK	23	11	FS409752	FUEL LINE, COMPLETE		
FA286155	LINER, CENTER MAIN	19	20		(NOT SHOWN).	31	-
FA387742	LEVER REVERSE LOCK			FS537712	ENGINE COVER		
	INTERMEDIATE	23	23		W/PACKING, REAR		
FA456137	GRIP, STEERING HANDLE				RETAINER AND LATCH		
	W/SLEEVE	9	2	FT11202	BRACKET	3	1
FA474098	PROPELLER SHAFT				SEAL INSTALLER	34	-
	ASSEMBLY	29	40	FT1749	SNAP RING PLIERS	34	-
FA510914	SEAL, INLET WATER LINE	27	5	FT2909	KNOCK-OFF NUT	32	-
FA516054	GEAR HOUSING LOWER			FT2915	SEAL INSTALLER	35	-
	W/PLUG, WASHER AND			FT2961	LUBRICANT - RYKON #2EP	37	-
	BEARING CUP	27	33	FT2962-1	SEALANT - 50 CC LOCTITE		
FA516060	WATER PUMP BODY				H, NON-HARDENING		
	W/WATER PUMP SEAL	27	6	FT2963-1	GRADE	37	-
FA516485	ANTI-CORROSION ANODE	29	56		SEALANT - 2 OZ. LOCTITE		
					D, HARDENING GRADE	37	-

PARTS INDEX

Part Number	Description	Pg.	Ref. No.	Part Number	Description	Pg.	Ref. No.
FT2987	LUBRICANT - ANTI-SEIZE ..	37	-				
FT2989	FLYWHEEL WEDGE	32	-				
FT2997	RING COMPRESSOR	34	-				
FT3012	SEAL INSTALLER	34	-				
FT3139-1	STARTER REWIND KEY ...	33	-				
FT3431	SEAL INSTALLER	35	-				
FT8901	INDICATOR HOLDER	35	-				
FT8902	DIAL INDICATOR	35	-				
FT8907	DRIVER HANDLE	35	-				
FT8918	BEARING GUIDE SET	35	-				
FT8920	BEARING INSTALLER	35	-				
FT8921	BEARING CUP REMOVER ..	35	-				
FT8924-1	CHECKING GAUGE	35	-				
FT8926	PISTON RING EXPANDER .	34	-				
FT8929	ADAPTER AND HEX BIT ...	34	-				
FT8935	SEALANT PRIMER - 6 OZ. ..	37	-				
FT8936	SEALANT - 2 CC LOCTITE RETAINING COMPOUND #75	37	-				
FT8948-1	BEARING CAGE PULLER ..	35	-				
FT8950	LEAKAGE TESTER	36	-				
FT8953	C-D TESTER	36	-				
FT8957	SEAL INSTALLER	35	-				
FT8969	LUBRICANT - 7 OZ. 2 PSI LUBRICANT	37	-				
FT8982	SHIM ADAPTER	35	-				
FT8983	SEALANT - 5 OZ EC-750 INDUSTRIAL SEALANT ..	37	-				
FT8995	SHIM SPACERS	35	-				
FT8996	IGNITION TESTER	36	-				
T11211	BOAT WHITE	38	-				
T11212	BOAT BLACK	38	-				
T11229	SAND TAN	38	-				
27-818043A1	DIAPHRAGM, FUEL PUMP W/GASKETS	15	39				
32-817738A1	FUEL LINE, LONG W/CLAMP AND FERRULE	31	7				
33-82370M	SPARK PLUG (L-86)	19	3				
39-818038A1	PISTON RING (2 RINGS) ...	19	12				
1100-817753A1	CAGE, CRANKSHAFT BEARING W/UPPER CRANKSHAFT SEAL	19	36				
1400-817964A2	SWIVEL BRACKET	23	19				
1600-817817A3	GEAR HOUSING UPPER W/BEARING, SEALS, WASHER AND PLUG	27	-				