



PARTS CATALOG

9.9 H.P SAILOR

SERIAL NUMBER

9.9 (1980)	91B0B
9.9 (1980)	91H0B

TABLE OF CONTENTS:

ACCESSORIES	40
ELECTRIC STARTER	8
ELECTRICAL COMPONENTS	10
ENGINE COVER AND SUPPORT PLATE	2
FUEL PUMP	6
FUEL SYSTEM	14
FUEL TANK AND LINE	32
GEAR HOUSING	28
MOTOR LEG	22
PARTS INDEX	41
POWER HEAD	18
SPECIAL TOOLS - LOWER UNIT	36
SPECIAL TOOLS - LUBRICANTS AND SEALANTS	38
SPECIAL TOOLS - POWER HEAD	35
SPECIAL TOOLS - REPAIR DECALS - ENGINE COVERS	39
SPECIAL TOOLS - TEST EQUIPMENT	37
SPECIAL TOOLS - TUNE-UP	34

NOTE: Indented description indicate that these parts are included in preceeding assembly.

AR = As Required

NSS = Not Sold Separate

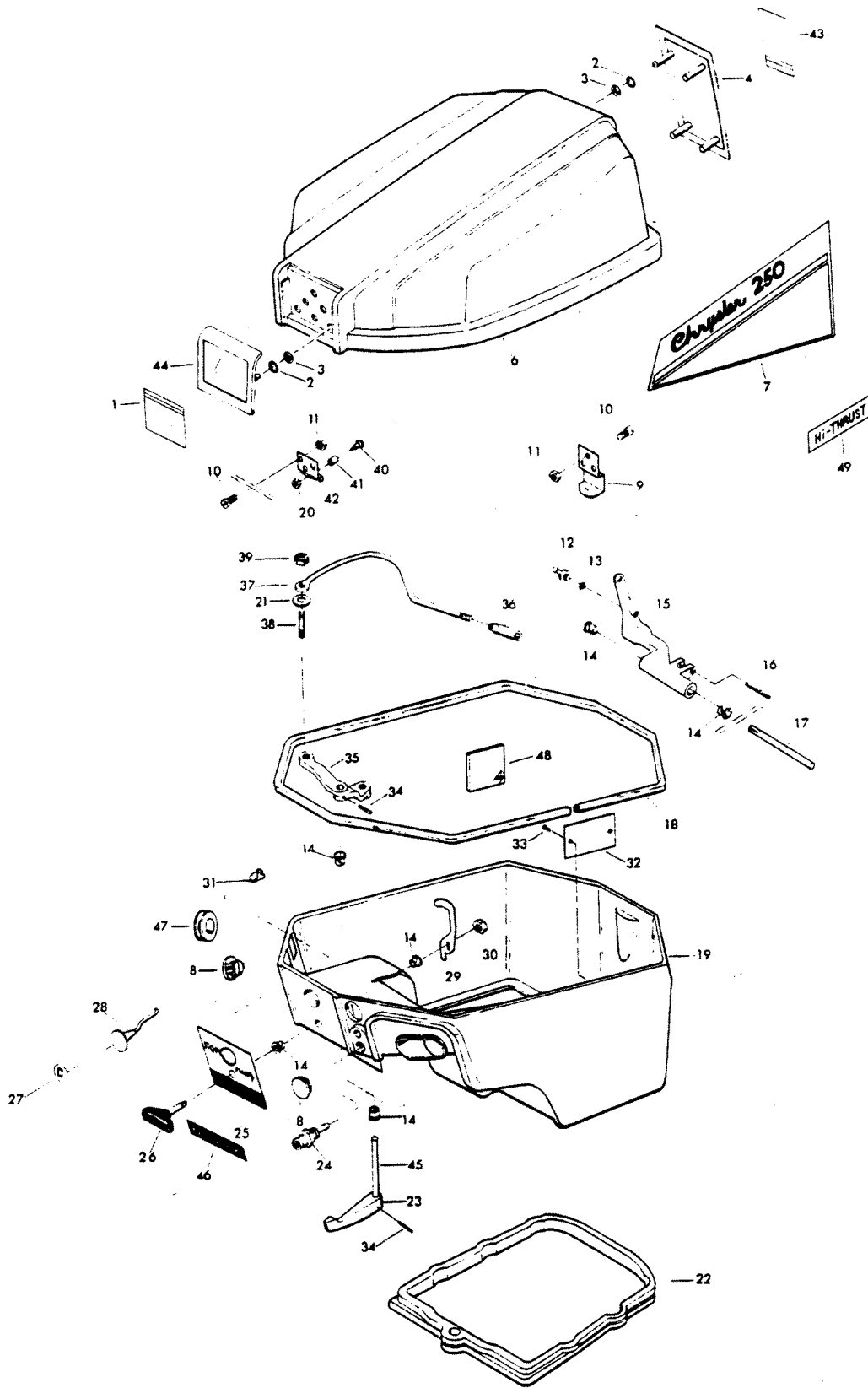
OPT = Optional

NS = Not Shown

THESE PARTS BOOKS/FICHE CARD ARE COPYRIGHTED AND MAY NOT BE DISTRIBUTED OR REPRODUCED IN ANY OTHER FORMAT BY ANYONE OTHER THAN MERCURY MARINE WITHOUT THE PRIOR WRITTEN CONSENT OF MERCURY MARINE.

THIS PAGE INTENTIONALLY LEFT BLANK

ENGINE COVER AND SUPPORT PLATE

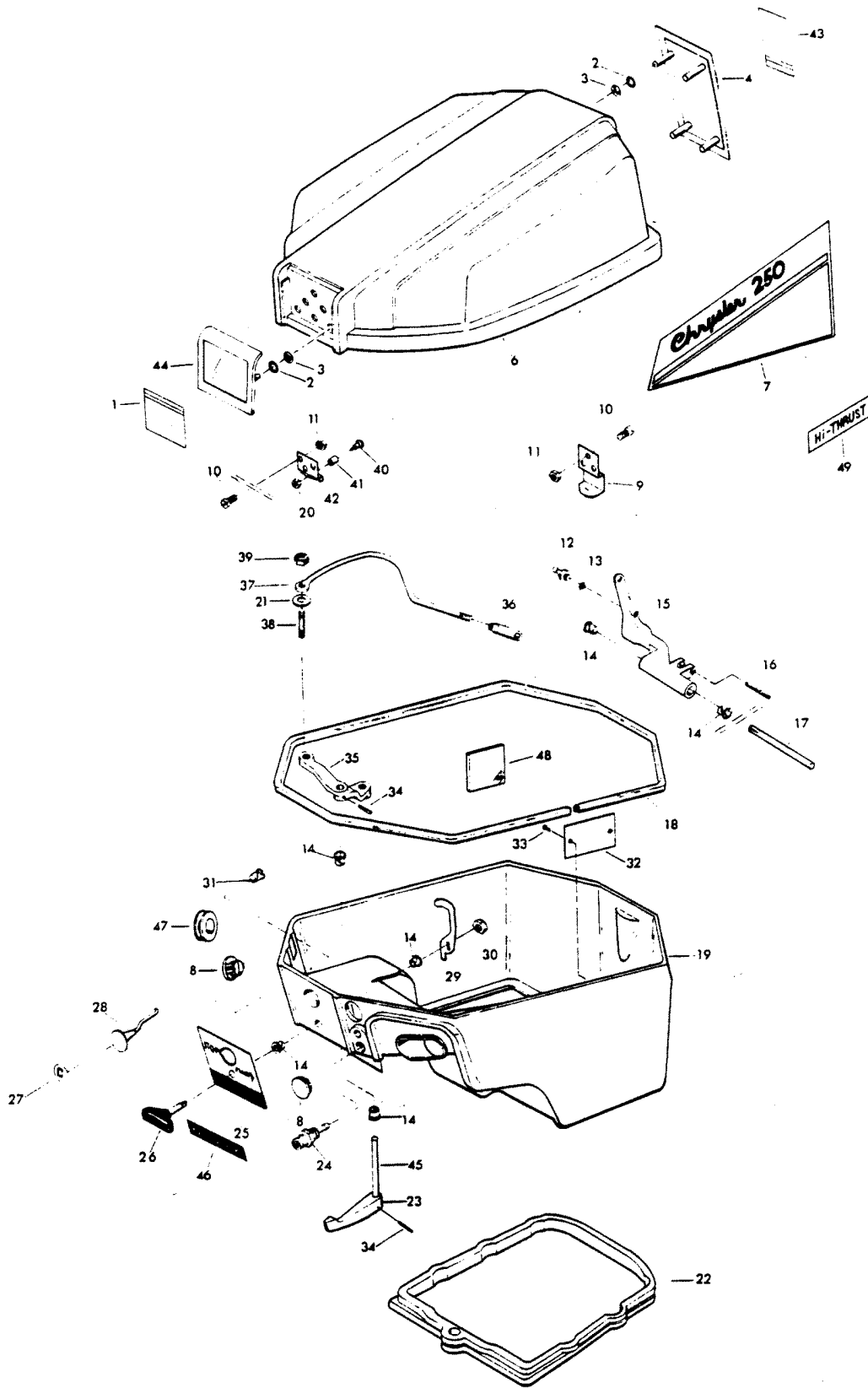


ENGINE COVER AND SUPPORT PLATE

REF. NO.	PART NO.	SYM.	QTY.	DESCRIPTION
1	FA540892		1	DECAL, ENGINE COVER, FRONT W/LITERATURE
2	F85735-1		7	SEAL
3	F1753		7	FASTENER
4	F540180		1	TRIM, ENGINE COVER, REAR
5	F235785		1	DECAL, COMPLIANCE - CANADA
6	FS541712		1	COVER, ENGINE W/BACKET, RETAINER AND TILT HANDLE
-	2C569712		1	COVER, ENGINE - COMPLETE. INCLUDES ALL ITEMS MARKED WITH AN ASTERISK (*)
7	FA569397		1	DECAL, "CHRYSLER" PORT W/LITERATURE
-	FA569396		1	DECAL, "CHRYSLER" - STARBOARD W/LITERATURE
8	F343226-1		2	PLUG
9	FA286480		1	RETAINER, ENGINE COVER. INCLUDES SCREWS AND NUTS
10	F510675-1		1	STARTER SUPPORT
11	F7011		6	NUT, ELASTIC STOP, 10 - 24
12	F98273		1	STUD, GEAR SHIFT ROD CONNECTOR
13	F8058		1	LOCKWASHER, INTERNAL TOOTH
14	F307818		6	BEARING
15	F286876		1	LEVER, GEAR SHIFT
16	F8542		1	SPRING PIN
17	F286871		1	PIN, GEAR SHIFT LEVER
18	F392756		1	PACKING, SUPPORT PLATE
19	FA510038		1	PLATE, SUPPORT, INCLUDING PLUGS
20	F7011		1	NUT, STOP, 10 - 24
21	F8048		1	WASHER, BOWED SPRING
22	F286989-2		1	SEAL, SUPPORT PLATE
23	F286614		1	HANDLE, GEAR SHIFT
24	F197767-1		1	BUSHING, FUEL LINE
25	FA510711		1	PLATE, FRONT - USA W/LITERATURE
-	FC510711		1	PLATE, FRONT - CANADA
26	FA286469		1	KNOB, COVER LATCH
27	F458677		1	INSERT, CHOKE KNOB
28	FA286547		1	KNOB, CHOKE, INCLUDES ROD AND RETAINER
29	F286777		1	CAM, COVER LATCH
30	F7006		1	NUT, STOP, 5/16 - 18
31	F197319		1	BEARING, CHOKE ROD
32	FA538395		1	PLATE, IDENTIFICATION, INCLUDES SCREWS
33	F1447		2	SCREW, DRIVE
34	F8540		2	PIN, SPRING
35	F492619		1	LEVER, GEAR SHIFT SHAFT
36	F286685		1	CONNECTOR, GEAR SHIFT ROD
37	F286611-1		1	ROD, GEAR SHIFT
38	F286134		1	STUD, GEAR SHIFT LEVER
39	F1804		1	NUT, STOP, 10 - 24

CONTINUED ON NEXT PAGE ➡

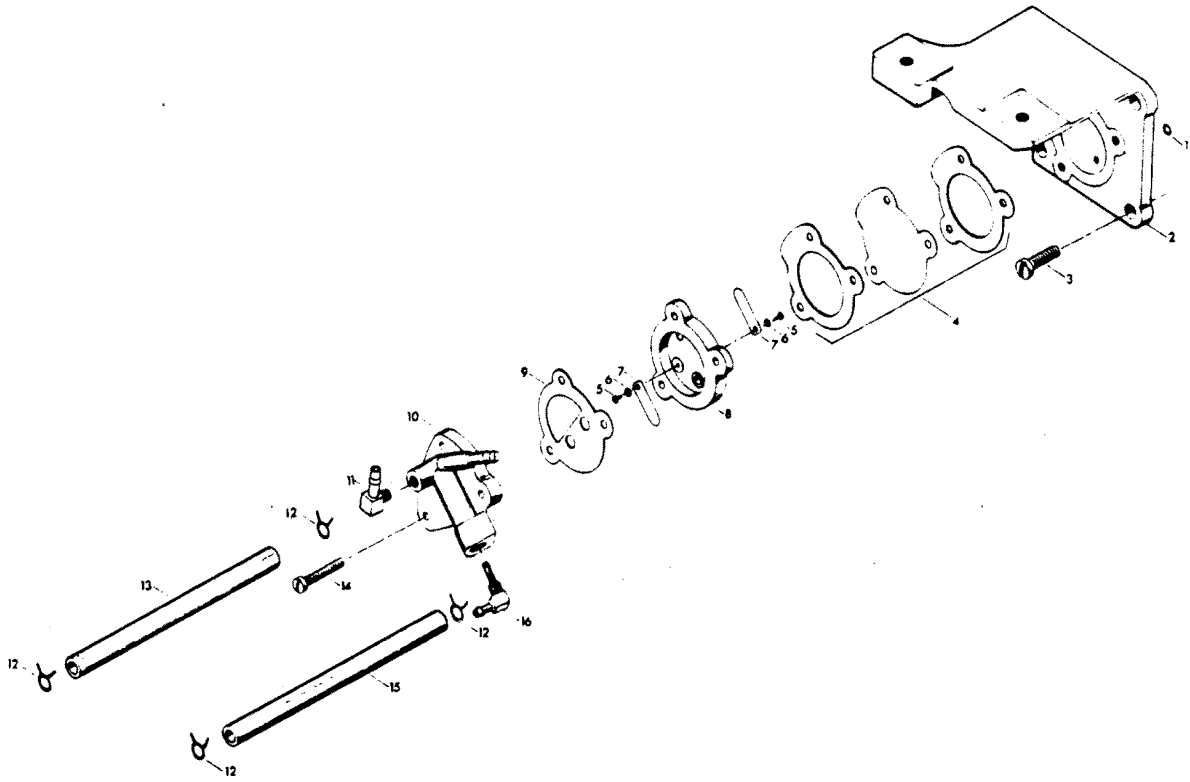
ENGINE COVER AND SUPPORT PLATE



ENGINE COVER AND SUPPORT PLATE

REF. NO.	PART NO.	SYM.	QTY.	DESCRIPTION
40	F269316		1	SHAFT, ROLLER
41	F92759		1	ROLLER
42	817758A1		1	BRACKET, COVER LATCH INCLUDES SCREWS, NUTS AND ROLLERS
43	FA540528		1	DECAL, ENGINE COVER, REAR W/LITERATURE
44	F487711		1	PLATE, ENGINE COVER
45	F492417		1	SHAFT, GEAR SHIFT HANDLE
46	F517400		1	DECAL, SHIFT - USA
-	FC517400		1	DECAL, SHIFT - CANADA
47	F94840		1	GROMMET, BATTERY CABLE
48	F510661		1	PAD, STARTER MOTOR
49	F569392		2	DECAL, HI-THRUST

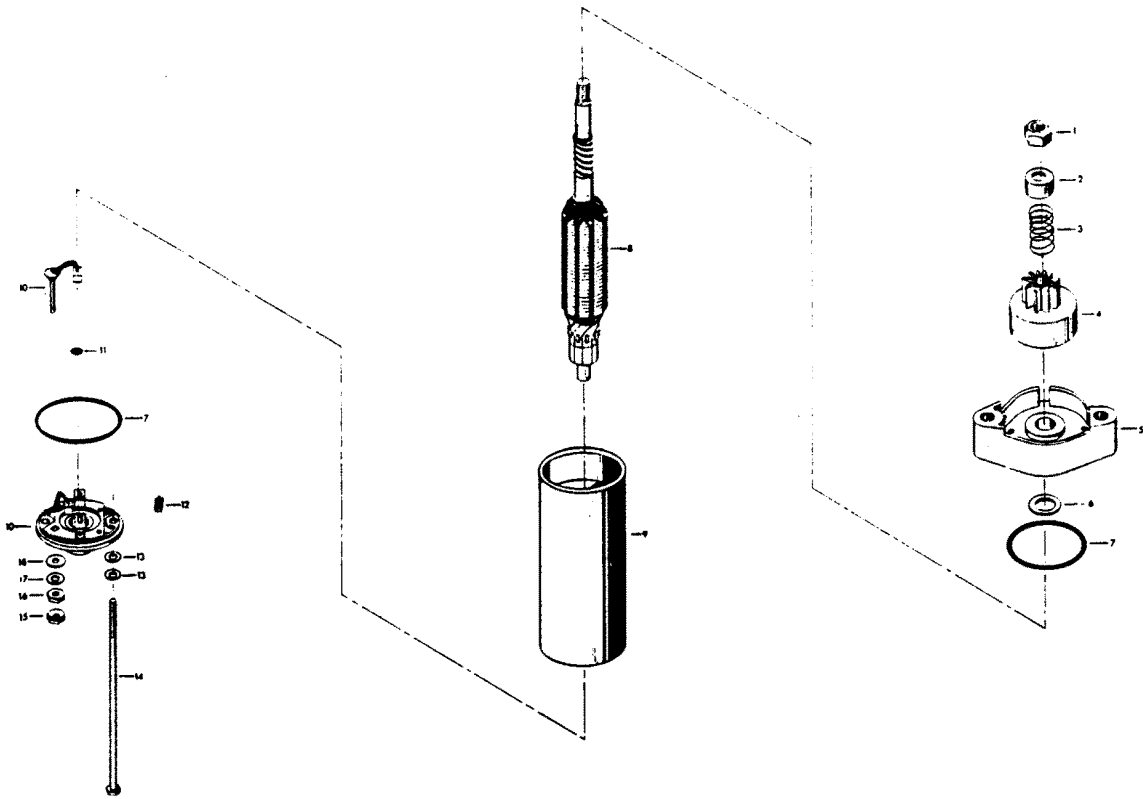
FUEL PUMP



FUEL PUMP

REF. NO.	PART NO.	SYM.	QTY.	DESCRIPTION
1	F455118		1	SEAL, FUEL PUMP BRACKET
2	F510427		1	BRACKET, STARTER SUPPORT
3	F1577		4	FILL HD SCREW, 1/4 - 20 X 3/4
4	27-818043A1		1	FUEL PUMP DIAPHRAGM W/GASKETS
5	F1286		2	PAN HD SCREW, 4 - 40 X 3/16
6	F8003		2	PLAIN WASHER
7	F18160-2		2	REED, FUEL PUMP
8	F2A24757		1	FUEL PUMP REED PLATE W/REEDS AND SCREWS
9	F24748-2		1	GASKET, FUEL PUMP
10	F510746		1	FUEL PUMP COVER
11	22-818103--1		1	FITTING, FUEL PUMP
12	F2706772		4	HOSE CLAMP
13	F2771254		1	HOSE, FUEL PUMP TO CARBURETOR
14	F1069		3	FILL HD SCREW, 10 - 24 X 1 1/16
15	F2752253		1	HOSE, FUEL PUMP TO BUSHING
16	F510811		1	FILTER, FUEL PUMP

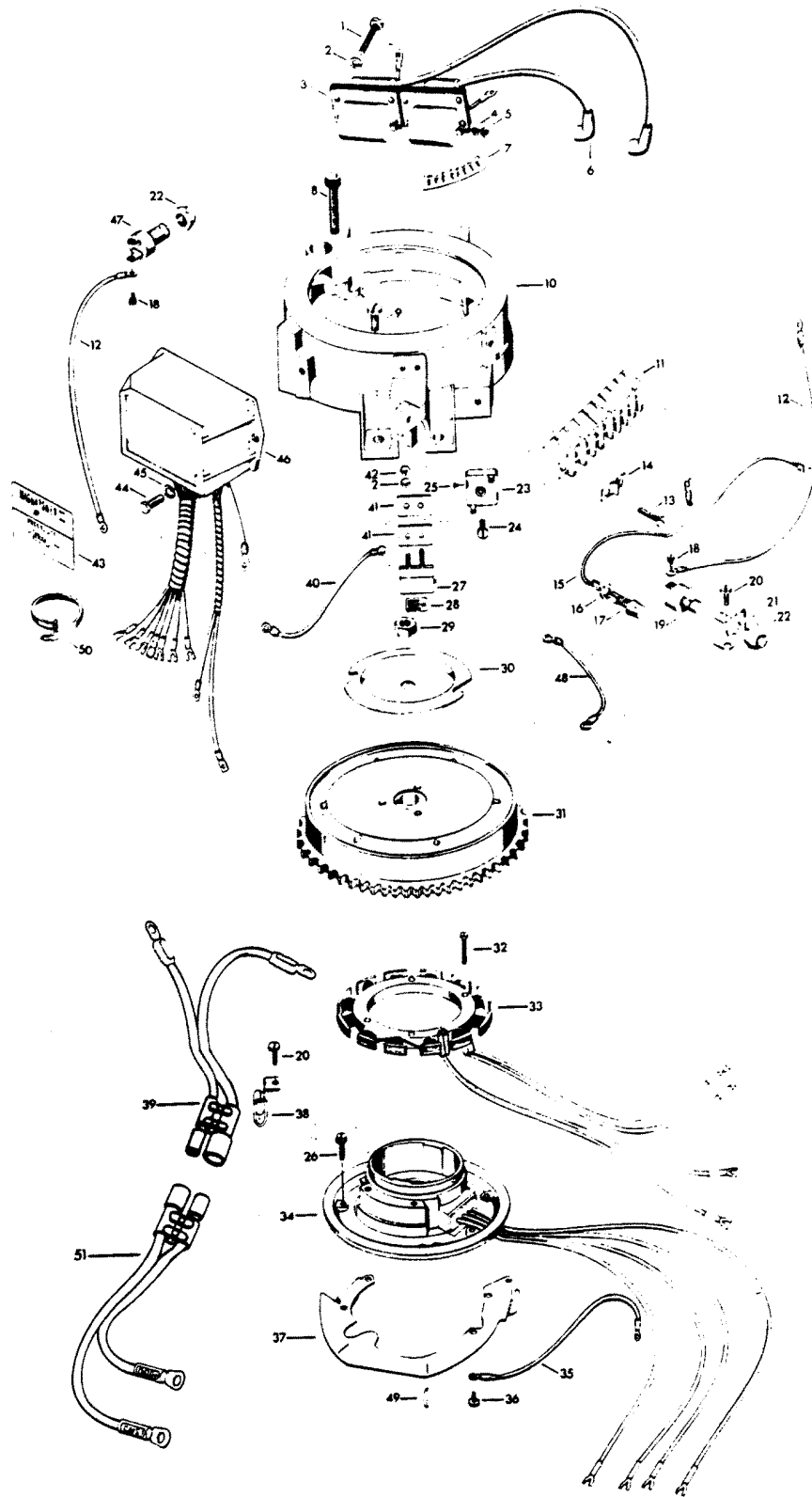
ELECTRIC STARTER



ELECTRIC STARTER

REF. NO.	PART NO.	SYM.	QTY.	DESCRIPTION
1	F15142		1	STOP NUT
2	F15141		1	PINION STOP
3	F15140		1	SPRING
4	F15139		1	PINION ASSEMBLY
5	F15135		1	CAP ASSEMBLY, DRIVE END
6	F15137		1	WASHER
7	F15145		2	GASKET
8	F15134		1	ARMATURE
9	F15136		1	HOUSING ASSEMBLY
10	F15127		1	CAP ASSEMBLY, COMMUTATOR END. INCLUDES ITEMS 15, 16, 17 AND 18
11	F15143		1	DISC
12	F15138		2	SPRING, BRUSH
13	F15146		4	WASHER
14	F15144		2	SCREW, THRU BOLT
15	F15129		1	NUT W/LOCKWASHER
16	F15130		1	NUT
17	F15133		1	WASHER
18	F15132		1	WASHER, FIBER
-	F510955		1	STARTER MOTOR - COMPLETE INCLUDES ALL ITEMS MARKED WITH AN ASTERISK (*)
-	FC520390		1	DECAL, STARTER - CANADA (NOT SHOWN)

ELECTRICAL COMPONENTS

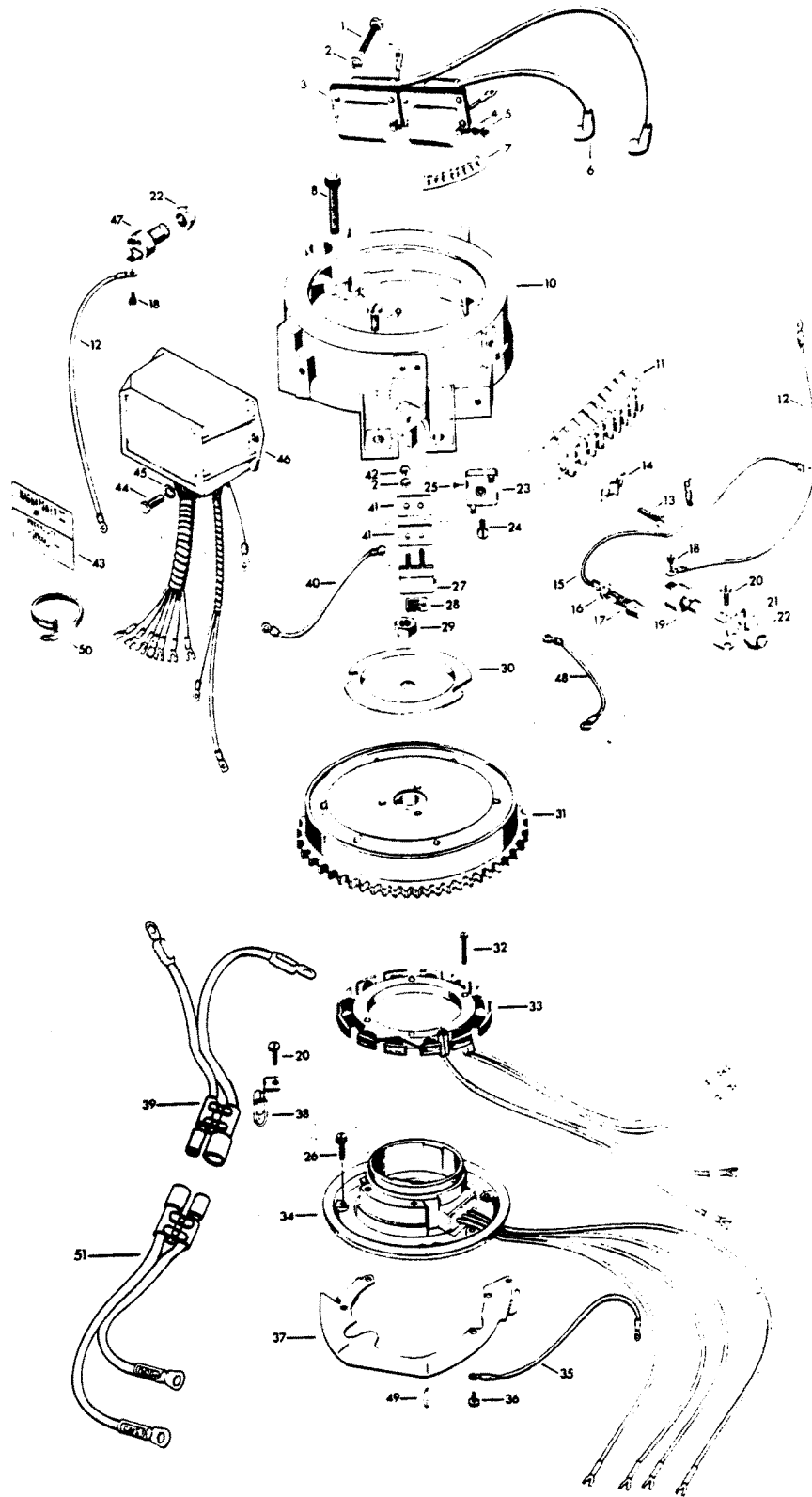


ELECTRICAL COMPONENTS

REF. NO.	PART NO.	SYM.	QTY.	DESCRIPTION
1	F1829		8	FILL HD M. SCREW, 10 - 24 X 7/8
2	F1975		12	SPRING LOCKWASHER
3	F510475		2	IGNITION COIL
4	F1704		2	INTERNAL TOOTH LOCKWASHER
5	F1337		2	HEX NUT, 6 - 32
6	FK750-3		2	SPARKIE W/SPRING
7	F510398		1	DECAL, WIRING
-	FC510398		1	DECAL, WIRING - CANADA
8	F1646		2	HEX SOCKET HD CAP SCREW, 3/8 - 16 X 2 1/4
9	F1577		4	FILL HD SCREW, 1/4 - 20 X 3/4
10	F510675-1		1	STARTER SUPPORT
11	FA510497		1	TERMINAL BLOCK W/ILLUSTRATION 13 ORIGINAL FORCE P/N K 289497-2
12	F510841		2	WIRE, STARTER INTERLOCK SWITCH
13	F1648		2	PAN HD SCREW, 10 - 24 X 3/4
14	F307317		1	CLIP, TERMINAL BLOCK GROUND
15	F510908		1	WIRE, GROUND
16	F510288		1	NUT, SHORTING SWITCH
17	F436449		1	SHORTING SWITCH
18	F1556		4	FILL HD M. SCREW W/SPRING LOCKWASHER, 10 - 24 X 3/8
19	F510918		1	STARTER SWITCH
20	F1802		3	FILL HD SCREW, 1/4 - 20 X 9/16
21	F510540		1	BRACKET, STARTER SWITCH
22	F510669		2	NUT, INTERLOCK SWITCH AND STARTER SWITCH
23	F510450-1		1	RECTIFIER
24	F1303		1	SLOTTED PAN HD M. SCREW, 8/32 X 3/4
25	F1645		4	RD HD THREAD CUTTING SCREW, 6 - 32 X 1/4
26	F1090		4	FILL HD SCREW W/SPRING LOCKWASHER, 10 - 24 X 9/16
27	F510460		1	CIRCUIT BREAKER
28	F510374		1	DECAL, CIRCUIT BREAKER
-	FC510374		1	DECAL, CIRCUIT BREAKER - CANADA
29	F1809		1	HEX NUT
30	F901456-1		1	EMERGENCY STARTER COLLAR
31	F510097		1	FLYWHEEL
32	F1678		4	FILL HD SCREW, 10 - 24 X 13/16
33	F510095		1	STATOR, ALTERNATOR
34	F510029		1	STATOR, TRIGGER
35	F404908		1	GROUND WIRE
36	F1075		4	FILL HD SCREW, 10 - 24 X 1/2
37	F286192		1	THROTTLE CAM
38	F510446		1	CLAMP, BATTERY CABLE
39	F540896		1	BATTERY CABLE
40	F493683		1	WIRE

CONTINUED ON NEXT PAGE ➡

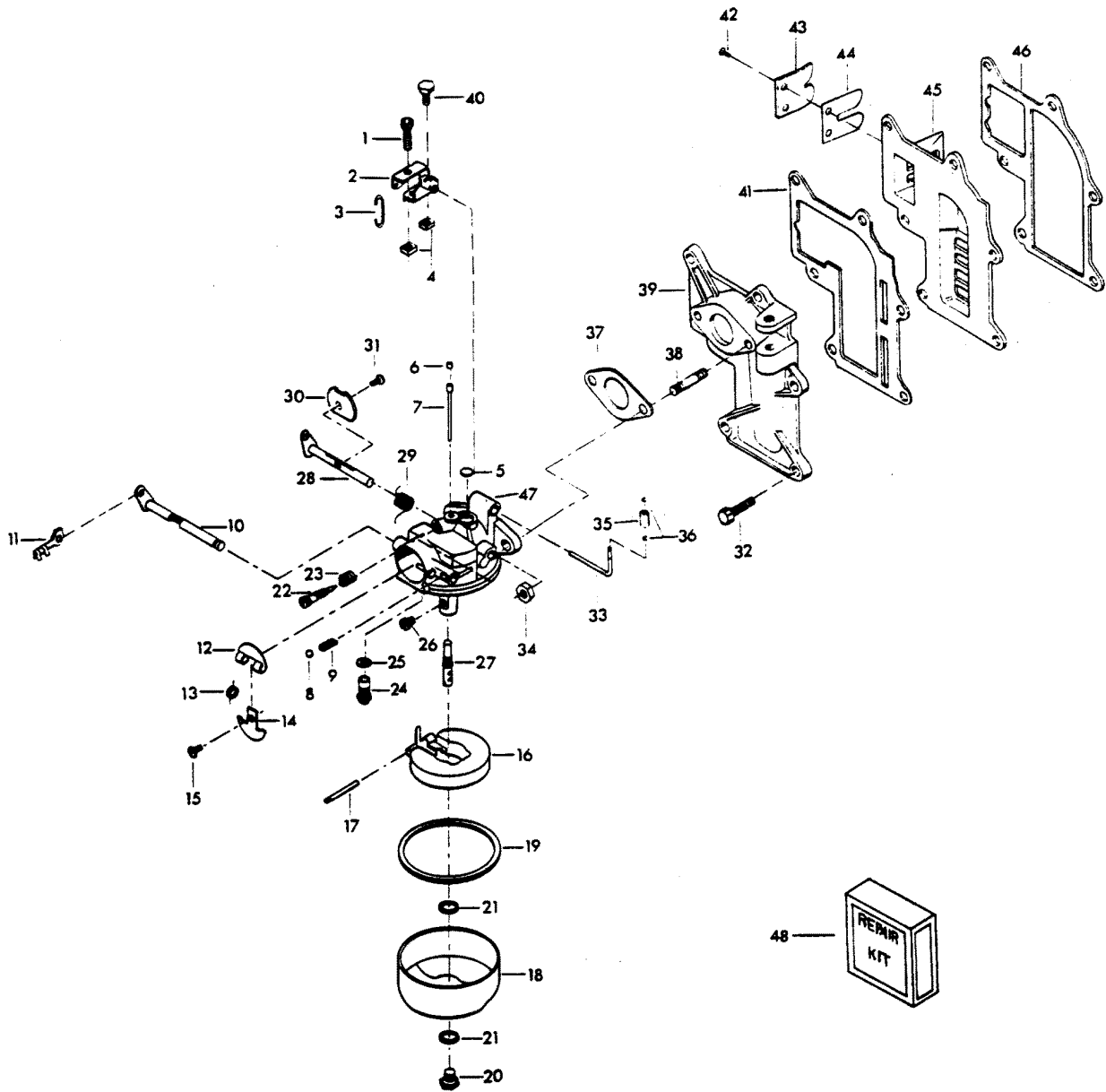
ELECTRICAL COMPONENTS



ELECTRICAL COMPONENTS

REF. NO.	PART NO.	SYM.	QTY.	DESCRIPTION
41	F510595		2	INSULATOR, CIRCUIT BREAKER
42	F1513		2	HEX NUT, 10 - 32
43	510373-1		1	DECAL, MAGNAPOWER III
44	F1999		2	HEX CAP SCREW, 1/4 - 20 X 7/8
45	F8083		1	SPRING LOCKWASHER
46	F510301		1	C-D MODULE
47	F510449		1	NEUTRAL INTERLOCK SWITCH
48	F510683		1	WIRE, RECTIFIER - CIRCUIT BREAKER
49	F458498		1	KEY, FLYWHEEL
50	F1845		5	TY-RAP
51	F539896		1	CABLE BATTERY EXTENSION

FUEL SYSTEM

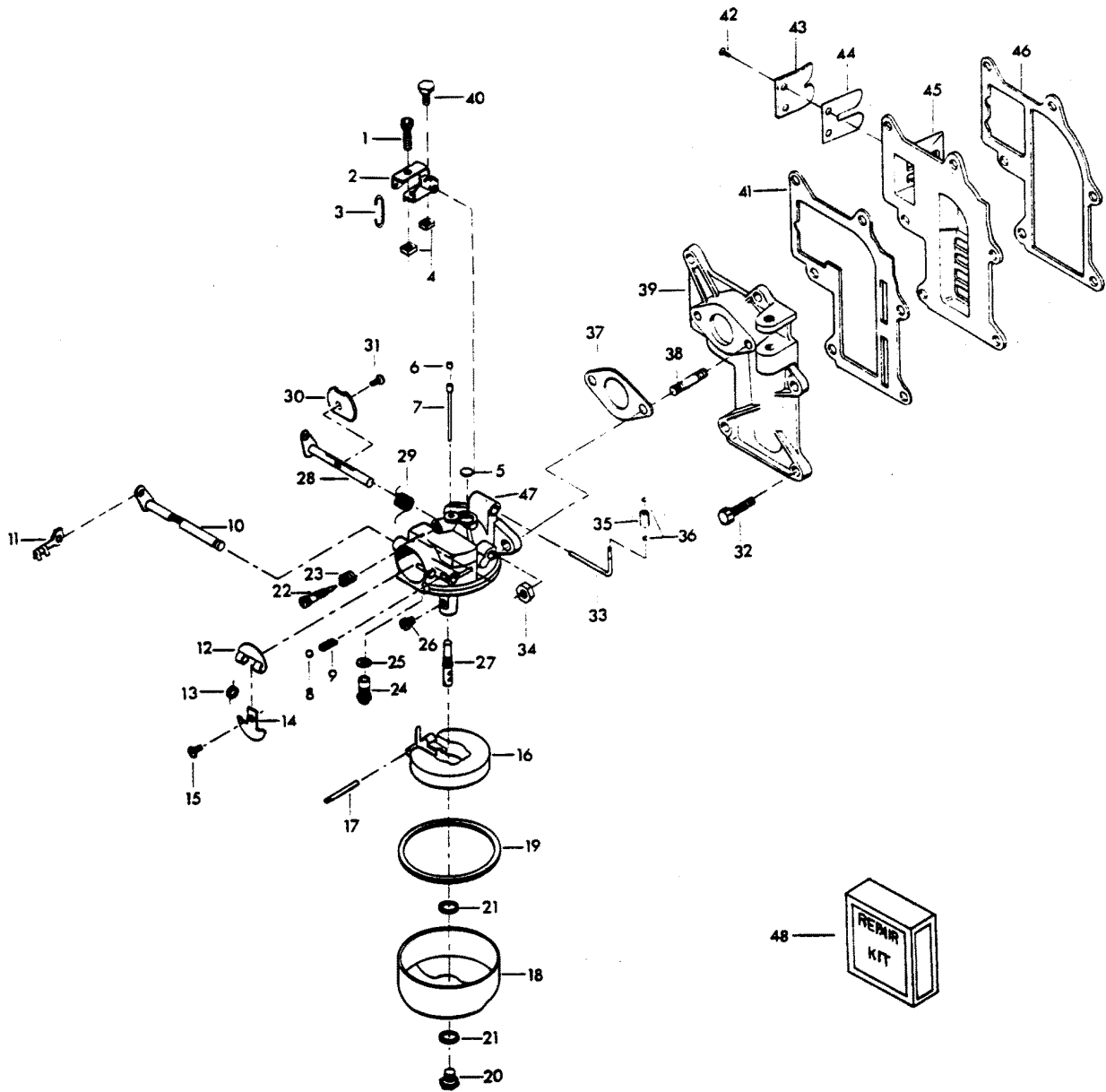


FUEL SYSTEM

REF. NO.	PART NO.	SYM.	QTY.	DESCRIPTION
1	F1834		1	FILL HD SCREW, 10 - 24 X 7/8
2	817754A1		1	ARM, CARBURETOR FOLLOWER
3	F66193		1	THROTTLE LINK
4	F1365		2	SQUARE NUT, 10 - 24
5	FO2531		1	BODY CHANNEL WELCH PLUG
6	FO10588		1	BODY CHANNEL CUP PLUG
7	FO16027		2	BYPASS TUBE
8	FO4784		1	CHOKE FRICTION BALL
9	FO8805		1	CHOKE FRICTION SPRING
10	FO15736		1	CHOKE SHAFT AND LEVER
11	F341384		1	RETAINER, CHOKE ROD
12	FO15368		1	CHOKE RELIEF VALVE
13	FO15783		1	CHOKE RELIEF VALVE SPRING
14	FO15367		1	CHOKE SHUTTER
15	FO10280		1	CHOKE SHUTTER RETAINER SCREW AND LOCKWASHER
16	FO13554		1	FLOAT
17	FO13944		1	FLOAT LEVER PIN
18	FO15366		1	FUEL BOWL
19	FO15623		1	FUEL BOWL GASKET
20	FO13945		1	FUEL BOWL RETAINING SCREW
21	FO2510		2	FUEL BOWL RETAINING SCREW GASKET
22	FO15520		1	IDLE MIXTURE SCREW
23	FO11103		1	IDLE MIXTURE SCREW SPRING
24	FO10790		1	INLET NEEDLE, SEAT AND GASKET
25	FO10165		1	INLET SEAT GASKET
26	FO12101		1	JET MAIN FUEL JET STD. .045 SEA LEVEL - 3000 FT.
-	FO12284		-	MAIN FUEL JET OPT. .043 3000 FT. - 6000 FT.
ED.	FO12370		-	MAIN FUEL JET OPT. .041 6000 FT. - & UP, OPTIONAL SIZE MAIN FUEL JETS ARE TO BE USED ONLY AT ALTITUDES INDICATED.
27	FO15525		1	MAIN NOZZLE
28	FO15718		1	THROTTLE SHAFT AND LEVER
29	FO15526		1	THROTTLE SHAFT RETURN SPRING
30	FO16098		1	THROTTLE SHUTTER
31	FO8942		1	THROTTLE SHUTTER RETAINING SCREW AND LOCKWASHER
32	F1914		4	HEX HD SCREW, 1/4 - 20 X 3/4
33	F286316		1	THROTTLE CAM FOLLOWER
34	F1490		2	HEX NUT, 1/4 - 20
35	F78318		1	ROLLER, THROTTLE CAM FOLLOWER
36	F78410		2	RETAINER
37	F18906		1	CARBURETOR GASKET
38	F2788004		2	STUD, CARBURETOR
39	F2A424167		1	MANIFOLD W/STUDS AND PULLEY
40	F1912		1	HEX HD SCREW, 10 - 24 X 1/2

CONTINUED ON NEXT PAGE ➡

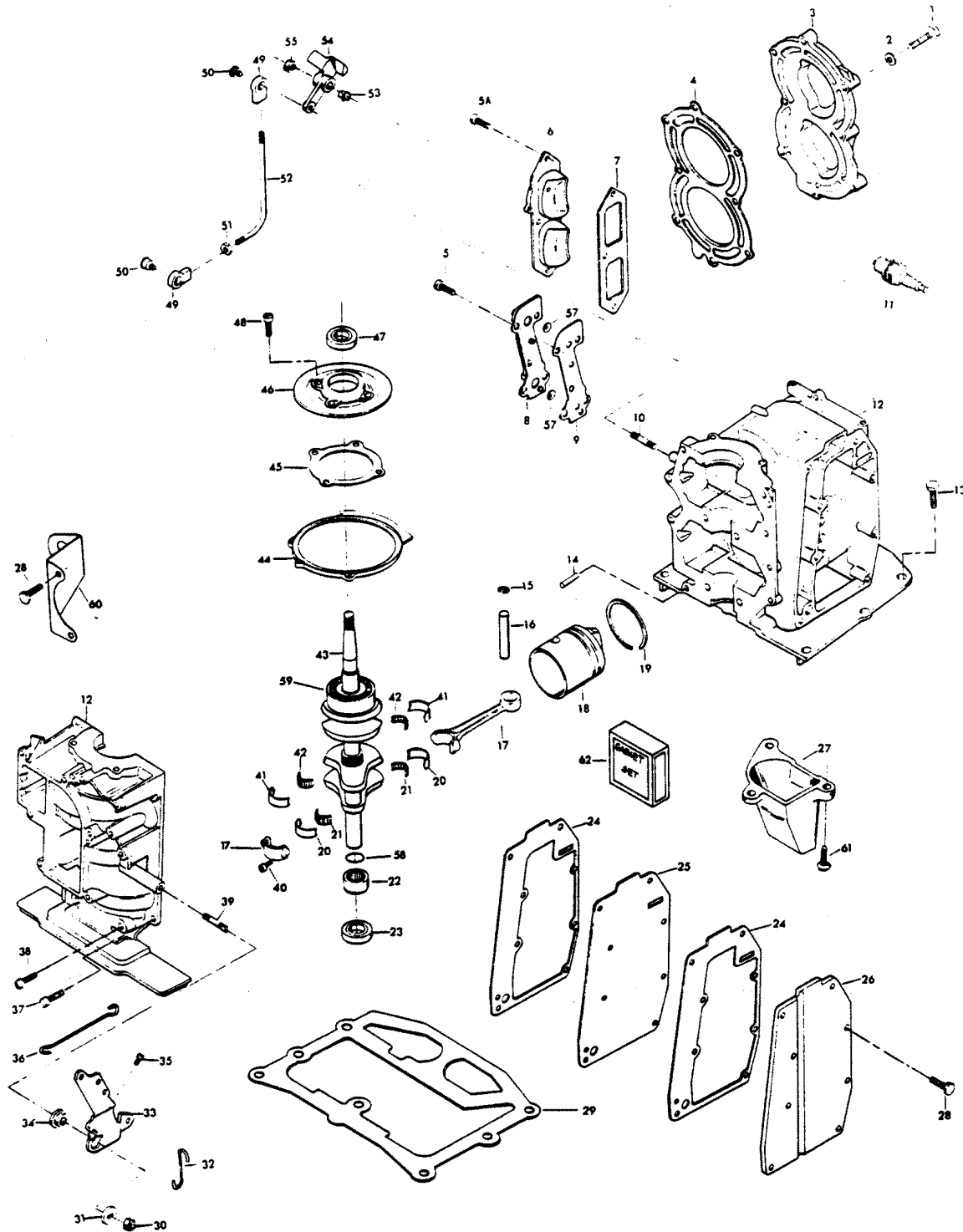
FUEL SYSTEM



FUEL SYSTEM

REF. NO.	PART NO.	SYM.	QTY.	DESCRIPTION
41	F424168-1		1	GASKET, MANIFOLD
42	F1755		8	RD HD SCREW W/LOCKWASHER, 6 - 32 X 5/16
43	F424161		4	REED STOP
44	F31160-1		4	REED
45	FA424158		1	REED PLATE W/REEDS, STOPS AND SCREWS
46	F286159-1		1	GASKET, REED PLATE
47	F431061-2		1	CARBURETOR - COMPLETE (CO-7C)
-	F10006		1	GASKET SET, CARBURETOR (NOT SHOWN)
48	F10007		1	REPAIR PARTS KIT, CARBURETOR. INCLUDES ALL ITEMS MARKED WITH AN ASTERISK (*)

POWER HEAD

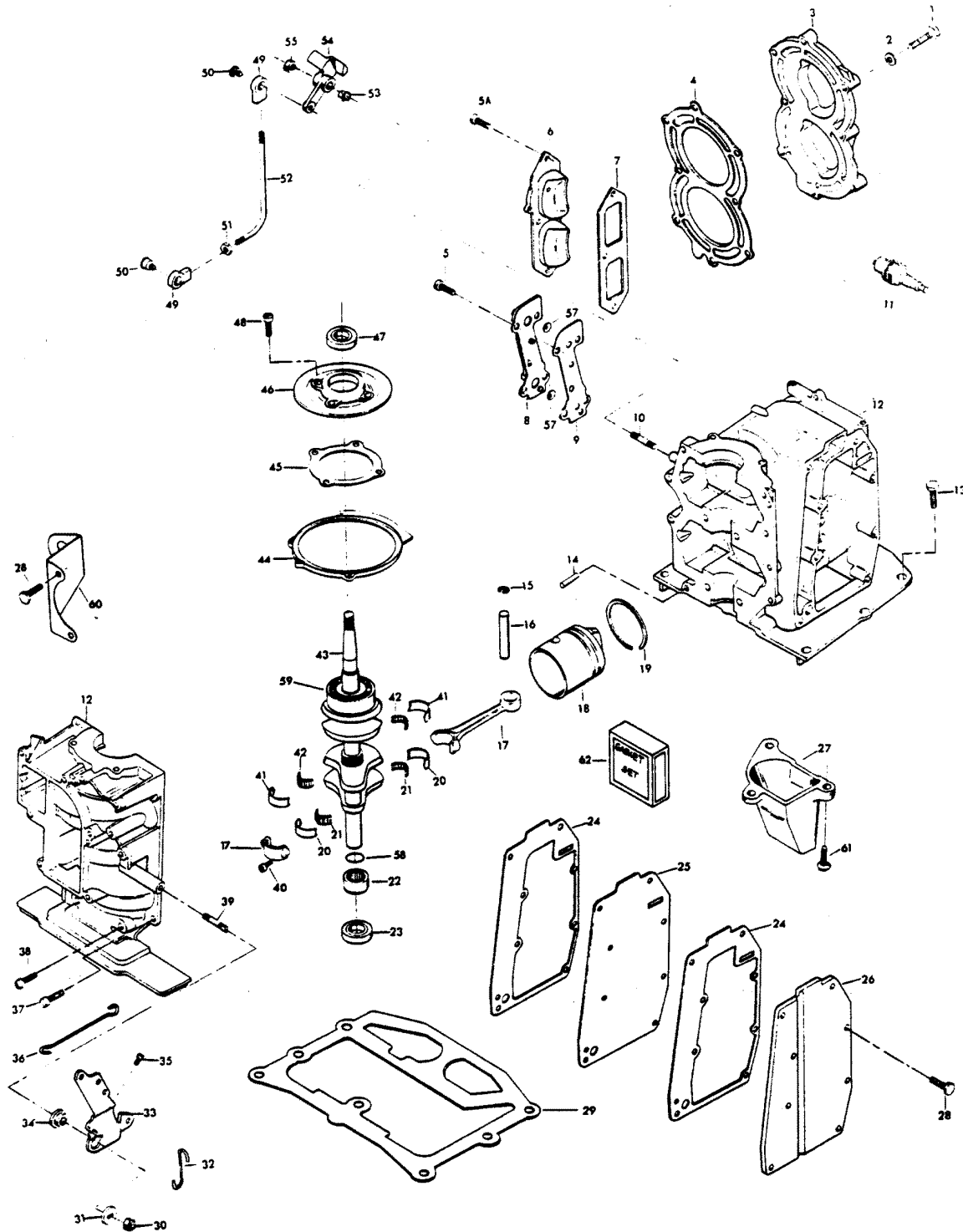


POWER HEAD

REF. NO.	PART NO.	SYM.	QTY.	DESCRIPTION
1	F901938-1		8	SCREW, CYLINDER HEAD
2	F8025		8	PLAIN WASHER
3	F492518		1	HEAD, CYLINDER
4	F286529-3		1	GASKET, CYLINDER HEAD
5	F1922		4	HEX HD SCREW, 1/4 - 20 X 5/8
5A	F510165		3	SCREW
-	F1859		1	HEX SOCKET HEADLESS SET SCREW, 1/4 - 28 X 3/16 (TRANSFER PORT COVER)
6	F510222		1	COVER, TRANSFER PORT
7	F286223		1	GASKET, TRANSFER PORT COVER
8	FA429471		1	COVER, CYLINDER DRAIN W/CHECK VALVES AND SCREWS
9	F429472		1	GASKET, CYLINDER DRAIN COVER
10	F28004		1	STUD, INTERLOCK LEVER
11	FS174227		2	PLUG, SPARK L-4-J
-	FC503227		2	SPARK PLUG (QL-77J4) CANADA
12	FA510010		12	CYLINDER W/CRANKCASE COVER, CYLINDER DRAIN COVER, DOWEL PINS, SCREWS AND STUDS
-	800-817904A1		1	SHORT BLOCK (NOT SHOWN) INCLUDES ALL ITEMS MARKED WITH AN ASTERISK (*) ORIGINAL FORCE P/N C 510010-1
13	F1823		6	HEX CAP SCREW, 5/16 - 18 X 1
14	F8559		2	DOWEL PIN
15	F31410		4	RETAINING RING, PISTON PIN
16	F174017		2	PIN, PISTON
17	FA36016-4		2	ROD, CONNECTING W/CAP AND SCREWS, CRANKPIN ROLLER AND CAGE
18	F286015-3		2	PISTON
19	FA174260		2	PISTON RING SET (2 PER SET)
20	FA525241		2	CRANKPIN ROLLER BEARING CAGE
21	FA525228		2	ROLLER SET, CONNECTING ROD (16 PER SET)
22	F343014		1	BEARING, CRANKSHAFT LOWER MAIN
23	F141118		1	SEAL, CRANKSHAFT LOWER
24	F286154		2	GASKET, EXHAUST COVER
25	F286151		1	PLATE, EXHAUST
26	F286152		1	COVER, EXHAUST
27	F487660-1		1	EXHAUST TUBE
28	F1915		10	HEX HD SCREW, 1/4 - 20 X 7/8
29	F286279-2		1	GASKET, CYLINDER MOUNTING
30	F1803		1	STOP NUT, 5/16 - 24
31	F286282		1	WASHER
32	F286445		1	LINK, MAGNETO SHAFT
33	817971A3		1	LEVER, MAGNETO CONTROL ASSEMBLY
34	F183813		1	BEARING, MAGNETO CONTROL LEVER
35	F1504		1	FILL HD SCREW, 1/4 - 20 X 1 1/4

CONTINUED ON NEXT PAGE ➡

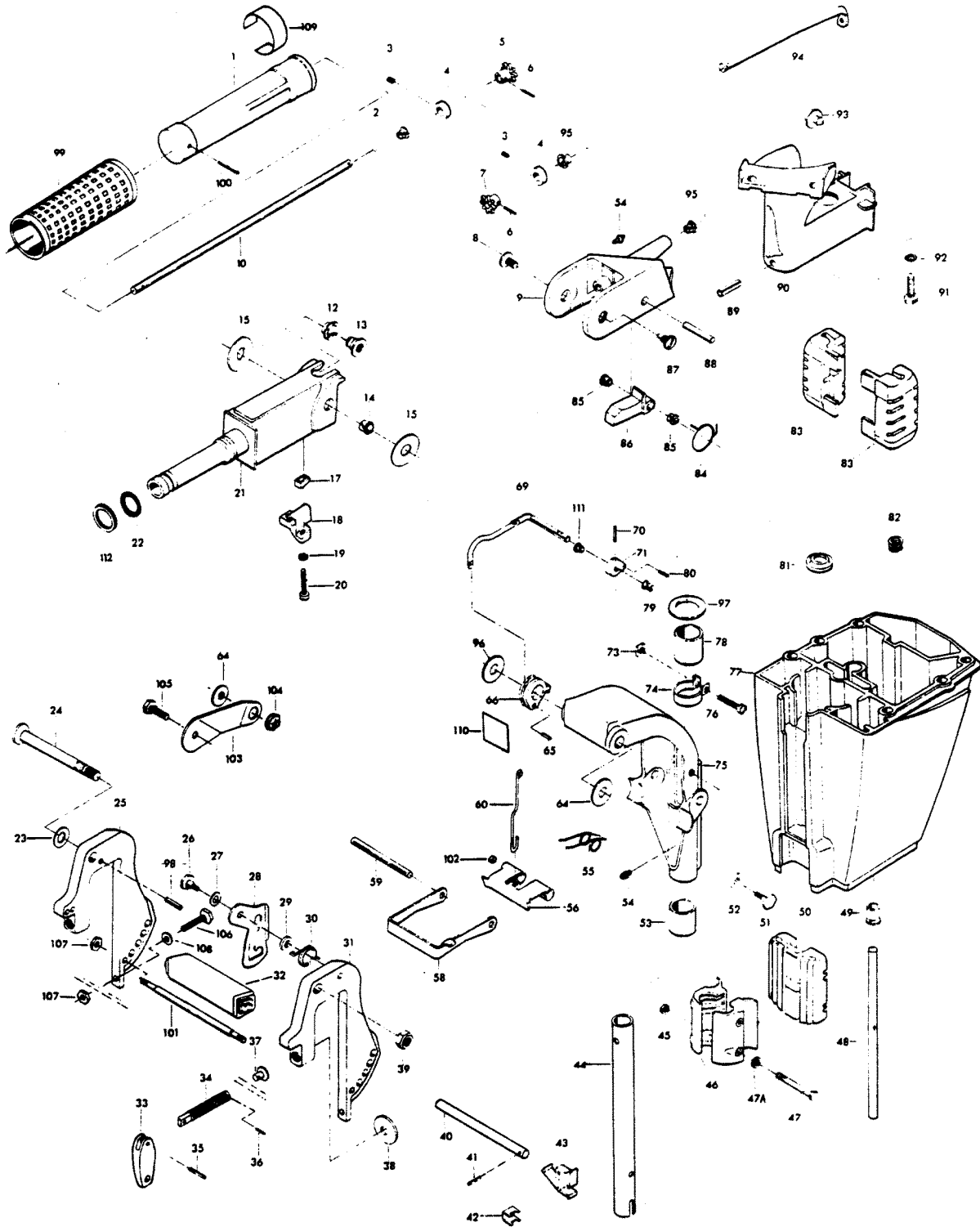
POWER HEAD



POWER HEAD

REF. NO.	PART NO.	SYM.	QTY.	DESCRIPTION
36	F286509		1	LINK, THROTTLE CAM
37	F1107		8	FILL HD SCREW, 1/4 - 20 X 3/4
38	F1335		4	FILL HD SCREW, 5/16 - 18 X 1 1/4
39	F286440		1	STUD, MAGNETO CONTROL LEVER
40	F36634		4	SCREW, CONNECTING ROD
41	FA286155		1	MAIN BEARING LINER SET (2 PER SET)
42	F286571		1	ROLLER SET, MAIN BEARING (26 PER SET)
43	400-818047A3		1	CRANKSHAFT W/UPPER MAIN BEARING
44	F73082		1	RING, MAGNETO STATOR
45	F286277		1	GASKET, CRANKSHAFT BEARING CAGE
46	1100-817753A1		1	CAGE, CRANKSHAFT BEARING W/SEAL
47	F346146		1	SEAL, CRANKSHAFT UPPER
48	F1111		4	FILL HD SCREW, 1/4 - 20 X 7/8
49	F84035-2		2	BEARING, INTERLOCK ROD
50	F84026		2	SWIVEL, INTERLOCK ROD BEARING
51	F1339		1	HEX NUT, 10 - 24
52	F510531		1	ROD, INTERLOCK
53	F197813		1	BEARING, INTERLOCK LEVER
54	F517977-1		1	LEVER, INTERLOCK
55	F7008		1	STOP NUT, 1/4 - 20
57	F429811		2	SCREEN
58	F461342		1	SEAL, DRIVESHAFT SPLINE
59	F286028-1		1	BEARING, CRANKSHAFT UPPER MAIN
60	F510551		1	BRACKET, INTERLOCK SWITCH
61	F2040		3	TAPTITE HEX WASHER HD SCREW, 1/4 - 20 X 5/8
62	FG1005-1		1	GASKET SET. INCLUDES ITEMS LISTED BELOW
-	F18906		1	CARBURETOR GASKET
-	F286154		2	GASKET EXHAUST COVER
-	F286159-1		1	GASKET, REED PLATE
-	F286223		1	GASKET, TRANSFER PORT COVER
-	F286277		1	GASKET, CRANKSHAFT BEARING CAGE
-	F286279-2		1	GASKET, CYLINDER MOUNTING
-	F286529-3		1	GASKET, CYLINDER HEAD
-	F424168-1		1	GASKET, MANIFOLD
-	F429472		1	GASKET, CYLINDER DRAIN COVER

MOTOR LEG

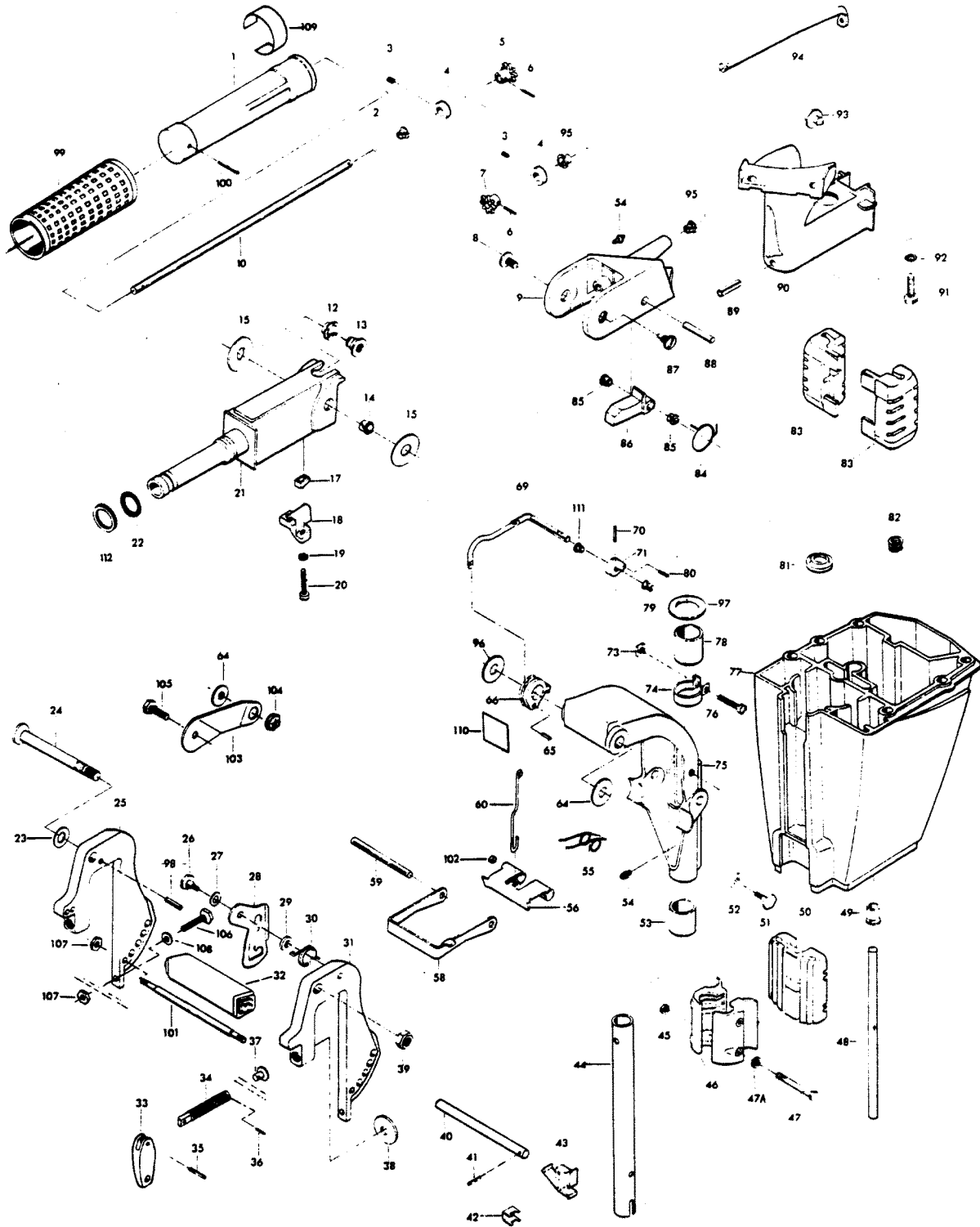


MOTOR LEG

REF. NO.	PART NO.	SYM.	QTY.	DESCRIPTION
1	FA458137		1	GRIP, STEERING HANDLE W/SLEEVE
2	F85610		1	BEARING
3	F1859		2	HEX SOCKET HEADLESS SET SCREW
4	FA343178		2	RETAINER W/SET SCREW
5	43-818009--1		1	GEAR, STEERING HANDLE SHAFT
6	F1978		2	SPRING PIN
7	43-818009--1		1	GEAR, MAGNETO CONTROL SHAFT
8	F1799		1	TRUSS HD SCREW, 5/16 - 18 X 5/8
9	817751A3		1	STEERING HANDLE BRACKET W/GREASE FITTING
10	F429688		1	SHAFT, STEERING HANDLE
12	F286818		1	BEARING
13	F286224		1	INSERT, STEERING HANDLE PIVOT
14	F197813		1	BEARING
15	F286220		2	WASHER, STEERING HANDLE
17	F341693		1	WEDGE, STEERING HANDLE
18	F487816		1	BEARING, STEERING HANDLE
19	F8058		2	INTERNAL TOOTH LOCKWASHER
20	F1829		2	FILL HD SCREW, 10 - 24 X 7/8
21	F286079-1		1	STEERING HANDLE
22	F53795-1		1	SEAL, STEERING HANDLE GRIP DAMPENER
23	F8039		1	PLAIN WASHER
24	F286037		1	STERN BRACKET PIVOT BOLT
25	FK517032		1	STERN BRACKET W/CLAMP SCREW AND FOOT
26	F286422-1		1	TILT LOCK PIVOT
27	F1666		1	BOWED SPRING WASHER
28	F429541		1	TILT LOCK
29	F286451		1	SPACER, TILT LOCK
30	F286544-1		1	SPRING, TILT STOP
31	FK567532		1	STERN BRACKET PORT W/CLAMP SCREW AND FOOT
32	F286647		1	CARRYING HANDLE
33	F424075		2	HANDLE, CLAMP SCREW
34	817761A2		2	CLAMP SCREW W/FOOT AND STUD
35	F8554		2	SPRING PIN
36	F8537		2	SPRING PIN
37	F66480		2	STUD CLAMP SCREW
38	F24074		2	CLAMP SCREW FOOT
39	F7005		1	STOP NUT, 3/8 - 16
40	FA286113		1	LOCK BAR W/HANDLE AND SPRING
41	F8540		1	SPRING PIN
42	F286461		1	SPRING, LOCK BAR HANDLE
43	F286114		1	LOCK BAR HANDLE
44	F286019		1	KING PIN
45	F1341		2	HEX NUT, 1/4 - 20

CONTINUED ON NEXT PAGE ➡

MOTOR LEG

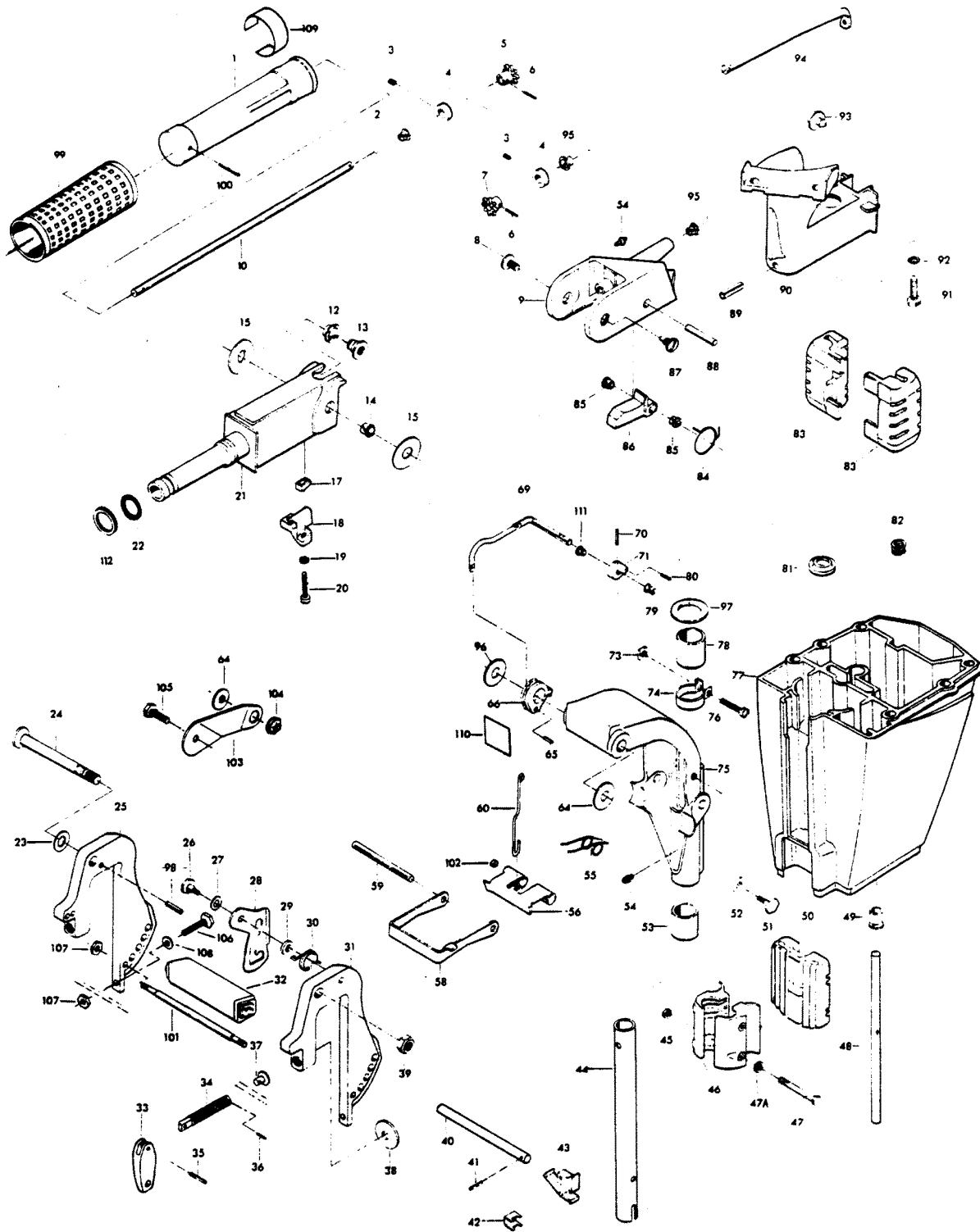


MOTOR LEG

REF. NO.	PART NO.	SYM.	QTY.	DESCRIPTION
46	F286956		2	BRACKET, SHOCK MOUNT LOWER
47	FA1844		2	HEX BOLT, 1/4 - 20 X 2 3/8
47A	F8083		2	SPRING LOCKWASHER
48	F286244		1	WATER LINE
49	F286914		1	SLEEVE WATER LINE
50	F286346-1		1	SHOCK MOUNT LOWER
51	F286422-1		1	TILT LOCK PIVOT
52	F286451		1	SPACER, TILT LOCK
53	F286169		1	BEARING, SWIVEL BRACKET
54	F213274		3	GREASE FITTING
55	F286300		1	SPRING, REVERSE LOCK
56	F516349		1	REVERSE LOCK
58	F286433		1	BRACKET SHALLOW WATER DRIVE
59	F1806		1	GROOVE PIN
60	FA341510		1	LINK, REVERSE LOCK LEVER W/LITERATURE
64	F286286-1		2	WASHER, STERN BRACKET
65	F1794		1	SPRING PIN
66	F286827		1	REVERSE LOCK RELEASE LEVER
69	FA387742		1	LEVER, REVERSE LOCK INTERMEDIATE ASSEMBLY
70	F8538		1	SPRING PIN
71	F286364		1	LEVER, REVERSE LOCK
73	F1608		1	SQUARE NUT, 1/4 - 20
74	F286573-1		1	CLAMP, STEERING HANDLE
75	1400-817750A4		1	SWIVEL BRACKET W/GREASE FITTING
76	F1820		1	FILL HD SCREW, 1/4 - 20 X 1 3/8
77	F2A477133		1	MOTOR LEG W/ITEMS 48, 49 & 81
78	F286169		1	BEARING, SWIVEL BRACKET
79	F197813		1	BEARING
80	F1794		1	SPRING PIN
81	F901307-2		1	SEAL, WATER LINE UPPER
82	F286414		1	SPRING, LEG WATER BRACKET
83	F517347		2	SHOCK MOUNT UPPER
84	F286868		1	SPRING, STEERING HANDLE STOP
85	F197813		2	BEARING, STEERING HANDLE STOP
86	F286490		1	STEERING HANDLE STOP
87	F286080		1	SCREW, STEERING HANDLE PIVOT
88	F1807		1	GROOVE PIN
89	F1805		1	SPRING PIN
90	FA286582		1	STEERING ARM W/SPRING PIN & BUMPER
91	F1502		2	HEX CAP SCREW, 1/4 - 20 X 5/8
92	F8060		2	EXTERNAL TOOTH LOCKWASHER
93	F286539		1	BUMPER
94	F431838		1	MAGNETO CONTROL SHAFT

CONTINUED ON NEXT PAGE ➡

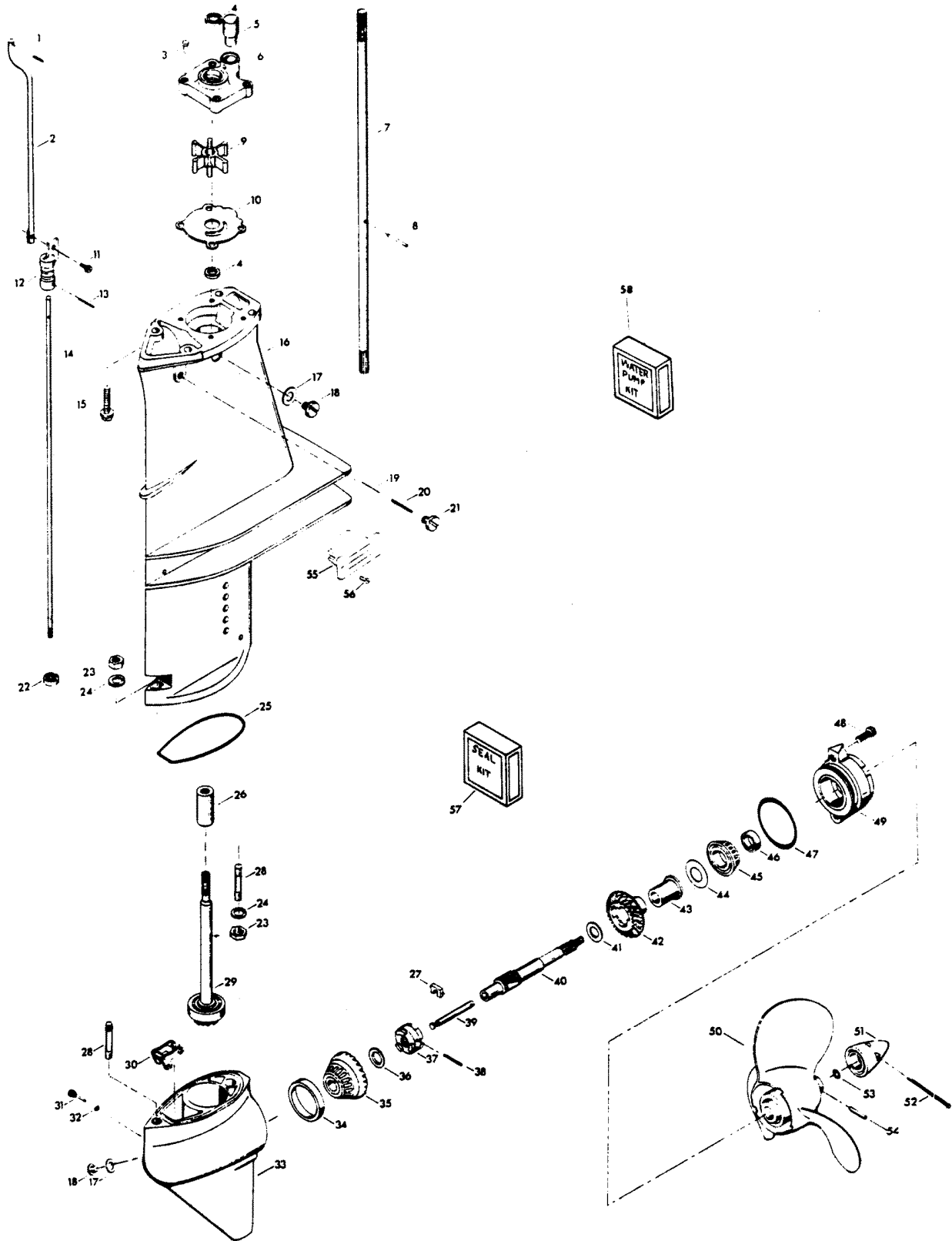
MOTOR LEG



MOTOR LEG

REF. NO.	PART NO.	SYM.	QTY.	DESCRIPTION
95	F307818		2	BEARING
96	F525286		1	WASHER
97	F286011		1	WASHER, SWIVEL BRACKET
98	F8538		1	SPRING PIN
99	F458695		1	SLEEVE
100	F8548		1	SPRING PIN
101	F517273		1	TIE BAR
102	F516677		2	SPACER, REVERSE LOCK
103	F517078		1	BRACKET, LOCK STEERING
104	F516697		1	NUT, STEERING LOCK BRACKET
105	F516552		1	SCREW, STEERING LOCK BRACKET
106	F1887		2	HEX SLOTTED HD SCREW, 1/4 - 20 X 3 3/16
107	F7024		4	LOCK NUT
108	F2012		2	PLAIN WASHER
109	F286894-3		1	SPEED CONTROL INDICATOR
-	37-F286894-3		1	SPEED CONTROL INDICATOR - CANADA
110	F286585-1		1	DECAL, TILT RELEASE
-	37-F286585-2		1	DECAL, TILT RELEASE- CANADA
111	F536813		1	BEARING, REVERSE LOCK INTERMEDIATE LEVER
112	F215795		1	STEERING HANDLE DAMPENER

GEAR HOUSING

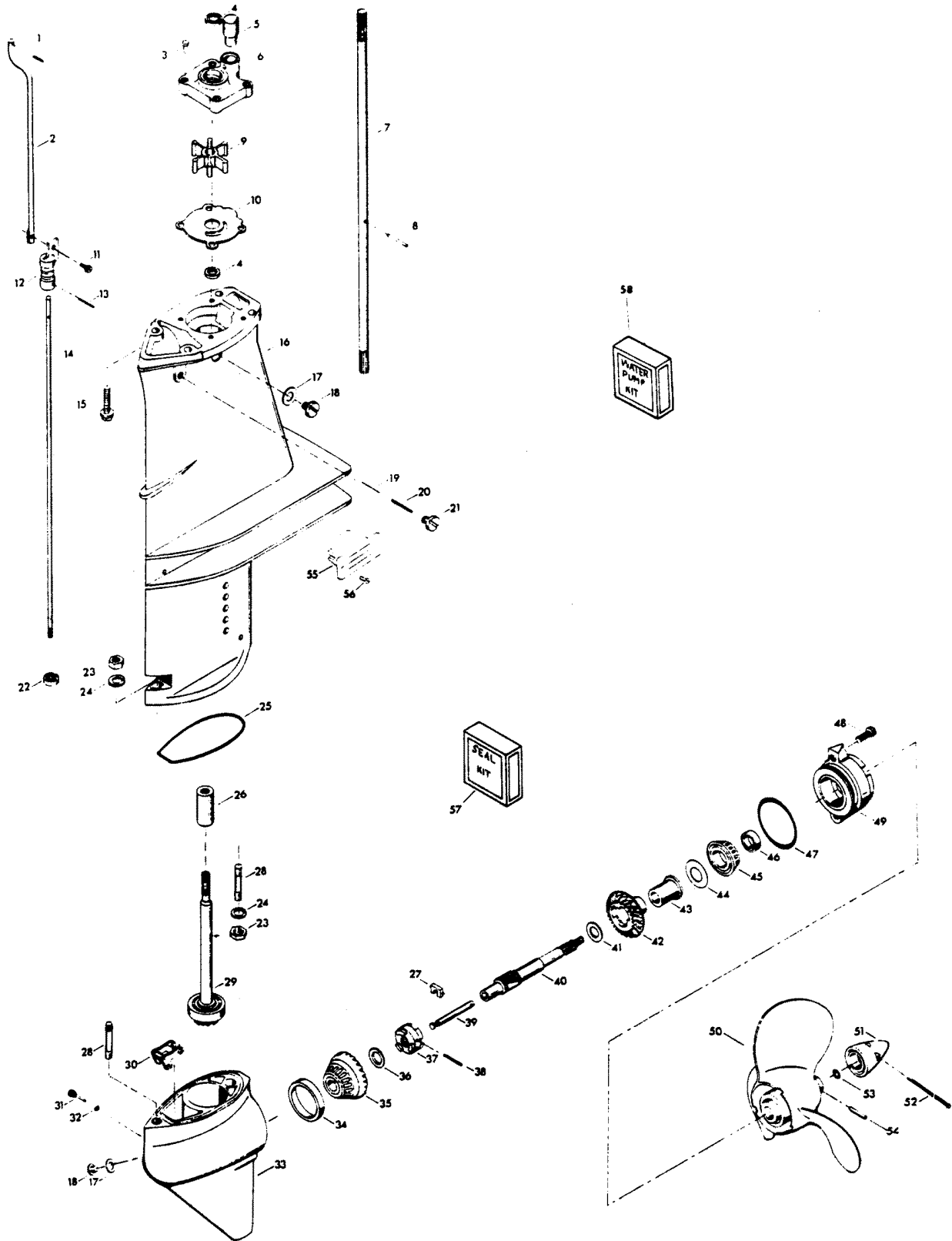


GEAR HOUSING

REF. NO.	PART NO.	SYM.	QTY.	DESCRIPTION
1	F8542		1	SPRING PIN
2	F286615		1	GEAR SHIFT ROD, UPPER
3	F2030		4	HEX HD SCREW, 1/4 - 20 X 1 1/4
4	F901307-2		2	SEAL
5	FA510914		1	SEAL, INLET WATER LINE
6	FA504060		1	WATER PUMP BODY W/WATER PUMP SEAL
7	F343128		1	DRIVESHAFT
8	F901563		1	WATER PUMP IMPELLER DRIVE PIN
9	F436065-1		1	WATER PUMP IMPELLER
10	F341562		1	WATER PUMP BACK PLATE
11	F1976		1	SOCKET HD SCREW W/WASHER, 10 - 24 X 1/2
12	F516704-1		1	COUPLING SHIFT ROD
13	F8540		1	SPRING PIN
14	F516705		1	GEAR SHIFT ROD, LOWER
15	F430732		4	HEX HD SCREW, 5/16 - 18 X 1 1/4
16	1600-817844A3		1	GEAR HOUSING UPPER W/BEARING, SEALS WASHER, PLUG AND ANODE
17	F8077		2	NYLTITE WASHER
18	F50109		2	GEAR HOUSING PLUG
19	F516584		1	GUIDE, SPRING DETENT
20	F516895		1	SPRING, SHIFT DETENT
21	F516885		1	PLUG, SPRING HOLDING
22	F338618-1		1	SEAL, SHIFT ROD LOWER
23	F1346		2	HEX NUT, S.S., 3/8 - 16
24	F8065		2	LOCKWASHER
25	F435555		1	SEAL, GEAR HOUSING, LOWER
26	F517125		1	COUPLING, DRIVESHAFT
27	F90619-1		1	YOKE
28	F40008		2	STUD
29	F2A516266		1	PINION SHAFT W/BEARING
30	817796A2		1	GEAR SHIFT ARM
31	F498891		1	GEAR SHIFT ARM PIN
32	F498618		1	SEAL "O" RING
33	FA516054		1	GEAR HOUSING LOWER W/PLUG, WASHER AND BEARING CUP
-	FC516054		1	GEAR HOUSING - COMPLETE. (NOT SHOWN). INCLUDES ALL ITEMS MARKED WITH AN ASTERISK (*)
34	F458250		1	BEARING CUP
35	F2A516023		1	BEVEL GEAR FORWARD W/BEARING
36	F2087		A/R	SPACER, BEVEL GEAR FRONT .056
-	F2055		A/R	SPACER, BEVEL GEAR FRONT .059
-	F2057		A/R	SPACER, BEVEL GEAR FRONT .065
-	F2058		A/R	SPACER, BEVEL GEAR FRONT .068
-	F2059		A/R	SPACER, BEVEL GEAR FRONT .071

CONTINUED ON NEXT PAGE ➡

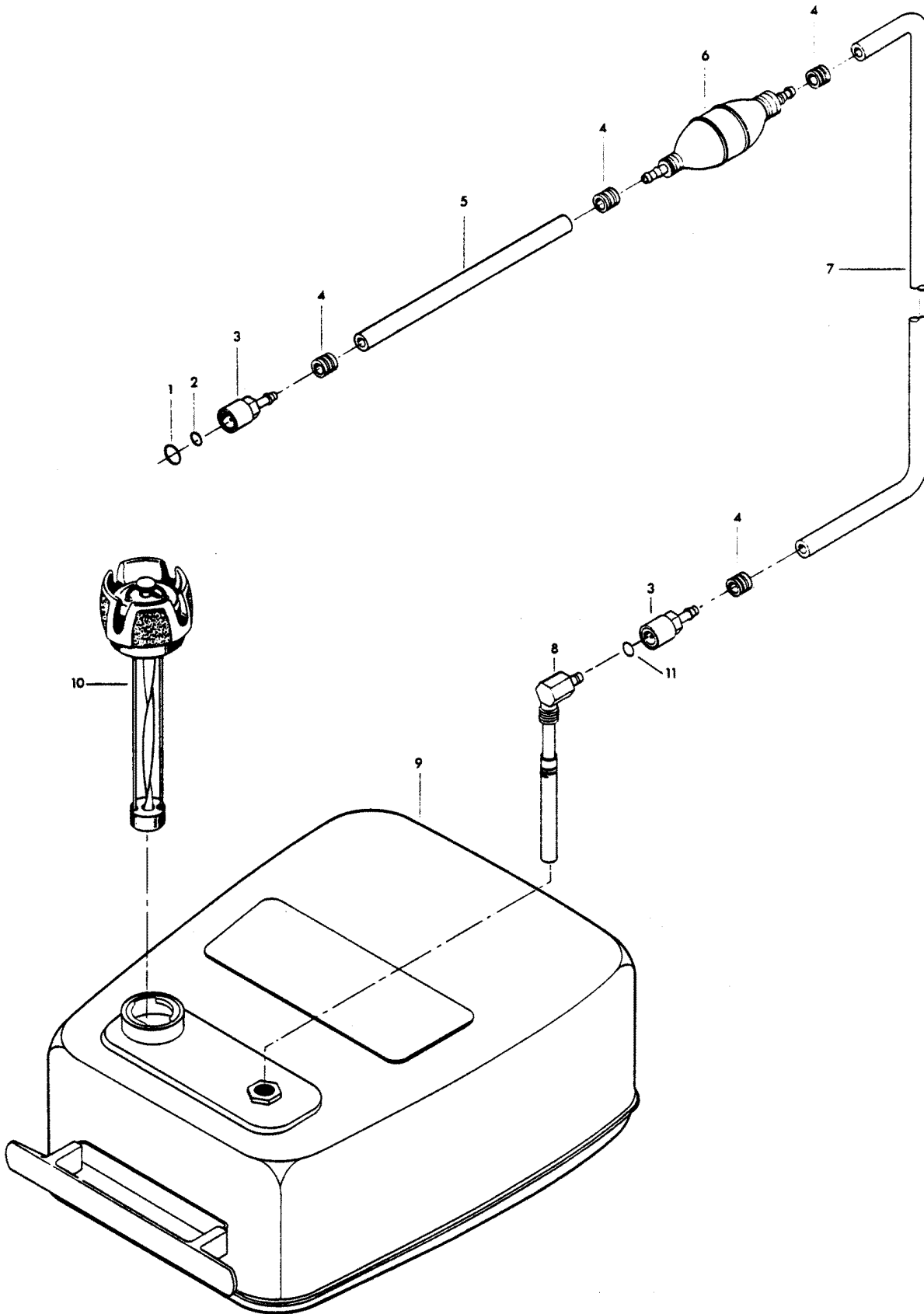
GEAR HOUSING



GEAR HOUSING

REF. NO.	PART NO.	SYM.	QTY.	DESCRIPTION
-	F2060		A/R	SPACER, BEVEL GEAR FRONT .074
-	F2061		A/R	SPACER, BEVEL GEAR FRONT .077
-	F2062		A/R	SPACER, BEVEL GEAR FRONT .080
-	F2063		A/R	SPACER, BEVEL GEAR FRONT .083
-	F2064		A/R	SPACER, BEVEL GEAR FRONT .086
37	F99521-1		1	CLUTCH
38	F2097		1	SPRING CLUTCH
39	F90871-3		1	GEAR SHIFT ARM PIN
40	FA474098		1	PROPELLER SHAFT
41	F40717		1	THRUST WASHER BEVEL GEAR
42	F516662		1	GEAR, BEVEL, REAR
43	F474143		1	BEARING, BEVEL GEAR REAR
44	F2052		A/R	SHIM PROPELLER SHAFT BEARING .005 (SILVER)
-	F2053		A/R	SHIM PROPELLER SHAFT BEARING .006 (RED)
-	F2054		A/R	SHIM PROPELLER SHAFT BEARING .008 (BLACK)
45	F474225		1	BEARING, PROPELLER SHAFT REVERSE THRUST
46	F141118		1	SEAL, PROPELLER SHAFT
47	F141305		1	SEAL, PROPELLER SHAFT BEARING CAGE
48	F1994		2	HEX SOCKET HD CAP SCREW, 5/16 - 18 X 1
49	F2A474298		1	PROPELLER SHAFT BEARING CAGE W/SEALS AND BEARING CUP
50	FP278		1	PROPELLER NUT W/SEAL & COTTER PIN
51	FA94094-2		1	PROPELLER NUT W/SEAL & COTTER PIN
52	F1027		1	COTTER PIN
53	F40342		1	SEAL, PROPELLER NUT
54	FK247		1	PROPELLER PIN (PACK OF 6 W/COTTER PIN)
55	FA516485		1	ANTICORROSION ANODE
56	F1733		2	PAN HD SCREW, 10 - 24 X 9/16
57	FK1064		1	GEAR HOUSING SEAL KIT. INCLUDES ALL ITEMS MARKED WITH A DOUBLE ASTERISK (**)
58	FK1031		1	WATER PUMP KIT
-	F55914		1	SEAL
-	F341562		1	PLATE, WATER PUMP BACK
-	F436065		1	IMPELLER
-	F901563		1	DRIVE PIN
-	FK504060		1	BODY, WATER PUMP

FUEL TANK AND LINE



FUEL TANK AND LINE

REF. NO.	PART NO.	SYM.	QTY.	DESCRIPTION
1	F213342		1	SEAL, FUEL LINE COUPLER
2	F213735		1	SEAL, FUEL LINE COUPLER
3	F197787-3		2	FUEL LINE COUPLER
4	F298788		4	FERRULE
5	FA84754-1		1	FUEL LINE SHORT W/FERRULE
6	89396A38		1	PRIME BULB
7	32-817738A1		1	FUEL LINE, LONG W/CLAMP AND FERRULE
8	F485755-1		1	FUEL TANK ADAPTER
9	F5H027		1	FUEL TANK (ACCESSORY ITEM)
10	F409251-1		1	GAUGE CAP
11	F17932		1	SEAL
-	FS409752		1	FUEL LINE - COMPLETE (NOT SHOWN) INCLUDES ALL ITEMS MARKED WITH AN ASTERISK (*)
-	FC409398		1	DECAL, TOTE TANK - CANADA (NOT SHOWN)

SPECIAL TOOLS - TUNE-UP

REF. NO.	PART NO.	SYM.	QTY.	DESCRIPTION
-	FT2909		0	KNOCK-OFF NUT TO REMOVE FLYWHEEL
-	FT2989		0	FLYWHEEL WEDGE TO REMOVE FLYWHEEL

SPECIAL TOOLS - POWER HEAD

REF. NO.	PART NO.	SYM.	QTY.	DESCRIPTION
-	FT2908		0	SEAL SLEEVE TO INSTALL UPPER CRANKSHAFT BEARING CAGE SEAL
-	FT8929		0	ADAPTER AND HEX BIT TO TORQUE CONNECTING ROD SCREWS
-	FT8949		0	SEAL INSTALLER TO INSTALL LOWER CRANKSHAFT SEAL
-	FT2997		0	RING COMPRESSOR TO INSTALL PISTONS
-	FT8926		0	RING EXPANDER TO INSTALL RINGS ON PISTONS
-	FT3012		0	SEAL INSTALLER TO REMOVE AND INSTALL CRANKSHAFT BEARING CAGE SEAL

SPECIAL TOOLS - LOWER UNIT

REF. NO.	PART NO.	SYM.	QTY.	DESCRIPTION
-	FT8904		0	FORWARD CUP INSTALLER TO INSTALL FORWARD BEARING CUP
-	FT8907		0	DRIVER HANDLE TO INSTALL FORWARD BEARING CUP
-	FT8921		0	CUP REMOVER TO REMOVE FORWARD BEARING CUP
-	FT8918		0	BEARING GUIDE SET TO REMOVE FORWARD BEARING CUP
-	T3413		0	SEAL INSTALLER TO INSTALL PROPELLER SHAFT SEAL
-	FT8919		0	SPRING PIN PUNCH TO REMOVE CLUTCH PIN
-	FT2907		0	SEAL INSTALLER TO INSTALL DRIVESHAFT SEAL - WATER PUMP AND GEAR HOUSING
-	FT8948-1		0	PULLER TO REMOVE PROPELLER SHAFT BEARING CAGE
-	FT8985		0	SEAL INSTALLER TO INSTALL PROPELLER SHAFT SEAL
-	FT8957		0	SEAL INSTALLER TO INSTALL SHIFT ROD SEAL
-	FT8920		0	BEARING INSTALLER TO INSTALL PROPELLER SHAFT BEARING
-	FT8924-1		0	CHECKING GAUGE TO SHIM LOWER UNIT
-	FT8982		0	SHIM ADAPTER TO USE WITH CHECKING GAUGE (T8924-1)
-	FT8995		0	SHIM SPACER TO USE WITH CHECKING GAUGE (T8924-1)
-	FT8901		0	INDICATOR HOLDER TO USE WITH CHECKING GAUGE T8924-1
-	FT8902		0	DIAL INDICATOR TO USE WITH CHECKING GAUGE T8924-1

SPECIAL TOOLS - TEST EQUIPMENT

REF. NO.	PART NO.	SYM.	QTY.	DESCRIPTION
-	FT2954A		0	TEST WHEEL TO TEST MOTOR IN TEST TANK
-	FT8950		0	LEAKAGE TESTER TO TEST LOWER UNIT SEAL FOR LEAKS
-	FT8996		0	IGNITION TESTER TO TEST TRIGGER OUTPUT
-	FT8953		0	C-D TESTER TO TEST STATOR OUTPUT AND SECONDARY VOLTAGE

SPECIAL TOOLS - LUBRICANTS AND SEALANTS

REF. NO.	PART NO.	SYM.	QTY.	DESCRIPTION
-	FT2961		0	LUBRICANT - RYKON #2EP
-	FT2987		0	LUBRICANT - ANTI-SEIZE
-	FT8969		0	LUBRICANT - 7 OZ. 2 PSI LUBRICANT
-	FT8983		0	SEALANT
-	FT8936		0	SEALANT - 2 CC LOCTITE RETAINING COMPOUND #75
-	FT2962-1		0	SEALANT - 50 CC LOCTITE H. NON-HARDENING GRADE
-	FT2963-1		0	SEALANT - 2 OZ. LOCTITE D. HARDENING GRADE
-	FT8935		0	SEALANT PRIMER - 6 OZ.

SPECIAL TOOLS - REPAIR DECALS - ENGINE COVERS

REF. NO.	PART NO.	SYM.	QTY.	DESCRIPTION
-	T11212		0	BOAT BLACK
-	T11211		0	BOAT WHITE
-	T11229		0	SAND TAN

ACCESSORIES

REF. NO.	PART NO.	SYM.	QTY.	DESCRIPTION
-	F5H013		0	FLUSHING ADAPTER PERMITS FRESH WATER FLUSHING OF WATER PASSAGES WITH STANDARD GARDEN HOSE.
-	F5H062		0	WATER PUMP KIT HEAVY DUTY WATER PUMP RECOMMENDED FOR CONTINUED OPERATION IN SANDY OR SALT WATER.
-	F5H088		0	REMOTE CONTROL CONVERSION KIT PERMITS REMOTE CONTROL OF THROTTLE AND GEAR SHIFT FROM FRONT OF BOAT.
-	F5H130		0	SYNCHRO-DRIVE CONTROL BOX (SINGLE LEVER) PERMITS REMOTE CONTROL OF THROTTLE AND GEAR SHIFT FROM STARBOARD SIDE OF BOAT.
-	F5H131		0	PORT SIDE DECAL KIT CONVERTS 5H130 CONTROL BOX TO PORT SIDE MOUNTING.
-	167		0	IGNITION CUT-OFF KIT PERMITS STOPPING OF ENGINE FROM OPERATORS SEAT.
-	F195/___		0	REMOTE CONTROL CABLES CONNECTS REMOTE CONTROL BOX TO THROTTLE AND GEAR SHIFT ON MOTOR. AVAILABLE IN 6 THROUGH 40 FOOT LENGTHS.
-	F5H054		0	REMOTE STEERING BRACKET ADAPTS MOTOR TO REMOTE STEERING.
-	F5H027		0	STEEL, 6 GALLON FUEL TANK W/HOSE AUXILIARY TANK.
-	F476		0	FUEL LINE ADAPTION KIT ADAPTS MODEL 583 AND 5H027 TANKS FOR DISCONNECT AT TANK.
-	491		0	CARRYING HANDLE PROVIDES CARRYING HANDLE ON REAR OF ENGINE.
-	F5H090		0	REMOTE START KIT PERMITS STARTING OF ENGINE FROM FRONT OF BOAT.
-	F5H134		0	BOAT WHITE LACQUER ENGINE TOUCH-UP PAINT IN 12 3/4 OZ. SPRAY BOMBS (12 CANS PER CASE).
-	F596		0	CHRYSLER OUTBOARD OIL SEE BLOCK COMMENT 1.
-	F597		0	CHRYSLER OUTBOARD GEAR LUBE SEE BLOCK COMMENT 2.
-	72H26		0	CHRYSLER OUTBOARD FUEL AID REMOVES MOISTURE. PREVENTS SLUDGE AND VARNISH AND STABILIZES GAS. AVAILABLE IN 16 OZ. CANS AND 12 CAN CASES.
-	72H27		0	CHRYSLER OUTBOARD STORAGE LUBRICANT WORKS AS A CORROSION INHIBITOR AND PROTECTS INTERNAL ENGINE PARTS DURING STORAGE. AVAILABLE IN 16 OZ. CANS AND 12 CAN CASES.
-	72H28		0	CHRYSLER OUTBOARD MULTI-PURPOSE SPRAY LUBE WORKS AS A LUBRICANT, CLEANER, MOISTURE REMOVER AND ELECTRIC INSULATOR. AVAILABLE IN 9 OZ. CANS AND 12 CAN CASES.
-	F72H29		0	CHRYSLER OUTBOARD MULTI-PURPOSE GREASE LUBRICATES BEARINGS AND OTHER MOVING PARTS. AVAILABLE IN 8 OZ. TUBES AND 12 TUBE CASES.
-	F72H30		0	CHRYSLER OUTBOARD GREASE GUN USED WITH CHRYSLER OUTBOARD MULTI-PURPOSE GREASE TUBES FOR PRESSURE FITTINGS.
-	72H34		0	CHRYSLER OUTBOARD MULTI-PURPOSE CLEANER

PARTS INDEX

Part Number	Description	Pg.	Ref. No.	Part Number	Description	Pg.	Ref. No.
167	IGNITION CUT-OFF KIT	40	-	F141305	SEAL, PROPELLER SHAFT		
2C569712	COVER, ENGINE - COMPLETE.	3	-	F1447	BEARING CAGE	31	47
491	CARRYING HANDLE	40	-	F1490	SCREW, DRIVE	3	33
510373-1	DECAL, MAGNAPOWER III . . .	13	43	F1502	HEX NUT, 1/4 - 20	15	34
72H26	CHRYSLER OUTBOARD FUEL AID	40	-	F1504	HEX CAP SCREW, 1/4 - 20 X 5/8	25	91
72H27	CHRYSLER OUTBOARD STORAGE LUBRICANT . . .	40	-	F15127	FILL HD SCREW, 1/4 - 20 X 1/4	19	35
72H28	CHRYSLER OUTBOARD MULTI-PURPOSE SPRAY LUBE	40	-	F15129	CAP ASSEMBLY, COMMUTATOR END.	9	10
72H34	CHRYSLER OUTBOARD MULTI-PURPOSE CLEANER	40	-	F15132	NUT W/LOCKWASHER	9	15
817751A3	STEERING HANDLE BRACKET W/GREASE FITTING	23	9	F1513	HEX NUT, 10 - 32	13	42
817754A1	ARM, CARBURETOR FOLLOWER	15	2	F15130	NUT	9	16
817758A1	BRACKET, COVER LATCH INCLUDES SCREWS, NUTS AND ROLLERS	5	42	F15132	WASHER, FIBER	9	18
817761A2	CLAMP SCREW W/FOOT AND STUD	23	34	F15133	WASHER	9	17
817796A2	GEAR SHIFT ARM	29	30	F15134	ARMATURE	9	8
817971A3	LEVER, MAGNETO CONTROL ASSEMBLY	19	33	F15135	CAP ASSEMBLY, DRIVE END	9	5
89396A38	PRIME BULB	33	6	F15136	HOUSING ASSEMBLY	9	9
F10006	GASKET SET, CARBURETOR (NOT SHOWN)	17	-	F15137	WASHER	9	6
F10007	REPAIR PARTS KIT, CARBURETOR.	17	48	F15138	SPRING, BRUSH	9	12
F1027	COTTER PIN	31	52	F15139	PINION ASSEMBLY	9	4
F1069	FILL HD SCREW, 10 - 24 X 1/16	7	14	F15140	SPRING	9	3
F1075	FILL HD SCREW, 10 - 24 X 1/2	11	36	F15141	PINION STOP	9	2
F1090	FILL HD SCREW W/SPRING LOCKWASHER, 10 - 24 X 9/16	11	26	F15142	STOP NUT	9	1
F1107	FILL HD SCREW, 1/4 - 20 X 3/4	21	37	F15143	DISC	9	11
F1111	FILL HD SCREW, 1/4 - 20 X 7/8	21	48	F15144	SCREW, THRU BOLT	9	14
F1286	PAN HD SCREW, 4 - 40 X 3/16	7	5	F15145	GASKET	9	7
F1303	SLOTTED PAN HD M. SCREW, 8/32 X 3/4	11	24	F15146	WASHER	9	13
F1335	FILL HD SCREW, 5/16 - 18 X 1 1/4	21	38	F1556	FILL HD M. SCREW W/SPRING LOCKWASHER, 10 - 24 X 3/8	11	18
F1337	HEX NUT, 6 - 32	11	5	F1577	FILL HD SCREW, 1/4 - 20 X 3/4	7	3
F1339	HEX NUT, 10 - 24	21	51	F1577	FILL HD SCREW, 1/4 - 20 X 3/4	11	9
F1341	HEX NUT, 1/4 - 20	23	45	F1608	SQUARE NUT, 1/4 - 20	25	73
F1346	HEX NUT, S.S., 3/8 - 16	29	23	F1645	RD HD THREAD CUTTING SCREW, 6 - 32 X 1/4	11	25
F1365	SQUARE NUT, 10 - 24	15	4	F1646	HEX SOCKET HD CAP SCREW, 3/8 - 16 X 2 1/4	11	8
F141118	SEAL, CRANKSHAFT LOWER	19	23	F1648	PAN HD SCREW, 10 - 24 X 3/4	11	13
F141118	SEAL, PROPELLER SHAFT	31	46	F1666	BOWED SPRING WASHER	23	27
				F1678	FILL HD SCREW, 10 - 24 X 13/16	11	32
				F1704	INTERNAL TOOTH LOCKWASHER	11	4
				F1733	PAN HD SCREW, 10 - 24 X 9/16	31	56
				F174017	PIN, PISTON	19	16
				F1753	FASTENER	3	3
				F1755	RD HD SCREW W/LOCKWASHER, 6 - 32 X 5/16	17	42
				F17932	SEAL	33	11
				F1794	SPRING PIN	25	65
				F1794	SPRING PIN	25	80
				F1799	TRUSS HD SCREW, 5/16 - 18 X 5/8	23	8

PARTS INDEX

Part Number	Description	Pg.	Ref. No.	Part Number	Description	Pg.	Ref. No.
F1803	STOP NUT, 5/16 - 24	19	30	F2052	SHIM PROPELLER SHAFT BEARING .005 (SILVER)	31	44
F1804	NUT, STOP, 10 - 24	3	39	F2053	SHIM PROPELLER SHAFT BEARING .006 (RED)	31	-
F1805	SPRING PIN	25	89	F2054	SHIM PROPELLER SHAFT BEARING .008 (BLACK)	31	-
F1806	GROOVE PIN	25	59	F2055	SPACER, BEVEL GEAR FRONT .059	29	-
F1807	GROOVE PIN	25	88	F2057	SPACER, BEVEL GEAR FRONT .065	29	-
F1809	HEX NUT	11	29	F2058	SPACER, BEVEL GEAR FRONT .068	29	-
F18160-2	REED, FUEL PUMP	7	7	F2059	SPACER, BEVEL GEAR FRONT .071	29	-
F1820	FILL HD SCREW, 1/4 - 20 X 1 3/8	25	76	F2060	SPACER, BEVEL GEAR FRONT .074	31	-
F1823	HEX CAP SCREW, 5/16 - 18 X 1	19	13	F2061	SPACER, BEVEL GEAR FRONT .077	31	-
F1829	FILL HD M. SCREW, 10 - 24 X 7/8	11	1	F2062	SPACER, BEVEL GEAR FRONT .080	31	-
F1829	FILL HD SCREW, 10 - 24 X 7/8	23	20	F2063	SPACER, BEVEL GEAR FRONT .083	31	-
F1834	FILL HD SCREW, 10 - 24 X 7/8	15	1	F2064	SPACER, BEVEL GEAR FRONT .086	31	-
F183813	BEARING, MAGNETO CONTROL LEVER	19	34	F2087	SPACER, BEVEL GEAR FRONT .056	29	36
F1845	TY-RAP	13	50	F2097	SPRING CLUTCH	31	38
F1859	HEX SOCKET HEADLESS SET SCREW	23	3	F213274	GREASE FITTING	25	54
F1859	HEX SOCKET HEADLESS SET SCREW, 1/4 - 28 X 3/16	19	-	F213342	SEAL, FUEL LINE COUPLER	33	1
F1887	HEX SLOTTED HD SCREW, 1/4 - 20 X 3 3/16	27	106	F213735	SEAL, FUEL LINE COUPLER	33	2
F18906	CARBURETOR GASKET	15	37	F215795	STEERING HANDLE DAMPENER	27	112
F18906	CARBURETOR GASKET	21	-	F235785	DECAL, COMPLIANCE - CANADA	3	5
F1912	HEX HD SCREW, 10 - 24 X 1/2	15	40	F24074	CLAMP SCREW FOOT	23	38
F1914	HEX HD SCREW, 1/4 - 20 X 3/4	15	32	F24748-2	GASKET, FUEL PUMP	7	9
F1915	HEX HD SCREW, 1/4 - 20 X 7/8	19	28	F269316	SHAFT, ROLLER	5	40
F1922	HEX HD SCREW, 1/4 - 20 X 5/8	19	5	F2706772	HOSE CLAMP	7	12
F195/_	REMOTE CONTROL CABLES	40	-	F2752253	HOSE, FUEL PUMP TO BUSHING	7	15
F197319	BEARING, CHOKE ROD	3	31	F2771254	HOSE, FUEL PUMP TO CARBURETOR	7	13
F1975	SPRING LOCKWASHER	11	2	F2788004	STUD, CARBURETOR	15	38
F1976	SOCKET HD SCREW W/WASHER, 10 - 24 X 1/2	29	11	F28004	STUD, INTERLOCK LEVER	19	10
F197767-1	BUSHING, FUEL LINE	3	24	F286011	WASHER, SWIVEL BRACKET	27	97
F197787-3	FUEL LINE COUPLER	33	3	F286015-3	PISTON	19	18
F1978	SPRING PIN	23	6	F286019	KING PIN	23	44
F197813	BEARING	23	14	F286028-1	BEARING, CRANKSHAFT UPPER MAIN	21	59
F197813	BEARING	25	79	F286037	STERN BRACKET PIVOT BOLT	23	24
F197813	BEARING, INTERLOCK LEVER	21	53	F286079-1	STEERING HANDLE	23	21
F197813	BEARING, STEERING HANDLE STOP	25	85	F286080	SCREW, STEERING HANDLE PIVOT	25	87
F1994	HEX SOCKET HD CAP SCREW, 5/16 - 18 X 1	31	48	F286114	LOCK BAR HANDLE	23	43
F1999	HEX CAP SCREW, 1/4 - 20 X 7/8	13	44	F286134	STUD, GEAR SHIFT LEVER	3	38
F2012	PLAIN WASHER	27	108	F286151	PLATE, EXHAUST	19	25
F2030	HEX HD SCREW, 1/4 - 20 X 1 1/4	29	3	F286152	COVER, EXHAUST	19	26
F2040	TAPTITE HEX WASHER HD SCREW, 1/4 - 20 X 5/8	21	61	F286154	GASKET EXHAUST COVER	21	-
				F286154	GASKET, EXHAUST COVER	19	24

PARTS INDEX

Part Number	Description	Pg.	Ref. No.	Part Number	Description	Pg.	Ref. No.
F286159-1	GASKET, REED PLATE	17	46	F286818	BEARING	23	12
F286159-1	GASKET, REED PLATE	21	-	F286827	REVERSE LOCK RELEASE LEVER	25	66
F286169	BEARING, SWIVEL BRACKET	25	53	F286868	SPRING, STEERING HANDLE STOP	25	84
F286169	BEARING, SWIVEL BRACKET	25	78	F286871	PIN, GEAR SHIFT LEVER	3	17
F286192	THROTTLE CAM	11	37	F286876	LEVER, GEAR SHIFT	3	15
F286220	WASHER, STEERING HANDLE	23	15	F286894-3	SPEED CONTROL INDICATOR	27	109
F286223	GASKET, TRANSFER PORT COVER	19	7	F286914	SLEEVE WATER LINE	25	49
F286223	GASKET, TRANSFER PORT COVER	21	-	F286956	BRACKET, SHOCK MOUNT LOWER	25	46
F286224	INSERT, STEERING HANDLE PIVOT	23	13	F286989-2	SEAL, SUPPORT PLATE	3	22
F286244	WATER LINE	25	48	F298788	FERRULE	33	4
F286277	GASKET, CRANKSHAFT BEARING CAGE	21	-	F2A24757	FUEL PUMP REED PLATE W/REEDS AND SCREWS	7	8
F286277	GASKET, CRANKSHAFT BEARING CAGE	21	45	F2A424167	MANIFOLD W/STUDS AND PULLEY	15	39
F286279-2	GASKET, CYLINDER MOUNTING	19	29	F2A474298	PROPELLER SHAFT BEARING CAGE W/SEALS AND BEARING CUP	31	49
F286279-2	GASKET, CYLINDER MOUNTING	21	-	F2A477133	MOTOR LEG	25	77
F286282	WASHER	19	31	F2A516023	BEVEL GEAR FORWARD W/BEARING	29	35
F286286-1	WASHER, STERN BRACKET	25	64	F2A516266	PINION SHAFT W/BEARING	29	29
F286300	SPRING, REVERSE LOCK	25	55	F307317	CLIP, TERMINAL BLOCK GROUND	11	14
F286316	THROTTLE CAM FOLLOWER	15	33	F307818	BEARING	3	14
F286346-1	SHOCK MOUNT LOWER	25	50	F307818	BEARING	27	95
F286364	LEVER, REVERSE LOCK	25	71	F31160-1	REED	17	44
F286414	SPRING, LEG WATER BRACKET	25	82	F31410	RETAINING RING, PISTON PIN	19	15
F286422-1	TILT LOCK PIVOT	23	26	F338618-1	SEAL, SHIFT ROD LOWER	29	22
F286422-1	TILT LOCK PIVOT	25	51	F341384	RETAINER, CHOKE ROD	15	11
F286433	BRACKET SHALLOW WATER DRIVE	25	58	F341562	PLATE, WATER PUMP BACK	31	-
F286440	STUD, MAGNETO CONTROL LEVER	21	39	F341562	WATER PUMP BACK PLATE	29	10
F286445	LINK, MAGNETO SHAFT	19	32	F341693	WEDGE, STEERING HANDLE	23	17
F286451	SPACER, TILT LOCK	23	29	F343014	BEARING, CRANKSHAFT LOWER MAIN	19	22
F286451	SPACER, TILT LOCK	25	52	F343128	DRIVESHAFT	29	7
F286461	SPRING, LOCK BAR HANDLE	23	42	F343226-1	PLUG	3	8
F286490	STEERING HANDLE STOP	25	86	F346146	SEAL, CRANKSHAFT UPPER	21	47
F286509	LINK, THROTTLE CAM	21	36	F36634	SCREW, CONNECTING ROD	21	40
F286529-3	GASKET, CYLINDER HEAD	19	4	F392756	PACKING, SUPPORT PLATE	3	18
F286529-3	GASKET, CYLINDER HEAD	21	-	F40008	STUD	29	28
F286539	BUMPER	25	93	F40342	SEAL, PROPELLER NUT	31	53
F286544-1	SPRING, TILT STOP	23	30	F404908	GROUND WIRE	11	35
F286571	ROLLER SET, MAIN BEARING (26 PER SET)	21	42	F40717	THRUST WASHER BEVEL GEAR	31	41
F286573-1	CLAMP, STEERING HANDLE	25	74	F409251-1	GAUGE CAP	33	10
F286585-1	DECAL, TILT RELEASE	27	110	F424075	HANDLE, CLAMP SCREW	23	33
F286611-1	ROD, GEAR SHIFT	3	37	F424161	REED STOP	17	43
F286614	HANDLE, GEAR SHIFT	3	23	F424168-1	GASKET, MANIFOLD	17	41
F286615	GEAR SHIFT ROD, UPPER	29	2	F424168-1	GASKET, MANIFOLD	21	-
F286647	CARRYING HANDLE	23	32	F429472	GASKET, CYLINDER DRAIN COVER	19	9
F286685	CONNECTOR, GEAR SHIFT ROD	3	36	F429472	GASKET, CYLINDER DRAIN COVER	21	-
F286777	CAM, COVER LATCH	3	29	F429541	TILT LOCK	23	28
				F429688	SHAFT, STEERING HANDLE	23	10

PARTS INDEX

Part Number	Description	Pg.	Ref. No.	Part Number	Description	Pg.	Ref. No.
F429811	SCREEN	21	57	F510661	PAD, STARTER MOTOR	5	48
F430732	HEX HD SCREW, 5/16 - 18 X 1 1/4	29	15	F510669	NUT, INTERLOCK SWITCH AND STARTER SWITCH	11	22
F431061-2	CARBURETOR - COMPLETE (CO-7C)	17	47	F510675-1	STARTER SUPPORT	3	10
F431838	MAGNETO CONTROL SHAFT	25	94	F510675-1	STARTER SUPPORT	11	10
F435555	SEAL, GEAR HOUSING, LOWER	29	25	F510683	WIRE, RECTIFIER - CIRCUIT BREAKER	13	48
F436065	IMPELLER	31	-	F510746	FUEL PUMP COVER	7	10
F436065-1	WATER PUMP IMPELLER	29	9	F510811	FILTER, FUEL PUMP	7	16
F436449	SHORTING SWITCH	11	17	F510841	WIRE, STARTER INTERLOCK SWITCH	11	12
F455118	SEAL, FUEL PUMP BRACKET	7	1	F510908	WIRE, GROUND	11	15
F458250	BEARING CUP	29	34	F510918	STARTER SWITCH	11	19
F458498	KEY, FLYWHEEL	13	49	F510955	STARTER MOTOR - COMPLETE	9	-
F458677	INSERT, CHOKE KNOB	3	27	F516349	REVERSE LOCK	25	56
F458695	SLEEVE	27	99	F516552	SCREW, STEERING LOCK BRACKET	27	105
F461342	SEAL, DRIVESHAFT SPLINE	21	58	F516584	GUIDE, SPRING DETENT	29	19
F474143	BEARING, BEVEL GEAR REAR	31	43	F516662	GEAR, BEVEL, REAR	31	42
F474225	BEARING, PROPELLER SHAFT REVERSE THRUST	31	45	F516677	SPACER, REVERSE LOCK	27	102
F476	FUEL LINE ADAPTION KIT	40	-	F516697	NUT, STEERING LOCK BRACKET	27	104
F485755-1	FUEL TANK ADAPTER	33	8	F516704-1	COUPLING SHIFT ROD	29	12
F487660-1	EXHAUST TUBE	19	27	F516705	GEAR SHIFT ROD, LOWER	29	14
F487711	PLATE, ENGINE COVER	5	44	F516885	PLUG, SPRING HOLDING	29	21
F487816	BEARING, STEERING HANDLE	23	18	F516895	SPRING, SHIFT DETENT	29	20
F492417	SHAFT, GEAR SHIFT HANDLE	5	45	F517078	BRACKET, LOCK STEERING	27	103
F492518	HEAD, CYLINDER	19	3	F517125	COUPLING, DRIVESHAFT	29	26
F492619	LEVER, GEAR SHIFT SHAFT	3	35	F517273	TIE BAR	27	101
F493683	WIRE	11	40	F517347	SHOCK MOUNT UPPER	25	83
F498618	SEAL "O" RING	29	32	F517400	DECAL, SHIFT - USA	5	46
F498891	GEAR SHIFT ARM PIN	29	31	F517977-1	LEVER, INTERLOCK	21	54
F50109	GEAR HOUSING PLUG	29	18	F525286	WASHER	27	96
F510029	STATOR, TRIGGER	11	34	F536813	BEARING, REVERSE LOCK INTERMEDIATE LEVER	27	111
F510095	STATOR, ALTERNATOR	11	33	F53795-1	SEAL, STEERING HANDLE GRIP DAMPENER	23	22
F510097	FLYWHEEL	11	31	F539896	CABLE BATTERY EXTENSION	13	51
F510165	SCREW	19	5A	F540180	TRIM, ENGINE COVER, REAR	3	4
F510222	COVER, TRANSFER PORT	19	6	F540896	BATTERY CABLE	11	39
F510288	NUT, SHORTING SWITCH	11	16	F55914	SEAL	31	-
F510301	C-D MODULE	13	46	F569392	DECAL, HI-THRUST	5	49
F510374	DECAL, CIRCUIT BREAKER	11	28	F596	CHRYSLER OUTBOARD OIL	40	-
F510398	DECAL, WIRING	11	7	F597	CHRYSLER OUTBOARD GEAR LUBE	40	-
F510427	BRACKET, STARTER SUPPORT	7	2	F5H013	FLUSHING ADAPTER	40	-
F510446	CLAMP, BATTERY CABLE	11	38	F5H027	FUEL TANK	33	9
F510449	NEUTRAL INTERLOCK SWITCH	13	47	F5H027	STEEL, 6 GALLON FUEL TANK W/HOSE	40	-
F510450-1	RECTIFIER	11	23	F5H054	REMOTE STEERING BRACKET	40	-
F510460	CIRCUIT BREAKER	11	27	F5H062	WATER PUMP KIT	40	-
F510475	IGNITION COIL	11	3	F5H088	REMOTE CONTROL CONVERSION KIT	40	-
F510531	ROD, INTERLOCK	21	52	F5H090	REMOTE START KIT	40	-
F510540	BRACKET, STARTER SWITCH	11	21	F5H130	SYNCHRO-DRIVE CONTROL BOX (SINGLE LEVER)	40	-
F510551	BRACKET, INTERLOCK SWITCH	21	60				
F510595	INSULATOR, CIRCUIT BREAKER	13	41				

PARTS INDEX

Part Number	Description	Pg.	Ref. No.	Part Number	Description	Pg.	Ref. No.
F5H131	PORT SIDE DECAL KIT	40	-	F98273	STUD, GEAR SHIFT ROD CONNECTOR	3	12
F5H134	BOAT WHITE LACQUER . . .	40	-	F99521-1	CLUTCH	31	37
F66193	THROTTLE LINK	15	3	FA174260	PISTON RING SET (2 PER SET)	19	19
F66480	STUD CLAMP SCREW	23	37	FA1844	HEX BOLT, 1/4 - 20 X 2 3/8	25	47
F7005	STOP NUT, 3/8 - 16	23	39	FA286113	LOCK BAR W/HANDLE AND SPRING	23	40
F7006	NUT, STOP, 5/16 - 18	3	30	FA286155	MAIN BEARING LINER SET (2 PER SET)	21	41
F7008	STOP NUT, 1/4 - 20	21	55	FA286469	KNOB, COVER LATCH	3	26
F7011	NUT, ELASTIC STOP, 10 - 24	3	11	FA286480	RETAINER, ENGINE COVER.	3	9
F7011	NUT, STOP, 10 - 24	3	20	FA286547	KNOB, CHOKE, INCLUDES ROD AND RETAINER	3	28
F7024	LOCK NUT	27	107	FA286582	STEERING ARM W/SPRING PIN & BUMPER	25	90
F72H29	CHRYSLER OUTBOARD MULTI-PURPOSE GREASE	40	-	FA341510	LINK, REVERSE LOCK LEVER	25	60
F72H30	CHRYSLER OUTBOARD GREASE GUN	40	-	FA343178	RETAINER W/SET SCREW	23	4
F73082	RING, MAGNETO STATOR	21	44	FA36016-4	ROD, CONNECTING W/CAP AND SCREWS, CRANKPIN ROLLER AND CAGE	19	17
F78318	ROLLER, THROTTLE CAM FOLLOWER	15	35	FA387742	LEVER, REVERSE LOCK INTERMEDIATE ASSEMBLY	25	69
F78410	RETAINER	15	36	FA424158	REED PLATE W/REEDS, STOPS AND SCREWS	17	45
F8003	PLAIN WASHER	7	6	FA429471	COVER, CYLINDER DRAIN W/CHECK VALVES AND SCREWS	19	8
F8025	PLAIN WASHER	19	2	FA458137	GRIP, STEERING HANDLE W/SLEEVE	23	1
F8039	PLAIN WASHER	23	23	FA474098	PROPELLER SHAFT	31	40
F8048	WASHER, BOWED SPRING	3	21	FA504060	WATER PUMP BODY W/WATER PUMP SEAL	29	6
F8058	INTERNAL TOOTH LOCKWASHER	23	19	FA510010	CYLINDER	19	12
F8058	LOCKWASHER, INTERNAL TOOTH	3	13	FA510038	PLATE, SUPPORT, INCLUDING PLUGS	3	19
F8060	EXTERNAL TOOTH LOCKWASHER	25	92	FA510497	TERMINAL BLOCK	11	11
F8065	LOCKWASHER	29	24	FA510711	PLATE, FRONT - USA	3	25
F8077	NYLTITE WASHER	29	17	FA510914	SEAL, INLET WATER LINE	29	5
F8083	SPRING LOCKWASHER	13	45	FA516054	GEAR HOUSING LOWER W/PLUG, WASHER AND BEARING CUP	29	33
F8083	SPRING LOCKWASHER	25	47A	FA516485	ANTICORROSION ANODE	31	55
F84026	SWIVEL, INTERLOCK ROD BEARING	21	50	FA525228	ROLLER SET, CONNECTING ROD (16 PER SET)	19	21
F84035-2	BEARING, INTERLOCK ROD	21	49	FA525241	CRANKPIN ROLLER BEARING CAGE	19	20
F8537	SPRING PIN	23	36	FA538395	PLATE, IDENTIFICATION, INCLUDES SCREWS	3	32
F8538	SPRING PIN	25	70	FA540528	DECAL, ENGINE COVER, REAR	5	43
F8538	SPRING PIN	27	98	FA540892	DECAL, ENGINE COVER, FRONT	3	1
F8540	PIN, SPRING	3	34	FA569396	DECAL, "CHRYSLER" - STARBOARD	3	-
F8540	SPRING PIN	23	41	FA569397	DECAL, "CHRYSLER" PORT	3	7
F8540	SPRING PIN	29	13	FA84754-1	FUEL LINE SHORT W/FERRULE	33	5
F8540	SPRING PIN	29	13				
F8542	SPRING PIN	3	16				
F8542	SPRING PIN	29	1				
F8542	SPRING PIN	29	1				
F8548	SPRING PIN	27	100				
F8554	SPRING PIN	23	35				
F8559	DOWEL PIN	19	14				
F85610	BEARING	23	2				
F85735-1	SEAL	3	2				
F901307-2	SEAL	29	4				
F901307-2	SEAL, WATER LINE UPPER	25	81				
F901456-1	EMERGENCY STARTER COLLAR	11	30				
F901563	DRIVE PIN	31	-				
F901563	WATER PUMP IMPELLER DRIVE PIN	29	8				
F901938-1	SCREW, CYLINDER HEAD	19	1				
F90619-1	YOKE	29	27				
F90871-3	GEAR SHIFT ARM PIN	31	39				
F92759	ROLLER	5	41				

PARTS INDEX

Part Number	Description	Pg.	Ref. No.	Part Number	Description	Pg.	Ref. No.
FA94094-2	PROPELLER NUT W/SEAL & COTTER PIN	31	51	FO16027	BYPASS TUBE	15	7
FC409398	DECAL, TOTE TANK - CANADA (NOT SHOWN)	33	-	FO16098	THROTTLE SHUTTER	15	30
FC503227	SPARK PLUG (QL-77J4) CANADA	19	-	FO2510	FUEL BOWL RETAINING SCREW GASKET	15	21
FC510374	DECAL, CIRCUIT BREAKER - CANADA	11	-	FO2531	BODY CHANNEL WELCH PLUG	15	5
FC510398	DECAL, WIRING - CANADA	11	-	FO4784	CHOKE FRICTION BALL	15	8
FC510711	PLATE, FRONT - CANADA	3	-	FO8805	CHOKE FRICTION SPRING	15	9
FC516054	GEAR HOUSING - COMPLETE. (NOT SHOWN)	29	-	FO8942	THROTTLE SHUTTER RETAINING SCREW AND LOCKWASHER	15	31
FC517400	DECAL, SHIFT - CANADA	5	-	FP278	PROPELLER NUT W/SEAL & COTTER PIN	31	50
FC520390	DECAL, STARTER - CANADA (NOT SHOWN)	9	-	FS174227	PLUG, SPARK L-4-J	19	11
FG1005-1	GASKET SET.	21	62	FS409752	FUEL LINE - COMPLETE (NOT SHOWN)	33	-
FK1031	WATER PUMP KIT	31	58	FS541712	COVER, ENGINE W/BRACKET, RETAINER AND TILT HANDLE	3	6
FK1064	GEAR HOUSING SEAL KIT.	31	57	FT2907	SEAL INSTALLER	36	-
FK247	PROPELLER PIN (PACK OF 6 W/COTTER PIN)	31	54	FT2908	SEAL SLEEVE	35	-
FK504060	BODY, WATER PUMP	31	-	FT2909	KNOCK-OFF NUT	34	-
FK517032	STERN BRACKET W/CLAMP SCREW AND FOOT	23	25	FT2954A	TEST WHEEL	37	-
FK567532	STERN BRACKET PORT W/CLAMP SCREW AND FOOT	23	31	FT2961	LUBRICANT - RYKON #2EP	38	-
FK750-3	SPARKIE W/SPRING	11	6	FT2962-1	SEALANT - 50 CC LOCTITE H. NON-HARDENING GRADE	38	-
FO10165	INLET SEAT GASKET	15	25	FT2963-1	SEALANT - 2 OZ. LOCTITE D. HARDENING GRADE	38	-
FO10280	CHOKE SHUTTER RETAINER SCREW AND LOCKWASHER	15	15	FT2987	LUBRICANT - ANTI-SEIZE	38	-
FO10588	BODY CHANNEL CUP PLUG	15	6	FT2989	FLYWHEEL WEDGE	34	-
FO10790	INLET NEEDLE, SEAT AND GASKET	15	24	FT2997	RING COMPRESSOR	35	-
FO11103	IDLE MIXTURE SCREW SPRING	15	23	FT3012	SEAL INSTALLER	35	-
FO12101	JET MAIN FUEL JET STD. .045 SEA LEVEL - 3000 FT.	15	26	FT8901	INDICATOR HOLDER	36	-
FO12284	MAIN FUEL JET OPT. .043 3000 FT. - 6000 FT.	15	-	FT8902	DIAL INDICATOR	36	-
FO12370	MAIN FUEL JET OPT. .041 6000 FT. - & UP,	15	ED.	FT8904	FORWARD CUP INSTALLER	36	-
FO13554	FLOAT	15	16	FT8907	DRIVER HANDLE	36	-
FO13944	FLOAT LEVER PIN	15	17	FT8918	BEARING GUIDE SET	36	-
FO13945	FUEL BOWL RETAINING SCREW	15	20	FT8919	SPRING PIN PUNCH	36	-
FO15366	FUEL BOWL	15	18	FT8920	BEARING INSTALLER	36	-
FO15367	CHOKE SHUTTER	15	14	FT8921	CUP REMOVER	36	-
FO15368	CHOKE RELIEF VALVE	15	12	FT8924-1	CHECKING GAUGE	36	-
FO15520	IDLE MIXTURE SCREW	15	22	FT8926	RING EXPANDER	35	-
FO15525	MAIN NOZZLE	15	27	FT8929	ADAPTER AND HEX BIT	35	-
FO15526	THROTTLE SHAFT RETURN SPRING	15	29	FT8935	SEALANT PRIMER - 6 OZ.	38	-
FO15623	FUEL BOWL GASKET	15	19	FT8936	SEALANT - 2 CC LOCTITE RETAINING COMPOUND #75	38	-
FO15718	THROTTLE SHAFT AND LEVER	15	28	FT8948-1	PULLER	36	-
FO15736	CHOKE SHAFT AND LEVER	15	10	FT8949	SEAL INSTALLER	35	-
FO15783	CHOKE RELIEF VALVE SPRING	15	13	FT8950	LEAKAGE TESTER	37	-
				FT8953	C-D TESTER	37	-
				FT8957	SEAL INSTALLER	36	-
				FT8969	LUBRICANT - 7 OZ. 2 PSI LUBRICANT	38	-
				FT8982	SHIM ADAPTER	36	-
				FT8983	SEALANT	38	-
				FT8985	SEAL INSTALLER	36	-
				FT8995	SHIM SPACER	36	-
				FT8996	IGNITION TESTER	37	-

PARTS INDEX

Part Number	Description	Pg.	Ref. No.	Part Number	Description	Pg.	Ref. No.
T11211	BOAT WHITE	39	-				
T11212	BOAT BLACK	39	-				
T11229	SAND TAN	39	-				
T3413	SEAL INSTALLER	36	-				
22-818103--1	FITTING, FUEL PUMP	7	11				
27-818043A1	FUEL PUMP DIAPHRAGM W/GASKETS	7	4				
32-817738A1	FUEL LINE, LONG W/CLAMP AND FERRULE	33	7				
37-F286585-2	DECAL, TILT RELEASE- CANADA	27	-				
37-F286894-3	SPEED CONTROL INDICATOR - CANADA ...	27	-				
43-818009--1	GEAR, MAGNETO CONTROL SHAFT	23	7				
43-818009--1	GEAR, STEERING HANDLE SHAFT	23	5				
400-818047A3	CRANKSHAFT W/UPPER MAIN BEARING	21	43				
800-817904A1	SHORT BLOCK (NOT SHOWN)	19	-				
1100-817753A1	CAGE, CRANKSHAFT BEARING W/SEAL	21	46				
1400-817750A4	SWIVEL BRACKET W/GREASE FITTING	25	75				
1600-817844A3	GEAR HOUSING UPPER W/BEARING, SEALS WASHER, PLUG AND ANODE	29	16				