



PARTS CATALOG

45 H.P

SERIAL NUMBER

45 (1980)456B0L
45 (1980)456H0L
45 (1980)457B0L
45 (1980)457H0L
45 (1980)459B0J
45 (1980)459B0JN
45 (1980)459H0J
45 (1980)459H0JN

TABLE OF CONTENTS:

ACCESSORIES	55
ALTERNATOR AND ELECTRICAL COMPONENTS	10
CARBURETOR	18
CRANKSHAFT AND PISTON GROUP	28
ELECTRIC STARTER	14
ENGINE COVER AND SUPPORT PLATE	2
ENGINE COVER AND SUPPORT PLATE (MODEL 459HOJ AND 459BOJ)	6
FUEL PUMP	16
FUEL TANK AND LINE	42
GEAR HOUSING	38
MOTOR LEG	32
PARTS INDEX	58
POWER HEAD	22
REED PLATE	30
REMOTE CONTROL	44
SPECIAL TOOLS - LOWER UNIT	51
SPECIAL TOOLS - LUBRICANTS AND SEALANTS	53
SPECIAL TOOLS - MANUAL STARTER	49
SPECIAL TOOLS - POWER HEAD	50
SPECIAL TOOLS - REPAIR DECALS - ENGINE COVERS	54
SPECIAL TOOLS - TEST EQUIPMENT	52
SPECIAL TOOLS - TUNE-UP	48

NOTE: *Indented description indicate that these parts are included in preceding assembly.*

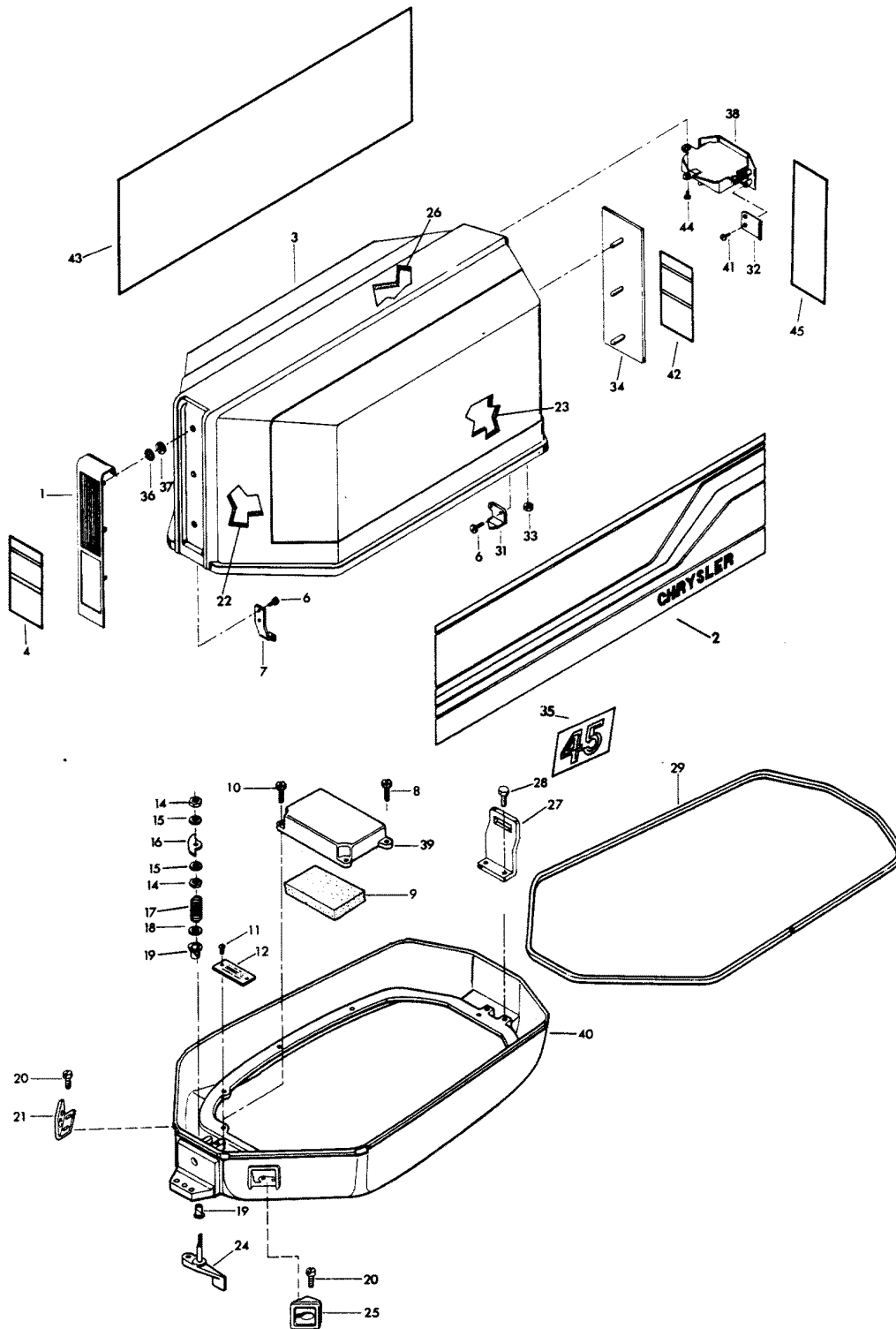
AR = As Required
OPT = Optional

NSS = Not Sold Separate
NS = Not Shown

THESE PARTS BOOKS/FICHE CARD ARE COPYRIGHTED AND MAY NOT BE DISTRIBUTED OR REPRODUCED IN ANY OTHER FORMAT BY ANYONE OTHER THAN MERCURY MARINE WITHOUT THE PRIOR WRITTEN CONSENT OF MERCURY MARINE.

THIS PAGE INTENTIONALLY LEFT BLANK

ENGINE COVER AND SUPPORT PLATE

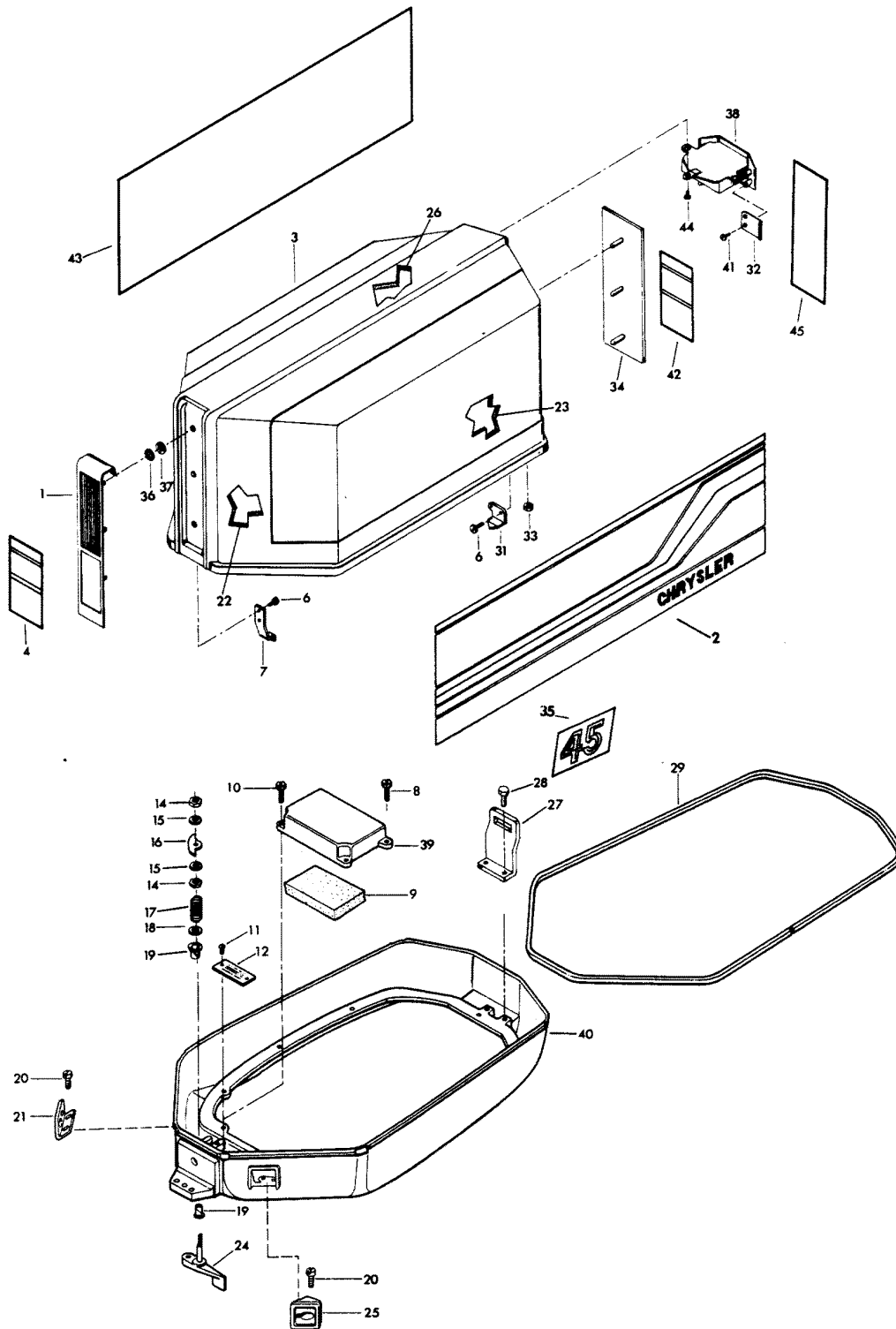


ENGINE COVER AND SUPPORT PLATE

REF. NO.	PART NO.	SYM.	QTY.	DESCRIPTION
1	F575711		1	PLATE, FRONT
2	FA575397		1	DECAL, ENGINE COVER - PORT W/LITERATURE
3	FS546712		1	ENGINE COVER, W/RETAINERS
-	2C575712		1	ENGINE COVER COMPLETE. INCLUDES ALL ITEMS MARKED WITH AN ASTERISK (*)
4	FA575892		1	DECAL, ENGINE COVER FRONT
6	F1475		4	FILL HD SCREW, 10 X 24 X 1/2
7	FA366778		1	ENGINE COVER RETAINER FORWARD W/SCREWS AND NUTS
8	F1535		2	HEX HD SCREW, 1/4 - 20 X 3/4
9	F307860		1	INTAKE SILENCER
10	F1532		2	HEX HD SCREW, 1/4 - 20 X 1
11	F1447		2	RD HD SCREW, 2 X 3/16
12	FA538395		1	IDENTIFICATION PLATE W/SCREWS - USA
14	F1515		2	HEX NUT, 5/16 - 18
15	F8096		2	SPRING LOCKWASHER
16	F89777-1		1	LATCH CAM
17	F183300		1	SPRING
18	F1987		1	PLAIN WASHER
19	F307818		2	BEARING, LATCH SHAFT
20	F1733		3	PAN HD SCREW, 10 - 24 X 9/16
21	F545189		1	BUSHING, CABLE ENTRY
22	F474992		1	BLANKET, SILENCER - FRONT
23	F465985		2	BLANKET, SILENCER - SIDE
24	FA328763		1	COVER LATCH HANDLE W/SHAFT
25	F549189		1	BUSHING ELECTRIC CABLE ENTRY
26	F311984-1		1	BLANKET, SILENCER - TOP
27	F458774		1	BRACKET RETAINER - REAR
28	F1535		8	HEX CAP SCREW, 1/4 - 20 X 3/4
29	F85756		1	SUPPORT PLATE PACKING
31	FA458480		1	ENGINE COVER RETAINER W/SCREWS AND NUTS
32	F463864		2	RETAINER, TILT HANDLE
33	F7011		4	HEX NUT, 10 - 24
34	F575180		1	TRIM, REAR
35	FA575386		2	DECAL, NUMERAL "45" W/LITERATURE
36	F85735-1		3	SEAL
37	F1753		3	FASTENER
38	F463269-1		1	TILT HANDLE
39	FA307779		1	BAFFLE, AIR INTAKE W/SILENCER
40	F307038		1	SUPPORT PLATE

CONTINUED ON NEXT PAGE ➡

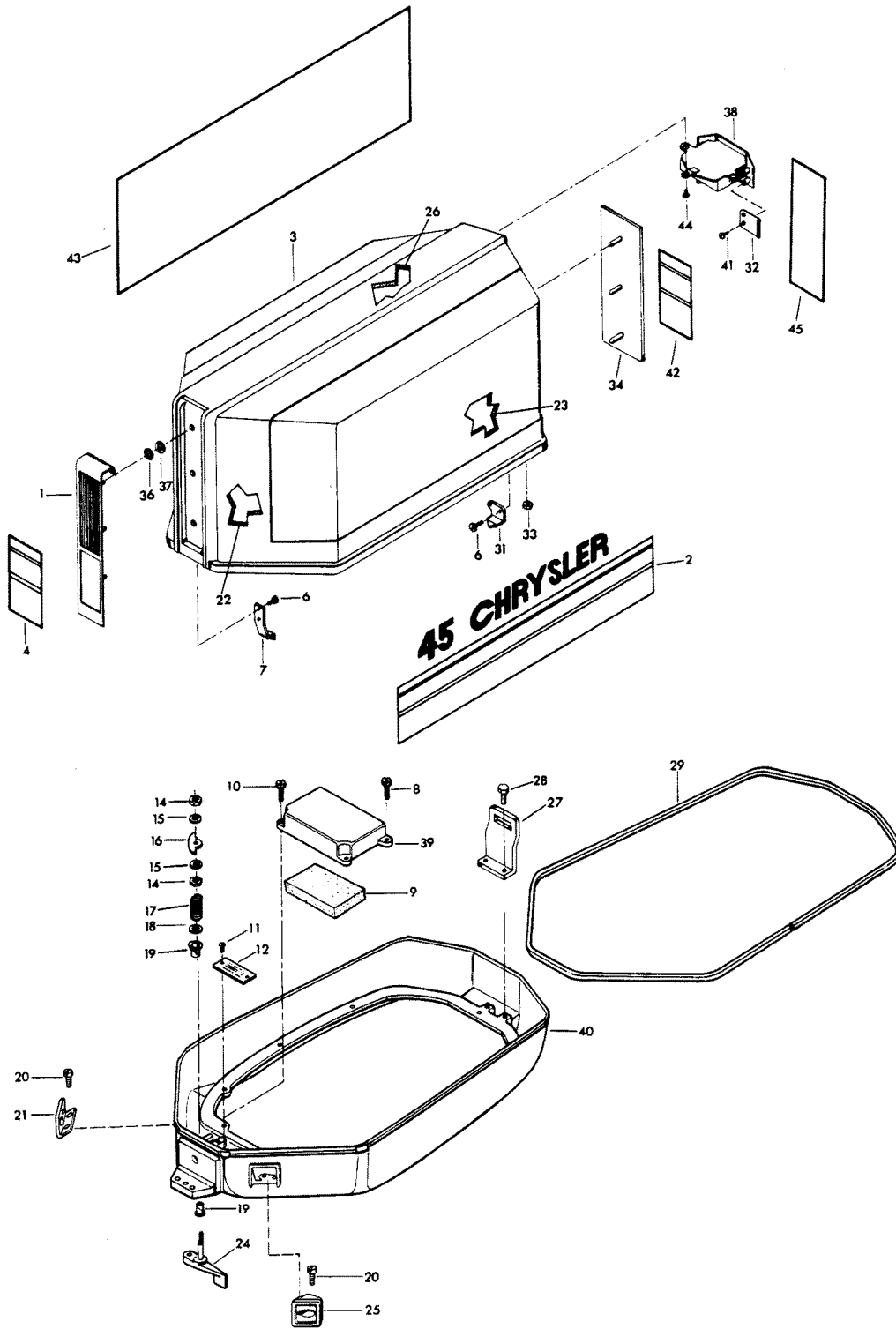
ENGINE COVER AND SUPPORT PLATE



ENGINE COVER AND SUPPORT PLATE

REF. NO.	PART NO.	SYM.	QTY.	DESCRIPTION
41	F2066		4	PAN HD SELF-TAPPING SCREW
42	FA575528		1	DECAL, ENGINE COVER - REAR W/LITERATURE (FOR ENGINE COVERS WITH REAR TRIM PLATE)
43	FA575396		1	DECAL, ENGINE COVER - STARBOARD W/LITERATURE
44	F2025		1	PAN HD SCREW, 10 X 5/8
45	FA486528		1	DECAL, TRIM REAR (FOR ENGINE COVERS WITHOUT REAR TRIM PLATE)

ENGINE COVER AND SUPPORT PLATE (MODEL 459HOJ AND 459BOJ)

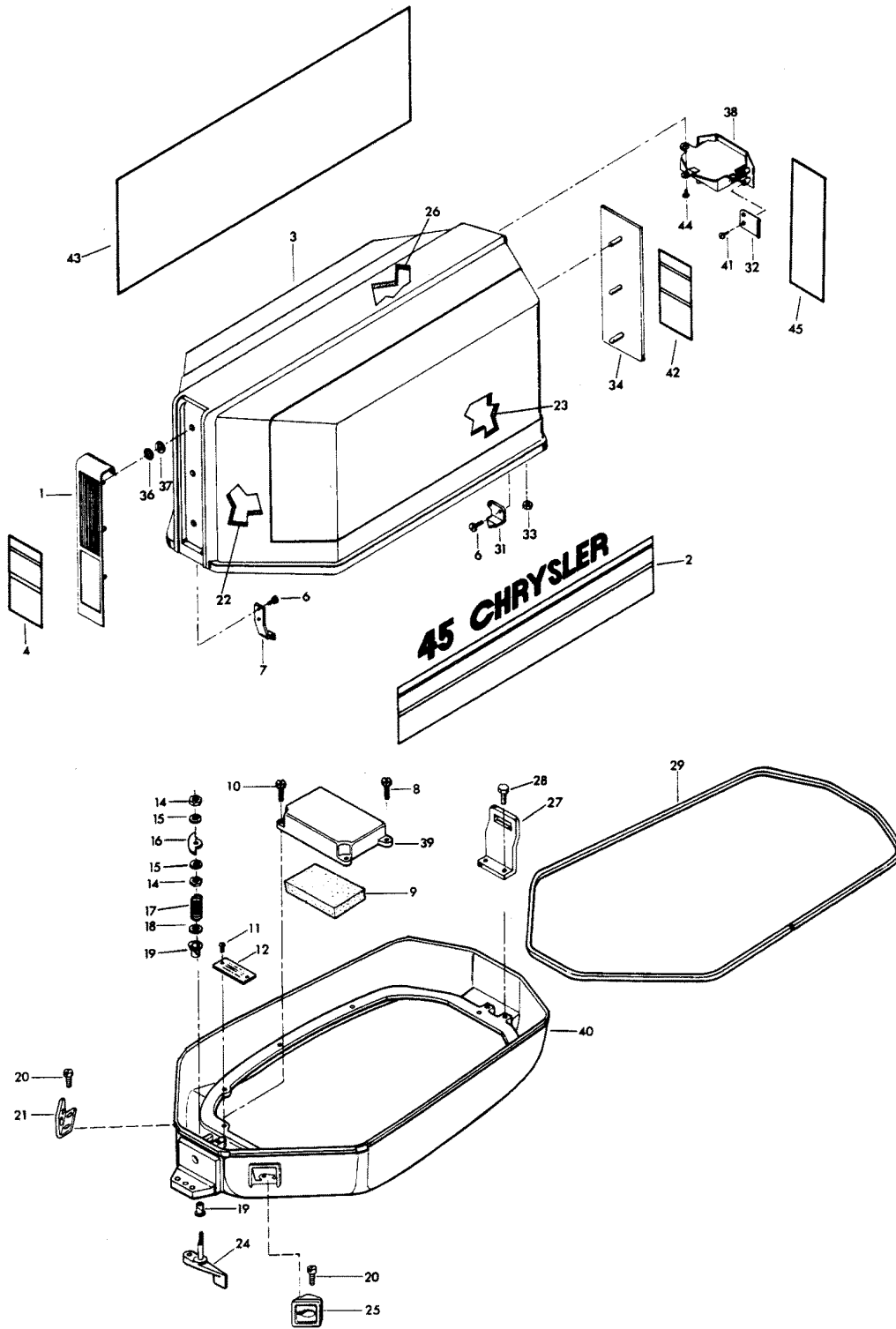


ENGINE COVER AND SUPPORT PLATE (MODEL 459HOJ AND 459BOJ)

REF. NO.	PART NO.	SYM.	QTY.	DESCRIPTION
1	F545711		1	PLATE, FRONT
2	FA576397		1	DECAL, ENGINE COVER - PORT W/LITERATURE
3	FS546712		1	ENGINE COVER W/RETAINERS
-	2C576712		1	ENGINE COVER COMPLETE. INCLUDES ALL ITEMS MARKED WITH AN ASTERISK (*)
4	A546892		1	DECAL, ENGINE COVER FRONT W/LITERATURE
6	F1475		4	FILL HD SCREW, 10 - 24 X 1/2
7	FA366778		1	ENGINE COVER RETAINER - FORWARD W/SCREWS AND NUTS
8	F1535		2	HEX HD SCREW, 1/4 - 20 X 3/4
9	F307860		1	INTAKE SILENCER
10	F1532		2	HEX HD SCREW, 1/4 - 20 X 1
11	F1447		2	RD HD SCREW, 2 X 3/16
12	FA538395		1	IDENTIFICATION PLATE W/SCREWS
14	F1515		2	HEX NUT, 5/16 - 18
15	F8096		2	SPRING LOCKWASHER
16	F89777-1		1	LATCH CAM
17	F183300		1	SPRING
18	F1987		1	PLAIN WASHER
19	F307818		2	BEARING, LATCH SHAFT
20	F1733		3	PAN HD SCREW, 10 - 24 X 9/16
21	F545189		1	BUSHING, CABLE ENTRY
22	F474992		1	BLANKET, SILENCER - FRONT
23	F465985		2	BLANKET, SILENCER - SIDE
24	FA328763		1	COVER LATCH HANDLE W/SHAFT
25	F549189		1	BUSHING - ELECTRIC CABLE ENTRY
26	F311984-1		1	BLANKET, SILENCER - TOP
27	F458774		1	BRACKET, RETAINER - REAR
28	F1535		8	HEX CAP SCREW, 1/4 - 20 X 3/4
29	F85756		1	SUPPORT PLATE PACKING
31	FA458480		1	ENGINE COVER RETAINER W/SCREWS AND NUTS
32	F463864		2	RETAINER, TILT HANDLE
33	F7011		4	HEX NUT, 10 - 24
34	F545180		1	TRIM, REAR
36	F85735-1		6	SEAL
37	F1753		6	FASTENER
38	F463269-1		1	TILT HANDLE
39	FA307779		1	BAFFLE, AIR INTAKE W/SILENCER
40	F307038		1	SUPPORT PLATE

CONTINUED ON NEXT PAGE ➡

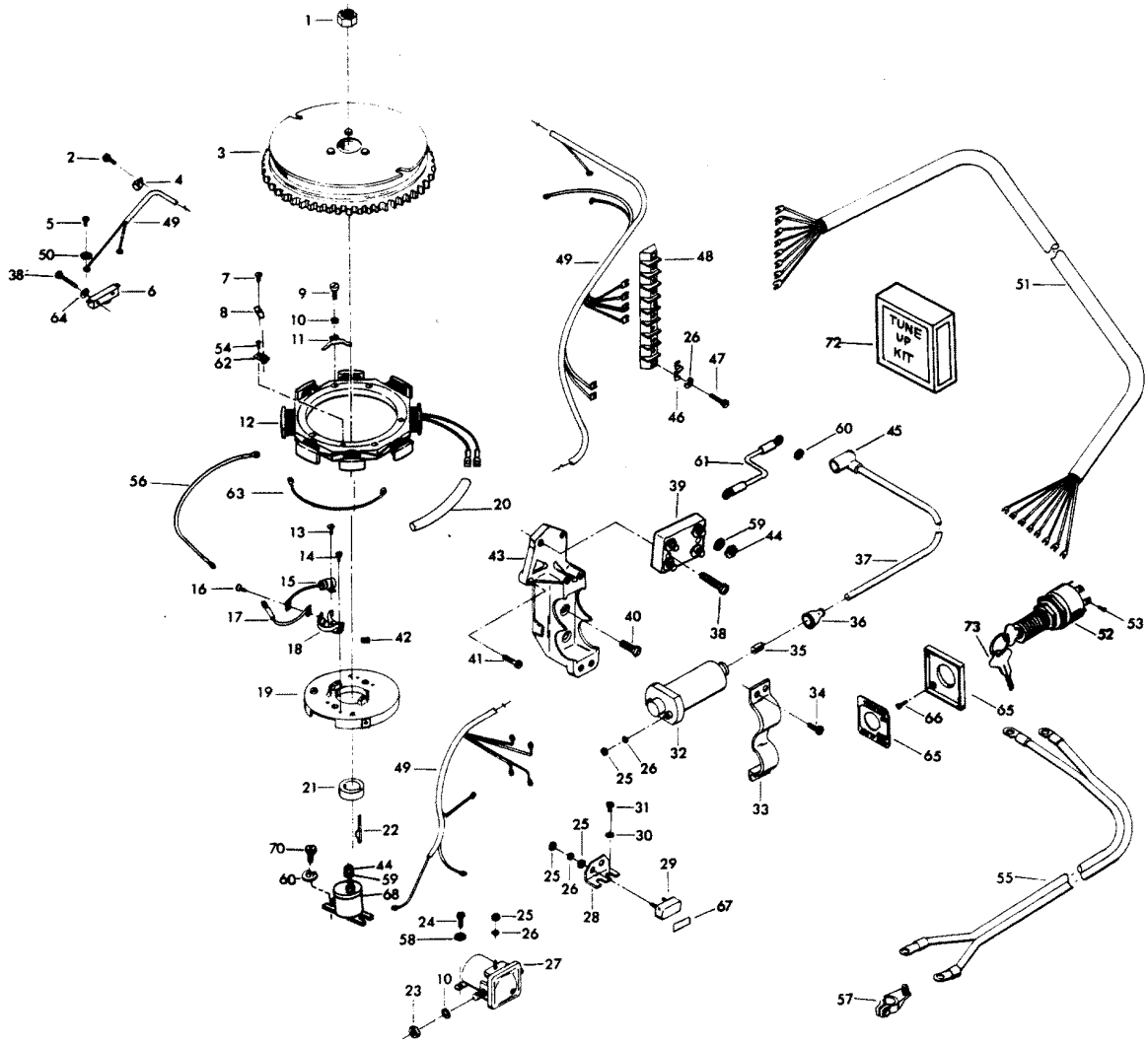
ENGINE COVER AND SUPPORT PLATE (MODEL 459HOJ AND 459BOJ)



ENGINE COVER AND SUPPORT PLATE (MODEL 459HOJ AND 459BOJ)

REF. NO.	PART NO.	SYM.	QTY.	DESCRIPTION
41	F2066		4	PAN HD SELF-TAPPING SCREW
42	A546528		1	DECAL, ENGINE COVER - REAR W/LITERATURE (FOR ENGINE COVERS WITH REAR TRIM PLATE)
43	FA576396		1	DECAL, ENGINE COVER - STARBOARD W/LITERATURE
44	F2025		1	PAN HD. SCREW, 10 X 5/8
45	A576528		1	DECAL, TRIM REAR (FOR ENGINE COVERS WITHOUT REAR TRIM PLATE)

ALTERNATOR AND ELECTRICAL COMPONENTS

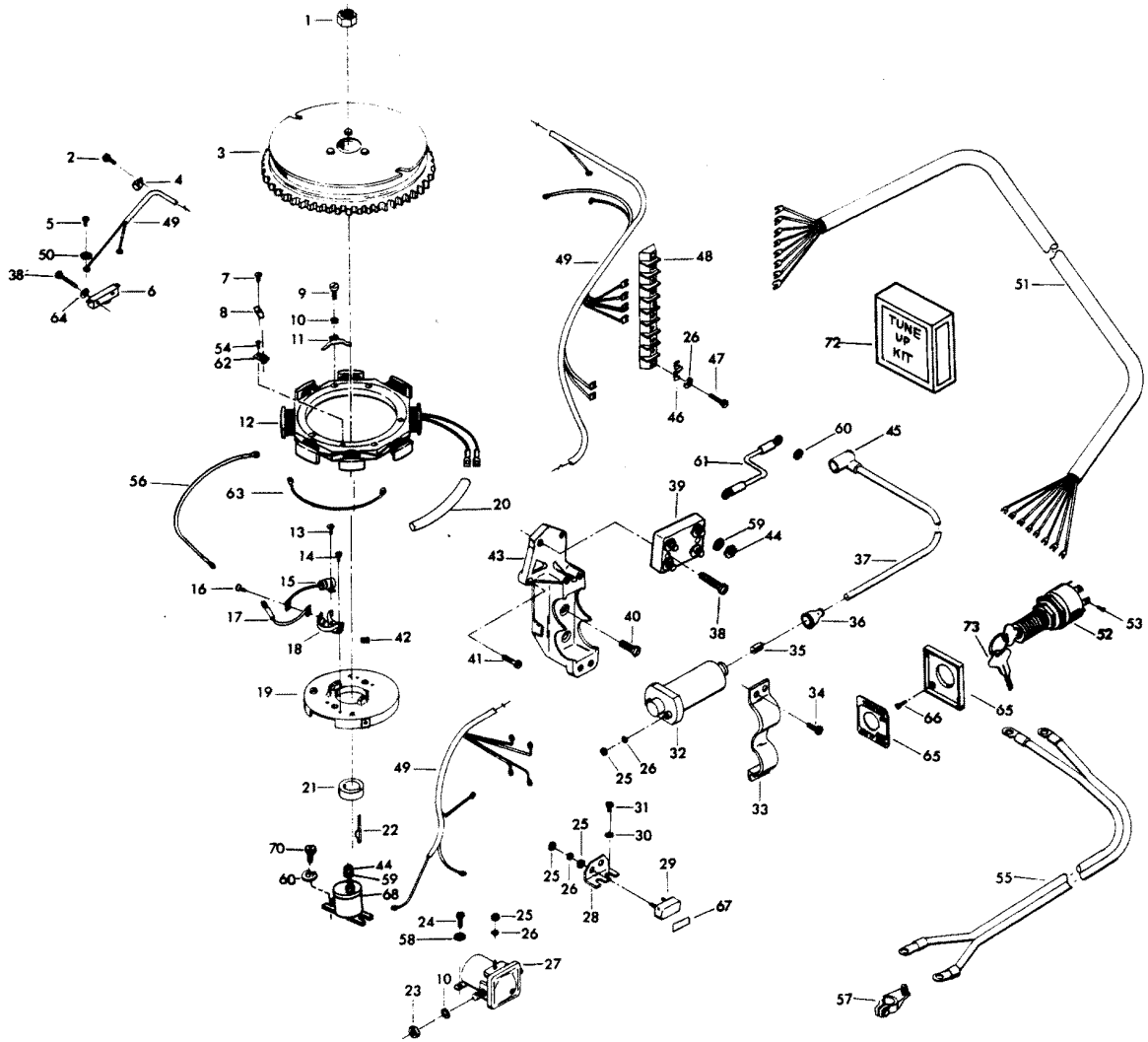


ALTERNATOR AND ELECTRICAL COMPONENTS

REF. NO.	PART NO.	SYM.	QTY.	DESCRIPTION
1	F1920		1	HEX NUT, 5/8 - 18
2	F1110		1	SLOTTED FILL HD SCREW, 1/4 - 20 X 5/8
3	F203097-5		1	FLYWHEEL
4	F92446		1	CLAMP
5	F1645		2	RD HD SELF-TAPPING SCREW, 6 - 32 X 1/4
6	F84449		1	NEUTRAL INTERLOCK SWITCH
7	F12167		2	SCREW
8	F12172		2	TERMINAL
9	F2071		3	HEX CAP SCREW, 5/16 - 18 X 1 3/8
10	F8096		5	SPRING LOCKWASHER
11	F466479		3	BREAKER PLATE SHOE
12	F466095		1	STATOR
13	F12083		2	CONDENSER MOUNT SCREW W/LOCKWASHER
14	F12090		4	BREAKER CONTACT SCREW
15	F12139-1		2	CONDENSER
16	F12189		2	CONDENSER MOUNT SCREW
17	F12174-1		2	PRIMARY INTERLEAD GROUP
18	F12329-2		2	BREAKER POINT SET
19	F12344		1	BREAKER PLATE
20	F94914		1	SLEEVE
21	F268002-2		1	CAM
22	F92498		1	KEY
23	F1615		2	HEX NUT, 5/16 - 24
24	F1238		2	FILL HD SCREW, 1/4 - 20 X 3/4
25	F1513		9	HEX NUT, 10 - 32
26	F1975		7	LOCKWASHER
27	F177917		1	STARTER RELAY
28	F91446-1		1	CIRCUIT BREAKER BRACKET
29	F510460		1	CIRCUIT BREAKER
30	F8011		2	PLAIN WASHER
31	F1733		2	PAN HD SCREW, 10 - 24 X 9/16
32	F380475		2	COIL
33	F380513		1	COIL CLAMP
34	F1540		4	HEX CAP SCREW, 1/4 - 20 X 5/8
35	F203673		2	TERMINAL CLIP
36	F203276		2	COIL BOOT
37	84-817765A2		2	COIL WIRE. INCLUDES ITEMS 35 AND 36 ORIGINAL FORCE P/N A 307664-1
-	F467841		2	COIL WIRE - CANADA
38	F2016		4	FILL HD SCREW, 8 - 32 X 7/8
39	F369450		1	RECTIFIER
40	F1164		2	FLAT HD SCREW, 5/16 - 18 X 1 1/8
41	F1532		1	HEX HD SCREW, 1/4 - 20 X 1

CONTINUED ON NEXT PAGE ➡

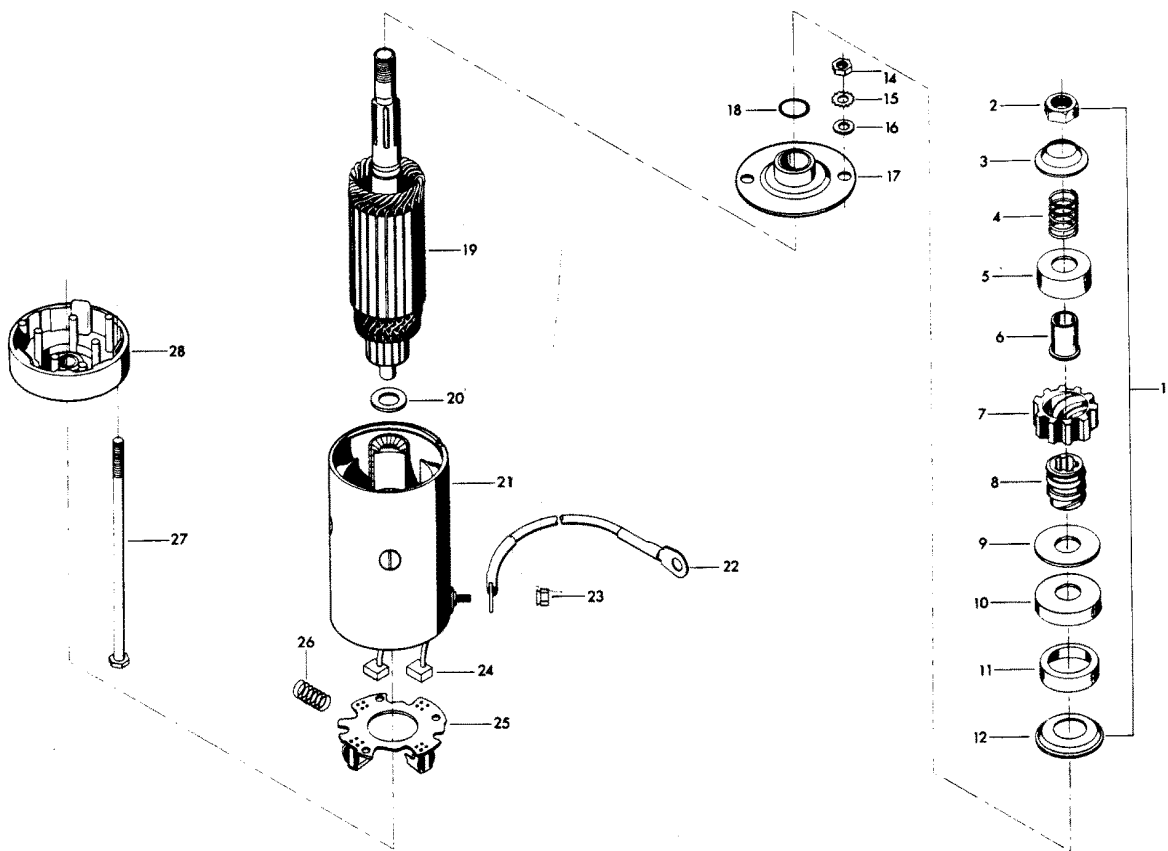
ALTERNATOR AND ELECTRICAL COMPONENTS



ALTERNATOR AND ELECTRICAL COMPONENTS

REF. NO.	PART NO.	SYM.	QTY.	DESCRIPTION
42	F12227		2	CAM WIPER - FELT
43	F380501		1	COIL MOUNT
44	F1647		5	HEX NUT, 8 - 32
45	FK750-3		2	SPARKIE KIT
46	F307317		1	CLIP, TERMINAL BLOCK - GROUND
47	F1974		2	SLOTTED PAN HD SCREW, 10 - 24 X 5/8
48	FA510497		1	TERMINAL BLOCK W/ILLUSTRATION 47 ORIGINAL FORCE P/N K 289497-2
49	F311744-2		1	WIRING HARNESS
50	F1704		2	INTERNAL TOOTH LOCKWASHER
51	F85843-1		1	ELECTRIC CONTROL CABLE
52	F5H078		1	IGNITION SWITCH (ACCESSORY ITEM)
53	F1280		5	PAN HD SCREW, 8 - 32 X 1/4
54	F1958		1	PAN HD SCREW, 6 X 7/16
55	F381896-4		1	BATTERY CABLE
56	F289664		1	WIRE STATOR GROUND
57	F5H041		1	BATTERY TERMINAL KIT (ACCESSORY ITEM)
58	F8094		1	PLAIN WASHER
59	F8056		6	SPRING LOCKWASHER
60	F8083		3	SPRING LOCKWASHER
61	F345683		1	WIRE - GROUND
62	F12172		2	TERMINAL COMPLETE. INCLUDES ITEMS 7 AND 8
63	F12338		1	GROUND WIRE
64	F8088		2	PLAIN WASHER
65	F5H038		1	IGNITION SWITCH MOUNTING KIT (ACCESSORY ITEM)
66	F1934		4	FLAT HD SLOTTED SCREW, 6 X 1/2
67	F510374-1		1	DECAL, CIRCUIT BREAKER
68	89-817760A2		1	CHOKE SOLENOID W/NUT, LOCKWASHER & TERMINAL
69	F307683		1	WIRE, CIRCUIT BREAKER
70	F1541		1	HEX HD SCREW, 1/4 - 20 X 5/8
71	F438398-1		1	DECAL, WIRING
-	FA27232		1	EMERGENCY STARTER ROPE (NOT SHOWN) WITH HANDLE
72	FK1075		1	TUNE-UP KIT. INCLUDES ALL ITEMS MARKED WITH AN ASTERISK (*)
73	FA368700		1	IGNITION KEY - NO LETTER OR STAMPED A
-	FB368700		1	IGNITION KEY - STAMPED B
-	FC368700		1	IGNITION KEY - STAMPED C
-	FD368700		1	IGNITION KEY - STAMPED D
-	FE368700		1	IGNITION KEY - STAMPED E

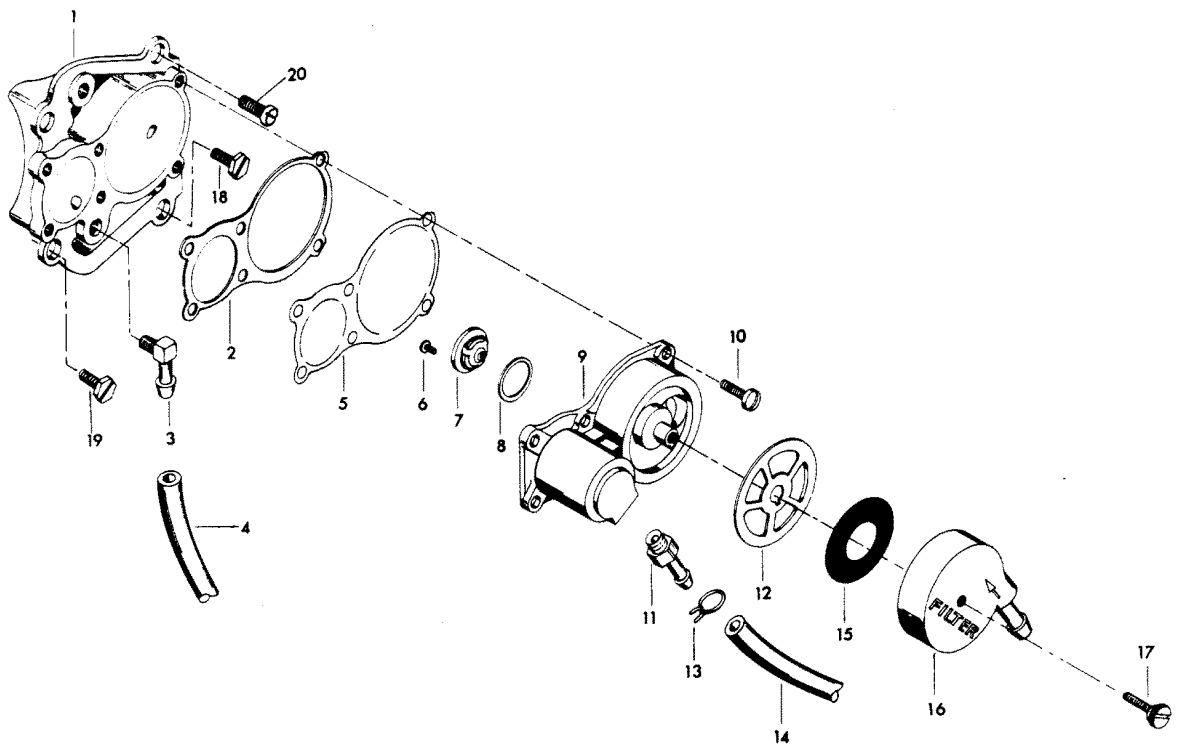
ELECTRIC STARTER



ELECTRIC STARTER

REF. NO.	PART NO.	SYM.	QTY.	DESCRIPTION
1	F15113		1	BENDIX DRIVE. (INCLUDES ILLUSTRATIONS 2 THRU 12)
2	F15087		1	NUT
3	F15109		1	STOP
4	F15088		1	SPRING
5	F15115		1	CUP, PINION
6	F15116		1	SLEEVE
7	F15114		1	PINION
8	F15084		1	SCREW SHAFT
9	F15091		1	WASHER
10	F15105		1	CUP
11	F15106		1	CUSHION
12	F15104		1	CUP, CUSHION THRUST
14	F1514		2	HEX NUT, 1/4 - 20
15	F8060		2	LOCKWASHER
16	F8028		2	PLAIN WASHER
17	F15021-1		1	HEAD ASSEMBLY, DRIVE END
18	F15000		1	SEAL, "O" RING
19	F15044		1	ARMATURE
20	F15073		1	THRUST WASHER PACKAGE
21	F15043		1	FRAME AND FIELD ASSEMBLY. INCLUDES ITEM 24
22	F307908		1	STARTER LEAD
23	FA15072		1	HEX LOCK NUT, 1/4 - 20
24	F15042		1	BRUSH SET
25	F15038-1		1	BRUSH PLATE AND HOLDER
26	F15034		1	SPRING SET
27	F15094		1	THRU BOLT PACKAGE (SET OF 2 BOLTS)
28	15037		1	HEAD ASSEMBLY, COMMUTATOR END
-	FA201955		1	STARTER MOTOR - COMPLETE (NOT SHOWN). INCLUDES ALL ITEMS MARKED WITH AN ASTERISK (*).
-	FC479390		1	DECAL, STARTER - CANADA (NOT SHOWN)

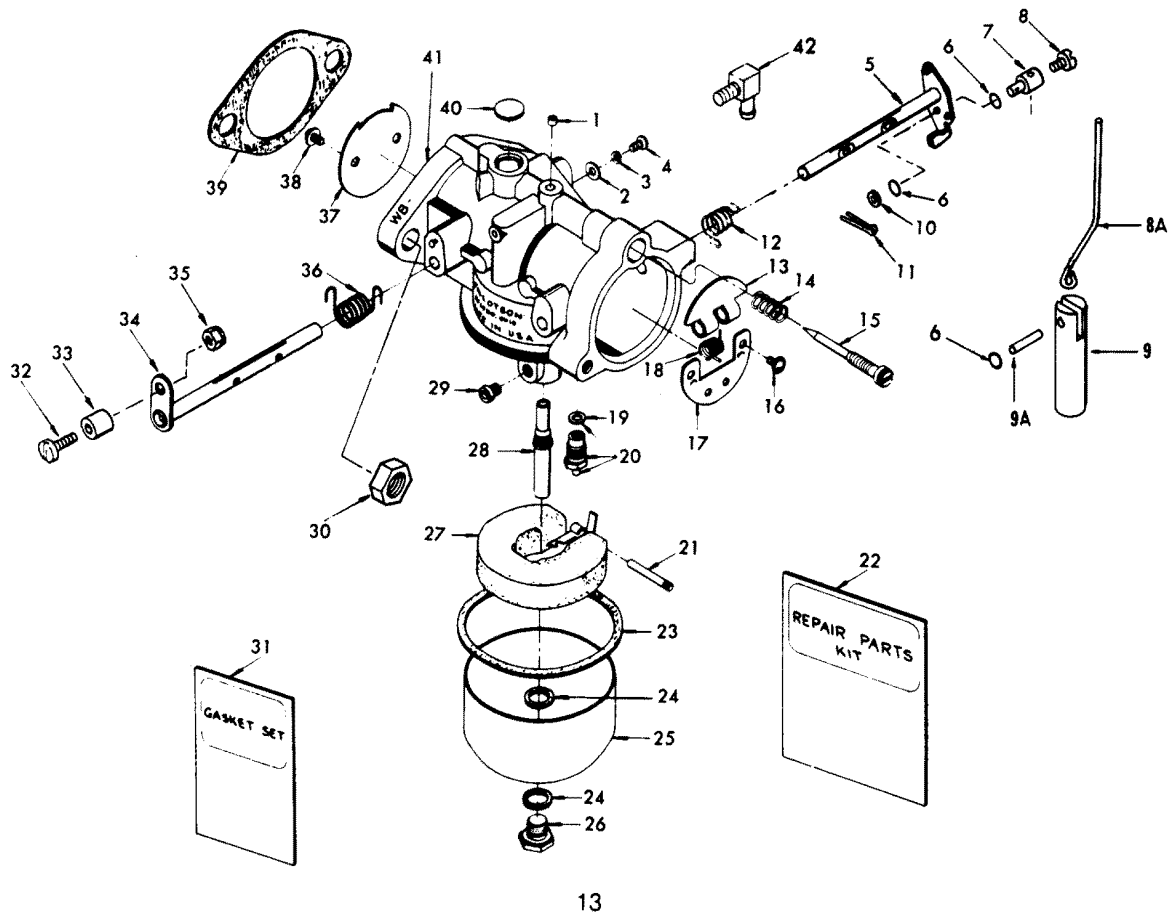
FUEL PUMP



FUEL PUMP

REF. NO.	PART NO.	SYM.	QTY.	DESCRIPTION
1	FA439746		1	FUEL PUMP COVER W/LITERATURE
2	F438760		1	FUEL PUMP GASKET
3	F84314-2		1	ELBOW
4	F434758		1	FUEL PUMP IMPULSE HOSE
5	F438747		1	FUEL PUMP DIAPHRAGM
6	F1860		2	SLOTTED BINDING HD SCREW, 6 - 32 X 1/4
7	F177330		3	FUEL PUMP VALVE
8	F84792		3	FUEL PUMP VALVE GASKET
9	FA438431		1	FUEL PUMP BODY W/ILLUSTRATION 6, 7 & 8
10	F1108		6	FILL HD SCREW W/SPRING LOCKWASHER, 1/4 - 20 X 3/4
11	F438801		1	ELBOW
12	F438617		1	FUEL SEDIMENT BOWL GASKET
13	F97772		2	FUEL LINE CLAMPS
14	F434754		1	FUEL LINE, PUMP TO CARBURETOR
15	F438653		1	FUEL PUMP SCREEN
16	F438500		1	FUEL SEDIMENT BOWL
17	F438165		1	SCREW, FUEL BOWL
18	F1540		1	HEX HD SCREW, 1/4 - 20 X 5/8
19	F1502		2	HEX HD SCREW, 1/4 - 20 X 5/8
20	F1110		1	SLOTTED FILL HD SCREW, 1/4 - 20 X 5/8

CARBURETOR

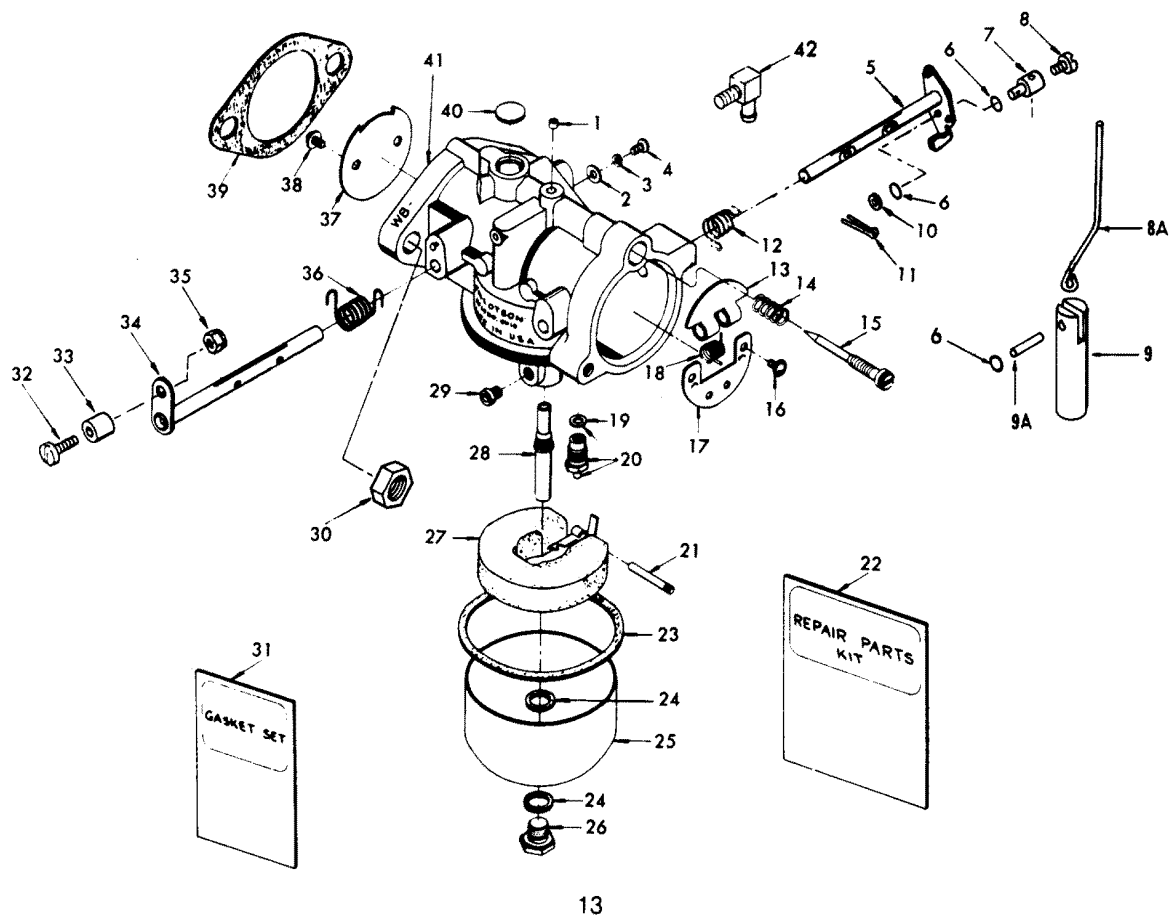


CARBURETOR

REF. NO.	PART NO.	SYM.	QTY.	DESCRIPTION
1	FO10588		1	BODY CHANNEL CUP PLUG
2	FO3804		1	THROTTLE SHAFT POSITION RETAINING SCREW WASHER
3	FO6396		1	THROTTLE SHAFT POSITION RETAINING SCREW LOCKWASHER
4	FO6393		1	THROTTLE SHAFT POSITION RETAINING SCREW
5	FO16383		1	CHOKE SHAFT AND LEVER
6	F184579		3	SEAL, CHOKE ARM SWIVEL
7	F184033-1		1	SWIVEL, CHOKE ROD
8	F1059		1	FILL HD SCREW, 6 - 32 X 1/4
8A	F452925		1	CHOKE SOLENOID ROD
9	F391926-1		1	CHOKE SOLENOID PLUNGER
9A	F2033		1	GROOVE PIN
10	F8088		2	PLAIN WASHER
11	F1014		1	COTTER PIN
12	FO16385		1	CHOKE SHAFT RETURN SPRING
13	FO15725		1	CHOKE RELIEF VALVE
14	FO11103		1	IDLE MIXTURE SCREW SPRING
15	FO13946		1	IDLE MIXTURE SCREW
16	FO10280		2	CHOKE SHUTTER RETAINING SCREW AND LOCKWASHER
17	FO15724		1	CHOKE SHUTTER
18	FO10883		1	CHOKE RELIEF VALVE SPRING
19	FO10165		1	INLET SEAT GASKET
20	FO10790		1	INLET NEEDLE, SEAT AND GASKET
21	FO13944		1	FLOAT LEVER PIN
22	F10057		1	REPAIR PARTS KIT. INCLUDES ALL ITEMS MARKED WITH AN ASTERISK (*)
23	FO15623		1	FUEL BOWL GASKET
24	FO2510		2	FUEL BOWL RETAINING SCREW GASKET
25	FO13552		1	FUEL BOWL
26	FO13945		1	FUEL BOWL RETAINING SCREW
27	FO13554		1	FLOAT
28	FO17355		1	MAIN NOZZLE
29	FO14302		1	MAIN FUEL JET .084 - STD.
-	FO14109		-	MAIN FUEL JET .082 - OPT. - 1250 - 3750 FT.
-	FO13194		-	MAIN FUEL JET .080 - OPT. - 3750 - 6250 FT.
-	FO14306		-	MAIN FUEL JET .078 - OPT. - 6250 - 8250 FT.
30	F1515		2	HEX NUT, 5/16 - 18
31	F10000		1	GASKET SET
32	F333316		1	THROTTLE ROLLER SHAFT
33	F92759		1	ROLLER
34	FO15728		1	THROTTLE SHAFT AND LEVER
35	F1997		1	STOP NUT, 8 - 32
36	FO14292		1	THROTTLE SHAFT RETURN SPRING
37	FO16340		1	THROTTLE SHUTTER

CONTINUED ON NEXT PAGE ➡

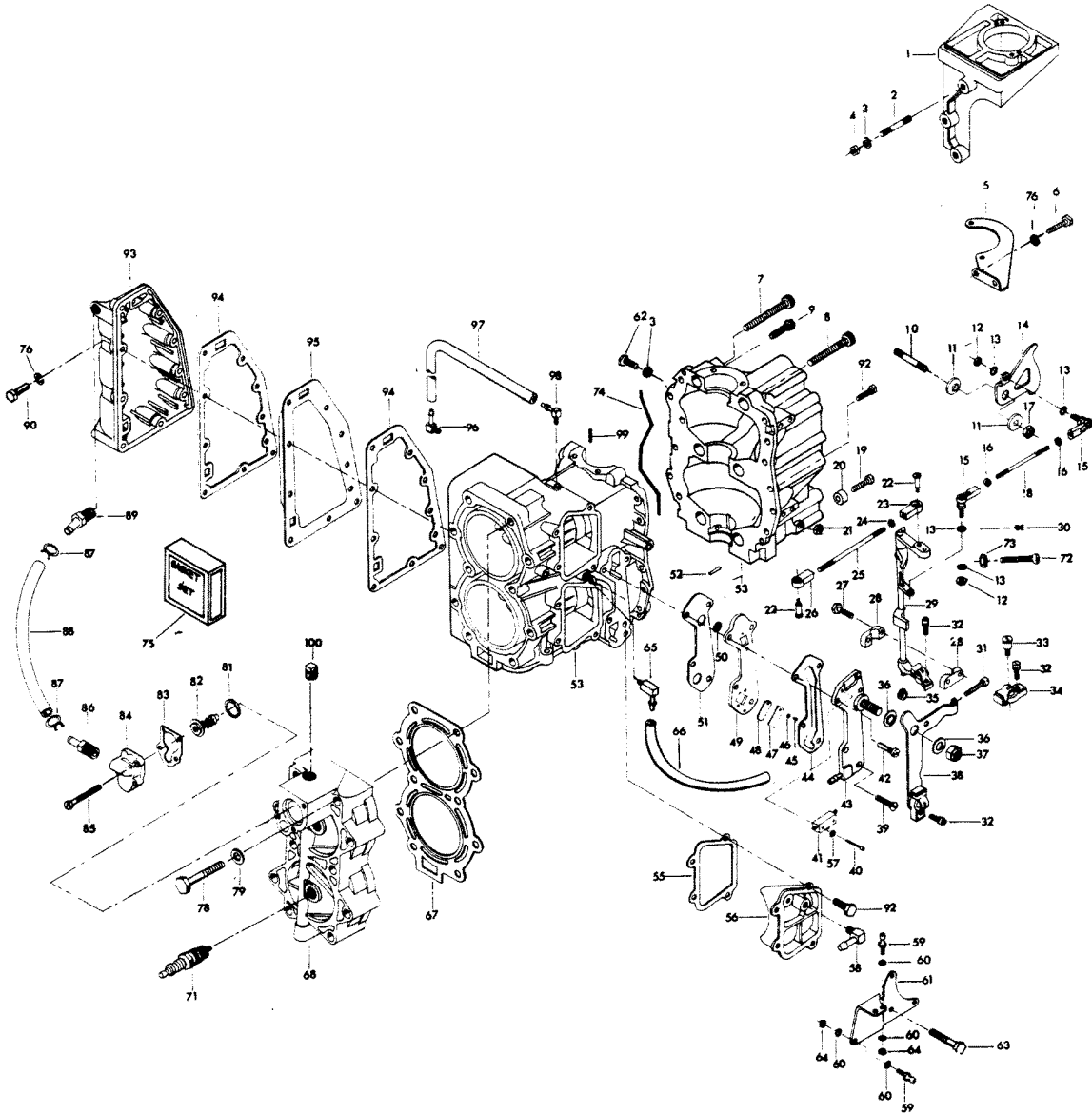
CARBURETOR



CARBURETOR

REF. NO.	PART NO.	SYM.	QTY.	DESCRIPTION
38	FO8942		2	THROTTLE SHUTTER RETAINING SCREW AND LOCKWASHER
39	F40906-1		1	FLANGE GASKET
40	FO4326		1	BODY CHANNEL WELCH PLUG
41	F434061-3		1	CARBURETOR - COMPLETE (WB16D)
42	F84314-2		1	ELBOW, FUEL LINE CARBURETOR

POWER HEAD

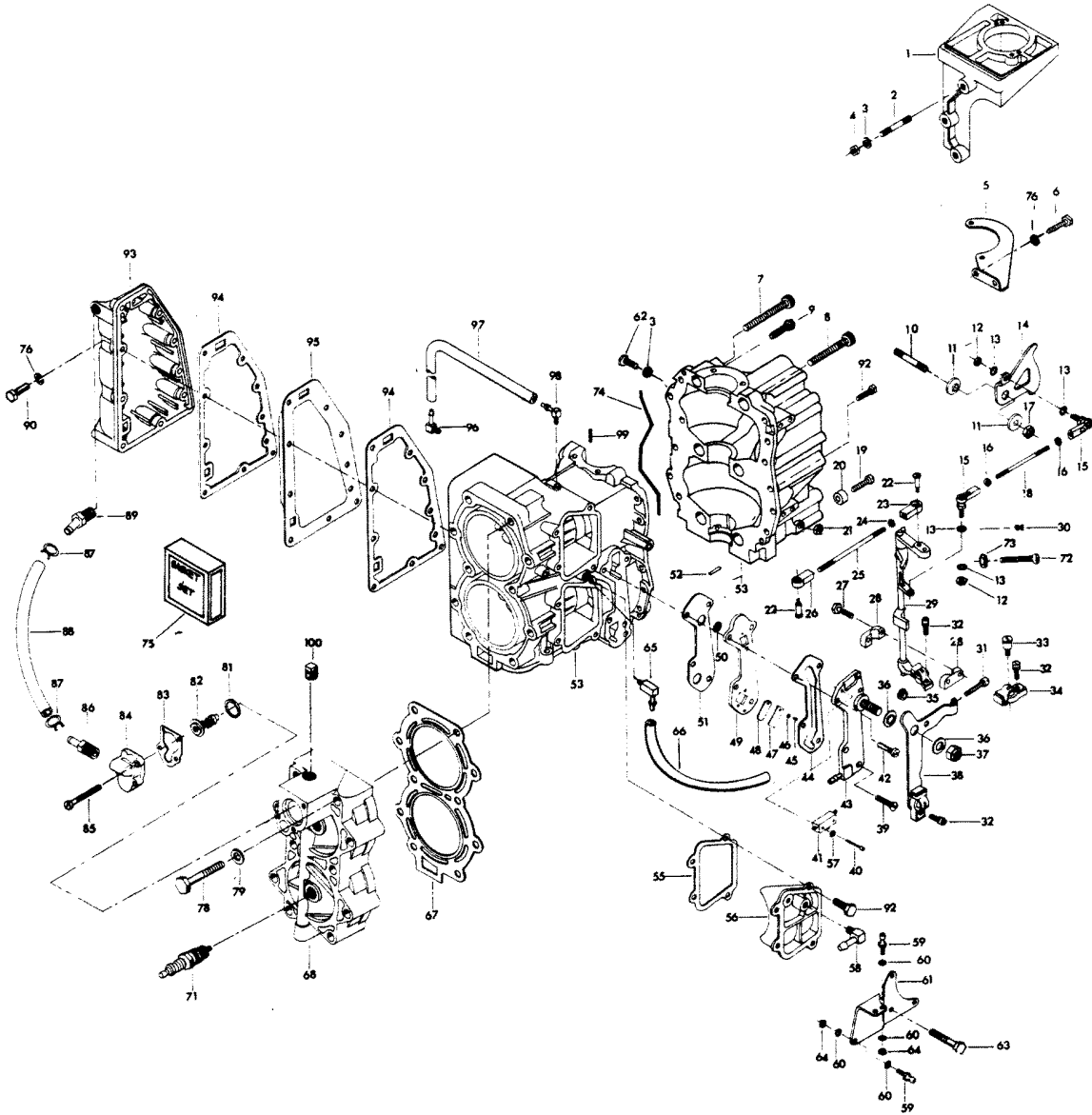


POWER HEAD

REF. NO.	PART NO.	SYM.	QTY.	DESCRIPTION
1	F345427-1		1	BRACKET, STARTER MOUNTING
2	F307211		3	STUD
3	F8096		4	SPRING LOCKWASHER
4	F1515		3	HEX NUT, 5/16 - 18
5	F433675		1	STARTER MOUNTING BRACKET - LOWER
6	F1541		2	HEX SLOT HD SCREW, 1/4 - 20 X 5/8
7	F1646		1	HEX SOCKET HD CAP SCREW, 3/8 - 16 X 2 1/4
8	F1879		5	HEX SOCKET HD CAP SCREW, 3/8 - 16 X 2 1/4
9	F1535		9	HEX HD SCREW, 1/4 - 20 X 3/4
10	F433209		1	STUD, THROTTLE CAM
11	F269319		2	THROTTLE CAM BEARING
12	F1513		2	HEX NUT, 10 - 32
13	F8058		4	INTERNAL TOOTH LOCKWASHER
14	F433192		1	THROTTLE CAM
15	817747--1		2	BALL JOINT W/BEARING
16	F1513		2	HEX NUT, 10 - 32
17	F1910		1	ELASTIC STOP NUT, 1/4 - 20
18	F85502		1	THROTTLE LINK
19	F1134		2	FILL HD SCREW, 8 - 32 X 1 1/8
20	F307942-1		2	BUMPER
21	F1997		2	STOP NUT, 8 - 32
22	F84026		2	SPARK CONTROL SWIVEL
23	F84036		1	SPARK CONTROL BEARING, L.H.
24	F1473		1	HEX NUT, 10 - 24
25	F269445-1		1	SPARK CONTROL LINK
26	F84035-2		1	SPARK CONTROL BEARING, R.H.
27	F1995		4	FILL HD SCREW, 10 - 24 X 1
28	F433689		4	TOWERSHAFT BEARING
29	FK433838		1	TOWERSHAFT W/CLAMP AND SWIVEL
30	F1727		1	PLASTIC RIVET
31	F1969		1	FILL HD SCREW, 1/4 - 20 X 3/4
32	F1556		2	FILL HD SCREW W/LOCKWASHER, 10 - 24 X 3/8
33	F405457		2	PIVOT SCREW
34	FK405020		1	SWIVEL W/SCREW AND NUT
35	F85610		1	BEARING
36	F269052		2	SHIFT ARM BEARING
37	F7004		1	STOP NUT, 7/16 - 20
38	817793A1		1	SHIFT ARM W/CLAMP AND SWIVEL
39	F1136		2	FLAT HD SCREW, 1/4 - 20 X 1
40	F2016		2	FILL HD SCREW, 6 - 32 X 7/8
41	F84449		1	SWITCH, NEUTRAL INTERLOCK
42	F1446		2	SLOTTED PAN HD SCREW, 1/4 - 20 X 1
43	FA433471		1	CYLINDER DRAIN COVER W/FITTING

CONTINUED ON NEXT PAGE ➡

POWER HEAD

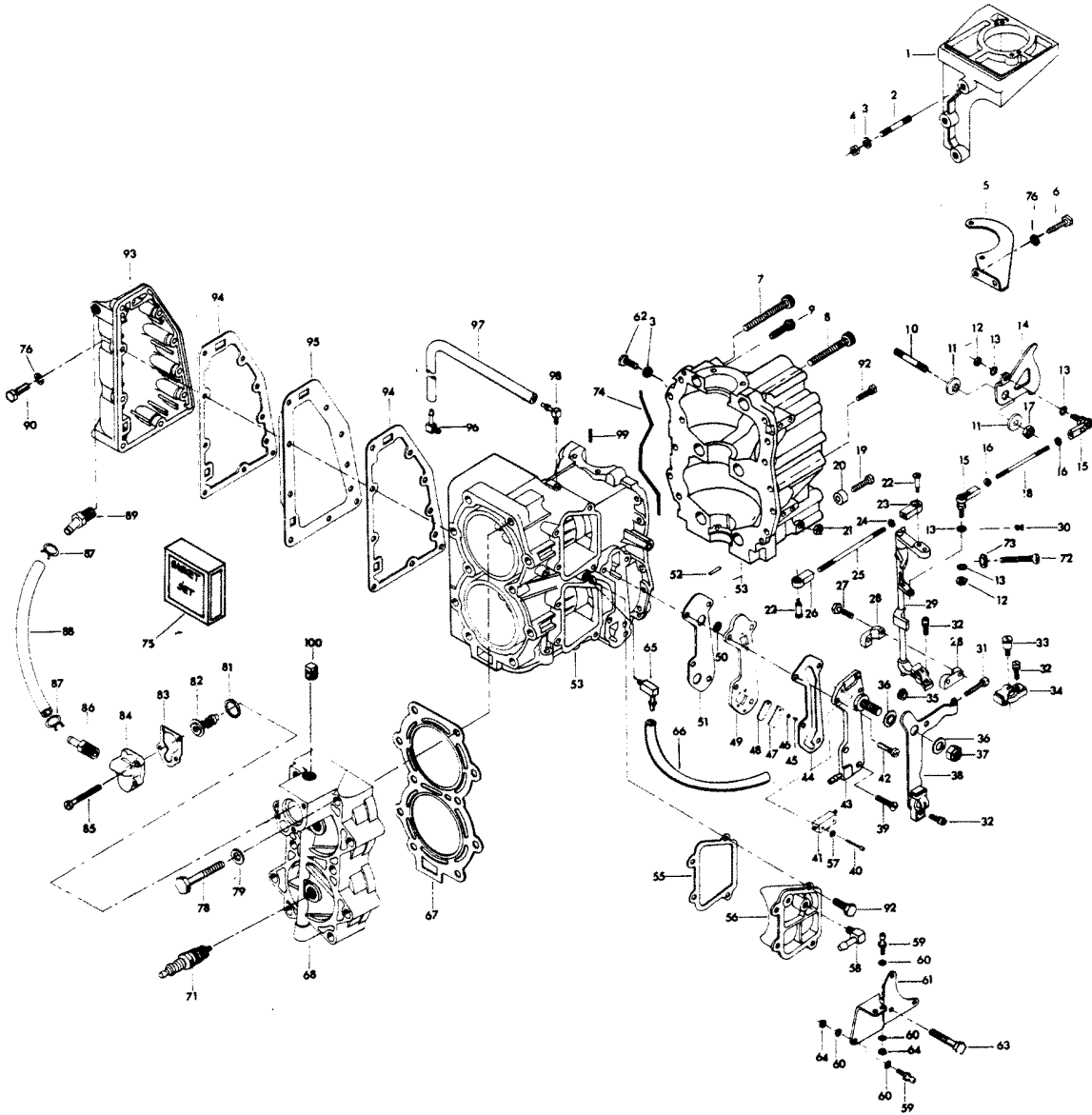


POWER HEAD

REF. NO.	PART NO.	SYM.	QTY.	DESCRIPTION
44	F93472-1		1	CYLINDER DRAIN COVER GASKET
45	F1286		2	PAN HD SCREW, 4 - 40 X 3/16
46	F8003		2	PLAIN WASHER
47	F93920		2	CYLINDER DRAIN REED STOP
48	F18160-2		2	REED, CYLINDER DRAIN
49	F2A433757		1	CYLINDER DRAIN REED PLATE W/REEDS, RD STOPS, SCRWS & SCREEN
50	F93811		2	SCREEN CYLINDER DRAIN REED PLATE
51	F93748-1		1	CYLINDER DRAIN REED PLATE GASKET
52	F8559		2	DOWEL PIN
53	FA464010		1	CYLINDER W/CRANKCASE COVER, DEFLECTOR PLATE AND SCREWS
-	FC464010		1	SHORT BLOCK. INCLUDES ALL ITEMS MARKED WITH AN ASTERISK (*). ALSO REFER TO CRANKSHAFT PAGE.
55	F40223		2	TRANSFER PORT COVER GASKET
56	FA411222		1	TRANSFER PORT COVER W/LITERATURE
57	F8088		2	PLAIN WASHER
58	F84314-2		1	ELBOW, FUEL LINE
59	F98273		2	ROD END CONNECTOR STUD
60	F8058		4	INTERNAL TOOTH LOCKWASHER
61	817746A1		1	CONNECTOR STUD BRACKET W/LITERATURE ORIGINAL FORCE P/N A 267371-1
62	F1857		1	HEX CAP SCREW, 5/16 - 18 X 5/8
63	F1535		3	HEX CAP SCREW, 1/4 - 20 X 3/4
64	F1513		2	HEX NUT, 10 - 32
65	F404801		1	ELBOW
66	F433254		1	HOSE
67	F201529-1		1	CYLINDER HEAD GASKET
68	900-818049A2		1	CYLINDER HEAD W/PLUGS
71	FS380227		2	SPARK PLUG (UL-4-J)
-	FC235227		2	SPARK PLUG (RL-4-J) FOR MODELS 456BOL, 457BOL AND 459BOJ
72	F1052		1	FILL HD SCREW, 1/4 - 20 X 1
73	F1341		1	HEX NUT
74	F269122-1		1	CRANKCASE PARTING LINE SEAL
75	FG1007-1		1	GASKET SET. INCLUDES ITEMS LISTED BELOW:
-	F40154-3		3	GASKET, EXHAUST PORT PLATE
-	F40223		1	GASKET, TRANSFER PORT COVER
-	F40833-4		1	GASKET, IDLE RELIEF COVER
-	F40906-1		1	GASKET, CARBURETOR
-	F93472-1		1	GASKET, CYLINDER DRAIN COVER
-	F93748-1		1	GASKET, CYLINDER DRAIN REED PLATE
-	F97067		1	GASKET, THERMOSTAT COVER
-	F201529-1		1	GASKET, CYLINDER HEAD

CONTINUED ON NEXT PAGE ➡

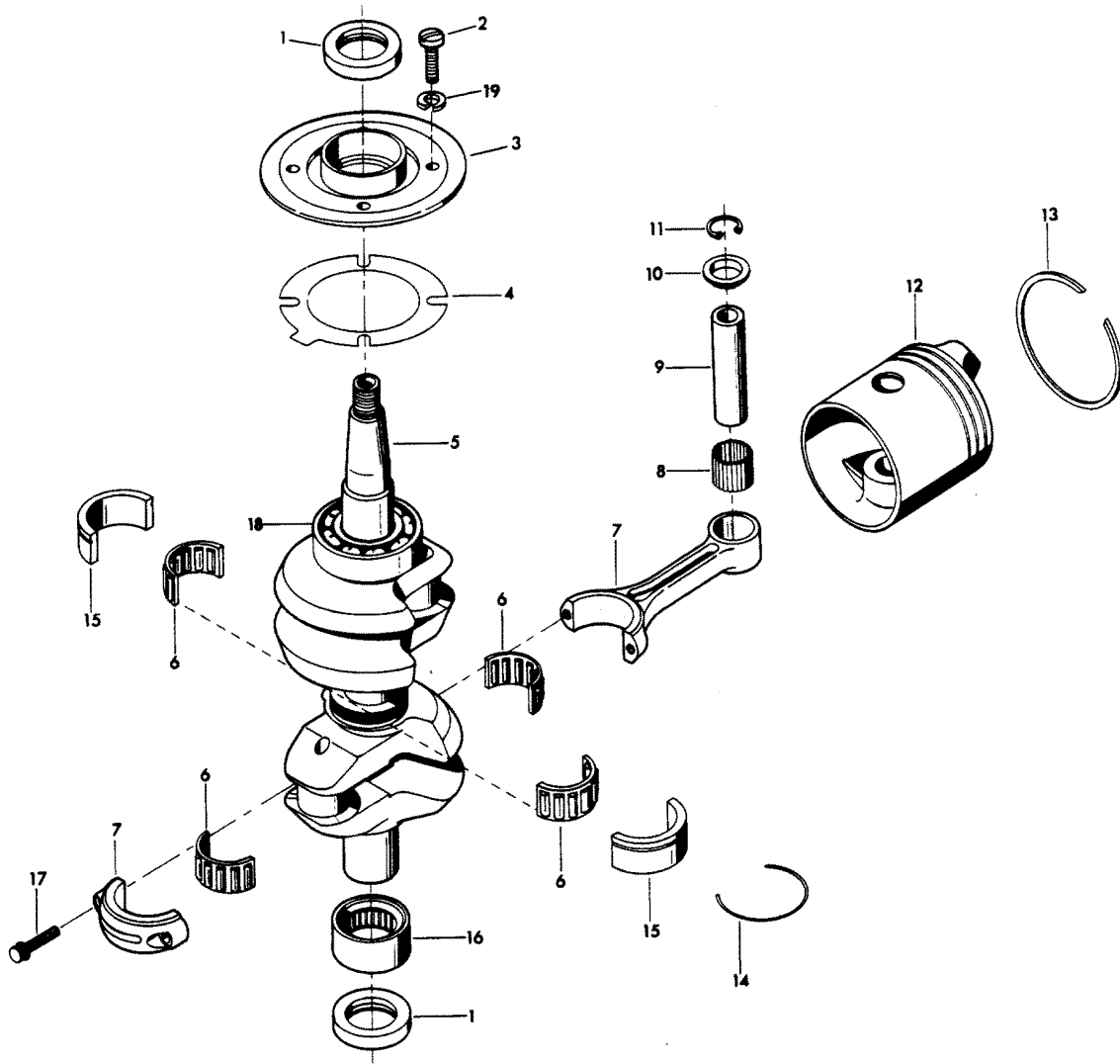
POWER HEAD



POWER HEAD

REF. NO.	PART NO.	SYM.	QTY.	DESCRIPTION
-	F269122-1		1	CRANKCASE PARTING LINE SEAL
-	F307279-2		1	GASKET, CYLINDER EXHAUST - UPPER
-	F307453-3		1	GASKET, CYLINDER EXHAUST - LOWER
-	F311996		1	GASKET, CYLINDER HEAD COVER
-	F366277		1	GASKET, BEARING CAGE
-	F433168		1	GASKET, CARBURETOR ADAPTER
-	F433406		1	GASKET, DEFLECTOR PLATE
76	F8083		11	SPRING LOCKWASHER
78	F1544		10	HEX HD CAP SCREW, 3/8 - 16 X 2 1/4
79	F2014		10	PLAIN WASHER
81	F97504		1	GROMMET, THERMOSTAT
82	F97068-1		1	THERMOSTAT
83	F97067		1	THERMOSTAT COVER GASKET
84	F97066-1		1	THERMOSTAT COVER
85	F1995		3	FILL HD SCREW, 10 - 24 X 1 1/16
86	F97275		1	FITTING, THERMOSTAT
87	F97772		2	CLAMP
88	F311247		1	WATER TUBE, THERMOSTAT
89	F141275		1	FITTING, THERMOSTAT
90	F1971		9	HEX HD SCREW, 1/4 - 20 X 2 1/8
92	F1540		4	HEX HD SCREW, 1/4 - 20 X 5/8
93	FA433152		1	EXHAUST PORT COVER W/ILLUSTRATION 90
94	F40154-3		2	EXHAUST PORT PLATE GASKET
95	F40151-1		1	EXHAUST PORT PLATE
96	F463314		1	ELBOW
97	FS433758		1	HOSE W/VALVE
98	22-817740A1		1	ELBOW ASSEMBLY
99	F8545		1	SPRING PIN
100	F328109		1	PLUG

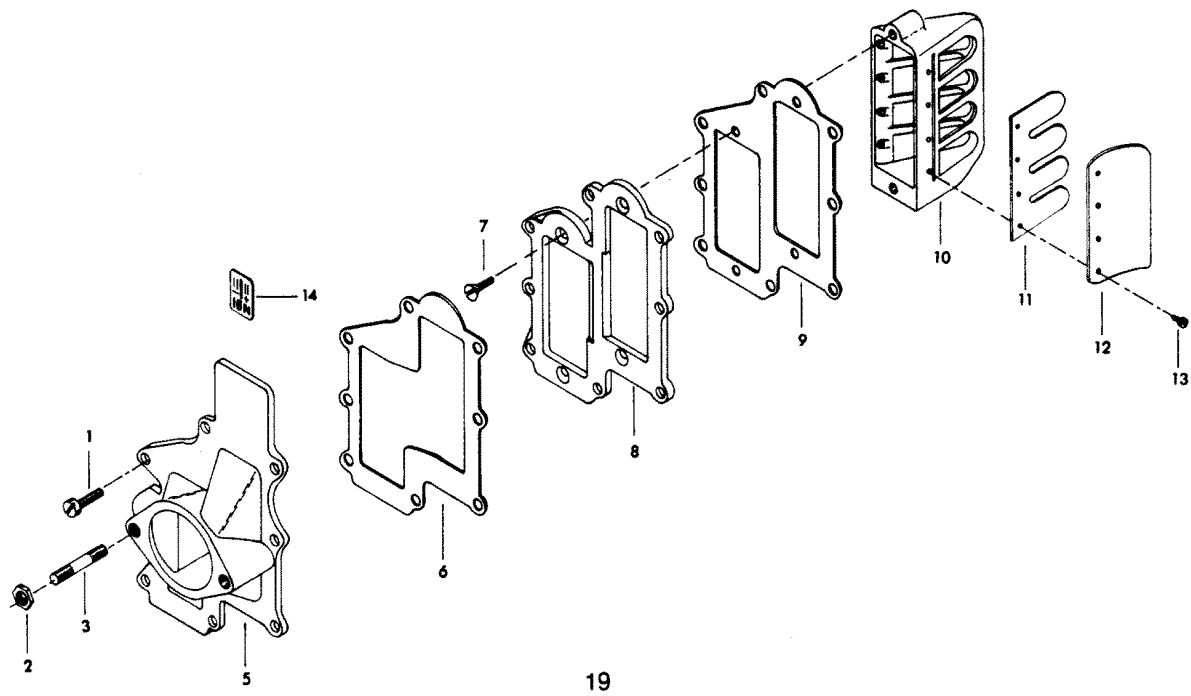
CRANKSHAFT AND PISTON GROUP



CRANKSHAFT AND PISTON GROUP

REF. NO.	PART NO.	SYM.	QTY.	DESCRIPTION
1	F40146-1		2	CRANKSHAFT SEAL
2	F1441		4	PAN HD SCREW, 1/4 - 20 X 7/8
3	FA466144		1	CRANKSHAFT BEARING CAGE W/SEAL
4	F366277		1	BEARING CAGE GASKET
5	FA545018		1	CRANKSHAFT W/THRUST BEARING UPPER
6	FK85228-1		3	BEARING CAGE W/ROLLERS (16 PER SET)
7	600-818052A4		2	CONNECTING ROD W/CAP AND SCREWS
8	F335217-1		2	BEARING
9	F40017-2		2	PISTON PIN
10	F366215		4	SPACER
11	F428096		4	RETAINER, PISTON PIN
12	F486015		2	PISTON
-	FSA486015		2	PISTON .010 OVERSIZE
-	700-818124A1		2	PISTON .030 OVERSIZE
13	FA354260		1	PISTON RING SET (6 PER SET)
-	FS310260		1	PISTON RINGS (6 PER SET) .010 OVERSIZE
-	39-818113A1		1	PISTON RINGS (6 PER SET) .030 OVERSIZE
14	F40410		1	SNAP RING
15	FA40655		1	CRANKSHAFT CENTER MAIN BEARING RACE W/SNAP RING
16	F90014		1	CRANKSHAFT LOWER MAIN BEARING
17	F85634-2		4	CONNECTING ROD SCREW
18	F328013-1		1	CRANKSHAFT THRUST BEARING UPPER
19	F8060		4	EXTERNAL TOOTH LOCKWASHER

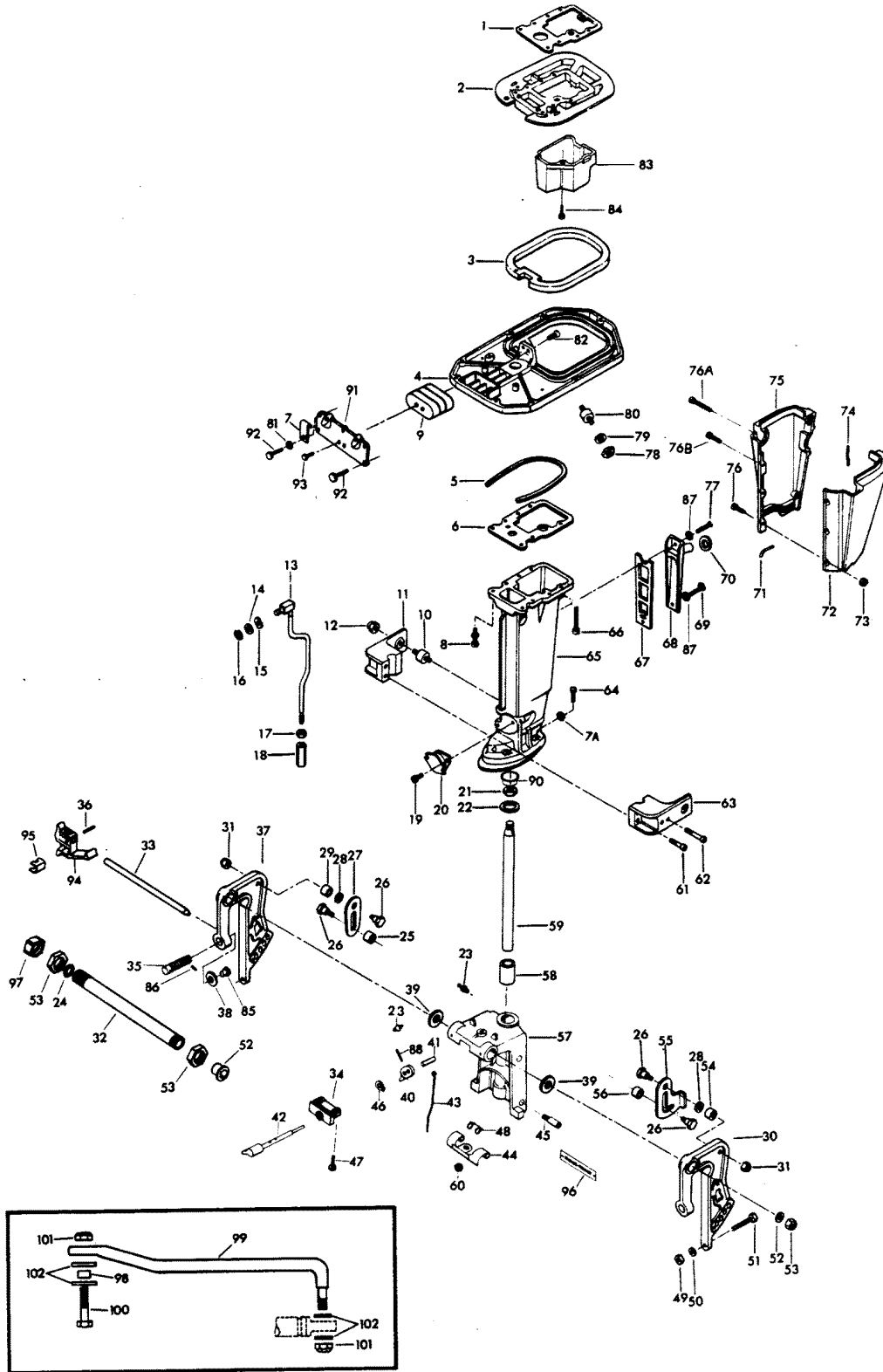
REED PLATE



REED PLATE

REF. NO.	PART NO.	SYM.	QTY.	DESCRIPTION
1	F1533		8	HEX HD SCREW, 1/4 - 20 X 7/8
2	F1515		2	HEX NUT, 5/16 - 18
3	F40209		2	CARBURETOR STUD
5	FA433167		1	CARBURETOR ADAPTER FLANGE W/STUDS
6	F433168		1	CARBURETOR ADAPTER GASKET
7	F1141		4	FLAT HD SCREW, 10 - 24 X 1/2
8	F433404		1	DEFLECTOR PLATE
9	F433406		1	DEFLECTOR PLATE GASKET
10	FA433158		2	REED PLATE W/REEDS, STOPS AND SCREWS
11	F335160		4	REED
12	F88161-3		4	REED STOP
13	F1298		16	ROUND HD SCREW W/LOCKWASHER, 6 - 32 X 1/4
14	37-817792A1		1	DECAL, TIMING W/LITERATURE ORIGINAL FORCE P/N A 433387-1

MOTOR LEG

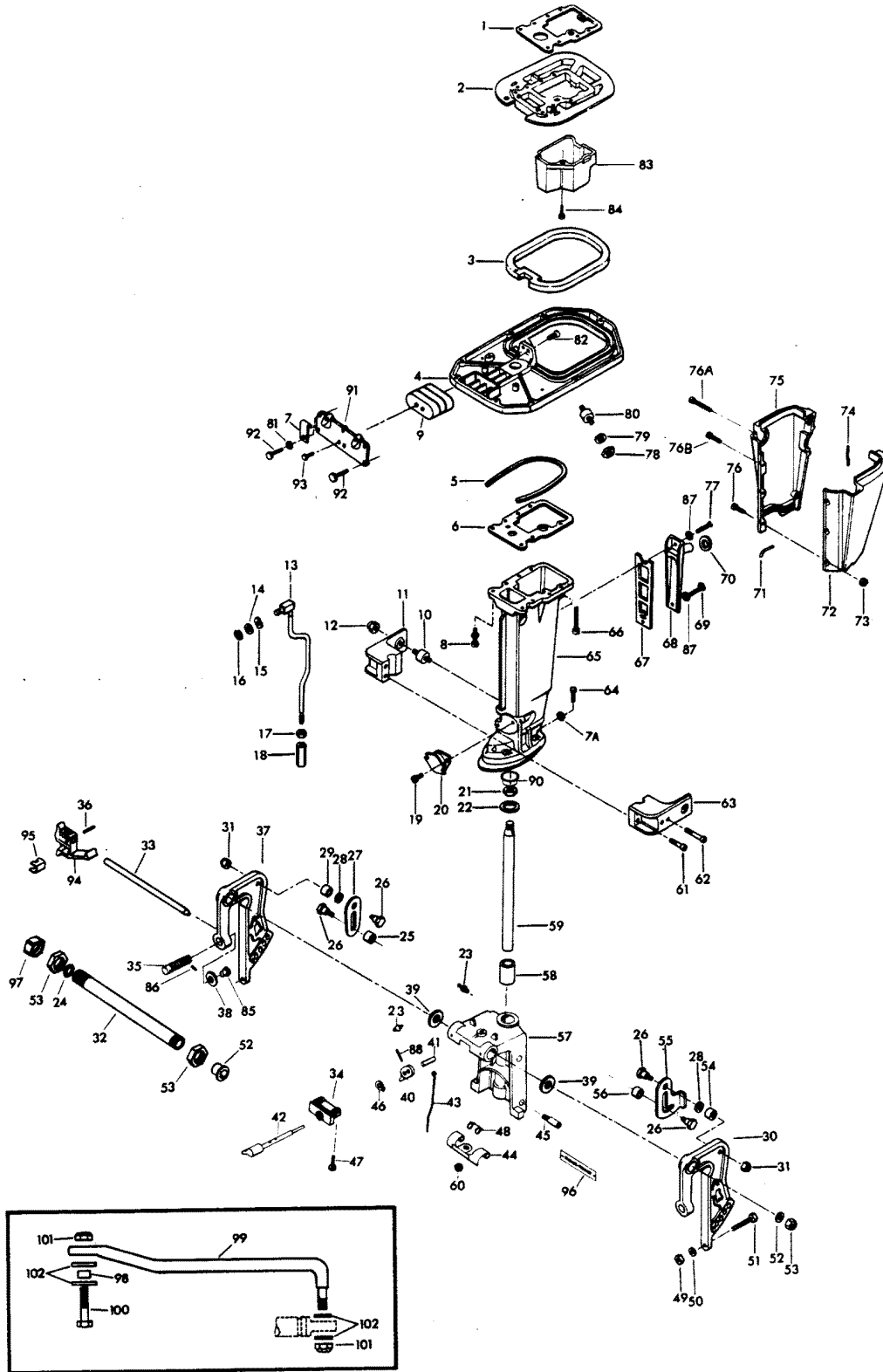


MOTOR LEG

REF. NO.	PART NO.	SYM.	QTY.	DESCRIPTION
1	F307279-2		1	CYLINDER EXHAUST GASKET UPPER
2	F433680		1	SPACER PLATE
3	F307989-1		1	SEAL, KINGPIN PLATE
4	FS307940		1	KINGPIN PLATE
5	F89025		1	DAMPENING PAD
6	F307453-3		1	CYLINDER EXHAUST GASKET LOWER
7	F286772-1		1	CLAMP
7A	F8065		4	SPRING LOCKWASHER
8	F1947		8	FLANGED 12 POINT SCREW, 5/16 - 18 X 2
9	F203965		1	SHOCK MOUNT UPPER
10	F215962		2	SHOCK MOUNT SIDE LOWER
11	F433972		1	SHOCK MOUNT LOWER COVER - STARBOARD
12	F1326		2	ACORN NUT, S.S., 5/16 - 18
13	F307615		1	GEAR SHIFT ROD UPPER
14	F1987		1	PLAIN WASHER
15	F8049		1	BOWED SPRING WASHER
16	F185764		1	RETAINING RING
17	F1349		1	HEX NUT, S.S., 5/16 - 18
18	F141704		1	GEAR SHIFT ROD COUPLING
19	F1129		4	FILL HD SCREW, S.S., 5/16 - 18 X 1/2
20	F183346-1		1	SHOCK MOUNT LOWER
21	F84280		1	KINGPIN NUT
22	F89011		1	SWIVEL BRACKET WASHER
23	F213274		3	GREASE FITTING
24	F316599		1	SEAL, PIVOT TUBE
25	F269929		1	SPACER, TILT STOP
26	F366350		4	TILT STOP PIVOT
27	F366433		1	TILT STOP, STARBOARD
28	F1666		2	BOWED SPRING WASHER
29	F269929		1	SPACER, TILT STOP
30	F522532		1	STERN BRACKET - PORT
31	F7007		4	NUT
32	F522125-1		1	TUBE, PIVOT STEERING
33	FA433113		1	STERN BRACKET LOCK BAR W/ILLUSTRATION 36, 94 & 95
34	F522884		1	BEARING
35	F474073-1		2	CLAMP SCREW
36	F1744		1	SPRING PIN
37	F522032		1	STERN BRACKET - STARBOARD
38	F24074		2	CLAMP SCREW FOOT
39	F522286		2	STERN BRACKET FRICTION WASHER
40	F366364		1	ARM
41	F483884		1	BEARING
42	F366827		1	HANDLE AND SHAFT

CONTINUED ON NEXT PAGE ➡

MOTOR LEG

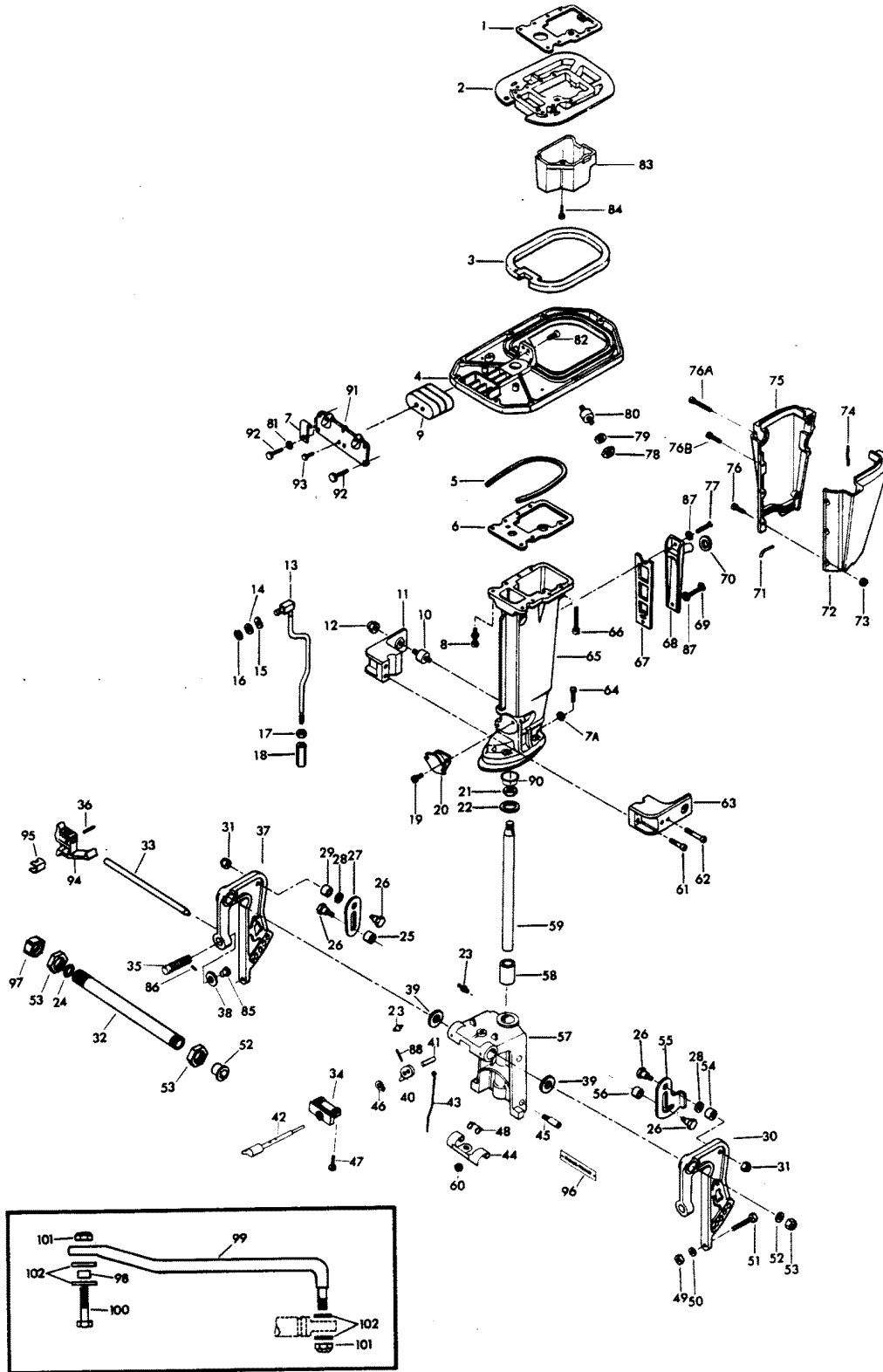


MOTOR LEG

REF. NO.	PART NO.	SYM.	QTY.	DESCRIPTION
43	F366510-1		1	LINK
44	F366349		1	REVERSE LOCK
45	F366866		2	PIN
46	F522741		1	RING, RETAINING-REV. LOCK SHAFT
47	F1733		2	PAN HD SCREW, 10 - 24 X 9/16
48	F366300		2	REVERSE LOCK SPRING
49	F1346		2	HEX NUT, S.S., 3/8 - 16
50	F1904		2	PLAIN WASHER
51	F1593		2	HEX HD SCREW, S.S., 3/8 - 16 X 3
52	F9052		1	PLASTIC PLUG, PIVOT TUBE
53	F1600		2	LOCK NUT, PIVOT TUBE
54	F269929		1	SPACER, TILT STOP
55	F366426		1	TILT STOP - PORT
56	F269929		1	SPACER, TILT STOP
57	FA545072		1	SWIVEL BRACKET WILLUSTRATION 23 & 58
58	F191169-1		2	SWIVEL BRACKET BEARING
59	FA433019		1	KINGPIN W/PLUG
60	F1669		1	STOP NUT
61	F1636		2	HEX SOCKET HD CAP SCREW, S.S., 3/8 - 16 X 1 1/4
62	F1635		2	HEX SOCKET HD CAP SCREW, S.S., 3/8 - 16 X 3 1/2
63	F433973		1	SHOCK MOUNT LOWER COVER - PORT
64	F1929		4	HEX HD CAP SCREW, S.S., 3/8 - 16 X 1 1/8
65	F366133-2		1	MOTOR LEG FOR SHORT SHAFT MODELS
-	F435133-1		1	MOTOR LEG FOR LONG SHAFT MODELS
66	F1905		1	FILL HD SCREW, 1/4 - 20 X 3 7/16
67	F40833-4		1	MOTOR LEG EXHAUST COVER GASKET
68	FA89832-2		1	MOTOR LEG EXHAUST WILLUSTRATIONS 69 & 77
69	F1199		1	HEX HD SCREW, 1/4 - 20 X 1
70	F89504		1	GROMMET, MOTOR LEG
71	F435323		2	PACKING, LEG COVER - LOWER
72	FA366135		1	LEG COVER - PORT - FOR SHORT SHAFT MODELS W/PACKING
-	FA435135		1	LEG COVER - PORT - FOR LONG SHAFT MODELS W/PACKING
73	F1473		6	HEX NUT, 10 - 24
74	F435323		2	PACKING, LEG COVER - UPPER
75	FA366145		1	LEG COVER - STARBOARD - FOR SHORT SHAFT MODELS W/PACKING
-	F434323		2	PACKING - LEG COVER - LOWR REAR (NOT SHWN) FOR SHRT SHFT MDL
-	FA435145		1	LEG COVER - STARBOARD - FOR LONG SHAFT MODELS WITH PACKING
76	F1733		3	FILL HD SCREW, 10 - 24 X 9/16
76A	F1767		1	FILL HD SCREW, 10 - 24 X 3

CONTINUED ON NEXT PAGE ➡

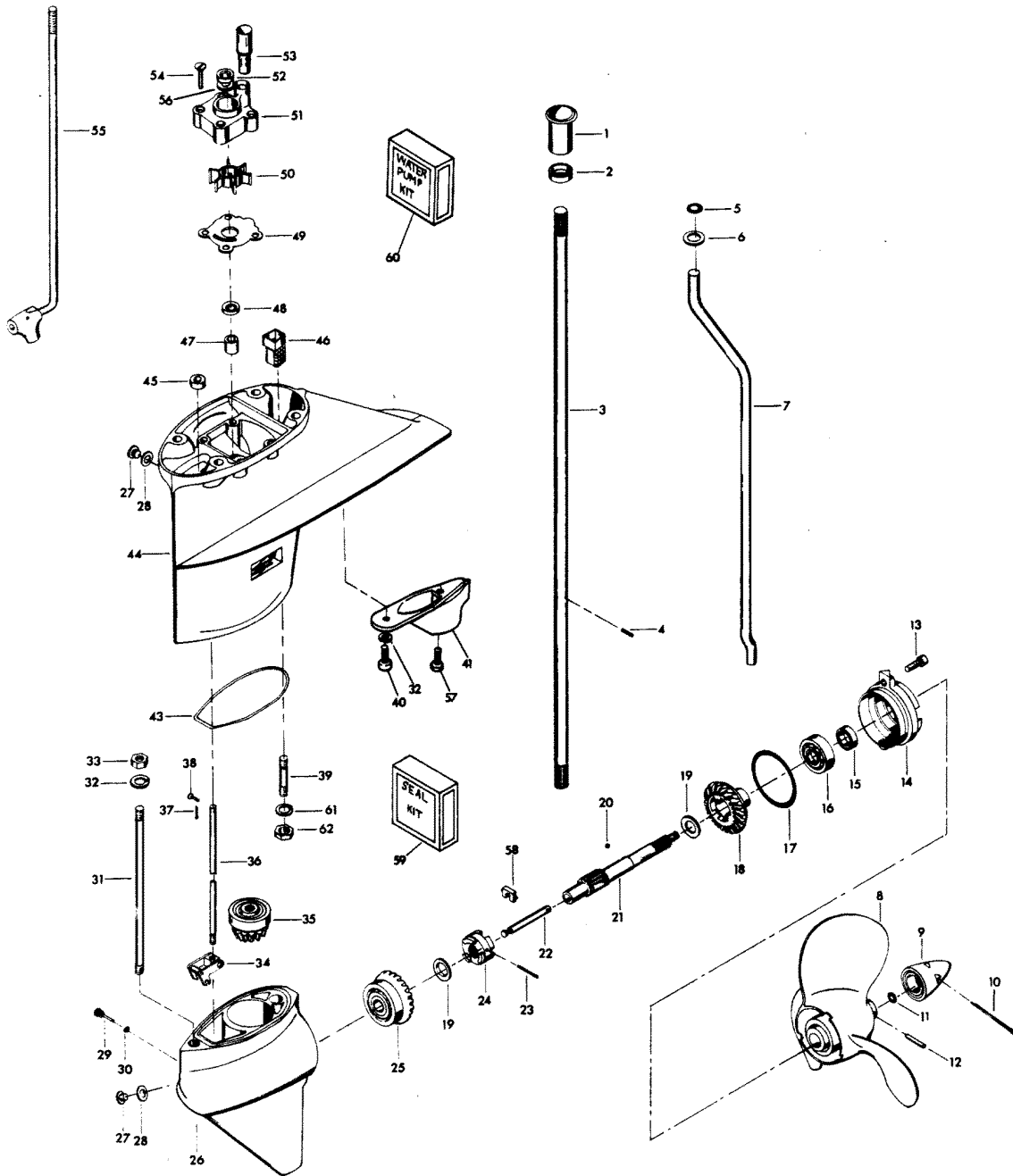
MOTOR LEG



MOTOR LEG

REF. NO.	PART NO.	SYM.	QTY.	DESCRIPTION
76B	F1768		3	FILL HD SCREW, 10 - 24 X 1 3/8 FOR SHORT SHAFT MODELS
-	F1768		2	FILL HD SCREW, 10 - 24 X 1 3/8 FOR LONG SHAFT MODELS
77	F1849		1	HEX HD SCREW, S.S., 1/4 - 20 X 1 3/8
78	F1346		2	HEX NUT, 3/8 - 16
79	F8038		2	PLAIN WASHER
80	F307962		2	SHOCK MOUNT - SIDE - UPPER
81	F8025		1	PLAIN WASHER
82	F1160		2	FLAT HD SCREW, 1/4 - 28 X 5/8
83	F307660-1		1	LEG EXHAUST TUBE
84	F1851		3	FILL HD M. SCREW W/LOCKWASHER, 10 - 24 X 1/2
85	F353480		2	STUD
86	F8538		2	SPRING PIN
87	F8083		2	SPRING LOCKWASHER
88	F1836		1	SPRING PIN
90	F1880		1	PLASTIC PLUG
91	F433946		1	SHOCK MOUNT UPPER COVER
92	F1540		5	HEX CAP SCREW, 1/4 - 20 X 5/8
93	F1211		2	HEX HD SCREW W/LOCKWASHER, 1/4 - 28 X 5/8
94	F433114		1	HANDLE, LOCK BAR
95	F286461		1	SPRING LOCK BAR HANDLE
96	F544390-1		1	DECAL, TILT LOCK
97	F9018		1	PLASTIC CAP, PIVOT TUBE
98	F522359		1	SPACER, STEERING LINK
99	F545881		1	LINK, STEERING
100	F2073		1	HEX CAP SC 3/8 - 24 X 1-5/8
101	F2093		2	STOP NUT 3/8 - 24
102	F8038		4	PLAIN WASHER

GEAR HOUSING



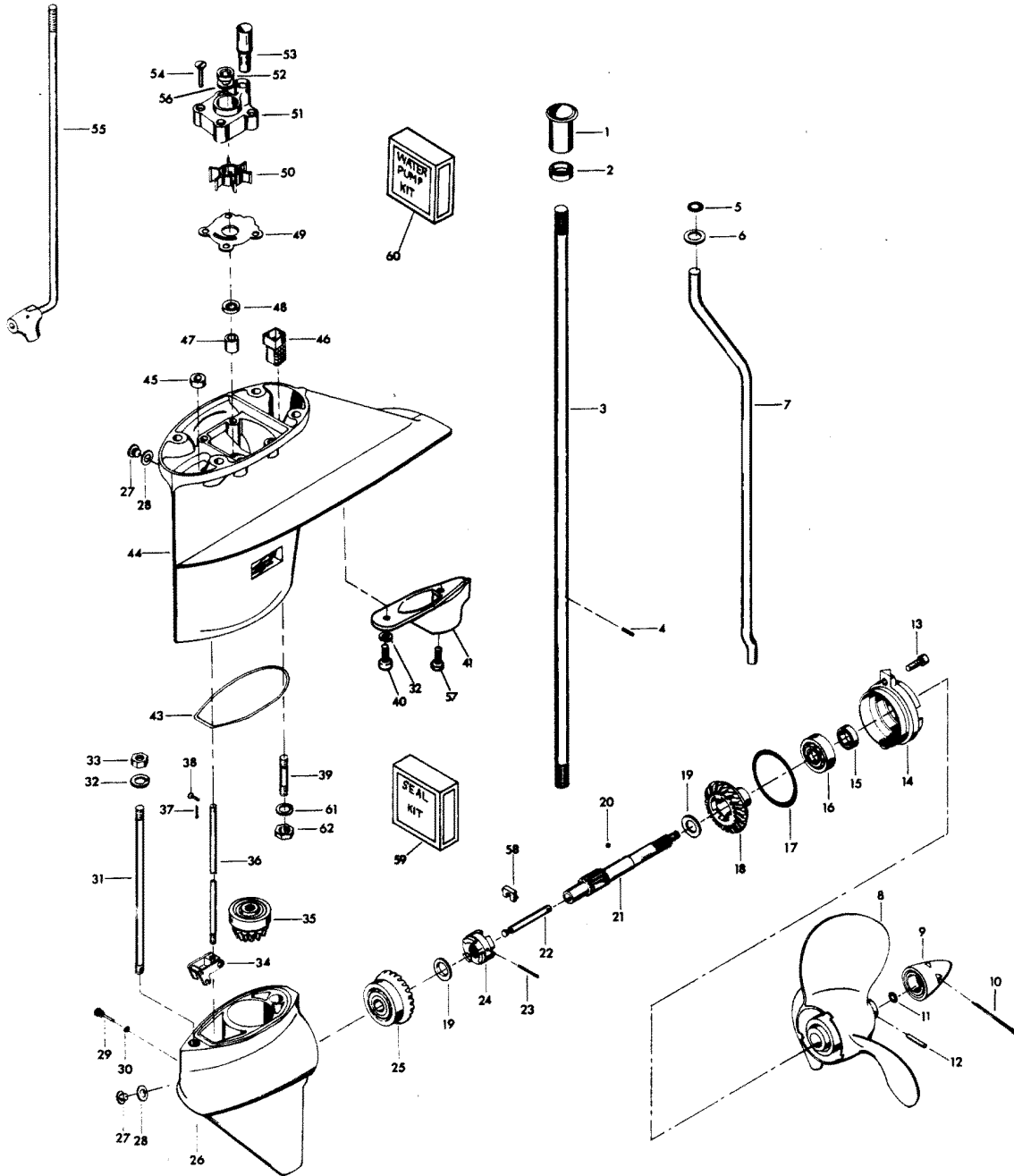
25

GEAR HOUSING

REF. NO.	PART NO.	SYM.	QTY.	DESCRIPTION
1	F338129-1		1	SEAL, DRIVESHAFT SPLINE
2	F338271		1	RETAINER
3	45-817737A1		1	DRIVESHAFT W/RETAINER FOR STANDARD SHAFT MODELS
-	FA89128-1		1	DRIVESHAFT W/RETAINER FOR LONG SHAFT MODELS
4	F901563		1	DRIVE PIN, WATER PUMP IMPELLER
5	F40342		1	SEAL
6	F8042		1	PLAIN WASHER
7	F141244		1	INLET WATER LINE FOR STANDARD SHAFT MODELS
-	F435244		1	INLET WATER LINE FOR LONG SHAFT MODELS
8	FP293		1	PROPELLER (ACCESSORY ITEM)
-	FP287		1	PROPELLER (ACCESSORY ITEM) FOR MODELS 459HOJ AND 459BOJ
9	FA94094-2		1	PROPELLER NUT W/SEAL AND COTTER PIN
10	F1027		1	COTTER PIN, S.S., 1/8 - 1/2
11	F40342		1	SEAL, PROPELLER NUT
12	FK247		1	PROPELLER PIN, PACK OF 6 W/COTTER PIN
13	F1263		2	HEX SOCKET HD CAP SCREW, S.S., 5/16 - 18 X 9/16
14	F2A366298		1	PROPELLER SHAFT BEARING CAGE. INCLUDES ITEMS 15, 16 AND 17
15	F141118		1	SEAL, PROPELLER SHAFT
16	F366058		1	BALL BEARING, PROPELLER SHAFT
17	F141305		1	SEAL, PROPELLER SHAFT BEARING CAGE
18	FA458662		1	BEVEL GEAR REAR W/BEARING
19	F40717		2	THRUST WASHER, BEVEL GEAR
20	F366727		1	BALL, PROPELLER SHAFT
21	44-819500A3		1	PROPELLER SHAFT ASSEMBLY
22	F90871-3		1	GEAR SHIFT ARM PIN
23	F2097		1	SPRING PIN
24	F99521-1		1	CLUTCH
25	FA485023		1	BEVEL GEAR FRONT W/BEARING
26	FA486054		1	GEAR HOUSING W/PLUG, WASHER AND THRUST BEARING CUP
-	FC486054		1	GEAR HOUSING COMPLETE. INCLUDES ALL ITEMS MARKED WITH AN ASTERISK (*)
27	F50109		2	PLUG, GEAR HOUSING
28	F8077		2	WASHER, GEAR HOUSING PLUG
29	F498891		1	GEAR SHIFT ARM PIN
30	F498618		1	SEAL, "O" RING
31	F97008-1		1	STUD, LONG
32	F8065		1	LOCKWASHER
33	F1346		1	HEX NUT, S.S., 3/8 - 16
34	817796A2		1	GEAR SHIFT ARM ASSEMBLY
35	F2A474266		1	BEVEL PINION W/BEARING
36	F435705		1	GEAR SHIFT ROD LOWER

CONTINUED ON NEXT PAGE ➡

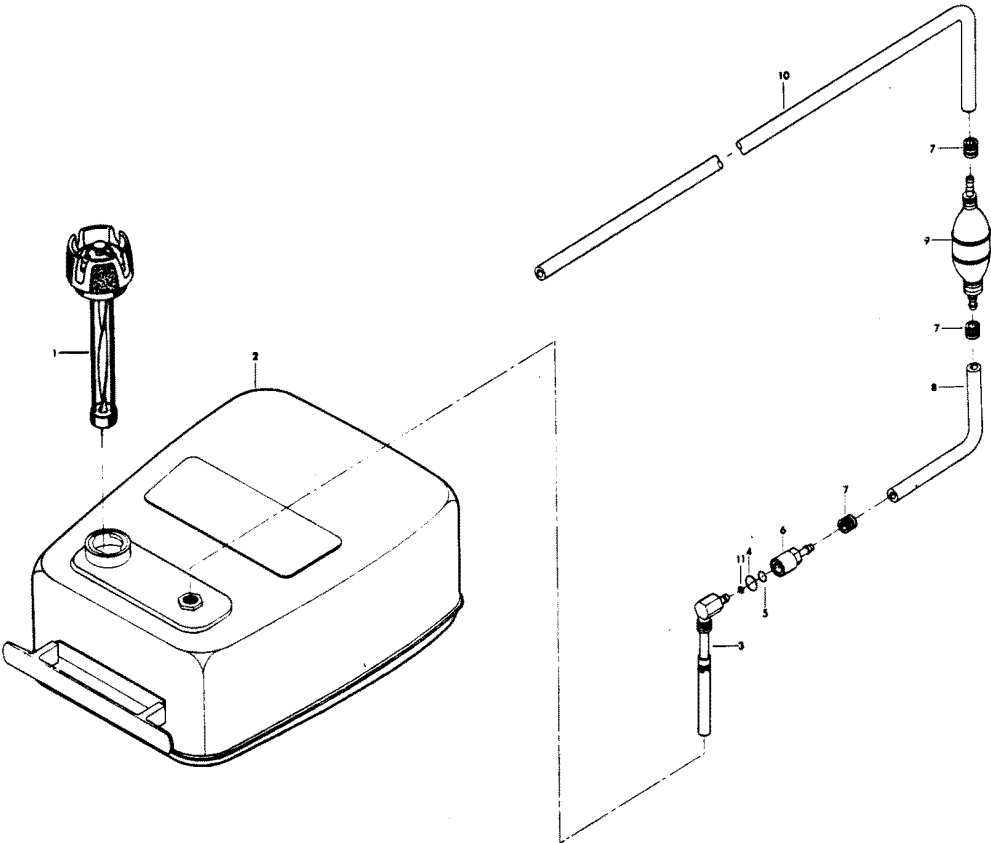
GEAR HOUSING



GEAR HOUSING

REF. NO.	PART NO.	SYM.	QTY.	DESCRIPTION
37	F1015		1	COTTER PIN
38	F85372		1	PIN, GEAR SHIFT ROD LOWER
39	F40008		1	STUD, SHORT
40	F438930		1	RETAINER, SNOOT
41	FA435116		1	EXHAUST, SNOOT W/LITERATURE
43	F435555		1	SEAL, GEAR HOUSING
44	FA545554		1	GEAR HOUSING UPR W/SEAL, WASHER, PLUG AND INLET WATR SCREEN
45	F338618-1		1	SEAL, SHIFT ROD LOWER
46	F435077		1	SCREEN, WATER INLET
47	F435057		1	BEARING, DRIVESHAFT UPPER
48	F40307-2		1	SEAL, DRIVESHAFT
49	F435562		1	WATER PUMP BACK PLATE
50	F433065-1		1	WATER PUMP IMPELLER
51	FA463060		1	WATER PUMP BODY W/DRIVESHAFT SEAL
52	F349307		1	DRIVESHAFT SEAL - WATER PUMP
53	FA485914		1	SEAL, INLET WATER LINE, LOWER W/LITERATURE
54	F2030		4	HEX HD SCREW, S.S., 1/4 - 20 X 1 1/4
55	FA434616		1	GEAR SHIFT ROD INTERMEDIATE FOR STANDARD SHAFT MODELS ASS'Y
-	FA435616		1	GEAR SHIFT ROD INTERMEDIATE FOR LONG SHAFT MODELS ASSEMBLY
56	485388		1	DISC, WATER PUMP
57	F1994		1	HEX SOCKET HD CAP SCREW, 5/16 - 18 X 1
58	F90619-1		1	YOKE
59	FK1074		1	GEAR HOUSING SEAL KIT. INCLUDES ALL ITEMS MARKED WITH A DOUBLE ASTERISK (**)
60	FK1073		1	WATER PUMP KIT
-	F2030		4	SCREW 1/4 - 20 X 1-1/4
-	F433065		1	IMPELLER
-	F435562		1	BACK PLATE, WATER PUMP
-	F901563		1	DRIVE PIN
-	FA463060		1	WATER PUMP BODY
61	F2014		1	PLAIN WASHER
62	F7004		1	ELASTIC STOP NUT 3/8 - 16

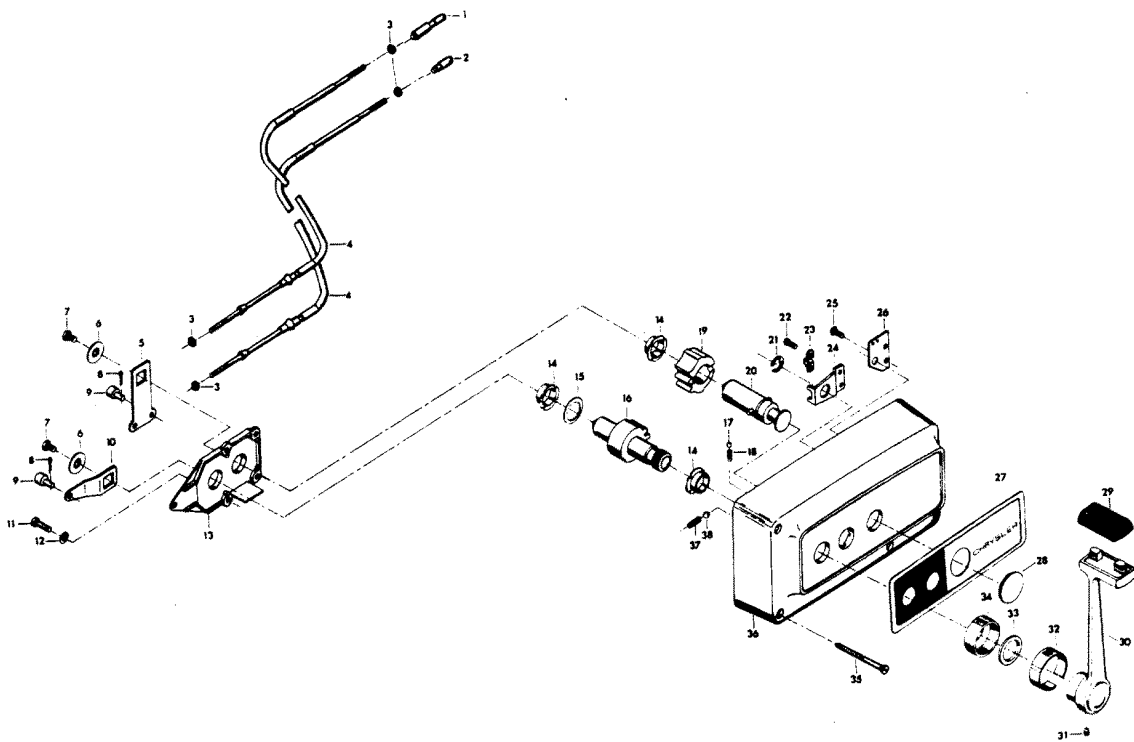
FUEL TANK AND LINE



FUEL TANK AND LINE

REF. NO.	PART NO.	SYM.	QTY.	DESCRIPTION
1	F409251-1		1	GAUGE CAP
2	F5H026		1	FUEL TANK (ACCESSORY ITEM)
3	F485755-1		1	FUEL TANK ADAPTER
4	F213342		1	SEAL, FUEL LINE COUPLER (LARGE)
5	F213735		1	SEAL, FUEL LINE COUPLER (SMALL)
6	F197787-3		1	FUEL LINE COUPLER
7	F298788		3	FERRULE
8	FA84754-1		1	FUEL LINE SHORT W/FERRULES
9	89396A38		1	PRIME BULB
10	32-817738A1		1	FUEL LINE, LONG W/CLAMP AND FERRULE
11	F17932		1	SEAL, FUEL TANK ADAPTER
-	FS409752		1	FUEL LINE - COMPLETE INCLUDES ITEMS MARKED WITH AN ASTERISK (*)
-	FC409398		1	DECAL, TOTE TANK - CANADA (NOT SHOWN)

REMOTE CONTROL

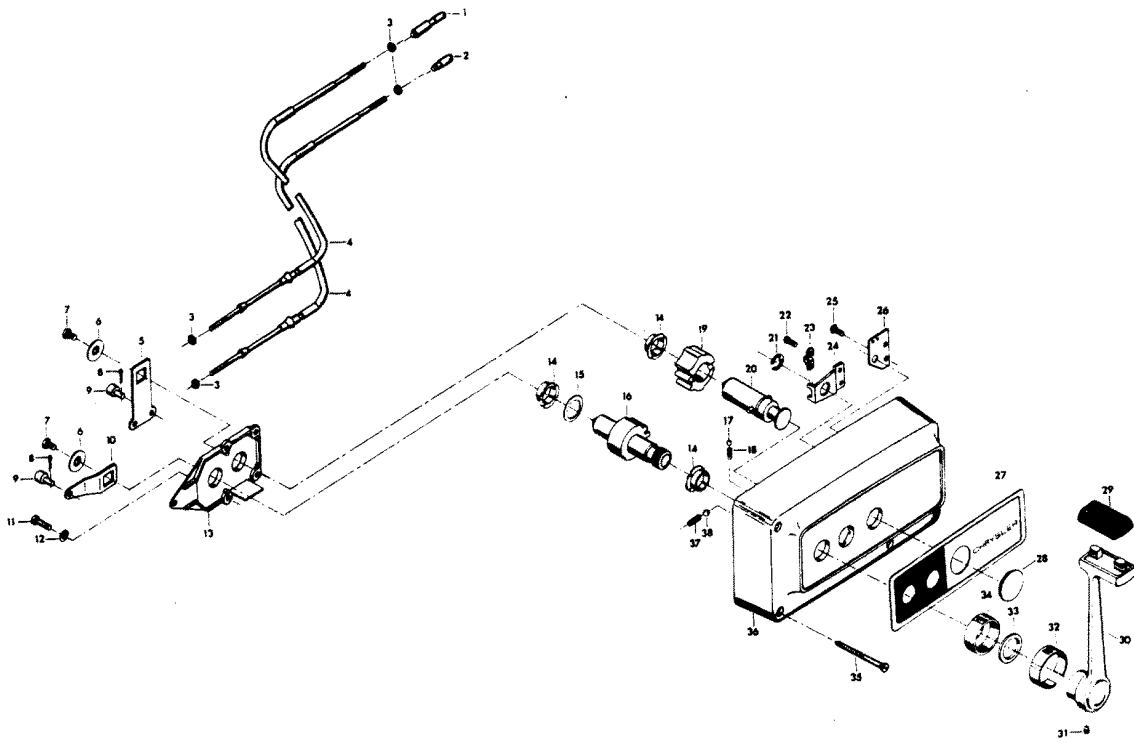


REMOTE CONTROL

REF. NO.	PART NO.	SYM.	QTY.	DESCRIPTION
1	FA58976-1		1	CONNECTOR, THROTTLE CABLE
2	F58685-2		1	CONNECTOR, SHIFT CABLE
3	F1513		4	HEX NUT
4	ÄF58356//		2	REMOTE CONTROL CABLE (SPECIFY LENGTH)
5	F17019		1	CLUTCH ARM
6	F17036		2	INTERNAL TOOTH LOCKWASHER
7	F1715		2	HEX BOLT, 1/4 - 28 X 9/16
8	F17149		2	COTTER PIN
9	F17016		2	CABLE TERMINAL
10	F17014		1	THROTTLE ARM
11	F17013		2	FILL HD SCREW, 1/4 - 20 X 1/2
12	F17147		2	INTERNAL TOOTH LOCKWASHER
13	F17012		1	RETAINING PLATE
14	F17009		3	BEARING
15	F17011		1	BOWED WASHER
16	F17010-1		1	THROTTLE GEAR
17	F17111		1	DETENT BALL
18	F17006		1	DETENT SPRING
19	F17021		1	CLUTCH GEAR
20	F17100		1	CLUTCH SHAFT
21	F17092		1	SNAP RING
22	F17071		2	FILL HD SCREW, 10 - 24 X 5/16
23	F154317		1	CABLE CLAMP
24	F17026		1	SWIVEL
25	F1557		2	FLAT HD SCREW, 10 - 24 X 3/8
26	F17112		1	JUNCTION BOARD - STARBOARD
-	F17113		1	JUNCTION BOARD - PORT
27	F17148		1	DECAL, STARBOARD
-	F531892		1	DECAL, PORT
28	F17031-1		1	SNAP CAP
29	F17116		1	KNOB
30	F17115-1		1	HANDLE
31	F17030-1		1	SET SCREW
32	FK17114-1		1	INDICATOR
33	F17105		1	FELT WASHER
34	F17106		1	COLLAR
35	F17146		3	WOOD SCREW
36	F17099-1		1	HOUSING

CONTINUED ON NEXT PAGE ➡

REMOTE CONTROL



REMOTE CONTROL

REF. NO.	PART NO.	SYM.	QTY.	DESCRIPTION
37	F17068		1	DETENT SPRING
38	F17082-1		1	DETENT BALL
-	F1280		2	PAN HD SCREW, 8 - 32 X 1/4 (TERMINAL BOARD) (NOT SHOWN)
-	OB3061		1	LITERATURE INSTALLATION INSTRUCTIONS FOR 5H130
-	F17103-1		1	BAG ASSEMBLY (NOT SHOWN). INCLUDES ALL ITEMS MARKED WITH AN ASTERISK (*)

SPECIAL TOOLS - TUNE-UP

REF. NO.	PART NO.	SYM.	QTY.	DESCRIPTION
-	FT2910		0	KNOCK-OFF NUT TO REMOVE FLYWHEEL
-	FTA2937-1		0	TIMING TOOL TO ADJUST SPARK ADVANCE

SPECIAL TOOLS - MANUAL STARTER

REF. NO.	PART NO.	SYM.	QTY.	DESCRIPTION
-	FT3139-1		0	STARTER REWIND KEY TO REWIND STARTER SPRING

SPECIAL TOOLS - POWER HEAD

REF. NO.	PART NO.	SYM.	QTY.	DESCRIPTION
-	FT3510		0	SEAL INSTALLER TO INSTALL UPPER CRANKSHAFT BEARING CAGE SEAL
-	FT3512		0	SEAL SLEEVE TO INSTALL UPPER CRANKSHAFT BEARING CAGE SEAL
-	FT1749		0	RETAINING RING PLIERS TO REMOVE AND INSTALL PISTON PIN RETAINING RINGS
-	FT2953		0	SOCKET TO TORQUE CONNECTING ROD SCREWS
-	FT2990		0	PISTON PIN REMOVER TO REMOVE AND INSTALL PISTON PIN IN PISTON
-	FT8926		0	RING EXPANDER TO INSTALL RINGS ON PISTONS
-	FT2996		0	RING COMPRESSOR TO INSTALL PISTONS IN CYLINDERS
-	FT8932		0	LIFTING HOOK TO LIFT ENGINE

SPECIAL TOOLS - LOWER UNIT

REF. NO.	PART NO.	SYM.	QTY.	DESCRIPTION
-	FT8948-1		0	PROPELLER SHAFT BEARING CAGE PULLER AND FLYWHEEL PULLER TO REMOVE PROPELLER SHAFT BEARING CAGE FROM LOWER GEAR HOUSING
-	FT8919		0	SPRING PIN PUNCH TO REMOVE CLUTCH SPRING PIN
-	FT8907		0	DRIVER HANDLE TO INSTALL BEARING CUP IN LOWER GEAR HOUSING
-	FT8945		0	RETAINER PUNCH TO INSTALL RETAINER ON DRIVESHAFT SPLINE BOAT
-	FT8918		0	BUSHING GUIDE SET TO REMOVE AND INSTALL BEARING CUP IN LOWER GEAR HOUSING
-	FT8921		0	FORWARD BEARING CUP REMOVER TO REMOVE FORWARD BEARING CUP FROM LOWER GEAR HOUSING
-	FT8904		0	FORWARD BEARING CUP INSTALLER TO INSTALL FORWARD BEARING CUP IN LOWER GEAR HOUSING
-	FT3431		0	DRIVESHAFT SEAL AND PROP SHAFT SEAL INSTALLER TO INSTALL DRIVESHAFT AND PROP SHAFT SEAL IN LOWER UNIT
-	FT8957		0	SEAL INSTALLER TO INSTALL SHIFT ROD SEAL
-	FT8962		0	BEARING INSTALLER TO INSTALL DRIVESHAFT BEARING IN GEAR HOUSING UPPER
-	FT8964		0	BEARING REMOVER TO REMOVE DRIVESHAFT BEARING FROM GEAR HOUSING UPPER

SPECIAL TOOLS - TEST EQUIPMENT

REF. NO.	PART NO.	SYM.	QTY.	DESCRIPTION
-	FT2955A		0	TEST WHEEL TO TEST MOTOR IN TEST TANK
-	FT8950		0	LEAKAGE TESTER TO TEST LOWER UNIT FOR LEAKAGE
-	T8974		0	BREAKER POINT TENSION GAUGE FOR CHECKING BREAKER POINT SPRING TENSION

SPECIAL TOOLS - LUBRICANTS AND SEALANTS

REF. NO.	PART NO.	SYM.	QTY.	DESCRIPTION
-	FT2961		0	LUBRICANT - RYKON #2EP
-	FT2987-1		0	LUBRICANT - ANTI-SEIZE
-	FT8969		0	LUBRICANT - 7 OZ. 2 PSI LUBRICANT
-	FT8983		0	SEALANT
-	FT8936		0	SEALANT - 2 CC LOCTITE RETAINING COMPOUND #75
-	FT2962-1		0	SEALANT - 50 CC LOCTITE H, NON-HARDENING GRADE
-	FT2963-1		0	SEALANT - 2 OZ. LOCTITE D, HARDENING GRADE
-	FT8935		0	SEALANT PRIMER - 6 OZ.

SPECIAL TOOLS - REPAIR DECALS - ENGINE COVERS

REF. NO.	PART NO.	SYM.	QTY.	DESCRIPTION
-	T11232		0	METALLIC SILVER
-	T11233		0	MEDIUM
-	T11212		0	BOAT BLACK
-	T11211		0	BOAT WHITE
-	T11230		0	ORANGE

ACCESSORIES

REF. NO.	PART NO.	SYM.	QTY.	DESCRIPTION
-	F5H081		0	BATTERY CABLE LONGER LENGTH - 15 FEET
-	776		0	ADJUSTABLE CARBURETOR BOWL KIT PERMITS ADJUSTING HIGH SPEED FUEL JET FOR PEAK PERFORMANCE.
-	71H25		0	CHARGE INDICATOR LAMP GLOWS GREEN WHEN ALTERNATOR IS CHARGING BATTERY.
-	175		0	AMMETER SURFACE MOUNT PERMITS MONITORING OF ALTERNATOR OUTPUT. DO NOT USE AMMETER AND CHARGE LAMP IN SAME INSTALLATION.
-	71H06		0	AMMETER FLUSH MOUNT PERMITS MONITORING OF ALTERNATOR OUTPUT. DO NOT USE AMMETER AND CHARGE LAMP IN SAME INSTALLATION.
-	F5H019		0	ANTI-CORROSION KIT ELECTRICAL UNIT USED TO HELP PREVENT CORROSION.
-	F5H025		0	ANTI-CORROSION SACRIFICIAL ANODE USED TO HELP PREVENT CORROSION.
-	5H051		0	BATTERY, 74 AMP TWELVE VOLT HEAVY DUTY BATTERY TO OPERATE STARTER AND ELECTRICAL ACCESSORIES.
-	F5H021		0	BATTERY EXTENSION CABLE USED TO EXTEND BATTERY CABLE 6 1/2 FEET.
-	F5H041		0	BATTERY TERMINAL KIT ADAPTS MODEL 5H051 BATTERY TERMINALS FOR CONNECTION TO BATTERY CABLES ON ENGINE.
-	494		0	HANDLE PROVIDES REAR HANDLE AND REST PADS.
-	F5H020		0	CARRYING HANDLE PERMITS EASIER TRANSPORTATION OF ENGINE TO AND FROM BOAT (2 MAN).
-	F861		0	FLUSHING ADAPTER PERMITS FRESH WATER FLUSHING OF WATER PASSAGES WITH STANDARD GARDEN HOSE.
-	F5H008		0	FUEL GAUGE MONITORS FUEL SUPPLY.
-	F5H028		0	SENDING UNIT FOR USE WITH ABOVE FUEL GAUGES.
-	F5H005		0	TEMPERATURE GAUGE MONITORS ENGINE TEMPERATURE. DO NOT USE TEMPERATURE GAUGE AND HEAT LAMP IN THE SAME INSTALLATION.
-	F5H055		0	WATER PUMP KIT HEAVY DUTY WATER PUMP RECOMMENDED FOR CONTINUED OPERATION IN SANDY OR SALT WATER.
-	F5H134		0	BOAT WHITE LACQUER ENGINE TOUCH-UP PAINT IN 12 3/4 OZ. SPRAY BOMBS(6 CANS PER CASE).
-	F5H125		0	POWER TRIM ADJUSTS ENGINE TRIM AND TILTS ENGINE.
-	F5H009		0	POWER TRIM INDICATOR INDICATES TRIM ANGLE.
-	F5H084		0	TRAILERING TILT LOCK SECURES ENGINE IN TILTED POSITION FOR TRAILERING.
-	F5H120		0	REMOTE CONTROL BACK PLATE PROTECTS CONTROL MECHANISM FROM PADDED MOUNTING SURFACES IN BOAT.
-	F5H026		0	FUEL TAN, 6 GALLON, STEEL AUXILIARY TANK.
-	F5H029		0	FUEL TANK ANCHOR SECURES 5H026 TO DECK.
-	F5H040		0	FUEL TANK, 12 GALLON, STEEL AUXILIARY TANK.

CONTINUED ON NEXT PAGE ➡

ACCESSORIES

REF. NO.	PART NO.	SYM.	QTY.	DESCRIPTION
-	F5H121		0	POWER TILT TWELVE VOLT UNITS TILTS ENGINE FOR BEACHING, ETC.
-	479		0	HEAT LAMP KIT WARNS OF ENGINE OVERHEATING.
-	F5H073		0	WARNS OF ENGINE OVERHEATING.
-	478		0	IGNITION LAMP KIT FOR ALTERNATOR ENGINES. TELLS WHEN IGNITION SWITCH IS IN "ON" POSITION.
-	F5H077		0	IGNITION KEY SWITCH FOR ELECTRIC START MODELS, SHORT BARREL.
-	F5H078		0	IGNITION KEY SWITCH FOR ELECTRIC START MODELS, LONG BARREL.
-	F5H066		0	LONG LEG CONVERSION KIT CONVERTS 15" STANDARD SHAFT MODELS TO 20" LONG SHAFT MODELS.
-	F195/___		0	REMOTE CONTROL CABLES CONNECTS REMOTE CONTROL BOX TO THROTTLE AND GEAR SHIFT ON MOTOR. AVAILABLE IN 6 THROUGH 40 FOOT LENGTHS.
-	F5H130		0	REMOTE CONTROL SURFACE MOUNT (SINGLE LEVER) PERMITS REMOTE CONTROL OF THROTTLE AND GEAR SHIFT FROM STARBOARD SIDE OF BOAT.
-	F5H131		0	PORT SIDE DECAL KIT CONVERTS 5H130 CONTROL BOX TO PORT SIDE MOUNTING.
-	F590		0	REMOTE CONTROL FLUSH MOUNT (SINGLE LEVER) PERMITS REMOTE CONTROL OF THROTTLE AND GEAR SHIFT. MAY BE MOUNTED ON PORT OR STARBOARD SIDE OF BOAT.
-	865		0	REMOTE CONTROL SURFACE MOUNT (SINGLE LEVER) PERMITS REMOTE CONTROL OF THROTTLE AND GEAR SHIFT ON TWIN ENGINE INSTALLATIONS. MAY BE MOUNTED ON PORT OR STARBOARD SIDE OF BOAT.
-	F137		0	REMOTE STEERING BRACKET ADAPTS MOTOR TO CABLE TYPE REMOTE STEERING.
-	F165		0	REMOTE STEERING BRACKET ADAPTS MOTOR TO CABLE TYPE REMOTE STEERING.
-	F5H023		0	REMOTE STEERING BRACKET ADAPTS MOTOR TO MECHANICAL TYPE REMOTE STEERING.
-	F166		0	DUAL ENGINE TIE BAR PERMITS DUAL ENGINE INSTALLATION.
-	176		0	SPEEDOMETER SURFACE MOUNT 0 TO 50 MPH
-	F71H04		0	SPEEDOMETER FLUSH MOUNT 0 TO 50 MPH
-	F5H012		0	TACHOMETER MONITORS ENGINE RPM TO PROVIDE CHECK OF ENGINE PERFORMANCE.
-	F5H006		0	VOLTMETER INDICATES BATTERY CONDITION.
-	5H046		0	CANVAS HOOD PROTECTION FOR ENGINE COVER.
-	F5H070		0	REMOTE ELECTRIC CABLE 25 FEET.
-	5H082		0	REMOTE ELECTRIC CABLE 35 FEET.
-	F596		0	CHRYSLER OUTBOARD OIL SEE BLOCK COMMENT 1.
-	F597		0	CHRYSLER OUTBOARD GEAR LUBE SEE BLOCK COMMENT 2.

CONTINUED ON NEXT PAGE ➡

ACCESSORIES

REF. NO.	PART NO.	SYM.	QTY.	DESCRIPTION
-	72H26		0	CHRYSLER OUTBOARD FUEL AID REMOVES MOISTURE, PREVENTS SLUDGE AND VARNISH AND STABILIZES GAS. AVAILABLE IN 16 OZ. CANS AND 12 CAN CASES.
-			0	CHRYSLER OUTBOARD STORAGE LUBRICANT WORKS AS A CORROSION INHIBITOR AND PROTECTS INTERNAL ENGINE PARTS DURING STORAGE. AVAILABLE IN 16 OZ. CANS AND 12 CAN CASES.
-			0	CHRYSLER OUTBOARD MULTI-PURPOSE SPRAY LUBE WORKS AS A LUBRICANT, CLEANER, MOISTURE REMOVER AND ELECTRIC INSULATOR. AVAILABLE IN 9 OZ. CANS AND 12 CAN CASES.
-			0	CHRYSLER OUTBOARD MULTI-PURPOSE GREASE LUBRICATES BEARINGS AND OTHER MOVING PARTS. AVAILABLE IN 8 OZ. TUBES AND 12 TUBE CASES.
-			0	CHRYSLER OUTBOARD GREASE GUN USED WITH CHRYSLER OUTBOARD MULTI-PURPOSE GREASE TUBES FOR PRESSURE FITTINGS.
-	72H34		0	CHRYSLER OUTBOARD MULTI-PURPOSE CLEANER

PARTS INDEX

Part Number	Description	Pg.	Ref. No.	Part Number	Description	Pg.	Ref. No.
ÄF58356//	REMOTE CONTROL CABLE (SPECIFY LENGTH)	45	4	F1134	FILL HD SCREW, 8 - 32 X 1 1/8	23	19
15037	HEAD ASSEMBLY, COMMUTATOR END	15	28	F1136	FLAT HD SCREW, 1/4 - 20 X 1	23	39
175	AMMETER SURFACE MOUNT	55	-	F1141	FLAT HD SCREW, 10 - 24 X 1/2	31	7
176	SPEEDOMETER	56	-	F1160	FLAT HD SCREW, 1/4 - 28 X 5/8	37	82
2C575712	ENGINE COVER COMPLETE.	3	-	F1164	FLAT HD SCREW, 5/16 - 18 X 1 1/8	11	40
2C576712	ENGINE COVER COMPLETE.	7	-	F1199	HEX HD SCREW, 1/4 - 20 X 1	35	69
478	IGNITION LAMP KIT	56	-	F12083	CONDENSER MOUNT SCREW W/LOCKWASHER	11	13
479	HEAT LAMP KIT	56	-	F12090	BREAKER CONTACT SCREW	11	14
485388	DISC, WATER PUMP	41	56	F1211	HEX HD SCREW W/LOCKWASHER, 1/4 - 28 X 5/8	37	93
494	HANDLE	55	-	F12139-1	CONDENSER	11	15
5H046	CANVAS HOOD	56	-	F12167	SCREW	11	7
5H051	BATTERY, 74 AMP	55	-	F12172	TERMINAL	11	8
5H082	REMOTE ELECTRIC CABLE	56	-	F12172	TERMINAL COMPLETE.	13	62
71H06	AMMETER FLUSH MOUNT	55	-	F12174-1	PRIMARY INTERLEAD GROUP	11	17
71H25	CHARGE INDICATOR LAMP	55	-	F12189	CONDENSER MOUNT SCREW	11	16
72H26	CHRYSLER OUTBOARD FUEL AID	57	-	F12227	CAM WIPER - FELT	13	42
72H34	CHRYSLER OUTBOARD MULTI-PURPOSE CLEANER	57	-	F12329-2	BREAKER POINT SET	11	18
776	ADJUSTABLE CARBURETOR BOWL KIT	55	-	F12338	GROUND WIRE	13	63
817746A1	CONNECTOR STUD BRACKET	25	61	F12344	BREAKER PLATE	11	19
817747--1	BALL JOINT W/BEARING	23	15	F1238	FILL HD SCREW, 1/4 - 20 X 3/4	11	24
817793A1	SHIFT ARM W/CLAMP AND SWIVEL	23	38	F1263	HEX SOCKET HD CAP SCREW, S.S., 5/16 - 18 X 9/16	39	13
817796A2	GEAR SHIFT ARM ASSEMBLY	39	34	F1280	PAN HD SCREW, 8 - 32 X 1/4	13	53
865	REMOTE CONTROL SURFACE MOUNT (SINGLE LEVER)	56	-	F1280	PAN HD SCREW, 8 - 32 X 1/4 (TERMINAL BOARD) (NOT SHOWN)	47	-
89396A38	PRIME BULB	43	9	F1286	PAN HD SCREW, 4 - 40 X 3/16	25	45
A546528	DECAL, ENGINE COVER - REAR	9	42	F1298	ROUND HD SCREW W/LOCKWASHER, 6 - 32 X 1/4	31	13
A546892	DECAL, ENGINE COVER FRONT	7	4	F1326	ACORN NUT, S.S., 5/16 - 18	33	12
A576528	DECAL, TRIM REAR (FOR ENGINE COVERS WITHOUT REAR TRIM PLATE)	9	45	F1341	HEX NUT	25	73
F10000	GASKET SET	19	31	F1346	HEX NUT, 3/8 - 16	37	78
F10057	REPAIR PARTS KIT.	19	22	F1346	HEX NUT, S.S., 3/8 - 16	35	49
F1014	COTTER PIN	19	11	F1346	HEX NUT, S.S., 3/8 - 16	39	33
F1015	COTTER PIN	41	37	F1349	HEX NUT, S.S., 5/16 - 18	33	17
F1027	COTTER PIN, S.S., 1/8 - 1/2	39	10	F137	REMOTE STEERING BRACKET	56	-
F1052	FILL HD SCREW, 1/4 - 20 X 1	25	72	F141118	SEAL, PROPELLER SHAFT	39	15
F1059	FILL HD SCREW, 6 - 32 X 1/4	19	8	F141244	INLET WATER LINE FOR STANDARD SHAFT MODELS	39	7
F1108	FILL HD SCREW W/SPRING LOCKWASHER, 1/4 - 20 X 3/4	17	10	F141275	FITTING, THERMOSTAT	27	89
F1110	SLOTTED FILL HD SCREW, 1/4 - 20 X 5/8	11	2	F141305	SEAL, PROPELLER SHAFT BEARING CAGE	39	17
F1110	SLOTTED FILL HD SCREW, 1/4 - 20 X 5/8	17	20				
F1129	FILL HD SCREW, S.S., 5/16 - 18 X 1/2	33	19				

PARTS INDEX

Part Number	Description	Pg.	Ref. No.	Part Number	Description	Pg.	Ref. No.
F1441	PAN HD SCREW, 1/4 - 20 X 7/8	29	2	F1535	HEX CAP SCREW, 1/4 - 20 X 3/4	25	63
F1446	SLOTTED PAN HD SCREW, 1/4 - 20 X 1	23	42	F1535	HEX HD SCREW, 1/4 - 20 X 3/4	3	8
F1447	RD HD SCREW, 2 X 3/16	3	11	F1535	HEX HD SCREW, 1/4 - 20 X 3/4	7	8
F1447	RD HD SCREW, 2 X 3/16	7	11	F1535	HEX HD SCREW, 1/4 - 20 X 3/4	23	9
F1473	HEX NUT, 10 - 24	23	24	F1535	HEX HD SCREW, 1/4 - 20 X 3/4	23	9
F1473	HEX NUT, 10 - 24	35	73	F1540	HEX CAP SCREW, 1/4 - 20 X 5/8	11	34
F1475	FILL HD SCREW, 10 - 24 X 1/2	7	6	F1540	HEX CAP SCREW, 1/4 - 20 X 5/8	37	92
F1475	FILL HD SCREW, 10 X 24 X 1/2	3	6	F1540	HEX HD SCREW, 1/4 - 20 X 5/8	17	18
F15000	SEAL, "O" RING	15	18	F1540	HEX HD SCREW, 1/4 - 20 X 5/8	27	92
F1502	HEX HD SCREW, 1/4 - 20 X 5/8	17	19	F1541	HEX HD SCREW, 1/4 - 20 X 5/8	13	70
F15021-1	HEAD ASSEMBLY, DRIVE END	15	17	F1541	HEX SLOT HD SCREW, 1/4 - 20 X 5/8	23	6
F15034	SPRING SET	15	26	F154317	CABLE CLAMP	45	23
F15038-1	BRUSH PLATE AND HOLDER	15	25	F1544	HEX HD CAP SCREW, 3/8 - 16 X 2 1/4	27	78
F15042	BRUSH SET	15	24	F1556	FILL HD SCREW W/LOCKWASHER, 10 - 24 X 3/8	23	32
F15043	FRAME AND FIELD ASSEMBLY.	15	21	F1557	FLAT HD SCREW, 10 - 24 X 3/8	45	25
F15044	ARMATURE	15	19	F1593	HEX HD SCREW, S.S., 3/8 - 16 X 3	35	51
F15073	THRUST WASHER PACKAGE	15	20	F1600	LOCK NUT, PIVOT TUBE	35	53
F15084	SCREW SHAFT	15	8	F1615	HEX NUT, 5/16 - 24	11	23
F15087	NUT	15	2	F1635	HEX SOCKET HD CAP SCREW, S.S., 3/8 - 16 X 3 1/2	35	62
F15088	SPRING	15	4	F1636	HEX SOCKET HD CAP SCREW, S.S., 3/8 - 16 X 1 1/4	35	61
F15091	WASHER	15	9	F1645	RD HD SELF-TAPPING SCREW, 6 - 32 X 1/4	11	5
F15094	THRU BOLT PACKAGE (SET OF 2 BOLTS)	15	27	F1646	HEX SOCKET HD CAP SCREW, 3/8 - 16 X 2 1/4	23	7
F15104	CUP, CUSHION THRUST	15	12	F1647	HEX NUT, 8 - 32	13	44
F15105	CUP	15	10	F165	REMOTE STEERING BRACKET	56	-
F15106	CUSHION	15	11	F166	DUAL ENGINE TIE BAR	56	-
F15109	STOP	15	3	F1666	BOWED SPRING WASHER	33	28
F15113	BENDIX DRIVE.	15	1	F1669	STOP NUT	35	60
F15114	PINION	15	7	F17006	DETENT SPRING	45	18
F15115	CUP, PINION	15	5	F17009	BEARING	45	14
F15116	SLEEVE	15	6	F17010-1	THROTTLE GEAR	45	16
F1513	HEX NUT	45	3	F17011	BOWED WASHER	45	15
F1513	HEX NUT, 10 - 32	11	25	F17012	RETAINING PLATE	45	13
F1513	HEX NUT, 10 - 32	23	12	F17013	FILL HD SCREW, 1/4 - 20 X 1/2	45	11
F1513	HEX NUT, 10 - 32	23	16	F17014	THROTTLE ARM	45	10
F1513	HEX NUT, 10 - 32	25	64	F17016	CABLE TERMINAL	45	9
F1514	HEX NUT, 1/4 - 20	15	14	F17019	CLUTCH ARM	45	5
F1515	HEX NUT, 5/16 - 18	3	14	F17021	CLUTCH GEAR	45	19
F1515	HEX NUT, 5/16 - 18	7	14	F17026	SWIVEL	45	24
F1515	HEX NUT, 5/16 - 18	19	30				
F1515	HEX NUT, 5/16 - 18	23	4				
F1515	HEX NUT, 5/16 - 18	31	2				
F1532	HEX HD SCREW, 1/4 - 20 X 1 7/8	31	1				
F1532	HEX HD SCREW, 1/4 - 20 X 1 7/8	31	1				
F1532	HEX HD SCREW, 1/4 - 20 X 1 7/8	31	1				
F1533	HEX HD SCREW, 1/4 - 20 X 7/8	31	1				
F1535	HEX CAP SCREW, 1/4 - 20 X 3/4	3	28				
F1535	HEX CAP SCREW, 1/4 - 20 X 3/4	7	28				

PARTS INDEX

Part Number	Description	Pg.	Ref. No.	Part Number	Description	Pg.	Ref. No.
F17030-1	SET SCREW	45	31	F1849	HEX HD SCREW, S.S., 1/4 - 20 X 1 3/8	37	77
F17031-1	SNAP CAP	45	28	F1851	FILL HD M. SCREW W/LOCKWASHER, 10 - 24 X 1/2	37	84
F17036	INTERNAL TOOTH LOCKWASHER	45	6	F1857	HEX CAP SCREW, 5/16 - 18 X 5/8	25	62
F1704	INTERNAL TOOTH LOCKWASHER	13	50	F185764	RETAINING RING	33	16
F17068	DETENT SPRING	47	37	F1860	SLOTTED BINDING HD SCREW, 6 - 32 X 1/4	17	6
F17071	FILL HD SCREW, 10 - 24 X 5/16	45	22	F1879	HEX SOCKET HD CAP SCREW, 3/8 - 16 X 2 1/4	23	8
F17082-1	DETENT BALL	47	38	F1880	PLASTIC PLUG	37	90
F17092	SNAP RING	45	21	F1904	PLAIN WASHER	35	50
F17099-1	HOUSING	45	36	F1905	FILL HD SCREW, 1/4 - 20 X 3 7/16	35	66
F17100	CLUTCH SHAFT	45	20	F1910	ELASTIC STOP NUT, 1/4 - 20	23	17
F17103-1	BAG ASSEMBLY (NOT SHOWN)	47	-	F191169-1	SWIVEL BRACKET BEARING	35	58
F17105	FELT WASHER	45	33	F1920	HEX NUT, 5/8 - 18	11	1
F17106	COLLAR	45	34	F1929	HEX HD CAP SCREW, S.S., 3/8 - 16 X 1 1/8	35	64
F17111	DETENT BALL	45	17	F1934	FLAT HD SLOTTED SCREW, 6 X 1/2	13	66
F17112	JUNCTION BOARD - STARBOARD	45	26	F1947	FLANGED 12 POINT SCREW, 5/16 - 18 X 2	33	8
F17113	JUNCTION BOARD - PORT	45	-	F195/___	REMOTE CONTROL CABLES	56	-
F17115-1	HANDLE	45	30	F1958	PAN HD SCREW, 6 X 7/16	13	54
F17116	KNOB	45	29	F1969	FILL HD SCREW, 1/4 - 20 X 3/4	23	31
F17146	WOOD SCREW	45	35	F1971	HEX HD SCREW, 1/4 - 20 X 2 1/8	27	90
F17147	INTERNAL TOOTH LOCKWASHER	45	12	F1974	SLOTTED PAN HD SCREW, 10 - 24 X 5/8	13	47
F17148	DECAL, STARBOARD	45	27	F1975	LOCKWASHER	11	26
F17149	COTTER PIN	45	8	F197787-3	FUEL LINE COUPLER	43	6
F1715	HEX BOLT, 1/4 - 28 X 9/16	45	7	F1987	PLAIN WASHER	3	18
F1727	PLASTIC RIVET	23	30	F1987	PLAIN WASHER	7	18
F1733	FILL HD SCREW, 10 - 24 X 9/16	35	76	F1987	PLAIN WASHER	33	14
F1733	PAN HD SCREW, 10 - 24 X 9/16	3	20	F1994	HEX SOCKET HD CAP SCREW, 5/16 - 18 X 1	41	57
F1733	PAN HD SCREW, 10 - 24 X 9/16	7	20	F1995	FILL HD SCREW, 10 - 24 X 1 1/16	27	85
F1733	PAN HD SCREW, 10 - 24 X 9/16	11	31	F1997	STOP NUT, 8 - 32	19	35
F1733	PAN HD SCREW, 10 - 24 X 9/16	35	47	F1997	STOP NUT, 8 - 32	23	21
F1744	SPRING PIN	33	36	F2014	PLAIN WASHER	27	79
F1753	FASTENER	3	37	F2014	PLAIN WASHER	41	61
F1753	FASTENER	7	37	F201529-1	CYLINDER HEAD GASKET	25	67
F1767	FILL HD SCREW, 10 - 24 X 3 3/8 FOR LONG SHAFT	35	76A	F201529-1	GASKET, CYLINDER HEAD	25	-
F1768	FILL HD SCREW, 10 - 24 X 1 3/8 FOR SHORT SHAFT MODELS	37	-	F2016	FILL HD SCREW, 6 - 32 X 7/8	23	40
F1768	FILL HD SCREW, 10 - 24 X 1 3/8 FOR SHORT SHAFT MODELS	35	76B	F2016	FILL HD SCREW, 8 - 32 X 7/8	11	38
F177330	FUEL PUMP VALVE	17	7	F2025	PAN HD SCREW, 10 X 5/8	5	44
F177917	STARTER RELAY	11	27	F2025	PAN HD. SCREW, 10 X 5/8	9	44
F17932	SEAL, FUEL TANK ADAPTER	43	11	F2030	HEX HD SCREW, S.S., 1/4 - 20 X 1 1/4	41	54
F18160-2	REED, CYLINDER DRAIN	25	48	F2030	SCREW 1/4 - 20 X 1-1/4	41	-
F183300	SPRING	3	17	F203097-5	FLYWHEEL	11	3
F183300	SPRING	7	17	F203276	COIL BOOT	11	36
F183346-1	SHOCK MOUNT LOWER	33	20	F2033	GROOVE PIN	19	9A
F1836	SPRING PIN	37	88	F203673	TERMINAL CLIP	11	35
F184033-1	SWIVEL, CHOKE ROD	19	7				
F184579	SEAL, CHOKE ARM SWIVEL	19	6				

PARTS INDEX

Part Number	Description	Pg.	Ref. No.	Part Number	Description	Pg.	Ref. No.
F203965	SHOCK MOUNT UPPER	33	9	F307860	INTAKE SILENCER	7	9
F2066	PAN HD SELF-TAPPING SCREW	5	41	F307908	STARTER LEAD	15	22
F2066	PAN HD SELF-TAPPING SCREW	9	41	F307942-1	BUMPER	23	20
F2071	HEX CAP SCREW, 5/16 - 18 X 1 3/8	11	9	F307962	SHOCK MOUNT - SIDE - UPPER	37	80
F2073	HEX CAP SC 3/8 - 24 X 1-5/8	37	100	F307989-1	SEAL, KINGPIN PLATE	33	3
F2093	STOP NUT 3/8 - 24	37	101	F311247	WATER TUBE, THERMOSTAT	27	88
F2097	SPRING PIN	39	23	F311744-2	WIRING HARNESS	13	49
F213274	GREASE FITTING	33	23	F311984-1	BLANKET, SILENCER - TOP	3	26
F213342	SEAL, FUEL LINE COUPLER (LARGE)	43	4	F311984-1	BLANKET, SILENCER - TOP	7	26
F213735	SEAL, FUEL LINE COUPLER (SMALL)	43	5	F311996	GASKET, CYLINDER HEAD COVER	27	-
F215962	SHOCK MOUNT SIDE LOWER	33	10	F316599	SEAL, PIVOT TUBE	33	24
F24074	CLAMP SCREW FOOT	33	38	F328013-1	CRANKSHAFT THRUST BEARING UPPER	29	18
F268002-2	CAM	11	21	F328109	PLUG	27	100
F269052	SHIFT ARM BEARING	23	36	F333316	THROTTLE ROLLER SHAFT	19	32
F269122-1	CRANKCASE PARTING LINE SEAL	25	74	F335160	REED	31	11
F269122-1	CRANKCASE PARTING LINE SEAL	27	-	F335217-1	BEARING	29	8
F269319	THROTTLE CAM BEARING	23	11	F338129-1	SEAL, DRIVESHAFT SPLINE	39	1
F269445-1	SPARK CONTROL LINK	23	25	F338271	RETAINER	39	2
F269929	SPACER, TILT STOP	33	25	F338618-1	SEAL, SHIFT ROD LOWER	41	45
F269929	SPACER, TILT STOP	33	29	F345427-1	BRACKET, STARTER MOUNTING	23	1
F269929	SPACER, TILT STOP	35	54	F345683	WIRE - GROUND	13	61
F269929	SPACER, TILT STOP	35	56	F349307	DRIVESHAFT SEAL - WATER PUMP	41	52
F286461	SPRING LOCK BAR HANDLE	37	95	F353480	STUD	37	85
F286772-1	CLAMP	33	7	F366058	BALL BEARING, PROPELLER SHAFT	39	16
F289664	WIRE STATOR GROUND	13	56	F366133-2	MOTOR LEG FOR SHORT SHAFT MODELS	35	65
F298788	FERRULE	43	7	F366215	SPACER	29	10
F2A366298	PROPELLER SHAFT BEARING CAGE	39	14	F366277	BEARING CAGE GASKET	29	4
F2A433757	CYLINDER DRAIN REED PLATE W/REEDS, RD STOPS, SCRWS & SCREEN	25	49	F366277	GASKET, BEARING CAGE	27	-
F2A474266	BEVEL PINION W/BEARING	39	35	F366300	REVERSE LOCK SPRING	35	48
F307038	SUPPORT PLATE	3	40	F366349	REVERSE LOCK	35	44
F307038	SUPPORT PLATE	7	40	F366350	TILT STOP PIVOT	33	26
F307211	STUD	23	2	F366364	ARM	33	40
F307279-2	CYLINDER EXHAUST GASKET UPPER	33	1	F366426	TILT STOP - PORT	35	55
F307279-2	GASKET, CYLINDER EXHAUST - UPPER	27	-	F366433	TILT STOP, STARBOARD	33	27
F307317	CLIP, TERMINAL BLOCK - GROUND	13	46	F366510-1	LINK	35	43
F307453-3	CYLINDER EXHAUST GASKET LOWER	33	6	F366727	BALL, PROPELLER SHAFT	39	20
F307453-3	GASKET, CYLINDER EXHAUST - LOWER	27	-	F366827	HANDLE AND SHAFT	33	42
F307615	GEAR SHIFT ROD UPPER	33	13	F366866	PIN	35	45
F307660-1	LEG EXHAUST TUBE	37	83	F369450	RECTIFIER	11	39
F307683	WIRE, CIRCUIT BREAKER	13	69	F380475	COIL	11	32
F307818	BEARING, LATCH SHAFT	3	19	F380501	COIL MOUNT	13	43
F307818	BEARING, LATCH SHAFT	7	19	F380513	COIL CLAMP	11	33
F307860	INTAKE SILENCER	3	9	F381896-4	BATTERY CABLE	13	55
				F391926-1	CHOKE SOLENOID PLUNGER	19	9
				F40008	STUD, SHORT	41	39
				F40017-2	PISTON PIN	29	9
				F40146-1	CRANKSHAFT SEAL	29	1
				F40151-1	EXHAUST PORT PLATE	27	95
				F40154-3	EXHAUST PORT PLATE GASKET	27	94

PARTS INDEX

Part Number	Description	Pg.	Ref. No.	Part Number	Description	Pg.	Ref. No.
F40209	CARBURETOR STUD	31	3	F435323	PACKING, LEG COVER - LOWER	35	71
F40223	GASKET, TRANSFER PORT COVER	25	-	F435323	PACKING, LEG COVER - UPPER	35	74
F40223	TRANSFER PORT COVER GASKET	25	55	F435555	SEAL, GEAR HOUSING	41	43
F40307-2	SEAL, DRIVESHAFT	41	48	F435562	BACK PLATE, WATER PUMP	41	-
F40342	SEAL	39	5	F435562	WATER PUMP BACK PLATE	41	49
F40342	SEAL, PROPELLER NUT	39	11	F435705	GEAR SHIFT ROD LOWER	39	36
F40410	SNAP RING	29	14	F438165	SCREW, FUEL BOWL	17	17
F404801	ELBOW	25	65	F438398-1	DECAL, WIRING	13	71
F405457	PIVOT SCREW	23	33	F438500	FUEL SEDIMENT BOWL	17	16
F40717	THRUST WASHER, BEVEL GEAR	39	19	F438617	FUEL SEDIMENT BOWL GASKET	17	12
F40833-4	GASKET, IDLE RELIEF COVER	25	-	F438653	FUEL PUMP SCREEN	17	15
F40833-4	MOTOR LEG EXHAUST COVER GASKET	35	67	F438747	FUEL PUMP DIAPHRAGM	17	5
F40906-1	FLANGE GASKET	21	39	F438760	FUEL PUMP GASKET	17	2
F40906-1	GASKET, CARBURETOR	25	-	F438801	ELBOW	17	11
F409251-1	GAUGE CAP	43	1	F438930	RETAINER, SNOUT	41	40
F428096	RETAINER, PISTON PIN	29	11	F452925	CHOKE SOLENOID ROD	19	8A
F433065	IMPELLER	41	-	F458774	BRACKET RETAINER - REAR	3	27
F433065-1	WATER PUMP IMPELLER	41	50	F458774	BRACKET, RETAINER - REAR	7	27
F433114	HANDLE, LOCK BAR	37	94	F463269-1	TILT HANDLE	3	38
F433168	CARBURETOR ADAPTER GASKET	31	6	F463269-1	TILT HANDLE	7	38
F433168	GASKET, CARBURETOR ADAPTER	27	-	F463314	ELBOW	27	96
F433192	THROTTLE CAM	23	14	F463864	RETAINER, TILT HANDLE	3	32
F433209	STUD, THROTTLE CAM	23	10	F463864	RETAINER, TILT HANDLE	7	32
F433254	HOSE	25	66	F465985	BLANKET, SILENCER - SIDE	3	23
F433404	DEFLECTOR PLATE	31	8	F465985	BLANKET, SILENCER - SIDE	7	23
F433406	DEFLECTOR PLATE GASKET	31	9	F466095	STATOR	11	12
F433406	GASKET, DEFLECTOR PLATE	27	-	F466479	BREAKER PLATE SHOE	11	11
F433675	STARTER MOUNTING BRACKET - LOWER	23	5	F467841	COIL WIRE - CANADA	11	-
F433680	SPACER PLATE	33	2	F474073-1	CLAMP SCREW	33	35
F433689	TOWERSHAFT BEARING	23	28	F474992	BLANKET, SILENCER - FRONT	3	22
F433946	SHOCK MOUNT UPPER COVER	37	91	F474992	BLANKET, SILENCER - FRONT	7	22
F433972	SHOCK MOUNT LOWER COVER - STARBOARD	33	11	F483884	BEARING	33	41
F433973	SHOCK MOUNT LOWER COVER - PORT	35	63	F485755-1	FUEL TANK ADAPTER	43	3
F434061-3	CARBURETOR - COMPLETE (WB16D)	21	41	F486015	PISTON	29	12
F434323	PACKING - LEG COVER - LOWR REAR (NOT SHWN) FOR SHRT SHFT MDL	35	-	F498618	SEAL, "O" RING	39	30
F434754	FUEL LINE, PUMP TO CARBURETOR	17	14	F498891	GEAR SHIFT ARM PIN	39	29
F434758	FUEL PUMP IMPULSE HOSE	17	4	F50109	PLUG, GEAR HOUSING	39	27
F435057	BEARING, DRIVESHAFT UPPER	41	47	F510374-1	DECAL, CIRCUIT BREAKER	13	67
F435077	SCREEN, WATER INLET	41	46	F510460	CIRCUIT BREAKER	11	29
F435133-1	MOTOR LEG FOR LONG SHAFT MODELS	35	-	F522032	STERN BRACKET - STARBOARD	33	37
				F522125-1	TUBE, PIVOT STEERING	33	32
				F522286	STERN BRACKET FRICTION WASHER	33	39
				F522359	SPACER, STEERING LINK	37	98
				F522532	STERN BRACKET - PORT	33	30
				F522741	RING, RETAINING-REV. LOCK SHAFT	35	46
				F522884	BEARING	33	34
				F531892	DECAL, PORT	45	-
				F544390-1	DECAL, TILT LOCK	37	96
				F545180	TRIM, REAR	7	34
				F545189	BUSHING, CABLE ENTRY	3	21
				F545189	BUSHING, CABLE ENTRY	7	21

PARTS INDEX

Part Number	Description	Pg.	Ref. No.	Part Number	Description	Pg.	Ref. No.
F545711	PLATE, FRONT	7	1	F5H134	BOAT WHITE LACQUER	55	-
F545881	LINK, STEERING	37	99	F7004	ELASTIC STOP NUT 3/8 - 16	41	62
F549189	BUSHING - ELECTRIC			F7004	STOP NUT, 7/16 - 20	23	37
	CABLE ENTRY	7	25	F7007	NUT	33	31
F549189	BUSHING ELECTRIC CABLE			F7011	HEX NUT, 10 - 24	3	33
	ENTRY	3	25	F7011	HEX NUT, 10 - 24	7	33
F575180	TRIM, REAR	3	34	F71H04	SPEEDOMETER	56	-
F575711	PLATE, FRONT	3	1	F8003	PLAIN WASHER	25	46
F58685-2	CONNECTOR, SHIFT CABLE	45	2	F8011	PLAIN WASHER	11	30
F590	REMOTE CONTROL FLUSH			F8025	PLAIN WASHER	37	81
	MOUNT (SINGLE LEVER)	56	-	F8028	PLAIN WASHER	15	16
F596	CHRYSLER OUTBOARD OIL	56	-	F8038	PLAIN WASHER	37	102
F597	CHRYSLER OUTBOARD			F8038	PLAIN WASHER	37	79
	GEAR LUBE	56	-	F8042	PLAIN WASHER	39	6
F5H005	TEMPERATURE GAUGE	55	-	F8049	BOWED SPRING WASHER	33	15
F5H006	VOLTMETER	56	-	F8056	SPRING LOCKWASHER	13	59
F5H008	FUEL GAUGE	55	-	F8058	INTERNAL TOOTH		
F5H009	POWER TRIM INDICATOR	55	-		LOCKWASHER	23	13
F5H012	TACHOMETER	56	-	F8058	INTERNAL TOOTH		
F5H019	ANTI-CORROSION KIT	55	-		LOCKWASHER	25	60
F5H020	CARRYING HANDLE	55	-	F8060	EXTERNAL TOOTH		
F5H021	BATTERY EXTENSION				LOCKWASHER	29	19
	CABLE	55	-	F8060	LOCKWASHER	15	15
F5H023	REMOTE STEERING			F8065	LOCKWASHER	39	32
	BRACKET	56	-	F8065	SPRING LOCKWASHER	33	7A
F5H025	ANTI-CORROSION			F8077	WASHER, GEAR HOUSING		
	SACRIFICIAL ANODE	55	-		PLUG	39	28
F5H026	FUEL TAN, 6 GALLON,			F8083	SPRING LOCKWASHER	13	60
	STEEL	55	-	F8083	SPRING LOCKWASHER	27	76
F5H026	FUEL TANK (ACCESSORY			F8083	SPRING LOCKWASHER	37	87
	ITEM)	43	2	F8088	PLAIN WASHER	13	64
F5H028	SENDING UNIT	55	-	F8088	PLAIN WASHER	19	10
F5H029	FUEL TANK ANCHOR	55	-	F8088	PLAIN WASHER	25	57
F5H038	IGNITION SWITCH			F8094	PLAIN WASHER	13	58
	MOUNTING KIT			F8096	SPRING LOCKWASHER	3	15
	(ACCESSORY ITEM)	13	65	F8096	SPRING LOCKWASHER	7	15
F5H040	FUEL TANK, 12 GALLON,			F8096	SPRING LOCKWASHER	11	10
	STEEL	55	-	F8096	SPRING LOCKWASHER	23	3
F5H041	BATTERY TERMINAL KIT	55	-	F84026	SPARK CONTROL SWIVEL	23	22
F5H041	BATTERY TERMINAL KIT			F84035-2	SPARK CONTROL BEARING,		
	(ACCESSORY ITEM)	13	57		R.H.	23	26
F5H055	WATER PUMP KIT	55	-	F84036	SPARK CONTROL BEARING,		
F5H066	LONG LEG CONVERSION				L.H.	23	23
	KIT	56	-	F84280	KINGPIN NUT	33	21
F5H070	REMOTE ELECTRIC CABLE	56	-	F84314-2	ELBOW	17	3
F5H073		56	-	F84314-2	ELBOW, FUEL LINE	25	58
F5H077	IGNITION KEY SWITCH	56	-	F84314-2	ELBOW, FUEL LINE		
F5H078	IGNITION KEY SWITCH	56	-		CARBURETOR	21	42
F5H078	IGNITION SWITCH			F84449	NEUTRAL INTERLOCK		
	(ACCESSORY ITEM)	13	52		SWITCH	11	6
F5H081	BATTERY CABLE	55	-	F84449	SWITCH, NEUTRAL		
F5H084	TRAILERING TILT LOCK	55	-		INTERLOCK	23	41
F5H120	REMOTE CONTROL BACK			F84792	FUEL PUMP VALVE GASKET	17	8
	PLATE	55	-	F85372	PIN, GEAR SHIFT ROD		
F5H121	POWER TILT	56	-		LOWER	41	38
F5H125	POWER TRIM	55	-	F8538	SPRING PIN	37	86
F5H130	REMOTE CONTROL			F8545	SPRING PIN	27	99
	SURFACE MOUNT			F85502	THROTTLE LINK	23	18
	(SINGLE LEVER)	56	-	F8559	DOWEL PIN	25	52
F5H131	PORT SIDE DECAL KIT	56	-	F85610	BEARING	23	35

PARTS INDEX

Part Number	Description	Pg.	Ref. No.	Part Number	Description	Pg.	Ref. No.
F85634-2	CONNECTING ROD SCREW	29	17	FA307779	BAFFLE, AIR INTAKE		
F85735-1	SEAL	3	36		W/SILENCER	3	39
F85735-1	SEAL	7	36	FA307779	BAFFLE, AIR INTAKE		
F85756	SUPPORT PLATE PACKING	3	29		W/SILENCER	7	39
F85756	SUPPORT PLATE PACKING	7	29	FA328763	COVER LATCH HANDLE		
F85843-1	ELECTRIC CONTROL CABLE	13	51		W/SHAFT	3	24
F861	FLUSHING ADAPTER	55	-	FA328763	COVER LATCH HANDLE		
F88161-3	REED STOP	31	12		W/SHAFT	7	24
F89011	SWIVEL BRACKET WASHER	33	22	FA354260	PISTON RING SET (6 PER SET)	29	13
F89025	DAMPENING PAD	33	5	FA366135	LEG COVER - PORT - FOR SHORT SHAFT MODELS		
F89504	GROMMET, MOTOR LEG	35	70		W/PACKING	35	72
F89777-1	LATCH CAM	3	16	FA366145	LEG COVER - STARBOARD - FOR SHORT SHAFT MODELS	35	75
F89777-1	LATCH CAM	7	16		W/PACKING	35	75
F90014	CRANKSHAFT LOWER MAIN BEARING	29	16	FA366778	ENGINE COVER RETAINER - FORWARD W/SCREWS AND NUTS	7	7
F901563	DRIVE PIN	41	-		ENGINE COVER RETAINER - FORWARD W/SCREWS AND NUTS	3	7
F901563	DRIVE PIN, WATER PUMP IMPELLER	39	4	FA366778	ENGINE COVER RETAINER - FORWARD W/SCREWS AND NUTS	3	7
F9018	PLASTIC CAP, PIVOT TUBE	37	97		IGNITION KEY - NO LETTER OR STAMPED A	13	73
F9052	PLASTIC PLUG, PIVOT TUBE	35	52	FA40655	CRANKSHAFT CENTER MAIN BEARING RACE W/SNAP RING	29	15
F90619-1	YOKE	41	58	FA411222	TRANSFER PORT COVER	25	56
F90871-3	GEAR SHIFT ARM PIN	39	22	FA433019	KINGPIN W/PLUG	35	59
F91446-1	CIRCUIT BREAKER BRACKET	11	28	FA433113	STERN BRACKET LOCK BAR	33	33
F92446	CLAMP	11	4	FA433152	EXHAUST PORT COVER	27	93
F92498	KEY	11	22	FA433158	REED PLATE W/REEDS, STOPS AND SCREWS	31	10
F92759	ROLLER	19	33	FA433167	CARBURETOR ADAPTER FLANGE W/STUDS	31	5
F93472-1	CYLINDER DRAIN COVER GASKET	25	44	FA433471	CYLINDER DRAIN COVER W/FITTING	23	43
F93472-1	GASKET, CYLINDER DRAIN COVER	25	-	FA434616	GEAR SHIFT ROD INTERMEDIATE FOR STANDARD SHAFT MODELS ASS'Y	41	55
F93748-1	CYLINDER DRAIN REED PLATE GASKET	25	51	FA435116	EXHAUST, SNOUT	41	41
F93748-1	GASKET, CYLINDER DRAIN REED PLATE	25	-	FA435135	LEG COVER - PORT - FOR LONG SHAFT MODELS W/PACKING	35	-
F93811	SCREEN CYLINDER DRAIN REED PLATE	25	50	FA435145	LEG COVER - STARBOARD - FOR LONG SHAFT MODELS WITH PACKING	35	-
F93920	CYLINDER DRAIN REED STOP	25	47	FA435616	GEAR SHIFT ROD INTERMEDIATE FOR LONG SHAFT MODELS ASSEMBLY	41	-
F94914	SLEEVE	11	20	FA438431	FUEL PUMP BODY	17	9
F97008-1	STUD, LONG	39	31	FA439746	FUEL PUMP COVER	17	1
F97066-1	THERMOSTAT COVER	27	84	FA458480	ENGINE COVER RETAINER W/SCREWS AND NUTS	3	31
F97067	GASKET, THERMOSTAT COVER	25	-	FA458480	ENGINE COVER RETAINER W/SCREWS AND NUTS	7	31
F97067	THERMOSTAT COVER GASKET	27	83	FA458662	BEVEL GEAR REAR W/BEARING	39	18
F97068-1	THERMOSTAT	27	82				
F97275	FITTING, THERMOSTAT	27	86				
F97504	GROMMET, THERMOSTAT	27	81				
F97772	CLAMP	27	87				
F97772	FUEL LINE CLAMPS	17	13				
F98273	ROD END CONNECTOR STUD	25	59				
F99521-1	CLUTCH	39	24				
FA15072	HEX LOCK NUT, 1/4 - 20	15	23				
FA201955	STARTER MOTOR - COMPLETE (NOT SHOWN)	15	-				

PARTS INDEX

Part Number	Description	Pg.	Ref. No.	Part Number	Description	Pg.	Ref. No.
FA463060	WATER PUMP BODY	41	-	FC464010	SHORT BLOCK.	25	-
FA463060	WATER PUMP BODY W/DRIVESHAFT SEAL	41	51	FC479390	DECAL, STARTER - CANADA (NOT SHOWN)	15	-
FA464010	CYLINDER W/CRANKCASE COVER, DEFLECTOR PLATE AND SCREWS	25	53	FC486054	GEAR HOUSING COMPLETE.	39	-
FA466144	CRANKSHAFT BEARING CAGE W/SEAL	29	3	FD368700	IGNITION KEY - STAMPED D	13	-
FA485023	BEVEL GEAR FRONT W/BEARING	39	25	FE368700	IGNITION KEY - STAMPED E	13	-
FA485914	SEAL, INLET WATER LINE, LOWER	41	53	FG1007-1	GASKET SET.	25	75
FA486054	GEAR HOUSING W/PLUG, WASHER AND THRUST BEARING CUP	39	26	FK1073	WATER PUMP KIT	41	60
FA486528	DECAL, TRIM REAR (FOR ENGINE COVERS WITHOUT REAR TRIM PLATE)	5	45	FK1074	GEAR HOUSING SEAL KIT.	41	59
FA510497	TERMINAL BLOCK	13	48	FK1075	TUNE-UP KIT.	13	72
FA538395	IDENTIFICATION PLATE W/SCREWS	7	12	FK17114-1	INDICATOR	45	32
FA538395	IDENTIFICATION PLATE W/SCREWS - USA	3	12	FK247	PROPELLER PIN, PACK OF 6 W/COTTER PIN	39	12
FA545018	CRANKSHAFT W/THRUST BEARING UPPER	29	5	FK405020	SWIVEL W/SCREW AND NUT	23	34
FA545072	SWIVEL BRACKET	35	57	FK433838	TOWERSHAFT W/CLAMP AND SWIVEL	23	29
FA545554	GEAR HOUSING UPR W/SEAL, WASHER, PLUG AND INLET WATR SCREEN	41	44	FK750-3	SPARKIE KIT	13	45
FA575386	DECAL, NUMERAL "45"	3	35	FK85228-1	BEARING CAGE W/ROLLERS (16 PER SET)	29	6
FA575396	DECAL, ENGINE COVER - STARBOARD	5	43	FO10165	INLET SEAT GASKET	19	19
FA575397	DECAL, ENGINE COVER - PORT	3	2	FO10280	CHOKE SHUTTER RETAINING SCREW AND LOCKWASHER	19	16
FA575528	DECAL, ENGINE COVER - REAR	5	42	FO10588	BODY CHANNEL CUP PLUG	19	1
FA575892	DECAL, ENGINE COVER FRONT	3	4	FO10790	INLET NEEDLE, SEAT AND GASKET	19	20
FA576396	DECAL, ENGINE COVER - STARBOARD	9	43	FO10883	CHOKE RELIEF VALVE SPRING	19	18
FA576397	DECAL, ENGINE COVER - PORT	7	2	FO11103	IDLE MIXTURE SCREW SPRING	19	14
FA58976-1	CONNECTOR, THROTTLE CABLE	45	1	FO13194	MAIN FUEL JET .080 - OPT. - 3750 - 6250 FT.	19	-
FA84754-1	FUEL LINE SHORT W/FERRULES	43	8	FO13552	FUEL BOWL	19	25
FA89128-1	DRIVESHAFT W/RETAINER FOR LONG SHAFT MODELS	39	-	FO13554	FLOAT	19	27
FA89832-2	MOTOR LEG EXHAUST	35	68	FO13944	FLOAT LEVER PIN	19	21
FA94094-2	PROPELLER NUT W/SEAL AND COTTER PIN	39	9	FO13945	FUEL BOWL RETAINING SCREW	19	26
FB368700	IGNITION KEY - STAMPED B	13	-	FO13946	IDLE MIXTURE SCREW	19	15
FC235227	SPARK PLUG (RL-4-J) FOR MODELS 456BOL, 457BOL AND 459BOJ	25	-	FO14109	MAIN FUEL JET .082 - OPT. - 1250 - 3750 FT.	19	-
FC368700	IGNITION KEY - STAMPED C	13	-	FO14292	THROTTLE SHAFT RETURN SPRING	19	36
				FO14302	MAIN FUEL JET .084 - STD.	19	29
				FO14306	MAIN FUEL JET .078 - OPT. - 6250 - 8250 FT.	19	-
				FO15623	FUEL BOWL GASKET	19	23
				FO15724	CHOKE SHUTTER	19	17
				FO15725	CHOKE RELIEF VALVE	19	13
				FO15728	THROTTLE SHAFT AND LEVER	19	34
				FO16340	THROTTLE SHUTTER	19	37
				FO16383	CHOKE SHAFT AND LEVER	19	5
				FO16385	CHOKE SHAFT RETURN SPRING	19	12
				FO17355	MAIN NOZZLE	19	28
				FO2510	FUEL BOWL RETAINING SCREW GASKET	19	24

PARTS INDEX

Part Number	Description	Pg.	Ref. No.	Part Number	Description	Pg.	Ref. No.
FO4326	BODY CHANNEL WELCH PLUG	21	40	FT8948-1	PROPELLER SHAFT BEARING CAGE PULLER AND FLYWHEEL PULLER	51	-
FO6393	THROTTLE SHAFT POSITION RETAINING SCREW	19	4	FT8950	LEAKAGE TESTER	52	-
FO6396	THROTTLE SHAFT POSITION RETAINING SCREW LOCKWASHER ..	19	3	FT8957	SEAL INSTALLER	51	-
FO8942	THROTTLE SHUTTER RETAINING SCREW AND LOCKWASHER	21	38	FT8962	BEARING INSTALLER	51	-
FP287	PROPELLER (ACCESSORY ITEM) FOR MODELS 459HOJ AND 459BOJ	39	-	FT8964	BEARING REMOVER	51	-
FP293	PROPELLER (ACCESSORY ITEM)	39	8	FT8969	LUBRICANT - 7 OZ. 2 PSI LUBRICANT	53	-
FS307940	KINGPIN PLATE	33	4	FT8983	SEALANT	53	-
FS310260	PISTON RINGS (6 PER SET) .010 OVERSIZE	29	-	FTA2937-1	TIMING TOOL	48	-
FS380227	SPARK PLUG (UL-4-J)	25	71	OB3061	LITERATURE INSTALLATION INSTRUCTIONS FOR 5H130	47	-
FS409752	FUEL LINE - COMPLETE ...	43	-	T11211	BOAT WHITE	54	-
FS433758	HOSE W/VALVE	27	97	T11212	BOAT BLACK	54	-
FS546712	ENGINE COVER W/RETAINERS	7	3	T11230	ORANGE	54	-
FS546712	ENGINE COVER, W/RETAINERS	3	3	T11232	METALLIC SILVER	54	-
FSA486015	PISTON .010 OVERSIZE ...	29	-	T11233	MEDIUM	54	-
FT1749	RETAINING RING PLIERS ..	50	-	T8974	BREAKER POINT TENSION GAUGE	52	-
FT2910	KNOCK-OFF NUT	48	-	22-817740A1	ELBOW ASSEMBLY	27	98
FT2953	SOCKET	50	-	32-817738A1	FUEL LINE, LONG W/CLAMP AND FERRULE	43	10
FT2955A	TEST WHEEL	52	-	37-817792A1	DECAL, TIMING	31	14
FT2961	LUBRICANT - RYKON #2EP	53	-	39-818113A1	PISTON RINGS (6 PER SET) .030 OVERSIZE	29	-
FT2962-1	SEALANT - 50 CC LOCTITE H, NON-HARDENING GRADE	53	-	44-819500A3	PROPELLER SHAFT ASSEMBLY	39	21
FT2963-1	SEALANT - 2 OZ. LOCTITE D, HARDENING GRADE ..	53	-	45-817737A1	DRIVESHAFT W/RETAINER FOR STANDARD SHAFT MODELS	39	3
FT2987-1	LUBRICANT - ANTI-SEIZE ..	53	-	84-817765A2	COIL WIRE.	11	37
FT2990	PISTON PIN REMOVER	50	-	89-817760A2	CHOKE SOLENOID W/NUT, LOCKWASHER & TERMINAL	13	68
FT2996	RING COMPRESSOR	50	-	600-818052A4	CONNECTING ROD W/CAP AND SCREWS	29	7
FT3139-1	STARTER REWIND KEY ...	49	-	700-818124A1	PISTON .030 OVERSIZE ...	29	-
FT3431	DRIVESHAFT SEAL AND PROP SHAFT SEAL INSTALLER	51	-	900-818049A2	CYLINDER HEAD W/PLUGS	25	68
FT3510	SEAL INSTALLER	50	-				
FT3512	SEAL SLEEVE	50	-				
FT8904	FORWARD BEARING CUP INSTALLER	51	-				
FT8907	DRIVER HANDLE	51	-				
FT8918	BUSHING GUIDE SET	51	-				
FT8919	SPRING PIN PUNCH	51	-				
FT8921	FORWARD BEARING CUP REMOVER	51	-				
FT8926	RING EXPANDER	50	-				
FT8932	LIFTING HOOK	50	-				
FT8935	SEALANT PRIMER - 6 OZ. ...	53	-				
FT8936	SEALANT - 2 CC LOCTITE RETAINING COMPOUND #75	53	-				
FT8945	RETAINER PUNCH	51	-				