



# PARTS CATALOG

## 75 H.P.

### SERIAL NUMBER

|                 |         |
|-----------------|---------|
| 75 (1980) ..... | .756B0F |
| 75 (1980) ..... | .756H0F |

# TABLE OF CONTENTS:

|   |    |
|---|----|
| ACCESSORIES .....                                   | 54 |
| CARBURETOR .....                                    | 16 |
| CRANKSHAFT AND PISTON GROUP .....                   | 28 |
| DISTRIBUTOR .....                                   | 10 |
| ELECTRIC STARTER .....                              | 14 |
| ELECTRICAL COMPONENTS .....                         | 6  |
| ENGINE COVER AND SUPPORT PLATE .....                | 2  |
| FUEL TANK AND LINE .....                            | 42 |
| GEAR HOUSING .....                                  | 36 |
| MOTOR LEG .....                                     | 30 |
| PARTS INDEX .....                                   | 58 |
| POWERHEAD .....                                     | 22 |
| REMOTE CONTROL .....                                | 44 |
| SPECIAL TOOLS - GEAR HOUSING .....                  | 50 |
| SPECIAL TOOLS - LUBRICANTS AND SEALANTS .....       | 52 |
| SPECIAL TOOLS - POWER HEAD .....                    | 49 |
| SPECIAL TOOLS - REPAIR DECALS - ENGINE COVERS ..... | 53 |
| SPECIAL TOOLS - TEST EQUIPMENT .....                | 51 |
| SPECIAL TOOLS - TUNE-UP .....                       | 48 |

**NOTE:** Indented description indicate that these parts are included in preceeding assembly.

**AR** = As Required

**NSS** = Not Sold Separate

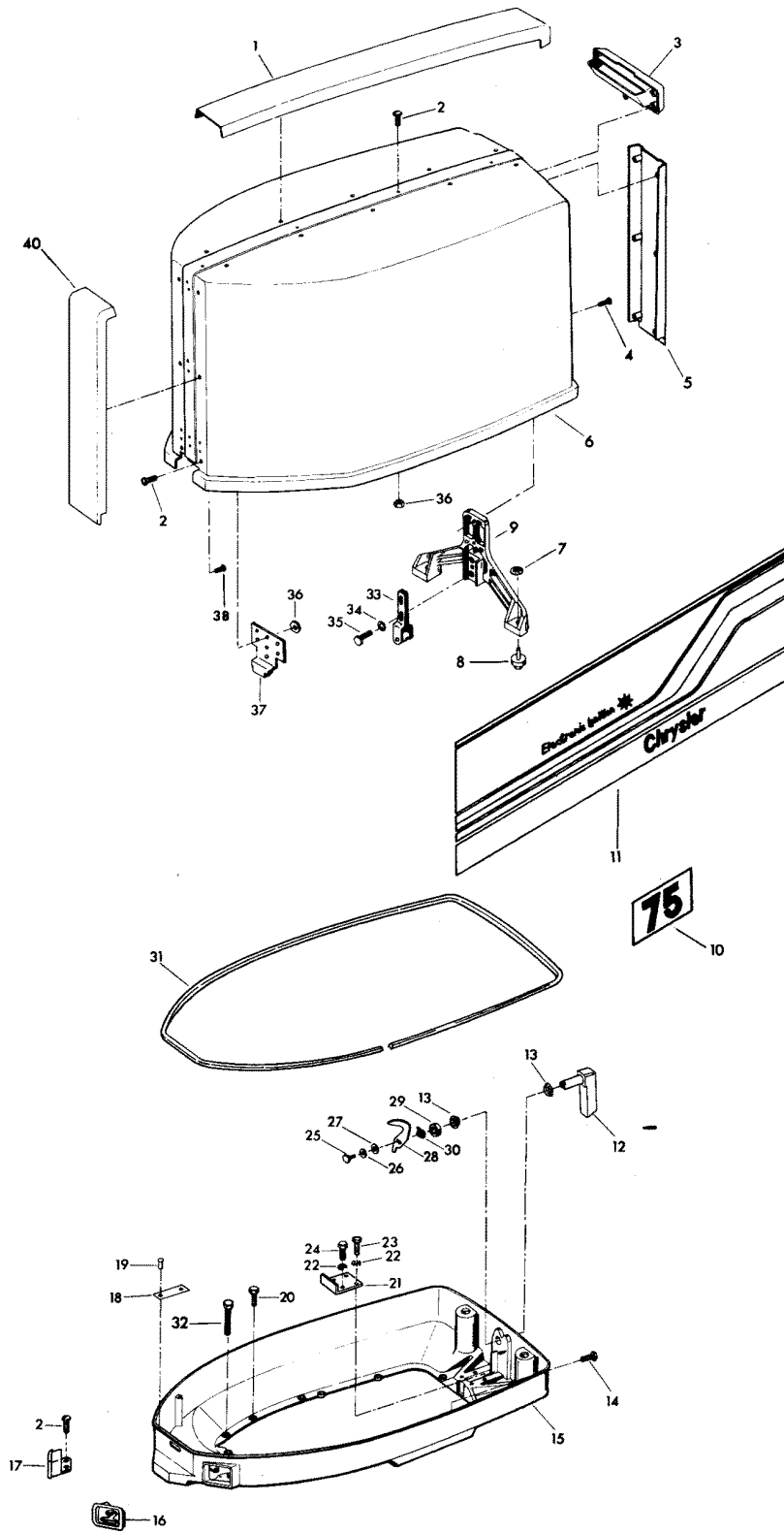
**OPT** = Optional

**NS** = Not Shown

**THESE PARTS BOOKS/FICHE CARD ARE COPYRIGHTED AND MAY NOT BE DISTRIBUTED OR REPRODUCED IN ANY OTHER FORMAT BY ANYONE OTHER THAN MERCURY MARINE WITHOUT THE PRIOR WRITTEN CONSENT OF MERCURY MARINE.**

THIS PAGE INTENTIONALLY LEFT BLANK

# ENGINE COVER AND SUPPORT PLATE

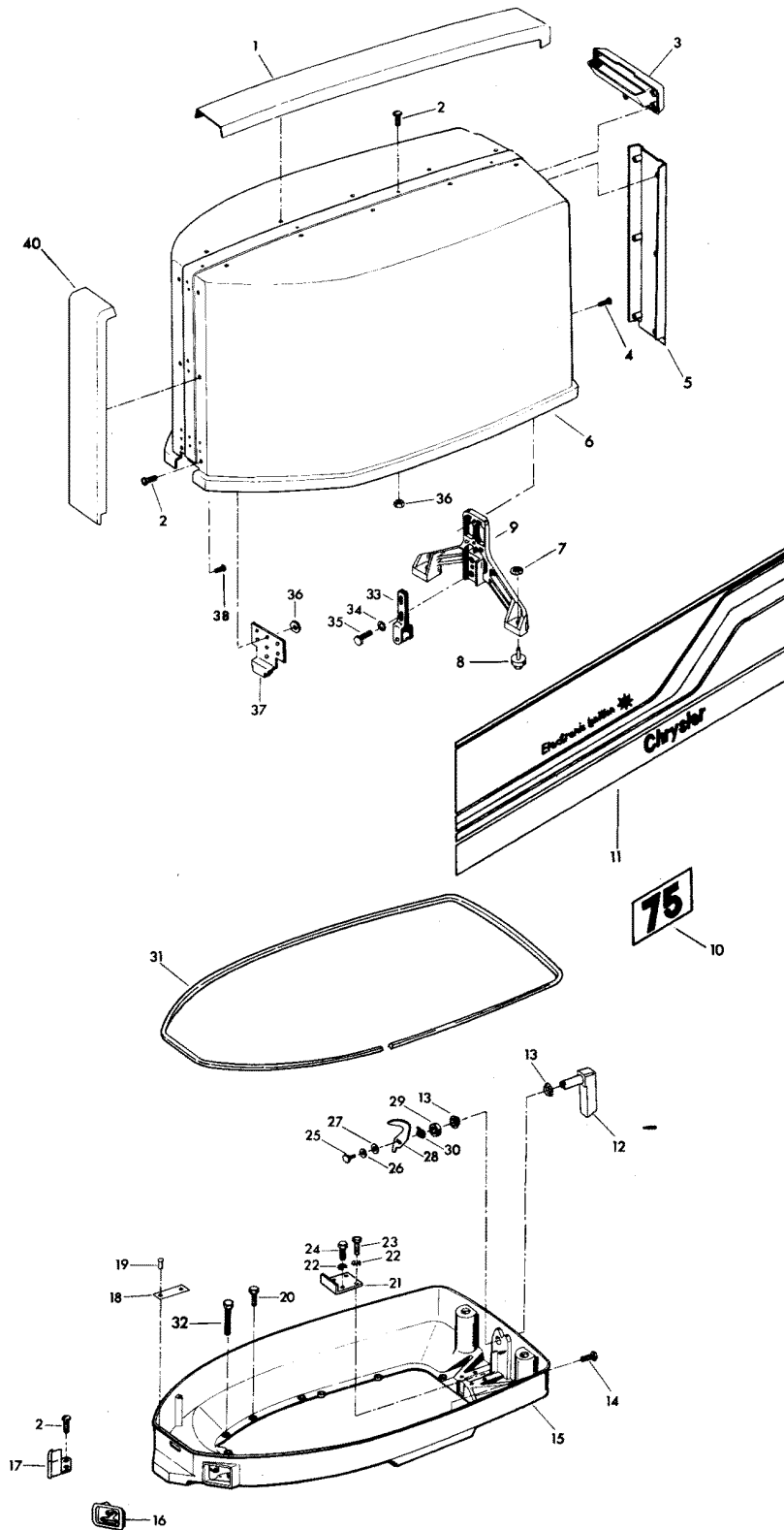


# ENGINE COVER AND SUPPORT PLATE

| REF. NO. | PART NO.         | SYM. | QTY.     | DESCRIPTION   |
|----------|------------------|------|----------|---|
| 1        | FA480179         |      | 1        | TRIM, TOP W/LITERATURE  |
| 2        | F1733            |      | 10       | SCREW, PAN HD, 10 - 24 X 9/16   |
| 3        | FA480269         |      | 1        | HANDLE, TILT W/LITERATURE   |
| 4        | F1730            |      | 3        | SCREW, PAN HD W/SPRING LOCKWASHER, 1/4 - 20 X 5/8                               |
| 5        | FA548180         |      | 1        | TRIM, REAR W/LITERATURE   |
| 6        | FA549944         |      | 1        | COVER, ENGINE W/RETAINER  |
| -        | <b>3C578944</b>  |      | <b>1</b> | <b>COVER, ENGINE - COMPLETE. INCLUDES ALL ITEMS MARKED WITH AN ASTERISK (*)</b> |
| 7        | F2088            |      | 2        | FASTENER  |
| 8        | F481434          |      | 2        | GUIDE, ENGINE COVER   |
| 9        | F481774          |      | 1        | BRACKET, ENGINE COVER LATCH   |
| 10       | FA578386         |      | 2        | DECAL, NUMERAL "75" W/LITERATURE  |
| 11       | FA578397         |      | 1        | DECAL, ENGINE COVER - PORT W/LITERATURE   |
| -        | <b>FA578396</b>  |      | <b>1</b> | <b>DECAL, ENGINE COVER - STARBOARD W/LITERATURE</b>                             |
| 12       | FA481469         |      | 1        | LATCH HANDLE, ENGINE COVER W/SHAFT  |
| 13       | F480818          |      | 2        | BEARING, LATCH SHAFT  |
| 14       | F1535            |      | 6        | HEX CAP SCREW, 1/4 - 20 X 3/4   |
| 15       | F480038-2        |      | 1        | PLATE, SUPPORT  |
| 16       | F549189          |      | 1        | BUSHING, ELECTRIC CABLE   |
| 17       | F545189          |      | 1        | BUSHING, CABLE ENTRY  |
| 18       | FA535395         |      | 1        | IDENTIFICATION PLATE, W/SCREWS - USA  |
| -        | <b>FAC535395</b> |      | <b>1</b> | <b>IDENTIFICATION PLATE, W/SCREWS - CANADA</b>                                  |
| 19       | F1447            |      | 2        | ROUND HD SCREW, 2 X 3/16  |
| 20       | F1540            |      | 5        | HEX SLOT HD SCREW, 1/4 - 20 X 5/8   |
| 21       | F335654-1        |      | 1        | STOP, DEFLECTION  |
| 22       | F8096            |      | 4        | LOCKWASHER  |
| 23       | F1857            |      | 2        | HEX CAP SCREW, 5/16 - 18 X 5/8  |
| 24       | F1858            |      | 2        | HEX CAP SCREW, 5/16 - 18 X 1  |
| 25       | F1541            |      | 1        | HEX CAP SCREW, 1/4 - 20 X 5/8   |
| 26       | F8083            |      | 1        | LOCKWASHER  |
| 27       | F8004            |      | 1        | WASHER, PLAIN   |
| 28       | F481777          |      | 1        | CAM, LATCH SHAFT  |
| 29       | F481382-1        |      | 1        | SPACER, LATCH SHAFT   |
| 30       | F2047            |      | 1        | WAVE WASHER   |
| 31       | F321756          |      | 1        | PACKING   |
| 32       | F1708            |      | 2        | HEX HD CAP SCREW, 1/4 - 20 X 1 3/8  |
| 33       | FA481743         |      | 1        | ROLLER BRACKET W/ROLLER   |
| 34       | F8096            |      | 2        | LOCKWASHER  |
| 35       | F1857            |      | 2        | HEX CAPSCREW, 5/16 - 18 X 5/8   |
| 36       | F1473            |      | 7        | HEX NUT, 10 - 24  |
| 37       | F373778-1        |      | 1        | RETAINER, ENGINE COVER  |

CONTINUED ON NEXT PAGE ➡

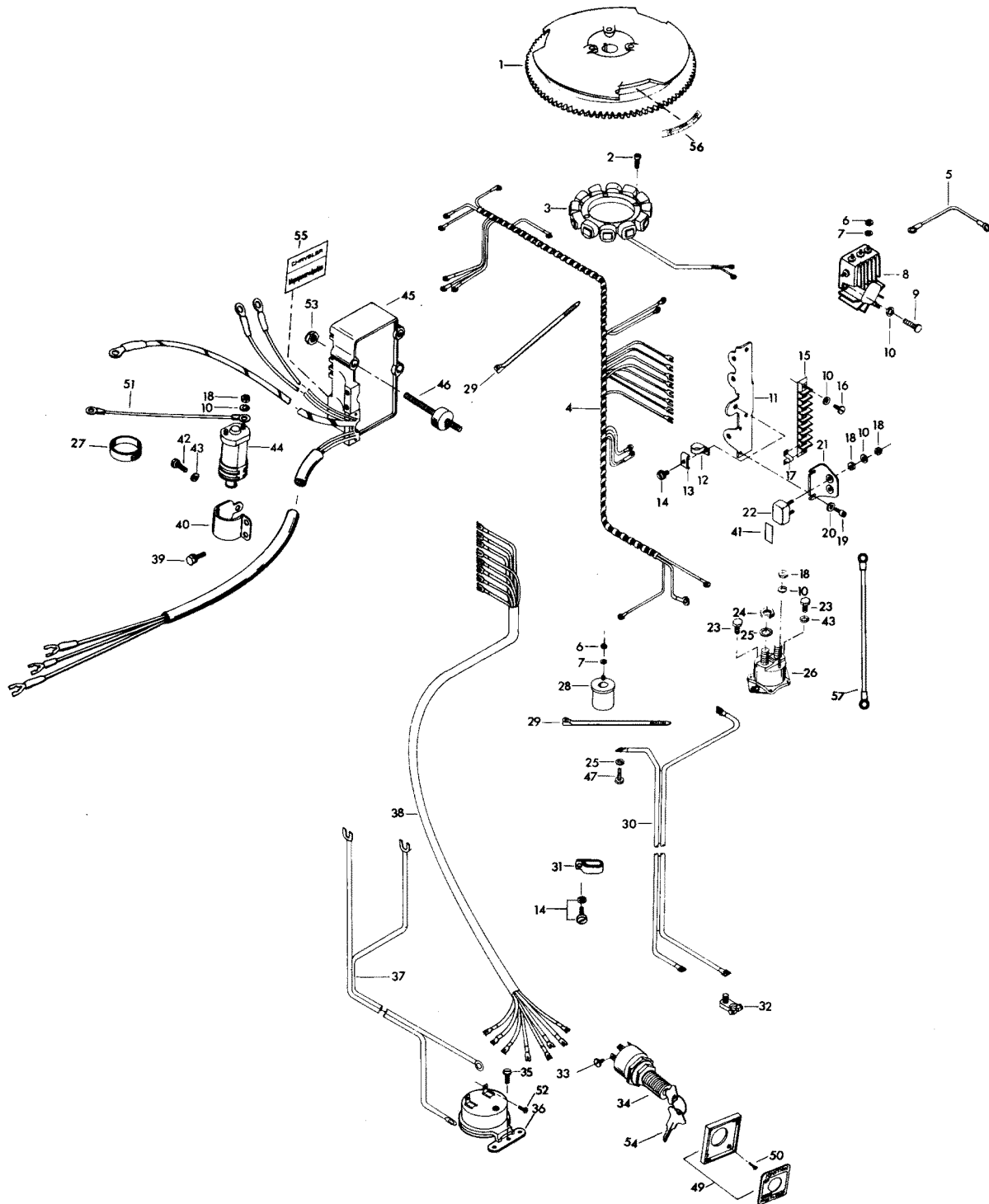
# ENGINE COVER AND SUPPORT PLATE



# ENGINE COVER AND SUPPORT PLATE

| REF. NO. | PART NO.       | SYM. | QTY.     | DESCRIPTION                                 |
|----------|----------------|------|----------|---|
| 38       | F2066          |      | 26       | PAN HEAD TAPPING SCREW, 10 X 7/16           |
| 39       | FA578892       |      | 1        | DECAL FRONT W/LITERATURE                    |
| 40       | FA548888       |      | 1        | TRIM, FRONT W/LITERATURE                    |
| -        | <b>F548984</b> |      | <b>1</b> | <b>BLANKET, SILENCER - TOP (NOT SHOWN)</b>  |
| -        | <b>F548985</b> |      | <b>2</b> | <b>BLANKET, SILENCER - SIDE (NOT SHOWN)</b> |

# ELECTRICAL COMPONENTS



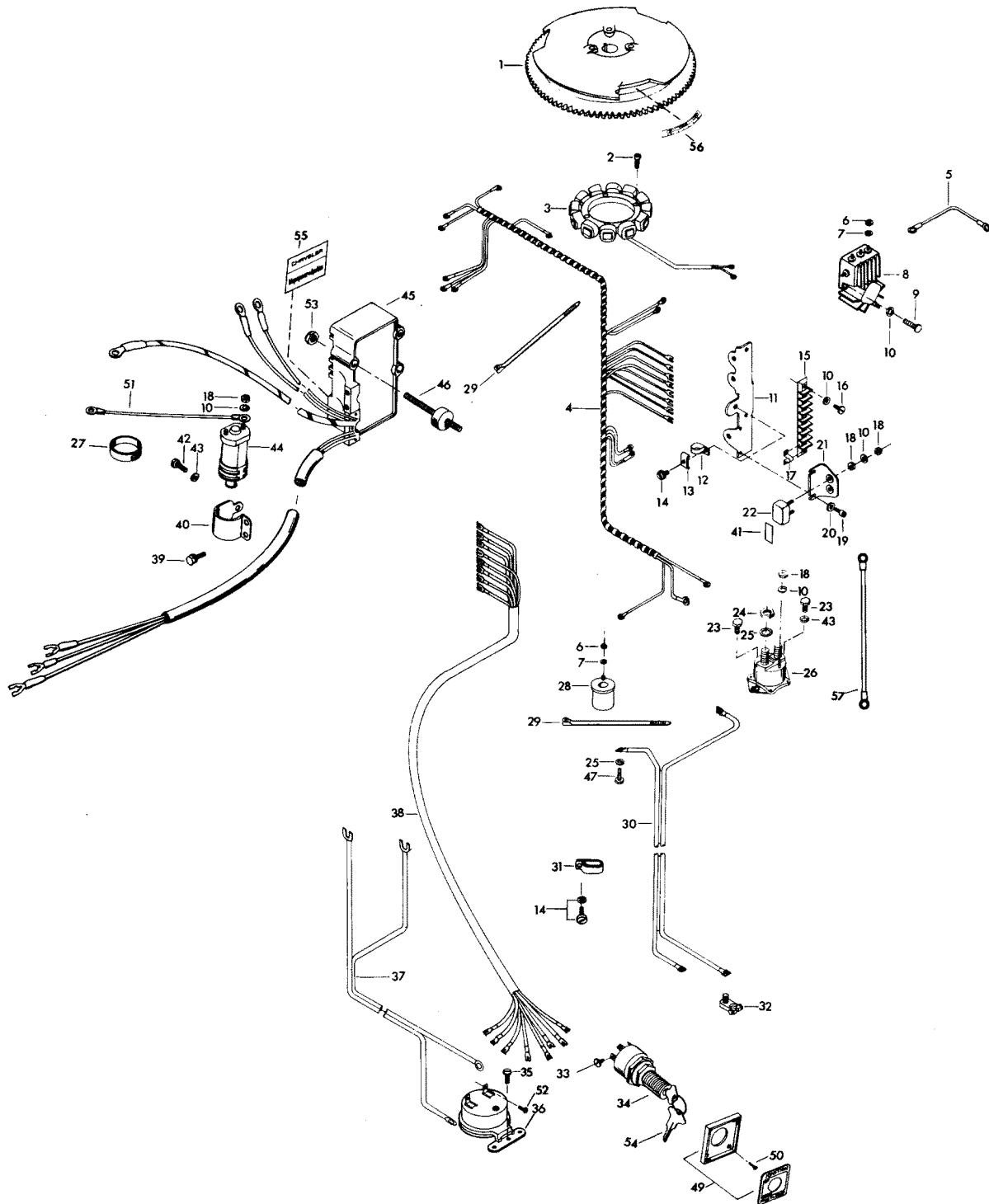


# ELECTRICAL COMPONENTS

| REF. NO. | PART NO.  | SYM. | QTY. | DESCRIPTION  |
|----------|-----------|------|------|--|
| 1        | F404097   |      | 1    | FLYWHEEL   |
| 2        | F1678     |      | 6    | FILL HD SCREW, 10 - 24 X 13/16   |
| 3        | F85095-2  |      | 1    | STATOR   |
| 4        | F438744-1 |      | 1    | WIRING HARNESS   |
| 5        | F345683   |      | 1    | WIRE, REGULATOR-RECTIFIER GROUND   |
| 6        | F1647     |      | 5    | HEX NUT, 8 - 32  |
| 7        | F8056     |      | 5    | SPRING LOCKWASHER  |
| 8        | F404470-1 |      | 1    | REGULATOR-RECTIFIER  |
| 9        | F2107     |      | 3    | FILL HD SCREW, 10 - 24 X 5/8   |
| 10       | F1975     |      | 11   | SPRING LOCKWASHER  |
| 11       | FA438493  |      | 1    | TERMINAL BLOCK BRACKET <b>WILLUSTRATIONS 13, 14, AND ON PAGE 14 ILLUSTRATION 6</b> |
| 12       | F289446-1 |      | 1    | CLAMP  |
| 13       | F438668   |      | 1    | RETAINER, CABLE CLAMP  |
| 14       | F1734     |      | 2    | FILL HD SCREW W/LOCKWASHER, 1/4 - 20 X 1/2   |
| 15       | FA510497  |      | 1    | TERMINAL BLOCK <b>WILLUSTRATION 16 ORIGINAL FORCE P/N K 289497-2</b>               |
| 16       | F1648     |      | 2    | PAN HD SCREW, 10 - 24 X 3/4  |
| 17       | F307317   |      | 1    | CLIP, TERMINAL BLOCK   |
| 18       | F1513     |      | 8    | HEX NUT  |
| 19       | F1760     |      | 2    | PAN HD SCREW, 10 - 24 X 3/8  |
| 20       | F8011     |      | 2    | PLAIN WASHER   |
| 21       | F91446-1  |      | 1    | CIRCUIT BREAKER BRACKET  |
| 22       | F510460   |      | 1    | CIRCUIT BREAKER  |
| 23       | F1536     |      | 2    | HEX CAP SCREW, 1/4 - 20 X 3/4  |
| 24       | F1515     |      | 2    | HEX NUT  |
| 25       | F8096     |      | 3    | SPRING LOCKWASHER  |
| 26       | F460917   |      | 1    | STARTER RELAY  |
| 27       | F391983   |      | 2    | RETAINING BAND   |
| 28       | F85924    |      | 1    | CHOKE SOLENOID   |
| 29       | F1877     |      | 2    | TY-RAP   |
| 30       | F381896-4 |      | 1    | BATTERY CABLE  |
| 31       | F407446   |      | 1    | CLAMP  |
| 32       | F5H041    |      | 1    | BATTERY CABLE CLAMP KIT. (ACCESSORY ITEM)  |
| 33       | F1280     |      | 5    | PAN HD SCREW, 8 - 32 X 1/4   |
| 34       | F5H078    |      | 1    | IGNITION SWITCH W/KEYS AND SCREWS <b>(LONG BARREL) (ACCESSORY ITEM)</b>            |
| 35       | F1741     |      | 2    | PAN HD SCREW, 8 X 3/4  |
| 36       | F5H043    |      | 1    | OVERHEAT BUZZER (ACCESSORY ITEM)   |
| 37       | F404841   |      | 1    | CABLE, HEAT INDICATOR  |
| 38       | F85843-1  |      | 1    | REMOTE ELECTRIC CABLE, 18 FEET   |
| 39       | F1851     |      | 2    | FILL HD SCREW W/LOCKWASHER, 10 - 24 X 1/2  |
| 40       | F404513   |      | 1    | COIL CLAMP   |
| 41       | F510374   |      | 1    | DECAL, CIRCUIT BREAKER - USA   |

CONTINUED ON NEXT PAGE ➡

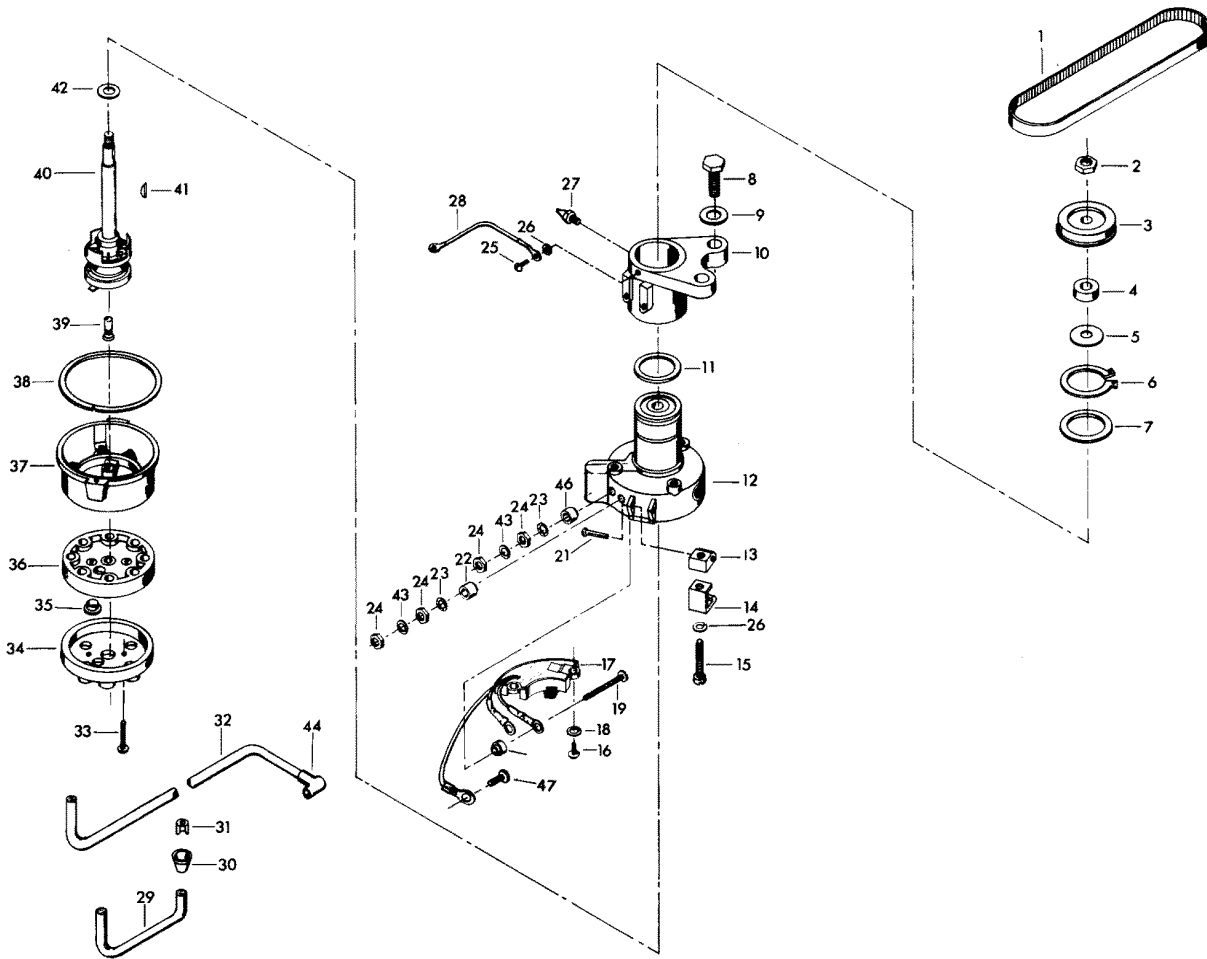
# ELECTRICAL COMPONENTS



# ELECTRICAL COMPONENTS

| REF. NO. | PART NO.         | SYM. | QTY.     | DESCRIPTION   |
|----------|------------------|------|----------|---|
| -        | <b>FC510374</b>  |      | 1        | <b>DECAL, CIRCUIT BREAKER - CANADA</b>                              |
| 42       | F1546            |      | 1        | HEX HD CAP SCREW, 1/4 - 20 X 1/2                                    |
| 43       | F8083            |      | 2        | SPRING LOCKWASHER   |
| 44       | F345475-1        |      | 1        | COIL  |
| 45       | 300-817855A1     |      | 1        | UNIT (ORIGINAL FORCE P/N A 523301-1)(Does not include Coil & Clamp) |
| 46       | F523962          |      | 3        | SHOCK MOUNT - C.D. UNIT   |
| 47       | F2000            |      | 1        | HEX CAP SCREW, 5/16 - 18 X 3/4                                      |
| 49       | F5H038           |      | 1        | IGNITION SWITCH MOUNTING KIT (ACCESSORY ITEM)                       |
| -        | <b>817892--1</b> |      | 1        | <b>IGNITION SWITCH PLATE - CANADA (NOT SHOWN)</b>                   |
| 50       | F1934            |      | 4        | FLAT HD SLOTTED SCREW, 6 X 1/2                                      |
| 51       | F85664           |      | 1        | WIRE, DISTRIBUTOR GROUND  |
| 52       | F1645            |      | 2        | RD HD SCREW, 6 - 32 X 1/4   |
| 53       | F1892            |      | 3        | STOP NUT  |
| 54       | FA368700         |      | 0        | KEY, IGNITION - NO LETTER OR STAMPED A                              |
| -        | <b>FB368700</b>  |      | <b>0</b> | <b>KEY IGNITION - STAMPED B</b>                                     |
| -        | <b>FC368700</b>  |      | <b>0</b> | <b>KEY IGNITION - STAMPED C</b>                                     |
| -        | <b>FD368700</b>  |      | <b>0</b> | <b>KEY IGNITION - STAMPED D</b>                                     |
| -        | <b>FE368700</b>  |      | <b>0</b> | <b>KEY IGNITION - STAMPED E</b>                                     |
| 55       | 480373           |      | 1        | DECAL, MAGNAPOWER IGNITION  |
| 56       | F474387          |      | 1        | TIMING DECAL - USA  |
| -        | <b>FC474387</b>  |      | 1        | <b>TIMING DECAL - CANADA</b>  |
| 57       | F319908          |      | 1        | WIRE, GROUND  |

# DISTRIBUTOR

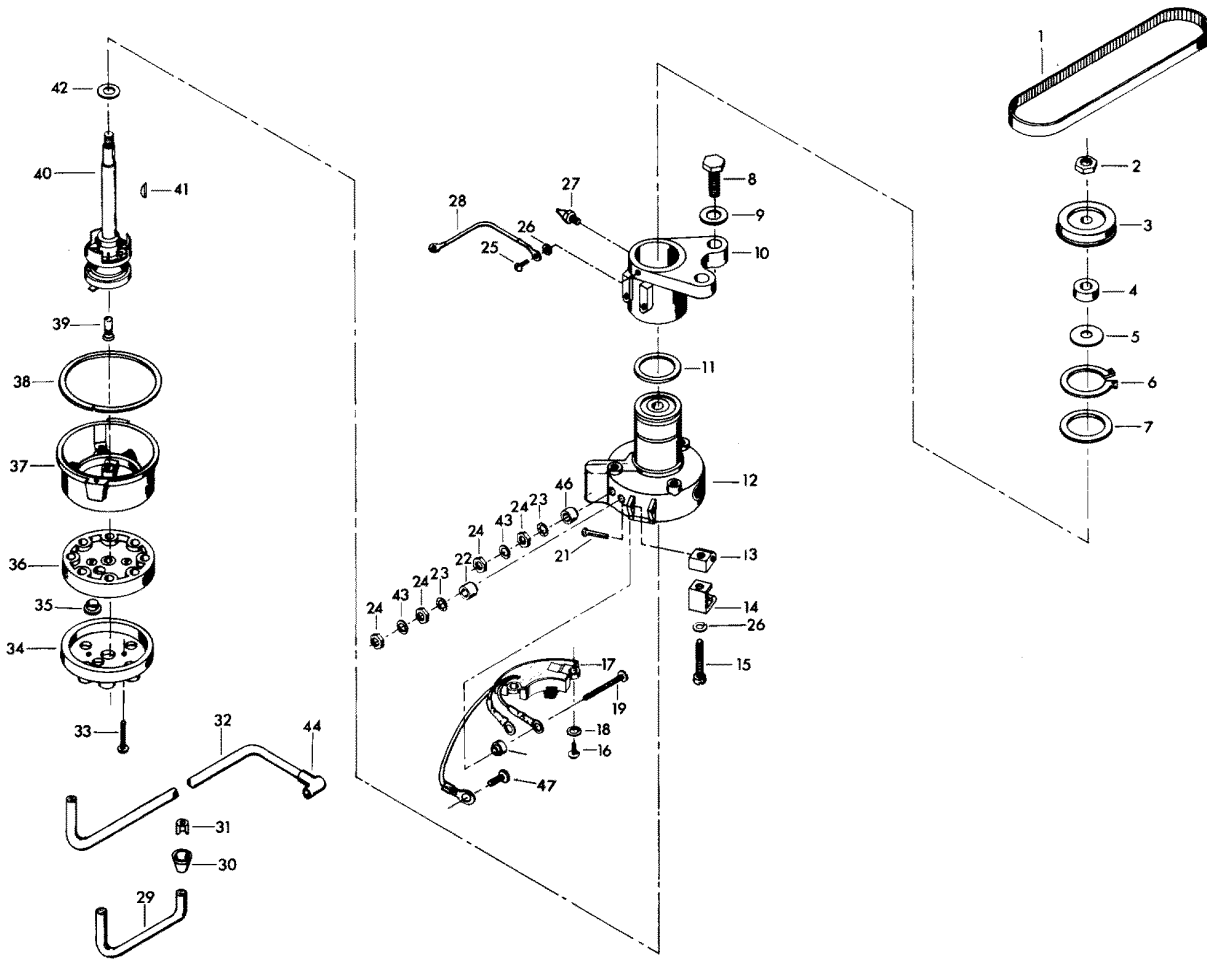


# DISTRIBUTOR

| REF. NO. | PART NO.         | SYM. | QTY.     | DESCRIPTION  |
|----------|------------------|------|----------|--|
| 1        | F85311           |      | 1        | DISTRIBUTOR BELT   |
| 2        | F7013            |      | 1        | STOP NUT   |
| 3        | 817786A1         |      | 1        | DISTRIBUTOR PULLEY W/STOP NUT & WASHER   |
| 4        | F14025           |      | 1        | SPACER   |
| 5        | F14028           |      | 1        | THRUST WASHER  |
| 6        | F85173           |      | 1        | RETAINING RING   |
| 7        | F14029           |      | 1        | THRUST WASHER  |
| 8        | F1612            |      | 2        | HEX CAP SCREW, 3/8 - 16 X 11/4   |
| 9        | F1778            |      | 2        | PLAIN WASHER   |
| 10       | FA321574         |      | 1        | DISTRIBUTOR BRACKET  |
| 11       | F1759            |      | 2        | SHIM, DISTRIBUTOR (QTY. AS REQUIRED)   |
| 12       | F14042           |      | 1        | DISTRIBUTOR HOUSING W/BEARINGS   |
| -        | <b>817822A1</b>  |      | <b>1</b> | <b>DISTRIBUTOR, COMPLETE. INCLUDES ALL ITEMS MARKED WITH AN ASTERISK (*) ORIGINAL FORCE P/N A 480309-1</b> |
| -        | <b>481373-1</b>  |      | <b>1</b> | <b>DECAL "ELECTRONIC" (NOT SHOWN)</b>  |
| 13       | F14036           |      | 2        | SWIVEL   |
| 14       | F14037           |      | 2        | CAP CLIPS  |
| 15       | F14038           |      | 2        | CAP CLIP SCREWS  |
| 16       | F14045           |      | 2        | SCREW  |
| 17       | FA14048-2        |      | 1        | PREAMPLIFIER   |
| 18       | F8056            |      | 2        | LOCKWASHER   |
| 19       | F14046           |      | 2        | TERMINAL SCREW   |
| 20       | F14047           |      | 2        | TERMINAL INSULATOR (INSIDE)  |
| 21       | F14015           |      | 2        | CAP CLIP RIVET   |
| 22       | F14049           |      | 1        | TERMINAL INSULATOR (OUTSIDE)   |
| 23       | F14041           |      | 2        | EXTERNAL TOOTH LOCKWASHER  |
| 24       | F1647            |      | 4        | HEX NUT, 8 - 32  |
| 25       | F1760            |      | 2        | PAN HD SCREW, 10 - 24 X 3/8  |
| 26       | F1975            |      | 2        | SPRING LOCKWASHER  |
| 27       | F213274          |      | 1        | GREASE FITTING   |
| 28       | F85664           |      | 1        | DISTRIBUTOR GROUND   |
| 29       | 84-817775A1      |      | 1        | COIL WIRE W/TERMINAL CLIP - USA  |
| -        | <b>F438905</b>   |      | <b>1</b> | <b>COIL WIRE - CANADA</b>  |
| 30       | F203276          |      | 1        | BOOT   |
| 31       | F203673          |      | 1        | TERMINAL CLIP  |
| 32       | F321841-3        |      | 3        | LEAD WIRE  |
| -        | <b>F438841-1</b> |      | <b>3</b> | <b>LEAD WIRE - CANADA</b>  |
| 33       | F14007           |      | 2        | CAP SCREW  |
| 34       | F14011-1         |      | 1        | CAP COVER  |
| 35       | F14040           |      | 2        | VENT   |
| 36       | F14020-1         |      | 1        | CAP SEAL   |
| 37       | F14006-2         |      | 1        | CAP BASE   |
| 38       | F14030           |      | 1        | CAP GASKET   |

CONTINUED ON NEXT PAGE ➡

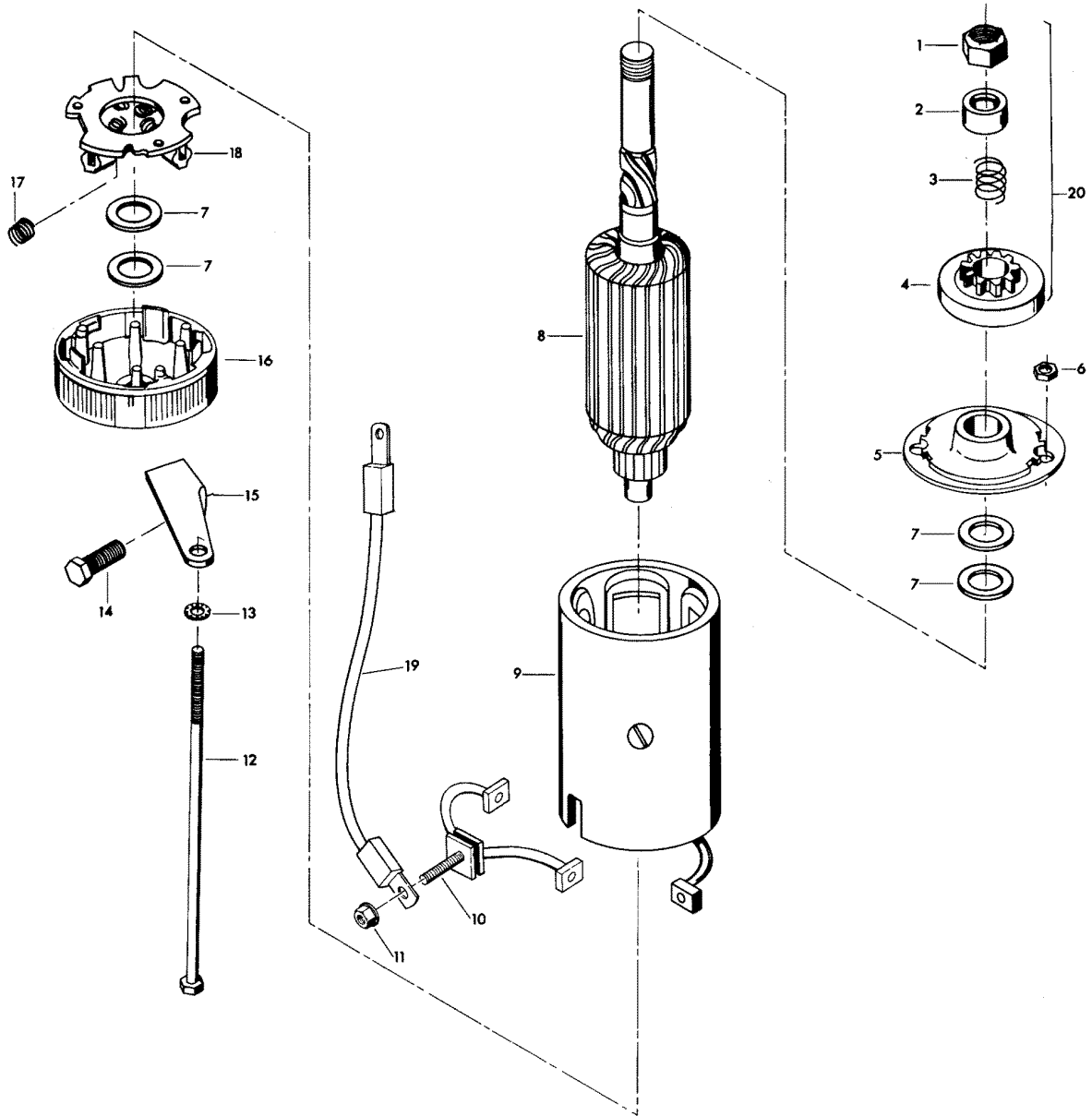
# DISTRIBUTOR



# DISTRIBUTOR

| REF. NO. | PART NO. | SYM. | QTY. | DESCRIPTION                  |
|----------|----------|------|------|------------------------------|
| 39       | F14012-1 |      | 1    | BRUSH                        |
| 40       | F14043   |      | 1    | DISTRIBUTOR SHAFT            |
| 41       | F1692    |      | 1    | WOODRUFF KEY                 |
| 42       | F14024   |      | 1    | SPACER                       |
| 43       | F8056    |      | 2    | LOCKWASHER                   |
| 44       | FK750-3  |      | 3    | SPARKIE                      |
| 46       | F14017   |      | 1    | TERMINAL INSULATOR (OUTSIDE) |
| 47       | F14056   |      | 1    | SCREW                        |

# ELECTRIC STARTER

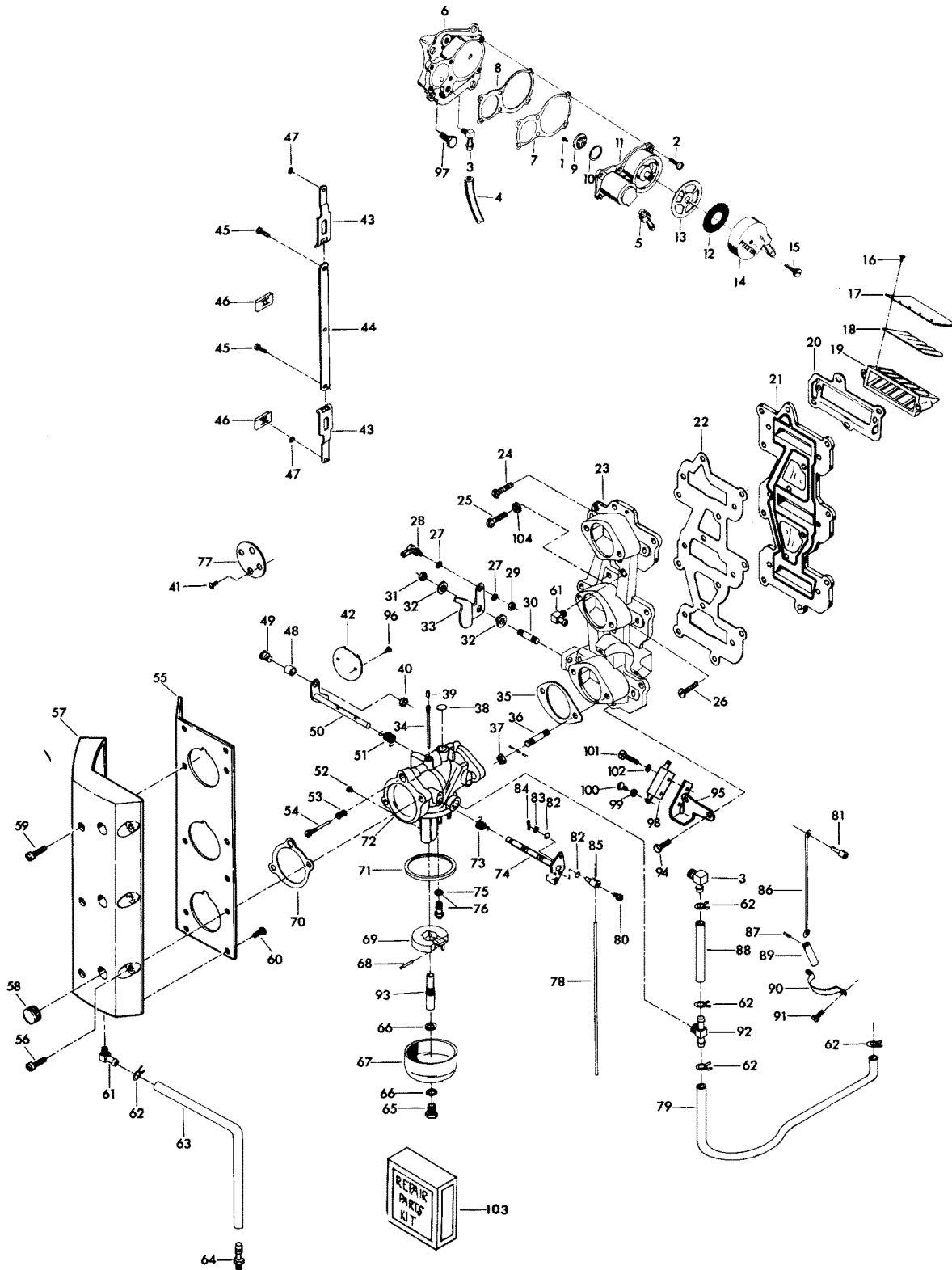




# ELECTRIC STARTER

| REF.<br>NO. | PART NO.        | SYM. | QTY. | DESCRIPTION   |
|-------------|-----------------|------|------|---|
| 1           | F15111          |      | 1    | NUT, STOP RETAINING   |
| 2           | F15112          |      | 1    | STOP, PINION  |
| 3           | F15080          |      | 1    | SPRING  |
| 4           | F15110          |      | 1    | CLUTCH ASSEMBLY   |
| 5           | F15167          |      | 1    | HEAD ASSEMBLY DRIVE END   |
| 6           | F1641           |      | 2    | LOCK NUT  |
| 7           | F15126          |      | 1    | THRUST WASHER PACKAGE   |
| 8           | F15099          |      | 1    | ARMATURE  |
| 9           | 15169           |      | 1    | FRAME AND FIELD ASSEMBLY  |
| 10          | F15165          |      | 1    | BRUSH TERMINAL SET  |
| 11          | FA15072         |      | 1    | HEX LOCK NUT, 1/4 - 20  |
| 12          | F15168          |      | 1    | THRU BOLT PACKAGE   |
| 13          | F8028           |      | 2    | PLAIN WASHER  |
| 14          | F1502           |      | 1    | HEX HD SCREW, 1/4 - 20 X 5/8  |
| 15          | F511675         |      | 1    | STARTER BRACKET, LOWER  |
| 16          | F15125          |      | 1    | HEAD ASSEMBLY, COMMUTATOR END   |
| 17          | F15034          |      | 1    | SPRING SET  |
| 18          | F15057          |      | 1    | BRUSH PLATE AND HOLDER  |
| 19          | F85908          |      | 1    | STARTER LEAD WIRE   |
| 20          | F15100          |      | 1    | BENDIX  |
| -           | <b>FS480955</b> |      | 1    | <b>STARTER - COMPLETE. INCLUDES ALL ITEMS MARKED WITH AN ASTERISK (*)</b> |
| -           | <b>FC499390</b> |      | 1    | <b>DECAL, STARTER (CANADA) NOT SHOWN</b>                                  |

# CARBURETOR

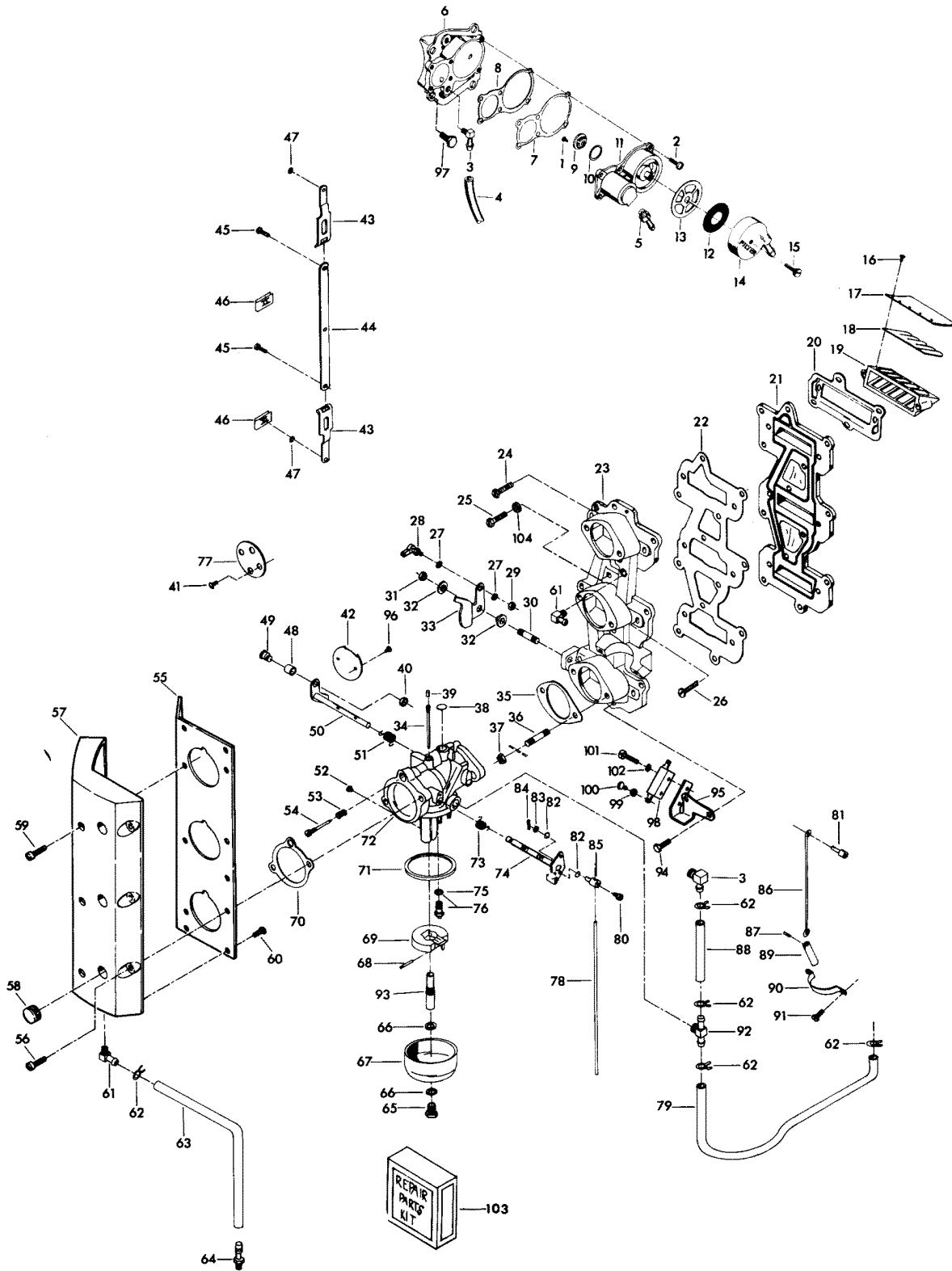


# CARBURETOR

| REF. NO. | PART NO.  | SYM. | QTY. | DESCRIPTION                                |
|----------|-----------|------|------|--|
| 1        | F1860     |      | 2    | SLOTTED BINDING HD SCREW, 6 - 32 X 1/4     |
| 2        | F1108     |      | 6    | FILL HD SCREW W/LOCKWASHER, 1/4 - 20 X 3/4 |
| 3        | F84314-2  |      | 2    | ELBOW                                      |
| 4        | F89758    |      | 1    | FUEL PUMP AIR HOSE, TOP                    |
| 5        | F438801   |      | 1    | FITTING                                    |
| 6        | FA439746  |      | 1    | FUEL PUMP COVER W/PLUG                     |
| 7        | F438747   |      | 1    | FUEL PUMP DIAPHRAGM                        |
| 8        | F438760   |      | 1    | FUEL PUMP GASKET                           |
| 9        | F177330   |      | 3    | FUEL PUMP VALVE                            |
| 10       | F84792    |      | 1    | GASKET, FUEL PUMP VALVE                    |
| 11       | FA438431  |      | 1    | FUEL PUMP BODY W/VALVES                    |
| 12       | F438653   |      | 1    | FUEL SEDIMENT BOWL SCREEN                  |
| 13       | F438617   |      | 1    | FUEL SEDIMENT BOWL GASKET                  |
| 14       | F438500   |      | 1    | FUEL SEDIMENT BOWL                         |
| 15       | F438165   |      | 1    | SCREW, FUEL PUMP BOWL                      |
| 16       | F1755     |      | 30   | RD HD SCREW W/LOCKWASHER, 6 - 32 X 5/16    |
| 17       | F85161-1  |      | 6    | REED STOP                                  |
| 18       | F530160   |      | 6    | REED (5 PETAL)                             |
| 19       | F3A523158 |      | 3    | REED PLATE W/REEDS, REED STOP AND SCREW    |
| 20       | F85168    |      | 3    | GASKET REED PLATE ADAPTER                  |
| 21       | F85162    |      | 1    | REED PLATE ADAPTER                         |
| 22       | F85159    |      | 1    | GASKET, INTAKE MANIFOLD                    |
| 23       | 817959A3  |      | 1    | INTAKE MANIFOLD W/PLUG                     |
| 24       | F2008     |      | 7    | HEX HD SCREW, 1/4 - 20 X 7/8               |
| 25       | F1916     |      | 2    | HEX HD SCREW, 1/4 - 20 X 1 1/8             |
| 26       | F2050     |      | 6    | HEX HD SCREW, 1/4 - 20 X 1 1/2             |
| 27       | F8058     |      | 2    | INTERNAL TOOTH LOCKWASHER                  |
| 28       | 817747--1 |      | 1    | BALL JOINT W/STUD                          |
| 29       | F1513     |      | 1    | HEX NUT, 10 - 32                           |
| 30       | F433209-1 |      | 1    | STUD                                       |
| 31       | F1910     |      | 1    | STOP NUT, 1/4 - 20                         |
| 32       | F269319   |      | 2    | BEARING                                    |
| 33       | F85192-1  |      | 1    | THROTTLE CAM                               |
| 34       | FO13966   |      | 1    | IDLE TUBE                                  |
| 35       | F85906    |      | 3    | CARBURETOR GASKET                          |
| 36       | F40209    |      | 6    | CARBURETOR STUD                            |
| 37       | F1515     |      | 6    | HEX NUT, 5/16 - 18                         |
| 38       | FO4326    |      | 1    | BODY CHANNEL WELCH PLUG                    |
| 39       | FO10588   |      | 1    | BODY CHANNEL CUP PLUG                      |
| 40       | F1997     |      | 1    | STOP NUT, 8 - 32                           |
| 41       | FO8942    |      | 2    | SHUTTER SCREW W/LOCKWASHER                 |
| 42       | FO14167   |      | 1    | THROTTLE SHUTTER                           |
| 43       | FA85193   |      | 2    | TIE BAR END W/SWIVEL                       |

CONTINUED ON NEXT PAGE ➡

# CARBURETOR

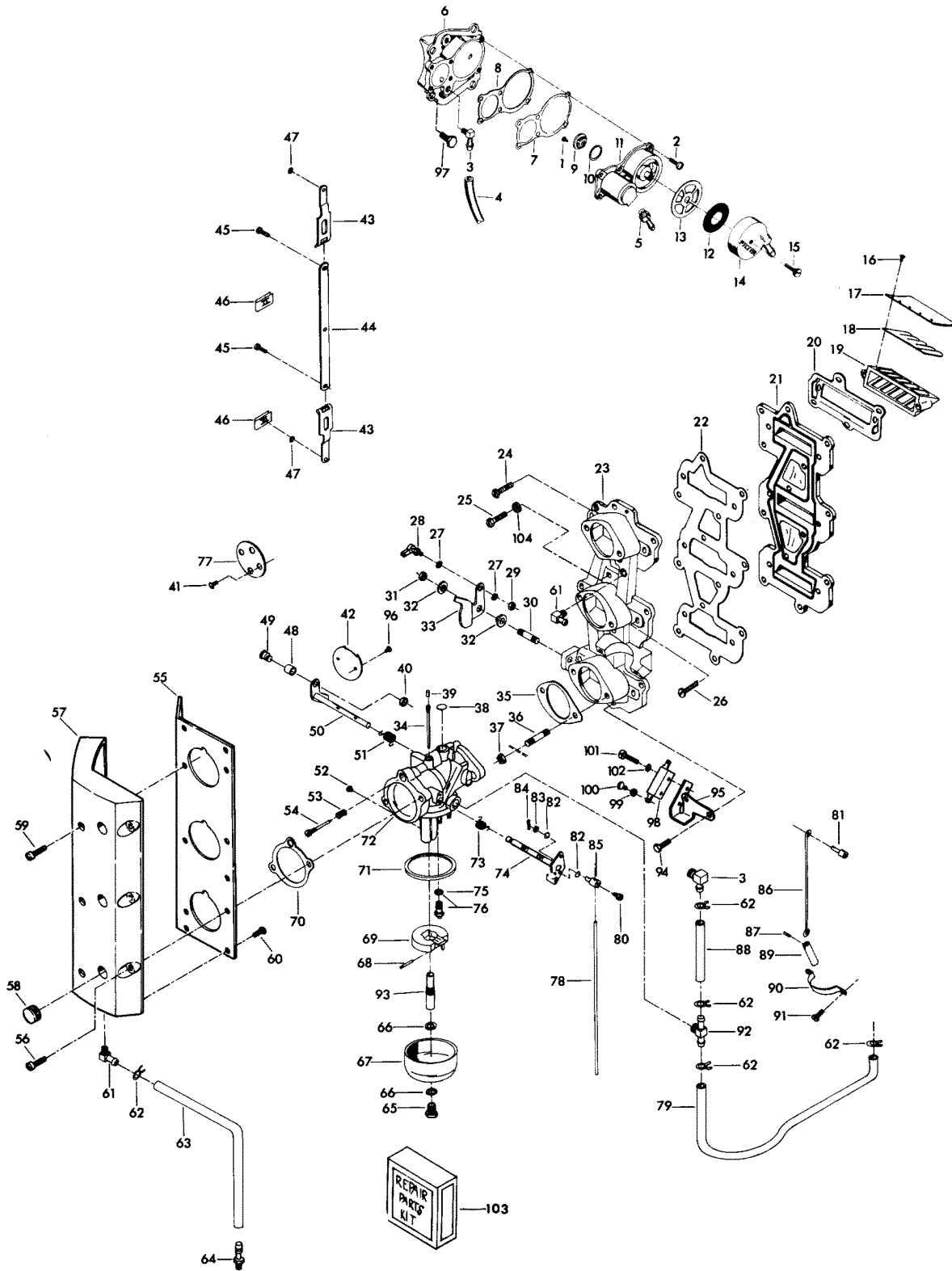


# CARBURETOR

| REF. NO. | PART NO.       | SYM. | QTY.     | DESCRIPTION  |
|----------|----------------|------|----------|--|
| 44       | FA85511        |      | 1        | THROTTLE TIE BAR W/SWIVEL  |
| 45       | F1064          |      | 2        | FILL HD SCREW, S.S., 8 - 32 X 3/8  |
| 46       | F1693          |      | 2        | TIE BAR RETAINER   |
| 47       | F90807         |      | 3        | RETAINING RING   |
| 48       | F92759         |      | 1        | THROTTLE ROLLER  |
| 49       | F333316        |      | 1        | THROTTLE ROLLER SHAFT  |
| 50       | FO15230        |      | 1        | THROTTLE SHAFT AND LEVER   |
| 51       | FO16008        |      | 1        | THROTTLE SHAFT RETURN SPRING   |
| 52       | FO14188        |      | 1        | MAIN FUEL JET (.066) STD. SEA LEVEL - 1500 FT.   |
| -        | <b>FO14108</b> |      | <b>0</b> | <b>MAIN FUEL JET (.064) OPT. 1500 FT. - 3000 FT.</b>   |
| -        | <b>FO14187</b> |      | <b>0</b> | <b>MAIN FUEL JET (.062) OPT. 3000 FT. - 4500 FT.</b>   |
| -        | <b>FO14186</b> |      | <b>0</b> | <b>MAIN FUEL JET (.060) OPT. 4500 FT. - 6000 FT.</b>   |
| -        | <b>FO15337</b> |      | <b>0</b> | <b>MAIN FUEL JET (.058) OPT. 6000 FT. &amp; UP. OPTIONAL SIZE<br/>MAIN FUEL JETS (USE ONLY AT ALTITUDES INDICATED)</b> |
| 53       | FO11103        |      | 1        | IDLE SCREW SPRING  |
| 54       | FO14166        |      | 1        | IDLE SCREW   |
| 55       | F481567        |      | 1        | CARBURETOR INTAKE ADAPTER  |
| 56       | F1504          |      | 3        | FILL HD SCREW, 1/4 - 20 X 1 1/4  |
| 57       | F481860-1      |      | 1        | CARBURETOR, INTAKE   |
| 58       | F53504         |      | 3        | GROMMET  |
| 59       | F1072          |      | 3        | FILL HD SCREW, 1/4 - 20 X 1 3/4  |
| 60       | F1760          |      | 6        | PAN HD SCREW, 10 - 24 X 3/8  |
| 61       | 22-818103--1   |      | 2        | ELBOW  |
| 62       | F97772         |      | 6        | HOSE CLAMP   |
| 63       | F63754         |      | 1        | HOSE INTAKE DRAIN  |
| 64       | 22-817789A1    |      | 1        | DRAIN FITTING  |
| 65       | FO13945        |      | 1        | FUEL BOWL RETAINING SCREW  |
| 66       | FO2510         |      | 2        | GASKET, FUEL BOWL RETAINING SCREW  |
| 67       | FO13552        |      | 1        | FUEL BOWL  |
| 68       | FO13944        |      | 1        | FLOAT LEVER PIN  |
| 69       | FO13554        |      | 1        | FLOAT  |
| 70       | F481836        |      | 3        | INTAKE GASKET  |
| 71       | FO15623        |      | 1        | FUEL BOWL GASKET   |
| 72       | F498061-1      |      | 3        | CARBURETOR COMPLETE (WB26B)  |
| 73       | FO16397        |      | 1        | CHOKE SHAFT RETURN SPRING  |
| 74       | FO16850        |      | 1        | CHOKE SHAFT AND LEVER  |
| 75       | FO10165        |      | 1        | INLET SEAT GASKET  |
| 76       | FO10790        |      | 1        | INLET NEEDLE, SEAT AND GASKET  |
| 77       | FO14471        |      | 1        | CHOKE SHUTTER  |
| 78       | F85509-1       |      | 1        | CHOKE LINK   |
| 79       | F438754        |      | 1        | FUEL LINE  |
| 80       | F1059          |      | 3        | FILL HD SCREW, S.S., 6 - 32 X 1/4  |
| 81       | F85033         |      | 1        | CHOKE ROD SWIVEL   |

CONTINUED ON NEXT PAGE ➡

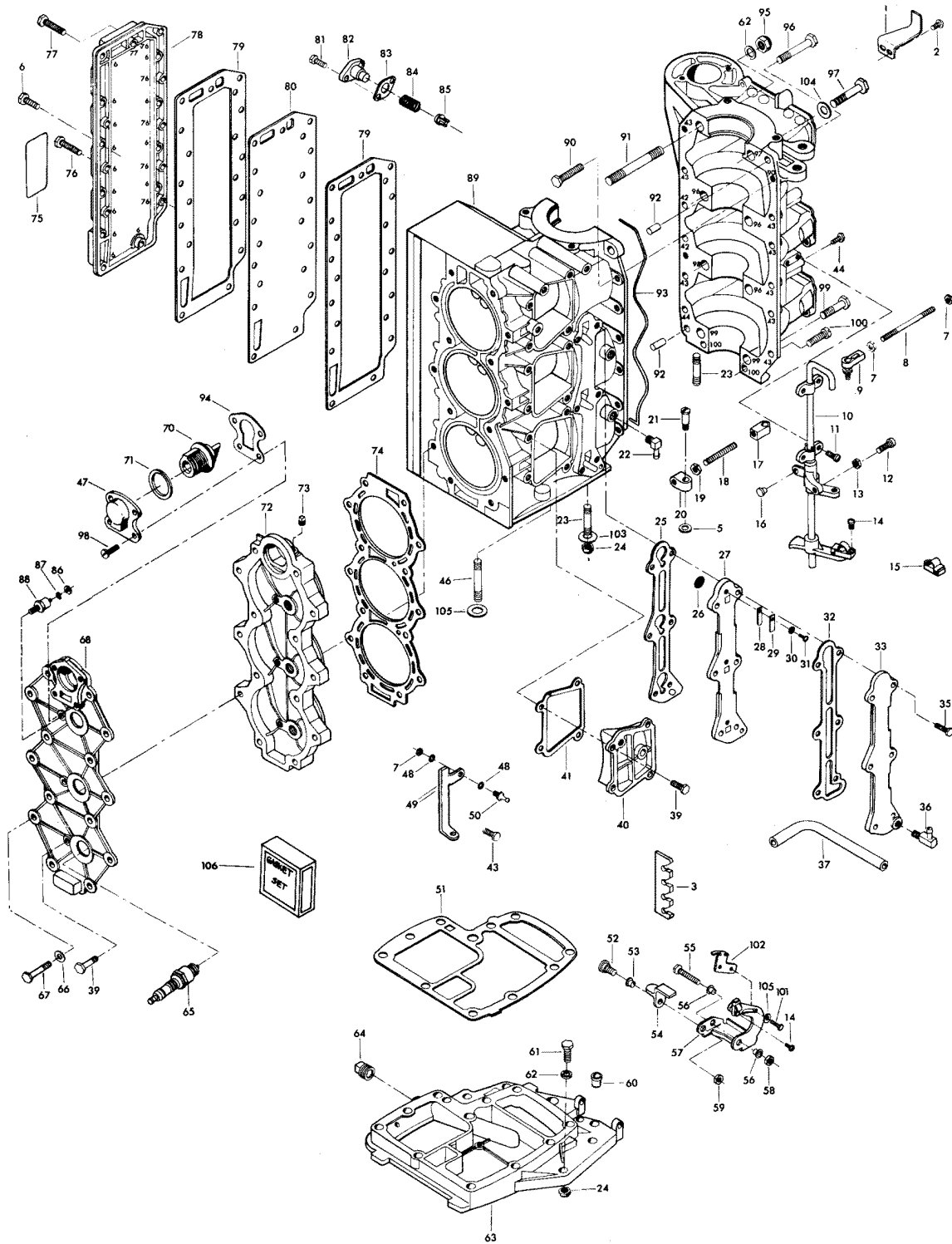
# CARBURETOR



# CARBURETOR

| REF. NO. | PART NO.      | SYM. | QTY.     | DESCRIPTION  |
|----------|---------------|------|----------|--|
| 82       | F184579       |      | 6        | SEAL, CHOKE ARM SWIVEL   |
| 83       | F8088         |      | 3        | PLAIN WASHER   |
| 84       | F1014         |      | 3        | COTTER PIN   |
| 85       | F184033-1     |      | 2        | CHOKE ARM SWIVEL   |
| 86       | F85925        |      | 1        | CHOKE ROD  |
| 87       | F2033         |      | 1        | CHOKE PIN  |
| 88       | F85253-1      |      | 2        | FUEL LINE  |
| 89       | F391926-1     |      | 1        | CHOKE SOLENOID PLUNGER   |
| 90       | F85317-1      |      | 1        | CLAMP  |
| 91       | F1545         |      | 2        | HEX HD SCREW, 1/4 - 20 X 1/2                                     |
| 92       | F85314-1      |      | 2        | FUEL FITTING   |
| 93       | FO15209       |      | 1        | MAIN NOZZLE  |
| 94       | F1532         |      | 3        | HEX HD SCREW, 1/4 - 20 X 1                                       |
| 95       | F480551-1     |      | 1        | BRACKET INTERLOCK SWITCH   |
| 96       | FO8942        |      | 2        | THROTTLE SHUTTER SCREW AND LOCKWASHER                            |
| 97       | F1502         |      | 4        | HEX CAP SCREW, 1/4 - 20 X 5/8                                    |
| 98       | F84449        |      | 1        | INTERLOCK SWITCH   |
| 99       | F1704         |      | 2        | INTERNAL TOOTH LOCKWASHER  |
| 100      | F1645         |      | 2        | RD HD SCREW, 6 - 32 X 1/4  |
| 101      | F2016         |      | 2        | FILL HD SCREW, 6 - 32 X 7/8                                      |
| 102      | F8088         |      | 2        | PLAIN WASHER   |
| -        | <b>F10000</b> |      | <b>1</b> | <b>GASKET SET (NOT SHOWN)</b>                                    |
| 103      | F10026        |      | 1        | REPAIR PARTS KIT INCLUDES ALL ITEMS MARKED WITH AN ASTERISK (*). |

# POWERHEAD



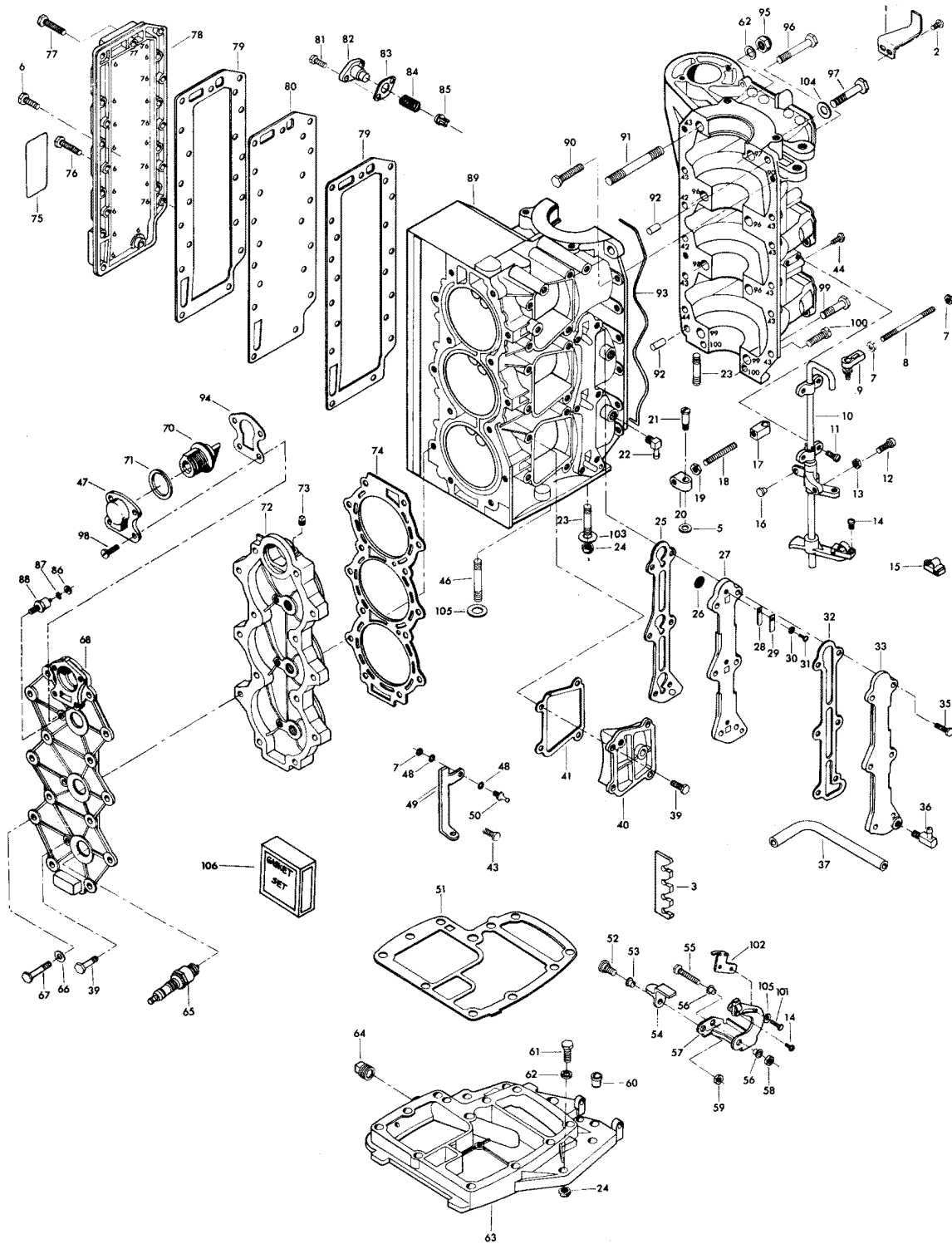


# POWERHEAD

| REF. NO. | PART NO.  | SYM. | QTY. | DESCRIPTION  |
|----------|-----------|------|------|--|
| 1        | FA480894  |      | 1    | TIMING POINTER <b>W/ILLUSTRATION 56 ON PAGE 4</b>            |
| 2        | F1760     |      | 2    | PAN HD SCREW, 10 - 24 X 3/8                                  |
| 3        | F523834   |      | 1    | CLIP, SPARK PLUG WIRE  |
| 5        | F2042     |      | 1    | PLAIN WASHER   |
| 6        | F1533     |      | 14   | HEX BOLT, 1/4 - 20 X 7/8                                     |
| 7        | F1513     |      | 4    | HEX NUT, 10 - 32   |
| 8        | F85502    |      | 1    | THROTTLE LINK  |
| 9        | 817747--1 |      | 1    | BALL JOINT W/STUD  |
| 10       | FA85838-5 |      | 1    | TOWERSHAFT W/BEARINGS, SWIVEL, ARMS AND SCREWS               |
| 11       | F1475     |      | 4    | FILL HD SCREW, 10 - 24 X 1/2                                 |
| 12       | F1504     |      | 1    | FILL HD SCREW, 1/4 - 20 X 1 1/4                              |
| 13       | F1341     |      | 1    | HEX NUT, 1/4 - 20  |
| 14       | F1556     |      | 2    | FILL HD SCREW W/LOCKWASHER, 10 - 24 X 3/8                    |
| 15       | FK405020  |      | 2    | SWIVEL W/PIVOT SCREW AND NUT                                 |
| 16       | F1727     |      | 1    | PLASTIC RIVET  |
| 17       | F85036    |      | 1    | TOWERSHAFT CONTROL ROD END                                   |
| 18       | F85445    |      | 1    | DISTRIBUTOR CONTROL ROD                                      |
| 19       | F2015     |      | 1    | HEX NUT, 1/4 - 28  |
| 20       | F85035    |      | 1    | DISTRIBUTOR CONTROL ROD END                                  |
| 21       | F85026    |      | 1    | SWIVEL   |
| 22       | F84314-2  |      | 1    | ELBOW  |
| 23       | F85859    |      | 4    | STUD, FORWARD  |
| 24       | F7004     |      | 10   | STOP NUT, 3/18 - 16  |
| 25       | F85748-2  |      | 1    | GASKET, CYLINDER DRAIN REED PLATE                            |
| 26       | F93811    |      | 3    | SCREEN   |
| 27       | F2A404757 |      | 1    | CYLINDER DRAIN REED PLATE W/RDS, STOPS, METERG CUP AND SCRWS |
| 28       | F18160-2  |      | 3    | REED   |
| 29       | F93920    |      | 3    | REED STOP  |
| 30       | F8003     |      | 3    | PLAIN WASHER   |
| 31       | F1286     |      | 3    | PAN HD SCREW, 4 - 40 X 3/16                                  |
| 32       | F85472-2  |      | 1    | GASKET, CYLINDER DRAIN COVER                                 |
| 33       | 817787A1  |      | 1    | CYLINDER DRAIN COVER W/PLUG                                  |
| 35       | F1532     |      | 6    | HEX HD SCREW, 1/4 - 20 X 1                                   |
| 36       | F404801   |      | 1    | FITTING  |
| 37       | F433253   |      | 1    | HOSE   |
| 39       | F1540     |      | 8    | HEX HD SCREW, 1/4 - 20 X 5/8                                 |
| 40       | FA411222  |      | 2    | TRANSFER PORT COVER W/PLUG                                   |
| 41       | F40223    |      | 3    | GASKET, TRANSFER PORT COVER                                  |
| 42       | F1534     |      | 2    | HEX CAP SCREW, 1/4 - 20 X 7/8                                |
| 43       | F1532     |      | 10   | HEX HD SCREW, 1/4 - 2 X 3/4                                  |
| 44       | F1199     |      | 1    | HEX CAP SCREW, 1/4 - 20 X 1                                  |
| 46       | F85211    |      | 6    | STUD, REAR   |

CONTINUED ON NEXT PAGE ➡

# POWERHEAD

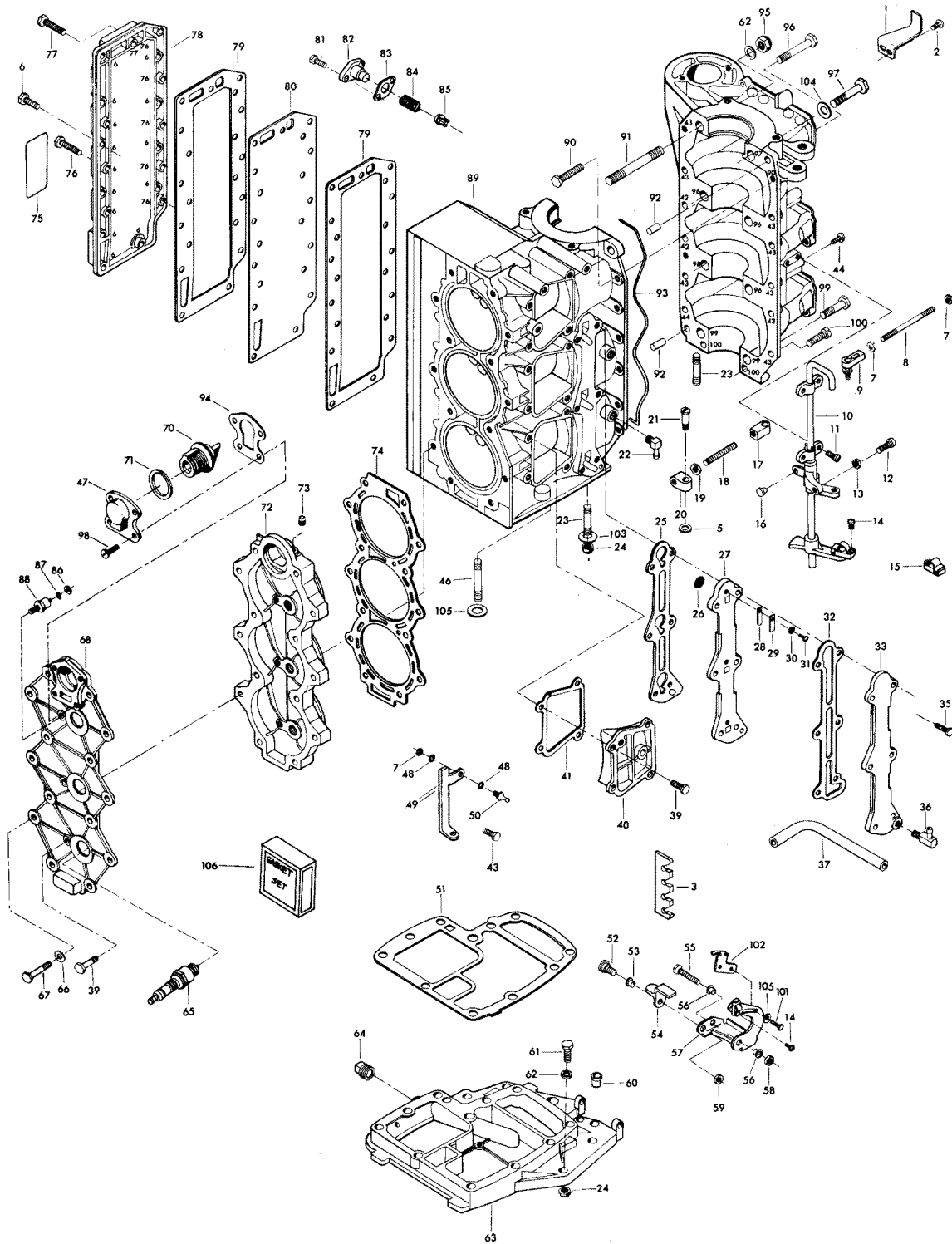


# POWERHEAD

| REF. NO. | PART NO.        | SYM. | QTY.     | DESCRIPTION   |
|----------|-----------------|------|----------|---|
| 47       | F476066-1       |      | 1        | COVER, THERMOSTAT                                   |
| 48       | F8058           |      | 4        | INTERNAL TOOTH LOCKWASHER                           |
| 49       | 85872-1         |      | 1        | BRACKET   |
| 50       | F98273          |      | 2        | ROD END CONNECTOR STUD                              |
| 51       | F85279-2        |      | 1        | CYLINDER EXHAUST GASKET, UPPER                      |
| 52       | F369887         |      | 1        | SHOULDER SCREW                                      |
| 53       | F369610         |      | 1        | BEARING   |
| 54       | F369977-1       |      | 1        | INTERLOCK ARM                                       |
| 55       | F1885           |      | 1        | HEX BOLT, 5/16 - 18 X 4 1/4                         |
| 56       | F85610          |      | 2        | BEARING   |
| 57       | FA480876        |      | 1        | GEAR SHIFT ARM W/SWIVEL, INTERLOCK ARM AND BEARINGS |
| 58       | F2108           |      | 1        | STOP NUT, 5/16 - 18                                 |
| 59       | F1832           |      | 1        | STOP NUT, 1/4 - 20                                  |
| 60       | F40689-1        |      | 1        | BEARING, TOWERSHAFT                                 |
| 61       | F1869           |      | 6        | HEX BOLT, 3/8 - 16 X 1 1/4                          |
| 62       | F1703           |      | 6        | SPRING LOCKWASHER                                   |
| 63       | 817788A3        |      | 1        | SPACER PLATE W/PLUGS                                |
| 64       | F2090           |      | 1        | PLUG  |
| 65       | 33-97180        |      | 3        | SPARK PLUG (CHAMPION L-20-V)                        |
| -        | <b>FC522227</b> |      | <b>3</b> | <b>SPARK PLUG (CHAMPION QUL-77V) FOR CANADA</b>     |
| 66       | F1087           |      | 14       | PLAIN WASHER  |
| 67       | F1883           |      | 14       | HEX BOLT, 5/16 - 18 X 2 3/8                         |
| 68       | F499995         |      | 1        | CYLINDER HEAD COVER                                 |
| 70       | F528068         |      | 1        | THERMOSTAT  |
| 71       | F84504          |      | 1        | GROMMET   |
| 72       | F480518         |      | 1        | CYLINDER HEAD                                       |
| 73       | F19109          |      | 1        | PLUG  |
| 74       | F369529         |      | 1        | CYLINDER HEAD GASKET                                |
| 75       | F438398         |      | 1        | DECAL, WIRING - USA                                 |
| -        | <b>FC438398</b> |      | <b>1</b> | <b>DECAL WIRING - CANADA</b>                        |
| 76       | F1709           |      | 5        | HEX HD SCREW, 1/4 - 20 X 1 1/8                      |
| 77       | F1708           |      | 1        | HEX HD SCREW, 1/4 - 20 X 1 3/8                      |
| 78       | F85152-4        |      | 1        | EXHAUST PORT COVER                                  |
| 79       | F85154-1        |      | 2        | GASKET, EXHAUST PORT PLATE                          |
| 80       | F85151-1        |      | 1        | EXHAUST PORT PLATE                                  |
| 81       | F1950           |      | 2        | HEX HD SCREW, 10 - 24 X 5/8                         |
| 82       | F438066         |      | 1        | BY-PASS VALVE COVER                                 |
| 83       | F85762          |      | 1        | GASKET, BY-PASS VALVE                               |
| 84       | F404268         |      | 1        | SPRING, BY-PASS VALVE                               |
| 85       | F85916-1        |      | 1        | BY-PASS VALVE                                       |
| 86       | F1647           |      | 1        | HEX NUT, 10 - 32                                    |
| 87       | F8056           |      | 1        | SPRING LOCKWASHER                                   |

CONTINUED ON NEXT PAGE ➡

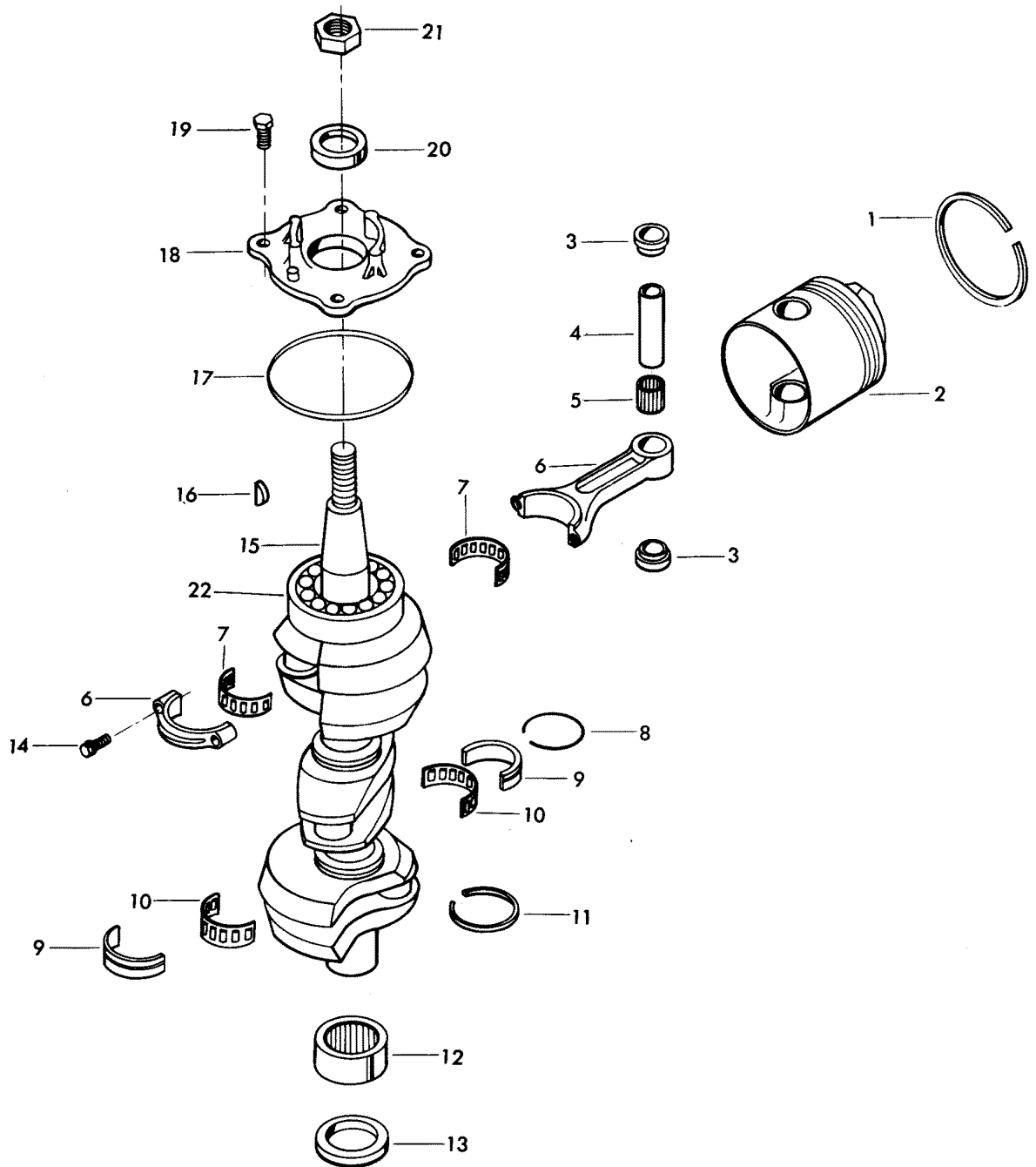
# POWERHEAD



# POWERHEAD

| REF. NO. | PART NO.        | SYM. | QTY.     | DESCRIPTION  |
|----------|-----------------|------|----------|--|
| 88       | 87-817778A1     |      | 1        | THERMOSWITCH W/ILLUSTRATIONS 86, 87 ORIGINAL FORCE P/N A 335449-1                                  |
| 89       | FA480010        |      | 1        | CYLINDER ASSEMBLY W/PARTG LINE SEAL & LOWR MAIN BEARG ASS'Y  |
| -        | <b>FC548010</b> |      | <b>1</b> | <b>SHORT BLOCK. INCLUDES ALL ITEMS MARKED WITH AN ASTERISK (*). ALSO REFER TO CRANKSHAFT PAGE.</b> |
| 90       | F1535           |      | 1        | HEX HD SCREW, 1/4 - 20 X 3/4   |
| 91       | F85210          |      | 1        | STUD   |
| 92       | F8563           |      | 2        | DOWEL PIN  |
| 93       | F85122          |      | 1        | PARTING LINE SEAL  |
| 94       | F476067         |      | 1        | GASKET, THERMOSTAT COVER   |
| 95       | F1347           |      | 1        | HEX NUT, 3/8 - 16  |
| 96       | F1873           |      | 4        | HEX BOLT, 3/8 - 16 X 3   |
| 97       | F1009           |      | 1        | HEX BOLT, 3/8 - 16 X 2 3/4   |
| 98       | F1110           |      | 4        | FILL HD SCREW, 1/4 - 20 X 5/8  |
| 99       | F1872           |      | 2        | HEX BOLT, 3/8 - 16 X 1 3/4   |
| 100      | F1099           |      | 2        | FILL HD SCREW, 1/4 - 20 X 1 1/4  |
| 101      | F2089           |      | 2        | SLOTTED PAN HD MACHINE SCREW, 10 - 24 X 5/16   |
| 102      | F480107-1       |      | 1        | CAM, STARTER INTERLOCK   |
| 103      | F8038           |      | 4        | PLAIN WASHER   |
| 104      | F8095           |      | 14       | PLAIN WASHER   |
| 105      | F2042           |      | 2        | PLAIN WASHER   |
| 106      | FG1020          |      | 1        | GASKET SET (INCLUDES THE FOLLOWING)  |
| -        | <b>F40223</b>   |      | <b>3</b> | <b>TRANSFER PORT COVER GASKET</b>  |
| -        | <b>F84278</b>   |      | <b>1</b> | <b>CRANKSHAFT BRG. CAGE SEAL</b>   |
| -        | <b>F84504</b>   |      | <b>1</b> | <b>THERMOSTAT GROMMET</b>  |
| -        | <b>F85122</b>   |      | <b>1</b> | <b>CRANKCASE SEAL</b>  |
| -        | <b>F85154-1</b> |      | <b>2</b> | <b>EXHAUST PORT PLATE GASKET</b>   |
| -        | <b>F85159</b>   |      | <b>1</b> | <b>MANIFOLD GASKET</b>   |
| -        | <b>F85168</b>   |      | <b>3</b> | <b>CARBURETOR ADAPTER FLANGE GASKET</b>  |
| -        | <b>F85279-2</b> |      | <b>1</b> | <b>CYLINDER, EXHAUST - UPPER GASKET</b>  |
| -        | <b>F85472-2</b> |      | <b>1</b> | <b>CYLINDER DRAIN COVER GASKET</b>   |
| -        | <b>F85748-2</b> |      | <b>1</b> | <b>CYLINDER DRAIN REED PLATE GASKET</b>  |
| -        | <b>F85762</b>   |      | <b>1</b> | <b>BY-PASS VALVE PLATE GASKET</b>  |
| -        | <b>F85906</b>   |      | <b>3</b> | <b>CARBURETOR GASKET</b>   |
| -        | <b>F369529</b>  |      | <b>1</b> | <b>CYLINDER HEAD GASKET</b>  |
| -        | <b>F476067</b>  |      | <b>1</b> | <b>THERMOSTAT COVER GASKET</b>   |
| -        | <b>F481836</b>  |      | <b>3</b> | <b>INTAKE GASKET</b>   |

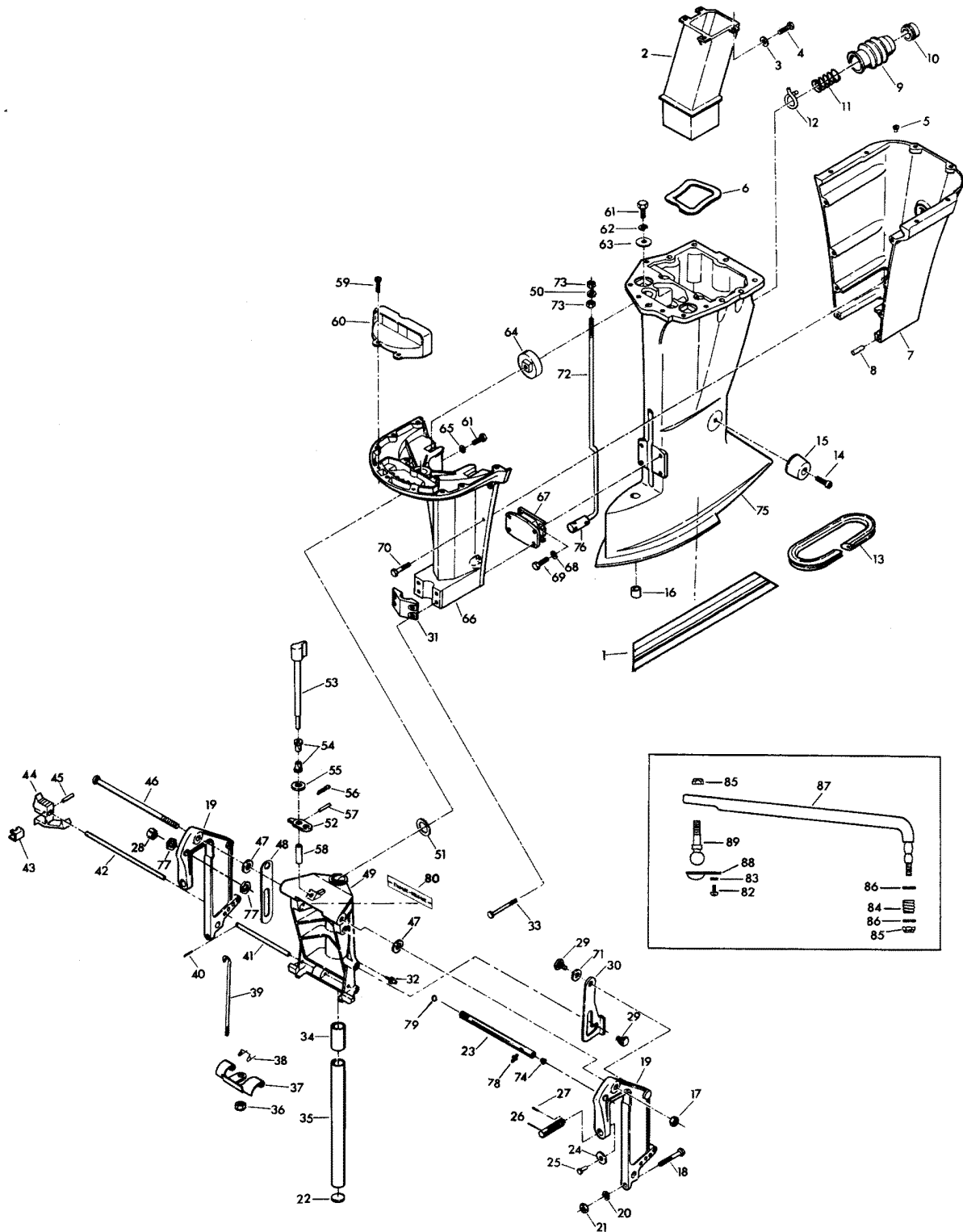
# CRANKSHAFT AND PISTON GROUP



# CRANKSHAFT AND PISTON GROUP

| REF. NO. | PART NO.            | SYM. | QTY.     | DESCRIPTION   |
|----------|---------------------|------|----------|---|
| 1        | FA335260            |      | 3        | PISTON RING SET (3 PER SET) STANDARD                                |
| -        | <b>FSA335260</b>    |      | <b>3</b> | <b>PISTON RINGS (3 PER SET) .010 OVERSIZE</b>                       |
| -        | <b>818110A1</b>     |      | <b>3</b> | <b>PISTON RINGS (3 PER SET) .030 OVERSIZE</b>                       |
| 2        | 700-F372015-3       |      | 3        | PISTON (STANDARD)   |
| -        | <b>700-817988A2</b> |      | <b>3</b> | <b>PISTON .010 OVERSIZE</b>   |
| -        | <b>700-818111A2</b> |      | <b>3</b> | <b>PISTON .030 OVERSIZE</b>   |
| 3        | F335215             |      | 6        | SPACER, PISTON PIN (2 PER PISTON)                                   |
| 4        | F85017              |      | 3        | PISTON PIN  |
| 5        | F335217-1           |      | 3        | BEARING PISTON PIN (26 PER SET)                                     |
| 6        | 600-818052A4        |      | 3        | CONNECTING ROD W/CAP AND SCREWS                                     |
| 7        | FK85228             |      | 3        | BEARING CAGE W/ROLLER   |
| 8        | F85410              |      | 2        | SNAP RING   |
| 9        | FA85655-1           |      | 2        | CRANKSHAFT MAIN BEARING RACE W/SNAP RING                            |
| 10       | F85571              |      | 2        | BEARING CAGE W/ROLLER   |
| 11       | F316579             |      | 2        | SEAL, CRANKCASE   |
| 12       | FA523014            |      | 1        | CRANKSHAFT LOWER MAIN BEARING W/SEAL                                |
| 13       | F523146             |      | 1        | SEAL, CRANKSHAFT LOWER  |
| 14       | F85634-2            |      | 6        | CONNECTING ROD SCREW  |
| 15       | FA85018-2           |      | 1        | CRANKSHAFT W/BEARING  |
| 16       | F85498              |      | 1        | FLYWHEEL KEY  |
| 17       | F84278              |      | 1        | SEAL, CRANKSHAFT BEARING CAGE                                       |
| 18       | 31-817785A2         |      | 1        | CRANKSHAFT BEARING CAGE W/SEAL                                      |
| 19       | F1867               |      | 4        | HEX CAP SCREW, 3/8 - 16 X 1   |
| 20       | F84146-2            |      | 1        | SEAL  |
| 21       | F1968               |      | 1        | FLYWHEEL NUT  |
| 22       | F284659-2           |      | 1        | CRANKSHAFT THRUST BEARING UPPER                                     |
| -        | <b>F2067</b>        |      | <b>1</b> | <b>PLASTISOL CAP (NOT SHOWN). FOR EXPOSED THREADS OF CRANKSHAFT</b> |

# MOTOR LEG



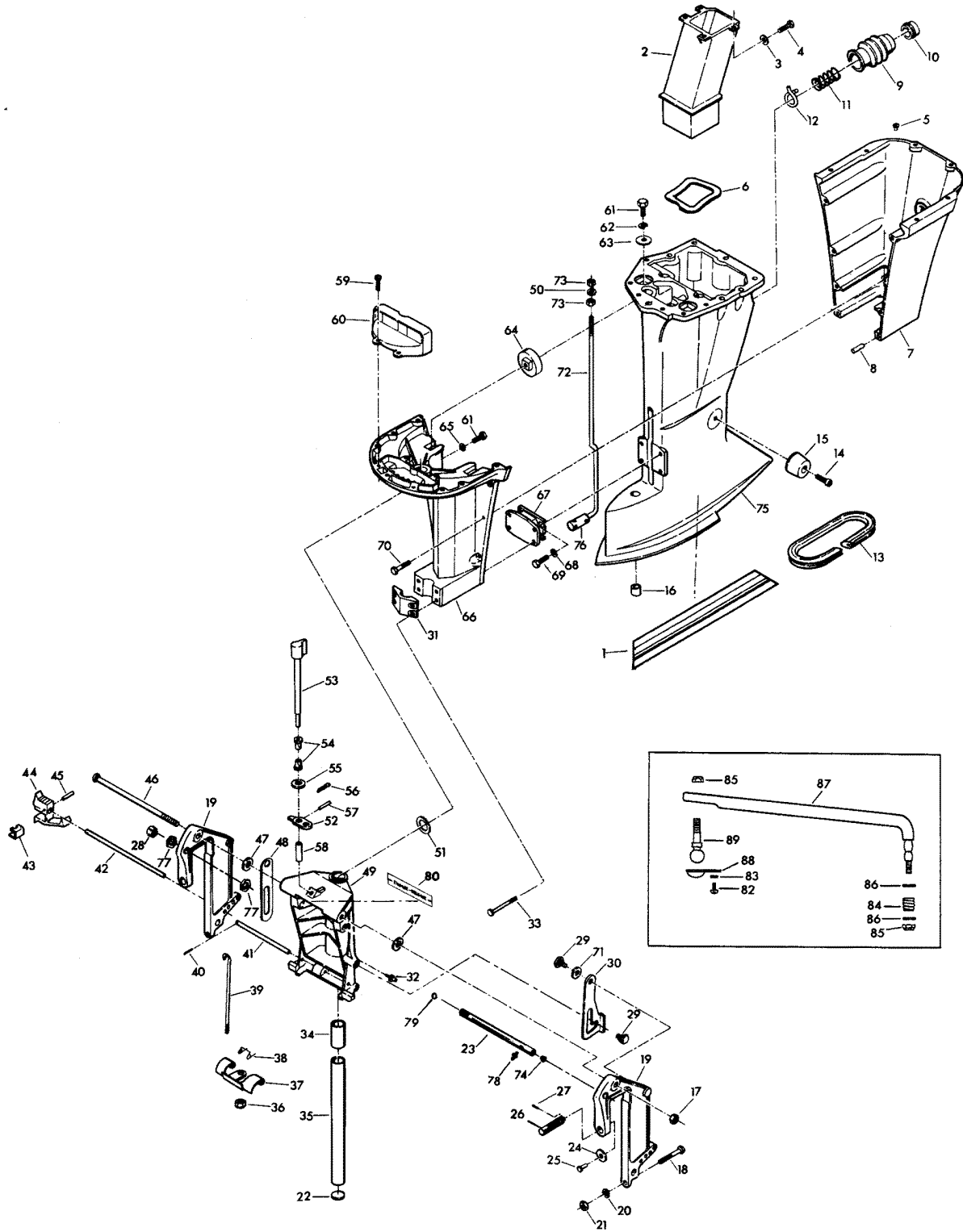


# MOTOR LEG

| REF. NO. | PART NO.      | SYM. | QTY. | DESCRIPTION   |
|----------|---------------|------|------|---|
| 2        | F85660-1      |      | 1    | EXHAUST TUBE  |
| 3        | F8083         |      | 4    | SPRING LOCKWASHER   |
| 4        | F1864         |      | 4    | HEX SLOT HD SCREW, 1/4 - 20 X 3/4   |
| 5        | F1729         |      | 2    | PLUG  |
| 6        | F439736       |      | 1    | SEAL EXHAUST TUBE   |
| 7        | 817931A7      |      | 1    | MOTOR LEG COVER, REAR <b>W/ILLUSTRATIONS 5 &amp; 13 ORIGINAL FORCE P/N A 178145-3</b> |
| 8        | F1664         |      | 2    | SPRING PIN  |
| 9        | F85130        |      | 1    | BOOT, IDLE EXHAUST  |
| 10       | F85258        |      | 1    | INSERT  |
| 11       | F85380        |      | 1    | SPRING  |
| 12       | F85772        |      | 1    | CLAMP   |
| 13       | F178323       |      | 1    | SEAL, MOTOR LEG   |
| 14       | F1263         |      | 2    | HEX SOCKET HD CAP SCREW, 5/16 - 18 X 9/16   |
| 15       | F438962       |      | 2    | SHOCK MOUNT SLIDE   |
| 16       | F338618-1     |      | 1    | SEAL, GEAR SHIFT ROD  |
| 17       | F7012         |      | 1    | LOCK NUT, 1/2 - 20  |
| 18       | F1593         |      | 2    | HEX HD SCREW, 3/8 - 16 X 3  |
| 19       | 1400-817958A6 |      | 2    | STERN BRACKET   |
| 20       | F1004         |      | 2    | PLAIN WASHER  |
| 21       | F1346         |      | 2    | HEX NUT, 3/8 - 16   |
| 22       | F1528         |      | 1    | WELCH PLUG  |
| 23       | F511125-2     |      | 1    | TUBE, STEERING SUPPORT  |
| 24       | F84074        |      | 2    | CLAMP SCREW FOOT  |
| 25       | F353480       |      | 2    | STUD  |
| 26       | F474073-1     |      | 2    | CLAMP SCREW   |
| 27       | F8538         |      | 2    | SPRING PIN  |
| 28       | F9018         |      | 1    | CAP   |
| 29       | F85350-1      |      | 4    | TILT STOP PIVOT   |
| 30       | F85541-1      |      | 1    | TILT LOCK   |
| 31       | F85606        |      | 1    | KINGPIN CAP   |
| 32       | F213274       |      | 3    | GREASE FITTING  |
| 33       | F1696         |      | 4    | HEX BOLT, 5/16 - 18 X 1 3/4   |
| 34       | F438169       |      | 2    | BEARING   |
| 35       | FA85019       |      | 1    | KINGPIN W/PLUG  |
| 36       | F1669         |      | 1    | LOCK NUT  |
| 37       | F369349       |      | 1    | REVERSE LOCK  |
| 38       | F85300        |      | 1    | REVERSE LOCK SPRING   |
| 39       | F369510       |      | 1    | LINK  |
| 40       | F1744         |      | 1    | SPRING PIN  |
| 41       | F177350       |      | 1    | REVERSE LOCK PIN  |
| 42       | FA438113      |      | 1    | STERN BRACKET LOCK BAR W/HANDLE   |
| 43       | F286461       |      | 1    | SPRING LOCK BAR HANDLE  |

CONTINUED ON NEXT PAGE ➡

# MOTOR LEG

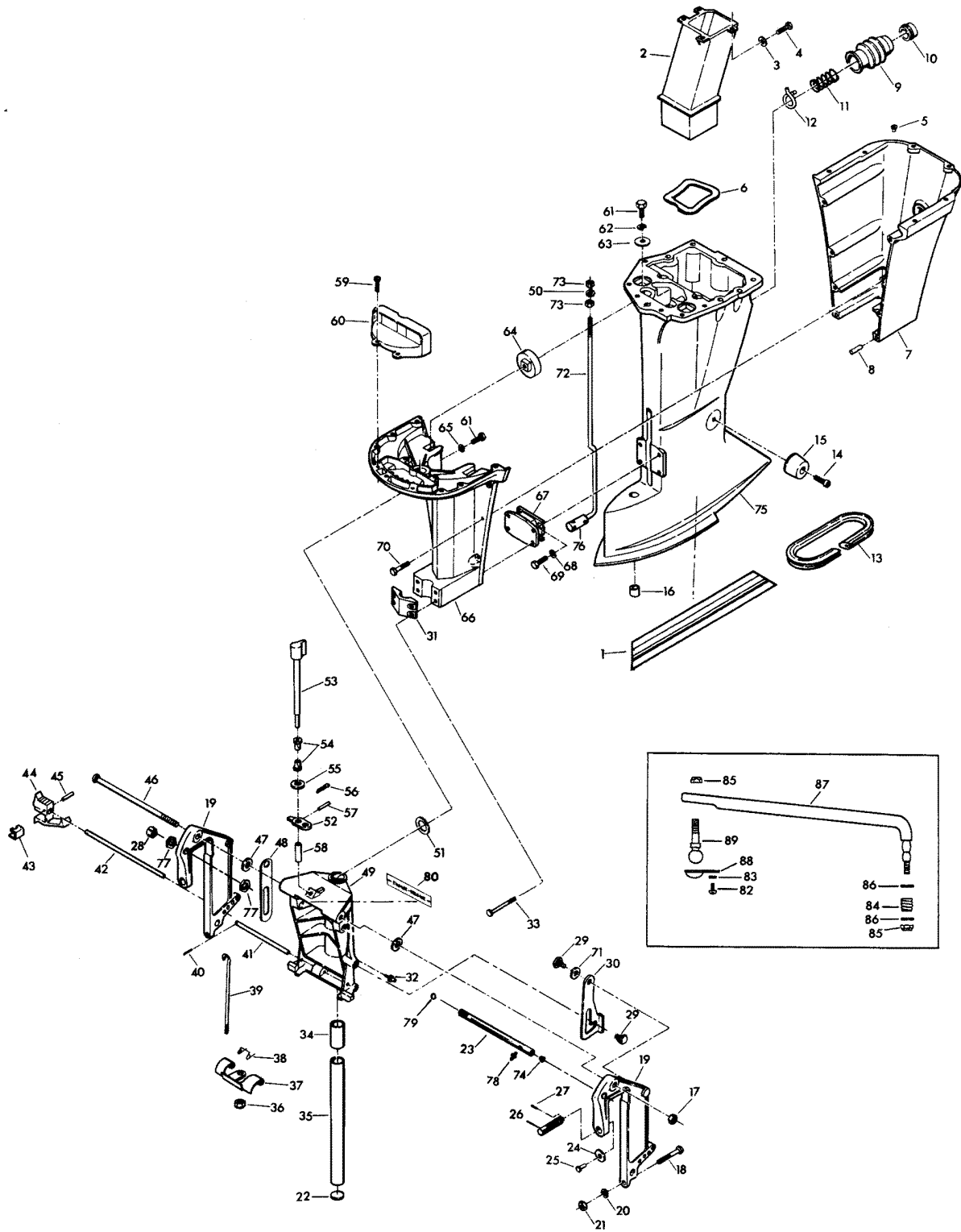


# MOTOR LEG

| REF. NO. | PART NO.         | SYM. | QTY.     | DESCRIPTION                                 |
|----------|------------------|------|----------|---|
| 44       | F433114          |      | 1        | HANDLE, LOCK BAR                            |
| 45       | F1744            |      | 1        | SPRING PIN                                  |
| 46       | F85037-1         |      | 1        | STERN BRACKET PIVOT BOLT                    |
| 47       | F84286-1         |      | 4        | FRICTION WASHER                             |
| 48       | F85426           |      | 1        | TILT STOP                                   |
| 49       | 817783A5         |      | 1        | SWIVEL BRACKET W/BEARING AND GREASE FITTING |
| 50       | F1987            |      | 1        | PLAIN WASHER                                |
| 51       | F84011           |      | 1        | WASHER                                      |
| -        | <b>FOB2603</b>   |      | <b>1</b> | <b>INSTALLATION INSTRUCTIONS</b>            |
| 52       | F369364          |      | 1        | REVERSE LOCK ARM                            |
| 53       | F369827          |      | 1        | HANDLE AND SHAFT                            |
| 54       | F197813          |      | 2        | BEARING                                     |
| 55       | F8094            |      | 1        | PLAIN WASHER                                |
| 56       | F1014            |      | 1        | COTTER PIN                                  |
| 57       | F1836            |      | 1        | SPRING PIN                                  |
| 58       | F483884          |      | 1        | BEARING                                     |
| 59       | F1912            |      | 4        | HEX HD SCREW, 10 - 24 X 1/2                 |
| 60       | F85779-1         |      | 1        | BAFFLE, AIR INTAKE                          |
| 61       | F1871            |      | 4        | HEX HD SCREW, 3/8 - 16 X 3/4                |
| 62       | F2014            |      | 2        | PLAIN WASHER                                |
| 63       | FA85355-1        |      | 2        | WASHER SHOCK MOUNT UPPER W/WASHERS          |
| 64       | F85965           |      | 2        | SHOCK MOUNT, UPPER                          |
| 65       | F1703            |      | 2        | SPRING LOCKWASHER                           |
| 66       | A3               |      | 1        | LEG COVER, FRONT <b>W/ILLUSTRATION 70</b>   |
| 67       | F438346          |      | 1        | SHOCK MOUNT, LOWER                          |
| 68       | F8096            |      | 4        | SPRING LOCKWASHER                           |
| 69       | F1822            |      | 4        | HEX BOLT, 5/16 - 18 X 7/8                   |
| 70       | F2030            |      | 6        | HEX HD SCREW, 1/4 - 20 X 1 1/4              |
| 71       | F1666            |      | 2        | BOWED SPRING WASHER                         |
| 72       | F85615           |      | 1        | GEAR SHIFT ROD, UPPER                       |
| 73       | F2108            |      | 2        | LOCK NUT, 5/16 - 18                         |
| 74       | F9052            |      | 1        | PLUG  |
| 75       | F523133-2        |      | 1        | MOTOR LEG                                   |
| 76       | F85704           |      | 1        | COUPLER, GEARSHIFT ROD, UPPER               |
| 77       | F523280          |      | 2        | NUT, STEERING SUPPORT TUBE                  |
| 78       | F523274          |      | 1        | GREASE FITTING                              |
| 79       | F316599          |      | 1        | SEAL, STEERING SUPPORT TUBE                 |
| 80       | F474390-1        |      | 1        | DECAL, REVERSE LOCK                         |
| -        | <b>37-819450</b> |      | <b>1</b> | <b>DECAL, REVERSE LOCK - CANADA</b>         |
| 81       | A578392          |      | 1        | DECAL, LEG - PORT <b>W/LITERATURE</b>       |
| -        | <b>A578391</b>   |      | <b>1</b> | <b>DECAL, LEG - STARBOARD W/LITERATURE</b>  |
| 82       | F1280            |      | 1        | PAN HD SCREW                                |
| 83       | F8080            |      | 1        | HELICAL SPRING LOCKWASHER                   |

CONTINUED ON NEXT PAGE ➡

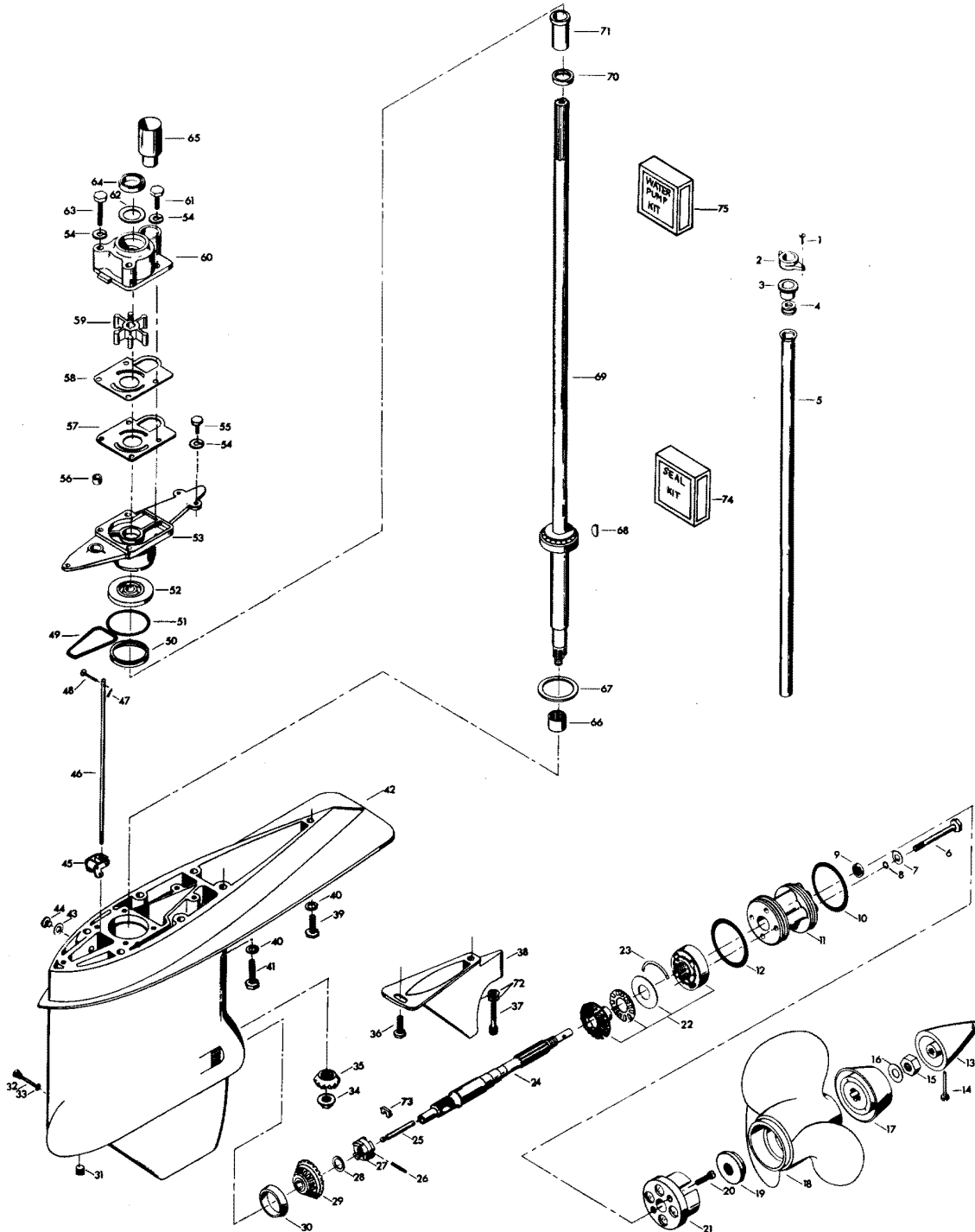
# MOTOR LEG



# MOTOR LEG

| REF. NO. | PART NO.  | SYM. | QTY. | DESCRIPTION             |
|----------|-----------|------|------|-------------------------|
| 84       | F523300-1 |      | 1    | SPRING STEERING LINK    |
| 85       | F2093     |      | 2    | STOP NUT                |
| 86       | F8038     |      | 2    | PLAIN WASHER            |
| 87       | F523881-2 |      | 1    | LINK ASSEMBLY, STEERING |
| 88       | F523930   |      | 1    | RETAINER, STUD          |
| 89       | F523273   |      | 1    | STUD, STEERING BALL     |

# GEAR HOUSING

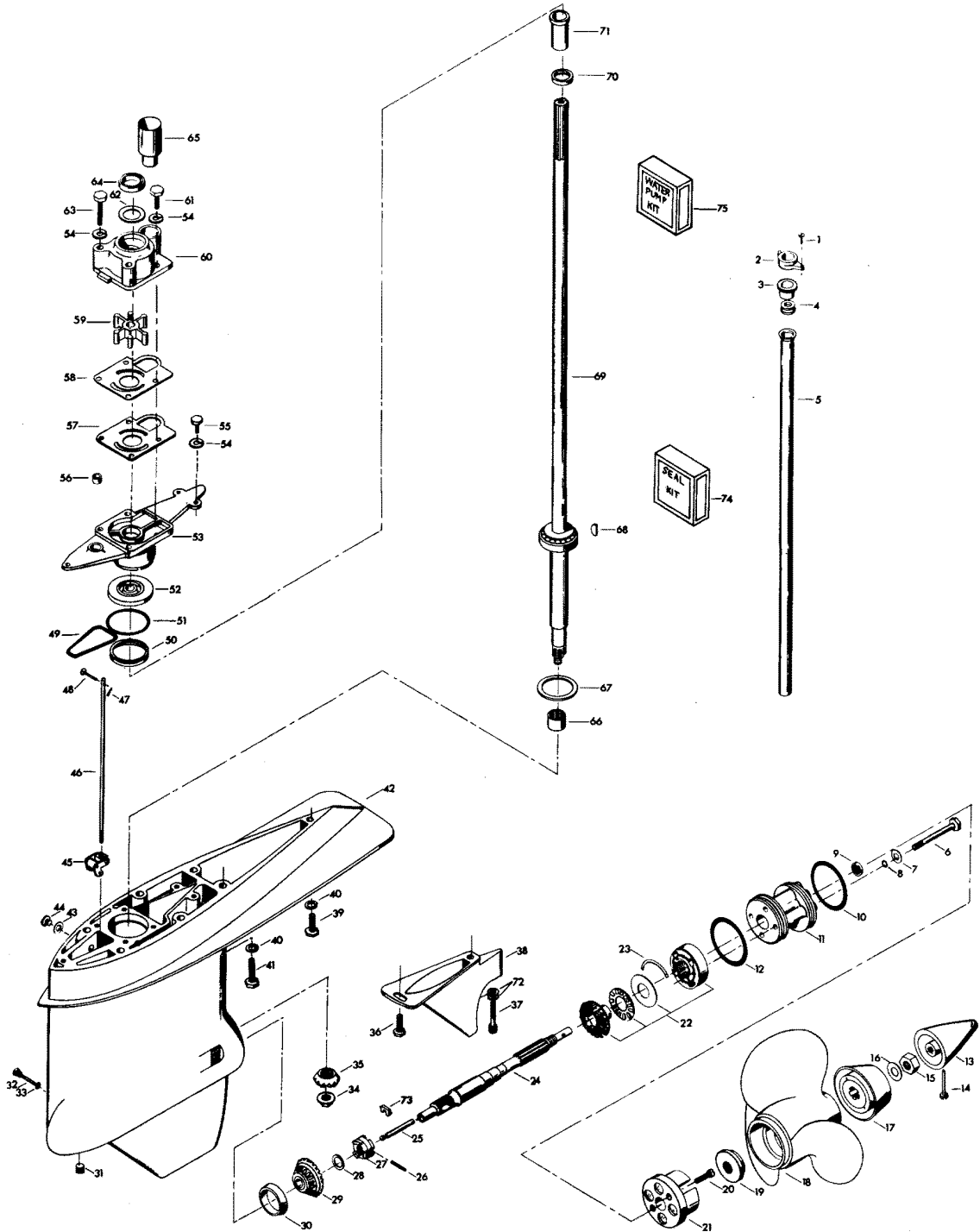


# GEAR HOUSING

| REF. NO. | PART NO.     | SYM. | QTY.       | DESCRIPTION   |
|----------|--------------|------|------------|---|
| 1        | F1705        |      | 2          | HEX CAP SCREW, 1/4 - 20 X 3/4                       |
| 2        | F85117       |      | 1          | BRACKET, WATER LINE                                 |
| 3        | F84342       |      | 1          | SEAL, INLET WATER LINE UPPER                        |
| 4        | F523899      |      | 1          | GROMMET, WATER LINE                                 |
| 5        | F523244      |      | 1          | INLET WATER LINE                                    |
| 6        | F1885        |      | 4          | HEX CAP SCREW, 5/16 - 18 X 4 1/4                    |
| 7        | F1907        |      | 4          | PLAIN WASHER  |
| 8        | F50342-1     |      | 4          | SEAL, BEARING CAGE BOLTS                            |
| 9        | F506118      |      | 1          | SEAL, PROPELLER SHAFT                               |
| 10       | F24278       |      | 1          | SEAL, "O" RING PROPELLER SHAFT SPOOL                |
| 11       | F2A523239    |      | 1          | SPOOL, PROPELLER SHAFT BEARING W/SEALS              |
| 12       | F84305       |      | 1          | SEAL, PROPELLER SHAFT BEARING SPOOL                 |
| 13       | F523094-2    |      | 1          | PROPELLER NUT                                       |
| 14       | F498891      |      | 1          | PIN, PROPELLER NUT RETAINING                        |
| 15       | F1788        |      | 1          | STOP NUT  |
| 16       | F1866        |      | 1          | PLAIN WASHER  |
| 17       | F532299      |      | 1          | WASHER, PROPELLER SPLINE                            |
| 18       | FP524        |      | 1          | PROPELLER (ACCESSORY ITEM)                          |
| 19       | F523099-1    |      | 1          | SPACER, PROPELLER                                   |
| 20       | F1577        |      | 2          | FILL HD SCREW, 1/4 - 20 X 3/4                       |
| 21       | FA523485     |      | 1          | ANTI-CORROSION ANODE <b>W/LITERATURE</b>            |
| 22       | F2A498662    |      | 1          | BEVEL GEAR, REAR W/BEARING CAGE, SPACER AND BEARING |
| 23       | F523411      |      | 2          | RETAINING RING                                      |
| 24       | FA523098     |      | 1          | PROPELLER SHAFT                                     |
| 25       | F84871-1     |      | 1          | PIN, GEAR SHIFT                                     |
| 26       | F1713        |      | 1          | SPRING PIN  |
| 27       | F84521-1     |      | 1          | CLUTCH  |
| 28       | F1936        |      | A/R        | SPACER, BEVEL GEAR FRONT .059                       |
| -        | <b>F1937</b> |      | <b>A/R</b> | <b>SPACER, BEVEL GEAR FRONT .062</b>                |
| -        | <b>F1938</b> |      | <b>A/R</b> | <b>SPACER, BEVEL GEAR FRONT .065</b>                |
| -        | <b>F1939</b> |      | <b>A/R</b> | <b>SPACER, BEVEL GEAR FRONT .068</b>                |
| -        | <b>F1940</b> |      | <b>A/R</b> | <b>SPACER, BEVEL GEAR FRONT .071</b>                |
| -        | <b>F1941</b> |      | <b>A/R</b> | <b>SPACER, BEVEL GEAR FRONT .074</b>                |
| -        | <b>F1942</b> |      | <b>A/R</b> | <b>SPACER, BEVEL GEAR FRONT .077</b>                |
| -        | <b>F2113</b> |      | <b>A/R</b> | <b>SPACER, BEVEL GEAR FRONT .080</b>                |
| -        | <b>F2114</b> |      | <b>A/R</b> | <b>SPACER, BEVEL GEAR FRONT .083</b>                |
| -        | <b>F2115</b> |      | <b>A/R</b> | <b>SPACER, BEVEL GEAR FRONT .086</b>                |
| -        | <b>F2116</b> |      | <b>A/R</b> | <b>SPACER, BEVEL GEAR FRONT .089</b>                |
| -        | <b>F2121</b> |      | <b>A/R</b> | <b>SPACER, BEVEL GEAR FRONT .057</b>                |
| -        | <b>F2122</b> |      | <b>A/R</b> | <b>SPACER, BEVEL GEAR FRONT .054</b>                |
| 29       | F2A498023    |      | 1          | BEVEL GEAR FRONT W/BEARING                          |
| 30       | F523813      |      | 1          | BEARING CUP   |

CONTINUED ON NEXT PAGE ➡

# GEAR HOUSING



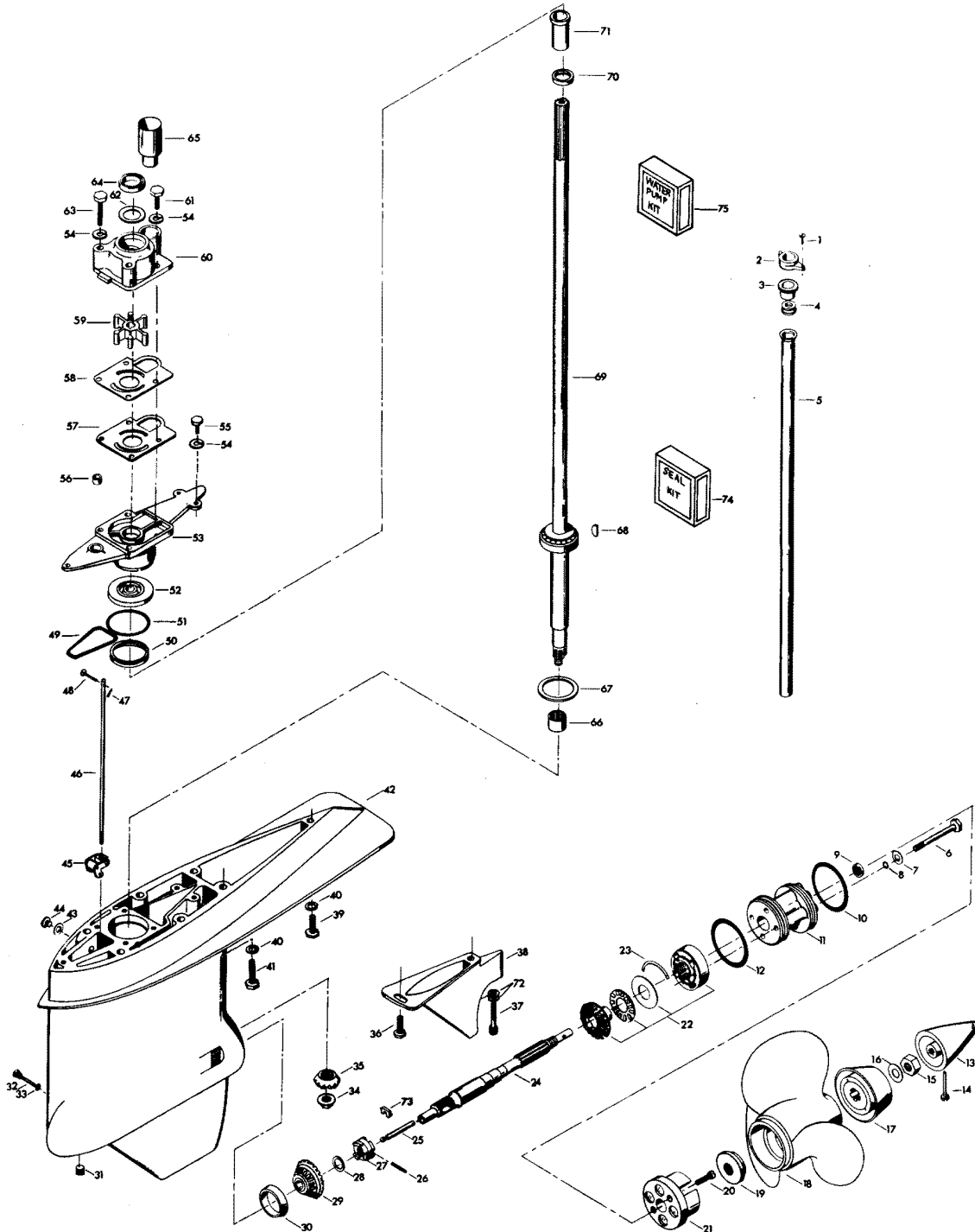


# GEAR HOUSING

| REF. NO. | PART NO.        | SYM. | QTY.       | DESCRIPTION  |
|----------|-----------------|------|------------|--|
| 31       | F19109          |      | 1          | PLUG, GEAR HOUSING   |
| 32       | F498891         |      | 1          | PIN, GEAR SHIFT ARM  |
| 33       | F498618         |      | 1          | SEAL   |
| 34       | F523188         |      | 1          | NUT, BEVEL PINION RETAINING  |
| 35       | FA498266        |      | 1          | BEVEL PINION GEAR W/CRUSH RING AND SHIMS                                     |
| 36       | F438930         |      | 1          | RETAINER, SNOUT  |
| 37       | F1994           |      | 1          | HEX SOCKET HD CAP SCREW, 5/16 - 18 X 1                                       |
| 38       | F523116         |      | 1          | EXHAUST SNOUT  |
| 39       | F1858           |      | 1          | HEX CAP SCREW, 5/16 - 18 X 1   |
| 40       | F8096           |      | 7          | SPRING LOCKWASHER  |
| 41       | F1491           |      | 6          | HEX CAP SCREW, 5/16 - 18 X 3 1/4   |
| 42       | FA523054        |      | 1          | GEAR HOUSING W/BEARING CUP DRIVESHAFT BEARING LOWER, PLUGS & WASHERS         |
| -        | <b>FC550054</b> |      | <b>1</b>   | <b>GEAR HOUSING COMPLETE INCLUDES ALL ITEMS MARKED WITH AN ASTERISK (*).</b> |
| 43       | F8077           |      | 2          | WASHER, GEAR HOUSING PLUG  |
| 44       | F50109          |      | 2          | PLUG, GEAR HOUSING   |
| 45       | FA84621-1       |      | 1          | COUPLING, GEAR SHIFT ARM W/BUSHING   |
| 46       | F523705         |      | 1          | GEAR SHIFT ROD LOWER   |
| 47       | F1015           |      | 1          | COTTER PIN   |
| 48       | F85372          |      | 1          | PIN, GEAR SHIFT ROD LOWER  |
| 49       | F523555         |      | 1          | SEAL, "O" RING - GEAR HOUSING COVER  |
| 50       | F523961         |      | 1          | CRUSH RING   |
| 51       | F74305          |      | 1          | SEAL, DRIVESHAFT BEARING CAGE  |
| 52       | F506118         |      | 1          | SEAL, DRIVESHAFT   |
| 53       | F2A550706       |      | 1          | GEAR HOUSING COVER W/SEAL  |
| 54       | F8083           |      | 7          | SPRING LOCKWASHER  |
| 55       | F1534           |      | 3          | HEX CAP SCREW, 1/4 - 20 X 7/8  |
| 56       | F338618-1       |      | 1          | SEAL, GEAR SHIFT ROD   |
| 57       | F523031         |      | 1          | GASKET, WATER PUMP   |
| 58       | F523562         |      | 1          | WATER PUMP BACK PLATE  |
| 59       | F523065         |      | 1          | WATER PUMP IMPELLER  |
| 60       | 46-817853A1     |      | 1          | WATER PUMP BODY W/DRIVESHAFT SEAL, DISC AND WATER LINE SEAL                  |
| 61       | F1990           |      | 2          | HEX CAP SCREW, 1/4 - 20 X 1 5/8  |
| 62       | F480388         |      | 1          | DISC, WATER PUMP LOCATING  |
| 63       | F1425           |      | 2          | HEX CAP SCREW, 1/4 - 20 X 2 5/8  |
| 64       | F351307         |      | 1          | SEAL, WATER PUMP   |
| 65       | FA523735        |      | 1          | SEAL, INLET WATER LINE LOWER <b>W/LITERATURE</b>                             |
| 66       | F523057         |      | 1          | BEARING, DRIVESHAFT LOWER  |
| 67       | F9106           |      | A/R        | SHIM, DRIVESHAFT BEARING UPPER .003 - BRASS                                  |
| -        | <b>F9095</b>    |      | <b>A/R</b> | <b>SHIM, DRIVESHAFT BEARING UPPER .005 - SILVER</b>                          |
| -        | <b>F9097</b>    |      | <b>A/R</b> | <b>SHIM, DRIVESHAFT BEARING UPPER .010 - BLACK</b>                           |
| 68       | F523498         |      | 1          | DRIVE KEY, WATER PUMP  |

CONTINUED ON NEXT PAGE ➡

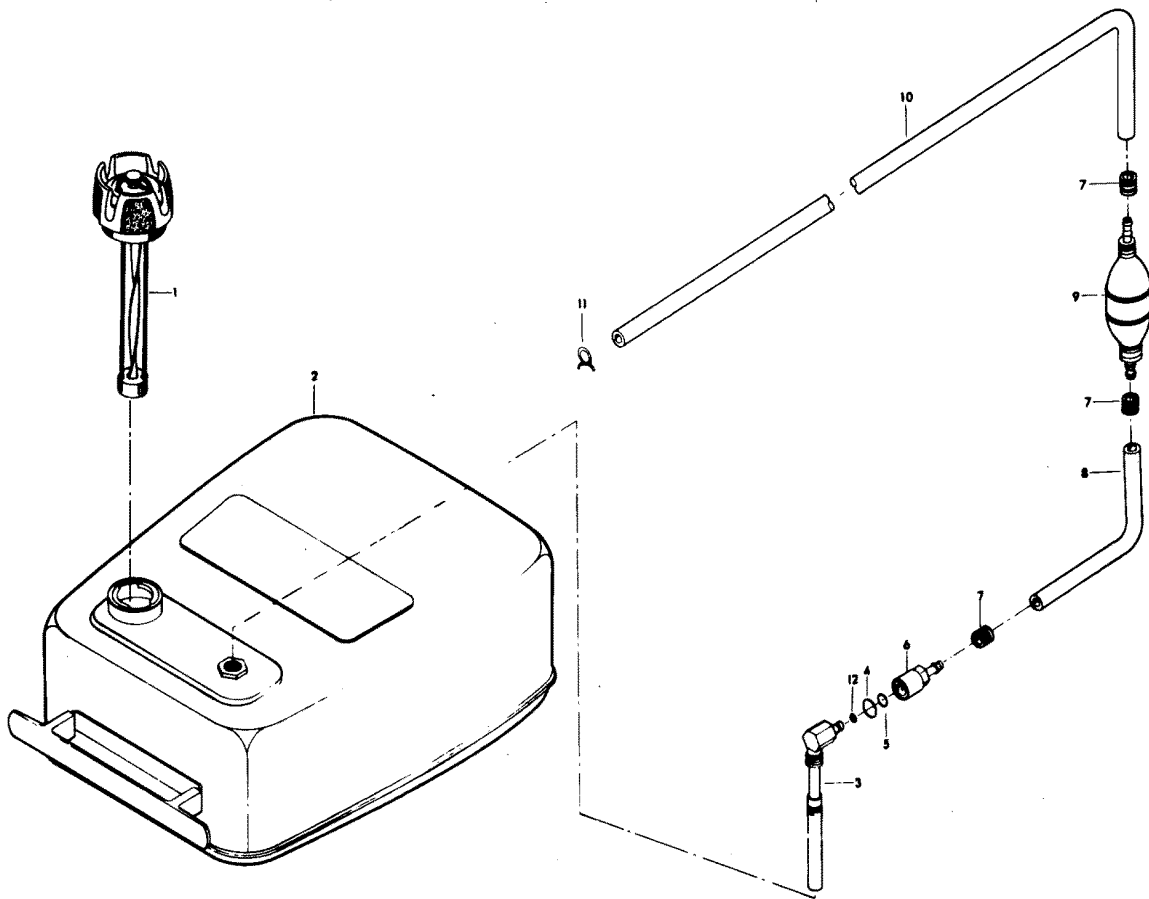
# GEAR HOUSING



# GEAR HOUSING

| REF.<br>NO. | PART NO.           | SYM. | QTY.     | DESCRIPTION                                |
|-------------|--------------------|------|----------|--|
| 69          | FK550128           |      | 1        | DRIVESHAFT W/BEARING, SHIMS AND CRUSH RING |
| 70          | F438271            |      | 1        | RETAINER, CRANKSHAFT SPLINE SEAL           |
| 71          | F438129            |      | 1        | SEAL, DRIVESHAFT SPLINE                    |
| 72          | F1836              |      | 2        | PLAIN WASHER                               |
| 73          | F90619-1           |      | 1        | YOKE                                       |
| 74          | FK1063-1           |      | 1        | SEAL KIT                                   |
| -           | <b>F50342-1</b>    |      | <b>4</b> | <b>BEARING CAGE BOLT SEAL</b>              |
| -           | <b>F506118</b>     |      | <b>2</b> | <b>PROPELLER SHAFT SEAL</b>                |
| -           | <b>F24278</b>      |      | <b>1</b> | <b>PROPELLER SHAFT SPOOL SEAL</b>          |
| -           | <b>F84305</b>      |      | <b>1</b> | <b>PROPELLER SHAFT SPOOL SEAL</b>          |
| -           | <b>F498618</b>     |      | <b>1</b> | <b>GEAR SHIFT ARM PIN SEAL</b>             |
| -           | <b>F8077</b>       |      | <b>2</b> | <b>WASHER</b>                              |
| -           | <b>F523555</b>     |      | <b>1</b> | <b>GEAR HOUSING COVER SEAL</b>             |
| -           | <b>F74305</b>      |      | <b>1</b> | <b>GEAR HOUSING COVER SEAL</b>             |
| -           | <b>F84307-1</b>    |      | <b>1</b> | <b>DRIVESHAFT SEAL</b>                     |
| -           | <b>F338618-1</b>   |      | <b>1</b> | <b>GEAR SHIFT ROD SEAL</b>                 |
| 75          | FK1069             |      | 1        | WATER PUMP KIT                             |
| -           | <b>F1425</b>       |      | <b>2</b> | <b>HEX CAP SCREW, 1/4 - 20 X 5/8</b>       |
| -           | <b>F1990</b>       |      | <b>2</b> | <b>HEX CAP SCREW</b>                       |
| -           | <b>F8083</b>       |      | <b>4</b> | <b>SPRING LOCKWASHER</b>                   |
| -           | <b>F523031</b>     |      | <b>1</b> | <b>GASKET, WATER PUMP</b>                  |
| -           | <b>F523065</b>     |      | <b>1</b> | <b>IMPELLER</b>                            |
| -           | <b>F523498</b>     |      | <b>1</b> | <b>KEY</b>                                 |
| -           | <b>F523562</b>     |      | <b>1</b> | <b>PLATE, WATER PUMP</b>                   |
| -           | <b>46-817853A1</b> |      | <b>1</b> | <b>WATER PUMP</b>                          |

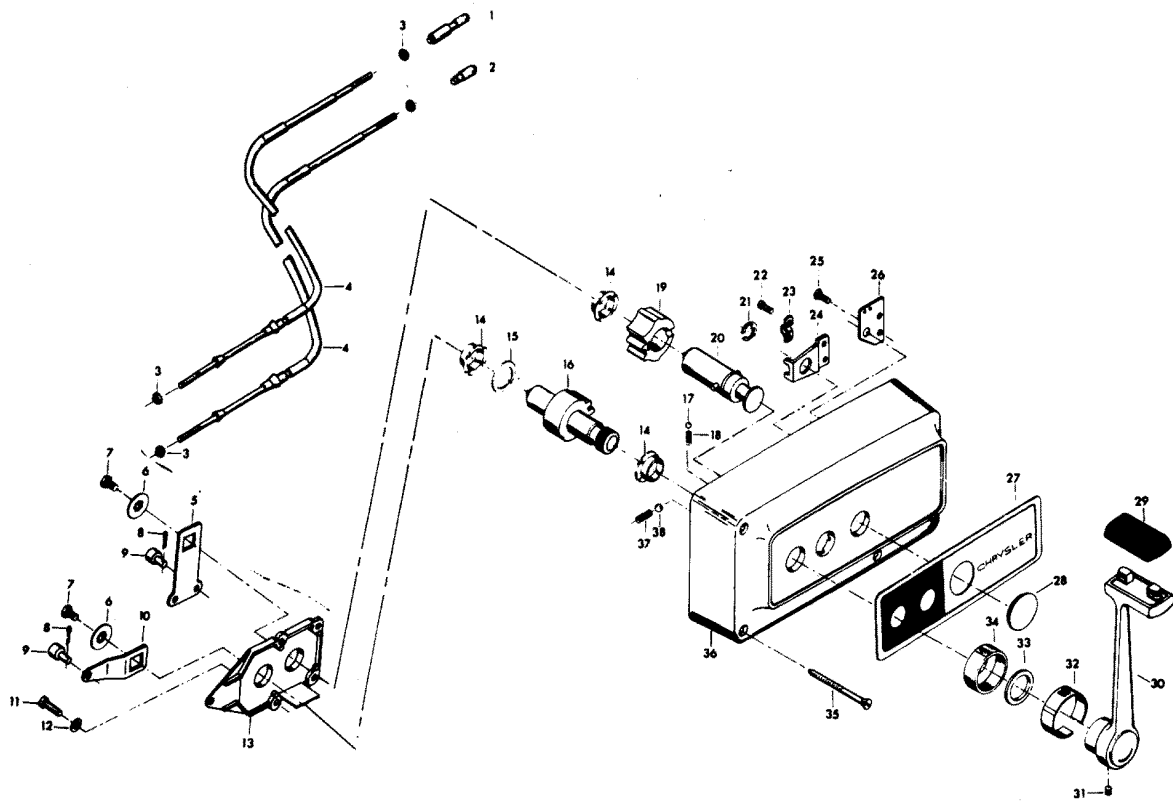
# FUEL TANK AND LINE



## FUEL TANK AND LINE

| REF.<br>NO. | PART NO.        | SYM. | QTY. | DESCRIPTION   |
|-------------|-----------------|------|------|---|
| 1           | F409251-1       |      | 1    | GAUGE CAP   |
| 2           | F5H026          |      | 1    | FUEL TANK (ACCESSORY ITEM)  |
| 3           | F485755-1       |      | 1    | FUEL TANK ADAPTER   |
| 4           | F213342         |      | 1    | SEAL, FUEL LINE COUPLER (LARGE)   |
| 5           | F213735         |      | 1    | SEAL, FUEL LINE COUPLER (SMALL)   |
| 6           | F197787-3       |      | 1    | FUEL LINE COUPLER   |
| 7           | F298788         |      | 3    | FERRULE   |
| 8           | FA84754-1       |      | 1    | FUEL LINE SHORT W/FERRULES  |
| 9           | 89396A38        |      | 1    | PRIME BULB W/LITERATURE ORIGINAL FORCE P/N S<br><b>387766-1</b>                 |
| 10          | 32-817738A1     |      | 1    | FUEL LINE LONG W/CLAMP AND FERRULE  |
| 11          | F97772          |      | 1    | FUEL LINE CLAMP   |
| 12          | F17932          |      | 1    | SEAL, FUEL TANK ADAPTER   |
| -           | <b>FS409752</b> |      | 1    | <b>FUEL LINE - COMPLETE. INCLUDES ALL ITEMS MARKED<br/>WITH AN ASTERISK (*)</b> |
| -           | <b>FC409398</b> |      | 1    | <b>DECAL, TOTE TANK - CANADA (NOT SHOWN)</b>                                    |

# REMOTE CONTROL

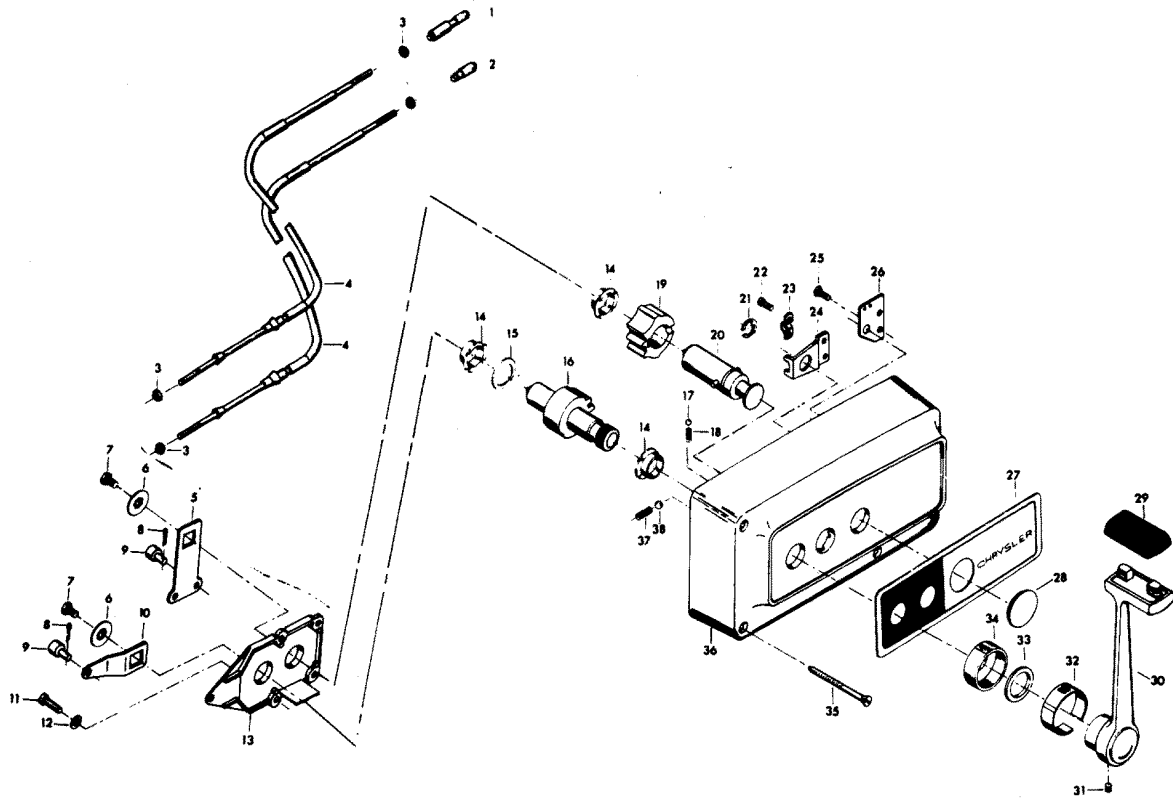


# REMOTE CONTROL

| REF. NO. | PART NO.       | SYM. | QTY.     | DESCRIPTION                           |
|----------|----------------|------|----------|---------------------------------------|
| 1        | FA58976-1      |      | 1        | CONNECTOR, THROTTLE CABLE             |
| 2        | F58685-2       |      | 1        | CONNECTOR, SHIFT CABLE                |
| 3        | F1513          |      | 4        | HEX NUT                               |
| 4        | ÄF58356//      |      | 2        | REMOTE CONTROL CABLE (SPECIFY LENGTH) |
| 5        | F17019         |      | 1        | CLUTCH ARM                            |
| 6        | F17036         |      | 2        | INTERNAL TOOTH LOCKWASHER             |
| 7        | F1715          |      | 2        | HEX BOLT, 1/4 - 28 X 9/16             |
| 8        | F17149         |      | 2        | COTTER PIN                            |
| 9        | F17016         |      | 2        | CABLE TERMINAL                        |
| 10       | F17014         |      | 1        | THROTTLE ARM                          |
| 11       | F17013         |      | 2        | FILL HD SCREW, 1/4 - 20 X 1/2         |
| 12       | F17147         |      | 2        | INTERNAL TOOTH LOCKWASHER             |
| 13       | F17012         |      | 1        | RETAINING PLATE                       |
| 14       | F17009         |      | 3        | BEARING                               |
| 15       | F17011         |      | 1        | BOWED WASHER                          |
| 16       | F17010-1       |      | 1        | THROTTLE GEAR                         |
| 17       | F17111         |      | 1        | DETENT BALL                           |
| 18       | F17006         |      | 1        | DETENT SPRING                         |
| 19       | F17021         |      | 1        | CLUTCH GEAR                           |
| 20       | F17100         |      | 1        | CLUTCH SHAFT                          |
| 21       | F17092         |      | 1        | SNAP RING                             |
| 22       | F17071         |      | 2        | FILL HD SCREW, 10 - 24 X 5/16         |
| 23       | F154317        |      | 1        | CABLE CLAMP                           |
| 24       | F17026         |      | 1        | SWIVEL                                |
| 25       | F1557          |      | 2        | FLAT HD SCREW, 10 - 24 X 3/8          |
| 26       | F17112         |      | 1        | JUNCTION BOARD, STARBOARD             |
| -        | <b>F17113</b>  |      | <b>1</b> | <b>JUNCTION BOARD, PORT</b>           |
| 27       | F17148         |      | 1        | DECAL, STARBOARD                      |
| -        | <b>F531892</b> |      | <b>1</b> | <b>DECAL, PORT</b>                    |
| 28       | F17031-1       |      | 1        | SNAP CAP                              |
| 29       | F448543        |      | 1        | KNOB                                  |
| 30       | F448611        |      | 1        | HANDLE                                |
| 31       | F455690        |      | 1        | SET SCREW                             |
| 32       | F449894        |      | 1        | INDICATOR                             |
| 33       | F17105         |      | 1        | FELT WASHER                           |
| 34       | F17106         |      | 1        | COLLAR                                |
| 35       | F17146         |      | 3        | WOOD SCREW                            |
| 36       | F17099-1       |      | 1        | HOUSING                               |

CONTINUED ON NEXT PAGE ➡

# REMOTE CONTROL





# REMOTE CONTROL

| REF. NO. | PART NO. | SYM. | QTY. | DESCRIPTION  |
|----------|----------|------|------|--|
| 37       | F17068   |      | 1    | DETENT SPRING  |
| 38       | F17082-1 |      | 1    | DETENT BALL  |
| -        | F1280    |      | 2    | PAN HD SCREW, 8 - 32 X 1/4 (TERMINAL BOARD) (NOT SHOWN)              |
| -        | OB3061   |      | 1    | LITERATURE (NOT SHOWN)   |
| -        | F17103-1 |      | 1    | BAG ASSEMBLY (NOT SHOWN) INCLUDES ITEMS MARKED WITH AN ASTERISK (*). |

## SPECIAL TOOLS - TUNE-UP

| REF. NO. | PART NO.  | SYM. | QTY. | DESCRIPTION                                      |
|----------|-----------|------|------|--|
| -        | FT8948-1  |      | 0    | PULLER TO REMOVE FLYWHEEL.                       |
| -        | FTA2937-1 |      | 0    | TIMING TOOL TO ADJUST TIMING POINTER.            |
| -        | FT2951    |      | 0    | CIRCUIT TRACER TO TROUBLESHOOT ELECTRICAL SYSTEM |
| -        | FT8978    |      | 0    | TIMING LIGHT FOR ADJUSTING IGNITION TIMING.      |

## SPECIAL TOOLS - POWER HEAD

| REF.<br>NO. | PART NO. | SYM. | QTY. | DESCRIPTION   |
|-------------|----------|------|------|---|
| -           | FT8914   |      | 0    | SEAL REMOVER TO REMOVE UPPER CRANKSHAFT BEARING CAGE SEAL.        |
| -           | FT8903   |      | 0    | SEAL INSTALLER TO INSTALL UPPER CRANKSHAFT BEARING CAGE SEAL.     |
| -           | FT8927   |      | 0    | SEAL PROTECTOR TO INSTALL UPPER CRANKSHAFT BEARING CAGE.          |
| -           | FT8907   |      | 0    | DRIVE HANDLE USED WITH T 8903.                                    |
| -           | FT8925   |      | 0    | SEAL INSTALLER TO INSTALL LOWER CRANKSHAFT SEAL.                  |
| -           | FT2953   |      | 0    | SOCKET TO TORQUE CONNECTING ROD SCREWS.                           |
| -           | FT2990   |      | 0    | PISTON PIN TOOL TO REMOVE AND INSTALL PISTON PINS.                |
| -           | FT2996   |      | 0    | RING COMPRESSOR TO INSTALL PISTONS IN CYLINDER.                   |
| -           | FT8926   |      | 0    | RING EXPANDER TO INSTALL PISTON RINGS.                            |
| -           | FT1082   |      | 0    | SNAP RING PLIER TO REMOVE AND INSTALL DISTRIBUTOR RETAINING RING. |
| -           | FT8933   |      | 0    | LIFTING HOOK TO LIFT ENGINE.                                      |

# SPECIAL TOOLS - GEAR HOUSING

| REF. NO. | PART NO. | SYM. | QTY. | DESCRIPTION  |
|----------|----------|------|------|--|
| -        | FT8948-1 |      | 0    | PULLER TO REMOVE PROPELLER SHAFT BEARING CAGE FROM GEAR HOUSING.                   |
| -        | FT8918   |      | 0    | BEARING GUIDE SET TO REMOVE AND INSTALL BEARING CUP IN LOWER GEAR HOUSING.         |
| -        | FT2995   |      | 0    | BEARING CUP INSTALLER TO INSTALL FORWARD BEARING CUP IN LOWER GEAR HOUSING.        |
| -        | FT8917   |      | 0    | BEARING CUP REMOVER TO REMOVE REAR BEARING CUP FROM PROPELLER SHAFT BEARING CAGE.  |
| -        | FT8909   |      | 0    | BEARING CUP INSTALLER TO INSTALL FORWARD BEARING CUP IN LOWER GEAR HOUSING.        |
| -        | FT8922   |      | 0    | SLIDE HAMMER USED WITH T8917   |
| -        | FT8910   |      | 0    | BEARING CUP INSTALLER TO INSTALL REAR BEARING CUP IN PROPELLER SHAFT BEARING CAGE. |
| -        | FT8957   |      | 0    | SEAL INSTALLER TO INSTALL SHIFT ROD SEAL.  |
| -        | FT8908   |      | 0    | SEAL INSTALLER TO INSTALL PROPELLER SHAFT SEAL IN PROPELLER SHAFT BEARING CAGE.    |
| -        | FT8915   |      | 0    | SEAL PROTECTOR TO INSTALL BEARING CAGE ON PROPELLER SHAFT.                         |
| -        | FT8916   |      | 0    | BEARING INSTALLER TO INSTALL REVERSE GEAR AND BEARING ON PROPELLER SHAFT.          |
| -        | FT8906   |      | 0    | BEARING SUPPORT TO INSTALL REVERSE GEAR AND BEARING ON PROPELLER SHAFT.            |
| -        | FT8911   |      | 0    | DRIVESHAFT KNOCK-OFF NUT TO REMOVE DRIVESHAFT FROM UPPER GEAR HOUSING.             |
| -        | FT8905   |      | 0    | BEARING REMOVER TO REMOVE BEARING FROM DRIVESHAFT.                                 |
| -        | FT8920   |      | 0    | BEARING INSTALLER TO INSTALL BEARING ON DRIVESHAFT.                                |
| -        | FT8925   |      | 0    | SEAL INSTALLER TO INSTALL DRIVESHAFT SEAL IN UPPER HOUSING.                        |
| -        | FT3012   |      | 0    | SEAL INSTALLER TO INSTALL DRIVESHAFT SEAL IN WATER PUMP.                           |
| -        | FT8924-1 |      | 0    | CHECKING GAUGE TO MEASURE PROPELLER SHAFT END PLAY AND END FLOAT.                  |
| -        | FTA8981  |      | 0    | SPACER KIT TO SHIM LOWER UNIT - USE WITH T 8924-1.                                 |
| -        | FT8901   |      | 0    | INDICATOR HOLDER USED IN CONJUNCTION WITH T 8924-1.                                |
| -        | FT8902   |      | 0    | DIAL INDICATOR USED IN CONJUNCTION WITH T 8924-1.                                  |
| -        | FT8907   |      | 0    | DRIVER HANDLE USED WITH T 8910, T 8909, T 8908.                                    |
| -        | FT8919   |      | 0    | SPRING PIN PUNCH TO REMOVE CLUTCH SPRING PIN.                                      |
| -        | FT1081   |      | 0    | SNAP RING PLIER TO REMOVE AND INSTALL DRIVESHAFT BEARING RETAINING RING.           |

## SPECIAL TOOLS - TEST EQUIPMENT

| REF. NO. | PART NO. | SYM. | QTY. | DESCRIPTION  |
|----------|----------|------|------|--|
| -        | FTA8991  |      | 0    | TEST WHEEL TO TEST MOTOR IN TEST TANK.               |
| -        | FT8950   |      | 0    | LEAKAGE TESTER TO TEST LOWER UNIT SEALS FOR LEAKAGE. |
| -        | FT8953   |      | 0    | IGNITION TESTER TO TEST OUTPUT OF C-D UNIT.          |

# SPECIAL TOOLS - LUBRICANTS AND SEALANTS

| REF. NO. | PART NO. | SYM. | QTY. | DESCRIPTION                                       |
|----------|----------|------|------|---|
| -        | FT2961   |      | 0    | LUBRICANT - RYKON #2EP                            |
| -        | FT2987-1 |      | 0    | LUBRICANT - ANTI-SEIZE                            |
| -        | FT8969   |      | 0    | LUBRICANT - 7 OZ. 2 PSI LUBRICANT                 |
| -        | FT8955   |      | 0    | SEALANT - 5 OZ. EC-750 INDUSTRIAL SEALANT         |
| -        | FT8993   |      | 0    | SEALANT - 3 OZ. RTV SEALANT FROM IN PLACE GASKETS |
| -        | FT8936   |      | 0    | SEALANT - 2 CC LOCTITE RETAINING COMPOUND #75     |
| -        | FT2962-1 |      | 0    | SEALANT - 50 CC LOCTITE H, NON-HARDENING GRADE    |
| -        | FT2963-1 |      | 0    | SEALANT - 2 OZ. LOCTITE D, HARDENING GRADE        |
| -        | FT8935   |      | 0    | SEALANT PRIMER - 6 OZ.                            |

# SPECIAL TOOLS - REPAIR DECALS - ENGINE COVERS

| REF. NO. | PART NO. | SYM. | QTY. | DESCRIPTION            |
|----------|----------|------|------|------------------------|
| -        | T11232   |      | 0    | METALLIC SILVER        |
| -        | T11233   |      | 0    | MEDIUM METALLIC SILVER |
| -        | T11212   |      | 0    | BOAT BLACK             |
| -        | T11211   |      | 0    | BOAT WHITE             |
| -        | T11230   |      | 0    | ORANGE                 |

# ACCESSORIES

| REF. NO. | PART NO. | SYM. | QTY. | DESCRIPTION  |
|----------|----------|------|------|--|
| -        | F861     |      | 0    | FLUSHING ADAPTER PERMITS FRESH WATER FLUSHING OF WATER PASSAGES WITH STANDARD GARDEN HOSE.   |
| -        | F5H130   |      | 0    | REMOTE CONTROL - SURFACE MOUNT PERMITS REMOTE CONTROL OF THROTTLE AND GEAR SHIFT FROM STARBOARD SIDE OF BOAT.  |
| -        | F5H120   |      | 0    | REMOTE CONTROL BACK PLATE TO PREVENT INTERFERENCE WITH PADDED SIDE OF BOAT.  |
| -        | F5H131   |      | 0    | PORT SIDE DECAL KIT CONVERTS 5H130 CONTROL BOX TO PORT SIDE MOUNTING.  |
| -        | F590     |      | 0    | REMOTE CONTROL - FLUSH MOUNT FLUSH MOUNT CONTROL UNIT PERMITS REMOTE CONTROL OF THROTTLE AND GEAR SHIFT. MAY BE MOUNTED ON PORT OR STARBOARD SIDE OF BOAT.       |
| -        | 865      |      | 0    | REMOTE CONTROL - SURFACE MOUNT PERMITS REMOTE CONTROL OF THROTTLE AND GEAR SHIFT ON TWIN ENGINE INSTALLATIONS. MAY BE MOUNTED ON PORT OR STARBOARD SIDE OF BOAT. |
| -        | F5H079   |      | 0    | SINGLE REMOTE CONTROL BOX PERMITS REMOTE CONTROL OF THROTTLE AND GEAR SHIFT. CONSOLE MOUNTED.  |
| -        | F5H080   |      | 0    | TWIN REMOTE CONTROL BOX PERMITS REMOTE CONTROL OF THROTTLE AND GEAR SHIFT - TWO ENGINES. CONSOLE MOUNTED.  |
| -        | F195/___ |      | 0    | REMOTE CONTROL CABLES CONNECTS REMOTE CONTROL BOX TO THROTTLE AND GEAR SHIFT ON ENGINE. AVAILABLE IN 6 THROUGH 40 FOOT LENGTHS.                                  |
| -        | F5H132   |      | 0    | REMOTE CONTROL HANDLE TRIM SWITCH HAS POWER TRIM CONTROL SWITCH IN HANDLE. REPLACES STANDARD CONTROL LEVER ON 5H130 CONTROL BOX.                                 |
| -        | F5H108   |      | 0    | STEERING CONNECTOR CLEVIS TYPE FOR BOAT MOUNTED STEERING AND NONTHREADED CABLE END.  |
| -        | F5H094   |      | 0    | STEERING LINK KIT CONNECTS STEERING CABLE TO ENGINE WHEN USING ENGINE MOUNTED STEERING SYSTEM.   |
| -        | 5H139    |      | 0    | SWITCH KIT - LIVWELL FOR OPERATING PUMP IN BASS BOATS.   |
| -        | F5H018   |      | 0    | DUAL STEERING CONNECTOR PERMITS DUAL ENGINE INSTALLATIONS.   |
| -        | F5H026   |      | 0    | STEEL, 6 GALLON FUEL TANK (LOW PROFILE) AUXILIARY TANK.  |
| -        | F5H029   |      | 0    | TANK ANCHOR SECURES 5H026 TO BOAT.   |
| -        | F5H040   |      | 0    | STEEL, 12 GALLON FUEL TANK AUXILIARY TANK.   |
| -        | 5H111    |      | 0    | INSTRUMENT ADAPTER - 2" PROVIDES SURFACE MOUNTING OF INSTRUMENTS.  |
| -        | F5H112   |      | 0    | INSTRUMENT ADAPTER - 3 1/2" PROVIDES SURFACE MOUNTING OF INSTRUMENTS.  |
| -        | 71H06    |      | 0    | AMMETER FLUSH MOUNT MONITORS OUTPUT OF ALTERNATOR.   |
| -        | F5H019   |      | 0    | ANTI-CORROSION KIT ELECTRICAL KIT FOR MOUNTING ON BOAT (12V) TO REDUCE CORROSION.  |

CONTINUED ON NEXT PAGE ➡



# ACCESSORIES

| REF. NO. | PART NO. | SYM. | QTY. | DESCRIPTION  |
|----------|----------|------|------|--|
| -        | F5H025   |      | 0    | ANTI-CORROSION SACRIFICIAL ANODE KIT USED TO REDUCE CORROSION.   |
| -        | F5H043   |      | 0    | OVERHEAT BUZZER SOUNDS WARNING BUZZER IF ENGINE OVERHEATS.   |
| -        | F5H010   |      | 0    | POWER TRIM INDICATOR INDICATES ENGINE TRIM ANGLE. (FLUSH MOUNT).   |
| -        | F5H134   |      | 0    | BOAT WHITE LACQUER ENGINE TOUCH-UP PAINT IN 12 3/4 OZ. SPRAY BOMBS (6 CANS PER CASE).  |
| -        | F5H044   |      | 0    | TILT STOP KIT LIMITS TILTING ANGLE.  |
| -        | F5H068   |      | 0    | RFI SUPPRESSION KIT PROVIDES RADIO NOISE SUPPRESSION.  |
| -        | F5H151   |      | 0    | SHOCK ABSORBER KIT   |
| -        | F5H064   |      | 0    | EXHAUST SNOUT FOR UNUSUAL BOAT COMBINATIONS AND MORE CLEARANCE.  |
| -        | F5H081   |      | 0    | BATTERY CABLE LONGER LENGTH - 15 FEET.   |
| -        | F5H006   |      | 0    | VOLTMETER - FLUSH MOUNT INDICATES BATTERY CONDITION.   |
| -        | 5H047    |      | 0    | CANVAS HOOD PROTECTION FOR ENGINE COVER.   |
| -        | 5H051    |      | 0    | BATTERY, 74 AMP 12 VOLT HEAVY DUTY BATTERY.  |
| -        | F5H021   |      | 0    | EXTENSION CABLE FOR LENGTHENING BATTERY CABLE 6 1/2 FEET.  |
| -        | F5H041   |      | 0    | BATTERY TERMINAL KIT ADAPTS MODEL 5H051 BATTERY TERMINALS FOR CONNECTIONS TO BATTERY CABLE ON ENGINE.                                |
| -        | 71H25    |      | 0    | CHARGE INDICATOR LAMP GLOWS GREEN WHEN ALTERNATOR IS RECHARGING BATTERY. DO NOT USE INDICATOR LAMP AND AMMETER IN SAME INSTALLATION. |
| -        | F5H037   |      | 0    | CIGAR LIGHTER FOR USE AS CONVENIENCE OUTLET.   |
| -        | F5H008   |      | 0    | FUEL GAUGE FLUSH MOUNT MONITORS FUEL SUPPLY.   |
| -        | F5H123   |      | 0    | HYDRAULIC TILT HYDRAULIC UNIT TO RAISE AND LOWER THE LOWER UNIT WHEN BEACHING OR TRAILERING BOAT.                                    |
| -        | 479      |      | 0    | HEAT LAMP KIT GLOWS RED IF ENGINE OVERHEATS. DO NOT USE HEAT LAMP AND TEMPERATURE GAUGE IN SAME INSTALLATION.                        |
| -        | F5H007   |      | 0    | HOURLY METER RECORDS ENGINE RUNNING TIME.  |
| -        | 478      |      | 0    | IGNITION LAMP KIT GLOWS ORANGE WHEN IGNITION SWITCH IS IN "ON" POSITION.   |
| -        | F5H077   |      | 0    | IGNITION KEY SWITCH SHORT BARREL WITH KEYS.  |
| -        | F5H078   |      | 0    | IGNITION KEY SWITCH LONG BARREL WITH KEYS.   |
| -        | F762     |      | 0    | REMOTE ELECTRIC CABLE 25 FOOT CABLE FOR LARGE BOATS.   |
| -        | F5H070   |      | 0    | REMOTE ELECTRIC CABLE 21 FOOT CABLE FOR LARGE BOATS.   |
| -        | 5H082    |      | 0    | REMOTE ELECTRIC CABLE 35 FOOT CABLE FOR LARGE BOATS.   |
| -        | F5H028   |      | 0    | SENDING UNIT FOR USE WITH 5H008 FUEL GAUGE.  |
| -        | F5H005   |      | 0    | TEMPERATURE GAUGE FLUSH MOUNT MONITORS ENGINE TEMPERATURE. DO NOT USE TEMPERATURE GAUGE AND HEAT LAMP IN SAME INSTALLATION.          |

CONTINUED ON NEXT PAGE ➡

# ACCESSORIES

| REF. NO. | PART NO. | SYM. | QTY. | DESCRIPTION  |
|----------|----------|------|------|--|
| -        | F5H012   |      | 0    | TACHOMETER FLUSH MOUNT MONITORS ENGINE R.P.M. TO PROVIDE CHECK OF ENGINE PERFORMANCE.  |
| -        | F5H074   |      | 0    | WATER PUMP KIT HEAVY DUTY WATER PUMP KIT.  |
| -        | F5H149   |      | 0    | POWER TRIM ADJUSTS ENGINE TRIM AND TILTS ENGINE.   |
| -        | F5H002   |      | 0    | SPEEDOMETER FLUSH MOUNT MONITORS BOAT SPEED (0 - 65 M.P.H.).   |
| -        | F5H004   |      | 0    | SPEEDOMETER FLUSH MOUNT MONITORS BOAT SPEED (0 - 65 M.P.H.).   |
| -        | F5H115   |      | 0    | TRAILERING TILT LOCK SECURES ENGINE IN HALF TILT POSITION FOR TRAILERING.  |
| -        | F5H076   |      | 0    | SWITCH EXTENSION CABLE ALLOWS INSTALLATION OF IGNITION SWITCH IN 5H130 CONTROL BOX WITH 563 TERMINAL BLOCK.  |
| -        | F5H030   |      | 0    | SWITCH KIT - RUNNING LIGHTS DASH MOUNTED TOGGLE SWITCH.  |
| -        | F5H031   |      | 0    | SWITCH KIT - SPOT LIGHT DASH MOUNTED TOGGLE SWITCH.  |
| -        | F5H032   |      | 0    | SWITCH KIT - WIPER DASH MOUNTED TOGGLE SWITCH.   |
| -        | F5H034   |      | 0    | SWITCH KIT - BILGE PUMP DASH MOUNTED TOGGLE SWITCH.  |
| -        | F5H035   |      | 0    | SWITCH KIT - HORN DASH MOUNTED TOGGLE SWITCH (MOMENTARY).  |
| -        | F5H036   |      | 0    | SWITCH KIT - TACHOMETER TRANSFER DASH MOUNTED TOGGLE SWITCH FOR ONE TACHOMETER ON DUAL ENGINE INSTALLATION.  |
| -        | F5H038   |      | 0    | SWITCH KIT - IGNITION SWITCH TO MOUNT IGNITION SWITCH ON DASH.   |
| -        | F5H039   |      | 0    | SWITCH KIT - INSTRUMENT LIGHT DASH MOUNTED TOGGLE SWITCH.  |
| -        | 5H139    |      | 0    | SWITCH KIT - LIVEWELL FOR OPERATING PUMP IN BASSBOAT.  |
| -        | F563     |      | 0    | TERMINAL BLOCK KIT DOUBLE ROW 10 SECTION TO SIMPLIFY ACCESSORY INSTALLATION.   |
| -        | 479      |      | 0    | UNIMOUNT UNDER DASH MOUNT FOR INDICATORS, LAMPS AND IGNITION SWITCHES.   |
| -        | F5H075   |      | 0    | WIRING HARNESS - IGNITION SWITCH (24") USE WITH 563 TERMINAL BLOCK.  |
| -        | F596     |      | 0    | CHRYSLER OUTBOARD OIL SEE BLOCK COMMENT 1.   |
| -        | F597     |      | 0    | CHRYSLER OUTBOARD GEAR LUBE SEE BLOCK COMMENT 2.   |
| -        | 72H26    |      | 0    | CHRYSLER OUTBOARD FUEL AID REMOVES MOISTURE, PREVENTS SLUDGE AND VARNISH AND STABILIZES GAS. AVAILABLE IN 16 OZ. CAPS AND 12 CAN CASES.                          |
| -        | 72H27    |      | 0    | CHRYSLER OUTBOARD STORAGE LUBRICANT WORKS AS A CORROSION INHIBITOR AND PROTECTS INTERNAL ENGINE PARTS DURING STORAGE. AVAILABLE IN 16 OZ. CANS AND 12 CAN CASES. |

CONTINUED ON NEXT PAGE ➡

# ACCESSORIES

| REF. NO. | PART NO. | SYM. | QTY. | DESCRIPTION  |
|----------|----------|------|------|--|
| -        | 72H28    |      | 0    | CHRYSLER OUTBOARD MULTI-PURPOSE SPRAY LUBE WORKS AS A LUBRICANT, CLEANER, MOISTURE REMOVER AND ELECTRIC INSULATOR. AVAILABLE IN 9 OZ. CANS AND 12 CAN CASES. |
| -        | F72H29   |      | 0    | CHRYSLER OUTBOARD MULTI-PURPOSE GREASE LUBRICATES BEARINGS AND OTHER MOVING PARTS. AVAILABLE IN 8 OZ. TUBES CASES.   |
| -        | F72H30   |      | 0    | CHRYSLER OUTBOARD GREASE GUN USED WITH CHRYSLER OUTBOARD MULTI-PURPOSE GREASE TUBES FOR PRESSURE FITTINGS.   |
| -        | 72H34    |      | 0    | CHRYSLER OUTBOARD MULTI-PURPOSE CLEANER  |

# PARTS INDEX

| Part Number | Description   | Pg. | Ref. No. | Part Number | Description   | Pg. | Ref. No. |
|-------------|---|-----|----------|-------------|---|-----|----------|
| ÄF58356//   | REMOTE CONTROL CABLE<br>(SPECIFY LENGTH) . . . . .          | 45  | 4        | F1014       | COTTER PIN . . . . .  | 33  | 56       |
| 15169       | FRAME AND FIELD<br>ASSEMBLY . . . . .                       | 15  | 9        | F1015       | COTTER PIN . . . . .  | 39  | 47       |
| 3C578944    | COVER, ENGINE -<br>COMPLETE. . . . .                        | 3   | -        | F1059       | FILL HD SCREW, S.S., 6 - 32<br>X 1/4 . . . . .                          | 19  | 80       |
| 478         | IGNITION LAMP KIT . . . . .                                 | 55  | -        | F1064       | FILL HD SCREW, S.S., 8 - 32<br>X 3/8 . . . . .                          | 19  | 45       |
| 479         | HEAT LAMP KIT . . . . .                                     | 55  | -        | F1072       | FILL HD SCREW, 1/4 - 20 X 1<br>3/4 . . . . .                            | 19  | 59       |
| 479         | UNIMOUNT . . . . .  | 56  | -        | F1087       | PLAIN WASHER . . . . .  | 25  | 66       |
| 480373      | DECAL, MAGNAPOWER<br>IGNITION . . . . .                     | 9   | 55       | F1099       | FILL HD SCREW, 1/4 - 20 X 1<br>1/4 . . . . .                            | 27  | 100      |
| 481373-1    | DECAL "ELECTRONIC" (NOT<br>SHOWN) . . . . .                 | 11  | -        | F1108       | FILL HD SCREW<br>W/LOCKWASHER, 1/4 - 20<br>X 3/4 . . . . .              | 17  | 2        |
| 5H047       | CANVAS HOOD . . . . .                                       | 55  | -        | F1110       | FILL HD SCREW, 1/4 - 20 X<br>5/8 . . . . .                              | 27  | 98       |
| 5H051       | BATTERY, 74 AMP . . . . .                                   | 55  | -        | F1199       | HEX CAP SCREW, 1/4 - 20 X<br>1 . . . . .                                | 23  | 44       |
| 5H082       | REMOTE ELECTRIC CABLE<br>INSTRUMENT ADAPTER - 2" . . . . .  | 54  | -        | F1263       | HEX SOCKET HD CAP<br>SCREW, 5/16 - 18 X 9/16 . . . . .                  | 31  | 14       |
| 5H111       | SWITCH KIT - LIVEWELL . . . . .                             | 54  | -        | F1280       | PAN HD SCREW . . . . .  | 33  | 82       |
| 5H139       | SWITCH KIT - LIVEWELL . . . . .                             | 56  | -        | F1280       | PAN HD SCREW, 8 - 32 X 1/4 . . . . .                                    | 7   | 33       |
| 71H06       | AMMETER FLUSH MOUNT . . . . .                               | 54  | -        | F1280       | PAN HD SCREW, 8 - 32 X 1/4<br>(TERMINAL BOARD) (NOT<br>SHOWN) . . . . . | 47  | -        |
| 71H25       | CHARGE INDICATOR LAMP . . . . .                             | 55  | -        | F1286       | PAN HD SCREW, 4 - 40 X<br>3/16 . . . . .                                | 23  | 31       |
| 72H26       | CHRYSLER OUTBOARD<br>FUEL AID . . . . .                     | 56  | -        | F1341       | HEX NUT, 1/4 - 20 . . . . .   | 23  | 13       |
| 72H27       | CHRYSLER OUTBOARD<br>STORAGE LUBRICANT . . . . .            | 56  | -        | F1346       | HEX NUT, 3/8 - 16 . . . . .   | 31  | 21       |
| 72H28       | CHRYSLER OUTBOARD<br>MULTI-PURPOSE SPRAY<br>LUBE . . . . .  | 57  | -        | F1347       | HEX NUT, 3/8 - 16 . . . . .   | 27  | 95       |
| 72H34       | CHRYSLER OUTBOARD<br>MULTI-PURPOSE<br>CLEANER . . . . .     | 57  | -        | F14006-2    | CAP BASE . . . . .  | 11  | 37       |
| 817747--1   | BALL JOINT W/STUD . . . . .                                 | 17  | 28       | F14007      | CAP SCREW . . . . .   | 11  | 33       |
| 817747--1   | BALL JOINT W/STUD . . . . .                                 | 23  | 9        | F14011-1    | CAP COVER . . . . .   | 11  | 34       |
| 817783A5    | SWIVEL BRACKET<br>W/BEARING AND GREASE<br>FITTING . . . . . | 33  | 49       | F14012-1    | BRUSH . . . . .   | 13  | 39       |
| 817786A1    | DISTRIBUTOR PULLEY<br>W/STOP NUT & WASHER . . . . .         | 11  | 3        | F14015      | CAP CLIP RIVET . . . . .  | 11  | 21       |
| 817787A1    | CYLINDER DRAIN COVER<br>W/PLUG . . . . .                    | 23  | 33       | F14017      | TERMINAL INSULATOR<br>(OUTSIDE) . . . . .                               | 13  | 46       |
| 817788A3    | SPACER PLATE W/PLUGS . . . . .                              | 25  | 63       | F14020-1    | CAP SEAL . . . . .  | 11  | 36       |
| 817822A1    | DISTRIBUTOR, COMPLETE. . . . .                              | 11  | -        | F14024      | SPACER . . . . .  | 13  | 42       |
| 817892--1   | IGNITION SWITCH PLATE -<br>CANADA (NOT SHOWN) . . . . .     | 9   | -        | F14025      | SPACER . . . . .  | 11  | 4        |
| 817931A7    | MOTOR LEG COVER, REAR . . . . .                             | 31  | 7        | F14028      | THRUST WASHER . . . . .   | 11  | 5        |
| 817959A3    | INTAKE MANIFOLD W/PLUG . . . . .                            | 17  | 23       | F14029      | THRUST WASHER . . . . .   | 11  | 7        |
| 818110A1    | PISTON RINGS (3 PER SET)<br>.030 OVERSIZE . . . . .         | 29  | -        | F14030      | CAP GASKET . . . . .  | 11  | 38       |
| 85872-1     | BRACKET . . . . .   | 25  | 49       | F14036      | SWIVEL . . . . .  | 11  | 13       |
| 865         | REMOTE CONTROL -<br>SURFACE MOUNT . . . . .                 | 54  | -        | F14037      | CAP CLIPS . . . . .   | 11  | 14       |
| 89396A38    | PRIME BULB . . . . .  | 43  | 9        | F14038      | CAP CLIP SCREWS . . . . .   | 11  | 15       |
| A3          | LEG COVER, FRONT . . . . .                                  | 33  | 66       | F14040      | VENT . . . . .  | 11  | 35       |
| A578391     | DECAL, LEG - STARBOARD . . . . .                            | 33  | -        | F14041      | EXTERNAL TOOTH<br>LOCKWASHER . . . . .                                  | 11  | 23       |
| A578392     | DECAL, LEG - PORT . . . . .                                 | 33  | 81       | F14042      | DISTRIBUTOR HOUSING<br>W/BEARINGS . . . . .                             | 11  | 12       |
| F10000      | GASKET SET (NOT SHOWN) . . . . .                            | 21  | -        | F14043      | DISTRIBUTOR SHAFT . . . . .   | 13  | 40       |
| F10026      | REPAIR PARTS KIT . . . . .                                  | 21  | 103      | F14045      | SCREW . . . . .   | 11  | 16       |
| F1004       | PLAIN WASHER . . . . .                                      | 31  | 20       | F14046      | TERMINAL SCREW . . . . .  | 11  | 19       |
| F1009       | HEX BOLT, 3/8 - 16 X 2 3/4 . . . . .                        | 27  | 97       | F14047      | TERMINAL INSULATOR<br>(INSIDE) . . . . .                                | 11  | 20       |
| F1014       | COTTER PIN . . . . .  | 21  | 84       | F14049      | TERMINAL INSULATOR<br>(OUTSIDE) . . . . .                               | 11  | 22       |
|             |   |     |          | F14056      | SCREW . . . . .   | 13  | 47       |

# PARTS INDEX

| Part Number | Description                       | Pg. | Ref. No. | Part Number | Description                               | Pg. | Ref. No. |
|-------------|-----------------------------------|-----|----------|-------------|---|-----|----------|
| F1425       | HEX CAP SCREW, 1/4 - 20 X 5/8     | 41  | -        | F1541       | HEX CAP SCREW, 1/4 - 20 X 5/8             | 3   | 25       |
| F1447       | ROUND HD SCREW, 2 X 3/16          | 3   | 19       | F154317     | CABLE CLAMP                               | 45  | 23       |
| F1473       | HEX NUT, 10 - 24                  | 3   | 36       | F1545       | HEX HD SCREW, 1/4 - 20 X 1/2              | 21  | 91       |
| F1475       | FILL HD SCREW, 10 - 24 X 1/2      | 23  | 11       | F1546       | HEX HD CAP SCREW, 1/4 - 20 X 1/2          | 9   | 42       |
| F1491       | HEX CAP SCREW, 5/16 - 18 X 3 1/4  | 39  | 41       | F1556       | FILL HD SCREW W/LOCKWASHER, 10 - 24 X 3/8 | 23  | 14       |
| F1502       | HEX CAP SCREW, 1/4 - 20 X 5/8     | 21  | 97       | F1557       | FLAT HD SCREW, 10 - 24 X 3/8              | 45  | 25       |
| F1502       | HEX HD SCREW, 1/4 - 20 X 5/8      | 15  | 14       | F1577       | FILL HD SCREW, 1/4 - 20 X 3/4             | 37  | 20       |
| F15034      | SPRING SET                        | 15  | 17       | F1593       | HEX HD SCREW, 3/8 - 16 X 3                | 31  | 18       |
| F1504       | FILL HD SCREW, 1/4 - 20 X 1 1/4   | 19  | 56       | F1612       | HEX CAP SCREW, 3/8 - 16 X 1 1/4           | 11  | 8        |
| F1504       | FILL HD SCREW, 1/4 - 20 X 1 1/4   | 23  | 12       | F1641       | LOCK NUT                                  | 15  | 6        |
| F15057      | BRUSH PLATE AND HOLDER            | 15  | 18       | F1645       | RD HD SCREW, 6 - 32 X 1/4                 | 9   | 52       |
| F15080      | SPRING                            | 15  | 3        | F1645       | RD HD SCREW, 6 - 32 X 1/4                 | 21  | 100      |
| F15099      | ARMATURE                          | 15  | 8        | F1647       | HEX NUT, 10 - 32                          | 25  | 86       |
| F15100      | BENDIX                            | 15  | 20       | F1647       | HEX NUT, 8 - 32                           | 7   | 6        |
| F15110      | CLUTCH ASSEMBLY                   | 15  | 4        | F1647       | HEX NUT, 8 - 32                           | 11  | 24       |
| F15111      | NUT, STOP RETAINING               | 15  | 1        | F1648       | PAN HD SCREW, 10 - 24 X 3/4               | 7   | 16       |
| F15112      | STOP, PINION                      | 15  | 2        | F1664       | SPRING PIN                                | 31  | 8        |
| F15125      | HEAD ASSEMBLY, COMMUTATOR END     | 15  | 16       | F1666       | BOWED SPRING WASHER                       | 33  | 71       |
| F15126      | THRUST WASHER PACKAGE             | 15  | 7        | F1669       | LOCK NUT                                  | 31  | 36       |
| F1513       | HEX NUT                           | 7   | 18       | F1678       | FILL HD SCREW, 10 - 24 X 13/16            | 7   | 2        |
| F1513       | HEX NUT                           | 45  | 3        | F1692       | WOODRUFF KEY                              | 13  | 41       |
| F1513       | HEX NUT, 10 - 32                  | 17  | 29       | F1693       | TIE BAR RETAINER                          | 19  | 46       |
| F1513       | HEX NUT, 10 - 32                  | 23  | 7        | F1696       | HEX BOLT, 5/16 - 18 X 1 3/4               | 31  | 33       |
| F1515       | HEX NUT                           | 7   | 24       | F17006      | DETENT SPRING                             | 45  | 18       |
| F1515       | HEX NUT, 5/16 - 18                | 17  | 37       | F17009      | BEARING                                   | 45  | 14       |
| F15165      | BRUSH TERMINAL SET                | 15  | 10       | F17010-1    | THROTTLE GEAR                             | 45  | 16       |
| F15167      | HEAD ASSEMBLY DRIVE END           | 15  | 5        | F17011      | BOWED WASHER                              | 45  | 15       |
| F15168      | THRU BOLT PACKAGE                 | 15  | 12       | F17012      | RETAINING PLATE                           | 45  | 13       |
| F1528       | WELCH PLUG                        | 31  | 22       | F17013      | FILL HD SCREW, 1/4 - 20 X 1/2             | 45  | 11       |
| F1532       | HEX HD SCREW, 1/4 - 2 X 3/4       | 23  | 43       | F17014      | THROTTLE ARM                              | 45  | 10       |
| F1532       | HEX HD SCREW, 1/4 - 20 X 1        | 21  | 94       | F17016      | CABLE TERMINAL                            | 45  | 9        |
| F1532       | HEX HD SCREW, 1/4 - 20 X 1        | 23  | 35       | F17019      | CLUTCH ARM                                | 45  | 5        |
| F1533       | HEX BOLT, 1/4 - 20 X 7/8          | 23  | 6        | F17021      | CLUTCH GEAR                               | 45  | 19       |
| F1534       | HEX CAP SCREW, 1/4 - 20 X 7/8     | 23  | 42       | F17026      | SWIVEL                                    | 45  | 24       |
| F1534       | HEX CAP SCREW, 1/4 - 20 X 7/8     | 39  | 55       | F1703       | SPRING LOCKWASHER                         | 25  | 62       |
| F1535       | HEX CAP SCREW, 1/4 - 20 X 3/4     | 3   | 14       | F1703       | SPRING LOCKWASHER                         | 33  | 65       |
| F1535       | HEX HD SCREW, 1/4 - 20 X 3/4      | 27  | 90       | F17031-1    | SNAP CAP                                  | 45  | 28       |
| F1536       | HEX CAP SCREW, 1/4 - 20 X 3/4     | 7   | 23       | F17036      | INTERNAL TOOTH LOCKWASHER                 | 45  | 6        |
| F1540       | HEX HD SCREW, 1/4 - 20 X 5/8      | 23  | 39       | F1704       | INTERNAL TOOTH LOCKWASHER                 | 21  | 99       |
| F1540       | HEX SLOT HD SCREW, 1/4 - 20 X 5/8 | 3   | 20       | F1705       | HEX CAP SCREW, 1/4 - 20 X 3/4             | 37  | 1        |
|             |                                   |     |          | F17068      | DETENT SPRING                             | 47  | 37       |
|             |                                   |     |          | F17071      | FILL HD SCREW, 10 - 24 X 5/16             | 45  | 22       |
|             |                                   |     |          | F1708       | HEX HD CAP SCREW, 1/4 - 20 X 1 3/8        | 3   | 32       |

# PARTS INDEX

| Part Number | Description                                       | Pg. | Ref. No. | Part Number | Description                            | Pg. | Ref. No. |
|-------------|---|-----|----------|-------------|--|-----|----------|
| F17082-1    | DETENT BALL                                       | 47  | 38       | F1851       | FILL HD SCREW                          |     |          |
| F1709       | HEX HD SCREW, 1/4 - 20 X 1/8                      | 25  | 76       |             | W/LOCKWASHER, 10 - 24 X 1/2            | 7   | 39       |
| F17092      | SNAP RING   | 45  | 21       | F1857       | HEX CAP SCREW, 5/16 - 18 X 5/8         | 3   | 23       |
| F17099-1    | HOUSING   | 45  | 36       | F1857       | HEX CAPSCREW, 5/16 - 18 X 5/8          | 3   | 35       |
| F17100      | CLUTCH SHAFT                                      | 45  | 20       | F1858       | HEX CAP SCREW, 5/16 - 18 X 1           | 3   | 24       |
| F17103-1    | BAG ASSEMBLY (NOT SHOWN)                          | 47  | -        | F1858       | HEX CAP SCREW, 5/16 - 18 X 1           | 39  | 39       |
| F17105      | FELT WASHER                                       | 45  | 33       | F1860       | SLOTTED BINDING HD SCREW, 6 - 32 X 1/4 | 17  | 1        |
| F17106      | COLLAR  | 45  | 34       | F1864       | HEX SLOT HD SCREW, 1/4 - 20 X 3/4      | 31  | 4        |
| F17111      | DETENT BALL                                       | 45  | 17       | F1866       | PLAIN WASHER                           | 37  | 16       |
| F17112      | JUNCTION BOARD, STARBOARD                         | 45  | 26       | F1867       | HEX CAP SCREW, 3/8 - 16 X 1            | 29  | 19       |
| F17113      | JUNCTION BOARD, PORT                              | 45  | -        | F1869       | HEX BOLT, 3/8 - 16 X 1 1/4             | 25  | 61       |
| F1713       | SPRING PIN  | 37  | 26       | F1871       | HEX HD SCREW, 3/8 - 16 X 3/4           | 33  | 61       |
| F17146      | WOOD SCREW  | 45  | 35       | F1872       | HEX BOLT, 3/8 - 16 X 1 3/4             | 27  | 99       |
| F17147      | INTERNAL TOOTH LOCKWASHER                         | 45  | 12       | F1873       | HEX BOLT, 3/8 - 16 X 3                 | 27  | 96       |
| F17148      | DECAL, STARBOARD                                  | 45  | 27       | F1877       | TY-RAP                                 | 7   | 29       |
| F17149      | COTTER PIN  | 45  | 8        | F1883       | HEX BOLT, 5/16 - 18 X 2 3/8            | 25  | 67       |
| F1715       | HEX BOLT, 1/4 - 28 X 9/16                         | 45  | 7        | F1885       | HEX BOLT, 5/16 - 18 X 4 1/4            | 25  | 55       |
| F1727       | PLASTIC RIVET                                     | 23  | 16       | F1885       | HEX CAP SCREW, 5/16 - 18 X 4 1/4       | 37  | 6        |
| F1729       | PLUG  | 31  | 5        | F1892       | STOP NUT                               | 9   | 53       |
| F1730       | SCREW, PAN HD W/SPRING LOCKWASHER, 1/4 - 20 X 5/8 | 3   | 4        | F1907       | PLAIN WASHER                           | 37  | 7        |
| F1733       | SCREW, PAN HD, 10 - 24 X 9/16                     | 3   | 2        | F1910       | STOP NUT, 1/4 - 20                     | 17  | 31       |
| F1734       | FILL HD SCREW W/LOCKWASHER, 1/4 - 20 X 1/2        | 7   | 14       | F19109      | PLUG                                   | 25  | 73       |
| F1741       | PAN HD SCREW, 8 X 3/4                             | 7   | 35       | F19109      | PLUG, GEAR HOUSING                     | 39  | 31       |
| F1744       | SPRING PIN  | 31  | 40       | F1912       | HEX HD SCREW, 10 - 24 X 1/2            | 33  | 59       |
| F1744       | SPRING PIN  | 33  | 45       | F1916       | HEX HD SCREW, 1/4 - 20 X 1 1/8         | 17  | 25       |
| F1755       | RD HD SCREW W/LOCKWASHER, 6 - 32 X 5/16           | 17  | 16       | F1934       | FLAT HD SLOTTED SCREW, 6 X 1/2         | 9   | 50       |
| F1759       | SHIM, DISTRIBUTOR (QTY. AS REQUIRED)              | 11  | 11       | F1936       | SPACER, BEVEL GEAR FRONT .059          | 37  | 28       |
| F1760       | PAN HD SCREW, 10 - 24 X 3/8                       | 7   | 19       | F1937       | SPACER, BEVEL GEAR FRONT .062          | 37  | -        |
| F1760       | PAN HD SCREW, 10 - 24 X 3/8                       | 11  | 25       | F1938       | SPACER, BEVEL GEAR FRONT .065          | 37  | -        |
| F1760       | PAN HD SCREW, 10 - 24 X 3/8                       | 19  | 60       | F1939       | SPACER, BEVEL GEAR FRONT .068          | 37  | -        |
| F1760       | PAN HD SCREW, 10 - 24 X 3/8                       | 23  | 2        | F1940       | SPACER, BEVEL GEAR FRONT .071          | 37  | -        |
| F177330     | FUEL PUMP VALVE                                   | 17  | 9        | F1941       | SPACER, BEVEL GEAR FRONT .074          | 37  | -        |
| F177350     | REVERSE LOCK PIN                                  | 31  | 41       | F1942       | SPACER, BEVEL GEAR FRONT .077          | 37  | -        |
| F1778       | PLAIN WASHER                                      | 11  | 9        | F195/_      | REMOTE CONTROL CABLES                  | 54  | -        |
| F178323     | SEAL, MOTOR LEG                                   | 31  | 13       | F1950       | HEX HD SCREW, 10 - 24 X 5/8            | 25  | 81       |
| F1788       | STOP NUT  | 37  | 15       | F1968       | FLYWHEEL NUT                           | 29  | 21       |
| F17932      | SEAL, FUEL TANK ADAPTER                           | 43  | 12       | F1975       | SPRING LOCKWASHER                      | 7   | 10       |
| F18160-2    | REED  | 23  | 28       | F1975       | SPRING LOCKWASHER                      | 11  | 26       |
| F1822       | HEX BOLT, 5/16 - 18 X 7/8                         | 33  | 69       | F197787-3   | FUEL LINE COUPLER                      | 43  | 6        |
| F1832       | STOP NUT, 1/4 - 20                                | 25  | 59       |             |  |     |          |
| F1836       | PLAIN WASHER                                      | 41  | 72       |             |  |     |          |
| F1836       | SPRING PIN  | 33  | 57       |             |  |     |          |
| F184033-1   | CHOKE ARM SWIVEL                                  | 21  | 85       |             |  |     |          |
| F184579     | SEAL, CHOKE ARM SWIVEL                            | 21  | 82       |             |  |     |          |

# PARTS INDEX

| Part Number | Description  | Pg. | Ref. No. | Part Number | Description  | Pg. | Ref. No. |
|-------------|--|-----|----------|-------------|--|-----|----------|
| F197813     | BEARING  | 33  | 54       | F24278      | SEAL, "O" RING PROPELLER                                     |     |          |
| F1987       | PLAIN WASHER   | 33  | 50       |             | SHAFT SPOOL  | 37  | 10       |
| F1990       | HEX CAP SCREW  | 41  | -        | F269319     | BEARING  | 17  | 32       |
| F1990       | HEX CAP SCREW, 1/4 - 20 X 1 5/8                              | 39  | 61       | F284659-2   | CRANKSHAFT THRUST BEARING UPPER                              | 29  | 22       |
| F1994       | HEX SOCKET HD CAP SCREW, 5/16 - 18 X 1                       | 39  | 37       | F286461     | SPRING LOCK BAR HANDLE                                       | 31  | 43       |
| F1997       | STOP NUT, 8 - 32   | 17  | 40       | F289446-1   | CLAMP  | 7   | 12       |
| F2000       | HEX CAP SCREW, 5/16 - 18 X 3/4                               | 9   | 47       | F298788     | FERRULE  | 43  | 7        |
| F2008       | HEX HD SCREW, 1/4 - 20 X 7/8                                 | 17  | 24       | F2A404757   | CYLINDER DRAIN REED PLATE W/RDS, STOPS, METERG CUP AND SCRWS | 23  | 27       |
| F2014       | PLAIN WASHER   | 33  | 62       | F2A498023   | BEVEL GEAR FRONT W/BEARING                                   | 37  | 29       |
| F2015       | HEX NUT, 1/4 - 28  | 23  | 19       | F2A498662   | BEVEL GEAR, REAR W/BEARING CAGE, SPACER AND BEARING          | 37  | 22       |
| F2016       | FILL HD SCREW, 6 - 32 X 7/8                                  | 21  | 101      | F2A523239   | SPOOL, PROPELLER SHAFT BEARING W/SEALS                       | 37  | 11       |
| F2030       | HEX HD SCREW, 1/4 - 20 X 1 1/4                               | 33  | 70       | F2A550706   | GEAR HOUSING COVER W/SEAL                                    | 39  | 53       |
| F203276     | BOOT   | 11  | 30       | F307317     | CLIP, TERMINAL BLOCK   | 7   | 17       |
| F2033       | CHOKE PIN  | 21  | 87       | F316579     | SEAL, CRANKCASE  | 29  | 11       |
| F203673     | TERMINAL CLIP  | 11  | 31       | F316599     | SEAL, STEERING SUPPORT TUBE                                  | 33  | 79       |
| F2042       | PLAIN WASHER   | 23  | 5        | F319908     | WIRE, GROUND   | 9   | 57       |
| F2042       | PLAIN WASHER   | 27  | 105      | F321756     | PACKING  | 3   | 31       |
| F2047       | WAVE WASHER  | 3   | 30       | F321841-3   | LEAD WIRE  | 11  | 32       |
| F2050       | HEX HD SCREW, 1/4 - 20 X 1 1/2                               | 17  | 26       | F333316     | THROTTLE ROLLER SHAFT  | 19  | 49       |
| F2066       | PAN HEAD TAPPING SCREW, 10 X 7/16                            | 5   | 38       | F335215     | SPACER, PISTON PIN (2 PER PISTON)                            | 29  | 3        |
| F2067       | PLASTISOL CAP (NOT SHOWN). FOR EXPOSED THREADS OF CRANKSHAFT | 29  | -        | F335217-1   | BEARING PISTON PIN (26 PER SET)                              | 29  | 5        |
| F2088       | FASTENER   | 3   | 7        | F335654-1   | STOP, DEFLECTION   | 3   | 21       |
| F2089       | SLOTTED PAN HD MACHINE SCREW, 10 - 24 X 5/16                 | 27  | 101      | F338618-1   | GEAR SHIFT ROD SEAL  | 41  | -        |
| F2090       | PLUG   | 25  | 64       | F338618-1   | SEAL, GEAR SHIFT ROD   | 31  | 16       |
| F2093       | STOP NUT   | 35  | 85       | F338618-1   | SEAL, GEAR SHIFT ROD   | 39  | 56       |
| F2107       | FILL HD SCREW, 10 - 24 X 5/8                                 | 7   | 9        | F345475-1   | COIL   | 9   | 44       |
| F2108       | LOCK NUT, 5/16 - 18  | 33  | 73       | F345683     | WIRE, REGULATOR-RECTIFIER GROUND                             | 7   | 5        |
| F2108       | STOP NUT, 5/16 - 18  | 25  | 58       | F351307     | SEAL, WATER PUMP   | 39  | 64       |
| F2113       | SPACER, BEVEL GEAR FRONT .080                                | 37  | -        | F353480     | STUD   | 31  | 25       |
| F2114       | SPACER, BEVEL GEAR FRONT .083                                | 37  | -        | F369349     | REVERSE LOCK   | 31  | 37       |
| F2115       | SPACER, BEVEL GEAR FRONT .086                                | 37  | -        | F369364     | REVERSE LOCK ARM   | 33  | 52       |
| F2116       | SPACER, BEVEL GEAR FRONT .089                                | 37  | -        | F369510     | LINK   | 31  | 39       |
| F2121       | SPACER, BEVEL GEAR FRONT .057                                | 37  | -        | F369529     | CYLINDER HEAD GASKET   | 25  | 74       |
| F2122       | SPACER, BEVEL GEAR FRONT .054                                | 37  | -        | F369529     | CYLINDER HEAD GASKET   | 27  | -        |
| F213274     | GREASE FITTING   | 11  | 27       | F369610     | BEARING  | 25  | 53       |
| F213274     | GREASE FITTING   | 31  | 32       | F369827     | HANDLE AND SHAFT   | 33  | 53       |
| F213342     | SEAL, FUEL LINE COUPLER (LARGE)                              | 43  | 4        | F369887     | SHOULDER SCREW   | 25  | 52       |
| F213735     | SEAL, FUEL LINE COUPLER (SMALL)                              | 43  | 5        | F369977-1   | INTERLOCK ARM  | 25  | 54       |
| F24278      | PROPELLER SHAFT SPOOL SEAL                                   | 41  | -        | F373778-1   | RETAINER, ENGINE COVER                                       | 3   | 37       |
|             |  |     |          | F381896-4   | BATTERY CABLE  | 7   | 30       |
|             |  |     |          | F391926-1   | CHOKE SOLENOID PLUNGER                                       | 21  | 89       |
|             |  |     |          | F391983     | RETAINING BAND   | 7   | 27       |
|             |  |     |          | F3A523158   | REED PLATE W/REEDS, REED STOP AND SCREW                      | 17  | 19       |
|             |  |     |          | F40209      | CARBURETOR STUD  | 17  | 36       |

# PARTS INDEX

| Part Number | Description                 | Pg. | Ref. No. | Part Number | Description                 | Pg. | Ref. No. |
|-------------|-----------------------------|-----|----------|-------------|-----------------------------|-----|----------|
| F40223      | TRANSFER PORT COVER         |     |          | F481434     | GUIDE, ENGINE COVER . . .   | 3   | 8        |
|             | GASKET . . . . .            | 27  | -        | F481567     | CARBURETOR INTAKE           |     |          |
| F404097     | FLYWHEEL . . . . .          | 7   | 1        |             | ADAPTER . . . . .           | 19  | 55       |
| F404268     | SPRING, BY-PASS VALVE . .   | 25  | 84       | F481774     | BRACKET, ENGINE COVER       |     |          |
| F404470-1   | REGULATOR-RECTIFIER . .     | 7   | 8        |             | LATCH . . . . .             | 3   | 9        |
| F404513     | COIL CLAMP . . . . .        | 7   | 40       | F481777     | CAM, LATCH SHAFT . . . . .  | 3   | 28       |
| F404801     | FITTING . . . . .           | 23  | 36       | F481836     | INTAKE GASKET . . . . .     | 19  | 70       |
| F404841     | CABLE, HEAT INDICATOR . .   | 7   | 37       | F481836     | INTAKE GASKET . . . . .     | 27  | -        |
| F40689-1    | BEARING, TOWERSHAFT . .     | 25  | 60       | F481860-1   | CARBURETOR, INTAKE . . .    | 19  | 57       |
| F407446     | CLAMP . . . . .             | 7   | 31       | F483884     | BEARING . . . . .           | 33  | 58       |
| F409251-1   | GAUGE CAP . . . . .         | 43  | 1        | F485755-1   | FUEL TANK ADAPTER . . . .   | 43  | 3        |
| F433114     | HANDLE, LOCK BAR . . . . .  | 33  | 44       | F498061-1   | CARBURETOR COMPLETE         |     |          |
| F433209-1   | STUD . . . . .              | 17  | 30       |             | (WB26B) . . . . .           | 19  | 72       |
| F433253     | HOSE . . . . .              | 23  | 37       | F498618     | GEAR SHIFT ARM PIN SEAL     | 41  | -        |
| F438066     | BY-PASS VALVE COVER . . .   | 25  | 82       | F498618     | SEAL . . . . .              | 39  | 33       |
| F438129     | SEAL, DRIVESHAFT SPLINE     | 41  | 71       | F498891     | PIN, GEAR SHIFT ARM . . . . | 39  | 32       |
| F438165     | SCREW, FUEL PUMP BOWL       | 17  | 15       | F498891     | PIN, PROPELLER NUT          |     |          |
| F438169     | BEARING . . . . .           | 31  | 34       |             | RETAINING . . . . .         | 37  | 14       |
| F438271     | RETAINER, CRANKSHAFT        |     |          | F499995     | CYLINDER HEAD COVER . .     | 25  | 68       |
|             | SPLINE SEAL . . . . .       | 41  | 70       | F50109      | PLUG, GEAR HOUSING . . . .  | 39  | 44       |
| F438346     | SHOCK MOUNT, LOWER . .      | 33  | 67       | F50342-1    | BEARING CAGE BOLT SEAL      | 41  | -        |
| F438398     | DECAL, WIRING - USA . . . . | 25  | 75       | F50342-1    | SEAL, BEARING CAGE          |     |          |
| F438500     | FUEL SEDIMENT BOWL . . .    | 17  | 14       |             | BOLTS . . . . .             | 37  | 8        |
| F438617     | FUEL SEDIMENT BOWL          |     |          | F506118     | PROPELLER SHAFT SEAL . .    | 41  | -        |
|             | GASKET . . . . .            | 17  | 13       | F506118     | SEAL, DRIVESHAFT . . . . .  | 39  | 52       |
| F438653     | FUEL SEDIMENT BOWL          |     |          | F506118     | SEAL, PROPELLER SHAFT . .   | 37  | 9        |
|             | SCREEN . . . . .            | 17  | 12       | F510374     | DECAL, CIRCUIT BREAKER -    |     |          |
| F438668     | RETAINER, CABLE CLAMP . .   | 7   | 13       |             | USA . . . . .               | 7   | 41       |
| F438744-1   | WIRING HARNESS . . . . .    | 7   | 4        | F510460     | CIRCUIT BREAKER . . . . .   | 7   | 22       |
| F438747     | FUEL PUMP DIAPHRAGM . .     | 17  | 7        | F511125-2   | TUBE, STEERING SUPPORT      | 31  | 23       |
| F438754     | FUEL LINE . . . . .         | 19  | 79       | F511675     | STARTER BRACKET,            |     |          |
| F438760     | FUEL PUMP GASKET . . . . .  | 17  | 8        |             | LOWER . . . . .             | 15  | 15       |
| F438801     | FITTING . . . . .           | 17  | 5        | F523031     | GASKET, WATER PUMP . . .    | 39  | 57       |
| F438841-1   | LEAD WIRE - CANADA . . . .  | 11  | -        | F523031     | GASKET, WATER PUMP . . .    | 41  | -        |
| F438905     | COIL WIRE - CANADA . . . .  | 11  | -        | F523057     | BEARING, DRIVESHAFT         |     |          |
| F438930     | RETAINER, SNOUT . . . . .   | 39  | 36       |             | LOWER . . . . .             | 39  | 66       |
| F438962     | SHOCK MOUNT SLIDE . . . .   | 31  | 15       | F523065     | IMPELLER . . . . .          | 41  | -        |
| F439736     | SEAL EXHAUST TUBE . . . .   | 31  | 6        | F523065     | WATER PUMP IMPELLER . .     | 39  | 59       |
| F448543     | KNOB . . . . .              | 45  | 29       | F523094-2   | PROPELLER NUT . . . . .     | 37  | 13       |
| F448611     | HANDLE . . . . .            | 45  | 30       | F523099-1   | SPACER, PROPELLER . . . .   | 37  | 19       |
| F449894     | INDICATOR . . . . .         | 45  | 32       | F523116     | EXHAUST SNOUT . . . . .     | 39  | 38       |
| F455690     | SET SCREW . . . . .         | 45  | 31       | F523133-2   | MOTOR LEG . . . . .         | 33  | 75       |
| F460917     | STARTER RELAY . . . . .     | 7   | 26       | F523146     | SEAL, CRANKSHAFT            |     |          |
| F474073-1   | CLAMP SCREW . . . . .       | 31  | 26       |             | LOWER . . . . .             | 29  | 13       |
| F474387     | TIMING DECAL - USA . . . .  | 9   | 56       | F523188     | NUT, BEVEL PINION           |     |          |
| F474390-1   | DECAL, REVERSE LOCK . . .   | 33  | 80       |             | RETAINING . . . . .         | 39  | 34       |
| F476066-1   | COVER, THERMOSTAT . . . .   | 25  | 47       | F523244     | INLET WATER LINE . . . . .  | 37  | 5        |
| F476067     | GASKET, THERMOSTAT          |     |          | F523273     | STUD, STEERING BALL . . .   | 35  | 89       |
|             | COVER . . . . .             | 27  | 94       | F523274     | GREASE FITTING . . . . .    | 33  | 78       |
| F476067     | THERMOSTAT COVER            |     |          | F523280     | NUT, STEERING SUPPORT       |     |          |
|             | GASKET . . . . .            | 27  | -        |             | TUBE . . . . .              | 33  | 77       |
| F480038-2   | PLATE, SUPPORT . . . . .    | 3   | 15       | F523300-1   | SPRING STEERING LINK . .    | 35  | 84       |
| F480107-1   | CAM, STARTER INTERLOCK      | 27  | 102      | F523411     | RETAINING RING . . . . .    | 37  | 23       |
| F480388     | DISC, WATER PUMP            |     |          | F523498     | DRIVE KEY, WATER PUMP .     | 39  | 68       |
|             | LOCATING . . . . .          | 39  | 62       | F523498     | KEY . . . . .               | 41  | -        |
| F480518     | CYLINDER HEAD . . . . .     | 25  | 72       | F523555     | GEAR HOUSING COVER          |     |          |
| F480551-1   | BRACKET INTERLOCK           |     |          |             | SEAL . . . . .              | 41  | -        |
|             | SWITCH . . . . .            | 21  | 95       | F523555     | SEAL, "O" RING - GEAR       |     |          |
| F480818     | BEARING, LATCH SHAFT . .    | 3   | 13       |             | HOUSING COVER . . . . .     | 39  | 49       |
| F481382-1   | SPACER, LATCH SHAFT . . .   | 3   | 29       | F523562     | PLATE, WATER PUMP . . . .   | 41  | -        |



# PARTS INDEX

| Part Number | Description              | Pg. | Ref. No. | Part Number | Description             | Pg. | Ref. No. |
|-------------|--------------------------|-----|----------|-------------|-------------------------|-----|----------|
| F523562     | WATER PUMP BACK PLATE    | 39  | 58       | F5H036      | SWITCH KIT - TACHOMETER |     |          |
| F523705     | GEAR SHIFT ROD LOWER     | 39  | 46       |             | TRANSFER                | 56  | -        |
| F523813     | BEARING CUP              | 37  | 30       | F5H037      | CIGAR LIGHTER           | 55  | -        |
| F523834     | CLIP, SPARK PLUG WIRE    | 23  | 3        | F5H038      | IGNITION SWITCH         |     |          |
| F523881-2   | LINK ASSEMBLY, STEERING  | 35  | 87       |             | MOUNTING KIT            |     |          |
| F523899     | GROMMET, WATER LINE      | 37  | 4        |             | (ACCESSORY ITEM)        | 9   | 49       |
| F523930     | RETAINER, STUD           | 35  | 88       | F5H038      | SWITCH KIT - IGNITION   |     |          |
| F523961     | CRUSH RING               | 39  | 50       |             | SWITCH                  | 56  | -        |
| F523962     | SHOCK MOUNT - C.D. UNIT  | 9   | 46       | F5H039      | SWITCH KIT - INSTRUMENT |     |          |
| F528068     | THERMOSTAT               | 25  | 70       |             | LIGHT                   | 56  | -        |
| F530160     | REED (5 PETAL)           | 17  | 18       | F5H040      | STEEL, 12 GALLON FUEL   |     |          |
| F531892     | DECAL, PORT              | 45  | -        |             | TANK                    | 54  | -        |
| F532299     | WASHER, PROPELLER        |     |          | F5H041      | BATTERY CABLE CLAMP     |     |          |
|             | SPLINE                   | 37  | 17       |             | KIT. (ACCESSORY ITEM)   | 7   | 32       |
| F53504      | GROMMET                  | 19  | 58       | F5H041      | BATTERY TERMINAL KIT    | 55  | -        |
| F545189     | BUSHING, CABLE ENTRY     | 3   | 17       | F5H043      | OVERHEAT BUZZER         | 55  | -        |
| F548984     | BLANKET, SILENCER - TOP  |     |          | F5H043      | OVERHEAT BUZZER         |     |          |
|             | (NOT SHOWN)              | 5   | -        |             | (ACCESSORY ITEM)        | 7   | 36       |
| F548985     | BLANKET, SILENCER - SIDE |     |          | F5H044      | TILT STOP KIT           | 55  | -        |
|             | (NOT SHOWN)              | 5   | -        | F5H064      | EXHAUST SNOUT           | 55  | -        |
| F549189     | BUSHING, ELECTRIC CABLE  | 3   | 16       | F5H068      | RFI SUPPRESSION KIT     | 55  | -        |
| F563        | TERMINAL BLOCK KIT       | 56  | -        | F5H070      | REMOTE ELECTRIC CABLE   | 55  | -        |
| F58685-2    | CONNECTOR, SHIFT CABLE   | 45  | 2        | F5H074      | WATER PUMP KIT          | 56  | -        |
| F590        | REMOTE CONTROL - FLUSH   |     |          | F5H075      | WIRING HARNESS -        |     |          |
|             | MOUNT                    | 54  | -        |             | IGNITION SWITCH (24")   | 56  | -        |
| F596        | CHRYSLER OUTBOARD OIL    | 56  | -        | F5H076      | SWITCH EXTENSION CABLE  | 56  | -        |
| F597        | CHRYSLER OUTBOARD        |     |          | F5H077      | IGNITION KEY SWITCH     | 55  | -        |
|             | GEAR LUBE                | 56  | -        | F5H078      | IGNITION KEY SWITCH     | 55  | -        |
| F5H002      | SPEEDOMETER FLUSH        |     |          | F5H078      | IGNITION SWITCH W/KEYS  |     |          |
|             | MOUNT                    | 56  | -        |             | AND SCREWS              | 7   | 34       |
| F5H004      | SPEEDOMETER FLUSH        |     |          | F5H079      | SINGLE REMOTE CONTROL   |     |          |
|             | MOUNT                    | 56  | -        |             | BOX                     | 54  | -        |
| F5H005      | TEMPERATURE GAUGE        |     |          | F5H080      | TWIN REMOTE CONTROL     |     |          |
|             | FLUSH MOUNT              | 55  | -        |             | BOX                     | 54  | -        |
| F5H006      | VOLTMETER - FLUSH        |     |          | F5H081      | BATTERY CABLE           | 55  | -        |
|             | MOUNT                    | 55  | -        | F5H094      | STEERING LINK KIT       | 54  | -        |
| F5H007      | HOURLY METER             | 55  | -        | F5H108      | STEERING CONNECTOR      | 54  | -        |
| F5H008      | FUEL GAUGE FLUSH         |     |          | F5H112      | INSTRUMENT ADAPTER - 3  |     |          |
|             | MOUNT                    | 55  | -        |             | 1/2"                    | 54  | -        |
| F5H010      | POWER TRIM INDICATOR     | 55  | -        | F5H115      | TRAILERING TILT LOCK    | 56  | -        |
| F5H012      | TACHOMETER FLUSH         |     |          | F5H120      | REMOTE CONTROL BACK     |     |          |
|             | MOUNT                    | 56  | -        |             | PLATE                   | 54  | -        |
| F5H018      | DUAL STEERING            |     |          | F5H123      | HYDRAULIC TILT          | 55  | -        |
|             | CONNECTOR                | 54  | -        | F5H130      | REMOTE CONTROL -        |     |          |
| F5H019      | ANTI-CORROSION KIT       | 54  | -        |             | SURFACE MOUNT           | 54  | -        |
| F5H021      | EXTENSION CABLE          | 55  | -        | F5H131      | PORT SIDE DECAL KIT     | 54  | -        |
| F5H025      | ANTI-CORROSION           |     |          | F5H132      | REMOTE CONTROL HANDLE   |     |          |
|             | SACRIFICIAL ANODE        | 55  | -        |             | TRIM SWITCH             | 54  | -        |
| F5H026      | FUEL TANK (ACCESSORY     |     |          | F5H134      | BOAT WHITE LACQUER      | 55  | -        |
|             | ITEM)                    | 43  | 2        | F5H149      | POWER TRIM              | 56  | -        |
| F5H026      | STEEL, 6 GALLON FUEL     |     |          | F5H151      | SHOCK ABSORBER KIT      | 55  | -        |
|             | TANK (LOW PROFILE)       | 54  | -        | F63754      | HOSE INTAKE DRAIN       | 19  | 63       |
| F5H028      | SENDING UNIT             | 55  | -        | F7004       | STOP NUT, 3/18 - 16     | 23  | 24       |
| F5H029      | TANK ANCHOR              | 54  | -        | F7012       | LOCK NUT, 1/2 - 20      | 31  | 17       |
| F5H030      | SWITCH KIT - RUNNING     |     |          | F7013       | STOP NUT                | 11  | 2        |
|             | LIGHTS                   | 56  | -        | F72H29      | CHRYSLER OUTBOARD       |     |          |
| F5H031      | SWITCH KIT - SPOT LIGHT  | 56  | -        |             | MULTI-PURPOSE GREASE    | 57  | -        |
| F5H032      | SWITCH KIT - WIPER       | 56  | -        | F72H30      | CHRYSLER OUTBOARD       |     |          |
| F5H034      | SWITCH KIT - BILGE PUMP  | 56  | -        |             | GREASE GUN              | 57  | -        |
| F5H035      | SWITCH KIT - HORN        | 56  | -        |             |                         |     |          |

# PARTS INDEX

| Part Number | Description                         | Pg. | Ref. No. | Part Number | Description                      | Pg. | Ref. No. |
|-------------|-------------------------------------|-----|----------|-------------|----------------------------------|-----|----------|
| F74305      | SEAL, DRIVESHAFT BEARING CAGE       | 39  | 51       | F85017      | PISTON PIN                       | 29  | 4        |
| F762        | REMOTE ELECTRIC CABLE               | 55  | -        | F85026      | SWIVEL                           | 23  | 21       |
| F8003       | PLAIN WASHER                        | 23  | 30       | F85033      | CHOKE ROD SWIVEL                 | 19  | 81       |
| F8004       | WASHER, PLAIN                       | 3   | 27       | F85035      | DISTRIBUTOR CONTROL ROD END      | 23  | 20       |
| F8011       | PLAIN WASHER                        | 7   | 20       | F85036      | TOWERSHAFT CONTROL ROD END       | 23  | 17       |
| F8028       | PLAIN WASHER                        | 15  | 13       | F85037-1    | STERN BRACKET PIVOT BOLT         | 33  | 46       |
| F8038       | PLAIN WASHER                        | 27  | 103      | F85095-2    | STATOR                           | 7   | 3        |
| F8038       | PLAIN WASHER                        | 35  | 86       | F85117      | BRACKET, WATER LINE              | 37  | 2        |
| F8056       | LOCKWASHER                          | 11  | 18       | F85122      | CRANKCASE SEAL                   | 27  | -        |
| F8056       | LOCKWASHER                          | 13  | 43       | F85122      | PARTING LINE SEAL                | 27  | 93       |
| F8056       | SPRING LOCKWASHER                   | 7   | 7        | F85130      | BOOT, IDLE EXHAUST               | 31  | 9        |
| F8056       | SPRING LOCKWASHER                   | 25  | 87       | F85151-1    | EXHAUST PORT PLATE               | 25  | 80       |
| F8058       | INTERNAL TOOTH LOCKWASHER           | 17  | 27       | F85152-4    | EXHAUST PORT COVER               | 25  | 78       |
| F8058       | INTERNAL TOOTH LOCKWASHER           | 25  | 48       | F85154-1    | EXHAUST PORT PLATE GASKET        | 27  | -        |
| F8077       | WASHER                              | 41  | -        | F85154-1    | GASKET, EXHAUST PORT PLATE       | 25  | 79       |
| F8077       | WASHER, GEAR HOUSING PLUG           | 39  | 43       | F85159      | GASKET, INTAKE MANIFOLD          | 17  | 22       |
| F8080       | HELICAL SPRING LOCKWASHER           | 33  | 83       | F85159      | MANIFOLD GASKET                  | 27  | -        |
| F8083       | LOCKWASHER                          | 3   | 26       | F85161-1    | REED STOP                        | 17  | 17       |
| F8083       | SPRING LOCKWASHER                   | 9   | 43       | F85162      | REED PLATE ADAPTER               | 17  | 21       |
| F8083       | SPRING LOCKWASHER                   | 31  | 3        | F85168      | CARBURETOR ADAPTER FLANGE GASKET | 27  | -        |
| F8083       | SPRING LOCKWASHER                   | 39  | 54       | F85168      | GASKET REED PLATE ADAPTER        | 17  | 20       |
| F8083       | SPRING LOCKWASHER                   | 41  | -        | F85173      | RETAINING RING                   | 11  | 6        |
| F8088       | PLAIN WASHER                        | 21  | 102      | F85192-1    | THROTTLE CAM                     | 17  | 33       |
| F8088       | PLAIN WASHER                        | 21  | 83       | F85210      | STUD                             | 27  | 91       |
| F8094       | PLAIN WASHER                        | 33  | 55       | F85211      | STUD, REAR                       | 23  | 46       |
| F8095       | PLAIN WASHER                        | 27  | 104      | F85253-1    | FUEL LINE                        | 21  | 88       |
| F8096       | LOCKWASHER                          | 3   | 22       | F85258      | INSERT                           | 31  | 10       |
| F8096       | LOCKWASHER                          | 3   | 34       | F85279-2    | CYLINDER EXHAUST GASKET, UPPER   | 25  | 51       |
| F8096       | SPRING LOCKWASHER                   | 7   | 25       | F85279-2    | CYLINDER, EXHAUST - UPPER GASKET | 27  | -        |
| F8096       | SPRING LOCKWASHER                   | 33  | 68       | F85300      | REVERSE LOCK SPRING              | 31  | 38       |
| F8096       | SPRING LOCKWASHER                   | 39  | 40       | F85311      | DISTRIBUTOR BELT                 | 11  | 1        |
| F84011      | WASHER                              | 33  | 51       | F85314-1    | FUEL FITTING                     | 21  | 92       |
| F84074      | CLAMP SCREW FOOT                    | 31  | 24       | F85317-1    | CLAMP                            | 21  | 90       |
| F84146-2    | SEAL                                | 29  | 20       | F85350-1    | TILT STOP PIVOT                  | 31  | 29       |
| F84278      | CRANKSHAFT BRG. CAGE SEAL           | 27  | -        | F85372      | PIN, GEAR SHIFT ROD LOWER        | 39  | 48       |
| F84278      | SEAL, CRANKSHAFT BEARING CAGE       | 29  | 17       | F8538       | SPRING PIN                       | 31  | 27       |
| F84286-1    | FRICITION WASHER                    | 33  | 47       | F85380      | SPRING                           | 31  | 11       |
| F84305      | PROPELLER SHAFT SPOOL SEAL          | 41  | -        | F85410      | SNAP RING                        | 29  | 8        |
| F84305      | SEAL, PROPELLER SHAFT BEARING SPOOL | 37  | 12       | F85426      | TILT STOP                        | 33  | 48       |
| F84307-1    | DRIVESHAFT SEAL                     | 41  | -        | F85445      | DISTRIBUTOR CONTROL ROD          | 23  | 18       |
| F84314-2    | ELBOW                               | 17  | 3        | F85472-2    | CYLINDER DRAIN COVER GASKET      | 27  | -        |
| F84314-2    | ELBOW                               | 23  | 22       | F85472-2    | GASKET, CYLINDER DRAIN COVER     | 23  | 32       |
| F84342      | SEAL, INLET WATER LINE UPPER        | 37  | 3        | F85498      | FLYWHEEL KEY                     | 29  | 16       |
| F84449      | INTERLOCK SWITCH                    | 21  | 98       | F85502      | THROTTLE LINK                    | 23  | 8        |
| F84504      | GROMMET                             | 25  | 71       | F85509-1    | CHOKE LINK                       | 19  | 78       |
| F84504      | THERMOSTAT GROMMET                  | 27  | -        | F85541-1    | TILT LOCK                        | 31  | 30       |
| F84521-1    | CLUTCH                              | 37  | 27       | F85571      | BEARING CAGE W/ROLLER            | 29  | 10       |
| F84792      | GASKET, FUEL PUMP VALVE             | 17  | 10       |             |                                  |     |          |
| F84871-1    | PIN, GEAR SHIFT                     | 37  | 25       |             |                                  |     |          |

# PARTS INDEX

| Part Number | Description             | Pg. | Ref. No. | Part Number | Description            | Pg. | Ref. No. |
|-------------|-------------------------|-----|----------|-------------|------------------------|-----|----------|
| F85606      | KINGPIN CAP             | 31  | 31       | FA411222    | TRANSFER PORT COVER    |     |          |
| F85610      | BEARING                 | 25  | 56       |             | W/PLUG                 | 23  | 40       |
| F85615      | GEAR SHIFT ROD, UPPER   | 33  | 72       | FA438113    | STERN BRACKET LOCK BAR |     |          |
| F8563       | DOWEL PIN               | 27  | 92       |             | W/HANDLE               | 31  | 42       |
| F85634-2    | CONNECTING ROD SCREW    | 29  | 14       | FA438431    | FUEL PUMP BODY         |     |          |
| F85660-1    | EXHAUST TUBE            | 31  | 2        |             | W/VALVES               | 17  | 11       |
| F85664      | DISTRIBUTOR GROUND      | 11  | 28       | FA438493    | TERMINAL BLOCK BRACKET | 7   | 11       |
| F85664      | WIRE, DISTRIBUTOR       |     |          | FA439746    | FUEL PUMP COVER        |     |          |
|             | GROUND                  | 9   | 51       |             | W/PLUG                 | 17  | 6        |
| F85704      | COUPLER, GEARSHIFT      |     |          | FA480010    | CYLINDER ASSEMBLY      |     |          |
|             | ROD, UPPER              | 33  | 76       |             | W/PARTG LINE SEAL &    |     |          |
| F85748-2    | CYLINDER DRAIN REED     |     |          |             | LOWR MAIN BEARG        |     |          |
|             | PLATE GASKET            | 27  | -        |             | ASS'Y                  | 27  | 89       |
| F85748-2    | GASKET, CYLINDER DRAIN  |     |          | FA480179    | TRIM, TOP              | 3   | 1        |
|             | REED PLATE              | 23  | 25       | FA480269    | HANDLE, TILT           | 3   | 3        |
| F85762      | BY-PASS VALVE PLATE     |     |          | FA480876    | GEAR SHIFT ARM         |     |          |
|             | GASKET                  | 27  | -        |             | W/SWIVEL, INTERLOCK    |     |          |
| F85762      | GASKET, BY-PASS VALVE   | 25  | 83       |             | ARM AND BEARINGS       | 25  | 57       |
| F85772      | CLAMP                   | 31  | 12       | FA480894    | TIMING POINTER         | 23  | 1        |
| F85779-1    | BAFFLE, AIR INTAKE      | 33  | 60       | FA481469    | LATCH HANDLE, ENGINE   |     |          |
| F85843-1    | REMOTE ELECTRIC CABLE,  |     |          |             | COVER W/SHAFT          | 3   | 12       |
|             | 18 FEET                 | 7   | 38       | FA481743    | ROLLER BRACKET         |     |          |
| F85859      | STUD, FORWARD           | 23  | 23       |             | W/ROLLER               | 3   | 33       |
| F85906      | CARBURETOR GASKET       | 17  | 35       | FA498266    | BEVEL PINION GEAR      |     |          |
| F85906      | CARBURETOR GASKET       | 27  | -        |             | W/CRUSH RING AND       |     |          |
| F85908      | STARTER LEAD WIRE       | 15  | 19       |             | SHIMS                  | 39  | 35       |
| F85916-1    | BY-PASS VALVE           | 25  | 85       | FA510497    | TERMINAL BLOCK         | 7   | 15       |
| F85924      | CHOKE SOLENOID          | 7   | 28       | FA523014    | CRANKSHAFT LOWER MAIN  |     |          |
| F85925      | CHOKE ROD               | 21  | 86       |             | BEARING W/SEAL         | 29  | 12       |
| F85965      | SHOCK MOUNT, UPPER      | 33  | 64       | FA523054    | GEAR HOUSING           | 39  | 42       |
| F861        | FLUSHING ADAPTER        | 54  | -        | FA523098    | PROPELLER SHAFT        | 37  | 24       |
| F89758      | FUEL PUMP AIR HOSE, TOP | 17  | 4        | FA523485    | ANTI-CORROSION ANODE   | 37  | 21       |
| F9018       | CAP                     | 31  | 28       | FA523735    | SEAL, INLET WATER LINE |     |          |
| F9052       | PLUG                    | 33  | 74       |             | LOWER                  | 39  | 65       |
| F90619-1    | YOKE                    | 41  | 73       | FA535395    | IDENTIFICATION PLATE,  |     |          |
| F90807      | RETAINING RING          | 19  | 47       |             | W/SCREWS - USA         | 3   | 18       |
| F9095       | SHIM, DRIVESHAFT        |     |          | FA548180    | TRIM, REAR             | 3   | 5        |
|             | BEARING UPPER .005 -    |     |          | FA548888    | TRIM, FRONT            | 5   | 40       |
|             | SILVER                  | 39  | -        | FA549944    | COVER, ENGINE          |     |          |
| F9097       | SHIM, DRIVESHAFT        |     |          |             | W/RETAINER             | 3   | 6        |
|             | BEARING UPPER .010 -    |     |          | FA578386    | DECAL, NUMERAL "75"    | 3   | 10       |
|             | BLACK                   | 39  | -        | FA578396    | DECAL, ENGINE COVER -  |     |          |
| F9106       | SHIM, DRIVESHAFT        |     |          |             | STARBOARD              | 3   | -        |
|             | BEARING UPPER .003 -    |     |          | FA578397    | DECAL, ENGINE COVER -  |     |          |
|             | BRASS                   | 39  | 67       |             | PORT                   | 3   | 11       |
| F91446-1    | CIRCUIT BREAKER         |     |          | FA578892    | DECAL FRONT            | 5   | 39       |
|             | BRACKET                 | 7   | 21       | FA58976-1   | CONNECTOR, THROTTLE    |     |          |
| F92759      | THROTTLE ROLLER         | 19  | 48       |             | CABLE                  | 45  | 1        |
| F93811      | SCREEN                  | 23  | 26       | FA84621-1   | COUPLING, GEAR SHIFT   |     |          |
| F93920      | REED STOP               | 23  | 29       |             | ARM W/BUSHING          | 39  | 45       |
| F97772      | FUEL LINE CLAMP         | 43  | 11       | FA84754-1   | FUEL LINE SHORT        |     |          |
| F97772      | HOSE CLAMP              | 19  | 62       |             | W/FERRULES             | 43  | 8        |
| F98273      | ROD END CONNECTOR       |     |          | FA85018-2   | CRANKSHAFT W/BEARING   | 29  | 15       |
|             | STUD                    | 25  | 50       | FA85019     | KINGPIN W/PLUG         | 31  | 35       |
| FA14048-2   | PREAMPLIFIER            | 11  | 17       | FA85193     | TIE BAR END W/SWIVEL   | 17  | 43       |
| FA15072     | HEX LOCK NUT, 1/4 - 20  | 15  | 11       | FA85355-1   | WASHER SHOCK MOUNT     |     |          |
| FA321574    | DISTRIBUTOR BRACKET     | 11  | 10       |             | UPPER W/WASHERS        | 33  | 63       |
| FA335260    | PISTON RING SET (3 PER  |     |          | FA85511     | THROTTLE TIE BAR       |     |          |
|             | SET) STANDARD           | 29  | 1        |             | W/SWIVEL               | 19  | 44       |

# PARTS INDEX

| Part Number | Description  | Pg. | Ref. No. | Part Number | Description  | Pg. | Ref. No. |
|-------------|--|-----|----------|-------------|--|-----|----------|
| FA85838-5   | TOWERSHAFT<br>W/BEARINGS, SWIVEL,<br>ARMS AND SCREWS . . . . | 23  | 10       | FO16397     | CHOKE SHAFT RETURN<br>SPRING . . . . .                         | 19  | 73       |
| FAC535395   | IDENTIFICATION PLATE,<br>W/SCREWS - CANADA . . .             | 3   | -        | FO16850     | CHOKE SHAFT AND LEVER  | 19  | 74       |
| FB368700    | KEY IGNITION - STAMPED B                                     | 9   | -        | FO2510      | GASKET, FUEL BOWL<br>RETAINING SCREW . . . .                   | 19  | 66       |
| FC368700    | KEY IGNITION - STAMPED C                                     | 9   | -        | FO4326      | BODY CHANNEL WELCH<br>PLUG . . . . .                           | 17  | 38       |
| FC409398    | DECAL, TOTE TANK -<br>CANADA (NOT SHOWN) . .                 | 43  | -        | FO8942      | SHUTTER SCREW<br>W/LOCKWASHER . . . . .                        | 17  | 41       |
| FC438398    | DECAL WIRING - CANADA . .                                    | 25  | -        | FO8942      | THROTTLE SHUTTER<br>SCREW AND<br>LOCKWASHER . . . . .          | 21  | 96       |
| FC474387    | TIMING DECAL - CANADA . .                                    | 9   | -        | FOB2603     | INSTALLATION<br>INSTRUCTIONS . . . . .                         | 33  | -        |
| FC499390    | DECAL, STARTER (CANADA)<br>NOT SHOWN . . . . .               | 15  | -        | FP524       | PROPELLER (ACCESSORY<br>ITEM) . . . . .                        | 37  | 18       |
| FC510374    | DECAL, CIRCUIT BREAKER -<br>CANADA . . . . .                 | 9   | -        | FS409752    | FUEL LINE - COMPLETE. . .                                      | 43  | -        |
| FC522227    | SPARK PLUG (CHAMPION<br>QUL-77V) FOR CANADA . .              | 25  | -        | FS480955    | STARTER - COMPLETE. . . .                                      | 15  | -        |
| FC548010    | SHORT BLOCK. . . . .   | 27  | -        | FSA335260   | PISTON RINGS (3 PER SET)<br>.010 OVERSIZE . . . . .            | 29  | -        |
| FC550054    | GEAR HOUSING COMPLETE  | 39  | -        | FT1081      | SNAP RING PLIER . . . . .                                      | 50  | -        |
| FD368700    | KEY IGNITION - STAMPED D                                     | 9   | -        | FT1082      | SNAP RING PLIER . . . . .                                      | 49  | -        |
| FE368700    | KEY IGNITION - STAMPED E                                     | 9   | -        | FT2951      | CIRCUIT TRACER . . . . .                                       | 48  | -        |
| FG1020      | GASKET SET . . . . .   | 27  | 106      | FT2953      | SOCKET . . . . .   | 49  | -        |
| FK1063-1    | SEAL KIT . . . . .   | 41  | 74       | FT2961      | LUBRICANT - RYKON #2EP   | 52  | -        |
| FK1069      | WATER PUMP KIT . . . . .                                     | 41  | 75       | FT2962-1    | SEALANT - 50 CC LOCTITE<br>H, NON-HARDENING<br>GRADE . . . . . | 52  | -        |
| FK405020    | SWIVEL W/PIVOT SCREW<br>AND NUT . . . . .                    | 23  | 15       | FT2963-1    | SEALANT - 2 OZ. LOCTITE<br>D, HARDENING GRADE . . .            | 52  | -        |
| FK550128    | DRIVESHAFT W/BEARING,<br>SHIMS AND CRUSH RING                | 41  | 69       | FT2987-1    | LUBRICANT - ANTI-SEIZE . .                                     | 52  | -        |
| FK750-3     | SPARKIE . . . . .  | 13  | 44       | FT2990      | PISTON PIN TOOL . . . . .                                      | 49  | -        |
| FK85228     | BEARING CAGE W/ROLLER  | 29  | 7        | FT2995      | BEARING CUP INSTALLER . .                                      | 50  | -        |
| FO10165     | INLET SEAT GASKET . . . . .                                  | 19  | 75       | FT2996      | RING COMPRESSOR . . . . .                                      | 49  | -        |
| FO10588     | BODY CHANNEL CUP PLUG  | 17  | 39       | FT3012      | SEAL INSTALLER . . . . .                                       | 50  | -        |
| FO10790     | INLET NEEDLE, SEAT AND<br>GASKET . . . . .                   | 19  | 76       | FT8901      | INDICATOR HOLDER . . . . .                                     | 50  | -        |
| FO11103     | IDLE SCREW SPRING . . . . .                                  | 19  | 53       | FT8902      | DIAL INDICATOR . . . . .                                       | 50  | -        |
| FO13552     | FUEL BOWL . . . . .  | 19  | 67       | FT8903      | SEAL INSTALLER . . . . .                                       | 49  | -        |
| FO13554     | FLOAT . . . . .  | 19  | 69       | FT8905      | BEARING REMOVER . . . . .                                      | 50  | -        |
| FO13944     | FLOAT LEVER PIN . . . . .                                    | 19  | 68       | FT8906      | BEARING SUPPORT . . . . .                                      | 50  | -        |
| FO13945     | FUEL BOWL RETAINING<br>SCREW . . . . .                       | 19  | 65       | FT8907      | DRIVE HANDLE . . . . .   | 49  | -        |
| FO13966     | IDLE TUBE . . . . .  | 17  | 34       | FT8907      | DRIVER HANDLE . . . . .  | 50  | -        |
| FO14108     | MAIN FUEL JET (.064) OPT.<br>1500 FT. - 3000 FT. . . . .     | 19  | -        | FT8908      | SEAL INSTALLER . . . . .                                       | 50  | -        |
| FO14166     | IDLE SCREW . . . . .   | 19  | 54       | FT8909      | BEARING CUP INSTALLER . .                                      | 50  | -        |
| FO14167     | THROTTLE SHUTTER . . . . .                                   | 17  | 42       | FT8910      | BEARING CUP INSTALLER . .                                      | 50  | -        |
| FO14186     | MAIN FUEL JET (.060) OPT.<br>4500 FT. - 6000 FT. . . . .     | 19  | -        | FT8911      | DRIVESHAFT KNOCK-OFF<br>NUT . . . . .                          | 50  | -        |
| FO14187     | MAIN FUEL JET (.062) OPT.<br>3000 FT. - 4500 FT. . . . .     | 19  | -        | FT8914      | SEAL REMOVER . . . . .   | 49  | -        |
| FO14188     | MAIN FUEL JET (.066) STD.<br>SEA LEVEL - 1500 FT. . . .      | 19  | 52       | FT8915      | SEAL PROTECTOR . . . . .                                       | 50  | -        |
| FO14471     | CHOKE SHUTTER . . . . .                                      | 19  | 77       | FT8916      | BEARING INSTALLER . . . . .                                    | 50  | -        |
| FO15209     | MAIN NOZZLE . . . . .  | 21  | 93       | FT8917      | BEARING CUP REMOVER . . .                                      | 50  | -        |
| FO15230     | THROTTLE SHAFT AND<br>LEVER . . . . .                        | 19  | 50       | FT8918      | BEARING GUIDE SET . . . . .                                    | 50  | -        |
| FO15337     | MAIN FUEL JET (.058) OPT.<br>6000 FT. & UP. . . . .          | 19  | -        | FT8919      | SPRING PIN PUNCH . . . . .                                     | 50  | -        |
| FO15623     | FUEL BOWL GASKET . . . . .                                   | 19  | 71       | FT8920      | BEARING INSTALLER . . . . .                                    | 50  | -        |
| FO16008     | THROTTLE SHAFT RETURN<br>SPRING . . . . .                    | 19  | 51       | FT8922      | SLIDE HAMMER . . . . .   | 50  | -        |
|             |  |     |          | FT8924-1    | CHECKING GAUGE . . . . .                                       | 50  | -        |
|             |  |     |          | FT8925      | SEAL INSTALLER . . . . .                                       | 49  | -        |
|             |  |     |          | FT8925      | SEAL INSTALLER . . . . .                                       | 50  | -        |
|             |  |     |          | FT8926      | RING EXPANDER . . . . .  | 49  | -        |
|             |  |     |          | FT8927      | SEAL PROTECTOR . . . . .                                       | 49  | -        |

# PARTS INDEX

| Part Number   | Description  | Pg. | Ref. No. | Part Number | Description | Pg. | Ref. No. |
|---------------|--|-----|----------|-------------|-------------|-----|----------|
| FT8933        | LIFTING HOOK   | 49  | -        |             |             |     |          |
| FT8935        | SEALANT PRIMER - 6 OZ.   | 52  | -        |             |             |     |          |
| FT8936        | SEALANT - 2 CC LOCTITE<br>RETAINING COMPOUND<br>#75                  | 52  | -        |             |             |     |          |
| FT8948-1      | PULLER   | 48  | -        |             |             |     |          |
| FT8948-1      | PULLER   | 50  | -        |             |             |     |          |
| FT8950        | LEAKAGE TESTER   | 51  | -        |             |             |     |          |
| FT8953        | IGNITION TESTER  | 51  | -        |             |             |     |          |
| FT8955        | SEALANT - 5 OZ. EC-750<br>INDUSTRIAL SEALANT                         | 52  | -        |             |             |     |          |
| FT8957        | SEAL INSTALLER   | 50  | -        |             |             |     |          |
| FT8969        | LUBRICANT - 7 OZ. 2 PSI<br>LUBRICANT                                 | 52  | -        |             |             |     |          |
| FT8978        | TIMING LIGHT   | 48  | -        |             |             |     |          |
| FT8993        | SEALANT - 3 OZ. RTV<br>SEALANT FROM IN PLACE<br>GASKETS              | 52  | -        |             |             |     |          |
| FTA2937-1     | TIMING TOOL  | 48  | -        |             |             |     |          |
| FTA8981       | SPACER KIT   | 50  | -        |             |             |     |          |
| FTA8991       | TEST WHEEL   | 51  | -        |             |             |     |          |
| OB3061        | LITERATURE (NOT SHOWN)   | 47  | -        |             |             |     |          |
| T11211        | BOAT WHITE   | 53  | -        |             |             |     |          |
| T11212        | BOAT BLACK   | 53  | -        |             |             |     |          |
| T11230        | ORANGE   | 53  | -        |             |             |     |          |
| T11232        | METALLIC SILVER  | 53  | -        |             |             |     |          |
| T11233        | MEDIUM METALLIC SILVER   | 53  | -        |             |             |     |          |
| 22-817789A1   | DRAIN FITTING  | 19  | 64       |             |             |     |          |
| 22-818103--1  | ELBOW  | 19  | 61       |             |             |     |          |
| 31-817785A2   | CRANKSHAFT BEARING<br>CAGE W/SEAL                                    | 29  | 18       |             |             |     |          |
| 32-817738A1   | FUEL LINE LONG W/CLAMP<br>AND FERRULE                                | 43  | 10       |             |             |     |          |
| 33-97180      | SPARK PLUG (CHAMPION L-<br>20-V)                                     | 25  | 65       |             |             |     |          |
| 37-819450     | DECAL, REVERSE LOCK -<br>CANADA                                      | 33  | -        |             |             |     |          |
| 46-817853A1   | WATER PUMP   | 41  | -        |             |             |     |          |
| 46-817853A1   | WATER PUMP BODY<br>W/DRIVESHAFT SEAL,<br>DISC AND WATER LINE<br>SEAL | 39  | 60       |             |             |     |          |
| 84-817775A1   | COIL WIRE W/TERMINAL<br>CLIP - USA                                   | 11  | 29       |             |             |     |          |
| 87-817778A1   | THERMOSWITCH   | 27  | 88       |             |             |     |          |
| 300-817855A1  | UNIT   | 9   | 45       |             |             |     |          |
| 600-818052A4  | CONNECTING ROD W/CAP<br>AND SCREWS                                   | 29  | 6        |             |             |     |          |
| 700-817988A2  | PISTON .010 OVERSIZE   | 29  | -        |             |             |     |          |
| 700-818111A2  | PISTON .030 OVERSIZE   | 29  | -        |             |             |     |          |
| 700-F372015-3 | PISTON (STANDARD)  | 29  | 2        |             |             |     |          |
| 1400-817958A6 | STERN BRACKET  | 31  | 19       |             |             |     |          |