



PARTS CATALOG

20 H.P.

SERIAL NUMBER

20 (1980)202B0L
20 (1980)202H0L
20 (1980)203B0L
20 (1980)203H0L

TABLE OF CONTENTS:

ACCESSORIES	44
CARBURETOR	10
CRANKSHAFT AND PISTON GROUP	16
ENGINE COVER AND SUPPORT PLATE	2
FUEL PUMP	18
FUEL TANK AND LINE	36
GEAR HOUSING	34
HAND STARTER	6
MAGNETO	8
MOTOR LEG	30
PARTS INDEX	46
POWER HEAD	20
REED PLATE	14
SPECIAL TOOLS - LOWER UNIT	40
SPECIAL TOOLS - LUBRICANTS AND SEALANTS	42
SPECIAL TOOLS - POWER HEAD	39
SPECIAL TOOLS - REPAIR DECALS - ENGINE COVERS	43
SPECIAL TOOLS - TEST EQUIPMENT	41
SPECIAL TOOLS - TUNE-UP	38
SWIVEL BRACKET GROUP	26

NOTE: Indented description indicate that these parts are included in preceeding assembly.

AR = As Required

NSS = Not Sold Separate

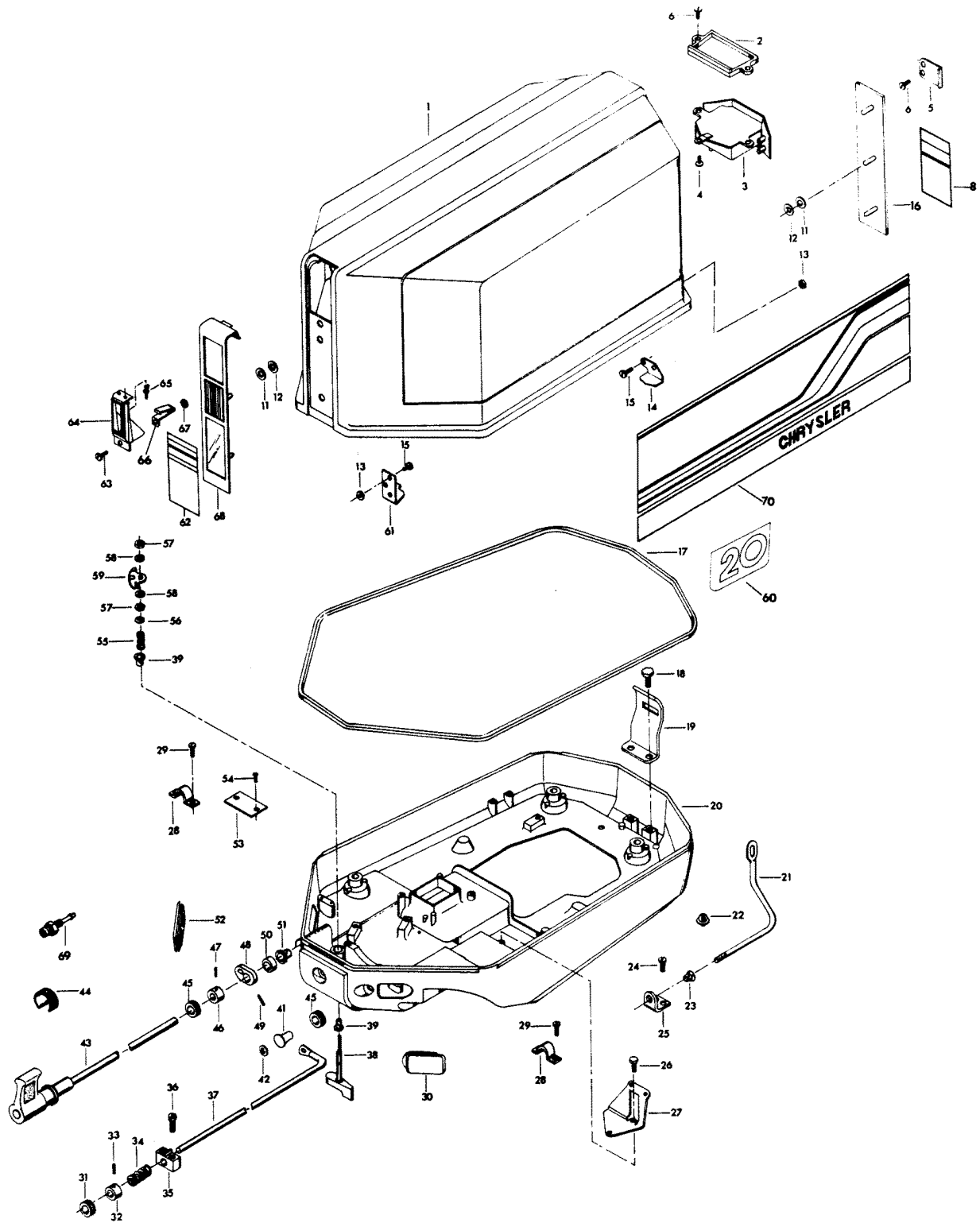
OPT = Optional

NS = Not Shown

THESE PARTS BOOKS/FICHE CARD ARE COPYRIGHTED AND MAY NOT BE DISTRIBUTED OR REPRODUCED IN ANY OTHER FORMAT BY ANYONE OTHER THAN MERCURY MARINE WITHOUT THE PRIOR WRITTEN CONSENT OF MERCURY MARINE.

THIS PAGE INTENTIONALLY LEFT BLANK

ENGINE COVER AND SUPPORT PLATE

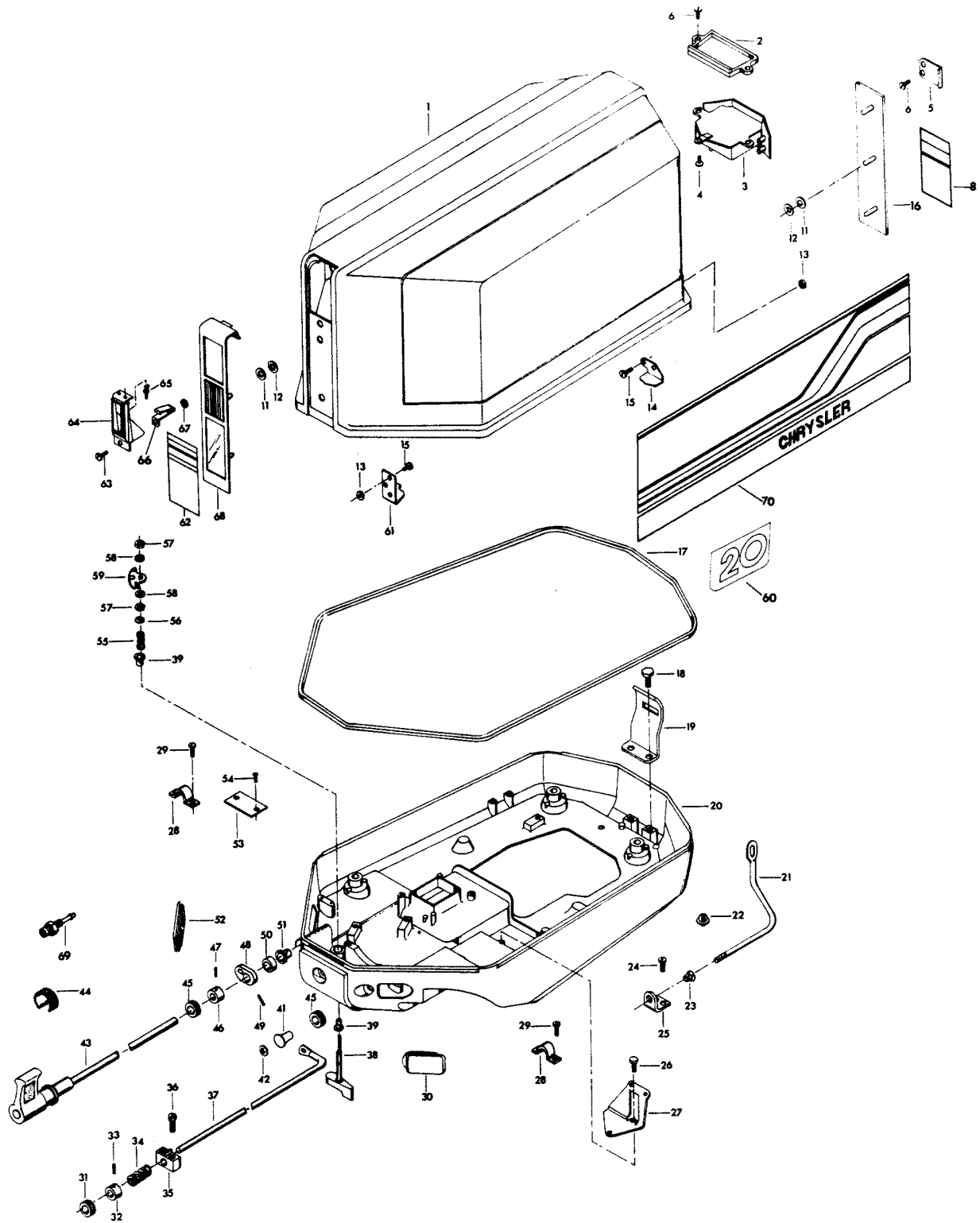


ENGINE COVER AND SUPPORT PLATE

REF. NO.	PART NO.	SYM.	QTY.	DESCRIPTION
1	FS529712		1	ENGINE COVER W/FRONT AND REAR RETAINERS
-	2C572712		1	ENGINE COVER - COMPLETE. INCLUDES ALL ITEMS MARKED WITH AN ASTERISK (*)
2	F458245-1		1	BAFFLE, TILT HANDLE
3	817842A1		1	TILT HANDLE
4	F2025		1	PAN HD SCREW, 10 X 5/8
5	F463864		2	RETAINER, TILT HANDLE
6	F2066		6	PAN HD SCREW, 10 X 7/16
8	FA543528		1	DECAL ENGINE COVER, REAR W/LITERATURE
11	F85735-1		5	SEAL
12	F1753		5	FASTENER
13	F7011		4	HEX NUT
14	FA458480		1	RETAINER, ENGINE COVER - REAR W/SCREWS AND NUTS
15	F1475		4	FILL HD SCREW, 10 - 24 X 1/2
17	F85756		1	PACKING, ENGINE COVER
18	F1502		2	HEX HD SCREW, 1/4 - 20 X 5/8
19	F461774		1	BRACKET, RETAINER - REAR
20	F458038-2		1	SUPPORT PLATE
21	F458503		1	CHOKE ROD
22	F1632		1	PLASTI-PLUG
23	F183818		1	BEARING, CHOKE ROD
24	F1760		2	PAN HD SCREW, 10 - 24 X 3/8
25	F324993		1	BRACKET, CHOKE ROD BEARING
26	F1545		2	HEX CAP SCREW, 1/4 - 20 X 1/2
27	F458371		1	BRACKET, REMOTE THROTTLE CABLE
28	F154317		2	CLAMP, REMOTE CABLE
29	F2107		4	SLOTTED FILL HD SCREW W/SPRING LOCKWASHER, 10 - 24 X 5/8
30	F324840-1		1	GROMMET, REMOTE THROTTLE CABLE
31	F183504		1	GROMMET, MAGNETO CONTROL SHAFT
32	FA343178		1	RETAINER, MAGNETO CONTROL SHAFT W/SET SCREW
33	F1859		1	HEX SOCKET HEADLESS SET SCREW, 1/4 - 28 X 3/16
34	F183300		1	SPRING, MAGNETO CONTROL SHAFT
35	F324689		1	BEARING, MAGNETO CONTROL SHAFT
36	F1087		2	FILL HD SCREW, 10 - 24 X 7/8
37	FA458838		1	MAGNETO CONTROL SHAFT
38	FA413469		1	COVER LATCH HANDLE W/SHAFT
39	F307818		2	BEARING, LATCH SHAFT
41	FA286547		1	CHOKE KNOB
42	F458677		1	INSERT, CHOKE KNOB
43	F2A504614		1	KNOB, GEAR SHIFT W/SHAFT AND INDICATOR
44	F461400		1	INDICATOR, GEAR SHIFT
-	FC461400		1	INDICATOR, GEAR SHIFT - CANADA
45	F24623-1		2	GROMMET, GEAR SHIFT CHOKE ROD

CONTINUED ON NEXT PAGE ➡

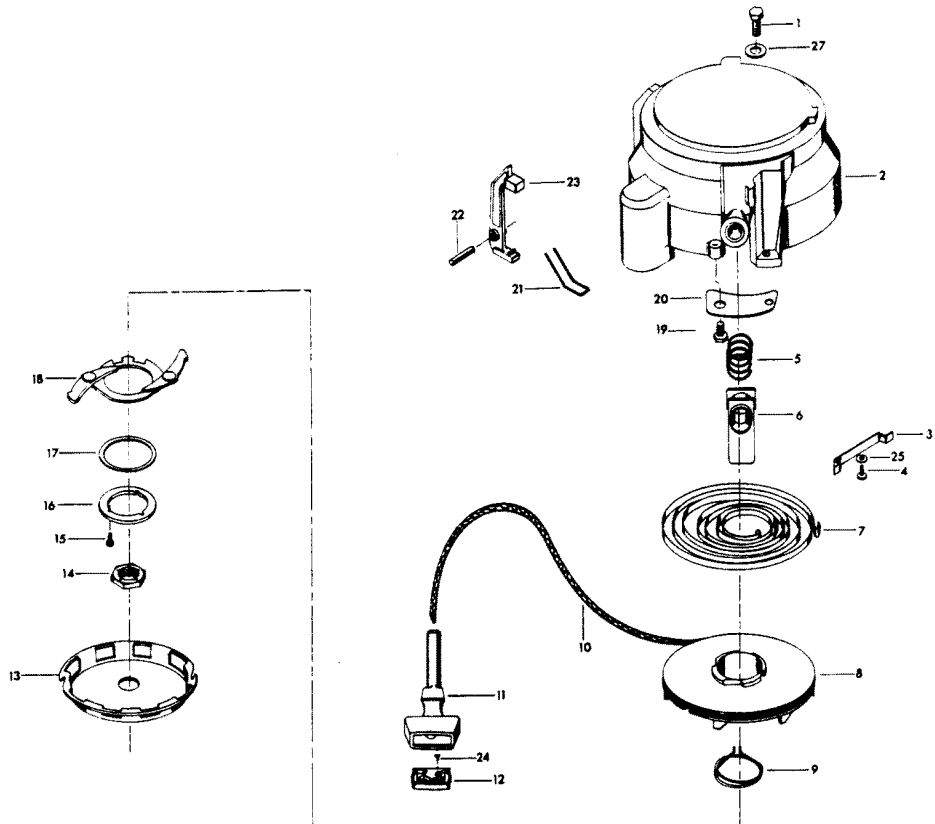
ENGINE COVER AND SUPPORT PLATE



ENGINE COVER AND SUPPORT PLATE

REF. NO.	PART NO.	SYM.	QTY.	DESCRIPTION
46	FA343178		1	RETAINER, GEAR SHIFT SHAFT W/SET SCREW
47	F1859		1	HEX SOCKET HEADLESS SET SCREW, 1/4 - 28 X 3/16
48	F504621		1	LEVER, GEAR SHIFT CONTROL
49	F1836		1	SPRING PIN
50	F504836		1	SPACER, GEAR SHIFT SHAFT
51	F307818		1	BEARING
52	F324840-1		1	GROMMET, REMOTE SHIFT CABLE
53	FA538395		1	PLATE, IDENTIFICATION W/SCREWS
54	F1447		2	DRIVE SCREWS
55	F183300		1	SPRING, LATCH SHAFT
56	F185764		1	RETAINING RING
57	F1515		2	HEX JAM NUT, 5/16 - 18
58	F8096		2	SPRING LOCKWASHER
59	F89777-1		1	CAM, ENGINE COVER LATCH
60	FA572386		2	DECAL NUMERAL 20 W/LITERATURE
61	FA458778		1	RETAINER, ENGINE COVER FRONT W/SCREWS AND NUTS
62	FA542892		1	DECAL ENGINE COVER - FRONT W/LITERATURE
63	F1760		1	PAN HD SCREW, 10 - 24 X 3/8
64	F458888-1		1	TRIM, STARTER HANDLE GUIDE
65	F2026		2	PLASTIC RIVET
66	FA458880		1	CLIP, STARTER GUIDE
67	F1473		1	HEX NUT, 10 - 24
68	F572711		1	PLATE, FRONT
69	F434767		1	BUSHING, FUEL LINE
70	FA572397		1	DECAL, ENGINE COVER - PORT W/LITERATURE
-	FA572396		1	DECAL, ENGINE COVER - STARBOARD W/LITERATURE

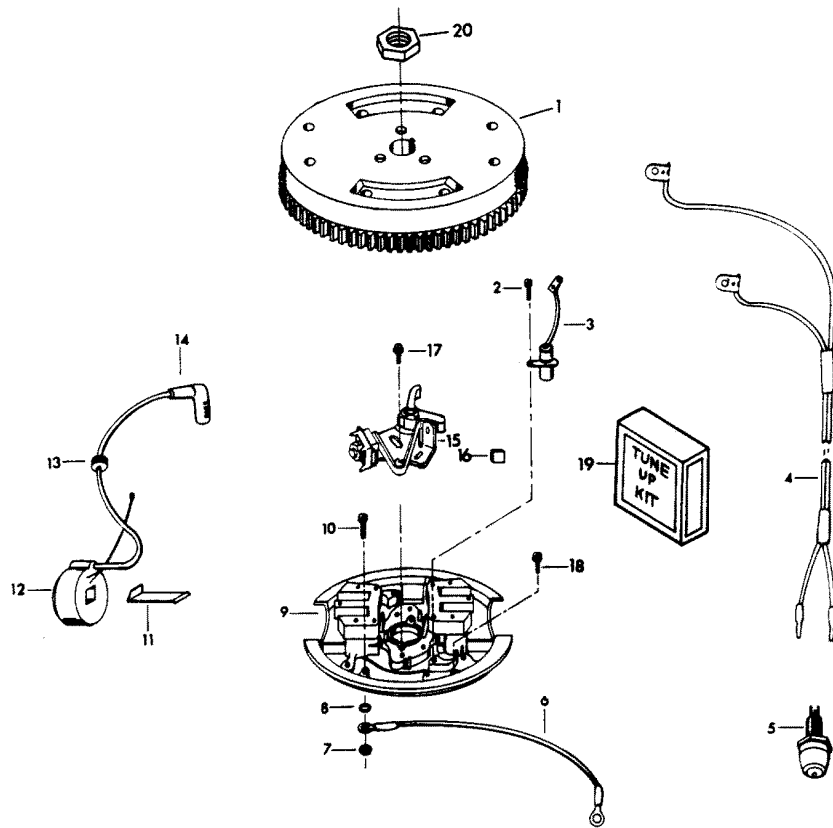
HAND STARTER



HAND STARTER

REF. NO.	PART NO.	SYM.	QTY.	DESCRIPTION
1	F1536		3	SLOTTED HEX HD SCREW, 1/4 - 20 X 3/4
2	817955A1		1	HOUSING, HAND STARTER
3	F458937		1	LINER, STARTER HOUSING
4	F1927		1	PAN HD SCREW, 10 - 32 X 3/8
5	F458071		1	SPRING, STARTER HANDLE GUIDE
6	F458953-1		1	GUIDE, STARTER HANDLE
7	F458970		1	SPRING, STARTER REWIND
8	F458239		1	STARTER PULLEY
9	F458424		1	SPRING, STARTER PAWL PLATE
10	F458232		1	STARTER ROPE
11	F458132		1	HANDLE, STARTER ROPE
12	817938A1		1	RETAINER, STARTER ROPE HANDLE W/LITERATURE ORIGINAL FORCE P/N K 286817-1
13	F458456		1	HAND STARTER COLLAR
14	F2021		1	FLYWHEEL NUT
15	F2004		3	FILL HD SCREW, 8 - 32 X 3/8
16	F458592		1	RETAINER, STARTER PULLEY
17	F9022		-	SHIM .006 (SILVER)
-	F9023		-	SHIM .007 (BRASS)
-	F9024		-	SHIM .010 (BLACK)
18	FA460423		1	STARTER PAWL PLATE ASSEMBLY
19	F2040		1	HEX HD MACHINE SCREW, 1/4 - 20 X 5/8
20	F461952		1	STRAP, HAND STARTER HOUSING
21	F458846		1	SPRING, STARTER INTERLOCK LEVER
22	F1638		1	SPRING PIN
23	F458003		1	STARTER INTERLOCK LEVER
24	F1500		1	RD HD SHEET METAL SCREW, 4 X 1/4
25	F8011		1	PLAIN WASHER
27	F2012		3	PLAIN WASHER

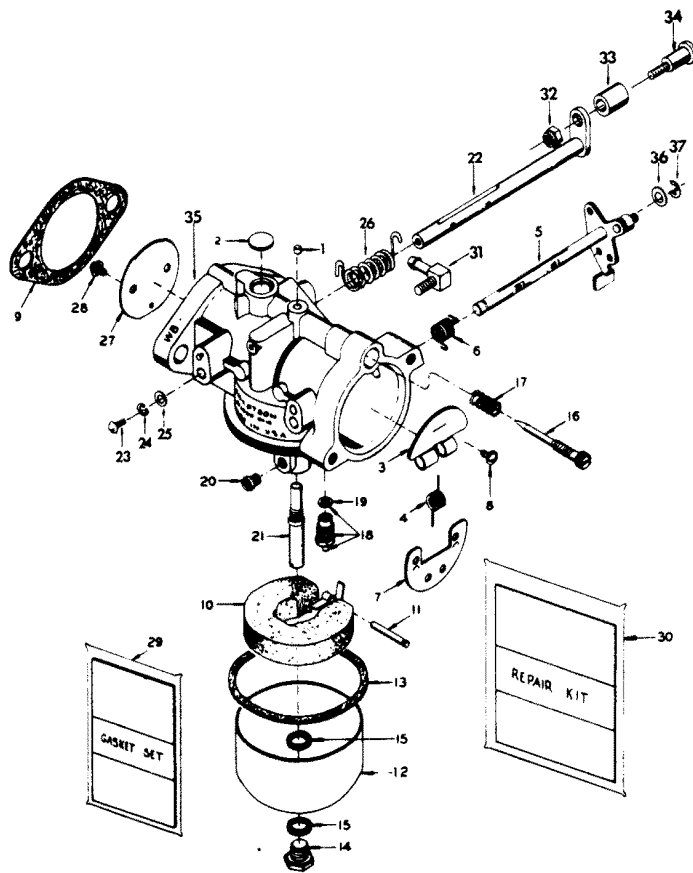
MAGNETO



MAGNETO

REF. NO.	PART NO.	SYM.	QTY.	DESCRIPTION
1	F460097-1		1	FLYWHEEL
2	F12170		2	CONDENSER MOUNTING SCREW
3	F12181-1		2	CONDENSER
4	F12186-1		1	GROUND LEAD
5	F436449		1	SHORTING SWITCH FOR MANUAL START MODELS
6	F4670664		1	STATOR GROUND WIRE
7	F1513		1	HEX NUT
8	F8059		1	SPRING LOCKWASHER
9	F12346		1	STATOR PLATE W/LAMINATIONS - USA
10	F1092		1	FILL HD SCREW, 10 - 32 X 5/8
11	F12146		2	COIL WEDGE SPRING
12	FA12370		2	COIL W/LEAD WIRE
13	F12088		2	GROMMET, LEAD WIRE
14	FK750-3		2	SPARKIE W/SPRING
15	F12153		2	BREAKER POINT SET
16	F12228		1	CAM WIPER FELT
17	F12170		4	CONTACT SCREW W/LOCKWASHER
18	F2010		3	FILL HD SCREW W/SPRING LOCKWASHER, 10 - 32 X 9/16
19	FK1066		1	TUNE UP KIT. INCLUDES ITEMS MARKED WITH AN ASTERISK (*) .
20	F2021		1	FLYWHEEL NUT 5/8 - 18

CARBURETOR

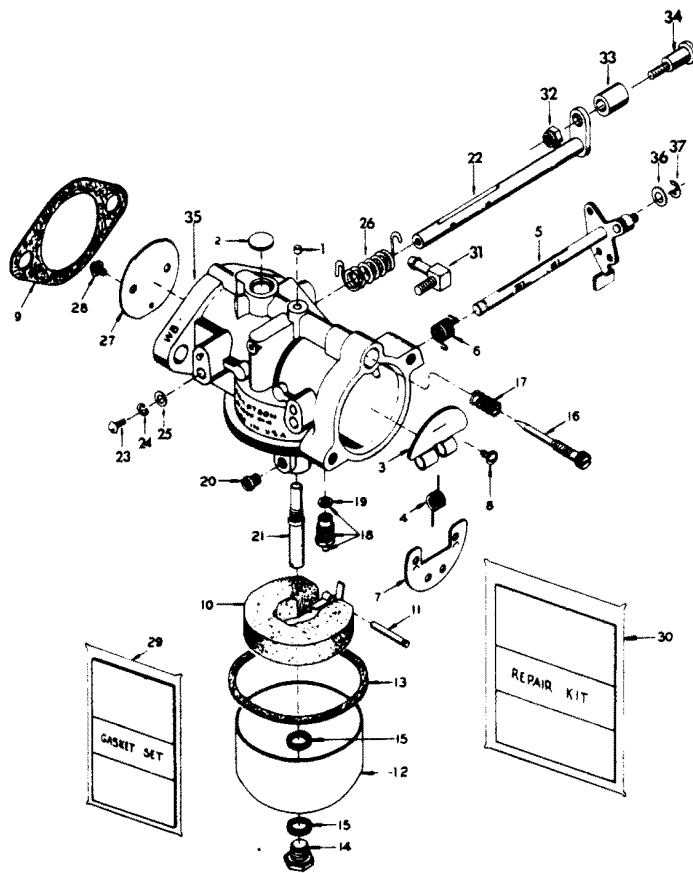


CARBURETOR

REF. NO.	PART NO.	SYM.	QTY.	DESCRIPTION
1	FO10588		1	BODY CHANNEL CUP PLUG
2	FO4326		1	BODY CHANNEL WELCH PLUG
3	FO12251		1	CHOKE RELIEF VALVE
4	FO10883		1	CHOKE RELIEF VALVE SPRING
5	FO16562		1	CHOKE SHAFT AND LEVER
6	FO16397		1	CHOKE SHAFT RETURN SPRING
7	FO12250		1	CHOKE SHUTTER
8	FO10280		2	CHOKE SHUTTER RETAINING SCREW AND LOCKWASHER
9	F40906-1		1	FLANGE GASKET
10	FO13554		1	FLOAT
11	FO13944		1	FLOAT LEVER PIN
12	FO13552		1	FUEL BOWL
13	FO15623		1	FUEL BOWL GASKET
14	FO13945		1	FUEL BOWL RETAINING SCREW
15	FO2510		2	FUEL BOWL RETAINING SCREW GASKET
16	FO14166		1	IDLE MIXTURE SCREW
17	FO11103		1	IDLE MIXTURE SCREW SPRING
18	FO10790		0	INLET NEEDLE, SEAT AND GASKET INLET NEEDLE, SEAT AND GASKET
19	FO10165		1	INLET SEAT GASKET
20	FO14188		1	MAIN FUEL JET STD. .066 SEAL LEVEL - 1250 FT.
-	FO14108		-	MAIN FUEL JET OPT. .064 1250-3750 FT.
-	FO14187		-	MAIN FUEL JET OPT. .064 1250-3750 FT.
-	FO14186		-	MAIN FUEL JET OPT. .060 6250-8250 FT. OPTIONAL SIZE MAIN FUEL JETS ARE TO BE USED ONLY AT ALTITUDES INDICATED.
21	FO15213		1	MAIN NOZZLE
22	FO16561		1	THROTTLE SHAFT AND LEVER
23	FO6393		1	THROTTLE SHAFT POSITION RETAINING SCREW
24	FO6396		1	THROTTLE SHAFT POSITION RETAINING SCREW LOCKWASHER
25	FO3804		1	THROTTLE SHAFT POSITION RETAINING SCREW WASHER
26	FO16563		1	THROTTLE SHAFT RETURN SPRING
27	FO17639		1	THROTTLE SHUTTER
28	FO8942		1	THROTTLE SHUTTER RETAINING SCREW AND LOCKWASHER
29	F10025		1	GASKET SET
30	F10027		1	REPAIR PARTS KIT INCLUDES ALL ITEMS MARKED WITH AN ASTERISK (*) .
31	F84314-2		1	ELBOW
32	F1997		1	LOCK NUT

CONTINUED ON NEXT PAGE ➡

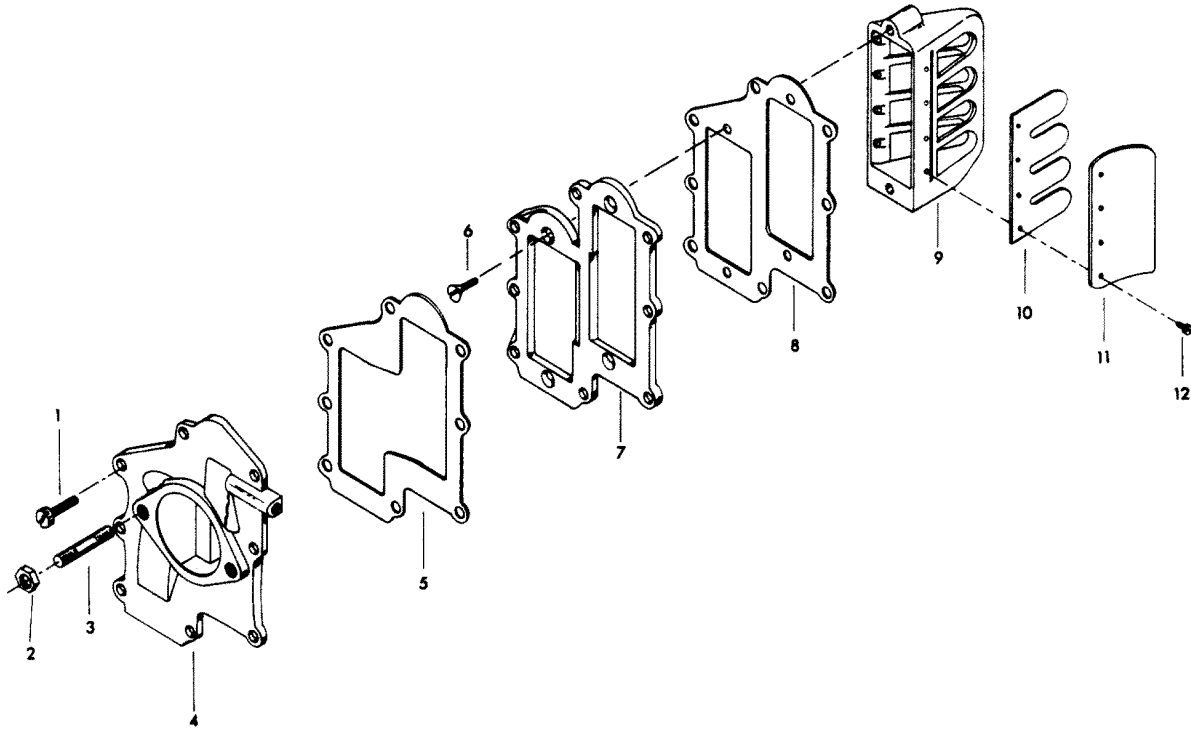
CARBURETOR



CARBURETOR

REF. NO.	PART NO.	SYM.	QTY.	DESCRIPTION
33	F92759		1	ROLLER, THROTTLE CAM FOLLOWER
34	F333316		1	SHAFT, THROTTLE ROLLER
35	F461061-2		1	CARBURETOR COMPLETE (WB19C)
36	F8011		1	PLAIN WASHER
37	F90807		1	RETAINER, CHOKE ROD FOR MANUAL START MODELS

REED PLATE

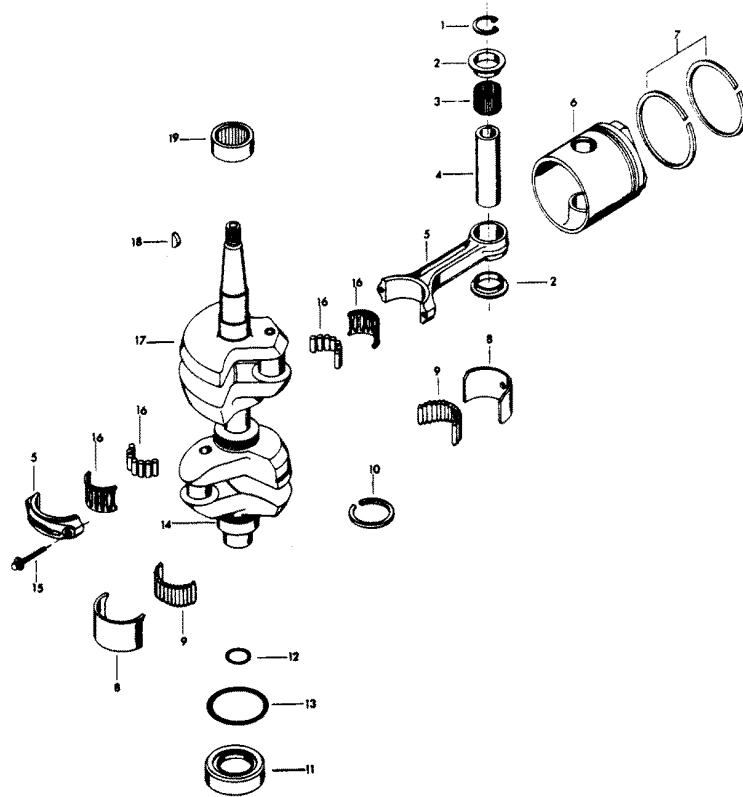


9

REED PLATE

REF. NO.	PART NO.	SYM.	QTY.	DESCRIPTION
1	F1915		8	HEX HD SCREW, 1/4 - 20 X 7/8
2	F1515		2	HEX NUT, 5/16 - 18
3	F40209		2	CARBURETOR STUD
4	FA458167		1	CARBURETOR ADAPTER W/ILLUSTRATION 3
5	F433168		1	GASKET, CARBURETOR ADAPTER W/STUDS
6	F1141		4	FLAD HD SCREW, 10 - 24 X 1/2
7	F433404		1	DEFLECTOR PLATE
8	F433406		1	GASKET, DEFLECTOR PLATE
9	FA458158		2	REED PLATE W/REEDS, STOPS AND SCREWS
10	F316160		4	REED
11	F502161		4	REED STOP
12	F1755		16	ROUND HD SCREW W/LOCKWASHER, 6 - 32 X 5/16

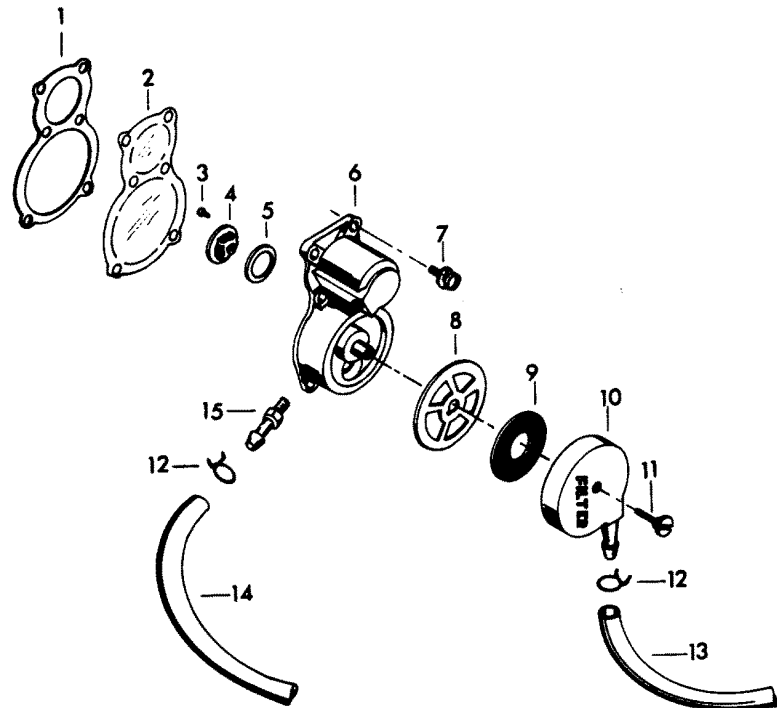
CRANKSHAFT AND PISTON GROUP



CRANKSHAFT AND PISTON GROUP

REF. NO.	PART NO.	SYM.	QTY.	DESCRIPTION
1	F90096		4	RETAINER, PISTON PIN
2	F366215		4	SPACER, PISTON PIN
3	F335217-1		2	BEARING, PISTON PIN
4	F458017		2	PISTON PIN
5	600-818052A4		2	CONNECTING ROD W/CAP AND SCREWS
6	F458015-1		2	PISTON
7	FA458260		1	PISTON RING SET (4 PER SET)
8	FA458655		1	LINER, CENTER MAIN
9	FA458571		1	ROLLER, CENTER MAIN
10	F458579		1	SEAL, CRANKCASE
11	F2A458581		1	COLLAR W/LOWER CRANKCASE SEAL
12	F461342		1	SEAL, DRIVESHAFT SPLINE
13	F455305		1	SEAL, CRANKSHAFT COLLAR
14	FA286018		1	CRANKSHAFT LOWER MAIN BEARING
15	F85634-2		4	SCREW, CONNECTING ROD
16	FK85228		2	BEARING CAGE W/ROLLERS (16 PER SET)
17	400-818058A1		1	CRANKSHAFT W/LOWER MAIN BEARING (MANUAL START MODELS)
18	F458498		1	FLYWHEEL KEY (MANUAL START MODELS)
19	F458028		1	BEARING, CRANKSHAFT UPPER MAIN
-	FSA458260		1	PISTON RINGS (4 PER SET) .010 OVERSIZE (NOT SHOWN)
-	39-818119A1		1	PISTON RINGS (4 PER SET) .030 OVERSIZE (NOT SHOWN)
-	FSA458015		2	PISTON .010 OVERSIZE (NOT SHOWN)
-	700-818118A1		2	PISTON .030 OVERSIZE (NOT SHOWN)

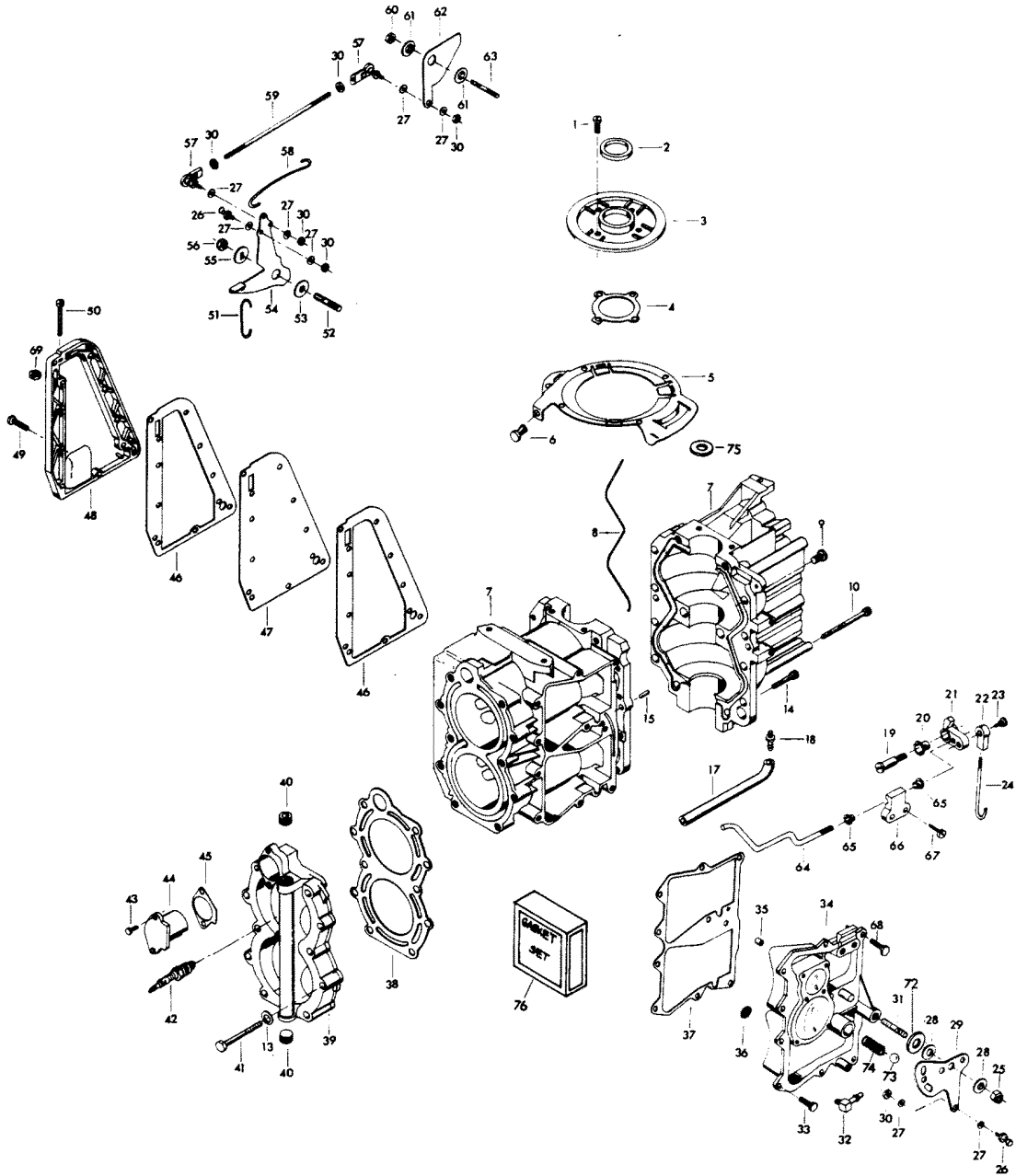
FUEL PUMP



FUEL PUMP

REF. NO.	PART NO.	SYM.	QTY.	DESCRIPTION
1	F438760		1	FUEL PUMP GASKET
2	F438747		1	FUEL PUMP DIAPHRAGM
3	F1860		2	BINDING HD MACHINE SCREW, 6 - 32 X 1/4
4	F177330		3	FUEL PUMP VALVE
5	F84792		3	FUEL PUMP VALVE GASKET
6	FA438431		1	FUEL PUMP BODY W/VALVES
7	F1108		6	FILL HD MACHINE SCREW W/LOCKWASHER, 1/4 - 20 X 34
8	F438617		1	GASKET, FUEL PUMP BOWL
9	F438653		1	SCREEN, FUEL PUMP
10	F438500		1	FUEL PUMP BOWL
11	F438165		1	SCREW, FUEL PUMP BOWL
12	F97772		4	FUEL LINE CLAMP
13	FA85754-1		1	HOSE, FUEL PUMP TO BUSHING W/FERRULE
14	F458754		1	HOSE, FUEL PUMP TO CARBURETOR
15	F438801		1	FITTING, FUEL PUMP BODY

POWER HEAD

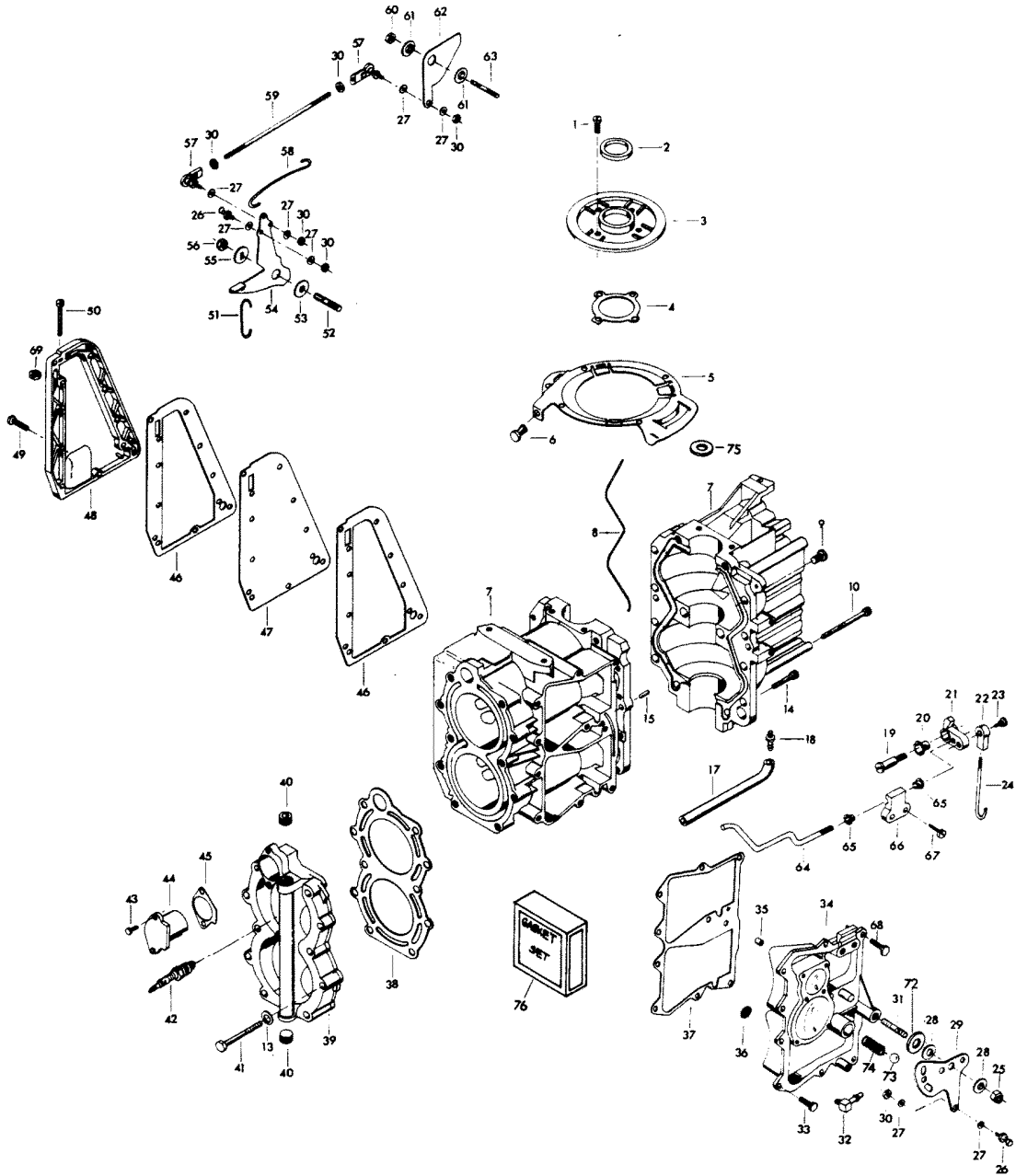


POWER HEAD

REF. NO.	PART NO.	SYM.	QTY.	DESCRIPTION
1	F1107		4	FILL HD SCREW, 1/4 - 20 X 3/4
2	F458146		1	SEAL, CRANKSHAFT UPPER MAIN
3	FA458144		1	CRANKSHAFT BEARING CAGE
4	F458277		1	GASKET, CRANKSHAFT BEARING CAGE
5	FA504082		1	MAGNETO STATOR RING W/ILLUSTRATION 75 ON PAGE 14
6	F1727		1	PLASTI-RIVET
7	A458010		1	CYLINDER W/CRANKCASE COVER, SCREWS AND DOWEL PINS
-	C461010		1	SHORT BLOCK FOR HAND START MODELS (NOT SHOWN). SHORT BLOCK INCLUDES ALL ITEMS MARKED WITH AN ASTERISK (*). ALSO REFER TO CRANKSHAFT PAGE.
8	F269122-1		1	SEAL, CRANKCASE PARTING LINE
9	F1864		8	HEX SLOTTED HD SCREW, 1/4 - 20 X 3/4
10	F2005		2	HEX SOCKET HD CAP SCREW, 5/16 - 18 X 2 3/4
13	F1739		10	PLAIN WASHER, FOR HAND START MODELS
-	F1739		7	PLAIN WASHER, FOR ELECTRIC START MODELS
14	F2013		4	HEX SOCKET HD CAP SCREW, 5/16 - 18 X 1 1/4
15	F8559		1	DOWEL PIN
17	FA458254		1	HOSE, DRAIN W/CHECK VALVE
18	F366801		1	FITTING
19	F85026		1	SWIVEL, SHIFT INTERLOCK LEVER
20	F307818		1	BEARING
21	F458977-3		1	LEVER, SHIFT INTERLOCK
22	F84035-2		1	BEARING, SHIFT INTERLOCK ROD
23	F84026		1	SWIVEL SHIFT INTERLOCK BEARING
24	F458531		1	ROD, SHIFT INTERLOCK
25	F7004		1	LOCK NUT, 3/8 - 16
26	F98273		2	ROD END CONNECTOR STUD
27	F8058		8	INTERNAL TOOTH LOCKWASHER
28	F269052		2	BEARING, SHIFT LEVER
29	817808A2		1	LEVER, GEAR SHIFT
30	F1513		6	HEX NUT, 10 - 32
31	F440209		1	STUD, GEAR SHIFT LEVER
32	F436314-1		1	ELBOW, DRAIN HOSE
33	F1922		1	HEX HD SCREW, 1/4 - 20 X 5/8
34	FA504222		1	TRANSFER PORT COVER W/ITEM 35
35	21-817741A1		2	CHECK VALVE W/LITERATURE ORIGINAL FORCE P/N A 213740-1
36	F429811		1	SCREEN, CYLINDER DRAIN
37	F458223		1	GASKET, TRANSFER PORT COVER
38	F458529		1	GASKET, CYLINDER HEAD
39	FA458518		1	CYLINDER HEAD W/PLUGS
40	F458109		2	PLUG, CYLINDER HEAD
41	F458036		10	SCREW, CYLINDER HEAD

CONTINUED ON NEXT PAGE ➡

POWER HEAD

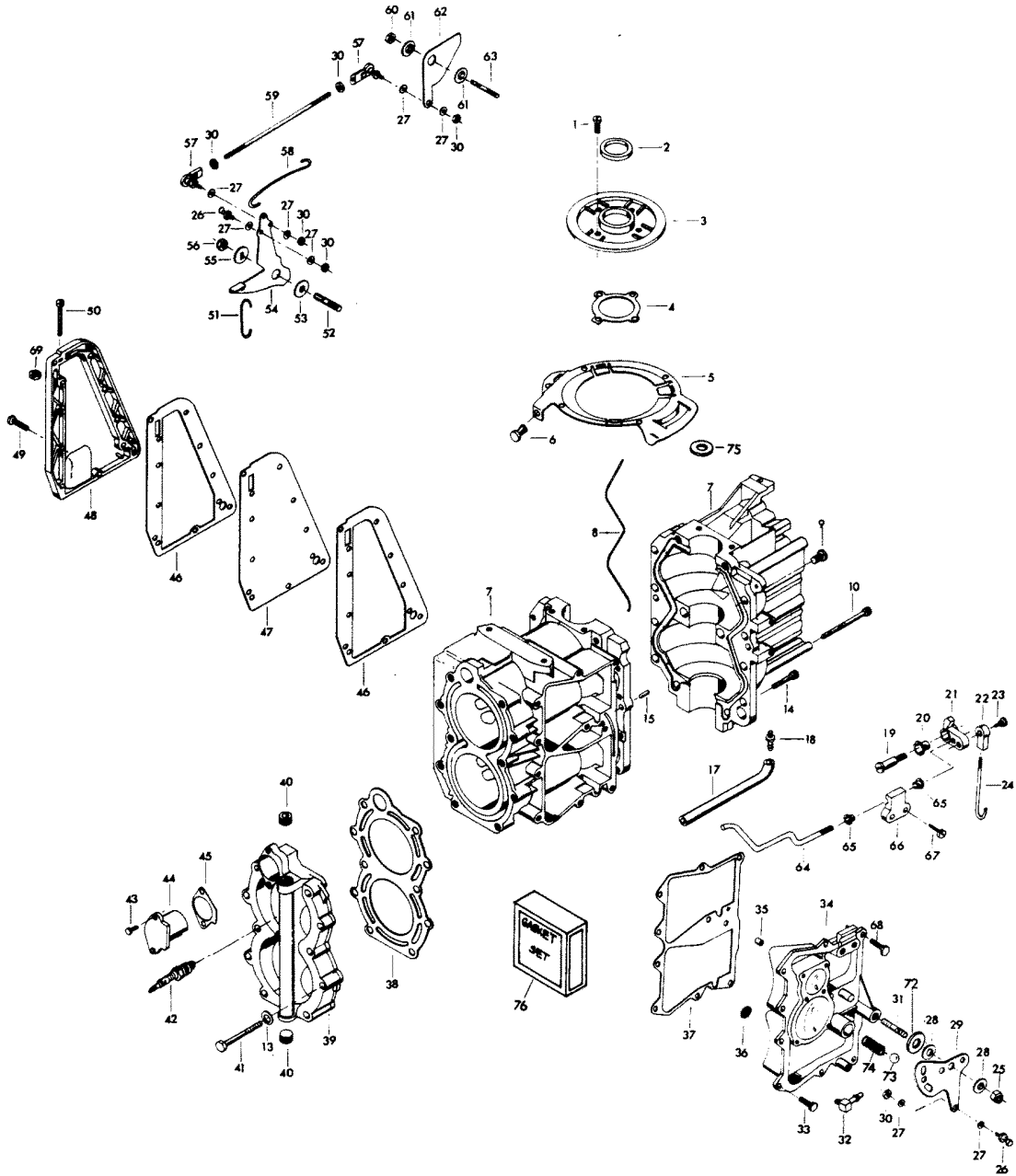


POWER HEAD

REF. NO.	PART NO.	SYM.	QTY.	DESCRIPTION
42	FS174227		1	SPARK PLUG (L-4-J)
-	FC235227		2	SPARK PLUG - CANADA (RL-4-J)
43	F1854		1	HEX CAP SCREW, 1/4 - 20 X 5/8
44	F458066		1	THERMOSTAT COVER
45	F458067		1	GASKET, THERMOSTAT COVER
46	F458154		2	GASKET, EXHAUST PORT PLATE
47	F458151		1	EXHAUST PORT PLATE
48	F458152		1	EXHAUST PORT COVER
49	F1532		10	HEX HD SCREW, 1/4 - 20 X 1
50	F1072		1	FILL HD SCREW, 1/4 - 20 X 3/4
51	F458445		1	LINK MAGNETO CONTROL SHAFT
52	F286440		1	STUD, MAGNETO CONTROL LEVER
53	F183813		1	BEARING
54	F2A458081		1	MAGNETO CONTROL LEVER W/CONNECTOR STUD
55	F286282		1	WASHER
56	F1803		1	STOP NUT
57	817747--1		2	JOINT BALL ASSEMBLY
58	F458509		1	LINK, MAGNETO STATOR
59	F458502		1	ROD, THROTTLE CAM
60	F1910		1	LOCK NUT
61	F269319		2	BEARING, THROTTLE CAM
62	F458192		1	THROTTLE CAM
63	F433209-1		1	STUD, THROTTLE CAM
64	F504809		1	ROD, STARTER INTERLOCK
65	F504052		2	BEARING
66	F504527		1	CAP, INTERLOCK
67	F1075		2	FILL HD M. SCREW, 10 - 24 X 1/2
68	F1502		9	HEX CAP SCREW, 1/4 - 20 X 5/8
69	F1341		0	1 HEX NUT
72	F2014		1	PLAIN WASHER
73	F458727		1	BALL SHIFT LEVER DETENT
74	F183300		1	SPRING, SHIFT DETENT
75	F8000		1	PLAIN WASHER
76	FG1010		1	GASKET SET (INCLUDES THE FOLLOWING ITEMS)
-	F40906-1		1	GASKET, CARBURETOR
-	F433168		1	GASKET, CARBURETOR ADAPTER
-	F433406		1	DEFLECTOR PLATE GASKET
-	F438617		1	FUEL PUMP BOWL GASKET
-	F438760		1	FUEL PUMP GASKET
-	F458067		1	THERMOSTAT COVER GASKET
-	F458154		2	EXHAUST PORT PLATE
-	F458223		1	TRANSFER PORT COVER GASKET
-	F458277		1	CRANKSHAFT BEARING CAGE GASKET

CONTINUED ON NEXT PAGE ➡

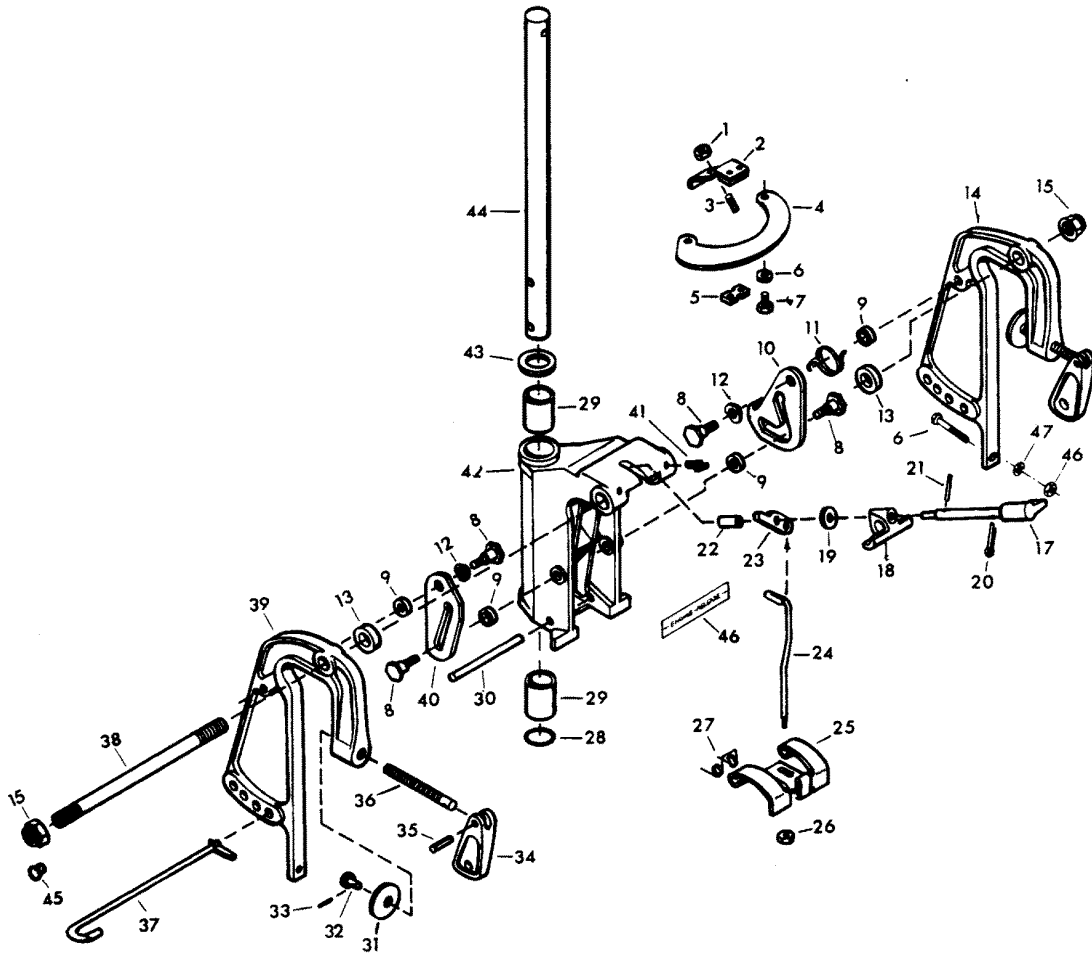
POWER HEAD



POWER HEAD

REF. NO.	PART NO.	SYM.	QTY.	DESCRIPTION
-	F458279		1	CYLINDER EXHAUST GASKET
-	F458453		1	LEG EXHAUST GASKET
-	F458529		1	CYLINDER HEAD GASKET

SWIVEL BRACKET GROUP

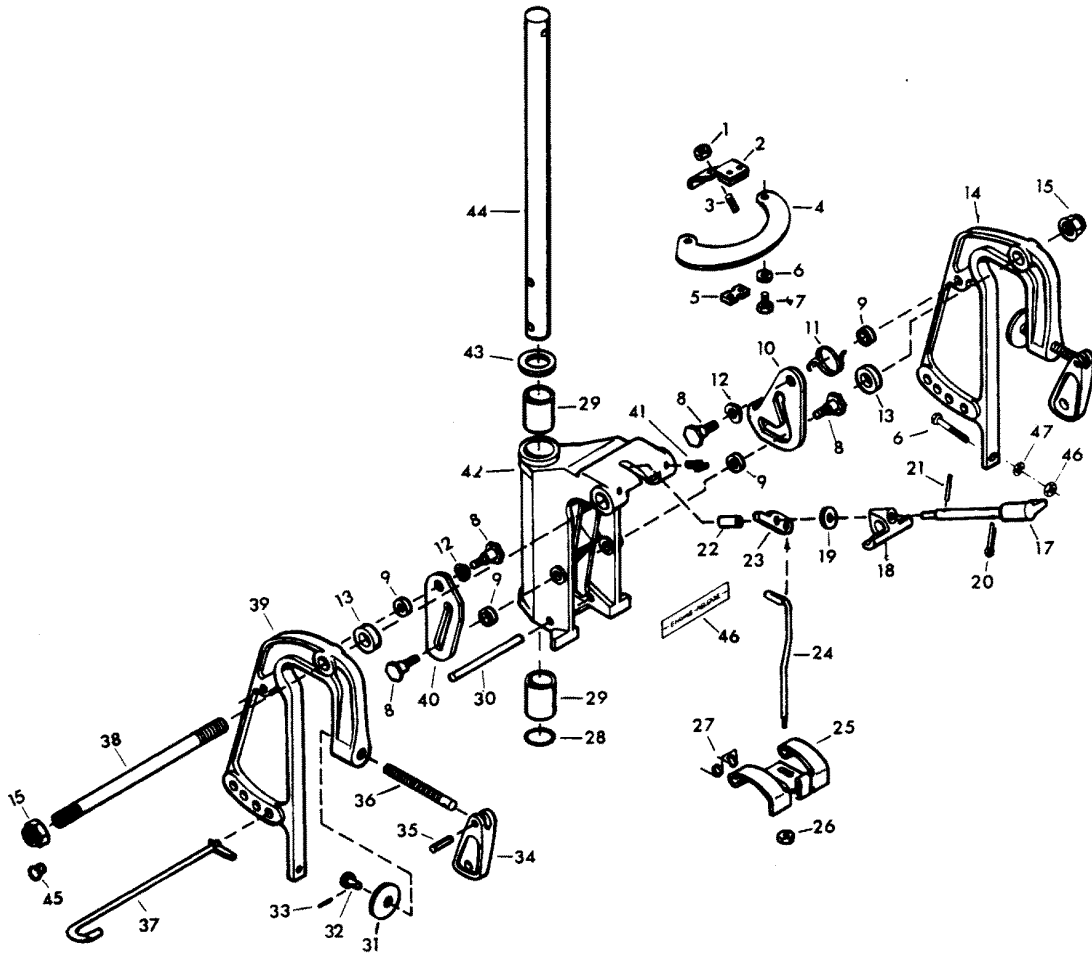


SWIVEL BRACKET GROUP

REF. NO.	PART NO.	SYM.	QTY.	DESCRIPTION
1	F7024		1	STOP NUT
2	817882A1		1	FRICION SHOE ADJUSTING ARM ASSEMBLY
3	F901822-1		1	STUD, SWIVEL BRACKET
4	F901775		1	PLATE, FRICTION SHOE
5	F901631-1		1	FRICTION SHOE
6	F8083		2	SPRING LOCKWASHER
7	F1689		2	HEX CAP SCREW, 1/4 - 20 X 1/2
8	F286422-1		4	PIVOT, TILT LOCK
9	F286451		4	SPACER, TILT LOCK
10	F436541		1	TILT LOCK (PORT)
11	F286544-1		1	SPRING, TILT LOCK
12	F1666		2	BOWED SPRING LOCKWASHER
13	F529286		2	WASHER, SWIVEL BRACKET FRICTION
14	FS529532		1	STERN BRACKET PORT W/CLAMP SCREW AND FOOT
15	F1600		2	LOCK NUT, 7/8 - 14
17	F483827		1	LEVER, REVERSE LOCK
18	F529726		1	BEARING
19	F8094		1	PLAIN WASHER
20	F1014		1	COTTER PIN
21	F1836		1	SPRING PIN
22	F483884		1	BEARING
23	F366364		1	ARM, REVERSE LOCK
24	F483510-1		1	LINK, REVERSE LOCK
25	F483349-1		1	REVERSE LOCK
26	F1669		1	NUT
27	F483300		1	SPRING
28	F458783		1	SEAL, SWIVEL BRACKET
29	F901169-1		2	BEARING, SWIVEL BRACKET
30	F2095		1	SPRING PIN
31	F24074		2	CLAMP SCREW FOOT
32	F66480		2	STUD
33	F8537		2	SPRING PIN
34	F288075		2	HANDLE, STERN BRACKET CLAMP SCREW
35	F1638		2	SPRING PIN
36	817776A3		2	STERN BRACKET CLAMP SCREW W/FOOT, STUD AND HANDLE
37	FA324113		1	STERN BRACKET LOCK BAR W/END
38	F529125-1		1	TUBE, PIVOT STEERING
39	FS529032		1	STERN BRACKET STARBOARD W/CLAMP SCREW AND FOOT
40	F385433		1	TILT STOP
41	F213274		3	GREASE FITTING
42	FA529072		1	SWIVEL BRACKET W/BEARINGS AND GREASE FITTINGS

CONTINUED ON NEXT PAGE ➡

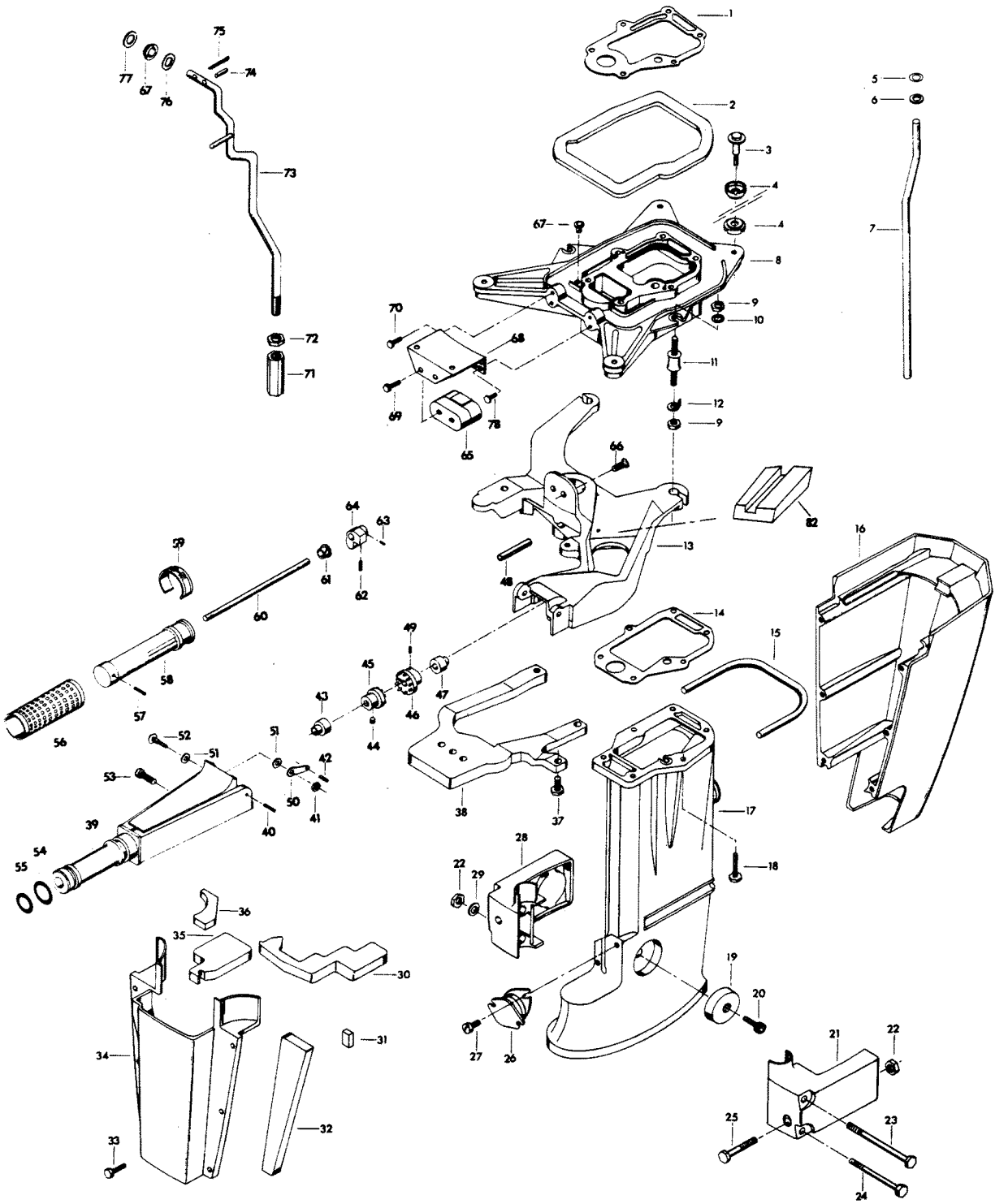
SWIVEL BRACKET GROUP



SWIVEL BRACKET GROUP

REF. NO.	PART NO.	SYM.	QTY.	DESCRIPTION
43	F901011		1	WASHER, SWIVEL BRACKET
44	F458019		1	KINGPIN
45	F9018		2	CAP, PIVOT STEERING TUBE
46	F529390-1		1	DECAL, REVERSE LOCK - USA
-	FC529390		1	DECAL, REVERSE LOCK - CANADA

MOTOR LEG

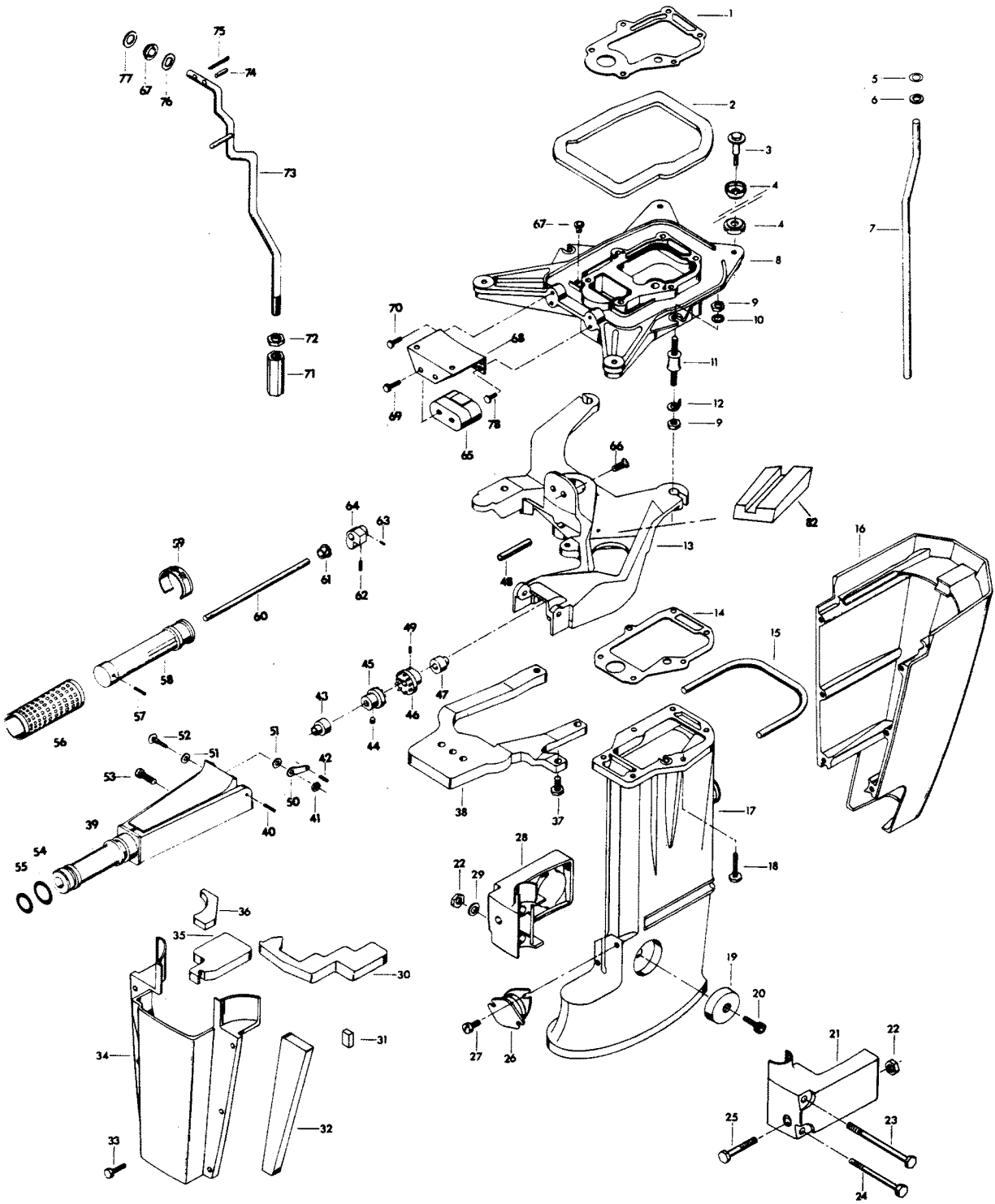


MOTOR LEG

REF. NO.	PART NO.	SYM.	QTY.	DESCRIPTION
1	F458279		1	GASKET, CYLINDER EXHAUST
2	F183756-1		1	PACKING, SUPPORT PLATE
3	F458887		4	FASTENER, SUPPORT PLATE MOUNT
4	F458347		8	MOUNT, SUPPORT PLATE
5	F24342		1	SEAL, WATER LINE UPPER
6	F8039		1	PLAIN WASHER
7	F458244-1		1	INLET WATER LINE
8	F458963		1	PLATE, SHOCK MOUNT
9	F1346		4	HEX NUT, 3/8 - 16
10	F1778		2	PLAIN WASHER
11	F458962		2	MOUNT, SIDE UPPER
12	F458076		2	TAB, SHOCK MOUNT SIDE
13	817809A1		1	PLATE, KINGPIN MOUNTING
14	F458453		1	GASKET, LEG EXHAUST
15	F458322		2	PACKING, LEG COVER REAR
16	818057A1		1	LEG COVER REAR W/PACKING
17	F458133		1	MOTOR LEG
18	F458166-2		6	SCREW, MOTOR LEG TO CYLINDER
19	F462962		2	SHOCK MOUNT, LOWER SIDE
20	F1263		2	HEX SOCKET HD CAP SCREW, 5/16 - 18 X 9/16
21	F458973-1		1	COVER, SHOCK MOUNT PORT
22	F1515		4	HEX NUT, 5/16 - 18
23	F2006		1	HEX CAP SCREW, 5/16 - 18 X 4 3/4
24	F2007		1	HEX CAP SCREW, 5/16 - 18 X 4
25	F1696		2	HEX CAP SCREW, 5/16 - 18 X 1 3/4
26	F183346-1		1	SHOCK MOUNT LOWER THRUST
27	F1129		2	FILL HD SCREW, 5/16 - 18 X 1/2
28	F458972-1		1	COVER, SHOCK MOUNT STARBOARD
29	F8096		2	SPRING LOCKWASHER
30	F458320		1	PACKING, LEG COVER FRONT UPPER PORT
31	F458323-1		3	PACKING, LEG COVER FRONT
32	F458312		2	PACKING, LEG COVER SIDE
33	F1536		6	HEX CAP SCREW, 1/4 - 20 X 3/4
34	818056A2		1	LEG COVER FRONT W/PACKING
35	F458324		1	PACKING, LEG COVER FRONT UPPER STARBOARD
36	F458315		2	PACKING, LEG COVER SIDE UPPER
37	F1745		3	HEX HD SCREW W/SPRING LOCKWASHER, 5/16 - 18 X 1
38	F385647		1	CARRYING HANDLE
39	F458079		1	STEERING HANDLE
40	F1664		1	SPRING PIN
41	F1832		1	HEX LOCK NUT
42	F8550		1	SPRING PIN
43	F295689		1	BEARING, STEERING HANDLE GEAR

CONTINUED ON NEXT PAGE ➡

MOTOR LEG



MOTOR LEG

REF. NO.	PART NO.	SYM.	QTY.	DESCRIPTION
44	F1954		1	HEX SOCKET HEADLESS SET SCREW, 5/16 - 24 X 1/4
45	F413815		1	GEAR, STEERING HANDLE
46	F288691		1	GEAR, MAGNETO CONTROL SHAFT
47	F288689		1	BEARING, MAGNETO CONTROL SHAFT
48	F1663		1	SPRING PIN
49	F1642		1	SOCKET HD CAP SCREW, 10 - 24 X 3/4
50	F295457		1	RETAINING WASHER STEERING HANDLE PIVOT
51	F295175		2	WASHER, STEERING HANDLE PIVOT BOLT
52	F295080		1	STEERING HANDLE PIVOT BOLT
53	F458519		1	SCREW, TILLER IDLE STOP
54	F53795-1		1	SEAL, STEERING HANDLE GRIP
55	F215795		1	SEAL, STEERING HANDLE GRIP
56	F458695		1	SLEEVE
57	F8548		1	SPRING PIN
58	FA456137		1	GRIP, STEERING HANDLE W/SLEEVE
59	F286894-3		1	INDICATOR, SPEED CONTROL - CANADA
-	37-F286894-3		1	INDICATOR SPEED CONTROL - CANADA
60	F458688		1	SHAFT, STEERING HANDLE
61	F85610		1	BEARING, STEERING HANDLE SHAFT
62	F458690		1	SCREW, THROTTLE STOP
63	F1978		1	SPRING PIN
64	F458198		1	THROTTLE STOP
65	F203965		1	SHOCK MOUNT UPPER THRUST
66	F1160		2	FLAT HD SCREW, 1/4 - 28 X 5/8
67	F85610		2	BEARING
68	F40956		1	BRACKET, SHOCK MOUNT UPPER THRUST
69	F1211		2	HEX HD SCREW W/SPRING LOCKWASHER, 1/4 - 28 X 5/8
70	F1472		2	HEX SLOT HD SCREW W/LOCKWASHER, 1/4 - 20 X 3/4
71	F141704		1	COUPLING, GEAR SHIFT ROD
72	F1349		1	HEX NUT
73	F458615		1	GEAR SHIFT ROD UPPER
74	F1978		1	SPRING PIN
75	F1020		1	COTTER PIN
76	F8049		1	BOWED SPRING WASHER
77	F1739		1	PLAIN WASHER
78	F1540		2	HEX CAP SCREW, 1/4 - 20 X 5/8
82	F458345		1	PAD, KING PIN MOUNTING

GEAR HOUSING

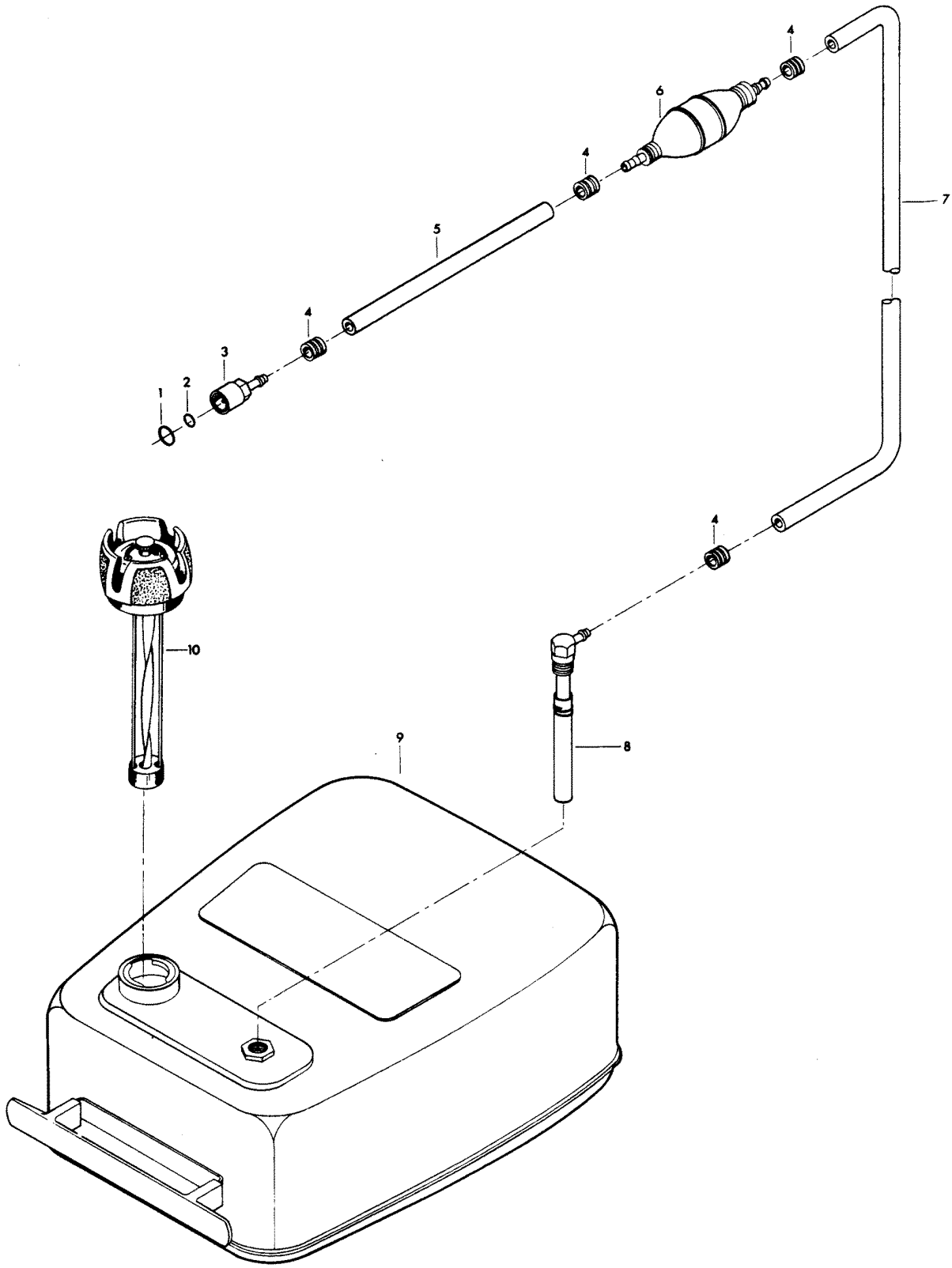
REF. NO.	PART NO.	SYM.	QTY.	DESCRIPTION
1	F458845		1	EXTENSION, MOTOR LEG
2	F1929		8	HEX CAP SCREW, 3/8 - 16 X 1 1/8
3	F502128		1	DRIVESHAFT FOR STANDARD SHAFT MODELS
-	F503128		1	DRIVESHAFT FOR LONG SHAFT MODELS
4	F901563		1	DRIVE PIN, WATER PUMP IMPELLER
5	F24342		1	SEAL, INLET WATER LINE UPPER
6	F8039		1	PLAIN WASHER
7	F458244-1		1	INLET WATER LINE FOR STANDARD SHAFT MODELS
8	FP293		1	PROPELLER (ACCESSORY ITEM)
9	FA94094-2		1	PROPELLER NUT W/SEAL AND COTTER PIN W/ILLUSTRATIONS 10 & 11
10	F1027		1	COTTER PIN
11	F40342		1	SEAL, PROPELLER NUT
12	FK247		1	PROPELLER PIN, PACK OF 6 W/COTTER PIN
13	F1263		2	HEX SOCKET HD CAP SCREW, 5/16 - 18 X 9/16
14	F2A366298		1	PROPELLER SHAFT BEARING CAGE W/ITEMS 15 & 16
15	F141118		1	SEAL, PROPELLER SHAFT
16	F366058		1	BALL BEARING, PROPELLER SHAFT
17	F141305		1	SEAL, PROPELLER SHAFT BEARING CAGE
18	FA458662		1	BEVEL GEAR REAR W/BUSHING
19	F40717		2	THRUST WASHER
20	F366727		1	BALL, PROPELLER SHAFT
21	44-819500A3		1	PROPELLER SHAFT ASSEMBLY
22	F90871-3		1	GEAR SHIFT ARM PIN
23	F2097		1	SPRING PIN
24	F99521-1		1	CLUTCH
25	FS458023		1	BEVEL GEAR FRONT W/BEARING
26	1600-817804A3		1	GEAR HOUSING LOWER W/PLUG, WASHER AND THRUST BEARING CUP
-	1600-817896A2		1	LOWER GEAR HOUSING - COMPLETE (NOT SHOWN) INCLUDES ALL ITEMS MARKED WITH AN ASTERISK (*) ORIGINAL FORCE P/N C 458054-1
27	F50109		2	PLUG, GEAR HOUSING
28	F8077		1	WASHER, GEAR HOUSING PLUG
29	F498891		1	GEAR SHIFT ARM PIN
30	F498618		1	SEAL, "O" RING
31	F97008-1		1	STUD, LONG
32	F8065		10	SPRING LOCKWASHER
33	F1997		2	LOCK NUT
34	817796A2		1	GEAR SHIFT ARM ASSEMBLY
35	F2A458266		1	BEVEL PINION W/BEARING
36	F435705		1	GEAR SHIFT ROD LOWER
37	F1015		1	COTTER PIN
38	F85372		1	PIN, GEAR SHIFT ROD LOWER

CONTINUED ON NEXT PAGE ➡

GEAR HOUSING

REF. NO.	PART NO.	SYM.	QTY.	DESCRIPTION
39	F40008		1	STUD, SHORT
40	F90619-1		1	YOKE, SHIFT ARM
41	F438930		1	RETAINER, SNOUT
43	F435555		1	SEAL, GEAR HOUSING
44	FA502554		1	GEAR HOUSING UPPER W/ITEMS 27, 28, 41, 45, 46, 47 AND 48
45	F338618-1		1	SEAL, SHIFT ROD LOWER
46	F435077		1	SCREEN, WATER INLET
47	F458057		1	BEARING, DRIVESHAFT UPPER
48	F458307		1	SEAL, DRIVESHAFT
49	F435562		1	WATER PUMP BACK PLATE
50	F458065-1		1	WATER PUMP IMPELLER
51	FA504060		1	WATER PUMP BODY W/ITEM 52
52	F458736		1	SEAL, WATER PUMP
53	FA510914		1	SEAL, INLET WATER LINE LOWER W/LITERATURE
54	F2030		3	HEX HD CAP SCREW, 1/4 - 20 X 1 1/4
55	FA434616		1	GEAR SHIFT ROD INTERMEDIATE FOR STANDARD SHAFT MODELS
-	FA435616		1	GEAR SHIFT ROD INTERMEDIATE FOR LONG SHAFT MODELS
56	FS901244		1	EXTENSION, INLET WATER LINE
57	F513388		1	DISC, WATER PUMP LOCATING
58	FA435116		1	EXHAUST SNOUT W/LITERATURE
59	F1994		1	HEX SOCKET HD CAP SCREW, 5/16 - 18 X 1
60	FK1068		1	GEAR HOUSING SEAL KIT. INCLUDES ALL ITEMS MARKED WITH A DOUBLE ASTERISK (**)
61	FK1053		1	WATER PUMP KIT W/ILLUSTRATIONS 4, 49, 50, 51, 53 AND 54
62	A572392		1	DECAL, LEG - PORT W/LITERATURE
-	A572391		1	DECAL, LEG - STANDARD W/LITERATURE

FUEL TANK AND LINE



FUEL TANK AND LINE

REF. NO.	PART NO.	SYM.	QTY.	DESCRIPTION
1	F213342		1	SEAL, FUEL LINE COUPLER
2	F213735		1	SEAL, FUEL LINE COUPLER
3	F197787-3		1	FUEL LINE COUPLER
4	F298788		4	FERRULE
5	FA84754-1		1	FUEL LINE SHORT W/CLAMPS
6	89396A38		1	PRIME BULB
7	32-817738A1		1	FUEL LINE, LONG W/CLAMPS AND FERRULE
8	F487755		1	FUEL TANK ADAPTER
9	F5H027		1	FUEL TANK (ACCESSORY ITEM)
10	F409251-1		1	GAUGE CAP
-	FS409752		1	FUEL LINE COMPLETE - (NOT SHOWN) INCLUDES ITEMS MARKED WITH AN ASTERISK (*)
-	FC409398		1	DECAL, TOTE TANK - CANADA (NOT SHOWN)

SPECIAL TOOLS - TUNE-UP

REF. NO.	PART NO.	SYM.	QTY.	DESCRIPTION
-	FT2910		0	KNOCK-OFF NUT TO REMOVE FLYWHEEL.
-	FT2989		0	FLYWHEEL WEDGE TO REMOVE FLYWHEEL.

SPECIAL TOOLS - POWER HEAD

REF. NO.	PART NO.	SYM.	QTY.	DESCRIPTION
-	FT8971		0	SEAL INSTALLER TO INSTALL UPPER CRANKSHAFT BEARING CAGE SEAL.
-	FT8967		0	SEAL PROTECTOR TO PROTECT UPPER CRANKSHAFT BEARING CAGE SEAL DURING INSTALLATION.
-	FT2953		0	SOCKET TO TORQUE CONNECTING ROD SCREWS
-	FT2990		0	PISTON PIN REMOVER TO REMOVE AND INSTALL PISTON PIN IN PISTON.
-	FT8926		0	RING EXPANDER TO INSTALL RINGS ON PISTONS.
-	FT2996		0	RING COMPRESSOR TO INSTALL PISTONS IN CYLINDERS.
-	FT8977		0	SEAL COLLAR INSTALLER TO INSTALL CRANKSHAFT LOWER SEAL COLLAR.
-	FT8976		0	SEAL PROTECTOR TO PROTECT CRANKSHAFT LOWER SEAL DURING INSTALLATION.
-	FT8932		0	LIFTING HOOK TO LIFT ENGINE.

SPECIAL TOOLS - LOWER UNIT

REF. NO.	PART NO.	SYM.	QTY.	DESCRIPTION
-	FT3431		0	SEAL INSTALLER TO INSTALL PROPELLER SHAFT SEAL.
-	FT8948-1		0	PROPELLER SHAFT BEARING CAGE PULLER TO REMOVE SHAFT BEARING CAGE FROM LOWER GEAR HOUSING.
-	FT8972		0	SEAL INSTALLER TO INSTALL DRIVESHAFT - WATER PUMP SEAL.
-	FT8919		0	SPRING PIN PUNCH TO REMOVE CLUTCH SPRING PIN.
-	FT8921		0	CUP REMOVER TO REMOVE FORWARD BEARING CUP.
-	FT8918		0	BEARING GUIDE SET TO REMOVE FORWARD BEARING CUP.
-	FT8957		0	SEAL INSTALLER TO INSTALL SHIFT ROD SEAL.
-	FT8963		0	BEARING INSTALLER TO INSTALL DRIVESHAFT BEARING.
-	FT8907		0	DRIVE HANDLE TO INSTALL FORWARD BEARING CUP.
-	FT8904		0	CUP INSTALLER TO INSTALL FORWARD BEARING CUP.

SPECIAL TOOLS - TEST EQUIPMENT

REF. NO.	PART NO.	SYM.	QTY.	DESCRIPTION
-	FTA2955		0	TEST WHEEL TO TEST MOTOR IN TEST TANK.
-	FT8950		0	LEAKAGE TESTER TO TEST LOWER UNIT FOR LEAKAGE.
-	T8974		0	POINT TENSION GAUGE TO MEASURE BREAKER POINT SPRING TENSION.

SPECIAL TOOLS - LUBRICANTS AND SEALANTS

REF. NO.	PART NO.	SYM.	QTY.	DESCRIPTION
-	FT2961		0	LUBRICANT - RYKON #2EP
-	FT2987-1		0	LUBRICANT - ANTI-SEIZE
-	FT8969		0	LUBRICANT - 7 OZ. 2 PSI LUBRICANT
-	FT8983		0	SEALANT
-	FT8936		0	SEALANT - 2 CC LOCTITE RETAINING COMPOUND #75
-	FT2962-1		0	SEALANT - 50 CC LOCTITE H, NON-HARDENING GRADE
-	FT2963-1		0	SEALANT - 2 OZ. LOCTITE D, HARDENING GRADE
-	FT8935		0	SEALANT PRIMER - 6 OZ.

SPECIAL TOOLS - REPAIR DECALS - ENGINE COVERS

REF. NO.	PART NO.	SYM.	QTY.	DESCRIPTION
-	T11232		0	METALIC SILVER
-	T11233		0	MEDIUM
-	T11212		0	BOAT BLACK
-	T11211		0	BOAT WHITE
-	T11230		0	ORANGE

ACCESSORIES

REF. NO.	PART NO.	SYM.	QTY.	DESCRIPTION
-	F5H081		0	BATTERY CABLE LONG LENGTH - 15 FEET.
-	F5H019		0	ANTI-CORROSION KIT ELECTRICAL UNIT USED TO HELP PREVENT CORROSION.
-	F5H025		0	ANTI-CORROSION SACRIFICIAL ANODE USED TO PREVENT CORROSION.
-	5H051		0	BATTERY, 74 AMP. TWELVE VOLT HEAVY DUTY BATTERY TO OPERATE STARTER AND ELECTRICAL ACCESSORIES.
-	F5H021		0	BATTERY EXTENSION CABLE USED TO EXTEND BATTERY CABLE 6 1/2 FEET.
-	493		0	HANDLE PROVIDES REAR HANDLE AND REST PADS.
-	F5H020		0	CARRYING HANDLE PERMITS EASIER TRANSPORTATION OF ENGINE TO AND FROM BOAT (2 MAN).
-	F588		0	FLUSHING ADAPTER PERMITS FRESH WATER FLUSHING OF WATER PASSAGES WITH STANDARD GARDEN HOSE.
-	F5H008		0	FUEL GAUGE FLUSH MOUNT MONITORS FUEL SUPPLY. ELECTRIC START MODELS.
-	F5H028		0	SENDING UNIT FOR USE WITH ABOVE FUEL GAUGES.
-	F5H062		0	WATER PUMP HEAVY DUTY WATER PUMP RECOMMENDED FOR CONTINUED OPERATION IN SANDY OR SALT WATER.
-	F5H134		0	BOAT WHITE LACQUER ENGINE TOUCH-UP PAINT IN 12-3/4 OZ. SPRAY BOMBS (6 CANS PER CASE.)
-	F476		0	FUEL LINE ADAPTION KIT ADAPTS MODEL 5H027 TANK FOR DISCONNECT AT TANK.
-	F5H027		0	STEEL, 6 GALLON FUEL TANK AUXILIARY TANK.
-	F5H029		0	FUEL TANK ANCHOR SECURES 5H027 TO DECK.
-	5H065		0	CANVAS HOOD PROTECTION FOR ENGINE COVER.
-	F5H070		0	REMOTE ELECTRIC CABLE 21 FEET.
-	F5H004		0	SPEEDOMETER FLUSH MOUNT 0 TO 50 M.P.H.
-	F5H072		0	OVERHEAT BUZZER KIT FOR ELECTRICAL START MODELS. WARNS OF ENGINE OVERHEATING.
-	167		0	IGNITION CUT-OFF KIT PERMITS STOPPING OF ENGINE FROM OPERATOR'S SEAT.
-	F5H077		0	IGNITION KEY SWITCH FOR ELECTRIC START MODELS SHORT BARREL.
-	F5H078		0	IGNITION KEY SWITCH FOR ELECTRIC START MODELS LONG BARREL.
-	F195/_		0	REMOTE CONTROL CABLES CONNECTS REMOTE CONTROL BOX TO THROTTLE AND GEAR SHIFT ON MOTOR. AVAILABLE IN 6 THROUGH 40 FOOT LENGTHS.
-	F5H130		0	REMOTE CONTROL SURFACE MOUNT PERMITS REMOTE CONTROL OF THROTTLE AND GEAR SHIFT FROM STARBOARD SIDE OF BOAT.
-	F5H131		0	PORT SIDE DECAL KIT CONVERTS 5H130 CONTROL BOX TO PORT SIDE MOUNTING.
-	F866		0	REMOTE CONTROL (TWIN LEVER) TWIN LEVER SURFACE MOUNT SEPARATE THROTTLE AND GEAR SHIFT.

CONTINUED ON NEXT PAGE ➡

ACCESSORIES

REF. NO.	PART NO.	SYM.	QTY.	DESCRIPTION
-	865		0	REMOTE CONTROL SURFACE MOUNT (SINGLE LEVER) PERMITS REMOTE CONTROL OF THROTTLE AND GEAR SHIFT ON TWIN ENGINE INSTALLATIONS. MAY BE MOUNTED ON PORT OR STARBOARD SIDE OF BOAT.
-	F137		0	REMOTE STEERING BRACKET ADAPTS MOTOR TO CABLE TYPE REMOTE STEERING.
-	F165		0	REMOTE STEERING BRACKET ADAPTS MOTOR TO CABLE TYPE REMOTE STEERING.
-	F5H086		0	STARTER CONVERSION CONVERTS HAND START MODELS TO ELECTRIC START.
-	F5H006		0	VOLTMETER FLUSH MOUNT, INDICATES BATTERY CONDITION. ELECTRIC
-	F596		0	CHRYSLER OUTBOARD OIL SEE BLOCK COMMENT 1.
-	F597		0	CHRYSLER OUTBOARD GEAR LUBE SEE BLOCK COMMENT 2.
-	72H26		0	CHRYSLER OUTBOARD FUEL AID REMOVES MOISTURE. PREVENTS SLUDGE AND VARNISH AND STABILIZES GAS. AVAILABLE IN 16 OZ. CANS AND 12 CAN CASES.
-	72H27		0	CHRYSLER OUTBOARD STORAGE LUBRICANT WORKS AS A CORROSION INHIBITOR AND PROTECTS INTERNAL ENGINE PARTS DURING STORAGE. AVAILABLE IN 16 OZ. CANS AND 12 CAN CASES.
-	72H28		0	CHRYSLER OUTBOARD MULTI-PURPOSE SPRAY LUBE WORKS AS A LUBRICANT, CLEANER, MOISTURE REMOVER AND ELECTRIC INSULATOR. AVAILABLE IN 9 OZ. CANS AND 12 CAN CASES.
-	F72H29		0	CHRYSLER OUTBOARD MULTI-PURPOSE GREASE LUBRICATES BEARINGS AND OTHER MOVING PARTS. AVAILABLE IN 8 OZ. TUBES AND 12 TUBE CASES.
-	F72H30		0	CHRYSLER OUTBOARD GREASE GUN USED WITH CHRYSLER OUTBOARD MULTI-PURPOSE GREASE TUBES FOR PRESSURE FITTINGS.
-	72H34		0	CHRYSLER OUTBOARD MULTI-PURPOSE CLEANER

PARTS INDEX

Part Number	Description	Pg.	Ref. No.	Part Number	Description	Pg.	Ref. No.
167	IGNITION CUT-OFF KIT	44	-	F1107	FILL HD SCREW, 1/4 - 20 X		
2C572712	ENGINE COVER - COMPLETE.	3	-	F1108	3/4	21	1
493	HANDLE	44	-		FILL HD MACHINE SCREW W/LOCKWASHER, 1/4 - 20 X 34	19	7
5H051	BATTERY, 74 AMP.	44	-	F1129	FILL HD SCREW, 5/16 - 18 X 1/2	31	27
5H065	CANVAS HOOD	44	-	F1141	FLAD HD SCREW, 10 - 24 X 1/2	15	6
72H26	CHRYSLER OUTBOARD FUEL AID	45	-	F1160	FLAT HD SCREW, 1/4 - 28 X 5/8	33	66
72H27	CHRYSLER OUTBOARD STORAGE LUBRICANT	45	-	F12088	GROMMET, LEAD WIRE	9	13
72H28	CHRYSLER OUTBOARD MULTI-PURPOSE SPRAY LUBE	45	-	F1211	HEX HD SCREW W/SPRING LOCKWASHER, 1/4 - 28 X 5/8	33	69
72H34	CHRYSLER OUTBOARD MULTI-PURPOSE CLEANER	45	-	F12146	COIL WEDGE SPRING	9	11
817747--1	JOINT BALL ASSEMBLY	23	57	F12153	BREAKER POINT SET	9	15
817776A3	STERN BRACKET CLAMP SCREW W/FOOT, STUD AND HANDLE	27	36	F12170	CONDENSER MOUNTING SCREW	9	2
817796A2	GEAR SHIFT ARM ASSEMBLY	34	34	F12170	CONTACT SCREW W/LOCKWASHER	9	17
817808A2	LEVER, GEAR SHIFT	21	29	F12181-1	CONDENSER	9	3
817809A1	PLATE, KINGPIN MOUNTING	31	13	F12186-1	GROUND LEAD	9	4
817842A1	TILT HANDLE	3	3	F12228	CAM WIPER FELT	9	16
817882A1	FRICITION SHOE ADJUSTING ARM ASSEMBLY	27	2	F12346	STATOR PLATE W/LAMINATIONS - USA	9	9
817938A1	RETAINER, STARTER ROPE HANDLE	7	12	F1263	HEX SOCKET HD CAP SCREW, 5/16 - 18 X 9/16	31	20
817955A1	HOUSING, HAND STARTER	7	2	F1263	HEX SOCKET HD CAP SCREW, 5/16 - 18 X 9/16	34	13
818056A2	LEG COVER FRONT W/PACKING	31	34	F1341	1	23	69
818057A1	LEG COVER REAR W/PACKING	31	16	F1346	HEX NUT, 3/8 - 16	31	9
865	REMOTE CONTROL SURFACE MOUNT (SINGLE LEVER)	45	-	F1349	HEX NUT	33	72
89396A38	PRIME BULB	37	6	F137	REMOTE STEERING BRACKET	45	-
A458010	CYLINDER W/CRANKCASE COVER, SCREWS AND DOWEL PINS	21	7	F141118	SEAL, PROPELLER SHAFT	34	15
A572391	DECAL, LEG - STANDARD	35	-	F141305	SEAL, PROPELLER SHAFT BEARING CAGE	34	17
A572392	DECAL, LEG - PORT	35	62	F141704	COUPLING, GEAR SHIFT ROD	33	71
C461010	SHORT BLOCK FOR HAND START MODELS (NOT SHOWN).	21	-	F1447	DRIVE SCREWS	5	54
F10025	GASKET SET	11	29	F1472	HEX SLOT HD SCREW W/LOCKWASHER, 1/4 - 20 X 3/4	33	70
F10027	REPAIR PARTS KIT	11	30	F1473	HEX NUT, 10 - 24	5	67
F1014	COTTER PIN	27	20	F1475	FILL HD SCREW, 10 - 24 X 1/2	3	15
F1015	COTTER PIN	34	37	F1500	RD HD SHEET METAL SCREW, 4 X 1/4	7	24
F1020	COTTER PIN	33	75	F1502	HEX CAP SCREW, 1/4 - 20 X 5/8	23	68
F1027	COTTER PIN	34	10	F1502	HEX HD SCREW, 1/4 - 20 X 5/8	3	18
F1072	FILL HD SCREW, 1/4 - 20 X 3/4	23	50	F1513	HEX NUT	9	7
F1075	FILL HD M. SCREW, 10 - 24 X 1/2	23	67	F1513	HEX NUT, 10 - 32	21	30
F1087	FILL HD SCREW, 10 - 24 X 7/8	3	36	F1515	HEX JAM NUT, 5/16 - 18	5	57
F1092	FILL HD SCREW, 10 - 32 X 5/8	9	10	F1515	HEX NUT, 5/16 - 18	15	2
				F1515	HEX NUT, 5/16 - 18	31	22
				F1532	HEX HD SCREW, 1/4 - 20 X 1	23	49

PARTS INDEX

Part Number	Description	Pg.	Ref. No.	Part Number	Description	Pg.	Ref. No.
F1536	SLOTTED HEX HD SCREW, 1/4 - 20 X 3/4	7	1	F185764	RETAINING RING	5	56
F1540	HEX CAP SCREW, 1/4 - 20 X 5/8	33	78	F1859	HEX SOCKET HEADLESS SET SCREW, 1/4 - 28 X 3/16	3	33
F154317	CLAMP, REMOTE CABLE	3	28	F1859	HEX SOCKET HEADLESS SET SCREW, 1/4 - 28 X 3/16	5	47
F1545	HEX CAP SCREW, 1/4 - 20 X 1/2	3	26	F1860	BINDING HD MACHINE SCREW, 6 - 32 X 1/4	19	3
F1600	LOCK NUT, 7/8 - 14	27	15	F1864	HEX SLOTTED HD SCREW, 1/4 - 20 X 3/4	21	9
F1632	PLASTI-PLUG	3	22	F1910	LOCK NUT	23	60
F1638	SPRING PIN	7	22	F1915	HEX HD SCREW, 1/4 - 20 X 7/8	15	1
F1638	SPRING PIN	27	35	F1922	HEX HD SCREW, 1/4 - 20 X 5/8	21	33
F1642	SOCKET HD CAP SCREW, 10 - 24 X 3/4	33	49	F1927	PAN HD SCREW, 10 - 32 X 3/8	7	4
F165	REMOTE STEERING BRACKET	45	-	F1929	HEX CAP SCREW, 3/8 - 16 X 1 1/8	34	2
F1663	SPRING PIN	33	48	F195/—	REMOTE CONTROL CABLES	44	-
F1664	SPRING PIN	31	40	F1954	HEX SOCKET HEADLESS SET SCREW, 5/16 - 24 X 1/4	33	44
F1666	BOWED SPRING LOCKWASHER	27	12	F197787-3	FUEL LINE COUPLER	37	3
F1669	NUT	27	26	F1978	SPRING PIN	33	63
F1689	HEX CAP SCREW, 1/4 - 20 X 1/2	27	7	F1978	SPRING PIN	33	74
F1696	HEX CAP SCREW, 5/16 - 18 X 1 3/4	31	25	F1994	HEX SOCKET HD CAP SCREW, 5/16 - 18 X 1	35	59
F1727	PLASTI-RIVET	21	6	F1997	LOCK NUT	11	32
F1739	PLAIN WASHER	33	77	F1997	LOCK NUT	34	33
F1739	PLAIN WASHER, FOR ELECTRIC START MODELS	21	-	F2004	FILL HD SCREW, 8 - 32 X 3/8	7	15
F1739	PLAIN WASHER, FOR HAND START MODELS	21	13	F2005	HEX SOCKET HD CAP SCREW, 5/16 - 18 X 2 3/4	21	10
F1745	HEX HD SCREW W/SPRING LOCKWASHER, 5/16 - 18 X 1	31	37	F2006	HEX CAP SCREW, 5/16 - 18 X 4 3/4	31	23
F1753	FASTENER	3	12	F2007	HEX CAP SCREW, 5/16 - 18 X 4	31	24
F1755	ROUND HD SCREW W/LOCKWASHER, 6 - 32 X 5/16	15	12	F2010	FILL HD SCREW W/SPRING LOCKWASHER, 10 - 32 X 9/16	9	18
F1760	PAN HD SCREW, 10 - 24 X 3/8	3	24	F2012	PLAIN WASHER	7	27
F1760	PAN HD SCREW, 10 - 24 X 3/8	5	63	F2013	HEX SOCKET HD CAP SCREW, 5/16 - 18 X 1 1/4	21	14
F177330	FUEL PUMP VALVE	19	4	F2014	PLAIN WASHER	23	72
F1778	PLAIN WASHER	31	10	F2021	FLYWHEEL NUT	7	14
F1803	STOP NUT	23	56	F2021	FLYWHEEL NUT 5/8 - 18	9	20
F1832	HEX LOCK NUT	31	41	F2025	PAN HD SCREW, 10 X 5/8	3	4
F183300	SPRING, LATCH SHAFT	5	55	F2026	PLASTIC RIVET	5	65
F183300	SPRING, MAGNETO CONTROL SHAFT	3	34	F2030	HEX HD CAP SCREW, 1/4 - 20 X 1 1/4	35	54
F183300	SPRING, SHIFT DETENT	23	74	F203965	SHOCK MOUNT UPPER THRUST	33	65
F183346-1	SHOCK MOUNT LOWER THRUST	31	26	F2040	HEX HD MACHINE SCREW, 1/4 - 20 X 5/8	7	19
F183504	GROMMET, MAGNETO CONTROL SHAFT	3	31	F2066	PAN HD SCREW, 10 X 7/16	3	6
F1836	SPRING PIN	5	49	F2095	SPRING PIN	27	30
F1836	SPRING PIN	27	21	F2097	SPRING PIN	34	23
F183756-1	PACKING, SUPPORT PLATE	31	2				
F183813	BEARING	23	53				
F183818	BEARING, CHOKE ROD	3	23				

PARTS INDEX

Part Number	Description	Pg.	Ref. No.	Part Number	Description	Pg.	Ref. No.
F213274	GREASE FITTING	27	41	F333316	SHAFT, THROTTLE ROLLER	13	34
F213342	SEAL, FUEL LINE COUPLER	37	1	F335217-1	BEARING, PISTON PIN	17	3
F213735	SEAL, FUEL LINE COUPLER	37	2	F338618-1	SEAL, SHIFT ROD LOWER	35	45
F215795	SEAL, STEERING HANDLE GRIP	33	55	F366058	BALL BEARING, PROPELLER SHAFT	34	16
F24074	CLAMP SCREW FOOT	27	31	F366215	SPACER, PISTON PIN	17	2
F24342	SEAL, INLET WATER LINE UPPER	34	5	F366364	ARM, REVERSE LOCK	27	23
F24342	SEAL, WATER LINE UPPER	31	5	F366727	BALL, PROPELLER SHAFT	34	20
F24623-1	GROMMET, GEAR SHIFT CHOKE ROD	3	45	F366801	FITTING	21	18
F269052	BEARING, SHIFT LEVER	21	28	F385433	TILT STOP	27	40
F269122-1	SEAL, CRANKCASE PARTING LINE	21	8	F385647	CARRYING HANDLE	31	38
F269319	BEARING, THROTTLE CAM	23	61	F40008	STUD, SHORT	35	39
F286282	WASHER	23	55	F40209	CARBURETOR STUD	15	3
F286422-1	PIVOT, TILT LOCK	27	8	F40342	SEAL, PROPELLER NUT	34	11
F286440	STUD, MAGNETO CONTROL LEVER	23	52	F40717	THRUST WASHER	34	19
F286451	SPACER, TILT LOCK	27	9	F40906-1	FLANGE GASKET	11	9
F286544-1	SPRING, TILT LOCK	27	11	F40906-1	GASKET, CARBURETOR	23	-
F286894-3	INDICATOR, SPEED CONTROL - CANADA	33	59	F409251-1	GAUGE CAP	37	10
F288075	HANDLE, STERN BRACKET CLAMP SCREW	27	34	F40956	BRACKET, SHOCK MOUNT UPPER THRUST	33	68
F288689	BEARING, MAGNETO CONTROL SHAFT	33	47	F413815	GEAR, STEERING HANDLE	33	45
F288691	GEAR, MAGNETO CONTROL SHAFT	33	46	F429811	SCREEN, CYLINDER DRAIN	21	36
F295080	STEERING HANDLE PIVOT BOLT	33	52	F433168	GASKET, CARBURETOR ADAPTER	23	-
F295175	WASHER, STEERING HANDLE PIVOT BOLT	33	51	F433168	GASKET, CARBURETOR ADAPTER W/STUDS	15	5
F295457	RETAINING WASHER STEERING HANDLE PIVOT	33	50	F433209-1	STUD, THROTTLE CAM	23	63
F295689	BEARING, STEERING HANDLE GEAR	31	43	F433404	DEFLECTOR PLATE	15	7
F298788	FERRULE	37	4	F433406	DEFLECTOR PLATE GASKET	23	-
F2A366298	PROPELLER SHAFT BEARING CAGE	34	14	F433406	GASKET, DEFLECTOR PLATE	15	8
F2A458081	MAGNETO CONTROL LEVER W/CONNECTOR STUD	23	54	F434767	BUSHING, FUEL LINE	5	69
F2A458266	BEVEL PINION W/BEARING	34	35	F435077	SCREEN, WATER INLET	35	46
F2A458581	COLLAR W/LOWER CRANKCASE SEAL	17	11	F435555	SEAL, GEAR HOUSING	35	43
F2A504614	KNOB, GEAR SHIFT W/SHAFT AND INDICATOR	3	43	F435562	WATER PUMP BACK PLATE	35	49
F307818	BEARING	5	51	F435705	GEAR SHIFT ROD LOWER	34	36
F307818	BEARING	21	20	F436314-1	ELBOW, DRAIN HOSE	21	32
F307818	BEARING, LATCH SHAFT	3	39	F436449	SHORTING SWITCH FOR MANUAL START MODELS	9	5
F316160	REED	15	10	F436541	TILT LOCK (PORT)	27	10
F324689	BEARING, MAGNETO CONTROL SHAFT	3	35	F438165	SCREW, FUEL PUMP BOWL	19	11
F324840-1	GROMMET, REMOTE SHIFT CABLE	5	52	F438500	FUEL PUMP BOWL	19	10
F324840-1	GROMMET, REMOTE THROTTLE CABLE	3	30	F438617	FUEL PUMP BOWL GASKET	23	-
F324993	BRACKET, CHOKE ROD BEARING	3	25	F438617	GASKET, FUEL PUMP BOWL	19	8
				F438653	SCREEN, FUEL PUMP	19	9
				F438747	FUEL PUMP DIAPHRAGM	19	2
				F438760	FUEL PUMP GASKET	19	1
				F438760	FUEL PUMP GASKET	23	-
				F438801	FITTING, FUEL PUMP BODY	19	15
				F438930	RETAINER, SNOUT	35	41
				F440209	STUD, GEAR SHIFT LEVER	21	31
				F455305	SEAL, CRANKSHAFT COLLAR	17	13
				F458003	STARTER INTERLOCK LEVER	7	23
				F458015-1	PISTON	17	6
				F458017	PISTON PIN	17	4
				F458019	KINGPIN	29	44

PARTS INDEX

Part Number	Description	Pg.	Ref. No.	Part Number	Description	Pg.	Ref. No.
F458036	SCREW, CYLINDER HEAD	21	41	F458345	PAD, KING PIN MOUNTING	33	82
F458038-2	SUPPORT PLATE	3	20	F458347	MOUNT, SUPPORT PLATE	31	4
F458057	BEARING, DRIVESHAFT			F458371	BRACKET, REMOTE		
	UPPER	35	47		THROTTLE CABLE	3	27
F458065-1	WATER PUMP IMPELLER	35	50	F458424	SPRING, STARTER PAWL		
F458066	THERMOSTAT COVER	23	44		PLATE	7	9
F458067	GASKET, THERMOSTAT			F458445	LINK MAGNETO CONTROL		
	COVER	23	45		SHAFT	23	51
F458067	THERMOSTAT COVER			F458453	GASKET, LEG EXHAUST	31	14
	GASKET	23	-	F458453	LEG EXHAUST GASKET	25	-
F458071	SPRING, STARTER HANDLE			F458456	HAND STARTER COLLAR	7	13
	GUIDE	7	5	F458498	FLYWHEEL KEY (MANUAL		
F458076	TAB, SHOCK MOUNT SIDE	31	12		START MODELS)	17	18
F458079	STEERING HANDLE	31	39	F458502	ROD, THROTTLE CAM	23	59
F458109	PLUG, CYLINDER HEAD	21	40	F458503	CHOKE ROD	3	21
F458132	HANDLE, STARTER ROPE	7	11	F458509	LINK, MAGNETO STATOR	23	58
F458133	MOTOR LEG	31	17	F458519	SCREW, TILLER IDLE STOP	33	53
F458146	SEAL, CRANKSHAFT UPPER			F458529	CYLINDER HEAD GASKET	25	-
	MAIN	21	2	F458529	GASKET, CYLINDER HEAD	21	38
F458151	EXHAUST PORT PLATE	23	47	F458531	ROD, SHIFT INTERLOCK	21	24
F458152	EXHAUST PORT COVER	23	48	F458579	SEAL, CRANKCASE	17	10
F458154	EXHAUST PORT PLATE	23	-	F458592	RETAINER, STARTER		
F458154	GASKET, EXHAUST PORT				PULLEY	7	16
	PLATE	23	46	F458615	GEAR SHIFT ROD UPPER	33	73
F458166-2	SCREW, MOTOR LEG TO			F458677	INSERT, CHOKE KNOB	3	42
	CYLINDER	31	18	F458688	SHAFT, STEERING HANDLE	33	60
F458192	THROTTLE CAM	23	62	F458690	SCREW, THROTTLE STOP	33	62
F458198	THROTTLE STOP	33	64	F458695	SLEEVE	33	56
F458223	GASKET, TRANSFER PORT			F458727	BALL SHIFT LEVER DETENT	23	73
	COVER	21	37	F458736	SEAL, WATER PUMP	35	52
F458223	TRANSFER PORT COVER			F458754	HOSE, FUEL PUMP TO		
	GASKET	23	-		CARBURETOR	19	14
F458232	STARTER ROPE	7	10	F458783	SEAL, SWIVEL BRACKET	27	28
F458239	STARTER PULLEY	7	8	F458845	EXTENSION, MOTOR LEG	34	1
F458244-1	INLET WATER LINE	31	7	F458846	SPRING, STARTER		
F458244-1	INLET WATER LINE FOR				INTERLOCK LEVER	7	21
	STANDARD SHAFT			F458887	FASTENER, SUPPORT		
	MODELS	34	7		PLATE MOUNT	31	3
F458245-1	BAFFLE, TILT HANDLE	3	2	F458888-1	TRIM, STARTER HANDLE		
F458277	CRANKSHAFT BEARING				GUIDE	5	64
	CAGE GASKET	23	-	F458937	LINER, STARTER HOUSING	7	3
F458277	GASKET, CRANKSHAFT			F458953-1	GUIDE, STARTER HANDLE	7	6
	BEARING CAGE	21	4	F458962	MOUNT, SIDE UPPER	31	11
F458279	CYLINDER EXHAUST			F458963	PLATE, SHOCK MOUNT	31	8
	GASKET	25	-	F458970	SPRING, STARTER REWIND	7	7
F458279	GASKET, CYLINDER			F458972-1	COVER, SHOCK MOUNT		
	EXHAUST	31	1		STARBOARD	31	28
F458307	SEAL, DRIVESHAFT	35	48	F458973-1	COVER, SHOCK MOUNT		
F458312	PACKING, LEG COVER SIDE	31	32		PORT	31	21
F458315	PACKING, LEG COVER SIDE			F458977-3	LEVER, SHIFT INTERLOCK	21	21
	UPPER	31	36	F460097-1	FLYWHEEL	9	1
F458320	PACKING, LEG COVER			F461061-2	CARBURETOR COMPLETE		
	FRONT UPPER PORT	31	30		(WB19C)	13	35
F458322	PACKING, LEG COVER			F461342	SEAL, DRIVESHAFT SPLINE	17	12
	REAR	31	15	F461400	INDICATOR, GEAR SHIFT	3	44
F458323-1	PACKING, LEG COVER			F461774	BRACKET, RETAINER -		
	FRONT	31	31		REAR	3	19
F458324	PACKING, LEG COVER			F461952	STRAP, HAND STARTER		
	FRONT UPPER				HOUSING	7	20
	STARBOARD	31	35				

PARTS INDEX

Part Number	Description	Pg.	Ref. No.	Part Number	Description	Pg.	Ref. No.
F463864	RETAINER, TILT HANDLE ..	3	5	F5H078	IGNITION KEY SWITCH	44	-
F4670664	STATOR GROUND WIRE ...	9	6	F5H081	BATTERY CABLE	44	-
F476	FUEL LINE ADAPTION KIT .	44	-	F5H086	STARTER CONVERSION ...	45	-
F483300	SPRING	27	27	F5H130	REMOTE CONTROL		
F483349-1	REVERSE LOCK	27	25		SURFACE MOUNT	44	-
F483510-1	LINK, REVERSE LOCK	27	24	F5H131	PORT SIDE DECAL KIT	44	-
F483827	LEVER, REVERSE LOCK ...	27	17	F5H134	BOAT WHITE LACQUER ...	44	-
F483884	BEARING	27	22	F66480	STUD	27	32
F487755	FUEL TANK ADAPTER	37	8	F7004	LOCK NUT, 3/8 - 16	21	25
F498618	SEAL, "O" RING	34	30	F7011	HEX NUT	3	13
F498891	GEAR SHIFT ARM PIN	34	29	F7024	STOP NUT	27	1
F50109	PLUG, GEAR HOUSING	34	27	F72H29	CHRYSLER OUTBOARD		
F502128	DRIVESHAFT FOR				MULTI-PURPOSE GREASE	45	-
	STANDARD SHAFT			F72H30	CHRYSLER OUTBOARD		
	MODELS	34	3		GREASE GUN	45	-
F502161	REED STOP	15	11	F8000	PLAIN WASHER	23	75
F503128	DRIVESHAFT FOR LONG			F8011	PLAIN WASHER	7	25
	SHAFT MODELS	34	-	F8011	PLAIN WASHER	13	36
F504052	BEARING	23	65	F8039	PLAIN WASHER	31	6
F504527	CAP, INTERLOCK	23	66	F8039	PLAIN WASHER	34	6
F504621	LEVER, GEAR SHIFT			F8049	BOWED SPRING WASHER .	33	76
	CONTROL	5	48	F8058	INTERNAL TOOTH		
F504809	ROD, STARTER INTERLOCK	23	64		LOCKWASHER	21	27
F504836	SPACER, GEAR SHIFT			F8059	SPRING LOCKWASHER ...	9	8
	SHAFT	5	50	F8065	SPRING LOCKWASHER ...	34	32
F513388	DISC, WATER PUMP			F8077	WASHER, GEAR HOUSING		
	LOCATING	35	57		PLUG	34	28
F529125-1	TUBE, PIVOT STEERING ...	27	38	F8083	SPRING LOCKWASHER ...	27	6
F529286	WASHER, SWIVEL BRACKET			F8094	PLAIN WASHER	27	19
	FRICTION	27	13	F8096	SPRING LOCKWASHER ...	5	58
F529390-1	DECAL, REVERSE LOCK -			F8096	SPRING LOCKWASHER ...	31	29
	USA	29	46	F84026	SWIVEL SHIFT INTERLOCK		
F529726	BEARING	27	18		BEARING	21	23
F53795-1	SEAL, STEERING HANDLE			F84035-2	BEARING, SHIFT		
	GRIP	33	54		INTERLOCK ROD	21	22
F572711	PLATE, FRONT	5	68	F84314-2	ELBOW	11	31
F588	FLUSHING ADAPTER	44	-	F84792	FUEL PUMP VALVE GASKET	19	5
F596	CHRYSLER OUTBOARD OIL	45	-	F85026	SWIVEL, SHIFT INTERLOCK		
F597	CHRYSLER OUTBOARD				LEVER	21	19
	GEAR LUBE	45	-	F8537	SPRING PIN	27	33
F5H004	SPEEDOMETER	44	-	F85372	PIN, GEAR SHIFT ROD		
F5H006	VOLTMETER	45	-		LOWER	34	38
F5H008	FUEL GAUGE FLUSH			F8548	SPRING PIN	33	57
	MOUNT	44	-	F8550	SPRING PIN	31	42
F5H019	ANTI-CORROSION KIT	44	-	F8559	DOWEL PIN	21	15
F5H020	CARRYING HANDLE	44	-	F85610	BEARING	33	67
F5H021	BATTERY EXTENSION			F85610	BEARING, STEERING		
	CABLE	44	-		HANDLE SHAFT	33	61
F5H025	ANTI-CORROSION			F85634-2	SCREW, CONNECTING ROD	17	15
	SACRIFICIAL ANODE	44	-	F85735-1	SEAL	3	11
F5H027	FUEL TANK (ACCESSORY			F85756	PACKING, ENGINE COVER .	3	17
	ITEM)	37	9	F866	REMOTE CONTROL (TWIN		
F5H027	STEEL, 6 GALLON FUEL				LEVER)	44	-
	TANK	44	-	F89777-1	CAM, ENGINE COVER		
F5H028	SENDING UNIT	44	-		LATCH	5	59
F5H029	FUEL TANK ANCHOR	44	-	F90096	RETAINER, PISTON PIN ...	17	1
F5H062	WATER PUMP	44	-	F901011	WASHER, SWIVEL BRACKET	27	43
F5H070	REMOTE ELECTRIC CABLE	44	-	F901169-1	BEARING, SWIVEL		
F5H072	OVERHEAT BUZZER KIT ...	44	-		BRACKET	27	29
F5H077	IGNITION KEY SWITCH	44	-				

PARTS INDEX

Part Number	Description	Pg.	Ref. No.	Part Number	Description	Pg.	Ref. No.
F901631-1	FRICITION SHOE	27	5	FA458662	BEVEL GEAR REAR		
F901775	PLATE, FRICTION SHOE	27	4		W/BUSHING	34	18
F9018	CAP, PIVOT STEERING			FA458778	RETAINER, ENGINE COVER		
	TUBE	29	45		FRONT W/SCREWS AND		
F901822-1	STUD, SWIVEL BRACKET	27	3		NUTS	5	61
F9022	SHIM .006 (SILVER)	7	17	FA458838	MAGNETO CONTROL SHAFT	3	37
F9023	SHIM .007 (BRASS)	7	-	FA458880	CLIP, STARTER GUIDE	5	66
F9024	SHIM .010 (BLACK)	7	-	FA460423	STARTER PAWL PLATE		
F90619-1	YOKE, SHIFT ARM	35	40		ASSEMBLY	7	18
F90807	RETAINER, CHOKE ROD			FA502554	GEAR HOUSING UPPER	35	44
	FOR MANUAL START			FA504060	WATER PUMP BODY	35	51
	MODELS	13	37	FA504082	MAGNETO STATOR RING	21	5
F90871-3	GEAR SHIFT ARM PIN	34	22	FA504222	TRANSFER PORT COVER	21	34
F92759	ROLLER, THROTTLE CAM			FA510914	SEAL, INLET WATER LINE		
	FOLLOWER	13	33		LOWER	35	53
F97008-1	STUD, LONG	34	31	FA529072	SWIVEL BRACKET		
F97772	FUEL LINE CLAMP	19	12		W/BEARINGS AND		
F98273	ROD END CONNECTOR				GREASE FITTINGS	27	42
	STUD	21	26	FA538395	PLATE, IDENTIFICATION		
F99521-1	CLUTCH	34	24		W/SCREWS	5	53
FA12370	COIL W/LEAD WIRE	9	12	FA542892	DECAL ENGINE COVER -		
FA286018	CRANKSHAFT LOWER MAIN				FRONT	5	62
	BEARING	17	14	FA543528	DECAL ENGINE COVER,		
FA286547	CHOKE KNOB	3	41		REAR	3	8
FA324113	STERN BRACKET LOCK BAR			FA572386	DECAL NUMERAL 20	5	60
	W/END	27	37	FA572396	DECAL, ENGINE COVER -		
FA343178	RETAINER, GEAR SHIFT				STARBOARD	5	-
	SHAFT W/SET SCREW	5	46	FA572397	DECAL, ENGINE COVER -		
FA343178	RETAINER, MAGNETO				PORT	5	70
	CONTROL SHAFT W/SET			FA84754-1	FUEL LINE SHORT		
	SCREW	3	32		W/CLAMPS	37	5
FA413469	COVER LATCH HANDLE			FA85754-1	HOSE, FUEL PUMP TO		
	W/SHAFT	3	38		BUSHING W/FERRULE	19	13
FA434616	GEAR SHIFT ROD			FA94094-2	PROPELLER NUT W/SEAL		
	INTERMEDIATE FOR				AND COTTER PIN	34	9
	STANDARD SHAFT			FC235227	SPARK PLUG - CANADA (RL-		
	MODELS	35	55		4-J)	23	-
FA435116	EXHAUST SNOUT	35	58	FC409398	DECAL, TOTE TANK -		
FA435616	GEAR SHIFT ROD				CANADA (NOT SHOWN)	37	-
	INTERMEDIATE FOR			FC461400	INDICATOR, GEAR SHIFT -		
	LONG SHAFT MODELS	35	-		CANADA	3	-
FA438431	FUEL PUMP BODY			FC529390	DECAL, REVERSE LOCK -		
	W/VALVES	19	6		CANADA	29	-
FA456137	GRIP, STEERING HANDLE			FG1010	GASKET SET	23	76
	W/SLEEVE	33	58	FK1053	WATER PUMP KIT	35	61
FA458144	CRANKSHAFT BEARING			FK1066	TUNE UP KIT.	9	19
	CAGE	21	3	FK1068	GEAR HOUSING SEAL KIT.	35	60
FA458158	REED PLATE W/REEDS,			FK247	PROPELLER PIN, PACK OF		
	STOPS AND SCREWS	15	9		6 W/COTTER PIN	34	12
FA458167	CARBURETOR ADAPTER	15	4	FK750-3	SPARKIE W/SPRING	9	14
FA458254	HOSE, DRAIN W/CHECK			FK85228	BEARING CAGE W/ROLLERS		
	VALVE	21	17		(16 PER SET)	17	16
FA458260	PISTON RING SET (4 PER			FO10165	INLET SEAT GASKET	11	19
	SET)	17	7	FO10280	CHOKE SHUTTER		
FA458480	RETAINER, ENGINE COVER				RETAINING SCREW AND		
	- REAR W/SCREWS AND				LOCKWASHER	11	8
	NUTS	3	14	FO10588	BODY CHANNEL CUP PLUG	11	1
FA458518	CYLINDER HEAD W/PLUGS	21	39	FO10790	INLET NEEDLE, SEAT AND		
FA458571	ROLLER, CENTER MAIN	17	9		GASKET	11	18
FA458655	LINER, CENTER MAIN	17	8				

PARTS INDEX

Part Number	Description	Pg.	Ref. No.	Part Number	Description	Pg.	Ref. No.
FO11103	IDLE MIXTURE SCREW			FSA458015	PISTON .010 OVERSIZE		
	SPRING	11	17		(NOT SHOWN)	17	-
FO12250	CHOKE SHUTTER	11	7	FSA458260	PISTON RINGS (4 PER SET)		
FO12251	CHOKE RELIEF VALVE	11	3		.010 OVERSIZE (NOT		
FO13552	FUEL BOWL	11	12		SHOWN)	17	-
FO13554	FLOAT	11	10	FT2910	KNOCK-OFF NUT	38	-
FO13944	FLOAT LEVER PIN	11	11	FT2953	SOCKET	39	-
FO13945	FUEL BOWL RETAINING			FT2961	LUBRICANT - RYKON #2EP	42	-
	SCREW	11	14	FT2962-1	SEALANT - 50 CC LOCTITE		
FO14108	MAIN FUEL JET OPT. .064				H, NON-HARDENING		
	1250-3750 FT.	11	-		GRADE	42	-
FO14166	IDLE MIXTURE SCREW	11	16	FT2963-1	SEALANT - 2 OZ. LOCTITE		
FO14186	MAIN FUEL JET OPT. .060				D, HARDENING GRADE	42	-
	6250-8250 FT.	11	-	FT2987-1	LUBRICANT - ANTI-SEIZE	42	-
FO14187	MAIN FUEL JET OPT. .064			FT2989	FLYWHEEL WEDGE	38	-
	1250-3750 FT.	11	-	FT2990	PISTON PIN REMOVER	39	-
FO14188	MAIN FUEL JET STD. .066			FT2996	RING COMPRESSOR	39	-
	SEAL LEVEL - 1250 FT.	11	20	FT3431	SEAL INSTALLER	40	-
FO15213	MAIN NOZZLE	11	21	FT8904	CUP INSTALLER	40	-
FO15623	FUEL BOWL GASKET	11	13	FT8907	DRIVE HANDLE	40	-
FO16397	CHOKE SHAFT RETURN			FT8918	BEARING GUIDE SET	40	-
	SPRING	11	6	FT8919	SPRING PIN PUNCH	40	-
FO16561	THROTTLE SHAFT AND			FT8921	CUP REMOVER	40	-
	LEVER	11	22	FT8926	RING EXPANDER	39	-
FO16562	CHOKE SHAFT AND LEVER	11	5	FT8932	LIFTING HOOK	39	-
FO16563	THROTTLE SHAFT RETURN			FT8935	SEALANT PRIMER - 6 OZ.	42	-
	SPRING	11	26	FT8936	SEALANT - 2 CC LOCTITE		
FO17639	THROTTLE SHUTTER	11	27		RETAINING COMPOUND		
FO2510	FUEL BOWL RETAINING				#75	42	-
	SCREW GASKET	11	15	FT8948-1	PROPELLER SHAFT		
FO3804	THROTTLE SHAFT				BEARING CAGE PULLER	40	-
	POSITION RETAINING			FT8950	LEAKAGE TESTER	41	-
	SCREW WASHER	11	25	FT8957	SEAL INSTALLER	40	-
FO4326	BODY CHANNEL WELCH			FT8963	BEARING INSTALLER	40	-
	PLUG	11	2	FT8967	SEAL PROTECTOR	39	-
FO6393	THROTTLE SHAFT			FT8969	LUBRICANT - 7 OZ. 2 PSI		
	POSITION RETAINING				LUBRICANT	42	-
	SCREW	11	23	FT8971	SEAL INSTALLER	39	-
FO6396	THROTTLE SHAFT			FT8972	SEAL INSTALLER	40	-
	POSITION RETAINING			FT8976	SEAL PROTECTOR	39	-
	SCREW LOCKWASHER	11	24	FT8977	SEAL COLLAR INSTALLER	39	-
FO8942	THROTTLE SHUTTER			FT8983	SEALANT	42	-
	RETAINING SCREW AND			FTA2955	TEST WHEEL	41	-
	LOCKWASHER	11	28	T11211	BOAT WHITE	43	-
FP293	PROPELLER (ACCESSORY			T11212	BOAT BLACK	43	-
	ITEM)	34	8	T11230	ORANGE	43	-
FS174227	SPARK PLUG (L-4-J)	23	42	T11232	METALIC SILVER	43	-
FS409752	FUEL LINE COMPLETE -			T11233	MEDIUM	43	-
	(NOT SHOWN)	37	-	T8974	POINT TENSION GAUGE	41	-
FS458023	BEVEL GEAR FRONT			21-817741A1	CHECK VALVE	21	35
	W/BEARING	34	25	32-817738A1	FUEL LINE, LONG		
FS529032	STERN BRACKET				W/CLAMPS AND FERRULE	37	7
	STARBOARD W/CLAMP			37-F286894-3	INDICATOR SPEED		
	SCREW AND FOOT	27	39		CONTROL - CANADA	33	-
FS529532	STERN BRACKET PORT			39-818119A1	PISTON RINGS (4 PER SET)		
	W/CLAMP SCREW AND				.030 OVERSIZE (NOT		
	FOOT	27	14		SHOWN)	17	-
FS529712	ENGINE COVER W/FRONT			44-819500A3	PROPELLER SHAFT		
	AND REAR RETAINERS	3	1		ASSEMBLY	34	21

PARTS INDEX

Part Number	Description	Pg.	Ref. No.	Part Number	Description	Pg.	Ref. No.
600-818052A4	CONNECTING ROD W/CAP AND SCREWS	17	5				
700-818118A1	PISTON .030 OVERSIZE (NOT SHOWN)	17	-				
1600-817804A3	GEAR HOUSING LOWER W/PLUG, WASHER AND THRUST BEARING CUP .	34	26				
1600-817896A2	LOWER GEAR HOUSING - COMPLETE (NOT SHOWN)	34	-				