



PARTS CATALOG

115 H.P.

SERIAL NUMBER

115 (1980)1156B0C
115 (1980)1156H0C

TABLE OF CONTENTS:

ACCESSORIES	58
CARBURETOR	16
CRANKSHAFT AND PISTON GROUP	32
DISTRIBUTOR	12
ELECTRICAL COMPONENTS	6
ENGINE COVER AND SUPPORT PLATE	2
FUEL PUMP AND REED PLATE	20
FUEL TANK AND LINE	46
GEAR HOUSING	40
MOTOR LEG	34
PARTS INDEX	61
POWER HEAD	24
REMOTE CONTROL	48
SPECIAL TOOLS - GEAR HOUSING	54
SPECIAL TOOLS - LUBRICANTS AND SEALANTS	56
SPECIAL TOOLS - POWER HEAD	53
SPECIAL TOOLS - REPAIR DECALS - ENGINE COVERS	57
SPECIAL TOOLS - TEST EQUIPMENT	55
SPECIAL TOOLS - TUNE-UP	52
STARTER	10

NOTE: Indented description indicate that these parts are included in preceeding assembly.

AR = As Required

NSS = Not Sold Separate

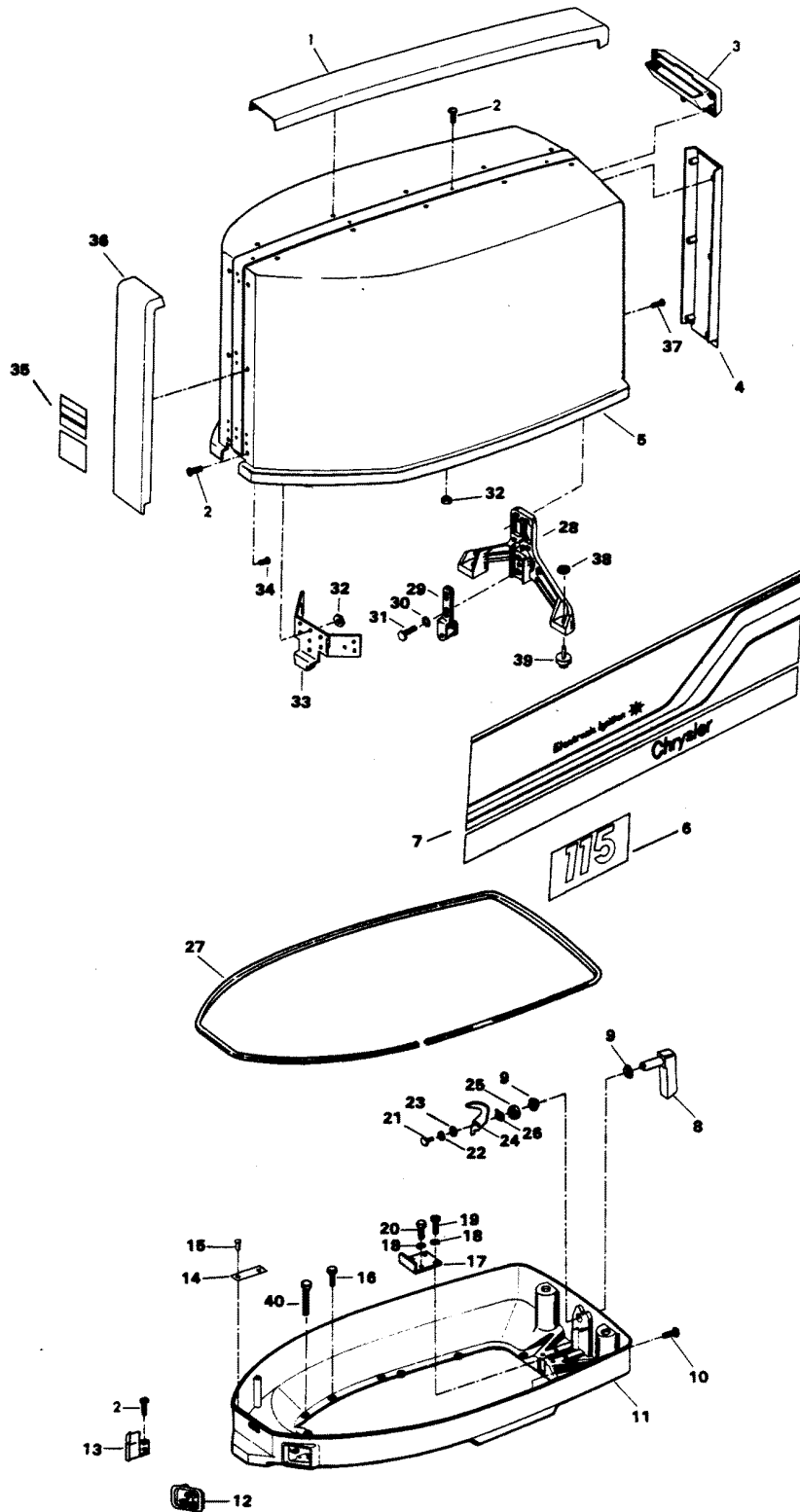
OPT = Optional

NS = Not Shown

THESE PARTS BOOKS/FICHE CARD ARE COPYRIGHTED AND MAY NOT BE DISTRIBUTED OR REPRODUCED IN ANY OTHER FORMAT BY ANYONE OTHER THAN MERCURY MARINE WITHOUT THE PRIOR WRITTEN CONSENT OF MERCURY MARINE.

THIS PAGE INTENTIONALLY LEFT BLANK

ENGINE COVER AND SUPPORT PLATE

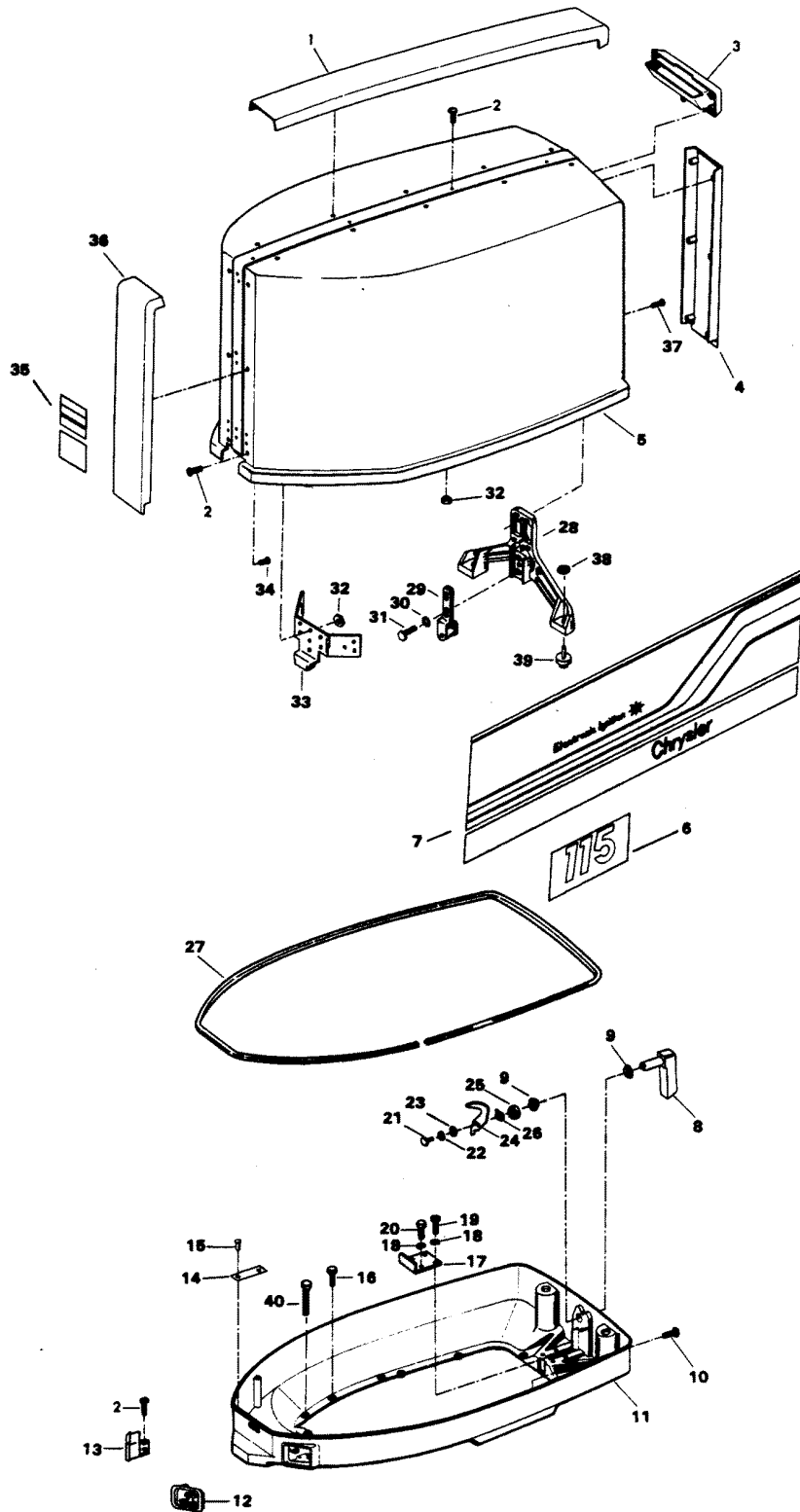


ENGINE COVER AND SUPPORT PLATE

REF. NO.	PART NO.	SYM.	QTY.	DESCRIPTION
1	FA480179		1	TRIM TOP W/LITERATURE
2	F1733		10	PAN HD MACHINE SCREW, 10 - 24 X 9/16
3	FA480269		1	TILT HANDLE W/LITERATURE
4	FA552180		1	TRIM REAR W/LITERATURE
5	FA552944		1	ENGINE COVER W/RETAINER, SCREWS AND NUTS
-	3C589944		1	ENGINE COVER COMPLETE INCLUDES ALL ITEMS MARKED WITH AN ASTERISK (*).
6	FA589386		2	DECAL, NUMERAL W/LITERATURE
7	FA585397		1	DECAL, PORT W/LITERATURE
-	FA585396		1	DECAL, STARBOARD W/LITERATURE
8	FA481469		1	HANDLE W/SHAFT
9	F480818		2	BEARING
10	F1535		6	HEX CAP SCREW, 1/4 - 20 X 3/4
11	F480038-2		1	SUPPORT PLATE
12	F549189		1	BUSHING, ELECTRIC CABLE
13	F545189		1	BUSHING, CABLE ENTRY
14	FA535395		1	IDENTIFICATION PLATE W/SCREWS FOR USA MODELS
-	FAC535395		1	IDENTIFICATION PLATE W/SCREWS FOR CANADA MODELS
15	F1447		2	ROUND HD SCREWS, 2 X 3/16
16	F1540		5	HEX CAP SCREW, 1/4 - 20 X 5/8
17	F335654-1		1	DEFLECTION STOP
18	F8096		4	SPRING LOCKWASHER
19	F1857		2	HEX CAP SCREW, 5/16 - 18 X 5/8
20	F1858		2	HEX CAP SCREW, 5/16 - 18 X 1
21	F1541		1	HEX CAP SCREW, 1/4 - 20 X 5/8
22	F8083		1	SPRING LOCKWASHER
23	F8094		1	PLAIN WASHER
24	F481777		1	CAM, LATCH
25	F481382-1		1	SPACER, LATCH SHAFT
26	F2047		1	WAVE SPRING LOCKWASHER
27	F321756		1	PACKING COVER
28	F481774		1	BRACKET, COVER LATCH
29	FA481743		1	ROLLER BRACKET W/ROLLER
30	F8096		2	SPRING LOCKWASHER
31	F1857		2	HEX CAP SCREW, 5/16 - 18 X 5/8
32	F1473		7	HEX NUT
33	F373778-1		1	RETAINER, ENGINE COVER
34	F2066		30	PAN HD TAPPING SCREW, 10 X 7/16 (TRIM TO COVER)
35	FA585892		1	DECAL, FRONT W/LITERATURE
36	FA552888		1	TRIM, FRONT W/LITERATURE
37	F1730		3	PAN HD SCREW W/SPRING LOCKWASHER, 1/4 - 20 X 5/8

CONTINUED ON NEXT PAGE ➡

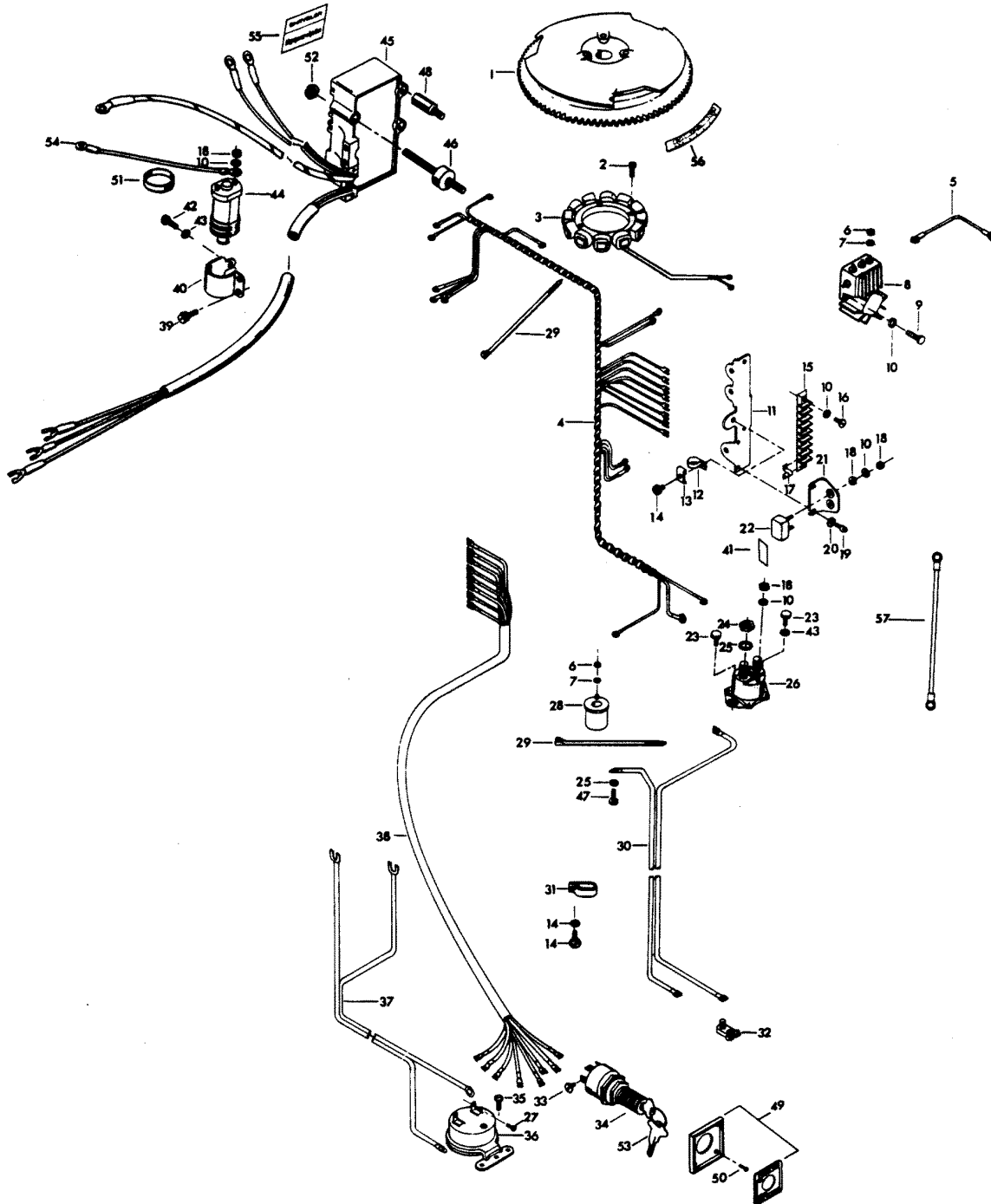
ENGINE COVER AND SUPPORT PLATE



ENGINE COVER AND SUPPORT PLATE

REF. NO.	PART NO.	SYM.	QTY.	DESCRIPTION
38	F2088		2	FASTENER
39	F481434		2	GUIDE, ENGINE COVER
40	F1708		2	HEX HD SCREW, 1/4 - 20 X 1 3/8
-	F548984		1	BLANKET, SILENCER TOP (NOT SHOWN)
-	F552985		2	BLANKET, SILENCER SIDE (NOT SHOWN)

ELECTRICAL COMPONENTS

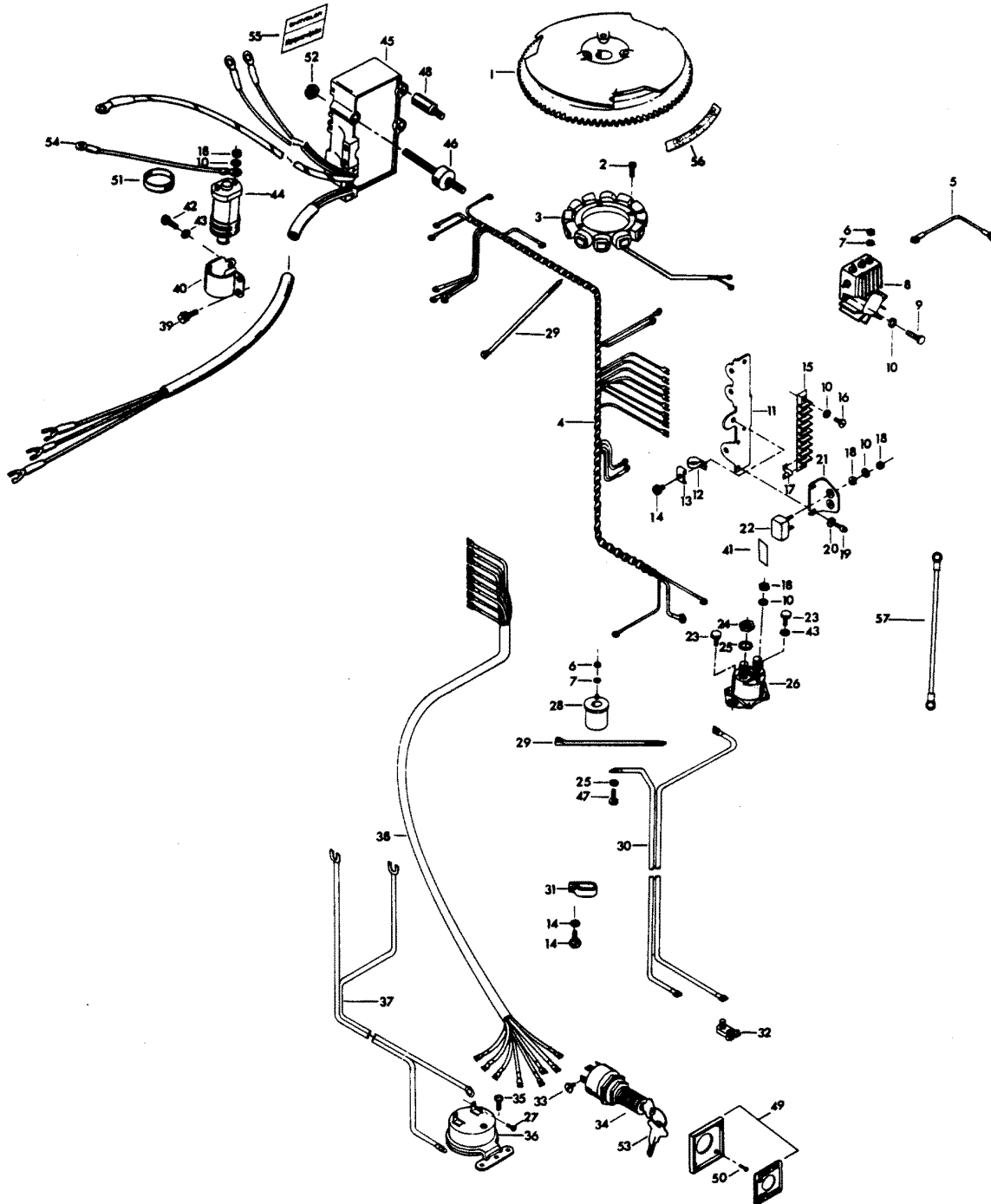


ELECTRICAL COMPONENTS

REF. NO.	PART NO.	SYM.	QTY.	DESCRIPTION
1	F404097		1	FLYWHEEL
2	F1087		6	FILL HD SCREW, 10 - 24 X 13/16
3	F85095-2		1	STATOR
4	F438744-1		1	WIRING HARNESS
5	F345683		1	WIRE, REGULATOR-RECTIFIER GROUND
6	F1647		5	HEX NUT, 8 - 32
7	F8056		5	SPRING LOCKWASHER
8	F404470-1		1	REGULATOR-RECTIFIER
9	F2107		3	FILL HD SCREW, 10 - 24 X 5/8
10	F1975		9	SPRING LOCKWASHER
11	FA439493		1	TERMINAL BLOCK BRACKET W/ILLUS. 13, 14 AND ON PAGE 16 ILLUS. 87
12	F289446-1		1	CLAMP
13	F438668		1	RETAINER, CABLE CLAMP
14	F1734		2	FILL HD SCREW W/LOCKWASHER, 1/4 - 20 X 1/2
15	FA510497		1	TERMINAL BLOCK W/ILLUS. 16 ORIGINAL FORCE P/N K 289497-2
16	F1648		2	PAN HD SCREW, 10 - 24 X 3/4
17	F307317		1	CLIP, TERMINAL BLOCK
18	F1513		8	HEX NUT
19	F1760		2	PAN HD SCREW, 10 - 24 X 3/8
20	F8011		2	PLAIN WASHER
21	F91446-1		1	CIRCUIT BREAKER BRACKET
22	F510460		1	CIRCUIT BREAKER
23	F1536		2	HEX CAP SCREW, 1/4 - 20 X 3/4
24	F1515		2	HEX NUT
25	F8096		3	SPRING LOCKWASHER
26	F460917		1	STARTER RELAY
27	F1645		2	SCREW, 6 - 32 X 1/4
28	F85924		1	CHOKE SOLENOID
29	F1877		2	TY-RAP
30	F381896-4		1	BATTERY CABLE
31	F407446		1	CLAMP
32	F5H041		1	BATTERY TERMINAL KIT (ACCESSORY ITEM)
33	F1280		5	SCREW, 8 - 32 X 1/4
34	F5H078		1	IGNITION SWITCH (LONG BARREL) W/KEYS AND SCREWS (ACCESSORY ITEMS)
35	F1741		2	SCREW, 8 X 3/4
36	F5H043		1	OVERHEAT BUZZER (ACCESSORY ITEM)
37	F404841		1	CABLE, HEAT INDICATOR
38	F85843-1		1	REMOTE ELECTRIC CABLE, 18 FEET
39	F1851		2	FILL HD SCREW W/LOCKWASHER, 10 - 24 X 1/2
40	F404513		1	COIL CLAMP
41	F510374		1	DECAL, CIRCUIT BREAKER - USA

CONTINUED ON NEXT PAGE ➡

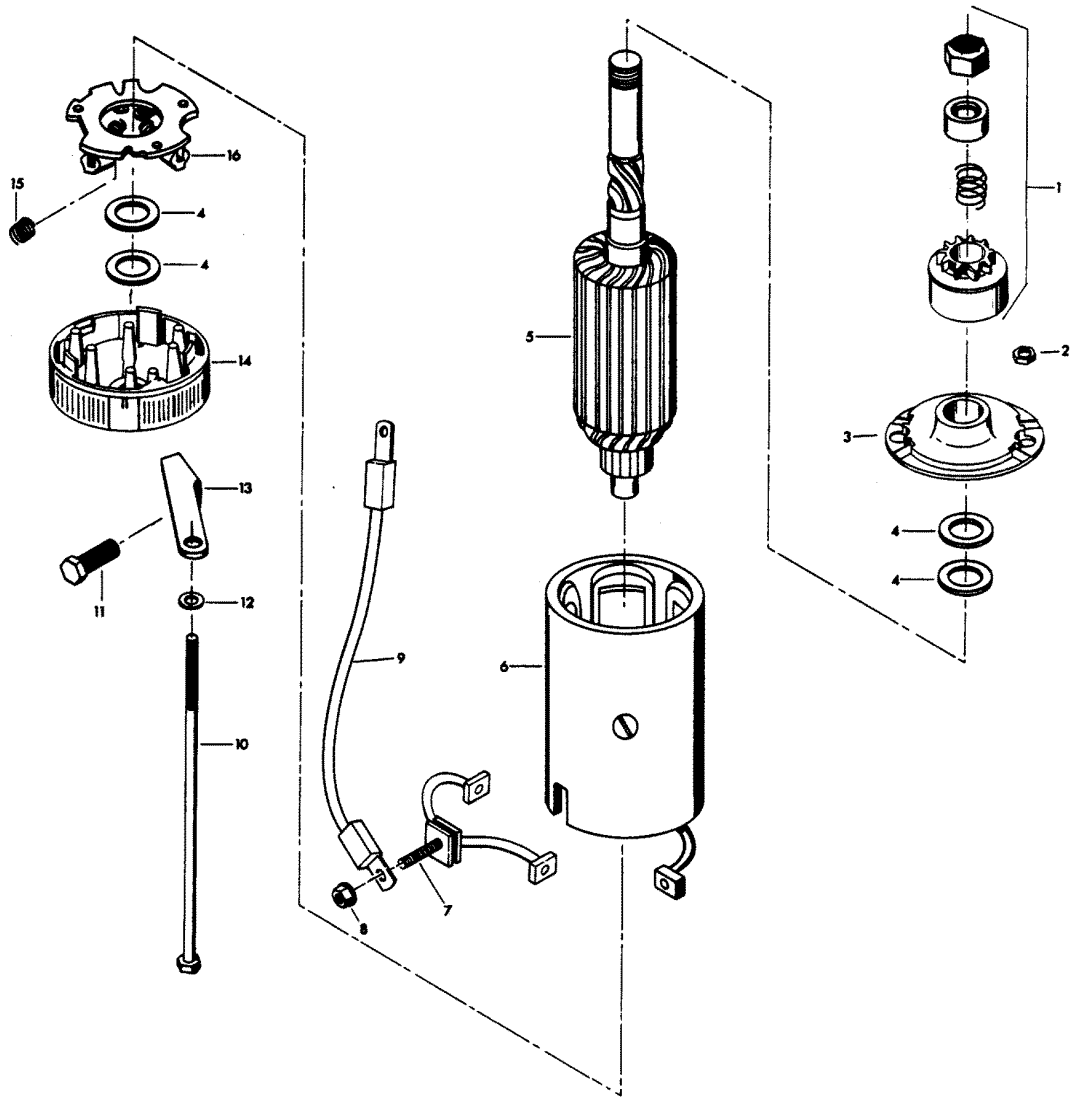
ELECTRICAL COMPONENTS



ELECTRICAL COMPONENTS

REF. NO.	PART NO.	SYM.	QTY.	DESCRIPTION
-	FC510374		1	DECAL, CIRCUIT BREAKER - CANADA
42	F1546		1	HEX HD CAP SCREW, 1/4 - 20 X 1/2
43	F8083		2	SPRING LOCKWASHER
44	F345475-1		1	COIL
45	300-817855A1		1	UNIT W/DECAL (ORIGINAL FORCE P/N A 523301-1)(Does not include Coil & Clamp)
46	F523962		3	SHOCK MOUNT - C.D. UNIT
47	F2000		1	HEX CAP SCREW, 5/16 - 18 X 3/4
48	F322273		1	STUD, C.D. UNIT
49	F5H038		1	IGNITION SWITCH MOUNTING KIT (ACCESSORY ITEM)
-	817892--1		1	PLATE, IGNITION SWITCH - CANADA (NOT SHOWN)
50	F1934		4	FLAT HD SLOTTED SCREW, 6 X 12
51	F391983		2	RETAINING BAND
52	F1892		3	STOP NUT
53	FA368700		-	IGNITION KEY - NO LETTER OR STAMPED A
-	FB368700		-	IGNITION KEY - STAMPED B
-	FC368700		-	IGNITION KEY - STAMPED C
-	FD368700		-	IGNITION KEY - STAMPED D
-	FE368700		-	IGNITION KEY - STAMPED E
54	F85664		1	GROUND WIRE
55	480373		1	DECAL, MAGNAPOWER IGNITION
56	F474387		1	TIMING DECAL - USA
-	FC474387		1	TIMING DECAL - CANADA
57	F319908		1	GROUND WIRE - CANADA

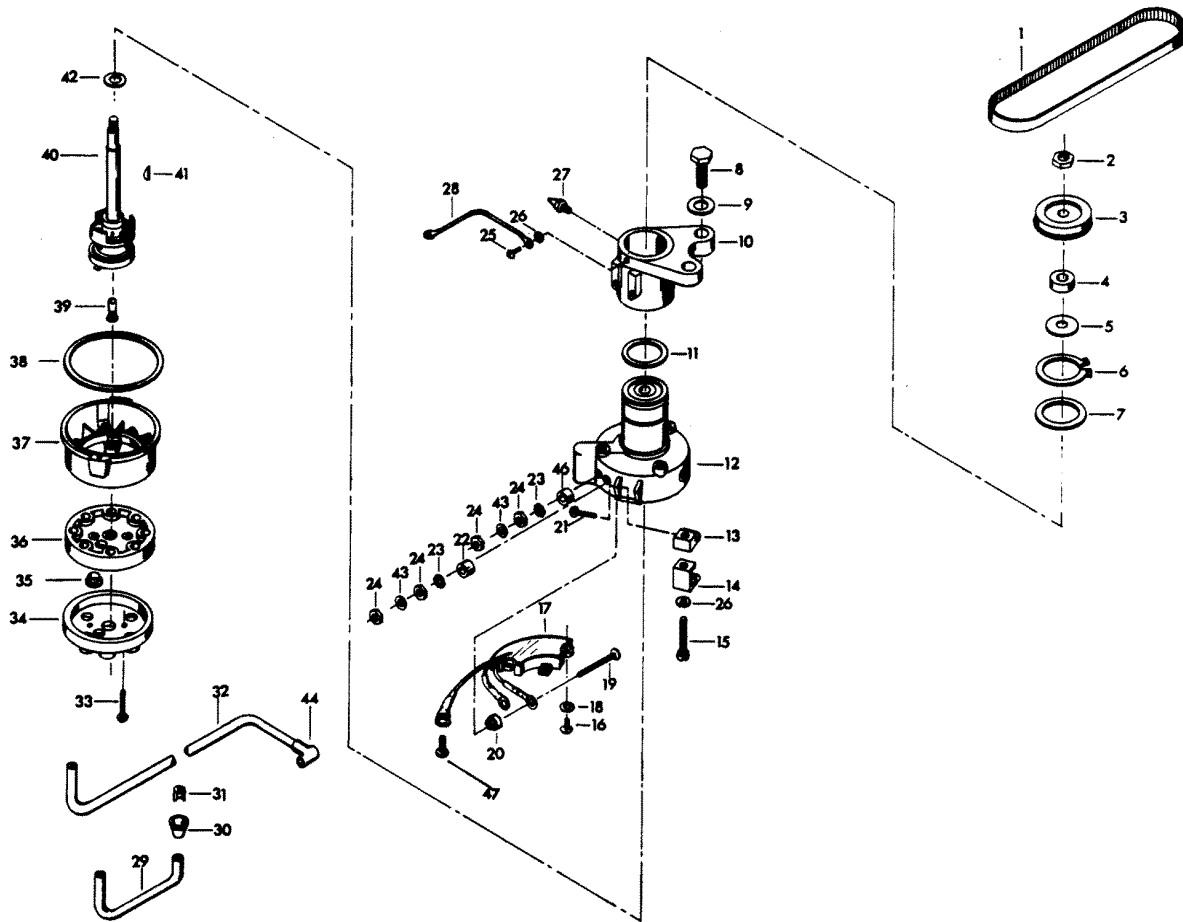
STARTER



STARTER

REF. NO.	PART NO.	SYM.	QTY.	DESCRIPTION
1	F15118		1	BENDIX DRIVE ASSEMBLY
2	F1641		2	LOCK NUT, 1/4 - 28
3	F15167		1	HEAD ASSEMBLY, DRIVE END
4	F15126		1	THRUST WASHER PACKAGE
5	F15099		1	ARMATURE
6	F15166		1	FRAME AND FIELD ASSEMBLY
7	F15054		1	BRUSH AND TERMINAL SET
8	FA15072		1	HEX LOCK NUT, 1/4 - 20
9	F85908		1	STARTER LEAD WIRE
10	F15168		1	THRU BOLT PACKAGE
11	F1540		1	HEX CAP SCREW, 1/4 - 20 X 5/8
12	F8028		2	PLAIN WASHER
13	F511675		1	STARTER BRACKET, LOWER
14	F15125		1	HEAD ASSEMBLY, COMMUTATOR END
15	F15034		1	SPRING SET
16	F15057		1	BRUSH PLATE AND HOLDER ASSEMBLY
-	FS490955		1	STARTER COMPLETE. INCLUDES ALL ITEMS MARKED WITH AN ASTERISK (*).
-	FC500390		1	DECAL, STARTER - CANADA (NOT SHOWN)

DISTRIBUTOR

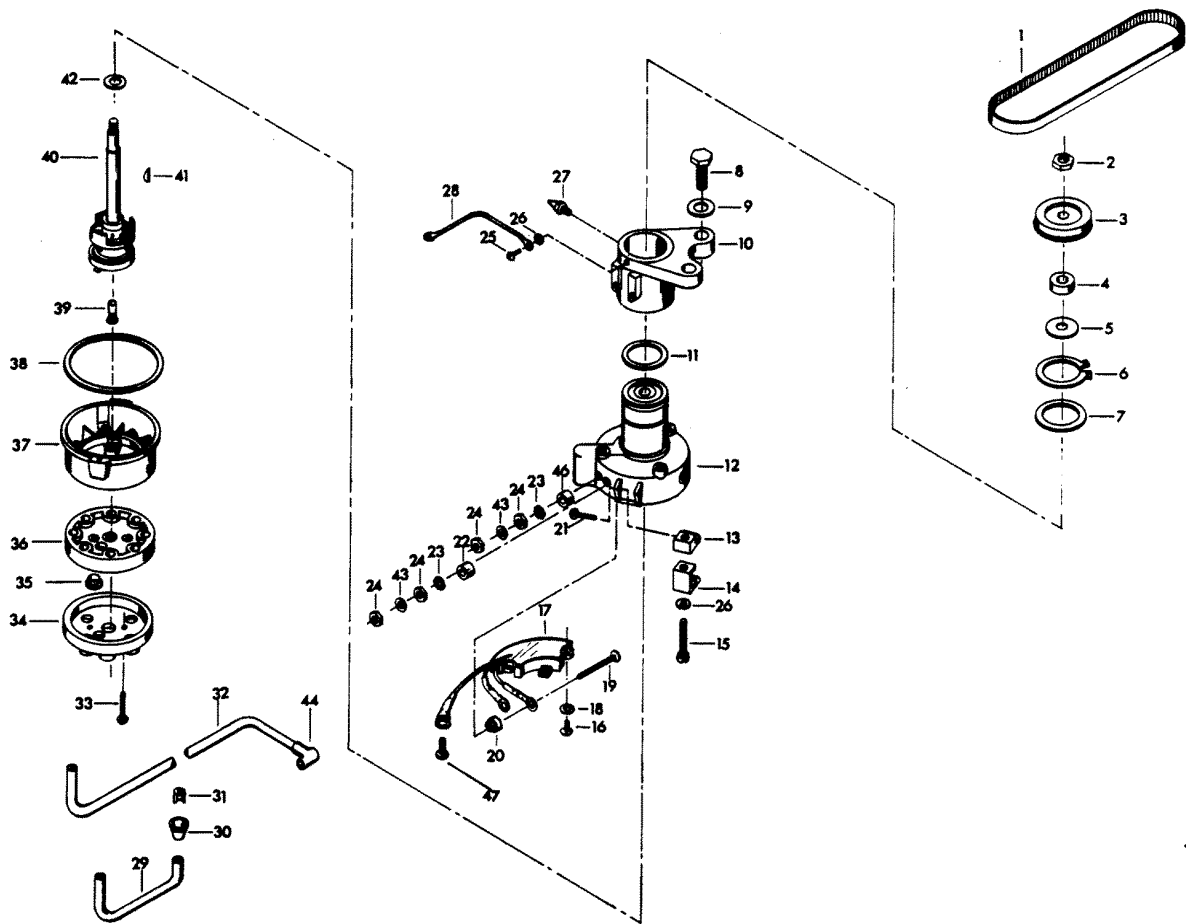


DISTRIBUTOR

REF. NO.	PART NO.	SYM.	QTY.	DESCRIPTION
1	F85311		1	DISTRIBUTOR BELT
2	F7013		1	STOP NUT
3	817786A1		1	DISTRIBUTOR PULLEY W/STOP NUT AND WASHER
4	F14025		1	SPACER
5	F14028		1	THRUST WASHER
6	F85173		1	RETAINING RING
7	F14029		1	THRUST WASHER
8	F1612		2	HEX CAP SCREW, 3/8 - 16 X 1 - 1/4
9	F1778		2	PLAIN WASHER
10	FA321574		1	DISTRIBUTOR BRACKET W/ILLUS. 25, 26 AND 27
11	F1759		2	SHIM, DISTRIBUTOR (QTY. AS REQUIRED)
12	F14042		1	DISTRIBUTOR HOUSING W/BEARINGS
13	F14036		2	SWIVEL
14	F14037		2	CAP CLIPS
15	F14038		2	CAP CLIP SCREWS
16	F14045		2	SCREW
17	FA14048-2		1	PREAMPLIFIER
18	F8056		2	LOCKWASHER
19	F14046		2	TERMINAL SCREW
20	F14047		2	TERMINAL INSULATOR (INSIDE)
21	F14015		2	CAP CLIP RIVET
22	F14049		1	TERMINAL INSULATOR (OUTSIDE)
23	F14041		2	EXTERNAL TOOTH LOCKWASHER
24	F1647		2	HEX NUT, 8 - 32
25	F1760		2	PAN HD SCREW, 10 - 24 X 3/8
26	F1975		2	SPRING LOCKWASHER
27	F213274		1	GREASE FITTING
28	F85664		1	DISTRIBUTOR GROUND
29	84-817775A1		1	COIL WIRE W/TERMINAL CLIP - USA
-	F438905		1	COIL WIRE - CANADA
30	F203276		1	BOOT
31	F203673		1	TERMINAL CLIP
32	F321841-3		4	LEAD WIRE - USA
-	F438841-1		4	LEAD WIRE - CANADA
33	F14007		2	CAP SCREW
34	F14010-1		1	CAP COVER
35	F14040		2	VENT
36	F14021-1		1	CAP SEAL
37	F14005-2		1	CAP BASE
38	F14030		1	CAP GASKET
39	F14012-1		1	BRUSH
40	F14044		1	DISTRIBUTOR SHAFT
41	F1692		1	WOODRUFF KEY

CONTINUED ON NEXT PAGE ➡

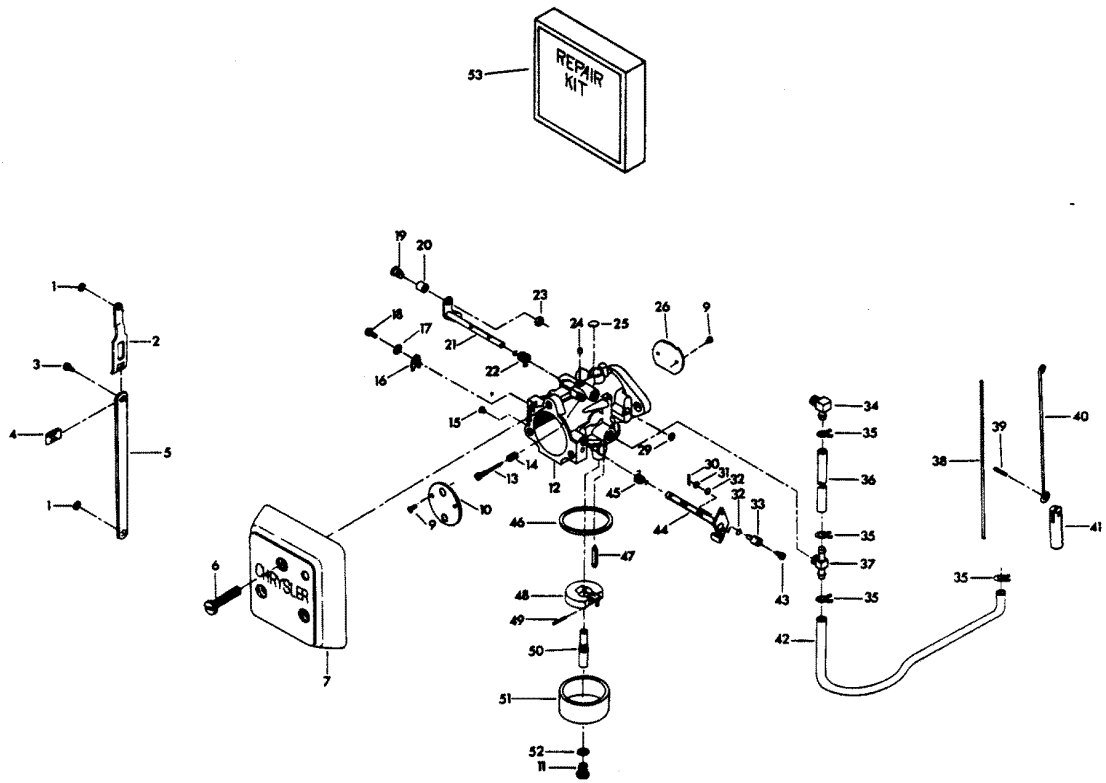
DISTRIBUTOR



DISTRIBUTOR

REF. NO.	PART NO.	SYM.	QTY.	DESCRIPTION
42	F14024		1	SPACER
43	F8056		2	LOCKWASHER
44	FK750-1		4	SPARKIE W/SPRING
46	F14017		1	TERMINAL INSULATOR (OUTSIDE)
47	F14056		1	SCREW
-	817828A1		1	DISTRIBUTOR COMPLETE. INCLUDES ALL ITEMS MARKED WITH AN ASTERISK (*). ORIGINAL FORCE P/N A 489309-1
-	481373-1		1	DECAL, "ELECTRONIC" (NOT SHOWN)

CARBURETOR

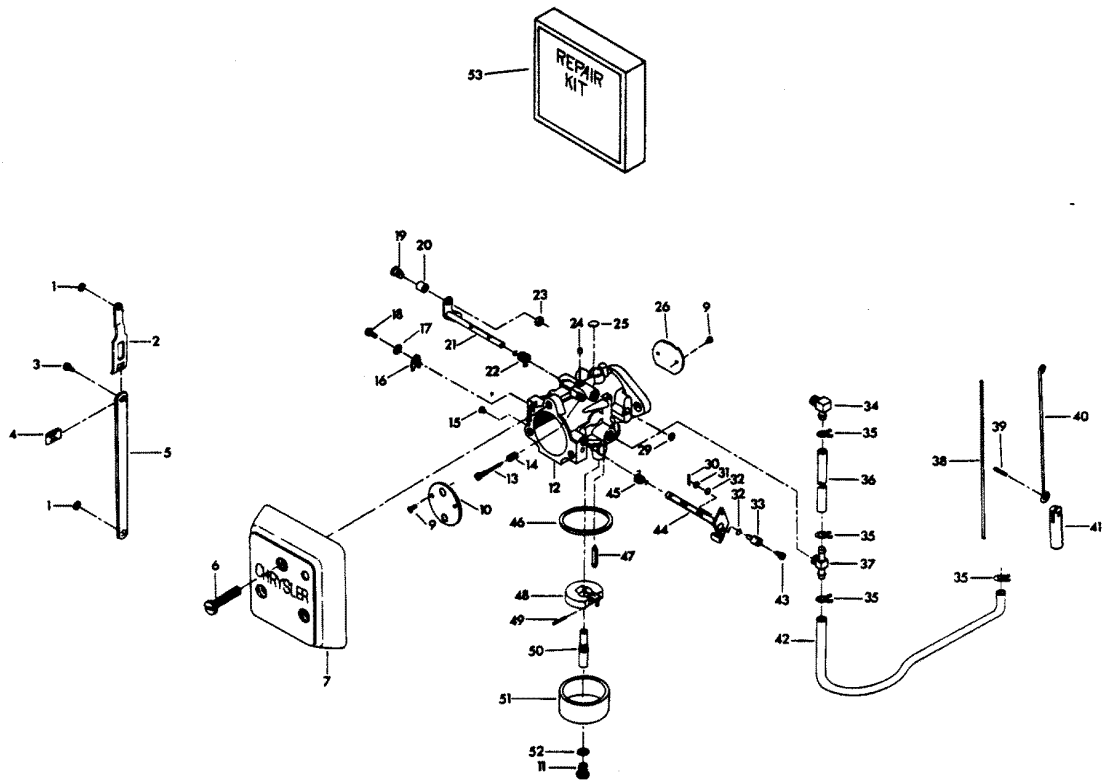


CARBURETOR

REF. NO.	PART NO.	SYM.	QTY.	DESCRIPTION
1	F90807		2	RETAINING RING
2	FA85193		1	TIE BAR END W/SWIVEL
3	F1064		1	FILL HD SCREW, 8 - 32 X 3/8
4	F1693		1	TIE BAR RETAINER NUT
5	FA178233		1	THROTTLE TIE BAR W/SWIVEL
6	F1034		6	PAN HD SCREW, 1/4 - 20 X 1 3/8
7	F511708		2	COVER, CARBURETOR
9	FO15912		4	CHOKE AND THROTTLE SHUTTER SCREW
10	FO17719		1	CHOKE, SHUTTER
11	FO16132		1	FUEL BOWL RETAINING SCREW
12	F553061		1	CARBURETOR COMPLETE (TC-7A)
13	FO14166		1	IDLE MIXTURE SCREW
14	FO11103		1	IDLE MIXTURE SCREW SPRING
15	FO15406		1	MAIN FUEL JET STD. .090 SEA LEVEL - 1500 FT.
-	FO13193		-	MAIN FUEL JET OPT. .088 1500 - 3000 FT.
-	FO13949		-	MAIN FUEL JET OPT. .086 3000 - 4500 FT.
-	FO14302		-	MAIN FUEL JET OPT. .084 4500 - 6000 FT.
-	FO14109		-	MAIN FUEL JET OPT. .082 6000 FT & UP
16	FO9678		1	CLIP, CHOKE SHAFT
17	FO992		1	LOCKWASHER
18	FO1974		1	SCREW
19	F333316		1	THROTTLE ROLLER SHAFT
20	F92759		1	THROTTLE ROLLER
21	FO17884		1	THROTTLE SHAFT AND LEVER
22	FO16143		1	THROTTLE SHAFT RETURN SPRING
23	F1997		1	STOP NUT, 8 - 32
24	FO10588		5	BODY CHANNEL CUP PLUG
25	FO16128		1	BODY CHANNEL WELCH PLUG
26	FO16142		1	THROTTLE SHUTTER
29	FO16620		1	"E" RING
30	F1014		2	COTTER PIN
31	F8088		3	PLAIN WASHER
32	F184579		5	"O" RING SEAL
33	F184033-1		1	SWIVEL, TOP CARBURETOR
34	F84314-2		1	ELBOW
35	F97772		4	CLAMP
36	F178754-1		1	FUEL LINE
37	F85314-1		1	FUEL FITTING
38	F85509-1		1	LINK, CHOKE
39	F2033		1	GROOVE PIN
40	F440925		1	CHOKE ROD
41	F391926-1		1	PLUNGER
42	F438754		1	FUEL LINE

CONTINUED ON NEXT PAGE ➡

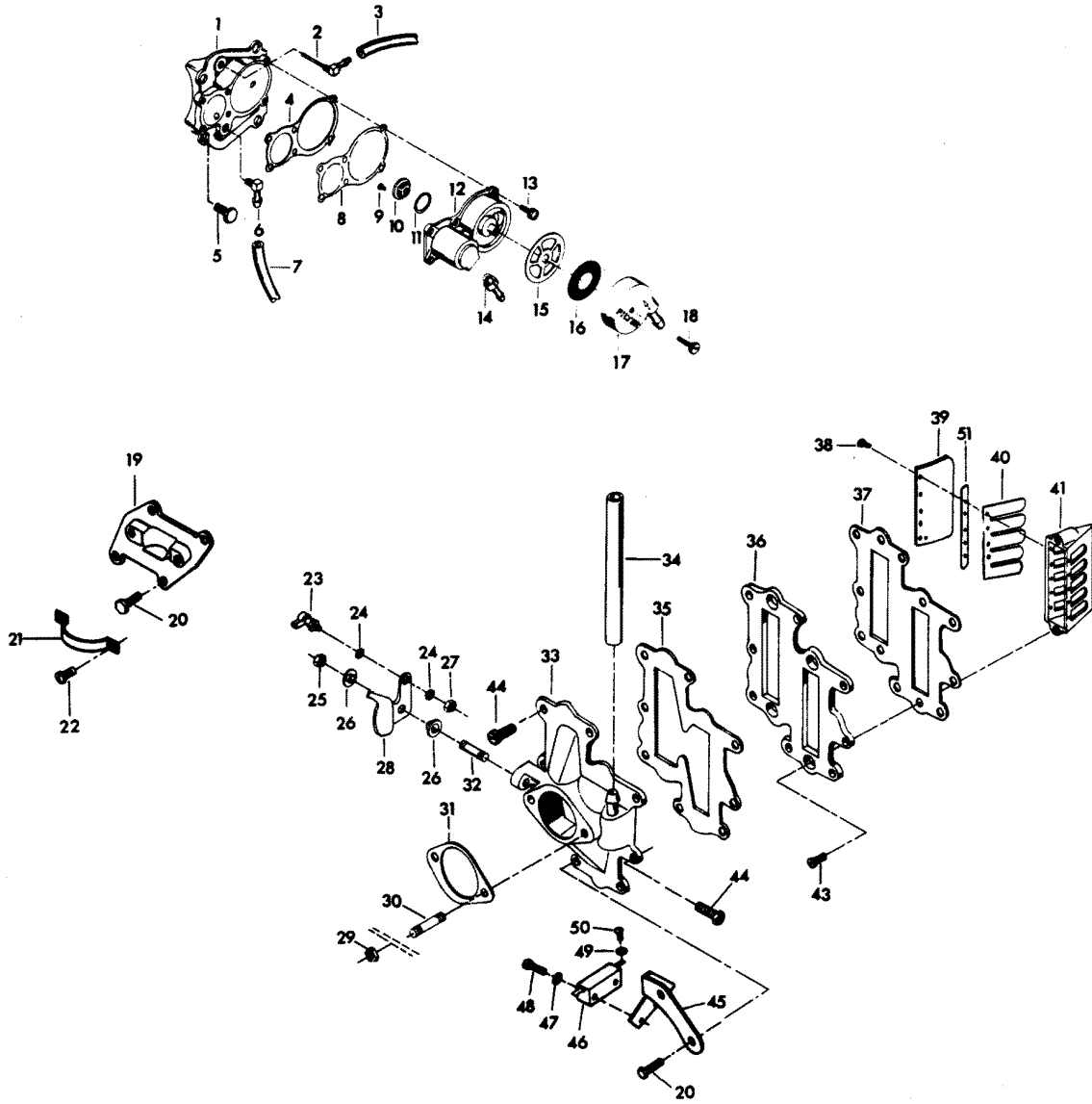
CARBURETOR



CARBURETOR

REF. NO.	PART NO.	SYM.	QTY.	DESCRIPTION
43	F1059		2	FILL HD SCREW, 6 - 32 X 1/4
44	FO16301		1	CHOKE SHAFT AND LEVER
45	FO17885		1	CHOKE SHAFT RETURN SPRING
46	FO15623		1	FUEL BOWL GASKET
47	FO16697		1	INLET NEEDLE
48	FO13554		1	FLOAT
49	FO13944		1	FLOAT LEVER PIN
50	FO16133		1	MAIN NOZZLE
51	FO16130		1	FUEL BOWL
52	FO5323		2	FUEL BOWL RETAINING SCREW GASKET
-	F85033		1	SWIVEL, CHOKE ROD (BOTTOM CARBURETOR) (NOT SHOWN)
-	F10023		1	GASKET SET (NOT SHOWN)
53	F10103		1	REPAIR PARTS KIT. INCLUDES ALL ITEMS MARKED WITH AN ASTERISK (*).

FUEL PUMP AND REED PLATE

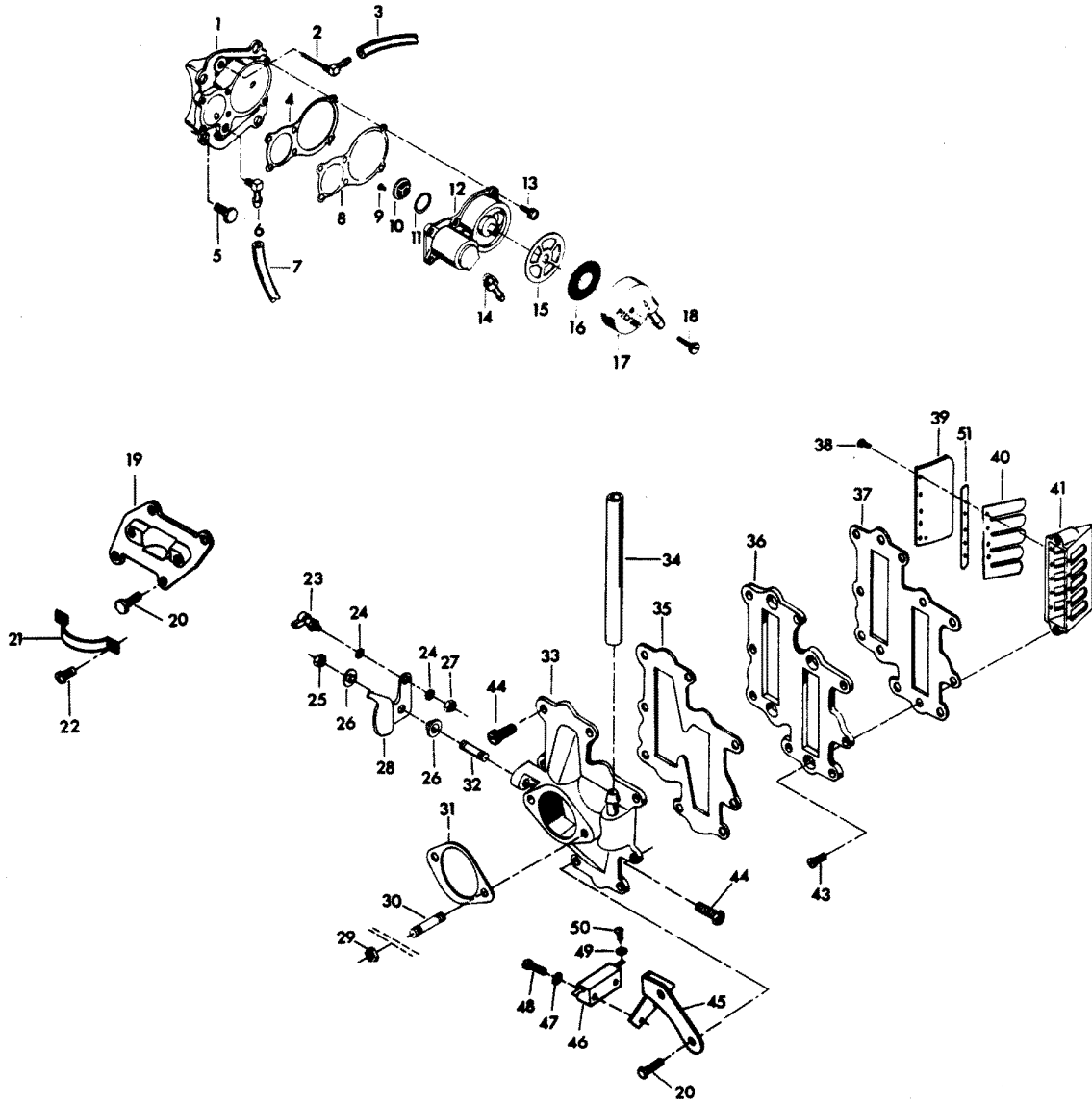


FUEL PUMP AND REED PLATE

REF. NO.	PART NO.	SYM.	QTY.	DESCRIPTION
1	FA439746		1	FUEL PUMP COVER W/PLUG
2	F404314		1	ELBOW, FUEL PUMP COVER
3	F441754-1		1	HOSE
4	F438760		1	FUEL PUMP GASKET
5	F1540		4	HEX CAP SCREW, 1/4 - 20 X 5/8
6	F84314-2		1	ELBOW
7	F89758		1	FUEL PUMP AIR HOSE - TOP
8	F438747		1	FUEL PUMP DIAPHRAGM
9	F1860		2	RD HD SCREW, 6 - 32 X 1/4
10	F177330		3	FUEL PUMP VALVE
11	F84792		1	GASKET, CENTER FUEL PUMP VALVE
12	FA438431		1	FUEL PUMP BODY W/VALVES
13	F1108		6	FILL HD SCREW, 1/4 - 20 X 3/4
14	F438801		1	FITTING
15	F438617		1	FUEL SEDIMENT BOWL GASKET
16	F438653		1	FUEL SEDIMENT BOWL SCREEN
17	F438500		1	FUEL SEDIMENT BOWL
18	F438165		1	SCREW, FUEL PUMP BOWL
19	F372958		1	CHOKE BRACKET
20	F1532		6	HEX HD SCREW, 1/4 - 20 X 1
21	F85317-1		1	SOLENOID CLAMP
22	F1545		2	SCREW, 1/4 - 20 X 1/2
23	FA9141-1		1	BALL JOINT W/STUD
24	F8058		2	INTERNAL TOOTH LOCKWASHER
25	F1910		1	STOP NUT, 1/4 - 20
26	F269319		2	THROTTLE CAM BEARING
27	F1513		1	HEX NUT, 10 - 32
28	F440192-1		1	THROTTLE CAM
29	F1346		4	HEX NUT
30	F440209		4	CARBURETOR STUD
31	F440906		2	CARBURETOR GASKET
32	F433209-1		1	THROTTLE CAM STUD
33	FA440167		1	CARBURETOR ADAPTER, LOWER W/FITTING AND STUDS
-	FA440157		1	CARBURETOR ADAPTER, UPPER W/FITTING AND STUDS (NOT SHOWN)
34	F440254		1	BALANCE TUBE
35	F178168-1		1	GASKET, CARBURETOR ADAPTER
36	F178404-1		2	DEFLECTOR PLATE
37	F406406		2	GASKET DEFLECTOR PLATE
38	F1755		40	ROUND HD SCREW W/LOCKWASHER 6 - 32 X 1/4
39	F85161-1		8	REED STOP
40	F530160		8	REED (5 PETAL)
41	F3A523158		4	REED PLATE W/REEDS, REED STOPS AND SCREWS

CONTINUED ON NEXT PAGE ➡

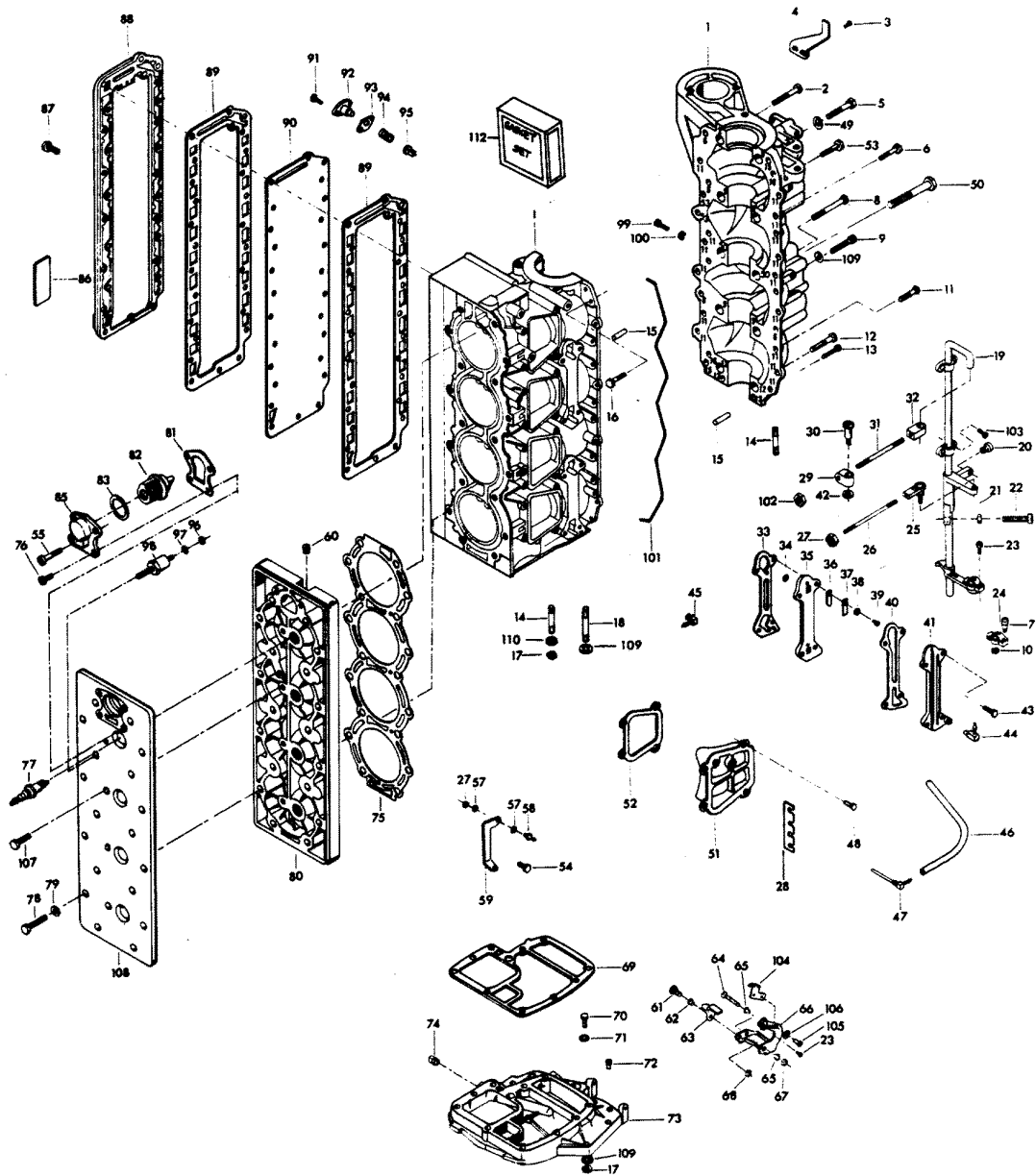
FUEL PUMP AND REED PLATE



FUEL PUMP AND REED PLATE

REF. NO.	PART NO.	SYM.	QTY.	DESCRIPTION
43	F1831		8	FLAT HD SCREW, 1/4 - 20 X 5/8
44	F1533		10	HEX HD SCREW, 1/4 - 20 X 7/8
45	F489551		1	BRACKET NEUTRAL INTERLOCK SWITCH
46	F84449		1	INTERLOCK SWITCH
47	F8088		2	PLAIN WASHER
48	F2016		2	FILL HD SCREW, 6 - 32 X 7/8
49	F1704		2	INTERNAL TOOTH LOCKWASHER
50	F1645		2	RD HD SCREW, 6 - 32 X 1/4
51	F523451		8	SPACER, REEDS STOP

POWER HEAD



POWER HEAD

REF. NO.	PART NO.	SYM.	QTY.	DESCRIPTION
1	FA553010		1	CYLINDER W/CRNKSE COVR, PARTNG LINE SEAL, SCRWS & DOWL PINS
-	FC553010		1	SHORT BLOCK CONTAINS ALL ITEMS MARKED WITH AN ASTERISK (*). ALSO REFER TO CRANKSHAFT PAGE.
2	F1874		1	HEX HD SCREW, 3/8 - 16 X 1/8
3	F1760		2	PAN HD SCREW, 10 - 24 X 3/8
4	FA480894		1	TIMING POINTER W/ILLUS. 56 ON PAGE 4
5	F1009		1	HEX HD SCREW, 3/8 - 16 X 2-3/4
6	F1533		3	HEX HD SCREW, 1/4 - 20 X 7/8
7	F405457		1	PIVOT SCREW
8	F1699		1	HEX HD SCREW, 1/4 - 20 X 1-1/8
9	F1253		4	HEX SOCKET HD CAP SCREW, 3/8 - 16 X 2
10	F7008		1	ELASTIC STOP NUT
11	F1535		16	HEX HD SCREW, 1/4 - 20 X 3/4
12	F1872		2	HEX CAP SCREW, 3/8 - 16 X 1-3/4
13	F1099		2	FILL HD SCREW, 1/4 - 20 X 1-1/4
14	F85859		4	STUD
15	F8563		2	DOWEL PIN
16	F1532		2	HEX HD SCREW, 1/4 - 20 X 1
17	F7004		10	STOP NUT, 3/8 - 16
18	F85211		6	STUD
19	817932A6		1	TOWERSHAFT W/SWIVEL, BEARINGS AND SCREWS
20	F1727		1	PLASTIC RIVET
21	F1341		1	HEX NUT, 1/4 - 20
22	F1052		1	FILL HD SCREW, 1/4 - 20 X 1
23	F1556		2	FILL HD SCREW, W/LOCKWASHER, 10 - 24 X 3/8
24	FK405020		2	SWIVEL W/CLAMP, SHOULDER SCREW AND NUT
25	817747--1		1	BALL JOINT W/STUD
26	F85502		1	THROTTLE LINK
27	F1513		4	HEX NUT, 10 - 32
28	F523834		1	CLIP, SPARK PLUG WIRE
29	F85035		1	DISTRIBUTOR, CONTROL ROD END
30	F85026		1	SWIVEL
31	F85445		1	CONTROL ROD
32	F85036		1	TOWERSHAFT CONTROL ROD END
33	F84748-3		2	GASKET, CYL. DRAIN REED PLATE
34	F93811		4	SCREEN
35	F2A476757		2	CYLINDER DRAIN REED PLATE W/REEDS, STOPS AND SCREWS
36	F18160-2		4	CYLINDER DRAIN REED
37	F93920		4	REED STOP
38	F8003		4	PLAIN WASHER
39	F1285		4	PAN HD SCREW, 4 - 40 X 3/16
40	F84472-5		2	GASKET, CYLINDER DRAIN COVER

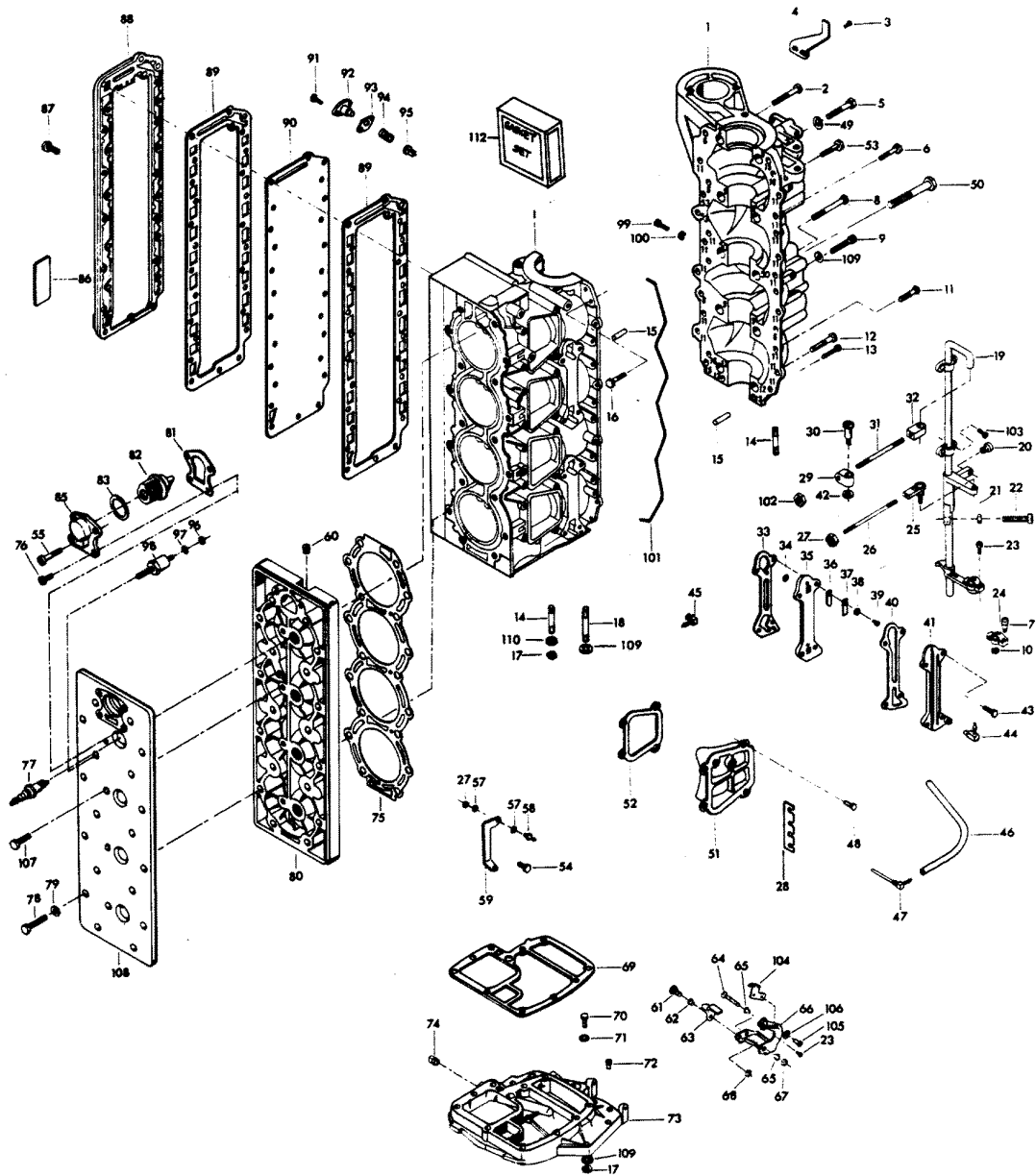
CONTINUED ON NEXT PAGE ➡

POWER HEAD

REF. NO.	PART NO.	SYM.	QTY.	DESCRIPTION
41	F406471-1		2	CYLINDER DRAIN COVER
42	F1935		1	PLAIN WASHER
43	F1532		8	HEX HD SCREW, 1/4 - 20 X 1
44	22-818103--1		1	ELBOX, CYLINDER DRAIN LOWER
-	F404801		1	ELBOW, CYLINDER DRAIN UPPER (NOT SHOWN)
45	F84314-2		1	ELBOW
46	F406754-1		1	HOSE
47	F404314		1	FITTING
48	F1540		10	HEX CAP SCREW, 1/4 - 20 X 5/8
49	F8104		4	PLAIN WASHER
50	F1873		2	HEX CAP SCREW, 3/8 - 16 X 3
51	FA411222		3	TRANSFER PORT COVER
52	F40223		4	GASKET, TRANSFER PORT COVER
53	F1534		2	HEX HD SCREW, 1/4 - 20 X 7/8
54	F1535		2	HEX CAP SCREW, 1/4 - 20 X 3/4
55	F1099		2	FILL HD SCREW, 1/4 - 20 X 1-1/4
57	F8058		4	INTERNAL TOOTH LOCKWASHER
58	F98273		2	ROD END CONNECTOR STUD
59	85872-1		1	BRACKET
60	F19109		1	PLUG
61	F369887		1	SHOULDER SCREW
62	F369610		1	BEARING
63	F369977-1		1	INTERLOCK ARM
64	F1885		1	HEX BOLTS. S.S., 5/16 - 18 X 4-1/4
65	F85610		2	BEARING
66	FA480876		1	GEAR SHIFT ARM W/SWIVL, BEARNGS. INTRLOCK ARM & SHOULDR SCRW
67	F2108		1	STOP NUT, 5/16 - 18
68	F1832		1	STOP NUT, 1/4 - 20
69	F85279-2		1	GASKET, CYLINDER EXHAUST UPPER
70	F1869		6	HEX CAP SCREW, 3/8 - 16 X 1-1/4
71	F1703		6	LOCKWASHER
72	F40689-1		1	BEARING
73	817788A3		1	SPACER PLATE W/PLUG
74	F2090		1	PLUG
75	F476529-1		1	CYLINDER HEAD GASKET
76	F1107		2	SLOTTED FILL HD CAP SCREW, 1/4 - 20 X 3/4
77	33-97180		4	SPARK PLUG (CHAMPION L20V) - USA
-	C523227		4	SPARK PLUG (CHAMPION QL-76V) - CANADA.
78	F1049		18	HEX CAP SCREW, 5/16 - 18 X 2-5/8
79	F1987		18	PLAIN WASHER
80	FA528518		1	CYLINDER HEAD
81	F476067		1	GASKET

CONTINUED ON NEXT PAGE ➡

POWER HEAD

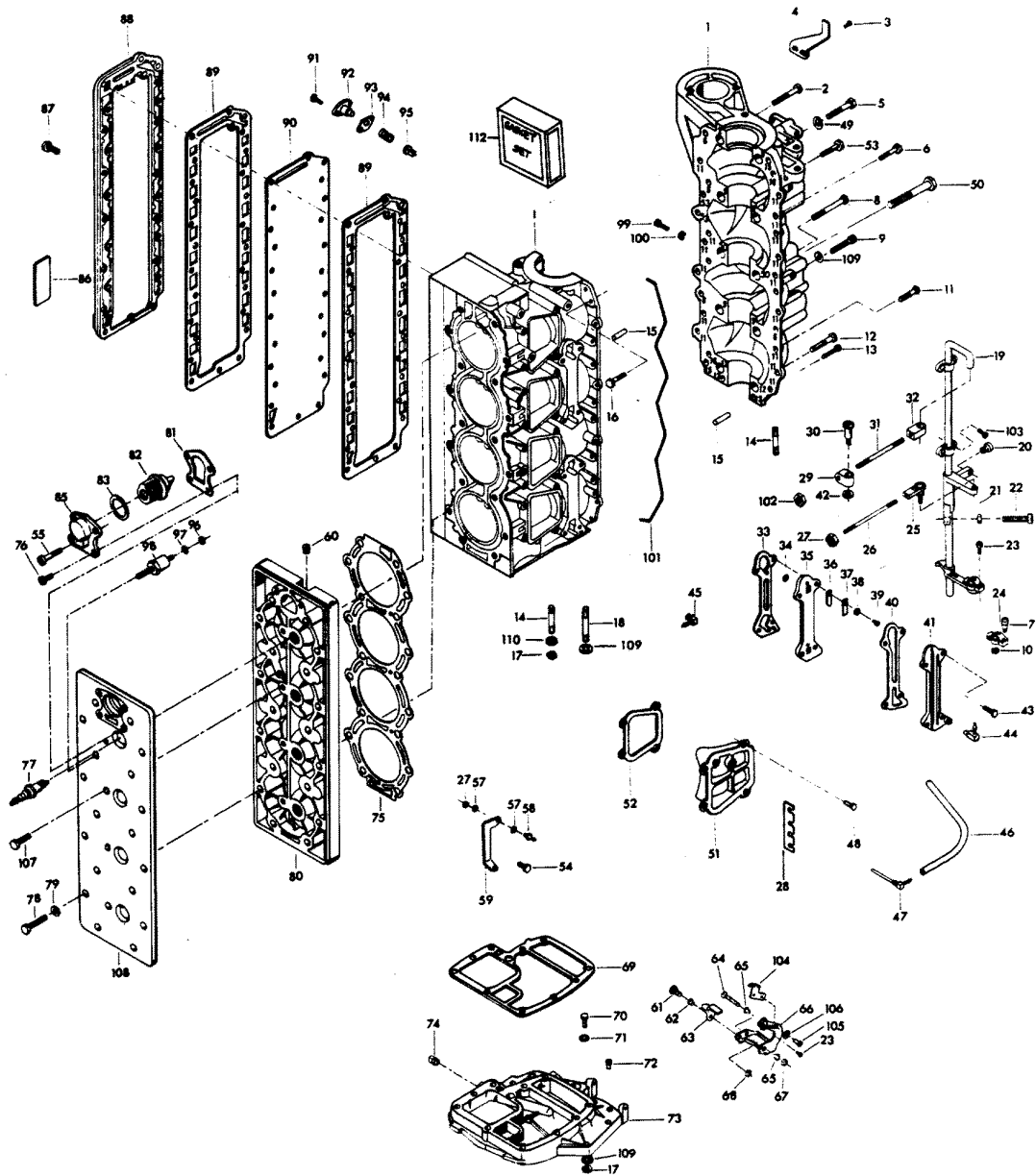


POWER HEAD

REF. NO.	PART NO.	SYM.	QTY.	DESCRIPTION
82	F528068		1	THERMOSTAT
83	F84504		1	GROMMET (THERMOSTAT)
85	F476066-1		1	THERMOSTAT COVER
86	F438398		1	DECAL, WIRING - USA
-	FC438398		1	DECAL, WIRING - CANADA
87	F1916		27	HEX BOLT, 1/4 - 20 X 1-1/8
88	F372152-1		1	EXHAUST PORT COVER
89	F372154-1		2	GASKET, EXHAUST PORT PLATE
90	F372151-1		1	EXHAUST PORT PLATE
91	F1950		2	HEX CAP SCREW, 10 - 24 X 5/8
92	F438066		1	BY-PASS VALVE COVER
93	F85762		1	BY-PASS VALVE COVER GASKET
94	F404268		1	BY-PASS VALVE SPRING
95	F85916-1		1	BY-PASS VALVE
96	F1647		1	HEX NUT, 8 - 32
97	F8056		1	LOCKWASHER
98	87-817778A1		1	THERMOSWITCH WILLUSTRATION 96,97 ORIGINAL FORCE P/N A 335449-1
99	F2000		1	HEX CAP SCREW, 5/16 - 18 X 3/4
100	F8096		1	SPRING LOCKWASHER
101	F184122-1		1	SEAL, PARTING LINE
102	F2015		1	HEX NUT, 1/4 - 28
103	F1475		4	FILL HD SCREW, 10 - 24 X 1/2
104	F480107-1		1	CAM STARTER INTERLOCK
105	F2089		2	SLOTTED PAN HD M. SCREW 10 - 24 X 5/16
106	F2042		2	PLAIN WASHER
107	F1533		4	HEX CAP SCREW, 1/4 - 20 X 7/8
108	F528995		1	COVER, CYLINDER HEAD
109	F8038		4	PLAIN WASHER
110	F8095		12	PLAIN WASHER
111	FG1019		1	GASKET SET (INCLUDES THE FOLLOWING)
-	F40223		4	TRANSFER PORT COVER GASKET
-	F84472-5		2	CYLINDER DRAIN COVER GASKET
-	F84748-3		2	CYLINDER DRAIN REED PLATE GASKET
-	F85279-2		1	CYLINDER EXHAUST UPPER GASKET
-	F85762		1	BY-PASS COVER GASKET
-	F85906		2	CARBURETOR GASKET
-	F178168-1		2	CARBURETOR ADAPTER GASKET
-	F184122-1		1	SEAL
-	F372154-1		2	EXHAUST PLATE GASKET
-	F406406		2	DEFLECTOR PLATE GASKET
-	F440906		2	CARBURETOR GASKET
-	F476067		1	THERMOSTAT COVER GASKET

CONTINUED ON NEXT PAGE ➡

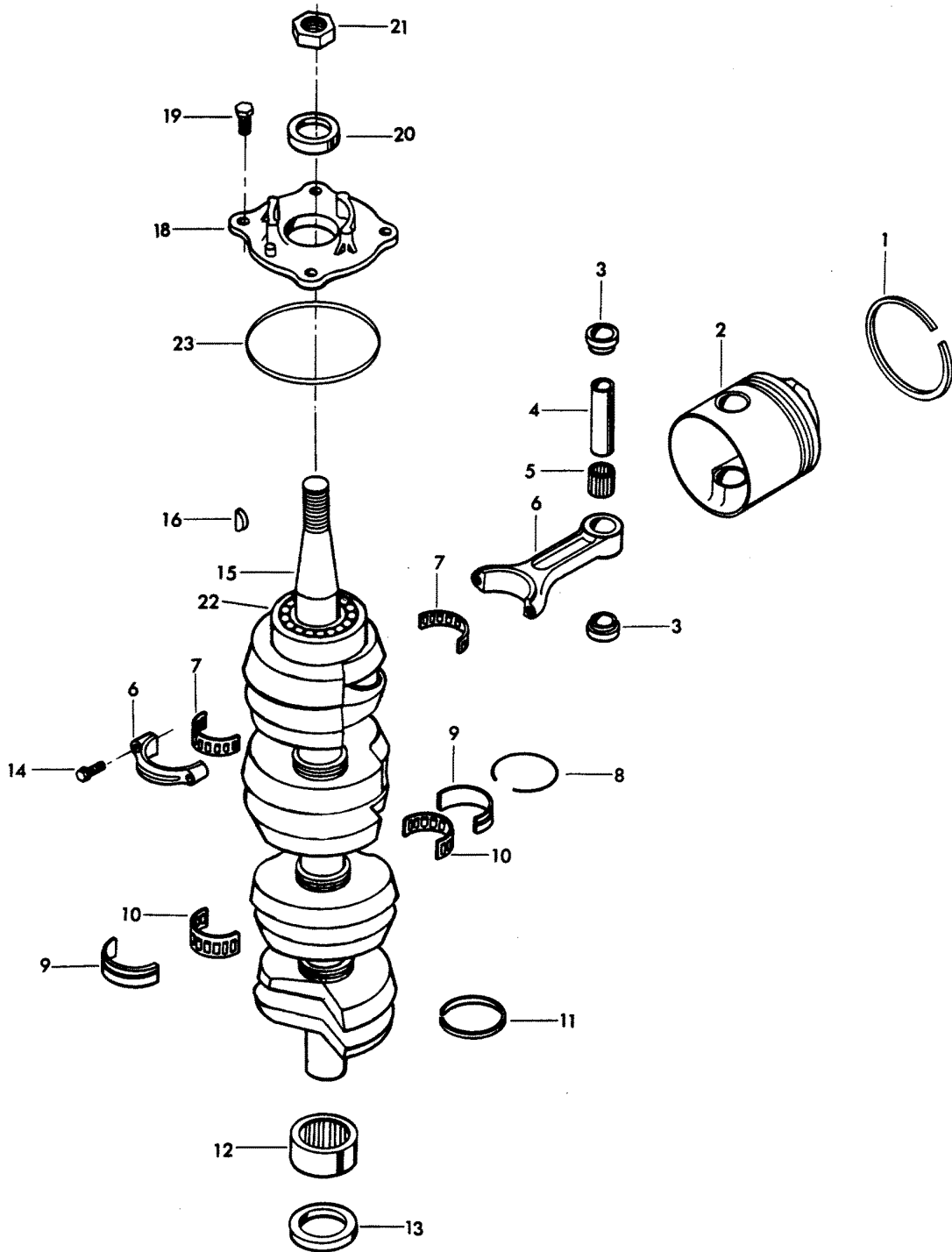
POWER HEAD



POWER HEAD

REF. NO.	PART NO.	SYM.	QTY.	DESCRIPTION
-	F476529-1		1	CYLINDER HEAD GASKET

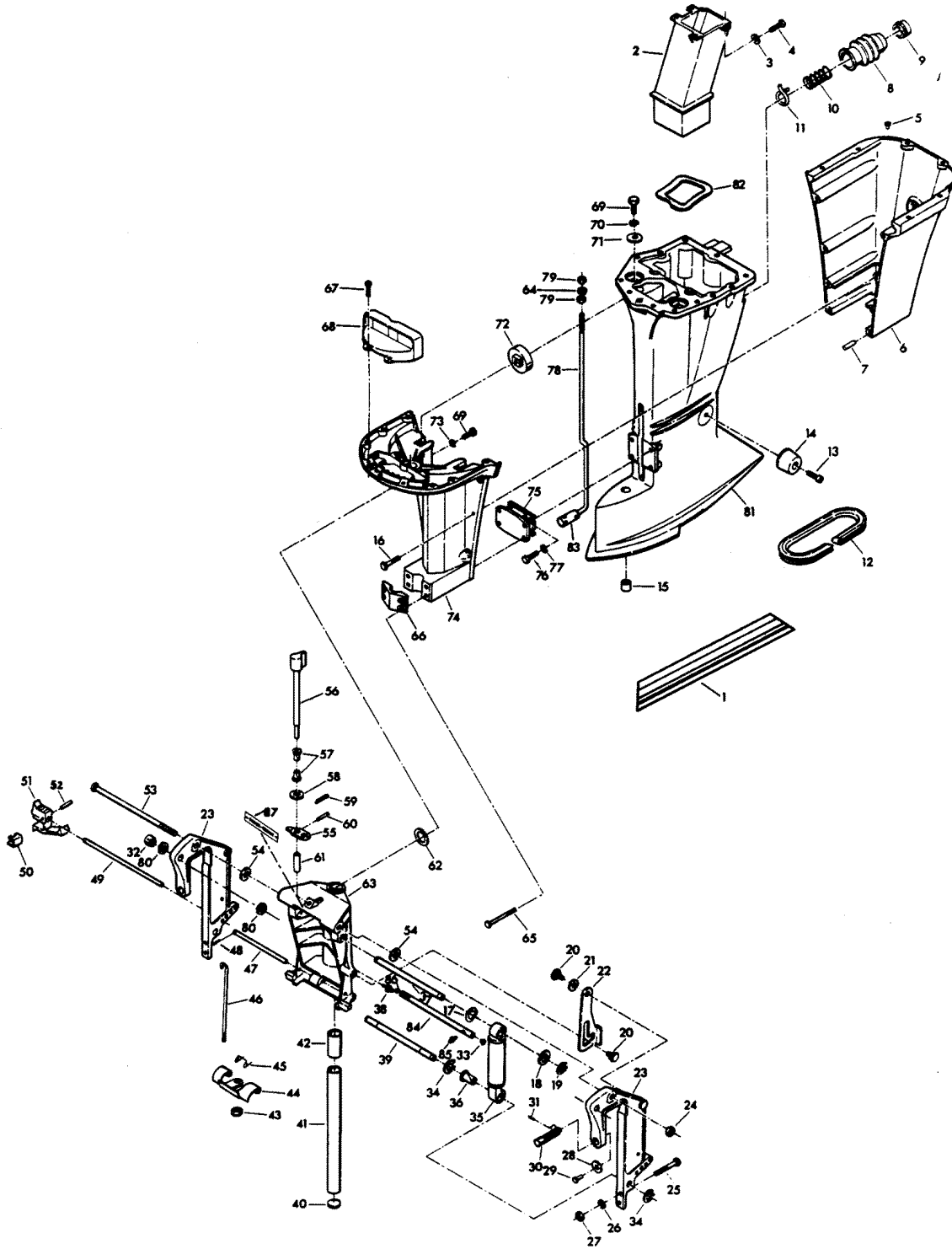
CRANKSHAFT AND PISTON GROUP



CRANKSHAFT AND PISTON GROUP

REF. NO.	PART NO.	SYM.	QTY.	DESCRIPTION
1	FA475260		4	PISTON RING SET (2 PER SET) - STANDARD
-	FSA475260		4	PISTON RING (2 PER SET) .010 OVERSIZE
-	39-818123A1		4	PISTON RING (2 PER SET) .030 OVERSIZE
2	F511015-2		4	PISTON - STANDARD
-	700-819409A3		4	PISTON .010 OVERSIZE
-	700-819409A4		4	PISTON .030 OVERSIZE
3	F335215		8	SPACER, PISTON PIN (2 PER PISTON)
4	F85017		4	PISTON PIN
5	F335217-1		4	BEARING, PISTON PIN (26 PER SET)
6	600-818052A4		4	CONNECTING ROD W/CAP AND SCREWS
7	FK85228-1		4	BEARING CAGE W/ROLLER
8	F85410		3	SNAP RING
9	FA85655-1		3	CRANKSHAFT MAIN BEARING RACE W/SNAP RING
10	F85571		3	BEARING CAGE W/ROLLER
11	F316579		3	SEAL, CRANKCASE
12	FA523014		1	CRANKSHAFT LOWER MAIN BEARING W/ITEM 13
13	F523146		1	SEAL, CRANKSHAFT LOWER
14	F85634-2		8	CONNECTING ROD SCREW
15	400-817735A4		1	CRANKSHAFT W/BEARING
16	F85498		1	FLYWHEEL KEY
18	31-817785A2		1	CRANKSHAFT BEARING CAGE W/SEAL
19	F1867		4	HEX CAP SCREW, 3/8 - 16 X 1
20	F84146-2		1	SEAL
21	F1968		1	FLYWHEEL NUT
22	F284659-2		1	BEARING, CRANKSHAFT UPPER MAIN
23	F84278		1	SEAL
-	F2067		1	PLASTISOL CAP (NOT SHOWN) FOR EXPOSED THREADS OF CRANKSHAFT

MOTOR LEG

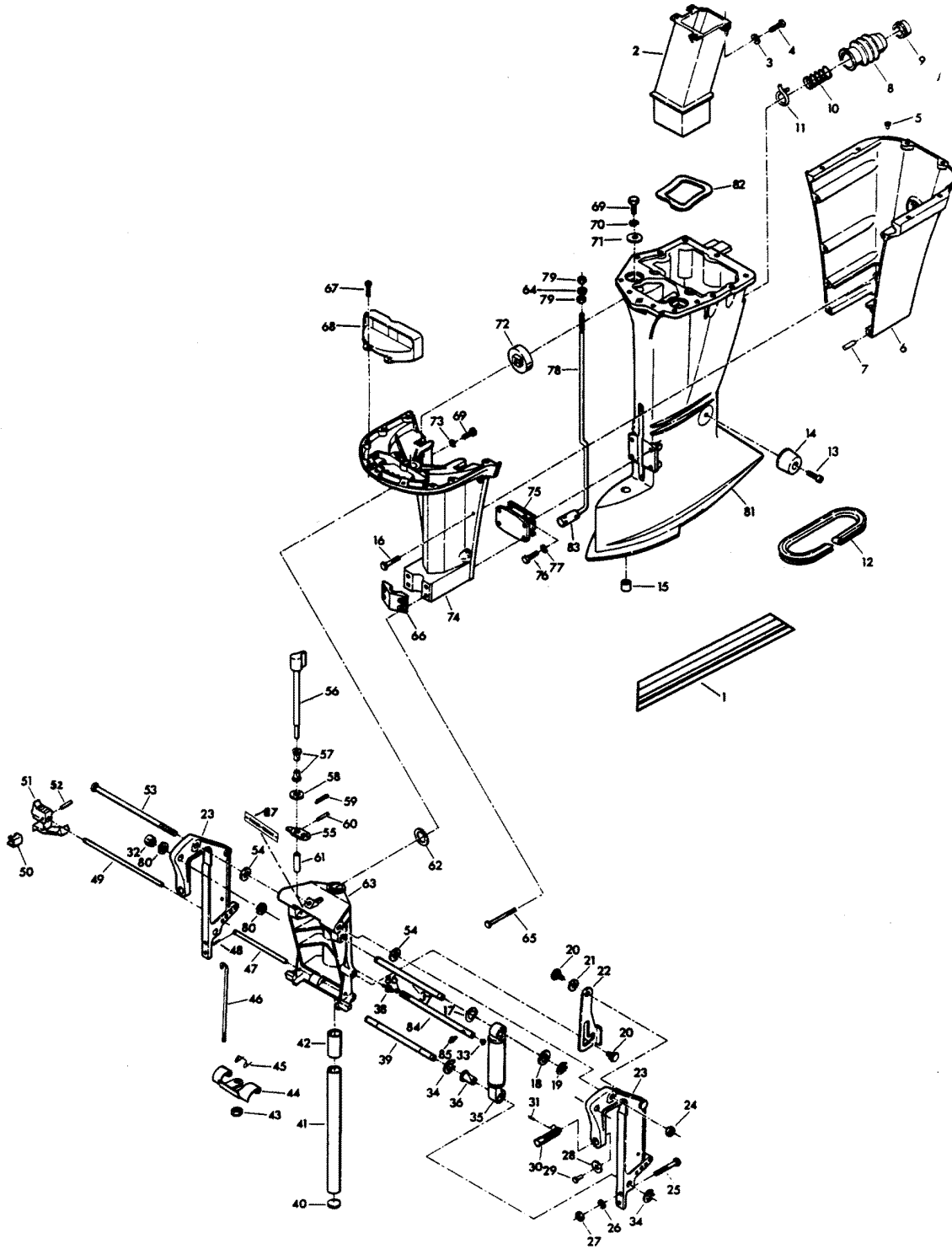


MOTOR LEG

REF. NO.	PART NO.	SYM.	QTY.	DESCRIPTION
2	F85660-1		1	EXHAUST TUBE
3	F8083		4	SPRING LOCKWASHER
4	F1536		4	HEX SLOT HD SCREW, 1/4 - 20 X 3/4
5	F1729		2	PLUG
6	817931A7		1	MOTOR LEG COVR, REAR W/COTTR PNS, PLGS, SEAL, WSHRS & FSTNRS
7	F1664		2	SPRING PIN
8	F85130		1	BOOT IDLE EXHAUST
9	F85258		1	INSERT
10	F85380		1	SPRING
11	F85772		1	CLAMP
12	F178323		1	SEAL, MOTOR LEG
13	F1263		2	HEX SOCKET HD CAP SCREWS, 5/16 - 18 X 9/16
14	F438962		2	SHOCK MOUNT LOWER REAR
15	F338618-1		1	SEAL GEAR SHIFT ROD
16	F2030		6	HEX HD SCREW, 1/4 - 20 X 1 1/4
17	F1711		2	SPRING BOWED WASHER
18	F1710		2	PLAIN WASHER
19	F178208		2	RETAINING RING
20	F85350-1		2	TILT STOP PIVOT
21	F1666		1	SPRING BOWED WASHER
22	F85541-1		1	TILT LOCK
23	1400-817958A6		2	STERN BRACKET
24	F7012		1	STOP NUT
25	F1593		2	HEX HD SCREW, 3/8 - 16 X 3
26	F1904		2	PLAIN WASHER
27	F1346		2	HEX NUT
28	F84074		2	CLAMP SCREW FOOT
29	F353480		2	STUD
30	F474073-1		2	CLAMP SCREW
31	F8538		2	SPRING PIN
32	F9018		1	CAP
33	F9052		1	PLUG
34	F178173		4	RETAINING RING
35	FA178962		2	SHOCK ABSORBER W/BUSHING
36	F178362		2	BEARING
37	F178889		1	SHAFT, SHOCK MOUNT UPPER
38	F213274		3	GREASE FITTING
39	F178632		1	SHAFT, SHOCK MOUNT LOWER
40	F1528		1	WELCH PLUG
41	FA85019		1	KINGPIN W/PLUG
42	F438169		2	BEARING
43	F1669		1	LOCK NUT

CONTINUED ON NEXT PAGE ➡

MOTOR LEG

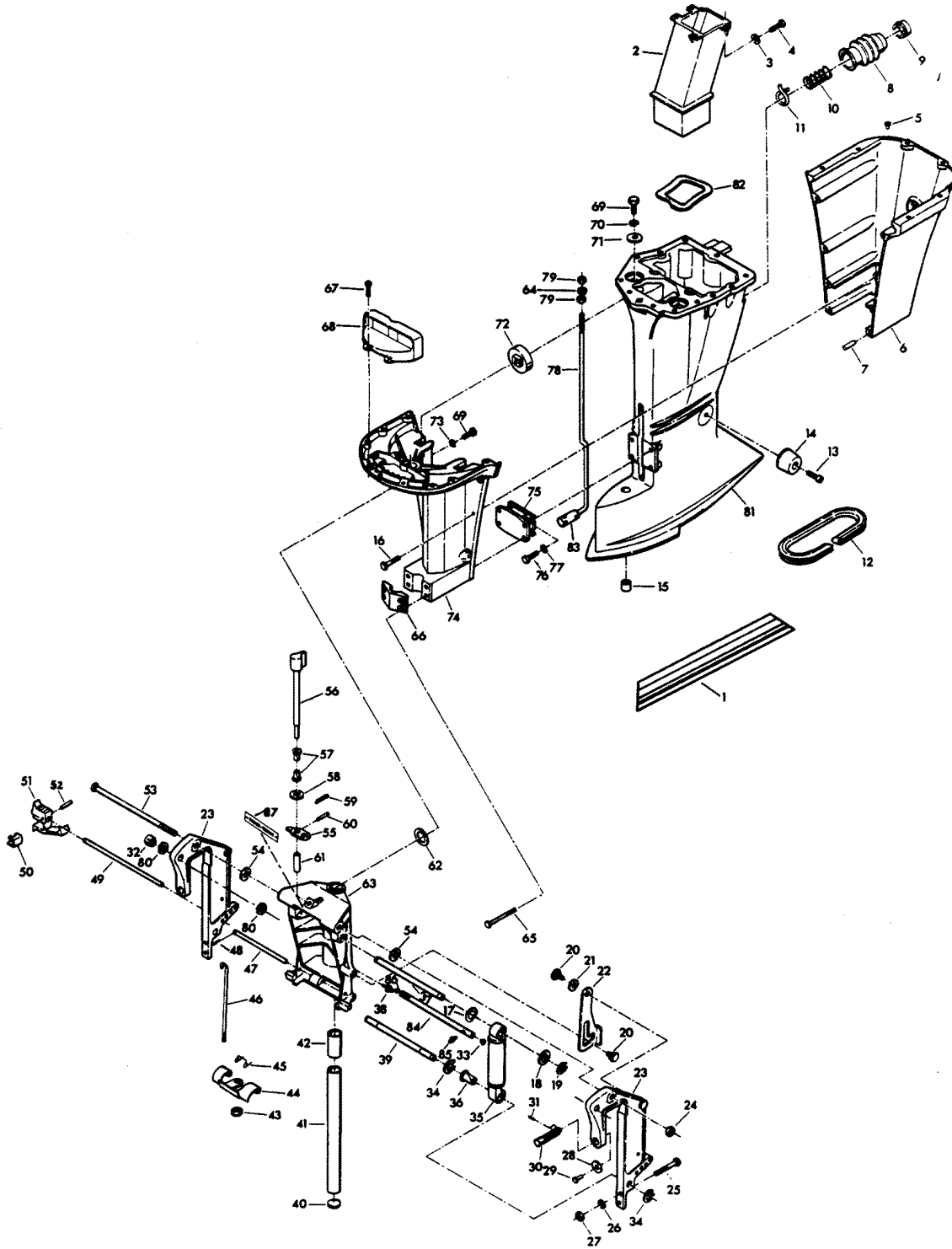


MOTOR LEG

REF. NO.	PART NO.	SYM.	QTY.	DESCRIPTION
44	F369349		1	REVERSE LOCK
45	F85300		1	REVERSE LOCK SPRING
46	F369510		1	LINK REVERSE LOCK
47	F177350		1	REVERSE LOCK PIN
48	F1744		1	SPRING PIN
49	FA438113		1	STERN BRACKET LOCK BAR W/HANDLE
50	F286461		1	SPRING, LOCK BAR HANDLE
51	F433114		1	HANDLE, LOCK BAR
52	F1744		1	SPRING PIN
53	F85037-1		1	STERN BRACKET PIVOT BOLT
54	F84286-1		4	FRICTION WASHER
55	F369364		1	REVERSE LOCK ARM
56	F369827		1	LEVER AND SHAFT
57	F197813		2	BEARING
58	F8094		1	PLAIN WASHER
59	F1014		1	COTTER PIN
60	F1836		1	SPRING PIN
61	F483884		1	BEARING
62	F84011		1	WASHER
63	817783A5		1	SWIVEL BRACKET W/BEARINGS AND GREASE FITTINGS
64	F1987		1	PLAIN WASHER
65	F1696		4	HEX BOLT, 5/16 - 18 X 1 3/4
66	F85606		1	KINGPIN CAP
67	F1912		4	HEX HD SCREW, 10 - 24 X 1/2
68	F85779-1		1	BAFFLE, AIR INTAKE
69	F1871		4	HEX HD SCREW, 3/8 - 16 X 3/4
70	F8039		2	PLAIN WASHER
71	FA85355-1		4	WASHER W/ILLUS. 70
72	F85965		2	SHOCK MOUNT UPPER
73	F1703		2	SPRING LOCKWASHER
74	A3		1	LEG COVER FRONT W/ILLUS. 16 ON PAGE 20
75	F438346		1	SHOCK MOUNT LOWER
76	F1822		4	HEX BOLT, 5/16 - 18 X 7/8
77	F8096		4	SPRING LOCKWASHER
78	F85615		1	GEAR SHIFT ROD UPPER
79	F2108		2	LOCK NUT
80	F523280		1	NUT, STEERING SUPPORT TUBE
81	F523133-2		1	MOTOR LEG
82	F439736		1	SEAL, EXHAUST TUBE
83	F85704		1	COUPLER, GEAR SHIFT ROD
84	F511125-2		1	TUBE, STEERING SUPPORT
85	F523274		1	GREASE FITTING
86	F316599		1	SEAL, STEERING SUPPORT TUBE

CONTINUED ON NEXT PAGE ➡

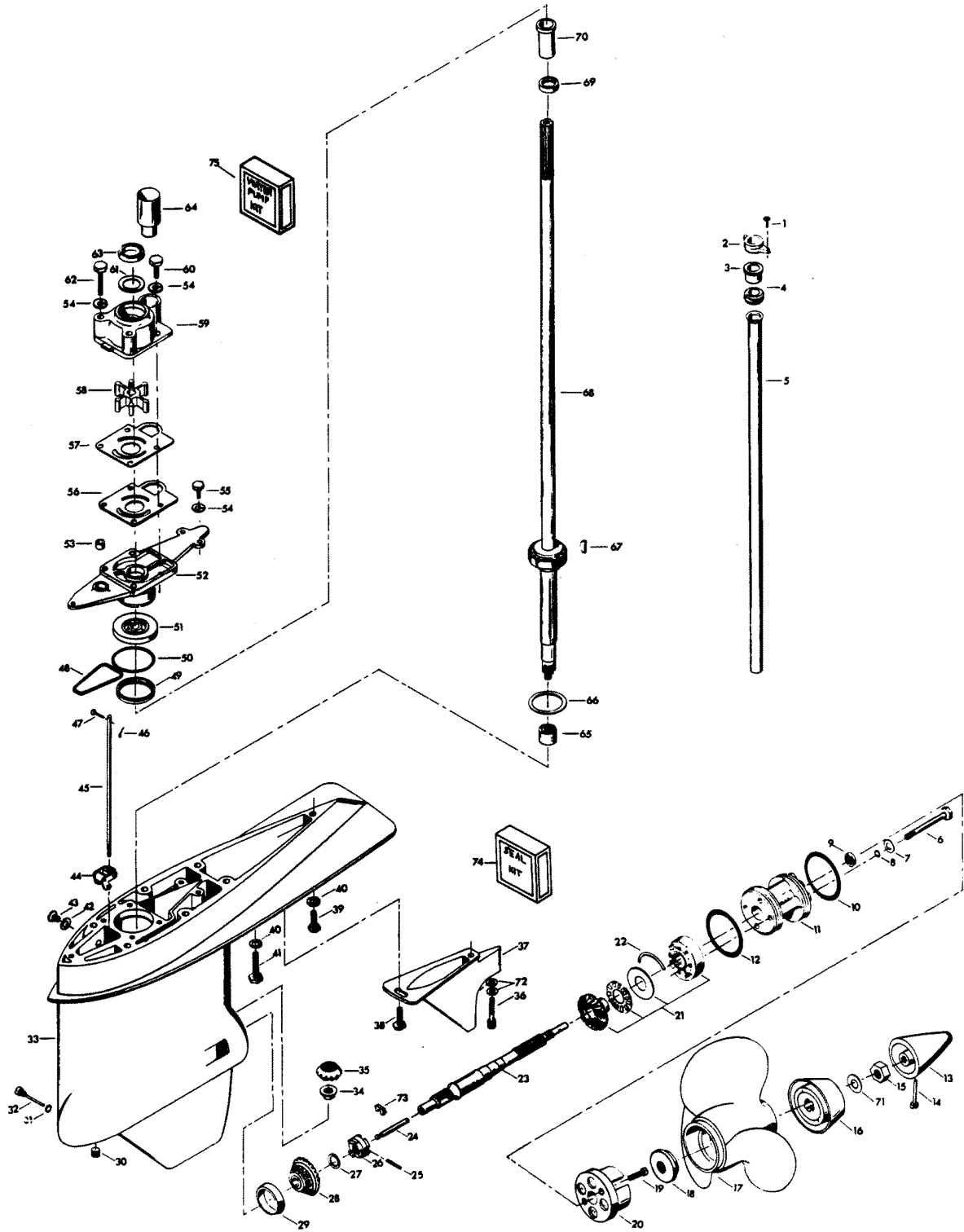
MOTOR LEG



MOTOR LEG

REF. NO.	PART NO.	SYM.	QTY.	DESCRIPTION
87	F474390-1		1	DECAL, REVERSE LOCK - USA
-	37-819450		1	DECAL, REVERSE LOCK - CANADA
88	A578392		1	DECAL, LEG - PORT
-	A578391		1	DECAL, LEG - STARBOARD

GEAR HOUSING

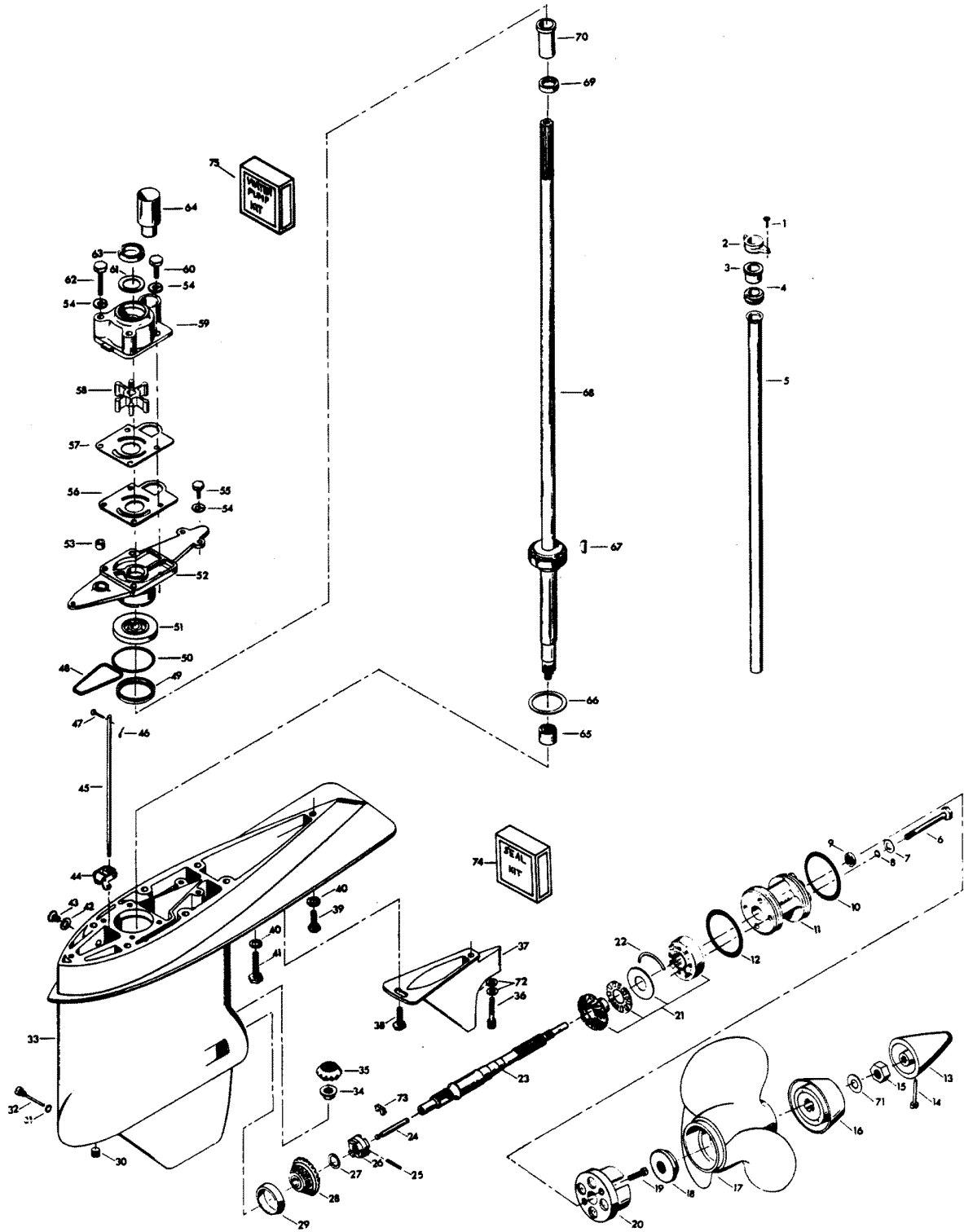


GEAR HOUSING

REF. NO.	PART NO.	SYM.	QTY.	DESCRIPTION
1	F1536		2	HEX CAP SCREW, 1/4 - 20 X 3/4
2	F85117		1	BRACKET, WATER LINE
3	F84342		1	SEAL, INLET WATER LINE, UPPER
4	F523899		1	GROMMET, WATER LINE
5	F523244		1	INLET WATER LINE
6	F1885		4	HEX CAP SCREW, 5/16 - 18 X 4-1/4
7	F1907		4	PLAIN WASHER
8	F50342-1		4	SEAL, "O" RING
9	F506118		1	SEAL, PROPELLER SHAFT
10	F24278		1	SEAL, "O" RING PROPELLER SHAFT SPOOL
11	F2A523239		1	SPOOL, PROPELLER SHAFT BEARING W/SEALS
12	F84305		1	SEAL, "O" RING PROPELLER SHAFT SPOOL
13	F523094-2		1	PROPELLER NUT
14	F498891		1	PIN, PROPELLER NUT RETAINING
15	F1788		1	STOP NUT
16	F532299		1	WASHER
17	FPS524		1	PROPELLER (ACCESSORY ITEM)
18	F523099-1		1	SPACER, PROPELLER
19	F1577		2	FILL HD SCREW, 1/4 - 20 X 3/4
20	FA523845		1	ANTICORROSION ANODE
21	F2A523662		1	BEVEL GEAR REAR W/BEARING CAGE SPACER AND BEARING
22	F523411		2	RETAINING RING, BEARING CAGE
23	FA523098		1	PROPELLER SHAFT
24	F84871-1		1	PIN, GEAR SHIFT W/YOKE
25	F1713		1	SPRING PIN
26	F84521-1		1	CLUTCH
27	F1936		A/R	SPACER, BEVEL GEAR FRONT .059
-	F1937		A/R	SPACER, BEVEL GEAR FRONT .062
-	F1938		A/R	SPACER, BEVEL GEAR FRONT .065
-	F1939		A/R	SPACER, BEVEL GEAR FRONT .068
-	F1940		A/R	SPACER, BEVEL GEAR FRONT .071
-	F1941		A/R	SPACER, BEVEL GEAR FRONT .074
-	F1942		A/R	SPACER, BEVEL GEAR FRONT .077
-	F2113		A/R	SPACER, BEVEL GEAR FRONT .080
-	F2114		A/R	SPACER, BEVEL GEAR FRONT .083
-	F2115		A/R	SPACER, BEVEL GEAR FRONT .086
-	F2116		A/R	SPACER, BEVEL GEAR FRONT .089
-	F2121		A/R	SPACER, BEVEL GEAR FRONT .057
-	F2122		A/R	SPACER, BEVEL GEAR FRONT .054
28	F2A523023		1	BEVEL GEAR FRONT W/BEARING
29	F523813		1	BEARING CUP
30	F19109		1	PLUG

CONTINUED ON NEXT PAGE ➡

GEAR HOUSING

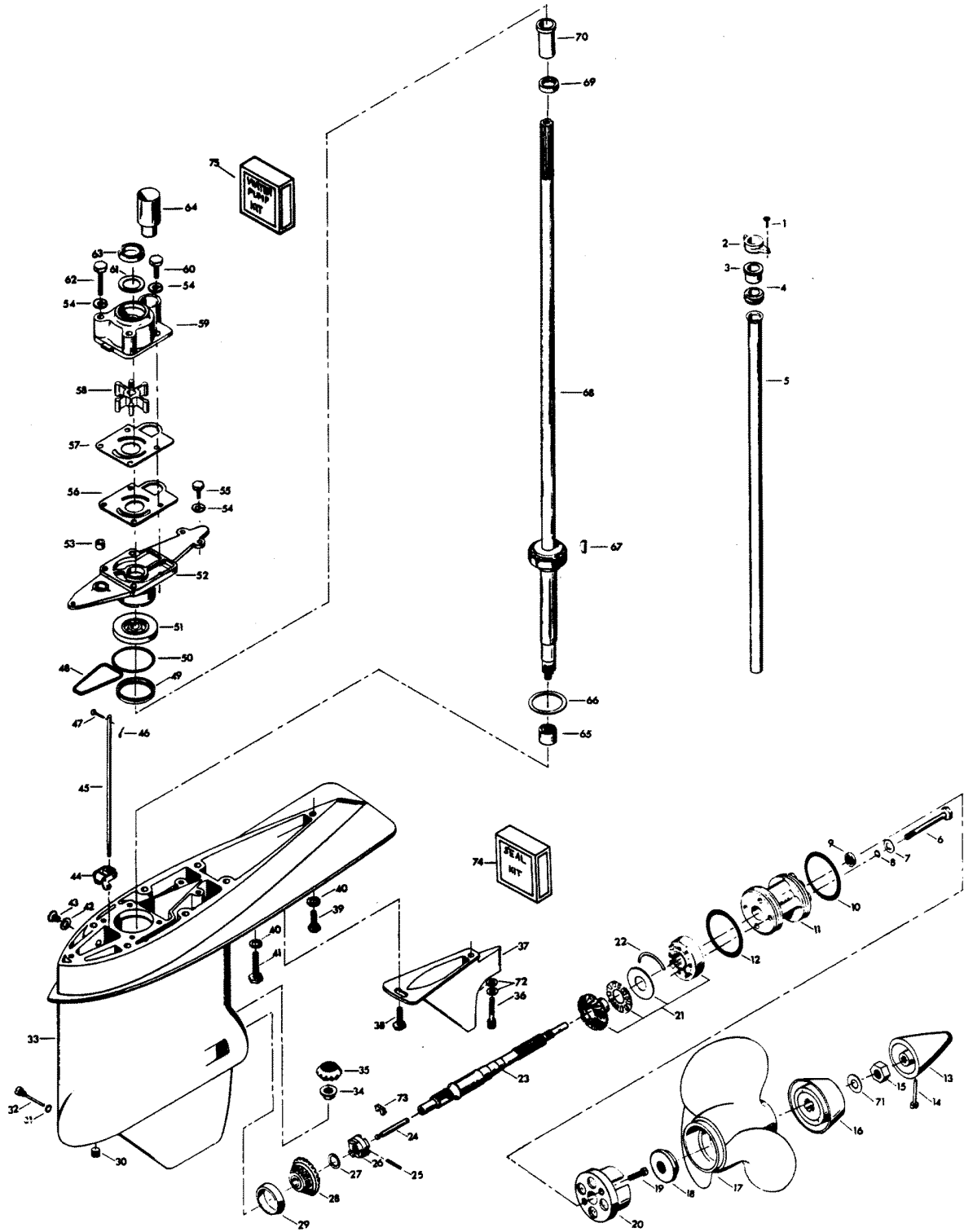


GEAR HOUSING

REF. NO.	PART NO.	SYM.	QTY.	DESCRIPTION
31	F498618		1	"O" RING
32	F498891		1	PIN, GEAR SHIFT ARM
33	FA523054		1	GEAR HOUSING W/BEARING CUP, DRIVESHAFT BEARING LOWER, PLUGS & WASHERS
-	FC555054		1	GEAR HOUSING COMPLETE INCLUDES ALL ITEMS MARKED WITH AN ASTERISK (*).
34	F523188		1	NUT, BEVEL PINION
35	43-817854A2		1	BEVEL PINION GEAR W/CRUSH RING AND SHIMS
36	F1994		1	HEX SOCKET HD CAP SCREW, 5/16 - 18 X 1
37	F523116		1	EXHAUST SNOUT
38	F438930		1	RETAINER, SNOUT
39	F1858		1	HEX CAP SCREW, 5/16 - 18 X 1
40	F8096		7	SPRING LOCKWASHER
41	F1491		6	HEX HD SCREW, 5/16 - 18 X 3-1/4
42	F8077		2	WASHER, GEAR HOUSING PLUG
43	F50109		2	PLUG, GEAR HOUSING
44	FA84621-1		1	COUPLING, GEAR SHIFT ARM W/BUSHING
45	F523705		1	GEAR SHIFT ROD LOWER
46	F1015		1	COTTER PIN
47	F85372		1	PIN, GEAR SHIFT ROD LOWER
48	F523555		1	SEAL, "O" RING, GEAR HOUSING COVER
49	F523961		1	CRUSH RING
50	F74305		1	SEAL, DRIVESHAFT BEARING CAGE
51	F506118		1	SEAL, DRIVESHAFT
52	FA550706		1	GEAR HOUSING COVER W/SEALS
53	F338618-1		1	SEAL, GEAR SHIFT ROD
54	F8083		7	SPRING LOCKWASHER
55	F1534		3	HEX CAP SCREW, 1/4 - 20 X 7/8
56	F523031		1	GASKET, WATER PUMP
57	F523562		1	PLATE, WATER PUMP
58	F523065		1	IMPELLER, WATER PUMP
59	46-817853A1		1	WATER PUMP BODY W/DRIVESHAFT SEAL, DISC, AND WATERLINE SEAL
60	F1990		2	HEX CAP SCREW, 1/4 - 20 X 1-5/8
61	F480388		1	DISC, WATER PUMP LOCATING
62	F1425		2	HEX CAP SCREW, 1/4 - 20 X 1-5/8
63	F351307		1	SEAL, DRIVESHAFT - WATER PUMP
64	FA523735		1	SEAL, INLET WATER LINE, LOWER W/LITERATURE
65	F523057		1	BEARING, DRIVESHAFT LOWER
66	F9106		A/R	SHIM, DRIVESHAFT BEARING UPPER .003 BRASS
-	F9095		A/R	SHIM, DRIVESHAFT BEARING UPPER .005 BRASS
-	F9097		A/R	SHIM, DRIVESHAFT BEARING UPPER .010 BLACK
67	F523498		1	DRIVE KEY, WATER PUMP
68	FK550128		1	DRIVESHAFT W/BEARING, SHIMS AND CRUSH RING

CONTINUED ON NEXT PAGE ➡

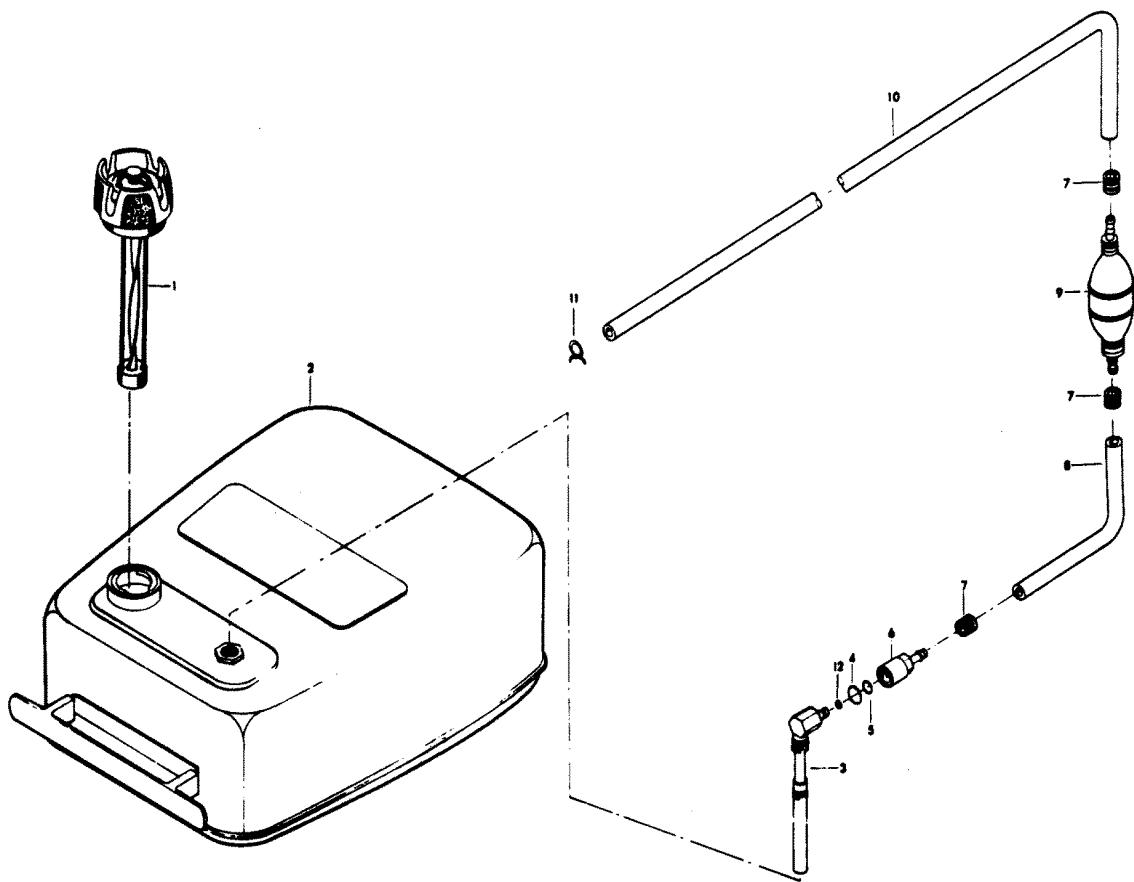
GEAR HOUSING



GEAR HOUSING

REF. NO.	PART NO.	SYM.	QTY.	DESCRIPTION
69	F438271		1	RETAINER, CRANKSHAFT SPLINE SEAL
70	F438129		1	SEAL, DRIVESHAFT SPLINE
71	F1866		1	PLAIN WASHER
72	F1856		2	PLAIN WASHER
73	F90619-1		1	YOKE
74	FK1063-1		1	SEAL KIT (INCLUDES THE FOLLOWING)
-	F50342-1		4	BEARING CAGE BOLT SEAL
-	F506118		2	PROPELLER SHAFT SEAL
-	F24278		1	PROPELLER SHAFT SPOOL SEAL
-	F84305		1	PROPELLER SHAFT SPOOL SEAL
-	F498618		1	GEAR SHIFT ARM PIN SEAL
-	F8077		2	WASHER
-	F523555		1	GEAR HOUSING COVER SEAL
-	F74305		1	GEAR HOUSING COVER SEAL
-	F84307-1		1	DRIVESHAFT SEAL
-	F338618-1		1	GEAR SHIFT ROD SEAL
75	FK1069		1	WATER PUMP KIT
-	F1425		2	HEX CAP SC, 1/4 - 20 X 5/8
-	F1990		2	HEX CAP SCREW
-	F8083		4	SPRING LOCKWASHER
-	F523031		1	GASKET, WATER PUMP
-	F523065		1	IMPELLER
-	F523498		1	KEY
-	F523562		1	PLATE, WATER PUMP
-	46-817853A1		1	WATER PUMP

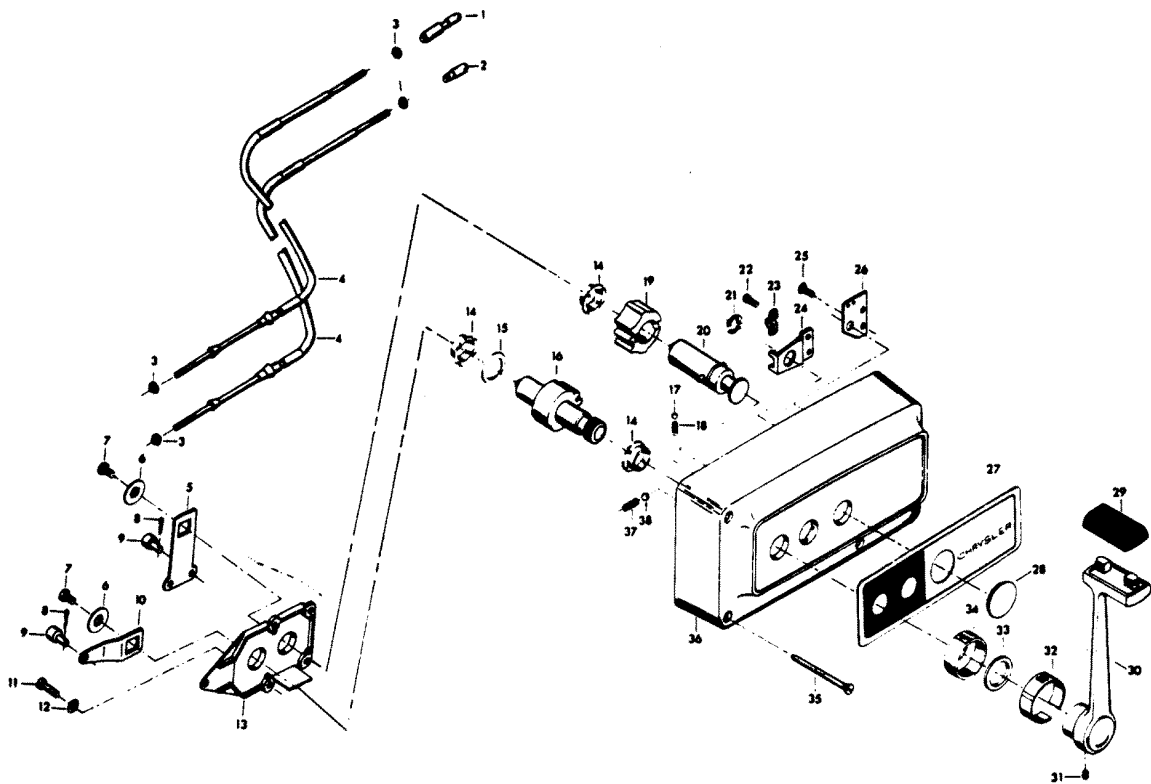
FUEL TANK AND LINE



FUEL TANK AND LINE

REF. NO.	PART NO.	SYM.	QTY.	DESCRIPTION
1	F409251-1		1	GAUGE CAP
2	F5H026		1	FUEL TANK (ACCESSORY ITEM)
3	F485755-1		1	FUEL TANK ADAPTER
4	F213342		1	SEAL, FUEL LINE COUPLER (LARGE)
5	F213735		1	SEAL, FUEL LINE COUPLER (SMALL)
6	F197787-3		1	FUEL LINE COUPLER
7	F298788		3	FERRULE
8	FA84754-1		1	FUEL LINE SHORT W/FERRULES
9	89396A38		1	PRIME BULB
10	32-817738A1		1	FUEL LINE LONG W/CLAMP AND FERRULE
11	F97772		1	FUEL LINE CLAMP
12	F17932		1	SEAL, FUEL TANK ADAPTER
-	FS409752		1	FUEL LINE COMPLETE. INCLUDES ALL ITEMS MARKED WITH AN ASTERISK (*).
-	FC409398		1	DECAL, TOTE TANK - CANADA (NOT SHOWN)

REMOTE CONTROL

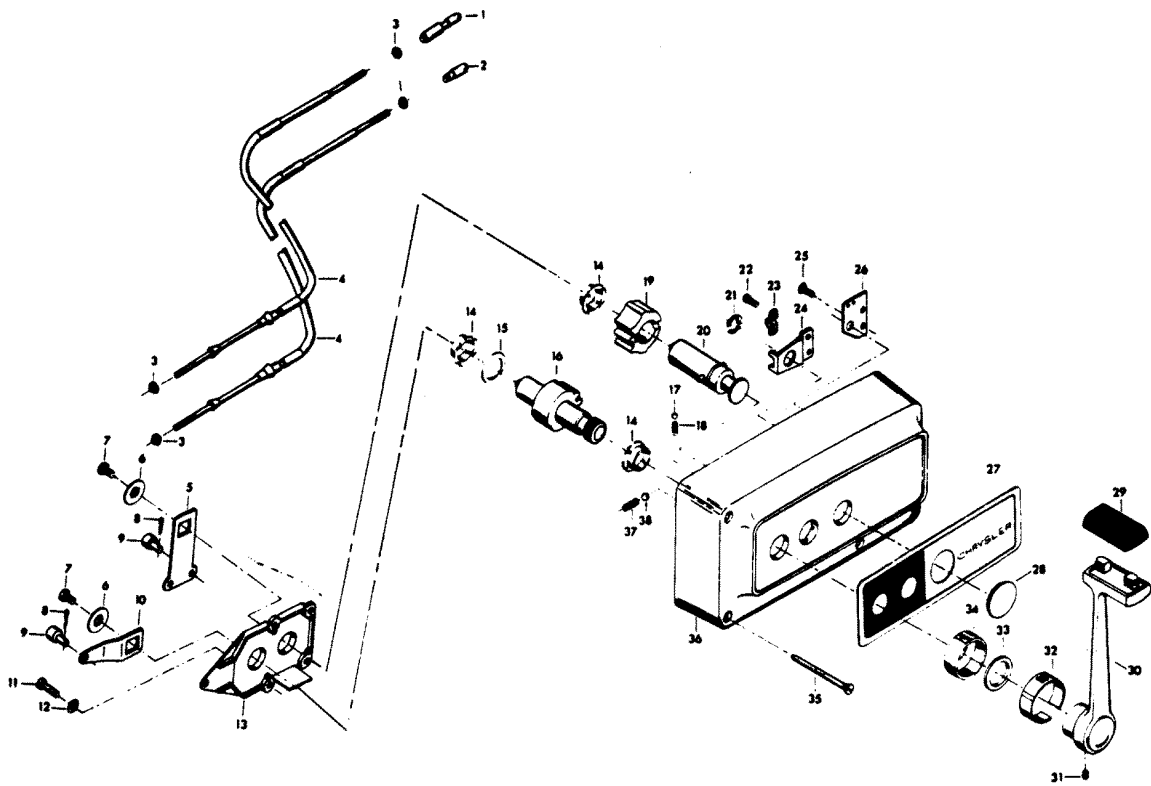


REMOTE CONTROL

REF. NO.	PART NO.	SYM.	QTY.	DESCRIPTION
1	FA58976-1		1	CONNECTOR, THROTTLE CABLE
2	F58685-2		1	CONNECTOR, SHIFT CABLE
3	F1513		4	HEX NUT
4	ÄF58356//		2	REMOTE CONTROL CABLE (SPECIFY LENGTH)
5	F17019		1	CLUTCH ARM
6	F17036		2	INTERNAL TOOTH LOCKWASHER
7	F1715		2	HEX BOLT, 1/4 - 28 X 9/16
8	F17149		2	COTTER PIN
9	F17016		2	CABLE TERMINAL
10	F17014		1	THROTTLE ARM
11	F17013		2	FILL HD SCREW, 1/4 - 20 X 1/2
12	F17147		2	INTERNAL TOOTH LOCKWASHER
13	F17012		1	RETAINING PLATE
14	F17009		3	BEARING
15	F17011		1	BOWED WASHER
16	F17010-1		1	THROTTLE GEAR
17	F17111		1	DETENT BALL
18	F17006		1	DETENT SPRING
19	F17021		1	CLUTCH GEAR
20	F17100		1	CLUTCH SHAFT
21	F17092		1	SNAP RING
22	F17071		2	FILL HD SCREW, 10 - 24 X 5/16
23	F154317		1	CABLE CLAMP
24	F17026		1	SWIVEL
25	F1557		2	FLAT HD SCREW, 10 - 24 X 3/8
26	F17112		1	JUNCTION BOARD, STARBOARD
-	F17113		1	JUNCTION BOARD, PORT
27	F17148		1	DECAL, STARBOARD
-	F531892		1	DECAL, PORT
28	F17031-1		1	SNAP CAP
29	F448543		1	KNOB
30	F448611-1		1	LEVER
31	F455690		1	SET SCREW
32	F449894		1	INDICATOR - STARBOARD
-	F448894		1	1 INDICATOR - PORT
33	F17105		1	FELT WASHER
34	F17106		1	COLLAR
35	F17146		3	WOOD SCREW
36	F17099-1		1	HOUSING
37	F17068		1	DETENT SPRING
38	F17082-1		1	DETENT BALL
39	F455449		1	SWITCH, TRIM
40	F1461		2	SCREW #6 X 7/8

CONTINUED ON NEXT PAGE ➡

REMOTE CONTROL



REMOTE CONTROL

REF. NO.	PART NO.	SYM.	QTY.	DESCRIPTION
41	F448446		1	CLAMP, TRIM SWITCH CABLE
-	F1280		2	PAN HD SCREW, 8 - 32 X 1/4 (TERMINAL BOARD) (NOT SHOWN)
-	FOB3061		1	LITERATURE (NOT SHOWN)
-	F17103-1		1	BAG ASSEMBLY (NOT SHOWN) INCLUDES ITEMS MARKED WITH AN ASTERISK (*)
42	F1280		3	PAN HD SCREW, 8 - 32 X 1/4

SPECIAL TOOLS - TUNE-UP

REF. NO.	PART NO.	SYM.	QTY.	DESCRIPTION
-	FT8948-1		0	PULLER TO REMOVE FLYWHEEL.
-	FTA2937-1		0	TIMING TOOL TO ADJUST TIMING POINTER.
-	FT8978		0	POWER TIMING LIGHT FOR ADJUSTMENT OF ENGINE TIMING.
-	FT2951		0	CIRCUIT TRACER TO TROUBLESHOOT ELECTRICAL SYSTEM.

SPECIAL TOOLS - POWER HEAD

REF. NO.	PART NO.	SYM.	QTY.	DESCRIPTION
-	FT8914		0	SEAL REMOVER TO REMOVE UPPER CRANKSHAFT BEARING CAGE SEAL.
-	FT8927		0	SEAL PROTECTOR TO INSTALL UPPER CRANKSHAFT BEARING CAGE.
-	FT8907		0	DRIVE HANDLE USED WITH T8903.
-	FT8925		0	SEAL INSTALLER TO INSTALL LOWER CRANKSHAFT SEAL.
-	FT2953		0	SOCKET TO TORQUE CONNECTING ROD SCREWS.
-	FT2990		0	PISTON PIN TOOL TO REMOVE AND INSTALL PISTON PINS.
-	FTA8994		0	PISTON PIN TOOL USE WITH T2990.
-	FT2996		0	RING COMPRESSOR TO INSTALL PISTON IN CYLINDER.
-	FT8926		0	RING EXPANDER TO INSTALL PISTON RINGS.
-	FT8903		0	SEAL INSTALLER TO INSTALL UPPER CRANKSHAFT BEARING CAGE SEAL.
-	FT1082		0	SNAP RING PLIER TO REMOVE AND INSTALL DISTRIBUTOR RETAINING RING.
-	FT8933		0	LIFTING HOOK TO LIFT ENGINE.

SPECIAL TOOLS - GEAR HOUSING

REF. NO.	PART NO.	SYM.	QTY.	DESCRIPTION
-	FT8948-1		0	PULLER TO REMOVE SPOOL FROM GEAR HOUSING.
-	FT8985		0	SEAL INSTALLER TO INSTALL PROPELLER SHAFT SEAL IN PROPELLER SHAFT BEARING SPOOL.
-	FT8925		0	SEAL INSTALLER TO INSTALL DRIVESHAFT SEAL IN GEAR HOUSING COVER.
-	FT8907		0	DRIVER HANDLE TO INSTALL BEARING CUPS AND SEALS.
-	FT8901		0	INDICATOR HOLDER USED IN CONJUNCTION WITH T8997.
-	FT8902		0	DIAL INDICATOR USED IN CONJUNCTION WITH T8997.
-	FT8919		0	SPRING PIN PUNCH TO REMOVE CLUTCH SPRING PIN.
-	FT8957		0	SEAL INSTALLER TO INSTALL SHIFT ROD SEAL.
-	FT8997		0	SHIMMING TOOL TO SHIM LOWER UNIT.
-	FT8918		0	BEARING GUIDE SET TO REMOVE FORWARD BEARING CUP IN GEAR HOUSING.
-	FT11209		0	BEARING GUIDE SET USE WITH T8918.
-	FT11207		0	BEARING CUP REMOVER TO REMOVE FORWARD BEARING CUP IN GEAR HOUSING.
-	FT11204		0	BEARING CUP INSTALLER TO INSTALL FORWARD BEARING CUP IN GEAR HOUSING.
-	FT3012		0	SEAL INSTALLER TO INSTALL WATER PUMP SEAL.
-	FT11205		0	BEARING INSTALLER/REMOVER TO INSTALL AND REMOVE LOWER DRIVESHAFT BEARING IN GEAR HOUSING.
-	FT7848		0	TORQUING ADAPTER HOLD DRIVESHAFT WHILE INSTALLING OR REMOVING PINION NUT.

SPECIAL TOOLS - TEST EQUIPMENT

REF. NO.	PART NO.	SYM.	QTY.	DESCRIPTION
-	FT8950		0	LEAKAGE TESTER TO TEST LOWER UNIT SEALS FOR LEAKAGE.
-	FTK8999		0	TEST WHEEL TO TEST MOTOR IN TEST TANK. ORIGINAL FORCE P/N TA 8999
-	FT8953		0	IGNITION TESTER TO TEST OUTPUT OF C-D UNIT.

SPECIAL TOOLS - LUBRICANTS AND SEALANTS

REF. NO.	PART NO.	SYM.	QTY.	DESCRIPTION
-	FT2961		0	LUBRICANT - RYKON #2EP
-	FT2987-1		0	LUBRICANT - ANTI-SEIZE
-	FT8969		0	LUBRICANT - 7 OZ. 2 PSI LUBRICANT
-	FT8955		0	SEALANT - 5 OZ. EC-750 INDUSTRIAL SEALANT
-	FT8993		0	SEALANT - 3 OZ. RTV SEALANT FROM IN PLACE GASKETS
-	FT8936		0	SEALANT - 2 CC LOCTITE RETAINING COMPOUND #75
-	FT2962-1		0	SEALANT - 50 CC LOCTITE H, NON-HARDENING GRADE
-	FT2963-1		0	SEALANT - 2 OZ. LOCTITE D, HARDENING GRADE
-	FT8935		0	SEALANT PRIMER - 6 OZ.

SPECIAL TOOLS - REPAIR DECALS - ENGINE COVERS

REF. NO.	PART NO.	SYM.	QTY.	DESCRIPTION
-	T11236		0	METALLIC SILVER
-	T11233		0	MEDIUM METALLIC SILVER
-	T11212		0	BOAT BLACK
-	T11211		0	BOAT WHITE
-	T11230		0	ORANGE

ACCESSORIES

REF. NO.	PART NO.	SYM.	QTY.	DESCRIPTION
-	F5H014		0	FLUSHING ADAPTER PERMITS FRESH WATER FLUSHING OF WATER PASSAGES WITH STANDARD GARDEN HOSE.
-	F5H130		0	REMOTE CONTROL BOX (SINGLE LEVER) (SURFACE MOUNT) PERMITS REMOTE CONTROL OF THROTTLE AND GEAR SHIFT FROM STARBOARD SIDE OF BOAT.
-	F5H120		0	REMOTE CONTROL BACK PLATE PROTECTS CONTROL MECHANISM FROM PADDED BOAT SURFACES.
-	F5H131		0	PORT SIDE DECAL KIT CONVERTS 5H130 CONTROL BOX TO PORT SIDE MOUNTING.
-	F590		0	REMOTE CONTROL HEAD (SINGLE LEVER) FLUSH MOUNT CONTROL UNIT PERMITS REMOTE CONTROL OF THROTTLE AND GEAR SHIFT. MAY BE MOUNTED ON PORT OR STARBOARD SIDE OF BOAT.
-	865		0	TWIN REMOTE CONTROL BOX PERMITS REMOTE CONTROL OF THROTTLE, AND GEAR SHIFT ON TWIN ENGINE INSTALLATIONS. MAY BE MOUNTED ON PORT OR STARBOARD SIDE OF BOAT.
-	F5H079		0	REMOTE CONTROL BOX FOR MOUNTING ON CONSOLE OF BOAT.
-	F5H080		0	TWIN REMOTE CONTROL BOX FOR MOUNTING ON CONSOLE OF BOAT.
-	F195/___		0	REMOTE CONTROL CABLES CONNECTS REMOTE CONTROL BOX TO THROTTLE AND GEAR SHIFT ON ENGINE. AVAILABLE IN 6 THROUGH 40 FOOT LENGTHS.
-	F5H108		0	STEERING CONNECTOR CLEVIS TYPE FOR BOAT MOUNTED STEERING AND NON THREADED CABLE END.
-	F5H018		0	DUAL ENGINE TIE BAR PERMITS DUAL ENGINE INSTALLATIONS.
-	F5H094		0	STEERING LINK CONNECTS ENGINE TO REMOTE STEERING CABLE.
-	F5H026		0	STEEL, 6 GALLON FUEL TANK (LOW PROFILE) AUXILIARY TANK.
-	F5H029		0	TANK ANCHOR SECURES 5H026 TO BOAT.
-	F5H040		0	STEEL, 12 GALLON FUEL TANK AUXILIARY TANK.
-	F5H019		0	ANTI-CORROSION KIT ELECTRICAL KIT FOR MOUNTING ON BOAT (12V) TO REDUCE CORROSION.
-	F5H025		0	ANTI-CORROSION SACRIFICIAL ANODE KIT USED TO REDUCE CORROSION.
-	F5H043		0	OVERHEAT BUZZER SOUNDS WARNING BUZZER IF ENGINE OVERHEATS.
-	479		0	OVERHEAT LAMP WARNS OF ENGINE OVERHEATING. DO NOT USE GAUGE AND LAMP IN SAME INSTALLATION.
-	F5H010		0	POWER TRIM INDICATOR INDICATES ENGINE TRIM ANGLE. (FLUSH MOUNT).
-	F5H134		0	BOAT WHITE LACQUER ENGINE TOUCH-UP PAINT IN 12-3/4 OZ. SPRAY BOMBS (6 CANS PER CASE).
-	F5H081		0	BATTERY CABLE LONGER LENGTH - 15 FEET.
-	71H06		0	AMMETER - FLUSH MOUNT INDICATES ALTERNATOR OUTPUT.

CONTINUED ON NEXT PAGE ➡

ACCESSORIES

REF. NO.	PART NO.	SYM.	QTY.	DESCRIPTION
-	F5H006		0	VOLTMETER - FLUSH MOUNT INDICATES BATTERY CONDITION.
-	71H25		0	CHARGE INDICATOR LAMP INDICATES ALTERNATOR OUTPUT.
-	F5H007		0	HOURMETER - FLUSH MOUNT RECORDS ENGINE RUNNING TIME.
-	5H111		0	INSTRUMENT ADAPTER - 2" PROVIDES SURFACE MOUNTING OF INSTRUMENTS.
-	F5H112		0	INSTRUMENT ADAPTER - 3-1/2" PROVIDES SURFACE MOUNTING OF INSTRUMENTS.
-	F5H119		0	PROPELLER SPACER - FLARED REDUCES PROPELLER VENTILATION ON SOME BOAT APPLICATIONS.
-	F5H069		0	RFI SUPPRESSION KIT PROVIDES RADIO NOISE SUPPRESSION.
-	5H048		0	CANVAS HOOD PROTECTION FOR ENGINE COVER.
-	5H051		0	BATTERY, 74 AMP. 12 VOLT HEAVY DUTY BATTERY.
-	F5H041		0	BATTERY TERMINAL KIT ADAPTS MODEL 5H051 BATTERY TERMINALS FOR CONNECTIONS TO CABLE ON ENGINE.
-	F5H021		0	EXTENSION CABLE FOR LENGTHENING BATTERY CABLE 6-1/2 FEET.
-	F5H037		0	CIGAR LIGHTER FOR USE AS CONVENIENCE OUTLET.
-	F5H008		0	FUEL GAUGE FLUSH MOUNT MONITORS FUEL SUPPLY.
-	F5H076		0	SWITCH EXTENSION CABLE 5 FOOT LONG SWITCH WIRING HARNESS.
-	F5H077		0	IGNITION KEY SWITCH SHORT BARREL WITH KEYS.
-	F5H078		0	IGNITION KEY SWITCH LONG BARREL WITH KEYS.
-	478		0	IGNITION LAMP INDICATES WHEN IGNITION SWITCH IS "ON".
-	F762		0	REMOTE ELECTRIC CABLE 25 FOOT CABLE FOR LARGE BOATS.
-	F5H115		0	TRAILERING TILT LOCK SECURES ENGINE IN HALF-TILT POSITION FOR TRAILERING
-	F71H32		0	TILT STOP KIT SHORTER TILT STOP FOR SHORT TRANSOM WELL
-	5H082		0	REMOTE ELECTRIC CABLE 35 FOOT CABLE FOR LARGE BOATS.
-	F5H070		0	REMOTE ELECTRIC CABLE 21 FOOT CABLE FOR LARGE BOATS.
-	F5H028		0	SENDING UNIT FOR USE WITH FUEL GAUGE.
-	F5H005		0	TEMPERATURE GAUGE - FLUSH MOUNT MONITORS ENGINE TEMPERATURE. DO NOT USE TEMPERATURE GAUGE AND HEAT LAMP IN SAME INSTALLATION.
-	F5H012		0	TACHOMETER FLUSH MOUNT MONITORS ENGINE R.P.M. TO PROVIDE CHECK OF ENGINE PERFORMANCE.
-	F5H150		0	POWER TRIM ADJUSTS ENGINE TRIM AND TILTS ENGINE.
-	F5H004		0	SPEEDOMETER FLUSH MOUNT MONITORS BOAT SPEED (0-50 M.P.H.)
-	F5H002		0	SPEEDOMETER - FLUSH MOUNT MONITORS BOAT SPEED (0-65 M.P.H.)

CONTINUED ON NEXT PAGE ➡

ACCESSORIES

REF. NO.	PART NO.	SYM.	QTY.	DESCRIPTION
-	F5H076		0	SWITCH EXTENSION CABLE 5 FOOT LONG SWITCH WIRING HARNESS.
-	F5H003		0	SPEEDOMETER FLUSH MOUNT MONITORS BOAT SPEED (TO 100 KM/H).
-	F5H030		0	SWITCH KIT - RUNNING LIGHTS DASH MOUNTED TOGGLE SWITCH
-	F5H031		0	SWITCH KIT - SPOT LIGHT DASH MOUNTED TOGGLE SWITCH
-	F5H032		0	SWITCH KIT - WIPER DASH MOUNTED TOGGLE SWITCH
-	F5H034		0	SWITCH KIT - BILGE PUMP DASH MOUNTED TOGGLE SWITCH
-	F5H035		0	SWITCH KIT - HORN DASH MOUNTED TOGGLE SWITCH
-	F5H039		0	SWITCH KIT - INSTRUMENT LIGHTS DASH MOUNTED TOGGLE SWITCH
-	F5H036		0	SWITCH KIT - TACHOMETER TRANSFER FOR ONE TACHOMETER ON DUAL ENGINE INSTALLATION.
-	F5H038		0	SWITCH KIT - IGNITION SWITCH TO MOUNT IGNITION SWITCH IN DASH.
-	5H139		0	SWITCH KIT - LIVEWELL TO OPERATE LIVEWELL PUMP IN BASS BOAT.
-	F563		0	TERMINAL BLOCK KIT DOUBLE ROW 10 SECTION, TO SIMPLIFY ACCESSORY INSTALLATION.
-	479		0	UNIMOUNT UNDER DASH MOUNT FOR INDICATOR LIGHTS AND IGNITION SWITCH.
-	F5H075		0	WIRING HARNESS - IGNITION SWITCH - 24" USE WITH 563 TERMINAL BLOCK.
-	569		0	CHRYSLER OUTBOARD OIL SEE BLOCK COMMENT 1.
-	F597		0	CHRYSLER OUTBOARD GEAR LUBE SEE BLOCK COMMENT 2.
-	72H26		0	CHRYSLER OUTBOARD FUEL AID REMOVES MOISTURE, PREVENTS SLUDGE AND VARNISH AND STABILIZES GAS. AVAILABLE IN 16 OZ. CANS AND 12 CAN CASES.
-	72H27		0	CHRYSLER OUTBOARD STORAGE LUBRICANT WORKS AS A CORROSION INHIBITOR AND PROTECTS INTERNAL ENGINE PARTS DURING STORAGE. AVAILABLE IN 16 OZ. CANS AND 12 CAN CASES.
-	72H28		0	CHRYSLER OUTBOARD MULTI-PURPOSE SPRAY LUBE WORKS AS A LUBRICANT, CLEANER, MOISTURE REMOVER AND ELECTRIC INSULATOR. AVAILABLE IN 9 OZ. CANS AND 12 CAN CASES.
-	F72H29		0	CHRYSLER OUTBOARD MULTI-PURPOSE GREASE LUBRICATES BEARINGS AND OTHER MOVING PARTS. AVAILABLE IN 8 OZ. TUBES AND 12 CAN CASES.
-	F72H30		0	CHRYSLER OUTBOARD GREASE GUN USED WITH CHRYSLER OUTBOARD MULTI-PURPOSE GREASE TUBES FOR PRESSURE FITTINGS.
-	72H34		0	CHRYSLER OUTBOARD MULTI-PURPOSE CLEANER

PARTS INDEX

Part Number	Description	Pg.	Ref. No.	Part Number	Description	Pg.	Ref. No.
ÄF58356//	REMOTE CONTROL CABLE (SPECIFY LENGTH)	49	4	F1034	PAN HD SCREW, 1/4 - 20 X 1 3/8	17	6
3C589944	ENGINE COVER COMPLETE	3	-	F1049	HEX CAP SCREW, 5/16 - 18 X 2-5/8	27	78
478	IGNITION LAMP	59	-	F1052	FILL HD SCREW, 1/4 - 20 X 1	25	22
479	OVERHEAT LAMP	58	-	F1059	FILL HD SCREW, 6 - 32 X 1/4	19	43
479	UNIMOUNT	60	-	F1064	FILL HD SCREW, 8 - 32 X 3/8	17	3
480373	DECAL, MAGNAPOWER IGNITION	9	55	F1087	FILL HD SCREW, 10 - 24 X 13/16	7	2
481373-1	DECAL, "ELECTRONIC" (NOT SHOWN)	15	-	F1099	FILL HD SCREW, 1/4 - 20 X 1-1/4	25	13
569	CHRYSLER OUTBOARD OIL	60	-	F1099	FILL HD SCREW, 1/4 - 20 X 1-1/4	27	55
5H048	CANVAS HOOD	59	-	F1107	SLOTTED FILL HD CAP SCREW, 1/4 - 20 X 3/4 . . .	27	76
5H051	BATTERY, 74 AMP.	59	-	F1108	FILL HD SCREW, 1/4 - 20 X 3/4	21	13
5H082	REMOTE ELECTRIC CABLE	59	-	F1253	HEX SOCKET HD CAP SCREW, 3/8 - 16 X 2	25	9
5H111	INSTRUMENT ADAPTER - 2"	59	-	F1263	HEX SOCKET HD CAP SCREWS, 5/16 - 18 X 9/16	35	13
5H139	SWITCH KIT - LIVEWELL . . .	60	-	F1280	PAN HD SCREW, 8 - 32 X 1/4	51	42
71H06	AMMETER - FLUSH MOUNT	58	-	F1280	PAN HD SCREW, 8 - 32 X 1/4 (TERMINAL BOARD) (NOT SHOWN)	51	-
71H25	CHARGE INDICATOR LAMP	59	-	F1280	SCREW, 8 - 32 X 1/4	7	33
72H26	CHRYSLER OUTBOARD FUEL AID	60	-	F1285	PAN HD SCREW, 4 - 40 X 3/16	25	39
72H27	CHRYSLER OUTBOARD STORAGE LUBRICANT . . .	60	-	F1341	HEX NUT, 1/4 - 20	25	21
72H28	CHRYSLER OUTBOARD MULTI-PURPOSE SPRAY LUBE	60	-	F1346	HEX NUT	21	29
72H34	CHRYSLER OUTBOARD MULTI-PURPOSE CLEANER	60	-	F1346	HEX NUT	35	27
817747--1	BALL JOINT W/STUD	25	25	F14005-2	CAP BASE	13	37
817783A5	SWIVEL BRACKET W/BEARINGS AND GREASE FITTINGS	37	63	F14007	CAP SCREW	13	33
817786A1	DISTRIBUTOR PULLEY W/STOP NUT AND WASHER	13	3	F14010-1	CAP COVER	13	34
817788A3	SPACER PLATE W/PLUG . . .	27	73	F14012-1	BRUSH	13	39
817828A1	DISTRIBUTOR COMPLETE. . .	15	-	F14015	CAP CLIP RIVET	13	21
817892--1	PLATE, IGNITION SWITCH - CANADA (NOT SHOWN) . . .	9	-	F14017	TERMINAL INSULATOR (OUTSIDE)	15	46
817931A7	MOTOR LEG COVR, REAR W/COTTR PNS, PLGS, SEAL, WSHRS & FSTNRS	35	6	F14021-1	CAP SEAL	13	36
817932A6	TOWERSHAFT W/SWIVEL, BEARINGS AND SCREWS	25	19	F14024	SPACER	15	42
85872-1	BRACKET	27	59	F14025	SPACER	13	4
865	TWIN REMOTE CONTROL BOX	58	-	F14028	THRUST WASHER	13	5
89396A38	PRIME BULB	47	9	F14029	THRUST WASHER	13	7
A3	LEG COVER FRONT	37	74	F14030	CAP GASKET	13	38
A578391	DECAL, LEG - STARBOARD	39	-	F14036	SWIVEL	13	13
A578392	DECAL, LEG - PORT	39	88	F14037	CAP CLIPS	13	14
C523227	SPARK PLUG (CHAMPION QL-76V) - CANADA.	27	-	F14038	CAP CLIP SCREWS	13	15
F10023	GASKET SET (NOT SHOWN)	19	-	F14040	VENT	13	35
F1009	HEX HD SCREW, 3/8 - 16 X 2-3/4	25	5	F14041	EXTERNAL TOOTH LOCKWASHER	13	23
F10103	REPAIR PARTS KIT.	19	53	F14042	DISTRIBUTOR HOUSING W/BEARINGS	13	12
F1014	COTTER PIN	17	30	F14044	DISTRIBUTOR SHAFT	13	40
F1014	COTTER PIN	37	59	F14045	SCREW	13	16
F1015	COTTER PIN	43	46	F14046	TERMINAL SCREW	13	19
				F14047	TERMINAL INSULATOR (INSIDE)	13	20
				F14049	TERMINAL INSULATOR (OUTSIDE)	13	22
				F14056	SCREW	15	47

PARTS INDEX

Part Number	Description	Pg.	Ref. No.	Part Number	Description	Pg.	Ref. No.
F1425	HEX CAP SC, 1/4 - 20 X 5/8	45	-	F1540	HEX CAP SCREW, 1/4 - 20 X 5/8	21	5
F1425	HEX CAP SCREW, 1/4 - 20 X 1-5/8	43	62	F1540	HEX CAP SCREW, 1/4 - 20 X 5/8	27	48
F1447	ROUND HD SCREWS, 2 X 3/16	3	15	F1541	HEX CAP SCREW, 1/4 - 20 X 5/8	3	21
F1461	SCREW #6 X 7/8	49	40	F154317	CABLE CLAMP	49	23
F1473	HEX NUT	3	32	F1545	SCREW, 1/4 - 20 X 1/2	21	22
F1475	FILL HD SCREW, 10 - 24 X 1/2	29	103	F1546	HEX HD CAP SCREW, 1/4 - 20 X 1/2	9	42
F1491	HEX HD SCREW, 5/16 - 18 X 3-1/4	43	41	F1556	FILL HD SCREW, W/LOCKWASHER, 10 - 24 X 3/8	25	23
F15034	SPRING SET	11	15	F1557	FLAT HD SCREW, 10 - 24 X 3/8	49	25
F15054	BRUSH AND TERMINAL SET	11	7	F1577	FILL HD SCREW, 1/4 - 20 X 3/4	41	19
F15057	BRUSH PLATE AND HOLDER ASSEMBLY	11	16	F1593	HEX HD SCREW, 3/8 - 16 X 3	35	25
F15099	ARMATURE	11	5	F1612	HEX CAP SCREW, 3/8 - 16 X 1 - 1/4	13	8
F15118	BENDIX DRIVE ASSEMBLY	11	1	F1641	LOCK NUT, 1/4 - 28	11	2
F15125	HEAD ASSEMBLY, COMMUTATOR END	11	14	F1645	RD HD SCREW, 6 - 32 X 1/4	23	50
F15126	THRUST WASHER PACKAGE	11	4	F1645	SCREW, 6 - 32 X 1/4	7	27
F1513	HEX NUT	7	18	F1647	HEX NUT, 8 - 32	7	6
F1513	HEX NUT	49	3	F1647	HEX NUT, 8 - 32	13	24
F1513	HEX NUT, 10 - 32	21	27	F1647	HEX NUT, 8 - 32	29	96
F1513	HEX NUT, 10 - 32	25	27	F1648	PAN HD SCREW, 10 - 24 X 3/4	7	16
F1515	HEX NUT	7	24	F1664	SPRING PIN	35	7
F15166	FRAME AND FIELD ASSEMBLY	11	6	F1666	SPRING BOWED WASHER	35	21
F15167	HEAD ASSEMBLY, DRIVE END	11	3	F1669	LOCK NUT	35	43
F15168	THRU BOLT PACKAGE	11	10	F1692	WOODRUFF KEY	13	41
F1528	WELCH PLUG	35	40	F1693	TIE BAR RETAINER NUT	17	4
F1532	HEX HD SCREW, 1/4 - 20 X 1	21	20	F1696	HEX BOLT, 5/16 - 18 X 1 3/4	37	65
F1532	HEX HD SCREW, 1/4 - 20 X 1	25	16	F1699	HEX HD SCREW, 1/4 - 20 X 1-1/8	25	8
F1532	HEX HD SCREW, 1/4 - 20 X 1	27	43	F17006	DETENT SPRING	49	18
F1533	HEX CAP SCREW, 1/4 - 20 X 7/8	29	107	F17009	BEARING	49	14
F1533	HEX HD SCREW, 1/4 - 20 X 7/8	23	44	F17010-1	THROTTLE GEAR	49	16
F1533	HEX HD SCREW, 1/4 - 20 X 7/8	25	6	F17011	BOWED WASHER	49	15
F1534	HEX CAP SCREW, 1/4 - 20 X 7/8	43	55	F17012	RETAINING PLATE	49	13
F1534	HEX HD SCREW, 1/4 - 20 X 7/8	27	53	F17013	FILL HD SCREW, 1/4 - 20 X 1/2	49	11
F1535	HEX CAP SCREW, 1/4 - 20 X 3/4	3	10	F17014	THROTTLE ARM	49	10
F1535	HEX CAP SCREW, 1/4 - 20 X 3/4	27	54	F17016	CABLE TERMINAL	49	9
F1535	HEX HD SCREW, 1/4 - 20 X 3/4	25	11	F17019	CLUTCH ARM	49	5
F1536	HEX CAP SCREW, 1/4 - 20 X 3/4	7	23	F17021	CLUTCH GEAR	49	19
F1536	HEX CAP SCREW, 1/4 - 20 X 3/4	41	1	F17026	SWIVEL	49	24
F1536	HEX SLOT HD SCREW, 1/4 - 20 X 3/4	35	4	F1703	LOCKWASHER	27	71
F1540	HEX CAP SCREW, 1/4 - 20 X 5/8	3	16	F1703	SPRING LOCKWASHER	37	73
				F17031-1	SNAP CAP	49	28
				F17036	INTERNAL TOOTH LOCKWASHER	49	6
				F1704	INTERNAL TOOTH LOCKWASHER	23	49
				F17068	DETENT SPRING	49	37
				F17071	FILL HD SCREW, 10 - 24 X 5/16	49	22
				F1708	HEX HD SCREW, 1/4 - 20 X 1 3/8	5	40

PARTS INDEX

Part Number	Description	Pg.	Ref. No.	Part Number	Description	Pg.	Ref. No.
F17082-1	DETENT BALL	49	38	F1788	STOP NUT	41	15
F17092	SNAP RING	49	21	F178889	SHAFT, SHOCK MOUNT		
F17099-1	HOUSING	49	36		UPPER	35	37
F1710	PLAIN WASHER	35	18	F17932	SEAL, FUEL TANK ADAPTER	47	12
F17100	CLUTCH SHAFT	49	20	F18160-2	CYLINDER DRAIN REED	25	36
F17103-1	BAG ASSEMBLY (NOT SHOWN)	51	-	F1822	HEX BOLT, 5/16 - 18 X 7/8	37	76
F17105	FELT WASHER	49	33	F1831	FLAT HD SCREW, 1/4 - 20 X 5/8	23	43
F17106	COLLAR	49	34	F1832	STOP NUT, 1/4 - 20	27	68
F1711	SPRING BOWED WASHER	35	17	F1836	SPRING PIN	37	60
F17111	DETENT BALL	49	17	F184033-1	SWIVEL, TOP CARBURETOR	17	33
F17112	JUNCTION BOARD, STARBOARD	49	26	F184122-1	SEAL	29	-
F17113	JUNCTION BOARD, PORT	49	-	F184122-1	SEAL, PARTING LINE	29	101
F1713	SPRING PIN	41	25	F184579	"O" RING SEAL	17	32
F17146	WOOD SCREW	49	35	F1851	FILL HD SCREW W/LOCKWASHER, 10 - 24 X 1/2	7	39
F17147	INTERNAL TOOTH LOCKWASHER	49	12	F1856	PLAIN WASHER	45	72
F17148	DECAL, STARBOARD	49	27	F1857	HEX CAP SCREW, 5/16 - 18 X 5/8	3	19
F17149	COTTER PIN	49	8	F1857	HEX CAP SCREW, 5/16 - 18 X 5/8	3	31
F1715	HEX BOLT, 1/4 - 28 X 9/16	49	7	F1858	HEX CAP SCREW, 5/16 - 18 X 1	3	20
F1727	PLASTIC RIVET	25	20	F1858	HEX CAP SCREW, 5/16 - 18 X 1	43	39
F1729	PLUG	35	5	F1860	RD HD SCREW, 6 - 32 X 1/4	21	9
F1730	PAN HD SCREW W/SPRING LOCKWASHER, 1/4 - 20 X 5/8	3	37	F1866	PLAIN WASHER	45	71
F1733	PAN HD MACHINE SCREW, 10 - 24 X 9/16	3	2	F1867	HEX CAP SCREW, 3/8 - 16 X 1	33	19
F1734	FILL HD SCREW W/LOCKWASHER, 1/4 - 20 X 1/2	7	14	F1869	HEX CAP SCREW, 3/8 - 16 X 1-1/4	27	70
F1741	SCREW, 8 X 3/4	7	35	F1871	HEX HD SCREW, 3/8 - 16 X 3/4	37	69
F1744	SPRING PIN	37	48	F1872	HEX CAP SCREW, 3/8 - 16 X 1-3/4	25	12
F1744	SPRING PIN	37	52	F1873	HEX CAP SCREW, 3/8 - 16 X 3	27	50
F1755	ROUND HD SCREW W/LOCKWASHER 6 - 32 X 1/4	21	38	F1874	HEX HD SCREW, 3/8 - 16 X 1/8	25	2
F1759	SHIM, DISTRIBUTOR (QTY. AS REQUIRED)	13	11	F1877	TY-RAP	7	29
F1760	PAN HD SCREW, 10 - 24 X 3/8	7	19	F1885	HEX BOLTS. S.S., 5/16 - 18 X 4-1/4	27	64
F1760	PAN HD SCREW, 10 - 24 X 3/8	13	25	F1885	HEX CAP SCREW, 5/16 - 18 X 4-1/4	41	6
F1760	PAN HD SCREW, 10 - 24 X 3/8	25	3	F1892	STOP NUT	9	52
F177330	FUEL PUMP VALVE	21	10	F1904	PLAIN WASHER	35	26
F177350	REVERSE LOCK PIN	37	47	F1907	PLAIN WASHER	41	7
F1778	PLAIN WASHER	13	9	F1910	STOP NUT, 1/4 - 20	21	25
F178168-1	CARBURETOR ADAPTER GASKET	29	-	F19109	PLUG	27	60
F178168-1	GASKET, CARBURETOR ADAPTER	21	35	F19109	PLUG	41	30
F178173	RETAINING RING	35	34	F1912	HEX HD SCREW, 10 - 24 X 1/2	37	67
F178208	RETAINING RING	35	19	F1916	HEX BOLT, 1/4 - 20 X 1-1/8	29	87
F178323	SEAL, MOTOR LEG	35	12	F1934	FLAT HD SLOTTED SCREW, 6 X 12	9	50
F178362	BEARING	35	36	F1935	PLAIN WASHER	27	42
F178404-1	DEFLECTOR PLATE	21	36	F1936	SPACER, BEVEL GEAR FRONT .059	41	27
F178632	SHAFT, SHOCK MOUNT LOWER	35	39				
F178754-1	FUEL LINE	17	36				

PARTS INDEX

Part Number	Description	Pg.	Ref. No.	Part Number	Description	Pg.	Ref. No.
F1938	SPACER, BEVEL GEAR FRONT .065	41	-	F2116	SPACER, BEVEL GEAR FRONT .089	41	-
F1939	SPACER, BEVEL GEAR FRONT .068	41	-	F2121	SPACER, BEVEL GEAR FRONT .057	41	-
F1940	SPACER, BEVEL GEAR FRONT .071	41	-	F2122	SPACER, BEVEL GEAR FRONT .054	41	-
F1941	SPACER, BEVEL GEAR FRONT .074	41	-	F213274	GREASE FITTING	13	27
F1942	SPACER, BEVEL GEAR FRONT .077	41	-	F213274	GREASE FITTING	35	38
F195/	REMOTE CONTROL CABLES	58	-	F213342	SEAL, FUEL LINE COUPLER (LARGE)	47	4
F1950	HEX CAP SCREW, 10 - 24 X 5/8	29	91	F213735	SEAL, FUEL LINE COUPLER (SMALL)	47	5
F1968	FLYWHEEL NUT	33	21	F24278	PROPELLER SHAFT SPOOL SEAL	45	-
F1975	SPRING LOCKWASHER	7	10	F24278	SEAL, "O" RING PROPELLER SHAFT SPOOL	41	10
F1975	SPRING LOCKWASHER	13	26	F269319	THROTTLE CAM BEARING	21	26
F197787-3	FUEL LINE COUPLER	47	6	F284659-2	BEARING, CRANKSHAFT UPPER MAIN	33	22
F197813	BEARING	37	57	F286461	SPRING, LOCK BAR HANDLE	37	50
F1987	PLAIN WASHER	27	79	F289446-1	CLAMP	7	12
F1987	PLAIN WASHER	37	64	F298788	FERRULE	47	7
F1990	HEX CAP SCREW	45	-	F2A476757	CYLINDER DRAIN REED PLATE W/REEDS, STOPS AND SCREWS	25	35
F1990	HEX CAP SCREW, 1/4 - 20 X 1-5/8	43	60	F2A523023	BEVEL GEAR FRONT W/BEARING	41	28
F1994	HEX SOCKET HD CAP SCREW, 5/16 - 18 X 1	43	36	F2A523239	SPOOL, PROPELLER SHAFT BEARING W/SEALS	41	11
F1997	STOP NUT, 8 - 32	17	23	F2A523662	BEVEL GEAR REAR W/BEARING CAGE SPACER AND BEARING	41	21
F2000	HEX CAP SCREW, 5/16 - 18 X 3/4	9	47	F307317	CLIP, TERMINAL BLOCK	7	17
F2000	HEX CAP SCREW, 5/16 - 18 X 3/4	29	99	F316579	SEAL, CRANKCASE	33	11
F2015	HEX NUT, 1/4 - 28	29	102	F316599	SEAL, STEERING SUPPORT TUBE	37	86
F2016	FILL HD SCREW, 6 - 32 X 7/8	23	48	F319908	GROUND WIRE - CANADA	9	57
F2030	HEX HD SCREW, 1/4 - 20 X 1 1/4	35	16	F321756	PACKING COVER	3	27
F203276	BOOT	13	30	F321841-3	LEAD WIRE - USA	13	32
F2033	GROOVE PIN	17	39	F322273	STUD, C.D. UNIT	9	48
F203673	TERMINAL CLIP	13	31	F333316	THROTTLE ROLLER SHAFT	17	19
F2042	PLAIN WASHER	29	106	F335215	SPACER, PISTON PIN (2 PER PISTON)	33	3
F2047	WAVE SPRING LOCKWASHER	3	26	F335217-1	BEARING, PISTON PIN (26 PER SET)	33	5
F2066	PAN HD TAPPING SCREW, 10 X 7/16 (TRIM TO COVER)	3	34	F335654-1	DEFLECTION STOP	3	17
F2067	PLASTISOL CAP (NOT SHOWN) FOR EXPOSED THREADS OF CRANKSHAFT	33	-	F338618-1	GEAR SHIFT ROD SEAL	45	-
F2088	FASTENER	5	38	F338618-1	SEAL GEAR SHIFT ROD	35	15
F2089	SLOTTED PAN HD M. SCREW 10 - 24 X 5/16	29	105	F338618-1	SEAL, GEAR SHIFT ROD	43	53
F2090	PLUG	27	74	F345475-1	COIL	9	44
F2107	FILL HD SCREW, 10 - 24 X 5/8	7	9	F345683	WIRE, REGULATOR- RECTIFIER GROUND	7	5
F2108	LOCK NUT	37	79	F351307	SEAL, DRIVESHAFT - WATER PUMP	43	63
F2108	STOP NUT, 5/16 - 18	27	67	F353480	STUD	35	29
F2113	SPACER, BEVEL GEAR FRONT .080	41	-	F369349	REVERSE LOCK	37	44
F2114	SPACER, BEVEL GEAR FRONT .083	41	-	F369364	REVERSE LOCK ARM	37	55
				F369510	LINK REVERSE LOCK	37	46
				F369610	BEARING	27	62

PARTS INDEX

Part Number	Description	Pg.	Ref. No.	Part Number	Description	Pg.	Ref. No.
F369827	LEVER AND SHAFT	37	56	F438841-1	LEAD WIRE - CANADA	13	-
F369887	SHOULDER SCREW	27	61	F438905	COIL WIRE - CANADA	13	-
F369977-1	INTERLOCK ARM	27	63	F438930	RETAINER, SNOUT	43	38
F372151-1	EXHAUST PORT PLATE	29	90	F438962	SHOCK MOUNT LOWER REAR	35	14
F372152-1	EXHAUST PORT COVER	29	88	F439736	SEAL, EXHAUST TUBE	37	82
F372154-1	EXHAUST PLATE GASKET	29	-	F440192-1	THROTTLE CAM	21	28
F372154-1	GASKET, EXHAUST PORT PLATE	29	89	F440209	CARBURETOR STUD	21	30
F372958	CHOKE BRACKET	21	19	F440254	BALANCE TUBE	21	34
F373778-1	RETAINER, ENGINE COVER	3	33	F440906	CARBURETOR GASKET	21	31
F381896-4	BATTERY CABLE	7	30	F440906	CARBURETOR GASKET	29	-
F391926-1	PLUNGER	17	41	F440925	CHOKE ROD	17	40
F391983	RETAINING BAND	9	51	F441754-1	HOSE	21	3
F3A523158	REED PLATE W/REEDS, REED STOPS AND SCREWS	21	41	F448446	CLAMP, TRIM SWITCH CABLE	51	41
F40223	GASKET, TRANSFER PORT COVER	27	52	F448543	KNOB	49	29
F40223	TRANSFER PORT COVER GASKET	29	-	F448611-1	LEVER	49	30
F404097	FLYWHEEL	7	1	F448894	1	49	-
F404268	BY-PASS VALVE SPRING	29	94	F449894	INDICATOR - STARBOARD	49	32
F404314	ELBOW, FUEL PUMP COVER	21	2	F455449	SWITCH, TRIM	49	39
F404314	FITTING	27	47	F455690	SET SCREW	49	31
F404470-1	REGULATOR-RECTIFIER	7	8	F460917	STARTER RELAY	7	26
F404513	COIL CLAMP	7	40	F474073-1	CLAMP SCREW	35	30
F404801	ELBOW, CYLINDER DRAIN UPPER (NOT SHOWN)	27	-	F474387	TIMING DECAL - USA	9	56
F404841	CABLE, HEAT INDICATOR	7	37	F474390-1	DECAL, REVERSE LOCK - USA	39	87
F405457	PIVOT SCREW	25	7	F476066-1	THERMOSTAT COVER	29	85
F406406	DEFLECTOR PLATE GASKET	29	-	F476067	GASKET	27	81
F406406	GASKET DEFLECTOR PLATE	21	37	F476067	THERMOSTAT COVER GASKET	29	-
F406471-1	CYLINDER DRAIN COVER	27	41	F476529-1	CYLINDER HEAD GASKET	27	75
F406754-1	HOSE	27	46	F476529-1	CYLINDER HEAD GASKET	31	-
F40689-1	BEARING	27	72	F480038-2	SUPPORT PLATE	3	11
F407446	CLAMP	7	31	F480107-1	CAM STARTER INTERLOCK	29	104
F409251-1	GAUGE CAP	47	1	F480388	DISC, WATER PUMP LOCATING	43	61
F433114	HANDLE, LOCK BAR	37	51	F480818	BEARING	3	9
F433209-1	THROTTLE CAM STUD	21	32	F481382-1	SPACER, LATCH SHAFT	3	25
F438066	BY-PASS VALVE COVER	29	92	F481434	GUIDE, ENGINE COVER	5	39
F438129	SEAL, DRIVESHAFT SPLINE	45	70	F481774	BRACKET, COVER LATCH	3	28
F438165	SCREW, FUEL PUMP BOWL	21	18	F481777	CAM, LATCH	3	24
F438169	BEARING	35	42	F483884	BEARING	37	61
F438271	RETAINER, CRANKSHAFT SPLINE SEAL	45	69	F485755-1	FUEL TANK ADAPTER	47	3
F438346	SHOCK MOUNT LOWER	37	75	F489551	BRACKET NEUTRAL INTERLOCK SWITCH	23	45
F438398	DECAL, WIRING - USA	29	86	F498618	"O" RING	43	31
F438500	FUEL SEDIMENT BOWL	21	17	F498618	GEAR SHIFT ARM PIN SEAL	45	-
F438617	FUEL SEDIMENT BOWL GASKET	21	15	F498891	PIN, GEAR SHIFT ARM	43	32
F438653	FUEL SEDIMENT BOWL SCREEN	21	16	F498891	PIN, PROPELLER NUT RETAINING	41	14
F438668	RETAINER, CABLE CLAMP	7	13	F50109	PLUG, GEAR HOUSING	43	43
F438744-1	WIRING HARNESS	7	4	F50342-1	BEARING CAGE BOLT SEAL	45	-
F438747	FUEL PUMP DIAPHRAGM	21	8	F50342-1	SEAL, "O" RING	41	8
F438754	FUEL LINE	17	42	F506118	PROPELLER SHAFT SEAL	45	-
F438760	FUEL PUMP GASKET	21	4	F506118	SEAL, DRIVESHAFT	43	51
F438801	FITTING	21	14	F506118	SEAL, PROPELLER SHAFT	41	9
				F510374	DECAL, CIRCUIT BREAKER - USA	7	41
				F510460	CIRCUIT BREAKER	7	22
				F511015-2	PISTON - STANDARD	33	2

PARTS INDEX

Part Number	Description	Pg.	Ref. No.	Part Number	Description	Pg.	Ref. No.
F511125-2	TUBE, STEERING SUPPORT	37	84	F5H004	SPEEDOMETER FLUSH		
F511675	STARTER BRACKET, LOWER	11	13	F5H005	TEMPERATURE GAUGE - FLUSH MOUNT	59	-
F511708	COVER, CARBURETOR	17	7	F5H006	VOLTMETER - FLUSH MOUNT	59	-
F523031	GASKET, WATER PUMP	43	56	F5H007	HOURMETER - FLUSH MOUNT	59	-
F523031	GASKET, WATER PUMP	45	-	F5H008	FUEL GAUGE FLUSH MOUNT	59	-
F523057	BEARING, DRIVESHAFT LOWER	43	65	F5H010	POWER TRIM INDICATOR	58	-
F523065	IMPELLER	45	-	F5H012	TACHOMETER FLUSH MOUNT	59	-
F523065	IMPELLER, WATER PUMP	43	58	F5H014	FLUSHING ADAPTER	58	-
F523094-2	PROPELLER NUT	41	13	F5H018	DUAL ENGINE TIE BAR	58	-
F523099-1	SPACER, PROPELLER	41	18	F5H019	ANTI-CORROSION KIT	58	-
F523116	EXHAUST SNOUT	43	37	F5H021	EXTENSION CABLE	59	-
F523133-2	MOTOR LEG	37	81	F5H025	ANTI-CORROSION SACRIFICIAL ANODE	58	-
F523146	SEAL, CRANKSHAFT LOWER	33	13	F5H026	FUEL TANK (ACCESSORY ITEM)	47	2
F523188	NUT, BEVEL PINION	43	34	F5H026	STEEL, 6 GALLON FUEL TANK (LOW PROFILE)	58	-
F523244	INLET WATER LINE	41	5	F5H028	SENDING UNIT	59	-
F523274	GREASE FITTING	37	85	F5H029	TANK ANCHOR	58	-
F523280	NUT, STEERING SUPPORT TUBE	37	80	F5H030	SWITCH KIT - RUNNING LIGHTS	60	-
F523411	RETAINING RING, BEARING CAGE	41	22	F5H031	SWITCH KIT - SPOT LIGHT	60	-
F523451	SPACER, REEDS STOP	23	51	F5H032	SWITCH KIT - WIPER	60	-
F523498	DRIVE KEY, WATER PUMP	43	67	F5H034	SWITCH KIT - BILGE PUMP	60	-
F523498	KEY	45	-	F5H035	SWITCH KIT - HORN	60	-
F523555	GEAR HOUSING COVER SEAL	45	-	F5H036	SWITCH KIT - TACHOMETER TRANSFER	60	-
F523555	SEAL, "O" RING, GEAR HOUSING COVER	43	48	F5H037	CIGAR LIGHTER	59	-
F523562	PLATE, WATER PUMP	43	57	F5H038	IGNITION SWITCH MOUNTING KIT (ACCESSORY ITEM)	9	49
F523562	PLATE, WATER PUMP	45	-	F5H038	SWITCH KIT - IGNITION SWITCH	60	-
F523705	GEAR SHIFT ROD LOWER	43	45	F5H039	SWITCH KIT - INSTRUMENT LIGHTS	60	-
F523813	BEARING CUP	41	29	F5H040	STEEL, 12 GALLON FUEL TANK	58	-
F523834	CLIP, SPARK PLUG WIRE	25	28	F5H041	BATTERY TERMINAL KIT	59	-
F523899	GROMMET, WATER LINE	41	4	F5H041	BATTERY TERMINAL KIT (ACCESSORY ITEM)	7	32
F523961	CRUSH RING	43	49	F5H043	OVERHEAT BUZZER	58	-
F523962	SHOCK MOUNT - C.D. UNIT	9	46	F5H043	OVERHEAT BUZZER (ACCESSORY ITEM)	7	36
F528068	THERMOSTAT	29	82	F5H069	RFI SUPPRESSION KIT	59	-
F528995	COVER, CYLINDER HEAD	29	108	F5H070	REMOTE ELECTRIC CABLE	59	-
F530160	REED (5 PETAL)	21	40	F5H075	WIRING HARNESS - IGNITION SWITCH - 24"	60	-
F531892	DECAL, PORT	49	-	F5H076	SWITCH EXTENSION CABLE	59	-
F532299	WASHER	41	16	F5H076	SWITCH EXTENSION CABLE	60	-
F545189	BUSHING, CABLE ENTRY	3	13	F5H077	IGNITION KEY SWITCH	59	-
F548984	BLANKET, SILENCER TOP (NOT SHOWN)	5	-	F5H078	IGNITION KEY SWITCH	59	-
F549189	BUSHING, ELECTRIC CABLE	3	12	F5H078	IGNITION SWITCH (LONG BARREL) W/KEYS AND SCREWS	7	34
F552985	BLANKET, SILENCER SIDE (NOT SHOWN)	5	-				
F553061	CARBURETOR COMPLETE (TC-7A)	17	12				
F563	TERMINAL BLOCK KIT	60	-				
F58685-2	CONNECTOR, SHIFT CABLE	49	2				
F590	REMOTE CONTROL HEAD (SINGLE LEVER)	58	-				
F597	CHRYSLER OUTBOARD GEAR LUBE	60	-				
F5H002	SPEEDOMETER - FLUSH MOUNT	59	-				

PARTS INDEX

Part Number	Description	Pg.	Ref. No.	Part Number	Description	Pg.	Ref. No.
F5H079	REMOTE CONTROL BOX	58	-	F8096	SPRING LOCKWASHER	3	30
F5H080	TWIN REMOTE CONTROL BOX	58	-	F8096	SPRING LOCKWASHER	7	25
F5H081	BATTERY CABLE	58	-	F8096	SPRING LOCKWASHER	29	100
F5H094	STEERING LINK	58	-	F8096	SPRING LOCKWASHER	37	77
F5H108	STEERING CONNECTOR	58	-	F8096	SPRING LOCKWASHER	43	40
F5H112	INSTRUMENT ADAPTER - 3-1/2"	59	-	F8104	PLAIN WASHER	27	49
F5H115	TRAILERING TILT LOCK	59	-	F84011	WASHER	37	62
F5H119	PROPELLER SPACER - FLARED	59	-	F84074	CLAMP SCREW FOOT	35	28
F5H120	REMOTE CONTROL BACK PLATE	58	-	F84146-2	SEAL	33	20
F5H130	REMOTE CONTROL BOX (SINGLE LEVER) (SURFACE MOUNT)	58	-	F84278	SEAL	33	23
F5H131	PORT SIDE DECAL KIT	58	-	F84286-1	FRICTION WASHER	37	54
F5H134	BOAT WHITE LACQUER	58	-	F84305	PROPELLER SHAFT SPOOL SEAL	45	-
F5H150	POWER TRIM	59	-	F84305	SEAL, "O" RING PROPELLER SHAFT SPOOL	41	12
F7004	STOP NUT, 3/8 - 16	25	17	F84307-1	DRIVESHAFT SEAL	45	-
F7008	ELASTIC STOP NUT	25	10	F84314-2	ELBOW	17	34
F7012	STOP NUT	35	24	F84314-2	ELBOW	21	6
F7013	STOP NUT	13	2	F84314-2	ELBOW	27	45
F71H32	TILT STOP KIT	59	-	F84342	SEAL, INLET WATER LINE, UPPER	41	3
F72H29	CHRYSLER OUTBOARD MULTI-PURPOSE GREASE	60	-	F84449	INTERLOCK SWITCH	23	46
F72H30	CHRYSLER OUTBOARD GREASE GUN	60	-	F84472-5	CYLINDER DRAIN COVER GASKET	29	-
F74305	GEAR HOUSING COVER SEAL	45	-	F84472-5	GASKET, CYLINDER DRAIN COVER	25	40
F74305	SEAL, DRIVESHAFT BEARING CAGE	43	50	F84504	GROMMET (THERMOSTAT)	29	83
F762	REMOTE ELECTRIC CABLE	59	-	F84521-1	CLUTCH	41	26
F8003	PLAIN WASHER	25	38	F84748-3	CYLINDER DRAIN REED PLATE GASKET	29	-
F8011	PLAIN WASHER	7	20	F84748-3	GASKET, CYL. DRAIN REED PLATE	25	33
F8028	PLAIN WASHER	11	12	F84792	GASKET, CENTER FUEL PUMP VALVE	21	11
F8038	PLAIN WASHER	29	109	F84871-1	PIN, GEAR SHIFT W/YOKE	41	24
F8039	PLAIN WASHER	37	70	F85017	PISTON PIN	33	4
F8056	LOCKWASHER	13	18	F85026	SWIVEL	25	30
F8056	LOCKWASHER	15	43	F85033	SWIVEL, CHOKE ROD (BOTTOM CARBURETOR) (NOT SHOWN)	19	-
F8056	LOCKWASHER	29	97	F85035	DISTRIBUTOR, CONTROL ROD END	25	29
F8056	SPRING LOCKWASHER	7	7	F85036	TOWERSHAFT CONTROL ROD END	25	32
F8058	INTERNAL TOOTH LOCKWASHER	21	24	F85037-1	STERN BRACKET PIVOT BOLT	37	53
F8058	INTERNAL TOOTH LOCKWASHER	27	57	F85095-2	STATOR	7	3
F8077	WASHER	45	-	F85117	BRACKET, WATER LINE	41	2
F8077	WASHER, GEAR HOUSING PLUG	43	42	F85130	BOOT IDLE EXHAUST	35	8
F8083	SPRING LOCKWASHER	3	22	F85161-1	REED STOP	21	39
F8083	SPRING LOCKWASHER	35	3	F85173	RETAINING RING	13	6
F8083	SPRING LOCKWASHER	43	54	F85211	STUD	25	18
F8083	SPRING LOCKWASHER	45	-	F85258	INSERT	35	9
F8088	PLAIN WASHER	17	31	F85279-2	CYLINDER EXHAUST UPPER GASKET	29	-
F8088	PLAIN WASHER	23	47	F85279-2	GASKET, CYLINDER EXHAUST UPPER	27	69
F8094	PLAIN WASHER	3	23	F85300	REVERSE LOCK SPRING	37	45
F8094	PLAIN WASHER	37	58	F85311	DISTRIBUTOR BELT	13	1
F8095	PLAIN WASHER	29	110	F85314-1	FUEL FITTING	17	37
F8096	SPRING LOCKWASHER	3	18				

PARTS INDEX

Part Number	Description	Pg.	Ref. No.	Part Number	Description	Pg.	Ref. No.
F85317-1	SOLENOID CLAMP	21	21	FA14048-2	PREAMPLIFIER	13	17
F85350-1	TILT STOP PIVOT	35	20	FA15072	HEX LOCK NUT, 1/4 - 20	11	8
F85372	PIN, GEAR SHIFT ROD LOWER	43	47	FA178233	THROTTLE TIE BAR W/SWIVEL	17	5
F8538	SPRING PIN	35	31	FA178962	SHOCK ABSORBER W/BUSHING	35	35
F85380	SPRING	35	10	FA321574	DISTRIBUTOR BRACKET	13	10
F85410	SNAP RING	33	8	FA368700	IGNITION KEY - NO LETTER OR STAMPED A	9	53
F85445	CONTROL ROD	25	31	FA411222	TRANSFER PORT COVER	27	51
F85498	FLYWHEEL KEY	33	16	FA438113	STERN BRACKET LOCK BAR W/HANDLE	37	49
F85502	THROTTLE LINK	25	26	FA438431	FUEL PUMP BODY W/VALVES	21	12
F85509-1	LINK, CHOKE	17	38	FA439493	TERMINAL BLOCK BRACKET	7	11
F85541-1	TILT LOCK	35	22	FA439746	FUEL PUMP COVER W/PLUG	21	1
F85571	BEARING CAGE W/ROLLER	33	10	FA440157	CARBURETOR ADAPTER, UPPER W/FITTING AND STUDS (NOT SHOWN)	21	-
F85606	KINGPIN CAP	37	66	FA440167	CARBURETOR ADAPTER, LOWER W/FITTING AND STUDS	21	33
F85610	BEARING	27	65	FA475260	PISTON RING SET (2 PER SET) - STANDARD	33	1
F85615	GEAR SHIFT ROD UPPER	37	78	FA480179	TRIM TOP	3	1
F8563	DOWEL PIN	25	15	FA480269	TILT HANDLE	3	3
F85634-2	CONNECTING ROD SCREW	33	14	FA480876	GEAR SHIFT ARM W/SWIVL, BEARNGS. INTRLOCK ARM & SHOULDR SCRW	27	66
F85660-1	EXHAUST TUBE	35	2	FA480894	TIMING POINTER	25	4
F85664	DISTRIBUTOR GROUND	13	28	FA481469	HANDLE W/SHAFT	3	8
F85664	GROUND WIRE	9	54	FA481743	ROLLER BRACKET W/ROLLER	3	29
F85704	COUPLER, GEAR SHIFT ROD	37	83	FA510497	TERMINAL BLOCK	7	15
F85762	BY-PASS COVER GASKET	29	-	FA523014	CRANKSHAFT LOWER MAIN BEARING	33	12
F85762	BY-PASS VALVE COVER GASKET	29	93	FA523054	GEAR HOUSING	43	33
F85772	CLAMP	35	11	FA523098	PROPELLER SHAFT	41	23
F85779-1	BAFFLE, AIR INTAKE	37	68	FA523735	SEAL, INLET WATER LINE, LOWER	43	64
F85843-1	REMOTE ELECTRIC CABLE, 18 FEET	7	38	FA523845	ANTICORROSION ANODE	41	20
F85859	STUD	25	14	FA528518	CYLINDER HEAD	27	80
F85906	CARBURETOR GASKET	29	-	FA535395	IDENTIFICATION PLATE W/SCREWS FOR USA MODELS	3	14
F85908	STARTER LEAD WIRE	11	9	FA550706	GEAR HOUSING COVER W/SEALS	43	52
F85916-1	BY-PASS VALVE	29	95	FA552180	TRIM REAR	3	4
F85924	CHOKE SOLENOID	7	28	FA552888	TRIM, FRONT	3	36
F85924	CHOKE SOLENOID	7	28	FA552944	ENGINE COVER W/RETAINER, SCREWS AND NUTS	3	5
F85965	SHOCK MOUNT UPPER	37	72	FA553010	CYLINDER W/CRNKCSE COVR, PARTNG LINE SEAL, SCRWS & DOWL PINS	25	1
F89758	FUEL PUMP AIR HOSE - TOP	21	7	FA585396	DECAL, STARBOARD	3	-
F9018	CAP	35	32	FA585397	DECAL, PORT	3	7
F9052	PLUG	35	33	FA585892	DECAL, FRONT	3	35
F90619-1	YOKE	45	73				
F90807	RETAINING RING	17	1				
F9095	SHIM, DRIVESHAFT BEARING UPPER .005 BRASS	43	-				
F9097	SHIM, DRIVESHAFT BEARING UPPER .010 BLACK	43	-				
F9106	SHIM, DRIVESHAFT BEARING UPPER .003 BRASS	43	66				
F91446-1	CIRCUIT BREAKER BRACKET	7	21				
F92759	THROTTLE ROLLER	17	20				
F93811	SCREEN	25	34				
F93920	REED STOP	25	37				
F97772	CLAMP	17	35				
F97772	FUEL LINE CLAMP	47	11				
F98273	ROD END CONNECTOR STUD	27	58				

PARTS INDEX

Part Number	Description	Pg.	Ref. No.	Part Number	Description	Pg.	Ref. No.
FA589386	DECAL, NUMERAL	3	6	FO16128	BODY CHANNEL WELCH PLUG	17	25
FA58976-1	CONNECTOR, THROTTLE CABLE	49	1	FO16130	FUEL BOWL	19	51
FA84621-1	COUPLING, GEAR SHIFT ARM W/BUSHING	43	44	FO16132	FUEL BOWL RETAINING SCREW	17	11
FA84754-1	FUEL LINE SHORT W/FERRULES	47	8	FO16133	MAIN NOZZLE	19	50
FA85019	KINGPIN W/PLUG	35	41	FO16142	THROTTLE SHUTTER	17	26
FA85193	TIE BAR END W/SWIVEL	17	2	FO16143	THROTTLE SHAFT RETURN SPRING	17	22
FA85355-1	WASHER	37	71	FO16301	CHOKE SHAFT AND LEVER	19	44
FA85655-1	CRANKSHAFT MAIN BEARING RACE W/SNAP RING	33	9	FO16620	"E" RING	17	29
FA9141-1	BALL JOINT W/STUD	21	23	FO16697	INLET NEEDLE	19	47
FAC535395	IDENTIFICATION PLATE W/SCREWS FOR CANADA MODELS	3	-	FO17719	CHOKE, SHUTTER	17	10
FB368700	IGNITION KEY - STAMPED B	9	-	FO17884	THROTTLE SHAFT AND LEVER	17	21
FC368700	IGNITION KEY - STAMPED C	9	-	FO17885	CHOKE SHAFT RETURN SPRING	19	45
FC409398	DECAL, TOTE TANK - CANADA (NOT SHOWN)	47	-	FO1974	SCREW	17	18
FC438398	DECAL, WIRING - CANADA	29	-	FO5323	FUEL BOWL RETAINING SCREW GASKET	19	52
FC474387	TIMING DECAL - CANADA	9	-	FO9678	CLIP, CHOKE SHAFT	17	16
FC500390	DECAL, STARTER - CANADA (NOT SHOWN)	11	-	FO992	LOCKWASHER	17	17
FC510374	DECAL, CIRCUIT BREAKER - CANADA	9	-	FOB3061	LITERATURE (NOT SHOWN)	51	-
FC553010	SHORT BLOCK	25	-	FPS524	PROPELLER (ACCESSORY ITEM)	41	17
FC555054	GEAR HOUSING COMPLETE	43	-	FS409752	FUEL LINE COMPLETE.	47	-
FD368700	IGNITION KEY - STAMPED D	9	-	FS490955	STARTER COMPLETE.	11	-
FE368700	IGNITION KEY - STAMPED E	9	-	FSA475260	PISTON RING (2 PER SET) .010 OVERSIZE	33	-
FG1019	GASKET SET (INCLUDES THE FOLLOWING)	29	111	FT1082	SNAP RING PLIER	53	-
FK1063-1	SEAL KIT	45	74	FT11204	BEARING CUP INSTALLER	54	-
FK1069	WATER PUMP KIT	45	75	FT11205	BEARING	54	-
FK405020	SWIVEL W/CLAMP, SHOULDER SCREW AND NUT	25	24	FT11207	INSTALLER/REMOVER	54	-
FK550128	DRIVESHAFT W/BEARING, SHIMS AND CRUSH RING	43	68	FT11209	BEARING CUP REMOVER	54	-
FK750-1	SPARKIE W/SPRING	15	44	FT11209	BEARING GUIDE SET	54	-
FK85228-1	BEARING CAGE W/ROLLER	33	7	FT2951	CIRCUIT TRACER	52	-
FO10588	BODY CHANNEL CUP PLUG	17	24	FT2953	SOCKET	53	-
FO11103	IDLE MIXTURE SCREW SPRING	17	14	FT2961	LUBRICANT - RYKON #2EP	56	-
FO13193	MAIN FUEL JET OPT. .088 1500 - 3000 FT.	17	-	FT2962-1	SEALANT - 50 CC LOCTITE H, NON-HARDENING GRADE	56	-
FO13554	FLOAT	19	48	FT2963-1	SEALANT - 2 OZ. LOCTITE D, HARDENING GRADE	56	-
FO13944	FLOAT LEVER PIN	19	49	FT2987-1	LUBRICANT - ANTI-SEIZE	56	-
FO13949	MAIN FUEL JET OPT. .086 3000 - 4500 FT.	17	-	FT2990	PISTON PIN TOOL	53	-
FO14109	MAIN FUEL JET OPT. .082 6000 FT & UP	17	-	FT2996	RING COMPRESSOR	53	-
FO14166	IDLE MIXTURE SCREW	17	13	FT3012	SEAL INSTALLER	54	-
FO14302	MAIN FUEL JET OPT. .084 4500 - 6000 FT.	17	-	FT7848	TORQUING ADAPTER	54	-
FO15406	MAIN FUEL JET STD. .090 SEA LEVEL - 1500 FT.	17	15	FT8901	INDICATOR HOLDER	54	-
FO15623	FUEL BOWL GASKET	19	46	FT8902	DIAL INDICATOR	54	-
				FT8903	SEAL INSTALLER	53	-
				FT8907	DRIVE HANDLE	53	-
				FT8907	DRIVER HANDLE	54	-
				FT8914	SEAL REMOVER	53	-
				FT8918	BEARING GUIDE SET	54	-
				FT8919	SPRING PIN PUNCH	54	-
				FT8925	SEAL INSTALLER	53	-
				FT8925	SEAL INSTALLER	54	-
				FT8926	RING EXPANDER	53	-
				FT8927	SEAL PROTECTOR	53	-

PARTS INDEX

Part Number	Description	Pg.	Ref. No.	Part Number	Description	Pg.	Ref. No.
FT8933	LIFTING HOOK	53	-				
FT8935	SEALANT PRIMER - 6 OZ. . .	56	-				
FT8936	SEALANT - 2 CC LOCTITE RETAINING COMPOUND #75	56	-				
FT8948-1	PULLER	52	-				
FT8948-1	PULLER	54	-				
FT8950	LEAKAGE TESTER	55	-				
FT8953	IGNITION TESTER	55	-				
FT8955	SEALANT - 5 OZ. EC-750 INDUSTRIAL SEALANT . .	56	-				
FT8957	SEAL INSTALLER	54	-				
FT8969	LUBRICANT - 7 OZ. 2 PSI LUBRICANT	56	-				
FT8978	POWER TIMING LIGHT	52	-				
FT8985	SEAL INSTALLER	54	-				
FT8993	SEALANT - 3 OZ. RTV SEALANT FROM IN PLACE GASKETS	56	-				
FT8997	SHIMMING TOOL	54	-				
FTA2937-1	TIMING TOOL	52	-				
FTA8994	PISTON PIN TOOL	53	-				
FTK8999	TEST WHEEL	55	-				
T11211	BOAT WHITE	57	-				
T11212	BOAT BLACK	57	-				
T11230	ORANGE	57	-				
T11233	MEDIUM METALLIC SILVER	57	-				
T11236	METALLIC SILVER	57	-				
22-818103--1	ELBOX, CYLINDER DRAIN LOWER	27	44				
31-817785A2	CRANKSHAFT BEARING CAGE W/SEAL	33	18				
32-817738A1	FUEL LINE LONG W/CLAMP AND FERRULE	47	10				
33-97180	SPARK PLUG (CHAMPION L20V) - USA	27	77				
37-819450	DECAL, REVERSE LOCK - CANADA	39	-				
39-818123A1	PISTON RING (2 PER SET) .030 OVERSIZE	33	-				
43-817854A2	BEVEL PINION GEAR W/CRUSH RING AND SHIMS	43	35				
46-817853A1	WATER PUMP	45	-				
46-817853A1	WATER PUMP BODY W/DRIVESHAFT SEAL, DISC, AND WATERLINE SEAL	43	59				
84-817775A1	COIL WIRE W/TERMINAL CLIP - USA	13	29				
87-817778A1	THERMOSWITCH	29	98				
300-817855A1	UNIT W/DECAL	9	45				
400-817735A4	CRANKSHAFT W/BEARING .	33	15				
600-818052A4	CONNECTING ROD W/CAP AND SCREWS	33	6				
700-819409A3	PISTON .010 OVERSIZE . . .	33	-				
700-819409A4	PISTON .030 OVERSIZE . . .	33	-				
1400-817958A6	STERN BRACKET	35	23				