



# PARTS CATALOG

## 140 H.P.

### SERIAL NUMBER

140 (1980) .....	.1406B0C
140 (1980) .....	.1406H0C

# TABLE OF CONTENTS:

ACCESSORIES .....	58
CARBURETOR .....	16
CRANKSHAFT AND PISTON GROUP .....	32
DISTRIBUTOR .....	12
ELECTRICAL COMPONENTS .....	6
ENGINE COVER AND SUPPORT PLATE .....	2
FUEL PUMP AND REED PLATE .....	20
FUEL TANK AND LINE .....	46
GEAR HOUSING .....	40
MOTOR LEG .....	34
PARTS INDEX .....	61
POWER HEAD .....	24
REMOTE CONTROL .....	48
SPECIAL TOOLS - GEAR HOUSING .....	54
SPECIAL TOOLS - LUBRICANTS AND SEALANTS .....	56
SPECIAL TOOLS - POWER HEAD .....	53
SPECIAL TOOLS - REPAIR DECALS - ENGINE COVERS .....	57
SPECIAL TOOLS - TEST EQUIPMENT .....	55
SPECIAL TOOLS - TUNE-UP .....	52
STARTER .....	10

**NOTE:** Indented description indicate that these parts are included in preceeding assembly.

**AR** = As Required

**NSS** = Not Sold Separate

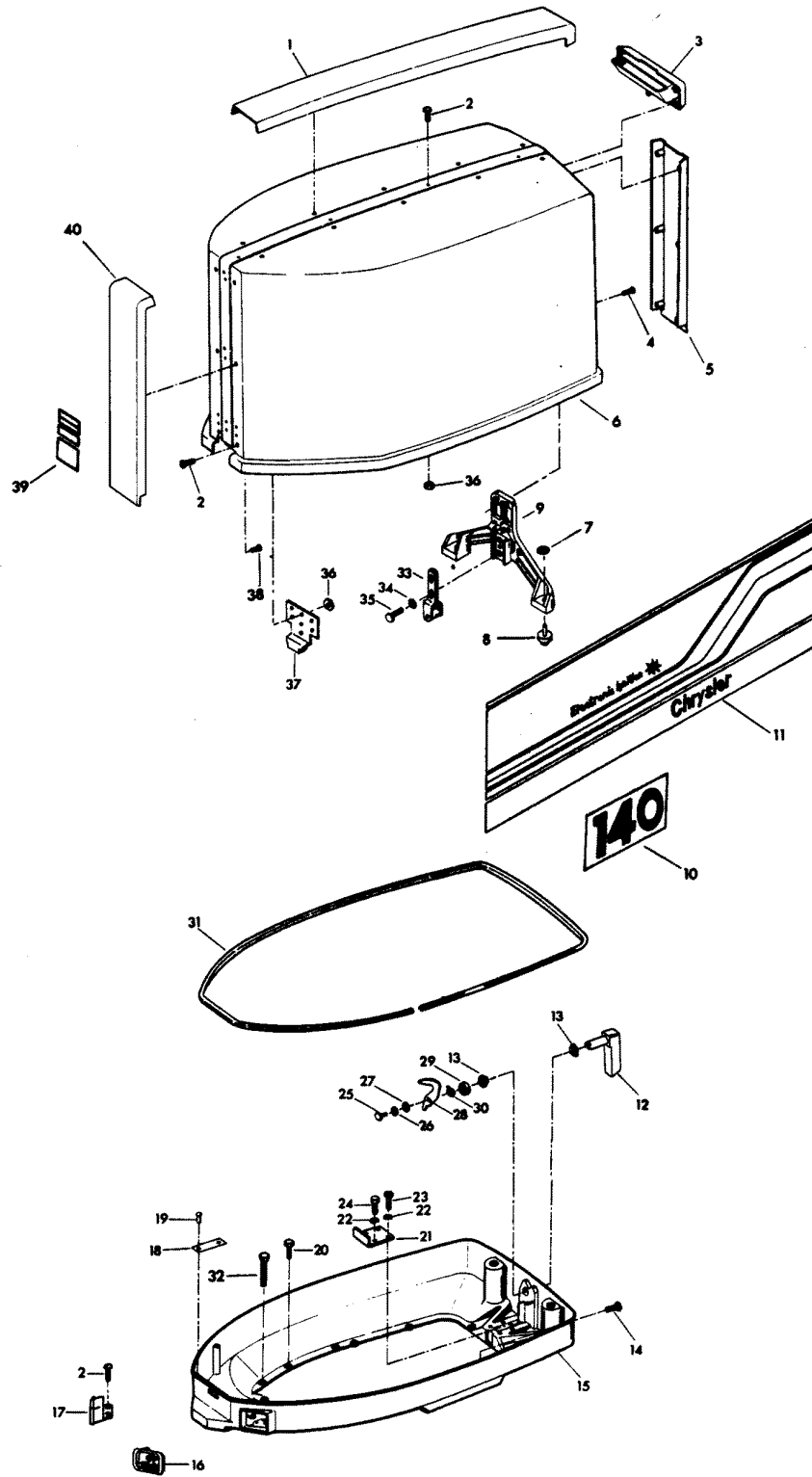
**OPT** = Optional

**NS** = Not Shown

**THESE PARTS BOOKS/FICHE CARD ARE COPYRIGHTED AND MAY NOT BE DISTRIBUTED OR REPRODUCED IN ANY OTHER FORMAT BY ANYONE OTHER THAN MERCURY MARINE WITHOUT THE PRIOR WRITTEN CONSENT OF MERCURY MARINE.**

THIS PAGE INTENTIONALLY LEFT BLANK

# ENGINE COVER AND SUPPORT PLATE

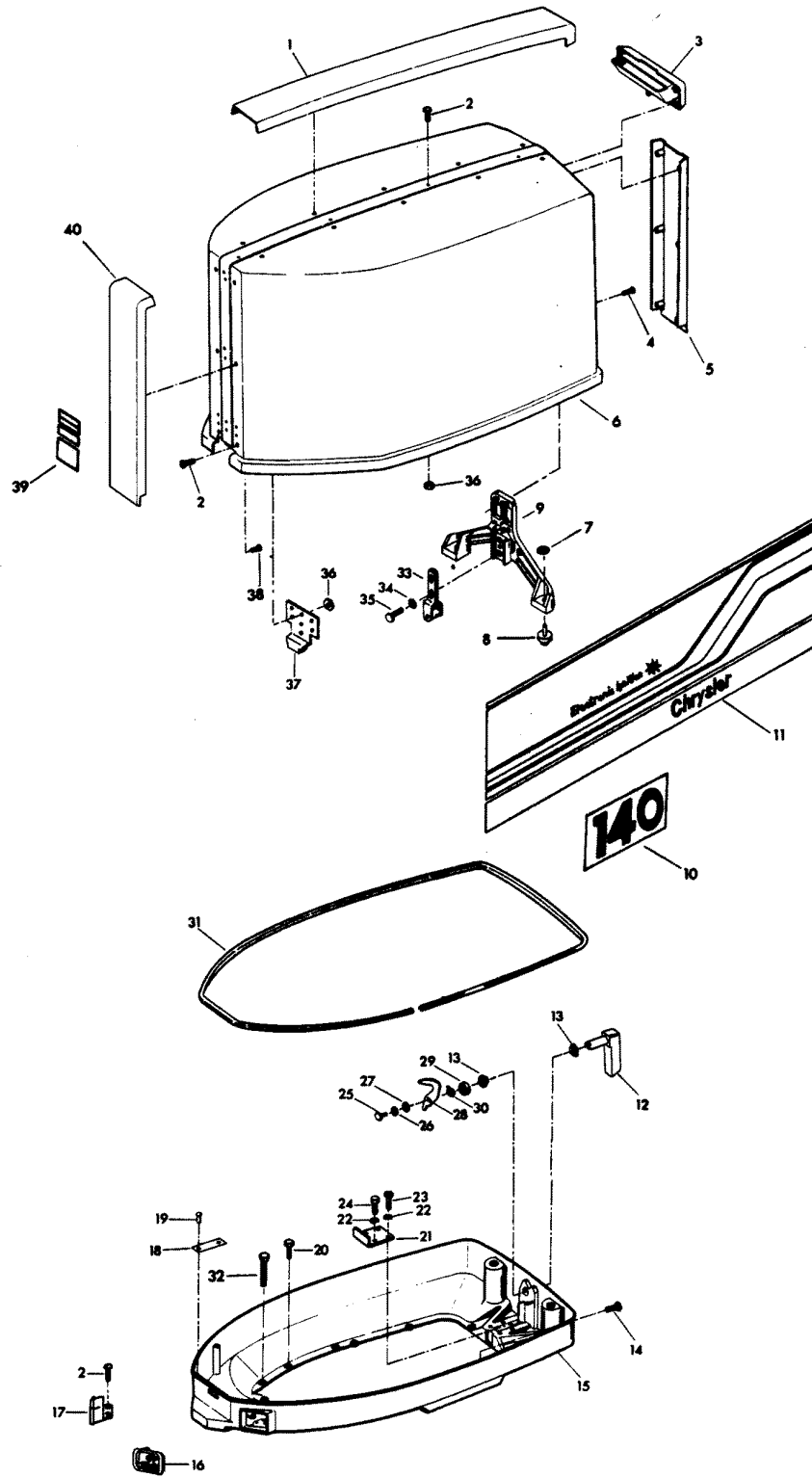


# ENGINE COVER AND SUPPORT PLATE

REF. NO.	PART NO.	SYM.	QTY.	DESCRIPTION
1	FA480179		1	TRIM, TOP W/LITERATURE
2	F1733		10	SCREW, PAN HD, 10 - 24 X 9/16
3	FA480269		1	HANDLE, TILT W/LITERATURE
4	F1730		3	SCREW, PAN HD, W/SPRING LOCKWASHER, 1/4 - 20 X 5/8
5	FA552180		1	TRIM, REAR W/LITERATURE
6	FA552944		1	COVER, ENGINE W/RETAINER
-	<b>3C593944</b>		<b>1</b>	<b>COVER, ENGINE - COMPLETE INCLUDES ITEMS MARKED WITH AN ASTERISK (*).</b>
7	F2088		2	FASTENER
8	F481434		2	GUIDE, ENGINE COVER
9	F481774		1	BRACKET, ENGINE COVER LATCH
10	FA593386		2	DECAL, NUMERAL W/LITERATURE
11	FA585397		1	DECAL, ENGINE COVER - PORT W/LITERATURE
-	<b>FA585396</b>		<b>1</b>	<b>DECAL, ENGINE COVER - STARBOARD W/LITERATURE</b>
12	FA481469		1	LATCH HANDLE, ENGINE COVER W/SHAFT
13	F480818		2	BEARING, LATCH SHAFT
14	F1535		6	HEX CAP SCREW, 1/4 - 20 X 3/4
15	F480038-2		1	PLATE SUPPORT
16	F549189		1	BUSHING, ELECTRIC CABLE
17	F545189		1	BUSHING, CABLE ENTRY
18	FA535395		1	IDENTIFICATION PLATE W/SCREWS - USA
-	<b>FA535395</b>		<b>1</b>	<b>IDENTIFICATION PLATE W/SCREWS - CANADA</b>
19	F1447		2	ROUND HD SCREW, 2 X 3/16
20	F1540		5	HEX SLOT HD SCREW 1/4 - 20 X 5/8
21	F335654-1		1	STOP, DEFLECTION
22	F8096		4	LOCKWASHER
23	F1857		2	HEX CAP SCREW, 5/16 - 18 X 5/8
24	F1858		2	HEX CAP SCREW, 5/16 - 18 X 1
25	F1541		1	HEX CAP SCREW, 1/4 - 20 X 5/8
26	F8083		1	LOCKWASHER
27	F8094		1	WASHER, PLAIN
28	F481777		1	CAM, LATCH SHAFT
29	F481382-1		1	SPACER, LATCH SHAFT
30	F2047		1	WAVE WASHER
31	F321756		1	PACKING
32	F1708		2	HEX HD CAP SCREW, 1/4 - 20 X 1 3/8
33	FA481743		1	LATCH, ROLLER BRACKET, W/ROLLER
34	F8096		2	LOCKWASHER
35	F1857		2	HEX CAP SCREW, 5/16 - 18 X 5/8
36	F1473		7	HEX NUT, 10 - 24
37	F373778-1		1	RETAINER, ENGINE COVER

CONTINUED ON NEXT PAGE ➡

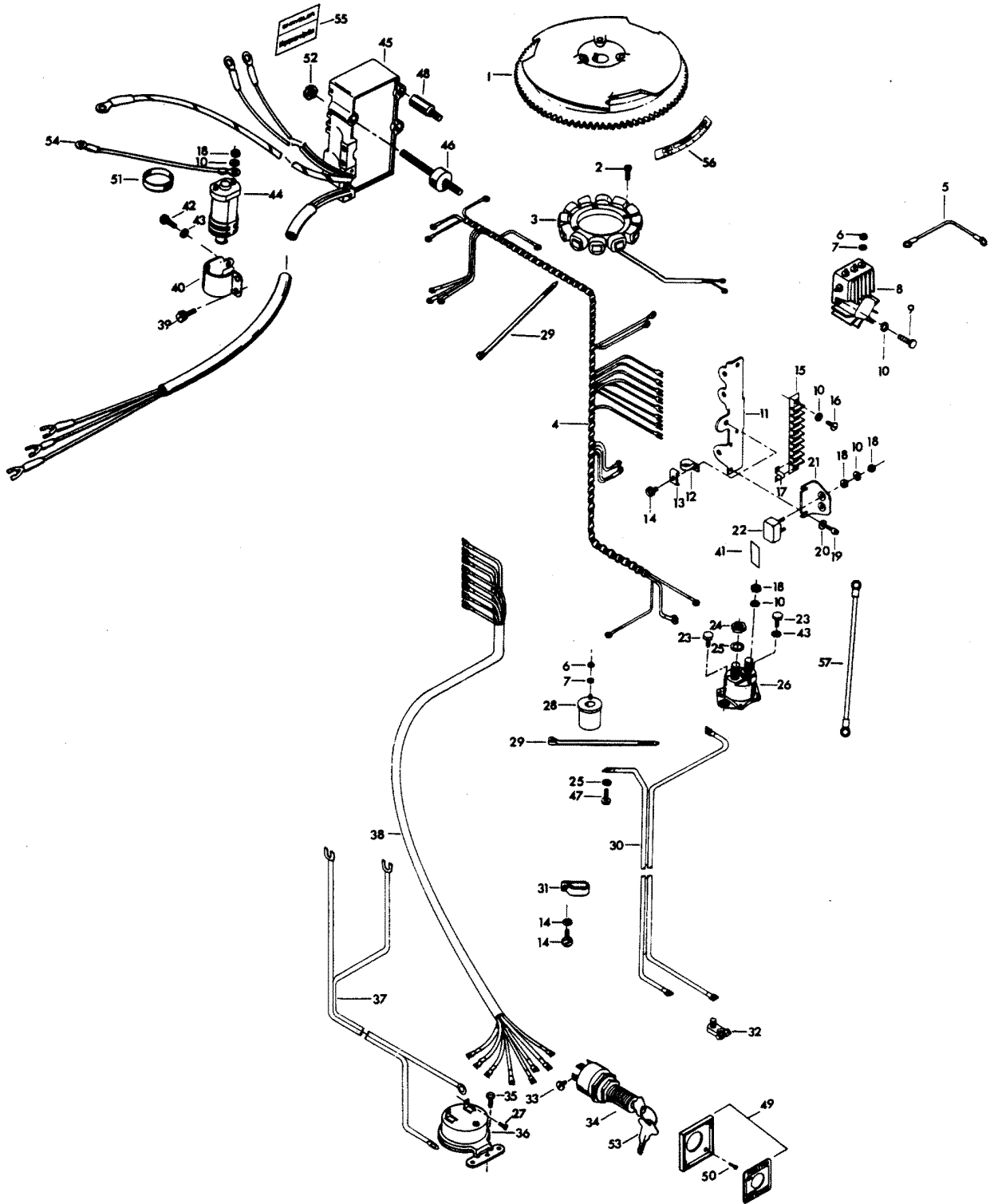
# ENGINE COVER AND SUPPORT PLATE



## ENGINE COVER AND SUPPORT PLATE

REF. NO.	PART NO.	SYM.	QTY.	DESCRIPTION
38	F2066		26	PAN HD TAPPING SCREW, 10 X 7/16
39	FA585892		1	DECAL, FRONT
40	FA552888		1	TRIM, FRONT W/LITERATURE
-	<b>F548984</b>		<b>1</b>	<b>BLANKET, SILENCER - TOP (NOT SHOWN)</b>
-	<b>F552985</b>		<b>2</b>	<b>BLANKET, SILENCER - SIDE (NOT SHOWN)</b>

# ELECTRICAL COMPONENTS



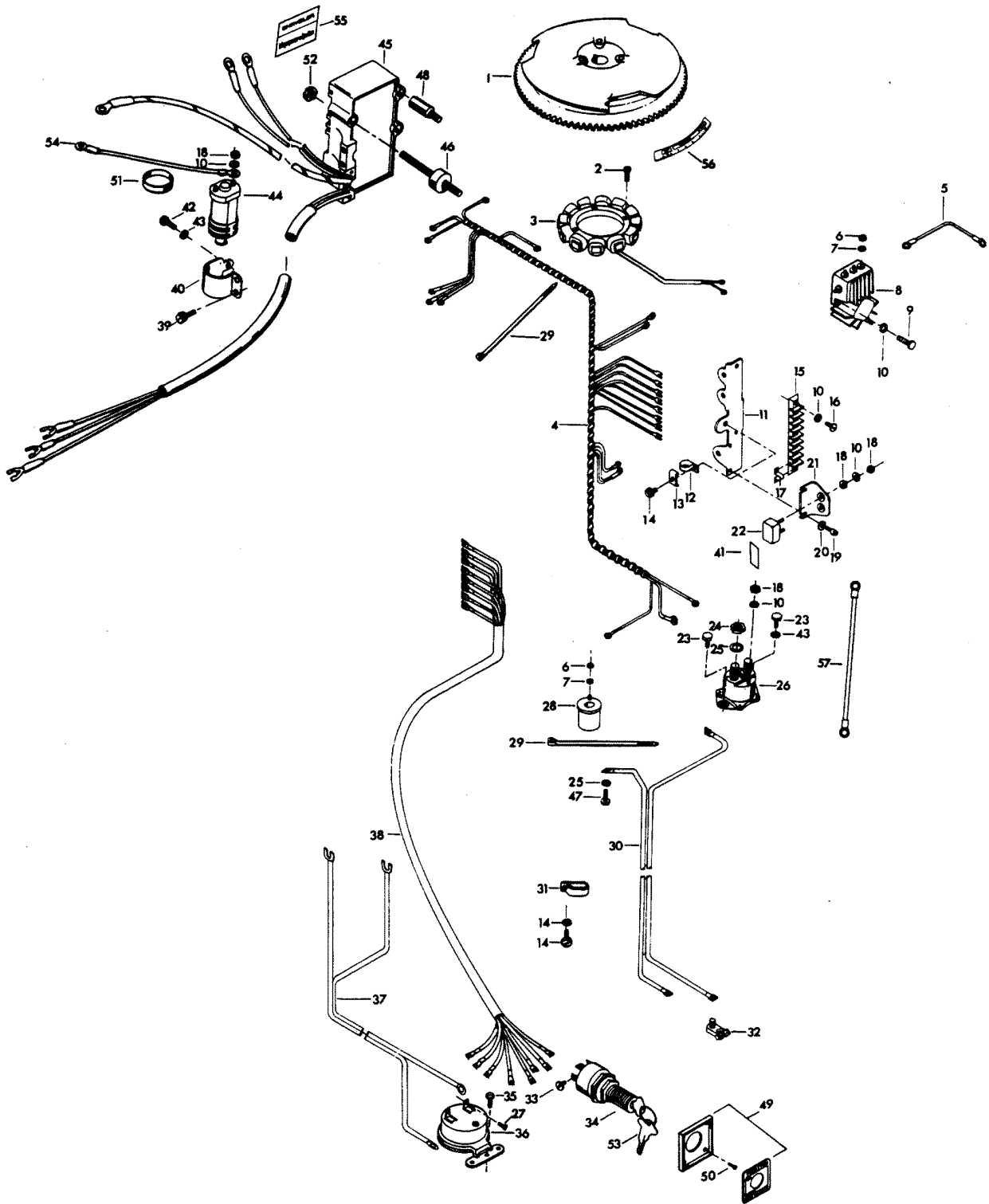


# ELECTRICAL COMPONENTS

REF. NO.	PART NO.	SYM.	QTY.	DESCRIPTION
1	F404097		1	FLYWHEEL
2	F1087		6	FILL HD SCREW, 10 - 24 X 13/16
3	F85095-2		1	STATOR
4	F438744-1		1	WIRING HARNESS
5	F345683		1	WIRE, REGULATOR - RECTIFIER GROUND
6	F1647		5	HEX NUT, 8 - 32
7	F8056		5	SPRING LOCKWASHER
8	F404470-1		1	REGULATOR - RECTIFIER
9	F2107		3	FILL HD SCREW, 10 - 24 X 5/8
10	F1975		9	SPRING LOCKWASHER
11	FA439493		1	TERMINAL BLOCK BRACKET <b>W/ILLUSTRATIONS, 13, 14</b>
12	F289446-1		1	CLAMP
13	F438668		1	RETAINER, CABLE CLAMP
14	F1734		2	FILL HD SCREW W/LOCKWASHER, 1/4 - 20 X 1/2
15	FA510497		1	TERMINAL BLOCK <b>W/ILLUSTRATION 16 ORIGINAL FORCE P/N K 289497-2</b>
16	F1648		2	PAN HD SCREW, 10 - 24 X 3/4
17	F307317		1	CLIP, TERMINAL BLOCK
18	F1513		8	HEX NUT
19	F1760		2	PAN HD SCREW, 10 - 24 X 3/8
20	F8011		2	PLAIN WASHER
21	F91446-1		1	CIRCUIT BREAKER BRACKET
22	F510460		1	CIRCUIT BREAKER
23	F1536		2	HEX CAP SCREW, 1/4 - 20 X 3/4
24	F1515		2	HEX NUT
25	F8096		3	SPRING LOCKWASHER
26	F460917		1	STARTER RELAY
27	F1645		2	RD HD SCREW, 6 - 32 X 1/4
28	F85924		1	CHOKE SOLENOID
29	F1877		2	TY-RAP
30	F381896-4		1	BATTERY CABLE
31	F407446		1	CLAMP
32	F5H041		1	BATTERY TERMINAL KIT (ACCESSORY ITEM)
33	F1280		5	PAN HD SCREW, 8 - 32 X 1/4
34	F5H078		1	IGNITION SWITCH (LONG BARREL) W/KEYS AND SCREWS <b>(ACCESSORY ITEMS)</b>
35	F1741		2	PAN HD SCREW, 8 X 3/4
36	F5H043		1	OVERHEAT BUZZER (ACCESSORY ITEM)
37	F404841		1	CABLE, HEAT INDICATOR
38	F85843-1		1	REMOTE ELECTRIC CABLE, 18 FEET
39	F1851		2	FILL HD SCREW W/LOCKWASHER, 10 - 24 X 1/2
40	F404513		1	COIL CLAMP
41	F510374		1	DECAL, CIRCUIT BREAKER - USA
-	<b>FC510374</b>		1	<b>DECAL, CIRCUIT BREAKER - CANADA</b>

CONTINUED ON NEXT PAGE ➡

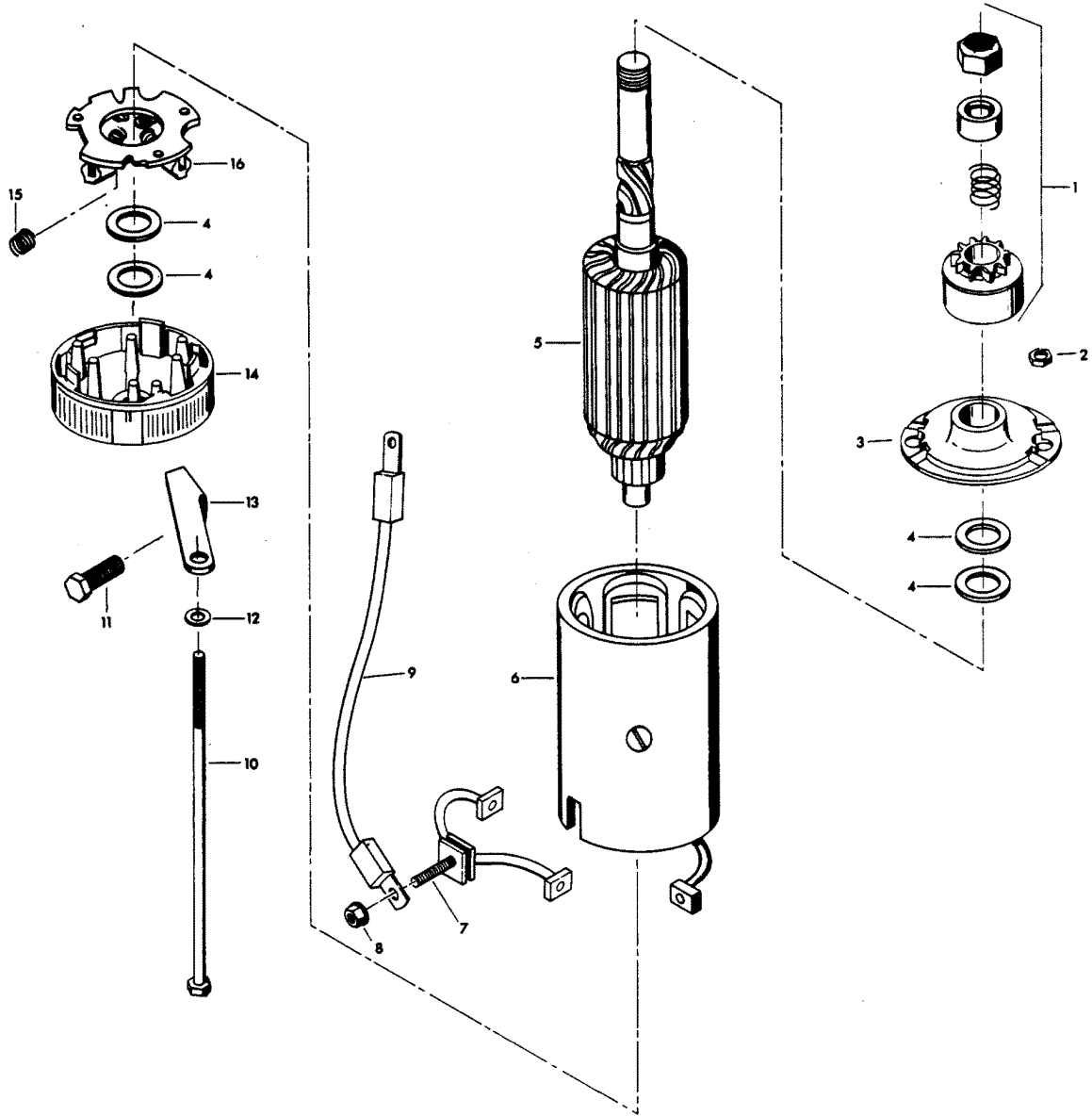
# ELECTRICAL COMPONENTS



# ELECTRICAL COMPONENTS

REF. NO.	PART NO.	SYM.	QTY.	DESCRIPTION
42	F1546		1	HEX HD CAP SCREW, 1/4 - 20 X 1/2
43	F8083		2	SPRING LOCKWASHER
44	F345475-1		1	COIL
45	300-817855A1		1	UNIT W/DECAL ( <b>ORIGINAL FORCE P/N A 523301-1</b> )(Does not include Coil & Clamp)
46	F523962		3	SHOCK MOUNT - C.D. UNIT
47	F2000		1	HEX CAP SCREW, 5/16 - 18 X 3/4
48	F322273		1	STUD, C.D. UNIT
49	F5H038		1	IGNITION SWITCH MOUNTING KIT (ACCESSORY ITEM)
-	<b>817892--1</b>		<b>1</b>	<b>PLATE, IGNITION SWITCH - CANADA (NOT SHOWN)</b>
50	F1934		4	FLAT HD SLOTTED SCREW, 6 X 12
51	F391983		2	RETAINING BAND
52	F1892		3	STOP NUT
53	FA368700		-	KEY, IGNITION, NO LETTER OR STAMPED A
-	<b>FB368700</b>		-	<b>KEY, IGNITION, STAMPED B</b>
-	<b>FC368700</b>		-	<b>KEY, IGNITION, STAMPED C</b>
-	<b>FD368700</b>		-	<b>KEY, IGNITION, STAMPED D</b>
-	<b>FE368700</b>		-	<b>KEY, IGNITION, STAMPED E</b>
54	F85664		1	GROUND WIRE
55	480373		1	DECAL, MAGNAPOWER IGNITION (NOT SHOWN)
56	F474387		1	TIMING DECAL - USA
-	<b>FC474387</b>		<b>1</b>	<b>TIMING DECAL - CANADA</b>
-	<b>F235785</b>		<b>1</b>	<b>DECAL, COMPLIANCE - CANADA (NOT SHOWN)</b>
57	F319908		1	GROUND WIRE - CANADA

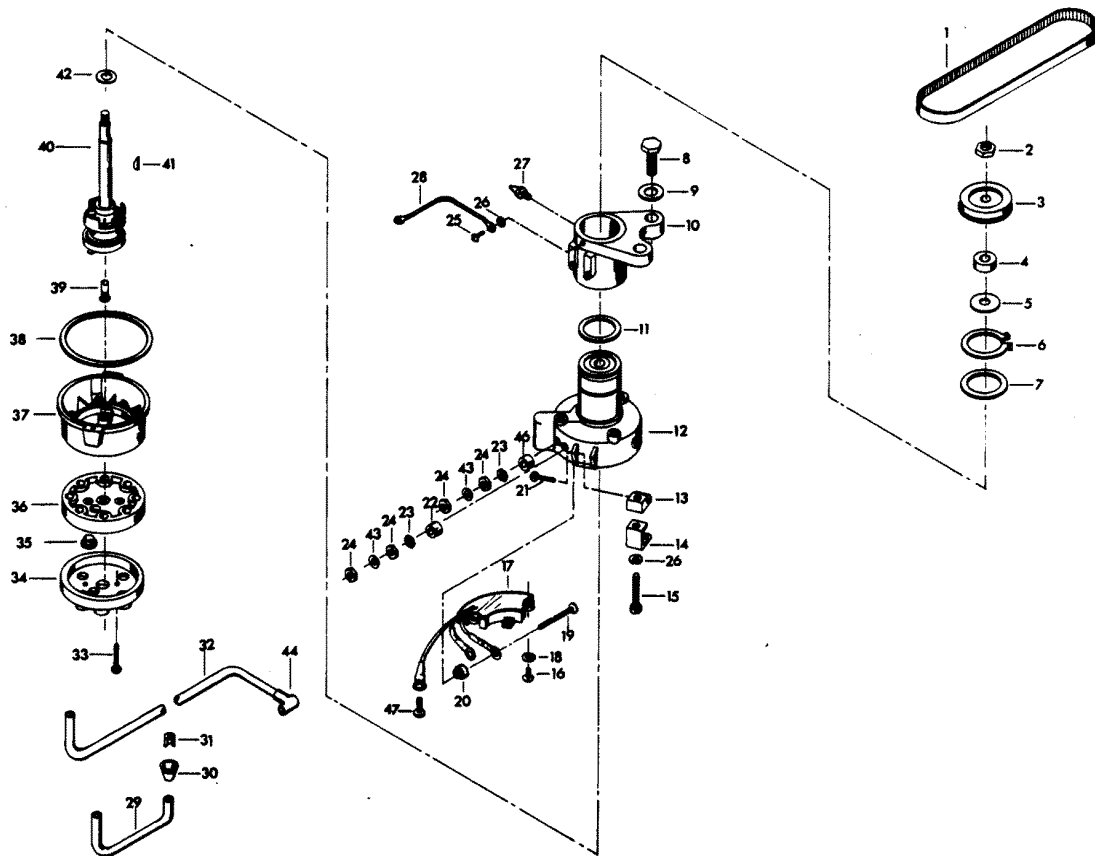
# STARTER



# STARTER

REF. NO.	PART NO.	SYM.	QTY.	DESCRIPTION
1	F15118		1	BENDIX DRIVE ASSEMBLY
2	F1641		2	LOCK NUT
3	F15167		1	HEAD ASSEMBLY, DRIVE END
4	F15126		4	THRUST WASHER PACKAGE
5	F15099		1	ARMATURE
6	F15166		1	FRAME AND FIELD ASSEMBLY
7	F15054		1	BRUSH AND TERMINAL SET
8	FA15072		1	HEX LOCK NUT, 1/4 - 20
9	F85908		1	STARTER LEAD WIRE
10	F15163		1	THRU BOLT PACKAGE
11	F1540		1	HEX CAP SCREW, 1/4 - 20 X 5/8
12	F8028		2	PLAIN WASHER
13	F511675		1	STARTER BRACKET, LOWER
14	F15125		1	HEAD ASSEMBLY, COMMUTATOR END
15	F15034		1	SPRING SET
16	F15057		1	BRUSH PLATE AND HOLDER ASSEMBLY
-	<b>FS490955</b>		<b>1</b>	<b>STARTER, COMPLETE CONTAINS ALL ITEMS MARKED WITH AN ASTERISK (*).</b>
-	<b>FC500390</b>		<b>1</b>	<b>DECAL STARTER - CANADA (NOT SHOWN)</b>

# DISTRIBUTOR

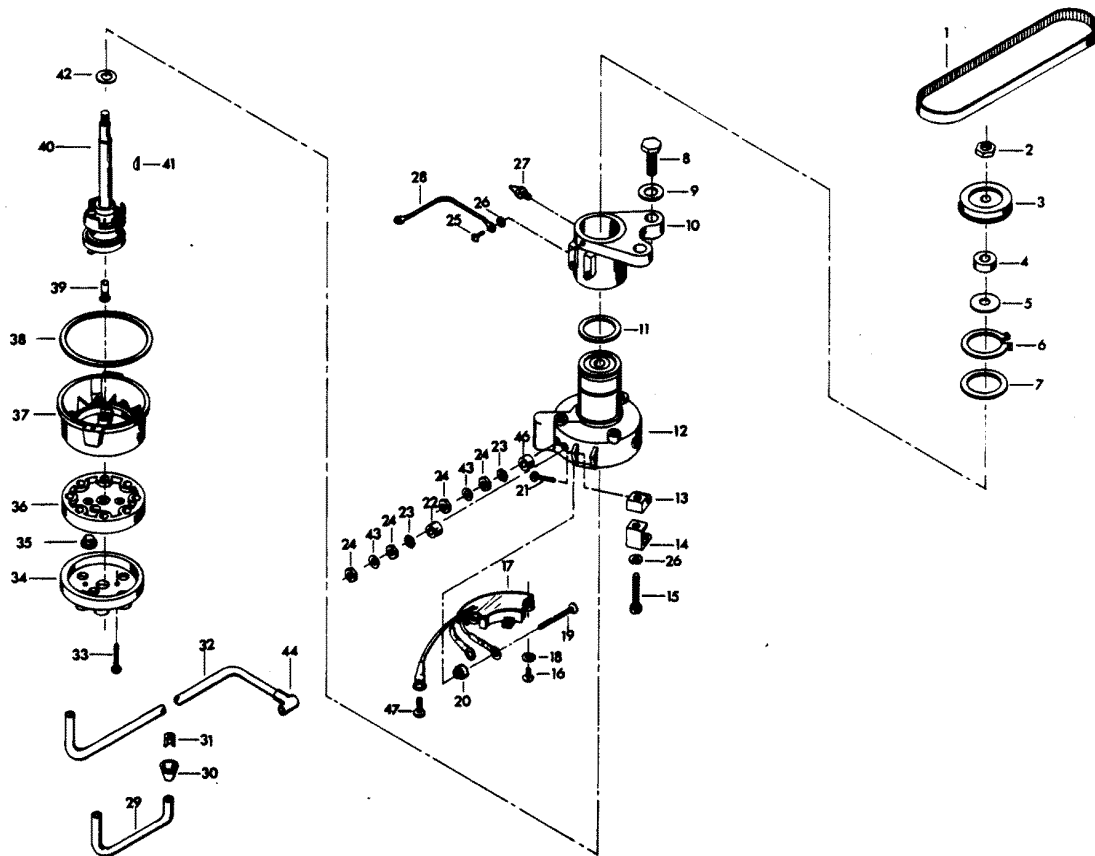


# DISTRIBUTOR

REF. NO.	PART NO.	SYM.	QTY.	DESCRIPTION
1	F85311		1	DISTRIBUTOR
2	F7013		1	STOP NUT
3	817786A1		1	DISTRIBUTOR PULLEY W/NUT & WASHER
4	F14025		1	SPACER
5	F14028		1	THRUST WASHER
6	F85173		1	RETAINING RING
7	F14029		1	THRUST WASHER
8	F1612		2	HEX CAP SCREW, 3/8 - 16 X 1 1/4
9	F1778		2	PLAIN WASHER
10	FA321574		1	DISTRIBUTOR BRACKET <b>W/ILLUSTRATIONS 25, 26 &amp; 27</b>
11	F1759		2	SHIM, DISTRIBUTOR (QTY. AS REQUIRED)
12	F14042		1	DISTRIBUTOR HOUSING W/BEARINGS
-	<b>817828A1</b>		<b>1</b>	<b>DISTRIBUTOR, COMPLETE CONTAINS ALL ITEMS MARKED WITH AN ASTERISK (*). ORIGINAL FORCE P/N A489309-1</b>
13	F14036		2	SWIVEL
14	F14037		2	CAP CLIPS
15	F14038		2	CAP CLIP SCREWS
16	F14045		2	SCREW
17	FA14048-2		1	PREAMPLIFIER
18	F8056		2	LOCKWASHER
19	F14046		2	TERMINAL SCREW
20	F14047		2	TERMINAL INSULATOR (INSIDE)
21	F14015		2	CAP CLIP RIVET
22	F14049		1	TERMINAL INSULATOR (OUTSIDE)
23	F14041		2	EXTERNAL TOOTH LOCKWASHER
24	F1647		4	HEX NUT, 8 - 32
25	F1760		2	PAN HD SCREW, 10 - 24 X 3/8
26	F1975		2	SPRING LOCKWASHER
27	F213274		1	GREASE FITTING
28	F85664		1	DISTRIBUTOR GROUND
29	84-817775A1		1	COIL WIRE W/TERMINAL CLIP - USA
-	<b>F438905</b>		<b>1</b>	<b>COIL WIRE - CANADA</b>
30	F203276		1	BOOT
31	F203673		1	TERMINAL CLIP
32	F321841-3		4	LEAD WIRE - USA
-	<b>F438841-1</b>		<b>4</b>	<b>LEAD WIRE - CANADA</b>
33	F14007		2	CAP SCREW
34	F14010-1		1	CAP COVER
35	F14040		2	VENT
36	F14021-1		1	CAP SEAL
37	F14005-2		1	CAP BASE
38	F14030		1	CAP GASKET
39	F14012-1		1	BRUSH

CONTINUED ON NEXT PAGE ➡

# DISTRIBUTOR

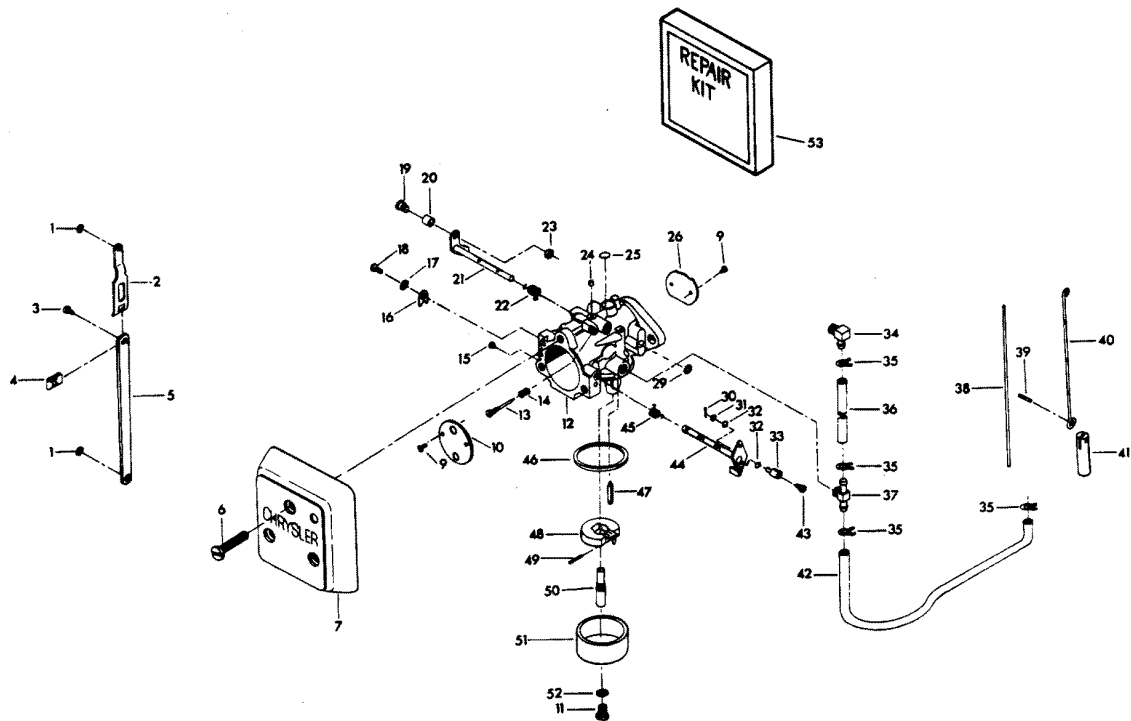




# DISTRIBUTOR

REF. NO.	PART NO.	SYM.	QTY.	DESCRIPTION
40	F14044		1	DISTRIBUTOR SHAFT
41	F1692		1	WOODRUFF KEY
42	F14024		1	SPACER
43	F8056		2	LOCKWASHER
44	FK750-2		4	SPARKIE W/SPRING
46	F14017		1	TERMINAL INSULATOR (OUTSIDE)
47	F14056		1	SCREW
-	<b>481373-1</b>		<b>1</b>	<b>DECAL, "ELECTRIC" (NOT SHOWN)</b>

# CARBURETOR

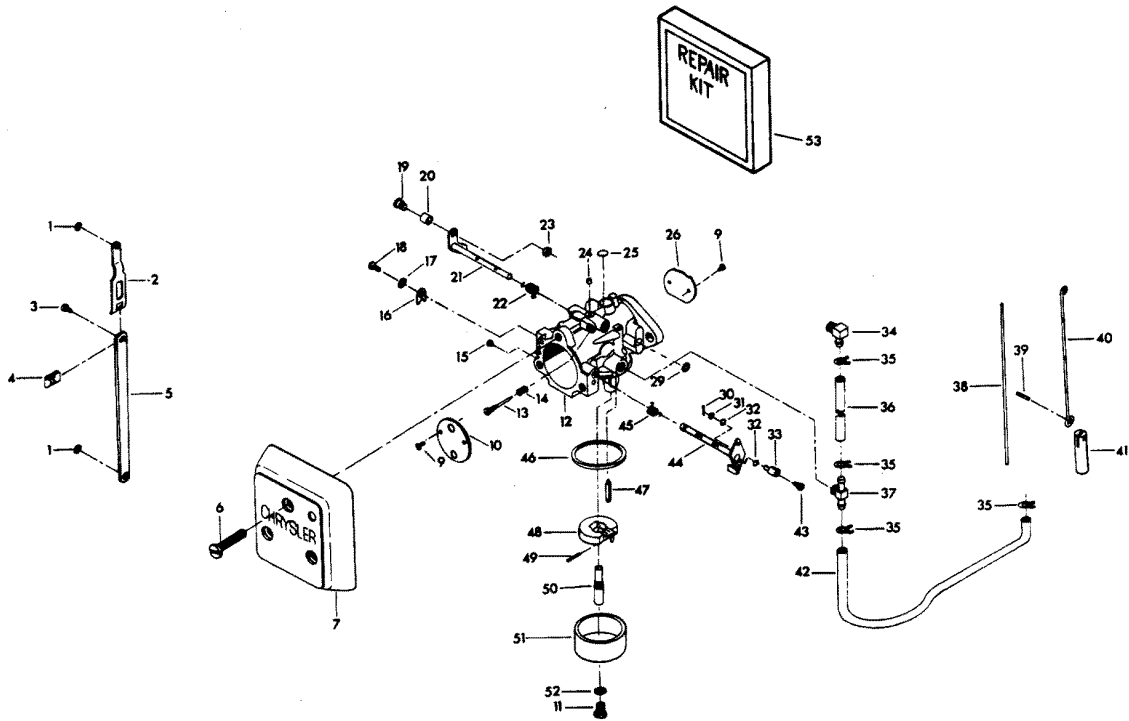


# CARBURETOR

REF. NO.	PART NO.	SYM.	QTY.	DESCRIPTION
1	F90807		2	RETAINING RING
2	FA85193		1	TIE BAR END W/SWIVEL
3	F1064		1	FILL HD SCREW, 8 - 32 X 3/8
4	F1693		1	TIE BAR RETAINER
5	FA178233		1	THROTTLE TIE BAR W/SWIVEL
6	F1034		6	PAN HD SCREW, 1/4 - 20 X 1 3/8
7	F511708		2	COVER, CARBURETOR
9	FO15912		4	CHOKE AND THROTTLE SHUTTER SCREW
10	FO17719		1	CHOKE SHUTTER
11	FO16132		1	FUEL BOWL RETAINING SCREW
12	F476061-4		2	CARBURETOR COMPLETE (TC-5E)
13	FO14166		1	IDLE MIXTURE SCREW
14	FO11103		1	IDLE MIXTURE SCREW SPRING
15	FO12947		1	MAIN FUEL JET STD. .096 SEA LEVEL - 1500 FT.
-	<b>FO14191</b>		-	<b>MAIN FUEL JET OPT. .0937 1500 - 3000 FT.</b>
-	<b>FO14190</b>		-	<b>MAIN FUEL JET OPT. .092 3000 - 4500 FT.</b>
-	<b>FO15406</b>		-	<b>MAIN FUEL JET OPT. .090 4500 - 6000 FT.</b>
-	<b>FO13193</b>		-	<b>MAIN FUEL JET OPT. .088 6000 FT. AND UP. OPTIONAL SIZE MAIN FUEL JETS ARE TO BE USED ONLY AT ALTITUDES INDICATED.</b>
16	FO9678		1	CLIP, CHOKE SHAFT
17	FO992		1	LOCKWASHER
18	FO1974		1	SCREW
19	F333316		1	THROTTLE ROLLER SHAFT
20	F92759		1	THROTTLE ROLLER
21	FO17884		1	THROTTLE SHAFT AND LEVER
22	FO16143		1	THROTTLE SHAFT RETURN SPRING
23	F1997		1	STOP NUT, 8 - 32
24	FO10588		5	BODY CHANNEL CUP PLUG
25	FO16128		1	BODY CHANNEL WELCH PLUG
26	FO16142		1	THROTTLE SHUTTER
29	FO16620		1	"E" RING
30	F1014		2	COTTER PIN
31	F8088		3	PLAIN WASHER
32	F184579		5	"O" RING SEAL
33	F184033-1		1	SWIVEL, TOP CARBURETOR
34	F84314-2		1	ELBOW
35	F97772		4	CLAMP
36	F178754-1		1	FUEL LINE
37	F85314-1		1	FUEL FITTING
38	F85509-1		1	LINK, CHOKE
39	F2033		1	GROOVE PIN
40	F440925		1	CHOKE ROD
41	F391926-1		1	PLUNGER

CONTINUED ON NEXT PAGE ➡

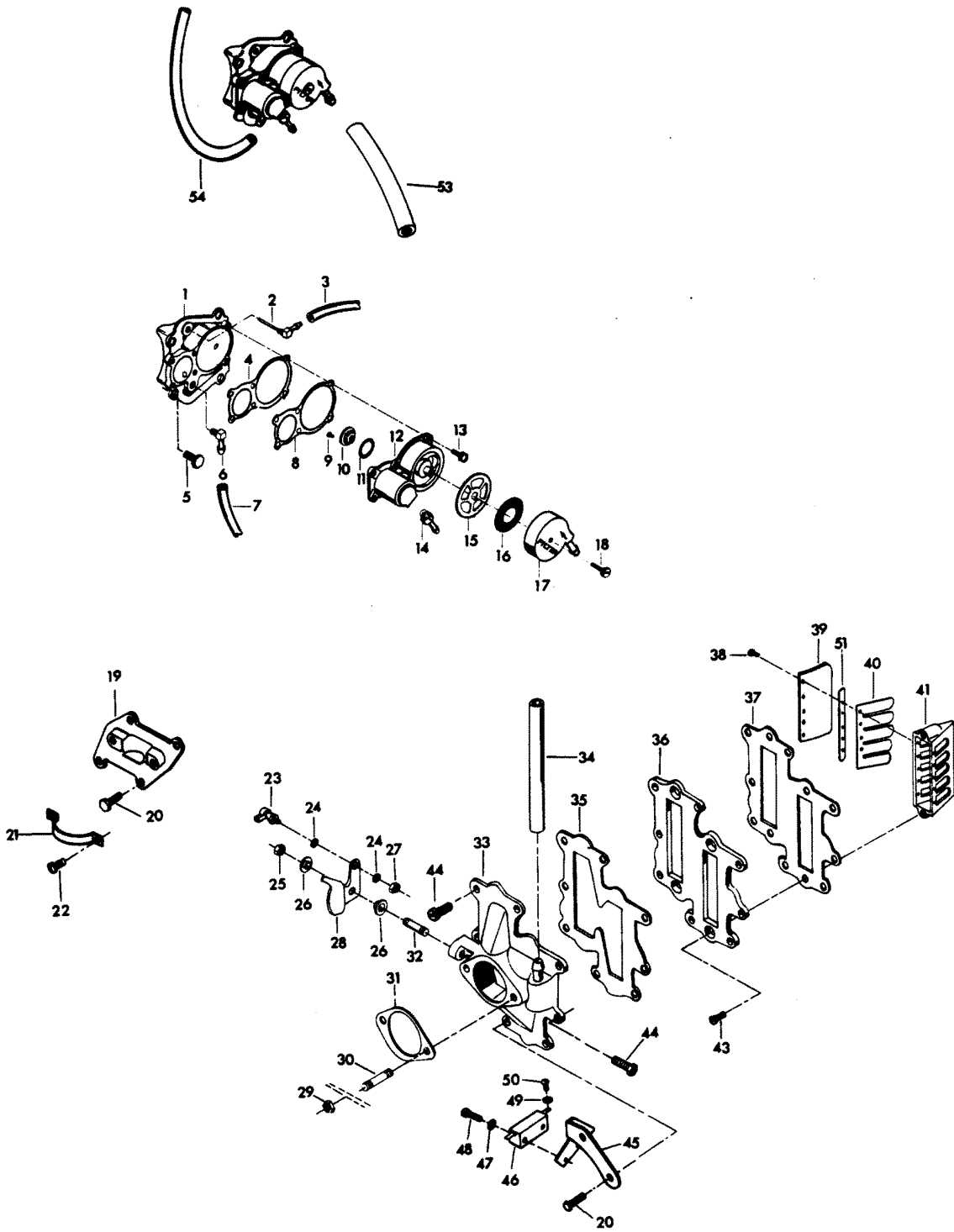
# CARBURETOR



# CARBURETOR

REF. NO.	PART NO.	SYM.	QTY.	DESCRIPTION
42	F434754		1	FUEL LINE
43	F1059		2	FILL HD SCREW, 6 - 32 X 1/4
44	FO16301		1	CHOKE SHAFT AND LEVER
45	FO17885		1	CHOKE SHAFT RETURN SPRING
46	FO15623		1	FUEL BOWL GASKET
47	FO16697		1	INLET NEEDLE
48	FO13554		1	FLOAT
49	FO13944		1	FLOAT LEVER PIN
50	FO16133		1	MAIN NOZZLE
51	FO16130		1	FUEL BOWL
52	FO5323		2	FUEL BOWL RETAINING SCREW GASKET
-	<b>F85033</b>		<b>1</b>	<b>SWIVEL, CHOKE ROD (BOTTOM CARBURETOR) (NOT SHOWN)</b>
-	<b>F10023</b>		<b>1</b>	<b>GASKET SET (NOT SHOWN)</b>
53	F10103		1	REPAIR PARTS KIT. INCLUDES ALL ITEMS MARKED WITH AN ASTERISK (*).

# FUEL PUMP AND REED PLATE

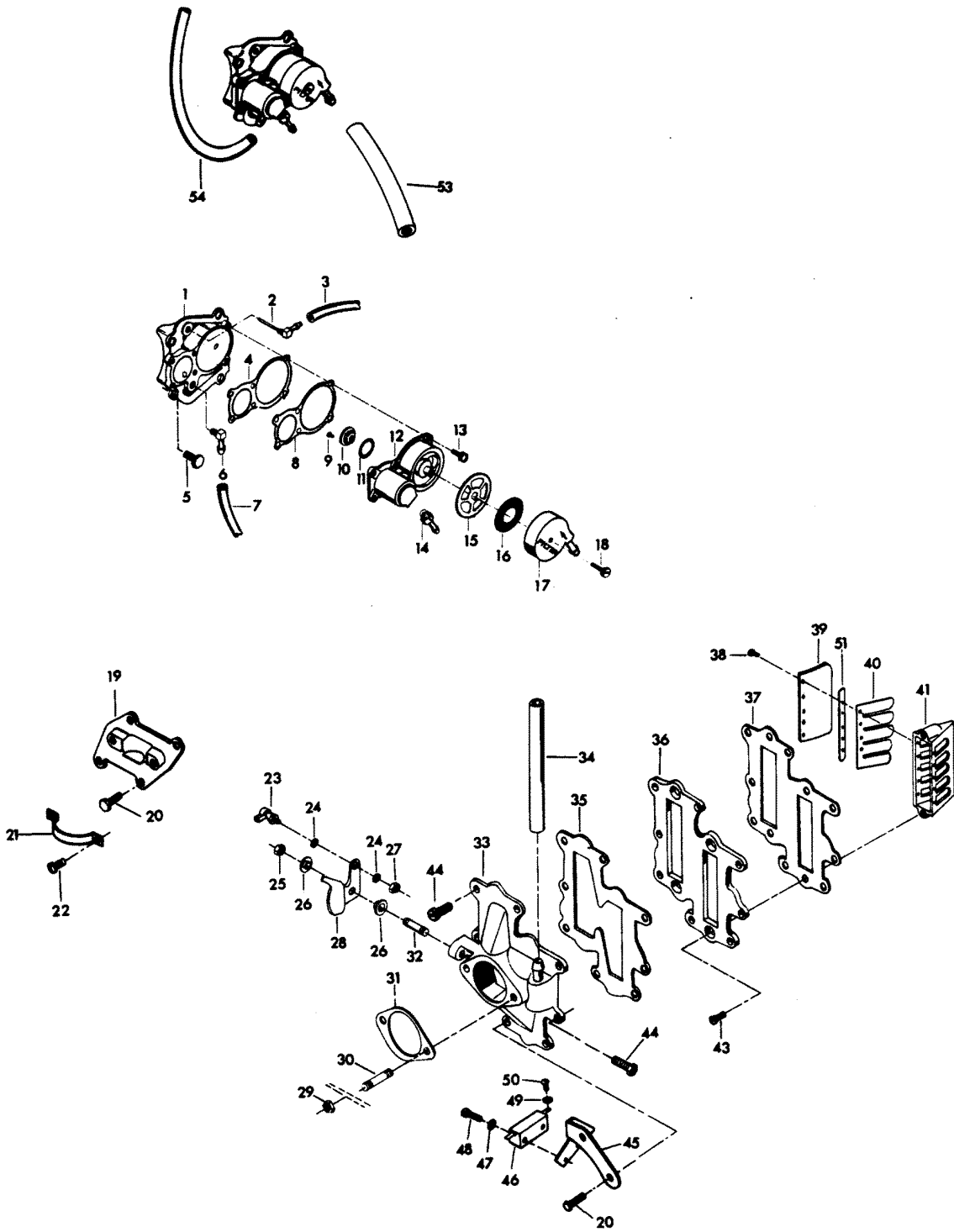


# FUEL PUMP AND REED PLATE

REF. NO.	PART NO.	SYM.	QTY.	DESCRIPTION
1	FA439746		2	FUEL PUMP COVER W/PLUG
2	F404314		1	ELBOW, FUEL PUMP COVER
3	F441754-1		1	HOSE
4	F438760		2	FUEL PUMP GASKET
5	F1540		8	HEX CAP SCREW, 1/4 - 20 X 5/8
6	F84314-2		2	ELBOW
7	F89758		1	FUEL PUMP AIR HOSE - TOP
8	F438747		2	FUEL PUMP DIAPHRAGM
9	F1860		4	RD HD SCREW, 6 - 32 X 1/4
10	F177330		6	FUEL PUMP VALVE
11	F84792		2	GASKET, CENTER FUEL PUMP VALVE
12	FA438431		2	FUEL PUMP BODY W/VALVES
13	F1108		12	FILL HD SCREW, 1/4 - 20 X 3/4
14	F438801		2	FITTING
15	F438617		2	FUEL SEDIMENT BOWL GASKET
16	F438653		2	FUEL SEDIMENT BOWL SCREEN
17	F438500		2	FUEL SEDIMENT BOWL
18	F438165		2	SCREW, FUEL PUMP BOWL
19	F372958		1	CHOKE BRACKET
20	F1532		6	HEX HD SCREW, 1/4 - 20 X 1
21	F85317-1		1	SOLENOID CLAMP
22	F1545		2	SCREW, 1/4 - 20 X 1/2
23	817747--1		1	BALL JOINT W/STUD
24	F8058		2	INTERNAL TOOTH LOCKWASHER
25	F1910		1	STOP NUT, 1/4 - 20
26	F269319		2	THROTTLE CAM BEARING
27	F1513		1	HEX NUT, 10 - 32
28	F440192-1		1	THROTTLE CAM
29	F1346		4	HEX NUT
30	F440209		4	CARBURETOR STUD
31	F440906		2	CARBURETOR GASKET
32	F433209-1		1	THROTTLE CAM STUD
33	FA440167		1	CARBURETOR ADAPTER - LOWER W/FITTING AND STUDS
-	<b>FA440157</b>		<b>1</b>	<b>CARBURETOR ADAPTER - UPPER W/FITTING AND STUDS (NOT SHOWN)</b>
34	F440254		1	BALANCE TUBE
35	F178168-1		2	GASKET, CARBURETOR ADAPTER
36	F178404-1		2	DEFLECTOR PLATE
37	F406406		2	GASKET DEFLECTOR PLATE
38	F1755		40	ROUND HD SCREW W/LOCKWASHER, 6 - 32 X 1/4
39	F85161-1		8	REED STOP
40	F530160		8	REED (5 PETAL)
41	F3A523158		4	REED PLATE W/REEDS, REED STOPS, SPACERS AND SCREW

CONTINUED ON NEXT PAGE ➡

# FUEL PUMP AND REED PLATE

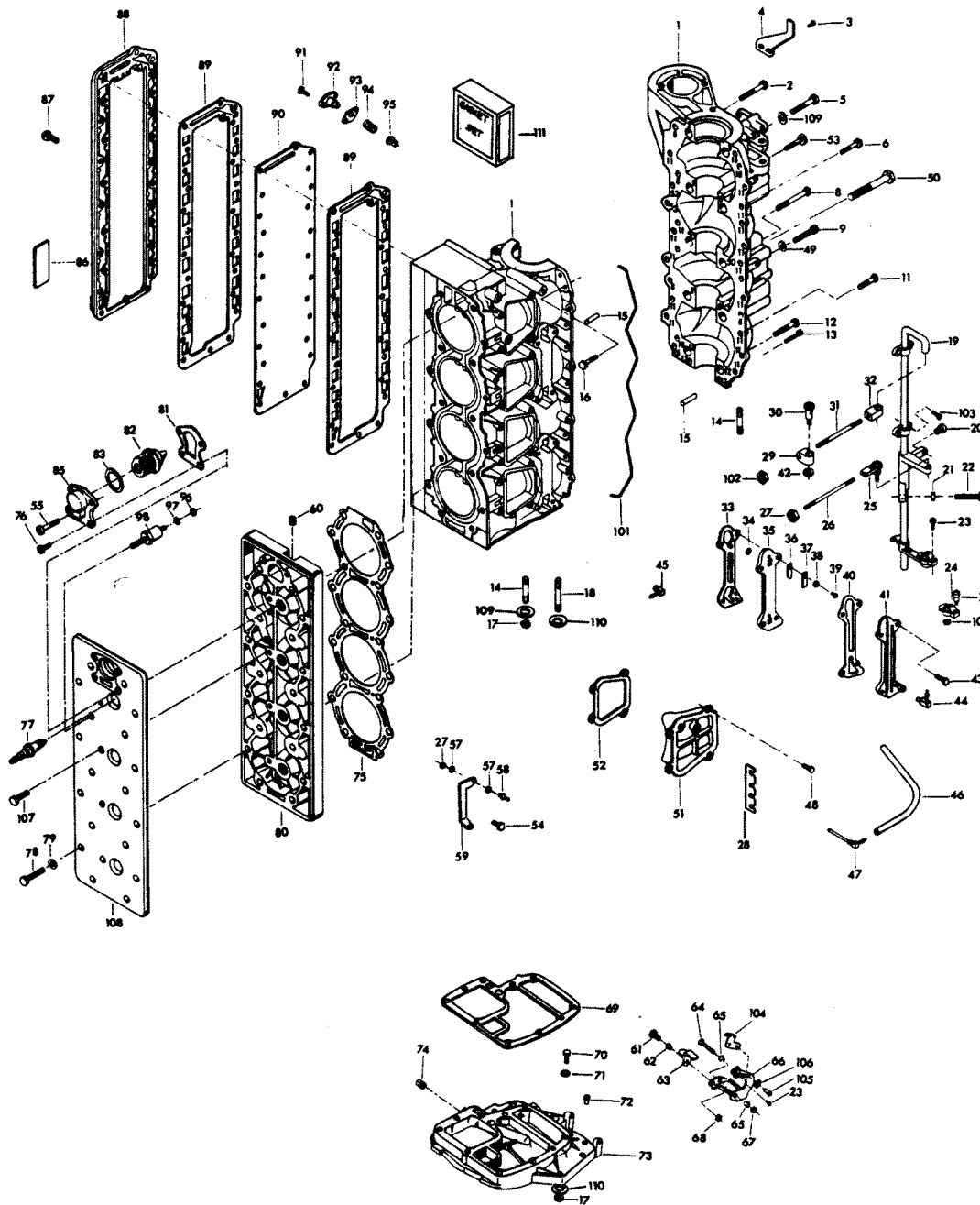




## FUEL PUMP AND REED PLATE

REF. NO.	PART NO.	SYM.	QTY.	DESCRIPTION
43	F1831		8	FLAT HD SCREW, 1/4 - 20 X 5/8
44	F1533		10	HEX HD SCREW, 1/4 - 20 X 7/8
46	F84449		1	INTERLOCK SWITCH
47	F8088		2	PLAIN WASHER
48	F2016		2	FILL HD SCREW, 6 - 32 X 7/8
49	F1704		2	INTERNAL TOOTH LOCKWASHER
50	F1645		2	RD HD SCREW, 6 - 32 X 1/4
51	F523451		8	SPACER, REED STOP
52	F97772		2	CLAMP
53	F528253		1	HOSE (LOWER FUEL PUMP TO UPPER)
54	F154758		1	HOSE (FUEL PUMP UPPER)

# POWER HEAD

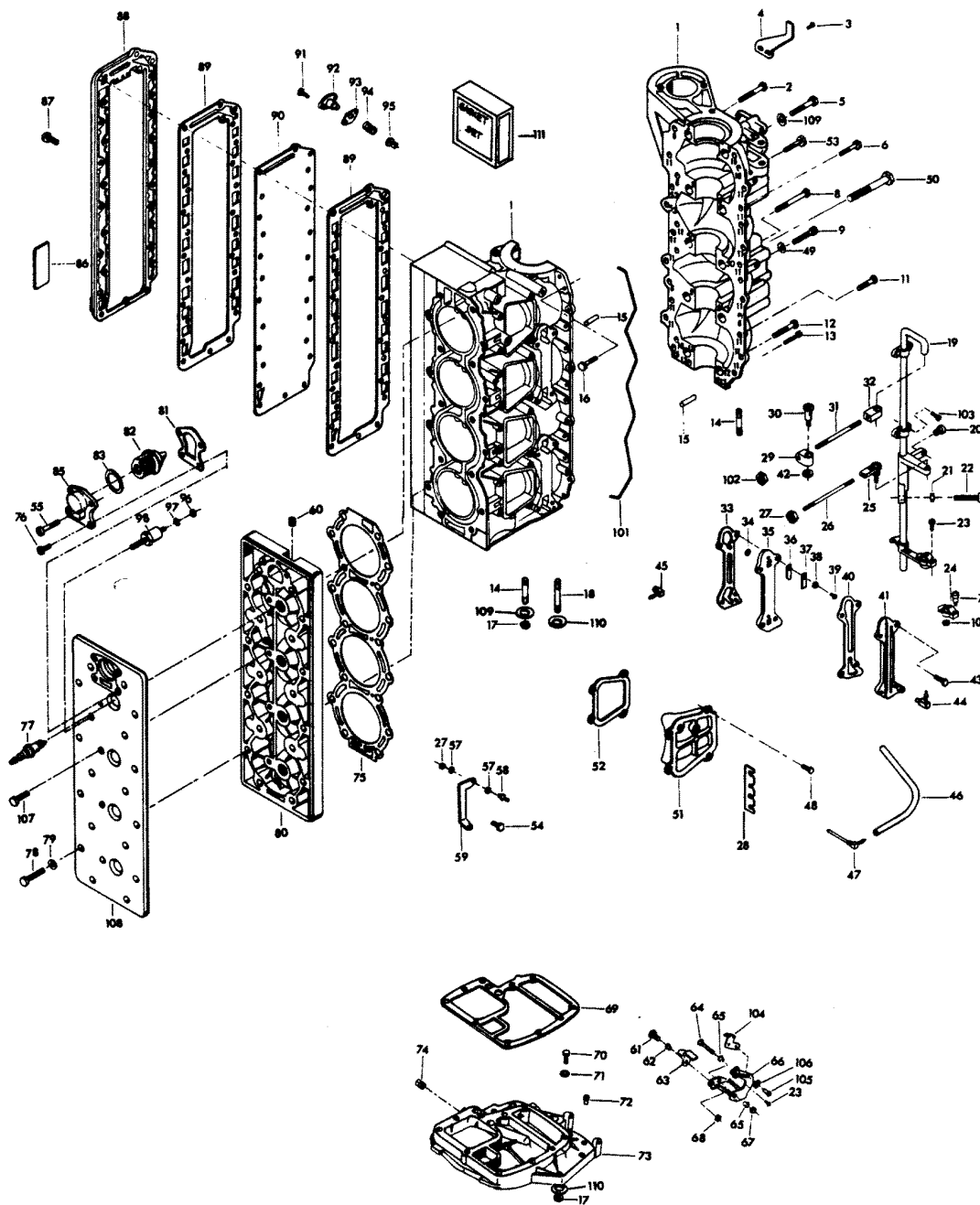


# POWER HEAD

REF. NO.	PART NO.	SYM.	QTY.	DESCRIPTION
1	A476010		1	CYLINDER W/CRNKSE COVR, PARTNG LINE SEAL, SCREWS & DOWL PNS
-	<b>C528010</b>		<b>1</b>	<b>SHORT BLOCK. CONTAINS ALL ITEMS MARKED WITH AN ASTERISK (*). ALSO REFER TO CRANKSHAFT PAGE.</b>
2	F1874		1	HEX HD SCREW, 3/8 - 16 X 3 1/8
3	F1760		2	PAN HD SCREW, 10 - 24 X 3/8
4	FA480894		1	TIMING POINTER <b>W/ILLUSTRATION 56 ON PAGE 4</b>
5	F1009		1	HEX HD SCREW, 3/8 - 16 X 2 3/4
6	F1533		3	HEX HD SCREW, 1/4 - 20 X 7/8
7	F405457		1	PIVOT SCREW
8	F1699		1	HEX HD SCREW, 1/4 - 20 X 1 1/8
9	F1253		4	HEX SOCKET HD CAP SCREW, 3/8 - 16 X 2
10	F7008		1	ELASTIC STOP NUT
11	F1535		16	HEX HD SCREW, 1/4 - 20 X 3/4
12	F1872		2	HEX CAP SCREW, 3/8 - 16 X 1 3/4
13	F1099		2	FILL HD SCREW, 1/4 - 20 X 1 1/4
14	F85859		4	STUD
15	F8563		2	DOWEL PIN
16	F1532		2	HEX HD SCREW, 1/4 - 20 X 1
17	F7004		10	STOP NUT, 3/8 - 16
18	F85211		6	STUD
19	817932A6		1	TOWERSHAFT W/SWIVEL, BEARINGS AND SCREWS
20	F1727		1	PLASTIC RIVET
21	F1341		1	HEX NUT, 1/4 - 20
22	F1052		1	FILL HD SCREW, 1/4 - 20 X 1
23	F1556		2	FILL HD SCREW W/LOCKWASHER, 10 - 24 X 3/8
24	FK405020		2	SWIVEL W/CLAMP, SHOULDER SCREW AND NUT
25	817747--1		1	BALL JOINT W/STUD
26	F85502		1	THROTTLE LINK
27	F1513		4	HEX NUT, 10 - 32
28	F523834		1	CLIP, SPARK PLUG WIRE
29	F85035		1	DISTRIBUTOR, CONTROL ROD END
30	F85026		1	SWIVEL
31	F85445		1	CONTROL ROD
32	F85036		1	TOWERSHAFT CONTROL ROD END
33	F84748-3		2	GASKET
34	F93811		4	SCREEN
35	F2A476757		2	CYLINDER DRAIN REED PLATE W/REEDS, STOPS AND SCREWS
36	F18160-2		4	CYLINDER DRAIN REED
37	F93920		4	REED STOP
38	F8003		4	PLAIN WASHER
39	F1285		4	PAN HD SCREW, 4 - 40 X 3/16
40	F84472-5		2	GASKET, CYLINDER DRAIN COVER

CONTINUED ON NEXT PAGE ➡

# POWER HEAD

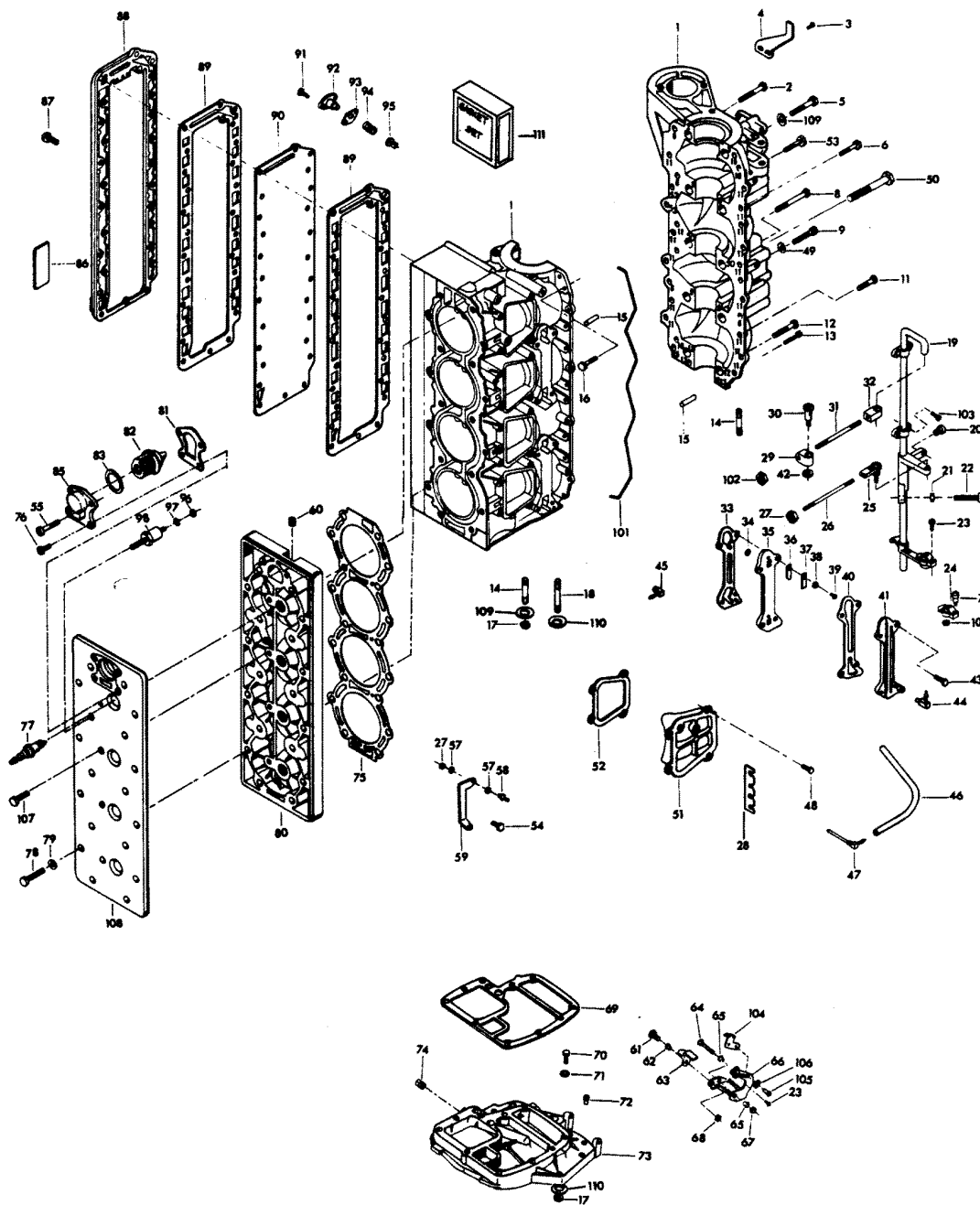


# POWER HEAD

REF. NO.	PART NO.	SYM.	QTY.	DESCRIPTION
41	F406471-1		2	CYLINDER DRAIN COVER
42	F1935		1	PLAIN WASHER
43	F1532		8	HEX HD SCREW, 1/4 - 20 X 1
44	22-818103--1		1	ELBOW, CYLINDER DRAIN LOWER
-	<b>F404801</b>		<b>1</b>	<b>ELBOW, CYLINDER DRAIN UPPER (NOT SHOWN)</b>
45	F84314-2		1	ELBOW
46	F406754-1		1	HOSE
47	F404314		1	FITTING
48	F1540		6	HEX CAP SCREW, 1/4 - 20 X 5/8
49	F8104		4	PLAIN WASHER
50	F1873		2	HEX CAP SCREW, 3/8 - 16 X 3
51	FA411222		2	TRANSFER PORT COVER W/PLUGS
52	F40223		4	GASKET, TRANSFER PORT COVER
53	F1534		2	HEX HD SCREW, 1/4 - 20 X 7/8
54	F1535		2	HEX CAP SCREW, 1/4 - 20 X 3/4
55	F1099		2	FILL HD SCREW, 1/4 - 20 X 1 1/4
57	F8058		4	INTERNAL TOOTH LOCKWASHER
58	F98273		2	ROD END CONNECTOR STUD
59	85872-1		1	BRACKET
60	F19109		1	PLUG
61	F369887		1	SHOULDER SCREW
62	F369610		1	BEARING
63	F369977-1		1	INTERLOCK ARM
64	F1885		1	HEX BOLTS, S.S., 5/16 - 18 X 4 1/4
65	F85610		2	BEARING
66	FA480876		1	GEAR SHIFT ARM W/SWIVL, BEARNGS, INTRLOCK ARM & SHOULDR SCRW
67	F2108		1	STOP NUT, 5/16 - 18
68	F1832		1	STOP NUT, 1/4 - 20
69	F85279-2		1	GASKET, CYLINDER EXHAUST UPPER
70	F1869		6	HEX CAP SCREW, 3/8 - 16 X 1 1/4
71	F1703		6	LOCKWASHER
72	F40689-1		1	BEARING
73	817788A3		1	SPACER PLATE W/PLUG
74	F2090		1	PLUG
75	F476529-1		1	CYLINDER HEAD GASKET
76	F1107		2	SLOTTED FILL HD CAP SCREW, 1/4 - 20 X 3/4
77	33-97180		4	SPARK PLUG (CHAMPION L20V) - USA
-	<b>C523227</b>		<b>4</b>	<b>SPARK PLUG (CHAMPION QL-76V) - CANADA</b>
78	F1049		18	HEX CAP SCREW, 5/16 - 18 X 2 5/8
79	F1987		18	PLAIN WASHER
80	FA528518		1	CYLINDER HEAD WILLUSTRATION 60 ON PAGE 14
81	F476067		1	GASKET

CONTINUED ON NEXT PAGE ➡

# POWER HEAD

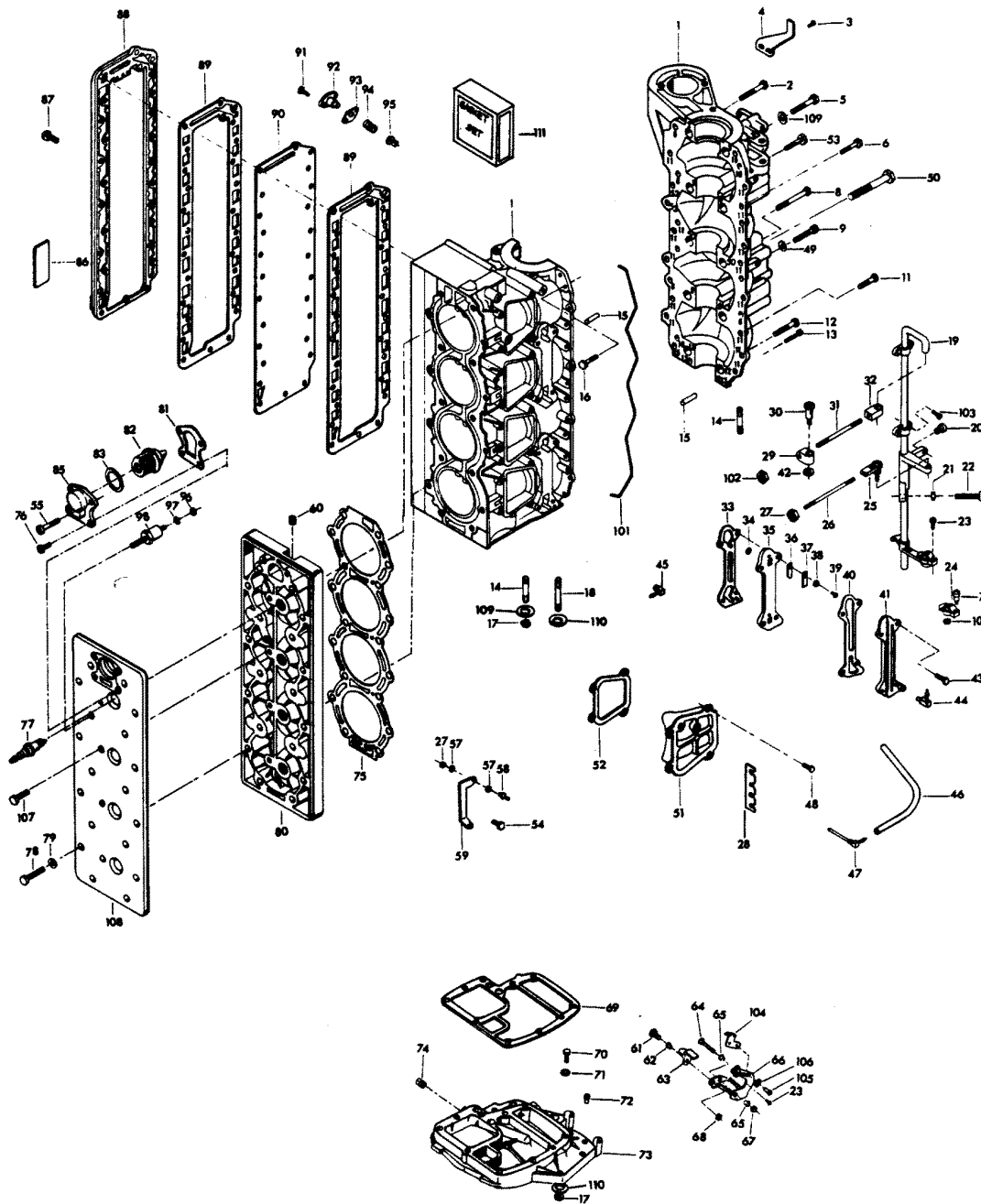


# POWER HEAD

REF. NO.	PART NO.	SYM.	QTY.	DESCRIPTION
82	F528068		1	THERMOSTAT
83	F84504		1	GROMMET (THERMOSTAT)
85	F476066-1		1	THERMOSTAT COVER
86	F438398		1	DECAL, WIRING - USA
-	<b>FC438398</b>		<b>1</b>	<b>DECAL, WIRING - CANADA</b>
87	F1916		27	HEX BOLT, 1/4 - 20 X 1 1/8
88	F372152-1		1	EXHAUST PORT COVER
89	F372154-1		2	GASKET, EXHAUST PORT PLATE
90	F372151-1		1	EXHAUST PORT PLATE
91	F1950		2	HEX CAP SCREW, 10 - 24 X 5/8
92	F438066		1	BY-PASS VALVE COVER
93	F85762		1	BY-PASS VALVE COVER GASKET
94	F404268		1	BY-PASS VALVE SPRING
95	F85916-1		1	BY-PASS VALVE
96	F1647		1	HEX NUT, 8 - 32
97	F8056		1	LOCKWASHER
98	87-817778A1		1	THERMOSWITCH <b>W/ILLUSTRATIONS 96 AND 97 ORIGINAL FORCE P/N A 335449-1</b>
99	F2000		1	HEX CAP SCREW, 5/16 - 18 X 3/4
100	F8096		1	SPRING LOCKWASHER
101	F184122-1		1	SEAL, PARTING LINE
102	F2015		1	HEX NUT, 1/4 - 28
103	F1475		4	FILL HD SCREW, 10 - 24 X 1/2
104	F480107-1		1	CAM STARTER INTERLOCK
105	F2089		2	SLOTTED PAN HD M. SCREW, 10 - 24 X 5/16
106	F2042		2	PLAIN WASHER
107	F1533		4	HEX CAP SCREW, 1/4 - 20 X 7/8
108	F528995		1	COVER, CYLINDER HEAD
109	F8095		6	PLAIN WASHER
110	F8038		4	PLAIN WASHER
111	FG1018-1		1	GASKET SET <b>(INCLUDES THE FOLLOWING)</b>
-	<b>F40223</b>		<b>4</b>	<b>TRANSFER PORT COVER GASKET</b>
-	<b>F84472-5</b>		<b>2</b>	<b>CYLINDER DRAIN COVER GASKET</b>
-	<b>F84748-3</b>		<b>2</b>	<b>CYLINDER DRAIN REED PLATE GASKET</b>
-	<b>F85279-2</b>		<b>1</b>	<b>CYLINDER EXHAUST UPPER GASKET</b>
-	<b>F85762</b>		<b>1</b>	<b>BY-PASS COVER GASKET</b>
-	<b>F85906</b>		<b>2</b>	<b>CARBURETOR GASKET</b>
-	<b>F178168-1</b>		<b>2</b>	<b>CARBURETOR ADAPTER GASKET</b>
-	<b>F184122-1</b>		<b>1</b>	<b>SEAL</b>
-	<b>F372154-1</b>		<b>2</b>	<b>EXHAUST PORT PLATE GASKET</b>
-	<b>F406406</b>		<b>2</b>	<b>DEFLECTOR PLATE GASKET</b>
-	<b>F440906</b>		<b>2</b>	<b>CARBURETOR GASKET</b>
-	<b>F476067</b>		<b>1</b>	<b>THERMOSTAT COVER GASKET</b>

CONTINUED ON NEXT PAGE ➡

# POWER HEAD

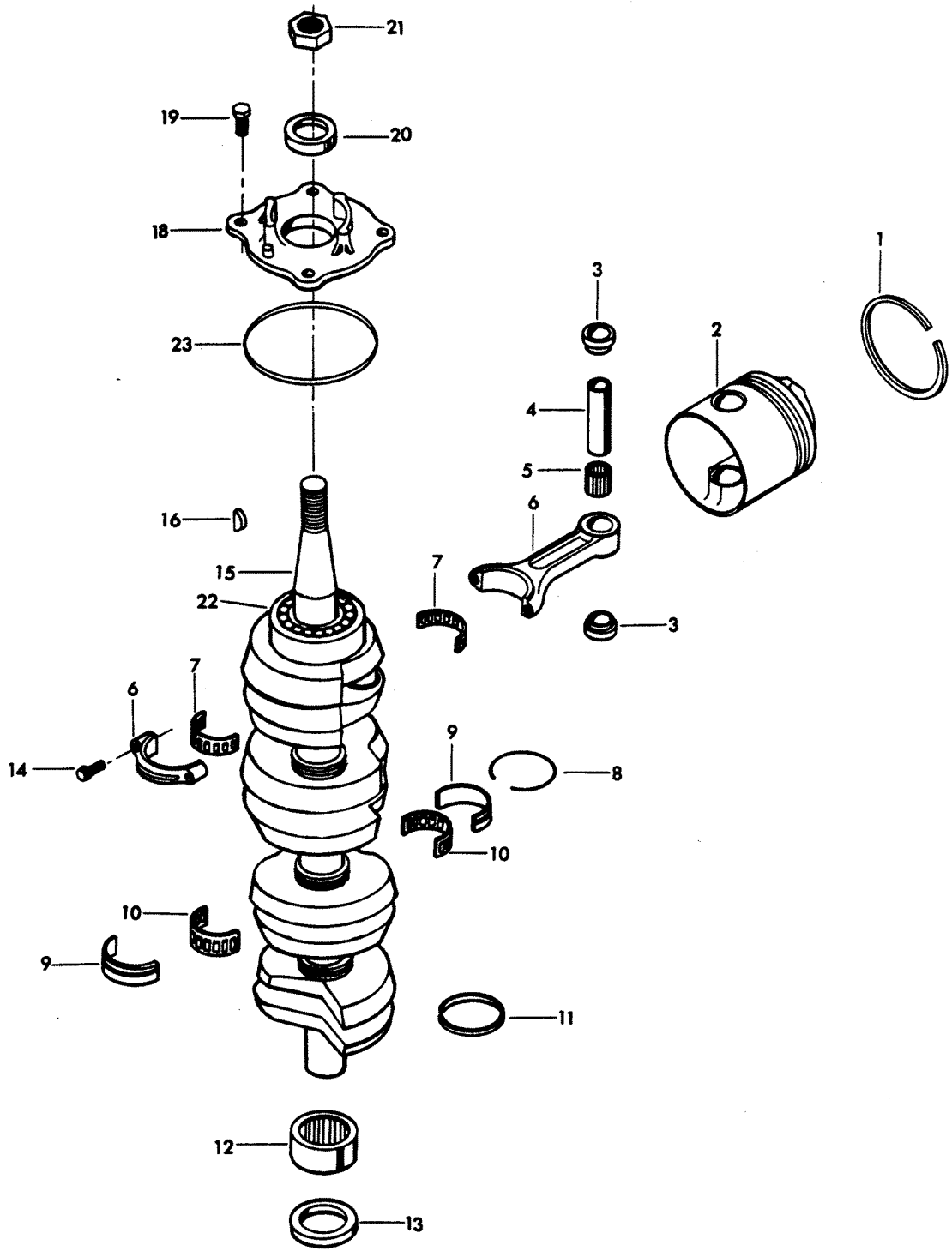




# POWER HEAD

REF. NO.	PART NO.	SYM.	QTY.	DESCRIPTION
-	F476529-1		1	CYLINDER HEAD GASKET

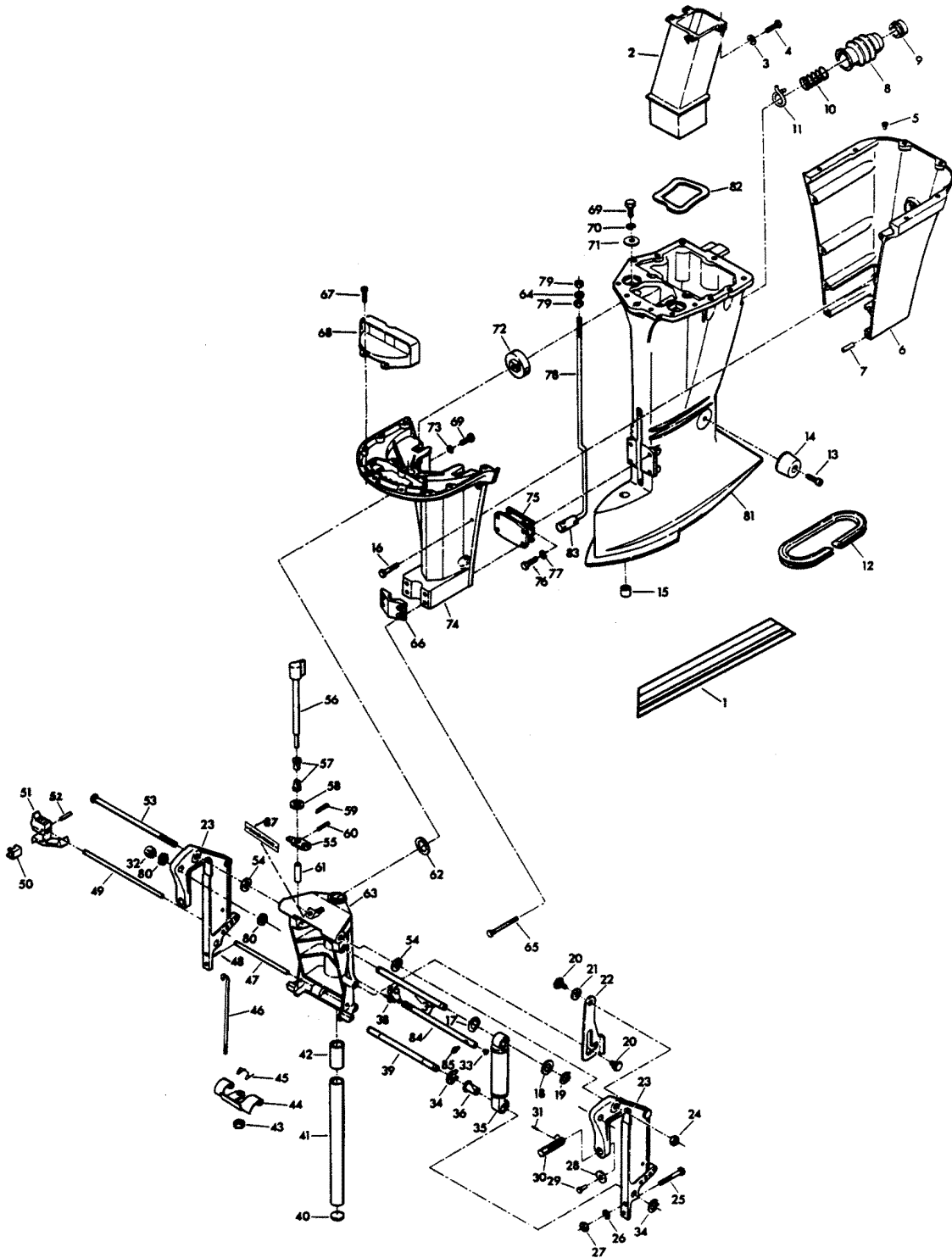
# CRANKSHAFT AND PISTON GROUP



## CRANKSHAFT AND PISTON GROUP

REF. NO.	PART NO.	SYM.	QTY.	DESCRIPTION
1	39-817820A1		2	PISTON RING SET FOR 2 PISTONS - STANDARD
-	<b>FSA474260</b>		<b>2</b>	<b>PISTON RING SET FOR 2 PISTONS .010 OVERSIZE</b>
-	<b>39-818122A1</b>		<b>2</b>	<b>PISTON RING SET FOR 2 PISTONS .030 OVERSIZE</b>
2	F475015-6		4	PISTON - STANDARD
-	<b>SA475015</b>		<b>4</b>	<b>PISTON .010 OVERSIZE</b>
-	<b>3SA47501</b>		<b>4</b>	<b>PISTON .030 OVERSIZE</b>
3	F335215		8	SPACER, PISTON PIN (2 PER PISTON)
4	F85017		4	PISTON PIN
5	F335217-1		4	BEARING, PISTON PIN (26 PER SET)
6	600-818052A4		4	CONNECTING ROD W/CAP AND SCREWS
7	FK85228-1		4	BEARING CAGE W/ROLLER
8	F85410		3	SNAP RING
9	FA85655-1		3	CRANKSHAFT MAIN BEARING RACE W/SNAP RING
10	F85571		3	BEARING CAGE W/ROLLER
11	F316579		3	SEAL, CRANKCASE
12	FA523014		1	CRANKSHAFT LOWER MAIN BEARING <b>W/ITEM 13</b>
13	F523146		1	SEAL, CRANKSHAFT LOWER
14	F85634-2		8	CONNECTING ROD SCREW
15	FA528018		1	CRANKSHAFT W/BEARING
16	F85498		1	FLYWHEEL KEY
18	31-817785A2		1	CRANKSHAFT BEARING CAGE W/SEAL
19	F1867		4	HEX CAP SCREW, 3/8 - 16 X 1
20	F84146-2		1	SEAL
21	F1968		1	FLYWHEEL NUT
22	F284659-2		1	BEARING, CRANKSHAFT UPPER MAIN
23	F84278		1	SEAL
-	<b>F2067</b>		<b>1</b>	<b>PLASTISOL CAP (NOT SHOWN) FOR EXPOSED THREADS OF CRANKSHAFT</b>

# MOTOR LEG

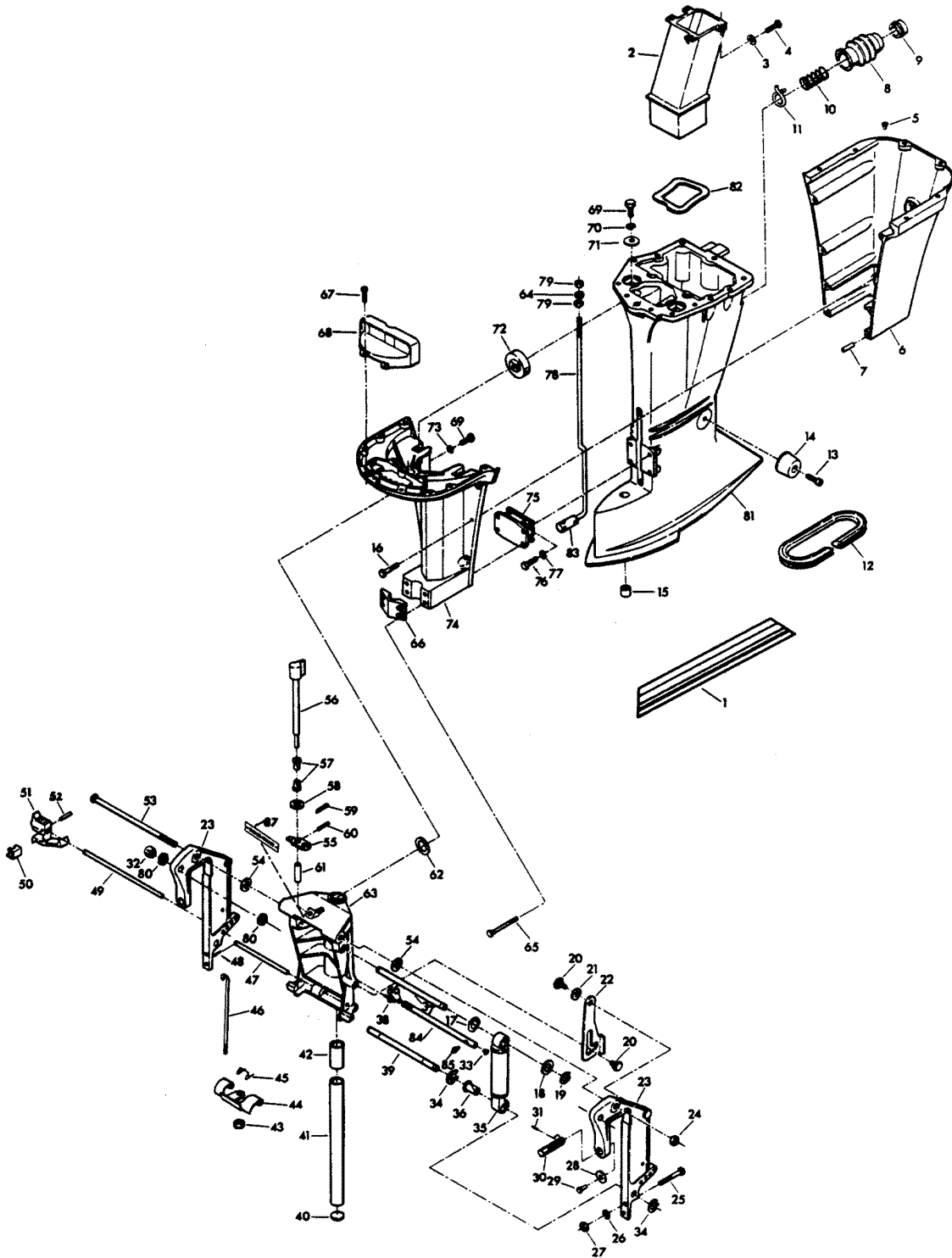


# MOTOR LEG

REF. NO.	PART NO.	SYM.	QTY.	DESCRIPTION
1	A578392		1	DECAL, LEG PORT W/LITERATURE
-	<b>A578391</b>		<b>1</b>	<b>DECAL, LEG STARBOARD W/LITERATURE</b>
2	F85660-1		1	EXHAUST TUBE
3	F8083		4	SPRING LOCKWASHER
4	F1536		4	HEX SLOT HD SCREW, 1/4 - 20 X 3/4
5	F1729		2	PLUG
6	817931A7		1	MOTOR LEG COVER REAR W/ILLUSTRATIONS 5 AND 12 <b>ORIGINAL FORCE P/N A 178145-3</b>
7	F1664		2	SPRING PIN
8	F85130		1	BOOT IDLE EXHAUST
9	F85258		1	INSERT
10	F85380		1	SPRING
11	F85772		1	CLAMP
12	F178323		1	SEAL, MOTOR LEG
13	F1263		2	HEX SOCKET HD CAP SCREW, 5/16 - 18 X 9/16
14	F438962		2	SHOCK MOUNT LOWER REAR
15	F338618-1		1	SEAL GEAR SHIFT ROD
16	F2030		6	HEX HD M. SCREW, 1/4 - 20 X 1 1/4
17	F1711		2	SPRING BOWED WASHER
18	F1710		2	PLAIN WASHER
19	F178208		2	RETAINING RING
20	F85350-1		2	TILT STOP PIVOT
21	F1666		1	SPRING BOWED WASHER
22	F85541-1		1	TILT LOCK
23	1400-817958A6		2	STERN BRACKET
24	F7012		1	STOP NUT
25	F1593		2	HEX HD SCREW, 3/8 - 16 X 3
26	F1904		2	PLAIN WASHER
27	F1346		2	HEX NUT
28	F84074		2	CLAMP SCREW FOOT
29	F353480		2	STUD
30	F474073-1		2	CLAMP SCREW
31	F8538		2	SPRING PIN
32	F9018		1	CAP
33	F9052		1	PLUG
34	F178173		4	RETAINING RING
35	FA178962		2	SHOCK ABSORBER W/BUSHING
36	F178362		2	BEARING
37	F178889		1	SHAFT, SHOCK MOUNT UPPER
38	F213274		3	GREASE FITTING
39	F178632		1	SHAFT, SHOCK MOUNT LOWER
40	F1528		1	WELCH PLUG
41	FA85019		1	KINGPIN W/PLUG

CONTINUED ON NEXT PAGE ➡

# MOTOR LEG

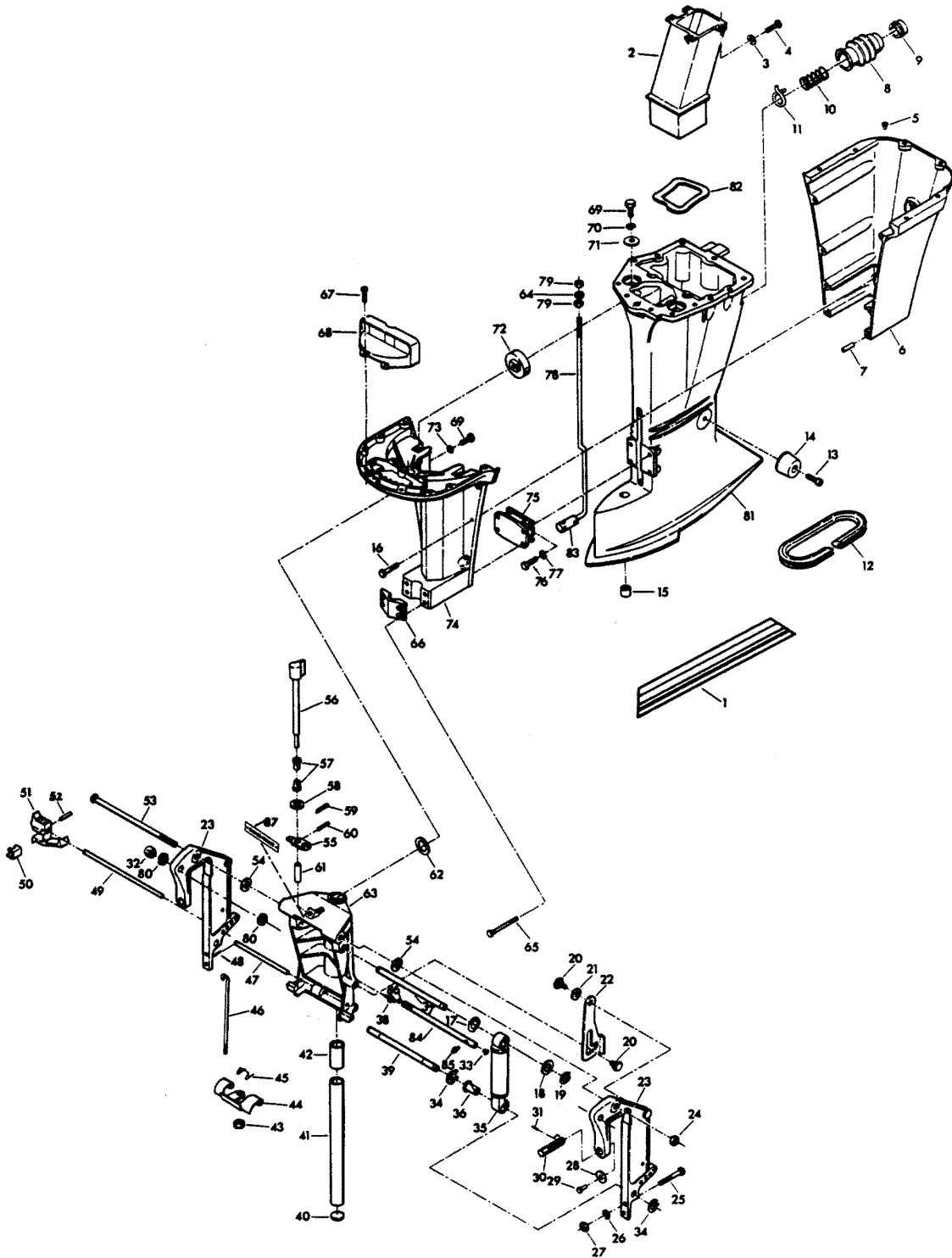


# MOTOR LEG

REF. NO.	PART NO.	SYM.	QTY.	DESCRIPTION
42	F438169		2	BEARING
43	F1669		1	LOCK NUT
44	F369349		1	REVERSE LOCK
45	F85300		1	REVERSE LOCK SPRING
46	F369510		1	LINK REVERSE LOCK
47	F177350		1	REVERSE LOCK PIN
48	F1744		1	SPRING PIN
49	FA438113		1	STERN BRACKET LOCK BAR W/HANDLE
50	F286461		1	SPRING, LOCK BAR HANDLE
51	F433114		1	HANDLE, LOCK BAR
52	F1744		1	SPRING PIN
53	F85037-1		1	STERN BRACKET PIVOT BOLT
54	F84286-1		4	FRICTION WASHER
55	F369364		1	REVERSE LOCK ARM
56	F369827		1	HANDLE AND SHAFT
57	F197813		2	BEARING
58	F8094		1	PLAIN WASHER
59	F1014		1	COTTER PIN
60	F1836		1	SPRING PIN
61	F483884		1	BEARING
62	F84011		1	WASHER
63	817783A5		1	SWIVEL BRACKET W/BEARINGS AND GREASE FITTINGS
64	F1987		1	PLAIN WASHER
65	F1696		4	HEX BOLT, 5/16 - 18 X 1 3/4
66	F85606		1	KINGPIN CAP
67	F1912		4	HEX HD SCREW, 10 - 24 X 1/2
68	F85779-1		1	BAFFLE, AIR INTAKE
69	F1871		4	HEX HD SCREW, 3/8 - 16 X 3/4
70	F8039		2	PLAIN WASHER
71	FA85355-1		2	WASHER <b>W/ILLUSTRATION 70</b>
72	F85965		2	SHOCK MOUNT UPPER
73	F1703		2	SPRING LOCKWASHER
74	A3		1	LEG COVER, FRONT <b>W/ILLUSTRATION 16 ON PAGE 20</b>
75	F438346		1	SHOCK MOUNT LOWER
76	F1822		4	HEX BOLT, 5/16 - 18 X 7/8
77	F8096		4	SPRING LOCKWASHER
78	F85615		1	GEAR SHIFT ROD UPPER
79	F2108		2	LOCK NUT
80	F523280		1	NUT, STEERING SUPPORT TUBE
81	F523133-2		1	MOTOR LEG
82	F439736		1	SEAL, EXHAUST TUBE
83	F85704		1	COUPLER, GEAR SHIFT ROD
84	F511125-2		1	TUBE, STEERING SUPPORT

CONTINUED ON NEXT PAGE ➡

# MOTOR LEG





# MOTOR LEG

REF. NO.	PART NO.	SYM.	QTY.	DESCRIPTION
85	F523274		1	GREASE FITTING
86	F316599		1	SEAL, STEERING SUPPORT TUBE
87	F474390-1		1	DECAL, REVERSE LOCK - USA
-	<b>37-819450</b>		<b>1</b>	<b>DECAL, REVERSE LOCK - CANADA</b>
88	F523930		-	RETAINER STUD
89	F523273		-	STUD STEERING BALL
90	F1280		-	PAN HD SCREW
91	F8080		-	HELICAL SPRING LOCKWASHER
92	F523300-1		-	SPRING STEERING LINK
93	F2093		-	STOP NUT, 5/8 - 24
94	F8038		-	PLAIN WASHER
95	FOB2603		-	INSTALLATION INSTRUCTIONS (5H094 STEERING LINK KIT)

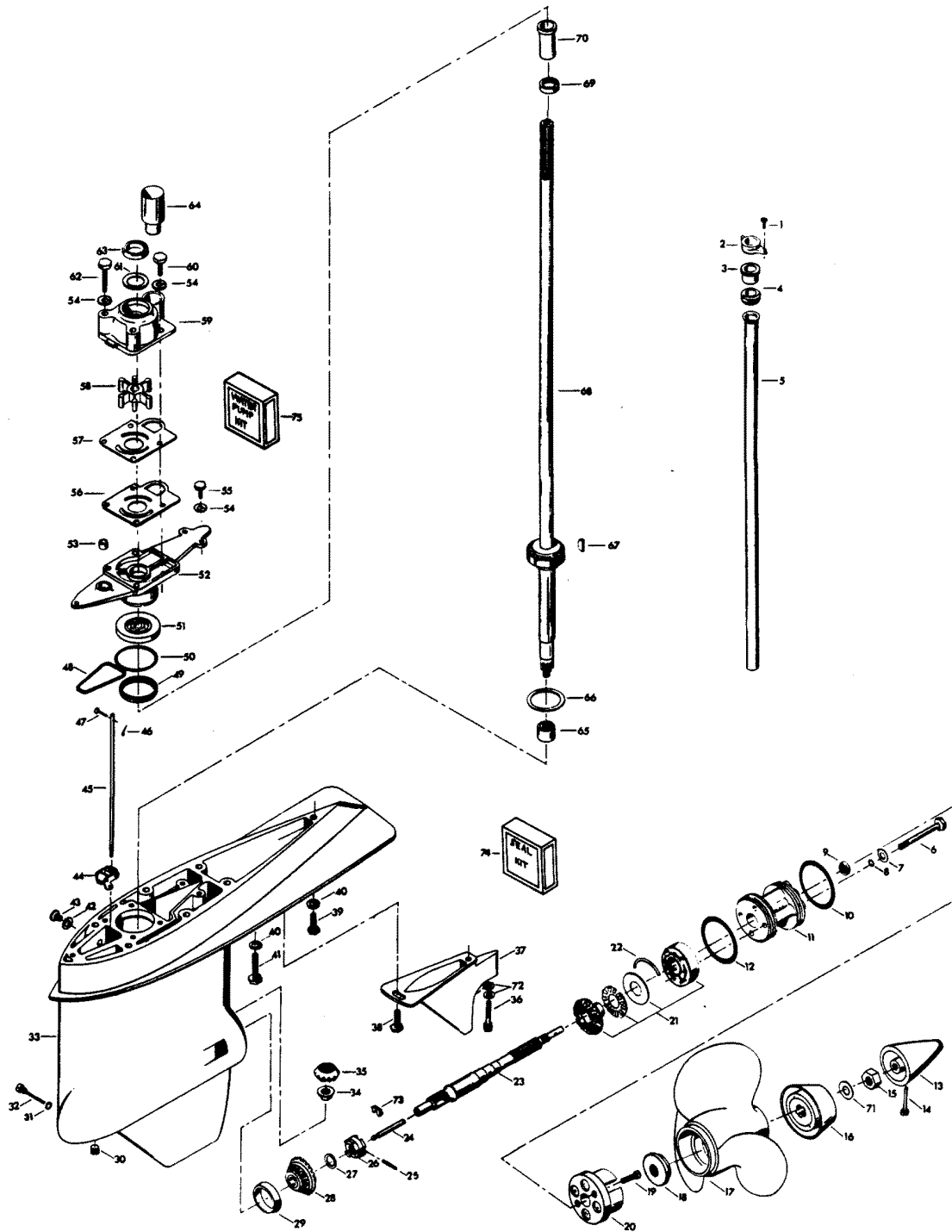


# GEAR HOUSING

REF. NO.	PART NO.	SYM.	QTY.	DESCRIPTION
1	F1536		2	HEX CAP SCREW, 1/4 - 20 X 3/4
2	F85117		1	BRACKET, WATER LINE
3	F84342		1	SEAL, INLET WATER LINE, UPPER
4	F523899		1	GROMMET, WATER LINE
5	F523244		1	INLET WATER LINE
6	F1885		4	HEX CAP SCREW, 5/16 - 18 X 4 1/4
7	F1907		4	PLAIN WASHER
8	F50342-1		4	SEAL, "O" RING
9	F506118		1	SEAL, PROPELLER SHAFT
10	F24278		1	SEAL, "O" RING PROPELLER SHAFT SPOOL
11	F2A523239		1	SPOOL, PROPELLER SHAFT BEARING W/SEALS
12	F84305		1	SEAL, "O" RING PROPELLER SHAFT SPOOL
13	F523094-2		1	PROPELLER NUT
14	F498891		1	PIN PROPELLER NUT RETAINING
15	F1788		1	STOP NUT
16	F523299-1		1	WASHER
17	FPS526		1	PROPELLER (ACCESSORY ITEM)
18	F523099-1		1	SPACER, PROPELLER
19	F1577		2	FILL HD SCREW, 1/4- 20 X 3/4
20	FA523845		1	ANTI-CORROSION ANODE
21	F2A523662		1	BEVEL GEAR REAR W/BEARING CAGE SPACER AND BEARING
22	F523411		2	RETAINING RING, BEARING CAGE
23	FA523098		1	PROPELLER SHAFT
24	F84871-1		1	PIN, GEAR SHIFT
25	F1713		1	SPRING PIN
26	F84521-1		1	CLUTCH
27	F1936		A/R	SPACER, BEVEL GEAR FRONT .059
-	<b>F1937</b>		<b>A/R</b>	<b>SPACER, BEVEL GEAR FRONT .062</b>
-	<b>F1938</b>		<b>A/R</b>	<b>SPACER, BEVEL GEAR FRONT .065</b>
-	<b>F1939</b>		<b>A/R</b>	<b>SPACER, BEVEL GEAR FRONT .068</b>
-	<b>F1940</b>		<b>A/R</b>	<b>SPACER, BEVEL GEAR FRONT .071</b>
-	<b>F1941</b>		<b>A/R</b>	<b>SPACER, BEVEL GEAR FRONT .074</b>
-	<b>F1942</b>		<b>A/R</b>	<b>SPACER, BEVEL GEAR FRONT .077</b>
-	<b>F2113</b>		<b>A/R</b>	<b>SPACER, BEVEL GEAR FRONT .080</b>
-	<b>F2114</b>		<b>A/R</b>	<b>SPACER, BEVEL GEAR FRONT .083</b>
-	<b>F2115</b>		<b>A/R</b>	<b>SPACER, BEVEL GEAR FRONT .086</b>
-	<b>F2116</b>		<b>A/R</b>	<b>SPACER, BEVEL GEAR FRONT .089</b>
-	<b>F2121</b>		<b>A/R</b>	<b>SPACER, BEVEL GEAR FRONT .057</b>
-	<b>F2122</b>		<b>A/R</b>	<b>SPACER, BEVEL GEAR FRONT .054</b>
28	F2A523023		1	BEVEL GEAR FRONT W/BEARING
29	F523813		1	BEARING CUP
30	F19109		1	PLUG

CONTINUED ON NEXT PAGE ➡

# GEAR HOUSING

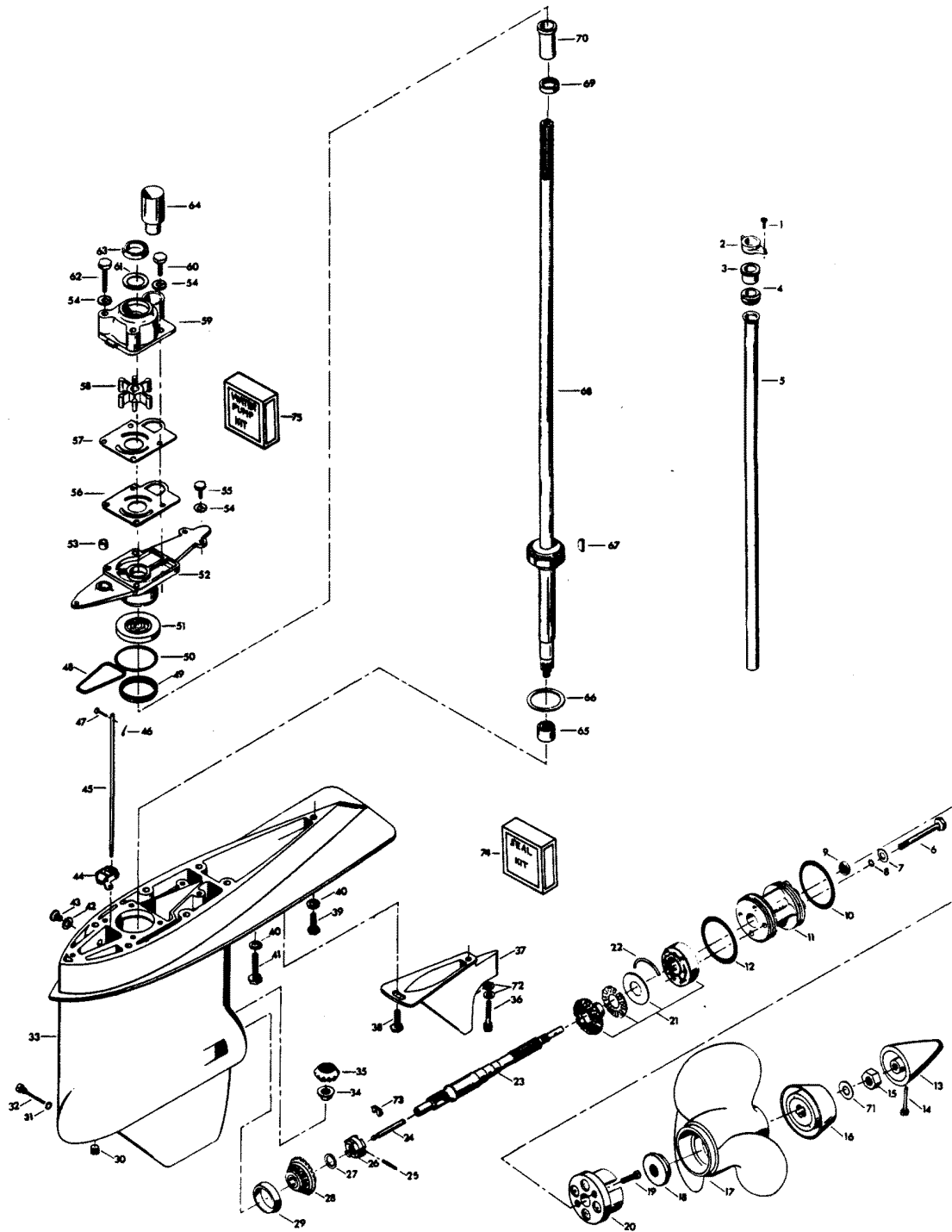


# GEAR HOUSING

REF. NO.	PART NO.	SYM.	QTY.	DESCRIPTION
31	F498618		1	"O" RING SEAL
32	F498891		1	PIN, GEAR SHIFT ARM
33	FA523054		1	GEAR HOUSING W/BEARING CUP, DRIVESHAFT BEARING LOWER, PLUGS AND WASHERS
-	<b>FC555054</b>		<b>1</b>	<b>GEAR HOUSING COMPLETE INCLUDES ALL ITEMS MARKED WITH AN ASTERISK (*).</b>
34	F523188		1	NUT, BEVEL PINION
35	FA523266		1	BEVEL PINION GEAR W/CRUSH RING AND SHIMS
36	F1994		1	HEX SOCKET HD CAP SCREW, 5/16 - 18 X 1
37	F523116		1	EXHAUST SNOUT
38	F438930		1	RETAINER, SNOUT
39	F1858		1	HEX CAP SCREW, 5/16 - 18 X 1
40	F8096		7	SPRING LOCKWASHER
41	F1491		6	HEX HD SCREW, 5/16 - 18 X 3/4
42	F8077		2	WASHER, GEAR HOUSING PLUG
43	F50109		2	PLUG, GEAR HOUSING
44	FA84621-1		1	COUPLING, GEAR SHIFT ARM W/BUSHING
45	F523705		1	GEAR SHIFT ROD LOWER
46	F1015		1	COTTER PIN
47	F85372		1	PIN, GEAR SHIFT ROD LOWER
48	F523555		1	SEAL, "O" RING, GEAR HOUSING COVER
49	F523961		1	CRUSH RING
50	F74305		1	SEAL, DRIVESHAFT BEARING CAGE
51	F84307-1		1	SEAL, DRIVESHAFT
52	F2A550706		1	GEAR HOUSING COVER W/SEALS
53	F338618-1		1	SEAL, GEAR SHIFT ROD
54	F8083		7	SPRING LOCKWASHER
55	F1999		3	HEX CAP SCREW, 1/4 - 20 X 7/8
56	F523031		1	GASKET, WATER PUMP
57	F523562		1	PLATE, WATER PUMP
58	F523065		1	IMPELLER, WATER PUMP
59	46-817853A1		1	WATER PUMP BODY W/DRIVESHAFT SEAL, DISC AND WATERLINE SEAL
60	F1990		2	HEX CAP SCREW, 1/4 - 20 X 1 5/8
61	F480388		1	DISC, WATER PUMP LOCATING
62	F1425		2	HEX CAP SCREW, 1/4 - 20 X 1 5/8
63	F351307		1	SEAL, DRIVESHAFT - WATER PUMP
64	FA523735		1	SEAL, INLET WATER LINE, LOWER <b>W/LITERATURE</b>
65	F523057		1	BEARING, DRIVESHAFT LOWER
66	F9106		A/R	SHIM, DRIVESHAFT BEARING, UPPER .003 BRASS
-	<b>F9095</b>		<b>A/R</b>	<b>SHIM, DRIVESHAFT BEARING, UPPER .005 SILVER</b>
-	<b>F9097</b>		<b>A/R</b>	<b>SHIM, DRIVESHAFT BEARING, UPPER .010 BLACK</b>
67	F523498		1	DRIVE KEY, WATER PUMP
68	FK550128		1	DRIVESHAFT W/BEARING, SHIMS AND CRUSH RING

CONTINUED ON NEXT PAGE ➡

# GEAR HOUSING

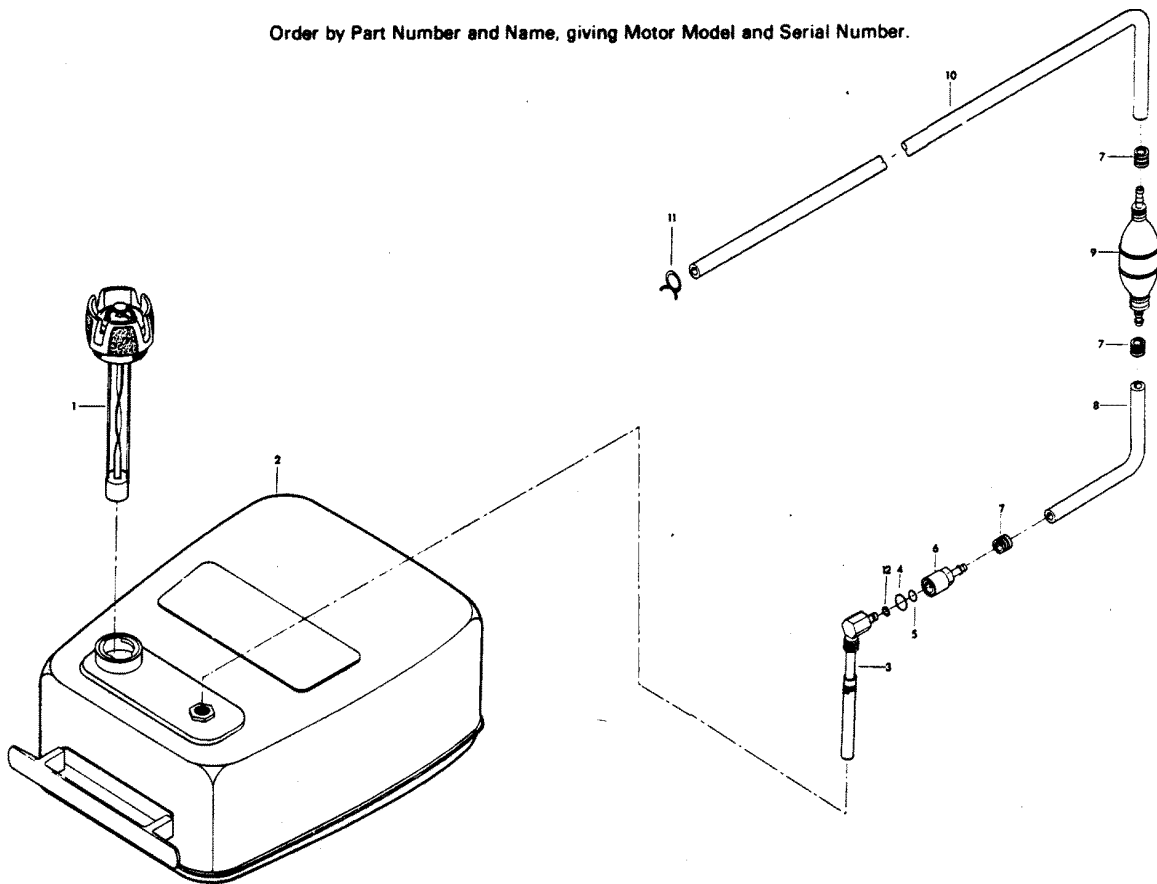


# GEAR HOUSING

REF. NO.	PART NO.	SYM.	QTY.	DESCRIPTION
69	F438271		1	RETAINER, CRANKSHAFT SPLINE SEAL
70	F438129		1	SEAL, DRIVESHAFT SPLINE
71	F1866		1	PLAIN WASHER
72	F1856		2	PLAIN WASHER
73	F90619-1		1	YOKE
74	FK1063		1	SEAL KIT (INCLUDES ITEMS LISTED BELOW)
-	<b>F50342-1</b>		<b>4</b>	<b>BEARING CAGE BOLT SEAL</b>
-	<b>F506118</b>		<b>1</b>	<b>PROPELLER SHAFT SEAL</b>
-	<b>F24278</b>		<b>1</b>	<b>PROPELLER SHAFT SPOOL SEAL</b>
-	<b>F84305</b>		<b>1</b>	<b>PROPELLER SHAFT SPOOL SEAL</b>
-	<b>F498618</b>		<b>1</b>	<b>GEAR SHIFT ARM PIN SEAL</b>
-	<b>F8077</b>		<b>2</b>	<b>WASHER</b>
-	<b>F523555</b>		<b>1</b>	<b>GEAR HOUSING COVER SEAL</b>
-	<b>F74305</b>		<b>1</b>	<b>GEAR HOUSING COVER SEAL</b>
-	<b>F84307-1</b>		<b>1</b>	<b>DRIVESHAFT SEAL</b>
-	<b>F338618-1</b>		<b>1</b>	<b>GEAR SHIFT ROD SEAL</b>
75	FK1069		1	WATER PUMP KIT (INCLUDES ITEMS LISTED BELOW)
-	<b>F1425</b>		<b>2</b>	<b>HEX CAP SCREW, 1/4 - 20 X 5/8</b>
-	<b>F1990</b>		<b>2</b>	<b>HEX CAP SCREW, 1/4 - 20 X 1 5/8</b>
-	<b>F8083</b>		<b>4</b>	<b>SPRING LOCKWASHER</b>
-	<b>F523031</b>		<b>1</b>	<b>GASKET, WATER PUMP</b>
-	<b>F523065</b>		<b>1</b>	<b>IMPELLER</b>
-	<b>F523498</b>		<b>1</b>	<b>KEY</b>
-	<b>F523562</b>		<b>1</b>	<b>PLATE, WATER PUMP</b>
-	<b>46-817853A1</b>		<b>1</b>	<b>WATER PUMP</b>

# FUEL TANK AND LINE

Order by Part Number and Name, giving Motor Model and Serial Number.

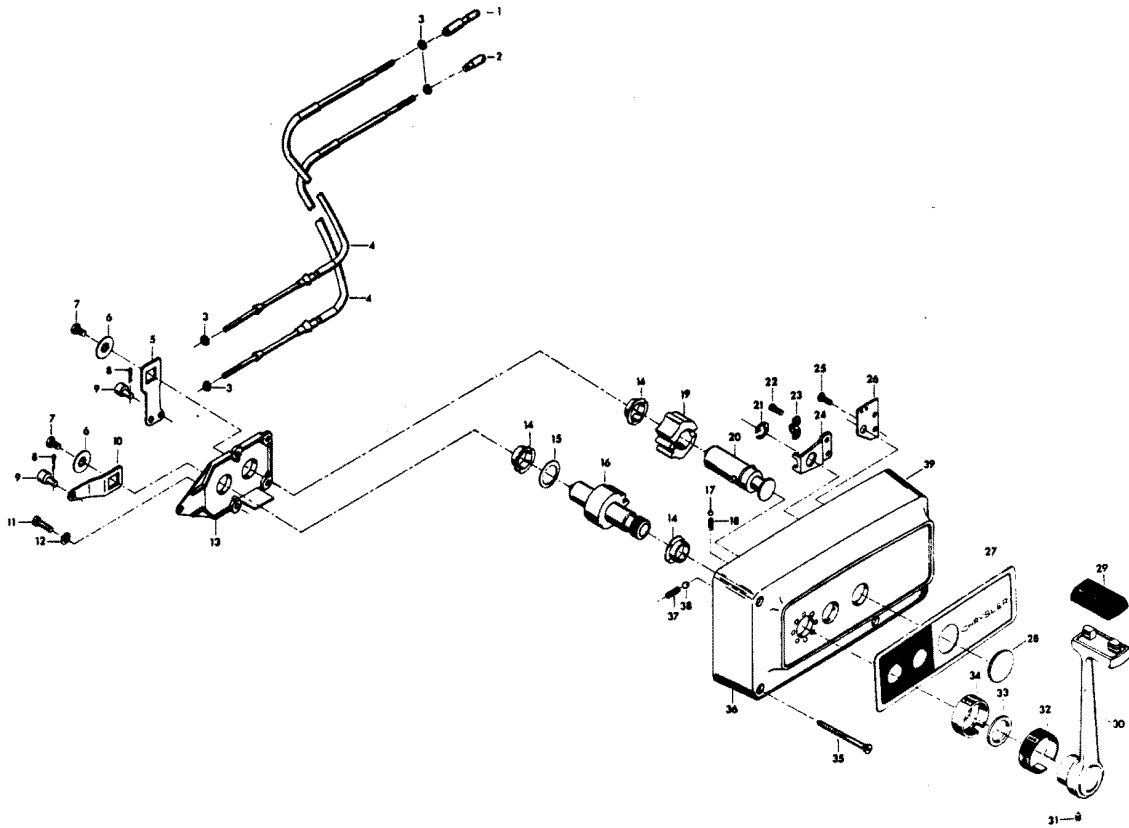




## FUEL TANK AND LINE

REF. NO.	PART NO.	SYM.	QTY.	DESCRIPTION
1	F409251-1		1	GAUGE CAP
2	F5H026		1	FUEL TANK (ACCESSORY ITEM)
3	F485755-1		1	FUEL TANK ADAPTER
4	F213342		1	SEAL, FUEL LINE COUPLER (LARGE)
5	F213735		1	SEAL, FUEL LINE COUPLER (SMALL)
6	F197787-3		1	FUEL LINE COUPLER
7	F298788		3	FERRULE
8	FA84754-1		1	FUEL LINE SHORT W/FERRULES
9	89396A38		1	PRIME BULB
10	32-817738A1		1	FUEL LINE LONG W/CLAMP AND FERRULE
11	F97772		1	FUEL LINE CLAMP
12	F17932		1	SEAL, FUEL LINE COUPLER
-	<b>FS409752</b>		<b>1</b>	<b>FUEL LINE, COMPLETE</b>
-	<b>FC409398</b>		<b>1</b>	<b>DECAL, TOTE TANK - CANADA (NOT SHOWN)</b>

# REMOTE CONTROL

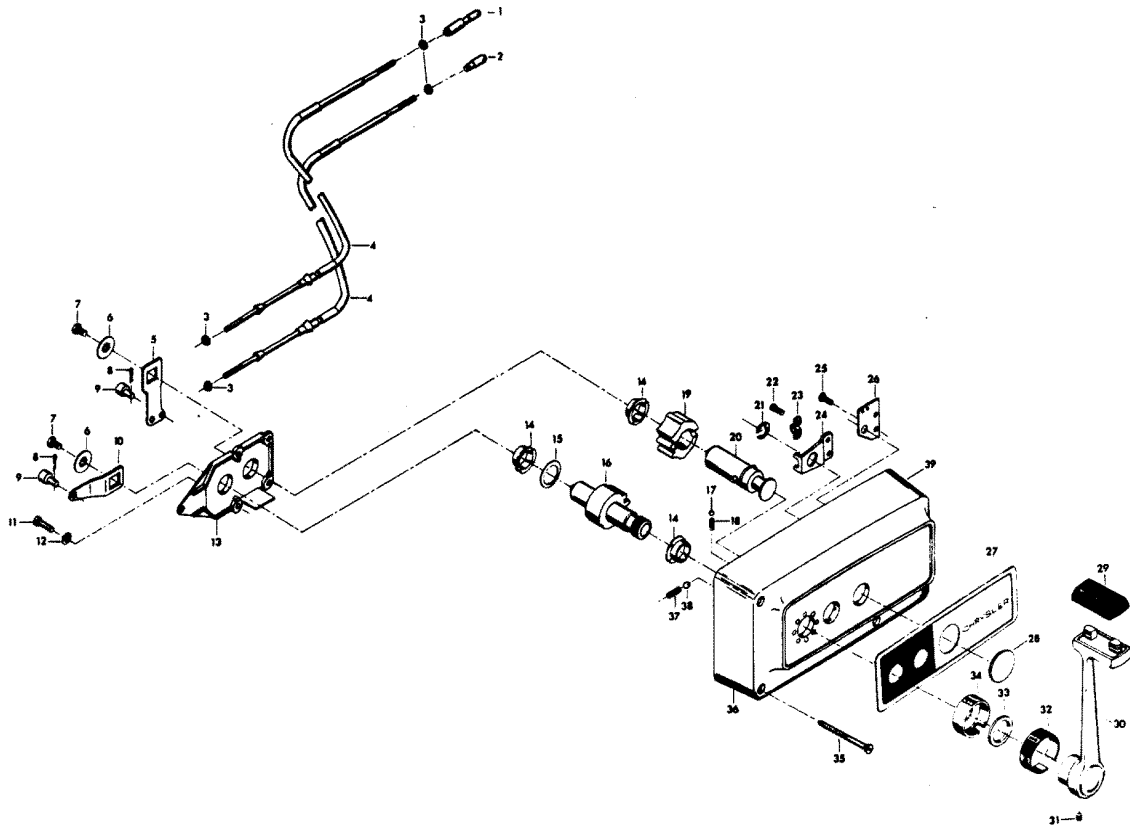


# REMOTE CONTROL

REF. NO.	PART NO.	SYM.	QTY.	DESCRIPTION
1	FA58976-1		1	CONNECTOR, THROTTLE CABLE
2	F58685-2		1	CONNECTOR, SHIFT CABLE
3	F1513		4	HEX NUT
4	ÄF58356//		2	REMOTE CONTROL CABLE (SPECIFY LENGTH)
5	F17019		1	CLUTCH ARM
6	F17036		2	INTERNAL TOOTH LOCKWASHER
7	F1715		2	HEX BOLT, 1/4 - 28 X 9/16
8	F17149		2	COTTER PIN
9	F17016		2	CABLE TERMINAL
10	F17014		1	THROTTLE ARM
11	F17013		2	FILL HD SCREW, 1/4 - 20 X 1/2
12	F17147		2	INTERNAL TOOTH LOCKWASHER
13	F17012		1	RETAINING PLATE
14	F17009		3	BEARING
15	F17011		1	BOWED WASHER
16	F17010-1		1	THROTTLE GEAR
17	F17111		1	DETENT BALL
18	F17006		1	DETENT SPRING
19	F17021		1	CLUTCH GEAR
20	F17100		1	CLUTCH SHAFT
21	F17092		1	SNAP RING
22	F17071		2	FILL HD SCREW, 10 - 24 X 5/16
23	F154317		1	CABLE CLAMP
24	F17026		1	SWIVEL
25	F1557		2	FLAT HD SCREW, 10 - 24 X 3/8
26	F17112		1	JUNCTION BOARD, STARBOARD
-	<b>F17113</b>		<b>1</b>	<b>JUNCTION BOARD, PORT</b>
27	F17148		1	DECAL, STARBOARD
-	<b>F531892</b>		<b>1</b>	<b>DECAL, PORT</b>
28	F17031-1		1	SNAP CAP
29	F17116		1	KNOB
30	F17115-1		1	HANDLE
31	F17030-1		1	SET SCREW
32	FK17114-1		1	INDICATOR
33	F17105		1	FELT WASHER
34	F17106		1	COLLAR
35	F17146		3	WOOD SCREW
36	F17099-1		1	HOUSING

CONTINUED ON NEXT PAGE ➡

# REMOTE CONTROL



# REMOTE CONTROL

REF. NO.	PART NO.	SYM.	QTY.	DESCRIPTION
37	F17068		1	DETENT SPRING
38	F17082-1		1	DETENT BALL
-	F1280		2	PAN HD SCREW, 8 - 32 X 1/4 (TERMINAL BOARD) (NOT SHOWN)
-	OB3061		1	LITERATURE (NOT SHOWN) INSTALLATION ILLUSTRATIONS
-	F17103-1		1	BAG ASSEMBLY (NOT SHOWN). INCLUDES ALL ITEMS MARKED WITH AN ASTERISK (*).

## SPECIAL TOOLS - TUNE-UP

REF. NO.	PART NO.	SYM.	QTY.	DESCRIPTION
-	FT8948-1		0	PULLER TO REMOVE FLYWHEEL.
-	FTA2937-1		0	TIMING TOOL TO ADJUST TIMING POINTER.
-	FT8978		0	POWER TIMING LIGHT FOR ADJUSTMENT OF ENGINE TIMING.
-	FT2951		0	CIRCUIT TRACER TO TROUBLESHOOT ELECTRICAL SYSTEM.

## SPECIAL TOOLS - POWER HEAD

REF. NO.	PART NO.	SYM.	QTY.	DESCRIPTION
-	FT8914		0	SEAL REMOVER TO REMOVE UPPER CRANKSHAFT BEARING CAGE SEAL.
-	FT8927		0	SEAL PROTECTOR TO INSTALL UPPER CRANKSHAFT BEARING CAGE.
-	FT8907		0	DRIVE HANDLE USED WITH T8903.
-	FT8925		0	SEAL INSTALLER TO INSTALL LOWER CRANKSHAFT SEAL.
-	FT2953		0	SOCKET TO TORQUE CONNECTING ROD SCREWS.
-	FT2990		0	PISTON PIN TOOL TO REMOVE AND INSTALL PISTON PINS.
-	FTA8994		0	PISTON PIN TOOL USE WITH T2990.
-	FT2996		0	RING COMPRESSOR TO INSTALL PISTON IN CYLINDER.
-	FT8926		0	RING EXPANDER TO INSTALL PISTON RINGS.
-	FT8903		0	SEAL INSTALLER TO INSTALL UPPER CRANKSHAFT BEARING CAGE SEAL.
-	FT1082		0	SNAP RING PLIER TO REMOVE AND INSTALL DISTRIBUTOR RETAINING RING.
-	FT8933		0	LIFTING HOOK TO LIFT ENGINE.

## SPECIAL TOOLS - GEAR HOUSING

REF. NO.	PART NO.	SYM.	QTY.	DESCRIPTION
-	FT8948-1		0	PULLER TO REMOVE SPOOL FROM GEAR HOUSING.
-	FT8985		0	SEAL INSTALLER TO INSTALL PROPELLER SHAFT SEAL IN PROPELLER SHAFT BEARING POOL.
-	FT8925		0	SEAL INSTALLER TO INSTALL DRIVESHAFT SEAL IN GEAR HOUSING COVER.
-	FT8907		0	DRIVER HANDLE TO INSTALL BEARING CUPS AND SEALS.
-	FT8901		0	INDICATOR HOLDER USED IN CONJUNCTION WITH T8997.
-	FT8902		0	DIAL INDICATOR USED IN CONJUNCTION WITH T8997.
-	FT8919		0	SPRING PIN PUNCH TO REMOVE CLUTCH SPRING PIN.
-	FT8957		0	SEAL INSTALLER TO INSTALL SHIFT ROD SEAL.
-	FT8997		0	SHIMMING TOOL TO SHIM LOWER UNIT.
-	FT8918		0	BEARING GUIDE SET TO REMOVE FORWARD BEARING CUP IN GEAR HOUSING.
-	FT11209		0	BEARING GUIDE SET USE WITH T8918.
-	FT11207		0	BEARING CUP REMOVER TO REMOVE FORWARD BEARING CUP IN GEAR HOUSING.
-	FT11204		0	BEARING CUP INSTALLER TO INSTALL FORWARD BEARING CUP IN GEAR HOUSING.
-	FT3012		0	SEAL INSTALLER TO INSTALL WATER PUMP SEAL.
-	FT11205		0	BEARING INSTALLER/REMOVER TO INSTALL AND REMOVE LOWER DRIVESHAFT BEARING IN GEAR HOUSING.
-	FT7848		0	TORQUING ADAPTER HOLD DRIVESHAFT WHILE INSTALLING OR REMOVING PINION NUT.



## SPECIAL TOOLS - TEST EQUIPMENT

REF. NO.	PART NO.	SYM.	QTY.	DESCRIPTION
-	FT8950		0	LEAKAGE TESTER TO TEST LOWER UNIT SEALS FOR LEAKAGE.
-	FTK8999		0	TEST WHEEL TO TEST MOTOR IN TEST TANK. ORIGINAL FORCE P/N TA 8999
-	FT8953		0	IGNITION TESTER TO TEST OUTPUT OF C-D UNIT.

## SPECIAL TOOLS - LUBRICANTS AND SEALANTS

REF. NO.	PART NO.	SYM.	QTY.	DESCRIPTION
-	FT2961		0	LUBRICANT - RYKON #2EP
-	FT2987-1		0	LUBRICANT - ANTI-SEIZE
-	FT8969		0	LUBRICANT - 7 OZ. 2 PSI LUBRICANT
-	FT8955		0	SEALANT - 5 OZ. EC-750 INDUSTRIAL SEALANT
-	FT8993		0	SEALANT - 3 OZ. RTV SEALANT FROM IN PLACE GASKETS
-	FT8936		0	SEALANT - 2 CC LOCTITE RETAINING COMPOUND #75
-	FT2962-1		0	SEALANT - 50 CC LOCTITE H, NON-HARDENING GRADE
-	FT2963-1		0	SEALANT - 2 OZ. LOCTITE D, HARDENING GRADE
-	FT8935		0	SEALANT PRIMER - 6 OZ.

## SPECIAL TOOLS - REPAIR DECALS - ENGINE COVERS

REF. NO.	PART NO.	SYM.	QTY.	DESCRIPTION
-	T11236		0	METALIC SILVER REPAIR DECALS ON ENGINE COVERS
-	T11233		0	MEDIUM METALIC SILVER REPAIR DECALS ON ENGINE COVERS
-	T11212		0	BOAT BLACK REPAIR DECALS ON ENGINE COVERS
-	T11211		0	BOAT WHITE REPAIR DECALS ON ENGINE COVERS
-	T11230		0	ORANGE REPAIR DECALS ON ENGINE COVERS

# ACCESSORIES

REF. NO.	PART NO.	SYM.	QTY.	DESCRIPTION
-	F5H014		0	FLUSHING ADAPTER PERMITS FRESH WATER FLUSHING OF WATER PASSAGES WITH STANDARD GARDEN HOSE.
-	F5H130		0	REMOTE CONTROL BOX (SINGLE LEVER) (SURFACE MOUNT) PERMITS REMOTE CONTROL OF THROTTLE AND GEAR SHIFT FROM STARBOARD SIDE OF BOAT.
-	F5H120		0	REMOTE CONTROL BACK PLATE PROTECTS CONTROL MECHANISM FROM PADDED BOAT SURFACES.
-	F5H131		0	PORT SIDE DECAL KIT CONVERTS 5H130 CONTROL BOX TO PORT SIDE MOUNTING.
-	F590		0	REMOTE CONTROL HEAD (SINGLE LEVER) FLUSH MOUNT CONTROL UNIT PERMITS REMOTE CONTROL OF THROTTLE AND GEAR SHIFT. MAY BE MOUNTED ON PORT OR STARBOARD SIDE OF BOAT.
-	865		0	TWIN REMOTE CONTROL BOX PERMITS REMOTE CONTROL OF THROTTLE, AND GEAR SHIFT ON TWIN ENGINE INSTALLATIONS. MAY BE MOUNTED ON PORT OR STARBOARD SIDE OF BOAT.
-	F5H079		0	REMOTE CONTROL BOX FOR MOUNTING ON CONSOLE OF BOAT.
-	F5H080		0	TWIN REMOTE CONTROL BOX FOR MOUNTING ON CONSOLE OF BOAT.
-	F195/___		0	REMOTE CONTROL CABLES CONNECTS REMOTE CONTROL BOX TO THROTTLE AND GEAR SHIFT ON ENGINE. AVAILABLE IN 6 THROUGH 40 FOOT LENGTHS.
-	F5H108		0	STEERING CONNECTOR CLEVIS TYPE FOR BOAT MOUNTED STEERING AND NON THREADED CABLE END.
-	F5H018		0	DUAL ENGINE TIE BAR PERMITS DUAL ENGINE INSTALLATIONS.
-	F5H094		0	STEERING LINK CONNECTS ENGINE TO REMOTE STEERING CABLE.
-	F5H026		0	STEEL, 6 GALLON FUEL TANK (LOW PROFILE) AUXILIARY TANK.
-	F5H029		0	TANK ANCHOR SECURES 5H026 TO BOAT.
-	F5H040		0	STEEL, 12 GALLON FUEL TANK AUXILIARY TANK.
-	F5H019		0	ANTI-CORROSION KIT ELECTRICAL KIT FOR MOUNTING ON BOAT (12V) TO REDUCE CORROSION.
-	F5H025		0	ANTI-CORROSION SACRIFICIAL ANODE KIT USED TO REDUCE CORROSION.
-	F5H043		0	OVERHEAT BUZZER SOUNDS WARNING BUZZER IF ENGINE OVERHEATS.
-	479		0	OVERHEAT LAMP WARNS OF ENGINE OVERHEATING. DO NOT USE GAUGE AND LAMP IN SAME INSTALLATION.
-	F5H010		0	POWER TRIM INDICATOR INDICATES ENGINE TRIM ANGLE. (FLUSH MOUNT).
-	F5H134		0	BOAT WHITE LACQUER ENGINE TOUCH-UP PAINT IN 12-3/4 OZ. SPRAY BOMBS (6 CANS PER CASE).
-	F5H081		0	BATTERY CABLE LONGER LENGTH - 15 FEET.
-	71H06		0	AMMETER - FLUSH MOUNT INDICATES ALTERNATOR OUTPUT.

CONTINUED ON NEXT PAGE ➡

# ACCESSORIES

REF. NO.	PART NO.	SYM.	QTY.	DESCRIPTION
-	F5H006		0	VOLTMETER - FLUSH MOUNT INDICATES BATTERY CONDITION.
-	71H25		0	CHARGE INDICATOR LAMP INDICATES ALTERNATOR OUTPUT.
-	F5H007		0	HOURMETER - FLUSH MOUNT RECORDS ENGINE RUNNING TIME.
-	5H111		0	INSTRUMENT ADAPTER - 2" PROVIDES SURFACE MOUNTING OF INSTRUMENTS.
-	F5H112		0	INSTRUMENT ADAPTER - 3-1/2" PROVIDES SURFACE MOUNTING OF INSTRUMENTS.
-	F5H119		0	PROPELLER SPACER - FLARED REDUCES PROPELLER VENTILATION ON SOME BOAT APPLICATIONS.
-	F5H069		0	RFI SUPPRESSION KIT PROVIDES RADIO NOISE SUPPRESSION.
-	5H048		0	CANVAS HOOD PROTECTION FOR ENGINE COVER.
-	5H051		0	BATTERY, 74 AMP. 12 VOLT HEAVY DUTY BATTERY.
-	F5H041		0	BATTERY TERMINAL KIT ADAPTS MODEL 5H051 BATTERY TERMINALS FOR CONNECTIONS TO CABLE ON ENGINE.
-	F5H021		0	EXTENSION CABLE FOR LENGTHENING BATTERY CABLE 6-1/2 FEET.
-	F5H037		0	CIGAR LIGHTER FOR USE AS CONVENIENCE OUTLET.
-	168		0	CONTROL PANEL FOR MOUNTING LAMPS, SWITCHES, ETC.
-	F5H008		0	FUEL GAUGE FLUSH MOUNT MONITORS FUEL SUPPLY.
-	F5H076		0	SWITCH EXTENSION CABLE 5 FOOT LONG SWITCH WIRING HARNESS.
-	F5H077		0	IGNITION KEY SWITCH SHORT BARREL WITH KEYS.
-	F5H078		0	IGNITION KEY SWITCH LONG BARREL WITH KEYS.
-	478		0	IGNITION LAMP INDICATES WHEN IGNITION SWITCH IS "ON".
-	F762		0	REMOTE ELECTRIC CABLE 25 FOOT CABLE FOR LARGE BOATS.
-	5H082		0	REMOTE ELECTRIC CABLE 35 FOOT CABLE FOR LARGE BOATS.
-	F5H070		0	REMOTE ELECTRIC CABLE 21 FOOT CABLE FOR LARGE BOATS.
-	F5H028		0	SENDING UNIT FOR USE WITH FUEL GAUGE.
-	F5H005		0	TEMPERATURE GAUGE - FLUSH MOUNT MONITORS ENGINE TEMPERATURE. DO NOT USE TEMPERATURE GAUGE AND HEAT LAMP IN SAME INSTALLATION.
-	F5H012		0	TACHOMETER FLUSH MOUNT MONITORS ENGINE R.P.M. TO PROVIDE CHECK OF ENGINE PERFORMANCE.
-	F5H128		0	POWER TRIM ADJUSTS ENGINE TRIM AND TILTS ENGINE.
-	F5H004		0	SPEEDOMETER FLUSH MOUNT MONITORS BOAT SPEED (0-50 M.P.H.)
-	F5H002		0	SPEEDOMETER - FLUSH MOUNT MONITORS BOAT SPEED (0-65 M.P.H.)
-	F5H076		0	SWITCH EXTENSION CABLE 5 FOOT LONG SWITCH WIRING HARNESS.

CONTINUED ON NEXT PAGE ➡

# ACCESSORIES

REF. NO.	PART NO.	SYM.	QTY.	DESCRIPTION
-	F5H003		0	SPEEDOMETER FLUSH MOUNT MONITORS BOAT SPEED (TO 100 KM/H).
-	F5H030		0	SWITCH KIT - RUNNING LIGHTS DASH MOUNTED TOGGLE SWITCH
-	F5H031		0	SWITCH KIT - SPOT LIGHT DASH MOUNTED TOGGLE SWITCH
-	F5H032		0	SWITCH KIT - WIPER DASH MOUNTED TOGGLE SWITCH
-	F5H034		0	SWITCH KIT - BILGE PUMP DASH MOUNTED TOGGLE SWITCH
-	F5H035		0	SWITCH KIT - HORN DASH MOUNTED TOGGLE SWITCH
-	F5H039		0	SWITCH KIT - INSTRUMENT LIGHTS DASH MOUNTED TOGGLE SWITCH
-	F5H036		0	SWITCH KIT - TACHOMETER TRANSFER FOR ONE TACHOMETER ON DUAL ENGINE INSTALLATION.
-	F5H038		0	SWITCH KIT - IGNITION SWITCH TO MOUNT IGNITION SWITCH IN DASH.
-	F563		0	TERMINAL BLOCK KIT DOUBLE ROW 10 SECTION, TO SIMPLIFY ACCESSORY INSTALLATION.
-	479		0	UNIMOUNT UNDER DASH MOUNT FOR INDICATOR LIGHTS AND IGNITION SWITCH.
-	F5H075		0	WIRING HARNESS - IGNITION SWITCH - 24" USE WITH 563 TERMINAL BLOCK.
-			0	CHRYSLER OUTBOARD OIL SEE BLOCK COMMENT 1.
-			0	CHRYSLER OUTBOARD GEAR LUBE SEE BLOCK COMMENT 2.
-			0	CHRYSLER OUTBOARD FUEL AID REMOVES MOISTURE, PREVENTS SLUDGE AND VARNISH AND STABILIZES GAS. AVAILABLE IN 16 OZ. CANS AND 12 CAN CASES.
-			0	CHRYSLER OUTBOARD STORAGE LUBRICANT WORKS AS A CORROSION INHIBITOR AND PROTECTS INTERNAL ENGINE PARTS DURING STORAGE. AVAILABLE IN 16 OZ. CANS AND 12 CAN CASES.
-			0	CHRYSLER OUTBOARD MULTI-PURPOSE SPRAY LUBE WORKS AS A LUBRICANT, CLEANER, MOISTURE REMOVER AND ELECTRIC INSULATOR. AVAILABLE IN 9 OZ. CANS AND 12 CAN CASES.
-			0	CHRYSLER OUTBOARD MULTI-PURPOSE GREASE LUBRICATES BEARINGS AND OTHER MOVING PARTS. AVAILABLE IN 8 OZ. TUBES AND 12 TUBE CASES.
-			0	CHRYSLER OUTBOARD GREASE GUN USED WITH CHRYSLER OUTBOARD MULTI-PURPOSE GREASE TUBES FOR PRESSURE FITTINGS.
-			0	CHRYSLER OUTBOARD MULTI-PURPOSE CLEANER

# PARTS INDEX

Part Number	Description	Pg.	Ref. No.	Part Number	Description	Pg.	Ref. No.
ÄF58356//	REMOTE CONTROL CABLE (SPECIFY LENGTH) . . . . .	49	4	F1064	FILL HD SCREW, 8 - 32 X 3/8	17	3
168	CONTROL PANEL . . . . .	59	-	F1087	FILL HD SCREW, 10 - 24 X 13/16 . . . . .	7	2
3C593944	COVER, ENGINE - COMPLETE . . . . .	3	-	F1099	FILL HD SCREW, 1/4 - 20 X 1 1/4 . . . . .	25	13
3SA47501	PISTON .030 OVERSIZE . . . . .	33	-	F1099	FILL HD SCREW, 1/4 - 20 X 1 1/4 . . . . .	27	55
478	IGNITION LAMP . . . . .	59	-	F1107	SLOTTED FILL HD CAP SCREW, 1/4 - 20 X 3/4 . . . . .	27	76
479	OVERHEAT LAMP . . . . .	58	-	F1108	FILL HD SCREW, 1/4 - 20 X 3/4 . . . . .	21	13
479	UNIMOUNT . . . . .	60	-	F1253	HEX SOCKET HD CAP SCREW, 3/8 - 16 X 2 . . . . .	25	9
480373	DECAL, MAGNAPOWER IGNITION (NOT SHOWN) . . . . .	9	55	F1263	HEX SOCKET HD CAP SCREW, 5/16 - 18 X 9/16 . . . . .	35	13
481373-1	DECAL, "ELECTRIC" (NOT SHOWN) . . . . .	15	-	F1280	PAN HD SCREW . . . . .	39	90
5H048	CANVAS HOOD . . . . .	59	-	F1280	PAN HD SCREW, 8 - 32 X 1/4	7	33
5H051	BATTERY, 74 AMP. . . . .	59	-	F1280	PAN HD SCREW, 8 - 32 X 1/4 (TERMINAL BOARD) (NOT SHOWN) . . . . .	51	-
5H082	REMOTE ELECTRIC CABLE . . . . .	59	-	F1285	PAN HD SCREW, 4 - 40 X 3/16 . . . . .	25	39
5H111	INSTRUMENT ADAPTER - 2" . . . . .	59	-	F1341	HEX NUT, 1/4 - 20 . . . . .	25	21
71H06	AMMETER - FLUSH MOUNT . . . . .	58	-	F1346	HEX NUT . . . . .	21	29
71H25	CHARGE INDICATOR LAMP . . . . .	59	-	F1346	HEX NUT . . . . .	35	27
817747--1	BALL JOINT W/STUD . . . . .	21	23	F14005-2	CAP BASE . . . . .	13	37
817747--1	BALL JOINT W/STUD . . . . .	25	25	F14007	CAP SCREW . . . . .	13	33
817783A5	SWIVEL BRACKET W/BEARINGS AND GREASE FITTINGS . . . . .	37	63	F14010-1	CAP COVER . . . . .	13	34
817786A1	DISTRIBUTOR PULLEY W/NUT & WASHER . . . . .	13	3	F14012-1	BRUSH . . . . .	13	39
817788A3	SPACER PLATE W/PLUG . . . . .	27	73	F14015	CAP CLIP RIVET . . . . .	13	21
817828A1	DISTRIBUTOR, COMPLETE . . . . .	13	-	F14017	TERMINAL INSULATOR (OUTSIDE) . . . . .	15	46
817892--1	PLATE, IGNITION SWITCH - CANADA (NOT SHOWN) . . . . .	9	-	F14021-1	CAP SEAL . . . . .	13	36
817931A7	MOTOR LEG COVER REAR . . . . .	35	6	F14024	SPACER . . . . .	15	42
817932A6	TOWERSHAFT W/SWIVEL, BEARINGS AND SCREWS . . . . .	25	19	F14025	SPACER . . . . .	13	4
85872-1	BRACKET . . . . .	27	59	F14028	THRUST WASHER . . . . .	13	5
865	TWIN REMOTE CONTROL BOX . . . . .	58	-	F14029	THRUST WASHER . . . . .	13	7
89396A38	PRIME BULB . . . . .	47	9	F14030	CAP GASKET . . . . .	13	38
A3	LEG COVER, FRONT . . . . .	37	74	F14036	SWIVEL . . . . .	13	13
A476010	CYLINDER W/CRNKCSE COVR, PARTNG LINE SEAL, SCREWS & DOWL PNS . . . . .	25	1	F14037	CAP CLIPS . . . . .	13	14
A578391	DECAL, LEG STARBOARD . . . . .	35	-	F14038	CAP CLIP SCREWS . . . . .	13	15
A578392	DECAL, LEG PORT . . . . .	35	1	F14040	VENT . . . . .	13	35
C523227	SPARK PLUG (CHAMPION QL-76V) - CANADA . . . . .	27	-	F14041	EXTERNAL TOOTH LOCKWASHER . . . . .	13	23
C528010	SHORT BLOCK. . . . .	25	-	F14042	DISTRIBUTOR HOUSING W/BEARINGS . . . . .	13	12
F10023	GASKET SET (NOT SHOWN) . . . . .	19	-	F14044	DISTRIBUTOR SHAFT . . . . .	15	40
F1009	HEX HD SCREW, 3/8 - 16 X 2 3/4 . . . . .	25	5	F14045	SCREW . . . . .	13	16
F10103	REPAIR PARTS KIT. . . . .	19	53	F14046	TERMINAL SCREW . . . . .	13	19
F1014	COTTER PIN . . . . .	17	30	F14047	TERMINAL INSULATOR (INSIDE) . . . . .	13	20
F1014	COTTER PIN . . . . .	37	59	F14049	TERMINAL INSULATOR (OUTSIDE) . . . . .	13	22
F1015	COTTER PIN . . . . .	43	46	F14056	SCREW . . . . .	15	47
F1034	PAN HD SCREW, 1/4 - 20 X 1 3/8 . . . . .	17	6	F1425	HEX CAP SCREW, 1/4 - 20 X 1 5/8 . . . . .	43	62
F1049	HEX CAP SCREW, 5/16 - 18 X 2 5/8 . . . . .	27	78	F1425	HEX CAP SCREW, 1/4 - 20 X 5/8 . . . . .	45	-
F1052	FILL HD SCREW, 1/4 - 20 X 1 . . . . .	25	22	F1447	ROUND HD SCREW, 2 X 3/16 . . . . .	3	19
F1059	FILL HD SCREW, 6 - 32 X 1/4 . . . . .	19	43				

# PARTS INDEX

Part Number	Description	Pg.	Ref. No.	Part Number	Description	Pg.	Ref. No.
F1473	HEX NUT, 10 - 24	3	36	F1545	SCREW, 1/4 - 20 X 1/2	21	22
F1475	FILL HD SCREW, 10 - 24 X 1/2	29	103	F1546	HEX HD CAP SCREW, 1/4 - 20 X 1/2	9	42
F1491	HEX HD SCREW, 5/16 - 18 X 3/4	43	41	F154758	HOSE (FUEL PUMP UPPER)	23	54
F15034	SPRING SET	11	15	F1556	FILL HD SCREW W/LOCKWASHER, 10 - 24 X 3/8	25	23
F15054	BRUSH AND TERMINAL SET	11	7	F1557	FLAT HD SCREW, 10 - 24 X 3/8	49	25
F15057	BRUSH PLATE AND HOLDER ASSEMBLY	11	16	F1577	FILL HD SCREW, 1/4 - 20 X 3/4	41	19
F15099	ARMATURE	11	5	F1593	HEX HD SCREW, 3/8 - 16 X 3	35	25
F15118	BENDIX DRIVE ASSEMBLY	11	1	F1612	HEX CAP SCREW, 3/8 - 16 X 1 1/4	13	8
F15125	HEAD ASSEMBLY, COMMUTATOR END	11	14	F1641	LOCK NUT	11	2
F15126	THRUST WASHER PACKAGE	11	4	F1645	RD HD SCREW, 6 - 32 X 1/4	7	27
F1513	HEX NUT	7	18	F1645	RD HD SCREW, 6 - 32 X 1/4	23	50
F1513	HEX NUT	49	3	F1647	HEX NUT, 8 - 32	7	6
F1513	HEX NUT, 10 - 32	21	27	F1647	HEX NUT, 8 - 32	13	24
F1513	HEX NUT, 10 - 32	25	27	F1647	HEX NUT, 8 - 32	29	96
F1515	HEX NUT	7	24	F1648	PAN HD SCREW, 10 - 24 X 3/4	7	16
F15163	THRU BOLT PACKAGE	11	10	F1664	SPRING PIN	35	7
F15166	FRAME AND FIELD ASSEMBLY	11	6	F1666	SPRING BOWED WASHER	35	21
F15167	HEAD ASSEMBLY, DRIVE END	11	3	F1669	LOCK NUT	37	43
F1528	WELCH PLUG	35	40	F1692	WOODRUFF KEY	15	41
F1532	HEX HD SCREW, 1/4 - 20 X 1	21	20	F1693	TIE BAR RETAINER	17	4
F1532	HEX HD SCREW, 1/4 - 20 X 1	25	16	F1696	HEX BOLT, 5/16 - 18 X 1 3/4	37	65
F1532	HEX HD SCREW, 1/4 - 20 X 1	27	43	F1699	HEX HD SCREW, 1/4 - 20 X 1 1/8	25	8
F1533	HEX CAP SCREW, 1/4 - 20 X 7/8	29	107	F17006	DETENT SPRING	49	18
F1533	HEX HD SCREW, 1/4 - 20 X 7/8	23	44	F17009	BEARING	49	14
F1533	HEX HD SCREW, 1/4 - 20 X 7/8	25	6	F17010-1	THROTTLE GEAR	49	16
F1534	HEX HD SCREW, 1/4 - 20 X 7/8	27	53	F17011	BOWED WASHER	49	15
F1535	HEX CAP SCREW, 1/4 - 20 X 3/4	3	14	F17012	RETAINING PLATE	49	13
F1535	HEX CAP SCREW, 1/4 - 20 X 3/4	27	54	F17013	FILL HD SCREW, 1/4 - 20 X 1/2	49	11
F1535	HEX HD SCREW, 1/4 - 20 X 3/4	25	11	F17014	THROTTLE ARM	49	10
F1536	HEX CAP SCREW, 1/4 - 20 X 3/4	7	23	F17016	CABLE TERMINAL	49	9
F1536	HEX CAP SCREW, 1/4 - 20 X 3/4	41	1	F17019	CLUTCH ARM	49	5
F1536	HEX SLOT HD SCREW, 1/4 - 20 X 3/4	35	4	F17021	CLUTCH GEAR	49	19
F1540	HEX CAP SCREW, 1/4 - 20 X 5/8	11	11	F17026	SWIVEL	49	24
F1540	HEX CAP SCREW, 1/4 - 20 X 5/8	21	5	F1703	LOCKWASHER	27	71
F1540	HEX CAP SCREW, 1/4 - 20 X 5/8	27	48	F1703	SPRING LOCKWASHER	37	73
F1540	HEX SLOT HD SCREW 1/4 - 20 X 5/8	3	20	F17030-1	SET SCREW	49	31
F1541	HEX CAP SCREW, 1/4 - 20 X 5/8	3	25	F17031-1	SNAP CAP	49	28
F154317	CABLE CLAMP	49	23	F17036	INTERNAL TOOTH LOCKWASHER	49	6
				F1704	INTERNAL TOOTH LOCKWASHER	23	49
				F17068	DETENT SPRING	51	37
				F17071	FILL HD SCREW, 10 - 24 X 5/16	49	22
				F1708	HEX HD CAP SCREW, 1/4 - 20 X 1 3/8	3	32
				F17082-1	DETENT BALL	51	38
				F17092	SNAP RING	49	21
				F17099-1	HOUSING	49	36
				F1710	PLAIN WASHER	35	18
				F17100	CLUTCH SHAFT	49	20



# PARTS INDEX

Part Number	Description	Pg.	Ref. No.	Part Number	Description	Pg.	Ref. No.
F17103-1	BAG ASSEMBLY (NOT SHOWN)	51	-	F17932	SEAL, FUEL LINE COUPLER	47	12
F17105	FELT WASHER	49	33	F18160-2	CYLINDER DRAIN REED	25	36
F17106	COLLAR	49	34	F1822	HEX BOLT, 5/16 - 18 X 7/8	37	76
F17111	SPRING BOWED WASHER	35	17	F1831	FLAT HD SCREW, 1/4 - 20 X 5/8	23	43
F17111	DETENT BALL	49	17	F1832	STOP NUT, 1/4 - 20	27	68
F17112	JUNCTION BOARD, STARBOARD	49	26	F1836	SPRING PIN	37	60
F17113	JUNCTION BOARD, PORT	49	-	F184033-1	SWIVEL, TOP CARBURETOR	17	33
F17115-1	HANDLE	49	30	F184122-1	SEAL	29	-
F17116	KNOB	49	29	F184122-1	SEAL, PARTING LINE	29	101
F1713	SPRING PIN	41	25	F184579	"O" RING SEAL	17	32
F17146	WOOD SCREW	49	35	F1851	FILL HD SCREW W/LOCKWASHER, 10 - 24 X 1/2	7	39
F17147	INTERNAL TOOTH LOCKWASHER	49	12	F1856	PLAIN WASHER	45	72
F17148	DECAL, STARBOARD	49	27	F1857	HEX CAP SCREW, 5/16 - 18 X 5/8	3	23
F17149	COTTER PIN	49	8	F1857	HEX CAP SCREW, 5/16 - 18 X 5/8	3	35
F1715	HEX BOLT, 1/4 - 28 X 9/16	49	7	F1858	HEX CAP SCREW, 5/16 - 18 X 1	3	24
F1727	PLASTIC RIVET	25	20	F1858	HEX CAP SCREW, 5/16 - 18 X 1	43	39
F1729	PLUG	35	5	F1860	RD HD SCREW, 6 - 32 X 1/4	21	9
F1730	SCREW, PAN HD, W/SPRING LOCKWASHER, 1/4 - 20 X 5/8	3	4	F1866	PLAIN WASHER	45	71
F1733	SCREW, PAN HD, 10 - 24 X 9/16	3	2	F1867	HEX CAP SCREW, 3/8 - 16 X 1	33	19
F1734	FILL HD SCREW W/LOCKWASHER, 1/4 - 20 X 1/2	7	14	F1869	HEX CAP SCREW, 3/8 - 16 X 1 1/4	27	70
F1741	PAN HD SCREW, 8 X 3/4	7	35	F1871	HEX HD SCREW, 3/8 - 16 X 3/4	37	69
F1744	SPRING PIN	37	48	F1872	HEX CAP SCREW, 3/8 - 16 X 1 3/4	25	12
F1744	SPRING PIN	37	52	F1873	HEX CAP SCREW, 3/8 - 16 X 3	27	50
F1755	ROUND HD SCREW W/LOCKWASHER, 6 - 32 X 1/4	21	38	F1874	HEX HD SCREW, 3/8 - 16 X 3 1/8	25	2
F1759	SHIM, DISTRIBUTOR (QTY. AS REQUIRED)	13	11	F1877	TY-RAP	7	29
F1760	PAN HD SCREW, 10 - 24 X 3/8	7	19	F1885	HEX BOLTS, S.S., 5/16 - 18 X 4 1/4	27	64
F1760	PAN HD SCREW, 10 - 24 X 3/8	13	25	F1885	HEX CAP SCREW, 5/16 - 18 X 4 1/4	41	6
F1760	PAN HD SCREW, 10 - 24 X 3/8	25	3	F1892	STOP NUT	9	52
F177330	FUEL PUMP VALVE	21	10	F1904	PLAIN WASHER	35	26
F177350	REVERSE LOCK PIN	37	47	F1907	PLAIN WASHER	41	7
F1778	PLAIN WASHER	13	9	F1910	STOP NUT, 1/4 - 20	21	25
F178168-1	CARBURETOR ADAPTER GASKET	29	-	F19109	PLUG	27	60
F178168-1	GASKET, CARBURETOR ADAPTER	21	35	F19109	PLUG	41	30
F178173	RETAINING RING	35	34	F1912	HEX HD SCREW, 10 - 24 X 1/2	37	67
F178208	RETAINING RING	35	19	F1916	HEX BOLT, 1/4 - 20 X 1 1/8	29	87
F178323	SEAL, MOTOR LEG	35	12	F1934	FLAT HD SLOTTED SCREW, 6 X 12	9	50
F178362	BEARING	35	36	F1935	PLAIN WASHER	27	42
F178404-1	DEFLECTOR PLATE	21	36	F1936	SPACER, BEVEL GEAR FRONT .059	41	27
F178632	SHAFT, SHOCK MOUNT LOWER	35	39	F1937	SPACER, BEVEL GEAR FRONT .062	41	-
F178754-1	FUEL LINE	17	36	F1938	SPACER, BEVEL GEAR FRONT .065	41	-
F1788	STOP NUT	41	15				
F178889	SHAFT, SHOCK MOUNT UPPER	35	37				

# PARTS INDEX

Part Number	Description	Pg.	Ref. No.	Part Number	Description	Pg.	Ref. No.
F1939	SPACER, BEVEL GEAR FRONT .068	41	-	F2116	SPACER, BEVEL GEAR FRONT .089	41	-
F1940	SPACER, BEVEL GEAR FRONT .071	41	-	F2121	SPACER, BEVEL GEAR FRONT .057	41	-
F1941	SPACER, BEVEL GEAR FRONT .074	41	-	F2122	SPACER, BEVEL GEAR FRONT .054	41	-
F1942	SPACER, BEVEL GEAR FRONT .077	41	-	F213274	GREASE FITTING	13	27
F195/____	REMOTE CONTROL CABLES	58	-	F213274	GREASE FITTING	35	38
F1950	HEX CAP SCREW, 10 - 24 X 5/8	29	91	F213342	SEAL, FUEL LINE COUPLER (LARGE)	47	4
F1968	FLYWHEEL NUT	33	21	F213735	SEAL, FUEL LINE COUPLER (SMALL)	47	5
F1975	SPRING LOCKWASHER	7	10	F235785	DECAL, COMPLIANCE - CANADA (NOT SHOWN)	9	-
F1975	SPRING LOCKWASHER	13	26	F24278	PROPELLER SHAFT SPOOL SEAL	45	-
F197787-3	FUEL LINE COUPLER	47	6	F24278	SEAL, "O" RING PROPELLER SHAFT SPOOL	41	10
F197813	BEARING	37	57	F269319	THROTTLE CAM BEARING	21	26
F1987	PLAIN WASHER	27	79	F284659-2	BEARING, CRANKSHAFT UPPER MAIN	33	22
F1987	PLAIN WASHER	37	64	F286461	SPRING, LOCK BAR HANDLE	37	50
F1990	HEX CAP SCREW, 1/4 - 20 X 1 5/8	43	60	F289446-1	CLAMP	7	12
F1990	HEX CAP SCREW, 1/4 - 20 X 1 5/8	45	-	F298788	FERRULE	47	7
F1994	HEX SOCKET HD CAP SCREW, 5/16 - 18 X 1	43	36	F2A476757	CYLINDER DRAIN REED PLATE W/REEDS, STOPS AND SCREWS	25	35
F1997	STOP NUT, 8 - 32	17	23	F2A523023	BEVEL GEAR FRONT W/BEARING	41	28
F1999	HEX CAP SCREW, 1/4 - 20 X 7/8	43	55	F2A523239	SPOOL, PROPELLER SHAFT BEARING W/SEALS	41	11
F2000	HEX CAP SCREW, 5/16 - 18 X 3/4	9	47	F2A523662	BEVEL GEAR REAR W/BEARING CAGE SPACER AND BEARING	41	21
F2000	HEX CAP SCREW, 5/16 - 18 X 3/4	29	99	F2A550706	GEAR HOUSING COVER W/SEALS	43	52
F2015	HEX NUT, 1/4 - 28	29	102	F307317	CLIP, TERMINAL BLOCK	7	17
F2016	FILL HD SCREW, 6 - 32 X 7/8	23	48	F316579	SEAL, CRANKCASE	33	11
F2030	HEX HD M. SCREW, 1/4 - 20 X 1 1/4	35	16	F316599	SEAL, STEERING SUPPORT TUBE	39	86
F203276	BOOT	13	30	F319908	GROUND WIRE - CANADA	9	57
F2033	GROOVE PIN	17	39	F321756	PACKING	3	31
F203673	TERMINAL CLIP	13	31	F321841-3	LEAD WIRE - USA	13	32
F2042	PLAIN WASHER	29	106	F322273	STUD, C.D. UNIT	9	48
F2047	WAVE WASHER	3	30	F333316	THROTTLE ROLLER SHAFT	17	19
F2066	PAN HD TAPPING SCREW, 10 X 7/16	5	38	F335215	SPACER, PISTON PIN (2 PER PISTON)	33	3
F2067	PLASTISOL CAP (NOT SHOWN) FOR EXPOSED THREADS OF CRANKSHAFT	33	-	F335217-1	BEARING, PISTON PIN (26 PER SET)	33	5
F2088	FASTENER	3	7	F335654-1	STOP, DEFLECTION	3	21
F2089	SLOTTED PAN HD M. SCREW, 10 - 24 X 5/16	29	105	F338618-1	GEAR SHIFT ROD SEAL	45	-
F2090	PLUG	27	74	F338618-1	SEAL GEAR SHIFT ROD	35	15
F2093	STOP NUT, 5/8 - 24	39	93	F338618-1	SEAL, GEAR SHIFT ROD	43	53
F2107	FILL HD SCREW, 10 - 24 X 5/8	7	9	F345475-1	COIL	9	44
F2108	LOCK NUT	37	79	F345683	WIRE, REGULATOR - RECTIFIER GROUND	7	5
F2108	STOP NUT, 5/16 - 18	27	67	F351307	SEAL, DRIVESHAFT - WATER PUMP	43	63
F2113	SPACER, BEVEL GEAR FRONT .080	41	-	F353480	STUD	35	29
F2114	SPACER, BEVEL GEAR FRONT .083	41	-				

# PARTS INDEX

Part Number	Description	Pg.	Ref. No.	Part Number	Description	Pg.	Ref. No.
F369349	REVERSE LOCK	37	44	F438668	RETAINER, CABLE CLAMP	7	13
F369364	REVERSE LOCK ARM	37	55	F438744-1	WIRING HARNESS	7	4
F369510	LINK REVERSE LOCK	37	46	F438747	FUEL PUMP DIAPHRAGM	21	8
F369610	BEARING	27	62	F438760	FUEL PUMP GASKET	21	4
F369827	HANDLE AND SHAFT	37	56	F438801	FITTING	21	14
F369887	SHOULDER SCREW	27	61	F438841-1	LEAD WIRE - CANADA	13	-
F369977-1	INTERLOCK ARM	27	63	F438905	COIL WIRE - CANADA	13	-
F372151-1	EXHAUST PORT PLATE	29	90	F438930	RETAINER, SNOUT	43	38
F372152-1	EXHAUST PORT COVER	29	88	F438962	SHOCK MOUNT LOWER		
F372154-1	EXHAUST PORT PLATE				REAR	35	14
	GASKET	29	-	F439736	SEAL, EXHAUST TUBE	37	82
F372154-1	GASKET, EXHAUST PORT			F440192-1	THROTTLE CAM	21	28
	PLATE	29	89	F440209	CARBURETOR STUD	21	30
F372958	CHOKE BRACKET	21	19	F440254	BALANCE TUBE	21	34
F373778-1	RETAINER, ENGINE COVER	3	37	F440906	CARBURETOR GASKET	21	31
F381896-4	BATTERY CABLE	7	30	F440906	CARBURETOR GASKET	29	-
F391926-1	PLUNGER	17	41	F440925	CHOKE ROD	17	40
F391983	RETAINING BAND	9	51	F441754-1	HOSE	21	3
F3A523158	REED PLATE W/REEDS,			F460917	STARTER RELAY	7	26
	REED STOPS, SPACERS			F474073-1	CLAMP SCREW	35	30
	AND SCREW	21	41	F474387	TIMING DECAL - USA	9	56
F40223	GASKET, TRANSFER PORT			F474390-1	DECAL, REVERSE LOCK -		
	COVER	27	52		USA	39	87
F40223	TRANSFER PORT COVER			F475015-6	PISTON - STANDARD	33	2
	GASKET	29	-	F476061-4	CARBURETOR COMPLETE		
F404097	FLYWHEEL	7	1		(TC-5E)	17	12
F404268	BY-PASS VALVE SPRING	29	94	F476066-1	THERMOSTAT COVER	29	85
F404314	ELBOW, FUEL PUMP COVER	21	2	F476067	GASKET	27	81
F404314	FITTING	27	47	F476067	THERMOSTAT COVER		
F404470-1	REGULATOR - RECTIFIER	7	8		GASKET	29	-
F404513	COIL CLAMP	7	40	F476529-1	CYLINDER HEAD GASKET	27	75
F404801	ELBOW, CYLINDER DRAIN			F476529-1	CYLINDER HEAD GASKET	31	-
	UPPER (NOT SHOWN)	27	-	F480038-2	PLATE SUPPORT	3	15
F404841	CABLE, HEAT INDICATOR	7	37	F480107-1	CAM STARTER INTERLOCK	29	104
F405457	PIVOT SCREW	25	7	F480388	DISC, WATER PUMP		
F406406	DEFLECTOR PLATE				LOCATING	43	61
	GASKET	29	-	F480818	BEARING, LATCH SHAFT	3	13
F406406	GASKET DEFLECTOR			F481382-1	SPACER, LATCH SHAFT	3	29
	PLATE	21	37	F481434	GUIDE, ENGINE COVER	3	8
F406471-1	CYLINDER DRAIN COVER	27	41	F481774	BRACKET, ENGINE COVER		
F406754-1	HOSE	27	46		LATCH	3	9
F40689-1	BEARING	27	72	F481777	CAM, LATCH SHAFT	3	28
F407446	CLAMP	7	31	F483884	BEARING	37	61
F409251-1	GAUGE CAP	47	1	F485755-1	FUEL TANK ADAPTER	47	3
F433114	HANDLE, LOCK BAR	37	51	F498618	"O" RING SEAL	43	31
F433209-1	THROTTLE CAM STUD	21	32	F498618	GEAR SHIFT ARM PIN SEAL	45	-
F434754	FUEL LINE	19	42	F498891	PIN PROPELLER NUT		
F438066	BY-PASS VALVE COVER	29	92		RETAINING	41	14
F438129	SEAL, DRIVESHAFT SPLINE	45	70	F498891	PIN, GEAR SHIFT ARM	43	32
F438165	SCREW, FUEL PUMP BOWL	21	18	F50109	PLUG, GEAR HOUSING	43	43
F438169	BEARING	37	42	F50342-1	BEARING CAGE BOLT SEAL	45	-
F438271	RETAINER, CRANKSHAFT			F50342-1	SEAL, "O" RING	41	8
	SPLINE SEAL	45	69	F506118	PROPELLER SHAFT SEAL	45	-
F438346	SHOCK MOUNT LOWER	37	75	F506118	SEAL, PROPELLER SHAFT	41	9
F438398	DECAL, WIRING - USA	29	86	F510374	DECAL, CIRCUIT BREAKER -		
F438500	FUEL SEDIMENT BOWL	21	17		USA	7	41
F438617	FUEL SEDIMENT BOWL			F510460	CIRCUIT BREAKER	7	22
	GASKET	21	15	F511125-2	TUBE, STEERING SUPPORT	37	84
F438653	FUEL SEDIMENT BOWL			F511675	STARTER BRACKET,		
	SCREEN	21	16		LOWER	11	13

# PARTS INDEX

Part Number	Description	Pg.	Ref. No.	Part Number	Description	Pg.	Ref. No.
F511708	COVER, CARBURETOR . . . .	17	7	F5H005	TEMPERATURE GAUGE - FLUSH MOUNT . . . . .	59	-
F523031	GASKET, WATER PUMP . . .	43	56	F5H006	VOLTMETER - FLUSH MOUNT . . . . .	59	-
F523031	GASKET, WATER PUMP . . .	45	-	F5H007	HOURMETER - FLUSH MOUNT . . . . .	59	-
F523057	BEARING, DRIVESHAFT LOWER . . . . .	43	65	F5H008	FUEL GAUGE FLUSH MOUNT . . . . .	59	-
F523065	IMPELLER . . . . .	45	-	F5H010	POWER TRIM INDICATOR . . . . .	58	-
F523065	IMPELLER, WATER PUMP . .	43	58	F5H012	TACHOMETER FLUSH MOUNT . . . . .	59	-
F523094-2	PROPELLER NUT . . . . .	41	13	F5H014	FLUSHING ADAPTER . . . . .	58	-
F523099-1	SPACER, PROPELLER . . . .	41	18	F5H018	DUAL ENGINE TIE BAR . . . . .	58	-
F523116	EXHAUST SNOOT . . . . .	43	37	F5H019	ANTI-CORROSION KIT . . . . .	58	-
F523133-2	MOTOR LEG . . . . .	37	81	F5H021	EXTENSION CABLE . . . . .	59	-
F523146	SEAL, CRANKSHAFT LOWER . . . . .	33	13	F5H025	ANTI-CORROSION SACRIFICIAL ANODE . . . . .	58	-
F523188	NUT, BEVEL PINION . . . . .	43	34	F5H026	FUEL TANK (ACCESSORY ITEM) . . . . .	47	2
F523244	INLET WATER LINE . . . . .	41	5	F5H026	STEEL, 6 GALLON FUEL TANK (LOW PROFILE) . . . . .	58	-
F523273	STUD STEERING BALL . . . .	39	89	F5H028	SENDING UNIT . . . . .	59	-
F523274	GREASE FITTING . . . . .	39	85	F5H029	TANK ANCHOR . . . . .	58	-
F523280	NUT, STEERING SUPPORT TUBE . . . . .	37	80	F5H030	SWITCH KIT - RUNNING LIGHTS . . . . .	60	-
F523299-1	WASHER . . . . .	41	16	F5H031	SWITCH KIT - SPOT LIGHT . . . . .	60	-
F523300-1	SPRING STEERING LINK . .	39	92	F5H032	SWITCH KIT - WIPER . . . . .	60	-
F523411	RETAINING RING, BEARING CAGE . . . . .	41	22	F5H034	SWITCH KIT - BILGE PUMP . . . . .	60	-
F523451	SPACER, REED STOP . . . . .	23	51	F5H035	SWITCH KIT - HORN . . . . .	60	-
F523498	DRIVE KEY, WATER PUMP . .	43	67	F5H036	SWITCH KIT - TACHOMETER TRANSFER . . . . .	60	-
F523498	KEY . . . . .	45	-	F5H037	CIGAR LIGHTER . . . . .	59	-
F523555	GEAR HOUSING COVER SEAL . . . . .	45	-	F5H038	IGNITION SWITCH MOUNTING KIT (ACCESSORY ITEM) . . . . .	9	49
F523555	SEAL, "O" RING, GEAR HOUSING COVER . . . . .	43	48	F5H038	SWITCH KIT - IGNITION SWITCH . . . . .	60	-
F523562	PLATE, WATER PUMP . . . . .	43	57	F5H039	SWITCH KIT - INSTRUMENT LIGHTS . . . . .	60	-
F523562	PLATE, WATER PUMP . . . . .	45	-	F5H040	STEEL, 12 GALLON FUEL TANK . . . . .	58	-
F523705	GEAR SHIFT ROD LOWER . .	43	45	F5H041	BATTERY TERMINAL KIT . . . . .	59	-
F523813	BEARING CUP . . . . .	41	29	F5H041	BATTERY TERMINAL KIT (ACCESSORY ITEM) . . . . .	7	32
F523834	CLIP, SPARK PLUG WIRE . .	25	28	F5H043	OVERHEAT BUZZER . . . . .	58	-
F523899	GROMMET, WATER LINE . . .	41	4	F5H043	OVERHEAT BUZZER (ACCESSORY ITEM) . . . . .	7	36
F523930	RETAINER STUD . . . . .	39	88	F5H069	RFI SUPPRESSION KIT . . . . .	59	-
F523961	CRUSH RING . . . . .	43	49	F5H070	REMOTE ELECTRIC CABLE . . . . .	59	-
F523962	SHOCK MOUNT - C.D. UNIT .	9	46	F5H075	WIRING HARNESS - IGNITION SWITCH - 24" . . . . .	60	-
F528068	THERMOSTAT . . . . .	29	82	F5H076	SWITCH EXTENSION CABLE . . . . .	59	-
F528253	HOSE (LOWER FUEL PUMP TO UPPER) . . . . .	23	53	F5H076	SWITCH EXTENSION CABLE . . . . .	59	-
F528995	COVER, CYLINDER HEAD . .	29	108	F5H077	IGNITION KEY SWITCH . . . . .	59	-
F530160	REED (5 PETAL) . . . . .	21	40	F5H078	IGNITION KEY SWITCH . . . . .	59	-
F531892	DECAL, PORT . . . . .	49	-	F5H078	IGNITION SWITCH (LONG BARREL) W/KEYS AND SCREWS . . . . .	7	34
F545189	BUSHING, CABLE ENTRY . .	3	17	F5H079	REMOTE CONTROL BOX . . . . .	58	-
F548984	BLANKET, SILENCER - TOP (NOT SHOWN) . . . . .	5	-				
F549189	BUSHING, ELECTRIC CABLE .	3	16				
F552985	BLANKET, SILENCER - SIDE (NOT SHOWN) . . . . .	5	-				
F563	TERMINAL BLOCK KIT . . . .	60	-				
F58685-2	CONNECTOR, SHIFT CABLE .	49	2				
F590	REMOTE CONTROL HEAD (SINGLE LEVER) . . . . .	58	-				
F5H002	SPEEDOMETER - FLUSH MOUNT . . . . .	59	-				
F5H003	SPEEDOMETER FLUSH MOUNT . . . . .	60	-				

# PARTS INDEX

Part Number	Description	Pg.	Ref. No.	Part Number	Description	Pg.	Ref. No.
F5H081	BATTERY CABLE	58	-	F84011	WASHER	37	62
F5H094	STEERING LINK	58	-	F84074	CLAMP SCREW FOOT	35	28
F5H108	STEERING CONNECTOR	58	-	F84146-2	SEAL	33	20
F5H112	INSTRUMENT ADAPTER - 3-1/2"	59	-	F84278	SEAL	33	23
F5H119	PROPELLER SPACER - FLARED	59	-	F84286-1	FRICTION WASHER	37	54
F5H120	REMOTE CONTROL BACK PLATE	58	-	F84305	PROPELLER SHAFT SPOOL SEAL	45	-
F5H128	POWER TRIM	59	-	F84305	SEAL, "O" RING PROPELLER SHAFT SPOOL	41	12
F5H130	REMOTE CONTROL BOX (SINGLE LEVER)	58	-	F84307-1	DRIVESHAFT SEAL	45	-
F5H131	PORT SIDE DECAL KIT	58	-	F84307-1	SEAL, DRIVESHAFT	43	51
F5H134	BOAT WHITE LACQUER	58	-	F84314-2	ELBOW	17	34
F7004	STOP NUT, 3/8 - 16	25	17	F84314-2	ELBOW	21	6
F7008	ELASTIC STOP NUT	25	10	F84314-2	ELBOW	27	45
F7012	STOP NUT	35	24	F84342	SEAL, INLET WATER LINE, UPPER	41	3
F7013	STOP NUT	13	2	F84449	INTERLOCK SWITCH	23	46
F74305	GEAR HOUSING COVER SEAL	45	-	F84472-5	CYLINDER DRAIN COVER GASKET	29	-
F74305	SEAL, DRIVESHAFT BEARING CAGE	43	50	F84472-5	GASKET, CYLINDER DRAIN COVER	25	40
F762	REMOTE ELECTRIC CABLE	59	-	F84504	GROMMET (THERMOSTAT)	29	83
F8003	PLAIN WASHER	25	38	F84521-1	CLUTCH	41	26
F8011	PLAIN WASHER	7	20	F84748-3	CYLINDER DRAIN REED PLATE GASKET	29	-
F8028	PLAIN WASHER	11	12	F84748-3	GASKET	25	33
F8038	PLAIN WASHER	29	110	F84792	GASKET, CENTER FUEL PUMP VALVE	21	11
F8038	PLAIN WASHER	39	94	F84871-1	PIN, GEAR SHIFT	41	24
F8039	PLAIN WASHER	37	70	F85017	PISTON PIN	33	4
F8056	LOCKWASHER	13	18	F85026	SWIVEL	25	30
F8056	LOCKWASHER	15	43	F85033	SWIVEL, CHOKE ROD (BOTTOM CARBURETOR)	19	-
F8056	LOCKWASHER	29	97	F85035	DISTRIBUTOR, CONTROL ROD END	25	29
F8056	SPRING LOCKWASHER	7	7	F85036	TOWERSHAFT CONTROL ROD END	25	32
F8058	INTERNAL TOOTH LOCKWASHER	21	24	F85037-1	STERN BRACKET PIVOT BOLT	37	53
F8058	INTERNAL TOOTH LOCKWASHER	27	57	F85095-2	STATOR	7	3
F8077	WASHER	45	-	F85117	BRACKET, WATER LINE	41	2
F8077	WASHER, GEAR HOUSING PLUG	43	42	F85130	BOOT IDLE EXHAUST	35	8
F8080	HELICAL SPRING LOCKWASHER	39	91	F85161-1	REED STOP	21	39
F8083	LOCKWASHER	3	26	F85173	RETAINING RING	13	6
F8083	SPRING LOCKWASHER	9	43	F85211	STUD	25	18
F8083	SPRING LOCKWASHER	35	3	F85258	INSERT	35	9
F8083	SPRING LOCKWASHER	43	54	F85279-2	CYLINDER EXHAUST UPPER GASKET	29	-
F8083	SPRING LOCKWASHER	45	-	F85279-2	GASKET, CYLINDER EXHAUST UPPER	27	69
F8088	PLAIN WASHER	17	31	F85300	REVERSE LOCK SPRING	37	45
F8088	PLAIN WASHER	23	47	F85311	DISTRIBUTOR	13	1
F8094	PLAIN WASHER	37	58	F85314-1	FUEL FITTING	17	37
F8094	WASHER, PLAIN	3	27	F85317-1	SOLENOID CLAMP	21	21
F8095	PLAIN WASHER	29	109	F85350-1	TILT STOP PIVOT	35	20
F8096	LOCKWASHER	3	22	F85372	PIN, GEAR SHIFT ROD LOWER	43	47
F8096	LOCKWASHER	3	34	F8538	SPRING PIN	35	31
F8096	SPRING LOCKWASHER	7	25	F85380	SPRING	35	10
F8096	SPRING LOCKWASHER	29	100				
F8096	SPRING LOCKWASHER	37	77				
F8096	SPRING LOCKWASHER	43	40				
F8104	PLAIN WASHER	27	49				

# PARTS INDEX

Part Number	Description	Pg.	Ref. No.	Part Number	Description	Pg.	Ref. No.
F85410	SNAP RING	33	8	FA321574	DISTRIBUTOR BRACKET	13	10
F85445	CONTROL ROD	25	31	FA368700	KEY, IGNITION, NO LETTER OR STAMPED A	9	53
F85498	FLYWHEEL KEY	33	16	FA411222	TRANSFER PORT COVER W/PLUGS	27	51
F85502	THROTTLE LINK	25	26	FA438113	STERN BRACKET LOCK BAR W/HANDLE	37	49
F85509-1	LINK, CHOKE	17	38	FA438431	FUEL PUMP BODY W/VALVES	21	12
F85541-1	TILT LOCK	35	22	FA439493	TERMINAL BLOCK BRACKET	7	11
F85571	BEARING CAGE W/ROLLER	33	10	FA439746	FUEL PUMP COVER W/PLUG	21	1
F85606	KINGPIN CAP	37	66	FA440157	CARBURETOR ADAPTER - UPPER W/FITTING AND STUDS (NOT SHOWN)	21	-
F85610	BEARING	27	65	FA440167	CARBURETOR ADAPTER - LOWER W/FITTING AND STUDS	21	33
F85615	GEAR SHIFT ROD UPPER	37	78	FA480179	TRIM, TOP	3	1
F8563	DOWEL PIN	25	15	FA480269	HANDLE, TILT	3	3
F85634-2	CONNECTING ROD SCREW	33	14	FA480876	GEAR SHIFT ARM W/SWIVL, BEARNGS, INTRLOCK ARM & SHOULDR SCRW	27	66
F85660-1	EXHAUST TUBE	35	2	FA480894	TIMING POINTER	25	4
F85664	DISTRIBUTOR GROUND	13	28	FA481469	LATCH HANDLE, ENGINE COVER W/SHAFT	3	12
F85664	GROUND WIRE	9	54	FA481743	LATCH, ROLLER BRACKET, W/ROLLER	3	33
F85704	COUPLER, GEAR SHIFT ROD	37	83	FA510497	TERMINAL BLOCK	7	15
F85762	BY-PASS COVER GASKET	29	-	FA523014	CRANKSHAFT LOWER MAIN BEARING	33	12
F85762	BY-PASS VALVE COVER GASKET	29	93	FA523054	GEAR HOUSING	43	33
F85772	CLAMP	35	11	FA523098	PROPELLER SHAFT	41	23
F85779-1	BAFFLE, AIR INTAKE	37	68	FA523266	BEVEL PINION GEAR W/CRUSH RING AND SHIMS	43	35
F85843-1	REMOTE ELECTRIC CABLE, 18 FEET	7	38	FA523735	SEAL, INLET WATER LINE, LOWER	43	64
F85859	STUD	25	14	FA523845	ANTI-CORROSION ANODE	41	20
F85906	CARBURETOR GASKET	29	-	FA528018	CRANKSHAFT W/BEARING	33	15
F85908	STARTER LEAD WIRE	11	9	FA528518	CYLINDER HEAD	27	80
F85916-1	BY-PASS VALVE	29	95	FA535395	IDENTIFICATION PLATE W/SCREWS - CANADA	3	-
F85924	CHOKE SOLENOID	7	28	FA535395	IDENTIFICATION PLATE W/SCREWS - USA	3	18
F85965	SHOCK MOUNT UPPER	37	72	FA552180	TRIM, REAR	3	5
F89758	FUEL PUMP AIR HOSE - TOP	21	7	FA552888	TRIM, FRONT	5	40
F9018	CAP	35	32	FA552944	COVER, ENGINE W/RETAINER	3	6
F9052	PLUG	35	33	FA585396	DECAL, ENGINE COVER - STARBOARD	3	-
F90619-1	YOKE	45	73	FA585397	DECAL, ENGINE COVER - PORT	3	11
F90807	RETAINING RING	17	1	FA585892	DECAL, FRONT	5	39
F9095	SHIM, DRIVESHAFT BEARING, UPPER .005 SILVER	43	-	FA58976-1	CONNECTOR, THROTTLE CABLE	49	1
F9097	SHIM, DRIVESHAFT BEARING, UPPER .010 BLACK	43	-	FA593386	DECAL, NUMERAL	3	10
F9106	SHIM, DRIVESHAFT BEARING, UPPER .003 BRASS	43	66	FA84621-1	COUPLING, GEAR SHIFT ARM W/BUSHING	43	44
F91446-1	CIRCUIT BREAKER BRACKET	7	21				
F92759	THROTTLE ROLLER	17	20				
F93811	SCREEN	25	34				
F93920	REED STOP	25	37				
F97772	CLAMP	17	35				
F97772	CLAMP	23	52				
F97772	FUEL LINE CLAMP	47	11				
F98273	ROD END CONNECTOR STUD	27	58				
FA14048-2	PREAMPLIFIER	13	17				
FA15072	HEX LOCK NUT, 1/4 - 20	11	8				
FA178233	THROTTLE TIE BAR W/SWIVEL	17	5				

# PARTS INDEX

Part Number	Description	Pg.	Ref. No.	Part Number	Description	Pg.	Ref. No.
FA85019	KINGPIN W/PLUG . . . . .	35	41	FO16697	INLET NEEDLE . . . . .	19	47
FA85193	TIE BAR END W/SWIVEL . . .	17	2	FO17719	CHOKE SHUTTER . . . . .	17	10
FA85355-1	WASHER . . . . .	37	71	FO17884	THROTTLE SHAFT AND LEVER . . . . .	17	21
FA85655-1	CRANKSHAFT MAIN BEARING RACE W/SNAP RING . . . . .	33	9	FO17885	CHOKE SHAFT RETURN SPRING . . . . .	19	45
FB368700	KEY, IGNITION, STAMPED B	9	-	FO1974	SCREW . . . . .	17	18
FC368700	KEY, IGNITION, STAMPED C	9	-	FO5323	FUEL BOWL RETAINING SCREW GASKET . . . . .	19	52
FC409398	DECAL, TOTE TANK - CANADA (NOT SHOWN) . . .	47	-	FO9678	CLIP, CHOKE SHAFT . . . . .	17	16
FC438398	DECAL, WIRING - CANADA . .	29	-	FO992	LOCKWASHER . . . . .	17	17
FC474387	TIMING DECAL - CANADA . .	9	-	FOB2603	INSTALLATION INSTRUCTIONS (5H094 STEERING LINK KIT) . . . .	39	95
FC500390	DECAL STARTER - CANADA (NOT SHOWN) . . . . .	11	-	FPS526	PROPELLER (ACCESSORY ITEM) . . . . .	41	17
FC510374	DECAL, CIRCUIT BREAKER - CANADA . . . . .	7	-	FS409752	FUEL LINE, COMPLETE . . .	47	-
FC555054	GEAR HOUSING COMPLETE	43	-	FS490955	STARTER, COMPLETE . . . .	11	-
FD368700	KEY, IGNITION, STAMPED D	9	-	FSA474260	PISTON RING SET FOR 2 PISTONS .010 OVERSIZE	33	-
FE368700	KEY, IGNITION, STAMPED E	9	-	FT1082	SNAP RING PLIER . . . . .	53	-
FG1018-1	GASKET SET . . . . .	29	111	FT11204	BEARING CUP INSTALLER . .	54	-
FK1063	SEAL KIT . . . . .	45	74	FT11205	BEARING INSTALLER/REMOVER . . . .	54	-
FK1069	WATER PUMP KIT . . . . .	45	75	FT11207	BEARING CUP REMOVER . . .	54	-
FK17114-1	INDICATOR . . . . .	49	32	FT11209	BEARING GUIDE SET . . . . .	54	-
FK405020	SWIVEL W/CLAMP, SHOULDER SCREW AND NUT . . . . .	25	24	FT2951	CIRCUIT TRACER . . . . .	52	-
FK550128	DRIVESHAFT W/BEARING, SHIMS AND CRUSH RING	43	68	FT2953	SOCKET . . . . .	53	-
FK750-2	SPARKIE W/SPRING . . . . .	15	44	FT2961	LUBRICANT - RYKON #2EP	56	-
FK85228-1	BEARING CAGE W/ROLLER	33	7	FT2962-1	SEALANT - 50 CC LOCTITE H, NON-HARDENING GRADE . . . . .	56	-
FO10588	BODY CHANNEL CUP PLUG	17	24	FT2963-1	SEALANT - 2 OZ. LOCTITE D, HARDENING GRADE . . .	56	-
FO11103	IDLE MIXTURE SCREW SPRING . . . . .	17	14	FT2987-1	LUBRICANT - ANTI-SEIZE . .	56	-
FO12947	MAIN FUEL JET STD. .096 SEA LEVEL - 1500 FT. . . .	17	15	FT2990	PISTON PIN TOOL . . . . .	53	-
FO13193	MAIN FUEL JET OPT. .088 6000 FT. AND UP. . . . .	17	-	FT2996	RING COMPRESSOR . . . . .	53	-
FO13554	FLOAT . . . . .	19	48	FT3012	SEAL INSTALLER . . . . .	54	-
FO13944	FLOAT LEVER PIN . . . . .	19	49	FT7848	TORQUING ADAPTER . . . . .	54	-
FO14166	IDLE MIXTURE SCREW . . . .	17	13	FT8901	INDICATOR HOLDER . . . . .	54	-
FO14190	MAIN FUEL JET OPT. .092 3000 - 4500 FT. . . . .	17	-	FT8902	DIAL INDICATOR . . . . .	54	-
FO14191	MAIN FUEL JET OPT. .0937 1500 - 3000 FT. . . . .	17	-	FT8903	SEAL INSTALLER . . . . .	53	-
FO15406	MAIN FUEL JET OPT. .090 4500 - 6000 FT. . . . .	17	-	FT8907	DRIVE HANDLE . . . . .	53	-
FO15623	FUEL BOWL GASKET . . . . .	19	46	FT8907	DRIVER HANDLE . . . . .	54	-
FO15912	CHOKE AND THROTTLE SHUTTER SCREW . . . . .	17	9	FT8914	SEAL REMOVER . . . . .	53	-
FO16128	BODY CHANNEL WELCH PLUG . . . . .	17	25	FT8918	BEARING GUIDE SET . . . . .	54	-
FO16130	FUEL BOWL . . . . .	19	51	FT8919	SPRING PIN PUNCH . . . . .	54	-
FO16132	FUEL BOWL RETAINING SCREW . . . . .	17	11	FT8925	SEAL INSTALLER . . . . .	53	-
FO16133	MAIN NOZZLE . . . . .	19	50	FT8925	SEAL INSTALLER . . . . .	54	-
FO16142	THROTTLE SHUTTER . . . . .	17	26	FT8926	RING EXPANDER . . . . .	53	-
FO16143	THROTTLE SHAFT RETURN SPRING . . . . .	17	22	FT8927	SEAL PROTECTOR . . . . .	53	-
FO16301	CHOKE SHAFT AND LEVER	19	44	FT8933	LIFTING HOOK . . . . .	53	-
FO16620	"E" RING . . . . .	17	29	FT8935	SEALANT PRIMER - 6 OZ. . .	56	-
				FT8936	SEALANT - 2 CC LOCTITE RETAINING COMPOUND #75 . . . . .	56	-
				FT8948-1	PULLER . . . . .	52	-
				FT8948-1	PULLER . . . . .	54	-
				FT8950	LEAKAGE TESTER . . . . .	55	-
				FT8953	IGNITION TESTER . . . . .	55	-

# PARTS INDEX

Part Number	Description	Pg.	Ref. No.	Part Number	Description	Pg.	Ref. No.
FT8955	SEALANT - 5 OZ. EC-750						
	INDUSTRIAL SEALANT . . .	56	-				
FT8957	SEAL INSTALLER . . . . .	54	-				
FT8969	LUBRICANT - 7 OZ. 2 PSI						
	LUBRICANT . . . . .	56	-				
FT8978	POWER TIMING LIGHT . . . .	52	-				
FT8985	SEAL INSTALLER . . . . .	54	-				
FT8993	SEALANT - 3 OZ. RTV						
	SEALANT FROM IN PLACE						
	GASKETS . . . . .	56	-				
FT8997	SHIMMING TOOL . . . . .	54	-				
FTA2937-1	TIMING TOOL . . . . .	52	-				
FTA8994	PISTON PIN TOOL . . . . .	53	-				
FTK8999	TEST WHEEL . . . . .	55	-				
OB3061	LITERATURE (NOT SHOWN)						
	INSTALLATION						
	ILLUSTRATIONS . . . . .	51	-				
SA475015	PISTON .010 OVERSIZE . . .	33	-				
T11211	BOAT WHITE . . . . .	57	-				
T11212	BOAT BLACK . . . . .	57	-				
T11230	ORANGE . . . . .	57	-				
T11233	MEDIUM METALIC SILVER . .	57	-				
T11236	METALIC SILVER . . . . .	57	-				
22-818103--1	ELBOW, CYLINDER DRAIN						
	LOWER . . . . .	27	44				
31-817785A2	CRANKSHAFT BEARING						
	CAGE W/SEAL . . . . .	33	18				
32-817738A1	FUEL LINE LONG W/CLAMP						
	AND FERRULE . . . . .	47	10				
33-97180	SPARK PLUG (CHAMPION						
	L20V) - USA . . . . .	27	77				
37-819450	DECAL, REVERSE LOCK -						
	CANADA . . . . .	39	-				
39-817820A1	PISTON RING SET FOR 2						
	PISTONS - STANDARD . .	33	1				
39-818122A1	PISTON RING SET FOR 2						
	PISTONS .030 OVERSIZE	33	-				
46-817853A1	WATER PUMP . . . . .	45	-				
46-817853A1	WATER PUMP BODY						
	W/DRIVESHAFT SEAL,						
	DISC AND WATERLINE						
	SEAL . . . . .	43	59				
84-817775A1	COIL WIRE W/TERMINAL						
	CLIP - USA . . . . .	13	29				
87-817778A1	THERMOSWITCH . . . . .	29	98				
300-817855A1	UNIT W/DECAL . . . . .	9	45				
600-818052A4	CONNECTING ROD W/CAP						
	AND SCREWS . . . . .	33	6				
1400-817958A6	STERN BRACKET . . . . .	35	23				