



PARTS CATALOG

9.9 HP SAILOR

SERIAL NUMBER

9.9 (1981)	95B1G
9.9 (1981)	95H1G

TABLE OF CONTENTS:

ACCESSORIES	37
ELECTRIC STARTER	8
ELECTRICAL COMPONENTS	10
ENGINE COVER AND SUPPORT PLATE	2
FUEL PUMP	6
FUEL SYSTEM	14
FUEL TANK AND LINE	30
GEAR HOUSING	26
MOTOR LEG	22
PARTS INDEX	38
POWER HEAD	18
SPECIAL TOOLS - LOWER UNIT	34
SPECIAL TOOLS - LUBRICANTS AND SEALANTS	36
SPECIAL TOOLS - POWER HEAD	33
SPECIAL TOOLS - TEST EQUIPMENT	35
SPECIAL TOOLS - TUNE-UP	32

NOTE: Indented description indicate that these parts are included in preceeding assembly.

AR = As Required

NSS = Not Sold Separate

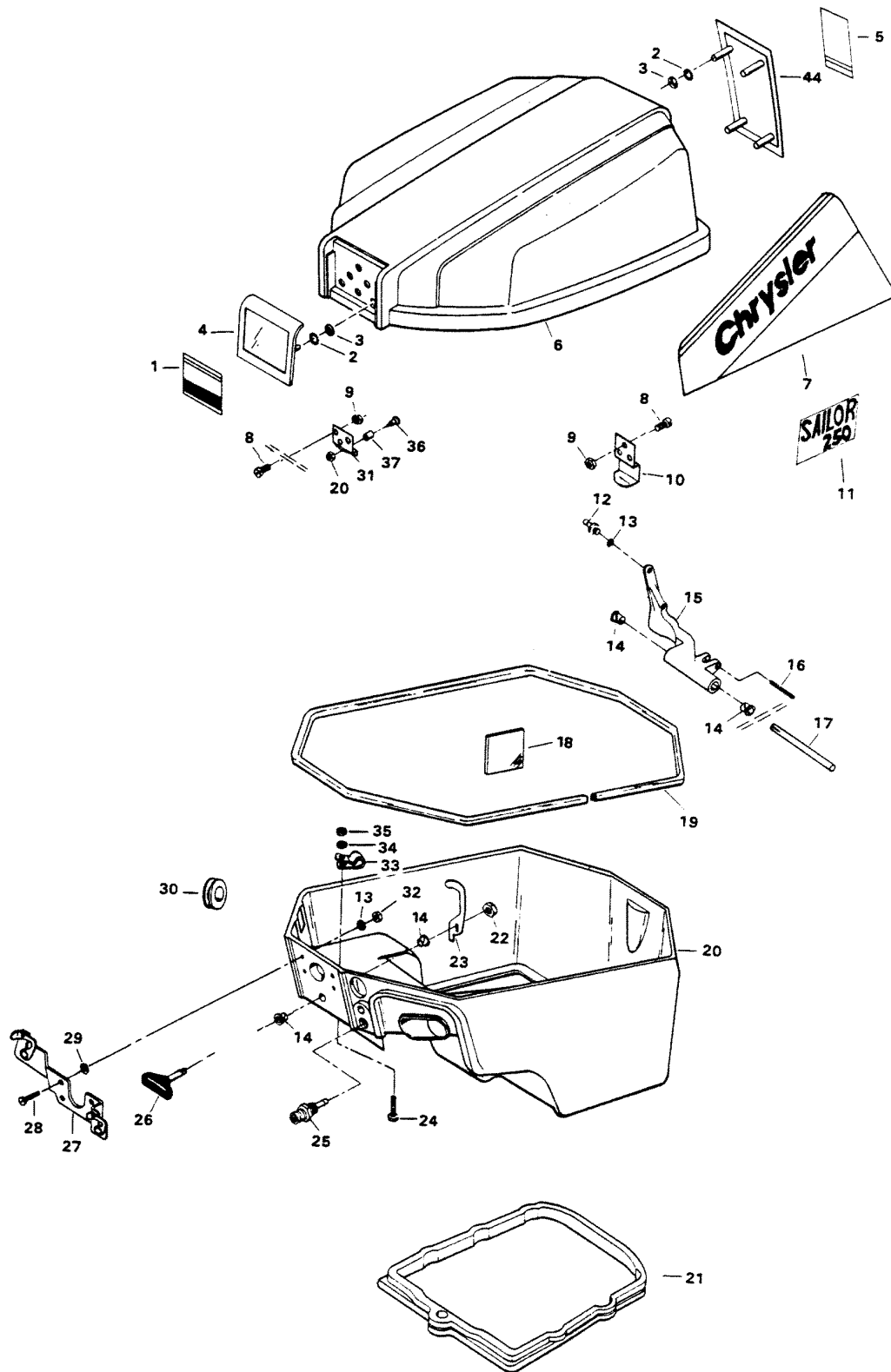
OPT = Optional

NS = Not Shown

THESE PARTS BOOKS/FICHE CARD ARE COPYRIGHTED AND MAY NOT BE DISTRIBUTED OR REPRODUCED IN ANY OTHER FORMAT BY ANYONE OTHER THAN MERCURY MARINE WITHOUT THE PRIOR WRITTEN CONSENT OF MERCURY MARINE.

THIS PAGE INTENTIONALLY LEFT BLANK

ENGINE COVER AND SUPPORT PLATE

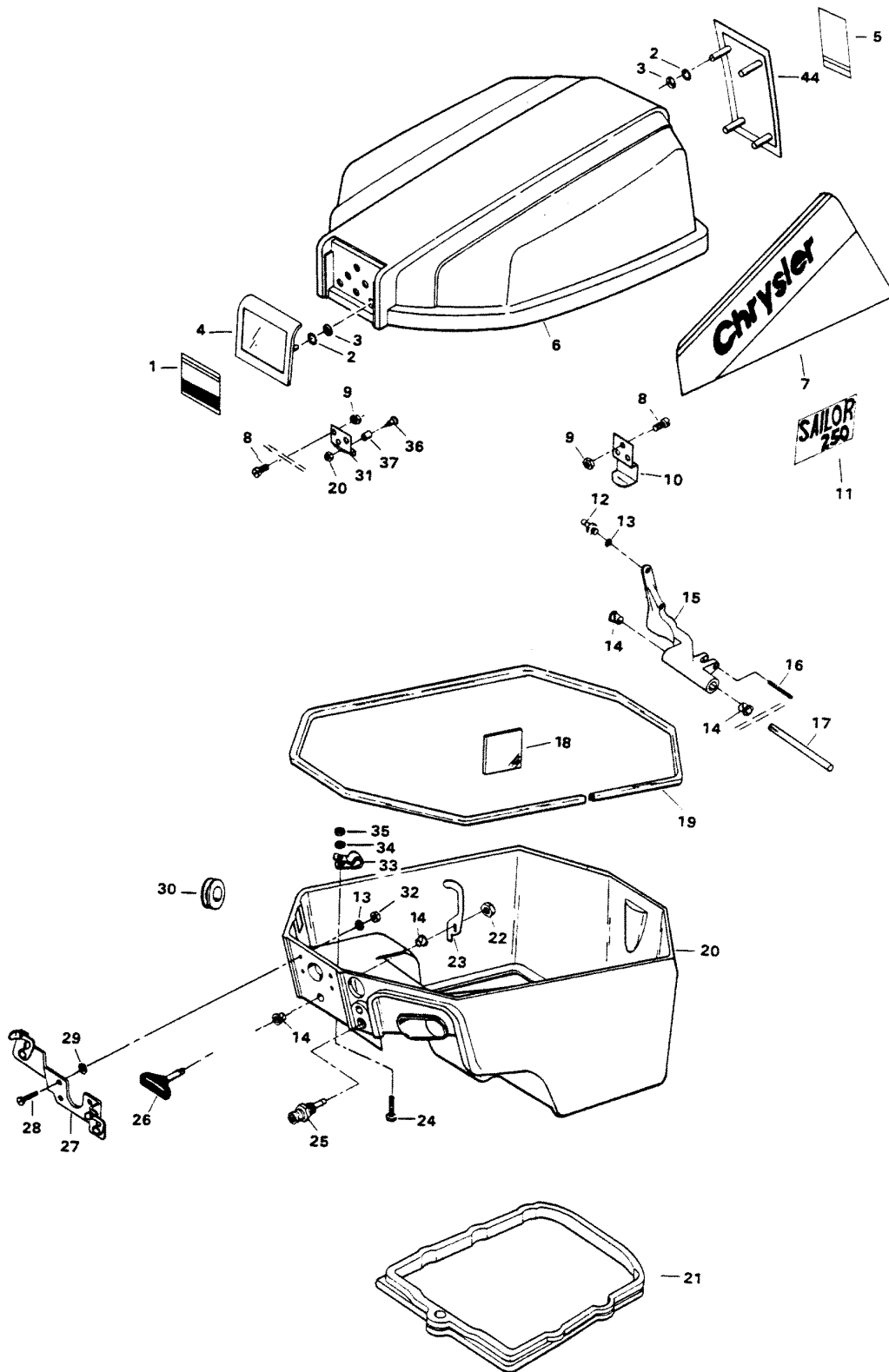


ENGINE COVER AND SUPPORT PLATE

REF. NO.	PART NO.	SYM.	QTY.	DESCRIPTION
1	FA610892		1	DECAL, ENGINE COVER, FRONT W/LITERATURE
2	F85735-1		3	SEAL
3	F1753		3	FASTENER
4	F610711		1	PLATE, ENGINE COVER
6	FS541712		1	COVER, ENGINE W/ILLUS. 9, 10, 11, 20, 40, 41 AND 42 THIS ENG. COVER IS USED IF YOUR COVER HAS ILLUS. 43 AND 44
-	2C610712		1	COVER, ENGINE - COMPLETE. INCLUDES ALL ITEMS MARKED WITH AN ASTERISK (*) THIS ENGINE COVER HAS TRIM PLATE REAR HOLES AND USES 286480 RETAINER. ORDER NUMERAL SEPARATE
-	100-FS666712T		1	COVER, ENGINE W/ILLUS. 9, 10, 11, 20, 40, 41 AND 42 THIS ENGINE COVER IS USED IF YOUR COVER HAS NO REAR TRIM PLATE. ORIGINAL FORCE P/N S 541712-1
-	2C610712		1	COVER, ENGINE COMPLETE. INCLUDES ITEMS MARKED WITH AN ASTERISK (*) THIS ENGINE COVER HAS NO TRIM REAR AND USES 610480 RETAINER. ORDER NUMERAL SEPARATE
7	FA610397		1	DECAL, "CHRYSLER", PORT W/LITERATURE
-	FA610396		1	DECAL, "CHRYSLER", STARBOARD W/LITERATURE
8	FA343612		1	BRACKET, REMOTE CONTROL W/CLIP
9	FA286480		1	RETAINER, ENGINE COVER. INCLUDES ILLUS. 10 AND 11. (USED WITH S541712 ONLY)
-	FA610480		1	RETAINER, ENGINE COVER. INCLUDES ILLUS 10 AND 11. (USED WITH S541712-1 ONLY)
10	F1979		6	SCREW PAN HD., 10 - 24 X 1/2
11	F7011		7	NUT, ELASTIC STOP, 10 - 24
12	F98273		1	STUD, GEAR SHIFT ROD CONNECTOR
13	F8058		1	LOCKWASHER, INTERNAL TOOTH
14	F307818		4	BEARING
15	F286876		1	LEVER, GEAR SHIFT
16	F8542		1	SPRING PIN
17	F286871		1	PIN, GEAR SHIFT LEVER
18	F392756		1	PACKING, SUPPORT PLATE
19	F540038		1	PLATE, SUPPORT
21	F1971		1	HEX CAP SC. 1/4 - 20 X 2-1/8
22	F286989-2		1	SEAL, SUPPORT PLATE
23	F404446		1	CLAMP, CABLE
24	F197767-1		1	BUSHING, FUEL LINE
25	F2012		1	PLAIN WASHER
26	FA286469		1	KNOB, COVER LATCH
27	F1341		1	HEX NUT 1/4 - 20
28	F8011		4	PLAIN WASHER
29	F286777		1	CAM, COVER LATCH
30	F7006		1	NUT, STOP, 5/16 - 18
31	F1733		1	PAN HD M.S. 10 - 24 X 9/16

CONTINUED ON NEXT PAGE ➡

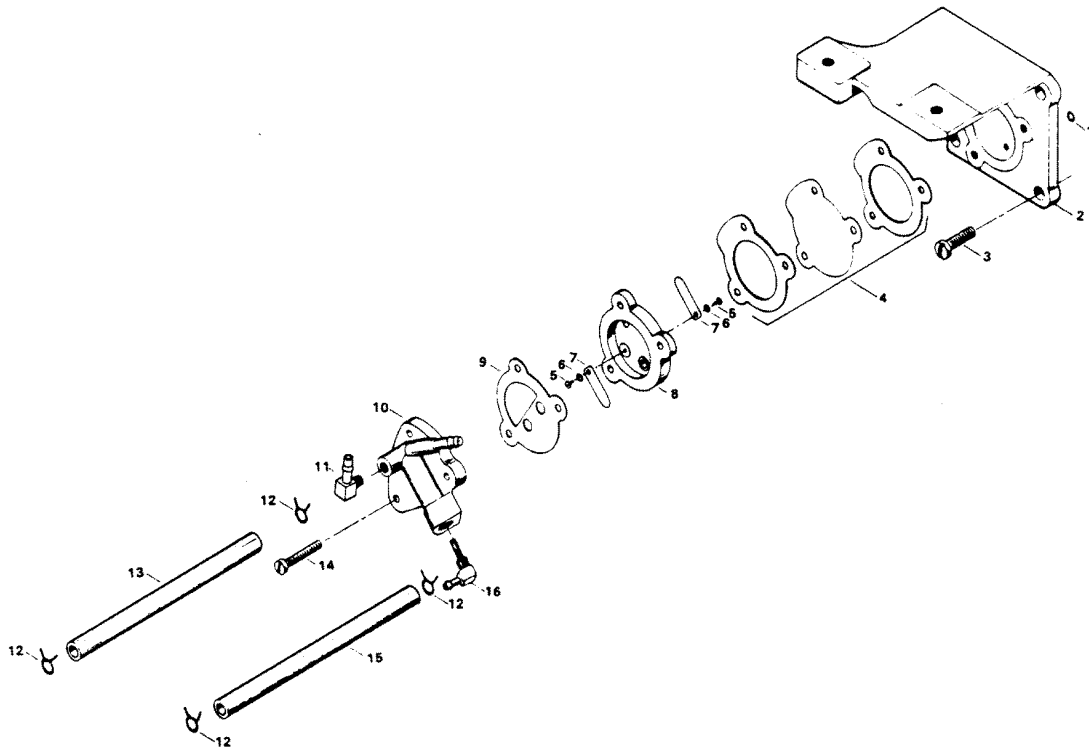
ENGINE COVER AND SUPPORT PLATE



ENGINE COVER AND SUPPORT PLATE

REF. NO.	PART NO.	SYM.	QTY.	DESCRIPTION
34	F1473		4	HEX NUT 10 - 24
40	F269316		1	SHAFT, ROLLER
41	F92759		1	ROLLER
42	817758A1		1	BRACKET, COVER LATCH. INCLUDES ILLUS. 11, 40 AND 41. ORIGINAL FORCE P/N A 286774-1
44	F540180		1	TRIM, ENGINE COVER REAR (THIS TRIM IS USED WITH S541712 AND FIRST VERSION 2C610712 COVERS ONLY)
47	F94840		1	GROMMET, BATTERY CABLE
48	F510661		1	PAD, STARTER MOTOR
49	FA540392		1	DECAL, SAILOR PORT W/LITERATURE
-	FA540391		1	DECAL, SAILOR STARBOARD W/LITERATURE

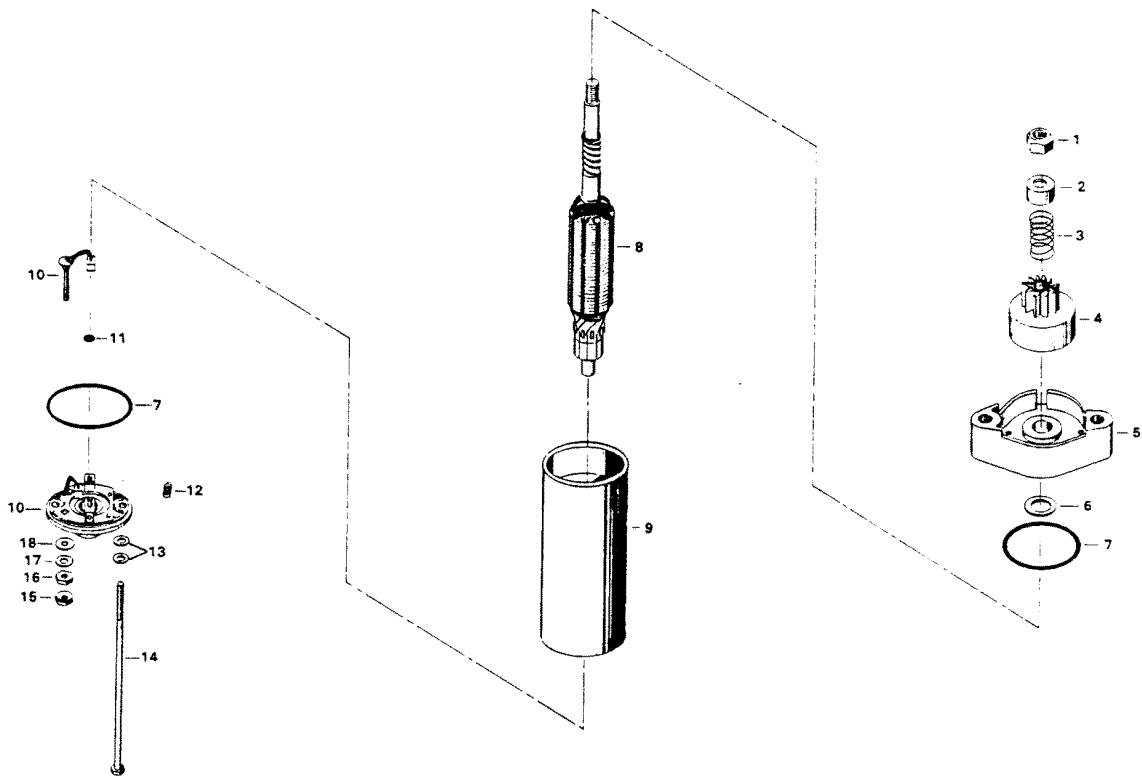
FUEL PUMP



FUEL PUMP

REF. NO.	PART NO.	SYM.	QTY.	DESCRIPTION
1	F455118		1	SEAL, FUEL PUMP BRACKET
2	F510427		1	BRACKET, STARTER SUPPORT
3	F1577		4	FILL HD SCREW, 1/4 - 20 X 3/4
4	27-818043A1		1	FUEL PUMP DIAPHRAGM W/GASKETS
5	F1286		2	PAN HD SCREW, 4 - 40 X 3/16
6	F8003		2	PLAIN WASHER
7	F18160-2		2	REED, FUEL PUMP
8	F2A24757		1	FUEL PUMP REED PLATE W/ILLUS. 5, 6 AND 7
9	F24748-2		1	GASKET, FUEL PUMP
10	F510746		1	FUEL PUMP COVER
11	22-818103--1		1	FITTING, FUEL PUMP
12	F2706772		4	HOSE CLAMP
13	F2771254		1	HOSE, FUEL PUMP TO CARBURETOR
14	F1069		3	FILL HD SCREW, 10 - 24 X 1 1/16
15	F2752253		1	HOSE, FUEL PUMP TO BUSHING
16	F510811		1	FILTER, FUEL PUMP

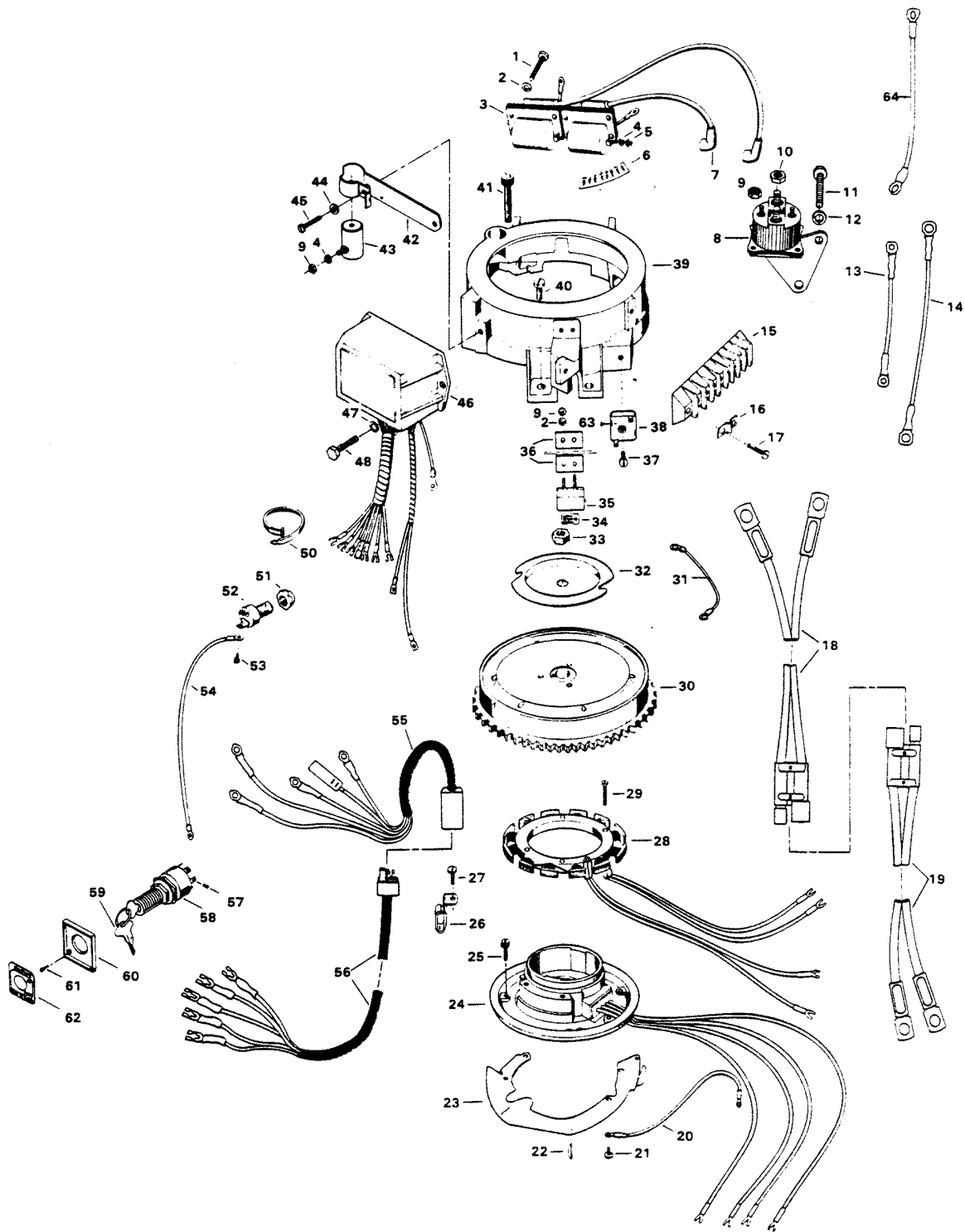
ELECTRIC STARTER



ELECTRIC STARTER

REF. NO.	PART NO.	SYM.	QTY.	DESCRIPTION
1	F15142		1	STOP NUT
2	F15141		1	PINION STOP
3	F15140		1	SPRING
4	F15139		1	PINION ASSEMBLY
5	F15135		1	CAP ASSEMBLY, DRIVE END
6	F15137		1	WASHER
7	F15145		2	GASKET
8	F15134		1	ARMATURE
9	F15136		1	HOUSING ASSEMBLY
10	F15127		1	CAP ASSEMBLY, COMMUTATOR END. INCLUDES ITEMS 15, 16, 17 AND 18
11	F15143		1	DISC
12	F15138		2	SPRING, BRUSH
13	F15146		4	WASHER
14	F15144		2	SCREW, THRU BOLT
15	F15129		1	NUT W/LOCKWASHER
16	F15130		1	NUT
17	F15133		1	WASHER
18	F15132		1	WASHER, FIBER
-	F510955		1	STARTER MOTOR - COMPLETE. INCLUDES ALL ITEMS MARKED WITH AN ASTERISK (*)
-	FC520390		1	DECAL, STARTER - CANADA (NOT SHOWN)

ELECTRICAL COMPONENTS

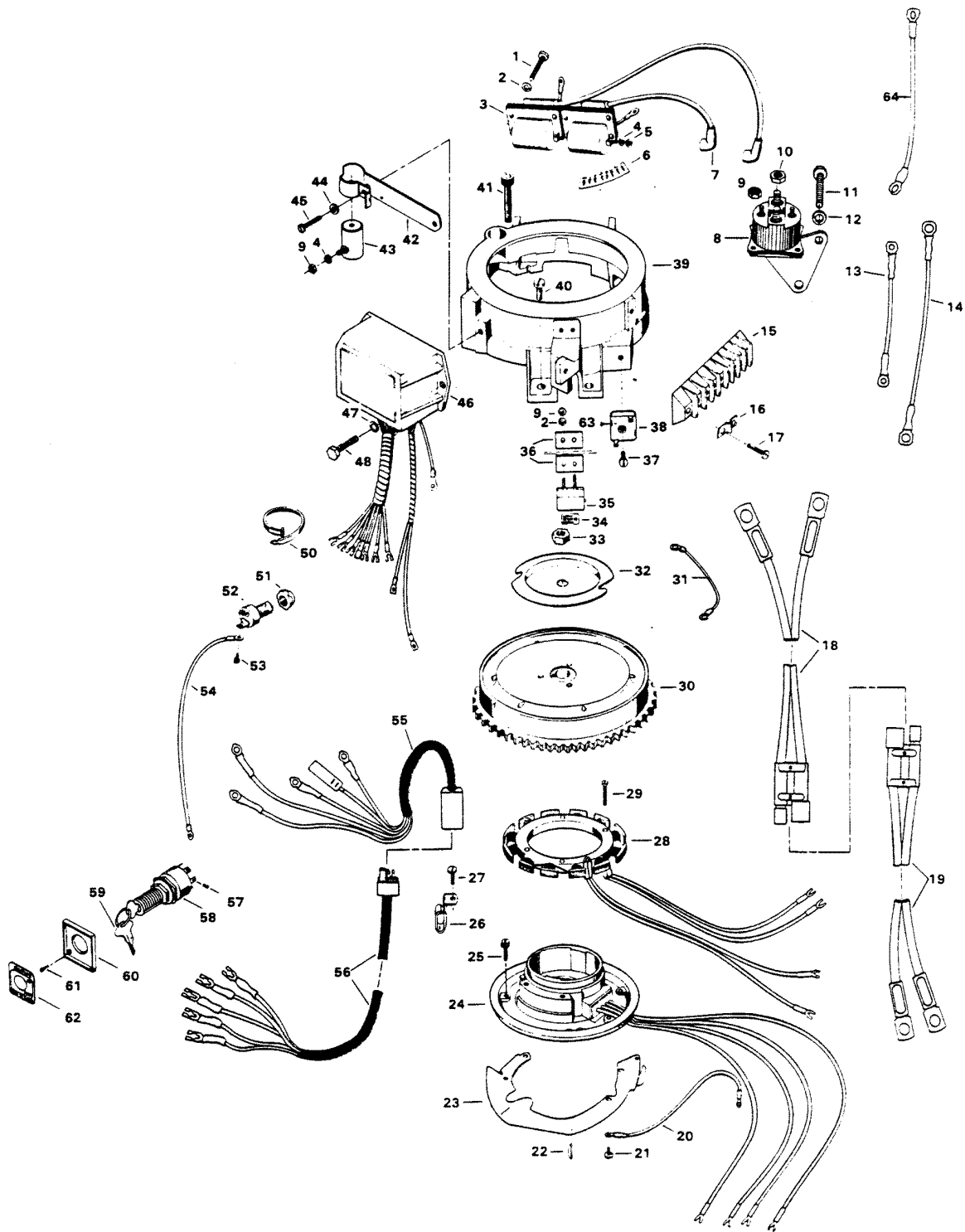


ELECTRICAL COMPONENTS

REF. NO.	PART NO.	SYM.	QTY.	DESCRIPTION
1	F1829		8	FILL HD M. SCREW, 10 - 24 X 7/8
2	F1975		12	SPRING LOCKWASHER
3	F510475		2	IGNITION COIL
4	F1704		2	INTERNAL TOOTH LOCKWASHER
5	F1337		2	HEX NUT, 6 - 32
6	F510398		1	DECAL, WIRING
-	FC510398		1	DECAL, WIRING - CANADA
7	FK750-2		2	SPARKIE W/SPRING
8	F517917		1	RELAY STARTER
9	F1513		5	HEX NUT, 10 - 32
10	F1515		2	HEX NUT 5/16 - 18
11	F2050		2	HEX CAP SC. 1/4 - 20 X 1-1/2
12	F8096		2	SPRING LOCKWASHER
13	F540683		1	WIRE STARTER TO STARTER RELAY
14	F321908		1	WIRE, GROUND STARTER RELAY
15	FA510497		1	TERMINAL BLOCK W/ILLUS. 17 ORIGINAL FORCE P/N K 289497-2
16	F307317		1	CLIP, TERMINAL BLOCK GROUND
17	F1648		2	PAN HD SCREW, 10 - 24 X 3/4
18	F540896		1	BATTERY CABLE
19	F539896		1	CABLE, BATTERY EXTENSION
20	F404908		1	GROUND WIRE
21	F1075		4	FILL HD SCREW, 10 - 24 X 1/2
22	F458498		1	KEY, FLYWHEEL
23	F286192		1	THROTTLE CAM
24	F510029		1	STATOR, TRIGGER
25	F1090		4	FILL HD SCREW W/SPRING LOCKWASHER, 10 - 24 X 9/16
26	F510446		1	CLAMP, BATTERY CABLE
27	F1437		1	FILL HD SCREW, 1/4 - 20 X 1/2
28	F510095		1	STATOR, ALTERNATOR
29	F1087		4	FILL HD SCREW, 10 - 24 X 7/8
30	F510097		1	FLYWHEEL
31	F510683		1	WIRE, RECTIFIER - CIRCUIT BREAKER
32	F901456-1		1	EMERGENCY STARTER COLLAR
33	F1809		1	HEX NUT
34	F510374		1	DECAL, CIRCUIT BREAKER
-	FC510374		1	DECAL, CIRCUIT BREAKER - CANADA
35	F510460		1	CIRCUIT BREAKER
36	F510595		2	INSULATOR, CIRCUIT BREAKER
37	F1303		1	SLOTTED PAN HD M. SCREW, 8/32 X 3/4
38	F510450-1		1	RECTIFIER
39	F510675-1		1	STARTER SUPPORT
40	F1577		4	FILL HD SCREW, 1/4 - 20 X 3/4

CONTINUED ON NEXT PAGE ➡

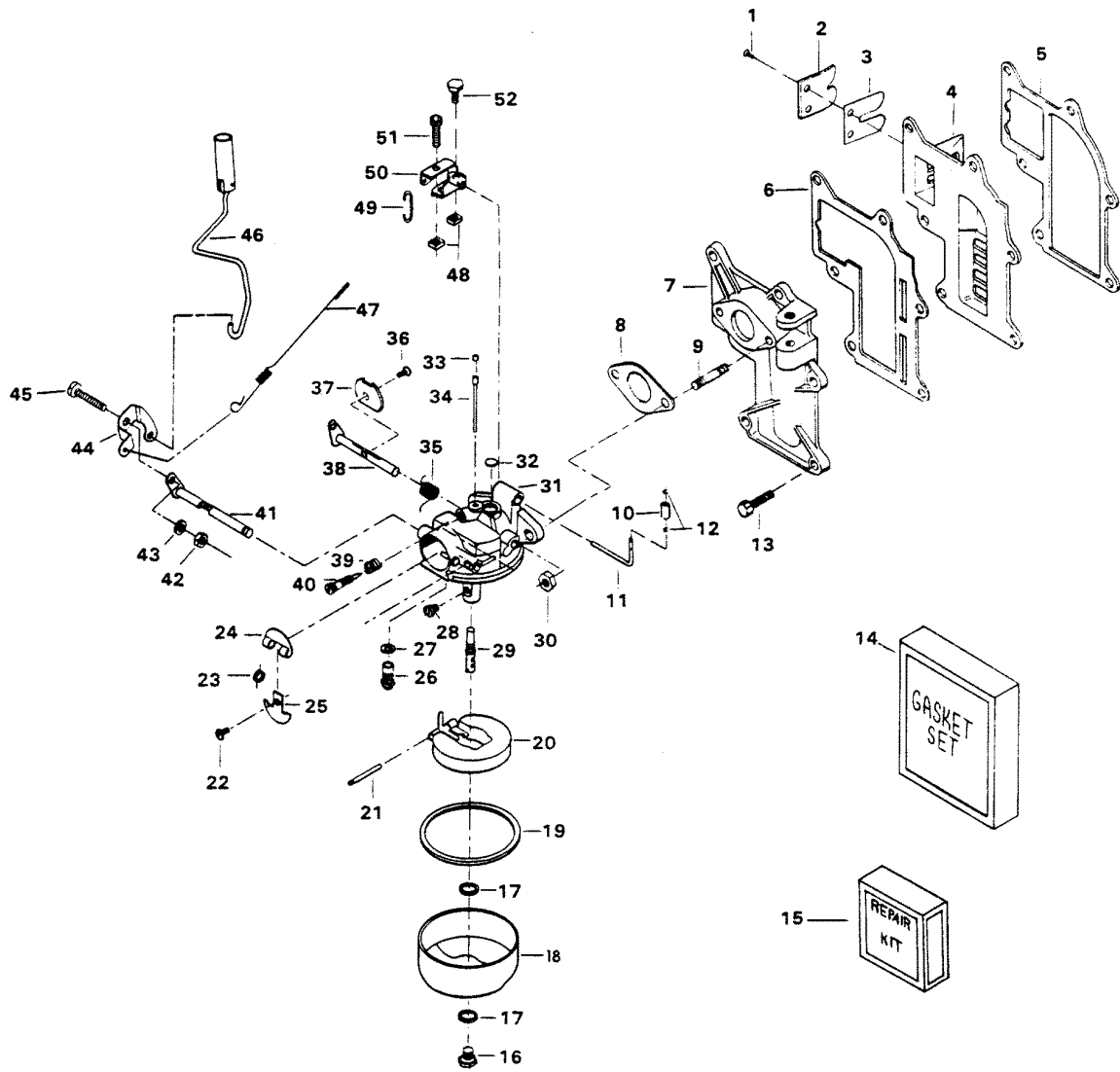
ELECTRICAL COMPONENTS



ELECTRICAL COMPONENTS

REF. NO.	PART NO.	SYM.	QTY.	DESCRIPTION
41	F1646		2	HEX SOCKET HD CAP SCREW, 3/8 - 16 X 2 1/4
42	F517317		1	CLAMP CHOKE SOLENOID
43	F517924		1	CHOKE SOLENOID
44	F2012		1	PLAIN WASHER
45	F1112		1	SLOTTED FILL HD. M. S. 1/4 - 20 X 7/8
46	F510301		1	C-D MODULE
47	F8083		1	SPRING LOCKWASHER
48	F2008		2	HEX CAP SCREW, 1/4 - 20 X 7/8
49	F517683		1	WIRE, STARTER INT. SW. TO STARTER RELAY
50	F1845		5	TY-RAP
51	F510669		1	NUT
52	F510449		1	NEUTRAL INTERLOCK SWITCH
53	F1556		2	FILL HD M. SCREW W/SPRING LOCKWASHER, 10 - 24 X 3/8
54	F510841		2	WIRE, STARTER INTERLOCK SWITCH
55	F540843		1	CABLE, ELECTRIC REMOTE
56	F539843		1	CABLE ELECTRIC REMOTE EXTENSION
57	F1280		5	PAN HD SCREW, 8 - 32 X 1/4
58	F5H078		1	IGNITION SWITCH (ACCESSORY ITEM)
59	FA368700		1	IGNITION - NO LETTER OR STAMPED A
-	FB368700		1	IGNITION KEY STAMPED B
-	FC368700		1	IGNITION KEY STAMPED C
-	FD368700		1	IGNITION KEY STAMPED D
-	FE368700		1	IGNITION KEY STAMPED E
60	F411420		1	RETAINER, SWITCH PLATE
61	F1934		4	FLAT HD SLOTTED SCREW
62	F412181-1		1	PLATE, IGNITION U.S.A.
-	817892--1		1	PLATE, IGNITION CANADA
63	F1645		4	RD HD THREAD CUTTING SCREW, 6 - 32 X 1/4
64	F540908		1	WIRE, GROUND RECTIFIER TO TERM. & LOCK

FUEL SYSTEM

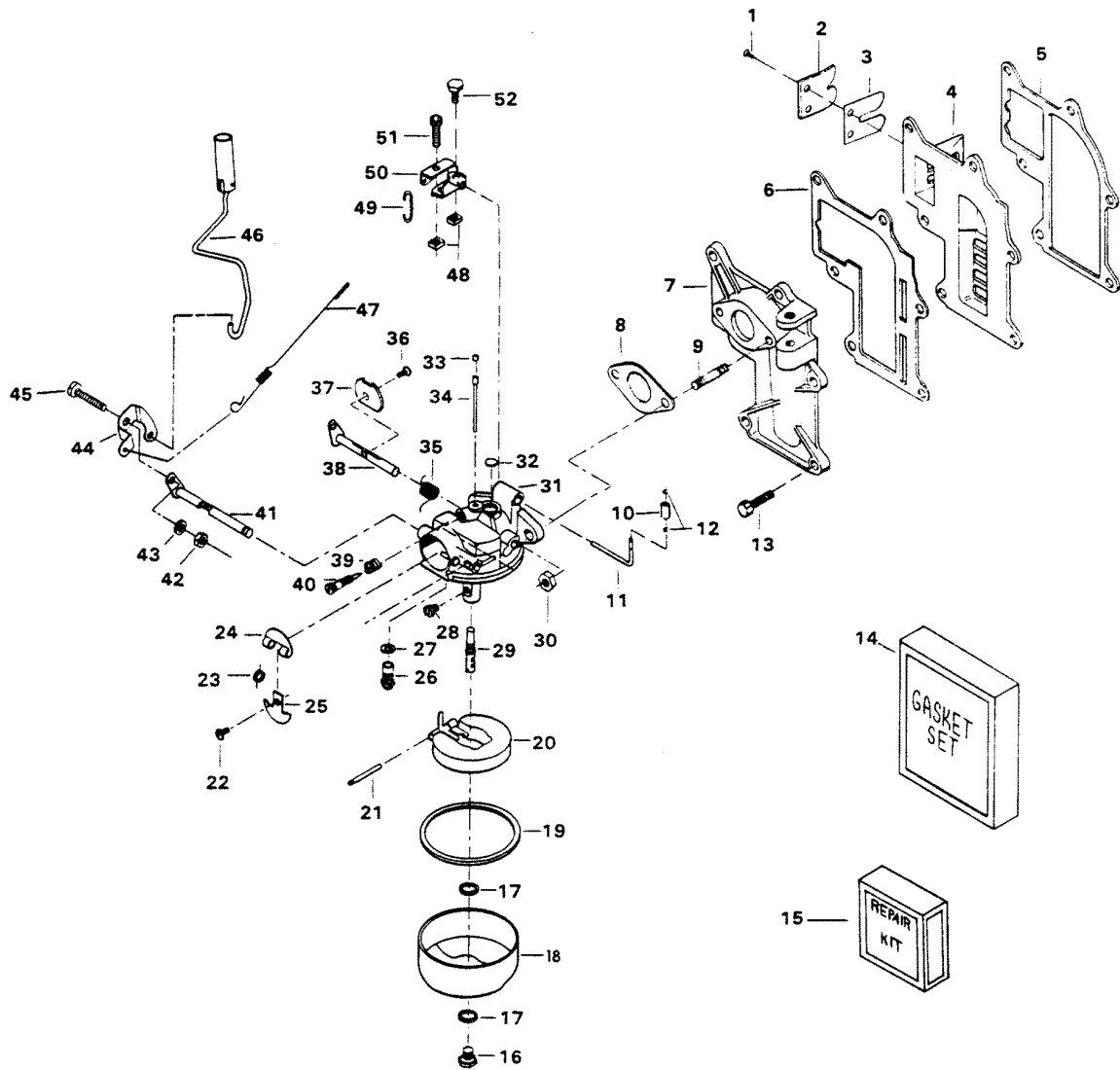


FUEL SYSTEM

REF. NO.	PART NO.	SYM.	QTY.	DESCRIPTION
1	F1755		8	RD HD SCREW W/LOCKWASHER, 6 - 32 X 5/16
2	F424161		4	REED STOP
3	F31160-1		4	REED
4	FA424158		1	REED PLATE W/ILLUS. 1, 2 AND 3
5	F286159-1		1	GASKET, REED PLATE
6	F424168-1		1	GASKET, MANIFOLD
7	F2A424167		1	MANIFOLD W/ILLUS. 9
8	F18906		1	CARBURETOR GASKET
9	F2788004		2	STUD, CARBURETOR
10	F78318		1	ROLLER, THROTTLE CAM FOLLOWER
11	F286316		1	THROTTLE CAM FOLLOWER
12	F78410		2	RETAINER
13	F2008		4	HEX HD SCREW, 1/4 - 20 X 7/8
14	FK10006		1	GASKET SET, CARBURETOR. INCLUDES ALL ITEMS MARKED WITH A DOUBLE ASTERISK (**)
15	FK10108		1	REPAIR PARTS KIT, CARBURETOR. INCLUDES ALL ITEMS MARKED WITH AN ASTERISK (*)
16	FO13945		1	FUEL BOWL RETAINING SCREW
17	FO2510		2	FUEL BOWL RETAINING SCREW GASKET
18	FO15366		1	FUEL BOWL
19	FO15623		1	FUEL BOWL GASKET
20	FO13554		1	FLOAT
21	FO13944		1	FLOAT LEVER PIN
22	FO10280		1	CHOKE SHUTTER RETAINER SCREW AND LOCKWASHER
23	FO15783		1	CHOKE RELIEF VALVE SPRING
24	FO15368		1	CHOKE RELIEF VALVE
25	FO15367		1	CHOKE SHUTTER
26	FO10790		1	INLET NEEDLE, SEAT AND GASKET
27	FO10165		1	INLET SEAT GASKET
28	FO12101		1	JET MAIN FUEL JET STD. .045 SEA LEVEL - 3000 FT.
-	FO12284		-	MAIN FUEL JET OPT. .043 3000 FT. - 6000 FT.
-	FO12370		-	MAIN FUEL JET OPT. .041 6000 FT. & UP OPTIONAL SIZE MAIN FUEL ARE TO BE USED ONLY AT ALTITUDES INDICATED.
29	FO15525		1	MAIN NOZZLE
30	F1490		2	HEX NUT, 1/4 - 20
31	F477061		2	CARBURETOR COMPLETE (CO-11A)
32	FO2531		1	BODY CHANNEL WELCH PLUG
33	FO10588		1	BODY CHANNEL CUP PLUG
34	FO16027		2	BYPASS TUBE
35	FO15526		1	THROTTLE SHAFT RETURN SPRING
36	FO8942		1	THROTTLE SHUTTER RETAINING SCREW AND LOCKWASHER
37	FO16098		1	THROTTLE SHUTTER
38	FO15718		1	THROTTLE SHAFT AND LEVER

CONTINUED ON NEXT PAGE ➡

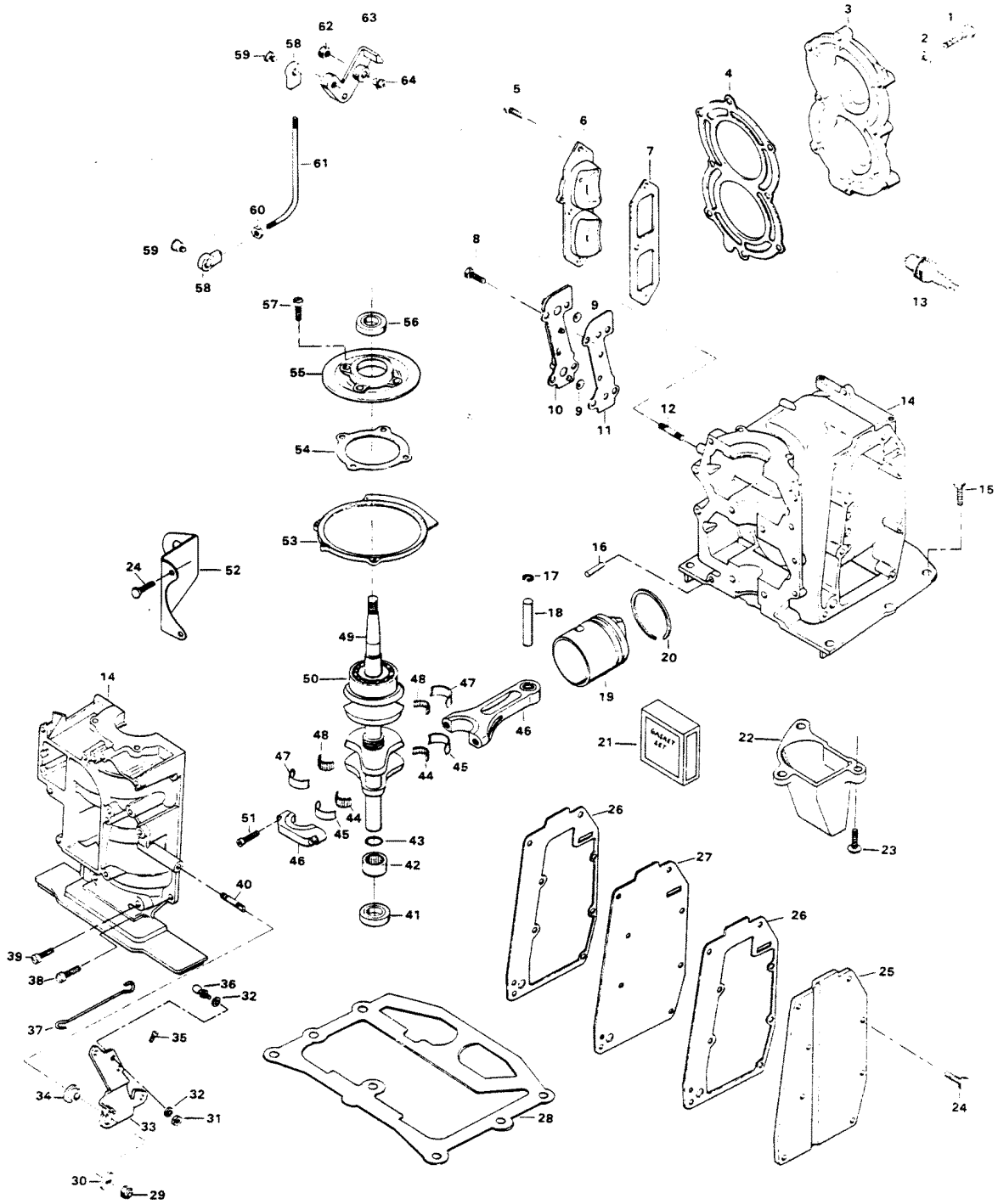
FUEL SYSTEM



FUEL SYSTEM

REF. NO.	PART NO.	SYM.	QTY.	DESCRIPTION
39	FO11103		1	IDLE MIXTURE SCREW SPRING
40	FO15520		1	IDLE MIXTURE SCREW
41	FO13231		1	CHOKE SHAFT AND LEVER
42	F1473		1	HEX NUT 10 - 24
43	F8058		1	TOOTH LOCKWASHER
44	F517502		1	LEVER, REMOTE CHOKE
45	F2041		1	SLOTTED HD. M. S. 10 - 24 X 3/8
46	FA517925		1	ROD, CHOKE SOLENOID
47	F517846		1	SPRING, REMOTE CHOKE
48	F1365		2	SQUARE NUT, 10 - 24
49	F66193		1	THROTTLE LINK
50	817754A1		1	ARM, CARBURETOR FOLLOWER
51	F1834		1	FILL HD SCREW, 10 - 24 X 7/8
52	F1912		1	HEX HD SCREW, 10 - 24 X 1/2

POWER HEAD

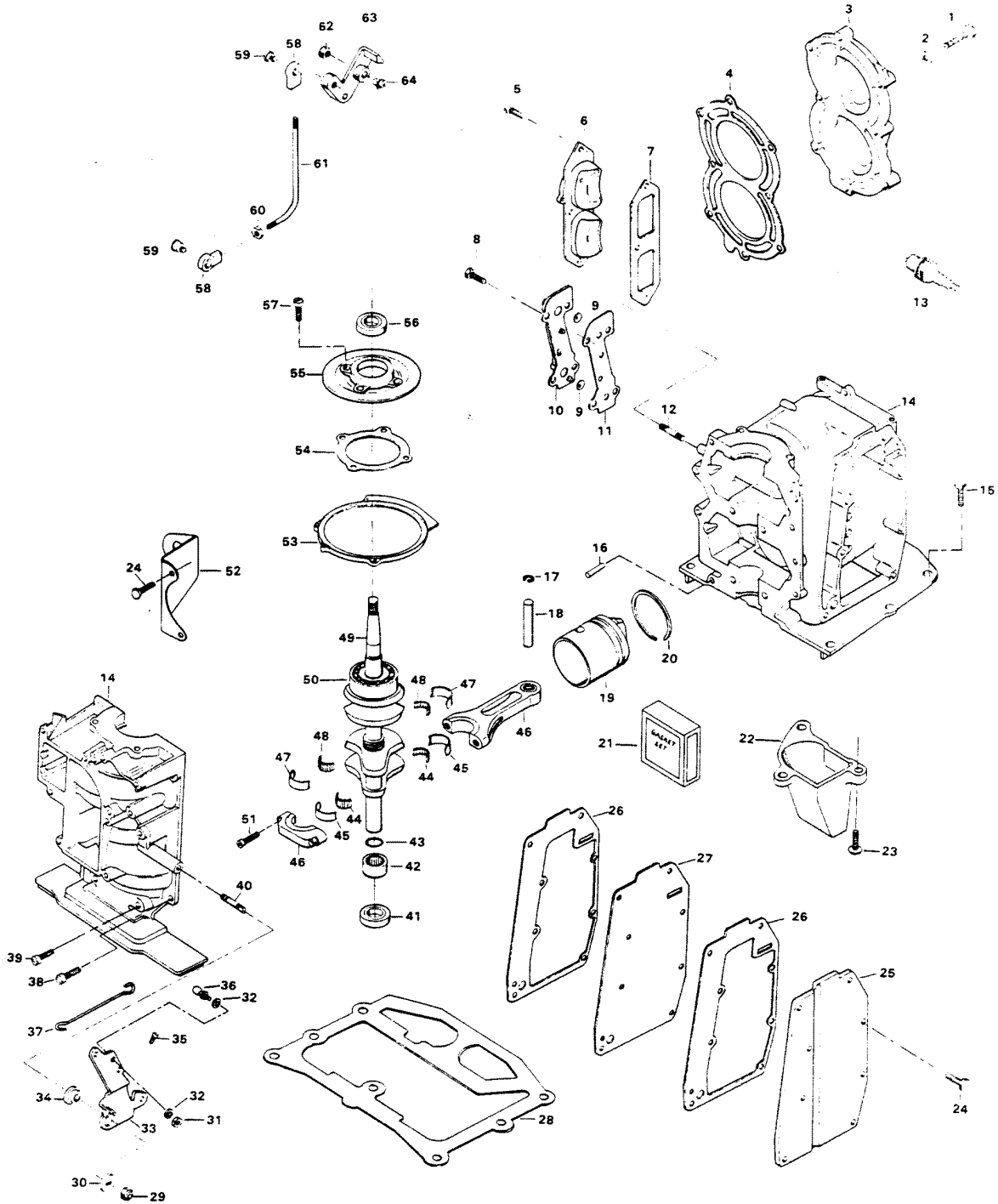


POWER HEAD

REF. NO.	PART NO.	SYM.	QTY.	DESCRIPTION
1	F901938-1		8	SCREW, CYLINDER HEAD
2	F8025		8	PLAIN WASHER
3	F492518		1	HEAD, CYLINDER
4	F286529-3		1	GASKET, CYLINDER HEAD
5	F510165		3	SCREW
6	F510222		1	COVER, TRANSFER PORT
7	F286223		1	GASKET, TRANSFER PORT COVER
8	F1922		4	HEX HD SCREW, 1/4 - 20 X 5/8
-	F1859		1	HEX SOCKET HEADLESS SET SCREW, 1/4 - 28 X 3/16 (TRANSFER PORT COVER)
9	F429811		2	SCREEN
10	FA429471		1	COVER, CYLINDER DRAIN W/CHECK VALVES AND ILLUS. 9
11	F429472		1	GASKET, CYLINDER DRAIN COVER
12	F28004		1	STUD, INTERLOCK LEVER
13	FS174227		2	PLUG, SPARK, L-4-J
-	FC503227		2	SPARK PLUG (QL-77J4) CANADA
14	FA510010		1	CYLINDER W/CRANKCASE COVER, ILLUS. 12, 16, 38, 39 AND 40
-	800-817904A1		1	SHORT BLOCK (NOT SHOWN). INCLUDES ALL ITEMS MARKED WITH AN ASTERISK (*) ORIGINAL FORCE P/N C 510010-1
15	F1823		6	HEX CAP SCREW, 5/16 - 18 X 1
16	F8559		2	DOWEL PIN
17	F31410		4	RETAINING RING, PISTON PIN
18	F174017		2	PIN, PISTON
19	F286015-3		2	PISTON
20	FA174260		2	PISTON RING SET (2 PER SET)
21	FG1005-1		1	GASKET SET. INCLUDES ITEMS LISTED BELOW.
-	F18906		1	CARBURETOR GASKET
-	F286154		2	GASKET EXHAUST COVER
-	F286159-1		1	GASKET, REED PLATE
-	F286223		1	GASKET, TRANSFER PORT COVER
-	F286277		1	GASKET, CRANKSHAFT BEARING CAGE
-	F286279-2		1	GASKET, CYLINDER MOUNTING
-	F286529-3		1	GASKET, CYLINDER HEAD
-	F424168-1		1	GASKET, MANIFOLD
-	F429472		1	GASKET, CYLINDER DRAIN COVER
22	F487660-1		1	EXHAUST TUBE
23	F2040		3	TAPTITE HEX WASHER HD SCREW, 1/4 - 20 X 5/8
24	F2008		10	HEX HD SCREW, 1/4 - 20 X 7/8
25	F286152		1	COVER, EXHAUST
26	F286154		2	GASKET, EXHAUST COVER
27	F286151		1	PLATE, EXHAUST
28	F286279-2		1	GASKET, CYLINDER MOUNTING

CONTINUED ON NEXT PAGE ➡

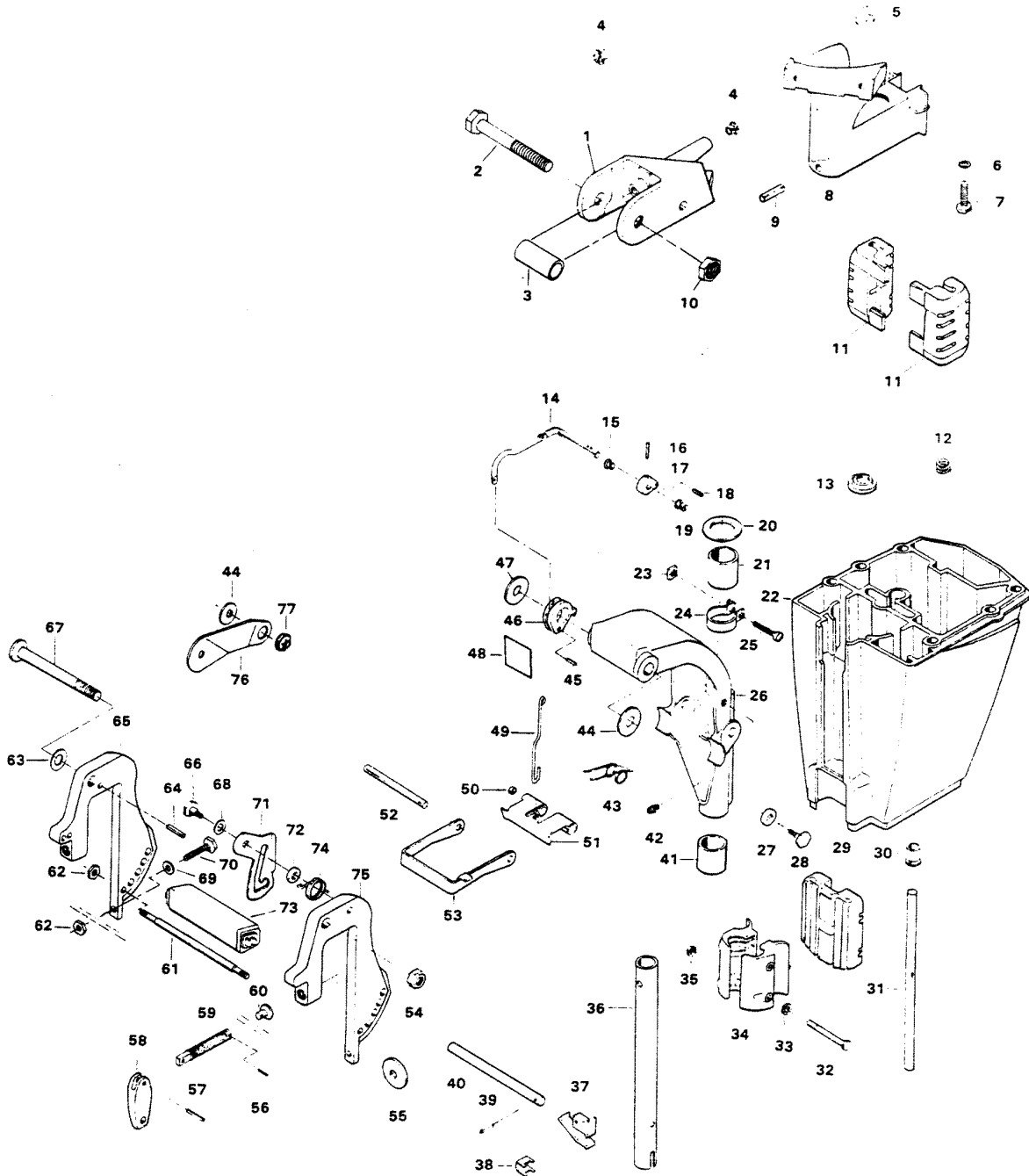
POWER HEAD



POWER HEAD

REF. NO.	PART NO.	SYM.	QTY.	DESCRIPTION
29	F1803		1	STOP NUT, 5/16 - 24
30	F286282		1	WASHER
31	F1513		1	HEX NUT 10 - 32
32	F8058		2	INTERNAL TOOTH LOCK WASHER
33	817971A3		1	LEVER, MAGNETO CONTROL ASSEMBLY
34	F183813		1	BEARING, MAGNETO CONTROL LEVER
35	F1504		1	FILL HD SCREW, 1/4 - 20 X 1 1/4
36	F98273		1	STUD, REMOTE THROTTLE CONNECTOR
37	F286509		1	LINK, THROTTLE CAM
38	F1107		8	FILL HD SCREW, 1/4 - 20 X 3/4
39	F1335		4	FILL HD SCREW, 5/16 - 18 X 1 1/4
40	F286440		1	STUD, MAGNETO CONTROL LEVER
41	F141118		1	SEAL, CRANKSHAFT LOWER
42	F343014		1	BEARING, CRANKSHAFT LOWER MAIN
43	F461342		1	SEAL, DRIVESHAFT SPLINE
44	FA525228		2	ROLLER SET, CONNECTING ROD (16 PER SET)
45	FA525241		2	CRANKPIN ROLLER BEARING CAGE
46	FA36016-4		2	ROD, CONNECTING WILLUS. 51
47	FA286155		1	MAIN BEARING LINER SET (2 PER SET)
48	F286571		1	ROLLER SET, MAIN BEARING (26 PER SET)
49	400-818047A3		1	CRANKSHAFT WILLUS. 50 ORIGINAL FORCE P/N 2A 286018-3
50	F286028		1	BEARING, CRANKSHAFT UPPER MAIN
51	F36634		4	SCREW, CONNECTING ROD
52	F510551		1	BRACKET, INTERLOCK SWITCH
53	F73082		1	RING, MAGNETO STATOR
54	F286277		1	GASKET, CRANKSHAFT BEARING CAGE
55	1100-817753A1		1	CAGE, CRANKSHAFT BEARING WILLUS. 56 ORIGINAL FORCE P/N A 286144-1
56	F346146		1	SEAL, CRANKSHAFT UPPER
57	F1111		4	FILL HD SCREW, 1/4 - 20 X 7/8
58	F84035-2		2	BEARING, INTERLOCK ROD
59	F84026		2	SWIVEL, INTERLOCK ROD BEARING
60	F1339		1	HEX NUT, 10 - 24
61	F510531		1	ROD, INTERLOCK
62	F197813		1	BEARING, INTERLOCK LEVER
63	F517977-1		1	LEVER, INTERLOCK
64	F7008		1	STOP NUT, 1/4 - 20

MOTOR LEG

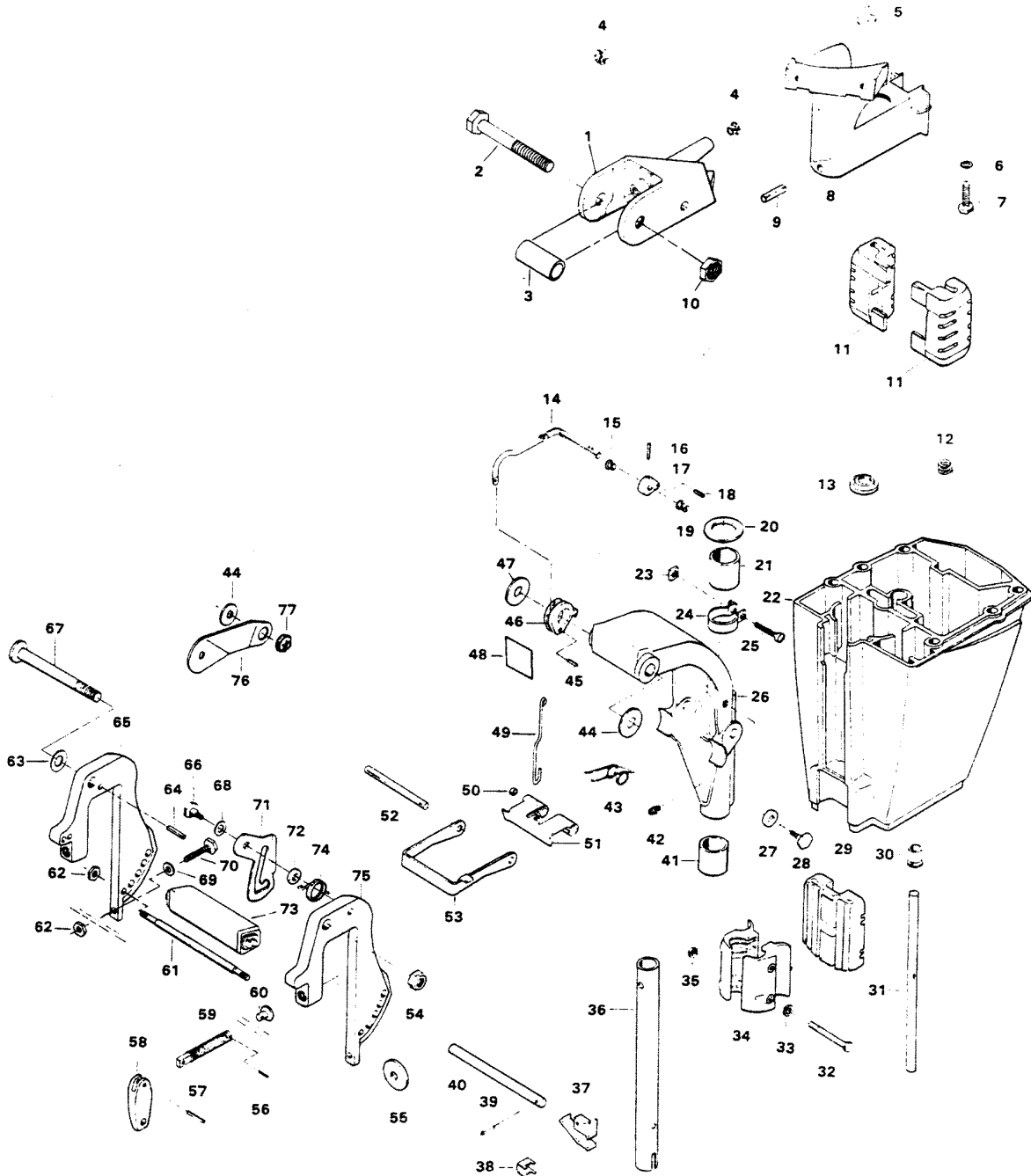


MOTOR LEG

REF. NO.	PART NO.	SYM.	QTY.	DESCRIPTION
1	817751A3		1	STEERING HANDLE BRACKET W/ILLUS. 42 ORIGINAL FORCE P/N A 286078-2
2	F517552		1	SCREW, STEERING HDL. BRKT.
3	F516451		1	SPACER, STEERING HDL. BRKT.
4	F307818		2	BEARING
5	F286539		1	BUMPER
6	F8060		2	EXTERNAL TOOTH LOCKWASHER
7	F1857		2	HEX CAP SCREW, 5/16 - 18 X 5/8
8	FA286582		1	STEERING ARM W/ILLUS. 5 AND 9
9	F1805		1	SPRING PIN
10	F7025		1	LOCK NUT 3/8 - 16
11	F517347		2	SHOCK MOUNT UPPER
12	F286414		1	SPRING, LEG WATER BRACKET
13	F901307-2		1	SEAL, WATER LINE UPPER
14	FA387742		1	LEVER, REVERSE LOCK INTERMEDIATE ASSEMBLY
15	F536813		1	BEARING
16	F8538		1	SPRING PIN
17	F286364		1	LEVER, REVERSE LOCK
18	F1794		1	SPRING PIN
19	F197813		2	BEARING
20	F286011		1	WASHER, SWIVEL BRACKET
21	F286169		1	BEARING, SWIVEL BRACKET
22	F2A477133		1	MOTOR LEG W/ITEMS 13, 24 & 26
23	F1608		1	SQUARE NUT, 1/4 - 20
24	F286573-1		1	CLAMP, STEERING HANDLE
25	F1034		1	FILL HD SCREWS, 1/4 - 20 X 1-3/8
26	1400-817750A4		1	SWIVEL BRACKET W/ILLUS. 21 AND 42 ORIGINAL FORCE P/N A 286072-2
27	F286451		1	SPACER, TILT LOCK
28	F286422-1		1	TILT LOCK PIVOT
29	F286346		1	SHOCK MOUNT LOWER
30	F286914		1	SLEEVE WATER LINE
31	F286244		1	WATER LINE
32	FA1844		2	HEX CAP SCREW, 1/4 - 20 X 2-3/8 W/ILLUS. 33
33	F8083		2	SPRING LOCKWASHER
34	F286956		2	BRACKET, SHOCK MOUNT LOWER
35	F1341		2	HEX NUT, 1/4 - 20
36	F286019		1	KING PIN
37	F286114		1	LOCK BAR HANDLE
38	F286461		1	SPRING, LOCK BAR HANDLE
39	F8540		1	SPRING PIN
40	FA286113		1	LOCK BAR W/ILLUS. 37, 38 AND 39
41	F286169		1	BEARING, SWIVEL BRACKET
42	F213274		2	GREASE FITTING

CONTINUED ON NEXT PAGE ➡

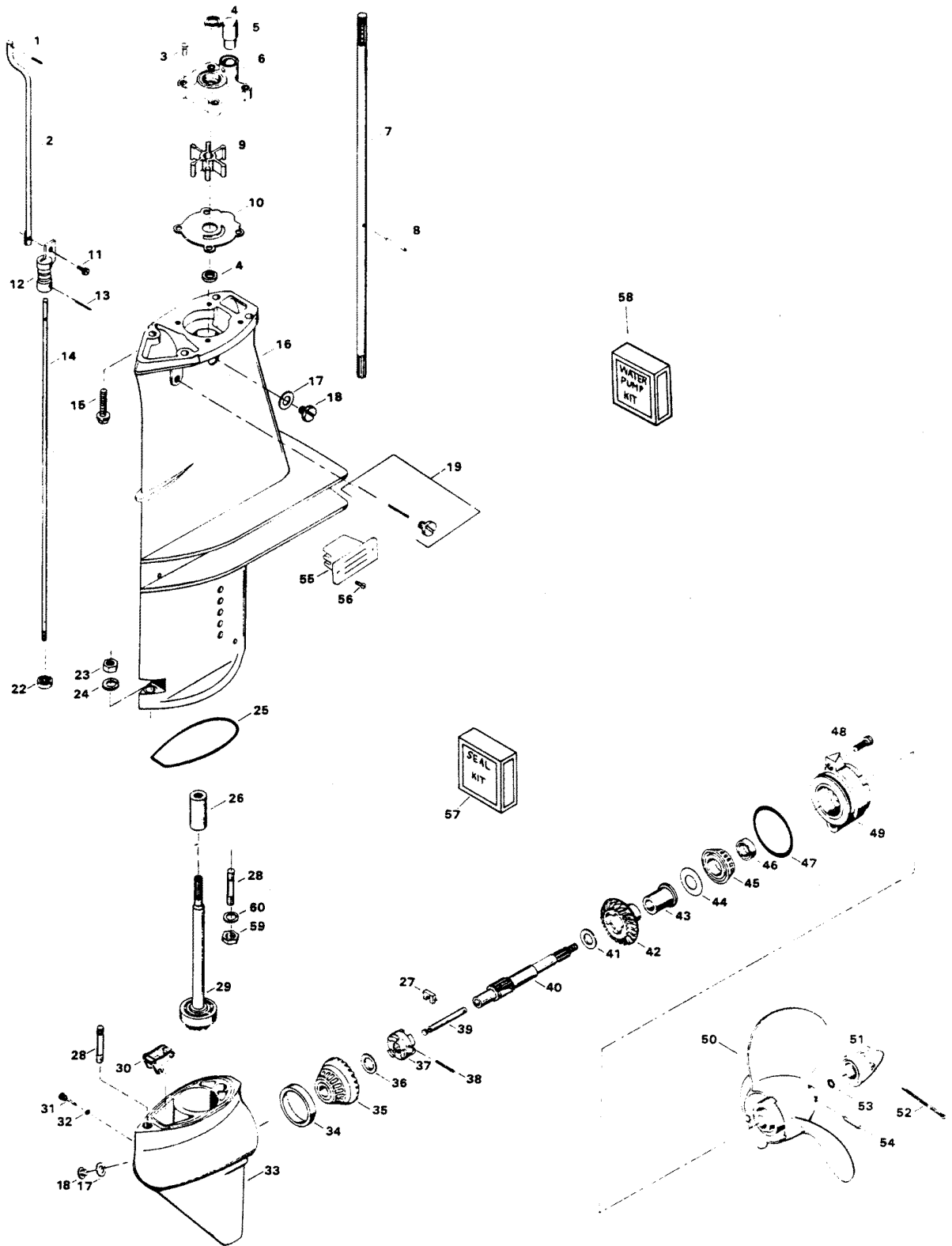
MOTOR LEG



MOTOR LEG

REF. NO.	PART NO.	SYM.	QTY.	DESCRIPTION
43	F286300		1	SPRING, REVERSE LOCK
44	F286286-1		2	WASHER, STERN BRACKET
45	F1794		1	SPRING PIN
46	F286827		1	REVERSE LOCK RELEASE LEVER
47	F525286		1	WASHER
48	F286585-2		1	DECAL, TILT RELEASE
49	FA341510		1	LINK, REVERSE LOCK LEVER W/LITERATURE
50	F516677		2	SPACER, REVERSE LOCK
51	F516349		1	REVERSE LOCK
52	F1806		1	GROOVE PIN
53	F286433		1	BRACKET SHALLOW WATER DRIVE
54	F7026		1	STOP NUT, 3/8 - 16
55	F24074		2	CLAMP SCREW FOOT
56	F8537		2	SPRING PIN
57	F8554		2	SPRING PIN
58	F424075		2	HANDLE, CLAMP SCREW
59	817761A2		2	CLAMP SCREW W/ILLUS. 55, 57 AND 60 ORIGINAL FORCE P/N A 298073-2
60	F66480		2	STUD CLAMP SCREW
61	F517273		1	TIE BAR
62	F7024		4	LOCK NUT
63	F2014		1	PLAIN WASHER
64	F286037		1	STERN BRACKET PIVOT BOLT
65	FK567532		1	STERN BRACKET W/ILLUS. 55, 57, 59 AND 60 ORIGINAL FORCE P/N K 517032-1
66	F286422		1	TILT LOCK PIVOT
67	F8538		1	SPRING PIN
68	F1666		1	BOWED SPRING WASHER
69	F2012		2	PLAIN WASHER
70	F1887		2	HEX SLOTTED HD SCREW, 1/4 - 20 X 3 3/16
71	F429541		1	TILT LOCK
72	F286451		1	SPACER, TILT LOCK
73	F286647		1	CARRYING HANDLE
74	F286544-1		1	SPRING, TILT STOP
75	FK567532		1	STERN BRACKET PORT W/ILLUS. 55, 57 AND 60 ORIGINAL FORCE P/N K 517532-2
76	F517078		1	BRACKET, LOCK STEERING
77	F516697		1	NUT, STEERING LOCK BRACKET

GEAR HOUSING

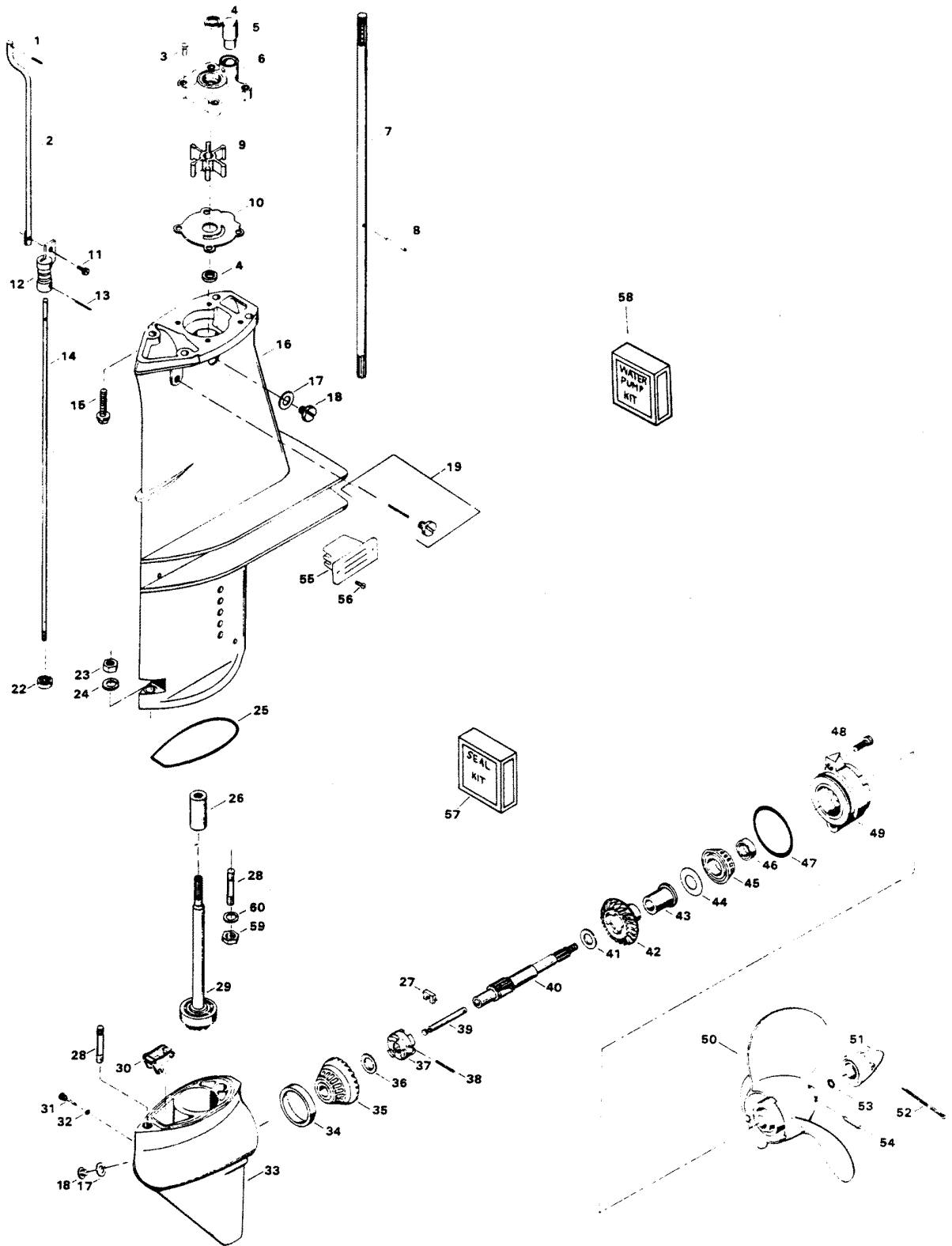


GEAR HOUSING

REF. NO.	PART NO.	SYM.	QTY.	DESCRIPTION
1	F8542		1	SPRING PIN
2	F286615		1	GEAR SHIFT ROD. UPPER
3	F2030		4	HEX HD SCREW, 1/4 - 20 X 1 1/4
4	F901307-2		2	SEAL
5	FA510914		1	SEAL, INLET WATER LINE W/LITERATURE
6	FA504060		1	WATER PUMP BODY W/WATER PUMP SEAL
7	F343128		1	DRIVESHAFT
8	F901563		1	WATER PUMP IMPELLER DRIVE PIN
9	F436065-1		1	WATER PUMP IMPELLER
10	F341562		1	WATER PUMP BACK PLATE
11	F1976		1	SOCKET HD SCREW W/WASHER, 10 - 24 X 1/2
12	F516704-1		1	COUPLING SHIFT ROD
13	F8540		1	SPRING PIN
14	F516705		1	GEAR SHIFT ROD, LOWER
15	F430732		4	HEX HD SCREW, 5/16 - 18 X 1 1/4
16	1600-817844A3		1	GEAR HOUSING UPPER W/4, 17, 18, 22 AND 55
17	F8077		2	NYLTITE WASHER
18	F50109		2	GEAR HOUSING PLUG
19	FA487885		1	RETAINER, DETENT SPRING ASSEMBLY
20	F7004		1	NUT, STOP, 3/8 - 16
21	F2014		1	WASHER, PLAIN
22	F338618-1		1	SEAL, SHIFT ROD LOWER
23	F1346		2	HEX NUT, S.S., 3/8 - 16
24	F8065		1	LOCKWASHER
25	F435555		1	SEAL, GEAR HOUSING, LOWER
26	F517125		1	COUPLING, DRIVESHAFT
27	F90619-1		1	YOKE
28	F40008		2	STUD
29	F2A516266		1	PINION SHAFT W/BEARING
30	817796A2		1	GEAR SHIFT ARM
31	F498891		1	GEAR SHIFT ARM PIN
32	F498618		1	SEAL "O" RING
33	FA516054		1	GEAR HOUSING LOWER W/ILLUS. 17, 18 AND BEARING CUP
-	FC516054		1	GEAR HOUSING - COMPLETE (NOT SHOWN) INCLUDES ALL ITEMS MARKED WITH AN ASTERISK (*)
34	F458250		1	BEARING CUP
35	F2A516023		1	BEVEL GEAR FORWARD W/BEARING
36	F2087		A/R	SPACER, BEVEL GEAR FRONT .056
-	F2055		A/R	SPACER, BEVEL GEAR FRONT .059
-	F2056		A/R	SPACER, BEVEL GEAR FRONT .062
-	F2057		A/R	SPACER, BEVEL GEAR FRONT .065
-	F2058		A/R	SPACER, BEVEL GEAR FRONT .068
-	F2059		A/R	SPACER, BEVEL GEAR FRONT .071

CONTINUED ON NEXT PAGE ➡

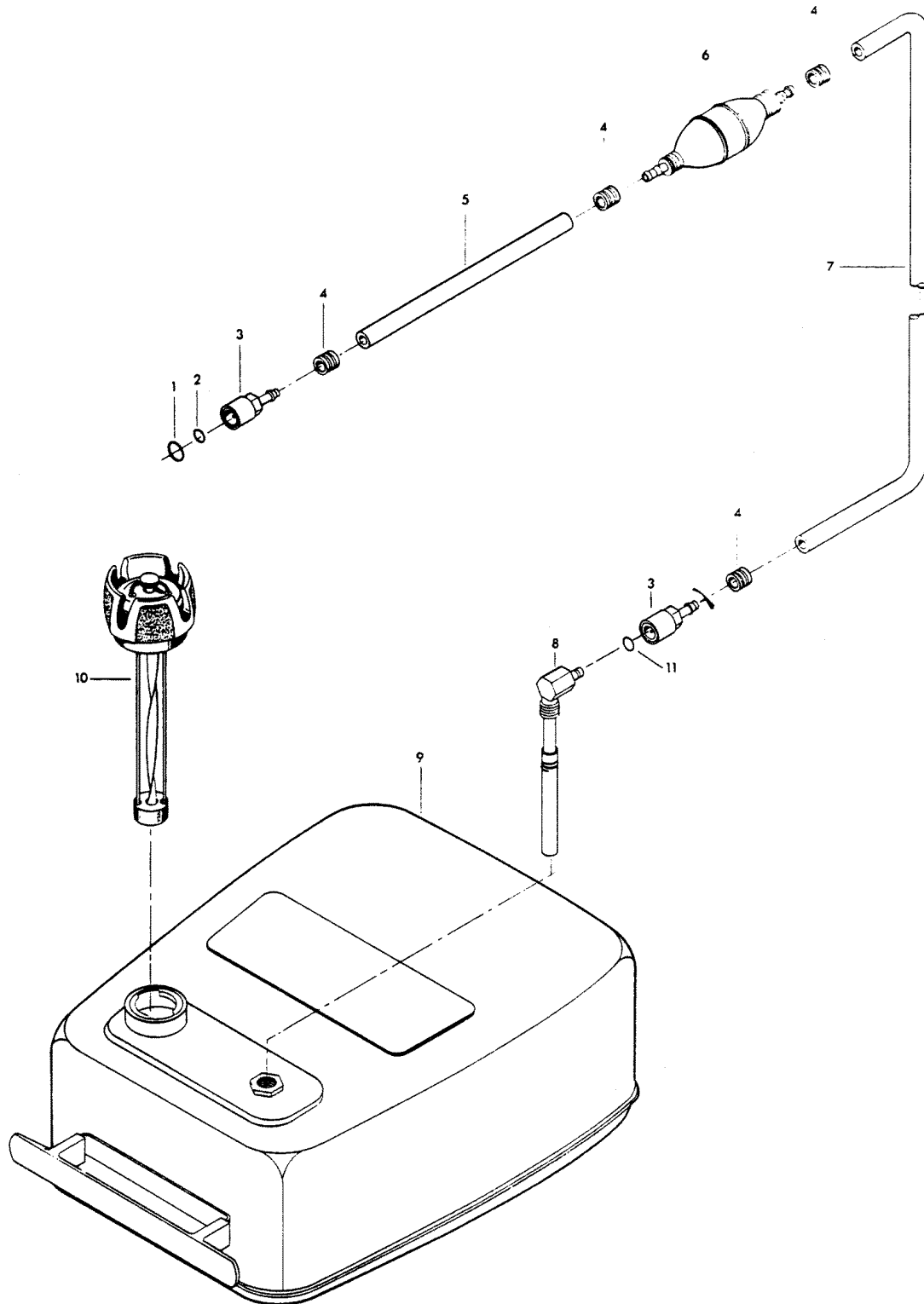
GEAR HOUSING



GEAR HOUSING

REF. NO.	PART NO.	SYM.	QTY.	DESCRIPTION
-	F2060		A/R	SPACER, BEVEL GEAR FRONT .074
-	F2061		A/R	SPACER, BEVEL GEAR FRONT .077
-	F2062		A/R	SPACER, BEVEL GEAR FRONT .080
-	F2063		A/R	SPACER, BEVEL GEAR FRONT .083
-	F2064		A/R	SPACER, BEVEL GEAR FRONT .086
37	F99521-1		1	CLUTCH
38	F2097		1	SPRING CLUTCH
39	F90871-3		1	GEAR SHIFT ARM PIN
40	FA474098		1	PROPELLER SHAFT
41	F40717		1	GEAR BEVEL, REAR
42	F516662		1	BEARING, BEVEL GEAR REAR
43	F474143		1	BEARING, BEVEL GEAR REAR
44	F2052		A/R	SHIM PROPELLER SHAFT BEARING .005 (SILVER)
-	F2053		A/R	SHIM PROPELLER SHAFT BEARING .006 (RED)
-	F2054		A/R	SHIM PROPELLER SHAFT BEARING .008 (BLACK)
45	F474225		1	BEARING, PROPELLER SHAFT REVERSE THRUST
46	F141118		1	SEAL, PROPELLER SHAFT
47	F141305		1	SEAL, PROPELLER SHAFT BEARING CAGE
48	F1994		2	HEX SOCKET HD CAP SCREW, 5/16 - 18 X 1
49	F2A474298		1	PROPELLER SHAFT BEARING CAGE W/SEALS AND BEARING CUP
50	FP278		1	PROPELLER (ACCESSORY ITEM)
51	FA94094-2		1	PROPELLER NUT W/ILLUS. 52 AND 53
52	F1027		1	COTTER PIN
53	F40342		1	SEAL, PROPELLER NUT
54	FK247		1	PROPELLER PIN (PACK OF 6) W/ILLUS. 52
55	FA516485		1	ANTICORROSION ANODE W/LITERATURE
56	F1733		2	PAN HD SCREW, 10 - 24 X 9/16
57	FK1064		1	GEAR HOUSING SEAL KIT. INCLUDES ALL ITEMS MARKED WITH A DOUBLE ASTERISK (**)
58	FK1031		1	WATER PUMP KIT
-	FA510914		1	SEAL
-	F341562		1	PLATE, WATER PUMP BACK
-	F436065-1		1	IMPELLER
-	F901563		1	DRIVE PIN
-	FK504060		1	BODY, WATER PUMP

FUEL TANK AND LINE



FUEL TANK AND LINE

REF. NO.	PART NO.	SYM.	QTY.	DESCRIPTION
1	F213342		1	SEAL, FUEL LINE COUPLER
2	F213735		1	SEAL, FUEL LINE COUPLER
3	F197787-3		2	FUEL LINE COUPLER
4	F298788		4	FERRULE
5	FA84754-1		1	FULE LINE SHORT W/ILLUS. 4
6	89396A38		1	PRIME BULB
7	32-817738A1		1	FUEL LINE, LONG W/CLAMP AND ILLUS. 4 ORIGINAL FORCE P/N A 197752-1
8	F485755-1		1	FUEL TANK ADAPTER
9	F5H026		1	FUEL TANK (ACCESSORY ITEM)
10	F409251-1		1	GAUGE CAP
11	F17932		1	SEAL
-	FS409752		1	FUEL LINE COMPLETE. (NOT SHOWN) W/ITEMS 1, 2, 3, 4, 5, 6 AND 7
-	FC409398		1	DECAL, TOTE TANK - CANADA (NOT SHOWN)

SPECIAL TOOLS - TUNE-UP

REF. NO.	PART NO.	SYM.	QTY.	DESCRIPTION
-	FT2909		0	KNOCK-OFF NUT TO REMOVE FLYWHEEL
-	FT2989		0	FLYWHEEL WEDGE TO REMOVE FLYWHEEL

SPECIAL TOOLS - POWER HEAD

REF. NO.	PART NO.	SYM.	QTY.	DESCRIPTION
-	FT2908		0	SEAL SLEEVE TO INSTALL UPPER CRANKSHAFT BEARING CAGE SEAL
-	FT8929		0	ADAPTER AND HEX BIT TO TORQUE CONNECTING ROD SCREWS
-	FT8949		0	SEAL INSTALLER TO INSTALL LOWER CRANKSHAFT SEAL
-	FT2997		0	RING COMPRESSOR TO INSTALL PISTONS
-	FT8926		0	RING EXPANDER TO INSTALL RINGS ON PISTONS
-	FT3012		0	SEAL INSTALLER TO REMOVE AND INSTALL CRANKSHAFT BEARING CAGE SEAL
-	FT2998		0	TORQUE WRENCH (0-100 LBS/FT) TO PROPERLY TORQUE FASTENERS
-	FT2999		0	TORQUE WRENCH (0-600 LBS/IN) TO PROPERLY TORQUE FASTENERS
-	FT8993		0	TORQUE WRENCH ADAPTER TO PROPERLY TORQUE LOWER CYL. HD. BOLTS
-	FT2991		0	CARBON BRUSH TO REMOVE CARBON FROM INSIDE POWERHEAD
-	FT8900		0	HOSE CLAMP PLIERS TO REMOVE AND INSTALL FUEL HOSE CLAMPS
-	FT1749		0	SNAP RING PLIER TO REMOVE AND INSTALL PISTON PIN RETAINING RINGS

SPECIAL TOOLS - LOWER UNIT

REF. NO.	PART NO.	SYM.	QTY.	DESCRIPTION
-	FT8904		0	FORWARD CUP INSTALLER TO INSTALL FORWARD BEARING CUP
-	FT8907		0	DRIVER HANDLE TO INSTALL FORWARD BEARING CUP
-	FT8921		0	CUP REMOVER TO REMOVE FORWARD BEARING CUP
-	FT8918		0	BEARING GUIDE SET TO REMOVE FORWARD BEARING CUP
-	FT3431		0	SEAL INSTALLER TO INSTALL PROPELLER SHAFT SEAL
-	FT8919		0	SPRING PIN PUNCH TO REMOVE CLUTCH PIN
-	FT2907		0	SEAL INSTALLER TO INSTALL DRIVESHAFT SEAL - WATER PUMP AND GEAR HOUSING
-	FT8948-1		0	PULLER TO REMOVE PROPELLER SHAFT BEARING CAGE
-	FT8985		0	SEAL INSTALLER TO INSTALL PROPELLER SHAFT SEAL
-	FT8957		0	SEAL INSTALLER TO INSTALL SHIFT ROD SEAL
-	FT8920		0	BEARING INSTALLER TO INSTALL PROPELLER SHAFT BEARING
-	FT8924-1		0	CHECKING GAUGE TO SHIM LOWER UNIT
-	FT8982		0	SHIM ADAPTER TO USE WITH CHECKING GAUGE (T8924-1)
-	FT8995		0	SHIM SPACER TO USE WITH CHECKING GAUGE (T8924-1)
-	FT8901		0	INDICATOR HOLDER TO USE WITH CHECKING GAUGE T8924-1
-	FT8902		0	DIAL INDICATOR TO USE WITH CHECKING GAUGE T8924-1

SPECIAL TOOLS - TEST EQUIPMENT

REF. NO.	PART NO.	SYM.	QTY.	DESCRIPTION
-	FT2955A		0	TEST WHEEL TO TEST MOTOR IN TEST RANK
-	FT8950		0	LEAKAGE TESTER TO TEST LOWER UNIT SEAL FOR LEAKS
-	FT8996		0	IGNITION TESTER TO TEST TRIGGER OUTPUT
-	FT8953		0	C-D TESTER TO TEST STATOR OUTPUT AND SECONDARY VOLTAGE
-	FT2951		0	CIRCUIT TRACER TO TROUBLESHOOTER 12 VOLT CIRCUITS
-	FT2938-1		0	TEST LIGHT TO MAKE CONTINUITY TESTS

SPECIAL TOOLS - LUBRICANTS AND SEALANTS

REF. NO.	PART NO.	SYM.	QTY.	DESCRIPTION
-	FT2961		0	LUBRICANT - RYKON #2EP
-	FT2987-1		0	LUBRICANT - ANTI-SEIZE
-	FT8969		0	LUBRICANT - 7 OZ. LPSI LUBRICANT
-	FT8983		0	SEALANT RTV
-	FT8936-1		0	SEALANT - 2 CC LOCTITE RETAINING COMPOUND
-	FT2962-1		0	SEALANT - 50 CC LOCTITE H, NON-HARDENING GRADE
-	FT2963-1		0	SEALANT - 2 OZ. LOCTITE D, HARDENING GRADE
-	FT8935		0	SEALANT PRIMER - 6 OZ.

ACCESSORIES

REF. NO.	PART NO.	SYM.	QTY.	DESCRIPTION
-	F5H013		0	FLUSHING ADAPTER PERMITS FRESH WATER FLUSHING OF WATER PASSAGES WITH STANDARD GARDEN HOSE.
-	F5H062		0	WATER PUMP KIT HEAVY DUTY WATER PUMP RECOMMENDED FOR CONTINUED OPERATION IN SANDY OR SALT WATER.
-	F5H088		0	REMOTE CONTROL CONVERSION KIT PERMITS REMOTE CONTROL OF THROTTLE AND GEAR SHIFT FROM FRONT OF BOAT.
-	F5H130		0	SYNCHRO-DRIVE CONTROL BOX (SINGLE LEVER PERMITS REMOTE CONTROL OF THROTTLE AND GEAR SHIFT FROM STARBOARD SIDE OF BOAT.
-	F5H142		0	SAILBOAT REMOTE CONTROL PROVIDE RECESSED PANEL INSTALLATION.
-	F5H131		0	PORT SIDE DECAL KIT CONVERTS 5H130 CONTROL BOX TO PORT SIDE MOUNTING.
-	F195/___		0	REMOTE CONTROL CABLES CONNECTS REMOTE CONTROL BOX TO THROTTLE AND GEAR SHIFT ON MOTOR. AVAILABLE IN 6 THROUGH 40 FOOT LENGTHS.
-	F5H026		0	STEEL, 6 GALLON FUEL TANK AUXILIARY TANK.
-	F5H040		0	STEEL, 12 GALLON FUEL TANK W/HOSE AUXILIARY TANK.
-	F5H090		0	REMOTE START KIT PERMITS STARTING OF ENGINE FROM FRONT OF BOAT.
-	F5H134		0	BOAT WHITE LACQUER ENGINE TOUCH-UP PAINT IN 12 3/4 OZ. SPRAY BOMBS (12 CANS PER CASE).
-	F5H029		0	FUEL TANK ANCHOR RETAINS TOTE TANK ON BOAT FLOOR.
-	F596		0	CHRYSLER OUTBOARD OIL SEE BLOCK COMMENT 1.
-	F597		0	CHRYSLER OUTBOARD GEAR LUBE SEE BLOCK COMMENT 2.
-	F5H059		0	CHRYSLER OUTBOARD MULTI-PURPOSE GREASE LUBRICATES BEARINGS AND OTHER MOVING PARTS. AVAILABLE IN 8 OZ. TUBES AND 12 TUBE CASES.
-	F5H060		0	CHRYSLER OUTBOARD GREASE GUN USED WITH CHRYSLER OUTBOARD MULTI-PURPOSE GREASE TUBES FOR PRESSURE FITTINGS.
-	F5H021		0	BATTERY EXTENSION CABLE - 6-1/2 FT. EXTENDS LENGTH OF BATTERY CABLE.
-	5H051		0	BATTERY 74 AMP HOUR
-	F5H041		0	BATTERY TERMINAL KIT

PARTS INDEX

Part Number	Description	Pg.	Ref. No.	Part Number	Description	Pg.	Ref. No.
2C610712	COVER, ENGINE - COMPLETE.	3	-	F15129	NUT W/LOCKWASHER	9	15
2C610712	COVER, ENGINE COMPLETE.	3	-	F1513	HEX NUT 10 - 32	21	31
5H051	BATTERY	37	-	F1513	HEX NUT, 10 - 32	11	9
817751A3	STEERING HANDLE BRACKET	23	1	F15130	NUT	9	16
817754A1	ARM, CARBURETOR FOLLOWER	17	50	F15132	WASHER, FIBER	9	18
817758A1	BRACKET, COVER LATCH. .	5	42	F15133	WASHER	9	17
817761A2	CLAMP SCREW	25	59	F15134	ARMATURE	9	8
817796A2	GEAR SHIFT ARM	27	30	F15135	CAP ASSEMBLY, DRIVE END	9	5
817892--1	PLATE, IGNITION CANADA .	13	-	F15136	HOUSING ASSEMBLY	9	9
817971A3	LEVER, MAGNETO CONTROL ASSEMBLY ...	21	33	F15137	WASHER	9	6
89396A38	PRIME BULB	31	6	F15138	SPRING, BRUSH	9	12
F1027	COTTER PIN	29	52	F15139	PINION ASSEMBLY	9	4
F1034	FILL HD SCREWS, 1/4 - 20 X 1-3/8	23	25	F15140	SPRING	9	3
F1069	FILL HD SCREW, 10 - 24 X 1 1/16	7	14	F15141	PINION STOP	9	2
F1075	FILL HD SCREW, 10 - 24 X 1/2	11	21	F15142	STOP NUT	9	1
F1087	FILL HD SCREW, 10 - 24 X 7/8	11	29	F15143	DISC	9	11
F1090	FILL HD SCREW W/SPRING LOCKWASHER, 10 - 24 X 9/16	11	25	F15144	SCREW, THRU BOLT	9	14
F1107	FILL HD SCREW, 1/4 - 20 X 3/4	21	38	F15145	GASKET	9	7
F1111	FILL HD SCREW, 1/4 - 20 X 7/8	21	57	F15146	WASHER	9	13
F1112	SLOTTED FILL HD. M. S. 1/4 - 20 X 7/8	13	45	F1515	HEX NUT 5/16 - 18	11	10
F1280	PAN HD SCREW, 8 - 32 X 1/4	13	57	F1556	FILL HD M. SCREW W/SPRING LOCKWASHER, 10 - 24 X 3/8	13	53
F1286	PAN HD SCREW, 4 - 40 X 3/16	7	5	F1577	FILL HD SCREW, 1/4 - 20 X 3/4	7	3
F1303	SLOTTED PAN HD M. SCREW, 8/32 X 3/4	11	37	F1577	FILL HD SCREW, 1/4 - 20 X 3/4	11	40
F1335	FILL HD SCREW, 5/16 - 18 X 1 1/4	21	39	F1608	SQUARE NUT, 1/4 - 20	23	23
F1337	HEX NUT, 6 - 32	11	5	F1645	RD HD THREAD CUTTING SCREW, 6 - 32 X 1/4	13	63
F1339	HEX NUT, 10 - 24	21	60	F1646	HEX SOCKET HD CAP SCREW, 3/8 - 16 X 2 1/4 .	13	41
F1341	HEX NUT 1/4 - 20	3	27	F1648	PAN HD SCREW, 10 - 24 X 3/4	11	17
F1341	HEX NUT, 1/4 - 20	23	35	F1666	BOWED SPRING WASHER .	25	68
F1346	HEX NUT, S.S., 3/8 - 16	27	23	F1704	INTERNAL TOOTH LOCKWASHER	11	4
F1365	SQUARE NUT, 10 - 24	17	48	F1733	PAN HD M.S. 10 - 24 X 9/16	3	31
F141118	SEAL, CRANKSHAFT LOWER	21	41	F1733	PAN HD SCREW, 10 - 24 X 9/16	29	56
F141118	SEAL, PROPELLER SHAFT .	29	46	F174017	PIN, PISTON	19	18
F141305	SEAL, PROPELLER SHAFT BEARING CAGE	29	47	F1753	FASTENER	3	3
F1437	FILL HD SCREW, 1/4 - 20 X 1/2	11	27	F1755	RD HD SCREW W/LOCKWASHER, 6 - 32 X 5/16	15	1
F1473	HEX NUT 10 - 24	5	34	F17932	SEAL	31	11
F1473	HEX NUT 10 - 24	17	42	F1794	SPRING PIN	23	18
F1490	HEX NUT, 1/4 - 20	15	30	F1794	SPRING PIN	25	45
F1504	FILL HD SCREW, 1/4 - 20 X 1/4	21	35	F1803	STOP NUT, 5/16 - 24	21	29
				F1805	SPRING PIN	23	9
				F1806	GROOVE PIN	25	52
				F1809	HEX NUT	11	33
				F18160-2	REED, FUEL PUMP	7	7
				F1823	HEX CAP SCREW, 5/16 - 18 X 1	19	15
				F1829	FILL HD M. SCREW, 10 - 24 X 7/8	11	1
				F1834	FILL HD SCREW, 10 - 24 X 7/8	17	51

PARTS INDEX

Part Number	Description	Pg.	Ref. No.	Part Number	Description	Pg.	Ref. No.
F1845	TY-RAP	13	50	F2059	SPACER, BEVEL GEAR		
F1857	HEX CAP SCREW, 5/16 - 18 X 5/8	23	7	F2060	FRONT .071	27	-
F1859	HEX SOCKET HEADLESS SET SCREW, 1/4 - 28 X 3/16	19	-	F2061	SPACER, BEVEL GEAR FRONT .074	29	-
F1887	HEX SLOTTED HD SCREW, 1/4 - 20 X 3 3/16	25	70	F2062	SPACER, BEVEL GEAR FRONT .077	29	-
F18906	CARBURETOR GASKET	15	8	F2063	SPACER, BEVEL GEAR FRONT .080	29	-
F18906	CARBURETOR GASKET	19	-	F2064	SPACER, BEVEL GEAR FRONT .083	29	-
F1912	HEX HD SCREW, 10 - 24 X 1/2	17	52	F2064	SPACER, BEVEL GEAR FRONT .086	29	-
F1922	HEX HD SCREW, 1/4 - 20 X 5/8	19	8	F2087	SPACER, BEVEL GEAR FRONT .056	27	36
F1934	FLAT HD SLOTTED SCREW	13	61	F2097	SPRING CLUTCH	29	38
F195/	REMOTE CONTROL CABLES	37	-	F213274	GREASE FITTING	23	42
F1971	HEX CAP SC. 1/4 - 20 X 2-1/8	3	21	F213342	SEAL, FUEL LINE COUPLER	31	1
F1975	SPRING LOCKWASHER	11	2	F213735	SEAL, FUEL LINE COUPLER	31	2
F1976	SOCKET HD SCREW W/WASHER, 10 - 24 X 1/2	27	11	F24074	CLAMP SCREW FOOT	25	55
F197767-1	BUSHING, FUEL LINE	3	24	F24748-2	GASKET, FUEL PUMP	7	9
F197787-3	FUEL LINE COUPLER	31	3	F269316	SHAFT, ROLLER	5	40
F197813	BEARING	23	19	F2706772	HOSE CLAMP	7	12
F197813	BEARING, INTERLOCK LEVER	21	62	F2752253	HOSE, FUEL PUMP TO BUSHING	7	15
F1979	SCREW PAN HD., 10 - 24 X 1/2	3	10	F2771254	HOSE, FUEL PUMP TO CARBURETOR	7	13
F1994	HEX SOCKET HD CAP SCREW, 5/16 - 18 X 1	29	48	F2788004	STUD, CARBURETOR	15	9
F2008	HEX CAP SCREW, 1/4 - 20 X 7/8	13	48	F28004	STUD, INTERLOCK LEVER	19	12
F2008	HEX HD SCREW, 1/4 - 20 X 7/8	15	13	F286011	WASHER, SWIVEL BRACKET	23	20
F2008	HEX HD SCREW, 1/4 - 20 X 7/8	19	24	F286015-3	PISTON	19	19
F2012	PLAIN WASHER	3	25	F286019	KING PIN	23	36
F2012	PLAIN WASHER	13	44	F286028	BEARING, CRANKSHAFT UPPER MAIN	21	50
F2012	PLAIN WASHER	25	69	F286037	STERN BRACKET PIVOT BOLT	25	64
F2014	PLAIN WASHER	25	63	F286114	LOCK BAR HANDLE	23	37
F2014	WASHER, PLAIN	27	21	F286151	PLATE, EXHAUST	19	27
F2030	HEX HD SCREW, 1/4 - 20 X 1 1/4	27	3	F286152	COVER, EXHAUST	19	25
F2040	TAPTITE HEX WASHER HD SCREW, 1/4 - 20 X 5/8	19	23	F286154	GASKET EXHAUST COVER	19	-
F2041	SLOTTED HD. M. S. 10 - 24 X 3/8	17	45	F286154	GASKET, EXHAUST COVER	19	26
F2050	HEX CAP SC. 1/4 - 20 X 1-1/2	11	11	F286159-1	GASKET, REED PLATE	15	5
F2052	SHIM PROPELLER SHAFT BEARING .005 (SILVER)	29	44	F286159-1	GASKET, REED PLATE	19	-
F2053	SHIM PROPELLER SHAFT BEARING .006 (RED)	29	-	F286169	BEARING, SWIVEL BRACKET	23	21
F2054	SHIM PROPELLER SHAFT BEARING .008 (BLACK)	29	-	F286169	BEARING, SWIVEL BRACKET	23	41
F2055	SPACER, BEVEL GEAR FRONT .059	27	-	F286192	THROTTLE CAM	11	23
F2056	SPACER, BEVEL GEAR FRONT .062	27	-	F286223	GASKET, TRANSFER PORT COVER	19	-
F2057	SPACER, BEVEL GEAR FRONT .065	27	-	F286223	GASKET, TRANSFER PORT COVER	19	7
				F286244	WATER LINE	23	31
				F286277	GASKET, CRANKSHAFT BEARING CAGE	19	-
				F286277	GASKET, CRANKSHAFT BEARING CAGE	21	54
				F286279-2	GASKET, CYLINDER MOUNTING	19	-
				F286279-2	GASKET, CYLINDER MOUNTING	19	28

PARTS INDEX

Part Number	Description	Pg.	Ref. No.	Part Number	Description	Pg.	Ref. No.
F286282	WASHER	21	30	F343014	BEARING, CRANKSHAFT LOWER MAIN	21	42
F286286-1	WASHER, STERN BRACKET	25	44	F343128	DRIVESHAFT	27	7
F286300	SPRING, REVERSE LOCK	25	43	F346146	SEAL, CRANKSHAFT UPPER	21	56
F286316	THROTTLE CAM FOLLOWER	15	11	F36634	SCREW, CONNECTING ROD	21	51
F286346	SHOCK MOUNT LOWER	23	29	F392756	PACKING, SUPPORT PLATE	3	18
F286364	LEVER, REVERSE LOCK	23	17	F40008	STUD	27	28
F286414	SPRING, LEG WATER BRACKET	23	12	F40342	SEAL, PROPELLER NUT	29	53
F286422	TILT LOCK PIVOT	25	66	F404446	CLAMP, CABLE	3	23
F286422-1	TILT LOCK PIVOT	23	28	F404908	GROUND WIRE	11	20
F286433	BRACKET SHALLOW WATER DRIVE	25	53	F40717	GEAR BEVEL, REAR	29	41
F286440	STUD, MAGNETO CONTROL LEVER	21	40	F409251-1	GAUGE CAP	31	10
F286451	SPACER, TILT LOCK	23	27	F411420	RETAINER, SWITCH PLATE	13	60
F286451	SPACER, TILT LOCK	25	72	F412181-1	PLATE, IGNITION U.S.A.	13	62
F286461	SPRING, LOCK BAR HANDLE	23	38	F424075	HANDLE, CLAMP SCREW	25	58
F286509	LINK, THROTTLE CAM	21	37	F424161	REED STOP	15	2
F286529-3	GASKET, CYLINDER HEAD	19	-	F424168-1	GASKET, MANIFOLD	15	6
F286529-3	GASKET, CYLINDER HEAD	19	4	F424168-1	GASKET, MANIFOLD	19	-
F286539	BUMPER	23	5	F429472	GASKET, CYLINDER DRAIN COVER	19	-
F286544-1	SPRING, TILT STOP	25	74	F429472	GASKET, CYLINDER DRAIN COVER	19	11
F286571	ROLLER SET, MAIN BEARING (26 PER SET)	21	48	F429541	TILT LOCK	25	71
F286573-1	CLAMP, STEERING HANDLE	23	24	F429811	SCREEN	19	9
F286585-2	DECAL, TILT RELEASE	25	48	F430732	HEX HD SCREW, 5/16 - 18 X 1 1/4	27	15
F286615	GEAR SHIFT ROD, UPPER	27	2	F435555	SEAL, GEAR HOUSING, LOWER	27	25
F286647	CARRYING HANDLE	25	73	F436065-1	IMPELLER	29	-
F286777	CAM, COVER LATCH	3	29	F436065-1	WATER PUMP IMPELLER	27	9
F286827	REVERSE LOCK RELEASE LEVER	25	46	F455118	SEAL, FUEL PUMP BRACKET	7	1
F286871	PIN, GEAR SHIFT LEVER	3	17	F458250	BEARING CUP	27	34
F286876	LEVER, GEAR SHIFT	3	15	F458498	KEY, FLYWHEEL	11	22
F286914	SLEEVE WATER LINE	23	30	F461342	SEAL, DRIVESHAFT SPLINE	21	43
F286956	BRACKET, SHOCK MOUNT LOWER	23	34	F474143	BEARING, BEVEL GEAR REAR	29	43
F286989-2	SEAL, SUPPORT PLATE	3	22	F474225	BEARING, PROPELLER SHAFT REVERSE THRUST	29	45
F298788	FERRULE	31	4	F477061	CARBURETOR COMPLETE (CO-11A)	15	31
F2A24757	FUEL PUMP REED PLATE	7	8	F485755-1	FUEL TANK ADAPTER	31	8
F2A424167	MANIFOLD	15	7	F487660-1	EXHAUST TUBE	19	22
F2A474298	PROPELLER SHAFT BEARING CAGE W/SEALS AND BEARING CUP	29	49	F492518	HEAD, CYLINDER	19	3
F2A477133	MOTOR LEG	23	22	F498618	SEAL "O" RING	27	32
F2A516023	BEVEL GEAR FORWARD W/BEARING	27	35	F498891	GEAR SHIFT ARM PIN	27	31
F2A516266	PINION SHAFT W/BEARING	27	29	F50109	GEAR HOUSING PLUG	27	18
F307317	CLIP, TERMINAL BLOCK GROUND	11	16	F510029	STATOR, TRIGGER	11	24
F307818	BEARING	3	14	F510095	STATOR, ALTERNATOR	11	28
F307818	BEARING	23	4	F510097	FLYWHEEL	11	30
F31160-1	REED	15	3	F510165	SCREW	19	5
F31410	RETAINING RING, PISTON PIN	19	17	F510222	COVER, TRANSFER PORT	19	6
F321908	WIRE, GROUND STARTER RELAY	11	14	F510301	C-D MODULE	13	46
F338618-1	SEAL, SHIFT ROD LOWER	27	22	F510374	DECAL, CIRCUIT BREAKER	11	34
F341562	PLATE, WATER PUMP BACK	29	-	F510398	DECAL, WIRING	11	6
F341562	WATER PUMP BACK PLATE	27	10	F510427	BRACKET, STARTER SUPPORT	7	2
				F510446	CLAMP, BATTERY CABLE	11	26
				F510449	NEUTRAL INTERLOCK SWITCH	13	52

PARTS INDEX

Part Number	Description	Pg.	Ref. No.	Part Number	Description	Pg.	Ref. No.
F510450-1	RECTIFIER	11	38	F5H013	FLUSHING ADAPTER	37	-
F510460	CIRCUIT BREAKER	11	35	F5H021	BATTERY EXTENSION CABLE - 6-1/2 FT.	37	-
F510475	IGNITION COIL	11	3	F5H026	FUEL TANK (ACCESSORY ITEM)	31	9
F510531	ROD, INTERLOCK	21	61	F5H026	STEEL, 6 GALLON FUEL TANK	37	-
F510551	BRACKET, INTERLOCK SWITCH	21	52	F5H029	FUEL TANK ANCHOR	37	-
F510595	INSULATOR, CIRCUIT BREAKER	11	36	F5H040	STEEL, 12 GALLON FUEL TANK W/HOSE	37	-
F510661	PAD, STARTER MOTOR	5	48	F5H041	BATTERY TERMINAL KIT	37	-
F510669	NUT	13	51	F5H059	CHRYSLER OUTBOARD MULTI-PURPOSE GREASE	37	-
F510675-1	STARTER SUPPORT	11	39	F5H060	CHRYSLER OUTBOARD GREASE GUN	37	-
F510683	WIRE, RECTIFIER - CIRCUIT BREAKER	11	31	F5H062	WATER PUMP KIT	37	-
F510746	FUEL PUMP COVER	7	10	F5H078	IGNITION SWITCH (ACCESSORY ITEM)	13	58
F510811	FILTER, FUEL PUMP	7	16	F5H088	REMOTE CONTROL CONVERSION KIT	37	-
F510841	WIRE, STARTER INTERLOCK SWITCH	13	54	F5H090	REMOTE START KIT	37	-
F510955	STARTER MOTOR - COMPLETE.	9	-	F5H130	SYNCHRO-DRIVE CONTROL BOX (SINGLE LEVER)	37	-
F516349	REVERSE LOCK	25	51	F5H131	PORT SIDE DECAL KIT	37	-
F516451	SPACER, STEERING HDL. BRKT.	23	3	F5H134	BOAT WHITE LACQUER	37	-
F516662	BEARING, BEVEL GEAR REAR	29	42	F5H142	SAILBOAT REMOTE CONTROL	37	-
F516677	SPACER, REVERSE LOCK	25	50	F610711	PLATE, ENGINE COVER	3	4
F516697	NUT, STEERING LOCK BRACKET	25	77	F66193	THROTTLE LINK	17	49
F516704-1	COUPLING SHIFT ROD	27	12	F66480	STUD CLAMP SCREW	25	60
F516705	GEAR SHIFT ROD, LOWER	27	14	F7004	NUT, STOP, 3/8 - 16	27	20
F517078	BRACKET, LOCK STEERING	25	76	F7006	NUT, STOP, 5/16 - 18	3	30
F517125	COUPLING, DRIVESHAFT	27	26	F7008	STOP NUT, 1/4 - 20	21	64
F517273	TIE BAR	25	61	F7011	NUT, ELASTIC STOP, 10 - 24	3	11
F517317	CLAMP CHOKE SOLENOID	13	42	F7024	LOCK NUT	25	62
F517347	SHOCK MOUNT UPPER	23	11	F7025	LOCK NUT 3/8 - 16	23	10
F517502	LEVER, REMOTE CHOKE	17	44	F7026	STOP NUT, 3/8 - 16	25	54
F517552	SCREW, STEERING HDL. BRKT.	23	2	F73082	RING, MAGNETO STATOR	21	53
F517683	WIRE, STARTER INT. SW. TO STARTER RELAY	13	49	F78318	ROLLER, THROTTLE CAM FOLLOWER	15	10
F517846	SPRING, REMOTE CHOKE	17	47	F78410	RETAINER	15	12
F517917	RELAY STARTER	11	8	F8003	PLAIN WASHER	7	6
F517924	CHOKE SOLENOID	13	43	F8011	PLAIN WASHER	3	28
F517977-1	LEVER, INTERLOCK	21	63	F8025	PLAIN WASHER	19	2
F525286	WASHER	25	47	F8058	INTERNAL TOOTH LOCK WASHER	21	32
F536813	BEARING	23	15	F8058	LOCKWASHER, INTERNAL TOOTH	3	13
F539843	CABLE ELECTRIC REMOTE EXTENSION	13	56	F8058	TOOTH LOCKWASHER	17	43
F539896	CABLE, BATTERY EXTENSION	11	19	F8060	EXTERNAL TOOTH LOCKWASHER	23	6
F540038	PLATE, SUPPORT	3	19	F8065	LOCKWASHER	27	24
F540180	TRIM, ENGINE COVER REAR	5	44	F8077	NYLTITE WASHER	27	17
F540683	WIRE STARTER TO STARTER RELAY	11	13	F8083	SPRING LOCKWASHER	13	47
F540843	CABLE, ELECTRIC REMOTE	13	55	F8083	SPRING LOCKWASHER	23	33
F540896	BATTERY CABLE	11	18	F8096	SPRING LOCKWASHER	11	12
F540908	WIRE, GROUND RECTIFIER TO TERM. & LOCK	13	64	F84026	SWIVEL, INTERLOCK ROD BEARING	21	59
F596	CHRYSLER OUTBOARD OIL	37	-	F84035-2	BEARING, INTERLOCK ROD	21	58
F597	CHRYSLER OUTBOARD GEAR LUBE	37	-	F8537	SPRING PIN	25	56

PARTS INDEX

Part Number	Description	Pg.	Ref. No.	Part Number	Description	Pg.	Ref. No.
F8538	SPRING PIN	23	16	FA516054	GEAR HOUSING LOWER ..	27	33
F8538	SPRING PIN	25	67	FA516485	ANTICORROSION ANODE ..	29	55
F8540	SPRING PIN	23	39	FA517925	ROD, CHOKE SOLENOID ..	17	46
F8540	SPRING PIN	27	13	FA525228	ROLLER SET, CONNECTING		
F8542	SPRING PIN	3	16		ROD (16 PER SET)	21	44
F8542	SPRING PIN	27	1	FA525241	CRANKPIN ROLLER		
F8554	SPRING PIN	25	57		BEARING CAGE	21	45
F8559	DOWEL PIN	19	16	FA540391	DECAL, SAILOR		
F85735-1	SEAL	3	2		STARBOARD	5	-
F901307-2	SEAL	27	4	FA540392	DECAL, SAILOR PORT	5	49
F901307-2	SEAL, WATER LINE UPPER	23	13	FA610396	DECAL, "CHRYSLER",		
F901456-1	EMERGENCY STARTER				STARBOARD	3	-
	COLLAR	11	32	FA610397	DECAL, "CHRYSLER", PORT	3	7
F901563	DRIVE PIN	29	-	FA610480	RETAINER, ENGINE COVER.	3	-
F901563	WATER PUMP IMPELLER			FA610892	DECAL, ENGINE COVER,		
	DRIVE PIN	27	8		FRONT	3	1
F901938-1	SCREW, CYLINDER HEAD ..	19	1	FA84754-1	FULE LINE SHORT	31	5
F90619-1	YOKE	27	27	FA94094-2	PROPELLER NUT	29	51
F90871-3	GEAR SHIFT ARM PIN	29	39	FB368700	IGNITION KEY STAMPED B ..	13	-
F92759	ROLLER	5	41	FC368700	IGNITION KEY STAMPED C ..	13	-
F94840	GROMMET, BATTERY			FC409398	DECAL, TOTE TANK -		
	CABLE	5	47		CANADA (NOT SHOWN) ..	31	-
F98273	STUD, GEAR SHIFT ROD			FC503227	SPARK PLUG (QL-77J4)		
	CONNECTOR	3	12		CANADA	19	-
F98273	STUD, REMOTE THROTTLE			FC510374	DECAL, CIRCUIT BREAKER -		
	CONNECTOR	21	36		CANADA	11	-
F99521-1	CLUTCH	29	37	FC510398	DECAL, WIRING - CANADA ..	11	-
FA174260	PISTON RING SET (2 PER			FC516054	GEAR HOUSING -		
	SET)	19	20		COMPLETE (NOT SHOWN)	27	-
FA1844	HEX CAP SCREW, 1/4 - 20 X			FC520390	DECAL, STARTER - CANADA		
	2-3/8	23	32		(NOT SHOWN)	9	-
FA286113	LOCK BAR	23	40	FD368700	IGNITION KEY STAMPED D ..	13	-
FA286155	MAIN BEARING LINER SET			FE368700	IGNITION KEY STAMPED E ..	13	-
	(2 PER SET)	21	47	FG1005-1	GASKET SET.	19	21
FA286469	KNOB, COVER LATCH	3	26	FK10006	GASKET SET,		
FA286480	RETAINER, ENGINE COVER.	3	9		CARBURETOR.	15	14
FA286582	STEERING ARM	23	8	FK10108	REPAIR PARTS KIT,		
FA341510	LINK, REVERSE LOCK				CARBURETOR.	15	15
	LEVER	25	49	FK1031	WATER PUMP KIT	29	58
FA343612	BRACKET, REMOTE			FK1064	GEAR HOUSING SEAL KIT. ..	29	57
	CONTROL W/CLIP	3	8	FK247	PROPELLER PIN (PACK OF		
FA36016-4	ROD, CONNECTING	21	46		6)	29	54
FA368700	IGNITION - NO LETTER OR			FK504060	BODY, WATER PUMP	29	-
	STAMPED A	13	59	FK567532	STERN BRACKET	25	65
FA387742	LEVER, REVERSE LOCK			FK567532	STERN BRACKET PORT ...	25	75
	INTERMEDIATE			FK750-2	SPARKIE W/SPRING	11	7
	ASSEMBLY	23	14	FO10165	INLET SEAT GASKET	15	27
FA424158	REED PLATE	15	4	FO10280	CHOKE SHUTTER		
FA429471	COVER, CYLINDER DRAIN				RETAINER SCREW AND		
	W/CHECK VALVES AND ..	19	10		LOCKWASHER	15	22
FA474098	PROPELLER SHAFT	29	40	FO10588	BODY CHANNEL CUP PLUG	15	33
FA487885	RETAINER, DETENT SPRING			FO10790	INLET NEEDLE, SEAT AND		
	ASSEMBLY	27	19		GASKET	15	26
FA504060	WATER PUMP BODY			FO11103	IDLE MIXTURE SCREW		
	W/WATER PUMP SEAL ..	27	6		SPRING	17	39
FA510010	CYLINDER W/CRANKCASE			FO12101	JET MAIN FUEL JET STD.		
	COVER,	19	14		.045 SEA LEVEL - 3000 FT.	15	28
FA510497	TERMINAL BLOCK	11	15	FO12284	MAIN FUEL JET OPT. .043		
FA510914	SEAL	29	-		3000 FT. - 6000 FT.	15	-
FA510914	SEAL, INLET WATER LINE ..	27	5				

PARTS INDEX

Part Number	Description	Pg.	Ref. No.	Part Number	Description	Pg.	Ref. No.
FO13231	CHOKE SHAFT AND LEVER	17	41	FT8918	BEARING GUIDE SET	34	-
FO13554	FLOAT	15	20	FT8919	SPRING PIN PUNCH	34	-
FO13944	FLOAT LEVER PIN	15	21	FT8920	BEARING INSTALLER	34	-
FO13945	FUEL BOWL RETAINING SCREW	15	16	FT8921	CUP REMOVER	34	-
FO15366	FUEL BOWL	15	18	FT8924-1	CHECKING GAUGE	34	-
FO15367	CHOKE SHUTTER	15	25	FT8926	RING EXPANDER	33	-
FO15368	CHOKE RELIEF VALVE	15	24	FT8929	ADAPTER AND HEX BIT	33	-
FO15520	IDLE MIXTURE SCREW	17	40	FT8935	SEALANT PRIMER - 6 OZ.	36	-
FO15525	MAIN NOZZLE	15	29	FT8936-1	SEALANT - 2 CC LOCTITE		
FO15526	THROTTLE SHAFT RETURN SPRING	15	35		RETAINING COMPOUND	36	-
FO15623	FUEL BOWL GASKET	15	19	FT8948-1	PULLER	34	-
FO15718	THROTTLE SHAFT AND LEVER	15	38	FT8949	SEAL INSTALLER	33	-
FO15783	CHOKE RELIEF VALVE SPRING	15	23	FT8950	LEAKAGE TESTER	35	-
FO16027	BYPASS TUBE	15	34	FT8953	C-D TESTER	35	-
FO16098	THROTTLE SHUTTER	15	37	FT8957	SEAL INSTALLER	34	-
FO2510	FUEL BOWL RETAINING SCREW GASKET	15	17	FT8969	LUBRICANT - 7 OZ. LPSI		
FO2531	BODY CHANNEL WELCH PLUG	15	32		LUBRICANT	36	-
FO8942	THROTTLE SHUTTER RETAINING SCREW AND LOCKWASHER	15	36	FT8982	SHIM ADAPTER	34	-
FP278	PROPELLER (ACCESSORY ITEM)	29	50	FT8983	SEALANT RTV	36	-
FS174227	PLUG, SPARK, L-4-J	19	13	FT8985	SEAL INSTALLER	34	-
FS409752	FUEL LINE COMPLETE. (NOT SHOWN)	31	-	FT8993	TORQUE WRENCH		
FS541712	COVER, ENGINE	3	6		ADAPTER	33	-
FT1749	SNAP RING PLIER	33	-	FT8995	SHIM SPACER	34	-
FT2907	SEAL INSTALLER	34	-	FT8996	IGNITION TESTER	35	-
FT2908	SEAL SLEEVE	33	-		FITTING, FUEL PUMP	7	11
FT2909	KNOCK-OFF NUT	32	-	22-818103--1			
FT2938-1	TEST LIGHT	35	-	27-818043A1	FUEL PUMP DIAPHRAGM		
FT2951	CIRCUIT TRACER	35	-		W/GASKETS	7	4
FT2955A	TEST WHEEL	35	-	32-817738A1	FUEL LINE, LONG	31	7
FT2961	LUBRICANT - RYKON #2EP	36	-	100-FS666712T	COVER, ENGINE	3	-
FT2962-1	SEALANT - 50 CC LOCTITE H, NON-HARDENING GRADE	36	-	400-818047A3	CRANKSHAFT	21	49
FT2963-1	SEALANT - 2 OZ. LOCTITE D, HARDENING GRADE	36	-	800-817904A1	SHORT BLOCK (NOT SHOWN).	19	-
FT2987-1	LUBRICANT - ANTI-SEIZE	36	-	1100-817753A1	CAGE, CRANKSHAFT BEARING	21	55
FT2989	FLYWHEEL WEDGE	32	-	1400-817750A4	SWIVEL BRACKET	23	26
FT2991	CARBON BRUSH	33	-	1600-817844A3	GEAR HOUSING UPPER		
FT2997	RING COMPRESSOR	33	-		W/4, 17, 18, 22 AND 55	27	16
FT2998	TORQUE WRENCH (0-100 LBS/FT)	33	-				
FT2999	TORQUE WRENCH (0-600 LBS/IN)	33	-				
FT3012	SEAL INSTALLER	33	-				
FT3431	SEAL INSTALLER	34	-				
FT8900	HOSE CLAMP PLIERS	33	-				
FT8901	INDICATOR HOLDER	34	-				
FT8902	DIAL INDICATOR	34	-				
FT8904	FORWARD CUP INSTALLER	34	-				
FT8907	DRIVER HANDLE	34	-				