



# PARTS CATALOG

## 9.9 HP

### SERIAL NUMBER

9.9 (1981) .....	92B1H
9.9 (1981) .....	92H1H
9.9 (1981) .....	98B1B
9.9 (1981) .....	98H1B

# TABLE OF CONTENTS:

ACCESSORIES .....	44
ELECTRIC STARTER 98H1B, 98B1B .....	12
ELECTRICAL COMPONENTS 98H1B, 98B1B .....	14
ENGINE COVER AND SUPPORT PLATE .....	2
FUEL PUMP 98H1B, 98B1B .....	10
FUEL SYSTEM .....	18
FUEL TANK AND LINE .....	36
GEAR HOUSING .....	32
MAGNETO 92H1H, 92B1H .....	6
MOTOR LEG .....	26
PARTS INDEX .....	46
POWER HEAD .....	22
SPECIAL TOOLS - LOWER UNIT .....	41
SPECIAL TOOLS - LUBRICANTS AND SEALANTS .....	43
SPECIAL TOOLS - MANUAL STARTER .....	39
SPECIAL TOOLS - POWER HEAD .....	40
SPECIAL TOOLS - TEST EQUIPMENT .....	42
SPECIAL TOOLS - TUNE-UP .....	38
STARTER 92H1H, 92B1H .....	8

**NOTE:** Indented description indicate that these parts are included in preceeding assembly.

**AR** = As Required

**NSS** = Not Sold Separate

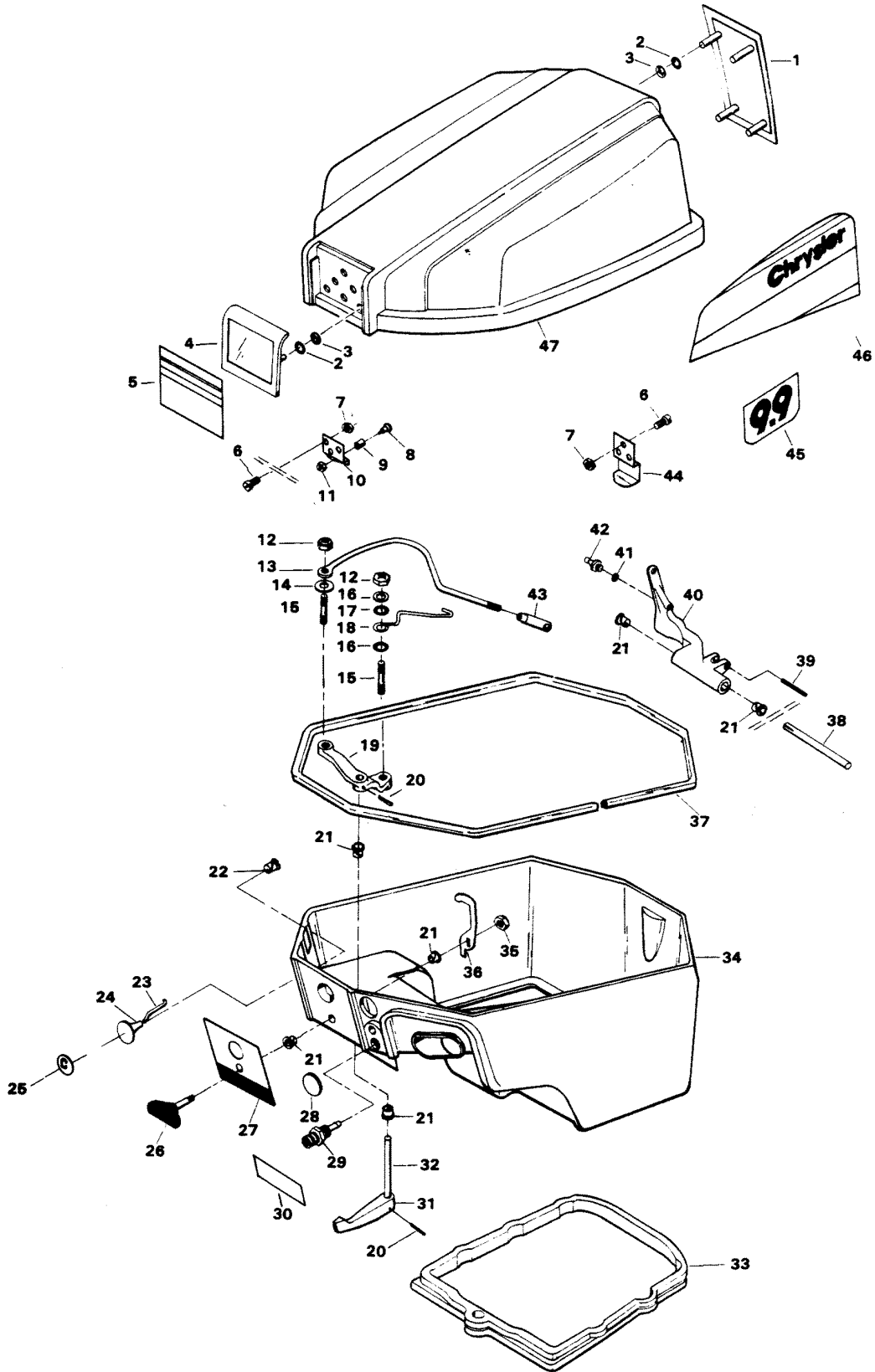
**OPT** = Optional

**NS** = Not Shown

**THESE PARTS BOOKS/FICHE CARD ARE COPYRIGHTED AND MAY NOT BE DISTRIBUTED OR REPRODUCED IN ANY OTHER FORMAT BY ANYONE OTHER THAN MERCURY MARINE WITHOUT THE PRIOR WRITTEN CONSENT OF MERCURY MARINE.**

THIS PAGE INTENTIONALLY LEFT BLANK

# ENGINE COVER AND SUPPORT PLATE

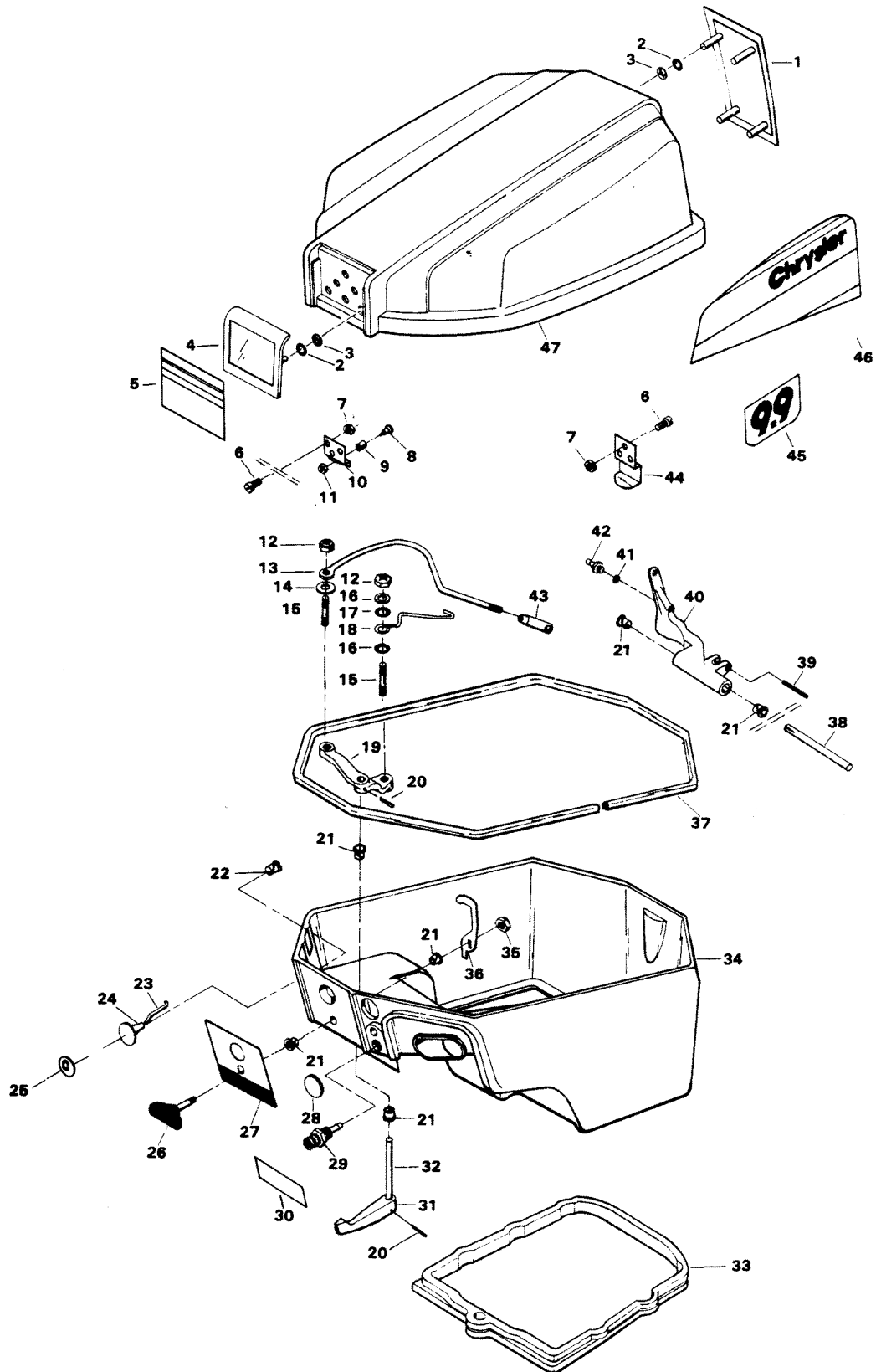


# ENGINE COVER AND SUPPORT PLATE

REF. NO.	PART NO.	SYM.	QTY.	DESCRIPTION
1	F610711		1	PLATE, ENGINE COVER
2	F85735-1		3	SEAL
3	F1753		3	FASTENER
4	F540180		1	TRIM ENGINE COVER, REAR <b>(THIS TRIM IS USED WITH S 541712 AND FIRST VERSION 2C 610712 COVERS ONLY)</b>
5	FA610892		1	DECAL, ENGINE COVER, FRONT <b>W/LITERATURE</b>
6	F1979		6	SCREW PAN HD, 10 - 24 X 1/2
7	F7011		7	ELASTIC STOP NUT, 10 - 24
8	F269316		1	ROLLER SHAFT
9	F92759		1	ROLLER
10	817758A1		1	BRACKET, COVER LATCH <b>W/ILLUS. 7, 8 AND 9 ORIGINAL FORCE P/N A 286774-1</b>
12	F1804		2	STOP NUT, 10 - 32
13	F286611-1		1	ROD, GEAR SHIFT
14	F8048		1	BOWED SPRING WASHER
15	F286134		2	STUD, GEAR SHIFT LEVER
16	F8011		1	PLAIN WASHER
17	F184579		2	SEAL
18	F492263		1	LINK, STARTER INTERLOCK
19	F492619		1	LEVER, GEAR SHIFT SHAFT
20	F8540		2	SPRING PIN
21	F307818		6	BEARING
22	F197319		1	BEARING, CHOKE ROD
23	F286503-1		1	ROD, CHOKE KNOB
24	FA286547		1	KNOB, CHOKE
25	F458677		1	INSERT, CHOKE KNOB
26	FA286469		1	KNOB, COVER LATCH
27	817757A4		1	PLATE, FRONT SUPPORT <b>W/LITERATURE ORIGINAL FORCE P/N A 286711-3</b>
28	F343226-1		2	PLUG
29	F197767-1		1	BUSHING, FUEL LINE
30	FC516400		1	DECAL, SHIFT - CANADA
31	F286614		1	HANDLE, GEAR SHIFT
32	F492417		1	SHAFT, GEAR SHIFT HANDLE
33	F286989-2		1	SEAL, SUPPORT PLATE
34	FA492038		1	PLATE, SUPPORT W/PLUGS
35	F7006		1	STOP NUT, 5/16 - 18
36	F286777		1	CAM, COVER LATCH
37	F392756		1	PACKING, SUPPORT PLATE
38	F286871		1	PIN, GEAR SHIFT LEVER
39	F8542		1	SPRING PIN
40	F286876		1	LEVER, GEAR SHIFT
41	F8058		1	INTERNAL TOOTH LOCKWASHER
42	F98273		1	STUD, GEAR SHIFT ROD CONNECTOR

CONTINUED ON NEXT PAGE ➡

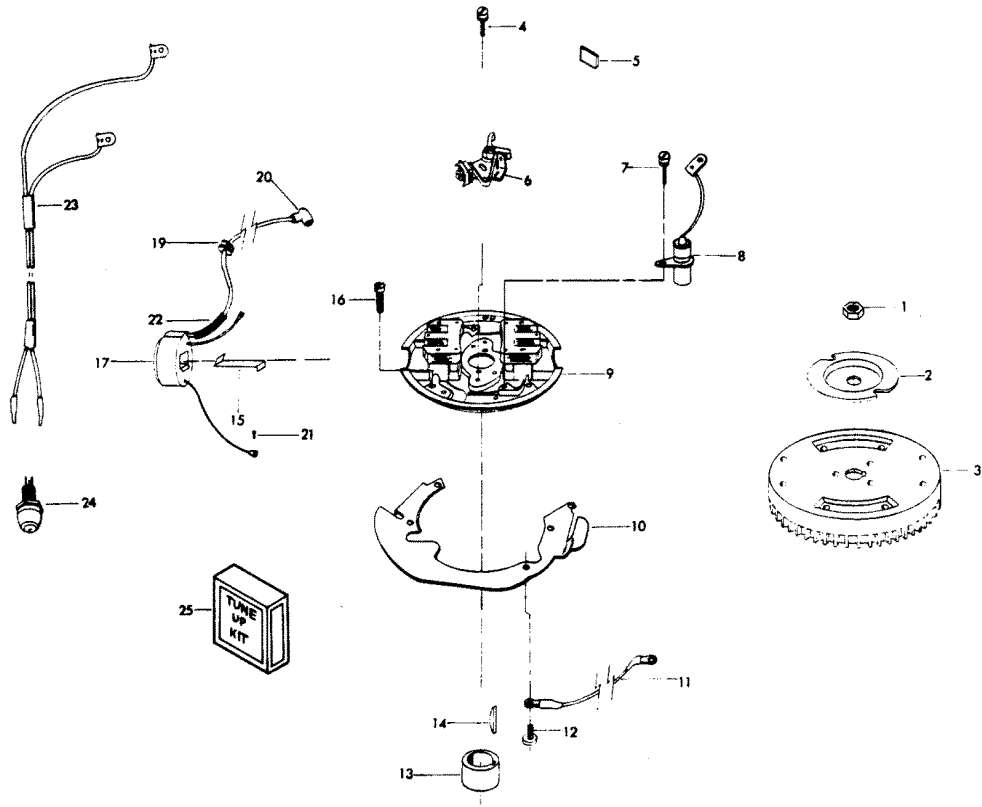
# ENGINE COVER AND SUPPORT PLATE



## ENGINE COVER AND SUPPORT PLATE

REF. NO.	PART NO.	SYM.	QTY.	DESCRIPTION
43	F286685		1	CONNECTOR, GEAR SHIFT ROD
44	FA286480		1	RETAINER, ENGINE COVER INCLUDES ILLUS. 5 AND 6. (USED WITH S 541712 ONLY)
-	<b>FA610480</b>		1	<b>RETAINER, ENGINE COVER INCLUDES ILLUS. 5 AND 6. (USED WITH S 541712 - 1 ONLY)</b>
45	FA610386		2	DECAL, NUMERAL W/LITERATURE
46	FA610396		1	DECAL, "CHRYSLER" STARBOARD W/LITERATURE
-	<b>FA610397</b>		1	<b>DECAL, "CHRYSLER" PORT W/LITERATURE</b>
47	FS541712		1	COVER, ENGINE W/ILLUS. 6, 7, 8, 9, 10 AND 44 THIS ENGINE COVER IS USED IF YOUR COVER HAS ILLUS. 4.
-	<b>2C610712</b>		1	<b>ENGINE COVER - COMPLETE. INCLUDES ALL ITEMS MARKED WITH AN ASTERISK (*)THIS ENGINE COVER HAS TRIM PLATE REAR AD USES 286480 RETAINER. ORDER NUMERAL SEPARATE.</b>
-	<b>100-FS666712T</b>		1	<b>COVER, ENGINE W/ILLUS. 6, 7, 8, 9, 10 AND 44 THIS ENGINE COVER IS USED IF YOUR COVER HAS NO REAR TRIM PLATE. ORIGINAL FORCE P/N S 541712-1</b>
-	<b>2C610712</b>		1	<b>COVER, ENGINE COMPLETE. INCLUDES ITEMS MARKED WITH AN ASTERISK (*). THIS ENGINE COVER HAS NO TRIM REAR AND USES 610480 RETAINER. ORDER NUMERAL SEPARATE.</b>

# MAGNETO 92H1H, 92B1H

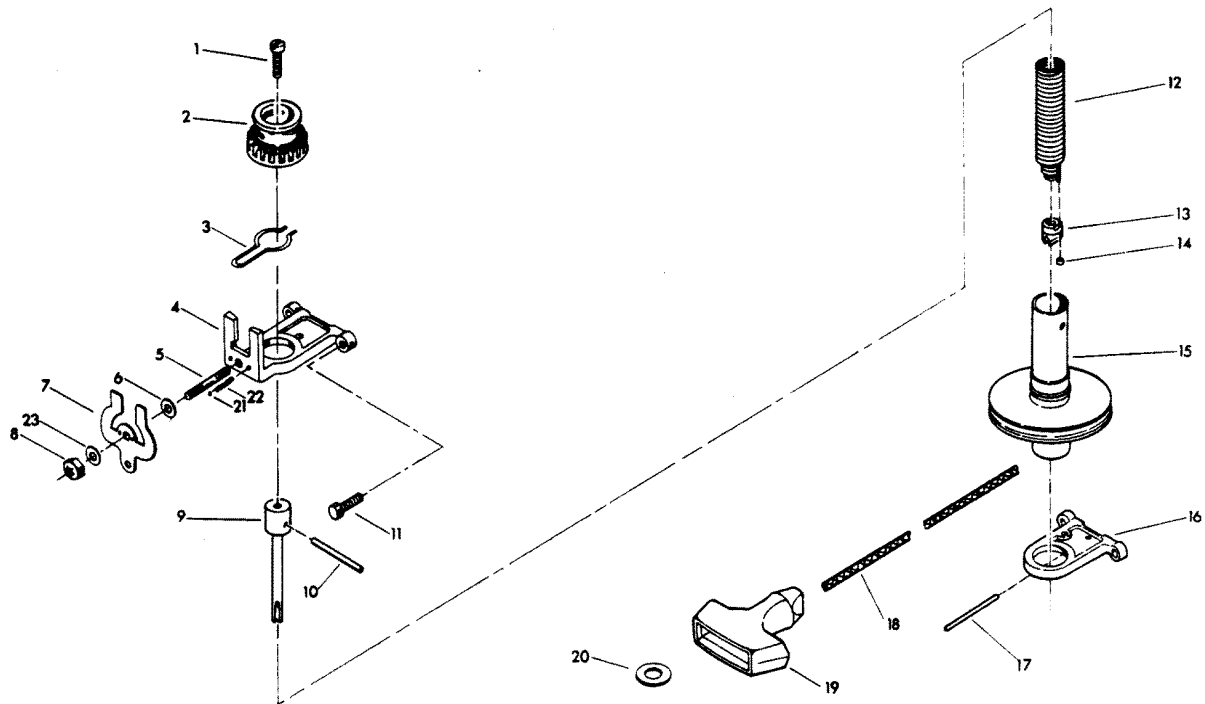




# MAGNETO 92H1H, 92B1H

REF. NO.	PART NO.	SYM.	QTY.	DESCRIPTION
1	F1809		1	HEX NUT, 1/2 - 20
2	F901456-1		1	EMERGENCY STARTER COLLAR
3	F302097		1	FLYWHEEL
4	F12170		4	CONTACT SCREW W/LOCKWASHER
5	F12360		1	CAM WIPER FELT
6	F12153-1		2	BREAKER POINT SET
7	F12083		2	CONDENSER SCREW W/LOCKWASHER
8	F12181-1		2	CONDENSER
9	F12343		1	STATOR PLATE W/LAMINATIONS
10	F286192		1	THROTTLE CAM PLATE
11	F289664		1	WIRE, STATOR GROUND
12	F1075		4	FILL HD SCREW, 10 - 24 X 1/2
13	F217002		1	MAGNETO BREAKER CAM
14	F458498		1	MAGNETO KEY
15	F12146		2	COIL WEDGE SPRING
16	F1090		4	FILL HD SCREW W/LOCKWASHER, 10 - 24 X 9/16
17	FA12370		2	COIL W/LEAD WIRE AND WEDGE SPRING
19	F12088		4	GROMMET
20	FK750-2		2	SPARKIE W/SPRING
21	F12114		2	COIL GROUND TERMINAL SCREW
22	F12141		1	HIGH TENSION LEAD SLEEVE
23	F12186-1		1	PRIMARY TERMINAL WIRE
24	F436449		1	SHORTING SWITCH
-	<b>F12091</b>		<b>1</b>	<b>LEAD WIRE MARKER TOP (NOT SHOWN)</b>
25	FK1066		1	TUNE UP KIT. INCLUDES ALL ITEMS MARKED WITH AN ASTERISK (*)

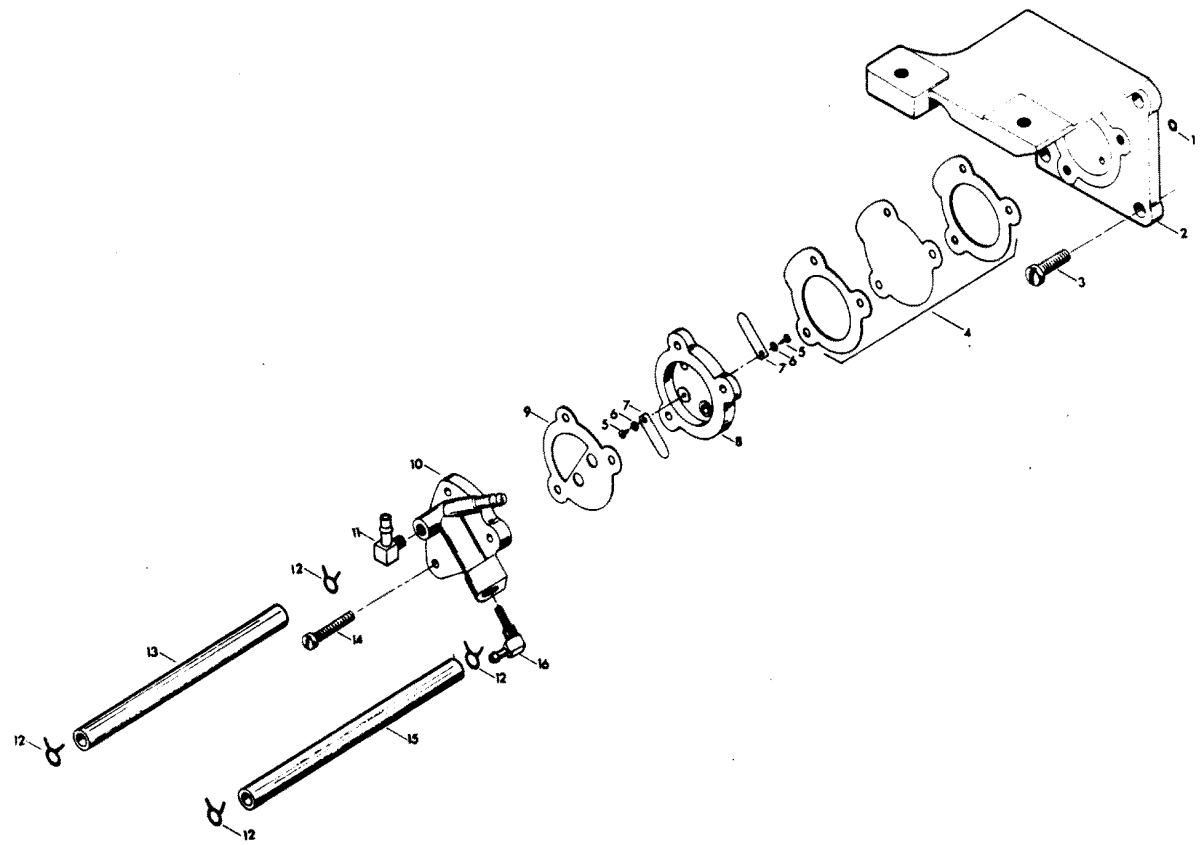
# STARTER 92H1H, 92B1H



# STARTER 92H1H, 92B1H

REF. NO.	PART NO.	SYM.	QTY.	DESCRIPTION
1	F1089		1	FILL HD SCREW, 10 - 24 X 9/16
2	F487674		1	GEAR, STARTER PINION
3	F487424-1		1	STARTER PINION SPRING
4	F487427-1		1	BRACKET, STARTER UPPER
5	F286134		1	STUD
6	F8011		1	PLAIN WASHER
7	F487781-3		1	STARTER INTERLOCK
8	F1804		1	STOP NUT
9	F286710		1	ARBOR, STARTER SPRING
10	F40425		1	STARTER PINION PIN
11	F1864		4	HEX HD SCREW, 1/4 - 20 X 3/4
12	FA286970		1	STARTER REWIND SPRING <b>W/ILLUS. 13 AND 14</b>
13	F286737-1		1	RETAINER, STARTER REWIND SPRING
14	F286930		1	END, STARTER SPRING
15	F2A459239		1	STARTER SPOOL W/SHAFT
16	FK317427		1	BRACKET, STARTER LOWER <b>W/ILLUS. 17</b>
17	F1875		1	SPRING PIN, STARTER BRACKET
18	F409232		1	STARTER ROPE
19	F286132		1	HANDLE, STARTER ROPE
20	F2042		2	PLAIN WASHER
21	F487727		2	BALL, INTERLOCK DETENT
22	F487895		2	SPRING, INTERLOCK DETENT

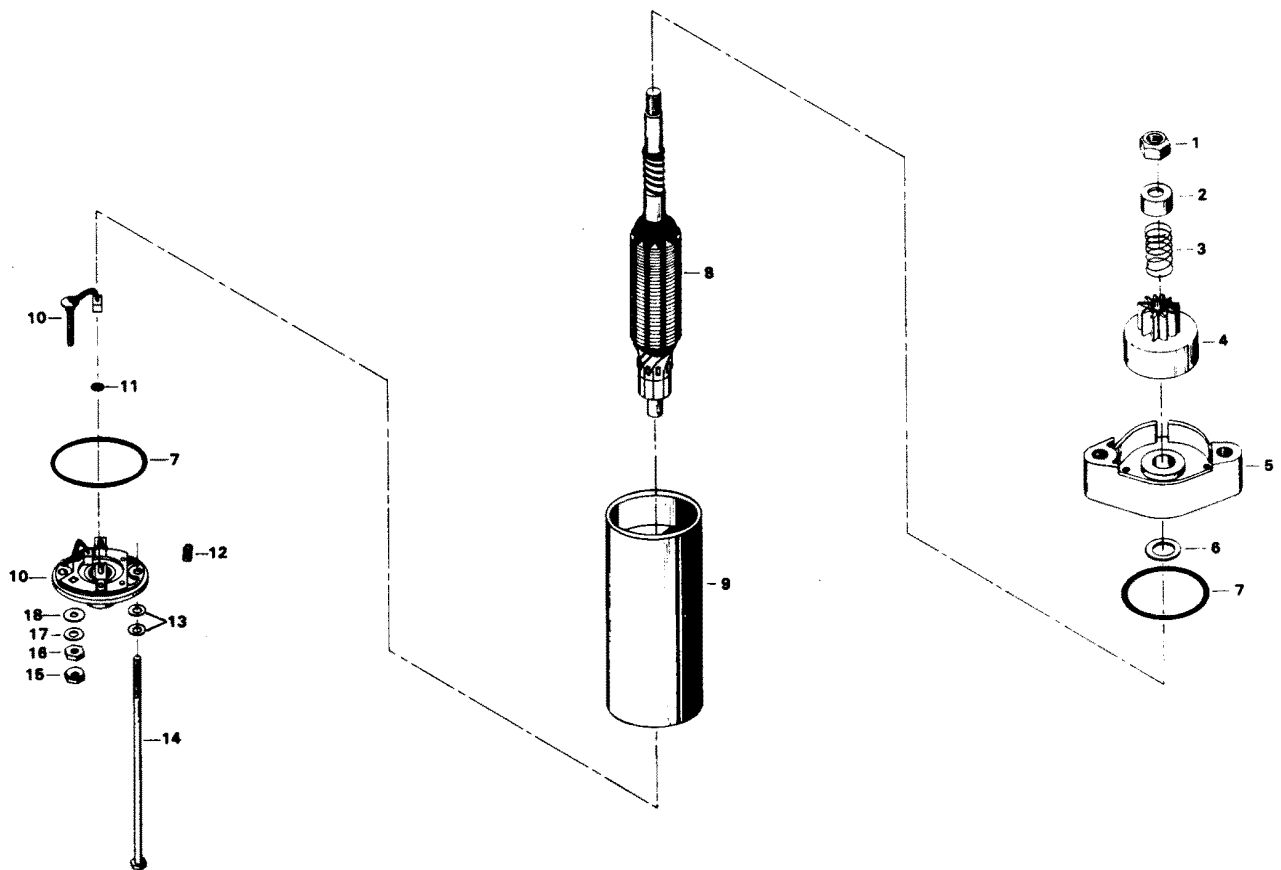
# FUEL PUMP 98H1B, 98B1B



## FUEL PUMP 98H1B, 98B1B

REF. NO.	PART NO.	SYM.	QTY.	DESCRIPTION
1	F455118		1	SEAL, FUEL PUMP BRACKET
2	F510427		1	BRACKET, STARTER SUPPORT
3	F1577		4	FILL HD SCREW, 1/4 - 20 X 3/4
4	27-818043A1		1	FUEL PUMP DIAPHRAGM W/GASKETS
5	F1286		2	PAN HD SCREW, 4 - 40 X 3/16
6	F8003		2	PLAIN WASHER
7	F18160-2		2	REED, FUEL PUMP
8	F2A24757		1	FUEL PUMP REED PLATE <b>W/ILLUS. 5, 6 AND 7</b>
9	F24748-2		1	GASKET, FUEL PUMP
10	F510746		1	FUEL PUMP COVER
11	22-818103--1		1	FITTING, FUEL PUMP
12	F2706772		4	HOSE CLAMP
13	F2771254		1	HOSE, FUEL PUMP TO CARBURETOR
14	F1069		3	FILL HD SCREW, 10 - 24 X 1 1/16
15	F2752253		1	HOSE, FUEL PUMP TO BUSHING - U.S.A.
16	F510811		1	FILTER, FUEL PUMP

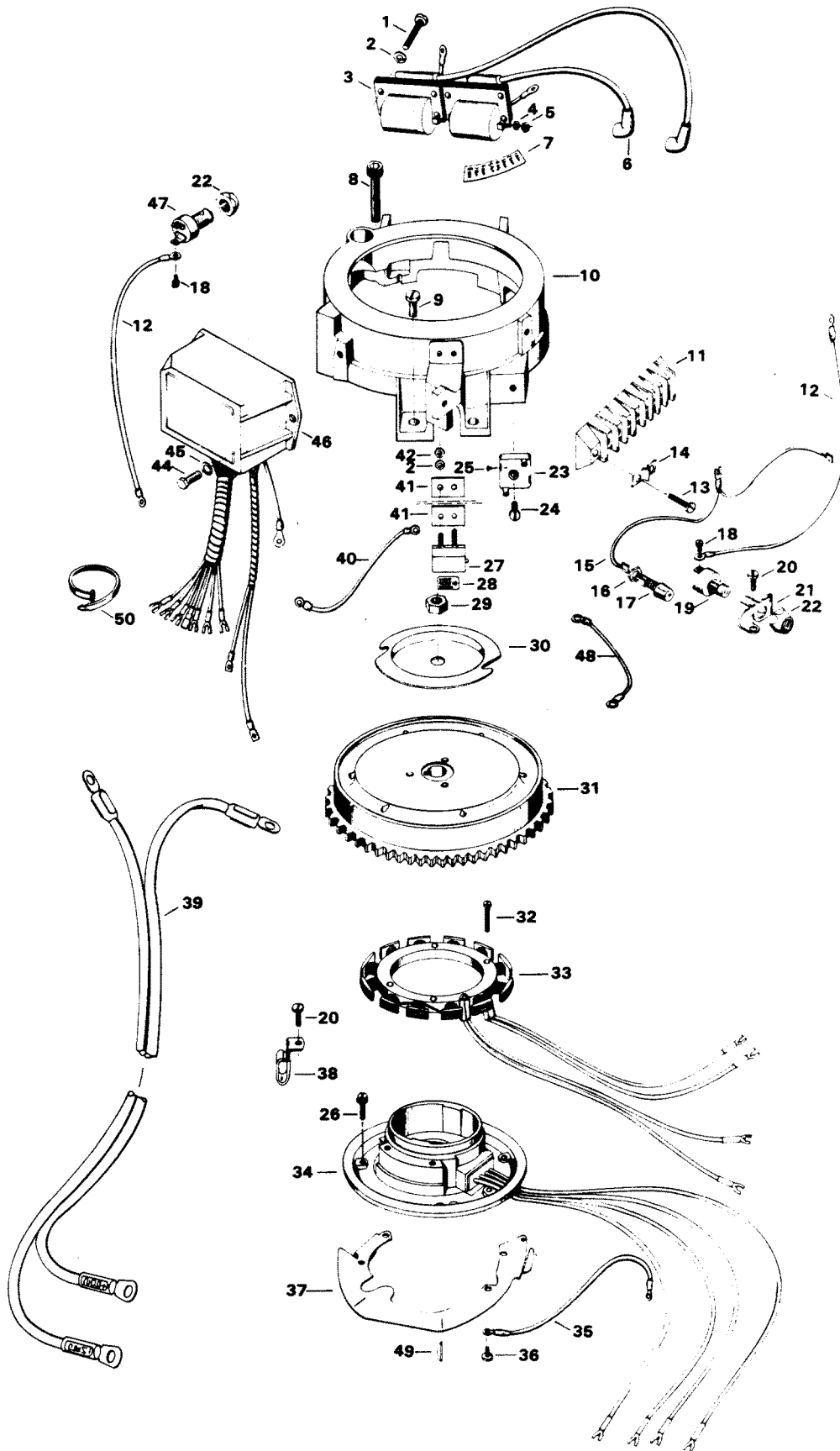
# ELECTRIC STARTER 98H1B, 98B1B



## ELECTRIC STARTER 98H1B, 98B1B

REF. NO.	PART NO.	SYM.	QTY.	DESCRIPTION
1	F15142		1	STOP NUT
2	F15141		1	PINION STOP
3	F15140		1	SPRING
4	F15139		1	PINION ASSEMBLY
5	F15135		1	CAP ASSEMBLY, DRIVE END
6	F15137		1	WASHER
7	F15145		2	GASKET
8	F15134		1	ARMATURE
9	F15136		1	HOUSING ASSEMBLY
10	F15127		1	CAP ASSEMBLY, COMMUTATOR END. <b>INCLUDES ITEMS 15, 16, 17 AND 18</b>
11	F15143		1	DISC
12	F15138		2	SPRING, BRUSH
13	F15146		4	WASHER
14	F15144		2	SCREW, THRU BOLT
15	F15129		1	NUT W/LOCKWASHER
16	F15130		1	NUT
17	F15133		1	WASHER
18	F15132		1	WASHER, FIBER
-	<b>F510955</b>		1	<b>STARTER MOTOR - COMPLETE. INCLUDES ALL ITEMS MARKED WITH AN ASTERISK (*).</b>
-	<b>FC520390</b>		1	<b>DECAL, STARTER - CANADA (NOT SHOWN)</b>

# ELECTRICAL COMPONENTS 98H1B, 98B1B



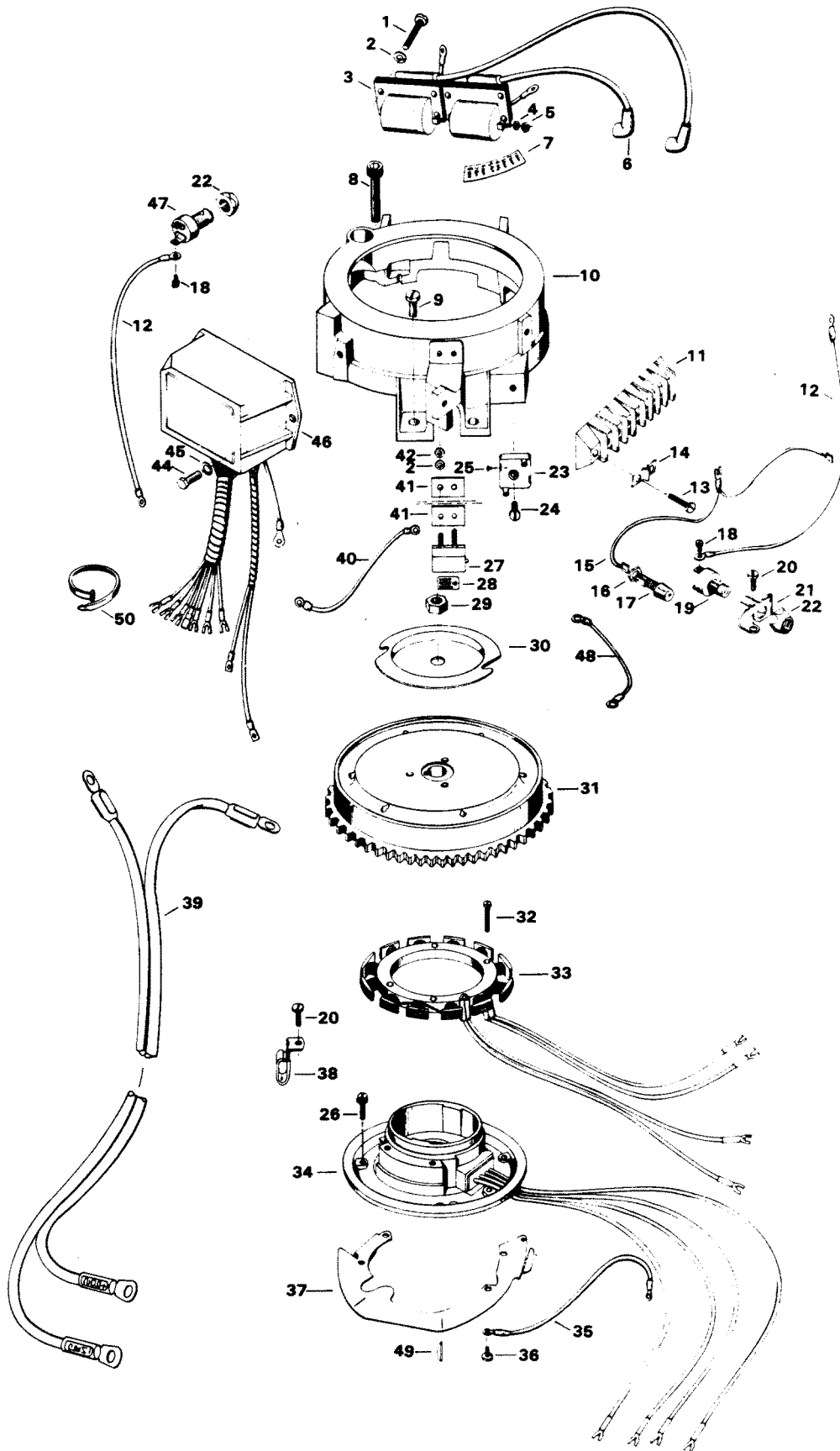


# ELECTRICAL COMPONENTS 98H1B, 98B1B

REF. NO.	PART NO.	SYM.	QTY.	DESCRIPTION
1	F1829		8	FILL HD M. SCREW, 10 - 24 X 7/8
2	F1975		12	SPRING LOCKWASHER
3	F510475		2	IGNITION COIL
4	F1704		2	INTERNAL TOOTH LOCKWASHER
5	F1337		2	HEX NUT, 6 - 32
6	FK750-2		2	SPARKIE W/SPRING
7	F510398		1	DECAL, WIRING
-	<b>FC510398</b>		<b>1</b>	<b>DECAL, WIRING - CANADA</b>
8	F1646		2	HEX SOCKET HD CAP SCREW, 3/8 - 16 X 2 1/4
9	F1577		4	FILL HD SCREW, 1/4 - 20 X 3/4
10	F510675-1		1	STARTER SUPPORT
11	FA510497		1	TERMINAL BLOCK <b>W/ILLUSTRATION 13 ORIGINAL FORCE P/N K 289497-2</b>
12	F510841		2	WIRE, STARTER INTERLOCK SWITCH
13	F1648		2	PAN HD SCREW, 10 - 24 X 3/4
14	F307317		1	CLIP, TERMINAL BLOCK GROUND
15	F510908		1	WIRE, GROUND
16	F510288		1	NUT, SHORTING SWITCH
17	F436449		1	SHORTING SWITCH
18	F1556		4	FILL HD M. SCREW W/SPRING LOCKWASHER, 10 - 24 X 3/8
19	F510918		1	STARTER SWITCH
20	F1437		3	FILL HD SCREW, 1/4 - 20 X 1/2
21	F510540		1	BRACKET, STARTER SWITCH
22	F510669		2	NUT, INTERLOCK SWITCH AND STARTER SWITCH
23	F510450-1		1	RECTIFIER
24	F1303		1	SLOTTED PAN HD M. SCREW, 8/32 X 3/4
25	F1645		4	RD HD THREAD CUTTING SCREW, 6 - 32 X 1/4
26	F1090		4	FILL HD SCREW W/SPRING LOCKWASHER, 10 - 24 X 9/16
27	F510460		1	CIRCUIT BREAKER
28	F510374		1	DECAL, CIRCUIT BREAKER
-	<b>FC510374</b>		<b>1</b>	<b>DECAL, CIRCUIT BREAKER - CANADA</b>
29	F1809		1	HEX NUT
30	F901456-1		1	EMERGENCY STARTER COLLAR
31	F510097		1	FLYWHEEL
32	F1087		4	FILL HD SCREW, 10 - 24 X 7/8
33	F510095		1	STATOR, ALTERNATOR
34	F510029		1	STATOR, TRIGGER
35	F404908		1	GROUND WIRE
36	F1075		4	FILL HD SCREW, 10 - 24 X 1/2
37	F286192		1	THROTTLE CAM
38	F510446		1	CLAMP, BATTERY CABLE
39	F510896		1	BATTERY CABLE
40	F493683		1	WIRE

CONTINUED ON NEXT PAGE ➡

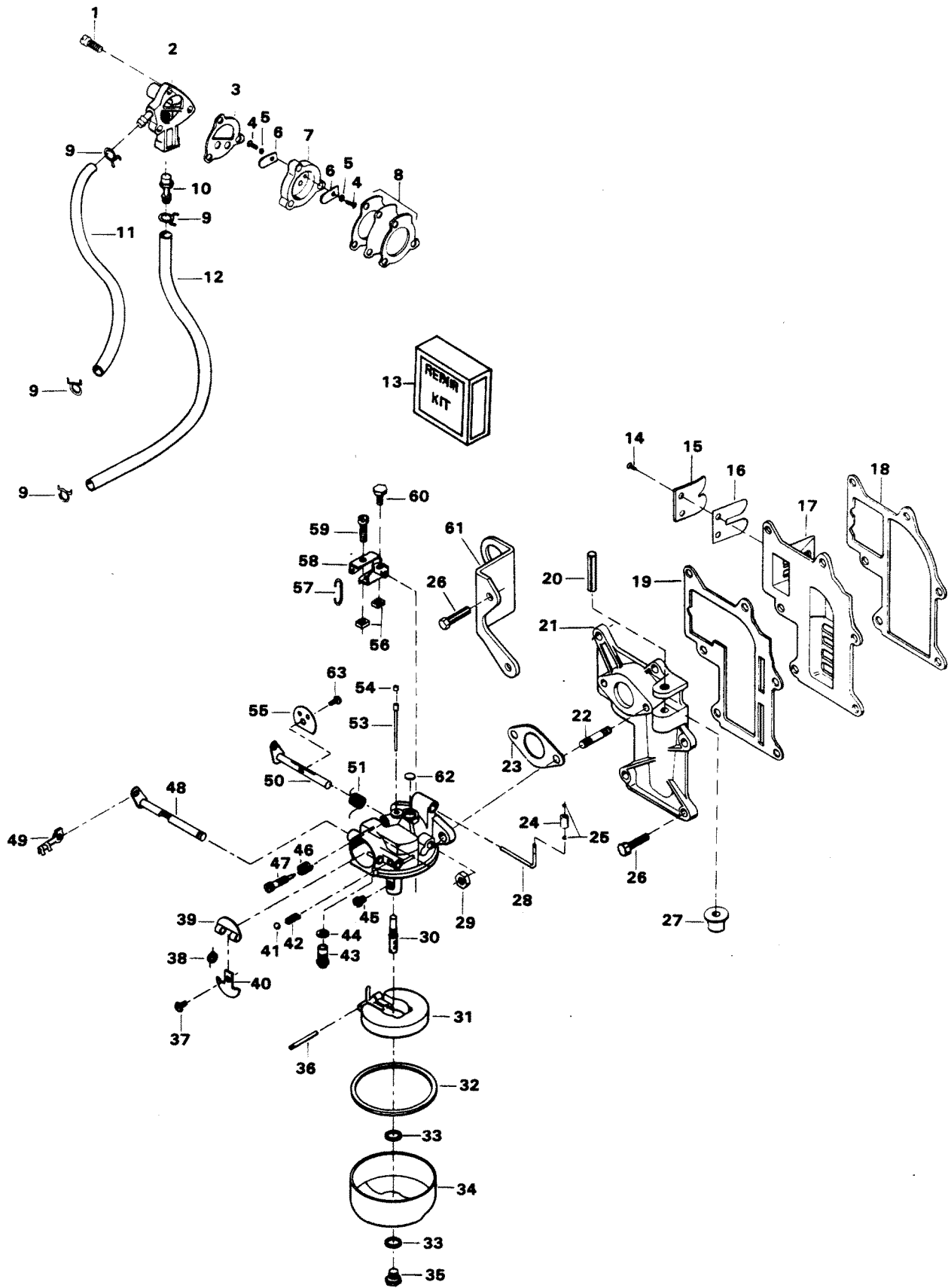
# ELECTRICAL COMPONENTS 98H1B, 98B1B



## ELECTRICAL COMPONENTS 98H1B, 98B1B

REF. NO.	PART NO.	SYM.	QTY.	DESCRIPTION
41	F510595		2	INSULATOR, CIRCUIT BREAKER
42	F1513		2	HEX NUT, 10 - 32
44	F1999		2	HEX CAP SCREW, 1/4 - 20 X 7/8
45	F8083		1	SPRING LOCKWASHER
46	F510301		1	C-D MODULE
47	F510449		1	NEUTRAL INTERLOCK SWITCH
48	F510683		1	WIRE, RECTIFIER - CIRCUIT BREAKER
49	F458498		1	KEY, FLYWHEEL
50	F1845		5	TY-RAP

# FUEL SYSTEM

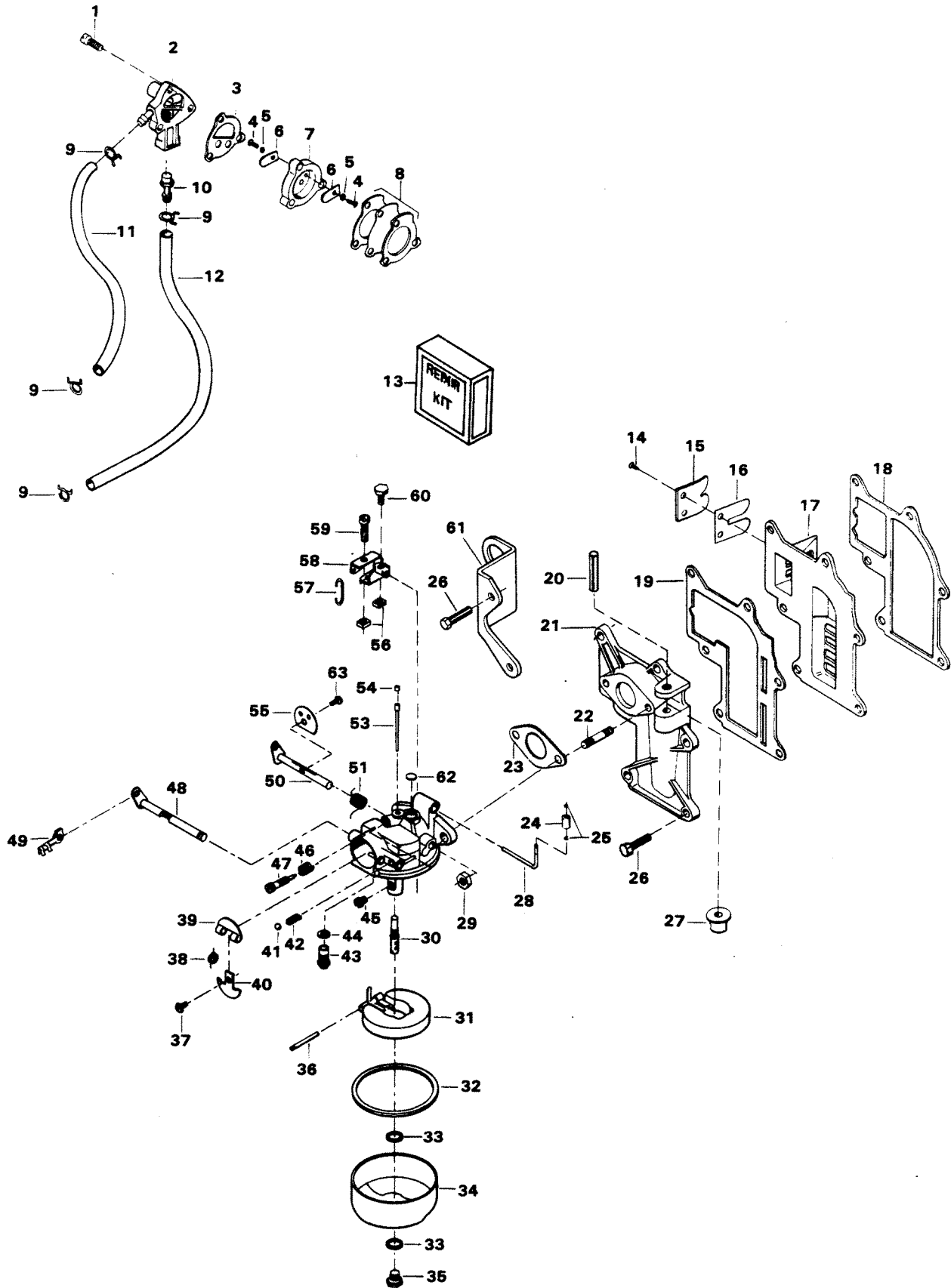


# FUEL SYSTEM

REF. NO.	PART NO.	SYM.	QTY.	DESCRIPTION
1	F1069		3	FILL HD SCREW, 10 - 24 X 1 1/16
2	F901746-2		1	FUEL PUMP COVER
3	F24748-2		1	GASKET, FUEL PUMP
4	F1286		2	PAN HD SCREW, 4 - 40 X 3/16
5	F8003		2	PLAIN WASHER
6	F18160-2		2	REED FUEL PUMP
7	F2A24757		1	FUEL PUMP REED PLATE <b>W/ILLUS. 4 AND 6</b>
8	27-818043A1		1	FUEL PUMP DIAPHRAGM W/GASKETS
9	F2706772		4	HOSE CLAMP
10	F901811		1	FUEL PUMP FILTER
11	FA24754-1		1	FUEL LINE W/CLAMPS (FUEL PUMP TO CARBURETOR)
12	F40253-1		1	FUEL LINE ( <b>FUEL PUMP TO BUSHING</b> )
13	FK10108		1	REPAIR PARTS KIT. <b>INCLUDES ALL ITEMS MARKED WITH AN ASTERISK (*)</b>
14	F1755		8	HD SCREW W/LOCKWASHER, 6 - 32 X 5/16
15	F424161		4	REED STOP
16	F31160-1		4	REED
17	FA424158		1	REED PLATE <b>W/ILLUS. 14, 15 AND 16</b>
18	F286159-1		1	GASKET, REED PLATE
19	F424168-1		1	GASKET, MANIFOLD
20	F1876		1	SPRING PIN (HAND START)
21	F2A424167		1	MANIFOLD <b>W/ILLUS. 20, 22 AND 27</b>
22	F2788004		2	STUD, CARBURETOR
23	F18906		1	CARBURETOR GASKET
24	F78318		1	ROLLER, THROTTLE CAM FOLLOWER
25	F78410		2	RETAINER
26	F1915		6	HEX HD SCREW, 1/4 - 20 X 7/8 ( <b>HAND START</b> )
27	F487435		1	PULLEY, STARTER ROPE (HAND START)
28	F286316		1	THROTTLE CAM FOLLOWER
29	F1490		2	HEX NUT, 1/4 - 20
30	FO15525		1	MAIN NOZZLE
31	FO13554		1	FLOAT
32	FO15623		1	FUEL BOWL GASKET
33	FO2510		2	FUEL BOWL RETAINING SCREW GASKET
34	FO15366		1	FUEL BOWL
35	FO13945		1	FUEL BOWL RETAINING SCREW
36	FO13944		1	FLOAT LEVER PIN
37	FO10280		1	CHOKE SHUTTER RETAINER SCREW AND LOCKWASHER
38	FO15783		1	CHOKE RELIEF VALVE SPRING
39	FO15368		1	CHOKE RELIEF VALVE
40	FO15367		1	CHOKE SHUTTER
41	FO4784		1	CHOKE FRICTION BALL
42	FO8805		1	CHOKE FRICTION SPRING

CONTINUED ON NEXT PAGE ➡

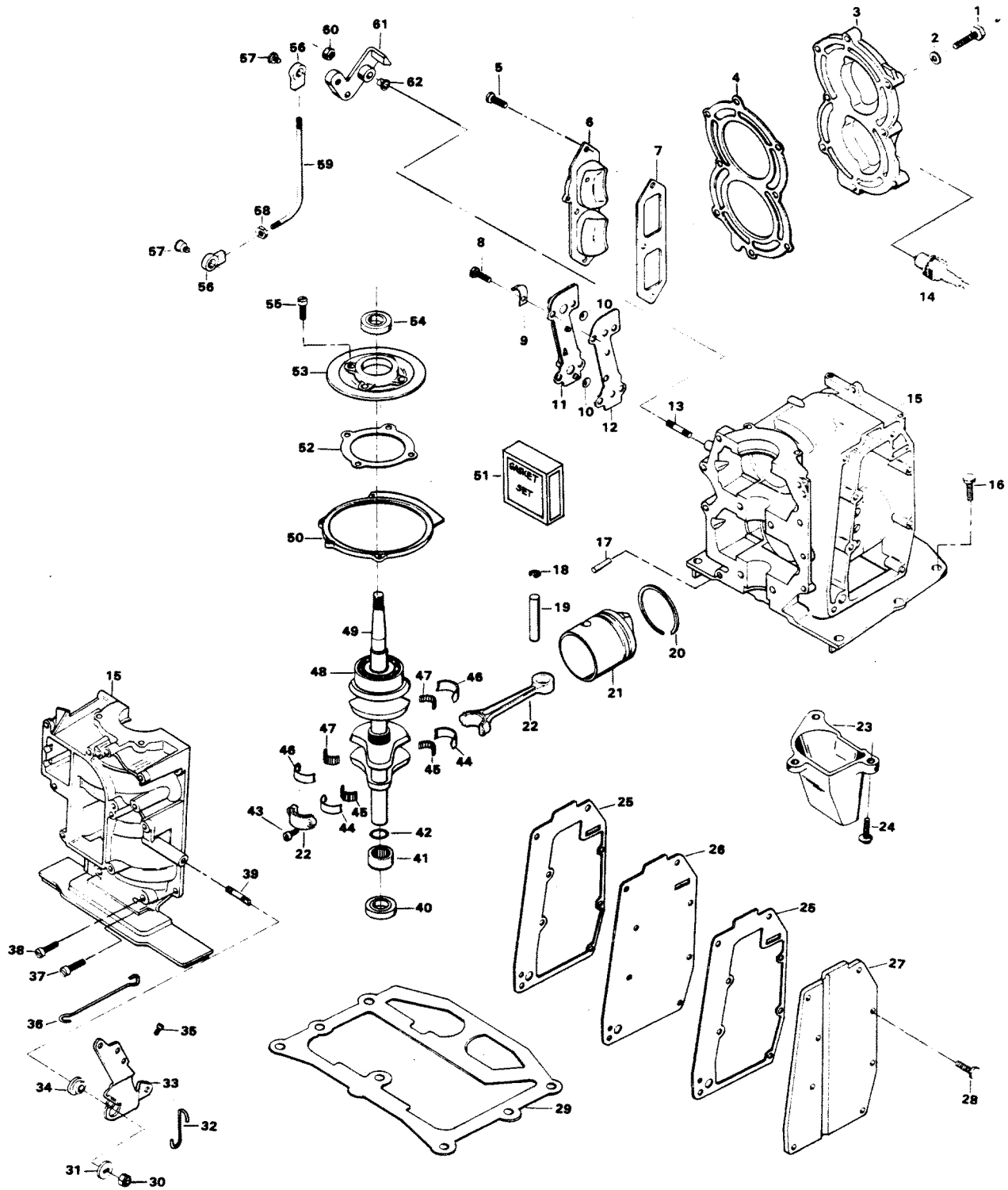
# FUEL SYSTEM



# FUEL SYSTEM

REF. NO.	PART NO.	SYM.	QTY.	DESCRIPTION
43	FO10790		1	INLET NEEDLE, SEAT AND GASKET
44	FO10165		1	INLET SEAT GASKET
45	FO12101		1	MAIN FUEL JET, STD. .045 SEA LEVEL - 3000 FT.
-	<b>FO12284</b>		-	<b>MAIN FUEL JET, OPT. .043 SEA LEVEL - 3000 - 6000 FT.</b>
-	<b>FO12370</b>		-	<b>MAIN FUEL JET, OPT. .041 SEA LEVEL - 6000 FT. AND UP</b>
46	FO11103		1	IDLE MIXTURE SCREW SPRING
47	FO15520		1	IDLE MIXTURE SCREW
48	FO15736		1	CHOKE SHAFT AND LEVER
49	F341384		1	RETAINER, CHOKE ROD
50	FO15718		1	THROTTLE SHAFT AND LEVER
51	FO15526		1	THROTTLE SHAFT RETURN SPRING
52	FO2531		1	BODY CHANNEL WELCH PLUG
53	FO16027		1	BYPASS TUBE
54	FO10588		1	BODY CHANNEL CUP PLUG
55	FO16098		1	THROTTLE SHUTTER
56	F1365		2	SQUARE NUT, 10 - 24
57	F66193		1	THROTTLE LINK
58	817754A1		1	ARM, CARBURETOR FOLLOWER <b>W/LITERATURE ORIGINAL FORCE P/N A 286190-1</b>
59	F1834		1	FILL HD SCREW, 10 - 24 X 7/8
60	F1912		1	HEX HD SCREW, 10 - 24 X 1/2
61	F510551		1	BRACKET, INTERLOCK SWITCH
62	F431061-2		1	CARBURETOR COMPLETE (CO - 7C)
-	<b>FK10006</b>		<b>1</b>	<b>GASKET, SET, CARBURETOR. INCLUDES ALL ITEMS MARKED WITH A DOUBLE ASTERISK (**)</b>
63	FO8942		1	THROTTLE SHUTTER RETAINING SCREW AND LOCKWASHER

# POWER HEAD



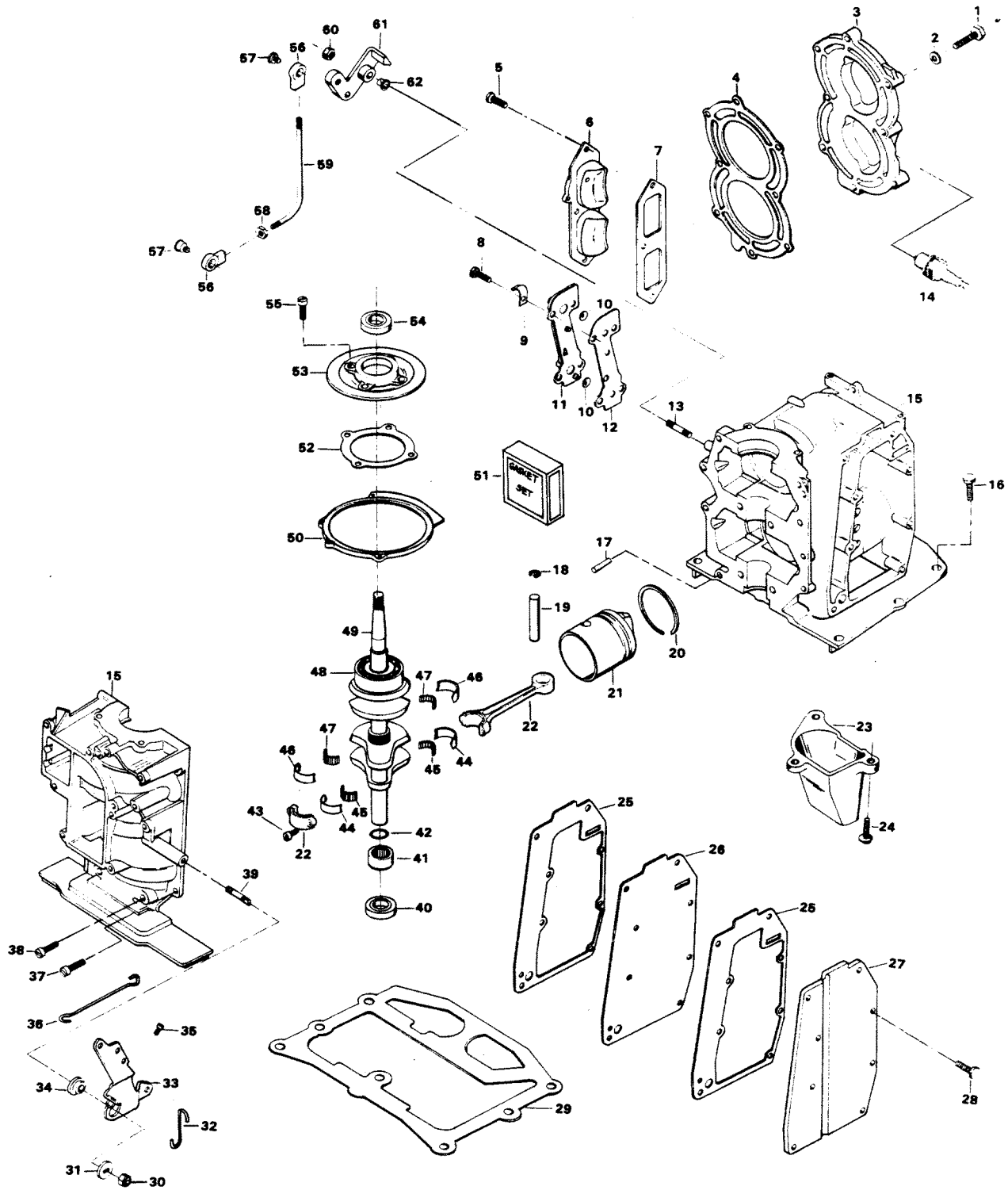


# POWER HEAD

REF. NO.	PART NO.	SYM.	QTY.	DESCRIPTION
1	F901938-1		8	SCREW, CYLINDER HEAD
2	F8025		8	PLAIN WASHER
3	F492518		1	HEAD, CYLINDER
4	F286529-3		1	GASKET, CYLINDER HEAD
5	F1502		3	HEX CAP SCREW, 1/4 - 20 X 5/8, 9.9HP, MANUAL START
6	F286222		1	COVER, TRANSFER PORT (92H1H, 92B1H)
-	<b>F510222</b>		<b>1</b>	<b>COVER, TRANSFER PORT (98H1B, 98B1H)</b>
7	F286223		1	GASKET, TRANSFER PORT COVER
8	F1540		4	HEX HD SCREW, 1/4 - 20 X 5/8
9	F286772-1		1	HOSE CLAMP, 9.9 HP, MANUAL START
10	F429811		2	SCREEN
11	FA429471		1	COVER, CYLINDER DRAIN <b>W/CHECK VALVES AND ILLUS. 10</b>
12	F429472		1	GASKET, CYLINDER DRAIN COVER
13	F28004		1	STUD, INTERLOCK LEVER (98H1B, 98B1B)
14	FS174227		2	PLUG, SPARK, CHAMPION (L-4-J)
-	<b>FC235227</b>		<b>2</b>	<b>PLUG, SPARK CHAMPION (RL-4-J), FOR CANADA</b>
15	800-817801A2		1	CYLINDER <b>W/CRANKCASE COVER, W/ILLUS. 11, 12, 13, 37, 38, 39 AND LITERATURE (92H1H, 92B1H) ORIGINAL FORCE P/N A 442010-2</b>
-	<b>FA510010</b>		<b>1</b>	<b>CYLINDER <b>W/CRANKCASE COVER, ILLUS. 13, 37, 38 AND 39 (98H1B, 98B1B)</b></b>
-	<b>800-817893A3</b>		<b>1</b>	<b>SHORT BLOCK (NOT SHOWN). INCLUDES ALL ITEMS MARKED WITH AN ASTERISK (*) 92H1H, 92B1H ORIGINAL FORCE P/N C 431010-3</b>
-	<b>800-817904A1</b>		<b>1</b>	<b>SHORT BLOCK (NOT SHOWN). INCLUDES ALL ITEMS MARKED WITH AN ASTERISK (*) 98H1B, 98B1B ORIGINAL FORCE P/N C 510010-1</b>
16	F1823		6	HEX CAP SCREW, 5/16 - 18 X 1
17	F8559		2	DOWEL PIN
18	F31410		4	RETAINING RING, PISTON PIN
19	F174017		2	PIN, PISTON
20	FA174260		2	PISTON RING SET (2 PER SET)
21	F286015-3		2	PISTONS
22	FA36016-4		2	ROD, CONNECTING <b>W/CAP AND ILLUS. 43</b>
23	F487660-1		1	EXHAUST TUBE
24	F2040		3	HEX WASHER HD M. SCREW, 1/4 - 20 X 5/8
25	F286154		2	GASKET, EXHAUST COVER
26	F286151		1	PLATE, EXHAUST
27	F286152		1	COVER, EXHAUST
28	F1533		8	HEX HD SCREW, 1/4 - 20 X 7/8
29	F286279-2		1	GASKET, CYLINDER MOUNTING
30	F1803		1	STOP NUT, 5/16 - 24
31	F286282		1	WASHER
32	F286445		1	LINK, MAGNETO SHAFT
33	817971A3		1	LEVER, MAGNETO CONTROL

CONTINUED ON NEXT PAGE ➡

# POWER HEAD



# POWER HEAD

REF. NO.	PART NO.	SYM.	QTY.	DESCRIPTION
34	F183813		1	BEARING, MAGNETO CONTROL LEVER
35	F1504		1	FILL HD SCREW, 1/4 - 20 X 1 1/4
36	F286509		1	LINK, THROTTLE CAM
37	F1107		8	FILL HD SCREW, 1/4 - 20 X 3/4
38	F1335		4	FILL HD SCREW, 5/16 - 18 X 1 1/4
39	F286440		1	STUD, MAGNETO CONTROL LEVER
40	F141118		1	SEAL, CRANKSHAFT LOWER
41	F343014		1	BEARING, CRANKSHAFT LOWER MAIN
42	F461342		1	SEAL, DRIVESHAFT SPLINE
43	F36634		4	SCREW, CONNECTING ROD
44	FA525241		2	CRANK PIN ROLLER BEARING CAGE (2 PER SET)
45	FA525228		2	ROLLER SET, CONNECTING ROD (26 PER SET)
46	FA286155		1	MAIN BEARING LINER SET (2 PER SET)
47	F286571		1	ROLLER SET, MAIN BEARING (26 PER SET)
48	F286028		0	<b>BEARING, CRANKSHAFT UPPER MAIN</b>
49	400-818047A3		1	CRANKSHAFT <b>W/ILLUS. 48 ORIGINAL FORCE P/N 2A 286018-3</b>
50	F73082		1	RING, MAGNETO STATOR
51	FG1005-1		1	GASKET SET <b>INCLUDES ITEMS LISTED BELOW:</b>
-	<b>F18906</b>		1	<b>GASKET, CARBURETOR</b>
-	<b>F286154</b>		2	<b>GASKET, EXHAUST</b>
-	<b>F286159-1</b>		1	<b>GASKET, REED PLATE</b>
-	<b>F286223</b>		1	<b>GASKET, TRANSFER PORT</b>
-	<b>F286277</b>		1	<b>GASKET, CRANKSHAFT BEARING CAGE</b>
-	<b>F286279-2</b>		1	<b>GASKET CYLINDER MOUNTING</b>
-	<b>F286529-3</b>		1	<b>GASKET, CYLINDER HEAD</b>
-	<b>F424168-1</b>		1	<b>GASKET, MANIFOLD</b>
-	<b>F429472</b>		1	<b>GASKET, CYLINDER DRAIN COVER</b>
52	F286277		1	GASKET, CRANKSHAFT BEARING CAGE
53	1100-817753A1		1	CAGE, CRANKSHAFT BEARING W/SEAL
54	F346146		1	SEAL, CRANKSHAFT UPPER
55	F1111		4	FILL HD SCREW, 1/4 - 20 X 7/8
56	F84026		2	SWIVEL, INTERLOCK ROD BEARING (98H1B, 98B1B)
57	F84035-2		2	BEARING, INTERLOCK ROD (98H1B, 98B1B)
58	F1339		1	HEX NUT, 10 - 24 (98H1B, 98B1B)
59	F510531		1	INTERLOCK ROD, (98H1B, 98B1B)
60	F7008		1	STOP NUT, 1/4 - 20 (98H1B, 98B1B)
61	F510977-1		1	INTERLOCK LEVER, (98H1B, 98B1B)
62	F197813		1	BEARING, INTERLOCK LEVER (98H1B, 98B1B)

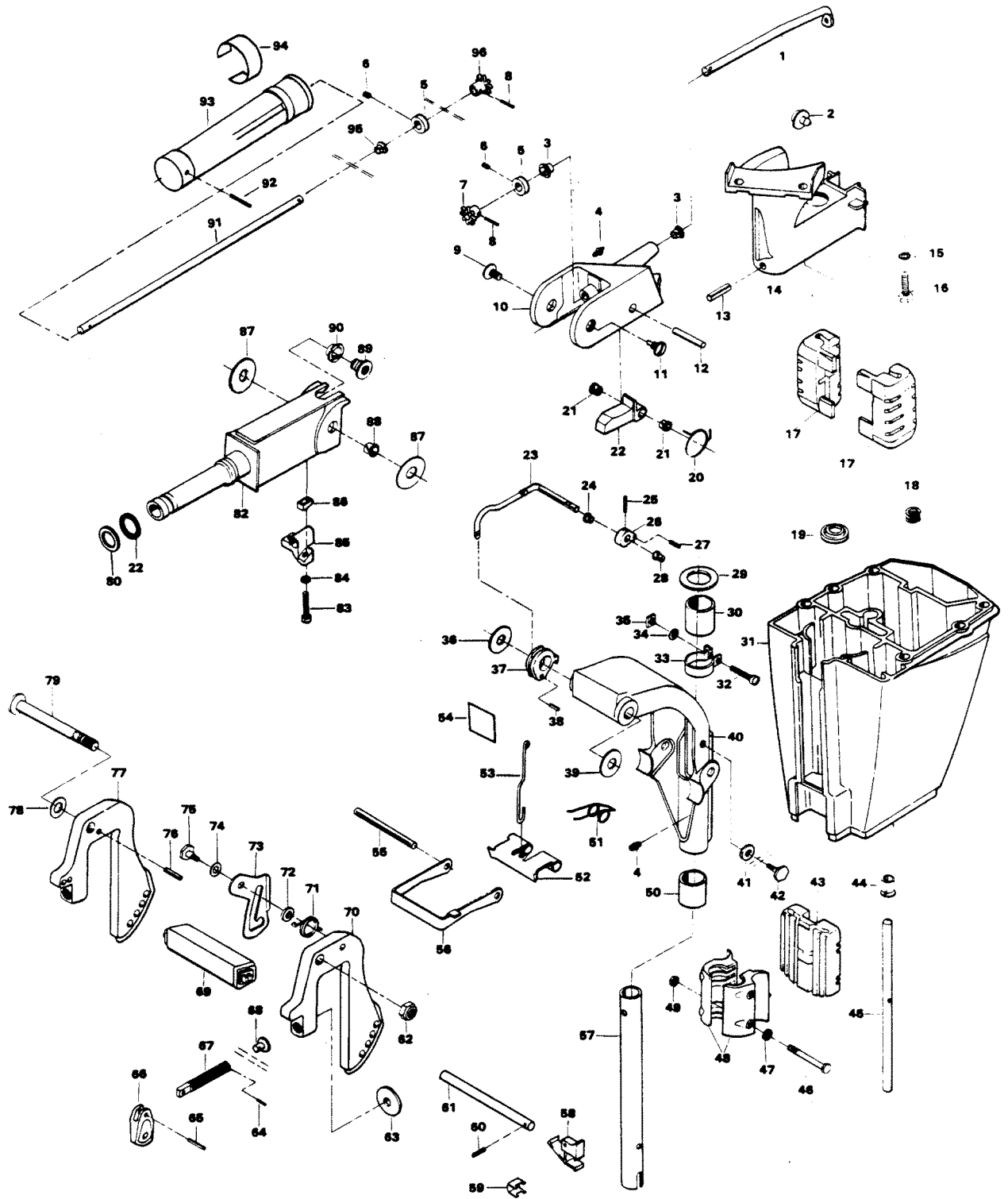


# MOTOR LEG

REF. NO.	PART NO.	SYM.	QTY.	DESCRIPTION
1	F431838		1	MAGNETO CONTROL SHAFT
2	F286539		1	BUMPER
3	F307818		2	BEARING
4	F213274		3	GREASE FITTING
5	FA343178		2	RETAINER <b>W/ILLUS. 6</b>
6	F1859		2	HEX SOCKET HEADLESS SET SCREW
7	43-818009--1		1	GEAR, MAGNETO CONTROL SHAFT
8	F1978		2	SPRING PIN
9	F1799		1	TRUSS HD SCREW, 5/16 - 18 X 5/8
10	817751A3		1	STEERING HANDLE BRACKET W/GREASE FITTING
11	F286080		1	SCREW, STEERING HANDLE PIVOT
12	F1807		1	GROOVE PIN
13	F1805		1	SPRING PIN
14	FA286582		1	STEERING ARM <b>W/ILLUS. 7 AND 93</b>
15	F8060		2	EXTERNAL TOOTH LOCKWASHER
16	F1540		2	HEX CAP SCREW, 1/4 - 20 X 5/8
17	F286347		2	SHOCK MOUNT UPPER
18	F286414		1	SPRING, LEG WATER BRACKET
19	F901307-2		1	SEAL, DRIVESHAFT
20	F286868		1	SPRING, STEERING HANDLE STOP
21	F197813		2	BEARING, STEERING HANDLE STOP
22	F286490		1	STEERING HANDLE STOP
23	FA387742		1	LEVER, REVERSE LOCK INTERMEDIATE
24	F536813		1	BEARING, REVERSE LOCK INTERMEDIATE LEVER
25	F8538		1	SPRING PIN
26	F286364		1	LEVER, REVERSE LOCK
27	F1794		1	SPRING PIN
28	F197813		1	BEARING
29	F286011		1	WASHER, SWIVEL BRACKET
30	F286169		1	BEARING, SWIVEL BRACKET
31	F2A477133		1	MOTOR LEG <b>W/ITEMS 64, 65 &amp; 88</b>
32	F1034		1	FILL HD SCREW, 1/4 - 20 X 1 3/8
33	F1907		1	WASHER
34	F1608		1	SQUARE NUT, 1/4 - 20
35	F286573-1		1	CLAMP, STEERING FRICTION
36	F525286		1	WASHER
37	F286827		1	REVERSE LOCK RELEASE LEVER
38	F1794		1	SPRING PIN
39	F286286-1		1	WASHER, STERN BRACKET
40	1400-817750A4		1	SWIVEL BRACKET <b>W/ILLUS. 54 ORIGINAL FORCE P/N A 286072-2</b>
41	F286451		1	SPACER, TILT LOCK
42	F286422-1		1	TILT LOCK PIVOT

CONTINUED ON NEXT PAGE ➡

# MOTOR LEG

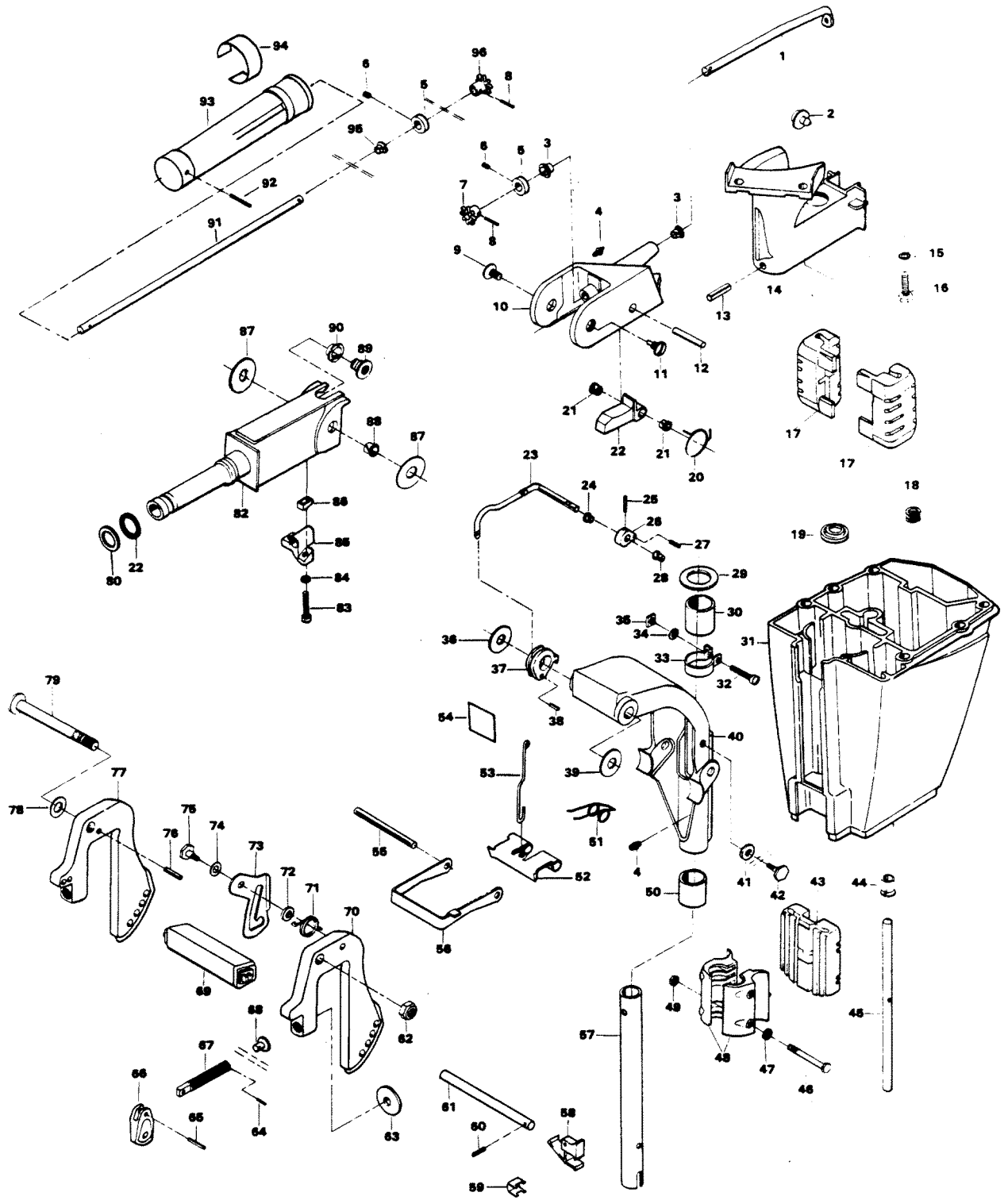


# MOTOR LEG

REF. NO.	PART NO.	SYM.	QTY.	DESCRIPTION
43	F286346		1	SHOCK MOUNT LOWER
44	F286914		1	SLEEVE WATER LINE
45	F286244		1	WATER LINE
46	FA1844		2	HEX BOLT, 1/4 - 20 X 2 3/8 <b>W/ILLUS. 47</b>
47	F8083		2	SPRING LOCKWASHER
48	F286956		2	BRACKET, SHOCK MOUNT LOWER
49	F1341		2	HEX NUT, 1/4 - 20
50	F286169		1	BEARING, SWIVEL BRACKET
51	F286300		1	SPRING, REVERSE LOCK
52	F286349		1	REVERSE LOCK
53	FA341510		1	LINK, REVERSE LOCK LEVER <b>W/LITERATURE</b>
54	F286585-1		1	DECAL, TILT RELEASE
-	<b>37-F286585-2</b>		<b>1</b>	<b>DECAL, TILT RELEASE - CANADA</b>
55	F1806		1	GROOVE PIN
56	F286433		1	BRACKET SHALLOW WATER DRIVE
57	F286019		1	KING PIN
58	F286114		1	LOCK BAR HANDLE
59	F286461		1	SPRING, LOCK BAR HANDLE
60	F8540		1	SPRING PIN
61	FA286113		1	LOCK BAR <b>W/ILLUS. 42 AND 43</b>
62	F7026		1	STOP NUT, 3/8 - 16
63	F24074		2	CLAMP SCREW FOOT
64	F8537		2	SPRING PIN
65	F8554		2	SPRING PIN
66	F424075		2	HANDLE, CLAMP SCREW
67	817761A2		2	CLAMP SCREW <b>W/ILLUS. 37 AND 51 ORIGINAL FORCE P/N A 298073-2</b>
68	F66480		2	STUD CLAMP SCREW
69	F286647		1	CARRYING HANDLE
70	FS567532		1	STERN BRACKET PORT <b>W/ILLUS. 37, 38, 39 AND 51 ORIGINAL FORCE P/N S 286532-3</b>
71	F286544-1		1	SPRING, TILT STOP
72	F286451		1	SPACER, TILT LOCK
73	F429541		1	TILT LOCK
74	F1666		1	BOWED SPRING WASHER
75	F286422-1		1	TILT LOCK PIVOT
76	F8538		1	SPRING PIN
77	FS567532		1	STERN BRACKET STARBOARD <b>W/ILLUS. 37, 38, 39 AND 51 ORIGINAL FORCE P/N S 286032-2</b>
78	F8039		1	PLAIN WASHER
79	F286037		1	STERN BRACKET PIVOT BOLT
80	F215795		1	SEAL, STEERING HANDLE GRIP DAMPENER (SMALL)
81	F53795-1		1	SEAL, STEERING HANDLE GRIP DAMPENER (LARGE)
82	F286079-1		1	STEERING HANDLE

CONTINUED ON NEXT PAGE ➡

# MOTOR LEG

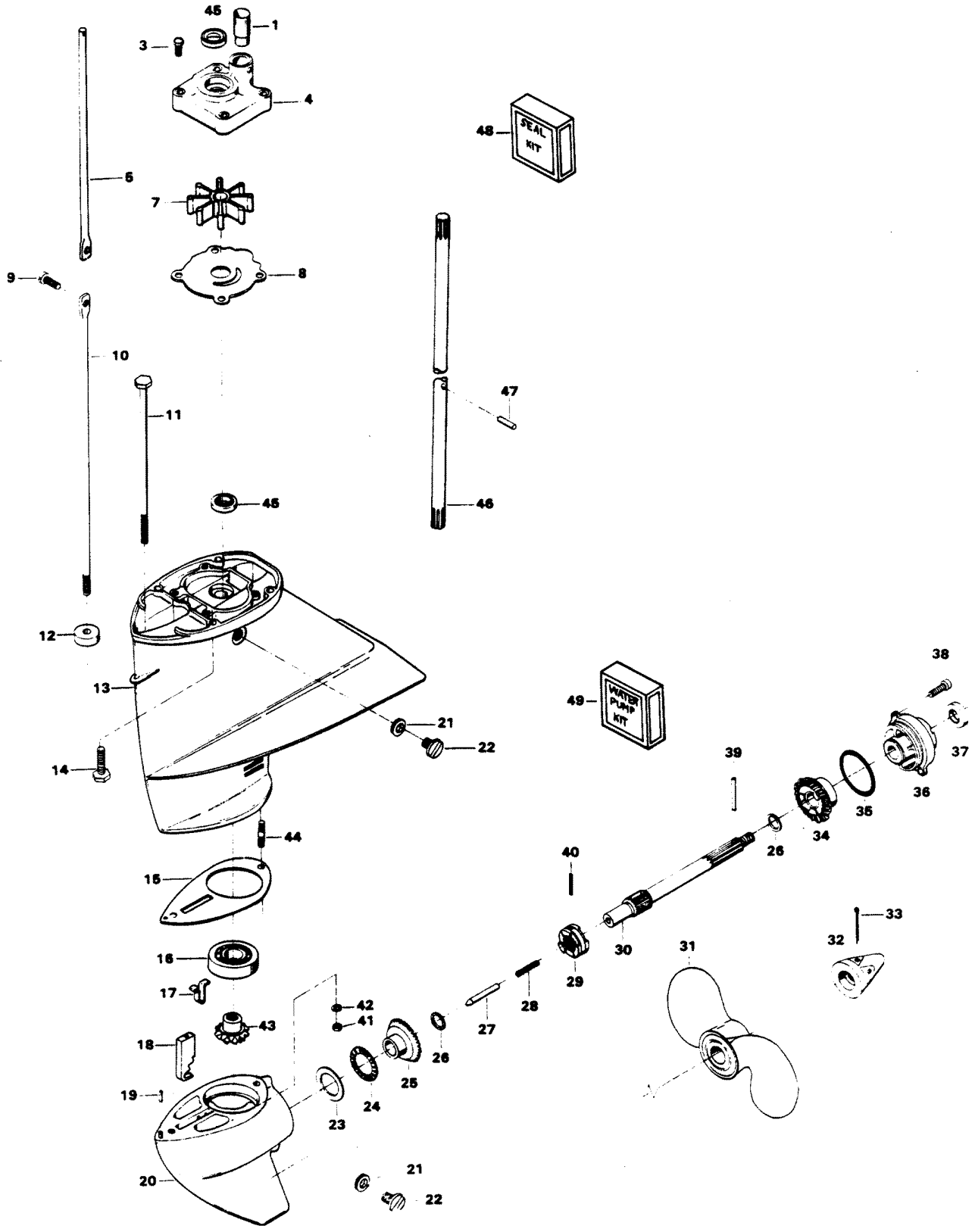




# MOTOR LEG

REF. NO.	PART NO.	SYM.	QTY.	DESCRIPTION
83	F1829		2	FILL HD SCREW, 10 - 24 X 7/8
84	F8058		2	INTERNAL TOOTH LOCKWASHER
85	F487816		1	BEARING, STEERING HANDLE
86	F341693		1	WEDGE, STEERING HANDLE
87	F286220		2	WASHER, STEERING HANDLE
88	F197813		1	BEARING
89	F286224		1	INSERT, STEERING HANDLE PIVOT
90	F286818		1	BEARING
91	F429688		1	SHAFT, STEERING HANDLE
92	F8548		1	SPRING PIN
93	F429137		1	GRIP, STEERING HANDLE
94	F286894-3		1	STEERING HANDLE INDICATOR
-	<b>37-F286894-3</b>		<b>1</b>	<b>STEERING HANDLE INDICATOR - CANADA</b>
95	F85610		1	BEARING
96	43-818009--1		1	GEAR, STEERING HANDLE SHAFT

# GEAR HOUSING

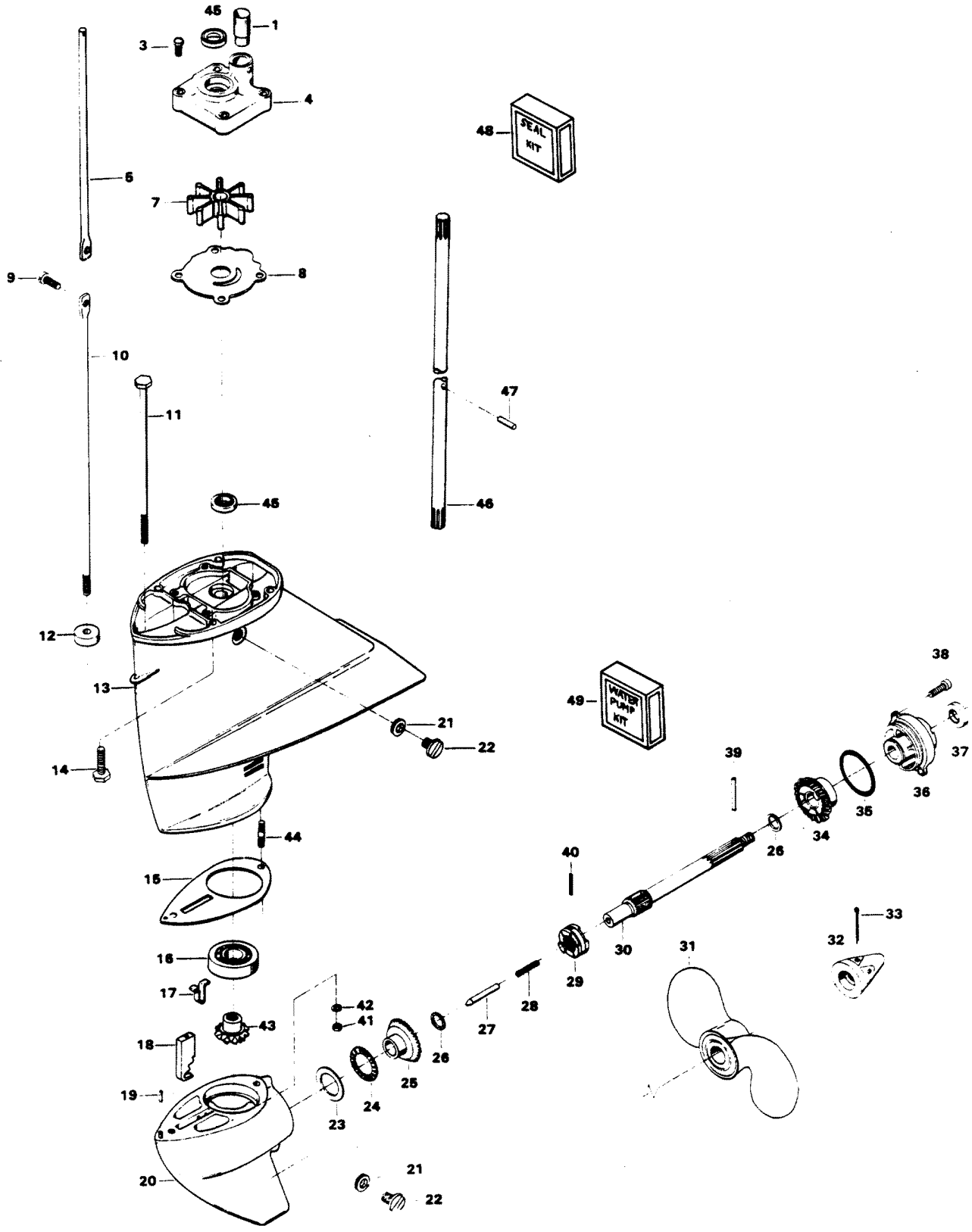


# GEAR HOUSING

REF. NO.	PART NO.	SYM.	QTY.	DESCRIPTION
1	FA510914		1	SEAL, INLET WATER LINE <b>W/LITERATURE</b>
3	F2030		4	HEX HD SCREW, 1/4 - 20 X 1 1/4
4	FA504060		1	WATER PUMP BODY <b>W/ILLUS. 45</b>
5	F286615		1	GEAR SHIFT ROD UPPER
7	F436065-1		1	WATER PUMP IMPELLER
8	F341562		1	WATER PUMP BACK PLATE
9	F1976		1	SOCKET HD SCREW W/LOCKWASHER, 10 - 24 X 1/2
10	F286705		1	GEAR SHIFT ROD LOWER, FOR STANDARD SHAFT MODELS
11	F1800		1	HEX BOLT, 1/4 - 20 X 7
12	F338618-1		1	SEAL, GEAR SHIFT ROD LOWER
13	1600-824916A1		1	GEAR HOUSING UPPER <b>W/BEARING AND ITEMS 12, 21, 22, 44 AND 45 ORIGINAL FORCE P/N A 456554-1</b>
14	F430732		4	HEX HD SCREW, 1/4 - 20 X 1
15	F286555		1	GASKET, GEAR HOUSING
16	F127910-2		1	BALL BEARING
17	F286895		1	SPRING, CAM DETENT
18	F286721		1	CLUTCH, SHIFT CAM
19	F8553		1	SPRING PIN
20	FA286054		1	GEAR HOUSING LOWER <b>W/ILLUS. 19, 21 AND 32</b>
-	<b>FC456054</b>		1	<b>LOWER GEAR HOUSING COMPLETE (NOT SHOWN) INCLUDES ALL ITEMS MARKED WITH AN ASTERISK (*)</b>
21	F8077		2	NYLTITE WASHER
22	F50109		2	GEAR HOUSING PLUG
23	F286903		1	RACE, PROPELLER SHAFT BEARING
24	F286901		1	BEARING, RADIAL, PROPELLER SHAFT
25	FA456023		1	BEVEL GEAR FRONT W/BEARING
26	F456717		2	THRUST WASHER
27	F286728		1	CLUTCH SHIFT PIN
28	F409719		1	CLUTCH SPRING
29	FA456521		1	CLUTCH <b>W/LITERATURE</b>
30	F456098		1	PROPELLER SHAFT
31	FP286		1	PROPELLER (ACCESSORY ITEM)
32	11-817752A1		1	PROPELLER NUT <b>W/ILLUS. 33 ORIGINAL FORCE P/N A 286094-1</b>
33	F1846		1	COTTER PIN
34	FA456662		1	BEVEL GEAR REAR W/BEARING
35	F455305		1	SEAL, PROP SHAFT BEARING CAGE
36	31-817756A2		1	PROPELLER SHAFT BEARING CAGE <b>W/BEARING AND ITEMS 35 AND 37 ORIGINAL FORCE P/N A 286298-1</b>
37	F346118		1	SEAL, PROPELLER SHAFT
38	F1493		2	FILL HD SCREW, 1/4 - 20 X 9/16
39	FA324101		1	PROPELLER PIN, PACK OF 3 <b>W/ILLUS. 33</b>
40	F8564		1	SPRING PIN
41	F1490		1	HEX NUT, 1/4 - 20

CONTINUED ON NEXT PAGE ➡

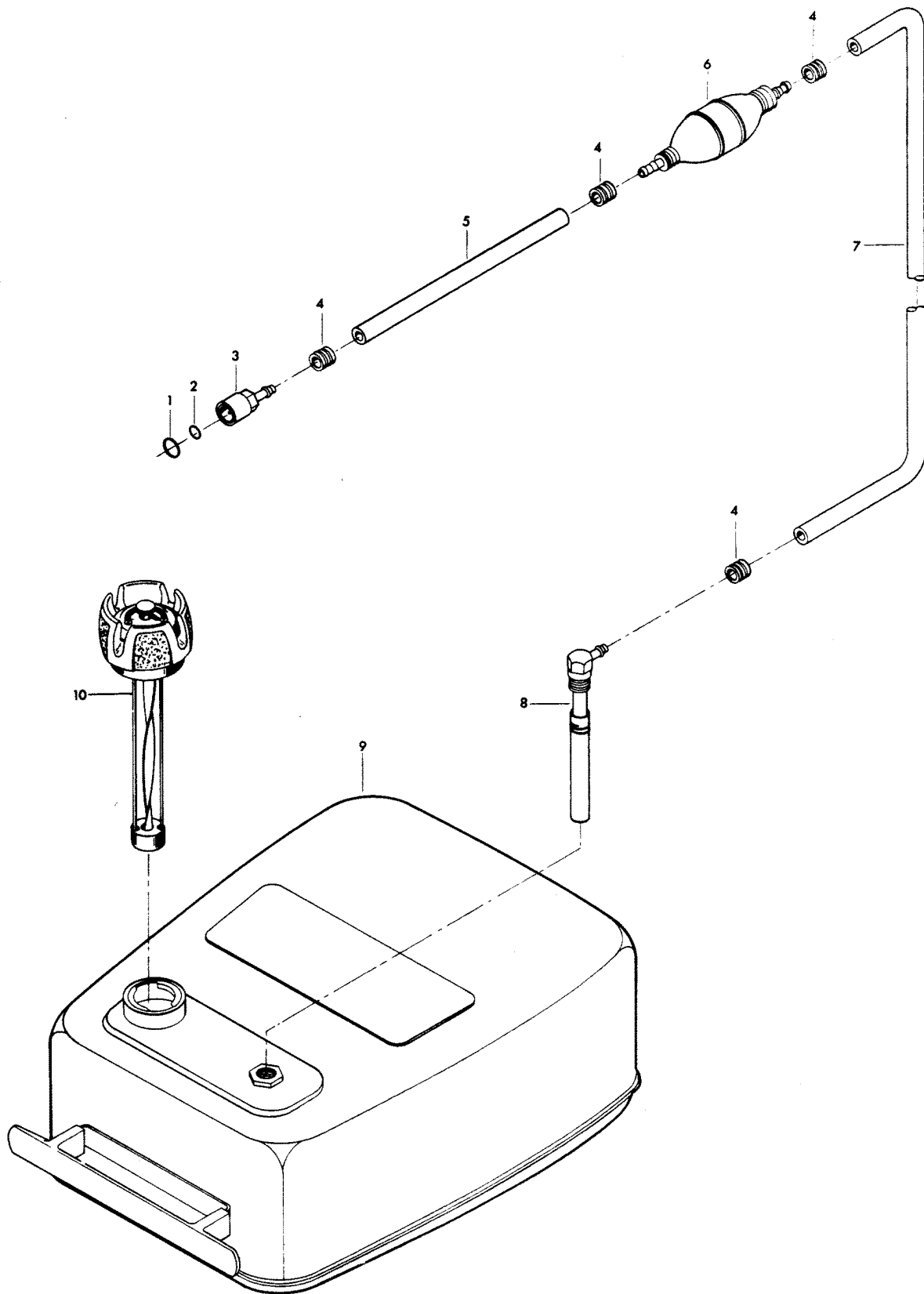
# GEAR HOUSING



# GEAR HOUSING

REF. NO.	PART NO.	SYM.	QTY.	DESCRIPTION
42	F8063		1	SPRING LOCKWASHER
43	FA286266		1	GEAR, BEVEL PINION <b>W/ITEM 16</b>
44	F286008		1	STUD, GEAR HOUSING REAR
45	F901307-2		2	SEAL, DRIVESHAFT AND WATER PUMP
46	F343128		1	DRIVESHAFT, FOR STANDARD SHAFT MODELS
47	F901563		1	WATER PUMP IMPELLER DRIVE PIN
50	FK1065		1	GEAR HOUSING SEAL KIT. <b>INCLUDES ALL ITEMS MARKED WITH A DOUBLE ASTERISK (*)</b>
51	FK1031-1		1	WATER PUMP KIT
-	<b>F2030</b>		<b>4</b>	<b>SCREW, 1/4 - 20 X 1-1/4</b>
-	<b>F341562</b>		<b>1</b>	<b>BACK PLATE, WATER PUMP</b>
-	<b>F436065-1</b>		<b>1</b>	<b>IMPELLER</b>
-	<b>F510914</b>		<b>1</b>	<b>SEAL, WATERLINE</b>
-	<b>F901563</b>		<b>1</b>	<b>DRIVE PIN, WATER PUMP</b>
-	<b>FA504060</b>		<b>1</b>	<b>BODY, WATER PUMP</b>

# FUEL TANK AND LINE



## FUEL TANK AND LINE

REF. NO.	PART NO.	SYM.	QTY.	DESCRIPTION
1	F213342		1	SEAL, FUEL LINE COUPLER
2	F213735		1	SEAL, FUEL LINE COUPLER
3	F197787-3		1	FUEL LINE COUPLER
4	F298788		4	FERRULE
5	FA84754-1		1	FUEL LINE, SHORT W/ILLUS. 4
6	89396A38		1	PRIME BULB
7	32-817738A1		1	FUEL LINE, LONG W/CLAMP AND ILLUS. 4 ORIGINAL FORCE P/N A 197752-1
8	F487755		1	FUEL TANK ADAPTER
9	F5H026		1	FUEL TANK (ACCESSORY ITEM)
10	F409251-1		1	GAUGE CAP
-	<b>FS409752</b>		1	<b>FUEL LINE COMPLETE (NOT SHOWN). INCLUDES ALL ITEMS MARKED WITH AN ASTERISK (*)</b>
-	<b>FC409398</b>		1	<b>DECAL TOTE TANK - CANADA (NOT SHOWN)</b>

## SPECIAL TOOLS - TUNE-UP

REF. NO.	PART NO.	SYM.	QTY.	DESCRIPTION
-	FT2989		0	FLYWHEEL WEDGE TO REMOVE FLYWHEEL.
-	FT2909		0	KNOCK-OFF NUT TO REMOVE FLYWHEEL.
-	FT8930-1		0	FEELER GAUGE TO ADJUST BREAKER POINTS.



## SPECIAL TOOLS - MANUAL STARTER

REF. NO.	PART NO.	SYM.	QTY.	DESCRIPTION
-	FT2985		0	STARTER REWIND KEY TO REWIND STARTER SPRING.

# SPECIAL TOOLS - POWER HEAD

REF. NO.	PART NO.	SYM.	QTY.	DESCRIPTION
-	FT2998		0	TORQUE WRENCH (0 - 100 LBS./FT.) TO PROPERLY SECURE FASTENERS.
-	FT2999		0	TORQUE WRENCH (0 - 600 LBS./IN.) TO PROPERLY SECURE FASTENERS.
-	FT2991		0	CARBON BRUSH TO REMOVE CARBON FROM INSIDE OF POWER HEAD.
-	FT8900		0	HOSE CLAMP PLIERS TO REMOVE AND INSTALL FUEL HOSE CLAMPS.
-	FT11202		0	SEAL INSTALLER TO INSTALL CRANKSHAFT SEALS.
-	FT3012		0	SEAL INSTALLER TO INSTALL UPPER CRANKSHAFT BEARING CAGE SEAL.
-	FT2908		0	SEAL SLEEVE TO INSTALL UPPER CRANKSHAFT BEARING CAGE SEAL.
-	FT8929		0	ADAPTER AND HEX BIT TO TORQUE CONNECTING ROD SCREWS.
-	FT1749		0	SNAP RING PLIERS TO REMOVE AND INSTALL PISTON PIN RETAINING RINGS.
-	FT2997		0	RING COMPRESSOR TO INSTALL PISTONS.
-	FT8926		0	RING EXPANDER TO INSTALL PISTON RINGS.
-	FT8993		0	TORQUE WRENCH ADAPTER TO TORQUE LOWER CYLINDER HEAD BOLTS.

## SPECIAL TOOLS - LOWER UNIT

REF. NO.	PART NO.	SYM.	QTY.	DESCRIPTION
-	FT8948-1		0	PULLER TO REMOVE PROPELLER SHAFT BEARING CAGE.
-	FT8957		0	SEAL INSTALLER TO INSTALL SHIFT ROD SEAL.
-	FT2907		0	SEAL INSTALLER TO INSTALL DRIVESHAFT SEAL IN GEAR HOUSING UPPER, PROPELLER SHAFT SEAL AND WATER PUMP SEAL.

## SPECIAL TOOLS - TEST EQUIPMENT

REF. NO.	PART NO.	SYM.	QTY.	DESCRIPTION
-	FT2938-1		0	BATTERY POWERED TEST LIGHT TO TEST FOR CONTINUITY IN WIRES.
-	FT8342		0	TEST WHEEL TO TEST MOTOR IN TEST TANK.
-	FT8950		0	LEAKAGE TESTER TO TEST GEAR HOUSING SEALS FOR LEAKS.
-	FT8996		0	IGNITION TESTER TO TEST TRIGGER OUTPUT.
-	FT8953		0	C-D TESTER TO TEST STATOR OUTPUT AND SECONDARY VOLTAGE.
-	FT2951		0	CIRCUIT TRACER TO TEST 12 VOLT CIRCUITS FOR CONTINUITY.

## SPECIAL TOOLS - LUBRICANTS AND SEALANTS

REF. NO.	PART NO.	SYM.	QTY.	DESCRIPTION
-	FT2961		0	LUBRICANT - RYKON #2EP
-	FT2987-1		0	LUBRICANT - ANTI-SEIZE
-	FT8969		0	LUBRICANT - 7 OZ. 2 LSI LUBRICANT
-	FT8983		0	SEALANT-RTV
-	FT8936-1		0	SEALANT - 2 CC LOCTITE RETAINING COMPOUND #75
-	FT2962-1		0	SEALANT - 50 CC LOCTITE H, NON-HARDENING GRADE
-	FT2963-1		0	SEALANT - 2 OZ. LOCTITE D, HARDENING GRADE
-	FT8935		0	SEALANT PRIMER - 6 OZ

# ACCESSORIES

REF. NO.	PART NO.	SYM.	QTY.	DESCRIPTION
-	FK1019-1		0	5" LONG LEG CONVERSION KIT CONVERTS 15" STANDARD SHAFT MODEL TO 20" LONG SHAFT MODEL.
-	F5H057		0	15" LONG LEG CONVERSION KIT CONVERTS 15" STANDARD SHAFT OR 20" LONG SHAFT MODEL TO 30" LONG SHAFT MODEL.
-	F5H041		0	BATTERY TERMINAL KIT FITS STANDARD POSITIVE AND NEGATIVE BATTERY POSTS.
-	F588		0	FLUSHING ADAPTER PERMITS FRESH WATER FLUSHING OF WATER PASSAGES WITH STANDARD GARDEN HOSE.
-	5H051		0	BATTERY 74 AMP HOUR RATING.
-	F5H062		0	WATER PUMP KIT HEAVY DUTY WATER PUMP RECOMMENDED FOR CONTINUED OPERATION IN SANDY OR SALT WATER.
-	F5H021		0	BATTERY EXTENSION CABLE - 6-1/2 FT. ADAPTS TO ENGINE'S BATTERY CABLE.
-	F5H088		0	REMOTE CONTROL CONVERSION KIT PERMITS REMOTE CONTROL OF THROTTLE AND GEAR SHIFT FROM FRONT OF BOAT.
-	F5H025		0	ANTI-CORROSION ANODE PROTECTS ENGINE FROM ELECTROLYSIS CORROSION - MOUNTS ON CAVITATION PLATE.
-	F5H090		0	REMOTE ELECTRIC START KIT PROVIDES REMOTE ELECTRIC START AND CHOKE.
-	F5H081		0	BATTERY CABLE - 15 FT. PROVIDES DISCONNECT PLUG AT ENGINE.
-	F5H130		0	SYNCHRO-DRIVE CONTROL BOX (SINGLE LEVER) PERMITS REMOTE CONTROL OF THROTTLE AND GEAR SHIFT FROM STARBOARD SIDE OF BOAT.
-	F5H131		0	PORT SIDE DECAL KIT CONVERTS 5H130 CONTROL BOX TO PORT SIDE MOUNTING.
-	F866		0	DUO-DRIVE CONTROL BOX (TWIN LEVER) PERMITS REMOTE CONTROL OF THROTTLE AND GEAR SHIFT. MAY BE MOUNTED ON PORT OR STARBOARD SIDE OF BOAT.
-	F137		0	STEERING CONNECTOR WIRE FORM WITH LATCH.
-	167		0	IGNITION CUT-OFF KIT PERMITS STOPPING OF ENGINE FROM OPERATOR'S SEAT.
-	F195/_		0	REMOTE CONTROL CABLES CONNECTS REMOTE CONTROL BOX TO THROTTLE AND GEAR SHIFT ON MOTOR. AVAILABLE IN 6 THROUGH 40 FOOT LENGTHS.
-	F5H040		0	STEEL, 12 GALLON FUEL TANK AUXILIARY TANK.
-	F5H027		0	STEEL, 6 GALLON FUEL TANK AUXILIARY TANK.
-	F5H029		0	FUEL TANK ANCHOR SECURES TOTE TANK TO BOAT FLOOR.
-	F476		0	FUEL LINE ADAPTION KIT ADAPTS MODEL 5H027 TANK FOR DISCONNECT AT TANK.
-	72H03		0	CARRYING BAG CANVAS BAG FOR TRANSPORTING AND STORING ENGINE.
-	F5H054		0	REMOTE STEERING BRACKET MOUNTS IN PLACE OF STEERING HANDLE.

CONTINUED ON NEXT PAGE ➡

## ACCESSORIES

REF. NO.	PART NO.	SYM.	QTY.	DESCRIPTION
-	F5H134		0	BOAT WHITE LACQUER ENGINE TOUCH-UP PAINT IN 123/4 OZ. SPRAY BOMBS (6 CANS PER CASE).
-	F596		0	CHRYSLER OUTBOARD OIL SEE BLOCK COMMENT 1.
-	F597		0	CHRYSLER OUTBOARD GEAR LUBE SEE BLOCK COMMENT 2.
-	F5H059		0	CHRYSLER OUTBOARD MULTI-PURPOSE GREASE LUBRICATES BEARINGS AND OTHER MOVING PARTS. AVAILABLE IN 8 OZ. TUBES AND 12 TUBE CASES.
-	F5H060		0	CHRYSLER OUTBOARD GREASE GUN

# PARTS INDEX

Part Number	Description	Pg.	Ref. No.	Part Number	Description	Pg.	Ref. No.
167	IGNITION CUT-OFF KIT . . . . .	44	-	F127910-2	BALL BEARING . . . . .	33	16
2C610712	COVER, ENGINE COMPLETE. . . . .	5	-	F1286	PAN HD SCREW, 4 - 40 X 3/16 . . . . .	11	5
2C610712	ENGINE COVER - COMPLETE. . . . .	5	-	F1286	PAN HD SCREW, 4 - 40 X 3/16 . . . . .	19	4
5H051	BATTERY . . . . .	44	-	F1303	SLOTTED PAN HD M. SCREW, 8/32 X 3/4 . . . . .	15	24
72H03	CARRYING BAG . . . . .	44	-	F1335	FILL HD SCREW, 5/16 - 18 X 1 1/4 . . . . .	25	38
817751A3	STEERING HANDLE BRACKET W/GREASE FITTING . . . . .	27	10	F1337	HEX NUT, 6 - 32 . . . . .	15	5
817754A1	ARM, CARBURETOR FOLLOWER . . . . .	21	58	F1339	HEX NUT, 10 - 24 (98H1B, 98B1B) . . . . .	25	58
817757A4	PLATE, FRONT SUPPORT . . . . .	3	27	F1341	HEX NUT, 1/4 - 20 . . . . .	29	49
817758A1	BRACKET, COVER LATCH . . . . .	3	10	F1365	SQUARE NUT, 10 - 24 . . . . .	21	56
817761A2	CLAMP SCREW . . . . .	29	67	F137	STEERING CONNECTOR . . . . .	44	-
817971A3	LEVER, MAGNETO CONTROL . . . . .	23	33	F141118	SEAL, CRANKSHAFT LOWER . . . . .	25	40
89396A38	PRIME BULB . . . . .	37	6	F1437	FILL HD SCREW, 1/4 - 20 X 1/2 . . . . .	15	20
F1034	FILL HD SCREW, 1/4 - 20 X 1 3/8 . . . . .	27	32	F1490	HEX NUT, 1/4 - 20 . . . . .	19	29
F1069	FILL HD SCREW, 10 - 24 X 1 1/16 . . . . .	11	14	F1490	HEX NUT, 1/4 - 20 . . . . .	33	41
F1069	FILL HD SCREW, 10 - 24 X 1 1/16 . . . . .	19	1	F1493	FILL HD SCREW, 1/4 - 20 X 9/16 . . . . .	33	38
F1075	FILL HD SCREW, 10 - 24 X 1/2 . . . . .	7	12	F1502	HEX CAP SCREW, 1/4 - 20 X 5/8, 9.9HP, MANUAL START . . . . .	23	5
F1075	FILL HD SCREW, 10 - 24 X 1/2 . . . . .	15	36	F1504	FILL HD SCREW, 1/4 - 20 X 1 1/4 . . . . .	25	35
F1087	FILL HD SCREW, 10 - 24 X 7/8 . . . . .	15	32	F15127	CAP ASSEMBLY, COMMUTATOR END. . . . .	13	10
F1089	FILL HD SCREW, 10 - 24 X 9/16 . . . . .	9	1	F15129	NUT W/LOCKWASHER . . . . .	13	15
F1090	FILL HD SCREW W/LOCKWASHER, 10 - 24 X 9/16 . . . . .	7	16	F1513	HEX NUT, 10 - 32 . . . . .	17	42
F1090	FILL HD SCREW W/SPRING LOCKWASHER, 10 - 24 X 9/16 . . . . .	15	26	F15130	NUT . . . . .	13	16
F1107	FILL HD SCREW, 1/4 - 20 X 3/4 . . . . .	25	37	F15132	WASHER, FIBER . . . . .	13	18
F1111	FILL HD SCREW, 1/4 - 20 X 7/8 . . . . .	25	55	F15133	WASHER . . . . .	13	17
F12083	CONDENSER SCREW W/LOCKWASHER . . . . .	7	7	F15134	ARMATURE . . . . .	13	8
F12088	GROMMET . . . . .	7	19	F15135	CAP ASSEMBLY, DRIVE END . . . . .	13	5
F12091	LEAD WIRE MARKER TOP (NOT SHOWN) . . . . .	7	-	F15136	HOUSING ASSEMBLY . . . . .	13	9
F12114	COIL GROUND TERMINAL SCREW . . . . .	7	21	F15137	WASHER . . . . .	13	6
F12141	HIGH TENSION LEAD SLEEVE . . . . .	7	22	F15138	SPRING, BRUSH . . . . .	13	12
F12146	COIL WEDGE SPRING . . . . .	7	15	F15139	PINION ASSEMBLY . . . . .	13	4
F12153-1	BREAKER POINT SET . . . . .	7	6	F15140	SPRING . . . . .	13	3
F12170	CONTACT SCREW W/LOCKWASHER . . . . .	7	4	F15141	PINION STOP . . . . .	13	2
F12181-1	CONDENSER . . . . .	7	8	F15142	STOP NUT . . . . .	13	1
F12186-1	PRIMARY TERMINAL WIRE . . . . .	7	23	F15143	DISC . . . . .	13	11
F12343	STATOR PLATE W/LAMINATIONS . . . . .	7	9	F15144	SCREW, THRU BOLT . . . . .	13	14
F12360	CAM WIPER FELT . . . . .	7	5	F15145	GASKET . . . . .	13	7
				F15146	WASHER . . . . .	13	13
				F1533	HEX HD SCREW, 1/4 - 20 X 7/8 . . . . .	23	28
				F1540	HEX CAP SCREW, 1/4 - 20 X 5/8 . . . . .	27	16
				F1540	HEX HD SCREW, 1/4 - 20 X 5/8 . . . . .	23	8
				F1556	FILL HD M. SCREW W/SPRING LOCKWASHER, 10 - 24 X 3/8 . . . . .	15	18
				F1577	FILL HD SCREW, 1/4 - 20 X 3/4 . . . . .	11	3



# PARTS INDEX

Part Number	Description	Pg.	Ref. No.	Part Number	Description	Pg.	Ref. No.
F1608	SQUARE NUT, 1/4 - 20	27	34	F1976	SOCKET HD SCREW		
F1645	RD HD THREAD CUTTING SCREW, 6 - 32 X 1/4	15	25		W/LOCKWASHER, 10 - 24 X 1/2	33	9
F1646	HEX SOCKET HD CAP SCREW, 3/8 - 16 X 2 1/4	15	8	F197767-1	BUSHING, FUEL LINE	3	29
F1648	PAN HD SCREW, 10 - 24 X 3/4	15	13	F197787-3	FUEL LINE COUPLER	37	3
F1666	BOWED SPRING WASHER	29	74	F1978	SPRING PIN	27	8
F1704	INTERNAL TOOTH LOCKWASHER	15	4	F197813	BEARING	27	28
F174017	PIN, PISTON	23	19	F197813	BEARING	31	88
F1753	FASTENER	3	3	F197813	BEARING, INTERLOCK LEVER (98H1B, 98B1B)	25	62
F1755	HD SCREW W/LOCKWASHER, 6 - 32 X 5/16	19	14	F197813	BEARING, STEERING HANDLE STOP	27	21
F1794	SPRING PIN	27	27	F1979	SCREW PAN HD, 10 - 24 X 1/2	3	6
F1794	SPRING PIN	27	38	F1999	HEX CAP SCREW, 1/4 - 20 X 7/8	17	44
F1799	TRUSS HD SCREW, 5/16 - 18 X 5/8	27	9	F2030	HEX HD SCREW, 1/4 - 20 X 1 1/4	33	3
F1800	HEX BOLT, 1/4 - 20 X 7	33	11	F2030	SCREW, 1/4 - 20 X 1-1/4	35	-
F1803	STOP NUT, 5/16 - 24	23	30	F2040	HEX WASHER HD M. SCREW, 1/4 - 20 X 5/8	23	24
F1804	STOP NUT	9	8	F2042	PLAIN WASHER	9	20
F1804	STOP NUT, 10 - 32	3	12	F213274	GREASE FITTING	27	4
F1805	SPRING PIN	27	13	F213342	SEAL, FUEL LINE COUPLER	37	1
F1806	GROOVE PIN	29	55	F213735	SEAL, FUEL LINE COUPLER	37	2
F1807	GROOVE PIN	27	12	F215795	SEAL, STEERING HANDLE GRIP DAMPENOR (SMALL)	29	80
F1809	HEX NUT	15	29	F217002	MAGNETO BREAKER CAM	7	13
F1809	HEX NUT, 1/2 - 20	7	1	F24074	CLAMP SCREW FOOT	29	63
F18160-2	REED FUEL PUMP	19	6	F24748-2	GASKET, FUEL PUMP	11	9
F18160-2	REED, FUEL PUMP	11	7	F24748-2	GASKET, FUEL PUMP	19	3
F1823	HEX CAP SCREW, 5/16 - 18 X 1	23	16	F269316	ROLLER SHAFT	3	8
F1829	FILL HD M. SCREW, 10 - 24 X 7/8	15	1	F2706772	HOSE CLAMP	11	12
F1829	FILL HD SCREW, 10 - 24 X 7/8	31	83	F2706772	HOSE CLAMP	19	9
F1834	FILL HD SCREW, 10 - 24 X 7/8	21	59	F2752253	HOSE, FUEL PUMP TO BUSHING - U.S.A.	11	15
F183813	BEARING, MAGNETO CONTROL LEVER	25	34	F2771254	HOSE, FUEL PUMP TO CARBURETOR	11	13
F1845	TY-RAP	17	50	F2788004	STUD, CARBURETOR	19	22
F184579	SEAL	3	17	F28004	STUD, INTERLOCK LEVER (98H1B, 98B1B)	23	13
F1846	COTTER PIN	33	33	F286008	STUD, GEAR HOUSING REAR	35	44
F1859	HEX SOCKET HEADLESS SET SCREW	27	6	F286011	WASHER, SWIVEL BRACKET	27	29
F1864	HEX HD SCREW, 1/4 - 20 X 3/4	9	11	F286015-3	PISTONS	23	21
F1875	SPRING PIN, STARTER BRACKET	9	17	F286019	KING PIN	29	57
F1876	SPRING PIN (HAND START)	19	20	F286028		25	48
F18906	CARBURETOR GASKET	19	23	F286037	STERN BRACKET PIVOT BOLT	29	79
F18906	GASKET, CARBURETOR	25	-	F286079-1	STEERING HANDLE	29	82
F1907	WASHER	27	33	F286080	SCREW, STEERING HANDLE PIVOT	27	11
F1912	HEX HD SCREW, 10 - 24 X 1/2	21	60	F286114	LOCK BAR HANDLE	29	58
F1915	HEX HD SCREW, 1/4 - 20 X 7/8	19	26	F286132	HANDLE, STARTER ROPE	9	19
F195/	REMOTE CONTROL CABLES	44	-	F286134	STUD	9	5
F197319	BEARING, CHOKE ROD	3	22	F286134	STUD, GEAR SHIFT LEVER	3	15
F1975	SPRING LOCKWASHER	15	2	F286151	PLATE, EXHAUST	23	26
				F286152	COVER, EXHAUST	23	27
				F286154	GASKET, EXHAUST	25	-
				F286154	GASKET, EXHAUST COVER	23	25

# PARTS INDEX

Part Number	Description	Pg.	Ref. No.	Part Number	Description	Pg.	Ref. No.
F286159-1	GASKET, REED PLATE . . . .	19	18	F286611-1	ROD, GEAR SHIFT . . . . .	3	13
F286159-1	GASKET, REED PLATE . . . .	25	-	F286614	HANDLE, GEAR SHIFT . . . .	3	31
F286169	BEARING, SWIVEL BRACKET . . . . .	27	30	F286615	GEAR SHIFT ROD UPPER . .	33	5
F286169	BEARING, SWIVEL BRACKET . . . . .	29	50	F286647	CARRYING HANDLE . . . . .	29	69
F286192	THROTTLE CAM . . . . .	15	37	F286685	CONNECTOR, GEAR SHIFT ROD . . . . .	5	43
F286192	THROTTLE CAM PLATE . . . .	7	10	F286705	GEAR SHIFT ROD LOWER, FOR STANDARD SHAFT MODELS . . . . .	33	10
F286220	WASHER, STEERING HANDLE . . . . .	31	87	F286710	ARBOR, STARTER SPRING	9	9
F286222	COVER, TRANSFER PORT (92H1H, 92B1H) . . . . .	23	6	F286721	CLUTCH, SHIFT CAM . . . . .	33	18
F286223	GASKET, TRANSFER PORT	25	-	F286728	CLUTCH SHIFT PIN . . . . .	33	27
F286223	GASKET, TRANSFER PORT COVER . . . . .	23	7	F286737-1	RETAINER, STARTER REWIND SPRING . . . . .	9	13
F286224	INSERT, STEERING HANDLE PIVOT . . . . .	31	89	F286772-1	HOSE CLAMP, 9.9 HP, MANUAL START . . . . .	23	9
F286244	WATER LINE . . . . .	29	45	F286777	CAM, COVER LATCH . . . . .	3	36
F286277	GASKET, CRANKSHAFT BEARING CAGE . . . . .	25	-	F286818	BEARING . . . . .	31	90
F286277	GASKET, CRANKSHAFT BEARING CAGE . . . . .	25	52	F286827	REVERSE LOCK RELEASE LEVER . . . . .	27	37
F286279-2	GASKET CYLINDER MOUNTING . . . . .	25	-	F286868	SPRING, STEERING HANDLE STOP . . . . .	27	20
F286279-2	GASKET, CYLINDER MOUNTING . . . . .	23	29	F286871	PIN, GEAR SHIFT LEVER . .	3	38
F286282	WASHER . . . . .	23	31	F286876	LEVER, GEAR SHIFT . . . . .	3	40
F286286-1	WASHER, STERN BRACKET	27	39	F286894-3	STEERING HANDLE INDICATOR . . . . .	31	94
F286300	SPRING, REVERSE LOCK . .	29	51	F286895	SPRING, CAM DETENT . . . .	33	17
F286316	THROTTLE CAM FOLLOWER	19	28	F286901	BEARING, RADIAL, PROPELLER SHAFT . . . .	33	24
F286346	SHOCK MOUNT LOWER . . . .	29	43	F286903	RACE, PROPELLER SHAFT BEARING . . . . .	33	23
F286347	SHOCK MOUNT UPPER . . . .	27	17	F286914	SLEEVE WATER LINE . . . . .	29	44
F286349	REVERSE LOCK . . . . .	29	52	F286930	END, STARTER SPRING . . .	9	14
F286364	LEVER, REVERSE LOCK . . .	27	26	F286956	BRACKET, SHOCK MOUNT LOWER . . . . .	29	48
F286414	SPRING, LEG WATER BRACKET . . . . .	27	18	F286989-2	SEAL, SUPPORT PLATE . . . .	3	33
F286422-1	TILT LOCK PIVOT . . . . .	27	42	F289664	WIRE, STATOR GROUND . .	7	11
F286422-1	TILT LOCK PIVOT . . . . .	29	75	F298788	FERRULE . . . . .	37	4
F286433	BRACKET SHALLOW WATER DRIVE . . . . .	29	56	F2A24757	FUEL PUMP REED PLATE . .	11	8
F286440	STUD, MAGNETO CONTROL LEVER . . . . .	25	39	F2A24757	FUEL PUMP REED PLATE . .	19	7
F286445	LINK, MAGNETO SHAFT . . . .	23	32	F2A424167	MANIFOLD . . . . .	19	21
F286451	SPACER, TILT LOCK . . . . .	27	41	F2A459239	STARTER SPOOL W/SHAFT	9	15
F286451	SPACER, TILT LOCK . . . . .	29	72	F2A477133	MOTOR LEG . . . . .	27	31
F286461	SPRING, LOCK BAR HANDLE . . . . .	29	59	F302097	FLYWHEEL . . . . .	7	3
F286490	STEERING HANDLE STOP . .	27	22	F307317	CLIP, TERMINAL BLOCK GROUND . . . . .	15	14
F286503-1	ROD, CHOKE KNOB . . . . .	3	23	F307818	BEARING . . . . .	3	21
F286509	LINK, THROTTLE CAM . . . .	25	36	F307818	BEARING . . . . .	27	3
F286529-3	GASKET, CYLINDER HEAD . .	23	4	F31160-1	REED . . . . .	19	16
F286529-3	GASKET, CYLINDER HEAD . .	25	-	F31410	RETAINING RING, PISTON PIN . . . . .	23	18
F286539	BUMPER . . . . .	27	2	F338618-1	SEAL, GEAR SHIFT ROD LOWER . . . . .	33	12
F286544-1	SPRING, TILT STOP . . . . .	29	71	F341384	RETAINER, CHOKE ROD . . .	21	49
F286555	GASKET, GEAR HOUSING . .	33	15	F341562	BACK PLATE, WATER PUMP	35	-
F286571	ROLLER SET, MAIN BEARING (26 PER SET) . .	25	47	F341562	WATER PUMP BACK PLATE	33	8
F286573-1	CLAMP, STEERING FRICTION . . . . .	27	35	F341693	WEDGE, STEERING HANDLE	31	86
F286585-1	DECAL, TILT RELEASE . . . .	29	54	F343014	BEARING, CRANKSHAFT LOWER MAIN . . . . .	25	41

# PARTS INDEX

Part Number	Description	Pg.	Ref. No.	Part Number	Description	Pg.	Ref. No.
F343226-1	PLUG	3	28	F493683	WIRE	15	40
F346118	SEAL, PROPELLER SHAFT	33	37	F50109	GEAR HOUSING PLUG	33	22
F346146	SEAL, CRANKSHAFT UPPER	25	54	F510029	STATOR, TRIGGER	15	34
F36634	SCREW, CONNECTING ROD	25	43	F510095	STATOR, ALTERNATOR	15	33
F392756	PACKING, SUPPORT PLATE	3	37	F510097	FLYWHEEL	15	31
F40253-1	FUEL LINE	19	12	F510222	COVER, TRANSFER PORT (98H1B, 98B1H)	23	-
F40425	STARTER PINION PIN	9	10	F510288	NUT, SHORTING SWITCH	15	16
F404908	GROUND WIRE	15	35	F510301	C-D MODULE	17	46
F409232	STARTER ROPE	9	18	F510374	DECAL, CIRCUIT BREAKER	15	28
F409251-1	GAUGE CAP	37	10	F510398	DECAL, WIRING	15	7
F409719	CLUTCH SPRING	33	28	F510427	BRACKET, STARTER SUPPORT	11	2
F424075	HANDLE, CLAMP SCREW	29	66	F510446	CLAMP, BATTERY CABLE	15	38
F424161	REED STOP	19	15	F510449	NEUTRAL INTERLOCK SWITCH	17	47
F424168-1	GASKET, MANIFOLD	19	19	F510450-1	RECTIFIER	15	23
F424168-1	GASKET, MANIFOLD	25	-	F510460	CIRCUIT BREAKER	15	27
F429137	GRIP, STEERING HANDLE	31	93	F510475	IGNITION COIL	15	3
F429472	GASKET, CYLINDER DRAIN COVER	23	12	F510531	INTERLOCK ROD, (98H1B, 98B1B)	25	59
F429472	GASKET, CYLINDER DRAIN COVER	25	-	F510540	BRACKET, STARTER SWITCH	15	21
F429541	TILT LOCK	29	73	F510551	BRACKET, INTERLOCK SWITCH	21	61
F429688	SHAFT, STEERING HANDLE	31	91	F510595	INSULATOR, CIRCUIT BREAKER	17	41
F429811	SCREEN	23	10	F510669	NUT, INTERLOCK SWITCH AND STARTER SWITCH	15	22
F430732	HEX HD SCREW, 1/4 - 20 X 1	33	14	F510675-1	STARTER SUPPORT	15	10
F431061-2	CARBURETOR COMPLETE (CO - 7C)	21	62	F510683	WIRE, RECTIFIER - CIRCUIT BREAKER	17	48
F431838	MAGNETO CONTROL SHAFT	27	1	F510746	FUEL PUMP COVER	11	10
F436065-1	IMPELLER	35	-	F510811	FILTER, FUEL PUMP	11	16
F436065-1	WATER PUMP IMPELLER	33	7	F510841	WIRE, STARTER INTERLOCK SWITCH	15	12
F436449	SHORTING SWITCH	7	24	F510896	BATTERY CABLE	15	39
F436449	SHORTING SWITCH	15	17	F510908	WIRE, GROUND	15	15
F455118	SEAL, FUEL PUMP BRACKET	11	1	F510914	SEAL, WATERLINE	35	-
F455305	SEAL, PROP SHAFT BEARING CAGE	33	35	F510918	STARTER SWITCH	15	19
F456098	PROPELLER SHAFT	33	30	F510955	STARTER MOTOR - COMPLETE.	13	-
F456717	THRUST WASHER	33	26	F510977-1	INTERLOCK LEVER, (98H1B, 98B1B)	25	61
F458498	KEY, FLYWHEEL	17	49	F525286	WASHER	27	36
F458498	MAGNETO KEY	7	14	F536813	BEARING, REVERSE LOCK INTERMEDIATE LEVER	27	24
F458677	INSERT, CHOKE KNOB	3	25	F53795-1	SEAL, STEERING HANDLE GRIP DAMPENER (LARGE)	29	81
F461342	SEAL, DRIVESHAFT SPLINE	25	42	F540180	TRIM ENGINE COVER, REAR	3	4
F476	FUEL LINE ADAPTION KIT	44	-	F588	FLUSHING ADAPTER	44	-
F487424-1	STARTER PINION SPRING	9	3	F596	CHRYSLER OUTBOARD OIL	45	-
F487427-1	BRACKET, STARTER UPPER	9	4	F597	CHRYSLER OUTBOARD GEAR LUBE	45	-
F487435	PULLEY, STARTER ROPE (HAND START)	19	27	F5H021	BATTERY EXTENSION CABLE - 6-1/2 FT.	44	-
F487660-1	EXHAUST TUBE	23	23	F5H025	ANTI-CORROSION ANODE	44	-
F487674	GEAR, STARTER PINION	9	2	F5H026	FUEL TANK (ACCESSORY ITEM)	37	9
F487727	BALL, INTERLOCK DETENT	9	21				
F487755	FUEL TANK ADAPTER	37	8				
F487781-3	STARTER INTERLOCK	9	7				
F487816	BEARING, STEERING HANDLE	31	85				
F487895	SPRING, INTERLOCK DETENT	9	22				
F492263	LINK, STARTER INTERLOCK	3	18				
F492417	SHAFT, GEAR SHIFT HANDLE	3	32				
F492518	HEAD, CYLINDER	23	3				
F492619	LEVER, GEAR SHIFT SHAFT	3	19				

# PARTS INDEX

Part Number	Description	Pg.	Ref. No.	Part Number	Description	Pg.	Ref. No.
F5H027	STEEL, 6 GALLON FUEL TANK	44	-	F8540	SPRING PIN	3	20
F5H029	FUEL TANK ANCHOR	44	-	F8540	SPRING PIN	29	60
F5H040	STEEL, 12 GALLON FUEL TANK	44	-	F8542	SPRING PIN	3	39
F5H041	BATTERY TERMINAL KIT	44	-	F8548	SPRING PIN	31	92
F5H054	REMOTE STEERING BRACKET	44	-	F8553	SPRING PIN	33	19
F5H057	15" LONG LEG CONVERSION KIT	44	-	F8554	SPRING PIN	29	65
F5H059	CHRYSLER OUTBOARD MULTI-PURPOSE GREASE	45	-	F8559	DOWEL PIN	23	17
F5H060	CHRYSLER OUTBOARD GREASE GUN	45	-	F85610	BEARING	31	95
F5H062	WATER PUMP KIT	44	-	F8564	SPRING PIN	33	40
F5H081	BATTERY CABLE - 15 FT.	44	-	F85735-1	SEAL	3	2
F5H088	REMOTE CONTROL CONVERSION KIT	44	-	F866	DUO-DRIVE CONTROL BOX (TWIN LEVER)	44	-
F5H090	REMOTE ELECTRIC START KIT	44	-	F901307-2	SEAL, DRIVESHAFT	27	19
F5H130	SYNCHRO-DRIVE CONTROL BOX (SINGLE LEVER)	44	-	F901307-2	SEAL, DRIVESHAFT AND WATER PUMP	35	45
F5H131	PORT SIDE DECAL KIT	44	-	F901456-1	EMERGENCY STARTER COLLAR	7	2
F5H134	BOAT WHITE LACQUER	45	-	F901456-1	EMERGENCY STARTER COLLAR	15	30
F610711	PLATE, ENGINE COVER	3	1	F901563	DRIVE PIN, WATER PUMP	35	-
F66193	THROTTLE LINK	21	57	F901563	WATER PUMP IMPELLER DRIVE PIN	35	47
F66480	STUD CLAMP SCREW	29	68	F901746-2	FUEL PUMP COVER	19	2
F7006	STOP NUT, 5/16 - 18	3	35	F901811	FUEL PUMP FILTER	19	10
F7008	STOP NUT, 1/4 - 20 (98H1B, 98B1B)	25	60	F901938-1	SCREW, CYLINDER HEAD	23	1
F7011	ELASTIC STOP NUT, 10 - 24	3	7	F92759	ROLLER	3	9
F7026	STOP NUT, 3/8 - 16	29	62	F98273	STUD, GEAR SHIFT ROD CONNECTOR	3	42
F73082	RING, MAGNETO STATOR	25	50	FA12370	COIL W/LEAD WIRE AND WEDGE SPRING	7	17
F78318	ROLLER, THROTTLE CAM FOLLOWER	19	24	FA174260	PISTON RING SET (2 PER SET)	23	20
F78410	RETAINER	19	25	FA1844	HEX BOLT, 1/4 - 20 X 2 3/8	29	46
F8003	PLAIN WASHER	11	6	FA24754-1	FUEL LINE W/CLAMPS (FUEL PUMP TO CARBURETOR)	19	11
F8003	PLAIN WASHER	19	5	FA286054	GEAR HOUSING LOWER	33	20
F8011	PLAIN WASHER	3	16	FA286113	LOCK BAR	29	61
F8011	PLAIN WASHER	9	6	FA286155	MAIN BEARING LINER SET (2 PER SET)	25	46
F8025	PLAIN WASHER	23	2	FA286266	GEAR, BEVEL PINION	35	43
F8039	PLAIN WASHER	29	78	FA286469	KNOB, COVER LATCH	3	26
F8048	BOWED SPRING WASHER	3	14	FA286480	RETAINER, ENGINE COVER	5	44
F8058	INTERNAL TOOTH LOCKWASHER	3	41	FA286547	KNOB, CHOKE	3	24
F8058	INTERNAL TOOTH LOCKWASHER	31	84	FA286582	STEERING ARM	27	14
F8060	EXTERNAL TOOTH LOCKWASHER	27	15	FA286970	STARTER REWIND SPRING	9	12
F8063	SPRING LOCKWASHER	35	42	FA324101	PROPELLER PIN, PACK OF 3	33	39
F8077	NYLTITE WASHER	33	21	FA341510	LINK, REVERSE LOCK LEVER	29	53
F8083	SPRING LOCKWASHER	17	45	FA343178	RETAINER	27	5
F8083	SPRING LOCKWASHER	29	47	FA36016-4	ROD, CONNECTING	23	22
F84026	SWIVEL, INTERLOCK ROD BEARING (98H1B, 98B1B)	25	56	FA387742	LEVER, REVERSE LOCK INTERMEDIATE	27	23
F84035-2	BEARING, INTERLOCK ROD (98H1B, 98B1B)	25	57	FA424158	REED PLATE	19	17
F8537	SPRING PIN	29	64	FA429471	COVER, CYLINDER DRAIN	23	11
F8538	SPRING PIN	27	25	FA456023	BEVEL GEAR FRONT W/BEARING	33	25
F8538	SPRING PIN	29	76	FA456521	CLUTCH	33	29

# PARTS INDEX

Part Number	Description	Pg.	Ref. No.	Part Number	Description	Pg.	Ref. No.
FA492038	PLATE, SUPPORT W/PLUGS	3	34	FO13554	FLOAT	19	31
FA504060	BODY, WATER PUMP	35	-	FO13944	FLOAT LEVER PIN	19	36
FA504060	WATER PUMP BODY	33	4	FO13945	FUEL BOWL RETAINING SCREW	19	35
FA510010	CYLINDER	23	-	FO15366	FUEL BOWL	19	34
FA510497	TERMINAL BLOCK	15	11	FO15367	CHOKE SHUTTER	19	40
FA510914	SEAL, INLET WATER LINE	33	1	FO15368	CHOKE RELIEF VALVE	19	39
FA525228	ROLLER SET, CONNECTING ROD (26 PER SET)	25	45	FO15520	IDLE MIXTURE SCREW	21	47
FA525241	CRANK PIN ROLLER BEARING CAGE (2 PER SET)	25	44	FO15525	MAIN NOZZLE	19	30
FA610386	DECAL, NUMERAL	5	45	FO15526	THROTTLE SHAFT RETURN SPRING	21	51
FA610396	DECAL, "CHRYSLER" STARBOARD	5	46	FO15623	FUEL BOWL GASKET	19	32
FA610397	DECAL, "CHRYSLER" PORT	5	-	FO15718	THROTTLE SHAFT AND LEVER	21	50
FA610480	RETAINER, ENGINE COVER	5	-	FO15736	CHOKE SHAFT AND LEVER	21	48
FA610892	DECAL, ENGINE COVER, FRONT	3	5	FO15783	CHOKE RELIEF VALVE SPRING	19	38
FA84754-1	FUEL LINE, SHORT	37	5	FO16027	BYPASS TUBE	21	53
FC235227	PLUG, SPARK CHAMPION (RL-4-J), FOR CANADA	23	-	FO16098	THROTTLE SHUTTER	21	55
FC409398	DECAL TOTE TANK - CANADA (NOT SHOWN)	37	-	FO2510	FUEL BOWL RETAINING SCREW GASKET	19	33
FC456054	LOWER GEAR HOUSING COMPLETE (NOT SHOWN)	33	-	FO2531	BODY CHANNEL WELCH PLUG	21	52
FC510374	DECAL, CIRCUIT BREAKER - CANADA	15	-	FO4784	CHOKE FRICTION BALL	19	41
FC510398	DECAL, WIRING - CANADA	15	-	FO8805	CHOKE FRICTION SPRING	19	42
FC516400	DECAL, SHIFT - CANADA	3	30	FO8942	THROTTLE SHUTTER RETAINING SCREW AND LOCKWASHER	21	63
FC520390	DECAL, STARTER - CANADA (NOT SHOWN)	13	-	FP286	PROPELLER (ACCESSORY ITEM)	33	31
FG1005-1	GASKET SET	25	51	FS174227	PLUG, SPARK, CHAMPION (L-4-J)	23	14
FK10006	GASKET, SET, CARBURETOR.	21	-	FS409752	FUEL LINE COMPLETE (NOT SHOWN).	37	-
FK10108	REPAIR PARTS KIT.	19	13	FS541712	COVER, ENGINE	5	47
FK1019-1	5" LONG LEG CONVERSION KIT	44	-	FS567532	STERN BRACKET PORT	29	70
FK1031-1	WATER PUMP KIT	35	51	FS567532	STERN BRACKET STARBOARD	29	77
FK1065	GEAR HOUSING SEAL KIT.	35	50	FT11202	SEAL INSTALLER	40	-
FK1066	TUNE UP KIT.	7	25	FT1749	SNAP RING PLIERS	40	-
FK317427	BRACKET, STARTER LOWER	9	16	FT2907	SEAL INSTALLER	41	-
FK750-2	SPARKIE W/SPRING	7	20	FT2908	SEAL SLEEVE	40	-
FK750-2	SPARKIE W/SPRING	15	6	FT2909	KNOCK-OFF NUT	38	-
FO10165	INLET SEAT GASKET	21	44	FT2938-1	BATTERY POWERED TEST LIGHT	42	-
FO10280	CHOKE SHUTTER RETAINER SCREW AND LOCKWASHER	19	37	FT2951	CIRCUIT TRACER	42	-
FO10588	BODY CHANNEL CUP PLUG	21	54	FT2961	LUBRICANT - RYKON #2EP	43	-
FO10790	INLET NEEDLE, SEAT AND GASKET	21	43	FT2962-1	SEALANT - 50 CC LOCTITE H, NON-HARDENING GRADE	43	-
FO11103	IDLE MIXTURE SCREW SPRING	21	46	FT2963-1	SEALANT - 2 OZ. LOCTITE D, HARDENING GRADE	43	-
FO12101	MAIN FUEL JET, STD. .045 SEA LEVEL - 3000 FT.	21	45	FT2985	STARTER REWIND KEY	39	-
FO12284	MAIN FUEL JET, OPT. .043 SEA LEVEL - 3000 - 6000 FT.	21	-	FT2987-1	LUBRICANT - ANTI-SEIZE	43	-
				FT2989	FLYWHEEL WEDGE	38	-
				FT2991	CARBON BRUSH	40	-
				FT2997	RING COMPRESSOR	40	-
				FT2998	TORQUE WRENCH (0 - 100 LBS./FT.)	40	-

# PARTS INDEX

Part Number	Description	Pg.	Ref. No.	Part Number	Description	Pg.	Ref. No.
FT3012	SEAL INSTALLER .....	40	-				
FT8342	TEST WHEEL .....	42	-				
FT8900	HOSE CLAMP PLIERS .....	40	-				
FT8926	RING EXPANDER .....	40	-				
FT8929	ADAPTER AND HEX BIT ...	40	-				
FT8930-1	FEELER GAUGE .....	38	-				
FT8935	SEALANT PRIMER - 6 OZ ..	43	-				
FT8936-1	SEALANT - 2 CC LOCTITE RETAINING COMPOUND #75 .....	43	-				
FT8948-1	PULLER .....	41	-				
FT8950	LEAKAGE TESTER .....	42	-				
FT8953	C-D TESTER .....	42	-				
FT8957	SEAL INSTALLER .....	41	-				
FT8969	LUBRICANT - 7 OZ. 2 LSI LUBRICANT .....	43	-				
FT8983	SEALANT-RTV .....	43	-				
FT8993	TORQUE WRENCH ADAPTER .....	40	-				
FT8996	IGNITION TESTER .....	42	-				
11-817752A1	PROPELLER NUT .....	33	32				
22-818103--1	FITTING, FUEL PUMP .....	11	11				
27-818043A1	FUEL PUMP DIAPHRAGM W/GASKETS .....	11	4				
27-818043A1	FUEL PUMP DIAPHRAGM W/GASKETS .....	19	8				
31-817756A2	PROPELLER SHAFT BEARING CAGE .....	33	36				
32-817738A1	FUEL LINE, LONG .....	37	7				
37-F286585-2	DECAL, TILT RELEASE - CANADA .....	29	-				
37-F286894-3	STEERING HANDLE INDICATOR - CANADA ...	31	-				
43-818009--1	GEAR, MAGNETO CONTROL SHAFT .....	27	7				
43-818009--1	GEAR, STEERING HANDLE SHAFT .....	31	96				
100-FS666712T	COVER, ENGINE .....	5	-				
400-818047A3	CRANKSHAFT .....	25	49				
800-817801A2	CYLINDER .....	23	15				
800-817893A3	SHORT BLOCK (NOT SHOWN). .....	23	-				
800-817904A1	SHORT BLOCK (NOT SHOWN). .....	23	-				
1100-817753A1	CAGE, CRANKSHAFT BEARING W/SEAL .....	25	53				
1400-817750A4	SWIVEL BRACKET .....	27	40				
1600-824916A1	GEAR HOUSING UPPER ...	33	13				