



PARTS CATALOG

15 HP

SERIAL NUMBER

15 (1981)	152B1G
15 (1981)	152H1G

TABLE OF CONTENTS:

ACCESSORIES	36
ENGINE COVER AND SUPPORT PLATE	2
FUEL SYSTEM	10
FUEL TANK AND LINE	28
GEAR HOUSING	24
MAGNETO	6
MOTOR LEG	18
PARTS INDEX	37
POWER HEAD	14
SPECIAL TOOLS - LOWER UNIT	33
SPECIAL TOOLS - LUBRICANTS AND SEALANTS	35
SPECIAL TOOLS - MANUAL STARTER	31
SPECIAL TOOLS - POWER HEAD	32
SPECIAL TOOLS - TEST EQUIPMENT	34
SPECIAL TOOLS - TUNE-UP	30
STARTER	8

NOTE: Indented description indicate that these parts are included in preceding assembly.

AR = As Required

NSS = Not Sold Separate

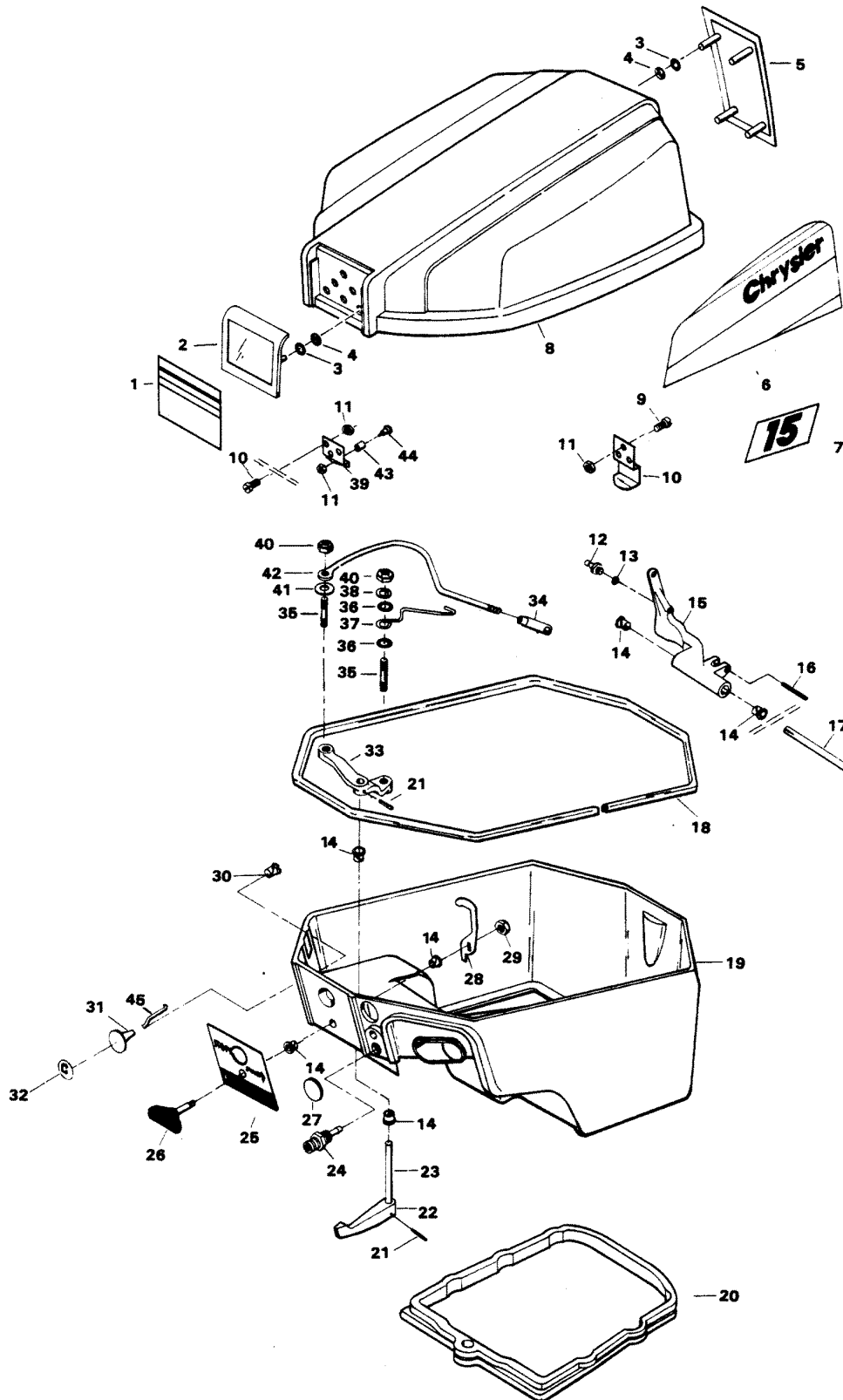
OPT = Optional

NS = Not Shown

THESE PARTS BOOKS/FICHE CARD ARE COPYRIGHTED AND MAY NOT BE DISTRIBUTED OR REPRODUCED IN ANY OTHER FORMAT BY ANYONE OTHER THAN MERCURY MARINE WITHOUT THE PRIOR WRITTEN CONSENT OF MERCURY MARINE.

THIS PAGE INTENTIONALLY LEFT BLANK

ENGINE COVER AND SUPPORT PLATE

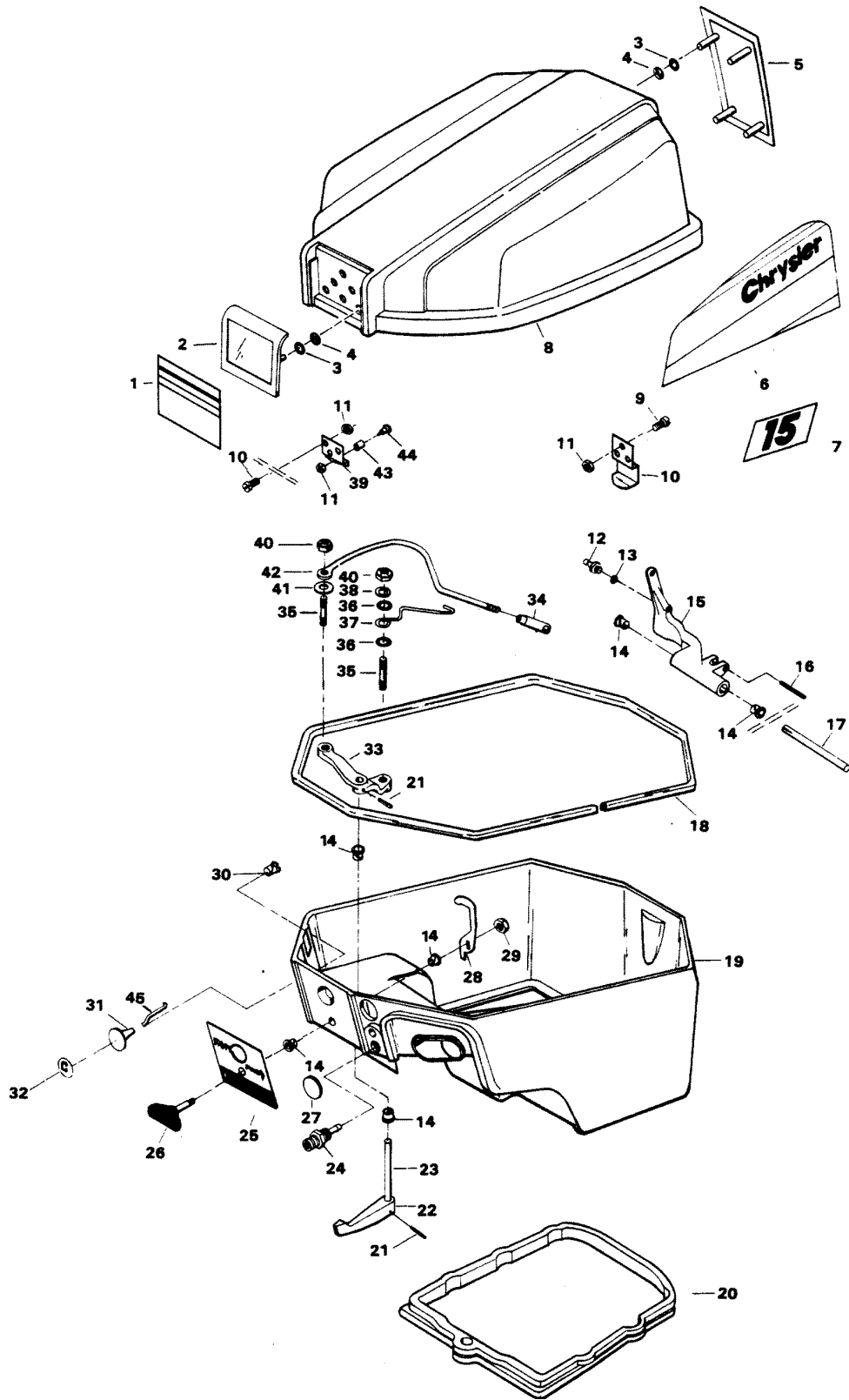


ENGINE COVER AND SUPPORT PLATE

REF. NO.	PART NO.	SYM.	QTY.	DESCRIPTION
1	FA610892		1	DECAL, ENGINE COVER, FRONT W/LITERATURE
2	F610711		1	PLATE, ENGINE COVER
3	F85735-1		7	SEAL
4	F1753		7	FASTENER
5	569180		1	TRIM, ENGINE COVER, REAR. (THIS TRIM IS USED WITH S 541712 AND 2C 610712 COVERS ONLY)
6	FA610397		1	DECAL, ENGINE COVER PORT W/LITERATURE
-	FA610396		1	DECAL, ENGINE COVER STARBOARD W/LITERATURE
7	FA590386		2	DECAL, - NUMERAL 15 W/LITERATURE
8	FS541712		1	COVER, ENGINE W/ILLUS. 9, 10, 11, 39, 42 AND 43.(THIS ENGINE COVER IS USED IF YOUR COVER HAS ILLUS. 4
-	2C610712		1	COVER, ENGINE COMPLETE INCLUDES ALL ITEMS MARKED WITH AN ASTERISK (*). THIS ENGINE COVER HAS TRIM PLATE REAR HOLES AND USES 286480 RETAINER. ORDER NUMERAL SEPARATE
-	100-FS666712T		1	COVER, ENGINE W/ILLUS. 9, 10, 11, 39, 42 AND 43. THIS ENGINE COVER IS USED IF YOUR COVER HAS NO REAR TRIM PLATE ORIGINAL FORCE P/N S 541712-1
-	2C610712		1	COVER, ENGINE COMPLETE. INCLUDES ALL ITEM MARKED WITH AN ASTERISK (*). THIS ENGINE COVER HAS NO TRIM PLATE REAR AND USES 610480 RETAINER. ORDER NUMERAL SEPARATE.
9	F1475		6	FILL HD SCREW, 10 - 24 X 1/2
10	FA286480		1	RETAINER, ENGINE COVER W/ILLUS. 10 AND 11 (USED WITH S 541712 AND 2C 610712 ONLY)
-	FA610480		1	RETAINER, ENGINE COVER W/ILLUS. 10 AND 11 (USED WITH S 541712-1 AND 2C 610712-1 ONLY)
11	F7011		7	ELASTIC STOP NUT, 10 - 24
12	F98273		1	STUD, GEAR SHIFT ROD CONNECTOR
13	F8058		1	INTERNAL TOOTH LOCKWASHER
14	F307818		6	BEARING
15	F286876		1	LEVER, GEAR SHIFT
16	F8542		1	SPRING PIN
17	F286871		1	PIN, GEAR SHIFT LEVER
18	F392756		1	PACKING, SUPPORT PLATE
19	FA492038		1	PLATE, SUPPORT W/ILLUS. 27
20	F286989-2		1	SEAL, SUPPORT PLATE
21	F8540		2	SPRING PIN
22	F286614		1	HANDLE, GEAR SHIFT
23	F492417		1	SHAFT, GEAR SHIFT HANDLE
24	F197767-1		1	BUSHING, FUEL LINE
25	817757A4		1	PLATE, FRONT W/LITERATURE ORIGINAL FORCE P/N A 286711-2
26	FA286469		1	KNOB, COVER LATCH W/SHAFT
27	F343226-1		2	PLUG
28	F286777		1	CAM, COVER LATCH
29	F7006		1	STOP NUT, 5/16 - 18

CONTINUED ON NEXT PAGE ➡

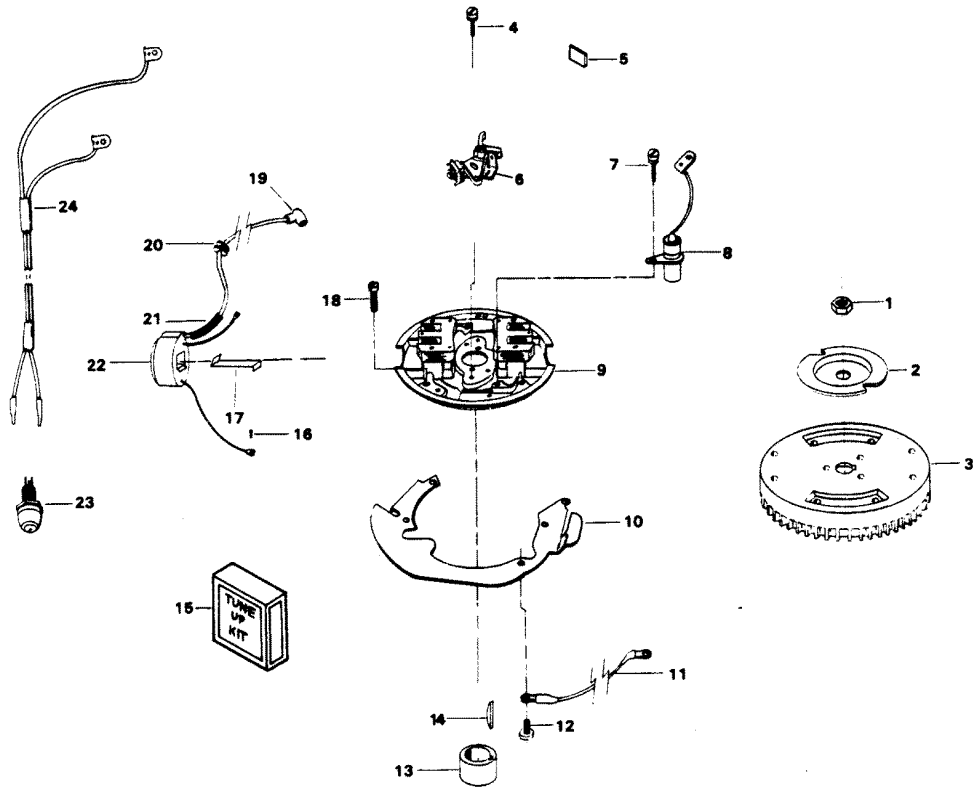
ENGINE COVER AND SUPPORT PLATE



ENGINE COVER AND SUPPORT PLATE

REF. NO.	PART NO.	SYM.	QTY.	DESCRIPTION
30	F197319		1	BEARING, CHOKE ROD
31	F286547		1	KNOB, CHOKE
32	F458677		1	INSERT, CHOKE KNOB
33	F492619		1	LEVER, GEAR SHIFT SHAFT
34	F286685		1	CONNECTOR, GEAR SHIFT ROD
35	F286134		2	STUD, GEAR SHIFT LEVER
36	F184579		2	SEAL
37	F492263		1	LINK, STARTER INTERLOCK
38	F8011		1	PLAIN WASHER
39	817758A1		1	BRACKET, COVER LATCH W/ILLUS. 9, 11, 39 AND 43 ORIGINAL FORCE P/N A 286774-1
40	F1804		2	STOP NUT, 10 - 32
41	F8048		1	BOWED SPRING WASHER
42	F286611-1		1	ROD, GEAR SHIFT
43	F92759		1	ROLLER
44	F269316		1	ROLLER SHAFT
45	F286503-1		1	ROD, CHOKE

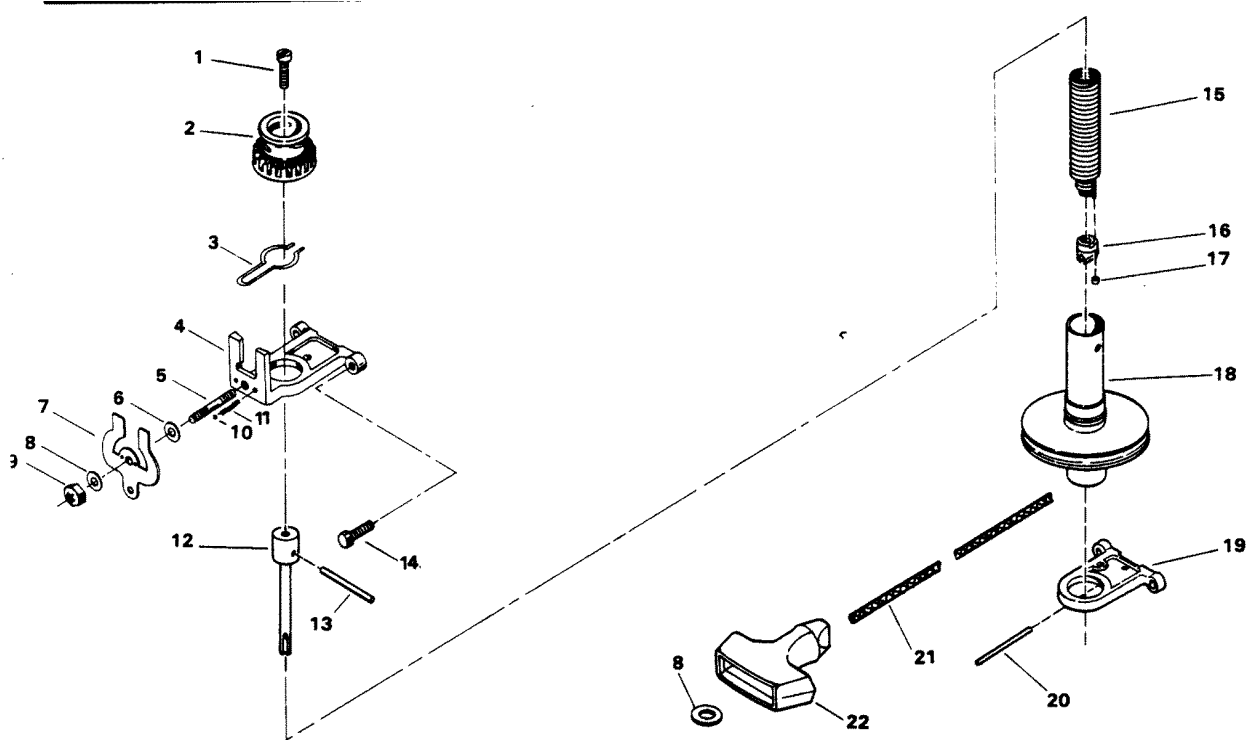
MAGNETO



MAGNETO

REF. NO.	PART NO.	SYM.	QTY.	DESCRIPTION
1	F1809		1	HEX NUT, 1/2 - 20
2	F901456-1		1	EMERGENCY STARTER COLLAR
3	F302097		1	FLYWHEEL
4	F12170		4	CONTACT SCREW W/LOCKWASHER
5	F12360		1	CAM WIPER FELT
6	F12153-1		2	BREAKER POINT SET
7	F12083		2	CONDENSER SCREW W/LOCKWASHER
8	F12181-1		2	CONDENSER
9	F12343		1	STATOR PLATE W/LAMINATIONS
10	F286192		1	THROTTLE CAM PLATE
11	F289664		1	WIRE, STATOR GROUND
12	F1075		4	FILL HD SCREW, 10 - 24 X 1/2
13	F217002		1	MAGNETO BREAKER CAM
14	F458498		1	MAGNETO KEY
15	FK1066		1	TUNE UP KIT INCLUDES ALL ITEMS MARKED WITH AN ASTERISK (*)
-	F492095		1	STATOR MAGNETO. INCLUDES ALL ITEMS MARKED WITH TWO ASTERISKS (**)
16	F12114		2	COIL GROUND TERMINAL SCREW
17	F12146		2	COIL WEDGE SPRING
18	F1090		4	FILL HD SCREW W/LOCKWASHER, 10 - 24 X 9/16
19	FK750-2		2	SPARKIE W/SPRING
20	F12088		2	GROMMET
21	F12141		1	HIGH TENSION LEAD SLEEVE
22	FA12370		2	COIL W/LEAD WIRE AND WEDGE SPRING
23	F436449		1	SHORTING SWITCH
-	F12091		1	LEAD WIRE MARKER TOP(NOT SHOWN)
24	F12186-1		1	PRIMARY TERMINAL WIRE

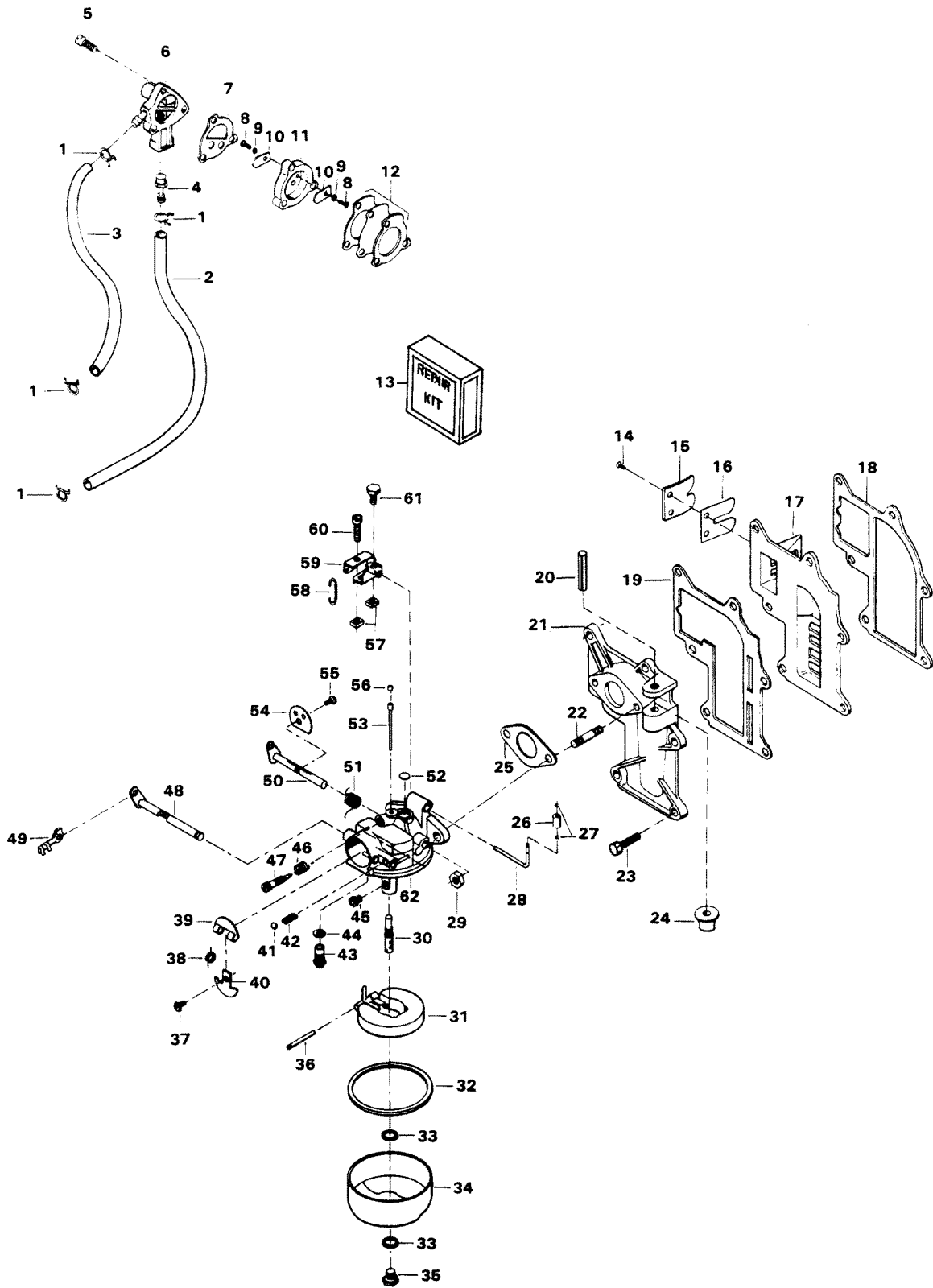
STARTER



STARTER

REF. NO.	PART NO.	SYM.	QTY.	DESCRIPTION
1	F1089		1	FILL HD SCREW, 10 - 24 X 9/16
2	F487674		1	GEAR, STARTER PINION
3	F487424-1		1	STARTER, PINION SPRING
4	F487427-1		1	BRACKET, STARTER UPPER
5	F286134		1	STUD
6	F8011		1	PLAIN WASHER
7	F487781-3		1	STARTER INTERLOCK
8	F2042		2	PLAIN WASHER
9	F1804		1	STOP NUT
10	F487727		2	BALL, INTERLOCK DETENT
11	F487895		2	SPRING, INTERLOCK DETENT
12	F286710		1	ARBOR, STARTER SPRING
13	F40425		1	STARTER PINION PIN
14	F1864		4	HEX HD SCREW, 1/4 - 20 X 3/4
15	FA286970		1	STARTER REWIND SPRING WILLUS. 16 AND 17
16	F286737-1		1	RETAINER, STARTER REWIND SPRING
17	F286930		1	END, STARTER SPRING
18	F2A459239		1	STARTER SPOOL W/SHAFT
19	FK317427		1	BRACKET, STARTER LOWER WILLUS. 20 AND LITERATURE
20	F1875		1	SPRING PIN, STARTER BRACKET
21	F409232		1	STARTER ROPE
22	F286132		1	HANDLE, STARTER ROPE

FUEL SYSTEM

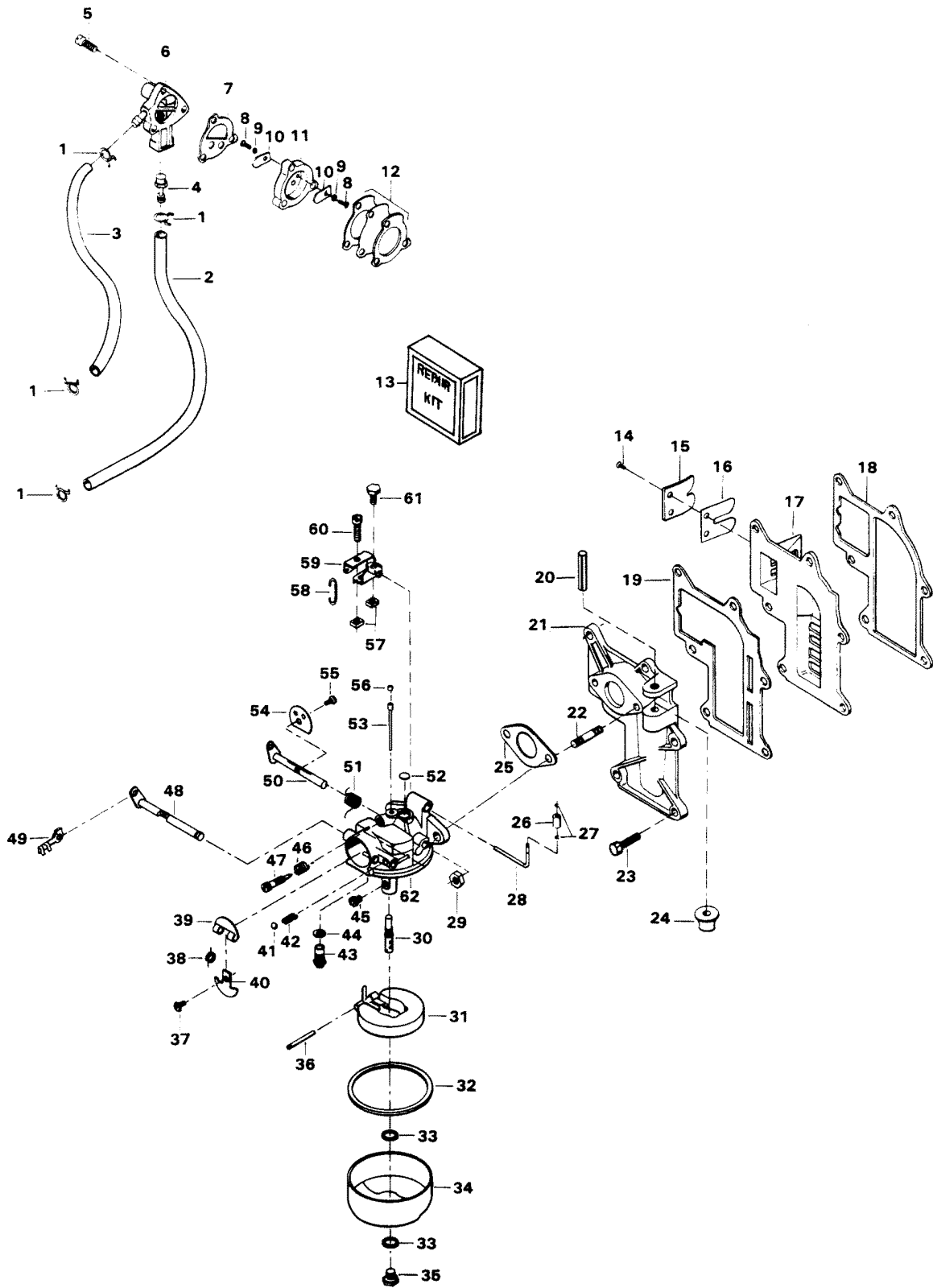


FUEL SYSTEM

REF. NO.	PART NO.	SYM.	QTY.	DESCRIPTION
1	F2706772		4	HOSE CLAMP
2	F40253-1		1	FUEL LINE
3	FA24754-1		1	FUEL LINE W/CLAMPS
4	F901811		1	FUEL PUMP FILTER
5	F1069		3	FILL HD SCREW, 10 - 24 X 1-1/16
6	F901746-2		1	FUEL PUMP COVER
7	F24748-2		1	GASKET, FUEL PUMP
8	F1286		2	PAN HD SCREW, 4 - 40 X 3/16
9	F8003		2	PLAIN WASHER
10	F18160-2		2	REED FUEL PUMP
11	F2A24757		1	FUEL PUMP REED PLATE W/ILLUS. 8, 9 AND 10
12	27-818043A1		1	FUEL PUMP DIAPHRAGM W/GASKETS
13	F10007		1	REPAIR PARTS KIT. INCLUDES ALL ITEMS MARKED WITH AN ASTERISK (*)
14	F1755		8	RD HD SCREW W/LOCKWASHER, 6 - 32 X 5/16
15	F424161		4	REED STOP
16	F31160-1		4	REED
17	FA424158		1	REED PLATE W/ILLUS. 14, 15 AND 16
18	F286159-1		1	GASKET, REED PLATE
19	F424168-1		1	GASKET, MANIFOLD
20	F1876		1	SPRING PIN
21	F2A424167		1	MANIFOLD W/ILLUS. 20, 22 AND 24
22	F2788004		2	STUD, CARBURETOR
23	F2008		6	HEX HD SCREW, 1/4 - 20 X 7/8
24	F487435		1	PULLEY, STARTER ROPE
25	F18906		1	CARBURETOR GASKET
26	F78318		1	ROLLER, THROTTLE CAM FOLLOWER
27	F78410		2	RETAINER
28	F286316		1	THROTTLE CAM FOLLOWER
29	F1490		2	HEX NUT, 1/4 - 20
30	FO15525		1	MAIN NOZZLE
31	FO13554		1	FLOAT
32	FO15623		1	FUEL BOWL GASKET
33	FO2510		2	FUEL BOWL RETAINING SCREW GASKET
34	FO15366		1	FUEL BOWL
35	FO13945		1	FUEL BOWL RETAINING SCREW
36	FO13944		1	FLOAT LEVER PIN
37	FO10280		1	CHOKE SHUTTER RETAINER SCREW AND LOCKWASHER
38	FO15783		1	CHOKE RELIEF VALVE SPRING
39	FO15368		1	CHOKE RELIEF VALVE
40	FO15367		1	CHOKE SHUTTER
41	FO4784		1	CHOKE FRICTION BALL
42	FO8805		1	CHOKE FRICTION SPRING

CONTINUED ON NEXT PAGE ➡

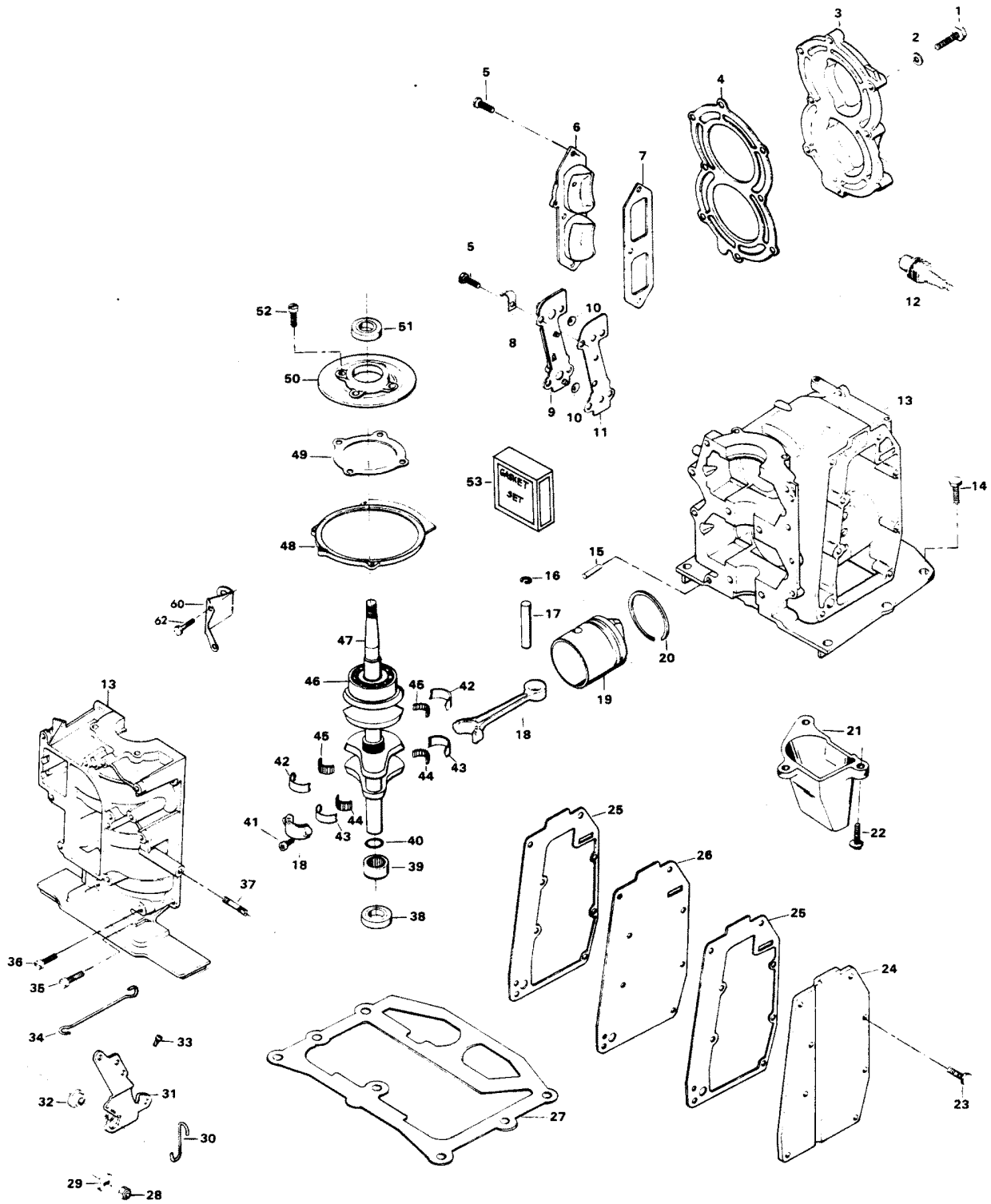
FUEL SYSTEM



FUEL SYSTEM

REF. NO.	PART NO.	SYM.	QTY.	DESCRIPTION
43	FO10790		1	INLET NEEDLE, SEAT AND GASKET
44	FO10165		1	INLET SEAT GASKET
45	FO11722		1	MAIN FUEL JET, STD. .055 SEA LEVEL - 3000 FT.
-	FO11765		-	MAIN FUEL JET, OPT. .053 SEA LEVEL - 3000 - 6000 FT.
-	FO11764		-	MAIN FUEL JET, OPT. .051 SEA LEVEL -6000 FT. AND UP
46	FO11103		1	IDLE MIXTURE SCREW SPRING
47	FO15520		1	IDLE MIXTURE SCREW
48	FO15736		1	CHOKE SHAFT AND LEVER
49	F341384		1	RETAINER, CHOKE ROD
50	FO15757		1	THROTTLE SHAFT AND LEVER
51	FO15526		1	THROTTLE SHAFT RETURN SPRING
52	FO2531		1	BODY CHANNEL WELCH PLUG
53	FO15522		1	BYPASS TUBE
54	FO16878		1	THROTTLE SHUTTER
55	FO10280		1	THROTTLE SHUTTER RETAINING SCREW AND LOCKWASHER
56	FO10588		1	BODY CHANNEL CUP PLUG
57	F1365		2	SQUARE NUT, 10 - 24
58	F66193		1	THROTTLE LINK
59	817754A1		1	ARM, CARBURETOR FOLLOWER W/LITERATURE ORIGINAL FORCE P/N A 286190-1
60	F1834		1	FILL HD SCREW, 10 - 24 X 7/8
61	F1912		1	HEX HD SCREW, 10 - 24 X 1/2
62	F472061-1		1	CARBURETOR COMPLETE (C010B)
-	FK10006		1	GASKET SET, CARBURETOR. INCLUDES ALL ITEMS MARKED WITH A DOUBLE ASTERISK (**)

POWER HEAD

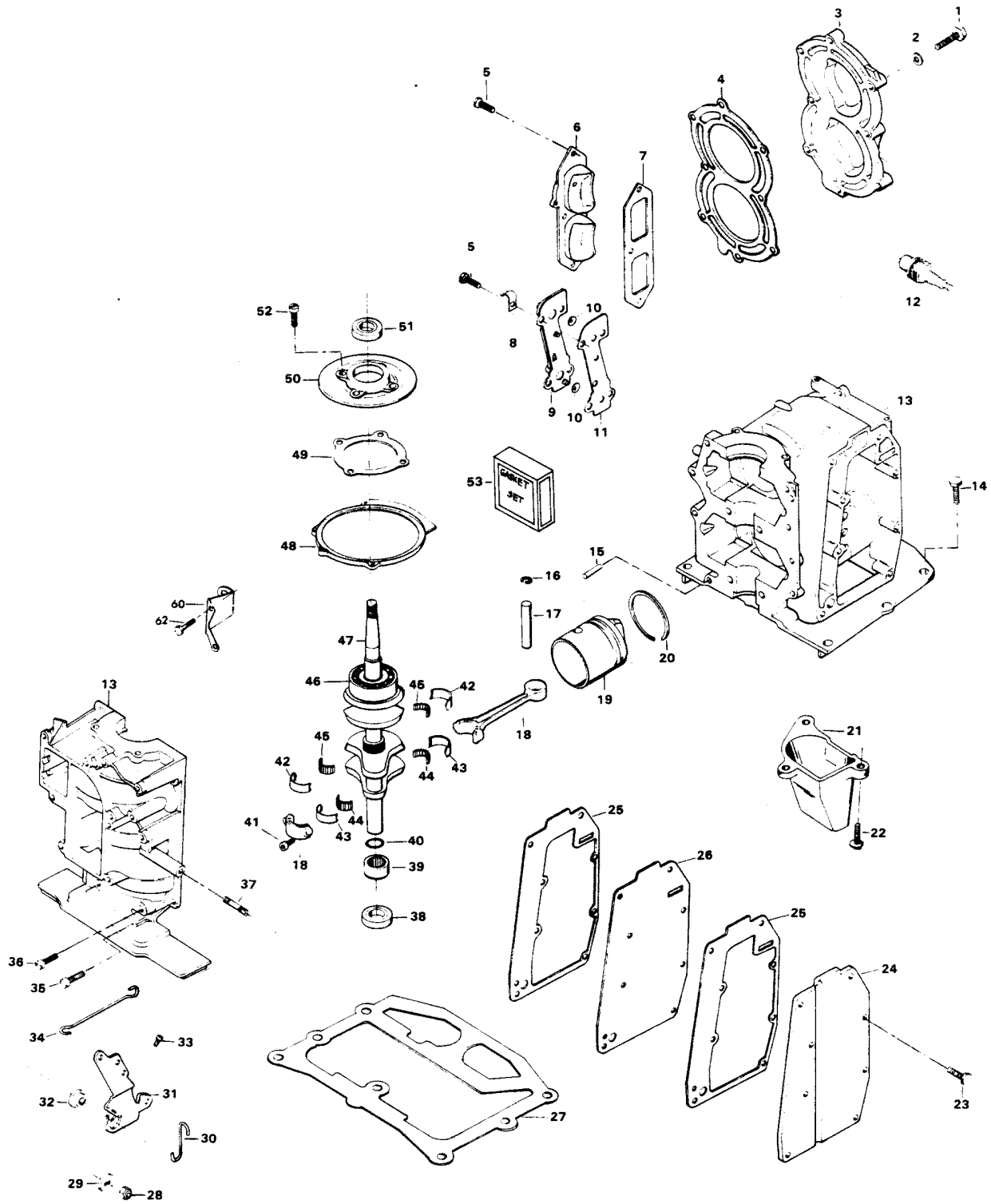


POWER HEAD

REF. NO.	PART NO.	SYM.	QTY.	DESCRIPTION
1	F901938-1		8	SCREW, CYLINDER HEAD
2	F8025		8	PLAIN WASHER
3	F286518		1	HEAD, CYLINDER
4	F286529-3		1	GASKET, CYLINDER HEAD
5	F1922		7	HEX HD SCREW, 1/4 - 20 X 5/8
6	F286222		1	COVER, TRANSFER PORT
7	F286223		1	GASKET, TRANSFER PORT COVER
8	F286772-1		1	HOSE CLAMP
9	FA429471		1	COVER, CYLINDER DRAIN W/CHECK VALVE AND ILLUS. 10
10	F429811		2	SCREEN
11	F429472		1	GASKET, CYLINDER DRAIN COVER
12	FS174227		2	PLUG, SPARK, L-4-J
-	FC235227		2	PLUG, SPARK CHAMPION (RL-4-J) FOR CANADA
13	FA473010		1	CYLINDER W/CRANKCASE COVER, ILLUS. 15, 36 AND 37
-	800-819091A1		1	SHORT BLOCK (NOT SHOWN). INCLUDES ALL ITEMS MARKED WITH AN ASTERISK (*) ORIGINAL FORCE P/N C 472010-1
14	F1823		6	HEX CAP SCREW, 5/16 - 18 X 1
15	F8559		2	DOWEL PIN
16	F31410		4	RETAINING RING, PISTON PIN
17	F174017		2	PIN, PISTON
18	FA36016-4		2	ROD, CONNECTING W/CAP AND SCREWS
19	F472015-2		2	PISTONS
20	FA472260		2	PISTON RING SET (2 PER SET)
21	F487660-1		1	EXHAUST TUBE
22	F2040		3	HEX WASHER HD M. SCREW, 1/4 - 20 X 5/8
23	F2008		8	HEX HD SCREW, 1/4 - 20 X 7/8
24	F286152		1	COVER, EXHAUST
25	F286154		2	GASKET, EXHAUST COVER
26	F286151		1	PLATE, EXHAUST
27	F286279-2		1	GASKET, CYLINDER MOUNTING
28	F1803		1	STOP NUT, 5/16 - 24
29	F286282		1	WASHER
30	F286445		1	LINK, MAGNETO SHAFT
31	817971A3		1	LEVER, MAGNETO SHAFT
32	F183813		1	BEARING, MAGNETO CONTROL
33	F1504		1	FILL HD SCREW, 1/4 - 20 X 1-1/4
34	F286509		1	LINK, THROTTLE CAM
35	F1107		8	FILL HD SCREW, 1/4 - 20 X 3/4
36	F1335		4	FILL HD SCREW, 5/16 - 18 X 1 - 1/4
37	F286440		1	STUD, MAGNETO CONTROL LEVER
38	F141118		1	SEAL, CRANKSHAFT LOWER
39	F343014		1	BEARING, CRANKSHAFT LOWER MAIN
40	F461342		1	SEAL, DRIVESHAFT SPLINE

CONTINUED ON NEXT PAGE ➡

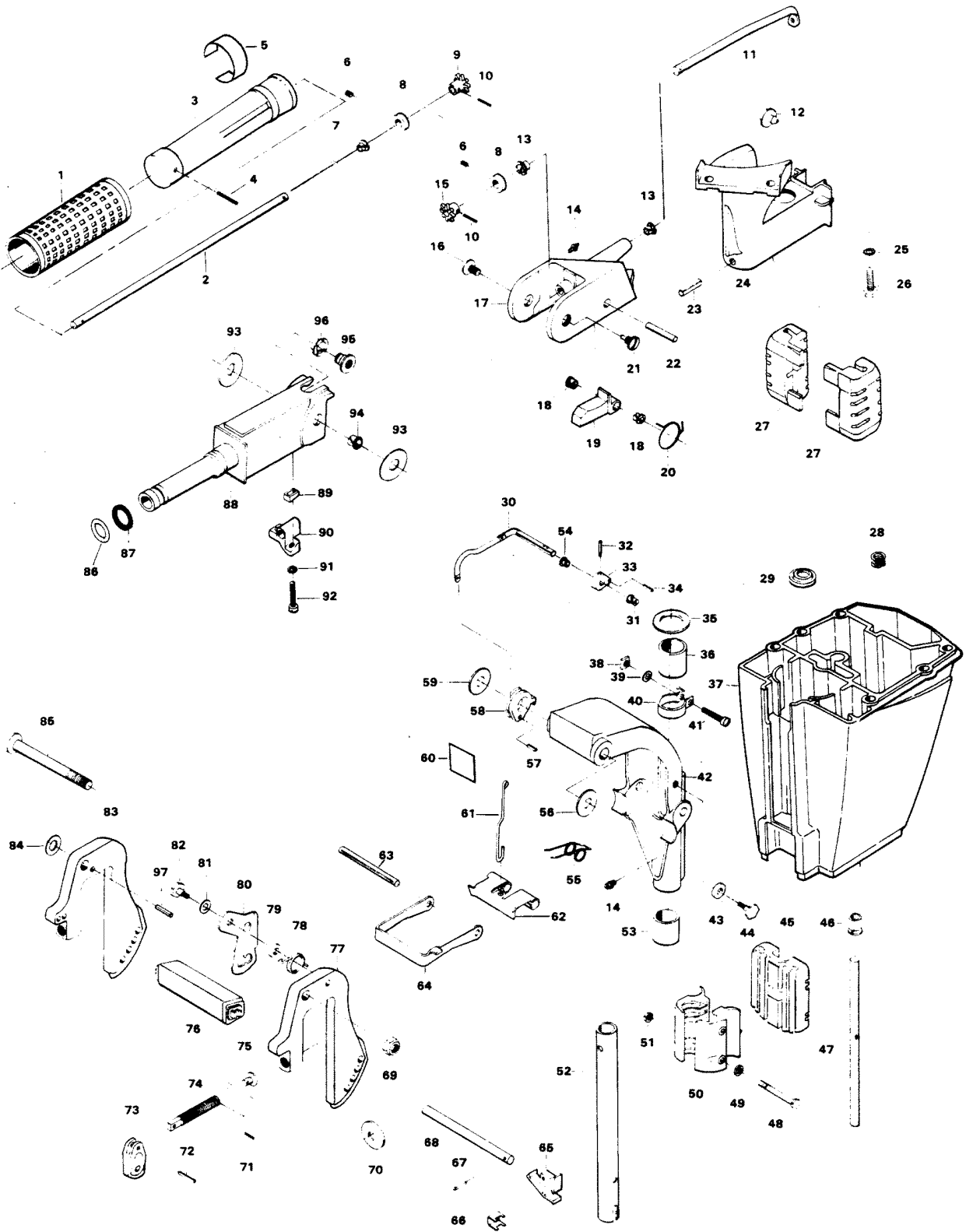
POWER HEAD



POWER HEAD

REF. NO.	PART NO.	SYM.	QTY.	DESCRIPTION
41	F36634		4	SCREW, CONNECTING ROD
42	FA286155		1	MAIN BEARING LINER SET (2 PER SET)
43	FA525241		2	CRANK PIN ROLLER BEARING CAGE (2 PER SET)
44	FA525228		2	ROLLER SET, CONNECTING ROD (26 PER SET)
45	F286571		1	ROLLER SET, MAIN BEARING (26 PER SET)
46	F286028		1	BEARING, CRANKSHAFT UPPER MAIN
47	F2A472018		1	CRANKSHAFT W/ILLUS. 46
48	F73082		1	RING, MAGNETO STATOR
49	F286277		1	GASKET, CRANKSHAFT BEARING CAGE
50	1100-817753A1		1	CAGE, CRANKSHAFT BEARING W/ILLUS. 51 ORIGINAL FORCE P/N A 286144-1
51	F346146		1	SEAL, CRANKSHAFT UPPER
52	F1111		4	FILL HD SCREW, 1/4 - 20 X 7/8
53	FG1005-1		1	GASKET SET INCLUDES ITEMS LISTED BELOW:
-	F18906		1	GASKET, CARBURETOR
-	F286154		2	GASKET, EXHAUST
-	F286159-1		1	GASKET, REED PLATE
-	F286223		1	GASKET, TRANSFER PORT
-	F286277		1	GASKET, CRANKSHAFT BEARING CAGE
-	F286279-2		1	GASKET, CYLINDER MOUNTING
-	F286529-3		1	GASKET, CYLINDER HEAD
-	F424168-1		1	GASKET, MANIFOLD
-	F429472		1	GASKET, CYLINDER DRAIN COVER

MOTOR LEG

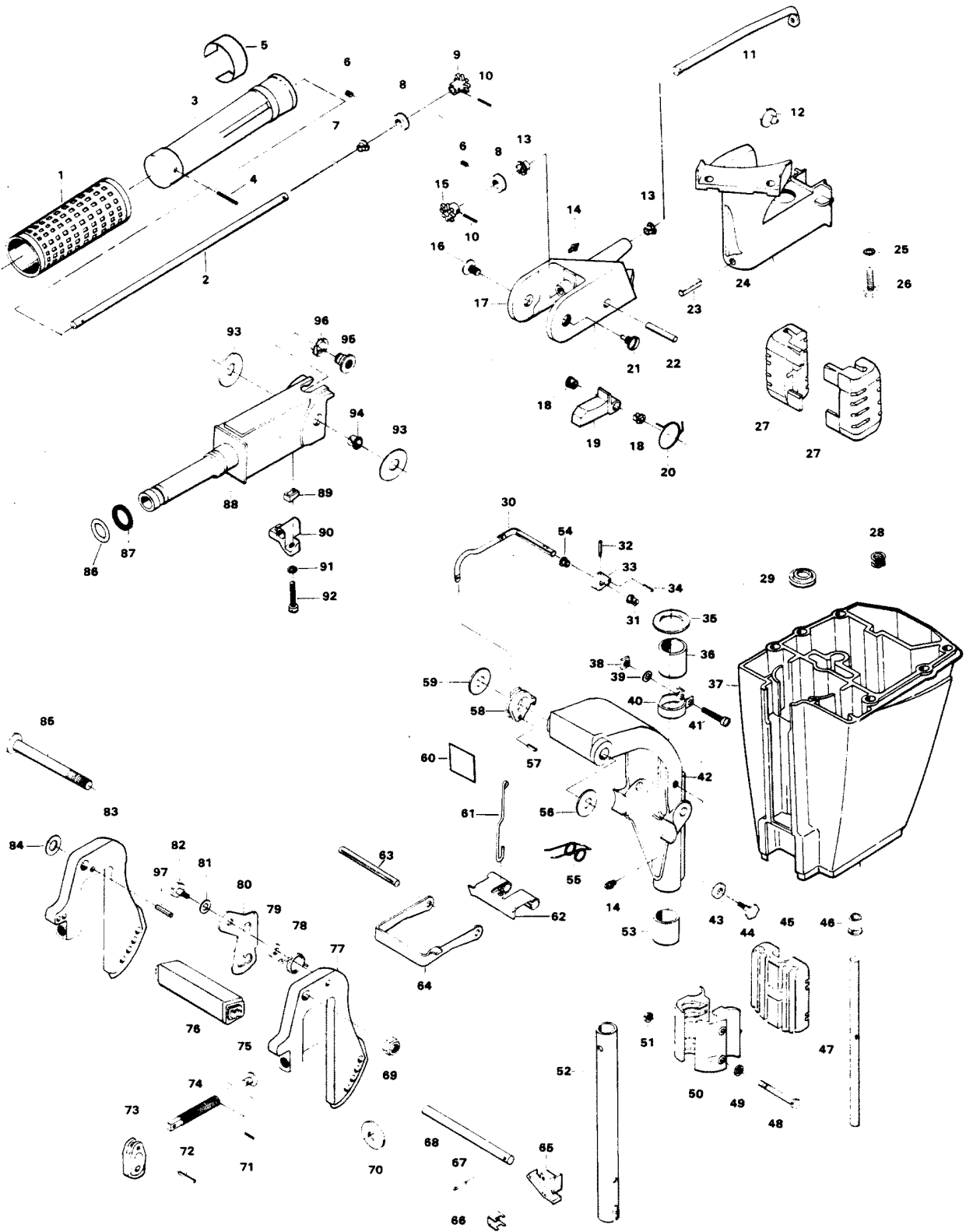


MOTOR LEG

REF. NO.	PART NO.	SYM.	QTY.	DESCRIPTION
1	F458695		1	SLEEVE
2	F429688		1	SHAFT, STEERING HANDLE
3	FA456137		1	GRIP, STEERING HANDLE W/ILLUS. 1
4	F8548		1	SPRING PIN
5	F286894-3		1	STEERING HANDLE INDICATOR
-	37-F286894-3		1	STEERING HANDLE INDICATOR CANADA
6	F1859		2	HEX SOCKET HEADLESS SET SCREW
7	F85610		1	BEARING
8	FA343178		2	RETAINER W/ILLUS. 6
9	43-818009--1		1	GEAR, STEERING HANDLE SHAFT
10	F1978		2	SPRING PIN
11	F431838		1	MAGNETO CONTROL SHAFT
12	F286539		1	BUMPER
13	F307818		2	BEARING
14	F213274		4	GREASE FITTING
15	43-818009--1		1	GEAR, MAGNETO CONTROL SHAFT
16	F1799		1	TRUSS HD SCREW, 5/16 - 18 X 5/8
17	817751A3		1	STEERING HANDLE BRACKET W/ILLUS. 54 ORIGINAL FORCE P/N A 286078-2
18	F197813		2	BEARING, STEERING HANDLE STOP
19	F286490		1	STEERING HANDLE STOP
20	F286868		1	SPRING, STEERING HANDLE STOP
21	F286080		1	SCREW, STEERING HANDLE PIVOT
22	F1807		1	GROOVE PIN
23	F1805		1	SPRING PIN
24	FA286582		1	STEERING ARM W/ILLUS. 12 AND 27
25	F8060		2	EXTERNAL TOOTH LOCKWASHER
26	F1922		2	HEX CAP SCREW, 1/4 - 20
27	F286347		2	SHOCK MOUNT, UPPER
28	F286414		1	SPRING, LEG WATER BRACKET
29	F461342		1	SEAL, DRIVESHAFT
30	FA387742		1	LEVER, REVERSE LOCK INTERMEDIATE ASSY.
31	F197813		1	BEARING
32	F8538		1	SPRING PIN
33	F286364		1	LEVER, REVERSE LOCK
34	F1794		1	SPRING PIN
35	F286011		1	WASHER, SWIVEL BRACKET
36	F286169		1	BEARING, SWIVEL BRACKET
37	F2A477133		1	MOTOR LEG W/ITEMS 29, 46 & 47
38	F1608		1	SQUARE NUT, 1/4 - 20
39	F1907		1	WASHER
40	F286573-1		1	CLAMP, STEERING FRICTION
41	F1034		1	FILL HD SCREW, 1/4 - 20 X 1 3/8

CONTINUED ON NEXT PAGE ➡

MOTOR LEG

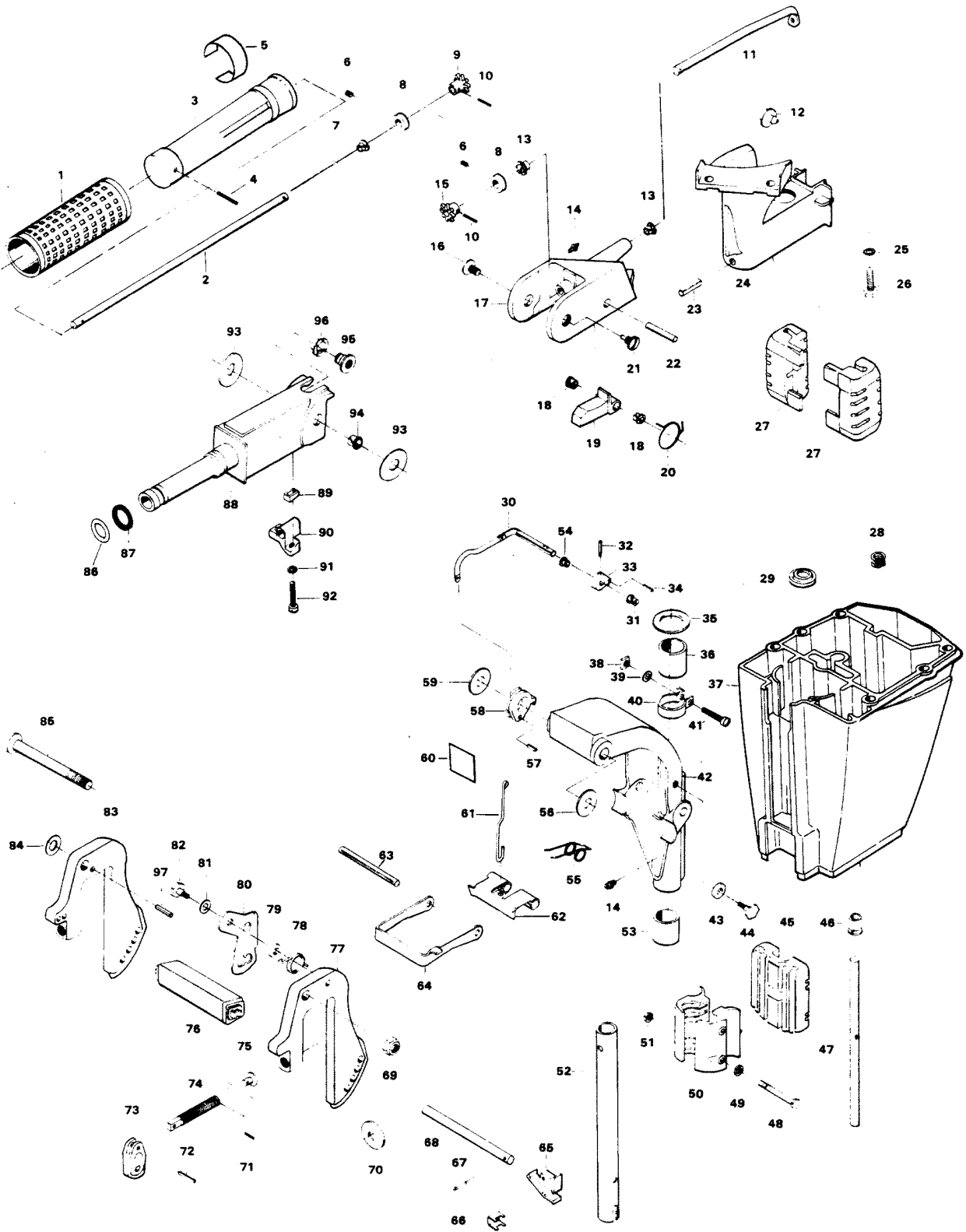


MOTOR LEG

REF. NO.	PART NO.	SYM.	QTY.	DESCRIPTION
42	1400-817750A4		1	SWIVEL BRACKET W/ILLUS. 14 AND 53 ORIGINAL FORCE P/N A 286072-2
43	F286451		1	SPACER, TILT LOCK
44	F286422-1		1	TILT LOCK PIVOT
45	F286346		1	SHOCK MOUNT LOWER
46	F286914		1	SLEEVE WATER LINE
47	F286244		1	WATER LINE
48	FA1844		2	HEX BOLT, 1/4 - 20 X 2 - 3/8 W/ILLUS. 49
49	F8083		2	SPRING LOCKWASHER
50	F286956		2	BRACKET, SHOCK MOUNT LOWER
51	F1341		2	HEX NUT, 1/4 - 20
52	F286019		1	KINGPIN
53	F286169		1	BEARING, SWIVEL BRACKET
54	F536813		1	BEARING, REVERSE LOCK INTERMEDIATE LEVER
55	F286300		1	SPRING, REVERSE LOCK
56	F286286-1		1	WASHER, STERN BRACKET
57	F1794		1	SPRING PIN
58	F286827		1	REVERSE LOCK RELEASE LEVER
59	F525286		1	WASHER
60	F286585-1		1	DECAL, TILT RELEASE
-	37-F286585-2		1	DECAL, TILT RELEASE - CANADA
61	FA341510		1	LINK, REVERSE LOCK LEVER W/LITERATURE
62	F286349		1	REVERSE LOCK
63	F1806		1	GROOVE PIN
64	F286433		1	BRACKET SHALLOW WATER DRIVE
65	F286114		1	LOCK BAR HANDLE
66	F286461		1	SPRING, LOCK BAR HANDLE
67	F8540		1	SPRING PIN
68	FA286113		1	LOCK BAR W/ILLUS. 65, 66 AND 67
69	F7026		1	STOP NUT, 3/8 - 16
70	F24074		2	CLAMP SCREW FOOT
71	F8537		2	SPRING PIN
72	F8554		2	SPRING PIN
73	F424075		2	HANDLE, CLAMP SCREW
74	817761A2		2	CLAMP SCREW W/ILLUS. 70, 71 AND 75 ORIGINAL FORCE P/N A 298073-2
75	F66480		2	STUD CLAMP SCREW
76	F286647		1	CARRYING HANDLE
77	FS567532		1	STERN BRACKET PORT W/ILLUS. 74 ORIGINAL FORCE P/N S 286532-3
78	F286544-1		1	SPRING, TILT STOP
79	F286451		1	SPACER, TILT LOCK
80	F429541		1	TILT LOCK
81	F1666		1	BOWED SPRING WASHER

CONTINUED ON NEXT PAGE ➡

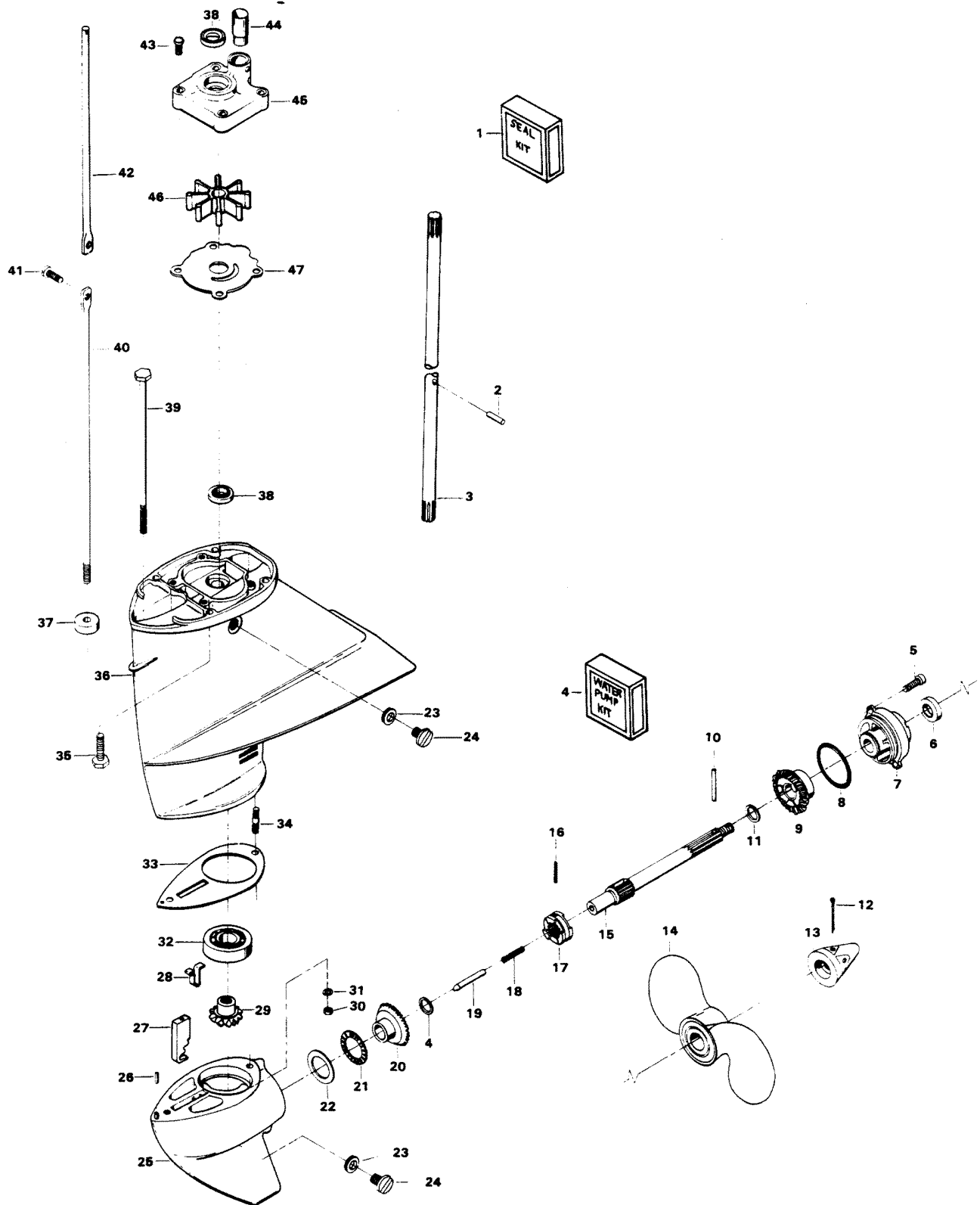
MOTOR LEG



MOTOR LEG

REF. NO.	PART NO.	SYM.	QTY.	DESCRIPTION
82	F286422-1		1	TILT LOCK PIVOT
83	FS567532		1	STERN BRACKET STARBOARD W/ILLUS. 74 ORIGINAL FORCE P/N S 286032-2
84	F286037		1	STERN BRACKET PIVOT BOLT
85	F2014		1	PLAIN WASHER
86	F215795		1	SEAL
87	F53795-1		1	SEAL, STEERING HANDLE GRIP DAMPENER (LARGE)
88	F286079-1		1	STEERING HANDLE
89	F341693		1	WEDGE, STEERING HANDLE
90	F487816		1	BEARING, STEERING HANDLE
91	F8058		2	INTERNAL TOOTH LOCKWASHER
92	F1829		2	FILL HD SCREW, 10 - 24 X 7/8
93	F286220		2	WASHER, STEERING HANDLE
94	F197813		1	BEARING
95	F286224		1	INSERT, STEERING HANDLE PIVOT
96	F286818		1	BEARING
97	F8538		1	SPRING PIN

GEAR HOUSING

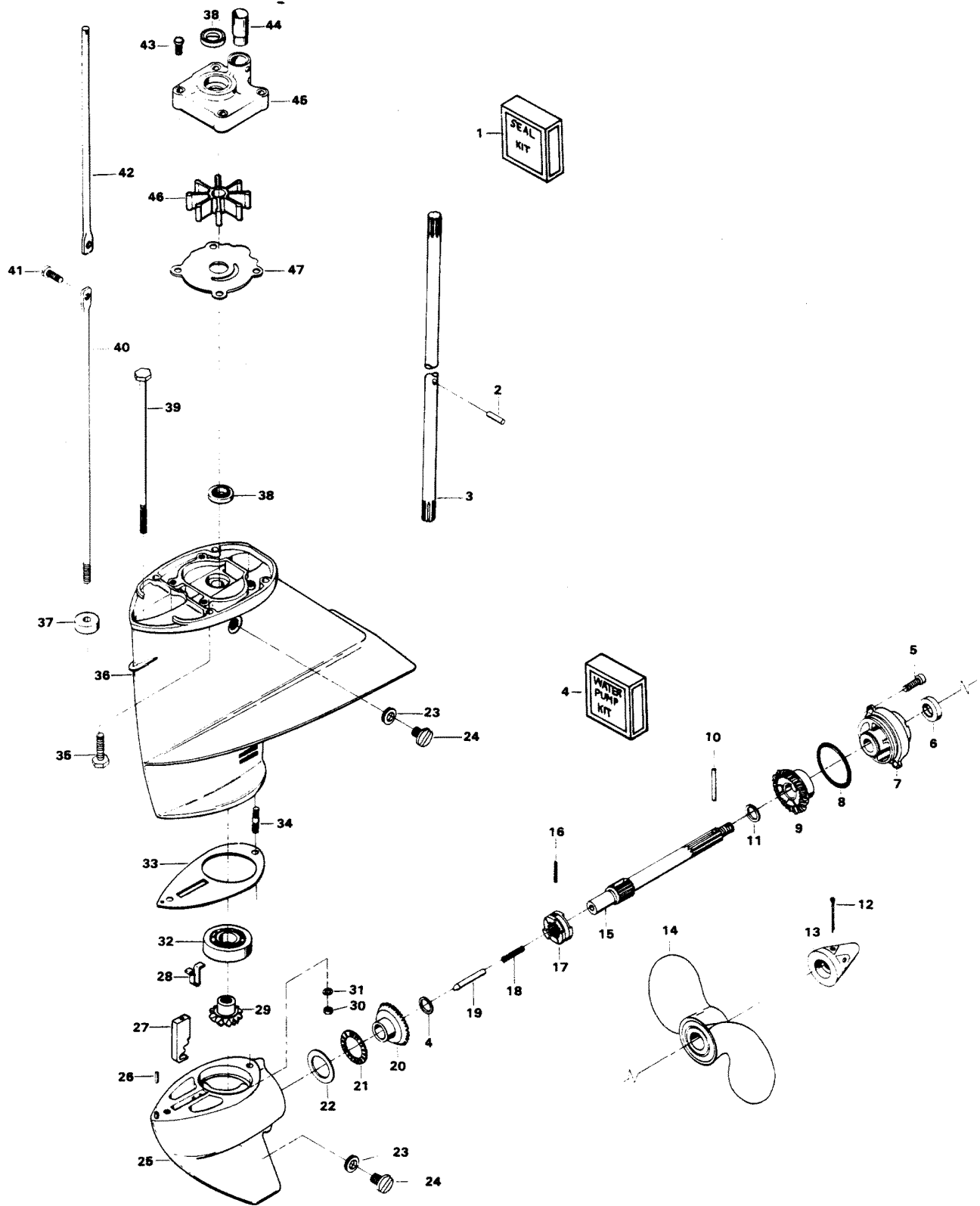


GEAR HOUSING

REF. NO.	PART NO.	SYM.	QTY.	DESCRIPTION
1	FK1065		1	GEAR HOUSING SEAL KIT INCLUDES ALL ITEMS MARKED WITH A DOUBLE ASTERISK (**)
2	F901563		1	WATER PUMP IMPELLER DRIVE PIN
3	F343128		1	DRIVESHAFT
4	FK1031-1		1	WATER PUMP KIT
-	F2030		4	SCREW, 1/4 - 20 X 1-1/4
-	F341562		1	PLATE, WATER PUMP BACK
-	F436065-1		1	IMPELLER
-	F510914		1	SEAL, WATER LINE
-	F901563		1	PIN, WATER PUMP IMPELLER DRIVE
-	FA504060		1	BODY, WATER PUMP
5	F1493		1	FILL HD SCREW, 1/4 - 20 X 5/8
6	F346118		1	SEAL, PROPELLER SHAFT
7	31-817756A2		1	PROPELLER SHAFT BEARING CAGE W/BEARING AND ITEMS 6 AND 8 ORIGINAL FORCE P/N A 286298-1
8	F455305		1	SEAL, PROP SHAFT BEARING CAGE
9	FA456662		1	BEVEL GEAR REAR W/BEARING
10	FA324101		1	PROPELLER PIN, PACK OF 3 W/ILLUS. 12
11	F456717		2	THRUST WASHER
12	F1846		1	COTTER PIN
13	11-817752A1		1	PROPELLER NUT W/ILLUS. 12 ORIGINAL FORCE P/N A 286094-1
14	FP408		1	PROPELLER (ACCESSORY ITEM)
15	F456098		1	PROPELLER SHAFT
16	F8564		1	SPRING PIN
17	FA456521		1	CLUTCH W/LITERATURE
18	F409719		1	CLUTCH SPRING
19	F286728		1	CLUTCH SHIFT PIN
20	FA456023		1	BEVEL GEAR FRONT W/BEARING
21	F286901		1	BEARING, RADIAL, PROPELLER SHAFT
22	F286903		1	RACE, PROPELLER SHAFT BEARING
23	F8077		2	NYLTITE WASHER
24	F50109		2	GEAR HOUSING PLUG
25	FA286054		1	GEAR HOUSING LOWER W/PROP SHAFT BEARING, ILLUS. 23, 24 AND 26
-	FC456054		1	LOWER GEAR HOUSING COMPLETE (NOT SHOWN) INCLUDES ALL ITEMS MARKED WITH AN ASTERISK (*)
26	F8553		1	SPRING PIN
27	F286721		1	CLUTCH, SHIFT CAM
28	F286895		1	SPRING CAM DETENT
29	FA286266		1	GEAR, BEVEL PINION W/ITEM 32
30	F1490		1	HEX NUT, 1/4 - 20
31	F8083		1	SPRING LOCKWASHER
32	F127910-2		1	BALL BEARING

CONTINUED ON NEXT PAGE ➡

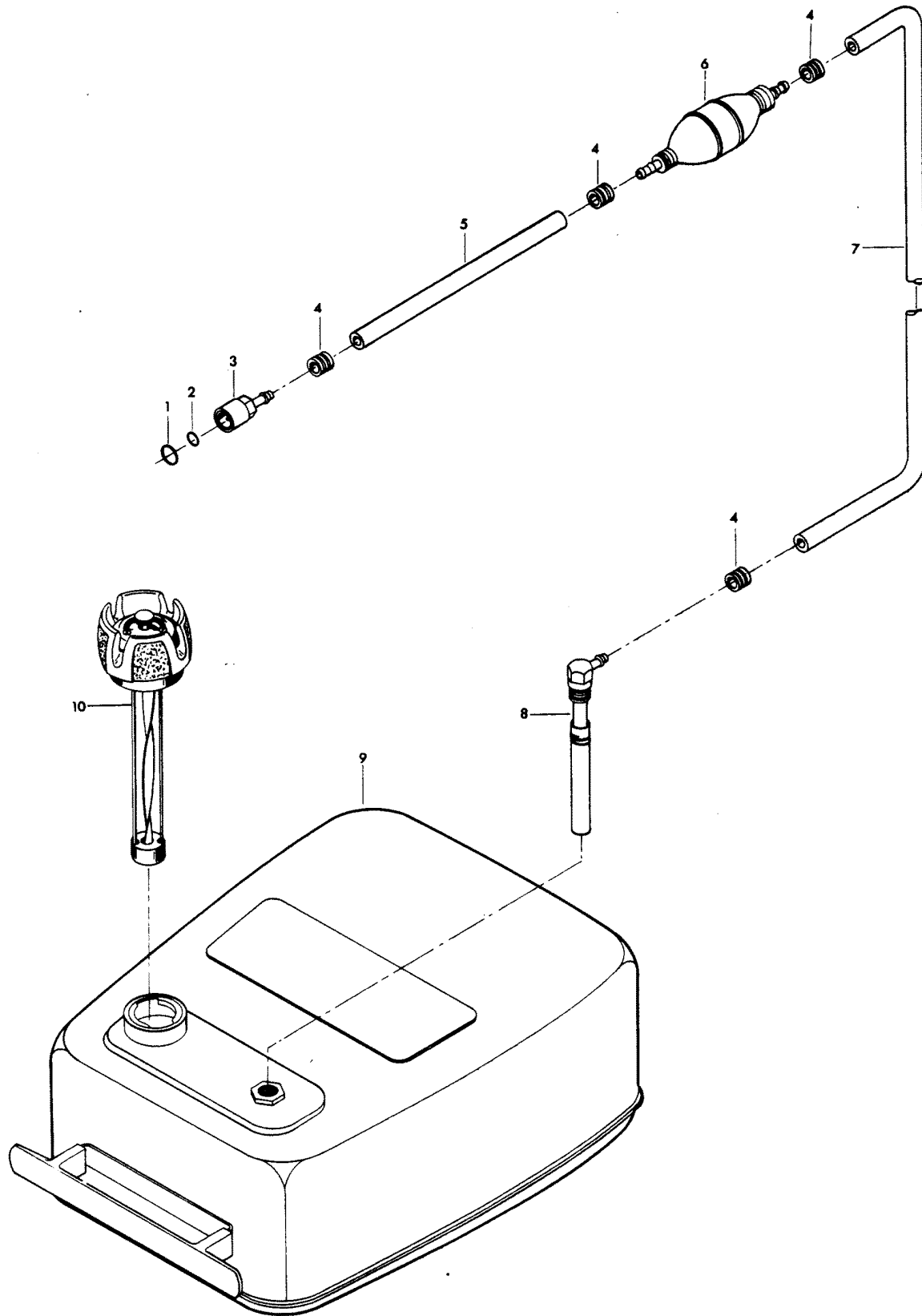
GEAR HOUSING



GEAR HOUSING

REF. NO.	PART NO.	SYM.	QTY.	DESCRIPTION
33	F286555		1	GASKET, GEAR HOUSING
34	F286008		1	STUD, GEAR HOUSING REAR
35	F430732		4	HEX HD SCREW, 1/4 - 20 X 1
36	1600-824916A1		1	GEAR HOUSING UPPER W/BEARING AND ITEMS 23, 24, 34, 37 AND 38 ORIGINAL FORCE P/N A 456554-1
37	F338618-1		1	SEAL, GEAR SHIFT ROD LOWER
38	F901307-2		2	SEAL, DRIVESHAFT AND WATER PUMP
39	F1800		1	HEX BOLT, 1/4 - 20 X 7
40	F286705		1	GEAR SHIFT ROD LOWER
41	F1976		1	SOCKET HD SCREW W/LOCKWASHER, 10 - 24 X 1/2
42	F286615		1	GEAR SHIFT ROD UPPER
43	F2030		4	HEX HD SCREW, 1/4 - 20 X 1-1/4
44	FA510914		1	SEAL, INLET WATER LINE W/LITERATURE
45	FA504060		1	WATER PUMP BODY W/ILLUS. 38
46	F436065-1		1	WATER PUMP IMPELLER
47	F341562		1	WATER PUMP BACK PLATE

FUEL TANK AND LINE



FUEL TANK AND LINE

REF. NO.	PART NO.	SYM.	QTY.	DESCRIPTION
1	F213342		1	SEAL, FUEL LINE COUPLER
2	F213735		1	SEAL, FUEL LINE COUPLER
3	F197787-3		1	FUEL LINE COUPLER
4	F298788		4	FERRULE
5	FA84754-1		1	FUEL LINE, SHORT W/ILLUS. 4
6	89396A38		1	PRIME BULB
7	32-817738A1		1	FUEL LINE, LONG W/CLAMPS AND ILLUS. 4 ORIGINAL FORCE P/N A 197752-1
8	F487755		1	FUEL TANK ADAPTER
9	F5H026		1	FUEL TANK (ACCESSORY ITEM)
10	F409251-1		1	GAUGE CAP
-	FS409752		1	FUEL LINE COMPLETE (NOT SHOWN). INCLUDES ALL ITEMS MARKED WITH AN ASTERISK (*)

SPECIAL TOOLS - TUNE-UP

REF. NO.	PART NO.	SYM.	QTY.	DESCRIPTION
-	FT2989		0	FLYWHEEL WEDGE TO REMOVE FLYWHEEL.
-	FT2909		0	KNOCK-OFF NUT TO REMOVE FLYWHEEL.
-	FT8930-1		0	FEELER GAUGE TO ADJUST BREAKER POINTS.

SPECIAL TOOLS - MANUAL STARTER

REF. NO.	PART NO.	SYM.	QTY.	DESCRIPTION
-	FT2985		0	STARTER REWIND KEY TO REWIND STARTER SPRING.

SPECIAL TOOLS - POWER HEAD

REF. NO.	PART NO.	SYM.	QTY.	DESCRIPTION
-	FT2998		0	TORQUE WRENCH (0-100 LBS./FT.) TO PROPERLY SECURE FASTENERS.
-	FT2999		0	TORQUE WRENCH (0-600 LBS./IN.) TO PROPERLY SECURE FASTENERS.
-	FT2991		0	CARBON BRUSH TO REMOVE CARBON FROM INSIDE OF POWER HEAD.
-	FT8900		0	HOSE CLAMP PLIERS TO REMOVE AND INSTALL FUEL HOSE CLAMPS.
-	FT11202		0	SEAL INSTALLER TO INSTALL CRANKSHAFT SEALS.
-	FT3012		0	SEAL INSTALLER TO INSTALL UPPER CRANKSHAFT BEARING CAGE SEAL.
-	FT2908		0	SEAL SLEEVE TO INSTALL UPPER CRANKSHAFT BEARING CAGE SEAL.
-	FT8929		0	ADAPTER AND HEX BIT TO TORQUE CONNECTING ROD SCREWS.
-	FT1749		0	SNAP RING PLIERS TO REMOVE AND INSTALL PISTON PIN RETAINING RINGS.
-	FT2997		0	RING COMPRESSOR TO INSTALL PISTONS.
-	FT8926		0	RING EXPANDER TO INSTALL PISTON RINGS.
-	FT8993		0	TORQUE WRENCH ADAPTER TO TORQUE LOWER CYLINDER HEAD BOLTS.

SPECIAL TOOLS - LOWER UNIT

REF. NO.	PART NO.	SYM.	QTY.	DESCRIPTION
-	FT8948-1		0	PULLER TO REMOVE PROPELLER SHAFT BEARING CAGE.
-	FT8957		0	SEAL INSTALLER TO INSTALL SHIFT ROD SEAL.
-	FT2907		0	SEAL INSTALLER TO INSTALL DRIVESHAFT SEAL IN GEAR HOUSING UPPER, PROPELLER SHAFT SEAL AND WATER PUMP SEAL.

SPECIAL TOOLS - TEST EQUIPMENT

REF. NO.	PART NO.	SYM.	QTY.	DESCRIPTION
-	FT2938-1		0	BATTERY POWERED TEST LIGHT TO TEST FOR CONTINUITY IN WIRES.
-	FT8352		0	TEST WHEEL TO TEST MOTOR IN TEST TANK.
-	FT8950		0	LEAKAGE TESTER TO TEST GEAR HOUSING SEALS FOR LEAKS.
-	FT2951		0	CIRCUIT TRACER TO TEST 12 VOLT CIRCUITS FOR CONTINUITY.

SPECIAL TOOLS - LUBRICANTS AND SEALANTS

REF. NO.	PART NO.	SYM.	QTY.	DESCRIPTION
-	FT2961		0	LUBRICANT - RYKON #2EP
-	FT2987-1		0	LUBRICANT - ANTI-SEIZE
-	FT8969		0	LUBRICANT - 7 OZ. 2 LSI LUBRICANT
-	FT8983		0	SEALANT - RTV
-	FT8936-1		0	SEALANT - 2 CC LOCTITE RETAINING COMPOUND #75
-	FT2962-1		0	SEALANT - 50 CC LOCTITE H, NON-HARDENING GRADE
-	FT2963-1		0	SEALANT - 2 OZ. LOCTITE D, HARDENING GRADE
-	FT8935		0	SEALANT PRIMER - 6 OZ.

ACCESSORIES

REF. NO.	PART NO.	SYM.	QTY.	DESCRIPTION
-	FK1019-1		0	5" LONG LEG CONVERSION KIT CONVERTS 15" STANDARD SHAFT MODEL TO 20" LONG SHAFT MODEL.
-	F5H057		0	15" LONG LEG CONVERSION KIT CONVERTS 15" STANDARD SHAFT OR 20" LONG SHAFT MODEL TO 30" LONG SHAFT MODEL.
-	F588		0	FLUSHING ADAPTER PERMITS FRESH WATER FLUSHING OF WATER PASSAGES WITH STANDARD GARDEN HOSE.
-	F5H062		0	WATER PUMP KIT HEAVY DUTY WATER PUMP RECOMMENDED FOR CONTINUED OPERATION IN SANDY OR SALT WATER.
-	F5H088		0	REMOTE CONTROL CONVERSION KIT PERMITS REMOTE CONTROL OF THROTTLE AND GEAR SHIFT FROM FRONT OF BOAT.
-	F5H025		0	ANTI-CORROSION ANODE PROTECTS ENGINE FROM ELECTROLYSIS CORROSION - MOUNTS ON CAVITATION PLATE.
-	F5H130		0	SYNCHRO-DRIVE CONTROL BOX (SINGLE LEVER) PERMITS REMOTE CONTROL OF THROTTLE AND GEAR SHIFT FROM STARBOARD SIDE OF BOAT
-	F5H131		0	PORT SIDE DECAL KIT CONVERTS 5H130 CONTROL BOX TO PORT SIDE MOUNTING.
-	F866		0	DUO-DRIVE CONTROL BOX (TWIN LEVER) PERMITS REMOTE CONTROL OF THROTTLE AND GEAR SHIFT. MAY BE MOUNTED ON PORT OR STANBOARD SIDE OF BOAT.
-	F137		0	STEERING CONNECTOR WIRE FORM WITH LATCH.
-	167		0	IGNITION CUT-OFF KIT PERMITS STOPPING OF ENGINE FROM OPERATOR'S SEAT.
-	F195/___		0	REMOTE CONTROL CABLES CONNECTS REMOTE CONTROL BOX TO THROTTLE AND GEAR SHIFT ON MOTOR. AVAILABLE IN 6 THROUGH 40 FOOT LENGTHS.
-	F5H040		0	STEEL, 12 GALLON FUEL TANK AUXILIARY TANK.
-	F5H027		0	STEEL, 6 GALLON FUEL TANK AUXILIARY TANK.
-	F5H029		0	FUEL TANK ANCHOR SECURES TOTE TANK TO BOAT FLOOR.
-	F476		0	FUEL LINE ADAPTION KIT ADAPTS MODEL 5H027 TANK FOR DISCONNECT AT TANK.
-	72H03		0	CARRYING BAG CANVAS BAG FOR TRANSPORTING AND STORING ENGINE.
-	F5H054		0	REMOTE STEERING BRACKET MOUNTS IN PLACE OF STEERING HANDLE.
-	F5H134		0	BOAT WHITE LACQUER ENGINE TOUCH-UP PAINT IN 12-3/4 OZ. SPRAY BOMBS (6 CANS PER CASE).
-	F596		0	CHRYSLER OUTBOARD OIL SEE BLOCK COMMENT 1.
-	F597		0	CHRYSLER OUTBOARD GEAR LUBE SEE BLOCK COMMENT 2.
-	F5H059		0	CHRYSLER OUTBOARD MULTI-PURPOSE GREASE LUBRICATES BEARINGS AND OTHER MOVING PARTS. AVAILABLE IN 8 OZ. TUBES AND 12 TUBE CASES.
-	F5H060		0	CHRYSLER OUTBOARD GREASE GUN

PARTS INDEX

Part Number	Description	Pg.	Ref. No.	Part Number	Description	Pg.	Ref. No.
167	IGNITION CUT-OFF KIT	36	-	F1475	FILL HD SCREW, 10 - 24 X		
2C610712	COVER, ENGINE COMPLETE	3	-		1/2	3	9
2C610712	COVER, ENGINE COMPLETE.	3	-	F1490	HEX NUT, 1/4 - 20	11	29
569180	TRIM, ENGINE COVER, REAR.	3	5	F1490	HEX NUT, 1/4 - 20	25	30
72H03	CARRYING BAG	36	-	F1493	FILL HD SCREW, 1/4 - 20 X		
817751A3	STEERING HANDLE BRACKET	19	17		5/8	25	5
817754A1	ARM, CARBURETOR FOLLOWER	13	59	F1504	FILL HD SCREW, 1/4 - 20 X		
817757A4	PLATE, FRONT	3	25		1-1/4	15	33
817758A1	BRACKET, COVER LATCH	5	39	F1608	SQUARE NUT, 1/4 - 20	19	38
817761A2	CLAMP SCREW	21	74	F1666	BOWED SPRING WASHER	21	81
817971A3	LEVER, MAGNETO SHAFT	15	31	F174017	PIN, PISTON	15	17
89396A38	PRIME BULB	29	6	F1753	FASTENER	3	4
F10007	REPAIR PARTS KIT.	11	13	F1755	RD HD SCREW		
F1034	FILL HD SCREW, 1/4 - 20 X 1				W/LOCKWASHER, 6 - 32 X		
	3/8	19	41		5/16	11	14
F1069	FILL HD SCREW, 10 - 24 X 1-			F1794	SPRING PIN	19	34
	1/16	11	5	F1794	SPRING PIN	21	57
F1075	FILL HD SCREW, 10 - 24 X			F1799	TRUSS HD SCREW, 5/16 - 18		
	1/2	7	12		X 5/8	19	16
F1089	FILL HD SCREW, 10 - 24 X			F1800	HEX BOLT, 1/4 - 20 X 7	27	39
	9/16	9	1	F1803	STOP NUT, 5/16 - 24	15	28
F1090	FILL HD SCREW			F1804	STOP NUT	9	9
	W/LOCKWASHER, 10 - 24			F1804	STOP NUT, 10 - 32	5	40
	X 9/16	7	18	F1805	SPRING PIN	19	23
F1107	FILL HD SCREW, 1/4 - 20 X			F1806	GROOVE PIN	21	63
	3/4	15	35	F1807	GROOVE PIN	19	22
F1111	FILL HD SCREW, 1/4 - 20 X			F1809	HEX NUT, 1/2 - 20	7	1
	7/8	17	52	F18160-2	REED FUEL PUMP	11	10
F12083	CONDENSER SCREW			F1823	HEX CAP SCREW, 5/16 - 18		
	W/LOCKWASHER	7	7		X 1	15	14
F12088	GROMMET	7	20	F1829	FILL HD SCREW, 10 - 24 X		
F12091	LEAD WIRE MARKER TOP(7/8	23	92
	NOT SHOWN)	7	-	F1834	FILL HD SCREW, 10 - 24 X		
F12114	COIL GROUND TERMINAL				7/8	13	60
	SCREW	7	16	F183813	BEARING, MAGNETO		
F12141	HIGH TENSION LEAD				CONTROL	15	32
	SLEEVE	7	21	F184579	SEAL	5	36
F12146	COIL WEDGE SPRING	7	17	F1846	COTTER PIN	25	12
F12153-1	BREAKER POINT SET	7	6	F1859	HEX SOCKET HEADLESS		
F12170	CONTACT SCREW				SET SCREW	19	6
	W/LOCKWASHER	7	4	F1864	HEX HD SCREW, 1/4 - 20 X		
F12181-1	CONDENSER	7	8		3/4	9	14
F12186-1	PRIMARY TERMINAL WIRE	7	24	F1875	SPRING PIN, STARTER		
F12343	STATOR PLATE				BRACKET	9	20
	W/LAMINATIONS	7	9	F1876	SPRING PIN	11	20
F12360	CAM WIPER FELT	7	5	F18906	CARBURETOR GASKET	11	25
F127910-2	BALL BEARING	25	32	F18906	GASKET, CARBURETOR	17	-
F1286	PAN HD SCREW, 4 - 40 X			F1907	WASHER	19	39
	3/16	11	8	F1912	HEX HD SCREW, 10 - 24 X		
F1335	FILL HD SCREW, 5/16 - 18 X				1/2	13	61
	1 - 1/4	15	36	F1922	HEX CAP SCREW, 1/4 - 20	19	26
F1341	HEX NUT, 1/4 - 20	21	51	F1922	HEX HD SCREW, 1/4 - 20 X		
F1365	SQUARE NUT, 10 - 24	13	57		5/8	15	5
F137	STEERING CONNECTOR	36	-	F195/_	REMOTE CONTROL CABLES	36	-
F141118	SEAL, CRANKSHAFT			F197319	BEARING, CHOKE ROD	5	30
	LOWER	15	38	F1976	SOCKET HD SCREW		
					W/LOCKWASHER, 10 - 24		
					X 1/2	27	41
				F197767-1	BUSHING, FUEL LINE	3	24
				F197787-3	FUEL LINE COUPLER	29	3

PARTS INDEX

Part Number	Description	Pg.	Ref. No.	Part Number	Description	Pg.	Ref. No.
F1978	SPRING PIN	19	10	F286244	WATER LINE	21	47
F197813	BEARING	19	31	F286277	GASKET, CRANKSHAFT		
F197813	BEARING	23	94		BEARING CAGE	17	-
F197813	BEARING, STEERING			F286277	GASKET, CRANKSHAFT		
	HANDLE STOP	19	18		BEARING CAGE	17	49
F2008	HEX HD SCREW, 1/4 - 20 X			F286279-2	GASKET, CYLINDER		
	7/8	11	23		MOUNTING	15	27
F2008	HEX HD SCREW, 1/4 - 20 X			F286279-2	GASKET, CYLINDER		
	7/8	15	23		MOUNTING	17	-
F2014	PLAIN WASHER	23	85	F286282	WASHER	15	29
F2030	HEX HD SCREW, 1/4 - 20 X			F286286-1	WASHER, STERN BRACKET	21	56
	1-1/4	27	43	F286300	SPRING, REVERSE LOCK	21	55
F2030	SCREW, 1/4 - 20 X 1-1/4	25	-	F286316	THROTTLE CAM FOLLOWER	11	28
F2040	HEX WASHER HD M.			F286346	SHOCK MOUNT LOWER	21	45
	SCREW, 1/4 - 20 X 5/8	15	22	F286347	SHOCK MOUNT, UPPER	19	27
F2042	PLAIN WASHER	9	8	F286349	REVERSE LOCK	21	62
F213274	GREASE FITTING	19	14	F286364	LEVER, REVERSE LOCK	19	33
F213342	SEAL, FUEL LINE COUPLER	29	1	F286414	SPRING, LEG WATER		
F213735	SEAL, FUEL LINE COUPLER	29	2		BRACKET	19	28
F215795	SEAL	23	86	F286422-1	TILT LOCK PIVOT	21	44
F217002	MAGNETO BREAKER CAM	7	13	F286422-1	TILT LOCK PIVOT	23	82
F24074	CLAMP SCREW FOOT	21	70	F286433	BRACKET SHALLOW WATER		
F24748-2	GASKET, FUEL PUMP	11	7		DRIVE	21	64
F269316	ROLLER SHAFT	5	44	F286440	STUD, MAGNETO CONTROL		
F2706772	HOSE CLAMP	11	1		LEVER	15	37
F2788004	STUD, CARBURETOR	11	22	F286445	LINK, MAGNETO SHAFT	15	30
F286008	STUD, GEAR HOUSING			F286451	SPACER, TILT LOCK	21	43
	REAR	27	34	F286451	SPACER, TILT LOCK	21	79
F286011	WASHER, SWIVEL BRACKET	19	35	F286461	SPRING, LOCK BAR		
F286019	KINGPIN	21	52		HANDLE	21	66
F286028	BEARING, CRANKSHAFT			F286490	STEERING HANDLE STOP	19	19
	UPPER MAIN	17	46	F286503-1	ROD, CHOKE	5	45
F286037	STERN BRACKET PIVOT			F286509	LINK, THROTTLE CAM	15	34
	BOLT	23	84	F286518	HEAD, CYLINDER	15	3
F286079-1	STEERING HANDLE	23	88	F286529-3	GASKET, CYLINDER HEAD	15	4
F286080	SCREW, STEERING HANDLE			F286529-3	GASKET, CYLINDER HEAD	17	-
	PIVOT	19	21	F286539	BUMPER	19	12
F286114	LOCK BAR HANDLE	21	65	F286544-1	SPRING, TILT STOP	21	78
F286132	HANDLE, STARTER ROPE	9	22	F286547	KNOB, CHOKE	5	31
F286134	STUD	9	5	F286555	GASKET, GEAR HOUSING	27	33
F286134	STUD, GEAR SHIFT LEVER	5	35	F286571	ROLLER SET, MAIN		
F286151	PLATE, EXHAUST	15	26		BEARING (26 PER SET)	17	45
F286152	COVER, EXHAUST	15	24	F286573-1	CLAMP, STEERING		
F286154	GASKET, EXHAUST	17	-		FRICTION	19	40
F286154	GASKET, EXHAUST COVER	15	25	F286585-1	DECAL, TILT RELEASE	21	60
F286159-1	GASKET, REED PLATE	11	18	F286611-1	ROD, GEAR SHIFT	5	42
F286159-1	GASKET, REED PLATE	17	-	F286614	HANDLE, GEAR SHIFT	3	22
F286169	BEARING, SWIVEL			F286615	GEAR SHIFT ROD UPPER	27	42
	BRACKET	19	36	F286647	CARRYING HANDLE	21	76
F286169	BEARING, SWIVEL			F286685	CONNECTOR, GEAR SHIFT		
	BRACKET	21	53		ROD	5	34
F286192	THROTTLE CAM PLATE	7	10	F286705	GEAR SHIFT ROD LOWER	27	40
F286220	WASHER, STEERING			F286710	ARBOR, STARTER SPRING	9	12
	HANDLE	23	93	F286721	CLUTCH, SHIFT CAM	25	27
F286222	COVER, TRANSFER PORT	15	6	F286728	CLUTCH SHIFT PIN	25	19
F286223	GASKET, TRANSFER PORT	17	-	F286737-1	RETAINER, STARTER		
F286223	GASKET, TRANSFER PORT				REWIND SPRING	9	16
	COVER	15	7	F286772-1	HOSE CLAMP	15	8
F286224	INSERT, STEERING HANDLE			F286777	CAM, COVER LATCH	3	28
	PIVOT	23	95	F286818	BEARING	23	96

PARTS INDEX

Part Number	Description	Pg.	Ref. No.	Part Number	Description	Pg.	Ref. No.
F286827	REVERSE LOCK RELEASE LEVER	21	58	F429811	SCREEN	15	10
F286868	SPRING, STEERING HANDLE STOP	19	20	F430732	HEX HD SCREW, 1/4 - 20 X 1	27	35
F286871	PIN, GEAR SHIFT LEVER	3	17	F431838	MAGNETO CONTROL SHAFT	19	11
F286876	LEVER, GEAR SHIFT	3	15	F436065-1	IMPELLER	25	-
F286894-3	STEERING HANDLE INDICATOR	19	5	F436065-1	WATER PUMP IMPELLER	27	46
F286895	SPRING CAM DETENT	25	28	F436449	SHORTING SWITCH	7	23
F286901	BEARING, RADIAL, PROPELLER SHAFT	25	21	F455305	SEAL, PROP SHAFT BEARING CAGE	25	8
F286903	RACE, PROPELLER SHAFT BEARING	25	22	F456098	PROPELLER SHAFT	25	15
F286914	SLEEVE WATER LINE	21	46	F456717	THRUST WASHER	25	11
F286930	END, STARTER SPRING	9	17	F458498	MAGNETO KEY	7	14
F286956	BRACKET, SHOCK MOUNT LOWER	21	50	F458677	INSERT, CHOKE KNOB	5	32
F286989-2	SEAL, SUPPORT PLATE	3	20	F458695	SLEEVE	19	1
F289664	WIRE, STATOR GROUND	7	11	F461342	SEAL, DRIVESHAFT	19	29
F298788	FERRULE	29	4	F461342	SEAL, DRIVESHAFT SPLINE	15	40
F2A24757	FUEL PUMP REED PLATE	11	11	F472015-2	PISTONS	15	19
F2A424167	MANIFOLD	11	21	F472061-1	CARBURETOR COMPLETE (C010B)	13	62
F2A459239	STARTER SPOOL W/SHAFT	9	18	F476	FUEL LINE ADAPTION KIT	36	-
F2A472018	CRANKSHAFT	17	47	F487424-1	STARTER, PINION SPRING	9	3
F2A477133	MOTOR LEG	19	37	F487427-1	BRACKET, STARTER UPPER	9	4
F302097	FLYWHEEL	7	3	F487435	PULLEY, STARTER ROPE	11	24
F307818	BEARING	3	14	F487660-1	EXHAUST TUBE	15	21
F307818	BEARING	19	13	F487674	GEAR, STARTER PINION	9	2
F31160-1	REED	11	16	F487727	BALL, INTERLOCK DETENT	9	10
F31410	RETAINING RING, PISTON PIN	15	16	F487755	FUEL TANK ADAPTER	29	8
F338618-1	SEAL, GEAR SHIFT ROD LOWER	27	37	F487781-3	STARTER INTERLOCK	9	7
F341384	RETAINER, CHOKE ROD	13	49	F487816	BEARING, STEERING HANDLE	23	90
F341562	PLATE, WATER PUMP BACK	25	-	F487895	SPRING, INTERLOCK DETENT	9	11
F341562	WATER PUMP BACK PLATE	27	47	F492095	STATOR MAGNETO	7	-
F341693	WEDGE, STEERING HANDLE	23	89	F492263	LINK, STARTER INTERLOCK	5	37
F343014	BEARING, CRANKSHAFT LOWER MAIN	15	39	F492417	SHAFT, GEAR SHIFT HANDLE	3	23
F343128	DRIVESHAFT	25	3	F492619	LEVER, GEAR SHIFT SHAFT	5	33
F343226-1	PLUG	3	27	F50109	GEAR HOUSING PLUG	25	24
F346118	SEAL, PROPELLER SHAFT	25	6	F510914	SEAL, WATER LINE	25	-
F346146	SEAL, CRANKSHAFT UPPER	17	51	F525286	WASHER	21	59
F36634	SCREW, CONNECTING ROD	17	41	F536813	BEARING, REVERSE LOCK INTERMEDIATE LEVER	21	54
F392756	PACKING, SUPPORT PLATE	3	18	F53795-1	SEAL, STEERING HANDLE GRIP DAMPENER (LARGE)	23	87
F40253-1	FUEL LINE	11	2	F588	FLUSHING ADAPTER	36	-
F40425	STARTER PINION PIN	9	13	F596	CHRYSLER OUTBOARD OIL	36	-
F409232	STARTER ROPE	9	21	F597	CHRYSLER OUTBOARD GEAR LUBE	36	-
F409251-1	GAUGE CAP	29	10	F5H025	ANTI-CORROSION ANODE	36	-
F409719	CLUTCH SPRING	25	18	F5H026	FUEL TANK (ACCESSORY ITEM)	29	9
F424075	HANDLE, CLAMP SCREW	21	73	F5H027	STEEL, 6 GALLON FUEL TANK	36	-
F424161	REED STOP	11	15	F5H029	FUEL TANK ANCHOR	36	-
F424168-1	GASKET, MANIFOLD	17	-	F5H040	STEEL, 12 GALLON FUEL TANK	36	-
F429472	GASKET, CYLINDER DRAIN COVER	15	11	F5H054	REMOTE STEERING BRACKET	36	-
F429472	GASKET, CYLINDER DRAIN COVER	17	-	F5H057	15" LONG LEG CONVERSION KIT	36	-
F429541	TILT LOCK	21	80				
F429688	SHAFT, STEERING HANDLE	19	2				

PARTS INDEX

Part Number	Description	Pg.	Ref. No.	Part Number	Description	Pg.	Ref. No.
F5H059	CHRYSLER OUTBOARD			F901938-1	SCREW, CYLINDER HEAD	15	1
	MULTI-PURPOSE GREASE	36	-	F92759	ROLLER	5	43
F5H060	CHRYSLER OUTBOARD			F98273	STUD, GEAR SHIFT ROD		
	GREASE GUN	36	-		CONNECTOR	3	12
F5H062	WATER PUMP KIT	36	-	FA12370	COIL W/LEAD WIRE AND		
F5H088	REMOTE CONTROL				WEDGE SPRING	7	22
	CONVERSION KIT	36	-	FA1844	HEX BOLT, 1/4 - 20 X 2 - 3/8	21	48
F5H130	SYNCHRO-DRIVE CONTROL			FA24754-1	FUEL LINE W/CLAMPS	11	3
	BOX (SINGLE LEVER)	36	-	FA286054	GEAR HOUSING LOWER	25	25
F5H131	PORT SIDE DECAL KIT	36	-	FA286113	LOCK BAR	21	68
F5H134	BOAT WHITE LACQUER	36	-	FA286155	MAIN BEARING LINER SET		
F610711	PLATE, ENGINE COVER	3	2		(2 PER SET)	17	42
F66193	THROTTLE LINK	13	58	FA286266	GEAR, BEVEL PINION	25	29
F66480	STUD CLAMP SCREW	21	75	FA286469	KNOB, COVER LATCH		
F7006	STOP NUT, 5/16 - 18	3	29		W/SHAFT	3	26
F7011	ELASTIC STOP NUT, 10 - 24	3	11	FA286480	RETAINER, ENGINE COVER	3	10
F7026	STOP NUT, 3/8 - 16	21	69	FA286582	STEERING ARM	19	24
F73082	RING, MAGNETO STATOR	17	48	FA286970	STARTER REWIND SPRING	9	15
F78318	ROLLER, THROTTLE CAM			FA324101	PROPELLER PIN, PACK OF		
	FOLLOWER	11	26		3	25	10
F78410	RETAINER	11	27	FA341510	LINK, REVERSE LOCK		
F8003	PLAIN WASHER	11	9		LEVER	21	61
F8011	PLAIN WASHER	5	38	FA343178	RETAINER	19	8
F8011	PLAIN WASHER	9	6	FA36016-4	ROD, CONNECTING W/CAP		
F8025	PLAIN WASHER	15	2		AND SCREWS	15	18
F8048	BOWED SPRING WASHER	5	41	FA387742	LEVER, REVERSE LOCK		
F8058	INTERNAL TOOTH				INTERMEDIATE ASSY.	19	30
	LOCKWASHER	3	13	FA424158	REED PLATE	11	17
F8058	INTERNAL TOOTH			FA429471	COVER, CYLINDER DRAIN	15	9
	LOCKWASHER	23	91	FA456023	BEVEL GEAR FRONT		
F8060	EXTERNAL TOOTH				W/BEARING	25	20
	LOCKWASHER	19	25	FA456137	GRIP, STEERING HANDLE	19	3
F8077	NYLTITE WASHER	25	23	FA456521	CLUTCH	25	17
F8083	SPRING LOCKWASHER	21	49	FA456662	BEVEL GEAR REAR		
F8083	SPRING LOCKWASHER	25	31		W/BEARING	25	9
F8537	SPRING PIN	21	71	FA472260	PISTON RING SET (2 PER		
F8538	SPRING PIN	19	32		SET)	15	20
F8538	SPRING PIN	23	97	FA473010	CYLINDER	15	13
F8540	SPRING PIN	3	21	FA492038	PLATE, SUPPORT	3	19
F8540	SPRING PIN	21	67	FA504060	BODY, WATER PUMP	25	-
F8542	SPRING PIN	3	16	FA504060	WATER PUMP BODY	27	45
F8548	SPRING PIN	19	4	FA510914	SEAL, INLET WATER LINE	27	44
F8553	SPRING PIN	25	26	FA525228	ROLLER SET, CONNECTING		
F8554	SPRING PIN	21	72		ROD (26 PER SET)	17	44
F8559	DOWEL PIN	15	15	FA525241	CRANK PIN ROLLER		
F85610	BEARING	19	7		BEARING CAGE (2 PER		
F8564	SPRING PIN	25	16		SET)	17	43
F85735-1	SEAL	3	3	FA590386	DECAL, - NUMERAL 15	3	7
F866	DUO-DRIVE CONTROL BOX			FA610396	DECAL, ENGINE COVER		
	(TWIN LEVER)	36	-		STARBOARD	3	-
F901307-2	SEAL, DRIVESHAFT AND			FA610397	DECAL, ENGINE COVER		
	WATER PUMP	27	38		PORT	3	6
F901456-1	EMERGENCY STARTER			FA610480	RETAINER, ENGINE COVER	3	-
	COLLAR	7	2	FA610892	DECAL, ENGINE COVER,		
F901563	PIN, WATER PUMP				FRONT	3	1
	IMPELLER DRIVE	25	-	FA84754-1	FUEL LINE, SHORT	29	5
F901563	WATER PUMP IMPELLER			FC235227	PLUG, SPARK CHAMPION		
	DRIVE PIN	25	2		(RL-4-J) FOR CANADA	15	-
F901746-2	FUEL PUMP COVER	11	6	FC456054	LOWER GEAR HOUSING		
F901811	FUEL PUMP FILTER	11	4		COMPLETE (NOT SHOWN)	25	-

PARTS INDEX

Part Number	Description	Pg.	Ref. No.	Part Number	Description	Pg.	Ref. No.
FG1005-1	GASKET SET	17	53	FS541712	COVER, ENGINE	3	8
FK10006	GASKET SET, CARBURETOR.	13	-	FS567532	STERN BRACKET PORT	21	77
FK1019-1	5" LONG LEG CONVERSION KIT	36	-	FS567532	STERN BRACKET STARBOARD	23	83
FK1031-1	WATER PUMP KIT	25	4	FT11202	SEAL INSTALLER	32	-
FK1065	GEAR HOUSING SEAL KIT	25	1	FT1749	SNAP RING PLIERS	32	-
FK1066	TUNE UP KIT	7	15	FT2907	SEAL INSTALLER	33	-
FK317427	BRACKET, STARTER LOWER	9	19	FT2908	SEAL SLEEVE	32	-
FK750-2	SPARKIE W/SPRING	7	19	FT2909	KNOCK-OFF NUT	30	-
FO10165	INLET SEAT GASKET	13	44	FT2938-1	BATTERY POWERED TEST LIGHT	34	-
FO10280	CHOKE SHUTTER RETAINER SCREW AND LOCKWASHER	11	37	FT2951	CIRCUIT TRACER	34	-
FO10280	THROTTLE SHUTTER RETAINING SCREW AND LOCKWASHER	13	55	FT2961	LUBRICANT - RYKON #2EP	35	-
FO10588	BODY CHANNEL CUP PLUG	13	56	FT2962-1	SEALANT - 50 CC LOCTITE H, NON-HARDENING GRADE	35	-
FO10790	INLET NEEDLE, SEAT AND GASKET	13	43	FT2963-1	SEALANT - 2 OZ. LOCTITE D, HARDENING GRADE	35	-
FO11103	IDLE MIXTURE SCREW SPRING	13	46	FT2985	STARTER REWIND KEY	31	-
FO11722	MAIN FUEL JET, STD. .055 SEA LEVEL - 3000 FT.	13	45	FT2987-1	LUBRICANT - ANTI-SEIZE	35	-
FO11764	MAIN FUEL JET, OPT. .051 SEA LEVEL -6000 FT. AND UP	13	-	FT2989	FLYWHEEL WEDGE	30	-
FO11765	MAIN FUEL JET, OPT. .053 SEA LEVEL - 3000 - 6000 FT.	13	-	FT2991	CARBON BRUSH	32	-
FO13554	FLOAT	11	31	FT2997	RING COMPRESSOR	32	-
FO13944	FLOAT LEVER PIN	11	36	FT2998	TORQUE WRENCH (0-100 LBS./FT.)	32	-
FO13945	FUEL BOWL RETAINING SCREW	11	35	FT2999	TORQUE WRENCH (0-600 LBS./IN.)	32	-
FO15366	FUEL BOWL	11	34	FT3012	SEAL INSTALLER	32	-
FO15367	CHOKE SHUTTER	11	40	FT8352	TEST WHEEL	34	-
FO15368	CHOKE RELIEF VALVE	11	39	FT8900	HOSE CLAMP PLIERS	32	-
FO15520	IDLE MIXTURE SCREW	13	47	FT8926	RING EXPANDER	32	-
FO15522	BYPASS TUBE	13	53	FT8929	ADAPTER AND HEX BIT	32	-
FO15525	MAIN NOZZLE	11	30	FT8930-1	FEELER GAUGE	30	-
FO15526	THROTTLE SHAFT RETURN SPRING	13	51	FT8935	SEALANT PRIMER - 6 OZ.	35	-
FO15623	FUEL BOWL GASKET	11	32	FT8936-1	SEALANT - 2 CC LOCTITE RETAINING COMPOUND #75	35	-
FO15736	CHOKE SHAFT AND LEVER	13	48	FT8948-1	PULLER	33	-
FO15757	THROTTLE SHAFT AND LEVER	13	50	FT8950	LEAKAGE TESTER	34	-
FO15783	CHOKE RELIEF VALVE SPRING	11	38	FT8957	SEAL INSTALLER	33	-
FO16878	THROTTLE SHUTTER	13	54	FT8969	LUBRICANT - 7 OZ. 2 LSI LUBRICANT	35	-
FO2510	FUEL BOWL RETAINING SCREW GASKET	11	33	FT8983	SEALANT - RTV	35	-
FO2531	BODY CHANNEL WELCH PLUG	13	52	FT8993	TORQUE WRENCH ADAPTER	32	-
FO4784	CHOKE FRICTION BALL	11	41	11-817752A1	PROPELLER NUT	25	13
FO8805	CHOKE FRICTION SPRING	11	42	27-818043A1	FUEL PUMP DIAPHRAGM W/GASKETS	11	12
FP408	PROPELLER (ACCESSORY ITEM)	25	14	31-817756A2	PROPELLER SHAFT BEARING CAGE	25	7
FS174227	PLUG, SPARK, L-4-J	15	12	32-817738A1	FUEL LINE, LONG	29	7
				37-F286585-2	DECAL, TILT RELEASE - CANADA	21	-
				37-F286894-3	STEERING HANDLE INDICATOR CANADA	19	-
				43-818009--1	GEAR, MAGNETO CONTROL SHAFT	19	15
				43-818009--1	GEAR, STEERING HANDLE SHAFT	19	9
				100-FS666712T	COVER, ENGINE	3	-

PARTS INDEX

Part Number	Description	Pg.	Ref. No.	Part Number	Description	Pg.	Ref. No.
800-819091A1	SHORT BLOCK (NOT SHOWN).	15	-				
1100-817753A1	CAGE, CRANKSHAFT BEARING	17	50				
1400-817750A4	SWIVEL BRACKET	21	42				
1600-824916A1	GEAR HOUSING UPPER . . .	27	36				