



PARTS CATALOG

4 HP

SERIAL NUMBER

4 (1981)	42B1H
4 (1981)	42H1H
4 (1981)	43B1H
4 (1981)	43H1H

TABLE OF CONTENTS:

ACCESSORIES	29
CARBURETOR & REED PLATE	8
ENGINE COVER AND FUEL TANK	2
GEAR HOUSING	20
MAGNETO	6
MOTOR LEG	16
PARTS INDEX	30
POWER HEAD & SUPPORT PLATE	12
SPECIAL TOOLS - LOWER UNIT	26
SPECIAL TOOLS - LUBRICANTS AND SEALANTS	28
SPECIAL TOOLS - POWER HEAD	25
SPECIAL TOOLS - TEST EQUIPMENT	27
SPECIAL TOOLS - TUNE-UP	24
STARTER	4

NOTE: *Indented description indicate that these parts are included in preceeding assembly.*

AR = As Required

NSS = Not Sold Separate

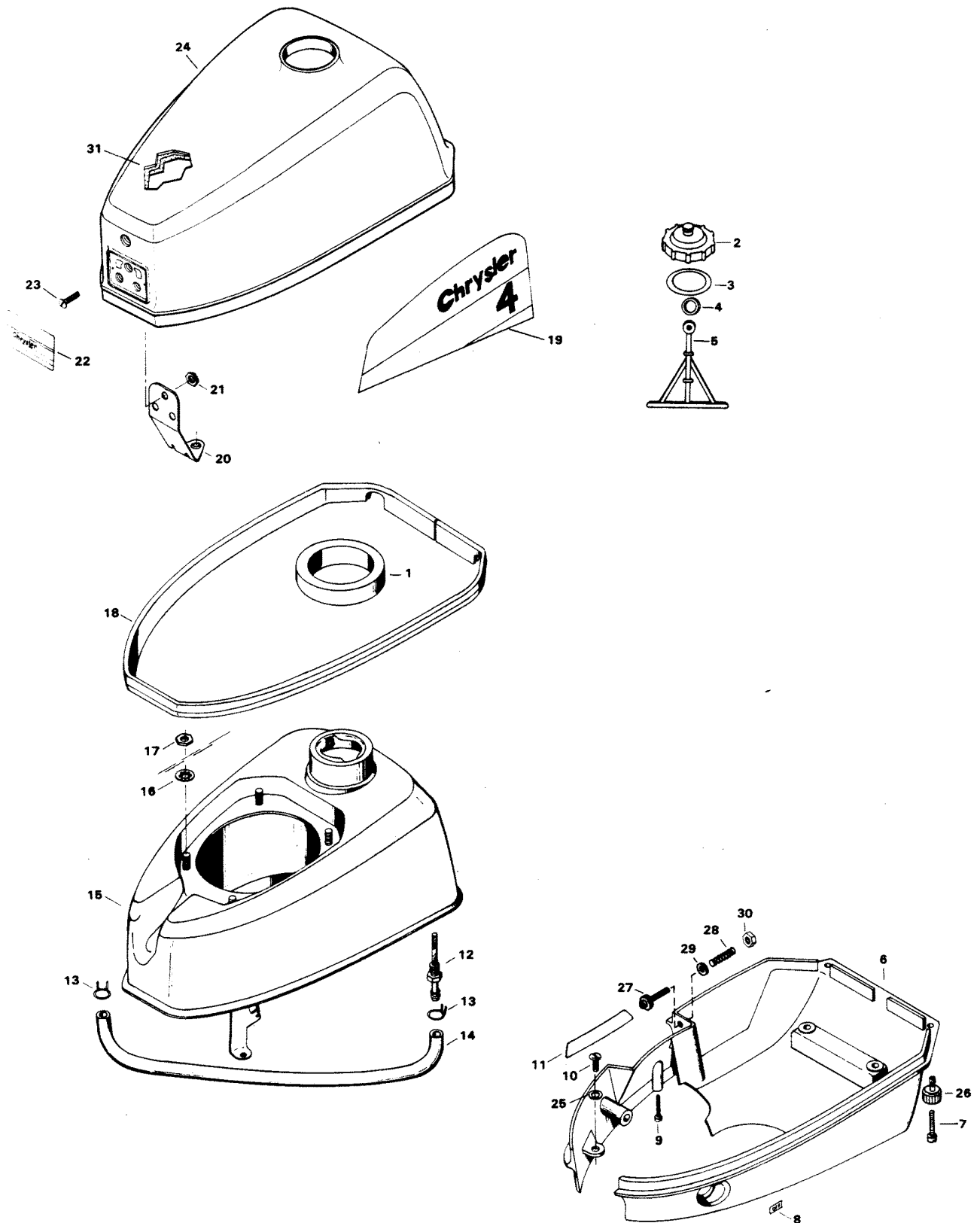
OPT = Optional

NS = Not Shown

THESE PARTS BOOKS/FICHE CARD ARE COPYRIGHTED AND MAY NOT BE DISTRIBUTED OR REPRODUCED IN ANY OTHER FORMAT BY ANYONE OTHER THAN MERCURY MARINE WITHOUT THE PRIOR WRITTEN CONSENT OF MERCURY MARINE.

THIS PAGE INTENTIONALLY LEFT BLANK

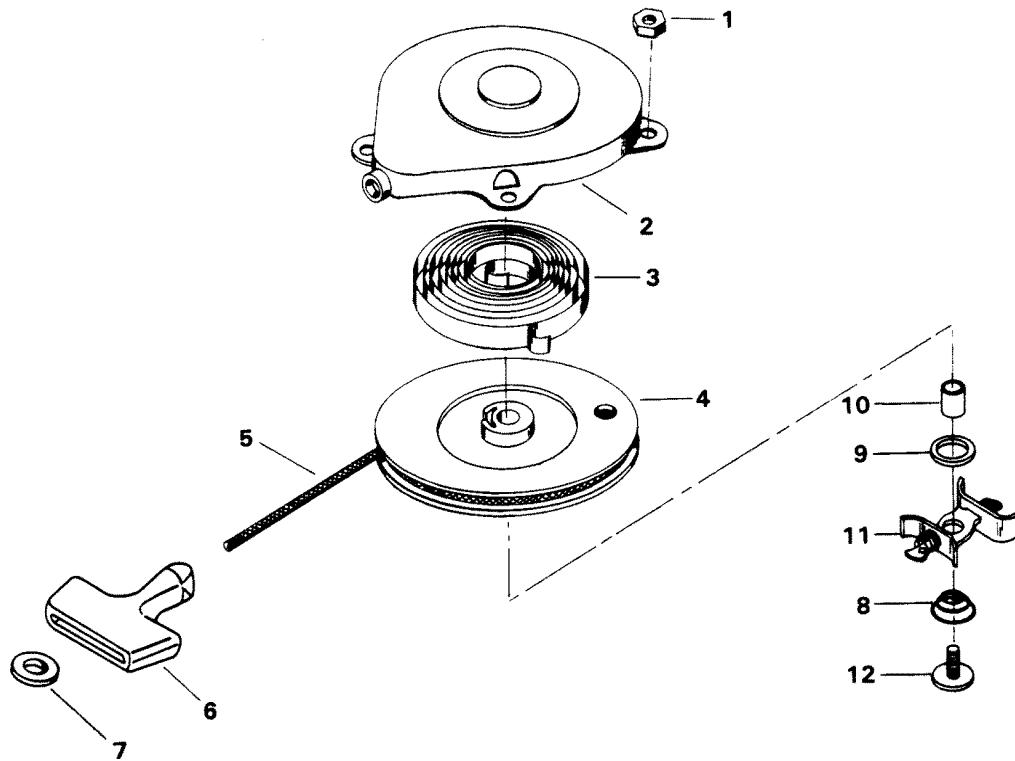
ENGINE COVER AND FUEL TANK



ENGINE COVER AND FUEL TANK

REF. NO.	PART NO.	SYM.	QTY.	DESCRIPTION
1	F459186		1	COLLAR, FUEL TANK
2	F521251-3		1	GAS CAP COMPLETE. INCLUDES ILLUS. 3, 4, AND 5
3	F17980		1	FUEL CAP GASKET
4	F427249		1	RETAINING RING
5	F17938		1	ANCHOR
6	F535944		1	ENGINE COVER, BOTTOM
7	F1995		2	SLOTTED FILL HD SCREW, 10 - 24 X 1
8	F521894		1	DECAL, "OFF" (USA)
-	FC521894		1	DECAL, "OFF" (CANADA)
9	F1829		1	FILL HD M. SCREW, 10 - 24 X 7/8
10	F1035		3	SLOTTED FILL HD SCREW, 1/4 - 20 X 5/8
11	F521391-1		1	DECAL, SPEED RANGE (USA)
-	37-817908--3		1	DECAL, SPEED RANGE (CANADA)
12	F521811		1	FITTING, GAS TANK
13	F2706772		2	HOSE CLAMP
14	FA901754		1	HOSE WILLUS. 13
15	F521034-1		1	FUEL TANK
16	F8061		4	INTERNAL TOOTH LOCKWASHER
17	F1896		4	HEX NUT
18	FK525713		1	PACKING, TOP COVER TRIM W/LITERATURE
19	FA608397		1	DECAL, ENGINE COVER PORT W/LITERATURE
-	FA608396		1	DECAL, ENGINE COVER STARBOARD W/LITERATURE
20	FA521778		1	RETAINER, ENGINE COVER FRONT WILLUS. 21 & 23
21	F7011		3	HEX NUT
22	FA608892		1	DECAL, ENGINE COVER - FRONT W/LITERATURE
23	F1979		3	PAN HD SCREW, 10 - 24 X 1/2
24	FS535712		1	ENGINE COVER TOP W/RETAINER & PACKING
-	2C608712		1	ENGINE COVER COMPLETE. INCLUDES ALL ITEMS MARKED WITH AN ASTERISK (*)
25	F8008		3	PLAIN WASHER
26	F521284		2	KNOB, ENGINE COVER RETAINER
27	F521690-1		1	SCREW, THROTTLE LEVER ADJUSTMENT
28	F521199		1	SPRING, THROTTLE LEVER ADJUSTMENT
29	F2042		1	PLAIN WASHER, #10 NARROW
30	F1473		1	HEX NUT
31	F521984		1	BLANKET, SILENCER TOP

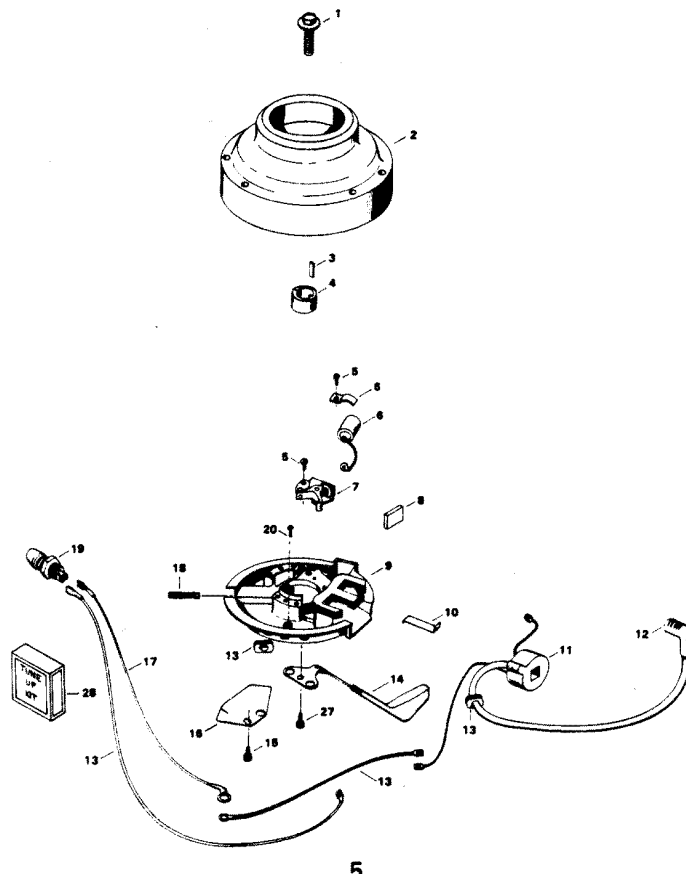
STARTER



STARTER

REF. NO.	PART NO.	SYM.	QTY.	DESCRIPTION
1	F1896		4	HEX NUT
2	F15601		1	COVER
3	F15570		1	SPRING, REWIND
4	F15591		1	ROTOR
5	F15582-1		1	STARTER ROPE
6	F286132		1	HANDLE, STARTER ROPE
7	F2042		1	PLAIN WASHER
8	F15596		1	SPRING
9	F15594		2	WASHER
10	F15602		1	NYLINER
11	F15595		1	FRICITION SHOE ASSEMBLY
12	F15597		1	SCREW
-	F521063-2		1	STARTER COMPLETE WILLUS. 2 THRU 6 AND 8 THRU 12

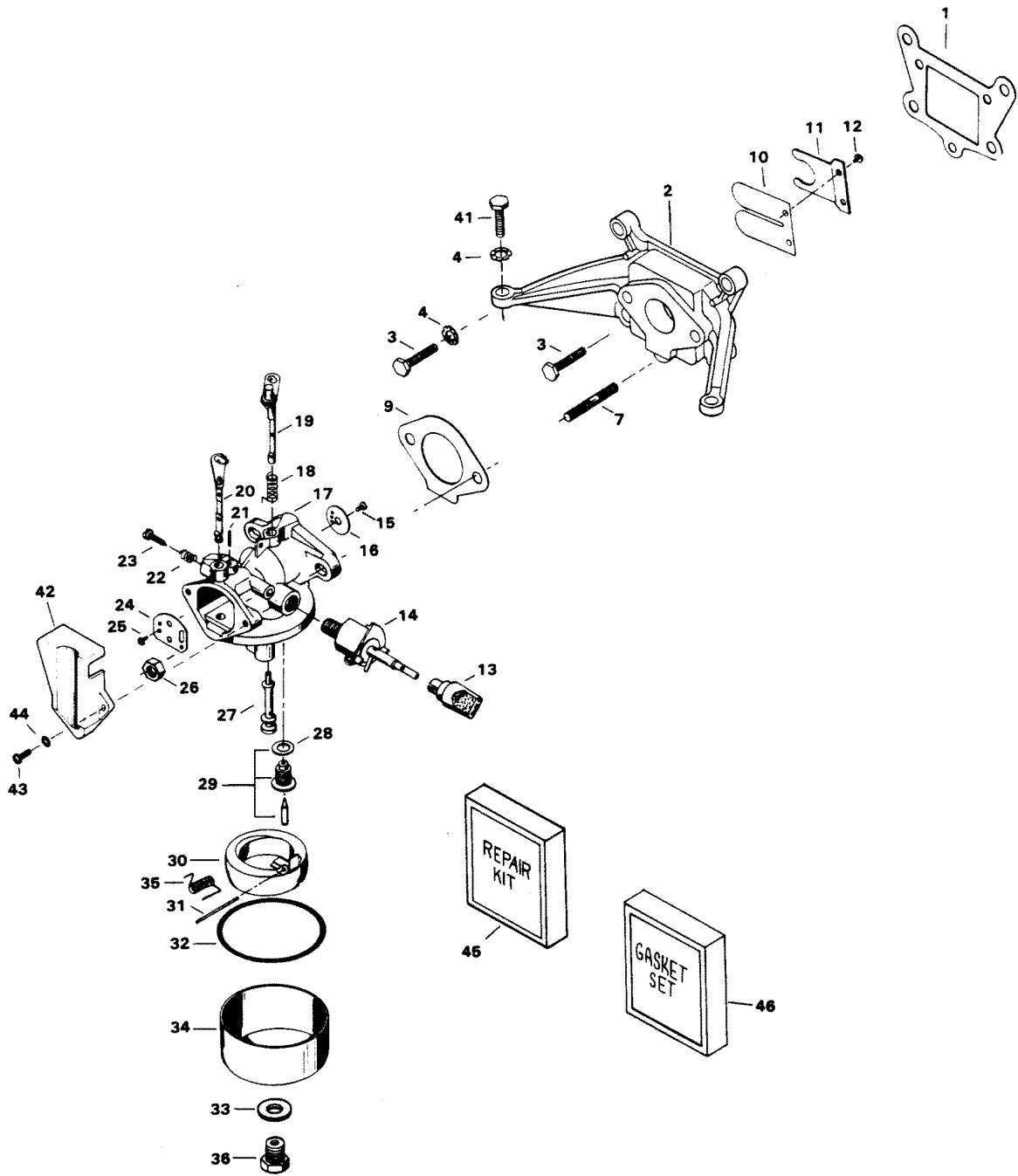
MAGNETO



MAGNETO

REF. NO.	PART NO.	SYM.	QTY.	DESCRIPTION
1	F521552		1	SCREW, FLYWHEEL
2	F535097		1	FLYWHEEL
3	F521498		1	KEY, FLYWHEEL
4	F521002		1	CAM
5	F12090		1	MOUNTING SCREW
6	FK12357		1	CONDENSER W/CLAMP
7	F12359		1	CONTACT SET
8	F12360		1	FELT CAM
9	F12362		1	STATOR PLATE W/CORE
10	F12350		1	WEDGE SPRING
11	FK12369		1	COIL W/LEAD WIRE AND WEDGE SPRING
12	FK750-2		1	SPARKIE KIT
13	F12361		1	LEAD WIRE AND GROMMET PACKAGE
14	F521549-2		1	THROTTLE LEVER
15	F1655		1	HEX HD SCREW W/SPRING LOCKWASHER, 1/4 - 20 X 3/8
16	F521192		1	THROTTLE CAM
17	F521908		1	GROUND WIRE
18	F12066		1	FRICTION SCREW
19	F436449		1	SHORTING SWITCH
20	F1298		1	ROUND HD SCREW W/LOCKWASHER
27	F1734		1	SLOTTED FILL HD SCREW, 1/4 - 20 X 1/2
28	FK1058		1	TUNE UP KIT. INCLUDES ITEMS MARKED WITH AN ASTERISK (*)

CARBURETOR & REED PLATE

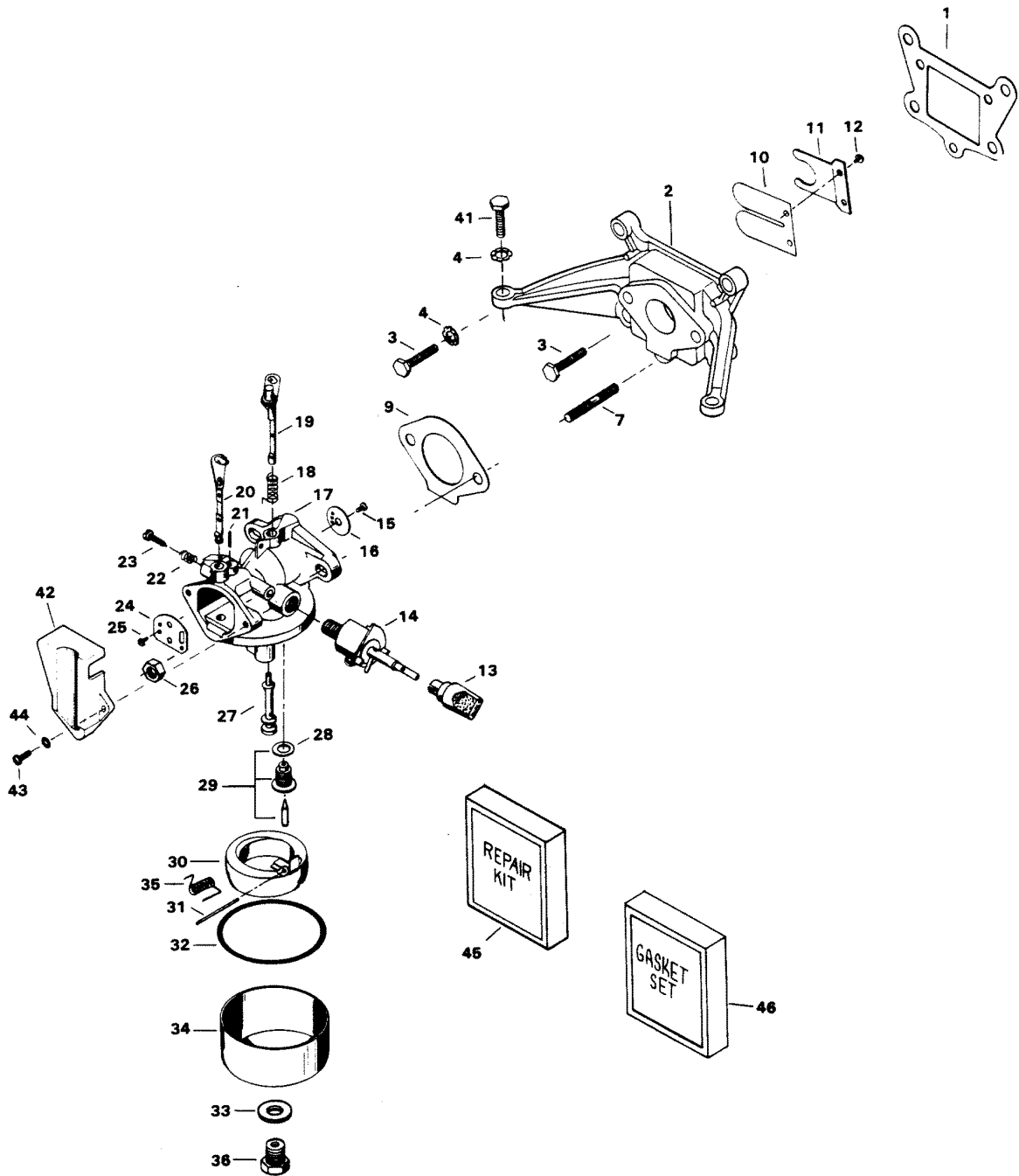


CARBURETOR & REED PLATE

REF. NO.	PART NO.	SYM.	QTY.	DESCRIPTION
1	F521168		1	GASKET, CARBURETOR ADAPTER
2	F2A332167		1	CARBURETOR ADAPTER W/ILLUS. 7, 10, 11 AND 12
3	F1532		4	HEX CAP SCREW, 1/4 - 20 X 1
4	F8060		4	INTERNAL TOOTH LOCKWASHER
7	F433209-1		1	STUD, CARBURETOR
9	F521906		1	GASKET, CARBURETOR
10	F31160-1		1	REED
11	F424161		1	REED STOP
12	F1755		2	ROUND HD SCREW W/LOCKWASHER, 6 - 32 X 5/16
13	F521550		1	KNOB, FUEL SHUT-OFF
14	F521489		1	VALVE, FUEL SHUT-OFF
15	F10071		1	SCREW
16	F10060		1	THROTTLE
17	F521061-6		1	CARBURETOR - COMPLETE
18	F10075		1	SPRING, THROTTLE RETURN
19	F10059		1	THROTTLE SHAFT
20	F10061		1	CHOKE SHAFT
21	F10072		1	SPRING, CHOKE STOP
22	F10073		1	SPRING, IDLE ADJUSTMENT NEEDLE
23	F10077		1	NEEDLE, IDLE
24	F10062		1	CHOKE VALVE
25	F10070		2	SCREW, CHOKE VALVE
26	F1490		2	HEX NUT, 1/4 - 20
27	F10065		1	NOZZLE
28	F10066		1	GASKET, VALVE SEAT
29	F10100		1	VALVE, SEAT AND GASKET ASSEMBLY
30	F10063		1	FLOAT
31	F10064		1	FLOAT PIN
32	F10068		1	GASKET, FUEL BOWL
33	F10090		2	GASKET, BOWL RETAINER
34	F10058		1	FUEL BOWL
35	F10084		1	SPRING, FLOAT SUPPORT
36	F10096		1	JET ASSEMBLY (.039) STD. SEA LEVEL - 3000 FT.
-	F10093		-	JET ASSEMBLY (.038) OPT. 3000 FT. - 5000 FT.
-	F10086		-	JET ASSEMBLY (.037) OPT. 5000 FT. - 7000 FT.
-	F10094		-	JET ASSEMBLY (.036) OPT. 7000 FT. AND UP OPTIONAL SIZE MAIN FUEL JETS (USE ONLY AT ALTITUDES INDICATED)
41	F1534		2	HEX CAP SCREW, 1/4 - 20 X 7/8

CONTINUED ON NEXT PAGE ➡

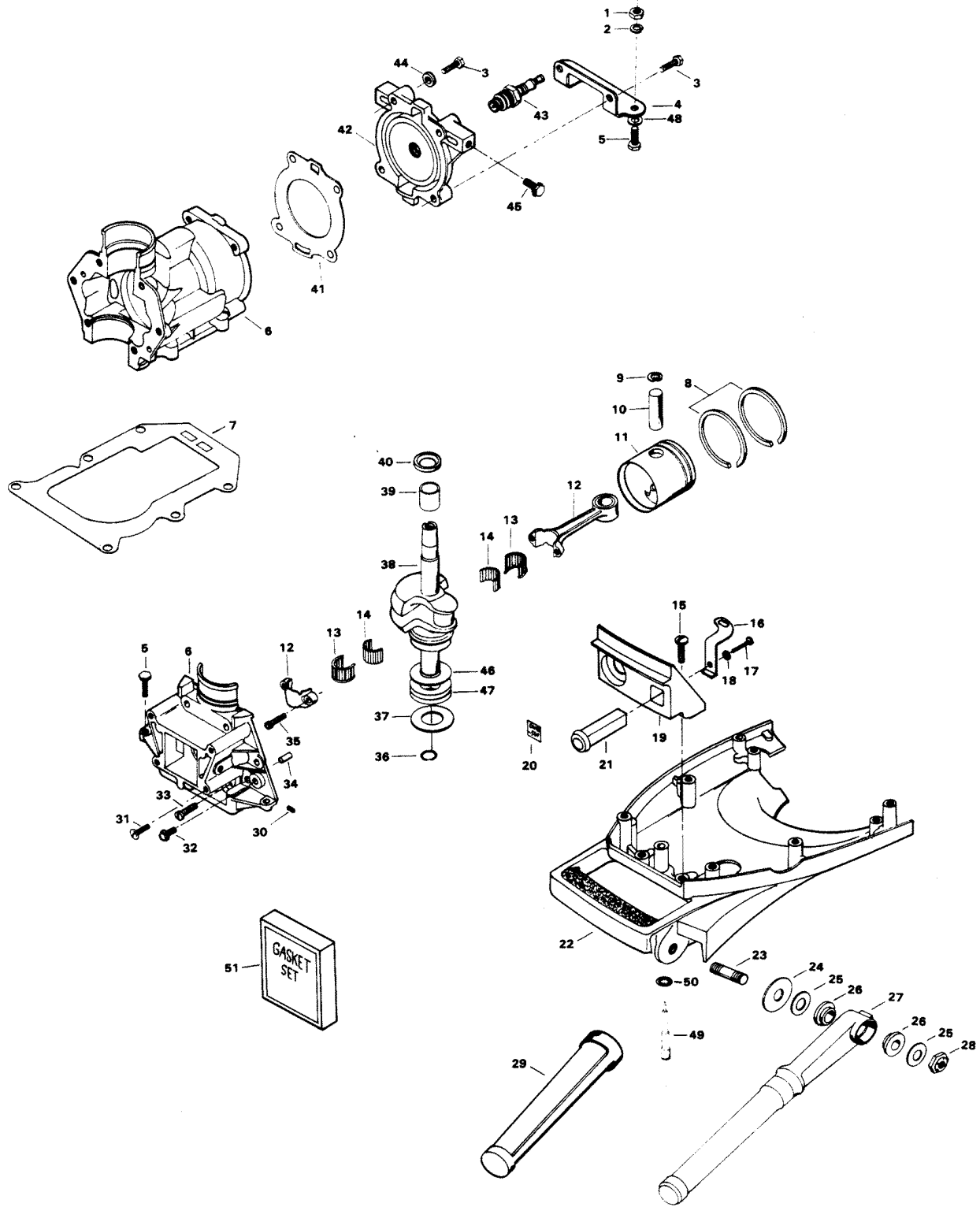
CARBURETOR & REED PLATE



CARBURETOR & REED PLATE

REF. NO.	PART NO.	SYM.	QTY.	DESCRIPTION
42	F521708		1	CARBURETOR COVER
43	F1064		2	FILL HD SCREW, 8 - 32 X 3/8
44	F8078		2	LOCKWASHER, INTERNAL TOOTH
45	F10098		1	REPAIR KIT. INCLUDES ALL ITEMS MARKED WITH AN ASTERISK (*)
46	F10069		1	GASKET SET. INCLUDES ALL ITEMS MARKED WITH A DOUBLE ASTERISK (**)

POWER HEAD & SUPPORT PLATE



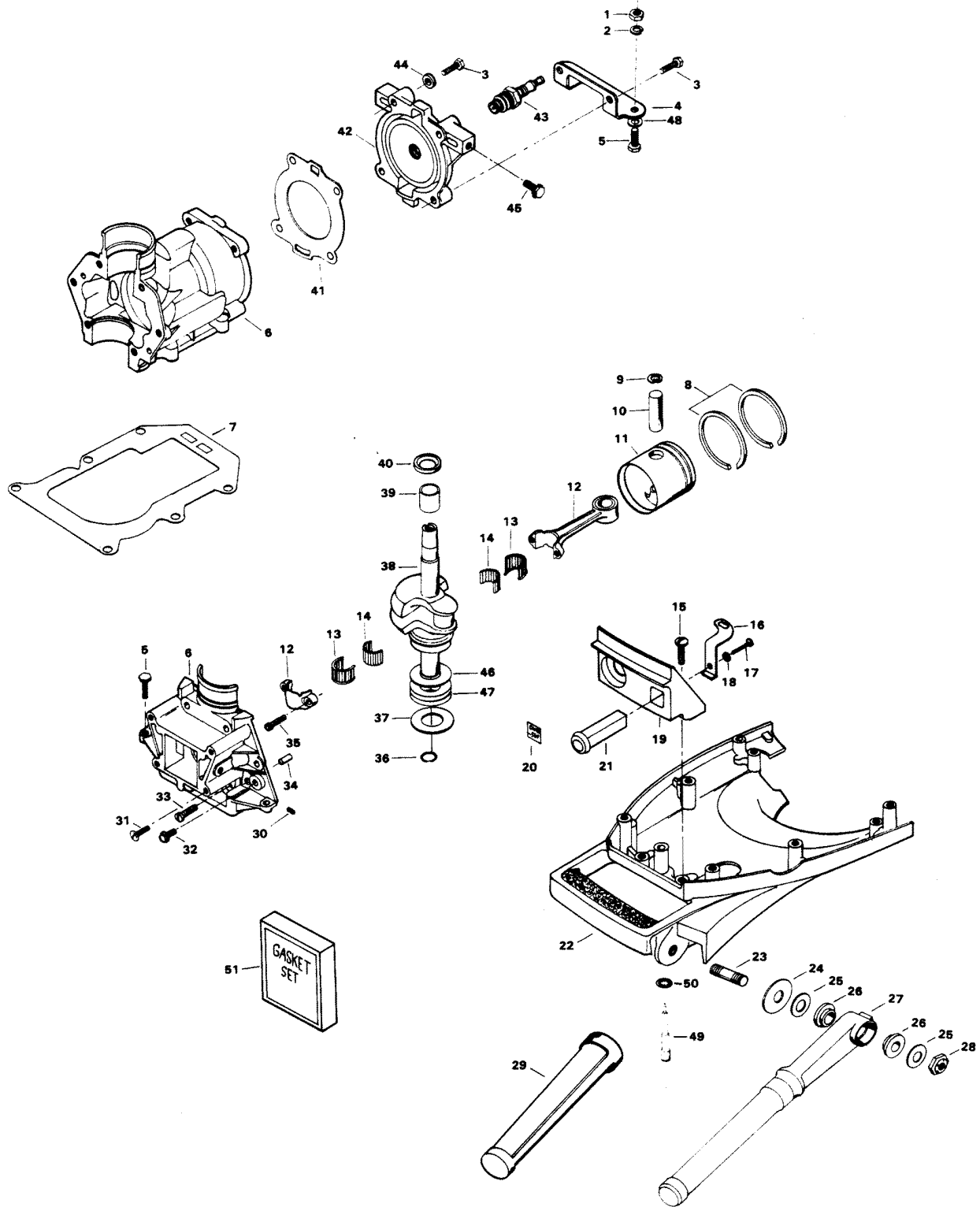
9

POWER HEAD & SUPPORT PLATE

REF. NO.	PART NO.	SYM.	QTY.	DESCRIPTION
1	F1341		2	HEX NUT
2	F8083		2	SPRING LOCKWASHER
3	F901938-1		4	SCREW, CYLINDER HEAD
4	F521774		1	BRACKET, ENGINE COVER LOWER MOUNTING
5	F1536		4	HEX HD CAP SCREW, 1/4 - 20 X 3/4
6	F2A521010		1	CYLINDER W/CRANKCASE COVER, AND ILLUS. 31 AND 34
-	FC521010		1	SHORT BLOCK (NOT SHOWN). INCLUDES ALL ITEMS MARKED WITH AN ASTERISK (*)
7	F521279		1	GASKET, CYLINDER EXHAUST
8	39-818038A1		2	PISTON RING SET (2 RINGS)
9	F250410		2	PISTON PIN RETAINING RING
10	F250017		1	PISTON PIN
11	F521015		1	PISTON
12	F2A521016		1	CONNECTING ROD W/BEARING AND ILLUS. 35
13	FA525241		1	CAGE, CRANKPIN ROLLER (2 HALFS)
14	FA525228		1	CRANKPIN ROLLER SET (16 ROLLERS)
15	F1493		2	PAN HD SCREW, 1/4 - 20 X 5/8
16	F521925		1	LINK, CHOKE KNOB
17	F2041		1	HEX HD M. SCREW, 10 - 24 X 3/8
18	F1975		1	SPRING LOCKWASHER
19	F535163		1	COVER, SUPPORT PLATE
20	F521248		1	DECAL, CHOKE (USA)
-	FC521248		1	DECAL, CHOKE (CANADA)
21	F521547		1	CHOKE KNOB
22	F270038		1	SUPPORT PLATE
23	F521004		1	STUD
24	F286286-1		1	WASHER, NYLON
25	F8015		2	PLAIN WASHER
26	F521319		2	BUSHING, STEERING HANDLE
27	F521079		1	STEERING HANDLE
28	F1756		1	STOP NUT
29	F390137		1	GRIP, STEERING HANDLE
30	F1789		1	PIPE PLUG
31	F1107		2	FILL HD M. SCREW, 1/4 - 20 X 3/4
32	F2040		1	HEX WASHER HD TAPTITE SCREW, 1/4 - 20 X 5/8
33	F1099		4	SLOTTED FILL HD SCREW, 1/4 - 20 X 1 1/4
34	F8559		2	DOWEL PIN
35	F36634		2	SCREW, CONNECTING ROD
36	F521579		1	SEAL, CRANKSHAFT SPLINE
37	F521118-1		1	SEAL, CRANKSHAFT LOWER
38	F2A527018		1	CRANKSHAFT W/ILLUS. 46 AND 52
39	F521013		1	BEARING, CRANKSHAFT UPPER
40	F521146		1	SEAL, CRANKSHAFT UPPER

CONTINUED ON NEXT PAGE ➡

POWER HEAD & SUPPORT PLATE

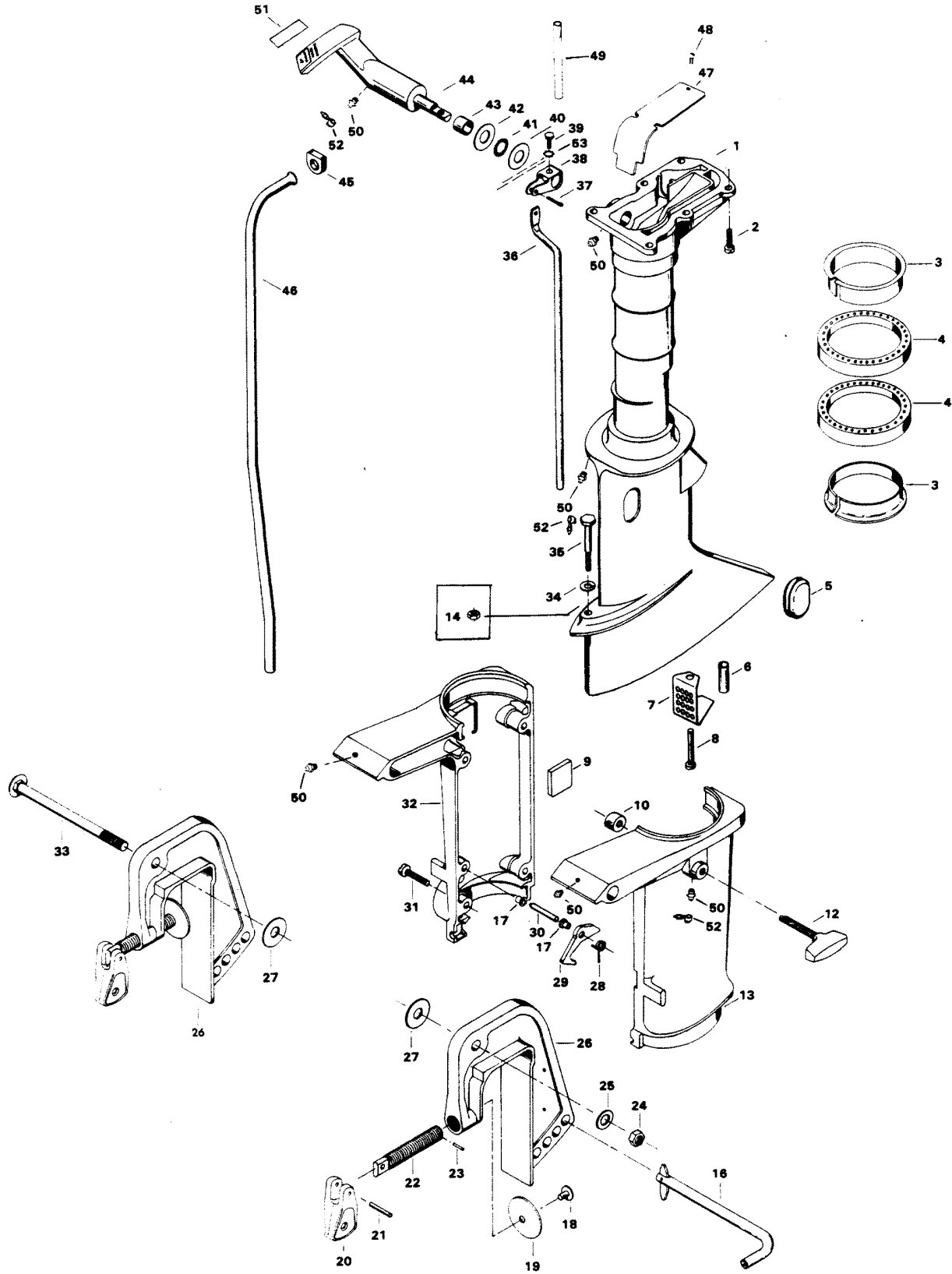


9

POWER HEAD & SUPPORT PLATE

REF. NO.	PART NO.	SYM.	QTY.	DESCRIPTION
41	F521529		1	GASKET, CYLINDER HEAD
42	F521518		1	CYLINDER HEAD
43	33-82370M		1	SPARK PLUG (L-86)
-	C247227		1	SPARK PLUG (RL-86) (42B1H, 43B1H)
44	F8028		2	PLAIN WASHER
45	F1426		2	HEX HD SCREW W/LOCKWASHER, 1/4 - 20 X 7/16
46	F521270		1	SLINGER
47	F521910		1	BEARING, CRANKSHAFT LOWER
48	F8008		2	PLAIN WASHER
49	F341284-1		1	KNOB, ENGINE COVER RETAINER
50	F9102		1	RETAINING RING
51	FG1015		1	GASKET SET. INCLUDES ITEMS LISTED BELOW
-	F521159		2	REED PLATE GASKET
-	F521168		1	CARBURETOR ADAPTER GASKET
-	F521279		1	CYLINDER EXHAUST GASKET
-	F521529		1	CYLINDER HEAD GASKET
-	F521906		1	CARBURETOR GASKET

MOTOR LEG

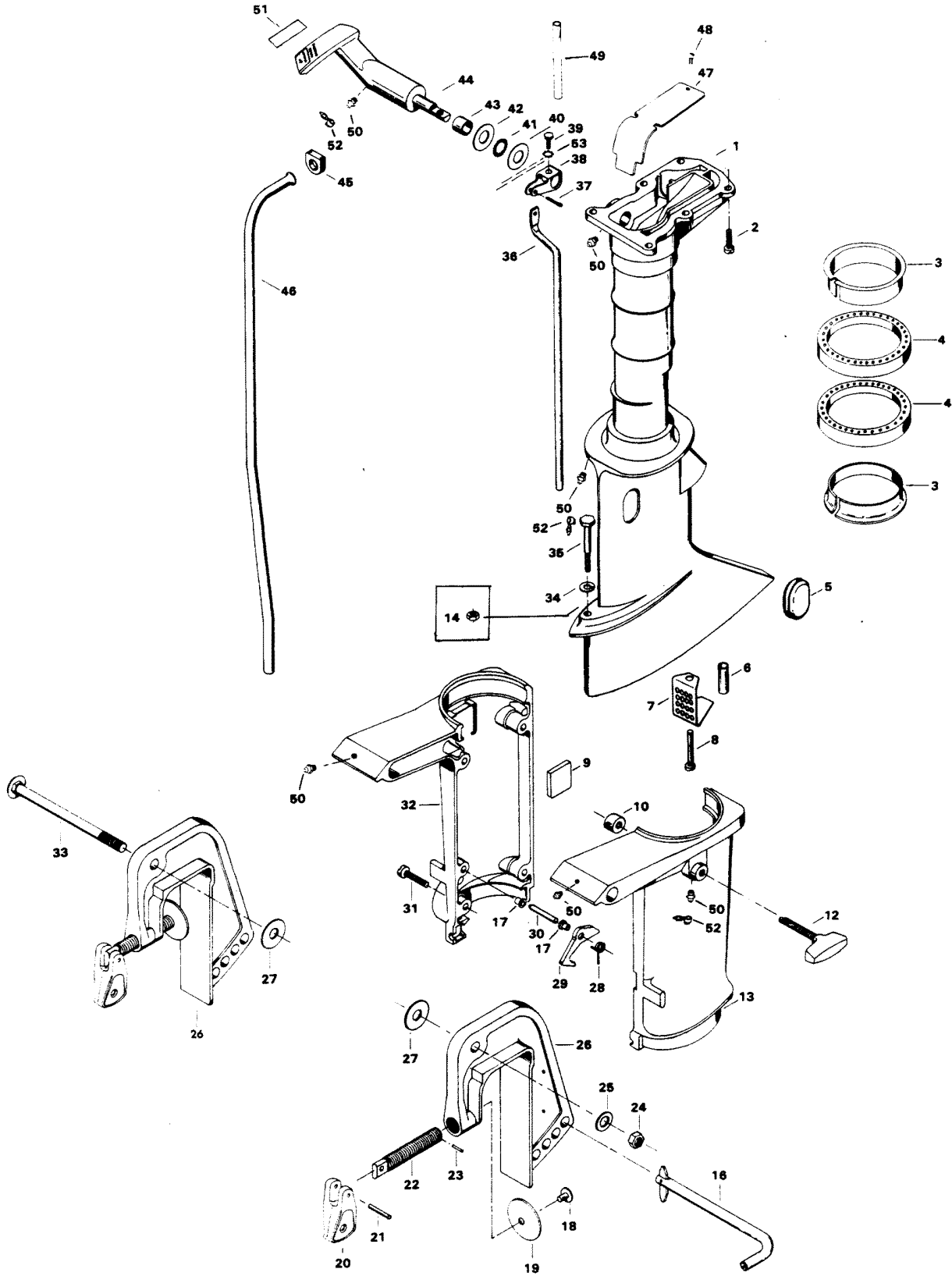


MOTOR LEG

REF. NO.	PART NO.	SYM.	QTY.	DESCRIPTION
1	1500-817940A6		1	MOTOR LEG W/ITEMS 43, 47, 48, 49 AND 50 ORIGINAL FORCE P/N K 341133-2
2	F1540		6	HEX HD SCREW, 1/4 - 20 X 5/8
3	F468169		2	BEARING, SWIVEL BRACKET
4	FA468346		2	SHOCK MOUNT W/LITERATURE
5	F46899-1		1	COVER, SHIFT COUPLING
6	F521727		1	SLEEVE, IDLE BAFFLE
7	F521779		1	BAFFLE, IDLE RELIEF
8	F1747		1	FILL HD SCREW, 10 - 24 X 1-11/16
9	F521661-1		1	PAD, SWIVEL FRICTION
10	F521631		1	SHOE, SWIVEL FRICTION
12	F521514		1	KNOB, STEERING FRICTION W/SCREW
13	817815A4		1	SWIVEL BRACKET - PORT W/ILLUS. 17 & 50 ORIGINAL FORCE P/N A 521072-3
14	F1341		1	HEX NUT (FOR VERSION II STUD, SEE PAGE 12) ILLUS. 8
16	817810A1		1	LOCK BAR ASSEMBLY
17	F197813		2	BEARING
18	F66480		2	STUD
19	F24074		2	CLAMP SCREW FOOT
20	F298075		2	HANDLE, CLAMP SCREW
21	F8554		2	SPRING PIN
22	817761A2		2	CLAMP SCREW W/ILLUS. 18, 19 AND 23 ORIGINAL FORCE P/N A 298073-2
23	F8537		2	SPRING PIN
24	F7026		1	STOP NUT
25	F2014		1	PLAIN WASHER
26	1400-817850A4		2	STERN BRACKET W/ILLUS. 22 ORIGINAL FORCE P/N A 521532-2
27	F2037		2	PLAIN WASHER
28	F468300		1	SPRING, REVERSE LOCK
29	F468349		1	REVERSE LOCK
30	F468350		1	PIN, REVERSE LOCK
31	F2035		4	PHILLIPS FILL HD SCREW, 1/4 - 20 X 1
32	817816A6		1	SWIVEL BRACKET - STARBOARD W/ILLUS. 9 AND 50 ORIGINAL FORCE P/N A 468572-3
33	F468037-1		1	PIVOT BOLT
34	F8083		1	SPRING LOCKWASHER
35	F1175		1	HEX CAP SCREW, 1/4 - 20 X 1 7/8, (42H1H, 42B1H)
36	F521615		1	ROD, GEAR SHIFT UPPER
37	F1406		1	COTTER PIN
38	F521621		1	LEVER, GEAR SHIFT
39	F2041		1	HEX M. SCREW, 10 - 24 X 3/8
40	F2014		1	PLAIN WASHER
41	F19342		1	SEAL, SHIFT LEVER SHAFT

CONTINUED ON NEXT PAGE ➡

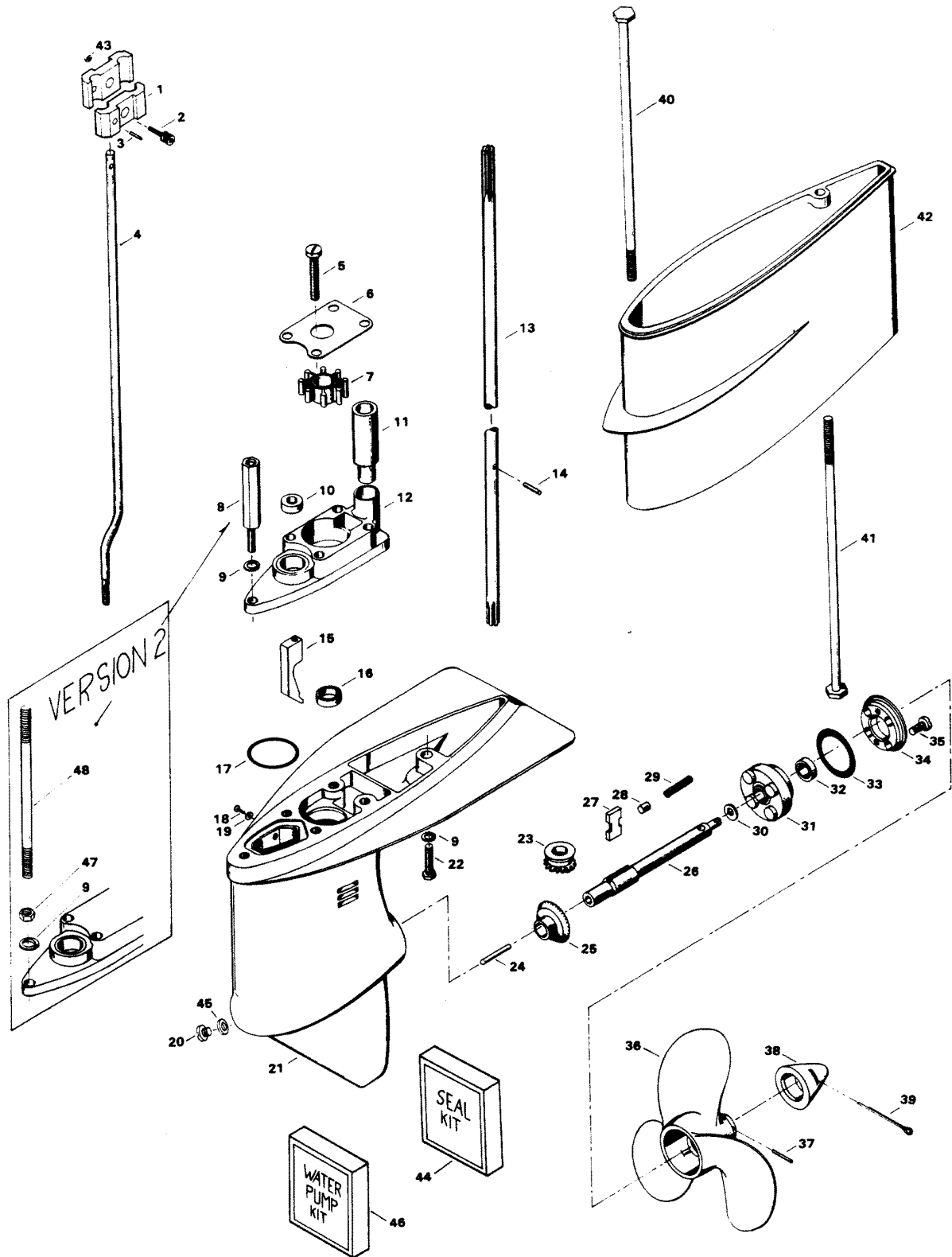
MOTOR LEG



MOTOR LEG

REF. NO.	PART NO.	SYM.	QTY.	DESCRIPTION
42	F521415		1	WASHER, GEAR SHIFT HANDLE
43	F341610		1	BEARING, GEAR SHIFT SHAFT
44	820433T		1	HANDLE, GEAR SHIFT W/SHAFT
45	F521342-1		1	SEAL, WATER LINE
46	F521244-1		1	WATER LINE STANDARD LEG (42H1H, 42B1H)
-	F341244-1		1	WATER LINE LONG LEG (43H1H, 43B1H)
47	FA341151		1	PLATE, EXHAUST W/ILLUS. 48
48	F1645		3	RD HD THD. CUTTING, 6 - 32 X 1/4
49	F521261		1	LINE, WATER OUTLET
50	F213274		6	FITTING, GREASE
51	FC521400		1	DECAL, GEAR SHIFT HANDLE (CANADA)
52	F521569		3	CAP, GREASE FITTING
53	F1975		1	LOCKWASHER, #10

GEAR HOUSING

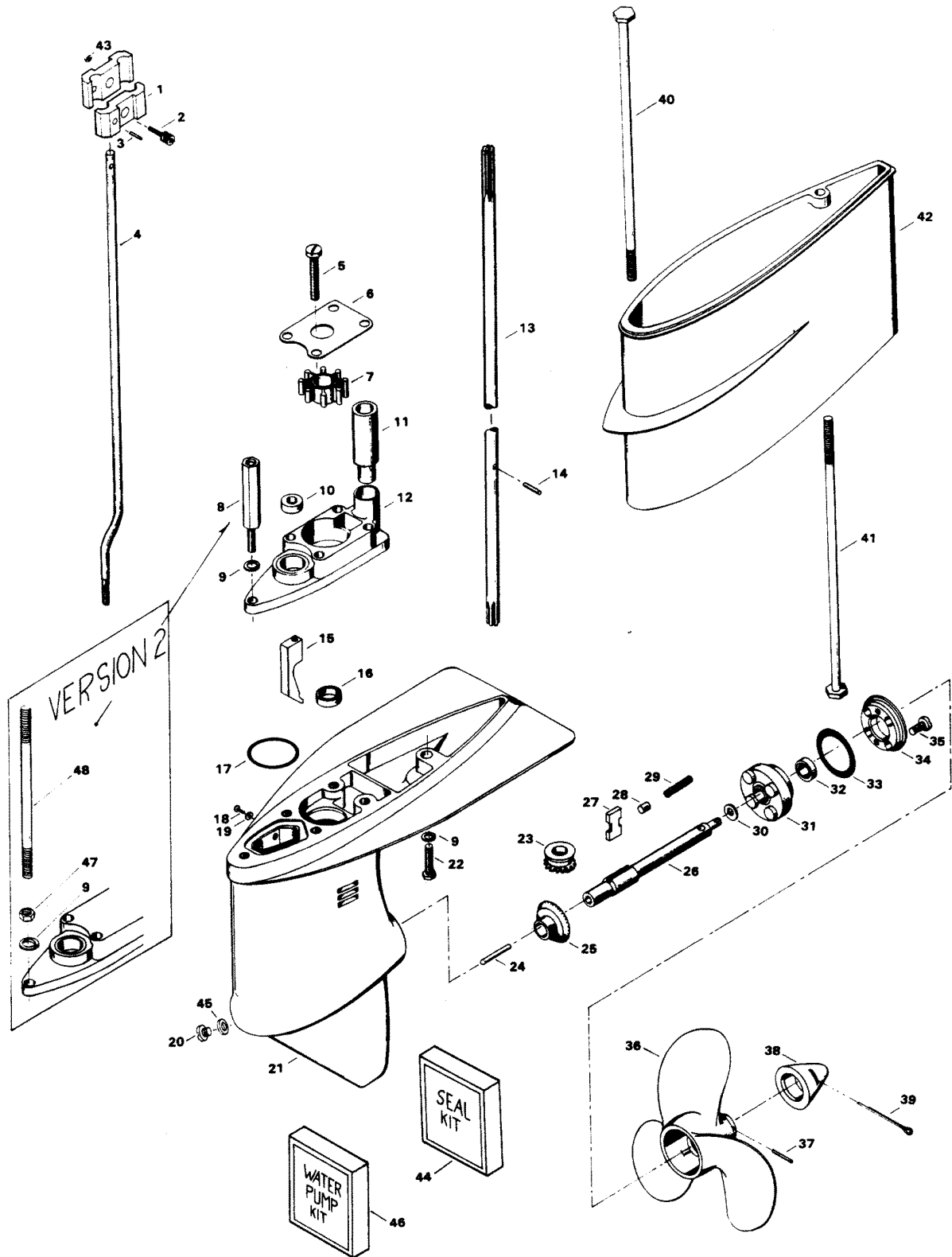


GEAR HOUSING

REF. NO.	PART NO.	SYM.	QTY.	DESCRIPTION
1	F341704		2	COUPLING, GEAR SHIFT ROD
2	F1371		1	SOCKET HD SCREW W/LOCKWASHER, 10 - 24 X 5/8
3	F8538		1	SPRING PIN
4	F521705		1	ROD, GEAR SHIFT LOWER (42H1H, 42B1H)
-	F332705		1	GEAR SHIFT ROD LOWER (43H1H, 43B1H)
5	F1504		4	FILL HD SCREW, 1/4 - 20 X 1 1/4
6	F521537		1	PLATE, WATER PUMP
7	F521065		1	IMPELLER
8	F521006		1	STUD
9	F8083		3	SPRING LOCKWASHER
10	F338618-1		1	SEAL, SHIFT ROD
11	FA521735		1	SEAL, WATERLINE W/LITERATURE
12	FA735060		1	WATER PUMP BODY W/PLUG
13	F521128		1	DRIVESHAFT - STANDARD LEG
-	F341128		1	DRIVESHAFT - LONG LEG
14	F390563		1	PIN, WATER PUMP IMPELLER DRIVE
15	F521721		1	CAM, CLUTCH SHIFT
16	F318307		1	SEAL, DRIVESHAFT
17	F521783		1	SEAL
18	F1077		1	FILL HD SCREW, 10 - 24 X 1/4
19	F8074		1	WASHER
20	F50109		1	PLUG, GEAR HOUSING
21	F2A521054		1	GEAR HOUSING WILLUS. 16, 18, 19 AND 20
-	FC521054		1	GEAR HOUSING COMPLETE (43H1H, 43B1H). INCLUDES ALL ITEMS MARKED WITH AN ASTERISK (*)
-	FC341054		1	GEAR HOUSING COMPLETE (42H1H, 42B1H). INCLUDES ALL ITEMS MARKED WITH AN ASTERISK (*)
22	F1199		1	HEX CAP SCREW, 1/4 - 20 X 1 (42H1H, 42B1H)
23	F521266		1	BEVEL PINION GEAR
24	F521728		1	CLUTCH SHIFT PIN
25	FA521023		1	BEVEL GEAR W/BEARING
26	FA409098		1	PROPELLER SHAFT (42H1H, 42B1H) WILLUS. 29 & LITERATURE
-	F459098		1	PROPELLER SHAFT (43H1H, 43B1H)
27	F409521		1	CLUTCH
28	F318372		1	PIN, CLUTCH GUIDE
29	F409719		1	CLUTCH SPRING
30	F521099		1	SPACER
31	FA341298		1	BEARING CAGE W/BEARING AND ILLUS. 32
32	F521307		1	SEAL, PROPELLER SHAFT
33	F521305		1	SEAL, "O" RING
34	F521296		1	RETAINER, PROPELLER SHAFT BEARING CAGE
35	F525457		4	FILL HD SCREW, 1/4 - 20 X 5/8
36	FP341		1	PROPELLER (43H1H, 43B1H)

CONTINUED ON NEXT PAGE ➡

GEAR HOUSING



GEAR HOUSING

REF. NO.	PART NO.	SYM.	QTY.	DESCRIPTION
-	FP332		1	PROPELLER (42H1H, 42B1H)
37	FA459101		1	PROPELLER PIN, PACK OF 3 (43H1H, 43B1H)
-	FA324101		1	PROPELLER PIN, PACK OF 3 (42H1H, 42B1H)
38	11-817752A1		1	PROPELLER NUT W/ILLUS. 39 ORIGINAL FORCE P/N A 286094-1
39	F1846		1	COTTER PIN
40	F1808		1	HEX CAP SCREW, 1/4 - 20 X 7 (43H1H, 43B1H)
41	F1825		1	HEX CAP SCREW, 1/4 - 20 X 6 (43H1H, 43B1H)
42	F521845		1	EXTENSION, MOTOR FOR MODELS 43H1H, 43B1H
43	F7009		1	LOCK NUT, 10 - 24
44	FK1057		1	GEAR HOUSING SEAL KIT. INCLUDES ALL ITEMS MARKED WITH A DOUBLE ASTERISK (**)
45	F8077		1	WASHER
46	FK1072		1	WATER PUMP KIT. (INCLUDES ITEMS LISTED BELOW)
-	FA521735		1	WATERLINE SEAL
-	FA735060		1	BODY, WATER PUMP
-	F521537		1	PLATE, WATER PUMP TOP
-	F521065		1	IMPELLER, WATER PUMP
-	F338618-1		1	SEAL
-	F1504		4	FILL H.M.S. 1/4-20 X 1-1/4
47	F1341		1	HEX NUT (VERSION II)
48	F601006		1	STUD (42H1H, 42B1H) VERSION II
-	F535006		1	STUD (43H1H, 43B1H) VERSION II

SPECIAL TOOLS - TUNE-UP

REF. NO.	PART NO.	SYM.	QTY.	DESCRIPTION
-	FT8930-1		0	FEELER GAUGE TO SET BREAKER POINT GAP
-	FT8998		0	KNOCK-OFF SCREW TO REMOVE FLYWHEEL
-	FT2989		0	FLYWHEEL WEDGE TO REMOVE FLYWHEEL
-	FT2993		0	SPANNER WRENCH TO HOLD FLYWHEEL WHEN REMOVING FLYWHEEL SCREW
-	FT2998		0	TORQUE WRENCH TO TORQUE FLYWHEEL SCREW

SPECIAL TOOLS - POWER HEAD

REF. NO.	PART NO.	SYM.	QTY.	DESCRIPTION
-	FT8919		0	PIN PUNCH TO REMOVE CYLINDER CRANKCASE COVER LOCATING PINS
-	FT8929		0	CONNECTING ROD TOOL TO REMOVE CONNECTING ROD SCREWS
-	FT8926		0	RING EXPANDER TO REMOVE AND INSTALL PISTON RINGS
-	FT1749		0	SNAP RING PLIERS TO REMOVE AND INSTALL PISTON PIN RETAINING RINGS
-	FT2997		0	RING COMPRESSOR INSTALL PISTON AND RINGS IN CYLINDER
-	FT2999		0	TORQUE WRENCH TO PROPERLY TIGHTEN FASTENERS
-	FT2991		0	CARBON BRUSH TO REMOVE CARBON BUILD-UP FROM PISTON AND CYLINDER HEAD
-	FT8900		0	HOSE CLAMP PLIERS TO REMOVE CLAMPS FROM FUEL LINES
-	FT2990		0	PISTON PIN TOOL TO INSTALL PISTON PIN INTO PISTON

SPECIAL TOOLS - LOWER UNIT

REF. NO.	PART NO.	SYM.	QTY.	DESCRIPTION
-	FT8948-1		0	PULLER TO REMOVE BEARING CAGE RETAINER
-	FT2915		0	SEAL INSTALLER TO INSTALL PROPELLER SHAFT SEAL AND DRIVE SHAFT SEAL
-	FT8957		0	SEAL INSTALLER TO INSTALL SHIFT ROD SEAL

SPECIAL TOOLS - TEST EQUIPMENT

REF. NO.	PART NO.	SYM.	QTY.	DESCRIPTION
-	FT8950		0	LEAKAGE TESTER TO CHECK GEAR HOUSING FOR LEAKS

SPECIAL TOOLS - LUBRICANTS AND SEALANTS

REF. NO.	PART NO.	SYM.	QTY.	DESCRIPTION
-	FT2961		0	LUBRICANT - RYKON #2EP
-	FT2987-1		0	LUBRICANT - ANTI-SEIZE
-	FT8969		0	LUBRICANT - L PSI LUBRICANT
-	FT8983		0	SEALANT - RTV
-	FT8936		0	SEALANT - LOCTITE RETAINING COMPOUND #75
-	FT2962-1		0	SEALANT - LOCTITE H, NON-HARDENING GRADE
-	FT2963-1		0	SEALANT - LOCTITE D, HARDENING GRADE
-	FT8935		0	SEALANT PRIMER

ACCESSORIES

REF. NO.	PART NO.	SYM.	QTY.	DESCRIPTION
-	F5H164		0	A-C LIGHTING COIL KIT PROVIDES 12 VOLT, 60 WATT OUTPUT FOR OUTBOARD RUNNING LIGHTS.
-	F5H091		0	BATTERY CHARGING SYSTEM USED IN CONJUNCTION WITH 5H164 LIGHTING COIL KIT.
-	F5H025		0	ANTI CORROSION SACRIFICIAL ANODE TO PROTECT ENGINE FROM ELECTROLYSIS CORROSION.
-	5H092		0	FUEL PUMP KIT ADAPTS ENGINE TO USE WITH REMOTE FUEL TANK.
-	F5H027		0	6 GALLON FUEL TANK USED IN CONJUNCTION WITH 5H092 FUEL PUMP KIT TO PERMIT EXTENDED CRUISING RANGE.
-	F5H093		0	LEG EXTENSION KIT CONVERTS 15 INCH STANDARD SHAFT MODEL TO 20 INCH LONG SHAFT MODEL.
-	F596		0	CHRYSLER OUTBOARD OIL SEE BLOCK COMMENT 1.
-	F597		0	CHRYSLER OUTBOARD GEAR LUBE SEE BLOCK COMMENT 2.
-	F5H059		0	CHRYSLER OUTBOARD MULTI-PURPOSE GREASE LUBRICATES BEARINGS AND OTHER MOVING PARTS. AVAILABLE IN 8 OZ. TUBES AND 12 TUBE CASES.
-	F5H060		0	CHRYSLER OUTBOARD GREASE GUN USED WITH CHRYSLER OUTBOARD MULTI-PURPOSE GREASE TUBES FOR PRESSURE FITTINGS.
-	F5H134		0	BOAT WHITE LACQUER

PARTS INDEX

Part Number	Description	Pg.	Ref. No.	Part Number	Description	Pg.	Ref. No.
2C608712	ENGINE COVER COMPLETE.	3	-	F12360	FELT CAM	7	8
5H092	FUEL PUMP KIT	29	-	F12361	LEAD WIRE AND GROMMET PACKAGE	7	13
817761A2	CLAMP SCREW	17	22	F12362	STATOR PLATE W/CORE	7	9
817810A1	LOCK BAR ASSEMBLY	17	16	F1298	ROUND HD SCREW W/LOCKWASHER	7	20
817815A4	SWIVEL BRACKET - PORT	17	13	F1341	HEX NUT	13	1
817816A6	SWIVEL BRACKET - STARBOARD	17	32	F1341	HEX NUT (FOR VERSION II STUD, SEE PAGE 12)	17	14
820433T	HANDLE, GEAR SHIFT W/SHAFT	19	44	F1341	HEX NUT (VERSION II)	23	47
C247227	SPARK PLUG (RL-86) (42B1H, 43B1H)	15	-	F1371	SOCKET HD SCREW W/LOCKWASHER, 10 - 24 X 5/8	21	2
F10058	FUEL BOWL	9	34	F1406	COTTER PIN	17	37
F10059	THROTTLE SHAFT	9	19	F1426	HEX HD SCREW W/LOCKWASHER, 1/4 - 20 X 7/16	15	45
F10060	THROTTLE	9	16	F1473	HEX NUT	3	30
F10061	CHOKE SHAFT	9	20	F1490	HEX NUT, 1/4 - 20	9	26
F10062	CHOKE VALVE	9	24	F1493	PAN HD SCREW, 1/4 - 20 X 5/8	13	15
F10063	FLOAT	9	30	F1504	FILL H.M.S. 1/4-20 X 1-1/4	23	-
F10064	FLOAT PIN	9	31	F1504	FILL HD SCREW, 1/4 - 20 X 1/4	21	5
F10065	NOZZLE	9	27	F1532	HEX CAP SCREW, 1/4 - 20 X 1	9	3
F10066	GASKET, VALVE SEAT	9	28	F1534	HEX CAP SCREW, 1/4 - 20 X 7/8	9	41
F10068	GASKET, FUEL BOWL	9	32	F1536	HEX HD CAP SCREW, 1/4 - 20 X 3/4	13	5
F10069	GASKET SET.	11	46	F1540	HEX HD SCREW, 1/4 - 20 X 5/8	17	2
F10070	SCREW, CHOKE VALVE	9	25	F15570	SPRING, REWIND	5	3
F10071	SCREW	9	15	F15582-1	STARTER ROPE	5	5
F10072	SPRING, CHOKE STOP	9	21	F15591	ROTOR	5	4
F10073	SPRING, IDLE ADJUSTMENT NEEDLE	9	22	F15594	WASHER	5	9
F10075	SPRING, THROTTLE RETURN	9	18	F15595	FRICITION SHOE ASSEMBLY	5	11
F10077	NEEDLE, IDLE	9	23	F15596	SPRING	5	8
F10084	SPRING, FLOAT SUPPORT	9	35	F15597	SCREW	5	12
F10086	JET ASSEMBLY (.037) OPT. 5000 FT. - 7000 FT.	9	-	F15601	COVER	5	2
F10090	GASKET, BOWL RETAINER	9	33	F15602	NYLINER	5	10
F10093	JET ASSEMBLY (.038) OPT. 3000 FT. - 5000 FT.	9	-	F1645	RD HD THD. CUTTING, 6 - 32 X 1/4	19	48
F10094	JET ASSEMBLY (.036) OPT. 7000 FT. AND UP	9	-	F1655	HEX HD SCREW W/SPRING LOCKWASHER, 1/4 - 20 X 3/8	7	15
F10096	JET ASSEMBLY (.039) STD. SEA LEVEL - 3000 FT.	9	36	F1734	SLOTTED FILL HD SCREW, 1/4 - 20 X 1/2	7	27
F10098	REPAIR KIT.	11	45	F1747	FILL HD SCREW, 10 - 24 X 1-11/16	17	8
F10100	VALVE, SEAT AND GASKET ASSEMBLY	9	29	F1755	ROUND HD SCREW W/LOCKWASHER, 6 - 32 X 5/16	9	12
F1035	SLOTTED FILL HD SCREW, 1/4 - 20 X 5/8	3	10	F1756	STOP NUT	13	28
F1064	FILL HD SCREW, 8 - 32 X 3/8	11	43	F1789	PIPE PLUG	13	30
F1077	FILL HD SCREW, 10 - 24 X 1/4	21	18	F17938	ANCHOR	3	5
F1099	SLOTTED FILL HD SCREW, 1/4 - 20 X 1 1/4	13	33	F17980	FUEL CAP GASKET	3	3
F1107	FILL HD M. SCREW, 1/4 - 20 X 3/4	13	31	F1808	HEX CAP SCREW, 1/4 - 20 X 7 (43H1H, 43B1H)	23	40
F1175	HEX CAP SCREW, 1/4 - 20 X 1 7/8, (42H1H, 42B1H)	17	35				
F1199	HEX CAP SCREW, 1/4 - 20 X 1 (42H1H, 42B1H)	21	22				
F12066	FRICITION SCREW	7	18				
F12090	MOUNTING SCREW	7	5				
F12350	WEDGE SPRING	7	10				
F12359	CONTACT SET	7	7				

PARTS INDEX

Part Number	Description	Pg.	Ref. No.	Part Number	Description	Pg.	Ref. No.
F1825	HEX CAP SCREW, 1/4 - 20 X 6 (43H1H, 43B1H)	23	41	F341610	BEARING, GEAR SHIFT SHAFT	19	43
F1829	FILL HD M. SCREW, 10 - 24 X 7/8	3	9	F341704	COUPLING, GEAR SHIFT ROD	21	1
F1846	COTTER PIN	23	39	F36634	SCREW, CONNECTING ROD	13	35
F1896	HEX NUT	3	17	F390137	GRIP, STEERING HANDLE	13	29
F1896	HEX NUT	5	1	F390563	PIN, WATER PUMP IMPELLER DRIVE	21	14
F19342	SEAL, SHIFT LEVER SHAFT	17	41	F409521	CLUTCH	21	27
F1975	LOCKWASHER, #10	19	53	F409719	CLUTCH SPRING	21	29
F1975	SPRING LOCKWASHER	13	18	F424161	REED STOP	9	11
F197813	BEARING	17	17	F427249	RETAINING RING	3	4
F1979	PAN HD SCREW, 10 - 24 X 1/2	3	23	F433209-1	STUD, CARBURETOR	9	7
F1995	SLOTTED FILL HD SCREW, 10 - 24 X 1	3	7	F436449	SHORTING SWITCH	7	19
F2014	PLAIN WASHER	17	25	F459098	PROPELLER SHAFT (43H1H, 43B1H)	21	-
F2014	PLAIN WASHER	17	40	F459186	COLLAR, FUEL TANK	3	1
F2035	PHILLIPS FILL HD SCREW, 1/4 - 20 X 1	17	31	F468037-1	PIVOT BOLT	17	33
F2037	PLAIN WASHER	17	27	F468169	BEARING, SWIVEL BRACKET	17	3
F2040	HEX WASHER HD TAPTITE SCREW, 1/4 - 20 X 5/8	13	32	F468300	SPRING, REVERSE LOCK	17	28
F2041	HEX HD M. SCREW, 10 - 24 X 3/8	13	17	F468349	REVERSE LOCK	17	29
F2041	HEX M. SCREW, 10 - 24 X 3/8	17	39	F468350	PIN, REVERSE LOCK	17	30
F2042	PLAIN WASHER	5	7	F46899-1	COVER, SHIFT COUPLING	17	5
F2042	PLAIN WASHER, #10 NARROW	3	29	F50109	PLUG, GEAR HOUSING	21	20
F213274	FITTING, GREASE	19	50	F521002	CAM	7	4
F24074	CLAMP SCREW FOOT	17	19	F521004	STUD	13	23
F250017	PISTON PIN	13	10	F521006	STUD	21	8
F250410	PISTON PIN RETAINING RING	13	9	F521013	BEARING, CRANKSHAFT UPPER	13	39
F270038	SUPPORT PLATE	13	22	F521015	PISTON	13	11
F2706772	HOSE CLAMP	3	13	F521034-1	FUEL TANK	3	15
F286132	HANDLE, STARTER ROPE	5	6	F521061-6	CARBURETOR - COMPLETE	9	17
F286286-1	WASHER, NYLON	13	24	F521063-2	STARTER COMPLETE	5	-
F298075	HANDLE, CLAMP SCREW	17	20	F521065	IMPELLER	21	7
F2A332167	CARBURETOR ADAPTER	9	2	F521065	IMPELLER, WATER PUMP	23	-
F2A521010	CYLINDER W/CRANKCASE COVER, AND ILLUS. 31 AND 34	13	6	F521079	STEERING HANDLE	13	27
F2A521016	CONNECTING ROD W/BEARING AND ILLUS. 35	13	12	F521099	SPACER	21	30
F2A521054	GEAR HOUSING	21	21	F521118-1	SEAL, CRANKSHAFT LOWER	13	37
F2A527018	CRANKSHAFT	13	38	F521128	DRIVESHAFT - STANDARD LEG	21	13
F31160-1	REED	9	10	F521146	SEAL, CRANKSHAFT UPPER	13	40
F318307	SEAL, DRIVESHAFT	21	16	F521159	REED PLATE GASKET	15	-
F318372	PIN, CLUTCH GUIDE	21	28	F521168	CARBURETOR ADAPTER GASKET	15	-
F332705	GEAR SHIFT ROD LOWER (43H1H, 43B1H)	21	-	F521168	GASKET, CARBURETOR ADAPTER	9	1
F338618-1	SEAL	23	-	F521192	THROTTLE CAM	7	16
F338618-1	SEAL, SHIFT ROD	21	10	F521199	SPRING, THROTTLE LEVER ADJUSTMENT	3	28
F341128	DRIVESHAFT - LONG LEG	21	-	F521244-1	WATER LINE STANDARD LEG (42H1H, 42B1H)	19	46
F341244-1	WATER LINE LONG LEG (43H1H, 43B1H)	19	-	F521248	DECAL, CHOKE (USA)	13	20
F341284-1	KNOB, ENGINE COVER RETAINER	15	49	F521251-3	GAS CAP COMPLETE.	3	2
				F521261	LINE, WATER OUTLET	19	49
				F521266	BEVEL PINION GEAR	21	23
				F521270	SLINGER	15	46
				F521279	CYLINDER EXHAUST GASKET	15	-

PARTS INDEX

Part Number	Description	Pg.	Ref. No.	Part Number	Description	Pg.	Ref. No.
F521279	GASKET, CYLINDER EXHAUST	13	7	F535097	FLYWHEEL	7	2
F521284	KNOB, ENGINE COVER RETAINER	3	26	F535163	COVER, SUPPORT PLATE	13	19
F521296	RETAINER, PROPELLER SHAFT BEARING CAGE	21	34	F535944	ENGINE COVER, BOTTOM	3	6
F521305	SEAL, "O" RING	21	33	F596	CHRYSLER OUTBOARD OIL	29	-
F521307	SEAL, PROPELLER SHAFT	21	32	F597	CHRYSLER OUTBOARD GEAR LUBE	29	-
F521319	BUSHING, STEERING HANDLE	13	26	F5H025	ANTI CORROSION SACRIFICIAL ANODE	29	-
F521342-1	SEAL, WATER LINE	19	45	F5H027	6 GALLON FUEL TANK	29	-
F521391-1	DECAL, SPEED RANGE (USA)	3	11	F5H059	CHRYSLER OUTBOARD MULTI-PURPOSE GREASE	29	-
F521415	WASHER, GEAR SHIFT HANDLE	19	42	F5H060	CHRYSLER OUTBOARD GREASE GUN	29	-
F521489	VALVE, FUEL SHUT-OFF	9	14	F5H091	BATTERY CHARGING SYSTEM	29	-
F521498	KEY, FLYWHEEL	7	3	F5H093	LEG EXTENSION KIT	29	-
F521514	KNOB, STEERING FRICTION W/SCREW	17	12	F5H134	BOAT WHITE LACQUER	29	-
F521518	CYLINDER HEAD	15	42	F5H164	A-C LIGHTING COIL KIT	29	-
F521529	CYLINDER HEAD GASKET	15	-	F601006	STUD (42H1H, 42B1H) VERSION II	23	48
F521529	GASKET, CYLINDER HEAD	15	41	F66480	STUD	17	18
F521537	PLATE, WATER PUMP	21	6	F7009	LOCK NUT, 10 - 24	23	43
F521537	PLATE, WATER PUMP TOP	23	-	F7011	HEX NUT	3	21
F521547	CHOKE KNOB	13	21	F7026	STOP NUT	17	24
F521549-2	THROTTLE LEVER	7	14	F8008	PLAIN WASHER	3	25
F521550	KNOB, FUEL SHUT-OFF	9	13	F8008	PLAIN WASHER	15	48
F521552	SCREW, FLYWHEEL	7	1	F8015	PLAIN WASHER	13	25
F521569	CAP, GREASE FITTING	19	52	F8028	PLAIN WASHER	15	44
F521579	SEAL, CRANKSHAFT SPLINE	13	36	F8060	INTERNAL TOOTH LOCKWASHER	9	4
F521615	ROD, GEAR SHIFT UPPER	17	36	F8061	INTERNAL TOOTH LOCKWASHER	3	16
F521621	LEVER, GEAR SHIFT	17	38	F8074	WASHER	21	19
F521631	SHOE, SWIVEL FRICTION	17	10	F8077	WASHER	23	45
F521661-1	PAD, SWIVEL FRICTION	17	9	F8078	LOCKWASHER, INTERNAL TOOTH	11	44
F521690-1	SCREW, THROTTLE LEVER ADJUSTMENT	3	27	F8083	SPRING LOCKWASHER	13	2
F521705	ROD, GEAR SHIFT LOWER (42H1H, 42B1H)	21	4	F8083	SPRING LOCKWASHER	21	9
F521708	CARBURETOR COVER	11	42	F8537	SPRING PIN	17	23
F521721	CAM, CLUTCH SHIFT	21	15	F8538	SPRING PIN	21	3
F521727	SLEEVE, IDLE BAFFLE	17	6	F8554	SPRING PIN	17	21
F521728	CLUTCH SHIFT PIN	21	24	F8559	DOWEL PIN	13	34
F521774	BRACKET, ENGINE COVER LOWER MOUNTING	13	4	F901938-1	SCREW, CYLINDER HEAD	13	3
F521779	BAFFLE, IDLE RELIEF	17	7	F9102	RETAINING RING	15	50
F521783	SEAL	21	17	FA324101	PROPELLER PIN, PACK OF 3 (42H1H, 42B1H)	23	-
F521811	FITTING, GAS TANK	3	12	FA341151	PLATE, EXHAUST	19	47
F521845	EXTENSION, MOTOR FOR MODELS 43H1H, 43B1H	23	42	FA341298	BEARING CAGE W/BEARING AND ILLUS. 32	21	31
F521894	DECAL, "OFF" (USA)	3	8	FA409098	PROPELLER SHAFT (42H1H, 42B1H)	21	26
F521906	CARBURETOR GASKET	15	-	FA459101	PROPELLER PIN, PACK OF 3 (43H1H, 43B1H)	23	37
F521906	GASKET, CARBURETOR	9	9	FA468346	SHOCK MOUNT	17	4
F521908	GROUND WIRE	7	17	FA521023	BEVEL GEAR W/BEARING	21	25
F521910	BEARING, CRANKSHAFT LOWER	15	47	FA521735	SEAL, WATERLINE	21	11
F521925	LINK, CHOKE KNOB	13	16	FA521735	WATERLINE SEAL	23	-
F521984	BLANKET, SILENCER TOP	3	31	FA521778	RETAINER, ENGINE COVER FRONT	3	20
F525457	FILL HD SCREW, 1/4 - 20 X 5/8	21	35				

PARTS INDEX

Part Number	Description	Pg.	Ref. No.	Part Number	Description	Pg.	Ref. No.
FA525228	CRANKPIN ROLLER SET (16 ROLLERS)	13	14	FT8948-1	PULLER	26	-
FA525241	CAGE, CRANKPIN ROLLER (2 HALFS)	13	13	FT8950	LEAKAGE TESTER	27	-
FA608396	DECAL, ENGINE COVER STARBOARD	3	-	FT8957	SEAL INSTALLER	26	-
FA608397	DECAL, ENGINE COVER PORT	3	19	FT8969	LUBRICANT - L PSI LUBRICANT	28	-
FA608892	DECAL, ENGINE COVER - FRONT	3	22	FT8983	SEALANT - RTV	28	-
FA735060	BODY, WATER PUMP	23	-	FT8998	KNOCK-OFF SCREW	24	-
FA735060	WATER PUMP BODY W/PLUG	21	12	11-817752A1	PROPELLER NUT	23	38
FA901754	HOSE	3	14	33-82370M	SPARK PLUG (L-86)	15	43
FC341054	GEAR HOUSING COMPLETE (42H1H, 42B1H)	21	-	37-817908--3	DECAL, SPEED RANGE (CANADA)	3	-
FC521010	SHORT BLOCK (NOT SHOWN)	13	-	39-818038A1	PISTON RING SET (2 RINGS)	13	8
FC521054	GEAR HOUSING COMPLETE (43H1H, 43B1H)	21	-	1400-817850A4	STERN BRACKET	17	26
FC521248	DECAL, CHOKE (CANADA)	13	-	1500-817940A6	MOTOR LEG	17	1
FC521400	DECAL, GEAR SHIFT HANDLE (CANADA)	19	51				
FC521894	DECAL, "OFF" (CANADA)	3	-				
FG1015	GASKET SET	15	51				
FK1057	GEAR HOUSING SEAL KIT	23	44				
FK1058	TUNE UP KIT	7	28				
FK1072	WATER PUMP KIT	23	46				
FK12357	CONDENSER W/CLAMP	7	6				
FK12369	COIL W/LEAD WIRE AND WEDGE SPRING	7	11				
FK525713	PACKING, TOP COVER TRIM	3	18				
FK750-2	SPARKIE KIT	7	12				
FP332	PROPELLER (42H1H, 42B1H)	23	-				
FP341	PROPELLER (43H1H, 43B1H)	21	36				
FS535712	ENGINE COVER TOP W/RETAINER & PACKING	3	24				
FT1749	SNAP RING PLIERS	25	-				
FT2915	SEAL INSTALLER	26	-				
FT2961	LUBRICANT - RYKON #2EP	28	-				
FT2962-1	SEALANT - LOCTITE H, NON-HARDENING GRADE	28	-				
FT2963-1	SEALANT - LOCTITE D, HARDENING GRADE	28	-				
FT2987-1	LUBRICANT - ANTI-SEIZE	28	-				
FT2989	FLYWHEEL WEDGE	24	-				
FT2990	PISTON PIN TOOL	25	-				
FT2991	CARBON BRUSH	25	-				
FT2993	SPANNER WRENCH	24	-				
FT2997	RING COMPRESSOR	25	-				
FT2998	TORQUE WRENCH	24	-				
FT2999	TORQUE WRENCH	25	-				
FT8900	HOSE CLAMP PLIERS	25	-				
FT8919	PIN PUNCH	25	-				
FT8926	RING EXPANDER	25	-				
FT8929	CONNECTING ROD TOOL	25	-				
FT8930-1	FEELER GAUGE	24	-				
FT8935	SEALANT PRIMER	28	-				