



PARTS CATALOG

85 H.P.

SERIAL NUMBER

85 (1981)	850H1C
85 (1981)	850H1D
85 (1981)	856B1J
85 (1981)	856H1J
85 (1981)	858B1D
85 (1981)	858H1D

TABLE OF CONTENTS:

CARBURETOR	14
CRANKSHAFT AND PISTON	26
DISTRIBUTOR	10
ELECTRICAL COMPONENTS	4
ENGINE COVER AND SUPPORT PLATE	2
FUEL TANK AND LINE	40
GEAR HOUSING	34
MOTOR LEG	28
PARTS INDEX	58
POWER TRIM UNIT	46
POWERHEAD	20
REMOTE CONTROL	42
SPECIAL TOOLS - ACCESSORIES	55
SPECIAL TOOLS - GEAR HOUSING	52
SPECIAL TOOLS - LUBRICANTS AND SEALANTS	54
SPECIAL TOOLS - POWER HEAD	51
SPECIAL TOOLS - TEST EQUIPMENT	53
SPECIAL TOOLS - TUNE-UP	50
STARTER	8

NOTE: Indented description indicate that these parts are included in preceeding assembly.

AR = As Required

NSS = Not Sold Separate

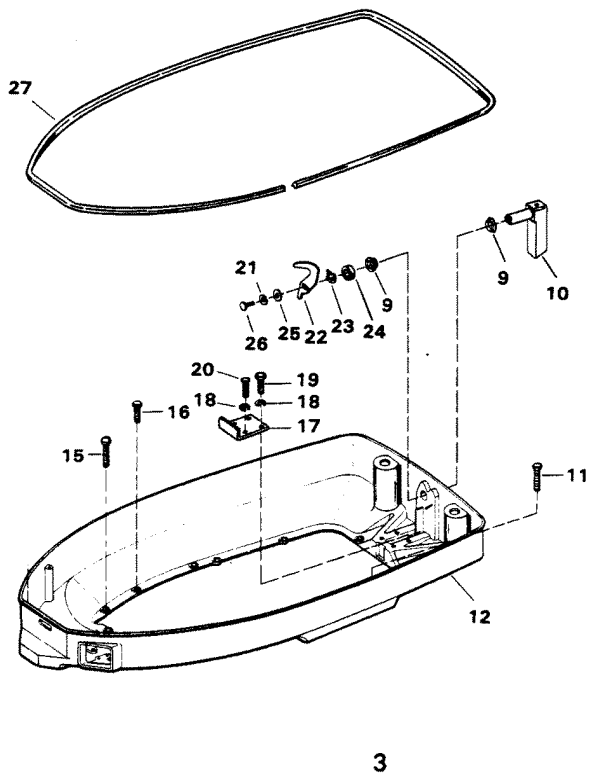
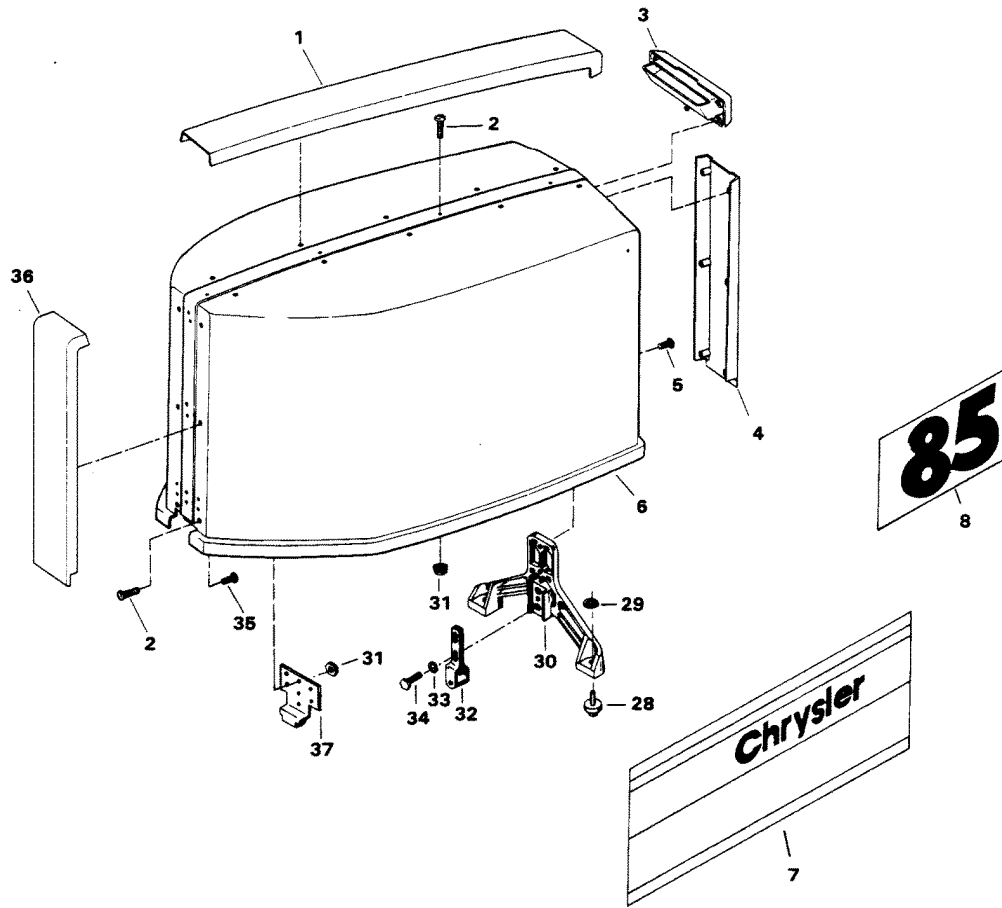
OPT = Optional

NS = Not Shown

THESE PARTS BOOKS/FICHE CARD ARE COPYRIGHTED AND MAY NOT BE DISTRIBUTED OR REPRODUCED IN ANY OTHER FORMAT BY ANYONE OTHER THAN MERCURY MARINE WITHOUT THE PRIOR WRITTEN CONSENT OF MERCURY MARINE.

THIS PAGE INTENTIONALLY LEFT BLANK

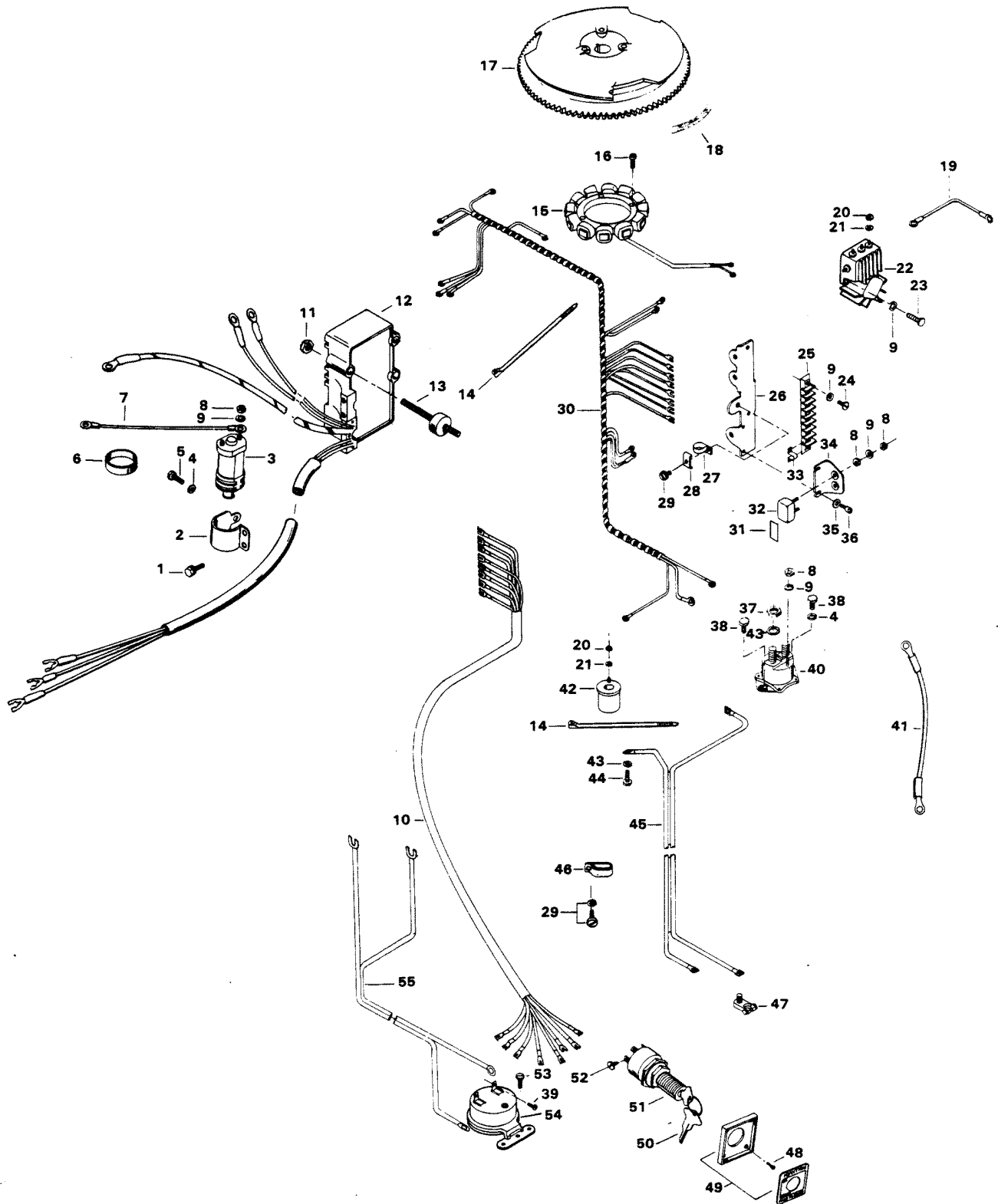
ENGINE COVER AND SUPPORT PLATE



ENGINE COVER AND SUPPORT PLATE

REF. NO.	PART NO.	SYM.	QTY.	DESCRIPTION
1	FA480179		1	TRIM, TOP W/LITERATURE
2	F1733		10	PAN HD SCREW, 10 - 24 X 9/16
3	FA480269		1	TILT HANDLE W/LITERATURE
4	FA548180		1	TRIM, REAR W/LITERATURE
5	F1730		2	PAN HD SCREW, W/SPRING LOCKWASHER, 1/4 - 20 X 5/8
-	F548984		1	BLANKET, SILENCER TOP (NOT SHOWN)
-	F548985		2	BLANKET, SILENCER SIDE (NOT SHOWN)
6	FA549944		1	ENGINE COVER W/ILLUS. 2, 31 AND 37
-	F3C611944		1	ENGINE COVER COMPLETE. INCLUDES ALL ITEMS MARKED WITH AN ASTERISK (*). ORDER NUMERAL SEPARATE
7	A611397		1	DECAL, PORT W/LITERATURE
-	A611396		1	DECAL, STARBOARD W/LITERATURE
8	FA583386		2	DECAL, NUMERAL W/LITERATURE
9	F480818		2	BEARING, LATCH SHAFT
10	FA481469		1	ENGINE COVER LATCH HANDLE W/SHAFT
11	F1864		6	HEX CAP SCREW, 1/4 - 20 X 3/4
12	F480038-2		1	SUPPORT PLATE
13	F549189		1	BUSHING, ELECTRIC CABLE
14	F545189		1	BUSHING, CABLE ENTRY
15	F1708		2	HEX HD CAP SCREW, 1/4 - 20 X 1-3/8
16	F1922		5	HEX SLOT HD SCREW, 1/4 - 20 X 5/8
17	F335654-1		1	DEFLECTION STOP
18	F8096		4	SPRING LOCKWASHER
19	F1857		2	HEX CAP SCREW, 5/16 - 18 X 5/8
20	F1858		2	HEX CAP SCREW, 5/16 - 18 X 1
21	F8083		1	SPRING LOCKWASHER
22	F481777		1	CAM, LATCH SHAFT
23	F2047		1	WAVE SPRING WASHER
24	F481382-1		1	SPACER, LATCH SHAFT
25	F8094		1	PLAIN WASHER
26	F1854		1	HEX CAP SCREW, 1/4 - 20 X 5/8
27	F321756		1	PACKING
28	F481434		2	GUIDE, ENGINE COVER
29	F2088		2	FASTENER
30	F481774		1	BRACKET, ENGINE COVER LATCH
31	F1473		7	HEX NUT, 10 - 24
32	FA481743		1	BRACKET, ROLLER LATCH W/ROLLER
33	F8096		2	SPRING LOCKWASHER
34	F1857		2	HEX CAP SCREW, 5/16 - 18 X 5/8
35	F2066		26	PAN HD TAPPING SCREW, 10 X 7/16
36	FA548888		1	TRIM, FRONT W/LITERATURE
37	F373778-1		1	RETAINER, ENGINE COVER

ELECTRICAL COMPONENTS

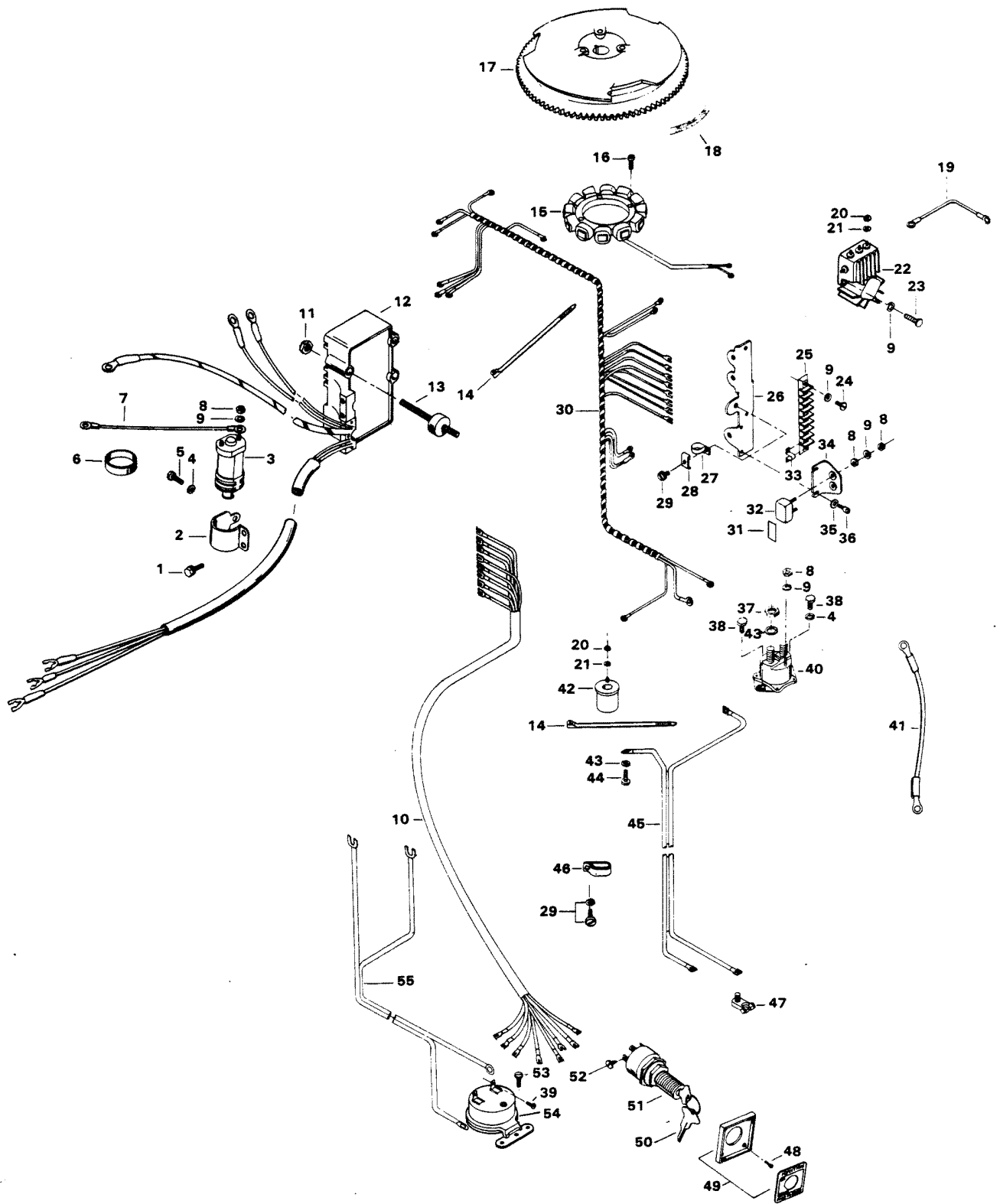


ELECTRICAL COMPONENTS

REF. NO.	PART NO.	SYM.	QTY.	DESCRIPTION
1	F1851		2	FILL HD SCREW, W/LOCKWASHER, 10 - 24 X 1/2
2	F404513		1	COIL CLAMP
3	F345475-1		1	COIL
4	F8083		2	SPRING LOCKWASHER
5	F1689		1	HEX HD CAP SCREW, 1/4 - 20 X 1/2
6	F391983		2	BAND, RETAINING
7	F85664		1	GROUND WIRE
8	F1513		8	HEX NUT
9	F1975		11	SPRING LOCKWASHER
10	F85843-1		1	REMOTE ELECTRIC CABLE, 18 FEET
11	F1892		3	STOP NUT
12	300-817855A1		1	UNIT (ORIGINAL FORCE P/N A 523301-1)(Does not include Coil & Clamp)
13	F523962		3	SHOCK MOUNT, C.D. UNIT
14	F1877		2	TY-RAP
15	F85095-2		1	STATOR
16	F1087		6	FILL HD SCREW, 10 - 24 X 7/8
17	F404097		1	FLYWHEEL
18	F474387		1	TIMING DECAL
19	F345683		1	WIRE, REGULATOR-RECTIFIER GROUND
20	F1647		5	HEX NUT, 8 - 32
21	F8056		5	SPRING LOCKWASHER
22	F404470-1		1	REGULATOR-RECTIFIER
23	F2107		3	FILL HD SCREW, 10 - 24 X 5/8
24	F1648		2	PAN HD SCREW, 10 - 24 X 3/4
25	FA510497		1	TERMINAL BLOCK WILLUS. 24 ORIGINAL FORCE P/N K 289497-2
26	FA438493		1	TERMINAL BLOCK BRACKET WITH ITEMS 28, 29 AND LITERATURE
27	F289446-1		1	CLAMP
28	F438668		1	RETAINER, CABLE CLAMP
29	F1734		2	FILL HD SCREW, W/ LOCKWASHER 20 X 1/2
30	F438744-1		1	WIRING HARNESS
31	F510374		1	DECAL, CIRCUIT BREAKER
32	F510460		1	CIRCUIT BREAKER
33	F307317		1	CLIP, TERMINAL BLOCK
34	F91446-1		1	CIRCUIT BREAKER BRACKET
35	F8011		2	PLAIN WASHER
36	F1760		2	PAN HD SCREW, 10 - 24 X 3/8
37	F1515		2	HEX NUT
38	F1705		2	HEX CAP SCREW, 1/4 - 20 X 3/4
39	F1645		2	RD HD SCREW, 6 - 32 X 1/4
40	F460917		1	STARTER RELAY
41	F319908		1	GROUND WIRE, CANADA

CONTINUED ON NEXT PAGE ➡

ELECTRICAL COMPONENTS



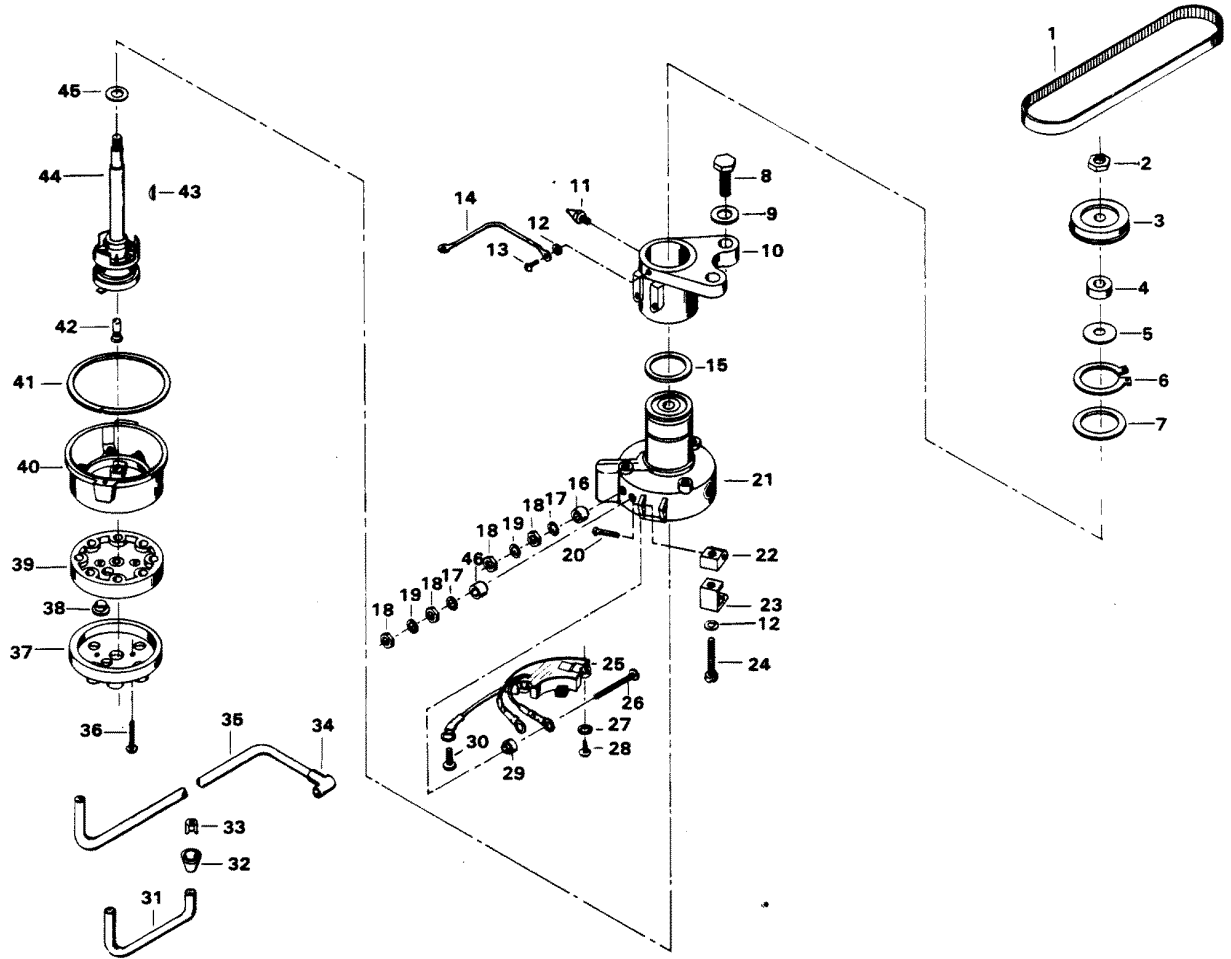
ELECTRICAL COMPONENTS

REF. NO.	PART NO.	SYM.	QTY.	DESCRIPTION
42	F85924		1	CHOKE SOLENOID
43	F8096		3	SPRING LOCKWASHER
44	F2000		1	HEX CAP SCREW, 5/16 - 18 X 3/4
45	F381896-4		1	BATTERY CABLE
46	F407446		1	CLAMP
47	F71H26		1	BATTERY TERMINAL KIT (ACCESSORY ITEM)
48	F1934		4	FLAT HD SLOTTED SCREW, 6 X 1/2
49	F5H038		1	IGNITION SWITCH MOUNTING KIT (ACCESSORY ITEM)
-	817892--1		1	PLATE, IGNITION SWITCH, CANADA (NOT SHOWN)
50	FA368700		1	IGNITION KEY - NO LETTER OR STAMPED A
-	FB368700		1	IGNITION KEY - STAMPED B
-	FC368700		1	IGNITION KEY - STAMPED C
-	FD368700		1	IGNITION KEY - STAMPED D
-	FE368700		1	IGNITION KEY - STAMPED E
51	F5H078		1	IGNITION SWITCH (LONG BARREL) W/KEYS AND SCREWS (ACCESSORY ITEM)
52	F1280		5	PAN HD SCREW, 8 - 32 X 1/4
53	F1741		2	PAN HD SCREW 8 X 3/4
54	F5H043		1	OVERHEAT BUZZER (ACCESSORY ITEM)
55	F404841		1	CABLE, HEAT INDICATOR

STARTER

REF. NO.	PART NO.	SYM.	QTY.	DESCRIPTION
1	F15111		1	NUT, STOP RETAINING
2	F15112		1	STOP, PINION
3	F15080		1	SPRING
4	F15110		1	CLUTCH ASSEMBLY
5	F15100		1	BENDIX
-	F480955		1	STARTER - COMPLETE. INCLUDES ALL ITEMS MARKED WITH AN ASTERISK (*)
-	FC499390		1	DECAL, STARTER CANADA NOT SHOWN
6	F1641		2	LOCK NUT, 1/4 - 28
7	F15167		1	HEAD ASSEMBLY DRIVE END
8	F15126		1	THRUST WASHER PACKAGE
9	F15099		1	ARMATURE
10	15169		1	FRAME AND FIELD ASSEMBLY
11	F15165		1	BRUSH TERMINAL SET
12	FA15072		1	HEX LOCK NUT, 1/4 - 20 W/LOCKWASHER
13	F85908		1	STARTER LEAD WIRE
14	F15168		1	THRU BOLT PACKAGE
15	F8028		2	PLAIN WASHER
16	F1922		1	HEX HD SCREW, 1/4 - 20 X 5/8
17	F511675		1	STARTER BRACKET, LOWER
18	F15125		1	HEAD ASSEMBLY, COMMUTATOR END
19	F15057		1	BRUSH PLATE AND HOLDER
20	F15034		1	SPRING SET

DISTRIBUTOR

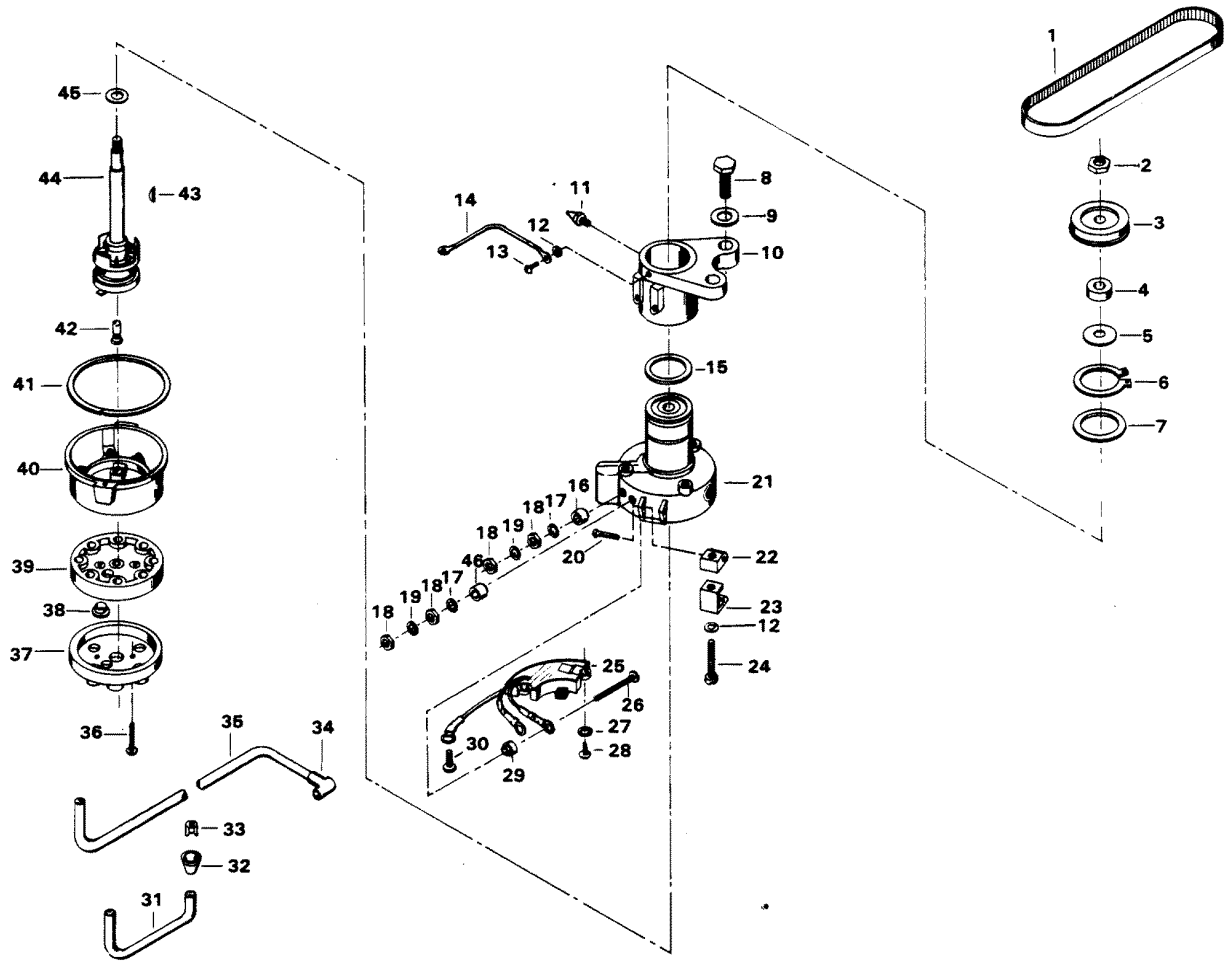


DISTRIBUTOR

REF. NO.	PART NO.	SYM.	QTY.	DESCRIPTION
1	F85311		1	DISTRIBUTOR BELT
2	F7013		1	STOP NUT
3	817786A1		1	DISTRIBUTOR PULLEY W/STOP NUT, WASHER AND LITERATURE
4	F14025		1	SPACER
5	F14028		1	THRUST WASHER
6	F85173		1	RETAINING RING
7	F14029		1	THRUST WASHER
8	F1612		2	HEX CAP SCREW, 3/8 - 16 X 1-1/4
9	F1778		2	PLAIN WASHER
10	FA321574		1	DISTRIBUTOR BRACKET W/ILLUS. 11, 12 AND 13
11	F213274		1	GREASE FITTING
12	F1975		2	SPRING LOCKWASHER
13	F1760		2	PAN HD SCREW, 10 - 24 X 3/8
14	F85664		1	DISTRIBUTOR GROUND
15	F1759		2	SHIM, DISTRIBUTOR (QTY. AS REQUIRED)
16	F14017		1	TERMINAL INSULATOR (OUTSIDE)
17	F14041		2	EXTERNAL TOOTH LOCKWASHER
18	F1647		4	HEX NUT, 8 - 32
19	F8056		2	LOCKWASHER
20	F14015		2	CAP CLIP RIVET
21	F14042		1	DISTRIBUTOR HOUSING W/BEARINGS
22	F14036		2	SWIVEL
23	F14037		2	CAP CLIPS
24	F14038		2	CAP CLIP SCREWS
25	FA14048-2		1	PREAMPLIFIER W/ ILLUS. 27 AND SCREW
26	F14046		2	TERMINAL SCREW
27	F8056		2	LOCKWASHER
28	F14045		2	SCREW
29	F14047		2	TERMINAL INSULATOR (INSIDE)
30	F14056		1	SCREW
-	817822A1		1	DISTRIBUTOR - COMPLETE. INCLUDES ALL ITEMS MARKED WITH AN ASTERISK (*) ORIGINAL FORCE P/N A 480309-1
31	84-817775A1		1	COIL WIRE W/ ILLUS. 32 AND 33 - USA ORIGINAL FORCE P/N A 321905-1
-	F438905		1	COIL WIRE - CANADA MODEL ONLY
32	F203276		1	BOOT
33	F203673		1	TERMINAL CLIP
34	FK750-2		3	SPARKIE
35	F321841-3		3	LEAD WIRE
-	F438841-1		3	LEAD WIRE - CANADA MODEL ONLY
36	F14007		2	CAP SCREW
37	F14011-1		1	CAP COVER
38	F14040		2	VENT

CONTINUED ON NEXT PAGE ➡

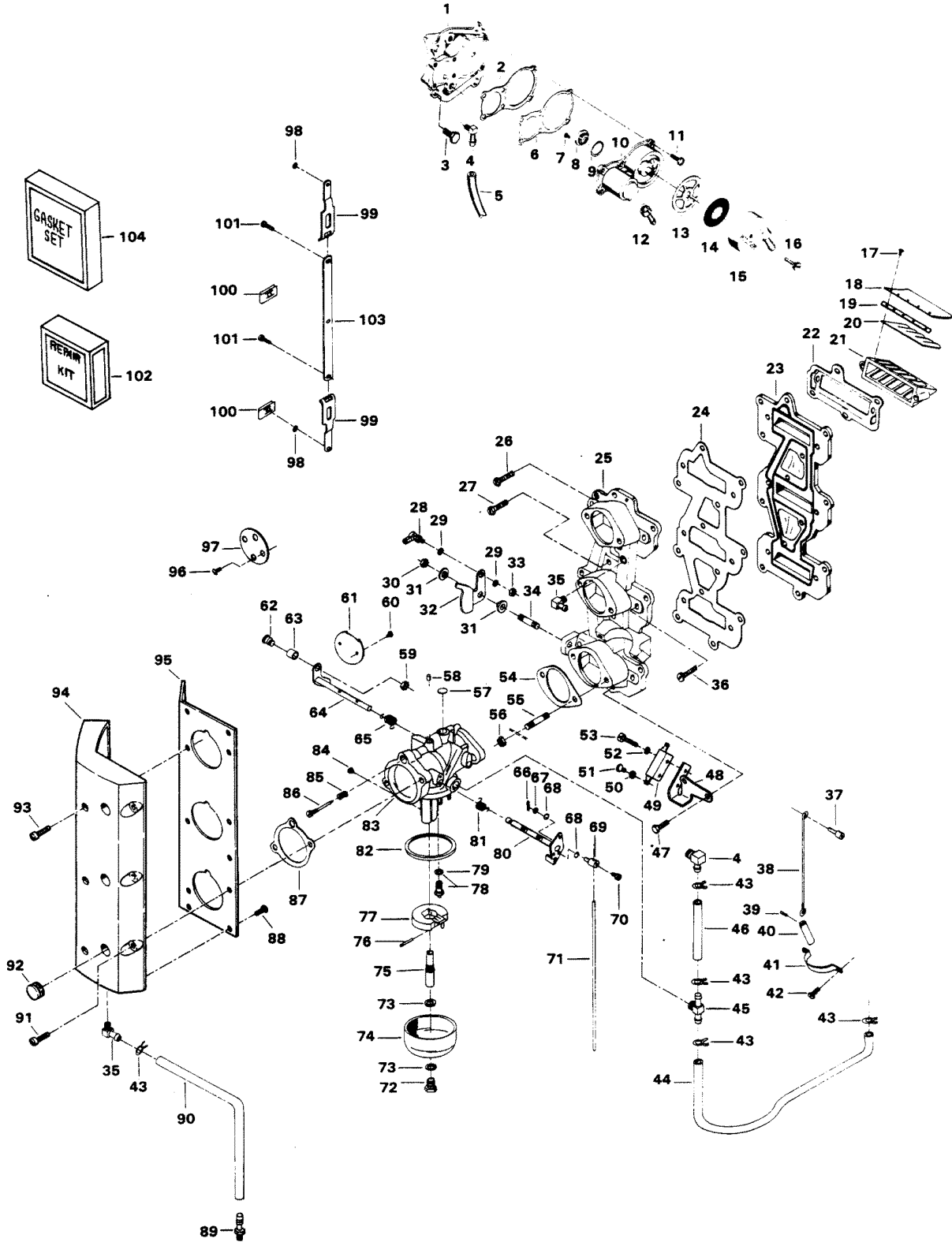
DISTRIBUTOR



DISTRIBUTOR

REF. NO.	PART NO.	SYM.	QTY.	DESCRIPTION
39	F14020-1		1	CAP SEAL
40	F14006-2		1	CAP BASE
41	F14030		1	CAP GASKET
42	F14012-1		1	BRUSH
43	F1692		1	WOODRUFF KEY
44	F14043		1	DISTRIBUTOR SHAFT
45	F14024		1	SPACER
46	F14049		1	TERMINAL INSULATOR (OUTSIDE)

CARBURETOR

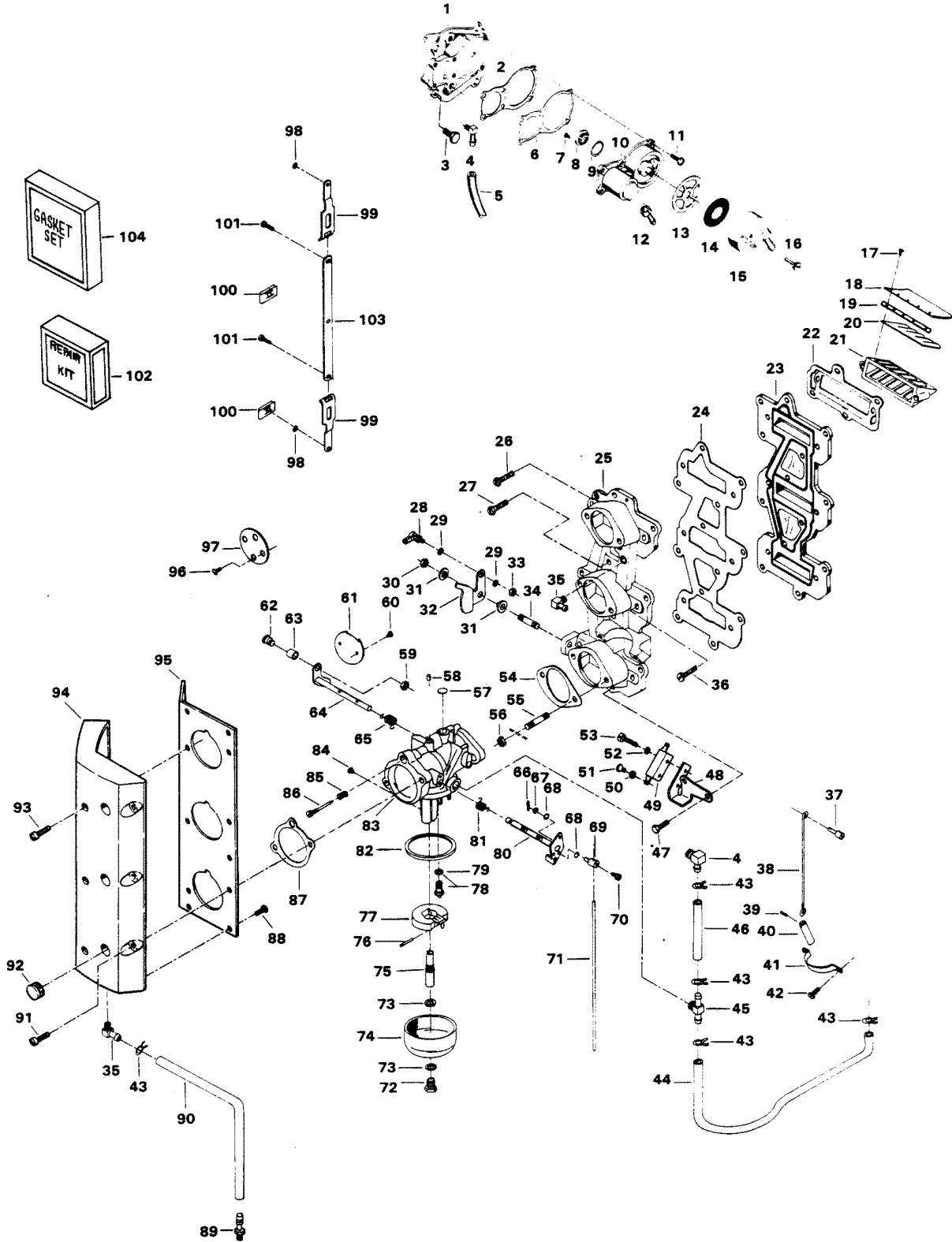


CARBURETOR

REF. NO.	PART NO.	SYM.	QTY.	DESCRIPTION
1	FA439746		1	FUEL PUMP COVER W/PLUG AND LITERATURE
2	F438760		1	FUEL PUMP GASKET
3	F1922		4	HEX CAP SCREW, 1/4 - 20 X 5/8
4	F84314-2		2	ELBOW
5	F89758		1	FUEL PUMP AIR HOSE, TOP
6	F438747		1	FUEL PUMP DIAPHRAGM
7	F1860		2	SLOTTED BINDING HD SCREW, 6 - 32 X 1/4
8	F177330		3	FUEL PUMP VALVE
9	F84792		1	GASKET, FUEL PUMP VALVE
10	FA438431		1	FUEL PUMP BODY W/ILLUS. 7, 8 AND 9
11	F1108		6	FILL HD SCREW W/LOCKWASHER, 1/4 - 20 X 3/4
12	F438801		1	FITTING
13	F438617		1	FUEL SEDIMENT BOWL GASKET
14	F438653		1	FUEL SEDIMENT BOWL SCREEN
15	F438500		1	FUEL SEDIMENT BOWL
16	F438165		1	SCREW, FUEL PUMP BOWL
17	F1755		30	RD HD SCREW W/LOCKWASHER, 6 - 32 X 5/16
18	F85161-1		6	REED STOP
19	F523451		6	SPACER, REED STOP
20	F530160		6	REED (5 PETAL)
21	F3A523158		3	REED PLATE W/ILLUS. 17, 18, 19 AND 20
22	F85168		3	GASKET REED PLATE ADAPTER
23	F85162		1	REED PLATE ADAPTER
24	F85159		1	GASKET, INTAKE MANIFOLD
25	817959A3		1	INTAKE MANIFOLD W/ILLUS. 36 AND LITERATURE ORIGINAL FORCE P/N K 480167-1
26	F2008		7	HEX HD SCREW, 1/4 - 20 X 7/8
27	F1916		2	HEX HD SCREW, 1/4 - 20 X 1-1/8
28	817747--1		1	BALL JOINT W/STUD
29	F8058		2	INTERNAL TOOTH LOCKWASHER
30	F1910		1	STOP NUT, 1/4 - 20
31	F269319		2	BEARING
32	F85192-1		1	THROTTLE CAM
33	F1513		1	HEX NUT, 10 - 32
34	F433209-1		1	STUD
35	22-818103--1		2	ELBOW
36	F2050		6	HEX HD SCREW, 1/4 - 20 X 1-1/2
37	F85033		1	CHOKE ROD SWIVEL
38	F85925		1	CHOKE ROD
39	F2033		1	GROOVE PIN
40	F391926-1		1	CHOKE SOLENOID PLUNGER
41	F85317-1		1	CLAMP
42	F1236		2	HEX HD SCREW, 1/4 - 20 1/2

CONTINUED ON NEXT PAGE ➡

CARBURETOR

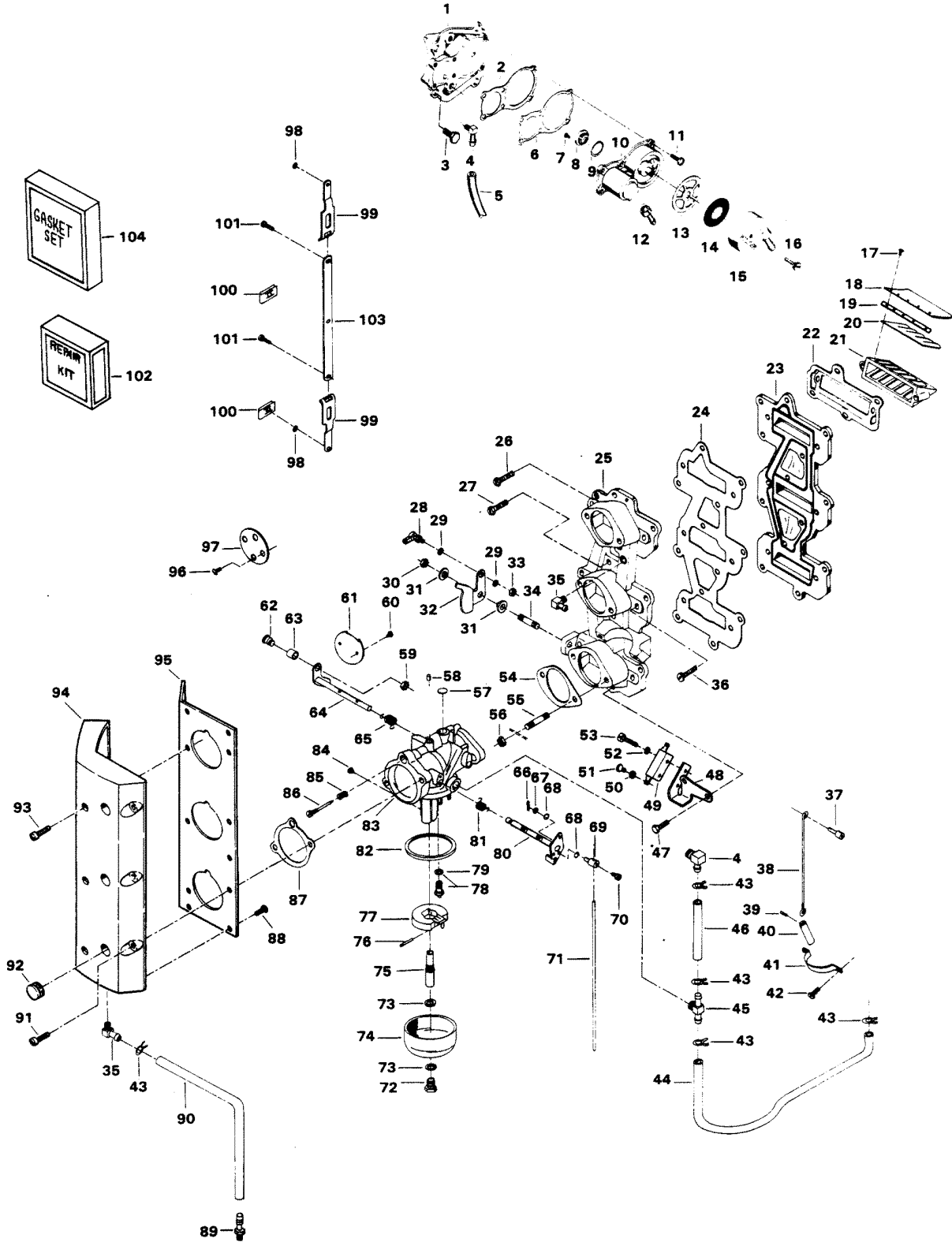


CARBURETOR

REF. NO.	PART NO.	SYM.	QTY.	DESCRIPTION
43	F97772		6	HOSE CLAMP
44	F438754		1	FUEL LINE
45	F85314-1		2	FUEL FITTING
46	F85253-1		2	FUEL LINE
47	F1532		3	HEX HD SCREW, 1/4 - 20 X 1
48	F480551-1		1	BRACKET INTERLOCK SWITCH
49	F84449		1	INTERLOCK SWITCH
50	F1704		2	INTERNAL TOOTH LOCKWASHER
51	F1645		2	RD HD SCREW, 6 - 32 X 1/4
52	F8088		2	PLAIN WASHER
53	F2016		2	FILL HD SCREW, 6 - 32 X 7/8
54	F85906		3	CARBURETOR GASKET
55	F40209		6	CARBURETOR STUD
56	F1515		6	HEX NUT, 5/16 - 18
57	FO4326		1	BODY CHANNEL WELCH PLUG
58	FO10588		1	BODY CHANNEL CUP PLUG
59	F1997		1	STOP NUT, 8 - 32
60	FO8942		2	THROTTLE SHUTTER SCREW AND LOCKWASHER
61	FO16851		1	THROTTLE SHUTTER
62	F333316		1	THROTTLE ROLLER SHAFT
63	F92759		1	THROTTLE ROLLER
64	FO15230		1	THROTTLE SHAFT AND LEVER
65	FO16008		1	THROTTLE SHAFT RETURN SPRING
66	F1014		3	COTTER PIN
67	F8088		3	PLAIN WASHER
68	F184579		6	SEAL, CHOKE ARM SWIVEL
69	F184033-1		2	CHOKE ARM SWIVEL
70	F1059		3	FILL HD SCREWS, S.S., 6 - 32 X 1/4
71	F85509-1		1	CHOKE LINK
72	FO13945		1	FUEL BOWL RETAINING SCREW
73	FO2510		2	GASKET, FUEL BOWL RETAINING SCREW
74	FO13552		1	FUEL BOWL
75	FO15217		1	MAIN NOZZLE
76	FO13944		1	FLOAT LEVER PIN
77	FO13554		1	FLOAT
78	FO10790		1	INLET NEEDLE, SEAT AND GASKET
79	FO10165		1	INLET SEAT GASKET
80	FO16850		1	CHOKE SHAFT AND LEVER
81	FO16397		1	CHOKE SHAFT RETURN SPRING
82	FO15623		1	FUEL BOWL GASKET
83	F481061-2		3	CARBURETOR COMPLETE (WB-21C)
84	FO15026		1	MAIN FUEL JET (.072) STD. SEA LEVEL - 1500 FT.
-	FO13430		-	MAIN FUEL JET (.070) OPT. 1500 FT - 3000 FT.

CONTINUED ON NEXT PAGE ➡

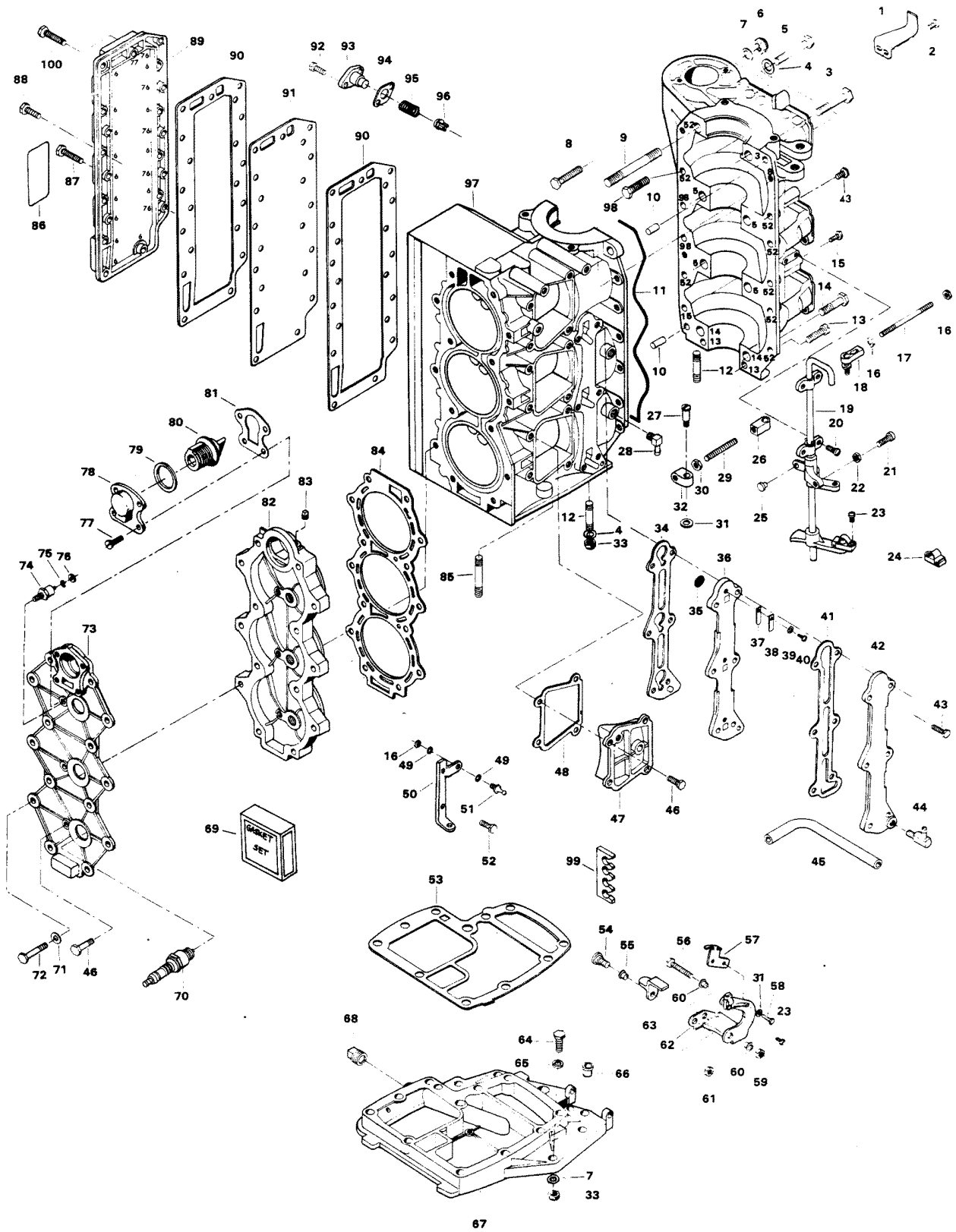
CARBURETOR



CARBURETOR

REF. NO.	PART NO.	SYM.	QTY.	DESCRIPTION
-	FO13967		-	MAIN FUEL JET (.068) OPT. 3000 FT. - 4500 FT.
-	FO14188		-	MAIN FUEL JET (.066) OPT. 4500 FT. - 6000 FT.
-	FO14108		-	MAIN FUEL JET (.064) OPT. 6000 FT. & UP.
85	FO11103		1	IDLE SCREW SPRING
86	FO13946		1	IDLE SCREW
87	F481836		3	INTAKE GASKET
88	F1760		6	PAN HD SCREW, 10 - 24 X 3/8
89	22-817789A1		1	DRAIN FITTING W/METERING CUP
90	F63754		1	HOSE INTAKE DRAIN
91	F1504		3	FILL HD SCREW, 1/4 - 20 X 1-1/4
92	F53504		3	GROMMET
93	F1072		3	FILL HD SCREW, 1/4 - 20 X 1-3/4
94	F481860-1		1	CARBURETOR, INTAKE
95	F481567		1	CARBURETOR INTAKE ADAPTER
96	FO8942		2	SHUTTER SCREW W/LOCKWASHER
97	FO13555		1	CHOKE SHUTTER
98	F90807		3	RETAINING RING
99	FA85193		2	TIE BAR END W/SWIVEL
100	F1693		2	TIE BAR RETAINER
101	F1064		2	FILL HD SCREWS, S.S., 8 - 32 X 3/8
102	FK10102		1	REPAIR PARTS KIT. INCLUDES ALL ITEMS MARKED WITH AN ASTERISK (*) .
103	FA85511		1	THROTTLE TIE BAR W/SWIVEL
104	FK10000		1	GASKET SET. INCLUDES ALL ITEMS MARKED WITH A DOUBLE ASTERISK (**)
-	F8026		1	PLAIN WASHER (UNDER 2ND FROM BOTTOM CENTER MANIFOLD TO CRANKCASE COVER SCREW).(NOT SHOWN)

POWERHEAD

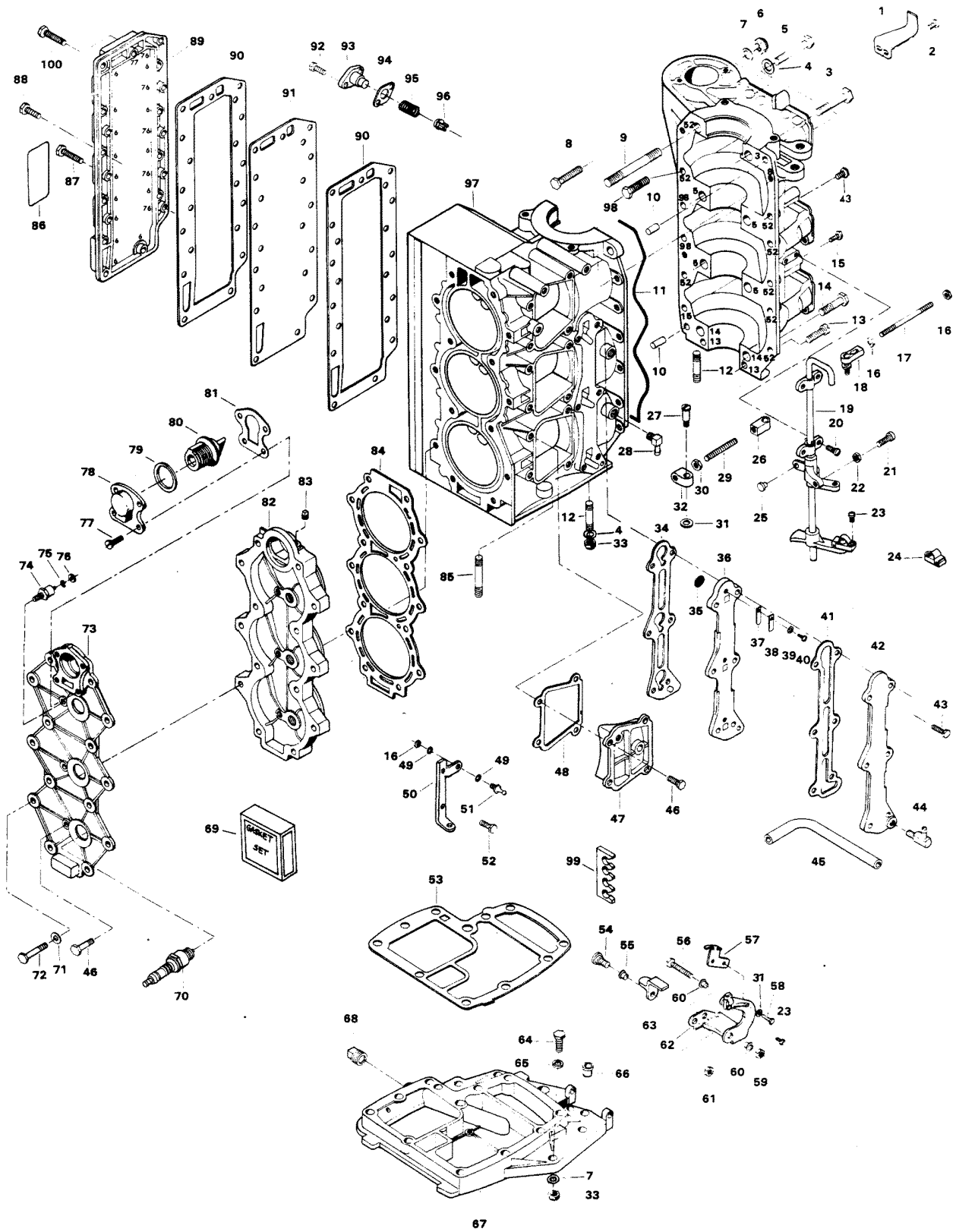


POWERHEAD

REF. NO.	PART NO.	SYM.	QTY.	DESCRIPTION
1	FA480894		1	TIMING POINTER W/ITEM 18 FROM PAGE 4 AND LITERATURE
2	F1760		2	PAN HD SCREW, 10 - 24 X 3/8
3	F1009		1	HEX BOLT, 3/8 - 16 X 2-3/4
4	F8038		4	PLAIN WASHER
5	F1873		4	HEX BOLT, 3/8 - 16 X 3
6	F1346		1	HEX NUT, 3/8 - 16
7	F8095		14	PLAIN WASHER
8	F1864		1	HEX HD SCREW, 1/4 - 20 X 3/4
9	F85210		1	STUD
10	F8563		2	DOWEL PIN
11	F85122		1	PARTING LINE SEAL
12	F85859		4	STUD, FORWARD
13	F1099		2	FILL HD SCREW, 1/4 - 20 X 1-1/4
14	F1872		2	HEX BOLT, 3/8 - 16 X 1 -3/4
15	F1199		1	HEX CAP SCREW, 1/4 - 20 X 1
16	F1513		4	HEX NUT, 10 - 32
17	F85502		1	THROTTLE LINK
18	817747--1		1	BALL JOINT W/STUD
19	FA85838-5		1	TOWERSHAFT W/ ILLUS. 18, 21, 22, 24 AND 25
20	F1475		4	FILL HD SCREW, 10 - 24 X 1/2
21	F1504		1	FILL HD SCREW, 1/4 -20 X 1-1/4
22	F1341		1	HEX NUT, 1/4 - 20
23	F1556		2	FILL HD SCREW, 10 W/ LOCKWASHER 24 X 3/8
24	FK405020		2	SWIVEL W/PIVOT SCREW AND NUT
25	F1727		1	PLASTIC RIVET
26	F85036		1	TOWERSHAFT CONTROL ROD END
27	F85026		1	SWIVEL
28	F84314-2		1	ELBOW
29	F85445		1	DISTRIBUTOR CONTROL ROD
30	F2015		1	HEX NUT, 1/4 - 28
31	F2042		3	PLAIN WASHER
32	F85035		1	DISTRIBUTOR CONTROL ROD END
33	F7004		10	STOP NUT, 3/18 - 16
34	F85748-2		1	GASKET, CYLINDER DRAIN REED PLATE
35	F93811		3	SCREEN
36	F2A404757		1	CYLINDER DRAIN REED PLATE W/ ILLUS. 35, 37, 38, 39, 40 AND METERING CUP ORIGINAL FORCE P/N A 404757-1
37	F18160-2		3	REED
38	F93920		3	REED STOP
39	F8003		3	PLAIN WASHER
40	F1286		3	PAN HD SCREW, 4 - 40 X 3/16
41	F85472-2		1	GASKET, CYLINDER DRAIN COVER
42	817787A1		1	CYLINDER DRAIN COVER W/ PLUG AND LITERATURE ORIGINAL FORCE P/N A 404471-1

CONTINUED ON NEXT PAGE ➡

POWERHEAD

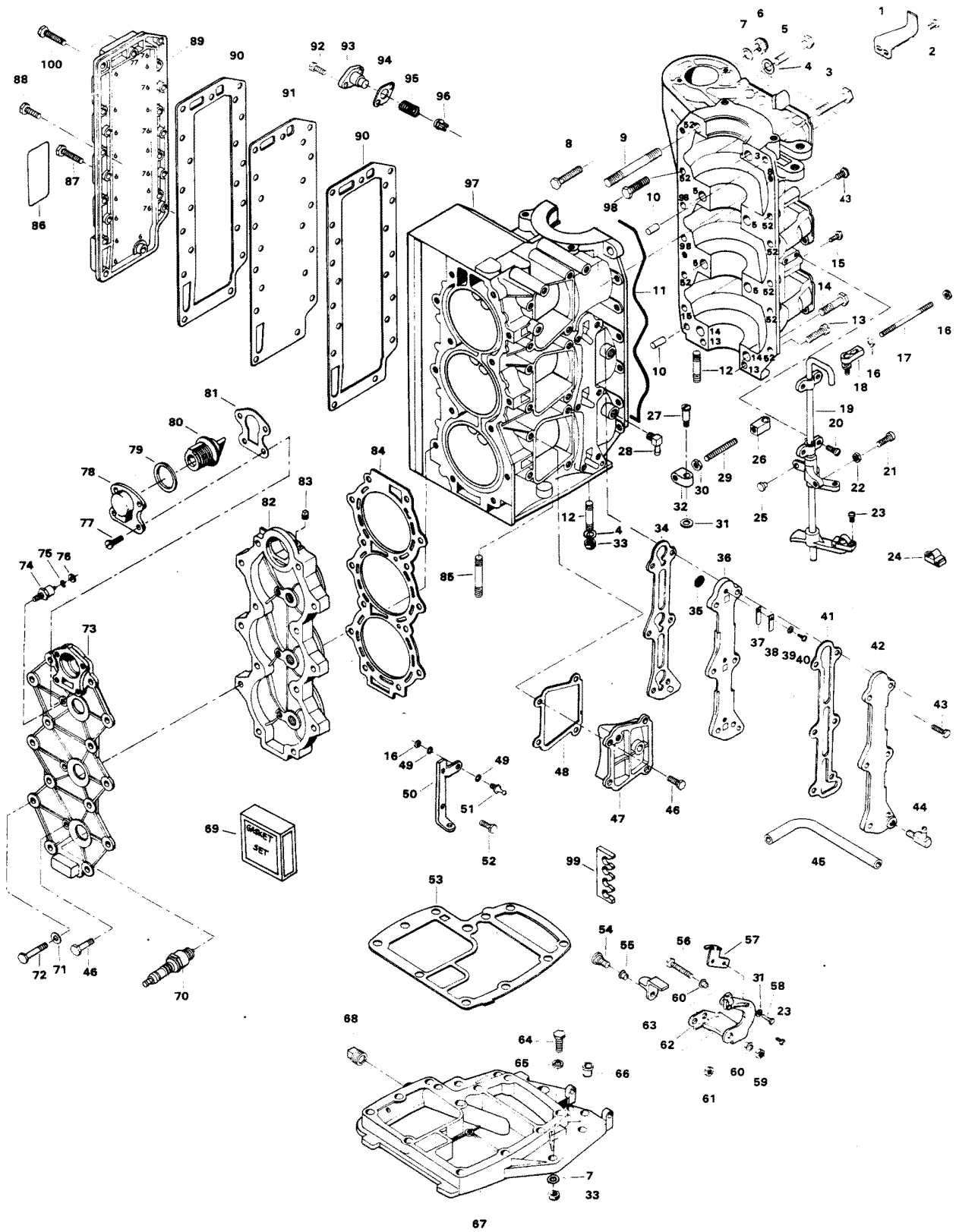


POWERHEAD

REF. NO.	PART NO.	SYM.	QTY.	DESCRIPTION
43	F1532		6	HEX HD SCREW, 1/4 - 20 X 1
44	F404801		1	FITTING
45	F433253		1	HOSE
46	F1922		8	HEX HD SCREW, 1/4 - 20 X 5/8
47	FA411222		2	TRANSFER PORT COVER W/PLUGS AND LITERATURE
48	F40223		3	GASKET, TRANSFER PORT COVER
49	F8058		4	INTERNAL TOOTH LOCKWASHER
50	FS85872-1		1	BRACKET
51	F98273		2	ROD END CONNECTOR STUD
52	F1532		10	HEX HD SCREW, 1/4 - 20 X 3/4
53	F85279-2		1	CYLINDER EXHAUST GASKET, UPPER
54	F369887		1	SHOULDER SCREW
55	F369610		1	BEARING
56	F1885		1	HEX BOLT, 5/16 - 18 X 4-1/4
57	F480107-1		1	CAM, STARTER INTERLOCK
58	F2089		2	SLOTTED PAN HD MACHINE SCREW, 10 - 24 X 5/16
59	F2108		1	STOP NUT, 5/16 - 18
60	F85610		2	BEARING
61	F1832		1	STOP NUT, 1/4 - 20
62	FA480876		1	GEAR SHIFT ARM W/ ILLUS. 24, 54, 55, 56, 61 AND 63
63	F369977-1		1	INTERLOCK
64	F1869		6	HEX BOLT, 3/8 - 16 X 1-1/4
65	F1703		6	SPRING LOCKWASHER
66	F40689-1		1	BEARING, TOWERSHAFT
67	817788A3		1	SPACER PLATE W/ ILLUS. 68 ORIGINAL FORCE P/N A 404680-1
68	F2090		1	PLUG
69	FG1020		1	GASKET SET
-	F40223		3	TRANSFER PORT COVER GASKET
-	F84278		1	CRANKSHAFT BRG. SEAL CAGE SEAL
-	F84504		1	THERMOSTAT GROMMET
-	F85122		1	CRANKCASE SEAL
-	F85154-1		2	EXHAUST PORT PLATE GASKET
-	F85159		1	MANIFOLD GASKET
-	F85168		3	CARBURETOR ADAPTER FLANGE GASKET
-	F85279-2		1	CYLINDER, EXHAUST - UPPER GASKET
-	F85472-2		1	CYLINDER DRAIN COVER GASKET
-	F85748-2		1	CYLINDER DRAIN REED PLATE GASKET
-	F85762		1	BY-PASS VALVE GASKET
-	F85906		3	CARBURETOR GASKET
-	F369529-1		1	CYLINDER HEAD GASKET
-	F476067		1	THERMOSTAT COVER GASKET
-	F481836		3	INTAKE GASKET

CONTINUED ON NEXT PAGE ➡

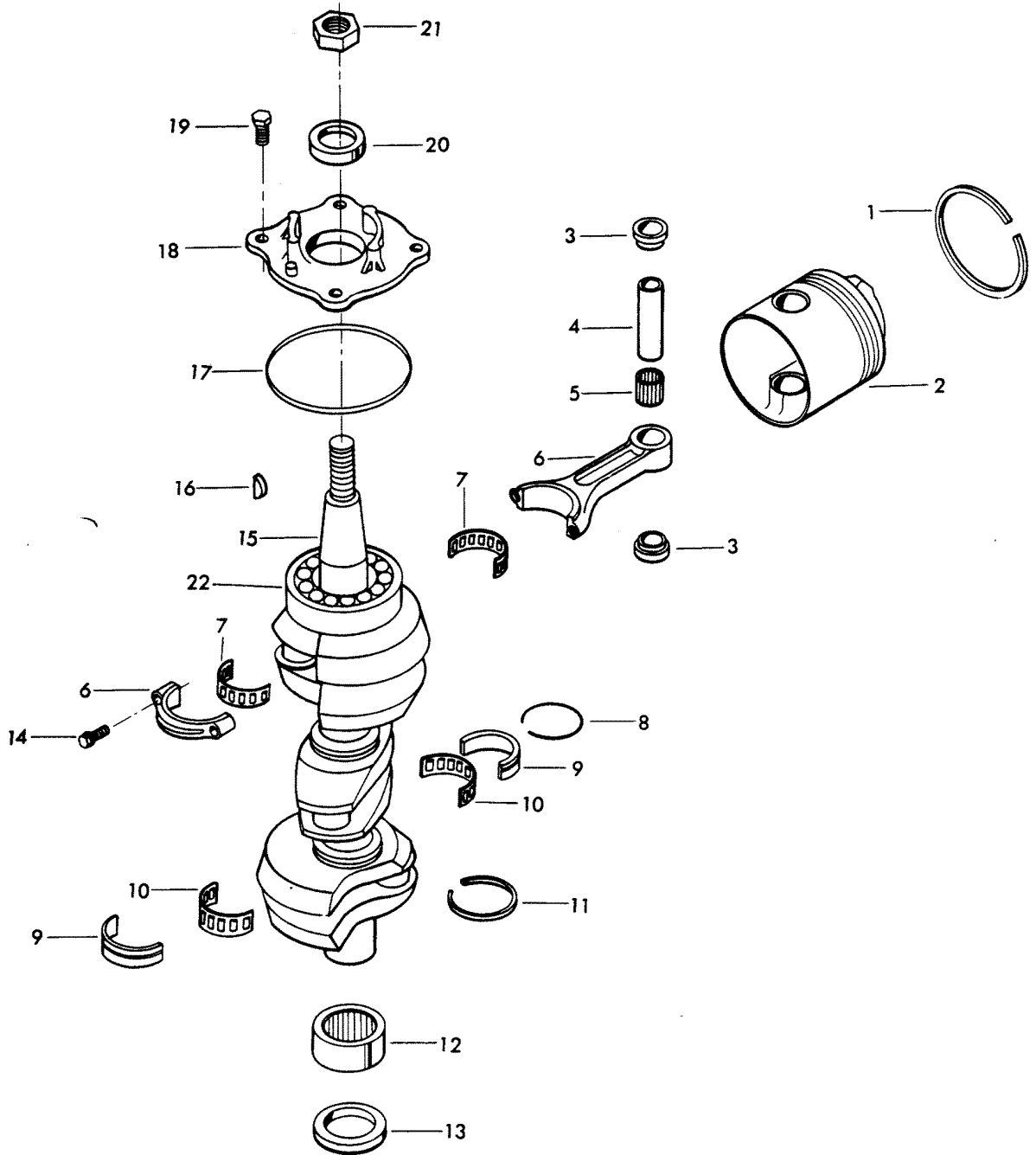
POWERHEAD



POWERHEAD

REF. NO.	PART NO.	SYM.	QTY.	DESCRIPTION
70	33-97180		3	SPARK PLUG (CHAMPION L-20-V) USA
-	FC522227		3	SPARK PLUG (CHAMPION QUL-77V) CANADA
71	F1987		14	PLAIN WASHER
72	F1883		14	HEX BOLT, 5/16 - 18 X 2-3/8
73	F499995		1	CYLINDER HEAD COVER
74	87-817778A1		1	THERMOSWITCH W/ ILLUS. 75 AND 76 ORIGINAL FORCE P/N A 335449-1
75	F8056		1	SPRING LOCKWASHER
76	F1647		1	HEX NUT, 10 - 32
77	F1110		4	FILL HD SCREW, 1/4 - 20 X 5/8
78	F476066-1		1	COVER, THERMOSTAT
79	F84504		1	GROMMET
80	F528068		1	THERMOSTAT
81	F476067		1	GASKET, THERMOSTAT COVER
82	F480518		1	CYLINDER HEAD (856H1J, 856B1J, 858H1D, 858B1D)
-	F550518		1	CYLINDER HEAD (850H1C)
83	F19109		1	PLUG
84	F369529-1		1	CYLINDER HEAD GASKET
85	F85211		6	STUD, REAR
86	F438398-1		1	DECAL, WIRING - USA
-	FC438398		1	DECAL, WIRING - CANADA
87	F1916		5	HEX HD SCREW, 1/4 - 20 X 1-1/8
88	F2008		14	HEX BOLT, 1/4 - 20 X 7/8
89	F85152-4		1	EXHAUST PORT COVER
90	F85154-1		2	GASKET, EXHAUST PORT PLATE
91	F85151-1		1	EXHAUST PORT PLATE
92	F1950		2	HEX HD SCREW, 10 - 24 X 5/8
93	F438066		1	BY-PASS VALVE COVER
94	F85762		1	GASKET, BY-PASS VALVE
95	F404268		1	SPRING, BY-PASS VALVE
96	F85916-1		1	BY-PASS VALVE
97	800-817823A7		1	CYLINDER W/ CRANKCASE COVER, ILLUS. 3, 5, 6, 9 11, 12, 13, 14, 65, 85 AND LITERATURE ORIGINAL FORCE P/N A 481010-4
-	800-817901A9		1	SHORT BLOCK (NOT SHOWN). INCLUDES ALL ITEMS MARKED WITH AN ASTERISK (*). ALSO REFER TO CRANKSHAFT AND PISTON PAGES (856H1J, 856B1J, 858H1D, 858B1D) ORIGINAL FORCE P/N C 481010-4
-	FC550010		1	SHORT BLOCK (NOT SHOWN). INCLUDES ALL ITEMS MARKED WITH AN ASTERISK (*). ALSO REFER TO CRANKSHAFT AND PISTON PAGES (850H1C)
98	F2008		2	HEX CAP SCREW, 1/4 - 20 X 7/8
99	F523834		1	CLIP, SPARK PLUG WIRE
100	F1708		1	HEX HD SCREW, 1/4 - 20 X 1-3/8

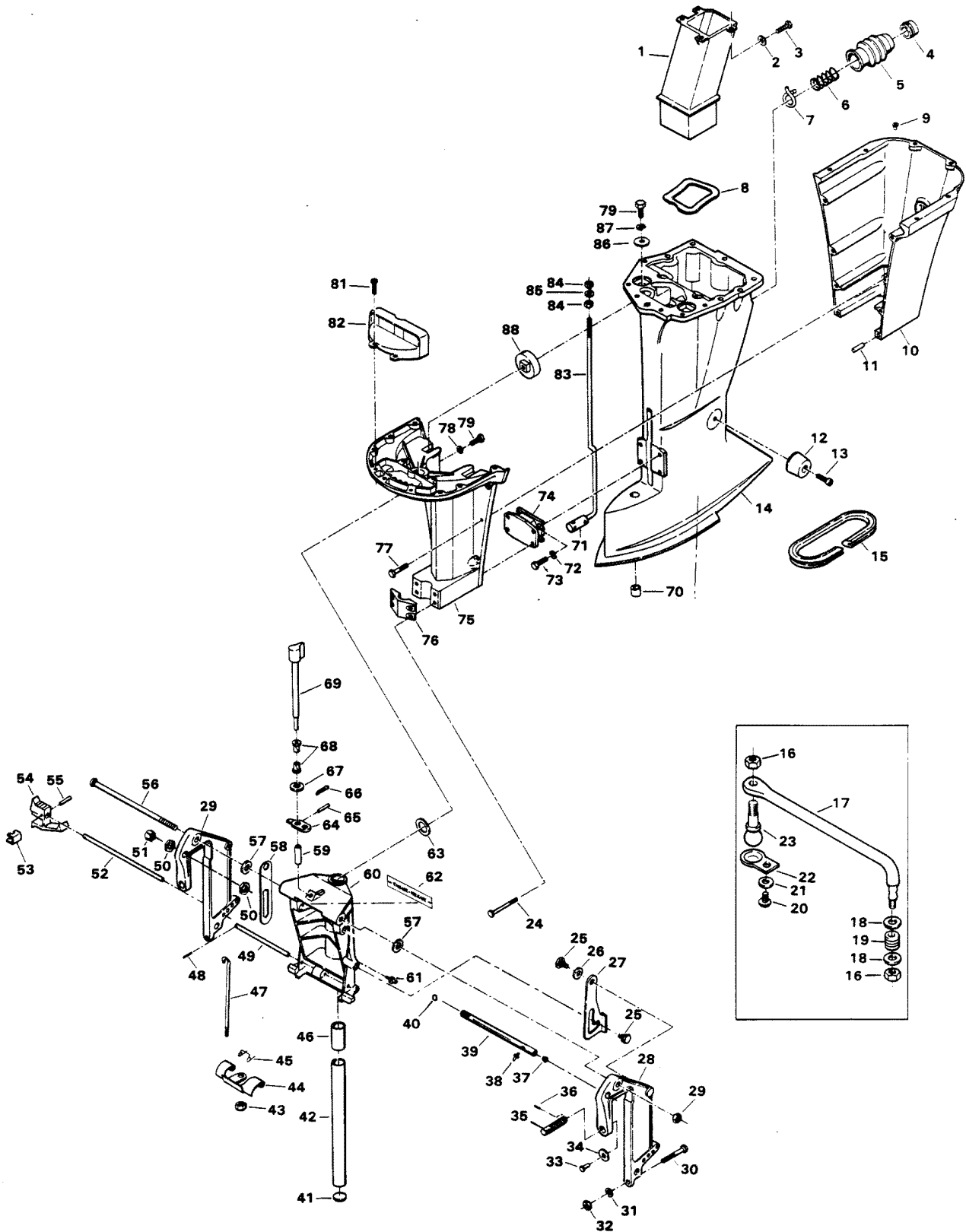
CRANKSHAFT AND PISTON



CRANKSHAFT AND PISTON

REF. NO.	PART NO.	SYM.	QTY.	DESCRIPTION
1	FA335260		3	PISTON RING SET (3 PER SET)
-	FSA335260		3	PISTON RINGS (3 PER SET) .010 OVERSIZE
-	39-818110A1		3	PISTON RINGS (3 PER SET) .030 OVERSIZE : ORIGINAL FORCE P/N 3S A335260
2	700-F372015-3		3	PISTON
-	700-817988A2		3	PISTON .010 OVERSIZE
-	700-818111A2		3	PISTON .030 OVERSIZE
3	F335215		6	SPACER, PISTON PIN (2 PER PISTON)
4	F85017		3	PISTON PIN
5	F335217-1		3	BEARING PISTON PIN (26 PER SET)
6	600-818052A4		3	CONNECTING ROD W/ CAP AND ILLUS. 14 ORIGINAL FORCE P/N S 366016-4
7	FK85228-1		3	BEARING CAGE W/ROLLER
8	F85410		2	SNAP RING
9	FA85655-1		2	CRANKSHAFT MAIN BEARING RACE W/ ILLUS. 8
10	F85571		2	BEARING CAGE W/ROLLER
11	F316579		2	SEAL, CRANKCASE
12	FA523014		1	CRANKSHAFT LOWER MAIN BEARING W/ILLUS. 13
13	F523146		1	SEAL, CRANKSHAFT LOWER
14	F85634-2		6	CONNECTING ROD SCREW
15	FA85018-2		1	CRANKSHAFT W/ILLUS. 11 AND 22 (MODELS 856H1J, 856B1J, 858H1D, 858B1D)
-	FA550018		1	CRANKSHAFT W/BEARING (MODEL 850H1C)
16	F85498		1	FLYWHEEL KEY
17	F84278		1	SEAL, CRANKSHAFT BEARING CAGE
18	31-817785A2		1	CRANKSHAFT BEARING CAGE W/ ILLUS. 20 ORIGINAL FORCE P/N A 373144-2
19	F1867		4	HEX CAP SCREW, 3/8 - 16 X 1
20	F84146-2		1	SEAL
21	F1968		1	FLYWHEEL NUT
22	F284659-2		1	CRANKSHAFT THRUST BEARING, UPPER
-	F2067		1	PLASTISOL CAP (NOT SHOWN) FOR EXPOSED THREADS OF CRANKSHAFT

MOTOR LEG

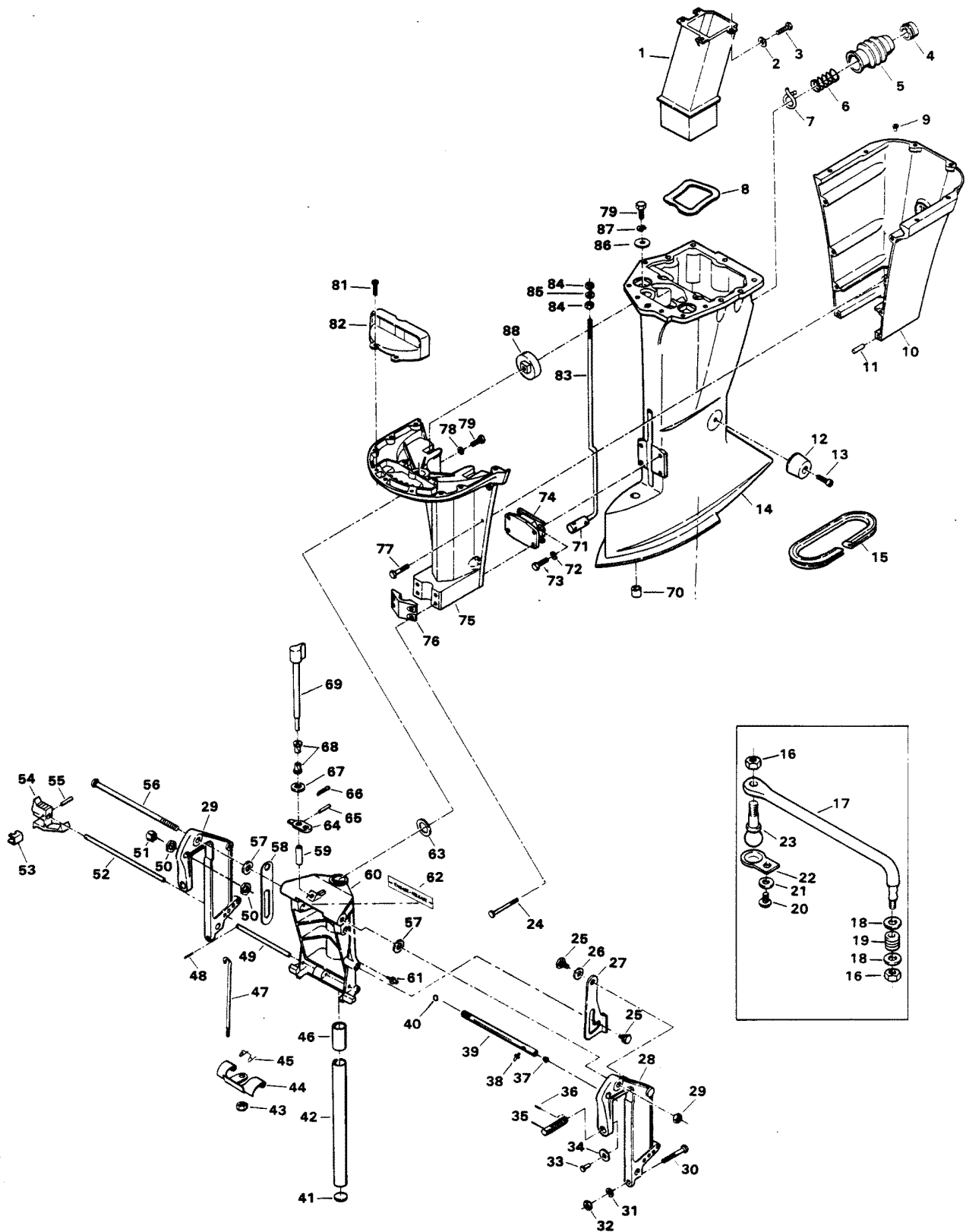


MOTOR LEG

REF. NO.	PART NO.	SYM.	QTY.	DESCRIPTION
1	F85660-1		1	EXHAUST TUBE
2	F8083		4	SPRING LOCKWASHER
3	F1705		4	HEX SLOT HD SCREW, 1/4 - 20 X 3/4
4	F85258		1	INSERT
5	F85130		1	BOOT, IDLE EXHAUST
6	F85380		1	SPRING
7	F85772		1	CLAMP
8	F439736		1	SEAL EXHAUST TUBE
9	F1729		2	PLUG
10	817931A7		1	MOTOR LEG COVER REAR (856H1J, 856B1J, 858H1D, 858B1D) W/COTTER PIN, PLUG, FASTENER, WASHER, SEAL AND LITERATURE ORIGINAL FORCE P/N A 178145-3
-	F304145-4		1	MOTOR LEG COVER REAR (850H1C)
11	F1664		2	SPRING PIN
12	F438962		2	SHOCK MOUNT SIDE
13	F1263		2	HEX SOCKET HD CAP SCREW, 5/16 - 18 X 9/16
14	F523133-2		1	MOTOR LEG (856H1J, 856B1J, 858H1D, 858B1D)
-	F550133		1	MOTOR LEG (MODEL 850H1C)
15	F178323		1	SEAL, MOTOR LEG
16	F2093		2	STOP NUT, 3/8 - 24
17	F523881-2		1	STEERING LINK
18	F8038		2	PLAIN WASHER
19	F523300-1		1	SPRING
-	FOB2603		1	INSTALLATION INSTRUCTIONS (FOR 5H094 STEERING LINK KIT)
20	F1280		1	PAN HD SCREW, 8 - 32 X 1/4
21	F8080		1	SPRING LOCKWASHER
22	F523930		1	RETAINER
23	F523273		1	STEERING BALL STUD
24	F1696		4	HEX BOLT, 5/16 - 18 X 1-3/4
25	F85350-1		4	TILT STOP PIVOT (856H1J, 856B1J)
26	F1666		2	BOWED SPRING WASHER
27	F85541-1		1	TILT LOCK (856H1J, 856B1J)
28	1400-817958A6		2	STERN BRACKET
29	F7012		1	LOCK NUT, 1/2 - 20
30	F1593		2	HEX HD SCREW, 3/8 - 16 X 3
31	F1904		2	PLAIN WASHER
32	F1346		2	HEX NUT, 3/8 - 16
33	F353480		2	STUD
34	F84074		2	CLAMP SCREW FOOT
35	F474073-1		2	CLAMP SCREW
36	F8538		2	SPRING PIN
37	F9052		1	PLUG
38	F523274		1	GREASE FITTING

CONTINUED ON NEXT PAGE ➡

MOTOR LEG

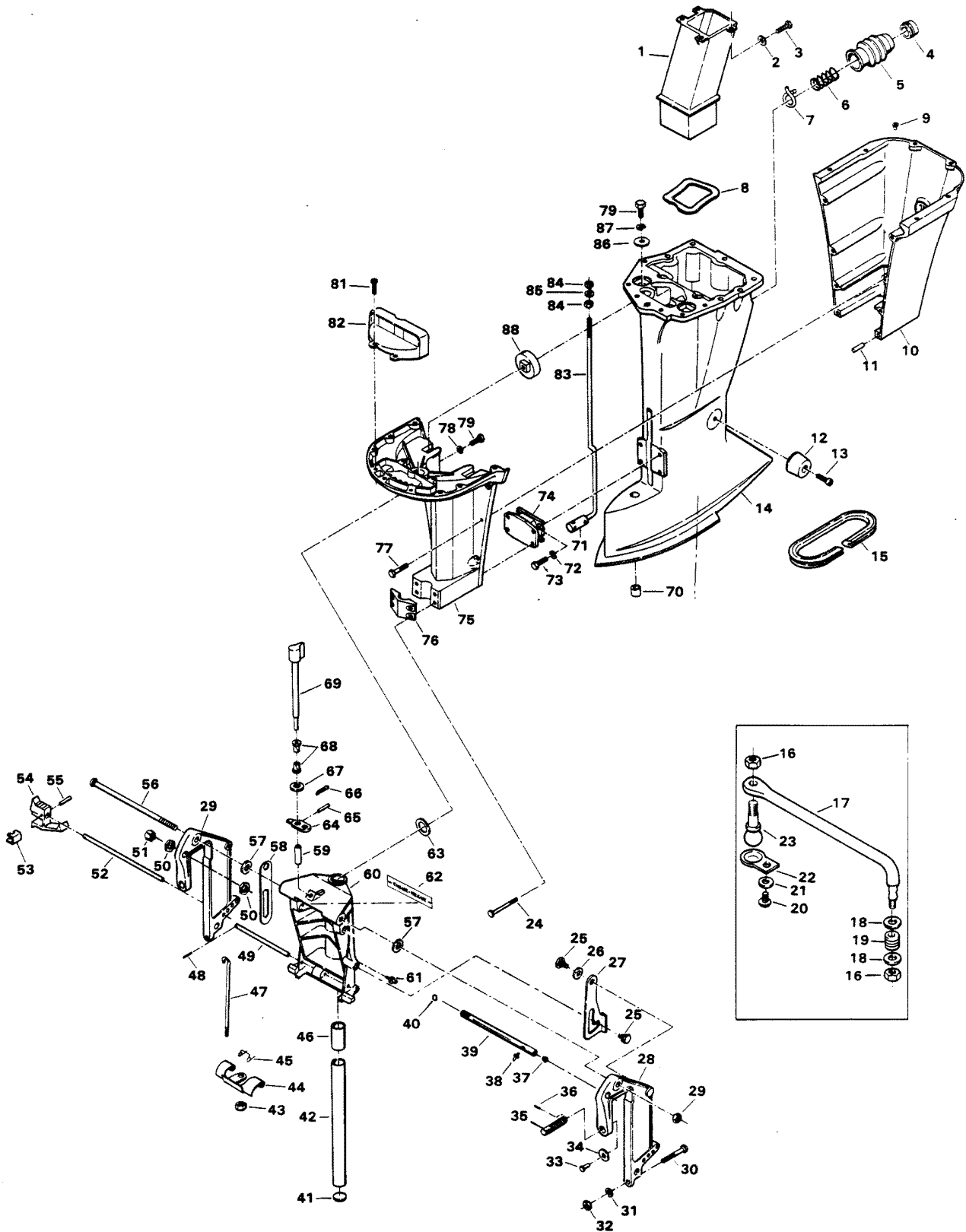


MOTOR LEG

REF. NO.	PART NO.	SYM.	QTY.	DESCRIPTION
39	F511125-2		1	TUBE, STEERING SUPPORT
40	F316599		1	SEAL, STEERING SUPPORT TUBE
41	F1528		1	WELCH PLUG
42	FA85019		1	KINGPIN W/ ILLUS. 41
43	F1669		1	LOCK NUT
44	F369349		1	REVERSE LOCK (856H1J, 856B1J)
45	F85300		1	REVERSE LOCK SPRING (856H1J, 856B1J)
46	F438169		2	BEARING
47	F369510		1	LINK (856H1J, 856B1J)
48	F1744		1	SPRING PIN (856H1J, 856B1J)
49	F177350		1	REVERSE LOCK PIN (856H1J, 856B1J)
50	F523280		2	NUT, STEERING SUPPORT TUBE
51	F9018		1	CAP
52	FA438113		1	STERN BRACKET LOCK BAR W/HANDLE (856H1J, 856B1J) W/ILLUS. 43, 44 AND 45
53	F286461		1	SPRING, LOCK BAR HANDLE (856H1J, 856B1J)
54	F433114		1	HANDLE, LOCK BAR (856H1J, 856B1J)
55	F1744		1	SPRING PIN (856H1J, 856B1J)
56	F85037-1		1	STERN BRACKET PIVOT BOLT
57	F84286-1		4	FRICITION WASHER
58	F85426		1	TILT STOP (856H1J, 856B1J)
59	F483884		1	BEARING (856H1J, 856B1J)
60	817783A5		1	SWIVEL BRACKET W/ ILLUS. 46 AND 61 ORIGINAL FORCE P/N A 369072-2
61	F213274		3	GREASE FITTING
62	F529390-1		1	DECAL, REVERSE LOCK (856H1J, 856B1J)
63	F84011		1	WASHER
64	F369364		1	REVERSE LOCK ARM (856H1J, 856B1J)
65	F1836		1	SPRING PIN (856H1J, 856B1J)
66	F1014		1	COTTER PIN (856H1J, 856B1J)
67	F8094		1	PLAIN WASHER (856H1J, 856B1J)
68	F197813		2	BEARING (856H1J, 856B1J)
69	F369827		1	HANDLE AND SHAFT (856H1J, 856B1J)
70	F338618-1		1	SEAL, GEAR SHIFT ROD
71	F85704		1	COUPLER, GEARSHIFT ROD UPPER (856H1J, 856B1J, 858H1D, 858B1D)
-	F550704		1	COUPLER, GEARSHIFT ROD UPPER (MODEL 850H1C)
72	F8096		4	SPRING LOCKWASHER
73	F1822		4	HEX BOLT, 5/16 - 18 X 7/8
74	F438346		1	SHOCK MOUNT, LOWER (856H1J, 856B1J, 858H1D, 858B1D)
-	F550346		1	SHOCK MOUNT, LOWER (850H1C)
75	FA85135-4		1	LEG COVER, FRONT W/ ILLUS. 77
76	F85606		1	KINGPIN CAP
77	F2030		6	HEX HD SCREW, 1/4 - 20 X 1-1/4

CONTINUED ON NEXT PAGE ➡

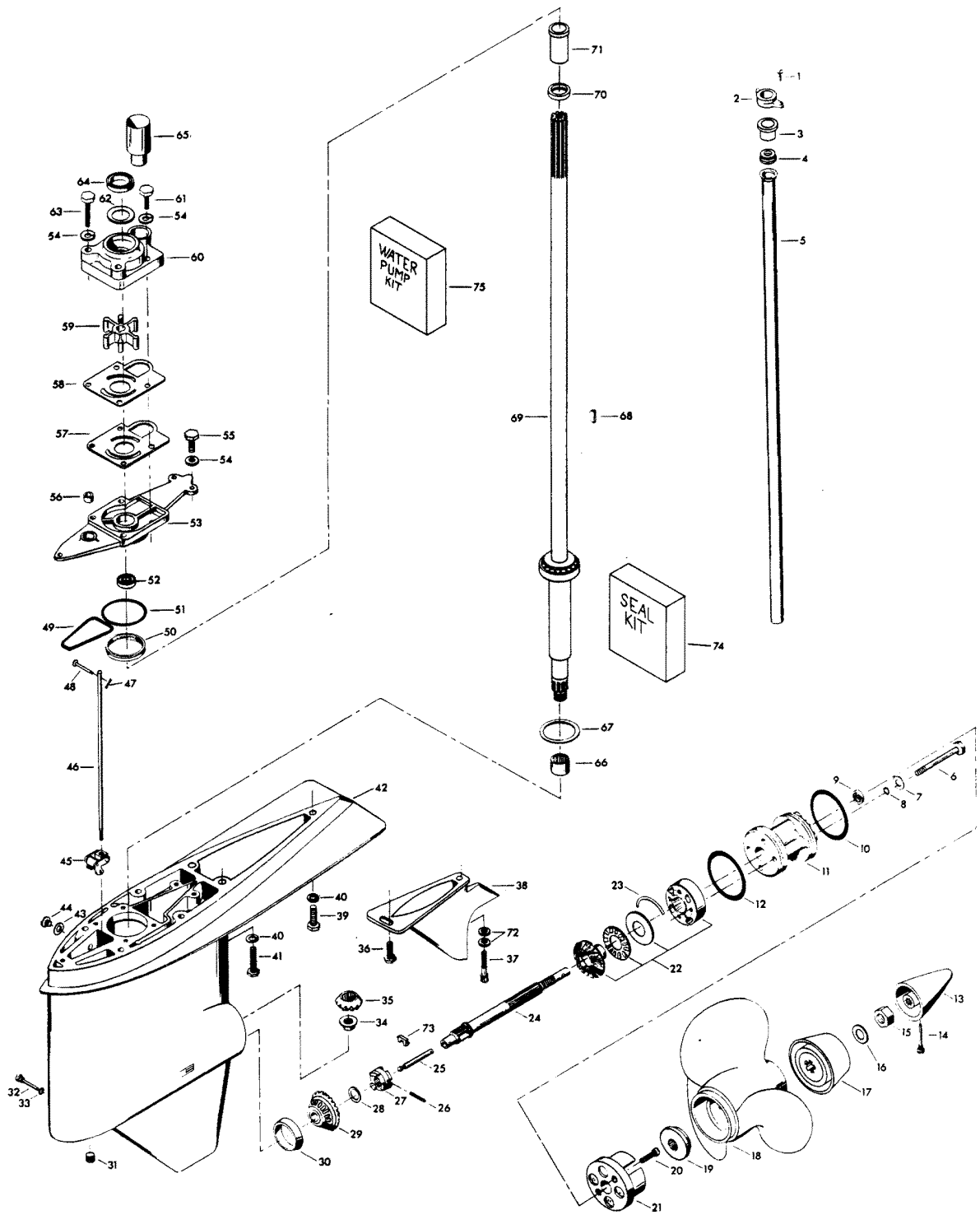
MOTOR LEG



MOTOR LEG

REF. NO.	PART NO.	SYM.	QTY.	DESCRIPTION
78	F1703		2	SPRING LOCKWASHER
79	F1871		2	HEX HD SCREW, 3/8 - 16 X 3/4
81	F1912		4	HEX HD SCREW, 10 - 24 X 1/2
82	F85779-1		1	BAFFLE, AIR INTAKE
83	F85615		1	GEAR SHIFT ROD UPPER (856H1J, 856B1J, 858H1D, 858B1D)
-	F550615		1	GEAR SHIFT ROD UPPER (MODEL 850H1C)
84	F2108		2	LOCK NUT, 5/16 - 18
85	F1987		1	PLAIN WASHER
86	FA85355-1		2	WASHER SHOCK MOUNT UPPER W/ ILLUS. 87
87	F2014		2	PLAIN WASHER
88	F85965		2	SHOCK MOUNT, UPPER

GEAR HOUSING

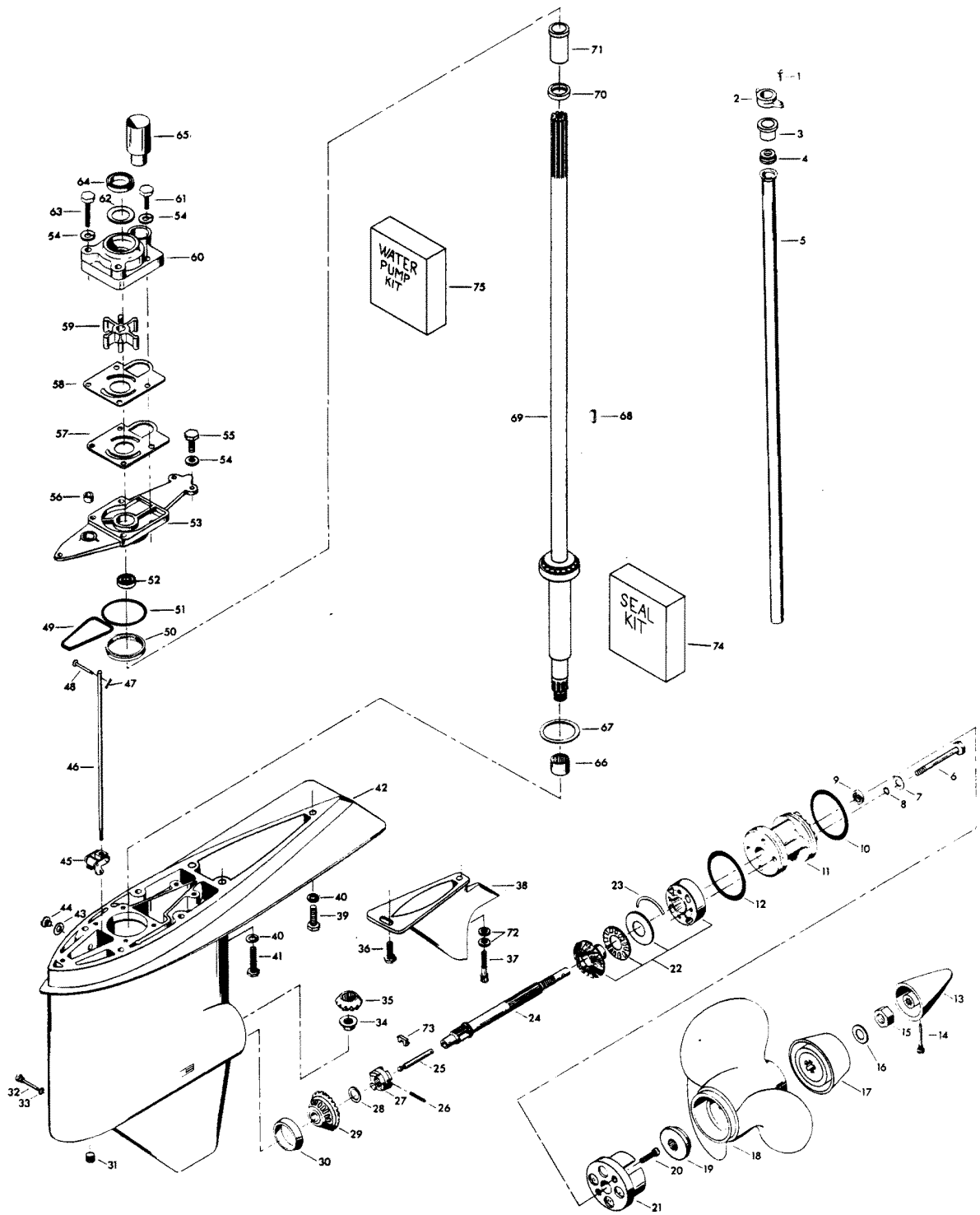


GEAR HOUSING

REF. NO.	PART NO.	SYM.	QTY.	DESCRIPTION
1	F1705		2	HEX CAP SCREW, 1/4 - 20 X 3/4
2	F85117		1	BRACKET, WATER LINE
3	F84342		1	SEAL, INLET WATER LINE UPPER
4	F523899		1	GROMMET, WATER LINE
5	F523244		1	INLET WATER LINE (856H1J, 856B1J, 858H1D, 858B1D)
-	F550244		1	INLET WATER LINE (MODEL 850H1C)
6	F1885		4	HEX CAP SCREW, 5/16 - 18 X 4-1/4
7	F1907		4	PLAIN WASHER
8	F50342-1		4	SEAL, BEARING CAGE BOLTS
9	F506118		1	SEAL, PROPELLER SHAFT
10	F24278		1	SEAL, O-RING PROPELLER SHAFT SPOOL
11	F2A523239		1	SPOOL, PROPELLER SHAFT BEARING W/SEAL AND ILLUS. 9
12	F84305		1	SEAL, PROPELLER SHAFT BEARING SPOOL
13	F523094-2		1	PROPELLER NUT
14	F498891		1	PIN, PROPELLER NUT RETAINING
15	F1788		1	STOP NUT
16	F1866		1	PLAIN WASHER
17	F532299		1	WASHER, PROPELLER SPLINE
18	FPS524		1	PROPELLER (ACCESSORY ITEM) (856H1J, 856B1J, 8581D, 858B1D)
-	FPS526		1	PROPELLER (ACCESSORY ITEM) 850H1C
19	F523099-1		1	SPACER, PROPELLER
20	F1577		2	FILL HD SCREW, 1/4 - 20 X 3/4
21	FA523485		1	ANTI-CORROSION ANODE W/ LITERATURE
22	F2A498662		1	BEVEL GEAR REAR W/BEARING CAGE, SPACER AND BEARING
23	F523411		2	RETAINING RING
24	FA523098		2	PROPELLER SHAFT
25	F84871-1		2	PIN, GEAR SHIFT
26	F1713		2	SPRING PIN
27	F84521-1		1	CLUTCH
28	F1936		A/R	SPACER, BEVEL GEAR FRONT .059
-	F1937		A/R	SPACER, BEVEL GEAR FRONT .062
-	F1938		A/R	SPACER, BEVEL GEAR FRONT .065
-	F1939		A/R	SPACER, BEVEL GEAR FRONT .068
-	F1940		A/R	SPACER, BEVEL GEAR FRONT .071
-	F1941		A/R	SPACER, BEVEL GEAR FRONT .074
-	F1942		A/R	SPACER, BEVEL GEAR FRONT .077
-	F2113		A/R	SPACER, BEVEL GEAR FRONT .080
-	F2114		A/R	SPACER, BEVEL GEAR FRONT .083
-	F2115		A/R	SPACER, BEVEL GEAR FRONT .086
-	F2116		A/R	SPACER, BEVEL GEAR FRONT .089
-	F2121		A/R	SPACER, BEVEL GEAR FRONT .057
-	F2122		A/R	SPACER, BEVEL GEAR FRONT .054

CONTINUED ON NEXT PAGE ➡

GEAR HOUSING

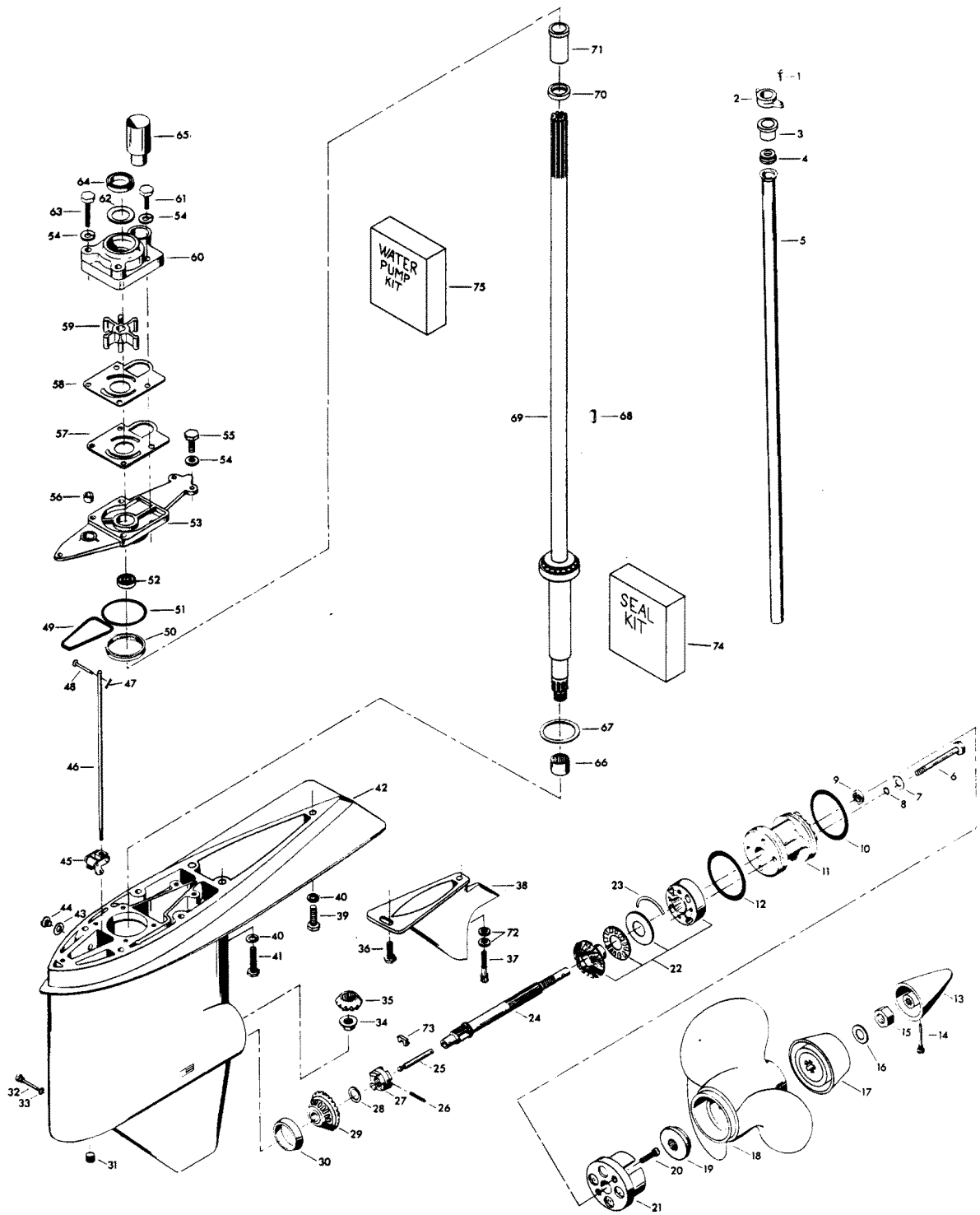


GEAR HOUSING

REF. NO.	PART NO.	SYM.	QTY.	DESCRIPTION
29	F2A498023		1	BEVEL GEAR FRONT W/BEARING
30	F523813		1	BEARING CUP
31	F19109		1	PLUG, GEAR HOUSING
32	F498891		1	PIN, GEAR SHIFT ARM
33	F498618		1	SEAL
34	F523188		1	NUT, BEVEL PINION RETAINING
35	FA498266		1	BEVEL PINION GEAR W/ ILLUS. 50 AND SHIMS
36	F438930		1	RETAINER, SNOUT
37	F1994		1	HEX SOCKET HD CAP SCREW, 5/16 - 18 X 1
38	F523116		1	EXHAUST SNOUT
39	F1858		1	HEX CAP SCREW, 5/16 - 18 X 1
40	F8096		7	SPRING LOCKWASHER
41	F1491		6	HEX CAP SCREW, 5/16 - 18 X 3-1/4
42	FA523054		1	GEAR HOUSING W/DRIVESHAFT BEARING LOWER, ILLUS. 30, 31, 43 AND 44
-	FC550054		1	GEAR HOUSING COMPLETE. INCLUDES ALL ITEMS MARKED WITH AN ASTERISK (*). (856H1J, 856B1J, 858H1D, 858B1D)
-	FC584054		1	GEAR HOUSING COMPLETE. INCLUDES ALL ITEMS MARKED WITH AN ASTERISK (*) (850H1C)
43	F8077		2	WASHER, GEAR HOUSING PLUG
44	F50109		2	PLUG, GEAR HOUSING
45	FA84621-1		1	COUPLING, GEAR SHIFT ARM W/BUSHING
46	F523705		1	GEAR SHIFT ROD, LOWER (856H1J, 856B1J, 858H1D, 858B1D)
-	F550705		1	GEAR SHIFT ROD, LOWER (850H1C)
47	F1015		1	COTTER PIN
48	F85372		1	PIN, GEAR SHIFT ROD, LOWER
49	F523555		1	SEAL, O-RING - GEAR HOUSING COVER
50	F523961		1	CRUSH RING
51	F74305		1	SEAL, DRIVESHAFT BEARING CAGE
52	F506118		1	SEAL, DRIVESHAFT
53	F2A550706		1	GEAR HOUSING COVER W/ILLUS. 9 AND 56
54	F8083		7	SPRING LOCKWASHER
55	F2008		3	HEX CAP SCREW, 1/4 - 20 X 7/8
56	F338618-1		1	SEAL, GEAR SHIFT ROD
57	F523031		1	GASKET, WATER PUMP
58	F523562		1	WATER PUMP BACK PLATE
59	F523065-1		1	WATER PUMP IMPELLER
60	46-817853A1		1	WATER PUMP BODY W/ ILLUS. 62, 64 AND 65 ORIGINAL FORCE P/N A 523060-1
61	F1990		2	HEX CAP SCREW, 1/4 - 20 X 1-5/8
62	F480388		1	DISC, WATER PUMP LOCATING
63	F1425		2	HEX CAP SCREW, 1/4 - 20 X 2-5/8
64	F351307		1	SEAL, WATER PUMP
65	FA523735		1	SEAL, INLET WATER LINE LOWER W/ LITERATURE

CONTINUED ON NEXT PAGE ➡

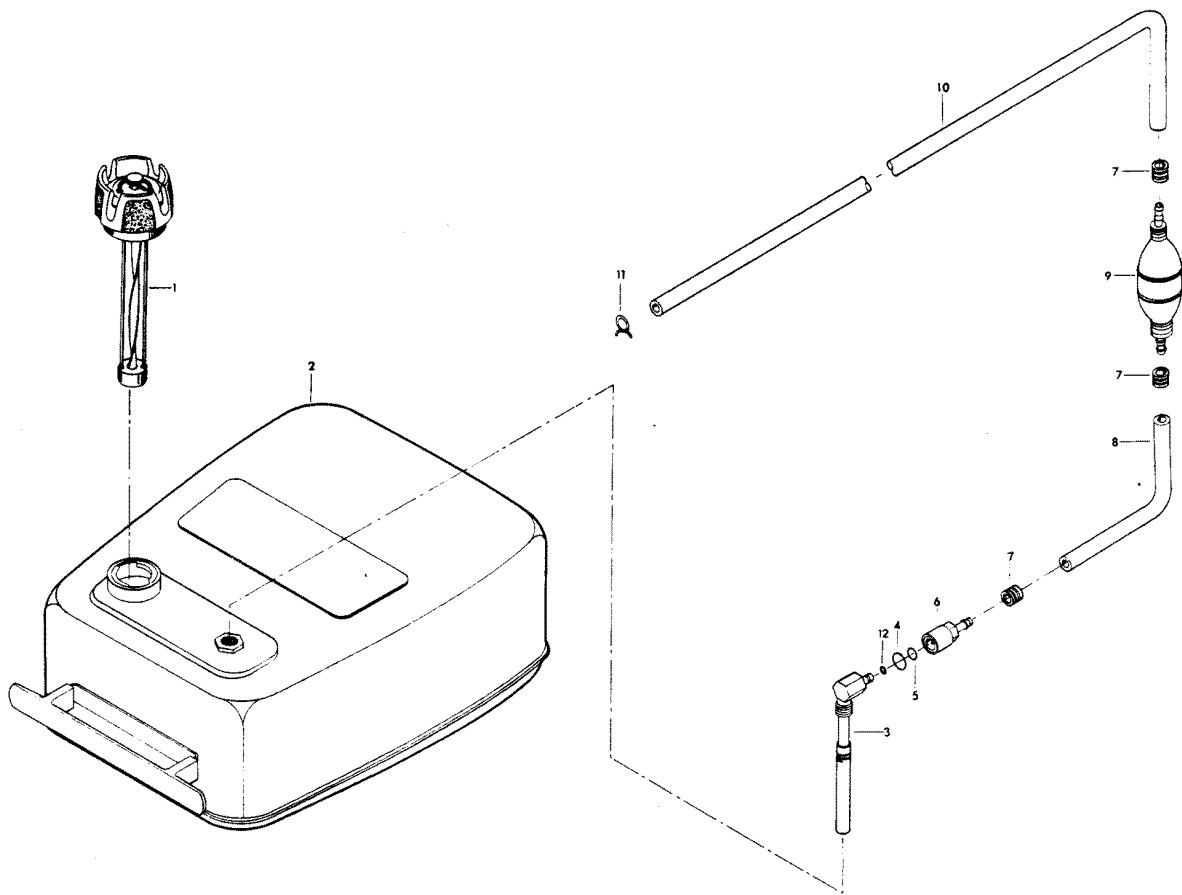
GEAR HOUSING



GEAR HOUSING

REF. NO.	PART NO.	SYM.	QTY.	DESCRIPTION
66	F523057		1	BEARING, DRIVESHAFT LOWER
67	F9106		A/R	SHIM, DRIVESHAFT BEARING UPPER .033 - BRASS
-	F9095		A/R	SHIM, DRIVESHAFT BEARING UPPER .005 - SILVER
-	F9097		A/R	SHIM, DRIVESHAFT BEARING UPPER .010 - BLACK
68	F523498		1	DRIVE KEY, WATER PUMP
69	FK550128		1	DRIVESHAFT W/BEARING, ILLUS. 50, 67 AND LITERATURE
-	FK551128		1	DRIVESHAFT W/BEARING, SHIMS AND CRUSH RING (MODEL 850H1C)
70	F438271		1	RETAINER, CRANKSHAFT SPLINE SEAL
71	F438129		1	SEAL, DRIVESHAFT SPLINE
72	F1836		2	PLAIN WASHER
73	F90619-1		1	YOKE
74	FK1063-1		1	SEAL KIT
-	F50342-1		4	BEARING CAGE BOLT SEAL
-	F506118		1	PROPELLER SHAFT SEAL
-	F24278		1	PROPELLER SHAFT SPOOL SEAL
-	F84305		1	PROPELLER SHAFT SPOOL SEAL
-	F498618		1	GEAR SHIFT ARM PIN SEAL
-	F8077		2	WASHER
-	F523555		1	GEAR HOUSING COVER SEAL
-	F74305		1	GEAR HOUSING COVER SEAL
-	F84307-1		1	DRIVE SHAFT SEAL
-	F338618-1		1	GEAR SHIFT ROD SEAL
75	FK1069		1	WATER PUMP KIT
-	F1425		2	HEX CAP SCREW, 1/4 - 20 X 5/8
-	F1990		2	HEX CAP SCREW
-	F8083		4	SPRING LOCKWASHER
-	F523031		1	GASKET, WATER PUMP
-	F523065-1		1	IMPELLER
-	F523498		1	KEY
-	F523562		1	PLATE, WATER PUMP
-	46-817853A1		1	WATER PUMP

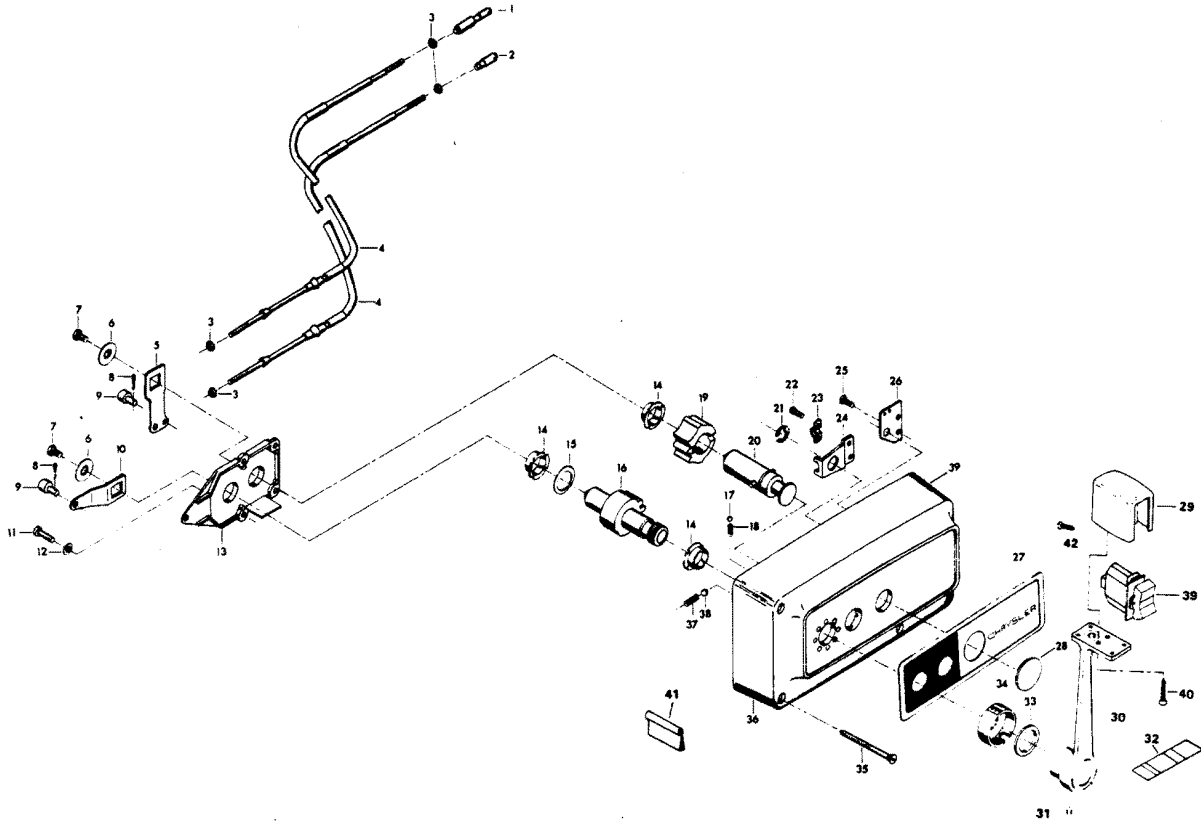
FUEL TANK AND LINE



FUEL TANK AND LINE

REF. NO.	PART NO.	SYM.	QTY.	DESCRIPTION
1	F409251-1		1	GAUGE CAP
2	F5H026		1	FUEL TANK (ACCESSORY ITEM)
3	F485755-1		1	FUEL TANK ADAPTER
4	F213342		1	SEAL, FUEL LINE COUPLER (LARGE)
5	F213735		1	SEAL, FUEL LINE COUPLER (SMALL)
6	F197787-3		1	FUEL LINE COUPLER
7	F298788		3	FERRULE
8	FA84754-1		1	FUEL LINE SHORT W/ ILLUS. 7
9	89396A38		1	PRIME BULB W/ LITERATURE ORIGINAL FORCE P/N S 387766-1
10	32-817738A1		1	FUEL LINE LONG W/ ILLUS. 7 AND 11 ORIGINAL FORCE P/N A 197752-1
11	F97772		1	FUEL LINE CLAMP
12	F17932		1	SEAL, FUEL TANK ADAPTER
-	FS409752		1	FUEL LINE COMPLETE INCLUDES ALL ITEMS MARKED WITH AN ASTERISK (*)
-	FC409398		1	DECAL, TOTE TANK - CANADA (NOT SHOWN)

REMOTE CONTROL

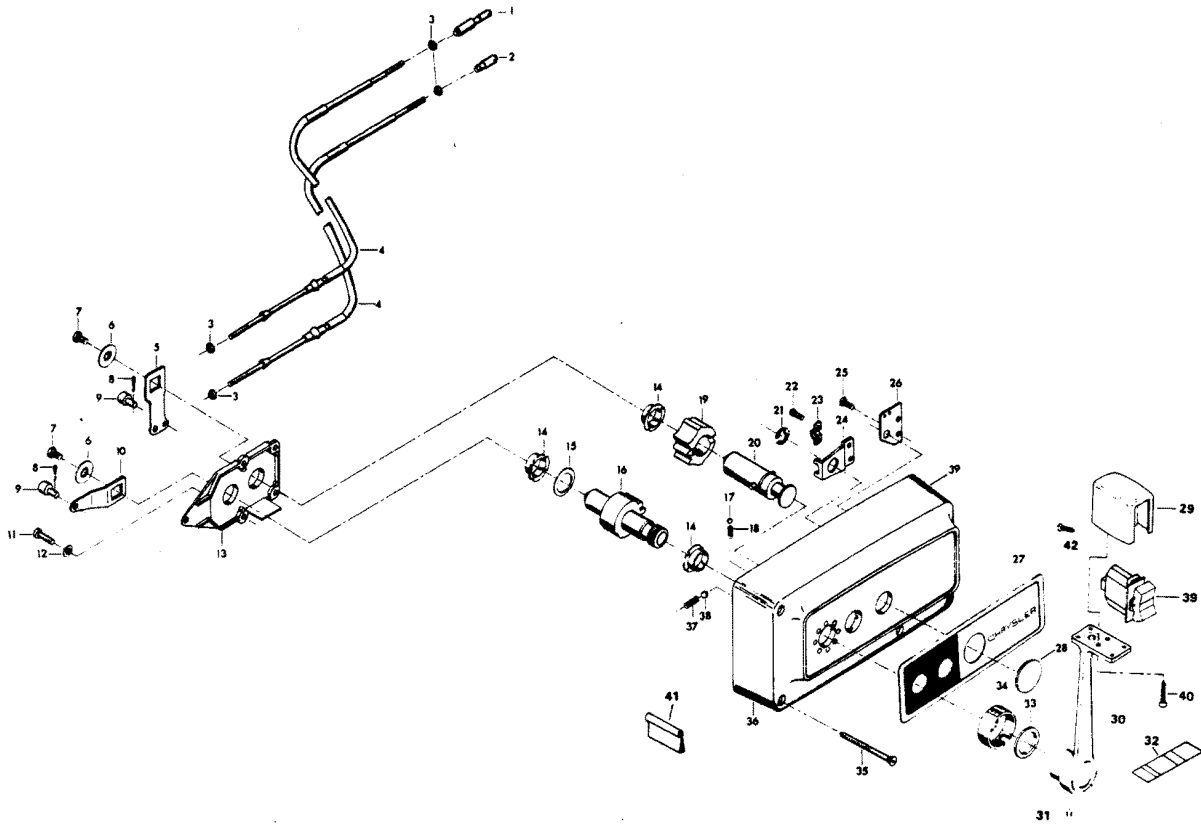


REMOTE CONTROL

REF. NO.	PART NO.	SYM.	QTY.	DESCRIPTION
1	FA58976-1		1	CONNECTOR, THROTTLE CABLE
2	F58685-2		1	CONNECTOR, SHIFT CABLE
3	F1513		4	HEX NUT
4	ÄF58356//		2	REMOTE CONTROL CABLE (SPECIFY LENGTH)
5	F17019		1	CLUTCH ARM
6	F17036		2	INTERNAL TOOTH LOCKWASHER
7	F1715		2	HEX BOLT, 1/4 - 28 X 9/16
8	F17149		2	COTTER PIN
9	F17016		2	CABLE TERMINAL
10	F17014		1	THROTTLE ARM
11	F17013		2	FILL HD SCREW, 1/4 - 20 X 1/2
12	F17147		2	INTERNAL TOOTH LOCKWASHER
13	F17012		1	RETAINING PLATE
14	F17009		3	BEARING
15	F17011		1	BOWED WASHER
16	F17010-1		1	THROTTLE GEAR
17	F17111		1	DETENT BALL
18	F17006		1	DETENT SPRING
19	F17021		1	CLUTCH GEAR
20	F17100		1	CLUTCH SHAFT
21	F17092		1	SNAP RING
22	F17071		2	FILL HD SCREW, 10 - 24 X 5/16
23	F154317		1	CABLE CLAMP
24	F17026		1	SWIVEL
25	F1557		2	FLAT HD SCREW, 10 - 24 X 3/8
26	F17112		1	JUNCTION BOARD, STARBOARD
-	F17113		1	JUNCTION BOARD, PORT
27	F17148		1	DECAL, STARBOARD
-	F531892		1	DECAL, PORT
28	F17031-1		1	SNAP CAP
29	F448543		1	KNOB
30	F448611-1		1	HANDLE
31	F455690		1	SET SCREW
32	F449894		1	INDICATOR - STARBOARD
-	F448894		1	INDICATOR - PORT
33	F17105		1	FELT WASHER
34	F17106		1	COLLAR
35	F17146		3	WOOD SCREW
36	F17099		1	HOUSING
37	F17068		1	DETENT SPRING
38	F17082-1		1	DETENT BALL
39	F455449		1	SWITCH, TRIM
40	F1461		2	SCREW #6 X 7/8

CONTINUED ON NEXT PAGE ➡

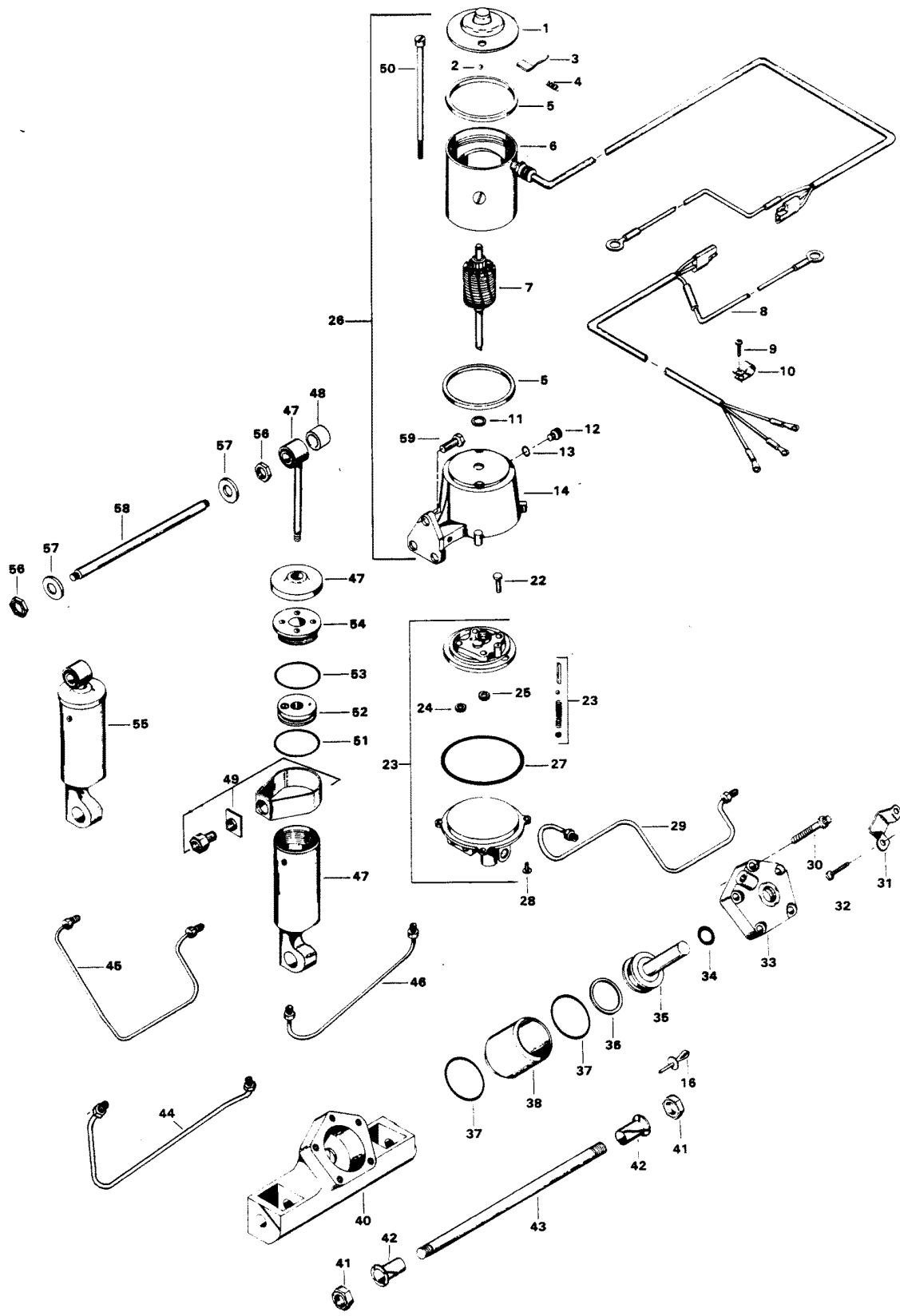
REMOTE CONTROL



REMOTE CONTROL

REF. NO.	PART NO.	SYM.	QTY.	DESCRIPTION
41	F448446		1	CLAMP, TRIM SWITCH CABLE
-	F1280		2	PAN HD SCREW, 8 - 32 X 1/4 (TERMINAL BOARD) (NOT SHOWN)
-	OB3061		1	LITERATURE (NOT SHOWN) INSTALLATION INSTRUCTIONS FOR REMOTE CONTROL
-	F17103		1	BAG ASSEMBLY (NOT SHOWN) INCLUDES ITEMS MARKED WITH AN ASTERISK (*).
42	F1280		3	PAN HD SCREW, 8 - 32 X 1/4

POWER TRIM UNIT

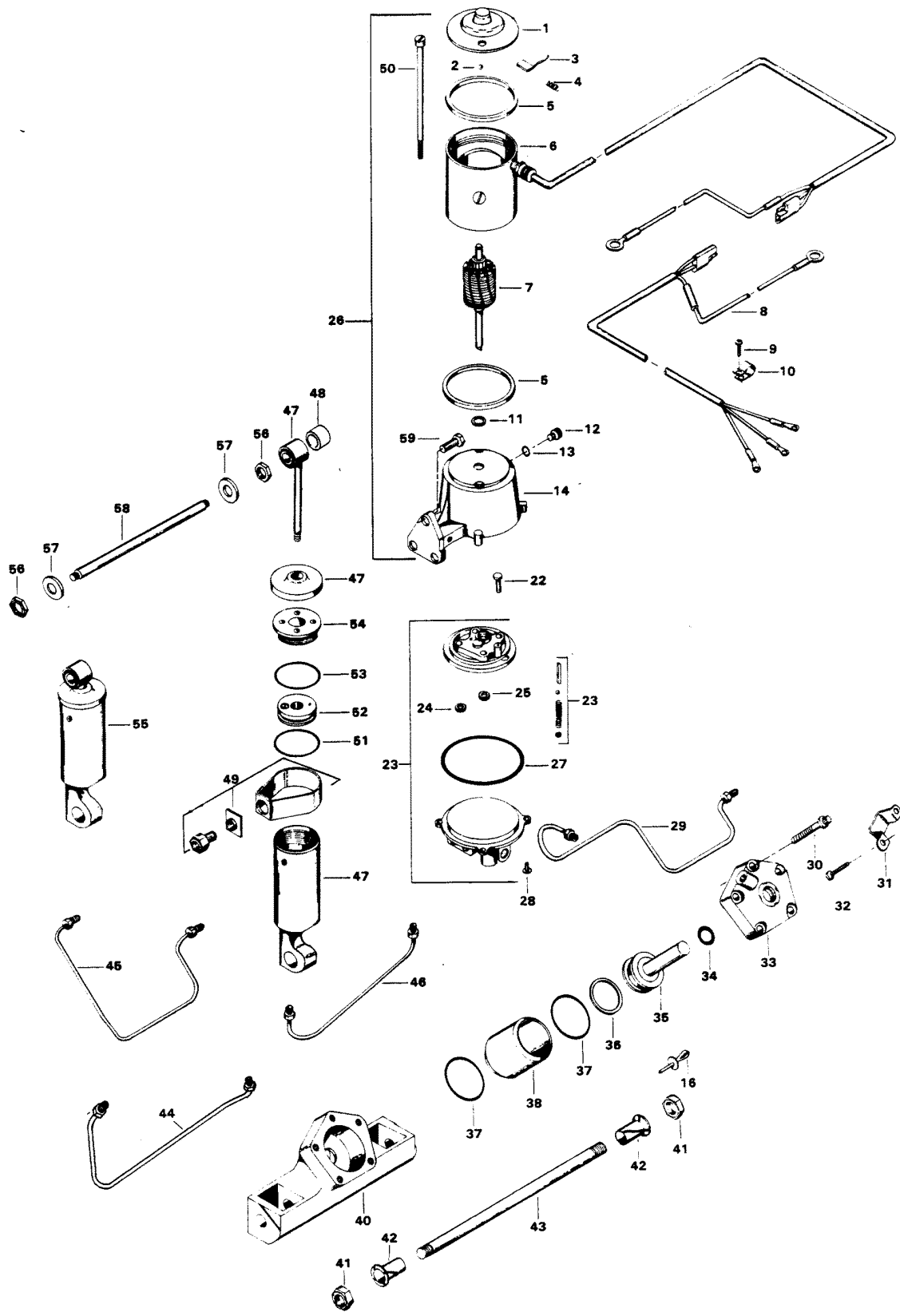


POWER TRIM UNIT

REF. NO.	PART NO.	SYM.	QTY.	DESCRIPTION
1	F17543		1	HEAD ASSEMBLY, COMMUTATOR END
2	F17539		1	BALL
3	F17504		1	BRUSH SET
4	F17500		1	SPRING SET
5	F17557		2	GASKET
6	F17556		1	FIELD AND FRAME ASSEMBLY
7	F17555		1	ARMATURE
8	F500843		1	CABLE
9	F1741		2	THREAD FORMING SCREW, 8 X 3/4
10	F178446		2	CLAMP
11	F17508		A/R	THRUST WASHER
12	F17518		1	FILTER CAP
13	F17510		1	O-RING
14	F17505		1	RESERVOIR AND BRACKET W/SEAL
16	F1966		1	PLUG, SWIVEL BRACKET
22	F1203		1	HEX CAP SCREW, 1/4 - 20 X 7/8
23	F17564		1	VALVE BODY AND PUMP
24	F17566		1	IDLE GEAR
25	F17565		1	DRIVE GEAR
26	F17563		1	MOTOR AND RESERVOIR
27	F17522		1	O-RING
28	F1310		4	ROUND HD SCREW, 10 - 24 X 5/8
29	F449254		1	HYDRAULIC LINE, TRIM CYLINDER, UPPER
30	F1959		5	FERRY HD CAP SCREW, 1/4 - 20 X 1-3/4, STAINLESS STEEL
31	F449354		1	THRUST BRACKET
32	F1734		2	FILL HD MOUNTING SCREW AND LOCKWASHER, 1/4 - 20 X 1/2
33	FA449149		1	COVER W/SEALS AND RETAINER
34	F449342		1	SEAL, PISTON SHAFT
35	FA449015		1	PISTON
36	F449278		1	PISTON SEAL
37	F40278		2	SEAL, CYLINDER
38	F449010		1	CYLINDER
40	F449545-2		1	CYLINDER HOUSING
41	F1963		2	ELASTIC STOP NUT, 5/8 - 18
42	F178362		2	BEARING
43	F449632		1	SHAFT
44	F449253-1		1	HYDRAULIC LINE, TRIM CYLINDER, LOWER
45	F449754-1		1	HYDRAULIC LINE, LIFT CYLINDER, LOWER
46	F449758		1	HYDRAULIC LINE, LIFT CYLINDER, UPPER
47	FA17559		1	LIFT CYLINDER COMPLETE W/ILLUS. 51
48	F178344		2	BUSHING, SHOCK ABSORBER UPPER
49	F17577		1	ADAPTER FITTING PACKAGE

CONTINUED ON NEXT PAGE ➡

POWER TRIM UNIT



POWER TRIM UNIT

REF. NO.	PART NO.	SYM.	QTY.	DESCRIPTION
50	F17558		1	THRU-BOLT PACKAGE
-	F1877		2	TY-RAP (NOT SHOWN)
51	F17561-1		1	O-RING
52	F17562-1		1	PISTON ASSEMBLY
53	F17528		1	O-RING
54	F17560		1	HEAD ASSEMBLY
55	FA178962		1	SHOCK ABSORBER WILLUS. 51
56	F1931		2	STOP NUT, 1/2 - 20, STAINLESS STEEL
57	F1960		2	PLAIN WASHER
58	F449889		1	SHAFT, UPPER
59	F1822		3	HEX CAP SCREW, 5/16 - 18 X 7/8, STAINLESS STEEL

SPECIAL TOOLS - TUNE-UP

REF. NO.	PART NO.	SYM.	QTY.	DESCRIPTION
-	FTA2937-1		0	TIMING TOOL TO ADJUST TIMING POINTER.
-	FT8978		0	TIMING LIGHT FOR ADJUSTING IGNITION TIMING.
-	FT8948-1		0	PULLER TO REMOVE FLYWHEEL.

SPECIAL TOOLS - POWER HEAD

REF. NO.	PART NO.	SYM.	QTY.	DESCRIPTION
-	FT2998		0	TORQUE WRENCH (0 - 100 LBS./FT.) TO TORQUE FLYWHEEL NUT.
-	FT2999		0	TORQUE WRENCH (0 - 600 LBS./FT.) TO TORQUE ALL FASTENERS.
-	FT2991		0	CARBON BRUSH TO REMOVE CARBON DEPOSITS FROM POWER HEAD.
-	FT8914		0	SEAL REMOVER TO REMOVE UPPER CRANKSHAFT BEARING CAGE SEAL.
-	FT8903		0	SEAL INSTALLER TO INSTALL UPPER CRANKSHAFT BEARING CAGE SEAL.
-	FT8907		0	DRIVER HANDLE USED WITH T 8903.
-	FT8925		0	SEAL INSTALLER TO INSTALL LOWER CRANKSHAFT SEAL.
-	FT2953		0	SOCKET TO TORQUE CONNECTING ROD SCREWS.
-	FT2990		0	PISTON PIN TOOL TO REMOVE AND INSTALL PISTON PINS.
-	FT2996		0	RING COMPRESSOR TO INSTALL PISTONS IN CYLINDER.
-	FT8926		0	RING EXPANDER TO INSTALL PISTON RINGS.
-	FT1082		0	SNAP RING PLIER TO REMOVE AND INSTALL DISTRIBUTOR RETAINING RING.
-	FT8933		0	LIFTING HOOK TO LIFT ENGINE.
-	FT8900		0	HOSE CLAMP PLIERS TO REMOVE FUEL LINE CLAMP.

SPECIAL TOOLS - GEAR HOUSING

REF. NO.	PART NO.	SYM.	QTY.	DESCRIPTION
-	FT8948-1		0	PULLER TO REMOVE PROPELLER SHAFT SPOOL FROM GEAR HOUSING.
-	FT11209		0	BEARING GUIDE SET TO REMOVE/INSTALL FORWARD BEARING CUP.
-	FT8918		0	BEARING GUIDE SET TO BE USED WITH T 11209 BEARING GUIDE SET.
-	FT11207		0	BEARING CUP REMOVER TO REMOVE FORWARD BEARING CUP IN GEAR HOUSING.
-	FT11205		0	BEARING INSTALLER/REMOVER TO REMOVE AND INSTALL LOWER DRIVESHAFT BEARING.
-	FT11204		0	BEARING CUP INSTALLER TO INSTALL FORWARD BEARING CUP IN GEAR HOUSING.
-	FT8930-1		0	FEELER GAUGE SET TO USE IN SHIMMING LOWER UNIT.
-	FT8957		0	SEAL INSTALLER TO INSTALL SHIFT ROD SEAL.
-	FT8985		0	SEAL INSTALLER TO INSTALL PROPELLER SHAFT SEAL IN SPOOL.
-	FT8925		0	SEAL INSTALLER TO INSTALL DRIVESHAFT SEAL IN GEAR HOUSING COVER.
-	FT3012		0	SEAL INSTALLER TO INSTALL DRIVESHAFT SEAL IN WATER PUMP.
-	FTA8997		0	SHIM TOOL TO SHIM LOWER UNIT.
-	FT8901		0	INDICATOR HOLDER USED IN CONJUNCTION WITH T 8997.
-	FT8902		0	DIAL INDICATOR USED IN CONJUNCTION WITH T 8997.
-	FT8907		0	DRIVER HANDLE USED WITH T 11204, T 11205, T 11209.
-	FT8919		0	SPRING PIN PUNCH TO REMOVE CLUTCH SPRING PIN.
-	FT7848		0	TORQUE ADAPTER TO HOLD DRIVESHAFT SPLINE WHILE TORQUING.

SPECIAL TOOLS - TEST EQUIPMENT

REF. NO.	PART NO.	SYM.	QTY.	DESCRIPTION
-	FT2951		0	CIRCUIT TRACER TO TROUBLESHOOT ELECTRICAL SYSTEM.
-	FTK8999		0	TEST WHEEL TO TEST MOTOR IN TEST TANK. ORIGINAL FORCE P/N TA 8999
-	FT8950		0	LEAKAGE TESTER TO TEST LOWER UNIT SEALS FOR LEAKAGE.
-	FT8953		0	IGNITION TESTER TO TEST OUTPUT OF C-D UNIT.
-	FT2938-1		0	CONTINUITY TESTER TO TEST CIRCUITS FOR CONTINUITY.

SPECIAL TOOLS - LUBRICANTS AND SEALANTS

REF. NO.	PART NO.	SYM.	QTY.	DESCRIPTION
-	FT2961		0	LUBRICANT - RYKON #2EP
-	FT2987-1		0	LUBRICANT - ANTI-SEIZE
-	FT8969		0	LUBRICANT - 7 OZ. L PSI LUBRICANT
-	FT8955		0	SEALANT - 5 OZ. EC-750 INDUSTRIAL SEALANT
-	FT8983		0	SEALANT - 3 OZ. RTV SEALANT FROM IN PLACE GASKETS
-	FT8936		0	SEALANT - 2 CC LOCTITE RETAINING COMPOUND #75
-	FT2962-1		0	SEALANT - 50 CC LOCTITE H, NON-HARDENING GRADE
-	FT2963-1		0	SEALANT - 2 OZ. LOCTITE D, HARDENING GRADE
-	FT8935		0	SEALANT PRIMER - 6 OZ.

SPECIAL TOOLS - ACCESSORIES

REF. NO.	PART NO.	SYM.	QTY.	DESCRIPTION
-	F5H014		0	FLUSHING ADAPTER PERMITS FRESH WATER FLUSHING OF WATER PASSAGES WITH STANDARD GARDEN HOSE.
-	F5H130		0	REMOTE CONTROL - SURFACE MOUNT PERMITS REMOTE CONTROL OF THROTTLE AND GEAR SHIFT FROM STARBOARD SIDE OF BOAT.
-	F5H120		0	REMOTE CONTROL BACK PLATE TO PREVENT INTERFERENCE WITH PADDED SIDE OF BOAT.
-	F5H131		0	PORT SIDE DECAL KIT CONVERTS 5H130 CONTROL BOX TO PORT SIDE MOUNTING.
-	F590		0	REMOTE CONTROL - FLUSH MOUNT FLUSH MOUNT CONTROL UNIT PERMITS REMOTE CONTROL OF THROTTLE AND GEAR SHIFT. MAY BE MOUNTED ON PORT OR STARBOARD SIDE OF BOAT.
-	865		0	REMOTE CONTROL - SURFACE MOUNT PERMITS REMOTE CONTROL OF THROTTLE AND GEAR SHIFT ON TWIN ENGINE INSTALLATIONS. MAY BE MOUNTED ON PORT OR STARBOARD SIDE OF BOAT.
-	F5H079		0	SINGLE REMOTE CONTROL BOX PERMITS REMOTE CONTROL OF THROTTLE AND GEAR SHIFT. CONSOLE MOUNTED.
-	F5H080		0	TWIN REMOTE CONTROL BOX PERMITS REMOTE CONTROL OF THROTTLE AND GEAR SHIFT - TWO ENGINES. CONSOLE MOUNTED.
-	F195/___		0	REMOTE CONTROL CABLES CONNECTS REMOTE CONTROL BOX TO THROTTLE AND GEAR SHIFT ON ENGINE. AVAILABLE IN 6 THROUGH 40 FOOT LENGTHS.
-	F5H132		0	REMOTE CONTROL HANDLE TRIM SWITCH HAS POWER TRIM CONTROL SWITCH IN HANDLE. REPLACES STANDARD CONTROL LEVER ON 5H130 CONTROL BOX.
-	F5H108		0	STEERING CONNECTOR CLEVIS TYPE FOR BOAT MOUNTED STEERING AND NONTHREADED CABLE END.
-	F5H094		0	STEERING LINK KIT CONNECTS STEERING CABLE TO ENGINE WHEN USING ENGINE MOUNTED STEERING SYSTEM.
-	F5H018		0	DUAL STEERING CONNECTOR PERMITS DUAL ENGINE INSTALLATIONS.
-	F5H026		0	STEEL, 6 GALLON FUEL TANK (LOW PROFILE) AUXILIARY TANK.
-	F5H029		0	TANK ANCHOR SECURES 5H026 TO BOAT.
-	F5H040		0	STEEL, 12 GALLON FUEL TANK AUXILIARY TANK.
-	5H111		0	INSTRUMENT ADAPTER - 2" PROVIDES SURFACE MOUNTING OF INSTRUMENTS.
-	F5H112		0	INSTRUMENT ADAPTER - 3 1/2" PROVIDES SURFACE MOUNTING OF INSTRUMENTS.
-	F5H019		0	ANTI-CORROSION KIT ELECTRICAL KIT FOR MOUNTING ON BOAT (12V) TO REDUCE CORROSION.
-	F5H025		0	ANTI-CORROSION SACRIFICIAL ANODE KIT USED TO REDUCE CORROSION.
-	F5H043		0	OVERHEAT BUZZER SOUNDS WARNING BUZZER IF ENGINE OVERHEATS.
-	F5H161		0	POWER TRIM INDICATOR INDICATES ENGINE TRIM ANGLE.

CONTINUED ON NEXT PAGE ➡

SPECIAL TOOLS - ACCESSORIES

REF. NO.	PART NO.	SYM.	QTY.	DESCRIPTION
-	F5H134		0	BOAT WHITE LACQUER ENGINE TOUCH-UP PAINT IN 123/4 OZ. SPRAY BOMBS (6 CANS PER CASE).
-	F5H044		0	TILT STOP KIT LIMITS TILTING ANGLE.
-	F5H068		0	RFI SUPPRESSION KIT PROVIDES RADIO NOISE SUPPRESSION.
-	F5H151		0	SHOCK ABSORBER KIT TO PROVIDE SHOCK PROTECTION WHEN HITTING UNDERWATER OBJECT.
-	F5H081		0	BATTERY CABLE LONGER LENGTH - 15 FEET.
-	F5H006		0	VOLTMETER - FLUSH MOUNT INDICATES BATTERY CONDITION.
-	5H047		0	CANVAS HOOD PROTECTION FOR ENGINE COVER.
-	5H051		0	BATTERY, 74 AMP 12 VOLT HEAVY DUTY BATTERY.
-	F5H021		0	EXTENSION CABLE FOR LENGTHENING BATTERY CABLE 6 1/2 FEET.
-	F5H041		0	BATTERY TERMINAL KIT ADAPTS MODEL 5H051 BATTERY TERMINALS FOR CONNECTIONS TO BATTERY CABLE ON ENGINE.
-	71H25		0	CHARGE INDICATOR LAMP GLOWS GREEN WHEN ALTERNATOR IS RECHARGING BATTERY. DO NOT USE INDICATOR LAMP AND AMMETER IN SAME INSTALLATION.
-	F5H037		0	CIGAR LIGHTER FOR USE AS CONVENIENCE OUTLET.
-	F5H008		0	FUEL GAUGE FLUSH MOUNT MONITORS FUEL SUPPLY.
-	5H145		0	HYDRAULIC TILT HYDRAULIC UNIT TO RAISE AND LOWER THE LOWER UNIT WHEN BEACHING OR TRAILERING BOAT.
-	479		0	HEAT LAMP KIT GLOWS RED IF ENGINE OVERHEATS. DO NOT USE HEAT LAMP AND TEMPERATURE GAUGE IN SAME INSTALLATION.
-	F5H119		0	PROPELLER SPACER (FLARED) REDUCES PROPELLER VENTILATION ON SOME HULLS.
-	F5H007		0	HOURLY METER RECORDS ENGINE RUNNING TIME.
-	F5H077		0	IGNITION KEY SWITCH SHORT BARREL WITH KEYS.
-	F5H078		0	IGNITION KEY SWITCH LONG BARREL WITH KEYS.
-	F762		0	REMOTE ELECTRIC CABLE 25 FOOT CABLE FOR LARGE BOATS.
-	F5H070		0	REMOTE ELECTRIC CABLE 21 FOOT CABLE FOR LARGE BOATS.
-	5H082		0	REMOTE ELECTRIC CABLE 35 FOOT CABLE FOR LARGE BOATS.
-	F5H028		0	SENDING UNIT FOR USE WITH 5H008 FUEL GAUGE.
-	F5H005		0	TEMPERATURE GAUGE FLUSH MOUNT MONITORS ENGINE TEMPERATURE. DO NOT USE TEMPERATURE GAUGE AND HEAT LAMP IN SAME INSTALLATION.
-	F5H012		0	TACHOMETER FLUSH MOUNT MONITORS ENGINE R.P.M. TO PROVIDE CHECK OF ENGINE PERFORMANCE.
-	F5H149		0	POWER TRIM ADJUSTS ENGINE TRIM AND TILTS ENGINE.
-	F5H002		0	SPEEDOMETER FLUSH MOUNT MONITORS BOAT SPEED (10 - 65 M.P.H.).
-	F5H004		0	SPEEDOMETER FLUSH MOUNT MONITORS BOAT SPEED (10 - 50 M.P.H.).

CONTINUED ON NEXT PAGE ➡

SPECIAL TOOLS - ACCESSORIES

REF. NO.	PART NO.	SYM.	QTY.	DESCRIPTION
-	F5H003		0	SPEEDOMETER FLUSH MOUNT MONITORS BOAT SPEED (20 - 100 KM/H).
-	F5H115		0	TRAILERING TILT LOCK SECURES ENGINE IN HALF TILT POSITION FOR TRAILERING.
-	F5H076		0	SWITCH EXTENSION CABLE - 5 FT. ALLOWS INSTALLATION OF IGNITION SWITCH IN 5H130 CONTROL BOX WITH 563 TERMINAL BLOCK.
-	F5H030		0	SWITCH KIT - RUNNING LIGHTS DASH MOUNTED TOGGLE SWITCH.
-	F5H031		0	SWITCH KIT - SPOT LIGHT DASH MOUNTED TOGGLE SWITCH.
-	F5H032		0	SWITCH KIT - WIPER DASH MOUNTED TOGGLE SWITCH.
-	F5H034		0	SWITCH KIT - BILGE PUMP DASH MOUNTED TOGGLE SWITCH.
-	F5H035		0	SWITCH KIT - HORN DASH MOUNTED TOGGLE SWITCH (MOMENTARY).
-	F5H036		0	SWITCH KIT - TACHOMETER TRANSFER DASH MOUNTED TOGGLE SWITCH FOR ONE TACHOMETER ON DUAL ENGINE INSTALLATION.
-	5H139		0	SWITCH KIT - LIVWELL FOR OPERATING LIVWELL PUMP.
-	F5H038		0	SWITCH KIT - IGNITION SWITCH TO MOUNT IGNITION SWITCH ON DASH.
-	F5H039		0	SWITCH KIT - INSTRUMENT LIGHT DASH MOUNTED TOGGLE SWITCH.
-	F563		0	TERMINAL BLOCK KIT DOUBLE ROW 10 SECTION TO SIMPLIFY ACCESSORY INSTALLATION.
-	F5H075		0	WIRING HARNESS - IGNITION SWITCH (24") USE WITH 563 TERMINAL BLOCK.
-	F596		0	CHRYSLER OUTBOARD OIL SEE BLOCK COMMENT 1.
-	F597		0	CHRYSLER OUTBOARD GEAR LUBE SEE BLOCK COMMENT 2.
-	F5H059		0	CHRYSLER OUTBOARD MULTI-PURPOSE GREASE LUBRICATES BEARINGS AND OTHER MOVING PARTS. AVAILABLE IN 8 OZ. TUBES AND 12 TUBE CASES.
-	F5H060		0	CHRYSLER OUTBOARD GREASE GUN

PARTS INDEX

Part Number	Description	Pg.	Ref. No.	Part Number	Description	Pg.	Ref. No.
ÄF58356//	REMOTE CONTROL CABLE (SPECIFY LENGTH)	43	4	F1280	PAN HD SCREW, 8 - 32 X 1/4	29	20
15169	FRAME AND FIELD ASSEMBLY	9	10	F1280	PAN HD SCREW, 8 - 32 X 1/4	45	-
479	HEAT LAMP KIT	56	-	F1280	PAN HD SCREW, 8 - 32 X 1/4	45	42
5H047	CANVAS HOOD	56	-	F1286	PAN HD SCREW, 4 - 40 X 3/16	21	40
5H051	BATTERY, 74 AMP	56	-	F1310	ROUND HD SCREW, 10 - 24 X 5/8	47	28
5H082	REMOTE ELECTRIC CABLE	56	-	F1341	HEX NUT, 1/4 - 20	21	22
5H111	INSTRUMENT ADAPTER - 2"	55	-	F1346	HEX NUT, 3/8 - 16	21	6
5H139	SWITCH KIT - LIVEWELL . . .	57	-	F1346	HEX NUT, 3/8 - 16	29	32
5H145	HYDRAULIC TILT	56	-	F14006-2	CAP BASE	13	40
71H25	CHARGE INDICATOR LAMP	56	-	F14007	CAP SCREW	11	36
817747--1	BALL JOINT W/STUD	15	28	F14011-1	CAP COVER	11	37
817747--1	BALL JOINT W/STUD	21	18	F14012-1	BRUSH	13	42
817783A5	SWIVEL BRACKET	31	60	F14015	CAP CLIP RIVET	11	20
817786A1	DISTRIBUTOR PULLEY W/STOP NUT, WASHER AND LITERATURE	11	3	F14017	TERMINAL INSULATOR (OUTSIDE)	11	16
817787A1	CYLINDER DRAIN COVER . . .	21	42	F14020-1	CAP SEAL	13	39
817788A3	SPACER PLATE	23	67	F14024	SPACER	13	45
817822A1	DISTRIBUTOR - COMPLETE.	11	-	F14025	SPACER	11	4
817892--1	PLATE, IGNITION SWITCH, CANADA (NOT SHOWN) . . .	7	-	F14028	THRUST WASHER	11	5
817931A7	MOTOR LEG COVER REAR (856H1J, 856B1J, 858H1D, 858B1D)	29	10	F14029	THRUST WASHER	11	7
817959A3	INTAKE MANIFOLD	15	25	F14030	CAP GASKET	13	41
865	REMOTE CONTROL - SURFACE MOUNT	55	-	F14036	SWIVEL	11	22
89396A38	PRIME BULB	41	9	F14037	CAP CLIPS	11	23
A611396	DECAL, STARBOARD	3	-	F14038	CAP CLIP SCREWS	11	24
A611397	DECAL, PORT	3	7	F14040	VENT	11	38
F1009	HEX BOLT, 3/8 - 16 X 2-3/4 .	21	3	F14041	EXTERNAL TOOTH LOCKWASHER	11	17
F1014	COTTER PIN	17	66	F14042	DISTRIBUTOR HOUSING W/BEARINGS	11	21
F1014	COTTER PIN (856H1J, 856B1J)	31	66	F14043	DISTRIBUTOR SHAFT	13	44
F1015	COTTER PIN	37	47	F14045	SCREW	11	28
F1059	FILL HD SCREWS, S.S., 6 - 32 X 1/4	17	70	F14046	TERMINAL SCREW	11	26
F1064	FILL HD SCREWS, S.S., 8 - 32 X 3/8	19	101	F14047	TERMINAL INSULATOR (INSIDE)	11	29
F1072	FILL HD SCREW, 1/4 - 20 X 1-3/4	19	93	F14049	TERMINAL INSULATOR (OUTSIDE)	13	46
F1087	FILL HD SCREW, 10 - 24 X 7/8	5	16	F14056	SCREW	11	30
F1099	FILL HD SCREW, 1/4 - 20 X 1-1/4	21	13	F1425	HEX CAP SCREW, 1/4 - 20 X 2-5/8	37	63
F1108	FILL HD SCREW W/LOCKWASHER, 1/4 - 20 X 3/4	15	11	F1425	HEX CAP SCREW, 1/4 - 20 X 5/8	39	-
F1110	FILL HD SCREW, 1/4 - 20 X 5/8	25	77	F1461	SCREW #6 X 7/8	43	40
F1199	HEX CAP SCREW, 1/4 - 20 X 1	21	15	F1473	HEX NUT, 10 - 24	3	31
F1203	HEX CAP SCREW, 1/4 - 20 X 7/8	47	22	F1475	FILL HD SCREW, 10 - 24 X 1/2	21	20
F1236	HEX HD SCREW, 1/4 - 20 1/2	15	42	F1491	HEX CAP SCREW, 5/16 - 18 X 3-1/4	37	41
F1263	HEX SOCKET HD CAP SCREW, 5/16 - 18 X 9/16 .	29	13	F15034	SPRING SET	9	20
F1280	PAN HD SCREW, 8 - 32 X 1/4	7	52	F1504	FILL HD SCREW, 1/4 - 20 X 1-1/4	19	91
				F1504	FILL HD SCREW, 1/4 - 20 X 1- 1/4	21	21
				F15057	BRUSH PLATE AND HOLDER	9	19
				F15080	SPRING	9	3
				F15099	ARMATURE	9	9
				F15100	BENDIX	9	5
				F15110	CLUTCH ASSEMBLY	9	4

PARTS INDEX

Part Number	Description	Pg.	Ref. No.	Part Number	Description	Pg.	Ref. No.
F15111	NUT, STOP RETAINING	9	1	F17031-1	SNAP CAP	43	28
F15112	STOP, PINION	9	2	F17036	INTERNAL TOOTH LOCKWASHER	43	6
F15125	HEAD ASSEMBLY, COMMUTATOR END	9	18	F1704	INTERNAL TOOTH LOCKWASHER	17	50
F15126	THRUST WASHER PACKAGE	9	8	F1705	HEX CAP SCREW, 1/4 - 20 X 3/4	5	38
F1513	HEX NUT	5	8	F1705	HEX CAP SCREW, 1/4 - 20 X 3/4	35	1
F1513	HEX NUT	43	3	F1705	HEX SLOT HD SCREW, 1/4 - 20 X 3/4	29	3
F1513	HEX NUT, 10 - 32	15	33	F17068	DETENT SPRING	43	37
F1513	HEX NUT, 10 - 32	21	16	F17071	FILL HD SCREW, 10 - 24 X 5/16	43	22
F1515	HEX NUT	5	37	F1708	HEX HD CAP SCREW, 1/4 - 20 X 1-3/8	3	15
F1515	HEX NUT, 5/16 - 18	17	56	F1708	HEX HD SCREW, 1/4 - 20 X 1-3/8	25	100
F15165	BRUSH TERMINAL SET	9	11	F17082-1	DETENT BALL	43	38
F15167	HEAD ASSEMBLY DRIVE END	9	7	F17092	SNAP RING	43	21
F15168	THRU BOLT PACKAGE	9	14	F17099	HOUSING	43	36
F1528	WELCH PLUG	31	41	F17100	CLUTCH SHAFT	43	20
F1532	HEX HD SCREW, 1/4 - 20 X 1	17	47	F17103	BAG ASSEMBLY (NOT SHOWN)	45	-
F1532	HEX HD SCREW, 1/4 - 20 X 1	23	43	F17105	FELT WASHER	43	33
F1532	HEX HD SCREW, 1/4 - 20 X 3/4	23	52	F17106	COLLAR	43	34
F154317	CABLE CLAMP	43	23	F17111	DETENT BALL	43	17
F1556	FILL HD SCREW, 10 W/	21	23	F17112	JUNCTION BOARD, STARBOARD	43	26
F1557	FLAT HD SCREW, 10 - 24 X 3/8	43	25	F17113	JUNCTION BOARD, PORT	43	-
F1577	FILL HD SCREW, 1/4 - 20 X 3/4	35	20	F1713	SPRING PIN	35	26
F1593	HEX HD SCREW, 3/8 - 16 X 3	29	30	F17146	WOOD SCREW	43	35
F1612	HEX CAP SCREW, 3/8 - 16 X 1-1/4	11	8	F17147	INTERNAL TOOTH LOCKWASHER	43	12
F1641	LOCK NUT, 1/4 - 28	9	6	F17148	DECAL, STARBOARD	43	27
F1645	RD HD SCREW, 6 - 32 X 1/4	5	39	F17149	COTTER PIN	43	8
F1645	RD HD SCREW, 6 - 32 X 1/4	17	51	F1715	HEX BOLT, 1/4 - 28 X 9/16	43	7
F1647	HEX NUT, 10 - 32	25	76	F1727	PLASTIC RIVET	21	25
F1647	HEX NUT, 8 - 32	5	20	F1729	PLUG	29	9
F1647	HEX NUT, 8 - 32	11	18	F1730	PAN HD SCREW, W/SPRING LOCKWASHER, 1/4 - 20 X 5/8	3	5
F1648	PAN HD SCREW, 10 - 24 X 3/4	5	24	F1733	PAN HD SCREW, 10 - 24 X 9/16	3	2
F1664	SPRING PIN	29	11	F1734	FILL HD MOUNTING SCREW AND LOCKWASHER, 1/4 - 20 X 1/2	47	32
F1666	BOWED SPRING WASHER	29	26	F1734	FILL HD SCREW, W/ LOCKWASHER 20 X 1/2	5	29
F1669	LOCK NUT	31	43	F1741	PAN HD SCREW 8 X 3/4	7	53
F1689	HEX HD CAP SCREW, 1/4 - 20 X 1/2	5	5	F1741	THREAD FORMING SCREW, 8 X 3/4	47	9
F1692	WOODRUFF KEY	13	43	F1744	SPRING PIN (856H1J, 856B1J)	31	48
F1693	TIE BAR RETAINER	19	100	F1744	SPRING PIN (856H1J, 856B1J)	31	55
F1696	HEX BOLT, 5/16 - 18 X 1-3/4	29	24	F17500	SPRING SET	47	4
F17006	DETENT SPRING	43	18	F17504	BRUSH SET	47	3
F17009	BEARING	43	14	F17505	RESERVOIR AND BRACKET W/SEAL	47	14
F17010-1	THROTTLE GEAR	43	16				
F17011	BOWED WASHER	43	15				
F17012	RETAINING PLATE	43	13				
F17013	FILL HD SCREW, 1/4 - 20 X 1/2	43	11				
F17014	THROTTLE ARM	43	10				
F17016	CABLE TERMINAL	43	9				
F17019	CLUTCH ARM	43	5				
F17021	CLUTCH GEAR	43	19				
F17026	SWIVEL	43	24				
F1703	SPRING LOCKWASHER	23	65				
F1703	SPRING LOCKWASHER	33	78				

PARTS INDEX

Part Number	Description	Pg.	Ref. No.	Part Number	Description	Pg.	Ref. No.
F17508	THRUST WASHER	47	11	F1857	HEX CAP SCREW, 5/16 - 18 X 5/8	3	19
F17510	O-RING	47	13	F1857	HEX CAP SCREW, 5/16 - 18 X 5/8	3	34
F17518	FILTER CAP	47	12	F1858	HEX CAP SCREW, 5/16 - 18 X 1	3	20
F17522	O-RING	47	27	F1858	HEX CAP SCREW, 5/16 - 18 X 1	37	39
F17528	O-RING	49	53	F1860	SLOTTED BINDING HD SCREW, 6 - 32 X 1/4	15	7
F17539	BALL	47	2	F1864	HEX CAP SCREW, 1/4 - 20 X 3/4	3	11
F17543	HEAD ASSEMBLY, COMMUTATOR END	47	1	F1864	HEX HD SCREW, 1/4 - 20 X 3/4	21	8
F1755	RD HD SCREW W/LOCKWASHER, 6 - 32 X 5/16	15	17	F1866	PLAIN WASHER	35	16
F17555	ARMATURE	47	7	F1867	HEX CAP SCREW, 3/8 - 16 X 1	27	19
F17556	FIELD AND FRAME ASSEMBLY	47	6	F1869	HEX BOLT, 3/8 - 16 X 1-1/4	23	64
F17557	GASKET	47	5	F1871	HEX HD SCREW, 3/8 - 16 X 3/4	33	79
F17558	THRU-BOLT PACKAGE	49	50	F1872	HEX BOLT, 3/8 - 16 X 1 -3/4	21	14
F17560	HEAD ASSEMBLY	49	54	F1873	HEX BOLT, 3/8 - 16 X 3	21	5
F17561-1	O-RING	49	51	F1877	TY-RAP	5	14
F17562-1	PISTON ASSEMBLY	49	52	F1877	TY-RAP (NOT SHOWN)	49	-
F17563	MOTOR AND RESERVOIR	47	26	F1883	HEX BOLT, 5/16 - 18 X 2-3/8	25	72
F17564	VALVE BODY AND PUMP	47	23	F1885	HEX BOLT, 5/16 - 18 X 4-1/4	23	56
F17565	DRIVE GEAR	47	25	F1885	HEX CAP SCREW, 5/16 - 18 X 4-1/4	35	6
F17566	IDLE GEAR	47	24	F1892	STOP NUT	5	11
F17577	ADAPTER FITTING PACKAGE	47	49	F1904	PLAIN WASHER	29	31
F1759	SHIM, DISTRIBUTOR (QTY. AS REQUIRED)	11	15	F1907	PLAIN WASHER	35	7
F1760	PAN HD SCREW, 10 - 24 X 3/8	5	36	F1910	STOP NUT, 1/4 - 20	15	30
F1760	PAN HD SCREW, 10 - 24 X 3/8	11	13	F19109	PLUG	25	83
F1760	PAN HD SCREW, 10 - 24 X 3/8	19	88	F19109	PLUG, GEAR HOUSING	37	31
F1760	PAN HD SCREW, 10 - 24 X 3/8	21	2	F1912	HEX HD SCREW, 10 - 24 X 1/2	33	81
F177330	FUEL PUMP VALVE	15	8	F1916	HEX HD SCREW, 1/4 - 20 X 1-1/8	15	27
F177350	REVERSE LOCK PIN (856H1J, 856B1J)	31	49	F1916	HEX HD SCREW, 1/4 - 20 X 1-1/8	25	87
F1778	PLAIN WASHER	11	9	F1922	HEX CAP SCREW, 1/4 - 20 X 5/8	15	3
F178323	SEAL, MOTOR LEG	29	15	F1922	HEX HD SCREW, 1/4 - 20 X 5/8	9	16
F178344	BUSHING, SHOCK ABSORBER UPPER	47	48	F1922	HEX HD SCREW, 1/4 - 20 X 5/8	23	46
F178362	BEARING	47	42	F1922	HEX SLOT HD SCREW, 1/4 - 20 X 5/8	3	16
F178446	CLAMP	47	10	F1931	STOP NUT, 1/2 - 20, STAINLESS STEEL	49	56
F1788	STOP NUT	35	15	F1934	FLAT HD SLOTTED SCREW, 6 X 1/2	7	48
F17932	SEAL, FUEL TANK ADAPTER	41	12	F1936	SPACER, BEVEL GEAR FRONT .059	35	28
F18160-2	REED	21	37	F1937	SPACER, BEVEL GEAR FRONT .062	35	-
F1822	HEX BOLT, 5/16 - 18 X 7/8	31	73	F1938	SPACER, BEVEL GEAR FRONT .065	35	-
F1822	HEX CAP SCREW, 5/16 - 18 X 7/8, STAINLESS STEEL	49	59	F1939	SPACER, BEVEL GEAR FRONT .068	35	-
F1832	STOP NUT, 1/4 - 20	23	61				
F1836	PLAIN WASHER	39	72				
F1836	SPRING PIN (856H1J, 856B1J)	31	65				
F184033-1	CHOKE ARM SWIVEL	17	69				
F184579	SEAL, CHOKE ARM SWIVEL	17	68				
F1851	FILL HD SCREW, W/LOCKWASHER, 10 - 24 X 1/2	5	1				

PARTS INDEX

Part Number	Description	Pg.	Ref. No.	Part Number	Description	Pg.	Ref. No.
F1940	SPACER, BEVEL GEAR FRONT .071	35	-	F2107	FILL HD SCREW, 10 - 24 X 5/8	5	23
F1941	SPACER, BEVEL GEAR FRONT .074	35	-	F2108	LOCK NUT, 5/16 - 18	33	84
F1942	SPACER, BEVEL GEAR FRONT .077	35	-	F2108	STOP NUT, 5/16 - 18	23	59
F195/	REMOTE CONTROL CABLES	55	-	F2113	SPACER, BEVEL GEAR FRONT .080	35	-
F1950	HEX HD SCREW, 10 - 24 X 5/8	25	92	F2114	SPACER, BEVEL GEAR FRONT .083	35	-
F1959	FERRY HD CAP SCREW, 1/4 - 20 X 1-3/4, STAINLESS STEEL	47	30	F2115	SPACER, BEVEL GEAR FRONT .086	35	-
F1960	PLAIN WASHER	49	57	F2116	SPACER, BEVEL GEAR FRONT .089	35	-
F1963	ELASTIC STOP NUT, 5/8 - 18	47	41	F2121	SPACER, BEVEL GEAR FRONT .057	35	-
F1966	PLUG, SWIVEL BRACKET	47	16	F2122	SPACER, BEVEL GEAR FRONT .054	35	-
F1968	FLYWHEEL NUT	27	21	F213274	GREASE FITTING	11	11
F1975	SPRING LOCKWASHER	5	9	F213274	GREASE FITTING	31	61
F1975	SPRING LOCKWASHER	11	12	F213342	SEAL, FUEL LINE COUPLER (LARGE)	41	4
F197787-3	FUEL LINE COUPLER	41	6	F213735	SEAL, FUEL LINE COUPLER (SMALL)	41	5
F197813	BEARING (856H1J, 856B1J)	31	68	F24278	PROPELLER SHAFT SPOOL SEAL	39	-
F1987	PLAIN WASHER	25	71	F24278	SEAL, O-RING PROPELLER SHAFT SPOOL	35	10
F1987	PLAIN WASHER	33	85	F269319	BEARING	15	31
F1990	HEX CAP SCREW	39	-	F284659-2	CRANKSHAFT THRUST BEARING, UPPER	27	22
F1990	HEX CAP SCREW, 1/4 - 20 X 1-5/8	37	61	F286461	SPRING, LOCK BAR HANDLE (856H1J, 856B1J)	31	53
F1994	HEX SOCKET HD CAP SCREW, 5/16 - 18 X 1	37	37	F289446-1	CLAMP	5	27
F1997	STOP NUT, 8 - 32	17	59	F298788	FERRULE	41	7
F2000	HEX CAP SCREW, 5/16 - 18 X 3/4	7	44	F2A404757	CYLINDER DRAIN REED PLATE	21	36
F2008	HEX BOLT, 1/4 - 20 X 7/8	25	88	F2A498023	BEVEL GEAR FRONT W/BEARING	37	29
F2008	HEX CAP SCREW, 1/4 - 20 X 7/8	25	98	F2A498662	BEVEL GEAR REAR W/BEARING CAGE, SPACER AND BEARING	35	22
F2008	HEX CAP SCREW, 1/4 - 20 X 7/8	37	55	F2A523239	SPOOL, PROPELLER SHAFT BEARING	35	11
F2008	HEX HD SCREW, 1/4 - 20 X 7/8	15	26	F2A550706	GEAR HOUSING COVER	37	53
F2014	PLAIN WASHER	33	87	F304145-4	MOTOR LEG COVER REAR (850H1C)	29	-
F2015	HEX NUT, 1/4 - 28	21	30	F307317	CLIP, TERMINAL BLOCK	5	33
F2016	FILL HD SCREW, 6 - 32 X 7/8	17	53	F316579	SEAL, CRANKCASE	27	11
F2030	HEX HD SCREW, 1/4 - 20 X 1-1/4	31	77	F316599	SEAL, STEERING SUPPORT TUBE	31	40
F203276	BOOT	11	32	F319908	GROUND WIRE, CANADA	5	41
F2033	GROOVE PIN	15	39	F321756	PACKING	3	27
F203673	TERMINAL CLIP	11	33	F321841-3	LEAD WIRE	11	35
F2042	PLAIN WASHER	21	31	F333316	THROTTLE ROLLER SHAFT	17	62
F2047	WAVE SPRING WASHER	3	23	F335215	SPACER, PISTON PIN (2 PER PISTON)	27	3
F2050	HEX HD SCREW, 1/4 - 20 X 1-1/2	15	36	F335217-1	BEARING PISTON PIN (26 PER SET)	27	5
F2066	PAN HD TAPPING SCREW, 10 X 7/16	3	35	F335654-1	DEFLECTION STOP	3	17
F2067	PLASTISOL CAP (NOT SHOWN) FOR EXPOSED THREADS OF CRANKSHAFT	27	-	F338618-1	GEAR SHIFT ROD SEAL	39	-
F2088	FASTENER	3	29	F338618-1	SEAL, GEAR SHIFT ROD	31	70
F2089	SLOTTED PAN HD MACHINE SCREW, 10 - 24 X 5/16	23	58				
F2090	PLUG	23	68				
F2093	STOP NUT, 3/8 - 24	29	16				

PARTS INDEX

Part Number	Description	Pg.	Ref. No.	Part Number	Description	Pg.	Ref. No.
F338618-1	SEAL, GEAR SHIFT ROD . . .	37	56	F438744-1	WIRING HARNESS	5	30
F345475-1	COIL	5	3	F438747	FUEL PUMP DIAPHRAGM . .	15	6
F345683	WIRE, REGULATOR- RECTIFIER GROUND	5	19	F438754	FUEL LINE	17	44
F351307	SEAL, WATER PUMP	37	64	F438760	FUEL PUMP GASKET	15	2
F353480	STUD	29	33	F438801	FITTING	15	12
F369349	REVERSE LOCK (856H1J, 856B1J)	31	44	F438841-1	LEAD WIRE - CANADA MODEL ONLY	11	-
F369364	REVERSE LOCK ARM (856H1J, 856B1J)	31	64	F438905	COIL WIRE - CANADA MODEL ONLY	11	-
F369510	LINK (856H1J, 856B1J)	31	47	F438930	RETAINER, SNOUT	37	36
F369529-1	CYLINDER HEAD GASKET . .	23	-	F438962	SHOCK MOUNT SIDE	29	12
F369529-1	CYLINDER HEAD GASKET . .	25	84	F439736	SEAL EXHAUST TUBE	29	8
F369610	BEARING	23	55	F448446	CLAMP, TRIM SWITCH CABLE	45	41
F369827	HANDLE AND SHAFT (856H1J, 856B1J)	31	69	F448543	KNOB	43	29
F369887	SHOULDER SCREW	23	54	F448611-1	HANDLE	43	30
F369977-1	INTERLOCK	23	63	F448894	INDICATOR - PORT	43	-
F373778-1	RETAINER, ENGINE COVER . .	3	37	F449010	CYLINDER	47	38
F381896-4	BATTERY CABLE	7	45	F449253-1	HYDRAULIC LINE, TRIM CYLINDER, LOWER	47	44
F391926-1	CHOKE SOLENOID PLUNGER	15	40	F449254	HYDRAULIC LINE, TRIM CYLINDER, UPPER	47	29
F391983	BAND, RETAINING	5	6	F449278	PISTON SEAL	47	36
F3A523158	REED PLATE	15	21	F449342	SEAL, PISTON SHAFT	47	34
F3C611944	ENGINE COVER COMPLETE. .	3	-	F449354	THRUST BRACKET	47	31
F40209	CARBURETOR STUD	17	55	F449545-2	CYLINDER HOUSING	47	40
F40223	GASKET, TRANSFER PORT COVER	23	48	F449632	SHAFT	47	43
F40223	TRANSFER PORT COVER GASKET	23	-	F449754-1	HYDRAULIC LINE, LIFT CYLINDER, LOWER	47	45
F40278	SEAL, CYLINDER	47	37	F449758	HYDRAULIC LINE, LIFT CYLINDER, UPPER	47	46
F404097	FLYWHEEL	5	17	F449889	SHAFT, UPPER	49	58
F404268	SPRING, BY-PASS VALVE . .	25	95	F449894	INDICATOR - STARBOARD . .	43	32
F404470-1	REGULATOR-RECTIFIER . .	5	22	F455449	SWITCH, TRIM	43	39
F404513	COIL CLAMP	5	2	F455690	SET SCREW	43	31
F404801	FITTING	23	44	F460917	STARTER RELAY	5	40
F404841	CABLE, HEAT INDICATOR . .	7	55	F474073-1	CLAMP SCREW	29	35
F40689-1	BEARING, TOWERSHAFT . .	23	66	F474387	TIMING DECAL	5	18
F407446	CLAMP	7	46	F476066-1	COVER, THERMOSTAT	25	78
F409251-1	GAUGE CAP	41	1	F476067	GASKET, THERMOSTAT COVER	25	81
F433114	HANDLE, LOCK BAR (856H1J, 856B1J)	31	54	F476067	THERMOSTAT COVER GASKET	23	-
F433209-1	STUD	15	34	F480038-2	SUPPORT PLATE	3	12
F433253	HOSE	23	45	F480107-1	CAM, STARTER INTERLOCK .	23	57
F438066	BY-PASS VALVE COVER . . .	25	93	F480388	DISC, WATER PUMP LOCATING	37	62
F438129	SEAL, DRIVESHAFT SPLINE .	39	71	F480518	CYLINDER HEAD (856H1J, 856B1J, 858H1D, 858B1D)	25	82
F438165	SCREW, FUEL PUMP BOWL . .	15	16	F480551-1	BRACKET INTERLOCK SWITCH	17	48
F438169	BEARING	31	46	F480818	BEARING, LATCH SHAFT . .	3	9
F438271	RETAINER, CRANKSHAFT SPLINE SEAL	39	70	F480955	STARTER - COMPLETE. . . .	9	-
F438346	SHOCK MOUNT, LOWER (856H1J, 856B1J, 858H1D, 858B1D)	31	74	F481061-2	CARBURETOR COMPLETE (WB-21C)	17	83
F438398-1	DECAL, WIRING - USA	25	86	F481382-1	SPACER, LATCH SHAFT . . .	3	24
F438500	FUEL SEDIMENT BOWL	15	15	F481434	GUIDE, ENGINE COVER . . .	3	28
F438617	FUEL SEDIMENT BOWL GASKET	15	13	F481567	CARBURETOR INTAKE ADAPTER	19	95
F438653	FUEL SEDIMENT BOWL SCREEN	15	14				
F438668	RETAINER, CABLE CLAMP . .	5	28				

PARTS INDEX

Part Number	Description	Pg.	Ref. No.	Part Number	Description	Pg.	Ref. No.
F481777	CAM, LATCH SHAFT	3	22	F523813	BEARING CUP	37	30
F481836	INTAKE GASKET	19	87	F523834	CLIP, SPARK PLUG WIRE	25	99
F481836	INTAKE GASKET	23	-	F523881-2	STEERING LINK	29	17
F481860-1	CARBURETOR, INTAKE	19	94	F523899	GROMMET, WATER LINE	35	4
F483884	BEARING (856H1J, 856B1J)	31	59	F523930	RETAINER	29	22
F485755-1	FUEL TANK ADAPTER	41	3	F523961	CRUSH RING	37	50
F498618	GEAR SHIFT ARM PIN SEAL	39	-	F523962	SHOCK MOUNT, C.D. UNIT	5	13
F498618	SEAL	37	33	F528068	THERMOSTAT	25	80
F498891	PIN, GEAR SHIFT ARM	37	32	F529390-1	DECAL, REVERSE LOCK (856H1J, 856B1J)	31	62
F498891	PIN, PROPELLER NUT RETAINING	35	14	F530160	REED (5 PETAL)	15	20
F499995	CYLINDER HEAD COVER	25	73	F531892	DECAL, PORT	43	-
F500843	CABLE	47	8	F532299	WASHER, PROPELLER SPLINE	35	17
F50109	PLUG, GEAR HOUSING	37	44	F53504	GROMMET	19	92
F50342-1	BEARING CAGE BOLT SEAL	39	-	F545189	BUSHING, CABLE ENTRY	3	14
F50342-1	SEAL, BEARING CAGE BOLTS	35	8	F548984	BLANKET, SILENCER TOP (NOT SHOWN)	3	-
F506118	PROPELLER SHAFT SEAL	39	-	F548985	BLANKET, SILENCER SIDE (NOT SHOWN)	3	-
F506118	SEAL, DRIVESHAFT	37	52	F549189	BUSHING, ELECTRIC CABLE	3	13
F506118	SEAL, PROPELLER SHAFT	35	9	F550133	MOTOR LEG (MODEL 850H1C)	29	-
F510374	DECAL, CIRCUIT BREAKER	5	31	F550244	INLET WATER LINE (MODEL 850H1C)	35	-
F510460	CIRCUIT BREAKER	5	32	F550346	SHOCK MOUNT, LOWER (850H1C)	31	-
F511125-2	TUBE, STEERING SUPPORT	31	39	F550518	CYLINDER HEAD (850H1C)	25	-
F511675	STARTER BRACKET, LOWER	9	17	F550615	GEAR SHIFT ROD UPPER (MODEL 850H1C)	33	-
F523031	GASKET, WATER PUMP	37	57	F550704	COUPLER, GEARSHIFT ROD UPPER (MODEL 850H1C)	31	-
F523031	GASKET, WATER PUMP	39	-	F550705	GEAR SHIFT ROD, LOWER (850H1C)	37	-
F523057	BEARING, DRIVESHAFT LOWER	39	66	F563	TERMINAL BLOCK KIT	57	-
F523065-1	IMPELLER	39	-	F58685-2	CONNECTOR, SHIFT CABLE	43	2
F523065-1	WATER PUMP IMPELLER	37	59	F590	REMOTE CONTROL - FLUSH MOUNT	55	-
F523094-2	PROPELLER NUT	35	13	F596	CHRYSLER OUTBOARD OIL	57	-
F523099-1	SPACER, PROPELLER	35	19	F597	CHRYSLER OUTBOARD GEAR LUBE	57	-
F523116	EXHAUST SNOOT	37	38	F5H002	SPEEDOMETER FLUSH MOUNT	56	-
F523133-2	MOTOR LEG (856H1J, 856B1J, 858H1D, 858B1D)	29	14	F5H003	SPEEDOMETER FLUSH MOUNT	57	-
F523146	SEAL, CRANKSHAFT LOWER	27	13	F5H004	SPEEDOMETER FLUSH MOUNT	56	-
F523188	NUT, BEVEL PINION RETAINING	37	34	F5H005	TEMPERATURE GAUGE FLUSH MOUNT	56	-
F523244	INLET WATER LINE (856H1J, 856B1J, 858H1D, 858B1D)	35	5	F5H006	VOLTMETER - FLUSH MOUNT	56	-
F523273	STEERING BALL STUD	29	23	F5H007	HOURLMETER	56	-
F523274	GREASE FITTING	29	38	F5H008	FUEL GAUGE FLUSH MOUNT	56	-
F523280	NUT, STEERING SUPPORT TUBE	31	50	F5H012	TACHOMETER FLUSH MOUNT	56	-
F523300-1	SPRING	29	19	F5H014	FLUSHING ADAPTER	55	-
F523411	RETAINING RING	35	23	F5H018	DUAL STEERING CONNECTOR	55	-
F523451	SPACER, REED STOP	15	19	F5H019	ANTI-CORROSION KIT	55	-
F523498	DRIVE KEY, WATER PUMP	39	68				
F523498	KEY	39	-				
F523555	GEAR HOUSING COVER SEAL	39	-				
F523555	SEAL, O-RING - GEAR HOUSING COVER	37	49				
F523562	PLATE, WATER PUMP	39	-				
F523562	WATER PUMP BACK PLATE	37	58				
F523705	GEAR SHIFT ROD, LOWER (856H1J, 856B1J, 858H1D, 858B1D)	37	46				

PARTS INDEX

Part Number	Description	Pg.	Ref. No.	Part Number	Description	Pg.	Ref. No.
F5H021	EXTENSION CABLE	56	-	F5H130	REMOTE CONTROL - SURFACE MOUNT	55	-
F5H025	ANTI-CORROSION SACRIFICIAL ANODE	55	-	F5H131	PORT SIDE DECAL KIT	55	-
F5H026	FUEL TANK (ACCESSORY ITEM)	41	2	F5H132	REMOTE CONTROL HANDLE TRIM SWITCH	55	-
F5H026	STEEL, 6 GALLON FUEL TANK (LOW PROFILE)	55	-	F5H134	BOAT WHITE LACQUER	56	-
F5H028	SENDING UNIT	56	-	F5H149	POWER TRIM	56	-
F5H029	TANK ANCHOR	55	-	F5H151	SHOCK ABSORBER KIT	56	-
F5H030	SWITCH KIT - RUNNING LIGHTS	57	-	F5H161	POWER TRIM INDICATOR	55	-
F5H031	SWITCH KIT - SPOT LIGHT	57	-	F63754	HOSE INTAKE DRAIN	19	90
F5H032	SWITCH KIT - WIPER	57	-	F7004	STOP NUT, 3/18 - 16	21	33
F5H034	SWITCH KIT - BILGE PUMP	57	-	F7012	LOCK NUT, 1/2 - 20	29	29
F5H035	SWITCH KIT - HORN	57	-	F7013	STOP NUT	11	2
F5H036	SWITCH KIT - TACHOMETER TRANSFER	57	-	F71H26	BATTERY TERMINAL KIT (ACCESSORY ITEM)	7	47
F5H037	CIGAR LIGHTER	56	-	F74305	GEAR HOUSING COVER SEAL	39	-
F5H038	IGNITION SWITCH MOUNTING KIT (ACCESSORY ITEM)	7	49	F74305	SEAL, DRIVESHAFT BEARING CAGE	37	51
F5H038	SWITCH KIT - IGNITION SWITCH	57	-	F762	REMOTE ELECTRIC CABLE	56	-
F5H039	SWITCH KIT - INSTRUMENT LIGHT	57	-	F8003	PLAIN WASHER	21	39
F5H040	STEEL, 12 GALLON FUEL TANK	55	-	F8011	PLAIN WASHER	5	35
F5H041	BATTERY TERMINAL KIT	56	-	F8026	PLAIN WASHER	19	-
F5H043	OVERHEAT BUZZER	55	-	F8028	PLAIN WASHER	9	15
F5H043	OVERHEAT BUZZER (ACCESSORY ITEM)	7	54	F8038	PLAIN WASHER	21	4
F5H044	TILT STOP KIT	56	-	F8038	PLAIN WASHER	29	18
F5H059	CHRYSLER OUTBOARD MULTI-PURPOSE GREASE	57	-	F8056	LOCKWASHER	11	19
F5H060	CHRYSLER OUTBOARD GREASE GUN	57	-	F8056	LOCKWASHER	11	27
F5H068	RFI SUPPRESSION KIT	56	-	F8056	SPRING LOCKWASHER	5	21
F5H070	REMOTE ELECTRIC CABLE	56	-	F8056	SPRING LOCKWASHER	25	75
F5H075	WIRING HARNESS - IGNITION SWITCH (24")	57	-	F8058	INTERNAL TOOTH LOCKWASHER	15	29
F5H076	SWITCH EXTENSION CABLE - 5 FT.	57	-	F8058	INTERNAL TOOTH LOCKWASHER	23	49
F5H077	IGNITION KEY SWITCH	56	-	F8077	WASHER	39	-
F5H078	IGNITION KEY SWITCH	56	-	F8077	WASHER, GEAR HOUSING PLUG	37	43
F5H078	IGNITION SWITCH (LONG BARREL) W/KEYS AND SCREWS	7	51	F8080	SPRING LOCKWASHER	29	21
F5H079	SINGLE REMOTE CONTROL BOX	55	-	F8083	SPRING LOCKWASHER	3	21
F5H080	TWIN REMOTE CONTROL BOX	55	-	F8083	SPRING LOCKWASHER	5	4
F5H081	BATTERY CABLE	56	-	F8083	SPRING LOCKWASHER	29	2
F5H094	STEERING LINK KIT	55	-	F8083	SPRING LOCKWASHER	37	54
F5H108	STEERING CONNECTOR	55	-	F8083	SPRING LOCKWASHER	39	-
F5H112	INSTRUMENT ADAPTER - 3 1/2"	55	-	F8088	PLAIN WASHER	17	52
F5H115	TRAILERING TILT LOCK	57	-	F8088	PLAIN WASHER	17	67
F5H119	PROPELLER SPACER (FLARED)	56	-	F8094	PLAIN WASHER	3	25
				F8094	PLAIN WASHER (856H1J, 856B1J)	31	67
				F8095	PLAIN WASHER	21	7
				F8096	SPRING LOCKWASHER	3	18
				F8096	SPRING LOCKWASHER	3	33
				F8096	SPRING LOCKWASHER	7	43
				F8096	SPRING LOCKWASHER	31	72
				F8096	SPRING LOCKWASHER	37	40
				F84011	WASHER	31	63
				F84074	CLAMP SCREW FOOT	29	34
				F84146-2	SEAL	27	20
				F84278	CRANKSHAFT BRG. SEAL CAGE SEAL	23	-

PARTS INDEX

Part Number	Description	Pg.	Ref. No.	Part Number	Description	Pg.	Ref. No.
F84286-1	FRICTION WASHER	31	57	F85350-1	TILT STOP PIVOT (856H1J, 856B1J)	29	25
F84305	PROPELLER SHAFT SPOOL SEAL	39	-	F85372	PIN, GEAR SHIFT ROD, LOWER	37	48
F84305	SEAL, PROPELLER SHAFT BEARING SPOOL	35	12	F8538	SPRING PIN	29	36
F84307-1	DRIVE SHAFT SEAL	39	-	F85380	SPRING	29	6
F84314-2	ELBOW	15	4	F85410	SNAP RING	27	8
F84314-2	ELBOW	21	28	F85426	TILT STOP (856H1J, 856B1J)	31	58
F84342	SEAL, INLET WATER LINE UPPER	35	3	F85445	DISTRIBUTOR CONTROL ROD	21	29
F84449	INTERLOCK SWITCH	17	49	F85472-2	CYLINDER DRAIN COVER GASKET	23	-
F84504	GROMMET	25	79	F85472-2	GASKET, CYLINDER DRAIN COVER	21	41
F84504	THERMOSTAT GROMMET	23	-	F85498	FLYWHEEL KEY	27	16
F84521-1	CLUTCH	35	27	F85502	THROTTLE LINK	21	17
F84792	GASKET, FUEL PUMP VALVE	15	9	F85509-1	CHOKE LINK	17	71
F84871-1	PIN, GEAR SHIFT	35	25	F85541-1	TILT LOCK (856H1J, 856B1J)	29	27
F85017	PISTON PIN	27	4	F85571	BEARING CAGE W/ROLLER	27	10
F85026	SWIVEL	21	27	F85606	KINGPIN CAP	31	76
F85033	CHOKE ROD SWIVEL	15	37	F85610	BEARING	23	60
F85035	DISTRIBUTOR CONTROL ROD END	21	32	F85615	GEAR SHIFT ROD UPPER (856H1J, 856B1J, 858H1D, 858B1D)	33	83
F85036	TOWERSHAFT CONTROL ROD END	21	26	F8563	DOWEL PIN	21	10
F85037-1	STERN BRACKET PIVOT BOLT	31	56	F85634-2	CONNECTING ROD SCREW	27	14
F85095-2	STATOR	5	15	F85660-1	EXHAUST TUBE	29	1
F85117	BRACKET, WATER LINE	35	2	F85664	DISTRIBUTOR GROUND	11	14
F85122	CRANKCASE SEAL	23	-	F85664	GROUND WIRE	5	7
F85122	PARTING LINE SEAL	21	11	F85704	COUPLER, GEARSHIFT ROD UPPER	31	71
F85130	BOOT, IDLE EXHAUST	29	5	F85748-2	CYLINDER DRAIN REED PLATE GASKET	23	-
F85151-1	EXHAUST PORT PLATE	25	91	F85748-2	GASKET, CYLINDER DRAIN REED PLATE	21	34
F85152-4	EXHAUST PORT COVER	25	89	F85762	BY-PASS VALVE GASKET	23	-
F85154-1	EXHAUST PORT PLATE GASKET	23	-	F85762	GASKET, BY-PASS VALVE	25	94
F85154-1	GASKET, EXHAUST PORT PLATE	25	90	F85772	CLAMP	29	7
F85159	GASKET, INTAKE MANIFOLD	15	24	F85779-1	BAFFLE, AIR INTAKE	33	82
F85159	MANIFOLD GASKET	23	-	F85843-1	REMOTE ELECTRIC CABLE, 18 FEET	5	10
F85161-1	REED STOP	15	18	F85859	STUD, FORWARD	21	12
F85162	REED PLATE ADAPTER	15	23	F85906	CARBURETOR GASKET	17	54
F85168	CARBURETOR ADAPTER FLANGE GASKET	23	-	F85906	CARBURETOR GASKET	23	-
F85168	GASKET REED PLATE ADAPTER	15	22	F85908	STARTER LEAD WIRE	9	13
F85173	RETAINING RING	11	6	F85916-1	BY-PASS VALVE	25	96
F85192-1	THROTTLE CAM	15	32	F85924	CHOKE SOLENOID	7	42
F85210	STUD	21	9	F85925	CHOKE ROD	15	38
F85211	STUD, REAR	25	85	F85965	SHOCK MOUNT, UPPER	33	88
F85253-1	FUEL LINE	17	46	F89758	FUEL PUMP AIR HOSE, TOP	15	5
F85258	INSERT	29	4	F9018	CAP	31	51
F85279-2	CYLINDER EXHAUST GASKET, UPPER	23	53	F9052	PLUG	29	37
F85279-2	CYLINDER, EXHAUST - UPPER GASKET	23	-	F90619-1	YOKE	39	73
F85300	REVERSE LOCK SPRING (856H1J, 856B1J)	31	45	F90807	RETAINING RING	19	98
F85311	DISTRIBUTOR BELT	11	1	F9095	SHIM, DRIVESHAFT BEARING UPPER .005 - SILVER	39	-
F85314-1	FUEL FITTING	17	45	F9097	SHIM, DRIVESHAFT BEARING UPPER .010 - BLACK	39	-
F85317-1	CLAMP	15	41				

PARTS INDEX

Part Number	Description	Pg.	Ref. No.	Part Number	Description	Pg.	Ref. No.
F9106	SHIM, DRIVESHAFT BEARING UPPER .033 - BRASS	39	67	FA84621-1	COUPLING, GEAR SHIFT ARM W/BUSHING	37	45
F91446-1	CIRCUIT BREAKER BRACKET	5	34	FA84754-1	FUEL LINE SHORT	41	8
F92759	THROTTLE ROLLER	17	63	FA85018-2	CRANKSHAFT	27	15
F93811	SCREEN	21	35	FA85019	KINGPIN	31	42
F93920	REED STOP	21	38	FA85135-4	LEG COVER, FRONT	31	75
F97772	FUEL LINE CLAMP	41	11	FA85193	TIE BAR END W/SWIVEL	19	99
F97772	HOSE CLAMP	17	43	FA85355-1	WASHER SHOCK MOUNT UPPER	33	86
F98273	ROD END CONNECTOR STUD	23	51	FA85511	THROTTLE TIE BAR W/SWIVEL	19	103
FA14048-2	PREAMPLIFIER	11	25	FA85655-1	CRANKSHAFT MAIN BEARING RACE	27	9
FA15072	HEX LOCK NUT, 1/4 - 20 W/LOCKWASHER	9	12	FA85838-5	TOWERSHAFT	21	19
FA17559	LIFT CYLINDER COMPLETE	47	47	FB368700	IGNITION KEY - STAMPED B	7	-
FA178962	SHOCK ABSORBER	49	55	FC368700	IGNITION KEY - STAMPED C	7	-
FA321574	DISTRIBUTOR BRACKET	11	10	FC409398	DECAL, TOTE TANK - CANADA (NOT SHOWN)	41	-
FA335260	PISTON RING SET (3 PER SET)	27	1	FC438398	DECAL, WIRING - CANADA	25	-
FA368700	IGNITION KEY - NO LETTER OR STAMPED A	7	50	FC499390	DECAL, STARTER CANADA NOT SHOWN	9	-
FA411222	TRANSFER PORT COVER	23	47	FC522227	SPARK PLUG (CHAMPION QUL-77V) CANADA	25	-
FA438113	STERN BRACKET LOCK BAR W/HANDLE (856H1J, 856B1J)	31	52	FC550010	SHORT BLOCK (NOT SHOWN)	25	-
FA438431	FUEL PUMP BODY	15	10	FC550054	GEAR HOUSING COMPLETE	37	-
FA438493	TERMINAL BLOCK BRACKET WITH ITEMS 28, 29 AND LITERATURE	5	26	FC584054	GEAR HOUSING COMPLETE	37	-
FA439746	FUEL PUMP COVER	15	1	FD368700	IGNITION KEY - STAMPED D	7	-
FA449015	PISTON	47	35	FE368700	IGNITION KEY - STAMPED E	7	-
FA449149	COVER W/SEALS AND RETAINER	47	33	FG1020	GASKET SET	23	69
FA480179	TRIM, TOP	3	1	FK10000	GASKET SET	19	104
FA480269	TILT HANDLE	3	3	FK10102	REPAIR PARTS KIT	19	102
FA480876	GEAR SHIFT ARM	23	62	FK1063-1	SEAL KIT	39	74
FA480894	TIMING POINTER	21	1	FK1069	WATER PUMP KIT	39	75
FA481469	ENGINE COVER LATCH HANDLE W/SHAFT	3	10	FK405020	SWIVEL W/PIVOT SCREW AND NUT	21	24
FA481743	BRACKET, ROLLER LATCH W/ROLLER	3	32	FK550128	DRIVESHAFT	39	69
FA498266	BEVEL PINION GEAR	37	35	FK551128	DRIVESHAFT W/BEARING, SHIMS AND CRUSH RING (MODEL 850H1C)	39	-
FA510497	TERMINAL BLOCK	5	25	FK750-2	SPARKIE	11	34
FA523014	CRANKSHAFT LOWER MAIN BEARING	27	12	FK85228-1	BEARING CAGE W/ROLLER	27	7
FA523054	GEAR HOUSING W/DRIVESHAFT BEARING LOWER	37	42	FO10165	INLET SEAT GASKET	17	79
FA523098	PROPELLER SHAFT	35	24	FO10588	BODY CHANNEL CUP PLUG	17	58
FA523485	ANTI-CORROSION ANODE	35	21	FO10790	INLET NEEDLE, SEAT AND GASKET	17	78
FA523735	SEAL, INLET WATER LINE LOWER	37	65	FO11103	IDLE SCREW SPRING	19	85
FA548180	TRIM, REAR	3	4	FO13430	MAIN FUEL JET (.070) OPT. 1500 FT - 3000 FT.	17	-
FA548888	TRIM, FRONT	3	36	FO13552	FUEL BOWL	17	74
FA549944	ENGINE COVER	3	6	FO13554	FLOAT	17	77
FA550018	CRANKSHAFT W/BEARING (MODEL 850H1C)	27	-	FO13555	CHOKE SHUTTER	19	97
FA583386	DECAL, NUMERAL	3	8	FO13944	FLOAT LEVER PIN	17	76
				FO13945	FUEL BOWL RETAINING SCREW	17	72
				FO13946	IDLE SCREW	19	86
				FO13967	MAIN FUEL JET (.068) OPT. 3000 FT. - 4500 FT.	19	-

PARTS INDEX

Part Number	Description	Pg.	Ref. No.	Part Number	Description	Pg.	Ref. No.
FO14108	MAIN FUEL JET (.064) OPT. 6000 FT. & UP.	19	-	FT3012	SEAL INSTALLER	52	-
FO14188	MAIN FUEL JET (.066) OPT. 4500 FT. - 6000 FT.	19	-	FT7848	TORQUE ADAPTER	52	-
FO15026	MAIN FUEL JET (.072) STD. SEA LEVEL - 1500 FT. ...	17	84	FT8900	HOSE CLAMP PLIERS	51	-
FO15217	MAIN NOZZLE	17	75	FT8901	INDICATOR HOLDER	52	-
FO15230	THROTTLE SHAFT AND LEVER	17	64	FT8902	DIAL INDICATOR	52	-
FO15623	FUEL BOWL GASKET	17	82	FT8903	SEAL INSTALLER	51	-
FO16008	THROTTLE SHAFT RETURN SPRING	17	65	FT8907	DRIVER HANDLE	51	-
FO16397	CHOKE SHAFT RETURN SPRING	17	81	FT8907	DRIVER HANDLE	52	-
FO16850	CHOKE SHAFT AND LEVER	17	80	FT8914	SEAL REMOVER	51	-
FO16851	THROTTLE SHUTTER	17	61	FT8918	BEARING GUIDE SET	52	-
FO2510	GASKET, FUEL BOWL RETAINING SCREW	17	73	FT8919	SPRING PIN PUNCH	52	-
FO4326	BODY CHANNEL WELCH PLUG	17	57	FT8925	SEAL INSTALLER	51	-
FO8942	SHUTTER SCREW W/LOCKWASHER	19	96	FT8925	SEAL INSTALLER	52	-
FO8942	THROTTLE SHUTTER SCREW AND LOCKWASHER	17	60	FT8926	RING EXPANDER	51	-
FOB2603	INSTALLATION INSTRUCTIONS (FOR 5H094 STEERING LINK KIT)	29	-	FT8930-1	FEELER GAUGE SET	52	-
FPS524	PROPELLER (ACCESSORY ITEM) (856H1J, 856B1J, 8581D, 858B1D)	35	18	FT8933	LIFTING HOOK	51	-
FPS526	PROPELLER (ACCESSORY ITEM) 850H1C	35	-	FT8935	SEALANT PRIMER - 6 OZ. ..	54	-
FS409752	FUEL LINE COMPLETE	41	-	FT8936	SEALANT - 2 CC LOCTITE RETAINING COMPOUND #75	54	-
FS85872-1	BRACKET	23	50	FT8948-1	PULLER	50	-
FSA335260	PISTON RINGS (3 PER SET) .010 OVERSIZE	27	-	FT8948-1	PULLER	52	-
FT1082	SNAP RING PLIER	51	-	FT8950	LEAKAGE TESTER	53	-
FT11204	BEARING CUP INSTALLER .	52	-	FT8953	IGNITION TESTER	53	-
FT11205	BEARING INSTALLER/REMOVER ..	52	-	FT8955	SEALANT - 5 OZ. EC-750 INDUSTRIAL SEALANT ..	54	-
FT11207	BEARING CUP REMOVER ..	52	-	FT8957	SEAL INSTALLER	52	-
FT11209	BEARING GUIDE SET	52	-	FT8969	LUBRICANT - 7 OZ. L PSI LUBRICANT	54	-
FT2938-1	CONTINUITY TESTER	53	-	FT8978	TIMING LIGHT	50	-
FT2951	CIRCUIT TRACER	53	-	FT8983	SEALANT - 3 OZ. RTV SEALANT FROM IN PLACE GASKETS	54	-
FT2953	SOCKET	51	-	FT8985	SEAL INSTALLER	52	-
FT2961	LUBRICANT - RYKON #2EP	54	-	FTA2937-1	TIMING TOOL	50	-
FT2962-1	SEALANT - 50 CC LOCTITE H, NON-HARDENING GRADE	54	-	FTA8997	SHIM TOOL	52	-
FT2963-1	SEALANT - 2 OZ. LOCTITE D, HARDENING GRADE ..	54	-	FTK8999	TEST WHEEL	53	-
FT2987-1	LUBRICANT - ANTI-SEIZE ..	54	-	OB3061	LITERATURE (NOT SHOWN)	45	-
FT2990	PISTON PIN TOOL	51	-	22-817789A1	DRAIN FITTING W/METERING CUP	19	89
FT2991	CARBON BRUSH	51	-	22-818103--1	ELBOW	15	35
FT2996	RING COMPRESSOR	51	-	31-817785A2	CRANKSHAFT BEARING CAGE	27	18
FT2998	TORQUE WRENCH (0 - 100 LBS./FT.)	51	-	32-817738A1	FUEL LINE LONG	41	10
				33-97180	SPARK PLUG (CHAMPION L- 20-V) USA	25	70
				39-818110A1	PISTON RINGS (3 PER SET) .030 OVERSIZE	27	-
				46-817853A1	WATER PUMP	39	-
				46-817853A1	WATER PUMP BODY	37	60
				84-817775A1	COIL WIRE	11	31
				87-817778A1	THERMOSWITCH	25	74
				300-817855A1	UNIT	5	12
				600-818052A4	CONNECTING ROD	27	6
				700-817988A2	PISTON .010 OVERSIZE ...	27	-
				700-818111A2	PISTON .030 OVERSIZE ...	27	-
				700-F372015-3	PISTON	27	2
				800-817823A7	CYLINDER	25	97
				800-817901A9	SHORT BLOCK (NOT SHOWN).	25	-

PARTS INDEX

Part Number	Description	Pg.	Ref. No.	Part Number	Description	Pg.	Ref. No.
1400-817958A6	STERN BRACKET	29	28				