



PARTS CATALOG

140 H.P.

SERIAL NUMBER

140 (1981)1406B1D
140 (1981)1406H1D
140 (1981)1408B1D
140 (1981)1408H1D

TABLE OF CONTENTS:

ACCESSORIES	57
CARBURETOR	14
CRANKSHAFT AND PISTON GROUP	28
DISTRIBUTOR	10
ELECTRICAL COMPONENTS	4
ENGINE COVER AND SUPPORT PLATE	2
FUEL PUMP AND REED PLATE	18
FUEL TANK AND LINE	42
GEAR HOUSING	36
MOTOR LEG	30
PARTS INDEX	60
POWER HEAD	22
POWER TRIM UNIT (1408H1D)	48
REMOTE CONTROL	44
SPECIAL TOOLS - GEAR HOUSING	54
SPECIAL TOOLS - LUBRICANTS AND SEALANTS	56
SPECIAL TOOLS - POWER HEAD	53
SPECIAL TOOLS - TEST EQUIPMENT	55
SPECIAL TOOLS - TUNE-UP	52
STARTER	8

NOTE: Indented description indicate that these parts are included in preceeding assembly.

AR = As Required

NSS = Not Sold Separate

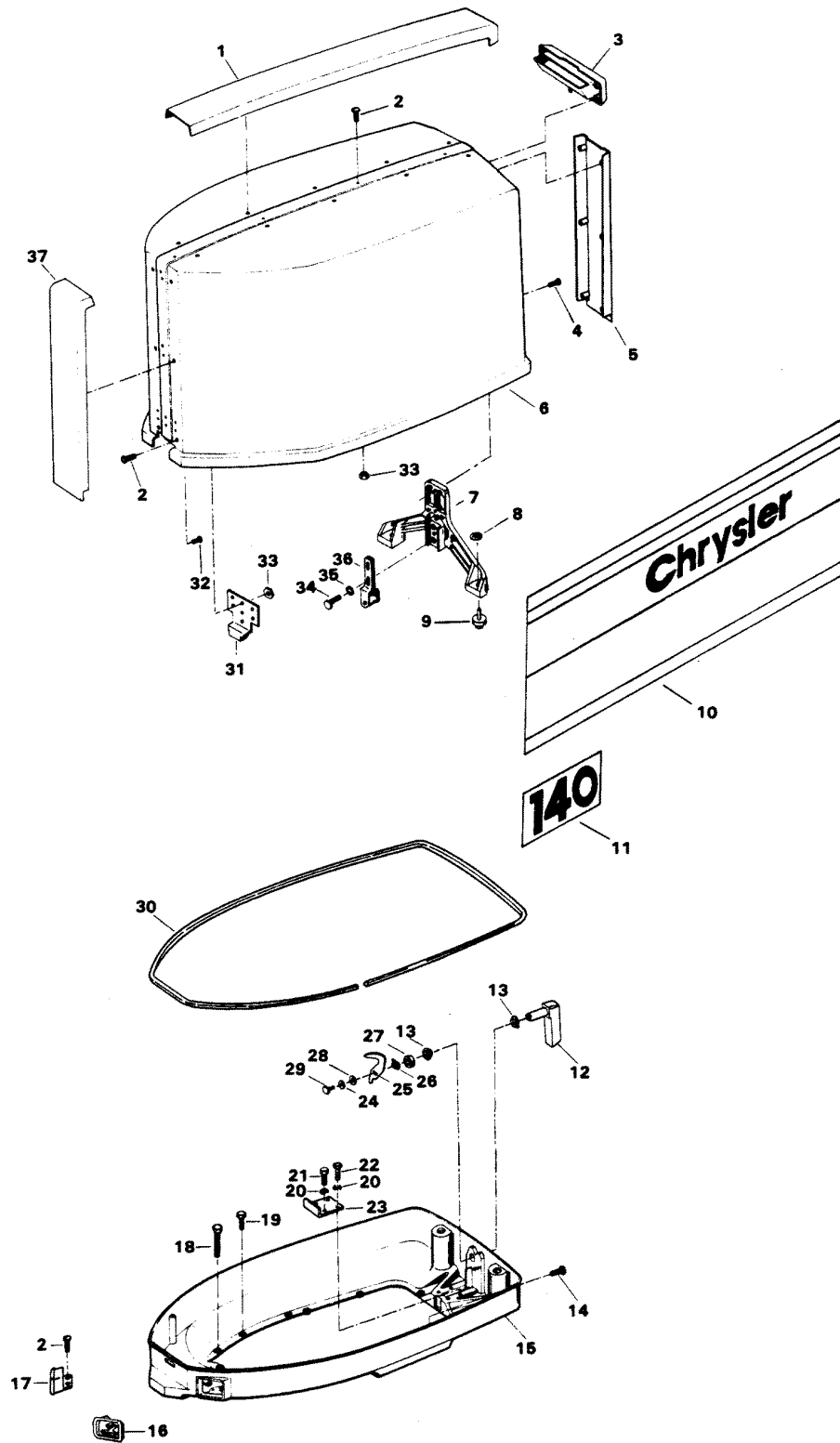
OPT = Optional

NS = Not Shown

THESE PARTS BOOKS/FICHE CARD ARE COPYRIGHTED AND MAY NOT BE DISTRIBUTED OR REPRODUCED IN ANY OTHER FORMAT BY ANYONE OTHER THAN MERCURY MARINE WITHOUT THE PRIOR WRITTEN CONSENT OF MERCURY MARINE.

THIS PAGE INTENTIONALLY LEFT BLANK

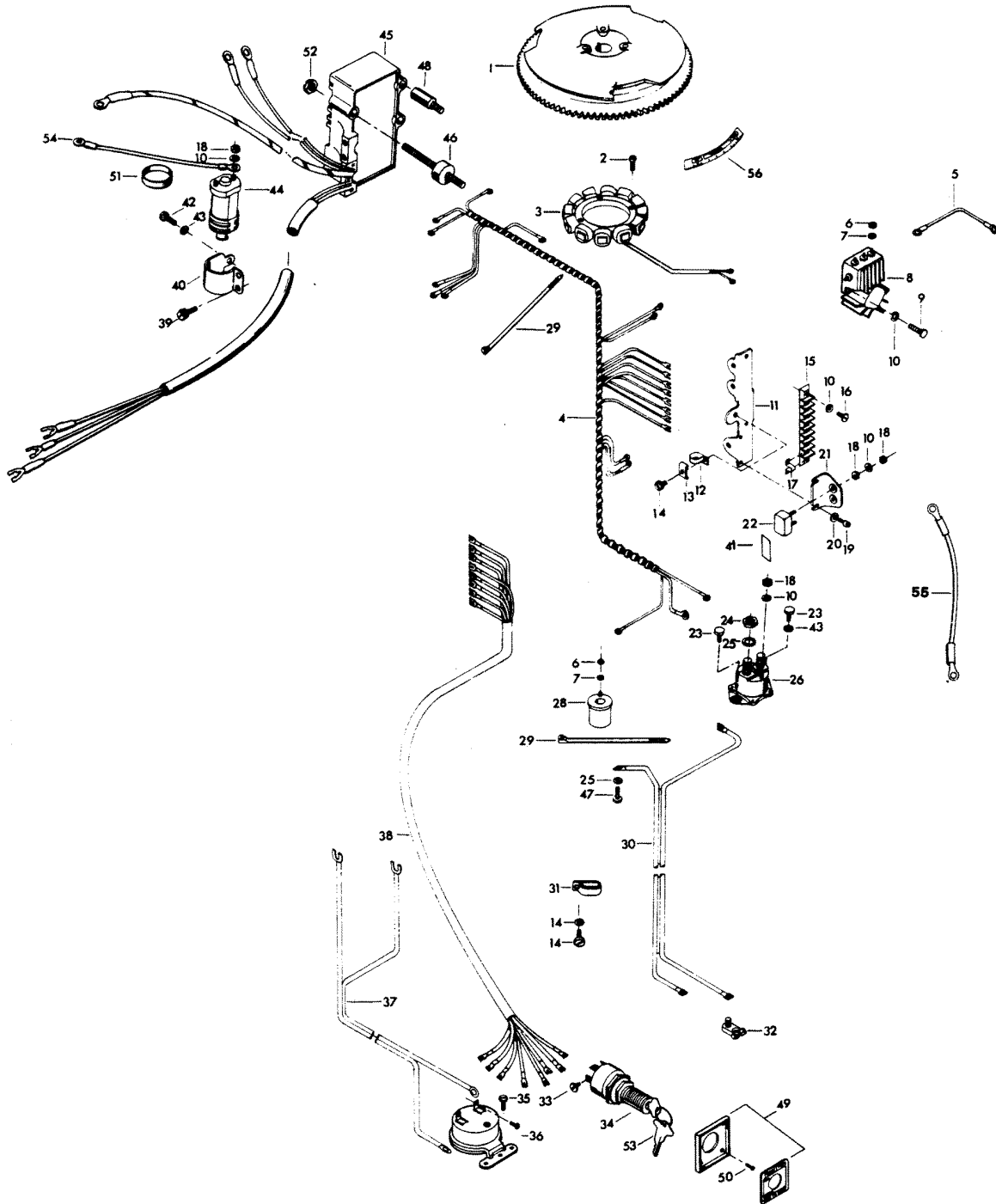
ENGINE COVER AND SUPPORT PLATE



ENGINE COVER AND SUPPORT PLATE

REF. NO.	PART NO.	SYM.	QTY.	DESCRIPTION
1	FA480179		1	TRIM, TOP W/LITERATURE
2	F1733		10	SCREW, PAN HD, 10 - 24 X 9/16
3	FA480269		1	HANDLE, TILT W/LITERATURE
4	F1730		3	SCREW, PAN HD, W/SPRING LOCKWASHER 1/4 - 20 X 5/8
5	FA552180		1	TRIM, REAR W/LITERATURE
6	FA552944		1	COVER, ENGINE W/ILLUS. 2, 31 AND 33
-	3C612944		1	COVER, ENGINE - COMPLETE INCLUDES ITEMS MARKED WITH AN ASTERISK (*). ORDER NUMERAL SEPARATE
7	F481774		1	BRACKET, ENGINE COVER LATCH
8	F2088		2	FASTENER
9	F481434		2	GUIDE, ENGINE COVER
10	FA612397		1	DECAL, ENGINE COVER - PORT W/LITERATURE
-	FA612396		1	DECAL, ENGINE COVER - STARBOARD W/LITERATURE
11	FA566386		2	DECAL, NUMERAL W/LITERATURE
12	FA481469		1	LATCH HANDLE, ENGINE COVER W/SHAFT
13	F480818		2	BEARING, LATCH SHAFT
14	F1864		6	HEX CAP SCREW, 1/4 - 20 X 3/4
15	F480038-2		1	PLATE SUPPORT
16	F549189		1	BUSHING, ELECTRIC CABLE
17	F545189		1	BUSHING, CABLE ENTRY
18	F1708		2	HEX HD CAP SCREW, 1/4 - 20 X 1-3/8
19	F1922		5	HEX SLOT HD SCREW 1/4 - 20 X 5/8
20	F8096		4	LOCKWASHER
21	F1858		2	HEX CAP SCREW, 5/16 - 18 X 1
22	F1857		2	HEX CAP SCREW, 5/16 - 18 X 5/8
23	F335654-1		1	STOP, DEFLECTION
24	F8083		1	LOCKWASHER
25	F481777		1	CAM, LATCH SHAFT
26	F2047		1	WAVE WASHER
27	F481382-1		1	SPACER, LATCH SHAFT
28	F8094		1	WASHER, PLAIN
29	F1854		1	HEX CAP SCREW, 1/4 - 20 X 5/8
30	F321756		1	PACKING
31	F373778-1		1	RETAINER, ENGINE COVER
32	F2066		26	PAN HD TAPPING SCREW, 10 X 7/16
33	F1473		7	HEX NUT, 10 - 24
34	F1857		2	HEX CAP SCREW, 5/16 - 18 X 5/8
35	F8096		2	LOCKWASHER
36	FA481743		1	LATCH, ROLLER BRACKET, W/ROLLER
37	FA552888		1	TRIM, FRONT W/LITERATURE
-	F548984		1	BLANKET, SILENCER - TOP (NOT SHOWN)
-	F552985		2	BLANKET, SILENCER - SIDE (NOT SHOWN)

ELECTRICAL COMPONENTS

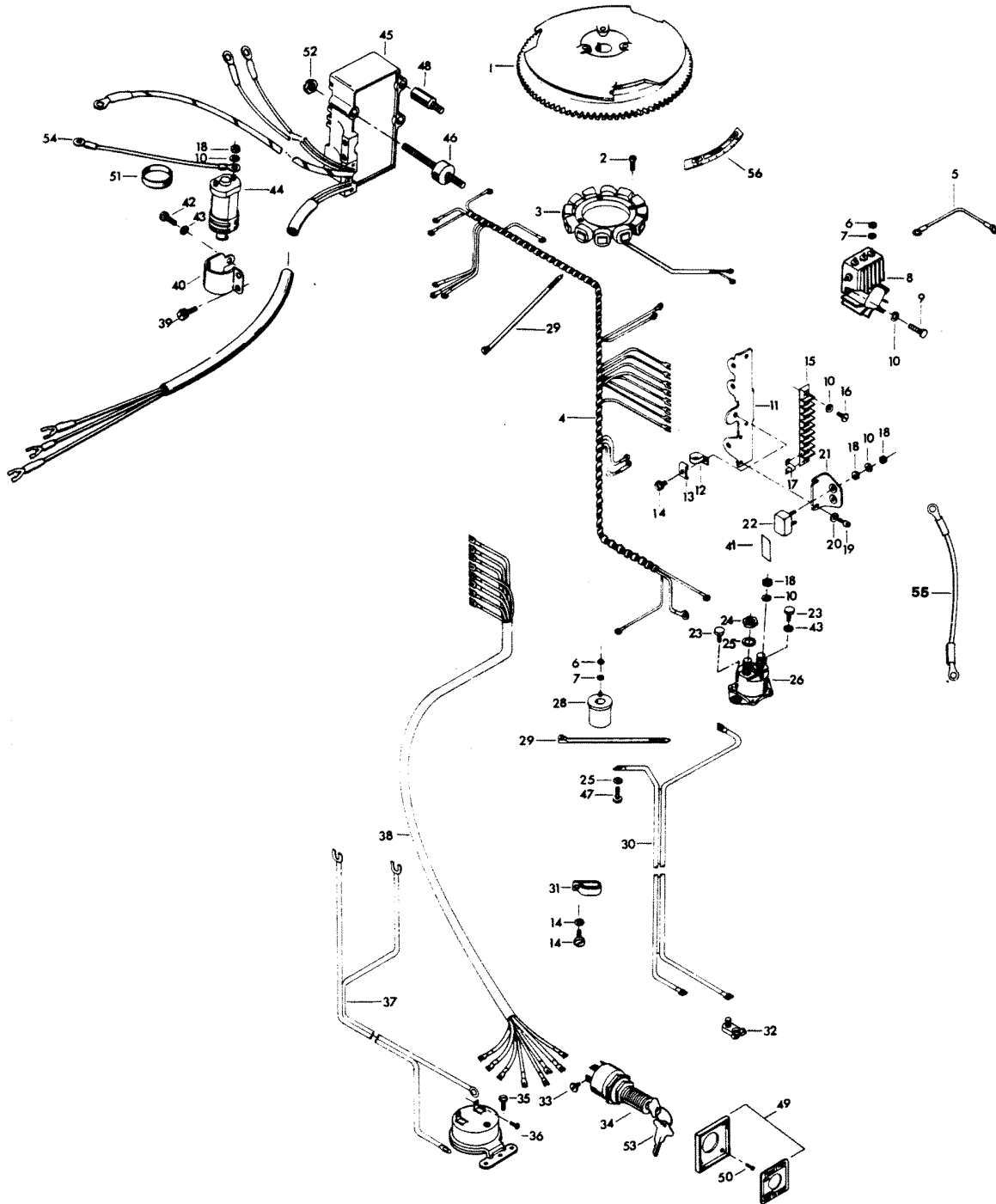


ELECTRICAL COMPONENTS

REF. NO.	PART NO.	SYM.	QTY.	DESCRIPTION
1	F404097		1	FLYWHEEL
2	F1087		6	FILL HD SCREW, 10 - 24 X 13/16
3	F85095-2		1	STATOR
4	F438744-1		1	WIRING HARNESS
5	F345683		1	WIRE, REGULATOR - RECTIFIER GROUND
6	F1647		5	HEX NUT, 8 - 32
7	F8056		5	SPRING LOCKWASHER
8	F404470-1		1	REGULATOR - RECTIFIER
9	F2107		3	FILL HD SCREW, 10 - 24 X 5/8
10	F1975		8	SPRING LOCKWASHER
11	FA439493		1	TERMINAL BLOCK BRACKET WILLUS. 13 AND 14
12	F289446-1		1	CLAMP
13	F438668		1	RETAINER, CABLE CLAMP
14	F1734		2	FILL HD SCREW W/LOCKWASHER, 1/4 - 20 X 1/2
15	FA510497		1	TERMINAL BLOCK WILLUS. 16 ORIGINAL FORCE P/N K 289497-2
16	F1648		2	PAN HD SCREW, 10 - 24 X 3/4
17	F307317		1	CLIP, TERMINAL BLOCK
18	F1513		8	HEX NUT
19	F1760		2	PAN HD SCREW, 10 - 24 X 3/8
20	F8011		2	PLAIN WASHER
21	F91446-1		1	CIRCUIT BREAKER BRACKET
22	F510460		1	CIRCUIT BREAKER
23	F1705		2	HEX CAP SCREW, 1/4 - 20 X 3/4
24	F1515		2	HEX NUT
25	F8096		3	SPRING LOCKWASHER
26	F460917		1	STARTER RELAY
27	F1645		2	RD HD SCREW, 6 - 32 X 1/4
28	F85924		1	CHOKE SOLENOID
29	F1877		2	TY-RAP
30	F381896-4		1	BATTERY CABLE
31	F407446		1	CLAMP
32	F71H26		1	BATTERY TERMINAL KIT (ACCESSORY ITEM)
33	F1280		6	PAN HD SCREW, 8 - 32 X 1/4
34	F5H078		1	IGNITION SWITCH (LONG BARREL) W/KEYS AND SCREWS (ACCESSORY ITEM)
35	F1741		2	PAN HD SCREW, 8 X 3/4
36	F5H043		1	OVERHEAT BUZZER (ACCESSORY ITEM)
37	F404841		1	CABLE, HEAT INDICATOR
38	F85843-1		1	REMOTE ELECTRIC CABLE, 18 FEET
39	F1851		2	FILL HD SCREW W/LOCKWASHER, 10 - 24 X 1/2
40	F404513		1	COIL CLAMP
41	F510374		1	DECAL, CIRCUIT BREAKER - USA
-	FC510374		1	DECAL, CIRCUIT BREAKER - CANADA

CONTINUED ON NEXT PAGE ➡

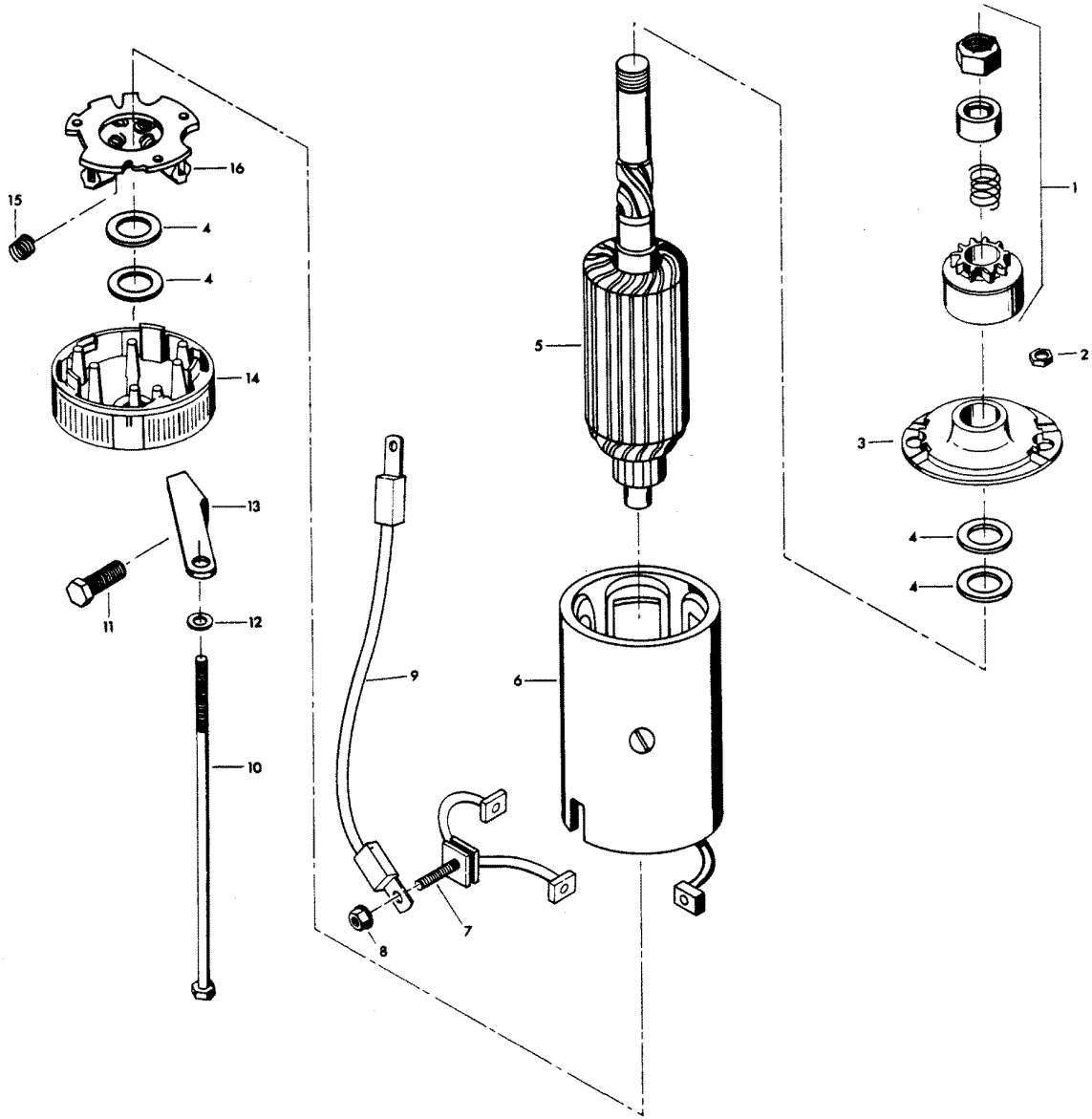
ELECTRICAL COMPONENTS



ELECTRICAL COMPONENTS

REF. NO.	PART NO.	SYM.	QTY.	DESCRIPTION
42	F1689		1	HEX HD CAP SCREW, 1/4 - 20 X 1/2
43	F8083		2	SPRING LOCKWASHER
44	F345475-1		1	COIL
45	300-817855A1		1	UNIT (ORIGINAL FORCE P/N A 523301-1)(Does not include Coil & Clamp)
46	F523962		3	SHOCK MOUNT - C.D. UNIT
47	F2000		1	HEX CAP SCREW, 5/16 - 18 X 3/4
48	F322273		1	STUD, C.D. UNIT
49	F5H038		1	IGNITION SWITCH MOUNTING KIT (ACCESSORY ITEM)
-	817892--1		1	PLATE, IGNITION SWITCH - CANADA (NOT SHOWN)
50	F1934		4	FLAT HD SLOTTED SCREW, 6 X 12
51	F391983		2	RETAINING BAND
52	F1892		3	STOP NUT
53	FA368700		-	KEY, IGNITION, NO LETTER OR STAMPED A
-	FB368700		-	KEY, IGNITION, STAMPED B
-	FC368700		-	KEY, IGNITION, STAMPED C
-	FD368700		-	KEY, IGNITION, STAMPED D
-	FE368700		-	KEY, IGNITION, STAMPED E
54	F85664		1	GROUND WIRE
55	F319908		1	GROUND WIRE - CANADA
56	F474387		1	TIMING DECAL - USA
-	FC474387		1	TIMING DECAL - CANADA

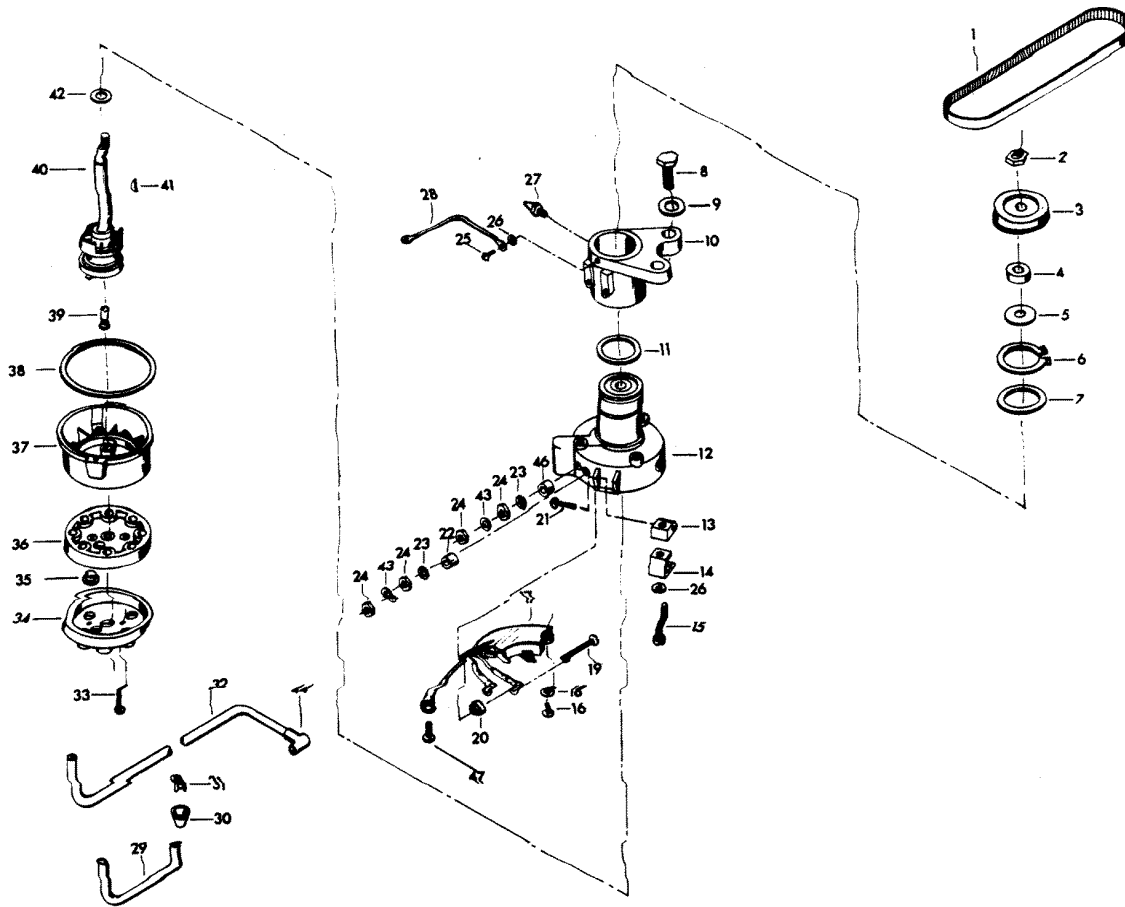
STARTER



STARTER

REF. NO.	PART NO.	SYM.	QTY.	DESCRIPTION
1	F15118		1	BENDIX DRIVE ASSEMBLY
2	F1641		2	LOCK NUT
3	F15167		1	HEAD ASSEMBLY, DRIVE END
4	F15126		4	THRUST WASHER PACKAGE
5	F15099		1	ARMATURE
6	F15166		1	FRAME AND FIELD ASSEMBLY
7	F15054		1	BRUSH AND TERMINAL SET
8	FA15072		1	HEX LOCK NUT, 1/4 - 20 W/WASHER
9	F85908		1	STARTER LEAD WIRE
10	F15168		1	THRU BOLT PACKAGE
11	F1922		1	HEX CAP SCREW, 1/4 - 20 X 5/8
12	F8028		2	PLAIN WASHER
13	F511675		1	STARTER BRACKET, LOWER
14	F15125		1	HEAD ASSEMBLY, COMMUTATOR END
15	F15034		1	SPRING SET
16	F15157		1	BRUSH PLATE AND HOLDER ASSEMBLY
-	F490955		1	STARTER, COMPLETE CONTAINS ALL ITEMS MARKED WITH AN ASTERISK (*)
-	FC500390		1	DECAL STARTER - CANADA (NOT SHOWN)

DISTRIBUTOR

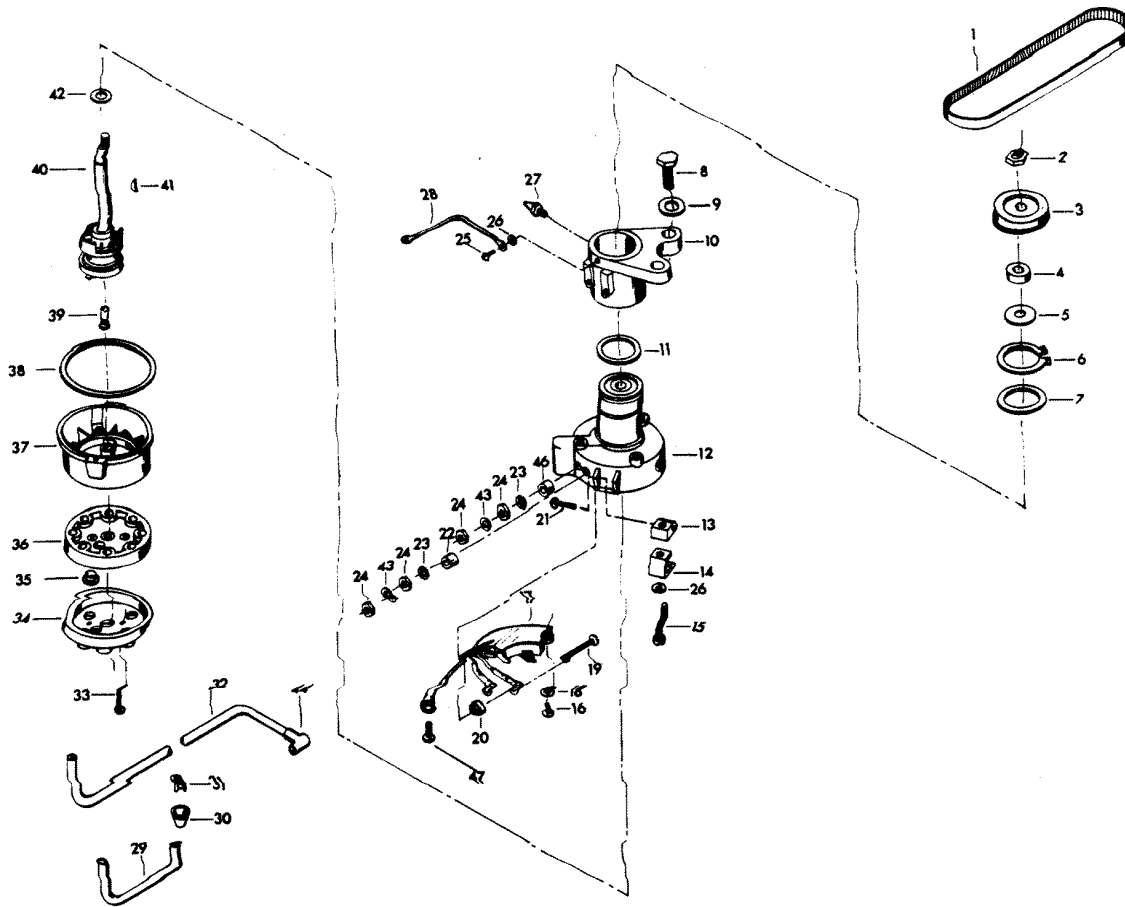


DISTRIBUTOR

REF. NO.	PART NO.	SYM.	QTY.	DESCRIPTION
1	F85311		1	DISTRIBUTOR BELT
2	F7013		1	STOP NUT
3	817786A1		1	DISTRIBUTOR PULLEY W/NUT & WASHER AND LITERATURE ORIGINAL FORCE P/N A 373435-1
4	F14025		1	SPACER
5	F14028		1	THRUST WASHER
6	F85173		1	RETAINING RING
7	F14029		1	THRUST WASHER
8	F1612		2	HEX CAP SCREW, 3/8 - 16 X 1-1/4
9	F1778		2	PLAIN WASHER
10	FA321574		1	DISTRIBUTOR BRACKET W/ILLUS. 25, 26 AND 27
11	F1759		2	SHIM, DISTRIBUTOR (QTY. AS REQUIRED)
12	F14042		1	DISTRIBUTOR HOUSING W/BEARINGS
-	817828A1		1	DISTRIBUTOR, COMPLETE CONTAINS ALL ITEMS MARKED WITH AN ASTERISK (*) ORIGINAL FORCE P/N A 489309-1
13	F14036		2	SWIVEL
14	F14037		2	CAP CLIPS
15	F14038		2	CAP CLIP SCREWS
16	F14045		2	SCREW
17	FA14048-2		1	PREAMPLIFIER W/ILLUS. 18, SCREW AND LITERATURE
18	F8056		2	LOCKWASHER
19	F14046		2	TERMINAL SCREW
20	F14047		2	TERMINAL INSULATOR (INSIDE)
21	F14015		2	CAP CLIP RIVET
22	F14049		1	TERMINAL INSULATOR (OUTSIDE)
23	F14041		2	EXTERNAL TOOTH LOCKWASHER
24	F1647		4	HEX NUT, 8 - 32
25	F1760		2	PAN HD SCREW, 10 - 24 X 3/8
26	F1975		2	SPRING LOCKWASHER
27	F213274		1	GREASE FITTING
28	F85664		1	DISTRIBUTOR GROUND
29	84-817775A1		1	COIL WIRE W/ILLUS. 31 - USA ORIGINAL FORCE P/N A 321905-1
-	F438905		1	COIL WIRE - CANADA
30	F203276		1	BOOT
31	F203673		1	TERMINAL CLIP
32	F321841-3		4	LEAD WIRE - USA
-	F438841-1		4	LEAD WIRE - CANADA
33	F14007		2	CAP SCREW
34	F14010-1		1	CAP COVER
35	F14040		2	VENT
36	F14021-1		1	CAP SEAL
37	F14005-2		1	CAP BASE
38	F14030		1	CAP GASKET

CONTINUED ON NEXT PAGE ➡

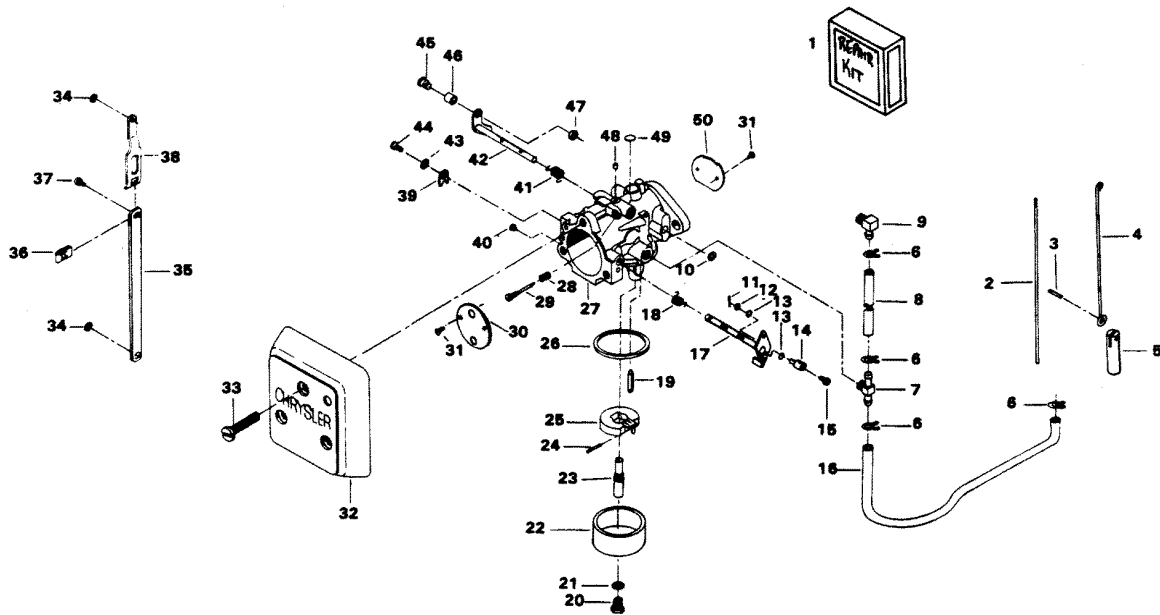
DISTRIBUTOR



DISTRIBUTOR

REF. NO.	PART NO.	SYM.	QTY.	DESCRIPTION
39	F14012-1		1	BRUSH
40	F14044		1	DISTRIBUTOR SHAFT
41	F1692		1	WOODRUFF KEY
42	F14024		1	SPACER
43	F8056		2	LOCKWASHER
44	FK750-2		4	SPARKIE W/SPRING
46	F14017		1	TERMINAL INSULATOR (OUTSIDE)
47	F14056		1	SCREW

CARBURETOR

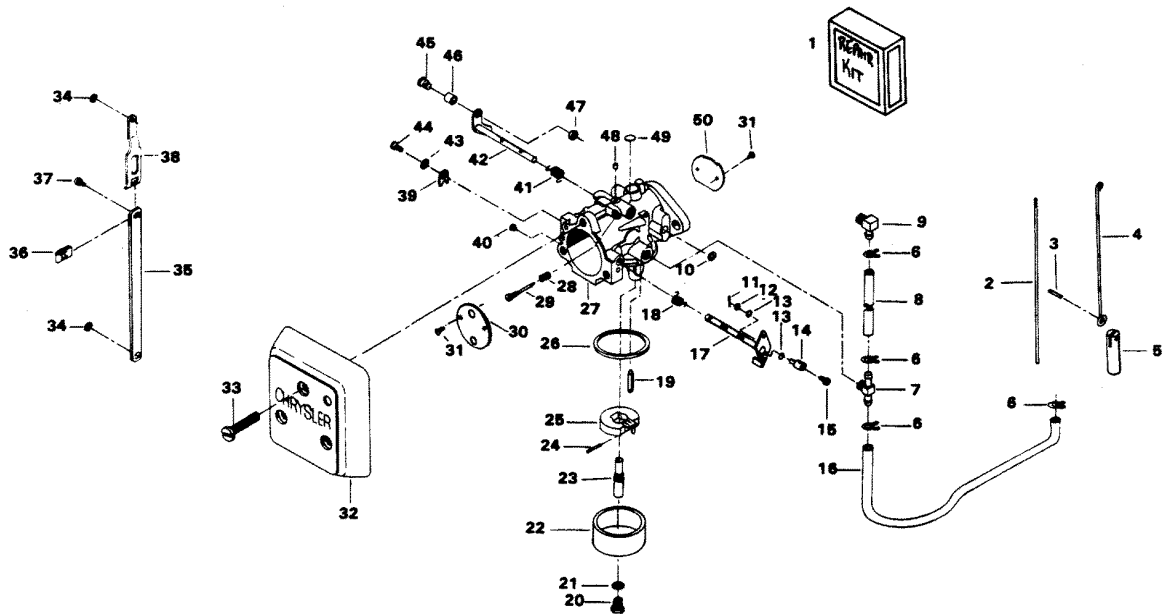


CARBURETOR

REF. NO.	PART NO.	SYM.	QTY.	DESCRIPTION
1	F10103		1	REPAIR PARTS KIT. INCLUDES ALL ITEMS MARKED WITH AN ASTERISK (*) .
2	F85509-1		1	LINK, CHOKE
3	F2033		1	GROOVE PIN
4	F440925		1	CHOKE ROD
5	F391926-1		1	PLUNGER
6	F97772		4	CLAMP
7	F85314-1		1	FUEL FITTING
8	F178754-1		1	FUEL LINE
9	F84314-2		1	ELBOW
10	FO16620		1	E-RING
11	F1014		2	COTTER PIN
12	F8088		3	PLAIN WASHER
13	F184579		5	O-RING SEAL
14	F184033-1		1	SWIVEL, TOP CARBURETOR
15	F1059		2	FILL HD SCREW, 6 - 32 X 1/4
16	F434754		1	FUEL LINE
17	FO16301		1	CHOKE SHAFT AND LEVER
18	FO17885		1	CHOKE SHAFT RETURN SPRING
19	FK10107		1	INLET NEEDLE AND SEAT W/LITERATURE
20	FO16132		1	FUEL BOWL RETAINING SCREW
21	FO5323		2	FUEL BOWL RETAINING SCREW GASKET
-	F85033		1	SWIVEL, CHOKE ROD (BOTTOM CARBURETOR) (NOT SHOWN)
-	F10023		1	GASKET SET (NOT SHOWN)
22	FO16130		1	FUEL BOWL
23	FO16133		1	MAIN NOZZLE
24	FO13944		1	FLOAT LEVER PIN
25	FO13554		1	FLOAT
26	FO15623		1	FUEL BOWL GASKET
27	F476061-4		2	CARBURETOR COMPLETE (TC-5E)
28	FO11103		1	IDLE MIXTURE SCREW SPRING
29	FO14166		1	IDLE MIXTURE SCREW
30	FO17719		1	CHOKE SHUTTER
31	FO15912		4	CHOKE AND THROTTLE SHUTTER SCREW
32	F511708		2	COVER, CARBURETOR
33	F1034		6	PAN HD SCREW, 1/4 - 20 X 1-3/8
34	F90807		2	RETAINING RING
35	FA178233		1	THROTTLE TIE BAR W/SWIVEL
36	F1693		1	TIE BAR RETAINER
37	F1064		1	FILL HD SCREW, 8 - 32 X 3/8
38	FA85193		1	TIE BAR END W/SWIVEL
39	FO9678		1	CLIP, CHOKE SHAFT
40	FO12947		1	MAIN FUEL JET STD. .096 SEAL LEVEL - 1500 FT.

CONTINUED ON NEXT PAGE ➡

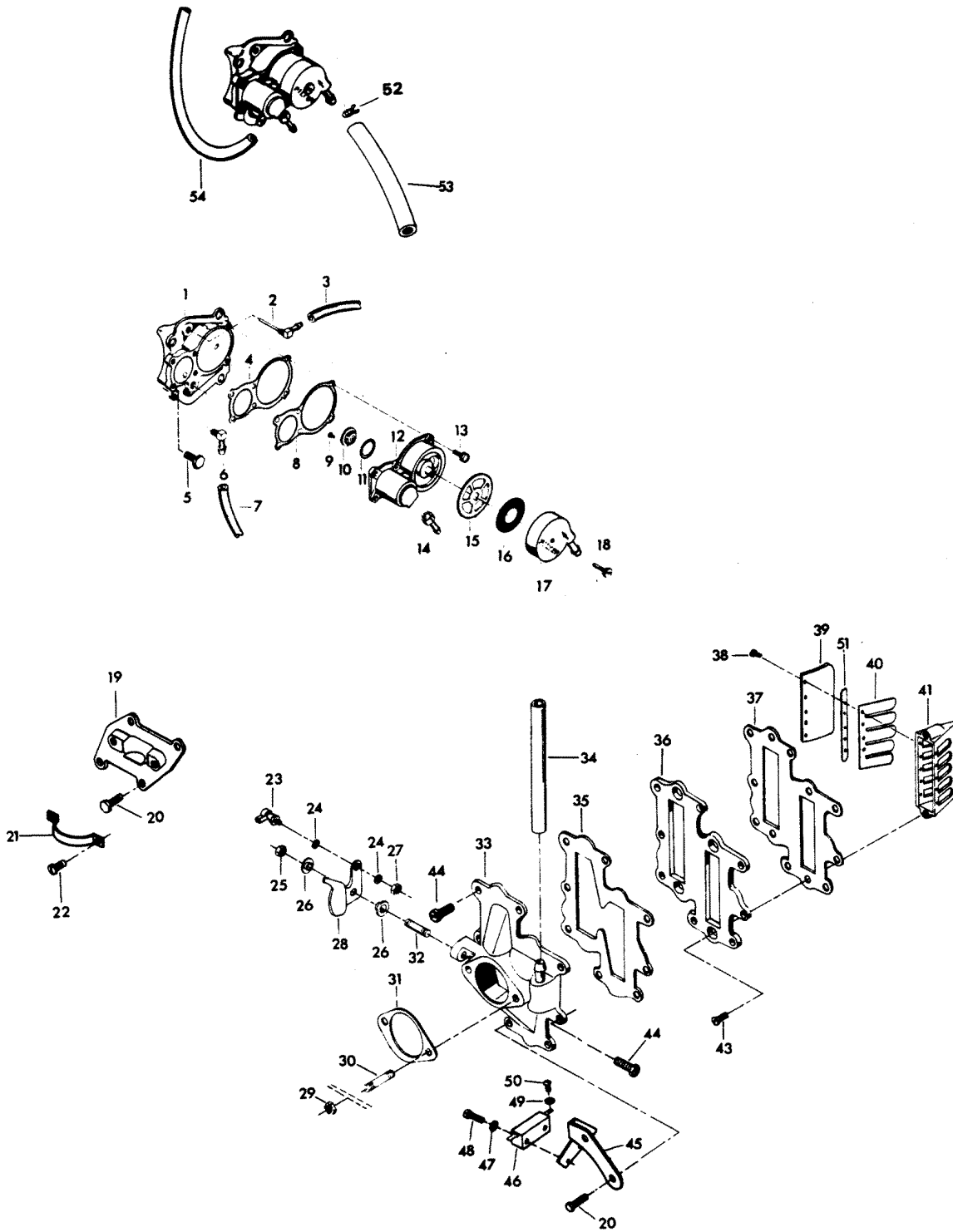
CARBURETOR



CARBURETOR

REF. NO.	PART NO.	SYM.	QTY.	DESCRIPTION
-	FO14191		-	MAIN FUEL JET OPT. .0937 1500 - 3000 FT.
-	FO14190		-	MAIN FUEL JET OPT. .092 3000 - 4500 FT.
-	FO15406		-	MAIN FUEL JET OPT. .090 4500 - 6000 FT.
-	FO13193		-	MAIN FUEL JET OPT. .088 6000 FT. AND UP OPTIONAL SIZE MAIN FUEL JETS ARE TO BE USED ONLY AT ALTITUDES INDICATED.
41	FO16143		1	THROTTLE SHAFT RETURN SPRING
42	FO17884		1	THROTTLE SHAFT AND LEVER
43	FO992		1	LOCKWASHER
44	FO1974		1	SCREW
45	F333316		1	THROTTLE ROLLER SHAFT
46	F92759		1	THROTTLE ROLLER
47	F1997		1	STOP NUT, 8 - 32
48	FO10588		5	BODY CHANNEL CUP PLUG
49	FO16128		1	BODY CHANNEL WELCH PLUG
50	FO16142		1	THROTTLE SHUTTER

FUEL PUMP AND REED PLATE

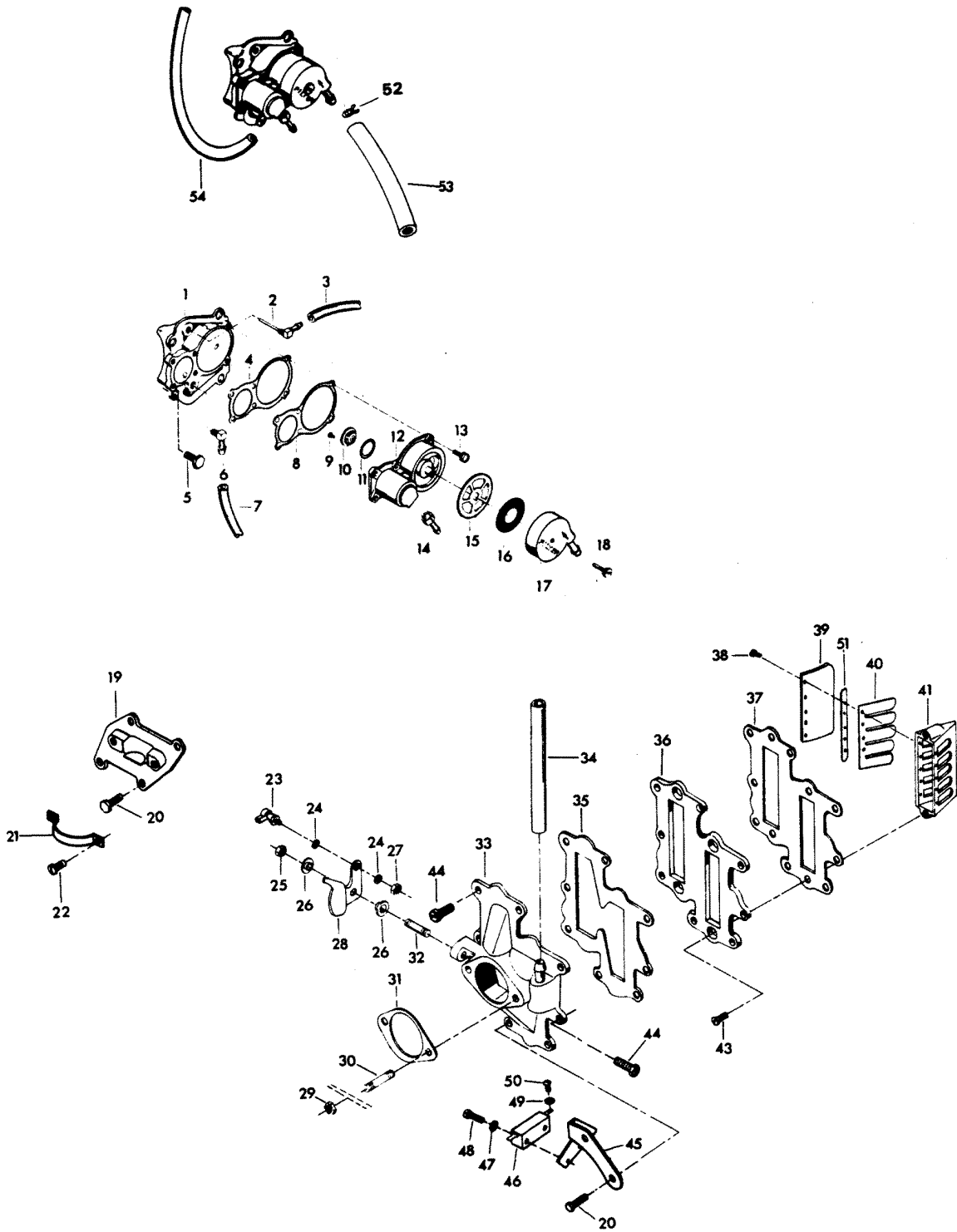


FUEL PUMP AND REED PLATE

REF. NO.	PART NO.	SYM.	QTY.	DESCRIPTION
1	FA439746		2	FUEL PUMP COVER W/PLUG
2	F404314		1	ELBOW, FUEL PUMP COVER
3	F441754-1		1	HOSE
4	F438760		2	FUEL PUMP GASKET
5	F1922		8	HEX CAP SCREW, 1/4 - 20 X 5/8
6	F84314-2		2	ELBOW
7	F89758		1	FUEL PUMP AIR HOSE - TOP
8	F438747		2	FUEL PUMP DIAPHRAGM
9	F1860		4	RD HD SCREW, 6 - 32 X 1/4
10	F177330		6	FUEL PUMP VALVE
11	F84792		2	GASKET, CENTER FUEL PUMP VALVE
12	FA438431		2	FUEL PUMP BODY W/VALVES
13	F1108		12	FILL HD SCREW, 1/4 - 20 X 3/4
14	F438801		2	FITTING
15	F438617		2	FUEL SEDIMENT BOWL GASKET
16	F438653		2	FUEL SEDIMENT BOWL SCREEN
17	F438500		2	FUEL SEDIMENT BOWL
18	F438165		2	SCREW, FUEL PUMP BOWL
19	F372958		1	CHOKE BRACKET
20	F1532		6	HEX HD SCREW, 1/4 - 20 X 1
21	F85317-1		1	SOLENOID CLAMP
22	F1236		2	SCREW, 1/4 - 20 X 1/2
23	817747--1		1	BALL JOINT W/STUD
24	F8058		2	INTERNAL TOOTH LOCKWASHER
25	F1910		1	STOP NUT, 1/4 - 20
26	F269319		2	THROTTLE CAM BEARING
27	F1513		1	HEX NUT, 10 - 32
28	F440192-1		1	THROTTLE CAM
29	F1346		4	HEX NUT
30	F440209		4	CARBURETOR STUD
31	F440906		2	CARBURETOR GASKET
32	F433209-1		1	THROTTLE CAM STUD
33	FA440167		1	CARBURETOR ADAPTER - LOWER W/FITTING AND ILLUS. 30
-	FA440157		1	CARBURETOR ADAPTER - UPPER W/FITTING AND ILLUS. 30 (NOT SHOWN)
34	F440254		1	BALANCE TUBE
35	F178168-1		2	GASKET, CARBURETOR ADAPTER
36	F178404-1		2	DEFLECTOR PLATE
37	F406406		2	GASKET DEFLECTOR PLATE
38	F1755		40	ROUND HD SCREW W/LOCKWASHER, 6 - 32 X 1/4
39	F85161-1		8	REED STOP
40	F530160		8	REED (5 PETAL)
41	F3A523158		4	REED PLATE W/ILLUS. 38, 39, 40, 44 AND 51

CONTINUED ON NEXT PAGE ➡

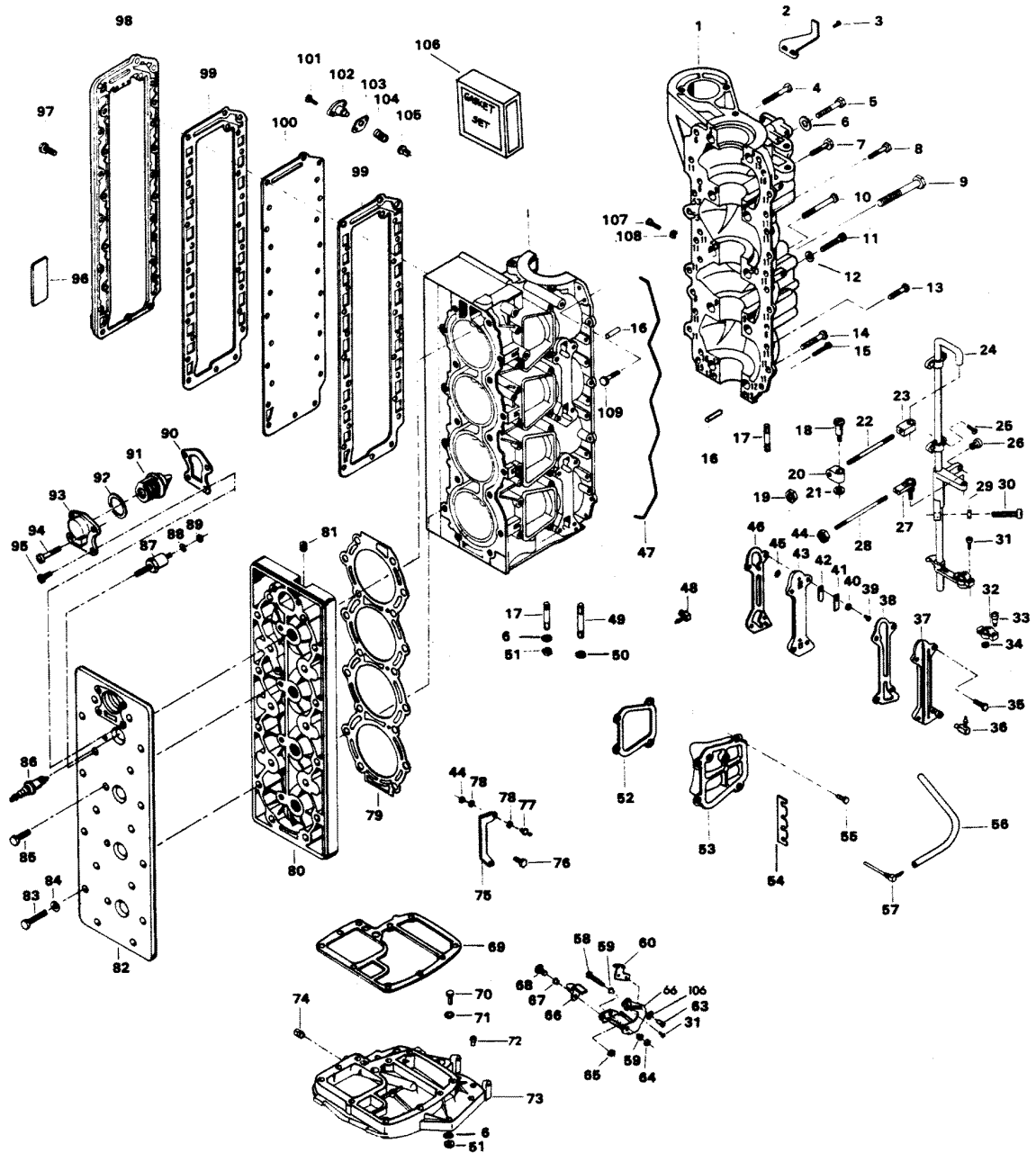
FUEL PUMP AND REED PLATE



FUEL PUMP AND REED PLATE

REF. NO.	PART NO.	SYM.	QTY.	DESCRIPTION
43	F1831		8	FLAT HD SCREW, 1/4 - 20 X 5/8
44	F2008		10	HEX HD SCREW, 1/4 - 20 X 7/8
45	F489551		1	BRACKET, NEUTRAL INTERLOCK SWITCH
46	F84449		1	INTERLOCK SWITCH
47	F8088		2	PLAIN WASHER
48	F2016		2	FILL HD SCREW, 6 - 32 X 7/8
49	F1704		2	INTERNAL TOOTH LOCKWASHER
50	F1645		2	RD HD SCREW, 6 - 32 X 1/4
51	F523451		8	SPACER, REED STOP
52	F97772		2	CLAMP
53	F528253		1	HOSE (LOWER FUEL PUMP TO UPPER)
54	F154758		1	HOSE (FUEL PUMP UPPER)

POWER HEAD

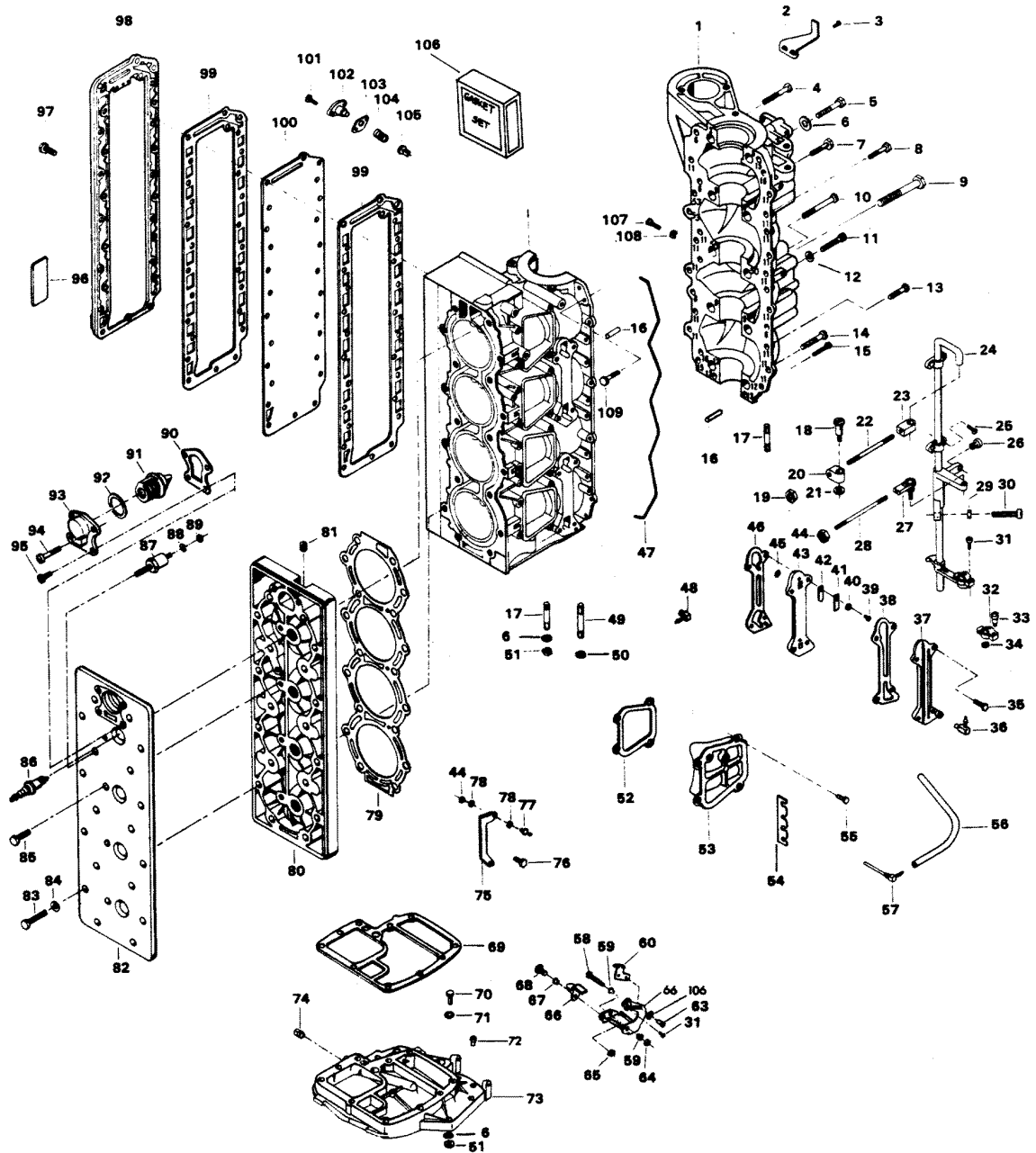


POWER HEAD

REF. NO.	PART NO.	SYM.	QTY.	DESCRIPTION
1	A476010		1	CYLINDER W/CRANKCASE COVER ILLUS. 4, 9, 11, 14, 15, 17, 47, 49 AND LITERATURE
-	C528010		1	SHORT BLOCK. CONTAINS ALL ITEMS MARKED WITH AN ASTERISK (*). ALSO REFER TO CRANKSHAFT PAGE.
2	FA480894		1	TIMING POINTER W/ILLUS. 56 ON PAGE 4
3	F1760		2	PAN HD SCREW, 10 - 24 X 3/8
4	F1874		1	HEX HD SCREW, 3/8 - 16 X 3-1/8
5	F1009		1	HEX HD SCREW, 3/8 - 16 X 2-3/4
6	F8095		6	PLAIN WASHER
7	F2008		2	HEX HD SCREW, 1/4 - 20 X 7/8
8	F2008		3	HEX HD SCREW, 1/4 - 20 X 7/8
9	F1873		2	HEX CAP SCREW, 3/8 - 16 X 3
10	F1699		1	HEX HD SCREW, 1/4 - 20 X 1-1/8
11	F1253		4	HEX SOCKET HD CAP SCREW, 3/8 - 16 X 2
12	F8104		4	PLAIN WASHER
13	F1864		16	HEX HD SCREW, 1/4 - 20 X 3/4
14	F1872		2	HEX CAP SCREW, 3/8 - 16 X 1-3/4
15	F1099		2	FILL HD SCREW, 1/4 - 20 X 1-1/4
16	F8563		2	DOWEL PIN
17	F85859		4	STUD
18	F85026		1	SWIVEL
19	F2015		1	HEX NUT, 1/4 - 28
20	F85035		1	DISTRIBUTOR CONTROL ROD END
21	F2042		1	PLAIN WASHER
22	F85445		1	CONTROL ROD
23	F85036		1	TOWERSHAFT CONTROL ROD END
24	817932A6		1	TOWERSHAFT W/SWIVEL, BEARINGS AND SCREWS
25	F1475		4	FILL HD SCREW, 10 - 24 X 1/2
26	F1727		1	PLASTIC RIVET
27	817747--1		1	BALL JOINT W/STUD
28	F85502		1	THROTTLE LINK
29	F1341		1	HEX NUT, 1/4 - 20
30	F1052		1	FILL HD SCREW, 1/4 - 20 X 1
31	F1556		2	FILL HD SCREW W/LOCKWASHER, 10 - 24 X 3/8
32	FK405020		2	SWIVEL W/CLAMP, SHOULDER SCREW AND NUT
33	F405457		1	PIVOT SCREW
34	F7008		1	ELASTIC STOP NUT
35	F1532		8	HEX HD SCREW, 1/4 - 20 X 1
36	22-818103--1		1	ELBOW, CYLINDER DRAIN LOWER
-	F404801		1	ELBOW, CYLINDER DRAIN UPPER (NOT SHOWN)
37	F406471-1		2	CYLINDER DRAIN COVER
38	F84472-5		2	GASKET, CYLINDER DRAIN COVER
39	F1286		4	PAN HD SCREW, 4 - 40 X 3/16
40	F8003		4	PLAIN WASHER

CONTINUED ON NEXT PAGE ➡

POWER HEAD

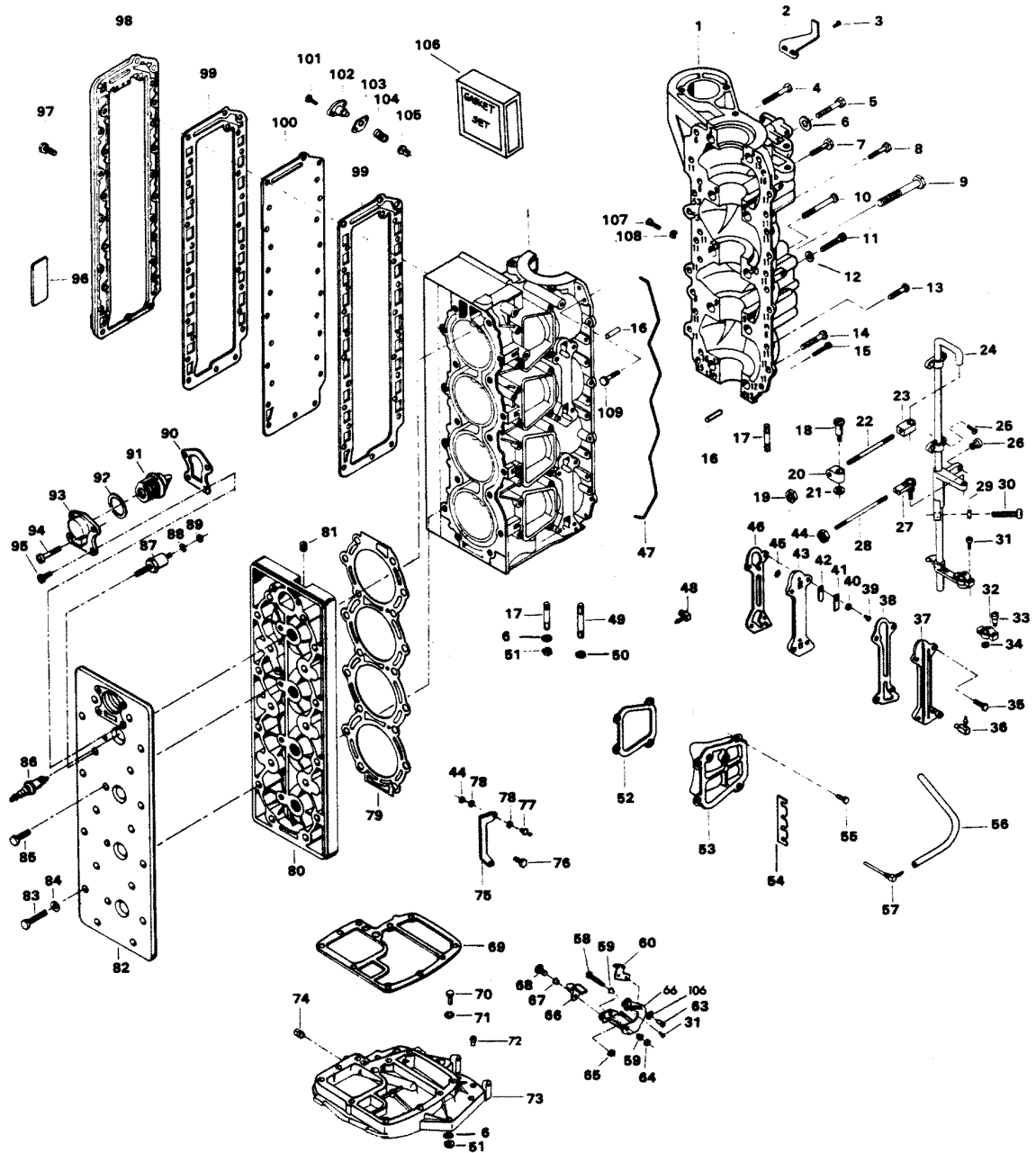


POWER HEAD

REF. NO.	PART NO.	SYM.	QTY.	DESCRIPTION
41	F93920		4	REED STOP
42	F18160-2		4	CYLINDER DRAIN REED
43	F2A406757		2	CYLINDER DRAIN REED PLATE W/ILLUS. 39, 40, 41, 42 AND 45
44	F1513		4	HEX NUT, 10 - 32
45	F93811		4	SCREEN
46	F84748-3		2	GASKET
47	F184122-1		1	SEAL, PARTING LINE
48	F84314-2		1	ELBOW
49	F85211		6	STUD
50	F8038		4	PLAIN WASHER
51	F7004		10	STOP NUT, 3/8 - 16
52	F40223		4	GASKET, TRANSFER PORT COVER
53	FA411222		2	TRANSFER PORT COVER W/ILLUS. 81
54	F523834		1	CLIP, SPARK PLUG WIRE
55	F1922		6	HEX CAP SCREW, 1/4 - 20 X 5/8
56	F406754-1		1	HOSE
57	F404314		1	FITTING
58	F1885		1	HEX BOLTS, S.S., 5/16 - 18 X 4-1/4
59	F85610		2	BEARING
60	F480107-1		1	CAM STARTER INTERLOCK
61	FA480876		1	GEAR SHIFT ARM W/ILLUS. 32, 59, 65, 66, 67 AND 68
62	F2042		2	PLAIN WASHER
63	F2089		2	SLOTTED PAN HD M. SCREW, 10 - 24 X 5/16
64	F2108		1	STOP NUT, 5/16 - 18
65	F1832		1	STOP NUT, 1/4 - 20
66	F369977-1		1	INTERLOCK ARM
67	F369610		1	BEARING
68	F369887		1	SHOULDER SCREW
69	F85279-2		1	GASKET, CYLINDER EXHAUST UPPER
70	F1869		6	HEX CAP SCREW, 3/8 - 16 X 1-1/4
71	F1703		6	LOCKWASHER
72	F40689		1	BEARING
73	817788A3		1	SPACER PLATE W/ILLUS. 74 ORIGINAL FORCE P/N A 404680-1
74	F2090		1	PLUG
75	FS85872-1		1	BRACKET W/ILLUS. 54
76	F1864		2	HEX CAP SCREW, 1/4 - 20 X 3/4
77	F98273		2	ROD END CONNECTOR STUD
78	F8058		4	INTERNAL TOOTH LOCKWASHER
79	F476529-1		1	CYLINDER HEAD GASKET
80	FA528518		1	CYLINDER HEAD W/ILLUS 81
81	F19109		1	PLUG
82	F528995		1	COVER, CYLINDER HEAD

CONTINUED ON NEXT PAGE ➡

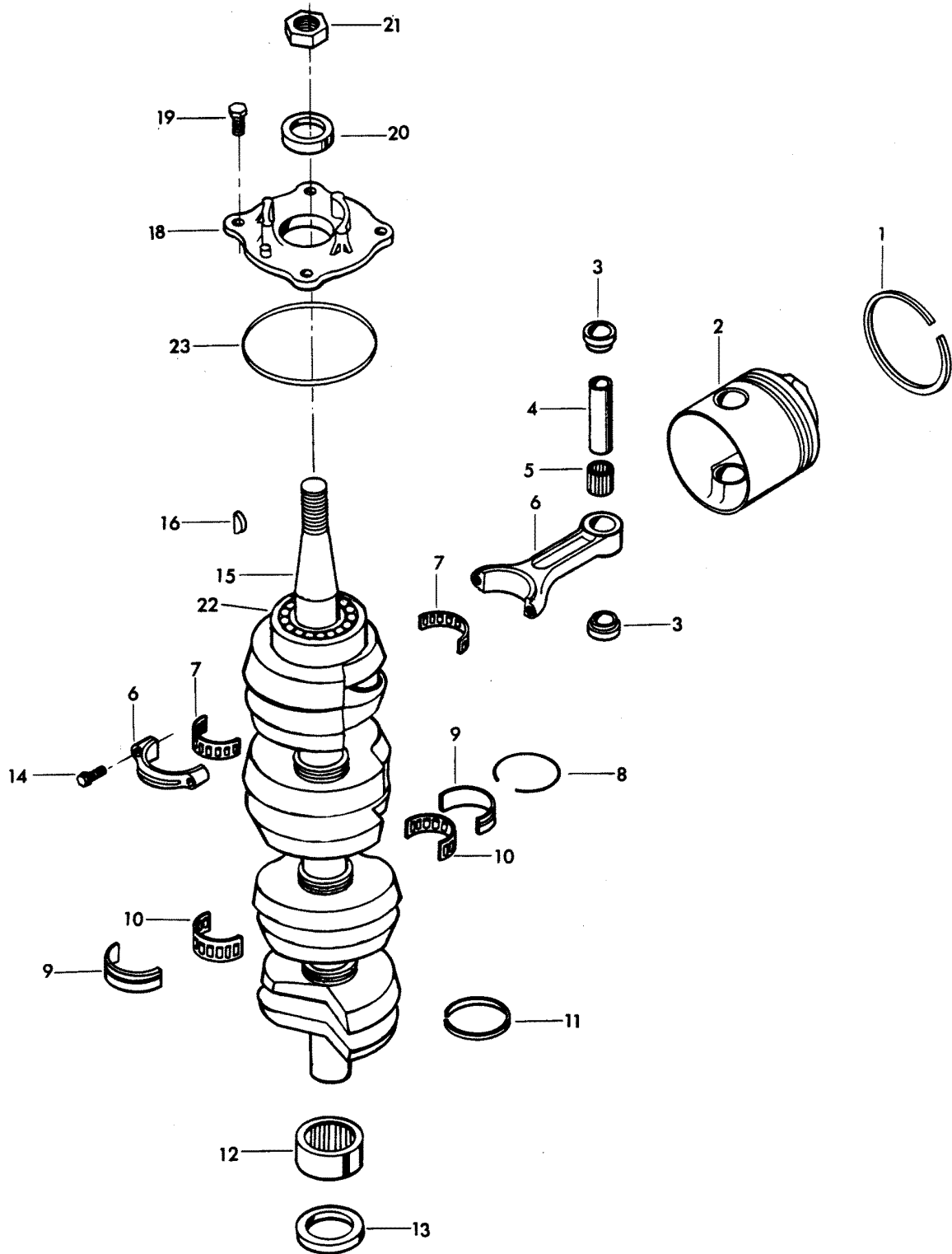
POWER HEAD



POWER HEAD

REF. NO.	PART NO.	SYM.	QTY.	DESCRIPTION
83	F2049		18	HEX CAP SCREW, 5/16 - 18 X 2-5/8
84	F1987		18	PLAIN WASHER
85	F2008		4	HEX CAP SCREW, 1/4 - 20 X 7/8
86	33-97180		4	SPARK PLUG (CHAMPION L20V) - USA
-	C523227		4	SPARK PLUG (CHAMPION QL-76V) - CANADA
87	87-817778A1		1	THERMOSWITCH W/ILLUS. 88 AND 89 ORIGINAL FORCE P/N A 335449-1
88	F8056		1	LOCKWASHER
89	F1647		1	HEX NUT, 8 - 32
90	F476067		1	GASKET
91	F528068		1	THERMOSTAT
92	F84504		1	GROMMET (THERMOSTAT)
93	F476066-1		1	THERMOSTAT COVER
94	F1099		2	FILL HD SCREW, 1/4 - 20 X 1-1/4
95	F1107		2	SLOTTED FILL HD CAP SCREW, 1/4 - 20 X 3/4
96	F438398-1		1	DECAL, WIRING - USA
-	FC438398		1	DECAL, WIRING - CANADA
97	F1916		27	HEX BOLT, 1/4 - 20 X 1-1/8
98	F372152-1		1	EXHAUST PORT COVER
99	F372154-1		2	GASKET, EXHAUST PORT PLATE
100	F372151-1		1	EXHAUST PORT PLATE
101	F1950		2	HEX CAP SCREW, 10 - 24 X 5/8
102	F438066		1	BY-PASS VALVE COVER
103	F85762		1	BY-PASS VALVE COVER GASKET
104	F404268		1	BY-PASS VALVE SPRING
105	F85916-1		1	BY-PASS VALVE
106	FG1019		1	GASKET SET (INCLUDES THE FOLLOWING)
-	F40223		4	TRANSFER PORT COVER GASKET
-	F84472-5		2	CYLINDER DRAIN COVER GASKET
-	F84748-3		2	CYLINDER DRAIN REED PLATE GASKET
-	F85279-2		1	CYLINDER EXHAUST UPPER GASKET
-	F85762		1	BY-PASS COVER GASKET
-	F85906		2	CARBURETOR GASKET
-	F178168-1		2	CARBURETOR ADAPTER GASKET
-	F184122-1		1	SEAL
-	F372154-1		2	EXHAUST PORT PLATE GASKET
-	F406406		2	DEFLECTOR PLATE GASKET
-	F440906		2	CARBURETOR GASKET
-	F476067		1	THERMOSTAT COVER GASKET
-	F476529-1		1	CYLINDER HEAD GASKET
107	F2000		1	HEX CAP SCREW, 5/16 - 18 X 3/4
108	F8096		1	SPRING LOCKWASHER
109	F1532		2	HEX HD SCREW, 1/4 - 20 X 1

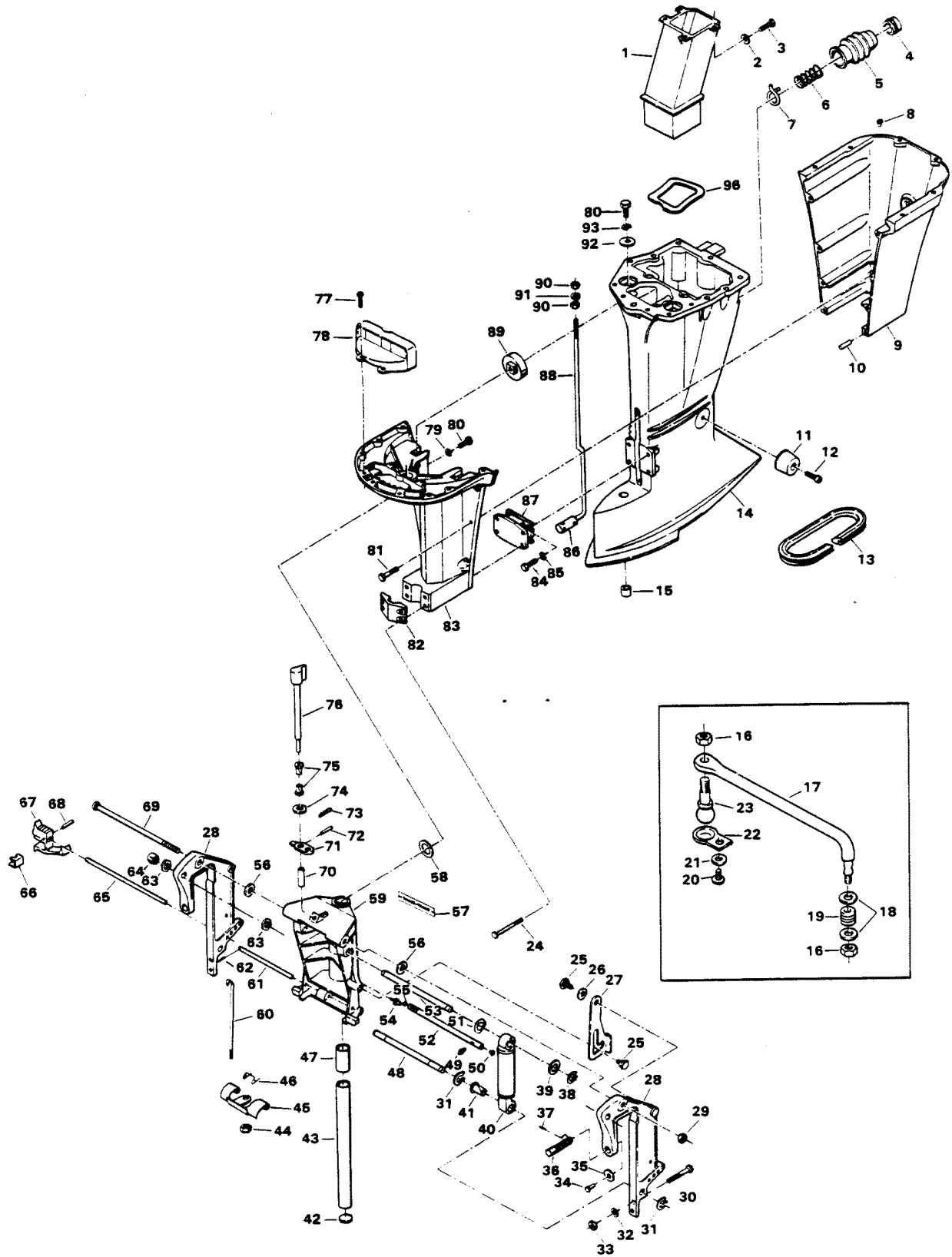
CRANKSHAFT AND PISTON GROUP



CRANKSHAFT AND PISTON GROUP

REF. NO.	PART NO.	SYM.	QTY.	DESCRIPTION
1	FA528260		2	PISTON RING SET (4 PER SET) - STANDARD
-	FSA528260		2	PISTON RING SET (4 PER SET) .010 OVERSIZE
-	39-818129A2		2	PISTON RING SET (4 PER SET) .030 OVERSIZE
2	F528015		4	PISTON - STANDARD
-	FSA528015		4	PISTON .010 OVERSIZE
-	700-818128A1		4	PISTON .030 OVERSIZE
3	F335215		8	SPACER, PISTON PIN (2 PER PISTON)
4	F85017		4	PISTON PIN
5	F335217-1		4	BEARING, PISTON PIN (26 PER SET)
6	600-818052A4		4	CONNECTING ROD W/CAP AND ILLUS. 14 ORIGINAL FORCE P/N S 366016-4
7	FK85228-1		4	BEARING CAGE W/ROLLER
8	F85410		3	SNAP RING
9	FA85655-1		3	CRANKSHAFT MAIN BEARING RACE W/SNAP RING
10	F85571		3	BEARING CAGE W/ROLLER
11	F316579		3	SEAL, CRANKCASE
12	FA523014		1	CRANKSHAFT LOWER MAIN BEARING W/ITEM 13
13	F523146		1	SEAL, CRANKSHAFT LOWER
14	F85634-2		8	CONNECTING ROD SCREW
15	FA528018		1	CRANKSHAFT W/ILLUS. 22
16	F85498		1	FLYWHEEL KEY
18	31-817785A2		1	CRANKSHAFT BEARING CAGE W/ILLUS. 20 ORIGINAL FORCE P/N A 373144-2
19	F1867		4	HEX CAP SCREW, 3/8 - 16 X 1
20	F84146-2		1	SEAL
21	F1968		1	FLYWHEEL NUT
22	F284659-2		1	BEARING, CRANKSHAFT UPPER MAIN
23	F84278		1	SEAL
-	F2067		1	PLASTISOL CAP (NOT SHOWN) FOR EXPOSED THREADS OF CRANKSHAFT

MOTOR LEG

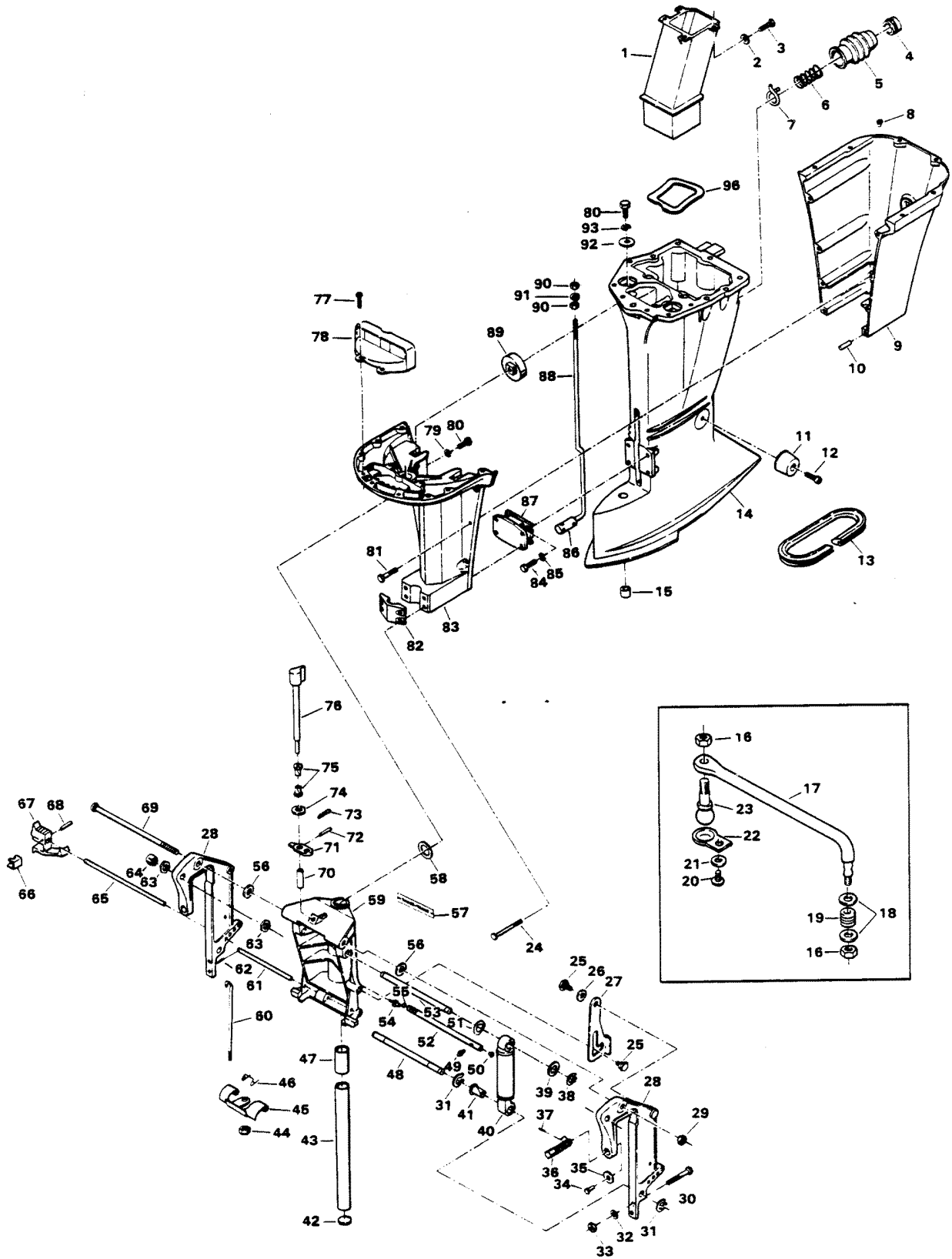


MOTOR LEG

REF. NO.	PART NO.	SYM.	QTY.	DESCRIPTION
1	F85660-1		1	EXHAUST TUBE
2	F8083		4	SPRING LOCKWASHER
3	F1705		4	HEX SLOT HD SCREW, 1/4 - 20 X 3/4
4	F85258		1	INSERT
5	F85130		1	BOOT IDLE EXHAUST
6	F85380		1	SPRING
7	F85772		1	CLAMP
8	F1729		2	PLUG
9	817931A7		1	MOTOR LEG COVER REAR W/ILLUS. 8, 13 AND LITERATURE ORIGINAL FORCE P/N A 178145-3
10	F1664		2	SPRING PIN
11	F1263		2	HEX SOCKET HD CAP SCREW, 5/16 - 18 X 9/16
12	F438962		2	SHOCK MOUNT LOWER REAR
13	F178323		1	SEAL, MOTOR LEG
14	F523133-2		1	MOTOR LEG
15	F338618-1		1	SEAL GEAR SHIFT ROD
16	F2093		2	STOP NUT, 5/8 - 24
17	F523881-2		1	STEERING LINK
-	FOB2603		-	INSTALLATION INSTRUCTIONS (5H094 STEERING LINK KIT)
18	F8038		2	PLAIN WASHER
19	F523300-1		1	SPRING STEERING LINK
20	F1280		1	PAN HD SCREW
21	F8080		1	HELICAL SPRING LOCKWASHER
22	F523300-1		1	RETAINER STUD
23	F523273		1	STUD STEERING BALL
24	F1696		4	HEX BOLT, 5/16 - 18 X 1-3/4
25	F85350-1		2	TILT STOP PIVOT
26	F1666		1	SPRING BOWED WASHER
27	F85541-1		1	TILT LOCK
28	1400-817958A6		2	STERN BRACKET
29	F7012		1	STOP NUT
30	F1593		2	HEX HD SCREW, 3/8 - 16 X 3
31	F178173		4	RETAINING RING
32	F1904		2	PLAIN WASHER
33	F1346		2	HEX NUT
34	F353480		2	STUD
35	F84074		2	CLAMP SCREW FOOT
36	F474073-1		2	CLAMP SCREW
37	F8538		2	SPRING PIN
38	F178208		2	RETAINING RING
39	F1710		2	PLAIN WASHER
40	FA178962		2	SHOCK ABSORBER W/BUSHING
41	F178362		2	BEARING

CONTINUED ON NEXT PAGE ➡

MOTOR LEG

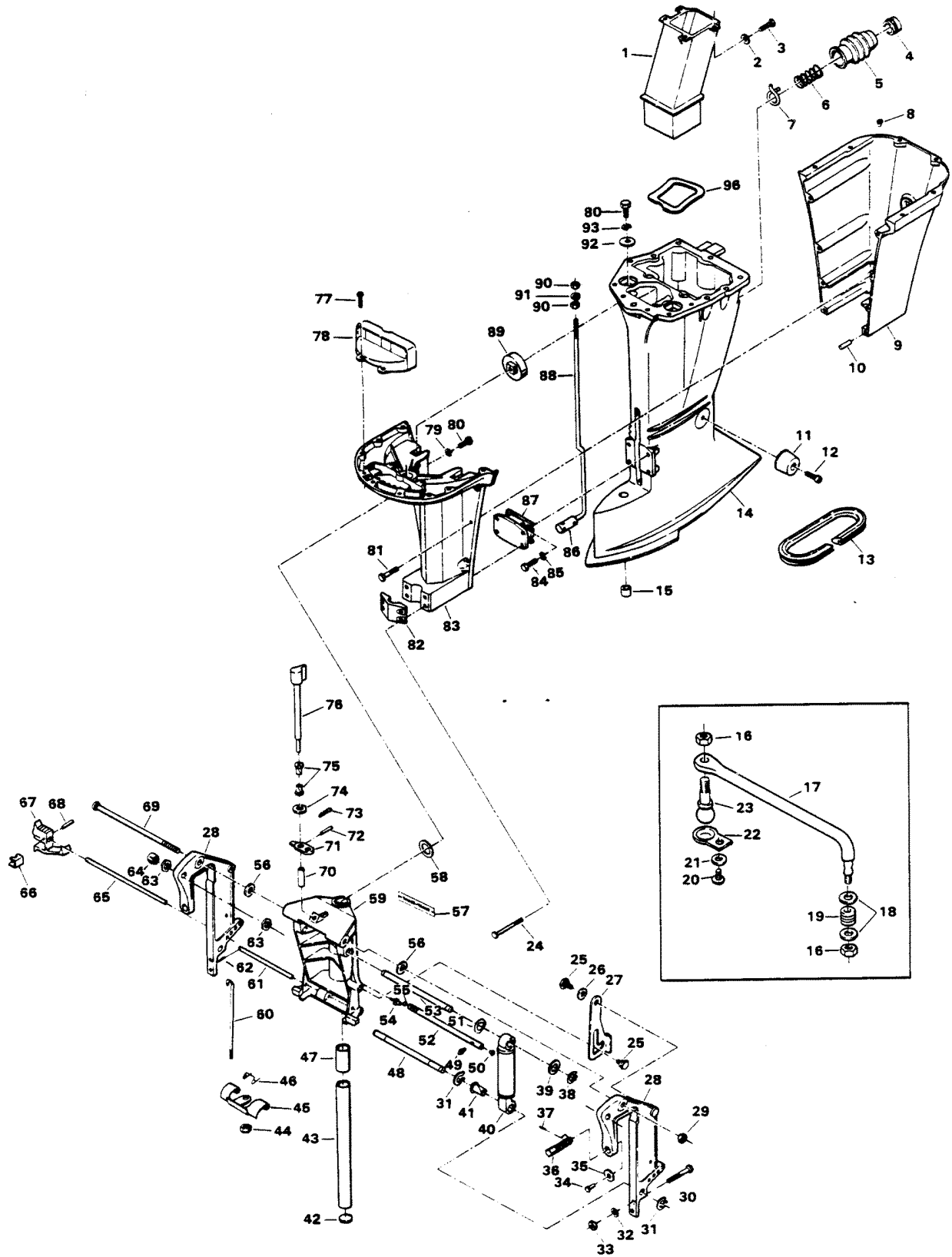


MOTOR LEG

REF. NO.	PART NO.	SYM.	QTY.	DESCRIPTION
42	F1528		1	WELCH PLUG
43	FA85019		1	KINGPIN W/ILLUS. 42
44	F1669		1	LOCK NUT
45	F369349		1	REVERSE LOCK
46	F85300		1	REVERSE LOCK SPRING
47	F438169		2	BEARING
48	F178632		1	SHAFT, SHOCK MOUNT LOWER
49	F523274		1	GREASE FITTING
50	F9052		1	PLUG
51	F1711		2	SPRING BOWED WASHER
52	F511125-2		1	TUBE, STEERING SUPPORT
53	F178889		1	SHAFT, SHOCK MOUNT UPPER
54	F213274		3	GREASE FITTING
55	F316599		1	SEAL, STEERING SUPPORT TUBE
56	F84286-1		4	FRICTION WASHER
57	F474390-1		1	DECAL, REVERSE LOCK - USA
-	37-819450		1	DECAL, REVERSE LOCK - CANADA
58	F84011		1	WASHER
59	817783A5		1	SWIVEL BRACKET W/ILLUS. 47 AND 54 ORIGINAL FORCE P/N A 369072-2
60	F369510		1	LINK REVERSE LOCK
61	F177350		1	REVERSE LOCK PIN
62	F1744		1	SPRING PIN
63	F523280		1	NUT, STEERING SUPPORT TUBE
64	F9018		1	CAP
65	FA438113		1	STERN BRACKET LOCK BAR W/ILLUS. 66, 67 AND 68
66	F286461		1	SPRING, LOCK BAR HANDLE
67	F433114		1	HANDLE, LOCK BAR
68	F1744		1	SPRING PIN
69	F85037-1		1	STERN BRACKET PIVOT BOLT
70	F483884		1	BEARING
71	F369364		1	REVERSE LOCK ARM
72	F1836		1	SPRING PIN
73	F1014		1	COTTER PIN
74	F8094		1	PLAIN WASHER
75	F197813		2	BEARING
76	F369827		1	HANDLE AND SHAFT
77	F1912		4	HEX HD SCREW, 10 - 24 X 1/2
78	F85779-1		1	BAFFLE, AIR INTAKE
79	F1703		2	SPRING LOCKWASHER
80	F1871		4	HEX HD SCREW, 3/8 - 16 X 3/4
81	F2030		6	HEX HD M. SCREW, 1/4 - 20 X 1-1/4
82	F85606		1	KINGPIN CAP

CONTINUED ON NEXT PAGE ➡

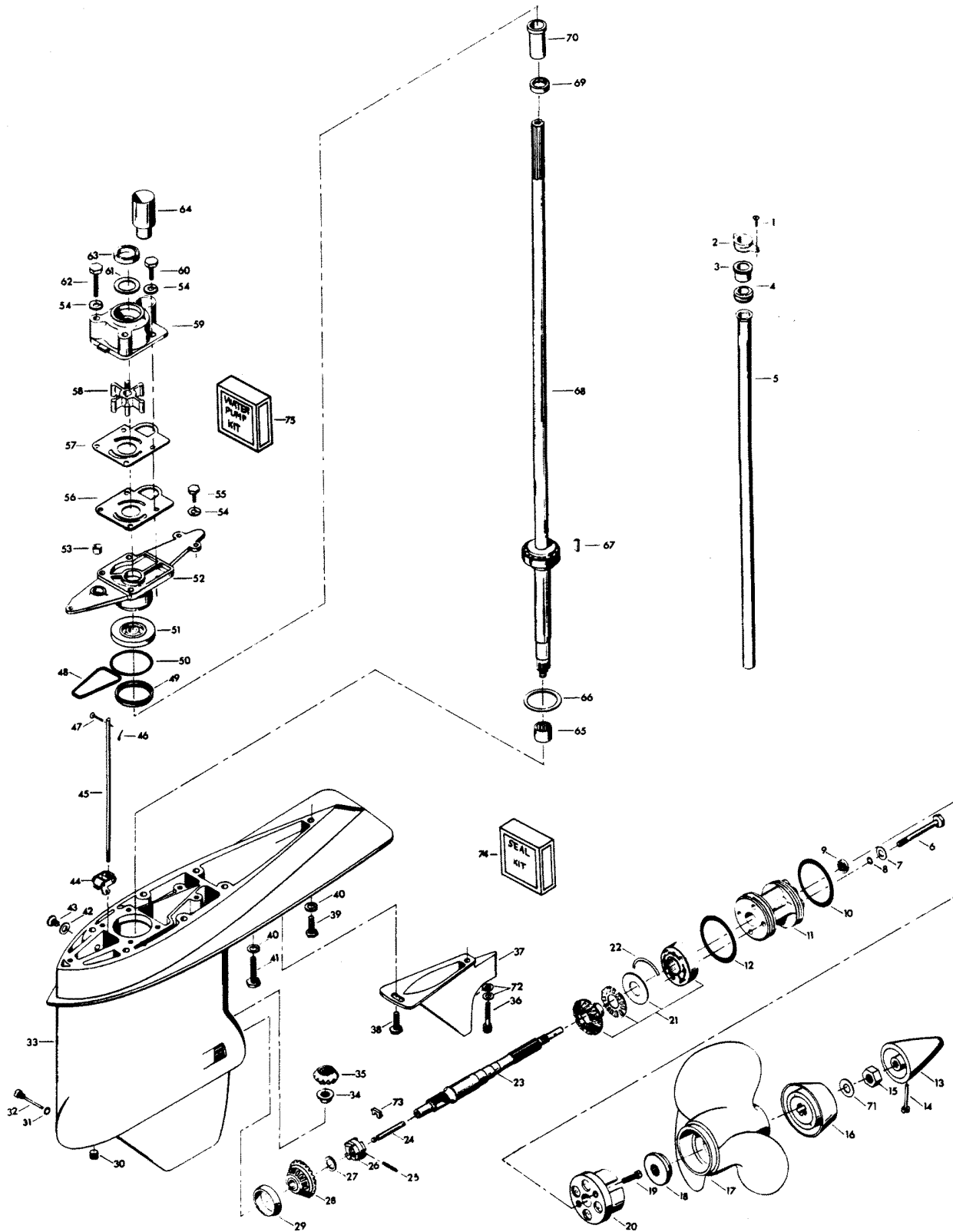
MOTOR LEG



MOTOR LEG

REF. NO.	PART NO.	SYM.	QTY.	DESCRIPTION
83	A3		1	LEG COVER FRONT W/ILLUS. 81
84	F1822		4	HEX BOLT, 5/16 - 18 X 7/8
85	F8096		4	SPRING LOCKWASHER
86	F85704		1	COUPLER, GEAR SHIFT ROD
87	F438346		1	SHOCK MOUNT LOWER
88	F85615		1	GEAR SHIFT ROD UPPER
89	F85965		2	SHOCK MOUNT UPPER
90	F2108		2	LOCK NUT
91	F1987		1	PLAIN WASHER
92	FA85355-1		2	WASHER W/ILLUS. 93
93	F2014		2	PLAIN WASHER
94	F439736		1	SEAL, EXHAUST TUBE

GEAR HOUSING

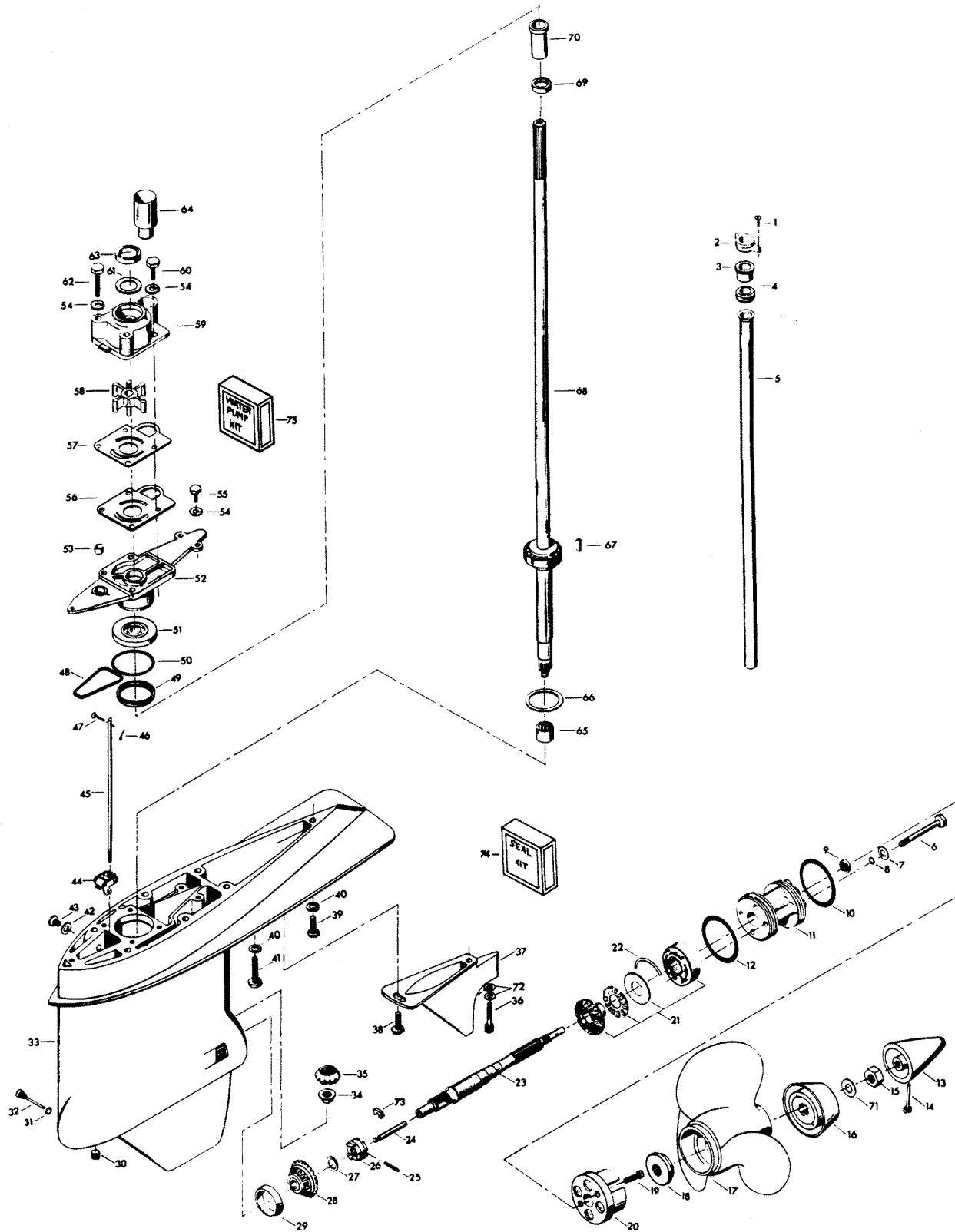


GEAR HOUSING

REF. NO.	PART NO.	SYM.	QTY.	DESCRIPTION
1	F1705		2	HEX CAP SCREW, 1/4 - 20 X 3/4
2	F85117		1	BRACKET, WATER LINE
3	F84342		1	SEAL, INLET WATER LINE, UPPER
4	F523899		1	GROMMET, WATER LINE
5	F523244		1	INLET WATER LINE
6	F1885		4	HEX CAP SCREW, 5/16 - 18 X 4-1/4
7	F1907		4	PLAIN WASHER
8	F50342-1		4	SEAL, O-RING
9	F506118		1	SEAL, PROPELLER SHAFT
10	F24278		1	SEAL, O-RING PROPELLER SHAFT SPOOL
11	F2A523239		1	SPOOL, PROPELLER SHAFT BEARING W/ILLUS. 9
12	F84305		1	SEAL, O-RING PROPELLER SHAFT SPOOL
13	F523094-2		1	PROPELLER NUT
14	F498891		1	PIN PROPELLER NUT RETAINING
15	F1788		1	STOP NUT
16	F523299-1		1	WASHER
17	FPS526		1	PROPELLER (ACCESSORY ITEM)
18	F523099-1		1	SPACER, PROPELLER
19	F1577		2	FILL HD SCREW, 1/4 - 20 X 3/4
20	FA523485		1	ANTI-CORROSION ANODE W/LITERATURE
21	F2A523662		1	BEVEL GEAR REAR W/BEARING CAGE SPACER AND BEARING
22	F523411		2	RETAINING RING, BEARING CAGE
23	FA523098		1	PROPELLER SHAFT
24	F84871-1		1	PIN, GEAR SHIFT
25	F1713		1	SPRING PIN
26	F84521-1		1	CLUTCH
27	F1936		A/R	SPACER, BEVEL GEAR FRONT .059
-	F1937		A/R	SPACER, BEVEL GEAR FRONT .062.
-	F1938		A/R	SPACER, BEVEL GEAR FRONT .065
-	F1939		A/R	SPACER, BEVEL GEAR FRONT .068
-	F1940		A/R	SPACER, BEVEL GEAR FRONT .071
-	F1941		A/R	SPACER, BEVEL GEAR FRONT .074
-	F1942		A/R	SPACER, BEVEL GEAR FRONT .077
-	F2113		A/R	SPACER, BEVEL GEAR FRONT .080
-	F2114		A/R	SPACER, BEVEL GEAR FRONT .083
-	F2115		A/R	SPACER, BEVEL GEAR FRONT .086
-	F2116		A/R	SPACER, BEVEL GEAR FRONT .089
-	F2121		A/R	SPACER, BEVEL GEAR FRONT .057
-	F2122		A/R	SPACER, BEVEL GEAR FRONT .054
28	F2A523023		1	BEVEL GEAR FRONT W/BEARING
29	F523813		1	BEARING CUP
30	F19109		1	PLUG

CONTINUED ON NEXT PAGE ➡

GEAR HOUSING

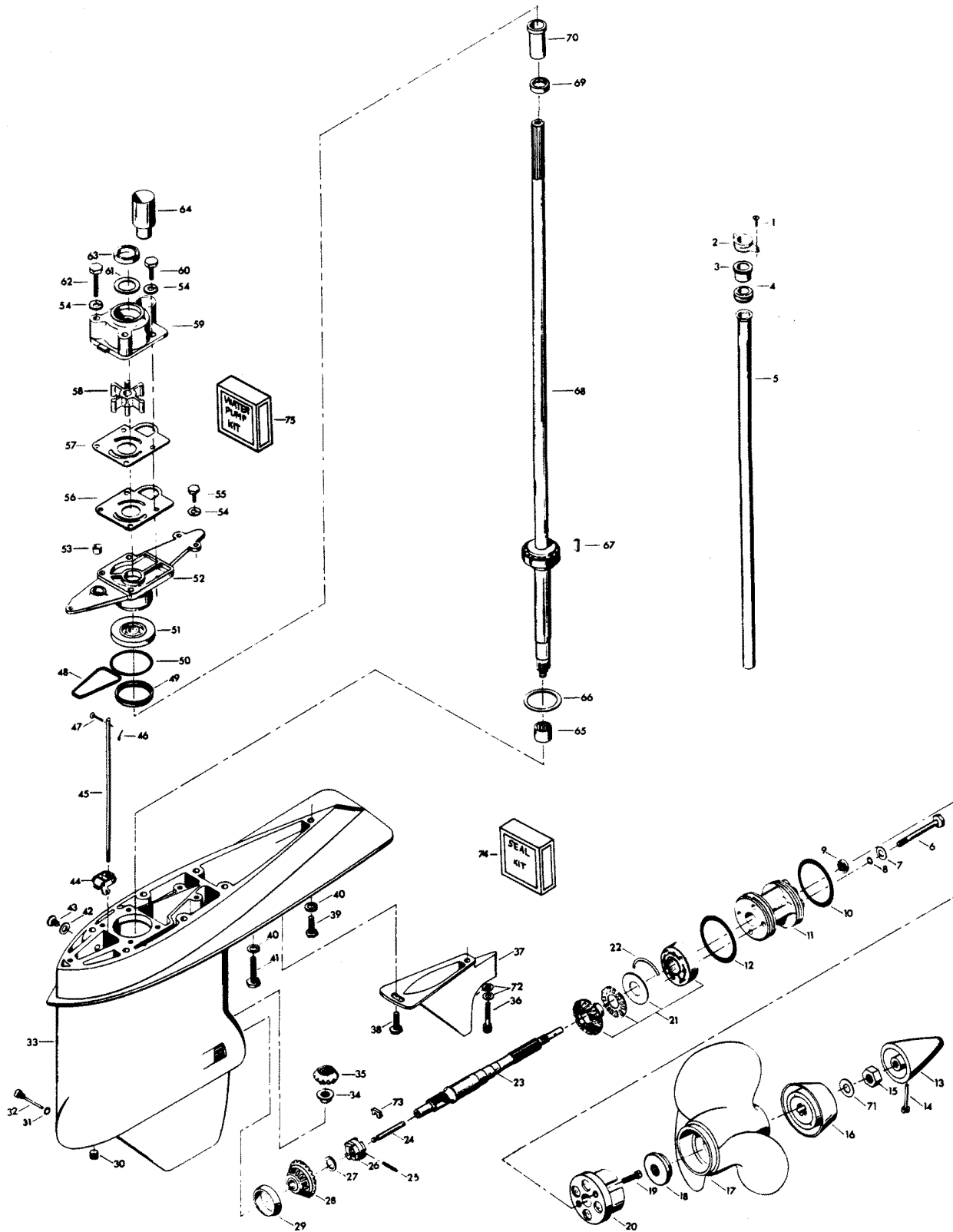


GEAR HOUSING

REF. NO.	PART NO.	SYM.	QTY.	DESCRIPTION
31	F498618		1	O-RING SEAL
32	F498891		1	PIN, GEAR SHIFT ARM
33	FA523054		1	GEAR HOUSING WILLUS. 29, 30, 42, 43 AND 65
-	FC555054		1	GEAR HOUSING COMPLETE INCLUDES ALL ITEMS MARKED WITH AN ASTERISK (*).
34	F523188		1	NUT, BEVEL PINION
35	43-817854A2		1	BEVEL PINION GEAR WILLUS. 49 AND 53 ORIGINAL FORCE P/N A 523266-1
36	F1994		1	HEX SOCKET HD CAP SCREW, 5/16 - 18 X 1
37	F523116		1	EXHAUST SNOOT
38	F438930		1	RETAINER, SNOOT
39	F1858		1	HEX CAP SCREW, 5/16 - 18 X 1
40	F8096		7	SPRING LOCKWASHER
41	F1491		6	HEX HD SCREW, 5/16 - 18 X 3/4
42	F8077		2	WASHER, GEAR HOUSING PLUG
43	F50109		2	PLUG, GEAR HOUSING
44	FA84621-1		1	COUPLING, GEAR SHIFT ARM W/BUSHING
45	F523705		1	GEAR SHIFT ROD LOWER
46	F1015		1	COTTER PIN
47	F85372		1	PIN, GEAR SHIFT ROD LOWER
48	F523555		1	SEAL, O-RING, GEAR HOUSING COVER
49	F523961		1	CRUSH RING
50	F74305		1	SEAL, DRIVESHAFT BEARING CAGE
51	F506118		1	SEAL, DRIVESHAFT
52	F2A550706		1	GEAR HOUSING COVER WILLUS. 51 AND 53
53	F338618-1		1	SEAL, GEAR SHIFT ROD
54	F8083		7	SPRING LOCKWASHER
55	F2008		3	HEX CAP SCREW, 1/4 - 20 X 7/8
56	F523031		1	GASKET, WATER PUMP
57	F523562		1	PLATE, WATER PUMP
58	F523065-1		1	IMPELLER, WATER PUMP
59	46-817853A1		1	WATER PUMP BODY WILLUS. 61, 63 AND 64 ORIGINAL FORCE P/N A 523060-1
60	F1990		2	HEX CAP SCREW, 1/4 - 20 X 1-5/8
61	F480388		1	DISC, WATER PUMP LOCATING
62	F1425		2	HEX CAP SCREW, 1/4 - 20 X 1-5/8
63	F351307		1	SEAL, DRIVESHAFT - WATER PUMP
64	FA523735		1	SEAL, INLET WATER LINE, LOWER W/LITERATURE
65	F523057		1	BEARING, DRIVESHAFT LOWER
66	F9106		A/R	SHIM, DRIVESHAFT BEARING, UPPER .003 BRASS
-	F9095		A/R	SHIM, DRIVESHAFT BEARING, UPPER .005 SILVER
-	F9097		A/R	SHIM, DRIVESHAFT BEARING, UPPER .010 BLACK
67	F523498		1	DRIVE KEY, WATER PUMP
68	FK550128		1	DRIVESHAFT WILLUS. 49 AND 66

CONTINUED ON NEXT PAGE ➡

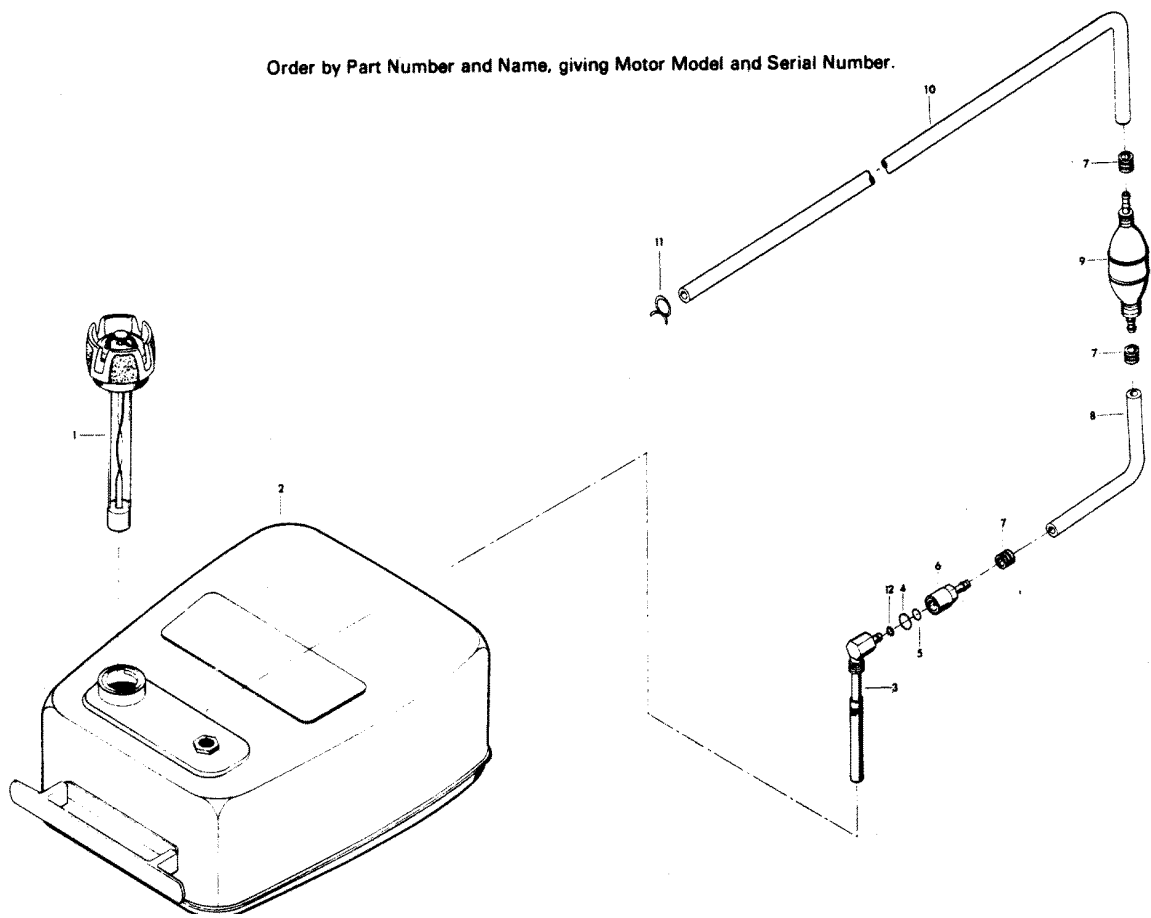
GEAR HOUSING



GEAR HOUSING

REF. NO.	PART NO.	SYM.	QTY.	DESCRIPTION
69	F438271		1	RETAINER, CRANKSHAFT SPLINE SEAL
70	F438129		1	SEAL, DRIVESHAFT SPLINE
71	F1866		1	PLAIN WASHER
72	F1856		2	PLAIN WASHER
73	F90619-1		1	YOKE
74	FK1063		1	SEAL KIT (INCLUDES ITEMS LISTED BELOW)
-	F50342-1		4	BEARING CAGE BOLT SEAL
-	F506118		1	PROPELLER SHAFT SEAL
-	F24278		1	PROPELLER SHAFT SPOOL SEAL
-	F84305		1	PROPELLER SHAFT SPOOL SEAL
-	F498618		1	GEAR SHIFT ARM PIN SEAL
-	F8077		2	WASHER
-	F523555		1	GEAR HOUSING COVER SEAL
-	F74305		1	GEAR HOUSING COVER SEAL
-	F84307-1		1	DRIVESHAFT SEAL
-	F338618-1		1	GEAR SHIFT ROD SEAL
75	FK1069		1	WATER PUMP KIT (INCLUDES ITEMS LISTED BELOW)
-	F1425		2	HEX CAP SCREW, 1/4 - 20 X 5/8
-	F1990		2	HEX CAP SCREW, 1/4 - 20 X 5/8
-	F8083		4	SPRING LOCKWASHER
-	F523031		1	GASKET, WATER PUMP
-	F523065-1		1	IMPELLER
-	F523498		1	KEY
-	F523562		1	PLATE, WATER PUMP
-	46-817853A1		1	WATER PUMP

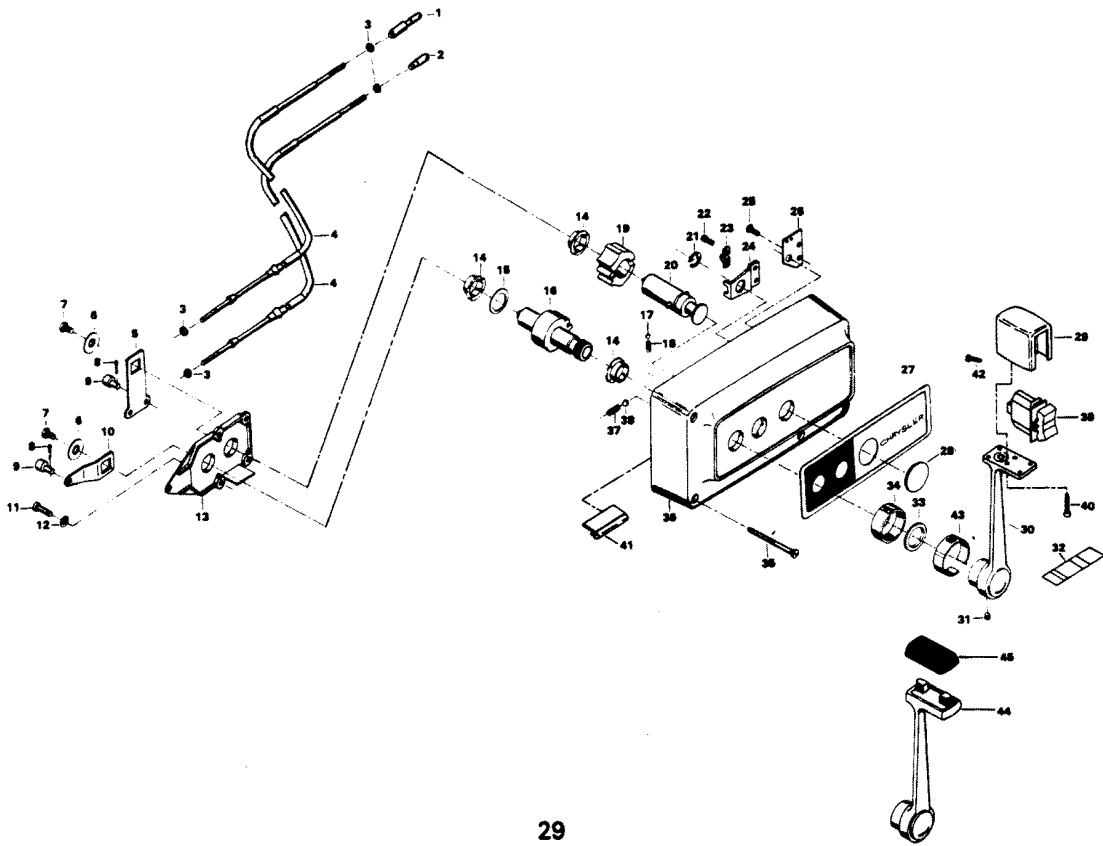
FUEL TANK AND LINE



FUEL TANK AND LINE

REF. NO.	PART NO.	SYM.	QTY.	DESCRIPTION
1	F409251-1		1	GAUGE CAP
2	F5H026		1	FUEL TANK (ACCESSORY ITEM)
3	F485755-1		1	FUEL TANK ADAPTER
4	F213342		1	SEAL, FUEL LINE COUPLER (LARGE)
5	F213735		1	SEAL, FUEL LINE COUPLER (SMALL)
6	F197787-3		1	FUEL LINE COUPLER
7	F298788		3	FERRULE
8	FA84754-1		1	FUEL LINE SHORT W/ILLUS. 7
9	89396A38		1	PRIME BULB
10	32-817738A1		1	FUEL LINE LONG W/ILLUS. 7 AND 11 ORIGINAL FORCE P/N A 197752-1
11	F97772		1	FUEL LINE CLAMP
12	F17932		1	SEAL, FUEL LINE COUPLER
-	FS409752		1	FUEL LINE, COMPLETE
-	FC409398		1	DECAL, TOTE TANK - CANADA (NOT SHOWN)

REMOTE CONTROL



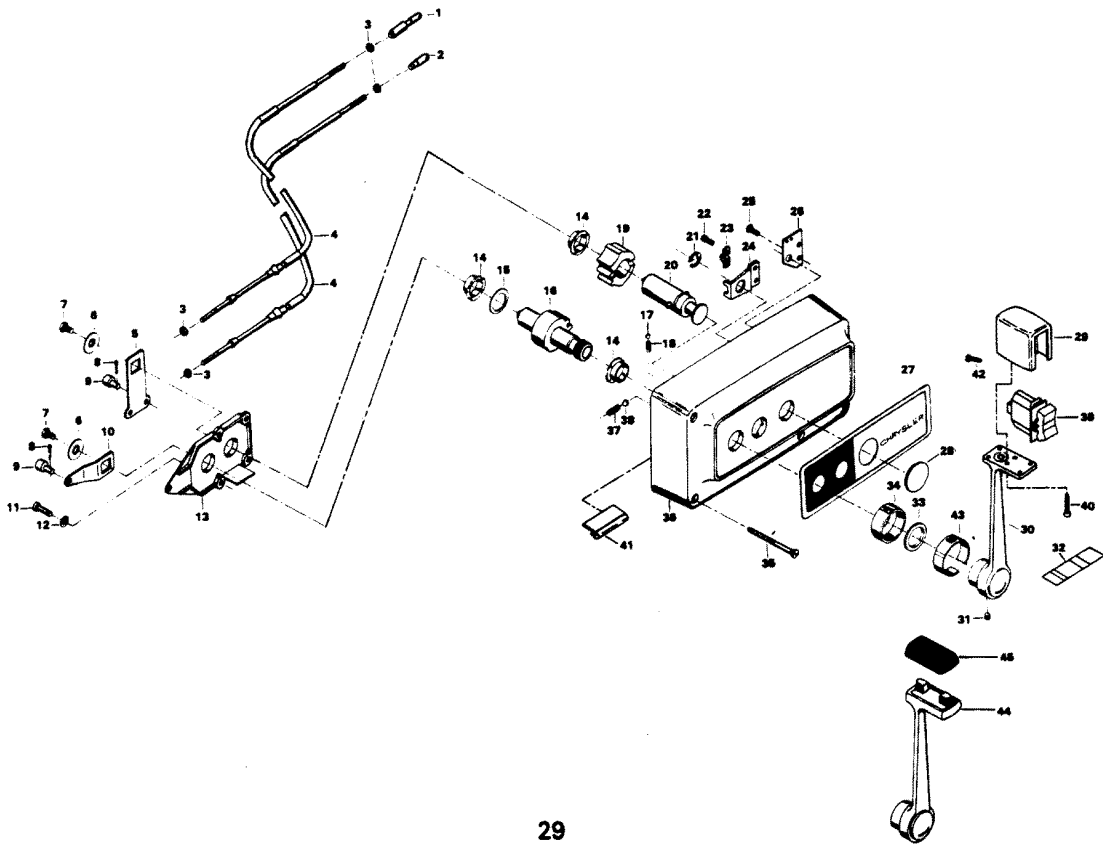
29

REMOTE CONTROL

REF. NO.	PART NO.	SYM.	QTY.	DESCRIPTION
1	FA58976-1		1	CONNECTOR, THROTTLE CABLE
2	F58685-2		1	CONNECTOR, SHIFT CABLE
3	F1513		4	HEX NUT
4	ÄF58356//		2	REMOTE CONTROL CABLE (SPECIFY LENGTH)
5	F17019		1	CLUTCH ARM
6	F17036		2	INTERNAL TOOTH LOCKWASHER
7	F1715		2	HEX BOLT, 1/4 - 28 X 9/16
8	F17149		2	COTTER PIN
9	F17016		2	CABLE TERMINAL
10	F17014		1	THROTTLE ARM
11	F17013		2	FILL HD SCREW, 1/4 - 20 X 1/2
12	F17147		2	INTERNAL TOOTH LOCKWASHER
13	F17012		1	RETAINING PLATE
14	F17009		3	BEARING
15	F17011		1	BOWED WASHER
16	F17010-1		1	THROTTLE GEAR
17	F17111		1	DETENT BALL
18	F17006		1	DETENT SPRING
19	F17021		1	CLUTCH GEAR
20	F17100		1	CLUTCH SHAFT
21	F17092		1	SNAP RING
22	F17071		2	FILL HD SCREW, 10 - 24 X 5/16
23	F154317		1	CABLE CLAMP
24	F17026		1	SWIVEL
25	F1557		2	FLAT HD SCREW, 10 - 24 X 3/8
26	F17112		1	JUNCTION BOARD, STARBOARD
-	F17113		1	JUNCTION BOARD, PORT
27	F17148		1	DECAL, STARBOARD
-	F531892		1	DECAL, PORT
28	F17031-1		1	SNAP CAP
29	F448543		1	KNOB (1408H1D, 1408B1D ONLY)
30	F448611-1		1	LEVER (1408H1D, 1408B1D ONLY)
31	F17116		1	KNOB (1406H1D, 1406B1D ONLY)
32	F449894		1	INDICATOR, STARBOARD (1408H1D, 1408B1D ONLY)
-	F448894		1	INDICATOR, PORT
33	F17105		1	FELT WASHER
34	F17106		1	COLLAR
35	F17146		3	WOOD SCREW
36	F17099		1	HOUSING
37	F17068		1	DETENT SPRING
38	F17082-1		1	DETENT BALL
39	F455449		1	SWITCH, TRIM (1408H1D, 1408B1D ONLY)
40	F1461		2	SCREW #6 X 7/8 (1408H1D, 1408B1D ONLY)

CONTINUED ON NEXT PAGE ➡

REMOTE CONTROL

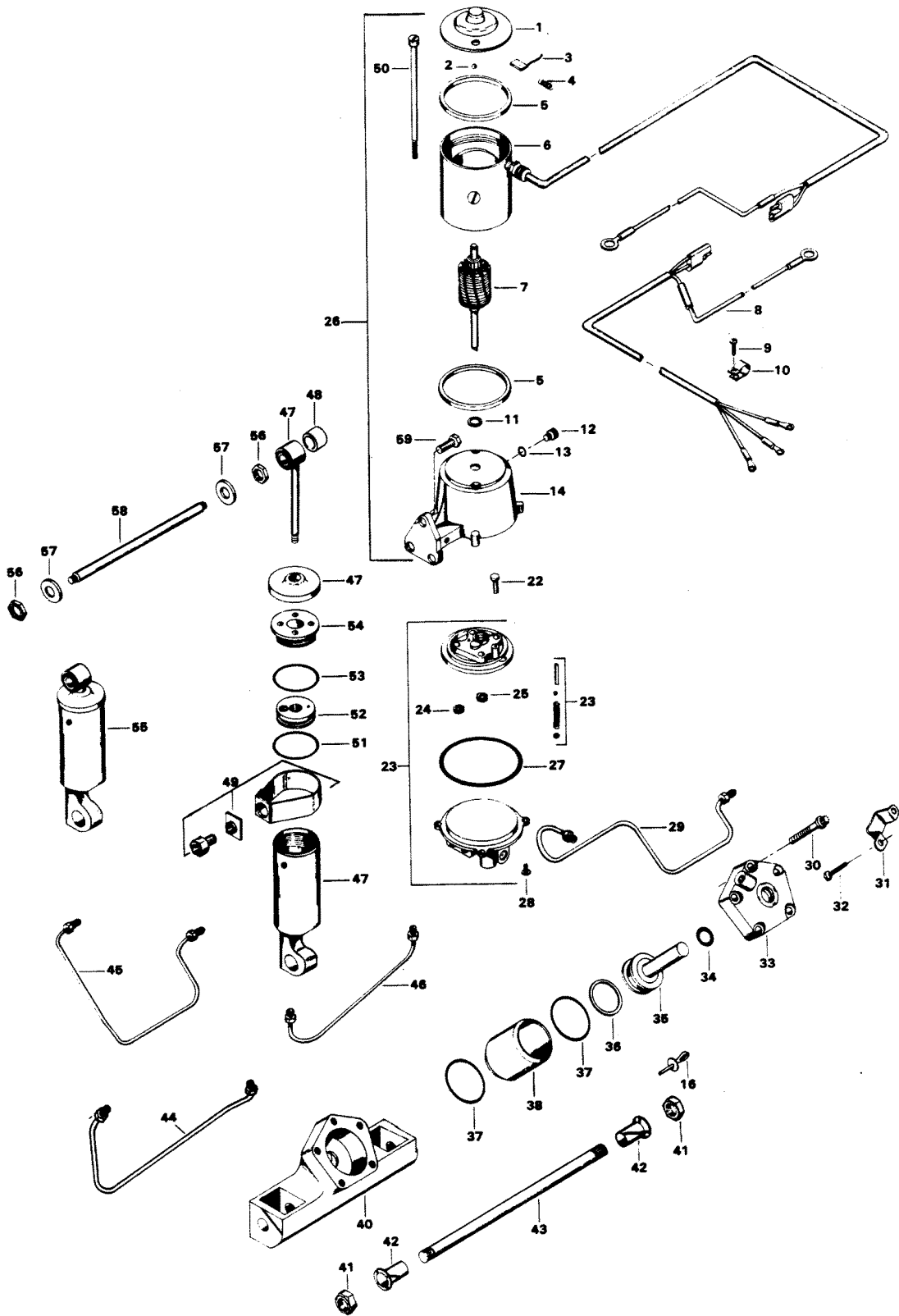


29

REMOTE CONTROL

REF. NO.	PART NO.	SYM.	QTY.	DESCRIPTION
41	F448446		1	CLAMP, TRIM SWITCH CABLE
42	F1280		3	PAN HD SCREW 8 - 32 X 1/4 (1408H1D, 1408B1D ONLY)
43	FK17114-1		1	INDICATOR (1406H1D, 1406B1D ONLY)
44	F17030-1		1	SET SCREW
45	F17115-1		1	HANDLE (1406H1D, 1406B1D ONLY)
46	F1280		2	PAN HD SCREW, 8 - 32 X 1/4 (TERMINAL BOARD) (NOT SHOWN)
-	OB3062		1	LITERATURE (NOT SHOWN) INSTALLATION ILLUSTRATIONS
-	F17103		1	BAG ASSEMBLY (NOT SHOWN). INCLUDES ALL ITEMS MARKED WITH AN ASTERISK (*).

POWER TRIM UNIT (1408H1D)

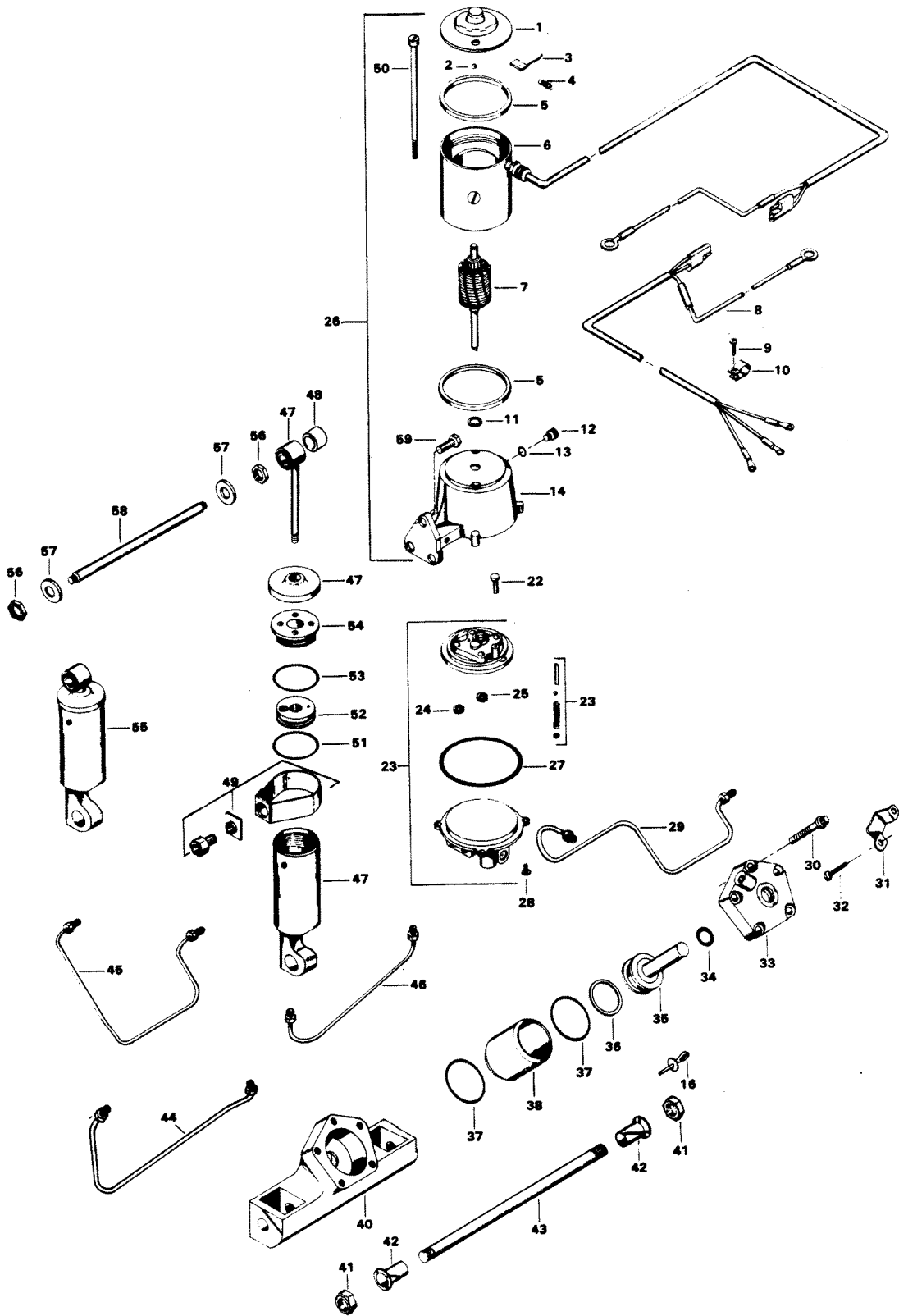


POWER TRIM UNIT (1408H1D)

REF. NO.	PART NO.	SYM.	QTY.	DESCRIPTION
1	F17543		1	HEAD ASSEMBLY, COMMUTATOR END
2	F17539		1	BALL
3	F17504		1	BRUSH SET
4	F17500		1	SPRING SET
5	F17557		2	GASKET
6	F17556		1	FIELD AND FRAME ASSEMBLY
7	F17555		1	ARMATURE
8	F500843		1	CABLE
9	F1741		2	THREAD FORMING SCREW, 8 X 3/4
10	F178446		2	CLAMP
11	F17508		A/R	THRUST WASHER
12	F17518		1	FILLER CAP
13	F17510		1	O-RING
14	F17505		1	RESERVOIR AND BRACKET W/SEAL
16	F1966		1	PLUG, SWIVEL BRACKET
22	F1203		1	HEX CAP SCREW, 1/4 - 20 X 7/8
23	F17564		1	VALVE BODY AND PUMP WILLUS. 22, 24, 25 AND 27
24	F17566		1	IDLE GEAR
25	F17565		1	DRIVE GEAR
26	F17563		1	MOTOR AND RESERVOIR ASSEMBLY
27	F17522		1	O-RING
28	F1310		4	ROUND HD SCREW, 10 - 24 X 5/8
29	F449254		1	HYDRAULIC LINE, TRIM CYLINDER, UPPER
30	F1959		5	SCREW, 1/4 - 20 X 1-3/4, STAINLESS STEEL
31	F449354		1	THRUST BRACKET
32	F1734		2	FILL HD MOUNTING SCREW AND LOCKWASHER, 1/4 - 20 X 1/2
33	FA449149		1	COVER ASSEMBLY W/SEALS AND RETAINER
34	F449342		1	SEAL, PISTON SHAFT
35	FA449015		1	PISTON
36	F449278		1	PISTON SEAL
37	F40278		2	SEAL, CYLINDER
38	F449010		1	CYLINDER
40	F449545-2		1	CYLINDER HOUSING
41	F1963		2	ELASTIC STOP NUT, 5/8 - 18
42	F178362		2	BEARING
43	F449632		1	SHAFT
44	F449253-1		1	HYDRAULIC LINE, TRIM CYLINDER, LOWER
45	F449758		1	HYDRAULIC LINE, LIFT CYLINDER, UPPER
46	F449754-1		1	HYDRAULIC LINE, LIFT CYLINDER, LOWER
47	FA17559		1	LIFT CYLINDER COMPLETE
48	F178344		1	BUSHING
49	F17577		1	ADAPTER FITTING PACKAGE

CONTINUED ON NEXT PAGE ➡

POWER TRIM UNIT (1408H1D)



POWER TRIM UNIT (1408H1D)

REF. NO.	PART NO.	SYM.	QTY.	DESCRIPTION
50	F17558		1	THRU-BOLT PACKAGE
-	F1877		2	TY-RAP (NOT SHOWN)
51	FA17561-1		1	O-RING W/LITERATURE
52	F17562-1		1	PISTON ASSEMBLY
53	F17528		1	O-RING
54	F17560		1	HEAD ASSEMBLY
55	FA178962		1	SHOCK ABSORBER W/BUSHING
56	F1931		2	STOP NUT, 1/2 - 20, STAINLESS STEEL
57	F1960		2	PLAIN WASHER
58	F449889		1	SHAFT, UPPER
59	F1822		3	SCREW, 5/16 - 18 X 7/8, STAINLESS STEEL

SPECIAL TOOLS - TUNE-UP

REF. NO.	PART NO.	SYM.	QTY.	DESCRIPTION
-	FT8948-1		0	PULLER TO REMOVE FLYWHEEL.
-	FTA2937-1		0	TIMING TOOL TO ADJUST TIMING POINTER.
-	FT8978		0	POWER TIMING LIGHT FOR ADJUSTMENT OF ENGINE TIMING.
-	FT2951		0	CIRCUIT TRACER TO TROUBLESHOOT ELECTRICAL SYSTEM.
-	FT2938-1		0	BATTERY POWERED TEST LIGHT TO CHECK FOR CONTINUITY.

SPECIAL TOOLS - POWER HEAD

REF. NO.	PART NO.	SYM.	QTY.	DESCRIPTION
-	FT8914		0	SEAL REMOVER TO REMOVE UPPER CRANKSHAFT BEARING CAGE SEAL.
-	FT8927		0	SEAL PROTECTOR TO INSTALL UPPER CRANKSHAFT BEARING CAGE.
-	FT8907		0	DRIVE HANDLE USED WITH T 8903.
-	FT8925		0	SEAL INSTALLER TO INSTALL LOWER CRANKSHAFT SEAL.
-	FT2953		0	SOCKET TO TORQUE CONNECTING ROD SCREWS.
-	FT2990		0	PISTON PIN TOOL TO REMOVE AND INSTALL PISTON PINS.
-	FTA8994		0	PISTON PIN TOOL USE WITH T 2990.
-	FT2996		0	RING COMPRESSOR TO INSTALL PISTON IN CYLINDER.
-	FT8926		0	RING EXPANDER TO INSTALL PISTON RINGS.
-	FT8903		0	SEAL INSTALLER TO INSTALL UPPER CRANKSHAFT BEARING CAGE SEAL.
-	FT1082		0	SNAP RING PLIER TO REMOVE AND INSTALL DISTRIBUTOR RETAINING RING.
-	FT8933		0	LIFTING HOOK TO LIFT ENGINE.
-	FT2998		0	TORQUE WRENCH TO PROPERLY TIGHTEN FASTENERS.
-	FT2999		0	TORQUE WRENCH TO PROPERLY TIGHTEN FASTENERS.
-	FT2991		0	CARBON BRUSH TO REMOVE CARBON FROM INSIDE ENGINE.
-	FT8900		0	HOSE CLAMP PLIERS TO REMOVE AND INSTALL FUEL HOSE CLAMPS.

SPECIAL TOOLS - GEAR HOUSING

REF. NO.	PART NO.	SYM.	QTY.	DESCRIPTION
-	FT8948-1		0	PULLER TO REMOVE SPOOL FROM GEAR HOUSING.
-	FT8985		0	SEAL INSTALLER TO INSTALL PROPELLER SHAFT SEAL IN PROPELLER SHAFT BEARING SPOOL.
-	FT8925		0	SEAL INSTALLER TO INSTALL DRIVESHAFT SEAL IN GEAR HOUSING COVER.
-	FT8907		0	DRIVER HANDLE TO INSTALL BEARING CUPS AND SEALS.
-	FT8901		0	INDICATOR HOLDER USED IN CONJUNCTION WITH T 8997.
-	FT8902		0	DIAL INDICATOR USED IN CONJUNCTION WITH T 8997.
-	FT8919		0	SPRING PIN PUNCH TO REMOVE CLUTCH SPRING PIN.
-	FT8957		0	SEAL INSTALLER TO INSTALL SHIFT ROD SEAL.
-	FT8997		0	SHIMMING TOOL TO SHIM LOWER UNIT.
-	FT8918		0	BEARING GUIDE SET TO REMOVE FORWARD BEARING CUP IN GEAR HOUSING.
-	FT11209		0	BEARING GUIDE SET USE WITH T 8918.
-	FT11207		0	BEARING CUP REMOVER TO REMOVE FORWARD BEARING CUP IN GEAR HOUSING.
-	FT11204		0	BEARING CUP INSTALLER TO INSTALL FORWARD BEARING CUP IN GEAR HOUSING.
-	FT3012		0	SEAL INSTALLER TO INSTALL WATER PUMP SEAL.
-	FT11205		0	BEARING INSTALLER/REMOVER TO INSTALL AND REMOVE LOWER DRIVESHAFT BEARING IN GEAR HOUSING.
-	FT7848		0	TORQUING ADAPTER HOLD DRIVESHAFT WHILE INSTALLING OR REMOVING PINION NUT.

SPECIAL TOOLS - TEST EQUIPMENT

REF. NO.	PART NO.	SYM.	QTY.	DESCRIPTION
-	FT8950		0	LEAKAGE TESTER TO TEST LOWER UNIT SEALS FOR LEAKAGE.
-	FTK8999		0	TEST WHEEL TO TEST MOTOR IN TEST TANK. ORIGINAL FORCE P/N TA 8999
-	FT8953		0	IGNITION TESTER TO TEST OUTPUT OF C-D UNIT.

SPECIAL TOOLS - LUBRICANTS AND SEALANTS

REF. NO.	PART NO.	SYM.	QTY.	DESCRIPTION
-	FT2961		0	LUBRICANT - RYKON #2EP
-	FT2987-1		0	LUBRICANT - ANTI-SEIZE
-	FT8969		0	LUBRICANT - 7 OZ. LPSI LUBRICANT
-	FT8955		0	SEALANT - 5 OZ. EC-750 INDUSTRIAL SEALANT
-	FT8983		0	SEALANT - 3 OZ. RTV SEALANT FROM IN PLACE GASKETS
-	FT8936-1		0	SEALANT - 2 CC LOCTITE RETAINING COMPOUND #75
-	FT2962-1		0	SEALANT - 50 CC LOCTITE H, NON-HARDENING GRADE
-	FT2963-1		0	SEALANT - 2 OZ. LOCTITE D, HARDENING GRADE
-	FT8935		0	SEALANT PRIMER - 6 OZ.

ACCESSORIES

REF. NO.	PART NO.	SYM.	QTY.	DESCRIPTION
-	F5H014		0	FLUSHING ADAPTER PERMITS FRESH WATER FLUSHING OF WATER PASSAGES WITH STANDARD GARDEN HOSE.
-	F5H130		0	REMOTE CONTROL BOX (SINGLE LEVER) (SURFACE MOUNT) PERMITS REMOTE CONTROL OF THROTTLE AND GEAR SHIFT FROM STARBOARD SIDE OF BOAT.
-	F5H120		0	REMOTE CONTROL BACK PLATE PROTECTS CONTROL MECHANISM FROM PADDED BOAT SURFACES.
-	F5H131		0	PORT SIDE DECAL KIT CONVERTS 5H130 CONTROL BOX TO PORT SIDE MOUNTING.
-	F590		0	REMOTE CONTROL HEAD (SINGLE LEVER) FLUSH MOUNT CONTROL UNIT PERMITS REMOTE CONTROL OF THROTTLE AND GEAR SHIFT. MAY BE MOUNTED ON PORT OR STARBOARD SIDE OF BOAT.
-	865		0	TWIN REMOTE CONTROL BOX PERMITS REMOTE CONTROL OF THROTTLE, AND GEAR SHIFT ON TWIN ENGINE INSTALLATIONS. MAY BE MOUNTED ON PORT OR STARBOARD SIDE OF BOAT.
-	F5H079		0	REMOTE CONTROL BOX FOR MOUNTING ON CONSOLE OF BOAT.
-	F5H080		0	TWIN REMOTE CONTROL BOX FOR MOUNTING ON CONSOLE OF BOAT.
-	F195/___		0	REMOTE CONTROL CABLES CONNECTS REMOTE CONTROL BOX TO THROTTLE AND GEAR SHIFT ON ENGINE. AVAILABLE IN 6 THROUGH 40 FOOT LENGTHS.
-	F5H108		0	STEERING CONNECTOR CLEVIS TYPE FOR BOAT MOUNTED STEERING AND NON THREADED CABLE END.
-	F5H018		0	DUAL ENGINE TIE BAR PERMITS DUAL ENGINE INSTALLATIONS.
-	F5H094		0	STEERING LINK CONNECTS ENGINE TO REMOTE STEERING CABLE.
-	F5H026		0	STEEL, 6 GALLON FUEL TANK (LOW PROFILE) AUXILIARY TANK.
-	F5H029		0	TANK ANCHOR SECURES 5H026 TO BOAT.
-	F5H040		0	STEEL, 12 GALLON FUEL TANK AUXILIARY TANK.
-	F5H019		0	ANTI-CORROSION KIT ELECTRICAL KIT FOR MOUNTING ON BOAT (12V) TO REDUCE CORROSION.
-	F5H025		0	ANTI-CORROSION SACRIFICIAL ANODE KIT USED TO REDUCE CORROSION.
-	F5H043		0	OVERHEAT BUZZER SOUNDS WARNING BUZZER IF ENGINE OVERHEATS.
-	F5H010		0	POWER TRIM INDICATOR INDICATES ENGINE TRIM ANGLE. (FLUSH MOUNT).
-	F5H134		0	BOAT WHITE LACQUER ENGINE TOUCH-UP PAINT IN 12-3/4 OZ. SPRAY BOMBS (6 CANS PER CASE).
-	F5H081		0	BATTERY CABLE LONGER LENGTH - 15 FEET.
-	F5H006		0	VOLTMETER - FLUSH MOUNT INDICATES BATTERY CONDITION.
-	F5H007		0	HOURMETER - FLUSH MOUNT RECORDS ENGINE RUNNING TIME.

CONTINUED ON NEXT PAGE ➡

ACCESSORIES

REF. NO.	PART NO.	SYM.	QTY.	DESCRIPTION
-	5H111		0	INSTRUMENT ADAPTER - 2" PROVIDES SURFACE MOUNTING OF INSTRUMENTS.
-	F5H112		0	INSTRUMENT ADAPTER - 3-1/2" PROVIDES SURFACE MOUNTING OF INSTRUMENTS.
-	F5H119		0	PROPELLER SPACER - FLARED REDUCES PROPELLER VENTILATION ON SOME BOAT APPLICATIONS.
-	F5H069		0	RFI SUPPRESSION KIT PROVIDES RADIO NOISE SUPPRESSION.
-	5H048		0	CANVAS HOOD PROTECTION FOR ENGINE COVER.
-	5H051		0	BATTERY, 74 AMP. 12 VOLT HEAVY DUTY BATTERY.
-	F5H041		0	BATTERY TERMINAL KIT ADAPTS MODEL 5H051 BATTERY TERMINALS FOR CONNECTIONS TO CABLE ON ENGINE.
-	F5H021		0	EXTENSION CABLE FOR LENGTHENING BATTERY CABLE 6-1/2 FEET.
-	F5H037		0	CIGAR LIGHTER FOR USE AS CONVENIENCE OUTLET.
-	F5H008		0	FUEL GAUGE FLUSH MOUNT MONITORS FUEL SUPPLY.
-	F5H077		0	IGNITION KEY SWITCH SHORT BARREL WITH KEYS.
-	F5H078		0	IGNITION KEY SWITCH LONG BARREL WITH KEYS.
-	F762		0	REMOTE ELECTRIC CABLE 25 FOOT CABLE FOR LARGE BOATS.
-	F5H115		0	TRAILERING TILT LOCK SECURES ENGINE IN HALF-TILT POSITION FOR TRAILERING.
-	F5H044		0	TILT STOP KIT SHORTER TILT STOP FOR SHORT TRANSOM WELL.
-	F5H146		0	POWER TILT TILTS ENGINES FOR BEACHING.
-	F5H132		0	REMOTE CONTROL HANDLE TRIM SWITCH FOR CONVENIENT OPERATION OF POWER TRIM.
-	5H082		0	REMOTE ELECTRIC CABLE 35 FOOT FOR LARGE BOATS.
-	F5H070		0	REMOTE ELECTRIC CABLE 21 FOOT CABLE FOR LARGE BOATS.
-	F5H028		0	SENDING UNIT FOR USE WITH FUEL GAUGE.
-	F5H005		0	TEMPERATURE GAUGE - FLUSH MOUNT MONITORS ENGINE TEMPERATURE. DO NOT USE TEMPERATURE GAUGE AND HEAT LAMP IN SAME INSTALLATION.
-	F5H012		0	TACHOMETER FLUSH MOUNT MONITORS ENGINE R.P.M. TO PROVIDE CHECK OF ENGINE PERFORMANCE.
-	F5H150		0	POWER TRIM ADJUSTS ENGINE TRIM AND TILTS ENGINE.
-	F5H004		0	SPEEDOMETER FLUSH MOUNT MONITORS BOAT SPEED (10-50 M.P.H.)
-	F5H002		0	SPEEDOMETER - FLUSH MOUNT MONITORS BOAT SPEED (10-65 M.P.H.)
-	F5H076		0	SWITCH EXTENSION CABLE 5 FOOT LONG SWITCH WIRING HARNESS.
-	F5H003		0	SPEEDOMETER FLUSH MOUNT MONITORS BOAT SPEED (20 TO 100 KM/H).
-	F5H030		0	SWITCH KIT - RUNNING LIGHTS DASH MOUNTED TOGGLE SWITCH

CONTINUED ON NEXT PAGE ➡

ACCESSORIES

REF. NO.	PART NO.	SYM.	QTY.	DESCRIPTION
-	F5H031		0	SWITCH KIT - SPOT LIGHT DASH MOUNTED TOGGLE SWITCH
-	F5H032		0	SWITCH KIT - WIPER DASH MOUNTED TOGGLE SWITCH
-	F5H034		0	SWITCH KIT - BILGE PUMP DASH MOUNTED TOGGLE SWITCH
-	F5H035		0	SWITCH KIT - HORN DASH MOUNTED TOGGLE SWITCH
-	F5H039		0	SWITCH KIT - INSTRUMENT LIGHTS DASH MOUNTED TOGGLE SWITCH
-	F5H036		0	SWITCH KIT - TACHOMETER TRANSFER FOR ONE TACHOMETER ON DUAL ENGINE INSTALLATION.
-	F5H038		0	SWITCH KIT - IGNITION SWITCH TO MOUNT IGNITION SWITCH IN DASH.
-	5H139		0	SWITCH KIT - LIVEWELL PUMP DASH MOUNTED TOGGLE SWITCH.
-	F563		0	TERMINAL BLOCK KIT DOUBLE ROW 10 SECTION, TO SIMPLIFY ACCESSORY INSTALLATION.
-	F5H075		0	WIRING HARNESS - IGNITION SWITCH - 24" USE WITH 563 TERMINAL BLOCK.
-	F596		0	CHRYSLER OUTBOARD OIL SEE BLOCK COMMENT 1.
-	F597		0	CHRYSLER OUTBOARD GEAR LUBE SEE BLOCK COMMENT 2.
-	F5H059		0	CHRYSLER OUTBOARD MULTI-PURPOSE GREASE LUBRICATES BEARINGS AND OTHER MOVING PARTS. AVAILABLE IN 8 OZ. TUBES AND 12 TUBES CASES.
-	F5H060		0	CHRYSLER OUTBOARD GREASE GUN

PARTS INDEX

Part Number	Description	Pg.	Ref. No.	Part Number	Description	Pg.	Ref. No.
ÄF58356//	REMOTE CONTROL CABLE (SPECIFY LENGTH)	45	4	F1280	PAN HD SCREW 8 - 32 X 1/4 (1408H1D, 1408B1D ONLY)	47	42
3C612944	COVER, ENGINE - COMPLETE	3	-	F1280	PAN HD SCREW, 8 - 32 X 1/4	5	33
5H048	CANVAS HOOD	58	-	F1280	PAN HD SCREW, 8 - 32 X 1/4 (TERMINAL BOARD) (NOT SHOWN)	47	46
5H051	BATTERY, 74 AMP.	58	-	F1286	PAN HD SCREW, 4 - 40 X 3/16	23	39
5H082	REMOTE ELECTRIC CABLE	58	-	F1310	ROUND HD SCREW, 10 - 24 X 5/8	49	28
5H111	INSTRUMENT ADAPTER - 2"	58	-	F1341	HEX NUT, 1/4 - 20	23	29
5H139	SWITCH KIT - LIVEWELL PUMP	59	-	F1346	HEX NUT	19	29
817747--1	BALL JOINT W/STUD	19	23	F1346	HEX NUT	31	33
817747--1	BALL JOINT W/STUD	23	27	F14005-2	CAP BASE	11	37
817783A5	SWIVEL BRACKET	33	59	F14007	CAP SCREW	11	33
817786A1	DISTRIBUTOR PULLEY	11	3	F14010-1	CAP COVER	11	34
817788A3	SPACER PLATE	25	73	F14012-1	BRUSH	13	39
817828A1	DISTRIBUTOR, COMPLETE	11	-	F14015	CAP CLIP RIVET	11	21
817892--1	PLATE, IGNITION SWITCH - CANADA (NOT SHOWN)	7	-	F14017	TERMINAL INSULATOR (OUTSIDE)	13	46
817931A7	MOTOR LEG COVER REAR	31	9	F14021-1	CAP SEAL	11	36
817932A6	TOWERSHAFT W/SWIVEL, BEARINGS AND SCREWS	23	24	F14024	SPACER	13	42
865	TWIN REMOTE CONTROL BOX	57	-	F14025	SPACER	11	4
89396A38	PRIME BULB	43	9	F14028	THRUST WASHER	11	5
A3	LEG COVER FRONT	35	83	F14029	THRUST WASHER	11	7
A476010	CYLINDER W/CRANKCASE COVER	23	1	F14030	CAP GASKET	11	38
C523227	SPARK PLUG (CHAMPION QL-76V) - CANADA	27	-	F14036	SWIVEL	11	13
C528010	SHORT BLOCK.	23	-	F14037	CAP CLIPS	11	14
F10023	GASKET SET (NOT SHOWN)	15	-	F14038	CAP CLIP SCREWS	11	15
F1009	HEX HD SCREW, 3/8 - 16 X 2-3/4	23	5	F14040	VENT	11	35
F10103	REPAIR PARTS KIT.	15	1	F14041	EXTERNAL TOOTH LOCKWASHER	11	23
F1014	COTTER PIN	15	11	F14042	DISTRIBUTOR HOUSING W/BEARINGS	11	12
F1014	COTTER PIN	33	73	F14044	DISTRIBUTOR SHAFT	13	40
F1015	COTTER PIN	39	46	F14045	SCREW	11	16
F1034	PAN HD SCREW, 1/4 - 20 X 1-3/8	15	33	F14046	TERMINAL SCREW	11	19
F1052	FILL HD SCREW, 1/4 - 20 X 1	23	30	F14047	TERMINAL INSULATOR (INSIDE)	11	20
F1059	FILL HD SCREW, 6 - 32 X 1/4	15	15	F14049	TERMINAL INSULATOR (OUTSIDE)	11	22
F1064	FILL HD SCREW, 8 - 32 X 3/8	15	37	F14056	SCREW	13	47
F1087	FILL HD SCREW, 10 - 24 X 13/16	5	2	F1425	HEX CAP SCREW, 1/4 - 20 X 1-5/8	39	62
F1099	FILL HD SCREW, 1/4 - 20 X 1-1/4	23	15	F1425	HEX CAP SCREW, 1/4 - 20 X 5/8	41	-
F1099	FILL HD SCREW, 1/4 - 20 X 1-1/4	27	94	F1461	SCREW #6 X 7/8 (1408H1D, 1408B1D ONLY)	45	40
F1107	SLOTTED FILL HD CAP SCREW, 1/4 - 20 X 3/4	27	95	F1473	HEX NUT, 10 - 24	3	33
F1108	FILL HD SCREW, 1/4 - 20 X 3/4	19	13	F1475	FILL HD SCREW, 10 - 24 X 1/2	23	25
F1203	HEX CAP SCREW, 1/4 - 20 X 7/8	49	22	F1491	HEX HD SCREW, 5/16 - 18 X 3/4	39	41
F1236	SCREW, 1/4 - 20 X 1/2	19	22	F15034	SPRING SET	9	15
F1253	HEX SOCKET HD CAP SCREW, 3/8 - 16 X 2	23	11	F15054	BRUSH AND TERMINAL SET	9	7
F1263	HEX SOCKET HD CAP SCREW, 5/16 - 18 X 9/16	31	11	F15099	ARMATURE	9	5
F1280	PAN HD SCREW	31	20	F15118	BENDIX DRIVE ASSEMBLY	9	1
				F15125	HEAD ASSEMBLY, COMMUTATOR END	9	14

PARTS INDEX

Part Number	Description	Pg.	Ref. No.	Part Number	Description	Pg.	Ref. No.
F1513	HEX NUT	5	18	F17030-1	SET SCREW	47	44
F1513	HEX NUT	45	3	F17031-1	SNAP CAP	45	28
F1513	HEX NUT, 10 - 32	19	27	F17036	INTERNAL TOOTH LOCKWASHER	45	6
F1513	HEX NUT, 10 - 32	25	44	F1704	INTERNAL TOOTH LOCKWASHER	21	49
F1515	HEX NUT	5	24	F1705	HEX CAP SCREW, 1/4 - 20 X 3/4	5	23
F15157	BRUSH PLATE AND HOLDER ASSEMBLY	9	16	F1705	HEX CAP SCREW, 1/4 - 20 X 3/4	37	1
F15166	FRAME AND FIELD ASSEMBLY	9	6	F1705	HEX SLOT HD SCREW, 1/4 - 20 X 3/4	31	3
F15167	HEAD ASSEMBLY, DRIVE END	9	3	F17068	DETENT SPRING	45	37
F15168	THRU BOLT PACKAGE	9	10	F17071	FILL HD SCREW, 10 - 24 X 5/16	45	22
F1528	WELCH PLUG	33	42	F1708	HEX HD CAP SCREW, 1/4 - 20 X 1-3/8	3	18
F1532	HEX HD SCREW, 1/4 - 20 X 1	19	20	F17082-1	DETENT BALL	45	38
F1532	HEX HD SCREW, 1/4 - 20 X 1	23	35	F17092	SNAP RING	45	21
F1532	HEX HD SCREW, 1/4 - 20 X 1	27	109	F17099	HOUSING	45	36
F154317	CABLE CLAMP	45	23	F1710	PLAIN WASHER	31	39
F154758	HOSE (FUEL PUMP UPPER)	21	54	F17100	CLUTCH SHAFT	45	20
F1556	FILL HD SCREW W/LOCKWASHER, 10 - 24 X 3/8	23	31	F17103	BAG ASSEMBLY (NOT SHOWN)	47	-
F1557	FLAT HD SCREW, 10 - 24 X 3/8	45	25	F17105	FELT WASHER	45	33
F1577	FILL HD SCREW, 1/4 - 20 X 3/4	37	19	F17106	COLLAR	45	34
F1593	HEX HD SCREW, 3/8 - 16 X 3	31	30	F1711	SPRING BOWED WASHER	33	51
F1612	HEX CAP SCREW, 3/8 - 16 X 1-1/4	11	8	F17111	DETENT BALL	45	17
F1641	LOCK NUT	9	2	F17112	JUNCTION BOARD, STARBOARD	45	26
F1645	RD HD SCREW, 6 - 32 X 1/4	5	27	F17113	JUNCTION BOARD, PORT	45	-
F1645	RD HD SCREW, 6 - 32 X 1/4	21	50	F17115-1	HANDLE (1406H1D, 1406B1D ONLY)	47	45
F1647	HEX NUT, 8 - 32	5	6	F17116	KNOB (1406H1D, 1406B1D ONLY)	45	31
F1647	HEX NUT, 8 - 32	11	24	F1713	SPRING PIN	37	25
F1647	HEX NUT, 8 - 32	27	89	F17146	WOOD SCREW	45	35
F1648	PAN HD SCREW, 10 - 24 X 3/4	5	16	F17147	INTERNAL TOOTH LOCKWASHER	45	12
F1664	SPRING PIN	31	10	F17148	DECAL, STARBOARD	45	27
F1666	SPRING BOWED WASHER	31	26	F17149	COTTER PIN	45	8
F1669	LOCK NUT	33	44	F1715	HEX BOLT, 1/4 - 28 X 9/16	45	7
F1689	HEX HD CAP SCREW, 1/4 - 20 X 1/2	7	42	F1727	PLASTIC RIVET	23	26
F1692	WOODRUFF KEY	13	41	F1729	PLUG	31	8
F1693	TIE BAR RETAINER	15	36	F1730	SCREW, PAN HD, W/SPRING LOCKWASHER 1/4 - 20 X 5/8	3	4
F1696	HEX BOLT, 5/16 - 18 X 1-3/4	31	24	F1733	SCREW, PAN HD, 10 - 24 X 9/16	3	2
F1699	HEX HD SCREW, 1/4 - 20 X 1-1/8	23	10	F1734	FILL HD MOUNTING SCREW AND LOCKWASHER, 1/4 - 20 X 1/2	49	32
F17006	DETENT SPRING	45	18	F1734	FILL HD SCREW W/LOCKWASHER, 1/4 - 20 X 1/2	5	14
F17009	BEARING	45	14	F1741	PAN HD SCREW, 8 X 3/4	5	35
F17010-1	THROTTLE GEAR	45	16	F1741	THREAD FORMING SCREW, 8 X 3/4	49	9
F17011	BOWED WASHER	45	15	F1744	SPRING PIN	33	62
F17012	RETAINING PLATE	45	13	F1744	SPRING PIN	33	68
F17013	FILL HD SCREW, 1/4 - 20 X 1/2	45	11				
F17014	THROTTLE ARM	45	10				
F17016	CABLE TERMINAL	45	9				
F17019	CLUTCH ARM	45	5				
F17021	CLUTCH GEAR	45	19				
F17026	SWIVEL	45	24				
F1703	LOCKWASHER	25	71				
F1703	SPRING LOCKWASHER	33	79				

PARTS INDEX

Part Number	Description	Pg.	Ref. No.	Part Number	Description	Pg.	Ref. No.
F17500	SPRING SET	49	4	F1822	HEX BOLT, 5/16 - 18 X 7/8	35	84
F17504	BRUSH SET	49	3	F1822	SCREW, 5/16 - 18 X 7/8, STAINLESS STEEL	51	59
F17505	RESERVOIR AND BRACKET W/SEAL	49	14	F1831	FLAT HD SCREW, 1/4 - 20 X 5/8	21	43
F17508	THRUST WASHER	49	11	F1832	STOP NUT, 1/4 - 20	25	65
F17510	O-RING	49	13	F1836	SPRING PIN	33	72
F17518	FILLER CAP	49	12	F184033-1	SWIVEL, TOP CARBURETOR	15	14
F17522	O-RING	49	27	F184122-1	SEAL	27	-
F17528	O-RING	51	53	F184122-1	SEAL, PARTING LINE	25	47
F17539	BALL	49	2	F184579	O-RING SEAL	15	13
F17543	HEAD ASSEMBLY, COMMUTATOR END	49	1	F1851	FILL HD SCREW W/LOCKWASHER, 10 - 24 X 1/2	5	39
F1755	ROUND HD SCREW W/LOCKWASHER, 6 - 32 X 1/4	19	38	F1854	HEX CAP SCREW, 1/4 - 20 X 5/8	3	29
F17555	ARMATURE	49	7	F1856	PLAIN WASHER	41	72
F17556	FIELD AND FRAME ASSEMBLY	49	6	F1857	HEX CAP SCREW, 5/16 - 18 X 5/8	3	22
F17557	GASKET	49	5	F1857	HEX CAP SCREW, 5/16 - 18 X 5/8	3	34
F17558	THRU-BOLT PACKAGE	51	50	F1858	HEX CAP SCREW, 5/16 - 18 X 1	3	21
F17560	HEAD ASSEMBLY	51	54	F1858	HEX CAP SCREW, 5/16 - 18 X 1	39	39
F17562-1	PISTON ASSEMBLY	51	52	F1860	RD HD SCREW, 6 - 32 X 1/4	19	9
F17563	MOTOR AND RESERVOIR ASSEMBLY	49	26	F1864	HEX CAP SCREW, 1/4 - 20 X 3/4	3	14
F17564	VALVE BODY AND PUMP	49	23	F1864	HEX CAP SCREW, 1/4 - 20 X 3/4	25	76
F17565	DRIVE GEAR	49	25	F1864	HEX HD SCREW, 1/4 - 20 X 3/4	23	13
F17566	IDLE GEAR	49	24	F1866	PLAIN WASHER	41	71
F17577	ADAPTER FITTING PACKAGE	49	49	F1867	HEX CAP SCREW, 3/8 - 16 X 1	29	19
F1759	SHIM, DISTRIBUTOR (QTY. AS REQUIRED)	11	11	F1869	HEX CAP SCREW, 3/8 - 16 X 1-1/4	25	70
F1760	PAN HD SCREW, 10 - 24 X 3/8	5	19	F1871	HEX HD SCREW, 3/8 - 16 X 3/4	33	80
F1760	PAN HD SCREW, 10 - 24 X 3/8	11	25	F1872	HEX CAP SCREW, 3/8 - 16 X 1-3/4	23	14
F1760	PAN HD SCREW, 10 - 24 X 3/8	23	3	F1873	HEX CAP SCREW, 3/8 - 16 X 3	23	9
F177330	FUEL PUMP VALVE	19	10	F1874	HEX HD SCREW, 3/8 - 16 X 3-1/8	23	4
F177350	REVERSE LOCK PIN	33	61	F1877	TY-RAP	5	29
F1778	PLAIN WASHER	11	9	F1877	TY-RAP (NOT SHOWN)	51	-
F178168-1	CARBURETOR ADAPTER GASKET	27	-	F1885	HEX BOLTS, S.S., 5/16 - 18 X 4-1/4	25	58
F178168-1	GASKET, CARBURETOR ADAPTER	19	35	F1885	HEX CAP SCREW, 5/16 - 18 X 4-1/4	37	6
F178173	RETAINING RING	31	31	F1892	STOP NUT	7	52
F178208	RETAINING RING	31	38	F1904	PLAIN WASHER	31	32
F178323	SEAL, MOTOR LEG	31	13	F1907	PLAIN WASHER	37	7
F178344	BUSHING	49	48	F1910	STOP NUT, 1/4 - 20	19	25
F178362	BEARING	31	41	F19109	PLUG	25	81
F178362	BEARING	49	42	F19109	PLUG	37	30
F178404-1	DEFLECTOR PLATE	19	36	F1912	HEX HD SCREW, 10 - 24 X 1/2	33	77
F178446	CLAMP	49	10	F1916	HEX BOLT, 1/4 - 20 X 1-1/8	27	97
F178632	SHAFT, SHOCK MOUNT LOWER	33	48				
F178754-1	FUEL LINE	15	8				
F1788	STOP NUT	37	15				
F178889	SHAFT, SHOCK MOUNT UPPER	33	53				
F17932	SEAL, FUEL LINE COUPLER	43	12				
F18160-2	CYLINDER DRAIN REED	25	42				

PARTS INDEX

Part Number	Description	Pg.	Ref. No.	Part Number	Description	Pg.	Ref. No.
F1922	HEX CAP SCREW, 1/4 - 20 X 5/8	9	11	F2008	HEX HD SCREW, 1/4 - 20 X 7/8	23	8
F1922	HEX CAP SCREW, 1/4 - 20 X 5/8	19	5	F2014	PLAIN WASHER	35	93
F1922	HEX CAP SCREW, 1/4 - 20 X 5/8	25	55	F2015	HEX NUT, 1/4 - 28	23	19
F1922	HEX SLOT HD SCREW 1/4 - 20 X 5/8	3	19	F2016	FILL HD SCREW, 6 - 32 X 7/8	21	48
F1931	STOP NUT, 1/2 - 20, STAINLESS STEEL	51	56	F2030	HEX HD M. SCREW, 1/4 - 20 X 1-1/4	33	81
F1934	FLAT HD SLOTTED SCREW, 6 X 12	7	50	F203276	BOOT	11	30
F1936	SPACER, BEVEL GEAR FRONT .059	37	27	F2033	GROOVE PIN	15	3
F1937	SPACER, BEVEL GEAR FRONT .062	37	-	F203673	TERMINAL CLIP	11	31
F1938	SPACER, BEVEL GEAR FRONT .065	37	-	F2042	PLAIN WASHER	23	21
F1939	SPACER, BEVEL GEAR FRONT .068	37	-	F2042	PLAIN WASHER	25	62
F1940	SPACER, BEVEL GEAR FRONT .071	37	-	F2047	WAVE WASHER	3	26
F1941	SPACER, BEVEL GEAR FRONT .074	37	-	F2049	HEX CAP SCREW, 5/16 - 18 X 2-5/8	27	83
F1942	SPACER, BEVEL GEAR FRONT .077	37	-	F2066	PAN HD TAPPING SCREW, 10 X 7/16	3	32
F195/	REMOTE CONTROL CABLES	57	-	F2067	PLASTISOL CAP (NOT SHOWN) FOR EXPOSED THREADS OF CRANKSHAFT	29	-
F1950	HEX CAP SCREW, 10 - 24 X 5/8	27	101	F2088	FASTENER	3	8
F1959	SCREW, 1/4 - 20 X 1-3/4, STAINLESS STEEL	49	30	F2089	SLOTTED PAN HD M. SCREW, 10 - 24 X 5/16	25	63
F1960	PLAIN WASHER	51	57	F2090	PLUG	25	74
F1963	ELASTIC STOP NUT, 5/8 - 18	49	41	F2093	STOP NUT, 5/8 - 24	31	16
F1966	PLUG, SWIVEL BRACKET	49	16	F2107	FILL HD SCREW, 10 - 24 X 5/8	5	9
F1968	FLYWHEEL NUT	29	21	F2108	LOCK NUT	35	90
F1975	SPRING LOCKWASHER	5	10	F2108	STOP NUT, 5/16 - 18	25	64
F1975	SPRING LOCKWASHER	11	26	F2113	SPACER, BEVEL GEAR FRONT .080	37	-
F197787-3	FUEL LINE COUPLER	43	6	F2114	SPACER, BEVEL GEAR FRONT .083	37	-
F197813	BEARING	33	75	F2115	SPACER, BEVEL GEAR FRONT .086	37	-
F1987	PLAIN WASHER	27	84	F2116	SPACER, BEVEL GEAR FRONT .089	37	-
F1987	PLAIN WASHER	35	91	F2121	SPACER, BEVEL GEAR FRONT .057	37	-
F1990	HEX CAP SCREW, 1/4 - 20 X 1-5/8	39	60	F2122	SPACER, BEVEL GEAR FRONT .054	37	-
F1990	HEX CAP SCREW, 1/4 - 20 X 5/8	41	-	F213274	GREASE FITTING	11	27
F1994	HEX SOCKET HD CAP SCREW, 5/16 - 18 X 1	39	36	F213274	GREASE FITTING	33	54
F1997	STOP NUT, 8 - 32	17	47	F213342	SEAL, FUEL LINE COUPLER (LARGE)	43	4
F2000	HEX CAP SCREW, 5/16 - 18 X 3/4	7	47	F213735	SEAL, FUEL LINE COUPLER (SMALL)	43	5
F2000	HEX CAP SCREW, 5/16 - 18 X 3/4	27	107	F24278	PROPELLER SHAFT SPOOL SEAL	41	-
F2008	HEX CAP SCREW, 1/4 - 20 X 7/8	27	85	F24278	SEAL, O-RING PROPELLER SHAFT SPOOL	37	10
F2008	HEX CAP SCREW, 1/4 - 20 X 7/8	39	55	F269319	THROTTLE CAM BEARING	19	26
F2008	HEX HD SCREW, 1/4 - 20 X 7/8	21	44	F284659-2	BEARING, CRANKSHAFT UPPER MAIN	29	22
F2008	HEX HD SCREW, 1/4 - 20 X 7/8	23	7	F286461	SPRING, LOCK BAR HANDLE	33	66
				F289446-1	CLAMP	5	12
				F298788	FERRULE	43	7

PARTS INDEX

Part Number	Description	Pg.	Ref. No.	Part Number	Description	Pg.	Ref. No.
F2A523023	BEVEL GEAR FRONT W/BEARING	37	28	F404513	COIL CLAMP	5	40
F2A523239	SPOOL, PROPELLER SHAFT BEARING	37	11	F404801	ELBOW, CYLINDER DRAIN UPPER (NOT SHOWN)	23	-
F2A523662	BEVEL GEAR REAR W/BEARING CAGE SPACER AND BEARING	37	21	F404841	CABLE, HEAT INDICATOR	5	37
F2A550706	GEAR HOUSING COVER	39	52	F405457	PIVOT SCREW	23	33
F307317	CLIP, TERMINAL BLOCK	5	17	F406406	DEFLECTOR PLATE GASKET	27	-
F316579	SEAL, CRANKCASE	29	11	F406406	GASKET DEFLECTOR PLATE	19	37
F316599	SEAL, STEERING SUPPORT TUBE	33	55	F406471-1	CYLINDER DRAIN COVER	23	37
F319908	GROUND WIRE - CANADA	7	55	F406754-1	HOSE	25	56
F321756	PACKING	3	30	F40689	BEARING	25	72
F321841-3	LEAD WIRE - USA	11	32	F407446	CLAMP	5	31
F322273	STUD, C.D. UNIT	7	48	F409251-1	GAUGE CAP	43	1
F333316	THROTTLE ROLLER SHAFT	17	45	F433114	HANDLE, LOCK BAR	33	67
F335215	SPACER, PISTON PIN (2 PER PISTON)	29	3	F433209-1	THROTTLE CAM STUD	19	32
F335217-1	BEARING, PISTON PIN (26 PER SET)	29	5	F434754	FUEL LINE	15	16
F335654-1	STOP, DEFLECTION	3	23	F438066	BY-PASS VALVE COVER	27	102
F338618-1	GEAR SHIFT ROD SEAL	41	-	F438129	SEAL, DRIVESHAFT SPLINE	41	70
F338618-1	SEAL GEAR SHIFT ROD	31	15	F438165	SCREW, FUEL PUMP BOWL	19	18
F338618-1	SEAL, GEAR SHIFT ROD	39	53	F438169	BEARING	33	47
F345475-1	COIL	7	44	F438271	RETAINER, CRANKSHAFT SPLINE SEAL	41	69
F345683	WIRE, REGULATOR - RECTIFIER GROUND	5	5	F438346	SHOCK MOUNT LOWER	35	87
F351307	SEAL, DRIVESHAFT - WATER PUMP	39	63	F438398-1	DECAL, WIRING - USA	27	96
F353480	STUD	31	34	F438500	FUEL SEDIMENT BOWL	19	17
F369349	REVERSE LOCK	33	45	F438617	FUEL SEDIMENT BOWL GASKET	19	15
F369364	REVERSE LOCK ARM	33	71	F438653	FUEL SEDIMENT BOWL SCREEN	19	16
F369510	LINK REVERSE LOCK	33	60	F438668	RETAINER, CABLE CLAMP	5	13
F369610	BEARING	25	67	F438744-1	WIRING HARNESS	5	4
F369827	HANDLE AND SHAFT	33	76	F438747	FUEL PUMP DIAPHRAGM	19	8
F369887	SHOULDER SCREW	25	68	F438760	FUEL PUMP GASKET	19	4
F369977-1	INTERLOCK ARM	25	66	F438801	FITTING	19	14
F372151-1	EXHAUST PORT PLATE	27	100	F438841-1	LEAD WIRE - CANADA	11	-
F372152-1	EXHAUST PORT COVER	27	98	F438905	COIL WIRE - CANADA	11	-
F372154-1	EXHAUST PORT PLATE GASKET	27	-	F438930	RETAINER, SNOUT	39	38
F372154-1	GASKET, EXHAUST PORT PLATE	27	99	F438962	SHOCK MOUNT LOWER REAR	31	12
F372958	CHOKE BRACKET	19	19	F439736	SEAL, EXHAUST TUBE	35	94
F373778-1	RETAINER, ENGINE COVER	3	31	F440192-1	THROTTLE CAM	19	28
F381896-4	BATTERY CABLE	5	30	F440209	CARBURETOR STUD	19	30
F391926-1	PLUNGER	15	5	F440254	BALANCE TUBE	19	34
F391983	RETAINING BAND	7	51	F440906	CARBURETOR GASKET	19	31
F3A523158	REED PLATE	19	41	F440906	CARBURETOR GASKET	27	-
F40223	GASKET, TRANSFER PORT COVER	25	52	F440925	CHOKE ROD	15	4
F40223	TRANSFER PORT COVER GASKET	27	-	F441754-1	HOSE	19	3
F40278	SEAL, CYLINDER	49	37	F448446	CLAMP, TRIM SWITCH CABLE	47	41
F404097	FLYWHEEL	5	1	F448543	KNOB (1408H1D, 1408B1D ONLY)	45	29
F404268	BY-PASS VALVE SPRING	27	104	F448611-1	LEVER (1408H1D, 1408B1D ONLY)	45	30
F404314	ELBOW, FUEL PUMP COVER	19	2	F448894	INDICATOR, PORT	45	-
F404314	FITTING	25	57	F449010	CYLINDER	49	38
F404470-1	REGULATOR - RECTIFIER	5	8	F449253-1	HYDRAULIC LINE, TRIM CYLINDER, LOWER	49	44
				F449254	HYDRAULIC LINE, TRIM CYLINDER, UPPER	49	29

PARTS INDEX

Part Number	Description	Pg.	Ref. No.	Part Number	Description	Pg.	Ref. No.
F449278	PISTON SEAL	49	36	F511708	COVER, CARBURETOR	15	32
F449342	SEAL, PISTON SHAFT	49	34	F523031	GASKET, WATER PUMP	39	56
F449354	THRUST BRACKET	49	31	F523031	GASKET, WATER PUMP	41	-
F449545-2	CYLINDER HOUSING	49	40	F523057	BEARING, DRIVESHAFT		
F449632	SHAFT	49	43		LOWER	39	65
F449754-1	HYDRAULIC LINE, LIFT			F523065-1	IMPELLER	41	-
	CYLINDER, LOWER	49	46	F523065-1	IMPELLER, WATER PUMP	39	58
F449758	HYDRAULIC LINE, LIFT			F523094-2	PROPELLER NUT	37	13
	CYLINDER, UPPER	49	45	F523099-1	SPACER, PROPELLER	37	18
F449889	SHAFT, UPPER	51	58	F523116	EXHAUST SNOOT	39	37
F449894	INDICATOR, STARBOARD			F523133-2	MOTOR LEG	31	14
	(1408H1D, 1408B1D ONLY)	45	32	F523146	SEAL, CRANKSHAFT		
F455449	SWITCH, TRIM (1408H1D,				LOWER	29	13
	1408B1D ONLY)	45	39	F523188	NUT, BEVEL PINION	39	34
F460917	STARTER RELAY	5	26	F523244	INLET WATER LINE	37	5
F474073-1	CLAMP SCREW	31	36	F523273	STUD STEERING BALL	31	23
F474387	TIMING DECAL - USA	7	56	F523274	GREASE FITTING	33	49
F474390-1	DECAL, REVERSE LOCK -			F523280	NUT, STEERING SUPPORT		
	USA	33	57		TUBE	33	63
F476061-4	CARBURETOR COMPLETE			F523299-1	WASHER	37	16
	(TC-5E)	15	27	F523300-1	RETAINER STUD	31	22
F476066-1	THERMOSTAT COVER	27	93	F523300-1	SPRING STEERING LINK	31	19
F476067	GASKET	27	90	F523411	RETAINING RING, BEARING		
F476067	THERMOSTAT COVER				CAGE	37	22
	GASKET	27	-	F523451	SPACER, REED STOP	21	51
F476529-1	CYLINDER HEAD GASKET	25	79	F523498	DRIVE KEY, WATER PUMP	39	67
F476529-1	CYLINDER HEAD GASKET	27	-	F523498	KEY	41	-
F480038-2	PLATE SUPPORT	3	15	F523555	GEAR HOUSING COVER		
F480107-1	CAM STARTER INTERLOCK	25	60		SEAL	41	-
F480388	DISC, WATER PUMP			F523555	SEAL, O-RING, GEAR		
	LOCATING	39	61		HOUSING COVER	39	48
F480818	BEARING, LATCH SHAFT	3	13	F523562	PLATE, WATER PUMP	39	57
F481382-1	SPACER, LATCH SHAFT	3	27	F523562	PLATE, WATER PUMP	41	-
F481434	GUIDE, ENGINE COVER	3	9	F523705	GEAR SHIFT ROD LOWER	39	45
F481774	BRACKET, ENGINE COVER			F523813	BEARING CUP	37	29
	LATCH	3	7	F523834	CLIP, SPARK PLUG WIRE	25	54
F481777	CAM, LATCH SHAFT	3	25	F523881-2	STEERING LINK	31	17
F483884	BEARING	33	70	F523899	GROMMET, WATER LINE	37	4
F485755-1	FUEL TANK ADAPTER	43	3	F523961	CRUSH RING	39	49
F489551	BRACKET, NEUTRAL			F523962	SHOCK MOUNT - C.D. UNIT	7	46
	INTERLOCK SWITCH	21	45	F528015	PISTON - STANDARD	29	2
F490955	STARTER, COMPLETE	9	-	F528068	THERMOSTAT	27	91
F498618	GEAR SHIFT ARM PIN SEAL	41	-	F528253	HOSE (LOWER FUEL PUMP		
F498618	O-RING SEAL	39	31		TO UPPER)	21	53
F498891	PIN PROPELLER NUT			F528995	COVER, CYLINDER HEAD	25	82
	RETAINING	37	14	F530160	REED (5 PETAL)	19	40
F498891	PIN, GEAR SHIFT ARM	39	32	F531892	DECAL, PORT	45	-
F500843	CABLE	49	8	F545189	BUSHING, CABLE ENTRY	3	17
F50109	PLUG, GEAR HOUSING	39	43	F548984	BLANKET, SILENCER - TOP		
F50342-1	BEARING CAGE BOLT SEAL	41	-		(NOT SHOWN)	3	-
F50342-1	SEAL, O-RING	37	8	F549189	BUSHING, ELECTRIC CABLE	3	16
F506118	PROPELLER SHAFT SEAL	41	-	F552985	BLANKET, SILENCER - SIDE		
F506118	SEAL, DRIVESHAFT	39	51		(NOT SHOWN)	3	-
F506118	SEAL, PROPELLER SHAFT	37	9	F563	TERMINAL BLOCK KIT	59	-
F510374	DECAL, CIRCUIT BREAKER -			F58685-2	CONNECTOR, SHIFT CABLE	45	2
	USA	5	41	F590	REMOTE CONTROL HEAD		
F510460	CIRCUIT BREAKER	5	22		(SINGLE LEVER)	57	-
F511125-2	TUBE, STEERING SUPPORT	33	52	F596	CHRYSLER OUTBOARD OIL	59	-
F511675	STARTER BRACKET,			F597	CHRYSLER OUTBOARD		
	LOWER	9	13		GEAR LUBE	59	-

PARTS INDEX

Part Number	Description	Pg.	Ref. No.	Part Number	Description	Pg.	Ref. No.
F5H002	SPEEDOMETER - FLUSH MOUNT	58	-	F5H076	SWITCH EXTENSION CABLE	58	-
F5H003	SPEEDOMETER FLUSH MOUNT	58	-	F5H077	IGNITION KEY SWITCH	58	-
F5H004	SPEEDOMETER FLUSH MOUNT	58	-	F5H078	IGNITION KEY SWITCH	58	-
F5H005	TEMPERATURE GAUGE - FLUSH MOUNT	58	-	F5H078	IGNITION SWITCH (LONG BARREL) W/KEYS AND SCREWS	5	34
F5H006	VOLTMETER - FLUSH MOUNT	57	-	F5H079	REMOTE CONTROL BOX	57	-
F5H007	HOURMETER - FLUSH MOUNT	57	-	F5H080	TWIN REMOTE CONTROL BOX	57	-
F5H008	FUEL GAUGE FLUSH MOUNT	58	-	F5H081	BATTERY CABLE	57	-
F5H010	POWER TRIM INDICATOR	57	-	F5H094	STEERING LINK	57	-
F5H012	TACHOMETER FLUSH MOUNT	58	-	F5H108	STEERING CONNECTOR	57	-
F5H014	FLUSHING ADAPTER	57	-	F5H112	INSTRUMENT ADAPTER - 3-1/2"	58	-
F5H018	DUAL ENGINE TIE BAR	57	-	F5H115	TRAILERING TILT LOCK	58	-
F5H019	ANTI-CORROSION KIT	57	-	F5H119	PROPELLER SPACER - FLARED	58	-
F5H021	EXTENSION CABLE	58	-	F5H120	REMOTE CONTROL BACK PLATE	57	-
F5H025	ANTI-CORROSION SACRIFICIAL ANODE	57	-	F5H130	REMOTE CONTROL BOX (SINGLE LEVER) (SURFACE MOUNT)	57	-
F5H026	FUEL TANK (ACCESSORY ITEM)	43	2	F5H131	PORT SIDE DECAL KIT	57	-
F5H026	STEEL, 6 GALLON FUEL TANK (LOW PROFILE)	57	-	F5H132	REMOTE CONTROL HANDLE TRIM SWITCH	58	-
F5H028	SENDING UNIT	58	-	F5H134	BOAT WHITE LACQUER	57	-
F5H029	TANK ANCHOR	57	-	F5H146	POWER TILT	58	-
F5H030	SWITCH KIT - RUNNING LIGHTS	58	-	F5H150	POWER TRIM	58	-
F5H031	SWITCH KIT - SPOT LIGHT	59	-	F7004	STOP NUT, 3/8 - 16	25	51
F5H032	SWITCH KIT - WIPER	59	-	F7008	ELASTIC STOP NUT	23	34
F5H034	SWITCH KIT - BILGE PUMP	59	-	F7012	STOP NUT	31	29
F5H035	SWITCH KIT - HORN	59	-	F7013	STOP NUT	11	2
F5H036	SWITCH KIT - TACHOMETER TRANSFER	59	-	F71H26	BATTERY TERMINAL KIT (ACCESSORY ITEM)	5	32
F5H037	CIGAR LIGHTER	58	-	F74305	GEAR HOUSING COVER SEAL	41	-
F5H038	IGNITION SWITCH MOUNTING KIT (ACCESSORY ITEM)	7	49	F74305	SEAL, DRIVESHAFT BEARING CAGE	39	50
F5H038	SWITCH KIT - IGNITION SWITCH	59	-	F762	REMOTE ELECTRIC CABLE	58	-
F5H039	SWITCH KIT - INSTRUMENT LIGHTS	59	-	F8003	PLAIN WASHER	23	40
F5H040	STEEL, 12 GALLON FUEL TANK	57	-	F8011	PLAIN WASHER	5	20
F5H041	BATTERY TERMINAL KIT	58	-	F8028	PLAIN WASHER	9	12
F5H043	OVERHEAT BUZZER	57	-	F8038	PLAIN WASHER	25	50
F5H043	OVERHEAT BUZZER (ACCESSORY ITEM)	5	36	F8038	PLAIN WASHER	31	18
F5H044	TILT STOP KIT	58	-	F8056	LOCKWASHER	11	18
F5H059	CHRYSLER OUTBOARD MULTI-PURPOSE GREASE	59	-	F8056	LOCKWASHER	13	43
F5H060	CHRYSLER OUTBOARD GREASE GUN	59	-	F8056	LOCKWASHER	27	88
F5H069	RFI SUPPRESSION KIT	58	-	F8056	LOCKWASHER	27	88
F5H070	REMOTE ELECTRIC CABLE	58	-	F8056	SPRING LOCKWASHER	5	7
F5H075	WIRING HARNESS - IGNITION SWITCH - 24"	59	-	F8058	INTERNAL TOOTH LOCKWASHER	19	24
				F8058	INTERNAL TOOTH LOCKWASHER	25	78
				F8077	WASHER	41	-
				F8077	WASHER, GEAR HOUSING PLUG	39	42
				F8080	HELICAL SPRING LOCKWASHER	31	21
				F8083	LOCKWASHER	3	24
				F8083	SPRING LOCKWASHER	7	43
				F8083	SPRING LOCKWASHER	31	2

PARTS INDEX

Part Number	Description	Pg.	Ref. No.	Part Number	Description	Pg.	Ref. No.
F8083	SPRING LOCKWASHER . . .	39	54	F85279-2	CYLINDER EXHAUST UPPER		
F8083	SPRING LOCKWASHER . . .	41	-		GASKET	27	-
F8088	PLAIN WASHER	15	12	F85279-2	GASKET, CYLINDER		
F8088	PLAIN WASHER	21	47		EXHAUST UPPER	25	69
F8094	PLAIN WASHER	33	74	F85300	REVERSE LOCK SPRING . .	33	46
F8094	WASHER, PLAIN	3	28	F85311	DISTRIBUTOR BELT	11	1
F8095	PLAIN WASHER	23	6	F85314-1	FUEL FITTING	15	7
F8096	LOCKWASHER	3	20	F85317-1	SOLENOID CLAMP	19	21
F8096	LOCKWASHER	3	35	F85350-1	TILT STOP PIVOT	31	25
F8096	SPRING LOCKWASHER . . .	5	25	F85372	PIN, GEAR SHIFT ROD		
F8096	SPRING LOCKWASHER . . .	27	108		LOWER	39	47
F8096	SPRING LOCKWASHER . . .	35	85	F8538	SPRING PIN	31	37
F8096	SPRING LOCKWASHER . . .	39	40	F85380	SPRING	31	6
F8104	PLAIN WASHER	23	12	F85410	SNAP RING	29	8
F84011	WASHER	33	58	F85445	CONTROL ROD	23	22
F84074	CLAMP SCREW FOOT	31	35	F85498	FLYWHEEL KEY	29	16
F84146-2	SEAL	29	20	F85502	THROTTLE LINK	23	28
F84278	SEAL	29	23	F85509-1	LINK, CHOKE	15	2
F84286-1	FRICITION WASHER	33	56	F85541-1	TILT LOCK	31	27
F84305	PROPELLER SHAFT SPOOL			F85571	BEARING CAGE W/ROLLER	29	10
	SEAL	41	-	F85606	KINGPIN CAP	33	82
F84305	SEAL, O-RING PROPELLER			F85610	BEARING	25	59
	SHAFT SPOOL	37	12	F85615	GEAR SHIFT ROD UPPER . .	35	88
F84307-1	DRIVESHAFT SEAL	41	-	F8563	DOWEL PIN	23	16
F84314-2	ELBOW	15	9	F85634-2	CONNECTING ROD SCREW	29	14
F84314-2	ELBOW	19	6	F85660-1	EXHAUST TUBE	31	1
F84314-2	ELBOW	25	48	F85664	DISTRIBUTOR GROUND . . .	11	28
F84342	SEAL, INLET WATER LINE,			F85664	GROUND WIRE	7	54
	UPPER	37	3	F85704	COUPLER, GEAR SHIFT		
F84449	INTERLOCK SWITCH	21	46		ROD	35	86
F84472-5	CYLINDER DRAIN COVER			F85762	BY-PASS COVER GASKET . .	27	-
	GASKET	27	-	F85762	BY-PASS VALVE COVER		
F84472-5	GASKET, CYLINDER DRAIN				GASKET	27	103
	COVER	23	38	F85772	CLAMP	31	7
F84504	GROMMET (THERMOSTAT)	27	92	F85779-1	BAFFLE, AIR INTAKE	33	78
F84521-1	CLUTCH	37	26	F85843-1	REMOTE ELECTRIC CABLE,		
F84748-3	CYLINDER DRAIN REED				18 FEET	5	38
	PLATE GASKET	27	-	F85859	STUD	23	17
F84748-3	GASKET	25	46	F85906	CARBURETOR GASKET . . .	27	-
F84792	GASKET, CENTER FUEL			F85908	STARTER LEAD WIRE	9	9
	PUMP VALVE	19	11	F85916-1	BY-PASS VALVE	27	105
F84871-1	PIN, GEAR SHIFT	37	24	F85924	CHOKE SOLENOID	5	28
F85017	PISTON PIN	29	4	F85965	SHOCK MOUNT UPPER . . .	35	89
F85026	SWIVEL	23	18	F89758	FUEL PUMP AIR HOSE -		
F85033	SWIVEL, CHOKE ROD				TOP	19	7
	(BOTTOM CARBURETOR)			F9018	CAP	33	64
	(NOT SHOWN)	15	-	F9052	PLUG	33	50
F85035	DISTRIBUTOR CONTROL			F90619-1	YOKE	41	73
	ROD END	23	20	F90807	RETAINING RING	15	34
F85036	TOWERSHAFT CONTROL			F9095	SHIM, DRIVESHAFT		
	ROD END	23	23		BEARING, UPPER .005		
F85037-1	STERN BRACKET PIVOT				SILVER	39	-
	BOLT	33	69	F9097	SHIM, DRIVESHAFT		
F85095-2	STATOR	5	3		BEARING, UPPER .010		
F85117	BRACKET, WATER LINE . . .	37	2		BLACK	39	-
F85130	BOOT IDLE EXHAUST	31	5	F9106	SHIM, DRIVESHAFT		
F85161-1	REED STOP	19	39		BEARING, UPPER .003		
F85173	RETAINING RING	11	6		BRASS	39	66
F85211	STUD	25	49	F91446-1	CIRCUIT BREAKER		
F85258	INSERT	31	4		BRACKET	5	21

PARTS INDEX

Part Number	Description	Pg.	Ref. No.	Part Number	Description	Pg.	Ref. No.
F92759	THROTTLE ROLLER	17	46	FA58976-1	CONNECTOR, THROTTLE		
F93811	SCREEN	25	45		CABLE	45	1
F93920	REED STOP	25	41	FA612396	DECAL, ENGINE COVER -		
F97772	CLAMP	15	6		STARBOARD	3	-
F97772	CLAMP	21	52	FA612397	DECAL, ENGINE COVER -		
F97772	FUEL LINE CLAMP	43	11		PORT	3	10
F98273	ROD END CONNECTOR			FA84621-1	COUPLING, GEAR SHIFT		
	STUD	25	77		ARM W/BUSHING	39	44
FA14048-2	PREAMPLIFIER	11	17	FA84754-1	FUEL LINE SHORT	43	8
FA15072	HEX LOCK NUT, 1/4 - 20			FA85019	KINGPIN	33	43
	W/WASHER	9	8	FA85193	TIE BAR END W/SWIVEL	15	38
FA17559	LIFT CYLINDER COMPLETE	49	47	FA85355-1	WASHER	35	92
FA17561-1	O-RING	51	51	FA85655-1	CRANKSHAFT MAIN		
FA178233	THROTTLE TIE BAR				BEARING RACE W/SNAP		
	W/SWIVEL	15	35		RING	29	9
FA178962	SHOCK ABSORBER			FB368700	KEY, IGNITION, STAMPED B	7	-
	W/BUSHING	31	40	FC368700	KEY, IGNITION, STAMPED C	7	-
FA178962	SHOCK ABSORBER			FC409398	DECAL, TOTE TANK -		
	W/BUSHING	51	55		CANADA (NOT SHOWN)	43	-
FA321574	DISTRIBUTOR BRACKET	11	10	FC438398	DECAL, WIRING - CANADA	27	-
FA368700	KEY, IGNITION, NO LETTER			FC474387	TIMING DECAL - CANADA	7	-
	OR STAMPED A	7	53	FC500390	DECAL STARTER - CANADA		
FA411222	TRANSFER PORT COVER	25	53		(NOT SHOWN)	9	-
FA438113	STERN BRACKET LOCK BAR	33	65	FC510374	DECAL, CIRCUIT BREAKER -		
FA438431	FUEL PUMP BODY				CANADA	5	-
	W/VALVES	19	12	FC555054	GEAR HOUSING COMPLETE	39	-
FA439493	TERMINAL BLOCK BRACKET	5	11	FD368700	KEY, IGNITION, STAMPED D	7	-
FA439746	FUEL PUMP COVER			FE368700	KEY, IGNITION, STAMPED E	7	-
	W/PLUG	19	1	FG1019	GASKET SET	27	106
FA440157	CARBURETOR ADAPTER -			FK10107	INLET NEEDLE AND SEAT	15	19
	UPPER	19	-	FK1063	SEAL KIT	41	74
FA440167	CARBURETOR ADAPTER -			FK1069	WATER PUMP KIT	41	75
	LOWER	19	33	FK17114-1	INDICATOR (1406H1D,		
FA449015	PISTON	49	35		1406B1D ONLY)	47	43
FA449149	COVER ASSEMBLY			FK405020	SWIVEL W/CLAMP,		
	W/SEALS AND RETAINER	49	33		SHOULDER SCREW AND		
FA480179	TRIM, TOP	3	1		NUT	23	32
FA480269	HANDLE, TILT	3	3	FK550128	DRIVESHAFT	39	68
FA480876	GEAR SHIFT ARM	25	61	FK750-2	SPARKIE W/SPRING	13	44
FA480894	TIMING POINTER	23	2	FK85228-1	BEARING CAGE W/ROLLER	29	7
FA481469	LATCH HANDLE, ENGINE			FO10588	BODY CHANNEL CUP PLUG	17	48
	COVER W/SHAFT	3	12	FO11103	IDLE MIXTURE SCREW		
FA481743	LATCH, ROLLER BRACKET,				SPRING	15	28
	W/ROLLER	3	36	FO12947	MAIN FUEL JET STD. .096		
FA510497	TERMINAL BLOCK	5	15		SEAL LEVEL - 1500 FT.	15	40
FA523014	CRANKSHAFT LOWER MAIN			FO13193	MAIN FUEL JET OPT. .088		
	BEARING	29	12		6000 FT. AND UP	17	-
FA523054	GEAR HOUSING	39	33	FO13554	FLOAT	15	25
FA523098	PROPELLER SHAFT	37	23	FO13944	FLOAT LEVER PIN	15	24
FA523485	ANTI-CORROSION ANODE	37	20	FO14166	IDLE MIXTURE SCREW	15	29
FA523735	SEAL, INLET WATER LINE,			FO14190	MAIN FUEL JET OPT. .092		
	LOWER	39	64		3000 - 4500 FT.	17	-
FA528018	CRANKSHAFT	29	15	FO14191	MAIN FUEL JET OPT. .0937		
FA528260	PISTON RING SET (4 PER				1500 - 3000 FT.	17	-
	SET) - STANDARD	29	1	FO15406	MAIN FUEL JET OPT. .090		
FA528518	CYLINDER HEAD	25	80		4500 - 6000 FT.	17	-
FA552180	TRIM, REAR	3	5	FO15623	FUEL BOWL GASKET	15	26
FA552888	TRIM, FRONT	3	37	FO15912	CHOKE AND THROTTLE		
FA552944	COVER, ENGINE	3	6		SHUTTER SCREW	15	31
FA566386	DECAL, NUMERAL	3	11				

PARTS INDEX

Part Number	Description	Pg.	Ref. No.	Part Number	Description	Pg.	Ref. No.
FO16130	FUEL BOWL	15	22	FT8918	BEARING GUIDE SET	54	-
FO16132	FUEL BOWL RETAINING SCREW	15	20	FT8919	SPRING PIN PUNCH	54	-
FO16133	MAIN NOZZLE	15	23	FT8925	SEAL INSTALLER	53	-
FO16142	THROTTLE SHUTTER	17	50	FT8925	SEAL INSTALLER	54	-
FO16143	THROTTLE SHAFT RETURN SPRING	17	41	FT8926	RING EXPANDER	53	-
FO16301	CHOKE SHAFT AND LEVER	15	17	FT8927	SEAL PROTECTOR	53	-
FO16620	E-RING	15	10	FT8933	LIFTING HOOK	53	-
FO17719	CHOKE SHUTTER	15	30	FT8935	SEALANT PRIMER - 6 OZ.	56	-
FO17884	THROTTLE SHAFT AND LEVER	17	42	FT8936-1	SEALANT - 2 CC LOCTITE RETAINING COMPOUND #75	56	-
FO17885	CHOKE SHAFT RETURN SPRING	15	18	FT8948-1	PULLER	52	-
FO1974	SCREW	17	44	FT8948-1	PULLER	54	-
FO5323	FUEL BOWL RETAINING SCREW GASKET	15	21	FT8950	LEAKAGE TESTER	55	-
FO9678	CLIP, CHOKE SHAFT	15	39	FT8953	IGNITION TESTER	55	-
FO992	LOCKWASHER	17	43	FT8955	SEALANT - 5 OZ. EC-750 INDUSTRIAL SEALANT	56	-
FOB2603	INSTALLATION INSTRUCTIONS (5H094 STEERING LINK KIT)	31	-	FT8957	SEAL INSTALLER	54	-
FPS526	PROPELLER (ACCESSORY ITEM)	37	17	FT8969	LUBRICANT - 7 OZ. LPSI LUBRICANT	56	-
FS409752	FUEL LINE, COMPLETE	43	-	FT8978	POWER TIMING LIGHT	52	-
FS85872-1	BRACKET	25	75	FT8983	SEALANT - 3 OZ. RTV SEALANT FROM IN PLACE GASKETS	56	-
FSA528015	PISTON .010 OVERSIZE	29	-	FT8985	SEAL INSTALLER	54	-
FSA528260	PISTON RING SET (4 PER SET) .010 OVERSIZE	29	-	FT8997	SHIMMING TOOL	54	-
FT1082	SNAP RING PLIER	53	-	FTA2937-1	TIMING TOOL	52	-
FT11204	BEARING CUP INSTALLER	54	-	FTA8994	PISTON PIN TOOL	53	-
FT11205	BEARING INSTALLER/REMOVER	54	-	FTK8999	TEST WHEEL	55	-
FT11207	BEARING CUP REMOVER	54	-	OB3062	LITERATURE (NOT SHOWN) INSTALLATION ILLUSTRATIONS	47	-
FT11209	BEARING GUIDE SET	54	-	22-818103--1	ELBOW, CYLINDER DRAIN LOWER	23	36
FT2938-1	BATTERY POWERED TEST LIGHT	52	-	31-817785A2	CRANKSHAFT BEARING CAGE	29	18
FT2951	CIRCUIT TRACER	52	-	32-817738A1	FUEL LINE LONG	43	10
FT2953	SOCKET	53	-	33-97180	SPARK PLUG (CHAMPION L20V) - USA	27	86
FT2961	LUBRICANT - RYKON #2EP	56	-	37-819450	DECAL, REVERSE LOCK - CANADA	33	-
FT2962-1	SEALANT - 50 CC LOCTITE H, NON-HARDENING GRADE	56	-	39-818129A2	PISTON RING SET (4 PER SET) .030 OVERSIZE	29	-
FT2963-1	SEALANT - 2 OZ. LOCTITE D, HARDENING GRADE	56	-	43-817854A2	BEVEL PINION GEAR	39	35
FT2987-1	LUBRICANT - ANTI-SEIZE	56	-	46-817853A1	WATER PUMP	41	-
FT2990	PISTON PIN TOOL	53	-	46-817853A1	WATER PUMP BODY	39	59
FT2991	CARBON BRUSH	53	-	84-817775A1	COIL WIRE	11	29
FT2996	RING COMPRESSOR	53	-	87-817778A1	THERMOSWITCH	27	87
FT2998	TORQUE WRENCH	53	-	300-817855A1	UNIT	7	45
FT2999	TORQUE WRENCH	53	-	600-818052A4	CONNECTING ROD	29	6
FT3012	SEAL INSTALLER	54	-	700-818128A1	PISTON .030 OVERSIZE	29	-
FT7848	TORQUING ADAPTER	54	-	1400-817958A6	STERN BRACKET	31	28
FT8900	HOSE CLAMP PLIERS	53	-				
FT8901	INDICATOR HOLDER	54	-				
FT8902	DIAL INDICATOR	54	-				
FT8903	SEAL INSTALLER	53	-				
FT8907	DRIVE HANDLE	53	-				
FT8907	DRIVER HANDLE	54	-				
FT8914	SEAL REMOVER	53	-				