



PARTS CATALOG

20 HP

SERIAL NUMBER

20 (1981)	202B1M
20 (1981)	202H1M
20 (1981)	203B1M
20 (1981)	203H1M
20 (1981)	206B1C
20 (1981)	206H1C
20 (1981)	207B1C
20 (1981)	207H1C

TABLE OF CONTENTS:

ACCESSORIES	53
ALTERNATOR	16
CARBURETOR	18
CRANKSHAFT AND PISTON GROUP	24
ELECTRIC STARTER	10
ELECTRICAL COMPONENTS	12
ENGINE COVER AND SUPPORT PLATE	2
FUEL PUMP	26
FUEL TANK AND LINE	46
GEAR HOUSING	42
HAND STARTER	6
MAGNETO	8
MOTOR LEG	38
PARTS INDEX	56
POWER HEAD	28
REED PLATE	22
SPECIAL TOOLS - LOWER UNIT	50
SPECIAL TOOLS - LUBRICANTS AND SEALANTS	52
SPECIAL TOOLS - POWER HEAD	49
SPECIAL TOOLS - TEST EQUIPMENT	51
SPECIAL TOOLS - TUNE-UP	48
SWIVEL BRACKET GROUP	34

NOTE: Indented description indicate that these parts are included in preceeding assembly.

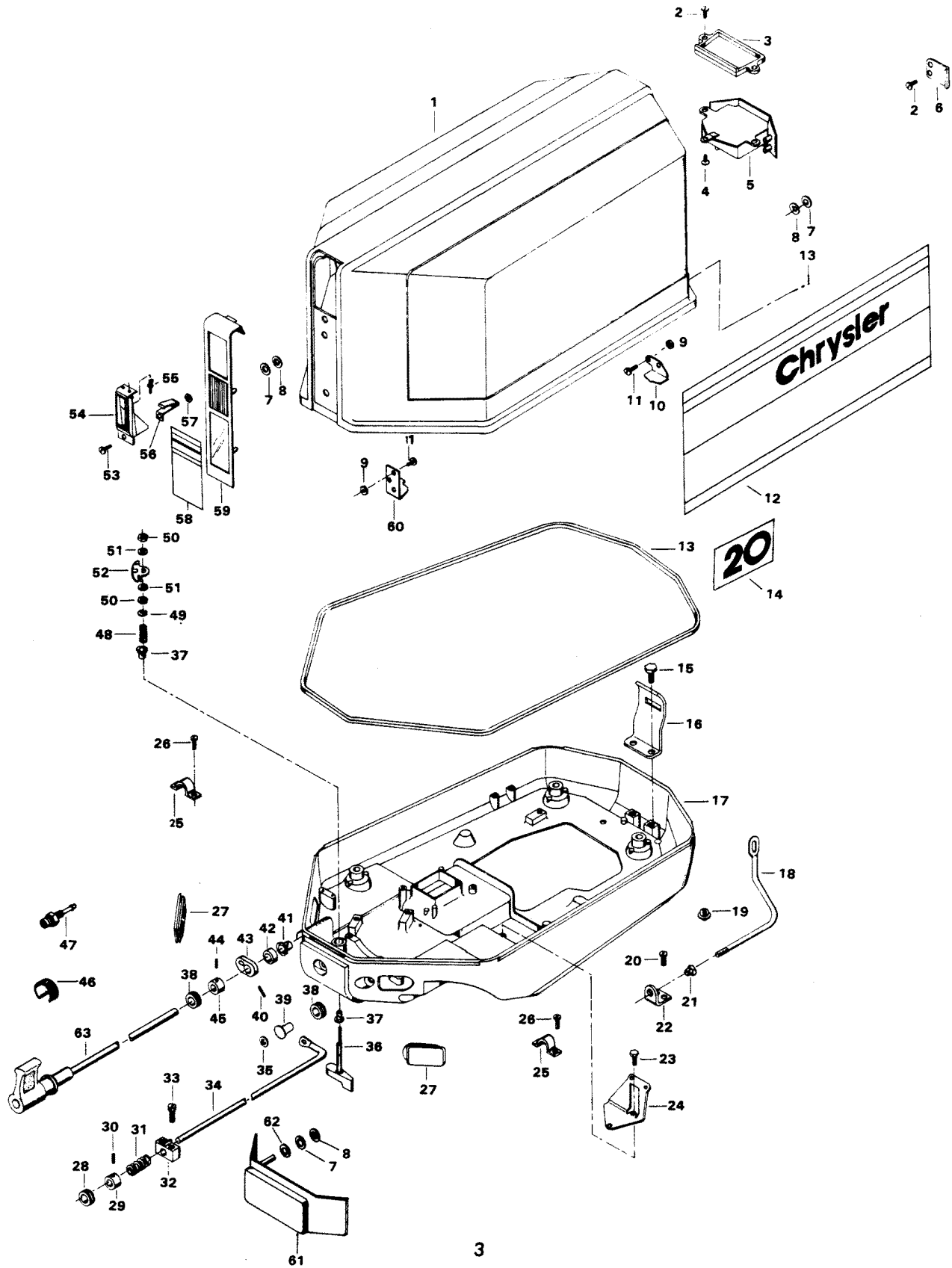
AR = As Required
OPT = Optional

NSS = Not Sold Separate
NS = Not Shown

THESE PARTS BOOKS/FICHE CARD ARE COPYRIGHTED AND MAY NOT BE DISTRIBUTED OR REPRODUCED IN ANY OTHER FORMAT BY ANYONE OTHER THAN MERCURY MARINE WITHOUT THE PRIOR WRITTEN CONSENT OF MERCURY MARINE.

THIS PAGE INTENTIONALLY LEFT BLANK

ENGINE COVER AND SUPPORT PLATE

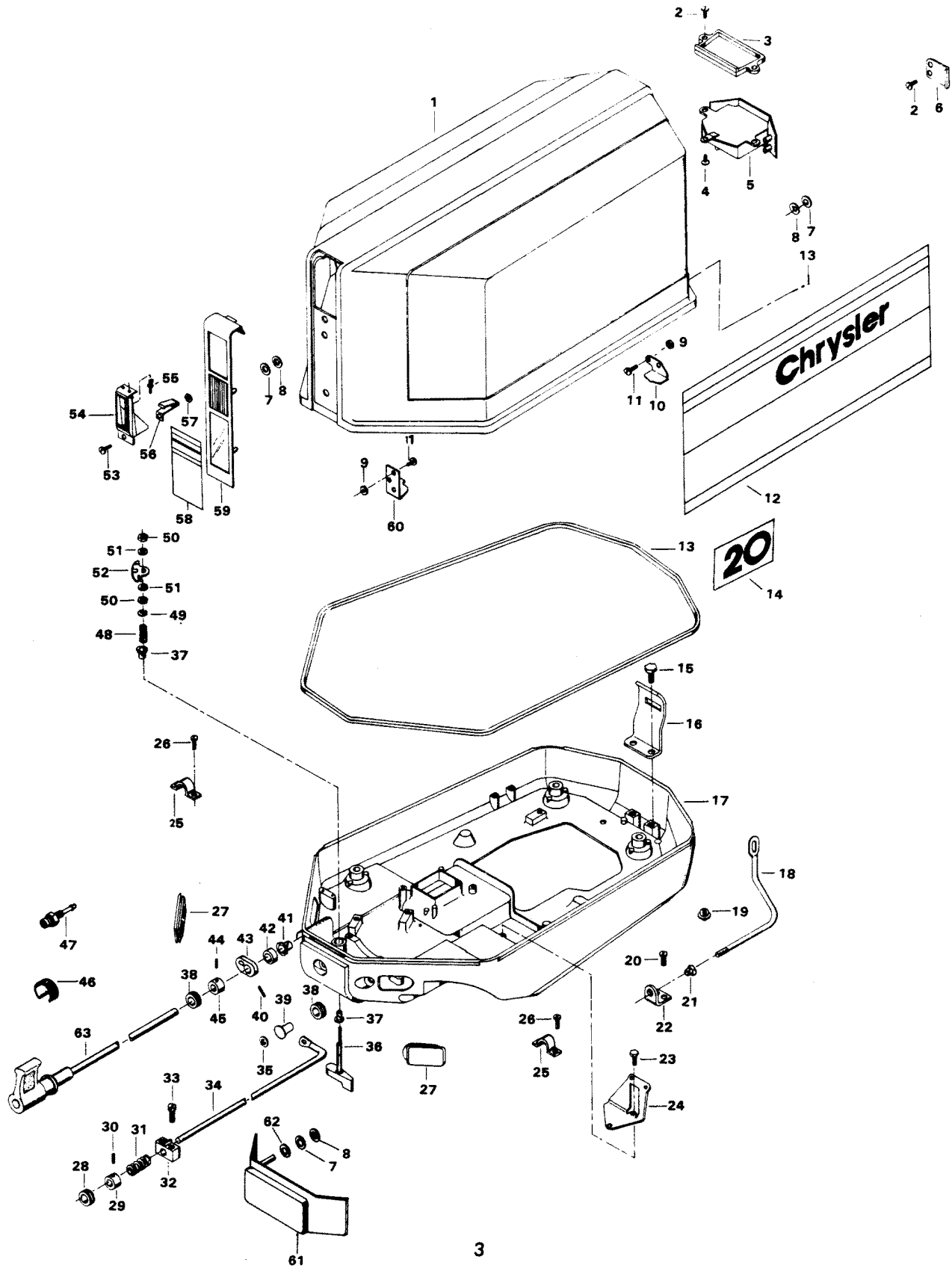


ENGINE COVER AND SUPPORT PLATE

REF. NO.	PART NO.	SYM.	QTY.	DESCRIPTION
1	100-818015A1		1	ENGINE COVER W/ILLUS. 9, 10, 11 AND 60 ORIGINAL FORCE P/N S 529712-1
-	2C602712		1	ENGINE COVER - COMPLETE. INCLUDES ALL ITEMS MARKED WITH AN ASTERISK (*), NUMERAL MUST BE ORDERED SEPARATE (HAND START)
-	2C603712		1	ENGINE COVER - COMPLETE. INCLUDES ALL ITEMS MARKED WITH AN ASTERISK (*), NUMERAL MUST BE ORDERED SEPARATE (ALT.)
2	F2066		6	PAN HD SCREW, 10 X 7/16
3	F458245-1		1	BAFFLE, TILT HANDLE
4	F2025		1	PAN HD SCREW, 10 X 5/8
5	FA513269		1	TILT HANDLE W/LITERATURE
6	F463864		2	RETAINER, TILT HANDLE
7	F85735-1		7	SEAL
8	F1753		7	FASTENER
9	F7011		4	HEX NUT
10	FA458480		1	RETAINER, ENGINE COVER - REAR W/ILLUS. 9 AND 11
11	F1475		4	FILL HD SCREW, 10 - 24 X 1/2
12	FA603397		1	DECAL, ENGINE COVER - PORT W/LITERATURE
-	FA603396		1	DECAL, ENGINE COVER - STARBOARD W/LITERATURE
13	F85756		1	PACKING, ENGINE COVER
14	FA602386		2	DECAL NUMERAL 20 W/LITERATURE
15	F1922		2	HEX HD SCREW, 1/4 - 20 X 5/8
16	F461774		1	BRACKET, RETAINER - REAR
17	F458038-2		1	SUPPORT PLATE
18	F458503		1	CHOKE ROD
19	F1632		1	PLASTI-PLUG
20	F1760		2	PAN HD SCREW, 10 - 24 X 3/8
21	F183818		1	BEARING, CHOKE ROD
22	F324993		1	BRACKET, CHOKE ROD BEARING
23	F1236		2	HEX CAP SCREW, 1/4 - 20 X 1/2
24	F458371		1	BRACKET, REMOTE THROTTLE CABLE
25	F154317		2	CLAMP, REMOTE CABLE
26	F2107		4	SLOTTED FILL HD SCREW W/SPRING LOCKWASHER, 10 - 24 X 5/8
27	F324840-1		2	GROMMET, REMOTE THROTTLE CABLE (HAND START)
-	F462840		2	GROMMET, REMOTE THROTTLE CABLE (ALT. START)
28	F183504		1	GROMMET, MAGNETO CONTROL SHAFT
29	FA343178		1	RETAINER, MAGNETO CONTROL SHAFT W/ILLUS. 30
30	F1859		1	HEX SOCKET HEADLESS SET SCREW, 1/4 - 28 X 3/16
31	F183300		1	SPRING, MAGNETO CONTROL SHAFT
32	F324689		1	BEARING, MAGNETO CONTROL SHAFT
33	F1087		2	FILL HD SCREW, 10 - 24 X 7/8
34	FA458838		1	MAGNETO CONTROL SHAFT W/EYELET
35	F458677		1	INSERT, CHOKE KNOB

CONTINUED ON NEXT PAGE ➡

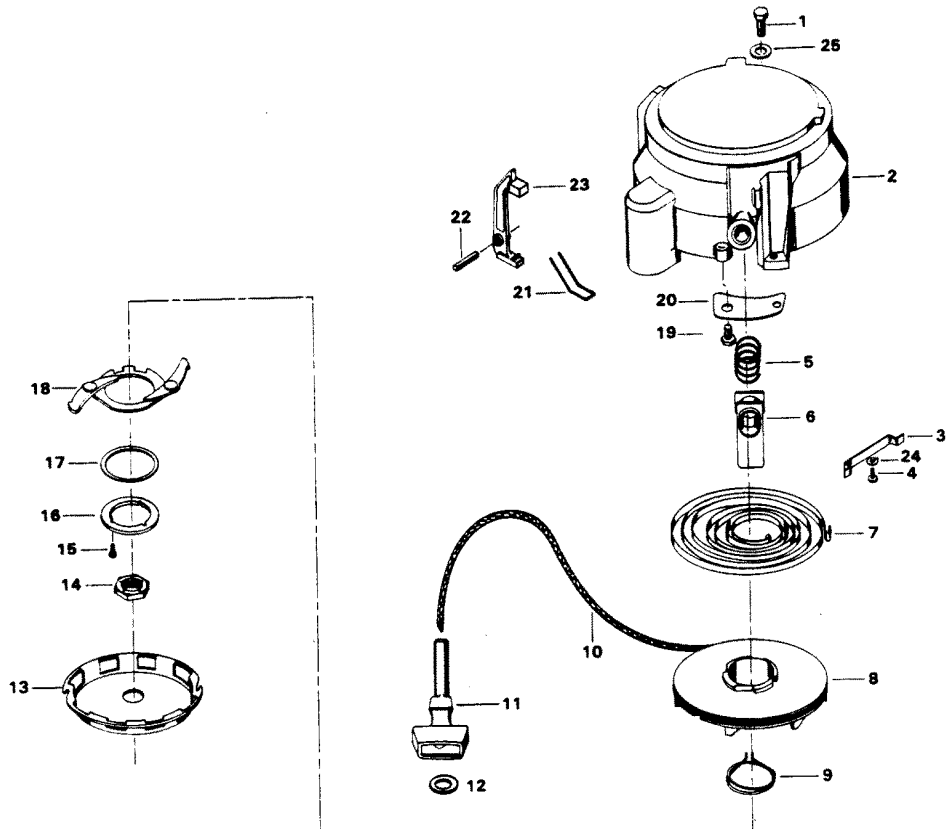
ENGINE COVER AND SUPPORT PLATE



ENGINE COVER AND SUPPORT PLATE

REF. NO.	PART NO.	SYM.	QTY.	DESCRIPTION
36	FA413469		1	COVER LATCH HANDLE W/SHAFT
37	F307818		2	BEARING, LATCH SHAFT
38	F24623-1		2	GROMMET, GEAR SHIFT CHOKE ROD (HAND START)
-	F53504		1	GROMMET, SUPPORT PLATE (ALT. START)
39	F286547		1	CHOKE KNOB
40	F1836		1	SPRING PIN
41	F307818		1	BEARING
42	F504836		1	SPACER, GEAR SHIFT SHAFT
43	F504621		1	LEVER, GEAR SHIFT CONTROL
44	F1859		1	HEX SOCKET HEADLESS SET SCREW, 1/4 - 28 X 3/16
45	FA343178		1	RETAINER, GEAR SHIFT SHAFT W/ILLUS. 44
46	F461400		1	INDICATOR, GEAR SHIFT
-	FC461400		1	INDICATOR, GEAR SHIFT - CANADA
47	F434767		1	BUSHING, FUEL LINE
48	F183300		1	SPRING, LATCH SHAFT
49	F185764		1	RETAINING RING
50	F1515		2	HEX JAM NUT, 5/16 - 18
51	F8096		2	SPRING LOCKWASHER
52	F89777-1		1	CAM, ENGINE COVER LATCH
53	F1760		1	PAN HD SCREW, 10 - 24 X 3/8
54	F458888-1		1	TRIM, STARTER HANDLE GUIDE
55	F2026		2	PLASTIC RIVET
56	F458880		1	CLIP, STARTER GUIDE
57	F1473		1	HEX NUT, 10 - 24
58	FA603892		1	DECAL ENGINE COVER - FRONT W/LITERATURE
59	F602711		1	PLATE, FRONT (HAND START)
-	F603711		1	PLATE, FRONT (ALT. START)
60	FA458778		1	RETAINER, ENGINE COVER FRONT W/SCREWS AND NUTS
61	817813A1		1	COVER, SUPPORT PLATE (ALT. START) W/LITERATURE ORIGINAL FORCE P/N A 460163-1
62	F8011		2	PLAIN WASHER
63	F2A504614		1	KNOB, GEAR SHIFT W/SHAFT ILLUS. 46

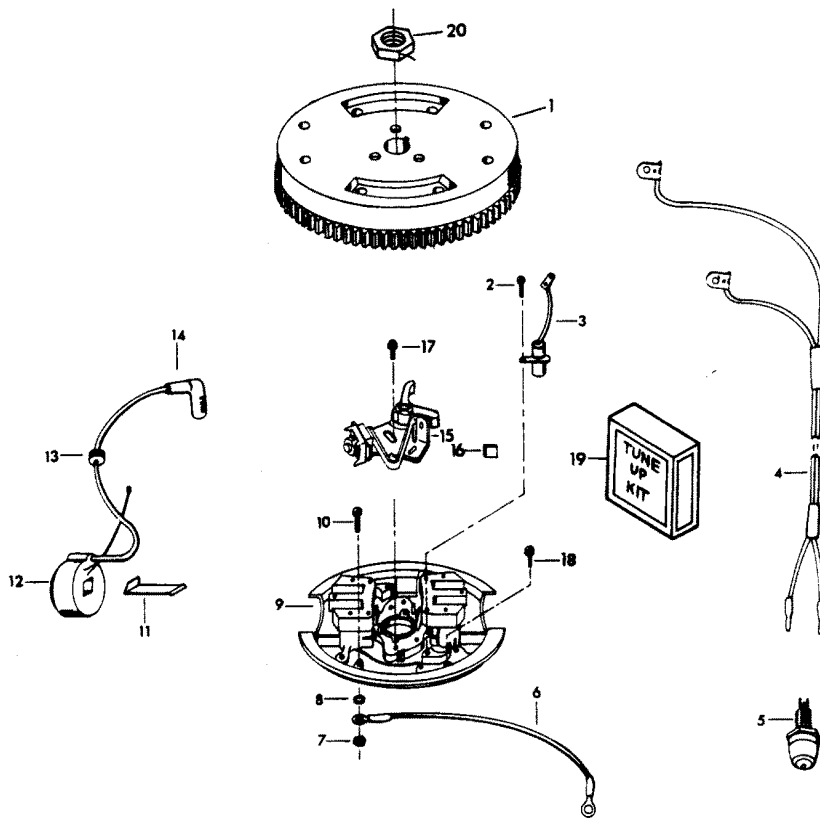
HAND STARTER



HAND STARTER

REF. NO.	PART NO.	SYM.	QTY.	DESCRIPTION
1	F1864		3	SLOTTED HEX HD SCREW, 1/4 - 20 X 3/4
2	817955A1		1	HOUSING, HAND STARTER W/ILLUS. 19, 20, 24 AND LITERATURE ORIGINAL FORCE P/N K 461408-1
3	F458937		1	LINER, STARTER HOUSING
4	F1927		1	PAN HD SCREW, 10 - 32 X 3/8
5	F458071		1	SPRING, STARTER HANDLE GUIDE
6	F458953-1		1	GUIDE, STARTER HANDLE
7	F458970		1	SPRING, STARTER REWIND
8	F458239		1	STARTER PULLEY
9	F458424		1	SPRING, STARTER PAWL PLATE
10	F458232		1	STARTER ROPE
11	F458132		1	HANDLE, STARTER ROPE
12	F2042		1	WASHER
13	F458456		1	HAND STARTER COLLAR
14	F2021		1	FLYWHEEL NUT
15	F2004		3	FILL HD SCREW, 8 - 32 X 3/8
16	F458592		1	RETAINER, STARTER PULLEY
17	F9022		-	SHIM .006 (SILVER)
-	F9023		-	SHIM .007 (BRASS)
-	F9024		-	SHIM .010 (BLACK)
18	FA460423		1	STARTER PAWL PLATE ASSEMBLY
19	F2040		1	HEX HD MACHINE SCREW, 1/4 - 20 X 5/8
20	F461952		1	STRAP, HAND STARTER HOUSING
21	F458846		1	SPRING, STARTER INTERLOCK LEVER
22	F1638		1	SPRING PIN
23	F458003		1	STARTER INTERLOCK LEVER
24	F8011		1	PLAIN WASHER
25	F2012		3	PLAIN WASHER

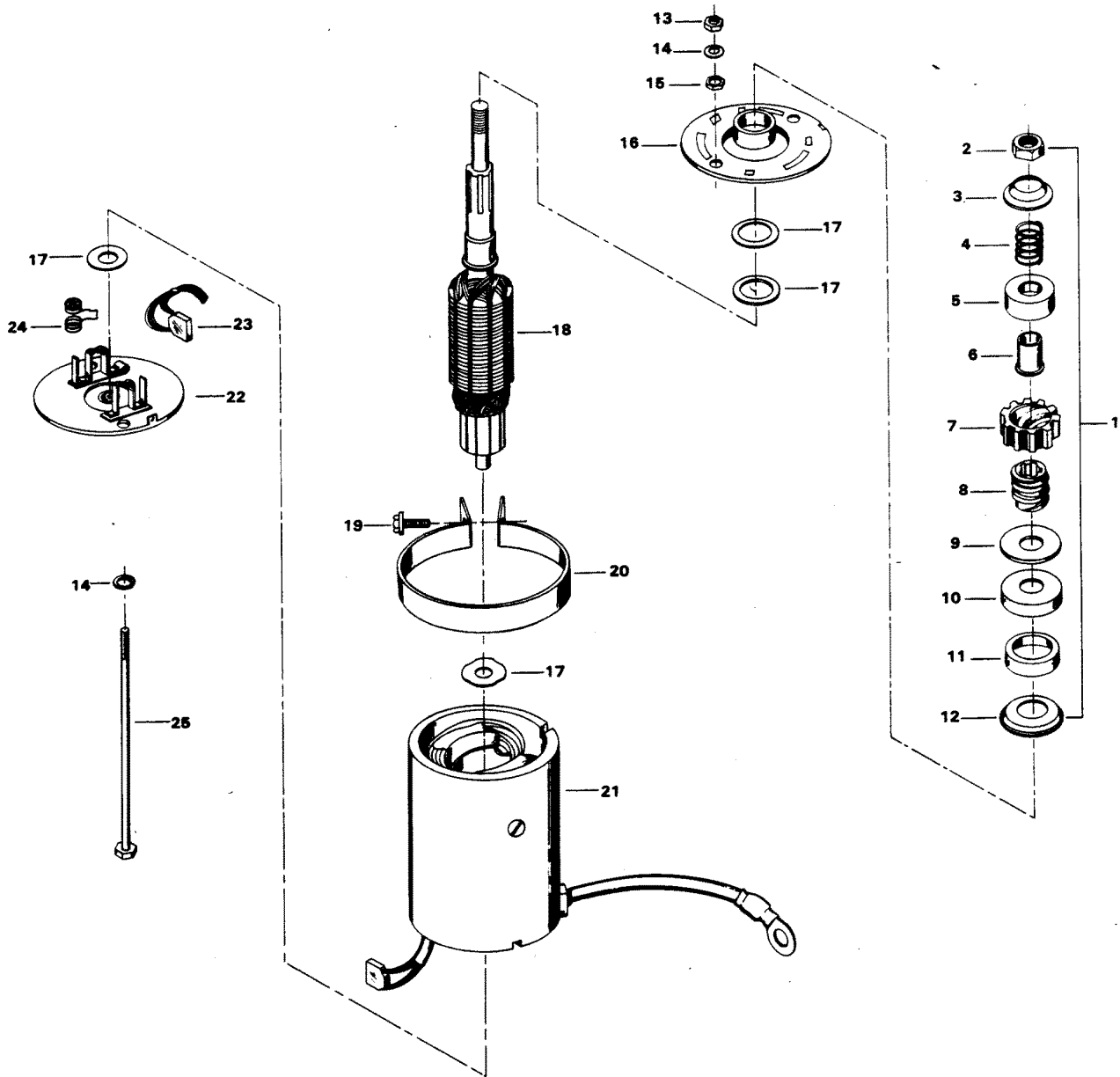
MAGNETO



MAGNETO

REF. NO.	PART NO.	SYM.	QTY.	DESCRIPTION
1	F460097-1		1	FLYWHEEL
2	F12170		2	CONDENSER MOUNTING SCREW
3	F12181-1		2	CONDENSER
4	F12186-1		1	GROUND LEAD
5	F436449		1	SHORTING SWITCH FOR MANUAL START MODELS
6	F460664		1	STATOR GROUND WIRE
7	F1513		1	HEX NUT
8	F8059		1	SPRING LOCKWASHER
9	F12346		1	STATOR PLATE W/LAMINATIONS - USA
10	F2092		1	FILL HD SCREW, 10 - 32 X 5/8
11	F12146		2	COIL WEDGE SPRING
12	FA12370		2	COIL W/LEAD WIRE
13	F12088		2	GROMMET, LEAD WIRE
14	FK750-2		2	SPARKIE W/SPRING
15	F12153-1		2	BREAKER POINT SET
16	F12360		1	CAM WIPER FELT
17	F12170		4	CONTACT SCREW W/LOCKWASHER
18	F2010		3	FILL HD SCREW W/SPRING LOCKWASHER, 10 - 32 X 9/16
19	FK1066		1	TUNE UP KIT. INCLUDES ITEMS MARKED WITH AN ASTERISK (*) .
20	F2021		1	FLYWHEEL NUT 5/8 - 18

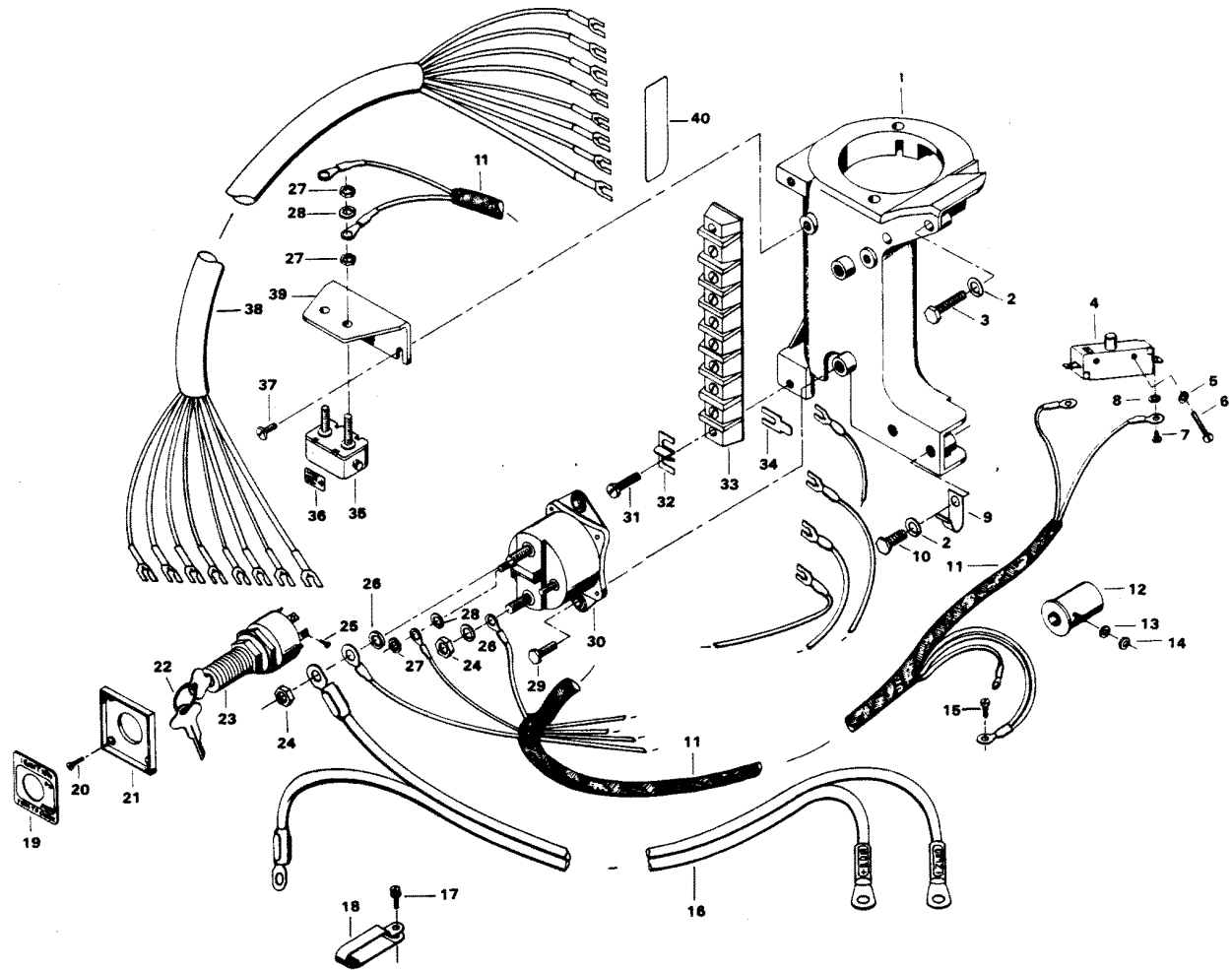
ELECTRIC STARTER



ELECTRIC STARTER

REF. NO.	PART NO.	SYM.	QTY.	DESCRIPTION
1	F15095		1	BENDIX DRIVE
2	F15087		1	HEX NUT
3	F15109		1	CUP, STOP
4	F15102		1	SPRING, ANTI-DRIFT
5	F15107		1	CUP, PINION
6	F15108		1	SLEEVE
7	F15103		1	PINION
8	FK15084		1	SCREW SHAFT
9	F15091		1	WASHER
10	F15105		1	CUP, CUSHION
11	F15106		1	CUSHION
12	F15104		1	CUP, CUSHION THRUST
13	F1514		2	HEX JAM NUT, 1/4 - 20
14	F1341		2	HEX NUT, 1/4 - 20
15	F15021-1		1	HEAD ASSEMBLY DRIVE END
16	F15098		1	THRUST WASHER PACKAGE
17	F15010		1	ARMATURE
18	F460573		1	CLAMP, STARTER MOTOR
19	F15117		1	FRAME AND FIELD ASSEMBLY
20	F1705		1	HEX CAP SCREW, 1/4 - 20 X 3/4
21	F15015		1	BRUSH SET
22	F15002		1	SPRING SET
23	F15019-1		1	HEAD ASSEMBLY COMMUTATOR END
24	F8083		2	SPRING LOCKWASHER
25	F15097		1	THRU BOLT PACKAGE
-	F460955		1	STARTER MOTOR COMPLETE. INCLUDES ALL ITEMS MARKED W/AN ASTERISK (*)
-	FC497390		1	DECAL STARTER - CANADA (NOT SHOWN)

ELECTRICAL COMPONENTS

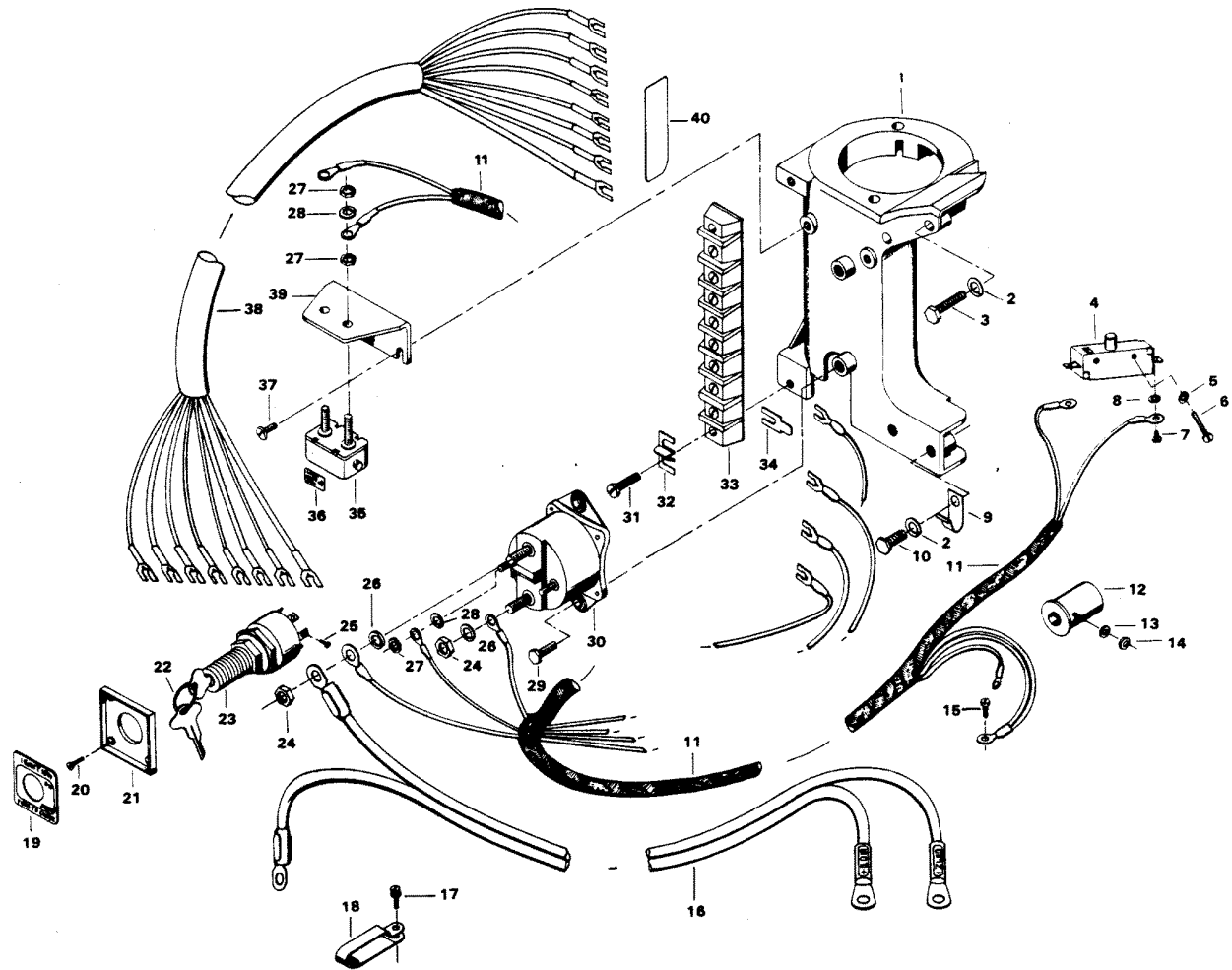


ELECTRICAL COMPONENTS

REF. NO.	PART NO.	SYM.	QTY.	DESCRIPTION
1	F460427		1	BRACKET, STARTER MOTOR
2	F8083		4	SPRING LOCKWASHER
3	F1916		3	HEX HD M. SCREW, 1/4 - 20 X 1-1/8
4	F84449		1	SWITCH, STARTER INTERLOCK
5	F8088		2	PLAIN WASHER
6	F2016		2	FILL HD SCREW, 6 - 32 X 7/8
7	F1645		2	ROUND HD SCREW, 6 - 32 X 7/8
8	F1704		2	INTERNAL TOOTH LOCKWASHER
9	F286772-1		1	CLAMP, FUEL PUMP TO CARBURETOR HOSE
10	F1100		1	SLOTTED FILL HD SCREW, 1/4 - 20 X 1-1/8
11	F529744		1	WIRING HARNESS
12	F85924		1	CHOKE SOLENOID
13	F8056		1	SPRING LOCKWASHER
14	F1647		1	HEX NUT
15	F1077		1	FILL HD SCREW, 10 - 24 X 1/2
16	F381896-4		1	CABLE, BATTERY ENTRY
17	F1734		1	FILL HD MACHINE SCREW W/SPRING LOCKWASHER, 1/4 - 20 X 1/2
18	F407446		1	CLAMP, BATTERY CABLE
19	F412181-1		1	PLATE, IGNITION - U.S.A.
-	817892--1		1	PLATE, IGNITION - CANADA
20	F1934		4	FLAT HD SLOTTED SCREW
21	F411420		1	RETAINER, SWITCH PLATE
22	FA368700		1	IGNITION KEY - NO LETTER OR STAMPED A
-	FB368700		1	IGNITION KEY - STAMPED B
-	FC368700		1	IGNITION KEY - STAMPED C
-	FD368700		1	IGNITION KEY - STAMPED D
-	FE368700		1	IGNITION KEY - STAMPED E
23	F5H078		1	IGNITION SWITCH (ACCESSORY ITEM)
24	F1515		2	HEX NUT
25	F1280		5	PAN HD SCREW, 8 - 32 X 1/4
26	F8096		2	SPRING LOCKWASHER
27	F1513		6	HEX NUT, 10 - 32
28	F1975		4	SPRING LOCKWASHER
29	F1854		2	HEX CAP SCREW, 1/4 - 20 X 5/8
30	F460917		1	STARTER RELAY
31	F1648		2	PAN HD SCREW, 10 - 24 X 3/4
32	F307317		1	CLIP, TERMINAL BLOCK GROUND
33	FA510497		1	TERMINAL BLOCK W/ILLUS. 31 ORIGINAL FORCE P/N K 289497-2
34	F296898		2	TERMINAL
35	F510460		1	CIRCUIT BREAKER
36	F510374		1	DECAL, CIRCUIT BREAKER - U.S.A.
-	FC510374		1	DECAL, CIRCUIT BREAKER - CANADA

CONTINUED ON NEXT PAGE ➡

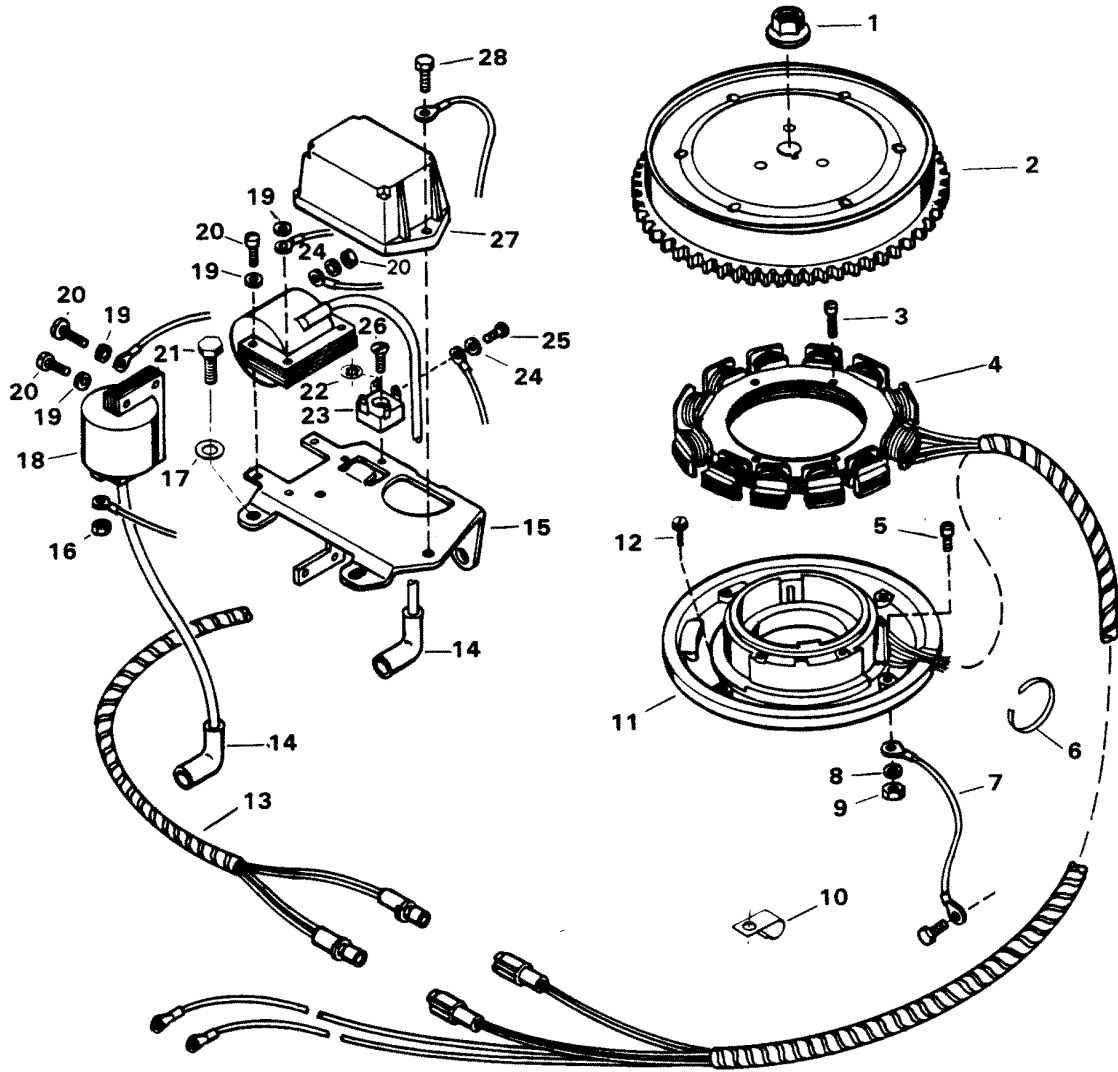
ELECTRICAL COMPONENTS



ELECTRICAL COMPONENTS

REF. NO.	PART NO.	SYM.	QTY.	DESCRIPTION
37	F1733		2	PAN HD SCREW, 10 - 24 X 1/2 - 10 - 24 X 9/16
38	F85843-1		1	CABLE, ELECTRIC CONTROL
39	F91446-1		1	BRACKET, CIRCUIT BREAKER
40	F529398		1	DECAL, WIRING - U.S.A.
-	FC529398		1	DECAL, WIRING - CANADA

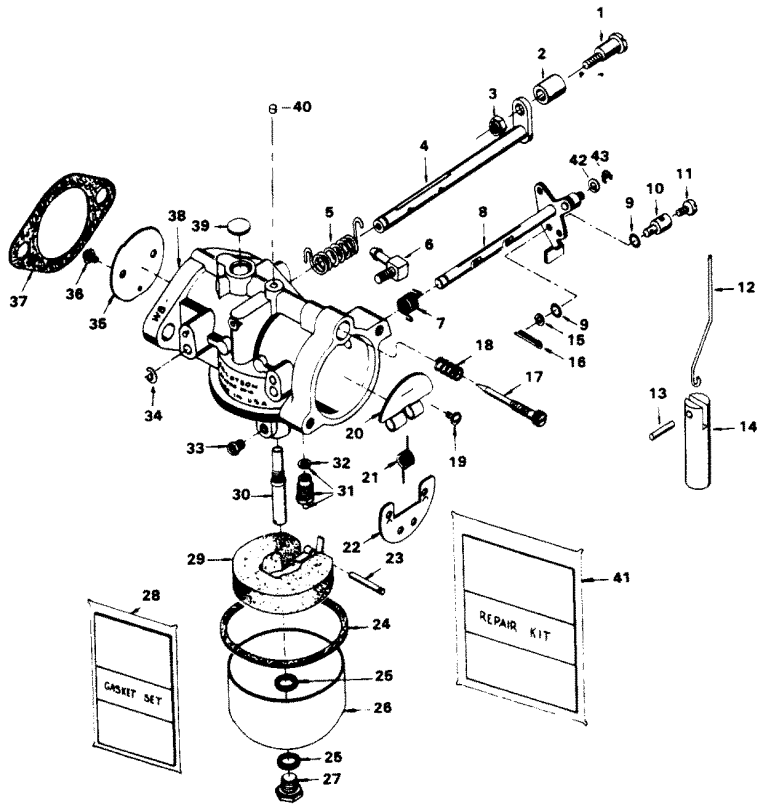
ALTERNATOR



ALTERNATOR

REF. NO.	PART NO.	SYM.	QTY.	DESCRIPTION
1	F2021		1	FLYWHEEL NUT, 5/8 - 18
2	F529097		1	FLYWHEEL
3	F1995		4	SLOTTED FILL HD SCREW, 10 - 24 X 1
4	F529095		1	STATOR GROUND WIRE
5	F2010		3	FILL HD SCREW, 10 - 32 X 9/16
6	F1877		1	TY-RAP
7	F460664		1	STATOR GROUND WIRE
8	F8059		1	SPRING LOCKWASHER
9	F1513		1	HEX NUT, 10 - 32
10	F286772-1		1	CLAMP
11	F529029		1	STATOR TRIGGER
12	F1092		1	FILL HD SCREW, 10 - 32 X 5/8
13	F529744		1	WIRING HARNESS
14	FK750-2		2	SPARKIE KIT
15	F529358		1	BRACKET, ELECTRICAL COMPONENTS
16	F1337		2	NUT, 6 - 32
17	F2012		2	PLAIN WASHER
18	F510475		2	IGNITION COIL
19	F1975		8	LOCKWASHER
20	F1648		8	PAN HD SCREW, 10 - 24 X 3/4
21	F1200		2	HEX HD SCREW, 1/4 - 20 X 1/2
22	F8078		1	LOCKWASHER #8
23	F510450-1		1	RECTIFIER
24	F1704		2	LOCKWASHER #6
25	F1645		4	ROUND HD SCREW, 6 - 32 X 1/4
26	F1552		1	PAN HD SCREW, 8 - 32 X 1/2
27	F529301		1	C-D MODULE
28	F1746		2	HEX CAP SCREW, 1/4 - 28 X 5/8

CARBURETOR

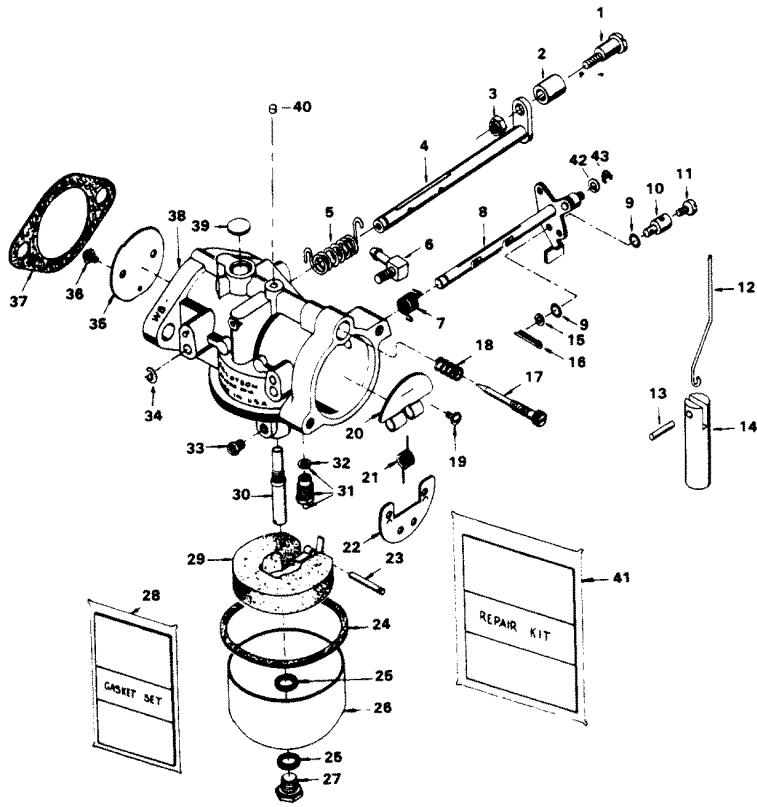


CARBURETOR

REF. NO.	PART NO.	SYM.	QTY.	DESCRIPTION
1	F333316		1	SHAFT, THROTTLE ROLLER
2	F92759		1	ROLLER, THROTTLE CAM FOLLOWER
3	F1997		1	LOCK NUT
4	FO17907		1	THROTTLE SHAFT AND LEVER
5	FO16563		1	THROTTLE SHAFT RETURN SPRING
6	F84314-2		1	ELBOW
7	FO16397		1	CHOKE SHAFT RETURN SPRING
8	FO16562		1	CHOKE SHAFT AND LEVER
9	F184579		2	SEAL, CHOKE ARM SWIVEL (ALT. START)
10	F184033-1		1	SWIVEL, CHOKE ARM (ALT. START)
11	F1059		1	FILL HD SCREW 6 - 32 X 1/4 (ALT. START)
12	F460925		1	ROD (ALT. START)
13	F2033		1	GROOVE PIN (ALT. START)
14	F391926-1		1	PLUNGER (ALT. START)
15	F8088		1	PLAIN WASHER (ALT. START)
16	F1014		1	COTTER PIN (ALT. START)
17	FO14166		1	IDLE MIXTURE SCREW
18	FO11103		1	IDLE MIXTURE SCREW SPRING
19	FO10280		2	CHOKE SHUTTER RETAINING SCREW AND LOCKWASHER
20	FO12251		1	CHOKE RELIEF VALVE
21	FO10883		1	CHOKE RELIEF VALVE SPRING
22	FO12250		1	CHOKE SHUTTER
23	FO13944		1	FLOAT LEVER PIN
24	FO15623		1	FUEL BOWL GASKET
25	FO2510		2	FUEL BOWL RETAINING SCREW GASKET
26	FO13552		1	FUEL BOWL
27	FO13945		1	FUEL BOWL RETAINING SCREW
28	FK10006		1	GASKET SET INCLUDES ITEMS MARKED WITH A DOUBLE ASTERISK (**)
29	FO13554		1	FLOAT
30	FO15213		1	MAIN NOZZLE
31	FO10790		1	INLET NEEDLE, SEAT AND GASKET
32	FO10165		1	INLET SEAT GASKET
33	FO14188		1	MAIN FUEL JET STD. .066 SEAL LEVEL - 1250 FT.
-	FO14108		-	MAIN FUEL JET OPT. .064 1250-3750 FT.
-	FO14187		-	MAIN FUEL JET OPT. .062 FT. 3750-6250 FT.
-	FO14186		-	MAIN FUEL JET OPT. .060 6250-8250 FT. OPTIONAL SIZE MAIN FUEL JETS
34	FO16620		1	E-RING, THROTTLE SHAFT RETAINING
35	FO17639		1	THROTTLE SHUTTER
36	FO8942		2	THROTTLE SHUTTER RETAINING SCREW AND LOCKWASHER
37	F40906-1		1	FLANGE GASKET
38	F461061-3		1	CARBURETOR COMPLETE (WB19D)

CONTINUED ON NEXT PAGE ➡

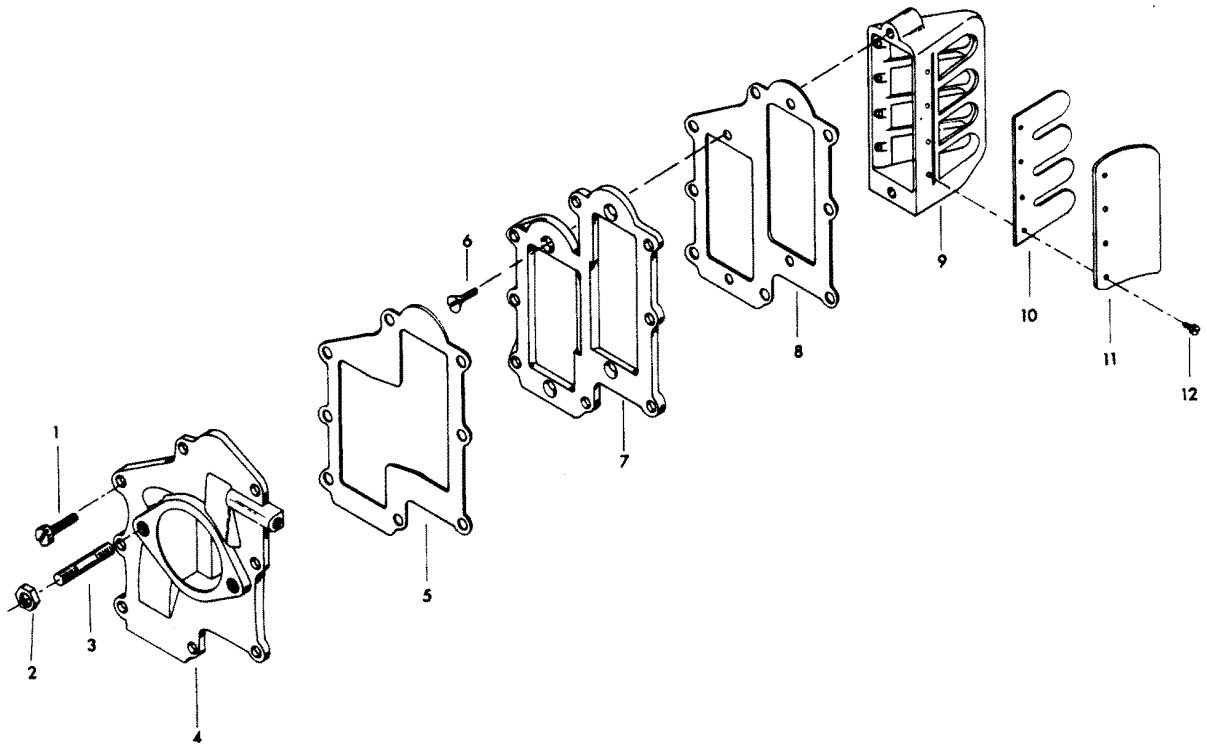
CARBURETOR



CARBURETOR

REF. NO.	PART NO.	SYM.	QTY.	DESCRIPTION
39	FO4326		1	BODY CHANNEL WELCH PLUG
40	FO10588		1	BODY CHANNEL CUP PLUG
41	F10027		1	REPAIR PARTS KIT INCLUDES ALL ITEMS MARKED WITH AN ASTERISK (*) .
42	F8011		1	PLAIN WASHER
43	F90807		1	RETAINER, CHOKE ROD FOR MANUAL START MODELS

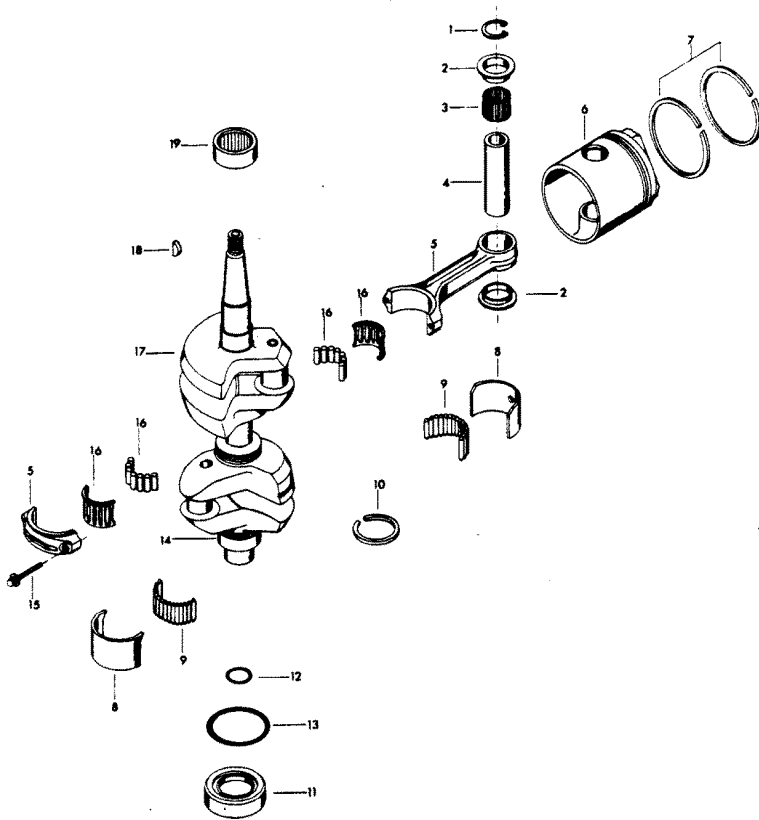
REED PLATE



REED PLATE

REF. NO.	PART NO.	SYM.	QTY.	DESCRIPTION
1	F2008		8	HEX HD SCREW, 1/4 - 20 X 7/8
2	F1515		2	HEX NUT, 5/16 - 18
3	F40209		2	CARBURETOR STUD
4	FA458167		1	CARBURETOR ADAPTER W/ILLUSTRATION 3
5	F433168		1	GASKET, CARBURETOR ADAPTER W/STUDS
6	F1141		4	FLAT HD SCREW, 10 - 24 X 1/2
7	F433404		1	DEFLECTOR PLATE
8	F433406		1	GASKET, DEFLECTOR PLATE
9	FA572158		2	REED PLATE W/PLUG
10	F316160		4	REED
11	F502161		4	REED STOP
12	F1755		16	ROUND HD SCREW W/LOCKWASHER, 6 - 32 X 5/16

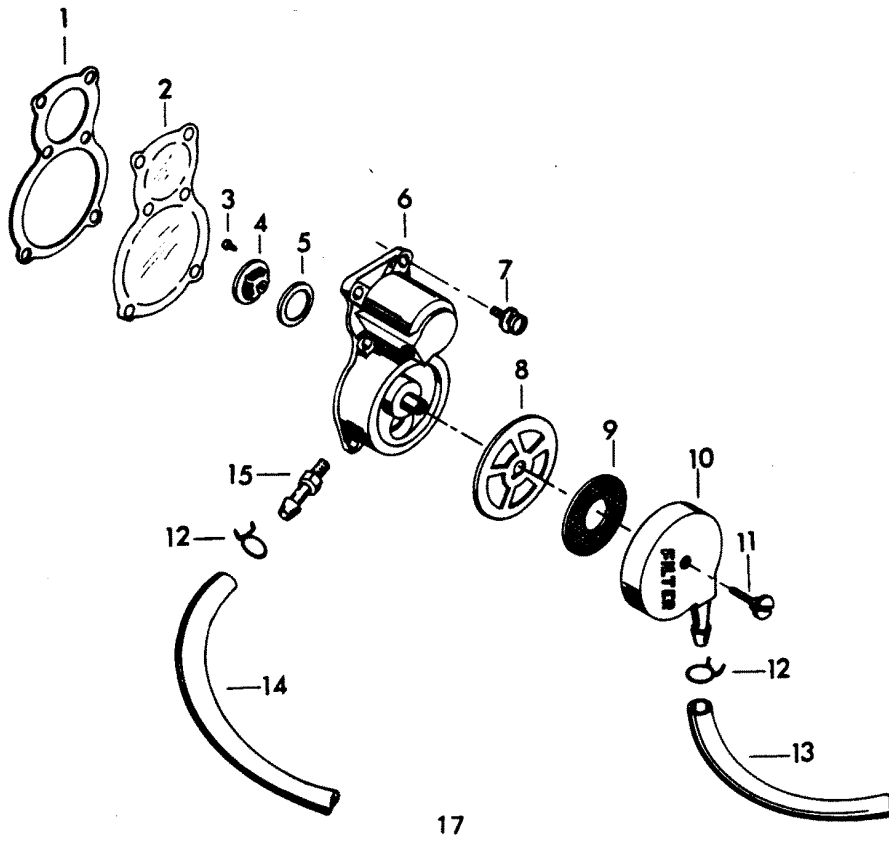
CRANKSHAFT AND PISTON GROUP



CRANKSHAFT AND PISTON GROUP

REF. NO.	PART NO.	SYM.	QTY.	DESCRIPTION
1	F90096		4	RETAINER, PISTON PIN
2	F366215		4	SPACER, PISTON PIN
3	F335217-1		2	BEARING, PISTON PIN
4	F458017		2	PISTON PIN
5	600-818052A4		2	CONNECTING ROD W/CAP AND ILLUS. 15 ORIGINAL FORCE P/N S 366016-4
6	F458015-1		2	PISTON
-	FSA458015		2	PISTON .010 OVERSIZE (NOT SHOWN)
-	700-818118A1		2	PISTON .030 OVERSIZE (NOT SHOWN)
7	FA458260		1	PISTON RING SET (4 PER SET)
-	FSA458260		1	PISTON RINGS (4 PER SET) .010 OVERSIZE (NOT SHOWN)
-	39-818119A1		1	PISTON RINGS (4 PER SET) .030 OVERSIZE (NOT SHOWN)
8	FA458655		1	LINER, CENTER MAIN (1 SET)
9	FA458571		1	ROLLER, CENTER MAIN
10	F458579		1	SEAL, CRANKCASE
11	F2A458581		1	COLLAR W/LOWER CRANKCASE SEAL
12	F461342		1	SEAL, DRIVESHAFT SPLINE
13	F455305		1	SEAL, CRANKSHAFT COLLAR
14	F286028		1	BEARING, CRANKSHAFT LOWER MAIN
15	F85634-2		4	SCREW, CONNECTING ROD
16	FK85228-1		2	BEARING CAGE W/ROLLERS (16 PER SET)
17	400-818058A1		1	CRANKSHAFT W/LOWER MAIN BEARING (MANUAL START MODELS)
-	400-818063A1		1	CRANKSHAFT W/LOWER MAIN BEARING (ALT. MODELS)
18	F458498		1	FLYWHEEL KEY (MANUAL START MODELS)
19	F458028		1	BEARING, CRANKSHAFT UPPER MAIN

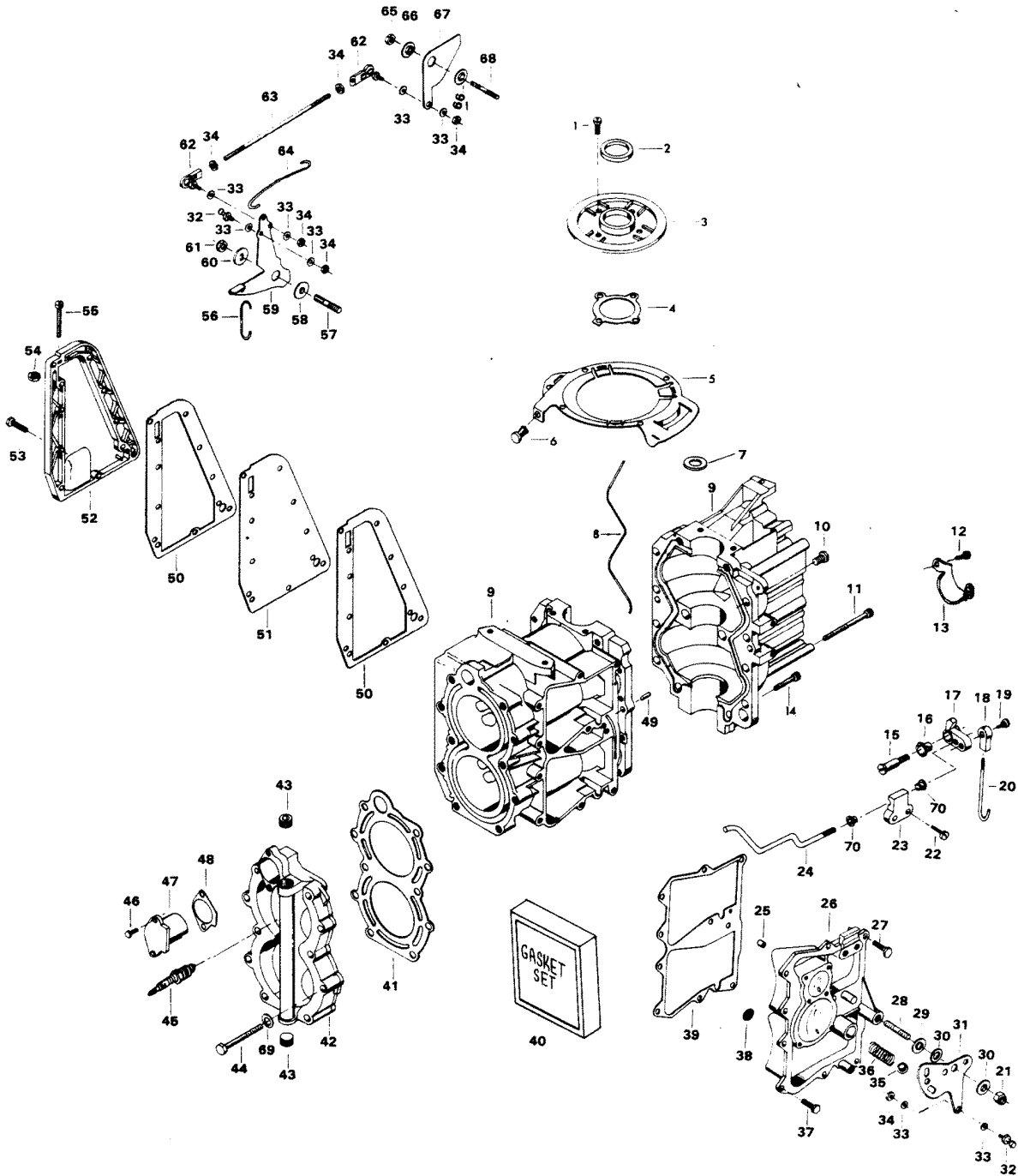
FUEL PUMP



FUEL PUMP

REF. NO.	PART NO.	SYM.	QTY.	DESCRIPTION
1	F438760		1	FUEL PUMP GASKET
2	F438747		1	FUEL PUMP DIAPHRAGM
3	F1860		2	BINDING HD MACHINE SCREW, 6 - 32 X 1/4
4	F177330		1	FUEL PUMP VALVE
5	F84792		3	FUEL PUMP VALVE GASKET
6	FA438431		1	FUEL PUMP BODY W/ILLUS. 3, 4 AND 5
7	F1108		6	FILL HD MACHINE SCREW W/LOCKWASHER, 1/4 - 20 X 34
8	F438617		1	GASKET, FUEL PUMP BOWL
9	F438653		1	SCREEN, FUEL PUMP
10	F438500		1	FUEL PUMP BOWL
11	F438165		1	SCREW, FUEL PUMP BOWL
12	F97772		4	FUEL LINE CLAMP
13	FA85754-1		1	HOSE, FUEL PUMP TO BUSHING W/ILLUS. 12
14	F458754		1	HOSE, FUEL PUMP TO CARBURETOR
15	F438801		1	FITTING, FUEL PUMP BODY

POWER HEAD

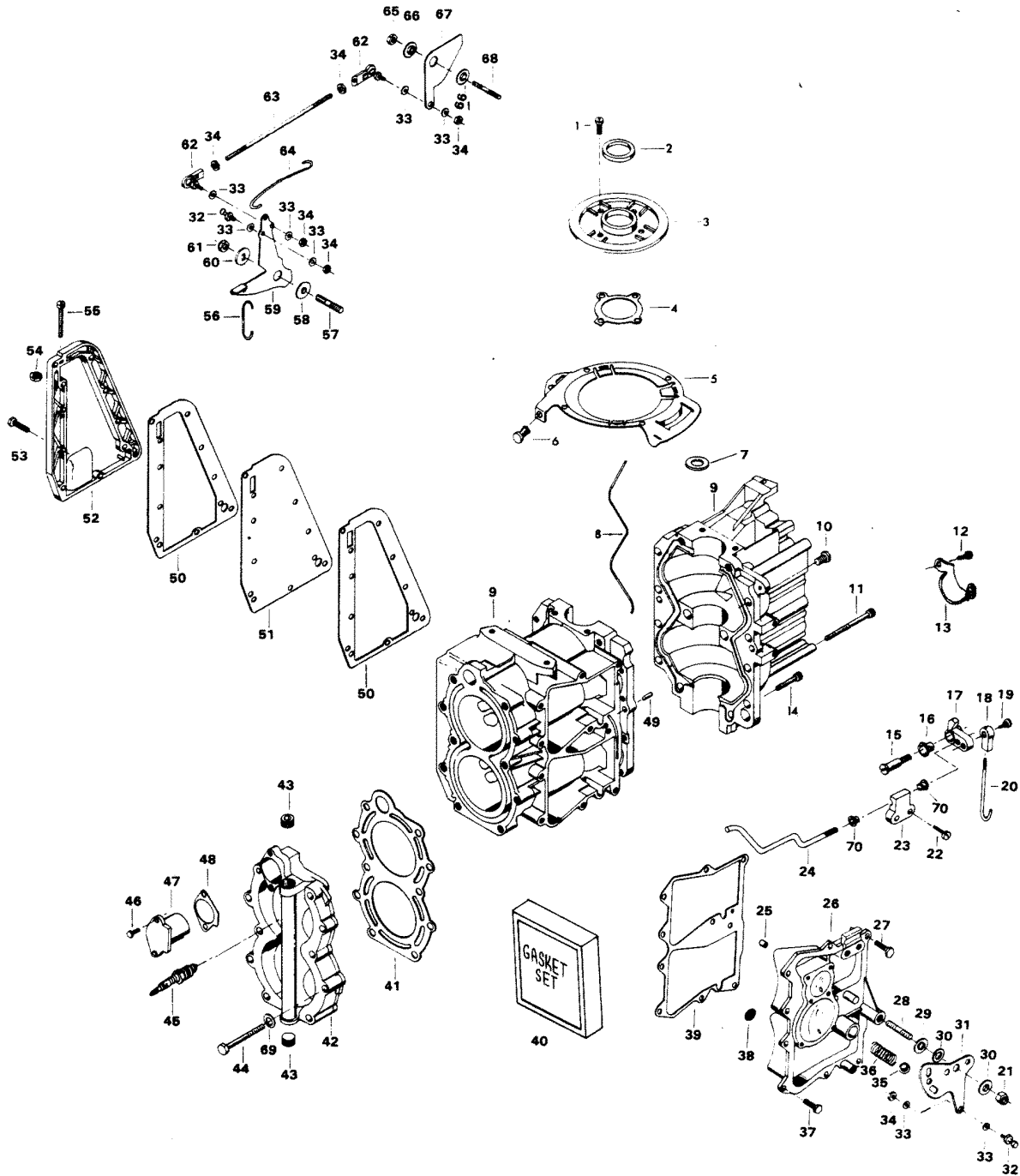


POWER HEAD

REF. NO.	PART NO.	SYM.	QTY.	DESCRIPTION
1	F1107		4	FILL HD SCREW, 1/4 - 20 X 3/4
2	F458146		1	SEAL, CRANKSHAFT UPPER MAIN
3	FA458144		1	CRANKSHAFT BEARING CAGE WILLUS. 2
4	F458277		1	GASKET, CRANKSHAFT BEARING CAGE
5	FA504082		1	MAGNETO STATOR RING WILLUS. 7
6	F1727		1	PLASTI-RIVET
7	F8000		1	PLAIN WASHER
8	F269122-1		1	SEAL, CRANKCASE PARTING LINE
9	FA542010		1	CYLINDER W/CRANKCASE COVER ILLUS. 8, 11, 14 AND 49
-	FC542010		1	SHORT BLOCK FOR HAND START MODELS (NOT SHOWN) SHORT BLOCK INCLUDES ALL ITEMS MARKED WITH AN ASTERISK (*). ALSO REFER TO CRANKSHAFT PAGE.
-	FC543010		1	SHORT BLOCK FOR ALT. START MODELS (NOT SHOWN) SHORT BLOCK INCLUDES ALL ITEMS MARKED WITH AN ASTERISK (*). ALSO REFER TO CRANKSHAFT PAGE.
10	F1864		8	HEX HD SCREW, 1/4 - 20 X 3/4
11	F2005		2	HEX SOCKET HD CAP SCREW, 5/16 - 18 X 2 3/4
12	F1689		2	HEX CAP SCREW, 1/4 - 20 X 1/2 FOR ELECTRIC START MODELS
13	F460317		1	CLAMP, SOLENOID FOR ELECTRIC START MODELS
14	F2013		4	HEX SOCKET HD CAP SCREW, 5/16 - 18 X 1 1/4
15	F85026		1	SWIVEL, SHIFT INTERLOCK LEVER
16	F307818		1	BEARING
17	F458977-3		1	LEVER, SHIFT INTERLOCK
18	F84035-2		1	BEARING, SHIFT INTERLOCK ROD
19	F84026		1	SWIVEL SHIFT INTERLOCK BEARING
20	F458531		1	ROD, SHIFT INTERLOCK
21	F7004		1	LOCK NUT, 3/8 - 16
22	F1075		2	FILL HD M. SCREW, 10 - 24 X 1/2 (HAND START ONLY)
23	F504527		1	CAP, INTERLOCK (HAND START ONLY)
24	F504809		1	ROD, STARTER INTERLOCK (HAND START ONLY)
25	21-817741A1		2	CHECK VALVE W/LITERATURE ORIGINAL FORCE P/N A 213740-1
26	FA572222		1	TRANSFER PORT COVER W/ITEM 25
27	F1922		9	HEX CAP SCREW, 1/4 - 20 X 5/8
28	F440209		1	STUD, GEAR SHIFT LEVER
29	F2014		1	PLAIN WASHER
30	F269052		2	BEARING, SHIFT LEVER
31	817808A2		1	LEVER, GEAR SHIFT
32	F98273		2	ROD END CONNECTOR STUD
33	F8058		8	INTERNAL TOOTH LOCKWASHER
34	F1513		6	HEX NUT, 10 - 32
35	F458727		1	BALL SHIFT LEVER DETENT
36	F183300		1	SPRING, SHIFT DETENT
37	F1922		1	HEX HD SCREW, 1/4 - 20 X 5/8

CONTINUED ON NEXT PAGE ➡

POWER HEAD

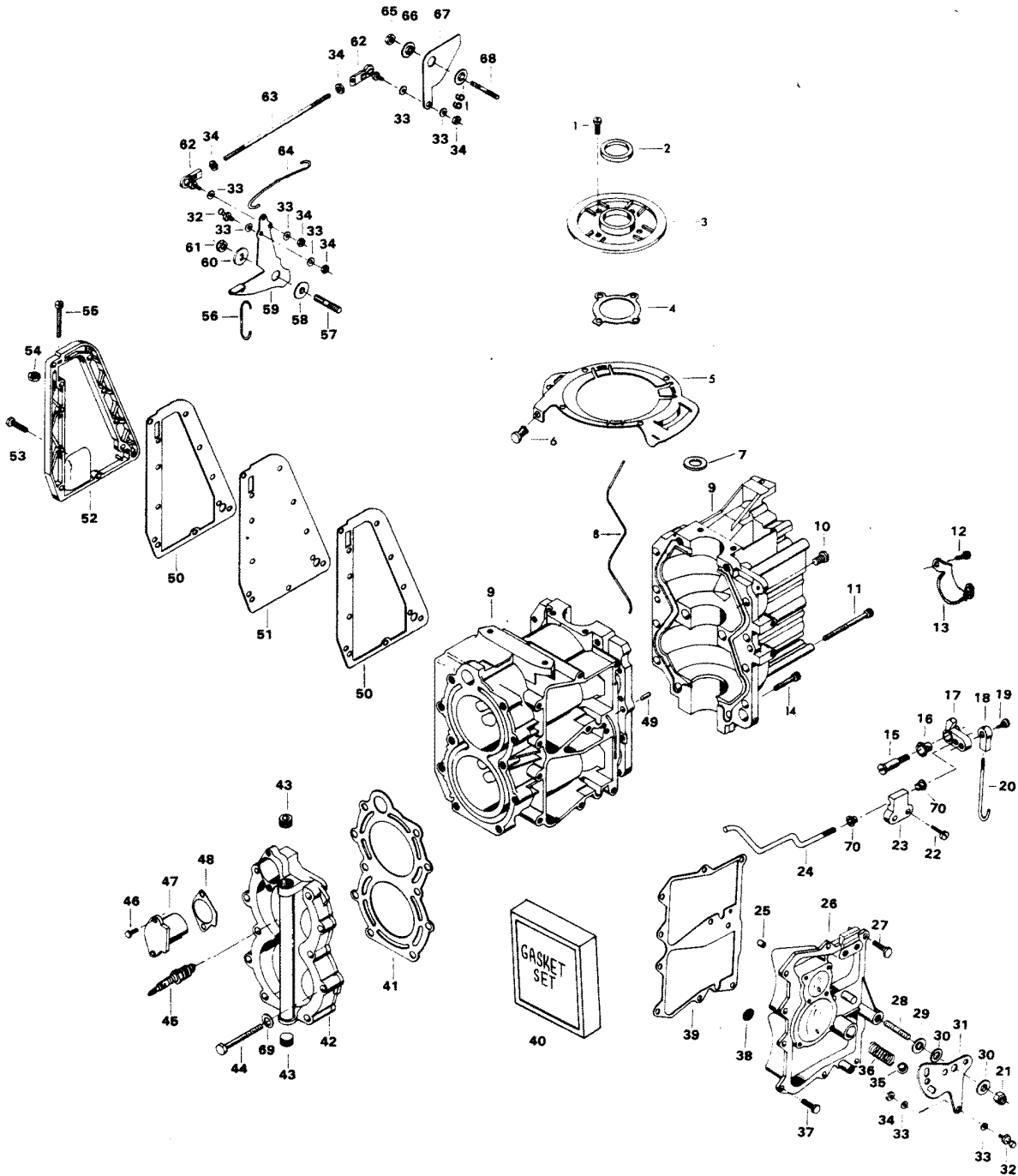


POWER HEAD

REF. NO.	PART NO.	SYM.	QTY.	DESCRIPTION
38	F429811		1	SCREEN, CYLINDER DRAIN
39	F458223		1	GASKET, TRANSFER PORT COVER
40	FG1010		1	GASKET SET (INCLUDES THE FOLLOWING ITEMS)
-	F40906-1		1	GASKET, CARBURETOR
-	F433168		1	GASKET, CARBURETOR ADAPTER
-	F433406		1	DEFLECTOR PLATE GASKET
-	F438617		1	FUEL PUMP BOWL GASKET
-	F438760		1	FUEL PUMP GASKET
-	F458067		1	THERMOSTAT COVER GASKET
-	F458154		2	EXHAUST PORT PLATE
-	F458223		1	TRANSFER PORT COVER GASKET
-	F458277		1	CRANKSHAFT BEARING CAGE GASKET
-	F458279		1	CYLINDER EXHAUST GASKET
-	F458453		1	LEG EXHAUST GASKET
-	F458529		1	CYLINDER HEAD GASKET
41	F458529		1	GASKET, CYLINDER HEAD
42	FA458518		1	CYLINDER HEAD W/ILLUS. 43
43	F458109		2	PLUG, CYLINDER HEAD
44	F458936		10	SCREW, CYLINDER HEAD
45	FS174227		2	SPARK PLUG (L-4J)
-	FC235227		2	SPARK PLUG, CANADA (RL-4J) HAND START
-	FC503227		2	SPARK PLUG, CANADA (QL-77-J4) ALT. START
46	F1854		1	HEX CAP SCREW, 1/4 - 20 X 5/8
47	F458066		1	THERMOSTAT COVER
48	F458067		1	GASKET, THERMOSTAT COVER
49	F8559		2	DOWEL PIN
50	F458154		2	GASKET, EXHAUST PORT PLATE
51	F458151		1	EXHAUST PORT PLATE
52	F458152		1	EXHAUST PORT COVER
53	F1532		10	HEX HD SCREW, 1/4 - 20 X 1
54	F1341		1	HEX NUT
55	F1072		1	FILL HD SCREW, 1/4 - 20 X 3/4
56	F458445		1	LINK MAGNETO CONTROL SHAFT
57	F286440		1	STUD, MAGNETO CONTROL LEVER
58	F183813		1	BEARING
59	F2A458081		1	MAGNETO CONTROL LEVER W/ILLUS. 32, 33 AND 34
60	F286282		1	WASHER
61	F1803		1	STOP NUT
62	817747--1		2	JOINT BALL ASSEMBLY
63	F458502		1	ROD, THROTTLE CAM
64	F458509		1	LINK, MAGNETO STATOR
65	F1910		1	LOCK NUT
66	F269319		2	BEARING, THROTTLE CAM

CONTINUED ON NEXT PAGE ➡

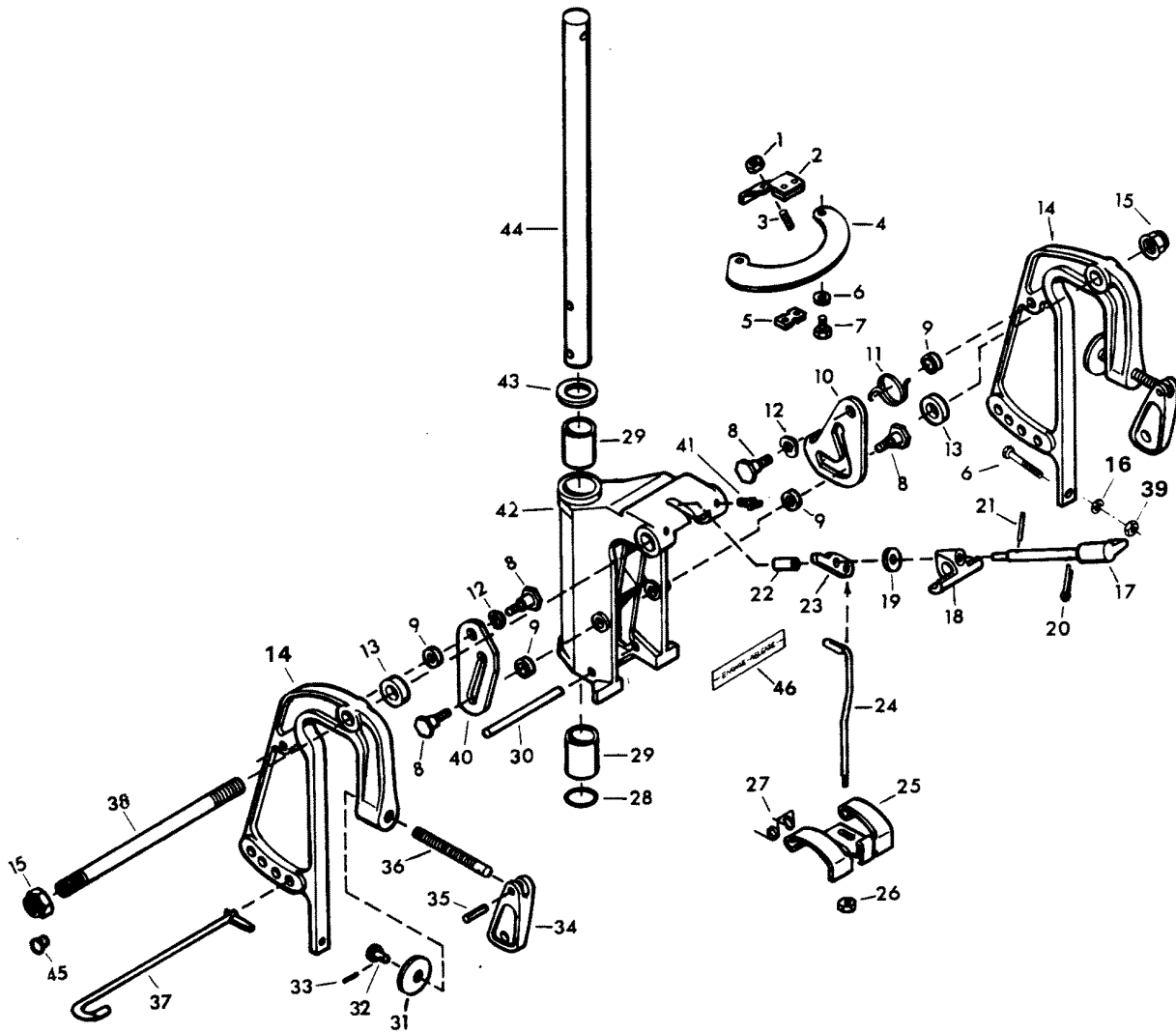
POWER HEAD



POWER HEAD

REF. NO.	PART NO.	SYM.	QTY.	DESCRIPTION
67	F458192		1	THROTTLE CAM
68	F433209-1		1	STUD, THROTTLE CAM
69	F1739		10	PLAIN WASHER, FOR HAND START MODELS
-	F1739		7	PLAIN WASHER, FOR ELECTRIC START MODELS
70	F504052		2	BEARING (HAND START ONLY)

SWIVEL BRACKET GROUP

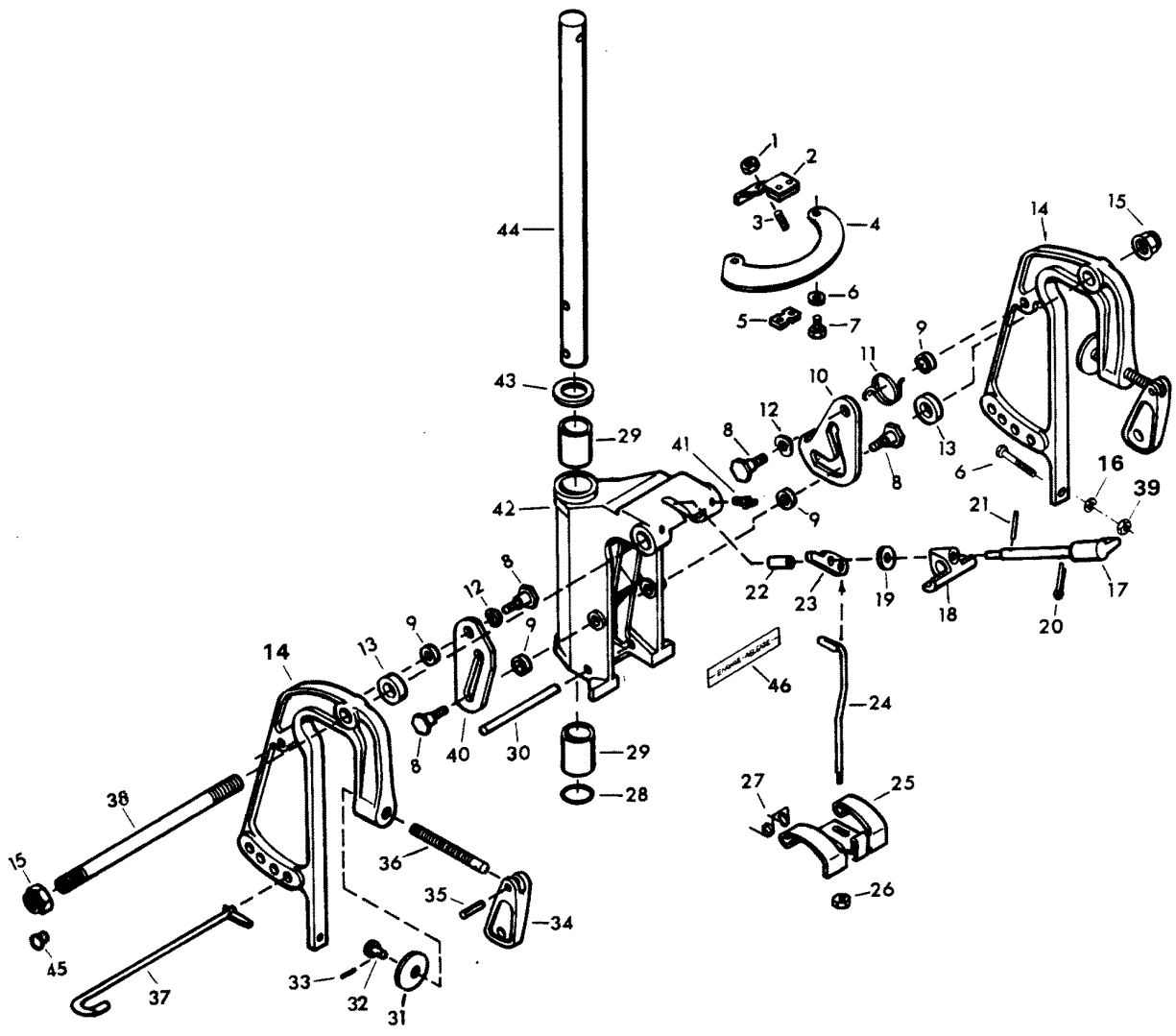


SWIVEL BRACKET GROUP

REF. NO.	PART NO.	SYM.	QTY.	DESCRIPTION
1	F7024		1	STOP NUT
2	817882A1		1	FRICION SHOE ADJUSTING ARM ASSEMBLY W/ILLUS. 5 ORIGINAL FORCE P/N A 901742-1
3	F901822-1		1	STUD, SWIVEL BRACKET
4	F901775		1	PLATE, FRICTION SHOE
5	F901631-1		1	FRICTION SHOE
6	F2027		2	HEX CAP SCREW, 5/16 - 18 X 3
7	F1689		2	HEX CAP SCREW, 1/4 - 20 X 1/2
8	F286422-1		4	PIVOT, TILT LOCK
9	F286451		4	SPACER, TILT LOCK
10	F436541		1	TILT LOCK (PORT)
11	F286544-1		1	SPRING, TILT LOCK
12	F1666		2	BOWED SPRING LOCKWASHER
13	F529286		2	WASHER, SWIVEL BRACKET FRICTION
14	FS529532		2	STERN BRACKET W/ILLUS. 31, 32, 33 AND 36
15	F1600		2	LOCK NUT, 7/8 - 14
16	F8083		2	SPRING LOCKWASHER
17	F483827		1	LEVER, REVERSE LOCK
18	F529726		1	BEARING
19	F8094		1	PLAIN WASHER
20	F1014		1	COTTER PIN
21	F1836		1	SPRING PIN
22	F483884		1	BEARING
23	F366364		1	ARM, REVERSE LOCK
24	F483510-1		1	LINK, REVERSE LOCK
25	F483349-1		1	REVERSE LOCK
26	F1669		1	NUT
27	F483300		1	SPRING
28	F458783		1	SEAL, SWIVEL BRACKET
29	F901169-1		2	BEARING, SWIVEL BRACKET
30	F2095		1	SPRING PIN
31	F24074		2	CLAMP SCREW FOOT
32	F66480		2	STUD
33	F8537		2	SPRING PIN
34	F288075		2	HANDLE, STERN BRACKET CLAMP SCREW
35	F1638		2	SPRING PIN
36	817776A3		2	STERN BRACKET CLAMP SCREW W/ILLUS. 31, 32, 33, 34 AND 35 ORIGINAL FORCE P/N A 324073-3
37	FA324113		1	STERN BRACKET LOCK BAR W/END
38	F529125-1		1	TUBE, PIVOT STEERING
39	F1515		2	HEX NUT, 5/16 - 18
40	F385433		1	TILT STOP
41	F213274		3	GREASE FITTING
42	FA529072		1	SWIVEL BRACKET W/ILLUS. 29 AND 41

CONTINUED ON NEXT PAGE ➡

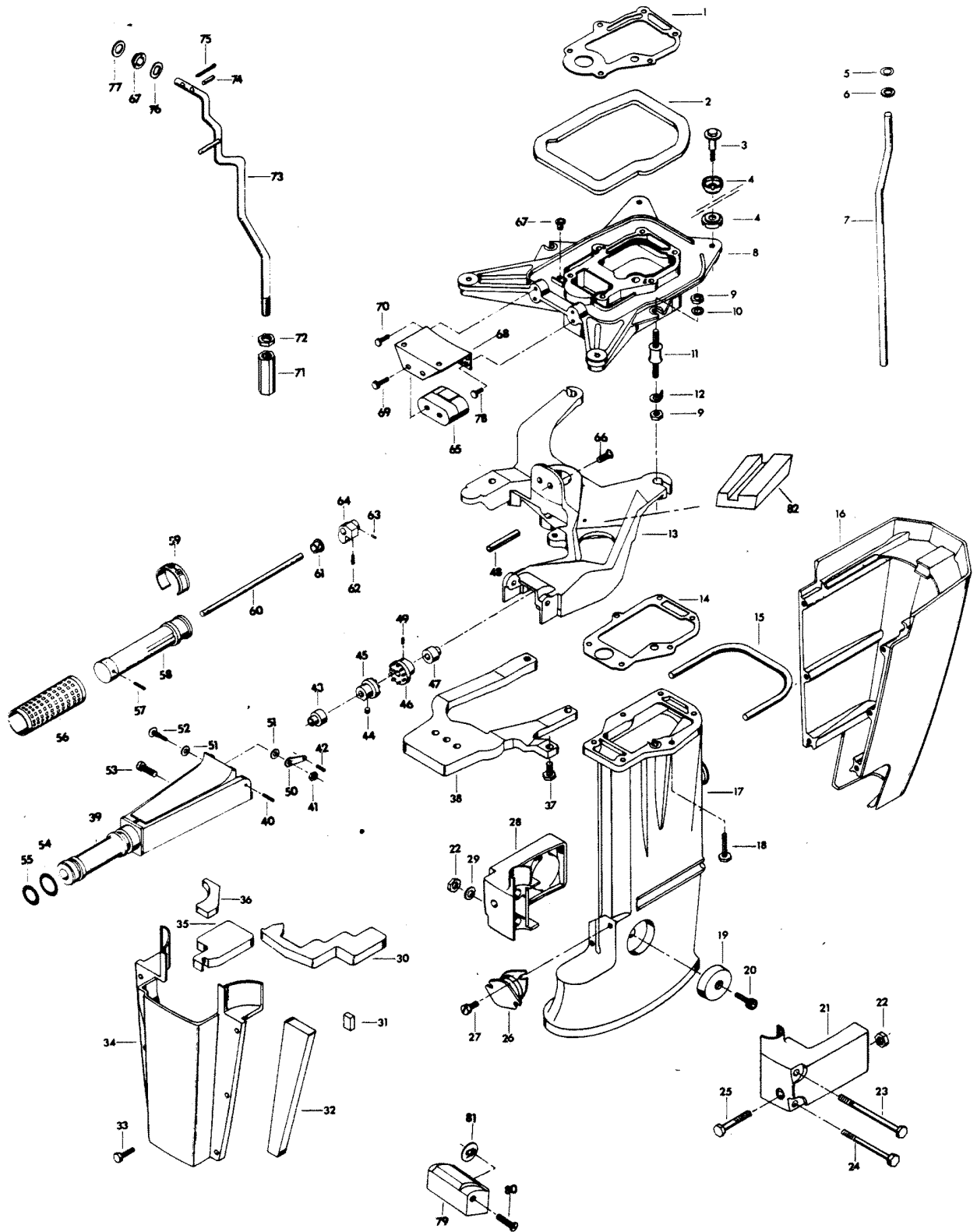
SWIVEL BRACKET GROUP



SWIVEL BRACKET GROUP

REF. NO.	PART NO.	SYM.	QTY.	DESCRIPTION
43	F901011		1	WASHER, SWIVEL BRACKET
44	F458019		1	KINGPIN
45	F9018		2	CAP, PIVOT STEERING TUBE
46	F529390-1		1	DECAL, REVERSE LOCK - USA
-	FC529390		1	DECAL, REVERSE LOCK - CANADA

MOTOR LEG

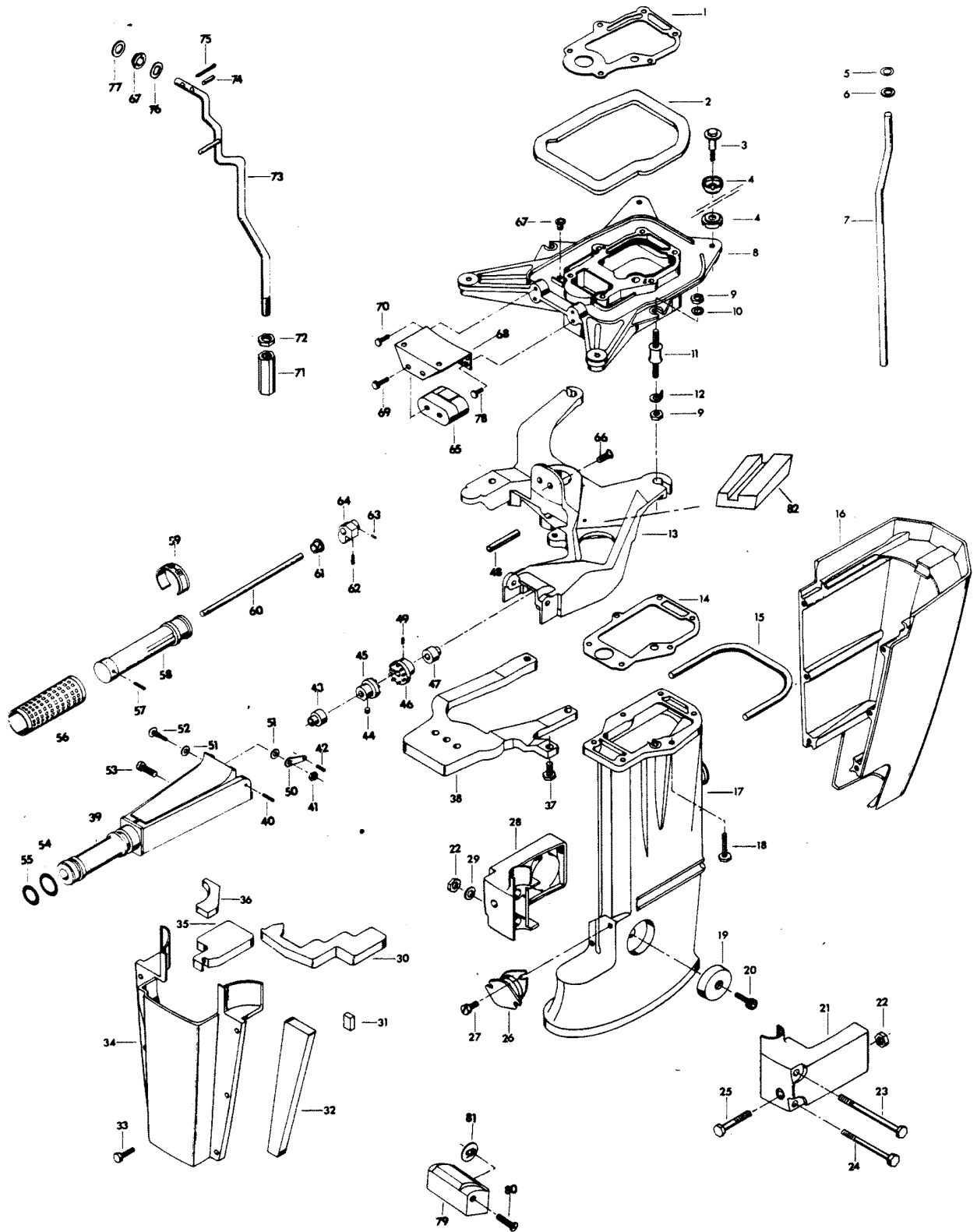


MOTOR LEG

REF. NO.	PART NO.	SYM.	QTY.	DESCRIPTION
1	F458279		1	GASKET, CYLINDER EXHAUST
2	F183756-1		1	PACKING, SUPPORT PLATE
3	F458887		4	FASTENER, SUPPORT PLATE MOUNT
4	F458347		8	MOUNT, SUPPORT PLATE
5	F24342		1	SEAL, WATER LINE UPPER
6	F2014		1	PLAIN WASHER
7	F458244-1		1	INLET WATER LINE
8	F458963		1	PLATE, SHOCK MOUNT
9	F1346		4	HEX NUT, 3/8 - 16
10	F1778		2	PLAIN WASHER
11	F458962		2	MOUNT, SIDE UPPER
12	F458076		2	TAB, SHOCK MOUNT SIDE
13	817809A1		1	PLATE, KINGPIN MOUNTING
14	F458453		1	GASKET, LEG EXHAUST
15	F458322		2	PACKING, LEG COVER REAR
16	818057A1		1	LEG COVER REAR W/PACKING
17	F458133		1	MOTOR LEG
18	F458166-2		6	SCREW, MOTOR LEG TO CYLINDER
19	F462962		2	SHOCK MOUNT, LOWER SIDE
20	F1263		2	HEX SOCKET HD CAP SCREW, 5/16 - 18 X 9/16
21	F458973-1		1	COVER, SHOCK MOUNT PORT
22	F1515		4	HEX NUT, 5/16 - 18
23	F2006		1	HEX CAP SCREW, 5/16 - 18 X 4 3/4
24	F2007		1	HEX CAP SCREW, 5/16 - 18 X 4
25	F1696		2	HEX CAP SCREW, 5/16 - 18 X 1 3/4
26	F183346-1		1	SHOCK MOUNT LOWER THRUST
27	F1129		2	FILL HD SCREW, 5/16 - 18 X 1/2
28	F458972-1		1	COVER, SHOCK MOUNT STARBOARD
29	F8096		2	SPRING LOCKWASHER
30	F458320		1	PACKING, LEG COVER FRONT UPPER PORT
31	F458323-1		3	PACKING, LEG COVER FRONT
32	F458312		2	PACKING, LEG COVER SIDE
33	F1705		6	HEX CAP SCREW, 1/4 - 20 X 3/4
34	818056A2		1	LEG COVER FRONT W/PACKING
35	F458324		1	PACKING, LEG COVER FRONT UPPER STARBOARD
36	F458315		2	PACKING, LEG COVER SIDE UPPER
37	F1745		3	HEX HD SCREW W/SPRING LOCKWASHER, 5/16 - 18 X 1
38	F385647		1	CARRYING HANDLE
39	F458079		1	STEERING HANDLE
40	F1664		1	SPRING PIN
41	F1812		1	HEX LOCK NUT
42	F8550		1	SPRING PIN
43	F295689		1	BEARING, STEERING HANDLE GEAR

CONTINUED ON NEXT PAGE ➡

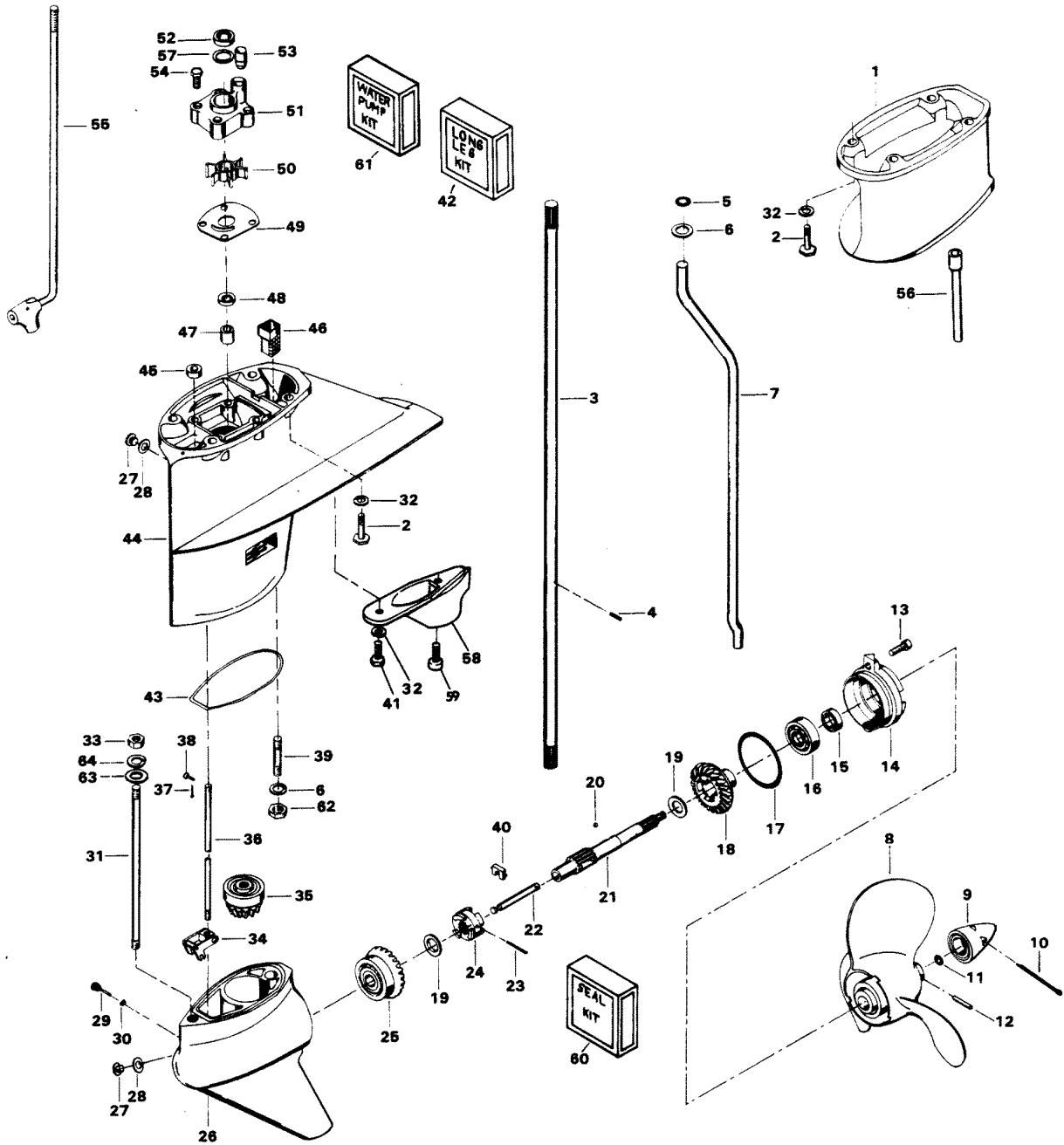
MOTOR LEG



MOTOR LEG

REF. NO.	PART NO.	SYM.	QTY.	DESCRIPTION
44	F1954		1	HEX SOCKET HEADLESS SET SCREW, 5/16 - 24 X 1/4
45	FA413815		1	GEAR, STEERING HANDLE W/ILLUS. 44
46	F288691		1	GEAR, MAGNETO CONTROL SHAFT
47	F288689		1	BEARING, MAGNETO CONTROL SHAFT
48	F1663		1	SPRING PIN
49	F1642		1	SOCKET HD CAP SCREW, 10 - 24 X 3/4
50	F295457		1	RETAINING WASHER STEERING HANDLE PIVOT
51	F295175		2	WASHER, STEERING HANDLE PIVOT BOLT
52	F295080		1	STEERING HANDLE PIVOT BOLT
53	F458519		1	SCREW, TILLER IDLE STOP
54	F53795-1		1	SEAL, STEERING HANDLE GRIP
55	F215795		1	SEAL, STEERING HANDLE GRIP
56	F458695		1	SLEEVE
57	F8548		1	SPRING PIN
58	FA456137		1	GRIP, STEERING HANDLE W/ILLUS. 56
59	F286894-3		1	INDICATOR, SPEED CONTROL
-	37-F286894-3		1	INDICATOR SPEED CONTROL - CANADA
60	F458688		1	SHAFT, STEERING HANDLE
61	F85610		1	BEARING, STEERING HANDLE SHAFT
62	F458690		1	SCREW, THROTTLE STOP
63	F1978		1	SPRING PIN
64	F458198		1	THROTTLE STOP
65	F203965		1	SHOCK MOUNT UPPER THRUST
66	F1160		2	FLAT HD SCREW, 1/4 - 28 X 5/8
67	F85610		2	BEARING
68	F40956		1	BRACKET, SHOCK MOUNT UPPER THRUST
69	F1211		2	HEX HD SCREW W/SPRING LOCKWASHER, 1/4 - 28 X 5/8
70	F1472		2	HEX SLOT HD SCREW W/LOCKWASHER, 1/4 - 20 X 3/4
71	F141704		1	COUPLING, GEAR SHIFT ROD
72	F1349		1	HEX NUT
73	F458615		1	GEAR SHIFT ROD UPPER
74	F1978		1	SPRING PIN
75	F1020		1	COTTER PIN
76	F8049		1	BOWED SPRING WASHER
77	F1739		1	PLAIN WASHER
78	F1922		2	HEX CAP SCREW, 1/4 - 20 X 5/8
79	FA460686		1	COVER, KING PIN MOUNTING PLATE (ALT. START)
80	F2011		2	PAN HD SCREW 1/4 - 20 X 1-1/4 (ALT. START)
81	F2018		2	SPEED NUT 1/4 - 20 (ALT. START)
82	F458345		1	PAD, KING PIN MOUNTING

GEAR HOUSING

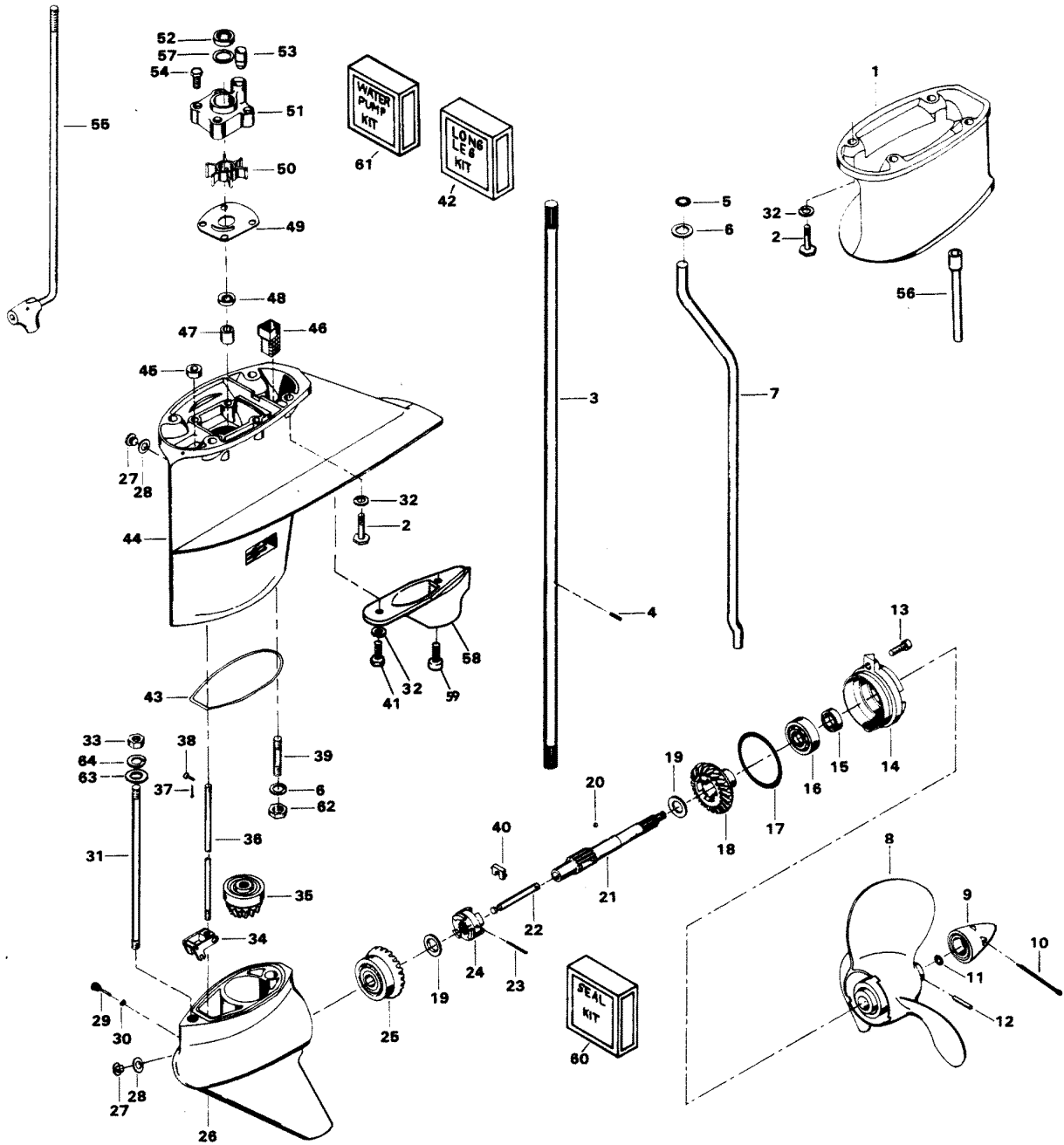


GEAR HOUSING

REF. NO.	PART NO.	SYM.	QTY.	DESCRIPTION
1	F458845		1	EXTENSION, MOTOR LEG
2	F1929		8	HEX CAP SCREW, 3/8 - 16 X 1 1/8
3	F502128		1	DRIVESHAFT FOR STANDARD SHAFT MODELS
-	F503128		1	DRIVESHAFT FOR LONG SHAFT MODELS
4	F901563		1	DRIVE PIN, WATER PUMP IMPELLER
5	F24342		1	SEAL, INLET WATER LINE UPPER
6	F2014		2	PLAIN WASHER
7	F458244-1		1	INLET WATER LINE FOR STANDARD SHAFT MODELS
8	FP293		1	PROPELLER (ACCESSORY ITEM)
9	FA94094-2		1	PROPELLER W/ILLUSTRATIONS 10 & 11
10	F1027		1	COTTER PIN
11	F40342		1	SEAL, PROPELLER NUT
12	FK247		1	PROPELLER PIN, PACK OF 6 W/COTTER PIN
13	F1263		2	HEX SOCKET HD CAP SCREW, 5/16 - 18 X 9/16
14	F2A366298		1	PROPELLER SHAFT BEARING CAGE W/ITEMS 15, 16 AND 17
15	F141118		1	SEAL, PROPELLER SHAFT
16	F366058		1	BALL BEARING, PROPELLER SHAFT
17	F141305		1	SEAL, PROPELLER SHAFT BEARING CAGE
18	FA458662		1	BEVEL GEAR REAR W/BUSHING
19	F40717		2	THRUST WASHER
20	F366727		1	BALL, PROPELLER SHAFT
21	44-819500A3		1	PROPELLER SHAFT ASSEMBLY
22	F90871-3		1	GEAR SHIFT ARM PIN
23	F2097		1	SPRING PIN
24	F99521-1		1	CLUTCH
25	FS458023		1	BEVEL GEAR FRONT W/BEARING
26	1600-817804A3		1	GEAR HOUSING LOWER W/ILLUS. 27, 28 AND THRUST BEARING CUP ORIGINAL FORCE P/N A 458054-1
-	1600-817896A2		1	LOWER HEAR HOUSING - COMPLETE (NOT SHOWN) INCLUDES ALL ITEMS MARKED WITH AN ASTERISK (*) ORIGINAL FORCE P/N C 458054-1
27	F50109		2	PLUG, GEAR HOUSING
28	F8077		2	WASHER, GEAR HOUSING PLUG * **
29	F498891		1	GEAR SHIFT ARM PIVOT PIN
30	F498618		1	SEAL, "O" RING
31	F97008-1		1	STUD, LONG
32	F8065		10	SPRING LOCKWASHER
33	F1346		1	LOCK NUT
34	817796A2		1	GEAR SHIFT ARM ASSEMBLY
35	F2A458266		1	GEAR, BEVEL PINION ASSEMBLY W/BEARING
36	F435705		1	GEAR SHIFT ROD LOWER
37	F1015		1	COTTER PIN
38	F85372		1	PIN, GEAR SHIFT ROD LOWER
39	F40008		1	STUD, SHORT

CONTINUED ON NEXT PAGE ➡

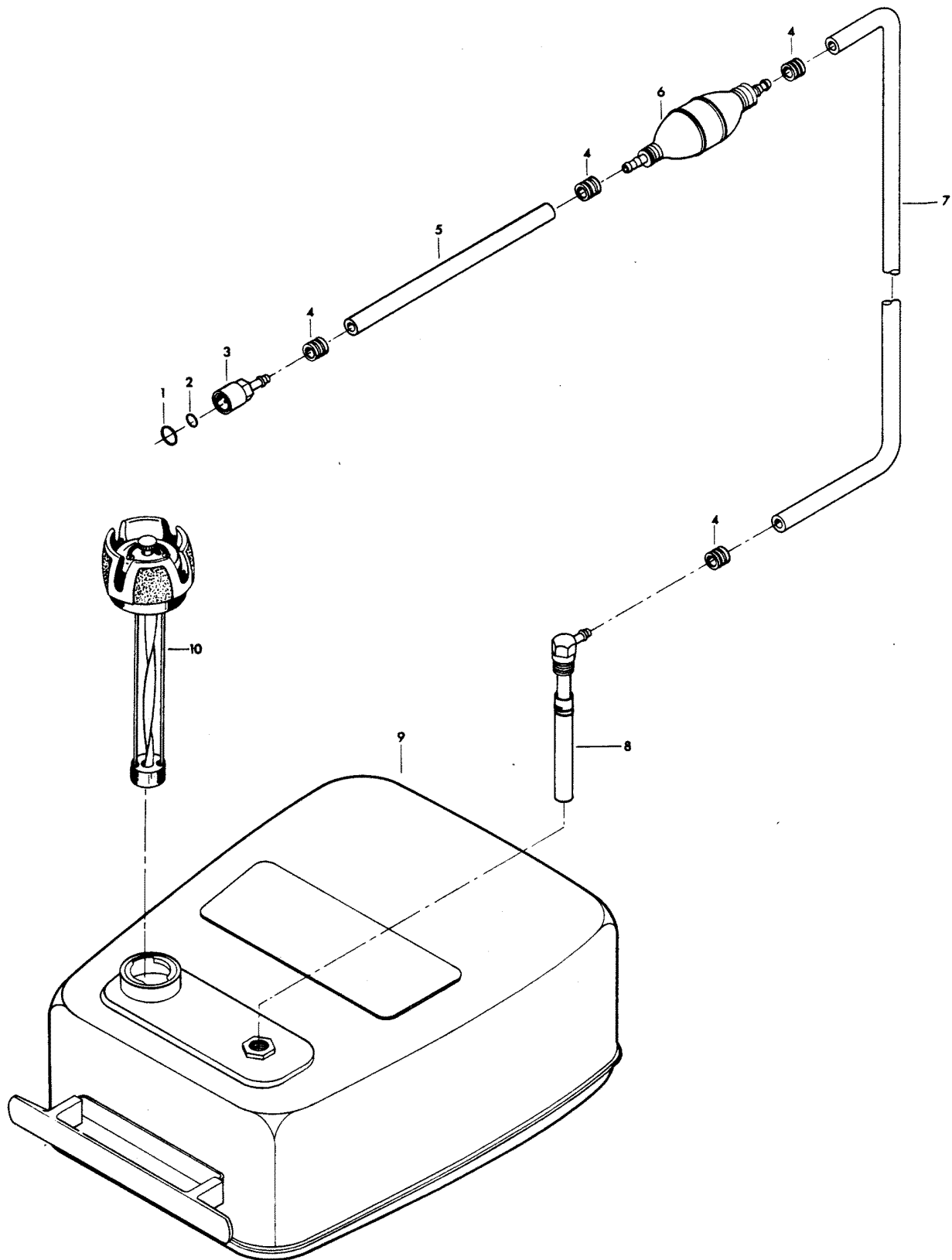
GEAR HOUSING



GEAR HOUSING

REF. NO.	PART NO.	SYM.	QTY.	DESCRIPTION
40	F90619-1		1	YOKE, SHIFT ARM
41	F438930		1	RETAINER, SNOUT
42	FK1119		1	LONG LEG EXT. KIT W/ILLUS. 1, 2, 3, 32, 37, 55 AND 56
43	F435555		1	SEAL, GEAR HOUSING
44	FA502554		1	GEAR HOUSING UPPER W/ITEMS 27, 28, 41, 45, 46, 47, 48, 39, 58 AND 59
45	F338618-1		1	SEAL, SHIFT ROD LOWER
46	F435077		1	SCREEN, WATER INLET
47	F458057		1	BEARING, DRIVESHAFT UPPER
48	F458307		1	SEAL, DRIVESHAFT
49	F435562		1	WATER PUMP BACK PLATE
50	F458065-1		1	WATER PUMP IMPELLER
51	FA513060		1	WATER PUMP BODY W/ITEM 52, 53 AND 57
52	F458736		1	SEAL, WATER PUMP
53	FA510914		1	SEAL, INLET WATER LINE LOWER W/LITERATURE
54	F2030		3	HEX HD CAP SCREW, 1/4 - 20 X 1 1/4
55	FA434616		1	GEAR SHIFT ROD INTERMEDIATE FOR STANDARD SHAFT MODELS
-	FA435616		1	GEAR SHIFT ROD INTERMEDIATE FOR LONG SHAFT MODELS
56	FS901244		1	EXTENSION, INLET WATER LINE
57	F513388		1	DISC, WATER PUMP LOCATING
58	FA435116		1	EXHAUST SNOUT W/LITERATURE
59	F1994		1	HEX SOCKET HD CAP SCREW, 5/16 - 18 X 1
60	FK1068		1	GEAR HOUSING SEAL KIT. INCLUDES ALL ITEMS MARKED WITH A DOUBLE ASTERISK (**)
61	FK1053		1	WATER PUMP KIT W/ILLUSTRATIONS 4, 49, 50, 51 AND 54
62	F7004		1	LOCK NUT
63	F24342		1	SEAL
64	F2014		1	PLAIN WASHER

FUEL TANK AND LINE



FUEL TANK AND LINE

REF. NO.	PART NO.	SYM.	QTY.	DESCRIPTION
1	F213342		1	SEAL, FUEL LINE COUPLER
2	F213735		1	SEAL, FUEL LINE COUPLER
3	F197787-3		1	FUEL LINE COUPLER
4	F298788		4	FERRULE
5	FA84754-1		1	FUEL LINE SHORT W/ILLUS. 4
6	89396A38		1	PRIME BULB
7	32-817738A1		1	FUEL LINE, LONG W/CLAMPS ILLUS. 4 ORIGINAL FORCE P/N A 197752-1
8	F487755		1	FUEL TANK ADAPTER
9	F5H027		1	FUEL TANK (ACCESSORY ITEM)
10	F409251-1		1	GAUGE CAP
-	FS409752		1	FUEL LINE COMPLETE - (NOT SHOWN) INCLUDES ITEMS MARKED WITH AN ASTERISK (*)
-	FC409398		1	DECAL, TOTE TANK - CANADA (NOT SHOWN)

SPECIAL TOOLS - TUNE-UP

REF. NO.	PART NO.	SYM.	QTY.	DESCRIPTION
-	FT2910		0	KNOCK-OFF NUT TO REMOVE FLYWHEEL.
-	FT2989		0	FLYWHEEL WEDGE TO REMOVE FLYWHEEL.
-	FT8930-1		0	FEELER GAUGE TO SET BREAKER POINTS (HAND START MODELS).

SPECIAL TOOLS - POWER HEAD

REF. NO.	PART NO.	SYM.	QTY.	DESCRIPTION
-	FT2998		0	TORQUE WRENCH (0 - 100 LBS./FT.) TO PROPERLY SECURE FASTENERS.
-	FT2999		0	TORQUE WRENCH (0 - 600 LBS./IN.) TO PROPERLY SECURE FASTENERS.
-	FT2991		0	CARBON BRUSH TO REMOVE CARBON FROM INSIDE POWER HEAD.
-	FT8900		0	HOSE CLAMP PLIERS TO REMOVE AND INSTALL FUEL HOSE CLAMPS.
-	FT1749		0	SNAP RING PLIERS TO REMOVE AND INSTALL PISTON RETAINING RINGS.
-	FT8971		0	SEAL INSTALLER TO INSTALL UPPER CRANKSHAFT BEARING CAGE SEAL.
-	FT8967		0	SEAL PROTECTOR TO PROTECT UPPER CRANKSHAFT BEARING CAGE SEAL DURING INSTALLATION.
-	FT2953		0	SOCKET TO TORQUE CONNECTING ROD SCREWS.
-	FT2990		0	PISTON PIN REMOVER TO REMOVE AND INSTALL PISTON PIN IN PISTON.
-	FT8926		0	RING EXPANDER TO INSTALL RINGS ON PISTONS.
-	FT2996		0	RING COMPRESSOR TO INSTALL PISTONS IN CYLINDERS.
-	FT8977		0	SEAL COLLAR INSTALLER TO INSTALL CRANKSHAFT LOWER SEAL COLLAR.
-	FT8976		0	SEAL PROTECTOR TO PROTECT LOWER SEAL DURING INSTALLATION.
-	FT8932		0	LIFTING HOOK TO LIFT ENGINE.

SPECIAL TOOLS - LOWER UNIT

REF. NO.	PART NO.	SYM.	QTY.	DESCRIPTION
-	T3513		0	SEAL PROTECTOR TO PROTECT PROP SHAFT SEAL WHEN INSTALLING ONTO PROPSHAFT.
-	FT3431		0	SEAL INSTALLER TO INSTALL PROP SHAFT SEAL.
-	FT8948-1		0	PROPELLER SHAFT BEARING CAGE PULLER TO REMOVE PROPELLER SHAFT BEARING CAGE FROM LOWER GEAR HOUSING.
-	FT8972		0	SEAL INSTALLER TO INSTALL DRIVESHAFT - WATER PUMP SEAL.
-	FT8919		0	SPRING PIN PUNCH TO REMOVE CLUTCH SPRING PIN.
-	FT8921		0	CUP REMOVER TO REMOVE FORWARD BEARING CUP.
-	FT8918		0	BEARING GUIDE SET TO REMOVE FORWARD BEARING CUP.
-	FT8957		0	SEAL INSTALLER TO INSTALL SHIFT ROD SEAL.
-	FT8963		0	BEARING INSTALLER TO INSTALL DRIVESHAFT BEARING.
-	FT8907		0	DRIVER HANDLE TO INSTALL FORWARD BEARING CUP.
-	FT8904		0	CUP INSTALLER TO INSTALL FORWARD BEARING CUP.
-	FT8964		0	BEARING REMOVER TO REMOVE DRIVESHAFT BEARING.

SPECIAL TOOLS - TEST EQUIPMENT

REF. NO.	PART NO.	SYM.	QTY.	DESCRIPTION
-	FT8996		0	IGNITION TESTER TO TEST IGNITION SYSTEM - C-D IGNITION MODELS.
-	FT8953		0	C-D TESTER TO TEST IGNITION SYSTEM - C-D IGNITION MODELS.
-	FT2938-1		0	BATTERY POWERED HEAD TEST LIGHT TO MAKE CONTINUITY TESTS.
-	FT2951		0	CIRCUIT TRACER TO TEST 12 VOLT CIRCUITS.
-	FT11201		0	HARNESS ADAPTER CONNECTING C-D IGNITION SYSTEM TO IGNITION TESTER.
-	FT8968A		0	TEST WHEEL TO TEST MOTOR IN TEST TANK.
-	FT8950		0	LEAKAGE TESTER TO TEST LOWER UNIT FOR LEAKAGE.

SPECIAL TOOLS - LUBRICANTS AND SEALANTS

REF. NO.	PART NO.	SYM.	QTY.	DESCRIPTION
-	FT2961		0	LUBRICANT - RYKON #2EP
-	FT2987-1		0	LUBRICANT - ANTI-SEIZE
-	FT8969		0	LUBRICANT - 7 OZ. L PSI LUBRICANT
-	FT8983		0	SEALANT - RTV
-	FT8936-1		0	SEALANT - 2 CC LOCTITE RETAINING COMPOUND #75
-	FT2962-1		0	SEALANT - 50 CC LOCTITE H, NON-HARDENING GRADE
-	FT2963-1		0	SEALANT - 2 OZ. LOCTITE D, HARDENING GRADE
-	FT8935		0	SEALANT PRIMER - 6 OZ.

ACCESSORIES

REF. NO.	PART NO.	SYM.	QTY.	DESCRIPTION
-	F5H081		0	BATTERY CABLE LONGER LENGTH - 15 FEET.
-	F5H019		0	ANTI-CORROSION KIT ELECTRICAL UNIT USED TO HELP PREVENT CORROSION.
-	F5H025		0	ANTI-CORROSION SACRIFICIAL ANODE USED TO HELP PREVENT CORROSION.
-	5H051		0	BATTERY, 74 AMP TWELVE VOLT HEAVY DUTY BATTERY TO OPERATE STARTER AND ELECTRICAL ACCESSORIES.
-	F5H021		0	BATTERY EXTENSION CABLE USED TO EXTEND BATTERY CABLE 6-1/2 FEET.
-	F5H020		0	CARRYING HANDLE PERMITS EASIER TRANSPORTATION OF ENGINE TO AND FROM BOAT (2 MAN).
-	F5H041		0	BATTERY TERMINAL KIT FOR POSITIVE AND NEGATIVE BATTERY POSTS.
-	F861		0	FLUSHING ADAPTER PERMITS FRESH WATER FLUSHING OF WATER PASSAGES WITH STANDARD GARDEN HOSE.
-	F5H008		0	FUEL GAUGE FLUSH MOUNT MONITORS FUEL SUPPLY. ELECTRIC START MODELS.
-	F5H028		0	SENDING UNIT FOR USE WITH ABOVE FUEL GAUGES.
-	F5H055		0	WATER PUMP HEAVY DUTY WATER PUMP RECOMMENDED FOR CONTINUED OPERATION IN SANDY OR SALT WATER.
-	F5H134		0	BOAT WHITE LACQUER ENGINE TOUCH-UP PAINT IN 12-3/4 OZ. SPRAY BOMBS (6 CANS PER CASE).
-	F476		0	FUEL LINE ADAPTION KIT ADAPTS MODEL 5H027 FUEL TANK FOR DISCONNECT AT TANK.
-	F5H027		0	STEEL, 6 GALLON FUEL TANK AUXILIARY TANK.
-	F5H040		0	STEEL, 12 GALLON FUEL TANK AUXILIARY TANK.
-	F5H029		0	FUEL TANK ANCHOR SECURES 5H027 TO DECK.
-	5H065		0	CANVAS HOOD PROTECTION FOR ENGINE COVER.
-	F5H004		0	SPEEDOMETER FLUSH MOUNT 10 TO 50 M.P.H.
-	F5H003		0	SPEEDOMETER FLUSH MOUNT 20 TO 100 KM/H.
-	F5H072		0	OVERHEAT BUZZER KIT FOR ELECTRIC START MODELS. WARNS OF ENGINE OVERHEATING.
-	167		0	IGNITION CUT-OFF KIT PERMITS STOPPING OF ENGINE FROM OPERATOR'S SEAT.
-	F5H077		0	IGNITION KEY SWITCH FOR ELECTRIC START MODELS SHORT BARREL.
-	F5H078		0	IGNITION KEY SWITCH FOR ELECTRIC START MODELS LONG BARREL.
-	F195/___		0	REMOTE CONTROL CABLES CONNECTS REMOTE CONTROL BOX TO THROTTLE AND GEAR SHIFT ON MOTOR. AVAILABLE IN 6 THROUGH 40 FOOT LENGTHS.
-	F5H130		0	REMOTE CONTROL SURFACE MOUNT PERMITS REMOTE CONTROL OF THROTTLE AND GEAR SHIFT FROM STARBOARD SIDE OF BOAT.
-	F5H131		0	PORT SIDE DECAL KIT CONVERTS 5H130 CONTROL BOX TO PORT SIDE MOUNTING.
-	F866		0	REMOTE CONTROL (TWIN LEVER) TWIN LEVER SURFACE MOUNT SEPARATE THROTTLE AND GEAR SHIFT.

CONTINUED ON NEXT PAGE ➡

ACCESSORIES

REF. NO.	PART NO.	SYM.	QTY.	DESCRIPTION
-	865		0	REMOTE CONTROL SURFACE MOUNT (SINGLE LEVER) PERMITS REMOTE CONTROL OF THROTTLE AND GEAR SHIFT ON TWIN ENGINE INSTALLATIONS. MAY BE MOUNTED ON PORT OR STARBOARD SIDE OF BOAT.
-	F137		0	REMOTE STEERING BRACKET ADAPTS MOTOR TO CABLE TYPE REMOTE STEERING
-	F165		0	REMOTE STEERING BRACKET ADAPTS MOTOR TO CABLE TYPE REMOTE STEERING.
-	F5H086		0	STARTER CONVERSION CONVERTS HAND START MODELS TO ELECTRIC START.
-	F5H006		0	VOLTMETER FLUSH MOUNT, INDICATES BATTERY CONDITION. ELECTRIC MODELS.
-	F5H007		0	HOURMETER FLUSH MOUNT, RECORDS ENGINE RUNNING TIME.
-	F596		0	CHRYSLER OUTBOARD OIL SEE BLOCK COMMENT 1.
-	F75H22		0	IGNITION CUT-OFF SWITCH PROVIDES MOUNTING FOR ENGINE PUSH BUTTON STOP SWITCH REMOTE POSITION.
-	5H111		0	INSTRUMENT ADAPTER 2" PROVIDES SURFACE MOUNTING FOR 2" INSTRUMENTS.
-	F5H112		0	INSTRUMENT ADAPTER 3-1/2" PROVIDES SURFACE MOUNTING FOR 3-1/2" INSTRUMENTS.
-	FK1119		0	LEG EXTENSION KIT CONVERTS 15" MOTOR LEG LENGTH TO 12" LENGTH.
-	F5H087		0	MANUAL TILLER KIT CONVERTS REMOTE CONTROL MODEL TO M.T. MODEL.
-	F597		0	CHRYSLER OUTBOARD GEAR LUBE SEE BLOCK COMMENT 2.
-	F5H059		0	CHRYSLER OUTBOARD MULTI-PURPOSE GREASE LUBRICATES BEARINGS AND OTHER MOVING PARTS. AVAILABLE IN 8 OZ. TUBES AND 12 TUBE CASES.
-	F5H060		0	CHRYSLER OUTBOARD GREASE GUN USED WITH CHRYSLER OUTBOARD MULTI-PURPOSE GREASE TUBES FOR PRESSURE FITTINGS.
-	F5H102		0	STEERING LINK KIT TO BE USED W/PIVOT TUBE STEERING (STARBOARD ENTRY).
-	F5H106		0	STEERING LINK KIT TO BE USED W/PIVOT TUBE STEERING (PORT ENTRY).
-	F5H076		0	SWITCH EXTENSION CABLE - 5' FOR REMOTE PLACEMENT OF IGNITION SWITCH.
-	F5H030		0	SWITCH KIT - RUNNING LIGHTS DASH MOUNT TOGGLE FOR ANCHOR AND RUNNING LIGHTS.
-	F5H031		0	SWITCH KIT - SPOT LIGHT DASH MOUNT TOGGLE FOR SPOT OR SEARCH LIGHTS.
-	F5H032		0	SWITCH KIT - WIPER DASH MOUNT TOGGLE FOR ELECTRIC WIPER.
-	F5H034		0	SWITCH KIT - BILGE PUMP DASH MOUNT TOGGLE FOR ELECTRIC BILGE PUMP.
-	F5H035		0	SWITCH KIT - HORN DASH MOUNT TOGGLE FOR HORN - MOMENTARY ON.

CONTINUED ON NEXT PAGE ➡

ACCESSORIES

REF. NO.	PART NO.	SYM.	QTY.	DESCRIPTION
-	F5H036		0	SWITCH KIT - TACHOMETER TRANSFER DASH MOUNT TOGGLE FOR ONE TACHOMETER ON DUAL ENGINE INSTALLATION.
-	5H139		0	SWITCH KIT - LIVEWELL DASH MOUNT TOGGLE FOR LIVEWELL PUMP.
-	F5H037		0	SWITCH KIT - LIGHTER DASH MOUNT LIGHTER, COMPLETE.
-	F5H038		0	SWITCH KIT - IGNITION DASH MOUNT PLATE FOR 5H077 AND 5H078 KEY SWITCH (NOT INCLUDED).
-	F5H039		0	SWITCH KIT - INSTRUMENTS DASH MOUNT TOGGLE FOR INSTRUMENT LIGHTS.
-	F5H167		0	TACHOMETER FOR ELECTRIC MODELS ONLY.
-	F563		0	TERMINAL BLOCK KIT DOUBLE ROW - 10 POSITION - SIMPLIFIES WIRING.
-	F5H075		0	SWITCH EXTENSION CABLE - 24" FOR REMOTE PLACEMENT OF IGNITION SWITCH.
-	F5H120		0	REMOTE CONTROL BACK PLATE PROTECTS CONTROL MECHANISM FROM DAMAGING PADDED MOUNTING SURFACES IN BOAT.
-	F590		0	REMOTE CONTROL SINGLE LEVER - FLUSH MOUNT - STARBOARD OR PORT.
-	F762		0	REMOTE ELECTRIC CABLE 25 FT. LENGTH.
-	F5H070		0	REMOTE ELECTRIC CABLE 21 FT. LENGTH.
-	5H082		0	REMOTE ELECTRIC CABLE 35 FT. LENGTH.
-	F166		0	STEERING CONNECTOR

PARTS INDEX

Part Number	Description	Pg.	Ref. No.	Part Number	Description	Pg.	Ref. No.
167	IGNITION CUT-OFF KIT	53	-	F1160	FLAT HD SCREW, 1/4 - 28 X 5/8	41	66
2C602712	ENGINE COVER - COMPLETE.	3	-	F1200	HEX HD SCREW, 1/4 - 20 X 1/2	17	21
2C603712	ENGINE COVER - COMPLETE.	3	-	F12088	GROMMET, LEAD WIRE	9	13
5H051	BATTERY, 74 AMP	53	-	F1211	HEX HD SCREW W/SPRING LOCKWASHER, 1/4 - 28 X 5/8	41	69
5H065	CANVAS HOOD	53	-	F12146	COIL WEDGE SPRING	9	11
5H082	REMOTE ELECTRIC CABLE	55	-	F12153-1	BREAKER POINT SET	9	15
5H111	INSTRUMENT ADAPTER 2" . . .	54	-	F12170	CONDENSER MOUNTING SCREW	9	2
5H139	SWITCH KIT - LIVEWELL . . .	55	-	F12170	CONTACT SCREW W/LOCKWASHER	9	17
817747--1	JOINT BALL ASSEMBLY . . .	31	62	F12181-1	CONDENSER	9	3
817776A3	STERN BRACKET CLAMP SCREW	35	36	F12186-1	GROUND LEAD	9	4
817796A2	GEAR SHIFT ARM ASSEMBLY	43	34	F12346	STATOR PLATE W/LAMINATIONS - USA	9	9
817808A2	LEVER, GEAR SHIFT	29	31	F1236	HEX CAP SCREW, 1/4 - 20 X 1/2	3	23
817809A1	PLATE, KINGPIN MOUNTING	39	13	F12360	CAM WIPER FELT	9	16
817813A1	COVER, SUPPORT PLATE (ALT. START)	5	61	F1263	HEX SOCKET HD CAP SCREW, 5/16 - 18 X 9/16	39	20
817882A1	FRICITION SHOE ADJUSTING ARM ASSEMBLY	35	2	F1263	HEX SOCKET HD CAP SCREW, 5/16 - 18 X 9/16	43	13
817892--1	PLATE, IGNITION - CANADA	13	-	F1280	PAN HD SCREW, 8 - 32 X 1/4	13	25
817955A1	HOUSING, HAND STARTER	7	2	F1337	NUT, 6 - 32	17	16
818056A2	LEG COVER FRONT W/PACKING	39	34	F1341	HEX NUT	31	54
818057A1	LEG COVER REAR W/PACKING	39	16	F1341	HEX NUT, 1/4 - 20	11	14
865	REMOTE CONTROL SURFACE MOUNT (SINGLE LEVER)	54	-	F1346	HEX NUT, 3/8 - 16	39	9
89396A38	PRIME BULB	47	6	F1346	LOCK NUT	43	33
F10027	REPAIR PARTS KIT	21	41	F1349	HEX NUT	41	72
F1014	COTTER PIN	35	20	F137	REMOTE STEERING BRACKET	54	-
F1014	COTTER PIN (ALT. START) . . .	19	16	F141118	SEAL, PROPELLER SHAFT . . .	43	15
F1015	COTTER PIN	43	37	F141305	SEAL, PROPELLER SHAFT BEARING CAGE	43	17
F1020	COTTER PIN	41	75	F141704	COUPLING, GEAR SHIFT ROD	41	71
F1027	COTTER PIN	43	10	F1472	HEX SLOT HD SCREW W/LOCKWASHER, 1/4 - 20 X 3/4	41	70
F1059	FILL HD SCREW 6 - 32 X 1/4 (ALT. START)	19	11	F1473	HEX NUT, 10 - 24	5	57
F1072	FILL HD SCREW, 1/4 - 20 X 3/4	31	55	F1475	FILL HD SCREW, 10 - 24 X 1/2	3	11
F1075	FILL HD M. SCREW, 10 - 24 X 1/2 (HAND START ONLY)	29	22	F15002	SPRING SET	11	22
F1077	FILL HD SCREW, 10 - 24 X 1/2	13	15	F15010	ARMATURE	11	17
F1087	FILL HD SCREW, 10 - 24 X 7/8	3	33	F15015	BRUSH SET	11	21
F1092	FILL HD SCREW, 10 - 32 X 5/8	17	12	F15019-1	HEAD ASSEMBLY COMMUTATOR END	11	23
F1100	SLOTTED FILL HD SCREW, 1/4 - 20 X 1-1/8	13	10	F15021-1	HEAD ASSEMBLY DRIVE END	11	15
F1107	FILL HD SCREW, 1/4 - 20 X 3/4	29	1	F15087	HEX NUT	11	2
F1108	FILL HD MACHINE SCREW W/LOCKWASHER, 1/4 - 20 X 34	27	7	F15091	WASHER	11	9
F1129	FILL HD SCREW, 5/16 - 18 X 1/2	39	27	F15095	BENDIX DRIVE	11	1
				F15097	THRU BOLT PACKAGE	11	25
				F15098	THRUST WASHER PACKAGE	11	16
				F15102	SPRING, ANTI-DRIFT	11	4
				F15103	PINION	11	7

PARTS INDEX

Part Number	Description	Pg.	Ref. No.	Part Number	Description	Pg.	Ref. No.
F15104	CUP, CUSHION THRUST . . .	11	12	F1734	FILL HD MACHINE SCREW W/SPRING LOCKWASHER, 1/4 - 20 X 1/2	13	17
F15105	CUP, CUSHION	11	10	F1739	PLAIN WASHER	41	77
F15106	CUSHION	11	11	F1739	PLAIN WASHER, FOR ELECTRIC START MODELS	33	-
F15107	CUP, PINION	11	5	F1739	PLAIN WASHER, FOR HAND START MODELS	33	69
F15108	SLEEVE	11	6	F1745	HEX HD SCREW W/SPRING LOCKWASHER, 5/16 - 18 X 1	39	37
F15109	CUP, STOP	11	3	F1746	HEX CAP SCREW, 1/4 - 28 X 5/8	17	28
F15117	FRAME AND FIELD ASSEMBLY	11	19	F1753	FASTENER	3	8
F1513	HEX NUT	9	7	F1755	ROUND HD SCREW W/LOCKWASHER, 6 - 32 X 5/16	23	12
F1513	HEX NUT, 10 - 32	13	27	F1760	PAN HD SCREW, 10 - 24 X 3/8	3	20
F1513	HEX NUT, 10 - 32	17	9	F1760	PAN HD SCREW, 10 - 24 X 3/8	5	53
F1513	HEX NUT, 10 - 32	29	34	F177330	FUEL PUMP VALVE	27	4
F1514	HEX JAM NUT, 1/4 - 20	11	13	F1778	PLAIN WASHER	39	10
F1515	HEX JAM NUT, 5/16 - 18 . . .	5	50	F1803	STOP NUT	31	61
F1515	HEX NUT	13	24	F1812	HEX LOCK NUT	39	41
F1515	HEX NUT, 5/16 - 18	23	2	F183300	SPRING, LATCH SHAFT . . .	5	48
F1515	HEX NUT, 5/16 - 18	35	39	F183300	SPRING, MAGNETO CONTROL SHAFT	3	31
F1515	HEX NUT, 5/16 - 18	39	22	F183300	SPRING, SHIFT DETENT . . .	29	36
F1532	HEX HD SCREW, 1/4 - 20 X 1	31	53	F183346-1	SHOCK MOUNT LOWER THRUST	39	26
F154317	CLAMP, REMOTE CABLE . .	3	25	F183504	GROMMET, MAGNETO CONTROL SHAFT	3	28
F1552	PAN HD SCREW, 8 - 32 X 1/2	17	26	F1836	SPRING PIN	5	40
F1600	LOCK NUT, 7/8 - 14	35	15	F1836	SPRING PIN	35	21
F1632	PLASTI-PLUG	3	19	F183756-1	PACKING, SUPPORT PLATE	39	2
F1638	SPRING PIN	7	22	F183813	BEARING	31	58
F1638	SPRING PIN	35	35	F183818	BEARING, CHOKE ROD . . .	3	21
F1642	SOCKET HD CAP SCREW, 10 - 24 X 3/4	41	49	F184033-1	SWIVEL, CHOKE ARM (ALT. START)	19	10
F1645	ROUND HD SCREW, 6 - 32 X 1/4	17	25	F184579	SEAL, CHOKE ARM SWIVEL (ALT. START)	19	9
F1645	ROUND HD SCREW, 6 - 32 X 7/8	13	7	F1854	HEX CAP SCREW, 1/4 - 20 X 5/8	13	29
F1647	HEX NUT	13	14	F1854	HEX CAP SCREW, 1/4 - 20 X 5/8	31	46
F1648	PAN HD SCREW, 10 - 24 X 3/4	13	31	F185764	RETAINING RING	5	49
F1648	PAN HD SCREW, 10 - 24 X 3/4	17	20	F1859	HEX SOCKET HEADLESS SET SCREW, 1/4 - 28 X 3/16	3	30
F165	REMOTE STEERING BRACKET	54	-	F1859	HEX SOCKET HEADLESS SET SCREW, 1/4 - 28 X 3/16	5	44
F166	STEERING CONNECTOR . .	55	-	F1860	BINDING HD MACHINE SCREW, 6 - 32 X 1/4	27	3
F1663	SPRING PIN	41	48	F1864	HEX HD SCREW, 1/4 - 20 X 3/4	29	10
F1664	SPRING PIN	39	40	F1864	SLOTTED HEX HD SCREW, 1/4 - 20 X 3/4	7	1
F1666	BOWED SPRING LOCKWASHER	35	12				
F1669	NUT	35	26				
F1689	HEX CAP SCREW, 1/4 - 20 X 1/2	35	7				
F1689	HEX CAP SCREW, 1/4 - 20 X 1/2 FOR ELECTRIC START MODELS	29	12				
F1696	HEX CAP SCREW, 5/16 - 18 X 1 3/4	39	25				
F1704	INTERNAL TOOTH LOCKWASHER	13	8				
F1704	LOCKWASHER #6	17	24				
F1705	HEX CAP SCREW, 1/4 - 20 X 3/4	11	20				
F1705	HEX CAP SCREW, 1/4 - 20 X 3/4	39	33				
F1727	PLASTI-RIVET	29	6				

PARTS INDEX

Part Number	Description	Pg.	Ref. No.	Part Number	Description	Pg.	Ref. No.
F1877	TY-RAP	17	6	F2021	FLYWHEEL NUT, 5/8 - 18	17	1
F1910	LOCK NUT	31	65	F2025	PAN HD SCREW, 10 X 5/8	3	4
F1916	HEX HD M. SCREW, 1/4 - 20 X 1-1/8	13	3	F2026	PLASTIC RIVET	5	55
F1922	HEX CAP SCREW, 1/4 - 20 X 5/8	29	27	F2027	HEX CAP SCREW, 5/16 - 18 X 3	35	6
F1922	HEX CAP SCREW, 1/4 - 20 X 5/8	41	78	F2030	HEX HD CAP SCREW, 1/4 - 20 X 1 1/4	45	54
F1922	HEX HD SCREW, 1/4 - 20 X 5/8	3	15	F2033	GROOVE PIN (ALT. START)	19	13
F1922	HEX HD SCREW, 1/4 - 20 X 5/8	29	37	F203965	SHOCK MOUNT UPPER THRUST	41	65
F1927	PAN HD SCREW, 10 - 32 X 3/8	7	4	F2040	HEX HD MACHINE SCREW, 1/4 - 20 X 5/8	7	19
F1929	HEX CAP SCREW, 3/8 - 16 X 1 1/8	43	2	F2042	WASHER	7	12
F1934	FLAT HD SLOTTED SCREW	13	20	F2066	PAN HD SCREW, 10 X 7/16	3	2
F195/_	REMOTE CONTROL CABLES	53	-	F2092	FILL HD SCREW, 10 - 32 X 5/8	9	10
F1954	HEX SOCKET HEADLESS SET SCREW, 5/16 - 24 X 1/4	41	44	F2095	SPRING PIN	35	30
F1975	LOCKWASHER	17	19	F2097	SPRING PIN	43	23
F1975	SPRING LOCKWASHER	13	28	F2107	SLOTTED FILL HD SCREW W/SPRING LOCKWASHER, 10 - 24 X 5/8	3	26
F197787-3	FUEL LINE COUPLER	47	3	F213274	GREASE FITTING	35	41
F1978	SPRING PIN	41	63	F213342	SEAL, FUEL LINE COUPLER	47	1
F1978	SPRING PIN	41	74	F213735	SEAL, FUEL LINE COUPLER	47	2
F1994	HEX SOCKET HD CAP SCREW, 5/16 - 18 X 1	45	59	F215795	SEAL, STEERING HANDLE GRIP	41	55
F1995	SLOTTED FILL HD SCREW, 10 - 24 X 1	17	3	F24074	CLAMP SCREW FOOT	35	31
F1997	LOCK NUT	19	3	F24342	SEAL	45	63
F2004	FILL HD SCREW, 8 - 32 X 3/8	7	15	F24342	SEAL, INLET WATER LINE UPPER	43	5
F2005	HEX SOCKET HD CAP SCREW, 5/16 - 18 X 2 3/4	29	11	F24342	SEAL, WATER LINE UPPER	39	5
F2006	HEX CAP SCREW, 5/16 - 18 X 4 3/4	39	23	F24623-1	GROMMET, GEAR SHIFT CHOKE ROD (HAND START)	5	38
F2007	HEX CAP SCREW, 5/16 - 18 X 4	39	24	F269052	BEARING, SHIFT LEVER	29	30
F2008	HEX HD SCREW, 1/4 - 20 X 7/8	23	1	F269122-1	SEAL, CRANKCASE PARTING LINE	29	8
F2010	FILL HD SCREW W/SPRING LOCKWASHER, 10 - 32 X 9/16	9	18	F269319	BEARING, THROTTLE CAM	31	66
F2010	FILL HD SCREW, 10 - 32 X 9/16	17	5	F286028	BEARING, CRANKSHAFT LOWER MAIN	25	14
F2011	PAN HD SCREW 1/4 - 20 X 1-1/4 (ALT. START)	41	80	F286282	WASHER	31	60
F2012	PLAIN WASHER	7	25	F286422-1	PIVOT, TILT LOCK	35	8
F2012	PLAIN WASHER	17	17	F286440	STUD, MAGNETO CONTROL LEVER	31	57
F2013	HEX SOCKET HD CAP SCREW, 5/16 - 18 X 1 1/4	29	14	F286451	SPACER, TILT LOCK	35	9
F2014	PLAIN WASHER	29	29	F286544-1	SPRING, TILT LOCK	35	11
F2014	PLAIN WASHER	39	6	F286547	CHOKE KNOB	5	39
F2014	PLAIN WASHER	43	6	F286772-1	CLAMP	17	10
F2014	PLAIN WASHER	45	64	F286772-1	CLAMP, FUEL PUMP TO CARBURETOR HOSE	13	9
F2016	FILL HD SCREW, 6 - 32 X 7/8	13	6	F286894-3	INDICATOR, SPEED CONTROL	41	59
F2018	SPEED NUT 1/4 - 20 (ALT. START)	41	81	F288075	HANDLE, STERN BRACKET CLAMP SCREW	35	34
F2021	FLYWHEEL NUT	7	14	F288689	BEARING, MAGNETO CONTROL SHAFT	41	47
F2021	FLYWHEEL NUT 5/8 - 18	9	20	F288691	GEAR, MAGNETO CONTROL SHAFT	41	46
				F295080	STEERING HANDLE PIVOT BOLT	41	52

PARTS INDEX

Part Number	Description	Pg.	Ref. No.	Part Number	Description	Pg.	Ref. No.
F295175	WASHER, STEERING HANDLE PIVOT BOLT ...	41	51	F433209-1	STUD, THROTTLE CAM	33	68
F295457	RETAINING WASHER STEERING HANDLE PIVOT	41	50	F433404	DEFLECTOR PLATE	23	7
F295689	BEARING, STEERING HANDLE GEAR	39	43	F433406	DEFLECTOR PLATE GASKET	31	-
F296898	TERMINAL	13	34	F433406	GASKET, DEFLECTOR PLATE	23	8
F298788	FERRULE	47	4	F434767	BUSHING, FUEL LINE	5	47
F2A366298	PROPELLER SHAFT BEARING CAGE	43	14	F435077	SCREEN, WATER INLET	45	46
F2A458081	MAGNETO CONTROL LEVER	31	59	F435555	SEAL, GEAR HOUSING	45	43
F2A458266	GEAR, BEVEL PINION ASSEMBLY W/BEARING	43	35	F435562	WATER PUMP BACK PLATE	45	49
F2A458581	COLLAR W/LOWER CRANKCASE SEAL	25	11	F435705	GEAR SHIFT ROD LOWER	43	36
F2A504614	KNOB, GEAR SHIFT W/SHAFT	5	63	F436449	SHORTING SWITCH FOR MANUAL START MODELS	9	5
F307317	CLIP, TERMINAL BLOCK GROUND	13	32	F436541	TILT LOCK (PORT)	35	10
F307818	BEARING	5	41	F438165	SCREW, FUEL PUMP BOWL	27	11
F307818	BEARING	29	16	F438500	FUEL PUMP BOWL	27	10
F307818	BEARING, LATCH SHAFT	5	37	F438617	FUEL PUMP BOWL GASKET	31	-
F316160	REED	23	10	F438617	GASKET, FUEL PUMP BOWL	27	8
F324689	BEARING, MAGNETO CONTROL SHAFT	3	32	F438653	SCREEN, FUEL PUMP	27	9
F324840-1	GROMMET, REMOTE THROTTLE CABLE (HAND START)	3	27	F438747	FUEL PUMP DIAPHRAGM	27	2
F324993	BRACKET, CHOKE ROD BEARING	3	22	F438760	FUEL PUMP GASKET	27	1
F333316	SHAFT, THROTTLE ROLLER	19	1	F438760	FUEL PUMP GASKET	31	-
F335217-1	BEARING, PISTON PIN	25	3	F438801	FITTING, FUEL PUMP BODY	27	15
F338618-1	SEAL, SHIFT ROD LOWER	45	45	F438930	RETAINER, SNOUT	45	41
F366058	BALL BEARING, PROPELLER SHAFT	43	16	F440209	STUD, GEAR SHIFT LEVER	29	28
F366215	SPACER, PISTON PIN	25	2	F455305	SEAL, CRANKSHAFT COLLAR	25	13
F366364	ARM, REVERSE LOCK	35	23	F458003	STARTER INTERLOCK LEVER	7	23
F366727	BALL, PROPELLER SHAFT	43	20	F458015-1	PISTON	25	6
F381896-4	CABLE, BATTERY ENTRY	13	16	F458017	PISTON PIN	25	4
F385433	TILT STOP	35	40	F458019	KINGPIN	37	44
F385647	CARRYING HANDLE	39	38	F458028	BEARING, CRANKSHAFT UPPER MAIN	25	19
F391926-1	PLUNGER (ALT. START)	19	14	F458038-2	SUPPORT PLATE	3	17
F40008	STUD, SHORT	43	39	F458057	BEARING, DRIVESHAFT UPPER	45	47
F40209	CARBURETOR STUD	23	3	F458065-1	WATER PUMP IMPELLER	45	50
F40342	SEAL, PROPELLER NUT	43	11	F458066	THERMOSTAT COVER	31	47
F40717	THRUST WASHER	43	19	F458067	GASKET, THERMOSTAT COVER	31	48
F407446	CLAMP, BATTERY CABLE	13	18	F458067	THERMOSTAT COVER GASKET	31	-
F40906-1	FLANGE GASKET	19	37	F458071	SPRING, STARTER HANDLE GUIDE	7	5
F40906-1	GASKET, CARBURETOR	31	-	F458076	TAB, SHOCK MOUNT SIDE	39	12
F409251-1	GAUGE CAP	47	10	F458079	STEERING HANDLE	39	39
F40956	BRACKET, SHOCK MOUNT UPPER THRUST	41	68	F458109	PLUG, CYLINDER HEAD	31	43
F411420	RETAINER, SWITCH PLATE	13	21	F458132	HANDLE, STARTER ROPE	7	11
F412181-1	PLATE, IGNITION - U.S.A.	13	19	F458133	MOTOR LEG	39	17
F429811	SCREEN, CYLINDER DRAIN	31	38	F458146	SEAL, CRANKSHAFT UPPER MAIN	29	2
F433168	GASKET, CARBURETOR ADAPTER	31	-	F458151	EXHAUST PORT PLATE	31	51
F433168	GASKET, CARBURETOR ADAPTER W/STUDS	23	5	F458152	EXHAUST PORT COVER	31	52
				F458154	EXHAUST PORT PLATE	31	-
				F458154	GASKET, EXHAUST PORT PLATE	31	50
				F458166-2	SCREW, MOTOR LEG TO CYLINDER	39	18
				F458192	THROTTLE CAM	33	67

PARTS INDEX

Part Number	Description	Pg.	Ref. No.	Part Number	Description	Pg.	Ref. No.
F458198	THROTTLE STOP	41	64	F458695	SLEEVE	41	56
F458223	GASKET, TRANSFER PORT COVER	31	39	F458727	BALL SHIFT LEVER DETENT	29	35
F458223	TRANSFER PORT COVER GASKET	31	-	F458736	SEAL, WATER PUMP	45	52
F458232	STARTER ROPE	7	10	F458754	HOSE, FUEL PUMP TO CARBURETOR	27	14
F458239	STARTER PULLEY	7	8	F458783	SEAL, SWIVEL BRACKET	35	28
F458244-1	INLET WATER LINE	39	7	F458845	EXTENSION, MOTOR LEG	43	1
F458244-1	INLET WATER LINE FOR STANDARD SHAFT MODELS	43	7	F458846	SPRING, STARTER INTERLOCK LEVER	7	21
F458245-1	BAFFLE, TILT HANDLE	3	3	F458880	CLIP, STARTER GUIDE	5	56
F458277	CRANKSHAFT BEARING CAGE GASKET	31	-	F458887	FASTENER, SUPPORT PLATE MOUNT	39	3
F458277	GASKET, CRANKSHAFT BEARING CAGE	29	4	F458888-1	TRIM, STARTER HANDLE GUIDE	5	54
F458279	CYLINDER EXHAUST GASKET	31	-	F458936	SCREW, CYLINDER HEAD	31	44
F458279	GASKET, CYLINDER EXHAUST	39	1	F458937	LINER, STARTER HOUSING	7	3
F458307	SEAL, DRIVESHAFT	45	48	F458953-1	GUIDE, STARTER HANDLE	7	6
F458312	PACKING, LEG COVER SIDE	39	32	F458962	MOUNT, SIDE UPPER	39	11
F458315	PACKING, LEG COVER SIDE UPPER	39	36	F458963	PLATE, SHOCK MOUNT	39	8
F458320	PACKING, LEG COVER FRONT UPPER PORT	39	30	F458970	SPRING, STARTER REWIND	7	7
F458322	PACKING, LEG COVER REAR	39	15	F458972-1	COVER, SHOCK MOUNT STARBOARD	39	28
F458323-1	PACKING, LEG COVER FRONT	39	31	F458973-1	COVER, SHOCK MOUNT PORT	39	21
F458324	PACKING, LEG COVER FRONT UPPER STARBOARD	39	35	F458977-3	LEVER, SHIFT INTERLOCK	29	17
F458345	PAD, KING PIN MOUNTING	41	82	F460097-1	FLYWHEEL	9	1
F458347	MOUNT, SUPPORT PLATE	39	4	F460317	CLAMP, SOLENOID FOR ELECTRIC START MODELS	29	13
F458371	BRACKET, REMOTE THROTTLE CABLE	3	24	F460427	BRACKET, STARTER MOTOR	13	1
F458424	SPRING, STARTER PAWL PLATE	7	9	F460573	CLAMP, STARTER MOTOR	11	18
F458445	LINK MAGNETO CONTROL SHAFT	31	56	F460664	STATOR GROUND WIRE	9	6
F458453	GASKET, LEG EXHAUST	39	14	F460664	STATOR GROUND WIRE	17	7
F458453	LEG EXHAUST GASKET	31	-	F460917	STARTER RELAY	13	30
F458456	HAND STARTER COLLAR	7	13	F460925	ROD (ALT. START)	19	12
F458498	FLYWHEEL KEY (MANUAL START MODELS)	25	18	F460955	STARTER MOTOR COMPLETE.	11	-
F458502	ROD, THROTTLE CAM	31	63	F461061-3	CARBURETOR COMPLETE (WB19D)	19	38
F458503	CHOKE ROD	3	18	F461342	SEAL, DRIVESHAFT SPLINE	25	12
F458509	LINK, MAGNETO STATOR	31	64	F461400	INDICATOR, GEAR SHIFT	5	46
F458519	SCREW, TILLER IDLE STOP	41	53	F461774	BRACKET, RETAINER - REAR	3	16
F458529	CYLINDER HEAD GASKET	31	-	F461952	STRAP, HAND STARTER HOUSING	7	20
F458529	GASKET, CYLINDER HEAD	31	41	F462840	GROMMET, REMOTE THROTTLE CABLE (ALT. START)	3	-
F458531	ROD, SHIFT INTERLOCK	29	20	F462962	SHOCK MOUNT, LOWER SIDE	39	19
F458579	SEAL, CRANKCASE	25	10	F463864	RETAINER, TILT HANDLE	3	6
F458592	RETAINER, STARTER PULLEY	7	16	F476	FUEL LINE ADAPTION KIT	53	-
F458615	GEAR SHIFT ROD UPPER	41	73	F483300	SPRING	35	27
F458677	INSERT, CHOKE KNOB	3	35	F483349-1	REVERSE LOCK	35	25
F458688	SHAFT, STEERING HANDLE	41	60	F483510-1	LINK, REVERSE LOCK	35	24
F458690	SCREW, THROTTLE STOP	41	62	F483827	LEVER, REVERSE LOCK	35	17
				F483884	BEARING	35	22
				F487755	FUEL TANK ADAPTER	47	8
				F498618	SEAL, "O" RING	43	30

PARTS INDEX

Part Number	Description	Pg.	Ref. No.	Part Number	Description	Pg.	Ref. No.
F498891	GEAR SHIFT ARM PIVOT			F5H025	ANTI-CORROSION		
	PIN	43	29		SACRIFICIAL ANODE	53	-
F50109	PLUG, GEAR HOUSING	43	27	F5H027	FUEL TANK (ACCESSORY		
F502128	DRIVESHAFT FOR				ITEM)	47	9
	STANDARD SHAFT			F5H027	STEEL, 6 GALLON FUEL		
	MODELS	43	3		TANK	53	-
F502161	REED STOP	23	11	F5H028	SENDING UNIT	53	-
F503128	DRIVESHAFT FOR LONG			F5H029	FUEL TANK ANCHOR	53	-
	SHAFT MODELS	43	-	F5H030	SWITCH KIT - RUNNING		
F504052	BEARING (HAND START				LIGHTS	54	-
	ONLY)	33	70	F5H031	SWITCH KIT - SPOT LIGHT .	54	-
F504527	CAP, INTERLOCK (HAND			F5H032	SWITCH KIT - WIPER	54	-
	START ONLY)	29	23	F5H034	SWITCH KIT - BILGE PUMP .	54	-
F504621	LEVER, GEAR SHIFT			F5H035	SWITCH KIT - HORN	54	-
	CONTROL	5	43	F5H036	SWITCH KIT - TACHOMETER		
F504809	ROD, STARTER INTERLOCK				TRANSFER	55	-
	(HAND START ONLY) ...	29	24	F5H037	SWITCH KIT - LIGHTER	55	-
F504836	SPACER, GEAR SHIFT			F5H038	SWITCH KIT - IGNITION ...	55	-
	SHAFT	5	42	F5H039	SWITCH KIT -		
F510374	DECAL, CIRCUIT BREAKER -				INSTRUMENTS	55	-
	U.S.A.	13	36	F5H040	STEEL, 12 GALLON FUEL		
F510450-1	RECTIFIER	17	23		TANK	53	-
F510460	CIRCUIT BREAKER	13	35	F5H041	BATTERY TERMINAL KIT ..	53	-
F510475	IGNITION COIL	17	18	F5H055	WATER PUMP	53	-
F513388	DISC, WATER PUMP			F5H059	CHRYSLER OUTBOARD		
	LOCATING	45	57		MULTI-PURPOSE GREASE	54	-
F529029	STATOR TRIGGER	17	11	F5H060	CHRYSLER OUTBOARD		
F529095	STATOR GROUND WIRE ...	17	4		GREASE GUN	54	-
F529097	FLYWHEEL	17	2	F5H070	REMOTE ELECTRIC CABLE	55	-
F529125-1	TUBE, PIVOT STEERING ...	35	38	F5H072	OVERHEAT BUZZER KIT ...	53	-
F529286	WASHER, SWIVEL BRACKET			F5H075	SWITCH EXTENSION CABLE		
	FRICTION	35	13		- 24"	55	-
F529301	C-D MODULE	17	27	F5H076	SWITCH EXTENSION CABLE		
F529358	BRACKET, ELECTRICAL				- 5'	54	-
	COMPONENTS	17	15	F5H077	IGNITION KEY SWITCH	53	-
F529390-1	DECAL, REVERSE LOCK -			F5H078	IGNITION KEY SWITCH	53	-
	USA	37	46	F5H078	IGNITION SWITCH		
F529398	DECAL, WIRING - U.S.A. ...	15	40		(ACCESSORY ITEM)	13	23
F529726	BEARING	35	18	F5H081	BATTERY CABLE	53	-
F529744	WIRING HARNESS	13	11	F5H086	STARTER CONVERSION ...	54	-
F529744	WIRING HARNESS	17	13	F5H087	MANUAL TILLER KIT	54	-
F53504	GROMMET, SUPPORT			F5H102	STEERING LINK KIT	54	-
	PLATE (ALT. START)	5	-	F5H106	STEERING LINK KIT	54	-
F53795-1	SEAL, STEERING HANDLE			F5H112	INSTRUMENT ADAPTER 3-		
	GRIP	41	54		1/2"	54	-
F563	TERMINAL BLOCK KIT	55	-	F5H120	REMOTE CONTROL BACK		
F590	REMOTE CONTROL	55	-		PLATE	55	-
F596	CHRYSLER OUTBOARD OIL	54	-	F5H130	REMOTE CONTROL		
F597	CHRYSLER OUTBOARD				SURFACE MOUNT	53	-
	GEAR LUBE	54	-	F5H131	PORT SIDE DECAL KIT	53	-
F5H003	SPEEDOMETER	53	-	F5H134	BOAT WHITE LACQUER ...	53	-
F5H004	SPEEDOMETER	53	-	F5H167	TACHOMETER	55	-
F5H006	VOLTMETER	54	-	F602711	PLATE, FRONT (HAND		
F5H007	HOURMETER	54	-		START)	5	59
F5H008	FUEL GAUGE FLUSH			F603711	PLATE, FRONT (ALT.		
	MOUNT	53	-		START)	5	-
F5H019	ANTI-CORROSION KIT	53	-	F66480	STUD	35	32
F5H020	CARRYING HANDLE	53	-	F7004	LOCK NUT	45	62
F5H021	BATTERY EXTENSION			F7004	LOCK NUT, 3/8 - 16	29	21
	CABLE	53	-	F7011	HEX NUT	3	9

PARTS INDEX

Part Number	Description	Pg.	Ref. No.	Part Number	Description	Pg.	Ref. No.
F7024	STOP NUT	35	1	F901563	DRIVE PIN, WATER PUMP		
F75H22	IGNITION CUT-OFF SWITCH	54	-		IMPELLER	43	4
F762	REMOTE ELECTRIC CABLE	55	-	F901631-1	FRICTION SHOE	35	5
F8000	PLAIN WASHER	29	7	F901775	PLATE, FRICTION SHOE	35	4
F8011	PLAIN WASHER	5	62	F9018	CAP, PIVOT STEERING		
F8011	PLAIN WASHER	7	24		TUBE	37	45
F8011	PLAIN WASHER	21	42	F901822-1	STUD, SWIVEL BRACKET	35	3
F8049	BOWED SPRING WASHER	41	76	F9022	SHIM .006 (SILVER)	7	17
F8056	SPRING LOCKWASHER	13	13	F9023	SHIM .007 (BRASS)	7	-
F8058	INTERNAL TOOTH			F9024	SHIM .010 (BLACK)	7	-
	LOCKWASHER	29	33	F90619-1	YOKE, SHIFT ARM	45	40
F8059	SPRING LOCKWASHER	9	8	F90807	RETAINER, CHOKE ROD		
F8059	SPRING LOCKWASHER	17	8		FOR MANUAL START		
F8065	SPRING LOCKWASHER	43	32		MODELS	21	43
F8077	WASHER, GEAR HOUSING			F90871-3	GEAR SHIFT ARM PIN	43	22
	PLUG	43	28	F91446-1	BRACKET, CIRCUIT		
F8078	LOCKWASHER #8	17	22		BREAKER	15	39
F8083	SPRING LOCKWASHER	11	24	F92759	ROLLER, THROTTLE CAM		
F8083	SPRING LOCKWASHER	13	2		FOLLOWER	19	2
F8083	SPRING LOCKWASHER	35	16	F97008-1	STUD, LONG	43	31
F8088	PLAIN WASHER	13	5	F97772	FUEL LINE CLAMP	27	12
F8088	PLAIN WASHER (ALT.			F98273	ROD END CONNECTOR		
	START)	19	15		STUD	29	32
F8094	PLAIN WASHER	35	19	F99521-1	CLUTCH	43	24
F8096	SPRING LOCKWASHER	5	51	FA12370	COIL W/LEAD WIRE	9	12
F8096	SPRING LOCKWASHER	13	26	FA324113	STERN BRACKET LOCK BAR		
F8096	SPRING LOCKWASHER	39	29		W/END	35	37
F84026	SWIVEL SHIFT INTERLOCK			FA343178	RETAINER, GEAR SHIFT		
	BEARING	29	19		SHAFT	5	45
F84035-2	BEARING, SHIFT			FA343178	RETAINER, MAGNETO		
	INTERLOCK ROD	29	18		CONTROL SHAFT	3	29
F84314-2	ELBOW	19	6	FA368700	IGNITION KEY - NO LETTER		
F84449	SWITCH, STARTER				OR STAMPED A	13	22
	INTERLOCK	13	4	FA413469	COVER LATCH HANDLE		
F84792	FUEL PUMP VALVE GASKET	27	5		W/SHAFT	5	36
F85026	SWIVEL, SHIFT INTERLOCK			FA413815	GEAR, STEERING HANDLE	41	45
	LEVER	29	15	FA434616	GEAR SHIFT ROD		
F8537	SPRING PIN	35	33		INTERMEDIATE FOR		
F85372	PIN, GEAR SHIFT ROD				STANDARD SHAFT		
	LOWER	43	38		MODELS	45	55
F8548	SPRING PIN	41	57	FA435116	EXHAUST SNOOT	45	58
F8550	SPRING PIN	39	42	FA435616	GEAR SHIFT ROD		
F8559	DOWEL PIN	31	49		INTERMEDIATE FOR		
F85610	BEARING	41	67		LONG SHAFT MODELS	45	-
F85610	BEARING, STEERING			FA438431	FUEL PUMP BODY	27	6
	HANDLE SHAFT	41	61	FA456137	GRIP, STEERING HANDLE	41	58
F85634-2	SCREW, CONNECTING ROD	25	15	FA458144	CRANKSHAFT BEARING		
F85735-1	SEAL	3	7		CAGE	29	3
F85756	PACKING, ENGINE COVER	3	13	FA458167	CARBURETOR ADAPTER	23	4
F85843-1	CABLE, ELECTRIC			FA458260	PISTON RING SET (4 PER		
	CONTROL	15	38		SET)	25	7
F85924	CHOKE SOLENOID	13	12	FA458480	RETAINER, ENGINE COVER		
F861	FLUSHING ADAPTER	53	-		- REAR	3	10
F866	REMOTE CONTROL (TWIN			FA458518	CYLINDER HEAD	31	42
	LEVER)	53	-	FA458571	ROLLER, CENTER MAIN	25	9
F89777-1	CAM, ENGINE COVER			FA458655	LINER, CENTER MAIN (1		
	LATCH	5	52		SET)	25	8
F90096	RETAINER, PISTON PIN	25	1	FA458662	BEVEL GEAR REAR		
F901011	WASHER, SWIVEL BRACKET	37	43		W/BUSHING	43	18

PARTS INDEX

Part Number	Description	Pg.	Ref. No.	Part Number	Description	Pg.	Ref. No.
FA458838	MAGNETO CONTROL SHAFT W/EYELET	3	34	FK1119	LEG EXTENSION KIT	54	-
FA460423	STARTER PAWL PLATE ASSEMBLY	7	18	FK1119	LONG LEG EXT. KIT	45	42
FA460686	COVER, KING PIN MOUNTING PLATE (ALT. START)	41	79	FK15084	SCREW SHAFT	11	8
FA502554	GEAR HOUSING UPPER ...	45	44	FK247	PROPELLER PIN, PACK OF 6 W/COTTER PIN	43	12
FA504082	MAGNETO STATOR RING ..	29	5	FK750-2	SPARKIE KIT	17	14
FA510497	TERMINAL BLOCK	13	33	FK750-2	SPARKIE W/SPRING	9	14
FA510914	SEAL, INLET WATER LINE LOWER	45	53	FK85228-1	BEARING CAGE W/ROLLERS (16 PER SET)	25	16
FA513060	WATER PUMP BODY	45	51	FO10165	INLET SEAT GASKET	19	32
FA513269	TILT HANDLE	3	5	FO10280	CHOKE SHUTTER RETAINING SCREW AND LOCKWASHER	19	19
FA529072	SWIVEL BRACKET	35	42	FO10588	BODY CHANNEL CUP PLUG	21	40
FA542010	CYLINDER W/CRANKCASE COVER	29	9	FO10790	INLET NEEDLE, SEAT AND GASKET	19	31
FA572158	REED PLATE W/PLUG	23	9	FO10883	CHOKE RELIEF VALVE SPRING	19	21
FA572222	TRANSFER PORT COVER ..	29	26	FO11103	IDLE MIXTURE SCREW SPRING	19	18
FA602386	DECAL NUMERAL 20	3	14	FO12250	CHOKE SHUTTER	19	22
FA603396	DECAL, ENGINE COVER - STARBOARD	3	-	FO12251	CHOKE RELIEF VALVE	19	20
FA603397	DECAL, ENGINE COVER - PORT	3	12	FO13552	FUEL BOWL	19	26
FA603892	DECAL ENGINE COVER - FRONT	5	58	FO13554	FLOAT	19	29
FA84754-1	FUEL LINE SHORT	47	5	FO13944	FLOAT LEVER PIN	19	23
FA85754-1	HOSE, FUEL PUMP TO BUSHING	27	13	FO13945	FUEL BOWL RETAINING SCREW	19	27
FA94094-2	PROPELLER	43	9	FO14108	MAIN FUEL JET OPT. .064 1250-3750 FT.	19	-
FB368700	IGNITION KEY - STAMPED B	13	-	FO14166	IDLE MIXTURE SCREW	19	17
FC235227	SPARK PLUG, CANADA (RL- 4J) HAND START	31	-	FO14186	MAIN FUEL JET OPT. .060 6250-8250 FT.	19	-
FC368700	IGNITION KEY - STAMPED C	13	-	FO14187	MAIN FUEL JET OPT. .062 FT. 3750-6250 FT.	19	-
FC409398	DECAL, TOTE TANK - CANADA (NOT SHOWN) ..	47	-	FO14188	MAIN FUEL JET STD. .066 SEAL LEVEL - 1250 FT. ..	19	33
FC461400	INDICATOR, GEAR SHIFT - CANADA	5	-	FO15213	MAIN NOZZLE	19	30
FC497390	DECAL STARTER - CANADA (NOT SHOWN)	11	-	FO15623	FUEL BOWL GASKET	19	24
FC503227	SPARK PLUG, CANADA (QL- 77-J4) ALT. START	31	-	FO16397	CHOKE SHAFT RETURN SPRING	19	7
FC510374	DECAL, CIRCUIT BREAKER - CANADA	13	-	FO16562	CHOKE SHAFT AND LEVER	19	8
FC529390	DECAL, REVERSE LOCK - CANADA	37	-	FO16563	THROTTLE SHAFT RETURN SPRING	19	5
FC529398	DECAL, WIRING - CANADA ..	15	-	FO16620	E-RING, THROTTLE SHAFT RETAINING	19	34
FC542010	SHORT BLOCK FOR HAND START MODELS (NOT SHOWN)	29	-	FO17639	THROTTLE SHUTTER	19	35
FC543010	SHORT BLOCK FOR ALT. START MODELS (NOT SHOWN)	29	-	FO17907	THROTTLE SHAFT AND LEVER	19	4
FD368700	IGNITION KEY - STAMPED D	13	-	FO2510	FUEL BOWL RETAINING SCREW GASKET	19	25
FE368700	IGNITION KEY - STAMPED E	13	-	FO4326	BODY CHANNEL WELCH PLUG	19	39
FG1010	GASKET SET	31	40	FO8942	THROTTLE SHUTTER RETAINING SCREW AND LOCKWASHER	19	36
FK10006	GASKET SET	19	28	FP293	PROPELLER (ACCESSORY ITEM)	43	8
FK1053	WATER PUMP KIT	45	61	FS174227	SPARK PLUG (L-4J)	31	45
FK1066	TUNE UP KIT.	9	19	FS409752	FUEL LINE COMPLETE - (NOT SHOWN)	47	-
FK1068	GEAR HOUSING SEAL KIT. .	45	60				

PARTS INDEX

Part Number	Description	Pg.	Ref. No.	Part Number	Description	Pg.	Ref. No.
FS458023	BEVEL GEAR FRONT W/BEARING	43	25	FT8977	SEAL COLLAR INSTALLER	49	-
FS529532	STERN BRACKET	35	14	FT8983	SEALANT - RTV	52	-
FS901244	EXTENSION, INLET WATER LINE	45	56	FT8996	IGNITION TESTER	51	-
FSA458015	PISTON .010 OVERSIZE (NOT SHOWN)	25	-	T3513	SEAL PROTECTOR	50	-
FSA458260	PISTON RINGS (4 PER SET) .010 OVERSIZE (NOT SHOWN)	25	-	21-817741A1	CHECK VALVE	29	25
FT11201	HARNESS ADAPTER	51	-	32-817738A1	FUEL LINE, LONG W/CLAMPS	47	7
FT1749	SNAP RING PLIERS	49	-	37-F286894-3	INDICATOR SPEED CONTROL - CANADA	41	-
FT2910	KNOCK-OFF NUT	48	-	39-818119A1	PISTON RINGS (4 PER SET) .030 OVERSIZE (NOT SHOWN)	25	-
FT2938-1	BATTERY POWERED HEAD TEST LIGHT	51	-	44-819500A3	PROPELLER SHAFT ASSEMBLY	43	21
FT2951	CIRCUIT TRACER	51	-	100-818015A1	ENGINE COVER	3	1
FT2953	SOCKET	49	-	400-818058A1	CRANKSHAFT W/LOWER MAIN BEARING (MANUAL START MODELS)	25	17
FT2961	LUBRICANT - RYKON #2EP	52	-	400-818063A1	CRANKSHAFT W/LOWER MAIN BEARING (ALT. MODELS)	25	-
FT2962-1	SEALANT - 50 CC LOCTITE H, NON-HARDENING GRADE	52	-	600-818052A4	CONNECTING ROD	25	5
FT2963-1	SEALANT - 2 OZ. LOCTITE D, HARDENING GRADE	52	-	700-818118A1	PISTON .030 OVERSIZE (NOT SHOWN)	25	-
FT2987-1	LUBRICANT - ANTI-SEIZE	52	-	1600-817804A3	GEAR HOUSING LOWER	43	26
FT2989	FLYWHEEL WEDGE	48	-	1600-817896A2	LOWER HEAR HOUSING - COMPLETE (NOT SHOWN)	43	-
FT2990	PISTON PIN REMOVER	49	-				
FT2991	CARBON BRUSH	49	-				
FT2996	RING COMPRESSOR	49	-				
FT2998	TORQUE WRENCH (0 - 100 LBS./FT.)	49	-				
FT2999	TORQUE WRENCH (0 - 600 LBS./IN.)	49	-				
FT3431	SEAL INSTALLER	50	-				
FT8900	HOSE CLAMP PLIERS	49	-				
FT8904	CUP INSTALLER	50	-				
FT8907	DRIVER HANDLE	50	-				
FT8918	BEARING GUIDE SET	50	-				
FT8919	SPRING PIN PUNCH	50	-				
FT8921	CUP REMOVER	50	-				
FT8926	RING EXPANDER	49	-				
FT8930-1	FEELER GAUGE	48	-				
FT8932	LIFTING HOOK	49	-				
FT8935	SEALANT PRIMER - 6 OZ.	52	-				
FT8936-1	SEALANT - 2 CC LOCTITE RETAINING COMPOUND #75	52	-				
FT8948-1	PROPELLER SHAFT BEARING CAGE PULLER	50	-				
FT8950	LEAKAGE TESTER	51	-				
FT8953	C-D TESTER	51	-				
FT8957	SEAL INSTALLER	50	-				
FT8963	BEARING INSTALLER	50	-				
FT8964	BEARING REMOVER	50	-				
FT8967	SEAL PROTECTOR	49	-				
FT8968A	TEST WHEEL	51	-				
FT8969	LUBRICANT - 7 OZ. L PSI LUBRICANT	52	-				
FT8971	SEAL INSTALLER	49	-				
FT8972	SEAL INSTALLER	50	-				
FT8976	SEAL PROTECTOR	49	-				