



PARTS CATALOG

50 H.P.

SERIAL NUMBER

50 (1981)	507B1A
50 (1981)	507H1A

TABLE OF CONTENTS:

ACCESSORIES	47
ALTERNATOR AND ELECTRICAL COMPONENTS	4
CARBURETOR	12
CRANKSHAFT AND PISTON GROUP	22
ELECTRIC STARTER	8
ENGINE COVER AND SUPPORT PLATE	2
FUEL PUMP	10
FUEL TANK AND LINE	36
GEAR HOUSING	32
MOTOR LEG	26
PARTS INDEX	50
POWER HEAD	16
REED PLATE	24
REMOTE CONTROL	38
SPECIAL TOOLS - LOWER UNIT	44
SPECIAL TOOLS - LUBRICANTS AND SEALANTS	46
SPECIAL TOOLS - POWER HEAD	43
SPECIAL TOOLS - TEST EQUIPMENT	45
SPECIAL TOOLS - TUNE-UP	42

NOTE: Indented description indicate that these parts are included in preceeding assembly.

AR = As Required

NSS = Not Sold Separate

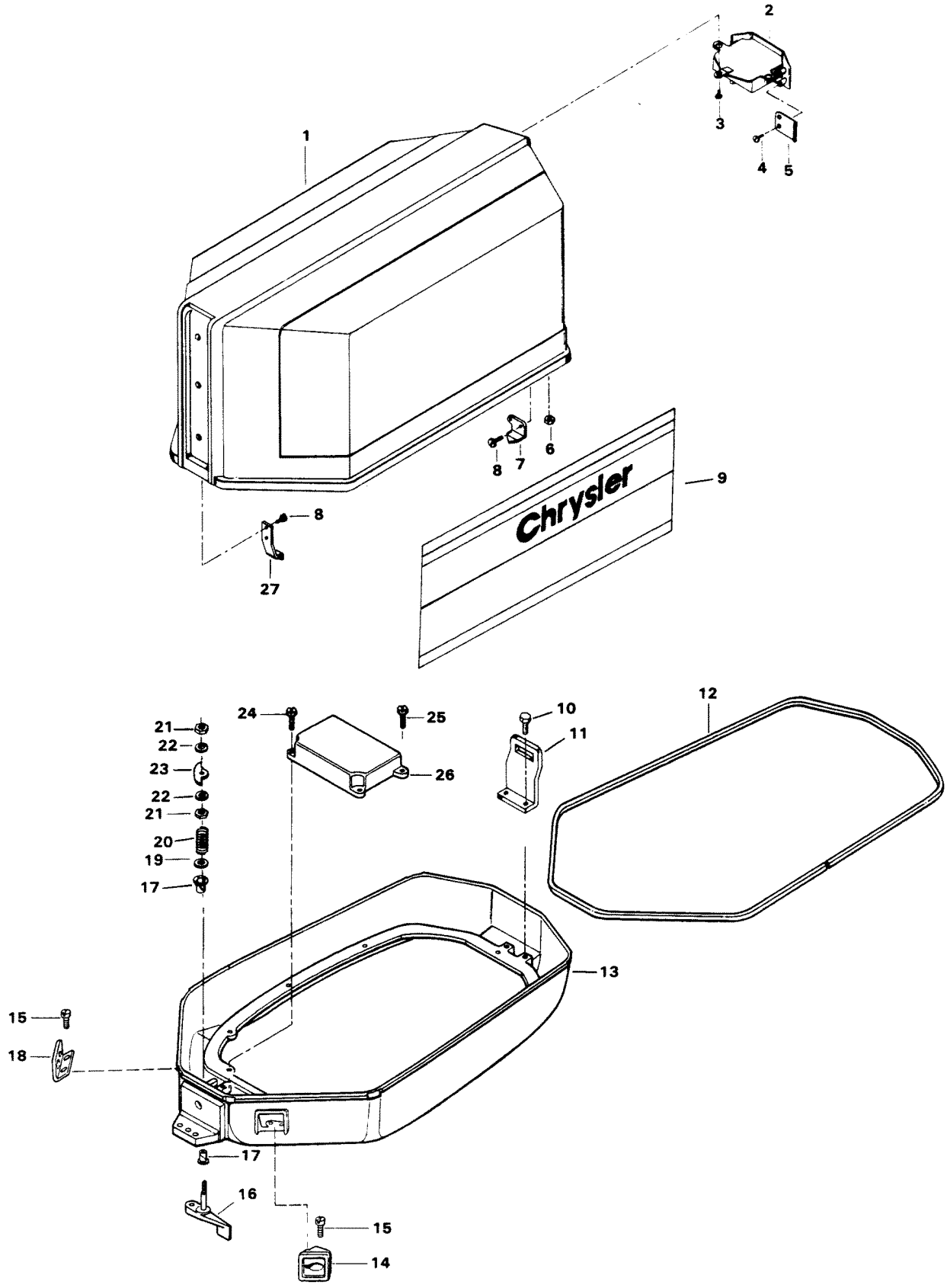
OPT = Optional

NS = Not Shown

THESE PARTS BOOKS/FICHE CARD ARE COPYRIGHTED AND MAY NOT BE DISTRIBUTED OR REPRODUCED IN ANY OTHER FORMAT BY ANYONE OTHER THAN MERCURY MARINE WITHOUT THE PRIOR WRITTEN CONSENT OF MERCURY MARINE.

THIS PAGE INTENTIONALLY LEFT BLANK

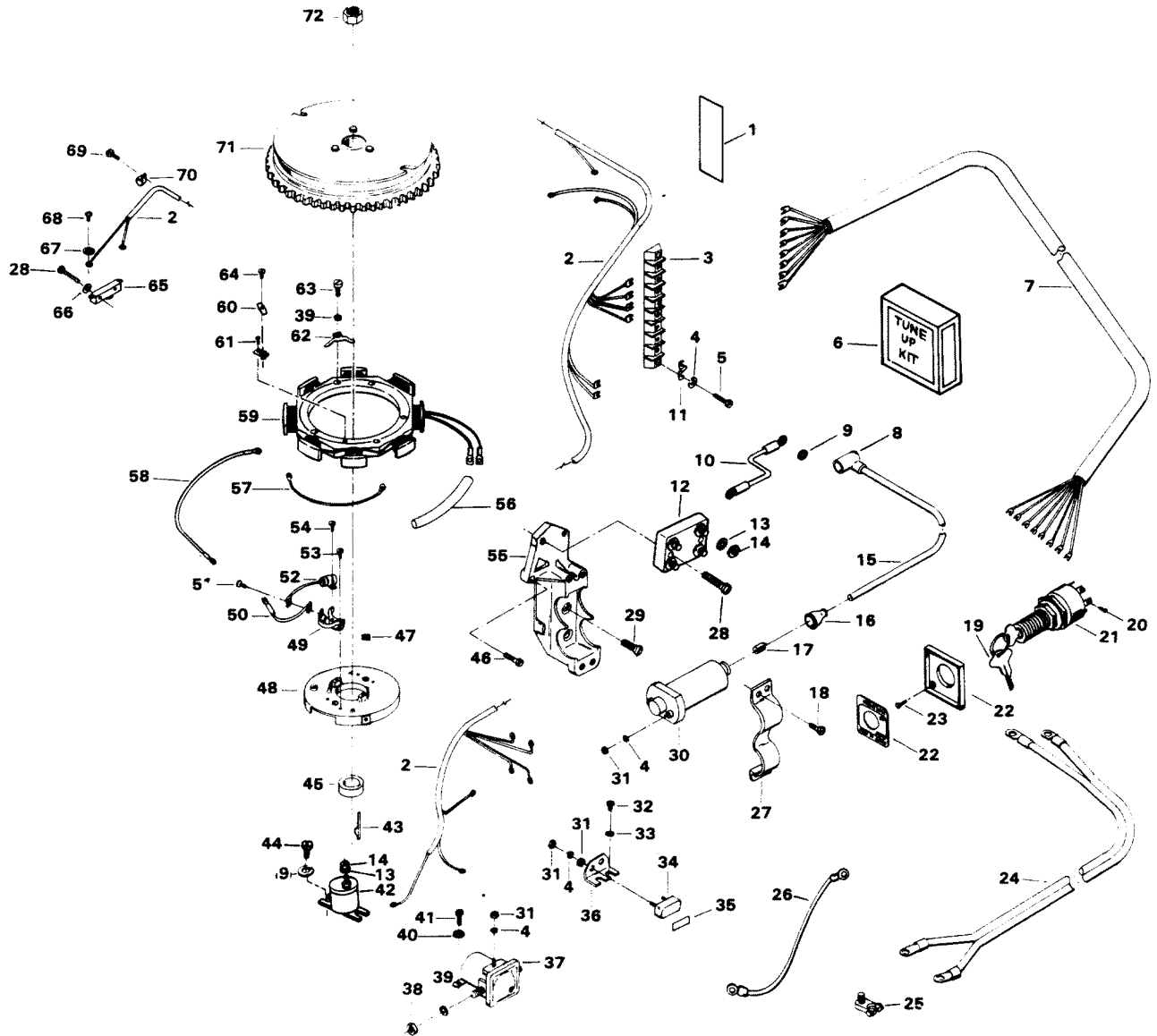
ENGINE COVER AND SUPPORT PLATE



ENGINE COVER AND SUPPORT PLATE

REF. NO.	PART NO.	SYM.	QTY.	DESCRIPTION
1	FS606712		1	ENGINE COVER W/ILLUS. 6, 7, 8 AND 27 ORIGINAL FORCE P/N S 486712-1
-	2C613712		1	ENGINE COVER COMPLETE. INCLUDES ALL ITEMS MARKED WITH AN ASTERISK (*)
2	817814A1		1	TILT HANDLE W/LITERATURE ORIGINAL FORCE P/N A 463269-1
3	F2025		1	PAN HD SCREW, 10 X 5/8
4	F2066		4	PAN HD SELF-TAPPING SCREW
5	F463864		2	RETAINER, TILT HANDLE
6	F7011		4	HEX NUT, 10 - 24
7	FA458480		1	ENGINE COVER RETAINER W/ILLUS. 6 AND 8
8	F1475		4	FILL HD SCREW, 10 X 24 X 1/2
9	FA613396		2	DECAL, ENGINE COVER W/LITERATURE
10	F1753		8	HEX CAP SCREW, 1/4 - 20 X 3/4
11	F458774		1	BRACKET RETAINER -REAR
12	F85756		1	SUPPORT PLATE PACKING
13	F307038		1	SUPPORT PLATE
14	F549189		1	BUSHING ELECTRIC CABLE ENTRY
15	F1733		3	PAN HD SCREW, 10 - 24 X 9/16
16	FA328763		1	COVER LATCH HANDLE W/SHAFT
17	F307818		2	BEARING, LATCH SHAFT
18	F545189		1	BUSHING, CABLE ENTRY
19	F1987		1	PLAIN WASHER
20	F183300		1	SPRING
21	F1515		2	HEX NUT, 5/16 - 18
22	F8096		2	SPRING LOCKWASHER
23	F89777-1		1	LATCH CAM
24	F1532		2	HEX HD SCREW, 1/4 - 20 X 1
25	F1753		2	HEX HD SCREW, 1/4 - 20 X 3/4
26	FA307779		1	BAFFLE, AIR INTAKE
27	FA366778		1	ENGINE COVER RETAINER FORWARD W/ILLUS. 6 AND 8

ALTERNATOR AND ELECTRICAL COMPONENTS

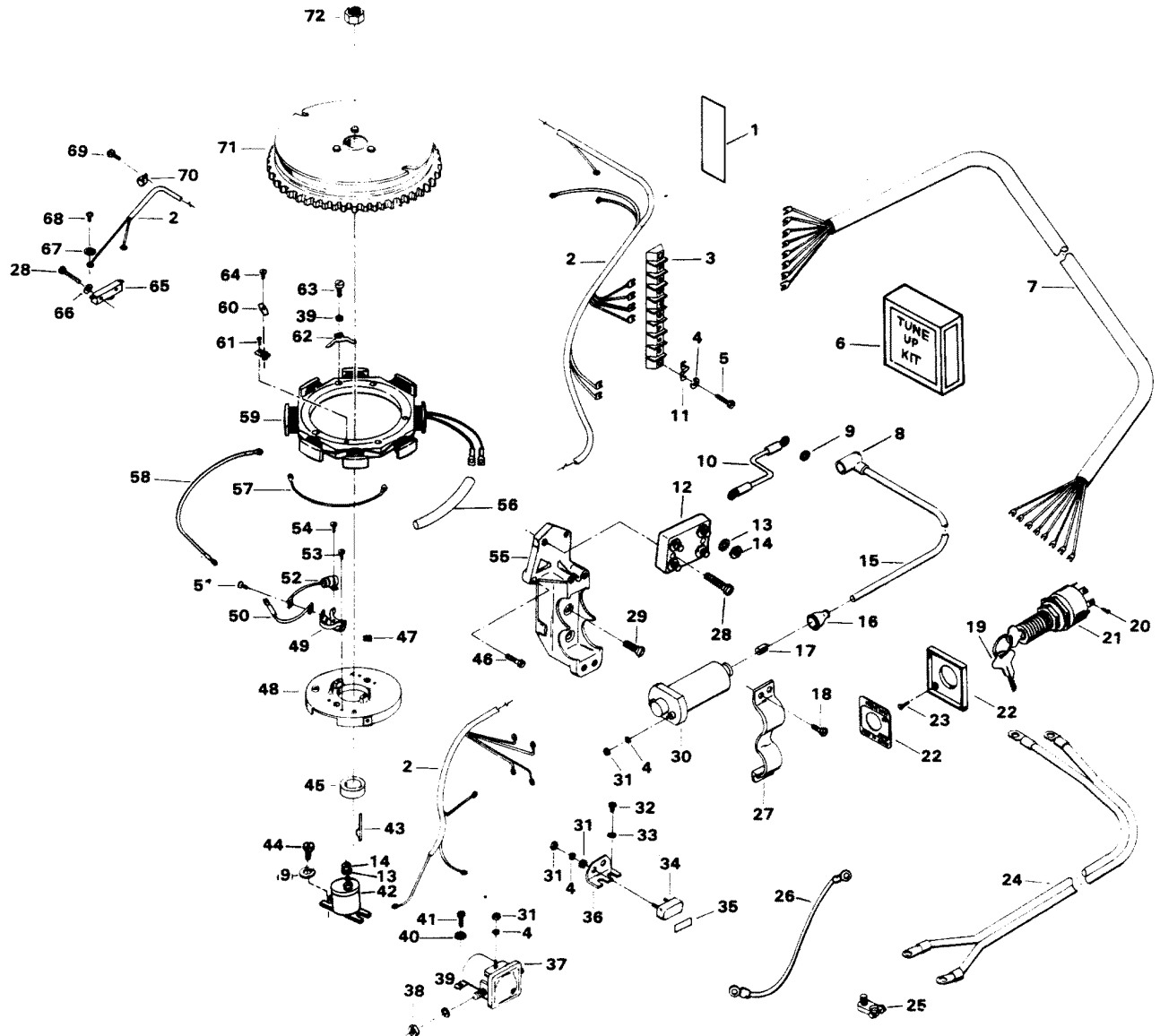


ALTERNATOR AND ELECTRICAL COMPONENTS

REF. NO.	PART NO.	SYM.	QTY.	DESCRIPTION
1	F307683		1	WIRE, CIRCUIT BREAKER
2	F311744-2		1	WIRING HARNESS
3	FA510497		1	TERMINAL BLOCK W/ILLUS. 5 ORIGINAL FORCE P/N K 289497-2
4	F1975		7	LOCKWASHER
5	F1974		2	SLOTTED PAN HD SCREW, 10 - 24 X 5/8
6	FK1075		1	TUNE-UP KIT. INCLUDES ALL ITEMS MARKED WITH AN ASTERISK (*)
7	F85843-1		1	ELECTRIC CONTROL CABLE
8	FK750-2		2	SPARKIE KIT
9	F8083		3	SPRING LOCKWASHER
10	F345683		1	WIRE - GROUND
11	F307317		1	CLIP, TERMINAL BLOCK - GROUND
12	F369450		1	RECTIFIER
13	F8056		6	SPRING LOCKWASHER
14	F1647		5	HEX NUT, 8 - 32
15	84-817765A2		2	COIL WIRE. INCLUDES ITEMS 16 AND 17 ORIGINAL FORCE P/N A 307664-1
-	F467841		2	COIL WIRE - CANADA
16	F203276		2	COIL BOOT
17	F203673		2	TERMINAL CLIP
18	F1922		4	HEX CAP SCREW, 1/4 - 20 X 5/8
19	FA368700		1	IGNITION KEY - NO LETTER OR STAMPED A
-	FB368700		1	IGNITION KEY - STAMPED B
-	FC368700		1	IGNITION KEY - STAMPED C
-	FD368700		1	IGNITION KEY - STAMPED D
-	FE368700		1	IGNITION KEY - STAMPED E
20	F1280		5	PAN HD SCREW, 8 - 32 X 1/4
21	F5H078		1	IGNITION SWITCH (ACCESSORY ITEM) W/ILLUS. 19 AND 21
22	F5H038		1	IGNITION SWITCH MOUNTING KIT (ACCESSORY ITEM) W/ILLUS. 23
23	F1934		4	FLAT HD SLOTTED SCREW, 6 X 1/2
24	F381896-4		1	BATTERY CABLE
25	F71H26		1	BATTERY TERMINAL KIT (ACCESSORY ITEM)
26	F438398-1		1	DECAL, WIRING
-	FA27232		1	EMERGENCY STARTER ROPE (NOT SHOWN) WITH HANDLE
27	F380513		1	COIL CLAMP
28	F2016		4	FILL HD SCREW, 8 - 32 X 7/8
29	F1164		2	FLAT HD SCREW, 5/16 - 18 X 1-1/8
30	F380475		2	COIL
31	F1513		9	HEX NUT, 10 - 32
32	F1733		2	PAN HD SCREW, 10 - 24 X 9/16
33	F8011		2	PLAIN WASHER
34	F510460		1	CIRCUIT BREAKER

CONTINUED ON NEXT PAGE ➡

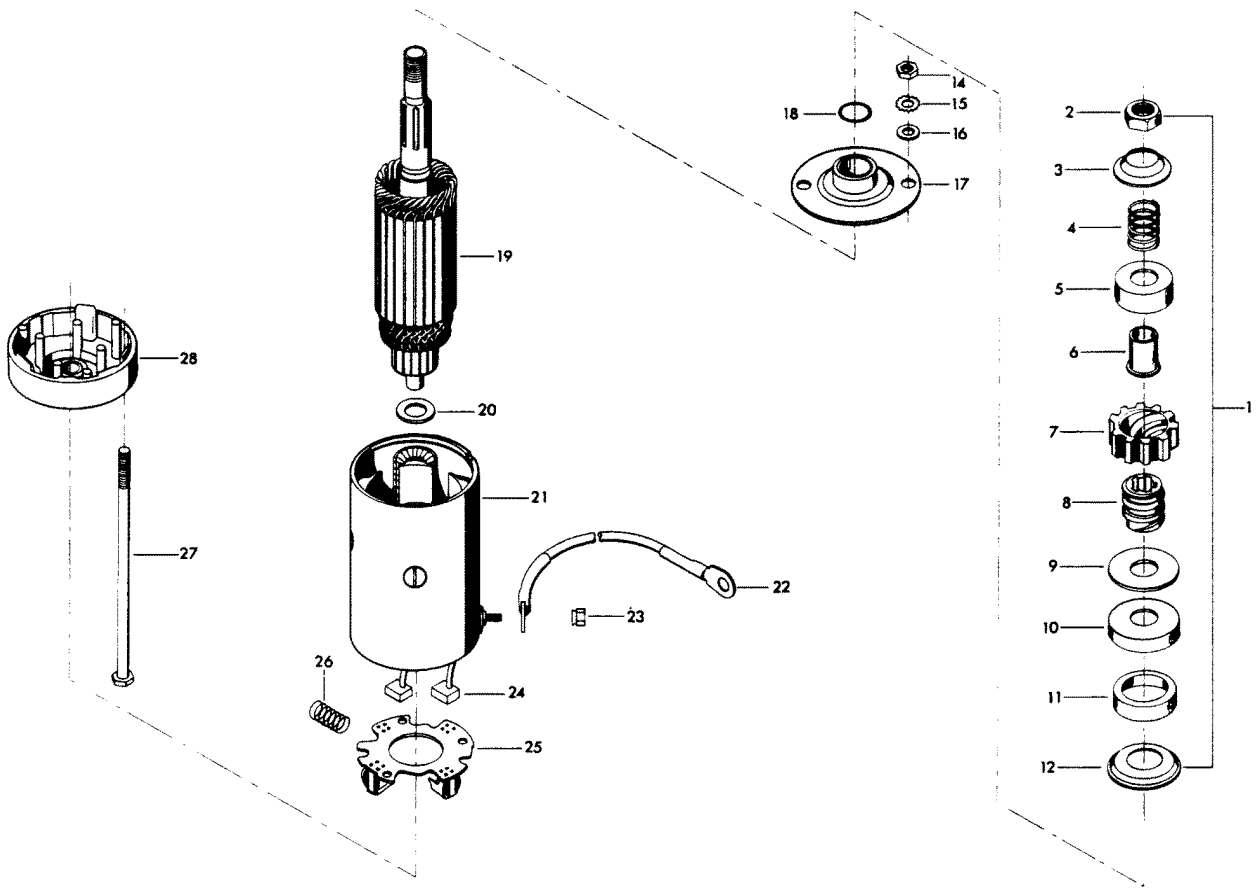
ALTERNATOR AND ELECTRICAL COMPONENTS



ALTERNATOR AND ELECTRICAL COMPONENTS

REF. NO.	PART NO.	SYM.	QTY.	DESCRIPTION
35	F510374		1	DECAL, CIRCUIT BREAKER
36	F91446-1		1	CIRCUIT BREAKER BRACKET
37	F177917		1	STARTER RELAY
38	F1615		2	HEX NUT, 5/16 - 24
39	F8096		5	SPRING LOCKWASHER
40	F8094		1	PLAIN WASHER
41	F1238		2	FILL HD SCREW, 1/4 - 20 X 3/4
42	89-817760A2		1	CHOKE SOLENOID W/ILLUS. 13 AND 14 ORIGINAL FORCE P/N A 289924-1
43	F92498		1	KEY
44	F1854		2	HEX HD SCREW, 1/4 - 20 X 5/8
45	F268002-2		1	CAM
46	F1532		1	HEX HD SCREW, 1/4 - 20 X 1
47	F12227		2	CAM WIPER - FELT
48	F12344		1	BREAKER PLATE
49	F12329-2		2	BREAKER POINT SET
50	F12174-1		2	PRIMARY INTERLEAD GROUP
51	F12189		2	CONDENSER MOUNT SCREW
52	F12139-1		2	CONDENSER
53	F12090		4	BREAKER CONTACT SCREW
54	F12083		2	CONDENSER MOUNT SCREW W/LOCKWASHER
55	F380501		1	COIL MOUNT
56	F94914		1	SLEEVE
57	F12338		1	GROUND WIRE
58	F289664		1	WIRE STATOR GROUND
59	F466095		1	STATOR
60	F12172		2	TERMINAL COMPLETE INCLUDES ILLUS. 64
61	F1958		1	PAN HD SCREW, 6 X 7/16
62	F466479		3	BREAKER PLATE SHOE
63	F2071		3	HEX CAP SCREW, 5/16 - 18 X 1-3/8
64	F12167		2	SCREW
65	F84449		1	NEUTRAL INTERLOCK SWITCH
66	F8088		2	PLAIN WASHER
67	F1704		2	INTERNAL TOOTH LOCKWASHER
68	F1645		2	RD HD SELF-TAPPING SCREW, 6 - 32 X 1/4
69	F1110		1	SLOTTED FILL HD SCREW, 1/4 - 20 X 5/8
70	F92446		1	CLAMP
71	F203097-5		1	FLYWHEEL
72	F1920		1	HEX NUT, 5/8 - 18

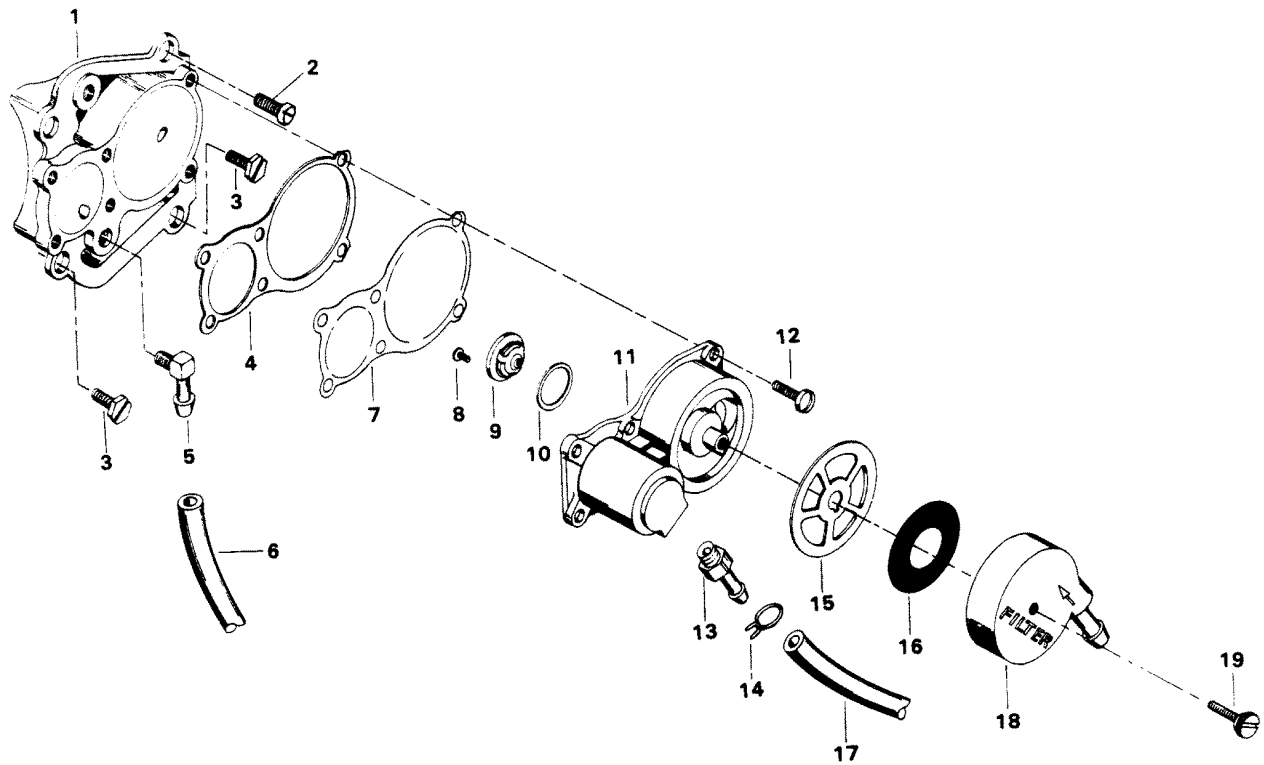
ELECTRIC STARTER



ELECTRIC STARTER

REF. NO.	PART NO.	SYM.	QTY.	DESCRIPTION
1	F15113		1	BENDIX DRIVE. (INCLUDES ILLUS. 2 THRU 10)
2	F15087		1	NUT
3	F15109		1	STOP
4	F15088		1	SPRING
5	F15115		1	CUP, PINION
6	F15116		1	SLEEVE
7	FK15084		1	SCREW SHAFT W/PINION AND LITERATURE
8	F15091		1	WASHER
9	F15105		1	CUP
10	F15106		1	CUSHION
11	F15104		1	CUP, CUSHION THRUST
12	F15021-1		1	HEAD ASSEMBLY, DRIVE END
13	F8028		2	PLAIN WASHER
14	F8060		2	LOCKWASHER
15	F1514		2	HEX NUT, 1/4 - 20
16	F15000		1	SEAL, O-RING
17	F15044		1	ARMATURE
18	F15073		1	THRUST WASHER PACKAGE
19	F15043		1	FRAME AND FIELD ASSEMBLY. INCLUDES ITEM 22
20	F307908		1	STARTER LEAD
21	FA15072		1	HEX LOCK NUT, 1/4 - 20
22	F15042		1	BRUSH SET
23	F15038-1		1	BRUSH PLATE AND HOLDER
24	F15034		1	SPRING SET
25	F15094		1	THRU BOLT PACKAGE (SET OF 2 BOLTS)
26	15037		1	HEAD ASSEMBLY, COMMUTATOR END
-	FA201955		1	STARTER MOTOR - COMPLETE (NOT SHOWN) INCLUDES ALL ITEMS MARKED WITH AN (*) ASTERISK.
-	FC479390		1	DECAL, STARTER - CANADA (NOT SHOWN)

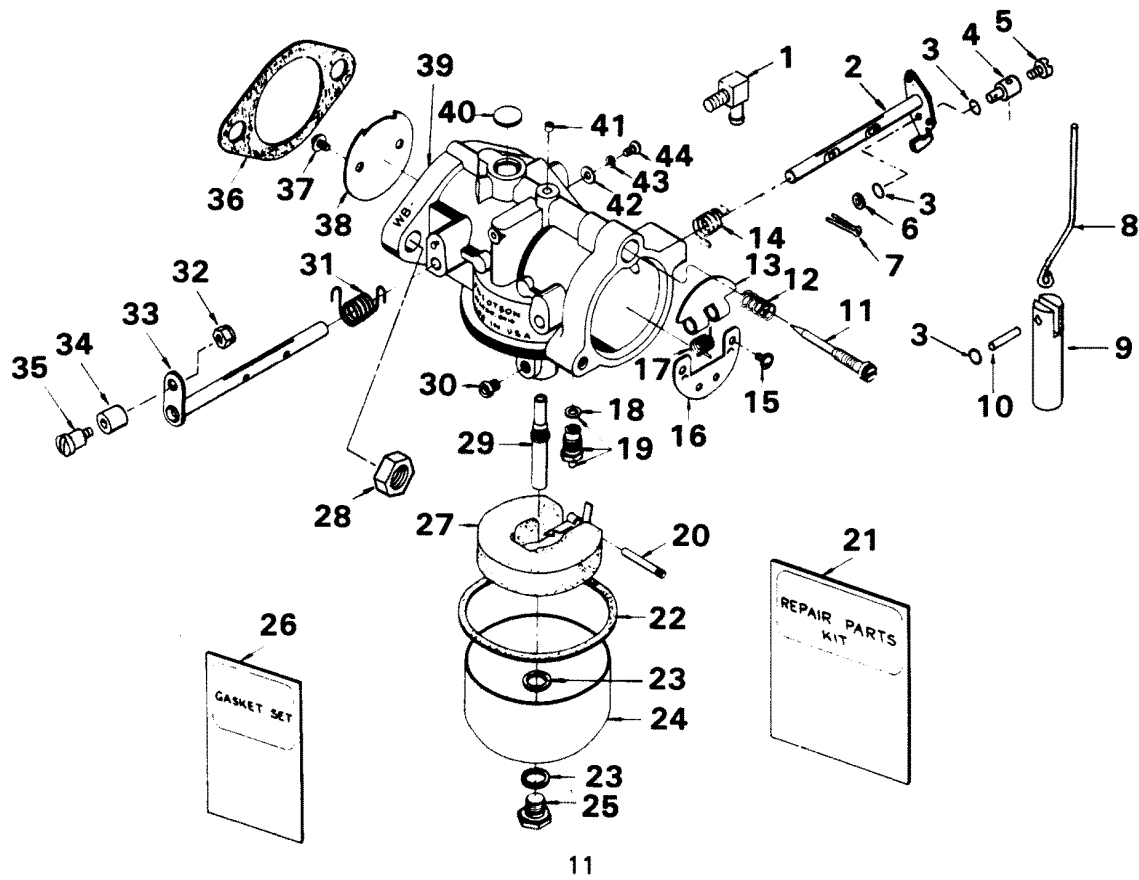
FUEL PUMP



FUEL PUMP

REF. NO.	PART NO.	SYM.	QTY.	DESCRIPTION
1	FA439746		1	FUEL PUMP COVER W/LITERATURE
2	F1110		1	SLOTTED FILL HD SCREW, 1/4 - 20 X 5/8
3	F1922		2	HEX HD SCREW, 1/4 - 20 X 5/8
4	F438760		1	FUEL PUMP GASKET
5	F84314-2		1	ELBOW
6	F434758		1	FUEL PUMP IMPULSE HOSE
7	F438747		1	FUEL PUMP DIAPHRAGM
8	F1860		2	SLOTTED BINDING HD SCREW, 6 - 32 X 1/4
9	F177330		3	FUEL PUMP VALVE
10	F84792		3	FUEL PUMP VALVE GASKET
11	FA438431		1	FUEL PUMP BODY W/ILLUS. 8, 9 AND 10
12	F1108		6	FILL HD SCREW W/SPRING LOCKWASHER, 1/4 - 20 X 3/4
13	F438801		1	ELBOW
14	F97772		2	FUEL LINE CLAMPS
15	F438617		1	FUEL SEDIMENT BOWL GASKET
16	F438653		1	FUEL PUMP SCREEN
17	F434754		1	FUEL LINE, PUMP TO CARBURETOR
18	F438500		1	FUEL SEDIMENT BOWL
19	F438165		1	SCREW, FUEL BOWL

CARBURETOR

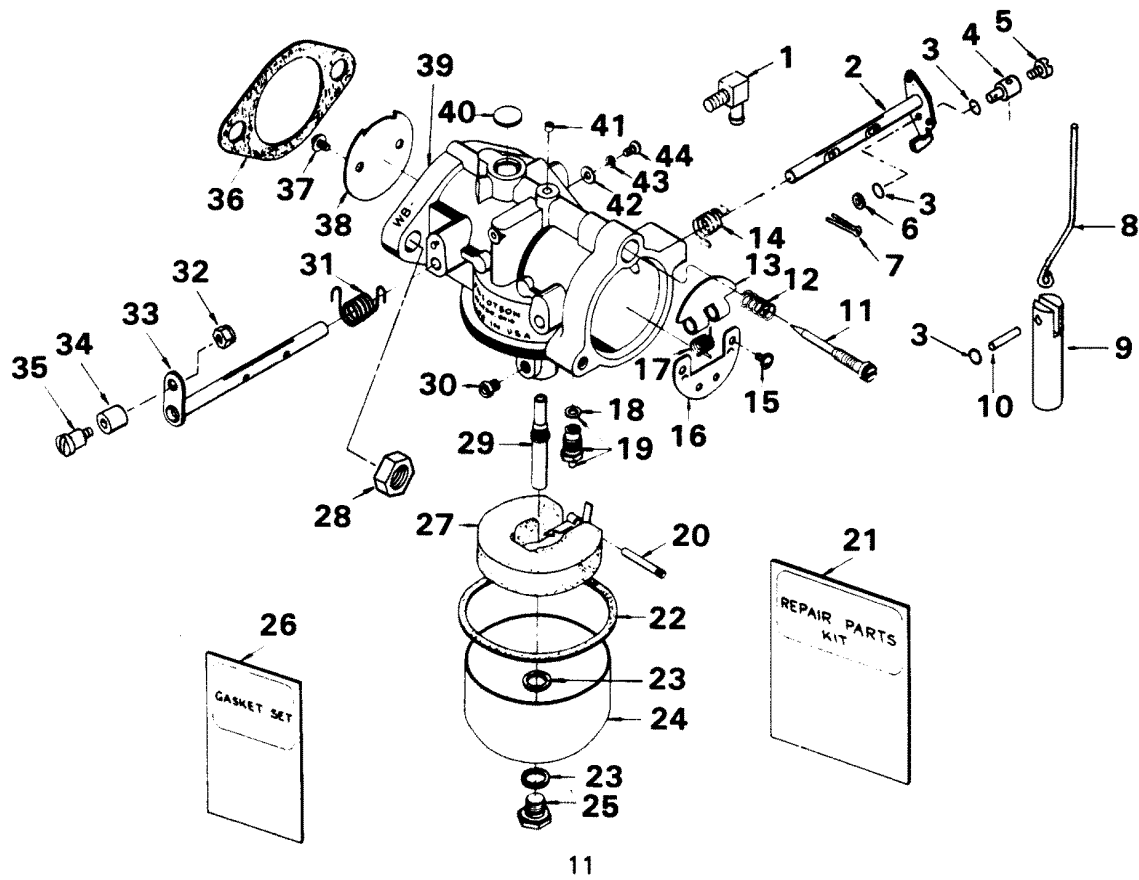


CARBURETOR

REF. NO.	PART NO.	SYM.	QTY.	DESCRIPTION
1	F84314-2		1	ELBOW, FUEL LINE CARBURETOR
2	FO16383		1	CHOKE SHAFT AND LEVER
3	F184579		3	SEAL, CHOKE ARM SWIVEL
4	F184033-1		1	SWIVEL, CHOKE ROD
5	F1059		1	FILL HD SCREW, 6 - 32 X 1/4
6	F8088		1	PLAIN WASHER
7	F1014		1	COTTER PIN
8	F452925		1	CHOKE SOLENOID ROD
9	F391926-1		1	CHOKE SOLENOID PLUNGER
10	F2033		1	GROOVE PIN
11	FO13946		1	IDLE MIXTURE SCREW
12	FO11103		1	IDLE MIXTURE SCREW SPRING
13	FO15725		1	CHOKE RELIEF VALVE
14	FO16385		1	CHOKE SHAFT RETURN SPRING
15	FO10280		2	CHOKE SHUTTER RETAINING SCREW AND LOCKWASHER
16	FO15724		1	CHOKE SHUTTER
17	FO10883		1	CHOKE RELIEF VALVE SPRING
18	FO10165		1	INLET SEAT GASKET
19	FO10790		1	INLET NEEDLE, SEAT AND GASKET
20	FO13944		1	FLOAT LEVER PIN
21	F10057		1	REPAIR PARTS KIT. INCLUDES ALL ITEMS MARKED WITH AN ASTERISK (*)
22	FO15623		1	FUEL BOWL GASKET
23	FO2510		2	FUEL BOWL RETAINING SCREW GASKET
24	FO13552		1	FUEL BOWL
25	FO13945		1	FUEL BOWL RETAINING SCREW
26	FK10000		1	GASKET SET. INCLUDES ILLUS. WITH A DOUBLE ASTERISK (**)
27	FO13554		1	FLOAT
28	F1515		2	HEX NUT, 5/16 - 18
29	FO17355		1	MAIN NOZZLE
30	FO14302		1	MAIN FUEL JET .084 - STD.
-	FO14109		-	MAIN FUEL JET .082 - OPT. - 1250 - 3750 FT.
-	FO13194		-	MAIN FUEL JET .080 - OPT. - 3750 - 6250 FT.
-	FO14306		-	MAIN FUEL JET .078 - OPT. - 6250 - 8250 FT.
31	FO14292		1	THROTTLE SHAFT RETURN SPRING
32	F1997		1	STOP NUT, 8 - 32
33	FO15728		1	THROTTLE SHAFT AND LEVER
34	F92759		1	ROLLER
35	F333316		1	THROTTLE ROLLER SHAFT
36	F40906-1		1	FLANGE GASKET
37	FO8942		2	THROTTLE SHUTTER RETAINING SCREW AND LOCKWASHER
38	FO16340		1	THROTTLE SHUTTER
39	F434061-3		1	CARBURETOR - COMPLETE (WB16D)

CONTINUED ON NEXT PAGE ➡

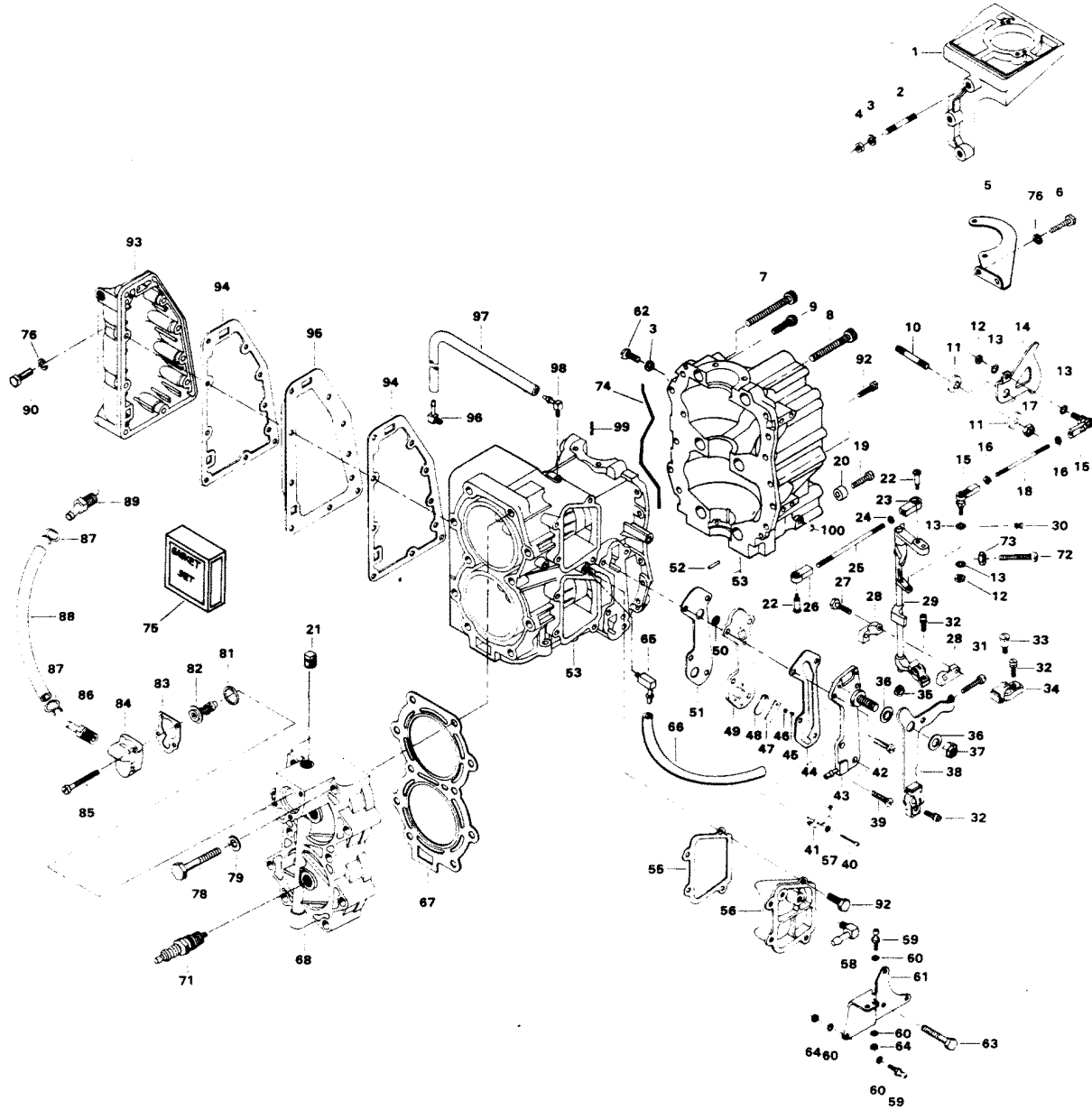
CARBURETOR



CARBURETOR

REF. NO.	PART NO.	SYM.	QTY.	DESCRIPTION
40	FO4326		1	BODY CHANNEL WELCH PLUG
41	FO10588		1	BODY CHANNEL CUP PLUG
42	FO3804		1	THROTTLE SHAFT POSITION RETAINING SCREW WASHER
43	FO6396		1	THROTTLE SHAFT POSITION RETAINING SCREW LOCKWASHER
44	FO6393		1	THROTTLE SHAFT POSITION RETAINING SCREW

POWER HEAD

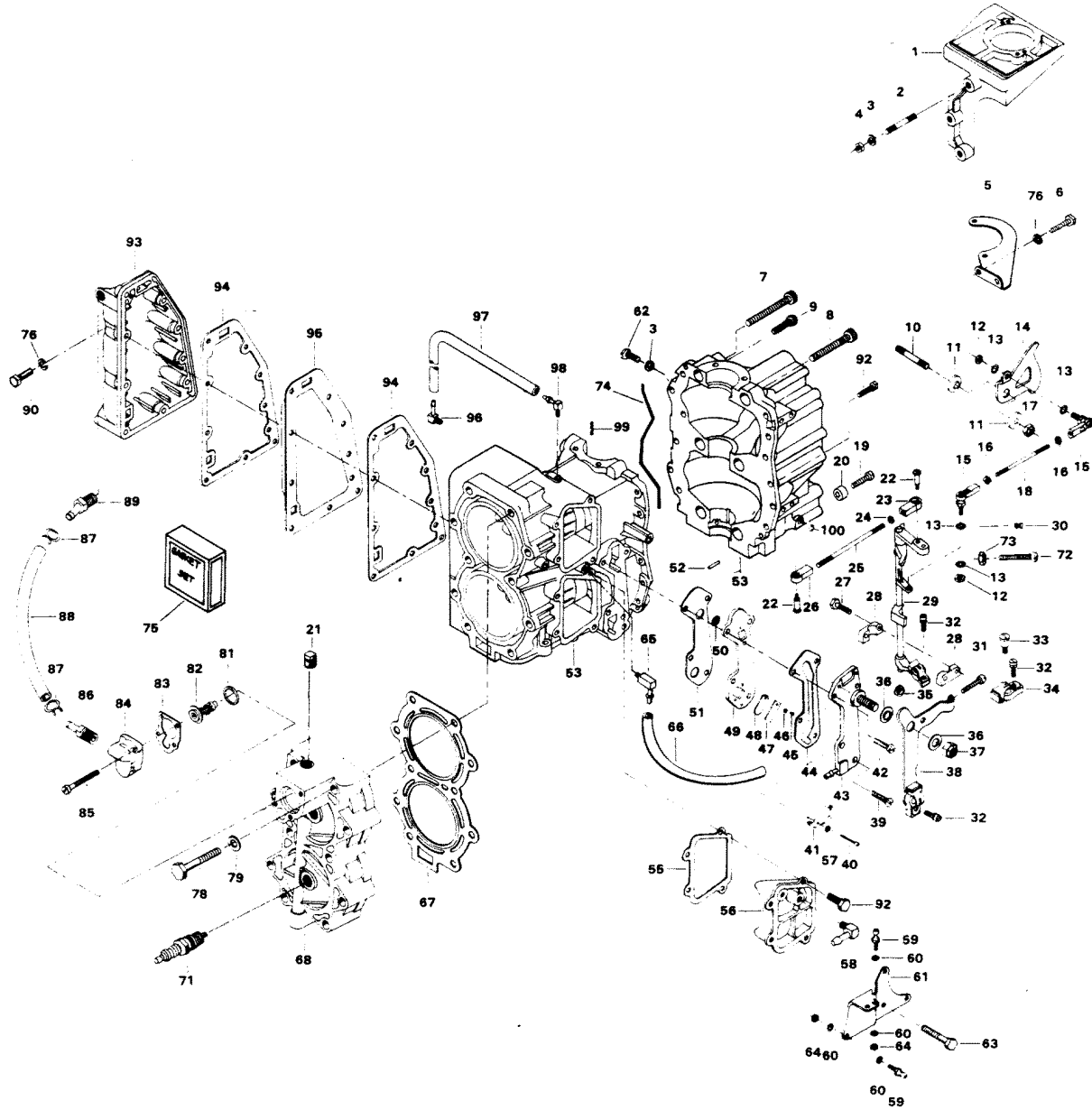


POWER HEAD

REF. NO.	PART NO.	SYM.	QTY.	DESCRIPTION
1	F345427-1		1	BRACKET, STARTER MOUNTING
2	F307211		3	STUD
3	F8096		4	SPRING LOCKWASHER
4	F1515		3	HEX NUT, 5/16 - 18
5	F433675		1	STARTER MOUNTING BRACKET - LOWER
6	F1854		2	HEX SLOT HD SCREW, 1/4 - 20 X 5/8
7	F1646		1	HEX SOCKET HD CAP SCREW, 3/8 - 16 X 2-1/4
8	F1879		5	HEX SOCKET HD CAP SCREW, 3/8 - 16 X 1-5/8
9	F1753		9	HEX HD SCREW, 1/4 - 20 X 3/4
10	F433209		1	STUD, THROTTLE CAM
11	F269319		2	THROTTLE CAM BEARING
12	F1513		2	HEX NUT, 10 - 32
13	F8058		4	INTERNAL TOOTH LOCKWASHER
14	F433192		1	THROTTLE CAM
15	817747--1		2	BALL JOINT W/BEARING
16	F1513		2	HEX NUT, 10 - 32
17	F1910		1	ELASTIC STOP NUT, 1/4 - 20
18	F85502		1	THROTTLE LINK
19	F1134		2	FILL HD SCREW, 8 - 32 X 1-1/8
20	F307942-1		0	2 BUMPER
21	F328109		1	PLUG
22	F84026		2	SPARK CONTROL SWIVEL
23	F84036		1	SPARK CONTROL BEARING, L.H.
24	F1473		1	HEX NUT, 10 - 24
25	F269445-1		1	SPARK CONTROL LINK
26	F84035-2		1	SPARK CONTROL BEARING, R.H.
27	F1995		4	FILL HD SCREW, 10 - 24 X 1
28	F433689		4	TOWERSHAFT BEARING
29	FK433838		1	TOWERSHAFT W/ILLUS. 34, 72, 73 AND LITERATURE
30	F1727		1	PLASTIC RIVET
31	F1969		1	FILL HD SCREW, 1/4 - 20 X 3/4
32	F1556		2	FILL HD SCREW W/LOCKWASHER, 10 - 24 X 3/8
33	F405457		2	PIVOT SCREW
34	FK405020		1	SWIVEL W/ILLUS. 33 AND NUT
35	F85610		1	BEARING
36	F269052		2	SHIFT ARM BEARING
37	F7004		1	STOP NUT, 7/16 - 20
38	817793A1		1	SHIFT ARM W/ILLUS. 34 AND 35 ORIGINAL FORCE P/N A 433876-1
39	F1136		2	FLAT HD SCREW, 1/4 - 20 X 1
40	F2016		2	FILL HD SCREW, 6 - 32 X 7/8
41	F84449		1	SWITCH, NEUTRAL INTERLOCK
42	F1446		2	SLOTTED PAN HD SCREW, 1/4 - 20 X 1

CONTINUED ON NEXT PAGE ➡

POWER HEAD

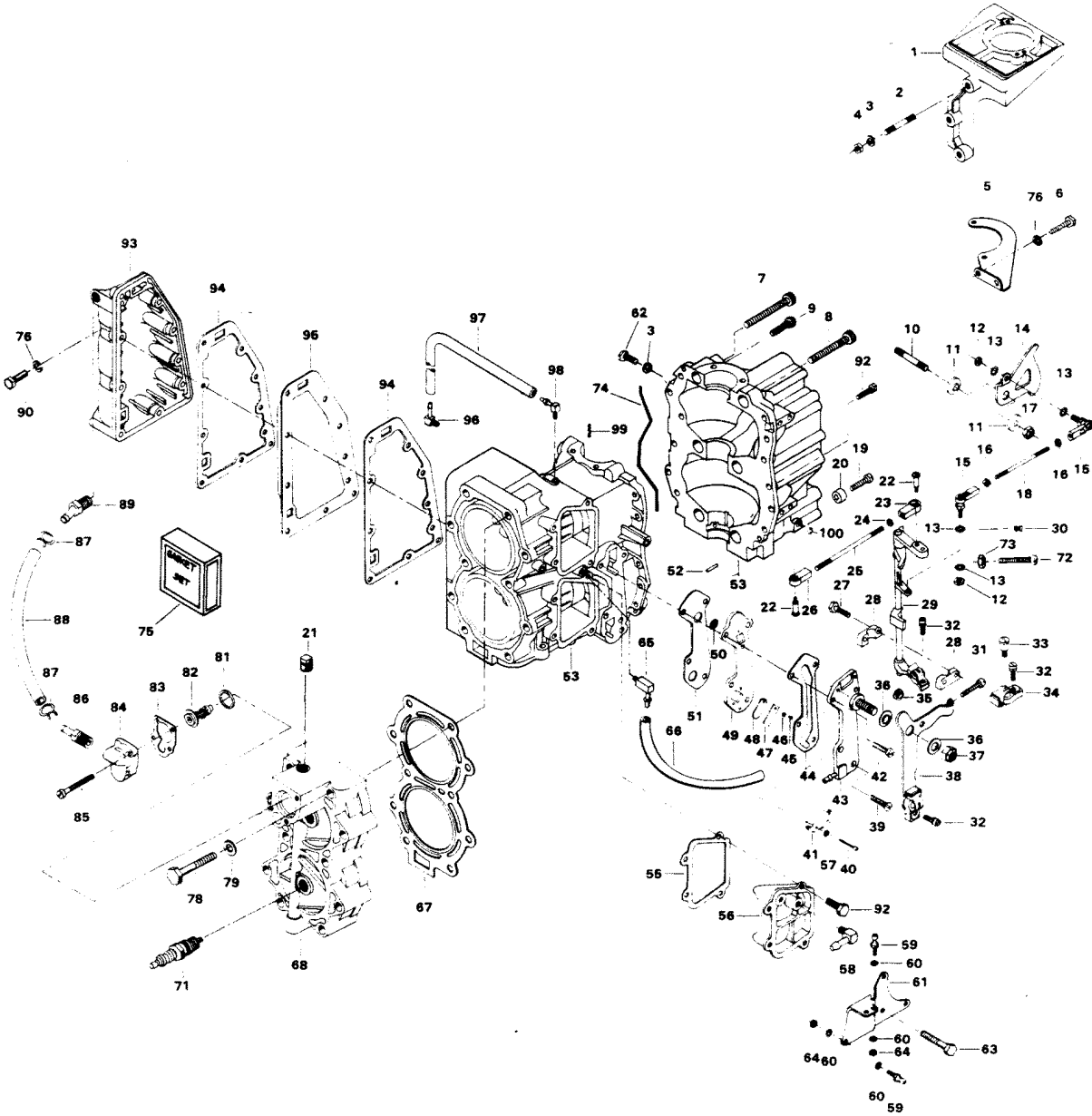


POWER HEAD

REF. NO.	PART NO.	SYM.	QTY.	DESCRIPTION
43	FA433471		1	CYLINDER DRAIN COVER W/FITTING
44	F93472-1		1	CYLINDER DRAIN COVER GASKET
45	F1286		2	PAN HD SCREW, 4 - 40 X 3/16
46	F8003		2	PLAIN WASHER
47	F93920		2	CYLINDER DRAIN REED STOP
48	F18160-2		2	REED, CYLINDER DRAIN
49	F2A433757		1	CYLINDER DRAIN REED PLATE W/ILLUS. 45, 46, 47, 48 AND 50
50	F93811		2	SCREEN CYLINDER DRAIN REED PLATE
51	F93748-1		1	CYLINDER DRAIN REED PLATE GASKET
52	F8559		2	DOWEL PIN
53	FA465010		1	CYLINDER W/CRANKCASE COVER, DEFLECTOR PLATE AND ILLUS. 7, 8, 52, 74, 99 AND LITERATURE
-	FC465010		1	SHORT BLOCK. INCLUDES ALL ITEMS MARKED WITH AN ASTERISK. (*). ALSO REFER TO CRANKSHAFT PAGE.
55	F40223		2	TRANSFER PORT COVER GASKET
56	FA411222		1	TRANSFER PORT COVER W/LITERATURE
57	F8088		2	PLAIN WASHER
58	F84314-2		1	ELBOW, FUEL LINE
59	F98273		2	ROD END CONNECTOR STUD
60	F8058		4	INTERNAL TOOTH LOCKWASHER
61	817746A1		1	CONNECTOR STUD BRACKET W/LITERATURE ORIGINAL FORCE P/N A 267371-1
62	F1857		1	HEX CAP SCREW, 5/16 - 18 X 5/8
63	F1753		3	HEX CAP SCREW, 1/4 - 20 X 3/4
64	F1513		2	HEX NUT, 10 - 32
65	F404801		1	ELBOW
66	F433254		1	HOSE
67	F201529-1		1	CYLINDER HEAD GASKET
68	900-818049A2		1	CYLINDER HEAD W/PLUGS
71	FS380227		2	SPARK PLUG (UL-4-J)
-	FC235227		2	SPARK PLUG (RL-4-J) - CANADA
72	F1052		1	FILL HD SCREW, 1/4 - 20 X 1
73	F1341		1	HEX NUT
74	F269122-1		1	CRANKCASE PARTING LINE SEAL
75	FG1007-1		1	GASKET SET. INCLUDES ITEMS LISTED BELOW:
-	F40154-3		3	GASKET, EXHAUST PORT PLATE
-	F40223		1	GASKET, TRANSFER PORT COVER
-	F40833-4		1	GASKET, IDLE RELIEF COVER
-	F40906-1		1	GASKET, CARBURETOR
-	F93472-1		1	GASKET, CYLINDER DRAIN COVER
-	F93748-1		1	GASKET, CYLINDER DRAIN REED PLATE
-	F97067		1	GASKET, THERMOSTAT COVER
-	F201529-1		1	GASKET, CYLINDER HEAD

CONTINUED ON NEXT PAGE ➡

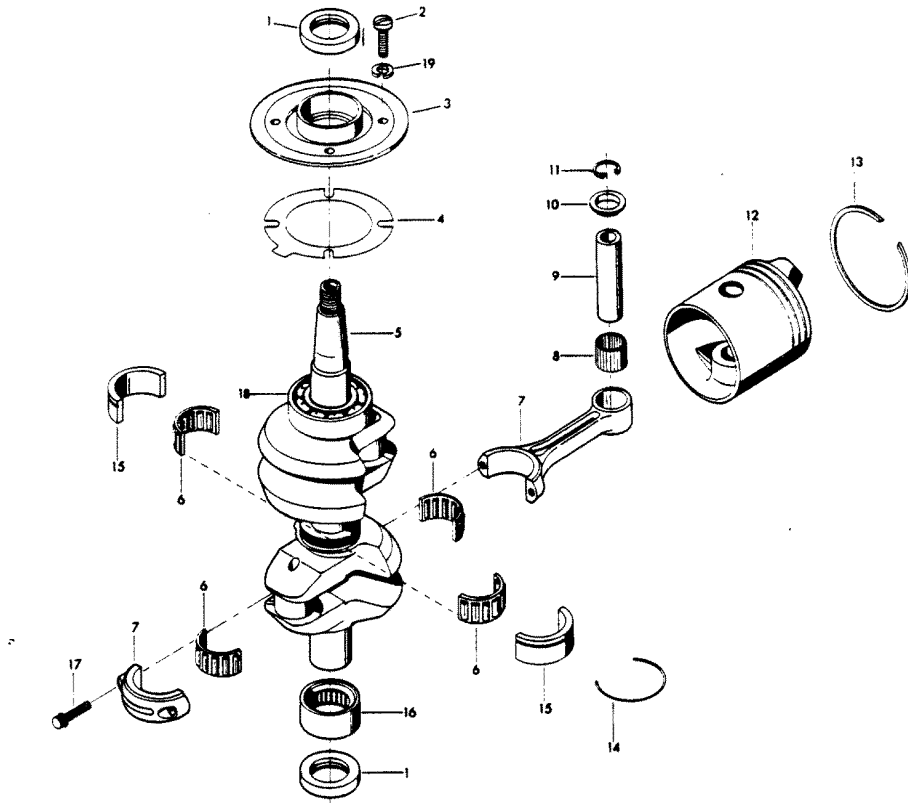
POWER HEAD



POWER HEAD

REF. NO.	PART NO.	SYM.	QTY.	DESCRIPTION
-	F269122-1		1	CRANKCASE PARTING LINE SEAL
-	F307279-2		1	GASKET, CYLINDER EXHAUST - UPPER
-	F40279-1		1	GASKET, CYLINDER EXHAUST - LOWER
-	F311996		1	GASKET, CYLINDER HEAD COVER
-	F366277		1	GASKET, BEARING CAGE
-	F433168		1	GASKET, CARBURETOR ADAPTER
-	F433406		1	GASKET, DEFLECTOR PLATE
76	F8083		11	SPRING LOCKWASHER
78	F1544		10	HEX HD CAP SCREW, 3/8 - 16 X 2-1/4
79	F2014		10	PLAIN WASHER
81	F97504		1	GROMMET, THERMOSTAT
82	F97068-1		1	THERMOSTAT
83	F97067		1	THERMOSTAT COVER GASKET
84	F97066-1		1	THERMOSTAT COVER
85	F1995		3	FILL HD SCREW, 10 - 24 X 1-1/16
86	F97275		1	FITTING, THERMOSTAT
87	F97772		2	CLAMP
88	FA97247		1	WATER TUBE, THERMOSTAT W/LITERATURE
89	F141275		1	FITTING, THERMOSTAT
90	F1971		9	HEX HD SCREW, 1/4 - 20 X 2-1/8
92	F1922		4	HEX HD SCREW, 1/4 - 20 X 5/8
93	FA433152		1	EXHAUST PORT COVER W/ILLUS. 90
94	F40154-3		2	EXHAUST PORT PLATE GASKET
95	F40151-1		1	EXHAUST PORT PLATE
96	F463314		1	ELBOW
97	FS433758		1	HOSE W/VALVE
98	22-817740A1		1	ELBOW ASSEMBLY
99	F8545		1	SPRING PIN
100	F1997		2	STOP NUT, 8 - 32

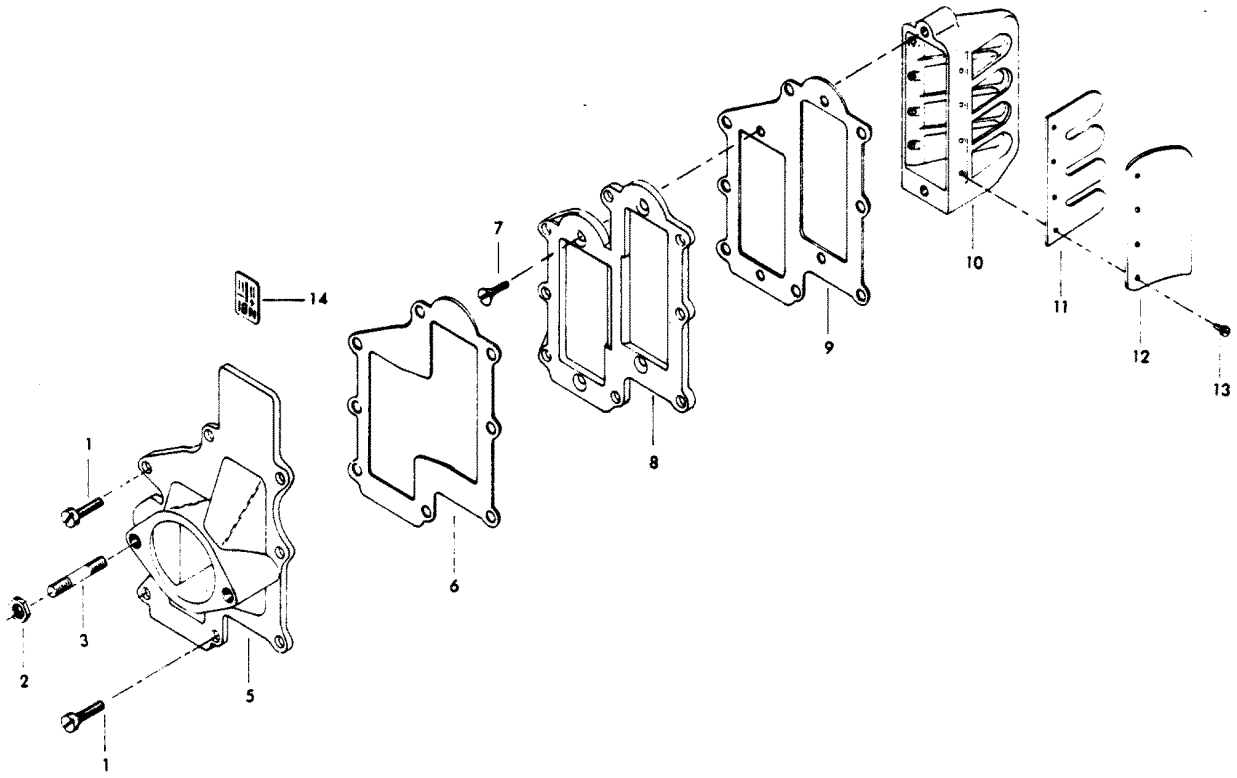
CRANKSHAFT AND PISTON GROUP



CRANKSHAFT AND PISTON GROUP

REF. NO.	PART NO.	SYM.	QTY.	DESCRIPTION
1	F40146-1		2	CRANKSHAFT SEAL
2	F1441		4	PAN HD SCREW, 1/4 - 20 X 7/8
3	FA466144		1	CRANKSHAFT BEARING CAGE W/ILLUS. 1
4	F366277		1	BEARING CAGE GASKET
5	FA435018		1	CRANKSHAFT W/ILLUS. 18
6	FK85228-1		2	BEARING CAGE W/ROLLERS (16 PER SET)
7	600-818052A4		2	CONNECTING ROD W/CAP AND ILLUS. 17 ORIGINAL FORCE P/N S 366016-4
8	F335217-1		2	BEARING
9	F40017-2		2	PISTON PIN
10	F366215		4	SPACER
11	F428096		4	RETAINER, PISTON PIN
12	F428015-1		2	PISTON
-	700-817990A2		2	PISTON .010 OVERSIZE
-	700-818114A2		2	PISTON .030 OVERSIZE
13	FA435260		1	PISTON RING SET (4 PER SET)
-	FSA435260		1	PISTON RINGS (4 PER SET) .010 OVERSIZE
-	39-818115A1		1	PISTON RINGS (4 PER SET) .030 OVERSIZE
14	F40410		1	SNAP RING
15	FA40655		1	CRANKSHAFT CENTER MAIN BEARING RACE W/ILLUS. 14
16	F90014		1	CRANKSHAFT LOWER MAIN BEARING
17	F85634-2		4	CONNECTING ROD SCREW
18	F328013-1		1	CRANKSHAFT THRUST BEARING UPPER
19	F8060		4	EXTERNAL TOOTH LOCKWASHER

REED PLATE

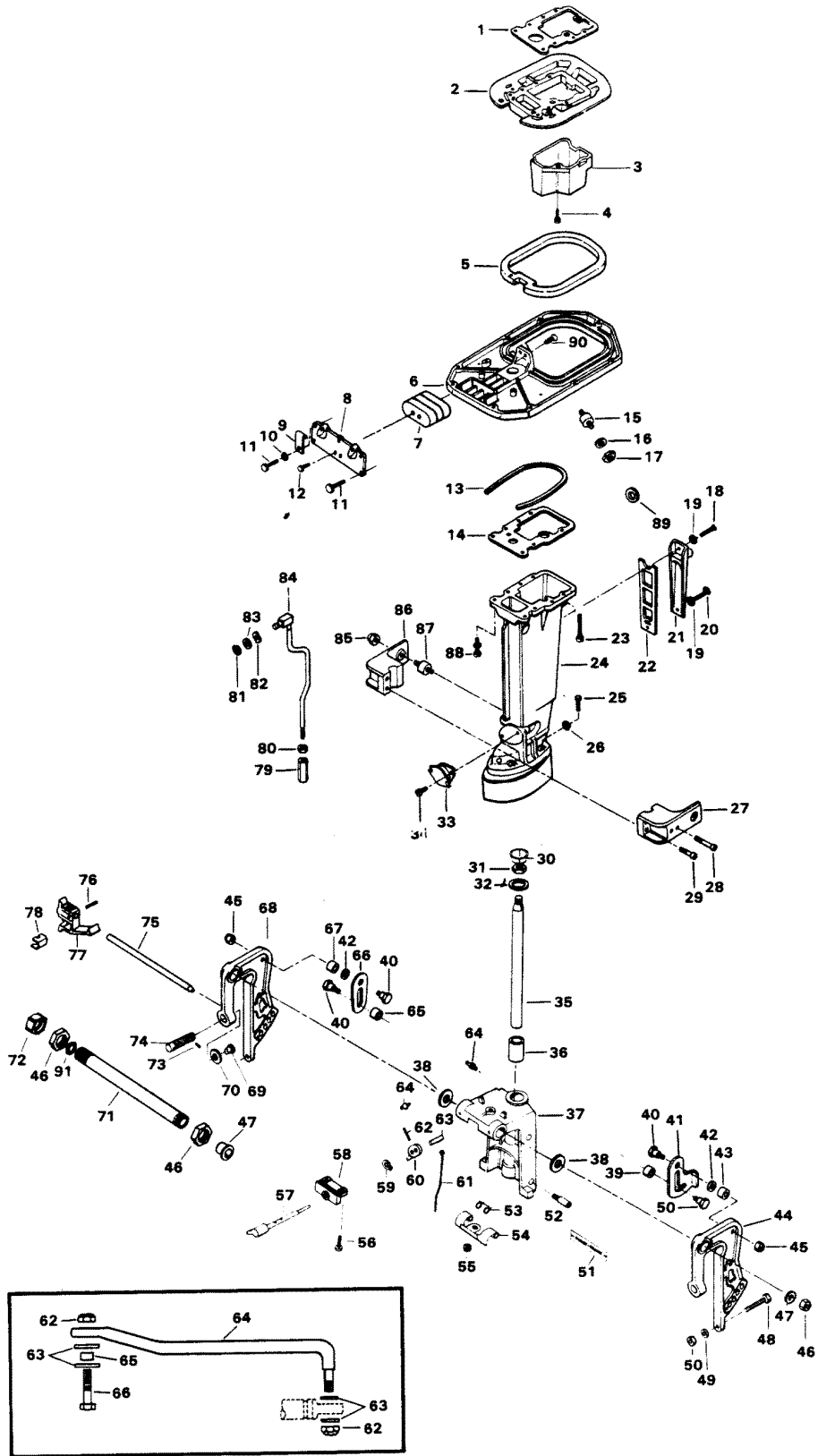


17

REED PLATE

REF. NO.	PART NO.	SYM.	QTY.	DESCRIPTION
1	F2008		8	HEX HD SCREW, 1/4 - 20 X 7/8
2	F1515		2	HEX NUT, 5/16 - 18
3	F40209		2	CARBURETOR STUD
5	FA433167		1	CARBURETOR ADAPTER FLANGE W/ILLUS. 3
6	F433168		1	CARBURETOR ADAPTER GASKET
7	F1141		4	FLAT HD SCREW, 10 - 24 X 1/2
8	F433404		1	DEFLECTOR PLATE
9	F433406		1	DEFLECTOR PLATE GASKET
10	FA433158		2	REED PLATE W/ILLUS. 11, 12 AND 13
11	F335160		4	REED
12	F88161-3		4	REED STOP
13	F1298		16	ROUND HD SCREW W/LOCKWASHER, 6 - 32 X 1/4
14	FA433387		1	DECAL, TIMING W/LITERATURE

MOTOR LEG

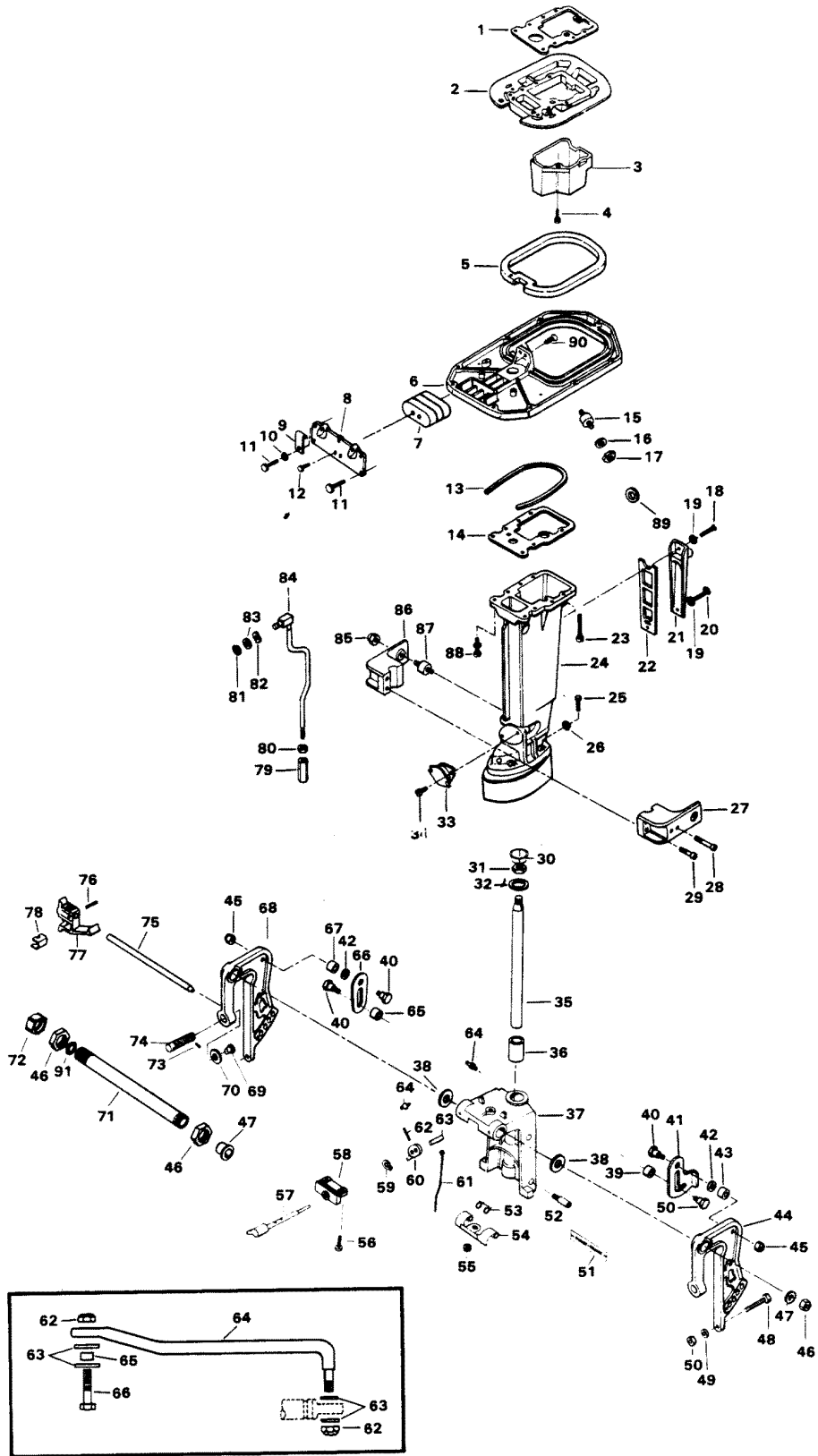


MOTOR LEG

REF. NO.	PART NO.	SYM.	QTY.	DESCRIPTION
1	F307279-2		1	CYLINDER EXHAUST GASKET UPPER
2	F433680		1	SPACER PLATE
3	F307660-1		1	LEG EXHAUST TUBE
4	F1851		3	FILL HD M. SCREW W/LOCKWASHER, 10 - 24 X 1/2
5	26-817766A1		1	SEAL, KINGPIN PLATE W/LITERATURE ORIGINAL FORCE P/N A 307989-1
6	FS307940		6	KINGPIN PLATE
7	F203965		1	SHOCK MOUNT UPPER
8	F433946		1	SHOCK MOUNT UPPER COVER
9	F286772-1		1	CLAMP
10	F8025		1	PLAIN WASHER
11	F1540		5	HEX CAP SCREW, 1/4 - 20 X 5/8
12	F1211		2	HEX HD SCREW W/LOCKWASHER, 1/4 - 28 X 5/8
13	F89025		1	DAMPENING PAD
14	F40279-1		1	CYLINDER EXHAUST GASKET LOWER
15	F307962		2	SHOCK MOUNT - SIDE - UPPER
16	F8038		2	PLAIN WASHER
17	F1346		2	HEX NUT, 3/8 - 16
18	F1849		1	HEX HD SCREW, S.S., 1/4 - 20 X 1-3/8
19	F8083		2	SPRING LOCKWASHER
20	F1199		1	HEX HD SCREW, 1/4 - 20 X 1
21	FA613832		1	MOTOR LEG EXHAUST COVER W/ILLUS. 18 & 20
22	F40833-4		1	MOTOR LEG EXHAUST COVER GASKET
23	F1905		1	FILL HD SCREW, 1/4 - 20 X 3-7/16
24	F435133-1		1	MOTOR LEG
25	F1929		4	HEX HD CAP SCREW, S.S., 3/8 - 16 X 1-1/8
26	F8065		4	SPRING LOCKWASHER
27	F433973		1	SHOCK MOUNT LOWER COVER - PORT
28	F1635		2	HEX SOCKET HD CAP SCREW, S.S., 3/8 - 16 X 3-1/2
29	F1636		2	HEX SOCKET HD CAP SCREW, S.S., 3/8 - 16 X 1-1/4
30	F1880		1	PLASTIC PLUG
31	F84280		1	KINGPIN NUT
32	F89011		1	SWIVEL BRACKET WASHER
33	F183346-1		1	SHOCK MOUNT LOWER
34	F1129		4	FILL HD SCREW, S.S., 5/16 - 18 X 1/2
35	FA433019		1	KINGPIN W/ILLUS. 30
36	F191169-1		2	SWIVEL BRACKET BEARING
37	FA545072		1	SWIVEL BRACKET W/ILLUS. 36 & 64
38	F522286		2	STERN BRACKET FRICTION WASHER
39	F269929		1	SPACER, TILT STOP
40	F366350		4	TILT STOP PIVOT
41	F366426		1	TILT STOP - PORT
42	F1666		2	BOWED SPRING WASHER

CONTINUED ON NEXT PAGE ➡

MOTOR LEG

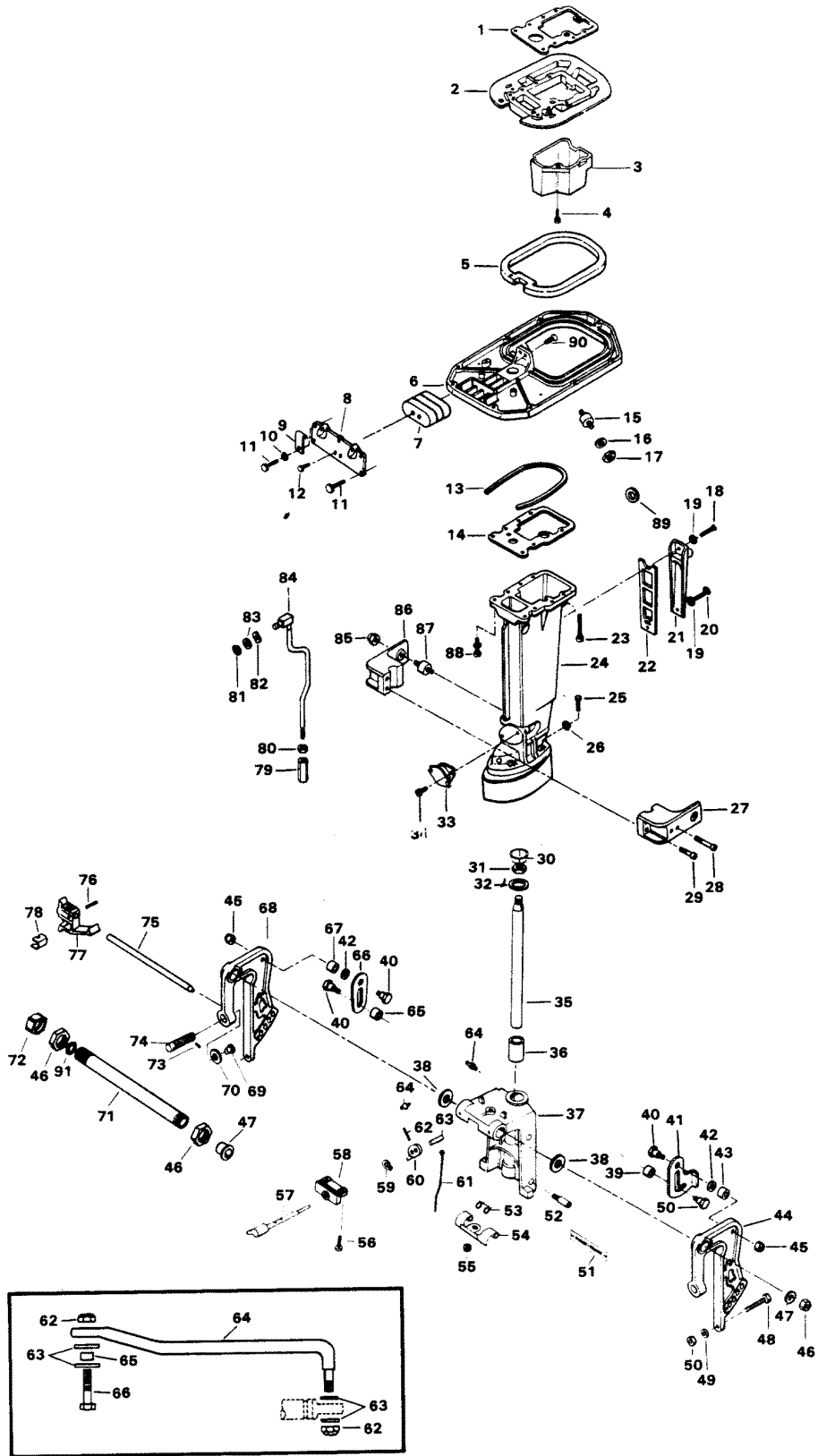


MOTOR LEG

REF. NO.	PART NO.	SYM.	QTY.	DESCRIPTION
43	F269929		1	SPACER, TILT STOP
44	F522532		1	STERN BRACKET - PORT
45	F7007		4	NUT
46	F1600		2	LOCK NUT, PIVOT TUBE
47	F9052		1	PLASTIC PLUG, PIVOT TUBE
48	F1593		2	HEX HD SCREW, S.S., 3/8 - 16 X 3
49	F1904		2	PLAIN WASHER
50	F1346		2	HEX NUT, S.S., 3/8 - 16
51	F544390-1		1	DECAL, TILT LOCK
52	F366866		2	PIN
53	F366300		2	REVERSE LOCK SPRING
54	F366349		1	REVERSE LOCK
55	F1669		1	STOP NUT
56	F1733		2	PAN HD SCREW, 10 - 24 X 9/16
57	F366827		1	HANDLE AND SHAFT
58	F522884		1	BEARING
59	F522741		1	RING, RETAINING-REV. LOCK SHAFT
60	F366364		1	ARM
61	F366510-1		1	LINK
62	F1836		1	SPRING PIN
63	F483884		1	BEARING
64	F213274		3	GREASE FITTING
65	F269929		1	SPACER, TILT STOP
66	F366433		1	TILT STOP, STARBOARD
67	F269929		1	SPACER, TILT STOP
68	F522032		1	STERN BRACKET - STARBOARD
69	F353480		2	STUD
70	F24074		2	CLAMP SCREW FOOT
71	F522125-1		1	TUBE, PIVOT STEERING
72	F9018		1	PLASTIC CAP, PIVOT TUBE
73	F8538		2	SPRING PIN
74	F474073-1		2	CLAMP SCREW
75	FA433113		1	STERN BRACKET LOCK BAR W/ILLUS. 76, 77 & 78
76	F1744		1	SPRING PIN
77	F433114		1	HANDLE, LOCK BAR
78	F286461		1	SPRING LOCK BAR HANDLE
79	F141704		1	GEAR SHIFT ROD COUPLING
80	F1349		1	HEX NUT, S.S., 5/16 - 18
81	F185764		1	RETAINING RING
82	F8049		1	BOWED SPRING WASHER
83	F1987		1	PLAIN WASHER
84	F307615		1	GEAR SHIFT ROD UPPER
85	F1326		2	ACORN NUT, S.S., 5/16 - 18

CONTINUED ON NEXT PAGE ➡

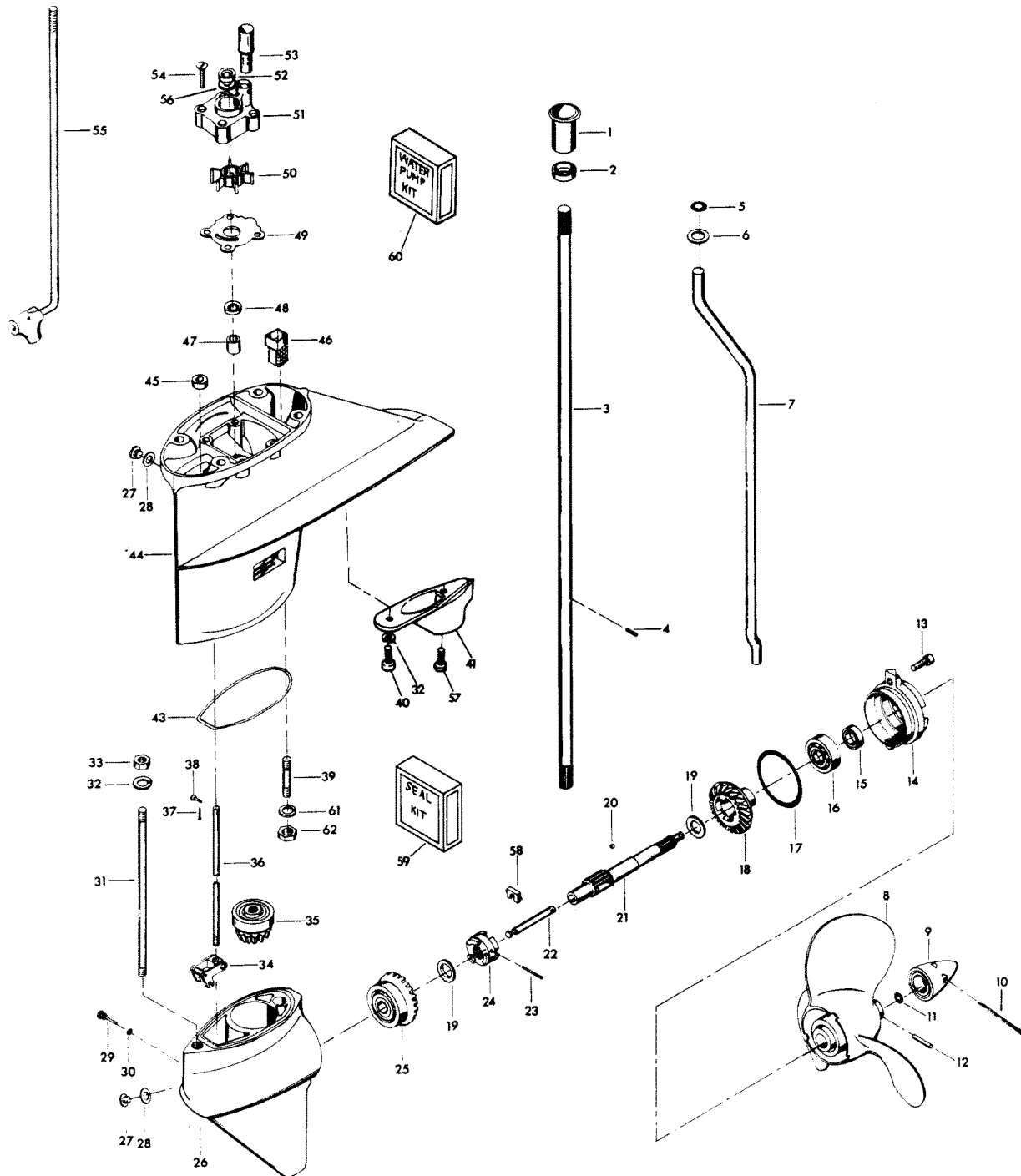
MOTOR LEG



MOTOR LEG

REF. NO.	PART NO.	SYM.	QTY.	DESCRIPTION
86	F433972		1	SHOCK MOUNT LOWER COVER - STARBOARD
87	F215962		2	SHOCK MOUNT SIDE LOWER
88	F1947		8	FLANGED 12 POINT SCREW, 5/16 - 18 X 2
89	F89504		1	GROMMET, MOTOR LEG
90	F1160		2	FLAT HD SCREW, 1/4 - 28 X 5/8
91	F316599		1	SEAL, PIVOT TUBE

GEAR HOUSING

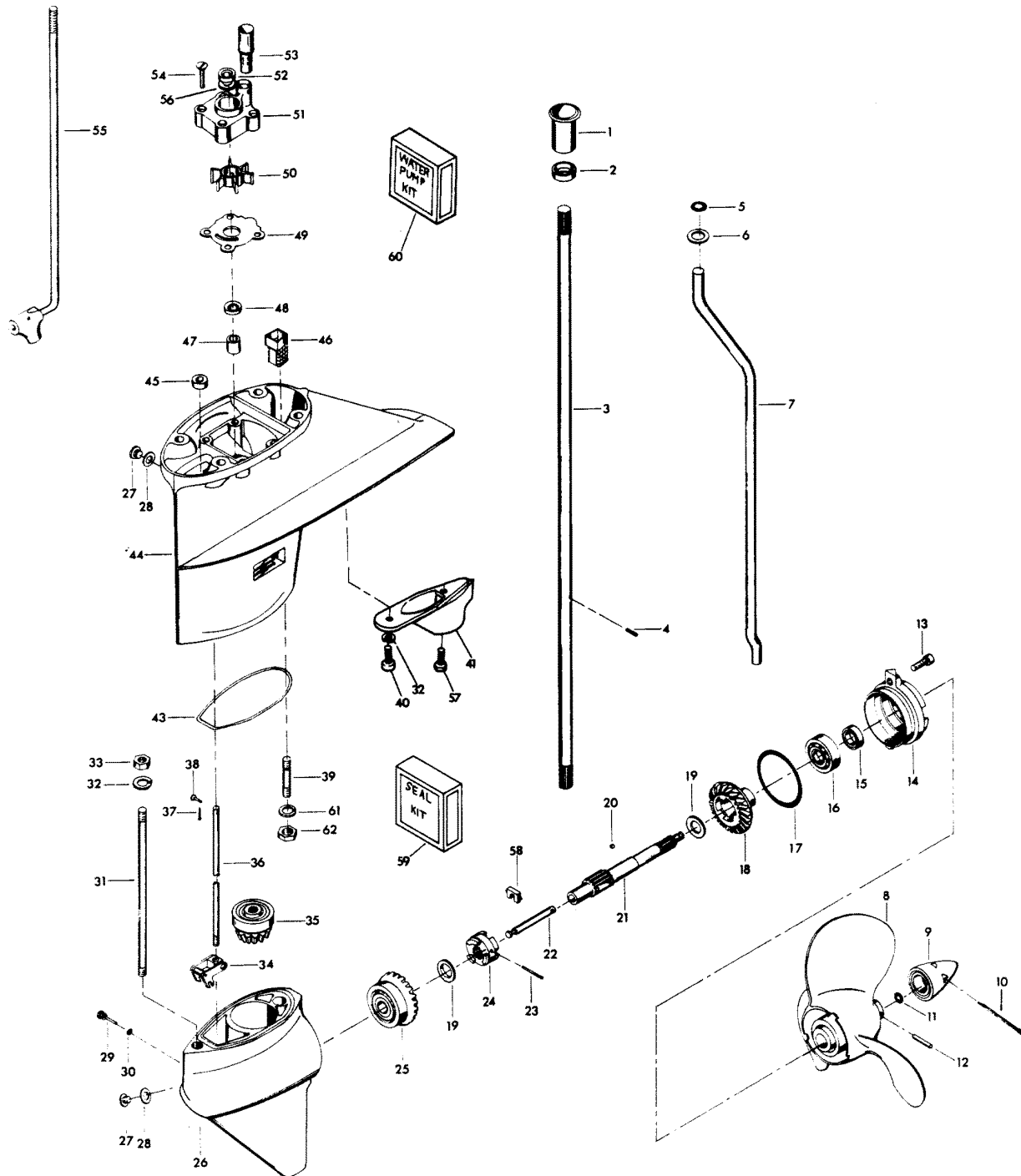


GEAR HOUSING

REF. NO.	PART NO.	SYM.	QTY.	DESCRIPTION
1	F338129-1		1	SEAL, DRIVESHAFT SPLINE
2	F338271		1	RETAINER
3	FA89128-1		1	DRIVESHAFT WILLUS. 2
4	F901563		1	DRIVE PIN, WATER PUMP IMPELLER
5	F40342		1	SEAL
6	F8042		1	PLAIN WASHER
7	F435244		1	INLET WATER LINE
8	FP293		1	PROPELLER (ACCESSORY ITEM)
9	FA94094-2		1	PROPELLER NUT WILLUS. 9 AND 10
10	F1027		1	COTTER PIN, S.S., 1/8 - 1/2
11	F40342		1	SEAL, PROPELLER NUT
12	FK247		1	PROPELLER PIN, PACK OF 6 WILLUS. 10
13	F1263		2	HEX SOCKET HD CAP SCREW, S.S., 5/16 - 18 X 9/16
14	F2A366298		1	PROPELLER SHAFT BEARING CAGE. INCLUDES ITEMS 15, 16 AND 17
15	F141118		1	SEAL, PROPELLER SHAFT
16	F366058		1	BALL BEARING, PROPELLER SHAFT
17	F141305		1	SEAL, PROPELLER SHAFT BEARING CAGE
18	FA485662		1	BEVEL GEAR REAR W/BEARING
19	F40717		2	THRUST WASHER, BEVEL GEAR
20	F366727		1	BALL, PROPELLER SHAFT
21	44-819500A3		1	PROPELLER SHAFT ASSEMBLY
22	F90871-3		1	GEAR SHIFT ARM PIN
23	F2097		1	SPRING PIN
24	F99521-1		1	CLUTCH
25	FA485023		1	BEVEL GEAR FRONT W/BEARING
26	FA486054		1	GEAR HOUSING LOWER W/THRUST BEARING CUP AND ILLUS. 27, 28, 29 AND 30
-	FC486054		1	GEAR HOUSING COMPLETE. INCLUDES ALL ITEMS MARKED WITH AN ASTERISK (*)
27	F50109		2	PLUG, GEAR HOUSING
28	F8077		2	WASHER, GEAR HOUSING PLUG
29	F498891		1	GEAR SHIFT ARM PIVOT PIN
30	F498618		1	SEAL, O-RING
31	F97008-1		1	STUD, LONG
32	F8065		1	LOCKWASHER
33	F1346		1	HEX NUT, S.S., 3/8 - 16
34	817796A2		1	GEAR SHIFT ARM ASSEMBLY
35	F2A474266		1	BEVEL PINION W/BEARING
36	F435705		1	GEAR SHIFT ROD LOWER
37	F1015		1	COTTER PIN
38	F85372		1	PIN, GEAR SHIFT ROD LOWER
39	F40008		1	STUD, SHORT
40	F438930		1	RETAINER, SNOUT

CONTINUED ON NEXT PAGE ➡

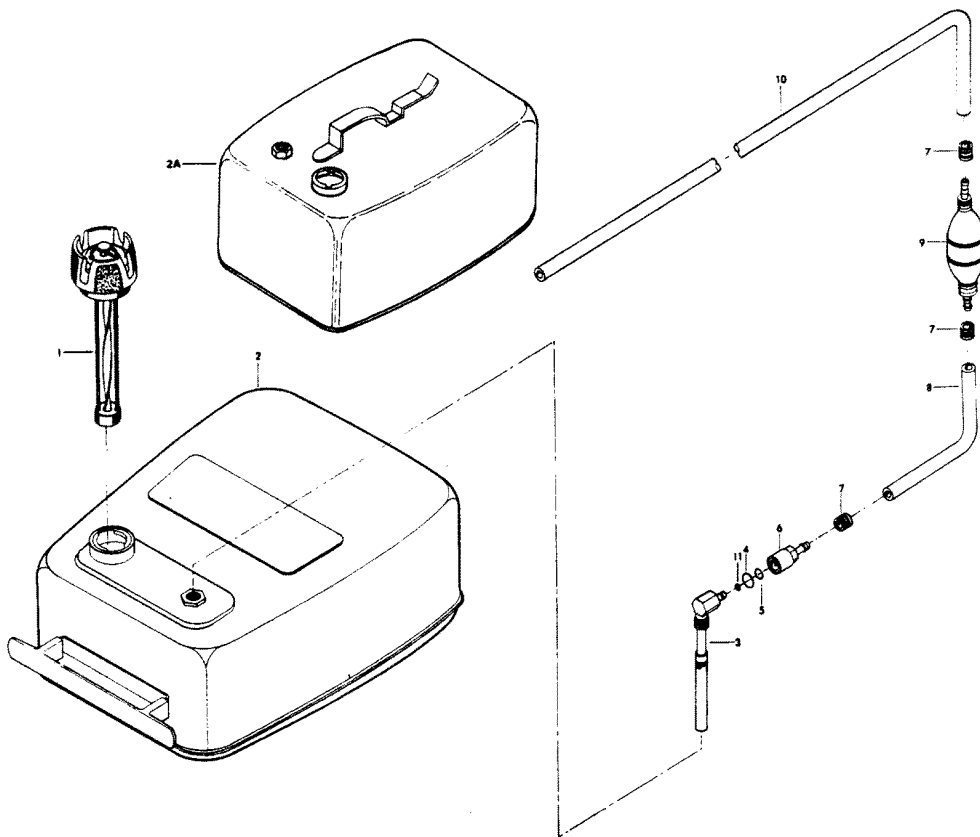
GEAR HOUSING



GEAR HOUSING

REF. NO.	PART NO.	SYM.	QTY.	DESCRIPTION
41	FA435116		1	EXHAUST, SNOUT W/LITERATURE
43	F435555		1	SEAL, GEAR HOUSING
44	FA545554		1	GEAR HOUSING UPPER W/ILLUS. 27, 28, 39, 40, 41, 45, 46, 47, 48 AND 57
45	F338618-1		1	SEAL, SHIFT ROD LOWER
46	F435077		1	SCREEN, WATER INLET
47	F435057		1	BEARING, DRIVESHAFT UPPER
48	F40307-2		1	SEAL, DRIVESHAFT
49	F435562		1	WATER PUMP BACK PLATE
50	F433065-1		1	WATER PUMP IMPELLER
51	FA463060		1	WATER PUMP BODY W/ILLUS. 52, 53 AND 56
52	F349307		1	DRIVESHAFT SEAL - WATER PUMP
53	FA485914		1	SEAL, INLET WATER LINE, LOWER W/LITERATURE
54	F2030		4	HEX HD SCREW, S.S., 1/4 - 20 X 1-1/4
55	FA435616		1	GEAR SHIFT ROD INTERMEDIATE
56	485388		1	DISC, WATER PUMP
57	F1994		1	HEX SOCKET HD CAP SCREW, 5/16 - 18 X 1
58	F90619-1		1	YOKE
59	FK1074		1	GEAR HOUSING SEAL KIT. INCLUDES ALL ITEMS MARKED WITH A DOUBLE ASTERISK (**)
60	FK1073		1	WATER PUMP KIT
-	F2030		4	SCREW 1/4 - 20 X 1-1/4
-	F433065-1		1	IMPELLER
-	F435562		1	BACK PLATE, WATER PUMP
-	F901563		1	DRIVE PIN
-	FA463060		1	WATER PUMP BODY
61	F8039		1	PLAIN WASHER
62	F7004		1	ELASTIC STOP NUT 3/8 - 16

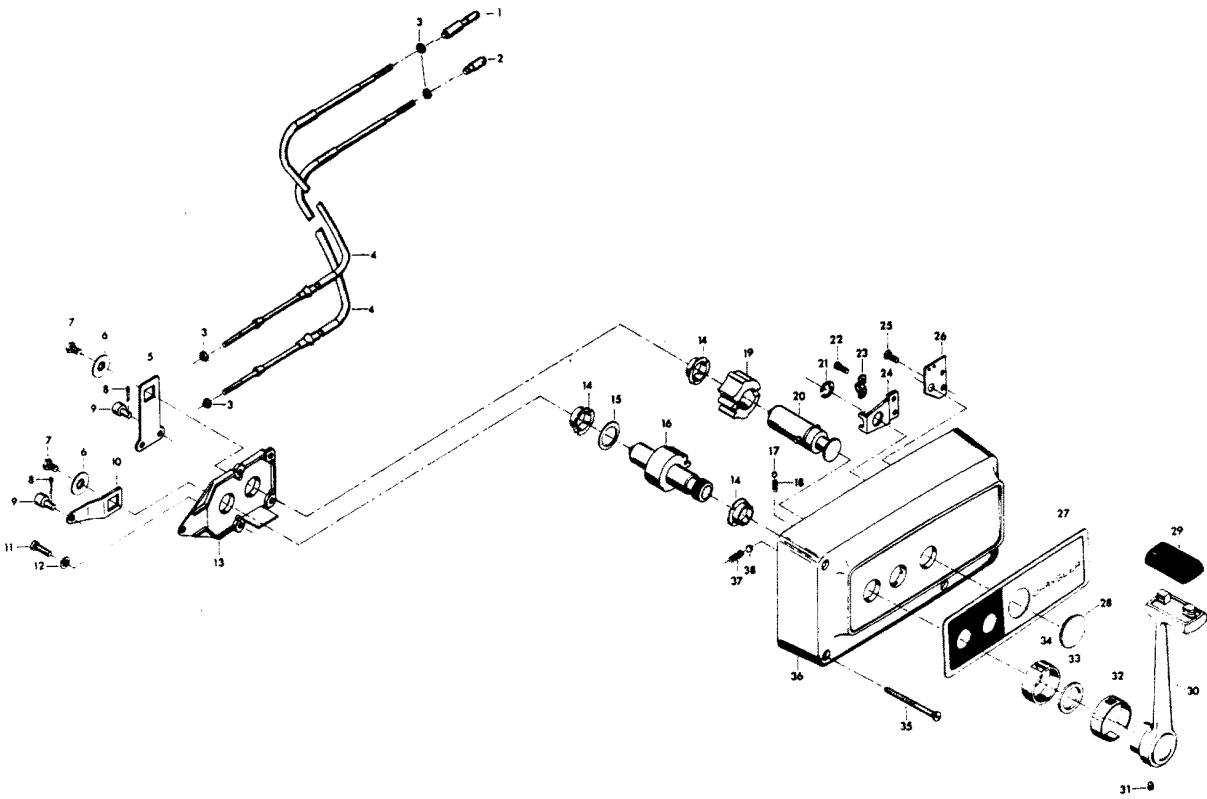
FUEL TANK AND LINE



FUEL TANK AND LINE

REF. NO.	PART NO.	SYM.	QTY.	DESCRIPTION
1	F409251-1		1	GAUGE CAP
2	F5H026		1	FUEL TANK (ACCESSORY ITEM) - CANADA
2A	F76034-2		1	FUEL TANK - USA
3	F485755-1		1	FUEL TANK ADAPTER
4	F213342		1	SEAL, FUEL LINE COUPLER (LARGE)
5	F213735		1	SEAL, FUEL LINE COUPLER (SMALL)
6	F197787-3		1	FUEL LINE COUPLER
7	F298788		3	FERRULE
8	FA84754-1		1	FUEL LINE SHORT W/ILLUS. 7
9	89396A38		1	PRIME BULB
10	32-817738A1		1	FUEL LINE, LONG W/CLAMP AND ILLUS. 7 ORIGINAL FORCE P/N A 197752-1
11	F17932		1	SEAL, FUEL TANK ADAPTER
-	FS409752		1	FUEL LINE - COMPLETE INCLUDES ITEMS MARKED WITH AN ASTERISK (*)
-	FC409398		1	DECAL, TOTE TANK - CANADA (NOT SHOWN)

REMOTE CONTROL

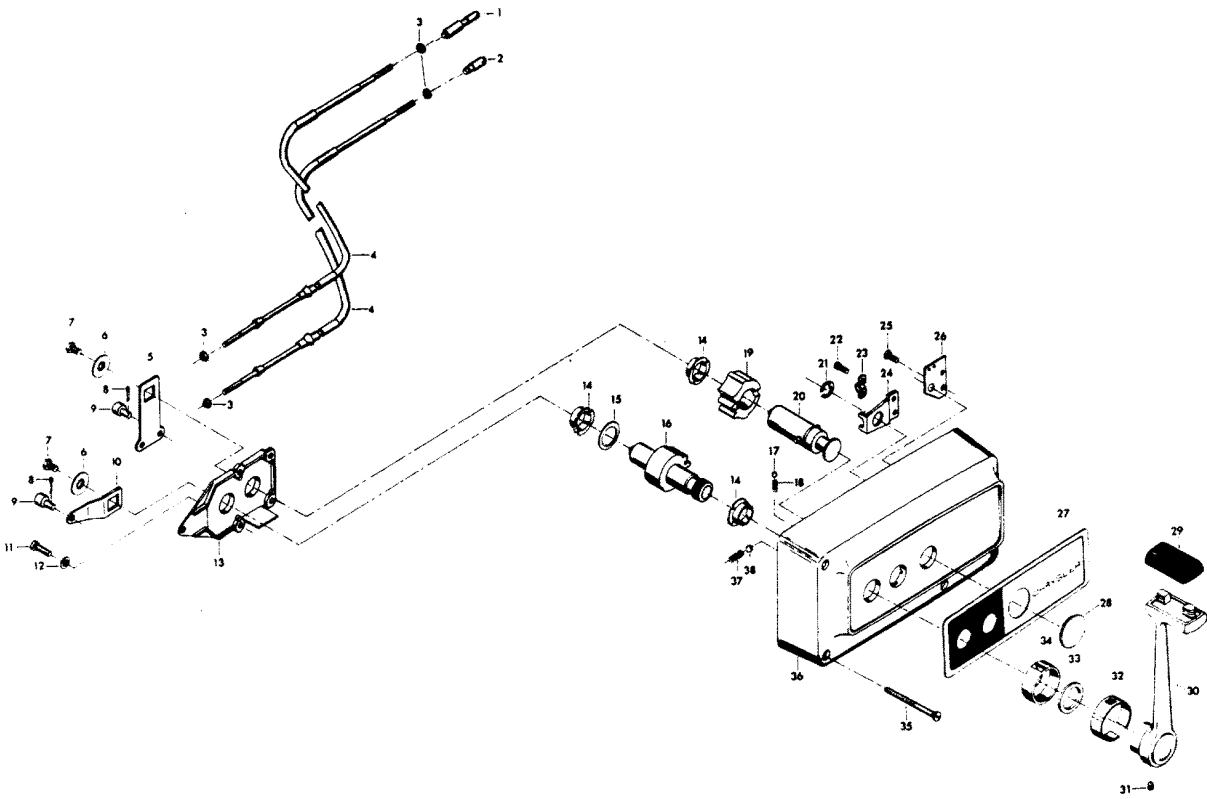


REMOTE CONTROL

REF. NO.	PART NO.	SYM.	QTY.	DESCRIPTION
1	FA58976-1		1	CONNECTOR, THROTTLE CABLE
2	F58685-2		1	CONNECTOR, SHIFT CABLE
3	F1513		4	HEX NUT
4	ÄF58356//		2	REMOTE CONTROL CABLE (SPECIFY LENGTH)
5	F17019		1	CLUTCH ARM
6	F17036		2	INTERNAL TOOTH LOCKWASHER
7	F1715		2	HEX BOLT, 1/4 - 28 X 9/16
8	F17149		2	COTTER PIN
9	F17016		2	CABLE TERMINAL
10	F17014		1	THROTTLE ARM
11	F17013		2	FILL HD SCREW, 1/4 - 20 X 1/2
12	F17147		2	INTERNAL TOOTH LOCKWASHER
13	F17012		1	RETAINING PLATE
14	F17009		3	BEARING
15	F17011		1	BOWED WASHER
16	F17010-1		1	THROTTLE GEAR
17	F17111		1	DETENT BALL
18	F17006		1	DETENT SPRING
19	F17021		1	CLUTCH GEAR
20	F17100		1	CLUTCH SHAFT
21	F17092		1	SNAP RING
22	F17071		2	FILL HD SCREW, 10 - 24 X 5/16
23	F154317		1	CABLE CLAMP
24	F17026		1	SWIVEL
25	F1557		2	FLAT HD SCREW, 10 - 24 X 3/8
26	F17112		1	JUNCTION BOARD - STARBOARD
-	F17113		1	JUNCTION BOARD - PORT
27	F17148		1	DECAL, STARBOARD
-	F531892		1	DECAL, PORT
28	F17031-1		1	SNAP CAP
29	F17116		1	KNOB
30	F17115-1		1	HANDLE
31	F17030-1		1	SET SCREW
32	FK17114-1		1	INDICATOR
33	F17105		1	FELT WASHER
34	F17106		1	COLLAR
35	F17146		3	WOOD SCREW
36	F17099		1	HOUSING

CONTINUED ON NEXT PAGE ➡

REMOTE CONTROL



REMOTE CONTROL

REF. NO.	PART NO.	SYM.	QTY.	DESCRIPTION
37	F17068		1	DETENT SPRING
38	F17082-1		1	DETENT BALL
-	F1280		2	PAN HD SCREW, 8 - 32 X 1/4 (TERMINAL BOARD)
-	OB3062		1	LITERATURE (NOT SHOWN). INSTALLATION INSTRUCTIONS FOR 5H130
-	F17103		1	BAG ASSEMBLY (NOT SHOWN). INCLUDES ALL ITEMS MARKED WITH AN ASTERISK (*)

SPECIAL TOOLS - TUNE-UP

REF. NO.	PART NO.	SYM.	QTY.	DESCRIPTION
-	FT8948-1		0	PULLER TO REMOVE FLYWHEEL
-	FT2910		0	KNOCK-OFF NUT TO REMOVE FLYWHEEL (ALTERNATE TO PULLER)
-	FTA2937-1		0	TIMING TOOL TO ADJUST IGNITION TIMING (STATIC)
-	FT8930-1		0	FEELER GAUGE TO ADJUST BREAKER POINTS
-	FT8978		0	TIMING LIGHT TO ADJUST IGNITION TIMING (DYNAMIC)

SPECIAL TOOLS - POWER HEAD

REF. NO.	PART NO.	SYM.	QTY.	DESCRIPTION
-	FT2998		0	TORQUE WRENCH (0-100 LBS./FT.) TO PROPERLY SECURE FASTENERS
-	FT2999		0	TORQUE WRENCH (0-600 LBS./IN.) TO PROPERLY SECURE FASTENERS
-	FT2991		0	CARBON BRUSH TO REMOVE CARBON FROM INSIDE POWERHEAD
-	FT8900		0	HOSE CLAMP PLIERS TO REMOVE AND INSTALL FUEL HOSE CLAMPS
-	FT3510		0	SEAL INSTALLER TO INSTALL UPPER CRANKSHAFT BEARING CAGE SEAL
-	FT3512		0	SEAL SLEEVE TO INSTALL UPPER CRANKSHAFT BEARING CAGE SEAL
-	FT1749		0	RETAINING RING PLIERS TO REMOVE AND INSTALL PISTON PIN RETAINING RINGS
-	FT2953		0	SOCKET TO TORQUE CONNECTING ROD SCREWS
-	FT2990		0	PISTON PIN REMOVER TO REMOVE AND INSTALL PISTON PIN IN PISTON
-	FT8926		0	RING EXPANDER TO INSTALL RINGS ON PISTONS
-	FT2996		0	RING COMPRESSOR TO INSTALL PISTONS IN CYLINDERS

SPECIAL TOOLS - LOWER UNIT

REF. NO.	PART NO.	SYM.	QTY.	DESCRIPTION
-	FT8948-1		0	PULLER TO REMOVE PROPELLER SHAFT BEARING CAGE FROM LOWER GEAR HOUSING
-	FT8919		0	SPRING PIN PUNCH TO REMOVE CLUTCH SPRING PIN
-	FT8907		0	DRIVER HANDLE TO INSTALL BEARING CUP IN LOWER GEAR HOUSING
-	FT8945		0	RETAINER PUNCH TO INSTALL RETAINER ON DRIVESHAFT SPLINE BOOT
-	FT8918		0	BUSHING GUIDE SET TO REMOVE AND INSTALL BEARING CUP IN LOWER GEAR HOUSING
-	FT8921		0	FORWARD BEARING CUP REMOVER TO REMOVE FORWARD BEARING CUP FROM LOWER GEAR HOUSING
-	FT8904		0	FORWARD BEARING CUP INSTALLER TO INSTALL FORWARD BEARING CUP IN LOWER GEAR HOUSING
-	FT3431		0	SEAL INSTALLER TO INSTALL DRIVESHAFT AND PROP SHAFT SEAL IN LOWER UNIT
-	FT8957		0	SEAL INSTALLER TO INSTALL SHIFT ROD SEAL
-	FT8962		0	BEARING INSTALLER TO INSTALL DRIVESHAFT BEARING IN GEAR HOUSING UPPER
-	FT8964		0	BEARING REMOVER TO REMOVE DRIVESHAFT BEARING FROM GEAR HOUSING UPPER
-	T3513		0	SEAL PROTECTOR TO PROTECT PROP SHAFT SEAL DURING INSTALLATION

SPECIAL TOOLS - TEST EQUIPMENT

REF. NO.	PART NO.	SYM.	QTY.	DESCRIPTION
-	FT2951		0	CIRCUIT TRACER TO TROUBLESHOOT 12 VOLT CIRCUITS
-	FT2938-1		0	TEST LIGHT TO CHECK CONTINUITY
-	FT2955A		0	TEST WHEEL TO TEST MOTOR IN TEST TANK
-	FT8950		0	LEAKAGE TESTER TO TEST LOWER UNIT FOR LEAKAGE

SPECIAL TOOLS - LUBRICANTS AND SEALANTS

REF. NO.	PART NO.	SYM.	QTY.	DESCRIPTION
-	FT2961		0	LUBRICANT - RYKON #2EP
-	FT2987-1		0	LUBRICANT - ANTI-SEIZE
-	FT8969		0	LUBRICANT - 7 OZ. L PSI LUBRICANT
-	FT8983		0	SEALANT - RTV
-	FT8936-1		0	SEALANT - 2 CC LOCTITE RETAINING COMPOUND #75
-	FT2962-1		0	SEALANT - 50 CC LOCTITE H, NON-HARDENING GRADE
-	FT2963-1		0	SEALANT - 2 OZ. LOCTITE D, HARDENING GRADE
-	FT8935		0	SEALANT PRIMER - 6 OZ.

ACCESSORIES

REF. NO.	PART NO.	SYM.	QTY.	DESCRIPTION
-	F5H081		0	BATTERY CABLE LONGER LENGTH - 15 FEET
-	71H25		0	CHARGE INDICATOR LAMP GLOWS GREEN WHEN ALTERNATOR IS CHARGING BATTERY.
-	F5H019		0	ANTI-CORROSION KIT ELECTRICAL UNIT USED TO HELP PREVENT CORROSION.
-	F5H025		0	ANTI-CORROSION SACRIFICIAL ANODE USED TO HELP PREVENT CORROSION.
-	5H051		0	BATTERY, 74 AMP TWELVE VOLT HEAVY DUTY BATTERY TO OPERATE STARTER AND ELECTRICAL ACCESSORIES.
-	F5H021		0	BATTERY EXTENSION CABLE USED TO EXTEND BATTERY CABLE 6 1/2 FEET.
-	F5H041		0	BATTERY TERMINAL KIT ADAPTS MODEL 5H051 BATTERY TERMINALS FOR CONNECTION TO BATTERY CABLES ON ENGINE.
-	F5H020		0	CARRYING HANDLE PERMITS EASIER TRANSPORTATION OF ENGINE TO AND FROM BOAT (2 MAN).
-	F861		0	FLUSHING ADAPTER PERMITS FRESH WATER FLUSHING OF WATER PASSAGES WITH STANDARD GARDEN HOSE.
-	F5H008		0	FUEL GAUGE MONITORS FUEL SUPPLY.
-	F5H028		0	SENDING UNIT FOR USE WITH ABOVE FUEL GAUGE.
-	F5H005		0	TEMPERATURE GAUGE MONITORS ENGINE TEMPERATURE. DO NOT USE TEMPERATURE GAUGE AND HEAT LAMP IN THE SAME INSTALLATION.
-	F5H055		0	WATER PUMP KIT HEAVY DUTY WATER PUMP RECOMMENDED FOR CONTINUED OPERATION IN SANDY OR SALT WATER.
-	F5H134		0	BOAT WHITE LACQUER ENGINE TOUCH-UP PAINT IN 12 3/4 OZ. SPRAY BOMBS (6 CANS PER CASE).
-	F5H147		0	POWER TRIM ADJUST ENGINE TRIM AND TILTS ENGINE.
-	F5H009		0	POWER TRIM INDICATOR INDICATES TRIM ANGLE.
-	F5H084		0	TRAILERING TILT LOCK SECURES ENGINE IN TILTED POSITION FOR TRAILERING.
-	F5H120		0	REMOTE CONTROL BACK PLATE PROTECTS CONTROL MECHANISM FROM PADDED MOUNTING SURFACES IN BOAT.
-	F5H026		0	FUEL TANK, 6 GALLON, STEEL AUXILIARY TANK.
-	F5H029		0	FUEL TANK ANCHOR SECURES 5H026 TO DECK.
-	F5H040		0	FUEL TANK, 12 GALLON, STEEL AUXILIARY TANK.
-	F5H143		0	POWER TILT TWELVE VOLT UNIT TILTS ENGINE FOR BEACHING, ETC.
-	479		0	HEAT LAMP KIT WARNS OF ENGINE OVERHEATING.
-	F5H073		0	OVERHEAT BUZZER KIT WARNS OF ENGINE OVERHEATING.
-	F5H077		0	IGNITION KEY SWITCH FOR ELECTRIC START MODELS, SHORT BARREL.
-	F5H078		0	IGNITION KEY SWITCH FOR ELECTRIC START MODELS, LONG BARREL.
-	F5H066		0	LONG LEG CONVERSION KIT CONVERTS 15" STANDARD SHAFT MODELS TO 20" LONG SHAFT MODELS.

CONTINUED ON NEXT PAGE ➡

ACCESSORIES

REF. NO.	PART NO.	SYM.	QTY.	DESCRIPTION
-	F195/___		0	REMOTE CONTROL CABLES CONNECTS REMOTE CONTROL BOX TO THROTTLE AND GEAR SHIFT ON MOTOR. AVAILABLE IN 6 THROUGH 40 FOOT LENGTHS.
-	F5H130		0	REMOTE CONTROL SURFACE MOUNT (SINGLE LEVER) PERMITS REMOTE CONTROL OF THROTTLE AND GEAR SHIFT FROM STARBOARD SIDE OF BOAT.
-	F5H131		0	PORT SIDE DECAL KIT CONVERTS 5H130 CONTROL BOX TO PORT SIDE MOUNTING.
-	F590		0	REMOTE CONTROL FLUSH MOUNT (SINGLE LEVER) PERMITS REMOTE CONTROL OF THROTTLE AND GEAR SHIFT. MAY BE MOUNTED ON PORT OR STARBOARD SIDE OF BOAT.
-	865		0	REMOTE CONTROL SURFACE MOUNT (SINGLE LEVER) PERMITS REMOTE CONTROL OF THROTTLE AND GEAR SHIFT ON TWIN ENGINE INSTALLATIONS. MAY BE MOUNTED ON PORT OR STARBOARD SIDE OF BOAT.
-	F5H007		0	HOURLMETER MONITORS ENGINE RUNNING TIME.
-	5H111		0	INSTRUMENT ADAPTER - 2" PROVIDES SURFACE MOUNTING FOR 2" INSTRUMENTS.
-	F5H112		0	INSTRUMENT ADAPTER - 3-1/2" PROVIDES SURFACE MOUNTING FOR 3-1/2" INSTRUMENTS.
-	F5H132		0	REMOTE CONTROL HANDLE TRIM SWITCH PROVIDES CONVENIENT OPERATION OF POWER TRIM.
-	F5H004		0	SPEEDOMETER FLUSH MOUNT (10-50MPH)
-	F5H141		0	STEERING LINK KIT FOR USE WITH PIVOT TUBE STEERING.
-	F563		0	TERMINAL BLOCK KIT DOUBLE ROW 10 SECTION FOR ACCESSORY WIRING.
-	F5H075		0	WIRING HARNESS (24") FOR REMOTE INSTALLATION OF IGNITION SWITCH.
-	F137		0	REMOTE STEERING BRACKET ADAPTS MOTOR TO CABLE TYPE REMOTE STEERING.
-	F165		0	REMOTE STEERING BRACKET ADAPTS MOTOR TO CABLE TYPE REMOTE STEERING.
-	F5H023		0	REMOTE STEERING BRACKET ADAPTS MOTOR TO MECHANICAL TYPE REMOTE STEERING.
-	F166		0	DUAL ENGINE TIE BAR PERMITS DUAL ENGINE INSTALLATION.
-	F5H012		0	TACHOMETER MONITORS ENGINE RPM TO PROVIDE CHECK OF ENGINE PERFORMANCE.
-	F5H006		0	VOLTMETER INDICATES BATTERY CONDITION.
-	5H046		0	CANVAS HOOD PROTECTION FOR ENGINE COVER.
-	F5H070		0	REMOTE ELECTRIC CABLE 25 FEET.
-	5H082		0	REMOTE ELECTRIC CABLE 35 FEET.
-	F762		0	REMOTE ELECTRIC CABLE 25 FEET
-	F596		0	CHRYSLER OUTBOARD OIL SEE BLOCK COMMENT 1.
-	F597		0	CHRYSLER OUTBOARD GEAR LUBE SEE BLOCK COMMENT 2.

CONTINUED ON NEXT PAGE ➡

ACCESSORIES

REF. NO.	PART NO.	SYM.	QTY.	DESCRIPTION
-	F5H059		0	CHRYSLER OUTBOARD MULTI-PURPOSE GREASE LUBRICATES BEARINGS AND OTHER MOVING PARTS. AVAILABLE IN 8 OZ. TUBES AND 12 TUBE CASES.
-	F5H060		0	CHRYSLER OUTBOARD GREASE GUN USED WITH CHRYSLER OUTBOARD MULTI-PURPOSE GREASE TUBES FOR PRESSURE FITTINGS.
-	F5H076		0	SWITCH EXTENSION CABLE (5') FOR REMOTE INSTALLATION OF IGNITION SWITCH.
-	F5H030		0	SWITCH KIT - RUNNING LIGHTS DASH MOUNT TOGGLE FOR ANCHOR AND RUNNING LIGHTS.
-	F5H031		0	SWITCH KIT - SPOT LIGHT DASH MOUNT TOGGLE FOR SPOT OR SEARCH LIGHTS.
-	F5H032		0	SWITCH KIT - WIPER DASH MOUNT TOGGLE FOR ELECTRIC WIPER.
-	F5H034		0	SWITCH KIT - BILGE PUMP DASH MOUNT TOGGLE FOR ELECTRIC BILGE PUMP.
-	F5H035		0	SWITCH KIT - HORN DASH MOUNT TOGGLE FOR HORN - MOMENTARY ON.
-	F5H036		0	SWITCH KIT - TACHOMETER TRANSFER DASH MOUNT TOGGLE FOR ONE TACHOMETER ON DUAL ENGINE INSTALLATION.
-	5H139		0	SWITCH KIT - LIVEWELL DASH MOUNT TOGGLE FOR LIVEWELL PUMP.
-	F5H037		0	SWITCH KIT - LIGHTER DASH MOUNT LIGHTER, COMPLETE.
-	F5H038		0	SWITCH KIT - IGNITION DASH MOUNT PLATE FOR 5H077 AND 5H078 KEY SWITCH (NOT INCLUDED).
-	F5H039		0	SWITCH KIT - INSTRUMENTS

PARTS INDEX

Part Number	Description	Pg.	Ref. No.	Part Number	Description	Pg.	Ref. No.
ÄF58356//	REMOTE CONTROL CABLE (SPECIFY LENGTH)	39	4	F12174-1	PRIMARY INTERLEAD GROUP	7	50
15037	HEAD ASSEMBLY, COMMUTATOR END	9	26	F12189	CONDENSER MOUNT SCREW	7	51
2C613712	ENGINE COVER COMPLETE.	3	-	F12227	CAM WIPER - FELT	7	47
479	HEAT LAMP KIT	47	-	F12329-2	BREAKER POINT SET	7	49
485388	DISC, WATER PUMP	35	56	F12338	GROUND WIRE	7	57
5H046	CANVAS HOOD	48	-	F12344	BREAKER PLATE	7	48
5H051	BATTERY, 74 AMP	47	-	F1238	FILL HD SCREW, 1/4 - 20 X 3/4	7	41
5H082	REMOTE ELECTRIC CABLE	48	-	F1263	HEX SOCKET HD CAP SCREW, S.S., 5/16 - 18 X 9/16	33	13
5H111	INSTRUMENT ADAPTER - 2"	48	-	F1280	PAN HD SCREW, 8 - 32 X 1/4	5	20
5H139	SWITCH KIT - LIVEWELL . . .	49	-	F1280	PAN HD SCREW, 8 - 32 X 1/4 (TERMINAL BOARD)	41	-
71H25	CHARGE INDICATOR LAMP	47	-	F1286	PAN HD SCREW, 4 - 40 X 3/16	19	45
817746A1	CONNECTOR STUD BRACKET	19	61	F1298	ROUND HD SCREW W/LOCKWASHER, 6 - 32 X 1/4	25	13
817747--1	BALL JOINT W/BEARING . . .	17	15	F1326	ACORN NUT, S.S., 5/16 - 18	29	85
817793A1	SHIFT ARM	17	38	F1341	HEX NUT	19	73
817796A2	GEAR SHIFT ARM ASSEMBLY	33	34	F1346	HEX NUT, 3/8 - 16	27	17
817814A1	TILT HANDLE	3	2	F1346	HEX NUT, S.S., 3/8 - 16	29	50
865	REMOTE CONTROL SURFACE MOUNT (SINGLE LEVER)	48	-	F1346	HEX NUT, S.S., 3/8 - 16	33	33
89396A38	PRIME BULB	37	9	F1349	HEX NUT, S.S., 5/16 - 18 . . .	29	80
F10057	REPAIR PARTS KIT.	13	21	F137	REMOTE STEERING BRACKET	48	-
F1014	COTTER PIN	13	7	F141118	SEAL, PROPELLER SHAFT . . .	33	15
F1015	COTTER PIN	33	37	F141275	FITTING, THERMOSTAT . . .	21	89
F1027	COTTER PIN, S.S., 1/8 - 1/2 .	33	10	F141305	SEAL, PROPELLER SHAFT BEARING CAGE	33	17
F1052	FILL HD SCREW, 1/4 - 20 X 1	19	72	F141704	GEAR SHIFT ROD COUPLING	29	79
F1059	FILL HD SCREW, 6 - 32 X 1/4	13	5	F1441	PAN HD SCREW, 1/4 - 20 X 7/8	23	2
F1108	FILL HD SCREW W/SPRING LOCKWASHER, 1/4 - 20 X 3/4	11	12	F1446	SLOTTED PAN HD SCREW, 1/4 - 20 X 1	17	42
F1110	SLOTTED FILL HD SCREW, 1/4 - 20 X 5/8	7	69	F1473	HEX NUT, 10 - 24	17	24
F1110	SLOTTED FILL HD SCREW, 1/4 - 20 X 5/8	11	2	F1475	FILL HD SCREW, 10 X 24 X 1/2	3	8
F1129	FILL HD SCREW, S.S., 5/16 - 18 X 1/2	27	34	F15000	SEAL, O-RING	9	16
F1134	FILL HD SCREW, 8 - 32 X 1- 1/8	17	19	F15021-1	HEAD ASSEMBLY, DRIVE END	9	12
F1136	FLAT HD SCREW, 1/4 - 20 X 1	17	39	F15034	SPRING SET	9	24
F1141	FLAT HD SCREW, 10 - 24 X 1/2	25	7	F15038-1	BRUSH PLATE AND HOLDER	9	23
F1160	FLAT HD SCREW, 1/4 - 28 X 5/8	31	90	F15042	BRUSH SET	9	22
F1164	FLAT HD SCREW, 5/16 - 18 X 1-1/8	5	29	F15043	FRAME AND FIELD ASSEMBLY.	9	19
F1199	HEX HD SCREW, 1/4 - 20 X 1	27	20	F15044	ARMATURE	9	17
F12083	CONDENSER MOUNT SCREW W/LOCKWASHER	7	54	F15073	THRUST WASHER PACKAGE	9	18
F12090	BREAKER CONTACT SCREW	7	53	F15087	NUT	9	2
F1211	HEX HD SCREW W/LOCKWASHER, 1/4 - 28 X 5/8	27	12	F15088	SPRING	9	4
F12139-1	CONDENSER	7	52	F15091	WASHER	9	8
F12167	SCREW	7	64	F15094	THRU BOLT PACKAGE (SET OF 2 BOLTS)	9	25
F12172	TERMINAL COMPLETE	7	60	F15104	CUP, CUSHION THRUST . . .	9	11

PARTS INDEX

Part Number	Description	Pg.	Ref. No.	Part Number	Description	Pg.	Ref. No.
F15105	CUP	9	9	F17030-1	SET SCREW	39	31
F15106	CUSHION	9	10	F17031-1	SNAP CAP	39	28
F15109	STOP	9	3	F17036	INTERNAL TOOTH LOCKWASHER	39	6
F15113	BENDIX DRIVE.	9	1	F1704	INTERNAL TOOTH LOCKWASHER	7	67
F15115	CUP, PINION	9	5	F17068	DETENT SPRING	41	37
F15116	SLEEVE	9	6	F17071	FILL HD SCREW, 10 - 24 X 5/16	39	22
F1513	HEX NUT	39	3	F17082-1	DETENT BALL	41	38
F1513	HEX NUT, 10 - 32	5	31	F17092	SNAP RING	39	21
F1513	HEX NUT, 10 - 32	17	12	F17099	HOUSING	39	36
F1513	HEX NUT, 10 - 32	17	16	F17100	CLUTCH SHAFT	39	20
F1513	HEX NUT, 10 - 32	17	64	F17103	BAG ASSEMBLY (NOT SHOWN).	41	-
F1514	HEX NUT, 1/4 - 20	9	15	F17105	FELT WASHER	39	33
F1515	HEX NUT, 5/16 - 18	3	21	F17106	COLLAR	39	34
F1515	HEX NUT, 5/16 - 18	13	28	F17111	DETENT BALL	39	17
F1515	HEX NUT, 5/16 - 18	17	4	F17112	JUNCTION BOARD - STARBOARD	39	26
F1515	HEX NUT, 5/16 - 18	25	2	F17113	JUNCTION BOARD - PORT	39	-
F1532	HEX HD SCREW, 1/4 - 20 X 1	3	24	F17115-1	HANDLE	39	30
F1532	HEX HD SCREW, 1/4 - 20 X 1	7	46	F17116	KNOB	39	29
F1540	HEX CAP SCREW, 1/4 - 20 X 5/8	27	11	F17146	WOOD SCREW	39	35
F154317	CABLE CLAMP	39	23	F17147	INTERNAL TOOTH LOCKWASHER	39	12
F1544	HEX HD CAP SCREW, 3/8 - 16 X 2-1/4	21	78	F17148	DECAL, STARBOARD	39	27
F1556	FILL HD SCREW W/LOCKWASHER, 10 - 24 X 3/8	17	32	F17149	COTTER PIN	39	8
F1557	FLAT HD SCREW, 10 - 24 X 3/8	39	25	F1715	HEX BOLT, 1/4 - 28 X 9/16	39	7
F1593	HEX HD SCREW, S.S., 3/8 - 16 X 3	29	48	F1727	PLASTIC RIVET	17	30
F1600	LOCK NUT, PIVOT TUBE	29	46	F1733	PAN HD SCREW, 10 - 24 X 9/16	3	15
F1615	HEX NUT, 5/16 - 24	7	38	F1733	PAN HD SCREW, 10 - 24 X 9/16	5	32
F1635	HEX SOCKET HD CAP SCREW, S.S., 3/8 - 16 X 3- 1/2	27	28	F1733	PAN HD SCREW, 10 - 24 X 9/16	29	56
F1636	HEX SOCKET HD CAP SCREW, S.S., 3/8 - 16 X 1- 1/4	27	29	F1744	SPRING PIN	29	76
F1645	RD HD SELF-TAPPING SCREW, 6 - 32 X 1/4	7	68	F1753	HEX CAP SCREW, 1/4 - 20 X 3/4	3	10
F1646	HEX SOCKET HD CAP SCREW, 3/8 - 16 X 2-1/4	17	7	F1753	HEX CAP SCREW, 1/4 - 20 X 3/4	19	63
F1647	HEX NUT, 8 - 32	5	14	F1753	HEX HD SCREW, 1/4 - 20 X 3/4	3	25
F165	REMOTE STEERING BRACKET	48	-	F1753	HEX HD SCREW, 1/4 - 20 X 3/4	17	9
F166	DUAL ENGINE TIE BAR	48	-	F177330	FUEL PUMP VALVE	11	9
F1666	BOWED SPRING WASHER	27	42	F177917	STARTER RELAY	7	37
F1669	STOP NUT	29	55	F17932	SEAL, FUEL TANK ADAPTER	37	11
F17006	DETENT SPRING	39	18	F18160-2	REED, CYLINDER DRAIN	19	48
F17009	BEARING	39	14	F183300	SPRING	3	20
F17010-1	THROTTLE GEAR	39	16	F183346-1	SHOCK MOUNT LOWER	27	33
F17011	BOWED WASHER	39	15	F1836	SPRING PIN	29	62
F17012	RETAINING PLATE	39	13	F184033-1	SWIVEL, CHOKE ROD	13	4
F17013	FILL HD SCREW, 1/4 - 20 X 1/2	39	11	F184579	SEAL, CHOKE ARM SWIVEL	13	3
F17014	THROTTLE ARM	39	10	F1849	HEX HD SCREW, S.S., 1/4 - 20 X 1-3/8	27	18
F17016	CABLE TERMINAL	39	9	F1851	FILL HD M. SCREW W/LOCKWASHER, 10 - 24 X 1/2	27	4
F17019	CLUTCH ARM	39	5				
F17021	CLUTCH GEAR	39	19				
F17026	SWIVEL	39	24				

PARTS INDEX

Part Number	Description	Pg.	Ref. No.	Part Number	Description	Pg.	Ref. No.
F1854	HEX SLOT HD SCREW, 1/4 - 20 X 5/8	17	6	F2033	GROOVE PIN	13	10
F1857	HEX CAP SCREW, 5/16 - 18 X 5/8	19	62	F203673	TERMINAL CLIP	5	17
F185764	RETAINING RING	29	81	F203965	SHOCK MOUNT UPPER	27	7
F1860	SLOTTED BINDING HD SCREW, 6 - 32 X 1/4	11	8	F2066	PAN HD SELF-TAPPING SCREW	3	4
F1879	HEX SOCKET HD CAP SCREW, 3/8 - 16 X 1-5/8	17	8	F2071	HEX CAP SCREW, 5/16 - 18 X 1-3/8	7	63
F1880	PLASTIC PLUG	27	30	F2097	SPRING PIN	33	23
F1904	PLAIN WASHER	29	49	F213274	GREASE FITTING	29	64
F1905	FILL HD SCREW, 1/4 - 20 X 3-7/16	27	23	F213342	SEAL, FUEL LINE COUPLER (LARGE)	37	4
F1910	ELASTIC STOP NUT, 1/4 - 20	17	17	F213735	SEAL, FUEL LINE COUPLER (SMALL)	37	5
F191169-1	SWIVEL BRACKET BEARING	27	36	F215962	SHOCK MOUNT SIDE LOWER	31	87
F1920	HEX NUT, 5/8 - 18	7	72	F24074	CLAMP SCREW FOOT	29	70
F1922	HEX CAP SCREW, 1/4 - 20 X 5/8	5	18	F268002-2	CAM	7	45
F1922	HEX HD SCREW, 1/4 - 20 X 5/8	11	3	F269052	SHIFT ARM BEARING	17	36
F1922	HEX HD SCREW, 1/4 - 20 X 5/8	21	92	F269122-1	CRANKCASE PARTING LINE SEAL	19	74
F1929	HEX HD CAP SCREW, S.S., 3/8 - 16 X 1-1/8	27	25	F269122-1	CRANKCASE PARTING LINE SEAL	21	-
F1934	FLAT HD SLOTTED SCREW, 6 X 1/2	5	23	F269319	THROTTLE CAM BEARING	17	11
F1947	FLANGED 12 POINT SCREW, 5/16 - 18 X 2	31	88	F269445-1	SPARK CONTROL LINK	17	25
F195/_	REMOTE CONTROL CABLES	48	-	F269929	SPACER, TILT STOP	27	39
F1958	PAN HD SCREW, 6 X 7/16	7	61	F269929	SPACER, TILT STOP	29	43
F1969	FILL HD SCREW, 1/4 - 20 X 3/4	17	31	F269929	SPACER, TILT STOP	29	65
F1971	HEX HD SCREW, 1/4 - 20 X 2-1/8	21	90	F269929	SPACER, TILT STOP	29	67
F1974	SLOTTED PAN HD SCREW, 10 - 24 X 5/8	5	5	F286461	SPRING LOCK BAR HANDLE	29	78
F1975	LOCKWASHER	5	4	F286772-1	CLAMP	27	9
F197787-3	FUEL LINE COUPLER	37	6	F289664	WIRE STATOR GROUND	7	58
F1987	PLAIN WASHER	3	19	F298788	FERRULE	37	7
F1987	PLAIN WASHER	29	83	F2A366298	PROPELLER SHAFT BEARING CAGE	33	14
F1994	HEX SOCKET HD CAP SCREW, 5/16 - 18 X 1	35	57	F2A433757	CYLINDER DRAIN REED PLATE	19	49
F1995	FILL HD SCREW, 10 - 24 X 1	17	27	F2A474266	BEVEL PINION W/BEARING	33	35
F1995	FILL HD SCREW, 10 - 24 X 1-1/16	21	85	F307038	SUPPORT PLATE	3	13
F1997	STOP NUT, 8 - 32	13	32	F307211	STUD	17	2
F1997	STOP NUT, 8 - 32	21	100	F307279-2	CYLINDER EXHAUST GASKET UPPER	27	1
F2008	HEX HD SCREW, 1/4 - 20 X 7/8	25	1	F307279-2	GASKET, CYLINDER EXHAUST - UPPER	21	-
F2014	PLAIN WASHER	21	79	F307317	CLIP, TERMINAL BLOCK - GROUND	5	11
F201529-1	CYLINDER HEAD GASKET	19	67	F307615	GEAR SHIFT ROD UPPER	29	84
F201529-1	GASKET, CYLINDER HEAD	19	-	F307660-1	LEG EXHAUST TUBE	27	3
F2016	FILL HD SCREW, 6 - 32 X 7/8	17	40	F307683	WIRE, CIRCUIT BREAKER	5	1
F2016	FILL HD SCREW, 8 - 32 X 7/8	5	28	F307818	BEARING, LATCH SHAFT	3	17
F2025	PAN HD SCREW, 10 X 5/8	3	3	F307908	STARTER LEAD	9	20
F2030	HEX HD SCREW, S.S., 1/4 - 20 X 1-1/4	35	54	F307942-1	2	17	20
F2030	SCREW 1/4 - 20 X 1-1/4	35	-	F307962	SHOCK MOUNT - SIDE - UPPER	27	15
F203097-5	FLYWHEEL	7	71	F311744-2	WIRING HARNESS	5	2
F203276	COIL BOOT	5	16	F311996	GASKET, CYLINDER HEAD COVER	21	-
				F316599	SEAL, PIVOT TUBE	31	91
				F328013-1	CRANKSHAFT THRUST BEARING UPPER	23	18
				F328109	PLUG	17	21

PARTS INDEX

Part Number	Description	Pg.	Ref. No.	Part Number	Description	Pg.	Ref. No.
F333316	THROTTLE ROLLER SHAFT	13	35	F40833-4	MOTOR LEG EXHAUST		
F335160	REED	25	11		COVER GASKET	27	22
F335217-1	BEARING	23	8	F40906-1	FLANGE GASKET	13	36
F338129-1	SEAL, DRIVESHAFT SPLINE	33	1	F40906-1	GASKET, CARBURETOR	19	-
F338271	RETAINER	33	2	F409251-1	GAUGE CAP	37	1
F338618-1	SEAL, SHIFT ROD LOWER	35	45	F428015-1	PISTON	23	12
F345427-1	BRACKET, STARTER			F428096	RETAINER, PISTON PIN	23	11
	MOUNTING	17	1	F433065-1	IMPELLER	35	-
F345683	WIRE - GROUND	5	10	F433065-1	WATER PUMP IMPELLER	35	50
F349307	DRIVESHAFT SEAL - WATER			F433114	HANDLE, LOCK BAR	29	77
	PUMP	35	52	F433168	CARBURETOR ADAPTER		
F353480	STUD	29	69		GASKET	25	6
F366058	BALL BEARING, PROPELLER			F433168	GASKET, CARBURETOR		
	SHAFT	33	16		ADAPTER	21	-
F366215	SPACER	23	10	F433192	THROTTLE CAM	17	14
F366277	BEARING CAGE GASKET	23	4	F433209	STUD, THROTTLE CAM	17	10
F366277	GASKET, BEARING CAGE	21	-	F433254	HOSE	19	66
F366300	REVERSE LOCK SPRING	29	53	F433404	DEFLECTOR PLATE	25	8
F366349	REVERSE LOCK	29	54	F433406	DEFLECTOR PLATE		
F366350	TILT STOP PIVOT	27	40		GASKET	25	9
F366364	ARM	29	60	F433406	GASKET, DEFLECTOR		
F366426	TILT STOP - PORT	27	41		PLATE	21	-
F366433	TILT STOP, STARBOARD	29	66	F433675	STARTER MOUNTING		
F366510-1	LINK	29	61		BRACKET - LOWER	17	5
F366727	BALL, PROPELLER SHAFT	33	20	F433680	SPACER PLATE	27	2
F366827	HANDLE AND SHAFT	29	57	F433689	TOWERSHAFT BEARING	17	28
F366866	PIN	29	52	F433946	SHOCK MOUNT UPPER		
F369450	RECTIFIER	5	12		COVER	27	8
F380475	COIL	5	30	F433972	SHOCK MOUNT LOWER		
F380501	COIL MOUNT	7	55		COVER - STARBOARD	31	86
F380513	COIL CLAMP	5	27	F433973	SHOCK MOUNT LOWER		
F381896-4	BATTERY CABLE	5	24		COVER - PORT	27	27
F391926-1	CHOKE SOLENOID			F434061-3	CARBURETOR - COMPLETE		
	PLUNGER	13	9		(WB16D)	13	39
F40008	STUD, SHORT	33	39	F434754	FUEL LINE, PUMP TO		
F40017-2	PISTON PIN	23	9		CARBURETOR	11	17
F40146-1	CRANKSHAFT SEAL	23	1	F434758	FUEL PUMP IMPULSE HOSE	11	6
F40151-1	EXHAUST PORT PLATE	21	95	F435057	BEARING, DRIVESHAFT		
F40154-3	EXHAUST PORT PLATE				UPPER	35	47
	GASKET	21	94	F435077	SCREEN, WATER INLET	35	46
F40154-3	GASKET, EXHAUST PORT			F435133-1	MOTOR LEG	27	24
	PLATE	19	-	F435244	INLET WATER LINE	33	7
F40209	CARBURETOR STUD	25	3	F435555	SEAL, GEAR HOUSING	35	43
F40223	GASKET, TRANSFER PORT			F435562	BACK PLATE, WATER PUMP	35	-
	COVER	19	-	F435562	WATER PUMP BACK PLATE	35	49
F40223	TRANSFER PORT COVER			F435705	GEAR SHIFT ROD LOWER	33	36
	GASKET	19	55	F438165	SCREW, FUEL BOWL	11	19
F40279-1	CYLINDER EXHAUST			F438398-1	DECAL, WIRING	5	26
	GASKET LOWER	27	14	F438500	FUEL SEDIMENT BOWL	11	18
F40279-1	GASKET, CYLINDER			F438617	FUEL SEDIMENT BOWL		
	EXHAUST - LOWER	21	-		GASKET	11	15
F40307-2	SEAL, DRIVESHAFT	35	48	F438653	FUEL PUMP SCREEN	11	16
F40342	SEAL	33	5	F438747	FUEL PUMP DIAPHRAGM	11	7
F40342	SEAL, PROPELLER NUT	33	11	F438760	FUEL PUMP GASKET	11	4
F40410	SNAP RING	23	14	F438801	ELBOW	11	13
F404801	ELBOW	19	65	F438930	RETAINER, SNOUT	33	40
F405457	PIVOT SCREW	17	33	F452925	CHOKE SOLENOID ROD	13	8
F40717	THRUST WASHER, BEVEL			F458774	BRACKET RETAINER -REAR	3	11
	GEAR	33	19	F463314	ELBOW	21	96
				F463864	RETAINER, TILT HANDLE	3	5

PARTS INDEX

Part Number	Description	Pg.	Ref. No.	Part Number	Description	Pg.	Ref. No.
F466095	STATOR	7	59	F5H036	SWITCH KIT - TACHOMETER		
F466479	BREAKER PLATE SHOE	7	62		TRANSFER	49	-
F467841	COIL WIRE - CANADA	5	-	F5H037	SWITCH KIT - LIGHTER	49	-
F474073-1	CLAMP SCREW	29	74	F5H038	IGNITION SWITCH		
F483884	BEARING	29	63		MOUNTING KIT		
F485755-1	FUEL TANK ADAPTER	37	3		(ACCESSORY ITEM)	5	22
F498618	SEAL, O-RING	33	30	F5H038	SWITCH KIT - IGNITION	49	-
F498891	GEAR SHIFT ARM PIVOT			F5H039	SWITCH KIT -		
	PIN	33	29		INSTRUMENTS	49	-
F50109	PLUG, GEAR HOUSING	33	27	F5H040	FUEL TANK, 12 GALLON,		
F510374	DECAL, CIRCUIT BREAKER	7	35		STEEL	47	-
F510460	CIRCUIT BREAKER	5	34	F5H041	BATTERY TERMINAL KIT	47	-
F522032	STERN BRACKET -			F5H055	WATER PUMP KIT	47	-
	STARBOARD	29	68	F5H059	CHRYSLER OUTBOARD		
F522125-1	TUBE, PIVOT STEERING	29	71		MULTI-PURPOSE GREASE	49	-
F522286	STERN BRACKET FRICTION			F5H060	CHRYSLER OUTBOARD		
	WASHER	27	38		GREASE GUN	49	-
F522532	STERN BRACKET - PORT	29	44	F5H066	LONG LEG CONVERSION		
F522741	RING, RETAINING-REV.				KIT	47	-
	LOCK SHAFT	29	59	F5H070	REMOTE ELECTRIC CABLE	48	-
F522884	BEARING	29	58	F5H073	OVERHEAT BUZZER KIT	47	-
F531892	DECAL, PORT	39	-	F5H075	WIRING HARNESS (24")	48	-
F544390-1	DECAL, TILT LOCK	29	51	F5H076	SWITCH EXTENSION CABLE		
F545189	BUSHING, CABLE ENTRY	3	18		(5')	49	-
F549189	BUSHING ELECTRIC CABLE			F5H077	IGNITION KEY SWITCH	47	-
	ENTRY	3	14	F5H078	IGNITION KEY SWITCH	47	-
F563	TERMINAL BLOCK KIT	48	-	F5H078	IGNITION SWITCH		
F58685-2	CONNECTOR, SHIFT CABLE	39	2		(ACCESSORY ITEM)	5	21
F590	REMOTE CONTROL FLUSH			F5H081	BATTERY CABLE	47	-
	MOUNT (SINGLE LEVER)	48	-	F5H084	TRAILERING TILT LOCK	47	-
F596	CHRYSLER OUTBOARD OIL	48	-	F5H112	INSTRUMENT ADAPTER - 3-		
F597	CHRYSLER OUTBOARD				1/2"	48	-
	GEAR LUBE	48	-	F5H120	REMOTE CONTROL BACK		
F5H004	SPEEDOMETER	48	-		PLATE	47	-
F5H005	TEMPERATURE GAUGE	47	-	F5H130	REMOTE CONTROL		
F5H006	VOLTMETER	48	-		SURFACE MOUNT		
F5H007	HOURMETER	48	-		(SINGLE LEVER)	48	-
F5H008	FUEL GAUGE	47	-	F5H131	PORT SIDE DECAL KIT	48	-
F5H009	POWER TRIM INDICATOR	47	-	F5H132	REMOTE CONTROL HANDLE		
F5H012	TACHOMETER	48	-		TRIM SWITCH	48	-
F5H019	ANTI-CORROSION KIT	47	-	F5H134	BOAT WHITE LACQUER	47	-
F5H020	CARRYING HANDLE	47	-	F5H141	STEERING LINK KIT	48	-
F5H021	BATTERY EXTENSION			F5H143	POWER TILT	47	-
	CABLE	47	-	F5H147	POWER TRIM	47	-
F5H023	REMOTE STEERING			F7004	ELASTIC STOP NUT 3/8 - 16	35	62
	BRACKET	48	-	F7004	STOP NUT, 7/16 - 20	17	37
F5H025	ANTI-CORROSION			F7007	NUT	29	45
	SACRIFICIAL ANODE	47	-	F7011	HEX NUT, 10 - 24	3	6
F5H026	FUEL TANK (ACCESSORY			F71H26	BATTERY TERMINAL KIT		
	ITEM) - CANADA	37	2		(ACCESSORY ITEM)	5	25
F5H026	FUEL TANK, 6 GALLON,			F76034-2	FUEL TANK - USA	37	2A
	STEEL	47	-	F762	REMOTE ELECTRIC CABLE	48	-
F5H028	SENDING UNIT	47	-	F8003	PLAIN WASHER	19	46
F5H029	FUEL TANK ANCHOR	47	-	F8011	PLAIN WASHER	5	33
F5H030	SWITCH KIT - RUNNING			F8025	PLAIN WASHER	27	10
	LIGHTS	49	-	F8028	PLAIN WASHER	9	13
F5H031	SWITCH KIT - SPOT LIGHT	49	-	F8038	PLAIN WASHER	27	16
F5H032	SWITCH KIT - WIPER	49	-	F8039	PLAIN WASHER	35	61
F5H034	SWITCH KIT - BILGE PUMP	49	-	F8042	PLAIN WASHER	33	6
F5H035	SWITCH KIT - HORN	49	-	F8049	BOWED SPRING WASHER	29	82

PARTS INDEX

Part Number	Description	Pg.	Ref. No.	Part Number	Description	Pg.	Ref. No.
F8056	SPRING LOCKWASHER	5	13	F90619-1	YOKE	35	58
F8058	INTERNAL TOOTH LOCKWASHER	17	13	F90871-3	GEAR SHIFT ARM PIN	33	22
F8058	INTERNAL TOOTH LOCKWASHER	19	60	F91446-1	CIRCUIT BREAKER BRACKET	7	36
F8060	EXTERNAL TOOTH LOCKWASHER	23	19	F92446	CLAMP	7	70
F8060	LOCKWASHER	9	14	F92498	KEY	7	43
F8065	LOCKWASHER	33	32	F92759	ROLLER	13	34
F8065	SPRING LOCKWASHER	27	26	F93472-1	CYLINDER DRAIN COVER GASKET	19	44
F8077	WASHER, GEAR HOUSING PLUG	33	28	F93472-1	GASKET, CYLINDER DRAIN COVER	19	-
F8083	SPRING LOCKWASHER	5	9	F93748-1	CYLINDER DRAIN REED PLATE GASKET	19	51
F8083	SPRING LOCKWASHER	21	76	F93748-1	GASKET, CYLINDER DRAIN REED PLATE	19	-
F8083	SPRING LOCKWASHER	27	19	F93811	SCREEN CYLINDER DRAIN REED PLATE	19	50
F8088	PLAIN WASHER	7	66	F93920	CYLINDER DRAIN REED STOP	19	47
F8088	PLAIN WASHER	13	6	F94914	SLEEVE	7	56
F8088	PLAIN WASHER	19	57	F97008-1	STUD, LONG	33	31
F8094	PLAIN WASHER	7	40	F97066-1	THERMOSTAT COVER	21	84
F8096	SPRING LOCKWASHER	3	22	F97067	GASKET, THERMOSTAT COVER	19	-
F8096	SPRING LOCKWASHER	7	39	F97067	THERMOSTAT COVER GASKET	21	83
F8096	SPRING LOCKWASHER	17	3	F97068-1	THERMOSTAT	21	82
F84026	SPARK CONTROL SWIVEL	17	22	F97275	FITTING, THERMOSTAT	21	86
F84035-2	SPARK CONTROL BEARING, R.H.	17	26	F97504	GROMMET, THERMOSTAT	21	81
F84036	SPARK CONTROL BEARING, L.H.	17	23	F97772	CLAMP	21	87
F84280	KINGPIN NUT	27	31	F97772	FUEL LINE CLAMPS	11	14
F84314-2	ELBOW	11	5	F98273	ROD END CONNECTOR STUD	19	59
F84314-2	ELBOW, FUEL LINE	19	58	F99521-1	CLUTCH	33	24
F84314-2	ELBOW, FUEL LINE CARBURETOR	13	1	FA15072	HEX LOCK NUT, 1/4 - 20	9	21
F84449	NEUTRAL INTERLOCK SWITCH	7	65	FA201955	STARTER MOTOR - COMPLETE (NOT SHOWN)	9	-
F84449	SWITCH, NEUTRAL INTERLOCK	17	41	FA27232	EMERGENCY STARTER ROPE (NOT SHOWN) WITH HANDLE	5	-
F84792	FUEL PUMP VALVE GASKET	11	10	FA307779	BAFFLE, AIR INTAKE	3	26
F85372	PIN, GEAR SHIFT ROD LOWER	33	38	FA328763	COVER LATCH HANDLE W/SHAFT	3	16
F8538	SPRING PIN	29	73	FA366778	ENGINE COVER RETAINER FORWARD	3	27
F8545	SPRING PIN	21	99	FA368700	IGNITION KEY - NO LETTER OR STAMPED A	5	19
F85502	THROTTLE LINK	17	18	FA40655	CRANKSHAFT CENTER MAIN BEARING RACE	23	15
F8559	DOWEL PIN	19	52	FA411222	TRANSFER PORT COVER	19	56
F85610	BEARING	17	35	FA433019	KINGPIN	27	35
F85634-2	CONNECTING ROD SCREW	23	17	FA433113	STERN BRACKET LOCK BAR	29	75
F85756	SUPPORT PLATE PACKING	3	12	FA433152	EXHAUST PORT COVER	21	93
F85843-1	ELECTRIC CONTROL CABLE	5	7	FA433158	REED PLATE	25	10
F861	FLUSHING ADAPTER	47	-	FA433167	CARBURETOR ADAPTER FLANGE	25	5
F88161-3	REED STOP	25	12	FA433387	DECAL, TIMING	25	14
F89011	SWIVEL BRACKET WASHER	27	32	FA433471	CYLINDER DRAIN COVER W/FITTING	19	43
F89025	DAMPENING PAD	27	13	FA435018	CRANKSHAFT	23	5
F89504	GROMMET, MOTOR LEG	31	89				
F89777-1	LATCH CAM	3	23				
F90014	CRANKSHAFT LOWER MAIN BEARING	23	16				
F901563	DRIVE PIN	35	-				
F901563	DRIVE PIN, WATER PUMP IMPELLER	33	4				
F9018	PLASTIC CAP, PIVOT TUBE	29	72				
F9052	PLASTIC PLUG, PIVOT TUBE	29	47				

PARTS INDEX

Part Number	Description	Pg.	Ref. No.	Part Number	Description	Pg.	Ref. No.
FA435116	EXHAUST, SNOUT	35	41	FO10280	CHOKE SHUTTER		
FA435260	PISTON RING SET	23	13		RETAINING SCREW AND LOCKWASHER	13	15
FA435616	GEAR SHIFT ROD INTERMEDIATE	35	55	FO10588	BODY CHANNEL CUP PLUG	15	41
FA438431	FUEL PUMP BODY	11	11	FO10790	INLET NEEDLE, SEAT AND GASKET	13	19
FA439746	FUEL PUMP COVER	11	1	FO10883	CHOKE RELIEF VALVE SPRING	13	17
FA458480	ENGINE COVER RETAINER	3	7	FO11103	IDLE MIXTURE SCREW SPRING	13	12
FA463060	WATER PUMP BODY	35	-	FO13194	MAIN FUEL JET .080 - OPT. - 3750 - 6250 FT.	13	-
FA463060	WATER PUMP BODY	35	51	FO13552	FUEL BOWL	13	24
FA465010	CYLINDER	19	53	FO13554	FLOAT	13	27
FA466144	CRANKSHAFT BEARING CAGE	23	3	FO13944	FLOAT LEVER PIN	13	20
FA485023	BEVEL GEAR FRONT W/BEARING	33	25	FO13945	FUEL BOWL RETAINING SCREW	13	25
FA485662	BEVEL GEAR REAR W/BEARING	33	18	FO13946	IDLE MIXTURE SCREW	13	11
FA485914	SEAL, INLET WATER LINE, LOWER	35	53	FO14109	MAIN FUEL JET .082 - OPT. - 1250 - 3750 FT.	13	-
FA486054	GEAR HOUSING LOWER	33	26	FO14292	THROTTLE SHAFT RETURN SPRING	13	31
FA510497	TERMINAL BLOCK	5	3	FO14302	MAIN FUEL JET .084 - STD.	13	30
FA545072	SWIVEL BRACKET	27	37	FO14306	MAIN FUEL JET .078 - OPT. - 6250 - 8250 FT.	13	-
FA545554	GEAR HOUSING UPPER	35	44	FO15623	FUEL BOWL GASKET	13	22
FA58976-1	CONNECTOR, THROTTLE CABLE	39	1	FO15724	CHOKE SHUTTER	13	16
FA613396	DECAL, ENGINE COVER	3	9	FO15725	CHOKE RELIEF VALVE	13	13
FA613832	MOTOR LEG EXHAUST COVER	27	21	FO15728	THROTTLE SHAFT AND LEVER	13	33
FA84754-1	FUEL LINE SHORT	37	8	FO16340	THROTTLE SHUTTER	13	38
FA89128-1	DRIVESHAFT	33	3	FO16383	CHOKE SHAFT AND LEVER	13	2
FA94094-2	PROPELLER NUT	33	9	FO16385	CHOKE SHAFT RETURN SPRING	13	14
FA97247	WATER TUBE, THERMOSTAT	21	88	FO17355	MAIN NOZZLE	13	29
FB368700	IGNITION KEY - STAMPED B	5	-	FO2510	FUEL BOWL RETAINING SCREW GASKET	13	23
FC235227	SPARK PLUG (RL-4-J) - CANADA	19	-	FO3804	THROTTLE SHAFT POSITION RETAINING SCREW WASHER	15	42
FC368700	IGNITION KEY - STAMPED C	5	-	FO4326	BODY CHANNEL WELCH PLUG	15	40
FC409398	DECAL, TOTE TANK - CANADA (NOT SHOWN)	37	-	FO6393	THROTTLE SHAFT POSITION RETAINING SCREW	15	44
FC465010	SHORT BLOCK.	19	-	FO6396	THROTTLE SHAFT POSITION RETAINING SCREW LOCKWASHER	15	43
FC479390	DECAL, STARTER - CANADA (NOT SHOWN)	9	-	FO8942	THROTTLE SHUTTER RETAINING SCREW AND LOCKWASHER	13	37
FC486054	GEAR HOUSING COMPLETE.	33	-	FP293	PROPELLER (ACCESSORY ITEM)	33	8
FD368700	IGNITION KEY - STAMPED D	5	-	FS307940	KINGPIN PLATE	27	6
FE368700	IGNITION KEY - STAMPED E	5	-	FS380227	SPARK PLUG (UL-4-J)	19	71
FG1007-1	GASKET SET.	19	75	FS409752	FUEL LINE - COMPLETE	37	-
FK10000	GASKET SET.	13	26	FS433758	HOSE W/VALVE	21	97
FK1073	WATER PUMP KIT	35	60	FS606712	ENGINE COVER	3	1
FK1074	GEAR HOUSING SEAL KIT.	35	59	FSA435260	PISTON RINGS (4 PER SET) .010 OVERSIZE	23	-
FK1075	TUNE-UP KIT.	5	6				
FK15084	SCREW SHAFT	9	7				
FK17114-1	INDICATOR	39	32				
FK247	PROPELLER PIN, PACK OF 6	33	12				
FK405020	SWIVEL	17	34				
FK433838	TOWERSHAFT	17	29				
FK750-2	SPARKIE KIT	5	8				
FK85228-1	BEARING CAGE W/ROLLERS (16 PER SET)	23	6				
FO10165	INLET SEAT GASKET	13	18				

PARTS INDEX

Part Number	Description	Pg.	Ref. No.	Part Number	Description	Pg.	Ref. No.
FT1749	RETAINING RING PLIERS ..	43	-	84-817765A2	COIL WIRE.	5	15
FT2910	KNOCK-OFF NUT	42	-	89-817760A2	CHOKE SOLENOID	7	42
FT2938-1	TEST LIGHT	45	-	600-818052A4	CONNECTING ROD	23	7
FT2951	CIRCUIT TRACER	45	-	700-817990A2	PISTON .010 OVERSIZE ...	23	-
FT2953	SOCKET	43	-	700-818114A2	PISTON .030 OVERSIZE ...	23	-
FT2955A	TEST WHEEL	45	-	900-818049A2	CYLINDER HEAD W/PLUGS	19	68
FT2961	LUBRICANT - RYKON #2EP	46	-				
FT2962-1	SEALANT - 50 CC LOCTITE H, NON-HARDENING GRADE	46	-				
FT2963-1	SEALANT - 2 OZ. LOCTITE D, HARDENING GRADE ..	46	-				
FT2987-1	LUBRICANT - ANTI-SEIZE ..	46	-				
FT2990	PISTON PIN REMOVER	43	-				
FT2991	CARBON BRUSH	43	-				
FT2996	RING COMPRESSOR	43	-				
FT2998	TORQUE WRENCH (0-100 LBS./FT.)	43	-				
FT2999	TORQUE WRENCH (0-600 LBS./IN.)	43	-				
FT3431	SEAL INSTALLER	44	-				
FT3510	SEAL INSTALLER	43	-				
FT3512	SEAL SLEEVE	43	-				
FT8900	HOSE CLAMP PLIERS	43	-				
FT8904	FORWARD BEARING CUP INSTALLER	44	-				
FT8907	DRIVER HANDLE	44	-				
FT8918	BUSHING GUIDE SET	44	-				
FT8919	SPRING PIN PUNCH	44	-				
FT8921	FORWARD BEARING CUP REMOVER	44	-				
FT8926	RING EXPANDER	43	-				
FT8930-1	FEELER GAUGE	42	-				
FT8935	SEALANT PRIMER - 6 OZ. ..	46	-				
FT8936-1	SEALANT - 2 CC LOCTITE RETAINING COMPOUND #75	46	-				
FT8945	RETAINER PUNCH	44	-				
FT8948-1	PULLER	42	-				
FT8948-1	PULLER	44	-				
FT8950	LEAKAGE TESTER	45	-				
FT8957	SEAL INSTALLER	44	-				
FT8962	BEARING INSTALLER	44	-				
FT8964	BEARING REMOVER	44	-				
FT8969	LUBRICANT - 7 OZ. L PSI LUBRICANT	46	-				
FT8978	TIMING LIGHT	42	-				
FT8983	SEALANT - RTV	46	-				
FTA2937-1	TIMING TOOL	42	-				
OB3062	LITERATURE (NOT SHOWN). INSTALLATION INSTRUCTIONS FOR 5H130	41	-				
T3513	SEAL PROTECTOR	44	-				
22-817740A1	ELBOW ASSEMBLY	21	98				
26-817766A1	SEAL, KINGPIN PLATE	27	5				
32-817738A1	FUEL LINE, LONG	37	10				
39-818115A1	PISTON RINGS (4 PER SET) .030 OVERSIZE	23	-				