



PARTS CATALOG

9.9 H.P. SAILOR

SERIAL NUMBER

9.9 (1982) 95H2H

TABLE OF CONTENTS:

ACCESSORIES	37
ELECTRIC STARTER	8
ELECTRICAL COMPONENTS	10
ENGINE COVER AND SUPPORT PLATE	2
FUEL PUMP	6
FUEL SYSTEM	14
FUEL TANK AND LINE	30
GEAR HOUSING	26
MOTOR LEG	22
PARTS INDEX	38
POWER HEAD	18
SPECIAL TOOLS - LOWER UNIT	34
SPECIAL TOOLS - LUBRICANTS AND SEALANTS	36
SPECIAL TOOLS - POWER HEAD	33
SPECIAL TOOLS - TEST EQUIPMENT	35
SPECIAL TOOLS - TUNE-UP	32

NOTE: *Indented description indicate that these parts are included in preceeding assembly.*

AR = As Required

NSS = Not Sold Separate

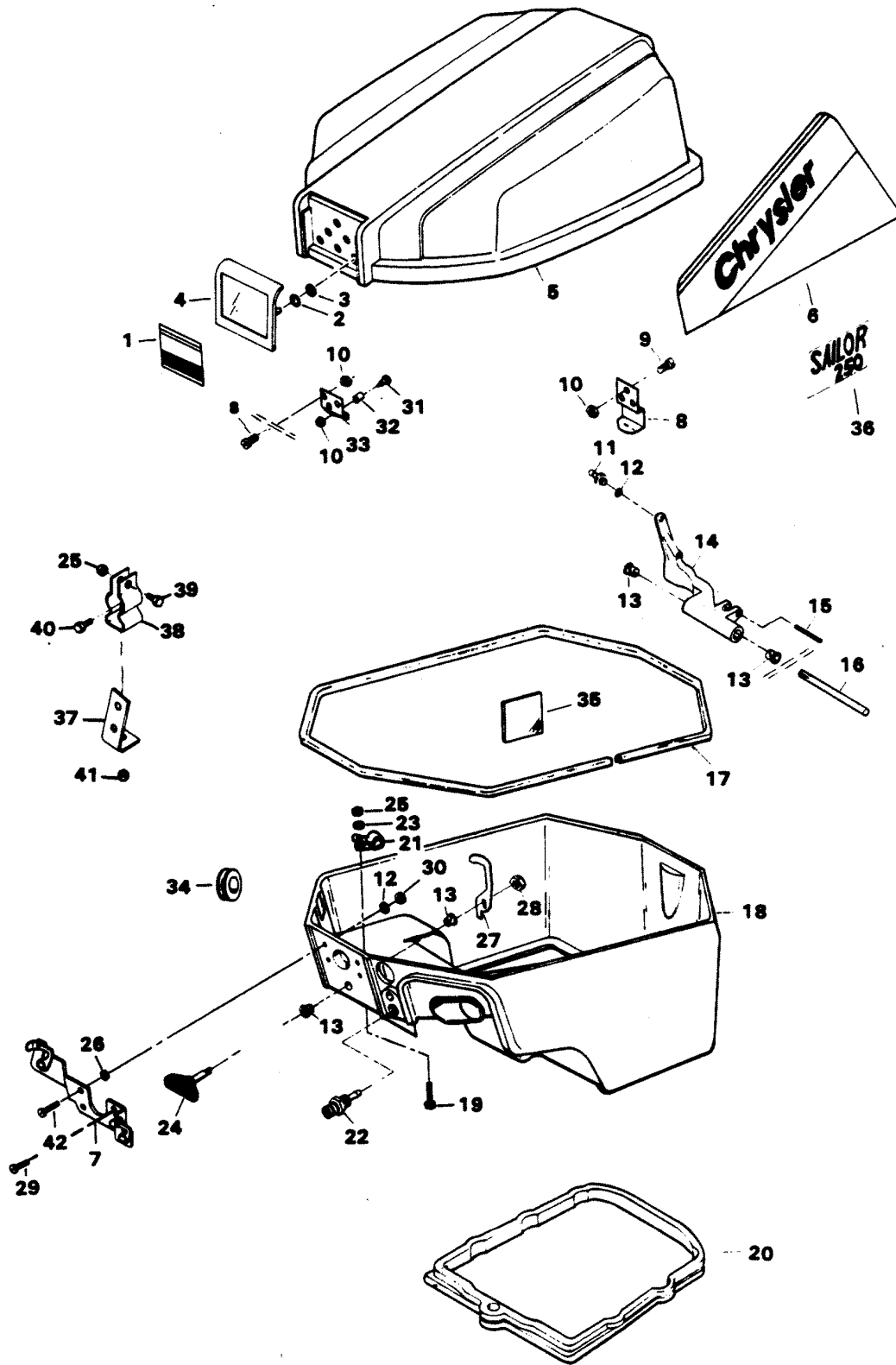
OPT = Optional

NS = Not Shown

THESE PARTS BOOKS/FICHE CARD ARE COPYRIGHTED AND MAY NOT BE DISTRIBUTED OR REPRODUCED IN ANY OTHER FORMAT BY ANYONE OTHER THAN MERCURY MARINE WITHOUT THE PRIOR WRITTEN CONSENT OF MERCURY MARINE.

THIS PAGE INTENTIONALLY LEFT BLANK

ENGINE COVER AND SUPPORT PLATE

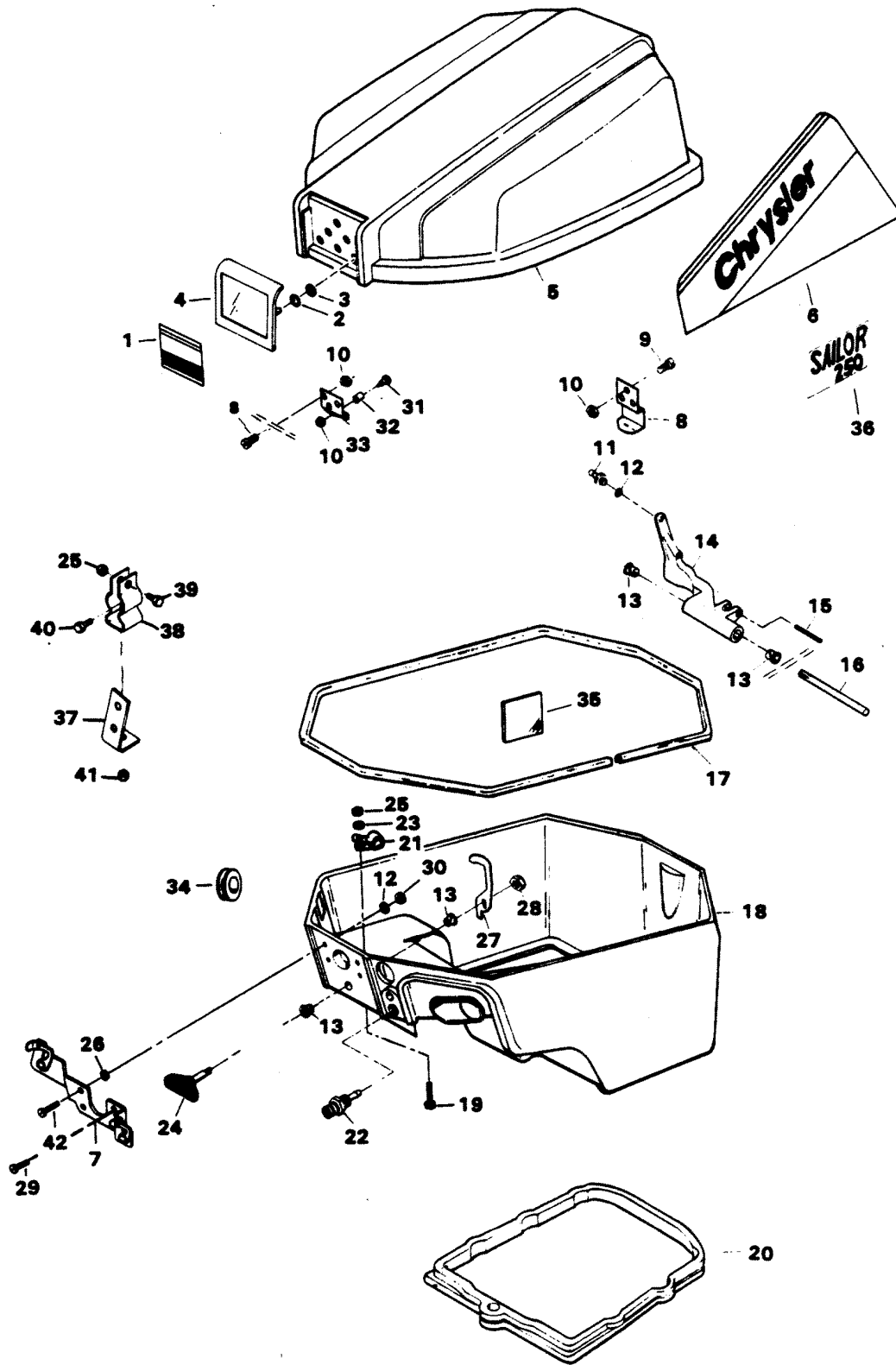


ENGINE COVER AND SUPPORT PLATE

REF. NO.	PART NO.	SYM.	QTY.	DESCRIPTION
1	FA610892		1	DECAL, ENGINE COVER, FRONT W/LITERATURE
2	F85735-1		3	SEAL
3	F1753		3	FASTENER
4	F610711		1	PLATE, ENGINE COVER
5	100-FS666712T		1	COVER, ENGINE W/ILLUS. 8, 9, 10, 31, 32 AND 33 ORIGINAL FORCE P/N S 541712-1
-	2C610712		1	COVER, ENGINE COMPLETE. INCLUDES ITEMS MARKED WITH AN ASTERISK (*) ORDER NUMERAL SEPARATE
6	FA610397		1	DECAL, "CHRYSLER", PORT W/LITERATURE
-	FA610396		1	DECAL, "CHRYSLER", STARBOARD W/LITERATURE
7	FA343612		1	BRACKET, REMOTE CONTROL W/CLIP
8	FA610480		1	RETAINER, ENGINE COVER. INCLUDES ILLUS 9 AND 10.
9	F1979		6	SCREW PAN HD., 10 - 24 X 1/2
10	F7011		7	NUT, ELASTIC STOP, 10 - 24
11	F98273		1	STUD, GEAR SHIFT ROD CONNECTOR
12	F8058		5	LOCKWASHER, INTERNAL TOOTH
13	F307818		4	BEARING
14	F286876		1	LEVER, GEAR SHIFT
15	F8542		1	SPRING PIN
16	F286871		1	PIN, GEAR SHIFT LEVER
17	F392756		1	PACKING, SUPPORT PLATE
18	F540038		1	PLATE, SUPPORT
19	F1971		1	HEX CAP SC. 1/4 - 20 X 2-1/8
20	F286989-2		1	SEAL, SUPPORT PLATE
21	F404446		1	CLAMP, CABLE
22	F197767-1		1	BUSHING, FUEL LINE
23	F2012		1	PLAIN WASHER
24	FA286469		1	KNOB, COVER LATCH
25	F1341		2	HEX NUT 1/4 - 20
26	F8011		4	PLAIN WASHER
27	F286777		1	CAM, COVER LATCH
28	F7006		1	NUT, STOP, 5/16 - 18
29	F1733		2	PAN HD M.S. 10 - 24 X 9/16
30	F1473		4	HEX NUT 10 - 24
31	F269316		1	SHAFT, ROLLER
32	F92759		1	ROLLER
33	817758A1		1	BRACKET, COVER LATCH. INCLUDES ILLUS. 10, 31 AND 32 ORIGINAL FORCE P/N A 286774-1
34	F94840		1	GROMMET, BATTERY CABLE
35	F510661		1	PAD, STARTER MOTOR
36	FA540392		1	DECAL, SAILOR PORT W/LITERATURE
-	FA540391		1	DECAL, SAILOR STARBOARD W/LITERATURE
37	F617958		1	BRACKET, CHOKE SOLENOID

CONTINUED ON NEXT PAGE ➡

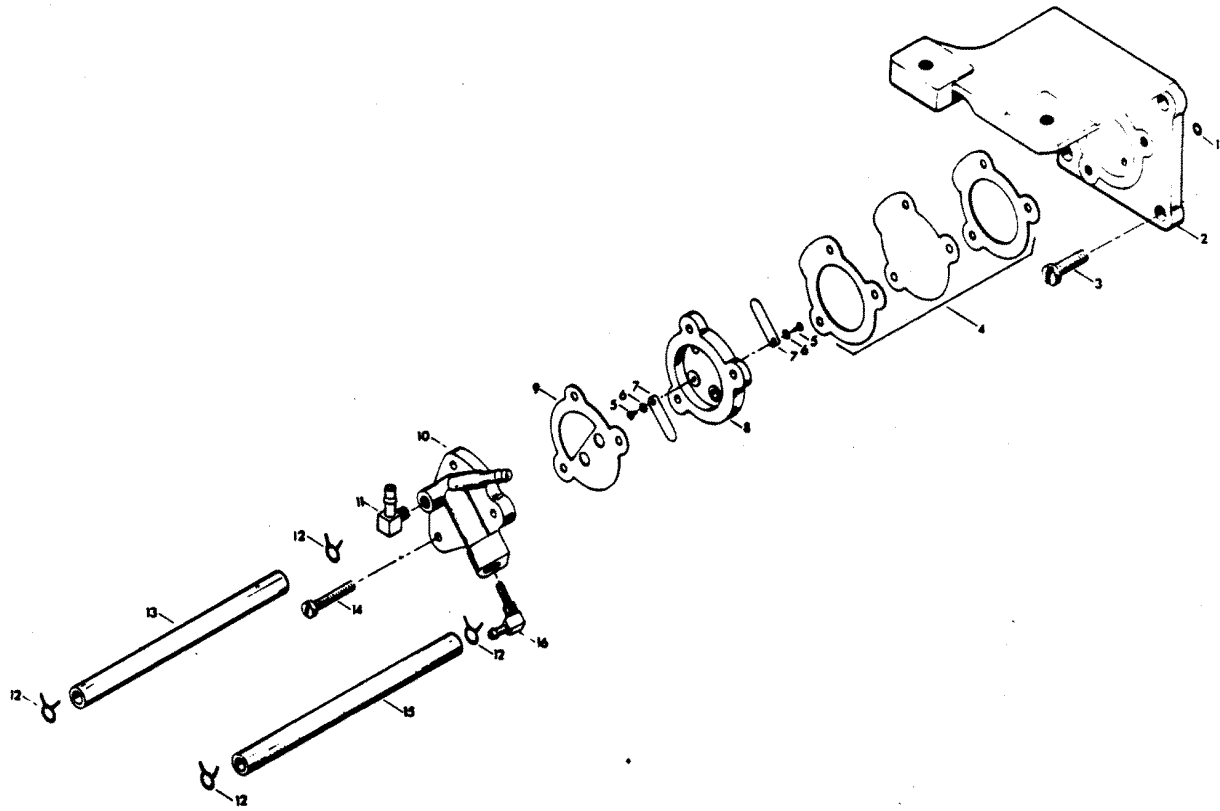
ENGINE COVER AND SUPPORT PLATE



ENGINE COVER AND SUPPORT PLATE

REF. NO.	PART NO.	SYM.	QTY.	DESCRIPTION
38	F617317		1	CLAMP, CHOKE SOLENOID
39	F1034		1	PAN HD M. SC. 1/4 - 20 X 1-3/8
40	F1437		1	PAN HD M. SC. 1/4 - 20 X 1/2 (CLAMP TO BRACKET)
41	F7023		1	CONE LOCK NUT, 1/4 - 20 (CLAMP TO BRACKET)
42	F1648		2	SLOTTED PAN HD M. SC. 10 - 24 X 3/4

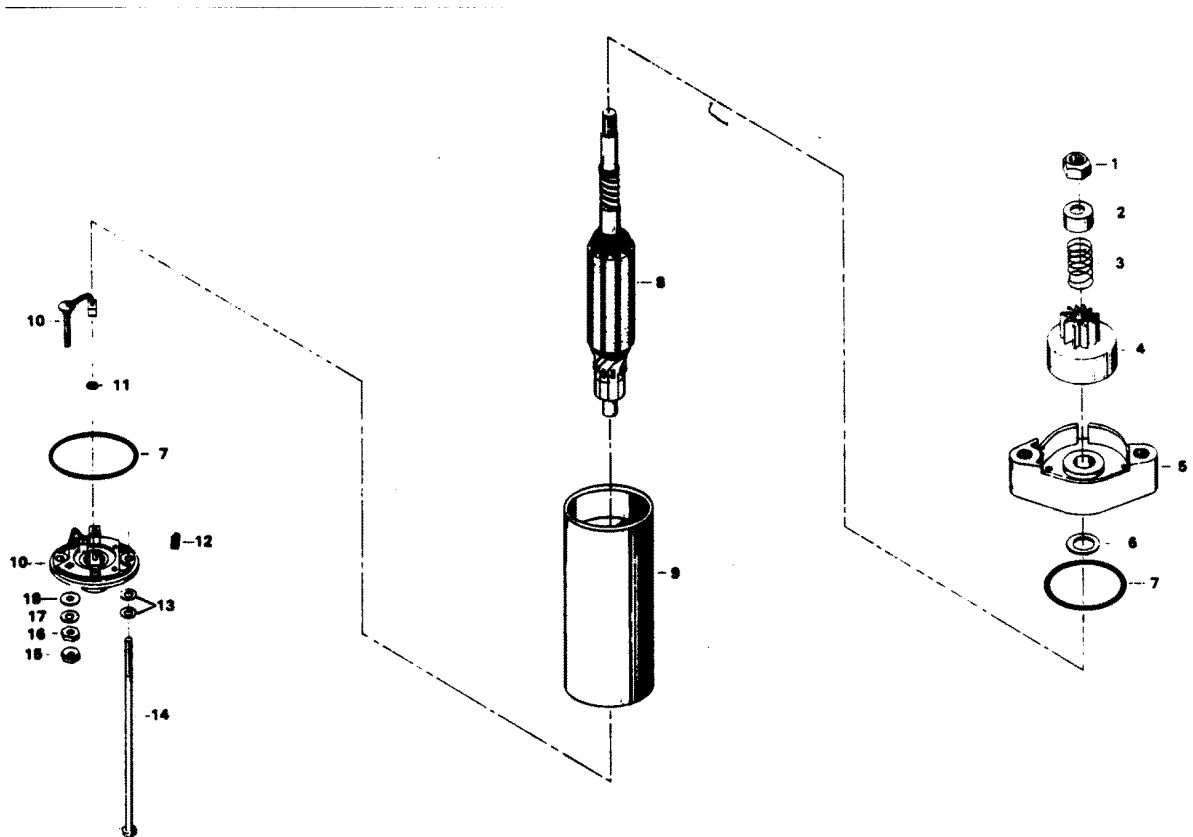
FUEL PUMP



FUEL PUMP

REF. NO.	PART NO.	SYM.	QTY.	DESCRIPTION
1	F455118		1	SEAL, FUEL PUMP BRACKET
2	F510427		1	BRACKET, STARTER SUPPORT
3	F1577		4	FILL HD SCREW, 1/4 - 20 X 3/4
4	27-818043A1		1	FUEL PUMP DIAPHRAGM W/GASKETS
5	F1286		2	PAN HD SCREW, 4 - 40 X 3/16
6	F8003		2	PLAIN WASHER
7	F18160-2		2	REED, FUEL PUMP
8	F2A24757		1	FUEL PUMP REED PLATE W/ILLUS. 5, 6 AND 7
9	F24748-2		1	GASKET, FUEL PUMP
10	F510746		1	FUEL PUMP COVER
11	22-818103--1		1	FITTING, FUEL PUMP
12	F2706772		4	HOSE CLAMP
13	FA901753		1	HOSE, FUEL PUMP TO CARBURETOR W/ILLUS. 12
14	F1069		3	FILL HD SCREW, 10 - 24 X 1 1/16
15	F2752253		1	HOSE, FUEL PUMP TO BUSHING
16	F510811		1	FILTER, FUEL PUMP

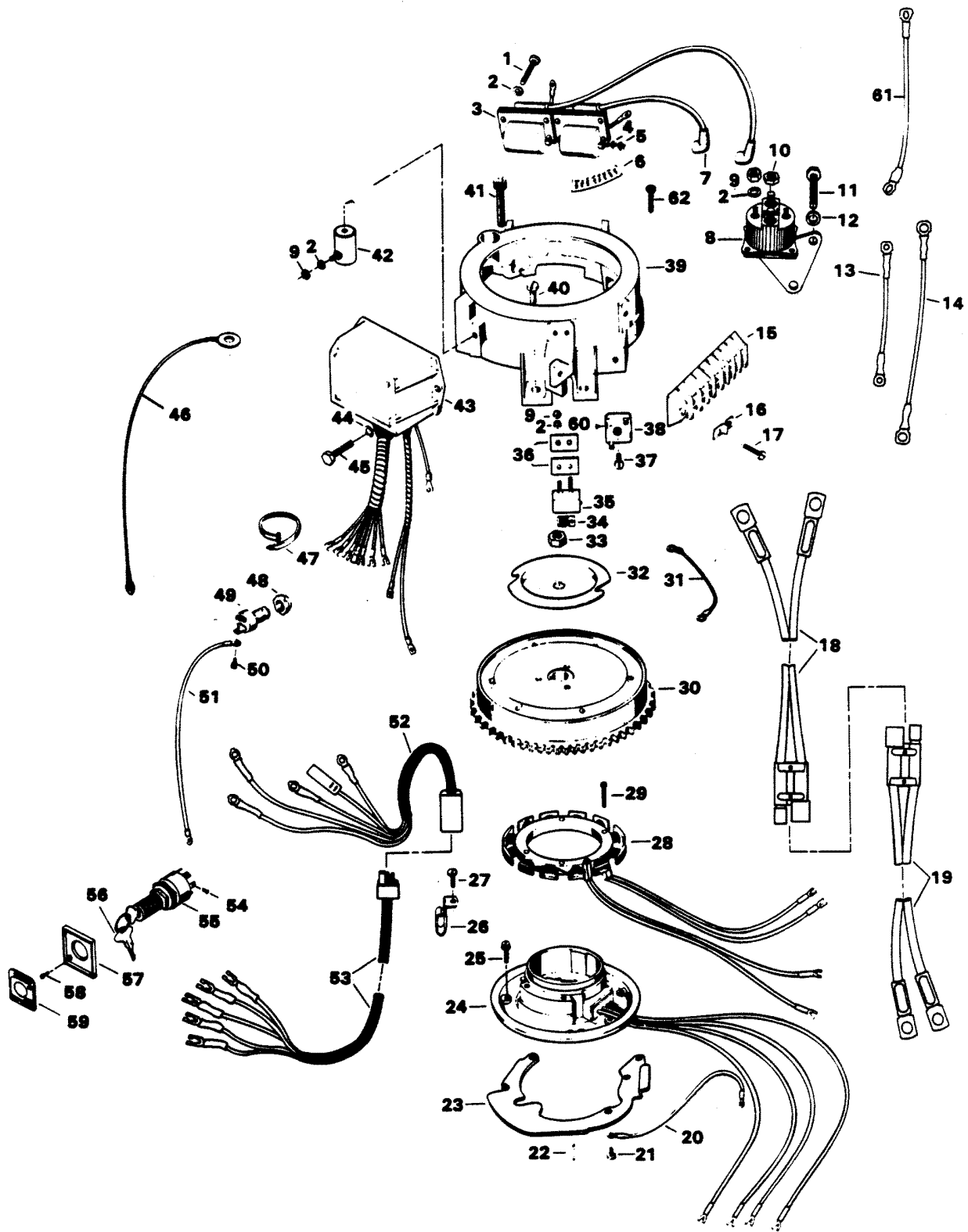
ELECTRIC STARTER



ELECTRIC STARTER

REF. NO.	PART NO.	SYM.	QTY.	DESCRIPTION
1	F15142		1	STOP NUT
2	F15141		1	PINION STOP
3	F15140		1	SPRING
4	F15139		1	PINION ASSEMBLY
5	F15135		1	CAP ASSEMBLY, DRIVE END
6	F15137		1	WASHER
7	F15145		2	GASKET
8	F15134		1	ARMATURE
9	F15136		1	HOUSING ASSEMBLY
10	F15127		1	CAP ASSEMBLY, COMMUTATOR END. INCLUDES ITEMS 15, 16, 17 AND 18
11	F15143		1	DISC
12	F15138		2	SPRING, BRUSH
13	F15146		4	WASHER
14	F15144		2	SCREW, THRU BOLT
15	F15129		1	NUT W/LOCKWASHER
16	F15130		1	NUT
17	F15133		1	WASHER
18	F15132		1	WASHER, FIBER
-	F510955		1	STARTER MOTOR - COMPLETE. INCLUDES ALL ITEMS MARKED WITH AN ASTERISK (*)
-	FC520390		1	DECAL, STARTER - CANADA (NOT SHOWN)

ELECTRICAL COMPONENTS

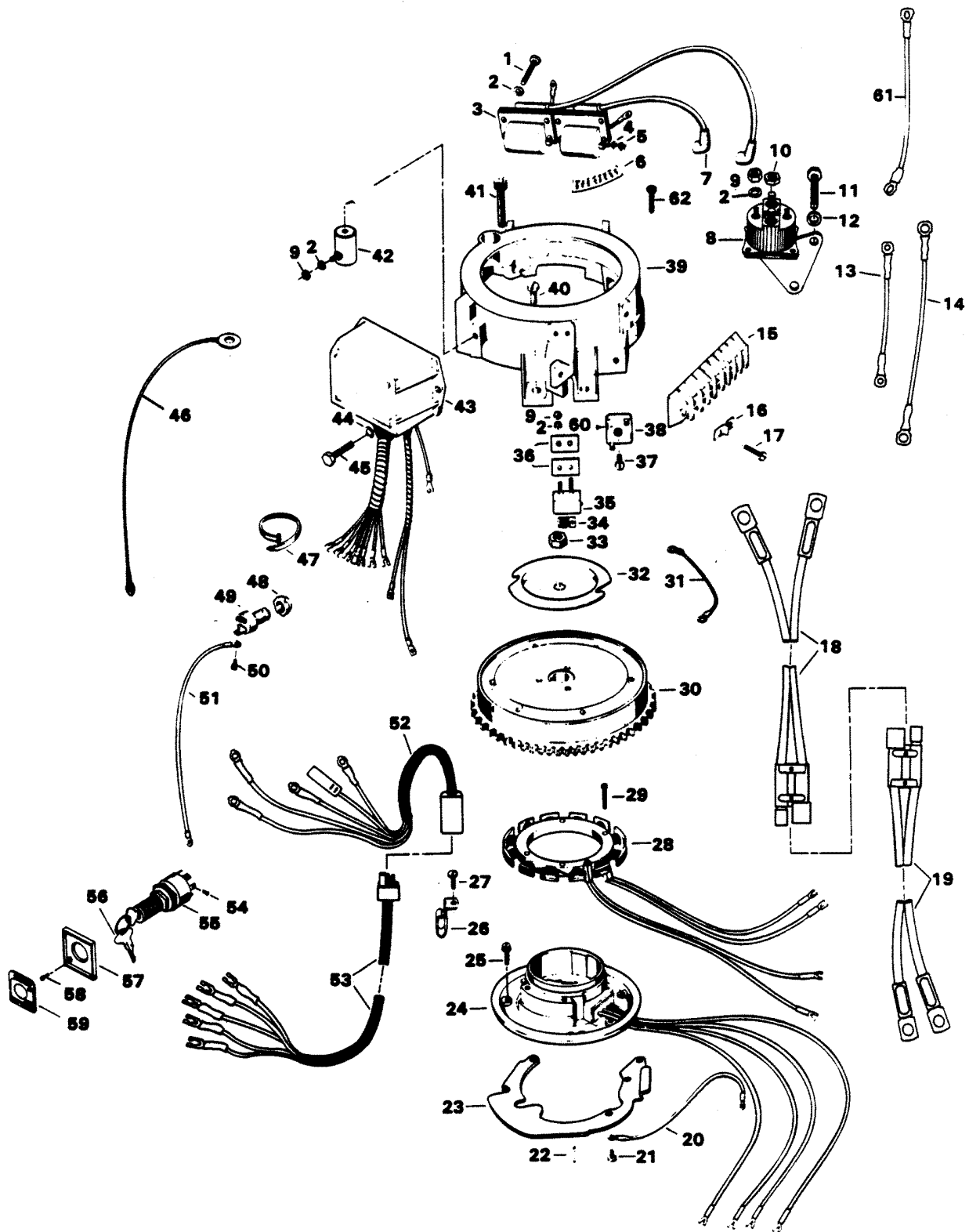


ELECTRICAL COMPONENTS

REF. NO.	PART NO.	SYM.	QTY.	DESCRIPTION
1	F1829		8	FILL HD M. SCREW, 10 - 24 X 7/8
2	F1975		15	SPRING LOCKWASHER
3	F510475		2	IGNITION COIL
4	F1704		2	INTERNAL TOOTH LOCKWASHER
5	F1337		2	HEX NUT, 6 - 32
6	F510398		1	DECAL, WIRING
-	FC510398		1	DECAL, WIRING - CANADA
7	FK1123		2	SPARKIE W/SPRING
8	F517917		1	RELAY STARTER
9	F1513		5	HEX NUT, 10 - 32
10	F1515		2	HEX NUT 5/16 - 18
11	F2050		2	HEX CAP SC. 1/4 - 20 X 1-1/2
12	F8096		2	SPRING LOCKWASHER
13	F540683		1	WIRE STARTER TO STARTER RELAY
14	F321908		1	WIRE, GROUND STARTER RELAY
15	FA510497		1	TERMINAL BLOCK W/ILLUS. 17 ORIGINAL FORCE P/N K 289497-2
16	F307317		1	CLIP, TERMINAL BLOCK GROUND
17	F1648		2	PAN HD SCREW, 10 - 24 X 3/4
18	F540896		1	BATTERY CABLE
19	F539896		1	CABLE, BATTERY EXTENSION
20	F404908		1	GROUND WIRE
21	F1075		4	FILL HD SCREW, 10 - 24 X 1/2
22	F458498		1	KEY, FLYWHEEL
23	F617192		1	THROTTLE CAM
24	F510029		1	STATOR, TRIGGER
25	F1090		4	FILL HD SCREW W/SPRING LOCKWASHER, 10 - 24 X 9/16
26	F510446		1	CLAMP, BATTERY CABLE
27	F1437		1	FILL HD SCREW, 1/4 - 20 X 1/2
28	F510095		1	STATOR, ALTERNATOR
29	F1087		4	FILL HD SCREW, 10 - 24 X 7/8
30	F510097		1	FLYWHEEL
31	F510683		1	WIRE, RECTIFIER - CIRCUIT BREAKER
32	F901456-1		1	EMERGENCY STARTER COLLAR
33	F1809		1	HEX NUT
34	F510374		1	DECAL, CIRCUIT BREAKER
-	FC510374		1	DECAL, CIRCUIT BREAKER - CANADA
35	F510460		1	CIRCUIT BREAKER
36	F510595		2	INSULATOR, CIRCUIT BREAKER
37	F1303		1	SLOTTED PAN HD M. SCREW, 8/32 X 3/4
38	F510450-1		1	RECTIFIER
39	F510675-1		1	STARTER SUPPORT
40	F1577		4	FILL HD SCREW, 1/4 - 20 X 3/4

CONTINUED ON NEXT PAGE ➡

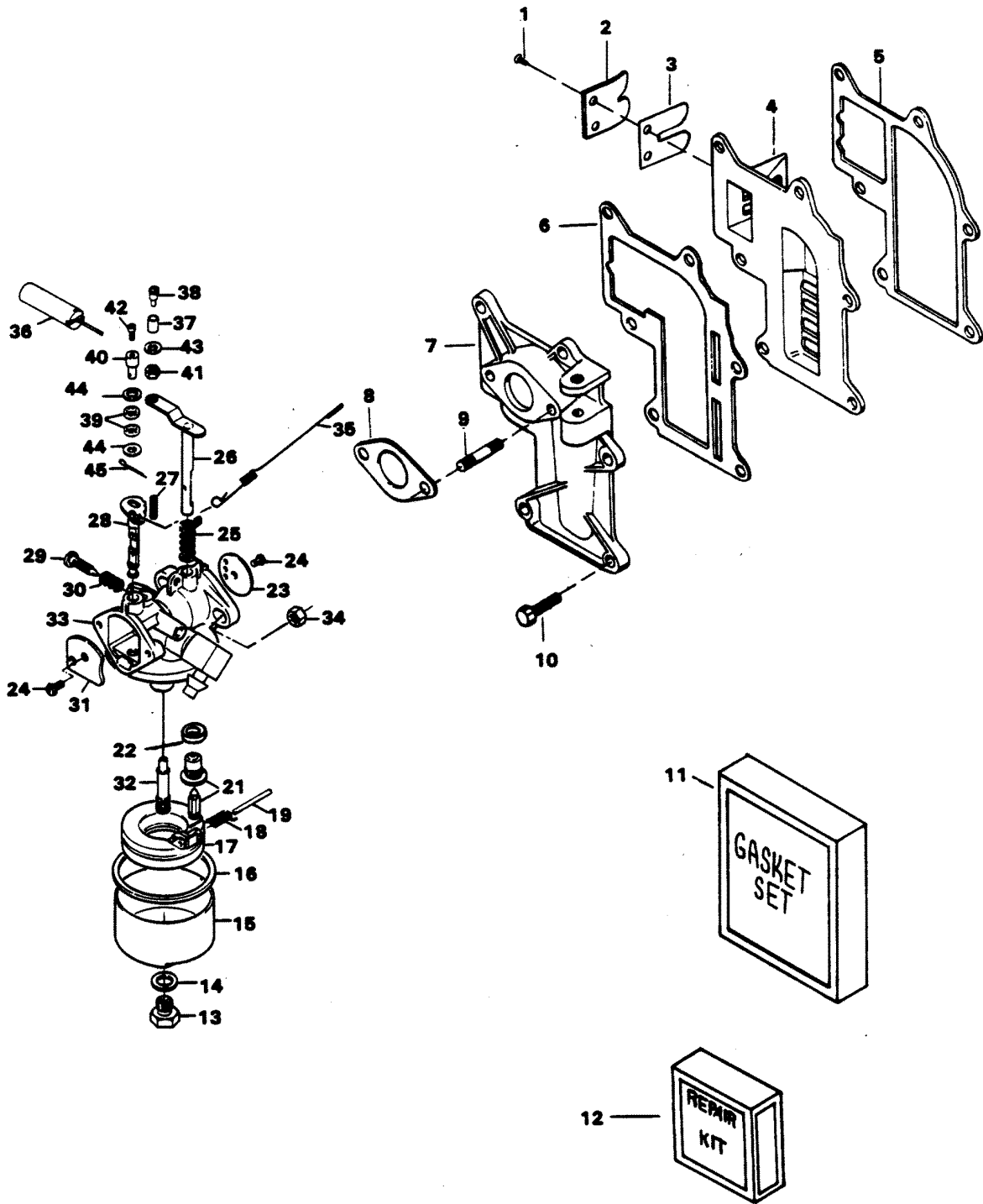
ELECTRICAL COMPONENTS



ELECTRICAL COMPONENTS

REF. NO.	PART NO.	SYM.	QTY.	DESCRIPTION
41	F1646		2	HEX SOCKET HD CAP SCREW, 3/8 - 16 X 2 1/4
42	F517924		1	CHOKE SOLENOID
43	F510301		1	C-D MODULE
44	F8083		1	SPRING LOCKWASHER
45	F2008		2	HEX CAP SCREW, 1/4 - 20 X 7/8
46	F517683		1	WIRE, STARTER INT. SW. TO STARTER RELAY
47	F1845		5	TY-RAP
48	F510669		1	NUT
49	F510449		1	NEUTRAL INTERLOCK SWITCH
50	F1556		2	FILL HD M. SCREW W/SPRING LOCKWASHER, 10 - 24 X 3/8
51	F510841		2	WIRE, STARTER INTERLOCK SWITCH
52	F540843		1	CABLE, ELECTRIC REMOTE
53	F539843		1	CABLE ELECTRIC REMOTE EXTENSION
54	F1280		5	PAN HD SCREW, 8 - 32 X 1/4
55	F5H078		1	IGNITION SWITCH (ACCESSORY ITEM) W/ILLUS. 54
56	FA368700		1	IGNITION - NO LETTER OR STAMPED A
-	FB368700		1	IGNITION KEY STAMPED B
-	FC368700		1	IGNITION KEY STAMPED C
-	FD368700		1	IGNITION KEY STAMPED D
-	FE368700		1	IGNITION KEY STAMPED E
57	F411420		1	RETAINER, SWITCH PLATE
58	F1934		4	FLAT HD SLOTTED SCREW
59	F412181-1		1	PLATE, IGNITION U.S.A.
-	817892--1		1	PLATE, IGNITION CANADA
60	F1645		4	RD HD THREAD CUTTING SCREW, 6 - 32 X 1/4
61	F540908		1	WIRE, GROUND RECTIFIER TO TERM. & LOCK
62	F1504		8	FILL HD M SC. 1/4 - 20 X 1-1/4

FUEL SYSTEM



FUEL SYSTEM

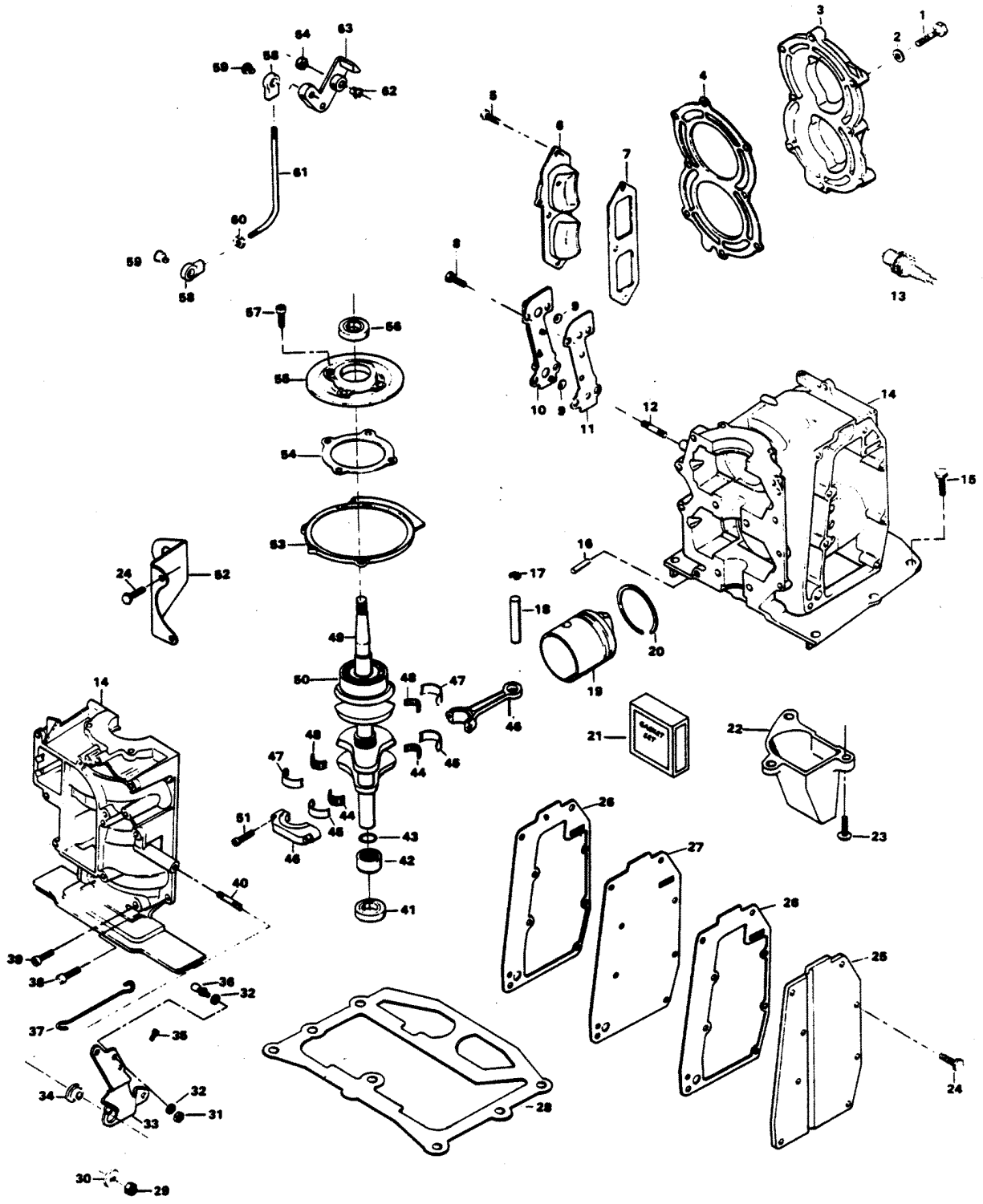
REF. NO.	PART NO.	SYM.	QTY.	DESCRIPTION
1	F1755		8	RD HD SCREW W/LOCKWASHER, 6 - 32 X 5/16
2	F424161		4	REED STOP
3	F31160-1		4	REED
4	FA424158		1	REED PLATE W/ILLUS. 1, 2 AND 3
5	F286159-1		1	GASKET, REED PLATE
6	F424168-1		1	GASKET, MANIFOLD
7	F2A424167		1	MANIFOLD W/ILLUS. 9
8	F18906		1	GASKET, CARBURETOR
9	F2788004		2	STUD, CARBURETOR
10	F2008		4	HEX HD SCREW, 1/4 - 20 X 7/8
11	F10069		1	GASKET SET
12	FK10114		1	REPAIR KIT
13	F10125		1	JET ASSY., MAIN FUEL (.046)
14	F10090		1	GASKET, BOWL RETAINER
15	F10058		1	BOWL, FUEL
16	F10068		1	GASKET, BOWL
17	F10063		1	FLOAT ASSY.
18	F10084		1	SPRING, FLOAT SUPPORT
19	F10064		1	SHAFT, FLOAT
21	F10101		1	KIT, VALVE SEAT ASSEMBLY
-	F10115		1	KIT, PLUG (NOT SHOWN)
22	F10066		1	GASKET, VALVE SEAT
23	F10060		1	VALVE, THROTTLE
24	F10071		2	SCREW, CHOKE AND THROTTLE VALVE
25	F10075		1	SPRING, THROTTLE RETURN
26	F10110		1	SHAFT ASSY., THROTTLE
27	F10072		1	SPRING, CHOKE STOP
28	F10111		1	SHAFT ASSY., CHOKE
29	F10077		1	NEEDLE, IDLE
30	F10073		1	SPRING, IDLE NEEDLE
31	F10112		1	VALVE, CHOKE
32	F10088		1	NOZZLE
33	F617061		1	CARBURETOR COMPLETE (LMB-228)
34	F1490		2	HEX NUT, 1/4 - 20
35	F517846		1	SPRING, REMOTE CHOKE
36	FA617925		1	ROD AND PLUNGER, CHOKE SOLENOID
37	F92759		1	ROLLER, THROTTLE CAM
38	F333316		1	SHAFT, THROTTLE CAM ROLLER
39	F184579		2	SEAL, CHOKE ARM SWIVEL
40	F184033-1		1	SWIVEL, CHOKE ARM

CONTINUED ON NEXT PAGE ➡

FUEL SYSTEM

REF. NO.	PART NO.	SYM.	QTY.	DESCRIPTION
41	F1997		1	LOCK NUT, 8 - 32
42	F1059		1	FILL HD M. SC., 6 - 32 X 1/4
43	F2042		1	PLAIN WASHER (THROTTLE ROLLER SHAFT)
44	F8088		2	PLAIN WASHER (CHOKE ARM SWIVEL)
45	F1014		1	COTTER PIN (CHOKE ARM SWIVEL TO CARB)

POWER HEAD

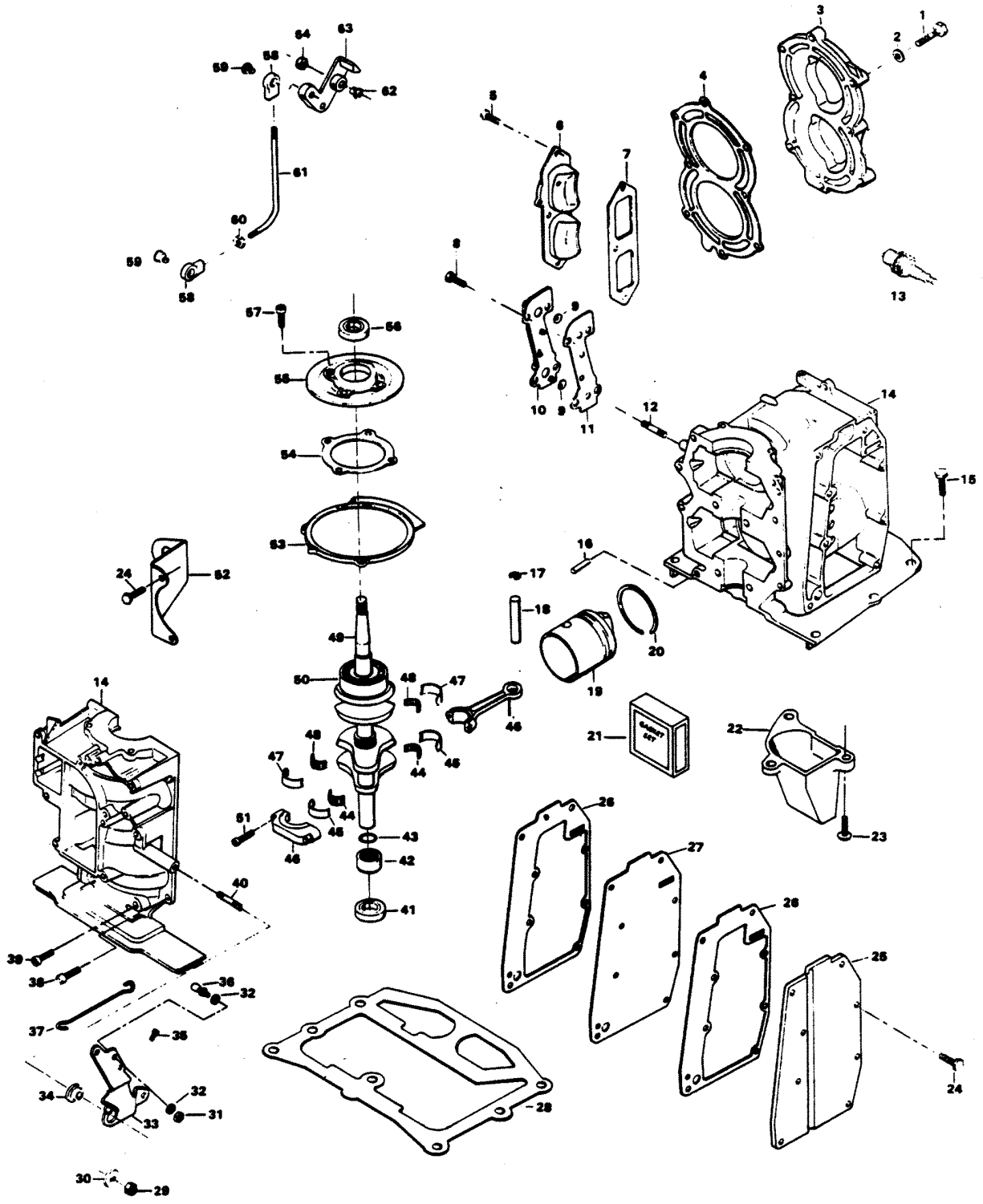


POWER HEAD

REF. NO.	PART NO.	SYM.	QTY.	DESCRIPTION
1	F901938-1		6	SCREW, CYLINDER HEAD
2	F8025		6	PLAIN WASHER
3	F492518		1	HEAD, CYLINDER
4	F286529-3		1	GASKET, CYLINDER HEAD
5	F510165		3	SCREW
6	F510222		1	COVER, TRANSFER PORT
7	F286223		1	GASKET, TRANSFER PORT COVER
8	F1922		4	HEX HD SCREW, 1/4 - 20 X 5/8
-	F1859		1	HEX SOCKET HEADLESS SET SCREW, 1/4 - 28 X 3/16 (TRANSFER PORT COVER)
9	F429811		2	SCREEN
10	FA429471		1	COVER, CYLINDER DRAIN W/CHECK VALVES AND ILLUS. 9
11	F429472		1	GASKET, CYLINDER DRAIN COVER
12	F28004		1	STUD, INTERLOCK LEVER
13	33-82370M		2	PLUG, SPARK, L 82
-	FC503227		2	SPARK PLUG (QL-77J4) CANADA
14	FA510010		1	CYLINDER W/CRANKCASE COVER, ILLUS. 12, 16, 38, 39 AND 40
-	800-817904A1		1	SHORT BLOCK (NOT SHOWN). INCLUDES ALL ITEMS MARKED WITH AN ASTERISK (*) ORIGINAL FORCE P/N C 510010-1
15	F1823		6	HEX CAP SCREW, 5/16 - 18 X 1
16	F8559		2	DOWEL PIN
17	F31410		4	RETAINING RING, PISTON PIN
18	F174017		2	PIN, PISTON
19	F286015-3		2	PISTON
20	FA174260		2	PISTON RING SET (2 PER SET)
21	FG1005-2		1	GASKET SET. INCLUDES ITEMS LISTED BELOW
-	F18906		1	CARBURETOR GASKET
-	F286154		2	GASKET EXHAUST COVER
-	F286159-1		1	GASKET, REED PLATE
-	F286223		1	GASKET, TRANSFER PORT COVER
-	F286277		1	GASKET, CRANKSHAFT BEARING CAGE
-	F286279-2		1	GASKET, CYLINDER MOUNTING
-	F286529-3		1	GASKET, CYLINDER HEAD
-	F424168-1		1	GASKET, MANIFOLD
-	F429472		1	GASKET, CYLINDER DRAIN COVER
-	F286472		1	GASKET, CYLINDER DRAIN COVER
22	F487660-1		1	EXHAUST TUBE
23	F2040		3	TAPTITE HEX WASHER HD SCREW, 1/4 - 20 X 5/8
24	F2008		10	HEX HD SCREW, 1/4 - 20 X 7/8
25	F286152		1	COVER, EXHAUST
26	F286154		2	GASKET, EXHAUST COVER
27	F286151		1	PLATE, EXHAUST

CONTINUED ON NEXT PAGE ➡

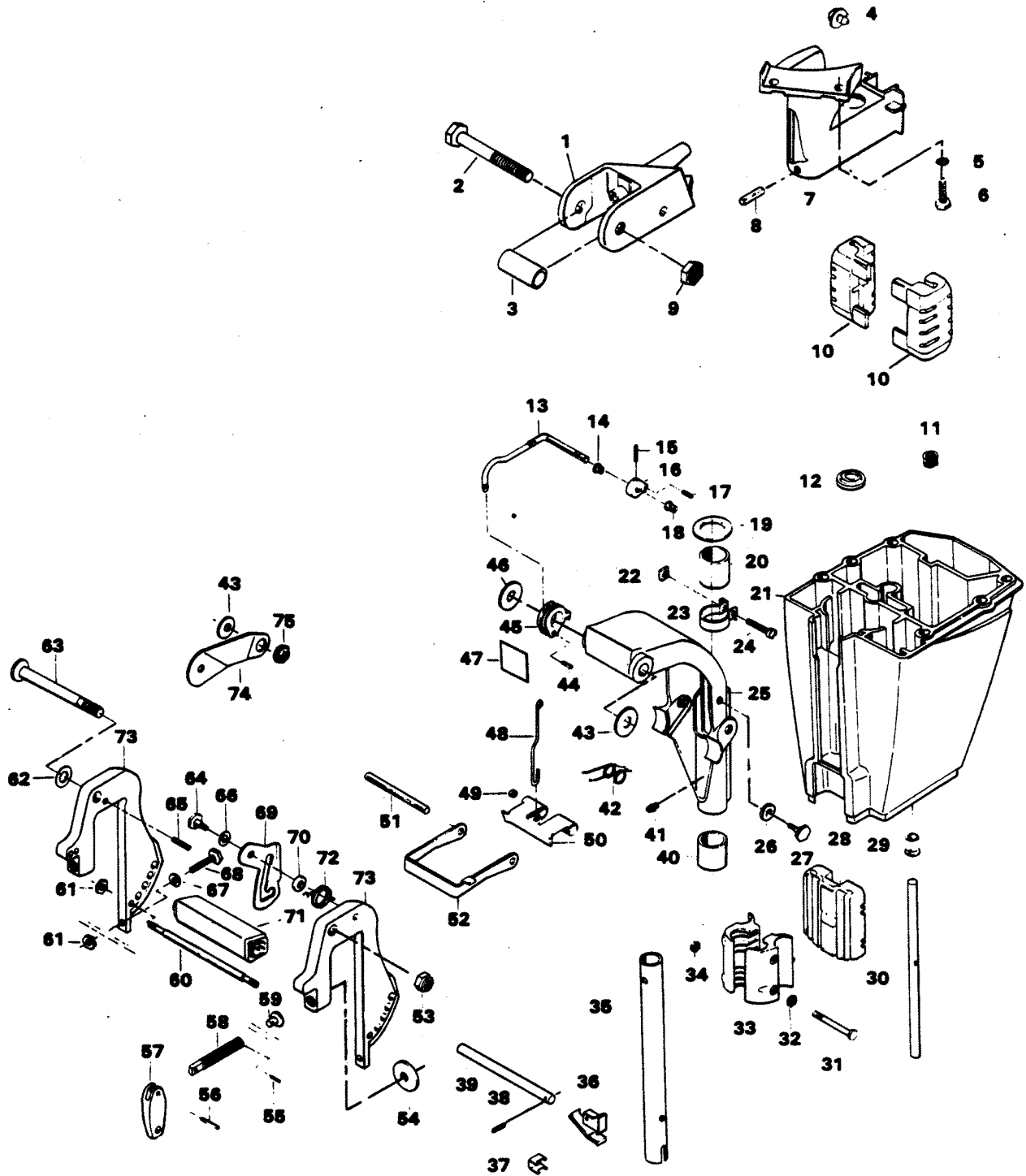
POWER HEAD



POWER HEAD

REF. NO.	PART NO.	SYM.	QTY.	DESCRIPTION
28	F286279-2		1	GASKET, CYLINDER MOUNTING
29	F1803		1	STOP NUT, 5/16 - 24
30	F286282		1	WASHER
31	F1513		1	HEX NUT 10 - 32
32	F8058		2	INTERNAL TOOTH LOCK WASHER
33	817971A3		1	LEVER, MAGNETO CONTROL ASSEMBLY
34	F183813		1	BEARING, MAGNETO CONTROL LEVER
35	F1504		1	FILL HD SCREW, 1/4 - 20 X 1 1/4
36	F98273		1	STUD, REMOTE THROTTLE CONNECTOR
37	F286509		1	LINK, THROTTLE CAM
38	F1107		8	FILL HD SCREW, 1/4 - 20 X 3/4
39	F1335		4	FILL HD SCREW, 5/16 - 18 X 1 1/4
40	F286440		1	STUD, MAGNETO CONTROL LEVER
41	F141118		1	SEAL, CRANKSHAFT LOWER
42	F343014		1	BEARING, CRANKSHAFT LOWER MAIN
43	F461342		1	SEAL, DRIVESHAFT SPLINE
44	FA525228		2	ROLLER SET, CONNECTING ROD (16 PER SET)
45	FA525241		2	CRANKPIN ROLLER BEARING CAGE
46	FA36016-4		2	ROD, CONNECTING W/ILLUS. 51
47	FA286155		1	MAIN BEARING LINER SET (2 PER SET)
48	F286571		1	ROLLER SET, MAIN BEARING (26 PER SET)
49	400-818047A3		1	CRANKSHAFT W/ILLUS. 50 ORIGINAL FORCE P/N 2A 286018-3
50	F286028		1	BEARING, CRANKSHAFT UPPER MAIN
51	F36634		4	SCREW, CONNECTING ROD
52	F510551		1	BRACKET, INTERLOCK SWITCH
53	F73082		1	RING, MAGNETO STATOR
54	F286277		1	GASKET, CRANKSHAFT BEARING CAGE
55	1100-817753A1		1	CAGE, CRANKSHAFT BEARING W/ILLUS. 56 ORIGINAL FORCE P/N A 286144-1
56	F346146		1	SEAL, CRANKSHAFT UPPER
57	F1111		4	FILL HD SCREW, 1/4 - 20 X 7/8
58	F84035-2		2	BEARING, INTERLOCK ROD
59	F84026		2	SWIVEL, INTERLOCK ROD BEARING
60	F1339		1	HEX NUT, 10 - 24
61	F510531		1	ROD, INTERLOCK
62	F197813		1	BEARING, INTERLOCK LEVER
63	F517977-1		1	LEVER, INTERLOCK
64	F7008		1	STOP NUT, 1/4 - 20

MOTOR LEG

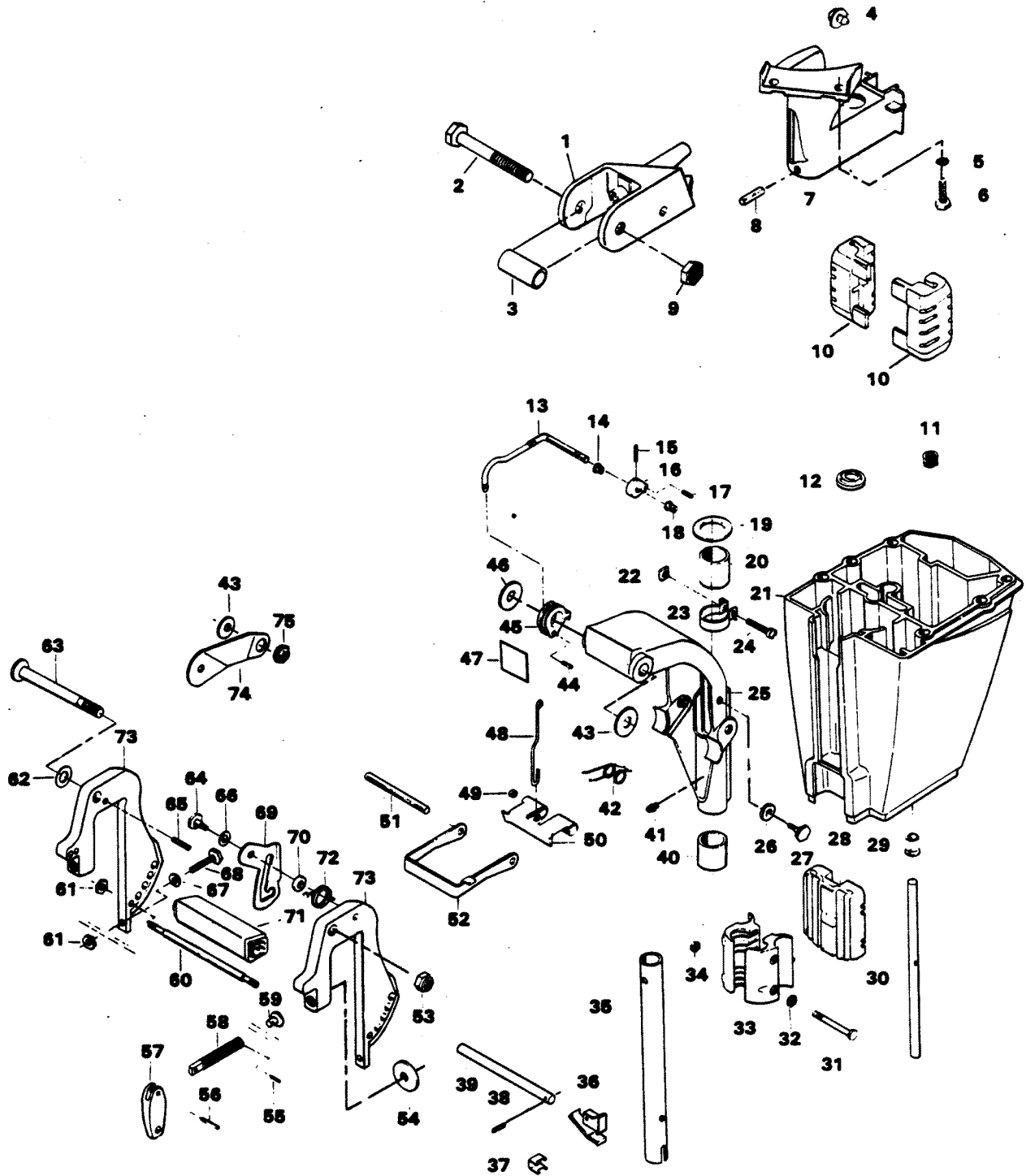


MOTOR LEG

REF. NO.	PART NO.	SYM.	QTY.	DESCRIPTION
1	817751A3		1	STEERING HANDLE BRACKET W/ILLUS. 41 ORIGINAL FORCE P/N A 286078-2
2	F517552		1	SCREW, STEERING HDL. BRKT.
3	F516451		1	SPACER, STEERING HDL. BRKT.
4	F286539		1	BUMPER
5	F8060		2	EXTERNAL TOOTH LOCKWASHER
6	F1857		1	HEX CAP SCREW, 5/16 - 18 X 5/8
7	FA286582		1	STEERING ARM W/ILLUS. 4 AND 8
8	F1805		1	SPRING PIN
9	F7025		1	LOCK NUT 3/8 - 16
10	F517347		2	SHOCK MOUNT UPPER
11	F286414		1	SPRING, LEG WATER BRACKET
12	F901307-2		1	SEAL, WATER LINE UPPER
13	FA387742		1	LEVER, REVERSE LOCK INTERMEDIATE ASSEMBLY
14	F536813		1	BEARING
15	F8538		1	SPRING PIN
16	F286364		1	LEVER, REVERSE LOCK
17	F1794		1	SPRING PIN
18	F197813		1	BEARING
19	F286011		1	WASHER, SWIVEL BRACKET
20	F286169		1	BEARING, SWIVEL BRACKET
21	F2A477133		1	MOTOR LEG W/ITEMS 12, 23 & 25
22	F1608		1	SQUARE NUT, 1/4 - 20
23	F286573-1		1	CLAMP, STEERING HANDLE
24	F1034		1	FILL HD SCREWS, 1/4 - 20 X 1-3/8
25	1400-817750A4		1	SWIVEL BRACKET W/ILLUS. 20 AND 41 ORIGINAL FORCE P/N A 286072-2
26	F286451		1	SPACER, TILT LOCK
27	F286422-1		1	TILT LOCK PIVOT
28	F286346		1	SHOCK MOUNT LOWER
29	F286914		1	SLEEVE WATER LINE
30	F286244		1	WATER LINE
31	FA1844		2	HEX CAP SCREW, 1/4 - 20 X 2-3/8 W/ILLUS. 32
32	F8083		2	SPRING LOCKWASHER
33	F286956		2	BRACKET, SHOCK MOUNT LOWER
34	F1341		2	HEX NUT, 1/4 - 20
35	F286019		1	KING PIN
36	F286114		1	LOCK BAR HANDLE
37	F286461		1	SPRING, LOCK BAR HANDLE
38	F8540		1	SPRING PIN
39	FA286113		1	LOCK BAR W/ILLUS. 36, 37 AND 38
40	F286169		1	BEARING, SWIVEL BRACKET
41	F213274		2	GREASE FITTING
42	F286300		1	SPRING, REVERSE LOCK

CONTINUED ON NEXT PAGE ➡

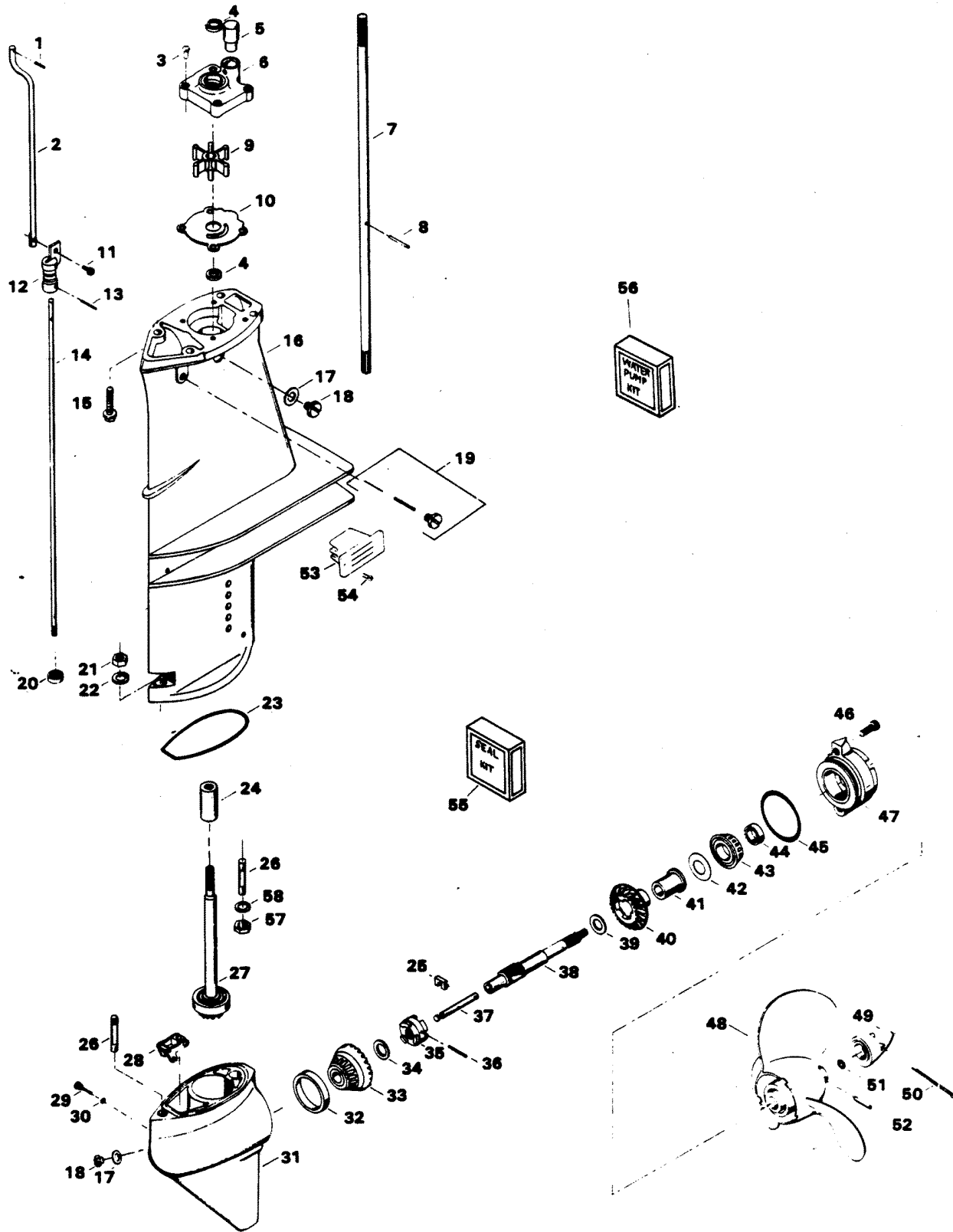
MOTOR LEG



MOTOR LEG

REF. NO.	PART NO.	SYM.	QTY.	DESCRIPTION
43	F286286-1		2	WASHER, STERN BRACKET
44	F1794		1	SPRING PIN
45	F286827		1	REVERSE LOCK RELEASE LEVER
46	F525286		1	WASHER
47	F286585-2		1	DECAL, TILT RELEASE
48	FA341510		1	LINK, REVERSE LOCK LEVER W/LITERATURE
49	F516677		2	SPACER, REVERSE LOCK
50	F516349		1	REVERSE LOCK
51	F1806		1	GROOVE PIN
52	F286433		1	BRACKET SHALLOW WATER DRIVE
53	F7026		1	STOP NUT, 3/8 - 16
54	F24074		2	CLAMP SCREW FOOT
55	F8537		2	SPRING PIN
56	F8554		2	SPRING PIN
57	F424075		2	HANDLE, CLAMP SCREW
58	817761A2		2	CLAMP SCREW W/ILLUS. 54, 56 AND 59 ORIGINAL FORCE P/N A 298073-2
59	F66480		2	STUD CLAMP SCREW
60	F517273		1	TIE BAR
61	F7024		4	LOCK NUT
62	F2014		1	PLAIN WASHER
63	F286037		1	STERN BRACKET PIVOT BOLT
64	F286422-1		1	TILT LOCK PIVOT
65	F8538		1	SPRING PIN
66	F1666		1	BOWED SPRING WASHER
67	F2012		2	PLAIN WASHER
68	F1887		2	HEX SLOTTED HD SCREW, 1/4 - 20 X 3 3/16
69	F429541		1	TILT LOCK
70	F286451		1	SPACER, TILT LOCK
71	F286647		1	CARRYING HANDLE
72	F286544-1		1	SPRING, TILT STOP
73	FS567532		2	STERN BRACKET PORT W/ILLUS. 54, 56 AND 59
74	F517078		1	BRACKET, LOCK STEERING
75	F516697		1	NUT, STEERING LOCK BRACKET

GEAR HOUSING

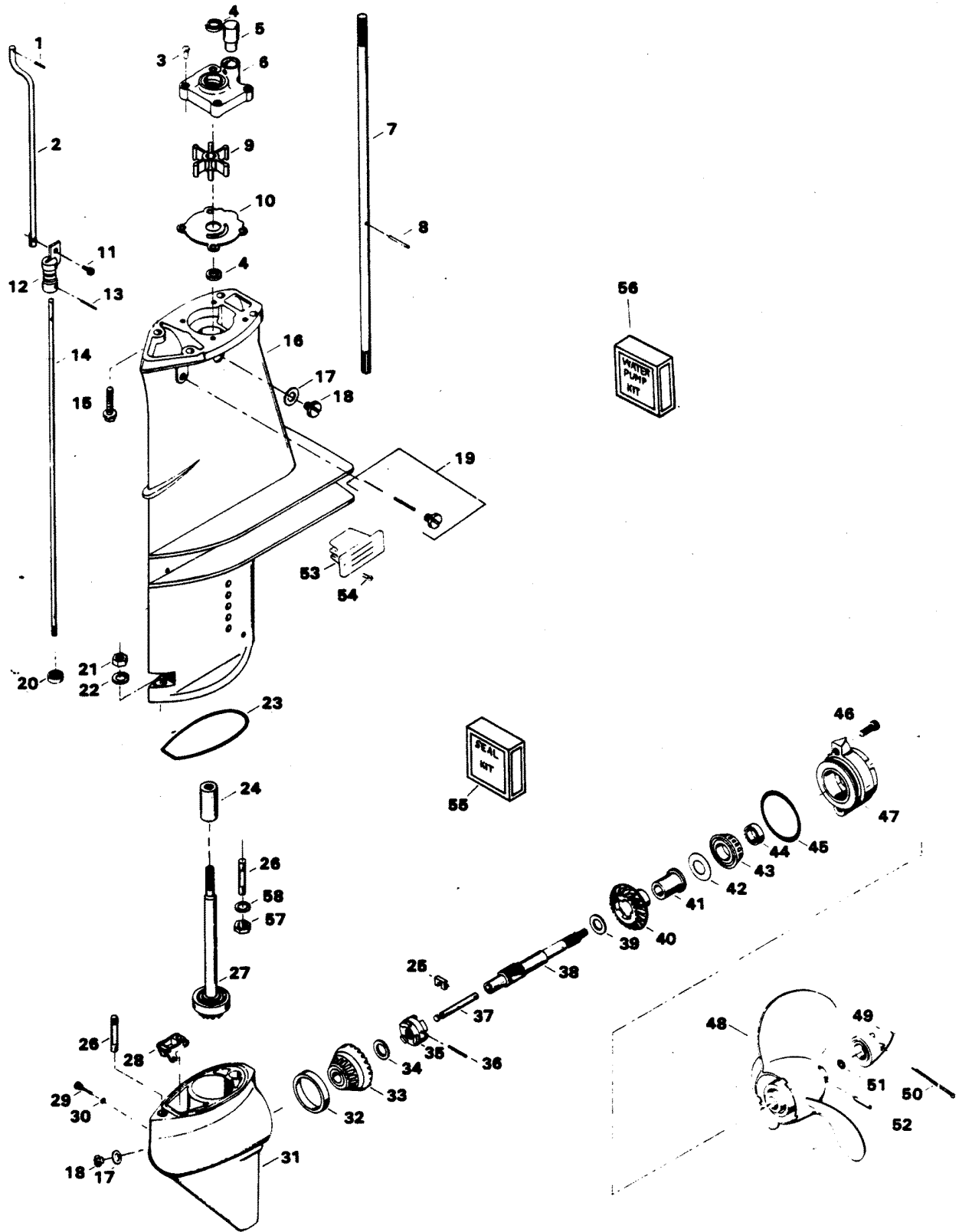


GEAR HOUSING

REF. NO.	PART NO.	SYM.	QTY.	DESCRIPTION
2	F286615		1	GEAR SHIFT ROD, UPPER
3	F2030		4	HEX HD SCREW, 1/4 - 20 X 1 1/4
4	F901307-2		2	SEAL
5	FA510914		1	SEAL, INLET WATER LINE W/LITERATURE
6	FA504060		1	WATER PUMP BODY W/WATER PUMP SEAL
7	F343128		1	DRIVESHAFT
8	F901563		1	WATER PUMP IMPELLER DRIVE PIN
9	F436065-1		1	WATER PUMP IMPELLER
10	F341562		1	WATER PUMP BACK PLATE
11	F1976		1	SOCKET HD SCREW W/WASHER, 10 - 24 X 1/2
12	F516704-1		1	COUPLING SHIFT ROD
13	F8540		1	SPRING PIN
14	F516705		1	GEAR SHIFT ROD, LOWER
15	F430732		4	HEX HD SCREW, 5/16 - 18 X 1 1/4
16	1600-817844A3		1	GEAR HOUSING UPPER W/4, 17, 18, 20, 53 AND BEARING
17	F8077		2	NYLTITE WASHER
18	F50109		2	GEAR HOUSING PLUG
19	FA487885		1	RETAINER, DETENT SPRING ASSEMBLY
20	F338618-1		1	SEAL, SHIFT ROD LOWER
21	F1346		1	HEX NUT, S.S., 3/8 - 16
22	F8065		1	LOCKWASHER
23	F435555		1	SEAL, GEAR HOUSING, LOWER
24	F517125		1	COUPLING, DRIVESHAFT
25	F90619-1		1	YOKE
26	F40008		2	STUD
27	F2A516266		1	PINION SHAFT W/BEARING
28	817796A2		1	GEAR SHIFT ARM
29	F498891		1	GEAR SHIFT ARM PIN
30	F498618		1	SEAL "O" RING
31	FA516054		1	GEAR HOUSING LOWER W/ILLUS. 17, 18 AND BEARING CUP
-	FC516054		1	GEAR HOUSING - COMPLETE (NOT SHOWN). INCLUDES ALL ITEMS MARKED WITH AN ASTERISK (*)
32	F458250		1	BEARING CUP
33	F2A516023		1	BEVEL GEAR FORWARD W/BEARING
34	F2087		A/R	SPACER, BEVEL GEAR FRONT .056
-	F2055		A/R	SPACER, BEVEL GEAR FRONT .059
-	F2056		A/R	SPACER, BEVEL GEAR FRONT .062
-	F2057		A/R	SPACER, BEVEL GEAR FRONT .065
-	F2058		A/R	SPACER, BEVEL GEAR FRONT .068
-	F2059		A/R	SPACER, BEVEL GEAR FRONT .071
-	F2060		A/R	SPACER, BEVEL GEAR FRONT .074
-	F2061		A/R	SPACER, BEVEL GEAR FRONT .077
-	F2062		A/R	SPACER, BEVEL GEAR FRONT .080

CONTINUED ON NEXT PAGE ➡

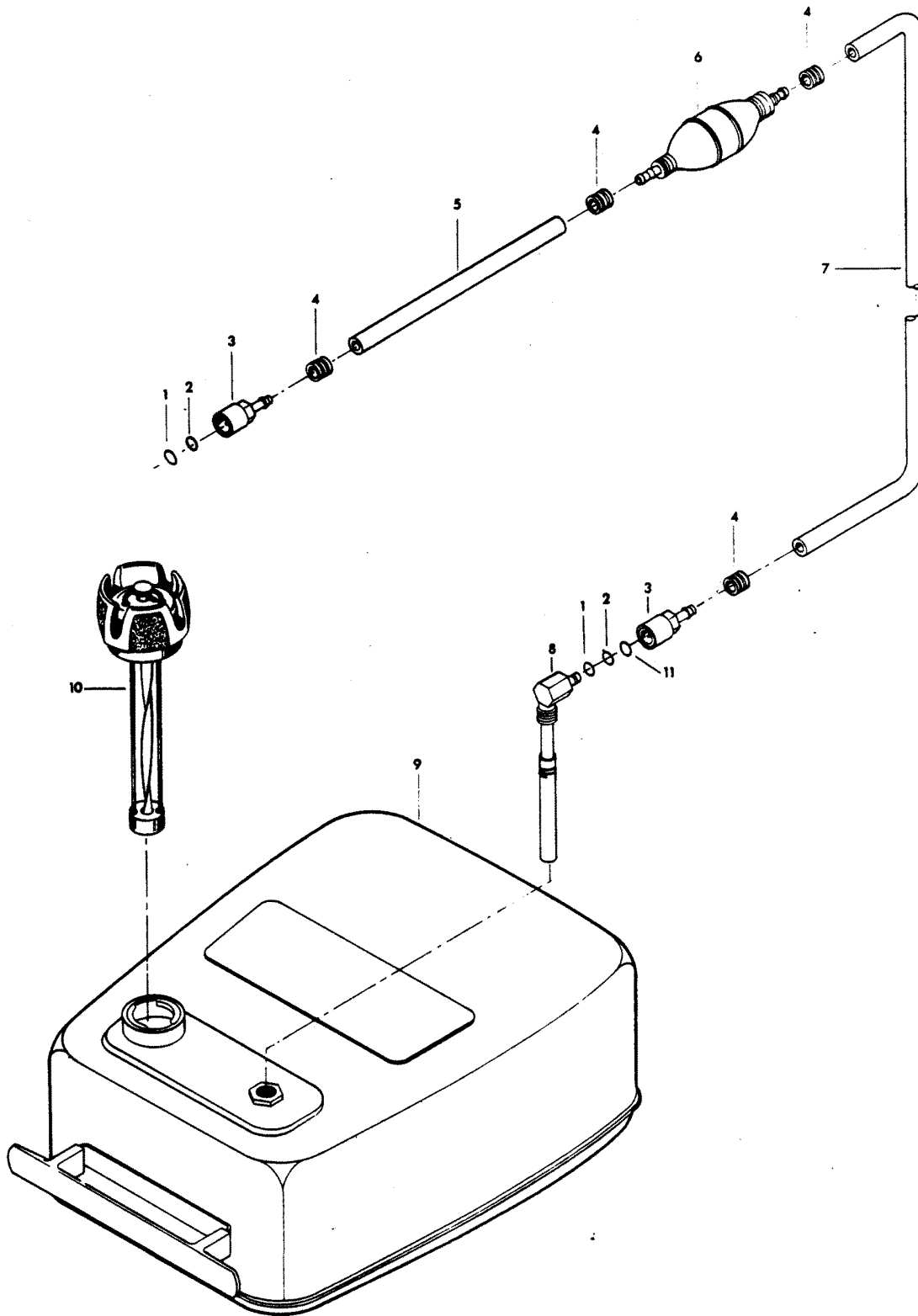
GEAR HOUSING



GEAR HOUSING

REF. NO.	PART NO.	SYM.	QTY.	DESCRIPTION
-	F2063		A/R	SPACER, BEVEL GEAR FRONT .083
-	F2064		A/R	SPACER, BEVEL GEAR FRONT .086
35	F99521-1		1	CLUTCH
36	F2097		1	SPRING CLUTCH
37	F90871-3		1	GEAR SHIFT ARM PIN
38	FA474098		1	PROPELLER SHAFT
39	F40717		1	THRUST WASHER BEVEL GEAR
40	F516662		1	GEAR, BEVEL, REAR
41	F474143		1	BEARING, BEVEL GEAR REAR
42	F2052		A/R	SHIM PROPELLER SHAFT BEARING .005 (SILVER)
-	F2053		A/R	SHIM PROPELLER SHAFT BEARING .006 (RED)
-	F2054		A/R	SHIM PROPELLER SHAFT BEARING .008 (BLACK)
43	F474225		1	BEARING, PROPELLER SHAFT REVERSE THRUST
44	F141118		1	SEAL, PROPELLER SHAFT
45	F141305		1	SEAL, PROPELLER SHAFT BEARING CAGE
46	F1994		2	HEX SOCKET HD CAP SCREW, 5/16 - 18 X 1
47	F2A474298		1	PROPELLER SHAFT BEARING CAGE W/SEALS AND BEARING CUP
48	FP278		1	PROPELLER (ACCESSORY ITEM)
49	FA94094-2		1	PROPELLER NUT W/ILLUS. 50 AND 51
50	F1027		1	COTTER PIN
51	F40342		1	SEAL, PROPELLER NUT
52	FK247		1	PROPELLER PIN (PACK OF 6) W/ILLUS. 50
53	FA516485		1	ANTICORROSION ANODE W/LITERATURE
54	F1733		2	PAN HD SCREW, 10 - 24 X 9/16
55	FK1064		1	GEAR HOUSING SEAL KIT. INCLUDES ALL ITEMS MARKED WITH A DOUBLE ASTERISK (**) AND LITERATURE
56	FK1031-1		1	WATER PUMP KIT
-	F1199		4	SCREW
-	F2030		4	SCREW
-	F341562		1	PLATE, WATER PUMP BACK
-	F436065-2		1	IMPELLER
-	F510914		1	SEAL
-	F901563		1	DRIVE PIN
-	FA504060		1	BODY, WATER PUMP
57	F7004		1	NUT, STOP 3/8 - 16
58	F8039		1	PLAIN WASHER

FUEL TANK AND LINE



FUEL TANK AND LINE

REF. NO.	PART NO.	SYM.	QTY.	DESCRIPTION
1	F17816		2	SEAL, FUEL LINE COUPLER
2	F17815		2	SEAL, FUEL LINE COUPLER
3	F197787-3		2	FUEL LINE COUPLER
4	F298788		4	FERRULE
5	FA84754-1		1	FUEL LINE SHORT W/ILLUS. 4
6	89396A38		1	PRIME BULB
7	32-817738A1		1	FUEL LINE, LONG W/CLAMP AND ILLUS. 4 ORIGINAL FORCE P/N A 197752-1
8	F485755-1		1	FUEL TANK ADAPTER
9	F5H026		1	FUEL TANK (ACCESSORY ITEM)
10	F409251-1		1	GAUGE CAP
11	F17817		1	SEAL
-	FS409752		1	FUEL LINE COMPLETE. (NOT SHOWN) W/ITEMS 1, 2, 3, 4, 5, 6 AND 7
-	FC409398		1	DECAL, TOTE TANK - CANADA (NOT SHOWN)

SPECIAL TOOLS - TUNE-UP

REF. NO.	PART NO.	SYM.	QTY.	DESCRIPTION
-	FT2909		0	KNOCK-OFF NUT TO REMOVE FLYWHEEL
-	FT2989		0	FLYWHEEL WEDGE TO REMOVE FLYWHEEL

SPECIAL TOOLS - POWER HEAD

REF. NO.	PART NO.	SYM.	QTY.	DESCRIPTION
-	FT2908		0	SEAL SLEEVE TO INSTALL UPPER CRANKSHAFT BEARING CAGE SEAL
-	FT8929		0	ADAPTER AND HEX BIT TO TORQUE CONNECTING ROD SCREWS
-	FT8949		0	SEAL INSTALLER TO INSTALL LOWER CRANKSHAFT SEAL
-	FT2997		0	RING COMPRESSOR TO INSTALL PISTONS
-	FT8926		0	RING EXPANDER TO INSTALL RINGS ON PISTONS
-	FT3012		0	SEAL INSTALLER TO REMOVE AND INSTALL CRANKSHAFT BEARING CAGE SEAL
-	FT2998		0	TORQUE WRENCH (0 - 100 LBS/FT) TO PROPERLY TORQUE FASTENERS
-	FT2999		0	TORQUE WRENCH (0 - 600 LBS/IN) TO PROPERLY TORQUE FASTENERS
-	FT8993		0	TORQUE WRENCH ADAPTER TO PROPERLY TORQUE LOWER CYL. HD. BOLTS
-	FT2991		0	CARBON BRUSH TO REMOVE CARBON FROM INSIDE POWERHEAD
-	FT8900		0	HOSE CLAMP PLIERS TO REMOVE AND INSTALL FUEL HOSE CLAMPS
-	FT1749		0	SNAP RING PLIER TO REMOVE AND INSTALL PISTON PIN RETAINING RINGS

SPECIAL TOOLS - LOWER UNIT

REF. NO.	PART NO.	SYM.	QTY.	DESCRIPTION
-	FT8904		0	FORWARD CUP INSTALLER TO INSTALL FORWARD BEARING CUP
-	FT8907		0	DRIVER HANDLE TO INSTALL FORWARD BEARING CUP
-	FT8921		0	CUP REMOVER TO REMOVE FORWARD BEARING CUP
-	FT8918		0	BEARING GUIDE SET TO REMOVE FORWARD BEARING CUP
-	FT3431		0	SEAL INSTALLER TO INSTALL PROPELLER SHAFT SEAL
-	FT8919		0	SPRING PIN PUNCH TO REMOVE CLUTCH PIN
-	FT2907		0	SEAL INSTALLER TO INSTALL DRIVESHAFT SEAL - WATER PUMP AND GEAR HOUSING
-	FT8948-1		0	PULLER TO REMOVE PROPELLER SHAFT BEARING CAGE
-	FT8985		0	SEAL INSTALLER TO INSTALL PROPELLER SHAFT SEAL
-	FT8957		0	SEAL INSTALLER TO INSTALL SHIFT ROD SEAL
-	FT8920		0	BEARING INSTALLER TO INSTALL PROPELLER SHAFT BEARING
-	FT8924-1		0	CHECKING GAUGE TO SHIM LOWER UNIT
-	FT8982		0	SHIM ADAPTER TO USE WITH CHECKING GAUGE (T8924-1)
-	FT8995		0	SHIM SPACER TO USE WITH CHECKING GAUGE (T8924-1)
-	FT8901		0	INDICATOR HOLDER TO USE WITH CHECKING GAUGE T8924-1
-	FT8902		0	DIAL INDICATOR TO USE WITH CHECKING GAUGE T8924-1

SPECIAL TOOLS - TEST EQUIPMENT

REF. NO.	PART NO.	SYM.	QTY.	DESCRIPTION
-	FT2955A		0	TEST WHEEL TO TEST MOTOR IN TEST TANK
-	FT8950		0	LEAKAGE TESTER TO TEST LOWER UNIT SEAL FOR LEAKS
-	FT8996		0	IGNITION TESTER TO TEST TRIGGER OUTPUT
-	FT8953		0	C-D TESTER TO TEST STATOR OUTPUT AND SECONDARY VOLTAGE
-	FT2951		0	CIRCUIT TRACER TO TROUBLESHOOTER 12 VOLT CIRCUITS
-	FT2938-1		0	TEST LIGHT TO MAKE CONTINUITY TESTS

SPECIAL TOOLS - LUBRICANTS AND SEALANTS

REF. NO.	PART NO.	SYM.	QTY.	DESCRIPTION
-	FT2961		0	LUBRICANT - RYKON GREASE #2EP
-	FT2987-1		0	LUBRICANT - ANTI-SEIZE
-	FT8969		0	LUBRICANT - 7 OZ. LPSI LUBRICANT
-	FT8983		0	SEALANT RTV
-	FT8936-1		0	SEALANT - 2 CC LOCTITE RETAINING COMPOUND #75
-	FT2962-1		0	SEALANT - 50 CC LOCTITE H, NON-HARDENING GRADE
-	FT2963-2		0	SEALANT - 2 OZ. LOCTITE D, HARDENING GRADE
-	FT8935		0	SEALANT PRIMER - 6 OZ.

ACCESSORIES

REF. NO.	PART NO.	SYM.	QTY.	DESCRIPTION
-	F5H013		0	FLUSHING ADAPTER PERMITS FRESH WATER FLUSHING OF WATER PASSAGES WITH STANDARD GARDEN HOSE.
-	F5H062		0	WATER PUMP KIT HEAVY DUTY WATER PUMP RECOMMENDED FOR CONTINUED OPERATION IN SANDY SALT WATER.
-	F5H088		0	REMOTE CONTROL CONVERSION KIT PERMITS REMOTE CONTROL OF THROTTLE AND GEAR SHIFT FROM FRONT OF BOAT.
-	F5H130		0	SYNCHRO-DRIVE CONTROL BOX (SINGLE LEVER) PERMITS REMOTE CONTROL OF THROTTLE AND GEAR SHIFT FROM STARBOARD SIDE OF BOAT.
-	F5H142		0	SAILBOAT REMOTE CONTROL PROVIDE RECESSED PANEL INSTALLATION.
-	F5H131		0	PORT SIDE DECAL KIT CONVERTS 5H130 CONTROL BOX TO PORT SIDE MOUNTING.
-	F195/___		0	REMOTE CONTROL CABLES CONNECTS REMOTE CONTROL BOX TO THROTTLE AND GEAR SHIFT ON MOTOR. AVAILABLE IN 6 THROUGH 40 FOOT LENGTHS.
-	F5H026		0	STEEL, 6 GALLON FUEL TANK AUXILIARY TANK.
-	F5H040		0	STEEL, 12 GALLON FUEL TANK W/HOSE AUXILIARY TANK.
-	F5H090		0	REMOTE START KIT PERMITS STARTING OF ENGINE FROM FRONT OF BOAT.
-	F5H134		0	BOAT WHITE LACQUER ENGINE TOUCH-UP PAINT IN 12 3/4 OZ. SPRAY BOMBS (12 CANS PER CASE).
-	F5H029		0	FUEL TANK ANCHOR RETAINS TOTE TANK ON BOAT FLOOR.
-	F596		0	CHRYSLER OUTBOARD OIL SEE BLOCK COMMENT 1.
-	F597		0	CHRYSLER OUTBOARD GEAR LUBE SEE BLOCK COMMENT 2.
-	F5H059		0	CHRYSLER OUTBOARD MULTI-PURPOSE GREASE LUBRICATES BEARINGS AND OTHER MOVING PARTS. AVAILABLE IN 8 OZ. TUBES AND 12 TUBE CASES.
-	F5H060		0	CHRYSLER OUTBOARD GREASE GUN USED WITH CHRYSLER OUTBOARD MULTI-PURPOSE GREASE TUBES FOR PRESSURE FITTINGS.
-	F5H021		0	BATTERY EXTENSION CABLE - 6-1/2 FT. EXTENDS LENGTH OF BATTERY CABLE.
-	F5H041		0	BATTERY TERMINAL KIT

PARTS INDEX

Part Number	Description	Pg.	Ref. No.	Part Number	Description	Pg.	Ref. No.
2C610712	COVER, ENGINE COMPLETE.	3	-	F1303	SLOTTED PAN HD M. SCREW, 8/32 X 3/4	11	37
817751A3	STEERING HANDLE BRACKET	23	1	F1335	FILL HD SCREW, 5/16 - 18 X 1 1/4	21	39
817758A1	BRACKET, COVER LATCH. .	3	33	F1337	HEX NUT, 6 - 32	11	5
817761A2	CLAMP SCREW	25	58	F1339	HEX NUT, 10 - 24	21	60
817796A2	GEAR SHIFT ARM	27	28	F1341	HEX NUT 1/4 - 20	3	25
817892--1	PLATE, IGNITION CANADA .	13	-	F1341	HEX NUT, 1/4 - 20	23	34
817971A3	LEVER, MAGNETO CONTROL ASSEMBLY ...	21	33	F1346	HEX NUT, S.S., 3/8 - 16	27	21
89396A38	PRIME BULB	31	6	F141118	SEAL, CRANKSHAFT LOWER	21	41
F10058	BOWL, FUEL	15	15	F141118	SEAL, PROPELLER SHAFT .	29	44
F10060	VALVE, THROTTLE	15	23	F141305	SEAL, PROPELLER SHAFT BEARING CAGE	29	45
F10063	FLOAT ASSY.	15	17	F1437	FILL HD SCREW, 1/4 - 20 X 1/2	11	27
F10064	SHAFT, FLOAT	15	19	F1437	PAN HD M. SC. 1/4 - 20 X 1/2 (CLAMP TO BRACKET) ..	5	40
F10066	GASKET, VALVE SEAT	15	22	F1473	HEX NUT 10 - 24	3	30
F10068	GASKET, BOWL	15	16	F1490	HEX NUT, 1/4 - 20	15	34
F10069	GASKET SET	15	11	F1504	FILL HD M SC. 1/4 - 20 X 1-1/4	13	62
F10071	SCREW, CHOKE AND THROTTLE VALVE	15	24	F1504	FILL HD SCREW, 1/4 - 20 X 1 1/4	21	35
F10072	SPRING, CHOKE STOP	15	27	F15127	CAP ASSEMBLY, COMMUTATOR END.	9	10
F10073	SPRING, IDLE NEEDLE	15	30	F15129	NUT W/LOCKWASHER	9	15
F10075	SPRING, THROTTLE RETURN	15	25	F1513	HEX NUT 10 - 32	21	31
F10077	NEEDLE, IDLE	15	29	F1513	HEX NUT, 10 - 32	11	9
F10084	SPRING, FLOAT SUPPORT .	15	18	F15130	NUT	9	16
F10088	NOZZLE	15	32	F15132	WASHER, FIBER	9	18
F10090	GASKET, BOWL RETAINER	15	14	F15133	WASHER	9	17
F10101	KIT, VALVE SEAT ASSEMBLY	15	21	F15134	ARMATURE	9	8
F10110	SHAFT ASSY., THROTTLE .	15	26	F15135	CAP ASSEMBLY, DRIVE END	9	5
F10111	SHAFT ASSY., CHOKE	15	28	F15136	HOUSING ASSEMBLY	9	9
F10112	VALVE, CHOKE	15	31	F15137	WASHER	9	6
F10115	KIT, PLUG (NOT SHOWN) ..	15	-	F15138	SPRING, BRUSH	9	12
F10125	JET ASSY., MAIN FUEL (.046)	15	13	F15139	PINION ASSEMBLY	9	4
F1014	COTTER PIN (CHOKE ARM SWIVEL TO CARB)	17	45	F15140	SPRING	9	3
F1027	COTTER PIN	29	50	F15141	PINION STOP	9	2
F1034	FILL HD SCREWS, 1/4 - 20 X 1-3/8	23	24	F15142	STOP NUT	9	1
F1034	PAN HD M. SC. 1/4 - 20 X 1-3/8	5	39	F15143	DISC	9	11
F1059	FILL HD M. SC., 6 - 32 X 1/4	17	42	F15144	SCREW, THRU BOLT	9	14
F1069	FILL HD SCREW, 10 - 24 X 1 1/16	7	14	F15145	GASKET	9	7
F1075	FILL HD SCREW, 10 - 24 X 1/2	11	21	F15146	WASHER	9	13
F1087	FILL HD SCREW, 10 - 24 X 7/8	11	29	F1515	HEX NUT 5/16 - 18	11	10
F1090	FILL HD SCREW W/SPRING LOCKWASHER, 10 - 24 X 9/16	11	25	F1556	FILL HD M. SCREW W/SPRING LOCKWASHER, 10 - 24 X 3/8	13	50
F1107	FILL HD SCREW, 1/4 - 20 X 3/4	21	38	F1577	FILL HD SCREW, 1/4 - 20 X 3/4	7	3
F1111	FILL HD SCREW, 1/4 - 20 X 7/8	21	57	F1577	FILL HD SCREW, 1/4 - 20 X 3/4	11	40
F1199	SCREW	29	-	F1608	SQUARE NUT, 1/4 - 20	23	22
F1280	PAN HD SCREW, 8 - 32 X 1/4	13	54	F1645	RD HD THREAD CUTTING SCREW, 6 - 32 X 1/4	13	60
				F1646	HEX SOCKET HD CAP SCREW, 3/8 - 16 X 2 1/4 .	13	41
				F1648	PAN HD SCREW, 10 - 24 X 3/4	11	17

PARTS INDEX

Part Number	Description	Pg.	Ref. No.	Part Number	Description	Pg.	Ref. No.
F1648	SLOTTED PAN HD M. SC. 10 - 24 X 3/4	5	42	F2008	HEX HD SCREW, 1/4 - 20 X 7/8	15	10
F1666	BOWED SPRING WASHER	25	66	F2008	HEX HD SCREW, 1/4 - 20 X 7/8	19	24
F1704	INTERNAL TOOTH LOCKWASHER	11	4	F2012	PLAIN WASHER	3	23
F1733	PAN HD M.S. 10 - 24 X 9/16	3	29	F2012	PLAIN WASHER	25	67
F1733	PAN HD SCREW, 10 - 24 X 9/16	29	54	F2014	PLAIN WASHER	25	62
F174017	PIN, PISTON	19	18	F2030	HEX HD SCREW, 1/4 - 20 X 1 1/4	27	3
F1753	FASTENER	3	3	F2030	SCREW	29	-
F1755	RD HD SCREW W/LOCKWASHER, 6 - 32 X 5/16	15	1	F2040	TAPTITE HEX WASHER HD SCREW, 1/4 - 20 X 5/8	19	23
F17815	SEAL, FUEL LINE COUPLER	31	2	F2042	PLAIN WASHER (THROTTLE ROLLER SHAFT)	17	43
F17816	SEAL, FUEL LINE COUPLER	31	1	F2050	HEX CAP SC. 1/4 - 20 X 1-1/2	11	11
F17817	SEAL	31	11	F2052	SHIM PROPELLER SHAFT BEARING .005 (SILVER)	29	42
F1794	SPRING PIN	23	17	F2053	SHIM PROPELLER SHAFT BEARING .006 (RED)	29	-
F1794	SPRING PIN	25	44	F2054	SHIM PROPELLER SHAFT BEARING .008 (BLACK)	29	-
F1803	STOP NUT, 5/16 - 24	21	29	F2055	SPACER, BEVEL GEAR FRONT .059	27	-
F1805	SPRING PIN	23	8	F2056	SPACER, BEVEL GEAR FRONT .062	27	-
F1806	GROOVE PIN	25	51	F2057	SPACER, BEVEL GEAR FRONT .065	27	-
F1809	HEX NUT	11	33	F2058	SPACER, BEVEL GEAR FRONT .068	27	-
F18160-2	REED, FUEL PUMP	7	7	F2059	SPACER, BEVEL GEAR FRONT .071	27	-
F1823	HEX CAP SCREW, 5/16 - 18 X 1	19	15	F2060	SPACER, BEVEL GEAR FRONT .074	27	-
F1829	FILL HD M. SCREW, 10 - 24 X 7/8	11	1	F2061	SPACER, BEVEL GEAR FRONT .077	27	-
F183813	BEARING, MAGNETO CONTROL LEVER	21	34	F2062	SPACER, BEVEL GEAR FRONT .080	27	-
F184033-1	SWIVEL, CHOKE ARM	15	40	F2063	SPACER, BEVEL GEAR FRONT .083	29	-
F1845	TY-RAP	13	47	F2064	SPACER, BEVEL GEAR FRONT .086	29	-
F184579	SEAL, CHOKE ARM SWIVEL	15	39	F2087	SPACER, BEVEL GEAR FRONT .056	27	34
F1857	HEX CAP SCREW, 5/16 - 18 X 5/8	23	6	F2097	SPRING CLUTCH	29	36
F1859	HEX SOCKET HEADLESS SET SCREW, 1/4 - 28 X 3/16	19	-	F213274	GREASE FITTING	23	41
F1887	HEX SLOTTED HD SCREW, 1/4 - 20 X 3 3/16	25	68	F24074	CLAMP SCREW FOOT	25	54
F18906	CARBURETOR GASKET	19	-	F24748-2	GASKET, FUEL PUMP	7	9
F18906	GASKET, CARBURETOR	15	8	F269316	SHAFT, ROLLER	3	31
F1922	HEX HD SCREW, 1/4 - 20 X 5/8	19	8	F2706772	HOSE CLAMP	7	12
F1934	FLAT HD SLOTTED SCREW	13	58	F2752253	HOSE, FUEL PUMP TO BUSHING	7	15
F195/_	REMOTE CONTROL CABLES	37	-	F2788004	STUD, CARBURETOR	15	9
F1971	HEX CAP SC. 1/4 - 20 X 2-1/8	3	19	F28004	STUD, INTERLOCK LEVER	19	12
F1975	SPRING LOCKWASHER	11	2	F286011	WASHER, SWIVEL BRACKET	23	19
F1976	SOCKET HD SCREW W/WASHER, 10 - 24 X 1/2	27	11	F286015-3	PISTON	19	19
F197767-1	BUSHING, FUEL LINE	3	22	F286019	KING PIN	23	35
F197787-3	FUEL LINE COUPLER	31	3	F286028	BEARING, CRANKSHAFT UPPER MAIN	21	50
F197813	BEARING	23	18	F286037	STERN BRACKET PIVOT BOLT	25	63
F197813	BEARING, INTERLOCK LEVER	21	62				
F1979	SCREW PAN HD., 10 - 24 X 1/2	3	9				
F1994	HEX SOCKET HD CAP SCREW, 5/16 - 18 X 1	29	46				
F1997	LOCK NUT, 8 - 32	17	41				

PARTS INDEX

Part Number	Description	Pg.	Ref. No.	Part Number	Description	Pg.	Ref. No.
F286114	LOCK BAR HANDLE	23	36	F286956	BRACKET, SHOCK MOUNT		
F286151	PLATE, EXHAUST	19	27		LOWER	23	33
F286152	COVER, EXHAUST	19	25	F286989-2	SEAL, SUPPORT PLATE	3	20
F286154	GASKET EXHAUST COVER	19	-	F298788	FERRULE	31	4
F286154	GASKET, EXHAUST COVER	19	26	F2A24757	FUEL PUMP REED PLATE	7	8
F286159-1	GASKET, REED PLATE	15	5	F2A424167	MANIFOLD	15	7
F286159-1	GASKET, REED PLATE	19	-	F2A474298	PROPELLER SHAFT		
F286169	BEARING, SWIVEL				BEARING CAGE W/SEALS		
	BRACKET	23	20		AND BEARING CUP	29	47
F286169	BEARING, SWIVEL			F2A477133	MOTOR LEG	23	21
	BRACKET	23	40	F2A516023	BEVEL GEAR FORWARD		
F286223	GASKET, TRANSFER PORT				W/BEARING	27	33
	COVER	19	-	F2A516266	PINION SHAFT W/BEARING	27	27
F286223	GASKET, TRANSFER PORT			F307317	CLIP, TERMINAL BLOCK		
	COVER	19	7		GROUND	11	16
F286244	WATER LINE	23	30	F307818	BEARING	3	13
F286277	GASKET, CRANKSHAFT			F31160-1	REED	15	3
	BEARING CAGE	19	-	F31410	RETAINING RING, PISTON		
F286277	GASKET, CRANKSHAFT				PIN	19	17
	BEARING CAGE	21	54	F321908	WIRE, GROUND STARTER		
F286279-2	GASKET, CYLINDER				RELAY	11	14
	MOUNTING	19	-	F333316	SHAFT, THROTTLE CAM		
F286279-2	GASKET, CYLINDER				ROLLER	15	38
	MOUNTING	21	28	F338618-1	SEAL, SHIFT ROD LOWER	27	20
F286282	WASHER	21	30	F341562	PLATE, WATER PUMP BACK	29	-
F286286-1	WASHER, STERN BRACKET	25	43	F341562	WATER PUMP BACK PLATE	27	10
F286300	SPRING, REVERSE LOCK	23	42	F343014	BEARING, CRANKSHAFT		
F286346	SHOCK MOUNT LOWER	23	28		LOWER MAIN	21	42
F286364	LEVER, REVERSE LOCK	23	16	F343128	DRIVESHAFT	27	7
F286414	SPRING, LEG WATER			F346146	SEAL, CRANKSHAFT UPPER	21	56
	BRACKET	23	11	F36634	SCREW, CONNECTING ROD	21	51
F286422-1	TILT LOCK PIVOT	23	27	F392756	PACKING, SUPPORT PLATE	3	17
F286422-1	TILT LOCK PIVOT	25	64	F40008	STUD	27	26
F286433	BRACKET SHALLOW WATER			F40342	SEAL, PROPELLER NUT	29	51
	DRIVE	25	52	F404446	CLAMP, CABLE	3	21
F286440	STUD, MAGNETO CONTROL			F404908	GROUND WIRE	11	20
	LEVER	21	40	F40717	THRUST WASHER BEVEL		
F286451	SPACER, TILT LOCK	23	26		GEAR	29	39
F286451	SPACER, TILT LOCK	25	70	F409251-1	GAUGE CAP	31	10
F286461	SPRING, LOCK BAR			F411420	RETAINER, SWITCH PLATE	13	57
	HANDLE	23	37	F412181-1	PLATE, IGNITION U.S.A.	13	59
F286472	GASKET, CYLINDER DRAIN			F424075	HANDLE, CLAMP SCREW	25	57
	COVER	19	-	F424161	REED STOP	15	2
F286509	LINK, THROTTLE CAM	21	37	F424168-1	GASKET, MANIFOLD	15	6
F286529-3	GASKET, CYLINDER HEAD	19	-	F424168-1	GASKET, MANIFOLD	19	-
F286529-3	GASKET, CYLINDER HEAD	19	4	F429472	GASKET, CYLINDER DRAIN		
F286539	BUMPER	23	4		COVER	19	-
F286544-1	SPRING, TILT STOP	25	72	F429472	GASKET, CYLINDER DRAIN		
F286571	ROLLER SET, MAIN				COVER	19	11
	BEARING (26 PER SET)	21	48	F429541	TILT LOCK	25	69
F286573-1	CLAMP, STEERING HANDLE	23	23	F429811	SCREEN	19	9
F286585-2	DECAL, TILT RELEASE	25	47	F430732	HEX HD SCREW, 5/16 - 18 X		
F286615	GEAR SHIFT ROD, UPPER	27	2		1 1/4	27	15
F286647	CARRYING HANDLE	25	71	F435555	SEAL, GEAR HOUSING,		
F286777	CAM, COVER LATCH	3	27		LOWER	27	23
F286827	REVERSE LOCK RELEASE			F436065-1	WATER PUMP IMPELLER	27	9
	LEVER	25	45	F436065-2	IMPELLER	29	-
F286871	PIN, GEAR SHIFT LEVER	3	16	F455118	SEAL, FUEL PUMP		
F286876	LEVER, GEAR SHIFT	3	14		BRACKET	7	1
F286914	SLEEVE WATER LINE	23	29	F458250	BEARING CUP	27	32

PARTS INDEX

Part Number	Description	Pg.	Ref. No.	Part Number	Description	Pg.	Ref. No.
F458498	KEY, FLYWHEEL	11	22	F517683	WIRE, STARTER INT. SW. TO STARTER RELAY	13	46
F461342	SEAL, DRIVESHAFT SPLINE	21	43	F517846	SPRING, REMOTE CHOKE	15	35
F474143	BEARING, BEVEL GEAR REAR	29	41	F517917	RELAY STARTER	11	8
F474225	BEARING, PROPELLER SHAFT REVERSE THRUST	29	43	F517924	CHOKE SOLENOID	13	42
F485755-1	FUEL TANK ADAPTER	31	8	F517977-1	LEVER, INTERLOCK	21	63
F487660-1	EXHAUST TUBE	19	22	F525286	WASHER	25	46
F492518	HEAD, CYLINDER	19	3	F536813	BEARING	23	14
F498618	SEAL "O" RING	27	30	F539843	CABLE ELECTRIC REMOTE EXTENSION	13	53
F498891	GEAR SHIFT ARM PIN	27	29	F539896	CABLE, BATTERY EXTENSION	11	19
F50109	GEAR HOUSING PLUG	27	18	F540038	PLATE, SUPPORT	3	18
F510029	STATOR, TRIGGER	11	24	F540683	WIRE STARTER TO STARTER RELAY	11	13
F510095	STATOR, ALTERNATOR	11	28	F540843	CABLE, ELECTRIC REMOTE	13	52
F510097	FLYWHEEL	11	30	F540896	BATTERY CABLE	11	18
F510165	SCREW	19	5	F540908	WIRE, GROUND RECTIFIER TO TERM. & LOCK	13	61
F510222	COVER, TRANSFER PORT	19	6	F596	CHRYSLER OUTBOARD OIL	37	-
F510301	C-D MODULE	13	43	F597	CHRYSLER OUTBOARD GEAR LUBE	37	-
F510374	DECAL, CIRCUIT BREAKER	11	34	F5H013	FLUSHING ADAPTER	37	-
F510398	DECAL, WIRING	11	6	F5H021	BATTERY EXTENSION CABLE - 6-1/2 FT.	37	-
F510427	BRACKET, STARTER SUPPORT	7	2	F5H026	FUEL TANK (ACCESSORY ITEM)	31	9
F510446	CLAMP, BATTERY CABLE	11	26	F5H026	STEEL, 6 GALLON FUEL TANK	37	-
F510449	NEUTRAL INTERLOCK SWITCH	13	49	F5H029	FUEL TANK ANCHOR	37	-
F510450-1	RECTIFIER	11	38	F5H040	STEEL, 12 GALLON FUEL TANK W/HOSE	37	-
F510460	CIRCUIT BREAKER	11	35	F5H041	BATTERY TERMINAL KIT	37	-
F510475	IGNITION COIL	11	3	F5H059	CHRYSLER OUTBOARD MULTI-PURPOSE GREASE	37	-
F510531	ROD, INTERLOCK	21	61	F5H060	CHRYSLER OUTBOARD GREASE GUN	37	-
F510551	BRACKET, INTERLOCK SWITCH	21	52	F5H062	WATER PUMP KIT	37	-
F510595	INSULATOR, CIRCUIT BREAKER	11	36	F5H078	IGNITION SWITCH (ACCESSORY ITEM)	13	55
F510661	PAD, STARTER MOTOR	3	35	F5H088	REMOTE CONTROL CONVERSION KIT	37	-
F510669	NUT	13	48	F5H090	REMOTE START KIT	37	-
F510675-1	STARTER SUPPORT	11	39	F5H130	SYNCHRO-DRIVE CONTROL BOX (SINGLE LEVER)	37	-
F510683	WIRE, RECTIFIER - CIRCUIT BREAKER	11	31	F5H131	PORT SIDE DECAL KIT	37	-
F510746	FUEL PUMP COVER	7	10	F5H134	BOAT WHITE LACQUER	37	-
F510811	FILTER, FUEL PUMP	7	16	F5H142	SAILBOAT REMOTE CONTROL	37	-
F510841	WIRE, STARTER INTERLOCK SWITCH	13	51	F610711	PLATE, ENGINE COVER	3	4
F510914	SEAL	29	-	F617061	CARBURETOR COMPLETE (LMB-228)	15	33
F510955	STARTER MOTOR - COMPLETE.	9	-	F617192	THROTTLE CAM	11	23
F516349	REVERSE LOCK	25	50	F617317	CLAMP, CHOKE SOLENOID	3	38
F516451	SPACER, STEERING HDL. BRKT.	23	3	F617958	BRACKET, CHOKE SOLENOID	3	37
F516662	GEAR, BEVEL, REAR	29	40	F66480	STUD CLAMP SCREW	25	59
F516677	SPACER, REVERSE LOCK	25	49	F7004	NUT, STOP 3/8 - 16	29	57
F516697	NUT, STEERING LOCK BRACKET	25	75	F7006	NUT, STOP, 5/16 - 18	3	28
F516704-1	COUPLING SHIFT ROD	27	12	F7008	STOP NUT, 1/4 - 20	21	64
F516705	GEAR SHIFT ROD, LOWER	27	14				
F517078	BRACKET, LOCK STEERING	25	74				
F517125	COUPLING, DRIVESHAFT	27	24				
F517273	TIE BAR	25	60				
F517347	SHOCK MOUNT UPPER	23	10				
F517552	SCREW, STEERING HDL. BRKT.	23	2				

PARTS INDEX

Part Number	Description	Pg.	Ref. No.	Part Number	Description	Pg.	Ref. No.
F7011	NUT, ELASTIC STOP, 10 - 24	3	10	FA286155	MAIN BEARING LINER SET		
F7023	CONE LOCK NUT, 1/4 - 20 (CLAMP TO BRACKET) . . .	5	41	FA286469	(2 PER SET)	21	47
F7024	LOCK NUT	25	61	FA286582	KNOB, COVER LATCH	3	24
F7025	LOCK NUT 3/8 - 16	23	9	FA341510	STEERING ARM	23	7
F7026	STOP NUT, 3/8 - 16	25	53	FA343612	LINK, REVERSE LOCK LEVER	25	48
F73082	RING, MAGNETO STATOR . . .	21	53	FA36016-4	BRACKET, REMOTE CONTROL W/CLIP	3	7
F8003	PLAIN WASHER	7	6	FA368700	ROD, CONNECTING	21	46
F8011	PLAIN WASHER	3	26	FA387742	IGNITION - NO LETTER OR STAMPED A	13	56
F8025	PLAIN WASHER	19	2	FA424158	LEVER, REVERSE LOCK INTERMEDIATE ASSEMBLY	23	13
F8039	PLAIN WASHER	29	58	FA429471	REED PLATE	15	4
F8058	INTERNAL TOOTH LOCK WASHER	21	32	FA474098	COVER, CYLINDER DRAIN . .	19	10
F8058	LOCKWASHER, INTERNAL TOOTH	3	12	FA487885	PROPELLER SHAFT	29	38
F8060	EXTERNAL TOOTH LOCKWASHER	23	5	FA504060	RETAINER, DETENT SPRING ASSEMBLY	27	19
F8065	LOCKWASHER	27	22	FA504060	BODY, WATER PUMP	29	-
F8077	NYLITE WASHER	27	17	FA504060	WATER PUMP BODY W/WATER PUMP SEAL . . .	27	6
F8083	SPRING LOCKWASHER	13	44	FA510010	CYLINDER	19	14
F8083	SPRING LOCKWASHER	23	32	FA510497	TERMINAL BLOCK	11	15
F8088	PLAIN WASHER (CHOKE ARM SWIVEL)	17	44	FA510914	SEAL, INLET WATER LINE . .	27	5
F8096	SPRING LOCKWASHER	11	12	FA516054	GEAR HOUSING LOWER . . .	27	31
F84026	SWIVEL, INTERLOCK ROD BEARING	21	59	FA516485	ANTICORROSION ANODE . . .	29	53
F84035-2	BEARING, INTERLOCK ROD . .	21	58	FA525228	ROLLER SET, CONNECTING ROD (16 PER SET)	21	44
F8537	SPRING PIN	25	55	FA525241	CRANKPIN ROLLER BEARING CAGE	21	45
F8538	SPRING PIN	23	15	FA540391	DECAL, SAILOR STARBOARD	3	-
F8538	SPRING PIN	25	65	FA540392	DECAL, SAILOR PORT	3	36
F8540	SPRING PIN	23	38	FA610396	DECAL, "CHRYSLER", STARBOARD	3	-
F8540	SPRING PIN	27	13	FA610397	DECAL, "CHRYSLER", PORT . .	3	6
F8542	SPRING PIN	3	15	FA610480	RETAINER, ENGINE COVER. .	3	8
F8542	SPRING PIN	3	15	FA610892	DECAL, ENGINE COVER, FRONT	3	1
F8554	SPRING PIN	25	56	FA617925	ROD AND PLUNGER, CHOKE SOLENOID	15	36
F8559	DOWEL PIN	19	16	FA84754-1	FUEL LINE SHORT	31	5
F85735-1	SEAL	3	2	FA901753	HOSE, FUEL PUMP TO CARBURETOR	7	13
F901307-2	SEAL	27	4	FA94094-2	PROPELLER NUT	29	49
F901307-2	SEAL, WATER LINE UPPER . .	23	12	FB368700	IGNITION KEY STAMPED B . .	13	-
F901456-1	EMERGENCY STARTER COLLAR	11	32	FC368700	IGNITION KEY STAMPED C . .	13	-
F901563	DRIVE PIN	29	-	FC409398	DECAL, TOTE TANK - CANADA (NOT SHOWN) . . .	31	-
F901563	WATER PUMP IMPELLER DRIVE PIN	27	8	FC503227	SPARK PLUG (QL-77J4) CANADA	19	-
F901938-1	SCREW, CYLINDER HEAD . . .	19	1	FC510374	DECAL, CIRCUIT BREAKER - CANADA	11	-
F90619-1	YOKE	27	25	FC510398	DECAL, WIRING - CANADA . .	11	-
F90871-3	GEAR SHIFT ARM PIN	29	37	FC516054	GEAR HOUSING - COMPLETE (NOT SHOWN).	27	-
F92759	ROLLER	3	32	FC520390	DECAL, STARTER - CANADA (NOT SHOWN)	9	-
F92759	ROLLER, THROTTLE CAM . . .	15	37				
F94840	GROMMET, BATTERY CABLE	3	34				
F98273	STUD, GEAR SHIFT ROD CONNECTOR	3	11				
F98273	STUD, REMOTE THROTTLE CONNECTOR	21	36				
F99521-1	CLUTCH	29	35				
FA174260	PISTON RING SET (2 PER SET)	19	20				
FA1844	HEX CAP SCREW, 1/4 - 20 X 2-3/8	23	31				
FA286113	LOCK BAR	23	39				

PARTS INDEX

Part Number	Description	Pg.	Ref. No.	Part Number	Description	Pg.	Ref. No.
FD368700	IGNITION KEY STAMPED D	13	-	FT8982	SHIM ADAPTER	34	-
FE368700	IGNITION KEY STAMPED E	13	-	FT8983	SEALANT RTV	36	-
FG1005-2	GASKET SET.	19	21	FT8985	SEAL INSTALLER	34	-
FK10114	REPAIR KIT	15	12	FT8993	TORQUE WRENCH		
FK1031-1	WATER PUMP KIT	29	56		ADAPTER	33	-
FK1064	GEAR HOUSING SEAL KIT.	29	55	FT8995	SHIM SPACER	34	-
FK1123	SPARKIE W/SPRING	11	7	FT8996	IGNITION TESTER	35	-
FK247	PROPELLER PIN (PACK OF			22-818103--1	FITTING, FUEL PUMP	7	11
	6)	29	52	27-818043A1	FUEL PUMP DIAPHRAGM		
FP278	PROPELLER (ACCESSORY				W/GASKETS	7	4
	ITEM)	29	48	32-817738A1	FUEL LINE, LONG	31	7
FS409752	FUEL LINE COMPLETE.			33-82370M	PLUG, SPARK, L 82	19	13
	(NOT SHOWN)	31	-	100-FS666712T	COVER, ENGINE	3	5
FS567532	STERN BRACKET PORT	25	73	400-818047A3	CRANKSHAFT	21	49
FT1749	SNAP RING PLIER	33	-	800-817904A1	SHORT BLOCK (NOT		
FT2907	SEAL INSTALLER	34	-		SHOWN).	19	-
FT2908	SEAL SLEEVE	33	-	1100-817753A1	CAGE, CRANKSHAFT		
FT2909	KNOCK-OFF NUT	32	-		BEARING	21	55
FT2938-1	TEST LIGHT	35	-	1400-817750A4	SWIVEL BRACKET	23	25
FT2951	CIRCUIT TRACER	35	-	1600-817844A3	GEAR HOUSING UPPER		
FT2955A	TEST WHEEL	35	-		W/4, 17, 18, 20, 53 AND		
FT2961	LUBRICANT - RYKON				BEARING	27	16
	GREASE #2EP	36	-				
FT2962-1	SEALANT - 50 CC LOCTITE						
	H, NON-HARDENING						
	GRADE	36	-				
FT2963-2	SEALANT - 2 OZ. LOCTITE						
	D, HARDENING GRADE	36	-				
FT2987-1	LUBRICANT - ANTI-SEIZE	36	-				
FT2989	FLYWHEEL WEDGE	32	-				
FT2991	CARBON BRUSH	33	-				
FT2997	RING COMPRESSOR	33	-				
FT2998	TORQUE WRENCH (0 - 100						
	LBS/FT)	33	-				
FT2999	TORQUE WRENCH (0 - 600						
	LBS/IN)	33	-				
FT3012	SEAL INSTALLER	33	-				
FT3431	SEAL INSTALLER	34	-				
FT8900	HOSE CLAMP PLIERS	33	-				
FT8901	INDICATOR HOLDER	34	-				
FT8902	DIAL INDICATOR	34	-				
FT8904	FORWARD CUP INSTALLER	34	-				
FT8907	DRIVER HANDLE	34	-				
FT8918	BEARING GUIDE SET	34	-				
FT8919	SPRING PIN PUNCH	34	-				
FT8920	BEARING INSTALLER	34	-				
FT8921	CUP REMOVER	34	-				
FT8924-1	CHECKING GAUGE	34	-				
FT8926	RING EXPANDER	33	-				
FT8929	ADAPTER AND HEX BIT	33	-				
FT8935	SEALANT PRIMER - 6 OZ.	36	-				
FT8936-1	SEALANT - 2 CC LOCTITE						
	RETAINING COMPOUND						
	#75	36	-				
FT8948-1	PULLER	34	-				
FT8949	SEAL INSTALLER	33	-				
FT8950	LEAKAGE TESTER	35	-				
FT8953	C-D TESTER	35	-				
FT8957	SEAL INSTALLER	34	-				