



PARTS CATALOG

9.9 FURY 15 H.P.

SERIAL NUMBER

15 (1981)	152H1H
15 (1982)	152B2H
15 (1982)	152H2H
9.9 (1981)94H1F
9.9 (1982)	95B2H

TABLE OF CONTENTS:

ENGINE COVER AND SUPPORT PLATE	2
FUEL SYSTEM	10
FUEL TANK AND LINE	28
GEAR HOUSING	24
MAGNETO	6
MOTOR LEG	18
PARTS INDEX	37
POWER HEAD	14
SPECIAL TOOLS - ACCESSORIES	36
SPECIAL TOOLS - LOWER UNIT	33
SPECIAL TOOLS - LUBRICANTS AND SEALANTS	35
SPECIAL TOOLS - MANUAL STARTER	31
SPECIAL TOOLS - POWER HEAD	32
SPECIAL TOOLS - TEST EQUIPMENT	34
SPECIAL TOOLS - TUNE-UP	30
STARTER	8

NOTE: Indented description indicate that these parts are included in preceding assembly.

AR = As Required

NSS = Not Sold Separate

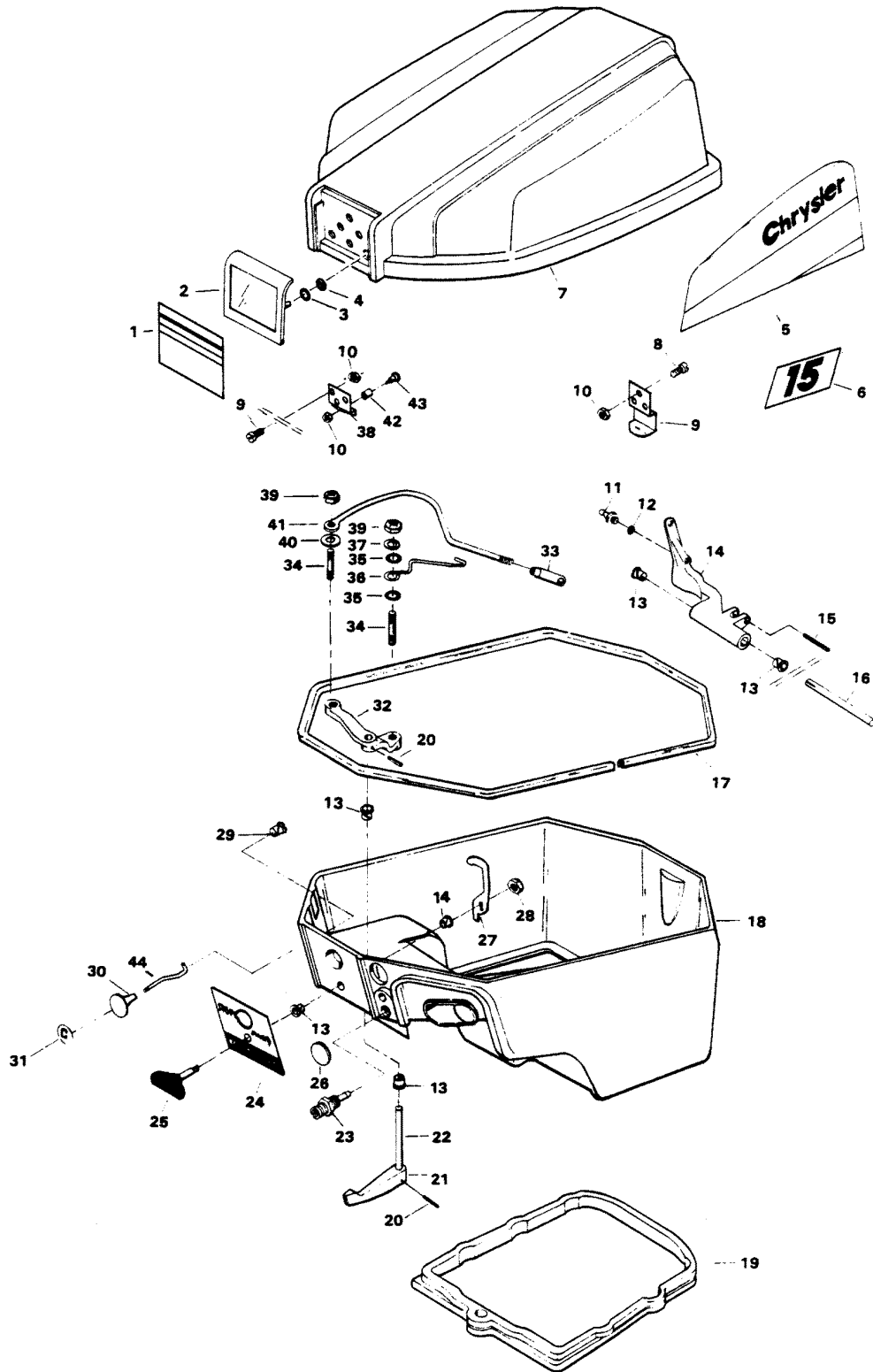
OPT = Optional

NS = Not Shown

THESE PARTS BOOKS/FICHE CARD ARE COPYRIGHTED AND MAY NOT BE DISTRIBUTED OR REPRODUCED IN ANY OTHER FORMAT BY ANYONE OTHER THAN MERCURY MARINE WITHOUT THE PRIOR WRITTEN CONSENT OF MERCURY MARINE.

THIS PAGE INTENTIONALLY LEFT BLANK

ENGINE COVER AND SUPPORT PLATE

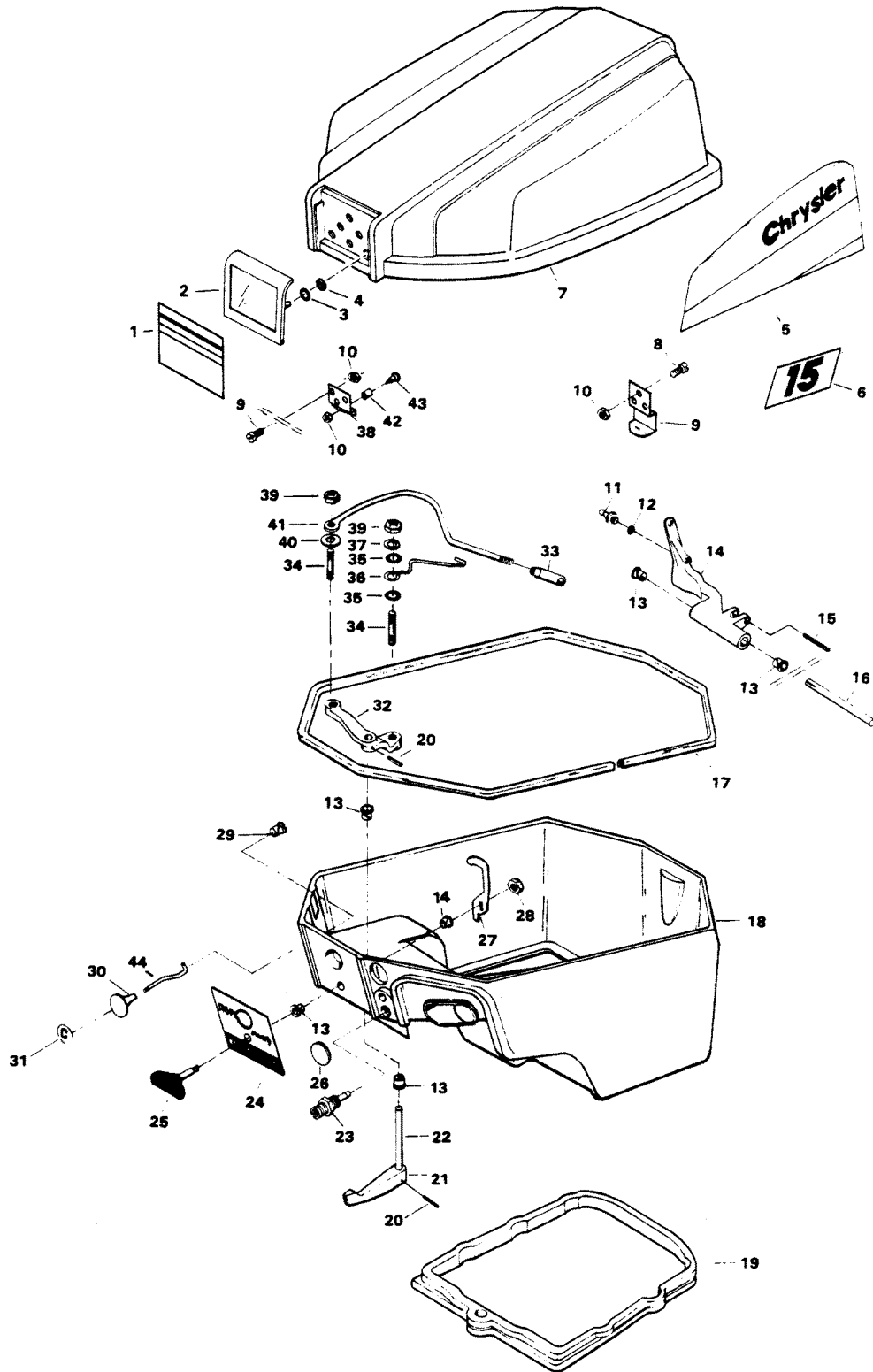


ENGINE COVER AND SUPPORT PLATE

REF. NO.	PART NO.	SYM.	QTY.	DESCRIPTION
1	FA610892		1	DECAL, ENGINE COVER, FRONT W/LITERATURE
2	F610711		1	PLATE, ENGINE COVER
3	F85735-1		3	SEAL
4	F1753		3	FASTENER
5	FA610397		1	DECAL, ENGINE COVER PORT W/LITERATURE
-	FA610396		1	DECAL, ENGINE COVER STARBOARD W/LITERATURE
6	FA590386		2	DECAL, - NUMERAL 15 W/LITERATURE
-	FA568387		2	DECAL, FURY 9.9 (94H2G ONLY, NOT SHOWN)
7	100-FS666712T		1	COVER, ENGINE W/ILLUS. 8, 9, 10, 38, 41 AND 42. ORIGINAL FORCE P/N S541712-1
-	2C610712		1	COVER, ENGINE COMPLETE. INCLUDES ALL ITEM MARKED WITH AN ASTERISK (*). ORDER NUMERAL SEPARATE.
8	F1475		6	FILL HD SCREW, 10 - 24 X 1/2
9	FA610480		1	RETAINER, ENGINE W/ILLUS. 9 AND 10
10	F7011		7	ELASTIC STOP NUT, 10 - 24
11	F98273		1	STUD, GEAR SHIFT ROD CONNECTOR
12	F8058		1	INTERNAL TOOTH LOCKWASHER
13	F307818		6	BEARING
14	F286876		1	LEVER, GEAR SHIFT
15	F8542		1	SPRING PIN
16	F286871		1	PIN, GEAR SHIFT LEVER
17	F392756		1	PACKING, SUPPORT PLATE
18	FA492038		1	PLATE, SUPPORT W/ILLUS. 26
19	F286989-2		1	SEAL, SUPPORT PLATE
20	F8540		2	SPRING PIN
21	F286614		1	HANDLE, GEAR SHIFT
22	F492417		1	SHAFT, GEAR SHIFT HANDLE
23	F197767-1		1	BUSHING, FUEL LINE
24	817757A4		1	PLATE, FRONT W/LITERATURE ORIGINAL FORCE P/N A286711-3
25	FA286469		1	KNOB, COVER LATCH W/SHAFT
26	F343226-1		2	PLUG
27	F286777		1	CAM, COVER LATCH
28	F7006		1	STOP NUT, 5/16 - 18
29	F197319		1	BEARING, CHOKE ROD
30	F286547		1	KNOB, CHOKE
31	F458677		1	INSERT, CHOKE KNOB
32	F492619		1	LEVER, GEAR SHIFT SHAFT
33	F286685		1	CONNECTOR, GEAR SHIFT ROD
34	F286134		2	STUD, GEAR SHIFT LEVER
35	F184579		2	SEAL
36	F492263		1	LINK, STARTER INTERLOCK
37	F8011		1	PLAIN WASHER

CONTINUED ON NEXT PAGE ➡

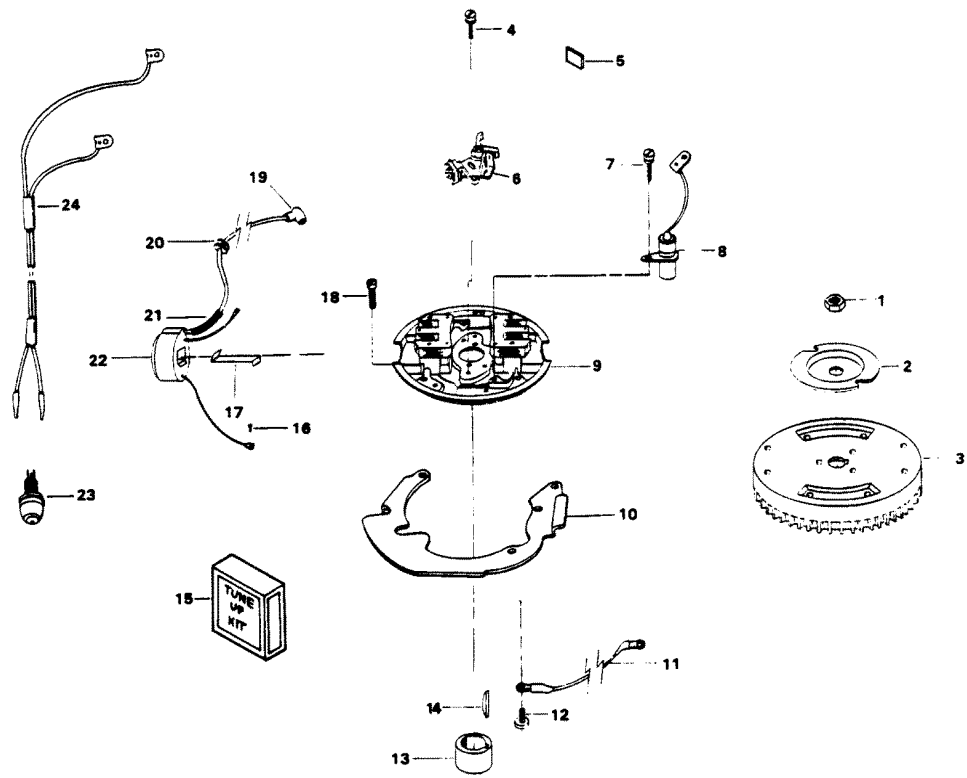
ENGINE COVER AND SUPPORT PLATE



ENGINE COVER AND SUPPORT PLATE

REF. NO.	PART NO.	SYM.	QTY.	DESCRIPTION
38	817758A1		1	BRACKET, COVER LATCH W/ILLUS. 8, 10, 38 AND 42 ORIGINAL FORCE P/N A286774-1
39	F1804		2	STOP NUT, 10 - 32
40	F8048		1	BOWED SPRING WASHER
41	F286611-1		1	ROD, GEAR SHIFT
42	F92759		1	ROLLER
43	F333316		1	ROLLER SHAFT
44	F617503		1	ROD, CHOKE

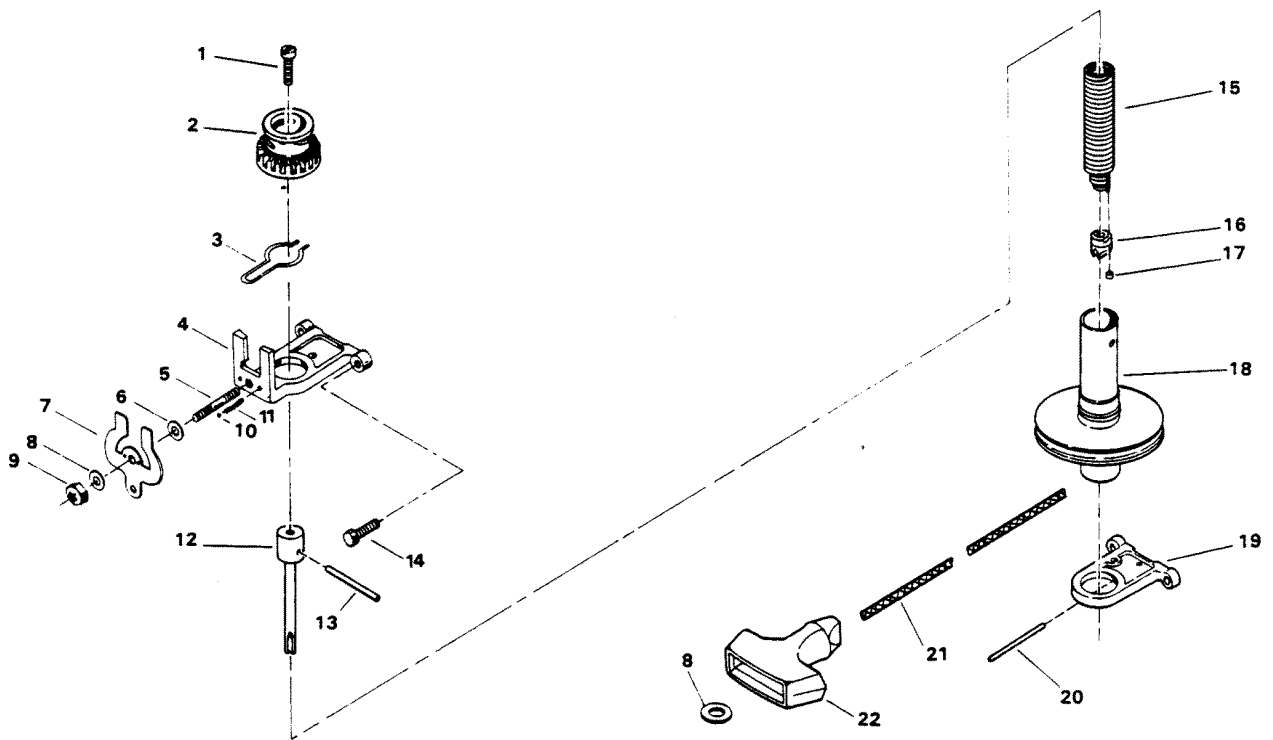
MAGNETO



MAGNETO

REF. NO.	PART NO.	SYM.	QTY.	DESCRIPTION
1	F1809		1	HEX NUT, 1/2 - 20
2	F901456-1		1	EMERGENCY STARTER COLLAR
3	F302097		1	FLYWHEEL
4	F12170		4	CONTACT SCREW W/LOCKWASHER
5	F12360		1	CAM WIPER FELT
6	F12153-1		2	BREAKER POINT SET
7	F12083		2	CONDENSER SCREW W/LOCKWASHER
8	F12181-1		2	CONDENSER
9	F12343		1	STATOR PLATE W/LAMINATIONS
10	F617192		1	THROTTLE CAM PLATE
11	F289664		1	WIRE, STATOR GROUND
12	F1075		4	FILL HD SCREW, 10 - 24 X 1/2
13	F217002		1	MAGNETO BREAKER CAM
14	F458498		1	MAGNETO KEY
15	FK1066		1	TUNE UP KIT - INCLUDES ALL ITEMS MARKED WITH AN ASTERISK (*)
-	F492095		1	STATOR MAGNETO. INCLUDES ALL ITEMS MARKED WITH TWO ASTERISK (**)
16	F12114		2	COIL GROUND TERMINAL SCREW
17	F12146		2	COIL WEDGE SPRING
18	F1090		4	FILL HD SCREW W/LOCKWASHER, 10 - 24 X 9/16
19	FK1123		2	SPARKIE W/SPRING
20	F12088		2	GROMMET
21	F12141		1	HIGH TENSION LEAD SLEEVE
22	FA12370		2	COIL W/LEAD WIRE AND WEDGE SPRING
23	F436449		1	SHORTING SWITCH
-	F12091		1	LEAD WIRE MARKER TOP (NOT SHOWN)
24	F12186-1		1	PRIMARY TERMINAL WIRE

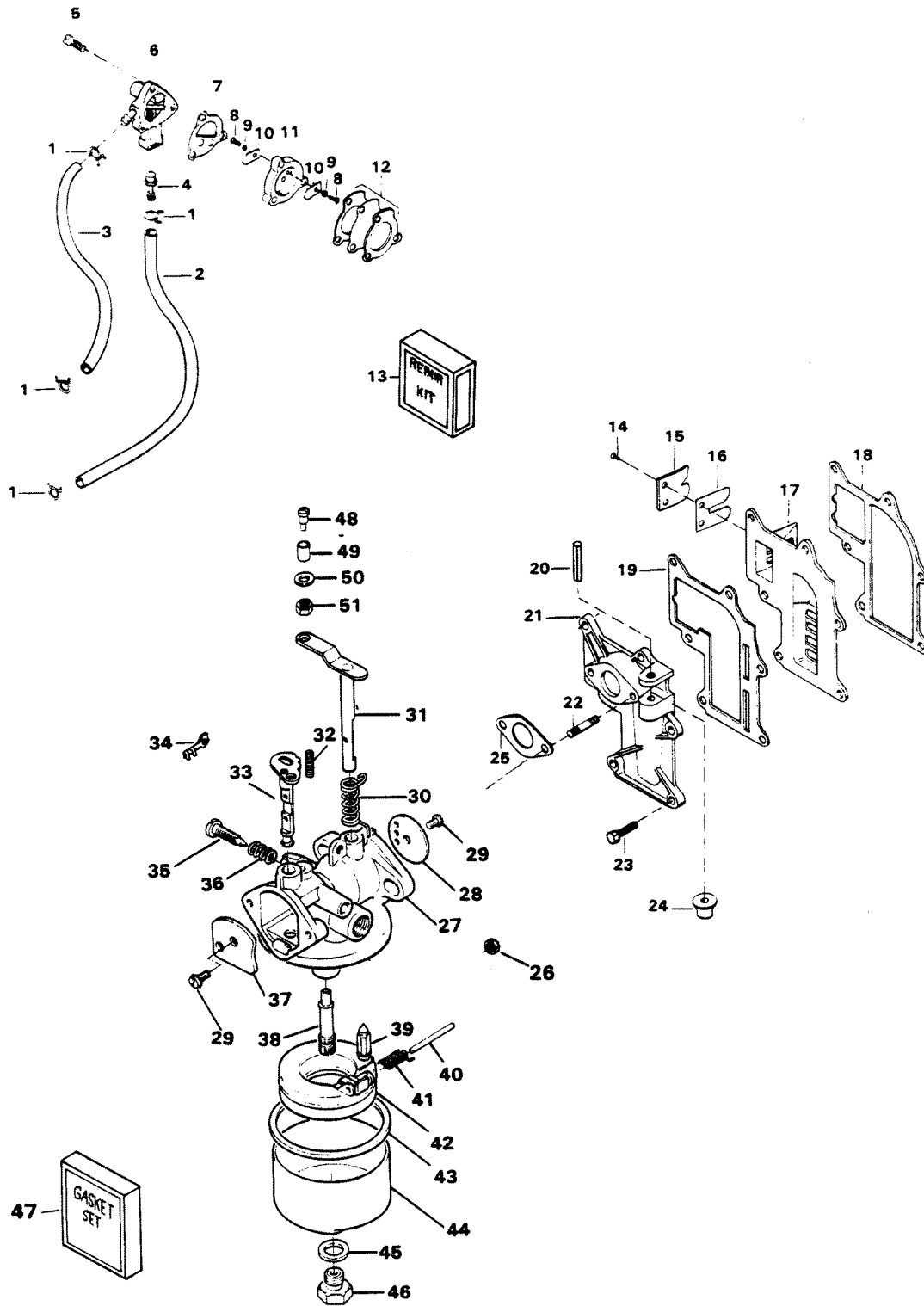
STARTER



STARTER

REF. NO.	PART NO.	SYM.	QTY.	DESCRIPTION
1	F1089		1	FILL HD SCREW, 10 - 24 X 9/16
2	F487674		1	GEAR, STARTER PINION
3	F487424-1		1	STARTER PINION SPRING
4	F487427-1		1	BRACKET, STARTER UPPER
5	F286134		1	STUD
6	F8011		1	PLAIN WASHER
7	F487781-3		1	STARTER INTERLOCK
8	F2042		2	PLAIN WASHER
9	F1804		1	STOP NUT
10	F487727		2	BALL, INTERLOCK DETENT
11	F487895		2	SPRING, INTERLOCK DETENT
12	F286710		1	ARBOR, STARTER SPRING
13	F40425		1	STARTER PINION PIN
14	F1864		4	HEX HD SCREW, 1/4 - 20 X 3/4
15	FA286970		1	STARTER REWIND SPRING W/ILLUS. 16 AND 17
16	F286737-1		1	RETAINER, STARTER REWIND SPRING
17	F286930		1	END, STARTER SPRING
18	F2A459239		1	STARTER SPOOL W/SHAFT W/LITERATURE
19	FK317427		1	BRACKET, STARTER LOWER W/ILLUS. 20 AND LITERATURE
20	F1875		1	SPRING PIN, STARTER BRACKET
21	F409232		1	STARTER ROPE
22	F286132		1	HANDLE, STARTER ROPE

FUEL SYSTEM

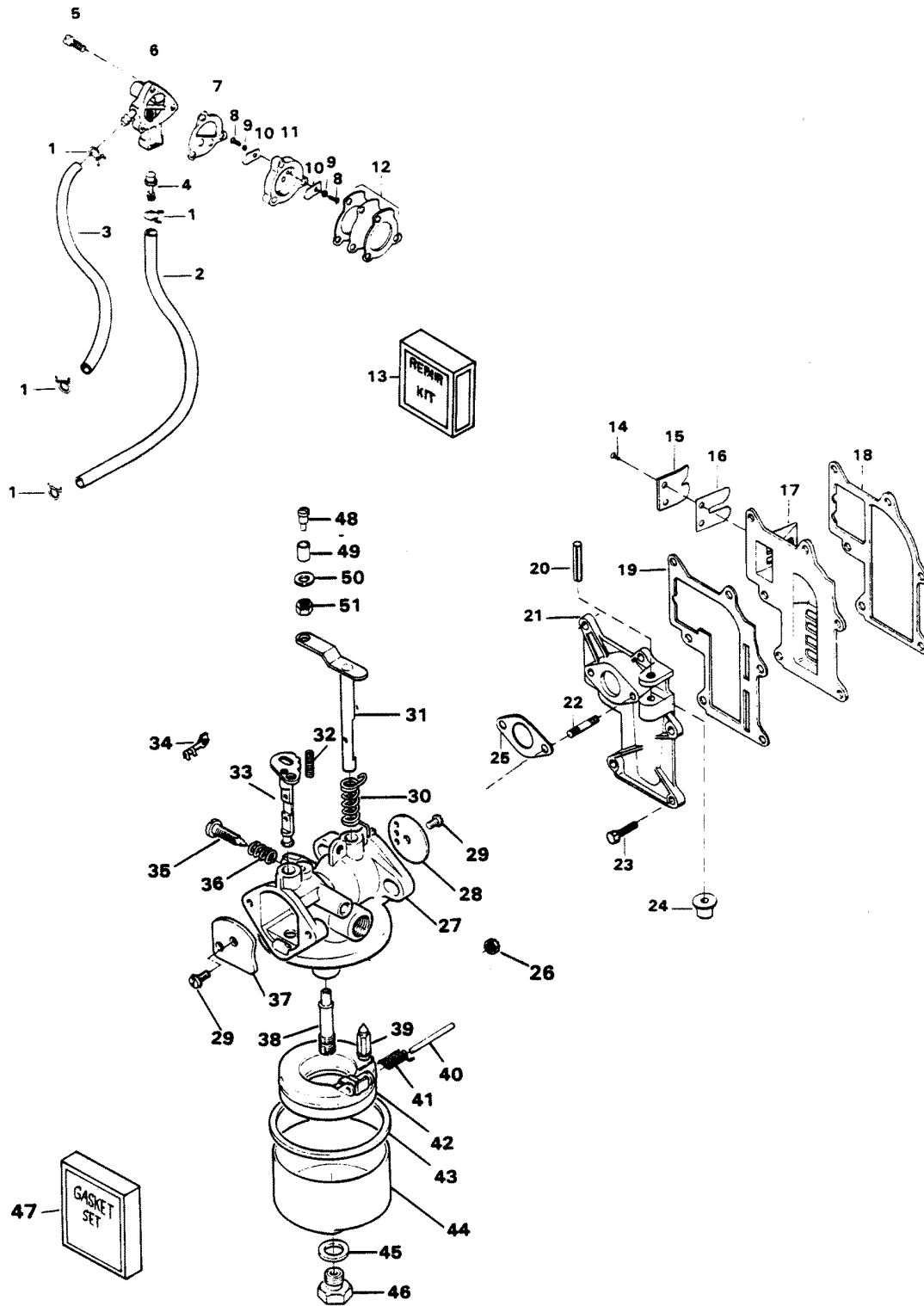


FUEL SYSTEM

REF. NO.	PART NO.	SYM.	QTY.	DESCRIPTION
1	F2706772		4	HOSE CLAMP
2	F40253-1		1	FUEL LINE
3	FA24754-1		1	FUEL LINE W/CLAMPS
4	F901811		1	FUEL PUMP FILTER
5	F1069		3	FILL HD SCREW, 10 - 24 X 1-1/16
6	F901746-2		3	FUEL PUMP COVER
7	F24748-2		1	GASKET, FUEL PUMP
8	F1286		2	PAN HD SCREW, 4 - 40 X 3/16
9	F8003		2	PLAIN WASHER
10	F18160-2		2	REED FUEL PUMP
11	F2A24757		1	FUEL PUMP REED PLATE W/ILLUS. 8, 9 AND 10
12	27-818043A1		1	FUEL PUMP DIAPHRAGM W/GASKETS
13	FK10123		1	REPAIR PARTS KIT. INCLUDES ALL ITEMS MARKED WITH AN ASTERISK (*)
14	F1755		8	RD HD SCREW W/LOCKWASHER, 6 - 32 X 5/16
15	F424161		4	REED STOP
16	F31160-1		4	REED
17	FA424158		1	REED PLATE W/ILLUS. 14, 15 AND 16
18	F286159-1		1	GASKET, REED PLATE
19	F424168-1		1	GASKET, MANIFOLD
20	F1876		1	SPRING PIN
21	F2A424167		1	MANIFOLD W/ILLUS. 20, 22 AND 24
22	F2788004		2	STUD, CARBURETOR
23	F2008		6	HEX HD SCREW, 1/4 - 20 X 7/8
24	F487435		1	PULLEY, STARTER ROPE
25	F18906		1	CARBURETOR GASKET
26	F1490		2	HEX NUT, 1/4 - 20
27	F618061		1	CARBURETOR COMPLETE (LMB-229)
28	F10121		1	VALVE, THROTTLE
29	F10071		1	SCREW, CHOKE AND THROTTLE VALVES
30	F10075		1	SPRING, THROTTLE RETURN
31	F10110		1	SHAFT ASSEMBLY, THROTTLE
32	F10072		1	SPRING, CHOKE STOP
33	F10111		1	SHAFT ASSEMBLY, CHOKE
34	F341384		1	RETAINER, CHOKE ROD
35	F10077		1	NEEDLE, IDLE
36	F10073		1	SPRING, IDLE NEEDLE
37	F10122		1	VALVE, CHOKE
38	F10088		1	NOZZLE
39	F10120		1	KIT, VALVE SEAT
40	F10064		1	SHAFT, FLOAT SUPPORT
41	F10084		1	SPRING, FLOAT SUPPORT
42	F10063		1	FLOAT ASSEMBLY W/ILLUS. 40

CONTINUED ON NEXT PAGE ➡

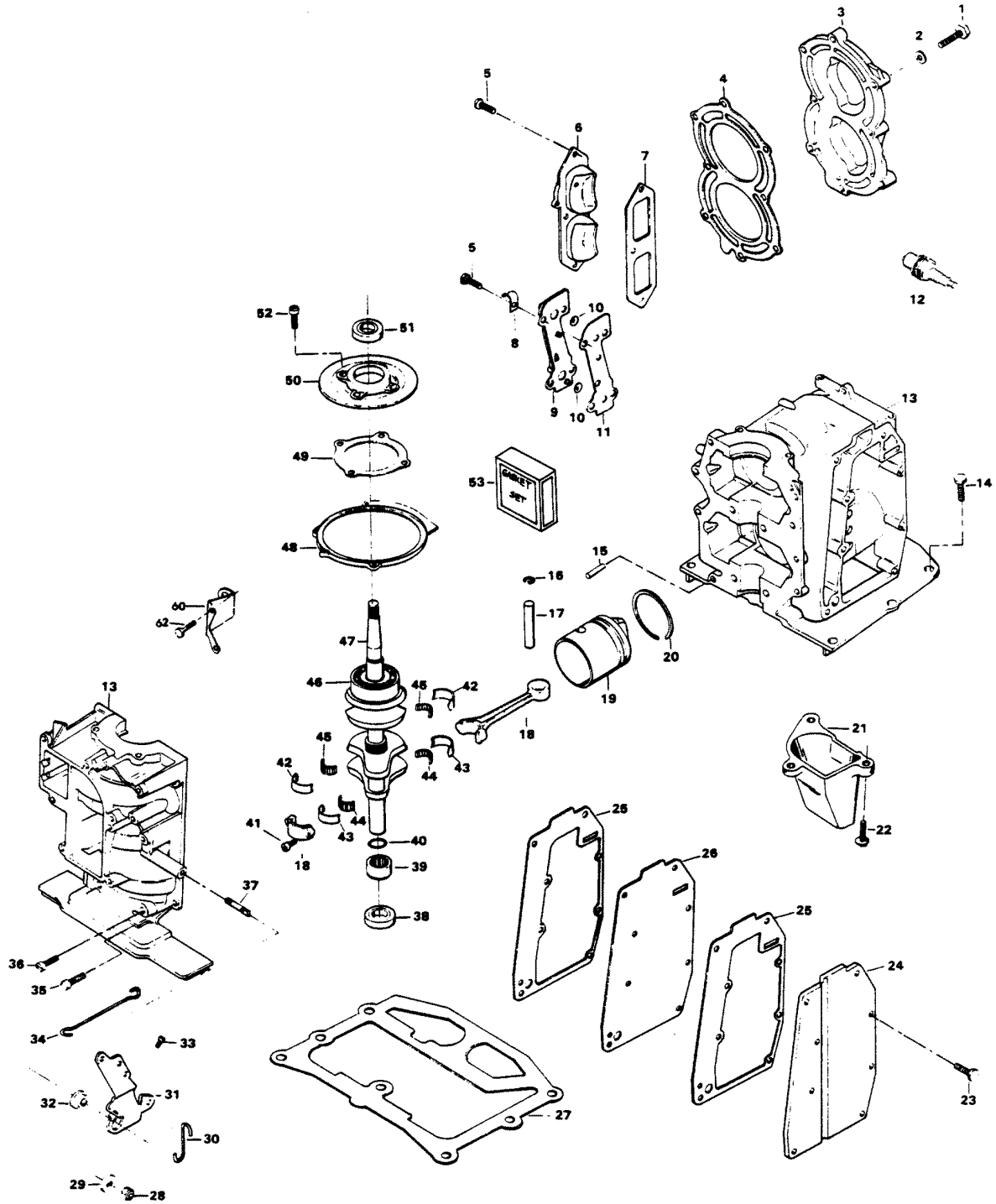
FUEL SYSTEM



FUEL SYSTEM

REF. NO.	PART NO.	SYM.	QTY.	DESCRIPTION
43	F10068		1	GASKET, BODY TO BOWL
44	F10058		1	BOWL, FUEL
45	F10090		1	GASKET, BOWL RETAINER
46	F10126		1	JET ASSEMBLY - MAIN FUEL (.0625)
47	FK10124		1	GASKET KIT, CARBURETOR. INCLUDES ALL ITEMS MARKED WITH A DOUBLE ASTERISK (**)
-	F10116		1	PLUG KIT (NOT SHOWN)
48	F333316		1	SHAFT, THROTTLE CAM ROLLER
49	F92759		1	ROLLER, THROTTLE CAM
50	F2042		1	PLAIN WASHER
51	F1997		1	LOCK NUT, 8 - 32

POWER HEAD

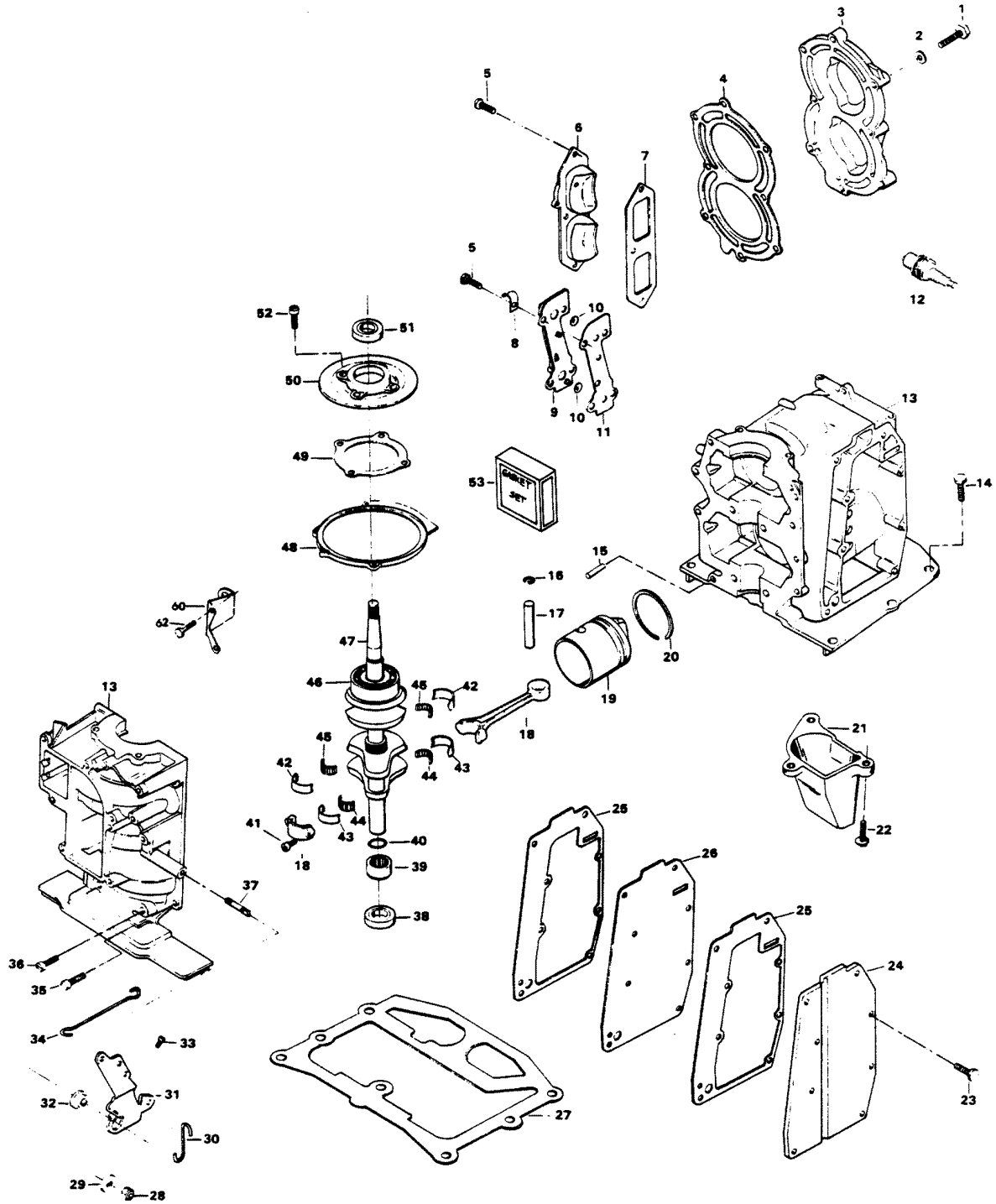


POWER HEAD

REF. NO.	PART NO.	SYM.	QTY.	DESCRIPTION
1	F901938-1		8	SCREW, CYLINDER HEAD
2	F8025		8	PLAIN WASHER
3	F286518		1	HEAD, CYLINDER
4	F286529-3		1	GASKET, CYLINDER HEAD
5	F1922		7	HEX HD SCREW, 1/4 - 20 5/8
6	F286222		1	COVER, TRANSFER PORT
7	F286223		1	GASKET, TRANSFER PORT COVER
8	F286772-1		1	HOSE CLAMP
9	FA429471		1	COVER, CYLINDER DRAIN W/CHECK VALVE AND ILLUS. 10
10	F429811		2	SCREEN
11	F429472		1	GASKET, CYLINDER DRAIN COVER
12	FS174227		2	PLUG, SPARK, L-4-J
-	FC235227		2	PLUG, SPARK CHAMPION (RL-4-J) FOR CANADA
13	FA473010		1	CYLINDER W/CRANKCASE COVER, ILLUS. 15, 36 AND 37
-	800-819091A1		1	SHORT BLOCK (NOT SHOWN). INCLUDES ALL ITEMS MARKED WITH AN ASTERISK (*) ORIGINAL FORCE P/N C 472010-1
14	F1823		6	HEX CAP SCREW, 5/16 - 18 X 1
15	F8559		2	DOWEL PIN
16	F31410		4	RETAINING RING, PISTON PIN
17	F174017		2	PIN, PISTON
18	FA36016-4		2	ROD, CONNECTING W/CAP AND SCREWS
19	F472015-2		2	PISTONS
20	FA472260		1	PISTON RING SET (4 PER SET)
21	F487660-1		1	EXHAUST TUBE
22	F2040		3	HEX WASHER HD M. SCREW, 1/4 - 20 X 5/8
23	F2008		8	HEX HD SCREW, 1/4 - 20 X 7/8
24	F286152		1	COVER, EXHAUST
25	F286154		2	GASKET, EXHAUST COVER
26	F286151		1	PLATE, EXHAUST
27	F286279-2		1	GASKET, CYLINDER MOUNTING
28	F1803		1	STOP NUT, 5/16 - 24
29	F286282		1	WASHER
30	F286445		1	LINK, MAGNETO SHAFT
31	817971A3		1	LEVER, MAGNETO SHAFT
32	F183813		1	BEARING, MAGNETO CONTROL
33	F1504		1	FILL HD SCREW, 1/4 - 20 X 1-1/4
34	F286509		1	LINK, THROTTLE CAM
35	F1107		8	FILL HD SCREW, 1/4 - 20 X 3/4
36	F1335		4	FILL HD SCREW, 5/16 - 18 X 1-1/4
37	F286440		1	STUD, MAGNETO CONTROL LEVER
38	F141118		1	SEAL, CRANKSHAFT LOWER
39	F343014		1	BEARING, CRANKSHAFT LOWER MAIN
40	F461342		1	SEAL, DRIVESHAFT SPLINE

CONTINUED ON NEXT PAGE ➡

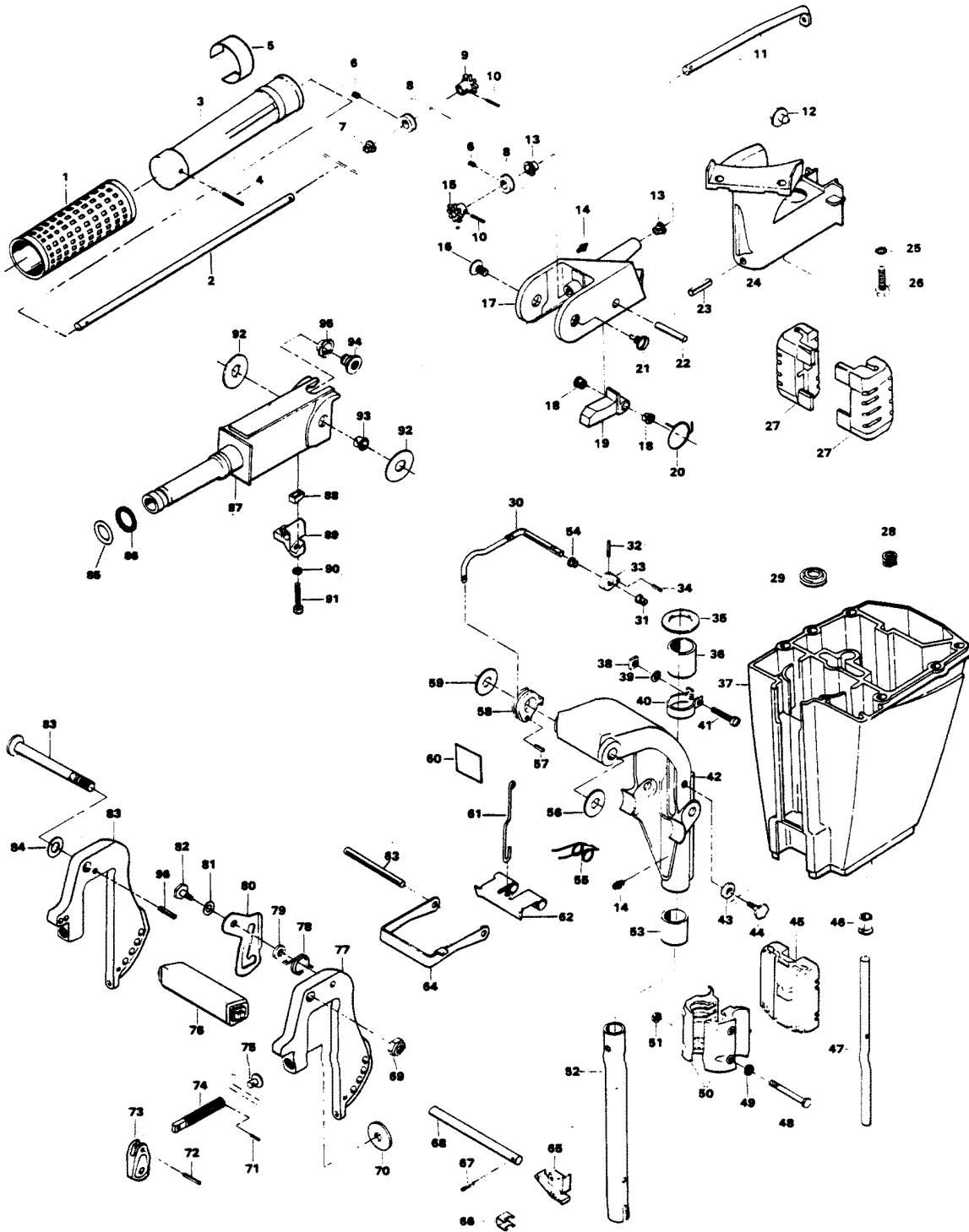
POWER HEAD



POWER HEAD

REF. NO.	PART NO.	SYM.	QTY.	DESCRIPTION
41	F36634		0	4 SCREW, CONNECTING ROD
42	FA286155		1	MAIN BEARING LINER SET (2 PER SET)
43	FA525241		2	CRANK PIN ROLLER BEARING CAGE (2 PER SET)
44	FA525228		2	ROLLER SET, CONNECTING ROD (26 PER SET)
45	F286571		1	ROLLER SET, MAIN BEARING (26 PER SET)
46	F286028		1	BEARING, CRANKSHAFT UPPER MAIN
47	F2A472018		1	CRANKSHAFT W/ILLUS. 46
48	F73082		1	RING, MAGNETO STATOR
49	F286277		1	GASKET, CRANKSHAFT BEARING CAGE
50	1100-817753A1		1	CAGE, CRANKSHAFT BEARING W/ILLUS. 51 ORIGINAL FORCE P/N A 286144-1
51	F346146		1	SEAL, CRANKSHAFT UPPER
52	F1111		4	FILL HD SCREW, 1/4 - 20 X 7/8
53	FG1005-2		1	GASKET SET INCLUDES ITEMS LISTED BELOW:
-	F18906		1	GASKET, CARBURETOR
-	F286154		2	GASKET, EXHAUST
-	F286159-1		1	GASKET, REED PLATE
-	F286223		1	GASKET, TRANSFER PORT
-	F286277		1	GASKET, CRANKSHAFT BEARING CAGE
-	F286279-2		1	GASKET CYLINDER MOUNTING
-	F286529-3		1	GASKET, CYLINDER HEAD
-	F424168-1		1	GASKET, MANIFOLD
-	F429472		1	GASKET, CYLINDER DRAIN COVER

MOTOR LEG

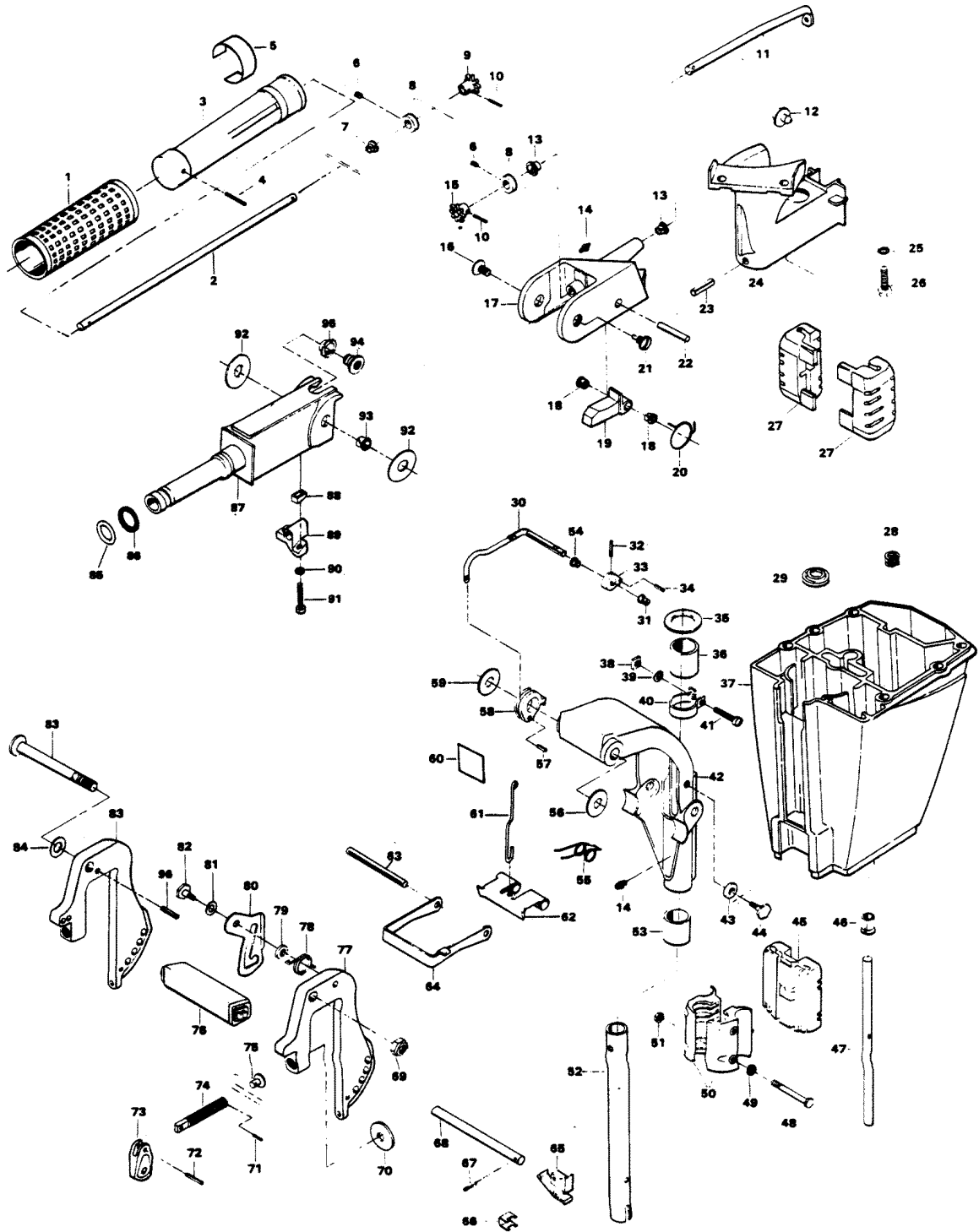


MOTOR LEG

REF. NO.	PART NO.	SYM.	QTY.	DESCRIPTION
1	F458695		1	SLEEVE
2	F429688		1	SHAFT, STEERING HANDLE
3	FA456137		1	GRIP, STEERING HANDLE W/ILLUS. 1
4	F8548		1	SPRING PIN
5	F286894-3		1	STEERING HANDLE INDICATOR
-	37-F286894-3		1	STEERING HANDLE INDICATOR - CANADA
6	F1859		2	HEX SOCKET HEADLESS SET SCREW
7	F85610		1	BEARING
8	FA343178		2	RETAINER W/ILLUS. 6
9	43-818009--1		1	GEAR, STEERING HANDLE SHAFT
10	F1978		2	SPRING PIN
11	F431838		1	MAGNETO CONTROL SHAFT
12	F286539		1	BUMPER
13	F307818		2	BEARING
14	F213274		4	GREASE FITTING
15	43-818009--1		1	GEAR, MAGNETO CONTROL SHAFT
16	F1799		1	TRUSS HD SCREW, 5/16 - 18 X 5/8
17	817751A3		1	STEERING HANDLE BRACKET W/ILLUS. 54 ORIGINAL FORCE P/N A 286078-2
18	F197813		1	BEARING, STEERING HANDLE STOP
19	F286490		1	STEERING HANDLE STOP
20	F286868		1	SPRING, STEERING HANDLE STOP
21	F286080		1	SCREW, STEERING HANDLE PIVOT
22	F1807		1	GROOVE PIN
23	F1805		1	SPRING PIN
24	FA286582		1	STEERING ARM W/ILLUS. 12 AND 27
25	F8060		2	EXTERNAL TOOTH LOCKWASHER
26	F1922		2	HEX CAP SCREW, 1/4 - 20
27	F286347		2	SHOCK MOUNT, UPPER
28	F286414		1	SPRING, LEG WATER BRACKET
29	F901307-2		1	SEAL, MOTOR LEG
30	FA387742		1	LEVER, REVERSE LOCK INTERMEDIATE ASSY.
31	F197813		1	BEARING
32	F8538		1	SPRING PIN
33	F286364		1	LEVER, REVERSE LOCK
34	F1794		1	SPRING PIN
35	F286011		1	WASHER, SWIVEL BRACKET
36	F286169		1	BEARING, SWIVEL BRACKET
37	F2A477133		1	MOTOR LEG W/ITEMS 29, 46 & 47
38	F1608		1	SQUARE NUT, 1/4 - 20
39	F1907		1	WASHER
40	F286573-1		1	CLAMP, STEERING FRICTION
41	F1034		1	FILL HD SCREW, 1/4 - 20 X 1 3/8

CONTINUED ON NEXT PAGE ➡

MOTOR LEG

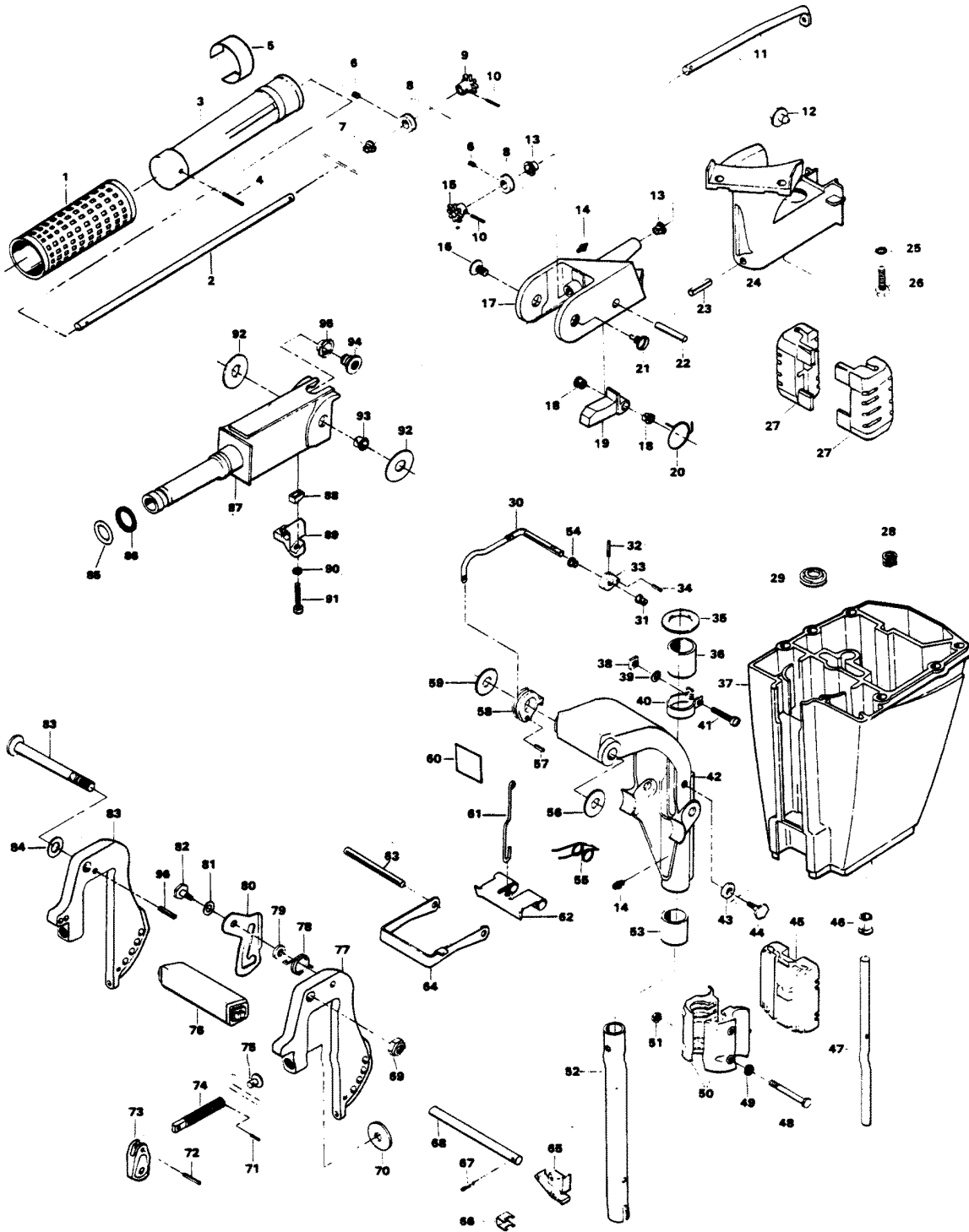


MOTOR LEG

REF. NO.	PART NO.	SYM.	QTY.	DESCRIPTION
42	1400-817750A4		1	SWIVEL BRACKET W/ILLUS. 14 AND 53 ORIGINAL FORCE P/N A 286072-2
43	F286451		1	SPACER, TILT LOCK
44	F286422-1		1	TILT LOCK PIVOT
45	F286346		1	SHOCK MOUNT LOWER
46	F286914		1	SLEEVE WATER LINE
47	F286244		1	WATER LINE
48	FA1844		2	HEX BOLT, 1/4 - 20 X 2-3/8 W/ILLUS. 49
49	F8083		2	SPRING LOCKWASHER
50	F286956		2	BRACKET, SHOCK MOUNT LOWER
51	F1341		2	HEX NUT, 1/4 - 20
52	F286019		1	KINGPIN
53	F286169		1	BEARING, SWIVEL BRACKET
54	F536813		1	BEARING, REVERSE LOCK INTERMEDIATE LEVER
55	F286300		1	SPRING, REVERSE LOCK
56	F286286-1		1	WASHER, STERN BRACKET
57	F1794		1	SPRING PIN
58	F286827		1	REVERSE LOCK RELEASE LEVER
59	F525286		1	WASHER
60	F286585-2		1	DECAL, TILT RELEASE
61	FA341510		1	LINK, REVERSE LOCK LEVER W/LITERATURE
62	F286349		1	REVERSE LOCK
63	F1806		1	GROOVE PIN
64	F286433		1	BRACKET SHALLOW WATER DRIVE
65	F286114		1	LOCK BAR HANDLE
66	F286461		1	SPRING, LOCK BAR HANDLE
67	F8540		1	SPRING PIN
68	FA286113		1	LOCK BAR W/ILLUS. 65, 66 AND 67
69	F7026		1	STOP NUT, 3/8 - 16
70	F24074		2	CLAMP SCREW FOOT
71	F8537		2	SPRING PIN
72	F8554		2	SPRING PIN
73	F424075		2	HANDLE, CLAMP SCREW
74	817761A2		2	CLAMP SCREW W/ILLUS. 70, 71 AND 75 ORIGINAL FORCE P/N A 298073-2
75	F66480		2	STUD CLAMP SCREW
76	F286647		1	CARRYING HANDLE
77	FS567532		2	STERN BRACKET PORT W/ILLUS. 74
78	F286544-1		1	SPRING, TILT STOP
79	F286451		1	SPACER, TILT LOCK
80	F429541		1	TILT LOCK
81	F1666		1	BOWED SPRING WASHER
82	F286422-1		1	TILT LOCK PIVOT
83	F286037		1	STERN BRACKET PIVOT BOLT

CONTINUED ON NEXT PAGE ➡

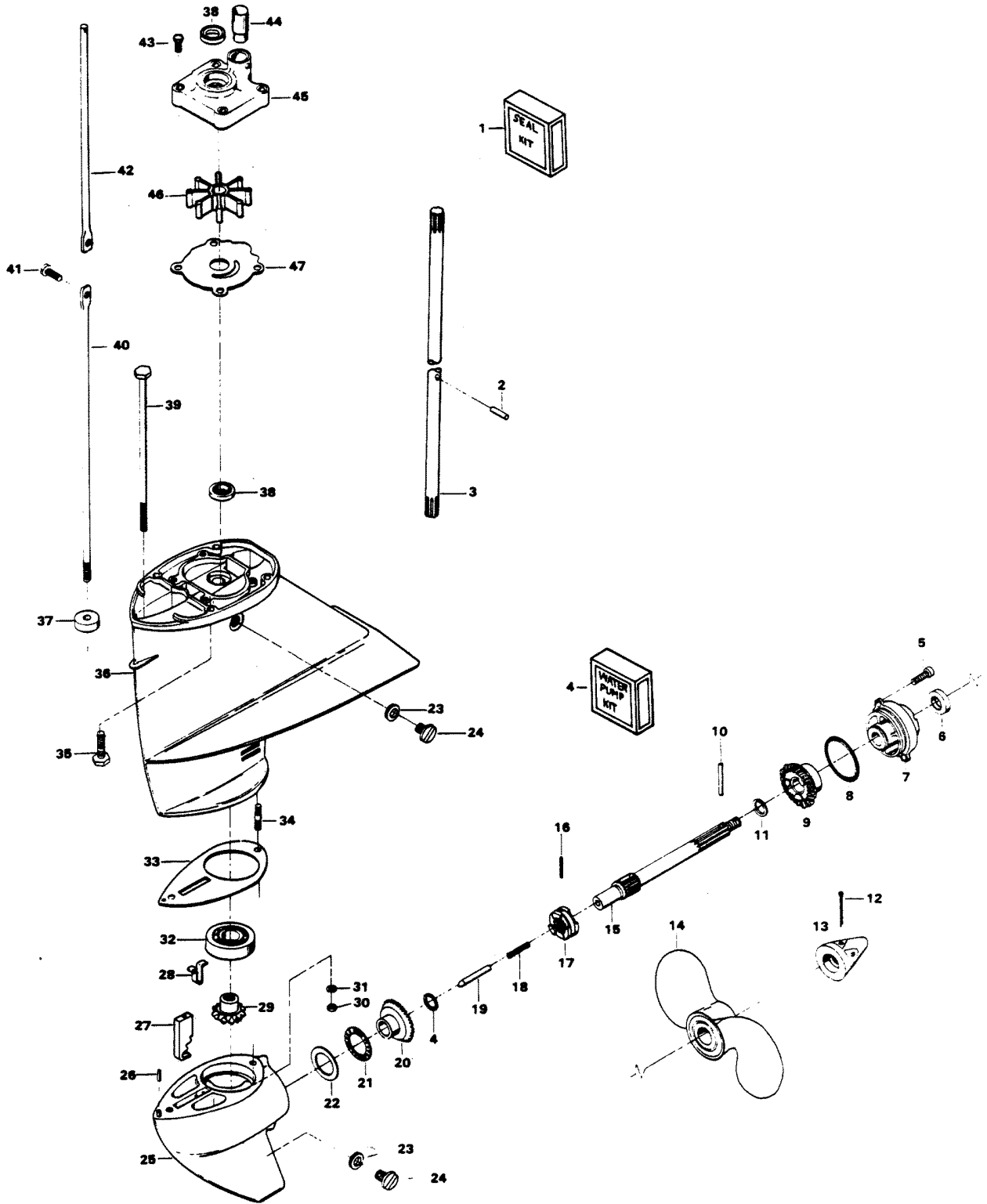
MOTOR LEG



MOTOR LEG

REF. NO.	PART NO.	SYM.	QTY.	DESCRIPTION
84	F2014		1	PLAIN WASHER
85	F215795		1	SEAL
86	F53795-1		1	SEAL, STEERING HANDLE GRIMP DAMPENER (LARGE)
87	F286079-1		1	STEERING HANDLE
88	F341693		1	WEDGE, STEERING HANDLE
89	F487816		1	BEARING, STEERING HANDLE
90	F8058		2	INTERNAL TOOTH LOCKWASHER
91	F1829		2	FILL HD SCREW, 10 - 24 X 7/8
92	F286220		2	WASHER, STEERING HANDLE
93	F197813		1	BEARING
94	F286224		1	INSERT, STEERING HANDLE PIVOT
95	F286818		1	BEARING
96	F8538		1	SPRING PIN

GEAR HOUSING

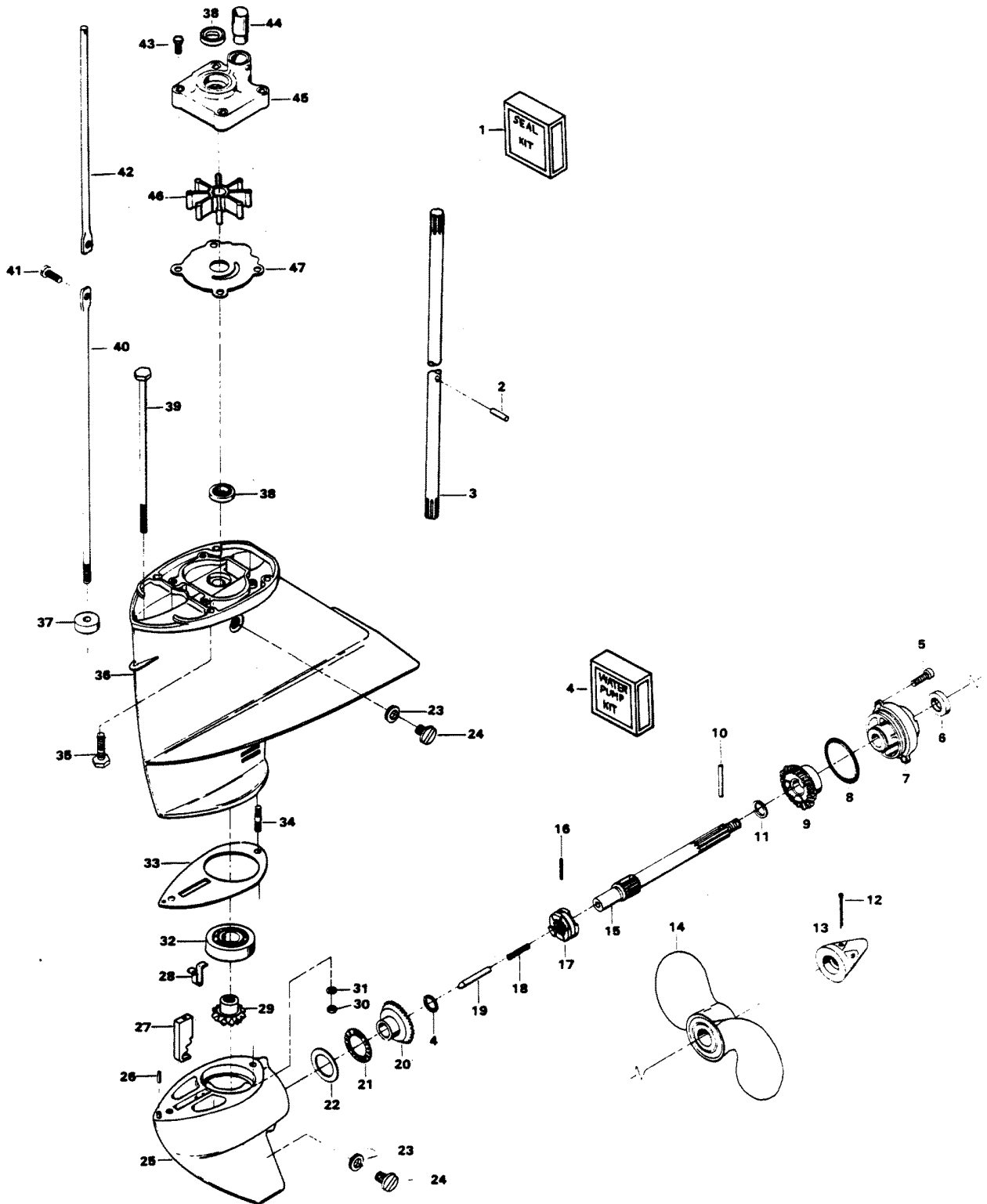


GEAR HOUSING

REF. NO.	PART NO.	SYM.	QTY.	DESCRIPTION
1	FK1065		1	GEAR HOUSING SEAL KIT INCLUDES ALL ITEMS MARKED WITH A DOUBLE ASTERISK (**)
2	F901563		1	WATER PUMP IMPELLER DRIVE PIN
3	F343128		1	DRIVESHAFT
4	FK1031-1		1	WATER PUMP KIT
-	F2030		4	SCREW, 1/4 - 20 X 1-1/4
-	F341562		1	PLATE, WATER PUMP BACK
-	F436065-1		1	IMPELLER
-	F510914		1	SEAL, WATER LINE
-	F901563		1	PIN, WATER PUMP IMPELLER DRIVE
-	FA504060		1	BODY, WATER PUMP
5	F1493		2	FILL HD SCREW, 1/4 - 20 X 5/8
6	F346118		1	SEAL, PROPELLER SHAFT
7	31-817756A2		1	PROPELLER SHAFT BEARING CAGE W/BEARING AND ITEMS 6 AND 8 ORIGINAL FORCE P/N A 286298-1
8	F455305		1	SEAL, PROP SHAFT BEARING CAGE
9	FA456662		1	BEVEL GEAR REAR W/BEARING
10	FA324101		1	PROPELLER PIN, PACK OF 3 W/ILLUS. 12
11	F456717		2	THRUST WASHER
12	F1846		1	COTTER PIN
13	11-817752A1		1	PROPELLER NUT W/ILLUS. 12 ORIGINAL FORCE P/N A 286094-1
14	FP6430		1	PROPELLER (ACCESSORY ITEM)
15	F456098		1	PROPELLER SHAFT
16	F8564		1	SPRING PIN
17	FA456521		1	CLUTCH W/LITERATURE
18	F409719		1	CLUTCH SPRING
19	F286728		1	CLUTCH SHIFT PIN
20	FA456023		1	BEVEL GEAR FRONT W/BEARING
21	F286901		1	BEARING, RADIAL, PROPELLER SHAFT
22	F286903		1	RACE, PROPELLER SHAFT BEARING
23	F8077		2	NYLTITE WASHER
24	F50109		2	GEAR HOUSING PLUG
25	FA286054		1	GEAR HOUSING LOWER W/PROP SHAFT BEARING, ILLUS. 23, 24 AND 26
-	FC456054		1	LOWER GEAR HOUSING COMPLETE (NOT SHOWN) INCLUDES ALL ITEMS MARKED WITH AN ASTERISK (*)
26	F8553		1	SPRING PIN
27	F286721		1	CLUTCH, SHIFT CAM
28	F286895		1	SPRING CAM DETENT
29	FA286266		1	GEAR, BEVEL PINION W/ITEM 32
30	F1490		1	HEX NUT, 1/4 - 20
31	F8083		1	SPRING LOCKWASHER
32	F127910-2		1	BALL BEARING

CONTINUED ON NEXT PAGE ➡

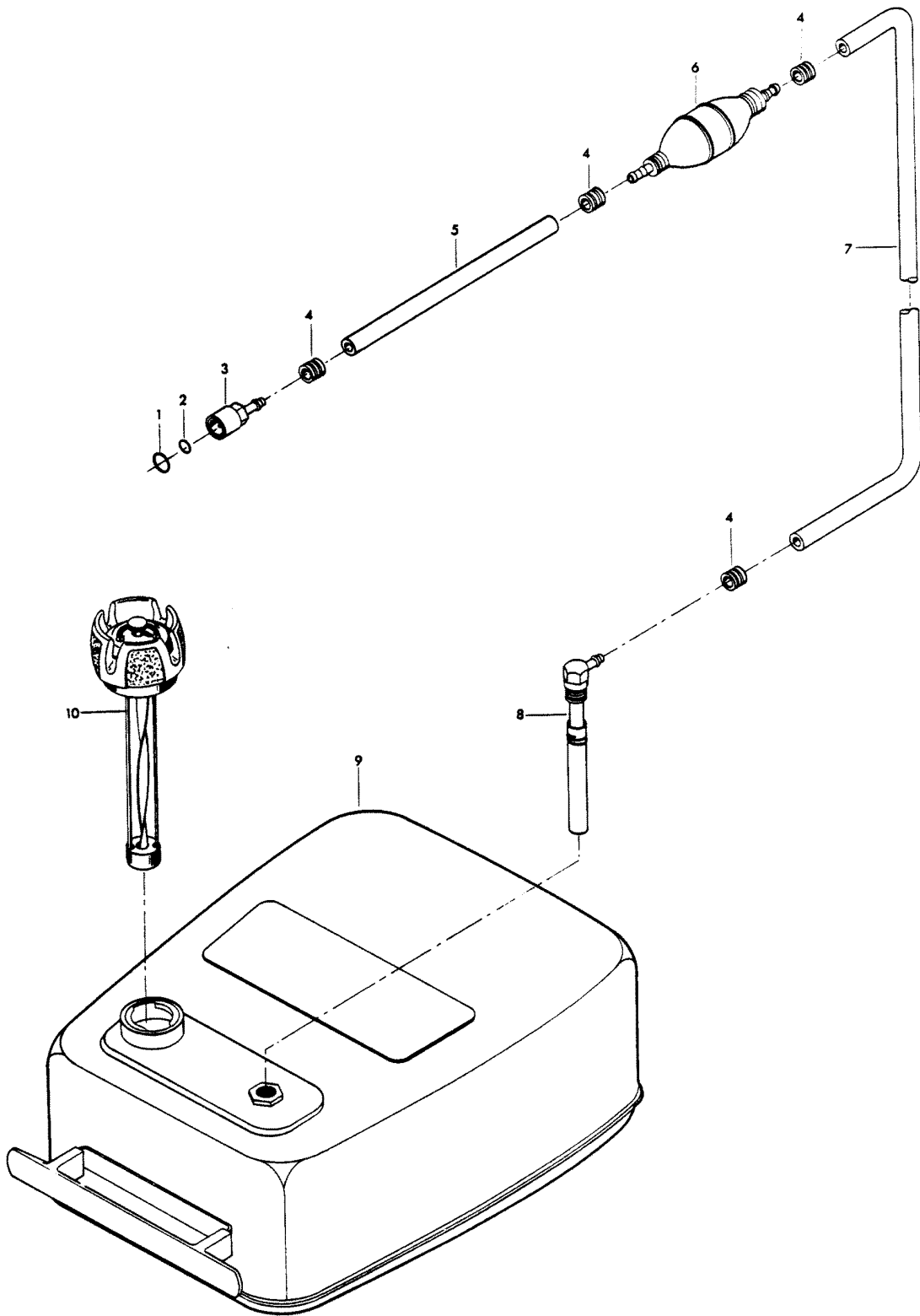
GEAR HOUSING



GEAR HOUSING

REF. NO.	PART NO.	SYM.	QTY.	DESCRIPTION
33	F286555		1	GASKET, GEAR HOUSING
34	F286008		1	STUD, GEAR HOUSING REAR
35	F430732		4	HEX HD SCREW, 1/4 - 20 X 1
36	1600-824916A1		1	GEAR HOUSING UPPER W/BEARING AND ITEMS 23, 24, 34, 37 AND 38 ORIGINAL FORCE P/N A 456554-1
37	F338618-1		1	SEAL, GEAR SHIFT ROD LOWER
38	F901307-2		2	SEAL, DRIVESHAFT AND WATER PUMP
39	F1800		1	HEX BOLT, 1/4 - 20 X 7
40	F286705		1	GEAR SHIFT ROD LOWER
41	F1976		1	SOCKET HD SCREW W/LOCKWASHER, 10 - 24 X 1/2
42	F286615		1	GEAR SHIFT ROD UPPER
43	F2030		4	HEX HD SCREW, 1/4 - 20 X 1-1/4
44	FA510914		1	SEAL, INLET WATER LINE W/LITERATURE
45	FA504060		1	WATER PUMP BODY W/ILLUS. 38
46	F436065-1		1	WATER PUMP IMPELLER
47	F341562		1	WATER PUMP BACK PLATE

FUEL TANK AND LINE



FUEL TANK AND LINE

REF. NO.	PART NO.	SYM.	QTY.	DESCRIPTION
1	F17816		1	SEAL, FUEL LINE COUPLER
2	F17815		1	SEAL, FUEL LINE COUPLER
3	F197787-3		1	FUEL LINE COUPLER
4	F298788		4	FERRULE
5	FA84754-1		1	FUEL LINE, SHORT W/ILLUS. 4
6	89396A38		1	PRIME BULB
7	32-817738A1		1	FUEL LINE, LONG W/CLAMPS AND ILLUS. 4 ORIGINAL FORCE P/N A 197752-1
8	F487755		1	FUEL TANK ADAPTER
9	F5H026		1	FUEL TANK (ACCESSORY ITEM) W/ILLUS. 8 AND 10
10	F409251-1		1	GAUGE CAP
-	FS409752		1	FUEL LINE COMPLETE (NOT SHOWN). INCLUDES ALL ITEMS MARKED WITH AN ASTERISK (*)
-	FC409398		1	DECAL TOTE TANK CANADA (NOT SHOWN)

SPECIAL TOOLS - TUNE-UP

REF. NO.	PART NO.	SYM.	QTY.	DESCRIPTION
-	FT2989		0	FLYWHEEL WEDGE TO REMOVE FLYWHEEL.
-	FT2909		0	KNOCK-OFF NUT TO REMOVE FLYWHEEL.
-	FT8930-1		0	FEELER GAUGE TO ADJUST BREAKER POINTS.

SPECIAL TOOLS - MANUAL STARTER

REF. NO.	PART NO.	SYM.	QTY.	DESCRIPTION
-	FT2985		0	STARTER REWIND KEY TO REWIND STARTER SPRING.

SPECIAL TOOLS - POWER HEAD

REF. NO.	PART NO.	SYM.	QTY.	DESCRIPTION
-	FT2998		0	TORQUE WRENCH (0 - 100 LBS./FT.) TO PROPERLY SECURE FASTENERS.
-	FT2999		0	TORQUE WRENCH (0 - 600 LBS./IN.) TO PROPERLY SECURE FASTENERS.
-	FT2991		0	CARBON BRUSH TO REMOVE CARBON FROM INSIDE OF POWER HEAD.
-	FT8900		0	HOSE CLAMP PLIERS TO REMOVE AND INSTALL FUEL HOSE CLAMPS.
-	FT11202		0	SEAL INSTALLER TO INSTALL CRANKSHAFT SEALS.
-	FT3012		0	SEAL INSTALLER TO INSTALL UPPER CRANKSHAFT BEARING CAGE SEAL.
-	FT2908		0	SEAL SLEEVE TO INSTALL UPPER CRANKSHAFT BEARING CAGE SEAL.
-	FT8929		0	ADAPTER AND HEX BIT TO TORQUE CONNECTING ROD SCREWS.
-	FT1749		0	SNAP RING PLIERS TO REMOVE AND INSTALL PISTON PIN RETAINING RINGS.
-	FT2997		0	RING COMPRESSOR TO INSTALL PISTONS.
-	FT8926		0	RING EXPANDER TO INSTALL PISTON RINGS.
-	FT8993		0	TORQUE WRENCH ADAPTER TO TORQUE LOWER CYLINDER HEAD BOLTS.

SPECIAL TOOLS - LOWER UNIT

REF. NO.	PART NO.	SYM.	QTY.	DESCRIPTION
-	FT8948-1		0	PULLER TO REMOVE PROPELLER SHAFT BEARING CAGE.
-	FT8957		0	SEAL INSTALLER TO INSTALL SHIFT ROD SEAL.
-	FT2907		0	SEAL INSTALLER TO INSTALL DRIVESHAFT SEAL IN GEAR HOUSING UPPER, PROPELLER SHAFT SEAL AND WATER PUMP SEAL.

SPECIAL TOOLS - TEST EQUIPMENT

REF. NO.	PART NO.	SYM.	QTY.	DESCRIPTION
-	FT2938-1		0	BATTERY POWERED TEST LIGHT TO TEST FOR CONTINUITY IN WIRES.
-	FT8952		0	TEST WHEEL TO TEST MOTOR IN TEST TANK.
-	FT8950		0	LEAKAGE TESTER TO TEST GEAR HOUSING SEALS FOR LEAKS.
-	FT2951		0	CIRCUIT TRACER TO TEST 12 VOLT CIRCUITS FOR CONTINUITY.

SPECIAL TOOLS - LUBRICANTS AND SEALANTS

REF. NO.	PART NO.	SYM.	QTY.	DESCRIPTION
-	FT2961		0	LUBRICANT - RYKON GREASE #2EP
-	FT2987-1		0	LUBRICANT - ANTI-SEIZE
-	FT8969		0	LUBRICANT - 7 OZ. 2 LSI LUBRICANT
-	FT8983		0	SEALANT - RTV
-	FT8936-1		0	SEALANT - 2 CC LOCTITE RETAINING COMPOUND #75
-	FT2962-1		0	SEALANT - 50 CC LOCTITE H, NON-HARDENING GRADE
-	FT2963-2		0	SEALANT - 2 OZ. LOCTITE D, HARDENING GRADE
-	FT8935		0	SEALANT PRIMER - 6 OZ

SPECIAL TOOLS - ACCESSORIES

REF. NO.	PART NO.	SYM.	QTY.	DESCRIPTION
-	FK1019-1		0	5" LONG LEG CONVERSION KIT CONVERTS 15" STANDARD SHAFT MODEL TO 20" LONG SHAFT MODEL.
-	F5H057		0	15" LONG LEG CONVERSION KIT CONVERTS 15" STANDARD SHAFT OR 20" LONG SHAFT MODEL TO 30" LONG SHAFT MODEL.
-	F588		0	FLUSHING ADAPTER PERMITS FRESH WATER FLUSHING OF WATER PASSAGES WITH STANDARD GARDEN HOSE.
-	F5H062		0	WATER PUMP KIT HEAVY DUTY WATER PUMP RECOMMENDED FOR CONTINUED OPERATION IN SANDY OR SALT WATER.
-	F5H088		0	REMOTE CONTROL CONVERSION KIT PERMITS REMOTE CONTROL OF THROTTLE AND GEAR SHIFT FROM FRONT OF BOAT.
-	F5H025		0	ANTI-CORROSION ANODE PROTECTS ENGINE FROM ELECTROLYSIS CORROSION - MOUNTS ON CAVITATION PLATE.
-	F5H130		0	SYNCHRO-DRIVE CONTROL BOX (SINGLE LEVER) PERMITS REMOTE CONTROL OF THROTTLE AND GEAR SHIFT FROM STARBOARD SIDE OF BOAT.
-	F5H131		0	PORT SIDE DECAL KIT CONVERTS 5H130 CONTROL BOX TO PORT SIDE MOUNTING.
-	F866		0	DUO-DRIVE CONTROL BOX (TWIN LEVER) PERMITS REMOTE CONTROL OF THROTTLE AND GEAR SHIFT. MAY BE MOUNTED ON PORT OR STARBOARD SIDE OF BOAT.
-	F137		0	STEERING CONNECTOR WIRE FORM WITH LATCH.
-	167		0	IGNITION CUT-OFF KIT PERMITS STOPPING OF ENGINE FROM OPERATOR'S SEAT.
-	F195/___		0	REMOTE CONTROL CABLES CONNECTS REMOTE CONTROL BOX TO THROTTLE AND GEAR SHIFT ON MOTOR. AVAILABLE IN 6 THROUGH 40 FOOT LENGTHS.
-	F5H040		0	STEEL, 12 GALLON FUEL TANK AUXILIARY TANK.
-	F5H027		0	STEEL, 6 GALLON FUEL TANK AUXILIARY TANK.
-	F5H029		0	FUEL TANK ANCHOR SECURES TOTE TANK TO BOAT FLOOR.
-	F476		0	FUEL LINE ADAPTION KIT ADAPTS MODEL 5H027 TANK FOR DISCONNECT AT TANK.
-	72H03		0	CARRYING BAG CANVAS BAG FOR TRANSPORTING AND STORING ENGINE.
-	F5H054		0	REMOTE STEERING BRACKET MOUNTS IN PLACE OF STEERING HANDLE.
-	F5H134		0	BOAT WHITE LACQUER ENGINE TOUCH-UP PAINT IN 12-3/4 OZ. SPRAY BOMBS (6 CANS PER CASE).
-	F596		0	CHRYSLER OUTBOARD OIL SEE BLOCK COMMENT 1.
-	F597		0	CHRYSLER OUTBOARD GEAR LUBE SEE BLOCK COMMENT 2.
-	F5H059		0	CHRYSLER OUTBOARD MULTI-PURPOSE GREASE LUBRICATES BEARINGS AND OTHER MOVING PARTS. AVAILABLE IN 8 OZ. TUBES AND 12 TUBE CASES.
-	F5H060		0	CHRYSLER OUTBOARD GREASE GUN

PARTS INDEX

Part Number	Description	Pg.	Ref. No.	Part Number	Description	Pg.	Ref. No.
167	IGNITION CUT-OFF KIT	36	-	F12170	CONTACT SCREW		
2C610712	COVER, ENGINE				W/LOCKWASHER	7	4
	COMPLETE.	3	-	F12181-1	CONDENSER	7	8
72H03	CARRYING BAG	36	-	F12186-1	PRIMARY TERMINAL WIRE .	7	24
817751A3	STEERING HANDLE			F12343	STATOR PLATE		
	BRACKET	19	17		W/LAMINATIONS	7	9
817757A4	PLATE, FRONT	3	24	F12360	CAM WIPER FELT	7	5
817758A1	BRACKET, COVER LATCH .	5	38	F127910-2	BALL BEARING	25	32
817761A2	CLAMP SCREW	21	74	F1286	PAN HD SCREW, 4 - 40 X		
817971A3	LEVER, MAGNETO SHAFT .	15	31		3/16	11	8
89396A38	PRIME BULB	29	6	F1335	FILL HD SCREW, 5/16 - 18 X		
F10058	BOWL, FUEL	13	44		1-1/4	15	36
F10063	FLOAT ASSEMBLY	11	42	F1341	HEX NUT, 1/4 - 20	21	51
F10064	SHAFT, FLOAT SUPPORT .	11	40	F137	STEERING CONNECTOR . .	36	-
F10068	GASKET, BODY TO BOWL .	13	43	F141118	SEAL, CRANKSHAFT		
F10071	SCREW, CHOKE AND				LOWER	15	38
	THROTTLE VALVES	11	29	F1475	FILL HD SCREW, 10 - 24 X		
F10072	SPRING, CHOKE STOP . . .	11	32		1/2	3	8
F10073	SPRING, IDLE NEEDLE . .	11	36	F1490	HEX NUT, 1/4 - 20	11	26
F10075	SPRING, THROTTLE			F1490	HEX NUT, 1/4 - 20	25	30
	RETURN	11	30	F1493	FILL HD SCREW, 1/4 - 20 X		
F10077	NEEDLE, IDLE	11	35		5/8	25	5
F10084	SPRING, FLOAT SUPPORT .	11	41	F1504	FILL HD SCREW, 1/4 - 20 X		
F10088	NOZZLE	11	38		1-1/4	15	33
F10090	GASKET, BOWL RETAINER	13	45	F1608	SQUARE NUT, 1/4 - 20	19	38
F10110	SHAFT ASSEMBLY,			F1666	BOWED SPRING WASHER .	21	81
	THROTTLE	11	31	F174017	PIN, PISTON	15	17
F10111	SHAFT ASSEMBLY, CHOKE	11	33	F1753	FASTENER	3	4
F10116	PLUG KIT (NOT SHOWN) . .	13	-	F1755	RD HD SCREW		
F10120	KIT, VALVE SEAT	11	39		W/LOCKWASHER, 6 - 32 X		
F10121	VALVE, THROTTLE	11	28		5/16	11	14
F10122	VALVE, CHOKE	11	37	F17815	SEAL, FUEL LINE COUPLER	29	2
F10126	JET ASSEMBLY - MAIN FUEL			F17816	SEAL, FUEL LINE COUPLER	29	1
	(.0625)	13	46	F1794	SPRING PIN	19	34
F1034	FILL HD SCREW, 1/4 - 20 X 1			F1794	SPRING PIN	21	57
	3/8	19	41	F1799	TRUSS HD SCREW, 5/16 - 18		
F1069	FILL HD SCREW, 10 - 24 X 1-				X 5/8	19	16
	1/16	11	5	F1800	HEX BOLT, 1/4 - 20 X 7	27	39
F1075	FILL HD SCREW, 10 - 24 X			F1803	STOP NUT, 5/16 - 24	15	28
	1/2	7	12	F1804	STOP NUT	9	9
F1089	FILL HD SCREW, 10 - 24 X			F1804	STOP NUT, 10 - 32	5	39
	9/16	9	1	F1805	SPRING PIN	19	23
F1090	FILL HD SCREW			F1806	GROOVE PIN	21	63
	W/LOCKWASHER, 10 - 24			F1807	GROOVE PIN	19	22
	X 9/16	7	18	F1809	HEX NUT, 1/2 - 20	7	1
F1107	FILL HD SCREW, 1/4 - 20 X			F18160-2	REED FUEL PUMP	11	10
	3/4	15	35	F1823	HEX CAP SCREW, 5/16 - 18		
F1111	FILL HD SCREW, 1/4 - 20 X				X 1	15	14
	7/8	17	52	F1829	FILL HD SCREW, 10 - 24 X		
F12083	CONDENSER SCREW				7/8	23	91
	W/LOCKWASHER	7	7	F183813	BEARING, MAGNETO		
F12088	GROMMET	7	20		CONTROL	15	32
F12091	LEAD WIRE MARKER TOP			F184579	SEAL	3	35
	(NOT SHOWN)	7	-	F1846	COTTER PIN	25	12
F12114	COIL GROUND TERMINAL			F1859	HEX SOCKET HEADLESS		
	SCREW	7	16		SET SCREW	19	6
F12141	HIGH TENSION LEAD			F1864	HEX HD SCREW, 1/4 - 20 X		
	SLEEVE	7	21		3/4	9	14
F12146	COIL WEDGE SPRING	7	17	F1875	SPRING PIN, STARTER		
F12153-1	BREAKER POINT SET	7	6		BRACKET	9	20

PARTS INDEX

Part Number	Description	Pg.	Ref. No.	Part Number	Description	Pg.	Ref. No.
F1876	SPRING PIN	11	20	F286169	BEARING, SWIVEL BRACKET	21	53
F18906	CARBURETOR GASKET	11	25	F286220	WASHER, STEERING HANDLE	23	92
F18906	GASKET, CARBURETOR	17	-	F286222	COVER, TRANSFER PORT	15	6
F1907	WASHER	19	39	F286223	GASKET, TRANSFER PORT COVER	15	7
F1922	HEX CAP SCREW, 1/4 - 20	19	26	F286224	INSERT, STEERING HANDLE PIVOT	23	94
F1922	HEX HD SCREW, 1/4 - 20 5/8	15	5	F286244	WATER LINE	21	47
F195/___	REMOTE CONTROL CABLES	36	-	F286277	GASKET, CRANKSHAFT BEARING CAGE	17	-
F197319	BEARING, CHOKE ROD	3	29	F286277	GASKET, CRANKSHAFT BEARING CAGE	17	49
F1976	SOCKET HD SCREW W/LOCKWASHER, 10 - 24 X 1/2	27	41	F286279-2	GASKET CYLINDER MOUNTING	17	-
F197767-1	BUSHING, FUEL LINE	3	23	F286279-2	GASKET, CYLINDER MOUNTING	15	27
F197787-3	FUEL LINE COUPLER	29	3	F286282	WASHER	15	29
F1978	SPRING PIN	19	10	F286286-1	WASHER, STERN BRACKET	21	56
F197813	BEARING	19	31	F286300	SPRING, REVERSE LOCK	21	55
F197813	BEARING	23	93	F286346	SHOCK MOUNT LOWER	21	45
F197813	BEARING, STEERING HANDLE STOP	19	18	F286347	SHOCK MOUNT, UPPER	19	27
F1997	LOCK NUT, 8 - 32	13	51	F286349	REVERSE LOCK	21	62
F2008	HEX HD SCREW, 1/4 - 20 X 7/8	11	23	F286364	LEVER, REVERSE LOCK	19	33
F2008	HEX HD SCREW, 1/4 - 20 X 7/8	15	23	F286414	SPRING, LEG WATER BRACKET	19	28
F2014	PLAIN WASHER	23	84	F286422-1	TILT LOCK PIVOT	21	44
F2030	HEX HD SCREW, 1/4 - 20 X 1-1/4	27	43	F286422-1	TILT LOCK PIVOT	21	82
F2030	SCREW, 1/4 - 20 X 1-1/4	25	-	F286433	BRACKET SHALLOW WATER DRIVE	21	64
F2040	HEX WASHER HD M. SCREW, 1/4 - 20 X 5/8	15	22	F286440	STUD, MAGNETO CONTROL LEVER	15	37
F2042	PLAIN WASHER	9	8	F286445	LINK, MAGNETO SHAFT	15	30
F2042	PLAIN WASHER	13	50	F286451	SPACER, TILT LOCK	21	43
F213274	GREASE FITTING	19	14	F286451	SPACER, TILT LOCK	21	79
F215795	SEAL	23	85	F286461	SPRING, LOCK BAR HANDLE	21	66
F217002	MAGNETO BREAKER CAM	7	13	F286490	STEERING HANDLE STOP	19	19
F24074	CLAMP SCREW FOOT	21	70	F286509	LINK, THROTTLE CAM	15	34
F24748-2	GASKET, FUEL PUMP	11	7	F286518	HEAD, CYLINDER	15	3
F2706772	HOSE CLAMP	11	1	F286529-3	GASKET, CYLINDER HEAD	15	4
F2788004	STUD, CARBURETOR	11	22	F286529-3	GASKET, CYLINDER HEAD	17	-
F286008	STUD, GEAR HOUSING REAR	27	34	F286539	BUMPER	19	12
F286011	WASHER, SWIVEL BRACKET	19	35	F286544-1	SPRING, TILT STOP	21	78
F286019	KINGPIN	21	52	F286547	KNOB, CHOKE	3	30
F286028	BEARING, CRANKSHAFT UPPER MAIN	17	46	F286555	GASKET, GEAR HOUSING	27	33
F286037	STERN BRACKET PIVOT BOLT	21	83	F286571	ROLLER SET, MAIN BEARING (26 PER SET)	17	45
F286079-1	STEERING HANDLE	23	87	F286573-1	CLAMP, STEERING FRICTION	19	40
F286080	SCREW, STEERING HANDLE PIVOT	19	21	F286585-2	DECAL, TILT RELEASE	21	60
F286114	LOCK BAR HANDLE	21	65	F286611-1	ROD, GEAR SHIFT	5	41
F286132	HANDLE, STARTER ROPE	9	22	F286614	HANDLE, GEAR SHIFT	3	21
F286134	STUD	9	5	F286615	GEAR SHIFT ROD UPPER	27	42
F286134	STUD, GEAR SHIFT LEVER	3	34	F286647	CARRYING HANDLE	21	76
F286151	PLATE, EXHAUST	15	26	F286685	CONNECTOR, GEAR SHIFT ROD	3	33
F286152	COVER, EXHAUST	15	24	F286705	GEAR SHIFT ROD LOWER	27	40
F286154	GASKET, EXHAUST	17	-				
F286154	GASKET, EXHAUST COVER	15	25				
F286159-1	GASKET, REED PLATE	11	18				
F286159-1	GASKET, REED PLATE	17	-				

PARTS INDEX

Part Number	Description	Pg.	Ref. No.	Part Number	Description	Pg.	Ref. No.
F286710	ARBOR, STARTER SPRING	9	12	F409719	CLUTCH SPRING	25	18
F286721	CLUTCH, SHIFT CAM	25	27	F424075	HANDLE, CLAMP SCREW	21	73
F286728	CLUTCH SHIFT PIN	25	19	F424161	REED STOP	11	15
F286737-1	RETAINER, STARTER REWIND SPRING	9	16	F424168-1	GASKET, MANIFOLD	11	19
F286772-1	HOSE CLAMP	15	8	F424168-1	GASKET, MANIFOLD	17	-
F286777	CAM, COVER LATCH	3	27	F429472	GASKET, CYLINDER DRAIN COVER	15	11
F286818	BEARING	23	95	F429472	GASKET, CYLINDER DRAIN COVER	17	-
F286827	REVERSE LOCK RELEASE LEVER	21	58	F429541	TILT LOCK	21	80
F286868	SPRING, STEERING HANDLE STOP	19	20	F429688	SHAFT, STEERING HANDLE	19	2
F286871	PIN, GEAR SHIFT LEVER	3	16	F429811	SCREEN	15	10
F286876	LEVER, GEAR SHIFT	3	14	F430732	HEX HD SCREW, 1/4 - 20 X 1	27	35
F286894-3	STEERING HANDLE INDICATOR	19	5	F431838	MAGNETO CONTROL SHAFT	19	11
F286895	SPRING CAM DETENT	25	28	F436065-1	IMPELLER	25	-
F286901	BEARING, RADIAL, PROPELLER SHAFT	25	21	F436065-1	WATER PUMP IMPELLER	27	46
F286903	RACE, PROPELLER SHAFT BEARING	25	22	F436449	SHORTING SWITCH	7	23
F286914	SLEEVE WATER LINE	21	46	F455305	SEAL, PROP SHAFT BEARING CAGE	25	8
F286930	END, STARTER SPRING	9	17	F456098	PROPELLER SHAFT	25	15
F286956	BRACKET, SHOCK MOUNT LOWER	21	50	F456717	THRUST WASHER	25	11
F286989-2	SEAL, SUPPORT PLATE	3	19	F458498	MAGNETO KEY	7	14
F289664	WIRE, STATOR GROUND	7	11	F458677	INSERT, CHOKE KNOB	3	31
F298788	FERRULE	29	4	F458695	SLEEVE	19	1
F2A24757	FUEL PUMP REED PLATE	11	11	F461342	SEAL, DRIVESHAFT SPLINE	15	40
F2A424167	MANIFOLD	11	21	F472015-2	PISTONS	15	19
F2A459239	STARTER SPOOL W/SHAFT	9	18	F476	FUEL LINE ADAPTION KIT	36	-
F2A472018	CRANKSHAFT	17	47	F487424-1	STARTER PINION SPRING	9	3
F2A477133	MOTOR LEG	19	37	F487427-1	BRACKET, STARTER UPPER	9	4
F302097	FLYWHEEL	7	3	F487435	PULLEY, STARTER ROPE	11	24
F307818	BEARING	3	13	F487660-1	EXHAUST TUBE	15	21
F307818	BEARING	19	13	F487674	GEAR, STARTER PINION	9	2
F31160-1	REED	11	16	F487727	BALL, INTERLOCK DETENT	9	10
F31410	RETAINING RING, PISTON PIN	15	16	F487755	FUEL TANK ADAPTER	29	8
F333316	ROLLER SHAFT	5	43	F487781-3	STARTER INTERLOCK	9	7
F333316	SHAFT, THROTTLE CAM ROLLER	13	48	F487816	BEARING, STEERING HANDLE	23	89
F338618-1	SEAL, GEAR SHIFT ROD LOWER	27	37	F487895	SPRING, INTERLOCK DETENT	9	11
F341384	RETAINER, CHOKE ROD	11	34	F492095	STATOR MAGNETO.	7	-
F341562	PLATE, WATER PUMP BACK	25	-	F492263	LINK, STARTER INTERLOCK	3	36
F341562	WATER PUMP BACK PLATE	27	47	F492417	SHAFT, GEAR SHIFT HANDLE	3	22
F341693	WEDGE, STEERING HANDLE	23	88	F492619	LEVER, GEAR SHIFT SHAFT	3	32
F343014	BEARING, CRANKSHAFT LOWER MAIN	15	39	F50109	GEAR HOUSING PLUG	25	24
F343128	DRIVESHAFT	25	3	F510914	SEAL, WATER LINE	25	-
F343226-1	PLUG	3	26	F525286	WASHER	21	59
F346118	SEAL, PROPELLER SHAFT	25	6	F536813	BEARING, REVERSE LOCK INTERMEDIATE LEVER	21	54
F346146	SEAL, CRANKSHAFT UPPER	17	51	F53795-1	SEAL, STEERING HANDLE GRIMP DAMPENER (LARGE)	23	86
F36634	4	17	41	F588	FLUSHING ADAPTER	36	-
F392756	PACKING, SUPPORT PLATE	3	17	F596	CHRYSLER OUTBOARD OIL	36	-
F40253-1	FUEL LINE	11	2	F597	CHRYSLER OUTBOARD GEAR LUBE	36	-
F40425	STARTER PINION PIN	9	13	F5H025	ANTI-CORROSION ANODE	36	-
F409232	STARTER ROPE	9	21	F5H026	FUEL TANK (ACCESSORY ITEM)	29	9
F409251-1	GAUGE CAP	29	10				

PARTS INDEX

Part Number	Description	Pg.	Ref. No.	Part Number	Description	Pg.	Ref. No.
F5H029	FUEL TANK ANCHOR	36	-	F901456-1	EMERGENCY STARTER COLLAR	7	2
F5H040	STEEL, 12 GALLON FUEL TANK	36	-	F901563	PIN, WATER PUMP IMPELLER DRIVE	25	-
F5H054	REMOTE STEERING BRACKET	36	-	F901563	WATER PUMP IMPELLER DRIVE PIN	25	2
F5H057	15" LONG LEG CONVERSION KIT	36	-	F901746-2	FUEL PUMP COVER	11	6
F5H059	CHRYSLER OUTBOARD MULTI-PURPOSE GREASE	36	-	F901811	FUEL PUMP FILTER	11	4
F5H060	CHRYSLER OUTBOARD GREASE GUN	36	-	F901938-1	SCREW, CYLINDER HEAD	15	1
F5H062	WATER PUMP KIT	36	-	F92759	ROLLER	5	42
F5H088	REMOTE CONTROL CONVERSION KIT	36	-	F92759	ROLLER, THROTTLE CAM	13	49
F5H130	SYNCHRO-DRIVE CONTROL BOX (SINGLE LEVER)	36	-	F98273	STUD, GEAR SHIFT ROD CONNECTOR	3	11
F5H131	PORT SIDE DECAL KIT	36	-	FA12370	COIL W/LEAD WIRE AND WEDGE SPRING	7	22
F5H134	BOAT WHITE LACQUER	36	-	FA1844	HEX BOLT, 1/4 - 20 X 2-3/8	21	48
F610711	PLATE, ENGINE COVER	3	2	FA24754-1	FUEL LINE	11	3
F617192	THROTTLE CAM PLATE	7	10	FA286054	GEAR HOUSING LOWER	25	25
F617503	ROD, CHOKE	5	44	FA286113	LOCK BAR	21	68
F618061	CARBURETOR COMPLETE (LMB-229)	11	27	FA286155	MAIN BEARING LINER SET (2 PER SET)	17	42
F66480	STUD CLAMP SCREW	21	75	FA286266	GEAR, BEVEL PINION	25	29
F7006	STOP NUT, 5/16 - 18	3	28	FA286469	KNOB, COVER LATCH	3	25
F7011	ELASTIC STOP NUT, 10 - 24	3	10	FA286582	STEERING ARM	19	24
F7026	STOP NUT, 3/8 - 16	21	69	FA286970	STARTER REWIND SPRING	9	15
F73082	RING, MAGNETO STATOR	17	48	FA324101	PROPELLER PIN, PACK OF 3	25	10
F8003	PLAIN WASHER	11	9	FA341510	LINK, REVERSE LOCK LEVER	21	61
F8011	PLAIN WASHER	3	37	FA343178	RETAINER	19	8
F8011	PLAIN WASHER	9	6	FA36016-4	ROD, CONNECTING W/CAP AND SCREWS	15	18
F8025	PLAIN WASHER	15	2	FA387742	LEVER, REVERSE LOCK INTERMEDIATE ASSY.	19	30
F8048	BOWED SPRING WASHER	5	40	FA424158	REED PLATE	11	17
F8058	INTERNAL TOOTH LOCKWASHER	3	12	FA429471	COVER, CYLINDER DRAIN	15	9
F8058	INTERNAL TOOTH LOCKWASHER	23	90	FA456023	BEVEL GEAR FRONT W/BEARING	25	20
F8060	EXTERNAL TOOTH LOCKWASHER	19	25	FA456137	GRIP, STEERING HANDLE	19	3
F8077	NYLTITE WASHER	25	23	FA456521	CLUTCH	25	17
F8083	SPRING LOCKWASHER	21	49	FA456662	BEVEL GEAR REAR W/BEARING	25	9
F8083	SPRING LOCKWASHER	25	31	FA472260	PISTON RING SET (4 PER SET)	15	20
F8537	SPRING PIN	21	71	FA473010	CYLINDER	15	13
F8538	SPRING PIN	19	32	FA492038	PLATE, SUPPORT	3	18
F8538	SPRING PIN	23	96	FA504060	BODY, WATER PUMP	25	-
F8540	SPRING PIN	3	20	FA504060	WATER PUMP BODY	27	45
F8540	SPRING PIN	21	67	FA510914	SEAL, INLET WATER LINE	27	44
F8542	SPRING PIN	3	15	FA525228	ROLLER SET, CONNECTING ROD (26 PER SET)	17	44
F8548	SPRING PIN	19	4	FA525241	CRANK PIN ROLLER BEARING CAGE (2 PER SET)	17	43
F8553	SPRING PIN	25	26	FA568387	DECAL, FURY 9.9 (94H2G ONLY, NOT SHOWN)	3	-
F8554	SPRING PIN	21	72	FA590386	DECAL, - NUMERAL 15	3	6
F8559	DOWEL PIN	15	15	FA610396	DECAL, ENGINE COVER STARBOARD	3	-
F85610	BEARING	19	7				
F8564	SPRING PIN	25	16				
F85735-1	SEAL	3	3				
F866	DUO-DRIVE CONTROL BOX (TWIN LEVER)	36	-				
F901307-2	SEAL, DRIVESHAFT AND WATER PUMP	27	38				
F901307-2	SEAL, MOTOR LEG	19	29				

PARTS INDEX

Part Number	Description	Pg.	Ref. No.	Part Number	Description	Pg.	Ref. No.
FA610480	RETAINER, ENGINE	3	9	FT8948-1	PULLER	33	-
FA610892	DECAL, ENGINE COVER, FRONT	3	1	FT8950	LEAKAGE TESTER	34	-
FA84754-1	FUEL LINE, SHORT	29	5	FT8952	TEST WHEEL	34	-
FC235227	PLUG, SPARK CHAMPION (RL-4-J) FOR CANADA . . .	15	-	FT8957	SEAL INSTALLER	33	-
FC409398	DECAL TOTE TANK CANADA (NOT SHOWN)	29	-	FT8969	LUBRICANT - 7 OZ. 2 LSI LUBRICANT	35	-
FC456054	LOWER GEAR HOUSING COMPLETE (NOT SHOWN) . .	25	-	FT8983	SEALANT - RTV	35	-
FG1005-2	GASKET SET	17	53	FT8993	TORQUE WRENCH ADAPTER	32	-
FK10123	REPAIR PARTS KIT.	11	13	11-817752A1	PROPELLER NUT	25	13
FK10124	GASKET KIT, CARBURETOR. .	13	47	27-818043A1	FUEL PUMP DIAPHRAGM W/GASKETS	11	12
FK1019-1	5" LONG LEG CONVERSION KIT	36	-	31-817756A2	PROPELLER SHAFT BEARING CAGE	25	7
FK1031-1	WATER PUMP KIT	25	4	32-817738A1	FUEL LINE, LONG	29	7
FK1065	GEAR HOUSING SEAL KIT . .	25	1	37-F286894-3	STEERING HANDLE INDICATOR - CANADA . . .	19	-
FK1066	TUNE UP KIT -	7	15	43-818009--1	GEAR, MAGNETO CONTROL SHAFT	19	15
FK1123	SPARKIE W/SPRING	7	19	43-818009--1	GEAR, STEERING HANDLE SHAFT	19	9
FK317427	BRACKET, STARTER LOWER	9	19	100-FS666712T	COVER, ENGINE	3	7
FP6430	PROPELLER (ACCESSORY ITEM)	25	14	800-819091A1	SHORT BLOCK (NOT SHOWN).	15	-
FS174227	PLUG, SPARK, L-4-J	15	12	1100-817753A1	CAGE, CRANKSHAFT BEARING	17	50
FS409752	FUEL LINE COMPLETE (NOT SHOWN).	29	-	1400-817750A4	SWIVEL BRACKET	21	42
FS567532	STERN BRACKET PORT . . .	21	77	1600-824916A1	GEAR HOUSING UPPER . . .	27	36
FT11202	SEAL INSTALLER	32	-				
FT1749	SNAP RING PLIERS	32	-				
FT2907	SEAL INSTALLER	33	-				
FT2908	SEAL SLEEVE	32	-				
FT2909	KNOCK-OFF NUT	30	-				
FT2938-1	BATTERY POWERED TEST LIGHT	34	-				
FT2951	CIRCUIT TRACER	34	-				
FT2961	LUBRICANT - RYKON GREASE #2EP	35	-				
FT2962-1	SEALANT - 50 CC LOCTITE H, NON-HARDENING GRADE	35	-				
FT2963-2	SEALANT - 2 OZ. LOCTITE D, HARDENING GRADE . .	35	-				
FT2985	STARTER REWIND KEY . . .	31	-				
FT2987-1	LUBRICANT - ANTI-SEIZE . .	35	-				
FT2989	FLYWHEEL WEDGE	30	-				
FT2991	CARBON BRUSH	32	-				
FT2997	RING COMPRESSOR	32	-				
FT2998	TORQUE WRENCH (0 - 100 LBS./FT.)	32	-				
FT2999	TORQUE WRENCH (0 - 600 LBS./IN.)	32	-				
FT3012	SEAL INSTALLER	32	-				
FT8900	HOSE CLAMP PLIERS	32	-				
FT8926	RING EXPANDER	32	-				
FT8929	ADAPTER AND HEX BIT . . .	32	-				
FT8930-1	FEELER GAUGE	30	-				
FT8935	SEALANT PRIMER - 6 OZ . .	35	-				
FT8936-1	SEALANT - 2 CC LOCTITE RETAINING COMPOUND #75	35	-				