



# PARTS CATALOG

## 3.5 H.P.

### SERIAL NUMBER

3.5 (1983) .....	.32H3F
3.5 (1983) .....	32R3G
3.5 (1984) .....	32H4G

# TABLE OF CONTENTS:

ACCESSORIES .....	27
CARBURETOR & REED PLATE .....	8
FUEL TANK .....	2
GEAR HOUSING .....	18
MAGNETO .....	6
MOTOR LEG .....	16
PARTS INDEX .....	28
POWER HEAD .....	12
SPECIAL TOOLS - LOWER UNIT .....	24
SPECIAL TOOLS - LUBRICANTS AND SEALANTS .....	26
SPECIAL TOOLS - POWER HEAD .....	23
SPECIAL TOOLS - TEST EQUIPMENT .....	25
SPECIAL TOOLS - TUNE-UP .....	22
STARTER .....	4

**NOTE:** *Indented description indicate that these parts are included in preceeding assembly.*

**AR** = As Required

**NSS** = Not Sold Separate

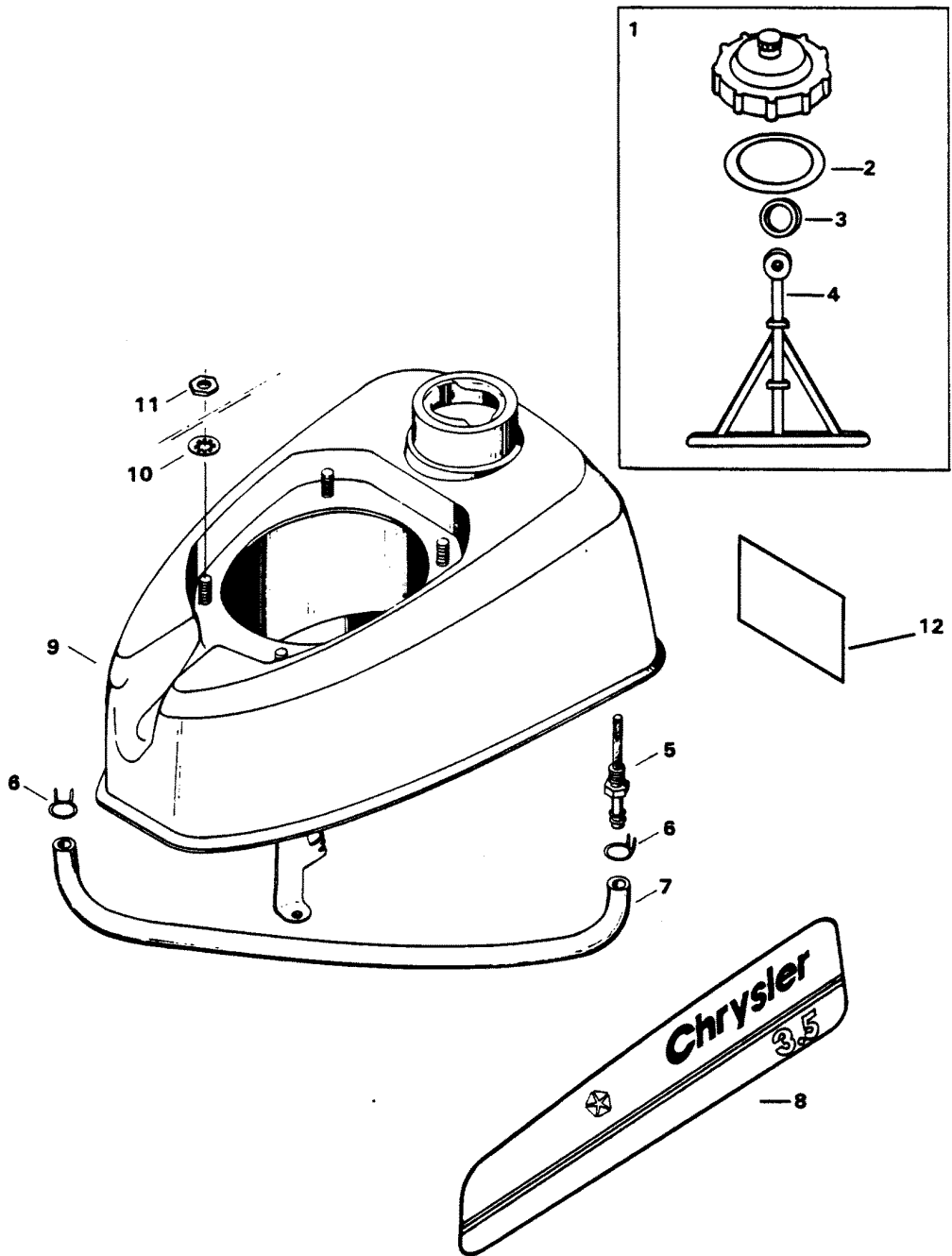
**OPT** = Optional

**NS** = Not Shown

**THESE PARTS BOOKS/FICHE CARD ARE COPYRIGHTED AND MAY NOT BE DISTRIBUTED OR REPRODUCED IN ANY OTHER FORMAT BY ANYONE OTHER THAN MERCURY MARINE WITHOUT THE PRIOR WRITTEN CONSENT OF MERCURY MARINE.**

THIS PAGE INTENTIONALLY LEFT BLANK

# FUEL TANK

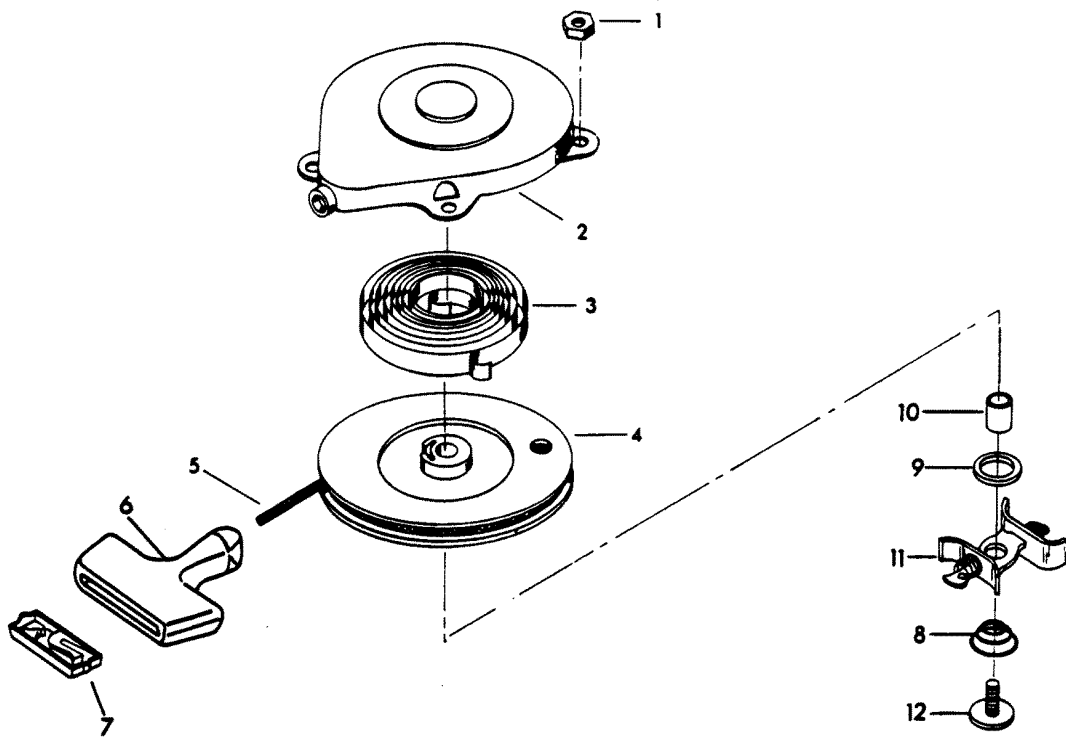


OB 3837

# FUEL TANK

REF. NO.	PART NO.	SYM.	QTY.	DESCRIPTION
1	F521251-3		1	GAS CAP COMPLETE (NOT SHOWN) INCLUDES ILLUSTRATION 2, 3, 4.
2	F17980		1	FUEL CAP GASKET
3	F427249		1	RETAINING RING
4	F17938		1	ANCHOR
5	F521811		1	FITTING, GAS TANK
6	F2706772		2	HOSE CLAMP
7	FA901753		1	HOSE <b>W/ILLUS. 6</b>
8	FA619396		1	DECAL, ENGINE TANK, ST'BD <b>W/LITERATURE</b>
-	<b>FA619397</b>		<b>1</b>	<b>DECAL, ENGINE TANK PORT W/LITERATURE</b>
9	F521034-1		1	FUEL TANK
10	F8061		4	INTERNAL TOOTH LOCKWASHER
12	FA619528		1	DECAL, ENGINE TANK REAR

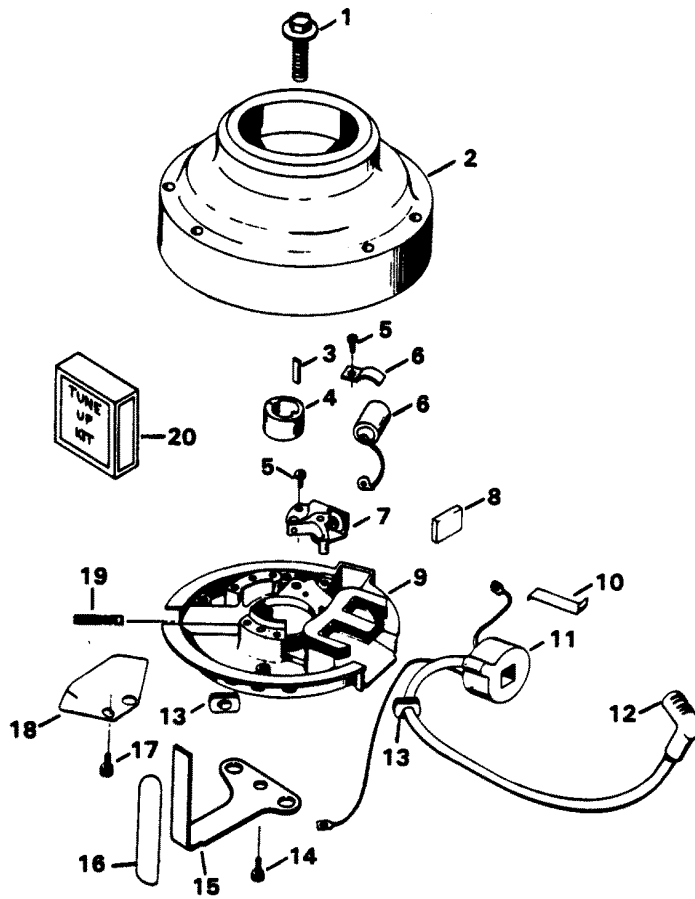
# STARTER



# STARTER

REF. NO.	PART NO.	SYM.	QTY.	DESCRIPTION
1	F1896		4	HEX NUT
2	F15601		1	COVER
3	F15570		1	SPRING, REWIND
4	F15591		1	ROTOR
5	F15582-1		1	STARTER ROPE
6	F286132		1	HANDLE, STARTER ROPE
7	817938A1		1	RETAINER <b>W/LITERATURE ORIGINAL FORCE P/N K 286817-1</b>
8	F15596		1	SPRING
9	F15594		2	WASHER
10	F15602		1	NYLINER
11	F15595		1	FRICITION SHOE ASSEMBLY
12	F15597		1	SCREW
-	<b>F521063-2</b>		1	<b>STARTER - COMPLETE (INCLUDES ITEMS MARKED WITH AN ASTERISK (*))</b>

# MAGNETO



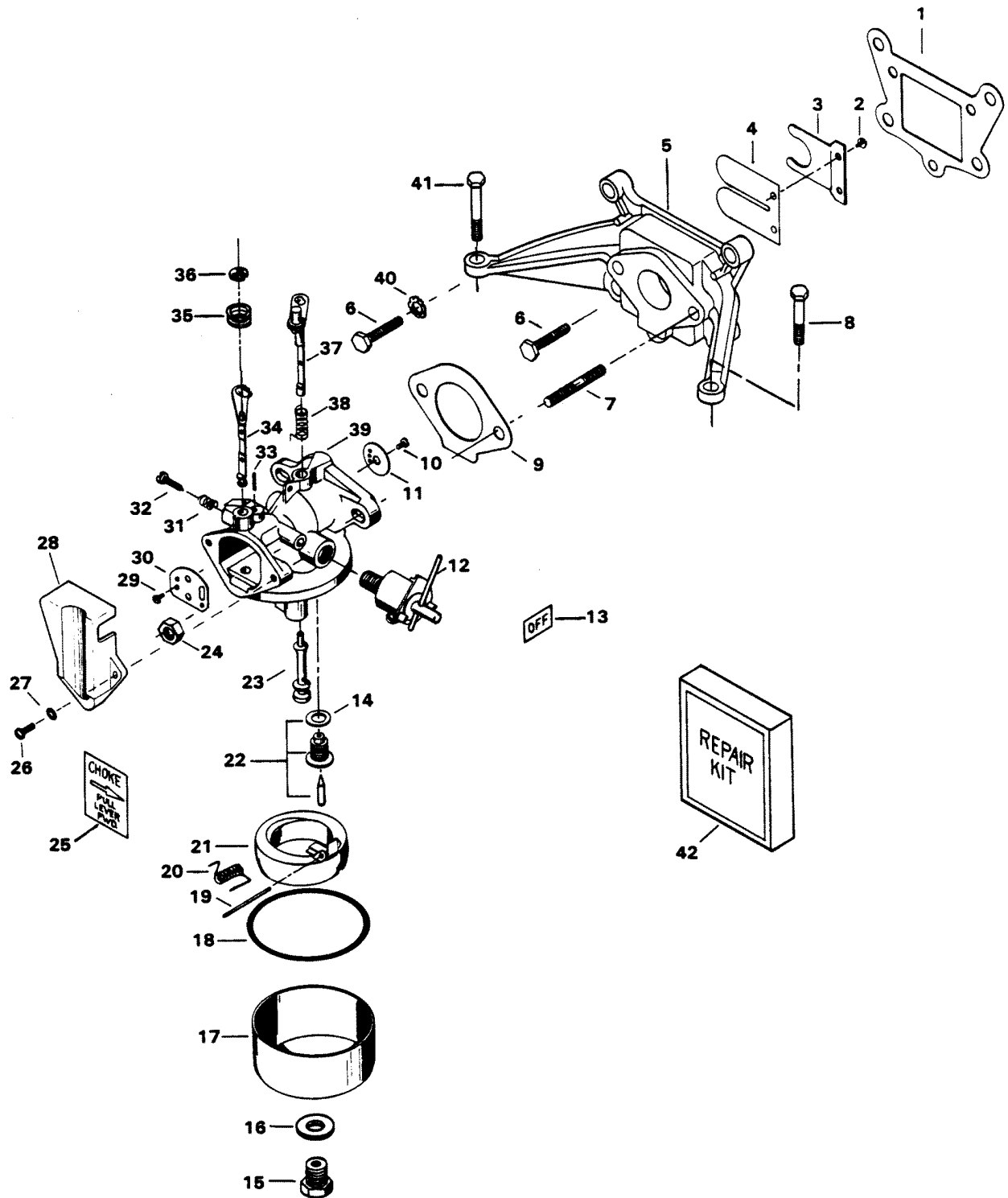
OB 3837



# MAGNETO

REF. NO.	PART NO.	SYM.	QTY.	DESCRIPTION
1	F521552		1	SCREW, FLYWHEEL
2	F535097		1	FLYWHEEL
3	F521498		1	KEY, FLYWHEEL
4	F521002		1	CAM
5	F12090		2	MOUNTING SCREW
6	FK12357		1	CONDENSER W/CLAMP
7	F12359		1	CONTACT SET
8	F12360		1	FELT CAM
9	F12362		1	STATOR PLATE W/CORE
10	F12350		1	WEDGE SPRING
11	FK12369		1	COIL <b>W/LEAD WIRE AND ILLUS. 10 &amp; 12</b>
12	FK1123		1	SPARKIE KIT
13	F12361		1	LEAD WIRE AND GROMMET PACKAGE
14	F1734		1	SLOTTED FILL HD SCREW, 1/4 - 20 X 1/2 W/LOCKWASHER
15	F601081		1	THROTTLE LEVER
16	F459137		1	GRIP
17	F1655		1	HEX HD SCREW W/SPRING LOCKWASHER, 1/4 - 20 X 3/8
18	F521192		1	THROTTLE CAM
19	F12066		1	FRICTION SCREW
20	FK1058		1	TUNE-UP KIT. <b>INCLUDES ITEMS MARKED WITH AN ASTERISK (*)</b>

# CARBURETOR & REED PLATE

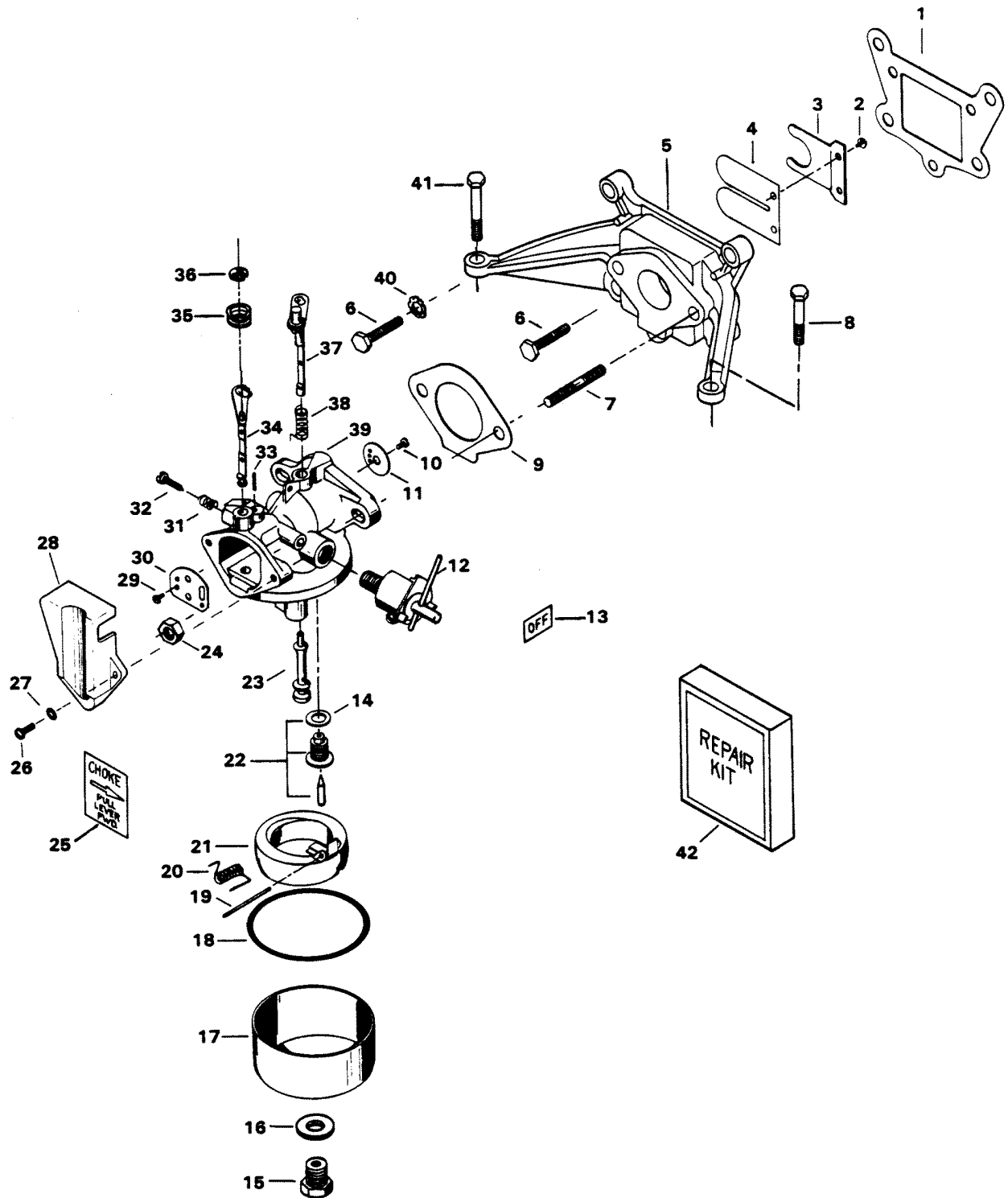


# CARBURETOR & REED PLATE

REF. NO.	PART NO.	SYM.	QTY.	DESCRIPTION
1	F521168		1	GASKET, CARBURETOR ADAPTER
2	F1755		2	ROUND HD SCREW W/LOCKWASHER, 6 - 32 X 5/16
3	F424161		1	REED STOP
4	F31160-1		1	REED
5	F2A332167		1	CARBURETOR ADAPTER <b>WILLUS. 2, 3, 4 AND 7</b>
6	F1532		4	HEX CAP SCREW, 1/4 - 20 X 1
7	F433209-1		2	STUD, CARBURETOR
9	F521906		1	GASKET, CARBURETOR
10	F10071		1	SCREW
11	F10060		1	VALVE, THROTTLE
12	F601489		1	VALVE, FUEL SHUT-OFF
13	F521894		1	DECAL "OFF"
14	F10066		1	GASKET, VALVE SEAT
15	F10096		1	JET ASSEMBLY (.039) STD. SEA LEVEL - 3000 FT.
-	<b>F10093</b>		-	<b>JET ASSEMBLY (.038) OPT. SEA LEVEL - 3000 FT. - 5000 FT.</b>
-	<b>F10086</b>		-	<b>JET ASSEMBLY (.037) OPT. SEA LEVEL - 5000 FT. - 7000 FT.</b>
-	<b>F10094</b>		-	<b>JET ASSEMBLY (.036) OPT. SEA LEVEL - 7000 FT. AND UP OPTIONAL SIZE MAIN FUEL JETS (USE ONLY AT ALTITUDES INDICATED)</b>
16	F10090		2	GASKET, BOWL RETAINER
17	F10058		1	FUEL BOWL
18	F10068		1	GASKET, FUEL BOWL
19	F10064		1	FLOAT PIN
20	F10084		1	SPRING, FLOAT SUPPORT
21	F10063		1	FLOAT
22	F10100		1	VALVE, SEAT AND GASKET ASSEMBLY
23	F10065		1	NOZZLE
24	F1490		2	HEX NUT, 1/4 - 20
25	F601248		1	DECAL (CHOKE)
26	F1064		2	FILL HD SCREW, 8 - 32 X 3/8
27	F8078		2	LOCKWASHER, INTERNAL TOOTH
28	F521708		1	CARBURETOR COVER
29	F10070		2	SCREW, CHOKE VALVE
30	F10062		1	CHOKE VALVE
31	F10073		1	SPRING, IDLE ADJUSTMENT NEEDLE
32	F10077		1	NEEDLE, IDLE
33	F10072		1	SPRING, CHOKE STOP
34	F10061		1	CHOKE SHAFT
35	F318504		1	GROMMET, CHOKE
36	F90807		1	RETAINER, CHOKE
37	F10059		1	THROTTLE SHAFT
38	F10075		1	SPRING, THROTTLE RETURN

CONTINUED ON NEXT PAGE ➡

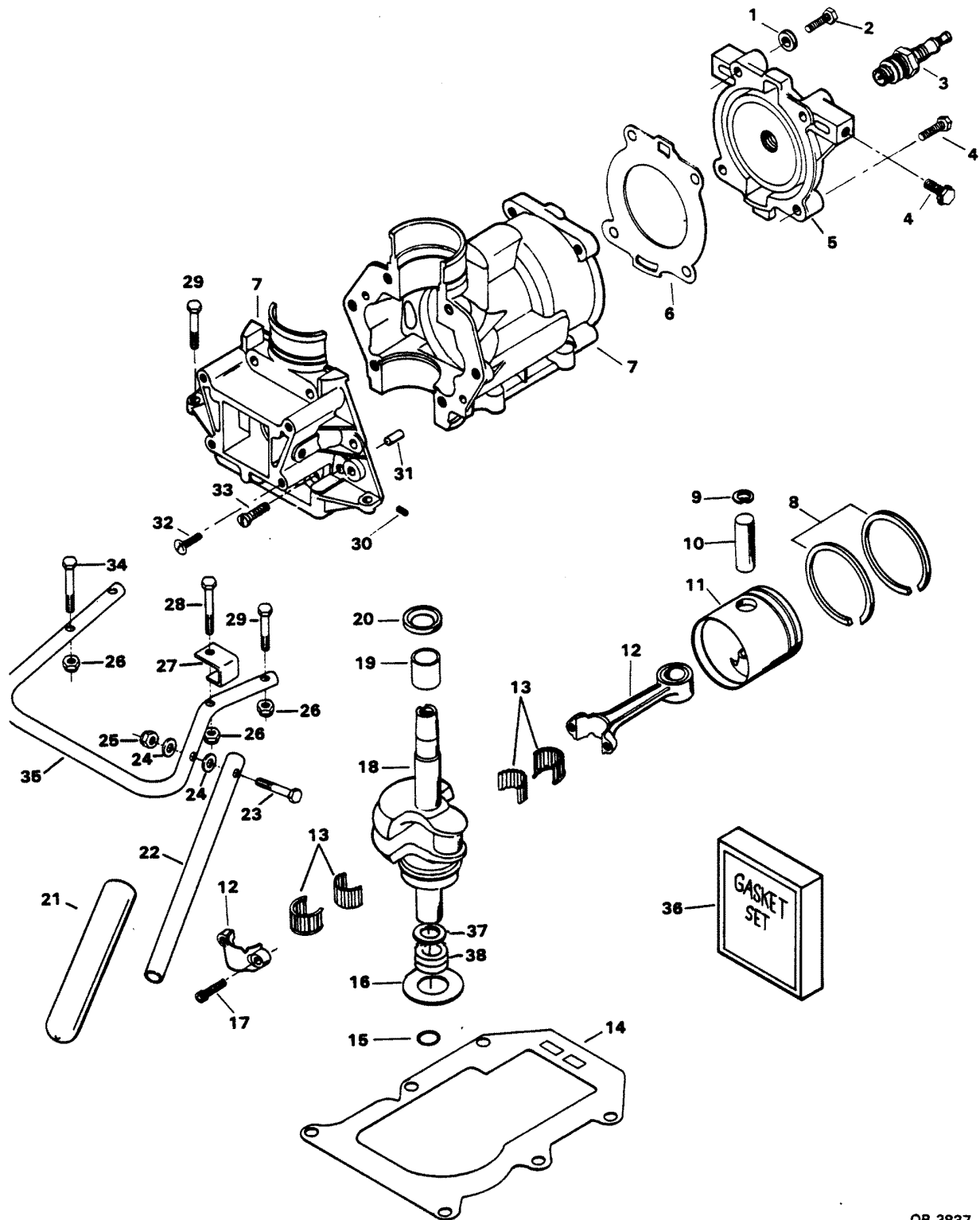
# CARBURETOR & REED PLATE



## CARBURETOR & REED PLATE

REF. NO.	PART NO.	SYM.	QTY.	DESCRIPTION
39	F521061-6		1	CARBURETOR - COMPLETE
40	F8060		2	EXTERNAL TOOTH LOCKWASHER
42	F10098		1	REPAIR KIT. <b>INCLUDES ALL ITEMS MARKED WITH AN ASTERISK (*)</b>
-	<b>F10069</b>		1	<b>GASKET SET. INCLUDES ALL ITEMS MARKED WITH A DOUBLE ASTERISK (**)</b>
-	<b>F10116</b>		1	<b>BODY CHANNEL PLUG KIT (NOT SHOWN)</b>

# POWER HEAD



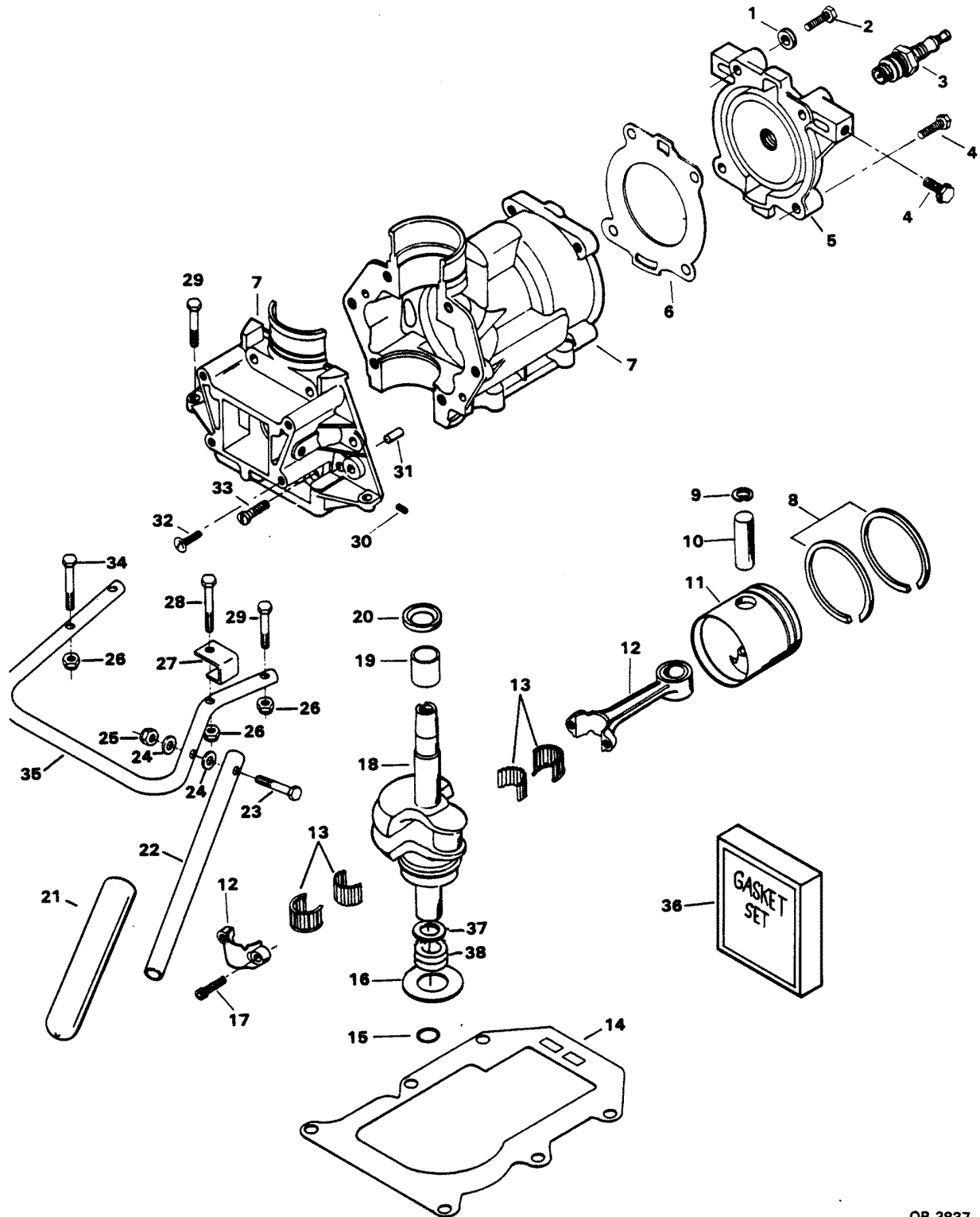
OB 3837

# POWER HEAD

REF. NO.	PART NO.	SYM.	QTY.	DESCRIPTION
1	F8028		4	WASHER, PLAIN
2	F901938-1		4	SCREW, CYLINDER HEAD
3	33-82370M		1	SPARK PLUG (L-86)
4	F1426		2	SCREW, HEX HD 1/4 - 20 X 7/16
5	F521518		1	HEAD, CYLINDER
6	F521529		1	GASKET, CYLINDER HEAD
7	FA521010		1	CYLINDER ASSEMBLY <b>W/CRANKCASE COVER, ILLUS. 30, 31, AND 32</b>
-	<b>FC521010</b>		<b>1</b>	<b>SHORT BLOCK (NOT SHOWN) INCLUDE ALL ITEMS MARKED WITH AN ASTERISK (*)</b>
8	39-818038A1		1	RING SET, PISTON (2 RINGS)
9	F250410		2	RING, RETAINING, PISTON PIN
10	F250017		1	PIN, PISTON
11	F521015		1	PISTON
12	F2A521016		1	ROD, CONNECTING <b>W/SCREWS AND BEARINGS AND ILLUS. 17</b>
13	F2A237228		2	BEARING ASSEMBLY, W/CAGE AND ROLLERS
14	F521279		1	GASKET, CYLINDER EXHAUST
15	F521579		1	SEAL, SPLINE, CRANKSHAFT
16	F521118-1		1	SEAL, CRANKSHAFT, LOWER
17	F36634		2	SCREW, CONNECTING ROD
18	F2A527018		1	CRANKSHAFT ASSEMBLY <b>W/ILLUS. 37 AND 38</b>
19	F521013		1	BEARING, CRANKSHAFT, UPPER
20	F521146		1	SEAL, CRANKSHAFT, UPPER
21	F211137-1		1	GRIP, STEERING HANDLE
22	F601079		1	HANDLE, STEERING
23	F1893		1	SCREW 5/16 - 18 X 1 1/2
24	F1907		2	WASHER
25	F2108		1	NUT, LOCK 5/16 - 18
26	F7023		4	NUT, LOCK 1/4 - 20
27	F601078		1	BRACKET, STEERING HANDLE STOP
28	F1891		1	SCREW 1/4 - 20 X 1 1/2
29	F1699		2	SCREW 1/4 - 20 X 1 1/8
30	F1789		1	PLUG, PIPE
31	F8559		2	PIN, DOWEL
32	F1107		2	SCREW 1/4 - 20 X 3/4
33	F1099		4	SCREW 1/4 - 20 X 1 1/4
34	F1708		1	SCREW 1/4 - 20 X 1 3/8
35	F601647		1	HANDLE
36	FG1022		1	GASKET SET. <b>INCLUDES ITEMS LISTED BELOW</b>
-	<b>F521168</b>		<b>1</b>	<b>GASKET, CARBURETOR ADAPTER</b>

CONTINUED ON NEXT PAGE ➡

# POWER HEAD



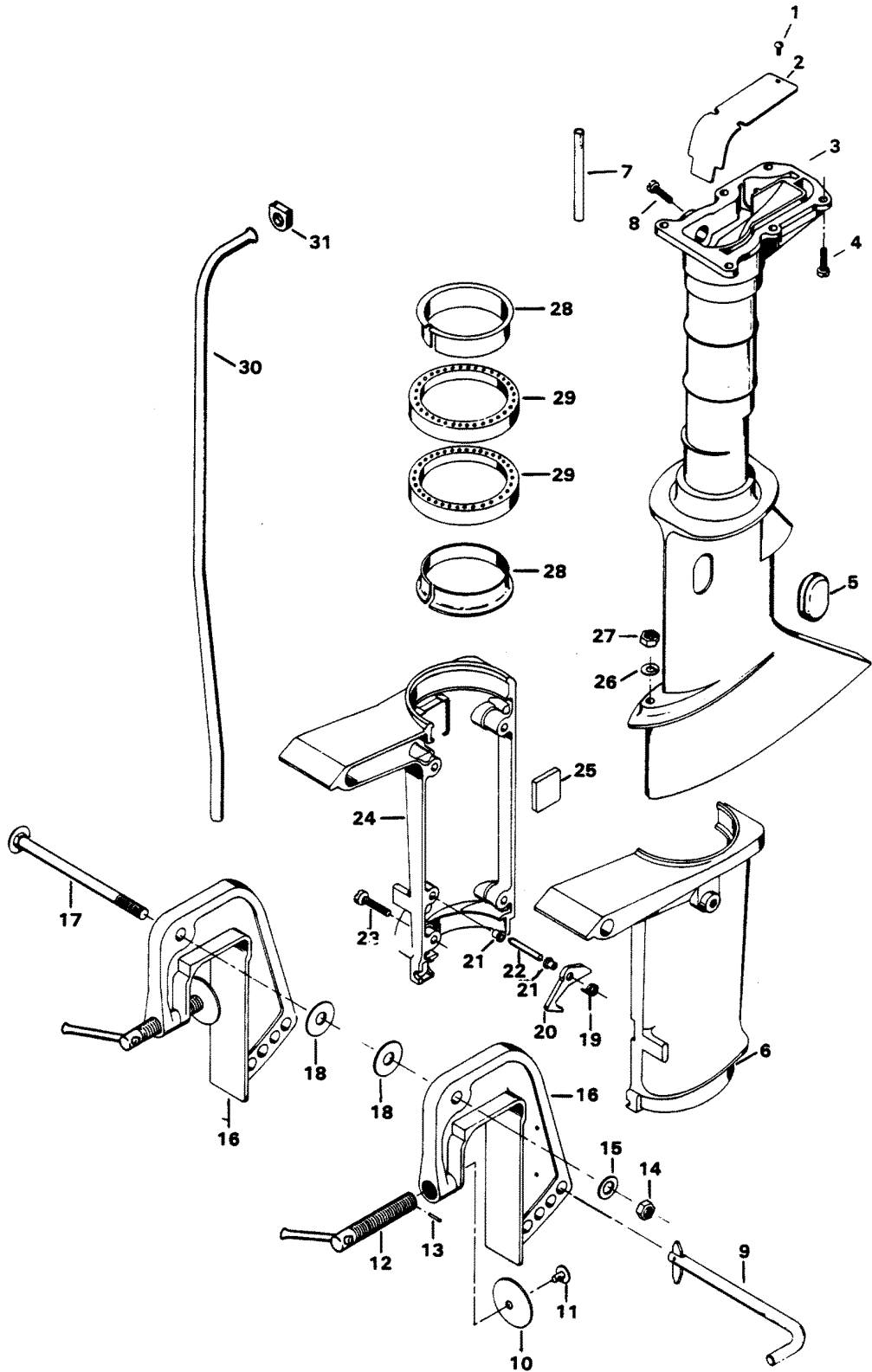
OB 3837



# POWER HEAD

REF. NO.	PART NO.	SYM.	QTY.	DESCRIPTION
-	F521279		1	GASKET, CYLINDER, EXHAUST
-	F521529		1	GASKET, CYLINDER HEAD
-	F521906		1	GASKET, CARBURETOR
37	F521270		1	SLINGER
38	F521910		1	BEARING, CRANKSHAFT LOWER

# MOTOR LEG

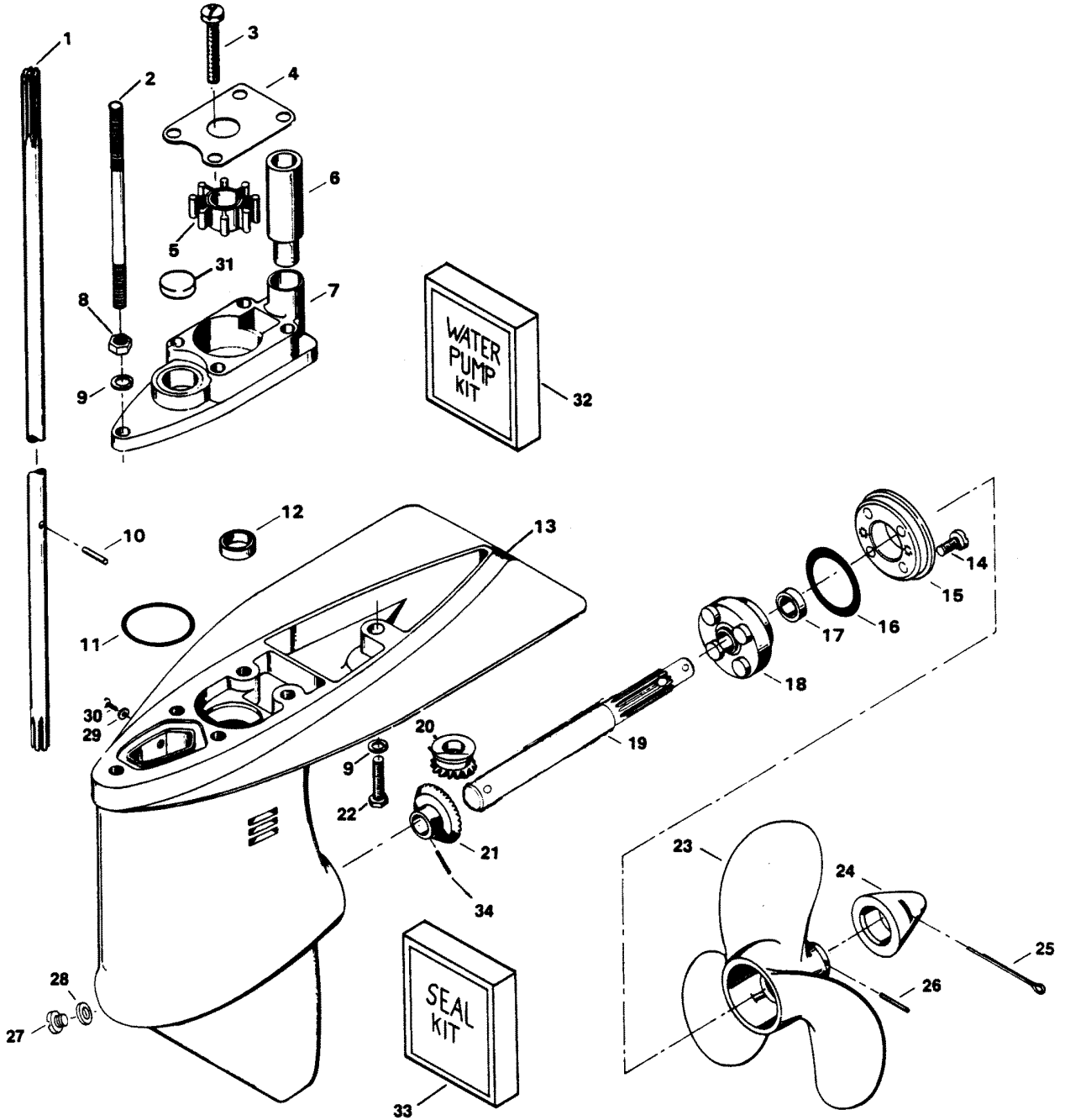


OB 3837

# MOTOR LEG

REF. NO.	PART NO.	SYM.	QTY.	DESCRIPTION
1	F1645		3	RD HD THD. CUTTING, 6 - 32 X 1/4
2	FA341151		1	PLATE, EXHAUST <b>W/ILLUS. 1</b>
3	FK601133		1	MOTOR LEG <b>W/ITEMS 1, 2</b>
4	F1922		6	HEX HD SCREW, 1/4 - 20 X 5/8
5	F46899-1		1	COVER, SHIFT COUPLING
6	817815A4		1	SWIVEL BRACKET - PORT <b>W/ILLUS. 21 ORIGINAL FORCE P/N A 468072-3</b>
7	F521261		1	LINE, WATER OUTLET
8	F1445		1	SCREW, 1/4 - 14 X 3/8
9	817810A1		1	LOCK BAR ASSEMBLY
10	F24074		2	CLAMP SCREW FOOT
11	F66480		2	STUD
12	FA28073-1		2	CLAMP SCREW <b>W/ILLUS. 10, 11 AND 13</b>
13	F8537		2	SPRING PIN
14	F7026		1	STOP NUT 3/8 - 16
15	F2014		1	PLAIN WASHER
16	FA601532		2	STERN BRACKET <b>W/ILLUS. 10, 11, 12 AND 13</b>
17	F468037-1		1	PIVOT BOLT
18	F2037		2	PLAIN WASHER
19	F468300		1	SPRING, REVERSE LOCK
20	F468349		1	REVERSE LOCK
21	F197813		2	BEARING
22	F468350		1	PIN, REVERSE LOCK
23	F2035		4	PHILLIPS FILL HD SCREW, 1/4 - 20 X 1
24	FA601572		1	SWIVEL BRACKET - STARBOARD <b>W/ILLUS. 21 AND 25 AND LITERATURE</b>
25	F521661-1		2	PAD, SWIVEL FRICTION
26	F8083		1	SPRING LOCKWASHER
27	F1341		1	NUT
28	F468169		2	BEARING, SWIVEL BRACKET
29	FA468346		2	SHOCK MOUNT <b>W/LITERATURE</b>
30	F521244-1		1	WATER LINE STANDARD LEG
31	F521342-1		1	SEAL, WATER LINE

# GEAR HOUSING



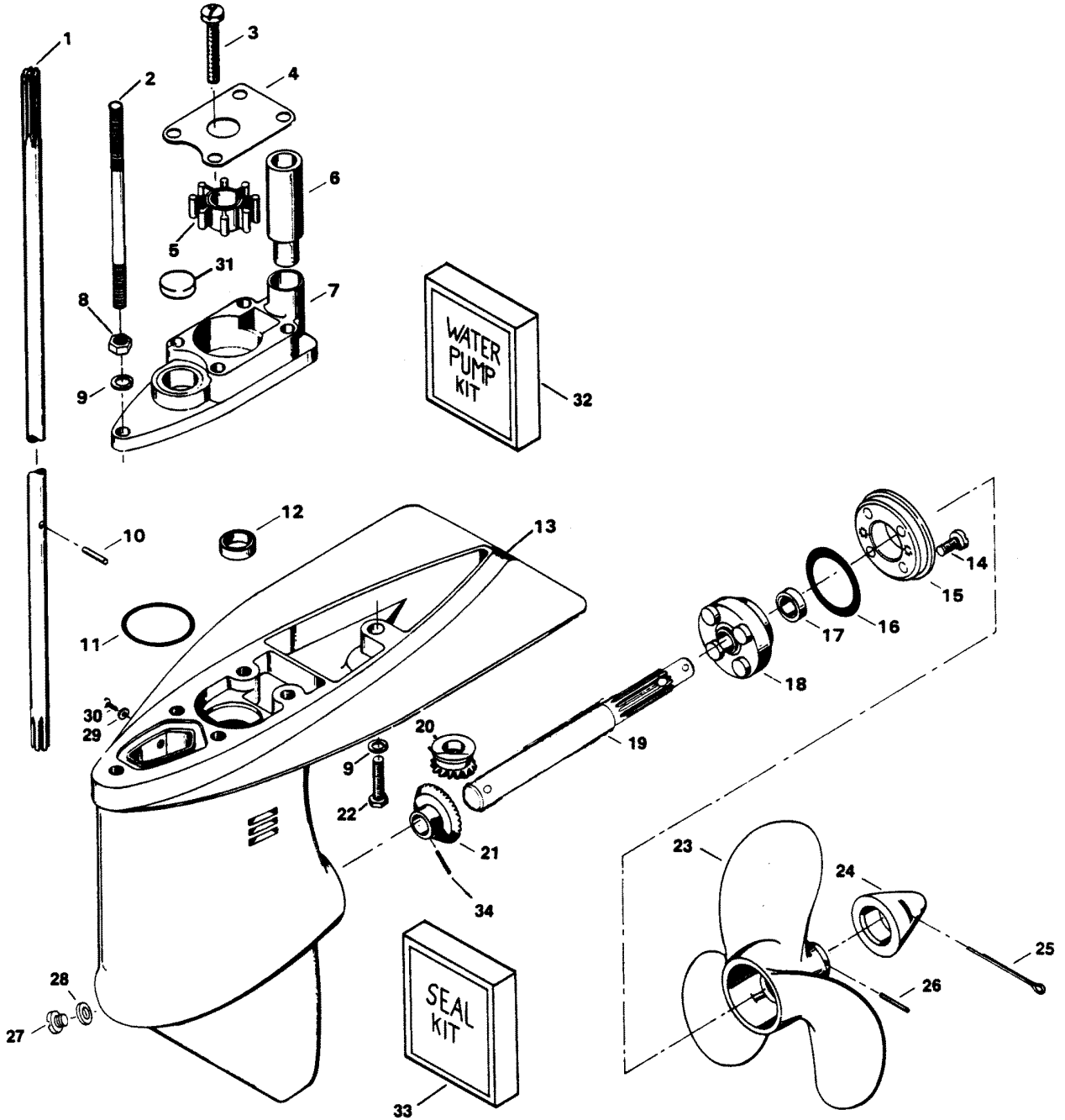
OB 3837

# GEAR HOUSING

REF. NO.	PART NO.	SYM.	QTY.	DESCRIPTION
1	F521128		1	DRIVESHAFT
2	F601006		1	STUD
3	F1504		4	FILL HD SCREW, 1/4 - 20 X 1 1/4
4	F521537		1	PLATE, WATER PUMP
5	F521065		1	IMPELLER
6	FA521735		1	SEAL, WATERLINE <b>W/LITERATURE</b>
7	FA601060		1	BODY, WATER PUMP <b>W/ILLUS. 31</b>
8	F1341		1	NUT
9	F8083		2	LOCKWASHER
10	F390563		1	PIN, PUMP DRIVE
11	F521783		1	SEAL
12	F318307		1	SEAL, DRIVESHAFT
13	F2A521054		1	GEAR HOUSING ASSEMBLY <b>W/BEVEL PINION THRUST BEARING, PROP SHAFT BEARING, DRIVESHAFT UPPER BEARING, ILLUS. 12, 29 AND 30</b>
-	<b>1600-817915A1</b>		1	<b>GEAR HOUSING ASSEMBLY COMPLETE. INCLUDE ALL ITEMS MARKED WITH AN ASTERISK (*) AND LITERATURE ORIGINAL FORCE P/N C 601054-1</b>
14	F525457		4	SCREW, 1/4 - 20 X 5/8
15	F521296		1	RETAINER, PROPELLER SHAFT BEARING CAGE
16	F521305		1	SEAL, O-RING
17	F521307		1	SEAL, PROPELLER SHAFT
18	FA341298		1	CAGE, BEARING <b>W/BEARING AND ILLUS. 17</b>
19	F601098		1	SHAFT, PROPELLER
20	F521266		1	GEAR, BEVEL PINION
21	F601023		1	GEAR, BEVEL
22	F1199		1	SCREW, 1/4 - 20 X 1
23	FP332		1	PROPELLER
24	11-817752A1		1	NUT, PROPELLER <b>W/ILLUS. 25 ORIGINAL FORCE P/N A 286094-1</b>
25	F1846		1	PIN, COTTER
26	FA324101		1	PIN, PROPELLER (PACK OF 3) <b>W/ILLUS. 25</b>
27	F50109		1	PLUG, GEAR HOUSING
28	F8077		1	WASHER
29	F8074		1	WASHER, NYLON
30	F1077		1	SCREW, 10 - 24 X 1/4
31	F1526		1	PLUG, WELCH
32	FK1118		1	WATER PUMP KIT. <b>INCLUDES ITEMS LISTED BELOW</b>
-	<b>FA521735</b>		1	<b>SEAL, WATERLINE</b>
-	<b>FA601060</b>		1	<b>BODY, WATER PUMP</b>

CONTINUED ON NEXT PAGE ➡

# GEAR HOUSING



OB 3837

# GEAR HOUSING

REF. NO.	PART NO.	SYM.	QTY.	DESCRIPTION
-	F521537		1	PLATE, PUMP, TOP
-	F521065		1	IMPELLER, WATER PUMP
-	F1504		4	SCREW 1/4 - 20 X 1 1/4
33	FK1057		1	GEAR HOUSING SEAL KIT. INCLUDE ALL ITEMS MARKED WITH A DOUBLE ASTERISK (**)
34	F8551		1	SPRING PIN 5/32 X 3/4

## SPECIAL TOOLS - TUNE-UP

REF. NO.	PART NO.	SYM.	QTY.	DESCRIPTION
-	FT8930-1		0	FEELER GAUGE TO SET BREAKER POINT GAP
-	FT8998		0	KNOCK-OFF SCREW TO REMOVE FLYWHEEL
-	FT2989		0	FLYWHEEL WEDGE TO REMOVE FLYWHEEL
-	FT2993		0	SPANNER WRENCH TO HOLD FLYWHEEL WHEN REMOVING FLYWHEEL SCREW
-	FT2998		0	TORQUE WRENCH TO TORQUE FLYWHEEL SCREW



## SPECIAL TOOLS - POWER HEAD

REF. NO.	PART NO.	SYM.	QTY.	DESCRIPTION
-	FT8919		0	PIN PUNCH TO REMOVE CYLINDER CRANKCASE COVER LOCATING PINS
-	FT8929		0	CONNECTING ROD TOOL TO REMOVE CONNECTING ROD SCREWS
-	FT8926		0	RING EXPANDER TO REMOVE AND INSTALL PISTON RINGS
-	FT1749		0	SNAP RING PLIERS TO REMOVE AND INSTALL PISTON PIN RETAINING RINGS
-	FT2997		0	RING COMPRESSOR INSTALL PISTON AND RINGS IN CYLINDER
-	FT2999		0	TORQUE WRENCH TO PROPERLY TIGHTEN FASTENERS
-	FT2991		0	CARBON BRUSH TO REMOVE CARBON BUILD-UP FROM PISTON AND CYLINDER HEAD
-	FT8900		0	HOSE CLAMP PLIERS TO REMOVE CLAMPS FROM FUEL LINES
-	FT2990		0	PISTON PIN TOOL TO INSTALL PISTON PIN INTO PISTON

## SPECIAL TOOLS - LOWER UNIT

REF. NO.	PART NO.	SYM.	QTY.	DESCRIPTION
-	FT8948-1		0	PULLER TO REMOVE BEARING CAGE RETAINER
-	FT2915		0	SEAL INSTALLER TO INSTALL PROPELLER SHAFT SEAL AND DRIVE SHAFT SEAL
-	FT8957		0	SEAL INSTALLER TO INSTALL SHIFT ROD SEAL

## SPECIAL TOOLS - TEST EQUIPMENT

REF. NO.	PART NO.	SYM.	QTY.	DESCRIPTION
-	FT8950		0	LEAKAGE TESTER TO CHECK GEAR HOUSING FOR LEAKS

## SPECIAL TOOLS - LUBRICANTS AND SEALANTS

REF. NO.	PART NO.	SYM.	QTY.	DESCRIPTION
-	FT8969		0	LUBRICANT - LPS-1
-	FT2987-1		0	LUBRICANT - ANTI-SEIZE
-	FT2961		0	LUBRICANT - RYKON GREASE #2EP
-	FT8983		0	SEALANT - RTV
-	FT2962-1		0	SEALANT - LOCTITE H, NON-HARDENING GRADE
-	FT2963-2		0	SEALANT - LOCTITE D, HARDENING GRADE
-	FT8936-1		0	SEALANT - LOCTITE RETAINING COMPOUND #75
-	FT8935		0	SEALANT PRIMER - GRADE T

## ACCESSORIES

REF. NO.	PART NO.	SYM.	QTY.	DESCRIPTION
-	F5H164		0	A-C LIGHTING COIL KIT PROVIDES 12 VOLT, 60 WATT OUTPUT FOR OUTBOARD RUNNING LIGHTS.
-	F5H091		0	BATTERY CHARGING SYSTEM USED IN CONJUNCTION WITH 5H164 LIGHTING COIL KIT.
-	F5H025		0	ANTI CORROSION SACRIFICIAL ANODE TO PROTECT ENGINE FROM ELECTROLYSIS CORROSION.
-	F596		0	CHRYSLER OUTBOARD OIL SEE BLOCK COMMENT 1.
-	F597		0	CHRYSLER OUTBOARD GEAR LUBE SEE BLOCK COMMENT 2.
-	F5H059		0	CHRYSLER OUTBOARD MULTI-PURPOSE GREASE LUBRICATES BEARINGS AND OTHER MOVING PARTS. AVAILABLE IN 8 OZ. TUBES AND 12 TUBE CASES.
-	F5H060		0	CHRYSLER OUTBOARD GREASE GUN USED WITH CHRYSLER OUTBOARD MULTI-PURPOSE GREASE TUBES FOR PRESSURE FITTINGS.
-	F5H134		0	BOAT WHITE LACQUER ENGINE TOUCH UP PAINT IN 12 3/4 OZ. SPRAY BOMBS (6 CAN PER CASE)
-	FK1120		0	LONG LEG CONVERSION KIT

# PARTS INDEX

Part Number	Description	Pg.	Ref. No.	Part Number	Description	Pg.	Ref. No.
817810A1	LOCK BAR ASSEMBLY . . . . .	17	9	F1504	SCREW 1/4 - 20 X 1 1/4 . . . . .	21	-
817815A4	SWIVEL BRACKET - PORT . . . . .	17	6	F1526	PLUG, WELCH . . . . .	19	31
817938A1	RETAINER . . . . .	5	7	F1532	HEX CAP SCREW, 1/4 - 20 X 1 . . . . .	9	6
F10058	FUEL BOWL . . . . .	9	17	F15570	SPRING, REWIND . . . . .	5	3
F10059	THROTTLE SHAFT . . . . .	9	37	F15582-1	STARTER ROPE . . . . .	5	5
F10060	VALVE, THROTTLE . . . . .	9	11	F15591	ROTOR . . . . .	5	4
F10061	CHOKE SHAFT . . . . .	9	34	F15594	WASHER . . . . .	5	9
F10062	CHOKE VALVE . . . . .	9	30	F15595	FRICITION SHOE ASSEMBLY . . . . .	5	11
F10063	FLOAT . . . . .	9	21	F15596	SPRING . . . . .	5	8
F10064	FLOAT PIN . . . . .	9	19	F15597	SCREW . . . . .	5	12
F10065	NOZZLE . . . . .	9	23	F15601	COVER . . . . .	5	2
F10066	GASKET, VALVE SEAT . . . . .	9	14	F15602	NYLINER . . . . .	5	10
F10068	GASKET, FUEL BOWL . . . . .	9	18	F1645	RD HD THD. CUTTING, 6 - 32 X 1/4 . . . . .	17	1
F10069	GASKET SET. . . . .	11	-	F1655	HEX HD SCREW W/SPRING LOCKWASHER, 1/4 - 20 X 3/8 . . . . .	7	17
F10070	SCREW, CHOKE VALVE . . . . .	9	29	F1699	SCREW 1/4 - 20 X 1 1/8 . . . . .	13	29
F10071	SCREW . . . . .	9	10	F1708	SCREW 1/4 - 20 X 1 3/8 . . . . .	13	34
F10072	SPRING, CHOKE STOP . . . . .	9	33	F1734	SLOTTED FILL HD SCREW, 1/4 - 20 X 1/2 W/LOCKWASHER . . . . .	7	14
F10073	SPRING, IDLE ADJUSTMENT NEEDLE . . . . .	9	31	F1755	ROUND HD SCREW W/LOCKWASHER, 6 - 32 X 5/16 . . . . .	9	2
F10075	SPRING, THROTTLE RETURN . . . . .	9	38	F1789	PLUG, PIPE . . . . .	13	30
F10077	NEEDLE, IDLE . . . . .	9	32	F17938	ANCHOR . . . . .	3	4
F10084	SPRING, FLOAT SUPPORT . . . . .	9	20	F17980	FUEL CAP GASKET . . . . .	3	2
F10086	JET ASSEMBLY (.037) OPT. SEA LEVEL - 5000 FT. - 7000 FT. . . . .	9	-	F1846	PIN, COTTER . . . . .	19	25
F10090	GASKET, BOWL RETAINER . . . . .	9	16	F1891	SCREW 1/4 - 20 X 1 1/2 . . . . .	13	28
F10093	JET ASSEMBLY (.038) OPT. SEA LEVEL - 3000 FT. - 5000 FT. . . . .	9	-	F1893	SCREW 5/16 - 18 X 1 1/2 . . . . .	13	23
F10094	JET ASSEMBLY (.036) OPT. SEA LEVEL - 7000 FT. AND UP . . . . .	9	-	F1896	HEX NUT . . . . .	5	1
F10096	JET ASSEMBLY (.039) STD. SEA LEVEL - 3000 FT. . . . .	9	15	F1907	WASHER . . . . .	13	24
F10098	REPAIR KIT. . . . .	11	42	F1922	HEX HD SCREW, 1/4 - 20 X 5/8 . . . . .	17	4
F10100	VALVE, SEAT AND GASKET ASSEMBLY . . . . .	9	22	F197813	BEARING . . . . .	17	21
F10116	BODY CHANNEL PLUG KIT (NOT SHOWN) . . . . .	11	-	F2014	PLAIN WASHER . . . . .	17	15
F1064	FILL HD SCREW, 8 - 32 X 3/8 . . . . .	9	26	F2035	PHILLIPS FILL HD SCREW, 1/4 - 20 X 1 . . . . .	17	23
F1077	SCREW, 10 - 24 X 1/4 . . . . .	19	30	F2037	PLAIN WASHER . . . . .	17	18
F1099	SCREW 1/4 - 20 X 1 1/4 . . . . .	13	33	F2108	NUT, LOCK 5/16 - 18 . . . . .	13	25
F1107	SCREW 1/4 - 20 X 3/4 . . . . .	13	32	F211137-1	GRIP, STEERING HANDLE . . . . .	13	21
F1199	SCREW, 1/4 - 20 X 1 . . . . .	19	22	F24074	CLAMP SCREW FOOT . . . . .	17	10
F12066	FRICITION SCREW . . . . .	7	19	F250017	PIN, PISTON . . . . .	13	10
F12090	MOUNTING SCREW . . . . .	7	5	F250410	RING, RETAINING, PISTON PIN . . . . .	13	9
F12350	WEDGE SPRING . . . . .	7	10	F2706772	HOSE CLAMP . . . . .	3	6
F12359	CONTACT SET . . . . .	7	7	F286132	HANDLE, STARTER ROPE . . . . .	5	6
F12360	FELT CAM . . . . .	7	8	F2A237228	BEARING ASSEMBLY, W/CAGE AND ROLLERS . . . . .	13	13
F12361	LEAD WIRE AND GROMMET PACKAGE . . . . .	7	13	F2A332167	CARBURETOR ADAPTER . . . . .	9	5
F12362	STATOR PLATE W/CORE . . . . .	7	9	F2A521016	ROD, CONNECTING . . . . .	13	12
F1341	NUT . . . . .	17	27	F2A521054	GEAR HOUSING ASSEMBLY . . . . .	19	13
F1341	NUT . . . . .	19	8	F2A527018	CRANKSHAFT ASSEMBLY . . . . .	13	18
F1426	SCREW, HEX HD 1/4 - 20 X 7/16 . . . . .	13	4	F31160-1	REED . . . . .	9	4
F1445	SCREW, 1/4 - 14 X 3/8 . . . . .	17	8	F318307	SEAL, DRIVESHAFT . . . . .	19	12
F1490	HEX NUT, 1/4 - 20 . . . . .	9	24	F318504	GROMMET, CHOKE . . . . .	9	35
				F36634	SCREW, CONNECTING ROD . . . . .	13	17
				F390563	PIN, PUMP DRIVE . . . . .	19	10

# PARTS INDEX

Part Number	Description	Pg.	Ref. No.	Part Number	Description	Pg.	Ref. No.
F424161	REED STOP	9	3	F521894	DECAL "OFF"	9	13
F427249	RETAINING RING	3	3	F521906	GASKET, CARBURETOR	9	9
F433209-1	STUD, CARBURETOR	9	7	F521906	GASKET, CARBURETOR	15	-
F459137	GRIP	7	16	F521910	BEARING, CRANKSHAFT LOWER	15	38
F468037-1	PIVOT BOLT	17	17	F525457	SCREW, 1/4 - 20 X 5/8	19	14
F468169	BEARING, SWIVEL BRACKET	17	28	F535097	FLYWHEEL	7	2
F468300	SPRING, REVERSE LOCK	17	19	F596	CHRYSLER OUTBOARD OIL	27	-
F468349	REVERSE LOCK	17	20	F597	CHRYSLER OUTBOARD GEAR LUBE	27	-
F468350	PIN, REVERSE LOCK	17	22	F5H025	ANTI CORROSION SACRIFICIAL ANODE	27	-
F46899-1	COVER, SHIFT COUPLING	17	5	F5H059	CHRYSLER OUTBOARD MULTI-PURPOSE GREASE	27	-
F50109	PLUG, GEAR HOUSING	19	27	F5H060	CHRYSLER OUTBOARD GREASE GUN	27	-
F521002	CAM	7	4	F5H091	BATTERY CHARGING SYSTEM	27	-
F521013	BEARING, CRANKSHAFT, UPPER	13	19	F5H134	BOAT WHITE LACQUER	27	-
F521015	PISTON	13	11	F5H164	A-C LIGHTING COIL KIT	27	-
F521034-1	FUEL TANK	3	9	F601006	STUD	19	2
F521061-6	CARBURETOR - COMPLETE	11	39	F601023	GEAR, BEVEL	19	21
F521063-2	STARTER - COMPLETE	5	-	F601078	BRACKET, STEERING HANDLE STOP	13	27
F521065	IMPELLER	19	5	F601079	HANDLE, STEERING	13	22
F521065	IMPELLER, WATER PUMP	21	-	F601081	THROTTLE LEVER	7	15
F521118-1	SEAL, CRANKSHAFT, LOWER	13	16	F601098	SHAFT, PROPELLER	19	19
F521128	DRIVESHAFT	19	1	F601248	DECAL (CHOKE)	9	25
F521146	SEAL, CRANKSHAFT, UPPER	13	20	F601489	VALVE, FUEL SHUT-OFF	9	12
F521168	GASKET, CARBURETOR ADAPTER	9	1	F601647	HANDLE	13	35
F521168	GASKET, CARBURETOR ADAPTER	13	-	F66480	STUD	17	11
F521192	THROTTLE CAM	7	18	F7023	NUT, LOCK 1/4 - 20	13	26
F521244-1	WATER LINE STANDARD LEG	17	30	F7026	STOP NUT 3/8 - 16	17	14
F521251-3	GAS CAP COMPLETE (NOT SHOWN)	3	1	F8028	WASHER, PLAIN	13	1
F521261	LINE, WATER OUTLET	17	7	F8060	EXTERNAL TOOTH LOCKWASHER	11	40
F521266	GEAR, BEVEL PINION	19	20	F8061	INTERNAL TOOTH LOCKWASHER	3	10
F521270	SLINGER	15	37	F8074	WASHER, NYLON	19	29
F521279	GASKET, CYLINDER EXHAUST	13	14	F8077	WASHER	19	28
F521279	GASKET, CYLINDER, EXHAUST	15	-	F8078	LOCKWASHER, INTERNAL TOOTH	9	27
F521296	RETAINER, PROPELLER SHAFT BEARING CAGE	19	15	F8083	LOCKWASHER	19	9
F521305	SEAL, O-RING	19	16	F8083	SPRING LOCKWASHER	17	26
F521307	SEAL, PROPELLER SHAFT	19	17	F8537	SPRING PIN	17	13
F521342-1	SEAL, WATER LINE	17	31	F8551	SPRING PIN 5/32 X 3/4	21	34
F521498	KEY, FLYWHEEL	7	3	F8559	PIN, DOWEL	13	31
F521518	HEAD, CYLINDER	13	5	F901938-1	SCREW, CYLINDER HEAD	13	2
F521529	GASKET, CYLINDER HEAD	13	6	F90807	RETAINER, CHOKE	9	36
F521529	GASKET, CYLINDER HEAD	15	-	FA28073-1	CLAMP SCREW	17	12
F521537	PLATE, PUMP, TOP	21	-	FA324101	PIN, PROPELLER (PACK OF 3)	19	26
F521537	PLATE, WATER PUMP	19	4	FA341151	PLATE, EXHAUST	17	2
F521552	SCREW, FLYWHEEL	7	1	FA341298	CAGE, BEARING	19	18
F521579	SEAL, SPLINE, CRANKSHAFT	13	15	FA468346	SHOCK MOUNT	17	29
F521661-1	PAD, SWIVEL FRICTION	17	25	FA521010	CYLINDER ASSEMBLY	13	7
F521708	CARBURETOR COVER	9	28	FA521735	SEAL, WATERLINE	19	-
F521783	SEAL	19	11	FA521735	SEAL, WATERLINE	19	6
F521811	FITTING, GAS TANK	3	5	FA601060	BODY, WATER PUMP	19	-
				FA601060	BODY, WATER PUMP	19	7

# PARTS INDEX

Part Number	Description	Pg.	Ref. No.	Part Number	Description	Pg.	Ref. No.
FA601532	STERN BRACKET . . . . .	17	16				
FA601572	SWIVEL BRACKET - STARBOARD . . . . .	17	24				
FA619396	DECAL, ENGINE TANK, ST'BD . . . . .	3	8				
FA619397	DECAL, ENGINE TANK PORT	3	-				
FA619528	DECAL, ENGINE TANK REAR	3	12				
FA901753	HOSE . . . . .	3	7				
FC521010	SHORT BLOCK (NOT SHOWN) . . . . .	13	-				
FG1022	GASKET SET. . . . .	13	36				
FK1057	GEAR HOUSING SEAL KIT. . . . .	21	33				
FK1058	TUNE-UP KIT. . . . .	7	20				
FK1118	WATER PUMP KIT. . . . .	19	32				
FK1120	LONG LEG CONVERSION KIT . . . . .	27	-				
FK1123	SPARKIE KIT . . . . .	7	12				
FK12357	CONDENSER W/CLAMP . . . . .	7	6				
FK12369	COIL . . . . .	7	11				
FK601133	MOTOR LEG . . . . .	17	3				
FP332	PROPELLER . . . . .	19	23				
FT1749	SNAP RING PLIERS . . . . .	23	-				
FT2915	SEAL INSTALLER . . . . .	24	-				
FT2961	LUBRICANT - RYKON GREASE #2EP . . . . .	26	-				
FT2962-1	SEALANT - LOCTITE H, NON-HARDENING GRADE	26	-				
FT2963-2	SEALANT - LOCTITE D, HARDENING GRADE . . . . .	26	-				
FT2987-1	LUBRICANT - ANTI-SEIZE . . . . .	26	-				
FT2989	FLYWHEEL WEDGE . . . . .	22	-				
FT2990	PISTON PIN TOOL . . . . .	23	-				
FT2991	CARBON BRUSH . . . . .	23	-				
FT2993	SPANNER WRENCH . . . . .	22	-				
FT2997	RING COMPRESSOR . . . . .	23	-				
FT2998	TORQUE WRENCH . . . . .	22	-				
FT2999	TORQUE WRENCH . . . . .	23	-				
FT8900	HOSE CLAMP PLIERS . . . . .	23	-				
FT8919	PIN PUNCH . . . . .	23	-				
FT8926	RING EXPANDER . . . . .	23	-				
FT8929	CONNECTING ROD TOOL . . . . .	23	-				
FT8930-1	FEELER GAUGE . . . . .	22	-				
FT8935	SEALANT PRIMER - GRADE T . . . . .	26	-				
FT8936-1	SEALANT - LOCTITE RETAINING COMPOUND #75 . . . . .	26	-				
FT8948-1	PULLER . . . . .	24	-				
FT8950	LEAKAGE TESTER . . . . .	25	-				
FT8957	SEAL INSTALLER . . . . .	24	-				
FT8969	LUBRICANT - LPS-1 . . . . .	26	-				
FT8983	SEALANT - RTV . . . . .	26	-				
FT8998	KNOCK-OFF SCREW . . . . .	22	-				
11-817752A1	NUT, PROPELLER . . . . .	19	24				
33-82370M	SPARK PLUG (L-86) . . . . .	13	3				
39-818038A1	RING SET, PISTON (2 RINGS) . . . . .	13	8				
1600-817915A1	GEAR HOUSING ASSEMBLY COMPLETE. . . . .	19	-				