



PARTS CATALOG

4 H.P.

SERIAL NUMBER

4 (1983)	42B3K
4 (1983)	42H3K

TABLE OF CONTENTS:

ACCESSORIES	29
CARBURETOR & REED PLATE	8
ENGINE COVER AND FUEL TANK	2
GEAR HOUSING	20
MAGNETO	6
MOTOR LEG	16
PARTS INDEX	30
POWER HEAD & SUPPORT PLATE	12
SPECIAL TOOLS - LOWER UNIT	26
SPECIAL TOOLS - LUBRICANTS AND SEALANTS	28
SPECIAL TOOLS - POWER HEAD	25
SPECIAL TOOLS - TEST EQUIPMENT	27
SPECIAL TOOLS - TUNE-UP	24
STARTER	4

NOTE: *Indented description indicate that these parts are included in preceeding assembly.*

AR = As Required

NSS = Not Sold Separate

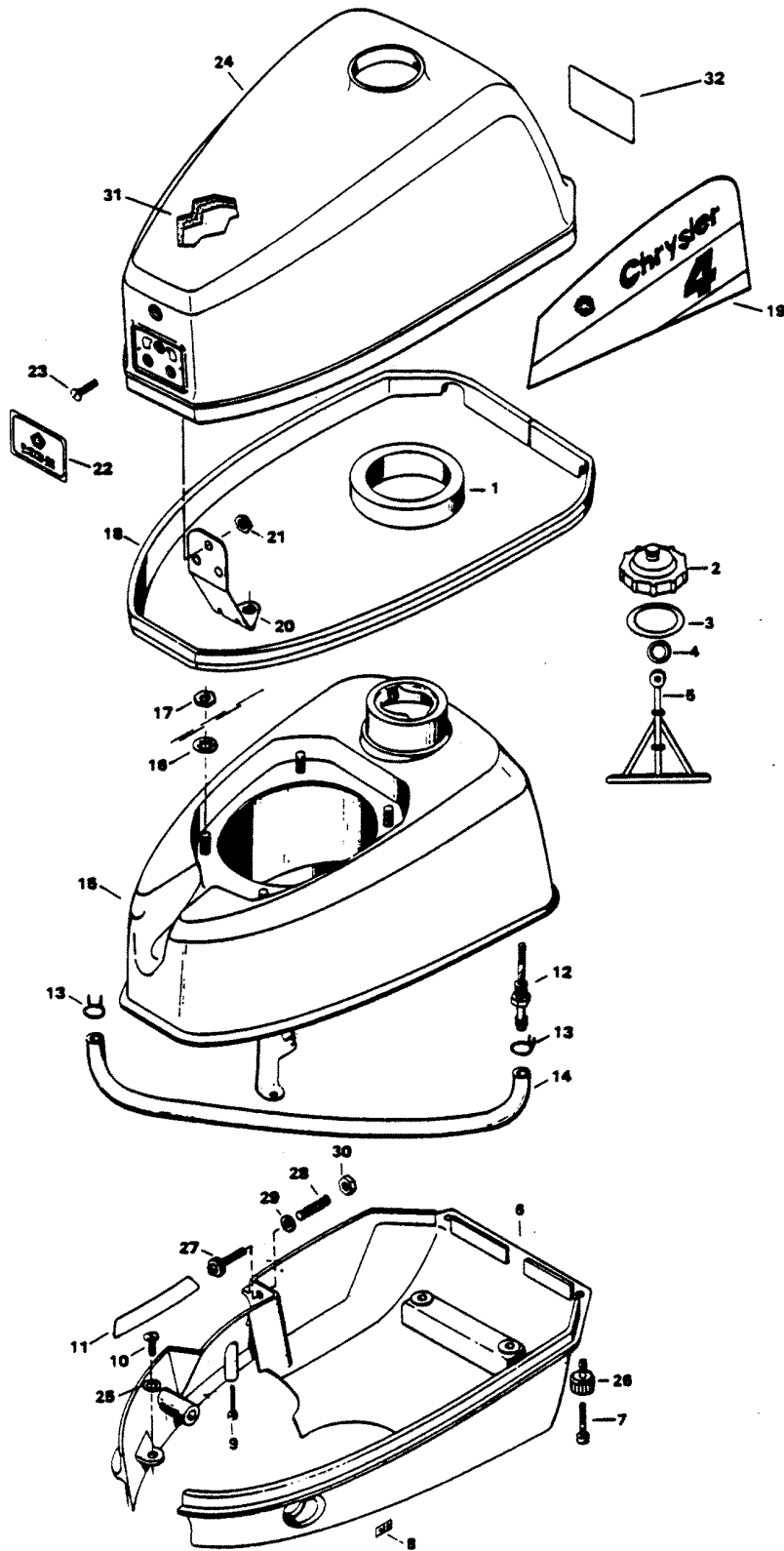
OPT = Optional

NS = Not Shown

THESE PARTS BOOKS/FICHE CARD ARE COPYRIGHTED AND MAY NOT BE DISTRIBUTED OR REPRODUCED IN ANY OTHER FORMAT BY ANYONE OTHER THAN MERCURY MARINE WITHOUT THE PRIOR WRITTEN CONSENT OF MERCURY MARINE.

THIS PAGE INTENTIONALLY LEFT BLANK

ENGINE COVER AND FUEL TANK

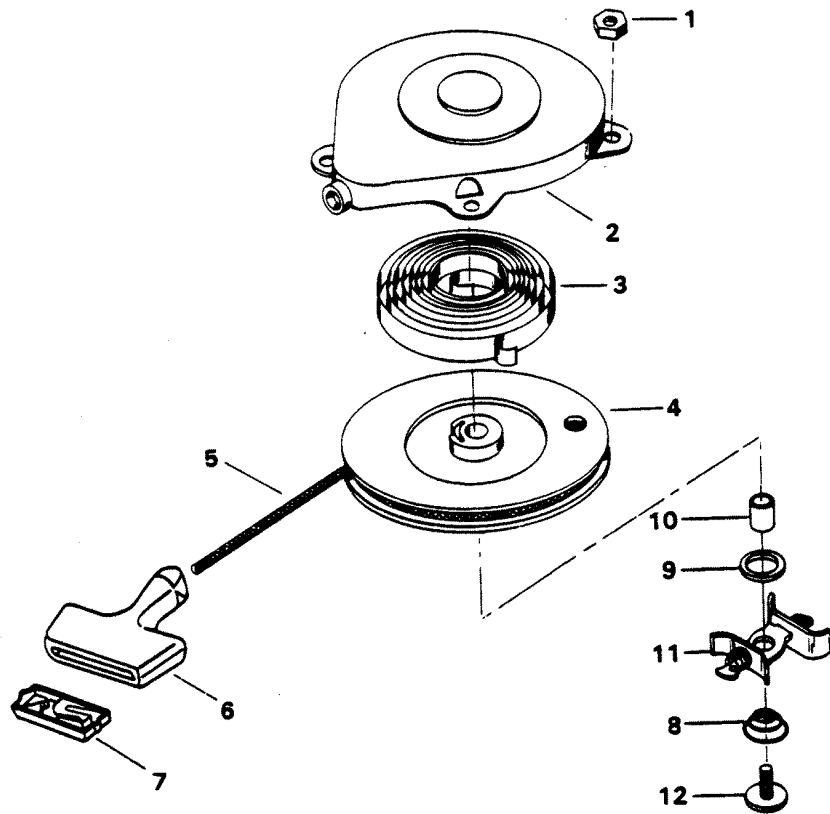


OB 3838

ENGINE COVER AND FUEL TANK

REF. NO.	PART NO.	SYM.	QTY.	DESCRIPTION
1	F459186		1	COLLAR, FUEL TANK
2	F521251-3		1	GAS CAP COMPLETE. INCLUDES ILLUS. 3, 4, AND 5
3	F17980		1	FUEL CAP GASKET
4	F427249		1	RETAINING RING
5	F17938		1	ANCHOR
6	F535944		1	ENGINE COVER, BOTTOM
7	F1995		2	SLOTTED FILL HD SCREW, 10 - 24 X 1
8	F521894		1	DECAL, "OFF" (USA)
-	FC521894		1	DECAL, "OFF" (CANADA)
9	F1829		1	FILL HD M. SCREW, 10 - 24 X 7/8
10	F1035		3	SLOTTED FILL HD SCREW, 1/4 - 20 X 5/8
11	F521391-1		1	DECAL, SPEED RANGE (USA)
-	37-817908--3		1	DECAL, SPEED RANGE (CANADA)
12	F521811		1	FITTING, GAS TANK
13	F2706772		2	HOSE CLAMP
14	FA901754		1	HOSE WILLUS. 13
15	F521034-1		1	FUEL TANK
16	F8061		4	INTERNAL TOOTH LOCKWASHER
18	FK525713		1	PACKING, TOP COVER TRIM W/LITERATURE
19	FA620397		1	DECAL, ENGINE COVER - PORT W/LITERATURE
-	FA620396		1	DECAL, ENGINE COVER - STARBOARD W/LITERATURE
20	FA521778		1	RETAINER, ENGINE COVER FRONT WILLUS. 21 & 23
21	F7011		3	HEX NUT
22	FA620892		1	DECAL, ENGINE COVER - FRONT W/LITERATURE
23	F1979		3	PAN HD SCREW, 10 - 24 X 1/2
24	FS535712		1	ENGINE COVER TOP W/RETAINER & PACKING
-	2C620712		1	ENGINE COVER COMPLETE. INCLUDES ALL ITEMS MARKED WITH AN ASTERISK (*) ORDER ILLUS. 31 IF REQUIRED
25	F8008		3	PLAIN WASHER
26	F521284		2	KNOB, ENGINE COVER RETAINER
27	F521690-1		1	SCREW, THROTTLE LEVER ADJUSTMENT
28	F521199		1	SPRING, THROTTLE LEVER ADJUSTMENT
29	F2042		1	PLAIN WASHER, #10 NARROW
30	F1473		1	HEX NUT
31	F521984		1	BLANKET, SILENCER TOP
32	FA619528		1	DECAL, ENGINE COVER REAR

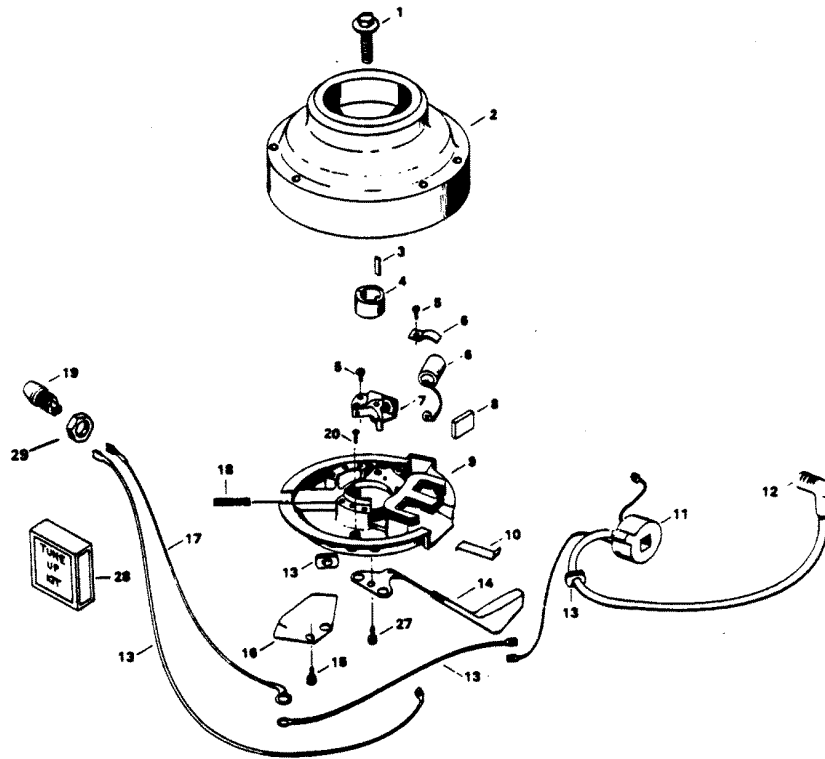
STARTER



STARTER

REF. NO.	PART NO.	SYM.	QTY.	DESCRIPTION
1	F1896		4	HEX NUT
2	F15601		1	COVER
3	F15570		1	SPRING, REWIND
4	F15591		1	ROTOR
5	F15582-1		1	STARTER ROPE
6	F286132		1	HANDLE, STARTER ROPE
7	817938A1		1	RETAINER W/LITERATURE ORIGINAL FORCE P/N K 286817-1
8	F15596		1	SPRING
9	F15594		2	WASHER
10	F15602		1	NYLINER
11	F15595		1	FRICITION SHOE ASSEMBLY
12	F15597		1	SCREW
-	F521063-2		1	STARTER - COMPLETE W/ILLUS. 2 THRU 5 AND 8 THRU 12)

MAGNETO

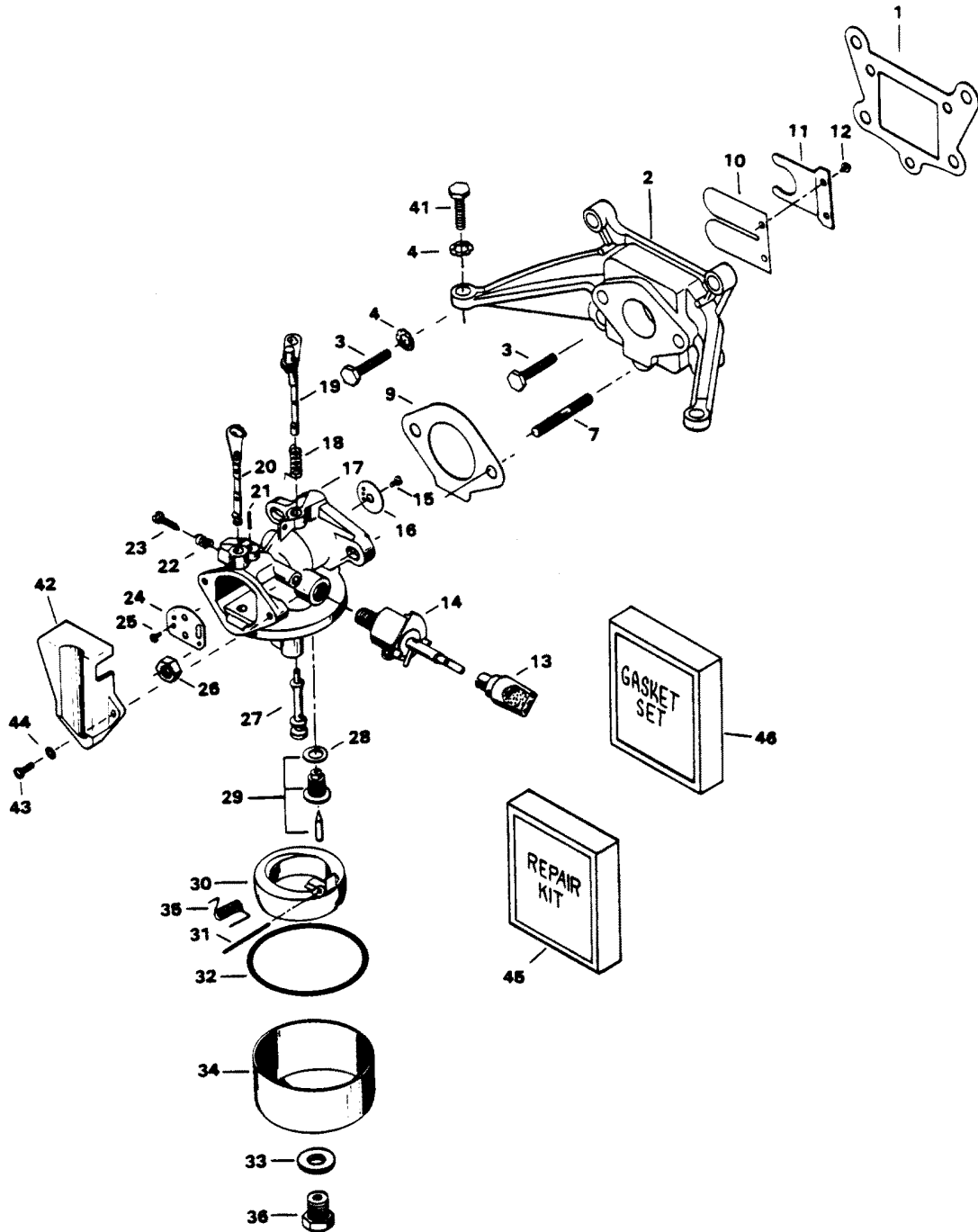


08 3838

MAGNETO

REF. NO.	PART NO.	SYM.	QTY.	DESCRIPTION
1	F521552		1	SCREW, FLYWHEEL
2	F535097		1	FLYWHEEL
3	F521498		1	KEY, FLYWHEEL
4	F521002		1	CAM
5	F12090		2	MOUNTING SCREW
6	FK12357		1	CONDENSER W/CLAMP
7	F12359		1	CONTACT SET
8	F12360		1	FELT CAM
9	F12362		1	STATOR PLATE W/CORE
10	F12350		1	WEDGE SPRING
11	FK12369		1	COIL W/LEAD WIRE AND ILLUS. 10
12	FK1123		1	SPARKIE KIT
13	F12361		1	LEAD WIRE AND GROMMET PACKAGE
14	F521549-2		1	THROTTLE LEVER
15	F1655		1	HEX HD SCREW W/SPRING LOCKWASHER, 1/4 - 20 X 3/8
16	F521192		1	THROTTLE CAM
17	F521908		1	GROUND WIRE
18	F12066		1	FRICTION SCREW
19	FK436449		1	SHORTING SWITCH W/ILLUS. 29
20	F1298		1	ROUND HD SCREW W/LOCKWASHER
27	F1734		1	SLOTTED FILL HD SCREW, 1/4 - 20 X 1/2
28	FK1058		1	TUNE UP KIT. INCLUDES ITEMS MARKED WITH AN ASTERISK (*)
29	F436280		1	NUT, SHORTING SWITCH

CARBURETOR & REED PLATE

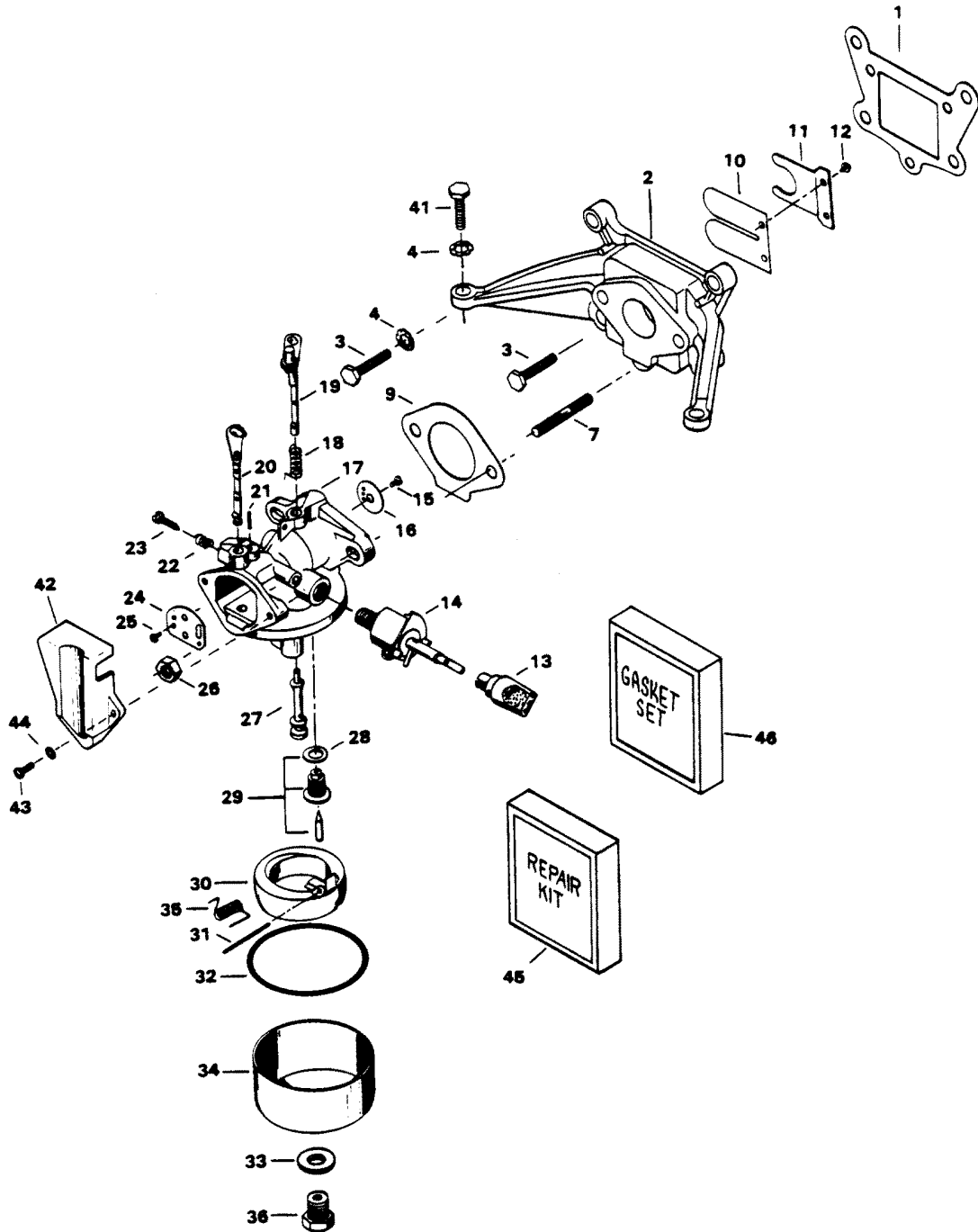


CARBURETOR & REED PLATE

REF. NO.	PART NO.	SYM.	QTY.	DESCRIPTION
1	F521168		1	GASKET, CARBURETOR ADAPTER
2	F2A332167		1	CARBURETOR ADAPTER W/ILLUS. 7, 10, 11 AND 12
3	F1532		4	HEX CAP SCREW, 1/4 - 20 X 1
4	F8060		4	INTERNAL TOOTH LOCKWASHER
7	F433209-1		1	STUD, CARBURETOR
9	F521906		1	GASKET, CARBURETOR
10	F31160-1		1	REED
11	F424161		1	REED STOP
12	F1755		2	ROUND HD SCREW W/LOCKWASHER, 6 - 32 X 5/16
13	F521550		1	KNOB, FUEL SHUT-OFF
14	F521489		1	VALVE, FUEL SHUT-OFF
15	F10071		1	SCREW
16	F10060		1	THROTTLE
17	F521061-6		1	CARBURETOR - COMPLETE
18	F10075		1	SPRING, THROTTLE RETURN
19	F10059		1	THROTTLE SHAFT
20	F10061		1	CHOKE SHAFT
21	F10072		1	SPRING, CHOKE STOP
22	F10073		1	SPRING, IDLE ADJUSTMENT NEEDLE
23	F10077		1	NEEDLE, IDLE
24	F10062		1	CHOKE VALVE
25	F10070		2	SCREW, CHOKE VALVE
26	F1490		2	HEX NUT, 1/4 - 20
27	F10065		1	NOZZLE
28	F10066		1	GASKET, VALVE SEAT
29	F10100		1	VALVE, SEAT AND GASKET ASSEMBLY
30	F10063		1	FLOAT
31	F10064		1	FLOAT PIN
32	F10068		1	GASKET, FUEL BOWL
33	F10090		2	GASKET, BOWL RETAINER
34	F10058		1	FUEL BOWL
35	F10084		1	SPRING, FLOAT SUPPORT
36	F10096		1	JET ASSEMBLY (.039) STD. SEA LEVEL - 3000 FT.
-	F10093		-	JET ASSEMBLY (.038) OPT. 3000 FT. - 5000 FT.
-	F10086		-	JET ASSEMBLY (.037) OPT. 5000 FT. - 7000 FT.
-	F10094		-	JET ASSEMBLY (.036) OPT. 7000 FT. AND UP OPTIONAL SIZE MAIN FUEL JETS (USE ONLY AT ALTITUDES INDICATED)
41	F2008		2	HEX CAP SCREW, 1/4 - 20 X 7/8
42	F521708		1	CARBURETOR COVER

CONTINUED ON NEXT PAGE ➡

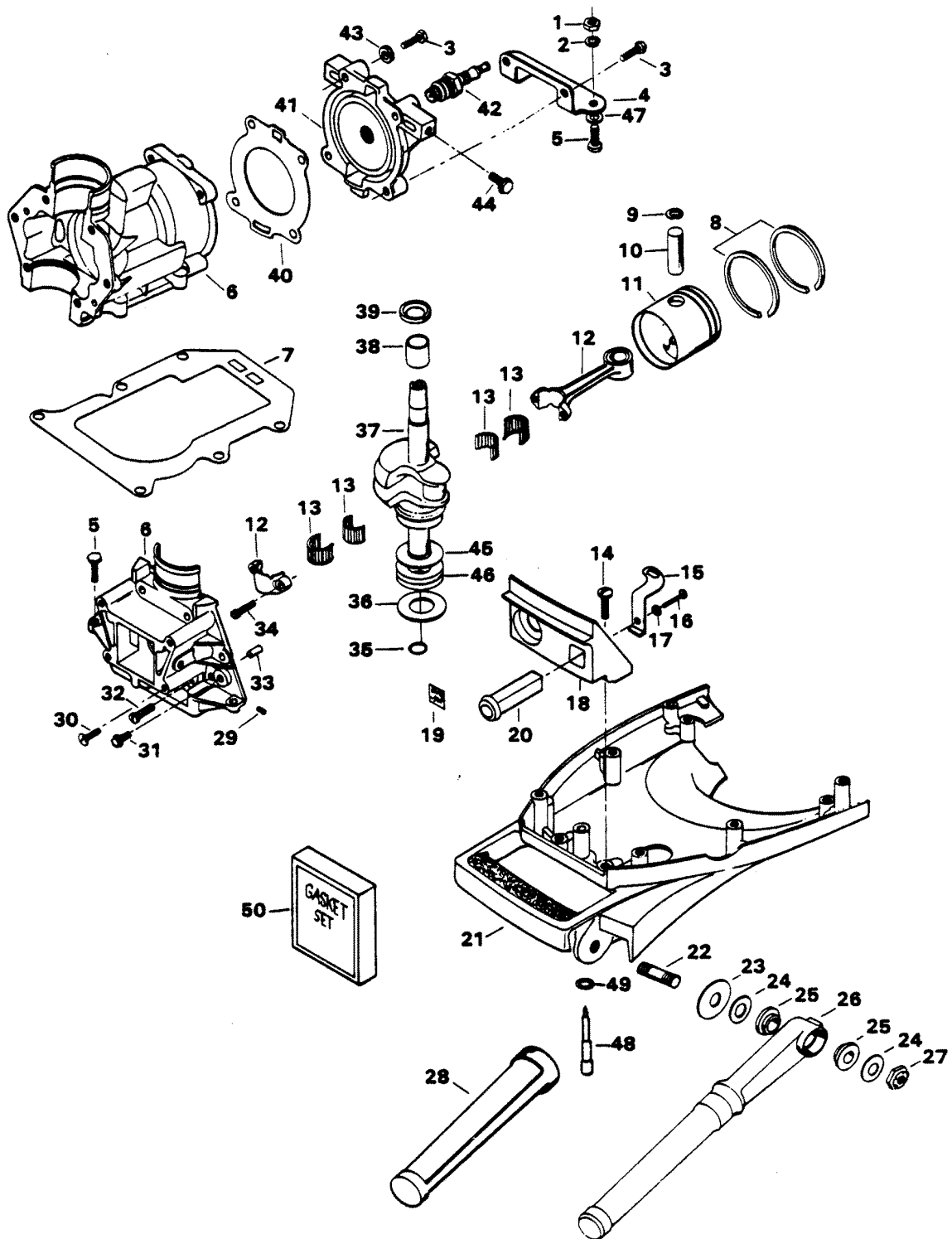
CARBURETOR & REED PLATE



CARBURETOR & REED PLATE

REF. NO.	PART NO.	SYM.	QTY.	DESCRIPTION
43	F1064		2	FILL HD SCREW, 8 - 32 X 3/8
44	F8078		2	LOCKWASHER, INTERNAL TOOTH
45	F10098		1	REPAIR KIT. INCLUDES ALL ITEMS MARKED WITH AN ASTERISK (*) ORIGINAL FORCE P/N 10998
46	F10069		1	GASKET SET. INCLUDES ALL ITEMS MARKED WITH A DOUBLE ASTERISK (**)
-	F10116		1	BODY CHANNEL PLUG KIT (NOT SHOWN)

POWER HEAD & SUPPORT PLATE

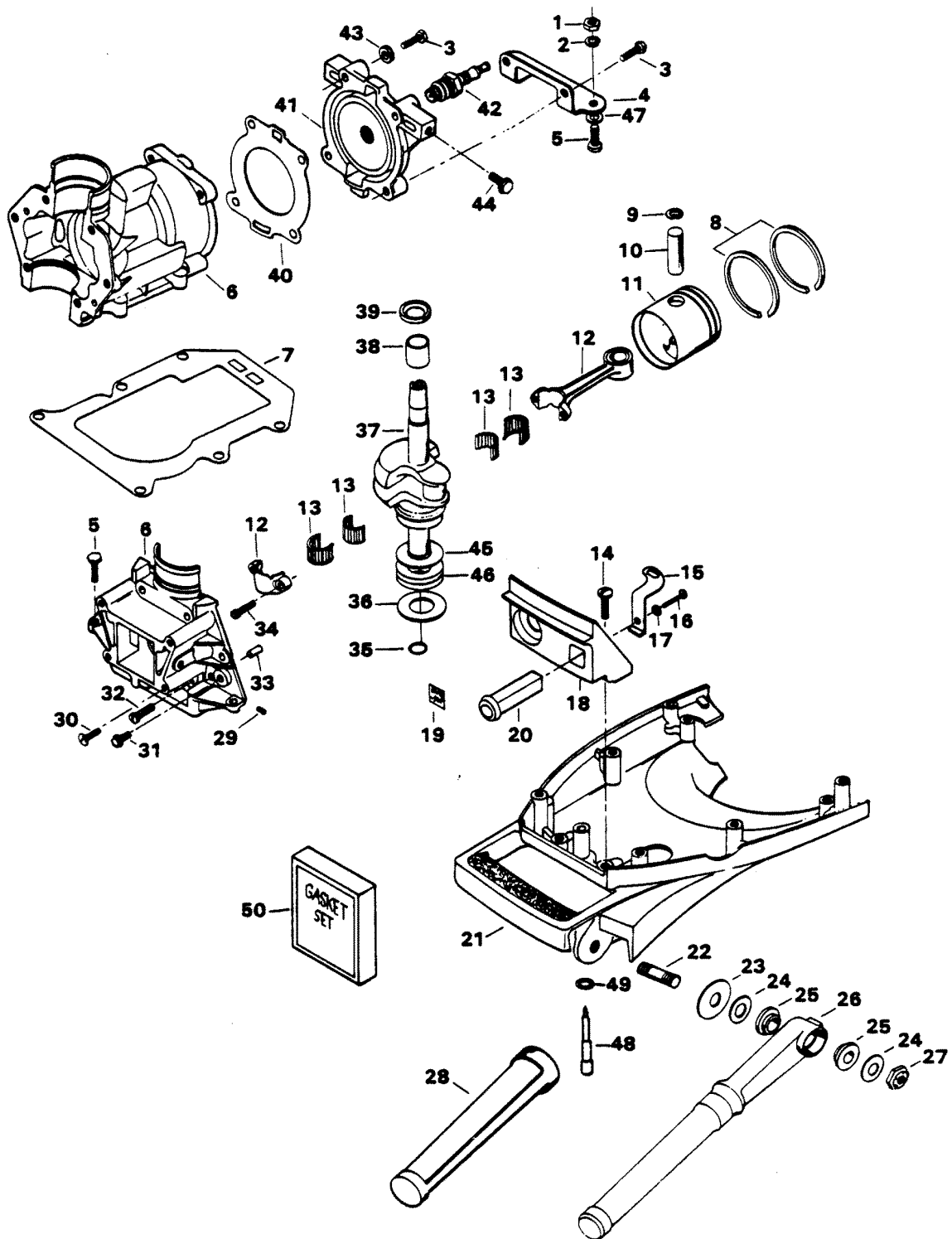


POWER HEAD & SUPPORT PLATE

REF. NO.	PART NO.	SYM.	QTY.	DESCRIPTION
1	F1341		2	HEX NUT
2	F8083		2	SPRING LOCKWASHER
3	F901938-1		4	SCREW, CYLINDER HEAD
4	F521774		1	BRACKET, ENGINE COVER LOWER MOUNTING
5	F1705		4	HEX HD CAP SCREW, 1/4 - 20 X 3/4
6	FA521010		1	CYLINDER W/CRANKCASE COVER, AND ILLUS. 29, 30 AND 33
-	FC521010		1	SHORT BLOCK (NOT SHOWN) INCLUDES ALL ITEMS MARKED WITH AN ASTERISK (*)
7	F521279		1	GASKET, CYLINDER EXHAUST
8	39-818038A1		1	PISTON RING SET (2 RINGS)
9	F250410		2	PISTON PIN RETAINING RING
10	F250017		1	PISTON PIN
11	F521015		1	PISTON
12	F2A521016		1	CONNECTING ROD W/BEARING AND ILLUS. 34
13	F2A237228		1	CRANKPIN ROLLER & CAGE SET
14	F1493		2	PAN HD SCREW, 1/4 - 20 X 5/8
15	F521925		1	LINK, CHOKE KNOB
16	F2041		1	HEX HD M. SCREW, 10 - 24 X 3/8
17	F1975		1	SPRING LOCKWASHER
18	F535163		1	COVER, SUPPORT PLATE
19	F521248		1	DECAL, CHOKE (USA)
-	FC521248		1	DECAL, CHOKE (CANADA)
20	F521547		1	CHOKE KNOB
21	F270038		1	SUPPORT PLATE
22	F521004		1	STUD
23	F286286-1		1	WASHER, NYLON
24	F8015		2	PLAIN WASHER
25	F521319		2	BUSHING, STEERING HANDLE
26	F521079		1	STEERING HANDLE
27	F1756		1	STOP NUT
28	F390137		1	GRIP, STEERING HANDLE
29	F1789		1	PIPE PLUG
30	F1107		2	FILL HD M. SCREW, 1/4 - 20 X 3/4
31	F2040		1	HEX WASHER HD TAPTITE SCREW, 1/4 - 20 X 5/8
32	F1099		4	SLOTTED FILL HD SCREW, 1/4 - 20 X 1 1/4
33	F8559		2	DOWEL PIN
34	F36634		2	SCREW, CONNECTING ROD
35	F521579		1	SEAL, CRANKSHAFT SPLINE
36	F521118-1		1	SEAL, CRANKSHAFT LOWER
37	F2A527018		1	CRANKSHAFT W/ILLUS. 45 AND 46
38	F521013		1	BEARING, CRANKSHAFT UPPER
39	F521146		1	SEAL, CRANKSHAFT UPPER
40	F521529		1	GASKET, CYLINDER HEAD

CONTINUED ON NEXT PAGE ➡

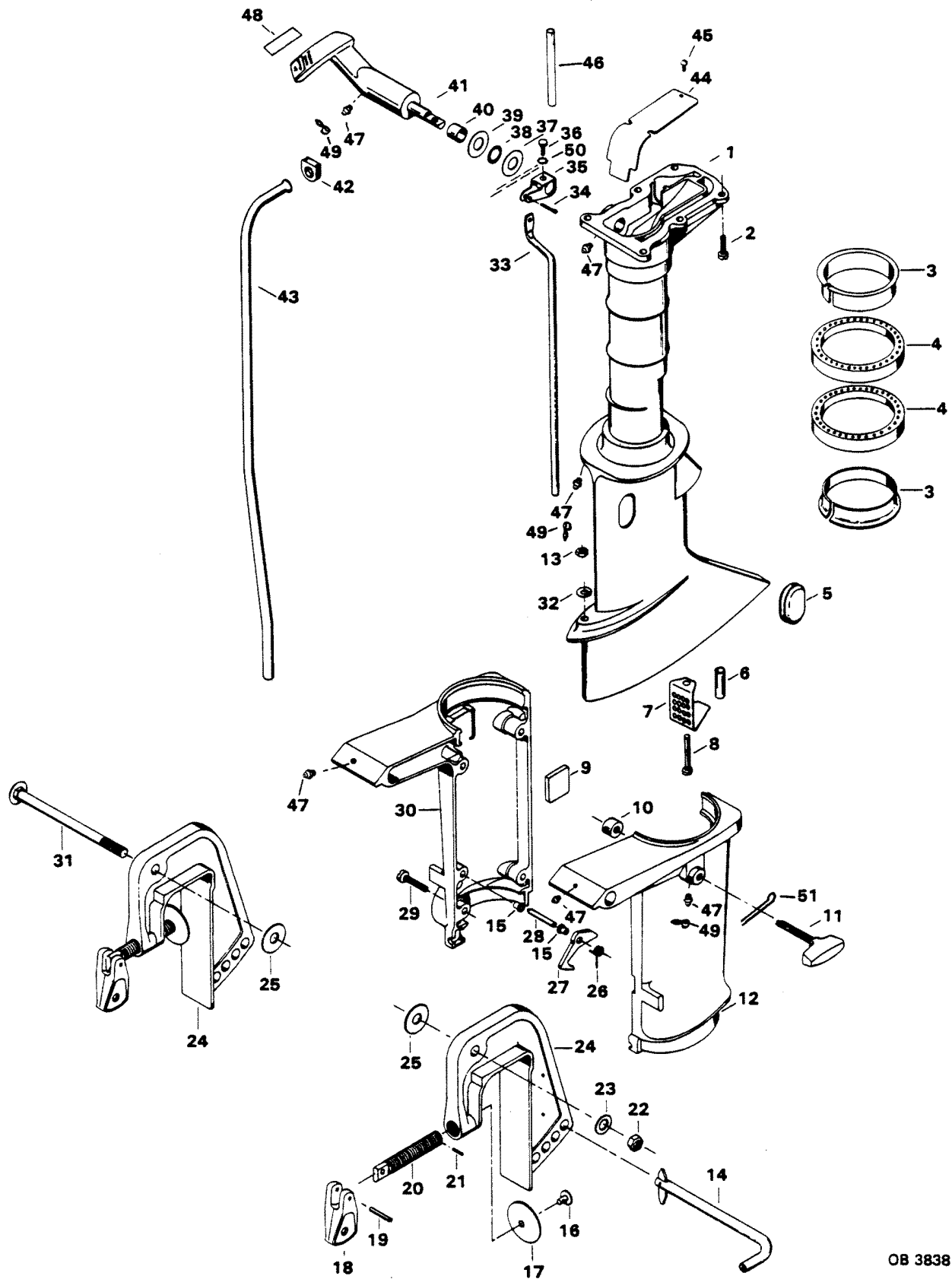
POWER HEAD & SUPPORT PLATE



POWER HEAD & SUPPORT PLATE

REF. NO.	PART NO.	SYM.	QTY.	DESCRIPTION
41	F521518		1	CYLINDER HEAD
42	33-82370M		1	SPARK PLUG (L-86)
-	C247227		1	SPARK PLUG (RL-86) CANADA ONLY
43	F8028		2	PLAIN WASHER
44	F1426		2	HEX HD SCREW W/LOCKWASHER, 1/4 - 20 X 7/16
45	F521270		1	SLINGER
46	F521910		1	BEARING, CRANKSHAFT LOWER
47	F8008		2	PLAIN WASHER
48	F341284-1		1	KNOB, ENGINE COVER RETAINER
49	F9102		1	RETAINING RING
50	FG1022		1	GASKET SET. INCLUDES ITEMS LISTED BELOW
-	F521168		1	CARBURETOR ADAPTER GASKET
-	F521279		1	CYLINDER EXHAUST GASKET
-	F521529		1	CYLINDER HEAD GASKET
-	F521906		1	CARBURETOR GASKET

MOTOR LEG



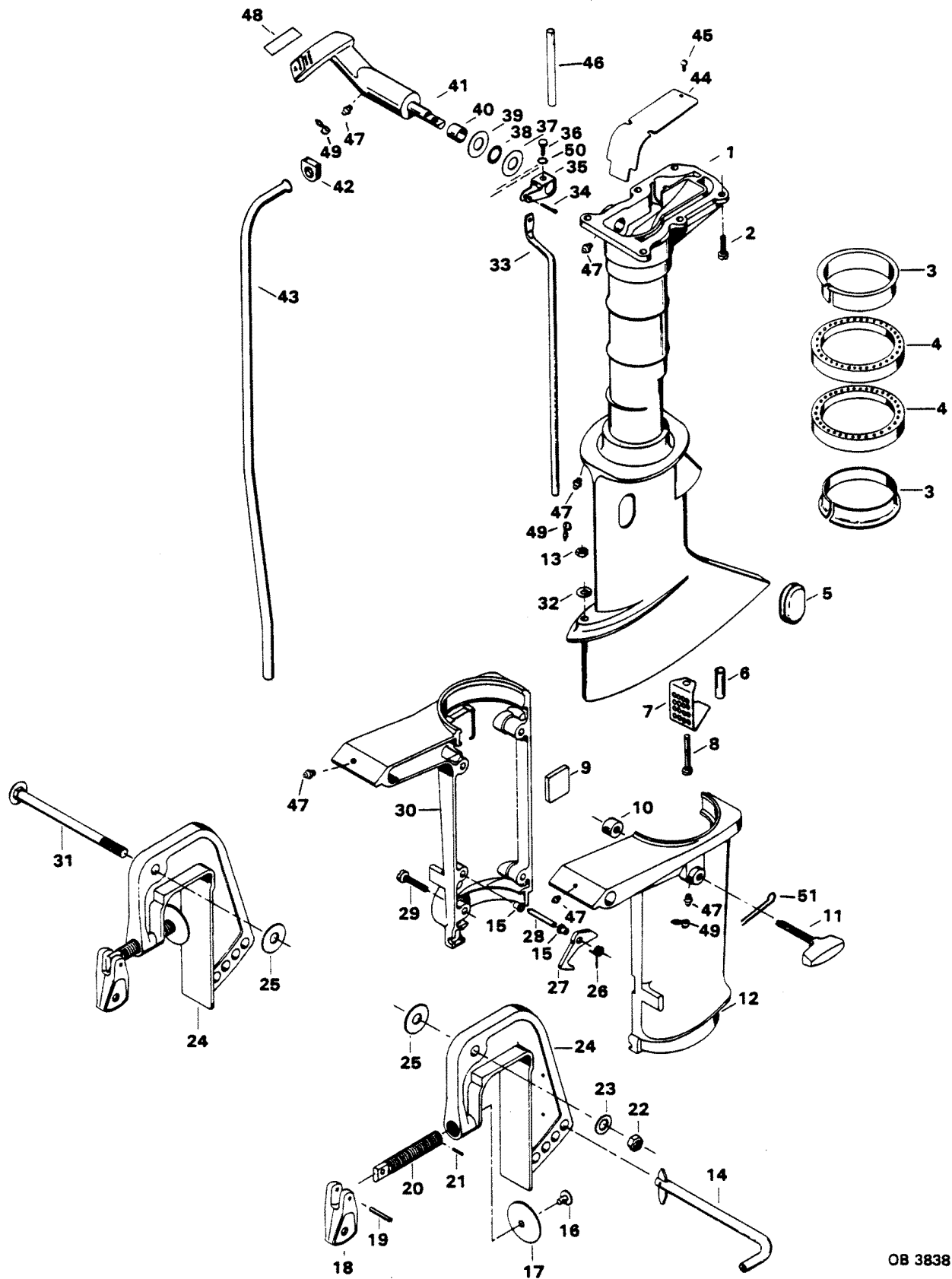
OB 3838

MOTOR LEG

REF. NO.	PART NO.	SYM.	QTY.	DESCRIPTION
1	1500-817940A6		1	MOTOR LEG W/ITEMS 40, 44, 45, 46 AND 47 ORIGINAL FORCE P/N K 341133-2
2	F1922		6	HEX HD SCREW, 1/4 - 20 X 5/8
3	F468169		2	BEARING, SWIVEL BRACKET
4	FA468346		2	SHOCK MOUNT W/LITERATURE
5	F46899-1		1	COVER, SHIFT COUPLING
6	F521727		1	SLEEVE, IDLE BAFFLE
7	F521779		1	BAFFLE, IDLE RELIEF
8	F1747		1	FILL HD SCREW, 10 - 24 X 1-11/16
9	F521661-1		1	PAD, SWIVEL FRICTION
10	F521631		1	SHOE, SWIVEL FRICTION
11	F521514		1	KNOB, STEERING FRICTION W/SCREW
12	817815A4		1	SWIVEL BRACKET - PORT W/ILLUS. 15 & 47 ORIGINAL FORCE P/N A 521072-3
13	F1341		1	HEX NUT
14	817810A1		1	LOCK BAR ASSEMBLY
15	F197813		2	BEARING
16	F66480		2	STUD
17	F24074		2	CLAMP SCREW FOOT
18	F298075		2	HANDLE, CLAMP SCREW
19	F8554		2	SPRING PIN
20	817761A2		2	CLAMP SCREW W/ILLUS. 16, 17 AND 21 ORIGINAL FORCE P/N A 298073-2
21	F8537		2	SPRING PIN
22	F7026		1	STOP NUT
23	F2014		1	PLAIN WASHER
24	1400-817850A4		2	STERN BRACKET W/ILLUS. 20 ORIGINAL FORCE P/N A 521532-3
25	F2037		2	PLAIN WASHER
26	F468300		1	SPRING, REVERSE LOCK
27	F468349		1	REVERSE LOCK
28	F468350		1	PIN, REVERSE LOCK
29	F2035		4	PHILLIPS FILL HD SCREW, 1/4 - 20 X 1
30	817816A6		1	SWIVEL BRACKET - STARBOARD W/ILLUS. 9 AND 47 ORIGINAL FORCE P/N A 468572-3
31	F468037-1		1	PIVOT BOLT
32	F8083		1	SPRING LOCKWASHER
33	F521615		1	ROD, GEAR SHIFT UPPER
34	F1406		1	COTTER PIN
35	F521621		1	LEVER, GEAR SHIFT
36	F2041		1	HEX M. SCREW, 10 - 24 X 3/8
37	F2014		1	PLAIN WASHER
38	F19342		1	SEAL, SHIFT LEVER SHAFT
39	F521415		1	WASHER, GEAR SHIFT HANDLE

CONTINUED ON NEXT PAGE ➡

MOTOR LEG

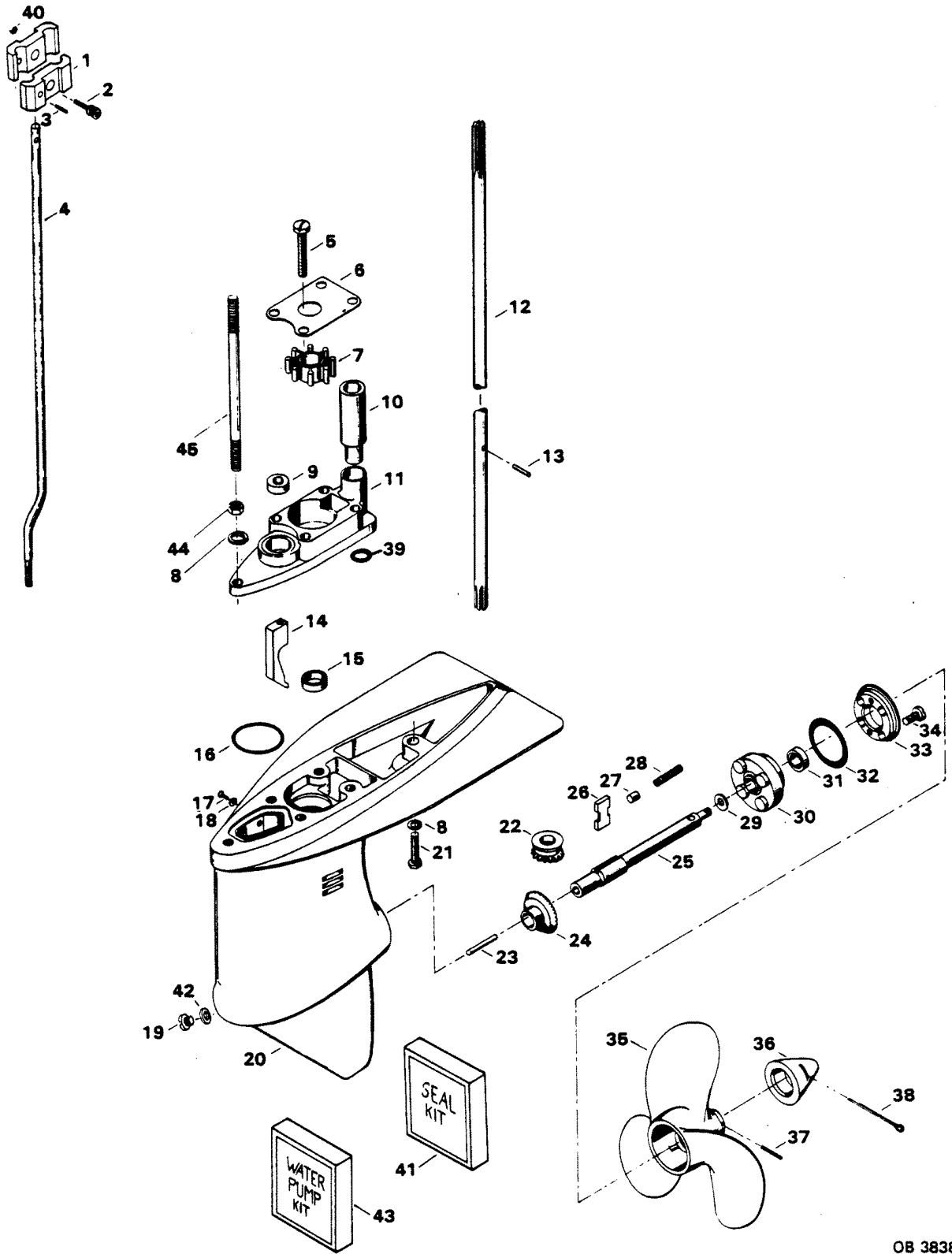


OB 3838

MOTOR LEG

REF. NO.	PART NO.	SYM.	QTY.	DESCRIPTION
40	F341610		1	BEARING, GEAR SHIFT SHAFT
41	820433T		1	HANDLE, GEAR SHIFT W/SHAFT
42	F521342-1		1	SEAL, WATER LINE
43	F521244-1		1	WATER LINE STANDARD LEG
44	FA341151		1	PLATE, EXHAUST W/ILLUS. 45
45	F1645		3	RD HD THD. CUTTING, 6 - 32 X 1/4
46	F521261		1	LINE, WATER OUTLET
47	F213274		6	FITTING, GREASE
48	FC521400		1	DECAL, GEAR SHIFT HANDLE (CANADA)
49	F521569		3	CAP, GREASE FITTING
50	F1975		1	LOCKWASHER, #10
51	F1014		1	COTTER PIN

GEAR HOUSING



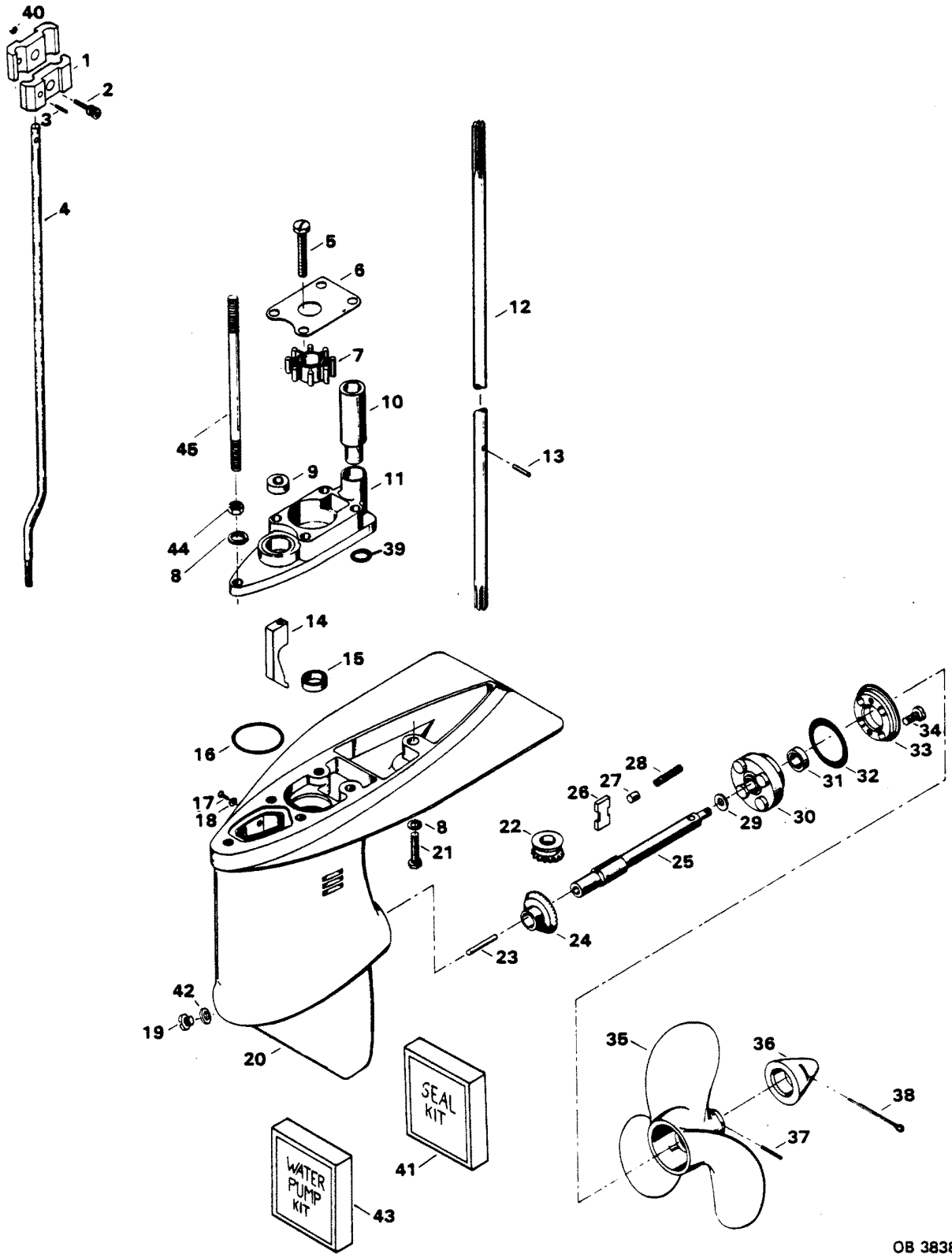
OB 3838

GEAR HOUSING

REF. NO.	PART NO.	SYM.	QTY.	DESCRIPTION
1	F341704		2	COUPLING, GEAR SHIFT ROD (2 PARTS MAKE 1 SET)
2	F1371		1	SOCKET HD SCREW W/LOCKWASHER, 10 - 24 X 5/8
3	F8538		1	SPRING PIN
4	F521705		1	ROD, GEAR SHIFT LOWER
5	F1504		4	FILL HD SCREW, 1/4 - 20 X 1 1/4
6	F521537		1	PLATE, WATER PUMP
7	F521065		1	IMPELLER
8	F8083		2	SPRING LOCKWASHER
9	F338618-1		1	SEAL, SHIFT ROD
10	FA521735		1	SEAL, WATERLINE W/LITERATURE
11	FA735060		1	WATER PUMP BODY W/PLUG ILLUS. 39 ORIGINAL FORCE P/N A 521060-2
12	F521128		1	DRIVESHAFT - STANDARD LEG
13	F390563		1	PIN, WATER PUMP IMPELLER DRIVE
14	F521721		1	CAM, CLUTCH SHIFT
15	F318307		1	SEAL, DRIVESHAFT
16	F521783		1	SEAL
17	F1077		1	FILL HD SCREW, 10 - 24 X 1/4
18	F8074		1	WASHER
19	F50109		1	PLUG, GEAR HOUSING
20	F2A521054		1	GEAR HOUSING W/ILLUS. 15, 17, 18 AND 19
-	FC341054		1	GEAR HOUSING COMPLETE. INCLUDES ALL ITEMS MARKED WITH AN ASTERISK (*)
21	F1199		1	HEX CAP SCREW, 1/4 - 20 X 1
22	F521266		1	BEVEL PINION GEAR
23	F521728		1	CLUTCH SHIFT PIN
24	FA521023		1	BEVEL GEAR W/BEARING
25	FA409098		1	PROPELLER SHAFT W/ILLUS. 28 & LITERATURE
26	F409521		1	CLUTCH
27	F318372		1	PIN, CLUTCH GUIDE
28	F409719		1	CLUTCH SPRING
29	F521099		1	SPACER
30	FA341298		1	BEARING CAGE W/BEARING AND ILLUS. 31
31	F521307		1	SEAL, PROPELLER SHAFT
32	F521305		1	SEAL, "O" RING
33	F521296		1	RETAINER, PROPELLER SHAFT BEARING CAGE
34	F525457		4	FILL HD SCREW, 1/4 - 20 X 5/8
35	FP332		1	PROPELLER
36	11-817752A1		1	PROPELLER NUT W/ILLUS. 38 ORIGINAL FORCE P/N A 286094-1
37	FA324101		1	PROPELLER PIN PACK OF 3 AND ILLUS. 38
38	F1846		1	COTTER PIN
39	F521246-1		1	PLUG, WATER PUMP
40	F7009		1	LOCK NUT, 10 - 24

CONTINUED ON NEXT PAGE ➡

GEAR HOUSING



OB 3838

GEAR HOUSING

REF. NO.	PART NO.	SYM.	QTY.	DESCRIPTION
41	FK1057		1	GEAR HOUSING SEAL KIT. INCLUDES ALL ITEMS MARKED WITH A DOUBLE ASTERISK (**)
42	F8077		1	WASHER
43	FK1072		1	WASHER PUMP KIT. (INCLUDES ITEMS LISTED BELOW)
-	FA521735		1	WATERLINE SEAL
-	FA735060		1	BODY, WATER PUMP
-	F521537		1	PLATE, WATER PUMP TOP
-	F521065		1	IMPELLER, WATER PUMP
-	F338618-1		1	SEAL
-	F1504		4	FILL H.M.S. 1/4-20 X 1-1/4
44	F1341		1	HEX NUT
45	F601006		1	STUD

SPECIAL TOOLS - TUNE-UP

REF. NO.	PART NO.	SYM.	QTY.	DESCRIPTION
-	FT8930-1		0	FEELER GAUGE TO SET BREAKER POINT GAP
-	FT8998		0	KNOCK-OFF SCREW TO REMOVE FLYWHEEL
-	FT2989		0	FLYWHEEL WEDGE TO REMOVE FLYWHEEL
-	FT2993		0	SPANNER WRENCH TO HOLD FLYWHEEL WHEN REMOVING FLYWHEEL SCREW
-	FT2998		0	TORQUE WRENCH TO TORQUE FLYWHEEL SCREW

SPECIAL TOOLS - POWER HEAD

REF. NO.	PART NO.	SYM.	QTY.	DESCRIPTION
-	FT8919		0	PIN PUNCH TO REMOVE CYLINDER CRANKCASE COVER LOCATING PINS
-	FT8929		0	CONNECTING ROD TOOL TO REMOVE CONNECTING ROD SCREWS
-	FT8926		0	RING EXPANDER TO REMOVE AND INSTALL PISTON RINGS
-	FT1749		0	SNAP RING PLIERS TO REMOVE AND INSTALL PISTON PIN RETAINING RINGS
-	FT2997		0	RING COMPRESSOR INSTALL PISTON AND RINGS IN CYLINDER
-	FT2999		0	TORQUE WRENCH TO PROPERLY TIGHTEN FASTENERS
-	FT2991		0	CARBON BRUSH TO REMOVE CARBON BUILD-UP FROM PISTON AND CYLINDER HEAD
-	FT8900		0	HOSE CLAMP PLIERS TO REMOVE CLAMPS FROM FUEL LINES
-	FT2990		0	PISTON PIN TOOL TO INSTALL PISTON PIN INTO PISTON

SPECIAL TOOLS - LOWER UNIT

REF. NO.	PART NO.	SYM.	QTY.	DESCRIPTION
-	FT8948-1		0	PULLER TO REMOVE BEARING CAGE RETAINER
-	FT2915		0	SEAL INSTALLER TO INSTALL PROPELLER SHAFT SEAL AND DRIVE SHAFT SEAL
-	FT8957		0	SEAL INSTALLER TO INSTALL SHIFT ROD SEAL

SPECIAL TOOLS - TEST EQUIPMENT

REF. NO.	PART NO.	SYM.	QTY.	DESCRIPTION
-	FT8950		0	LEAKAGE TESTER TO CHECK GEAR HOUSING FOR LEAKS

SPECIAL TOOLS - LUBRICANTS AND SEALANTS

REF. NO.	PART NO.	SYM.	QTY.	DESCRIPTION
-	FT2961		0	LUBRICANT - RYKON GREASE #2EP
-	FT2987-1		0	LUBRICANT - ANTI-SEIZE
-	FT8969		0	LUBRICANT - L PS-1
-	FT8983		0	SEALANT - RTV
-	FT8936-1		0	SEALANT - LOCTITE RETAINING COMPOUND #75
-	FT2962-1		0	SEALANT - LOCTITE H, NON-HARDENING GRADE
-	FT2963-2		0	SEALANT - LOCTITE D, HARDENING GRADE
-	FT8935		0	SEALANT PRIMER - GRADE T

ACCESSORIES

REF. NO.	PART NO.	SYM.	QTY.	DESCRIPTION
-	F5H164		0	A-C LIGHTING COIL KIT PROVIDES 12 VOLT, 60 WATT OUTPUT FOR OUTBOARD RUNNING LIGHTS.
-	F5H091		0	BATTERY CHARGING SYSTEM USED IN CONJUNCTION WITH 5H164 LIGHTING COIL KIT.
-	F5H025		0	ANTI CORROSION SACRIFICIAL ANODE TO PROTECT ENGINE FROM ELECTROLYSIS CORROSION.
-	F5H093		0	LEG EXTENSION KIT CONVERTS 15 INCH STANDARD SHAFT MODEL TO 20 INCH LONG SHAFT MODEL.
-	F596		0	CHRYSLER OUTBOARD OIL SEE BLOCK COMMENT 1.
-	F597		0	CHRYSLER OUTBOARD GEAR LUBE SEE BLOCK COMMENT 2.
-	F5H059		0	CHRYSLER OUTBOARD MULTI-PURPOSE GREASE LUBRICATES BEARINGS AND OTHER MOVING PARTS. AVAILABLE IN 8 OZ. TUBES AND 12 TUBE CASES.
-	F5H060		0	CHRYSLER OUTBOARD GREASE GUN USED WITH CHRYSLER OUTBOARD MULTI-PURPOSE GREASE TUBES FOR PRESSURE FITTINGS.
-	F5H134		0	BOAT WHITE LACQUER

PARTS INDEX

Part Number	Description	Pg.	Ref. No.	Part Number	Description	Pg.	Ref. No.
2C620712	ENGINE COVER COMPLETE.	3	-	F12359	CONTACT SET	7	7
817761A2	CLAMP SCREW	17	20	F12360	FELT CAM	7	8
817810A1	LOCK BAR ASSEMBLY	17	14	F12361	LEAD WIRE AND GROMMET PACKAGE	7	13
817815A4	SWIVEL BRACKET - PORT	17	12	F12362	STATOR PLATE W/CORE	7	9
817816A6	SWIVEL BRACKET - STARBOARD	17	30	F1298	ROUND HD SCREW W/LOCKWASHER	7	20
817938A1	RETAINER	5	7	F1341	HEX NUT	13	1
820433T	HANDLE, GEAR SHIFT W/SHAFT	19	41	F1341	HEX NUT	17	13
C247227	SPARK PLUG (RL-86) CANADA ONLY	15	-	F1341	HEX NUT	23	44
F10058	FUEL BOWL	9	34	F1371	SOCKET HD SCREW W/LOCKWASHER, 10 - 24 X 5/8	21	2
F10059	THROTTLE SHAFT	9	19	F1406	COTTER PIN	17	34
F10060	THROTTLE	9	16	F1426	HEX HD SCREW W/LOCKWASHER, 1/4 - 20 X 7/16	15	44
F10061	CHOKE SHAFT	9	20	F1473	HEX NUT	3	30
F10062	CHOKE VALVE	9	24	F1490	HEX NUT, 1/4 - 20	9	26
F10063	FLOAT	9	30	F1493	PAN HD SCREW, 1/4 - 20 X 5/8	13	14
F10064	FLOAT PIN	9	31	F1504	FILL H.M.S. 1/4-20 X 1-1/4	23	-
F10065	NOZZLE	9	27	F1504	FILL HD SCREW, 1/4 - 20 X 1 1/4	21	5
F10066	GASKET, VALVE SEAT	9	28	F1532	HEX CAP SCREW, 1/4 - 20 X 1	9	3
F10068	GASKET, FUEL BOWL	9	32	F15570	SPRING, REWIND	5	3
F10069	GASKET SET.	11	46	F15582-1	STARTER ROPE	5	5
F10070	SCREW, CHOKE VALVE	9	25	F15591	ROTOR	5	4
F10071	SCREW	9	15	F15594	WASHER	5	9
F10072	SPRING, CHOKE STOP	9	21	F15595	FRICITION SHOE ASSEMBLY	5	11
F10073	SPRING, IDLE ADJUSTMENT NEEDLE	9	22	F15596	SPRING	5	8
F10075	SPRING, THROTTLE RETURN	9	18	F15597	SCREW	5	12
F10077	NEEDLE, IDLE	9	23	F15601	COVER	5	2
F10084	SPRING, FLOAT SUPPORT	9	35	F15602	NYLINER	5	10
F10086	JET ASSEMBLY (.037) OPT. 5000 FT. - 7000 FT.	9	-	F1645	RD HD THD. CUTTING, 6 - 32 X 1/4	19	45
F10090	GASKET, BOWL RETAINER	9	33	F1655	HEX HD SCREW W/SPRING LOCKWASHER, 1/4 - 20 X 3/8	7	15
F10093	JET ASSEMBLY (.038) OPT. 3000 FT. - 5000 FT.	9	-	F1705	HEX HD CAP SCREW, 1/4 - 20 X 3/4	13	5
F10094	JET ASSEMBLY (.036) OPT. 7000 FT. AND UP	9	-	F1734	SLOTTED FILL HD SCREW, 1/4 - 20 X 1/2	7	27
F10096	JET ASSEMBLY (.039) STD. SEA LEVEL - 3000 FT.	9	36	F1747	FILL HD SCREW, 10 - 24 X 1-11/16	17	8
F10098	REPAIR KIT.	11	45	F1755	ROUND HD SCREW W/LOCKWASHER, 6 - 32 X 5/16	9	12
F10100	VALVE, SEAT AND GASKET ASSEMBLY	9	29	F1756	STOP NUT	13	27
F10116	BODY CHANNEL PLUG KIT (NOT SHOWN)	11	-	F1789	PIPE PLUG	13	29
F1014	COTTER PIN	19	51	F17938	ANCHOR	3	5
F1035	SLOTTED FILL HD SCREW, 1/4 - 20 X 5/8	3	10	F17980	FUEL CAP GASKET	3	3
F1064	FILL HD SCREW, 8 - 32 X 3/8	11	43	F1829	FILL HD M. SCREW, 10 - 24 X 7/8	3	9
F1077	FILL HD SCREW, 10 - 24 X 1/4	21	17	F1846	COTTER PIN	21	38
F1099	SLOTTED FILL HD SCREW, 1/4 - 20 X 1 1/4	13	32	F1896	HEX NUT	5	1
F1107	FILL HD M. SCREW, 1/4 - 20 X 3/4	13	30	F1922	HEX HD SCREW, 1/4 - 20 X 5/8	17	2
F1199	HEX CAP SCREW, 1/4 - 20 X 1	21	21	F19342	SEAL, SHIFT LEVER SHAFT	17	38
F12066	FRICITION SCREW	7	18				
F12090	MOUNTING SCREW	7	5				
F12350	WEDGE SPRING	7	10				

PARTS INDEX

Part Number	Description	Pg.	Ref. No.	Part Number	Description	Pg.	Ref. No.
F1975	LOCKWASHER, #10	19	50	F459186	COLLAR, FUEL TANK	3	1
F1975	SPRING LOCKWASHER	13	17	F468037-1	PIVOT BOLT	17	31
F197813	BEARING	17	15	F468169	BEARING, SWIVEL		
F1979	PAN HD SCREW, 10 - 24 X 1/2	3	23	F468300	BRACKET	17	3
F1995	SLOTTED FILL HD SCREW, 10 - 24 X 1	3	7	F468349	SPRING, REVERSE LOCK	17	26
F2008	HEX CAP SCREW, 1/4 - 20 X 7/8	9	41	F468350	REVERSE LOCK	17	27
F2014	PLAIN WASHER	17	23	F46899-1	PIN, REVERSE LOCK	17	28
F2014	PLAIN WASHER	17	37	F50109	COVER, SHIFT COUPLING	17	5
F2035	PHILLIPS FILL HD SCREW, 1/4 - 20 X 1	17	29	F521002	PLUG, GEAR HOUSING	21	19
F2037	PLAIN WASHER	17	25	F521002	CAM	7	4
F2040	HEX WASHER HD TAPTITE SCREW, 1/4 - 20 X 5/8	13	31	F521004	STUD	13	22
F2041	HEX HD M. SCREW, 10 - 24 X 3/8	13	16	F521013	BEARING, CRANKSHAFT UPPER	13	38
F2041	HEX M. SCREW, 10 - 24 X 3/8	17	36	F521015	PISTON	13	11
F2042	PLAIN WASHER, #10 NARROW	3	29	F521034-1	FUEL TANK	3	15
F213274	FITTING, GREASE	19	47	F521061-6	CARBURETOR - COMPLETE	9	17
F24074	CLAMP SCREW FOOT	17	17	F521063-2	STARTER - COMPLETE	5	-
F250017	PISTON PIN	13	10	F521065	IMPELLER	21	7
F250410	PISTON PIN RETAINING RING	13	9	F521065	IMPELLER, WATER PUMP	23	-
F270038	SUPPORT PLATE	13	21	F521079	STEERING HANDLE	13	26
F2706772	HOSE CLAMP	3	13	F521099	SPACER	21	29
F286132	HANDLE, STARTER ROPE	5	6	F521118-1	SEAL, CRANKSHAFT LOWER	13	36
F286286-1	WASHER, NYLON	13	23	F521128	DRIVESHAFT - STANDARD LEG	21	12
F298075	HANDLE, CLAMP SCREW	17	18	F521146	SEAL, CRANKSHAFT UPPER	13	39
F2A237228	CRANKPIN ROLLER & CAGE SET	13	13	F521168	CARBURETOR ADAPTER GASKET	15	-
F2A332167	CARBURETOR ADAPTER	9	2	F521168	GASKET, CARBURETOR ADAPTER	9	1
F2A521016	CONNECTING ROD	13	12	F521192	THROTTLE CAM	7	16
F2A521054	GEAR HOUSING	21	20	F521199	SPRING, THROTTLE LEVER ADJUSTMENT	3	28
F2A527018	CRANKSHAFT	13	37	F521244-1	WATER LINE STANDARD LEG	19	43
F31160-1	REED	9	10	F521246-1	PLUG, WATER PUMP	21	39
F318307	SEAL, DRIVESHAFT	21	15	F521248	DECAL, CHOKE (USA)	13	19
F318372	PIN, CLUTCH GUIDE	21	27	F521251-3	GAS CAP COMPLETE.	3	2
F338618-1	SEAL	23	-	F521261	LINE, WATER OUTLET	19	46
F338618-1	SEAL, SHIFT ROD	21	9	F521266	BEVEL PINION GEAR	21	22
F341284-1	KNOB, ENGINE COVER RETAINER	15	48	F521270	SLINGER	15	45
F341610	BEARING, GEAR SHIFT SHAFT	19	40	F521279	CYLINDER EXHAUST GASKET	15	-
F341704	COUPLING, GEAR SHIFT ROD (2 PARTS MAKE 1 SET)	21	1	F521279	GASKET, CYLINDER EXHAUST	13	7
F36634	SCREW, CONNECTING ROD	13	34	F521284	KNOB, ENGINE COVER RETAINER	3	26
F390137	GRIP, STEERING HANDLE	13	28	F521296	RETAINER, PROPELLER SHAFT BEARING CAGE	21	33
F390563	PIN, WATER PUMP IMPELLER DRIVE	21	13	F521305	SEAL, "O" RING	21	32
F409521	CLUTCH	21	26	F521307	SEAL, PROPELLER SHAFT	21	31
F409719	CLUTCH SPRING	21	28	F521319	BUSHING, STEERING HANDLE	13	25
F424161	REED STOP	9	11	F521342-1	SEAL, WATER LINE	19	42
F427249	RETAINING RING	3	4	F521391-1	DECAL, SPEED RANGE (USA)	3	11
F433209-1	STUD, CARBURETOR	9	7	F521415	WASHER, GEAR SHIFT HANDLE	17	39
F436280	NUT, SHORTING SWITCH	7	29	F521489	VALVE, FUEL SHUT-OFF	9	14
				F521498	KEY, FLYWHEEL	7	3

PARTS INDEX

Part Number	Description	Pg.	Ref. No.	Part Number	Description	Pg.	Ref. No.
F521514	KNOB, STEERING FRICTION W/SCREW	17	11	F7026	STOP NUT	17	22
F521518	CYLINDER HEAD	15	41	F8008	PLAIN WASHER	3	25
F521529	CYLINDER HEAD GASKET	15	-	F8008	PLAIN WASHER	15	47
F521529	GASKET, CYLINDER HEAD	13	40	F8015	PLAIN WASHER	13	24
F521537	PLATE, WATER PUMP	21	6	F8028	PLAIN WASHER	15	43
F521537	PLATE, WATER PUMP TOP	23	-	F8060	INTERNAL TOOTH LOCKWASHER	9	4
F521547	CHOKE KNOB	13	20	F8061	INTERNAL TOOTH LOCKWASHER	3	16
F521549-2	THROTTLE LEVER	7	14	F8074	WASHER	21	18
F521550	KNOB, FUEL SHUT-OFF	9	13	F8077	WASHER	23	42
F521552	SCREW, FLYWHEEL	7	1	F8078	LOCKWASHER, INTERNAL TOOTH	11	44
F521569	CAP, GREASE FITTING	19	49	F8083	SPRING LOCKWASHER	13	2
F521579	SEAL, CRANKSHAFT SPLINE	13	35	F8083	SPRING LOCKWASHER	17	32
F521615	ROD, GEAR SHIFT UPPER	17	33	F8083	SPRING LOCKWASHER	21	8
F521621	LEVER, GEAR SHIFT	17	35	F8537	SPRING PIN	17	21
F521631	SHOE, SWIVEL FRICTION	17	10	F8538	SPRING PIN	21	3
F521661-1	PAD, SWIVEL FRICTION	17	9	F8554	SPRING PIN	17	19
F521690-1	SCREW, THROTTLE LEVER ADJUSTMENT	3	27	F8559	DOWEL PIN	13	33
F521705	ROD, GEAR SHIFT LOWER	21	4	F901938-1	SCREW, CYLINDER HEAD	13	3
F521708	CARBURETOR COVER	9	42	F9102	RETAINING RING	15	49
F521721	CAM, CLUTCH SHIFT	21	14	FA324101	PROPELLER PIN	21	37
F521727	SLEEVE, IDLE BAFFLE	17	6	FA341151	PLATE, EXHAUST	19	44
F521728	CLUTCH SHIFT PIN	21	23	FA341298	BEARING CAGE	21	30
F521774	BRACKET, ENGINE COVER LOWER MOUNTING	13	4	FA409098	PROPELLER SHAFT	21	25
F521779	BAFFLE, IDLE RELIEF	17	7	FA468346	SHOCK MOUNT	17	4
F521783	SEAL	21	16	FA521010	CYLINDER	13	6
F521811	FITTING, GAS TANK	3	12	FA521023	BEVEL GEAR W/BEARING	21	24
F521894	DECAL, "OFF" (USA)	3	8	FA521735	SEAL, WATERLINE	21	10
F521906	CARBURETOR GASKET	15	-	FA521735	WATERLINE SEAL	23	-
F521906	GASKET, CARBURETOR	9	9	FA521778	RETAINER, ENGINE COVER FRONT	3	20
F521908	GROUND WIRE	7	17	FA619528	DECAL, ENGINE COVER REAR	3	32
F521910	BEARING, CRANKSHAFT LOWER	15	46	FA620396	DECAL, ENGINE COVER - STARBOARD	3	-
F521925	LINK, CHOKE KNOB	13	15	FA620397	DECAL, ENGINE COVER - PORT	3	19
F521984	BLANKET, SILENCER TOP	3	31	FA620892	DECAL, ENGINE COVER - FRONT	3	22
F525457	FILL HD SCREW, 1/4 - 20 X 5/8	21	34	FA735060	BODY, WATER PUMP	23	-
F535097	FLYWHEEL	7	2	FA735060	WATER PUMP BODY W/PLUG	21	11
F535163	COVER, SUPPORT PLATE	13	18	FA901754	HOSE	3	14
F535944	ENGINE COVER, BOTTOM	3	6	FC341054	GEAR HOUSING COMPLETE.	21	-
F596	CHRYSLER OUTBOARD OIL	29	-	FC521010	SHORT BLOCK (NOT SHOWN)	13	-
F597	CHRYSLER OUTBOARD GEAR LUBE	29	-	FC521248	DECAL, CHOKE (CANADA)	13	-
F5H025	ANTI CORROSION SACRIFICIAL ANODE	29	-	FC521400	DECAL, GEAR SHIFT HANDLE (CANADA)	19	48
F5H059	CHRYSLER OUTBOARD MULTI-PURPOSE GREASE	29	-	FC521894	DECAL, "OFF" (CANADA)	3	-
F5H060	CHRYSLER OUTBOARD GREASE GUN	29	-	FG1022	GASKET SET.	15	50
F5H091	BATTERY CHARGING SYSTEM	29	-	FK1057	GEAR HOUSING SEAL KIT.	23	41
F5H093	LEG EXTENSION KIT	29	-	FK1058	TUNE UP KIT.	7	28
F5H134	BOAT WHITE LACQUER	29	-	FK1072	WASHER PUMP KIT.	23	43
F5H164	A-C LIGHTING COIL KIT	29	-	FK1123	SPARKIE KIT	7	12
F601006	STUD	23	45	FK12357	CONDENSER W/CLAMP	7	6
F66480	STUD	17	16	FK12369	COIL	7	11
F7009	LOCK NUT, 10 - 24	21	40				
F7011	HEX NUT	3	21				

PARTS INDEX

Part Number	Description	Pg.	Ref. No.	Part Number	Description	Pg.	Ref. No.
FK436449	SHORTING SWITCH	7	19				
FK525713	PACKING, TOP COVER TRIM	3	18				
FP332	PROPELLER	21	35				
FS535712	ENGINE COVER TOP W/RETAINER & PACKING	3	24				
FT1749	SNAP RING PLIERS	25	-				
FT2915	SEAL INSTALLER	26	-				
FT2961	LUBRICANT - RYKON GREASE #2EP	28	-				
FT2962-1	SEALANT - LOCTITE H, NON-HARDENING GRADE	28	-				
FT2963-2	SEALANT - LOCTITE D, HARDENING GRADE	28	-				
FT2987-1	LUBRICANT - ANTI-SEIZE . .	28	-				
FT2989	FLYWHEEL WEDGE	24	-				
FT2990	PISTON PIN TOOL	25	-				
FT2991	CARBON BRUSH	25	-				
FT2993	SPANNER WRENCH	24	-				
FT2997	RING COMPRESSOR	25	-				
FT2998	TORQUE WRENCH	24	-				
FT2999	TORQUE WRENCH	25	-				
FT8900	HOSE CLAMP PLIERS	25	-				
FT8919	PIN PUNCH	25	-				
FT8926	RING EXPANDER	25	-				
FT8929	CONNECTING ROD TOOL . .	25	-				
FT8930-1	FEELER GAUGE	24	-				
FT8935	SEALANT PRIMER - GRADE T	28	-				
FT8936-1	SEALANT - LOCTITE RETAINING COMPOUND #75	28	-				
FT8948-1	PULLER	26	-				
FT8950	LEAKAGE TESTER	27	-				
FT8957	SEAL INSTALLER	26	-				
FT8969	LUBRICANT - L PS-1	28	-				
FT8983	SEALANT - RTV	28	-				
FT8998	KNOCK-OFF SCREW	24	-				
11-817752A1	PROPELLER NUT	21	36				
33-82370M	SPARK PLUG (L-86)	15	42				
37-817908--3	DECAL, SPEED RANGE (CANADA)	3	-				
39-818038A1	PISTON RING SET (2 RINGS)	13	8				
1400-817850A4	STERN BRACKET	17	24				
1500-817940A6	MOTOR LEG	17	1				