



# PARTS CATALOG

## 35 H.P.

### SERIAL NUMBER

35 (1983)	.....	357B3N
35 (1983)	.....	357H3N
35 (1983)	.....	357R3P
35 (1984)	.....	352H4S
35 (1984)	.....	353S4A
35 (1984)	.....	356C4P
35 (1984)	.....	356H4P
35 (1984)	.....	357C4P
35 (1984)	.....	357H4P

# TABLE OF CONTENTS:

ACCESSORIES .....	46
ALTERNATOR COMPONENTS .....	12
CARBURETOR .....	14
CRANKSHAFT AND PISTON GROUP .....	20
ELECTRIC STARTER .....	6
ELECTRICAL COMPONENTS .....	8
ENGINE COVER AND SUPPORT PLATE .....	2
FUEL PUMP .....	22
FUEL TANK AND LINE .....	40
GEAR HOUSING .....	36
MOTOR LEG .....	32
PARTS INDEX .....	49
POWER HEAD .....	24
REED PLATE .....	18
SPECIAL TOOLS - LOWER UNIT .....	43
SPECIAL TOOLS - LUBRICANTS AND SEALANTS .....	45
SPECIAL TOOLS - POWER HEAD .....	42
SPECIAL TOOLS - TEST EQUIPMENT .....	44
SWIVEL BRACKET GROUP .....	28

**NOTE:** Indented description indicate that these parts are included in preceeding assembly.

**AR** = As Required

**NSS** = Not Sold Separate

**OPT** = Optional

**NS** = Not Shown

**THESE PARTS BOOKS/FICHE CARD ARE COPYRIGHTED AND MAY NOT BE DISTRIBUTED OR REPRODUCED IN ANY OTHER FORMAT BY ANYONE OTHER THAN MERCURY MARINE WITHOUT THE PRIOR WRITTEN CONSENT OF MERCURY MARINE.**

THIS PAGE INTENTIONALLY LEFT BLANK

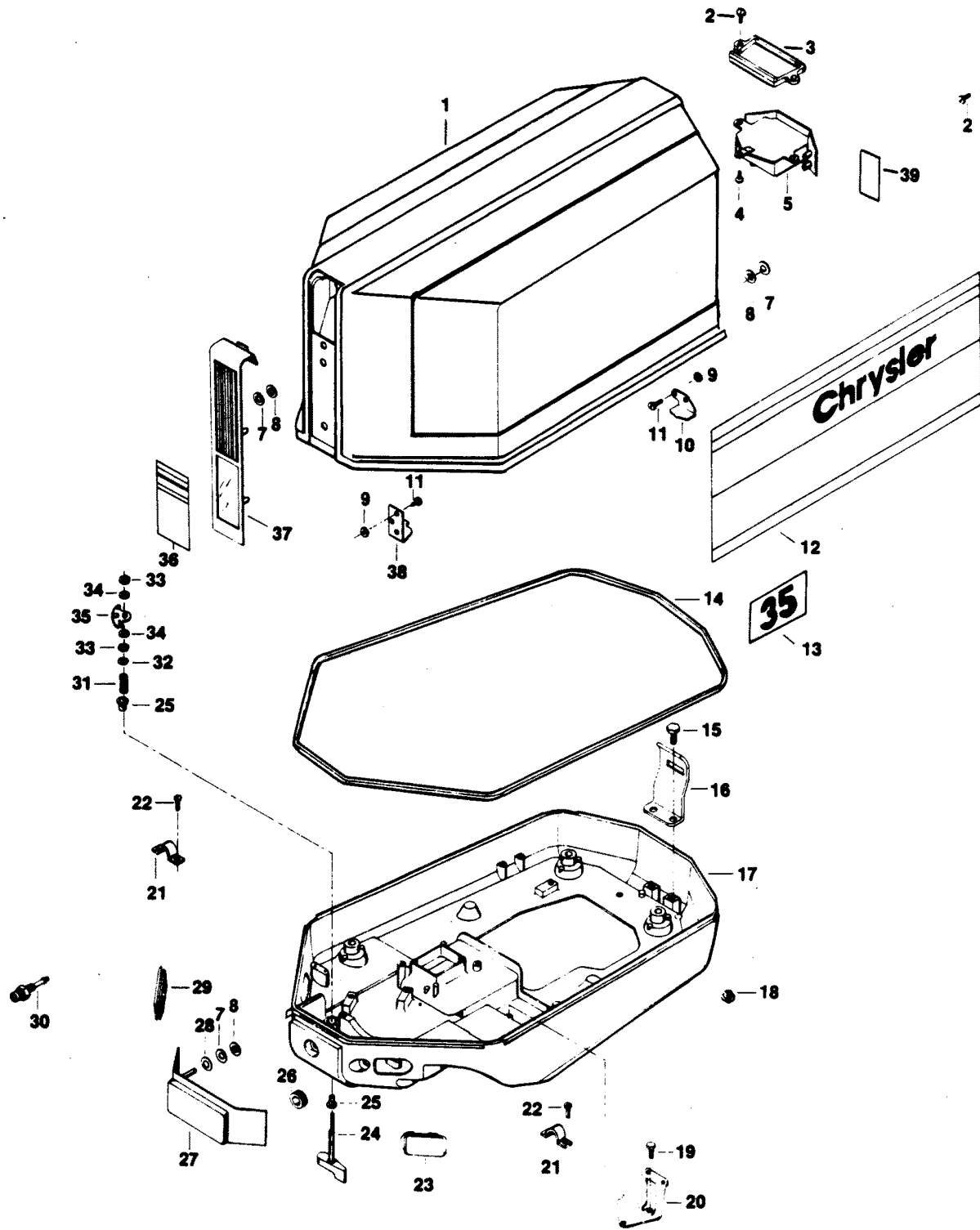


# ENGINE COVER AND SUPPORT PLATE

REF. NO.	PART NO.	SYM.	QTY.	DESCRIPTION
1	100-818015A1		1	ENGINE COVER W/ILLUS. 9, 10, 11 AND 38 ORIGINAL FORCE P/N S 529712-1
-	<b>F3C604712</b>		1	<b>ENGINE COVER COMPLETE. INCLUDES ALL ITEMS MARKED WITH AN ASTERISK (*). ORDER NUMERAL SEPARATE</b>
2	F2066		6	PAN HD SCREW, 10 X 7/16
3	F458245-1		1	BAFFLE TILT HANDLE
4	F2025		1	PAN HD SCREW, 10 X 5/8
5	817842A1		1	TILT HANDLE W/LITERATURE ORIGINAL FORCE P/N A 513269-1
6	F463864		2	RETAINER, TILT HANDLE
7	F85735-1		5	SEAL
8	F1753		5	FASTENER
9	F7011		4	HEX NUT, 10 - 24
10	FA458480		1	RETAINER, ENGINE COVER REAR W/ILLUS. 9 AND 11
11	F1475		4	FILL HD SCREW, 10 - 24 X 1/2
12	FA604397		1	DECAL, ENGINE COVER - PORT W/LITERATURE
-	<b>FA604396</b>		1	<b>DECAL, ENGINE COVER - STARBOARD W/LITERATURE</b>
13	FA605386		2	DECAL, NUMERAL 35 W/LITERATURE
14	F85756		1	PACKING, ENGINE COVER
15	F1922		2	HEX HD MACHINE SCREW, 1/4 - 20 X 5/8
16	F461774		1	BRACKET, RETAINER REAR
17	F458038-2		1	SUPPORT PLATE
18	F1632		1	PLASTI-PLUG
19	F1236		2	HEX CAP SCREW, 1/4 - 20 X 1/2
20	F458371		1	BRACKET, REMOTE THROTTLE CABLE
21	F154317		2	CLAMP, REMOTE CABLE
22	F2107		4	SLOTTED FILL HD SCREW W/SPRING LOCKWASHER, 10 - 24 X 5/8
23	F462840		1	GROMMET, REMOTE THROTTLE CABLE
24	FA413469		1	COVER LATCH HANDLE W/SHAFT
25	F307818		2	BEARING, LATCH SHAFT
26	F53504		1	GROMMET, SUPPORT PLATE
27	817813A1		1	COVER, SUPPORT PLATE W/LITERATURE ORIGINAL FORCE P/N A 460163-1
28	F8011		1	PLAIN WASHER
29	F462840		1	GROMMET, REMOTE SHIFT CABLE
30	F434767		1	BUSHING, FUEL LINE
31	F183300		1	SPRING, LATCH SHAFT
32	F185764		1	RETAINING RING
33	F1515		2	HEX JAM NUT, 5/16 - 18
34	F8096		2	SPRING LOCKWASHER

CONTINUED ON NEXT PAGE ➡

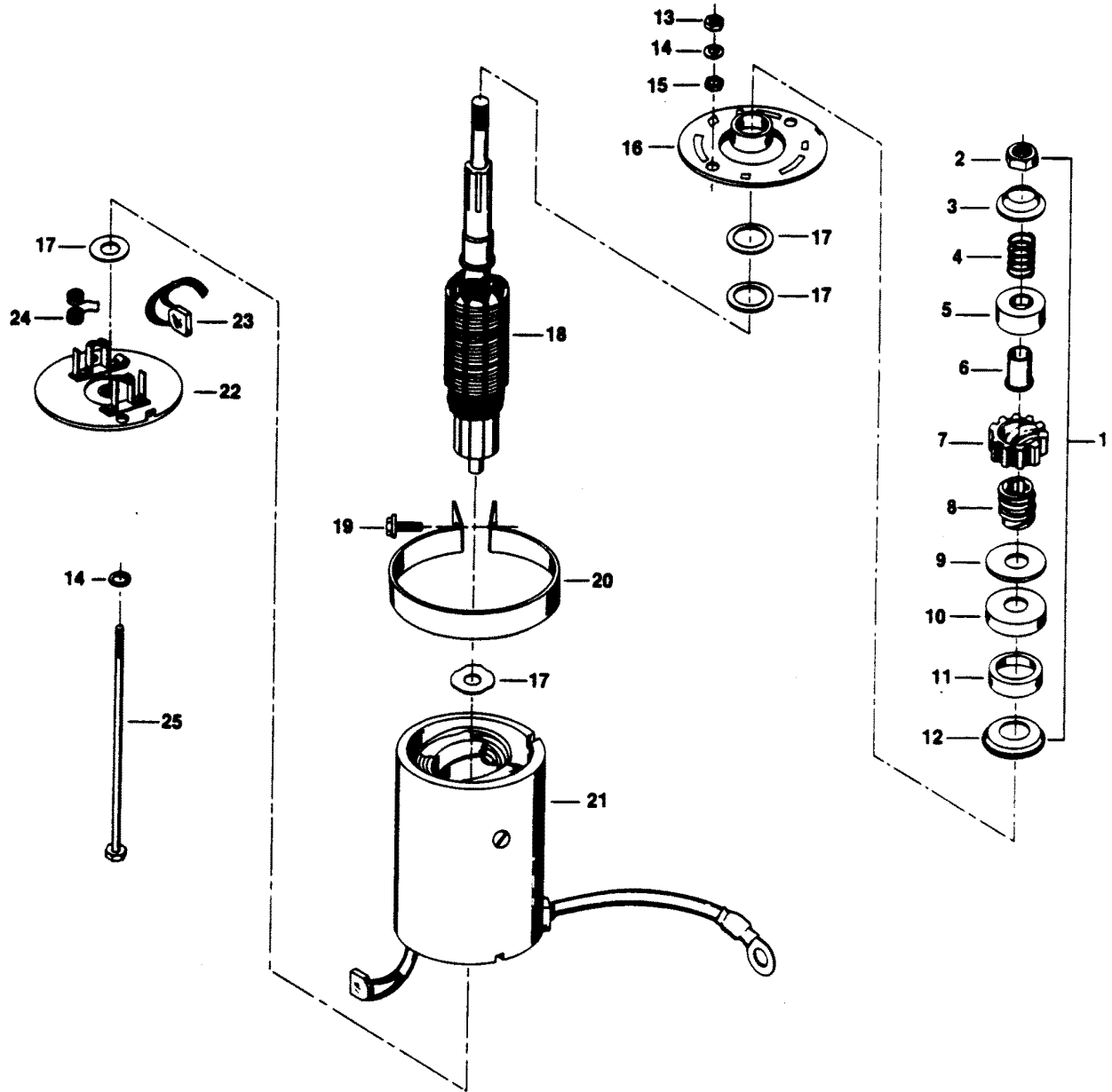
# ENGINE COVER AND SUPPORT PLATE



## ENGINE COVER AND SUPPORT PLATE

<b>REF. NO.</b>	<b>PART NO.</b>	<b>SYM.</b>	<b>QTY.</b>	<b>DESCRIPTION</b>
35	F89777-1		1	CAM, ENGINE COVER LATCH
36	FA604892		1	DECAL, ENGINE COVER FRONT <b>W/LITERATURE</b>
37	F603711		1	PLATE, FRONT
38	FA458778		1	RETAINER, ENGINE COVER FRONT <b>W/ILLUS. 9 AND 11</b>
39	FA604528		1	DECAL, ENG. COVER REAR <b>W/LITERATURE</b>

# ELECTRIC STARTER

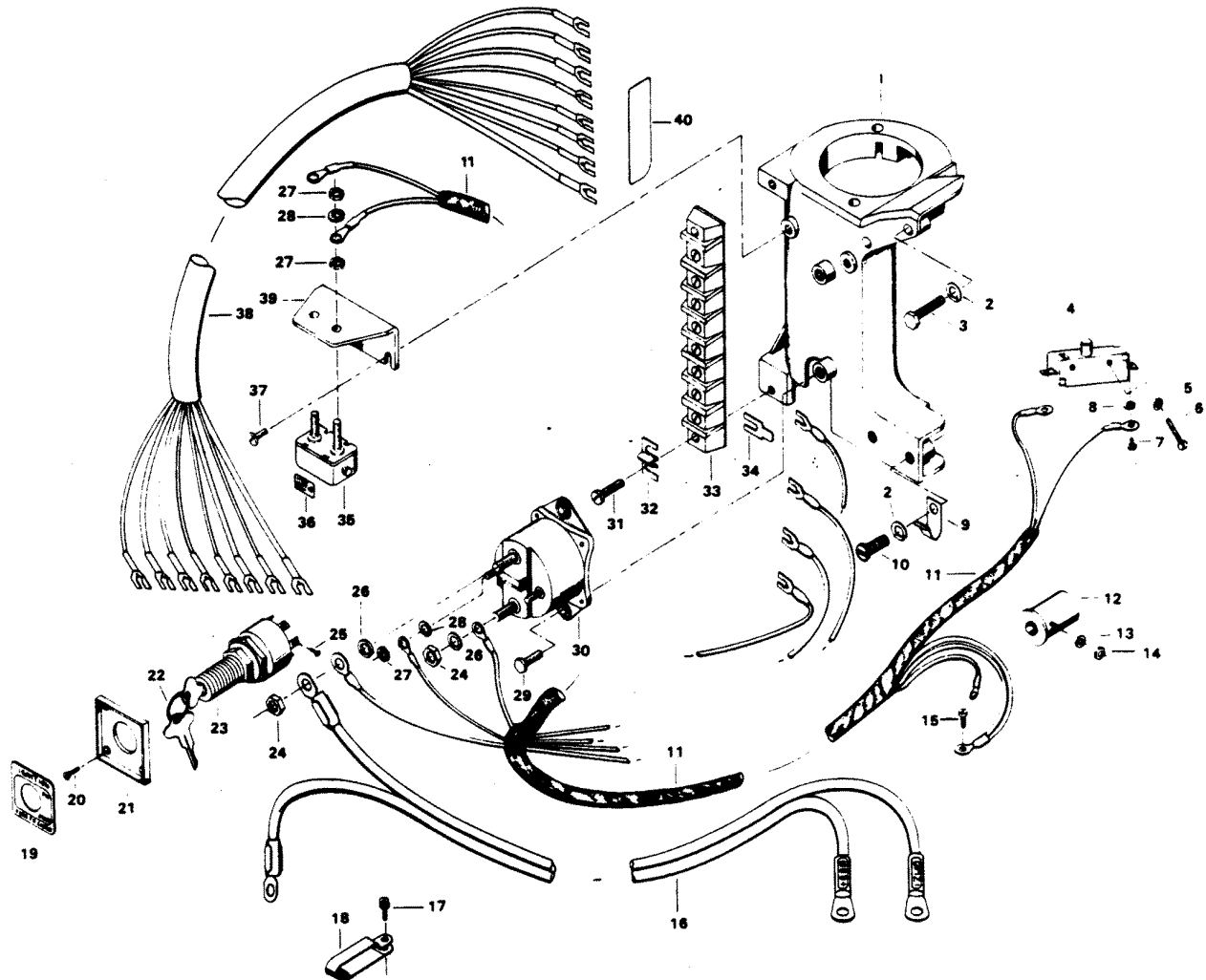




# ELECTRIC STARTER

REF. NO.	PART NO.	SYM.	QTY.	DESCRIPTION
1	F15095		1	BENDIX DRIVE
2	F15087		1	HEX NUT
3	F15109		1	CUP, STOP
4	F15102		1	SPRING, ANTI-DRIFT
5	F15107		1	CUP, PINION
6	F15108		1	SLEEVE
7	FK15103		1	PINION
8	FK15084		1	SCREW SHAFT
9	F15091		1	WASHER
10	F15105		1	CUP, CUSHION
11	F15106		1	CUSHION
12	F15104		1	CUP, CUSHION THRUST
13	F1514		2	HEX JAM NUT, 1/4 - 20
14	F8083		2	SPRING LOCKWASHER
15	F1341		2	HEX NUT, 1/4 - 20
16	F15021-1		1	HEAD ASSEMBLY DRIVE END
17	F15098		1	THRUST WASHER PACKAGE
18	F15010		1	ARMATURE
19	F1705		1	HEX CAP SCREW, 1/4 - 20 X 3/4
20	F460573		1	CLAMP, STARTER MOTOR
21	F15117		1	FRAME AND FIELD ASSEMBLY
22	F15019-1		1	HEAD ASSEMBLY COMMUTATOR END
23	F15015		1	BRUSH SET
24	F15002		1	SPRING SET
25	F15097		1	THRU BOLT PACKAGE
-	<b>F460955</b>		<b>1</b>	<b>STARTER MOTOR COMPLETE. INCLUDES ALL ITEMS MARKED W/AN ASTERISK (*)</b>
-	<b>FC513390</b>		<b>1</b>	<b>DECAL STARTER - CANADA (NOT SHOWN)</b>

# ELECTRICAL COMPONENTS

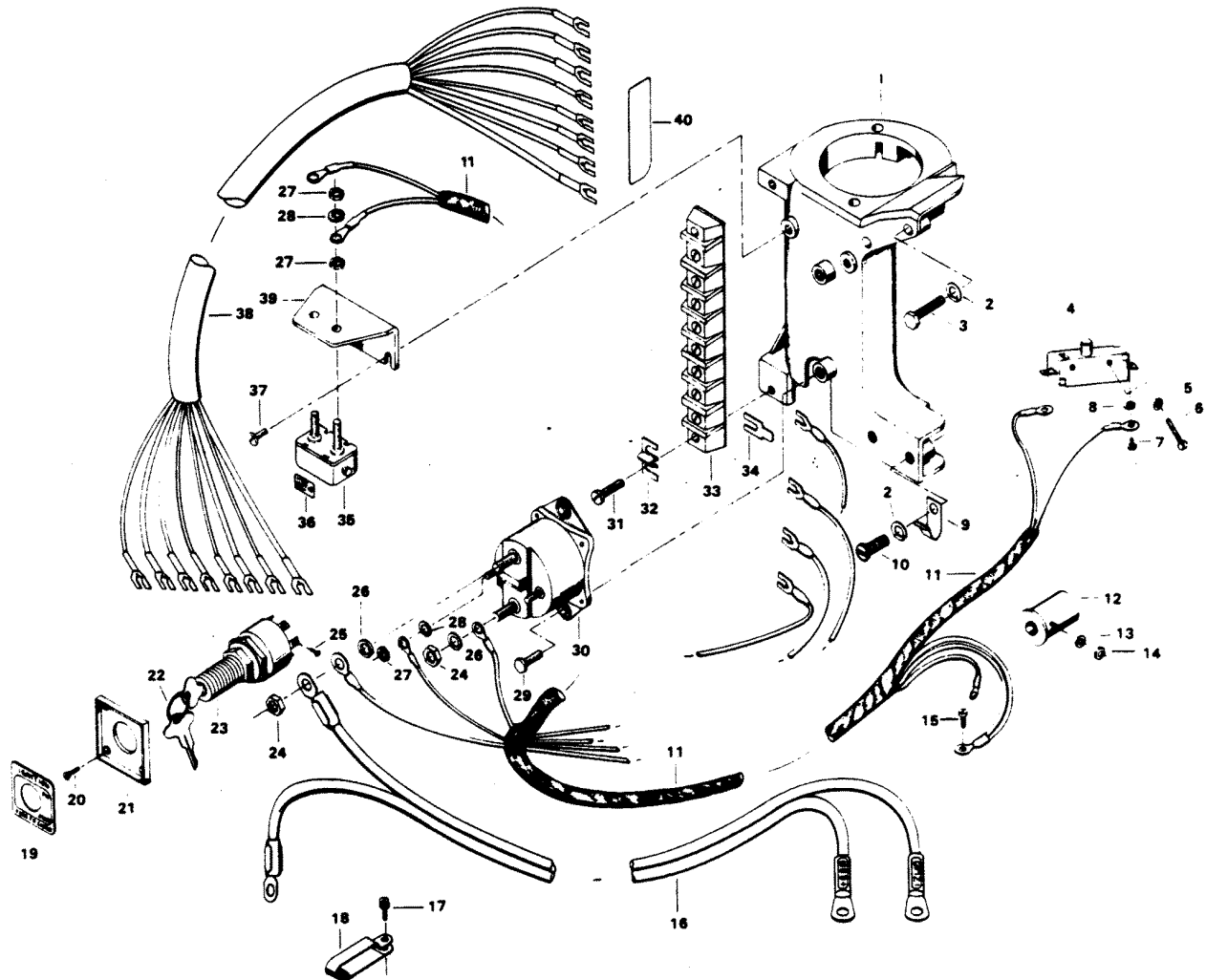


# ELECTRICAL COMPONENTS

REF. NO.	PART NO.	SYM.	QTY.	DESCRIPTION
1	F514427		1	BRACKET, STARTER MOTOR
2	F8083		4	SPRING LOCKWASHER
3	F1699		3	HEX HD M. SCREW, 1/4 - 20 X 1-1/8
4	F84449		1	SWITCH, STARTER INTERLOCK
5	F8088		2	PLAIN WASHER
6	F2016		2	FILL HD SCREW, 6 - 32 X 7/8
7	F1645		2	ROUND HD SCREW, 6 - 32 X 7/8
8	F1704		2	INTERNAL TOOTH LOCKWASHER
9	F286772-1		1	CLAMP, FUEL PUMP TO CARBURETOR HOSE
10	F1100		1	SLOTTED FILL HD SCREW, 1/4 - 20 X 1-1/8
11	F529744		1	WIRING HARNESS
12	F85924		1	CHOKE SOLENOID
13	F8056		1	SPRING LOCKWASHER
14	F1647		1	HEX NUT
15	F1077		1	FILL HD SCREW, 10 - 24 X 1/2
16	F381896-4		1	CABLE, BATTERY ENTRY
17	F1734		1	FILL HD MACHINE SCREW W/SPRING LOCKWASHER, 1/4 - 20 X 1/2
18	F407446		1	CLAMP, BATTERY CABLE
19	F412181-1		1	PLATE, IGNITION - U.S.A.
-	<b>817892--1</b>		<b>1</b>	<b>PLATE, IGNITION - CANADA</b>
20	F1934		4	FLAT HD SLOTTED SCREW
21	F411420		1	RETAINER, SWITCH PLATE
22	FA368700		1	IGNITION KEY - NO LETTER OR STAMPED A
-	<b>FB368700</b>		<b>1</b>	<b>IGNITION KEY - STAMPED B</b>
-	<b>FC368700</b>		<b>1</b>	<b>IGNITION KEY - STAMPED C</b>
-	<b>FD368700</b>		<b>1</b>	<b>IGNITION KEY - STAMPED D</b>
-	<b>FE368700</b>		<b>1</b>	<b>IGNITION KEY - STAMPED E</b>
23	F5H078		1	IGNITION SWITCH (ACCESSORY ITEM) <b>W/ILLUS. 22 &amp; 25</b>
24	F1515		2	HEX NUT
25	F1280		5	PAN HD SCREW, 8 - 32 X 1/4
26	F8096		2	SPRING LOCKWASHER
27	F1513		6	HEX NUT, 10 - 32
28	F1975		4	SPRING LOCKWASHER
29	F1854		2	HEX CAP SCREW, 1/4 - 20 X 5/8
30	F460917		1	STARTER RELAY
31	F1648		2	PAN HD SCREW, 10 - 24 X 3/4
32	F307317-1		1	CLIP, TERMINAL BLOCK GROUND
33	FA510497		1	TERMINAL BLOCK <b>W/ILLUS. 31 &amp; 32</b>
34	F296898		1	TERMINAL
35	F510460		1	CIRCUIT BREAKER
36	F510374		1	DECAL, CIRCUIT BREAKER - U.S.A.
-	<b>FC510374</b>		<b>1</b>	<b>DECAL, CIRCUIT BREAKER - CANADA</b>

CONTINUED ON NEXT PAGE ➡

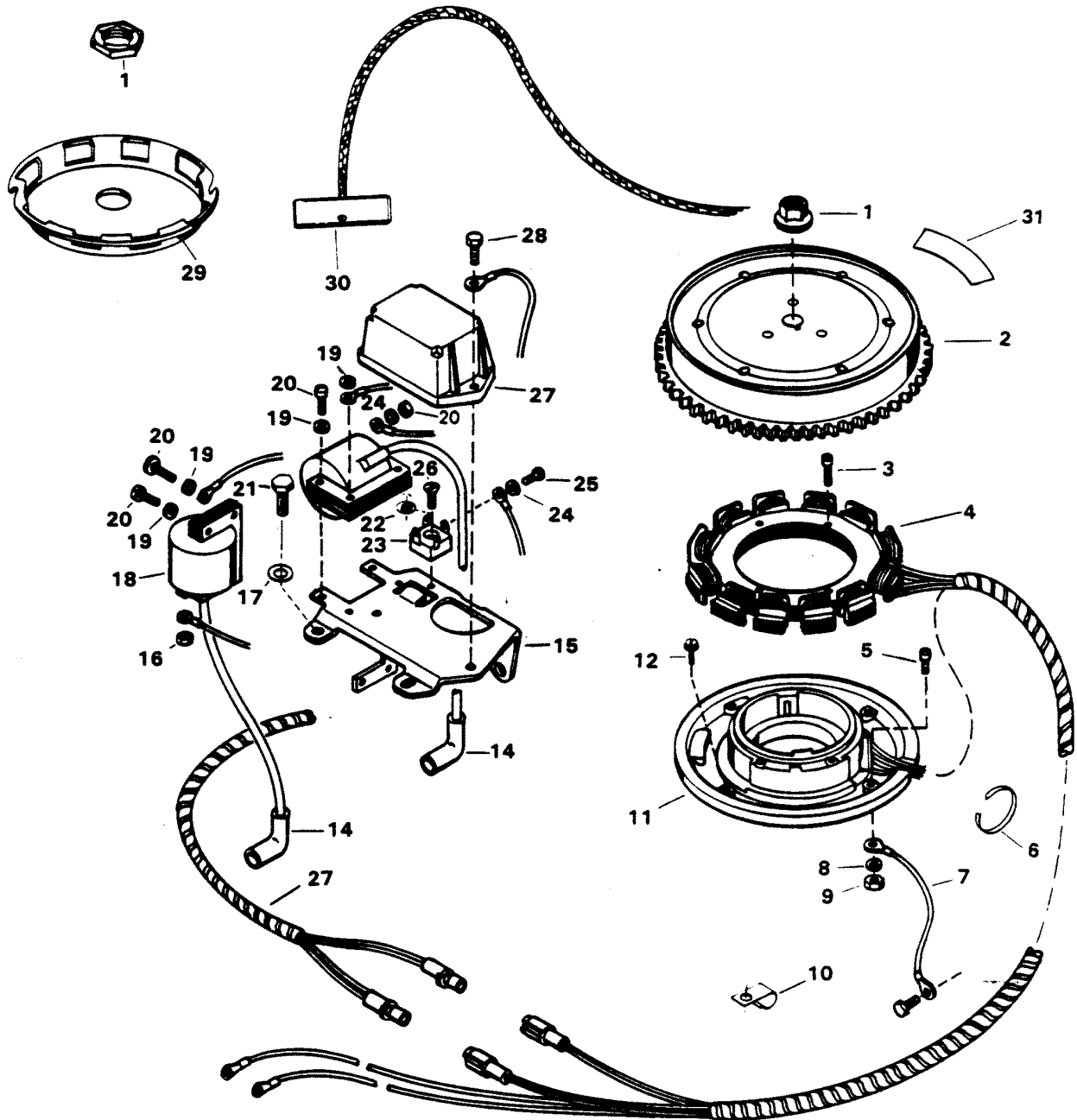
# ELECTRICAL COMPONENTS



# ELECTRICAL COMPONENTS

REF. NO.	PART NO.	SYM.	QTY.	DESCRIPTION
37	F1733		2	PAN HD SCREW, 10 - 24 X 1/2 - 10 - 24 X 9/16
38	F85843-1		1	CABLE, ELECTRIC CONTROL
39	F91446-1		1	BRACKET, CIRCUIT BREAKER
40	F529398		1	DECAL, WIRING - U.S.A.
-	<b>FC529398</b>		<b>1</b>	<b>DECAL, WIRING - CANADA</b>

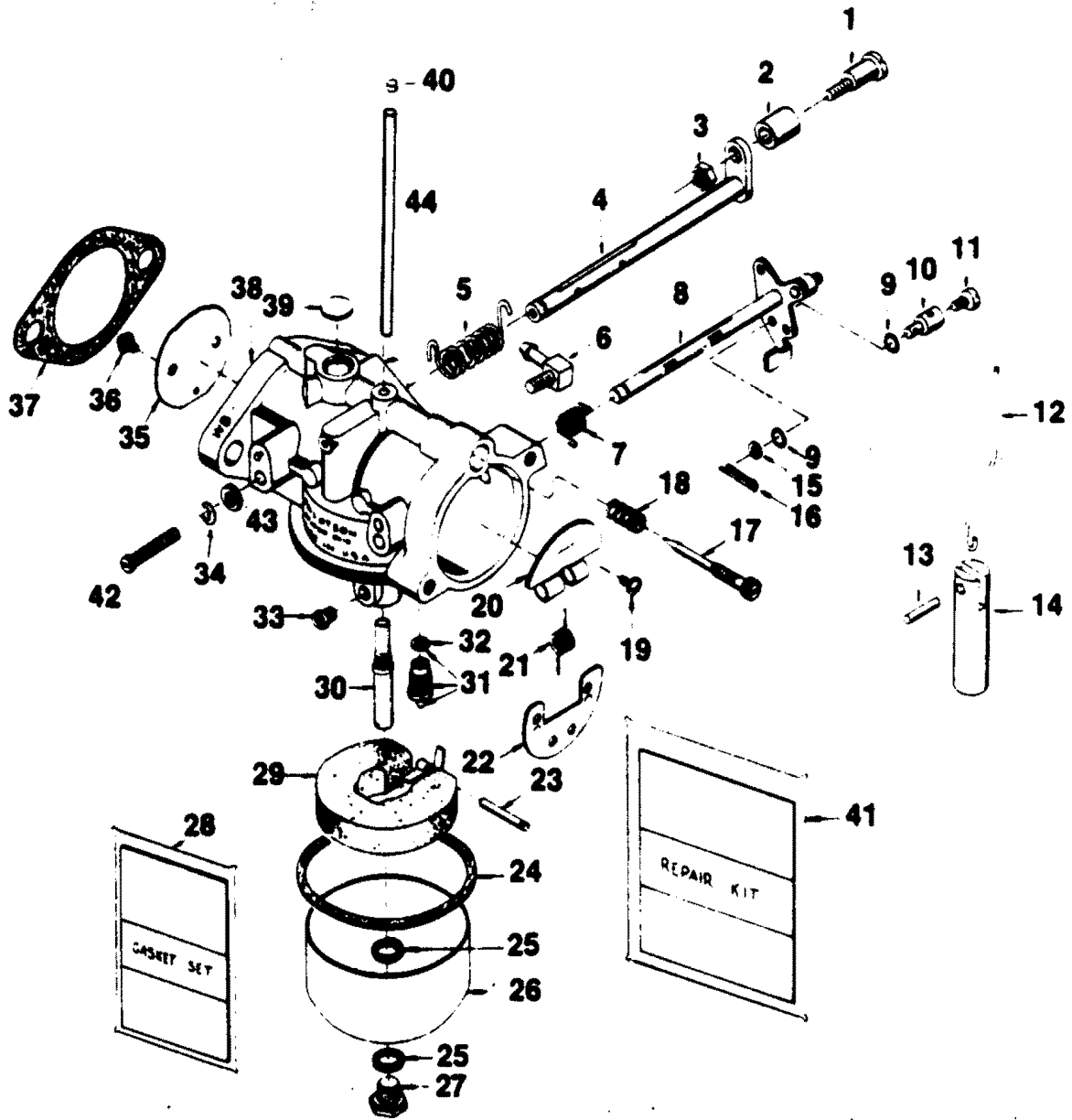
# ALTERNATOR COMPONENTS



# ALTERNATOR COMPONENTS

REF. NO.	PART NO.	SYM.	QTY.	DESCRIPTION
1	F2021		1	FLYWHEEL NUT, 5/8 - 18
2	F529097		1	FLYWHEEL
3	F1995		4	SLOTTED FILL HD SCREW, 10 - 24 X 1
4	F529095		1	STATOR
5	F2010		3	FILL HD SCREW, 10 - 32 X 9/16
6	F1877		1	TY-RAP
7	F460664		1	STATOR GROUND WIRE
8	F1975		1	SPRING LOCKWASHER
9	F1513		1	HEX NUT, 10 - 32
10	F286772-1		1	CLAMP
11	F529029		1	STATOR TRIGGER
12	F1092		1	FILL HD SCREW, 10 - 32 X 5/8
14	FK1123		2	SPARKIE KIT
15	F529358		1	BRACKET, ELECTRICAL COMPONENTS
16	F1337		2	NUT, 6 - 32
17	F2012		2	PLAIN WASHER
18	F510475		2	IGNITION COIL
19	F1975		8	LOCKWASHER
20	F1648		8	PAN HD SCREW, 10 - 24 X 3/4
21	F1200		2	HEX HD SCREW, 1/4 - 20 X 1/2
22	F8078		1	LOCKWASHER #8
23	FA617450		1	RECTIFIER
24	F1704		2	LOCKWASHER #6
25	F1645		4	ROUND HD SCREW, 6 - 32 X 1/4
26	F1552		1	PAN HD SCREW, 8 - 32 X 1/2
27	F529301		1	C-D MODULE
28	F1746		2	HEX CAP SCREW, 1/4 - 28 X 5/8
29	FA458456		1	HAND STARTER COLLAR <b>W/ILLUS. 31</b>
30	FA27232		1	STARTER ROPE W/HANDLE
31	FA609853		1	DECAL, WARNING SHIFT CONTROL <b>W/LITERATURE</b>

# CARBURETOR



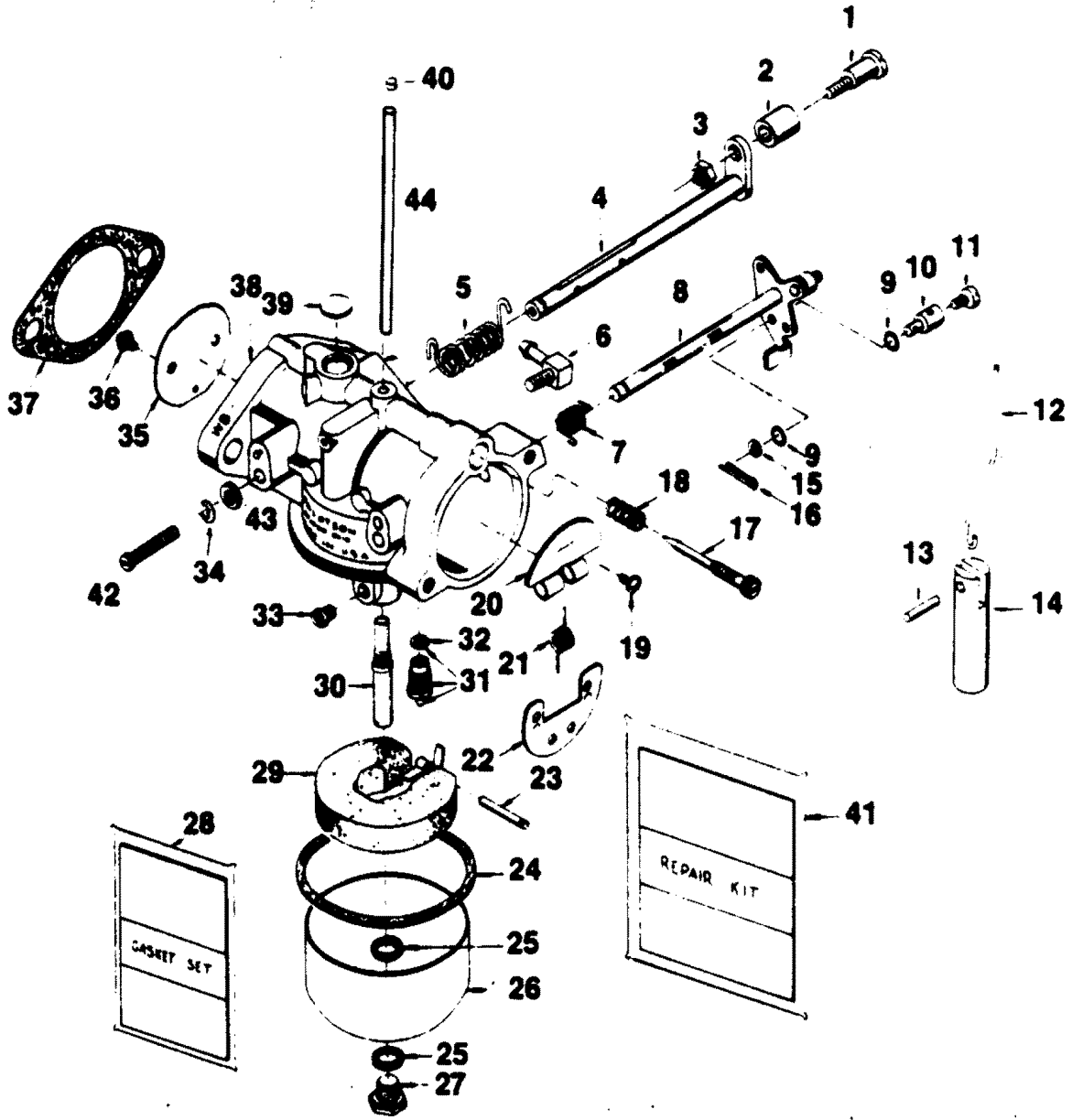


# CARBURETOR

REF. NO.	PART NO.	SYM.	QTY.	DESCRIPTION
1	F333316		1	SHAFT, THROTTLE ROLLER
2	F92759		1	ROLLER, THROTTLE CAM FOLLOWER
3	F1997		1	LOCK NUT
4	FO16561		1	THROTTLE SHAFT AND LEVER
5	FO16563		1	THROTTLE SHAFT RETURN SPRING
6	F84314-2		1	ELBOW, CARBURETOR
7	FO16397		3	CHOKE SHAFT RETURN SPRING
8	FO16562		1	CHOKE SHAFT AND LEVER
9	F184579		2	SEAL, CHOKE ARM SWIVEL
10	F184033-1		1	SWIVEL, CHOKE ARM
11	F1059		1	FILL HD SCREW, 6 - 32 X 1/4
12	F460925		1	ROD
13	F2033		1	GROOVE PIN
14	F391926-1		1	PLUNGER
15	F8088		1	PLAIN WASHER
16	F1014		1	COTTER PIN
17	FO14166		1	IDLE MIXTURE SCREW
18	FO11103		1	IDLE MIXTURE SCREW SPRING
19	FO10280		1	CHOKE SHUTTER RETAINING SCREW AND LOCKWASHER
20	FO12251		1	CHOKE RELIEF VALVE
21	FO10883		1	CHOKE RELIEF VALVE SPRING
22	FO12250		1	CHOKE SHUTTER
23	FO13944		1	FLOAT LEVER PIN
24	FO15623		1	FUEL BOWL GASKET
25	FO2510		2	FUEL BOWL RETAINING SCREW GASKET
26	FO13552		1	FUEL BOWL
27	FO13945		1	FUEL BOWL RETAINING SCREW
28	FK10000		1	GASKET SET <b>INCLUDES ALL ITEMS MARKED WITH A DOUBLE ASTERISK (**)</b>
29	FO13554		1	FLOAT
30	FO15213		1	MAIN NOZZLE
31	FO10790		1	INLET NEEDLE, SEAT AND GASKET
32	FO10165		1	INLET SEAT GASKET
33	FO14188		1	MAIN FUEL JET .066 - STANDARD
-	<b>FO14108</b>		-	<b>MAIN FUEL JET .064 - 1250 - 3750 FT. (OPT.)</b>
-	<b>FO14187</b>		-	<b>MAIN FUEL JET .062 - 3750 - 6250 FT. (OPT.)</b>
-	<b>FO14186</b>		-	<b>MAIN FUEL JET .060 - 6250 - 8250 FT. (OPT.)</b>
34	FO6396		1	THROTTLE SHAFT POSITION "E" RING
35	FO17486		1	THROTTLE SHUTTER
36	FO8942		2	THROTTLE SHUTTER RETAINING SCREW AND LOCKWASHER
37	F40906-1		1	FLANGE GASKET
38	F513061		1	CARBURETOR COMPLETE (WB-30A)
39	FO4326		1	BODY CHANNEL WELCH PLUG

CONTINUED ON NEXT PAGE ➡

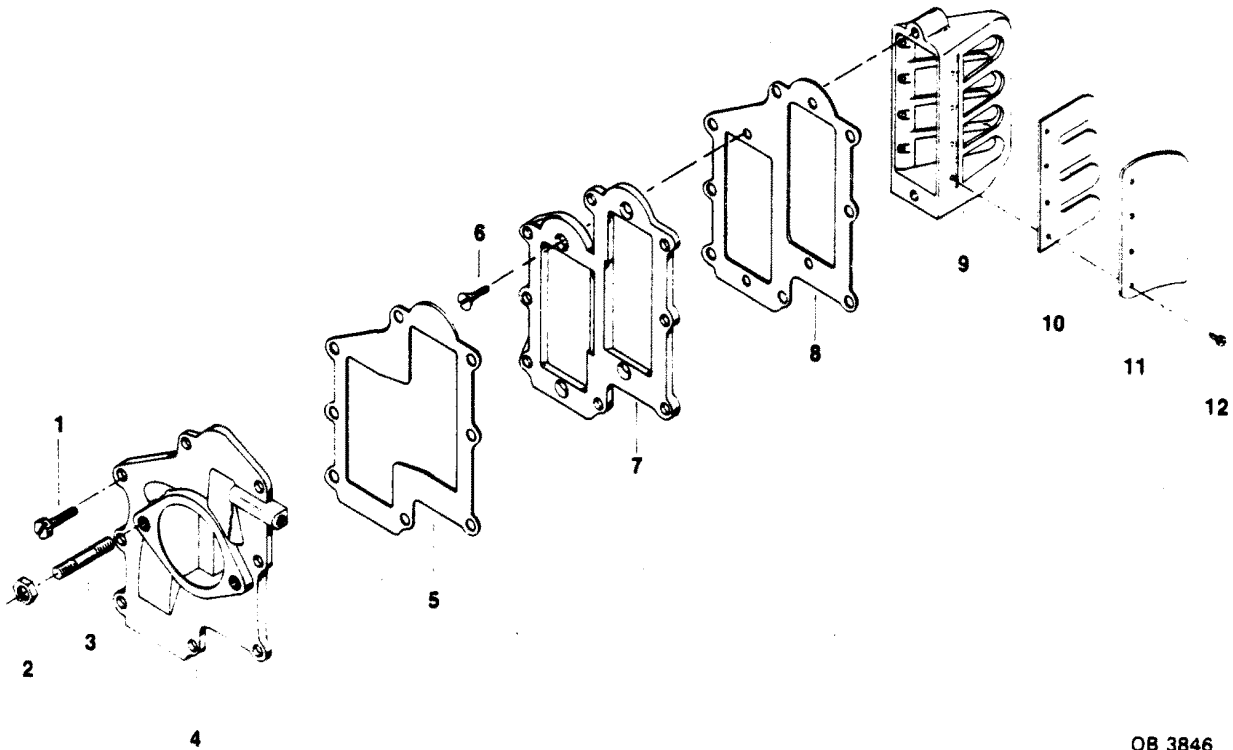
# CARBURETOR



# CARBURETOR

REF. NO.	PART NO.	SYM.	QTY.	DESCRIPTION
40	FO10588		3	BODY CHANNEL CUP PLUG
41	FK10027		1	REPAIR PARTS KIT <b>INCLUDES ALL ITEMS MARKED WITH AN ASTERISK (*)</b> .
42	FO6393		1	THROTTLE SHAFT RETAINING SCREW
43	FO3804		1	THROTTLE SHAFT RETAINING SC. LOCKWASHER
44	FO16791		1	IDLE TUBE

# REED PLATE

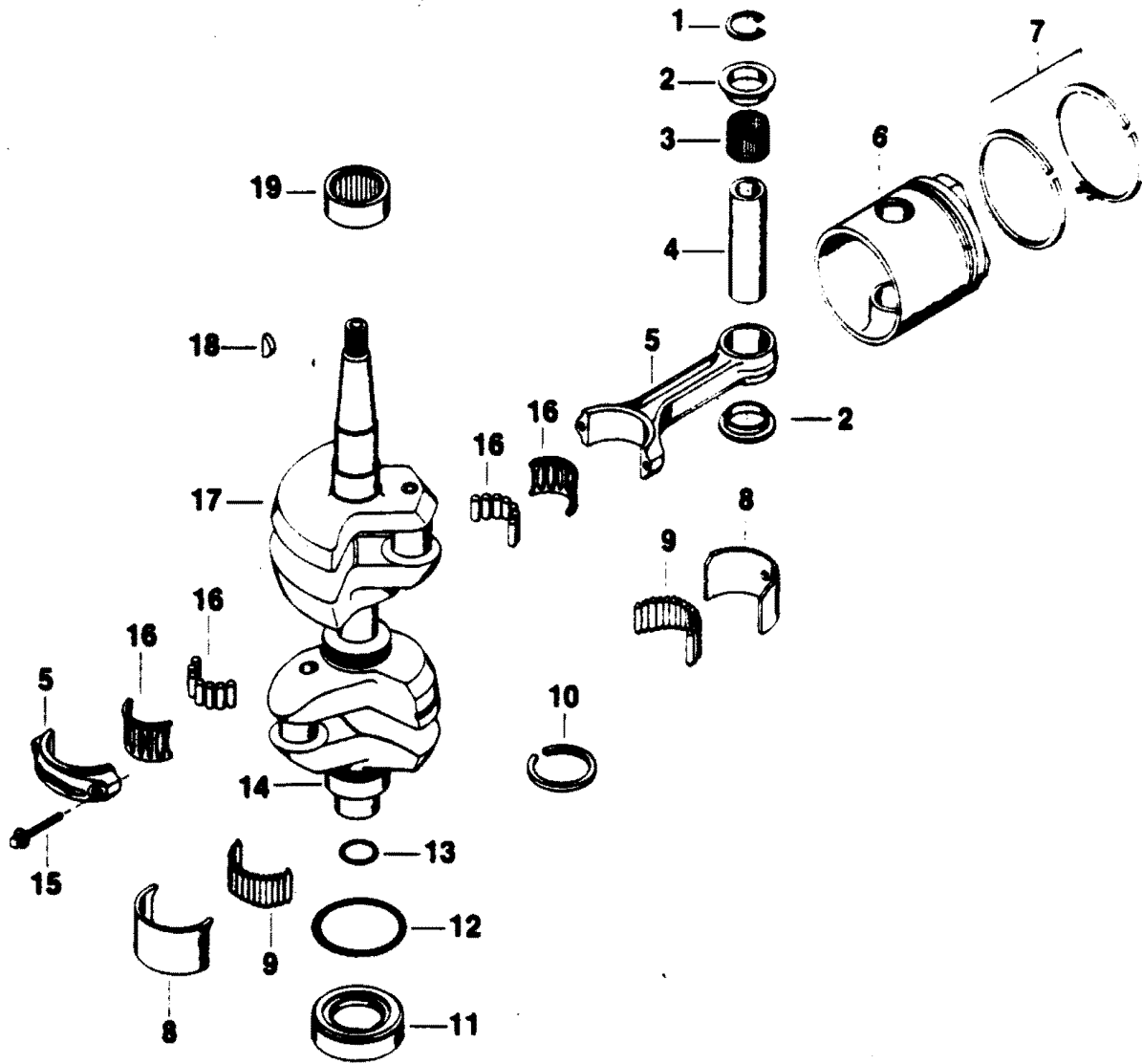


OB 3846

# REED PLATE

REF. NO.	PART NO.	SYM.	QTY.	DESCRIPTION
1	F2008		8	HEX HD MACHINE SCREW, 1/4 - 20 X 7/8
2	F1515		2	HEX NUT, 5/16 - 18
3	F40209		2	CARBURETOR STUD
4	FA458167		1	CARBURETOR ADAPTER <b>W/ILLUS. 3</b>
5	F433168		1	GASKET, CARBURETOR ADAPTER
6	F1141		4	FLAT HD SCREW, 10 - 24 X 1/2
7	F433404		1	DEFLECTOR PLATE
8	F433406		1	GASKET, DEFLECTOR PLATE
9	FA572158		2	REED PLATE W/METERING CUP
10	F316160		4	REED
11	F88161-3		4	REED STOP
12	F1755		16	ROUND HD SCREW W/LOCKWASHER, 6 - 32 X 5/16

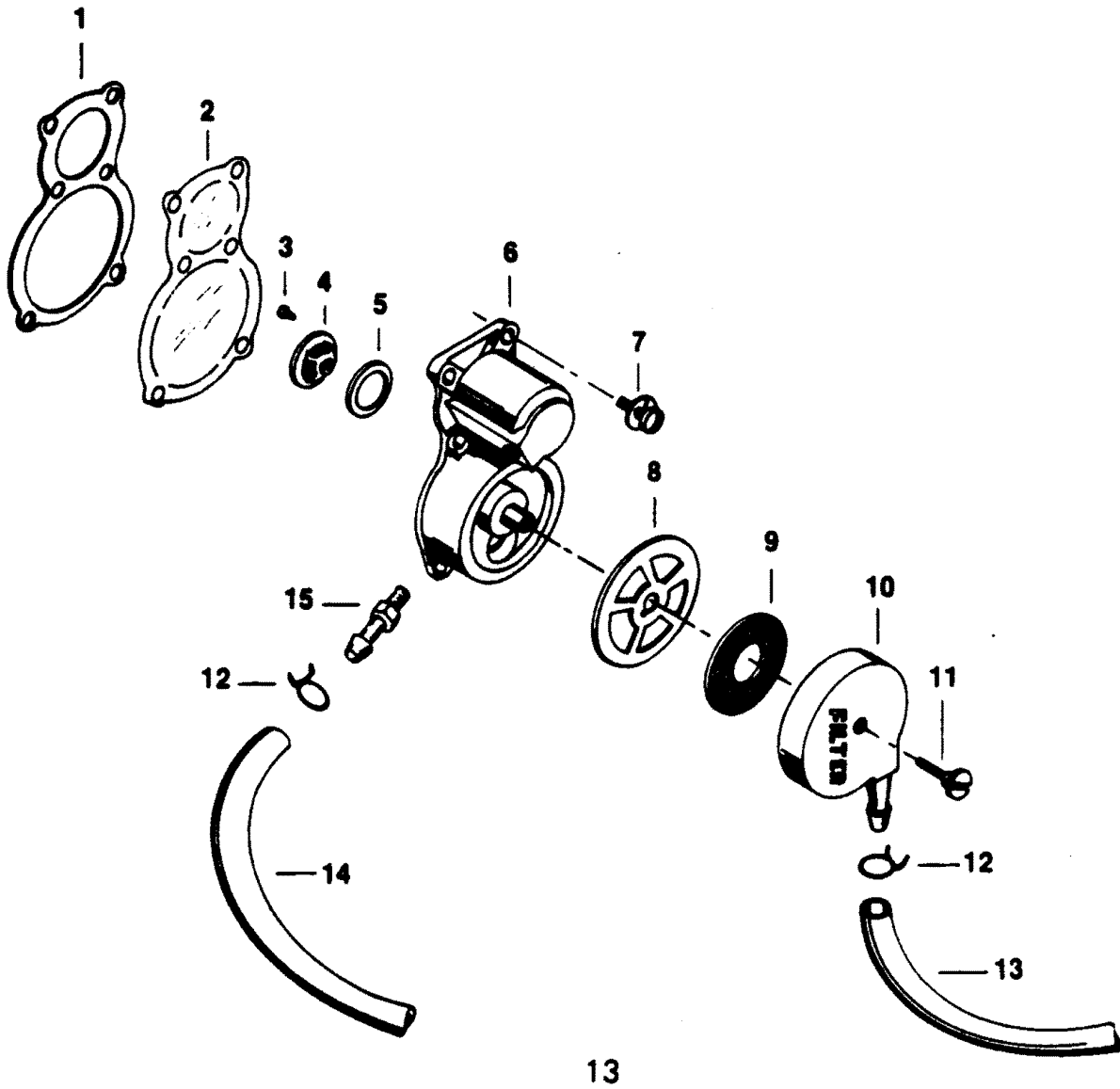
# CRANKSHAFT AND PISTON GROUP



## CRANKSHAFT AND PISTON GROUP

REF. NO.	PART NO.	SYM.	QTY.	DESCRIPTION
1	F428096		4	RETAINER, PISTON PIN
2	F366215		4	SPACER, PISTON PIN
3	F335217-1		2	BEARING, PISTON PIN
4	F40017-2		2	PISTON PIN
5	600-818052A4		2	CONNECTING ROD W/CAP ILLUS. 15 ORIGINAL FORCE P/N S <b>366016-4</b>
6	F513015-1		2	PISTON
7	FA463260		1	PISTON RING SET (4 PER SET)
8	FA458655		1	LINER, CENTER MAIN (1 SET)
9	FA458571		1	ROLLER, CENTER MAIN
10	F458579		1	SEAL, CRANKCASE
11	F2A458581		1	COLLAR W/LOWER CRANKSHAFT SEAL
12	F455305		1	SEAL, CRANKSHAFT COLLAR
13	F458342		1	SEAL, CRANKSHAFT SPLINE
14	F286028		1	CRANKSHAFT LOWER MAIN BEARING
15	F85634-2		4	SCREW, CONNECTING ROD
16	FK85228-1		2	BEARING CAGE W/ROLLERS (16 PER SET)
17	400-818061A1		1	CRANKSHAFT W/ILLUS. 14 ORIGINAL FORCE P/N 2A 497018-1
18	F85498		1	FLYWHEEL KEY
19	F458028		1	BEARING, CRANKSHAFT UPPER MAIN

# FUEL PUMP



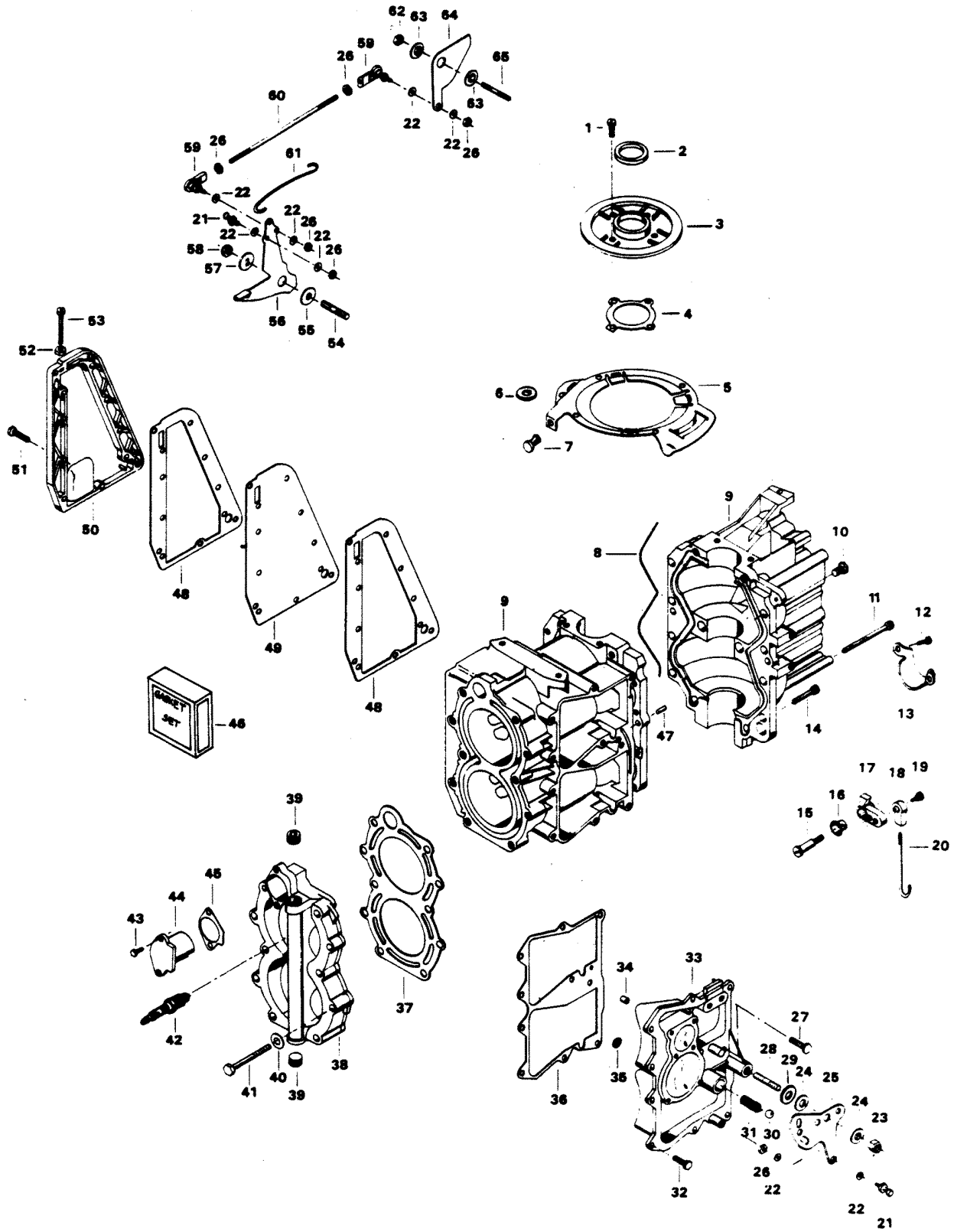
13



# FUEL PUMP

REF. NO.	PART NO.	SYM.	QTY.	DESCRIPTION
1	F438760		1	FUEL PUMP GASKET
2	F438747		1	FUEL PUMP DIAPHRAGM
3	F1860		2	BINDING HD MACHINE SCREW, 6 - 32 X 1/4
4	F177330		3	FUEL PUMP VALVE
5	F84792		3	FUEL PUMP GASKET
6	FA438431		1	FUEL PUMP BODY <b>W/ILLUS. 3, 4 AND 5</b>
7	F1108		6	FILL HD MACHINE SCREW W/LOCKWASHER, 1/4 - 20 X 3/4
8	F438617		1	GASKET, FUEL PUMP BOWL
9	F438653		1	SCREEN, FUEL PUMP
10	F438500		1	FUEL PUMP BOWL
11	F438165		1	SCREW, FUEL PUMP BOWL
12	F97772		4	FUEL LINE CLAMP
13	FA85754-1		1	HOSE, FUEL PUMP TO BUSHING <b>W/ILLUS. 12</b>
14	F458754		1	HOSE, FUEL PUMP TO CARBURETOR
15	F438801		1	FITTING, FUEL PUMP BODY

# POWER HEAD

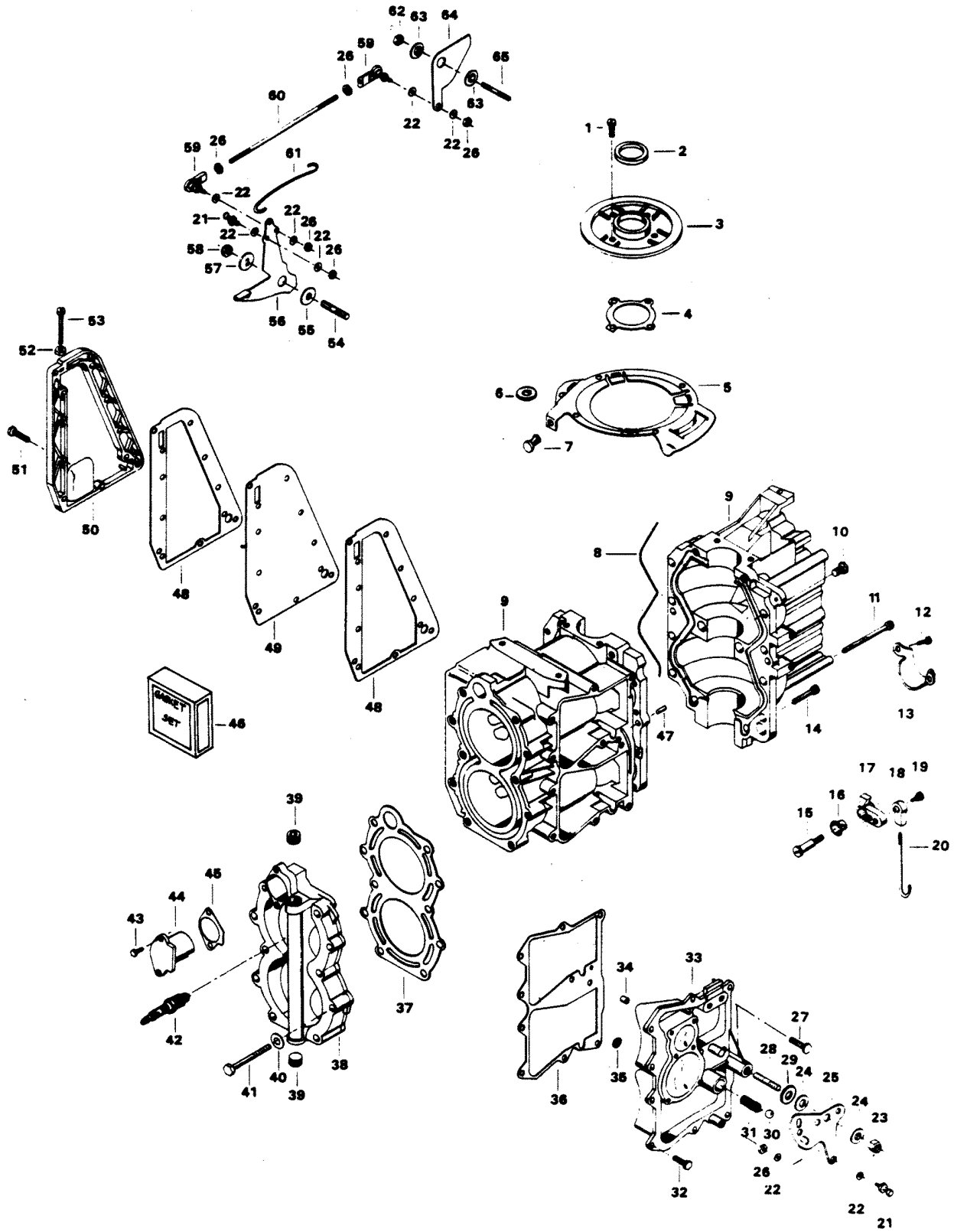


# POWER HEAD

REF. NO.	PART NO.	SYM.	QTY.	DESCRIPTION
1	F1107		4	FILL HD SCREW, 1/4 - 20 X 3/4
2	F458146		1	SEAL, CRANKSHAFT UPPER MAIN
3	FA458144		1	CRANKSHAFT BEARING CAGE <b>W/ILLUS. 2</b>
4	F458277		1	GASKET, CRANKSHAFT BEARING CAGE
5	FA504082		1	MAGNETO STATOR RING <b>W/ILLUSTRATION 6</b>
6	F8000		1	PLAIN WASHER
7	F1727		1	PLASTI-RIVET
8	F269122-1		1	SEAL, CRANKCASE PARTING LINE
9	FA573010		1	CYLINDER W/CRANKCASE COVER <b>ILLUS. 8, 11, 14, 17 AND 46</b>
-	<b>FC573010</b>		1	<b>SHORT BLOCK FOR ALTERNATOR MODELS. INCLUDES ALL ITEMS MARKED WITH AN ASTERISK (*). ALSO REFER TO CRANKSHAFT AND PISTON PAGE</b>
10	F1864		8	HEX HD SCREW, 1/4 - 20 X 3/4
11	F2005		2	HEX SOCKET HD CAP SCREW, 5/16 - 18 X 2-3/4
12	F1689		2	HEX CAP SCREW, 1/4 - 20 X 1/2
13	F460317		1	CLAMP, SOLENOID FOR ELECTRIC START
14	F2013		4	HEX SOCKET HD CAP SCREW, 5/16 - 18 X 1-1/4
15	F85026		1	SWIVEL, SHIFT INTERLOCK LEVER
16	F307818		1	BEARING
17	F458977-3		1	LEVER, SHIFT INTERLOCK
18	F84035-2		1	BEARING, SHIFT INTERLOCK ROD
19	F84026		1	SWIVEL, SHIFT INTERLOCK BEARING
20	817805A1		1	ROD, SHIFT INTERLOCK <b>W/LITERATURE ORIGINAL FORCE P/N A 458531-1</b>
21	F98273		2	ROD END CONNECTOR STUD
22	F8058		8	INTERNAL TOOTH LOCKWASHER
23	F7004		1	LOCK NUT, 3/8 - 16
24	F269052		2	BEARING, SHIFT LEVER
25	817808A2		1	LEVER, GEAR SHIFT
26	F1513		6	HEX NUT, 10 - 32
27	F1922		1	HEX HD SCREW, 1/4 - 20 X 5/8
28	F440209		1	STUD, GEAR SHIFT LEVER
29	F2014		1	PLAIN WASHER
30	F458727		1	BALL, SHIFT LEVER DETENT
31	F183300		9	SPRING, SHIFT DETENT
32	F1922		9	HEX CAP SCREW, 1/4 - 20 X 5/8
33	FA572222		1	TRANSFER PORT COVER <b>W/ILLUS. 34</b>
34	21-817741A1		2	VALVE, CHECK <b>W/LITERATURE ORIGINAL FORCE P/N A 213740-1</b>
35	F429811		2	SCREEN, CYLINDER DRAIN
36	F458223		1	GASKET, TRANSFER PORT COVER
37	F513529		1	GASKET, CYLINDER HEAD
38	FA513518		1	CYLINDER HEAD <b>W/ILLUS. 39</b>
39	F458109		2	PLUG, CYLINDER HEAD

CONTINUED ON NEXT PAGE ➡

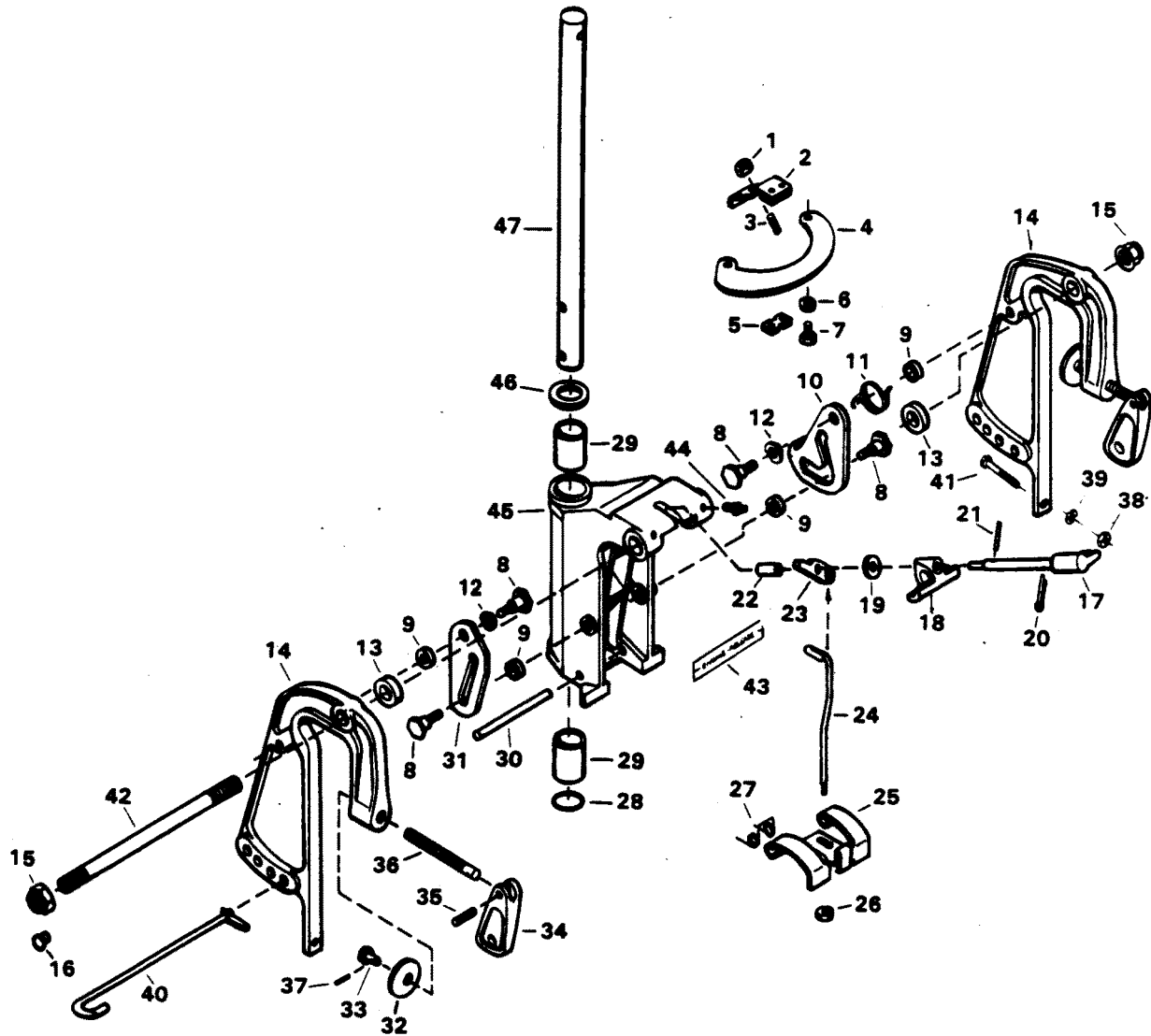
# POWER HEAD



# POWER HEAD

REF. NO.	PART NO.	SYM.	QTY.	DESCRIPTION
40	F1739		7	PLAIN WASHER (ELECTRIC START)
41	F458936		10	SCREW, CYLINDER HEAD
42	33-82370M		2	SPARK PLUG (L 82)
-	<b>FC503227</b>		<b>2</b>	<b>SPARK PLUG (CHAMPION QL-77-J4) FOR CANADA</b>
43	F1854		2	HEX CAP SCREW, 1/4 - 20 X 5/8
44	F458066		1	THERMOSTAT COVER
45	F458067		1	GASKET, THERMOSTAT COVER
46	FG1014		1	GASKET SET <b>INCLUDES ITEMS MARKED WITH A *</b>
-	<b>F84792</b>		<b>3</b>	<b>GASKET, FUEL PUMP VALVE</b>
-	<b>F433168</b>		<b>1</b>	<b>GASKET, CARBURETOR ADAPTER</b>
-	<b>F433406</b>		<b>1</b>	<b>GASKET, DEFLECTOR PLATE</b>
-	<b>F438617</b>		<b>1</b>	<b>GASKET, FUEL PUMP BOWL</b>
-	<b>F438760</b>		<b>1</b>	<b>GASKET, FUEL PUMP</b>
-	<b>F458067</b>		<b>1</b>	<b>GASKET, THERMOSTAT COVER</b>
-	<b>F458154</b>		<b>2</b>	<b>GASKET, EXHAUST PORT PLATE</b>
-	<b>F458223</b>		<b>1</b>	<b>GASKET, TRANSFER PORT COVER</b>
-	<b>F458277</b>		<b>1</b>	<b>GASKET, CRANKSHAFT BEARING CAGE</b>
-	<b>F458279</b>		<b>1</b>	<b>GASKET, CYLINDER EXHAUST</b>
-	<b>F458453</b>		<b>1</b>	<b>GASKET, LEG EXHAUST</b>
-	<b>F513529</b>		<b>1</b>	<b>GASKET, CYLINDER HEAD</b>
47	F8559		2	DOWEL PIN
48	F458154		2	GASKET, EXHAUST PORT PLATE
49	F458151		1	EXHAUST PORT PLATE
50	F458152		1	EXHAUST PORT COVER
51	F1532		10	HEX HD SCREW, 1/4 - 20 X 1
52	F1341		1	HEX NUT
53	F1072		1	FILL HD SCREW, 1/4 - 20 X 1-3/4
54	F286440		1	STUD, MAGNETO CONTROL LEVER
55	F183813		1	BEARING
56	F2A458081		1	MAGNETO CONTROL LEVER <b>W/ILLUS. 21, 22 AND 26</b>
57	F286282		1	WASHER
58	F1803		1	STOP NUT
59	817747--1		2	JOINT, BALL ASSEMBLY
60	F458502		1	ROD, THROTTLE CAM
61	F458509		1	LINK, MAGNETO STATOR
62	F1910		1	LOCK NUT
63	F269319		2	BEARING, THROTTLE CAM
64	F458192		1	THROTTLE CAM
65	F433209-1		1	STUD, THROTTLE CAM

# SWIVEL BRACKET GROUP

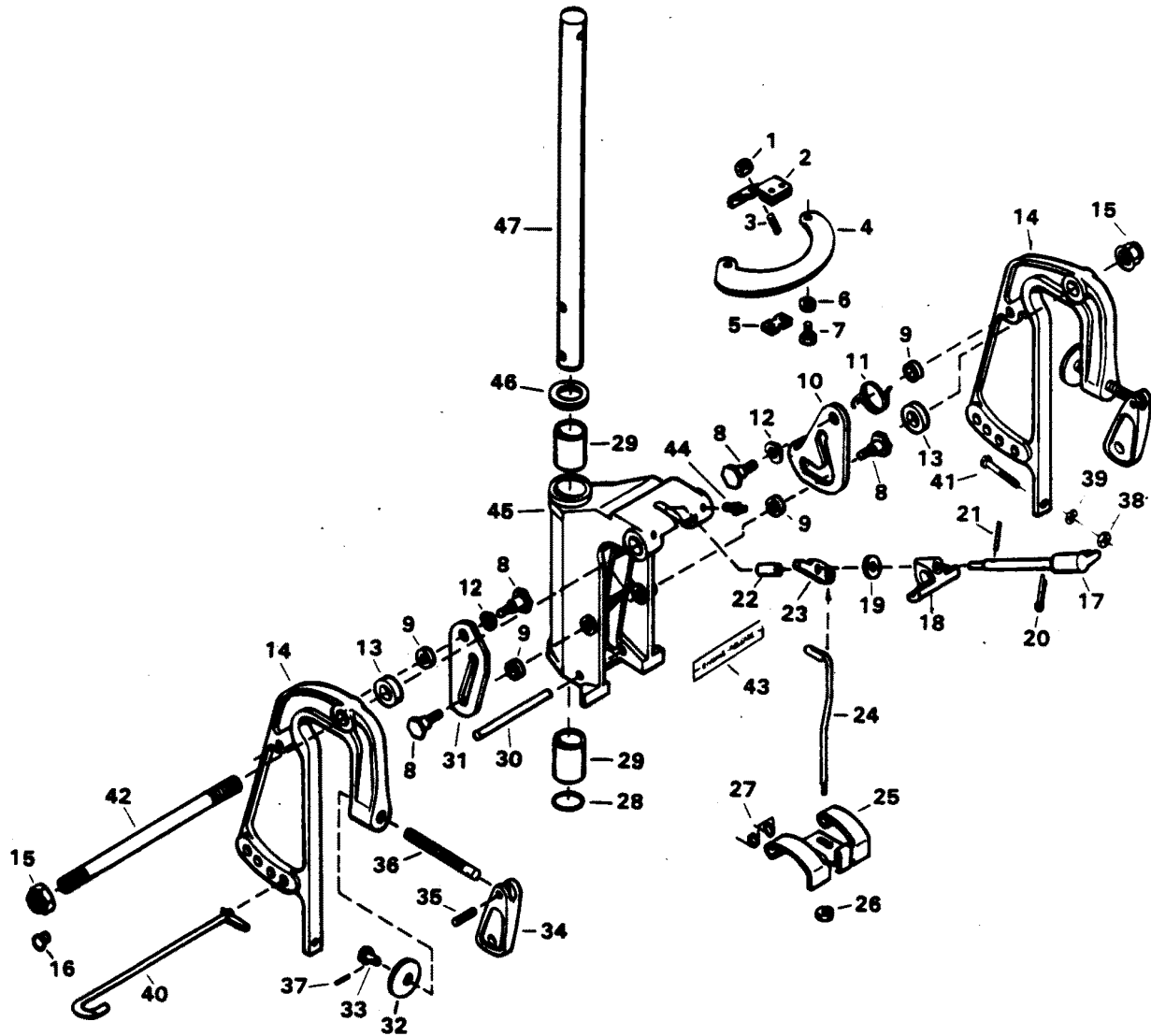


# SWIVEL BRACKET GROUP

REF. NO.	PART NO.	SYM.	QTY.	DESCRIPTION
1	F7024		1	STOP NUT
2	817882A1		1	FRICITION SHOE ADJUSTING ARM <b>W/ILLUS. 5 ORIGINAL FORCE P/N A 901742-1</b>
3	F901822-1		1	STUD, SWIVEL BRACKET
4	F901775		1	PLATE, FRICTION SHOE
5	F901631-1		2	FRICTION SHOE
6	F8083		2	SPRING LOCKWASHER
7	F1689		2	HEX CAP SCREW, 1/4 - 20 X 1/2
8	F286422-1		4	PIVOT, TILT LOCK
9	F286451		4	SPACER, TILT LOCK
10	F436541		1	TILT LOCK - PORT
11	F286544-1		1	SPRING, TILT LOCK
12	F1666		2	BOWED SPRING WASHER
13	F529286		4	WASHER, SWIVEL BRACKET FRICTION
14	FS602532		2	STERN BRACKET PORT <b>W/ILLUS. 32, 33, 36 AND 37</b>
15	F1600		2	STOP NUT
16	F9018		2	CAP, PIVOT STEERING TUBE
17	F483827		1	LEVER, REVERSE LOCK
18	F529726		1	BEARING, REVERSE LOCK
19	F8094		1	PLAIN WASHER
20	F1014		1	COTTER PIN
21	F1836		1	SPRING PIN
22	F483884		1	BEARING, REVERSE LOCK
23	F366364		1	ARM, REVERSE LOCK
24	F483510-1		1	LINK, REVERSE LOCK
25	F483349-1		1	REVERSE LOCK
26	F1669		1	NUT
27	F483300		1	SPRING
28	F458783		1	SEAL, SWIVEL BRACKET
29	F901169-1		2	BEARING, SWIVEL BRACKET
30	F2095		1	SPRING PIN
31	F385433		1	TILT STOP
32	F24074		2	CLAMP SCREW FOOT
33	F66480		2	STUD
34	F288075		2	HANDLE, STERN BRACKET CLAMP SCREW
35	F1638		2	SPRING PIN
36	817776A3		2	STERN BRACKET CLAMP SCREW <b>W/ILLUS. 32, 33, 34, 35 AND 37 ORIGINAL FORCE P/N A 324073-3</b>
37	F8537		2	SPRING PIN
38	F1515		2	HEX NUT, 5/16 - 18
39	F1904		2	PLAIN WASHER
40	FA324113		1	STERN BRACKET LOCK BAR W/END
41	F2027		2	HEX CAP SCREW, 5/16 - 18 X 3
42	F529125-1		1	TUBE, PIVOT STEERING

CONTINUED ON NEXT PAGE ➡

# SWIVEL BRACKET GROUP

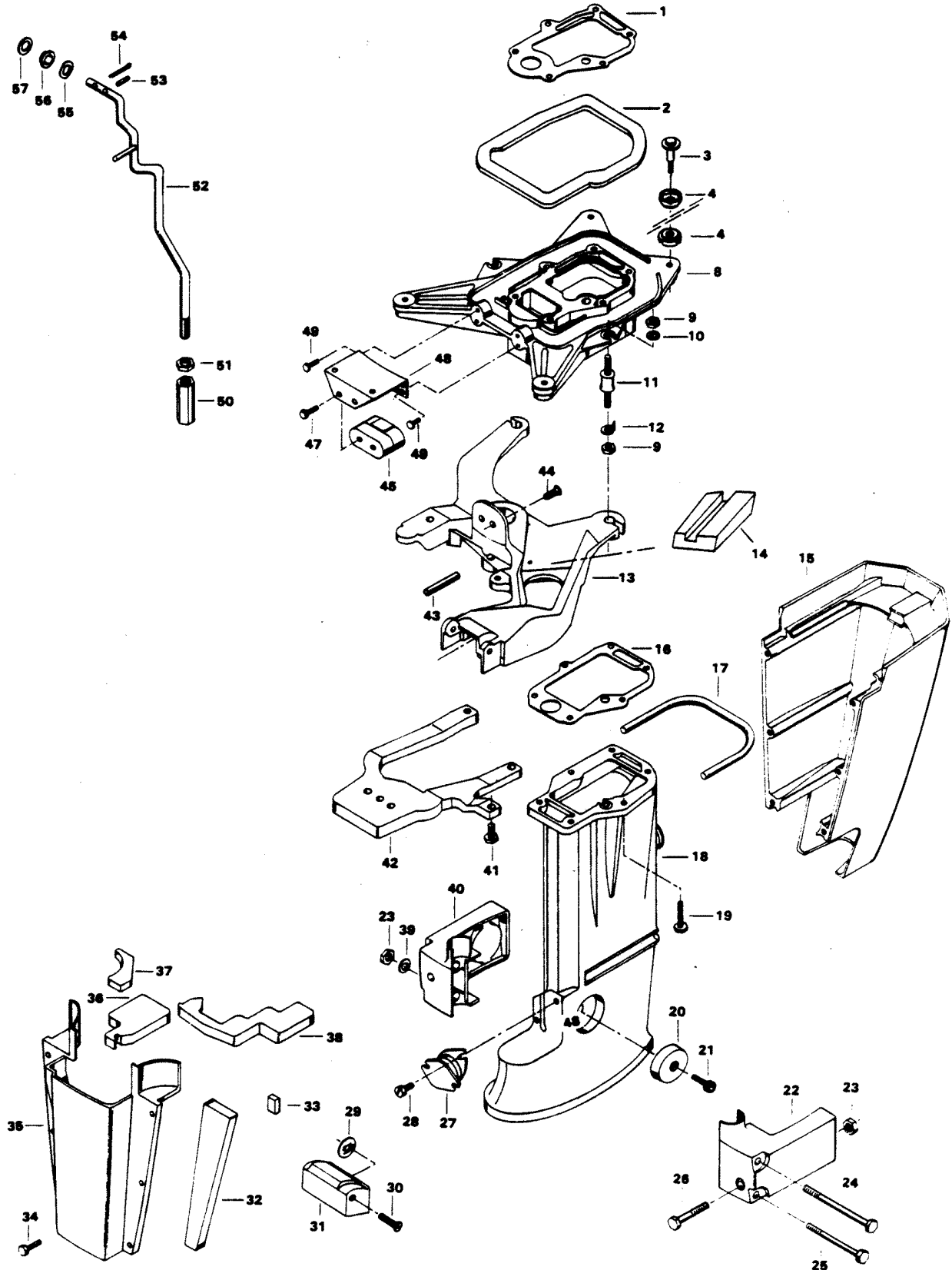




## SWIVEL BRACKET GROUP

REF. NO.	PART NO.	SYM.	QTY.	DESCRIPTION
43	F529390-1		1	DECAL, REVERSE LOCK - USA
44	F213274		3	GREASE FITTING
45	FA529072		1	SWIVEL BRACKET <b>WILLUS. 29 AND 44</b>
46	F901011		1	WASHER, SWIVEL BRACKET
47	F458019		1	KINGPIN

# MOTOR LEG



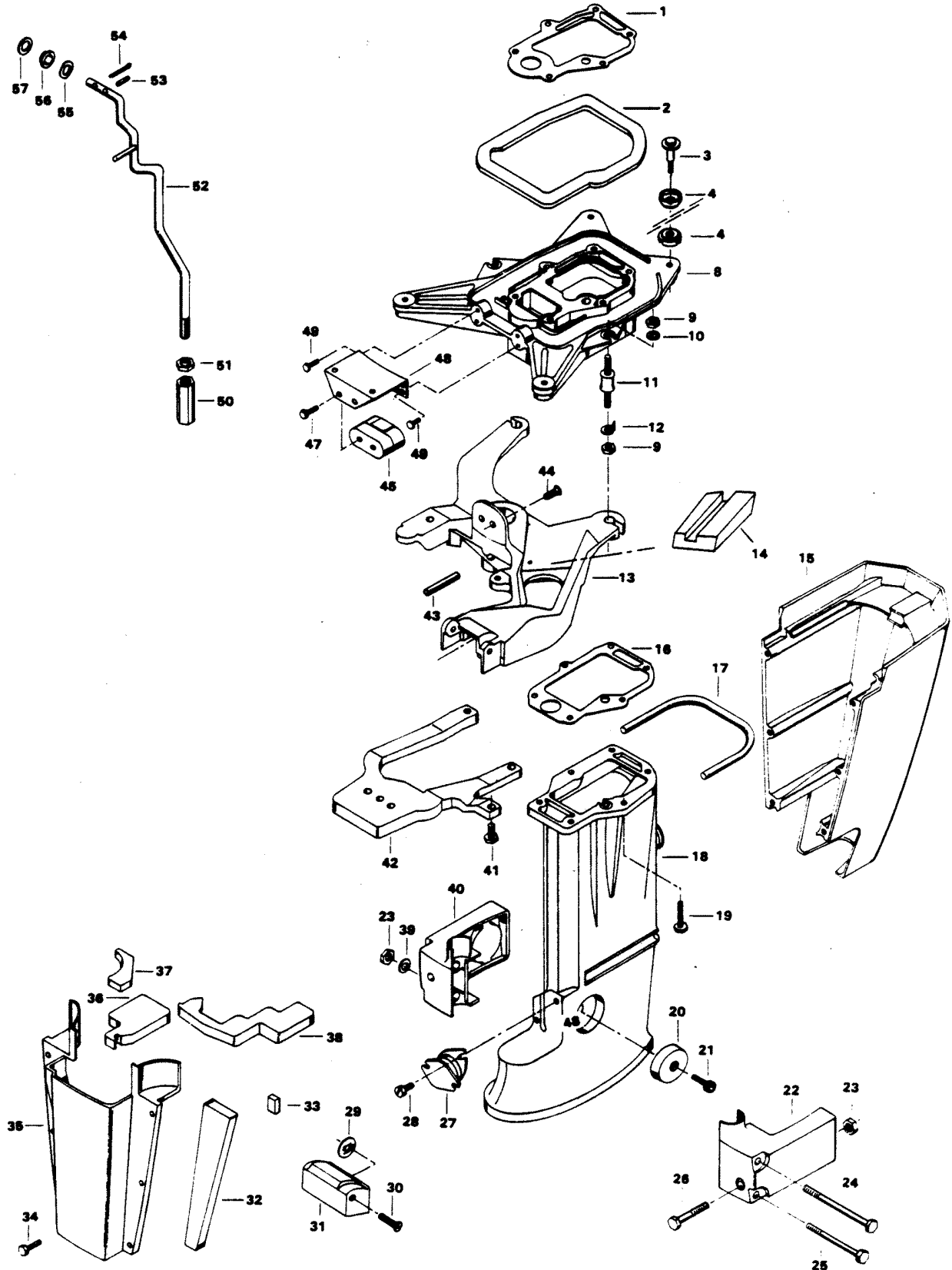
08 2848

# MOTOR LEG

REF. NO.	PART NO.	SYM.	QTY.	DESCRIPTION
1	F458279		1	GASKET, CYLINDER EXHAUST
2	F183756-1		1	PACKING, SUPPORT PLATE
3	F458887		4	FASTENER, SUPPORT PLATE
4	F458347		8	MOUNT, SUPPORT PLATE
8	F458963		1	PLATE, SHOCK MOUNT
9	F1346		4	HEX NUT, 3/8 - 16
10	F1778		2	PLAIN WASHER
11	F458962		2	MOUNT, SIDE UPPER
12	F458076		2	TAB, SHOCK MOUNT SIDE
13	817809A1		1	PLATE, KINGPIN MOUNTING
14	F458345		1	PAD, KINGPIN MOUNTING PLATE
15	818057A1		1	LEG COVER REAR W/PACKING
16	F458453		1	GASKET, LEG EXHAUST
17	F458322		2	PACKING, LEG COVER REAR
18	F458133		1	MOTOR LEG
19	F458166-2		6	SCREW, MOTOR LEG TO CYLINDER
20	F462962		2	SHOCK MOUNT LOWER SIDE
21	F1263		2	HEX SOCKET HD CAP SCREW, 5/16 - 18 X 9/16
22	F458973-1		1	COVER, SHOCK MOUNT PORT
23	F1515		4	HEX NUT, 5/16 - 18
24	F2006		1	HEX CAP SCREW, 5/16 - 18 X 4-3/4
25	F2007		1	HEX CAP SCREW, 5/16 - 18 X 4
26	F1696		2	HEX CAP SCREW, 5/16 - 18 X 1-3/4
27	F183346-1		1	SHOCK MOUNT LOWER THRUST
28	F1129		2	FILL HD SCREW, 5/16 - 18 X 1/2
29	F2018		2	SPEED NUT, 1/4 - 20
30	F2011		2	PAN HD SCREW, 1/4 - 20 X 1-1/4
31	FA460686		1	COVER, KINGPIN MOUNTING PLATE <b>W/LITERATURE</b>
32	F458312		2	PACKING, LEG COVER SIDE
33	F458323-1		3	PACKING, LEG COVER FRONT
34	F1705		6	HEX CAP SCREW, 1/4 - 20 X 3/4
35	818056A2		1	LEG COVER FRONT W/PACKING
36	F458324		1	PACKING, LEG COVER FRONT UPPER - STARBOARD
37	F458315		2	PACKING, LEG COVER SIDE UPPER
38	F458320		3	PACKING, LEG COVER FRONT UPPER PORT
39	F8096		2	SPRING LOCKWASHER
40	F458972-1		1	COVER, SHOCK MOUNT STARBOARD
41	F1745		3	HEX HD SCREW W/SPRING LOCKWASHER, 5/16 - 18 X 1
42	F385647		1	CARRYING HANDLE
43	F1663		1	PIN, SPRING
44	F1160		2	FLAT HD SCREW, 1/4 - 28 X 5/8
45	F203965		1	SHOCK MOUNT UPPER THRUST
47	F1211		2	HEX HD SCREW W/SPRING LOCKWASHER, 1/4 - 28 X 5/8

CONTINUED ON NEXT PAGE ➡

# MOTOR LEG

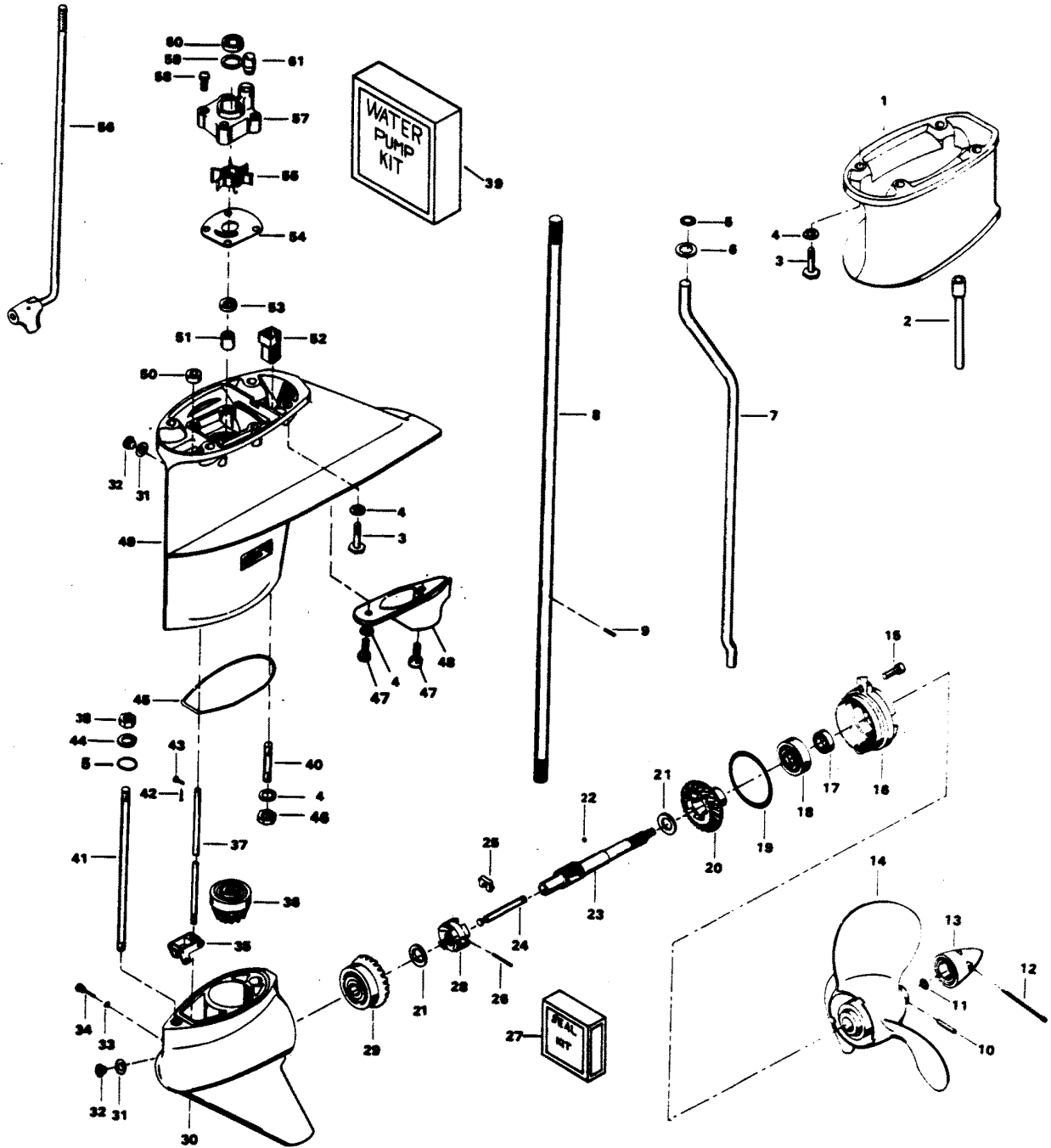


08 2848

# MOTOR LEG

REF. NO.	PART NO.	SYM.	QTY.	DESCRIPTION
48	F40956		1	BRACKET, SHOCK MOUNT UPPER THRUST
49	F1922		4	HEX SLOT HD SCREW W/LOCKWASHER, 1/4 - 20 X 5/8
50	F141704		1	COUPLING, GEAR SHIFT ROD
51	F1349		1	HEX NUT
52	F458615		1	GEAR SHIFT ROD UPPER
53	F1978		1	SPRING PIN
54	F1020		1	COTTER PIN
55	F8049		1	BOWED SPRING WASHER
56	F85610		2	BEARING
57	F1739		1	PLAIN WASHER

# GEAR HOUSING

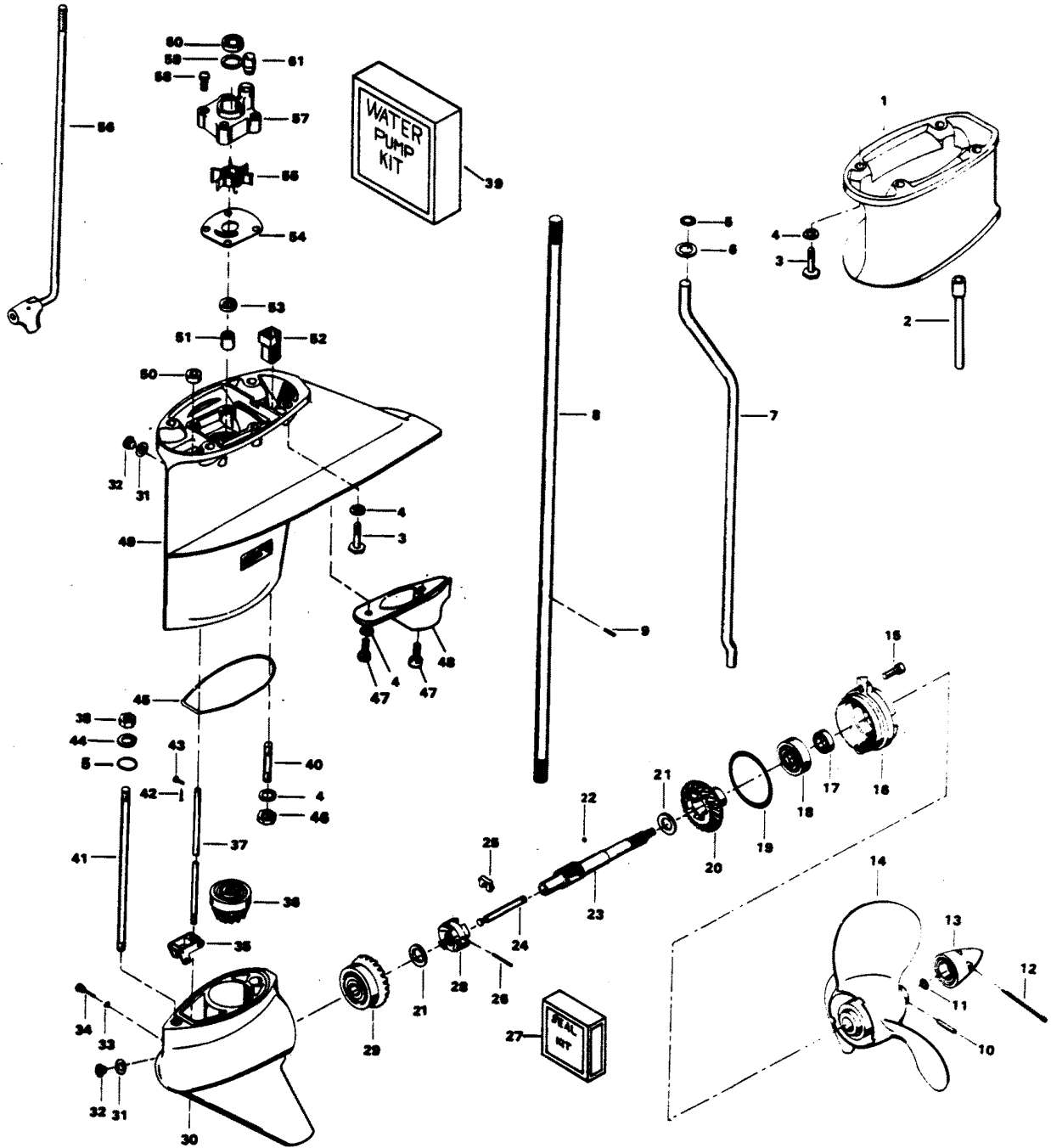


# GEAR HOUSING

REF. NO.	PART NO.	SYM.	QTY.	DESCRIPTION
1	F458845		1	EXTENSION, MOTOR LEG
2	FS901244		1	EXTENSION, INLET WATER LINE
3	F1929		8	HEX CAP SCREW, 3/8 - 16 X 1-1/8
4	F8065		8	SPRING LOCKWASHER
5	F24342		2	SEAL, INLET WATER LINE
6	F2014		3	PLAIN WASHER
7	F458244-1		1	INLET WATER LINE FOR STANDARD SHAFT MODELS
8	F462128		1	DRIVESHAFT FOR LONG SHAFT MODELS
9	F901563		1	DRIVE PIN, WATER PUMP IMPELLER
10	FK247		1	PROPELLER PIN, PACK OF 6 <b>W/ILLUS. 12</b>
11	F40342		1	SEAL, PROPELLER NUT
12	F1027		1	COTTER PIN
13	FA94094-2		1	PROP NUT <b>W/ILLUS. 11 AND 12</b>
14	FP273		1	PROPELLER (ACCESSORY ITEM)
15	F1263		2	HEX SOCKET HD CAP SCREW, 5/16 - 18 X 9/16
16	F2A366298		1	PROP SHAFT BEARING CAGE <b>W/ITEMS 17 AND 18</b>
17	F141118		1	SEAL, PROPELLER SHAFT
18	F366058		1	BALL BEARING, PROPELLER SHAFT
19	F141305		1	SEAL, PROPELLER SHAFT BEARING CAGE
20	FA458662		1	BEVEL GEAR REAR W/BUSHING
21	F40717		2	THRUST WASHER
22	F366727		1	BALL, PROPELLER SHAFT
23	44-819500A3		1	PROPELLER SHAFT
24	F90871-3		1	GEAR SHIFT ARM PIN
25	F90619-1		1	YOKE, GEAR SHIFT ARM
26	F2097		1	SPRING PIN
27	FK1068		1	GEAR HOUSING SEAL KIT <b>INCLUDES ALL ITEMS MARKED WITH A DOUBLE ASTERISK (**).</b>
28	F99521-1		1	CLUTCH
29	FS458023		1	BEVEL GEAR FRONT W/BEARING
30	1600-817804A3		1	GEAR HOUSING LOWER <b>W/ILLUS. 31, 32 AND THRUST BEARING CUP ORIGINAL FORCE P/N A 458054-1</b>
-	<b>1600-817896A2</b>		1	<b>LOWER GEAR HOUSING COMPLETE (NOT SHOWN) INCLUDES ALL ITEMS MARKED WITH AN ASTERISK (*). ORIGINAL FORCE P/N C 458054-1</b>
31	F8077		2	WASHER, GEAR HOUSING PLUG
32	F50109		2	PLUG, GEAR HOUSING
33	F498618		1	SEAL, "O" RING
34	F498891		1	GEAR SHIFT ARM PIN
35	817796A2		1	GEAR SHIFT ARM
36	F2A458266		1	BEVEL PINION W/BEARING
37	F435705		1	GEAR SHIFT ROD LOWER
38	F7004		1	HEX NUT
39	FK1053		1	WATER PUMP KIT <b>W/ILLUSTRATIONS 4, 49, 50, 51, 53 AND 54</b>

CONTINUED ON NEXT PAGE ➡

# GEAR HOUSING

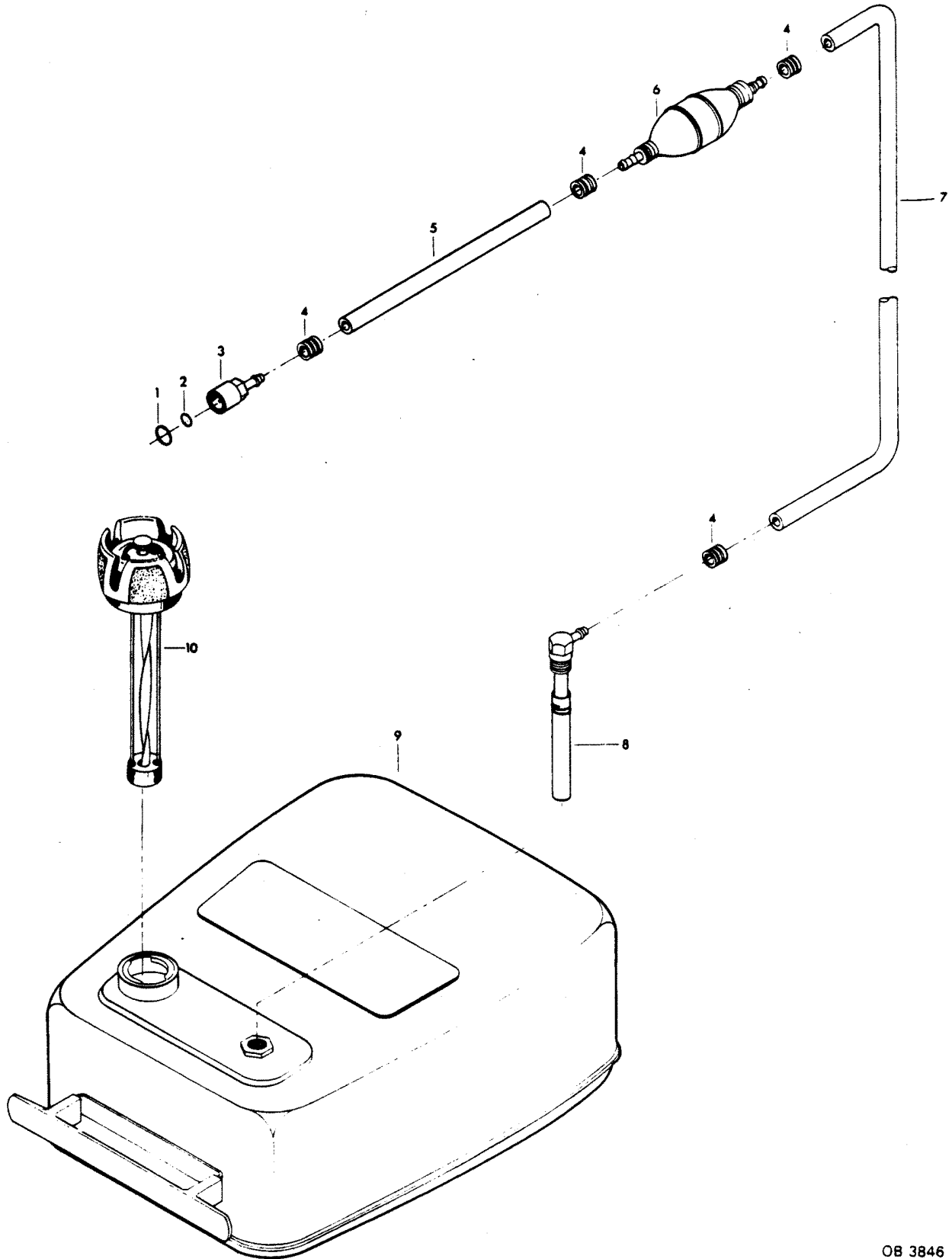




# GEAR HOUSING

REF. NO.	PART NO.	SYM.	QTY.	DESCRIPTION
40	F40008		1	STUD, SHORT
41	F97008-1		1	STUD, LONG
42	F1015		1	COTTER PIN
43	F85372		1	PIN, GEAR SHIFT ROD LOWER
44	F2014		1	PLAIN WASHER
45	F435555		1	SEAL, GEAR HOUSING
46	F1346		1	HEX NUT, 3/8 - 16
47	F2008		2	HEX HD SCREW, 1/4 - 20 X 7/8
48	FA435116		1	EXHAUST SNOOT <b>W/LITERATURE</b>
49	FA502554		1	GEAR HOUSING UPPER <b>W/ITEMS 31, 32, 48, 50, 51, 52 AND 53</b>
50	F338618-1		1	SEAL, SHIFT ROD LOWER
51	F458057		1	BEARING, DRIVESHAFT UPPER
52	F435077		1	SCREEN, WATER INLET
53	F458307		1	SEAL, DRIVESHAFT
54	F435562		1	WATER PUMP BACK PLATE
55	F462065		1	WATER PUMP IMPELLER
56	FA435616		1	GEAR SHIFT ROD INTERMEDIATE
57	FA513060		1	WATER PUMP BODY <b>W/ITEM 59, 60 AND 61</b>
58	F2030		4	HEX HD CAP SCREW, 1/4 - 20 X 1-1/4
59	F513388		1	DISC, WATER PUMP LOCATING
60	F458736		1	SEAL, WATER PUMP
61	FA510914		1	SEAL, INLET WATER LINE LOWER <b>W/LITERATURE</b>

# FUEL TANK AND LINE



OB 3846

## FUEL TANK AND LINE

REF. NO.	PART NO.	SYM.	QTY.	DESCRIPTION
1	F17816		1	SEAL, FUEL LINE COUPLER (LARGE)
2	F17815		1	SEAL, FUEL LINE COUPLER (SMALL)
3	F197787-3		2	FUEL LINE COUPLER
4	F298788		4	FERRULE
5	FA84754-1		1	FUEL LINE SHORT <b>W/ILLUS. 4</b>
6	89396A38		1	PRIME BULB
7	32-817738A1		1	FUEL LINE, LONG W/CLAMP <b>ILLUS. 4 ORIGINAL FORCE P/N A 197752-1</b>
8	F487755		1	FUEL TANK ADAPTER
9	F5H026		1	FUEL TANK (ACCESSORY ITEM)
10	F409251-1		1	GAUGE CAP
-	<b>FS409752</b>		1	<b>FUEL LINE COMPLETE (NOT SHOWN). INCLUDES ALL ITEMS WITH AN ASTERISK (*).</b>
-	<b>FC409398</b>		1	<b>DECAL, TOTE TANK - CANADA (NOT SHOWN)</b>

## SPECIAL TOOLS - POWER HEAD

REF. NO.	PART NO.	SYM.	QTY.	DESCRIPTION
-	FT8932		0	LIFTING HOOK TO LIFT ENGINE.
-	FT2989		0	FLYWHEEL WEDGE TO REMOVE FLYWHEEL.
-	FT2910		0	KNOCK-OFF NUT TO REMOVE FLYWHEEL.
-	FT8971		0	SEAL INSTALLER TO INSTALL UPPER CRANKSHAFT BEARING CAGE SEAL.
-	FT8967		0	SEAL PROTECTOR TO PROTECT UPPER CRANKSHAFT BEARING CAGE SEAL DURING INSTALLATION.
-	FT2953		0	SOCKET TO TORQUE CONNECTING ROD SCREWS.
-	FT2990		0	PISTON PIN REMOVER TO REMOVE AND INSTALL PISTON PIN IN PISTON.
-	FT8926		0	RING EXPANDER TO INSTALL RINGS ON PISTONS.
-	FT2996		0	RING COMPRESSOR TO INSTALL PISTONS IN CYLINDERS.
-	FT8977		0	SEAL COLLAR INSTALLER TO INSTALL CRANKSHAFT LOWER SEAL COLLAR.
-	FT8976		0	SEAL PROTECTOR TO PROTECT LOWER SEAL DURING INSTALLATION.
-	FT2998		0	TORQUE WRENCH (0 - 100 LBS./FT.) TO PROPERLY SECURE FASTENERS
-	FT2999		0	TORQUE WRENCH (0 - 600 LBS./IN.) TO PROPERLY SECURE FASTENERS.
-	FT2991		0	CARBON BRUSH TO REMOVE CARBON FROM INSIDE POWER HEAD.
-	FT8900		0	HOSE CLAMP PLIERS TO REMOVE AND INSTALL FUEL HOSE CLAMPS.
-	FT1749		0	SNAP RING PLIERS TO REMOVE AND INSTALL PISTON PIN RETAINING RINGS.

## SPECIAL TOOLS - LOWER UNIT

REF. NO.	PART NO.	SYM.	QTY.	DESCRIPTION
-	FT8948-1		0	PROPELLER SHAFT BEARING CAGE PULLER TO REMOVE PROPELLER SHAFT BEARING CAGE FROM LOWER GEAR HOUSING.
-	FT8919		0	SPRING PIN PUNCH TO REMOVE CLUTCH SPRING PIN.
-	FT8907		0	DRIVER HANDLE TO INSTALL BEARING CUP IN LOWER GEAR HOUSING.
-	FT8918		0	BUSHING GUIDE SET TO REMOVE AND INSTALL BEARING CUP IN LOWER GEAR HOUSING.
-	FT8921		0	FORWARD BEARING CUP REMOVER TO REMOVE FORWARD BEARING CUP FROM LOWER GEAR HOUSING
-	FT8904		0	FORWARD BEARING CUP INSTALLER TO INSTALL FORWARD BEARING CUP IN LOWER GEAR HOUSING.
-	FT8972		0	DRIVESHAFT SEAL INSTALLER TO INSTALL DRIVESHAFT SEAL.
-	FT8957		0	SEAL INSTALLER TO INSTALL SHIFT ROD SEAL.
-	FT8963		0	BEARING INSTALLER TO INSTALL DRIVESHAFT BEARING IN GEAR HOUSING UPPER.
-	FT8964		0	BEARING REMOVER TO REMOVE DRIVESHAFT BEARING FROM GEAR HOUSING UPPER.
-	FT3431		0	SEAL INSTALLER TO INSTALL PROP SHAFT SEAL.

## SPECIAL TOOLS - TEST EQUIPMENT

REF. NO.	PART NO.	SYM.	QTY.	DESCRIPTION
-	FT11201		0	HARNESS ADAPTER CONNECTS C-D IGNITION SYSTEM TO IGNITION TESTER
-	FT8996		0	IGNITION TESTER TO TROUBLESHOOT IGNITION SYSTEM.
-	FT8953		0	C-D TESTER TO TROUBLESHOOT IGNITION SYSTEM.
-	FT2938-1		0	CONTINUITY TESTER BATTERY OPERATED - TO CHECK CONTINUITY OF WIRES.
-	FT2951		0	CIRCUIT TRACER TO TROUBLESHOOT 12 VOLT CIRCUITS.
-	FT2954A		0	TEST WHEEL TO TEST MOTOR IN TEST TANK.
-	FT8950		0	LEAKAGE TESTER TO TEST LOWER UNIT FOR LEAKAGE.

## SPECIAL TOOLS - LUBRICANTS AND SEALANTS

REF. NO.	PART NO.	SYM.	QTY.	DESCRIPTION
-	FT2961		0	LUBRICANT - RYKON GREASE #2EP
-	FT2987-1		0	LUBRICANT - ANTI-SEIZE
-	FT8969		0	LUBRICANT - 7 OZ. L PSI LUBRICANT
-	FT8983		0	SEALANT
-	FT8936-1		0	SEALANT - 2 CC LOCTITE RETAINING COMPOUND #75
-	FT2962-1		0	SEALANT - 50 CC LOCTITE H, NON-HARDENING GRADE
-	FT2963-2		0	SEALANT - 2 OZ. LOCTITE D, HARDENING GRADE
-	FT8935		0	SEALANT PRIMER - 6 OZ.

# ACCESSORIES

REF. NO.	PART NO.	SYM.	QTY.	DESCRIPTION
-	F5H081		0	BATTERY CABLE LONGER LENGTH - 15 FEET.
-	F5H019		0	ANTI-CORROSION KIT ELECTRICAL UNIT USED TO HELP PREVENT CORROSION.
-	F5H025		0	ANTI-CORROSION SACRIFICIAL ANODE USED TO HELP PREVENT CORROSION.
-	F5H021		0	BATTERY EXTENSION CABLE USED TO EXTEND BATTERY CABLE 6-1/2 FEET.
-	F71H26		0	BATTERY TERMINAL KIT FOR STANDARD NEGATIVE AND POSITIVE BATTERY POSTS.
-	493		0	HANDLE PROVIDES REAR HANDLE AND REST PADS
-	F5H020		0	CARRYING HANDLE PERMITS EASIER TRANSPORTATION OF ENGINE TO AND FROM BOAT (2 MAN).
-	F861		0	FLUSHING ADAPTER PERMITS FRESH WATER FLUSHING OF WATER PASSAGES WITH STANDARD GARDEN HOSE.
-	5H158		0	FUEL GAUGE FLUSH MOUNT MONITORS FUEL SUPPLY.
-	F5H028		0	SENDING UNIT FOR USE WITH ABOVE FUEL GAUGE.
-	F5H055		0	WATER PUMP KIT HEAVY DUTY WATER PUMP RECOMMENDED FOR CONTINUED OPERATION IN SANDY OR SALT WATER.
-	F5H134		0	BOAT WHITE LACQUER ENGINE TOUCH-UP PAINT IN 12 3/4 OZ. SPRAY BOMBS (6 CANS PER CASE).
-	F5H026		0	FUEL TANK, 6 GALLON, STEEL AUXILIARY TANK.
-	F5H040		0	FUEL TANK, 12 GALLON, STEEL AUXILIARY TANK.
-	F5H029		0	FUEL TANK ANCHOR SECURES 5H026 TO DECK.
-	5H082		0	REMOTE ELECTRIC CABLE 35 FT. LENGTH.
-	F5H070		0	REMOTE ELECTRIC CABLE 21 FT. LENGTH.
-	F762		0	REMOTE ELECTRIC CABLE 25 FT. LENGTH.
-	F5H155		0	SPEEDOMETER FLUSH MOUNT 20 TO 100 KM/H.
-	F5H072		0	OVERHEAT BUZZER KIT FOR ELECTRIC START MODELS. WARNS OF ENGINE OVERHEATING.
-	F5H077		0	IGNITION KEY SWITCH FOR ELECTRIC START MODELS, SHORT BARREL
-	F5H078		0	IGNITION KEY SWITCH FOR ELECTRIC START MODELS, LONG BARREL
-	FK1026		0	LONG LEG CONVERSION KIT CONVERTS 15" STANDARD SHAFT MODELS TO 20" LONG SHAFT MODELS.
-	F5H159		0	HOURLY METER FLUSH MOUNT, RECORDS ENGINE RUNNING TIME.
-	F195/___		0	REMOTE CONTROL CABLES CONNECTS REMOTE CONTROL BOX TO THROTTLE AND GEAR SHIFT ON MOTOR. AVAILABLE IN 6 THROUGH 40 FOOT LENGTHS.
-	F5H130		0	REMOTE CONTROL SURFACE MOUNT (SINGLE LEVER) PERMITS REMOTE CONTROL OF THROTTLE AND GEAR SHIFT FROM STARBOARD SIDE OF BOAT.
-	F5H131		0	PORT SIDE DECAL KIT CONVERTS 5H130 CONTROL BOX TO PORT SIDE MOUNTING.
-	F590		0	REMOTE CONTROL FLUSH MOUNT PERMITS REMOTE CONTROL OF THROTTLE AND GEAR SHIFT. MAY BE MOUNTED ON PORT OR STARBOARD SIDE OF BOAT.

CONTINUED ON NEXT PAGE ➡



# ACCESSORIES

REF. NO.	PART NO.	SYM.	QTY.	DESCRIPTION
-	865		0	REMOTE CONTROL SURFACE MOUNT PERMITS REMOTE CONTROL OF THROTTLE AND GEAR SHIFT ON TWIN ENGINE INSTALLATIONS. MAY BE MOUNTED ON PORT OR STARBOARD SIDE OF BOAT.
-	F137		0	REMOTE STEERING BRACKET ADAPTS MOTOR TO CABLE TYPE REMOTE STEERING
-	F165		0	REMOTE STEERING BRACKET ADAPTS MOTOR TO CABLE TYPE REMOTE STEERING.
-	F5H167		0	TACHOMETER MONITORS ENGINE R.P.M. TO PROVIDE CHECK OF ENGINE PERFORMANCE.
-	F5H157		0	VOLTMETER FLUSH MOUNT, INDICATES BATTERY CONDITION.
-	F596		0	CHRYSLER OUTBOARD OIL SEE BLOCK COMMENT 1.
-	F597		0	CHRYSLER OUTBOARD GEAR LUBE SEE BLOCK COMMENT 2.
-	F5H087		0	MANUAL TILLER KIT CONVERTS REMOTE CONTROL MODEL TO M.T. MODEL.
-	F5H120		0	REMOTE CONTROL BACK PLATE PROTECTS CONTROL MECHANISM FROM DAMAGING PADDED MOUNTING SURFACES IN BOAT.
-	F166		0	DUAL ENGINE TIE BAR CONNECTS ENGINE IN DUAL APPLICATION.
-	F5H059		0	CHRYSLER OUTBOARD MULTI-PURPOSE GREASE LUBRICATES BEARINGS AND OTHER MOVING PARTS. AVAILABLE IN 8 OZ. TUBES AND 12 TUBE CASES.
-	F5H060		0	CHRYSLER OUTBOARD GREASE GUN USED WITH CHRYSLER OUTBOARD MULTI-PURPOSE GREASE TUBES FOR PRESSURE FITTINGS.
-	F5H102		0	STEERING LINK KIT FOR PORT SIDE ENTRY W/PIVOT TUBE.
-	F5H106		0	STEERING LINK KIT FOR STARBOARD SIDE ENTRY W/PIVOT TUBE.
-	F5H076		0	SWITCH EXTENSION CABLE - 5' ALLOWS REMOTE INSTALLATION OF IGNITION SWITCH.
-	F5H075		0	SWITCH EXTENSION CABLE - 24" ALLOWS REMOTE INSTALLATION OF IGNITION SWITCH.
-	F5H030		0	SWITCH KIT - RUNNING LIGHTS DASH MOUNT TOGGLE FOR ANCHOR AND RUNNING LIGHTS.
-	F5H031		0	SWITCH KIT - SPOT LIGHT DASH MOUNT TOGGLE FOR SPOT OR SEARCH LIGHTS.
-	F5H032		0	SWITCH KIT - WIPER DASH MOUNT TOGGLE FOR ELECTRIC WIPER.
-	F5H034		0	SWITCH KIT - BILGE PUMP DASH MOUNT TOGGLE FOR ELECTRIC BILGE PUMP.
-	F5H035		0	SWITCH KIT - HORN DASH MOUNT TOGGLE FOR HORN - MOMENTARY ON.
-	F5H036		0	SWITCH KIT - TACHOMETER TRANSFER DASH MOUNT TOGGLE FOR ONE TACHOMETER ON DUAL ENGINE INSTALLATION.
-	F5H037		0	SWITCH KIT - LIGHTER DASH MOUNT LIGHTER, COMPLETE.

CONTINUED ON NEXT PAGE ➡

## ACCESSORIES

REF. NO.	PART NO.	SYM.	QTY.	DESCRIPTION
-	F5H038		0	SWITCH KIT - IGNITION DASH MOUNT PLATE FOR 5H077 AND 5H078 KEY SWITCH (NOT INCLUDED).
-	F5H039		0	SWITCH KIT - INSTRUMENTS DASH MOUNT TOGGLE FOR INSTRUMENT LIGHTS.
-	F563		0	TERMINAL BLOCK KIT

# PARTS INDEX

Part Number	Description	Pg.	Ref. No.	Part Number	Description	Pg.	Ref. No.
493	HANDLE	46	-	F1337	NUT, 6 - 32	13	16
5H082	REMOTE ELECTRIC CABLE	46	-	F1341	HEX NUT	27	52
5H158	FUEL GAUGE FLUSH MOUNT	46	-	F1341	HEX NUT, 1/4 - 20	7	15
817747--1	JOINT, BALL ASSEMBLY	27	59	F1346	HEX NUT, 3/8 - 16	33	9
817776A3	STERN BRACKET CLAMP SCREW	29	36	F1346	HEX NUT, 3/8 - 16	39	46
817796A2	GEAR SHIFT ARM	37	35	F1349	HEX NUT	35	51
817805A1	ROD, SHIFT INTERLOCK	25	20	F137	REMOTE STEERING BRACKET	47	-
817808A2	LEVER, GEAR SHIFT	25	25	F141118	SEAL, PROPELLER SHAFT	37	17
817809A1	PLATE, KINGPIN MOUNTING	33	13	F141305	SEAL, PROPELLER SHAFT BEARING CAGE	37	19
817813A1	COVER, SUPPORT PLATE	3	27	F141704	COUPLING, GEAR SHIFT ROD	35	50
817842A1	TILT HANDLE	3	5	F1475	FILL HD SCREW, 10 - 24 X 1/2	3	11
817882A1	FRICTION SHOE ADJUSTING ARM	29	2	F15002	SPRING SET	7	24
817892--1	PLATE, IGNITION - CANADA	9	-	F15010	ARMATURE	7	18
818056A2	LEG COVER FRONT W/PACKING	33	35	F15015	BRUSH SET	7	23
818057A1	LEG COVER REAR W/PACKING	33	15	F15019-1	HEAD ASSEMBLY COMMUTATOR END	7	22
865	REMOTE CONTROL SURFACE MOUNT	47	-	F15021-1	HEAD ASSEMBLY DRIVE END	7	16
89396A38	PRIME BULB	41	6	F15087	HEX NUT	7	2
F1014	COTTER PIN	15	16	F15091	WASHER	7	9
F1014	COTTER PIN	29	20	F15095	BENDIX DRIVE	7	1
F1015	COTTER PIN	39	42	F15097	THRU BOLT PACKAGE	7	25
F1020	COTTER PIN	35	54	F15098	THRUST WASHER PACKAGE	7	17
F1027	COTTER PIN	37	12	F15102	SPRING, ANTI-DRIFT	7	4
F1059	FILL HD SCREW, 6 - 32 X 1/4	15	11	F15104	CUP, CUSHION THRUST	7	12
F1072	FILL HD SCREW, 1/4 - 20 X 1-3/4	27	53	F15105	CUP, CUSHION	7	10
F1077	FILL HD SCREW, 10 - 24 X 1/2	9	15	F15106	CUSHION	7	11
F1092	FILL HD SCREW, 10 - 32 X 5/8	13	12	F15107	CUP, PINION	7	5
F1100	SLOTTED FILL HD SCREW, 1/4 - 20 X 1-1/8	9	10	F15108	SLEEVE	7	6
F1107	FILL HD SCREW, 1/4 - 20 X 3/4	25	1	F15109	CUP, STOP	7	3
F1108	FILL HD MACHINE SCREW W/LOCKWASHER, 1/4 - 20 X 3/4	23	7	F15117	FRAME AND FIELD ASSEMBLY	7	21
F1129	FILL HD SCREW, 5/16 - 18 X 1/2	33	28	F1513	HEX NUT, 10 - 32	9	27
F1141	FLAT HD SCREW, 10 - 24 X 1/2	19	6	F1513	HEX NUT, 10 - 32	13	9
F1160	FLAT HD SCREW, 1/4 - 28 X 5/8	33	44	F1513	HEX NUT, 10 - 32	25	26
F1200	HEX HD SCREW, 1/4 - 20 X 1/2	13	21	F1514	HEX JAM NUT, 1/4 - 20	7	13
F1211	HEX HD SCREW W/SPRING LOCKWASHER, 1/4 - 28 X 5/8	33	47	F1515	HEX JAM NUT, 5/16 - 18	3	33
F1236	HEX CAP SCREW, 1/4 - 20 X 1/2	3	19	F1515	HEX NUT	9	24
F1263	HEX SOCKET HD CAP SCREW, 5/16 - 18 X 9/16	33	21	F1515	HEX NUT, 5/16 - 18	19	2
F1263	HEX SOCKET HD CAP SCREW, 5/16 - 18 X 9/16	37	15	F1515	HEX NUT, 5/16 - 18	29	38
F1280	PAN HD SCREW, 8 - 32 X 1/4	9	25	F1515	HEX NUT, 5/16 - 18	33	23
				F1532	HEX HD SCREW, 1/4 - 20 X 1	27	51
				F154317	CLAMP, REMOTE CABLE	3	21
				F1552	PAN HD SCREW, 8 - 32 X 1/2	13	26
				F1600	STOP NUT	29	15
				F1632	PLASTI-PLUG	3	18
				F1638	SPRING PIN	29	35
				F1645	ROUND HD SCREW, 6 - 32 X 1/4	13	25
				F1645	ROUND HD SCREW, 6 - 32 X 7/8	9	7
				F1647	HEX NUT	9	14
				F1648	PAN HD SCREW, 10 - 24 X 3/4	9	31

# PARTS INDEX

Part Number	Description	Pg.	Ref. No.	Part Number	Description	Pg.	Ref. No.
F165	REMOTE STEERING BRACKET	47	-	F1860	BINDING HD MACHINE SCREW, 6 - 32 X 1/4	23	3
F166	DUAL ENGINE TIE BAR	47	-	F1864	HEX HD SCREW, 1/4 - 20 X 3/4	25	10
F1663	PIN, SPRING	33	43	F1877	TY-RAP	13	6
F1666	BOWED SPRING WASHER	29	12	F1904	PLAIN WASHER	29	39
F1669	NUT	29	26	F1910	LOCK NUT	27	62
F1689	HEX CAP SCREW, 1/4 - 20 X 1/2	25	12	F1922	HEX CAP SCREW, 1/4 - 20 X 5/8	25	32
F1689	HEX CAP SCREW, 1/4 - 20 X 1/2	29	7	F1922	HEX HD MACHINE SCREW, 1/4 - 20 X 5/8	3	15
F1696	HEX CAP SCREW, 5/16 - 18 X 1-3/4	33	26	F1922	HEX HD SCREW, 1/4 - 20 X 5/8	25	27
F1699	HEX HD M. SCREW, 1/4 - 20 X 1-1/8	9	3	F1922	HEX SLOT HD SCREW W/LOCKWASHER, 1/4 - 20 X 5/8	35	49
F1704	INTERNAL TOOTH LOCKWASHER	9	8	F1929	HEX CAP SCREW, 3/8 - 16 X 1-1/8	37	3
F1704	LOCKWASHER #6	13	24	F1934	FLAT HD SLOTTED SCREW	9	20
F1705	HEX CAP SCREW, 1/4 - 20 X 3/4	7	19	F195/___	REMOTE CONTROL CABLES	46	-
F1705	HEX CAP SCREW, 1/4 - 20 X 3/4	33	34	F1975	LOCKWASHER	13	19
F1727	PLASTI-RIVET	25	7	F1975	SPRING LOCKWASHER	9	28
F1733	PAN HD SCREW, 10 - 24 X 1/2 - 10 - 24 X 9/16	11	37	F1975	SPRING LOCKWASHER	13	8
F1734	FILL HD MACHINE SCREW W/SPRING LOCKWASHER, 1/4 - 20 X 1/2	9	17	F197787-3	FUEL LINE COUPLER	41	3
F1739	PLAIN WASHER	35	57	F1978	SPRING PIN	35	53
F1739	PLAIN WASHER (ELECTRIC START)	27	40	F1995	SLOTTED FILL HD SCREW, 10 - 24 X 1	13	3
F1745	HEX HD SCREW W/SPRING LOCKWASHER, 5/16 - 18 X 1	33	41	F1997	LOCK NUT	15	3
F1746	HEX CAP SCREW, 1/4 - 28 X 5/8	13	28	F2005	HEX SOCKET HD CAP SCREW, 5/16 - 18 X 2-3/4	25	11
F1753	FASTENER	3	8	F2006	HEX CAP SCREW, 5/16 - 18 X 4-3/4	33	24
F1755	ROUND HD SCREW W/LOCKWASHER, 6 - 32 X 5/16	19	12	F2007	HEX CAP SCREW, 5/16 - 18 X 4	33	25
F177330	FUEL PUMP VALVE	23	4	F2008	HEX HD MACHINE SCREW, 1/4 - 20 X 7/8	19	1
F1778	PLAIN WASHER	33	10	F2008	HEX HD SCREW, 1/4 - 20 X 7/8	39	47
F17815	SEAL, FUEL LINE COUPLER (SMALL)	41	2	F2010	FILL HD SCREW, 10 - 32 X 9/16	13	5
F17816	SEAL, FUEL LINE COUPLER (LARGE)	41	1	F2011	PAN HD SCREW, 1/4 - 20 X 1-1/4	33	30
F1803	STOP NUT	27	58	F2012	PLAIN WASHER	13	17
F183300	SPRING, LATCH SHAFT	3	31	F2013	HEX SOCKET HD CAP SCREW, 5/16 - 18 X 1-1/4	25	14
F183300	SPRING, SHIFT DETENT	25	31	F2014	PLAIN WASHER	25	29
F183346-1	SHOCK MOUNT LOWER THRUST	33	27	F2014	PLAIN WASHER	37	6
F1836	SPRING PIN	29	21	F2014	PLAIN WASHER	39	44
F183756-1	PACKING, SUPPORT PLATE	33	2	F2016	FILL HD SCREW, 6 - 32 X 7/8	9	6
F183813	BEARING	27	55	F2018	SPEED NUT, 1/4 - 20	33	29
F184033-1	SWIVEL, CHOKE ARM	15	10	F2021	FLYWHEEL NUT, 5/8 - 18	13	1
F184579	SEAL, CHOKE ARM SWIVEL	15	9	F2025	PAN HD SCREW, 10 X 5/8	3	4
F1854	HEX CAP SCREW, 1/4 - 20 X 5/8	9	29	F2027	HEX CAP SCREW, 5/16 - 18 X 3	29	41
F1854	HEX CAP SCREW, 1/4 - 20 X 5/8	27	43	F2030	HEX HD CAP SCREW, 1/4 - 20 X 1-1/4	39	58
F185764	RETAINING RING	3	32	F2033	GROOVE PIN	15	13
				F203965	SHOCK MOUNT UPPER THRUST	33	45
				F2066	PAN HD SCREW, 10 X 7/16	3	2

# PARTS INDEX

Part Number	Description	Pg.	Ref. No.	Part Number	Description	Pg.	Ref. No.
F2095	SPRING PIN	29	30	F411420	RETAINER, SWITCH PLATE	9	21
F2097	SPRING PIN	37	26	F412181-1	PLATE, IGNITION - U.S.A.	9	19
F2107	SLOTTED FILL HD SCREW W/SPRING LOCKWASHER, 10 - 24 X 5/8	3	22	F428096	RETAINER, PISTON PIN	21	1
F213274	GREASE FITTING	31	44	F429811	SCREEN, CYLINDER DRAIN	25	35
F24074	CLAMP SCREW FOOT	29	32	F433168	GASKET, CARBURETOR ADAPTER	19	5
F24342	SEAL, INLET WATER LINE	37	5	F433168	GASKET, CARBURETOR ADAPTER	27	-
F269052	BEARING, SHIFT LEVER	25	24	F433209-1	STUD, THROTTLE CAM	27	65
F269122-1	SEAL, CRANKCASE PARTING LINE	25	8	F433404	DEFLECTOR PLATE	19	7
F269319	BEARING, THROTTLE CAM	27	63	F433406	GASKET, DEFLECTOR PLATE	19	8
F286028	CRANKSHAFT LOWER MAIN BEARING	21	14	F433406	GASKET, DEFLECTOR PLATE	27	-
F286282	WASHER	27	57	F434767	BUSHING, FUEL LINE	3	30
F286422-1	PIVOT, TILT LOCK	29	8	F435077	SCREEN, WATER INLET	39	52
F286440	STUD, MAGNETO CONTROL LEVER	27	54	F435555	SEAL, GEAR HOUSING	39	45
F286451	SPACER, TILT LOCK	29	9	F435562	WATER PUMP BACK PLATE	39	54
F286544-1	SPRING, TILT LOCK	29	11	F435705	GEAR SHIFT ROD LOWER	37	37
F286772-1	CLAMP	13	10	F436541	TILT LOCK - PORT	29	10
F286772-1	CLAMP, FUEL PUMP TO CARBURETOR HOSE	9	9	F438165	SCREW, FUEL PUMP BOWL	23	11
F288075	HANDLE, STERN BRACKET CLAMP SCREW	29	34	F438500	FUEL PUMP BOWL	23	10
F296898	TERMINAL	9	34	F438617	GASKET, FUEL PUMP BOWL	27	-
F298788	FERRULE	41	4	F438617	GASKET, FUEL PUMP BOWL	27	-
F2A366298	PROP SHAFT BEARING CAGE	37	16	F438653	SCREEN, FUEL PUMP	23	9
F2A458081	MAGNETO CONTROL LEVER	27	56	F438747	FUEL PUMP DIAPHRAGM	23	2
F2A458266	BEVEL PINION W/BEARING	37	36	F438760	FUEL PUMP GASKET	23	1
F2A458581	COLLAR W/LOWER CRANKSHAFT SEAL	21	11	F438760	GASKET, FUEL PUMP	27	-
F307317-1	CLIP, TERMINAL BLOCK GROUND	9	32	F438801	FITTING, FUEL PUMP BODY	23	15
F307818	BEARING	25	16	F440209	STUD, GEAR SHIFT LEVER	25	28
F307818	BEARING, LATCH SHAFT	3	25	F455305	SEAL, CRANKSHAFT COLLAR	21	12
F316160	REED	19	10	F458019	KINGPIN	31	47
F333316	SHAFT, THROTTLE ROLLER	15	1	F458028	BEARING, CRANKSHAFT UPPER MAIN	21	19
F335217-1	BEARING, PISTON PIN	21	3	F458038-2	SUPPORT PLATE	3	17
F338618-1	SEAL, SHIFT ROD LOWER	39	50	F458057	BEARING, DRIVESHAFT UPPER	39	51
F366058	BALL BEARING, PROPELLER SHAFT	37	18	F458066	THERMOSTAT COVER	27	44
F366215	SPACER, PISTON PIN	21	2	F458067	GASKET, THERMOSTAT COVER	27	-
F366364	ARM, REVERSE LOCK	29	23	F458067	GASKET, THERMOSTAT COVER	27	45
F366727	BALL, PROPELLER SHAFT	37	22	F458076	TAB, SHOCK MOUNT SIDE	33	12
F381896-4	CABLE, BATTERY ENTRY	9	16	F458109	PLUG, CYLINDER HEAD	25	39
F385433	TILT STOP	29	31	F458133	MOTOR LEG	33	18
F385647	CARRYING HANDLE	33	42	F458146	SEAL, CRANKSHAFT UPPER MAIN	25	2
F391926-1	PLUNGER	15	14	F458151	EXHAUST PORT PLATE	27	49
F3C604712	ENGINE COVER COMPLETE	3	-	F458152	EXHAUST PORT COVER	27	50
F40008	STUD, SHORT	39	40	F458154	GASKET, EXHAUST PORT PLATE	27	-
F40017-2	PISTON PIN	21	4	F458154	GASKET, EXHAUST PORT PLATE	27	48
F40209	CARBURETOR STUD	19	3	F458166-2	SCREW, MOTOR LEG TO CYLINDER	33	19
F40342	SEAL, PROPELLER NUT	37	11	F458192	THROTTLE CAM	27	64
F40717	THRUST WASHER	37	21	F458223	GASKET, TRANSFER PORT COVER	25	36
F407446	CLAMP, BATTERY CABLE	9	18				
F40906-1	FLANGE GASKET	15	37				
F409251-1	GAUGE CAP	41	10				

# PARTS INDEX

Part Number	Description	Pg.	Ref. No.	Part Number	Description	Pg.	Ref. No.
F458244-1	INLET WATER LINE FOR STANDARD SHAFT MODELS . . . . .	37	7	F461774	BRACKET, RETAINER REAR	3	16
F458245-1	BAFFLE TILT HANDLE . . . . .	3	3	F462065	WATER PUMP IMPELLER . .	39	55
F458277	GASKET, CRANKSHAFT BEARING CAGE . . . . .	25	4	F462128	DRIVESHAFT FOR LONG SHAFT MODELS . . . . .	37	8
F458277	GASKET, CRANKSHAFT BEARING CAGE . . . . .	27	-	F462840	GROMMET, REMOTE SHIFT CABLE . . . . .	3	29
F458279	GASKET, CYLINDER EXHAUST . . . . .	27	-	F462840	GROMMET, REMOTE THROTTLE CABLE . . . . .	3	23
F458279	GASKET, CYLINDER EXHAUST . . . . .	33	1	F462962	SHOCK MOUNT LOWER SIDE . . . . .	33	20
F458307	SEAL, DRIVESHAFT . . . . .	39	53	F463864	RETAINER, TILT HANDLE . .	3	6
F458312	PACKING, LEG COVER SIDE	33	32	F483300	SPRING . . . . .	29	27
F458315	PACKING, LEG COVER SIDE UPPER . . . . .	33	37	F483349-1	REVERSE LOCK . . . . .	29	25
F458320	PACKING, LEG COVER FRONT UPPER PORT . . .	33	38	F483510-1	LINK, REVERSE LOCK . . . .	29	24
F458322	PACKING, LEG COVER REAR . . . . .	33	17	F483827	LEVER, REVERSE LOCK . . .	29	17
F458323-1	PACKING, LEG COVER FRONT . . . . .	33	33	F483884	BEARING, REVERSE LOCK . .	29	22
F458324	PACKING, LEG COVER FRONT UPPER - STARBOARD . . . . .	33	36	F487755	FUEL TANK ADAPTER . . . . .	41	8
F458342	SEAL, CRANKSHAFT SPLINE	21	13	F498618	SEAL, "O" RING . . . . .	37	33
F458345	PAD, KINGPIN MOUNTING PLATE . . . . .	33	14	F498891	GEAR SHIFT ARM PIN . . . . .	37	34
F458347	MOUNT, SUPPORT PLATE . .	33	4	F50109	PLUG, GEAR HOUSING . . . .	37	32
F458371	BRACKET, REMOTE THROTTLE CABLE . . . . .	3	20	F510374	DECAL, CIRCUIT BREAKER - U.S.A. . . . .	9	36
F458453	GASKET, LEG EXHAUST . . .	27	-	F510460	CIRCUIT BREAKER . . . . .	9	35
F458453	GASKET, LEG EXHAUST . . .	33	16	F510475	IGNITION COIL . . . . .	13	18
F458502	ROD, THROTTLE CAM . . . .	27	60	F513015-1	PISTON . . . . .	21	6
F458509	LINK, MAGNETO STATOR . .	27	61	F513061	CARBURETOR COMPLETE (WB-30A) . . . . .	15	38
F458579	SEAL, CRANKCASE . . . . .	21	10	F513388	DISC, WATER PUMP LOCATING . . . . .	39	59
F458615	GEAR SHIFT ROD UPPER . .	35	52	F513529	GASKET, CYLINDER HEAD . .	25	37
F458727	BALL, SHIFT LEVER DETENT	25	30	F513529	GASKET, CYLINDER HEAD . .	27	-
F458736	SEAL, WATER PUMP . . . . .	39	60	F514427	BRACKET, STARTER MOTOR . . . . .	9	1
F458754	HOSE, FUEL PUMP TO CARBURETOR . . . . .	23	14	F529029	STATOR TRIGGER . . . . .	13	11
F458783	SEAL, SWIVEL BRACKET . .	29	28	F529095	STATOR . . . . .	13	4
F458845	EXTENSION, MOTOR LEG . .	37	1	F529097	FLYWHEEL . . . . .	13	2
F458887	FASTENER, SUPPORT PLATE . . . . .	33	3	F529125-1	TUBE, PIVOT STEERING . . .	29	42
F458936	SCREW, CYLINDER HEAD . .	27	41	F529286	WASHER, SWIVEL BRACKET FRICTION . . . . .	29	13
F458962	MOUNT, SIDE UPPER . . . . .	33	11	F529301	C-D MODULE . . . . .	13	27
F458963	PLATE, SHOCK MOUNT . . .	33	8	F529358	BRACKET, ELECTRICAL COMPONENTS . . . . .	13	15
F458972-1	COVER, SHOCK MOUNT STARBOARD . . . . .	33	40	F529390-1	DECAL, REVERSE LOCK - USA . . . . .	31	43
F458973-1	COVER, SHOCK MOUNT PORT . . . . .	33	22	F529398	DECAL, WIRING - U.S.A. . . .	11	40
F458977-3	LEVER, SHIFT INTERLOCK . .	25	17	F529726	BEARING, REVERSE LOCK . .	29	18
F460317	CLAMP, SOLENOID FOR ELECTRIC START . . . . .	25	13	F529744	WIRING HARNESS . . . . .	9	11
F460573	CLAMP, STARTER MOTOR . .	7	20	F53504	GROMMET, SUPPORT PLATE . . . . .	3	26
F460664	STATOR GROUND WIRE . . .	13	7	F563	TERMINAL BLOCK KIT . . . . .	48	-
F460917	STARTER RELAY . . . . .	9	30	F590	REMOTE CONTROL FLUSH MOUNT . . . . .	46	-
F460925	ROD . . . . .	15	12	F596	CHRYSLER OUTBOARD OIL	47	-
				F597	CHRYSLER OUTBOARD GEAR LUBE . . . . .	47	-
				F5H019	ANTI-CORROSION KIT . . . .	46	-
				F5H020	CARRYING HANDLE . . . . .	46	-
				F5H021	BATTERY EXTENSION CABLE . . . . .	46	-

# PARTS INDEX

Part Number	Description	Pg.	Ref. No.	Part Number	Description	Pg.	Ref. No.
F5H026	FUEL TANK (ACCESSORY ITEM)	41	9	F8049	BOWED SPRING WASHER	35	55
F5H026	FUEL TANK, 6 GALLON, STEEL	46	-	F8056	SPRING LOCKWASHER	9	13
F5H028	SENDING UNIT	46	-	F8058	INTERNAL TOOTH LOCKWASHER	25	22
F5H029	FUEL TANK ANCHOR	46	-	F8065	SPRING LOCKWASHER	37	4
F5H030	SWITCH KIT - RUNNING LIGHTS	47	-	F8077	WASHER, GEAR HOUSING PLUG	37	31
F5H031	SWITCH KIT - SPOT LIGHT	47	-	F8078	LOCKWASHER #8	13	22
F5H032	SWITCH KIT - WIPER	47	-	F8083	SPRING LOCKWASHER	7	14
F5H034	SWITCH KIT - BILGE PUMP	47	-	F8083	SPRING LOCKWASHER	9	2
F5H035	SWITCH KIT - HORN	47	-	F8083	SPRING LOCKWASHER	29	6
F5H036	SWITCH KIT - TACHOMETER TRANSFER	47	-	F8088	PLAIN WASHER	9	5
F5H037	SWITCH KIT - LIGHTER	47	-	F8088	PLAIN WASHER	15	15
F5H038	SWITCH KIT - IGNITION	48	-	F8094	PLAIN WASHER	29	19
F5H039	SWITCH KIT - INSTRUMENTS	48	-	F8096	SPRING LOCKWASHER	3	34
F5H040	FUEL TANK, 12 GALLON, STEEL	46	-	F8096	SPRING LOCKWASHER	9	26
F5H055	WATER PUMP KIT	46	-	F8096	SPRING LOCKWASHER	33	39
F5H059	CHRYSLER OUTBOARD MULTI-PURPOSE GREASE	47	-	F84026	SWIVEL, SHIFT INTERLOCK BEARING	25	19
F5H060	CHRYSLER OUTBOARD GREASE GUN	47	-	F84035-2	BEARING, SHIFT INTERLOCK ROD	25	18
F5H070	REMOTE ELECTRIC CABLE	46	-	F84314-2	ELBOW, CARBURETOR	15	6
F5H072	OVERHEAT BUZZER KIT	46	-	F84449	SWITCH, STARTER INTERLOCK	9	4
F5H075	SWITCH EXTENSION CABLE - 24"	47	-	F84792	FUEL PUMP GASKET	23	5
F5H076	SWITCH EXTENSION CABLE - 5'	47	-	F84792	GASKET, FUEL PUMP VALVE	27	-
F5H077	IGNITION KEY SWITCH	46	-	F85026	SWIVEL, SHIFT INTERLOCK LEVER	25	15
F5H078	IGNITION KEY SWITCH	46	-	F8537	SPRING PIN	29	37
F5H078	IGNITION SWITCH (ACCESSORY ITEM)	9	23	F85372	PIN, GEAR SHIFT ROD LOWER	39	43
F5H081	BATTERY CABLE	46	-	F85498	FLYWHEEL KEY	21	18
F5H087	MANUAL TILLER KIT	47	-	F8559	DOWEL PIN	27	47
F5H102	STEERING LINK KIT	47	-	F85610	BEARING	35	56
F5H106	STEERING LINK KIT	47	-	F85634-2	SCREW, CONNECTING ROD	21	15
F5H120	REMOTE CONTROL BACK PLATE	47	-	F85735-1	SEAL	3	7
F5H130	REMOTE CONTROL SURFACE MOUNT (SINGLE LEVER)	46	-	F85756	PACKING, ENGINE COVER	3	14
F5H131	PORT SIDE DECAL KIT	46	-	F85843-1	CABLE, ELECTRIC CONTROL	11	38
F5H134	BOAT WHITE LACQUER	46	-	F85924	CHOKE SOLENOID	9	12
F5H155	SPEEDOMETER	46	-	F861	FLUSHING ADAPTER	46	-
F5H157	VOLTMETER	47	-	F88161-3	REED STOP	19	11
F5H159	HOURLMETER	46	-	F89777-1	CAM, ENGINE COVER LATCH	5	35
F5H167	TACHOMETER	47	-	F901011	WASHER, SWIVEL BRACKET	31	46
F603711	PLATE, FRONT	5	37	F901169-1	BEARING, SWIVEL BRACKET	29	29
F66480	STUD	29	33	F901563	DRIVE PIN, WATER PUMP IMPELLER	37	9
F7004	HEX NUT	37	38	F901631-1	FRICITION SHOE	29	5
F7004	LOCK NUT, 3/8 - 16	25	23	F901775	PLATE, FRICTION SHOE	29	4
F7011	HEX NUT, 10 - 24	3	9	F9018	CAP, PIVOT STEERING TUBE	29	16
F7024	STOP NUT	29	1	F901822-1	STUD, SWIVEL BRACKET	29	3
F71H26	BATTERY TERMINAL KIT	46	-	F90619-1	YOKE, GEAR SHIFT ARM	37	25
F762	REMOTE ELECTRIC CABLE	46	-	F90871-3	GEAR SHIFT ARM PIN	37	24
F8000	PLAIN WASHER	25	6	F91446-1	BRACKET, CIRCUIT BREAKER	11	39
F8011	PLAIN WASHER	3	28				

# PARTS INDEX

Part Number	Description	Pg.	Ref. No.	Part Number	Description	Pg.	Ref. No.
F97008-1	STUD, LONG	39	41	FA94094-2	PROP NUT	37	13
F97772	FUEL LINE CLAMP	23	12	FB368700	IGNITION KEY - STAMPED B	9	-
F98273	ROD END CONNECTOR			FC368700	IGNITION KEY - STAMPED C	9	-
	STUD	25	21	FC409398	DECAL, TOTE TANK - CANADA (NOT SHOWN)	41	-
F99521-1	CLUTCH	37	28	FC503227	SPARK PLUG (CHAMPION QL-77-J4) FOR CANADA	27	-
FA27232	STARTER ROPE W/HANDLE	13	30	FC510374	DECAL, CIRCUIT BREAKER - CANADA	9	-
FA324113	STERN BRACKET LOCK BAR W/END	29	40	FC513390	DECAL STARTER - CANADA (NOT SHOWN)	7	-
FA368700	IGNITION KEY - NO LETTER OR STAMPED A	9	22	FC529398	DECAL, WIRING - CANADA	11	-
FA413469	COVER LATCH HANDLE W/SHAFT	3	24	FC573010	SHORT BLOCK FOR ALTERNATOR MODELS.	25	-
FA435116	EXHAUST SNOUT	39	48	FD368700	IGNITION KEY - STAMPED D	9	-
FA435616	GEAR SHIFT ROD INTERMEDIATE	39	56	FE368700	IGNITION KEY - STAMPED E	9	-
FA438431	FUEL PUMP BODY	23	6	FG1014	GASKET SET	27	46
FA458144	CRANKSHAFT BEARING CAGE	25	3	FK10000	GASKET SET	15	28
FA458167	CARBURETOR ADAPTER	19	4	FK10027	REPAIR PARTS KIT	17	41
FA458456	HAND STARTER COLLAR	13	29	FK1026	LONG LEG CONVERSATION KIT	46	-
FA458480	RETAINER, ENGINE COVER REAR	3	10	FK1053	WATER PUMP KIT	37	39
FA458571	ROLLER, CENTER MAIN	21	9	FK1068	GEAR HOUSING SEAL KIT	37	27
FA458655	LINER, CENTER MAIN (1 SET)	21	8	FK1123	SPARKIE KIT	13	14
FA458662	BEVEL GEAR REAR W/BUSHING	37	20	FK15084	SCREW SHAFT	7	8
FA458778	RETAINER, ENGINE COVER FRONT	5	38	FK15103	PINION	7	7
FA460686	COVER, KINGPIN MOUNTING PLATE	33	31	FK247	PROPELLER PIN, PACK OF 6	37	10
FA463260	PISTON RING SET (4 PER SET)	21	7	FK85228-1	BEARING CAGE W/ROLLERS (16 PER SET)	21	16
FA502554	GEAR HOUSING UPPER	39	49	FO10165	INLET SEAT GASKET	15	32
FA504082	MAGNETO STATOR RING	25	5	FO10280	CHOKE SHUTTER RETAINING SCREW AND LOCKWASHER	15	19
FA510497	TERMINAL BLOCK	9	33	FO10588	BODY CHANNEL CUP PLUG	17	40
FA510914	SEAL, INLET WATER LINE LOWER	39	61	FO10790	INLET NEEDLE, SEAT AND GASKET	15	31
FA513060	WATER PUMP BODY	39	57	FO10883	CHOKE RELIEF VALVE SPRING	15	21
FA513518	CYLINDER HEAD	25	38	FO11103	IDLE MIXTURE SCREW SPRING	15	18
FA529072	SWIVEL BRACKET	31	45	FO12250	CHOKE SHUTTER	15	22
FA572158	REED PLATE W/METERING CUP	19	9	FO12251	CHOKE RELIEF VALVE	15	20
FA572222	TRANSFER PORT COVER	25	33	FO13552	FUEL BOWL	15	26
FA573010	CYLINDER W/CRANKCASE COVER	25	9	FO13554	FLOAT	15	29
FA604396	DECAL, ENGINE COVER - STARBOARD	3	-	FO13944	FLOAT LEVER PIN	15	23
FA604397	DECAL, ENGINE COVER - PORT	3	12	FO13945	FUEL BOWL RETAINING SCREW	15	27
FA604528	DECAL, ENG. COVER REAR	5	39	FO14108	MAIN FUEL JET .064 - 1250 - 3750 FT. (OPT.)	15	-
FA604892	DECAL, ENGINE COVER FRONT	5	36	FO14166	IDLE MIXTURE SCREW	15	17
FA605386	DECAL, NUMERAL 35	3	13	FO14186	MAIN FUEL JET .060 - 6250 - 8250 FT. (OPT.)	15	-
FA609853	DECAL, WARNING SHIFT CONTROL	13	31	FO14187	MAIN FUEL JET .062 - 3750 - 6250 FT. (OPT.)	15	-
FA617450	RECTIFIER	13	23	FO14188	MAIN FUEL JET .066 - STANDARD	15	33
FA84754-1	FUEL LINE SHORT	41	5	FO15213	MAIN NOZZLE	15	30
FA85754-1	HOSE, FUEL PUMP TO BUSHING	23	13	FO15623	FUEL BOWL GASKET	15	24



# PARTS INDEX

Part Number	Description	Pg.	Ref. No.	Part Number	Description	Pg.	Ref. No.
FO16561	THROTTLE SHAFT AND LEVER .....	15	4	FT8921	FORWARD BEARING CUP REMOVER .....	43	-
FO16562	CHOKE SHAFT AND LEVER	15	8	FT8926	RING EXPANDER .....	42	-
FO16563	THROTTLE SHAFT RETURN SPRING .....	15	5	FT8932	LIFTING HOOK .....	42	-
FO16791	IDLE TUBE .....	17	44	FT8935	SEALANT PRIMER - 6 OZ. ..	45	-
FO17486	THROTTLE SHUTTER .....	15	35	FT8936-1	SEALANT - 2 CC LOCTITE RETAINING COMPOUND #75 .....	45	-
FO2510	FUEL BOWL RETAINING SCREW GASKET .....	15	25	FT8948-1	PROPELLER SHAFT BEARING CAGE PULLER	43	-
FO3804	THROTTLE SHAFT RETAINING SC. LOCKWASHER .....	17	43	FT8950	LEAKAGE TESTER .....	44	-
FO4326	BODY CHANNEL WELCH PLUG .....	15	39	FT8953	C-D TESTER .....	44	-
FO6393	THROTTLE SHAFT RETAINING SCREW ....	17	42	FT8957	SEAL INSTALLER .....	43	-
FO6396	THROTTLE SHAFT POSITION "E" RING .....	15	34	FT8963	BEARING INSTALLER .....	43	-
FO8942	THROTTLE SHUTTER RETAINING SCREW AND LOCKWASHER .....	15	36	FT8964	BEARING REMOVER .....	43	-
FP273	PROPELLER (ACCESSORY ITEM) .....	37	14	FT8967	SEAL PROTECTOR .....	42	-
FS409752	FUEL LINE COMPLETE (NOT SHOWN). .....	41	-	FT8969	LUBRICANT - 7 OZ. L PSI LUBRICANT .....	45	-
FS458023	BEVEL GEAR FRONT W/BEARING .....	37	29	FT8971	SEAL INSTALLER .....	42	-
FS602532	STERN BRACKET PORT ...	29	14	FT8972	DRIVESHAFT SEAL INSTALLER .....	43	-
FS901244	EXTENSION, INLET WATER LINE .....	37	2	FT8976	SEAL PROTECTOR .....	42	-
FT11201	HARNES ADAPTER .....	44	-	FT8977	SEAL COLLAR INSTALLER .	42	-
FT1749	SNAP RING PLIERS .....	42	-	FT8983	SEALANT .....	45	-
FT2910	KNOCK-OFF NUT .....	42	-	FT8996	IGNITION TESTER .....	44	-
FT2938-1	CONTINUITY TESTER .....	44	-	21-817741A1	VALVE, CHECK .....	25	34
FT2951	CIRCUIT TRACER .....	44	-	32-817738A1	FUEL LINE, LONG W/CLAMP	41	7
FT2953	SOCKET .....	42	-	33-82370M	SPARK PLUG (L 82) .....	27	42
FT2954A	TEST WHEEL .....	44	-	44-819500A3	PROPELLER SHAFT .....	37	23
FT2961	LUBRICANT - RYKON GREASE #2EP .....	45	-	100-818015A1	ENGINE COVER .....	3	1
FT2962-1	SEALANT - 50 CC LOCTITE H, NON-HARDENING GRADE .....	45	-	400-818061A1	CRANKSHAFT .....	21	17
FT2963-2	SEALANT - 2 OZ. LOCTITE D, HARDENING GRADE ..	45	-	600-818052A4	CONNECTING ROD W/CAP .	21	5
FT2987-1	LUBRICANT - ANTI-SEIZE ..	45	-	1600-817804A3	GEAR HOUSING LOWER ..	37	30
FT2989	FLYWHEEL WEDGE .....	42	-	1600-817896A2	LOWER GEAR HOUSING COMPLETE (NOT SHOWN)	37	-
FT2990	PISTON PIN REMOVER ....	42	-				
FT2991	CARBON BRUSH .....	42	-				
FT2996	RING COMPRESSOR .....	42	-				
FT2998	TORQUE WRENCH (0 - 100 LBS./FT.) .....	42	-				
FT2999	TORQUE WRENCH (0 - 600 LBS./IN.) .....	42	-				
FT3431	SEAL INSTALLER .....	43	-				
FT8900	HOSE CLAMP PLIERS .....	42	-				
FT8904	FORWARD BEARING CUP INSTALLER .....	43	-				
FT8907	DRIVER HANDLE .....	43	-				
FT8918	BUSHING GUIDE SET .....	43	-				
FT8919	SPRING PIN PUNCH .....	43	-				