



PARTS CATALOG

55 H.P.

SERIAL NUMBER

55 (1983)	559B3R
55 (1983)	559H3R
55 (1983)	559V3S

TABLE OF CONTENTS:

CARBURETOR	10
CRANKSHAFT AND PISTON GROUP	20
ELECTRICAL COMPONENTS	6
ENGINE COVER AND SUPPORT PLATE	2
FUEL PUMP	16
FUEL TANK AND LINE	38
GEAR HOUSING	34
MOTOR LEG	28
PARTS INDEX	52
POWER HEAD	22
REED PLATE	14
REMOTE CONTROL	40
SPECIAL TOOLS - ACCESSORIES	49
SPECIAL TOOLS - LOWER UNIT	46
SPECIAL TOOLS - LUBRICANTS AND SEALANTS	48
SPECIAL TOOLS - POWER HEAD	45
SPECIAL TOOLS - TEST EQUIPMENT	47
SPECIAL TOOLS - TUNE-UP	44
STARTER	18

NOTE: *Indented description indicate that these parts are included in preceeding assembly.*

AR = As Required

NSS = Not Sold Separate

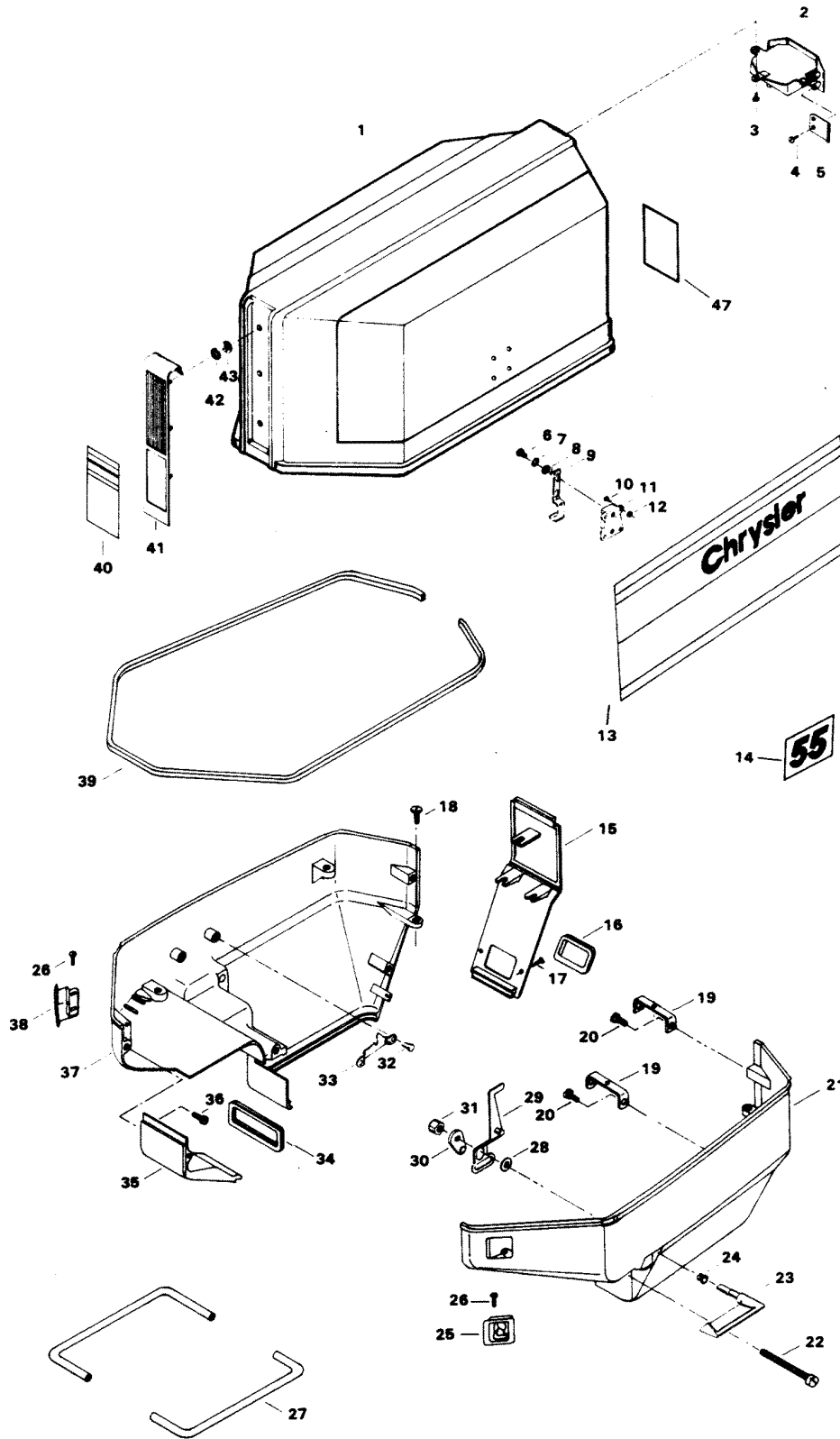
OPT = Optional

NS = Not Shown

THESE PARTS BOOKS/FICHE CARD ARE COPYRIGHTED AND MAY NOT BE DISTRIBUTED OR REPRODUCED IN ANY OTHER FORMAT BY ANYONE OTHER THAN MERCURY MARINE WITHOUT THE PRIOR WRITTEN CONSENT OF MERCURY MARINE.

THIS PAGE INTENTIONALLY LEFT BLANK

ENGINE COVER AND SUPPORT PLATE



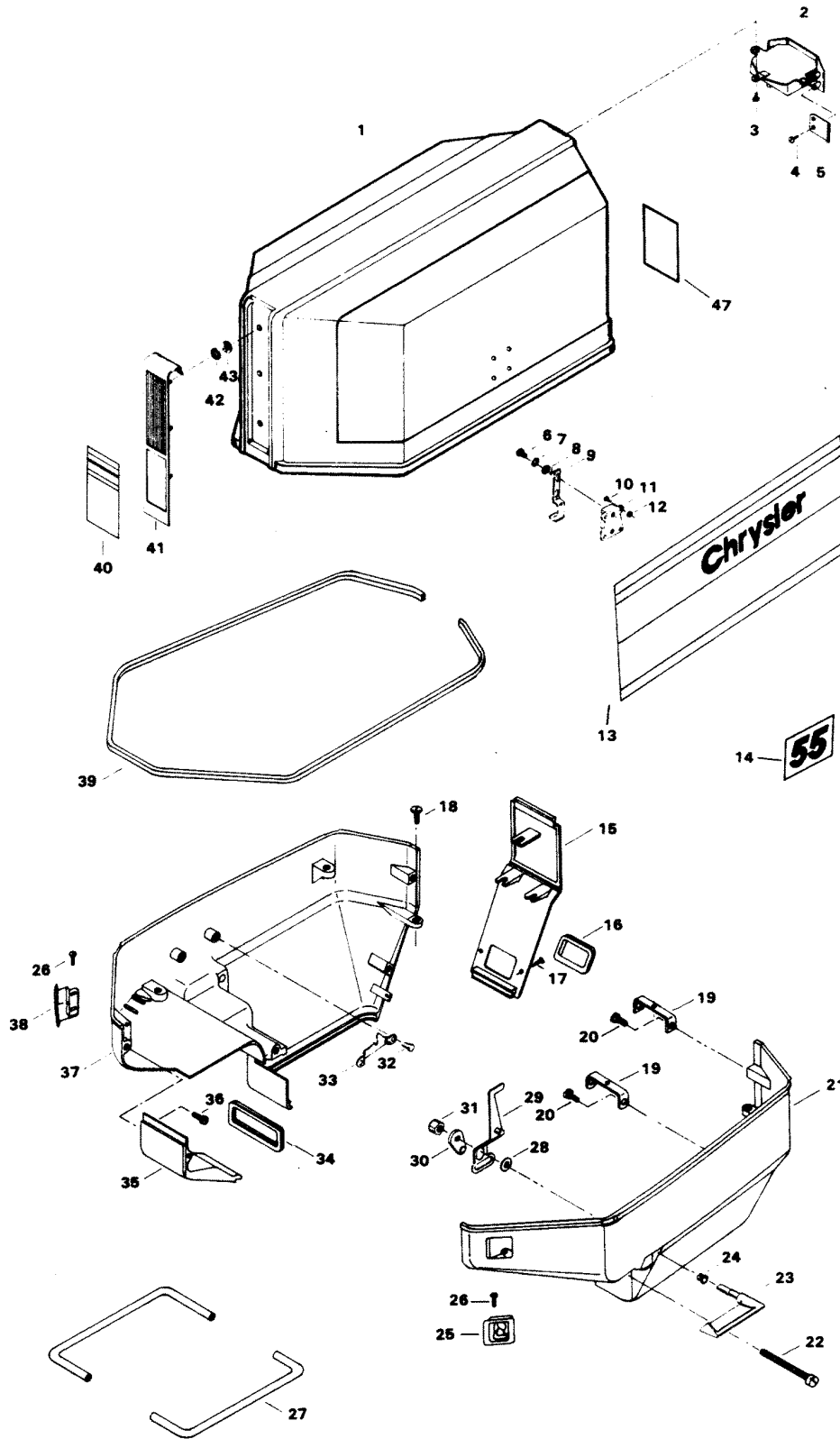
OB 3849

ENGINE COVER AND SUPPORT PLATE

REF. NO.	PART NO.	SYM.	QTY.	DESCRIPTION
1	100-818016A2		1	ENGINE COVER W/ILLUS. 10, 11, 44, 45 AND 46 ORIGINAL FORCE P/N S 547712-1
-	2C614712		1	ENGINE COVER COMPLETE INCLUDES ITEMS MARKED WITH AN ASTERISK (*). ORDER NUMERAL SEPARATE.
2	F524269		1	TILT HANDLE
3	F2025		1	PAN HD SCREW, #10 X 5/8
4	F2066		4	PAN HD SCREW, #10 - 7/16
5	F463864		2	RETAINER, TILT HANDLE
6	F1854		4	HEX CAP SCREW, 1/4 - 20 X 5/8
7	F8083		4	LOCKWASHER
8	F8094		4	PLAIN WASHER
9	F474864		2	RETAINER, COVER LATCH
10	F1979		8	PAN HD SCREW, 10 - 24 X 1/2
11	FA474774		2	BRACKET, COVER LATCH W/ILLUS. 10 AND 12
12	F7011		8	STOP NUT
13	FA614397		1	DECAL, PORT W/LITERATURE
-	FA614396		1	DECAL, STARBOARD W/LITERATURE
14	FA607386		2	DECAL, NUMERAL W/LITERATURE
15	F577156		1	COVER, SUPPORT PLATE REAR
16	F474991		1	GROMMET
17	F2072		2	OVAL COUNTERSUNK HD M. SCREW 10 - 24 X 3/8
18	F2017		3	PAN HD SCREW 10 W/PLAIN WASHER, 24 X 3/8
19	F474817		2	RETAINER, SUPPORT PLATE
20	F1689		4	HEX CAP SCREW, 1/4 - 20 X 1/2
21	FA474038		1	SUPPORT PLATE PORT W/LOWER PACKING
22	F2075		1	SLOTTED HD SCREW, S.S., 1/4 - 20 X 2 1/2
23	FA474469		1	HANDLE, COVER LATCH PORT ASSY.
-	FA474499		1	HANDLE, COVER LATCH STARBOARD ASSY.
24	F390689		2	BEARING, LATCH SHAFT
25	F549189		1	BUSHING, ELECTRIC CABLE ENTRY
26	F1733		3	PAN HD SCREW, 10 - 24 X 9/16
27	F474315		2	PACKING, SUPPORT PLATE LOWER
28	F269052		2	BEARING, LATCH CAM
29	FA474777		1	CAM, PORT LATCH ASSY.
-	FA474780		1	CAM, STARBOARD LATCH ASSY. (NOT SHOWN)
30	F474377		1	LEVER, COVER LATCH PORT
-	F474378		1	LEVER, COVER LATCH STARBOARD (NOT SHOWN)
31	F7025		2	LOCKNUT, 3/8 - 16
32	F1689		4	HEX CAP SCREW, 1/4 - 20 X 1/2
33	F474897		1	GUIDE, COVER LATCH STARBOARD
-	F474487		1	GUIDE, COVER LATCH PORT (NOT SHOWN)
34	FA475913		1	GROMMET (2 PER SET)
35	F474163		1	COVER, SUPPORT PLATE FRONT
36	F1854		2	HEX SLOTTED HD M. SCREW, 1/4 - 20 X 5/8

CONTINUED ON NEXT PAGE ➡

ENGINE COVER AND SUPPORT PLATE

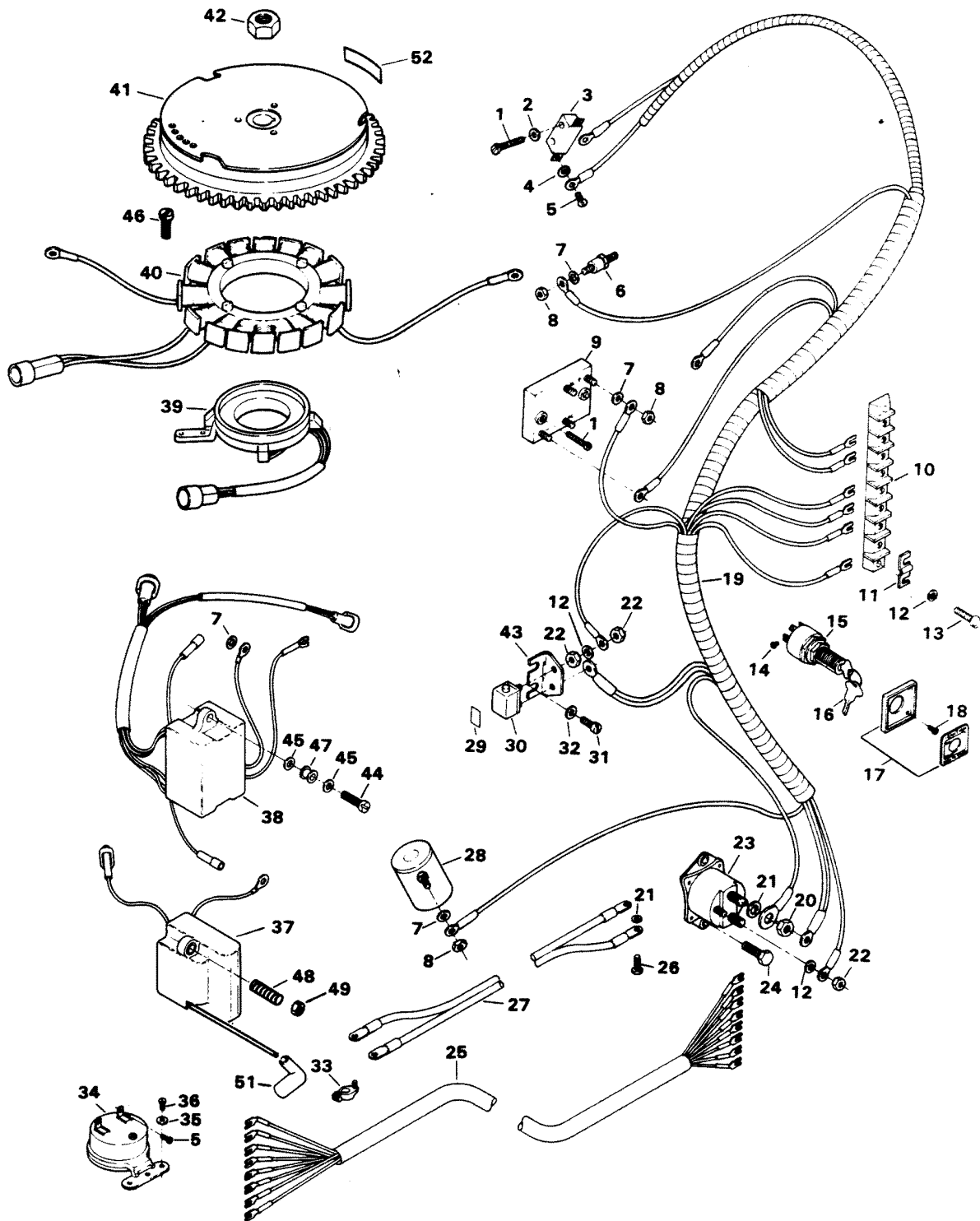


OB 3849

ENGINE COVER AND SUPPORT PLATE

REF. NO.	PART NO.	SYM.	QTY.	DESCRIPTION
37	FA474088		1	SUPPORT PLATE STARBOARD W/LOWER PACKING
38	F545189		1	BUSHING, CABLE ENTRY
39	F474756		1	PACKING, SUPPORT PLATE FRONT
40	FA606892		1	DECAL, FRONT W/LITERATURE
41	F605711		1	FRONT PLATE
42	F85735-1		3	SEAL
43	F1753		3	FASTENER
44	F474985		2	BLANKET, SILENCER, SIDE (NOT SHOWN)
45	F474984		1	BLANKET, SILENCER, TOP (NOT SHOWN)
46	F474992		1	BLANKET, SILENCER, FRONT (NOT SHOWN)
47	FA606528		1	DECAL, ENGINE COVER REAR

ELECTRICAL COMPONENTS

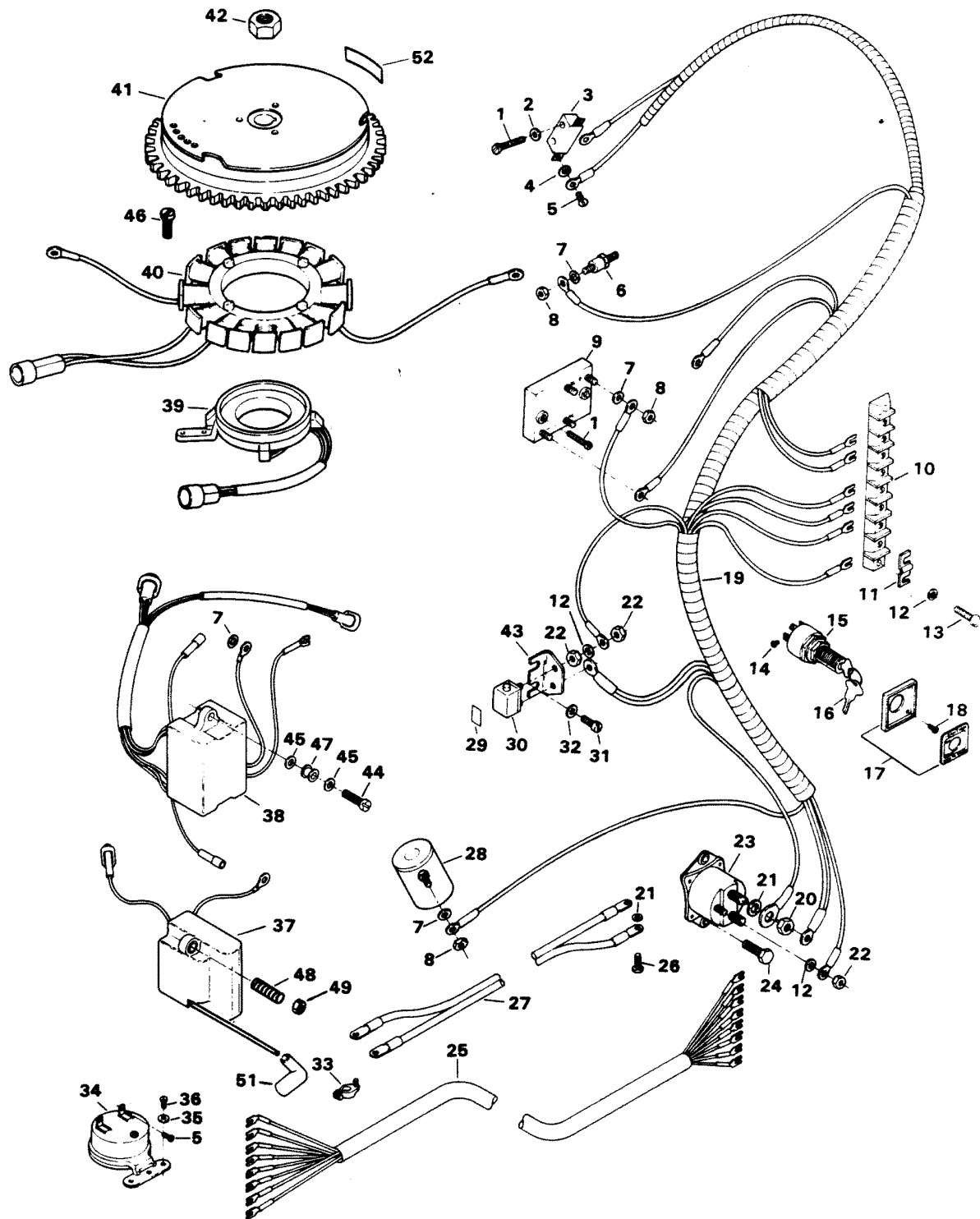


ELECTRICAL COMPONENTS

REF. NO.	PART NO.	SYM.	QTY.	DESCRIPTION
1	F2016		4	SLOTTED FILL HD SCREW, 6 - 32 X 7/8
2	F8088		2	PLAIN WASHER
3	F84449		1	NEUTRAL INTERLOCK SWITCH
4	F1704		2	INTERNAL TOOTH LOCKWASHER
5	F1645		4	RD HD SCREW, 6 - 32 X 1/4
6	F404449		1	THERMOSWITCH
7	F8056		6	SPRING LOCKWASHER
8	F1647		6	HEX NUT, 8 - 32
9	F369450		1	RECTIFIER
10	FA510497		1	TERMINAL BLOCK W/ILLUSTRATION 11 AND 13
11	F307317-1		2	CLIP, TERMINAL BLOCK GROUND
12	F1975		6	LOCKWASHER
13	F1974		2	PAN HD SCREW, 10 - 24 X 3/4
14	F1280		5	SLOTTED PAN HD SCREW, 8 - 32 X 1/4
15	F5H078		1	SWITCH, IGNITION LONG BARREL ACCESSORY ITEM W/KEYS AND
16	FA368700		-	KEY IGNITION - NO LETTER OR STAMPED A
-	FB368700		-	KEY IGNITION - STAMPED B
-	FC368700		-	KEY IGNITION - STAMPED C
-	FD368700		-	KEY IGNITION - STAMPED D
-	FE368700		-	KEY IGNITION - STAMPED E
-	FA27232		1	EMERGENCY STARTER ROPE (NOT SHOWN)
17	F5H038		1	IGNITION SWITCH MOUNTING KIT ACCESSORY ITEM
-	817892--1		1	IGNITION SWITCH PLATE CANADA (NOT SHOWN)
18	F1934		4	FLAT HD SCREW, 6 X 1/2
19	F475744		1	WIRING HARNESS
20	F1515		2	HEX NUT, S.S., 5/16 - 18
21	F8096		3	SPRING LOCKWASHER
22	F1513		6	HEX NUT, 10 -32
23	F460917		1	STARTER RELAY
24	F1705		2	HEX CAP SCREW, 1/4 - 20 X 3/4
25	F85843-1		1	ELECTRIC CONTROL CABLE, 18 FEET
26	F1857		1	HEX CAP SCREW, 5/16 - 18 X 5/8
27	F381896-4		1	BATTERY CABLE
28	F85924		1	CHOKE SOLENOID
29	F510374		1	DECAL, CIRCUIT BREAKER - USA
-	FC510374		1	DECAL, CIRCUIT BREAKER - CANADA
30	F510460		1	CIRCUIT BREAKER
31	F1733		2	SLOTTED PAN HD SCREW, 10 - 24 X 9/16
32	F8011		2	PLAIN WASHER
33	F71H26		1	BATTERY TERMINAL KIT (ACCESSORY ITEM)
34	F5H043		1	BUZZER, HEAT INDICATOR, (ACCESSORY ITEM)
35	F8011		2	PLAIN WASHER

CONTINUED ON NEXT PAGE ➡

ELECTRICAL COMPONENTS

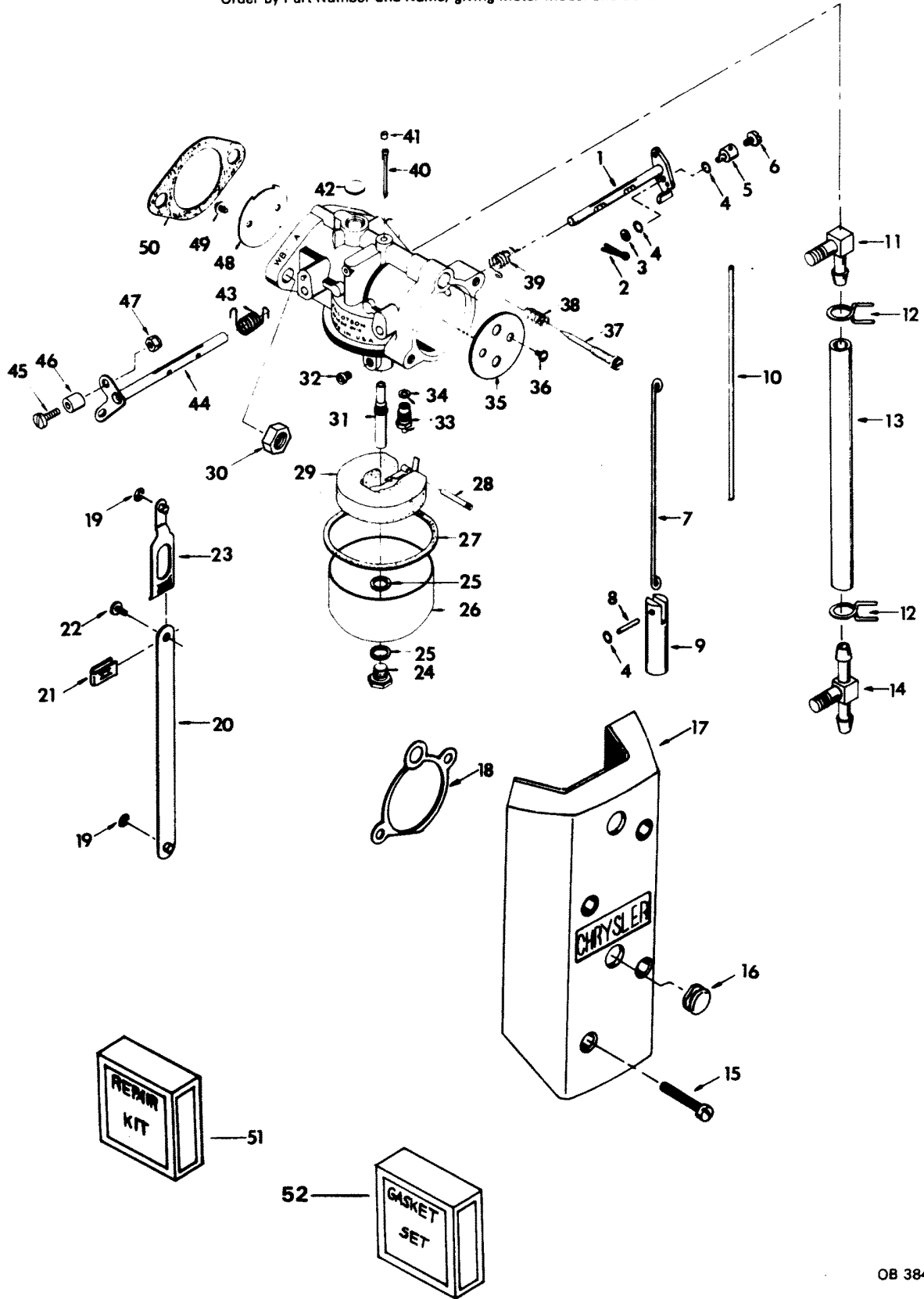


ELECTRICAL COMPONENTS

REF. NO.	PART NO.	SYM.	QTY.	DESCRIPTION
36	F1741		2	PAN HD SCREW, 8 X 3/4
37	F615475		2	IGNITION COIL
38	F475301-1		1	MODULE
39	F475029		2	TRIGGER ASSY.
40	F475095		1	ALTERNATOR STATOR
41	FA475097		1	FLYWHEEL W/ILLUSTRATION 52
42	F1968		1	HEX NUT, 3/4 - 16
43	F91446-1		1	CIRCUIT BREAKER BRACKET
44	F1038		4	SLOTTED PAN HD. SCREW 1/4 - 20 X 3/4
45	F8030		4	PLAIN WASHER
46	F1550		4	SLOTTED PAN HD. SCREW #12 - 24 X 1
47	F475504		2	BUSHING
48	F28004		2	STUD
49	F1832		2	NUT, LOCK 1/4 - 20
50	F1877		1	TY-RAP (NOT SHOWN)
51	FK1123		2	SPARKIE KIT
52	FA609853		1	DECAL, WARNING W/LITERATURE

CARBURETOR

Order by Part Number and Name, giving motor model and serial number.



OB 384:

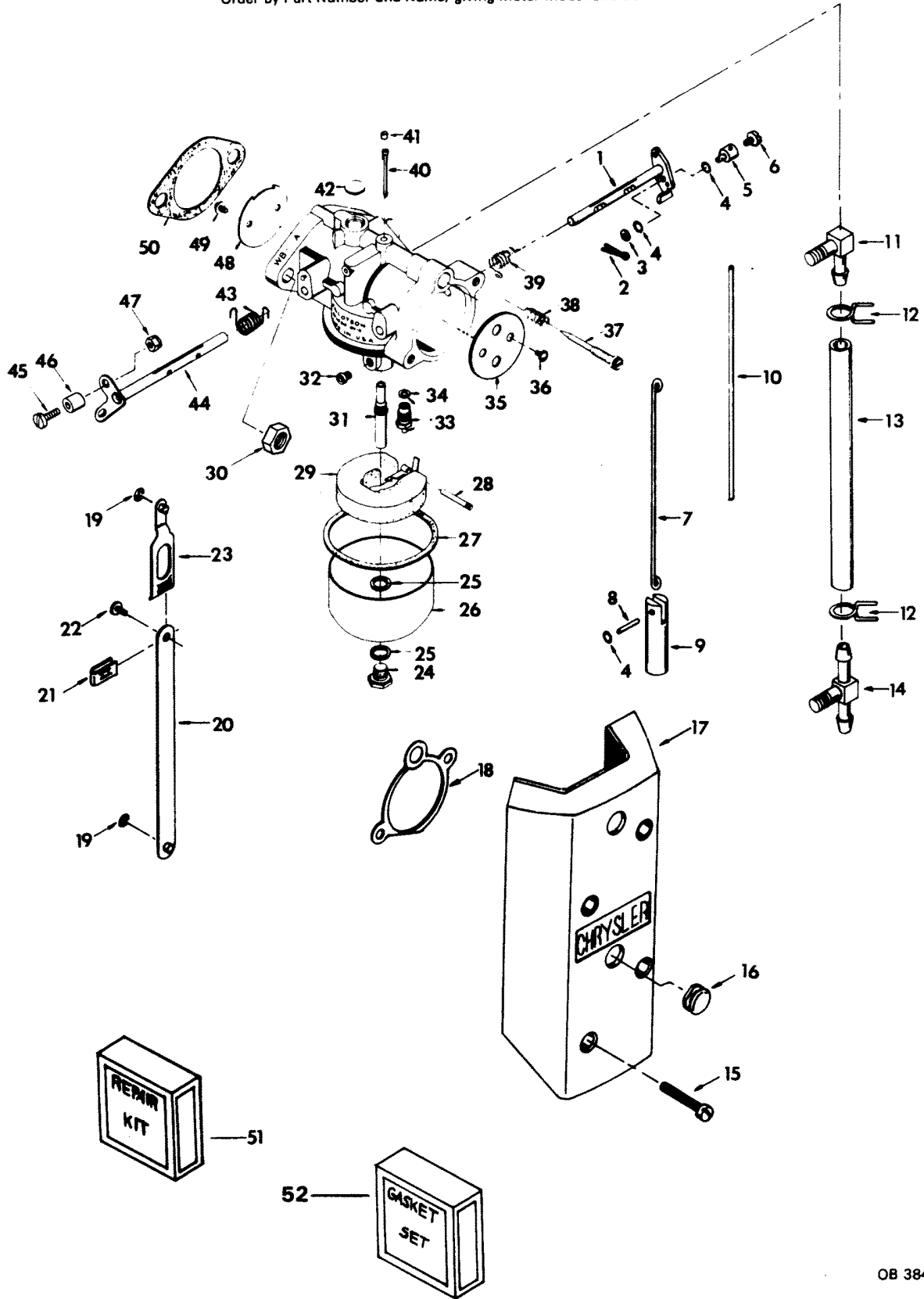
CARBURETOR

REF. NO.	PART NO.	SYM.	QTY.	DESCRIPTION
1	FO16850		1	CHOKE SHAFT AND LEVER
2	F1014		3	COTTER PIN
3	F8088		3	PLAIN WASHER
4	F184579		7	SEAL, CHOKE ARM SWIVEL
5	F184033-1		2	SWIVEL, CHOKE ROD
-	F522033		1	SWIVEL, CHOKE ROD FOR TOP CARB (NOT SHOWN)
6	F1059		2	FILL HD SCREW, 6 - 32 X 1/4
7	F85925		1	CHOKE SOLENOID ROD
8	F2033		1	GROOVE PIN
9	F391926-1		1	PLUNGER, CHOKE SOLENOID
10	F474509		1	CHOKE LINK
11	F84314-2		1	ELBOW, FUEL LINE
12	F97772		2	HOSE CLAMP
13	F474253		1	FUEL LINE
14	F85314-1		1	ELBOW, FUEL LINE FOR BOTTOM CARB.
15	F1034		4	FILL HD SCREW, 1/4 - 20 X 1 3/8
16	F53504		2	GROMMET
17	F522826		1	SILENCER, CARB AIR
18	F481836		2	GASKET
19	F90807		2	RETAINING RING
20	FA474511		1	TIE BAR W/SWIVEL
21	F1693		1	TIE BAR RETAINER
22	F1064		1	SLOTTED HD SCREW, 8 - 32 X 3/8
23	FA85193		1	TIE BAR END W/SWIVEL
24	FO13945		1	FUEL BOWL RETAINING SCREW
25	FO2510		2	GASKET, FUEL BOWL RETAINING SCREW
26	FO13552		1	FUEL BOWL
27	FO15623		1	FUEL BOWL GASKET
28	FO13944		1	FLOAT LEVER PIN
29	FO13554		1	FLOAT
31	FO15217		1	MAIN NOZZLE
32	FO14188		1	MAIN FUEL JET (.066) STD. SEA LEVEL - 3000 FT.
-	FO14108		-	MAIN FUEL JET (.064) OPT. 3000 - 4500 FT.
-	FO14187		-	MAIN FUEL JET (.062) OPT. 4500 - 6000 FT.
-	FO14186		-	MAIN FUEL JET (.060) OPT. 6000 FT. & UP OPTIONAL SIZE MAIN FUEL JET, USE ONLY AT ALTITUDES AS INDICATED
33	FO10790		1	INLET NEEDLE, SEAT AND GASKET
34	FO10165		1	INLET SEAT GASKET
35	FO13555		1	CHOKE SHUTTER
36	FO8942		2	SHUTTER SCREW W/LOCKWASHER
37	FO13946		1	IDLE SCREW
38	FO11103		1	IDLE SCREW SPRING
39	FO13947		1	CHOKE SHAFT RETURN SPRING

CONTINUED ON NEXT PAGE ➡

CARBURETOR

Order by Part Number and Name, giving motor model and serial number.

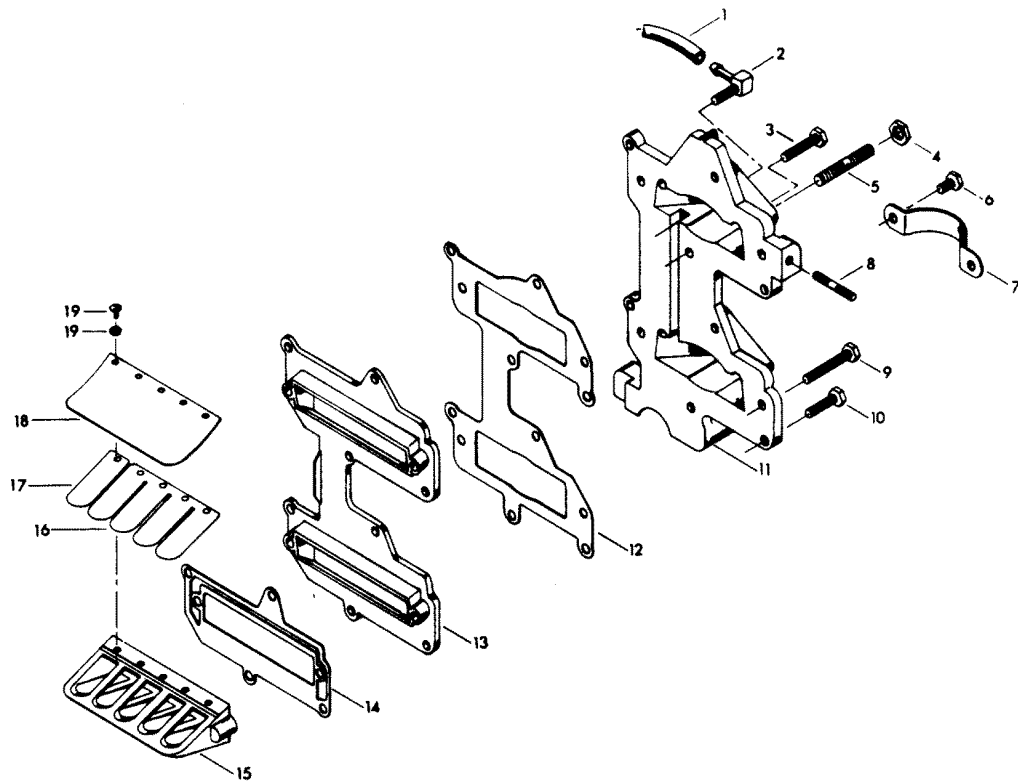


OB 384

CARBURETOR

REF. NO.	PART NO.	SYM.	QTY.	DESCRIPTION
40	FO17181		1	IDLE TUBE
41	FO10588		1	BODY CHANNEL CUP PLUG
42	FO4326		1	BODY CHANNEL WELCH PLUG
43	FO16008		1	THROTTLE SHAFT RETURN SPRING
44	FO15230		1	THROTTLE SHAFT AND LEVER
45	F333316		1	THROTTLE ROLLER SHAFT
46	F92759		1	THROTTLE ROLLER
47	F1997		1	LOCK NUT, 8 - 32
48	FO16851		1	THROTTLE SHUTTER
49	FO8942		2	THROTTLE SHUTTER SCREW W/LOCKWASHER
50	F40906-1		2	CARBURETOR GASKET
-	F475061-1		2	CARBURETOR COMPLETE (WB27B) (NOT SHOWN)
51	FK10053		1	REPAIR PARTS KIT INCLUDES ALL ITEMS MARKED WITH AN ASTERISK (*)
52	FK10000		1	GASKET SET INCLUDES ALL ITEMS MARKED WITH A DOUBLE ASTERISK (**)

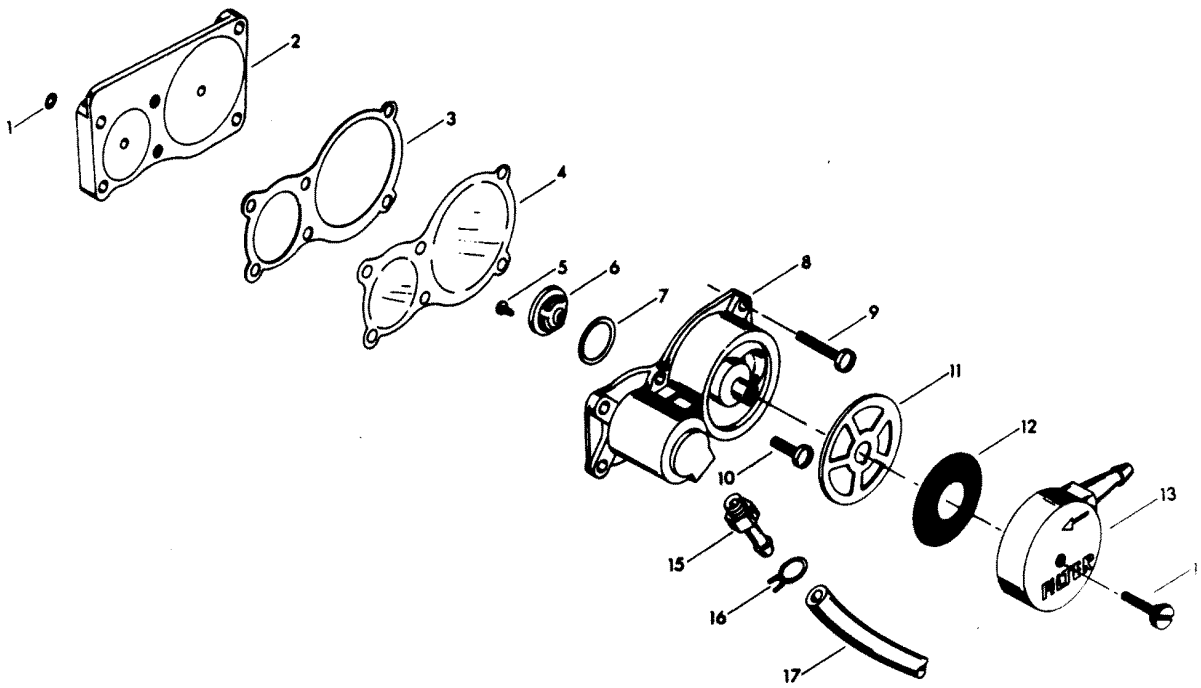
REED PLATE



REED PLATE

REF. NO.	PART NO.	SYM.	QTY.	DESCRIPTION
1	F406754-1		1	DRAIN HOSE
2	22-817740A1		1	PUDDLE DRAIN FITTING W/METERING CUP
3	F1916		1	HEX HD M. SCREW, 1/4 - 20 X 1 1/8
4	F1515		4	HEX NUT, 5/16 - 18
5	F40209		4	CARBURETOR STUD
6	F1236		2	HEX CAP SCREW, 1/4 - 20 X 1/2
7	F85317-2		1	SOLENOID CLAMP
9	F1708		4	HEX HD M. SCREW, 1/4 - 20 X 1 3/8
10	F2008		7	HEX HD M. SCREW, 1/4 X 20 X 7/8
11	F474167		1	CARBURETOR ADAPTER
12	F474168		1	CARBURETOR ADAPTER GASKET
13	F474162		1	REED PLATE ADAPTER
14	F85168-1		2	REED PLATE ADAPTER GASKET
15	F2A335158		2	REED PLATE W/ILLUS. 16, 17, 18 AND 19
16	F335160		4	REED (4 PETAL)
17	F335164		4	REED (1 PETAL)
18	F85161-1		4	REED STOP
19	F1755		20	ROUND HD SCREW W/LOCKWASHER, 6 - 32 X 5/16

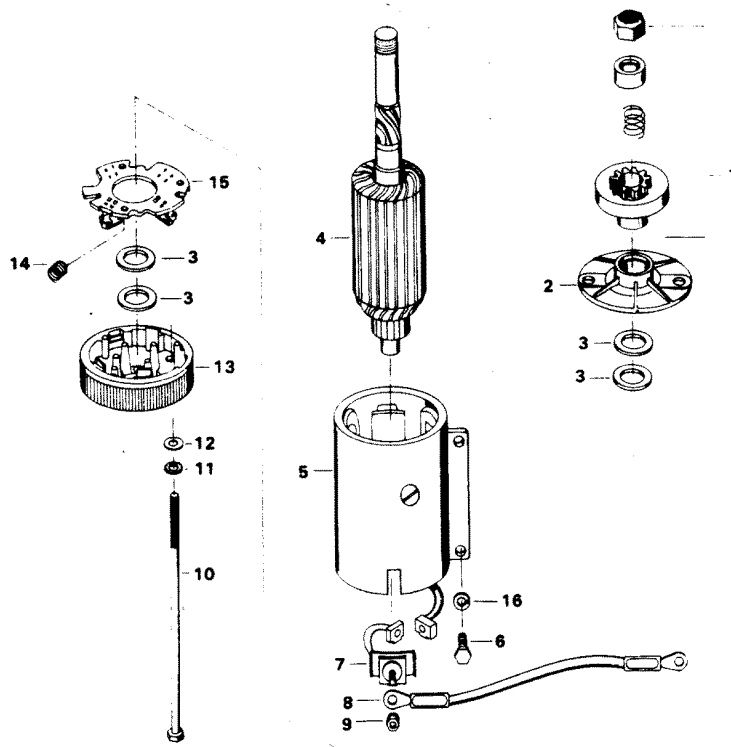
FUEL PUMP



FUEL PUMP

REF. NO.	PART NO.	SYM.	QTY.	DESCRIPTION
1	F50342-1		2	SEAL
2	F474746		1	FUEL PUMP COVER
3	F438760		1	FUEL PUMP GASKET
4	F438747		1	FUEL PUMP DIAPHRAGM
5	F1860		2	SLOTTED HD M. SCREW, 6 - 32 X 1/4
6	F177330		3	FUEL PUMP VALVE
7	F84792		1	FUEL PUMP VALVE GASKET (CENTER VALVE)
8	FA438431		1	FUEL PUMP BODY W/ILLUS. 5, 6 AND 7
9	F1889		4	FILL HD SCREW, 1/4 - 20 X 1 1/4
10	F1108		2	FILL HD SCREW, 1/4 - 20 X 3/4
11	F438617		1	FUEL SEDIMENT BOWL GASKET
12	F438653		1	FUEL PUMP SCREEN
13	F438500		1	FUEL SEDIMENT BOWL
14	F438165		1	SCREW, FUEL BOWL
15	F438801		1	FITTING
16	F97772		3	FUEL LINE CLAMPS
17	F438754		1	FUEL LINE, PUMP TO CARBURETOR

STARTER



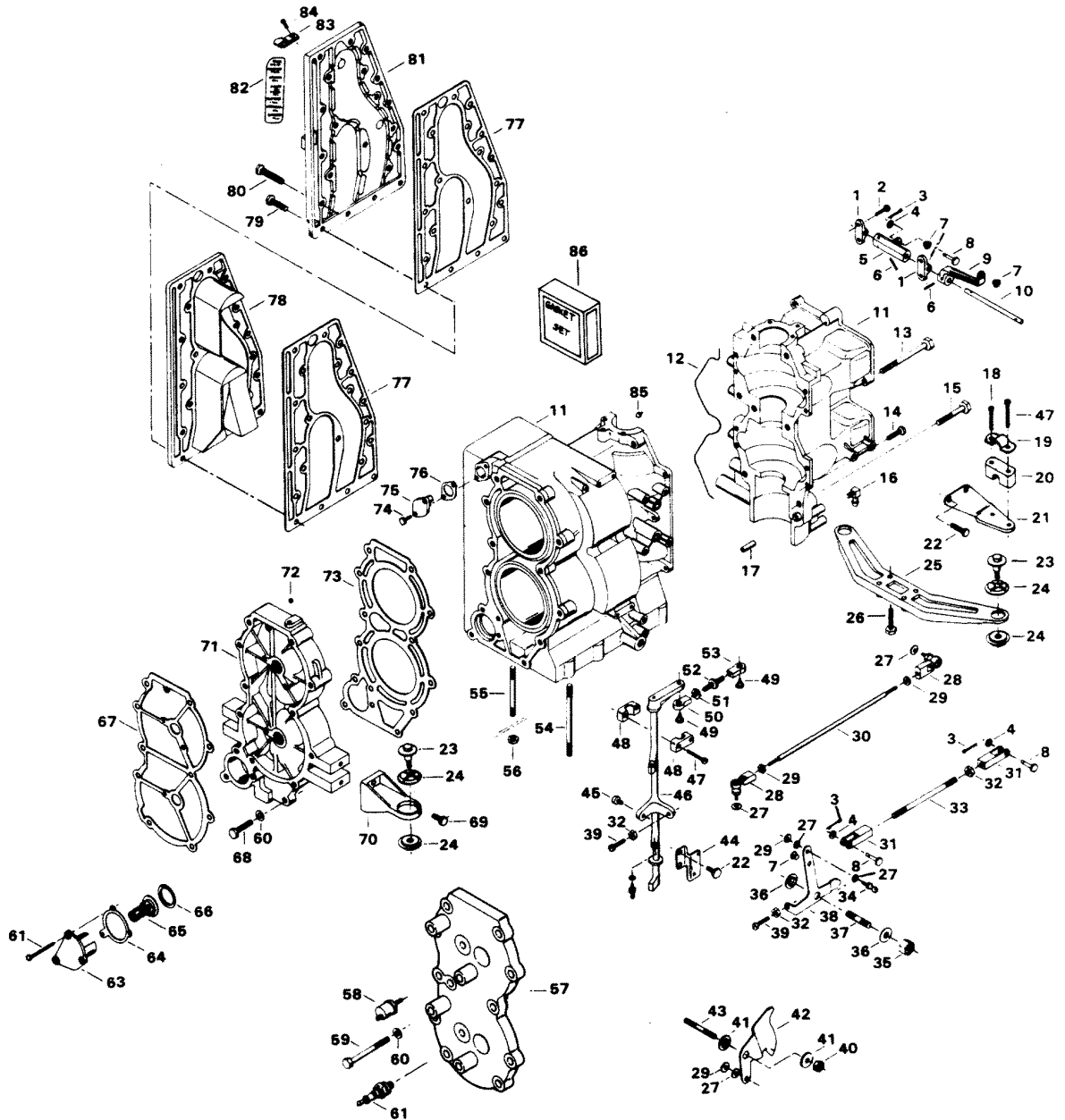
STARTER

REF. NO.	PART NO.	SYM.	QTY.	DESCRIPTION
1	F15100		1	BENDIX DRIVE
2	F15120		1	HEAD ASSEMBLY, DRIVE END
3	F15126		1	THRUST WASHER PACKAGE
4	F15099		1	ARMATURE
6	F1822		3	HEX CAP SCREW, 5/16 - 18 X 7/8
7	F15165		1	BRUSH AND TERMINAL SET
8	F307908		1	STARTER WIRE
9	FA15072		1	HEX LOCK NUT AND WASHER ASSEMBLY, 1/4 - 20
10	F15123		1	THRU BOLT PACKAGE
11	F8060		2	LOCKWASHER
12	F8028		2	PLAIN WASHER
13	F15125		1	HEAD ASSEMBLY, COMMUTATOR END
14	F15034		1	SPRING SET
15	F15057		1	BRUSH PLATE AND HOLDER
16	F8096		3	SPRING LOCKWASHER
-	F475955		1	STARTER COMPLETE. INCLUDES ITEMS MARKED WITH AN ASTERISK (*).
-	FC522390		1	DECAL, STARTER - CANADA (NOT SHOWN)

CRANKSHAFT AND PISTON GROUP

REF. NO.	PART NO.	SYM.	QTY.	DESCRIPTION
1	F522215		4	SPACER (2 PER PISTON)
2	F522017		2	PISTON PIN
3	F522217		2	BEARING
4	F522015		2	PISTON (STANDARD)
-	FSA522015		2	PISTON (.010 OVERSIZE)
-	700-818127A1		2	PISTON (.030 OVERSIZE)
5	39-817820A1		1	PISTON RING SET (4 PER SET) - (STANDARD)
-	39-817992A1		1	PISTON RING SET (4 PER SET - .010 OVERSIZE)
-	39-818122A1		1	PISTON RING SET (4 PER SET - .030 OVERSIZE)
6	F474146		2	SEAL, CRANKSHAFT
7	F84278		1	SEAL
8	31-818060A1		1	BEARING CAGE LOWER W/SEALS (ITEMS 6, 7 & 10)
9	F1864		3	HEX CAP SCREW, 1/4 - 20 X 3/4
10	F474278		1	SEAL
11	F85410		1	SNAP RING
12	FA85655-1		1	CRANKSHAFT CENTER MAIN BEARING RACE W/ILLUS. 11
13	F85571		1	CENTER MAIN BEARING CAGE W/ROLLERS
14	FA522016		2	CONNECTING ROD W/ILLUS. 18
15	FA474228		2	BEARING CAGE W/ROLLERS (SPLIT HALF)
16	F284659-2		1	CRANKSHAFT LOWER MAIN BEARING
17	F2045		1	RETAINING RING
18	F435634		4	CONNECTING ROD SCREW
19	F474013		1	CRANKSHAFT UPPER MAIN BEARING
20	F316579		1	SEAL, CRANKCASE
21	1100-818067A3		1	CRANKSHAFT UPPER BEARING CAGE W/ILLUS. 6 ORIGINAL FORCE P/N 2A 522144-2
22	F1136		6	SCREW, 1/4 - 20 X 1
23	F85498		1	FLYWHEEL KEY
24	FA547018		1	CRANKSHAFT W/ILLUS. 16 AND 17
-	F2067		1	PLASTISOL CAP (NOT SHOWN)

POWER HEAD

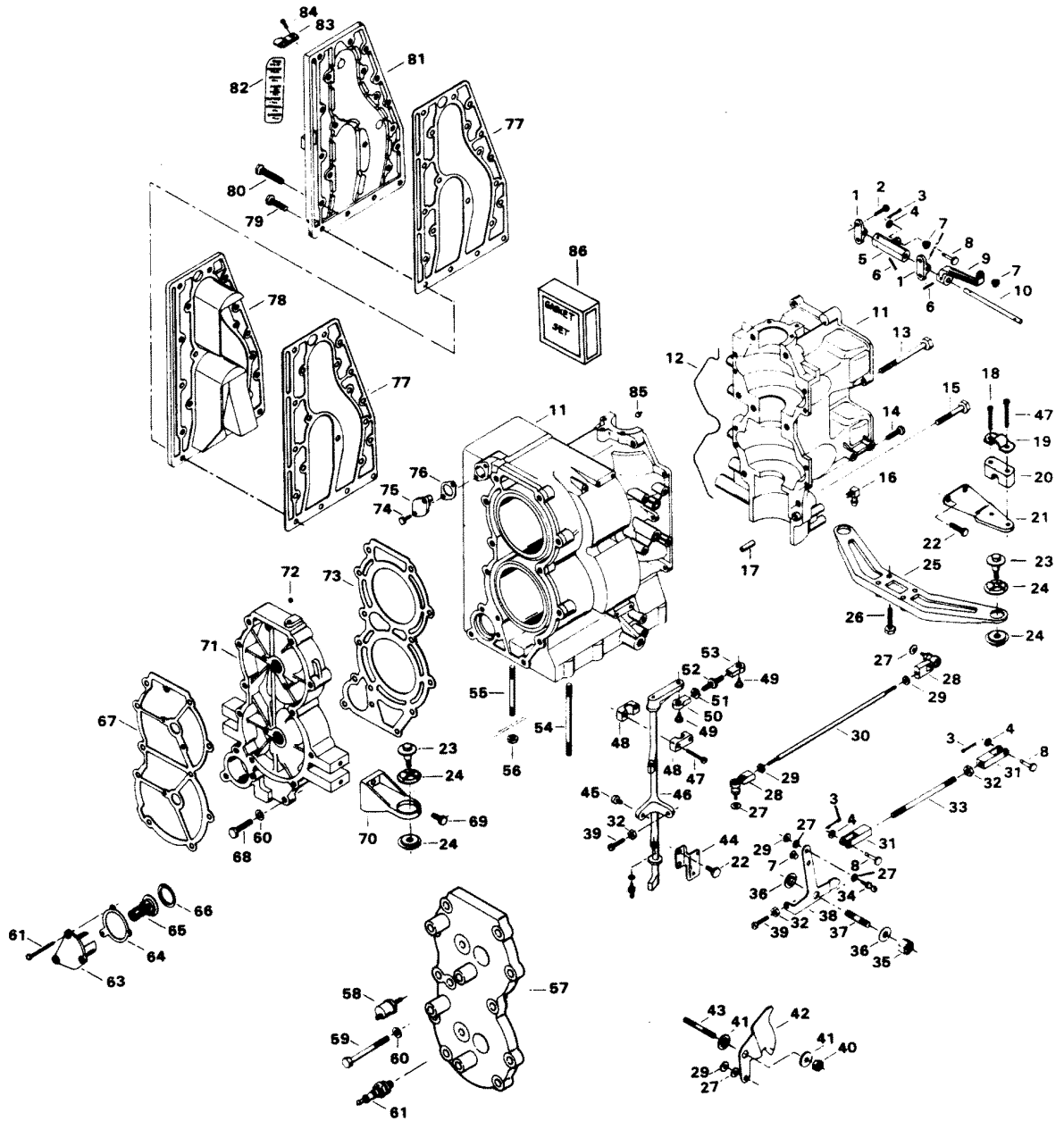


POWER HEAD

REF. NO.	PART NO.	SYM.	QTY.	DESCRIPTION
1	F85689-1		2	BEARING
2	F1475		4	SLOTTED FILL HD SCREW, 10 - 24 X 1/2
3	F1017		3	COTTER PIN
4	F8094		3	PLAIN WASHER
5	F474640		1	PIVOT, GEAR SHIFT
6	F8547		2	SPRING PIN
7	F183818		3	BEARING, GEAR SHIFT COUPLER
8	F474620		3	PIN, GEAR SHIFT
9	F474621		1	LEVER, GEAR SHIFT
10	F474871		1	SHAFT, GEAR SHIFT
11	800-817860A1		1	CYLINDER W/CRANKCASE COVER W/ILLUS. 12, 13, 15, 17, 54, 55 AND 85 ORIGINAL FORCE P/N A 547010-1
-	800-817911A1		1	SHORT BLOCK (NOT SHOWN). INCLUDES ALL ITEMS MARKED WITH AN ASTERISK (*). ALSO REFER TO CRANKSHAFT AND PISTON PAGE. ORIGINAL FORCE P/N C 547010-1
12	F269122-1		1	CRANKCASE PARTING LINE SEAL
13	F1873		2	HEX CAP SCREW, 3/8 - 16 X 3
14	F1864		12	HEX HD SCREW, 1/4 - 20 X 3/4
15	F1872		4	HEX CAP SCREW, 3/8 - 16 X 1 3/4
16	22-817740A1		1	FITTING, PUDDLE DRAIN W/METERING CAP
17	F8563		2	DOWEL PIN
18	F1829		1	SLOTTED FILL HD SCREW, 10 - 24 X 7/8
19	F154317		1	CABLE CLAMP
20	F474932		1	SPACER, CONTROL CABLE
21	F474371		1	REMOTE CABLE BRACKET
22	F1922		4	HEX CAP SCREW, 1/4 - 20 X 5/8
23	F458887		4	FASTENER, SUPPORT PLATE MOUNT
24	F458347		8	MOUNT
25	F474980-1		1	STABILIZER, FRONT
26	F2071		4	HEX CAP SCREW, 5/16 - 18 X 1 3/8
27	F8058		6	INTERNAL TOOTH LOCKWASHER
28	817747--1		2	BALL JOINT W/BEARING
29	F1513		4	HEX NUT, 10 - 32
30	F474193		1	THROTTLE LINK
31	F474704		2	COUPLER
32	F1341		3	HEX NUT, 1/4 - 20
33	F474881		1	LINK, GEAR SHIFT
34	F98273		2	ROD END CONNECTOR STUD
35	F7025		1	STOP NUT, S.S., 3/8 - 16
36	F269052		2	SHIFT ARM BEARING
37	F474859		1	STUD, SHIFT ARM
38	F522876		1	SHIFT ARM
39	F1052		2	FILL HD M. SCREW, 1/4 - 20 X 1

CONTINUED ON NEXT PAGE ➡

POWER HEAD

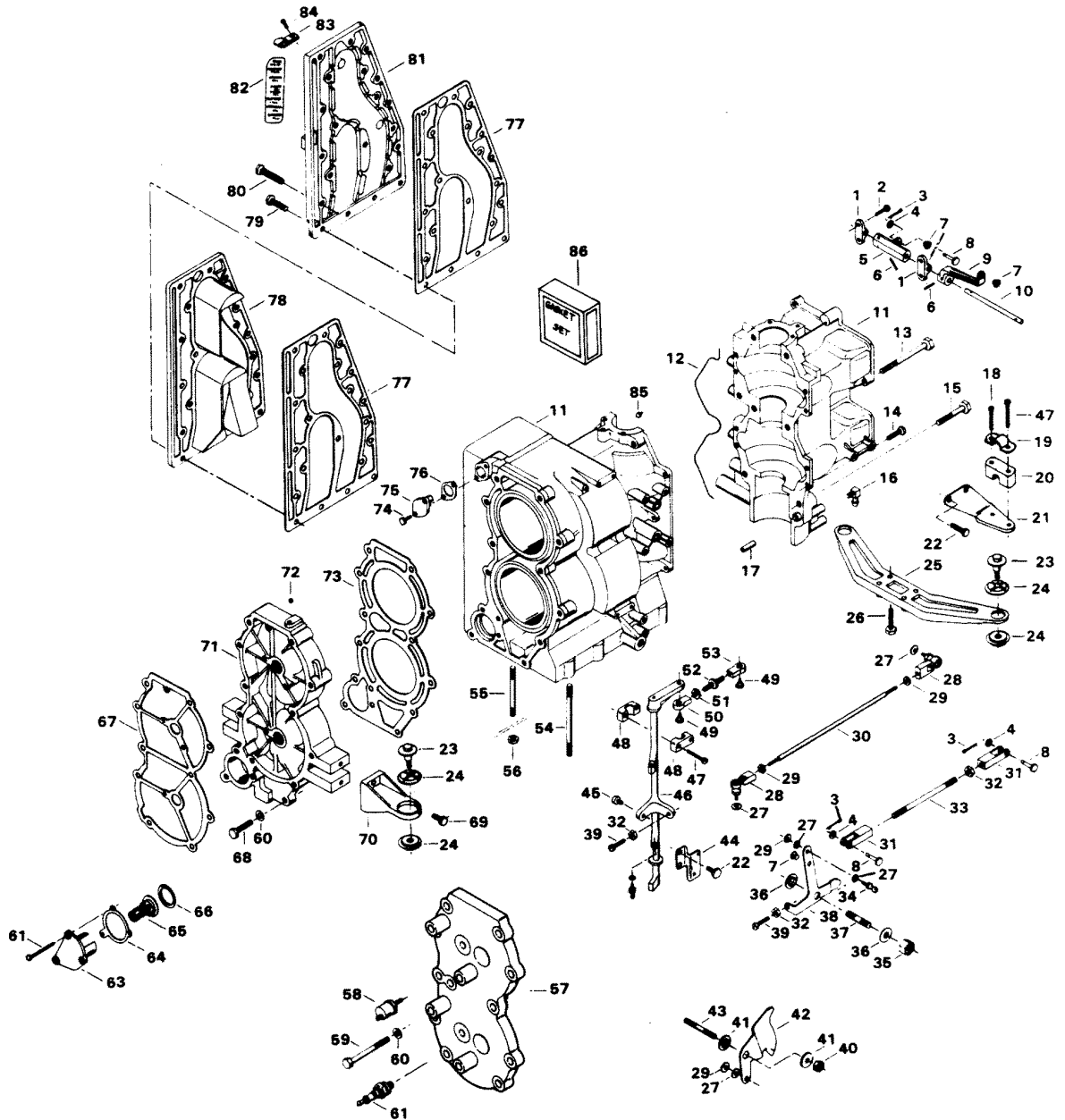


POWER HEAD

REF. NO.	PART NO.	SYM.	QTY.	DESCRIPTION
40	F1910		1	ELASTIC STOP NUT, 1/4 - 20
41	F269319		2	THROTTLE CAM BEARING
42	F474192		1	THROTTLE CAM
43	F433209-1		1	STUD, THROTTLE CAM
44	F474551		1	BRACKET, INTERLOCK SWITCH
45	F1727		1	PLASTIC RIVET
46	F474838-1		1	TOWERSHAFT
47	F1995		5	FILL HD SCREW, 10 - 24 X 1
48	F433689		4	TOWERSHAFT BEARING
49	F84026		2	SPARK CONTROL SWIVEL
50	F84035-2		1	SPARK CONTROL BEARING, R.H.
51	F1473		1	HEX NUT, 10 - 24
52	F474445		1	SPARK CONTROL LINK
53	F84036		1	SPARK CONTROL BEARING, L.H.
54	F474211		8	STUD, CYLINDER
55	F474210		1	STUD, CYLINDER
56	F7006		9	LOCK NUT, 5/16 - 18
57	F522995		1	CYLINDER HEAD COVER
59	F2049		10	HEX CAP SCREW, 5/16 - 18 X 2 5/8
60	F1987		11	PLAIN WASHER
61	33-97180		2	SPARK PLUG (L-20V) - USA
-	C523227		2	SPARK PLUG (QL-76V)
62	F2051		3	HEX CAP SCREW, 1/4 - 20 X 2 1/4
63	F474066		1	THERMOSTAT COVER
64	F474067		1	THERMOSTAT COVER GASKET
65	F84068-2		1	THERMOSTAT
66	F84504		1	THERMOSTAT GROMMET
67	F474996-1		1	CYLINDER HEAD COVER GASKET
68	F2076		1	HEX CAP SCREW, 5/16 - 18 X 1 1/8
69	F1902		4	HEX CAP SCREW, 5/16 - 18 X 3/4
70	F474982		2	STABILIZER, REAR
71	FA547518		1	CYLINDER HEAD WILLUS. 72
72	F19109		1	PLUG, CYLINDER HEAD
73	F474529-1		1	CYLINDER HEAD GASKET
74	F1913		2	HEX CAP SCREW, 10 - 24 X 5/8
75	F438066		1	COVER, BY-PASS VALVE
76	F85762		1	GASKET, BY-PASS VALVE COVER
77	F474154		2	EXHAUST PORT PLATE GASKET
78	F474151		1	EXHAUST PORT PLATE
79	F1532		4	HEX CAP SCREW, 1/4 - 20 X 1
80	F1581		17	HEX CAP SCREW, 1/4 - 20 X 1 1/4
81	F474152		1	EXHAUST PORT COVER
82	FC474398		1	DECAL, WIRING

CONTINUED ON NEXT PAGE ➡

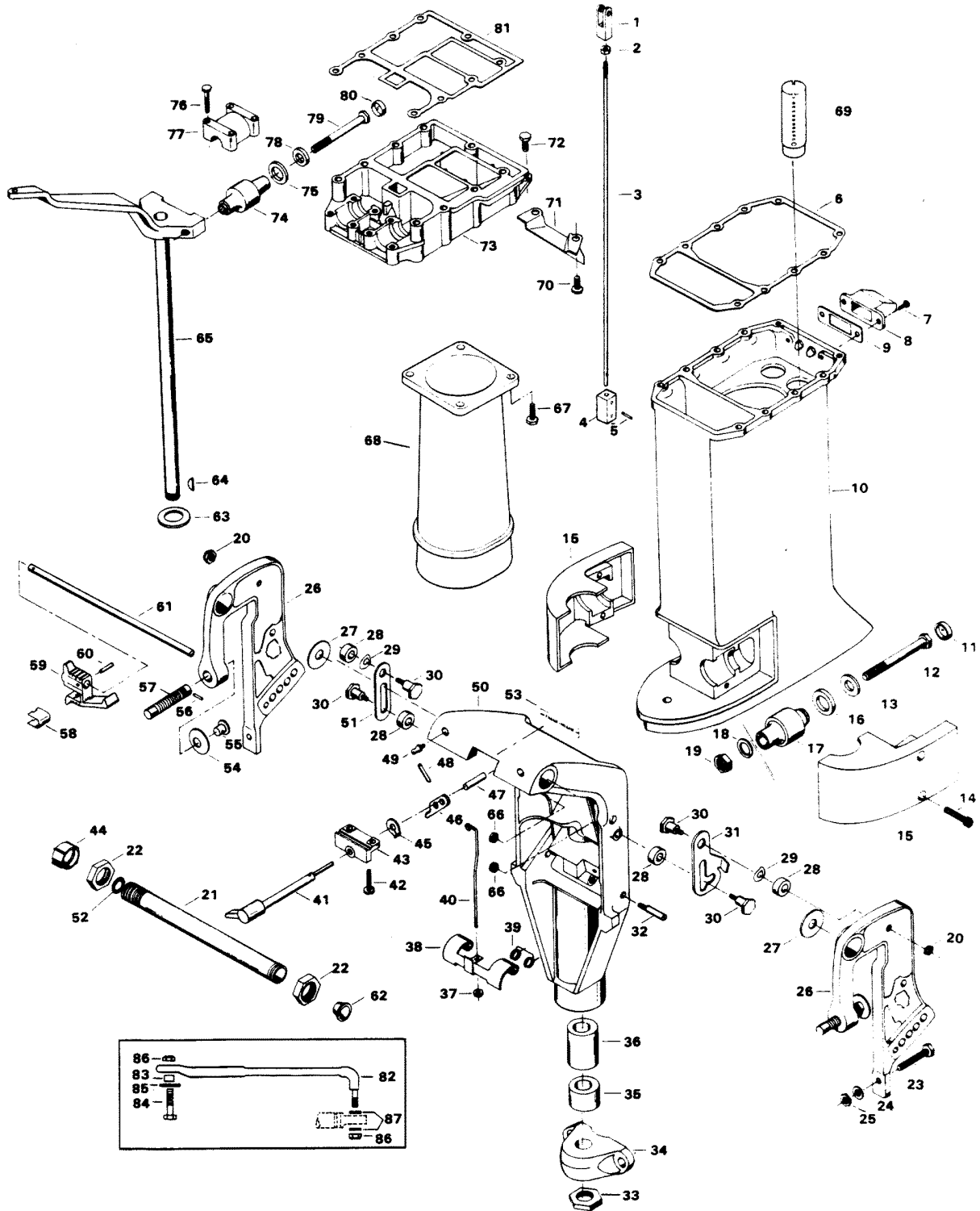
POWER HEAD



POWER HEAD

REF. NO.	PART NO.	SYM.	QTY.	DESCRIPTION
83	F289446-1		1	CLAMP
84	F1734		1	SLOTTED FILL HD SCREW & LOCKWASHER, 1/4 - 20 X 1/2
85	F474909		2	LOCATING PIN
86	FG1013-1		1	GASKET SET INCLUDES ITEMS MARKED WITH A *
-	F40906-1		2	CARBURETOR GASKET
-	F85168-1		2	REED PLATE ADAPTER GASKET
-	F85762		1	BY-PASS VALVE COVER GASKET
-	F474067		1	THERMOSTAT COVER GASKET
-	F474154		2	EXHAUST PORT COVER GASKET
-	F474168		1	CARBURETOR ADAPTER GASKET
-	F474279		1	CYLINDER EXHAUST GASKET
-	F474529-1		1	CYLINDER HEAD GASKET
-	F474867		1	EXHAUST TUBE GASKET
-	F474996-1		1	CYLINDER HEAD COVER GASKET
-	F522279		1	CYLINDER EXHAUST GASKET
-	F522867		1	EXHAUST TUBE GASKET

MOTOR LEG



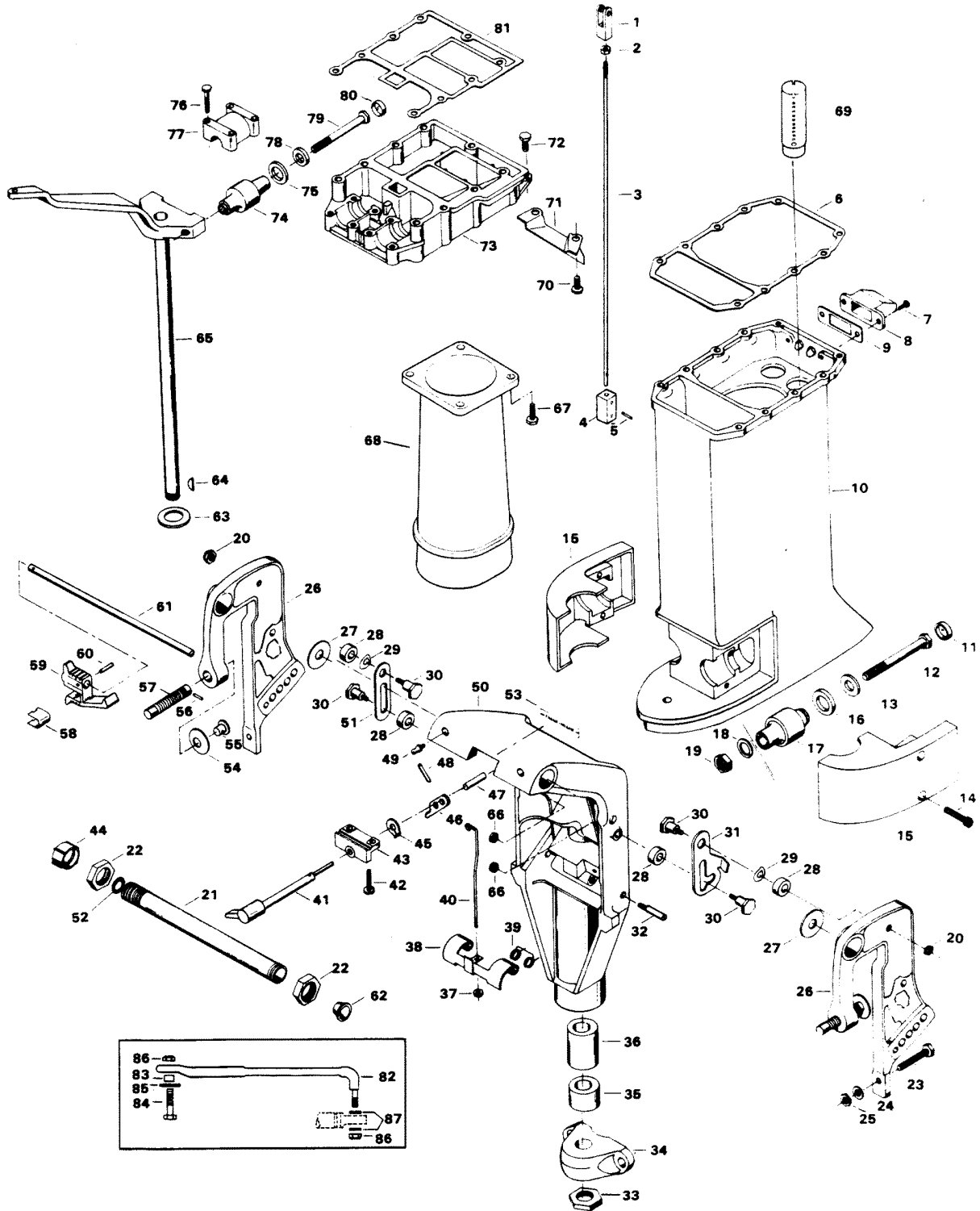
OR 3240

MOTOR LEG

REF. NO.	PART NO.	SYM.	QTY.	DESCRIPTION
1	F474704		1	COUPLER, SHIFT ROD
2	F1341		1	HEX NUT, 1/4 - 20
3	F522615		1	ROD, GEAR SHIFT - UPPER
4	F522704		1	COUPLING, GEAR SHIFT ROD
5	F8547		1	SPRING PIN
6	F522453		1	LEG EXHAUST GASKET
7	F1705		2	HEX CAP SCREW, 1/4 - 20 X 3/4
8	F474832-1		1	IDLE RELIEF COVER
9	F474833		1	GASKET, IDLE RELIEF COVER
10	F522133		1	MOTOR LEG
11	F474539		2	BUMPER
12	F2069		2	HEX CAP SCREW, 7/16 - 14 X 4
13	F474359		2	WASHER
14	F1257		4	HEX SOCKET HD CAP SCREW, S.S., 5/16 - 18 X 1 1/4
15	F522707		2	SHOCK MOUNT COVER, LOWER
16	F474847		2	WASHER
17	F474346-2		2	SHOCK MOUNT LOWER
18	F8067		2	SPRING LOCKWASHER
19	F2065		2	HEX NUT, 7/16 - 14
20	F7007		2	STOP NUT, 5/16 - 18
21	F522125-1		1	TUBE, STEERING SUPPORT
22	F1600		2	LOCK NUT
23	F1593		2	HEX HD SCREW, S.S., 3/8 - 16 X 3
24	F1904		2	PLAIN WASHER
25	F1346		2	HEX NUT, 3/8 - 16
26	F522032		1	STERN BRACKET - STARBOARD
-	F522532		1	STERN BRACKET - PORT
27	F522286		2	STERN BRACKET FRICTION WASHER
28	F269929		4	SPACER, TILT STOP
29	F1666		2	BOWED SPRING WASHER
30	F366350		4	TILT STOP PIVOT
31	F366426		1	TILT STOP - PORT
32	F366886		2	PIN
33	F84280		1	KING PIN NUT
34	F474607		1	KING PIN YOKE
35	F474990		1	SPACER
36	F191169-1		2	SWIVEL BRACKET BEARING
37	F1669		1	LOCK NUT
38	F366349		1	REVERSE LOCK
39	F366300		2	REVERSE LOCK SPRING
40	F474510		1	LINK
41	FA522827		1	HANDLE AND SHAFT
42	F1733		2	PAN HD SCREW, 10 - 24 X 9/16

CONTINUED ON NEXT PAGE ➡

MOTOR LEG



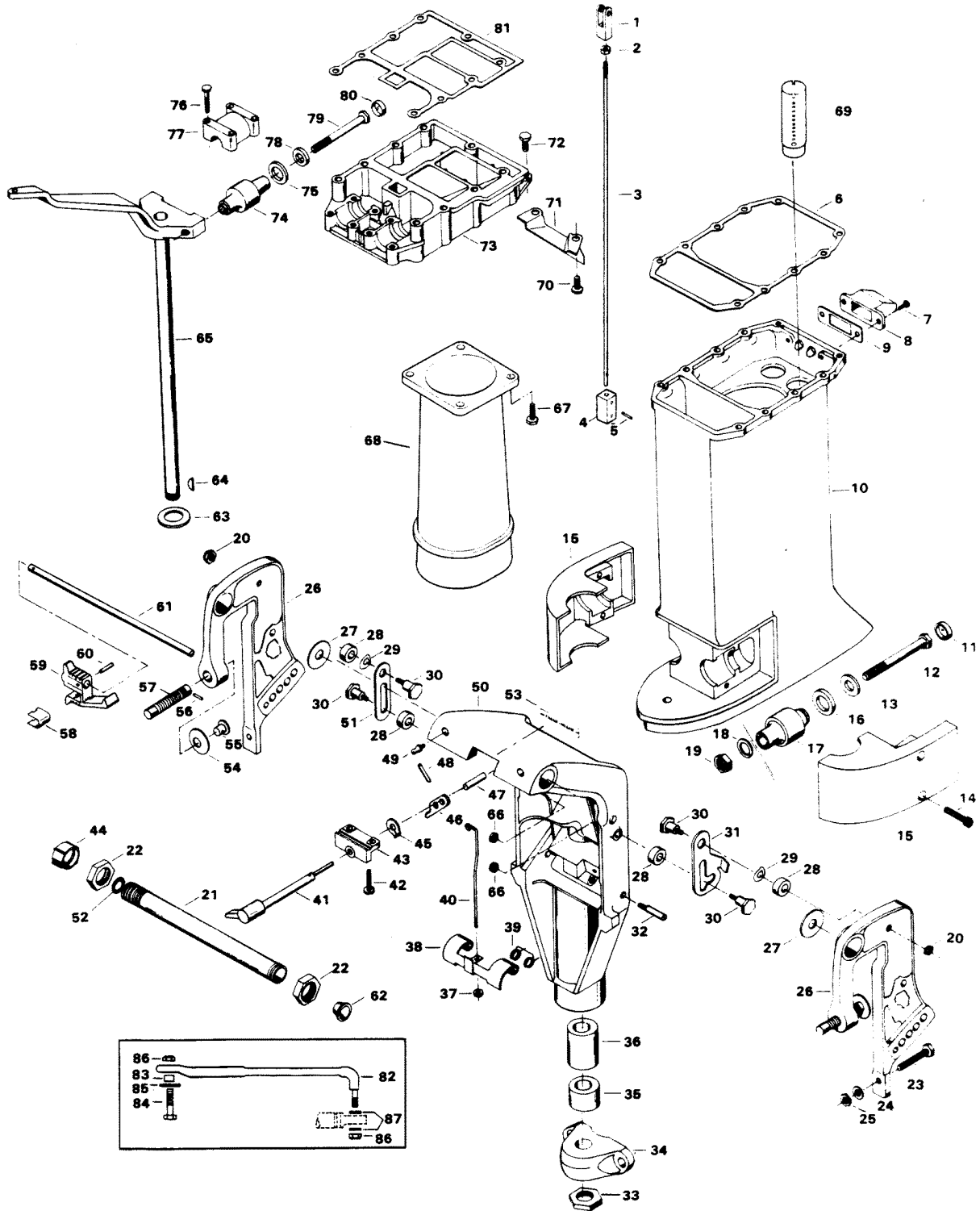
OR 3210

MOTOR LEG

REF. NO.	PART NO.	SYM.	QTY.	DESCRIPTION
43	F522884		1	BEARING
44	F9018		2	CAP
45	F522741		1	RETAINING RING
46	F366364		1	ARM, REVERSE LOCK
47	F483884		1	BEARING
48	F1836		1	SPRING PIN
49	F213274		3	GREASE FITTING
50	FA522072		1	SWIVEL BRACKET WILLUS. 36 AND 49
51	F366433		1	TILT STOP, STARBOARD
52	F316599		1	SEAL, PIVOT TUBE
53	F529390-1		1	DECAL, REVERSE LOCK - USA
54	F24074		2	CLAMP SCREW FOOT
55	F353480		2	STUD
56	F8538		2	SPRING PIN
57	F474073-1		2	CLAMP SCREW
58	F286461		1	SPRING, LOCK BAR HANDLE
59	F433114		1	HANDLE, LOCK BAR
60	F1744		1	SPRING PIN
61	FA433113		1	STERN BRACKET LOCK BAR WILLUS. 58, 59 AND 60
62	F9052		2	PLUG
63	F89011		1	SWIVEL BRACKET WASHER
64	F458498		1	KEY
65	FA522019		1	KING PIN ASSEMBLY
66	F7007		2	LOCK NUT, 5/16 - 18
67	F1864		4	HEX CAP SCREW, 1/4 - 20 X 3/4
68	F522660		1	LEG EXHAUST TUBE
69	F522779		2	BAFFLE, IDLE RELIEF
70	F1689		2	HEX CAP SCREW, 1/4 - 20 X 1/2
71	F474106-3		1	DEFLECTOR, WATER DISCHARGE
72	F1902		2	HEX CAP SCREW, 5/16 - 18 X 3/4
73	F522680		1	SPACER PLATE
74	F474965-1		2	SHOCK MOUNT UPPER
75	F474849		2	WASHER
76	F1581		8	HEX CAP SCREW, 1/4 - 20 X 1 1/4
77	F474946		2	SHOCK MOUNT COVER UPPER
78	F474355		2	WASHER
79	F1430		2	HEX CAP SCREW, 3/8 - 24 X 4
80	F474942		2	BUMPER
81	F522279		1	CYLINDER EXHAUST GASKET
82	F522881		1	LINK STEERING
83	F522359		1	SPACER STEERING LINK
84	F1469		1	SCREW 3/8 - 24 X 1-1/4
85	F2014		1	PLAIN WASHER, 3/8

CONTINUED ON NEXT PAGE ➡

MOTOR LEG

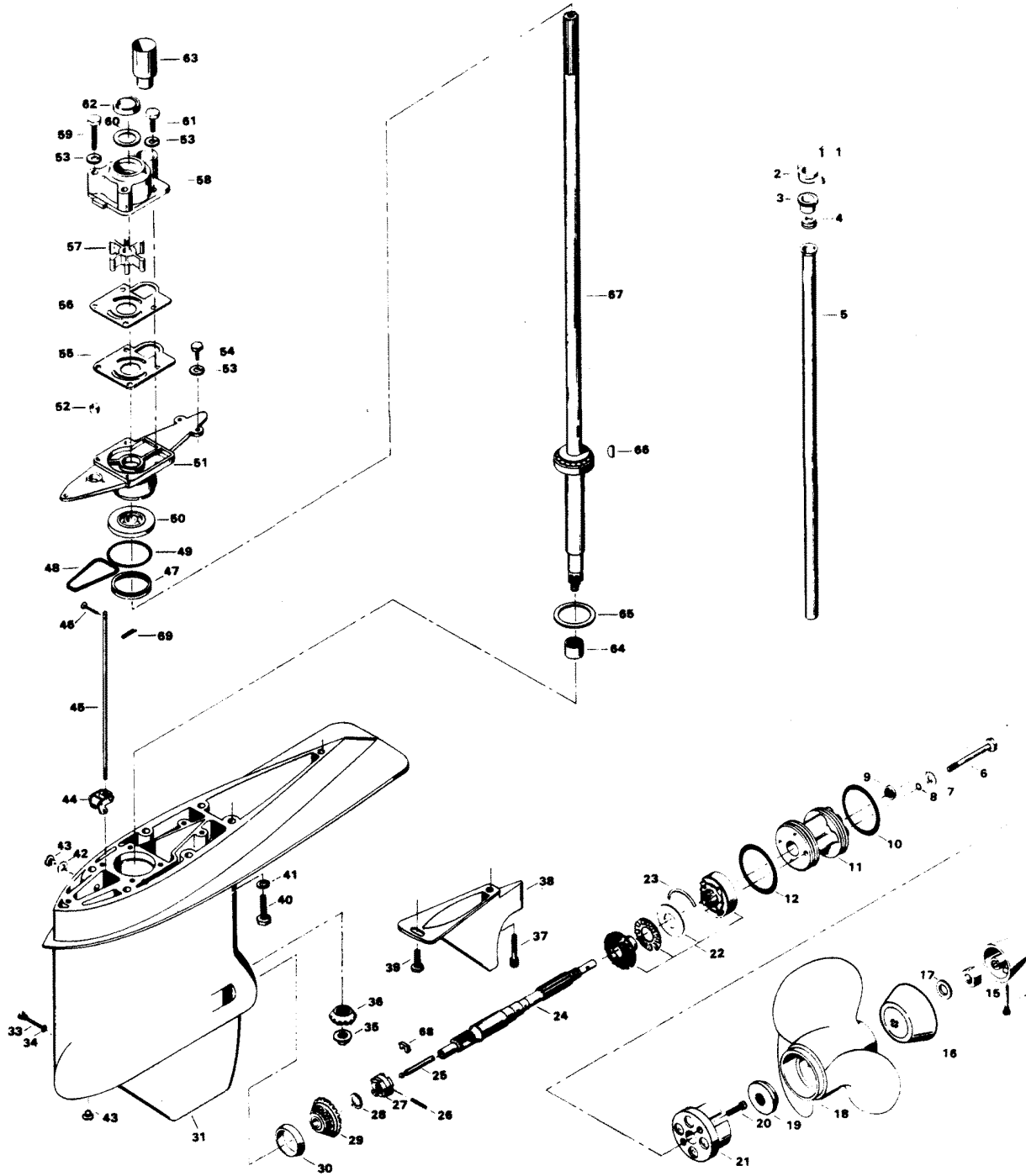


OR 3210

MOTOR LEG

REF. NO.	PART NO.	SYM.	QTY.	DESCRIPTION
86	F2093		2	STOP NUT, 3/8 - 24
87	F8038		2	PLAIN WASHER
-	FOB2464		1	LITERATURE (INSTALLATION INSTRUCTIONS FOR STEERING LINK) NOT SHOWN

GEAR HOUSING

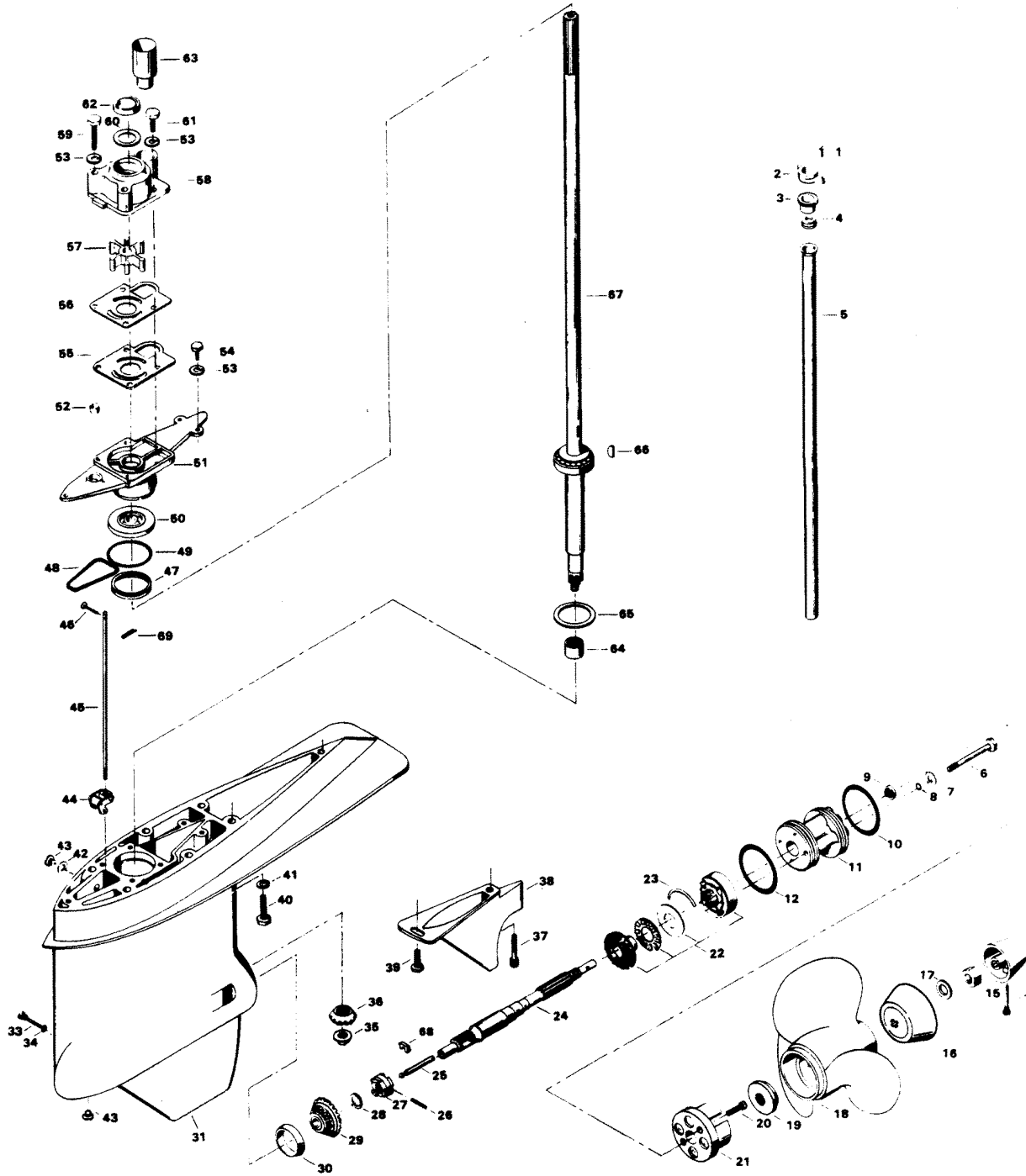


GEAR HOUSING

REF. NO.	PART NO.	SYM.	QTY.	DESCRIPTION
1	F1733		2	HEX HD SCREW, 10 - 24 X 9/16
2	F474117		1	WATER LINE BRACKET
3	F474830		1	WATER LINE BRACKET GASKET
4	F474342		1	SEAL
5	F522244		1	INLET WATER LINE
6	F1417		4	HEX CAP SCREW, 5/16 - 18 X 3-1/2
7	F1907		4	PLAIN WASHER
8	F50342-1		4	SEAL
9	F522118		1	SEAL, PROPELLER SHAFT
10	F522305		1	SEAL, O-RING
11	F2A522239		1	SPOOL, PROP SHAFT BEARING W/BEARING ILLUS. 9
12	F141305		1	SEAL, O-RING
13	F522094-1		1	PROPELLER NUT
14	F498891		1	PIN
15	F1788		1	STOP NUT
16	F5H118		1	WASHER (ACCESSORY ITEM)
17	F1866		1	PLAIN WASHER
18	FPS486		1	PROPELLER (ACCESSORY ITEM)
19	F522099		1	SPACER, PROPELLER
20	F1577		2	FILL HD SCREW, 1/4 - 20 X 3/4
21	FA522485		1	ANTI-CORROSION ANODE W/LITERATURE
22	FA522662		1	BEVEL GEAR REAR W/BEARING CAGE
23	F522411		2	RETAINING RING, BEARING CAGE
24	FA522098		1	PROPELLER SHAFT ASSEMBLY
25	F522871		1	GEAR SHIFT ARM PIN
26	F2097		1	SPRING PIN
27	F99521-1		1	CLUTCH
28	F2087		A/R	SPACER, BEVEL GEAR FRONT, SIZE .056
-	F2055		A/R	SPACER, BEVEL GEAR FRONT, SIZE .059
-	F2056		A/R	SPACER, BEVEL GEAR FRONT, SIZE .062
-	F2057		A/R	SPACER, BEVEL GEAR FRONT, SIZE .065
-	F2058		A/R	SPACER, BEVEL GEAR FRONT, SIZE .068
-	F2059		A/R	SPACER, BEVEL GEAR FRONT, SIZE .071
-	F2060		A/R	SPACER, BEVEL GEAR FRONT, SIZE .074
-	F2061		A/R	SPACER, BEVEL GEAR FRONT, SIZE .077
-	F2062		A/R	SPACER, BEVEL GEAR FRONT, SIZE .080
-	F2063		A/R	SPACER, BEVEL GEAR FRONT, SIZE .083
-	F2064		A/R	SPACER, BEVEL GEAR FRONT, SIZE .086
-	F2123		A/R	SPACER, BEVEL GEAR FRONT, SIZE .053
-	F2124		A/R	SPACER, BEVEL GEAR FRONT, SIZE .050
29	F2A522023		1	BEVEL GEAR FRONT W/BEARING AND SHIMS
30	F506250		1	BEARING CUP
31	FA522054		1	GEAR HOUSING WILLUS. 30, 32, 42, 43 AND 64

CONTINUED ON NEXT PAGE ➡

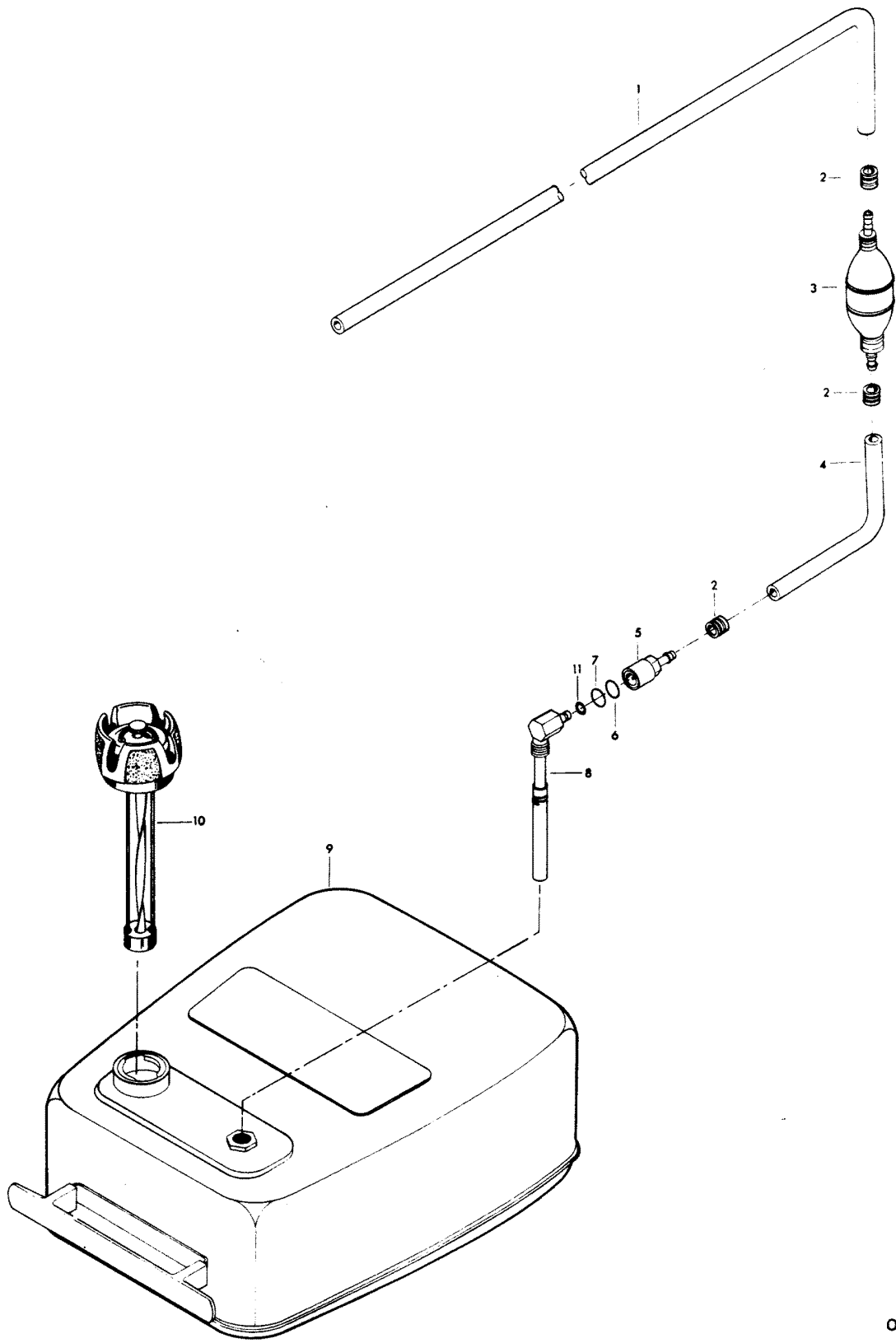
GEAR HOUSING



GEAR HOUSING

REF. NO.	PART NO.	SYM.	QTY.	DESCRIPTION
-	FC577054		1	GEAR HOUSING COMPLETE INCLUDES ALL ITEMS MARKED WITH AN ASTERISK (*)
33	F498891		1	GEAR SHIFT ARM PIN
34	F498618		1	NYLTITE WASHER
35	F522188-1		1	NUT, BEVEL PINION RETAINING
36	FA522266		1	BEVEL PINION GEAR W/ILLUS. 47 AND 65
37	F2031		1	HEX SOCKET HD CAP SCREW, 1/4 - 20 X 3/4
38	F522116-1		1	SNOUT
39	F438930		1	RETAINER, SNOUT
40	F2079		6	HEX CAP SCREW, 5/16 - 18 X 2-1/4
41	F8096		6	SPRING LOCKWASHER
42	F8077		3	WASHER, GEAR HOUSING PLUG
43	F50109		3	PLUG, GEAR HOUSING
44	817796A2		1	GEAR SHIFT ARM ASSY.
45	F522705		1	GEAR SHIFT ROD LOWER
46	F85372		1	PIN, GEAR SHIFT ROD LOWER
47	F523961		1	CRUSH RING
48	F522555		1	SEAL, GEAR HOUSING COVER
49	F74305		1	SEAL, DRIVESHAFT BEARING CAGE
50	F522118		1	SEAL, DRIVESHAFT
51	FA577706		1	GEAR HOUSING COVER W/ILLUS. 50 AND 52
52	F338618-1		1	SEAL, SHIFT ROD LOWER
53	F8083		7	SPRING, LOCKWASHER
54	F1705		3	HEX CAP SCREW, 1/4 - 20 X 3/4
55	F522031		1	GASKET, WATER PUMP
56	F522562		1	WATER PUMP BACK PLATE
57	F474065-1		1	WATER PUMP IMPELLER
58	46-817851A1		1	WATER PUMP BODY W/ILLUS. 60, 62 AND 63 ORIGINAL FORCE P/N A 522060-1
59	F1175		2	HEX CAP SCREW, 1/4 - 20 X 1-7/8
60	F474388		1	DISC, WATER PUMP
61	F1849		2	HEX CAP SCREW, 1/4 - 20 X 1-3/8
62	F474736		1	SEAL, DRIVESHAFT - WATER PUMP
63	FA523735		1	SEAL, INLET WATER LINE LOWER W/LITERATURE
64	F522057		1	BEARING, DRIVESHAFT LOWER
65	F9106		A/R	SHIM, DRIVESHAFT BEARING - UPPER, SIZE .003
-	F9095		A/R	SHIM, DRIVESHAFT BEARING - UPPER, SIZE .005
-	F9096		A/R	SHIM, DRIVESHAFT BEARING - UPPER, SIZE .007
-	F9097		A/R	SHIM, DRIVESHAFT BEARING - UPPER, SIZE .010
66	F9038		1	WOODRUFF KEY
67	FK577128		1	DRIVESHAFT W/ILLUS. 47, 65 AND LITERATURE.
68	F90619-1		1	YOKE, GEARSHIFT ARM
69	F1015		1	COTTER PIN

FUEL TANK AND LINE

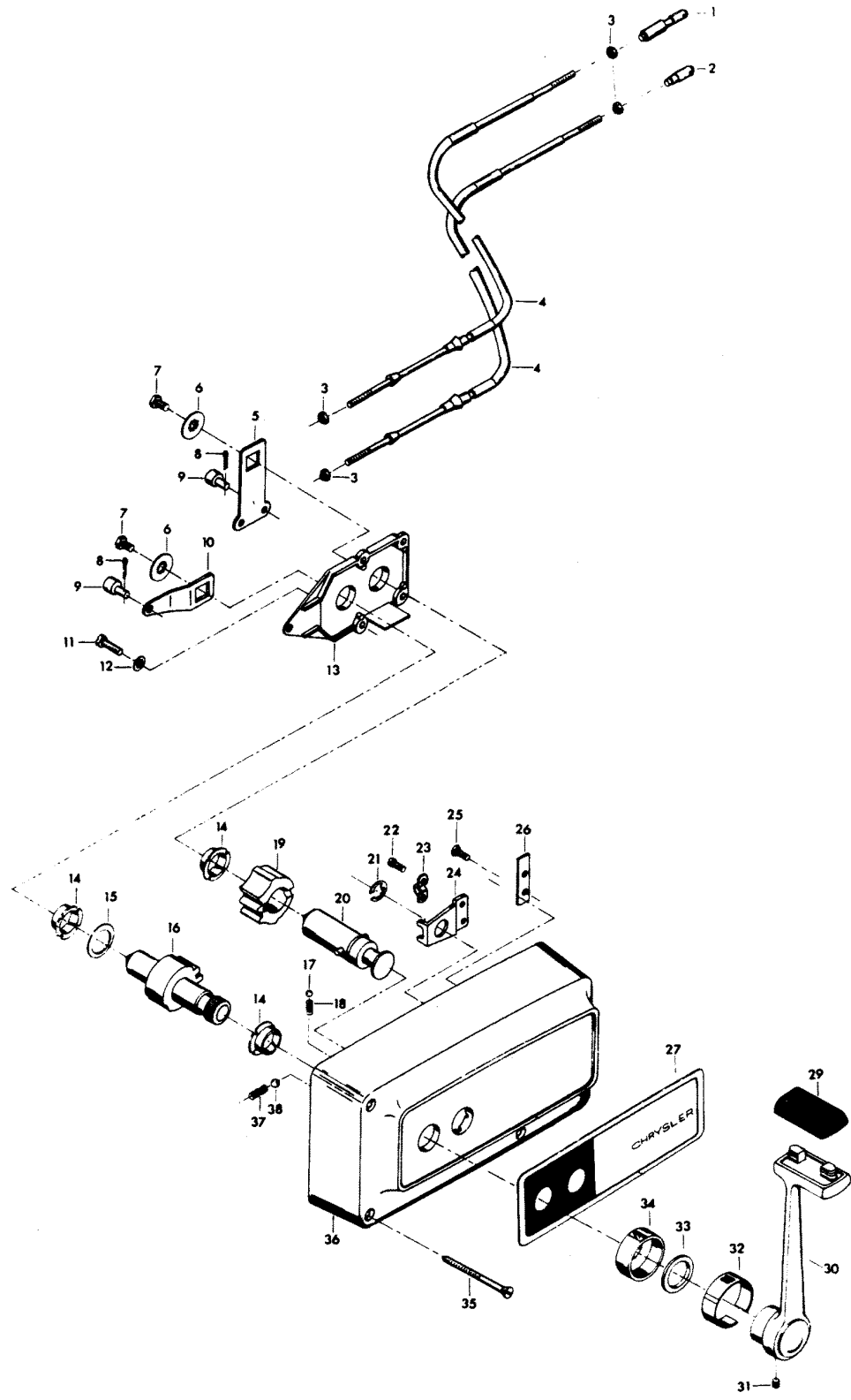


OB 3849

FUEL TANK AND LINE

REF. NO.	PART NO.	SYM.	QTY.	DESCRIPTION
1	32-817738A1		1	FUEL LINE, LONG W/CLAMP AND FERRULE
2	F298788		3	FERRULE
3	89396A38		1	PRIME BULB
4	FA84754-1		1	FUEL LINE SHORT W/ILLUS. 2
5	F197787-3		1	FUEL LINE COUPLER
6	F17816		1	SEAL, FUEL LINE COUPLER - SMALL
7	F17815		1	SEAL, FUEL LINE COUPLER - LARGE
8	F485755-1		1	FUEL TANK ADAPTER
9	F5H026		1	FUEL TANK (ACCESSORY ITEM)
10	F409251-1		1	GAUGE CAP
11	F17817		1	SEAL, FUEL TANK ADAPTER
-	FS409752		1	FUEL LINE - COMPLETE. INCLUDES ITEMS MARKED WITH AN ASTERISK (*).
-	FC409398		1	DECAL, TOTE TANK - CANADA (NOT SHOWN)

REMOTE CONTROL



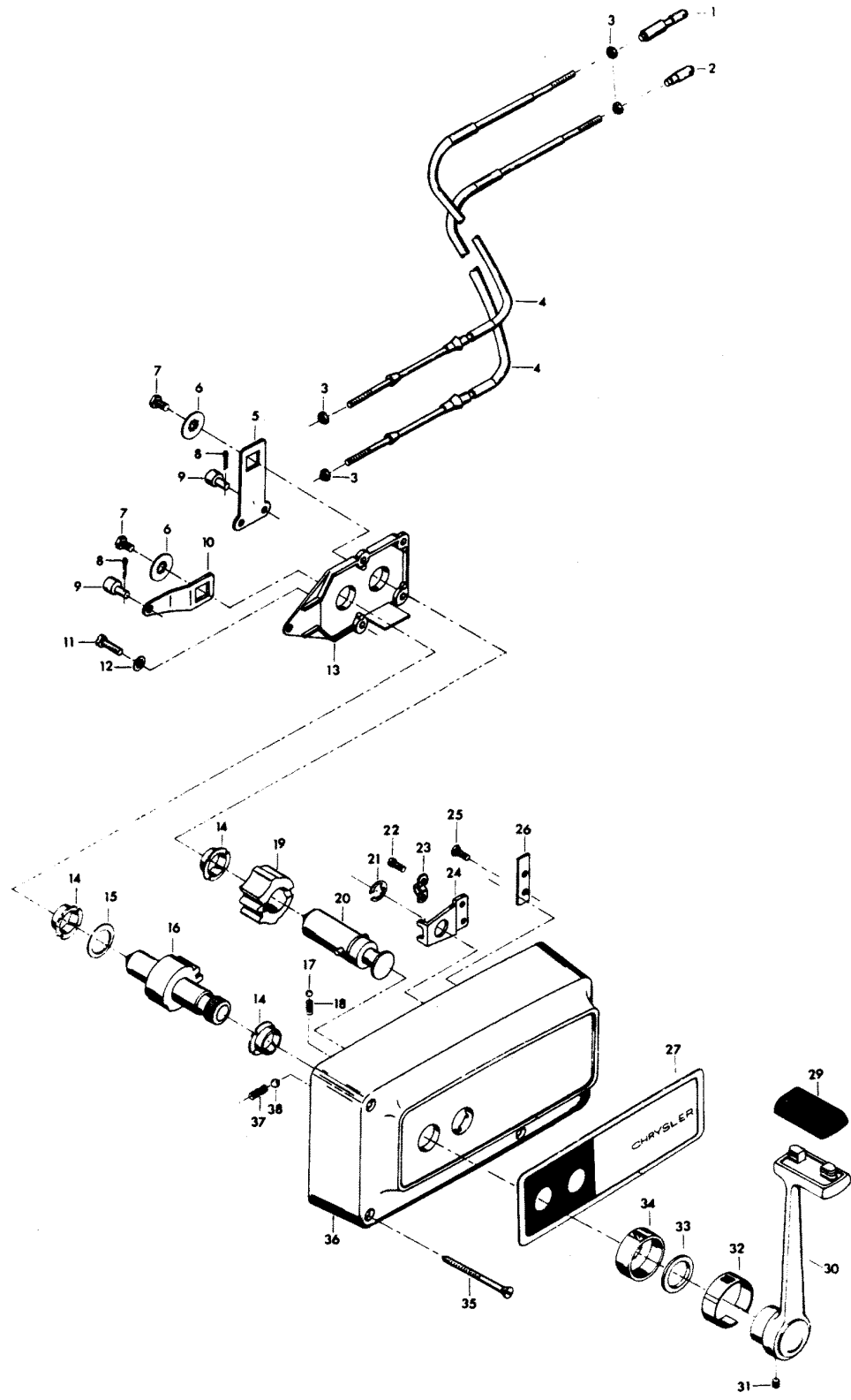
OB 3849

REMOTE CONTROL

REF. NO.	PART NO.	SYM.	QTY.	DESCRIPTION
1	FA58976-1		1	CONNECTOR, THROTTLE CABLE
2	F58685-2		1	CONNECTOR, SHIFT CABLE
3	F1513		4	HEX NUT
4	F195/___		1	REMOTE CONTROL CABLE (SPECIFY LENGTH) ACCESSORY ITEM (2 PER SET)
5	F17019		1	CLUTCH ARM
6	F17036		2	INTERNAL TOOTH LOCKWASHER
7	F17155		2	HEX BOLT, 1/4 - 28 X 1/2
8	F17149		2	COTTER PIN
9	F17016		2	CABLE TERMINAL
10	F17014		1	THROTTLE ARM
11	F17013		2	FILL HD SCREW, 1/4 - 20 X 1/2
12	F8061		2	INTERNAL TOOTH LOCKWASHER
13	F17012		1	RETAINING PLATE
14	F17009		3	BEARING
15	F17011		1	BOWED WASHER
16	F17010-1		1	THROTTLE GEAR
17	F17111		1	DETENT BALL
18	F17006		1	DETENT SPRING
19	F17021		1	CLUTCH GEAR
20	F17100		1	CLUTCH SHAFT
21	F17092		1	SNAP RING
22	F17071		2	FILL HD SCREW, 10 - 24 X 5/16
23	F154317		1	CABLE CLAMP
24	F17026		1	SWIVEL
25	F17141		2	ROUND HD SCREW, 10 - 24 X 3/8
26	F17153		1	RETAINER PLATE
27	F580892		1	DECAL - STARBOARD
-	F581892		1	DECAL - PORT
28	F17031-1		1	SNAP CAP
29	F17116		1	KNOB
30	F17115-1		1	HANDLE
31	F17030-1		1	SET SCREW
32	FK17114-1		1	INDICATOR
33	F17105		1	FELT WASHER
34	F17106		1	COLLAR
35	F17154		3	WOOD SCREW
36	F17099		1	HOUSING

CONTINUED ON NEXT PAGE ➡

REMOTE CONTROL



OB 3849

REMOTE CONTROL

REF. NO.	PART NO.	SYM.	QTY.	DESCRIPTION
37	F17157		1	DETENT SPRING
38	F17082-1		1	DETENT BALL
-	F1280		2	PAN HD SCREW, 8 - 32 X 1/4 (TERMINAL BOARD) (NOT SHOWN)
-	FK17156		1	BAG ASSEMBLY (NOT SHOWN). INCLUDES ALL ITEMS MARKED WITH AN ASTERISK (*)
-	OB3876		1	LITERATURE (NOT SHOWN) 5H130

SPECIAL TOOLS - TUNE-UP

REF. NO.	PART NO.	SYM.	QTY.	DESCRIPTION
-	FTA2937-1		0	TIMING TOOL TO LOCATE TIMING DECAL.
-	FT2951		0	CIRCUIT TRACER TO TROUBLESHOOT ELECTRICAL SYSTEM.
-	FT8978		0	POWER TIMING LIGHT TO TIME ENGINE.

SPECIAL TOOLS - POWER HEAD

REF. NO.	PART NO.	SYM.	QTY.	DESCRIPTION
-	FT2998		0	TORQUE WRENCH (0 - 100 LBS./FT.) TO INSURE FLYWHEEL NUT IS PROPERLY TORQUED.
-	FT2999		0	TORQUE WRENCH (0 - 600 LBS./IN.) TO INSURE FLYWHEEL NUT IS PROPERLY TORQUED.
-	FT2991		0	CARBON BRUSH TO REMOVE CARBON DEPOSITS FROM POWER HEAD.
-	FT8900		0	HOSE CLAMP PLIERS TO REMOVE CLAMPS FROM FUEL HOSE.
-	FTA8994		0	PISTON PIN TOOL TO INSTALL PISTON PINS - USE W/T 2990.
-	T8984		0	SEAL INSTALLER TO INSTALL UPPER AND LOWER CRANKSHAFT SEALS - USE WITH T 8907.
-	FT2990		0	PISTON PIN TOOL TO REMOVE AND INSTALL PISTON PINS.
-	FT2996		0	RING COMPRESSOR TO INSTALL PISTONS IN CYLINDER.
-	FT8926		0	RING EXPANDER TO INSTALL RINGS ON PISTON.
-	FT8933		0	LIFTING HOOK TO PROVIDE SAFE METHOD OF LIFTING ENGINE.

SPECIAL TOOLS - LOWER UNIT

REF. NO.	PART NO.	SYM.	QTY.	DESCRIPTION
-	FT11206		0	DRIVESHAFT BEARING INSTALLER/REMOVER TO SERVICE DRIVESHAFT BEARING.
-	FT11208		0	TORQUE ADAPTER TO HOLD D/S SPLINE WHILE INSTALLING PINION NUT.
-	FT8930-1		0	FEELER GAUGE TO SHIM LOWER UNIT.
-	FT8948-1		0	PULLER TO REMOVE PROPELLER SHAFT BEARING CAGE FROM LOWER GEAR HOUSING.
-	FT8918		0	BUSHING GUIDE SET TO REMOVE.
-	FT8957		0	SEAL INSTALLER TO INSTALL SHIFT ROD SEAL.
-	FT3012		0	SEAL INSTALLER TO INSTALL DRIVESHAFT SEAL IN WATER PUMP.
-	FT8901		0	INDICATOR HOLDER TO USE WITH CHECKING GAUGE.
-	FT8902		0	DIAL INDICATOR TO USE WITH CHECKING GAUGE.
-	FT3431		0	SEAL INSTALLER TO INSTALL REAR PROP SHAFT SEAL AND DRIVESHAFT SEAL.
-	FT2995		0	CUP REMOVER TO REMOVE FORWARD BEARING CUP.
-	FT8997		0	SHIM TOOL TO SHIM GEAR HOUSING.
-	FT11203		0	CUP INSTALLER TO INSTALL FORWARD BEARING CUP.
-	FT8985		0	SEAL INSTALLER TO INSTALL DRIVESHAFT SEAL.
-	FT8907		0	DRIVE HANDLE TO INSTALL FORWARD BEARING CUP.
-	FT8919		0	SPRING PIN PUNCH TO REMOVE SPRING PIN FROM CLUTCH.

SPECIAL TOOLS - TEST EQUIPMENT

REF. NO.	PART NO.	SYM.	QTY.	DESCRIPTION
-	FT2938-1		0	BATTERY POWERED TEST LIGHT FOR CHECKING CONTINUITY IN CIRCUITS.
-	FT11200		0	TEST WHEEL TO TEST MOTOR IN TEST TANK.
-	FT8950		0	LEAKAGE TESTER TO TEST LOWER UNIT FOR LEAKS.
-	FT8953		0	IGNITION TESTER TO TEST IGNITION SYSTEM.
-	FT11237		0	HARNES ADAPTER TO USE W/T 8953 AND T 8996 IGNITION TESTERS.
-	FT8996		0	IGNITION TESTER TO TEST IGNITION SYSTEM.

SPECIAL TOOLS - LUBRICANTS AND SEALANTS

REF. NO.	PART NO.	SYM.	QTY.	DESCRIPTION
-	FT2961		0	LUBRICANT - RYKON GREASE #2EP
-	FT2987-1		0	LUBRICANT - ANTI-SEIZE
-	FT8969		0	LUBRICANT - 7 OZ. LPSI LUBRICANT
-	FT8955		0	SEALANT - 5 OZ. EC-750 INDUSTRIAL SEALANT
-	FT8983		0	SEALANT - 3 OZ. RTV SEALANT FROM IN PLACE GASKETS
-	FT8936-1		0	SEALANT - 2 CC LOCTITE RETAINING COMPOUND #75
-	FT2962-1		0	SEALANT - 50 CC LOCTITE H, NON-HARDENING GRADE
-	FT2963-2		0	SEALANT - 2 OZ. LOCTITE D, HARDENING GRADE
-	FT8935		0	SEALANT PRIMER - 6 OZ.

SPECIAL TOOLS - ACCESSORIES

REF. NO.	PART NO.	SYM.	QTY.	DESCRIPTION
-	F5H173		0	FLUSHING ADAPTER PERMITS FRESH WATER FLUSHING OF WATER PASSAGES WITH STANDARD GARDEN HOSE.
-	F5H130		0	REMOTE CONTROL - SURFACE MOUNT PERMITS REMOTE CONTROL OF THROTTLE AND GEAR SHIFT FROM STARBOARD SIDE OF BOAT.
-	F5H120		0	REMOTE CONTROL BACK PLATE TO PREVENT INTERFERENCE WITH PADDED SIDE OF BOAT.
-	F5H131		0	PORT SIDE DECAL KIT CONVERTS 5H130 CONTROL BOX TO PORT SIDE MOUNTING.
-	F590		0	REMOTE CONTROL - FLUSH MOUNT FLUSH MOUNT CONTROL UNIT PERMITS REMOTE CONTROL OF THROTTLE AND GEAR SHIFT. MAY BE MOUNTED ON PORT OR STARBOARD SIDE OF BOAT.
-	865		0	REMOTE CONTROL - SURFACE MOUNT PERMITS REMOTE CONTROL OF THROTTLE AND GEAR SHIFT ON TWIN ENGINE INSTALLATIONS. MAY BE MOUNTED ON PORT OR STARBOARD SIDE OF BOAT.
-	F5H079		0	SINGLE REMOTE CONTROL BOX PERMITS REMOTE CONTROL OF THROTTLE AND GEAR SHIFT. CONSOLE MOUNTED.
-	F5H080		0	TWIN REMOTE CONTROL BOX PERMITS REMOTE CONTROL OF THROTTLE AND GEAR SHIFT - TWO ENGINES. CONSOLE MOUNTED.
-	F195/___		0	REMOTE CONTROL CABLES CONNECTS REMOTE CONTROL BOX TO THROTTLE AND GEAR SHIFT ON ENGINE. AVAILABLE IN 6 THROUGH 40 FOOT LENGTHS.
-	F5H132		0	REMOTE CONTROL HANDLE TRIM SWITCH HAS POWER TRIM CONTROL SWITCH IN HANDLE. REPLACES STANDARD CONTROL LEVER ON 5H130 CONTROL BOX.
-	F5H108		0	STEERING CONNECTOR CLEVIS TYPE FOR BOAT MOUNTED STEERING AND NONTHEADED CABLE END.
-	F5H001		0	STEERING LINK KIT CONNECTS STEERING CABLE TO ENGINE WHEN USING ENGINE MOUNTED STEERING SYSTEM.
-	F5H109		0	DUAL STEERING CONNECTOR PERMITS DUAL ENGINE INSTALLATIONS.
-	F5H026		0	STEEL, 6 GALLON FUEL TANK (TOTE TANK) AUXILIARY TANK.
-	F5H029		0	TANK ANCHOR SECURES 5H026 TO BOAT.
-	F5H040		0	STEEL, 12 GALLON FUEL TANK AUXILIARY TANK.
-	F5H019		0	ANTI-CORROSION KIT ELECTRICAL KIT FOR MOUNTING ON BOAT (12V) TO REDUCE CORROSION.
-	F5H025		0	ANTI-CORROSION SACRIFICIAL ANODE KIT USED TO REDUCE CORROSION.
-	F5H160		0	POWER TRIM INDICATOR INDICATES ENGINE TRIM ANGLE. (FLUSH MOUNT).
-	F5H134		0	BOAT WHITE LACQUER ENGINE TOUCH-UP PAINT IN 12 3/4 OZ. SPRAY BOMBS (6 CANS PER CASE).
-	F5H081		0	BATTERY CABLE LONGER LENGTH - 15 FEET. DISCONNECT PLUG AT ENGINE.
-			0	VOLTMETER INDICATES BATTERY CONDITION.

CONTINUED ON NEXT PAGE ➡

SPECIAL TOOLS - ACCESSORIES

REF. NO.	PART NO.	SYM.	QTY.	DESCRIPTION
-	F5H021		0	EXTENSION CABLE FOR LENGTHENING BATTERY CABLE 6 1/2 FEET.
-	F71H26		0	BATTERY TERMINAL KIT FOR POSITIVE AND NEGATIVE BATTERY POST.
-	71H25		0	CHARGE INDICATOR LAMP GLOWS GREEN WHEN ALTERNATOR IS RECHARGING BATTERY. DO NOT USE INDICATOR LAMP AND AMMETER IN SAME INSTALLATION.
-	F5H037		0	CIGAR LIGHTER FOR USE AS CONVENIENCE OUTLET.
-	5H158		0	FUEL GAUGE MONITORS FUEL SUPPLY.
-	F5H144		0	HYDRAULIC TILT HYDRAULIC UNIT TO RAISE AND LOWER THE LOWER UNIT WHEN BEACHING OR TRAILERING BOAT.
-	479		0	HEAT LAMP KIT GLOWS RED IF ENGINE OVERHEATS. DO NOT USE HEAT LAMP AND TEMPERATURE GAUGE IN SAME INSTALLATION.
-	F5H159		0	HOURLY METER RECORDS ENGINE RUNNING TIME.
-	F5H118		0	PROPELLER SPACER REDUCES VENTILATION/CAVITATION.
-	F5H077		0	IGNITION KEY SWITCH SHORT BARREL WITH KEYS.
-	F5H078		0	IGNITION KEY SWITCH LONG BARREL WITH KEYS.
-	F762		0	REMOTE ELECTRIC CABLE 25 FOOT CABLE FOR LARGE BOATS.
-	F5H070		0	REMOTE ELECTRIC CABLE 21 FOOT CABLE FOR LARGE BOATS.
-	F5H028		0	SENDING UNIT FOR USE WITH 5H008 FUEL GAUGE.
-	F5H156		0	TEMPERATURE GAUGE MONITORS ENGINE TEMPERATURE. DO NOT USE TEMPERATURE GAUGE AND HEAT LAMP IN SAME INSTALLATION.
-	F5H084		0	TRAILERING TILT LOCK SECURES ENGINE IN TILTED POSITION FOR TRAILERING.
-	F5H167		0	TACHOMETER MONITORS ENGINE R.P.M. TO PROVIDE CHECK OF ENGINE PERFORMANCE.
-	F5H148		0	POWER TRIM ADJUSTS ENGINE TRIM AND TILTS ENGINE.
-	F5H154		0	SPEEDOMETER MONITORS BOAT SPEED (10 - 50 M.P.H.).
-	F5H155		0	SPEEDOMETER MONITORS BOAT SPEED (10 - 65 KM/H).
-	F5H115		0	TRAILERING TILT LOCK SECURES ENGINE IN HALF TILT POSITION FOR TRAILERING.
-	F5H076		0	SWITCH EXTENSION CABLE ALLOWS INSTALLATION OF IGNITION SWITCH IN 5H130 CONTROL BOX WITH 563 TERMINAL BLOCK.
-	F5H030		0	SWITCH KIT - RUNNING LIGHTS DASH MOUNTED TOGGLE SWITCH.
-	F5H031		0	SWITCH KIT - SPOT LIGHT DASH MOUNTED TOGGLE SWITCH.
-	F5H032		0	SWITCH KIT - WIPER DASH MOUNTED TOGGLE SWITCH.
-	F5H034		0	SWITCH KIT - BILGE PUMP DASH MOUNTED TOGGLE SWITCH.
-	F5H035		0	SWITCH KIT - HORN DASH MOUNTED TOGGLE SWITCH (MOMENTARY).

CONTINUED ON NEXT PAGE ➡

SPECIAL TOOLS - ACCESSORIES

REF. NO.	PART NO.	SYM.	QTY.	DESCRIPTION
-	F5H036		0	SWITCH KIT - TACHOMETER TRANSFER DASH MOUNTED TOGGLE SWITCH FOR ONE TACHOMETER ON DUAL ENGINE INSTALLATION.
-	F5H038		0	SWITCH KIT - IGNITION SWITCH TO MOUNT IGNITION SWITCH ON DASH.
-	F5H039		0	SWITCH KIT - INSTRUMENT LIGHT DASH MOUNTED TOGGLE SWITCH.
-	F563		0	TERMINAL BLOCK KIT DOUBLE ROW 10 SECTION TO SIMPLIFY ACCESSORY INSTALLATION.
-	F5H075		0	WIRING HARNESS - IGNITION SWITCH (24") USE WITH 563 TERMINAL BLOCK.
-	F596		0	CHRYSLER OUTBOARD OIL SEE BLOCK COMMENT 1.
-	F597		0	CHRYSLER OUTBOARD GEAR LUBE SEE BLOCK COMMENT 2.
-	F5H059		0	CHRYSLER OUTBOARD MULTI-PURPOSE GREASE LUBRICATES BEARINGS AND OTHER MOVING PARTS. AVAILABLE IN 8 OZ. TUBES AND 12 TUBE CASES.
-	F5H060		0	CHRYSLER OUTBOARD GREASE GUN

PARTS INDEX

Part Number	Description	Pg.	Ref. No.	Part Number	Description	Pg.	Ref. No.
2C614712	ENGINE COVER COMPLETE	3	-	F15126	THRUST WASHER PACKAGE	19	3
479	HEAT LAMP KIT	50	-	F1513	HEX NUT	41	3
5H158	FUEL GAUGE	50	-	F1513	HEX NUT, 10 - 32	23	29
71H25	CHARGE INDICATOR LAMP	50	-	F1513	HEX NUT, 10 - 32	7	22
817747--1	BALL JOINT W/BEARING	23	28	F1515	HEX NUT, 5/16 - 18	15	4
817796A2	GEAR SHIFT ARM ASSY.	37	44	F1515	HEX NUT, S.S., 5/16 - 18	7	20
817892--1	IGNITION SWITCH PLATE CANADA (NOT SHOWN)	7	-	F15165	BRUSH AND TERMINAL SET	19	7
865	REMOTE CONTROL - SURFACE MOUNT	49	-	F1532	HEX CAP SCREW, 1/4 - 20 X 1	25	79
89396A38	PRIME BULB	39	3	F154317	CABLE CLAMP	23	19
C523227	SPARK PLUG (QL-76V)	25	-	F154317	CABLE CLAMP	41	23
F1014	COTTER PIN	11	2	F1550	SLOTTED PAN HD. SCREW #12 - 24 X 1	9	46
F1015	COTTER PIN	37	69	F1577	FILL HD SCREW, 1/4 - 20 X 3/4	35	20
F1017	COTTER PIN	23	3	F1581	HEX CAP SCREW, 1/4 - 20 X 1 1/4	25	80
F1034	FILL HD SCREW, 1/4 - 20 X 1 3/8	11	15	F1581	HEX CAP SCREW, 1/4 - 20 X 1 1/4	31	76
F1038	SLOTTED PAN HD. SCREW 1/4 - 20 X 3/4	9	44	F1593	HEX HD SCREW, S.S., 3/8 - 16 X 3	29	23
F1052	FILL HD M. SCREW, 1/4 - 20 X 1	23	39	F1600	LOCK NUT	29	22
F1059	FILL HD SCREW, 6 - 32 X 1/4	11	6	F1645	RD HD SCREW, 6 - 32 X 1/4	7	5
F1064	SLOTTED HD SCREW, 8 - 32 X 3/8	11	22	F1647	HEX NUT, 8 - 32	7	8
F1108	FILL HD SCREW, 1/4 - 20 X 3/4	17	10	F1666	BOWED SPRING WASHER	29	29
F1136	SCREW, 1/4 - 20 X 1	21	22	F1669	LOCK NUT	29	37
F1175	HEX CAP SCREW, 1/4 - 20 X 1-7/8	37	59	F1689	HEX CAP SCREW, 1/4 - 20 X 1/2	3	20
F1236	HEX CAP SCREW, 1/4 - 20 X 1/2	15	6	F1689	HEX CAP SCREW, 1/4 - 20 X 1/2	3	32
F1257	HEX SOCKET HD CAP SCREW, S.S., 5/16 - 18 X 1 1/4	29	14	F1689	HEX CAP SCREW, 1/4 - 20 X 1/2	31	70
F1280	PAN HD SCREW, 8 - 32 X 1/4 (TERMINAL BOARD) (NOT SHOWN)	43	-	F1693	TIE BAR RETAINER	11	21
F1280	SLOTTED PAN HD SCREW, 8 - 32 X 1/4	7	14	F17006	DETENT SPRING	41	18
F1341	HEX NUT, 1/4 - 20	23	32	F17009	BEARING	41	14
F1341	HEX NUT, 1/4 - 20	29	2	F17010-1	THROTTLE GEAR	41	16
F1346	HEX NUT, 3/8 - 16	29	25	F17011	BOWED WASHER	41	15
F141305	SEAL, O-RING	35	12	F17012	RETAINING PLATE	41	13
F1417	HEX CAP SCREW, 5/16 - 18 X 3-1/2	35	6	F17013	FILL HD SCREW, 1/4 - 20 X 1/2	41	11
F1430	HEX CAP SCREW, 3/8 - 24 X 4	31	79	F17014	THROTTLE ARM	41	10
F1469	SCREW 3/8 - 24 X 1-1/4	31	84	F17016	CABLE TERMINAL	41	9
F1473	HEX NUT, 10 - 24	25	51	F17019	CLUTCH ARM	41	5
F1475	SLOTTED FILL HD SCREW, 10 - 24 X 1/2	23	2	F17021	CLUTCH GEAR	41	19
F15034	SPRING SET	19	14	F17026	SWIVEL	41	24
F15057	BRUSH PLATE AND HOLDER	19	15	F17030-1	SET SCREW	41	31
F15099	ARMATURE	19	4	F17031-1	SNAP CAP	41	28
F15100	BENDIX DRIVE	19	1	F17036	INTERNAL TOOTH LOCKWASHER	41	6
F15120	HEAD ASSEMBLY, DRIVE END	19	2	F1704	INTERNAL TOOTH LOCKWASHER	7	4
F15123	THRU BOLT PACKAGE	19	10	F1705	HEX CAP SCREW, 1/4 - 20 X 3/4	7	24
				F1705	HEX CAP SCREW, 1/4 - 20 X 3/4	29	7
				F1705	HEX CAP SCREW, 1/4 - 20 X 3/4	37	54
				F17071	FILL HD SCREW, 10 - 24 X 5/16	41	22

PARTS INDEX

Part Number	Description	Pg.	Ref. No.	Part Number	Description	Pg.	Ref. No.
F1708	HEX HD M. SCREW, 1/4 - 20 X 1 3/8	15	9	F1860	SLOTTED HD M. SCREW, 6 - 32 X 1/4	17	5
F17082-1	DETENT BALL	43	38	F1864	HEX CAP SCREW, 1/4 - 20 X 3/4	21	9
F17092	SNAP RING	41	21	F1864	HEX CAP SCREW, 1/4 - 20 X 3/4	31	67
F17099	HOUSING	41	36	F1864	HEX HD SCREW, 1/4 - 20 X 3/4	23	14
F17100	CLUTCH SHAFT	41	20	F1866	PLAIN WASHER	35	17
F17105	FELT WASHER	41	33	F1872	HEX CAP SCREW, 3/8 - 16 X 1 3/4	23	15
F17106	COLLAR	41	34	F1873	HEX CAP SCREW, 3/8 - 16 X 3	23	13
F17111	DETENT BALL	41	17	F1877	TY-RAP (NOT SHOWN)	9	50
F17115-1	HANDLE	41	30	F1889	FILL HD SCREW, 1/4 - 20 X 1 1/4	17	9
F17116	KNOB	41	29	F1902	HEX CAP SCREW, 5/16 - 18 X 3/4	25	69
F17141	ROUND HD SCREW, 10 - 24 X 3/8	41	25	F1902	HEX CAP SCREW, 5/16 - 18 X 3/4	31	72
F17149	COTTER PIN	41	8	F1904	PLAIN WASHER	29	24
F17153	RETAINER PLATE	41	26	F1907	PLAIN WASHER	35	7
F17154	WOOD SCREW	41	35	F1910	ELASTIC STOP NUT, 1/4 - 20	25	40
F17155	HEX BOLT, 1/4 - 28 X 1/2	41	7	F19109	PLUG, CYLINDER HEAD	25	72
F17157	DETENT SPRING	43	37	F191169-1	SWIVEL BRACKET BEARING	29	36
F1727	PLASTIC RIVET	25	45	F1913	HEX CAP SCREW, 10 - 24 X 5/8	25	74
F1733	HEX HD SCREW, 10 - 24 X 9/16	35	1	F1916	HEX HD M. SCREW, 1/4 - 20 X 1 1/8	15	3
F1733	PAN HD SCREW, 10 - 24 X 9/16	3	26	F1922	HEX CAP SCREW, 1/4 - 20 X 5/8	23	22
F1733	PAN HD SCREW, 10 - 24 X 9/16	29	42	F1934	FLAT HD SCREW, 6 X 1/2	7	18
F1733	SLOTTED PAN HD SCREW, 10 - 24 X 9/16	7	31	F195/_	REMOTE CONTROL CABLE	41	4
F1734	SLOTTED FILL HD SCREW & LOCKWASHER, 1/4 - 20 X 1/2	27	84	F195/_	REMOTE CONTROL CABLES	49	-
F1741	PAN HD SCREW, 8 X 3/4	9	36	F1968	HEX NUT, 3/4 - 16	9	42
F1744	SPRING PIN	31	60	F1974	PAN HD SCREW, 10 - 24 X 3/4	7	13
F1753	FASTENER	5	43	F1975	LOCKWASHER	7	12
F1755	ROUND HD SCREW W/LOCKWASHER, 6 - 32 X 5/16	15	19	F197787-3	FUEL LINE COUPLER	39	5
F177330	FUEL PUMP VALVE	17	6	F1979	PAN HD SCREW, 10 - 24 X 1/2	3	10
F17815	SEAL, FUEL LINE COUPLER - LARGE	39	7	F1987	PLAIN WASHER	25	60
F17816	SEAL, FUEL LINE COUPLER - SMALL	39	6	F1995	FILL HD SCREW, 10 - 24 X 1	25	47
F17817	SEAL, FUEL TANK ADAPTER	39	11	F1997	LOCK NUT, 8 - 32	13	47
F1788	STOP NUT	35	15	F2008	HEX HD M. SCREW, 1/4 X 20 X 7/8	15	10
F1822	HEX CAP SCREW, 5/16 - 18 X 7/8	19	6	F2014	PLAIN WASHER, 3/8	31	85
F1829	SLOTTED FILL HD SCREW, 10 - 24 X 7/8	23	18	F2016	SLOTTED FILL HD SCREW, 6 - 32 X 7/8	7	1
F1832	NUT, LOCK 1/4 - 20	9	49	F2017	PAN HD SCREW 10 W/PLAIN WASHER, 24 X 3/8	3	18
F1836	SPRING PIN	31	48	F2025	PAN HD SCREW, #10 X 5/8	3	3
F183818	BEARING, GEAR SHIFT COUPLER	23	7	F2031	HEX SOCKET HD CAP SCREW, 1/4 - 20 X 3/4	37	37
F184033-1	SWIVEL, CHOKE ROD	11	5	F2033	GROOVE PIN	11	8
F184579	SEAL, CHOKE ARM SWIVEL	11	4	F2045	RETAINING RING	21	17
F1849	HEX CAP SCREW, 1/4 - 20 X 1-3/8	37	61	F2049	HEX CAP SCREW, 5/16 - 18 X 2 5/8	25	59
F1854	HEX CAP SCREW, 1/4 - 20 X 5/8	3	6	F2051	HEX CAP SCREW, 1/4 - 20 X 2 1/4	25	62
F1854	HEX SLOTTED HD M. SCREW, 1/4 - 20 X 5/8	3	36				

PARTS INDEX

Part Number	Description	Pg.	Ref. No.	Part Number	Description	Pg.	Ref. No.
F2055	SPACER, BEVEL GEAR FRONT, SIZE .059	35	-	F2A522023	BEVEL GEAR FRONT W/BEARING AND SHIMS	35	29
F2056	SPACER, BEVEL GEAR FRONT, SIZE .062	35	-	F2A522239	SPOOL, PROP SHAFT BEARING W/BEARING	35	11
F2057	SPACER, BEVEL GEAR FRONT, SIZE .065	35	-	F307317-1	CLIP, TERMINAL BLOCK GROUND	7	11
F2058	SPACER, BEVEL GEAR FRONT, SIZE .068	35	-	F307908	STARTER WIRE	19	8
F2059	SPACER, BEVEL GEAR FRONT, SIZE .071	35	-	F316579	SEAL, CRANKCASE	21	20
F2060	SPACER, BEVEL GEAR FRONT, SIZE .074	35	-	F316599	SEAL, PIVOT TUBE	31	52
F2061	SPACER, BEVEL GEAR FRONT, SIZE .077	35	-	F333316	THROTTLE ROLLER SHAFT	13	45
F2062	SPACER, BEVEL GEAR FRONT, SIZE .080	35	-	F335160	REED (4 PETAL)	15	16
F2063	SPACER, BEVEL GEAR FRONT, SIZE .083	35	-	F335164	REED (1 PETAL)	15	17
F2064	SPACER, BEVEL GEAR FRONT, SIZE .086	35	-	F338618-1	SEAL, SHIFT ROD LOWER	37	52
F2065	HEX NUT, 7/16 - 14	29	19	F353480	STUD	31	55
F2066	PAN HD SCREW, #10 - 7/16	3	4	F366300	REVERSE LOCK SPRING	29	39
F2067	PLASTISOL CAP (NOT SHOWN)	21	-	F366349	REVERSE LOCK	29	38
F2069	HEX CAP SCREW, 7/16 - 14 X 4	29	12	F366350	TILT STOP PIVOT	29	30
F2071	HEX CAP SCREW, 5/16 - 18 X 1 3/8	23	26	F366364	ARM, REVERSE LOCK	31	46
F2072	OVAL COUNTERSUNK HD M. SCREW 10 - 24 X 3/8	3	17	F366426	TILT STOP - PORT	29	31
F2075	SLOTTED HD SCREW, S.S., 1/4 - 20 X 2 1/2	3	22	F366433	TILT STOP, STARBOARD	31	51
F2076	HEX CAP SCREW, 5/16 - 18 X 1 1/8	25	68	F366886	PIN	29	32
F2079	HEX CAP SCREW, 5/16 - 18 X 2-1/4	37	40	F369450	RECTIFIER	7	9
F2087	SPACER, BEVEL GEAR FRONT, SIZE .056	35	28	F381896-4	BATTERY CABLE	7	27
F2093	STOP NUT, 3/8 - 24	33	86	F390689	BEARING, LATCH SHAFT	3	24
F2097	SPRING PIN	35	26	F391926-1	PLUNGER, CHOKE SOLENOID	11	9
F2123	SPACER, BEVEL GEAR FRONT, SIZE .053	35	-	F40209	CARBURETOR STUD	15	5
F2124	SPACER, BEVEL GEAR FRONT, SIZE .050	35	-	F404449	THERMOSWITCH	7	6
F213274	GREASE FITTING	31	49	F406754-1	DRAIN HOSE	15	1
F24074	CLAMP SCREW FOOT	31	54	F40906-1	CARBURETOR GASKET	13	50
F269052	BEARING, LATCH CAM	3	28	F40906-1	CARBURETOR GASKET	27	-
F269052	SHIFT ARM BEARING	23	36	F409251-1	GAUGE CAP	39	10
F269122-1	CRANKCASE PARTING LINE SEAL	23	12	F433114	HANDLE, LOCK BAR	31	59
F269319	THROTTLE CAM BEARING	25	41	F433209-1	STUD, THROTTLE CAM	25	43
F269929	SPACER, TILT STOP	29	28	F433689	TOWERSHAFT BEARING	25	48
F28004	STUD	9	48	F435634	CONNECTING ROD SCREW	21	18
F284659-2	CRANKSHAFT LOWER MAIN BEARING	21	16	F438066	COVER, BY-PASS VALVE	25	75
F286461	SPRING, LOCK BAR HANDLE	31	58	F438165	SCREW, FUEL BOWL	17	14
F289446-1	CLAMP	27	83	F438500	FUEL SEDIMENT BOWL	17	13
F298788	FERRULE	39	2	F438617	FUEL SEDIMENT BOWL GASKET	17	11
F2A335158	REED PLATE	15	15	F438653	FUEL PUMP SCREEN	17	12
				F438747	FUEL PUMP DIAPHRAGM	17	4
				F438754	FUEL LINE, PUMP TO CARBURETOR	17	17
				F438760	FUEL PUMP GASKET	17	3
				F438801	FITTING	17	15
				F438930	RETAINER, SNOUT	37	39
				F458347	MOUNT	23	24
				F458498	KEY	31	64
				F458887	FASTENER, SUPPORT PLATE MOUNT	23	23
				F460917	STARTER RELAY	7	23
				F463864	RETAINER, TILT HANDLE	3	5
				F474013	CRANKSHAFT UPPER MAIN BEARING	21	19
				F474065-1	WATER PUMP IMPELLER	37	57
				F474066	THERMOSTAT COVER	25	63
				F474067	THERMOSTAT COVER GASKET	25	64

PARTS INDEX

Part Number	Description	Pg.	Ref. No.	Part Number	Description	Pg.	Ref. No.
F474067	THERMOSTAT COVER			F474746	FUEL PUMP COVER	17	2
	GASKET	27	-	F474756	PACKING, SUPPORT PLATE		
F474073-1	CLAMP SCREW	31	57		FRONT	5	39
F474106-3	DEFLECTOR, WATER			F474817	RETAINER, SUPPORT		
	DISCHARGE	31	71		PLATE	3	19
F474117	WATER LINE BRACKET . . .	35	2	F474830	WATER LINE BRACKET		
F474146	SEAL, CRANKSHAFT	21	6		GASKET	35	3
F474151	EXHAUST PORT PLATE . . .	25	78	F474832-1	IDLE RELIEF COVER	29	8
F474152	EXHAUST PORT COVER . . .	25	81	F474833	GASKET, IDLE RELIEF		
F474154	EXHAUST PORT COVER				COVER	29	9
	GASKET	27	-	F474838-1	TOWERSHAFT	25	46
F474154	EXHAUST PORT PLATE			F474847	WASHER	29	16
	GASKET	25	77	F474849	WASHER	31	75
F474162	REED PLATE ADAPTER . . .	15	13	F474859	STUD, SHIFT ARM	23	37
F474163	COVER, SUPPORT PLATE			F474864	RETAINER, COVER LATCH .	3	9
	FRONT	3	35	F474867	EXHAUST TUBE GASKET . .	27	-
F474167	CARBURETOR ADAPTER . .	15	11	F474871	SHAFT, GEAR SHIFT	23	10
F474168	CARBURETOR ADAPTER			F474881	LINK, GEAR SHIFT	23	33
	GASKET	15	12	F474897	GUIDE, COVER LATCH		
F474168	CARBURETOR ADAPTER				STARBOARD	3	33
	GASKET	27	-	F474909	LOCATING PIN	27	85
F474192	THROTTLE CAM	25	42	F474932	SPACER, CONTROL CABLE	23	20
F474193	THROTTLE LINK	23	30	F474942	BUMPER	31	80
F474210	STUD, CYLINDER	25	55	F474946	SHOCK MOUNT COVER		
F474211	STUD, CYLINDER	25	54		UPPER	31	77
F474253	FUEL LINE	11	13	F474965-1	SHOCK MOUNT UPPER . . .	31	74
F474278	SEAL	21	10	F474980-1	STABILIZER, FRONT	23	25
F474279	CYLINDER EXHAUST			F474982	STABILIZER, REAR	25	70
	GASKET	27	-	F474984	BLANKET, SILENCER, TOP		
F474315	PACKING, SUPPORT PLATE				(NOT SHOWN)	5	45
	LOWER	3	27	F474985	BLANKET, SILENCER, SIDE		
F474342	SEAL	35	4		(NOT SHOWN)	5	44
F474346-2	SHOCK MOUNT LOWER . . .	29	17	F474990	SPACER	29	35
F474355	WASHER	31	78	F474991	GROMMET	3	16
F474359	WASHER	29	13	F474992	BLANKET, SILENCER,		
F474371	REMOTE CABLE BRACKET .	23	21		FRONT (NOT SHOWN) . . .	5	46
F474377	LEVER, COVER LATCH			F474996-1	CYLINDER HEAD COVER		
	PORT	3	30		GASKET	25	67
F474378	LEVER, COVER LATCH			F474996-1	CYLINDER HEAD COVER		
	STARBOARD (NOT				GASKET	27	-
	SHOWN)	3	-	F475029	TRIGGER ASSY.	9	39
F474388	DISC, WATER PUMP	37	60	F475061-1	CARBURETOR COMPLETE		
F474445	SPARK CONTROL LINK	25	52		(WB27B) (NOT SHOWN) . .	13	-
F474487	GUIDE, COVER LATCH			F475095	ALTERNATOR STATOR	9	40
	PORT (NOT SHOWN)	3	-	F475301-1	MODULE	9	38
F474509	CHOKE LINK	11	10	F475504	BUSHING	9	47
F474510	LINK	29	40	F475744	WIRING HARNESS	7	19
F474529-1	CYLINDER HEAD GASKET . .	25	73	F475955	STARTER COMPLETE.	19	-
F474529-1	CYLINDER HEAD GASKET . .	27	-	F481836	GASKET	11	18
F474539	BUMPER	29	11	F483884	BEARING	31	47
F474551	BRACKET, INTERLOCK			F485755-1	FUEL TANK ADAPTER	39	8
	SWITCH	25	44	F498618	NYLTITE WASHER	37	34
F474607	KING PIN YOKE	29	34	F498891	GEAR SHIFT ARM PIN	37	33
F474620	PIN, GEAR SHIFT	23	8	F498891	PIN	35	14
F474621	LEVER, GEAR SHIFT	23	9	F50109	PLUG, GEAR HOUSING	37	43
F474640	PIVOT, GEAR SHIFT	23	5	F50342-1	SEAL	17	1
F474704	COUPLER	23	31	F50342-1	SEAL	35	8
F474704	COUPLER, SHIFT ROD	29	1	F506250	BEARING CUP	35	30
F474736	SEAL, DRIVESHAFT -			F510374	DECAL, CIRCUIT BREAKER -		
	WATER PUMP	37	62		USA	7	29

PARTS INDEX

Part Number	Description	Pg.	Ref. No.	Part Number	Description	Pg.	Ref. No.
F510460	CIRCUIT BREAKER	7	30	F549189	BUSHING, ELECTRIC CABLE ENTRY	3	25
F522015	PISTON (STANDARD)	21	4	F563	TERMINAL BLOCK KIT	51	-
F522017	PISTON PIN	21	2	F577156	COVER, SUPPORT PLATE REAR	3	15
F522031	GASKET, WATER PUMP	37	55	F580892	DECAL - STARBOARD	41	27
F522032	STERN BRACKET - STARBOARD	29	26	F581892	DECAL - PORT	41	-
F522033	SWIVEL, CHOKE ROD FOR TOP CARB (NOT SHOWN)	11	-	F58685-2	CONNECTOR, SHIFT CABLE	41	2
F522057	BEARING, DRIVESHAFT LOWER	37	64	F590	REMOTE CONTROL - FLUSH MOUNT	49	-
F522094-1	PROPELLER NUT	35	13	F596	CHRYSLER OUTBOARD OIL	51	-
F522099	SPACER, PROPELLER	35	19	F597	CHRYSLER OUTBOARD GEAR LUBE	51	-
F522116-1	SNOUT	37	38	F5H001	STEERING LINK KIT	49	-
F522118	SEAL, DRIVESHAFT	37	50	F5H019	ANTI-CORROSION KIT	49	-
F522118	SEAL, PROPELLER SHAFT	35	9	F5H021	EXTENSION CABLE	50	-
F522125-1	TUBE, STEERING SUPPORT	29	21	F5H025	ANTI-CORROSION SACRIFICIAL ANODE	49	-
F522133	MOTOR LEG	29	10	F5H026	FUEL TANK (ACCESSORY ITEM)	39	9
F522188-1	NUT, BEVEL PINION RETAINING	37	35	F5H026	STEEL, 6 GALLON FUEL TANK (TOTE TANK)	49	-
F522215	SPACER (2 PER PISTON)	21	1	F5H028	SENDING UNIT	50	-
F522217	BEARING	21	3	F5H029	TANK ANCHOR	49	-
F522244	INLET WATER LINE	35	5	F5H030	SWITCH KIT - RUNNING LIGHTS	50	-
F522279	CYLINDER EXHAUST GASKET	27	-	F5H031	SWITCH KIT - SPOT LIGHT	50	-
F522279	CYLINDER EXHAUST GASKET	31	81	F5H032	SWITCH KIT - WIPER	50	-
F522286	STERN BRACKET FRICTION WASHER	29	27	F5H034	SWITCH KIT - BILGE PUMP	50	-
F522305	SEAL, O-RING	35	10	F5H035	SWITCH KIT - HORN	50	-
F522359	SPACER STEERING LINK	31	83	F5H036	SWITCH KIT - TACHOMETER TRANSFER	51	-
F522411	RETAINING RING, BEARING CAGE	35	23	F5H037	CIGAR LIGHTER	50	-
F522453	LEG EXHAUST GASKET	29	6	F5H038	IGNITION SWITCH MOUNTING KIT	7	17
F522532	STERN BRACKET - PORT	29	-	F5H038	SWITCH KIT - IGNITION SWITCH	51	-
F522555	SEAL, GEAR HOUSING COVER	37	48	F5H039	SWITCH KIT - INSTRUMENT LIGHT	51	-
F522562	WATER PUMP BACK PLATE	37	56	F5H040	STEEL, 12 GALLON FUEL TANK	49	-
F522615	ROD, GEAR SHIFT - UPPER	29	3	F5H043	BUZZER, HEAT INDICATOR, (ACCESSORY ITEM)	7	34
F522660	LEG EXHAUST TUBE	31	68	F5H059	CHRYSLER OUTBOARD MULTI-PURPOSE GREASE	51	-
F522680	SPACER PLATE	31	73	F5H060	CHRYSLER OUTBOARD GREASE GUN	51	-
F522704	COUPLING, GEAR SHIFT ROD	29	4	F5H070	REMOTE ELECTRIC CABLE	50	-
F522705	GEAR SHIFT ROD LOWER	37	45	F5H075	WIRING HARNESS - IGNITION SWITCH (24")	51	-
F522707	SHOCK MOUNT COVER, LOWER	29	15	F5H076	SWITCH EXTENSION CABLE	50	-
F522741	RETAINING RING	31	45	F5H077	IGNITION KEY SWITCH	50	-
F522779	BAFFLE, IDLE RELIEF	31	69	F5H078	IGNITION KEY SWITCH	50	-
F522826	SILENCER, CARB AIR	11	17	F5H078	SWITCH, IGNITION LONG BARREL ACCESSORY	7	15
F522867	EXHAUST TUBE GASKET	27	-	F5H079	SINGLE REMOTE CONTROL BOX	49	-
F522871	GEAR SHIFT ARM PIN	35	25				
F522876	SHIFT ARM	23	38				
F522881	LINK STEERING	31	82				
F522884	BEARING	31	43				
F522995	CYLINDER HEAD COVER	25	57				
F523961	CRUSH RING	37	47				
F524269	TILT HANDLE	3	2				
F529390-1	DECAL, REVERSE LOCK - USA	31	53				
F53504	GROMMET	11	16				
F545189	BUSHING, CABLE ENTRY	5	38				

PARTS INDEX

Part Number	Description	Pg.	Ref. No.	Part Number	Description	Pg.	Ref. No.
F5H081	BATTERY CABLE	49	-	F8096	SPRING LOCKWASHER	7	21
F5H084	TRAILERING TILT LOCK	50	-	F8096	SPRING LOCKWASHER	19	16
F5H108	STEERING CONNECTOR	49	-	F8096	SPRING LOCKWASHER	37	41
F5H109	DUAL STEERING CONNECTOR	49	-	F84026	SPARK CONTROL SWIVEL	25	49
F5H115	TRAILERING TILT LOCK	50	-	F84035-2	SPARK CONTROL BEARING, R.H.	25	50
F5H118	PROPELLER SPACER	50	-	F84036	SPARK CONTROL BEARING, L.H.	25	53
F5H118	WASHER (ACCESSORY ITEM)	35	16	F84068-2	THERMOSTAT	25	65
F5H120	REMOTE CONTROL BACK PLATE	49	-	F84278	SEAL	21	7
F5H130	REMOTE CONTROL - SURFACE MOUNT	49	-	F84280	KING PIN NUT	29	33
F5H131	PORT SIDE DECAL KIT	49	-	F84314-2	ELBOW, FUEL LINE	11	11
F5H132	REMOTE CONTROL HANDLE TRIM SWITCH	49	-	F84449	NEUTRAL INTERLOCK SWITCH	7	3
F5H134	BOAT WHITE LACQUER	49	-	F84504	THERMOSTAT GROMMET	25	66
F5H144	HYDRAULIC TILT	50	-	F84792	FUEL PUMP VALVE GASKET (CENTER VALVE)	17	7
F5H148	POWER TRIM	50	-	F85161-1	REED STOP	15	18
F5H154	SPEEDOMETER	50	-	F85168-1	REED PLATE ADAPTER GASKET	15	14
F5H155	SPEEDOMETER	50	-	F85168-1	REED PLATE ADAPTER GASKET	27	-
F5H156	TEMPERATURE GAUGE	50	-	F85314-1	ELBOW, FUEL LINE FOR BOTTOM CARB.	11	14
F5H159	HOURLMETER	50	-	F85317-2	SOLENOID CLAMP	15	7
F5H160	POWER TRIM INDICATOR	49	-	F85372	PIN, GEAR SHIFT ROD LOWER	37	46
F5H167	TACHOMETER	50	-	F8538	SPRING PIN	31	56
F5H173	FLUSHING ADAPTER	49	-	F85410	SNAP RING	21	11
F605711	FRONT PLATE	5	41	F8547	SPRING PIN	23	6
F615475	IGNITION COIL	9	37	F8547	SPRING PIN	29	5
F7006	LOCK NUT, 5/16 - 18	25	56	F85498	FLYWHEEL KEY	21	23
F7007	LOCK NUT, 5/16 - 18	31	66	F85571	CENTER MAIN BEARING CAGE W/ROLLERS	21	13
F7007	STOP NUT, 5/16 - 18	29	20	F8563	DOWEL PIN	23	17
F7011	STOP NUT	3	12	F85689-1	BEARING	23	1
F7025	LOCKNUT, 3/8 - 16	3	31	F85735-1	SEAL	5	42
F7025	STOP NUT, S.S., 3/8 - 16	23	35	F85762	BY-PASS VALVE COVER GASKET	27	-
F71H26	BATTERY TERMINAL KIT	50	-	F85762	GASKET, BY-PASS VALVE COVER	25	76
F71H26	BATTERY TERMINAL KIT (ACCESSORY ITEM)	7	33	F85843-1	ELECTRIC CONTROL CABLE, 18 FEET	7	25
F74305	SEAL, DRIVESHAFT BEARING CAGE	37	49	F85924	CHOKE SOLENOID	7	28
F762	REMOTE ELECTRIC CABLE	50	-	F85925	CHOKE SOLENOID ROD	11	7
F8011	PLAIN WASHER	7	32	F89011	SWIVEL BRACKET WASHER	31	63
F8011	PLAIN WASHER	7	35	F9018	CAP	31	44
F8028	PLAIN WASHER	19	12	F9038	WOODRUFF KEY	37	66
F8030	PLAIN WASHER	9	45	F9052	PLUG	31	62
F8038	PLAIN WASHER	33	87	F90619-1	YOKE, GEARSHIFT ARM	37	68
F8056	SPRING LOCKWASHER	7	7	F90807	RETAINING RING	11	19
F8058	INTERNAL TOOTH LOCKWASHER	23	27	F9095	SHIM, DRIVESHAFT BEARING - UPPER, SIZE .005	37	-
F8060	LOCKWASHER	19	11	F9096	SHIM, DRIVESHAFT BEARING - UPPER, SIZE .007	37	-
F8061	INTERNAL TOOTH LOCKWASHER	41	12	F9097	SHIM, DRIVESHAFT BEARING - UPPER, SIZE .010	37	-
F8067	SPRING LOCKWASHER	29	18				
F8077	WASHER, GEAR HOUSING PLUG	37	42				
F8083	LOCKWASHER	3	7				
F8083	SPRING, LOCKWASHER	37	53				
F8088	PLAIN WASHER	7	2				
F8088	PLAIN WASHER	11	3				
F8094	PLAIN WASHER	3	8				
F8094	PLAIN WASHER	23	4				

PARTS INDEX

Part Number	Description	Pg.	Ref. No.	Part Number	Description	Pg.	Ref. No.
F9106	SHIM, DRIVESHAFT BEARING - UPPER, SIZE .003	37	65	FA607386	DECAL, NUMERAL	3	14
F91446-1	CIRCUIT BREAKER BRACKET	9	43	FA609853	DECAL, WARNING	9	52
F92759	THROTTLE ROLLER	13	46	FA614396	DECAL, STARBOARD	3	-
F97772	FUEL LINE CLAMPS	17	16	FA614397	DECAL, PORT	3	13
F97772	HOSE CLAMP	11	12	FA84754-1	FUEL LINE SHORT	39	4
F98273	ROD END CONNECTOR STUD	23	34	FA85193	TIE BAR END W/SWIVEL	11	23
F99521-1	CLUTCH	35	27	FA85655-1	CRANKSHAFT CENTER MAIN BEARING RACE	21	12
FA15072	HEX LOCK NUT AND WASHER ASSEMBLY, 1/4 - 20	19	9	FB368700	KEY IGNITION - STAMPED B	7	-
FA27232	EMERGENCY STARTER ROPE (NOT SHOWN)	7	-	FC368700	KEY IGNITION - STAMPED C	7	-
FA368700	KEY IGNITION - NO LETTER OR STAMPED A	7	16	FC409398	DECAL, TOTE TANK - CANADA (NOT SHOWN)	39	-
FA433113	STERN BRACKET LOCK BAR	31	61	FC474398	DECAL, WIRING	25	82
FA438431	FUEL PUMP BODY	17	8	FC510374	DECAL, CIRCUIT BREAKER - CANADA	7	-
FA474038	SUPPORT PLATE PORT W/LOWER PACKING	3	21	FC522390	DECAL, STARTER - CANADA (NOT SHOWN)	19	-
FA474088	SUPPORT PLATE STARBOARD W/LOWER PACKING	5	37	FC577054	GEAR HOUSING COMPLETE	37	-
FA474228	BEARING CAGE W/ROLLERS (SPLIT HALF)	21	15	FD368700	KEY IGNITION - STAMPED D	7	-
FA474469	HANDLE, COVER LATCH PORT ASSY.	3	23	FE368700	KEY IGNITION - STAMPED E	7	-
FA474499	HANDLE, COVER LATCH STARBOARD ASSY.	3	-	FG1013-1	GASKET SET	27	86
FA474511	TIE BAR W/SWIVEL	11	20	FK10000	GASKET SET	13	52
FA474774	BRACKET, COVER LATCH	3	11	FK10053	REPAIR PARTS KIT	13	51
FA474777	CAM, PORT LATCH ASSY.	3	29	FK1123	SPARKIE KIT	9	51
FA474780	CAM, STARBOARD LATCH ASSY. (NOT SHOWN)	3	-	FK17114-1	INDICATOR	41	32
FA475097	FLYWHEEL	9	41	FK17156	BAG ASSEMBLY (NOT SHOWN)	43	-
FA475913	GROMMET (2 PER SET)	3	34	FK577128	DRIVESHAFT	37	67
FA510497	TERMINAL BLOCK	7	10	FO10165	INLET SEAT GASKET	11	34
FA522016	CONNECTING ROD	21	14	FO10588	BODY CHANNEL CUP PLUG	13	41
FA522019	KING PIN ASSEMBLY	31	65	FO10790	INLET NEEDLE, SEAT AND GASKET	11	33
FA522054	GEAR HOUSING	35	31	FO11103	IDLE SCREW SPRING	11	38
FA522072	SWIVEL BRACKET	31	50	FO13552	FUEL BOWL	11	26
FA522098	PROPELLER SHAFT ASSEMBLY	35	24	FO13554	FLOAT	11	29
FA522266	BEVEL PINION GEAR	37	36	FO13555	CHOKE SHUTTER	11	35
FA522485	ANTI-CORROSION ANODE	35	21	FO13944	FLOAT LEVER PIN	11	28
FA522662	BEVEL GEAR REAR W/BEARING CAGE	35	22	FO13945	FUEL BOWL RETAINING SCREW	11	24
FA522827	HANDLE AND SHAFT	29	41	FO13946	IDLE SCREW	11	37
FA523735	SEAL, INLET WATER LINE LOWER	37	63	FO13947	CHOKE SHAFT RETURN SPRING	11	39
FA547018	CRANKSHAFT	21	24	FO14108	MAIN FUEL JET (.064) OPT. 3000 - 4500 FT.	11	-
FA547518	CYLINDER HEAD	25	71	FO14186	MAIN FUEL JET (.060) OPT. 6000 FT. & UP	11	-
FA577706	GEAR HOUSING COVER	37	51	FO14187	MAIN FUEL JET (.062) OPT. 4500 - 6000 FT.	11	-
FA58976-1	CONNECTOR, THROTTLE CABLE	41	1	FO14188	MAIN FUEL JET (.066) STD. SEA LEVEL - 3000 FT.	11	32
FA606528	DECAL, ENGINE COVER REAR	5	47	FO15217	MAIN NOZZLE	11	31
FA606892	DECAL, FRONT	5	40	FO15230	THROTTLE SHAFT AND LEVER	13	44
				FO15623	FUEL BOWL GASKET	11	27
				FO16008	THROTTLE SHAFT RETURN SPRING	13	43
				FO16850	CHOKE SHAFT AND LEVER	11	1
				FO16851	THROTTLE SHUTTER	13	48
				FO17181	IDLE TUBE	13	40

PARTS INDEX

Part Number	Description	Pg.	Ref. No.	Part Number	Description	Pg.	Ref. No.
FO4326	BODY CHANNEL WELCH PLUG	13	42	FT8983	SEALANT - 3 OZ. RTV SEALANT FROM IN PLACE GASKETS	48	-
FO8942	SHUTTER SCREW W/LOCKWASHER	11	36	FT8985	SEAL INSTALLER	46	-
FO8942	THROTTLE SHUTTER SCREW W/LOCKWASHER	13	49	FT8996	IGNITION TESTER	47	-
FOB2464	LITERATURE	33	-	FT8997	SHIM TOOL	46	-
FPS486	PROPELLER (ACCESSORY ITEM)	35	18	FTA2937-1	TIMING TOOL	44	-
FS409752	FUEL LINE - COMPLETE. ..	39	-	FTA8994	PISTON PIN TOOL	45	-
FSA522015	PISTON (.010 OVERSIZE) ..	21	-	OB3876	LITERATURE (NOT SHOWN) 5H130	43	-
FT11200	TEST WHEEL	47	-	T8984	SEAL INSTALLER	45	-
FT11203	CUP INSTALLER	46	-	22-817740A1	FITTING, PUDDLE DRAIN W/METERING CAP	23	16
FT11206	DRIVESHAFT BEARING INSTALLER/REMOVER ..	46	-	22-817740A1	PUDDLE DRAIN FITTING W/METERING CUP	15	2
FT11208	TORQUE ADAPTER	46	-	31-818060A1	BEARING CAGE LOWER W/SEALS (ITEMS 6, 7 & 10)	21	8
FT11237	HARNESS ADAPTER	47	-	32-817738A1	FUEL LINE, LONG W/CLAMP AND FERRULE	39	1
FT2938-1	BATTERY POWERED TEST LIGHT	47	-	33-97180	SPARK PLUG (L-20V) - USA	25	61
FT2951	CIRCUIT TRACER	44	-	39-817820A1	PISTON RING SET (4 PER SET) - (STANDARD)	21	5
FT2961	LUBRICANT - RYKON GREASE #2EP	48	-	39-817992A1	PISTON RING SET (4 PER SET - .010 OVERSIZE) ...	21	-
FT2962-1	SEALANT - 50 CC LOCTITE H, NON-HARDENING GRADE	48	-	39-818122A1	PISTON RING SET (4 PER SET - .030 OVERSIZE) ...	21	-
FT2963-2	SEALANT - 2 OZ. LOCTITE D, HARDENING GRADE ..	48	-	46-817851A1	WATER PUMP BODY	37	58
FT2987-1	LUBRICANT - ANTI-SEIZE ..	48	-	100-818016A2	ENGINE COVER	3	1
FT2990	PISTON PIN TOOL	45	-	700-818127A1	PISTON (.030 OVERSIZE) ..	21	-
FT2991	CARBON BRUSH	45	-	800-817860A1	CYLINDER W/CRANKCASE COVER	23	11
FT2995	CUP REMOVER	46	-	800-817911A1	SHORT BLOCK (NOT SHOWN).	23	-
FT2996	RING COMPRESSOR	45	-	1100-818067A3	CRANKSHAFT UPPER BEARING CAGE	21	21
FT2998	TORQUE WRENCH (0 - 100 LBS./FT.)	45	-				
FT2999	TORQUE WRENCH (0 - 600 LBS./IN.)	45	-				
FT3012	SEAL INSTALLER	46	-				
FT3431	SEAL INSTALLER	46	-				
FT8900	HOSE CLAMP PLIERS	45	-				
FT8901	INDICATOR HOLDER	46	-				
FT8902	DIAL INDICATOR	46	-				
FT8907	DRIVE HANDLE	46	-				
FT8918	BUSHING GUIDE SET	46	-				
FT8919	SPRING PIN PUNCH	46	-				
FT8926	RING EXPANDER	45	-				
FT8930-1	FEELER GAUGE	46	-				
FT8933	LIFTING HOOK	45	-				
FT8935	SEALANT PRIMER - 6 OZ. ..	48	-				
FT8936-1	SEALANT - 2 CC LOCTITE RETAINING COMPOUND #75	48	-				
FT8948-1	PULLER	46	-				
FT8950	LEAKAGE TESTER	47	-				
FT8953	IGNITION TESTER	47	-				
FT8955	SEALANT - 5 OZ. EC-750 INDUSTRIAL SEALANT ..	48	-				
FT8957	SEAL INSTALLER	46	-				
FT8969	LUBRICANT - 7 OZ. LPSI LUBRICANT	48	-				
FT8978	POWER TIMING LIGHT	44	-				