



# PARTS CATALOG

## 7.5 H.P.

### SERIAL NUMBER

7.5 (1983) .....	.72B3F
7.5 (1983) .....	.72H3F

# TABLE OF CONTENTS:

ACCESSORIES .....	35
ELECTRICAL COMPONENTS .....	6
ENGINE COVER AND SUPPORT PLATE .....	2
FUEL SYSTEM .....	12
FUEL TANK AND LINE .....	28
GEAR HOUSING .....	24
MOTOR LEG .....	20
PARTS INDEX .....	36
POWER HEAD .....	16
SPECIAL TOOLS - LOWER UNIT .....	32
SPECIAL TOOLS - LUBRICANTS AND SEALANTS .....	34
SPECIAL TOOLS - STARTER .....	31
SPECIAL TOOLS - TEST EQUIPMENT .....	33
SPECIAL TOOLS - TUNE-UP .....	30
STARTER .....	10
STEERING ARM .....	8

**NOTE:** *Indented description indicate that these parts are included in preceeding assembly.*

**AR** = As Required

**NSS** = Not Sold Separate

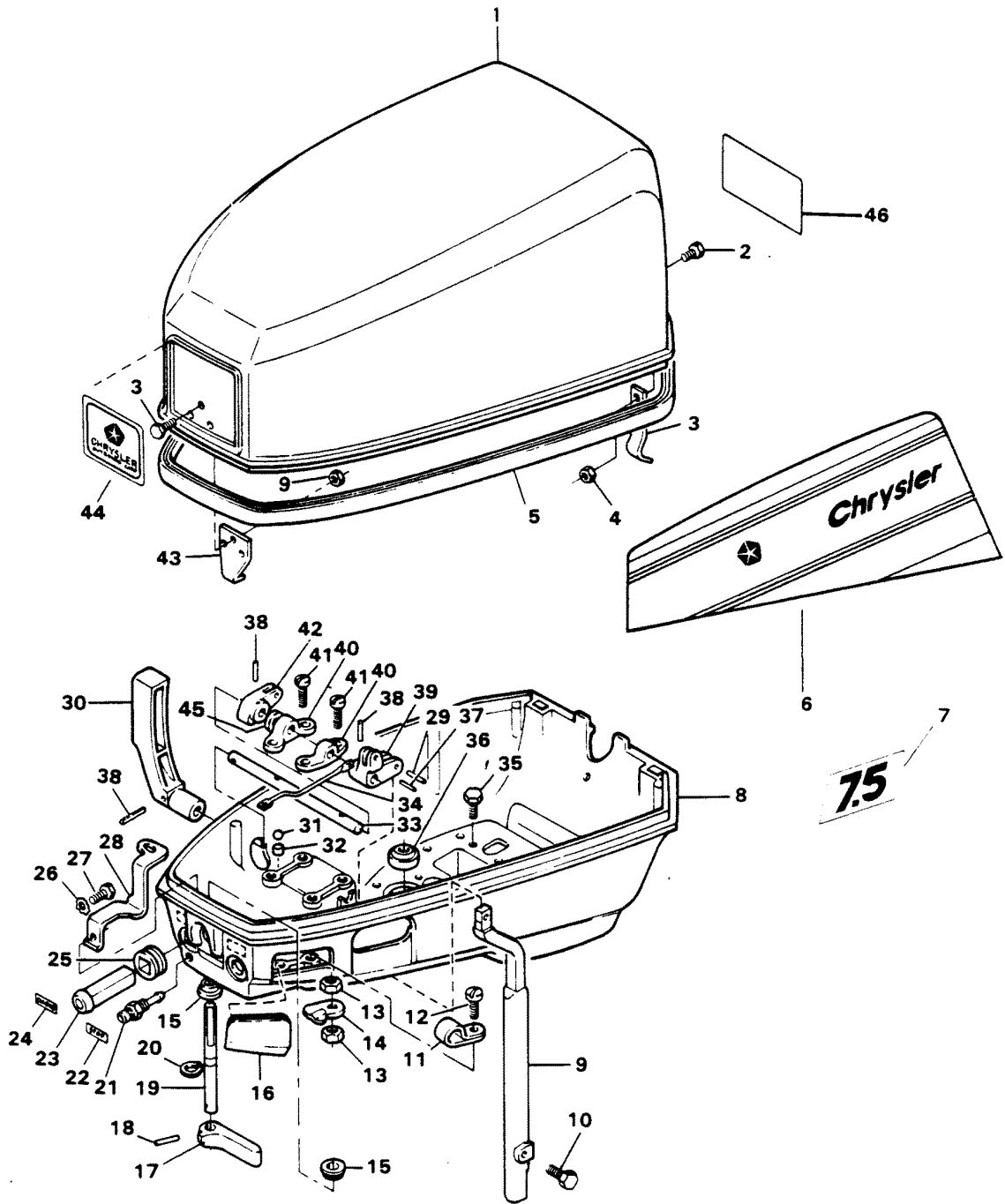
**OPT** = Optional

**NS** = Not Shown

**THESE PARTS BOOKS/FICHE CARD ARE COPYRIGHTED AND MAY NOT BE DISTRIBUTED OR REPRODUCED IN ANY OTHER FORMAT BY ANYONE OTHER THAN MERCURY MARINE WITHOUT THE PRIOR WRITTEN CONSENT OF MERCURY MARINE.**

THIS PAGE INTENTIONALLY LEFT BLANK

# ENGINE COVER AND SUPPORT PLATE



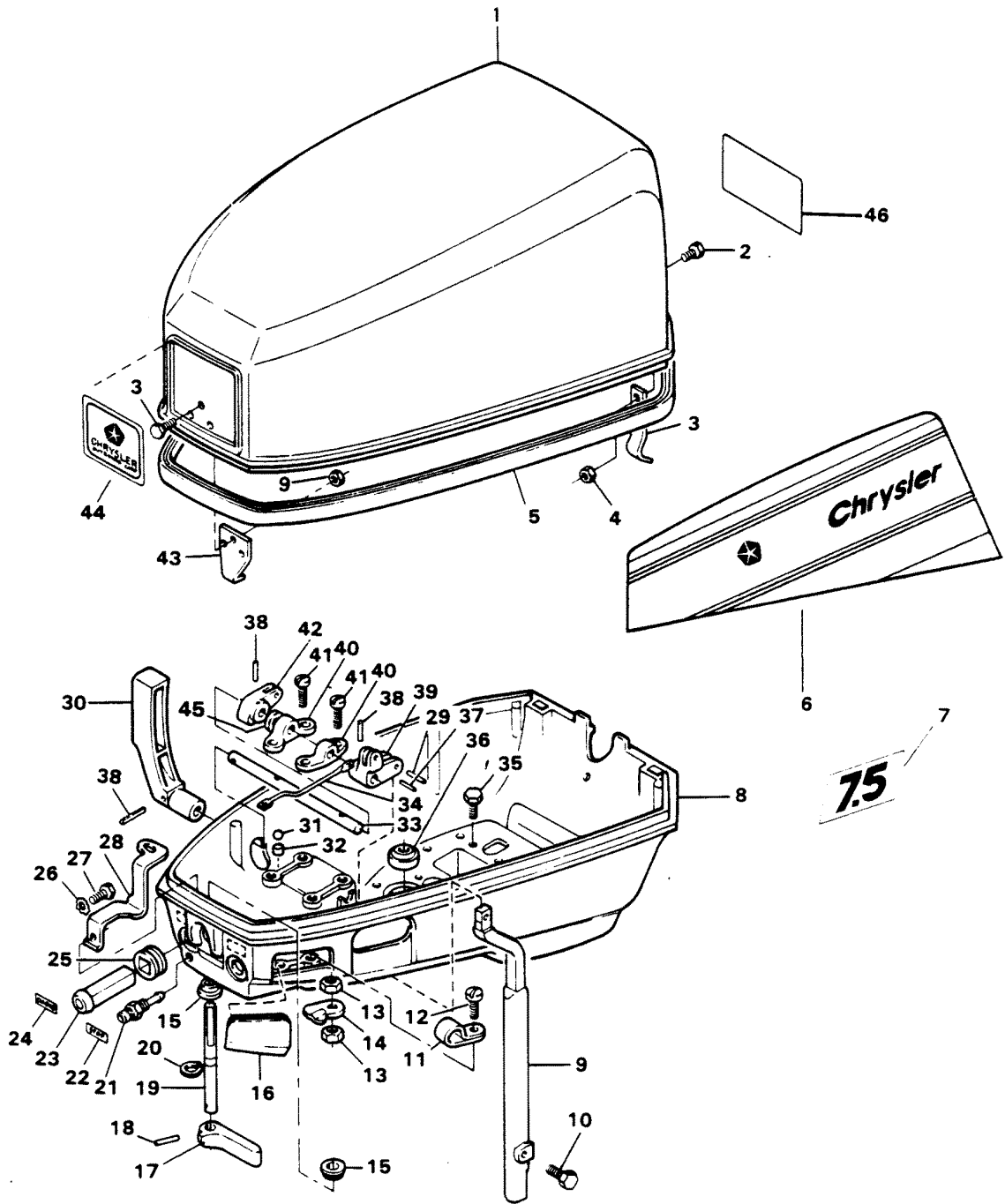
OB 3840

# ENGINE COVER AND SUPPORT PLATE

REF. NO.	PART NO.	SYM.	QTY.	DESCRIPTION
1	FS537712		1	ENGINE COVER W/PACKING, REAR RETAINER AND LATCH BRACKET
-	<b>2C621712</b>		1	<b>ENGINE COVER COMPLETE INCLUDES ALL ITEMS MARKED WITH AN ASTERISK (*) ORDER NUMERAL SEPARATE</b>
2	F1475		7	FILL HD SCREW, 10 - 24 X 1/2
3	817858A1		2	RETAINER ENGINE COVER <b>W/ILLUS. 2 AND 4 ORIGINAL FORCE P/N A 525480-1</b>
4	F7011		7	ELASTIC STOP NUT, 10 - 24
5	FK525713		1	ENGINE COVER PACKING <b>W/LITERATURE</b>
6	FA621397		1	DECAL ENGINE COVER PORT <b>W/LITERATURE</b>
-	<b>FA621396</b>		1	<b>DECAL ENGINE COVER STARBOARD W/LITERATURE</b>
7	FA609386		2	DECAL, NUMERAL 7.5 <b>W/LITERATURE</b>
8	FA525038		1	SUPPORT PLATE W/EYELET
9	F525615		1	ROD GEAR SHIFT UPPER
10	F1950		1	HEX HD SCREW, 10 - 24 X 5/8
11	F178446		1	CLAMP LEAD WIRE
12	F1734		1	SLOTTED FILL HD SCREW, 1/4 - 20 X 1/2
13	F1515		2	NUT, 5/16 - 18
14	F392777		1	CAM COVER LATCH
15	F307818		2	BEARING (NYLINER)
16	F525840		1	GROMMET REMOTE THROTTLE CABLE
17	F525469		1	HANDLE LATCH
18	F8547		1	SPRING PIN, 1/8 X 5/8
19	F525763		1	SHAFT COVER LATCH
20	F73741-1		1	RING
21	F197767-1		1	BUSHING FUEL LINE
22	F525390		1	DECAL STOP - USA
-	<b>FC525390</b>		1	<b>DECAL STOP - CANADA</b>
23	F521547		1	CHOKE KNOB
24	F525394		1	DECAL CHOKE - USA
-	<b>FC525394</b>		1	<b>DECAL CHOKE - CANADA</b>
25	F525504		1	GROMMET, CHOKE ROD
26	F1975		1	LOCKWASHER, #10
27	F2041		1	HEX HD SCREW, 10 - 24 X 3/8
28	F525925		1	LINK CHOKE KNOB
29	F8567		1	SPRING PIN, 1/8 X 13/16
30	F525614		1	HANDLE GEAR SHIFT
31	F409740		1	BALL CHECK
32	F525025		1	PAD SHIFT DETENT
33	F525871		1	SHAFT GEAR SHIFT LEVER
34	F525263		1	LINK STARTER INTERLOCK
35	F1689		2	HEX HD SCREW, 1/4 - 20 X 1/2
36	F318307		1	SEAL, DRIVESHAFT
37	F8538		1	SPRING PIN, 3/32 X 1/2

CONTINUED ON NEXT PAGE ➡

# ENGINE COVER AND SUPPORT PLATE

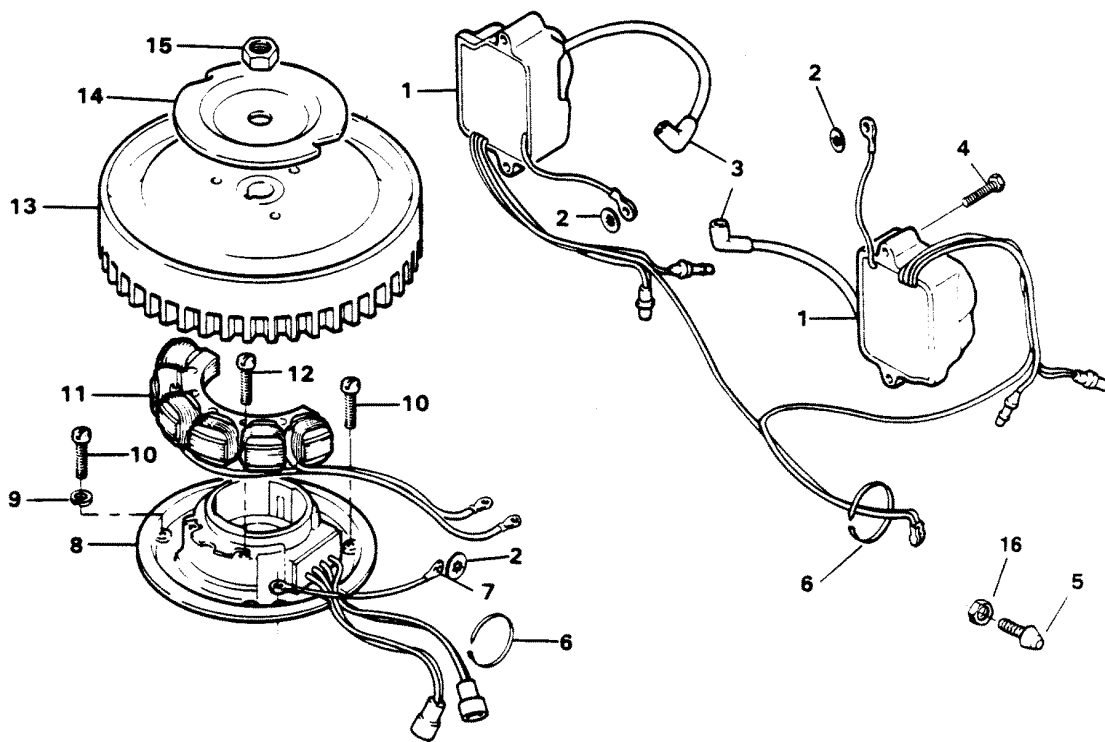


OB 3840

## ENGINE COVER AND SUPPORT PLATE

REF. NO.	PART NO.	SYM.	QTY.	DESCRIPTION
38	F8547		3	SPRING PIN, 1/8 X 5/8
39	F525876		1	LEVER GEAR SHIFT
40	F318818		2	BEARING, SHIFT LEVER SHAFT
41	F1573		4	FILL HD SCREW, 1/4 - 20 X 1/2
42	F525977		1	LEVER SHIFT INTERLOCK
43	FA525774		1	BRACKET COVER LATCH <b>W/ILLUS. 2 AND 4</b>
44	FA621892		1	DECAL ENGINE COVER FRONT
45	F8049		1	WASHER BOWED SPRING
46	FA621528		1	DECAL, ENGINE COVER REAR

# ELECTRICAL COMPONENTS

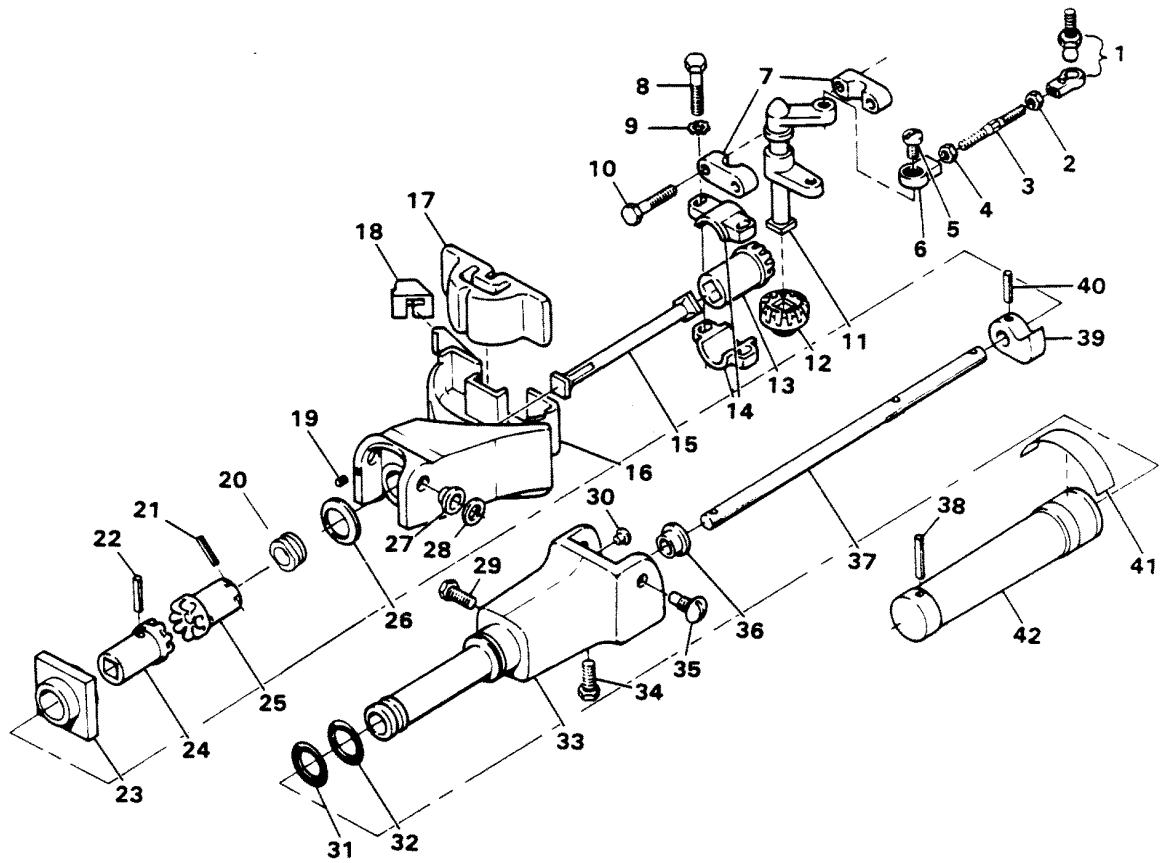




# ELECTRICAL COMPONENTS

REF. NO.	PART NO.	SYM.	QTY.	DESCRIPTION
1	F525475		2	C-D MODULE COIL
2	F2106		3	LOCKWASHER
3	FK1123		2	SPARKIE KIT
4	F525064		4	SCREW - C-D COIL
5	FK436449		1	SHORTING SWITCH <b>W/ILLUS. 16</b>
6	F1877		2	TY-RAP
7	F404908		1	WIRE, STATOR GROUND
8	F525029		1	STATOR - TRIGGER
9	F1975		1	SPRING WASHER
10	F2010		4	FILL HD SCREW, 10 - 32 X 9/16
11	F525301		1	STATOR - C-D
12	F1087		2	FILL HD SCREW, 10 - 24 X 7/8
13	F525097		1	FLYWHEEL
14	F901456-1		1	COLLAR, EMERGENCY START
15	F1809		1	FLYWHEEL NUT
16	F436280		1	NUT, SHORTING SWITCH

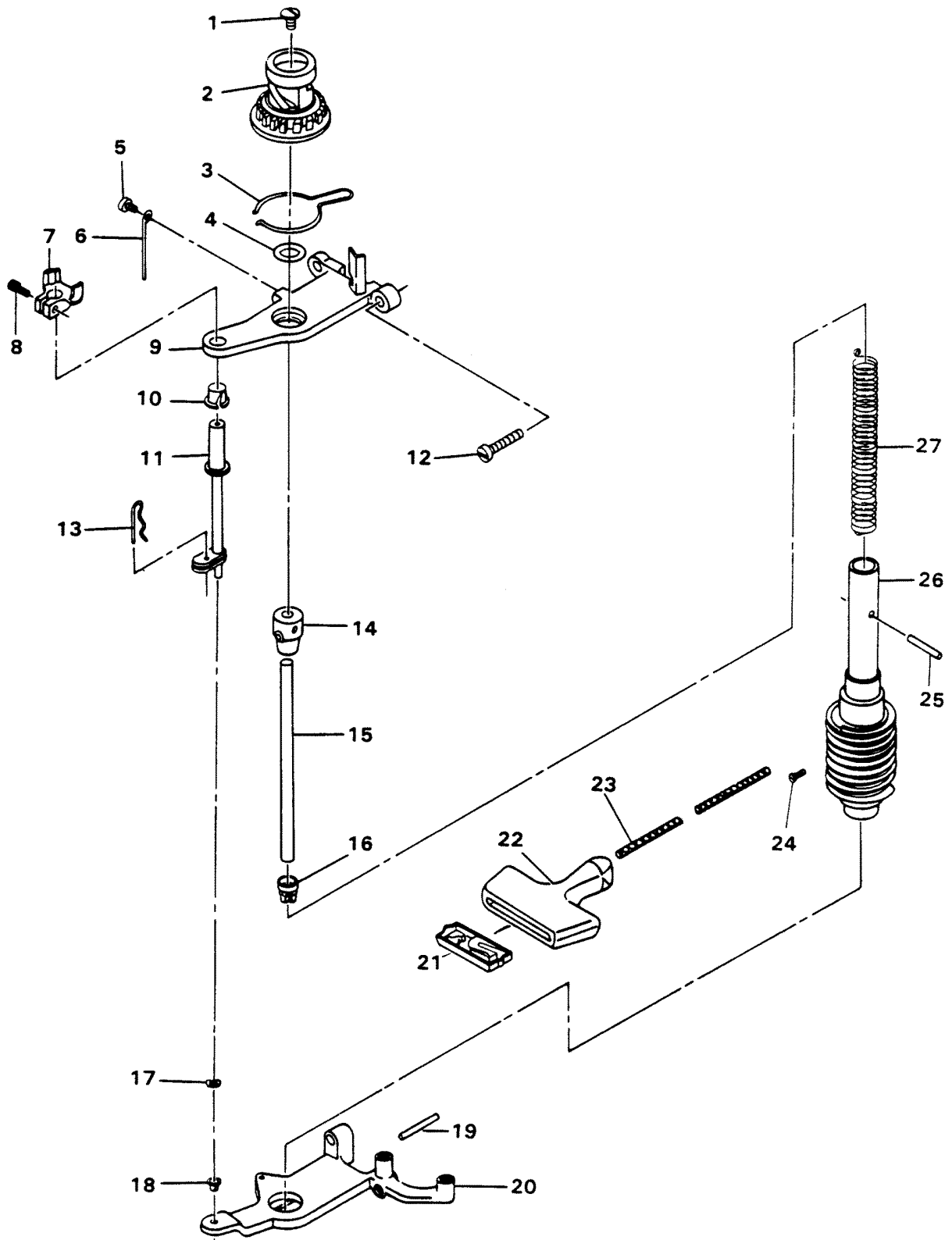
# STEERING ARM



# STEERING ARM

REF. NO.	PART NO.	SYM.	QTY.	DESCRIPTION
1	817747--1		1	JOINT, BALL ASSEMBLY
2	F1513		1	NUT, 10 - 32
3	F525445		1	LINK, MAGNETO STATOR CONTROL
4	F7027		1	NUT (LEFT HAND), 10 - 24
5	F84026		1	SHOULDER SCREW
6	F84036		1	BEARING, SPARK CONTROL
7	F525689		2	TOWERSHAFT BEARING
8	F525751		2	SCREW
9	F8060		2	LOCKWASHER
10	F1699		2	HEX HD SCREW, 1/4 - 20 X 1/8
11	F525838		1	TOWERSHAFT
12	F525605		1	GEAR, TOWERSHAFT
13	F525627		1	GEAR, TOWERSHAFT PINION
14	F525665		2	BEARING, GEAR PINION TOWERSHAFT
15	F525877		1	SHAFT, MAGNETO CONTROL
16	F525582-1		1	STEERING ARM
17	F318539		1	BUMPER
18	F318347-1		1	UPPER MOUNT
19	F1471		1	HEX SET SCREW, 10 - 24 X 1/4
20	F318504		1	GROMMET
21	F8540		1	SPRING PIN, 3/32 X 5/8
22	F8567		1	SPRING PIN, 1/8 X 13/16
23	F525816-1		1	BEARING, STEERING HANDLE GEAR
24	F525815		1	GEAR, STEERING HANDLE
25	F525691		1	GEAR, STEERING ARM
26	F8043		1	WAVE WASHER
27	F390689		2	BEARING, STEERING ARM PIVOT SCREW
28	F525220		2	WASHER, STEERING HANDLE
29	F458519		1	SCREW, IDLE STOP
30	F525524		1	RIVET, STEERING HANDLE
31	F215795		1	SEAL O-RING STEERING HANDLE DAMPENER
32	F53795-1		1	SEAL, STEERING HANDLE DAMPENER
33	F525079		1	HANDLE - STEERING
34	F1974		1	SCREW, STEERING HANDLE BEARING
35	F525080		2	SCREW, STEERING HANDLE PIVOT
36	F307818		1	BEARING, STEERING HANDLE SHAFT
37	F525688-1		1	SHAFT, STEERING HANDLE
38	F8548		1	SPRING PIN, 1/8 X 1
39	F525198		1	THROTTLE STOP
40	F8547		1	SPRING PIN, 1/8 X 5/8
41	37-F286894-3		1	INDICATOR STEERING HANDLE
42	F429137		1	GRIP, STEERING HANDLE

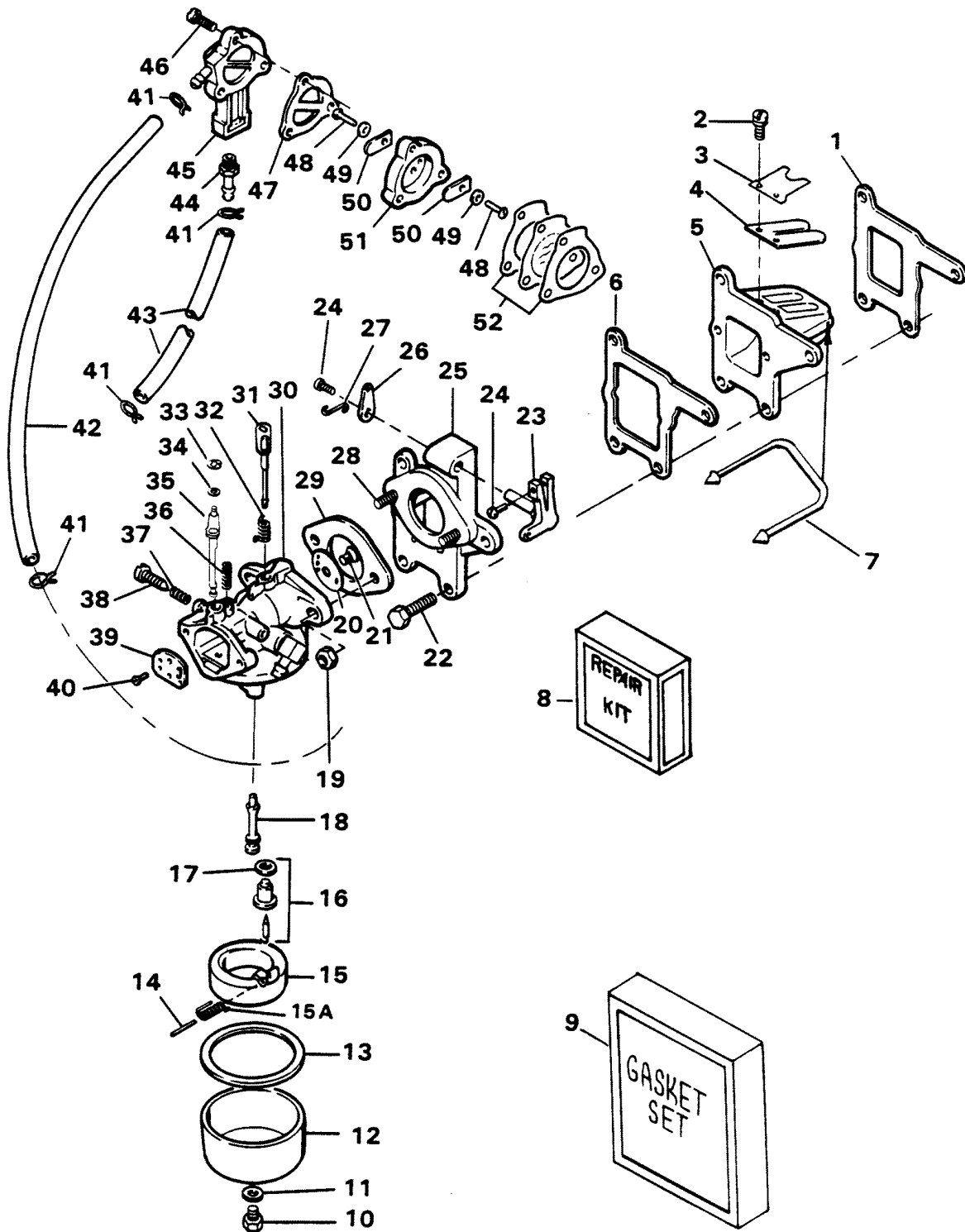
# STARTER



# STARTER

REF. NO.	PART NO.	SYM.	QTY.	DESCRIPTION
1	F525457		1	SCREW
2	F525674-1		1	GEAR STARTER PINION
3	F525424		1	SPRING STARTER PINION
4	F53795-1		1	O-RING
5	F1760		1	PAN HD SCREW, 10 - 24 X 3/8
6	F525455		1	GUIDE STARTER ROPE
7	F525781		1	INTERLOCK STARTER
8	F2031		1	HEX HD SCREW, 1/4 - 20 X 3/4
9	F525427-1		1	BRACKET STARTER UPPER
10	F269689		1	BEARING STARTER BRACKET UPPER
11	F525105		1	SHAFT INTERLOCK
12	F1052		4	FILL HD SCREW, 1/4 - 20 X 1
13	F525629		1	COTTER PIN
14	F901739		1	DRIVE STARTER REWIND SPRING
15	F901710		1	POST STARTER SPRING GUIDE
16	F525737		1	RETAINER STARTER REWIND SPRING
17	F8070		1	BOWED SPRING WASHER
18	F197813		1	BEARING STARTER BRACKET LOWER
19	F8571		1	SPRING PIN, 1/8 X 1 3/4
20	F525675		1	BRACKET STARTER LOWER
21	817938A1		1	RETAINER <b>W/LITERATURE ORIGINAL FORCE P/N K 286817-1</b>
22	F286132		1	HANDLE STARTER ROPE
23	F409232		1	ROPE STARTER
24	F1500		1	RD HD SHEET METAL SCREW #4 X 1/4
25	F40425		1	PIN STARTER PINION
26	817856A1		1	SPOOL STARTER <b>W/ILLUS. 24 AND LITERATURE ORIGINAL FORCE P/N A 525239-1</b>
27	F901970		1	SPRING STARTER REWIND

# FUEL SYSTEM

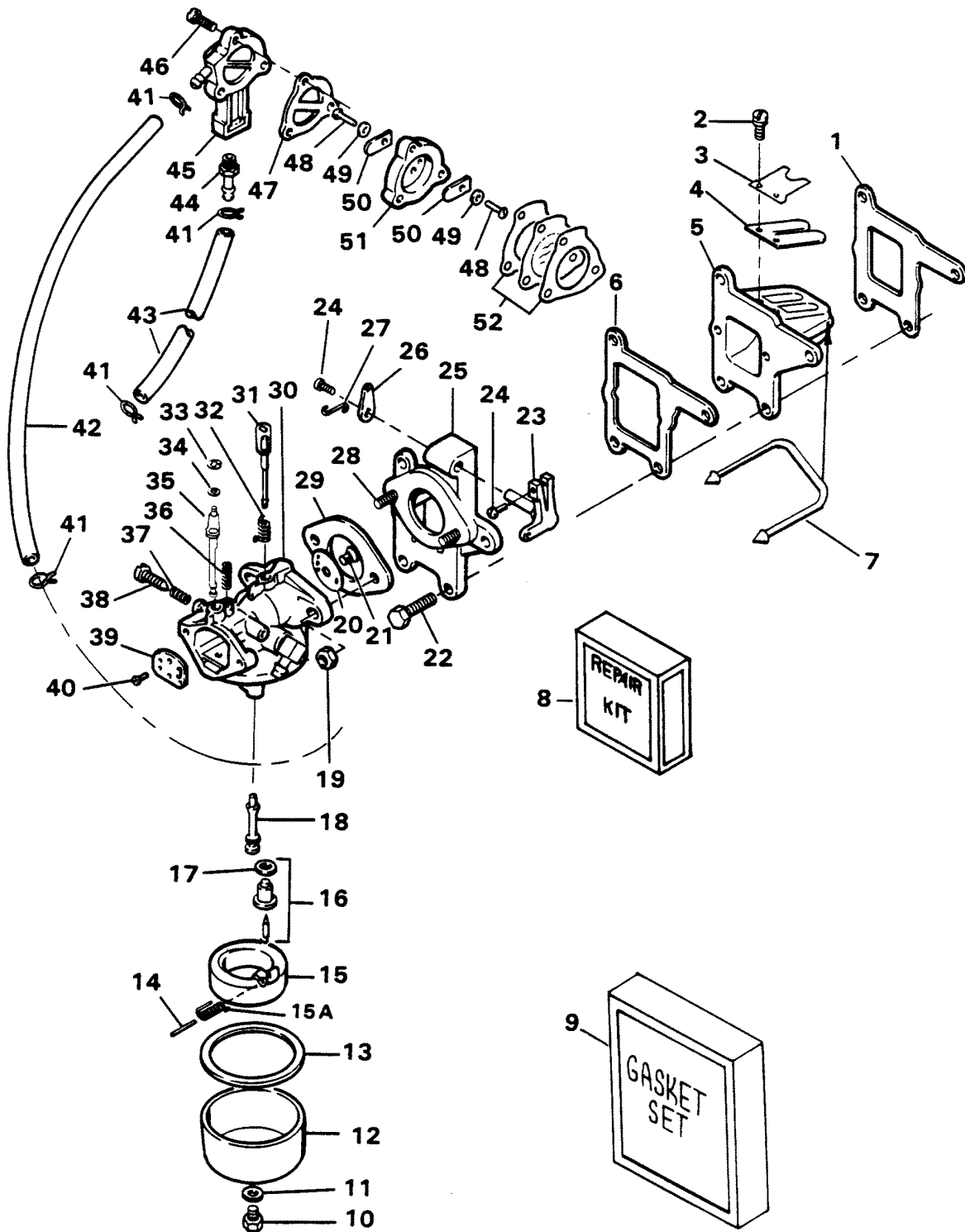


# FUEL SYSTEM

REF. NO.	PART NO.	SYM.	QTY.	DESCRIPTION
1	F525159		1	GASKET, REED PLATE
2	F1755		4	RD HD SCREW & SPRING LOCKWASHER ASSEMBLY, 6 - 32 X 5/16
3	F526161		2	REED STOP
4	F31160-1		2	REED
5	F2A525158		1	PLATE REED <b>W/ILLUS. 7</b>
6	F525168		1	GASKET MANIFOLD
7	F525984		1	SEAL, REED PLATE
8	F10083		1	REPAIR KIT. <b>INCLUDES ALL ITEMS MARKED WITH DOUBLE ASTERISKS (**)</b>
9	F10069		1	GASKET KIT. <b>INCLUDES ALL ITEMS MARKED WITH AN ASTERISK (*)</b>
10	F10089		1	JET ASSEMBLY, STD. .041 SEA LEVEL - 3000 FT.
-	<b>F10097</b>		-	<b>JET ASSEMBLY, OPT. .040 3000 - 5000 FT.</b>
-	<b>F10096</b>		-	<b>JET ASSEMBLY, OPT. .039 5100 - 7000 FT.</b>
-	<b>F10093</b>		-	<b>JET ASSEMBLY, OPT. .038 7000 FT. &amp; UP, OPTIONAL SIZE JET ASSEMBLIES ARE TO BE USED ONLY AT ALTITUDES INDICATED</b>
11	F10090		1	GASKET FUEL BOWL RETAINER
12	F10058		1	FUEL BOWL
13	F10068		1	GASKET BODY TO BOWL
14	F10064		1	SHAFT - FLOAT
15	F10063		1	FLOAT <b>W/ILLUS. 14</b>
15A	F10084		1	FLOAT SUPPORT SPRING
16	F10101		1	KIT - VALVE, SEAT, SPRING & GASKET
17	F10066		1	GASKET VALVE SEAT
18	F10088		1	NOZZLE
19	F1490		2	NUT, 1/4 - 20
20	F10091		1	VALVE THROTTLE
21	F10071		1	SCREW, THROTTLE VALVE
22	F1532		4	HEX HD SCREW, 1/4 - 20 X 1
23	F525316-1		1	FOLLOWER THROTTLE CAM
24	F1772		2	HEX HD SCREW, 8 - 32 X 1/2
25	FA525167		1	MANIFOLD <b>W/ILLUS. 28</b>
26	F525081-1		1	LEVER THROTTLE
27	F525193		1	LINK THROTTLE
28	F2788004		2	STUD CARBURETOR
29	F18906		1	GASKET CARBURETOR
30	1300-817966A4		1	CARBURETOR <b>W/ILLUS. 33 AND LITERATURE ORIGINAL FORCE P/N K 526061-4</b>
31	F10081		1	SHAFT ASSEMBLY - THROTTLE
32	F10085		1	SPRING THROTTLE RETURN
33	F90807		1	RETAINING RING
34	F2042		1	WASHER
35	F10061		1	CHOKE SHAFT ASSEMBLY

CONTINUED ON NEXT PAGE ➡

# FUEL SYSTEM

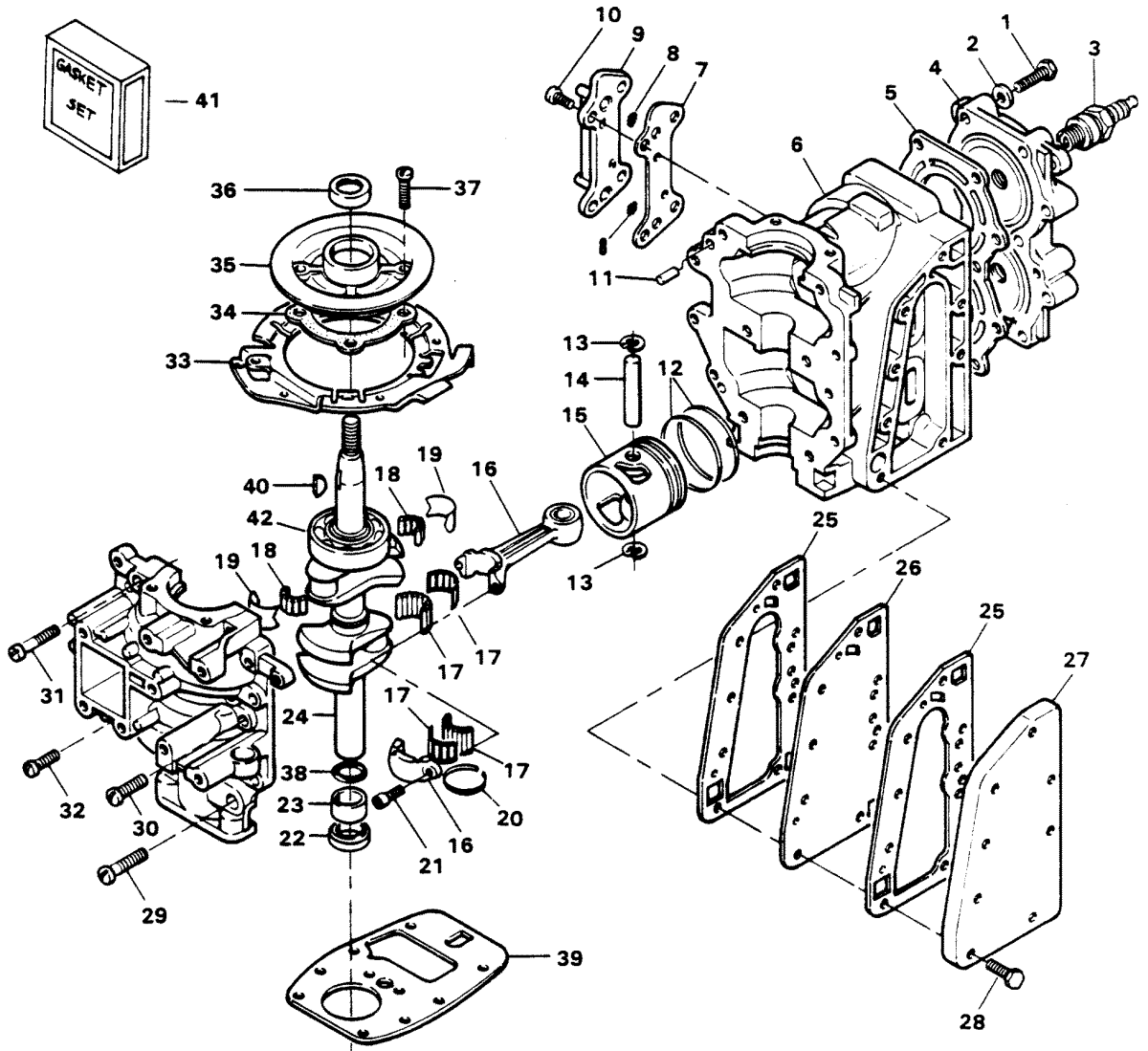




# FUEL SYSTEM

REF. NO.	PART NO.	SYM.	QTY.	DESCRIPTION
36	F10072		1	SPRING CHOKE STOP
37	F10073		1	SPRING IDLE NEEDLE
38	F10077		1	NEEDLE - IDLE
39	F10062		1	CHOKE VALVE ASSEMBLY
40	F10070		2	SCREW ASSEMBLY - CHOKE VALVE
41	F2706772		4	CLAMP HOSE
42	FA84253		1	HOSE <b>W/ILLUS. 41</b>
43	FA84253		1	HOSE <b>W/ILLUS. 41</b>
44	F901811		1	FILTER FUEL PUMP
45	F901746-2		1	COVER FUEL PUMP
46	F1069		3	FILL HD SCREW, 10 - 24 X 1/16
47	F24748-2		1	GASKET FUEL PUMP
48	F1286		2	PAN HD SCREW, #4 - 40 X 3/16
49	F8003		2	PLAIN WASHER
50	F18160-2		2	REED FUEL PUMP
51	F2A24757		1	PLATE FUEL PUMP REED <b>W/ILLUS. 48, 49 AND 50</b>
52	27-818043A1		1	DIAPHRAGM, FUEL PUMP W/GASKETS
53	F10116		1	BODY CHANNEL PLUG KIT (NOT SHOWN)

# POWER HEAD

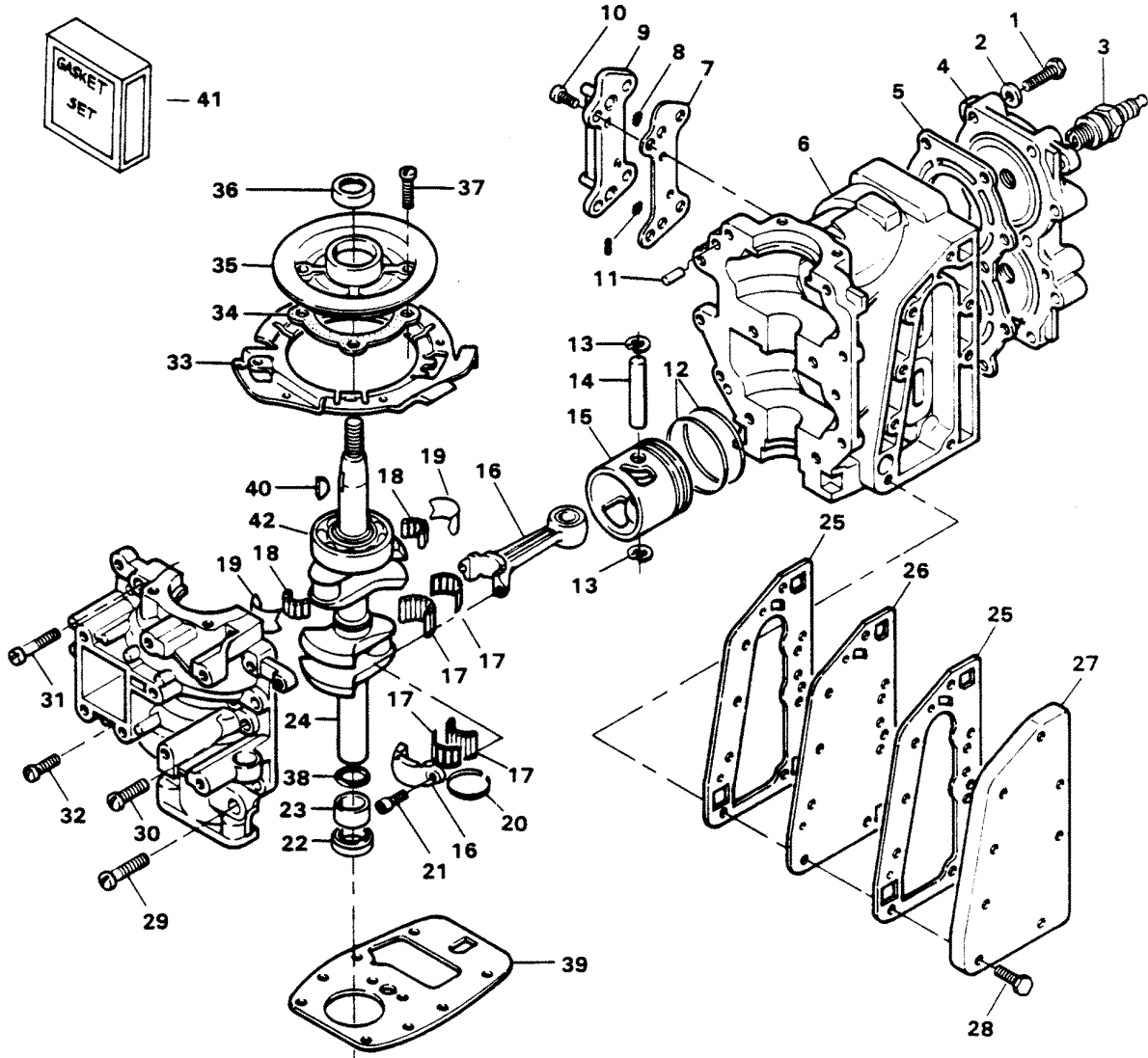


# POWER HEAD

REF. NO.	PART NO.	SYM.	QTY.	DESCRIPTION
1	F901938-1		10	SCREW, CYLINDER HEAD
2	F8025		10	PLAIN WASHER
3	33-82370M		2	SPARK PLUG (L-86)
-	<b>C341227</b>		<b>2</b>	<b>SPARK PLUG (QL-86) CANADA ONLY</b>
4	F525518		1	CYLINDER HEAD
5	F525529		1	GASKET, CYLINDER HEAD
6	F2A525010		1	CYLINDER <b>W/ILLUS. 11, 29 AND 31</b>
-	<b>FC525010</b>		<b>1</b>	<b>CYLINDER COMPLETE (NOT SHOWN). INCLUDES ALL ITEMS MARKED WITH AN ASTERISK (*)</b>
7	F525472		1	GASKET, CYLINDER DRAIN COVER
8	F429811		2	SCREEN, CYLINDER DRAIN
9	FA525471		1	COVER, CYLINDER DRAIN <b>W/CHECK VALVE AND ILLUS. 8</b>
10	F1110		4	SCREW, 1/4 - 20 X 5/8
11	F8559		2	DOWEL PIN
12	39-818038A1		2	PISTON RING <b>(2 RINGS PER SET) ORIGINAL FORCE P/N 1A 26260-1</b>
13	F250410		4	PISTON PIN RETAINING RING
14	F250017		2	PISTON PIN
15	F525015		2	PISTON
16	F2A521016		2	CONNECTING ROD <b>W/ITEM 21</b>
17	F2A237228		2	BEARING ASSEMBLY W/CAGE & ROLLERS
18	F286571		1	ROLLER ASSEMBLY, CENTER MAIN BEARING
19	FA286155		1	LINER, CENTER MAIN
20	F525579		1	CRANKCASE SEAL
21	F36634		4	CONNECTING ROD SCREW
22	F141118		1	SEAL, CRANKSHAFT LOWER
23	F341014		1	BEARING, CRANKSHAFT LOWER MAIN
24	F2A525018		1	CRANKSHAFT <b>W/ILLUS. 42</b>
25	F525154		2	GASKET EXHAUST
26	F525151		1	PLATE EXHAUST
27	F525152		1	COVER EXHAUST
28	F1532		8	SCREW, 1/4 - 20 X 1
29	F1257		2	SCREW, 5/16 - 18 X 1/4
30	F1994		2	SCREW, 5/16 - 18 X 1
31	F1044		2	SCREW, 1/4 - 20 X 1 3/8
32	F1107		6	SCREW, 1/4 - 20 X 3/4
33	F525082		1	RING STATOR
34	F286277		1	GASKET, CRANKSHAFT BEARING CAGE
35	1100-817753A1		1	CAGE, CRANKSHAFT BEARING <b>W/ILLUS. 36 ORIGINAL FORCE P/N A 286144-1</b>
36	F346146		1	SEAL, CRANKSHAFT UPPER
37	F1111		4	FILL HD SCREW, 1/4 - 20 X 7/8
38	F468342		1	SEAL, CRANKSHAFT SPLINE
39	F525279		1	GASKET, CYLINDER MOUNTING

CONTINUED ON NEXT PAGE ➡

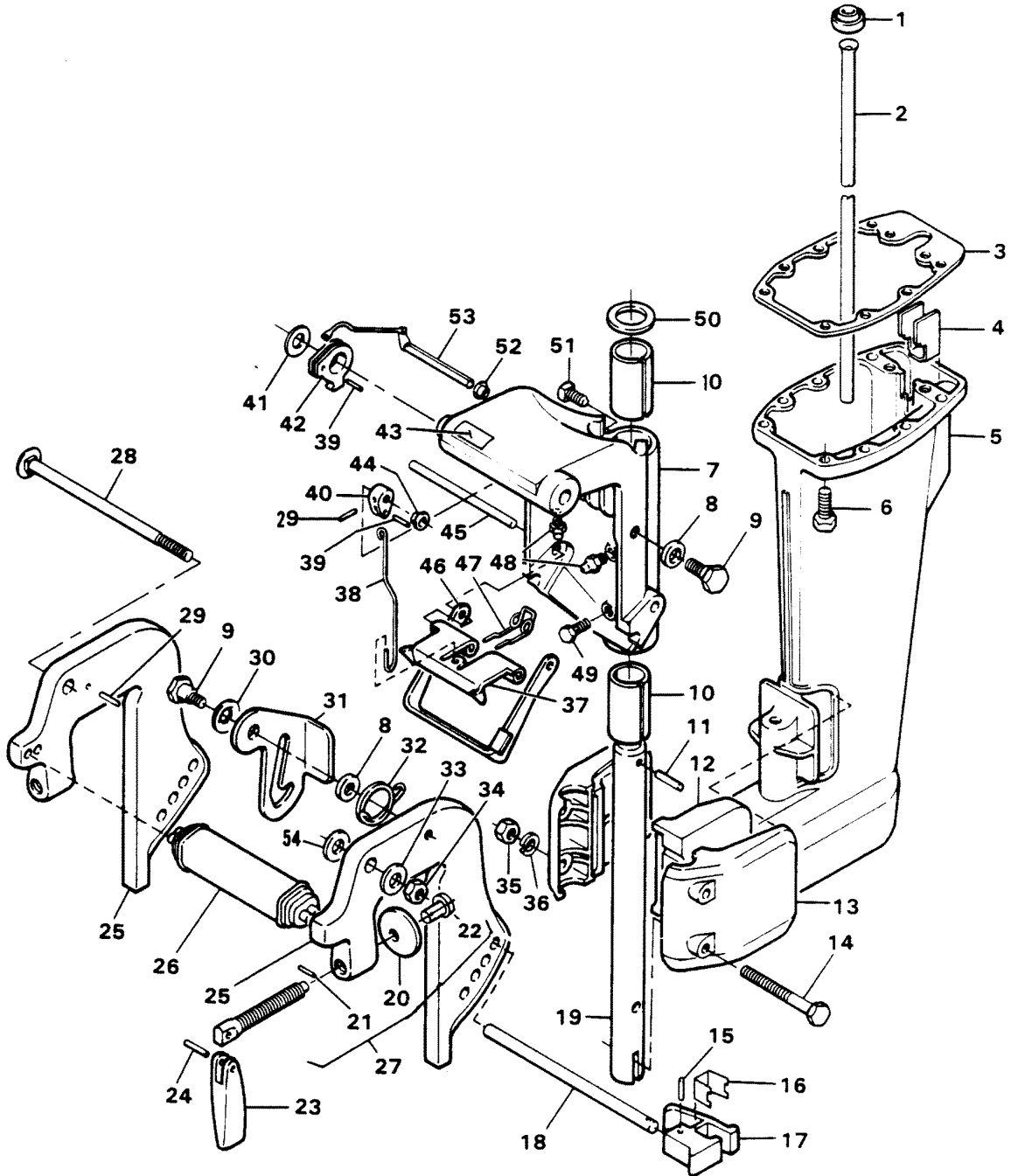
# POWER HEAD



# POWER HEAD

REF. NO.	PART NO.	SYM.	QTY.	DESCRIPTION
40	F458498		1	MAGNETO KEY
41	FG1018		1	GASKET SET. INCLUDES ITEMS LISTED BELOW
-	<b>F18906</b>		<b>1</b>	<b>GASKET, CARBURETOR</b>
-	<b>F286277</b>		<b>1</b>	<b>GASKET, CRANKSHAFT BEARING CAGE</b>
-	<b>F525154</b>		<b>2</b>	<b>GASKET, EXHAUST</b>
-	<b>F525159</b>		<b>1</b>	<b>GASKET, REED PLATE</b>
-	<b>F525168</b>		<b>1</b>	<b>GASKET, MANIFOLD</b>
-	<b>F525279</b>		<b>1</b>	<b>GASKET, CYLINDER MOUNTING</b>
-	<b>F525453</b>		<b>1</b>	<b>GASKET, LEG MOUNTING</b>
-	<b>F525529</b>		<b>1</b>	<b>GASKET, CYLINDER HEAD</b>
-	<b>F525472</b>		<b>1</b>	<b>GASKET, CYLINDER DRAIN COVER</b>
42	F286028		1	BEARING, CRANKSHAFT UPPER

# MOTOR LEG

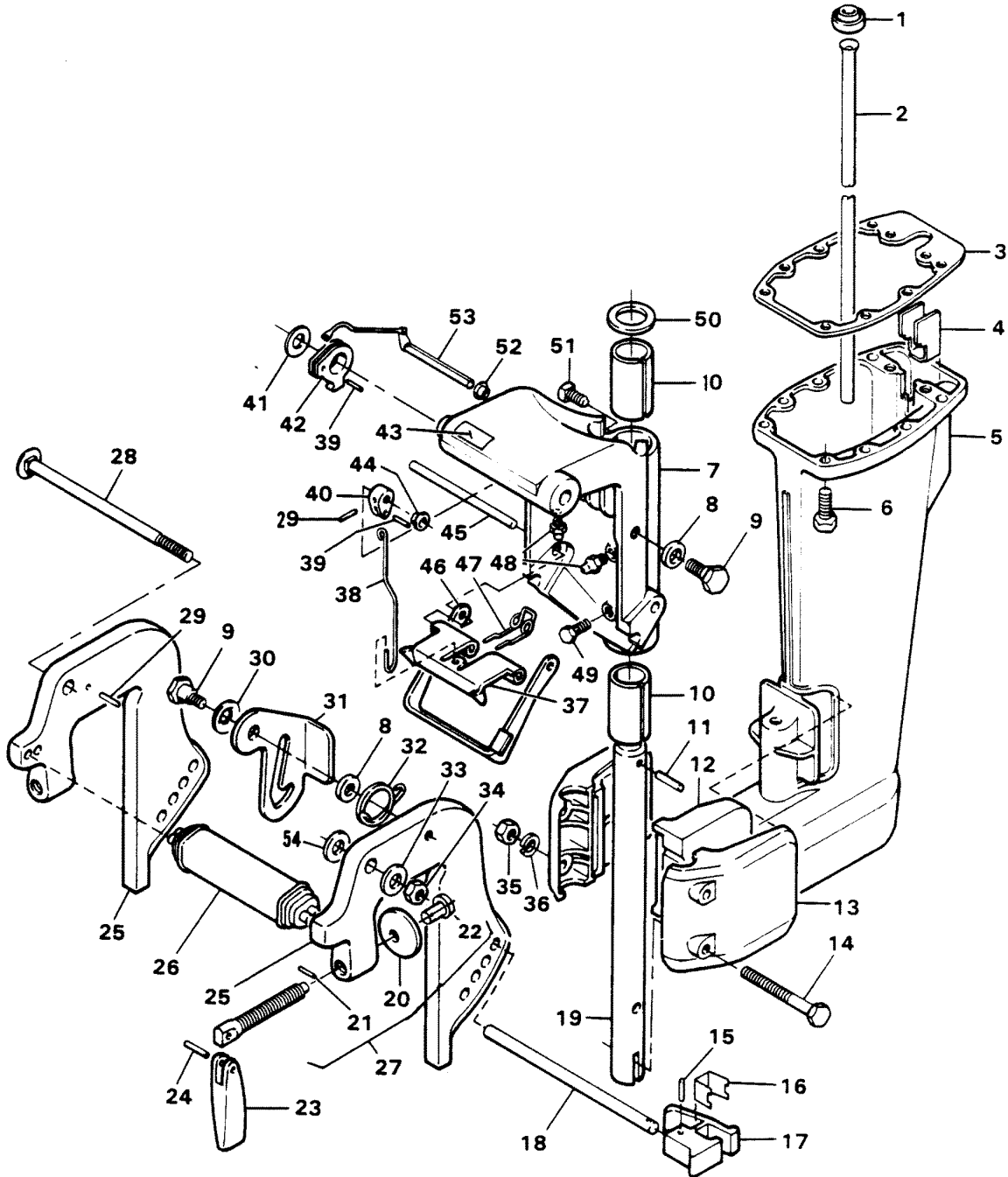


# MOTOR LEG

REF. NO.	PART NO.	SYM.	QTY.	DESCRIPTION
1	F318342		1	SEAL, WATERLINE INLET UPPER
2	F525244		1	WATERLINE
3	F525453		1	GASKET LEG MOUNTING
4	F525779		1	BAFFLE IDLE RELIEF
5	F525133		1	MOTOR LEG
6	F1532		8	HEX CAP SCREW, 1/4 - 20 X 1
7	1400-817964A2		1	SWIVEL BRACKET <b>W/ILLUS. 10 AND 48 ORIGINAL FORCE P/N K 525072-2</b>
8	F286451		2	SPACER TILT LOCK
9	F286422-1		2	PIVOT TILT LOCK
10	F286169		2	BEARING SWIVEL BRACKET
11	F1805		1	SPRING PIN, 1/4 X 1-3/8
12	F525346		2	MOUNT LOWER SHOCK
13	F525707		2	COVER, SHOCK MOUNT LOWER
14	F1972		2	HEX HD SCREW, 1/4 - 20 X 2 1/2
15	F8540		1	SPRING PIN, 3/32 X 5/8
16	F286461		1	SPRING LOCK BAR HANDLE
17	F286114		1	HANDLE LOCK BAR
18	FA617113		1	BAR LOCK <b>W/ILLUS. 15, 16 AND 17</b>
19	F525019		1	KINGPIN
20	F24074		2	FOOT CLAMP SCREW
21	F8537		2	SPRING PIN
22	F66480		2	STUD CLAMP SCREW
23	F424075		2	HANDLE CLAMP SCREW
24	F8554		2	SPRING PIN, 3/16 X 3/4
25	FS567532		2	BRACKET STERN <b>W/ILLUS. 27</b>
26	F286647		1	HANDLE CARRYING
27	817761A2		2	SCREW CLAMP <b>W/ILLUS. 20, 21 AND 22 ORIGINAL FORCE P/N A 298073-2</b>
28	F617037		1	BOLT STERN BRACKET
29	F8538		1	SPRING PIN, 3/32 X 1/2
30	F1666		1	WAVE WASHER
31	F429541		1	LOCK TILT
32	F286544-1		1	SPRING TILT LOCK
33	F2014		1	PLAIN WASHER
34	F7026		1	NUT, 3/8 - 16
35	F1341		2	NUT, 1/4 - 20
36	F8083		2	LOCKWASHER
37	F286349		1	LOCK REVERSE
38	FA341510		1	LINK REVERSE LOCK LEVER <b>W/LITERATURE</b>
39	F1794		2	SPRING PIN, 3/32 X 3/8
40	F286364		1	LEVER REVERSE LOCK
41	F525286		1	WASHER
42	F286827		1	LEVER REVERSE LOCK RELEASE

CONTINUED ON NEXT PAGE ➡

# MOTOR LEG

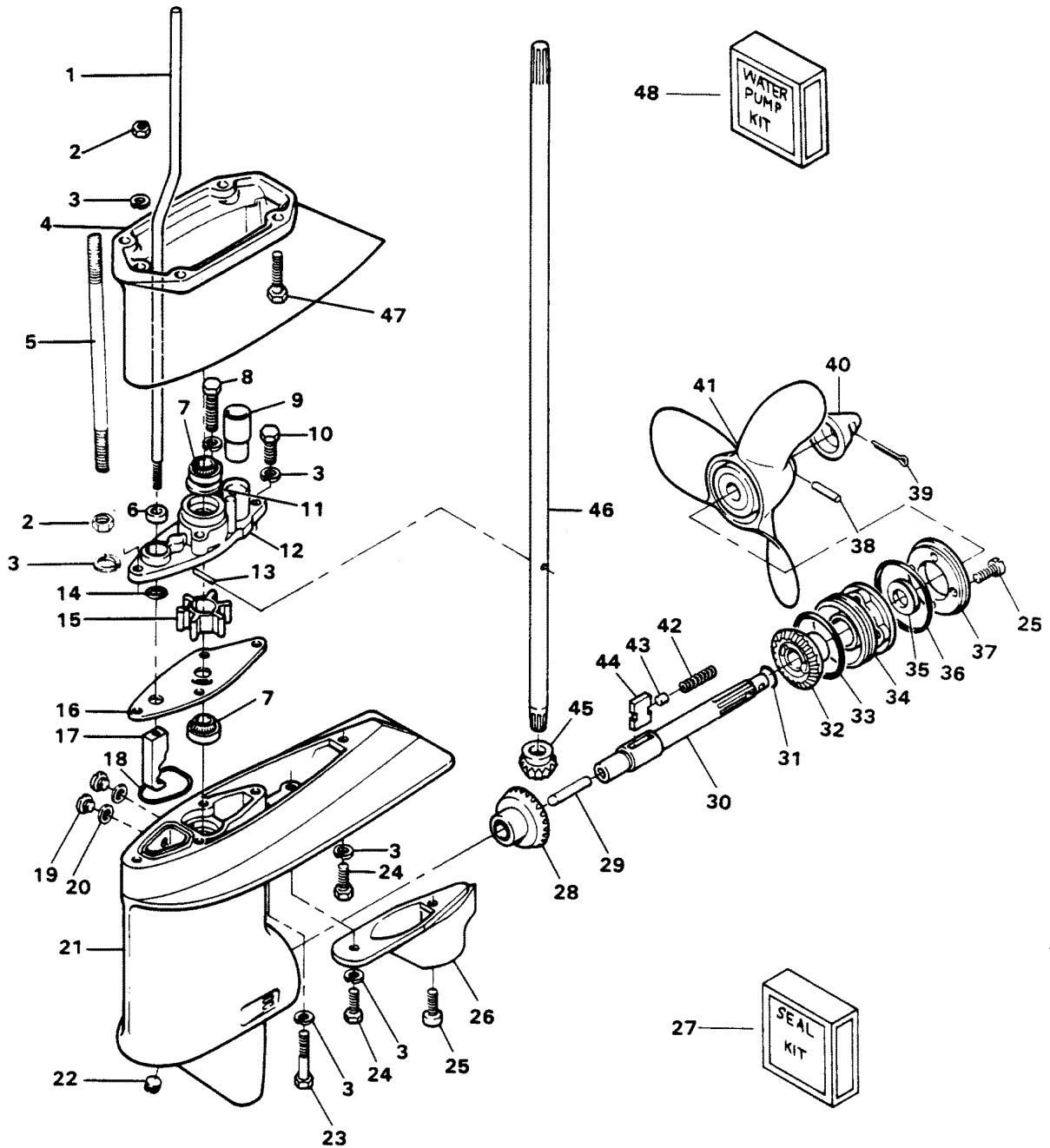




# MOTOR LEG

REF. NO.	PART NO.	SYM.	QTY.	DESCRIPTION
43	F286585-1		1	DECAL, TILT RELEASE - USA
-	<b>37-F286585-2</b>		<b>1</b>	<b>DECAL, TILT RELEASE - CANADA</b>
44	F197813		1	BEARING
45	F1806		1	GROOVE PIN, 5/16 - 3/4
46	F286433		1	BRACKET SHALLOW WATER DRIVE
47	F286300		1	SPRING REVERSE LOCK
48	F213274		2	FITTING GREASE
49	F1467		1	SCREW SWIVEL BRACKET
50	F286011		1	WASHER SWIVEL BRACKET
51	F525839		1	SCREW, STEERING FRICTION
52	F536813		1	BEARING
53	FA387742		1	LEVER REVERSE LOCK INTERMEDIATE
54	F286286-1		1	WASHER

# GEAR HOUSING

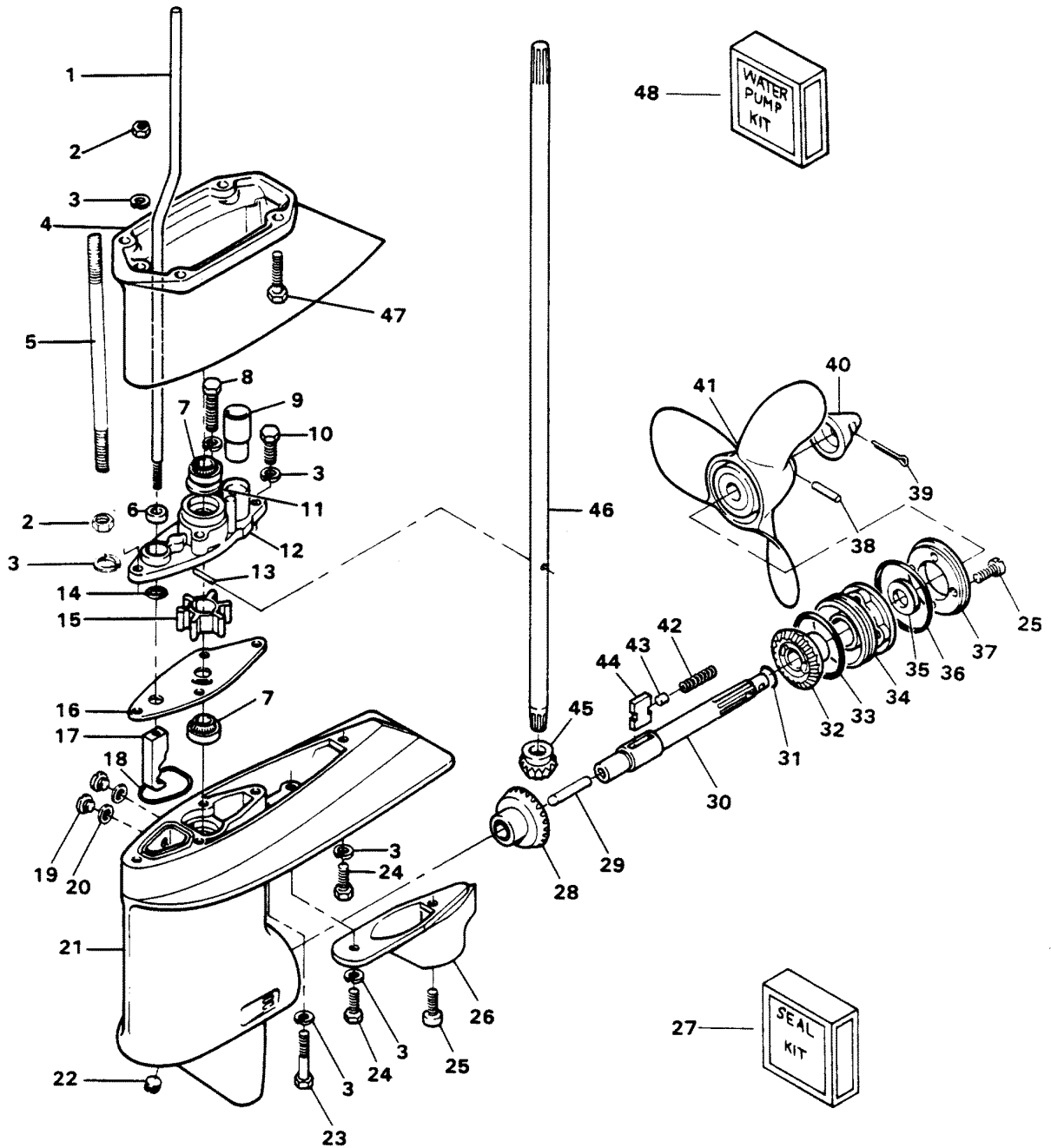


# GEAR HOUSING

REF. NO.	PART NO.	SYM.	QTY.	DESCRIPTION
1	F525705		1	ROD, GEAR SHIFT
2	F1341		2	NUT, 1/4 - 20
3	F8083		9	SPRING LOCKWASHER
4	F525845		1	EXTENSION MOTOR LEG
5	F601006		1	STUD, GEAR HOUSING FRONT
6	F338618-1		1	SEAL, GEAR SHIFT ROD LOWER
7	F318307		2	SEAL
8	F1891		2	HEX HD SCREW, 1/4 - 20 X 1/2
9	FA510914		1	SEAL, WATERLINE <b>W/LITERATURE</b>
10	F2008		1	HEX HD SCREW, 1/4 - 20 X 7/8
11	525388		1	DISC, WATER PUMP LOCATING
12	FA525060		1	WATER PUMP BODY <b>W/ILLUS. 6, 7, 9 AND 11</b>
13	F390563		1	PIN, WATER PUMP IMPELLER DRIVE
14	F474342		1	SEAL, WATER PUMP GEAR SHIFT ROD
15	F525065-1		1	IMPELLER
16	F525562		1	PLATE, WATER PUMP BACK
17	F459721-1		1	CLUTCH SHIFT CAM
18	F525555		1	SEAL, SHIFT ROD CAVITY
19	F50109		2	PLUG, GEAR HOUSING
20	F8077		2	WASHER
21	FA525054		1	GEAR HOUSING <b>W/ILLUS. 7, 19, 20 AND 22, PROP SHAFT BEARING, DRIVESHAFT SEAL, BEVEL PINION BEARING</b>
-	<b>FC536054</b>		1	<b>GEAR HOUSING COMPLETE (NOT SHOWN). INCLUDES ALL ITEMS MARKED WITH AN ASTERISK (*)</b>
22	F19109		1	PLUG
23	F1990		2	HEX HD SCREW, 1/4 - 20 X 1 5/8
24	F1705		2	HEX CAP SCREW, 1/4 - 20 X 3/4
25	F525457		5	SCREW
26	FA525116		1	SNOUT <b>W/LITERATURE</b>
27	FK1062		1	GEAR HOUSING SEAL KIT. <b>INCLUDES ALL ITEMS MARKED WITH A DOUBLE ASTERISK (**)</b>
28	FA521023		1	BEVEL GEAR W/BEARING
29	F901728		1	PIN CLUTCH SHIFT
30	F536098		1	PROPELLER SHAFT
31	F317717		1	WASHER, BEVEL GEAR THRUST
32	F525662		1	BEVEL GEAR - REAR
33	F525305		1	SEAL, PROP SHAFT
34	FA525298		1	PROP SHAFT CAGE <b>W/PROP SHAFT THRUST BEARING, PROP SHAFT BEARING, AND ILLUS.35</b>
35	F521307		1	PROPSHAFT SEAL
36	F521305		1	SEAL, PROP SHAFT BEARING CAGE
37	F521296		1	RETAINER, PROP SHAFT BEARING CAGE
38	FA324101		1	PROPELLER PIN (3 PINS) <b>W/ILLUS. 39</b>
39	F1846		1	COTTER PIN

CONTINUED ON NEXT PAGE ➡

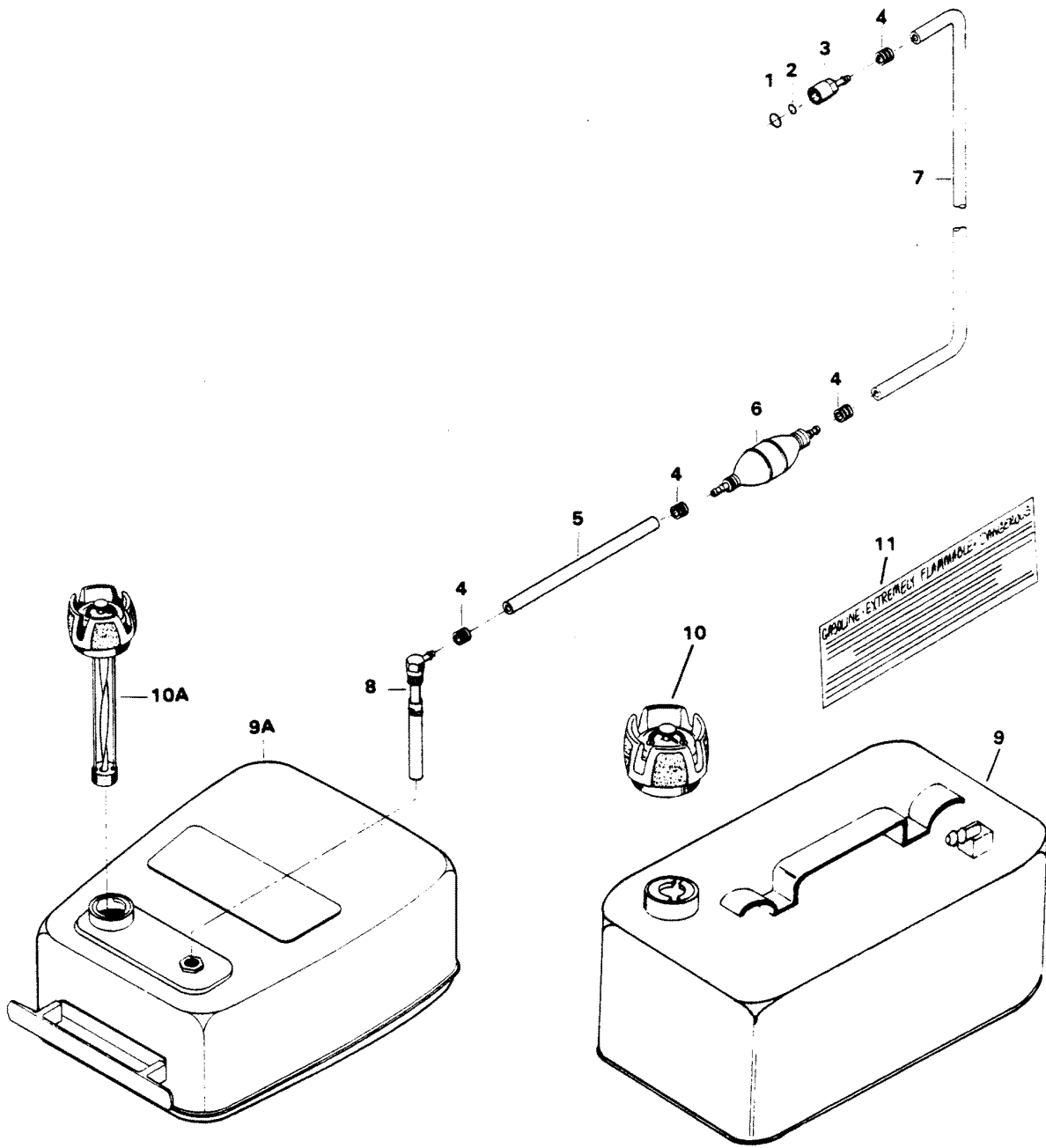
# GEAR HOUSING



# GEAR HOUSING

REF. NO.	PART NO.	SYM.	QTY.	DESCRIPTION
40	11-817752A1		1	PROPELLER NUT <b>WILLUS. 39 ORIGINAL FORCE P/N A 286094 - 1</b>
41	FP477		1	PROPELLER
42	F409719		1	CLUTCH SPRING
43	F318372		1	CLUTCH PIN GUIDE
44	F409521		1	CLUTCH SHIFT
45	F521266		1	GEAR, BEVEL PINION
46	F525128		1	DRIVESHAFT
47	F430732		4	MOTOR LEG EXTENSION TO GEAR HOUSING SCREWS
48	FK1067		1	WATER PUMP KIT
-	<b>F390563</b>		<b>1</b>	<b>PIN, WATER PUMP IMPELLER</b>
-	<b>F525065-1</b>		<b>1</b>	<b>IMPELLER, WATER PUMP</b>
-	<b>F525562</b>		<b>1</b>	<b>PLATE, WATER PUMP</b>
-	<b>FA525060</b>		<b>1</b>	<b>BODY, WATER PUMP</b>

# FUEL TANK AND LINE



## FUEL TANK AND LINE

REF. NO.	PART NO.	SYM.	QTY.	DESCRIPTION
1	F17816		1	SEAL, FUEL LINE COUPLER
2	F17815		1	SEAL, FUEL LINE COUPLER
3	F197787-3		1	FUEL LINE COUPLER
4	F298788		4	FERRULE
5	FA84754-1		1	FUEL LINE SHORT <b>W/ILLUS. 4, 7" LONG</b>
6	89396A38		1	PRIME BULB
7	32-817738A1		1	FUEL LINE, LONG <b>W/CLAMP AND ILLUS. 4, 9' LONG ORIGINAL FORCE P/N A 197752-1</b>
8	F487755		1	FUEL TANK ADAPTER (CANADA)
9	F5H163		1	FUEL TANK (ACCESSORY ITEM) U.S.A.
9A	F5H027		1	FUEL TANK (ACCESSORY ITEM) CANADA
10	F538251		1	CAP, FUEL TANK (U.S.A.)
10A	F409251-1		1	GAUGE CAP (CANADA)
11	F567398		1	DECAL FUEL TANK U.S.A.
-	<b>FS409752</b>		<b>1</b>	<b>FUEL LINE - COMPLETE (NOT SHOWN). INCLUDES ALL ITEMS MARKED WITH AN ASTERISK (*)</b>
-	<b>FC409398</b>		<b>1</b>	<b>DECAL, TOTE TANK - CANADA (NOT SHOWN)</b>

## SPECIAL TOOLS - TUNE-UP

REF. NO.	PART NO.	SYM.	QTY.	DESCRIPTION
-	FT2909		0	KNOCK-OFF NUT TO REMOVE FLYWHEEL
-	FT2989		0	FLYWHEEL WEDGE TO REMOVE FLYWHEEL



## SPECIAL TOOLS - STARTER

REF. NO.	PART NO.	SYM.	QTY.	DESCRIPTION
-	FT3139-1		0	STARTER REWIND KEY TO REWIND STARTER SPRING

# SPECIAL TOOLS - LOWER UNIT

REF. NO.	PART NO.	SYM.	QTY.	DESCRIPTION
-	FT3012		0	SEAL INSTALLER TO INSTALL UPPER CRANKSHAFT BEARING CAGE SEAL
-	FT8929		0	ADAPTER AND HEX BIT TO TORQUE CONNECTING ROD SCREWS
-	FT2997		0	RING COMPRESSOR TO INSTALL PISTONS IN CYLINDERS
-	FT1749		0	SNAP RING PLIERS TO REMOVE AND INSTALL PISTON PIN RETAINING RINGS
-	FT8926		0	PISTON RING EXPANDER TO INSTALL RINGS ON PISTONS
-	FT11202		0	SEAL INSTALLER TO INSTALL LOWER CRANKSHAFT SEAL
-	FT8919		0	PIN PUNCH TO REMOVE AND INSTALL PISTON PIN
-	FT2998		0	TORQUE WRENCH (0-100 LBS./FT.) TO PROPERLY TIGHTEN FASTENERS
-	FT2999		0	TORQUE WRENCH (0-600 LBS./IN.) TO PROPERLY TIGHTEN FASTENERS
-	FT2991		0	CARBON BRUSH TO REMOVE CARBON FROM INSIDE POWERHEAD
-	FT8900		0	HOSE CLAMP PLIERS TO REMOVE AND INSTALL FUEL HOSE CLAMPS
-	FT2915		0	SEAL INSTALLER TO INSTALL DRIVESHAFT SEAL - UPPER AND LOWER AND PROPELLER SHAFT SEAL
-	FT8957		0	SEAL INSTALLER TO INSTALL SHIFT ROD SEAL
-	FT8948-1		0	BEARING CAGE PULLER TO REMOVE PROPELLER SHAFT BEARING CAGE

## SPECIAL TOOLS - TEST EQUIPMENT

REF. NO.	PART NO.	SYM.	QTY.	DESCRIPTION
-	FT8950		0	LEAKAGE TESTER TO TEST LOWER UNIT SEALS FOR LEAKS
-	FT8996		0	IGNITION TESTER TO TEST TRIGGER OUTPUT
-	FT8953		0	C-D TESTER TO TEST STATOR OUTPUT AND SECONDARY VOLTAGE
-	FT11201		0	HARNES ADAPTER TO TEST IGNITION SYSTEM USE WITH T8953 AND T8996

# SPECIAL TOOLS - LUBRICANTS AND SEALANTS

REF. NO.	PART NO.	SYM.	QTY.	DESCRIPTION
-	FT2961		0	LUBRICANT - RYKON GREASE #2EP
-	FT2987-1		0	LUBRICANT - ANTI-SEIZE
-	FT8969		0	LUBRICANT - 7 OZ. L PSI LUBRICANT
-	FT8983		0	SEALANT - 3 OZ RTV SEALANT
-	FT8936-1		0	SEALANT - 2 CC LOCTITE RETAINING COMPOUND #75
-	FT2962-1		0	SEALANT - 50 CC LOCTITE H, NON-HARDENING GRADE
-	FT2963-2		0	SEALANT - 2 OZ. LOCTITE D, HARDENING GRADE
-	FT8935		0	SEALANT PRIMER - 6 OZ.

# ACCESSORIES

REF. NO.	PART NO.	SYM.	QTY.	DESCRIPTION
-	F5H104		0	LIGHTING COIL PROVIDES 12 VOLT, 60 WATT OUTPUT FOR OUTBOARD RUNNING LIGHTS.
-	F5H105		0	BATTERY CHARGING SYSTEM USED IN CONJUNCTION WITH 5H104 LIGHTING COIL KIT.
-	F5H113		0	REMOTE CONTROL KIT PERMITS REMOTE CONTROL OF THROTTLE, GEAR SHIFT AND STEERING FROM FRONT OF BOAT.
-	F5H165		0	LEG EXTENSION KIT (5") CONVERTS 15" MODEL TO 20" MODEL
-	F5H114		0	REMOTE STEERING BRACKET ADAPTS MOTOR TO CABLE TYPE REMOTE STEERING.
-	F5H027		0	STEEL 6 GALLON FUEL TANK AUXILIARY TANK.
-	F5H029		0	FUEL TANK ANCHOR RETAINS TOTE TANK ON BOAT FLOOR.
-	F5H040		0	STEEL 12 GALLON FUEL TANK AUXILIARY TANK.
-	F5H163		0	STEEL 3-1/4 GALLON FUEL TANK AUXILIARY TANK
-	F5H134		0	BOAT WHITE LACQUER ENGINE TOUCH-UP PAINT IN 12 3/4 OZ. SPRAY BOMBS (6 CANS PER CASE).
-	F5H130		0	REMOTE CONTROL BOX SINGLE LEVER SURFACE MOUNT - STARBOARD.
-	F866		0	REMOTE CONTROL BOX TWO LEVER SURFACE MOUNT - SEPARATE THROTTLE AND GEAR SHIFT LEVERS
-	F5H131		0	REMOTE CONTROL DECAL KIT DECAL FOR PORT SIDE MOUNTING OF 5H130 CONTROL BOX.
-	F195/___		0	REMOTE CONTROL CABLES CONNECTS REMOTE CONTROL BOX TO THROTTLE AND GEAR SHIFT ON MOTOR. AVAILABLE IN 6 THROUGH 40 FOOT LENGTHS.
-	F165		0	REMOTE STEERING CONNECTOR HAS BUILT-IN PULLEYS
-	F596		0	CHRYSLER OUTBOARD OIL SEE BLOCK COMMENT 1.
-	F597		0	CHRYSLER OUTBOARD GEAR LUBE SEE BLOCK COMMENT 2.
-	F5H059		0	CHRYSLER OUTBOARD MULTI-PURPOSE GREASE LUBRICATES BEARINGS AND OTHER MOVING PARTS. AVAILABLE IN 8 OZ. TUBES AND 12 TUBE CASES.
-	F5H060		0	CHRYSLER OUTBOARD GREASE GUN

# PARTS INDEX

Part Number	Description	Pg.	Ref. No.	Part Number	Description	Pg.	Ref. No.
2C621712	ENGINE COVER COMPLETE	3	-	F1341	NUT, 1/4 - 20	25	2
525388	DISC, WATER PUMP LOCATING	25	11	F141118	SEAL, CRANKSHAFT LOWER	17	22
817747--1	JOINT, BALL ASSEMBLY	9	1	F1467	SCREW SWIVEL BRACKET	23	49
817761A2	SCREW CLAMP	21	27	F1471	HEX SET SCREW, 10 - 24 X 1/4	9	19
817856A1	SPOOL STARTER	11	26	F1475	FILL HD SCREW, 10 - 24 X 1/2	3	2
817858A1	RETAINER ENGINE COVER	3	3	F1490	NUT, 1/4 - 20	13	19
817938A1	RETAINER	11	21	F1500	RD HD SHEET METAL SCREW #4 X 1/4	11	24
89396A38	PRIME BULB	29	6	F1513	NUT, 10 - 32	9	2
C341227	SPARK PLUG	17	-	F1515	NUT, 5/16 - 18	3	13
F10058	FUEL BOWL	13	12	F1532	HEX CAP SCREW, 1/4 - 20 X 1	21	6
F10061	CHOKE SHAFT ASSEMBLY	13	35	F1532	HEX HD SCREW, 1/4 - 20 X 1	13	22
F10062	CHOKE VALVE ASSEMBLY	15	39	F1532	SCREW, 1/4 - 20 X 1	17	28
F10063	FLOAT	13	15	F1573	FILL HD SCREW, 1/4 - 20 X 1/2	5	41
F10064	SHAFT - FLOAT	13	14	F165	REMOTE STEERING CONNECTOR	35	-
F10066	GASKET VALVE SEAT	13	17	F1666	WAVE WASHER	21	30
F10068	GASKET BODY TO BOWL	13	13	F1689	HEX HD SCREW, 1/4 - 20 X 1/2	3	35
F10069	GASKET KIT.	13	9	F1699	HEX HD SCREW, 1/4 - 20 X 1/8	9	10
F10070	SCREW ASSEMBLY - CHOKE VALVE	15	40	F1705	HEX CAP SCREW, 1/4 - 20 X 3/4	25	24
F10071	SCREW, THROTTLE VALVE	13	21	F1734	SLOTTED FILL HD SCREW, 1/4 - 20 X 1/2	3	12
F10072	SPRING CHOKE STOP	15	36	F1755	RD HD SCREW & SPRING LOCKWASHER ASSEMBLY, 6 - 32 X 5/16	13	2
F10073	SPRING IDLE NEEDLE	15	37	F1760	PAN HD SCREW, 10 - 24 X 3/8	11	5
F10077	NEEDLE - IDLE	15	38	F1772	HEX HD SCREW, 8 - 32 X 1/2	13	24
F10081	SHAFT ASSEMBLY - THROTTLE	13	31	F17815	SEAL, FUEL LINE COUPLER	29	2
F10083	REPAIR KIT.	13	8	F17816	SEAL, FUEL LINE COUPLER	29	1
F10084	FLOAT SUPPORT SPRING	13	15A	F178446	CLAMP LEAD WIRE	3	11
F10085	SPRING THROTTLE RETURN	13	32	F1794	SPRING PIN, 3/32 X 3/8	21	39
F10088	NOZZLE	13	18	F1805	SPRING PIN, 1/4 X 1-3/8	21	11
F10089	JET ASSEMBLY, STD. .041 SEA LEVEL - 3000 FT.	13	10	F1806	GROOVE PIN, 5/16 - 3/4	23	45
F10090	GASKET FUEL BOWL RETAINER	13	11	F1809	FLYWHEEL NUT	7	15
F10091	VALVE THROTTLE	13	20	F18160-2	REED FUEL PUMP	15	50
F10093	JET ASSEMBLY, OPT. .038 7000 FT. & UP,	13	-	F1846	COTTER PIN	25	39
F10096	JET ASSEMBLY, OPT. .039 5100 - 7000 FT.	13	-	F1877	TY-RAP	7	6
F10097	JET ASSEMBLY, OPT. .040 3000 - 5000 FT.	13	-	F18906	GASKET CARBURETOR	13	29
F10101	KIT - VALVE, SEAT, SPRING & GASKET	13	16	F18906	GASKET, CARBURETOR	19	-
F10116	BODY CHANNEL PLUG KIT (NOT SHOWN)	15	53	F1891	HEX HD SCREW, 1/4 - 20 X 1/2	25	8
F1044	SCREW, 1/4 - 20 X 1 3/8	17	31	F19109	PLUG	25	22
F1052	FILL HD SCREW, 1/4 - 20 X 1	11	12	F195/_	REMOTE CONTROL CABLES	35	-
F1069	FILL HD SCREW, 10 - 24 X 1/16	15	46	F1950	HEX HD SCREW, 10 - 24 X 5/8	3	10
F1087	FILL HD SCREW, 10 - 24 X 7/8	7	12	F1972	HEX HD SCREW, 1/4 - 20 X 2 1/2	21	14
F1107	SCREW, 1/4 - 20 X 3/4	17	32	F1974	SCREW, STEERING HANDLE BEARING	9	34
F1110	SCREW, 1/4 - 20 X 5/8	17	10	F1975	LOCKWASHER, #10	3	26
F1111	FILL HD SCREW, 1/4 - 20 X 7/8	17	37	F1975	SPRING WASHER	7	9
F1257	SCREW, 5/16 - 18 X 1/4	17	29				
F1286	PAN HD SCREW, #4 - 40 X 3/16	15	48				
F1341	NUT, 1/4 - 20	21	35				

# PARTS INDEX

Part Number	Description	Pg.	Ref. No.	Part Number	Description	Pg.	Ref. No.
F197767-1	BUSHING FUEL LINE . . . . .	3	21	F2A24757	PLATE FUEL PUMP REED . .	15	51
F197787-3	FUEL LINE COUPLER . . . . .	29	3	F2A521016	CONNECTING ROD . . . . .	17	16
F197813	BEARING . . . . .	23	44	F2A525010	CYLINDER . . . . .	17	6
F197813	BEARING STARTER BRACKET LOWER . . . . .	11	18	F2A525018	CRANKSHAFT . . . . .	17	24
F1990	HEX HD SCREW, 1/4 - 20 X 1 5/8 . . . . .	25	23	F2A525158	PLATE REED . . . . .	13	5
F1994	SCREW, 5/16 - 18 X 1 . . . . .	17	30	F307818	BEARING (NYLINER) . . . . .	3	15
F2008	HEX HD SCREW, 1/4 - 20 X 7/8 . . . . .	25	10	F307818	BEARING, STEERING HANDLE SHAFT . . . . .	9	36
F2010	FILL HD SCREW, 10 - 32 X 9/16 . . . . .	7	10	F31160-1	REED . . . . .	13	4
F2014	PLAIN WASHER . . . . .	21	33	F317717	WASHER, BEVEL GEAR THRUST . . . . .	25	31
F2031	HEX HD SCREW, 1/4 - 20 X 3/4 . . . . .	11	8	F318307	SEAL . . . . .	25	7
F2041	HEX HD SCREW, 10 - 24 X 3/8 . . . . .	3	27	F318307	SEAL, DRIVESHAFT . . . . .	3	36
F2042	WASHER . . . . .	13	34	F318342	SEAL, WATERLINE INLET UPPER . . . . .	21	1
F2106	LOCKWASHER . . . . .	7	2	F318347-1	UPPER MOUNT . . . . .	9	18
F213274	FITTING GREASE . . . . .	23	48	F318372	CLUTCH PIN GUIDE . . . . .	27	43
F215795	SEAL O-RING STEERING HANDLE DAMPENER . . . . .	9	31	F318504	GROMMET . . . . .	9	20
F24074	FOOT CLAMP SCREW . . . . .	21	20	F318539	BUMPER . . . . .	9	17
F24748-2	GASKET FUEL PUMP . . . . .	15	47	F318818	BEARING, SHIFT LEVER SHAFT . . . . .	5	40
F250017	PISTON PIN . . . . .	17	14	F338618-1	SEAL, GEAR SHIFT ROD LOWER . . . . .	25	6
F250410	PISTON PIN RETAINING RING . . . . .	17	13	F341014	BEARING, CRANKSHAFT LOWER MAIN . . . . .	17	23
F269689	BEARING STARTER BRACKET UPPER . . . . .	11	10	F346146	SEAL, CRANKSHAFT UPPER . . . . .	17	36
F2706772	CLAMP HOSE . . . . .	15	41	F36634	CONNECTING ROD SCREW . . . . .	17	21
F2788004	STUD CARBURETOR . . . . .	13	28	F390563	PIN, WATER PUMP IMPELLER . . . . .	27	-
F286011	WASHER SWIVEL BRACKET . . . . .	23	50	F390563	PIN, WATER PUMP IMPELLER DRIVE . . . . .	25	13
F286028	BEARING, CRANKSHAFT UPPER . . . . .	19	42	F390689	BEARING, STEERING ARM PIVOT SCREW . . . . .	9	27
F286114	HANDLE LOCK BAR . . . . .	21	17	F392777	CAM COVER LATCH . . . . .	3	14
F286132	HANDLE STARTER ROPE . . . . .	11	22	F40425	PIN STARTER PINION . . . . .	11	25
F286169	BEARING SWIVEL BRACKET . . . . .	21	10	F404908	WIRE, STATOR GROUND . . . . .	7	7
F286277	GASKET, CRANKSHAFT BEARING CAGE . . . . .	17	34	F409232	ROPE STARTER . . . . .	11	23
F286277	GASKET, CRANKSHAFT BEARING CAGE . . . . .	19	-	F409251-1	GAUGE CAP (CANADA) . . . . .	29	10A
F286286-1	WASHER . . . . .	23	54	F409521	CLUTCH SHIFT . . . . .	27	44
F286300	SPRING REVERSE LOCK . . . . .	23	47	F409719	CLUTCH SPRING . . . . .	27	42
F286349	LOCK REVERSE . . . . .	21	37	F409740	BALL CHECK . . . . .	3	31
F286364	LEVER REVERSE LOCK . . . . .	21	40	F424075	HANDLE CLAMP SCREW . . . . .	21	23
F286422-1	PIVOT TILT LOCK . . . . .	21	9	F429137	GRIP, STEERING HANDLE . . . . .	9	42
F286433	BRACKET SHALLOW WATER DRIVE . . . . .	23	46	F429541	LOCK TILT . . . . .	21	31
F286451	SPACER TILT LOCK . . . . .	21	8	F429811	SCREEN, CYLINDER DRAIN . . . . .	17	8
F286461	SPRING LOCK BAR HANDLE . . . . .	21	16	F430732	MOTOR LEG EXTENSION TO GEAR HOUSING SCREWS . . . . .	27	47
F286544-1	SPRING TILT LOCK . . . . .	21	32	F436280	NUT, SHORTING SWITCH . . . . .	7	16
F286571	ROLLER ASSEMBLY, CENTER MAIN BEARING . . . . .	17	18	F458498	MAGNETO KEY . . . . .	19	40
F286585-1	DECAL, TILT RELEASE - USA . . . . .	23	43	F458519	SCREW, IDLE STOP . . . . .	9	29
F286647	HANDLE CARRYING . . . . .	21	26	F459721-1	CLUTCH SHIFT CAM . . . . .	25	17
F286827	LEVER REVERSE LOCK RELEASE . . . . .	21	42	F468342	SEAL, CRANKSHAFT SPLINE . . . . .	17	38
F298788	FERRULE . . . . .	29	4	F474342	SEAL, WATER PUMP GEAR SHIFT ROD . . . . .	25	14
				F487755	FUEL TANK ADAPTER (CANADA) . . . . .	29	8
				F50109	PLUG, GEAR HOUSING . . . . .	25	19
				F521266	GEAR, BEVEL PINION . . . . .	27	45
				F521296	RETAINER, PROP SHAFT BEARING CAGE . . . . .	25	37

# PARTS INDEX

Part Number	Description	Pg.	Ref. No.	Part Number	Description	Pg.	Ref. No.
F521305	SEAL, PROP SHAFT			F525504	GROMMET, CHOKE ROD	3	25
	BEARING CAGE	25	36	F525518	CYLINDER HEAD	17	4
F521307	PROPSHAFT SEAL	25	35	F525524	RIVET, STEERING HANDLE	9	30
F521547	CHOKE KNOB	3	23	F525529	GASKET, CYLINDER HEAD	17	5
F525015	PISTON	17	15	F525529	GASKET, CYLINDER HEAD	19	-
F525019	KINGPIN	21	19	F525555	SEAL, SHIFT ROD CAVITY	25	18
F525025	PAD SHIFT DETENT	3	32	F525562	PLATE, WATER PUMP	27	-
F525029	STATOR - TRIGGER	7	8	F525562	PLATE, WATER PUMP BACK	25	16
F525064	SCREW - C-D COIL	7	4	F525579	CRANKCASE SEAL	17	20
F525065-1	IMPELLER	25	15	F525582-1	STEERING ARM	9	16
F525065-1	IMPELLER, WATER PUMP	27	-	F525605	GEAR, TOWERSHAFT	9	12
F525079	HANDLE - STEERING	9	33	F525614	HANDLE GEAR SHIFT	3	30
F525080	SCREW, STEERING HANDLE			F525615	ROD GEAR SHIFT UPPER	3	9
	PIVOT	9	35	F525627	GEAR, TOWERSHAFT		
F525081-1	LEVER THROTTLE	13	26		PINION	9	13
F525082	RING STATOR	17	33	F525629	COTTER PIN	11	13
F525097	FLYWHEEL	7	13	F525662	BEVEL GEAR - REAR	25	32
F525105	SHAFT INTERLOCK	11	11	F525665	BEARING, GEAR PINION		
F525128	DRIVESHAFT	27	46		TOWERSHAFT	9	14
F525133	MOTOR LEG	21	5	F525674-1	GEAR STARTER PINION	11	2
F525151	PLATE EXHAUST	17	26	F525675	BRACKET STARTER LOWER	11	20
F525152	COVER EXHAUST	17	27	F525688-1	SHAFT, STEERING HANDLE	9	37
F525154	GASKET EXHAUST	17	25	F525689	TOWERSHAFT BEARING	9	7
F525154	GASKET, EXHAUST	19	-	F525691	GEAR, STEERING ARM	9	25
F525159	GASKET, REED PLATE	13	1	F525705	ROD, GEAR SHIFT	25	1
F525159	GASKET, REED PLATE	19	-	F525707	COVER, SHOCK MOUNT		
F525168	GASKET MANIFOLD	13	6		LOWER	21	13
F525168	GASKET, MANIFOLD	19	-	F525737	RETAINER STARTER		
F525193	LINK THROTTLE	13	27		REWIND SPRING	11	16
F525198	THROTTLE STOP	9	39	F525751	SCREW	9	8
F525220	WASHER, STEERING			F525763	SHAFT COVER LATCH	3	19
	HANDLE	9	28	F525779	BAFFLE IDLE RELIEF	21	4
F525244	WATERLINE	21	2	F525781	INTERLOCK STARTER	11	7
F525263	LINK STARTER INTERLOCK	3	34	F525815	GEAR, STEERING HANDLE	9	24
F525279	GASKET, CYLINDER			F525816-1	BEARING, STEERING		
	MOUNTING	17	39		HANDLE GEAR	9	23
F525279	GASKET, CYLINDER			F525838	TOWERSHAFT	9	11
	MOUNTING	19	-	F525839	SCREW, STEERING		
F525286	WASHER	21	41		FRICTION	23	51
F525301	STATOR - C-D	7	11	F525840	GROMMET REMOTE		
F525305	SEAL, PROP SHAFT	25	33		THROTTLE CABLE	3	16
F525316-1	FOLLOWER THROTTLE CAM	13	23	F525845	EXTENSION MOTOR LEG	25	4
F525346	MOUNT LOWER SHOCK	21	12	F525871	SHAFT GEAR SHIFT LEVER	3	33
F525390	DECAL STOP - USA	3	22	F525876	LEVER GEAR SHIFT	5	39
F525394	DECAL CHOKE - USA	3	24	F525877	SHAFT, MAGNETO		
F525424	SPRING STARTER PINION	11	3		CONTROL	9	15
F525427-1	BRACKET STARTER UPPER	11	9	F525925	LINK CHOKE KNOB	3	28
F525445	LINK, MAGNETO STATOR			F525977	LEVER SHIFT INTERLOCK	5	42
	CONTROL	9	3	F525984	SEAL, REED PLATE	13	7
F525453	GASKET LEG MOUNTING	21	3	F526161	REED STOP	13	3
F525453	GASKET, LEG MOUNTING	19	-	F536098	PROPELLER SHAFT	25	30
F525455	GUIDE STARTER ROPE	11	6	F536813	BEARING	23	52
F525457	SCREW	11	1	F53795-1	O-RING	11	4
F525457	SCREW	25	25	F53795-1	SEAL, STEERING HANDLE		
F525469	HANDLE LATCH	3	17		DAMPENER	9	32
F525472	GASKET, CYLINDER DRAIN			F538251	CAP, FUEL TANK (U.S.A.)	29	10
	COVER	17	7	F567398	DECAL FUEL TANK U.S.A.	29	11
F525472	GASKET, CYLINDER DRAIN			F596	CHRYSLER OUTBOARD OIL	35	-
	COVER	19	-	F597	CHRYSLER OUTBOARD		
F525475	C-D MODULE COIL	7	1		GEAR LUBE	35	-



# PARTS INDEX

Part Number	Description	Pg.	Ref. No.	Part Number	Description	Pg.	Ref. No.
F5H027	FUEL TANK (ACCESSORY ITEM) CANADA	29	9A	F901456-1	COLLAR, EMERGENCY START	7	14
F5H027	STEEL 6 GALLON FUEL TANK	35	-	F901710	POST STARTER SPRING GUIDE	11	15
F5H029	FUEL TANK ANCHOR	35	-	F901728	PIN CLUTCH SHIFT	25	29
F5H040	STEEL 12 GALLON FUEL TANK	35	-	F901739	DRIVE STARTER REWIND SPRING	11	14
F5H059	CHRYSLER OUTBOARD MULTI-PURPOSE GREASE	35	-	F901746-2	COVER FUEL PUMP	15	45
F5H060	CHRYSLER OUTBOARD GREASE GUN	35	-	F901811	FILTER FUEL PUMP	15	44
F5H104	LIGHTING COIL	35	-	F901938-1	SCREW, CYLINDER HEAD	17	1
F5H105	BATTERY CHARGING SYSTEM	35	-	F901970	SPRING STARTER REWIND	11	27
F5H113	REMOTE CONTROL KIT	35	-	F90807	RETAINING RING	13	33
F5H114	REMOTE STEERING BRACKET	35	-	FA286155	LINER, CENTER MAIN	17	19
F5H130	REMOTE CONTROL BOX	35	-	FA324101	PROPELLER PIN (3 PINS)	25	38
F5H131	REMOTE CONTROL DECAL KIT	35	-	FA341510	LINK REVERSE LOCK LEVER	21	38
F5H134	BOAT WHITE LACQUER	35	-	FA387742	LEVER REVERSE LOCK INTERMEDIATE	23	53
F5H163	FUEL TANK (ACCESSORY ITEM) U.S.A.	29	9	FA510914	SEAL, WATERLINE	25	9
F5H163	STEEL 3-1/4 GALLON FUEL TANK	35	-	FA521023	BEVEL GEAR W/BEARING	25	28
F5H165	LEG EXTENSION KIT (5")	35	-	FA525038	SUPPORT PLATE W/EYELET	3	8
F601006	STUD, GEAR HOUSING FRONT	25	5	FA525054	GEAR HOUSING	25	21
F617037	BOLT STERN BRACKET	21	28	FA525060	BODY, WATER PUMP	27	-
F66480	STUD CLAMP SCREW	21	22	FA525060	WATER PUMP BODY	25	12
F7011	ELASTIC STOP NUT, 10 - 24	3	4	FA525116	SNOUT	25	26
F7026	NUT, 3/8 - 16	21	34	FA525167	MANIFOLD	13	25
F7027	NUT (LEFT HAND), 10 - 24	9	4	FA525298	PROP SHAFT CAGE	25	34
F73741-1	RING	3	20	FA525471	COVER, CYLINDER DRAIN	17	9
F8003	PLAIN WASHER	15	49	FA525774	BRACKET COVER LATCH	5	43
F8025	PLAIN WASHER	17	2	FA609386	DECAL, NUMERAL 7.5	3	7
F8043	WAVE WASHER	9	26	FA617113	BAR LOCK	21	18
F8049	WASHER BOWED SPRING	5	45	FA621396	DECAL ENGINE COVER STARBOARD	3	-
F8060	LOCKWASHER	9	9	FA621397	DECAL ENGINE COVER PORT	3	6
F8070	BOWED SPRING WASHER	11	17	FA621528	DECAL, ENGINE COVER REAR	5	46
F8077	WASHER	25	20	FA621892	DECAL ENGINE COVER FRONT	5	44
F8083	LOCKWASHER	21	36	FA84253	HOSE	15	42
F8083	SPRING LOCKWASHER	25	3	FA84253	HOSE	15	43
F84026	SHOULDER SCREW	9	5	FA84754-1	FUEL LINE SHORT	29	5
F84036	BEARING, SPARK CONTROL	9	6	FC409398	DECAL, TOTE TANK - CANADA (NOT SHOWN)	29	-
F8537	SPRING PIN	21	21	FC525010	CYLINDER COMPLETE (NOT SHOWN)	17	-
F8538	SPRING PIN, 3/32 X 1/2	3	37	FC525390	DECAL STOP - CANADA	3	-
F8538	SPRING PIN, 3/32 X 1/2	21	29	FC525394	DECAL CHOKE - CANADA	3	-
F8540	SPRING PIN, 3/32 X 5/8	9	21	FC536054	GEAR HOUSING COMPLETE (NOT SHOWN)	25	-
F8540	SPRING PIN, 3/32 X 5/8	21	15	FG1018	GASKET SET	19	41
F8547	SPRING PIN, 1/8 X 5/8	3	18	FK1062	GEAR HOUSING SEAL KIT	25	27
F8547	SPRING PIN, 1/8 X 5/8	5	38	FK1067	WATER PUMP KIT	27	48
F8547	SPRING PIN, 1/8 X 5/8	9	40	FK1123	SPARKIE KIT	7	3
F8548	SPRING PIN, 1/8 X 1	9	38	FK436449	SHORTING SWITCH	7	5
F8554	SPRING PIN, 3/16 X 3/4	21	24	FK525713	ENGINE COVER PACKING	3	5
F8559	DOWEL PIN	17	11	FP477	PROPELLER	27	41
F8567	SPRING PIN, 1/8 X 13/16	3	29	FS409752	FUEL LINE - COMPLETE (NOT SHOWN)	29	-
F8567	SPRING PIN, 1/8 X 13/16	9	22				
F8571	SPRING PIN, 1/8 X 1 3/4	11	19				
F866	REMOTE CONTROL BOX	35	-				

# PARTS INDEX

Part Number	Description	Pg.	Ref. No.	Part Number	Description	Pg.	Ref. No.
FS567532	BRACKET STERN . . . . .	21	25				
FT11201	HARNESS ADAPTER . . . . .	33	-				
FT11202	SEAL INSTALLER . . . . .	32	-				
FT1749	SNAP RING PLIERS . . . . .	32	-				
FT2909	KNOCK-OFF NUT . . . . .	30	-				
FT2915	SEAL INSTALLER . . . . .	32	-				
FT2961	LUBRICANT - RYKON GREASE #2EP . . . . .	34	-				
FT2962-1	SEALANT - 50 CC LOCTITE H, NON-HARDENING GRADE . . . . .	34	-				
FT2963-2	SEALANT - 2 OZ. LOCTITE D, HARDENING GRADE . .	34	-				
FT2987-1	LUBRICANT - ANTI-SEIZE . .	34	-				
FT2989	FLYWHEEL WEDGE . . . . .	30	-				
FT2991	CARBON BRUSH . . . . .	32	-				
FT2997	RING COMPRESSOR . . . . .	32	-				
FT2998	TORQUE WRENCH (0-100 LBS./FT.) . . . . .	32	-				
FT2999	TORQUE WRENCH (0-600 LBS./IN.) . . . . .	32	-				
FT3012	SEAL INSTALLER . . . . .	32	-				
FT3139-1	STARTER REWIND KEY . . .	31	-				
FT8900	HOSE CLAMP PLIERS . . . . .	32	-				
FT8919	PIN PUNCH . . . . .	32	-				
FT8926	PISTON RING EXPANDER . .	32	-				
FT8929	ADAPTER AND HEX BIT . . .	32	-				
FT8935	SEALANT PRIMER - 6 OZ. . .	34	-				
FT8936-1	SEALANT - 2 CC LOCTITE RETAINING COMPOUND #75 . . . . .	34	-				
FT8948-1	BEARING CAGE PULLER . .	32	-				
FT8950	LEAKAGE TESTER . . . . .	33	-				
FT8953	C-D TESTER . . . . .	33	-				
FT8957	SEAL INSTALLER . . . . .	32	-				
FT8969	LUBRICANT - 7 OZ. L PSI LUBRICANT . . . . .	34	-				
FT8983	SEALANT - 3 OZ RTV SEALANT . . . . .	34	-				
FT8996	IGNITION TESTER . . . . .	33	-				
11-817752A1	PROPELLER NUT . . . . .	27	40				
27-818043A1	DIAPHRAGM, FUEL PUMP W/GASKETS . . . . .	15	52				
32-817738A1	FUEL LINE, LONG . . . . .	29	7				
33-82370M	SPARK PLUG (L-86) . . . . .	17	3				
37-F286585-2	DECAL, TILT RELEASE - CANADA . . . . .	23	-				
37-F286894-3	INDICATOR STEERING HANDLE . . . . .	9	41				
39-818038A1	PISTON RING . . . . .	17	12				
1100-817753A1	CAGE, CRANKSHAFT BEARING . . . . .	17	35				
1300-817966A4	CARBURETOR . . . . .	13	30				
1400-817964A2	SWIVEL BRACKET . . . . .	21	7				