



# PARTS CATALOG

## 9.9 H.P. SAILOR

### SERIAL NUMBER

9.9 (1983) .....	91B3C
9.9 (1983) .....	91H3C
9.9 (1983) .....	.95B3J
9.9 (1983) .....	.95H3J

# TABLE OF CONTENTS:

ACCESSORIES .....	41
ELECTRIC STARTER .....	8
ELECTRICAL COMPONENTS .....	10
ENGINE COVER AND SUPPORT PLATE .....	2
FUEL PUMP .....	6
FUEL SYSTEM .....	14
FUEL TANK AND LINE .....	32
GEAR HOUSING .....	28
MOTOR LEG .....	22
PARTS INDEX .....	42
POWER HEAD .....	18
REMOTE CONTROL .....	34
SPECIAL TOOLS - LOWER UNIT .....	38
SPECIAL TOOLS - LUBRICANTS AND SEALANTS .....	40
SPECIAL TOOLS - POWER HEAD .....	37
SPECIAL TOOLS - TEST EQUIPMENT .....	39
SPECIAL TOOLS - TUNE-UP .....	36

**NOTE:** Indented description indicate that these parts are included in preceeding assembly.

**AR** = As Required

**NSS** = Not Sold Separate

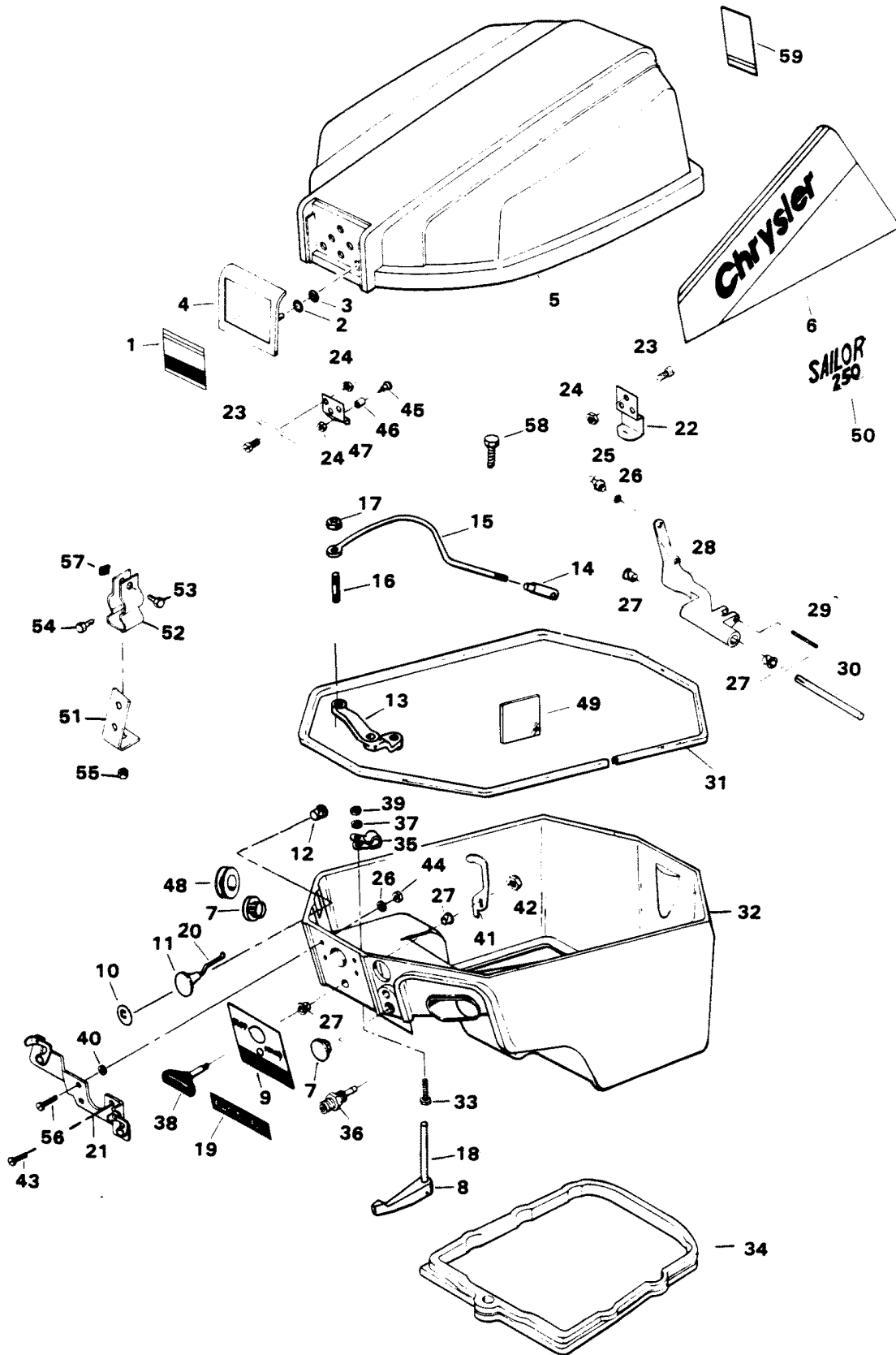
**OPT** = Optional

**NS** = Not Shown

**THESE PARTS BOOKS/FICHE CARD ARE COPYRIGHTED AND MAY NOT BE DISTRIBUTED OR REPRODUCED IN ANY OTHER FORMAT BY ANYONE OTHER THAN MERCURY MARINE WITHOUT THE PRIOR WRITTEN CONSENT OF MERCURY MARINE.**

THIS PAGE INTENTIONALLY LEFT BLANK

# ENGINE COVER AND SUPPORT PLATE

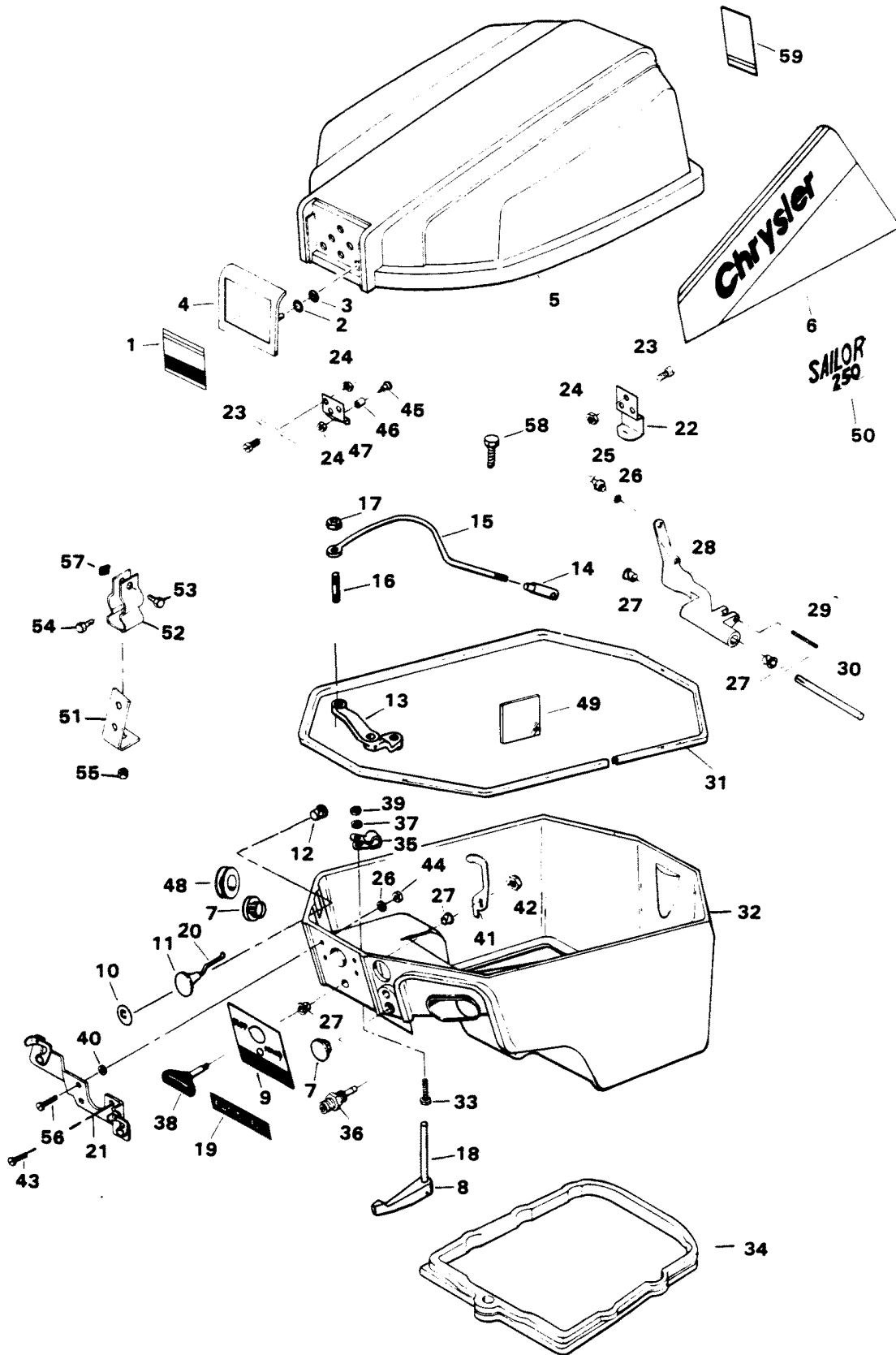


# ENGINE COVER AND SUPPORT PLATE

REF. NO.	PART NO.	SYM.	QTY.	DESCRIPTION
1	FA617892		1	DECAL, ENGINE COVER, FRONT W/LITERATURE
2	F85735-1		3	SEAL
3	F1753		3	FASTENER
4	F610711		1	PLATE, ENGINE COVER
5	100-FS666712T		1	COVER, ENGINE W/ILLUS. 22, 23, 24, 46, 47 AND 48 ORIGINAL FORCE P/N S 541712-1
-	<b>F2C617712</b>		1	<b>COVER, ENGINE COMPLETE. INCLUDES ITEMS MARKED WITH AN ASTERISK (*) ORDER NUMERAL SEPARATE</b>
6	FA617397		1	DECAL, "CHRYSLER", PORT W/LITERATURE
-	<b>FA617396</b>		1	<b>DECAL, "CHRYSLER", STARBOARD W/LITERATURE</b>
7	F343226-1		2	PLUG
8	F286614		1	HANDLE, GEAR SHIFT
9	FA510711		1	PLATE, FRONT - USA W/LITERATURE
-	<b>FAC510711</b>		1	<b>PLATE, FRONT - CANADA</b>
10	F458677		1	INSERT, CHOKE KNOB
11	F286547		1	KNOB, CHOKE
12	F197319		1	BEARING, CHOKE ROD
13	F492619		1	LEVER, GEAR SHIFT SHAFT
14	F286685		1	CONNECTOR, GEAR SHIFT ROD
15	F286611-1		1	ROD, GEAR SHIFT
16	F286134		1	STUD, GEAR SHIFT LEVER
17	F1804		1	NUT, STOP, 10 - 24
18	F492417		1	SHAFT, GEAR SHIFT HANDLE
19	F517400		1	DECAL, SHIFT - USA
-	<b>FC517400</b>		1	<b>DECAL, SHIFT</b>
20	F617503		1	ROD, CHOKE
21	FA343612		1	BRACKET, REMOTE CONTROL W/CLIP (95H3J-95B3J)
22	FA610480		1	RETAINER, ENGINE COVER. <b>INCLUDES ILLUS. 23 AND 24.</b>
23	F1979		6	SCREW PAN HD., 10 - 24 X 1/2
24	F7011		7	NUT, ELASTIC STOP, 10 - 24
25	F98273		1	STUD, GEAR SHIFT ROD CONNECTOR
26	F8058		5	LOCKWASHER, INTERNAL TOOTH
27	F307818		4	BEARING
28	F286876		1	LEVER, GEAR SHIFT
29	F8542		1	SPRING PIN
30	F286871		1	PIN, GEAR SHIFT LEVER
31	F392756		1	PACKING, SUPPORT PLATE
32	F540038		1	PLATE, SUPPORT (95H3J, 95B3J)
-	<b>FA510038</b>		1	<b>PLATE, SUPPORT W/ILLUS. 19 (91H3C, 91B3C)</b>
33	F1971		1	HEX CAP SC. 1/4 - 20 X 2-1/8 (95H3J, 95B3J)
34	F286989-2		1	SEAL, SUPPORT PLATE
35	F404446		1	CLAMP, CABLE (95H3J, 95B3J)
36	F197767-1		1	BUSHING, FUEL LINE
37	F2012		1	PLAIN WASHER (95H3J, 95B3J)

CONTINUED ON NEXT PAGE ➡

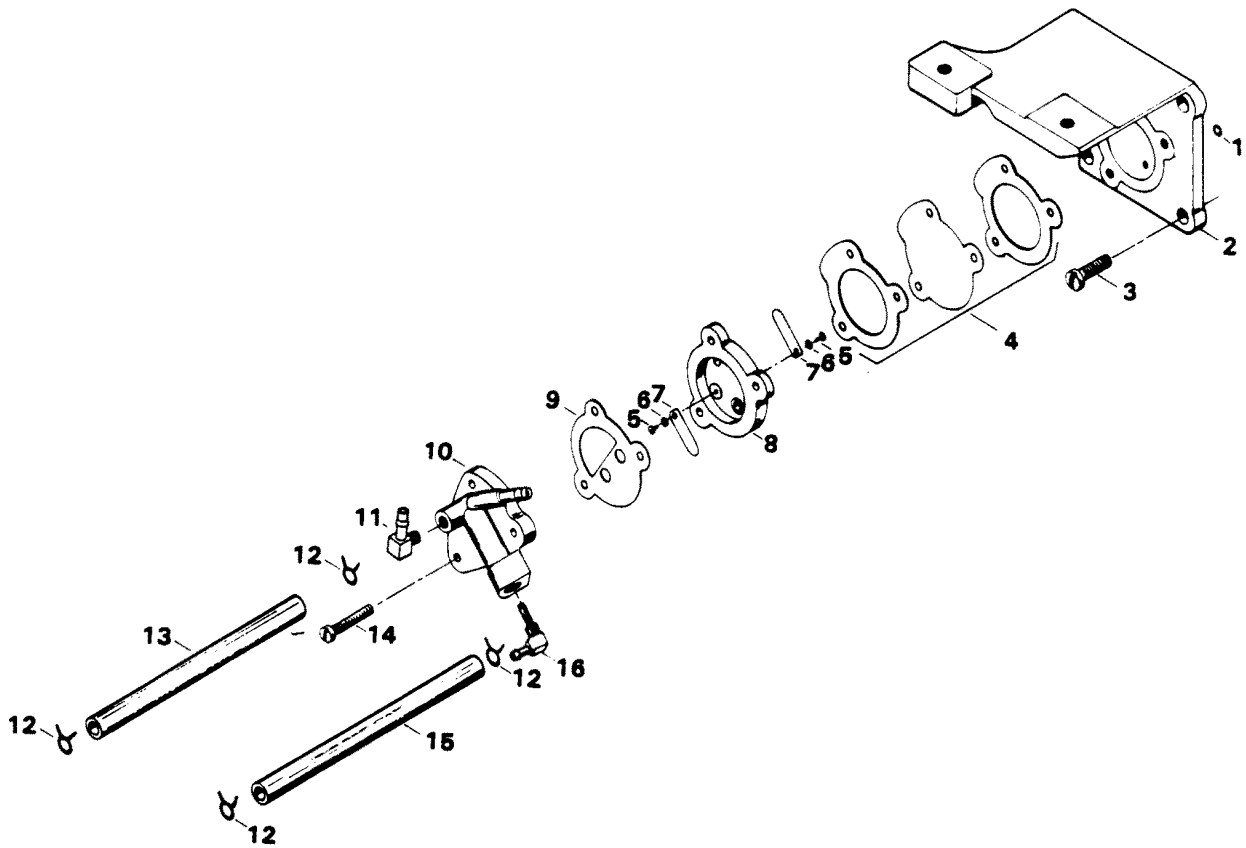
# ENGINE COVER AND SUPPORT PLATE



# ENGINE COVER AND SUPPORT PLATE

REF. NO.	PART NO.	SYM.	QTY.	DESCRIPTION
38	FA286469		1	KNOB, COVER LATCH
39	F1341		1	HEX NUT 1/4 - 20 (95H3J, 95B3J)
40	F8011		4	PLAIN WASHER (95H3J, 95B3J)
41	F286777		1	CAM, COVER LATCH
42	F7006		1	NUT, STOP, 5/16 - 18
43	F1733		2	PAN HD M.S. 10 - 24 X 9/16 (95H3J, 95B3J)
44	F1473		4	HEX NUT 10 - 24 (95H3J, 95B3J)
45	F269316		1	SHAFT, ROLLER
46	F92759		1	ROLLER
47	817758A1		1	BRACKET, COVER LATCH. <b>INCLUDES ILLUS. 24, 45 AND 46 ORIGINAL FORCE P/N A 286774-1</b>
48	F94840		1	GROMMET, BATTERY CABLE
49	F510661		1	PAD, STARTER MOTOR
50	FA540392		1	DECAL, SAILOR PORT <b>W/LITERATURE</b>
-	<b>FA540391</b>		<b>1</b>	<b>DECAL, SAILOR STARBOARD W/LITERATURE</b>
51	F617958		1	BRACKET, CHOKE SOLENOID (95H3J, 95B3J)
52	F617317		1	CLAMP, CHOKE SOLENOID (95H3J, 95B3J)
53	F1493		1	PAN HD M. SC. 1/4 - 20 X 5/8 (95H3J, 95B3J)
54	F1437		1	PAN HD M. SC. 1/4 - 20 X 1/2 (CLAMP TO BRACKET) <b>(95H3J, 95B3J)</b>
55	F7023		1	CONE LOCK NUT, 1/4 - 20 (CLAMP TO BRACKET) (95H3J, 95B3J)
56	F1648		2	SLOTTED PAN HD M. SC. 10 - 24 X 3/4 (95H3J, 95B3J)
57	F1608		1	SQUARE NUT 1/4 - 20 (95H3J, 95B3J)
58	F2040		1	TAPTITE HEX WASHER HD M. SC. 1/4 - 20 X 5/8 <b>(GROUND WIRE TO SUPPORT PLATE)</b>
59	FA621528		1	DECAL, ENGINE COVER REAR <b>W/LITERATURE</b>

# FUEL PUMP

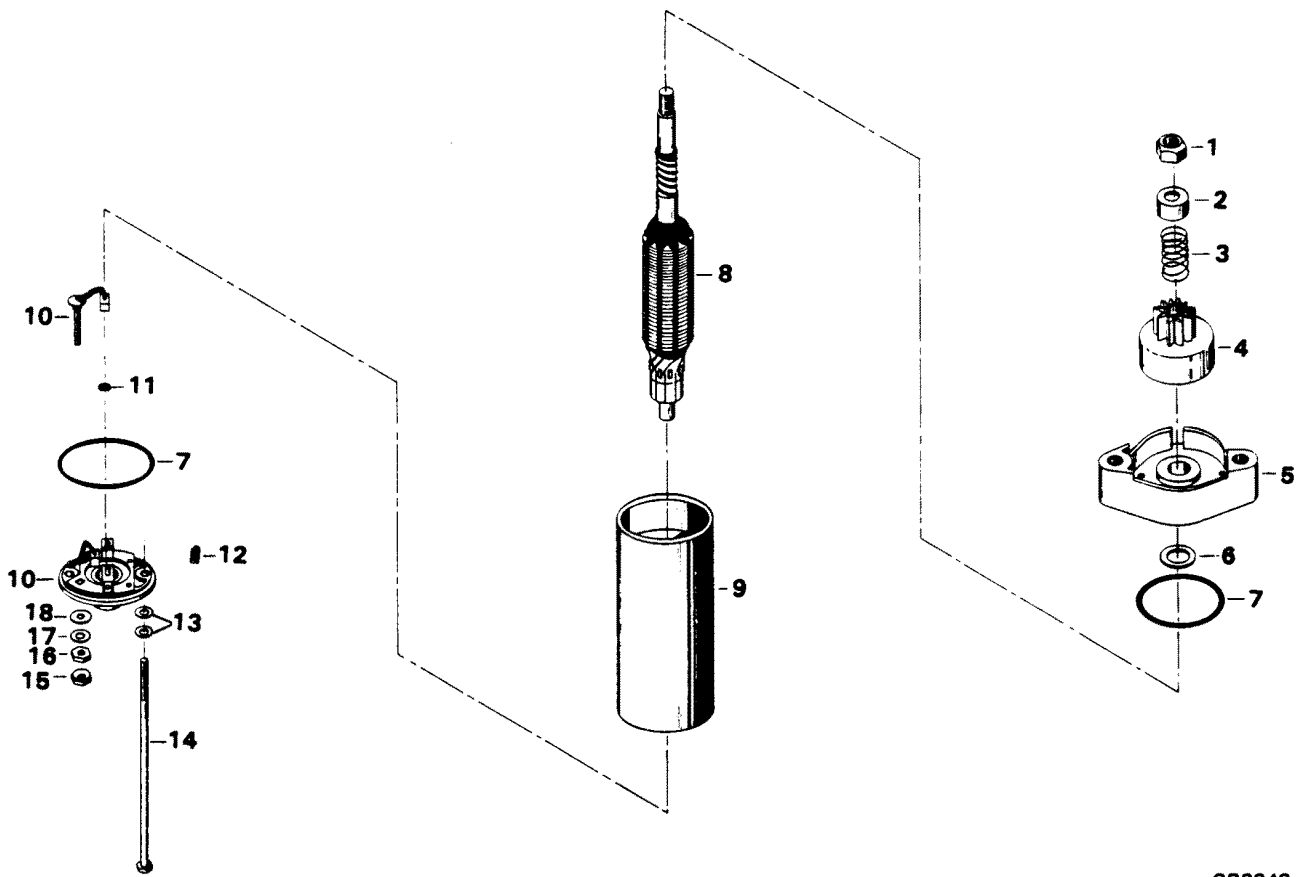




# FUEL PUMP

REF. NO.	PART NO.	SYM.	QTY.	DESCRIPTION
1	F455118		1	SEAL, FUEL PUMP BRACKET
2	F510427		1	BRACKET, STARTER SUPPORT
3	F1577		4	FILL HD SCREW, 1/4 - 20 X 3/4
4	27-818043A1		1	FUEL PUMP DIAPHRAGM W/GASKETS
5	F1286		2	PAN HD SCREW, 4 - 40 X 3/16
6	F8003		2	PLAIN WASHER
7	F18160-2		2	REED, FUEL PUMP
8	F2A24757		1	FUEL PUMP REED PLATE <b>W/ILLUS. 5, 6 AND 7</b>
9	F24748-2		1	GASKET, FUEL PUMP
10	F510746		1	FUEL PUMP COVER
11	22-818103--1		1	FITTING, FUEL PUMP
12	F2706772		4	HOSE CLAMP
13	FA901753		1	HOSE, FUEL PUMP TO CARBURETOR <b>W/ILLUS. 12 (95H3J, 95B3J)</b>
-	<b>FA901754</b>		<b>1</b>	<b>HOSE, FUEL PUMP TO CARBURETOR W/ILLUS. 12 (91H3C, 91B3C)</b>
14	F1069		3	FILL HD SCREW, 10 - 24 X 1/16
15	F2752253		1	HOSE, FUEL PUMP TO BUSHING (95H3J, 95B3J)
-	<b>F40253-1</b>		<b>1</b>	<b>HOSE, FUEL PUMP TO BUSHING (91H3C, 91B3C)</b>
16	F510811		1	FILTER, FUEL PUMP

# ELECTRIC STARTER

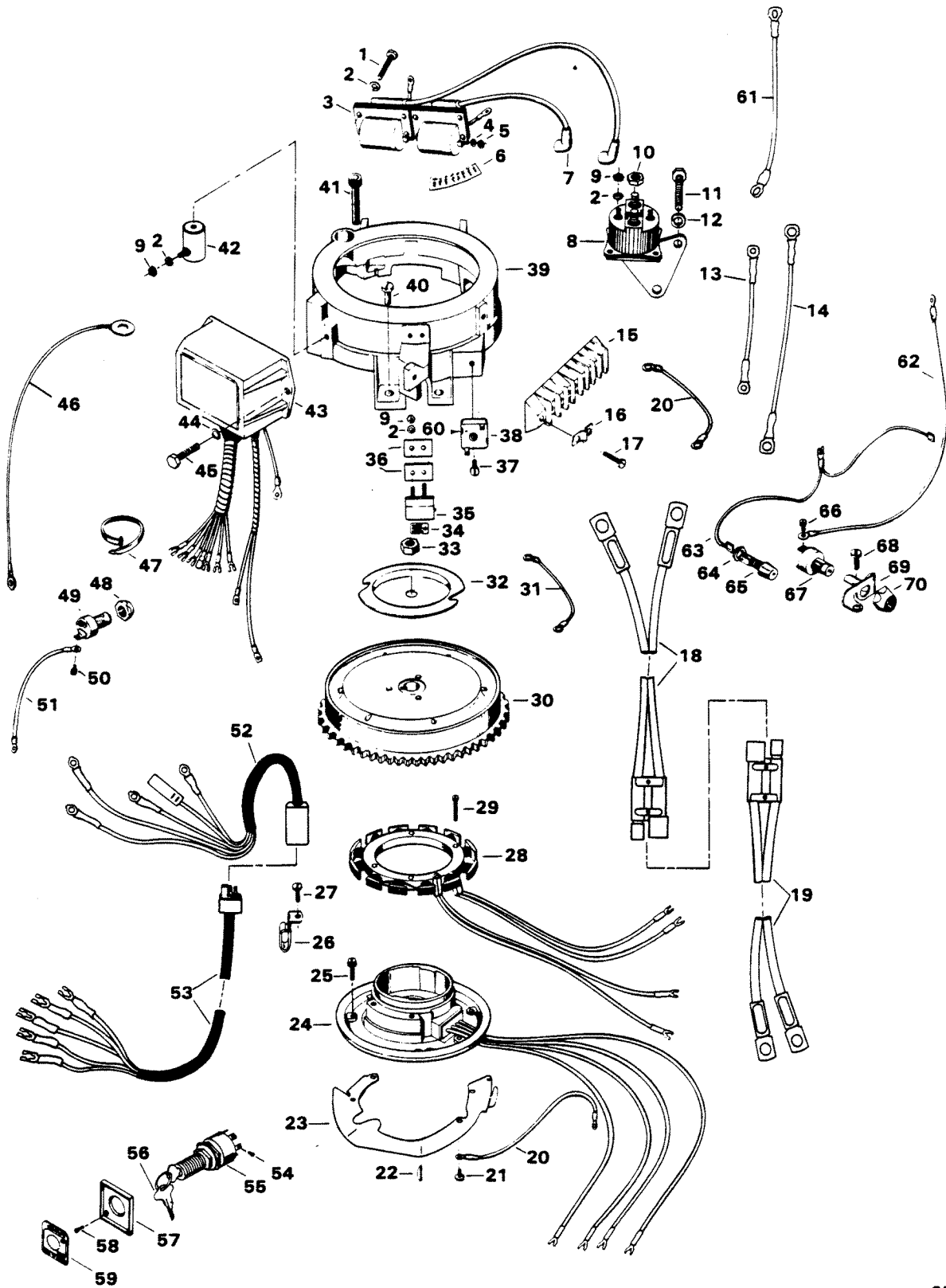


OB3843

# ELECTRIC STARTER

REF. NO.	PART NO.	SYM.	QTY.	DESCRIPTION
1	F1892		1	STOP NUT
2	F15141		1	PINION STOP
3	F15140		1	SPRING
4	F15139		1	PINION ASSEMBLY
5	F15135		1	CAP ASSEMBLY, DRIVE END
6	F15137		1	WASHER
7	F15145		2	GASKET
8	F15134		1	ARMATURE
9	F15136		1	HOUSING ASSEMBLY
10	F15127		1	CAP ASSEMBLY, COMMUTATOR END. <b>INCLUDES ITEMS 15, 16, 17 AND 18</b>
11	F15143		1	DISC
12	F15138		2	SPRING, BRUSH
13	F15146		4	WASHER
14	F15144		2	SCREW, THRU BOLT
15	F15129		1	NUT W/LOCKWASHER
16	F15130		1	NUT
17	F15133		1	WASHER
18	F15132		1	WASHER, FIBER
-	<b>F510955</b>		1	<b>STARTER MOTOR - COMPLETE. INCLUDES ALL ITEMS MARKED WITH AN ASTERISK (*)</b>
-	<b>FC520390</b>		1	<b>DECAL, STARTER - CANADA (NOT SHOWN)</b>

# ELECTRICAL COMPONENTS



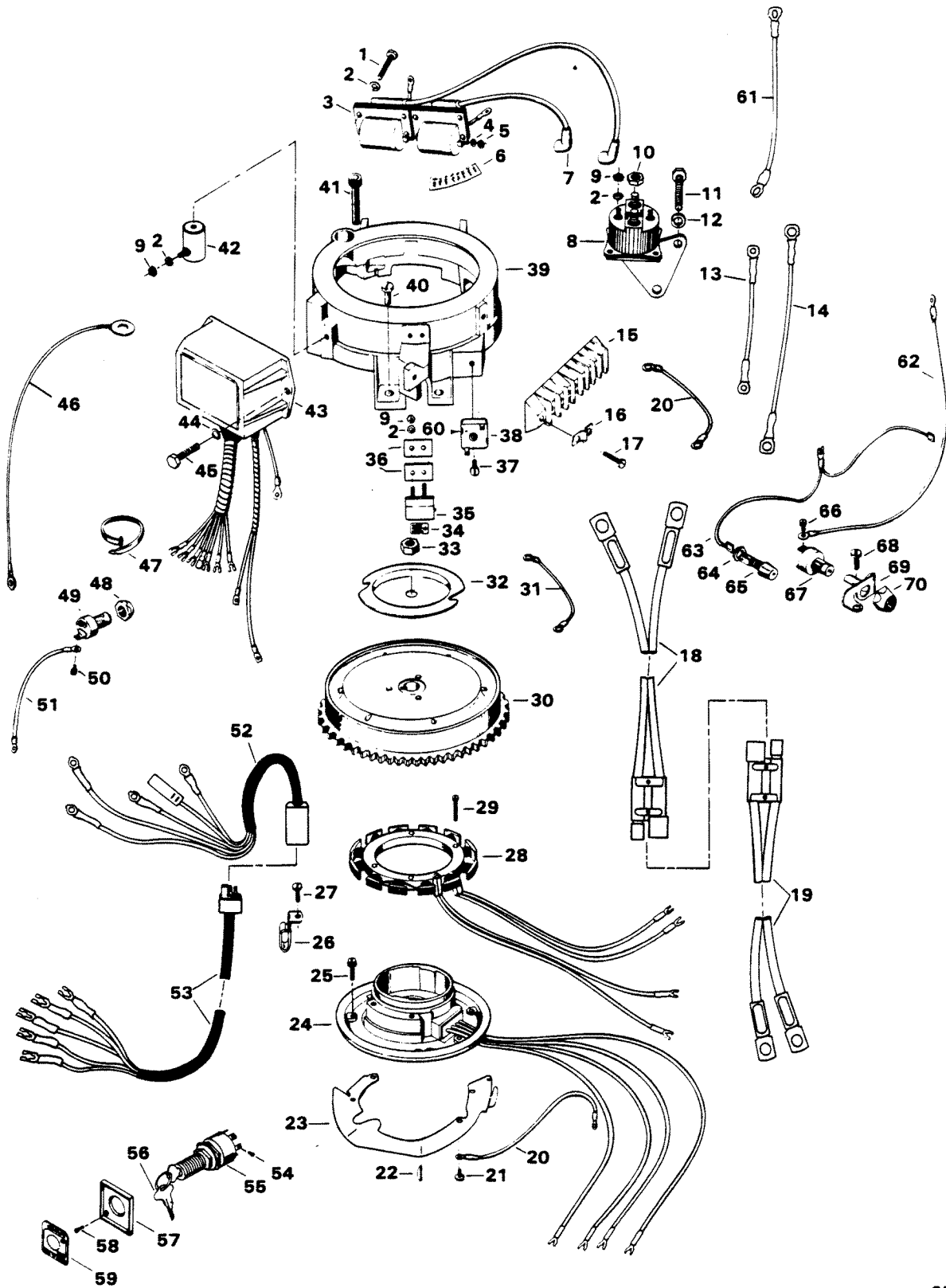
OB3843

# ELECTRICAL COMPONENTS

REF. NO.	PART NO.	SYM.	QTY.	DESCRIPTION
1	F1829		8	FILL HD M. SCREW, 10 - 24 X 7/8
2	F1975		15	SPRING LOCKWASHER
3	F510475		2	IGNITION COIL
4	F1704		2	INTERNAL TOOTH LOCKWASHER
5	F1337		2	HEX NUT, 6 - 32
6	F510398		1	DECAL, WIRING
-	<b>FC510398</b>		<b>1</b>	<b>DECAL, WIRING - CANADA</b>
7	FK1123		2	SPARKIE W/SPRING
8	F517917		1	RELAY STARTER (95H3J, 95B3J)
9	F1513		5	HEX NUT, 10 - 32
10	F1515		2	HEX NUT 5/16 - 18 (95H3J, 95B3J)
11	F2050		2	HEX CAP SC. 1/4 - 20 X 1-1/2 (95H3J, 95B3J)
12	F8096		2	SPRING LOCKWASHER (95H3J, 95B3J)
13	F540683		1	WIRE STARTER TO STARTER RELAY (95H3J, 95B3J)
14	F321908		1	WIRE, GROUND STARTER RELAY (95H3J, 95B3J)
15	FA510497		1	TERMINAL BLOCK <b>WILLUS. 16 &amp; 17</b>
16	F307317-1		1	CLIP, TERMINAL BLOCK GROUND
17	F1648		2	PAN HD SCREW, 10 - 24 X 3/4
18	F540896		1	BATTERY CABLE
19	F539896		1	CABLE, BATTERY EXTENSION
20	F404908		2	GROUND WIRE (91H3C, 91B3C USES STATOR TO CRANKCASE ONLY)
21	F1075		4	FILL HD SCREW, 10 - 24 X 1/2
22	F458498		1	KEY, FLYWHEEL
23	F617192		1	THROTTLE CAM
24	F510029		1	STATOR, TRIGGER
25	F1090		4	FILL HD SCREW W/SPRING LOCKWASHER, 10 - 24 X 9/16
26	F510446		1	CLAMP, BATTERY CABLE
27	F1437		1	FILL HD SCREW, 1/4 - 20 X 1/2
28	F510095		1	STATOR, ALTERNATOR
29	F1087		4	FILL HD SCREW, 10 - 24 X 7/8
30	F510097		1	FLYWHEEL
31	F510683		1	WIRE, RECTIFIER - CIRCUIT BREAKER
32	F901456-1		1	EMERGENCY STARTER COLLAR
33	F1809		1	HEX NUT
34	F510374		1	DECAL, CIRCUIT BREAKER
-	<b>FC510374</b>		<b>1</b>	<b>DECAL, CIRCUIT BREAKER - CANADA</b>
35	F510460		1	CIRCUIT BREAKER
36	F510595		2	INSULATOR, CIRCUIT BREAKER
37	F1303		1	SLOTTED PAN HD M. SCREW, 8/32 X 3/4
38	F510450-1		1	RECTIFIER
39	F510675-1		1	STARTER SUPPORT
40	F1577		4	FILL HD SCREW, 1/4 - 20 X 3/4

CONTINUED ON NEXT PAGE ➡

# ELECTRICAL COMPONENTS

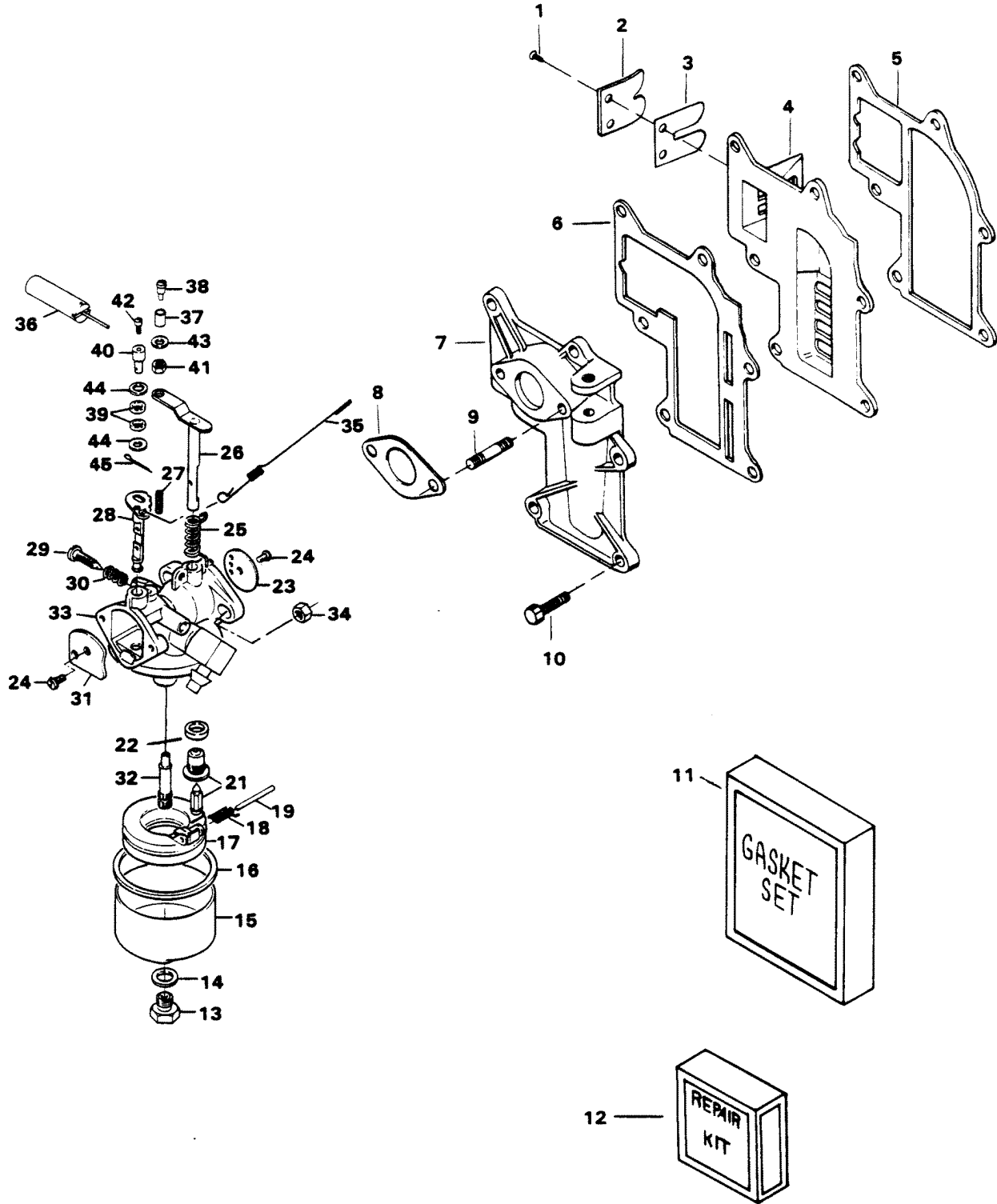


OB3843

# ELECTRICAL COMPONENTS

REF. NO.	PART NO.	SYM.	QTY.	DESCRIPTION
41	F1646		2	HEX SOCKET HD CAP SCREW, 3/8 - 16 X 2 1/4
42	F517924		1	CHOKE SOLENOID (95H3J, 95B3J)
43	F510301		1	C-D MODULE
44	F8083		1	SPRING LOCKWASHER
45	F2008		2	HEX CAP SCREW, 1/4 - 20 X 7/8
46	F517683		1	WIRE, STARTER INT. SW. TO STARTER RELAY (95H3J, 95B3J)
47	F1845		5	TY-RAP
48	F510669		1	NUT
49	F510449		1	NEUTRAL INTERLOCK SWITCH
50	F1556		2	FILL HD M. SCREW W/SPRING LOCKWASHER, 10 - 24 X 3/8
51	F493683		1	WIRE, CIRCUIT BREAKER TO STARTER INTERLOCK SWITCH
52	F540843		1	CABLE, ELECTRIC REMOTE (95H3J, 95B3J)
53	F539843		1	CABLE ELECTRIC REMOTE EXTENSION (95H3J, 95B3J)
54	F1280		5	PAN HD SCREW, 8 - 32 X 1/4 (95H3J, 95B3J)
55	F5H078		1	IGNITION SWITCH (ACCESSORY ITEM) <b>W/ILLUS. 54 (95H3J, 95B3J) &amp; 56</b>
56	FA368700		1	IGNITION - NO LETTER OR STAMPED A (95H3J, 95B3J)
-	<b>FB368700</b>		1	<b>IGNITION KEY STAMPED B (95H3J, 95B3J)</b>
-	<b>FC368700</b>		1	<b>IGNITION KEY STAMPED C (95H3J, 95B3J)</b>
-	<b>FD368700</b>		1	<b>IGNITION KEY STAMPED D (95H3J, 95B3J)</b>
-	<b>FE368700</b>		1	<b>IGNITION KEY STAMPED E (95H3J, 95B3J)</b>
57	F411420		1	RETAINER, SWITCH PLATE (95H3J, 95B3J)
58	F1934		4	FLAT HD SLOTTED SCREW (95H3J, 95B3J)
59	F412181-1		1	PLATE, IGNITION U.S.A. (95H3J, 95B3J)
-	<b>817892--1</b>		1	<b>PLATE, IGNITION CANADA (95H3J, 95B3J)</b>
60	F1645		4	RD HD THREAD CUTTING SCREW, 6 - 32 X 1/4
61	F540908		1	WIRE, GROUND RECTIFIER TO TERM. & LOCK (95H3J, 95B3J)
62	F510841		2	WIRE, STARTER INTERLOCK SWITCH
63	F510908		1	WIRE, GROUND
64	F436280		1	NUT, SHORTING SWITCH
65	FK436449		1	SHORTING SWITCH <b>W/ILLUS. 64</b>
66	F1556		2	FILL HD M. SCREW W/SPRING LOCKWASHER, 10 - 24 X 3/8
67	F510918		1	STARTER SWITCH
68	F1437		2	FILL HD SCREW, 1/4 - 20 X 1/2
69	F510540		1	BRACKET, STARTER SWITCH
70	F510669		2	NUT, INTERLOCK SWITCH AND STARTER SWITCH

# FUEL SYSTEM



OB3843

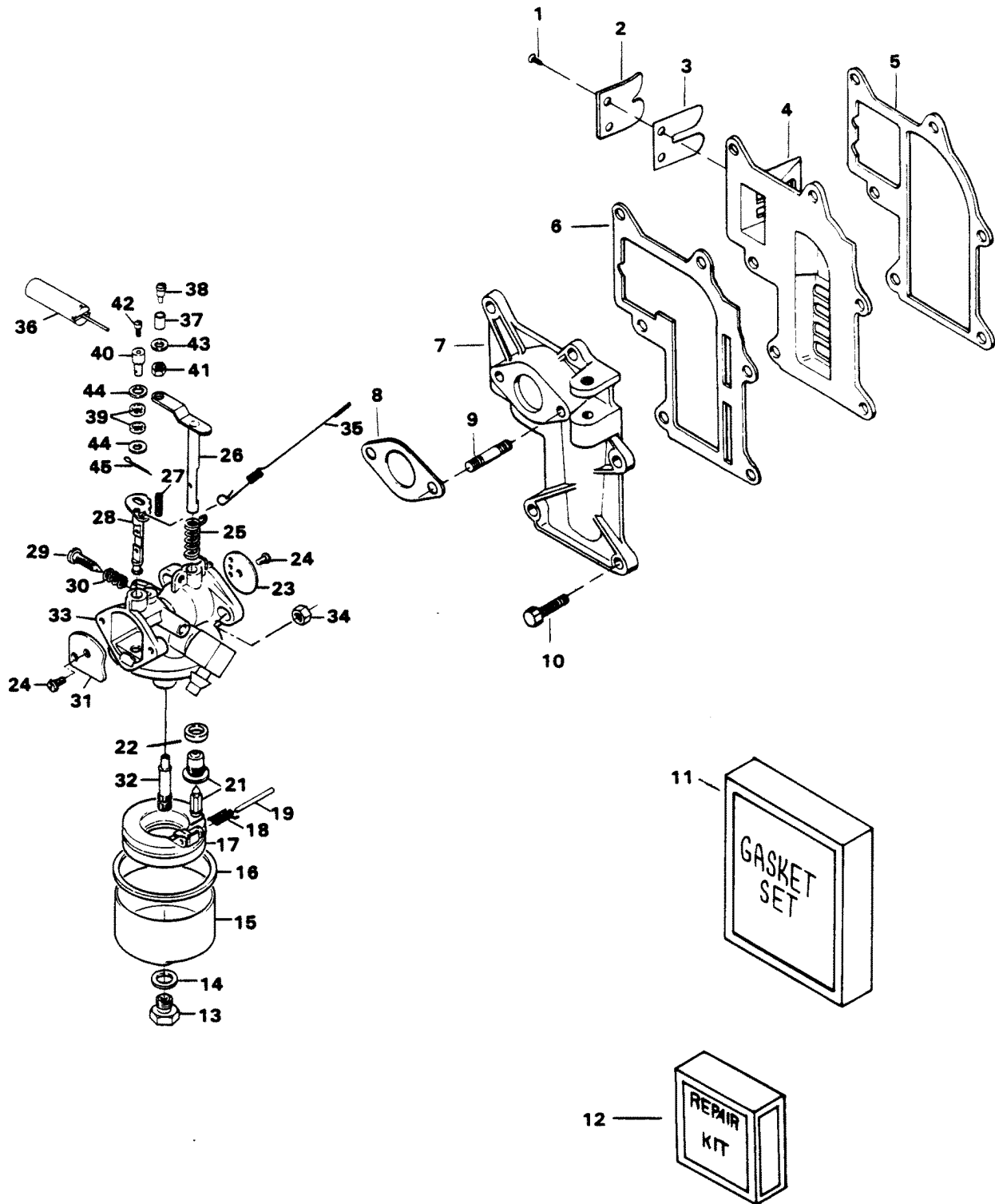


# FUEL SYSTEM

REF. NO.	PART NO.	SYM.	QTY.	DESCRIPTION
1	F1755		8	RD HD SCREW W/LOCKWASHER, 6 - 32 X 16
2	F424161		4	REED STOP
3	F31160-1		4	REED
4	FA424158		1	REED PLATE <b>W/ILLUS. 1, 2 AND 3</b>
5	F286159-1		1	GASKET, REED PLATE
6	F424168-1		1	GASKET, MANIFOLD
7	F2A424167		1	MANIFOLD <b>W/ILLUS. 9</b>
8	F18906		1	GASKET, CARBURETOR
9	F2788004		2	STUD, CARBURETOR
10	F2008		4	HEX HD SCREW, 1/4 - 20 X 7/8
11	F10069		1	GASKET SET
12	FK10114		1	REPAIR KIT
13	F10125		1	JET ASSY., MAIN FUEL (.046)
14	F10090		1	GASKET, BOWL RETAINER
15	F10058		1	BOWL, FUEL
16	F10068		1	GASKET, BOWL
17	F10063		1	FLOAT ASSY.
18	F10084		1	SPRING, FLOAT SUPPORT
19	F10064		1	SHAFT, FLOAT
21	F10101		1	KIT, VALVE SEAT ASSEMBLY
-	<b>F10115</b>		<b>1</b>	<b>KIT, PLUG (NOT SHOWN)</b>
22	F10066		1	GASKET, VALVE SEAT
23	F10060		1	VALVE, THROTTLE
24	F10071		2	SCREW, CHOKE AND THROTTLE VALVE
25	F10075		1	SPRING, THROTTLE RETURN
26	F10110		1	SHAFT ASSY., THROTTLE
27	F10072		1	SPRING, CHOKE STOP
28	F10111		1	SHAFT ASSY., CHOKE
29	F10077		1	NEEDLE, IDLE
30	F10073		1	SPRING, IDLE NEEDLE
31	F10112		1	VALVE, CHOKE
32	F10088		1	NOZZLE
33	F617061		1	CARBURETOR COMPLETE (LMB-228)
34	F1490		2	HEX NUT, 1/4 - 20
35	F517846		1	SPRING, REMOTE CHOKE (95H3J, 95B3J)
36	FA617925		1	ROD AND PLUNGER, CHOKE SOLENOID (95H3J, 95B3J)
37	F92759		1	ROLLER, THROTTLE CAM
38	F333316		1	SHAFT, THROTTLE CAM ROLLER
39	F184579		2	SEAL, CHOKE ARM SWIVEL (95H3J, 95B3J)
40	F184033-1		1	SWIVEL, CHOKE ARM (95H3J, 95B3J)

CONTINUED ON NEXT PAGE ➡

# FUEL SYSTEM

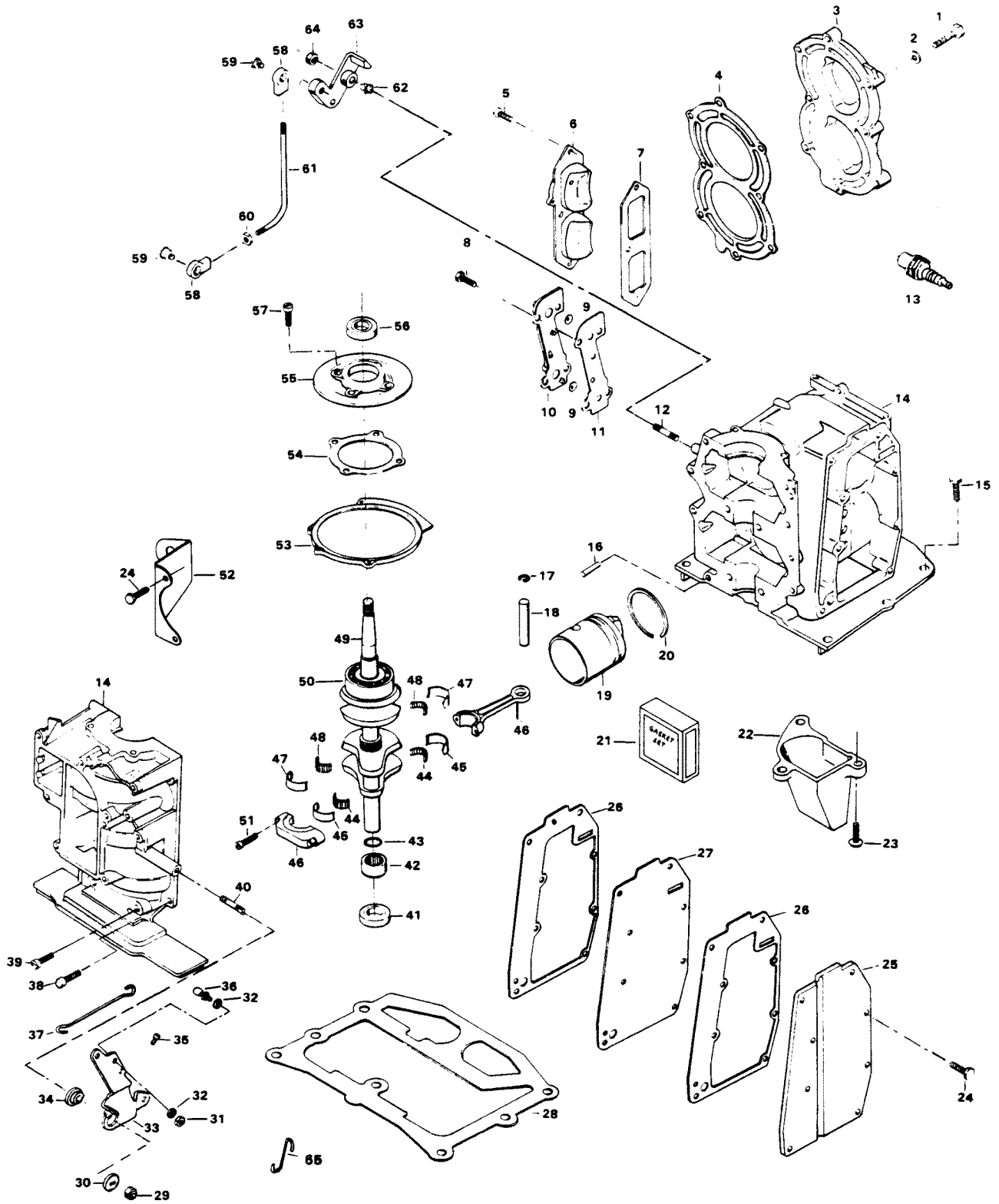


OB3843

# FUEL SYSTEM

REF. NO.	PART NO.	SYM.	QTY.	DESCRIPTION
41	F1997		1	LOCK NUT, 8 - 32
42	F1059		1	FILL HD M. SC., 6 - 32 X 1/4 (95H3J, 95B3J)
43	F8123		1	PLAIN WASHER (THROTTLE ROLLER SHAFT)
44	F8088		2	PLAIN WASHER (CHOKE ARM SWIVEL) (95H3J, 95B3J)
45	F1014		1	COTTER PIN (CHOKE ARM SWIVEL TO CARB) (95H3J, 95B3J)

# POWER HEAD



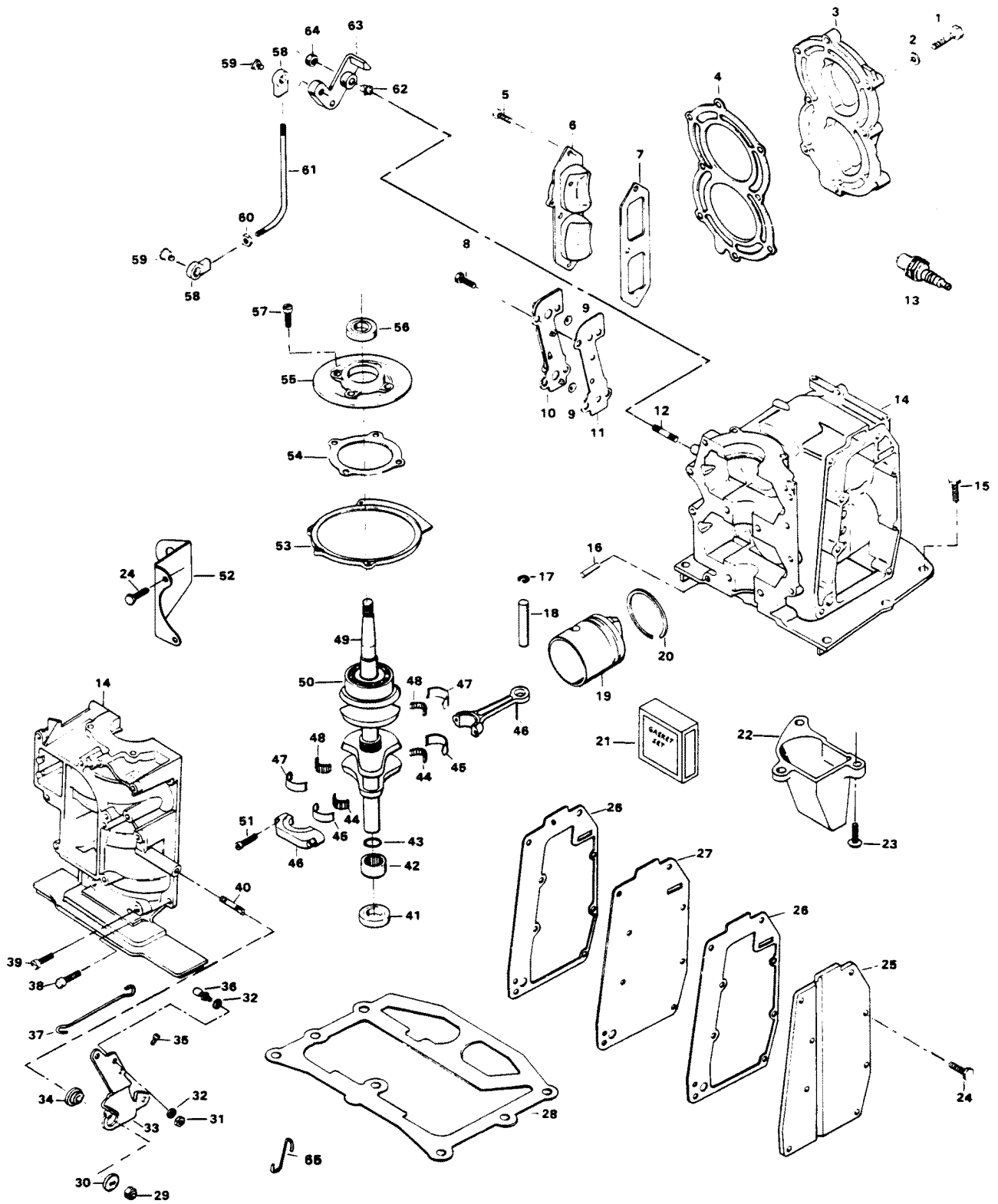
OB3843

# POWER HEAD

REF. NO.	PART NO.	SYM.	QTY.	DESCRIPTION
1	F901938-1		6	SCREW, CYLINDER HEAD
2	F8025		6	PLAIN WASHER (95H3J, 95B3J)
-	<b>F8025</b>		<b>8</b>	<b>PLAIN WASHER (91H3C, 91B3C)</b>
3	F492518		1	HEAD, CYLINDER
4	F286529-3		1	GASKET, CYLINDER HEAD
5	F510165		3	SCREW
6	F510222		1	COVER, TRANSFER PORT
7	F286223		1	GASKET, TRANSFER PORT COVER
8	F1922		4	HEX HD SCREW, 1/4 - 20 X 5/8
-	<b>F1859</b>		<b>1</b>	<b>HEX SOCKET HEADLESS SET SCREW, 1/4 - 28 X 3/16 (TRANSFER PORT COVER)</b>
9	F429811		2	SCREEN
10	FA429471		1	COVER, CYLINDER DRAIN W/CHECK VALVES AND ILLUS. 9
11	F429472		1	GASKET, CYLINDER DRAIN COVER
12	F28004		1	STUD, INTERLOCK LEVER
13	33-82370M		2	PLUG, SPARK, L 82
-	<b>FC503227</b>		<b>2</b>	<b>SPARK PLUG (QL-77J4) CANADA</b>
14	FA510010		1	CYLINDER W/CRANKCASE COVER ILLUS. 12, 16, 38, 39 AND 40
-	<b>800-817904A1</b>		<b>1</b>	<b>SHORT BLOCK (NOT SHOWN). INCLUDES ALL ITEMS MARKED WITH AN ASTERISK (*) ORIGINAL FORCE P/N C 510010-1</b>
15	F1823		6	HEX CAP SCREW, 5/16 - 18 X 1
16	F8559		2	DOWEL PIN
17	F31410		1	RETAINING RING, PISTON PIN
18	F174017		2	PIN, PISTON
19	F286015-3		2	PISTON
20	FA174260		2	PISTON RING SET (2 PER SET)
21	FG1005-2		1	GASKET SET. INCLUDES ITEMS MARKED WITH A STAR (*)
-	<b>F18906</b>		<b>1</b>	<b>CARBURETOR GASKET</b>
-	<b>F286154</b>		<b>2</b>	<b>GASKET EXHAUST COVER</b>
-	<b>F286159-1</b>		<b>1</b>	<b>GASKET, REED PLATE</b>
-	<b>F286223</b>		<b>1</b>	<b>GASKET, TRANSFER PORT COVER</b>
-	<b>F286277</b>		<b>1</b>	<b>GASKET, CRANKSHAFT BEARING CAGE</b>
-	<b>F286279-2</b>		<b>1</b>	<b>GASKET, CYLINDER MOUNTING</b>
-	<b>F286529-3</b>		<b>1</b>	<b>GASKET, CYLINDER HEAD</b>
-	<b>F424168-1</b>		<b>1</b>	<b>GASKET, MANIFOLD</b>
-	<b>F429472</b>		<b>1</b>	<b>GASKET, CYLINDER DRAIN COVER</b>
-	<b>F286472</b>		<b>1</b>	<b>GASKET, CYLINDER DRAIN COVER</b>
22	F487660-1		1	EXHAUST TUBE
23	F2040		3	TAPTITE HEX WASHER HD SCREW, 1/4 - 20 X 5/8
24	F2008		10	HEX HD SCREW, 1/4 - 20 X 7/8
25	F286152		1	COVER, EXHAUST
26	F286154		2	GASKET, EXHAUST COVER

CONTINUED ON NEXT PAGE ➡

# POWER HEAD

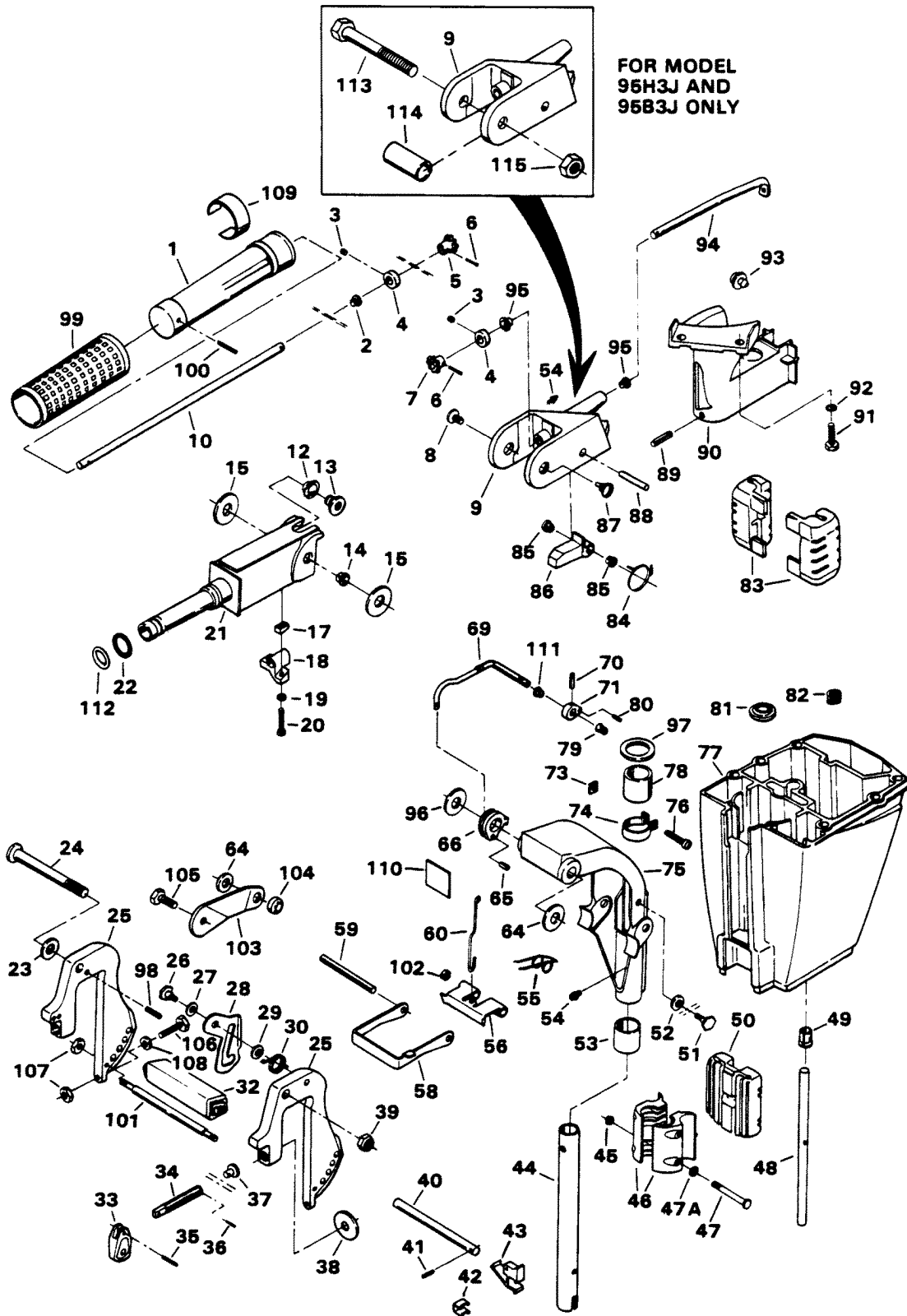


OB3843

# POWER HEAD

REF. NO.	PART NO.	SYM.	QTY.	DESCRIPTION
27	F286151		1	PLATE, EXHAUST
28	F286279-2		1	GASKET, CYLINDER MOUNTING
29	F1803		1	STOP NUT, 5/16 - 24
30	F286282		1	WASHER
31	F1513		1	HEX NUT 10 - 32 (95H3J, 95B3J)
32	F8058		2	INTERNAL TOOTH LOCK WASHER
33	817971A3		1	LEVER, MAGNETO CONTROL ASSEMBLY
34	F183813		1	BEARING, MAGNETO CONTROL LEVER
35	F1820		1	FILL HD SCREW, 1/4 - 20 X 1-3/8
36	F98273		1	STUD, REMOTE THROTTLE CONNECTOR
37	F286509		1	LINK, THROTTLE CAM
38	F1107		8	FILL HD SCREW, 1/4 - 20 X 3/4
39	F1335		4	FILL HD SCREW, 5/16 - 18 X 1-1/4
40	F286440		1	STUD, MAGNETO CONTROL LEVER
41	F141118		1	SEAL, CRANKSHAFT LOWER
42	F343014		1	BEARING, CRANKSHAFT LOWER MAIN
43	F461342		1	SEAL, DRIVESHAFT SPLINE
44	FA525228		2	ROLLER SET, CONNECTING ROD (16 PER SET)
45	FA525241		2	CRANKPIN ROLLER BEARING CAGE
46	FA36016-4		2	ROD, CONNECTING <b>W/ILLUS. 51</b>
47	FA286155		1	MAIN BEARING LINER SET (2 PER SET)
48	F286571		1	ROLLER SET, MAIN BEARING (26 PER SET)
49	400-818047A3		1	CRANKSHAFT <b>W/ILLUS. 50 ORIGINAL FORCE P/N 2A 286018-3</b>
50	F286028		1	BEARING, CRANKSHAFT UPPER MAIN
51	F36634		4	SCREW, CONNECTING ROD
52	F510551-1		1	BRACKET, INTERLOCK SWITCH (95H3J, 95B3J)
53	F73082		1	RING, MAGNETO STATOR
54	F286277		1	GASKET, CRANKSHAFT BEARING CAGE
55	1100-817753A1		1	CAGE, CRANKSHAFT BEARING <b>W/ILLUS. 56 ORIGINAL FORCE P/N A 286144-1</b>
56	F346146		1	SEAL, CRANKSHAFT UPPER
57	F1111		4	FILL HD SCREW, 1/4 - 20 X 7/8
58	F84035-2		2	BEARING, INTERLOCK ROD
59	F84026		2	SWIVEL, INTERLOCK ROD BEARING
60	F1339		1	HEX NUT, 10 - 24
61	F510531		1	ROD, INTERLOCK
62	F197813		1	BEARING, INTERLOCK LEVER
63	F517977-1		1	LEVER, INTERLOCK
64	F7008		1	STOP NUT, 1/4 - 20
65	F286445		1	LINK, MAGNETO SHAFT (91H3C, 91B3C)

# MOTOR LEG



OB3843

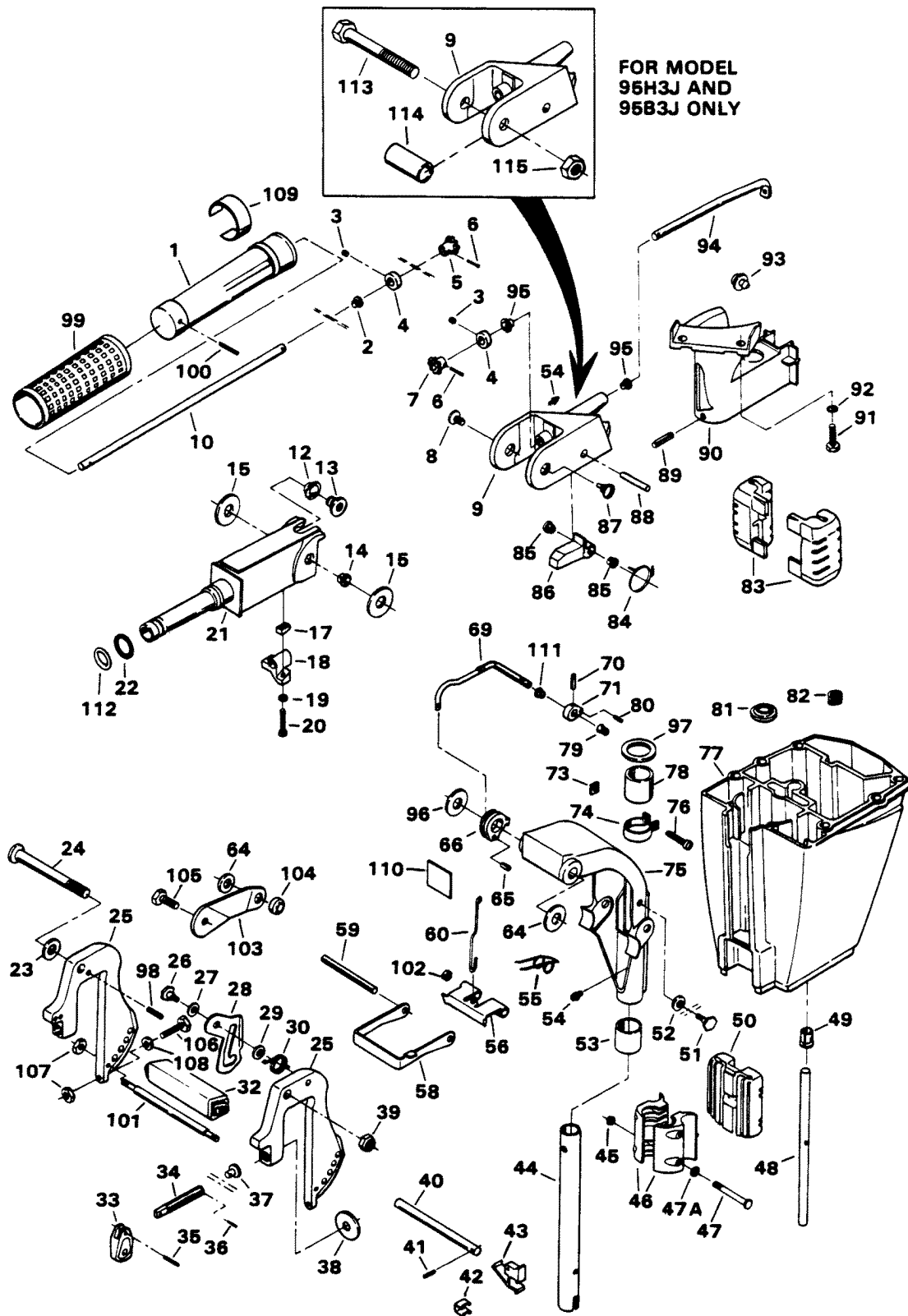


# MOTOR LEG

REF. NO.	PART NO.	SYM.	QTY.	DESCRIPTION
1	FA456137		1	GRIP, STEERING HANDLE <b>W/ILLUS. 99 (91H3C, 91B3C)</b>
2	F85610		1	BEARING (91H3C, 91B3C)
3	F1859		2	HEX SOCKET HEADLESS SET SCREW (91H3C, 91B3C)
4	FA343178		2	RETAINER <b>W/ILLUS. 3 (91H3C, 91B3C)</b>
5	43-818009--1		1	GEAR, STEERING HANDLE SHAFT (91H3C, 91B3C)
6	F1978		2	SPRING PIN (91H3C, 91B3C)
7	43-818009--1		1	GEAR, MAGNETO CONTROL SHAFT (91H3C, 91B3C)
8	F1799		1	TRUSS HD SCREW, 5/16 - 18 X 5/8 (91H3C, 91B3C)
9	817751A3		1	STEERING HANDLE BRACKET <b>W/ILLUS. 54 ORIGINAL FORCE P/N A 286078-2</b>
10	F429688		1	SHAFT, STEERING HANDLE (91H3C, 91B3C)
12	F286818		1	BEARING (91H3C, 91B3C)
13	F286224		1	INSERT, STEERING HANDLE PIVOT (91H3C, 91B3C)
14	F197813		1	BEARING (91H3C, 91B3C)
15	F286220		2	WASHER, STEERING HANDLE (91H3C, 91B3C)
17	F341693		1	WEDGE, STEERING HANDLE (91H3C, 91B3C)
18	F487816		1	BEARING, STEERING HANDLE (91H3C, 91B3C)
19	F8058		2	INTERNAL TOOTH LOCKWASHER (91H3C, 91B3C)
20	F1829		2	FILL HD SCREW, 10 - 24 X 7/8 (91H3C, 91B3C)
21	F286079-1		1	STEERING HANDLE (91H3C, 91B3C)
22	F53795-1		1	SEAL, STEERING HANDLE GRIP DAMPENER (91H3C, 91B3C)
23	F2014		1	PLAIN WASHER
24	F286037		1	STERN BRACKET PIVOT BOLT
25	FK567532		2	STERN BRACKET <b>W/ILLUS. 34, 106, 107, 108</b>
26	F286422-1		1	TILT LOCK PIVOT
27	F1666		1	BOWED SPRING WASHER
28	F429541		1	TILT LOCK
29	F286451		1	SPACER, TILT LOCK
30	F286544-1		1	SPRING, TILT STOP
32	F286647		1	CARRYING HANDLE
33	F424075		2	HANDLE, CLAMP SCREW
34	817761A2		2	CLAMP SCREW <b>W/ILLUS. 35, 37 AND 38 ORIGINAL FORCE P/N A 298073-2</b>
35	F8554		2	SPRING PIN
36	F8537		2	SPRING PIN
37	F66480		2	STUD CLAMP SCREW
38	F24074		2	CLAMP SCREW FOOT
39	F7026		1	STOP NUT, 3/8 - 16
40	FA617113		1	LOCK BAR <b>W/ILLUS. 41, 42 AND 43</b>
41	F8540		1	SPRING PIN
42	F286461		42	SPRING, LOCK BAR HANDLE
43	F286114		1	LOCK BAR HANDLE
44	F286019		1	KING PIN
45	F1341		2	HEX NUT, 1/4 - 20

CONTINUED ON NEXT PAGE ➡

# MOTOR LEG



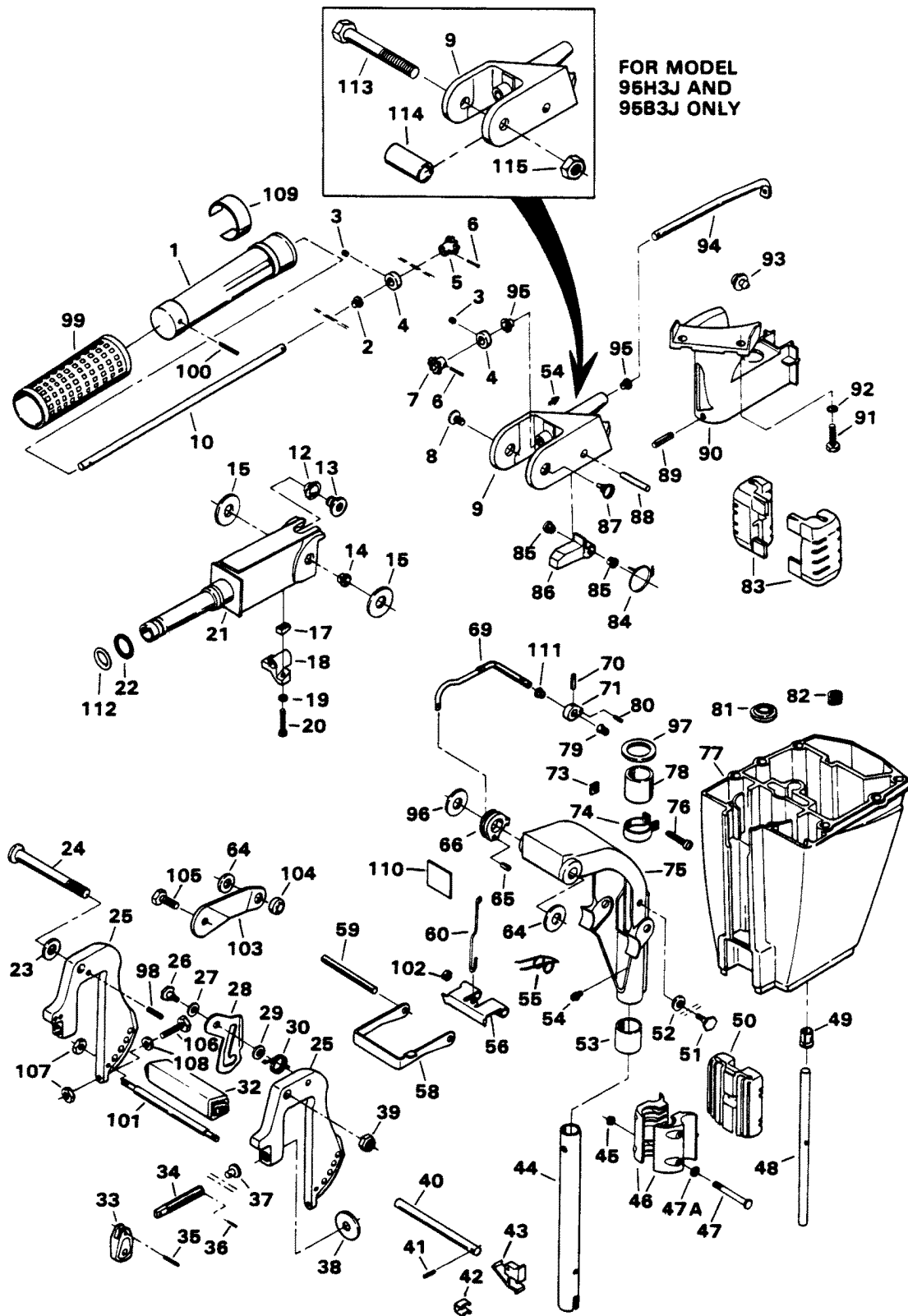
OB3843

# MOTOR LEG

REF. NO.	PART NO.	SYM.	QTY.	DESCRIPTION
46	F286956		2	BRACKET, SHOCK MOUNT LOWER
47	FA1844		2	HEX BOLT, 1/4 - 20 X 2-3/8 <b>W/ILLUS. 47A</b>
47A	F8083		2	SPRING LOCKWASHER
48	F286244		1	WATER LINE
49	F286914		1	SLEEVE WATER LINE
50	F286346		1	SHOCK MOUNT LOWER
51	F286422-1		1	TILT LOCK PIVOT
52	F286451		1	SPACER, TILT LOCK
53	F286169		1	BEARING, SWIVEL BRACKET
54	F213274		3	GREASE FITTING (91H3C, 91B3C USES 1 ONLY)
55	F286300		1	SPRING, REVERSE LOCK
56	F516349		1	REVERSE LOCK
58	F286433		1	BRACKET SHALLOW WATER DRIVE
59	F1806		1	GROOVE PIN
60	FA341510		1	LINK, REVERSE LOCK LEVER <b>W/LITERATURE</b>
64	F286286-1		2	WASHER, STERN BRACKET
65	F1794		1	SPRING PIN
66	F286827		1	REVERSE LOCK RELEASE LEVER
69	FA387742		1	LEVER, REVERSE LOCK INTERMEDIATE ASSEMBLY
70	F8538		1	SPRING PIN
71	F286364		1	LEVER, REVERSE LOCK
73	F1608		1	SQUARE NUT, 1/4 - 20
74	F286573-1		1	CLAMP, STEERING HANDLE
75	1400-817750A4		1	SWIVEL BRACKET <b>W/ILLUS. 54 ORIGINAL FORCE P/N A 286072-2</b>
76	F1820		1	FILL HD SCREW, 1/4 - 20 X 1-3/8
77	F2A477133		1	MOTOR LEG <b>W/ITEMS 48, 49 &amp; 81</b>
78	F286169		1	BEARING, SWIVEL BRACKET
79	F197813		1	BEARING
80	F1794		1	SPRING PIN
81	F901307-2		1	SEAL, WATER LINE UPPER
82	F286414		1	SPRING, LEG WATER BRACKET
83	F517347		2	SHOCK MOUNT UPPER
84	F286868		1	SPRING, STEERING HANDLE STOP (91H3C, 91B3C)
85	F197813		2	BEARING, STEERING HANDLE STOP (91H3C, 91B3C)
86	F286490		1	STEERING HANDLE STOP (91H3C, 91B3C)
87	F286080		1	SCREW, STEERING HANDLE PIVOT (91H3C, 91B3C)
88	F1807		1	GROOVE PIN (91H3C, 91B3C)
89	F1805		1	SPRING PIN
90	FA286582		1	STEERING ARM <b>W/ILLUS. 89 &amp; 93</b>
91	F1922		2	HEX WASHER HD M SC., 1/4 - 20 X 5/8
92	F8060		2	EXTERNAL TOOTH LOCKWASHER
93	F286539		1	BUMPER

CONTINUED ON NEXT PAGE ➡

# MOTOR LEG

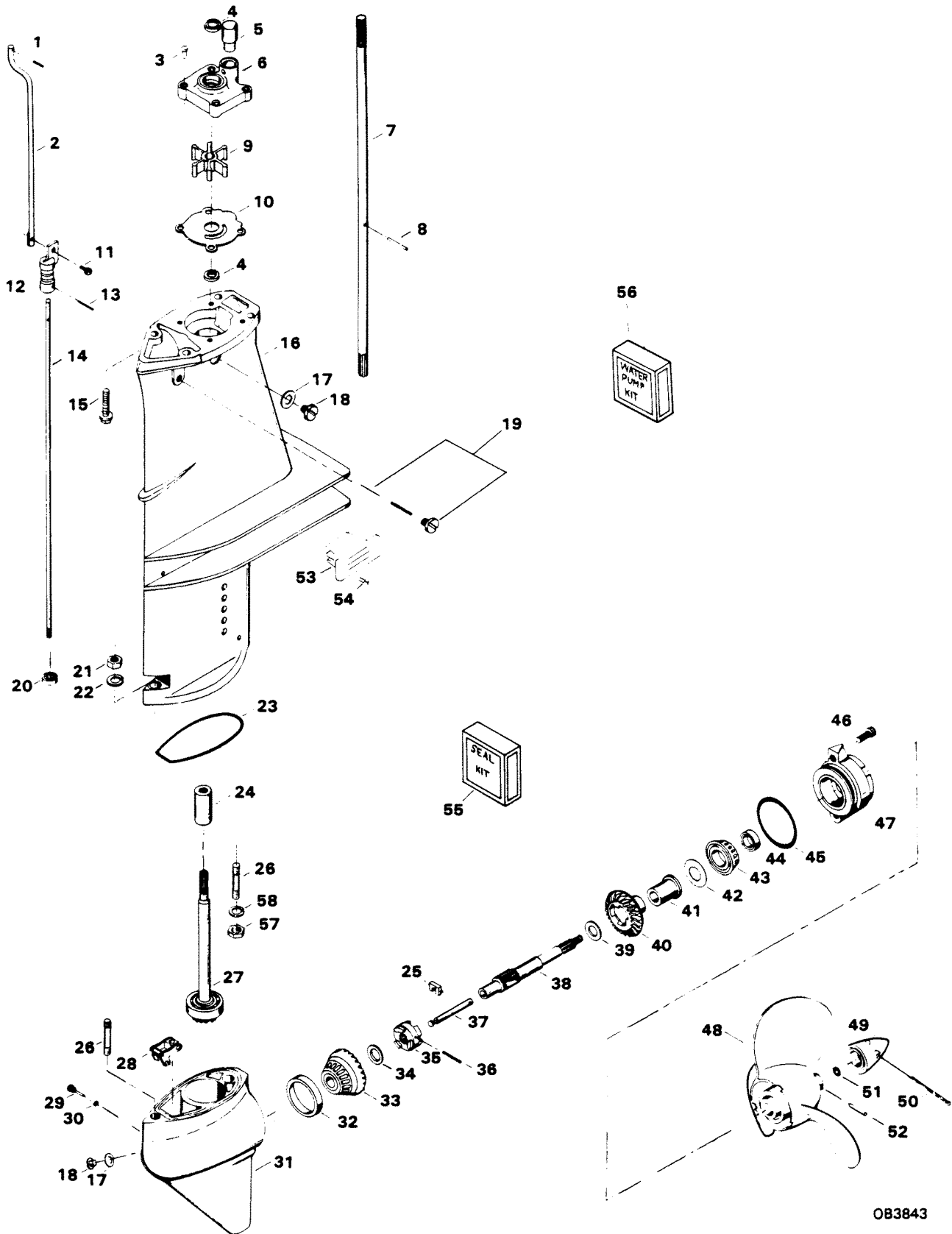


OB3843

# MOTOR LEG

REF. NO.	PART NO.	SYM.	QTY.	DESCRIPTION
94	F431838		1	MAGNETO CONTROL SHAFT (91H3C, 91B3C)
95	F307818		2	BEARING
96	F525286		1	WASHER
97	F286011		1	WASHER, SWIVEL BRACKET
98	F8538		1	SPRING PIN
99	F458695		1	SLEEVE (91H3C, 91B3C)
100	F8548		1	SPRING PIN (91H3C, 91B3C)
101	F517273		1	TIE BAR
102	F516677		2	SPACER, REVERSE LOCK
103	F517078		1	BRACKET, LOCK STEERING
104	F516697		1	NUT, STEERING LOCK BRACKET
105	F516552		1	SCREW, STEERING LOCK BRACKET (91H3C, 91B3C)
106	F1887		2	HEX SLOTTED HD SCREW, 1/4 - 20 X 3-3/16
107	F7024		4	LOCK NUT
108	F2012		2	PLAIN WASHER
109	37-F286894-3		1	SPEED CONTROL INDICATOR (91H3C, 91B3C)
110	F286585-1		1	DECAL, TILT RELEASE
111	F536813		1	BEARING, REVERSE LOCK INTERMEDIATE LEVER
112	F215795		1	STEERING HANDLE DAMPENER (91H3C, 91B3C)
113	F517552		1	SCREW, STEERING HANDLE BRACKET (95H3J, 95B3J)
114	F516451		1	SPACER, STEERING HANDLE BRACKET (95H3J, 95B3J)
115	F7025		1	LOCK NUT, 3/8 - 16

# GEAR HOUSING



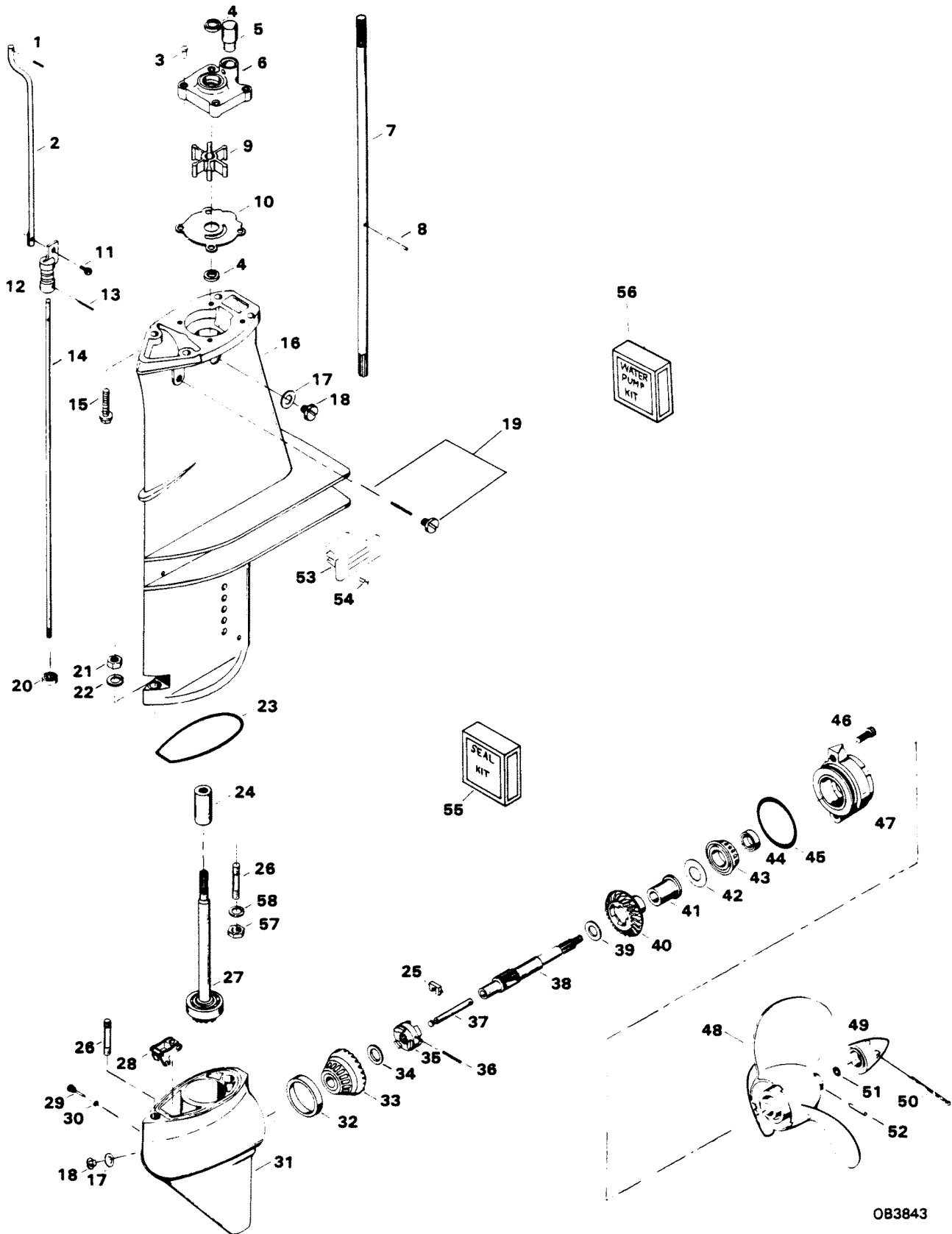
OB3843

# GEAR HOUSING

REF. NO.	PART NO.	SYM.	QTY.	DESCRIPTION
2	F286615		1	GEAR SHIFT ROD, UPPER
3	F2030		4	HEX HD SCREW, 1/4 - 20 X 1/4
4	F901307-2		2	SEAL
5	FA510914		1	SEAL, INLET WATER LINE <b>W/LITERATURE</b>
6	FA504060		1	WATER PUMP BODY <b>W/ILLUS. 4 &amp; 5</b>
7	F343128		1	DRIVESHAFT
8	F901563		1	WATER PUMP IMPELLER DRIVE PIN
9	F436065-2		1	WATER PUMP IMPELLER
10	F341562		1	WATER PUMP BACK PLATE
11	F1976		1	SOCKET HD SCREW W/WASHER, 10 - 24 X 1/2
12	F516704-1		1	COUPLING SHIFT ROD
13	F8540		1	SPRING PIN
14	F516705		1	GEAR SHIFT ROD, LOWER
15	F430732		4	HEX HD SCREW, 5/16 - 18 X 1/4
16	1600-817844A3		1	GEAR HOUSING UPPER W/4, 17, 18, 20, 53 AND BEARING
17	F8077		2	NYLTITE WASHER
18	F50109		2	GEAR HOUSING PLUG
19	FA487885		1	RETAINER, DETENT SPRING ASSEMBLY
20	F338618-1		1	SEAL, SHIFT ROD LOWER
21	F1346		1	HEX NUT, S.S., 3/8 - 16
22	F8065		1	LOCKWASHER
23	F435555		1	SEAL, GEAR HOUSING, LOWER
24	F517125		1	COUPLING, DRIVESHAFT
25	F90619-1		1	YOKE
26	F40008		2	STUD
27	F2A516266		1	PINION SHAFT W/BEARING
28	817796A2		1	GEAR SHIFT ARM
29	F498891		1	GEAR SHIFT ARM PIN
30	F498618		1	SEAL "O" RING
31	FA516054		1	GEAR HOUSING LOWER <b>W/ILLUS. 17, 18 AND 32</b>
-	<b>FC516054</b>		<b>1</b>	<b>GEAR HOUSING - COMPLETE (NOT SHOWN). INCLUDES ALL ITEMS MARKED WITH AN ASTERISK (*)</b>
32	F458250		1	BEARING CUP
33	F2A516023		1	BEVEL GEAR FORWARD W/BEARING
34	F2087		A/R	SPACER, BEVEL GEAR FRONT .056
-	<b>F2055</b>		<b>A/R</b>	<b>SPACER, BEVEL GEAR FRONT .059</b>
-	<b>F2056</b>		<b>A/R</b>	<b>SPACER, BEVEL GEAR FRONT .062</b>
-	<b>F2057</b>		<b>A/R</b>	<b>SPACER, BEVEL GEAR FRONT .065</b>
-	<b>F2058</b>		<b>A/R</b>	<b>SPACER, BEVEL GEAR FRONT .068</b>
-	<b>F2059</b>		<b>A/R</b>	<b>SPACER, BEVEL GEAR FRONT .071</b>
-	<b>F2060</b>		<b>A/R</b>	<b>SPACER, BEVEL GEAR FRONT .074</b>
-	<b>F2061</b>		<b>A/R</b>	<b>SPACER, BEVEL GEAR FRONT .077</b>
-	<b>F2062</b>		<b>A/R</b>	<b>SPACER, BEVEL GEAR FRONT .080</b>

CONTINUED ON NEXT PAGE ➡

# GEAR HOUSING



OB3843



# GEAR HOUSING

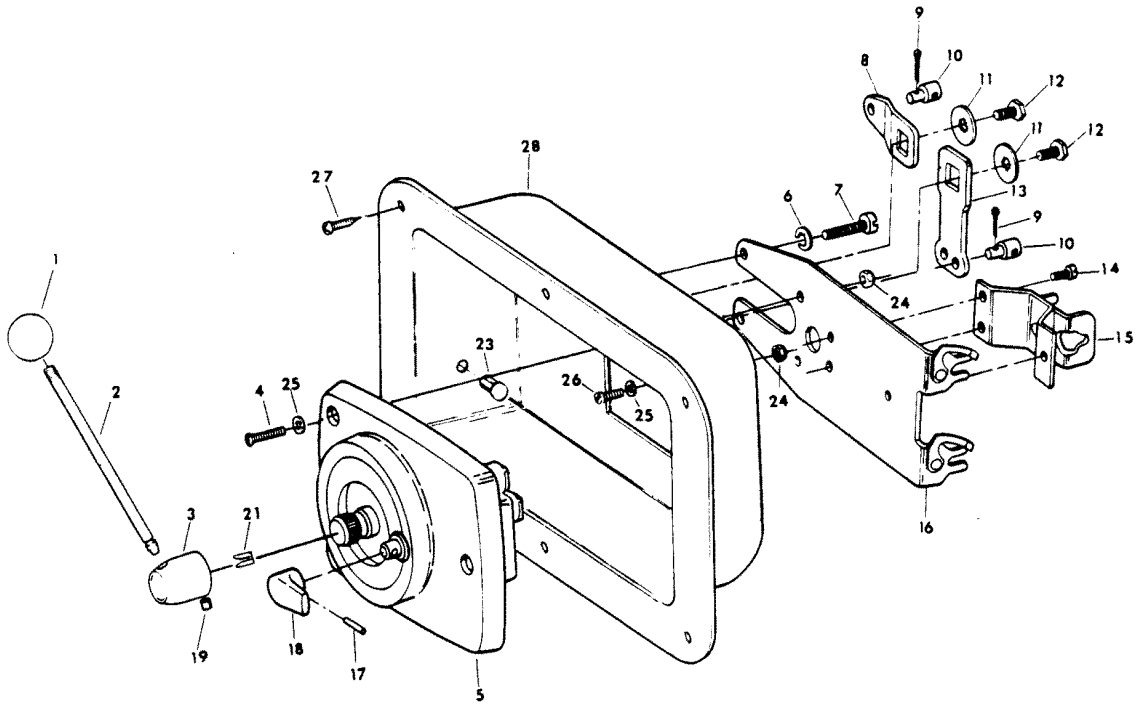
REF. NO.	PART NO.	SYM.	QTY.	DESCRIPTION
-	<b>F2063</b>		<b>A/R</b>	<b>SPACER, BEVEL GEAR FRONT .083</b>
-	<b>F2064</b>		<b>A/R</b>	<b>SPACER, BEVEL GEAR FRONT .086</b>
35	F99521-1		1	CLUTCH
36	F2097		1	SPRING PIN, CLUTCH
37	F90871-3		1	GEAR SHIFT ARM PIN
38	FA474098		1	PROPELLER SHAFT
39	F40717		1	THRUST WASHER BEVEL GEAR
40	F516662		1	GEAR, BEVEL, REAR
41	F474143		1	BEARING, BEVEL GEAR REAR
42	F2052		A/R	SHIM PROPELLER SHAFT BEARING .005 (SILVER)
-	<b>F2053</b>		<b>A/R</b>	<b>SHIM PROPELLER SHAFT BEARING .006 (RED)</b>
-	<b>F2054</b>		<b>A/R</b>	<b>SHIM PROPELLER SHAFT BEARING .008 (BLACK)</b>
43	F474225		1	BEARING, PROPELLER SHAFT REVERSE THRUST
44	F141118		1	SEAL, PROPELLER SHAFT
45	F141305		1	SEAL, PROPELLER SHAFT BEARING CAGE
46	F1994		2	HEX SOCKET HD CAP SCREW, 5/16 - 18 X 1
47	F2A474298		1	PROPELLER SHAFT BEARING CAGE <b>W/ILLUS. 44 AND BEARING CUP</b>
48	FP278		1	PROPELLER (ACCESSORY ITEM)
49	FA94094-2		1	PROPELLER NUT <b>W/ILLUS. 50 AND 51</b>
50	F1027		1	COTTER PIN
51	F40342		1	SEAL, PROPELLER NUT
52	FK247		1	PROPELLER PIN (PACK OF 6) <b>W/ILLUS. 50</b>
53	FA516485		1	ANTICORROSION ANODE <b>W/LITERATURE</b>
54	F1733		2	PAN HD SCREW, 10 - 24 X 9/16
55	FK1064		1	GEAR HOUSING SEAL KIT. <b>INCLUDES ALL ITEMS MARKED WITH A DOUBLE ASTERISK (**)</b> AND LITERATURE
56	FK1031-1		1	WATER PUMP KIT. <b>INCLUDES ALL ITEMS MARKED WITH A STAR (*)</b>
-	<b>F2030</b>		<b>4</b>	<b>SCREW</b>
-	<b>F341562</b>		<b>1</b>	<b>PLATE, WATER PUMP BACK</b>
-	<b>F436065-2</b>		<b>1</b>	<b>IMPELLER</b>
-	<b>F901563</b>		<b>1</b>	<b>DRIVE PIN</b>
-	<b>FA504060</b>		<b>1</b>	<b>BODY, WATER PUMP</b>
57	F7004		1	NUT, STOP, 3/8 - 16
58	F2014		1	PLAIN WASHER



## FUEL TANK AND LINE

REF. NO.	PART NO.	SYM.	QTY.	DESCRIPTION
1	F17816		2	SEAL, FUEL LINE COUPLER
2	F17815		2	SEAL, FUEL LINE COUPLER
3	F197787-3		2	FUEL LINE COUPLER
4	F298788		4	FERRULE
5	FA84754-1		1	FUEL LINE SHORT <b>W/ILLUS. 4</b>
6	89396A38		1	PRIME BULB
7	32-817738A1		1	FUEL LINE, LONG W/CLAMP <b>W/ILLUS. 4 ORIGINAL FORCE P/N A 197752-1</b>
8	F485755-1		1	FUEL TANK ADAPTER
9	F5H026		1	FUEL TANK (ACCESSORY ITEM)
10	F409251-1		1	GAUGE CAP
11	F17817		1	SEAL
-	<b>FS409752</b>		<b>1</b>	<b>FUEL LINE COMPLETE. (NOT SHOWN) W/ITEMS 1, 2, 3, 4, 5, 6 AND 7</b>
-	<b>FC409398</b>		<b>1</b>	<b>DECAL, TOTE TANK - CANADA (NOT SHOWN)</b>

# REMOTE CONTROL



# REMOTE CONTROL

REF. NO.	PART NO.	SYM.	QTY.	DESCRIPTION
1	F17081		1	KNOB (BLACK)
2	F17150		1	LEVER
3	F17151		1	HUB
4	F1653		3	RAISED COUNTERSUNK PHILLIPS HEAD
5	F17035		1	GEAR ASSEMBLY
8	F17014		1	THROTTLE ARM
10	F17016		2	CABLE TERMINAL
11	F17036		2	INTERNAL TOOTH LOCKWASHER
13	F17019		1	CLUTCH ARM
15	F17037		1	ANCHOR BRACKET ASSY
16	F17038		1	HANGER PLATE
18	F17039		1	CLUTCH KNOB
19	F17030-1		1	SET SCREW 5/16 - 18 X 5/16
21	F17152		1	SPRING CLIP
22	OB3482		1	LITERATURE (NOT SHOWN)
23	F9066		1	PLUG
24	F7009		4	STOP NUT 10 - 24
25	F8011		4	PLAIN WASHER
26	F1979		1	PAN HD SCREW 10 - 24 X 1/2
27	F1741		6	WOOD SCREW #8 X 3/4
28	F565181		1	PANEL, CONTROL MOUNTING
29	OB1078		0	INSTALLATION INSTRUCTIONS (NOT SHOWN)

## SPECIAL TOOLS - TUNE-UP

REF. NO.	PART NO.	SYM.	QTY.	DESCRIPTION
-	FT2909		0	KNOCK-OFF NUT TO REMOVE FLYWHEEL
-	FT2989		0	FLYWHEEL WEDGE TO REMOVE FLYWHEEL

## SPECIAL TOOLS - POWER HEAD

REF. NO.	PART NO.	SYM.	QTY.	DESCRIPTION
-	FT2908		0	SEAL SLEEVE TO INSTALL UPPER CRANKSHAFT BEARING CAGE SEAL
-	FT8929		0	ADAPTER AND HEX BIT TO TORQUE CONNECTING ROD SCREWS
-	FT8949		0	SEAL INSTALLER TO INSTALL LOWER CRANKSHAFT SEAL
-	FT2997		0	RING COMPRESSOR TO INSTALL PISTONS
-	FT8926		0	RING EXPANDER TO INSTALL RINGS ON PISTONS
-	FT3012		0	SEAL INSTALLER TO REMOVE AND INSTALL CRANKSHAFT BEARING CAGE SEAL
-	FT2998		0	TORQUE WRENCH (0-100 LBS/FT) TO PROPERLY TORQUE FASTENERS
-	FT2999		0	TORQUE WRENCH (0-600 LBS/IN) TO PROPERLY TORQUE FASTENERS
-	FT8993		0	TORQUE WRENCH ADAPTER TO PROPERLY TORQUE LOWER CYL. HD. BOLTS
-	FT2991		0	CARBON BRUSH TO REMOVE CARBON FROM INSIDE POWERHEAD
-	FT8900		0	HOSE CLAMP PLIERS TO REMOVE AND INSTALL FUEL HOSE CLAMPS
-	FT1749		0	SNAP RING PLIER TO REMOVE AND INSTALL PISTON PIN RETAINING RINGS

## SPECIAL TOOLS - LOWER UNIT

REF. NO.	PART NO.	SYM.	QTY.	DESCRIPTION
-	FT8904		0	FORWARD CUP INSTALLER TO INSTALL FORWARD BEARING CUP
-	FT8907		0	DRIVER HANDLE TO INSTALL FORWARD BEARING CUP
-	FT8921		0	CUP REMOVER TO REMOVE FORWARD BEARING CUP
-	FT8918		0	BEARING GUIDE SET TO REMOVE FORWARD BEARING CUP
-	FT3431		0	SEAL INSTALLER TO INSTALL PROPELLER SHAFT SEAL
-	FT8919		0	SPRING PIN PUNCH TO REMOVE CLUTCH PIN
-	FT2907		0	SEAL INSTALLER TO INSTALL DRIVESHAFT SEAL - WATER PUMP AND GEAR HOUSING
-	FT8948-1		0	PULLER TO REMOVE PROPELLER SHAFT BEARING CAGE
-	FT8985		0	SEAL INSTALLER TO INSTALL PROPELLER SHAFT SEAL
-	FT8957		0	SEAL INSTALLER TO INSTALL SHIFT ROD SEAL
-	FT8920		0	BEARING INSTALLER TO INSTALL PROPELLER SHAFT BEARING
-	FT8924-1		0	CHECKING GAUGE TO SHIM LOWER UNIT
-	FT8982		0	SHIM ADAPTER TO USE WITH CHECKING GAUGE (T8924-1)
-	FT8995		0	SHIM SPACER TO USE WITH CHECKING GAUGE (T8924-1)
-	FT8901		0	INDICATOR HOLDER TO USE WITH CHECKING GAUGE T8924-1
-	FT8902		0	DIAL INDICATOR TO USE WITH CHECKING GAUGE T8924-1



## SPECIAL TOOLS - TEST EQUIPMENT

REF. NO.	PART NO.	SYM.	QTY.	DESCRIPTION
-	FT2955A		0	TEST WHEEL TO TEST MOTOR IN TEST TANK
-	FT8950		0	LEAKAGE TESTER TO TEST LOWER UNIT SEAL FOR LEAKS
-	FT8996		0	IGNITION TESTER TO TEST TRIGGER OUTPUT
-	FT8953		0	C-D TESTER TO TEST STATOR OUTPUT AND SECONDARY VOLTAGE
-	FT2951		0	CIRCUIT TRACER TO TROUBLESHOOTER 12 VOLT CIRCUITS
-	FT2938-1		0	TEST LIGHT TO MAKE CONTINUITY TESTS

## SPECIAL TOOLS - LUBRICANTS AND SEALANTS

REF. NO.	PART NO.	SYM.	QTY.	DESCRIPTION
-	FT2961		0	LUBRICANT - RYKON GREASE #2EP
-	FT2987-1		0	LUBRICANT - ANTI-SEIZE
-	FT8969		0	LUBRICANT - 7 OZ. LPSI LUBRICANT
-	FT8983		0	SEALANT RTV
-	FT8936-1		0	SEALANT - 2 CC LOCTITE RETAINING COMPOUND #75
-	FT2962-1		0	SEALANT - 50 CC LOCTITE H, NON-HARDENING GRADE
-	FT2963-2		0	SEALANT - 2 OZ. LOCTITE D, HARDENING GRADE
-	FT8935		0	SEALANT PRIMER - 6 OZ.

# ACCESSORIES

REF. NO.	PART NO.	SYM.	QTY.	DESCRIPTION
-	F5H013		0	FLUSHING ADAPTER PERMITS FRESH WATER FLUSHING OF WATER PASSAGES WITH STANDARD GARDEN HOSE.
-	F5H062		0	WATER PUMP KIT HEAVY DUTY WATER PUMP RECOMMENDED FOR CONTINUED OPERATION IN SANDY OR SALT WATER.
-	F5H088		0	REMOTE CONTROL CONVERSION KIT PERMITS REMOTE CONTROL OF THROTTLE AND GEAR SHIFT FROM FRONT OF BOAT.
-	F5H130		0	SYNCHRO-DRIVE CONTROL BOX (SINGLE LEVER) PERMITS REMOTE CONTROL OF THROTTLE AND GEAR SHIFT FROM STARBOARD SIDE OF BOAT.
-	F5H142		0	SAILBOAT REMOTE CONTROL PROVIDE RECESSED PANEL INSTALLATION.
-	F5H131		0	PORT SIDE DECAL KIT CONVERTS 5H130 CONTROL BOX TO PORT SIDE MOUNTING.
-	F195/___		0	REMOTE CONTROL CABLES CONNECTS REMOTE CONTROL BOX TO THROTTLE AND GEAR SHIFT ON MOTOR. AVAILABLE IN 6 THROUGH 40 FOOT LENGTHS.
-	F5H026		0	STEEL, 6 GALLON FUEL TANK AUXILLIARY TANK.
-	F5H040		0	STEEL, 12 GALLON FUEL TANK W/HOSE AUXILLIARY TANK.
-	F5H090		0	REMOTE START KIT PERMITS STARTING OF ENGINE FROM FRONT OF BOAT.
-	F5H134		0	BOAT WHITE LACQUER ENGINE TOUCH-UP PAINT IN 12 3/4 OZ. SPRAY BOMBS (12 CANS PER CASE).
-	F5H029		0	FUEL TANK ANCHOR RETAINS TOTE TANK ON BOAT FLOOR.
-	F596		0	CHRYSLER OUTBOARD OIL SEE BLOCK COMMENT 1.
-	F597		0	CHRYSLER OUTBOARD GEAR LUBE SEE BLOCK COMMENT 2.
-	F5H059		0	CHRYSLER OUTBOARD MULTI-PURPOSE GREASE LUBRICATES BEARINGS AND OTHER MOVING PARTS. AVAILABLE IN 8 OZ. TUBES AND 12 TUBE CASES.
-	F5H060		0	CHRYSLER OUTBOARD GREASE GUN USED WITH CHRYSLER OUTBOARD MULTI-PURPOSE GREASE TUBES FOR PRESSURE FITTINGS.
-	F5H021		0	BATTERY EXTENSION CABLE - 6-1/2 FT. EXTENDS LENGTH OF BATTERY CABLE.
-	F71H26		0	BATTERY TERMINAL KIT

# PARTS INDEX

Part Number	Description	Pg.	Ref. No.	Part Number	Description	Pg.	Ref. No.
817751A3	STEERING HANDLE BRACKET	23	9	F1335	FILL HD SCREW, 5/16 - 18 X 1-1/4	21	39
817758A1	BRACKET, COVER LATCH.	5	47	F1337	HEX NUT, 6 - 32	11	5
817761A2	CLAMP SCREW	23	34	F1339	HEX NUT, 10 - 24	21	60
817796A2	GEAR SHIFT ARM	29	28	F1341	HEX NUT 1/4 - 20 (95H3J, 95B3J)	5	39
817892--1	PLATE, IGNITION CANADA (95H3J, 95B3J)	13	-	F1341	HEX NUT, 1/4 - 20	23	45
817971A3	LEVER, MAGNETO CONTROL ASSEMBLY	21	33	F1346	HEX NUT, S.S., 3/8 - 16	29	21
89396A38	PRIME BULB	33	6	F141118	SEAL, CRANKSHAFT LOWER	21	41
F10058	BOWL, FUEL	15	15	F141118	SEAL, PROPELLER SHAFT	31	44
F10060	VALVE, THROTTLE	15	23	F141305	SEAL, PROPELLER SHAFT BEARING CAGE	31	45
F10063	FLOAT ASSY.	15	17	F1437	FILL HD SCREW, 1/4 - 20 X 1/2	11	27
F10064	SHAFT, FLOAT	15	19	F1437	FILL HD SCREW, 1/4 - 20 X 1/2	13	68
F10066	GASKET, VALVE SEAT	15	22	F1437	PAN HD M. SC. 1/4 - 20 X 1/2 (CLAMP TO BRACKET)	5	54
F10068	GASKET, BOWL	15	16	F1473	HEX NUT 10 - 24 (95H3J, 95B3J)	5	44
F10069	GASKET SET	15	11	F1490	HEX NUT, 1/4 - 20	15	34
F10071	SCREW, CHOKE AND THROTTLE VALVE	15	24	F1493	PAN HD M. SC. 1/4 - 20 X 5/8 (95H3J, 95B3J)	5	53
F10072	SPRING, CHOKE STOP	15	27	F15127	CAP ASSEMBLY, COMMUTATOR END.	9	10
F10073	SPRING, IDLE NEEDLE	15	30	F15129	NUT W/LOCKWASHER	9	15
F10075	SPRING, THROTTLE RETURN	15	25	F1513	HEX NUT 10 - 32 (95H3J, 95B3J)	21	31
F10077	NEEDLE, IDLE	15	29	F1513	HEX NUT, 10 - 32	11	9
F10084	SPRING, FLOAT SUPPORT	15	18	F15130	NUT	9	16
F10088	NOZZLE	15	32	F15132	WASHER, FIBER	9	18
F10090	GASKET, BOWL RETAINER	15	14	F15133	WASHER	9	17
F10101	KIT, VALVE SEAT ASSEMBLY	15	21	F15133	WASHER	9	17
F10110	SHAFT ASSY., THROTTLE	15	26	F15134	ARMATURE	9	8
F10111	SHAFT ASSY., CHOKE	15	28	F15135	CAP ASSEMBLY, DRIVE END	9	5
F10112	VALVE, CHOKE	15	31	F15136	HOUSING ASSEMBLY	9	9
F10115	KIT, PLUG (NOT SHOWN)	15	-	F15137	WASHER	9	6
F10125	JET ASSY., MAIN FUEL (.046)	15	13	F15138	SPRING, BRUSH	9	12
F1014	COTTER PIN (CHOKE ARM SWIVEL TO CARB) (95H3J, 95B3J)	17	45	F15139	PINION ASSEMBLY	9	4
F1027	COTTER PIN	31	50	F15140	SPRING	9	3
F1059	FILL HD M. SC., 6 - 32 X 1/4 (95H3J, 95B3J)	17	42	F15141	PINION STOP	9	2
F1069	FILL HD SCREW, 10 - 24 X 1/16	7	14	F15143	DISC	9	11
F1075	FILL HD SCREW, 10 - 24 X 1/2	11	21	F15144	SCREW, THRU BOLT	9	14
F1087	FILL HD SCREW, 10 - 24 X 7/8	11	29	F15145	GASKET	9	7
F1090	FILL HD SCREW W/SPRING LOCKWASHER, 10 - 24 X 9/16	11	25	F15146	WASHER	9	13
F1107	FILL HD SCREW, 1/4 - 20 X 3/4	21	38	F1515	HEX NUT 5/16 - 18 (95H3J, 95B3J)	11	10
F1111	FILL HD SCREW, 1/4 - 20 X 7/8	21	57	F1556	FILL HD M. SCREW W/SPRING LOCKWASHER, 10 - 24 X 3/8	13	50
F1280	PAN HD SCREW, 8 - 32 X 1/4 (95H3J, 95B3J)	13	54	F1556	FILL HD M. SCREW W/SPRING LOCKWASHER, 10 - 24 X 3/8	13	66
F1286	PAN HD SCREW, 4 - 40 X 3/16	7	5	F1577	FILL HD SCREW, 1/4 - 20 X 3/4	7	3
F1303	SLOTTED PAN HD M. SCREW, 8/32 X 3/4	11	37	F1577	FILL HD SCREW, 1/4 - 20 X 3/4	11	40
				F1608	SQUARE NUT 1/4 - 20 (95H3J, 95B3J)	5	57
				F1608	SQUARE NUT, 1/4 - 20	25	73

# PARTS INDEX

Part Number	Description	Pg.	Ref. No.	Part Number	Description	Pg.	Ref. No.
F1645	RD HD THREAD CUTTING SCREW, 6 - 32 X 1/4	13	60	F1829	FILL HD SCREW, 10 - 24 X 7/8 (91H3C, 91B3C)	23	20
F1646	HEX SOCKET HD CAP SCREW, 3/8 - 16 X 2 1/4	13	41	F183813	BEARING, MAGNETO CONTROL LEVER	21	34
F1648	PAN HD SCREW, 10 - 24 X 3/4	11	17	F184033-1	SWIVEL, CHOKE ARM (95H3J, 95B3J)	15	40
F1648	SLOTTED PAN HD M. SC. 10 - 24 X 3/4 (95H3J, 95B3J)	5	56	F1845	TY-RAP	13	47
F1653	RAISED COUNTERSUNK PHILLIPS HEAD	35	4	F184579	SEAL, CHOKE ARM SWIVEL (95H3J, 95B3J)	15	39
F1666	BOWED SPRING WASHER	23	27	F1859	HEX SOCKET HEADLESS SET SCREW (91H3C, 91B3C)	23	3
F17014	THROTTLE ARM	35	8	F1859	HEX SOCKET HEADLESS SET SCREW, 1/4 - 28 X 3/16	19	-
F17016	CABLE TERMINAL	35	10	F1887	HEX SLOTTED HD SCREW, 1/4 - 20 X 3-3/16	27	106
F17019	CLUTCH ARM	35	13	F18906	CARBURETOR GASKET	19	-
F17030-1	SET SCREW 5/16 - 18 X 5/16	35	19	F18906	GASKET, CARBURETOR	15	8
F17035	GEAR ASSEMBLY	35	5	F1892	STOP NUT	9	1
F17036	INTERNAL TOOTH LOCKWASHER	35	11	F1922	HEX HD SCREW, 1/4 - 20 X 5/8	19	8
F17037	ANCHOR BRACKET ASSY	35	15	F1922	HEX WASHER HD M SC., 1/4 - 20 X 5/8	25	91
F17038	HANGER PLATE	35	16	F1934	FLAT HD SLOTTED SCREW (95H3J, 95B3J)	13	58
F17039	CLUTCH KNOB	35	18	F195/_	REMOTE CONTROL CABLES	41	-
F1704	INTERNAL TOOTH LOCKWASHER	11	4	F1971	HEX CAP SC. 1/4 - 20 X 2-1/8 (95H3J, 95B3J)	3	33
F17081	KNOB (BLACK)	35	1	F197319	BEARING, CHOKE ROD	3	12
F17150	LEVER	35	2	F1975	SPRING LOCKWASHER	11	2
F17151	HUB	35	3	F1976	SOCKET HD SCREW W/WASHER, 10 - 24 X 1/2	29	11
F17152	SPRING CLIP	35	21	F197767-1	BUSHING, FUEL LINE	3	36
F1733	PAN HD M.S. 10 - 24 X 9/16 (95H3J, 95B3J)	5	43	F197787-3	FUEL LINE COUPLER	33	3
F1733	PAN HD SCREW, 10 - 24 X 9/16	31	54	F1978	SPRING PIN (91H3C, 91B3C)	23	6
F174017	PIN, PISTON	19	18	F197813	BEARING	25	79
F1741	WOOD SCREW #8 X 3/4	35	27	F197813	BEARING (91H3C, 91B3C)	23	14
F1753	FASTENER	3	3	F197813	BEARING, INTERLOCK LEVER	21	62
F1755	RD HD SCREW W/LOCKWASHER, 6 - 32 X 16	15	1	F197813	BEARING, STEERING HANDLE STOP (91H3C, 91B3C)	25	85
F17815	SEAL, FUEL LINE COUPLER	33	2	F1979	PAN HD SCREW 10 - 24 X 1/2	35	26
F17816	SEAL, FUEL LINE COUPLER	33	1	F1979	SCREW PAN HD., 10 - 24 X 1/2	3	23
F17817	SEAL	33	11	F1994	HEX SOCKET HD CAP SCREW, 5/16 - 18 X 1	31	46
F1794	SPRING PIN	25	65	F1997	LOCK NUT, 8 - 32	17	41
F1794	SPRING PIN	25	80	F2008	HEX CAP SCREW, 1/4 - 20 X 7/8	13	45
F1799	TRUSS HD SCREW, 5/16 - 18 X 5/8 (91H3C, 91B3C)	23	8	F2008	HEX HD SCREW, 1/4 - 20 X 7/8	15	10
F1803	STOP NUT, 5/16 - 24	21	29	F2008	HEX HD SCREW, 1/4 - 20 X 7/8	19	24
F1804	NUT, STOP, 10 - 24	3	17	F2012	PLAIN WASHER	27	108
F1805	SPRING PIN	25	89	F2012	PLAIN WASHER (95H3J, 95B3J)	3	37
F1806	GROOVE PIN	25	59	F2014	PLAIN WASHER	23	23
F1807	GROOVE PIN (91H3C, 91B3C)	25	88				
F1809	HEX NUT	11	33				
F18160-2	REED, FUEL PUMP	7	7				
F1820	FILL HD SCREW, 1/4 - 20 X 1-3/8	21	35				
F1820	FILL HD SCREW, 1/4 - 20 X 1-3/8	25	76				
F1823	HEX CAP SCREW, 5/16 - 18 X 1	19	15				
F1829	FILL HD M. SCREW, 10 - 24 X 7/8	11	1				

# PARTS INDEX

Part Number	Description	Pg.	Ref. No.	Part Number	Description	Pg.	Ref. No.
F2014	PLAIN WASHER . . . . .	31	58	F286080	SCREW, STEERING HANDLE PIVOT (91H3C, 91B3C) . .	25	87
F2030	HEX HD SCREW, 1/4 - 20 X 1/4 . . . . .	29	3	F286114	LOCK BAR HANDLE . . . . .	23	43
F2030	SCREW . . . . .	31	-	F286134	STUD, GEAR SHIFT LEVER	3	16
F2040	TAPTITE HEX WASHER HD M. SC. 1/4 - 20 X 5/8 . . . . .	5	58	F286151	PLATE, EXHAUST . . . . .	21	27
F2040	TAPTITE HEX WASHER HD SCREW, 1/4 - 20 X 5/8 . . . . .	19	23	F286152	COVER, EXHAUST . . . . .	19	25
F2050	HEX CAP SC. 1/4 - 20 X 1-1/2 (95H3J, 95B3J) . . . . .	11	11	F286154	GASKET EXHAUST COVER	19	-
F2052	SHIM PROPELLER SHAFT BEARING .005 (SILVER) . . . . .	31	42	F286154	GASKET, EXHAUST COVER	19	26
F2053	SHIM PROPELLER SHAFT BEARING .006 (RED) . . . . .	31	-	F286159-1	GASKET, REED PLATE . . . . .	15	5
F2054	SHIM PROPELLER SHAFT BEARING .008 (BLACK) . . . . .	31	-	F286159-1	GASKET, REED PLATE . . . . .	19	-
F2055	SPACER, BEVEL GEAR FRONT .059 . . . . .	29	-	F286169	BEARING, SWIVEL BRACKET . . . . .	25	53
F2056	SPACER, BEVEL GEAR FRONT .062 . . . . .	29	-	F286169	BEARING, SWIVEL BRACKET . . . . .	25	78
F2057	SPACER, BEVEL GEAR FRONT .065 . . . . .	29	-	F286220	WASHER, STEERING HANDLE (91H3C, 91B3C) . .	23	15
F2058	SPACER, BEVEL GEAR FRONT .068 . . . . .	29	-	F286223	GASKET, TRANSFER PORT COVER . . . . .	19	-
F2059	SPACER, BEVEL GEAR FRONT .071 . . . . .	29	-	F286223	GASKET, TRANSFER PORT COVER . . . . .	19	7
F2060	SPACER, BEVEL GEAR FRONT .074 . . . . .	29	-	F286224	INSERT, STEERING HANDLE PIVOT (91H3C, 91B3C) . .	23	13
F2061	SPACER, BEVEL GEAR FRONT .077 . . . . .	29	-	F286244	WATER LINE . . . . .	25	48
F2062	SPACER, BEVEL GEAR FRONT .080 . . . . .	29	-	F286277	GASKET, CRANKSHAFT BEARING CAGE . . . . .	19	-
F2063	SPACER, BEVEL GEAR FRONT .083 . . . . .	31	-	F286277	GASKET, CRANKSHAFT BEARING CAGE . . . . .	21	54
F2064	SPACER, BEVEL GEAR FRONT .086 . . . . .	31	-	F286279-2	GASKET, CYLINDER MOUNTING . . . . .	19	-
F2087	SPACER, BEVEL GEAR FRONT .056 . . . . .	29	34	F286279-2	GASKET, CYLINDER MOUNTING . . . . .	21	28
F2097	SPRING PIN, CLUTCH . . . . .	31	36	F286282	WASHER . . . . .	21	30
F213274	GREASE FITTING (91H3C, 91B3C USES 1 ONLY) . . . . .	25	54	F286286-1	WASHER, STERN BRACKET	25	64
F215795	STEERING HANDLE DAMPENER (91H3C, 91B3C) . . . . .	27	112	F286300	SPRING, REVERSE LOCK . .	25	55
F24074	CLAMP SCREW FOOT . . . . .	23	38	F286346	SHOCK MOUNT LOWER . . .	25	50
F24748-2	GASKET, FUEL PUMP . . . . .	7	9	F286364	LEVER, REVERSE LOCK . . .	25	71
F269316	SHAFT, ROLLER . . . . .	5	45	F286414	SPRING, LEG WATER BRACKET . . . . .	25	82
F2706772	HOSE CLAMP . . . . .	7	12	F286422-1	TILT LOCK PIVOT . . . . .	23	26
F2752253	HOSE, FUEL PUMP TO BUSHING (95H3J, 95B3J) . . . . .	7	15	F286422-1	TILT LOCK PIVOT . . . . .	25	51
F2788004	STUD, CARBURETOR . . . . .	15	9	F286433	BRACKET SHALLOW WATER DRIVE . . . . .	25	58
F28004	STUD, INTERLOCK LEVER . . . . .	19	12	F286440	STUD, MAGNETO CONTROL LEVER . . . . .	21	40
F286011	WASHER, SWIVEL BRACKET . . . . .	27	97	F286445	LINK, MAGNETO SHAFT (91H3C, 91B3C) . . . . .	21	65
F286015-3	PISTON . . . . .	19	19	F286451	SPACER, TILT LOCK . . . . .	23	29
F286019	KING PIN . . . . .	23	44	F286451	SPACER, TILT LOCK . . . . .	25	52
F286028	BEARING, CRANKSHAFT UPPER MAIN . . . . .	21	50	F286461	SPRING, LOCK BAR HANDLE . . . . .	23	42
F286037	STERN BRACKET PIVOT BOLT . . . . .	23	24	F286472	GASKET, CYLINDER DRAIN COVER . . . . .	19	-
				F286490	STEERING HANDLE STOP (91H3C, 91B3C) . . . . .	25	86
				F286509	LINK, THROTTLE CAM . . . . .	21	37
				F286529-3	GASKET, CYLINDER HEAD . .	19	-
				F286529-3	GASKET, CYLINDER HEAD . .	19	4
				F286539	BUMPER . . . . .	25	93
				F286544-1	SPRING, TILT STOP . . . . .	23	30
				F286547	KNOB, CHOKE . . . . .	3	11

# PARTS INDEX

Part Number	Description	Pg.	Ref. No.	Part Number	Description	Pg.	Ref. No.
F286571	ROLLER SET, MAIN BEARING (26 PER SET) ..	21	48	F40342	SEAL, PROPELLER NUT ...	31	51
F286573-1	CLAMP, STEERING HANDLE	25	74	F404446	CLAMP, CABLE (95H3J, 95B3J) .....	3	35
F286585-1	DECAL, TILT RELEASE .....	27	110	F404908	GROUND WIRE (91H3C, 91B3C USES STATOR TO CRANKCASE ONLY) .....	11	20
F286611-1	ROD, GEAR SHIFT .....	3	15	F40717	THRUST WASHER BEVEL GEAR .....	31	39
F286614	HANDLE, GEAR SHIFT .....	3	8	F409251-1	GAUGE CAP .....	33	10
F286615	GEAR SHIFT ROD, UPPER	29	2	F411420	RETAINER, SWITCH PLATE (95H3J, 95B3J) .....	13	57
F286647	CARRYING HANDLE .....	23	32	F412181-1	PLATE, IGNITION U.S.A. (95H3J, 95B3J) .....	13	59
F286685	CONNECTOR, GEAR SHIFT ROD .....	3	14	F424075	HANDLE, CLAMP SCREW ..	23	33
F286777	CAM, COVER LATCH .....	5	41	F424161	REED STOP .....	15	2
F286818	BEARING (91H3C, 91B3C) ..	23	12	F424168-1	GASKET, MANIFOLD .....	15	6
F286827	REVERSE LOCK RELEASE LEVER .....	25	66	F424168-1	GASKET, MANIFOLD .....	19	-
F286868	SPRING, STEERING HANDLE STOP (91H3C, 91B3C) .....	25	84	F429472	GASKET, CYLINDER DRAIN COVER .....	19	-
F286871	PIN, GEAR SHIFT LEVER ..	3	30	F429472	GASKET, CYLINDER DRAIN COVER .....	19	11
F286876	LEVER, GEAR SHIFT .....	3	28	F429541	TILT LOCK .....	23	28
F286914	SLEEVE WATER LINE .....	25	49	F429688	SHAFT, STEERING HANDLE (91H3C, 91B3C) .....	23	10
F286956	BRACKET, SHOCK MOUNT LOWER .....	25	46	F429811	SCREEN .....	19	9
F286989-2	SEAL, SUPPORT PLATE ...	3	34	F430732	HEX HD SCREW, 5/16 - 18 X 1/4 .....	29	15
F298788	FERRULE .....	33	4	F431838	MAGNETO CONTROL SHAFT (91H3C, 91B3C) .....	27	94
F2A24757	FUEL PUMP REED PLATE ..	7	8	F435555	SEAL, GEAR HOUSING, LOWER .....	29	23
F2A424167	MANIFOLD .....	15	7	F436065-2	IMPELLER .....	31	-
F2A474298	PROPELLER SHAFT BEARING CAGE .....	31	47	F436065-2	WATER PUMP IMPELLER ..	29	9
F2A477133	MOTOR LEG .....	25	77	F436280	NUT, SHORTING SWITCH ..	13	64
F2A516023	BEVEL GEAR FORWARD W/BEARING .....	29	33	F455118	SEAL, FUEL PUMP BRACKET .....	7	1
F2A516266	PINION SHAFT W/BEARING	29	27	F458250	BEARING CUP .....	29	32
F2C617712	COVER, ENGINE COMPLETE. ....	3	-	F458498	KEY, FLYWHEEL .....	11	22
F307317-1	CLIP, TERMINAL BLOCK GROUND .....	11	16	F458677	INSERT, CHOKE KNOB ....	3	10
F307818	BEARING .....	3	27	F458695	SLEEVE (91H3C, 91B3C) ...	27	99
F307818	BEARING .....	27	95	F461342	SEAL, DRIVESHAFT SPLINE	21	43
F31160-1	REED .....	15	3	F474143	BEARING, BEVEL GEAR REAR .....	31	41
F31410	RETAINING RING, PISTON PIN .....	19	17	F474225	BEARING, PROPELLER SHAFT REVERSE THRUST	31	43
F321908	WIRE, GROUND STARTER RELAY (95H3J, 95B3J) ...	11	14	F485755-1	FUEL TANK ADAPTER ....	33	8
F333316	SHAFT, THROTTLE CAM ROLLER .....	15	38	F487660-1	EXHAUST TUBE .....	19	22
F338618-1	SEAL, SHIFT ROD LOWER ..	29	20	F487816	BEARING, STEERING HANDLE (91H3C, 91B3C) ..	23	18
F341562	PLATE, WATER PUMP BACK	31	-	F492417	SHAFT, GEAR SHIFT HANDLE .....	3	18
F341562	WATER PUMP BACK PLATE	29	10	F492518	HEAD, CYLINDER .....	19	3
F341693	WEDGE, STEERING HANDLE (91H3C, 91B3C) .....	23	17	F492619	LEVER, GEAR SHIFT SHAFT	3	13
F343014	BEARING, CRANKSHAFT LOWER MAIN .....	21	42	F493683	WIRE, CIRCUIT BREAKER TO STARTER INTERLOCK SWITCH .....	13	51
F343128	DRIVESHAFT .....	29	7	F498618	SEAL "O" RING .....	29	30
F343226-1	PLUG .....	3	7	F498891	GEAR SHIFT ARM PIN ....	29	29
F346146	SEAL, CRANKSHAFT UPPER	21	56	F50109	GEAR HOUSING PLUG ....	29	18
F36634	SCREW, CONNECTING ROD	21	51	F510029	STATOR, TRIGGER .....	11	24
F392756	PACKING, SUPPORT PLATE	3	31				
F40008	STUD .....	29	26				
F40253-1	HOSE, FUEL PUMP TO BUSHING (91H3C, 91B3C)	7	-				

# PARTS INDEX

Part Number	Description	Pg.	Ref. No.	Part Number	Description	Pg.	Ref. No.
F510095	STATOR, ALTERNATOR . . .	11	28	F517917	RELAY STARTER (95H3J, 95B3J) . . . . .	11	8
F510097	FLYWHEEL . . . . .	11	30	F517924	CHOKE SOLENOID (95H3J, 95B3J) . . . . .	13	42
F510165	SCREW . . . . .	19	5	F517977-1	LEVER, INTERLOCK . . . . .	21	63
F510222	COVER, TRANSFER PORT .	19	6	F525286	WASHER . . . . .	27	96
F510301	C-D MODULE . . . . .	13	43	F536813	BEARING, REVERSE LOCK INTERMEDIATE LEVER . .	27	111
F510374	DECAL, CIRCUIT BREAKER	11	34	F53795-1	SEAL, STEERING HANDLE GRIP DAMPENER (91H3C, 91B3C) . . . . .	23	22
F510398	DECAL, WIRING . . . . .	11	6	F539843	CABLE ELECTRIC REMOTE EXTENSION (95H3J, 95B3J) . . . . .	13	53
F510427	BRACKET, STARTER SUPPORT . . . . .	7	2	F539896	CABLE, BATTERY EXTENSION . . . . .	11	19
F510446	CLAMP, BATTERY CABLE . .	11	26	F540038	PLATE, SUPPORT (95H3J, 95B3J) . . . . .	3	32
F510449	NEUTRAL INTERLOCK SWITCH . . . . .	13	49	F540683	WIRE STARTER TO STARTER RELAY (95H3J, 95B3J) . . . . .	11	13
F510450-1	RECTIFIER . . . . .	11	38	F540843	CABLE, ELECTRIC REMOTE (95H3J, 95B3J) . . . . .	13	52
F510460	CIRCUIT BREAKER . . . . .	11	35	F540896	BATTERY CABLE . . . . .	11	18
F510475	IGNITION COIL . . . . .	11	3	F540908	WIRE, GROUND RECTIFIER TO TERM. & LOCK (95H3J, 95B3J) . . . . .	13	61
F510531	ROD, INTERLOCK . . . . .	21	61	F565181	PANEL, CONTROL MOUNTING . . . . .	35	28
F510540	BRACKET, STARTER SWITCH . . . . .	13	69	F596	CHRYSLER OUTBOARD OIL	41	-
F510551-1	BRACKET, INTERLOCK SWITCH (95H3J, 95B3J) .	21	52	F597	CHRYSLER OUTBOARD GEAR LUBE . . . . .	41	-
F510595	INSULATOR, CIRCUIT BREAKER . . . . .	11	36	F5H013	FLUSHING ADAPTER . . . . .	41	-
F510661	PAD, STARTER MOTOR . . .	5	49	F5H021	BATTERY EXTENSION CABLE - 6-1/2 FT. . . . .	41	-
F510669	NUT . . . . .	13	48	F5H026	FUEL TANK (ACCESSORY ITEM) . . . . .	33	9
F510669	NUT, INTERLOCK SWITCH AND STARTER SWITCH .	13	70	F5H026	STEEL, 6 GALLON FUEL TANK . . . . .	41	-
F510675-1	STARTER SUPPORT . . . . .	11	39	F5H029	FUEL TANK ANCHOR . . . . .	41	-
F510683	WIRE, RECTIFIER - CIRCUIT BREAKER . . . . .	11	31	F5H040	STEEL, 12 GALLON FUEL TANK W/HOSE . . . . .	41	-
F510746	FUEL PUMP COVER . . . . .	7	10	F5H059	CHRYSLER OUTBOARD MULTI-PURPOSE GREASE	41	-
F510811	FILTER, FUEL PUMP . . . . .	7	16	F5H060	CHRYSLER OUTBOARD GREASE GUN . . . . .	41	-
F510841	WIRE, STARTER INTERLOCK SWITCH . . . . .	13	62	F5H062	WATER PUMP KIT . . . . .	41	-
F510908	WIRE, GROUND . . . . .	13	63	F5H078	IGNITION SWITCH (ACCESSORY ITEM) . . . . .	13	55
F510918	STARTER SWITCH . . . . .	13	67	F5H088	REMOTE CONTROL CONVERSION KIT . . . . .	41	-
F510955	STARTER MOTOR - COMPLETE. . . . .	9	-	F5H090	REMOTE START KIT . . . . .	41	-
F516349	REVERSE LOCK . . . . .	25	56	F5H130	SYNCHRO-DRIVE CONTROL BOX (SINGLE LEVER) . . .	41	-
F516451	SPACER, STEERING HANDLE BRACKET (95H3J, 95B3J) . . . . .	27	114	F5H131	PORT SIDE DECAL KIT . . . . .	41	-
F516552	SCREW, STEERING LOCK BRACKET (91H3C, 91B3C)	27	105	F5H134	BOAT WHITE LACQUER . . .	41	-
F516662	GEAR, BEVEL, REAR . . . . .	31	40	F5H142	SAILBOAT REMOTE CONTROL . . . . .	41	-
F516677	SPACER, REVERSE LOCK .	27	102	F610711	PLATE, ENGINE COVER . . .	3	4
F516697	NUT, STEERING LOCK BRACKET . . . . .	27	104				
F516704-1	COUPLING SHIFT ROD . . . .	29	12				
F516705	GEAR SHIFT ROD, LOWER .	29	14				
F517078	BRACKET, LOCK STEERING	27	103				
F517125	COUPLING, DRIVESHAFT . .	29	24				
F517273	TIE BAR . . . . .	27	101				
F517347	SHOCK MOUNT UPPER . . .	25	83				
F517400	DECAL, SHIFT - USA . . . . .	3	19				
F517552	SCREW, STEERING HANDLE BRACKET (95H3J, 95B3J)	27	113				
F517683	WIRE, STARTER INT. SW. TO STARTER RELAY (95H3J, 95B3J) . . . . .	13	46				



# PARTS INDEX

Part Number	Description	Pg.	Ref. No.	Part Number	Description	Pg.	Ref. No.
F617192	THROTTLE CAM	11	23	F85610	BEARING (91H3C, 91B3C)	23	2
F617317	CLAMP, CHOKE SOLENOID (95H3J, 95B3J)	5	52	F85735-1	SEAL	3	2
F617503	ROD, CHOKE	3	20	F901307-2	SEAL	29	4
F617958	BRACKET, CHOKE SOLENOID (95H3J, 95B3J)	5	51	F901307-2	SEAL, WATER LINE UPPER	25	81
F66480	STUD CLAMP SCREW	23	37	F901456-1	EMERGENCY STARTER COLLAR	11	32
F7004	NUT, STOP, 3/8 - 16	31	57	F901563	DRIVE PIN	31	-
F7006	NUT, STOP, 5/16 - 18	5	42	F901563	WATER PUMP IMPELLER DRIVE PIN	29	8
F7008	STOP NUT, 1/4 - 20	21	64	F901938-1	SCREW, CYLINDER HEAD	19	1
F7009	STOP NUT 10 - 24	35	24	F90619-1	YOKE	29	25
F7011	NUT, ELASTIC STOP, 10 - 24	3	24	F9066	PLUG	35	23
F7023	CONE LOCK NUT, 1/4 - 20 (CLAMP TO BRACKET) (95H3J, 95B3J)	5	55	F90871-3	GEAR SHIFT ARM PIN	31	37
F7024	LOCK NUT	27	107	F92759	ROLLER	5	46
F7025	LOCK NUT, 3/8 - 16	27	115	F92759	ROLLER, THROTTLE CAM	15	37
F7026	STOP NUT, 3/8 - 16	23	39	F94840	GROMMET, BATTERY CABLE	5	48
F71H26	BATTERY TERMINAL KIT	41	-	F98273	STUD, GEAR SHIFT ROD CONNECTOR	3	25
F73082	RING, MAGNETO STATOR	21	53	F98273	STUD, REMOTE THROTTLE CONNECTOR	21	36
F8003	PLAIN WASHER	7	6	F99521-1	CLUTCH	31	35
F8011	PLAIN WASHER	35	25	FA174260	PISTON RING SET (2 PER SET)	19	20
F8011	PLAIN WASHER (95H3J, 95B3J)	5	40	FA1844	HEX BOLT, 1/4 - 20 X 2-3/8	25	47
F8025	PLAIN WASHER (91H3C, 91B3C)	19	-	FA286155	MAIN BEARING LINER SET (2 PER SET)	21	47
F8025	PLAIN WASHER (95H3J, 95B3J)	19	2	FA286469	KNOB, COVER LATCH	5	38
F8058	INTERNAL TOOTH LOCK WASHER	21	32	FA286582	STEERING ARM	25	90
F8058	INTERNAL TOOTH LOCKWASHER (91H3C, 91B3C)	23	19	FA341510	LINK, REVERSE LOCK LEVER	25	60
F8058	LOCKWASHER, INTERNAL TOOTH	3	26	FA343178	RETAINER	23	4
F8060	EXTERNAL TOOTH LOCKWASHER	25	92	FA343612	BRACKET, REMOTE CONTROL W/CLIP (95H3J- 95B3J)	3	21
F8065	LOCKWASHER	29	22	FA36016-4	ROD, CONNECTING	21	46
F8077	NYLTITE WASHER	29	17	FA368700	IGNITION - NO LETTER OR STAMPED A (95H3J, 95B3J)	13	56
F8083	SPRING LOCKWASHER	13	44	FA387742	LEVER, REVERSE LOCK INTERMEDIATE ASSEMBLY	25	69
F8083	SPRING LOCKWASHER	25	47A	FA424158	REED PLATE	15	4
F8088	PLAIN WASHER (CHOKE ARM SWIVEL) (95H3J, 95B3J)	17	44	FA429471	COVER, CYLINDER DRAIN	19	10
F8096	SPRING LOCKWASHER (95H3J, 95B3J)	11	12	FA456137	GRIP, STEERING HANDLE	23	1
F8123	PLAIN WASHER (THROTTLE ROLLER SHAFT)	17	43	FA474098	PROPELLER SHAFT	31	38
F84026	SWIVEL, INTERLOCK ROD BEARING	21	59	FA487885	RETAINER, DETENT SPRING ASSEMBLY	29	19
F84035-2	BEARING, INTERLOCK ROD	21	58	FA504060	BODY, WATER PUMP	31	-
F8537	SPRING PIN	23	36	FA504060	WATER PUMP BODY	29	6
F8538	SPRING PIN	25	70	FA510010	CYLINDER W/CRANKCASE COVER	19	14
F8538	SPRING PIN	27	98	FA510038	PLATE, SUPPORT	3	-
F8540	SPRING PIN	23	41	FA510497	TERMINAL BLOCK	11	15
F8540	SPRING PIN	29	13	FA510711	PLATE, FRONT - USA	3	9
F8542	SPRING PIN	3	29	FA510914	SEAL, INLET WATER LINE	29	5
F8548	SPRING PIN (91H3C, 91B3C)	27	100	FA516054	GEAR HOUSING LOWER	29	31
F8554	SPRING PIN	23	35	FA516485	ANTICORROSION ANODE	31	53
F8559	DOWEL PIN	19	16	FA525228	ROLLER SET, CONNECTING ROD (16 PER SET)	21	44

# PARTS INDEX

Part Number	Description	Pg.	Ref. No.	Part Number	Description	Pg.	Ref. No.
FA525241	CRANKPIN ROLLER BEARING CAGE	21	45	FT2908	SEAL SLEEVE	37	-
FA540391	DECAL, SAILOR STARBOARD	5	-	FT2909	KNOCK-OFF NUT	36	-
FA540392	DECAL, SAILOR PORT	5	50	FT2938-1	TEST LIGHT	39	-
FA610480	RETAINER, ENGINE COVER.	3	22	FT2951	CIRCUIT TRACER	39	-
FA617113	LOCK BAR	23	40	FT2955A	TEST WHEEL	39	-
FA617396	DECAL, "CHRYSLER", STARBOARD	3	-	FT2961	LUBRICANT - RYKON GREASE #2EP	40	-
FA617397	DECAL, "CHRYSLER", PORT	3	6	FT2962-1	SEALANT - 50 CC LOCTITE H, NON-HARDENING GRADE	40	-
FA617892	DECAL, ENGINE COVER, FRONT	3	1	FT2963-2	SEALANT - 2 OZ. LOCTITE D, HARDENING GRADE	40	-
FA617925	ROD AND PLUNGER, CHOKE SOLENOID (95H3J, 95B3J)	15	36	FT2987-1	LUBRICANT - ANTI-SEIZE	40	-
FA621528	DECAL, ENGINE COVER REAR	5	59	FT2989	FLYWHEEL WEDGE	36	-
FA84754-1	FUEL LINE SHORT	33	5	FT2991	CARBON BRUSH	37	-
FA901753	HOSE, FUEL PUMP TO CARBURETOR	7	13	FT2997	RING COMPRESSOR	37	-
FA901754	HOSE, FUEL PUMP TO CARBURETOR	7	-	FT2998	TORQUE WRENCH (0-100 LBS/FT)	37	-
FA94094-2	PROPELLER NUT	31	49	FT2999	TORQUE WRENCH (0-600 LBS/IN)	37	-
FAC510711	PLATE, FRONT - CANADA	3	-	FT3012	SEAL INSTALLER	37	-
FB368700	IGNITION KEY STAMPED B (95H3J, 95B3J)	13	-	FT3431	SEAL INSTALLER	38	-
FC368700	IGNITION KEY STAMPED C (95H3J, 95B3J)	13	-	FT8900	HOSE CLAMP PLIERS	37	-
FC409398	DECAL, TOTE TANK - CANADA (NOT SHOWN)	33	-	FT8901	INDICATOR HOLDER	38	-
FC503227	SPARK PLUG (QL-77J4) CANADA	19	-	FT8902	DIAL INDICATOR	38	-
FC510374	DECAL, CIRCUIT BREAKER - CANADA	11	-	FT8904	FORWARD CUP INSTALLER	38	-
FC510398	DECAL, WIRING - CANADA	11	-	FT8907	DRIVER HANDLE	38	-
FC516054	GEAR HOUSING - COMPLETE (NOT SHOWN)	29	-	FT8918	BEARING GUIDE SET	38	-
FC517400	DECAL, SHIFT	3	-	FT8919	SPRING PIN PUNCH	38	-
FC520390	DECAL, STARTER - CANADA (NOT SHOWN)	9	-	FT8920	BEARING INSTALLER	38	-
FD368700	IGNITION KEY STAMPED D (95H3J, 95B3J)	13	-	FT8921	CUP REMOVER	38	-
FE368700	IGNITION KEY STAMPED E (95H3J, 95B3J)	13	-	FT8924-1	CHECKING GAUGE	38	-
FG1005-2	GASKET SET.	19	21	FT8926	RING EXPANDER	37	-
FK10114	REPAIR KIT	15	12	FT8929	ADAPTER AND HEX BIT	37	-
FK1031-1	WATER PUMP KIT.	31	56	FT8935	SEALANT PRIMER - 6 OZ.	40	-
FK1064	GEAR HOUSING SEAL KIT.	31	55	FT8936-1	SEALANT - 2 CC LOCTITE RETAINING COMPOUND #75	40	-
FK1123	SPARKIE W/SPRING	11	7	FT8948-1	PULLER	38	-
FK247	PROPELLER PIN (PACK OF 6)	31	52	FT8949	SEAL INSTALLER	37	-
FK436449	SHORTING SWITCH	13	65	FT8950	LEAKAGE TESTER	39	-
FK567532	STERN BRACKET	23	25	FT8953	C-D TESTER	39	-
FP278	PROPELLER (ACCESSORY ITEM)	31	48	FT8957	SEAL INSTALLER	38	-
FS409752	FUEL LINE COMPLETE. (NOT SHOWN)	33	-	FT8969	LUBRICANT - 7 OZ. LPSI LUBRICANT	40	-
FT1749	SNAP RING PLIER	37	-	FT8982	SHIM ADAPTER	38	-
FT2907	SEAL INSTALLER	38	-	FT8983	SEALANT RTV	40	-
				FT8985	SEAL INSTALLER	38	-
				FT8993	TORQUE WRENCH ADAPTER	37	-
				FT8995	SHIM SPACER	38	-
				FT8996	IGNITION TESTER	39	-
				OB1078	INSTALLATION INSTRUCTIONS (NOT SHOWN)	35	29
				OB3482	LITERATURE (NOT SHOWN)	35	22
				22-818103--1	FITTING, FUEL PUMP	7	11
				27-818043A1	FUEL PUMP DIAPHRAGM W/GASKETS	7	4
				32-817738A1	FUEL LINE, LONG W/CLAMP	33	7

# PARTS INDEX

Part Number	Description	Pg.	Ref. No.	Part Number	Description	Pg.	Ref. No.
33-82370M	PLUG, SPARK, L 82 . . . . .	19	13				
37-F286894-3	SPEED CONTROL INDICATOR (91H3C, 91B3C) . . . . .	27	109				
43-818009--1	GEAR, MAGNETO CONTROL SHAFT (91H3C, 91B3C) ..	23	7				
43-818009--1	GEAR, STEERING HANDLE SHAFT (91H3C, 91B3C) ..	23	5				
100-FS666712T	COVER, ENGINE . . . . .	3	5				
400-818047A3	CRANKSHAFT . . . . .	21	49				
800-817904A1	SHORT BLOCK (NOT SHOWN). . . . .	19	-				
1100-817753A1	CAGE, CRANKSHAFT BEARING . . . . .	21	55				
1400-817750A4	SWIVEL BRACKET . . . . .	25	75				
1600-817844A3	GEAR HOUSING UPPER W/4, 17, 18, 20, 53 AND BEARING . . . . .	29	16				