



PARTS CATALOG

85 H.P.

SERIAL NUMBER

85 H.P. (1983)856X3L

TABLE OF CONTENTS:

ACCESSORIES	41
CARBURETOR	10
CRANKSHAFT AND PISTON	22
ELECTRICAL COMPONENTS	4
ENGINE COVER AND SUPPORT PLATE	2
FUEL TANK AND LINE	34
GEAR HOUSING	28
MOTOR LEG	24
PARTS INDEX	44
POWERHEAD	16
SPECIAL TOOLS - GEAR HOUSING	38
SPECIAL TOOLS - LUBRICANTS AND SEALANTS	40
SPECIAL TOOLS - POWER HEAD	37
SPECIAL TOOLS - TEST EQUIPMENT	39
SPECIAL TOOLS - TUNE-UP	36
STARTER	8

NOTE: Indented description indicate that these parts are included in preceding assembly.

AR = As Required

NSS = Not Sold Separate

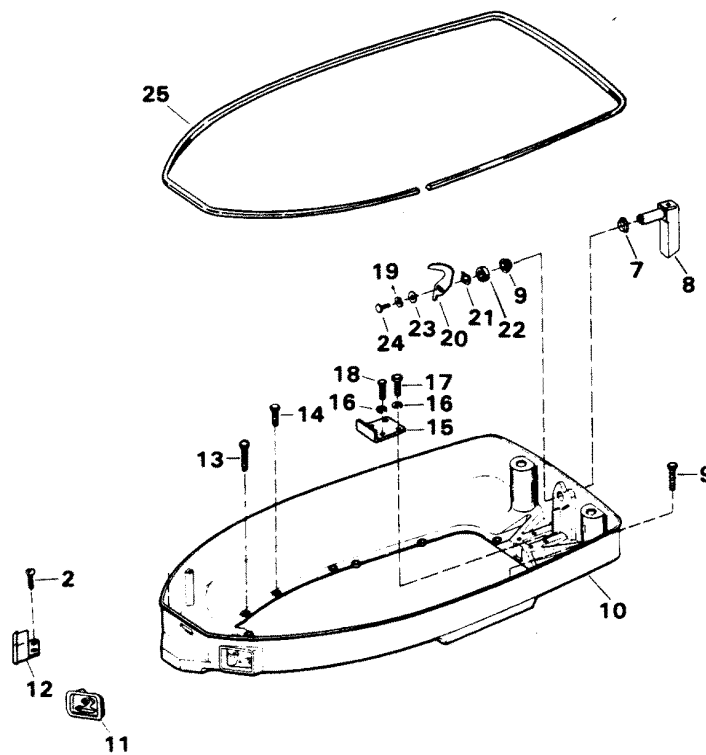
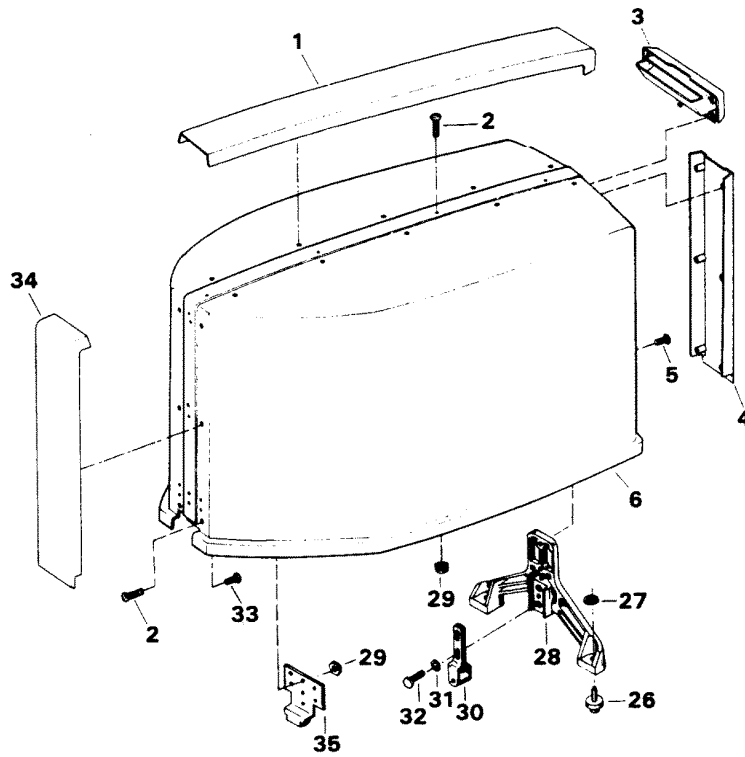
OPT = Optional

NS = Not Shown

THESE PARTS BOOKS/FICHE CARD ARE COPYRIGHTED AND MAY NOT BE DISTRIBUTED OR REPRODUCED IN ANY OTHER FORMAT BY ANYONE OTHER THAN MERCURY MARINE WITHOUT THE PRIOR WRITTEN CONSENT OF MERCURY MARINE.

THIS PAGE INTENTIONALLY LEFT BLANK

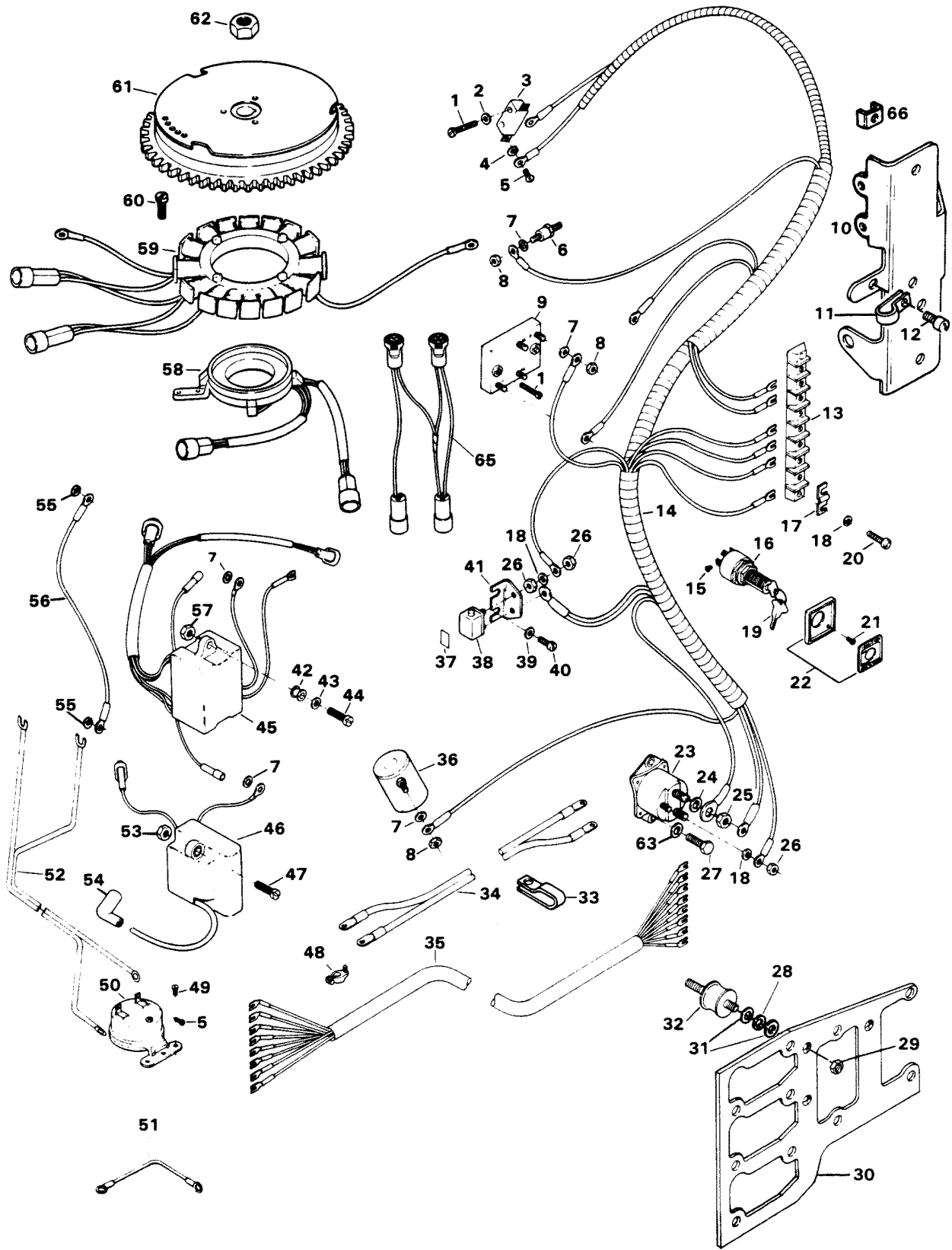
ENGINE COVER AND SUPPORT PLATE



ENGINE COVER AND SUPPORT PLATE

REF. NO.	PART NO.	SYM.	QTY.	DESCRIPTION
1	FA480179		1	TRIM, TOP W/LITERATURE
2	F1733		10	PAN HD SCREW, 10 - 24 X 9/16
3	FA480269		1	TILT HANDLE W/LITERATURE
4	FA548180		1	TRIM, REAR W/LITERATURE
5	F1730		3	PAN HD SCREW, W/SPRING LOCKWASHER, 1/4 - 20 X 5/8
-	F548984		1	BLANKET, SILENCER TOP (NOT SHOWN)
-	F548985		2	BLANKET, SILENCER SIDE (NOT SHOWN)
6	FA549944		1	ENGINE COVER W/ILLUS. 2, 29 AND 35
-	F3C854944		1	ENGINE COVER COMPLETE. INCLUDES ALL ITEMS MARKED WITH AN ASTERISK (*).
7	F480818		2	BEARING, LATCH SHAFT
8	FA481469		1	ENGINE COVER LATCH HANDLE W/SHAFT
9	F1864		6	HEX CAP SCREW, 1/4 - 20 X 3/4
10	F480038-2		1	SUPPORT PLATE
11	F549189		1	BUSHING, ELECTRIC CABLE
12	F545189		1	BUSHING, CABLE ENTRY
13	F1708		2	HEX HD CAP SCREW, 1/4 - 20 X 1-3/8
14	F1922		5	HEX SLOT HD SCREW, 1/4 - 20 X 5/8
15	F335654-1		1	DEFLECTION STOP
16	F8096		4	SPRING LOCKWASHER
17	F1857		2	HEX CAP SCREW, 5/16 - 18 X 5/8
18	F1858		2	HEX CAP SCREW, 5/16 - 18 X 1
19	F8083		1	SPRING LOCKWASHER
20	F481777		1	CAM, LATCH SHAFT
21	F2047		1	WAVE SPRING WASHER
22	F481382-1		1	SPACER, LATCH SHAFT
23	F8094		1	PLAIN WASHER
24	F1854		1	HEX CAP SCREW, 1/4 - 20 X 5/8
25	F321756		1	PACKING
26	F481434		2	GUIDE, ENGINE COVER
27	F2088		2	FASTENER
28	F481774		1	BRACKET, ENGINE COVER LATCH
29	F1473		7	HEX NUT, 10 - 24
30	FA481743		1	BRACKET, ROLLER LATCH W/ROLLER
31	F8096		2	SPRING LOCKWASHER
32	F1857		2	HEX CAP SCREW, 5/16 - 18 X 5/8
33	F2066		26	PAN HD TAPPING SCREW, 10 X 7/16
34	FA548888		1	TRIM, FRONT W/LITERATURE
35	F373778-1		1	RETAINER, ENGINE COVER

ELECTRICAL COMPONENTS

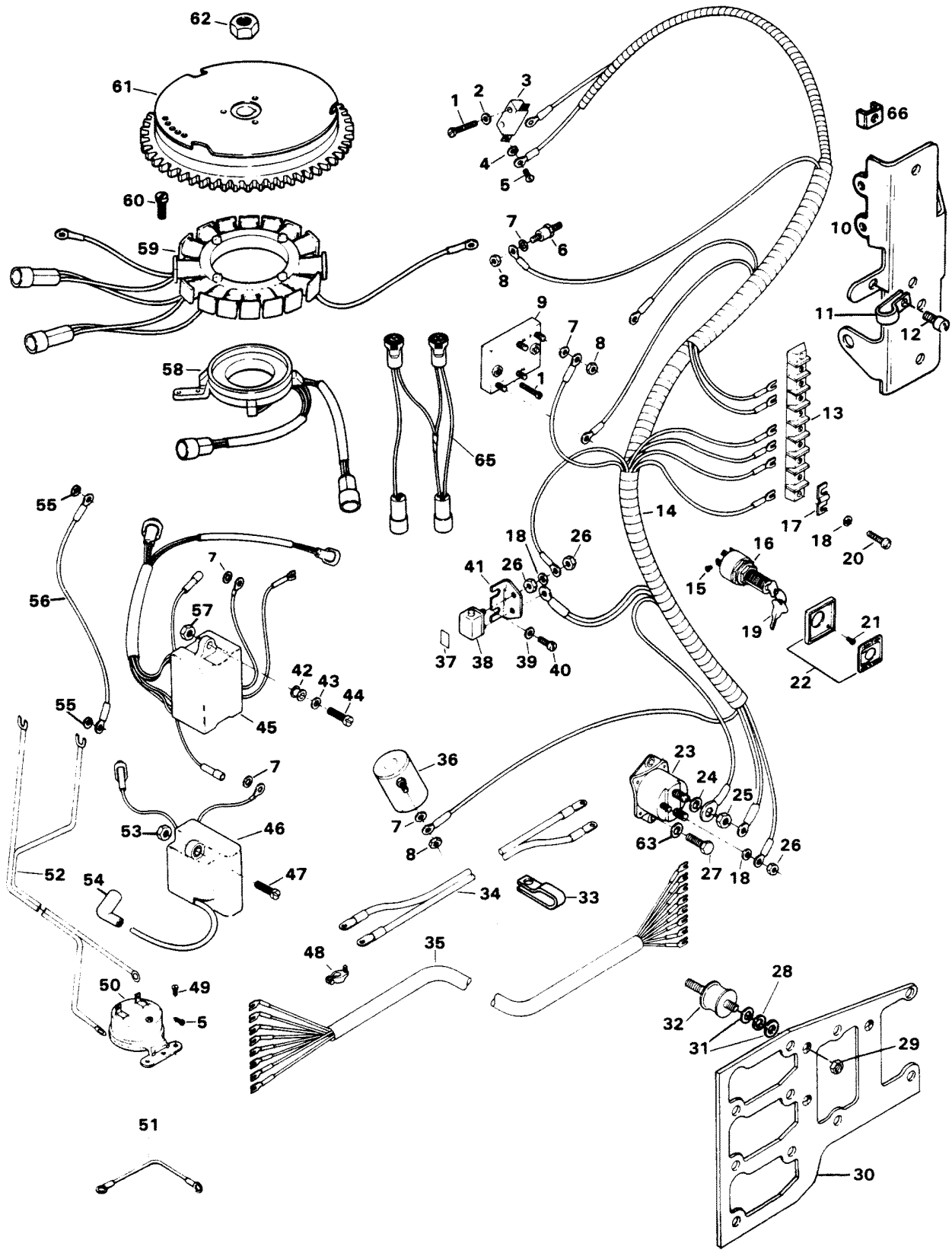


ELECTRICAL COMPONENTS

REF. NO.	PART NO.	SYM.	QTY.	DESCRIPTION
1	F2016		4	SLOTTED FILL HD SCREW, 6 - 32 X 7/8
2	F8088		2	PLAIN WASHER
3	F84449		1	NEUTRAL INTERLOCK SWITCH
4	F1704		2	INTERNAL TOOTH LOCKWASHER
5	F1645		4	RD HD SCREW, 6 - 32 X 1/4
6	87-817778A1		1	THERMOSWITCH
7	F8056		6	SPRING LOCKWASHER
8	F1647		6	HEX NUT, 8 - 32
9	F369450		1	RECTIFIER
10	FA438493		1	BRACKET, TERMINAL BLOCK W/ILLUS. 12 & 66
11	F289446-1		1	CLAMP, REMOTE ELEC. CABLE TO BRACKET
12	F1734		2	FILL HD. SCREW, 1/4 - 20 X 1/2
13	FA510497		1	TERMINAL BLOCK W/ILLUS. 17 & 20
14	F615744		1	WIRING HARNESS
15	F1280		5	SLOTTED PAN HD SCREW, 8 - 32 X 1/4
16	F5H078		1	SWITCH, IGNITION (ACCESSORY ITEM) LONG BARREL W/KEYS AND SCREWS
17	F307317-1		2	CLIP, TERMINAL BLOCK GROUND
18	F1975		6	LOCKWASHER
19	FA368700		-	KEY IGNITION - NO LETTER OR STAMPED A
-	FB368700		-	KEY IGNITION - STAMPED B
-	FC368700		-	KEY IGNITION - STAMPED C
-	FD368700		-	KEY IGNITION - STAMPED D
-	FE368700		-	KEY IGNITION - STAMPED E
-	FA27232		1	EMERGENCY STARTER ROPE (NOT SHOWN)
20	F1648		2	PAN HD SCREW, 10 - 24 X 3/4
21	F1934		4	FLAT HD SCREW, 6 X 1/2
22	F5H038		1	IGNITION SWITCH MOUNTING KIT (ACCESSORY ITEM)
23	F460917		1	STARTER RELAY
24	F8096		2	SPRING LOCKWASHER
25	F1515		2	HEX NUT, S.S., 5/16 - 18
26	F1513		6	HEX NUT, 10 - 32
27	F1705		2	HEX CAP SCREW, 1/4 - 20 X 3/4
28	F8090		3	PLAIN WASHER
29	F1515		3	HEX NUT, 5/16 - 18
30	F616358		1	BRACKET (C.D. - COIL)
31	F8124		6	PLAIN WASHER
32	F215962		3	MOUNT (SHOCK - C.D. UNIT)
33	F407446		1	CLAMP
34	F381896-4		1	BATTERY CABLE
35	F85843-1		1	ELECTRIC CONTROL CABLE, 18 FEET
36	F85924		1	CHOKE SOLENOID
37	F510374		1	DECAL, CIRCUIT BREAKER

CONTINUED ON NEXT PAGE ➡

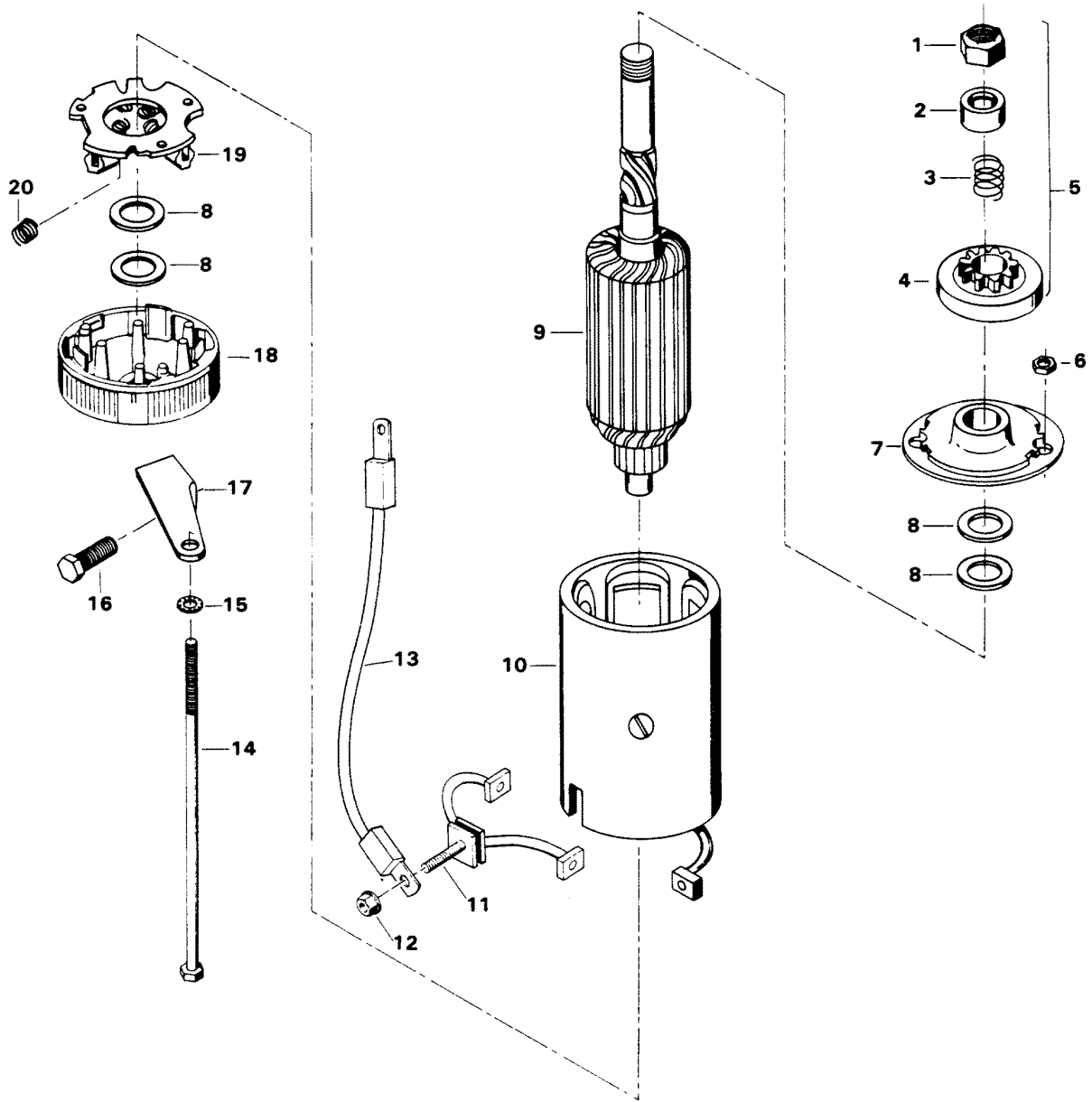
ELECTRICAL COMPONENTS



ELECTRICAL COMPONENTS

REF. NO.	PART NO.	SYM.	QTY.	DESCRIPTION
38	F510460		1	CIRCUIT BREAKER
39	F8011		2	PLAIN WASHER
40	F1760		2	SLOTTED PAN HD SCREW, 10 - 24 X 3/8
41	F91446-1		1	CIRCUIT BREAKER BRACKET
42	F475504		4	BUSHING
43	F8028		4	PLAIN WASHER
44	F2008		4	HEX HD. M. SC., 1/4 - 20 X 7/8
45	F475301-1		2	MODULE
46	F615475		3	IGNITION COIL
47	F1038		6	SLOTTED PAN HD. SCREW 1/4 - 20 X 3/4
48	F71H26		1	BATTERY TERMINAL KIT (ACCESSORY ITEM)
49	F1741		2	PAN HD SCREW, 8 X 3/4
50	F5H043		1	BUZZER, HEAT INDICATOR, (ACCESSORY ITEM)
51	F345683		1	WIRE, GROUND (RECTIFIER TO STARTER BOLT)
52	F404841		1	CABLE, HEAT INDICATOR
53	F1341		6	NUT, 1/4 - 20
54	FK1123		3	SPARKIE KIT
55	F2106		2	LOCKWASHER
56	F319908		1	WIRE, GROUND (C.D. - COIL BRACKET)
57	F1832		4	NUT, LOCK 1/4 - 20
58	F616029		2	TRIGGER ASSY.
59	FA615095		1	ALTERNATOR STATOR
60	F1550		4	SLOTTED PAN HD. SCREW #12 - 24 X 1
61	F615097		1	FLYWHEEL
62	F1968		1	HEX NUT, 3/4 - 16
63	F8083		1	SPRING LOCKWASHER
64	F1877		1	TY-RAP (NOT SHOWN)
65	F616843		1	CABLE (STATOR TO C.D.)
66	F438668		1	RETAINER

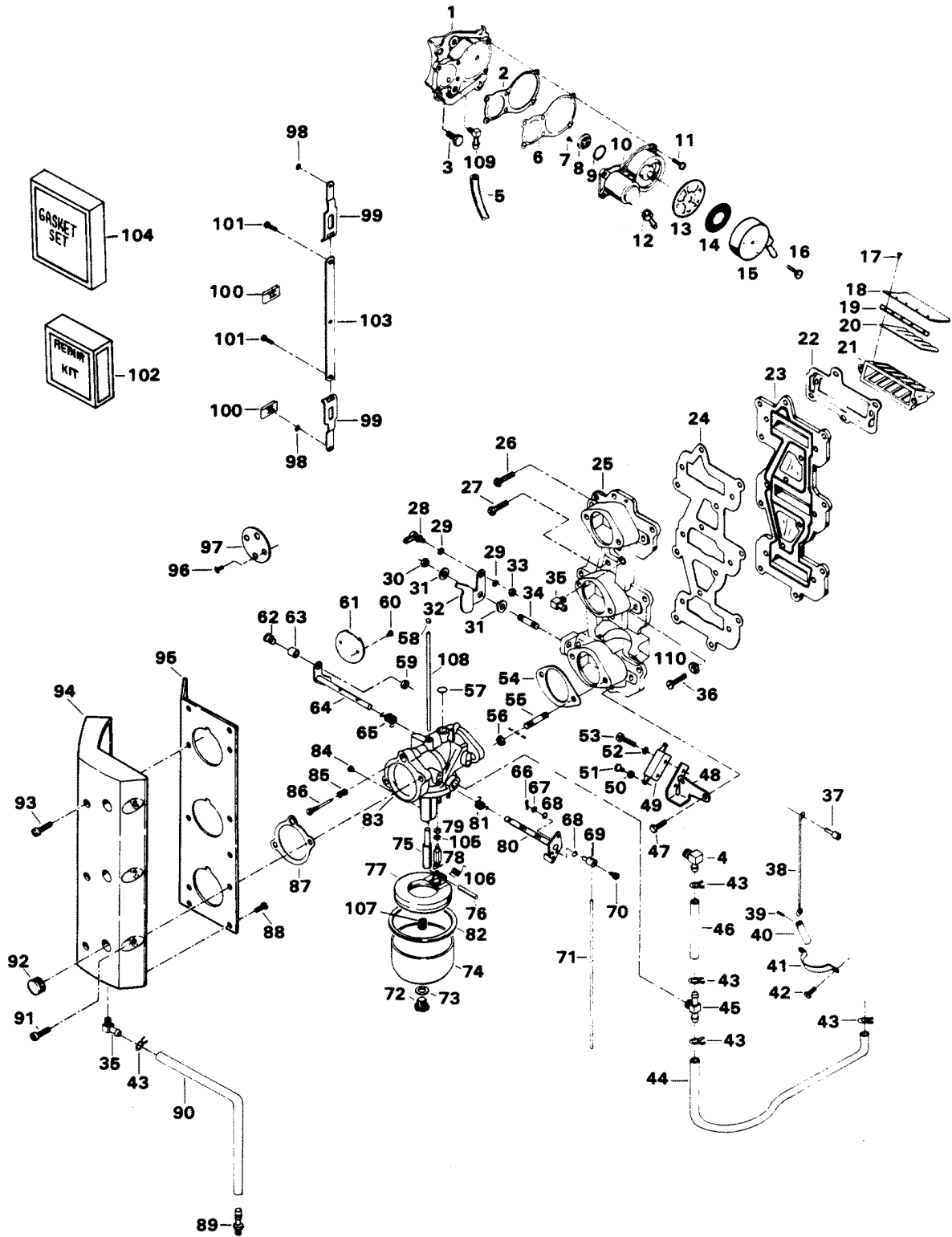
STARTER



STARTER

REF. NO.	PART NO.	SYM.	QTY.	DESCRIPTION
1	F15111		1	NUT, STOP RETAINING
2	F15112		1	STOP, PINION
3	F15080		1	SPRING
4	F15110		1	CLUTCH ASSEMBLY
5	F15100		1	BENDIX
-	F480955		1	STARTER - COMPLETE. INCLUDES ALL ITEMS MARKED WITH AN ASTERISK (*)
6	F1641		2	LOCK NUT, 1/4 - 28
7	F15167		1	HEAD ASSEMBLY DRIVE END
8	F15126		1	THRUST WASHER PACKAGE
9	F15099		1	ARMATURE
10	15169		1	FRAME AND FIELD ASSEMBLY
11	F15165		1	BRUSH TERMINAL SET
12	F15162		1	HEX LOCK NUT, 1/4 - 20 W/LOCKWASHER
13	F85908		1	STARTER LEAD WIRE
14	F15168		1	THRU BOLT PACKAGE
15	F8028		2	PLAIN WASHER
16	F1922		1	HEX HD SCREW, 1/4 - 20 X 5/8
17	F511675		1	STARTER BRACKET, LOWER
18	F15125		1	HEAD ASSEMBLY, COMMUTATOR END
19	F15057		1	BRUSH PLATE AND HOLDER
20	F15034		1	SPRING SET

CARBURETOR

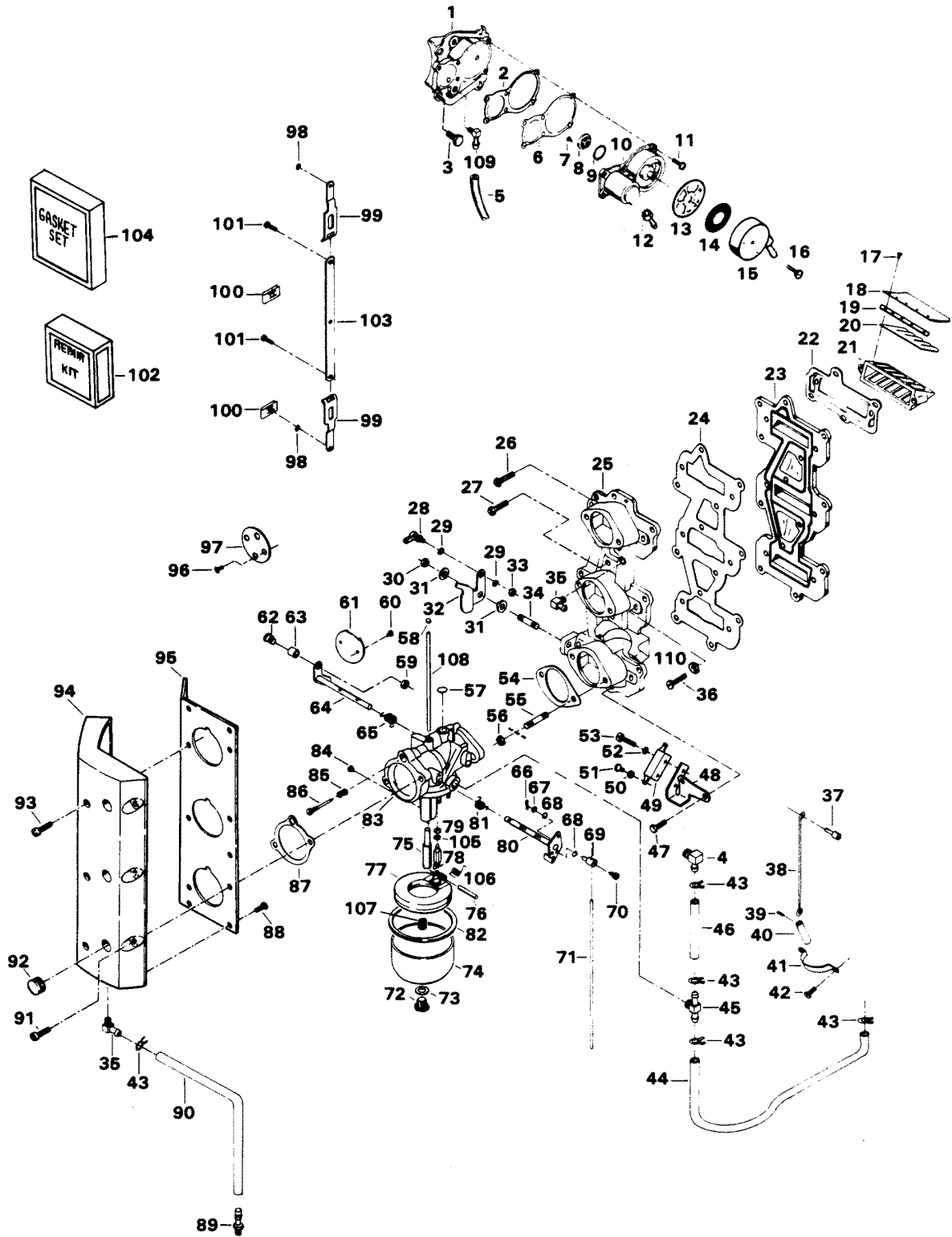


CARBURETOR

REF. NO.	PART NO.	SYM.	QTY.	DESCRIPTION
1	FA439746		1	FUEL PUMP COVER W/PLUG AND LITERATURE
2	F438760		1	FUEL PUMP GASKET
3	F1922		3	HEX CAP SCREW, 1/4 - 20 X 5/8
4	F10156		2	ELBOW
5	F89758		1	FUEL PUMP AIR HOSE, TOP
6	F438747		1	FUEL PUMP DIAPHRAGM
7	F1860		2	SLOTTED BINDING HD SCREW, 6 - 32 X 1/4
8	F177330		3	FUEL PUMP VALVE
9	F84792		1	GASKET, FUEL PUMP VALVE
10	FA438431		1	FUEL PUMP BODY W/ILLUS. 7, 8 AND 9
11	F1108		6	FILL HD SCREW W/LOCKWASHER, 1/4 - 20 X 3/4
12	F438801		1	FITTING
13	F438617		1	FUEL SEDIMENT BOWL GASKET
14	F438653		1	FUEL SEDIMENT BOWL SCREEN
15	F438500		1	FUEL SEDIMENT BOWL
16	F438165		1	SCREW, FUEL PUMP BOWL
17	F1755		30	RD HD SCREW W/LOCKWASHER, 6 - 32 X 5/16
18	F85161-1		6	REED STOP
19	F523451		6	SPACER, REED STOP
20	F530160		6	REED (5 PETAL)
21	F3A523158		3	REED PLATE W/ILLUS. 17, 18, 19 AND 20
22	F85168-1		3	GASKET REED PLATE ADAPTER
23	F85162		1	REED PLATE ADAPTER
24	F85159-1		1	GASKET, INTAKE MANIFOLD
25	817959A3		1	INTAKE MANIFOLD W/ILLUS. 36 AND LITERATURE ORIGINAL FORCE P/N K 480167-2
26	F2008		7	HEX HD SCREW, 1/4 - 20 X 7/8
27	F1699		2	HEX HD SCREW, 1/4 - 20 X 1-1/8
28	817747--1		1	BALL JOINT W/STUD
29	F8058		2	INTERNAL TOOTH LOCKWASHER
30	F1910		1	STOP NUT, 1/4 - 20
31	F269319		2	BEARING
32	F85192-1		1	THROTTLE CAM
33	F1513		1	HEX NUT, 10 - 32
34	F433209-1		1	STUD
35	22-818103--1		2	ELBOW
36	F2050		6	HEX HD SCREW, 1/4 - 20 X 1-1/2
37	F85033		1	CHOKE ROD SWIVEL
38	F85925		1	CHOKE ROD
39	F2033		1	GROOVE PIN
40	F391926-1		1	CHOKE SOLENOID PLUNGER
41	F85317-2		1	CLAMP
42	F1236		2	HEX HD SCREW, 1/4 - 20 X 1/2

CONTINUED ON NEXT PAGE ➡

CARBURETOR

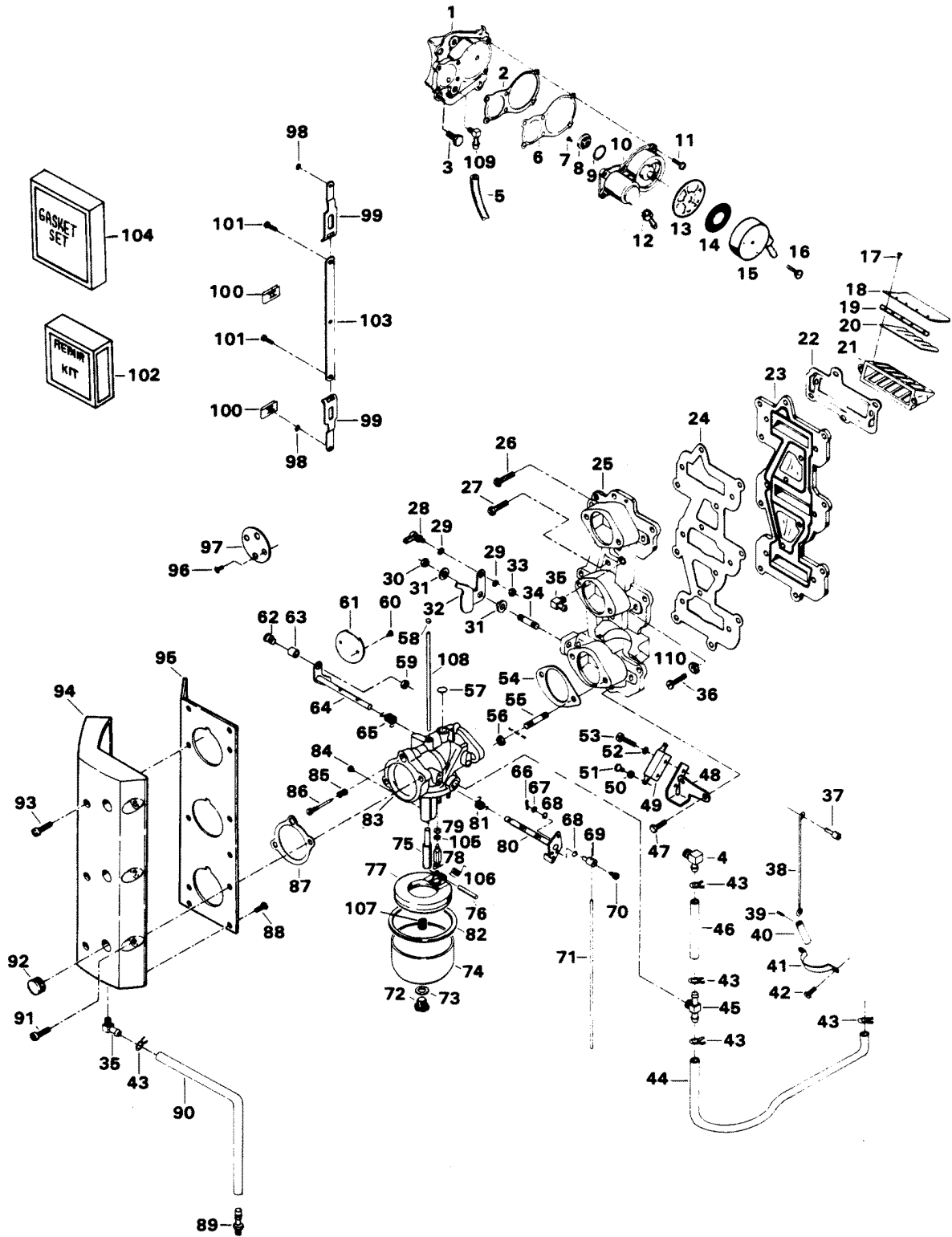


CARBURETOR

REF. NO.	PART NO.	SYM.	QTY.	DESCRIPTION
43	F97772		6	HOSE CLAMP
44	F438754		1	FUEL LINE
45	F10164		2	FUEL FITTING
46	F85253-1		2	FUEL LINE
47	F1532		3	HEX HD SCREW, 1/4 - 20 X 1
48	F480551-1		1	BRACKET INTERLOCK SWITCH
49	F84449		1	INTERLOCK SWITCH
50	F1704		2	INTERNAL TOOTH LOCKWASHER
51	F1645		2	RD HD SCREW, 6 - 32 X 1/4
52	F8088		2	PLAIN WASHER
53	F2016		2	FILL HD SCREW, 6 - 32 X 7/8
54	F85906		3	CARBURETOR GASKET
55	F40209		6	CARBURETOR STUD
56	F1515		6	HEX NUT, 5/16 - 18
57	F10153		1	BODY CHANNEL WELCH PLUG
58	F10152		1	BODY CHANNEL CUP PLUG
59	F1997		1	STOP NUT, 8 - 32
60	F10155		2	THROTTLE SHUTTER SCREW AND LOCKWASHER
61	F10169		1	THROTTLE SHUTTER
62	F333316		1	THROTTLE ROLLER SHAFT
63	F92759		1	THROTTLE ROLLER
64	F10168		1	THROTTLE SHAFT AND LEVER
65	F10172		1	THROTTLE SHAFT RETURN SPRING
66	F1014		3	COTTER PIN
67	F8088		3	PLAIN WASHER
68	F184579		6	SEAL, CHOKE ARM SWIVEL
69	F184033-1		2	CHOKE ARM SWIVEL
70	F1059		3	FILL HD SCREWS, S.S., 6 - 32 X 1/4
71	F85509-1		1	CHOKE LINK
72	F10173		2	MAIN FUEL JET (.074) STD. SEA LEVEL - 2500 FT.
-	F10147		-	MAIN FUEL JET (.072) OPT. 2500 - 5000 FT.
-	F10183		-	MAIN FUEL JET (.068) OPT. 5000 - 7500 FT.
-	F10181		-	MAIN FUEL JET (.064) OPT. 7500 FT. & UP
73	F10090		1	GASKET, FUEL BOWL RETAINING SCREW
74	F10127		1	FUEL BOWL
75	F10137		1	MAIN NOZZLE
76	F10136		1	FLOAT LEVER PIN
77	F10135		1	FLOAT
78	F10170		1	VALVE ASSY./INLET
79	F10171		1	SEAT VALVE
80	F10159		1	CHOKE SHAFT AND LEVER
81	F10143		1	CHOKE SHAFT RETURN SPRING
82	F10138		1	FUEL BOWL GASKET

CONTINUED ON NEXT PAGE ➡

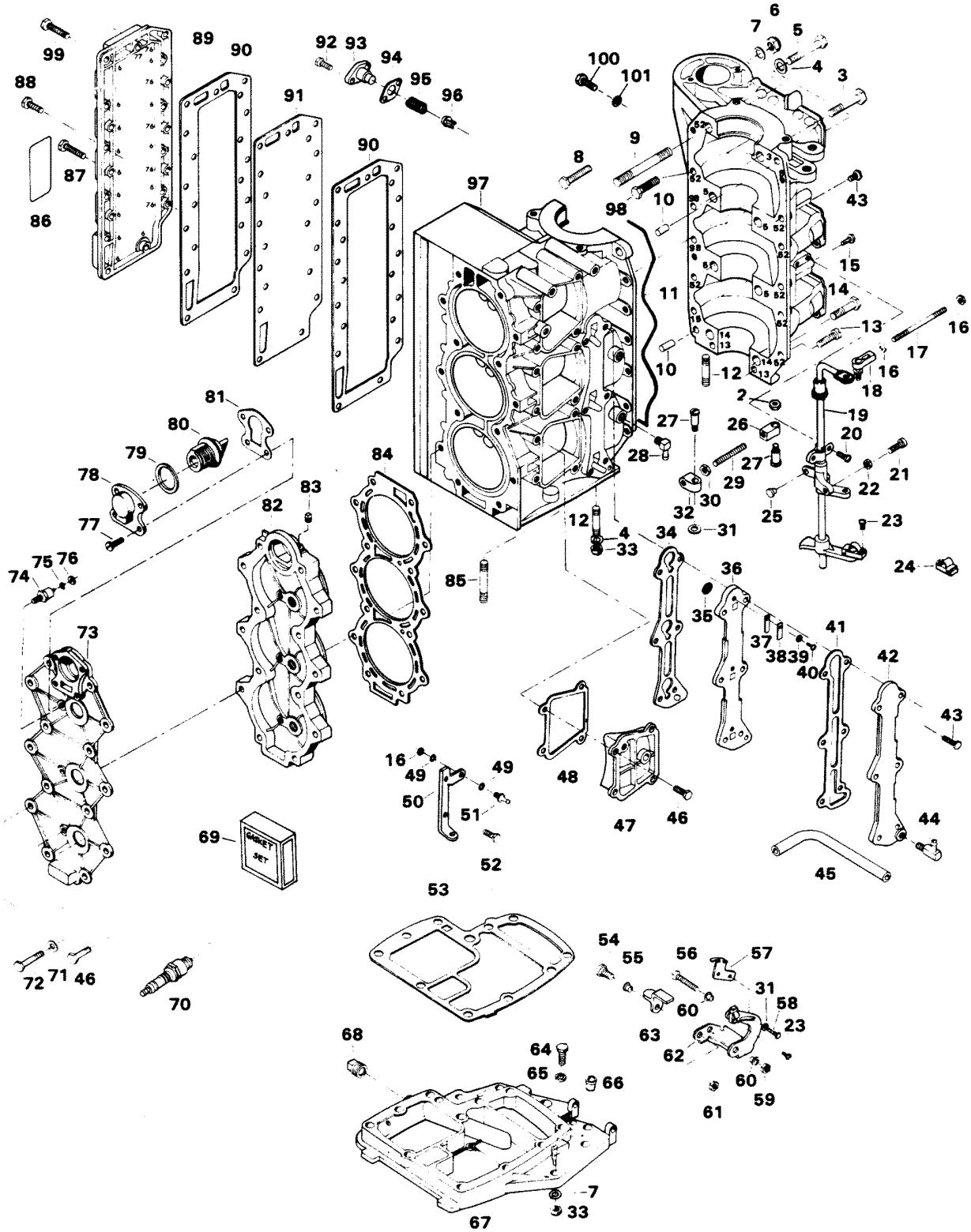
CARBURETOR



CARBURETOR

REF. NO.	PART NO.	SYM.	QTY.	DESCRIPTION
83	F581061		1	CARBURETOR COMPLETE (TOP) WE 4-1
-	F582061		2	CARBURETOR COMPLETE (MIDDLE & BOTTOM) WE 4-2
84	F10175		1	JET
85	F10141		1	IDLE SCREW SPRING
86	F10146		1	IDLE SCREW
87	F481836		3	INTAKE GASKET
88	F1760		6	PAN HD SCREW, 10 - 24 X 3/8
89	22-817789A1		1	DRAIN FITTING W/METERING CUP
90	F63754		1	HOSE INTAKE DRAIN
91	F1504		3	FILL HD SCREW, 1/4 - 20 X 1-1/4
92	F53504		3	GROMMET
93	F1072		3	FILL HD SCREW, 1/4 - 20 X 1-3/4
94	F481860-1		1	CARBURETOR, INTAKE
95	F481567		1	CARBURETOR INTAKE ADAPTER
96	F10140		2	SHUTTER SCREW W/LOCKWASHER
97	F10161		1	CHOKE SHUTTER
98	F90807		3	RETAINING RING
99	FA85193		2	TIE BAR END W/SWIVEL
100	F1693		2	TIE BAR RETAINER
101	F1064		2	FILL HD SCREWS, S.S., 8 - 32 X 3/8
102	FK10177		1	REPAIR PARTS KIT. INCLUDES ALL ITEMS MARKED WITH AN ASTERISK (*) .
103	FA85511		1	THROTTLE TIE BAR W/SWIVEL
104	FK10178		1	GASKET SET. INCLUDES ALL ITEMS MARKED WITH A DOUBLE ASTERISK (**)
-	F8026		1	PLAIN WASHER (UNDER 2ND FROM BOTTOM CENTER MANIFOLD TO CRANKCASE COVER SCREW). (NOT SHOWN).
105	F10167		1	RING, RETAINING
106	F10142		1	SPRING, FLOAT SUPPORT
107	F10145		1	SPRING, COMPRESSION
108	F10176		1	TUBE, IDLE
109	F84314-2		1	ELBOW
110	F8026		1	PLAIN WASHER

POWERHEAD

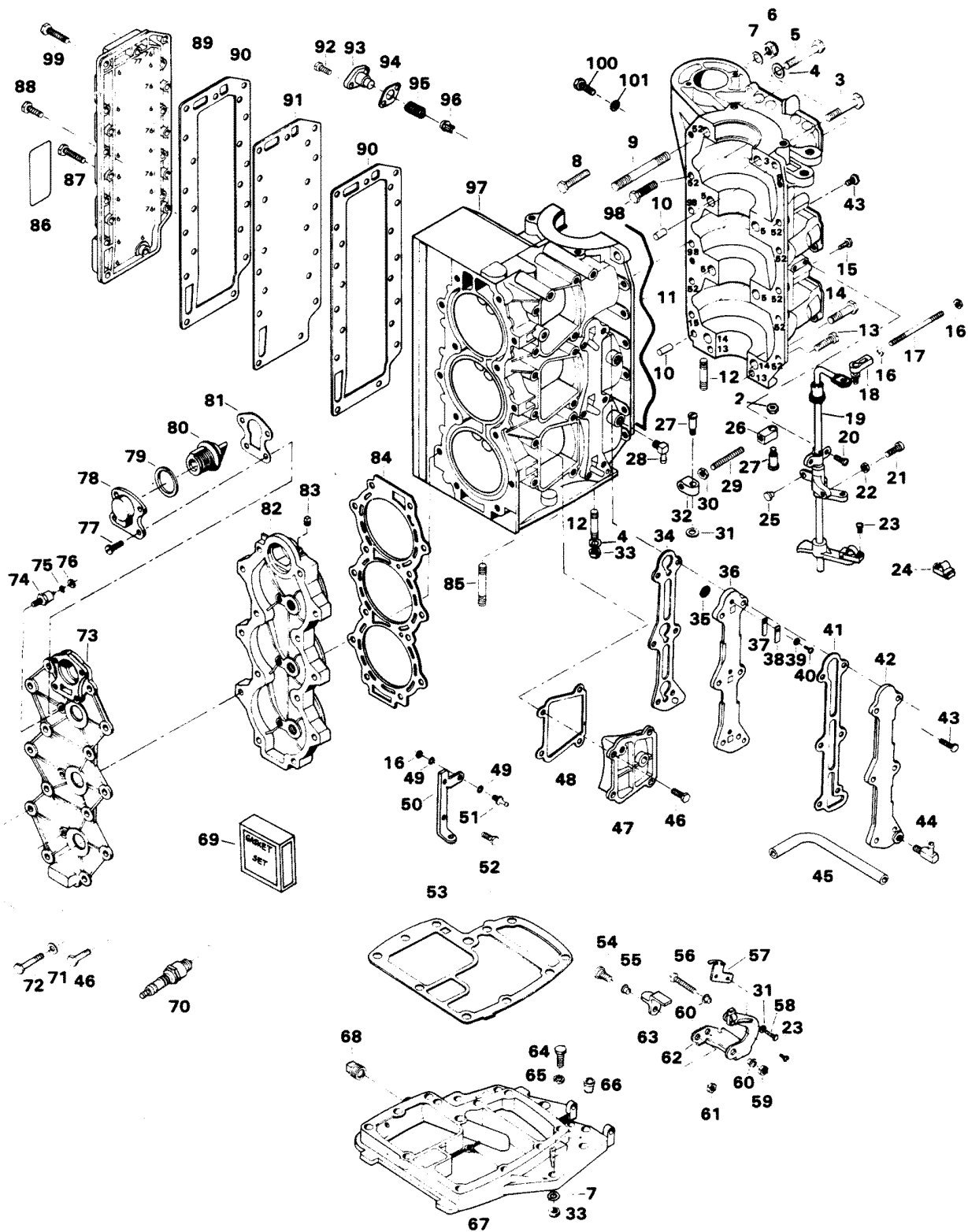


POWERHEAD

REF. NO.	PART NO.	SYM.	QTY.	DESCRIPTION
2	F7009		1	LOCK NUT, #10 - 24
3	F1009		1	HEX BOLT, 3/8 - 16 X 2-3/4
4	F8038		4	PLAIN WASHER
5	F1873		4	HEX BOLT, 3/8 - 16 X 3
6	F1346		1	HEX NUT, 3/8 - 16
7	F8095		14	PLAIN WASHER
8	F1864		1	HEX HD SCREW, 1/4 - 20 X 3/4
9	F85210		1	STUD
10	F8563		2	DOWEL PIN
11	F85122		1	PARTING LINE SEAL
12	F85859		4	STUD, FORWARD
13	F1099		2	FILL HD SCREW, 1/4 - 20 X 1-1/4
14	F1872		2	HEX BOLT, 3/8 - 16 X 1-3/4
15	F1199		1	HEX CAP SCREW, 1/4 - 20 X 1
16	F1513		4	HEX NUT, 10 - 32
17	F85502		1	THROTTLE LINK
18	817747--1		1	BALL JOINT W/STUD
19	FA616838		1	TOWERSHAFT W/ILLUS. 18, 21, 22, 24 AND 25
20	F1475		2	FILL HD SCREW, 10 - 24 X 1/2
21	F1504		1	FILL HD SCREW, 1/4 - 20 X 1-1/4
22	F1341		1	HEX NUT, 1/4 - 20
23	F1556		2	FILL HD SCREW W/LOCKWASHER, 10 - 24 X 3/8
24	FK405020		2	SWIVEL W/PIVOT SCREW AND NUT
25	F1727		1	PLASTIC RIVET
26	F499036		1	TOWERSHAFT CONTROL ROD END
27	F499026		2	SWIVEL
28	F84314-2		1	ELBOW
29	F85445		1	ROD, SPARK CONTROL
30	F2015		1	HEX NUT, 1/4 - 28
31	F2042		2	PLAIN WASHER
32	F499035		1	ROD END, CONTROL ROD TO TRIGGER
33	F7004		10	STOP NUT, 3/18 - 16
34	F85748-2		1	GASKET, CYLINDER DRAIN REED PLATE
35	F93811		3	SCREEN
36	F2A404757		1	CYLINDER DRAIN REED PLATE W/ILLUS. 35, 37, 38, 39, 40 AND METERING CUP
37	F18160-2		3	REED
38	F93920		3	REED STOP
39	F8003		3	PLAIN WASHER
40	F1286		3	PAN HD SCREW, 4 - 40 X 3/16
41	F85472-2		1	GASKET, CYLINDER DRAIN COVER
42	817787A1		1	CYLINDER DRAIN COVER W/PLUG AND LITERATURE ORIGINAL FORCE P/N A 404471-1
43	F1532		6	HEX HD SCREW, 1/4 - 20 X 1

CONTINUED ON NEXT PAGE ➡

POWERHEAD

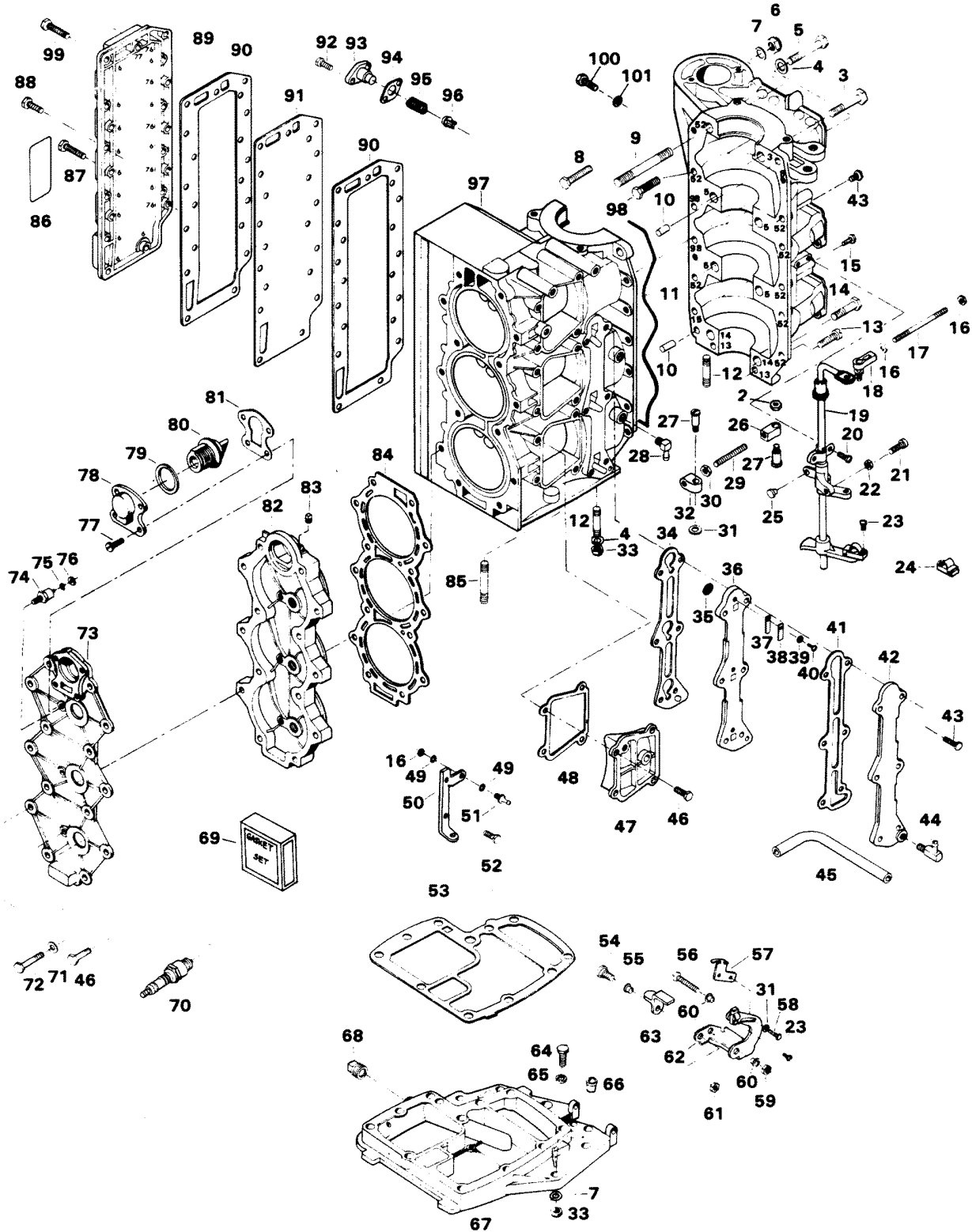


POWERHEAD

REF. NO.	PART NO.	SYM.	QTY.	DESCRIPTION
44	F404801		1	FITTING
45	F433253		1	HOSE
46	F1922		8	HEX HD SCREW, 1/4 - 20 X 5/8
47	FA411222		2	TRANSFER PORT COVER W/PLUGS AND LITERATURE
48	F40223		3	GASKET, TRANSFER PORT COVER
49	F8058		4	INTERNAL TOOTH LOCKWASHER
50	FS85872-1		1	BRACKET
51	F98273		2	ROD END CONNECTOR STUD
52	F1864		10	HEX HD SCREW, 1/4 - 20 X 3/4
53	F85279-2		1	CYLINDER EXHAUST GASKET, UPPER
54	F369887		1	SHOULDER SCREW
55	F369610		1	BEARING
56	F1885		1	HEX BOLT, 5/16 - 18 X 4-1/4
57	F480107-1		1	CAM, STARTER INTERLOCK
58	F2089		2	SLOTTED PAN HD MACHINE SCREW, 10 - 24 X 5/16
59	F2108		1	STOP NUT, 5/16 - 18
60	F85610		2	BEARING
61	F1832		1	STOP NUT, 1/4 - 20
62	FA480876		1	GEAR SHIFT ARM W/ILLUS. 24, 54, 55, 56, 61 AND 63
63	F369977-1		1	INTERLOCK ARM
64	F1869		6	HEX BOLT, 3/8 - 16 X 1-1/4
65	F1703		6	SPRING LOCKWASHER
66	F40689-1		1	BEARING, TOWERSHAFT
67	817788A3		1	SPACER PLATE W/ILLUS. 68 ORIGINAL FORCE P/N A 404680-1
68	F2090		1	PLUG
69	FG1020-1		1	GASKET SET
-	F40223		3	TRANSFER PORT COVER GASKET
-	F84278		1	CRANKSHAFT BRG. SEAL CAGE SEAL
-	F84504		1	THERMOSTAT GROMMET
-	F85122		1	CRANKCASE SEAL
-	F85154-1		2	EXHAUST PORT PLATE GASKET
-	F85159-1		1	MANIFOLD GASKET
-	F85168-1		3	CARBURETOR ADAPTER FLANGE GASKET
-	F85279-2		1	CYLINDER, EXHAUST - UPPER GASKET
-	F85472-2		1	CYLINDER DRAIN COVER GASKET
-	F85748-2		1	CYLINDER DRAIN REED PLATE GASKET
-	F85762		1	BY-PASS VALVE GASKET
-	F85906		3	CARBURETOR GASKET
-	F369529-1		1	CYLINDER HEAD GASKET
-	F476067		1	THERMOSTAT COVER GASKET
-	F481836		3	INTAKE GASKET
70	33-818007--1		3	SPARK PLUG (CHAMPION UL-18-V)

CONTINUED ON NEXT PAGE ➡

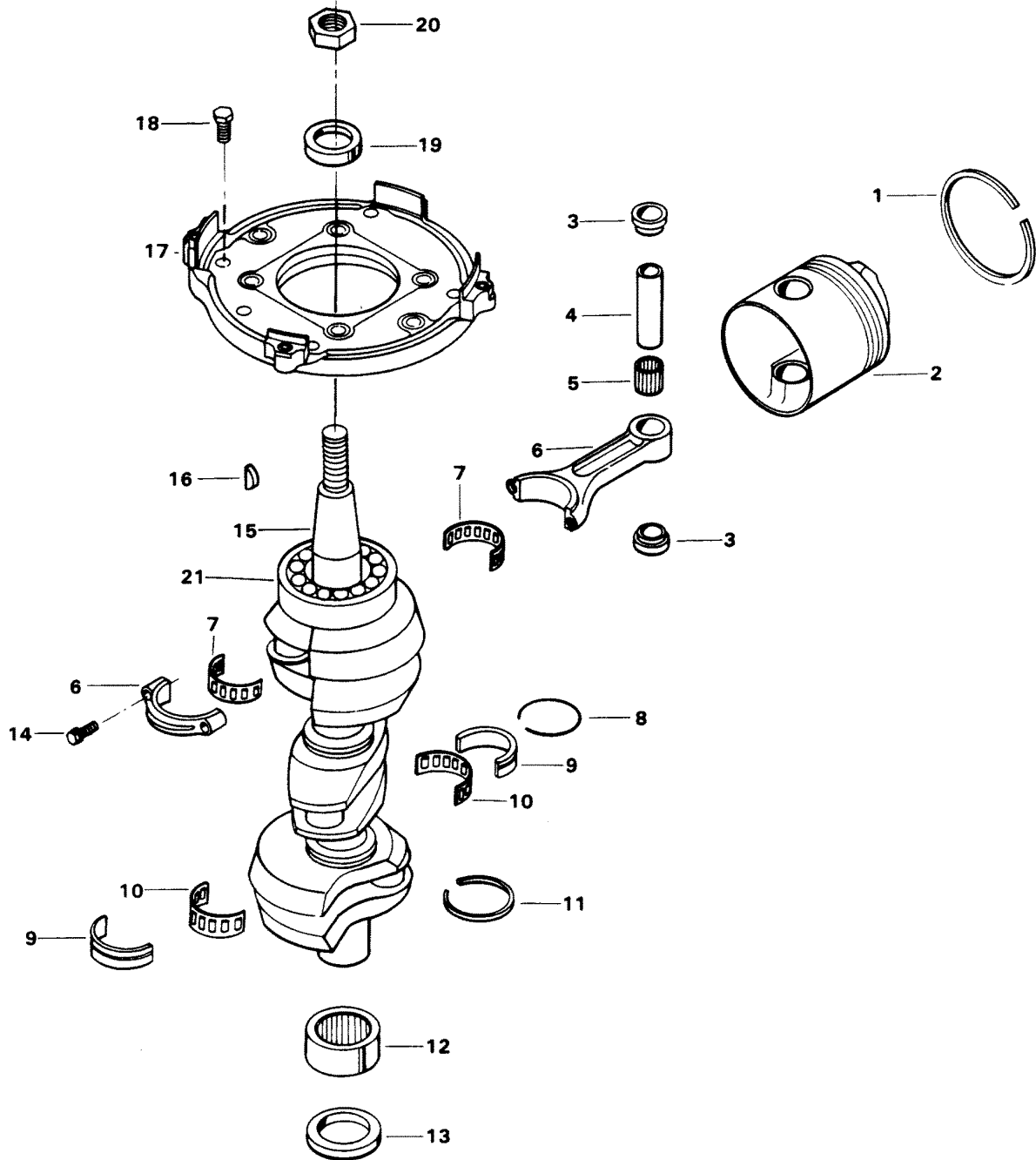
POWERHEAD



POWERHEAD

REF. NO.	PART NO.	SYM.	QTY.	DESCRIPTION
71	F1987		14	PLAIN WASHER
72	F1883		14	HEX BOLT, 5/16 - 18 X 2-3/8
73	F499995		1	CYLINDER HEAD COVER
74	87-817778A1		1	THERMOSWITCH W/ILLUS. 75 AND 76 ORIGINAL FORCE P/N A 335449-1
75	F8056		1	SPRING LOCKWASHER
76	F1647		1	HEX NUT, 10 - 32
77	F1110		4	FILL HD SCREW, 1/4 - 20 X 5/8
78	F476066-1		1	COVER, THERMOSTAT
79	F84504		1	GROMMET
80	F528068		1	THERMOSTAT
81	F476067		1	GASKET, THERMOSTAT COVER
82	F480518		1	CYLINDER HEAD
83	F19109		1	PLUG
84	F369529-1		1	CYLINDER HEAD GASKET
85	F85211		6	STUD, REAR
86	F499398		1	DECAL, WIRING - USA
87	F1699		5	HEX HD SCREW, 1/4 - 20 X 1-1/8
88	F2008		14	HEX BOLT, 1/4 - 20 X 7/8
89	F85152-4		1	EXHAUST PORT COVER
90	F85154-1		2	GASKET, EXHAUST PORT PLATE
91	F85151-1		1	EXHAUST PORT PLATE
92	F1950		2	HEX HD SCREW, 10 - 24 X 5/8
93	F438066		1	BY-PASS VALVE COVER
94	F85762		1	GASKET, BY-PASS VALVE
95	F404268		1	SPRING, BY-PASS VALVE
96	F85916-1		1	BY-PASS VALVE
97	FA581010		1	CYLINDER W/CRANKCASE COVER, ILLUS. 3, 5, 6, 9, 11, 12, 13, 14, 65, 85 AND LITERATURE
-	FC581010		1	SHORT BLOCK (NOT SHOWN). INCLUDES ALL ITEMS MARKED WITH AN ASTERISK (*). ALSO REFER TO CRANKSHAFT AND PISTON PAGES.
98	F2008		2	HEX CAP SCREW, 1/4 - 20 X 7/8
99	F1708		1	HEX HD SCREW, 1/4 - 20 X 1-3/8
100	F2000		1	HEX CAP SCREW, 5/16 - 18 X 3/4
101	F8096		1	SPRING LOCKWASHER

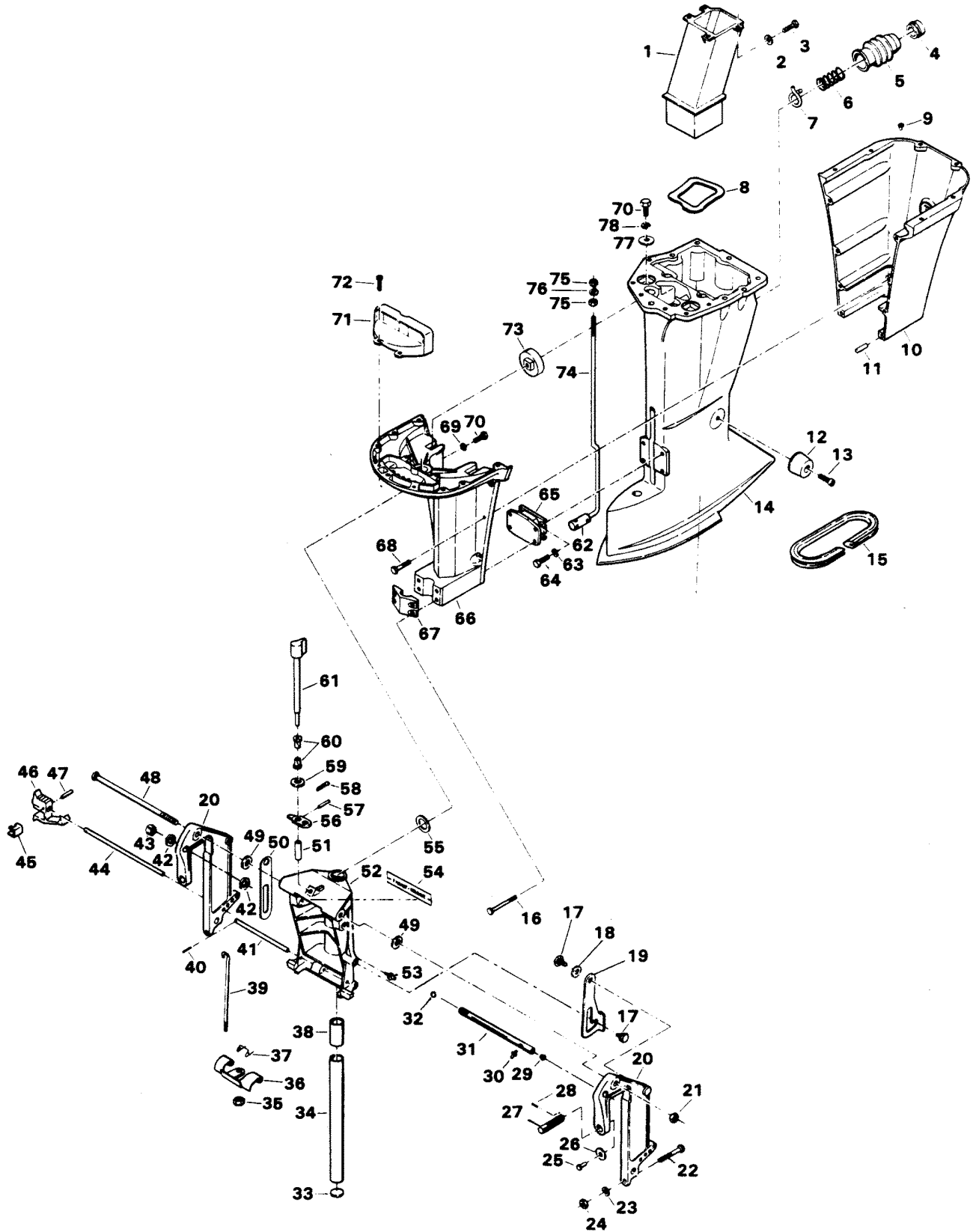
CRANKSHAFT AND PISTON



CRANKSHAFT AND PISTON

REF. NO.	PART NO.	SYM.	QTY.	DESCRIPTION
1	FA335260		3	PISTON RING SET (3 PER SET)
-	FSA335260		3	PISTON RINGS (3 PER SET) .010 OVERSIZE
-	39-818110A1		3	PISTON RINGS (3 PER SET) .030 OVERSIZE
2	700-F372015-3		3	PISTON
-	700-817988A2		3	PISTON .010 OVERSIZE
-	700-818111A2		3	PISTON .030 OVERSIZE
3	F335215		6	SPACER, PISTON PIN (2 PER PISTON)
4	F85017		3	PISTON PIN
5	F335217-1		3	BEARING PISTON PIN (26 PER SET)
6	600-818052A4		3	CONNECTING ROD W/CAP AND ILLUS. 14 ORIGINAL FORCE P/N S 366016-4
7	FK85228-1		3	BEARING CAGE W/ROLLER
8	F85410		2	SNAP RING
9	FA85655-1		2	CRANKSHAFT MAIN BEARING RACE W/ILLUS. 8
10	F85571		2	BEARING CAGE W/ROLLER
11	F316579		2	SEAL, CRANKCASE
12	FA523014		1	CRANKSHAFT LOWER MAIN BEARING W/ILLUS. 13
13	F523146		1	SEAL, CRANKSHAFT LOWER
14	F85634-2		6	CONNECTING ROD SCREW
15	FA85018-2		1	CRANKSHAFT W/ILLUS. 11 AND 21
16	F85498		1	FLYWHEEL KEY
17	F2A615144		1	CRANKSHAFT BEARING CAGE W/ILLUS. 19
18	F2081		5	HEX SOC. HD. SCREW, 1/4 - 20 X 3/4
19	F523146		1	SEAL, CRANKSHAFT UPPER
20	F1968		1	FLYWHEEL NUT
21	F284659-2		1	CRANKSHAFT THRUST BEARING, UPPER
-	F2067		1	PLASTISOL CAP (NOT SHOWN) FOR EXPOSED THREADS OF CRANKSHAFT

MOTOR LEG

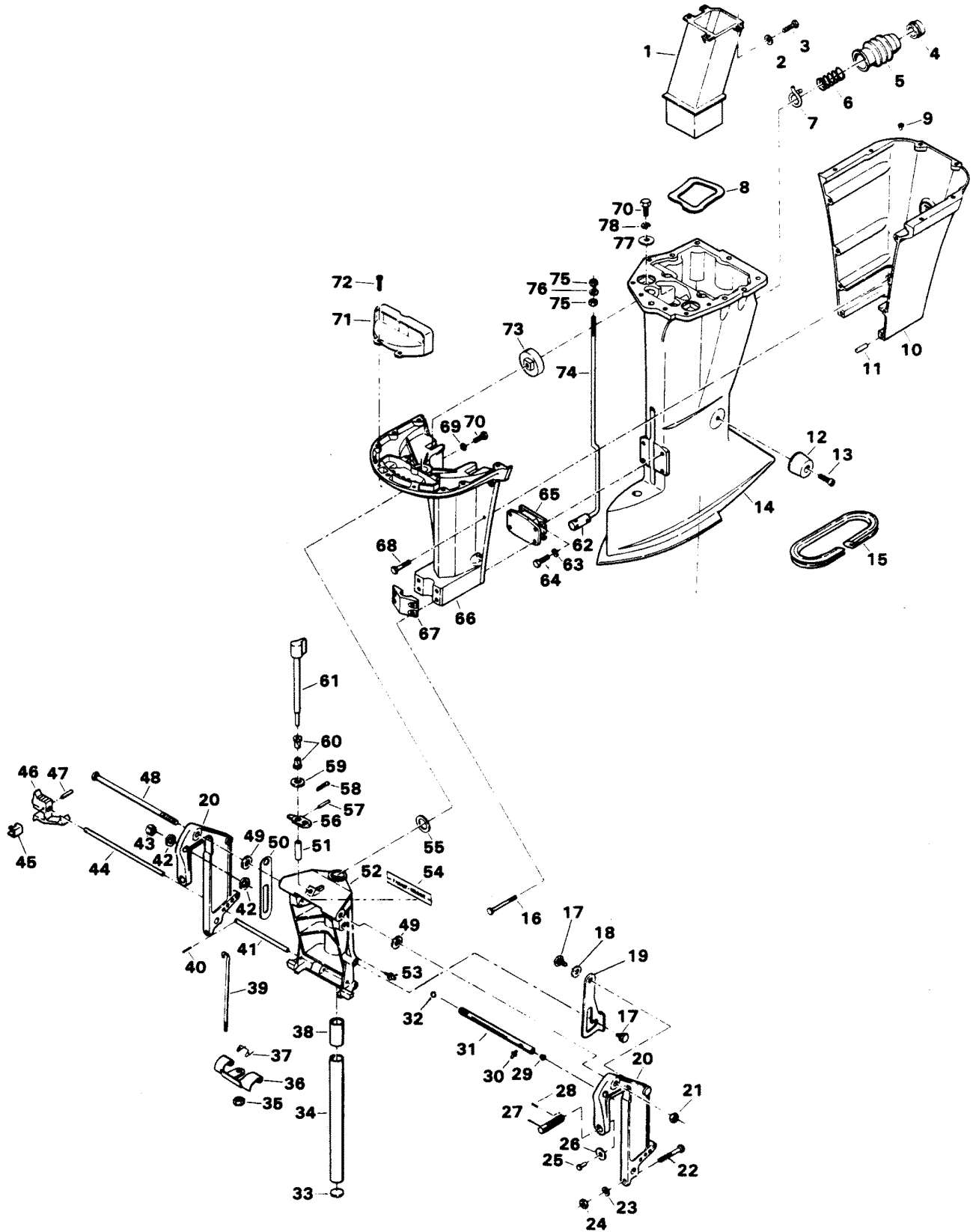


MOTOR LEG

REF. NO.	PART NO.	SYM.	QTY.	DESCRIPTION
1	F85660-1		1	EXHAUST TUBE
2	F8083		4	SPRING LOCKWASHER
3	F1705		4	HEX SLOT HD SCREW, 1/4 - 20 X 3/4
4	F85258		1	INSERT
5	F85130		1	BOOT, IDLE EXHAUST
6	F85380		1	SPRING
7	F85772		1	CLAMP
8	F439736		1	SEAL EXHAUST TUBE
9	F1729		2	PLUG
10	F178145-3		1	MOTOR LEG COVER, REAR
11	F1664		2	SPRING PIN
12	F438962		2	SHOCK MOUNT SLIDE
13	F1263		2	HEX SOCKET HD CAP SCREW, 5/16 - 18 X 9/16
14	F523133-2		1	MOTOR LEG
15	F178323		1	SEAL, MOTOR LEG
16	F1696		4	HEX BOLT, 5/16 - 18 X 1-3/4
17	F85350-1		4	TILT STOP PIVOT
18	F1666		2	BOWED SPRING WASHER
19	F85541-1		1	TILT LOCK
20	1400-817958A6		2	STERN BRACKET
21	F7012		1	LOCK NUT, 1/2 - 20
22	F1593		2	HEX HD SCREW, 3/8 - 16 X 3
23	F1904		2	PLAIN WASHER
24	F1346		2	HEX NUT, 3/8 - 16
25	F353480		2	STUD
26	F84074		2	CLAMP SCREW FOOT
27	F474073-1		2	CLAMP SCREW
28	F8538		2	SPRING PIN
29	F9052		1	PLUG
30	F523274		1	GREASE FITTING
31	F511125-2		1	TUBE, STEERING SUPPORT
32	F316599		1	SEAL, STEERING SUPPORT TUBE
33	F1528		1	WELCH PLUG
34	FA85019		1	KINGPIN W/ILLUS. 33
35	F1669		1	LOCK NUT
36	F369349		1	REVERSE LOCK
37	F85300		1	REVERSE LOCK SPRING
38	F438169		2	BEARING
39	F369510		1	LINK
40	F1744		1	SPRING PIN
41	F177350		1	REVERSE LOCK PIN
42	F523280		2	NUT, STEERING SUPPORT TUBE
43	F9018		1	CAP

CONTINUED ON NEXT PAGE ➡

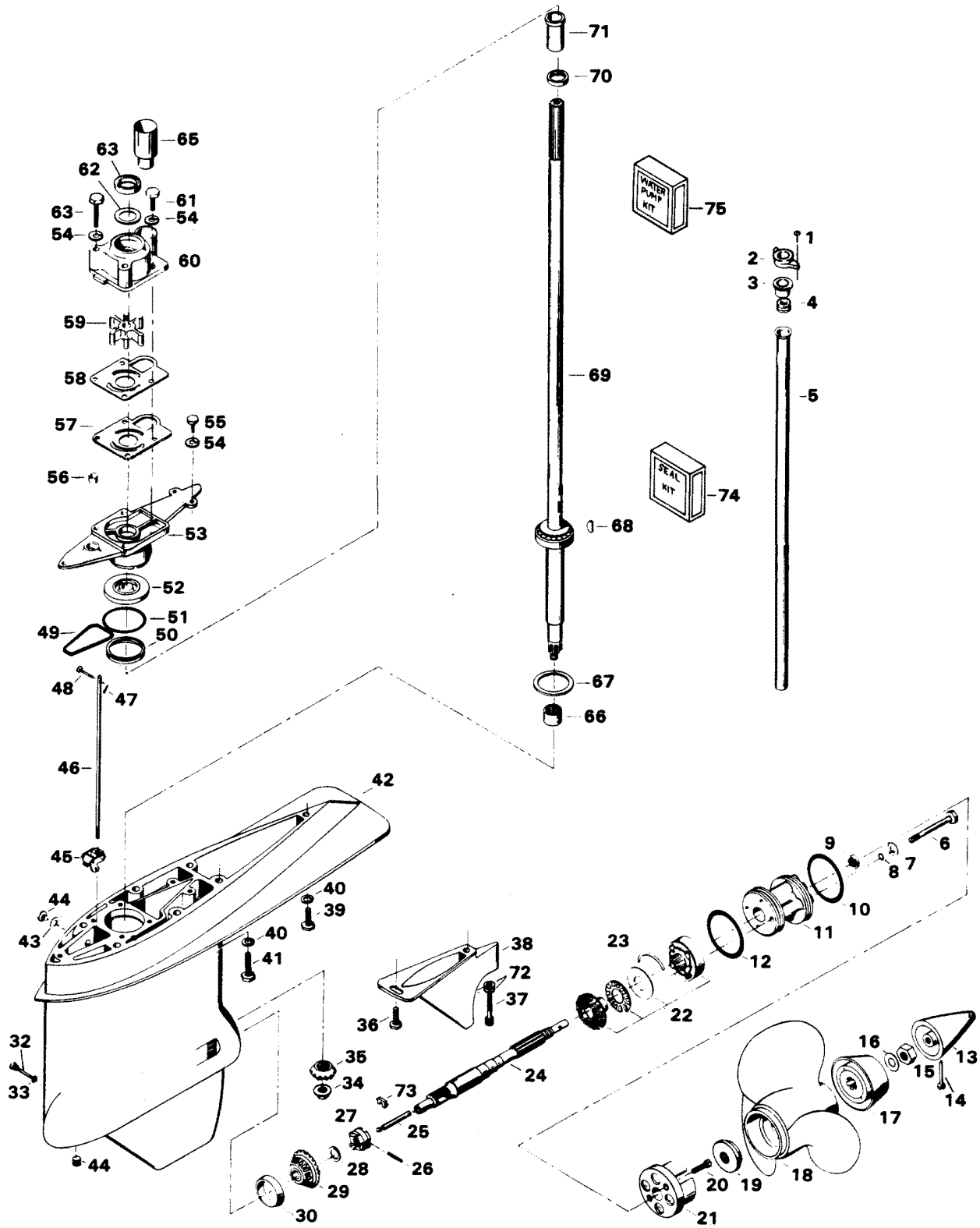
MOTOR LEG



MOTOR LEG

REF. NO.	PART NO.	SYM.	QTY.	DESCRIPTION
44	FA438113		1	STERN BRACKET LOCK BAR WILLUS. 45, 46 AND 47
45	F286461		1	SPRING LOCK BAR HANDLE
46	F433114		1	HANDLE, LOCK BAR
47	F1744		1	SPRING PIN
48	F85037-1		1	STERN BRACKET PIVOT BOLT
49	F84286-1		4	FRICTION WASHER
50	F85426		1	TILT STOP
51	F483884		1	BEARING
52	817783A5		1	SWIVEL BRACKET WILLUS. 38 AND 53 ORIGINAL FORCE P/N A 369072-2
53	F213274		3	GREASE FITTING
54	F529390-1		1	DECAL, REVERSE LOCK
55	F84011		1	WASHER
56	F369364		1	REVERSE LOCK ARM
57	F1836		1	SPRING PIN
58	F1014		1	COTTER PIN
59	F8094		1	PLAIN WASHER
60	F197813		2	BEARING
61	F369827		1	HANDLE AND SHAFT
62	F85704		1	COUPLER, GEARSHIFT ROD, UPPER
63	F8096		4	SPRING LOCKWASHER
64	F1822		4	HEX BOLT, 5/16 - 18 X 7/8
65	F438346		1	SHOCK MOUNT, LOWER
66	FA85135-4		1	LEG COVER, FRONT WILLUS. 68
67	F85606		1	KINGPIN CAP
68	F2030		6	HEX HD SCREW, 1/4 - 20 X 1-1/4
69	F1703		2	SPRING LOCKWASHER
70	F1871		4	HEX HD SCREW, 3/8 - 16 X 3/4
71	F85779-1		1	BAFFLE, AIR INTAKE
72	F1912		4	HEX HD SCREW, 10 - 24 X 1/2
73	F85965		2	SHOCK MOUNT, UPPER
74	F85615		1	GEAR SHIFT ROD, UPPER
75	F2108		2	LOCK NUT, 5/16 - 18
76	F1987		1	PLAIN WASHER
77	FA85355-1		2	WASHER SHOCK MOUNT UPPER WWASHER
78	F2014		2	PLAIN WASHER

GEAR HOUSING

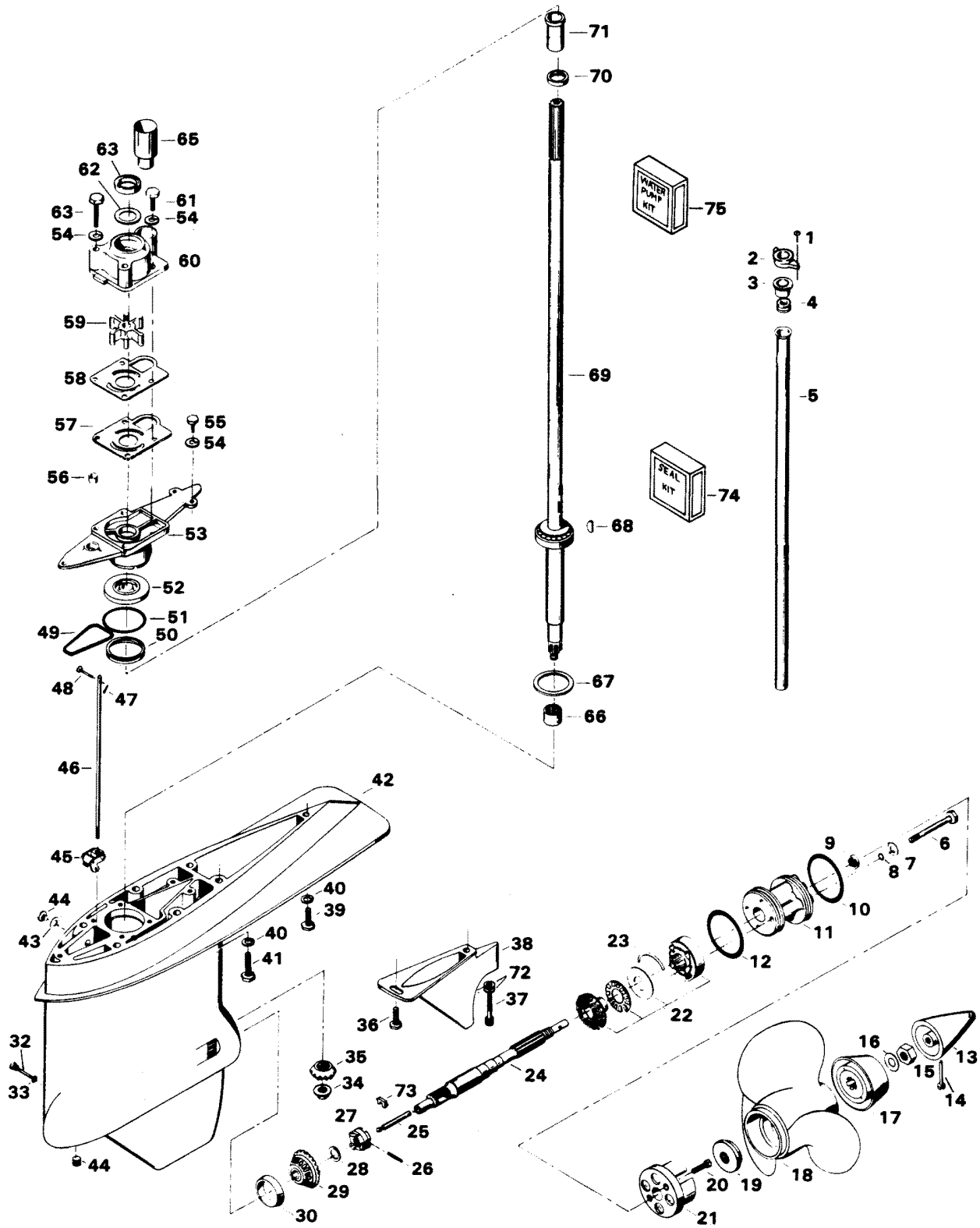


GEAR HOUSING

REF. NO.	PART NO.	SYM.	QTY.	DESCRIPTION
1	F1705		2	HEX CAP SCREW, 1/4 - 20 X 3/4
2	F85117		1	BRACKET, WATER LINE
3	F84342		1	SEAL, INLET WATER LINE UPPER
4	F523899		1	GROMMET, WATER LINE
5	F523244		1	INLET WATER LINE
6	F1885		4	HEX CAP SCREW, 5/16 - 18 X 4-1/4
7	F1907		4	PLAIN WASHER
8	F50342-1		4	SEAL, BEARING CAGE BOLTS
9	F506118		1	SEAL, PROPELLER SHAFT
10	F24278		1	SEAL, O-RING PROPELLER SHAFT SPOOL
11	F2A523239		1	SPOOL, PROPELLER SHAFT BEARING W/SEAL AND ILLUS. 9
12	F84305		1	SEAL, PROPELLER SHAFT BEARING SPOOL
13	F523094-2		1	PROPELLER NUT
14	F498891		1	PIN, PROPELLER NUT RETAINING
15	F1788		1	STOP NUT
16	F1866		1	PLAIN WASHER
17	F532299		1	WASHER, PROPELLER SPLINE
18	FPS526		1	PROPELLER (ACCESSORY ITEM)
19	F523099-1		1	SPACER, PROPELLER
20	F1577		2	FILL HD SCREW, 1/4 - 20 X 3/4
21	FA523485		1	ANTI-CORROSION ANODE W/LITERATURE
22	F2A498662		1	BEVEL GEAR REAR W/BEARING CAGE, SPACER AND BEARING
23	F523411		2	RETAINING RING
24	FA523098		1	PROPELLER SHAFT
25	F84871-1		1	PIN, GEAR SHIFT
26	F1713		1	SPRING PIN
27	F84521-2		1	CLUTCH
28	F1936		A/R	SPACER, BEVEL GEAR FRONT .059
-	F1937		A/R	SPACER, BEVEL GEAR FRONT .062
-	F1938		A/R	SPACER, BEVEL GEAR FRONT .065
-	F1939		A/R	SPACER, BEVEL GEAR FRONT .068
-	F1940		A/R	SPACER, BEVEL GEAR FRONT .071
-	F1941		A/R	SPACER, BEVEL GEAR FRONT .074
-	F1942		A/R	SPACER, BEVEL GEAR FRONT .077
-	F2113		A/R	SPACER, BEVEL GEAR FRONT .080
-	F2114		A/R	SPACER, BEVEL GEAR FRONT .083
-	F2115		A/R	SPACER, BEVEL GEAR FRONT .086
-	F2116		A/R	SPACER, BEVEL GEAR FRONT .089
-	F2121		A/R	SPACER, BEVEL GEAR FRONT .057
-	F2122		A/R	SPACER, BEVEL GEAR FRONT .054
29	43-818062A3		1	BEVEL GEAR FRONT W/BEARING
30	F523813		1	BEARING CUP

CONTINUED ON NEXT PAGE ➡

GEAR HOUSING

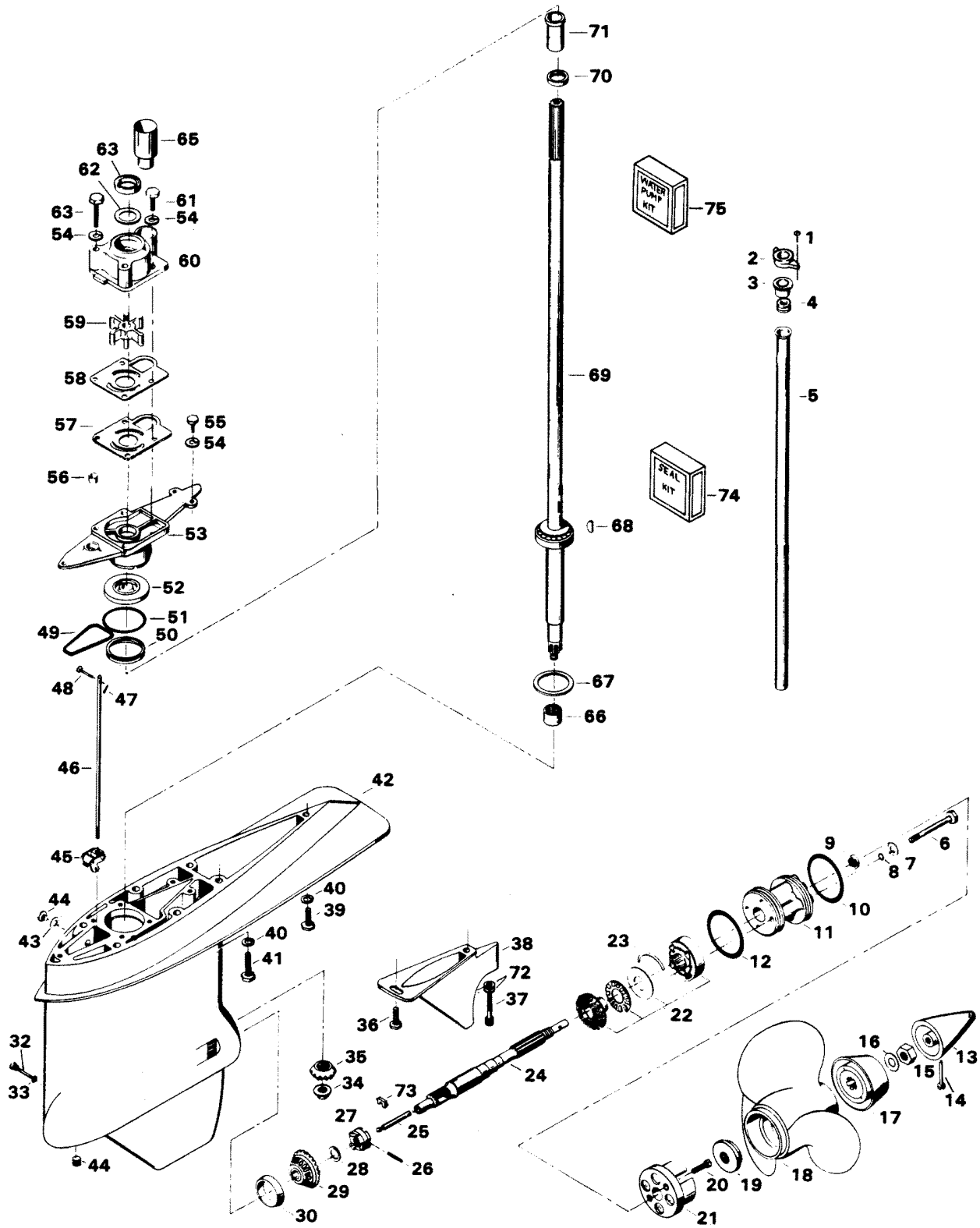


GEAR HOUSING

REF. NO.	PART NO.	SYM.	QTY.	DESCRIPTION
31	F19109		1	PLUG, GEAR HOUSING
32	F498891		1	PIN, GEAR SHIFT ARM
33	F498618		1	SEAL
34	F523188		1	NUT, BEVEL PINION RETAINING
35	43-817830A2		1	BEVEL PINION GEAR WILLUS. 50 AND SHIMS ORIGINAL FORCE P/N A 498266-2
36	F438930		1	RETAINER, SNOOT
37	F1994		1	HEX SOCKET HD CAP SCREW, 5/16 - 18 X 1
38	F523116-1		1	EXHAUST SNOOT
39	F1858		1	HEX CAP SCREW, 5/16 - 18 X 1
40	F8096		7	SPRING LOCKWASHER
41	F1491		6	HEX CAP SCREW, 5/16 - 18 X 3-1/4
42	FA523054		1	GEAR HOUSING W/DRIVESHAFT BEARING LOWER, ILLUS. 30, 31, 43 AND 44
-	1600-819196A3		1	GEAR HOUSING COMPLETE INCLUDES ALL ITEMS MARKED WITH AN ASTERISK (*). ORIGINAL FORCE P/N C 550054-1
43	F8077		3	WASHER, GEAR HOUSING PLUG
44	F50109		3	PLUG, GEAR HOUSING
45	FA84621-1		1	COUPLING, GEAR SHIFT ARM W/BUSHING
46	F523705		1	GEAR SHIFT ROD, LOWER
47	F1015		1	COTTER PIN
48	F85372		1	PIN, GEAR SHIFT ROD, LOWER
49	F523555		1	SEAL, O-RING - GEAR HOUSING COVER
50	F523961		1	CRUSH RING
51	F74305		1	SEAL, DRIVESHAFT BEARING CAGE
52	F506118		1	SEAL, DRIVESHAFT
53	F2A550706		1	GEAR HOUSING COVER WILLUS. 9 AND 56
54	F8083		7	SPRING LOCKWASHER
55	F2008		3	HEX CAP SCREW, 1/4 - 20 X 7/8
56	F338618-1		1	SEAL, GEAR SHIFT ROD
57	F523031		1	GASKET, WATER PUMP
58	F523562		1	WATER PUMP BACK PLATE
59	F523065-1		1	WATER PUMP IMPELLER
60	46-817853A1		1	WATER PUMP BODY WILLUS. 62, 64 AND 65 ORIGINAL FORCE P/N A 523060-1
61	F1990		2	HEX CAP SCREW, 1/4 - 20 X 1-5/8
62	F480388		1	DISC, WATER PUMP LOCATING
63	F1425		2	HEX CAP SCREW, 1/4 - 20 X 2-5/8
64	F351307		1	SEAL, WATER PUMP
65	FA523735		1	SEAL, INLET WATER LINE LOWER W/LITERATURE
66	F523057		1	BEARING, DRIVESHAFT LOWER
67	F9106		A/R	SHIM, DRIVESHAFT BEARING UPPER .033 - BRASS
-	F9095		A/R	SHIM, DRIVESHAFT BEARING UPPER .005 - SILVER
-	F9097		A/R	SHIM, DRIVESHAFT BEARING UPPER .010 - BLACK

CONTINUED ON NEXT PAGE ➡

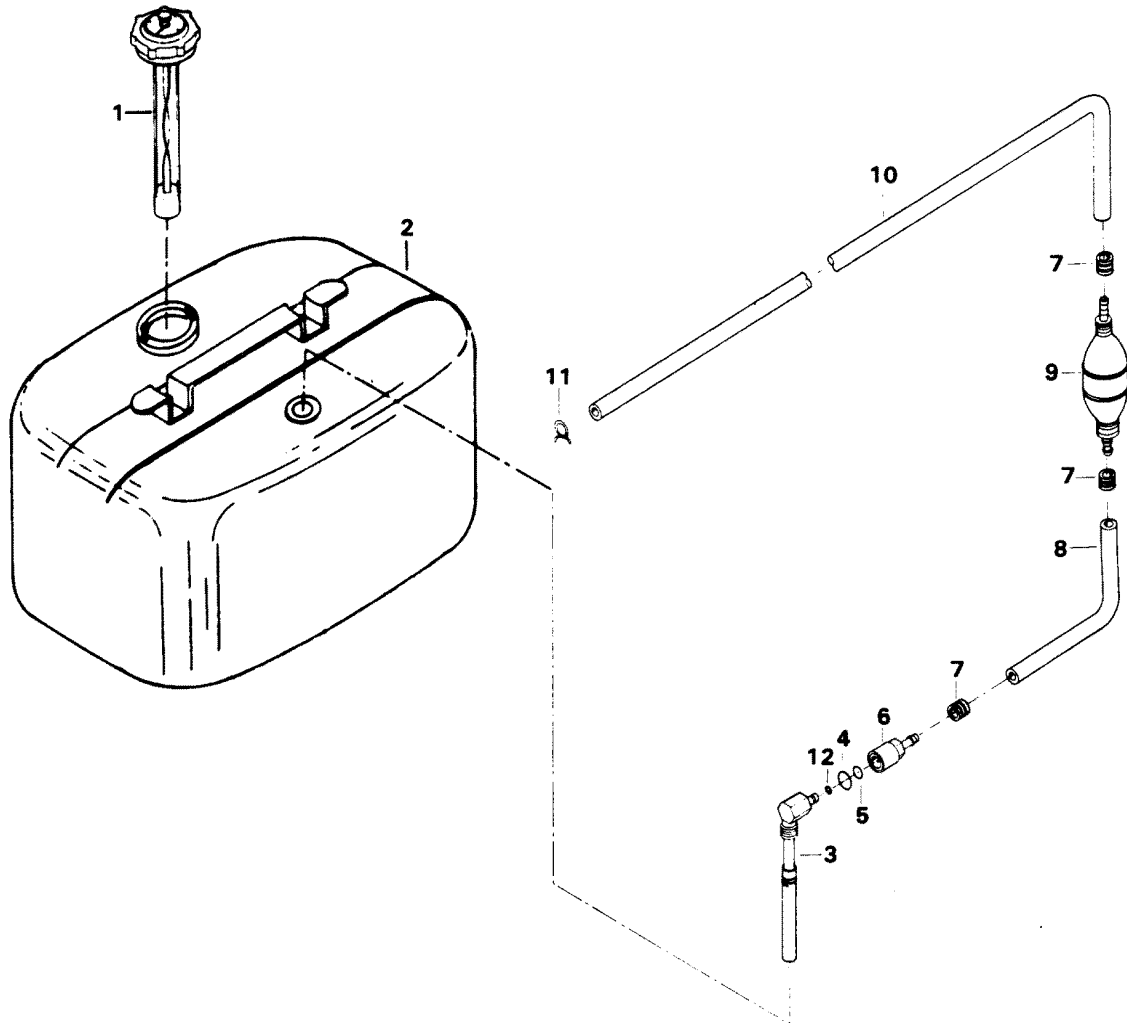
GEAR HOUSING



GEAR HOUSING

REF. NO.	PART NO.	SYM.	QTY.	DESCRIPTION
68	F523498		1	DRIVE KEY, WATER PUMP
69	FK616128		1	DRIVESHAFT W/BEARING, ILLUS. 50, 67 AND LITERATURE
70	F438271		1	RETAINER, CRANKSHAFT SPLINE SEAL
71	F438129		1	SEAL, DRIVESHAFT SPLINE
72	F1856		2	PLAIN WASHER
73	F90619-1		1	YOKE
74	FK1063-2		1	SEAL KIT
-	F50342-1		4	BEARING CAGE BOLT SEAL
-	F506118		1	PROPELLER SHAFT SEAL
-	F24278		1	PROPELLER SHAFT SPOOL SEAL
-	F84305		1	PROPELLER SHAFT SPOOL SEAL
-	F498618		1	GEAR SHIFT ARM PIN SEAL
-	F8077		3	WASHER
-	F523555		1	GEAR HOUSING COVER SEAL
-	F74305		1	GEAR HOUSING COVER SEAL
-	F84307-1		1	DRIVE SHAFT SEAL
-	F338618-1		1	GEAR SHIFT ROD SEAL
75	FK1069		1	WATER PUMP KIT
-	F1425		2	HEX CAP SCREW, 1/4 - 20 X 5/8
-	F1990		2	HEX CAP SCREW
-	F8083		4	SPRING LOCKWASHER
-	F523031		1	GASKET, WATER PUMP
-	F523065-1		1	IMPELLER
-	F523498		1	KEY
-	F523562		1	PLATE, WATER PUMP
-	46-817853A1		1	WATER PUMP

FUEL TANK AND LINE



FUEL TANK AND LINE

REF. NO.	PART NO.	SYM.	QTY.	DESCRIPTION
1	F213251		1	GAUGE CAP
2	F76034-2		1	FUEL TANK
3	F485755-1		1	FUEL TANK ADAPTER
4	F17816		1	SEAL, FUEL LINE COUPLER (LARGE)
5	F17817		1	SEAL, FUEL LINE COUPLER (SMALL)
6	F197787-3		1	FUEL LINE COUPLER
7	F298788		3	FERRULE
8	FA84754-1		1	FUEL LINE SHORT W/ILLUS. 7
9	89396A38		1	PRIME BULB W/LITERATURE ORIGINAL FORCE P/N S 387766-1
10	32-817738A1		1	FUEL LINE LONG W/ILLUS. 7 AND 11 ORIGINAL FORCE P/N A 197752-1
11	F97772		1	FUEL LINE CLAMP
12	F17932		1	SEAL, FUEL TANK ADAPTER
-	FS409752		1	FUEL LINE COMPLETE INCLUDES ALL ITEMS MARKED WITH AN ASTERISK (*)
-	F224394-3		1	DECAL, FUEL MIXTURE

SPECIAL TOOLS - TUNE-UP

REF. NO.	PART NO.	SYM.	QTY.	DESCRIPTION
-	FTA2937-1		0	TIMING TOOL TO ADJUST TIMING POINTER.
-	FT8978		0	TIMING LIGHT FOR ADJUSTING IGNITION TIMING.
-	FT8948-1		0	PULLER TO REMOVE FLYWHEEL.

SPECIAL TOOLS - POWER HEAD

REF. NO.	PART NO.	SYM.	QTY.	DESCRIPTION
-	FT2998		0	TORQUE WRENCH (0 - 100 LBS./FT.) TO TORQUE FLYWHEEL NUT.
-	FT2999		0	TORQUE WRENCH (0 - 600 LBS./FT.) TO TORQUE ALL FASTENERS.
-	FT2991		0	CARBON BRUSH TO REMOVE CARBON DEPOSITS FROM POWER HEAD.
-	FT8914		0	SEAL REMOVER TO REMOVE UPPER CRANKSHAFT BEARING CAGE SEAL.
-	FT8903		0	SEAL INSTALLER TO INSTALL UPPER CRANKSHAFT BEARING CAGE SEAL.
-	FT8907		0	DRIVER HANDLE USED WITH T 8903.
-	FT8925		0	SEAL INSTALLER TO INSTALL LOWER CRANKSHAFT SEAL.
-	FT2953		0	SOCKET TO TORQUE CONNECTING ROD SCREWS.
-	FT2990		0	PISTON PIN TOOL TO REMOVE AND INSTALL PISTON PINS.
-	FT2996		0	RING COMPRESSOR TO INSTALL PISTONS IN CYLINDER.
-	FT8926		0	RING EXPANDER TO INSTALL PISTON RINGS.
-	FT1082		0	SNAP RING PLIER TO REMOVE AND INSTALL DISTRIBUTOR RETAINING RING.
-	FT8933		0	LIFTING HOOK TO LIFT ENGINE.
-	FT8900		0	HOSE CLAMP PLIERS TO REMOVE FUEL LINE CLAMP.

SPECIAL TOOLS - GEAR HOUSING

REF. NO.	PART NO.	SYM.	QTY.	DESCRIPTION
-	FT8948-1		0	PULLER TO REMOVE PROPELLER SHAFT SPOOL FROM GEAR HOUSING.
-	FT11209		0	BEARING GUIDE SET TO REMOVE/INSTALL FORWARD BEARING CUP.
-	FT8918		0	BEARING GUIDE SET TO BE USED WITH T 11209 BEARING GUIDE SET.
-	FT11207		0	BEARING CUP REMOVER TO REMOVE FORWARD BEARING CUP IN GEAR HOUSING.
-	FT11205		0	BEARING INSTALLER/REMOVER TO REMOVE AND INSTALL LOWER DRIVESHAFT BEARING.
-	FT11204		0	BEARING CUP INSTALLER TO INSTALL FORWARD BEARING CUP IN GEAR HOUSING.
-	FT8930-1		0	FEELER GAUGE SET TO USE IN SHIMMING LOWER UNIT.
-	FT8957		0	SEAL INSTALLER TO INSTALL SHIFT ROD SEAL.
-	FT8985		0	SEAL INSTALLER TO INSTALL PROPELLER SHAFT SEAL IN SPOOL.
-	FT8925		0	SEAL INSTALLER TO INSTALL DRIVESHAFT SEAL IN GEAR HOUSING COVER.
-	FT3012		0	SEAL INSTALLER TO INSTALL DRIVESHAFT SEAL IN WATER PUMP.
-	FT8997		0	SHIM TOOL TO SHIM LOWER UNIT.
-	FT8901		0	INDICATOR HOLDER USED IN CONJUNCTION WITH T 8997.
-	FT8902		0	DIAL INDICATOR USED IN CONJUNCTION WITH T 8997.
-	FT8907		0	DRIVER HANDLE USED WITH T 11204, T 11205, T 11209.
-	FT8919		0	SPRING PIN PUNCH TO REMOVE CLUTCH SPRING PIN.
-	FT7848		0	TORQUE ADAPTER TO HOLD DRIVESHAFT SPLINE WHILE TORQUING.

SPECIAL TOOLS - TEST EQUIPMENT

REF. NO.	PART NO.	SYM.	QTY.	DESCRIPTION
-	FT2951		0	CIRCUIT TRACER TO TROUBLESHOOT ELECTRICAL SYSTEM.
-	FTK8999		0	TEST WHEEL TO TEST MOTOR IN TEST TANK. ORIGINAL FORCE P/N TA 8999
-	FT8950		0	LEAKAGE TESTER TO TEST LOWER UNIT SEALS FOR LEAKAGE.
-	FT8953		0	IGNITION TESTER TO TEST OUTPUT OF C-D UNIT.
-	FT2938-1		0	CONTINUITY TESTER TO TEST CIRCUITS FOR CONTINUITY.

SPECIAL TOOLS - LUBRICANTS AND SEALANTS

REF. NO.	PART NO.	SYM.	QTY.	DESCRIPTION
-	FT2961		0	LUBRICANT - RYKON GREASE #2EP
-	FT2987-1		0	LUBRICANT - ANTI-SEIZE
-	FT8969		0	LUBRICANT - 7 OZ. L PSI LUBRICANT
-	FT8955		0	SEALANT - 5 OZ. EC-750 INDUSTRIAL SEALANT
-	FT8983		0	SEALANT - 3 OZ. RTV SEALANT FROM IN PLACE GASKETS
-	FT8936		0	SEALANT - 2 CC LOCTITE RETAINING COMPOUND #75
-	FT2962-1		0	SEALANT - 50 CC LOCTITE H, NON-HARDENING GRADE
-	FT2963-2		0	SEALANT - 2 OZ. LOCTITE D, HARDENING GRADE
-	FT8935		0	SEALANT PRIMER - 6 OZ.

ACCESSORIES

REF. NO.	PART NO.	SYM.	QTY.	DESCRIPTION
-	F5H173		0	FLUSHING ADAPTER PERMITS FRESH WATER FLUSHING OF WATER PASSAGES WITH STANDARD GARDEN HOSE.
-	F5H130		0	REMOTE CONTROL - SURFACE MOUNT PERMITS REMOTE CONTROL OF THROTTLE AND GEAR SHIFT FROM STARBOARD SIDE OF BOAT.
-	F5H120		0	REMOTE CONTROL BACK PLATE TO PREVENT INTERFERENCE WITH PADDED SIDE OF BOAT.
-	F5H131		0	PORT SIDE DECAL KIT CONVERTS 5H130 CONTROL BOX TO PORT SIDE MOUNTING.
-	F590		0	REMOTE CONTROL - FLUSH MOUNT FLUSH MOUNT CONTROL UNIT PERMITS REMOTE CONTROL OF THROTTLE AND GEAR SHIFT. MAY BE MOUNTED ON PORT OR STARBOARD SIDE OF BOAT.
-	F5H079		0	SINGLE REMOTE CONTROL BOX PERMITS REMOTE CONTROL OF THROTTLE AND GEAR SHIFT. CONSOLE MOUNTED.
-	F5H080		0	TWIN REMOTE CONTROL BOX PERMITS REMOTE CONTROL OF THROTTLE AND GEAR SHIFT - TWO ENGINES. CONSOLE MOUNTED.
-	F195/___		0	REMOTE CONTROL CABLES CONNECTS REMOTE CONTROL BOX TO THROTTLE AND GEAR SHIFT ON ENGINE. AVAILABLE IN 6 THROUGH 40 FOOT LENGTHS.
-	F5H132		0	REMOTE CONTROL HANDLE TRIM SWITCH HAS POWER TRIM CONTROL SWITCH IN HANDLE. REPLACES STANDARD CONTROL LEVER ON 5H130 CONTROL BOX.
-	F5H108		0	STEERING CONNECTOR CLEVIS TYPE FOR BOAT MOUNTED STEERING AND NONTHREADED CABLE END.
-	F5H094		0	STEERING LINK KIT CONNECTS STEERING CABLE TO ENGINE WHEN USING ENGINE MOUNTED STEERING SYSTEM.
-	F5H018		0	DUAL STEERING CONNECTOR PERMITS DUAL ENGINE INSTALLATIONS.
-	F5H040		0	STEEL, 12 GALLON FUEL TANK AUXILIARY TANK.
-	F5H019		0	ANTI-CORROSION KIT ELECTRICAL KIT FOR MOUNTING ON BOAT (12V) TO REDUCE CORROSION.
-	F5H025		0	ANTI-CORROSION SACRIFICIAL ANODE KIT USED TO REDUCE CORROSION.
-	F5H043		0	OVERHEAT BUZZER SOUNDS WARNING BUZZER IF ENGINE OVERHEATS.
-	F5H161		0	POWER TRIM INDICATOR INDICATES ENGINE TRIM ANGLE.
-	F5H134		0	BOAT WHITE LACQUER ENGINE TOUCH-UP PAINT IN 12 3/4 OZ. SPRAY BOMBS (6 CANS PER CASE).
-	F5H044		0	TILT STOP KIT LIMITS TILTING ANGLE.
-	F5H068		0	RFI SUPPRESSION KIT PROVIDES RADIO NOISE SUPPRESSION.
-	F5H151		0	SHOCK ABSORBER KIT TO PROVIDE SHOCK PROTECTION WHEN HITTING UNDERWATER OBJECT.
-	F5H081		0	BATTERY CABLE LONGER LENGTH - 15 FEET.
-	F5H157		0	VOLTMETER - FLUSH MOUNT INDICATES BATTERY CONDITION.

CONTINUED ON NEXT PAGE ➡

ACCESSORIES

REF. NO.	PART NO.	SYM.	QTY.	DESCRIPTION
-	5H047		0	CANVAS HOOD PROTECTION FOR ENGINE COVER.
-	F5H021		0	EXTENSION CABLE FOR LENGTHENING BATTERY CABLE 6 1/2 FEET.
-	F5H041		0	BATTERY TERMINAL KIT FOR POSITIVE AND NEGATIVE BATTERY POSTS.
-	71H25		0	CHARGE INDICATOR LAMP GLOWS GREEN WHEN ALTERNATOR IS RECHARGING BATTERY.
-	F5H037		0	CIGAR LIGHTER FOR USE AS CONVENIENCE OUTLET.
-	5H158		0	FUEL GAUGE FLUSH MOUNT MONITORS FUEL SUPPLY.
-	5H145		0	HYDRAULIC TILT HYDRAULIC UNIT TO RAISE AND LOWER THE LOWER UNIT WHEN BEACHING OR TRAILERING BOAT.
-	479		0	HEAT LAMP KIT GLOWS RED IF ENGINE OVERHEATS. DO NOT USE HEAT LAMP AND TEMPERATURE GAUGE IN SAME INSTALLATION.
-	F5H159		0	HOURLY METER RECORDS ENGINE RUNNING TIME.
-	F5H077		0	IGNITION KEY SWITCH SHORT BARREL WITH KEYS.
-	F5H078		0	IGNITION KEY SWITCH LONG BARREL WITH KEYS.
-	F762		0	REMOTE ELECTRIC CABLE 25 FOOT CABLE FOR LARGE BOATS.
-	F5H070		0	REMOTE ELECTRIC CABLE 21 FOOT CABLE FOR LARGE BOATS.
-	5H082		0	REMOTE ELECTRIC CABLE 35 FOOT CABLE FOR LARGE BOATS.
-	F5H028		0	SENDING UNIT FOR USE WITH 5H008 FUEL GAUGE & 5H040 12 GAL. FUEL TANK.
-	F5H156		0	TEMPERATURE GAUGE FLUSH MOUNT MONITORS ENGINE TEMPERATURE. DO NOT USE TEMPERATURE GAUGE AND HEAT LAMP IN SAME INSTALLATION.
-	F5H167		0	TACHOMETER FLUSH MOUNT MONITORS ENGINE R.P.M. TO PROVIDE CHECK OF ENGINE PERFORMANCE.
-	F5H149		0	POWER TRIM ADJUSTS ENGINE TRIM AND TILTS ENGINE.
-	F5H155		0	SPEEDOMETER FLUSH MOUNT MONITORS BOAT SPEED (10 - 65 M.P.H.).
-	F5H154		0	SPEEDOMETER FLUSH MOUNT MONITORS BOAT SPEED (10 - 50 M.P.H.).
-	F5H115		0	TRAILERING TILT LOCK SECURES ENGINE IN HALF TILT POSITION FOR TRAILERING.
-	F5H076		0	SWITCH EXTENSION CABLE - 5 FT. ALLOWS INSTALLATION OF IGNITION SWITCH IN 5H130 CONTROL BOX WITH 563 TERMINAL BLOCK.
-	F5H030		0	SWITCH KIT - RUNNING LIGHTS DASH MOUNTED TOGGLE SWITCH.
-	F5H031		0	SWITCH KIT - SPOT LIGHT DASH MOUNTED TOGGLE SWITCH.
-	F5H032		0	SWITCH KIT - WIPER DASH MOUNTED TOGGLE SWITCH.
-	F5H034		0	SWITCH KIT - BILGE PUMP DASH MOUNTED TOGGLE SWITCH.
-	F5H035		0	SWITCH KIT - HORN DASH MOUNTED TOGGLE SWITCH (MOMENTARY).

CONTINUED ON NEXT PAGE ➡

ACCESSORIES

REF. NO.	PART NO.	SYM.	QTY.	DESCRIPTION
-	F5H036		0	SWITCH KIT - TACHOMETER TRANSFER DASH MOUNTED TOGGLE SWITCH FOR ONE TACHOMETER ON DUAL ENGINE INSTALLATION.
-	F5H038		0	SWITCH KIT - IGNITION SWITCH TO MOUNT IGNITION SWITCH ON DASH.
-	F5H039		0	SWITCH KIT - INSTRUMENT LIGHT DASH MOUNTED TOGGLE SWITCH.
-	F563		0	TERMINAL BLOCK KIT DOUBLE ROW 10 SECTION TO SIMPLIFY ACCESSORY INSTALLATION.
-	F5H075		0	WIRING HARNESS - IGNITION SWITCH (24") USE WITH 563 TERMINAL BLOCK.
-	F596		0	CHRYSLER OUTBOARD OIL SEE BLOCK COMMENT 1.
-	F597		0	CHRYSLER OUTBOARD GEAR LUBE SEE BLOCK COMMENT 2.
-	F5H059		0	CHRYSLER OUTBOARD MULTI-PURPOSE GREASE LUBRICATES BEARINGS AND OTHER MOVING PARTS. AVAILABLE IN 8 OZ. TUBES AND 12 TUBE CASES.
-	F5H060		0	CHRYSLER OUTBOARD GREASE GUN

PARTS INDEX

Part Number	Description	Pg.	Ref. No.	Part Number	Description	Pg.	Ref. No.
15169	FRAME AND FIELD ASSEMBLY	9	10	F10183	MAIN FUEL JET (.068) OPT. 5000 - 7500 FT.	13	-
479	HEAT LAMP KIT	42	-	F1038	SLOTTED PAN HD. SCREW 1/4 - 20 X 3/4	7	47
5H047	CANVAS HOOD	42	-	F1059	FILL HD SCREWS, S.S., 6 - 32 X 1/4	13	70
5H082	REMOTE ELECTRIC CABLE	42	-	F1064	FILL HD SCREWS, S.S., 8 - 32 X 3/8	15	101
5H145	HYDRAULIC TILT	42	-	F1072	FILL HD SCREW, 1/4 - 20 X 1-3/4	15	93
5H158	FUEL GAUGE FLUSH MOUNT	42	-	F1099	FILL HD SCREW, 1/4 - 20 X 1-1/4	17	13
71H25	CHARGE INDICATOR LAMP	42	-	F1108	FILL HD SCREW W/LOCKWASHER, 1/4 - 20 X 3/4	11	11
817747--1	BALL JOINT W/STUD	11	28	F1110	FILL HD SCREW, 1/4 - 20 X 5/8	21	77
817747--1	BALL JOINT W/STUD	17	18	F1199	HEX CAP SCREW, 1/4 - 20 X 1	17	15
817783A5	SWIVEL BRACKET	27	52	F1236	HEX HD SCREW, 1/4 - 20 X 1/2	11	42
817787A1	CYLINDER DRAIN COVER	17	42	F1263	HEX SOCKET HD CAP SCREW, 5/16 - 18 X 9/16	25	13
817788A3	SPACER PLATE	19	67	F1280	SLOTTED PAN HD SCREW, 8 - 32 X 1/4	5	15
817959A3	INTAKE MANIFOLD	11	25	F1286	PAN HD SCREW, 4 - 40 X 3/16	17	40
89396A38	PRIME BULB	35	9	F1341	HEX NUT, 1/4 - 20	17	22
F1009	HEX BOLT, 3/8 - 16 X 2-3/4	17	3	F1341	NUT, 1/4 - 20	7	53
F10090	GASKET, FUEL BOWL RETAINING SCREW	13	73	F1346	HEX NUT, 3/8 - 16	17	6
F10127	FUEL BOWL	13	74	F1346	HEX NUT, 3/8 - 16	25	24
F10135	FLOAT	13	77	F1425	HEX CAP SCREW, 1/4 - 20 X 2-5/8	31	63
F10136	FLOAT LEVER PIN	13	76	F1425	HEX CAP SCREW, 1/4 - 20 X 5/8	33	-
F10137	MAIN NOZZLE	13	75	F1473	HEX NUT, 10 - 24	3	29
F10138	FUEL BOWL GASKET	13	82	F1475	FILL HD SCREW, 10 - 24 X 1/2	17	20
F1014	COTTER PIN	13	66	F1491	HEX CAP SCREW, 5/16 - 18 X 3-1/4	31	41
F1014	COTTER PIN	27	58	F15034	SPRING SET	9	20
F10140	SHUTTER SCREW W/LOCKWASHER	15	96	F1504	FILL HD SCREW, 1/4 - 20 X 1-1/4	15	91
F10141	IDLE SCREW SPRING	15	85	F1504	FILL HD SCREW, 1/4 - 20 X 1-1/4	17	21
F10142	SPRING, FLOAT SUPPORT	15	106	F15057	BRUSH PLATE AND HOLDER	9	19
F10143	CHOKE SHAFT RETURN SPRING	13	81	F15080	SPRING	9	3
F10145	SPRING, COMPRESSION	15	107	F15099	ARMATURE	9	9
F10146	IDLE SCREW	15	86	F15100	BENDIX	9	5
F10147	MAIN FUEL JET (.072) OPT. 2500 - 5000 FT.	13	-	F15110	CLUTCH ASSEMBLY	9	4
F1015	COTTER PIN	31	47	F15111	NUT, STOP RETAINING	9	1
F10152	BODY CHANNEL CUP PLUG	13	58	F15112	STOP, PINION	9	2
F10153	BODY CHANNEL WELCH PLUG	13	57	F15125	HEAD ASSEMBLY, COMMUTATOR END	9	18
F10155	THROTTLE SHUTTER SCREW AND LOCKWASHER	13	60	F15126	THRUST WASHER PACKAGE	9	8
F10156	ELBOW	11	4	F1513	HEX NUT, 10 - 32	5	26
F10159	CHOKE SHAFT AND LEVER	13	80	F1513	HEX NUT, 10 - 32	11	33
F10161	CHOKE SHUTTER	15	97	F1513	HEX NUT, 10 - 32	17	16
F10164	FUEL FITTING	13	45				
F10167	RING, RETAINING	15	105				
F10168	THROTTLE SHAFT AND LEVER	13	64				
F10169	THROTTLE SHUTTER	13	61				
F10170	VALVE ASSY./INLET	13	78				
F10171	SEAT VALVE	13	79				
F10172	THROTTLE SHAFT RETURN SPRING	13	65				
F10173	MAIN FUEL JET (.074) STD. SEA LEVEL - 2500 FT.	13	72				
F10175	JET	15	84				
F10176	TUBE, IDLE	15	108				

PARTS INDEX

Part Number	Description	Pg.	Ref. No.	Part Number	Description	Pg.	Ref. No.
F1515	HEX NUT, 5/16 - 18	5	29	F1734	FILL HD. SCREW, 1/4 - 20 X		
F1515	HEX NUT, 5/16 - 18	13	56		1/2	5	12
F1515	HEX NUT, S.S., 5/16 - 18	5	25	F1741	PAN HD SCREW, 8 X 3/4	7	49
F15162	HEX LOCK NUT, 1/4 - 20			F1744	SPRING PIN	25	40
	W/LOCKWASHER	9	12	F1744	SPRING PIN	27	47
F15165	BRUSH TERMINAL SET	9	11	F1755	RD HD SCREW		
F15167	HEAD ASSEMBLY DRIVE				W/LOCKWASHER, 6 - 32 X		
	END	9	7		5/16	11	17
F15168	THRU BOLT PACKAGE	9	14	F1760	PAN HD SCREW, 10 - 24 X		
F1528	WELCH PLUG	25	33		3/8	15	88
F1532	HEX HD SCREW, 1/4 - 20 X 1	13	47	F1760	SLOTTED PAN HD SCREW,		
F1532	HEX HD SCREW, 1/4 - 20 X 1	17	43		10 - 24 X 3/8	7	40
F1550	SLOTTED PAN HD. SCREW			F177330	FUEL PUMP VALVE	11	8
	#12 - 24 X 1	7	60	F177350	REVERSE LOCK PIN	25	41
F1556	FILL HD SCREW			F178145-3	MOTOR LEG COVER, REAR	25	10
	W/LOCKWASHER, 10 - 24			F17816	SEAL, FUEL LINE COUPLER		
	X 3/8	17	23		(LARGE)	35	4
F1577	FILL HD SCREW, 1/4 - 20 X			F17817	SEAL, FUEL LINE COUPLER		
	3/4	29	20		(SMALL)	35	5
F1593	HEX HD SCREW, 3/8 - 16 X 3	25	22	F178323	SEAL, MOTOR LEG	25	15
F1641	LOCK NUT, 1/4 - 28	9	6	F1788	STOP NUT	29	15
F1645	RD HD SCREW, 6 - 32 X 1/4	5	5	F17932	SEAL, FUEL TANK ADAPTER	35	12
F1645	RD HD SCREW, 6 - 32 X 1/4	13	51	F18160-2	REED	17	37
F1647	HEX NUT, 10 - 32	21	76	F1822	HEX BOLT, 5/16 - 18 X 7/8	27	64
F1647	HEX NUT, 8 - 32	5	8	F1832	NUT, LOCK 1/4 - 20	7	57
F1648	PAN HD SCREW, 10 - 24 X			F1832	STOP NUT, 1/4 - 20	19	61
	3/4	5	20	F1836	SPRING PIN	27	57
F1664	SPRING PIN	25	11	F184033-1	CHOKE ARM SWIVEL	13	69
F1666	BOWED SPRING WASHER	25	18	F184579	SEAL, CHOKE ARM SWIVEL	13	68
F1669	LOCK NUT	25	35	F1854	HEX CAP SCREW, 1/4 - 20 X		
F1693	TIE BAR RETAINER	15	100		5/8	3	24
F1696	HEX BOLT, 5/16 - 18 X 1-3/4	25	16	F1856	PLAIN WASHER	33	72
F1699	HEX HD SCREW, 1/4 - 20 X			F1857	HEX CAP SCREW, 5/16 - 18		
	1-1/8	11	27		X 5/8	3	17
F1699	HEX HD SCREW, 1/4 - 20 X			F1857	HEX CAP SCREW, 5/16 - 18		
	1-1/8	21	87		X 5/8	3	32
F1703	SPRING LOCKWASHER	19	65	F1858	HEX CAP SCREW, 5/16 - 18		
F1703	SPRING LOCKWASHER	27	69		X 1	3	18
F1704	INTERNAL TOOTH			F1858	HEX CAP SCREW, 5/16 - 18		
	LOCKWASHER	5	4		X 1	31	39
F1704	INTERNAL TOOTH			F1860	SLOTTED BINDING HD		
	LOCKWASHER	13	50		SCREW, 6 - 32 X 1/4	11	7
F1705	HEX CAP SCREW, 1/4 - 20 X			F1864	HEX CAP SCREW, 1/4 - 20 X		
	3/4	5	27		3/4	3	9
F1705	HEX CAP SCREW, 1/4 - 20 X			F1864	HEX HD SCREW, 1/4 - 20 X		
	3/4	29	1		3/4	17	8
F1705	HEX SLOT HD SCREW, 1/4 -			F1864	HEX HD SCREW, 1/4 - 20 X		
	20 X 3/4	25	3		3/4	19	52
F1708	HEX HD CAP SCREW, 1/4 -			F1866	PLAIN WASHER	29	16
	20 X 1-3/8	3	13	F1869	HEX BOLT, 3/8 - 16 X 1-1/4	19	64
F1708	HEX HD SCREW, 1/4 - 20 X			F1871	HEX HD SCREW, 3/8 - 16 X		
	1-3/8	21	99		3/4	27	70
F1713	SPRING PIN	29	26	F1872	HEX BOLT, 3/8 - 16 X 1-3/4	17	14
F1727	PLASTIC RIVET	17	25	F1873	HEX BOLT, 3/8 - 16 X 3	17	5
F1729	PLUG	25	9	F1877	TY-RAP (NOT SHOWN)	7	64
F1730	PAN HD SCREW, W/SPRING			F1883	HEX BOLT, 5/16 - 18 X 2-3/8	21	72
	LOCKWASHER, 1/4 - 20 X			F1885	HEX BOLT, 5/16 - 18 X 4-1/4	19	56
	5/8	3	5	F1885	HEX CAP SCREW, 5/16 - 18		
F1733	PAN HD SCREW, 10 - 24 X				X 4-1/4	29	6
	9/16	3	2	F1904	PLAIN WASHER	25	23

PARTS INDEX

Part Number	Description	Pg.	Ref. No.	Part Number	Description	Pg.	Ref. No.
F1907	PLAIN WASHER	29	7	F2030	HEX HD SCREW, 1/4 - 20 X 1-1/4	27	68
F1910	STOP NUT, 1/4 - 20	11	30	F2033	GROOVE PIN	11	39
F19109		31	31	F2042	PLAIN WASHER	17	31
F19109	PLUG	21	83	F2047	WAVE SPRING WASHER	3	21
F1912	HEX HD SCREW, 10 - 24 X 1/2	27	72	F2050	HEX HD SCREW, 1/4 - 20 X 1-1/2	11	36
F1922	HEX CAP SCREW, 1/4 - 20 X 5/8	11	3	F2066	PAN HD TAPPING SCREW, 10 X 7/16	3	33
F1922	HEX HD SCREW, 1/4 - 20 X 5/8	9	16	F2067	PLASTISOL CAP (NOT SHOWN) FOR EXPOSED THREADS OF CRANKSHAFT	23	-
F1922	HEX HD SCREW, 1/4 - 20 X 5/8	19	46	F2081	HEX SOC. HD. SCREW, 1/4 - 20 X 3/4	23	18
F1922	HEX SLOT HD SCREW, 1/4 - 20 X 5/8	3	14	F2088	FASTENER	3	27
F1934	FLAT HD SCREW, 6 X 1/2	5	21	F2089	SLOTTED PAN HD MACHINE SCREW, 10 - 24 X 5/16	19	58
F1936	SPACER, BEVEL GEAR FRONT .059	29	28	F2090	PLUG	19	68
F1937	SPACER, BEVEL GEAR FRONT .062	29	-	F2106	LOCKWASHER	7	55
F1938	SPACER, BEVEL GEAR FRONT .065	29	-	F2108	LOCK NUT, 5/16 - 18	27	75
F1939	SPACER, BEVEL GEAR FRONT .068	29	-	F2108	STOP NUT, 5/16 - 18	19	59
F1940	SPACER, BEVEL GEAR FRONT .071	29	-	F2113	SPACER, BEVEL GEAR FRONT .080	29	-
F1941	SPACER, BEVEL GEAR FRONT .074	29	-	F2114	SPACER, BEVEL GEAR FRONT .083	29	-
F1942	SPACER, BEVEL GEAR FRONT .077	29	-	F2115	SPACER, BEVEL GEAR FRONT .086	29	-
F195/_	REMOTE CONTROL CABLES	41	-	F2116	SPACER, BEVEL GEAR FRONT .089	29	-
F1950	HEX HD SCREW, 10 - 24 X 5/8	21	92	F2121	SPACER, BEVEL GEAR FRONT .057	29	-
F1968	FLYWHEEL NUT	23	20	F2122	SPACER, BEVEL GEAR FRONT .054	29	-
F1968	HEX NUT, 3/4 - 16	7	62	F213251	GAUGE CAP	35	1
F1975	LOCKWASHER	5	18	F213274	GREASE FITTING	27	53
F197787-3	FUEL LINE COUPLER	35	6	F215962	MOUNT (SHOCK - C.D. UNIT)	5	32
F197813	BEARING	27	60	F224394-3	DECAL, FUEL MIXTURE	35	-
F1987	PLAIN WASHER	21	71	F24278	PROPELLER SHAFT SPOOL SEAL	33	-
F1987	PLAIN WASHER	27	76	F24278	SEAL, O-RING PROPELLER SHAFT SPOOL	29	10
F1990	HEX CAP SCREW	33	-	F269319	BEARING	11	31
F1990	HEX CAP SCREW, 1/4 - 20 X 1-5/8	31	61	F284659-2	CRANKSHAFT THRUST BEARING, UPPER	23	21
F1994	HEX SOCKET HD CAP SCREW, 5/16 - 18 X 1	31	37	F286461	SPRING LOCK BAR HANDLE	27	45
F1997	STOP NUT, 8 - 32	13	59	F289446-1	CLAMP, REMOTE ELEC. CABLE TO BRACKET	5	11
F2000	HEX CAP SCREW, 5/16 - 18 X 3/4	21	100	F298788	FERRULE	35	7
F2008	HEX BOLT, 1/4 - 20 X 7/8	21	88	F2A404757	CYLINDER DRAIN REED PLATE	17	36
F2008	HEX CAP SCREW, 1/4 - 20 X 7/8	21	98	F2A498662	BEVEL GEAR REAR W/BEARING CAGE, SPACER AND BEARING	29	22
F2008	HEX CAP SCREW, 1/4 - 20 X 7/8	31	55	F2A523239	SPOOL, PROPELLER SHAFT BEARING	29	11
F2008	HEX HD SCREW, 1/4 - 20 X 7/8	11	26	F2A550706	GEAR HOUSING COVER	31	53
F2008	HEX HD. M. SC., 1/4 - 20 X 7/8	7	44	F2A615144	CRANKSHAFT BEARING CAGE	23	17
F2014	PLAIN WASHER	27	78				
F2015	HEX NUT, 1/4 - 28	17	30				
F2016	FILL HD SCREW, 6 - 32 X 7/8	13	53				

PARTS INDEX

Part Number	Description	Pg.	Ref. No.	Part Number	Description	Pg.	Ref. No.
F316579	SEAL, CRANKCASE	23	11	F438747	FUEL PUMP DIAPHRAGM	11	6
F316599	SEAL, STEERING SUPPORT TUBE	25	32	F438754	FUEL LINE	13	44
F319908	WIRE, GROUND (C.D. - COIL BRACKET)	7	56	F438760	FUEL PUMP GASKET	11	2
F321756	PACKING	3	25	F438801	FITTING	11	12
F333316	THROTTLE ROLLER SHAFT	13	62	F438930	RETAINER, SNOUT	31	36
F335215	SPACER, PISTON PIN (2 PER PISTON)	23	3	F438962	SHOCK MOUNT SLIDE	25	12
F335217-1	BEARING PISTON PIN (26 PER SET)	23	5	F439736	SEAL EXHAUST TUBE	25	8
F335654-1	DEFLECTION STOP	3	15	F460917	STARTER RELAY	5	23
F338618-1	GEAR SHIFT ROD SEAL	33	-	F474073-1	CLAMP SCREW	25	27
F338618-1	SEAL, GEAR SHIFT ROD	31	56	F475301-1	MODULE	7	45
F345683	WIRE, GROUND (RECTIFIER TO STARTER BOLT)	7	51	F475504	BUSHING	7	42
F351307	SEAL, WATER PUMP	31	64	F476066-1	COVER, THERMOSTAT	21	78
F353480	STUD	25	25	F476067	GASKET, THERMOSTAT COVER	21	81
F369349	REVERSE LOCK	25	36	F476067	THERMOSTAT COVER GASKET	19	-
F369364	REVERSE LOCK ARM	27	56	F480038-2	SUPPORT PLATE	3	10
F369450	RECTIFIER	5	9	F480107-1	CAM, STARTER INTERLOCK	19	57
F369510	LINK	25	39	F480388	DISC, WATER PUMP LOCATING	31	62
F369529-1	CYLINDER HEAD GASKET	19	-	F480518	CYLINDER HEAD	21	82
F369529-1	CYLINDER HEAD GASKET	21	84	F480551-1	BRACKET INTERLOCK SWITCH	13	48
F369610	BEARING	19	55	F480818	BEARING, LATCH SHAFT	3	7
F369827	HANDLE AND SHAFT	27	61	F480955	STARTER - COMPLETE.	9	-
F369887	SHOULDER SCREW	19	54	F481382-1	SPACER, LATCH SHAFT	3	22
F369977-1	INTERLOCK ARM	19	63	F481434	GUIDE, ENGINE COVER	3	26
F373778-1	RETAINER, ENGINE COVER	3	35	F481567	CARBURETOR INTAKE ADAPTER	15	95
F381896-4	BATTERY CABLE	5	34	F481774	BRACKET, ENGINE COVER LATCH	3	28
F391926-1	CHOKE SOLENOID PLUNGER	11	40	F481777	CAM, LATCH SHAFT	3	20
F3A523158	REED PLATE	11	21	F481836	INTAKE GASKET	15	87
F3C854944	ENGINE COVER COMPLETE.	3	-	F481836	INTAKE GASKET	19	-
F40209	CARBURETOR STUD	13	55	F481860-1	CARBURETOR, INTAKE	15	94
F40223	GASKET, TRANSFER PORT COVER	19	48	F483884	BEARING	27	51
F40223	TRANSFER PORT COVER GASKET	19	-	F485755-1	FUEL TANK ADAPTER	35	3
F404268	SPRING, BY-PASS VALVE	21	95	F498618	GEAR SHIFT ARM PIN SEAL	33	-
F404801	FITTING	19	44	F498618	SEAL	31	33
F404841	CABLE, HEAT INDICATOR	7	52	F498891	PIN, GEAR SHIFT ARM	31	32
F40689-1	BEARING, TOWERSHAFT	19	66	F498891	PIN, PROPELLER NUT RETAINING	29	14
F407446	CLAMP	5	33	F499026	SWIVEL	17	27
F433114	HANDLE, LOCK BAR	27	46	F499035	ROD END, CONTROL ROD TO TRIGGER	17	32
F433209-1	STUD	11	34	F499036	TOWERSHAFT CONTROL ROD END	17	26
F433253	HOSE	19	45	F499398	DECAL, WIRING - USA	21	86
F438066	BY-PASS VALVE COVER	21	93	F499995	CYLINDER HEAD COVER	21	73
F438129	SEAL, DRIVESHAFT SPLINE	33	71	F50109	PLUG, GEAR HOUSING	31	44
F438165	SCREW, FUEL PUMP BOWL	11	16	F50342-1	BEARING CAGE BOLT SEAL	33	-
F438169	BEARING	25	38	F50342-1	SEAL, BEARING CAGE BOLTS	29	8
F438271	RETAINER, CRANKSHAFT SPLINE SEAL	33	70	F506118	PROPELLER SHAFT SEAL	33	-
F438346	SHOCK MOUNT, LOWER	27	65	F506118	SEAL, DRIVESHAFT	31	52
F438500	FUEL SEDIMENT BOWL	11	15	F506118	SEAL, PROPELLER SHAFT	29	9
F438617	FUEL SEDIMENT BOWL GASKET	11	13	F510374	DECAL, CIRCUIT BREAKER	5	37
F438653	FUEL SEDIMENT BOWL SCREEN	11	14	F510460	CIRCUIT BREAKER	7	38
F438668	RETAINER	7	66	F511125-2	TUBE, STEERING SUPPORT	25	31

PARTS INDEX

Part Number	Description	Pg.	Ref. No.	Part Number	Description	Pg.	Ref. No.
F523031	GASKET, WATER PUMP ...	31	57	F5H025	ANTI-CORROSION SACRIFICIAL ANODE	41	-
F523031	GASKET, WATER PUMP ...	33	-	F5H028	SENDING UNIT	42	-
F523057	BEARING, DRIVESHAFT LOWER	31	66	F5H030	SWITCH KIT - RUNNING LIGHTS	42	-
F523065-1	IMPELLER	33	-	F5H031	SWITCH KIT - SPOT LIGHT ..	42	-
F523065-1	WATER PUMP IMPELLER ..	31	59	F5H032	SWITCH KIT - WIPER	42	-
F523094-2	PROPELLER NUT	29	13	F5H034	SWITCH KIT - BILGE PUMP ..	42	-
F523099-1	SPACER, PROPELLER	29	19	F5H035	SWITCH KIT - HORN	42	-
F523116-1	EXHAUST SNOOT	31	38	F5H036	SWITCH KIT - TACHOMETER TRANSFER	43	-
F523133-2	MOTOR LEG	25	14	F5H037	CIGAR LIGHTER	42	-
F523146	SEAL, CRANKSHAFT LOWER	23	13	F5H038	IGNITION SWITCH MOUNTING KIT (ACCESSORY ITEM)	5	22
F523146	SEAL, CRANKSHAFT UPPER	23	19	F5H038	SWITCH KIT - IGNITION SWITCH	43	-
F523188	NUT, BEVEL PINION RETAINING	31	34	F5H039	SWITCH KIT - INSTRUMENT LIGHT	43	-
F523244	INLET WATER LINE	29	5	F5H040	STEEL, 12 GALLON FUEL TANK	41	-
F523274	GREASE FITTING	25	30	F5H041	BATTERY TERMINAL KIT ..	42	-
F523280	NUT, STEERING SUPPORT TUBE	25	42	F5H043	BUZZER, HEAT INDICATOR, (ACCESSORY ITEM)	7	50
F523411	RETAINING RING	29	23	F5H043	OVERHEAT BUZZER	41	-
F523451	SPACER, REED STOP	11	19	F5H044	TILT STOP KIT	41	-
F523498	DRIVE KEY, WATER PUMP ..	33	68	F5H059	CHRYSLER OUTBOARD MULTI-PURPOSE GREASE	43	-
F523498	KEY	33	-	F5H060	CHRYSLER OUTBOARD GREASE GUN	43	-
F523555	GEAR HOUSING COVER SEAL	33	-	F5H068	RFI SUPPRESSION KIT	41	-
F523555	SEAL, O-RING - GEAR HOUSING COVER	31	49	F5H070	REMOTE ELECTRIC CABLE	42	-
F523562	PLATE, WATER PUMP	33	-	F5H075	WIRING HARNESS - IGNITION SWITCH (24") ..	43	-
F523562	WATER PUMP BACK PLATE	31	58	F5H076	SWITCH EXTENSION CABLE - 5 FT.	42	-
F523705	GEAR SHIFT ROD, LOWER ..	31	46	F5H077	IGNITION KEY SWITCH	42	-
F523813	BEARING CUP	29	30	F5H078	IGNITION KEY SWITCH	42	-
F523899	GROMMET, WATER LINE ..	29	4	F5H078	SWITCH, IGNITION (ACCESSORY ITEM)	5	16
F523961	CRUSH RING	31	50	F5H079	SINGLE REMOTE CONTROL BOX	41	-
F528068	THERMOSTAT	21	80	F5H080	TWIN REMOTE CONTROL BOX	41	-
F529390-1	DECAL, REVERSE LOCK ...	27	54	F5H081	BATTERY CABLE	41	-
F530160	REED (5 PETAL)	11	20	F5H094	STEERING LINK KIT	41	-
F532299	WASHER, PROPELLER SPLINE	29	17	F5H108	STEERING CONNECTOR ..	41	-
F53504	GROMMET	15	92	F5H115	TRAILERING TILT LOCK ...	42	-
F545189	BUSHING, CABLE ENTRY ..	3	12	F5H120	REMOTE CONTROL BACK PLATE	41	-
F548984	BLANKET, SILENCER TOP (NOT SHOWN)	3	-	F5H130	REMOTE CONTROL - SURFACE MOUNT	41	-
F548985	BLANKET, SILENCER SIDE (NOT SHOWN)	3	-	F5H131	PORT SIDE DECAL KIT	41	-
F549189	BUSHING, ELECTRIC CABLE	3	11	F5H132	REMOTE CONTROL HANDLE TRIM SWITCH	41	-
F563	TERMINAL BLOCK KIT	43	-	F5H134	BOAT WHITE LACQUER	41	-
F581061	CARBURETOR COMPLETE (TOP) WE 4-1	15	83	F5H149	POWER TRIM	42	-
F582061	CARBURETOR COMPLETE (MIDDLE & BOTTOM) WE 4-2	15	-	F5H151	SHOCK ABSORBER KIT ...	41	-
F590	REMOTE CONTROL - FLUSH MOUNT	41	-	F5H154	SPEEDOMETER FLUSH MOUNT	42	-
F596	CHRYSLER OUTBOARD OIL	43	-				
F597	CHRYSLER OUTBOARD GEAR LUBE	43	-				
F5H018	DUAL STEERING CONNECTOR	41	-				
F5H019	ANTI-CORROSION KIT	41	-				
F5H021	EXTENSION CABLE	42	-				

PARTS INDEX

Part Number	Description	Pg.	Ref. No.	Part Number	Description	Pg.	Ref. No.
F5H155	SPEEDOMETER FLUSH MOUNT	42	-	F8096	SPRING LOCKWASHER	21	101
F5H156	TEMPERATURE GAUGE FLUSH MOUNT	42	-	F8096	SPRING LOCKWASHER	27	63
F5H157	VOLTMETER - FLUSH MOUNT	41	-	F8096	SPRING LOCKWASHER	31	40
F5H159	HOURMETER	42	-	F8124	PLAIN WASHER	5	31
F5H161	POWER TRIM INDICATOR	41	-	F84011	WASHER	27	55
F5H167	TACHOMETER FLUSH MOUNT	42	-	F84074	CLAMP SCREW FOOT	25	26
F5H173	FLUSHING ADAPTER	41	-	F84278	CRANKSHAFT BRG. SEAL		
F615097	FLYWHEEL	7	61		CAGE SEAL	19	-
F615475	IGNITION COIL	7	46	F84286-1	FRICITION WASHER	27	49
F615744	WIRING HARNESS	5	14	F84305	PROPELLER SHAFT SPOOL SEAL	33	-
F616029	TRIGGER ASSY.	7	58	F84305	SEAL, PROPELLER SHAFT BEARING SPOOL	29	12
F616358	BRACKET (C.D. - COIL)	5	30	F84307-1	DRIVE SHAFT SEAL	33	-
F616843	CABLE (STATOR TO C.D.)	7	65	F84314-2	ELBOW	15	109
F63754	HOSE INTAKE DRAIN	15	90	F84314-2	ELBOW	17	28
F7004	STOP NUT, 3/18 - 16	17	33	F84342	SEAL, INLET WATER LINE UPPER	29	3
F7009	LOCK NUT, #10 - 24	17	2	F84449	INTERLOCK SWITCH	13	49
F7012	LOCK NUT, 1/2 - 20	25	21	F84449	NEUTRAL INTERLOCK SWITCH	5	3
F71H26	BATTERY TERMINAL KIT (ACCESSORY ITEM)	7	48	F84504	GROMMET	21	79
F74305	GEAR HOUSING COVER SEAL	33	-	F84504	THERMOSTAT GROMMET	19	-
F74305	SEAL, DRIVESHAFT BEARING CAGE	31	51	F84521-2	CLUTCH	29	27
F76034-2	FUEL TANK	35	2	F84792	GASKET, FUEL PUMP VALVE	11	9
F762	REMOTE ELECTRIC CABLE	42	-	F84871-1	PIN, GEAR SHIFT	29	25
F8003	PLAIN WASHER	17	39	F85017	PISTON PIN	23	4
F8011	PLAIN WASHER	7	39	F85033	CHOKE ROD SWIVEL	11	37
F8026	PLAIN WASHER	15	-	F85037-1	STERN BRACKET PIVOT BOLT	27	48
F8026	PLAIN WASHER	15	110	F85117	BRACKET, WATER LINE	29	2
F8028	PLAIN WASHER	7	43	F85122	CRANKCASE SEAL	19	-
F8028	PLAIN WASHER	9	15	F85122	PARTING LINE SEAL	17	11
F8038	PLAIN WASHER	17	4	F85130	BOOT, IDLE EXHAUST	25	5
F8056	SPRING LOCKWASHER	5	7	F85151-1	EXHAUST PORT PLATE	21	91
F8056	SPRING LOCKWASHER	21	75	F85152-4	EXHAUST PORT COVER	21	89
F8058	INTERNAL TOOTH LOCKWASHER	11	29	F85154-1	EXHAUST PORT PLATE GASKET	19	-
F8058	INTERNAL TOOTH LOCKWASHER	19	49	F85154-1	GASKET, EXHAUST PORT PLATE	21	90
F8077	WASHER	33	-	F85159-1	GASKET, INTAKE MANIFOLD	11	24
F8077	WASHER, GEAR HOUSING PLUG	31	43	F85159-1	MANIFOLD GASKET	19	-
F8083	SPRING LOCKWASHER	3	19	F85161-1	REED STOP	11	18
F8083	SPRING LOCKWASHER	7	63	F85162	REED PLATE ADAPTER	11	23
F8083	SPRING LOCKWASHER	25	2	F85168-1	CARBURETOR ADAPTER FLANGE GASKET	19	-
F8083	SPRING LOCKWASHER	31	54	F85168-1	GASKET REED PLATE ADAPTER	11	22
F8083	SPRING LOCKWASHER	33	-	F85192-1	THROTTLE CAM	11	32
F8088	PLAIN WASHER	5	2	F85210	STUD	17	9
F8088	PLAIN WASHER	13	52	F85211	STUD, REAR	21	85
F8088	PLAIN WASHER	13	67	F85253-1	FUEL LINE	13	46
F8090	PLAIN WASHER	5	28	F85258	INSERT	25	4
F8094	PLAIN WASHER	3	23	F85279-2	CYLINDER EXHAUST GASKET, UPPER	19	53
F8094	PLAIN WASHER	27	59	F85279-2	CYLINDER, EXHAUST - UPPER GASKET	19	-
F8095	PLAIN WASHER	17	7	F85300	REVERSE LOCK SPRING	25	37
F8096	SPRING LOCKWASHER	3	16	F85317-2	CLAMP	11	41
F8096	SPRING LOCKWASHER	3	31				
F8096	SPRING LOCKWASHER	5	24				

PARTS INDEX

Part Number	Description	Pg.	Ref. No.	Part Number	Description	Pg.	Ref. No.
F85350-1	TILT STOP PIVOT	25	17	F93811	SCREEN	17	35
F85372	PIN, GEAR SHIFT ROD, LOWER	31	48	F93920	REED STOP	17	38
F8538	SPRING PIN	25	28	F97772	FUEL LINE CLAMP	35	11
F85380	SPRING	25	6	F97772	HOSE CLAMP	13	43
F85410	SNAP RING	23	8	F98273	ROD END CONNECTOR STUD	19	51
F85426	TILT STOP	27	50	FA27232	EMERGENCY STARTER ROPE (NOT SHOWN)	5	-
F85445	ROD, SPARK CONTROL	17	29	FA335260	PISTON RING SET (3 PER SET)	23	1
F85472-2	CYLINDER DRAIN COVER GASKET	19	-	FA368700	KEY IGNITION - NO LETTER OR STAMPED A	5	19
F85472-2	GASKET, CYLINDER DRAIN COVER	17	41	FA411222	TRANSFER PORT COVER	19	47
F85498	FLYWHEEL KEY	23	16	FA438113	STERN BRACKET LOCK BAR	27	44
F85502	THROTTLE LINK	17	17	FA438431	FUEL PUMP BODY	11	10
F85509-1	CHOKE LINK	13	71	FA438493	BRACKET, TERMINAL BLOCK	5	10
F85541-1	TILT LOCK	25	19	FA439746	FUEL PUMP COVER	11	1
F85571	BEARING CAGE W/ROLLER	23	10	FA480179	TRIM, TOP	3	1
F85606	KINGPIN CAP	27	67	FA480269	TILT HANDLE	3	3
F85610	BEARING	19	60	FA480876	GEAR SHIFT ARM	19	62
F85615	GEAR SHIFT ROD, UPPER	27	74	FA481469	ENGINE COVER LATCH HANDLE W/SHAFT	3	8
F8563	DOWEL PIN	17	10	FA481743	BRACKET, ROLLER LATCH W/ROLLER	3	30
F85634-2	CONNECTING ROD SCREW	23	14	FA510497	TERMINAL BLOCK	5	13
F85660-1	EXHAUST TUBE	25	1	FA523014	CRANKSHAFT LOWER MAIN BEARING	23	12
F85704	COUPLER, GEARSHIFT ROD, UPPER	27	62	FA523054	GEAR HOUSING	31	42
F85748-2	CYLINDER DRAIN REED PLATE GASKET	19	-	FA523098	PROPELLER SHAFT	29	24
F85748-2	GASKET, CYLINDER DRAIN REED PLATE	17	34	FA523485	ANTI-CORROSION ANODE	29	21
F85762	BY-PASS VALVE GASKET	19	-	FA523735	SEAL, INLET WATER LINE LOWER	31	65
F85762	GASKET, BY-PASS VALVE	21	94	FA548180	TRIM, REAR	3	4
F85772	CLAMP	25	7	FA548888	TRIM, FRONT	3	34
F85779-1	BAFFLE, AIR INTAKE	27	71	FA549944	ENGINE COVER	3	6
F85843-1	ELECTRIC CONTROL CABLE, 18 FEET	5	35	FA581010	CYLINDER	21	97
F85859	STUD, FORWARD	17	12	FA615095	ALTERNATOR STATOR	7	59
F85906	CARBURETOR GASKET	13	54	FA616838	TOWERSHAFT	17	19
F85906	CARBURETOR GASKET	19	-	FA84621-1	COUPLING, GEAR SHIFT ARM W/BUSHING	31	45
F85908	STARTER LEAD WIRE	9	13	FA84754-1	FUEL LINE SHORT	35	8
F85916-1	BY-PASS VALVE	21	96	FA85018-2	CRANKSHAFT	23	15
F85924	CHOKE SOLENOID	5	36	FA85019	KINGPIN	25	34
F85925	CHOKE ROD	11	38	FA85135-4	LEG COVER, FRONT	27	66
F85965	SHOCK MOUNT, UPPER	27	73	FA85193	TIE BAR END W/SWIVEL	15	99
F89758	FUEL PUMP AIR HOSE, TOP	11	5	FA85355-1	WASHER SHOCK MOUNT UPPER W/WASHER	27	77
F9018	CAP	25	43	FA85511	THROTTLE TIE BAR W/SWIVEL	15	103
F9052	PLUG	25	29	FA85655-1	CRANKSHAFT MAIN BEARING RACE	23	9
F90619-1	YOKE	33	73	FB368700	KEY IGNITION - STAMPED B	5	-
F90807	RETAINING RING	15	98	FC368700	KEY IGNITION - STAMPED C	5	-
F9095	SHIM, DRIVESHAFT BEARING UPPER .005 - SILVER	31	-	FC581010	SHORT BLOCK (NOT SHOWN).	21	-
F9097	SHIM, DRIVESHAFT BEARING UPPER .010 - BLACK	31	-	FD368700	KEY IGNITION - STAMPED D	5	-
F9106	SHIM, DRIVESHAFT BEARING UPPER .033 - BRASS	31	67	FE368700	KEY IGNITION - STAMPED E	5	-
F91446-1	CIRCUIT BREAKER BRACKET	7	41	FG1020-1	GASKET SET	19	69
F92759	THROTTLE ROLLER	13	63	FK10177	REPAIR PARTS KIT.	15	102

PARTS INDEX

Part Number	Description	Pg.	Ref. No.	Part Number	Description	Pg.	Ref. No.
FK10178	GASKET SET.	15	104	FT8950	LEAKAGE TESTER	39	-
FK1063-2	SEAL KIT	33	74	FT8953	IGNITION TESTER	39	-
FK1069	WATER PUMP KIT	33	75	FT8955	SEALANT - 5 OZ. EC-750		
FK1123	SPARKIE KIT	7	54		INDUSTRIAL SEALANT ..	40	-
FK405020	SWIVEL W/PIVOT SCREW			FT8957	SEAL INSTALLER	38	-
	AND NUT	17	24	FT8969	LUBRICANT - 7 OZ. L PSI		
FK616128	DRIVESHAFT	33	69		LUBRICANT	40	-
FK85228-1	BEARING CAGE W/ROLLER	23	7	FT8978	TIMING LIGHT	36	-
FPS526	PROPELLER (ACCESSORY			FT8983	SEALANT - 3 OZ. RTV		
	ITEM)	29	18		SEALANT FROM IN PLACE		
FS409752	FUEL LINE COMPLETE	35	-		GASKETS	40	-
FS85872-1	BRACKET	19	50	FT8985	SEAL INSTALLER	38	-
FSA335260	PISTON RINGS (3 PER SET)			FT8997	SHIM TOOL	38	-
	.010 OVERSIZE	23	-	FTA2937-1	TIMING TOOL	36	-
FT1082	SNAP RING PLIER	37	-	FTK8999	TEST WHEEL	39	-
FT11204	BEARING CUP INSTALLER .	38	-	22-817789A1	DRAIN FITTING		
FT11205	BEARING				W/METERING CUP	15	89
	INSTALLER/REMOVER ..	38	-	22-818103--1	ELBOW	11	35
FT11207	BEARING CUP REMOVER ..	38	-	32-817738A1	FUEL LINE LONG	35	10
FT11209	BEARING GUIDE SET	38	-	33-818007--1	SPARK PLUG (CHAMPION		
FT2938-1	CONTINUITY TESTER	39	-		UL-18-V)	19	70
FT2951	CIRCUIT TRACER	39	-	39-818110A1	PISTON RINGS (3 PER SET)		
FT2953	SOCKET	37	-		.030 OVERSIZE	23	-
FT2961	LUBRICANT - RYKON			43-817830A2	BEVEL PINION GEAR	31	35
	GREASE #2EP	40	-	43-818062A3	BEVEL GEAR FRONT		
FT2962-1	SEALANT - 50 CC LOCTITE				W/BEARING	29	29
	H, NON-HARDENING			46-817853A1	WATER PUMP	33	-
	GRADE	40	-	46-817853A1	WATER PUMP BODY	31	60
FT2963-2	SEALANT - 2 OZ. LOCTITE			87-817778A1	THERMOSWITCH	5	6
	D, HARDENING GRADE ..	40	-	87-817778A1	THERMOSWITCH	21	74
FT2987-1	LUBRICANT - ANTI-SEIZE ..	40	-	600-818052A4	CONNECTING ROD	23	6
FT2990	PISTON PIN TOOL	37	-	700-817988A2	PISTON .010 OVERSIZE ...	23	-
FT2991	CARBON BRUSH	37	-	700-818111A2	PISTON .030 OVERSIZE ...	23	-
FT2996	RING COMPRESSOR	37	-	700-F372015-3	PISTON	23	2
FT2998	TORQUE WRENCH (0 - 100			1400-817958A6	STERN BRACKET	25	20
	LBS./FT.)	37	-	1600-819196A3	GEAR HOUSING COMPLETE	31	-
FT2999	TORQUE WRENCH (0 - 600						
	LBS./FT.)	37	-				
FT3012	SEAL INSTALLER	38	-				
FT7848	TORQUE ADAPTER	38	-				
FT8900	HOSE CLAMP PLIERS	37	-				
FT8901	INDICATOR HOLDER	38	-				
FT8902	DIAL INDICATOR	38	-				
FT8903	SEAL INSTALLER	37	-				
FT8907	DRIVER HANDLE	37	-				
FT8907	DRIVER HANDLE	38	-				
FT8914	SEAL REMOVER	37	-				
FT8918	BEARING GUIDE SET	38	-				
FT8919	SPRING PIN PUNCH	38	-				
FT8925	SEAL INSTALLER	37	-				
FT8925	SEAL INSTALLER	38	-				
FT8926	RING EXPANDER	37	-				
FT8930-1	FEELER GAUGE SET	38	-				
FT8933	LIFTING HOOK	37	-				
FT8935	SEALANT PRIMER - 6 OZ. ..	40	-				
FT8936	SEALANT - 2 CC LOCTITE						
	RETAINING COMPOUND						
	#75	40	-				
FT8948-1	PULLER	36	-				
FT8948-1	PULLER	38	-				