



# PARTS CATALOG

## 90 H.P.

### SERIAL NUMBER

90 (1983)	.....	906R3D
90 (1983)	.....	908B3A
90 (1983)	.....	908H3A
90 (1983)	.....	.908V3B
90 (1984)	.....	.906S4B
90 (1984)	.....	908C4B
90 (1984)	.....	908H4B
90 (1984)	.....	.908V4B

# TABLE OF CONTENTS:

ACCESSORIES .....	53
CARBURETOR .....	12
CRANKSHAFT AND PISTON GROUP .....	26
ELECTRICAL COMPONENTS .....	6
ENGINE COVER AND SUPPORT PLATE .....	2
FUEL PUMP AND REED PLATE .....	16
FUEL TANK AND LINE .....	38
GEAR HOUSING .....	32
MOTOR LEG .....	28
PARTS INDEX .....	56
POWER HEAD .....	20
POWER TRIM UNIT .....	44
REMOTE CONTROL .....	40
SPECIAL TOOLS - GEAR HOUSING .....	50
SPECIAL TOOLS - LUBRICANTS AND SEALANTS .....	52
SPECIAL TOOLS - POWER HEAD .....	49
SPECIAL TOOLS - TEST EQUIPMENT .....	51
SPECIAL TOOLS - TUNE-UP .....	48
STARTER .....	10

**NOTE:** Indented description indicate that these parts are included in preceeding assembly.

**AR** = As Required

**NSS** = Not Sold Separate

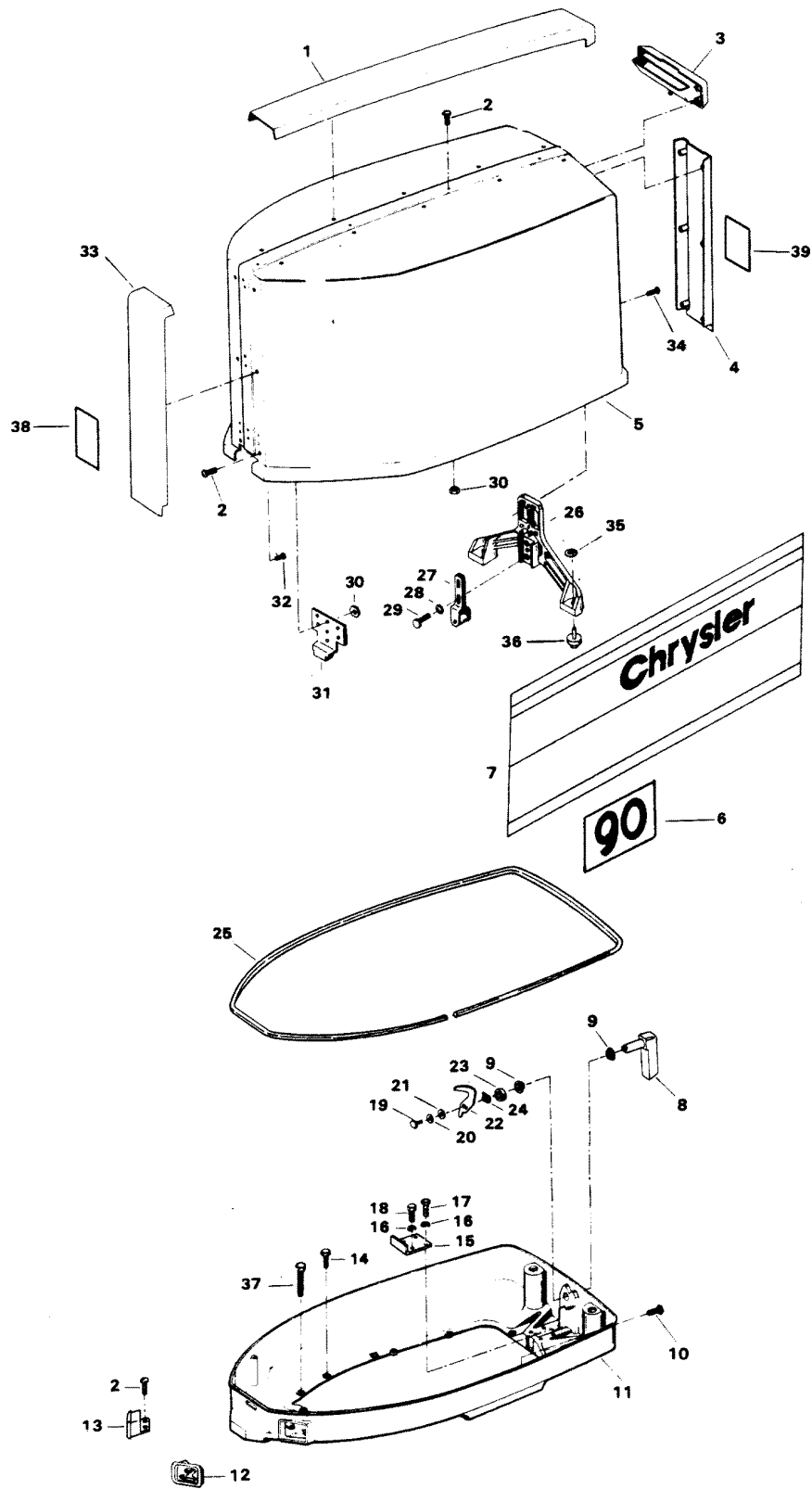
**OPT** = Optional

**NS** = Not Shown

**THESE PARTS BOOKS/FICHE CARD ARE COPYRIGHTED AND MAY NOT BE DISTRIBUTED OR REPRODUCED IN ANY OTHER FORMAT BY ANYONE OTHER THAN MERCURY MARINE WITHOUT THE PRIOR WRITTEN CONSENT OF MERCURY MARINE.**

THIS PAGE INTENTIONALLY LEFT BLANK

# ENGINE COVER AND SUPPORT PLATE



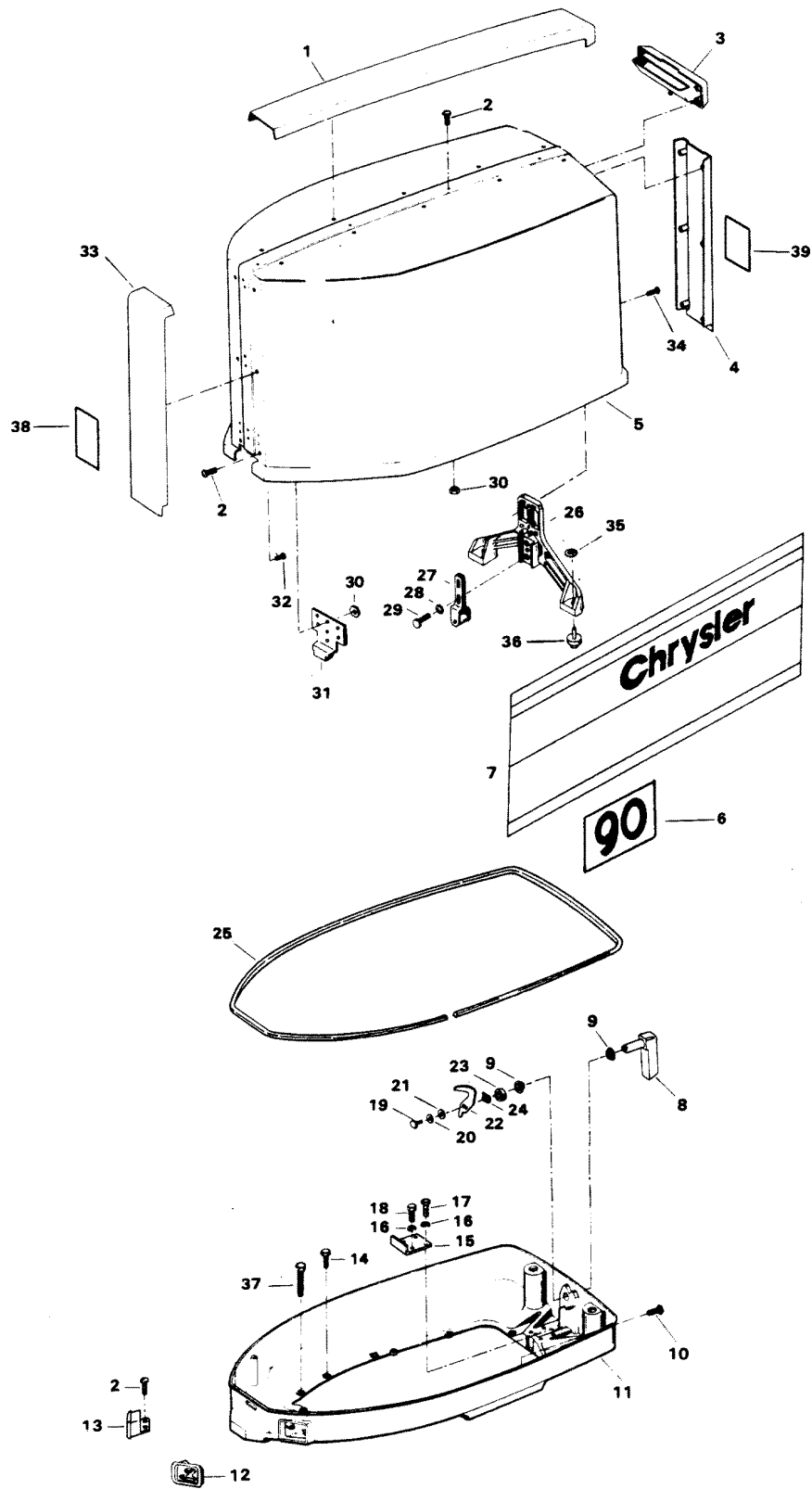
OB 3852

# ENGINE COVER AND SUPPORT PLATE

REF. NO.	PART NO.	SYM.	QTY.	DESCRIPTION
1	FA480179		1	TRIM TOP <b>W/LITERATURE</b>
2	F1733		10	PAN HD MACHINE SCREW, 10 - 24 X 9/16
3	FA480269		1	TILT HANDLE <b>W/LITERATURE</b>
4	FA552180		1	TRIM REAR <b>W/LITERATURE</b>
5	FA552944		1	ENGINE COVER <b>W/ILLUS. 2, 30 AND 31</b>
-	<b>F3C615944</b>		<b>1</b>	<b>ENGINE COVER COMPLETE INCLUDES ALL ITEMS MARKED WITH AN ASTERISK (*). ORDER NUMERAL SEPARATE</b>
6	FA611386		2	DECAL, NUMERAL <b>W/LITERATURE</b>
7	A615397		1	DECAL, PORT <b>W/LITERATURE</b>
-	<b>FA615396</b>		<b>1</b>	<b>DECAL, STARBOARD W/LITERATURE</b>
8	FA481469		1	HANDLE W/SHAFT
9	F480818		2	BEARING
10	F1864		6	HEX CAP SCREW, 1/4 - 20 X 3/4
11	F480038-2		1	SUPPORT PLATE
12	F549189		1	BUSHING, ELECTRIC CABLE
13	F545189		1	BUSHING, CABLE ENTRY
14	F1922		5	HEX CAP SCREW, 1/4 - 20 X 5/8
15	F335654-1		1	DEFLECTION STOP
16	F8096		4	SPRING LOCKWASHER
17	F1857		2	HEX CAP SCREW, 5/16 - 18 X 5/8
18	F1858		2	HEX CAP SCREW, 5/16 - 18 X 1
19	F1854		1	HEX CAP SCREW, 1/4 - 20 X 5/8
20	F8083		1	SPRING LOCKWASHER
21	F8094		1	PLAIN WASHER
22	F481777		1	CAM, LATCH
23	F481382-1		1	SPACER, LATCH SHAFT
24	F2047		1	WAVE SPRING LOCKWASHER
25	F321756		1	PACKING COVER
26	F481774		1	BRACKET, COVER LATCH
27	FA481743		1	ROLLER BRACKET W/ROLLER
28	F8096		2	SPRING LOCKWASHER
29	F1857		2	HEX CAP SCREW, 5/16 - 18 X 5/8
30	F1473		7	HEX NUT
31	F333480-1		1	RETAINER, ENGINE COVER
32	F2066		30	PAN HD TAPPING SCREW, 10 X 7/16 (TRIM TO COVER)
33	FA552888		1	TRIM, FRONT <b>W/LITERATURE</b>
34	F1730		3	PAN HD SCREW W/SPRING LOCKWASHER, 1/4 - 20 X 5/8
35	F2088		2	FASTENER
36	F481434		2	GUIDE, ENGINE COVER

CONTINUED ON NEXT PAGE ➡

# ENGINE COVER AND SUPPORT PLATE

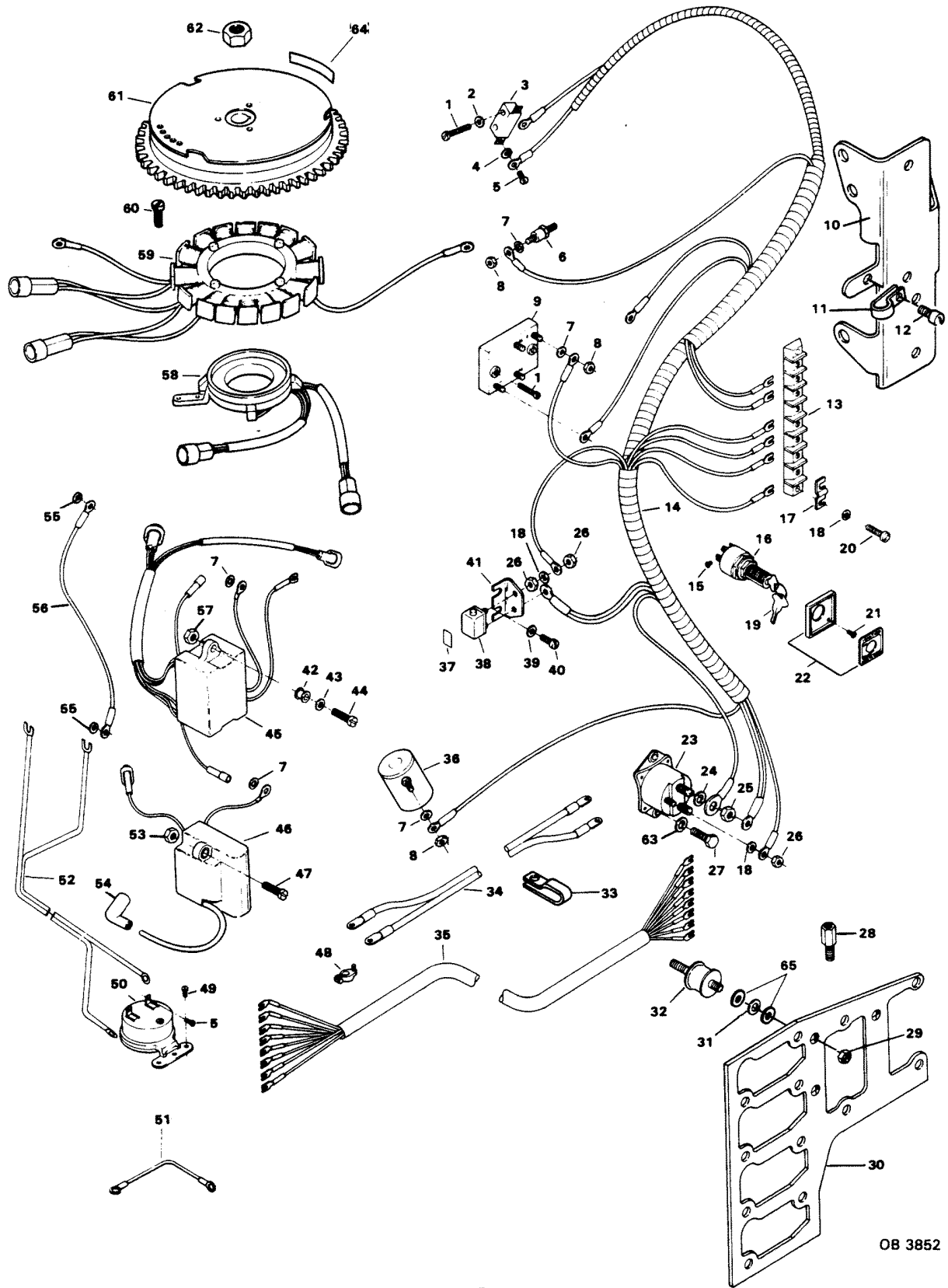


OB 3852

## ENGINE COVER AND SUPPORT PLATE

REF. NO.	PART NO.	SYM.	QTY.	DESCRIPTION
37	F1708		2	HEX HD SCREW, 1/4 - 20 X 1-3/8
-	<b>F548984</b>		<b>1</b>	<b>BLANKET, SILENCER TOP (NOT SHOWN)</b>
-	<b>F552985</b>		<b>2</b>	<b>BLANKET, SILENCER SIDE (NOT SHOWN)</b>
38	FA606892		1	DECAL, ENGINE COVER FRONT W/LITERATURE
39	FA606528		1	DECAL, ENGINE COVER REAR W/LITERATURE

# ELECTRICAL COMPONENTS



OB 3852

F

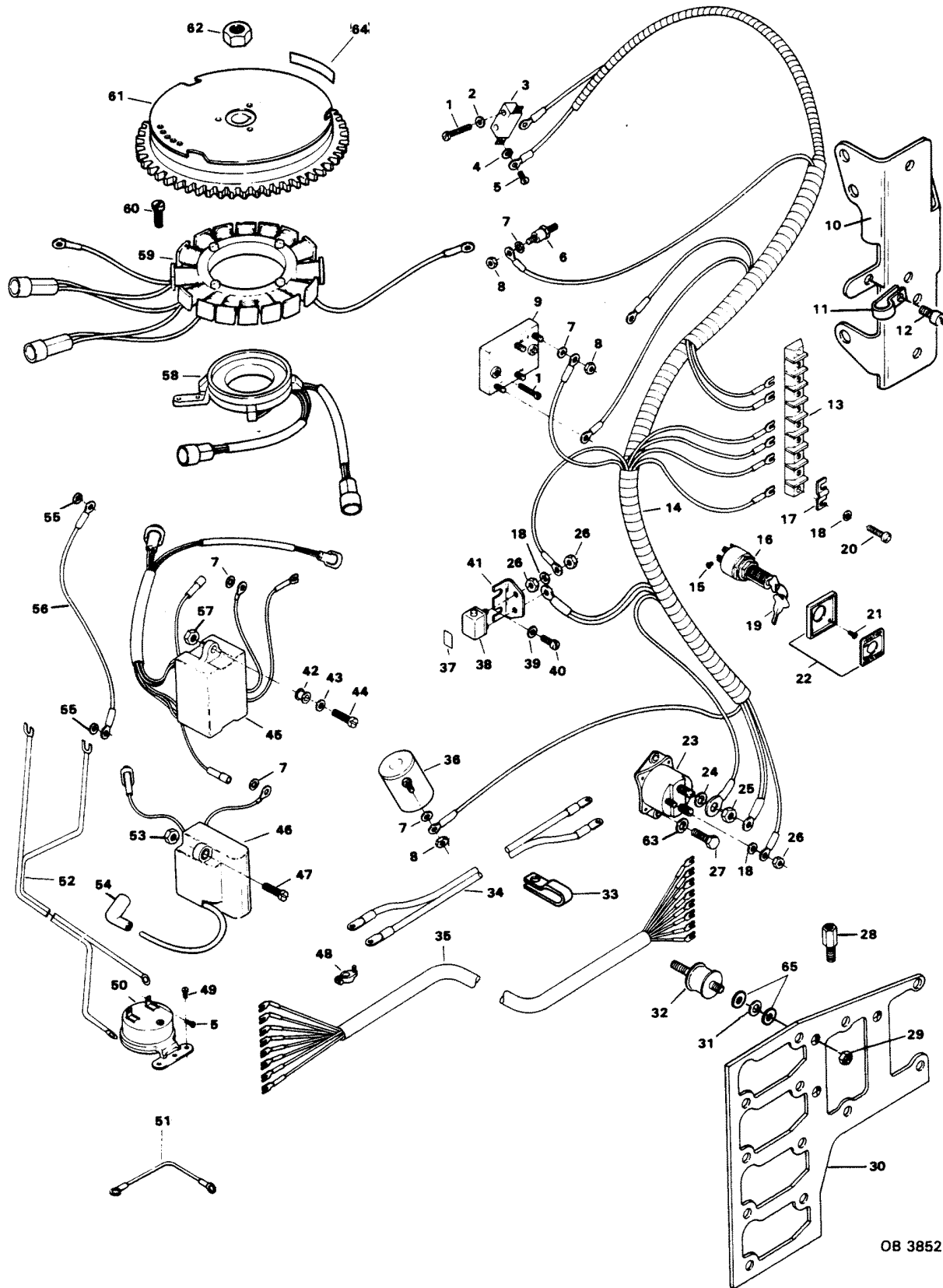


# ELECTRICAL COMPONENTS

REF. NO.	PART NO.	SYM.	QTY.	DESCRIPTION
1	F2016		4	SLOTTED FILL HD SCREW, 6 - 32 X 7/8
2	F8088		2	PLAIN WASHER
3	F84449		1	NEUTRAL INTERLOCK SWITCH
4	F1704		2	INTERNAL TOOTH LOCKWASHER
5	F1645		2	RD HD SCREW, 6 - 32 X 1/4
6	87-817939A1		1	THERMOSWITCH
7	F8056		5	SPRING LOCKWASHER
8	F1647		5	HEX NUT, 8 - 32
9	F369450		1	RECTIFIER
10	FA439493		1	BRACKET, TERMINAL BLOCK
11	F289446-1		1	CLAMP, REMOTE ELEC. CABLE TO BRACKET
12	F1734		2	FILL HD. SCREW, 1/4 - 20 X 1/2
13	FA510497		1	TERMINAL BLOCK <b>W/ILLUSTRATION 17 AND 20</b>
14	F615744		1	WIRING HARNESS
15	F1280		5	SLOTTED PAN HD SCREW, 8 - 32 X 1/4
16	F5H078		1	SWITCH, IGNITION (ACCESSORY ITEM) <b>LONG BARREL W/KEYS AND SCREWS</b>
17	F307317-1		2	CLIP, TERMINAL BLOCK GROUND
18	F1975		4	LOCKWASHER
19	FA368700		-	KEY IGNITION - NO LETTER OR STAMPED A
-	<b>FB368700</b>		-	<b>KEY IGNITION - STAMPED B</b>
-	<b>FC368700</b>		-	<b>KEY IGNITION - STAMPED C</b>
-	<b>FD368700</b>		-	<b>KEY IGNITION - STAMPED D</b>
-	<b>FE368700</b>		-	<b>KEY IGNITION - STAMPED E</b>
-	<b>FA27232</b>		1	<b>EMERGENCY STARTER ROPE (NOT SHOWN)</b>
20	F1648		2	PAN HD SCREW, 10 - 24 X 3/4
21	F1934		4	FLAT HD SCREW, 6 X 1/2
22	F5H038		1	IGNITION SWITCH MOUNTING KIT (ACCESSORY ITEM)
23	F460917		1	STARTER RELAY
24	F8096		2	SPRING LOCKWASHER
25	F1515		2	HEX NUT, S.S., 5/16 - 18
26	F1513		6	HEX NUT, 10 - 32
27	F1705		3	HEX CAP SCREW, 1/4 - 20 X 3/4
28	F322273		1	STUD
29	F1515		3	HEX NUT, 5/16 - 18
30	F615358		1	BRACKET (C.D. - COIL)
31	F8090		3	PLAIN WASHER
32	F215962		3	MOUNT (SHOCK - C.D. UNIT)
33	F407446		1	CLAMP
34	F381896-4		1	BATTERY CABLE
35	F85843-1		1	ELECTRIC CONTROL CABLE, 18 FEET
36	F85924		1	CHOKE SOLENOID
37	F510374		1	DECAL, CIRCUIT BREAKER - USA

CONTINUED ON NEXT PAGE ➡

# ELECTRICAL COMPONENTS



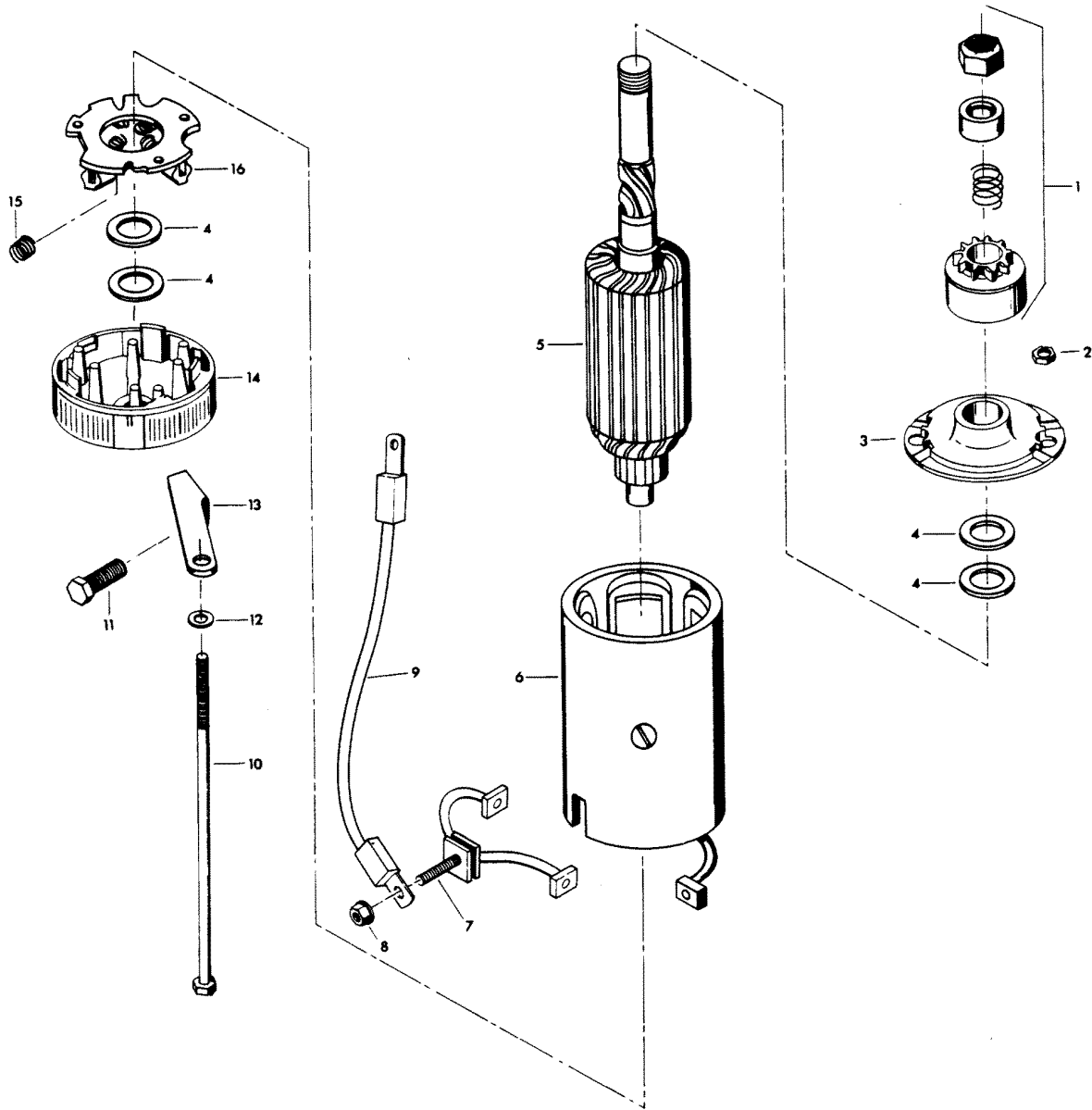
OB 3852

F

# ELECTRICAL COMPONENTS

REF. NO.	PART NO.	SYM.	QTY.	DESCRIPTION
38	F510460		1	CIRCUIT BREAKER
39	F8011		2	PLAIN WASHER
40	F1760		2	SLOTTED PAN HD SCREW, 10 - 24 X 3/8
41	F91446-1		1	CIRCUIT BREAKER BRACKET
42	F475504		4	BUSHING
43	F8028		4	PLAIN WASHER
44	F2008		4	HEX HD. M. SC., 1/4 - 20 X 7/8
45	F475301-1		2	MODULE
46	F615475		4	IGNITION COIL
47	F1038		8	SLOTTED PAN HD. SCREW 1/4 - 20 X 3/4
48	F71H26		1	BATTERY TERMINAL KIT (ACCESSORY ITEM)
49	F1741		2	PAN HD SCREW, 8 X 3/4
50	F5H043		1	BUZZER, HEAT INDICATOR, (ACCESSORY ITEM)
51	F345683		1	WIRE, GROUND
52	F404841		1	CABLE, HEAT INDICATOR
53	F1341		8	NUT, 1/4 - 20
54	FK1123		4	SPARKIE KIT
55	F2106		2	LOCKWASHER
56	F319908		1	WIRE, GROUND (C.D. - COIL BRACKET)
57	F1832		4	NUT, LOCK 1/4 - 20
58	F615029		1	TRIGGER ASSY.
59	FA615095		1	ALTERNATOR STATOR
60	F1550		4	SLOTTED PAN HD. SCREW #12 - 24 X 1
61	FA615097		1	FLYWHEEL <b>W/ILLUSTRATION 64</b>
63	F8083		1	SPRING LOCKWASHER
64	FA609853		1	DECAL, WARNING <b>W/LITERATURE</b>
65	F8124		6	PLAIN WASHER

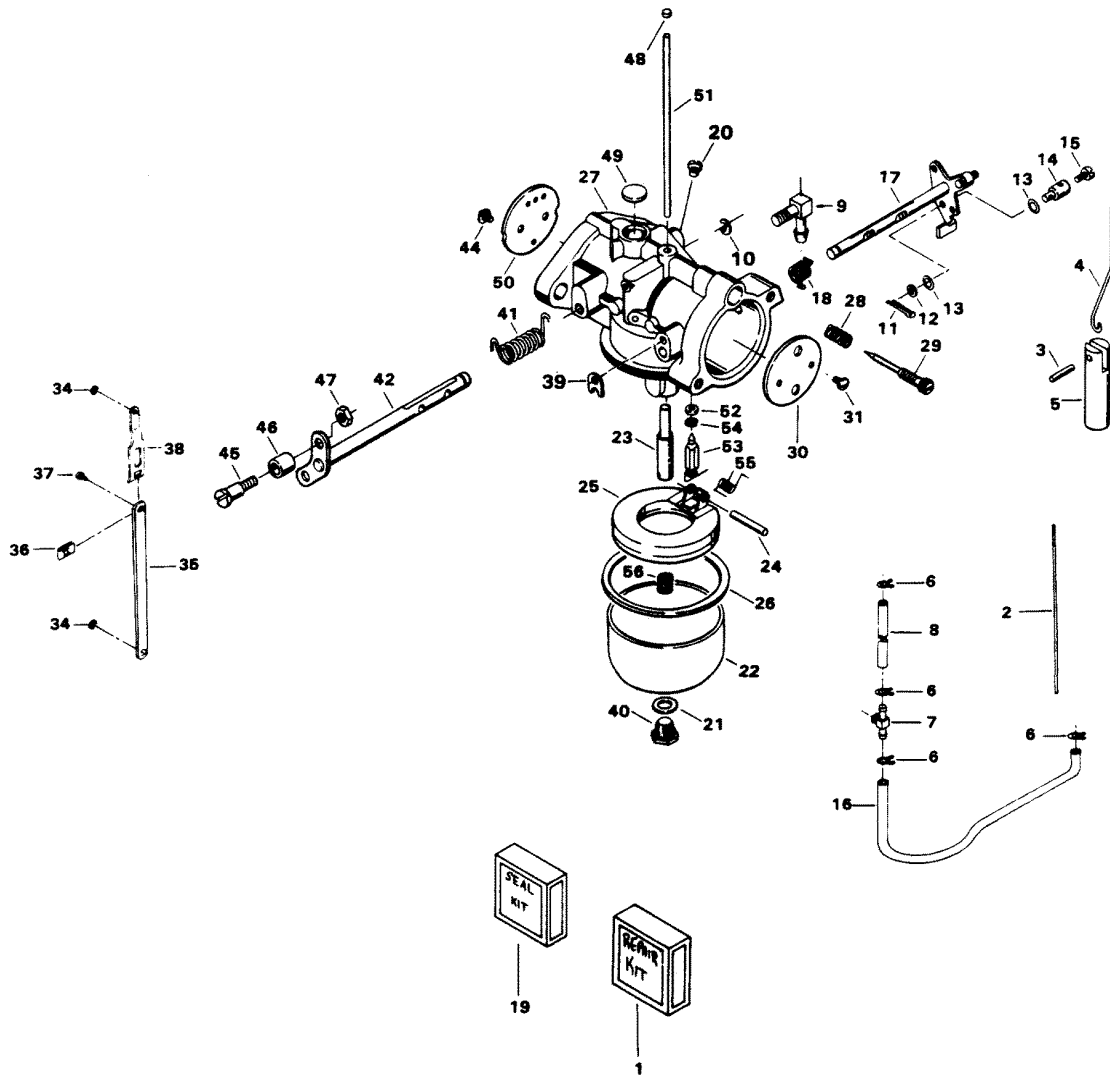
# STARTER



# STARTER

REF. NO.	PART NO.	SYM.	QTY.	DESCRIPTION
1	F15118		1	BENDIX DRIVE ASSEMBLY
2	F1641		2	LOCK NUT, 1/4 - 28
3	F15167		1	HEAD ASSEMBLY, DRIVE END
4	F15126		1	THRUST WASHER PACKAGE
5	F15099		1	ARMATURE
6	F15166		1	FRAME AND FIELD ASSEMBLY
7	F15054		1	BRUSH AND TERMINAL SET
8	F15162		1	HEX LOCK NUT, 1/4 - 20 W/WASHER
9	F85908		1	STARTER LEAD WIRE
10	F15168		1	THRU BOLT PACKAGE
11	F1922		1	HEX CAP SCREW, 1/4 - 20 X 5/8
12	F8028		2	PLAIN WASHER
13	F511675		1	STARTER BRACKET, LOWER
14	F15125		1	HEAD ASSEMBLY, COMMUTATOR END
15	F15034		1	SPRING SET
16	F15057		1	BRUSH PLATE AND HOLDER ASSEMBLY
-	<b>F490955</b>		<b>1</b>	<b>STARTER COMPLETE</b>
-	<b>FC500390</b>		<b>1</b>	<b>DECAL, STARTER - CANADA (NOT SHOWN)</b>

# CARBURETOR

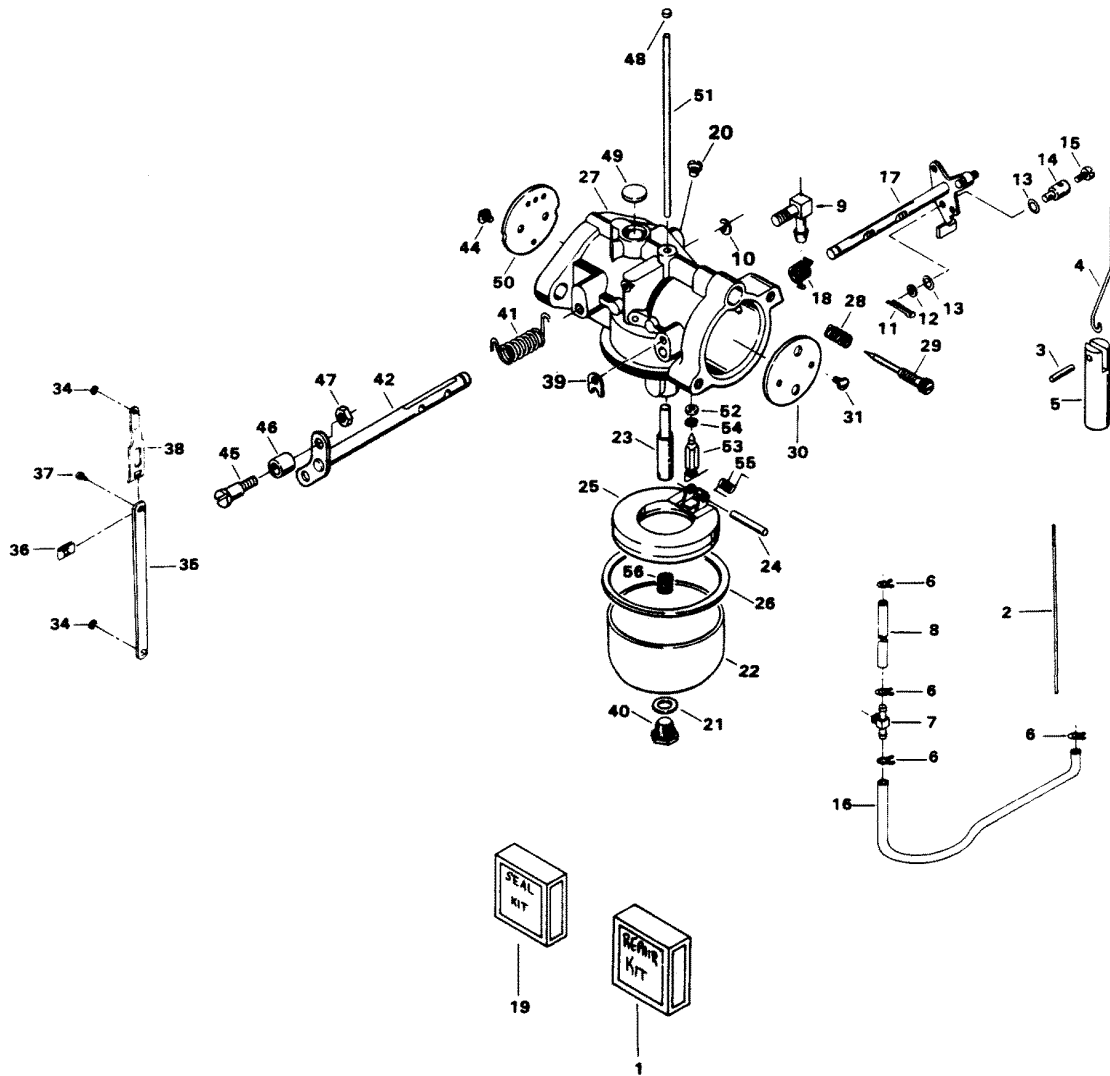


# CARBURETOR

REF. NO.	PART NO.	SYM.	QTY.	DESCRIPTION
1	FK10151		1	REPAIR PARTS KIT. INCLUDES ALL ITEMS MARKED WITH AN ASTERISK (*)
2	F85509-1		1	LINK, CHOKE
3	F2033		1	GROOVE PIN
4	F372925		1	CHOKE ROD
5	F391926-1		1	PLUNGER
6	F97772		4	CLAMP
7	F10164		1	FUEL FITTING (BOTTOM CARBURETOR)
8	F178754-1		1	FUEL LINE
9	F10156		1	ELBOW (TOP CARBURETOR)
10	F10131		1	E-RING
11	F1014		2	COTTER PIN
12	F8088		3	PLAIN WASHER
13	F184579		5	O-RING SEAL
14	F184033-1		1	SWIVEL, TOP CARBURETOR
15	F1059		2	FILL HD SCREW, 6 - 32 X 1/4
16	F438754		1	FUEL LINE
17	F10159		1	CHOKE SHAFT AND LEVER
18	F10143		1	CHOKE SHAFT RETURN SPRING
19	FK10120-1		1	VALVE SEAT KIT
20	F10197		1	JET - NOZZLE VENT
21	F10090		1	FUEL BOWL RETAINING GASKET
-	<b>F85033</b>		<b>1</b>	<b>SWIVEL, CHOKE ROD (BOTTOM CARBURETOR) (NOT SHOWN)</b>
-	<b>FK10139</b>		<b>1</b>	<b>GASKET SET (NOT SHOWN)</b>
22	F10127		1	FUEL BOWL
23	F10137		1	MAIN NOZZLE
24	F10136		1	FLOAT LEVER PIN
25	F10135		1	FLOAT
26	F10138		1	FUEL BOWL GASKET
27	F585061		1	CARBURETOR COMPLETE (WE-6-1) TOP
-	<b>F586061</b>		<b>1</b>	<b>CARBURETOR COMPLETE (WE-6-2) BOTTOM</b>
28	F10141		1	IDLE MIXTURE SCREW SPRING
29	F10146		1	IDLE MIXTURE SCREW
30	F10161		1	CHOKE, SHUTTER
31	F10140		2	CHOKE AND THROTTLE SHUTTER SCREW
34	F90807		2	RETAINING RING
35	FA178233		1	THROTTLE TIE BAR W/SWIVEL
36	F1693		1	TIE BAR RETAINER NUT
37	F1064		1	FILL HD SCREW, 8 - 32 X 3/8
38	FA85193		1	TIE BAR END W/SWIVEL
39	F10160		1	CLIP, CHOKE SHAFT
40	F10162		1	MAIN FUEL JET STD. .086 SEA LEVEL
-	<b>F10188</b>		<b>-</b>	<b>MAIN FUEL JET OPT. .084 2500 - 5000 FT.</b>

CONTINUED ON NEXT PAGE ➡

# CARBURETOR

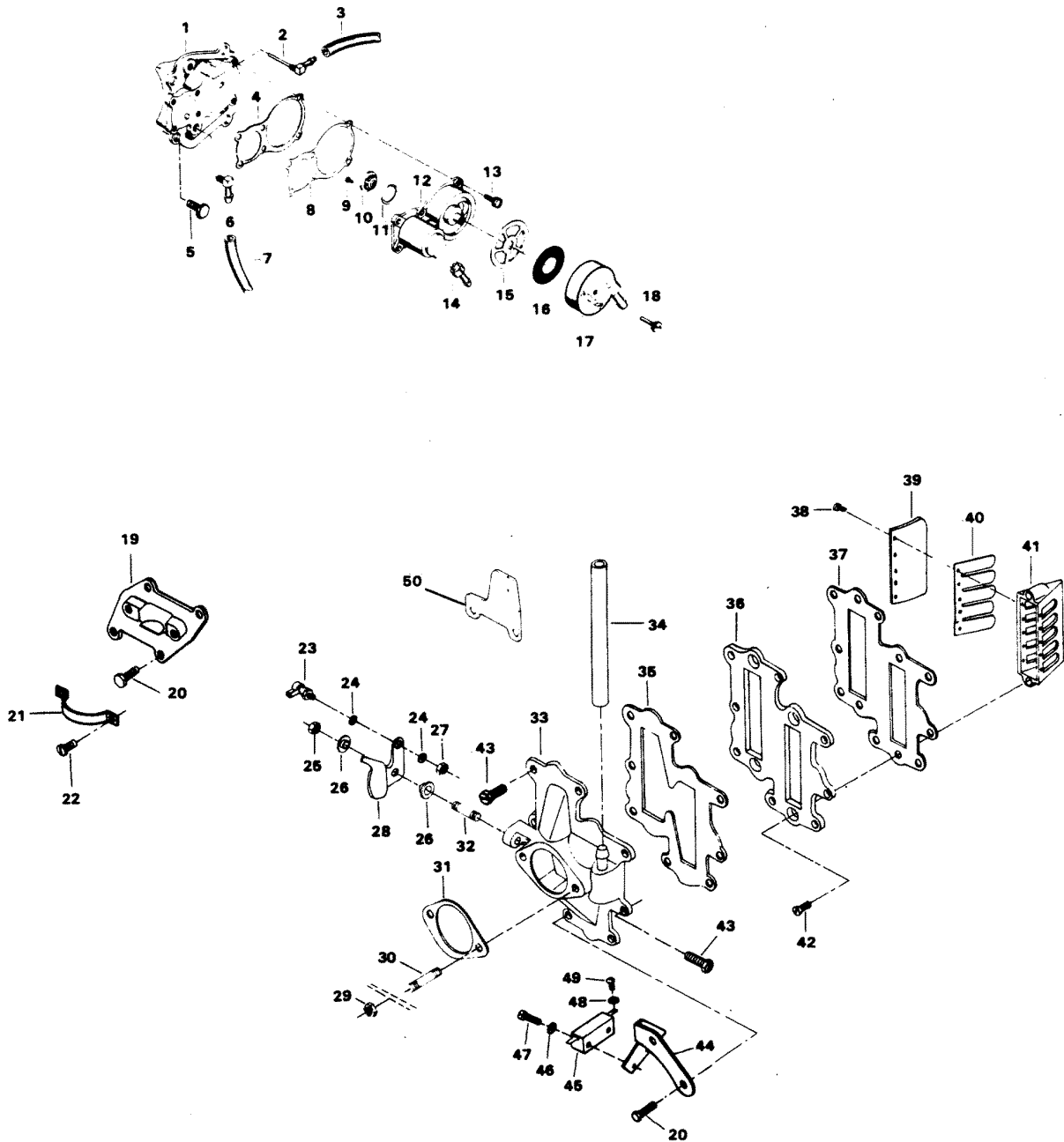




# CARBURETOR

REF. NO.	PART NO.	SYM.	QTY.	DESCRIPTION
-	F10187		-	MAIN FUEL JET OPT. .080 5000 - 7500 FT.
-	F10186		-	MAIN FUEL JET OPT. .076 7500 FT. AND UP
41	F10172		1	THROTTLE SHAFT RETURN SPRING
42	F10157		1	THROTTLE SHAFT AND LEVER
44	F10155		3	SCREW
45	F333316		1	THROTTLE ROLLER SHAFT
46	F92759		1	THROTTLE ROLLER
47	F1997		1	STOP NUT, 8 - 32
48	F10152		1	BODY CHANNEL CUP PLUG
49	F10153		1	BODY CHANNEL WELCH PLUG
50	F10158		1	THROTTLE SHUTTER
51	F10176		1	IDLE TUBE
52	F10171		1	VALVE SEAT
53	F10170		1	VALVE ASSY.
54	F10167		1	RETAINING RING, VALVE
55	F10142		1	SPRING, FLOAT SUPPORT
56	F10145		1	SPRING, NOZZLE COMPRESSION

# FUEL PUMP AND REED PLATE

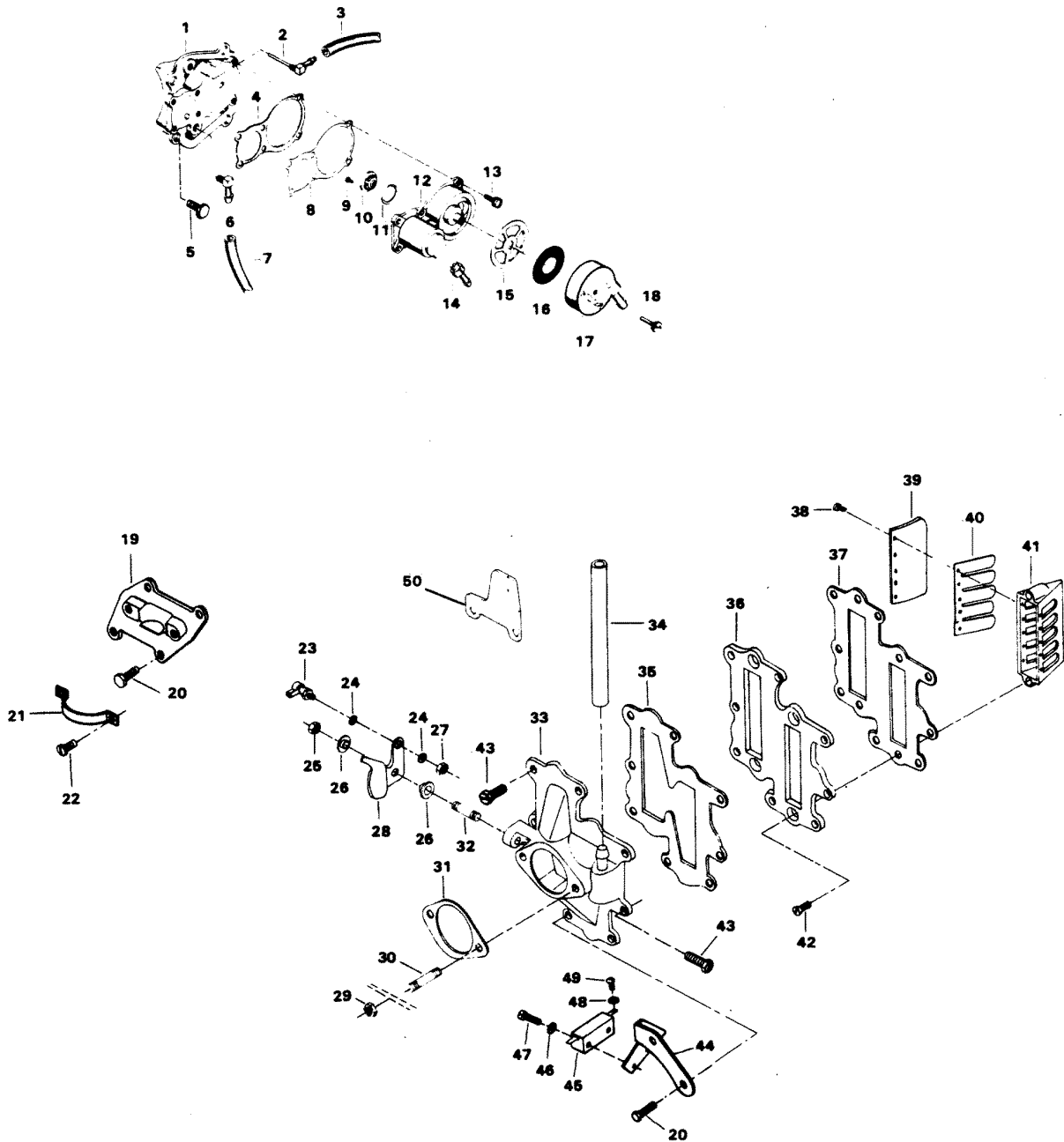


# FUEL PUMP AND REED PLATE

REF. NO.	PART NO.	SYM.	QTY.	DESCRIPTION
1	FA439746		1	FUEL PUMP COVER W/PLUG
2	F404314		1	ELBOW, FUEL PUMP COVER
3	F441754-1		1	HOSE
4	F438760		1	FUEL PUMP GASKET
5	F1922		4	HEX CAP SCREW, 1/4 - 20 X 5/8
6	F84314-2		1	ELBOW
7	F89758		1	FUEL PUMP AIR HOSE - TOP
8	F438747		1	FUEL PUMP DIAPHRAGM
9	F1860		2	RD HD SCREW, 6 - 32 X 1/4
10	F177330		3	FUEL PUMP VALVE
11	F84792		1	GASKET, CENTER FUEL PUMP VALVE
12	FA438431		1	FUEL PUMP BODY W/VALVES
13	F1108		6	FILL HD SCREW, 1/4 - 20 X 3/4
14	F438801		1	FITTING
15	F438617		1	FUEL SEDIMENT BOWL GASKET
16	F438653		1	FUEL SEDIMENT BOWL SCREEN
17	F438500		1	FUEL SEDIMENT BOWL
18	F438165		1	SCREW, FUEL PUMP BOWL
19	F372958		1	CHOKE BRACKET
20	F1532		6	HEX HD SCREW, 1/4 - 20 X 1
21	F85317-2		1	SOLENOID CLAMP
22	F1236		2	SCREW, 1/4 - 20 X 1/2
23	817747--1		1	BALL JOINT W/STUD
24	F8058		2	INTERNAL TOOTH LOCKWASHER
25	F1910		1	STOP NUT, 1/4 - 20
26	F269319		2	THROTTLE CAM BEARING
27	F1513		1	HEX NUT, 10 - 32
28	F85192-1		1	THROTTLE CAM
29	F1515		4	HEX NUT, 5/16 - 18
30	F40209		4	CARBURETOR STUD
31	F85906		2	CARBURETOR GASKET
32	F433209-1		1	THROTTLE CAM STUD
33	FA178167		1	CARBURETOR ADAPTER, LOWER W/FITTING AND ILLUS. 30
-	<b>FA178157</b>		<b>1</b>	<b>CARBURETOR ADAPTER, UPPER W/FITTING AND ILLUS. 30 (NOT SHOWN)</b>
34	32-77653-77		1	BALANCE TUBE
35	F178168-1		1	GASKET, CARBURETOR ADAPTER
36	F178404-1		2	DEFLECTOR PLATE
37	F406406		2	GASKET DEFLECTOR PLATE
38	F1755		40	ROUND HD SCREW W/LOCKWASHER 6 - 32 X 1/4
39	F85161-1		8	REED STOP
40	F530160		8	REED (5 PETAL)
41	F3A523158		4	REED PLATE W/ILLUS. 38, 39, 40, 44 AND 51

CONTINUED ON NEXT PAGE ➡

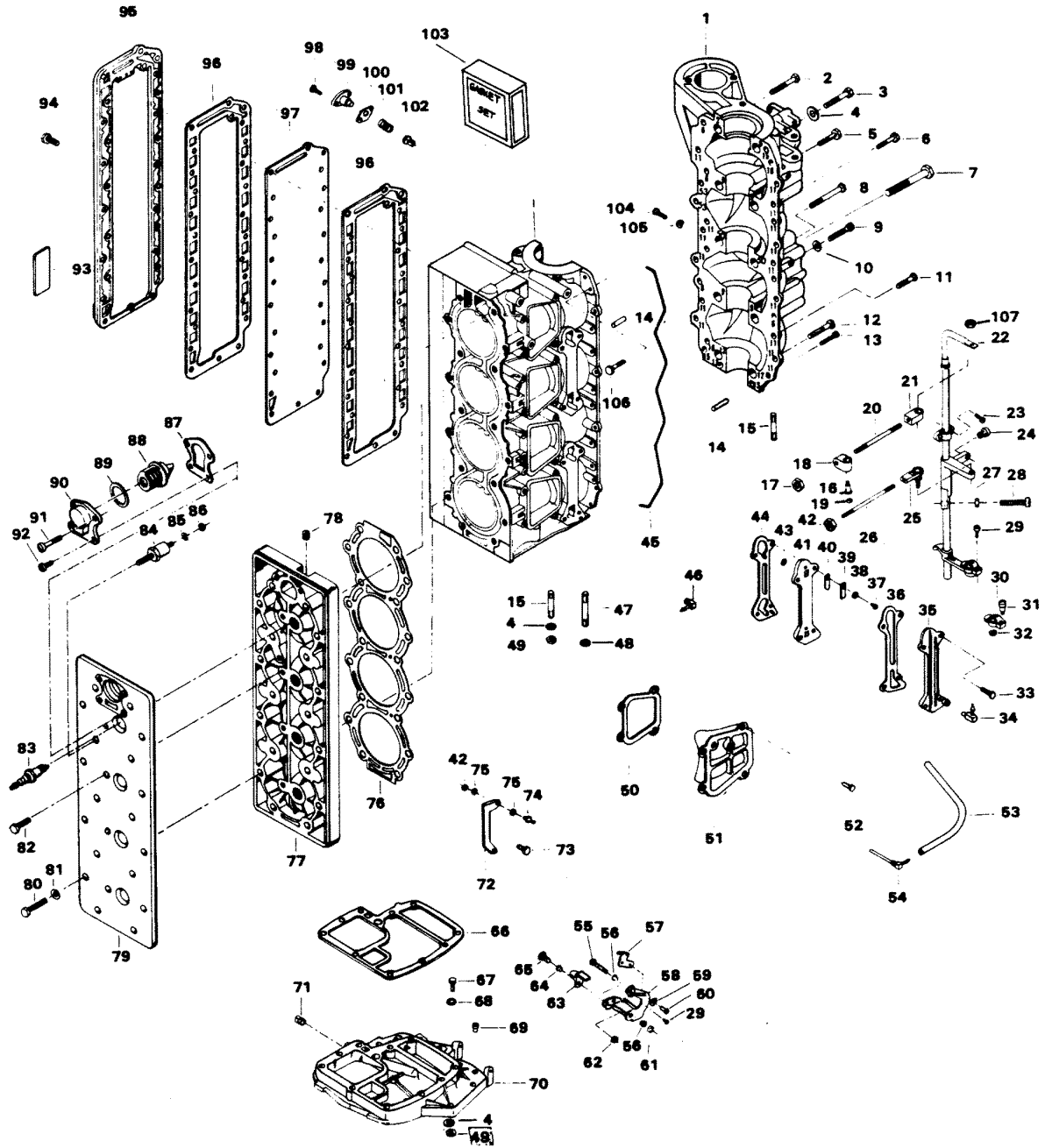
# FUEL PUMP AND REED PLATE



## FUEL PUMP AND REED PLATE

REF. NO.	PART NO.	SYM.	QTY.	DESCRIPTION
42	F1831		8	FLAT HD SCREW, 1/4 - 20 X 5/8
43	F2008		10	HEX HD SCREW, 1/4 - 20 X 7/8
44	F489551		1	BRACKET NEUTRAL INTERLOCK SWITCH
49	F1645		2	RD HD SCREW, 6 - 32 X 1/4
50	F500894		1	POINTER, TIMING

# POWER HEAD

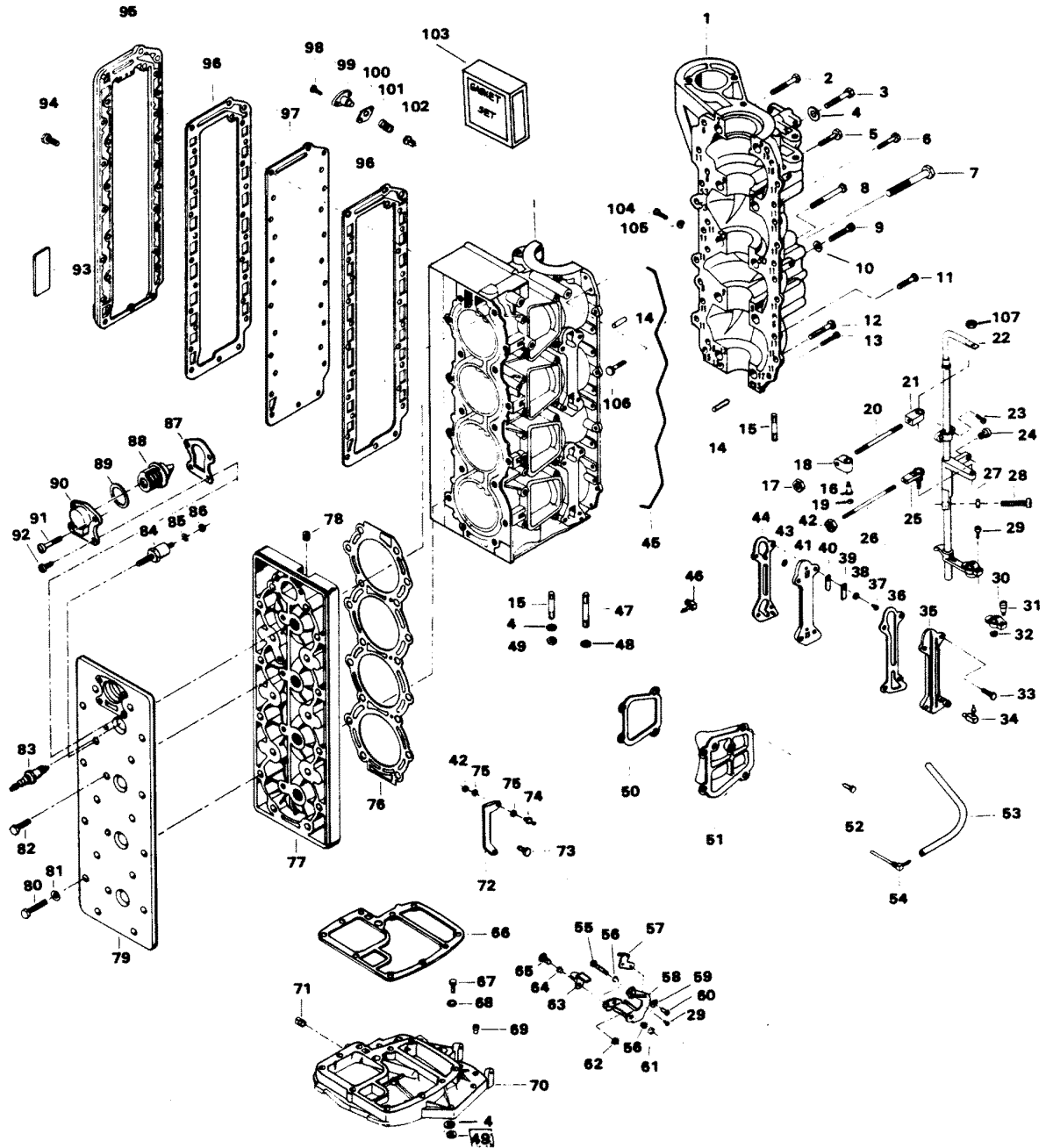


# POWER HEAD

REF. NO.	PART NO.	SYM.	QTY.	DESCRIPTION
1	817831A2		1	CYLINDER W/CRANKCASE COVER, ILLUS. 2, 3, 7, 9, 12, 14, 45 AND 47 ORIGINAL FORCE P/N A 5000010-1
-	<b>817903A4</b>		1	<b>SHORT BLOCK, CONTAINS ALL ITEMS MARKED WITH AN ASTERISK (*). ALSO REFER TO CRANKSHAFT PAGE. ORIGINAL FORCE P/N C 5000010-3</b>
2	F1874		1	HEX HD SCREW, 3/8 - 16 X 1/8
3	F1009		1	HEX HD SCREW, 3/8 - 16 X 2-3/4
4	F8038		4	PLAIN WASHER
5	F2008		2	HEX HD SCREW, 1/4 - 20 X 7/8
6	F2008		3	HEX HD SCREW, 1/4 - 20 X 7/8
7	F1873		2	HEX CAP SCREW, 3/8 - 16 X 3
8	F1699		1	HEX HD SCREW, 1/4 - 20 X 1-1/8
9	F1253		4	HEX SOCKET HD CAP SCREW, 3/8 - 16 X 2
10	F8104		4	PLAIN WASHER
11	F1864		16	HEX HD SCREW, 1/4 - 20 X 3/4
12	F1872		2	HEX CAP SCREW, 3/8 - 16 X 1-3/4
13	F1099		2	FILL HD SCREW, 1/4 - 20 X 1-1/4
14	F8563		2	DOWEL PIN
15	F85859		4	STUD
16	F499026		1	SWIVEL
17	F2015		1	HEX NUT, 1/4 - 28
18	F499035		1	END, CONTROL ROD (TO TOWERSHAFT)
19	F2042		1	PLAIN WASHER
20	F85445		1	CONTROL ROD
21	F499036		1	END, CONTROL ROD (TO TRIGGER)
22	817960A2		1	TOWERSHAFT W/SWIVEL, BEARINGS AND SCREWS
23	F1475		4	FILL HD SCREW, 10 - 24 X 1/2
24	F1727		1	PLASTIC RIVET
25	817747--1		1	BALL JOINT W/STUD
26	F85502		1	THROTTLE LINK
27	F1341		1	HEX NUT, 1/4 - 20
28	F1052		1	FILL HD SCREW, 1/4 - 20 X 1
29	F1556		2	FILL HD SCREW, W/LOCKWASHER, 10 - 24 X 3/8
30	FK405020		2	SWIVEL W/CLAMP, SHOULDER SCREW AND NUT
31	F405457		1	PIVOT SCREW
32	F7008		1	ELASTIC STOP NUT
33	F1532		8	HEX HD SCREW, 1/4 - 20 X 1
34	22-818103--1		1	ELBOW, CYLINDER DRAIN LOWER
-	<b>F404801</b>		1	<b>ELBOW, CYLINDER DRAIN UPPER (NOT SHOWN)</b>
35	F406471-1		2	CYLINDER DRAIN COVER
36	F84472-5		2	GASKET, CYLINDER DRAIN COVER
37	F1286		4	PAN HD SCREW, 4 - 40 X 3/16
38	F8003		4	PLAIN WASHER
39	F93920		4	REED STOP

CONTINUED ON NEXT PAGE ➡

# POWER HEAD



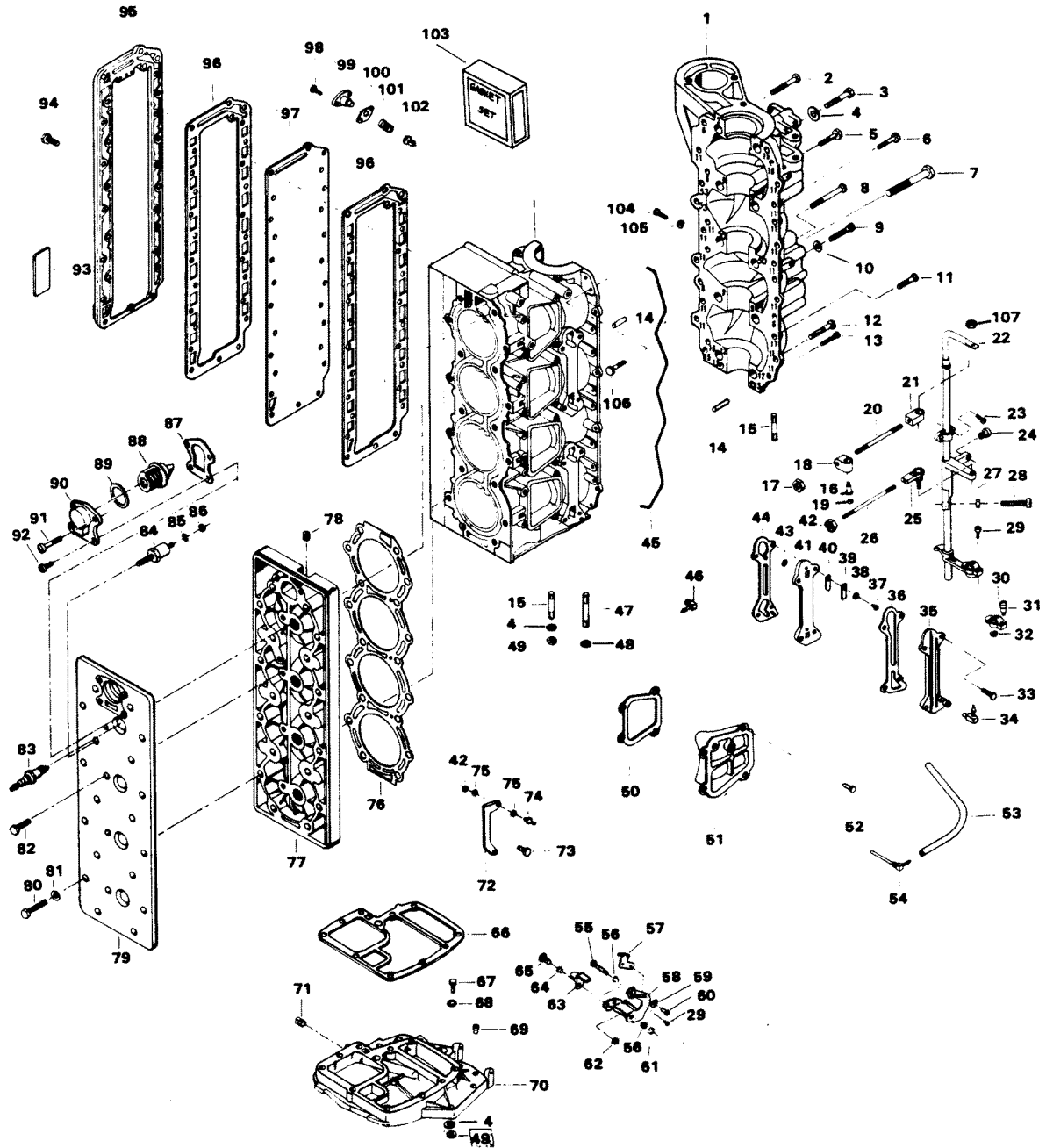


# POWER HEAD

REF. NO.	PART NO.	SYM.	QTY.	DESCRIPTION
40	F18160-2		4	CYLINDER DRAIN REED
41	F2A476757		2	CYLINDER DRAIN REED PLATE <b>W/ILLUS. 37, 38, 39, 40 AND 43</b>
42	F1513		4	HEX NUT, 10 - 32
43	F93811		4	SCREEN
44	F84748-3		2	GASKET, CYL. DRAIN REED PLATE
45	F184122-1		1	SEAL, PARTING LINE
46	F84314-2		1	ELBOW
47	F85211		6	STUD
48	F8095		12	PLAIN WASHER
49	F7004		10	STOP NUT, 3/8 - 16
50	F40223		4	GASKET, TRANSFER PORT COVER
51	FA411222		3	TRANSFER PORT COVER <b>W/ILLUS. 78</b>
52	F1922		9	HEX CAP SCREW, 1/4 - 20 X 5/8
53	F406754-1		1	HOSE
54	F404314		1	FITTING
55	F1885		1	HEX BOLTS. S.S., 5/16 - 18 X 4-1/4
56	F85610		2	BEARING
57	F480107-1		1	CAM STARTER INTERLOCK
58	FA480876		1	GEAR SHIFT ARM <b>W/ILLUS. 30, 56, 62, 63, 64 AND 65</b>
59	F2042		2	PLAIN WASHER
60	F2089		2	SLOTTED PAN HD M. SCREW 10 - 24 X 5/16
61	F2108		1	STOP NUT, 5/16 - 18
62	F1832		1	STOP NUT, 1/4 - 20
63	F369977-1		1	INTERLOCK ARM
64	F369610		1	BEARING
65	F369887		1	SHOULDER SCREW
66	F85279-2		1	GASKET, CYLINDER EXHAUST UPPER
67	F1869		6	HEX CAP SCREW, 3/8 - 16 X 1-1/4
68	F1703		6	LOCKWASHER
69	F40689-1		1	BEARING
70	817788A3		1	SPACER PLATE <b>W/ILLUS. 71 ORIGINAL FORCE P/N A 404680-1</b>
71	F2090		1	PLUG
72	FS85872-1		1	BRACKET
73	F1864		2	HEX CAP SCREW, 1/4 - 20 X 3/4
74	F98273		2	ROD END CONNECTOR STUD
75	F8058		4	INTERNAL TOOTH LOCKWASHER
76	F476529-1		1	CYLINDER HEAD GASKET
77	FA615518		1	CYLINDER HEAD <b>W/ILLUS. 78</b>
78	F19109		1	PLUG
79	F528995		1	COVER, CYLINDER HEAD
80	F2049		18	HEX CAP SCREW, 5/16 - 18 X 2-5/8
81	F1987		18	PLAIN WASHER

CONTINUED ON NEXT PAGE ➡

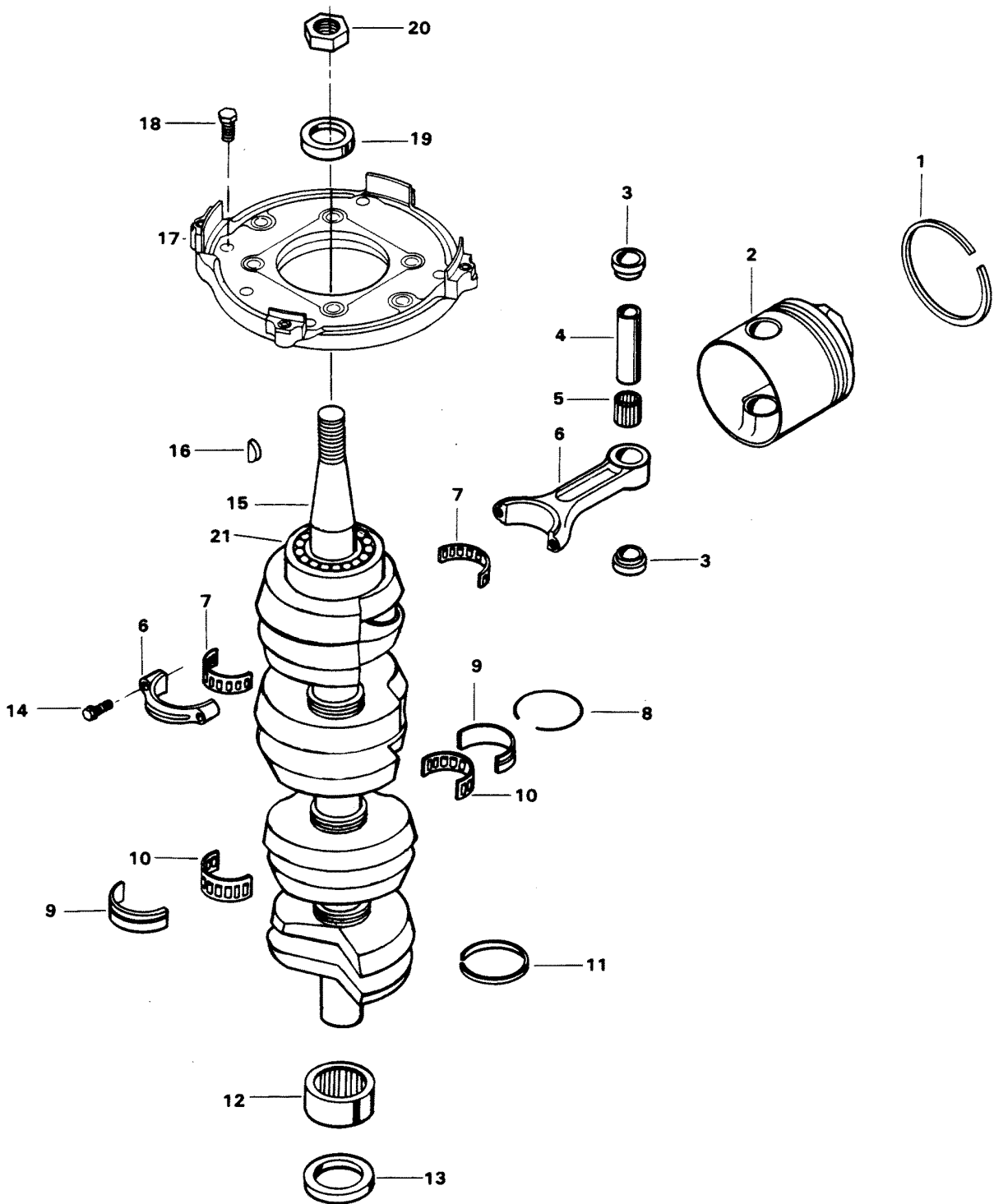
# POWER HEAD



# POWER HEAD

REF. NO.	PART NO.	SYM.	QTY.	DESCRIPTION
82	F2008		4	HEX CAP SCREW, 1/4 - 20 X 7/8
83	33-818007--1		4	SPARK PLUG (CHAMPION ULI8V) - USA
85	F8056		1	LOCKWASHER
86	F1647		1	HEX NUT, 8 - 32
87	F476067		1	GASKET
88	F528068		1	THERMOSTAT
89	F84504		1	GROMMET (THERMOSTAT)
90	F476066-1		1	THERMOSTAT COVER
91	F1099		2	FILL HD SCREW, 1/4 - 20 X 1-1/4
92	F1107		2	SLOTTED FILL HD CAP SCREW, 1/4 - 20 X 3/4
93	F499398		1	DECAL, WIRING - USA
94	F1699		27	HEX BOLT, 1/4 - 20 X 1-1/8
95	F372152-2		1	EXHAUST PORT COVER
96	F372154-1		2	GASKET, EXHAUST PORT PLATE
97	F372151-1		1	EXHAUST PORT PLATE
98	F1950		2	HEX CAP SCREW, 10 - 24 X 5/8
99	F438066		1	BY-PASS VALVE COVER
100	F85762		1	BY-PASS VALVE COVER GASKET
101	F404268		1	BY-PASS VALVE SPRING
102	F85916-1		1	BY-PASS VALVE
103	FG1019		1	GASKET SET INCLUDES ITEMS MARKED WITH A *
-	<b>F40223</b>		<b>4</b>	<b>TRANSFER PORT COVER GASKET</b>
-	<b>F84472-5</b>		<b>2</b>	<b>CYLINDER DRAIN COVER GASKET</b>
-	<b>F84748-3</b>		<b>2</b>	<b>CYLINDER DRAIN REED PLATE GASKET</b>
-	<b>F85279-2</b>		<b>1</b>	<b>CYLINDER EXHAUST UPPER GASKET</b>
-	<b>F85762</b>		<b>1</b>	<b>BY-PASS COVER GASKET</b>
-	<b>F85906</b>		<b>2</b>	<b>CARBURETOR GASKET</b>
-	<b>F178168-1</b>		<b>2</b>	<b>CARBURETOR ADAPTER GASKET</b>
-	<b>F184122-1</b>		<b>1</b>	<b>SEAL</b>
-	<b>F372154-1</b>		<b>2</b>	<b>EXHAUST PLATE GASKET</b>
-	<b>F406406</b>		<b>2</b>	<b>DEFLECTOR PLATE GASKET</b>
-	<b>F440906</b>		<b>2</b>	<b>CARBURETOR GASKET</b>
-	<b>F476067</b>		<b>1</b>	<b>THERMOSTAT COVER GASKET</b>
-	<b>F476529-1</b>		<b>1</b>	<b>CYLINDER HEAD GASKET</b>
104	F2000		0	1 HEX CAP SCREW, 5/16 - 18 X 3/4
105	F8096		1	SPRING LOCKWASHER
106	F1532		2	HEX HD SCREW, 1/4 - 20 X 1
107	F7009		1	LOCK NUT, #10 - 24

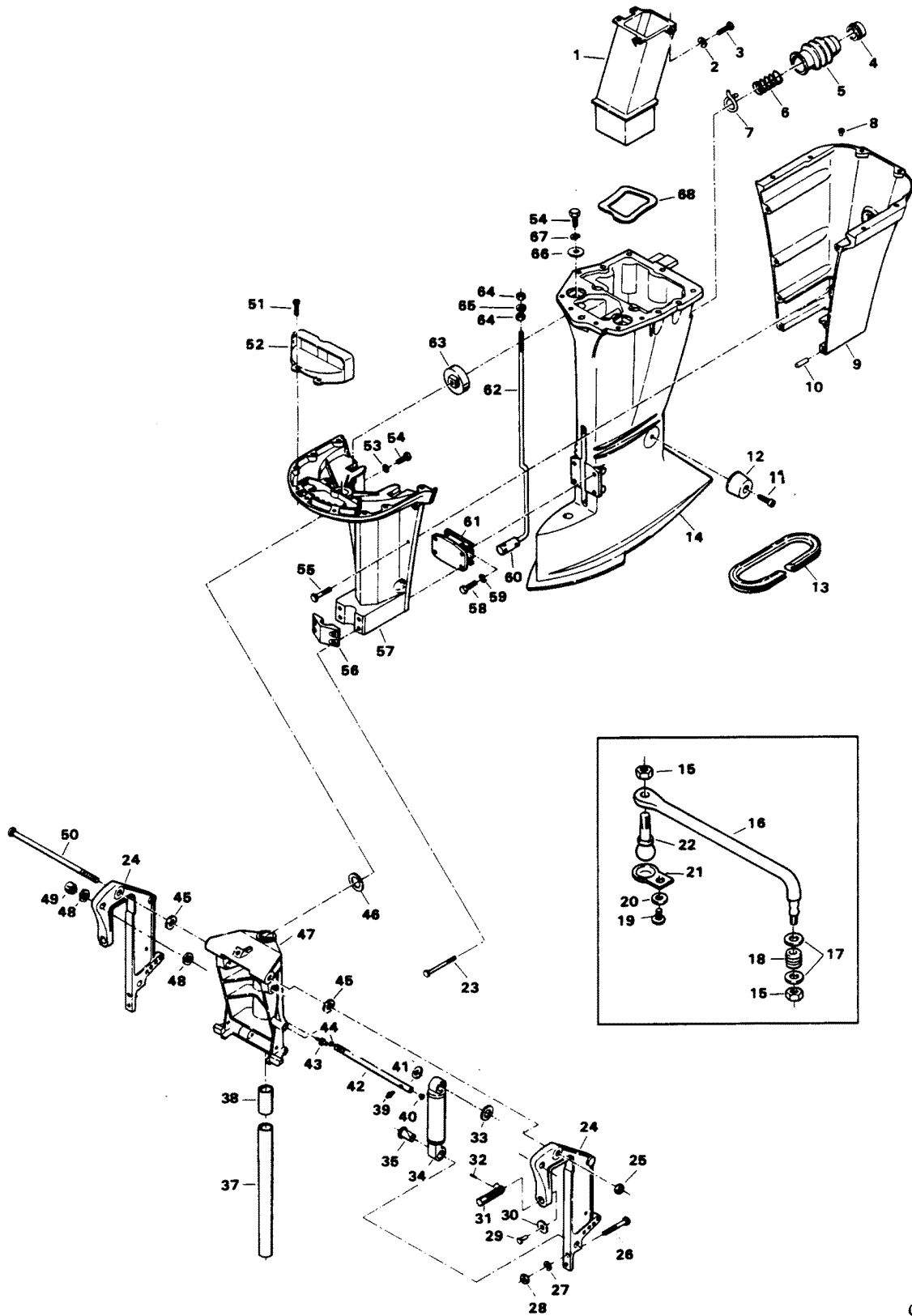
# CRANKSHAFT AND PISTON GROUP



# CRANKSHAFT AND PISTON GROUP

REF. NO.	PART NO.	SYM.	QTY.	DESCRIPTION
1	FA335260		4	PISTON RING SET (2 PER SET) - STANDARD
-	<b>FSA335260</b>		<b>4</b>	<b>PISTON RING (2 PER SET) .010 OVERSIZE</b>
-	<b>39-818110A1</b>		<b>4</b>	<b>PISTON RING (2 PER SET) .030 OVERSIZE</b>
2	700-F372015-3		4	PISTON - STANDARD
-	<b>700-817988A2</b>		<b>4</b>	<b>PISTON .010 OVERSIZE</b>
-	<b>700-818111A2</b>		<b>4</b>	<b>PISTON .030 OVERSIZE</b>
3	F335215		8	SPACER, PISTON PIN (2 PER PISTON)
4	F85017		4	PISTON PIN
5	F335217-1		4	BEARING, PISTON PIN (26 PER SET)
6	600-818052A4		4	CONNECTING ROD <b>W/CAP AND ILLUS. 14 ORIGINAL FORCE P/N S 366016-4</b>
7	FK85228-1		4	BEARING CAGE W/ROLLER
8	F85410		3	SNAP RING
9	FA85655-1		3	CRANKSHAFT MAIN BEARING RACE W/SNAP RING
10	F85571		3	BEARING CAGE W/ROLLER
11	F316579		3	SEAL, CRANKCASE
12	FA523014		1	CRANKSHAFT LOWER MAIN BEARING <b>W/ILLUS. 13</b>
13	F523146		1	SEAL, CRANKSHAFT LOWER
14	F85634-2		8	CONNECTING ROD SCREW
15	400-817735A4		1	CRANKSHAFT <b>W/ILLUS. 21 ORIGINAL FORCE P/N A 178018-4</b>
16	F85498		1	FLYWHEEL KEY
17	F2A615144		1	CRANKSHAFT BEARING CAGE <b>W/ILLUS. 19</b>
18	F2081		5	HEX SOC. HD. SCREW, 1/4 - 20 X 3/4
19	F523146		1	SEAL
20	F1968		1	FLYWHEEL NUT
21	F284659-2		1	BEARING, CRANKSHAFT UPPER MAIN
-	<b>F2067</b>		<b>1</b>	<b>PLASTISOL CAP (NOT SHOWN) FOR EXPOSED THREADS OF CRANKSHAFT</b>

# MOTOR LEG



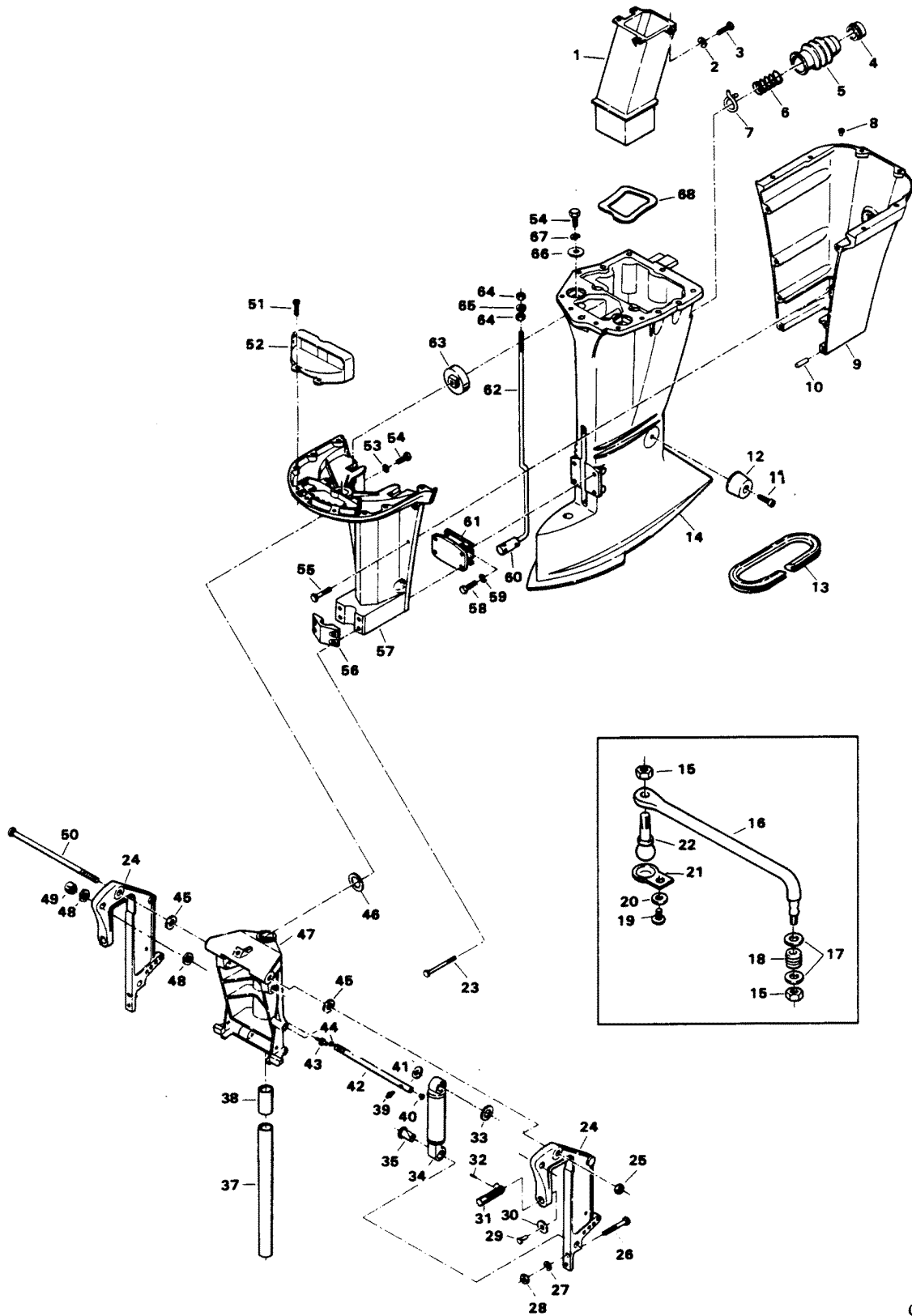
OB 3852

# MOTOR LEG

REF. NO.	PART NO.	SYM.	QTY.	DESCRIPTION
1	F85660-1		1	EXHAUST TUBE
2	F8083		4	SPRING LOCKWASHER
3	F1864		4	HEX SLOT HD SCREW, 1/4 - 20 X 3/4
4	F85258		1	INSERT
5	F85130		1	BOOT IDLE EXHAUST
6	F85380		1	SPRING
7	F85772		1	CLAMP
8	F1729		2	PLUG
9	F178145-3		1	MOTOR LEG COVER REAR
10	F1664		2	SPRING PIN
11	F1263		2	HEX SOCKET HD CAP SCREWS, 5/16 - 18 X 9/16
12	F438962		2	SHOCK MOUNT LOWER REAR
13	F178323		1	SEAL, MOTOR LEG
14	F523133-2		1	MOTOR LEG
15	F2093		2	STOP NUT, 3/8 - 24
16	F523881-2		1	STEERING LINK
17	F8038		2	PLAIN WASHER
18	F523300-1		1	SPRING
19	F1280		1	PAN HD SCREW, 8 - 32 X 1/4
20	F8080		1	SPRING LOCKWASHER
21	F523930		1	RETAINER
22	F523273		1	STEERING BALL STUD
23	F1696		4	HEX BOLT, 5/16 - 18 X 1-3/4
24	1400-817958A6		2	STERN BRACKET
25	F7012		1	STOP NUT
26	F1593		2	HEX HD SCREW, 3/8 - 16 X 3
27	F1904		2	PLAIN WASHER
28	F1346		2	HEX NUT
29	F353480		2	STUD
30	F84074		2	CLAMP SCREW FOOT
31	F474073-1		2	CLAMP SCREW
32	F8538		2	SPRING PIN
33	F1710		2	PLAIN WASHER
34	FA178962		2	SHOCK ABSORBER W/BUSHING
35	F449362		2	BEARING
37	FS85019		1	KINGPIN
38	F438169		2	BEARING
39	F523274		1	GREASE FITTING
40	F9052		1	PLUG
41	F1711		2	SPRING BOWED WASHER
42	F511125-2		1	TUBE, STEERING SUPPORT
43	F213274		3	GREASE FITTING
44	F316599		1	SEAL, STEERING SUPPORT TUBE

CONTINUED ON NEXT PAGE ➡

# MOTOR LEG



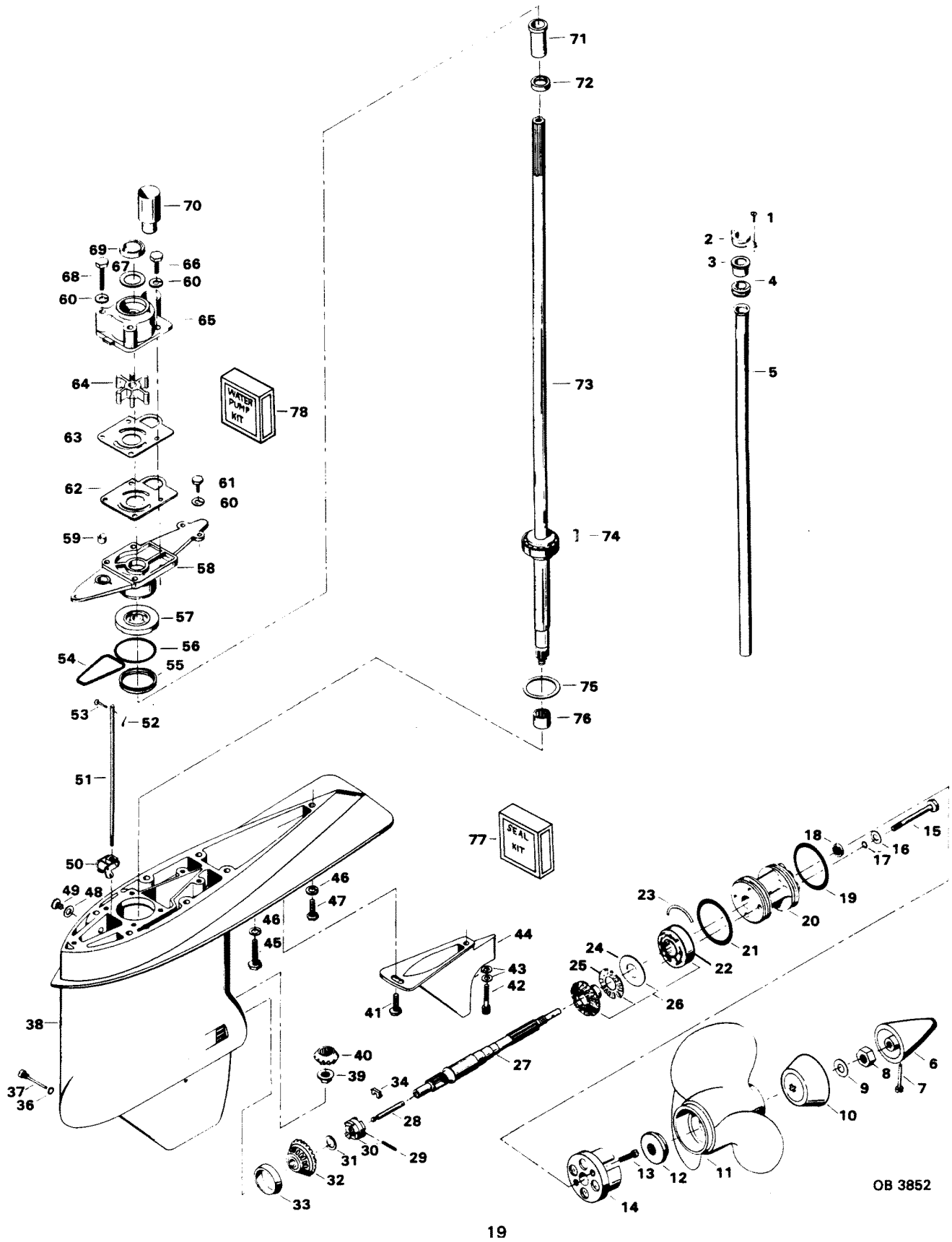
OB 3852



# MOTOR LEG

REF. NO.	PART NO.	SYM.	QTY.	DESCRIPTION
45	F84286-1		4	FRICITION WASHER
46	F84011		1	WASHER
47	817783A5		1	SWIVEL BRACKET <b>W/ILLUS. 38 AND 43 ORIGINAL FORCE P/N A 369072-2</b>
48	F523280		2	NUT, STEERING SUPPORT TUBE
49	F9018		1	CAP
50	F85037-1		1	STERN BRACKET PIVOT BOLT
51	F1912		4	HEX HD SCREW, 10 - 24 X 1/2
52	F85779-1		1	BAFFLE, AIR INTAKE
53	F1703		2	SPRING LOCKWASHER
54	F1871		4	HEX HD SCREW, 3/8 - 16 X 3/4
55	F2030		6	HEX HD SCREW, 1/4 - 20 X 1-1/4
56	F85606		1	KINGPIN CAP
57	FA85135-4		1	LEG COVER FRONT <b>W/ILLUS. 55</b>
58	F1822		4	HEX BOLT, 5/16 - 18 X 7/8
59	F8096		4	SPRING LOCKWASHER
60	F85704		1	COUPLER, GEAR SHIFT ROD
61	F438346		1	SHOCK MOUNT LOWER
62	F85615		1	GEAR SHIFT ROD UPPER
63	F85965		2	SHOCK MOUNT UPPER
64	F2108		2	LOCK NUT
65	F1987		1	PLAIN WASHER
66	FA85355-1		2	WASHER ( <b>SET OF 2 SHOCK MOUNT WASHERS W/ILLUS. 67</b> )
67	F2014		2	PLAIN WASHER
68	F439736		1	SEAL, EXHAUST TUBE

# GEAR HOUSING



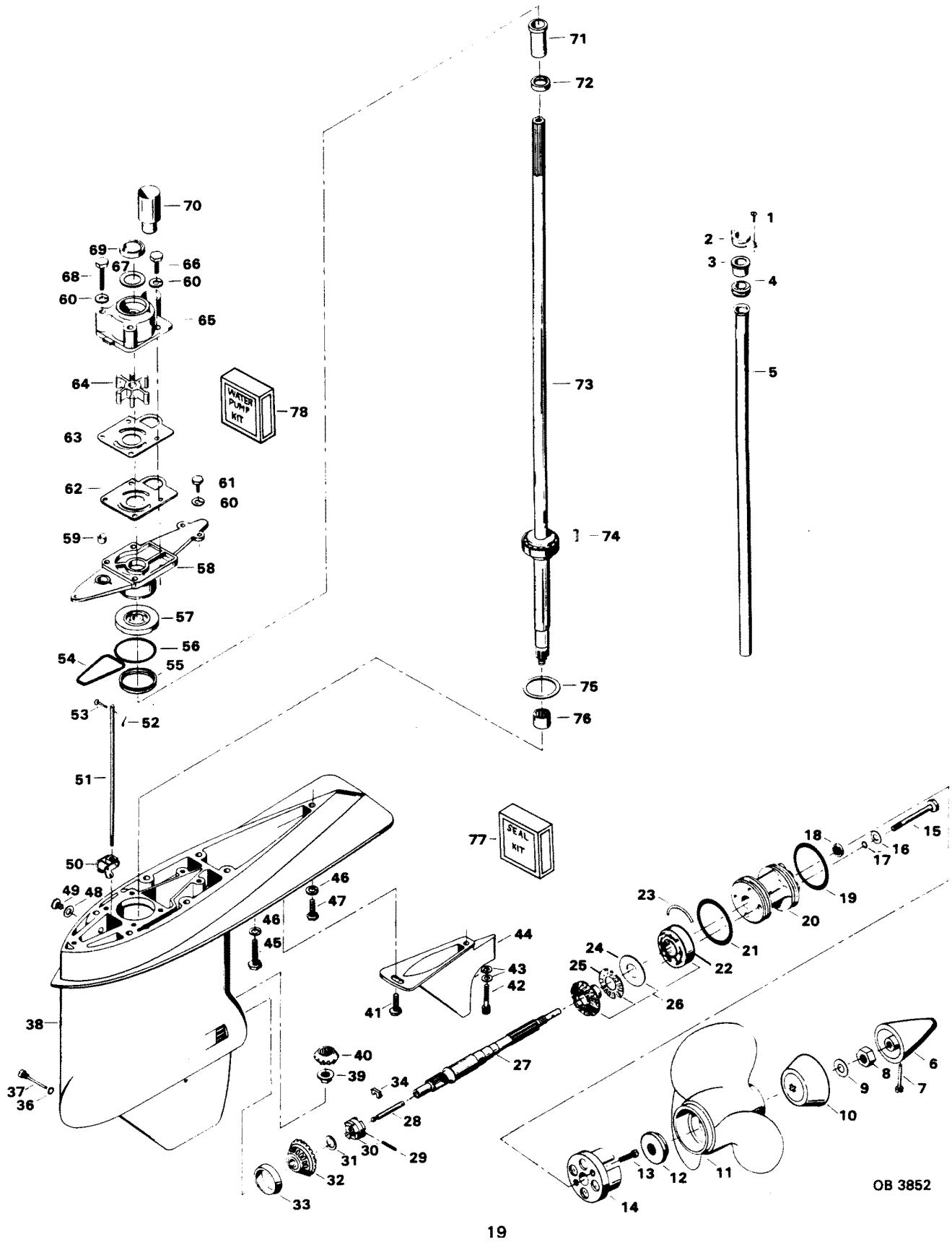
OB 3852

# GEAR HOUSING

REF. NO.	PART NO.	SYM.	QTY.	DESCRIPTION
1	F1705		2	HEX CAP SCREW, 1/4 - 20 X 3/4
2	F85117		1	BRACKET, WATER LINE
3	F84342		1	SEAL, INLET WATER LINE, UPPER
4	F523899		1	GROMMET, WATER LINE
5	F523244		1	INLET WATER LINE
6	F523094-2		1	PROPELLER NUT
7	F498891		1	PIN, PROPELLER NUT RETAINING
8	F1788		1	STOP NUT
9	F1866		1	PLAIN WASHER
10	F5H119		1	WASHER (ACCESSORY ITEM)
11	FP539		1	PROPELLER (ACCESSORY ITEM)
12	F523099-1		1	SPACER, PROPELLER
13	F1577		2	FILL HD SCREW, 1/4 - 20 X 3/4
14	FA523485		1	ANTICORROSION ANODE <b>W/LITERATURE</b>
15	F1885		4	HEX CAP SCREW, 5/16 - 18 X 4-1/4
16	F1907		4	PLAIN WASHER
17	F50342-1		4	SEAL, O-RING
18	F506118		1	SEAL, PROPELLER SHAFT
19	F24278		1	SEAL, O-RING PROPELLER SHAFT SPOOL
20	F2A523239		1	SPOOL, PROPELLER SHAFT BEARING <b>W/ILLUS. 9</b>
21	F84305		1	SEAL, O-RING PROPELLER SHAFT SPOOL
22	FA523136		1	CAGE, REAR
23	F523411		2	RETAINING RING, BEARING CAGE
24	F2117		A/R	SPACER BEVEL GEAR REAR
-	<b>F2118</b>		<b>A/R</b>	<b>SPACER BEVEL GEAR REAR</b>
-	<b>F2119</b>		<b>A/R</b>	<b>SPACER BEVEL GEAR REAR</b>
-	<b>F2120</b>		<b>A/R</b>	<b>SPACER BEVEL GEAR REAR</b>
25	F523901		1	BEARING, BEVEL GEAR REAR
26	F2A523662		1	BEVEL GEAR REAR W/BEARING CAGE SPACER AND BEARING
27	FA523098		1	PROPELLER SHAFT
28	F84871-1		1	PIN, GEAR SHIFT W/YOKE
29	F1713		1	SPRING PIN
30	F84521-2		1	CLUTCH
31	F1936		A/R	SPACER, BEVEL GEAR FRONT .059
-	<b>F1937</b>		<b>A/R</b>	<b>SPACER, BEVEL GEAR FRONT .062</b>
-	<b>F1938</b>		<b>A/R</b>	<b>SPACER, BEVEL GEAR FRONT .065</b>
-	<b>F1939</b>		<b>A/R</b>	<b>SPACER, BEVEL GEAR FRONT .068</b>
-	<b>F1940</b>		<b>A/R</b>	<b>SPACER, BEVEL GEAR FRONT .071</b>
-	<b>F1941</b>		<b>A/R</b>	<b>SPACER, BEVEL GEAR FRONT .074</b>
-	<b>F1942</b>		<b>A/R</b>	<b>SPACER, BEVEL GEAR FRONT .077</b>
-	<b>F2113</b>		<b>A/R</b>	<b>SPACER, BEVEL GEAR FRONT .080</b>
-	<b>F2114</b>		<b>A/R</b>	<b>SPACER, BEVEL GEAR FRONT .083</b>

CONTINUED ON NEXT PAGE ➡

# GEAR HOUSING



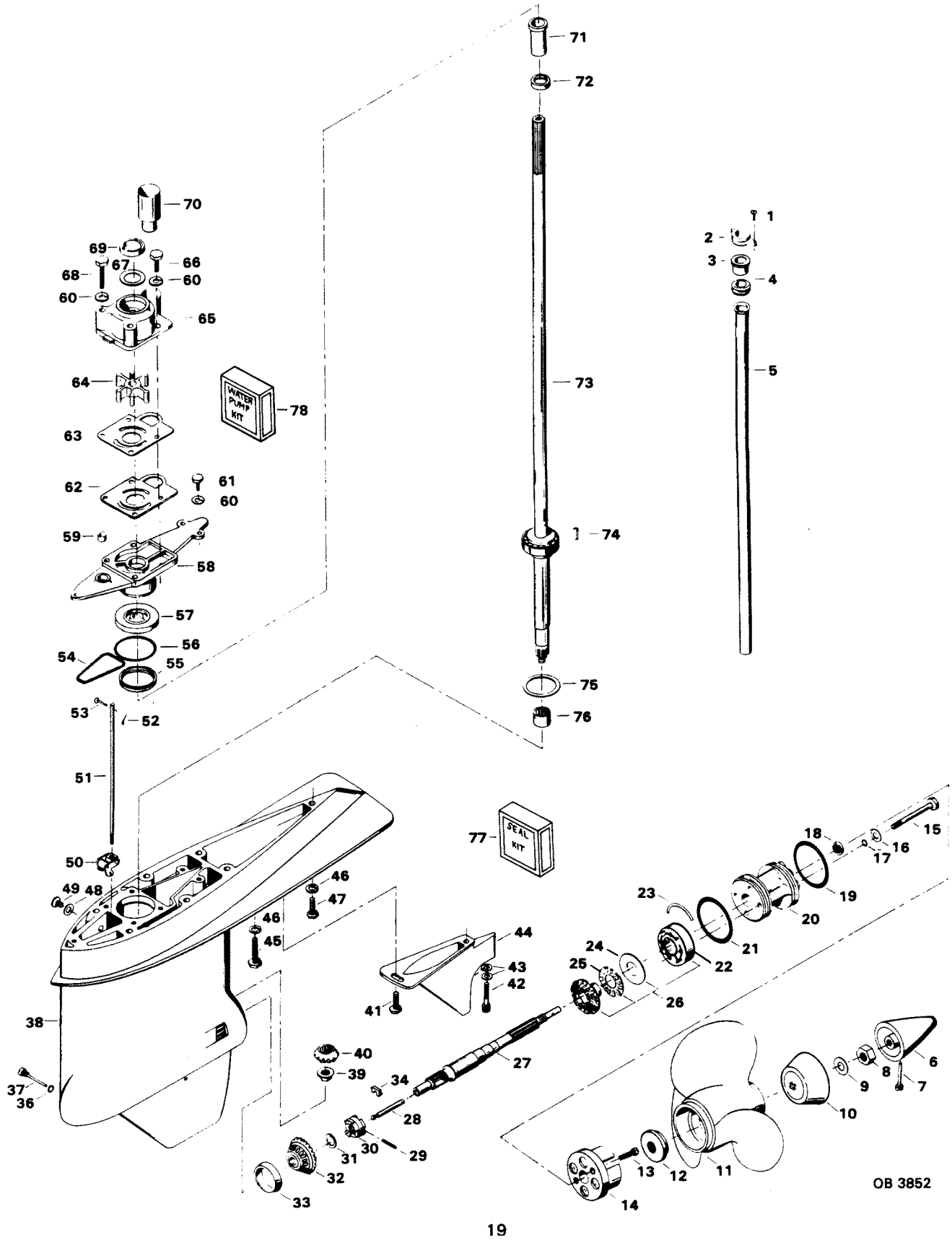
OB 3852

# GEAR HOUSING

REF. NO.	PART NO.	SYM.	QTY.	DESCRIPTION
-	F2115		A/R	SPACER, BEVEL GEAR FRONT .086
-	F2116		A/R	SPACER, BEVEL GEAR FRONT .089
-	F2121		A/R	SPACER, BEVEL GEAR FRONT .057
-	F2122		A/R	SPACER, BEVEL GEAR FRONT .054
32	43-818068A2		1	BEVEL GEAR FRONT W/BEARING AND SHIMS
33	F523813		1	BEARING CUP
34	F90619-1		1	YOKE
36	F498618		1	O-RING
37	F498891		1	PIN, GEAR SHIFT ARM
38	FA523054		1	GEAR HOUSING <b>W/ILLUS. 29, 30, 42, 43 AND 65</b>
-	<b>1600-819196A3</b>		<b>1</b>	<b>GEAR HOUSING COMPLETE (INCLUDES ALL ITEMS MARKED WITH AN ASTERISK (*). ORIGINAL FORCE P/N C 555054-1</b>
39	F523188		1	NUT, BEVEL PINION
40	43-817854A2		1	BEVEL PINION GEAR <b>W/ILLUS. 49 AND 66 ORIGINAL FORCE P/N A 523266-2</b>
41	F438930		1	RETAINER, SNOUT
42	F1994		1	HEX SOCKET HD CAP SCREW, 5/16 18 X 1
43	F1856		2	PLAIN WASHER
44	F523116-1		1	EXHAUST SNOUT
45	F1491		6	HEX HD SCREW, 5/16 - 18 X 3/4
46	F8096		7	SPRING LOCKWASHER
47	F1858		1	HEX CAP SCREW, 5/16 - 18 X 1
48	F8077		3	WASHER, GEAR HOUSING PLUG
49	F50109		3	PLUG, GEAR HOUSING
50	FA84621-1		1	COUPLING, GEAR SHIFT ARM W/BUSHING
51	F523705		1	GEAR SHIFT ROD LOWER
52	F1015		1	COTTER PIN
53	F85372		1	PIN, GEAR SHIFT ROD LOWER
54	F523555		1	SEAL, O-RING, GEAR HOUSING COVER
55	F523961		1	CRUSH RING
56	F74305		1	SEAL, DRIVESHAFT BEARING CAGE
57	F506118		1	SEAL, DRIVESHAFT
58	F2A550706		1	GEAR HOUSING COVER <b>W/ILLUS. 51 AND 53</b>
59	F338618-1		1	SEAL, GEAR SHIFT ROD
60	F8083		7	SPRING LOCKWASHER
61	F2008		3	HEX CAP SCREW, 1/4 - 20 X 7/8
62	F523031		1	GASKET, WATER PUMP
63	F523562		1	PLATE, WATER PUMP
64	F523065-1		1	IMPELLER, WATER PUMP
65	46-817853A1		1	WATER PUMP BODY <b>W/ILLUS. 61, 63 AND 64 ORIGINAL FORCE P/N A 523060-1</b>
66	F1990		2	HEX CAP SCREW, 1/4 - 20 X 1-5/8
67	F480388		1	DISC, WATER PUMP LOCATING
68	F1425		2	HEX CAP SCREW, 1/4 - 20 X 2-5/8

CONTINUED ON NEXT PAGE ➡

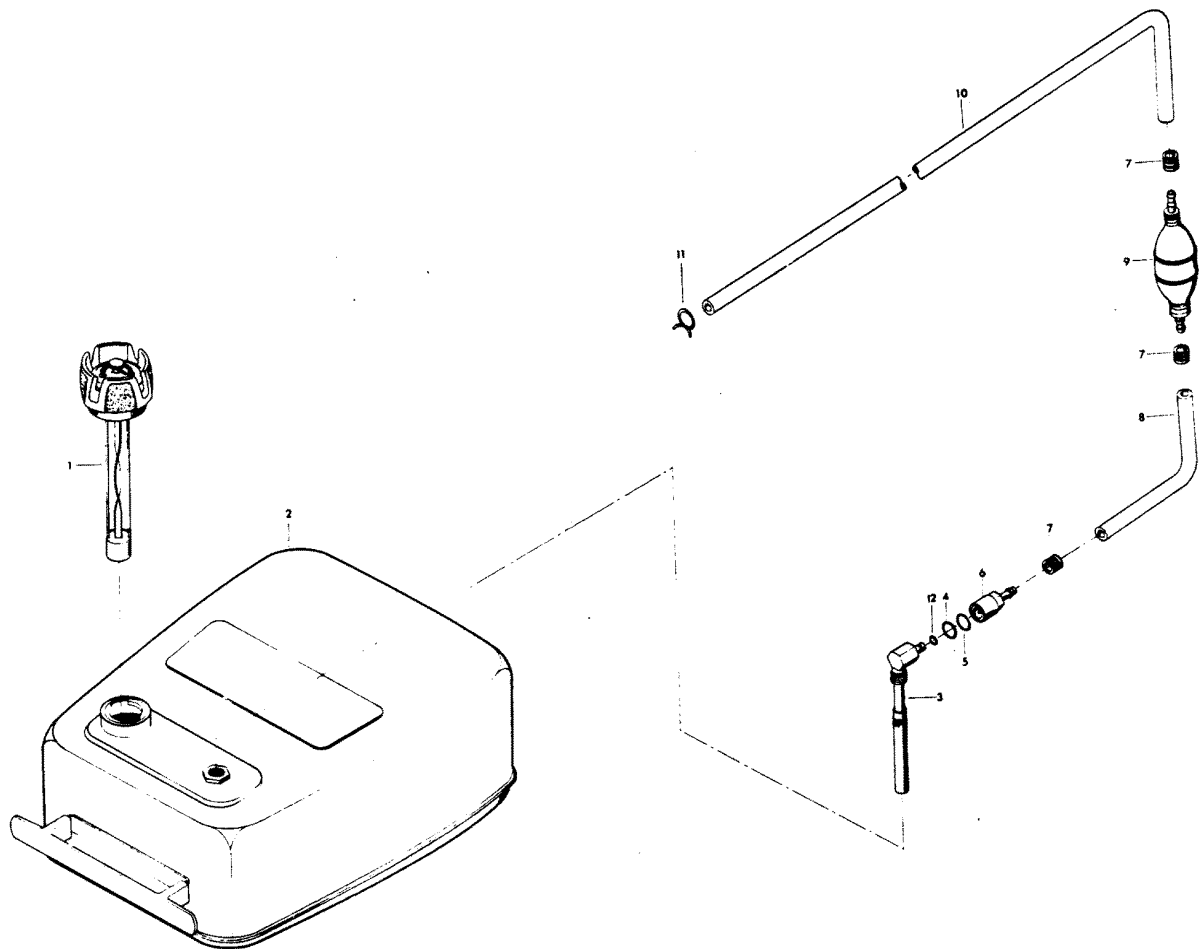
# GEAR HOUSING



# GEAR HOUSING

REF. NO.	PART NO.	SYM.	QTY.	DESCRIPTION
69	F351307		1	SEAL, DRIVESHAFT - WATER PUMP
70	FA523735		1	SEAL, INLET WATER LINE, LOWER <b>W/LITERATURE</b>
71	F438129		1	SEAL, DRIVESHAFT SPLINE
72	F438271		1	RETAINER, CRANKSHAFT SPLINE SEAL
73	FK616128		1	DRIVESHAFT <b>W/BEARING, ILLUS. 49 AND 66</b>
74	F523498		1	DRIVE KEY, WATER PUMP
75	F9106		A/R	SHIM, DRIVESHAFT BEARING, UPPER .003 BRASS
-	<b>F9095</b>		<b>A/R</b>	<b>SHIM, DRIVESHAFT BEARING, UPPER .005 SILVER</b>
-	<b>F9097</b>		<b>A/R</b>	<b>SHIM, DRIVESHAFT BEARING, UPPER .010 BLACK</b>
76	F523057		1	BEARING, DRIVESHAFT LOWER
77	FK1063-2		1	SEAL KIT <b>INCLUDES ITEMS MARKED WITH A *</b>
-	<b>F50342-1</b>		<b>4</b>	<b>SEAL, BEARING CAGE BOLT</b>
-	<b>F506118</b>		<b>2</b>	<b>SEAL, PROPELLER SHAFT</b>
-	<b>F24278</b>		<b>1</b>	<b>SEAL, PROPELLER SHAFT SPOOL</b>
-	<b>F84305</b>		<b>1</b>	<b>SEAL, PROPELLER SHAFT SPOOL</b>
-	<b>F498618</b>		<b>1</b>	<b>SEAL, GEARSHIFT ARM PIN</b>
-	<b>F8077</b>		<b>3</b>	<b>WASHER</b>
-	<b>F523555</b>		<b>1</b>	<b>SEAL, GEAR HOUSING COVER</b>
-	<b>F74305</b>		<b>1</b>	<b>SEAL, GEAR HOUSING COVER</b>
-	<b>F84307-1</b>		<b>1</b>	<b>SEAL, DRIVESHAFT</b>
-	<b>F338618-1</b>		<b>1</b>	<b>SEAL, GEAR SHIFT ROD</b>
78	FK1069		1	WATER PUMP KIT <b>INCLUDES ITEMS MARKED WITH A **</b>
-	<b>F1425</b>		<b>2</b>	<b>HEX CAP SC, 1/4 - 20 X 5/8</b>
-	<b>F1990</b>		<b>2</b>	<b>HEX CAP SCREW</b>
-	<b>F8083</b>		<b>4</b>	<b>SPRING LOCKWASHER</b>
-	<b>F523031</b>		<b>1</b>	<b>GASKET, WATER PUMP</b>
-	<b>F523065-1</b>		<b>1</b>	<b>IMPELLER</b>
-	<b>F523498</b>		<b>1</b>	<b>KEY</b>
-	<b>F523562</b>		<b>1</b>	<b>PLATE, WATER PUMP</b>
-	<b>46-817853A1</b>		<b>1</b>	<b>WATER PUMP</b>

# FUEL TANK AND LINE

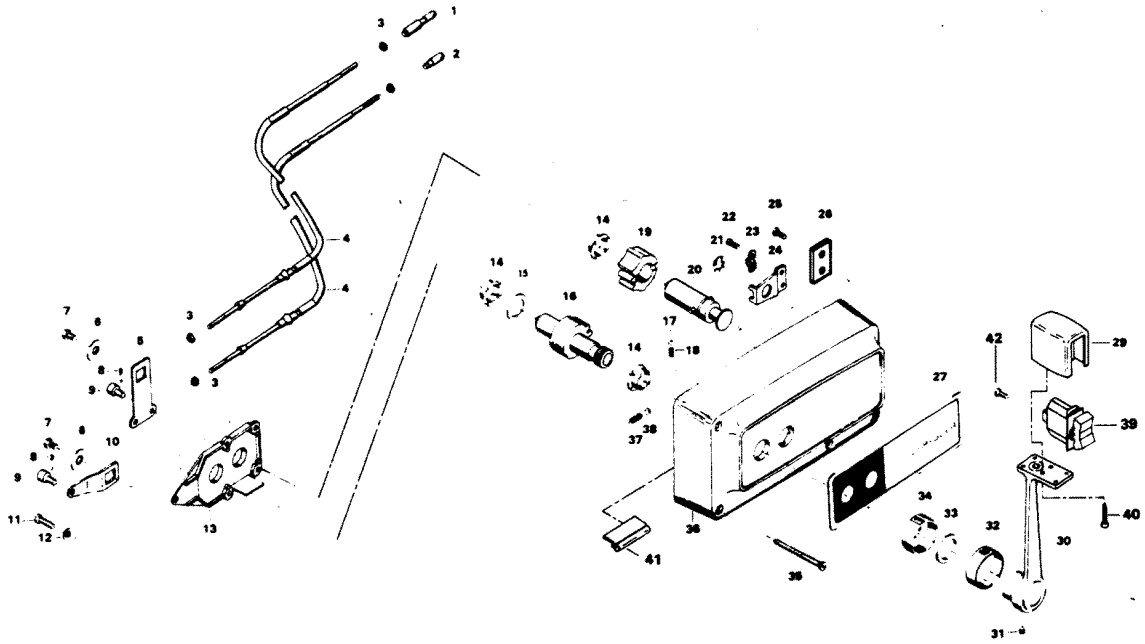




## FUEL TANK AND LINE

REF. NO.	PART NO.	SYM.	QTY.	DESCRIPTION
1	F409251-1		1	GAUGE CAP
2	F5H026		1	FUEL TANK (ACCESSORY ITEM) <b>W/ILLUS. 1 AND 3</b>
3	F485755-1		1	FUEL TANK ADAPTER
4	F17816		1	SEAL, FUEL LINE COUPLER (LARGE)
5	F17815		1	SEAL, FUEL LINE COUPLER (SMALL)
6	F197787-3		1	FUEL LINE COUPLER
7	F298788		3	FERRULE
8	FA84754-1		1	FUEL LINE SHORT W/FERRULES
9	89396A38		1	PRIME BULB
10	32-817738A1		1	FUEL LINE LONG <b>W/ILLUS. 7 AND 11 ORIGINAL FORCE P/N A 197752-1</b>
11	F97772		1	FUEL LINE CLAMP
12	F17817		1	SEAL, FUEL TANK ADAPTER
-	<b>FS409752</b>		1	<b>FUEL LINE COMPLETE. INCLUDES ALL ITEMS MARKED WITH AN ASTERISK (*)</b>
-	<b>FC409398</b>		1	<b>DECAL, TOTE TANK - CANADA (NOT SHOWN)</b>

# REMOTE CONTROL

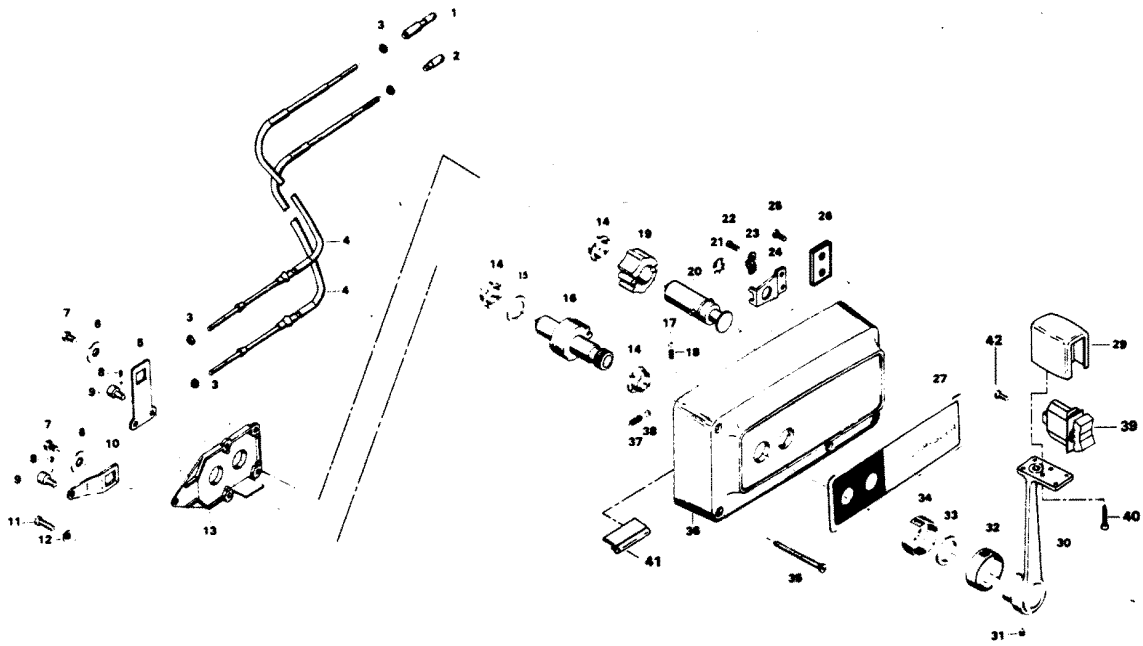


# REMOTE CONTROL

REF. NO.	PART NO.	SYM.	QTY.	DESCRIPTION
1	FA58976-1		1	CONNECTOR, THROTTLE CABLE
2	F58685-2		1	CONNECTOR, SHIFT CABLE
3	F1513		4	HEX NUT
4	F195/___		1	REMOTE CONTROL CABLE (SPECIFY LENGTH) <b>ACCESSORY ITEM (2 PER SET)</b>
5	F17019		1	CLUTCH ARM
6	F17036		2	INTERNAL TOOTH LOCKWASHER
7	F17155		2	HEX BOLT, 1/4 - 28 X 1/2
8	F17149		2	COTTER PIN
9	F17016		2	CABLE TERMINAL
10	F17014		1	THROTTLE ARM
11	F17013		2	FILL HD SCREW, 1/4 - 20 X 1/2
12	F8061		2	INTERNAL TOOTH LOCKWASHER
13	F17012		1	RETAINING PLATE
14	F17009		3	BEARING
15	F17011		1	BOWED WASHER
16	F17010-1		1	THROTTLE GEAR
17	F17111		1	DETENT BALL
18	F17006		1	DETENT SPRING
19	F17021		1	CLUTCH GEAR
20	F17100		1	CLUTCH SHAFT
21	F17092		1	SNAP RING
22	F17071		2	FILL HD SCREW, 10 - 24 X 5/16
23	F154317		1	CABLE CLAMP
24	F17026		1	SWIVEL
25	F17141		2	ROUND HD SCREW, 10 - 24 X 3/8
26	F17153		1	RETAINER PLATE
27	F580892		1	DECAL, STARBOARD
-	<b>F581892</b>		<b>1</b>	<b>DECAL, PORT</b>
29	F448543		1	KNOB
30	F448611-1		1	LEVER
31	F17030-1		1	SET SCREW
32	F449894		1	INDICATOR - STARBOARD
-	<b>F448894</b>		<b>1</b>	<b>INDICATOR - PORT</b>
33	F17105		1	FELT WASHER
34	F17106		1	COLLAR
35	F17154		3	WOOD SCREW
36	F17099		1	HOUSING
37	F17157		1	DETENT SPRING
38	F17082-1		1	DETENT BALL
39	F455449		1	SWITCH, TRIM
40	F1461		2	SCREW #6 X 7/8

CONTINUED ON NEXT PAGE ➡

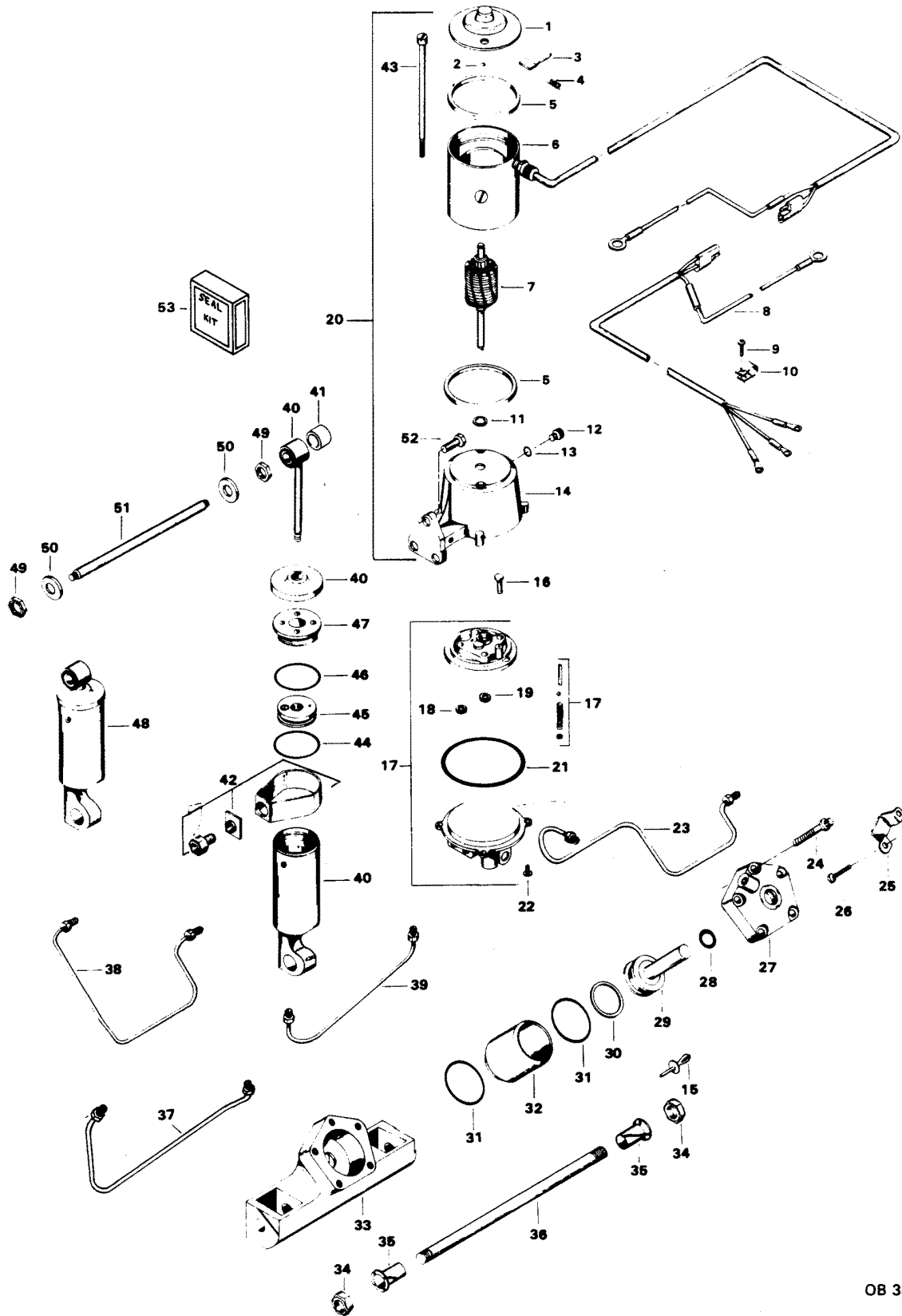
# REMOTE CONTROL



# REMOTE CONTROL

REF. NO.	PART NO.	SYM.	QTY.	DESCRIPTION
41	F448446		1	CLAMP, TRIM SWITCH CABLE
-	F1280		2	PAN HD SCREW, 8 - 32 X 1/4 (TERMINAL BOARD) (NOT SHOWN)
-	OB3876		1	LITERATURE (NOT SHOWN) INSTALLATION INSTRUCTIONS FOR REMOTE CONTROL
-	FK17156		1	BAG ASSEMBLY (NOT SHOWN) INCLUDES ITEMS MARKED WITH AN ASTERISK (*)
42	F1280		3	PAN HD SCREW, 8 - 32 X 1/4

# POWER TRIM UNIT



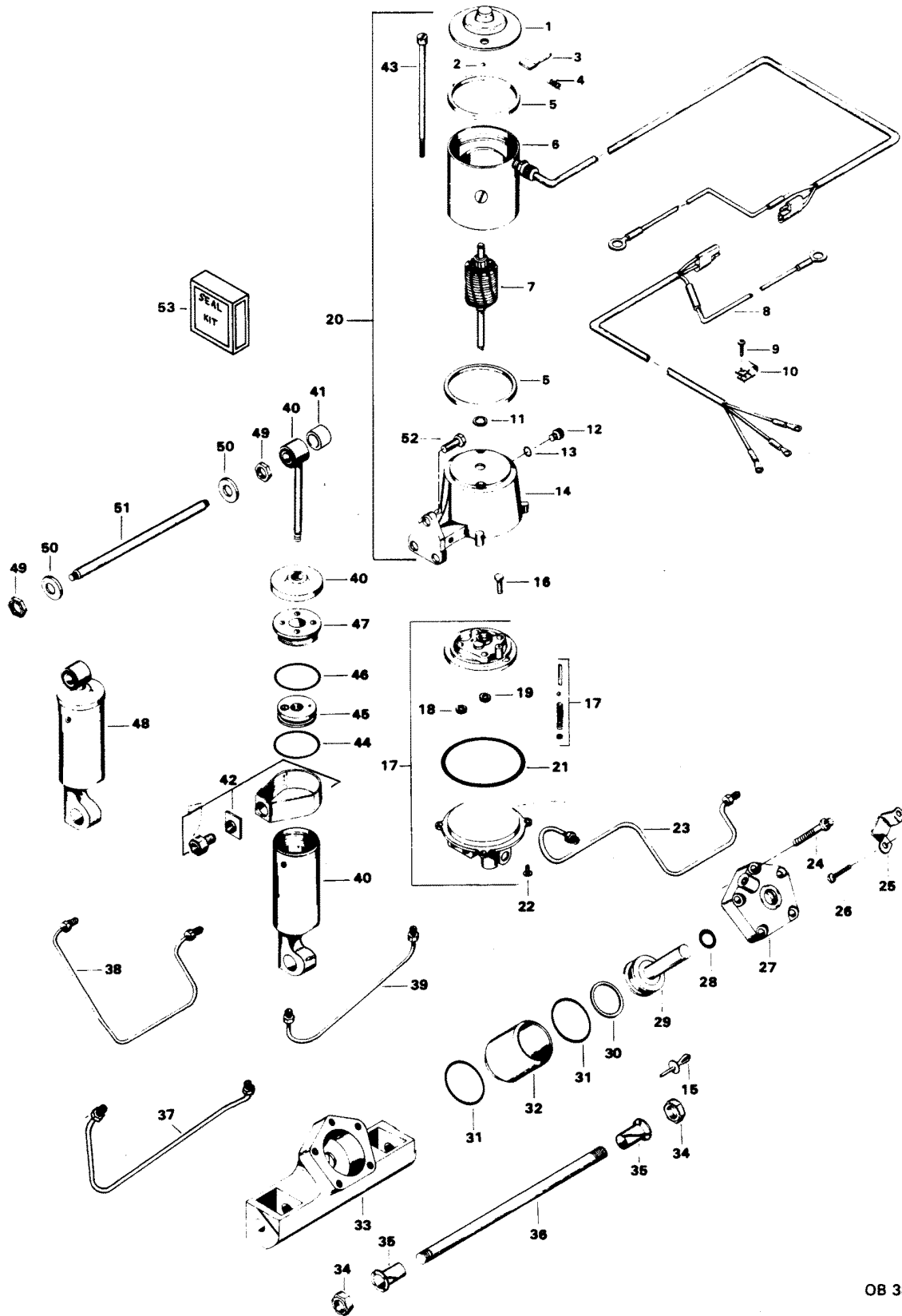
OB 3852

# POWER TRIM UNIT

REF. NO.	PART NO.	SYM.	QTY.	DESCRIPTION
1	F17543		1	HEAD ASSEMBLY, COMMUTATOR END
2	F17539		1	BALL
3	F17504		1	BRUSH SET
4	F17500		1	SPRING SET
5	F17557		2	GASKET
6	F17556		1	FIELD AND FRAME ASSEMBLY
7	F17555		1	ARMATURE
8	F500843		1	CABLE
9	F1741		2	THREAD FORMING SCREW, 8 X 3/4
10	F178446		2	CLAMP
11	F17508		A/R	THRUST WASHER
12	F17518		1	FILLER CAP
13	F17510		1	O-RING
14	F17505		1	RESERVOIR AND BRACKET W/SEAL
15	F1966		1	PLUG, SWIVEL BRACKET
16	F1203		1	HEX CAP SCREW, 1/4 - 20 X 7/8
17	F17564		1	VALVE BODY AND PUMP <b>W/ILLUS. 16, 18, 19 AND 21</b>
18	F17566		1	IDLE GEAR
19	F17565		1	DRIVE GEAR
20	F17563		1	MOTOR AND RESERVOIR
21	F17522		1	O-RING
22	F1310		4	ROUND HD SCREW, 10 - 24 X 5/8
23	F449254		1	HYDRAULIC LINE, TRIM CYLINDER, UPPER
24	F1959		5	SCREW, 1/4 - 20 X 1-3/4, STAINLESS STEEL
25	F449354		1	THRUST BRACKET
26	F1734		2	SCREW AND LOCKWASHER, 1/4 - 20 X 1/2
27	FA449149		1	COVER W/SEALS AND RETAINER
28	F449342		1	SEAL, PISTON SHAFT
29	FA449015		1	PISTON
30	F449278		1	PISTON SEAL
31	F40278		2	SEAL, CYLINDER
32	F449010		1	CYLINDER
33	F449545-2		1	CYLINDER HOUSING
34	F1963		2	NUT, 5/8 - 18
35	F449362		2	BEARING
36	F449632		1	SHAFT
37	F449253-1		1	HYDRAULIC LINE, TRIM CYLINDER, LOWER
38	F449758		1	HYDRAULIC LINE, LIFT CYLINDER, UPPER
39	F449754-1		1	HYDRAULIC LINE, LIFT CYLINDER, LOWER
40	FA17559		1	LIFT CYLINDER COMPLETE <b>W/ILLUS. 41</b>
41	F178344		1	BUSHING, SHOCK ABSORBER - UPPER
42	F17577		1	ADAPTER FITTING PACKAGE
43	F17558		1	THRU-BOLT PACKAGE

CONTINUED ON NEXT PAGE ➡

# POWER TRIM UNIT



OB 3852



# POWER TRIM UNIT

REF. NO.	PART NO.	SYM.	QTY.	DESCRIPTION
-	F1877		2	TY-RAP (NOT SHOWN)
44	FA17561-1		1	O-RING W/LITERATURE
45	F17562-1		1	PISTON ASSEMBLY
46	F17528		1	O-RING
47	F17560		1	HEAD ASSEMBLY
48	FA178962		1	SHOCK ABSORBER W/BUSHING
49	F1931		2	NUT, 1/2 - 20, STAINLESS STEEL
50	F1960		2	PLAIN WASHER
51	F449889		1	SHAFT, UPPER
52	F1822		3	SCREW, 5/16 - 18 X 7/8, STAINLESS STEEL
53	FK1083		1	SEAL KIT, <b>INCLUDES ITEMS MARKED WITH AN ASTERISK (*)</b>

## SPECIAL TOOLS - TUNE-UP

REF. NO.	PART NO.	SYM.	QTY.	DESCRIPTION
-	FT8948-1		0	PULLER TO REMOVE FLYWHEEL.
-	FTA2937-1		0	TIMING TOOL TO ADJUST TIMING POINTER.
-	FT8978		0	POWER TIMING LIGHT FOR ADJUSTMENT OF ENGINE TIMING.
-	FT2951		0	CIRCUIT TRACER TO TROUBLESHOOT ELECTRICAL SYSTEM.
-	FT2938-1		0	BATTERY POWERED TEST LIGHT TO CHECK FOR CONTINUITY.

## SPECIAL TOOLS - POWER HEAD

REF. NO.	PART NO.	SYM.	QTY.	DESCRIPTION
-	FT8914		0	SEAL REMOVER TO REMOVE UPPER CRANKSHAFT BEARING CAGE SEAL.
-	FT8927		0	SEAL PROTECTOR TO INSTALL UPPER CRANKSHAFT BEARING CAGE.
-	FT8907		0	DRIVE HANDLE USED WITH T 8903.
-	FT8925		0	SEAL INSTALLER TO INSTALL LOWER CRANKSHAFT SEAL.
-	FT2953		0	SOCKET TO TORQUE CONNECTING ROD SCREWS.
-	FT2990		0	PISTON PIN TOOL TO REMOVE AND INSTALL PISTON PINS.
-	FTA8994		0	PISTON PIN TOOL USE WITH T 2990.
-	FT2996		0	RING COMPRESSOR TO INSTALL PISTON IN CYLINDER.
-	FT8926		0	RING EXPANDER TO INSTALL PISTON RINGS.
-	FT8903		0	SEAL INSTALLER TO INSTALL UPPER CRANKSHAFT BEARING CAGE SEAL.
-	FT1082		0	SNAP RING PLIER TO REMOVE AND INSTALL DISTRIBUTOR RETAINING RING.
-	FT8933		0	LIFTING HOOK TO LIFT ENGINE.
-	FT2998		0	TORQUE WRENCH TO PROPERLY TIGHTEN FASTENERS.
-	FT2999		0	TORQUE WRENCH TO PROPERLY TIGHTEN FASTENERS.
-	FT2991		0	CARBON BRUSH TO REMOVE CARBON FROM INSIDE ENGINE.
-	FT8900		0	HOSE CLAMP PLIERS TO REMOVE AND INSTALL FUEL HOSE CLAMPS.

## SPECIAL TOOLS - GEAR HOUSING

REF. NO.	PART NO.	SYM.	QTY.	DESCRIPTION
-	FT8948-1		0	PULLER TO REMOVE SPOOL FROM GEAR HOUSING.
-	FT8985		0	SEAL INSTALLER TO INSTALL PROPELLER SHAFT SEAL IN PROPELLER SHAFT BEARING SPOOL.
-	FT8925		0	SEAL INSTALLER TO INSTALL DRIVESHAFT SEAL IN GEAR HOUSING COVER.
-	FT8907		0	DRIVER HANDLE TO INSTALL BEARING CUPS AND SEALS.
-	FT8901		0	INDICATOR HOLDER USED IN CONJUNCTION WITH T 8997.
-	FT8902		0	DIAL INDICATOR USED IN CONJUNCTION WITH T 8997.
-	FT8919		0	SPRING PIN PUNCH TO REMOVE CLUTCH SPRING PIN.
-	FT8957		0	SEAL INSTALLER TO INSTALL SHIFT ROD SEAL.
-	FT8997		0	SHIMMING TOOL TO SHIM LOWER UNIT.
-	FT8918		0	BEARING GUIDE SET TO REMOVE FORWARD BEARING CUP IN GEAR HOUSING.
-	FT11209		0	BEARING GUIDE SET USE WITH T 8918.
-	FT11207		0	BEARING CUP REMOVER TO REMOVE FORWARD BEARING CUP IN GEAR HOUSING.
-	FT11204		0	BEARING CUP INSTALLER TO INSTALL FORWARD BEARING CUP IN GEAR HOUSING.
-	FT3012		0	SEAL INSTALLER TO INSTALL WATER PUMP SEAL.
-	FT11205		0	BEARING INSTALLER/REMOVER TO INSTALL AND REMOVE LOWER DRIVESHAFT BEARING IN GEAR HOUSING.
-	FT7848		0	TORQUING ADAPTER HOLD DRIVESHAFT WHILE INSTALLING OR REMOVING PINION NUT.

## SPECIAL TOOLS - TEST EQUIPMENT

REF. NO.	PART NO.	SYM.	QTY.	DESCRIPTION
-	FT8950		0	LEAKAGE TESTER TO TEST LOWER UNIT SEALS FOR LEAKAGE.
-	FTK8999		0	TEST WHEEL TO TEST MOTOR IN TEST TANK. ORIGINAL FORCE P/N TA 8999
-	FT8953		0	IGNITION TESTER TO TEST OUTPUT OF C-D UNIT.

## SPECIAL TOOLS - LUBRICANTS AND SEALANTS

REF. NO.	PART NO.	SYM.	QTY.	DESCRIPTION
-	FT2961		0	LUBRICANT - RYKON GREASE #2EP
-	FT2987-1		0	LUBRICANT - ANTI-SEIZE
-	FT8969		0	LUBRICANT - 7 OZ. LPSI LUBRICANT
-	FT8955		0	SEALANT - 5 OZ. EC-750 INDUSTRIAL SEALANT
-	FT8983		0	SEALANT - 3 OZ. RTV SEALANT FROM IN PLACE GASKETS
-	FT8936-1		0	SEALANT - 2 CC LOCTITE RETAINING COMPOUND #75
-	FT2962-1		0	SEALANT - 50 CC LOCTITE H, NON-HARDENING GRADE
-	FT2963-2		0	SEALANT - 2 OZ. LOCTITE D, HARDENING GRADE
-	FT8935		0	SEALANT PRIMER - 6 OZ.

# ACCESSORIES

REF. NO.	PART NO.	SYM.	QTY.	DESCRIPTION
-	F5H173		0	FLUSHING ADAPTER PERMITS FRESH WATER FLUSHING OF WATER PASSAGES WITH STANDARD GARDEN HOSE.
-	F5H130		0	REMOTE CONTROL BOX (SINGLE LEVER) (SURFACE MOUNT) PERMITS REMOTE CONTROL OF THROTTLE AND GEAR SHIFT FROM STARBOARD SIDE OF BOAT.
-	F5H120		0	REMOTE CONTROL BACK PLATE PROTECTS CONTROL MECHANISM FROM PADDED BOAT SURFACES.
-	F590		0	REMOTE CONTROL HEAD (SINGLE LEVER) FLUSH MOUNT CONTROL UNIT PERMITS REMOTE CONTROL OF THROTTLE AND GEAR SHIFT. MAY BE MOUNTED ON PORT OR STARBOARD SIDE OF BOAT.
-	F5H079		0	REMOTE CONTROL BOX FOR MOUNTING ON CONSOLE OF BOAT.
-	F5H080		0	TWIN REMOTE CONTROL BOX FOR MOUNTING ON CONSOLE OF BOAT.
-	F195/___		0	REMOTE CONTROL CABLES CONNECTS REMOTE CONTROL BOX TO THROTTLE AND GEAR SHIFT ON ENGINE. AVAILABLE IN 6 THROUGH 40 FOOT LENGTHS.
-	F5H108		0	STEERING CONNECTOR CLEVIS TYPE FOR BOAT MOUNTED STEERING AND NON THREADED CABLE END.
-	F5H018		0	DUAL ENGINE TIE BAR PERMITS DUAL ENGINE INSTALLATIONS.
-	F5H094		0	STEERING LINK CONNECTS ENGINE TO REMOTE STEERING CABLE.
-	F5H026		0	STEEL, 6 GALLON FUEL TANK (LOW PROFILE) AUXILIARY TANK.
-	F5H029		0	TANK ANCHOR SECURES 5H026 TO BOAT.
-	F5H040		0	STEEL, 12 GALLON FUEL TANK AUXILIARY TANK.
-	F5H019		0	ANTI-CORROSION KIT ELECTRICAL KIT FOR MOUNTING ON BOAT (12V) TO REDUCE CORROSION.
-	F5H025		0	ANTI-CORROSION SACRIFICIAL ANODE KIT USED TO REDUCE CORROSION.
-	F5H043		0	OVERHEAT BUZZER SOUNDS WARNING BUZZER IF ENGINE OVERHEATS.
-	F5H161		0	POWER TRIM INDICATOR INDICATES ENGINE TRIM ANGLE. (FLUSH MOUNT).
-	F5H134		0	BOAT WHITE LACQUER ENGINE TOUCH-UP PAINT IN 12-3/4 OZ. SPRAY BOMBS (6 CANS PER CASE).
-	F5H081		0	BATTERY CABLE LONGER LENGTH - 15 FEET.
-	F5H157		0	VOLTMETER - FLUSH MOUNT INDICATES BATTERY CONDITION.
-	F5H159		0	HOURMETER - FLUSH MOUNT RECORDS ENGINE RUNNING TIME.
-	F5H119		0	PROPELLER SPACER - FLARED REDUCES PROPELLER VENTILATION ON SOME BOAT APPLICATIONS.
-	F5H069		0	RFI SUPPRESSION KIT PROVIDES RADIO NOISE SUPPRESSION.
-	F71H26		0	BATTERY TERMINAL KIT ADAPTS MODEL 5H051 BATTERY TERMINALS FOR CONNECTIONS TO CABLE ON ENGINE.

CONTINUED ON NEXT PAGE ➡

# ACCESSORIES

REF. NO.	PART NO.	SYM.	QTY.	DESCRIPTION
-	F5H021		0	EXTENSION CABLE FOR LENGTHENING BATTERY CABLE 6-1/2 FEET.
-	F5H037		0	CIGAR LIGHTER FOR USE AS CONVENIENCE OUTLET.
-	5H158		0	FUEL GAUGE FLUSH MOUNT MONITORS FUEL SUPPLY.
-	F5H077		0	IGNITION KEY SWITCH SHORT BARREL WITH KEYS.
-	F5H078		0	IGNITION KEY SWITCH LONG BARREL WITH KEYS.
-	F762		0	REMOTE ELECTRIC CABLE 25 FOOT CABLE FOR LARGE BOATS.
-	F5H115		0	TRAILERING TILT LOCK SECURES ENGINE IN HALF-TILT POSITION FOR TRAILERING.
-	F5H146		0	POWER TILT TILTS ENGINES FOR BEACHING.
-	F5H132		0	REMOTE CONTROL HANDLE TRIM SWITCH FOR CONVENIENT OPERATION OF POWER TRIM.
-	F5H070		0	REMOTE ELECTRIC CABLE 21 FOOT CABLE FOR LARGE BOATS.
-	F5H028		0	SENDING UNIT FOR USE WITH FUEL GAUGE.
-	F5H156		0	TEMPERATURE GAUGE - FLUSH MOUNT MONITORS ENGINE TEMPERATURE. DO NOT USE TEMPERATURE GAUGE AND HEAT LAMP IN SAME INSTALLATION.
-	F5H167		0	TACHOMETER FLUSH MOUNT MONITORS ENGINE R.P.M. TO PROVIDE CHECK OF ENGINE PERFORMANCE.
-	F5H150		0	POWER TRIM ADJUSTS ENGINE TRIM AND TILTS ENGINE.
-	F5H154		0	SPEEDOMETER FLUSH MOUNT MONITORS BOAT SPEED (10-50 M.P.H.).
-	F5H155		0	SPEEDOMETER - FLUSH MOUNT MONITORS BOAT SPEED (10-65 M.P.H.) (20-100 KM/H)
-	F5H076		0	SWITCH EXTENSION CABLE 5 FOOT LONG SWITCH WIRING HARNESS.
-	F5H030		0	SWITCH KIT - RUNNING LIGHTS DASH MOUNTED TOGGLE SWITCH
-	F5H031		0	SWITCH KIT - SPOT LIGHT DASH MOUNTED TOGGLE SWITCH
-	F5H032		0	SWITCH KIT - WIPER DASH MOUNTED TOGGLE SWITCH
-	F5H034		0	SWITCH KIT - BILGE PUMP DASH MOUNTED TOGGLE SWITCH
-	F5H035		0	SWITCH KIT - HORN DASH MOUNTED TOGGLE SWITCH
-	F5H039		0	SWITCH KIT - INSTRUMENT LIGHTS DASH MOUNTED TOGGLE SWITCH
-	F5H036		0	SWITCH KIT - TACHOMETER TRANSFER FOR ONE TACHOMETER ON DUAL ENGINE INSTALLATION.
-	F5H038		0	SWITCH KIT - IGNITION SWITCH TO MOUNT IGNITION SWITCH IN DASH.
-	F563		0	TERMINAL BLOCK KIT DOUBLE ROW 10 SECTION, TO SIMPLIFY ACCESSORY INSTALLATION.
-	F5H075		0	WIRING HARNESS - IGNITION SWITCH - 24" USE WITH 563 TERMINAL BLOCK.
-	F596		0	CHRYSLER OUTBOARD OIL SEE BLOCK COMMENT 1.

CONTINUED ON NEXT PAGE ➡



## ACCESSORIES

REF. NO.	PART NO.	SYM.	QTY.	DESCRIPTION
-	F597		0	CHRYSLER OUTBOARD GEAR LUBE SEE BLOCK COMMENT 2.
-	F5H059		0	CHRYSLER OUTBOARD MULTI-PURPOSE GREASE LUBRICATES BEARINGS AND OTHER MOVING PARTS. AVAILABLE IN 8 OZ. TUBES AND 12 TUBE CASES.
-	F5H060		0	CHRYSLER OUTBOARD GREASE GUN

# PARTS INDEX

Part Number	Description	Pg.	Ref. No.	Part Number	Description	Pg.	Ref. No.
5H158	FUEL GAUGE FLUSH MOUNT	54	-	F10188	MAIN FUEL JET OPT. .084 2500 - 5000 FT.	13	-
817747--1	BALL JOINT W/STUD	17	23	F10197	JET - NOZZLE VENT	13	20
817747--1	BALL JOINT W/STUD	21	25	F1038	SLOTTED PAN HD. SCREW 1/4 - 20 X 3/4	9	47
817783A5	SWIVEL BRACKET	31	47	F1052	FILL HD SCREW, 1/4 - 20 X 1	21	28
817788A3	SPACER PLATE	23	70	F1059	FILL HD SCREW, 6 - 32 X 1/4	13	15
817831A2	CYLINDER	21	1	F1064	FILL HD SCREW, 8 - 32 X 3/8	13	37
817903A4	SHORT BLOCK,	21	-	F1099	FILL HD SCREW, 1/4 - 20 X 1-1/4	21	13
817960A2	TOWERSHAFT W/SWIVEL, BEARINGS AND SCREWS	21	22	F1099	FILL HD SCREW, 1/4 - 20 X 1-1/4	25	91
89396A38	PRIME BULB	39	9	F1107	SLOTTED FILL HD CAP SCREW, 1/4 - 20 X 3/4	25	92
A615397	DECAL, PORT	3	7	F1108	FILL HD SCREW, 1/4 - 20 X 3/4	17	13
F1009	HEX HD SCREW, 3/8 - 16 X 2-3/4	21	3	F1203	HEX CAP SCREW, 1/4 - 20 X 7/8	45	16
F10090	FUEL BOWL RETAINING GASKET	13	21	F1236	SCREW, 1/4 - 20 X 1/2	17	22
F10127	FUEL BOWL	13	22	F1253	HEX SOCKET HD CAP SCREW, 3/8 - 16 X 2	21	9
F10131	E-RING	13	10	F1263	HEX SOCKET HD CAP SCREWS, 5/16 - 18 X 9/16	29	11
F10135	FLOAT	13	25	F1280	PAN HD SCREW, 8 - 32 X 1/4	29	19
F10136	FLOAT LEVER PIN	13	24	F1280	PAN HD SCREW, 8 - 32 X 1/4	43	42
F10137	MAIN NOZZLE	13	23	F1280	PAN HD SCREW, 8 - 32 X 1/4 (TERMINAL BOARD) (NOT SHOWN)	43	-
F10138	FUEL BOWL GASKET	13	26	F1280	SLOTTED PAN HD SCREW, 8 - 32 X 1/4	7	15
F1014	COTTER PIN	13	11	F1286	PAN HD SCREW, 4 - 40 X 3/16	21	37
F10140	CHOKE AND THROTTLE SHUTTER SCREW	13	31	F1310	ROUND HD SCREW, 10 - 24 X 5/8	45	22
F10141	IDLE MIXTURE SCREW SPRING	13	28	F1341	HEX NUT, 1/4 - 20	21	27
F10142	SPRING, FLOAT SUPPORT	15	55	F1341	NUT, 1/4 - 20	9	53
F10143	CHOKE SHAFT RETURN SPRING	13	18	F1346	HEX NUT	29	28
F10145	SPRING, NOZZLE COMPRESSION	15	56	F1425	HEX CAP SC, 1/4 - 20 X 5/8	37	-
F10146	IDLE MIXTURE SCREW	13	29	F1425	HEX CAP SCREW, 1/4 - 20 X 2-5/8	35	68
F1015	COTTER PIN	35	52	F1461	SCREW #6 X 7/8	41	40
F10152	BODY CHANNEL CUP PLUG	15	48	F1473	HEX NUT	3	30
F10153	BODY CHANNEL WELCH PLUG	15	49	F1475	FILL HD SCREW, 10 - 24 X 1/2	21	23
F10155	SCREW	15	44	F1491	HEX HD SCREW, 5/16 - 18 X 3/4	35	45
F10156	ELBOW (TOP CARBURETOR)	13	9	F15034	SPRING SET	11	15
F10157	THROTTLE SHAFT AND LEVER	15	42	F15054	BRUSH AND TERMINAL SET	11	7
F10158	THROTTLE SHUTTER	15	50	F15057	BRUSH PLATE AND HOLDER ASSEMBLY	11	16
F10159	CHOKE SHAFT AND LEVER	13	17	F15099	ARMATURE	11	5
F10160	CLIP, CHOKE SHAFT	13	39	F15118	BENDIX DRIVE ASSEMBLY	11	1
F10161	CHOKE, SHUTTER	13	30	F15125	HEAD ASSEMBLY, COMMUTATOR END	11	14
F10162	MAIN FUEL JET STD. .086 SEA LEVEL	13	40	F15126	THRUST WASHER PACKAGE	11	4
F10164	FUEL FITTING (BOTTOM CARBURETOR)	13	7	F1513	HEX NUT	41	3
F10167	RETAINING RING, VALVE	15	54	F1513	HEX NUT, 10 - 32	7	26
F10170	VALVE ASSY.	15	53	F1513	HEX NUT, 10 - 32	17	27
F10171	VALVE SEAT	15	52	F1513	HEX NUT, 10 - 32	23	42
F10172	THROTTLE SHAFT RETURN SPRING	15	41				
F10176	IDLE TUBE	15	51				
F10186	MAIN FUEL JET OPT. .076 7500 FT. AND UP	15	-				
F10187	MAIN FUEL JET OPT. .080 5000 - 7500 FT.	15	-				

# PARTS INDEX

Part Number	Description	Pg.	Ref. No.	Part Number	Description	Pg.	Ref. No.
F1515	HEX NUT, 5/16 - 18	7	29	F1708	HEX HD SCREW, 1/4 - 20 X 1-3/8	5	37
F1515	HEX NUT, 5/16 - 18	17	29	F17082-1	DETENT BALL	41	38
F1515	HEX NUT, S.S., 5/16 - 18	7	25	F17092	SNAP RING	41	21
F15162	HEX LOCK NUT, 1/4 - 20 W/WASHER	11	8	F17099	HOUSING	41	36
F15166	FRAME AND FIELD ASSEMBLY	11	6	F1710	PLAIN WASHER	29	33
F15167	HEAD ASSEMBLY, DRIVE END	11	3	F17100	CLUTCH SHAFT	41	20
F15168	THRU BOLT PACKAGE	11	10	F17105	FELT WASHER	41	33
F1532	HEX HD SCREW, 1/4 - 20 X 1	17	20	F17106	COLLAR	41	34
F1532	HEX HD SCREW, 1/4 - 20 X 1	21	33	F1711	SPRING BOWED WASHER	29	41
F1532	HEX HD SCREW, 1/4 - 20 X 1	25	106	F17111	DETENT BALL	41	17
F154317	CABLE CLAMP	41	23	F1713	SPRING PIN	33	29
F1550	SLOTTED PAN HD. SCREW #12 - 24 X 1	9	60	F17141	ROUND HD SCREW, 10 - 24 X 3/8	41	25
F1556	FILL HD SCREW, W/LOCKWASHER, 10 - 24 X 3/8	21	29	F17149	COTTER PIN	41	8
F1577	FILL HD SCREW, 1/4 - 20 X 3/4	33	13	F17153	RETAINER PLATE	41	26
F1593	HEX HD SCREW, 3/8 - 16 X 3	29	26	F17154	WOOD SCREW	41	35
F1641	LOCK NUT, 1/4 - 28	11	2	F17155	HEX BOLT, 1/4 - 28 X 1/2	41	7
F1645	RD HD SCREW, 6 - 32 X 1/4	7	5	F17157	DETENT SPRING	41	37
F1645	RD HD SCREW, 6 - 32 X 1/4	19	49	F1727	PLASTIC RIVET	21	24
F1647	HEX NUT, 8 - 32	7	8	F1729	PLUG	29	8
F1647	HEX NUT, 8 - 32	25	86	F1730	PAN HD SCREW W/SPRING LOCKWASHER, 1/4 - 20 X 5/8	3	34
F1648	PAN HD SCREW, 10 - 24 X 3/4	7	20	F1733	PAN HD MACHINE SCREW, 10 - 24 X 9/16	3	2
F1664	SPRING PIN	29	10	F1734	FILL HD. SCREW, 1/4 - 20 X 1/2	7	12
F1693	TIE BAR RETAINER NUT	13	36	F1734	SCREW AND LOCKWASHER, 1/4 - 20 X 1/2	45	26
F1696	HEX BOLT, 5/16 - 18 X 1-3/4	29	23	F1741	PAN HD SCREW, 8 X 3/4	9	49
F1699	HEX BOLT, 1/4 - 20 X 1-1/8	25	94	F1741	THREAD FORMING SCREW, 8 X 3/4	45	9
F1699	HEX HD SCREW, 1/4 - 20 X 1-1/8	21	8	F17500	SPRING SET	45	4
F17006	DETENT SPRING	41	18	F17504	BRUSH SET	45	3
F17009	BEARING	41	14	F17505	RESERVOIR AND BRACKET W/SEAL	45	14
F17010-1	THROTTLE GEAR	41	16	F17508	THRUST WASHER	45	11
F17011	BOWED WASHER	41	15	F17510	O-RING	45	13
F17012	RETAINING PLATE	41	13	F17518	FILLER CAP	45	12
F17013	FILL HD SCREW, 1/4 - 20 X 1/2	41	11	F17522	O-RING	45	21
F17014	THROTTLE ARM	41	10	F17528	O-RING	47	46
F17016	CABLE TERMINAL	41	9	F17539	BALL	45	2
F17019	CLUTCH ARM	41	5	F17543	HEAD ASSEMBLY, COMMUTATOR END	45	1
F17021	CLUTCH GEAR	41	19	F1755	ROUND HD SCREW W/LOCKWASHER 6 - 32 X 1/4	17	38
F17026	SWIVEL	41	24	F17555	ARMATURE	45	7
F1703	LOCKWASHER	23	68	F17556	FIELD AND FRAME ASSEMBLY	45	6
F1703	SPRING LOCKWASHER	31	53	F17557	GASKET	45	5
F17030-1	SET SCREW	41	31	F17558	THRU-BOLT PACKAGE	45	43
F17036	INTERNAL TOOTH LOCKWASHER	41	6	F17560	HEAD ASSEMBLY	47	47
F1704	INTERNAL TOOTH LOCKWASHER	7	4	F17562-1	PISTON ASSEMBLY	47	45
F1705	HEX CAP SCREW, 1/4 - 20 X 3/4	7	27	F17563	MOTOR AND RESERVOIR	45	20
F1705	HEX CAP SCREW, 1/4 - 20 X 3/4	33	1	F17564	VALVE BODY AND PUMP	45	17
F17071	FILL HD SCREW, 10 - 24 X 5/16	41	22	F17565	DRIVE GEAR	45	19
				F17566	IDLE GEAR	45	18

# PARTS INDEX

Part Number	Description	Pg.	Ref. No.	Part Number	Description	Pg.	Ref. No.
F1760	SLOTTED PAN HD SCREW, 10 - 24 X 3/8	9	40	F1874	HEX HD SCREW, 3/8 - 16 X 1/8	21	2
F177330	FUEL PUMP VALVE	17	10	F1877	TY-RAP (NOT SHOWN)	47	-
F178145-3	MOTOR LEG COVER REAR	29	9	F1885	HEX BOLTS. S.S., 5/16 - 18 X 4-1/4	23	55
F17815	SEAL, FUEL LINE COUPLER (SMALL)	39	5	F1885	HEX CAP SCREW, 5/16 - 18 X 4-1/4	33	15
F17816	SEAL, FUEL LINE COUPLER (LARGE)	39	4	F1904	PLAIN WASHER	29	27
F178168-1	CARBURETOR ADAPTER GASKET	25	-	F1907	PLAIN WASHER	33	16
F178168-1	GASKET, CARBURETOR ADAPTER	17	35	F1910	STOP NUT, 1/4 - 20	17	25
F17817	SEAL, FUEL TANK ADAPTER	39	12	F19109	PLUG	23	78
F178323	SEAL, MOTOR LEG	29	13	F1912	HEX HD SCREW, 10 - 24 X 1/2	31	51
F178344	BUSHING, SHOCK ABSORBER - UPPER	45	41	F1922	HEX CAP SCREW, 1/4 - 20 X 5/8	3	14
F178404-1	DEFLECTOR PLATE	17	36	F1922	HEX CAP SCREW, 1/4 - 20 X 5/8	11	11
F178446	CLAMP	45	10	F1922	HEX CAP SCREW, 1/4 - 20 X 5/8	17	5
F178754-1	FUEL LINE	13	8	F1922	HEX CAP SCREW, 1/4 - 20 X 5/8	23	52
F1788	STOP NUT	33	8	F1931	NUT, 1/2 - 20, STAINLESS STEEL	47	49
F18160-2	CYLINDER DRAIN REED	23	40	F1934	FLAT HD SCREW, 6 X 1/2	7	21
F1822	HEX BOLT, 5/16 - 18 X 7/8	31	58	F1936	SPACER, BEVEL GEAR FRONT .059	33	31
F1822	SCREW, 5/16 - 18 X 7/8, STAINLESS STEEL	47	52	F1937	SPACER, BEVEL GEAR FRONT .062	33	-
F1831	FLAT HD SCREW, 1/4 - 20 X 5/8	19	42	F1938	SPACER, BEVEL GEAR FRONT .065	33	-
F1832	NUT, LOCK 1/4 - 20	9	57	F1939	SPACER, BEVEL GEAR FRONT .068	33	-
F1832	STOP NUT, 1/4 - 20	23	62	F1940	SPACER, BEVEL GEAR FRONT .071	33	-
F184033-1	SWIVEL, TOP CARBURETOR	13	14	F1941	SPACER, BEVEL GEAR FRONT .074	33	-
F184122-1	SEAL	25	-	F1942	SPACER, BEVEL GEAR FRONT .077	33	-
F184122-1	SEAL, PARTING LINE	23	45	F195/___	REMOTE CONTROL CABLE (SPECIFY LENGTH)	41	4
F184579	O-RING SEAL	13	13	F195/___	REMOTE CONTROL CABLES	53	-
F1854	HEX CAP SCREW, 1/4 - 20 X 5/8	3	19	F1950	HEX CAP SCREW, 10 - 24 X 5/8	25	98
F1856	PLAIN WASHER	35	43	F1959	SCREW, 1/4 - 20 X 1-3/4, STAINLESS STEEL	45	24
F1857	HEX CAP SCREW, 5/16 - 18 X 5/8	3	17	F1960	PLAIN WASHER	47	50
F1857	HEX CAP SCREW, 5/16 - 18 X 5/8	3	29	F1963	NUT, 5/8 - 18	45	34
F1858	HEX CAP SCREW, 5/16 - 18 X 1	3	18	F1966	PLUG, SWIVEL BRACKET	45	15
F1858	HEX CAP SCREW, 5/16 - 18 X 1	35	47	F1968	FLYWHEEL NUT	27	20
F1860	RD HD SCREW, 6 - 32 X 1/4	17	9	F1975	LOCKWASHER	7	18
F1864	HEX CAP SCREW, 1/4 - 20 X 3/4	3	10	F197787-3	FUEL LINE COUPLER	39	6
F1864	HEX CAP SCREW, 1/4 - 20 X 3/4	23	73	F1987	PLAIN WASHER	23	81
F1864	HEX HD SCREW, 1/4 - 20 X 3/4	21	11	F1987	PLAIN WASHER	31	65
F1864	HEX SLOT HD SCREW, 1/4 - 20 X 3/4	29	3	F1990	HEX CAP SCREW	37	-
F1866	PLAIN WASHER	33	9	F1990	HEX CAP SCREW, 1/4 - 20 X 1-5/8	35	66
F1869	HEX CAP SCREW, 3/8 - 16 X 1-1/4	23	67	F1994	HEX SOCKET HD CAP SCREW, 5/16 18 X 1	35	42
F1871	HEX HD SCREW, 3/8 - 16 X 3/4	31	54	F1997	STOP NUT, 8 - 32	15	47
F1872	HEX CAP SCREW, 3/8 - 16 X 1-3/4	21	12	F2000	1	25	104

# PARTS INDEX

Part Number	Description	Pg.	Ref. No.	Part Number	Description	Pg.	Ref. No.
F2008	HEX CAP SCREW, 1/4 - 20 X 7/8	25	82	F2122	SPACER, BEVEL GEAR FRONT .054	35	-
F2008	HEX CAP SCREW, 1/4 - 20 X 7/8	35	61	F213274	GREASE FITTING	29	43
F2008	HEX HD SCREW, 1/4 - 20 X 7/8	19	43	F215962	MOUNT (SHOCK - C.D. UNIT)	7	32
F2008	HEX HD SCREW, 1/4 - 20 X 7/8	21	5	F24278	SEAL, O-RING PROPELLER SHAFT SPOOL	33	19
F2008	HEX HD SCREW, 1/4 - 20 X 7/8	21	6	F24278	SEAL, PROPELLER SHAFT SPOOL	37	-
F2008	HEX HD. M. SC., 1/4 - 20 X 7/8	9	44	F269319	THROTTLE CAM BEARING	17	26
F2014	PLAIN WASHER	31	67	F284659-2	BEARING, CRANKSHAFT UPPER MAIN	27	21
F2015	HEX NUT, 1/4 - 28	21	17	F289446-1	CLAMP, REMOTE ELEC. CABLE TO BRACKET	7	11
F2016	SLOTTED FILL HD SCREW, 6 - 32 X 7/8	7	1	F298788	FERRULE	39	7
F2030	HEX HD SCREW, 1/4 - 20 X 1-1/4	31	55	F2A476757	CYLINDER DRAIN REED PLATE	23	41
F2033	GROOVE PIN	13	3	F2A523239	SPOOL, PROPELLER SHAFT BEARING	33	20
F2042	PLAIN WASHER	21	19	F2A523662	BEVEL GEAR REAR W/BEARING CAGE	33	26
F2042	PLAIN WASHER	23	59	F2A550706	GEAR HOUSING COVER	35	58
F2047	WAVE SPRING LOCKWASHER	3	24	F2A615144	CRANKSHAFT BEARING CAGE	27	17
F2049	HEX CAP SCREW, 5/16 - 18 X 2-5/8	23	80	F307317-1	CLIP, TERMINAL BLOCK GROUND	7	17
F2066	PAN HD TAPPING SCREW, 10 X 7/16 (TRIM TO COVER)	3	32	F316579	SEAL, CRANKCASE	27	11
F2067	PLASTISOL CAP (NOT SHOWN) FOR EXPOSED THREADS OF CRANKSHAFT	27	-	F316599	SEAL, STEERING SUPPORT TUBE	29	44
F2081	HEX SOC. HD. SCREW, 1/4 - 20 X 3/4	27	18	F319908	WIRE, GROUND (C.D. - COIL BRACKET)	9	56
F2088	FASTENER	3	35	F321756	PACKING COVER	3	25
F2089	SLOTTED PAN HD M. SCREW 10 - 24 X 5/16	23	60	F322273	STUD	7	28
F2090	PLUG	23	71	F333316	THROTTLE ROLLER SHAFT	15	45
F2093	STOP NUT, 3/8 - 24	29	15	F333480-1	RETAINER, ENGINE COVER	3	31
F2106	LOCKWASHER	9	55	F335215	SPACER, PISTON PIN (2 PER PISTON)	27	3
F2108	LOCK NUT	31	64	F335217-1	BEARING, PISTON PIN (26 PER SET)	27	5
F2108	STOP NUT, 5/16 - 18	23	61	F335654-1	DEFLECTION STOP	3	15
F2113	SPACER, BEVEL GEAR FRONT .080	33	-	F338618-1	SEAL, GEAR SHIFT ROD	35	59
F2114	SPACER, BEVEL GEAR FRONT .083	33	-	F338618-1	SEAL, GEAR SHIFT ROD	37	-
F2115	SPACER, BEVEL GEAR FRONT .086	35	-	F345683	WIRE, GROUND	9	51
F2116	SPACER, BEVEL GEAR FRONT .089	35	-	F351307	SEAL, DRIVESHAFT - WATER PUMP	37	69
F2117	SPACER BEVEL GEAR REAR	33	24	F353480	STUD	29	29
F2118	SPACER BEVEL GEAR REAR	33	-	F369450	RECTIFIER	7	9
F2119	SPACER BEVEL GEAR REAR	33	-	F369610	BEARING	23	64
F2120	SPACER BEVEL GEAR REAR	33	-	F369887	SHOULDER SCREW	23	65
F2121	SPACER, BEVEL GEAR FRONT .057	35	-	F369977-1	INTERLOCK ARM	23	63
				F372151-1	EXHAUST PORT PLATE	25	97
				F372152-2	EXHAUST PORT COVER	25	95
				F372154-1	EXHAUST PLATE GASKET	25	-
				F372154-1	GASKET, EXHAUST PORT PLATE	25	96
				F372925	CHOKE ROD	13	4
				F372958	CHOKE BRACKET	17	19
				F381896-4	BATTERY CABLE	7	34
				F391926-1	PLUNGER	13	5
				F3A523158	REED PLATE	17	41

# PARTS INDEX

Part Number	Description	Pg.	Ref. No.	Part Number	Description	Pg.	Ref. No.
F3C615944	ENGINE COVER COMPLETE	3	-	F449362	BEARING	45	35
F40209	CARBURETOR STUD	17	30	F449545-2	CYLINDER HOUSING	45	33
F40223	GASKET, TRANSFER PORT COVER	23	50	F449632	SHAFT	45	36
F40223	TRANSFER PORT COVER GASKET	25	-	F449754-1	HYDRAULIC LINE, LIFT CYLINDER, LOWER	45	39
F40278	SEAL, CYLINDER	45	31	F449758	HYDRAULIC LINE, LIFT CYLINDER, UPPER	45	38
F404268	BY-PASS VALVE SPRING	25	101	F449889	SHAFT, UPPER	47	51
F404314	ELBOW, FUEL PUMP COVER	17	2	F449894	INDICATOR - STARBOARD	41	32
F404314	FITTING	23	54	F455449	SWITCH, TRIM	41	39
F404801	ELBOW, CYLINDER DRAIN UPPER (NOT SHOWN)	21	-	F460917	STARTER RELAY	7	23
F404841	CABLE, HEAT INDICATOR	9	52	F474073-1	CLAMP SCREW	29	31
F405457	PIVOT SCREW	21	31	F475301-1	MODULE	9	45
F406406	DEFLECTOR PLATE GASKET	25	-	F475504	BUSHING	9	42
F406406	GASKET DEFLECTOR PLATE	17	37	F476066-1	THERMOSTAT COVER	25	90
F406471-1	CYLINDER DRAIN COVER	21	35	F476067	GASKET THERMOSTAT COVER	25	-
F406754-1	HOSE	23	53	F476529-1	CYLINDER HEAD GASKET	23	76
F40689-1	BEARING	23	69	F476529-1	CYLINDER HEAD GASKET	25	-
F407446	CLAMP	7	33	F480038-2	SUPPORT PLATE	3	11
F409251-1	GAUGE CAP	39	1	F480107-1	CAM STARTER INTERLOCK	23	57
F433209-1	THROTTLE CAM STUD	17	32	F480388	DISC, WATER PUMP LOCATING	35	67
F438066	BY-PASS VALVE COVER	25	99	F480818	BEARING	3	9
F438129	SEAL, DRIVESHAFT SPLINE	37	71	F481382-1	SPACER, LATCH SHAFT	3	23
F438165	SCREW, FUEL PUMP BOWL	17	18	F481434	GUIDE, ENGINE COVER	3	36
F438169	BEARING	29	38	F481774	BRACKET, COVER LATCH	3	26
F438271	RETAINER, CRANKSHAFT SPLINE SEAL	37	72	F481777	CAM, LATCH	3	22
F438346	SHOCK MOUNT LOWER	31	61	F485755-1	FUEL TANK ADAPTER	39	3
F438500	FUEL SEDIMENT BOWL	17	17	F489551	BRACKET NEUTRAL INTERLOCK SWITCH	19	44
F438617	FUEL SEDIMENT BOWL GASKET	17	15	F490955	STARTER COMPLETE	11	-
F438653	FUEL SEDIMENT BOWL SCREEN	17	16	F498618	O-RING	35	36
F438747	FUEL PUMP DIAPHRAGM	17	8	F498618	SEAL, GEARSHIFT ARM PIN	37	-
F438754	FUEL LINE	13	16	F498891	PIN, GEAR SHIFT ARM	35	37
F438760	FUEL PUMP GASKET	17	4	F498891	PIN, PROPELLER NUT RETAINING	33	7
F438801	FITTING	17	14	F499026	SWIVEL	21	16
F438930	RETAINER, SNOUT	35	41	F499035	END, CONTROL ROD (TO TOWERSHAFT)	21	18
F438962	SHOCK MOUNT LOWER REAR	29	12	F499036	END, CONTROL ROD (TO TRIGGER)	21	21
F439736	SEAL, EXHAUST TUBE	31	68	F499398	DECAL, WIRING - USA	25	93
F440906	CARBURETOR GASKET	25	-	F500843	CABLE	45	8
F441754-1	HOSE	17	3	F500894	POINTER, TIMING	19	50
F448446	CLAMP, TRIM SWITCH CABLE	41	41	F50109	PLUG, GEAR HOUSING	35	49
F448543	KNOB	41	29	F50342-1	SEAL, BEARING CAGE BOLT	37	-
F448611-1	LEVER	41	30	F50342-1	SEAL, O-RING	33	17
F448894	INDICATOR - PORT	41	-	F506118	SEAL, DRIVESHAFT	35	57
F449010	CYLINDER	45	32	F506118	SEAL, PROPELLER SHAFT	33	18
F449253-1	HYDRAULIC LINE, TRIM CYLINDER, LOWER	45	37	F506118	SEAL, PROPELLER SHAFT	37	-
F449254	HYDRAULIC LINE, TRIM CYLINDER, UPPER	45	23	F510374	DECAL, CIRCUIT BREAKER - USA	7	37
F449278	PISTON SEAL	45	30	F510460	CIRCUIT BREAKER	9	38
F449342	SEAL, PISTON SHAFT	45	28	F511125-2	TUBE, STEERING SUPPORT	29	42
F449354	THRUST BRACKET	45	25	F511675	STARTER BRACKET, LOWER	11	13
F449362	BEARING	29	35	F523031	GASKET, WATER PUMP	35	62
				F523031	GASKET, WATER PUMP	37	-

# PARTS INDEX

Part Number	Description	Pg.	Ref. No.	Part Number	Description	Pg.	Ref. No.
F523057	BEARING, DRIVESHAFT			F5H021	EXTENSION CABLE . . . . .	54	-
	LOWER . . . . .	37	76	F5H025	ANTI-CORROSION		
F523065-1	IMPELLER . . . . .	37	-		SACRIFICIAL ANODE . . . . .	53	-
F523065-1	IMPELLER, WATER PUMP . . . . .	35	64	F5H026	FUEL TANK (ACCESSORY		
F523094-2	PROPELLER NUT . . . . .	33	6		ITEM) . . . . .	39	2
F523099-1	SPACER, PROPELLER . . . . .	33	12	F5H026	STEEL, 6 GALLON FUEL		
F523116-1	EXHAUST SNOOT . . . . .	35	44		TANK (LOW PROFILE) . . . . .	53	-
F523133-2	MOTOR LEG . . . . .	29	14	F5H028	SENDING UNIT . . . . .	54	-
F523146	SEAL . . . . .	27	19	F5H029	TANK ANCHOR . . . . .	53	-
F523146	SEAL, CRANKSHAFT			F5H030	SWITCH KIT - RUNNING		
	LOWER . . . . .	27	13		LIGHTS . . . . .	54	-
F523188	NUT, BEVEL PINION . . . . .	35	39	F5H031	SWITCH KIT - SPOT LIGHT . . . . .	54	-
F523244	INLET WATER LINE . . . . .	33	5	F5H032	SWITCH KIT - WIPER . . . . .	54	-
F523273	STEERING BALL STUD . . . . .	29	22	F5H034	SWITCH KIT - BILGE PUMP . . . . .	54	-
F523274	GREASE FITTING . . . . .	29	39	F5H035	SWITCH KIT - HORN . . . . .	54	-
F523280	NUT, STEERING SUPPORT			F5H036	SWITCH KIT - TACHOMETER		
	TUBE . . . . .	31	48		TRANSFER . . . . .	54	-
F523300-1	SPRING . . . . .	29	18	F5H037	CIGAR LIGHTER . . . . .	54	-
F523411	RETAINING RING, BEARING			F5H038	IGNITION SWITCH		
	CAGE . . . . .	33	23		MOUNTING KIT		
F523498	DRIVE KEY, WATER PUMP . . . . .	37	74		(Accessory Item) . . . . .	7	22
F523498	KEY . . . . .	37	-	F5H038	SWITCH KIT - IGNITION		
F523555	SEAL, GEAR HOUSING				SWITCH . . . . .	54	-
	COVER . . . . .	37	-	F5H039	SWITCH KIT - INSTRUMENT		
F523555	SEAL, O-RING, GEAR				LIGHTS . . . . .	54	-
	HOUSING COVER . . . . .	35	54	F5H040	STEEL, 12 GALLON FUEL		
F523562	PLATE, WATER PUMP . . . . .	35	63		TANK . . . . .	53	-
F523562	PLATE, WATER PUMP . . . . .	37	-	F5H043	BUZZER, HEAT INDICATOR,		
F523705	GEAR SHIFT ROD LOWER . . . . .	35	51		(Accessory Item) . . . . .	9	50
F523813	BEARING CUP . . . . .	35	33	F5H043	OVERHEAT BUZZER . . . . .	53	-
F523881-2	STEERING LINK . . . . .	29	16	F5H059	CHRYSLER OUTBOARD		
F523899	GROMMET, WATER LINE . . . . .	33	4		MULTI-PURPOSE GREASE . . . . .	55	-
F523901	BEARING, BEVEL GEAR			F5H060	CHRYSLER OUTBOARD		
	REAR . . . . .	33	25		GREASE GUN . . . . .	55	-
F523930	RETAINER . . . . .	29	21	F5H069	RFI SUPPRESSION KIT . . . . .	53	-
F523961	CRUSH RING . . . . .	35	55	F5H070	REMOTE ELECTRIC CABLE . . . . .	54	-
F528068	THERMOSTAT . . . . .	25	88	F5H075	WIRING HARNESS -		
F528995	COVER, CYLINDER HEAD . . . . .	23	79		IGNITION SWITCH - 24" . . . . .	54	-
F530160	REED (5 PETAL) . . . . .	17	40	F5H076	SWITCH EXTENSION CABLE . . . . .	54	-
F545189	BUSHING, CABLE ENTRY . . . . .	3	13	F5H077	IGNITION KEY SWITCH . . . . .	54	-
F548984	BLANKET, SILENCER TOP			F5H078	IGNITION KEY SWITCH . . . . .	54	-
	(NOT SHOWN) . . . . .	5	-	F5H078	SWITCH, IGNITION		
F549189	BUSHING, ELECTRIC CABLE . . . . .	3	12		(Accessory Item) . . . . .	7	16
F552985	BLANKET, SILENCER SIDE			F5H079	REMOTE CONTROL BOX . . . . .	53	-
	(NOT SHOWN) . . . . .	5	-	F5H080	TWIN REMOTE CONTROL		
F563	TERMINAL BLOCK KIT . . . . .	54	-		BOX . . . . .	53	-
F580892	DECAL, STARBOARD . . . . .	41	27	F5H081	BATTERY CABLE . . . . .	53	-
F581892	DECAL, PORT . . . . .	41	-	F5H094	STEERING LINK . . . . .	53	-
F585061	CARBURETOR COMPLETE			F5H108	STEERING CONNECTOR . . . . .	53	-
	(WE-6-1) TOP . . . . .	13	27	F5H115	TRAILERING TILT LOCK . . . . .	54	-
F586061	CARBURETOR COMPLETE			F5H119	PROPELLER SPACER -		
	(WE-6-2) BOTTOM . . . . .	13	-		FLARED . . . . .	53	-
F58685-2	CONNECTOR, SHIFT CABLE . . . . .	41	2	F5H119	WASHER (ACCESSORY		
F590	REMOTE CONTROL HEAD				ITEM) . . . . .	33	10
	(SINGLE LEVER) . . . . .	53	-	F5H120	REMOTE CONTROL BACK		
F596	CHRYSLER OUTBOARD OIL				PLATE . . . . .	53	-
F597	CHRYSLER OUTBOARD			F5H130	REMOTE CONTROL BOX		
	GEAR LUBE . . . . .	55	-		(SINGLE LEVER)		
F5H018	DUAL ENGINE TIE BAR . . . . .	53	-		(SURFACE MOUNT) . . . . .	53	-
F5H019	ANTI-CORROSION KIT . . . . .	53	-				

# PARTS INDEX

Part Number	Description	Pg.	Ref. No.	Part Number	Description	Pg.	Ref. No.
F5H134	BOAT WHITE LACQUER . . .	53	-	F8095	PLAIN WASHER . . . . .	23	48
F5H146	POWER TILT . . . . .	54	-	F8096	SPRING LOCKWASHER . . .	3	16
F5H150	POWER TRIM . . . . .	54	-	F8096	SPRING LOCKWASHER . . .	3	28
F5H154	SPEEDOMETER FLUSH MOUNT . . . . .	54	-	F8096	SPRING LOCKWASHER . . .	7	24
F5H155	SPEEDOMETER - FLUSH MOUNT . . . . .	54	-	F8096	SPRING LOCKWASHER . . .	25	105
F5H156	TEMPERATURE GAUGE - FLUSH MOUNT . . . . .	54	-	F8096	SPRING LOCKWASHER . . .	31	59
F5H157	VOLTMETER - FLUSH MOUNT . . . . .	54	-	F8096	SPRING LOCKWASHER . . .	35	46
F5H159	HOURMETER - FLUSH MOUNT . . . . .	54	-	F8104	PLAIN WASHER . . . . .	21	10
F5H161	POWER TRIM INDICATOR .	53	-	F8124	PLAIN WASHER . . . . .	9	65
F5H167	TACHOMETER FLUSH MOUNT . . . . .	53	-	F84011	WASHER . . . . .	31	46
F5H173	FLUSHING ADAPTER . . . . .	53	-	F84074	CLAMP SCREW FOOT . . . .	29	30
F615029	TRIGGER ASSY. . . . .	9	58	F84286-1	FRICTION WASHER . . . . .	31	45
F615358	BRACKET (C.D. - COIL) . . .	7	30	F84305	SEAL, O-RING PROPELLER SHAFT SPOOL . . . . .	33	21
F615475	IGNITION COIL . . . . .	9	46	F84305	SEAL, PROPELLER SHAFT SPOOL . . . . .	37	-
F615744	WIRING HARNESS . . . . .	7	14	F84307-1	SEAL, DRIVESHAFT . . . . .	37	-
F7004	STOP NUT, 3/8 - 16 . . . . .	23	49	F84314-2	ELBOW . . . . .	17	6
F7008	ELASTIC STOP NUT . . . . .	21	32	F84314-2	ELBOW . . . . .	23	46
F7009	LOCK NUT, #10 - 24 . . . . .	25	107	F84342	SEAL, INLET WATER LINE, UPPER . . . . .	33	3
F7012	STOP NUT . . . . .	29	25	F84449	NEUTRAL INTERLOCK SWITCH . . . . .	7	3
F71H26	BATTERY TERMINAL KIT . . .	53	-	F84472-5	CYLINDER DRAIN COVER GASKET . . . . .	25	-
F71H26	BATTERY TERMINAL KIT (ACCESSORY ITEM) . . . . .	9	48	F84472-5	GASKET, CYLINDER DRAIN COVER . . . . .	21	36
F74305	SEAL, DRIVESHAFT BEARING CAGE . . . . .	35	56	F84504	GROMMET (THERMOSTAT)	25	89
F74305	SEAL, GEAR HOUSING COVER . . . . .	37	-	F84521-2	CLUTCH . . . . .	33	30
F762	REMOTE ELECTRIC CABLE . . .	54	-	F84748-3	CYLINDER DRAIN REED PLATE GASKET . . . . .	25	-
F8003	PLAIN WASHER . . . . .	21	38	F84748-3	GASKET, CYL. DRAIN REED PLATE . . . . .	23	44
F8011	PLAIN WASHER . . . . .	9	39	F84792	GASKET, CENTER FUEL PUMP VALVE . . . . .	17	11
F8028	PLAIN WASHER . . . . .	9	43	F84871-1	PIN, GEAR SHIFT W/YOKE .	33	28
F8028	PLAIN WASHER . . . . .	11	12	F85017	PISTON PIN . . . . .	27	4
F8038	PLAIN WASHER . . . . .	21	4	F85033	SWIVEL, CHOKE ROD (BOTTOM CARBURETOR) (NOT SHOWN) . . . . .	13	-
F8038	PLAIN WASHER . . . . .	29	17	F85037-1	STERN BRACKET PIVOT BOLT . . . . .	31	50
F8056	LOCKWASHER . . . . .	25	85	F85117	BRACKET, WATER LINE . . .	33	2
F8056	SPRING LOCKWASHER . . . .	7	7	F85130	BOOT IDLE EXHAUST . . . .	29	5
F8058	INTERNAL TOOTH LOCKWASHER . . . . .	17	24	F85161-1	REED STOP . . . . .	17	39
F8058	INTERNAL TOOTH LOCKWASHER . . . . .	23	75	F85192-1	THROTTLE CAM . . . . .	17	28
F8061	INTERNAL TOOTH LOCKWASHER . . . . .	41	12	F85211	STUD . . . . .	23	47
F8077	WASHER . . . . .	37	-	F85258	INSERT . . . . .	29	4
F8077	WASHER, GEAR HOUSING PLUG . . . . .	35	48	F85279-2	CYLINDER EXHAUST UPPER GASKET . . . . .	25	-
F8080	SPRING LOCKWASHER . . . .	29	20	F85279-2	GASKET, CYLINDER EXHAUST UPPER . . . . .	23	66
F8083	SPRING LOCKWASHER . . . .	3	20	F85317-2	SOLENOID CLAMP . . . . .	17	21
F8083	SPRING LOCKWASHER . . . .	9	63	F85372	PIN, GEAR SHIFT ROD LOWER . . . . .	35	53
F8083	SPRING LOCKWASHER . . . .	29	2	F8538	SPRING PIN . . . . .	29	32
F8083	SPRING LOCKWASHER . . . .	35	60	F85380	SPRING . . . . .	29	6
F8083	SPRING LOCKWASHER . . . .	37	-	F85410	SNAP RING . . . . .	27	8
F8088	PLAIN WASHER . . . . .	7	2	F85445	CONTROL ROD . . . . .	21	20
F8088	PLAIN WASHER . . . . .	13	12	F85498	FLYWHEEL KEY . . . . .	27	16
F8090	PLAIN WASHER . . . . .	7	31				
F8094	PLAIN WASHER . . . . .	3	21				



# PARTS INDEX

Part Number	Description	Pg.	Ref. No.	Part Number	Description	Pg.	Ref. No.
F85502	THROTTLE LINK	21	26	FA27232	EMERGENCY STARTER		
F85509-1	LINK, CHOKE	13	2		ROPE (NOT SHOWN)	7	-
F85571	BEARING CAGE W/ROLLER	27	10	FA335260	PISTON RING SET (2 PER SET) - STANDARD	27	1
F85606	KINGPIN CAP	31	56	FA368700	KEY IGNITION - NO LETTER OR STAMPED A	7	19
F85610	BEARING	23	56	FA411222	TRANSFER PORT COVER	23	51
F85615	GEAR SHIFT ROD UPPER	31	62	FA438431	FUEL PUMP BODY W/VALVES	17	12
F8563	DOWEL PIN	21	14	FA439493	BRACKET, TERMINAL BLOCK	7	10
F85634-2	CONNECTING ROD SCREW	27	14	FA439746	FUEL PUMP COVER W/PLUG	17	1
F85660-1	EXHAUST TUBE	29	1	FA449015	PISTON	45	29
F85704	COUPLER, GEAR SHIFT ROD	31	60	FA449149	COVER W/SEALS AND RETAINER	45	27
F85762	BY-PASS COVER GASKET	25	-	FA480179	TRIM TOP	3	1
F85762	BY-PASS VALVE COVER GASKET	25	100	FA480269	TILT HANDLE	3	3
F85772	CLAMP	29	7	FA480876	GEAR SHIFT ARM	23	58
F85779-1	BAFFLE, AIR INTAKE	31	52	FA481469	HANDLE W/SHAFT	3	8
F85843-1	ELECTRIC CONTROL CABLE, 18 FEET	7	35	FA481743	ROLLER BRACKET W/ROLLER	3	27
F85859	STUD	21	15	FA510497	TERMINAL BLOCK	7	13
F85906	CARBURETOR GASKET	17	31	FA523014	CRANKSHAFT LOWER MAIN BEARING	27	12
F85906	CARBURETOR GASKET	25	-	FA523054	GEAR HOUSING	35	38
F85908	STARTER LEAD WIRE	11	9	FA523098	PROPELLER SHAFT	33	27
F85916-1	BY-PASS VALVE	25	102	FA523136	CAGE, REAR	33	22
F85924	CHOKE SOLENOID	7	36	FA523485	ANTICORROSION ANODE	33	14
F85965	SHOCK MOUNT UPPER	31	63	FA523735	SEAL, INLET WATER LINE, LOWER	37	70
F89758	FUEL PUMP AIR HOSE - TOP	17	7	FA552180	TRIM REAR	3	4
F9018	CAP	31	49	FA552888	TRIM, FRONT	3	33
F9052	PLUG	29	40	FA552944	ENGINE COVER	3	5
F90619-1	YOKE	35	34	FA58976-1	CONNECTOR, THROTTLE CABLE	41	1
F90807	RETAINING RING	13	34	FA606528	DECAL, ENGINE COVER REAR	5	39
F9095	SHIM, DRIVESHAFT BEARING, UPPER .005 SILVER	37	-	FA606892	DECAL, ENGINE COVER FRONT	5	38
F9097	SHIM, DRIVESHAFT BEARING, UPPER .010 BLACK	37	-	FA609853	DECAL, WARNING	9	64
F9106	SHIM, DRIVESHAFT BEARING, UPPER .003 BRASS	37	75	FA611386	DECAL, NUMERAL	3	6
F91446-1	CIRCUIT BREAKER BRACKET	9	41	FA615095	ALTERNATOR STATOR	9	59
F92759	THROTTLE ROLLER	15	46	FA615097	FLYWHEEL	9	61
F93811	SCREEN	23	43	FA615396	DECAL, STARBOARD	3	-
F93920	REED STOP	21	39	FA615518	CYLINDER HEAD	23	77
F97772	CLAMP	13	6	FA84621-1	COUPLING, GEAR SHIFT ARM W/BUSHING	35	50
F97772	FUEL LINE CLAMP	39	11	FA84754-1	FUEL LINE SHORT W/FERRULES	39	8
F98273	ROD END CONNECTOR STUD	23	74	FA85135-4	LEG COVER FRONT	31	57
FA17559	LIFT CYLINDER COMPLETE	45	40	FA85193	TIE BAR END W/SWIVEL	13	38
FA17561-1	O-RING	47	44	FA85355-1	WASHER	31	66
FA178157	CARBURETOR ADAPTER, UPPER	17	-	FA85655-1	CRANKSHAFT MAIN BEARING RACE W/SNAP RING	27	9
FA178167	CARBURETOR ADAPTER, LOWER	17	33	FB368700	KEY IGNITION - STAMPED B	7	-
FA178233	THROTTLE TIE BAR W/SWIVEL	13	35	FC368700	KEY IGNITION - STAMPED C	7	-
FA178962	SHOCK ABSORBER W/BUSHING	29	34	FC409398	DECAL, TOTE TANK - CANADA (NOT SHOWN)	39	-

# PARTS INDEX

Part Number	Description	Pg.	Ref. No.	Part Number	Description	Pg.	Ref. No.
FC500390	DECAL, STARTER - CANADA (NOT SHOWN)	11	-	FT8925	SEAL INSTALLER	49	-
FD368700	KEY IGNITION - STAMPED D	7	-	FT8925	SEAL INSTALLER	50	-
FE368700	KEY IGNITION - STAMPED E	7	-	FT8926	RING EXPANDER	49	-
FG1019	GASKET SET	25	103	FT8927	SEAL PROTECTOR	49	-
FK10120-1	VALVE SEAT KIT	13	19	FT8933	LIFTING HOOK	49	-
FK10139	GASKET SET (NOT SHOWN)	13	-	FT8935	SEALANT PRIMER - 6 OZ.	52	-
FK10151	REPAIR PARTS KIT.	13	1	FT8936-1	SEALANT - 2 CC LOCTITE RETAINING COMPOUND #75	52	-
FK1063-2	SEAL KIT	37	77	FT8948-1	PULLER	48	-
FK1069	WATER PUMP KIT	37	78	FT8948-1	PULLER	50	-
FK1083	SEAL KIT,	47	53	FT8950	LEAKAGE TESTER	51	-
FK1123	SPARKIE KIT	9	54	FT8953	IGNITION TESTER	51	-
FK17156	BAG ASSEMBLY (NOT SHOWN)	43	-	FT8955	SEALANT - 5 OZ. EC-750 INDUSTRIAL SEALANT	52	-
FK405020	SWIVEL W/CLAMP, SHOULDER SCREW AND NUT	21	30	FT8957	SEAL INSTALLER	50	-
FK616128	DRIVESHAFT	37	73	FT8969	LUBRICANT - 7 OZ. LPSI LUBRICANT	52	-
FK85228-1	BEARING CAGE W/ROLLER	27	7	FT8978	POWER TIMING LIGHT	48	-
FP539	PROPELLER (ACCESSORY ITEM)	33	11	FT8983	SEALANT - 3 OZ. RTV SEALANT FROM IN PLACE GASKETS	52	-
FS409752	FUEL LINE COMPLETE.	39	-	FT8985	SEAL INSTALLER	50	-
FS85019	KINGPIN	29	37	FT8997	SHIMMING TOOL	50	-
FS85872-1	BRACKET	23	72	FTA2937-1	TIMING TOOL	48	-
FSA335260	PISTON RING (2 PER SET) .010 OVERSIZE	27	-	FTA8994	PISTON PIN TOOL	49	-
FT1082	SNAP RING PLIER	49	-	FTK8999	TEST WHEEL	51	-
FT11204	BEARING CUP INSTALLER	50	-	OB3876	LITERATURE (NOT SHOWN)	43	-
FT11205	BEARING INSTALLER/REMOVER	50	-	22-818103--1	ELBOW, CYLINDER DRAIN LOWER	21	34
FT11207	BEARING CUP REMOVER	50	-	32-77653-77	BALANCE TUBE	17	34
FT11209	BEARING GUIDE SET	50	-	32-817738A1	FUEL LINE LONG	39	10
FT2938-1	BATTERY POWERED TEST LIGHT	48	-	33-818007--1	SPARK PLUG (CHAMPION ULI8V) - USA	25	83
FT2951	CIRCUIT TRACER	48	-	39-818110A1	PISTON RING (2 PER SET) .030 OVERSIZE	27	-
FT2953	SOCKET	49	-	43-817854A2	BEVEL PINION GEAR	35	40
FT2961	LUBRICANT - RYKON GREASE #2EP	52	-	43-818068A2	BEVEL GEAR FRONT W/BEARING AND SHIMS	35	32
FT2962-1	SEALANT - 50 CC LOCTITE H, NON-HARDENING GRADE	52	-	46-817853A1	WATER PUMP	37	-
FT2963-2	SEALANT - 2 OZ. LOCTITE D, HARDENING GRADE	52	-	46-817853A1	WATER PUMP BODY	35	65
FT2987-1	LUBRICANT - ANTI-SEIZE	52	-	87-817939A1	THERMOSWITCH	7	6
FT2990	PISTON PIN TOOL	49	-	400-817735A4	CRANKSHAFT	27	15
FT2991	CARBON BRUSH	49	-	600-818052A4	CONNECTING ROD	27	6
FT2996	RING COMPRESSOR	49	-	700-817988A2	PISTON .010 OVERSIZE	27	-
FT2998	TORQUE WRENCH	49	-	700-818111A2	PISTON .030 OVERSIZE	27	-
FT2999	TORQUE WRENCH	49	-	700-F372015-3	PISTON - STANDARD	27	2
FT3012	SEAL INSTALLER	50	-	1400-817958A6	STERN BRACKET	29	24
FT7848	TORQUING ADAPTER	50	-	1600-819196A3	GEAR HOUSING COMPLETE	35	-
FT8900	HOSE CLAMP PLIERS	49	-				
FT8901	INDICATOR HOLDER	50	-				
FT8902	DIAL INDICATOR	50	-				
FT8903	SEAL INSTALLER	49	-				
FT8907	DRIVE HANDLE	49	-				
FT8907	DRIVER HANDLE	50	-				
FT8914	SEAL REMOVER	49	-				
FT8918	BEARING GUIDE SET	50	-				
FT8919	SPRING PIN PUNCH	50	-				