



PARTS CATALOG

100 H.P.

SERIAL NUMBER

100 (1983)	1008B3C
100 (1983)	1008H3C
100 (1984)	1008C4D
100 (1984)	1008H4D

TABLE OF CONTENTS:

CARBURETOR	16
CRANKSHAFT AND PISTON GROUP	30
DISTRIBUTOR	12
ELECTRICAL COMPONENTS	6
ENGINE COVER AND SUPPORT PLATE	2
FUEL PUMP AND REED PLATE	20
FUEL TANK AND LINE	42
GEAR HOUSING	36
MOTOR LEG	32
PARTS INDEX	60
POWER HEAD	24
POWER TRIM UNIT	48
REMOTE CONTROL	44
SPECIAL TOOLS - ACCESSORIES	57
SPECIAL TOOLS - GEAR HOUSING	54
SPECIAL TOOLS - LUBRICANTS AND SEALANTS	56
SPECIAL TOOLS - POWER HEAD	53
SPECIAL TOOLS - TEST EQUIPMENT	55
SPECIAL TOOLS - TUNE-UP	52
STARTER	10

NOTE: Indented description indicate that these parts are included in preceeding assembly.

AR = As Required

NSS = Not Sold Separate

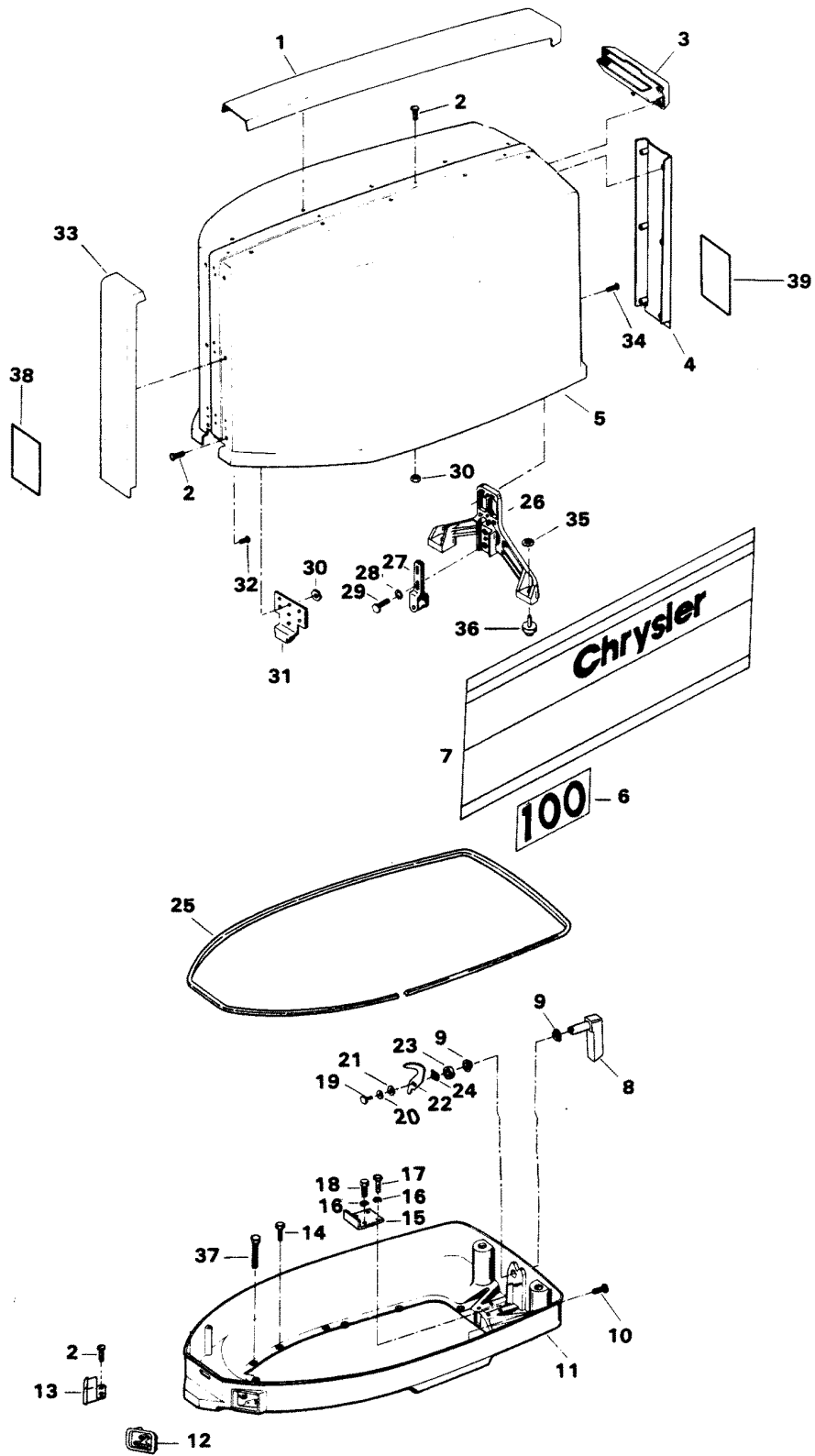
OPT = Optional

NS = Not Shown

THESE PARTS BOOKS/FICHE CARD ARE COPYRIGHTED AND MAY NOT BE DISTRIBUTED OR REPRODUCED IN ANY OTHER FORMAT BY ANYONE OTHER THAN MERCURY MARINE WITHOUT THE PRIOR WRITTEN CONSENT OF MERCURY MARINE.

THIS PAGE INTENTIONALLY LEFT BLANK

ENGINE COVER AND SUPPORT PLATE



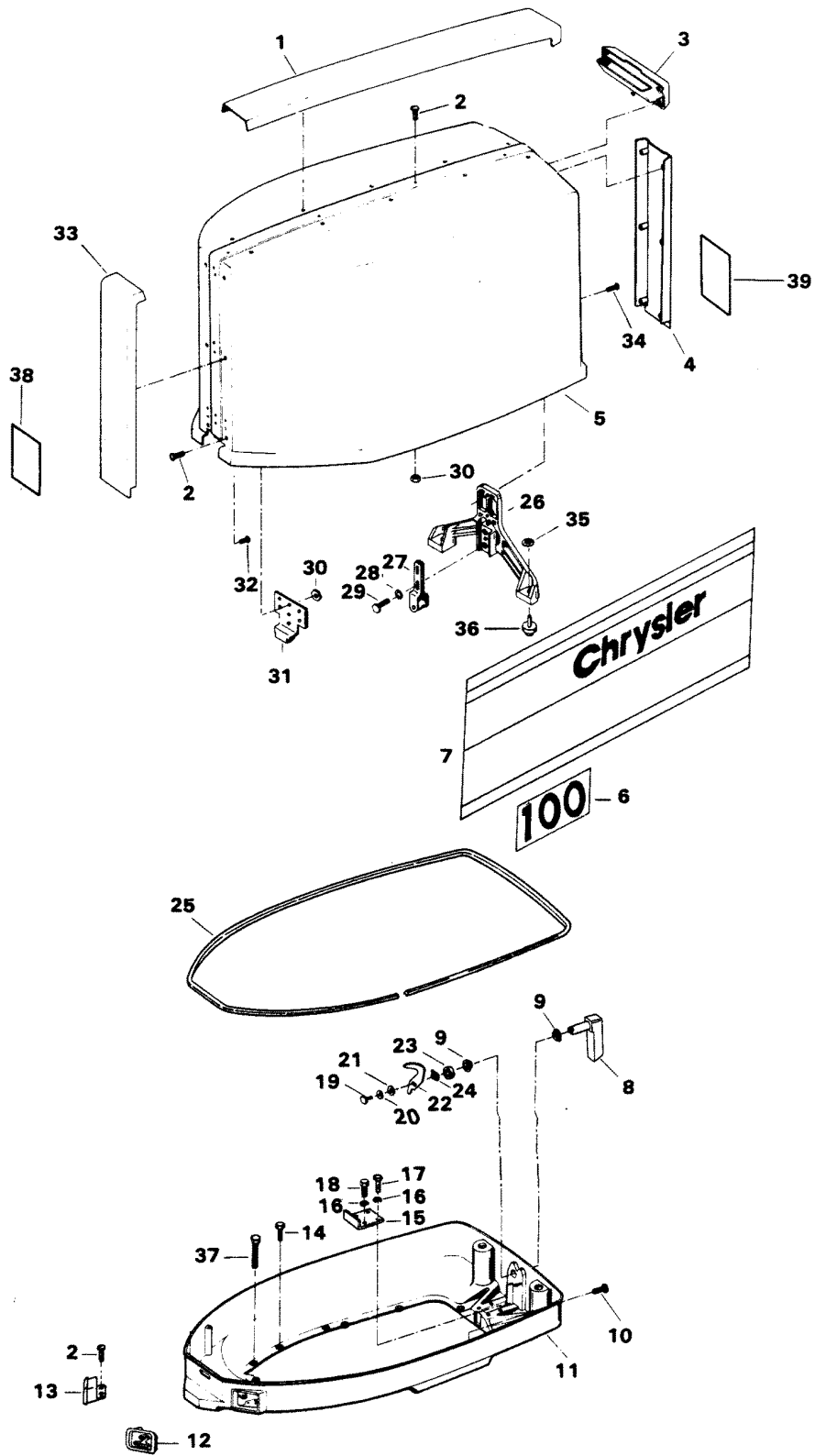
OB 3853

ENGINE COVER AND SUPPORT PLATE

REF. NO.	PART NO.	SYM.	QTY.	DESCRIPTION
1	FA480179		1	TRIM TOP W/LITERATURE
2	F1733		10	PAN HD MACHINE SCREW, 10 - 24 X 9/16
3	FA480269		1	TILT HANDLE W/LITERATURE
4	FA552180		1	TRIM REAR W/LITERATURE
5	FA552944		1	ENGINE COVER W/ILLUS. 2, 30 AND 31
-	F3C615944		1	ENGINE COVER COMPLETE INCLUDES ALL ITEMS MARKED WITH AN ASTERISK (*). ORDER NUMERAL SEPARATE
6	FA612386		2	DECAL, NUMERAL W/LITERATURE
7	A615397		1	DECAL, PORT W/LITERATURE
-	FA615396		1	DECAL, STARBOARD W/LITERATURE
8	FA481469		1	HANDLE W/SHAFT
9	F480818		2	BEARING
10	F1864		6	HEX CAP SCREW, 1/4 - 20 X 3/4
11	F480038-2		1	SUPPORT PLATE
12	F549189		1	BUSHING, ELECTRIC CABLE
13	F545189		1	BUSHING, CABLE ENTRY
14	F1922		5	HEX CAP SCREW, 1/4 - 20 X 5/8
15	F335654-1		1	DEFLECTION STOP
16	F8096		4	SPRING LOCKWASHER
17	F1857		2	HEX CAP SCREW, 5/16 - 18 X 5/8
18	F1858		2	HEX CAP SCREW, 5/16 - 18 X 1
19	F1854		1	HEX CAP SCREW, 1/4 - 20 X 5/8
20	F8083		1	SPRING LOCKWASHER
21	F8094		1	PLAIN WASHER
22	F481777		1	CAM, LATCH
23	F481382-1		1	SPACER, LATCH SHAFT
24	F2047		1	WAVE SPRING LOCKWASHER
25	F321756		1	PACKING COVER
26	F481774		1	BRACKET, COVER LATCH
27	FA481743		1	ROLLER BRACKET W/ROLLER
28	F8096		2	SPRING LOCKWASHER
29	F1857		2	HEX CAP SCREW, 5/16 - 18 X 5/8
30	F1473		7	HEX NUT
31	F333480-1		1	RETAINER, ENGINE COVER
32	F2066		30	PAN HD TAPPING SCREW, 10 X 7/16 (TRIM TO COVER)
33	FA552888		1	TRIM, FRONT W/LITERATURE
34	F1730		3	PAN HD SCREW W/SPRING LOCKWASHER, 1/4 - 20 X 5/8
35	F2088		2	FASTENER
36	F481434		2	GUIDE, ENGINE COVER

CONTINUED ON NEXT PAGE ➡

ENGINE COVER AND SUPPORT PLATE

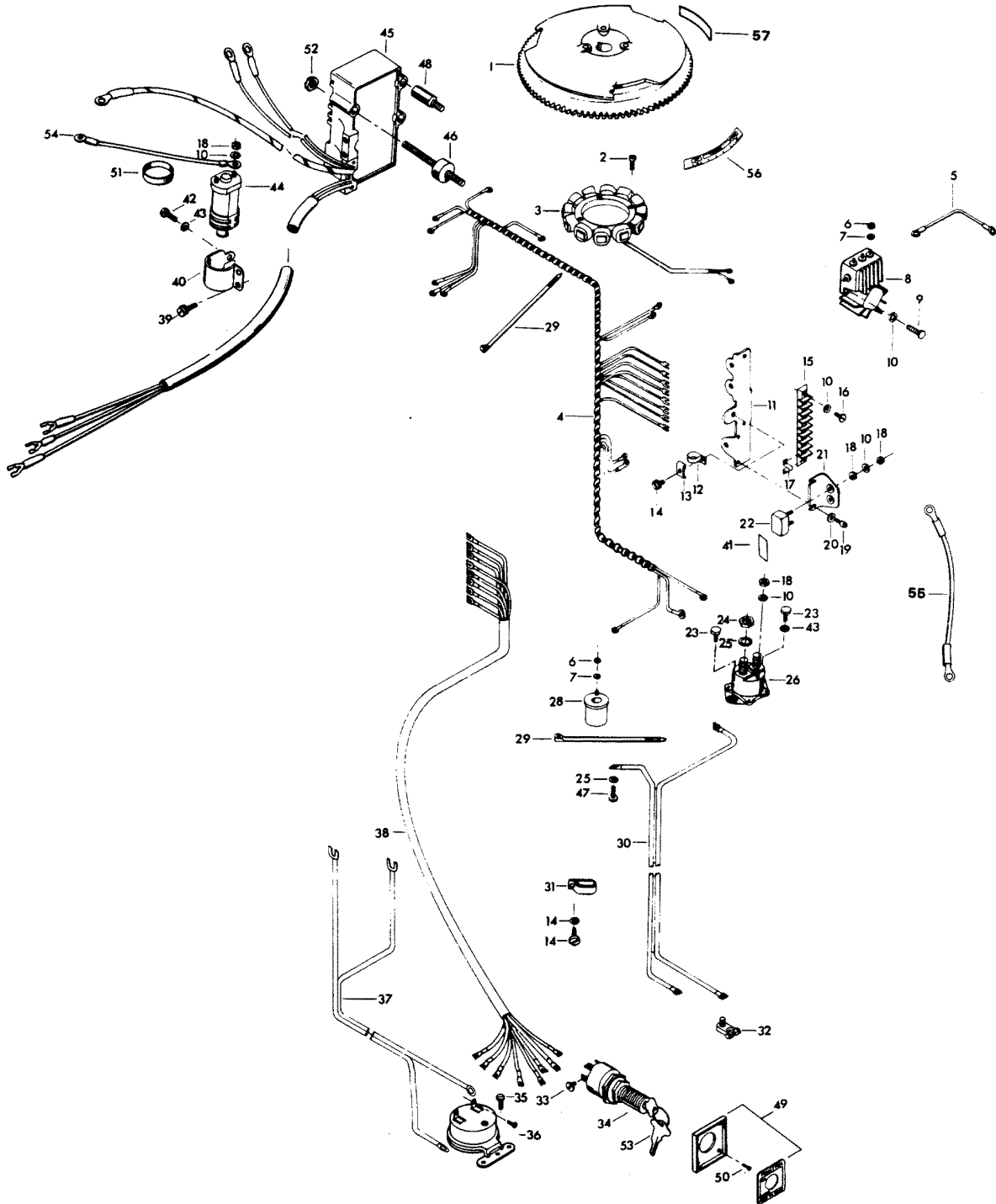


OB 3853

ENGINE COVER AND SUPPORT PLATE

REF. NO.	PART NO.	SYM.	QTY.	DESCRIPTION
37	F1708		2	HEX HD SCREW, 1/4 - 20 X 1-3/8
-	F548984		1	BLANKET, SILENCER TOP (NOT SHOWN)
-	F552985		2	BLANKET, SILENCER SIDE (NOT SHOWN)
38	FA606892		1	DECAL, ENGINE COVER FRONT
39	FA606528		1	DECAL, ENGINE COVER REAR

ELECTRICAL COMPONENTS

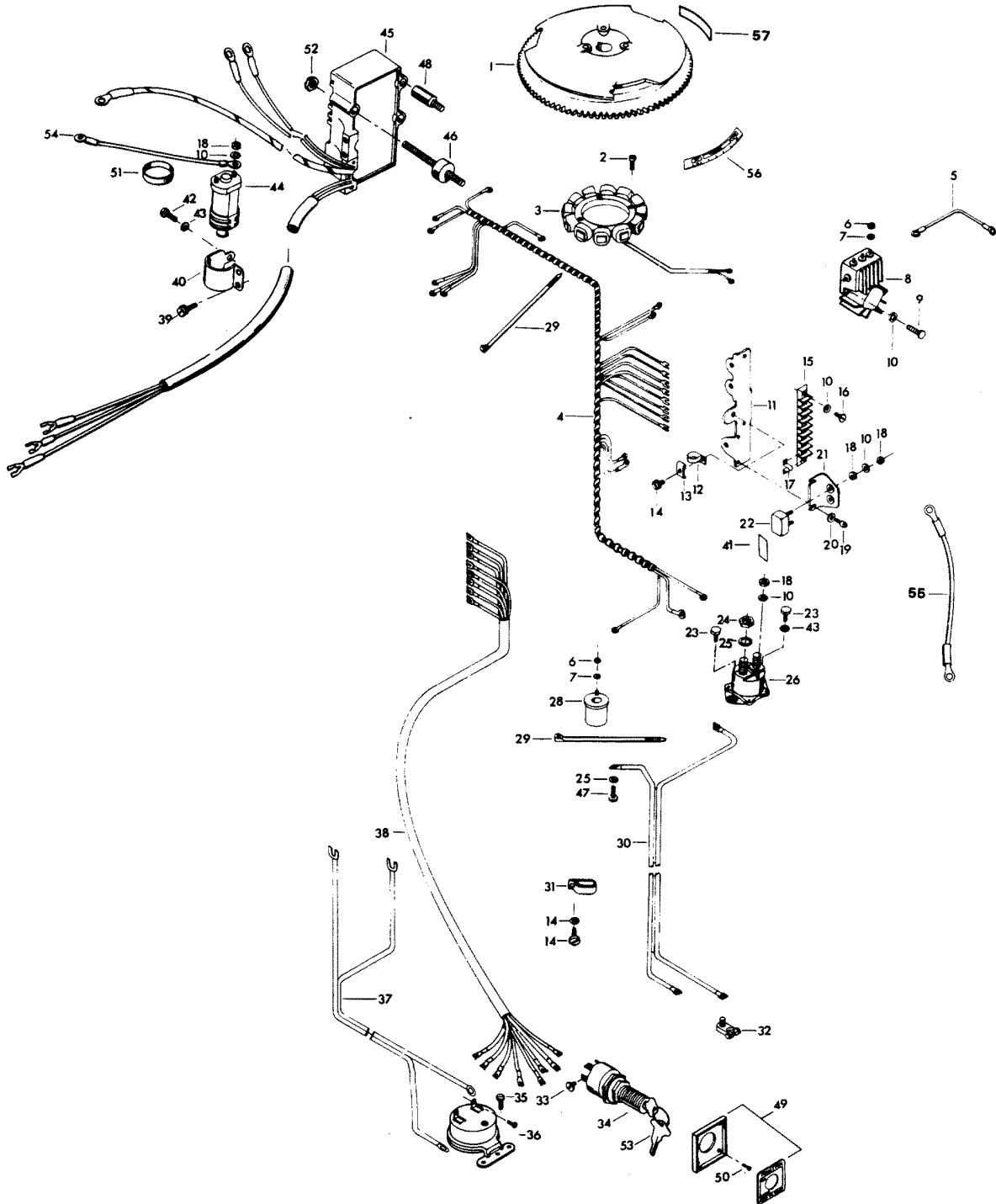


ELECTRICAL COMPONENTS

REF. NO.	PART NO.	SYM.	QTY.	DESCRIPTION
1	FA404097		1	FLYWHEEL WILLUS. 57
2	F1087		6	FILL HD SCREW, 10 - 24 X 13/16
3	F85095-2		1	STATOR
4	F438744-1		1	WIRING HARNESS
5	F345683		1	WIRE, REGULATOR-RECTIFIER GROUND
6	F1647		5	HEX NUT, 8 - 32
7	F8056		5	SPRING LOCKWASHER
8	F404470-1		1	REGULATOR-RECTIFIER
9	F2107		3	FILL HD SCREW, 10 - 24 X 5/8
10	F1975		8	SPRING LOCKWASHER
11	FA439493		1	TERMINAL BLOCK BRACKET WILLUS. 13, 14 AND ON PAGE 16 ILLUS. 87
12	F289446-1		1	CLAMP
13	F438668		1	RETAINER, CABLE CLAMP
14	F1734		2	FILL HD SCREW W/LOCKWASHER, 1/4 - 20 X 1/2
15	FA510497		1	TERMINAL BLOCK WILLUS. 16 AND 17
16	F1648		2	PAN HD SCREW, 10 - 24 X 3/4
17	F307317-1		1	CLIP, TERMINAL BLOCK
18	F1513		8	HEX NUT
19	F1760		2	PAN HD SCREW, 10 - 24 X 3/8
20	F8011		2	PLAIN WASHER
21	F91446-1		1	CIRCUIT BREAKER BRACKET
22	F510460		1	CIRCUIT BREAKER
23	F1705		2	HEX CAP SCREW, 1/4 - 20 X 3/4
24	F1515		2	HEX NUT
25	F8096		3	SPRING LOCKWASHER
26	F460917		1	STARTER RELAY
27	F1645		2	SCREW, 6 - 32 X 1/4
28	F85924		1	CHOKE SOLENOID
29	F1877		2	TY-RAP
30	F381896-4		1	BATTERY CABLE
31	F407446		1	CLAMP
32	F71H26		1	BATTERY TERMINAL KIT (ACCESSORY ITEM)
33	F1280		5	SCREW, 8 - 32 X 1/4
34	F5H078		1	IGNITION SWITCH (LONG BARREL) W/KEYS AND SCREWS (ACCESSORY ITEM)
35	F1741		2	SCREW, 8 X 3/4
36	F5H043		1	OVERHEAT BUZZER (ACCESSORY ITEM)
37	F404841		1	CABLE, HEAT INDICATOR
38	F85843-1		1	REMOTE ELECTRIC CABLE, 18 FEET
39	F1851		2	FILL HD SCREW W/LOCKWASHER, 10 - 24 X 1/2
40	F404513		1	COIL CLAMP
41	F510374		1	DECAL, CIRCUIT BREAKER - USA
-	FC510374		1	DECAL, CIRCUIT BREAKER - CANADA

CONTINUED ON NEXT PAGE ➡

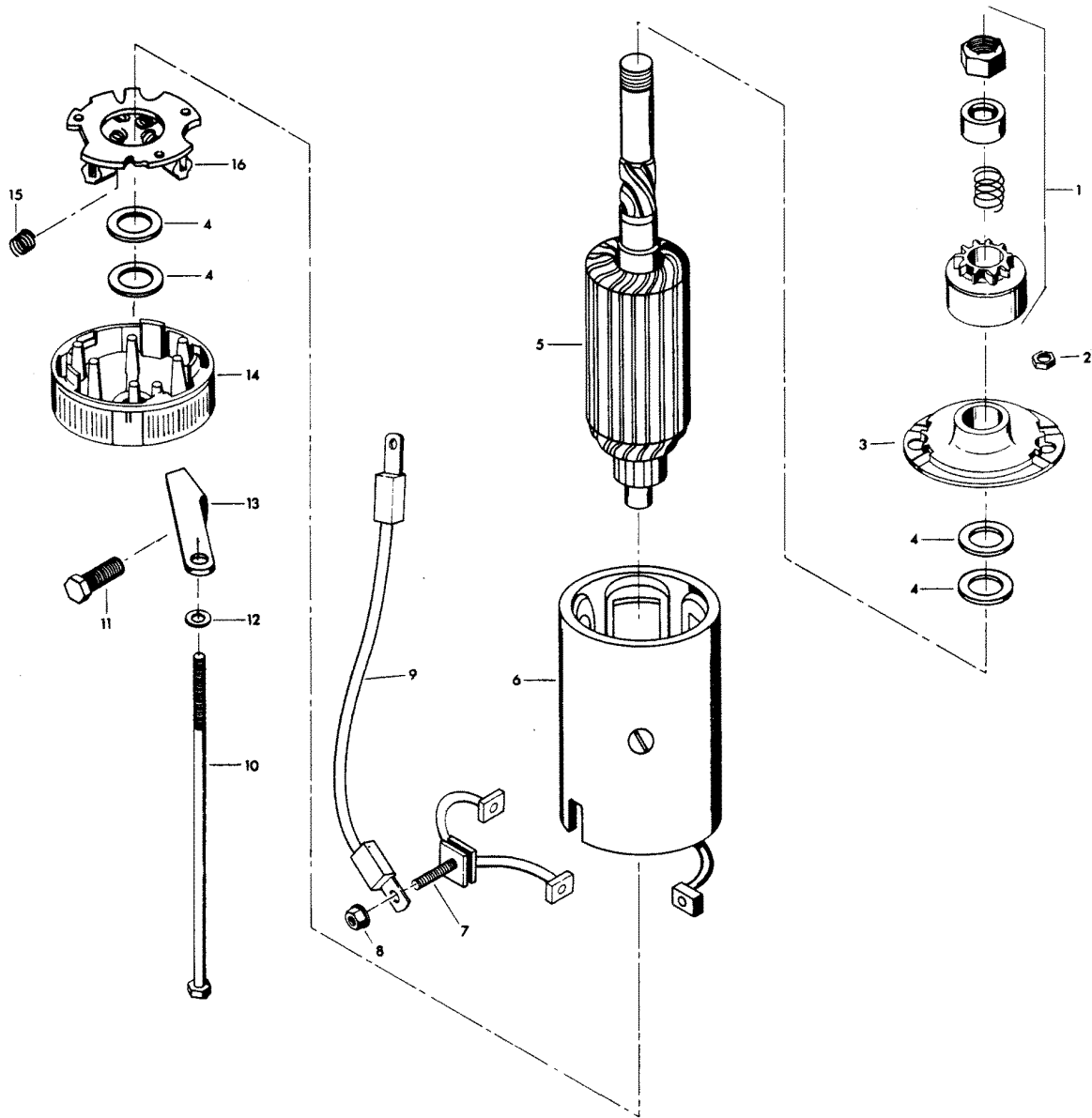
ELECTRICAL COMPONENTS



ELECTRICAL COMPONENTS

REF. NO.	PART NO.	SYM.	QTY.	DESCRIPTION
42	F1689		1	HEX HD CAP SCREW, 1/4 - 20 X 1/2
43	F8083		2	SPRING LOCKWASHER
44	F345475-1		1	COIL
45	300-817855A1		1	UNIT (ORIGINAL FORCE P/N A 523301-1)(Does not include Coil & Clamp)
46	F523962		3	SHOCK MOUNT - C.D. UNIT
47	F2000		1	HEX CAP SCREW, 5/16 - 18 X 3/4
48	F322273		1	STUD, C.D. UNIT
49	F5H038		1	IGNITION SWITCH MOUNTING KIT (ACCESSORY ITEM)
-	817892--1		1	PLATE, IGNITION SWITCH - CANADA (NOT SHOWN)
50	F1934		4	FLAT HD SLOTTED SCREW, 6 X 12
51	F391983		2	RETAINING BAND
52	F1892		3	STOP NUT
53	FA368700		-	IGNITION KEY - NO LETTER OR STAMPED A
-	FB368700		-	IGNITION KEY - STAMPED B
-	FC368700		-	IGNITION KEY - STAMPED C
-	FD368700		-	IGNITION KEY - STAMPED D
-	FE368700		-	IGNITION KEY - STAMPED E
54	F85664		1	GROUND WIRE
55	F319908		1	GROUND WIRE - CANADA
56	F474387-1		1	TIMING DECAL
-	FA609853		1	DECAL, WARNING W/LITERATURE

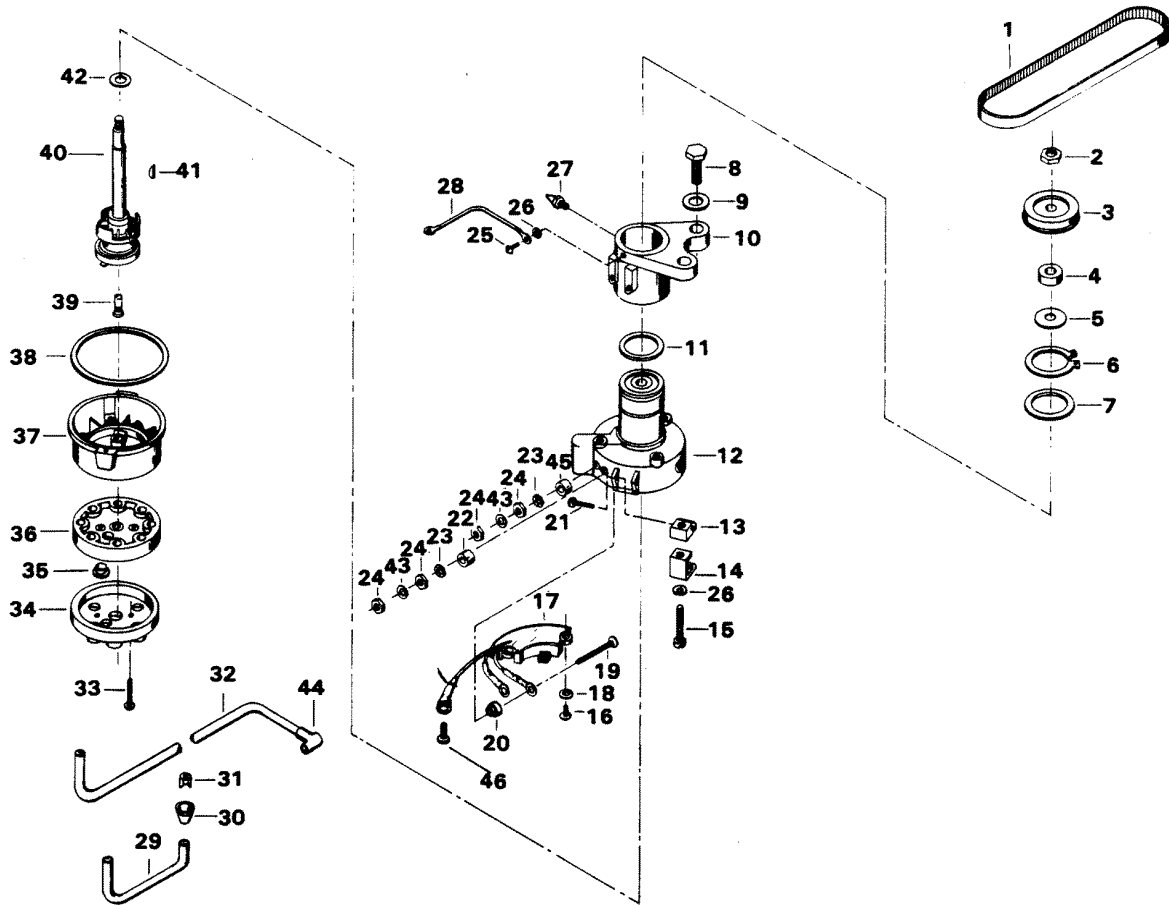
STARTER



STARTER

REF. NO.	PART NO.	SYM.	QTY.	DESCRIPTION
1	F15118		1	BENDIX DRIVE ASSEMBLY
2	F1641		2	LOCK NUT, 1/4 - 28
3	F15167		1	HEAD ASSEMBLY, DRIVE END
4	F15126		1	THRUST WASHER PACKAGE
5	F15099		1	ARMATURE
6	F15166		1	FRAME AND FIELD ASSEMBLY
7	F15054		1	BRUSH AND TERMINAL SET
8	F15162		1	HEX LOCK NUT, 1/4 - 20 W/WASHER
9	F85908		1	STARTER LEAD WIRE
10	F15168		1	THRU BOLT PACKAGE
11	F1922		1	HEX CAP SCREW, 1/4 - 20 X 5/8
12	F8028		2	PLAIN WASHER
13	F511675		1	STARTER BRACKET, LOWER
14	F15125		1	HEAD ASSEMBLY, COMMUTATOR END
15	F15034		1	SPRING SET
16	F15057		1	BRUSH PLATE AND HOLDER ASSEMBLY
-	F490955		1	STARTER COMPLETE
-	FC500390		1	DECAL, STARTER - CANADA (NOT SHOWN)

DISTRIBUTOR

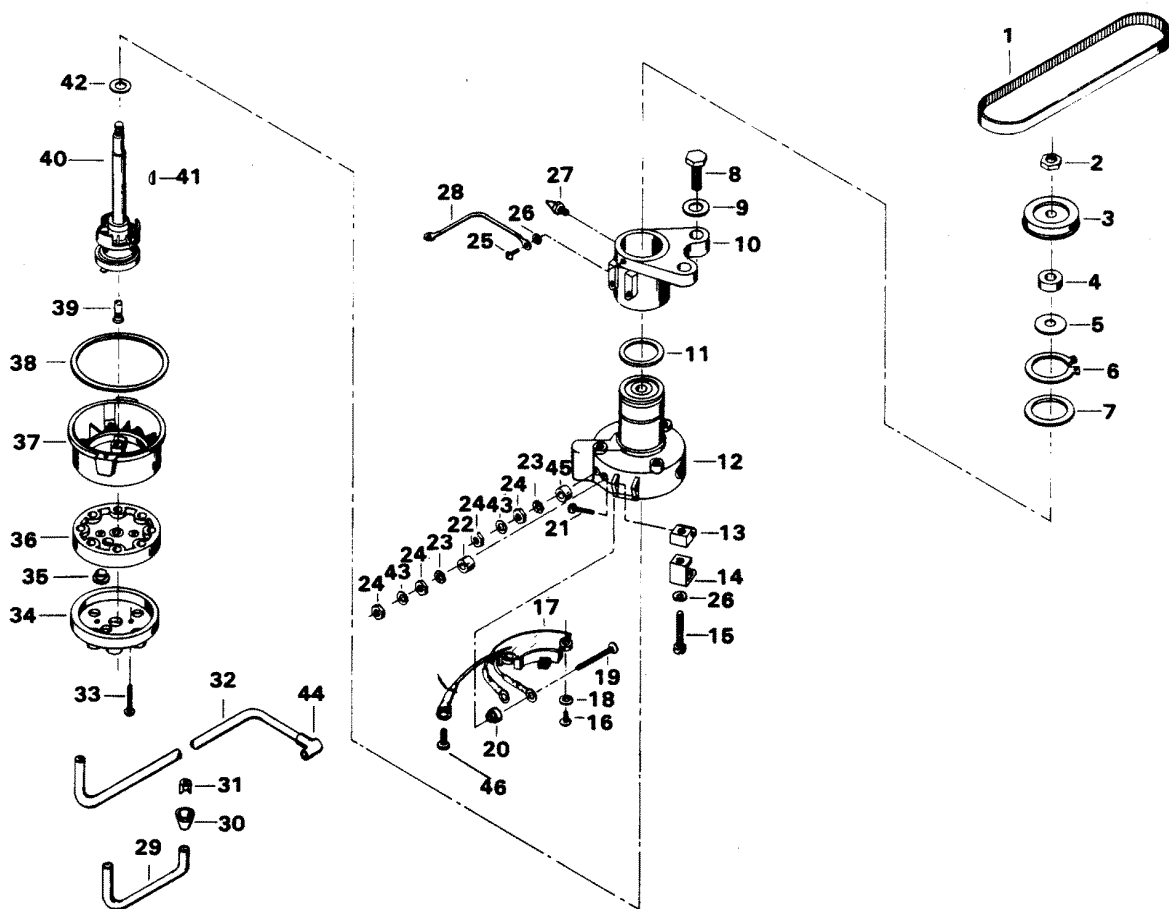


DISTRIBUTOR

REF. NO.	PART NO.	SYM.	QTY.	DESCRIPTION
1	F85311		1	DISTRIBUTOR BELT
2	F7013		1	STOP NUT
3	817786A1		1	DISTRIBUTOR PULLEY W/ILLUS. 2 ORIGINAL FORCE P/N A 373435-1
4	F14025		1	SPACER
5	F14028		1	THRUST WASHER
6	F85173		1	RETAINING RING
7	F14029		1	THRUST WASHER
8	F1612		2	HEX CAP SCREW, 3/8 - 16 X 1-1/4
9	F1778		2	PLAIN WASHER
10	FA321574		1	DISTRIBUTOR BRACKET W/ILLUS. 25, 26 AND 27
11	F1759		2	SHIM, DISTRIBUTOR (QTY. AS REQUIRED)
12	F14042		1	DISTRIBUTOR HOUSING W/BEARINGS
13	F14036		2	SWIVEL
14	F14037		2	CAP CLIPS
15	F14038		2	CAP CLIP SCREWS
16	F14045		2	SCREW
17	FA14048-2		1	PREAMPLIFIER W/ILLUS. 18, SCREW AND LITERATURE
18	F8056		2	LOCKWASHER
19	F14046		2	TERMINAL SCREW
20	F14047		2	TERMINAL INSULATOR (INSIDE)
21	F14015		2	CAP CLIP RIVET
22	F14049		1	TERMINAL INSULATOR (OUTSIDE)
23	F14041		2	EXTERNAL TOOTH LOCKWASHER
24	F1647		2	HEX NUT, 8 - 32
25	F1760		2	PAN HD SCREW, 10 - 24 X 3/8
26	F1975		2	SPRING LOCKWASHER
27	F213274		1	GREASE FITTING
28	F85664		1	DISTRIBUTOR GROUND
29	84-817775A1		1	COIL WIRE W/ILLUS. 31 - USA ORIGINAL FORCE P/N A 321905-1
-	F438905		1	COIL WIRE - CANADA
30	F203276		1	BOOT
31	F203673		1	TERMINAL CLIP
32	F321841-4		4	LEAD WIRE - USA
-	F438841-1		4	LEAD WIRE - CANADA
33	F14007		2	CAP SCREW
34	F14010-1		1	CAP COVER
35	F14040		2	VENT
36	F14021-1		1	CAP SEAL
37	F14005-2		1	CAP BASE
38	F14030		1	CAP GASKET
39	F14012-1		1	BRUSH
40	F14044		1	DISTRIBUTOR SHAFT

CONTINUED ON NEXT PAGE ➡

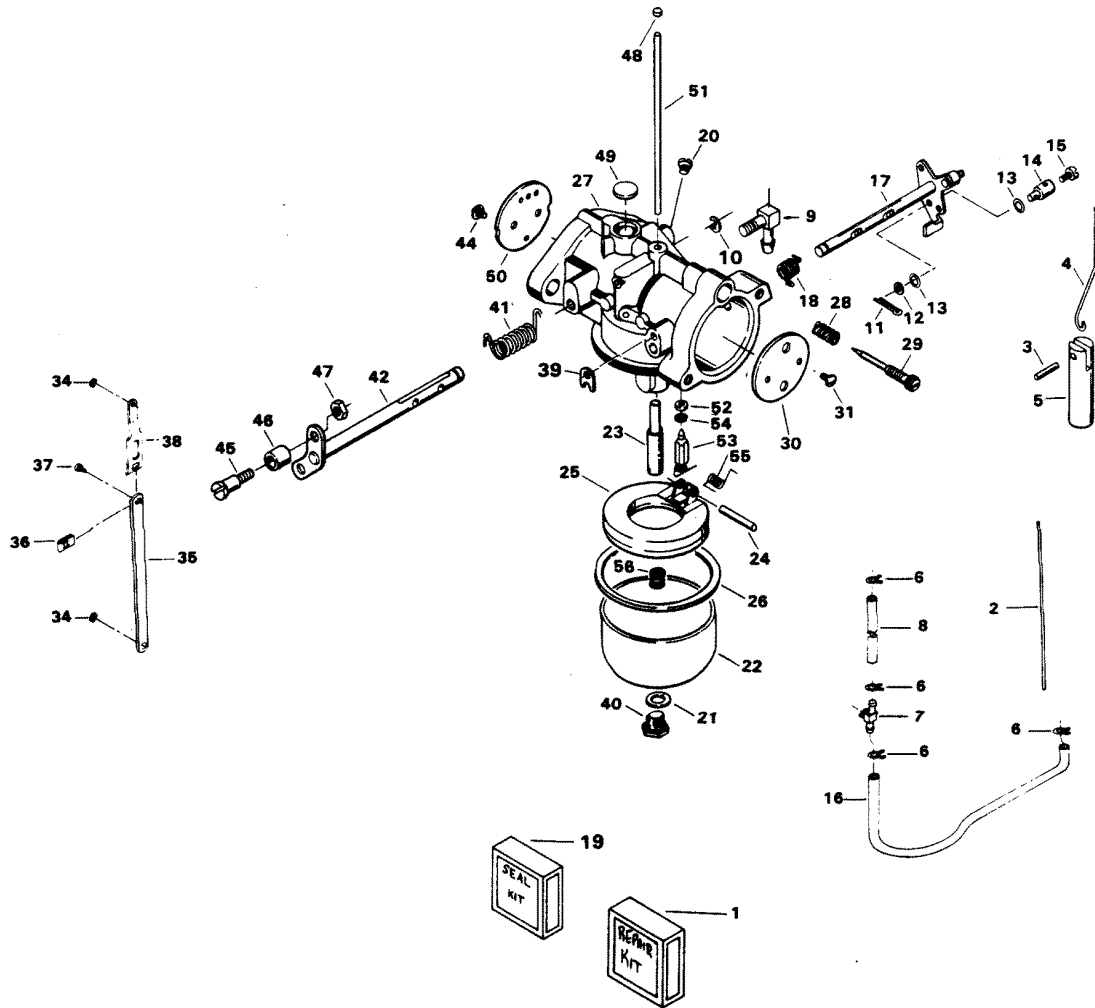
DISTRIBUTOR



DISTRIBUTOR

REF. NO.	PART NO.	SYM.	QTY.	DESCRIPTION
41	F1692		1	WOODRUFF KEY
42	F14024		1	SPACER
43	F8056		2	LOCKWASHER
44	FK1123		4	SPARKIE W/SPRING
45	F14017		1	TERMINAL INSULATOR (OUTSIDE)
46	F14056		1	SCREW
-	817828A1		1	DISTRIBUTOR COMPLETE. INCLUDES ALL ITEMS MARKED WITH AN ASTERISK (*) ORIGINAL FORCE P/N A 489309-1

CARBURETOR

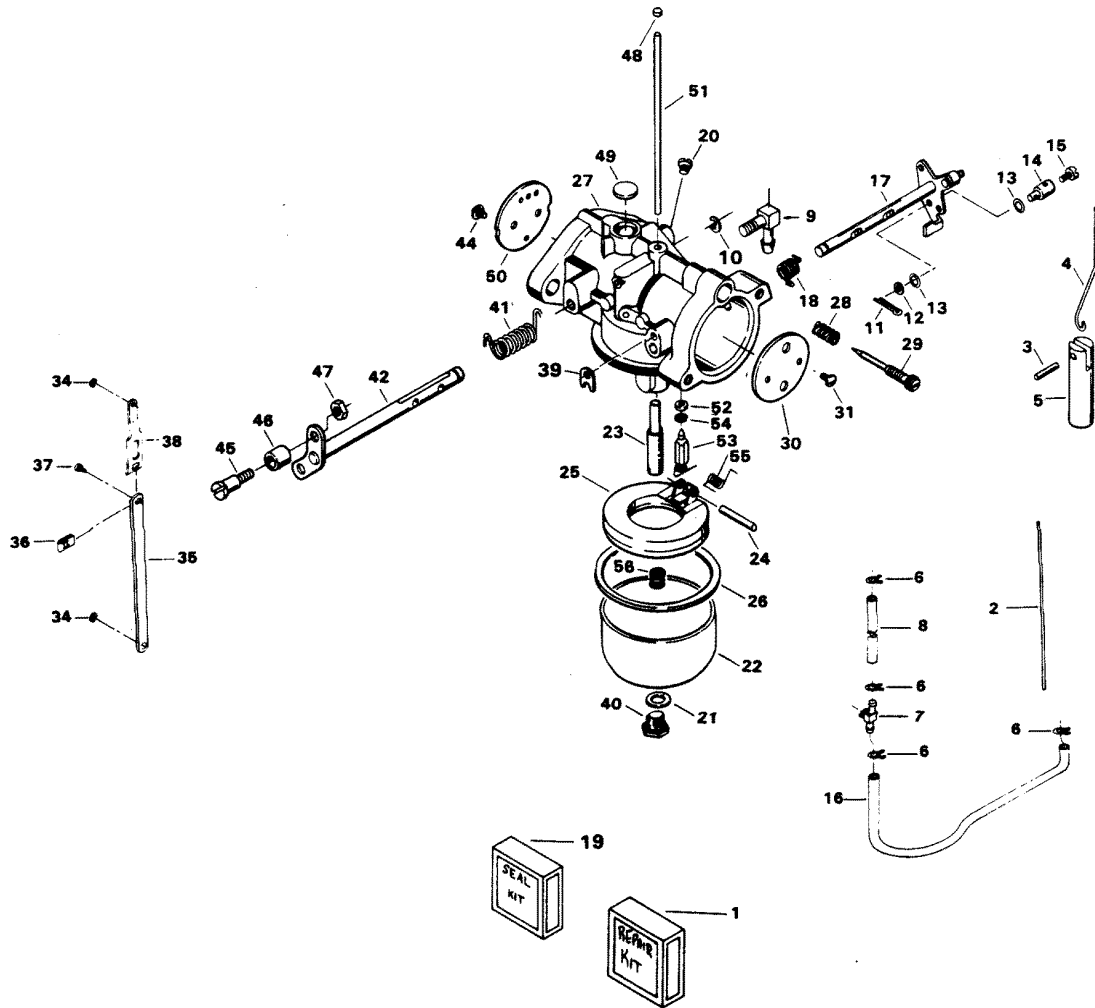


CARBURETOR

REF. NO.	PART NO.	SYM.	QTY.	DESCRIPTION
1	FK10151		1	REPAIR PARTS KIT. INCLUDES ALL ITEMS MARKED WITH AN ASTERISK (*)
2	F85509-1		1	LINK, CHOKE
3	F2033		1	GROOVE PIN
4	F372925		1	CHOKE ROD
5	F391926-1		1	PLUNGER
6	F97772		4	CLAMP
7	F10164		1	FUEL FITTING (BOTTOM CARBURETOR)
8	F178754-1		1	FUEL LINE
9	F10156		1	ELBOW (TOP CARBURETOR)
10	F10131		1	E-RING
11	F1014		2	COTTER PIN
12	F8088		3	PLAIN WASHER
13	F184579		5	O-RING SEAL
14	F184033-1		1	SWIVEL, TOP CARBURETOR
15	F1059		2	FILL HD SCREW, 6 - 32 X 1/4
16	F438754		1	FUEL LINE
17	F10159		1	CHOKE SHAFT AND LEVER
18	F10143		1	CHOKE SHAFT RETURN SPRING
19	FK10120-1		1	VALVE SEAT KIT
20	F10197		1	JET-NOZZLE VENT
21	F10090		1	FUEL BOWL RETAINING GASKET
-	F85033		1	SWIVEL, CHOKE ROD (BOTTOM CARBURETOR) (NOT SHOWN)
-	FK10139		1	GASKET SET (NOT SHOWN)
22	F10127		1	FUEL BOWL
23	F10137		1	MAIN NOZZLE
24	F10136		1	FLOAT LEVER PIN
25	F10135		1	FLOAT
26	F10138		1	FUEL BOWL GASKET
27	F585061		1	CARBURETOR COMPLETE, TOP (WE-6-1)
-	F586061		1	CARBURETOR COMPLETE, BOTTOM (WE-6-2)
28	F10145		1	IDLE MIXTURE SCREW SPRING
29	F10146		1	IDLE MIXTURE SCREW
30	F10161		1	CHOKE, SHUTTER
31	F10140		2	CHOKE AND THROTTLE SHUTTER SCREW
34	F90807		2	RETAINING RING
35	FA178233		1	THROTTLE TIE BAR W/SWIVEL
36	F1693		1	TIE BAR RETAINER NUT
37	F1064		1	FILL HD SCREW, 8 - 32 X 3/8
38	FA85193		1	TIE BAR END W/SWIVEL
39	F10160		1	CLIP, CHOKE SHAFT
40	F10162		1	MAIN FUEL JET STD. .086 SEA LEVEL
-	F10188		-	MAIN FUEL JET OPT. .084 2500 - 5000 FT.

CONTINUED ON NEXT PAGE ➡

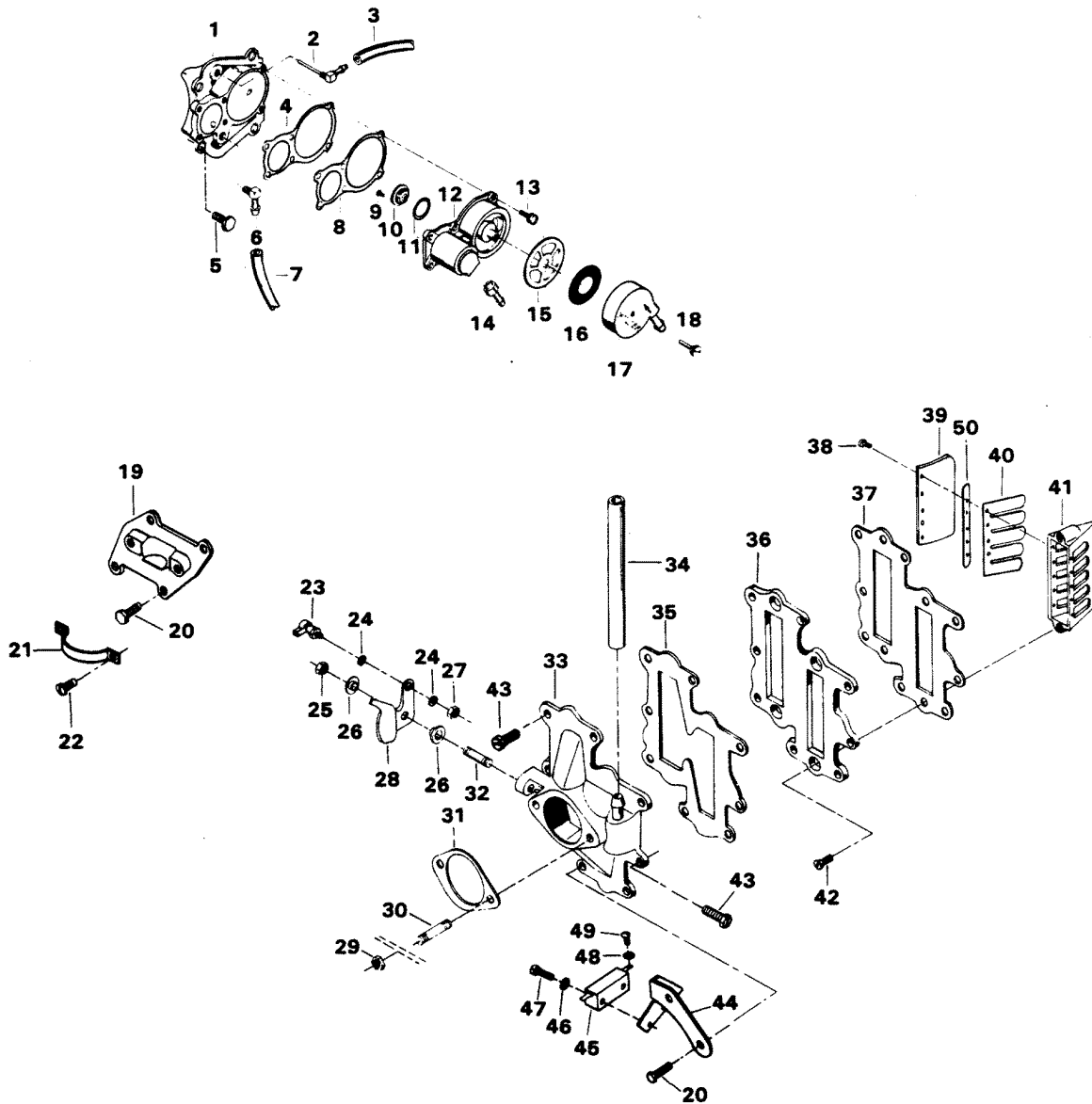
CARBURETOR



CARBURETOR

REF. NO.	PART NO.	SYM.	QTY.	DESCRIPTION
-	F10187		-	MAIN FUEL JET OPT. .080 5000 - 7500 FT.
-	F10186		-	MAIN FUEL JET OPT. .076 7500 FT. AND UP
41	F10172		1	THROTTLE SHAFT RETURN SPRING
42	F10157		1	THROTTLE SHAFT AND LEVER
44	F10155		3	SCREW
45	F333316		1	THROTTLE ROLLER SHAFT
46	F92759		1	THROTTLE ROLLER
47	F1997		1	STOP NUT, 8 - 32
48	F10152		1	BODY CHANNEL CUP PLUG
49	F10153		1	BODY CHANNEL WELCH PLUG
50	F10158		1	THROTTLE SHUTTER
51	F10176		1	IDLE TUBE
52	F10171		1	VALVE SEAT
53	F10170		1	VALVE ASSY.
54	F10167		1	RETAINING RING, VALVE
55	F10142		1	SPRING, FLOAT SUPPORT
56	F10145		1	SPRING, NOZZLE COMPRESSION

FUEL PUMP AND REED PLATE

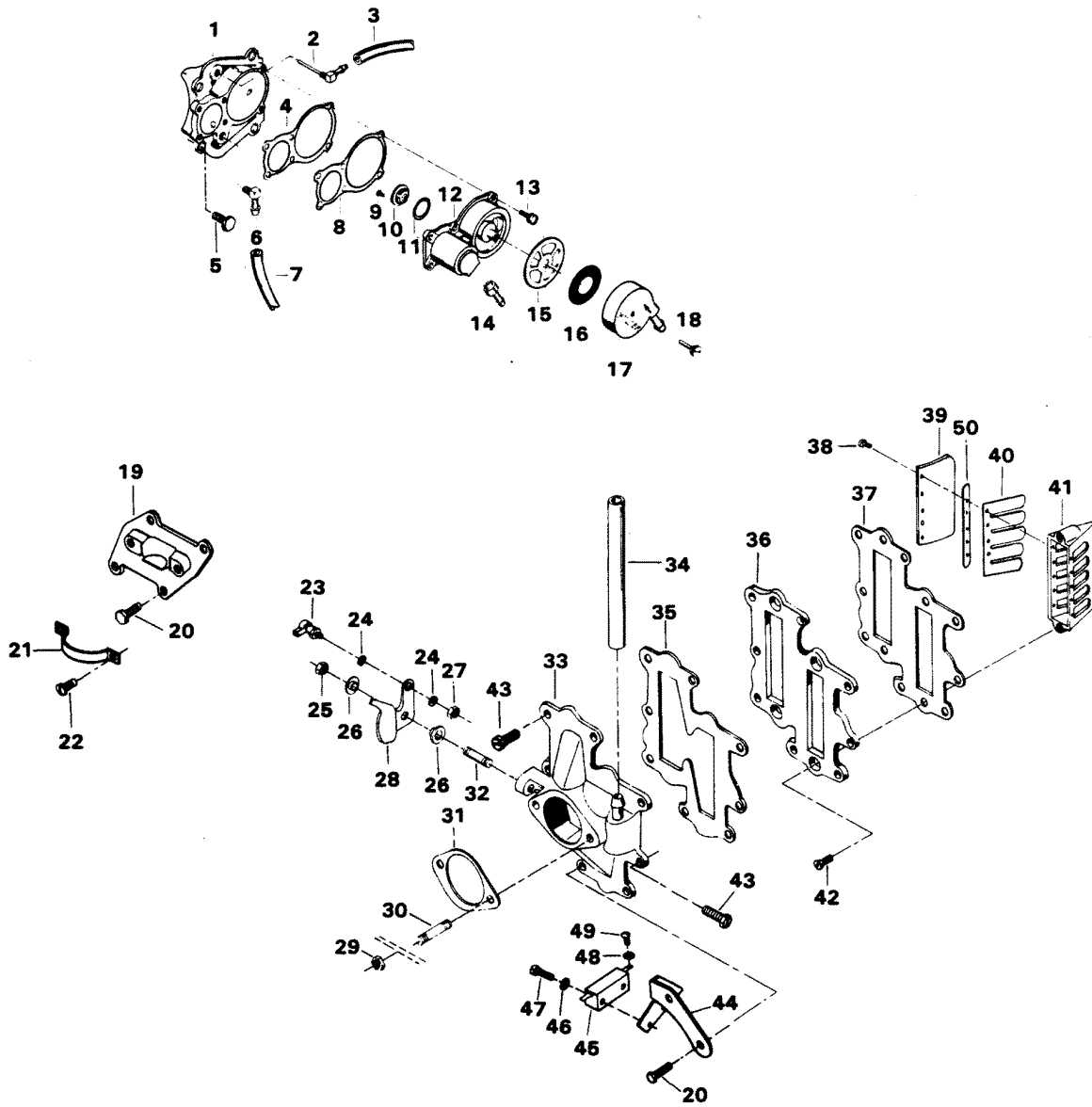


FUEL PUMP AND REED PLATE

REF. NO.	PART NO.	SYM.	QTY.	DESCRIPTION
1	FA439746		1	FUEL PUMP COVER W/PLUG
2	F404314		1	ELBOW, FUEL PUMP COVER
3	F441754-1		1	HOSE
4	F438760		1	FUEL PUMP GASKET
5	F1922		4	HEX CAP SCREW, 1/4 - 20 X 5/8
6	F84314-2		1	ELBOW
7	F89758		1	FUEL PUMP AIR HOSE - TOP
8	F438747		1	FUEL PUMP DIAPHRAGM
9	F1860		2	RD HD SCREW, 6 - 32 X 1/4
10	F177330		3	FUEL PUMP VALVE
11	F84792		1	GASKET, CENTER FUEL PUMP VALVE
12	FA438431		1	FUEL PUMP BODY W/VALVES
13	F1108		6	FILL HD SCREW, 1/4 - 20 X 3/4
14	F438801		1	FITTING
15	F438617		1	FUEL SEDIMENT BOWL GASKET
16	F438653		1	FUEL SEDIMENT BOWL SCREEN
17	F438500		1	FUEL SEDIMENT BOWL
18	F438165		1	SCREW, FUEL PUMP BOWL
19	F372958		1	CHOKE BRACKET
20	F1532		6	HEX HD SCREW, 1/4 - 20 X 1
21	F85317-2		1	SOLENOID CLAMP
22	F1236		2	SCREW, 1/4 - 20 X 1/2
23	817747--1		1	BALL JOINT W/STUD
24	F8058		2	INTERNAL TOOTH LOCKWASHER
25	F1910		1	STOP NUT, 1/4 - 20
26	F269319		2	THROTTLE CAM BEARING
27	F1513		1	HEX NUT, 10 - 32
28	F85192-1		1	THROTTLE CAM
29	F1515		4	HEX NUT
30	F40209		4	CARBURETOR STUD
31	F85906		2	CARBURETOR GASKET
32	F433209-1		1	THROTTLE CAM STUD
33	FA178167		1	CARBURETOR ADAPTER, LOWER W/FITTING AND ILLUS. 30
-	FA178157		1	CARBURETOR ADAPTER, UPPER W/FITTING AND ILLUS. 30 (NOT SHOWN)
34	32-77653-77		1	BALANCE TUBE W/LITERATURE ORIGINAL FORCE P/N A 178254-1
35	F178168-1		1	GASKET, CARBURETOR ADAPTER
36	F178404-1		2	DEFLECTOR PLATE
37	F406406		2	GASKET DEFLECTOR PLATE
38	F1755		40	ROUND HD SCREW W/LOCKWASHER 6 - 32 X 1/4
39	F85161-1		8	REED STOP
40	F530160		8	REED (5 PETAL)
41	F3A523158		4	REED PLATE W/ILLUS. 38, 39, 40, 43 AND 50

CONTINUED ON NEXT PAGE ➡

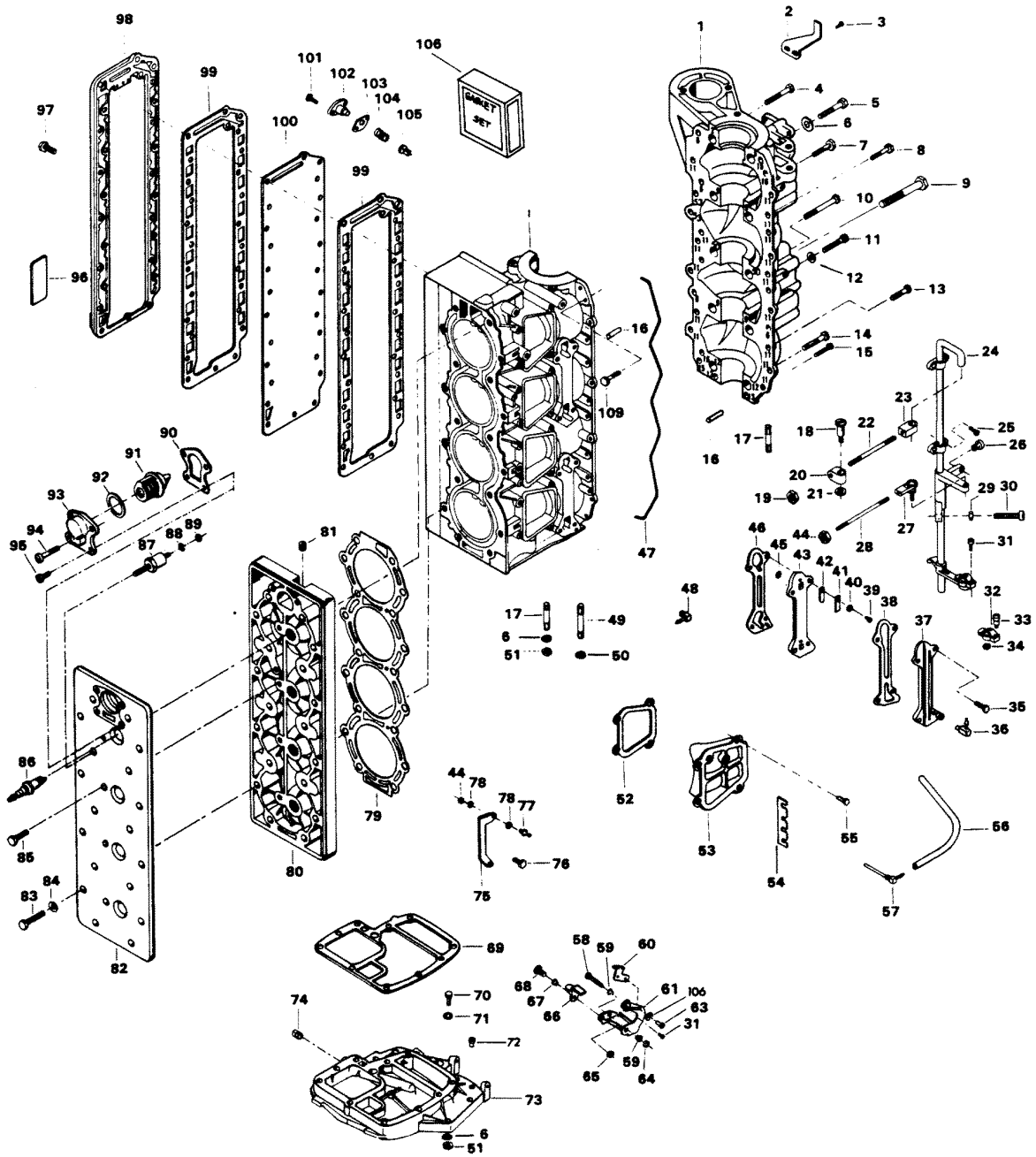
FUEL PUMP AND REED PLATE



FUEL PUMP AND REED PLATE

REF. NO.	PART NO.	SYM.	QTY.	DESCRIPTION
42	F1831		8	FLAT HD SCREW, 1/4 - 20 X 5/8
43	F2008		10	HEX HD SCREW, 1/4 - 20 X 7/8
44	F489551		1	BRACKET NEUTRAL INTERLOCK SWITCH
45	F84449		1	INTERLOCK SWITCH
46	F8088		2	PLAIN WASHER
47	F2016		2	FILL HD SCREW, 6 - 32 X 7/8
48	F1704		2	INTERNAL TOOTH LOCKWASHER
49	F1645		2	RD HD SCREW, 6 - 32 X 1/4
50	F523451		8	SPACER, REED STOP

POWER HEAD

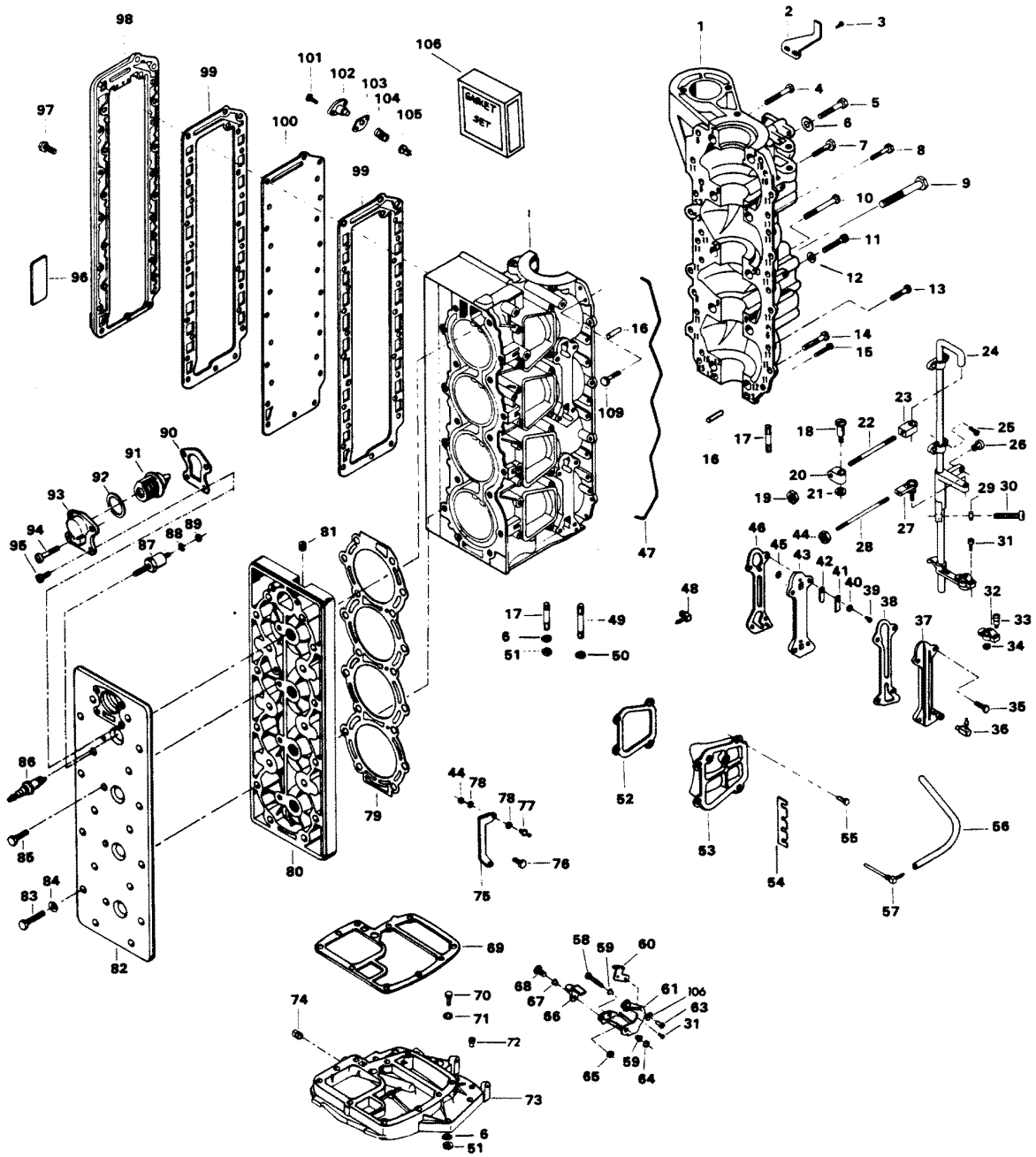


POWER HEAD

REF. NO.	PART NO.	SYM.	QTY.	DESCRIPTION
1	A523010-1		1	CYLINDER W/CRANKCASE COVER, ILLUS. 4, 5, 9, 11, 14, 16, 47 AND 49 ORIGINAL FORCE P/N A 523010-2
-	FC552010		1	SHORT BLOCK, CONTAINS ALL ITEMS MARKED WITH AN ASTERISK (*). ALSO REFER TO CRANKSHAFT PAGE.
2	FA480894		1	TIMING POINTER W/ILLUS. 56 ON PAGE 4
3	F1760		2	PAN HD SCREW, 10 - 24 X 3/8
4	F1874		1	HEX HD SCREW, 3/8 - 16 X 1/8
5	F1009		1	HEX HD SCREW, 3/8 - 16 X 2-3/4
6	F8038		4	PLAIN WASHER
7	F2008		2	HEX HD SCREW, 1/4 - 20 X 7/8
8	F2008		3	HEX HD SCREW, 1/4 - 20 X 7/8
9	F1873		2	HEX CAP SCREW, 3/8 - 16 X 3
10	F1699		1	HEX HD SCREW, 1/4 - 20 X 1-1/8
11	F1253		4	HEX SOCKET HD CAP SCREW, 3/8 - 16 X 2
12	F8104		4	PLAIN WASHER
13	F1864		16	HEX HD SCREW, 1/4 - 20 X 3/4
14	F1872		2	HEX CAP SCREW, 3/8 - 16 X 1-3/4
15	F1099		2	FILL HD SCREW, 1/4 - 20 X 1-1/4
16	F8563		2	DOWEL PIN
17	F85859		4	STUD
18	F85026		1	SWIVEL
19	F2015		1	HEX NUT, 1/4 - 28
20	F85035		1	DISTRIBUTOR, CONTROL ROD END
21	F2042		1	PLAIN WASHER
22	F85445		1	CONTROL ROD
23	F85036		1	TOWERSHAFT CONTROL ROD END
24	817932A6		1	TOWERSHAFT W/SWIVEL, BEARINGS AND SCREWS
25	F1475		4	FILL HD SCREW, 10 - 24 X 1/2
26	F1727		1	PLASTIC RIVET
27	817747--1		1	BALL JOINT W/STUD
28	F85502		1	THROTTLE LINK
29	F1341		1	HEX NUT, 1/4 - 20
30	F1052		1	FILL HD SCREW, 1/4 - 20 X 1
31	F1556		2	FILL HD SCREW, W/LOCKWASHER, 10 - 24 X 3/8
32	FK405020		2	SWIVEL W/CLAMP, SHOULDER SCREW AND NUT
33	F405457		1	PIVOT SCREW
34	F7008		1	ELASTIC STOP NUT
35	F1532		8	HEX HD SCREW, 1/4 - 20 X 1
36	22-818103--1		1	ELBOW, CYLINDER DRAIN LOWER
-	F404801		1	ELBOW, CYLINDER DRAIN UPPER (NOT SHOWN)
37	F406471-1		2	CYLINDER DRAIN COVER
38	F84472-5		2	GASKET, CYLINDER DRAIN COVER
39	F1286		4	PAN HD SCREW, 4 - 40 X 3/16
40	F8003		4	PLAIN WASHER

CONTINUED ON NEXT PAGE ➡

POWER HEAD

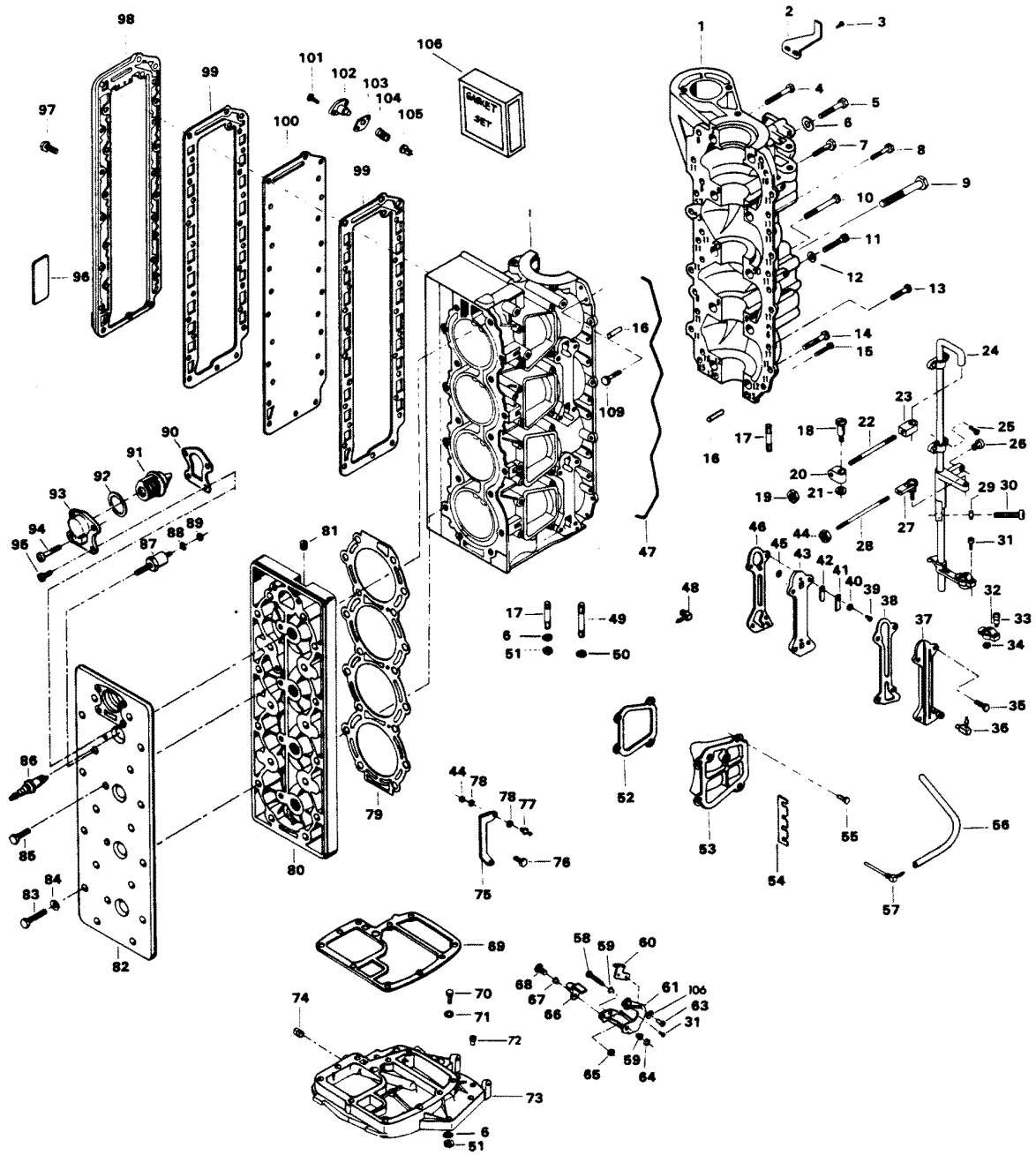


POWER HEAD

REF. NO.	PART NO.	SYM.	QTY.	DESCRIPTION
41	F93920		4	REED STOP
42	F18160-2		4	CYLINDER DRAIN REED
43	F2A406757		2	CYLINDER DRAIN REED PLATE W/ILLUS. 39, 40, 41, 42 AND 45
44	F1513		4	HEX NUT, 10 - 32
45	F93811		4	SCREEN
46	F84748-3		2	GASKET, CYL. DRAIN REED PLATE
47	F184122-1		1	SEAL, PARTING LINE
48	F84314-2		1	ELBOW
49	F85211		6	STUD
50	F8095		12	PLAIN WASHER
51	F7004		10	STOP NUT, 3/8 - 16
52	F40223		4	GASKET, TRANSFER PORT COVER
53	FA411222		3	TRANSFER PORT COVER W/ILLUS. 81
54	F523834		1	CLIP, SPARK PLUG WIRE
55	F1922		10	HEX CAP SCREW, 1/4 - 20 X 5/8
56	F406754-1		1	HOSE
57	F404314		1	FITTING
58	F1885		1	HEX BOLTS. S.S., 5/16 - 18 X 4-1/4
59	F85610		2	BEARING
60	F480107-1		1	CAM STARTER INTERLOCK
61	FA480876		1	GEAR SHIFT ARM W/ILLUS. 32, 59, 65, 66, 67 AND 68
62	F2042		2	PLAIN WASHER
63	F2089		2	SLOTTED PAN HD M. SCREW 10 - 24 X 5/16
64	F2108		1	STOP NUT, 5/16 - 18
65	F1832		1	STOP NUT, 1/4 - 20
66	F369977-1		1	INTERLOCK ARM
67	F369610		1	BEARING
68	F369887		1	SHOULDER SCREW
69	F85279-2		1	GASKET, CYLINDER EXHAUST UPPER
70	F1869		6	HEX CAP SCREW, 3/8 - 16 X 1-1/4
71	F1703		6	LOCKWASHER
72	F40689-1		1	BEARING
73	817788A3		1	SPACER PLATE W/ILLUS. 74 ORIGINAL FORCE P/N A 404680-1
74	F2090		1	PLUG
75	FS85872-1		1	BRACKET W/ILLUS. 54
76	F1864		2	HEX CAP SCREW, 1/4 - 20 X 3/4
77	F98273		2	ROD END CONNECTOR STUD
78	F8058		4	INTERNAL TOOTH LOCKWASHER
79	F476529-1		1	CYLINDER HEAD GASKET
80	900-817832A2		1	CYLINDER HEAD W/ILLUS. 81 ORIGINAL FORCE P/N A 501518-1
81	F19109		1	PLUG

CONTINUED ON NEXT PAGE ➡

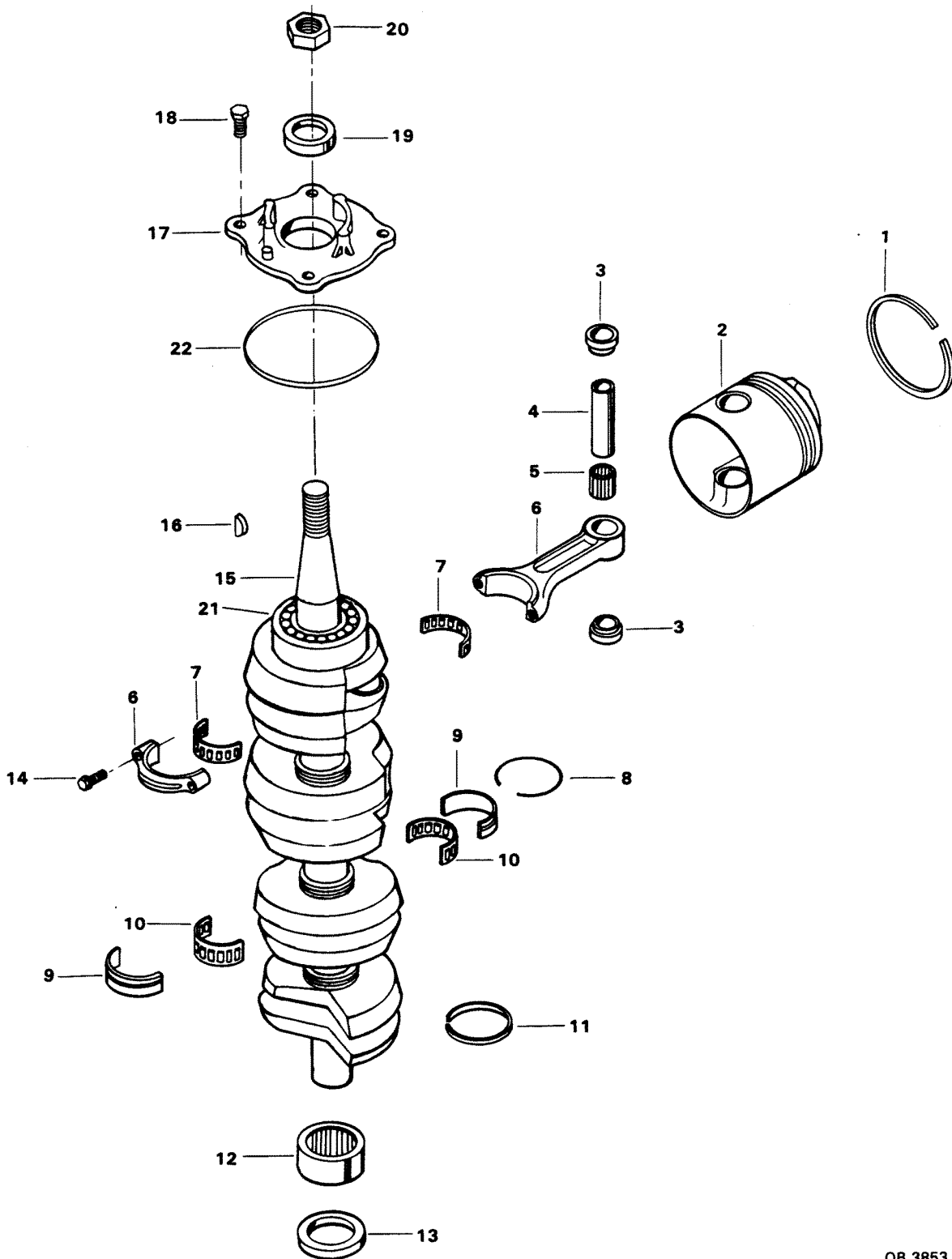
POWER HEAD



POWER HEAD

REF. NO.	PART NO.	SYM.	QTY.	DESCRIPTION
82	F528995		1	COVER, CYLINDER HEAD
83	F2049		18	HEX CAP SCREW, 5/16 - 18 X 2-5/8
84	F1987		18	PLAIN WASHER
85	F2008		4	HEX CAP SCREW, 1/4 - 20 X 7/8
86	33-97180		4	SPARK PLUG (CHAMPION L20V) - USA
-	C523227		4	SPARK PLUG (CHAMPION QL-76V) - CANADA
87	87-817939A1		1	THERMOSWITCH WILLUS. 88 AND 89 ORIGINAL FORCE P/N A 311449-1
88	F8056		1	LOCKWASHER
89	F1647		1	HEX NUT, 8 - 32
90	F476067		1	GASKET
91	F528068		1	THERMOSTAT
92	F84504		1	GROMMET (THERMOSTAT)
93	F476066-1		1	THERMOSTAT COVER
94	F1099		2	FILL HD SCREW, 1/4 - 20 X 1-1/4
95	F1107		2	SLOTTED FILL HD CAP SCREW, 1/4 - 20 X 3/4
96	F438398-1		1	DECAL, WIRING
97	F1699		27	HEX BOLT, 1/4 - 20 X 1-1/8
98	F372152-2		1	EXHAUST PORT COVER
99	F372154-1		2	GASKET, EXHAUST PORT PLATE
100	F372151-1		1	EXHAUST PORT PLATE
101	F1950		2	HEX CAP SCREW, 10 - 24 X 5/8
102	F438066		1	BY-PASS VALVE COVER
103	F85762		1	BY-PASS VALVE COVER GASKET
104	F404268		1	BY-PASS VALVE SPRING
105	F85916-1		1	BY-PASS VALVE
106	FG1019		1	GASKET SET INCLUDES ITEMS MARKED WITH A *
-	F40223		4	TRANSFER PORT COVER GASKET
-	F84472-5		2	CYLINDER DRAIN COVER GASKET
-	F84748-3		2	CYLINDER DRAIN REED PLATE GASKET
-	F85279-2		1	CYLINDER EXHAUST UPPER GASKET
-	F85762		1	BY-PASS COVER GASKET
-	F85906		2	CARBURETOR GASKET
-	F178168-1		2	CARBURETOR ADAPTER GASKET
-	F184122-1		1	SEAL
-	F372154-1		2	EXHAUST PLATE GASKET
-	F406406		2	DEFLECTOR PLATE GASKET
-	F440906		2	CARBURETOR GASKET
-	F476067		1	THERMOSTAT COVER GASKET
-	F476529-1		1	CYLINDER HEAD GASKET
109	F1532		2	HEX HD SCREW, 1/4 - 20 X 1

CRANKSHAFT AND PISTON GROUP

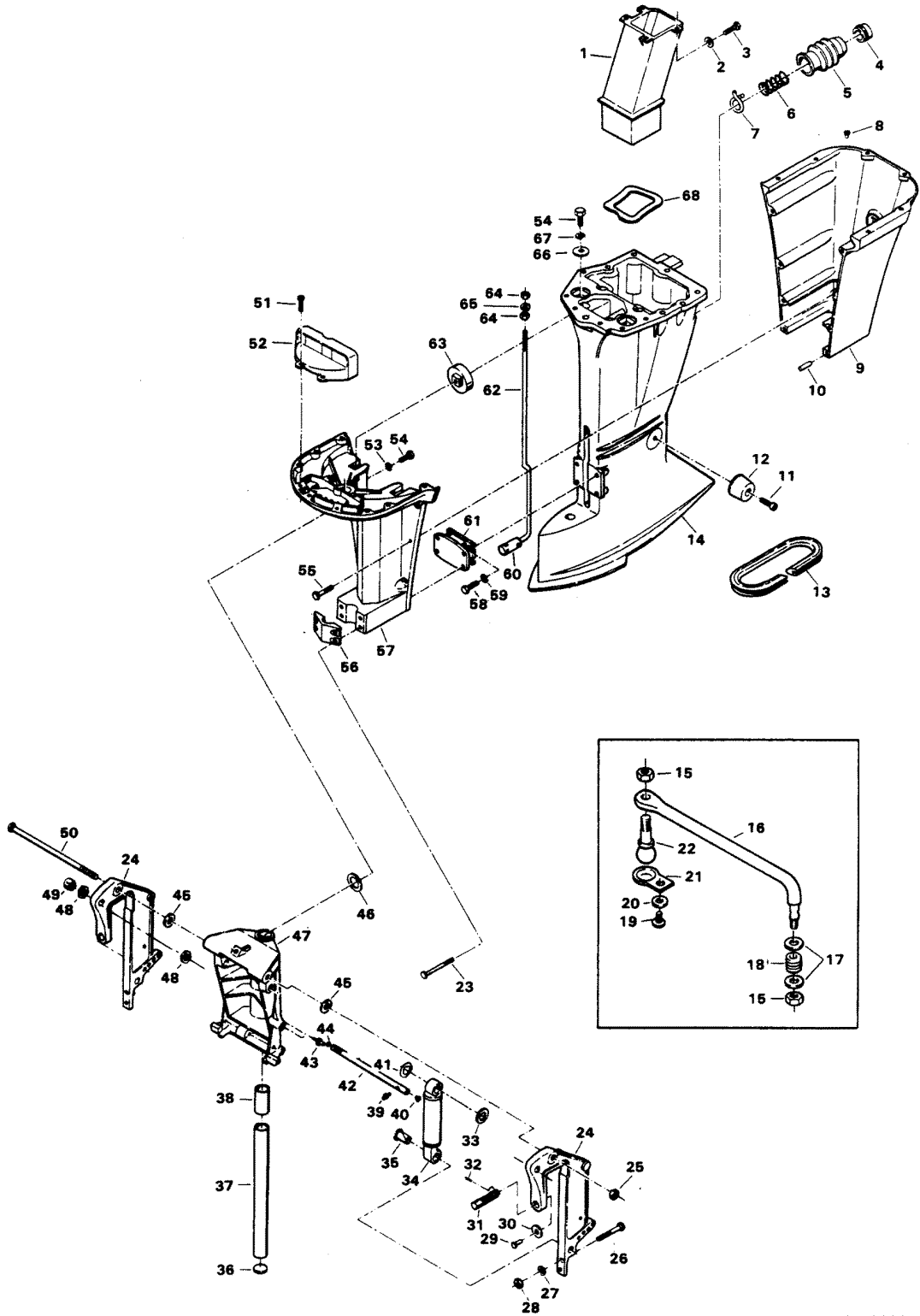


OB 3853

CRANKSHAFT AND PISTON GROUP

REF. NO.	PART NO.	SYM.	QTY.	DESCRIPTION
1	FA335260		4	PISTON RING SET (3 PER SET) - STANDARD
-	FSA335260		4	PISTON RING (3 PER SET) .010 OVERSIZE
-	39-818110A1		4	PISTON RING (3 PER SET) .030 OVERSIZE
2	700-F372015-3		4	PISTON - STANDARD
-	700-817988A2		4	PISTON .010 OVERSIZE
-	700-818111A2		4	PISTON .030 OVERSIZE
3	F335215		8	SPACER, PISTON PIN (2 PER PISTON)
4	F85017		4	PISTON PIN
5	F335217-1		4	BEARING, PISTON PIN (26 PER SET)
6	600-818052A4		4	CONNECTING ROD W/CAP AND ILLUS. 14 ORIGINAL FORCE P/N S366016-4
7	FK85228-1		4	BEARING CAGE W/ROLLER
8	F85410		3	SNAP RING
9	FA85655-1		3	CRANKSHAFT MAIN BEARING RACE W/SNAP RING
10	F85571		3	BEARING CAGE W/ROLLER
11	F316579		3	SEAL, CRANKCASE
12	FA523014		1	CRANKSHAFT LOWER MAIN BEARING W/ILLUS. 13
13	F523146-1		1	SEAL, CRANKSHAFT LOWER
14	F85634-2		8	CONNECTING ROD SCREW
15	400-817735A4		1	CRANKSHAFT W/ILLUS. 21 ORIGINAL FORCE P/N A178018-4
16	F85498		1	FLYWHEEL KEY
17	31-817785A2		1	CRANKSHAFT BEARING CAGE W/ILLUS. 19 ORIGINAL FORCE P/N A373144-2
18	F1867		4	HEX CAP SCREW, 3/8 - 16 X 1
19	F84146-2		1	SEAL
20	F1968		1	FLYWHEEL NUT
21	F284659-2		1	BEARING, CRANKSHAFT UPPER MAIN
22	F84278		1	SEAL
-	F2067		1	PLASTISOL CAP (NOT SHOWN) FOR EXPOSED THREADS OF CRANKSHAFT

MOTOR LEG



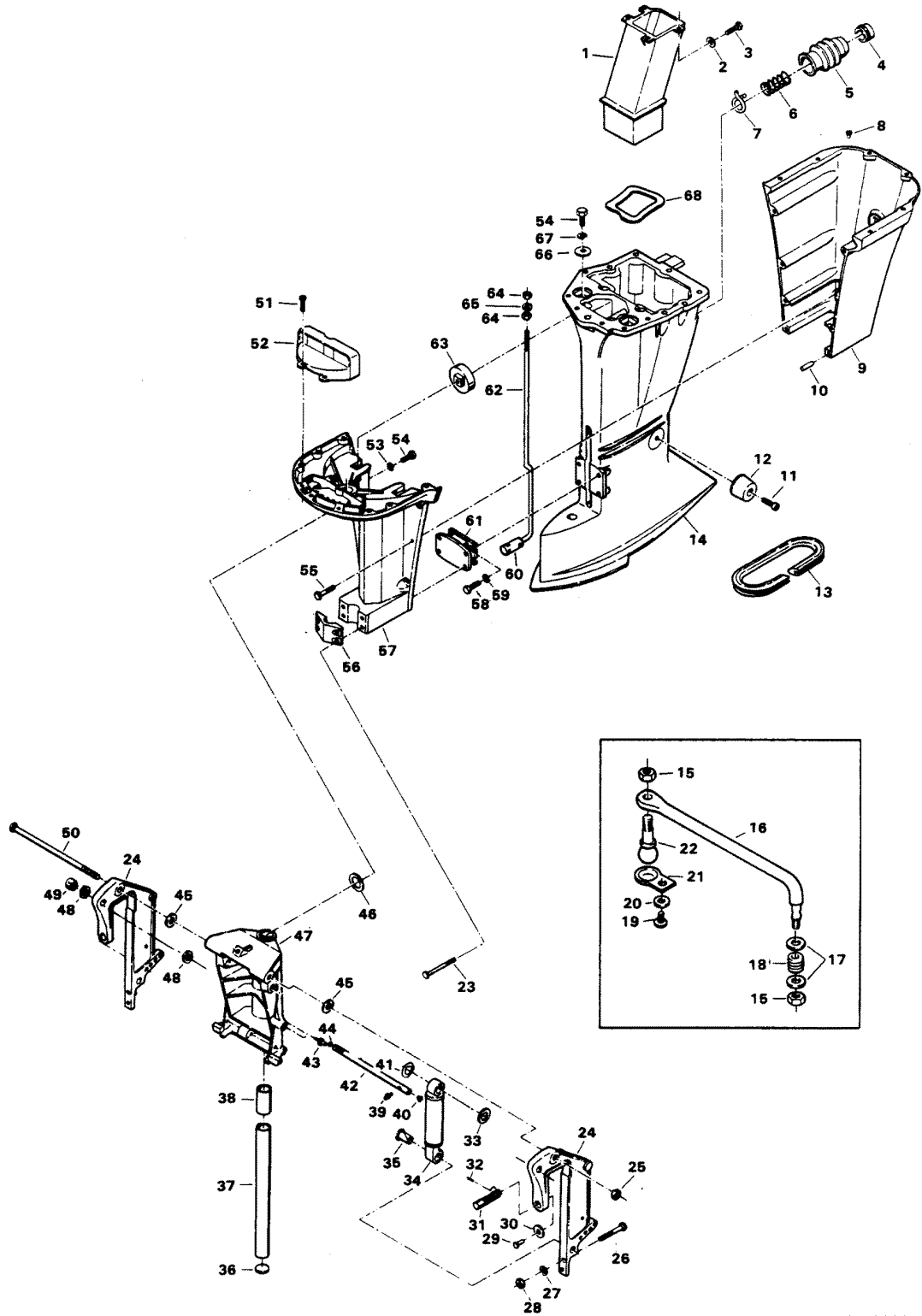
OB 3853

MOTOR LEG

REF. NO.	PART NO.	SYM.	QTY.	DESCRIPTION
1	F85660-1		1	EXHAUST TUBE
2	F8083		4	SPRING LOCKWASHER
3	F1864		4	HEX SLOT HD SCREW, 1/4 - 20 X 3/4
4	F85258		1	INSERT
5	F85130		1	BOOT IDLE EXHAUST
6	F85380		1	SPRING
7	F85772		1	CLAMP
8	F1729		2	PLUG
9	F178145-3		1	MOTOR LEG COVER REAR
10	F1664		2	SPRING PIN
11	F1263		2	HEX SOCKET HD CAP SCREWS, 5/16 - 18 X 9/16
12	F438962		2	SHOCK MOUNT LOWER REAR
13	F178323		1	SEAL, MOTOR LEG
14	F523133-2		1	MOTOR LEG
15	F2093		2	STOP NUT, 3/8 - 24
16	F523881-2		1	STEERING LINK
17	F8038		2	PLAIN WASHER
18	F523300-1		1	SPRING
19	F1280		1	PAN HD SCREW, 8 - 32 X 1/4
20	F8080		1	SPRING LOCKWASHER
21	F523930		1	RETAINER
22	F523273		1	STEERING BALL STUD
23	F1696		4	HEX BOLT, 5/16 - 18 X 1-3/4
24	1400-817958A6		2	STERN BRACKET
25	F7012		1	STOP NUT
26	F1593		2	HEX HD SCREW, 3/8 - 16 X 3
27	F1904		2	PLAIN WASHER
28	F1346		2	HEX NUT
29	F353480		2	STUD
30	F84074		2	CLAMP SCREW FOOT
31	F474073-1		2	CLAMP SCREW
32	F8538		2	SPRING PIN
33	F1710		2	PLAIN WASHER
34	FA178962		2	SHOCK ABSORBER W/BUSHING
35	F178362		2	BEARING
37	FS85019		1	KINGPIN
38	F438169		2	BEARING
39	F523274		1	GREASE FITTING
40	F9052		2	PLUG
41	F1711		2	SPRING BOWED WASHER
42	F511125-2		1	TUBE, STEERING SUPPORT
43	F213274		3	GREASE FITTING
44	F316599		1	SEAL, STEERING SUPPORT TUBE

CONTINUED ON NEXT PAGE ➡

MOTOR LEG

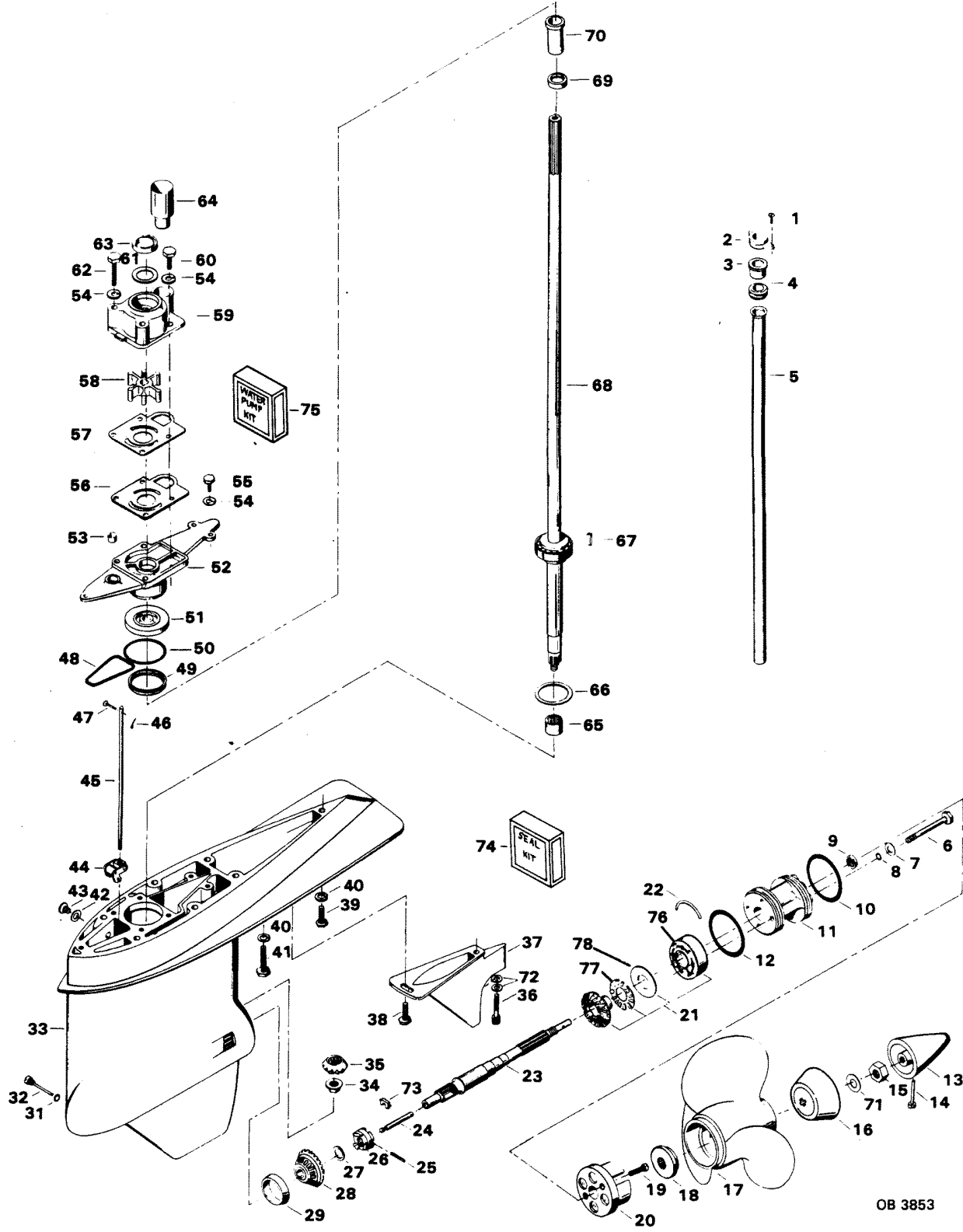


OB 3853

MOTOR LEG

REF. NO.	PART NO.	SYM.	QTY.	DESCRIPTION
45	F84286-1		4	FRICITION WASHER
46	F84011		1	WASHER
47	817783A5		1	SWIVEL BRACKET W/ILLUS. 38 AND 43 ORIGINAL FORCE P/N A369072-1
48	F523280		2	NUT, STEERING SUPPORT TUBE
49	F9018		2	CAP
50	F85037-1		1	STERN BRACKET PIVOT BOLT
51	F1912		4	HEX HD SCREW, 10 - 24 X 1/2
52	F85779-1		1	BAFFLE, AIR INTAKE
53	F1703		2	SPRING LOCKWASHER
54	F1871		4	HEX HD SCREW, 3/8 - 16 X 3/4
55	F2030		6	HEX HD SCREW, 1/4 - 20 X 1-1/4
56	F85606		1	KINGPIN CAP
57	FA85135-4		1	LEG COVER FRONT W/ILLUS. 55
58	F1822		4	HEX BOLT, 5/16 - 18 X 7/8
59	F8096		4	SPRING LOCKWASHER
60	F85704		1	COUPLER, GEAR SHIFT ROD
61	F438346		1	SHOCK MOUNT LOWER
62	F85615		1	GEAR SHIFT ROD UPPER
63	F85965		2	SHOCK MOUNT UPPER
64	F2108		2	LOCK NUT
65	F1987		1	PLAIN WASHER
66	FA85355-1		2	WASHER (SET OF 2 SHOCK MOUNT WASHERS W/ILLUS. 67)
67	F2014		2	PLAIN WASHER
68	F439736		1	SEAL, EXHAUST TUBE

GEAR HOUSING



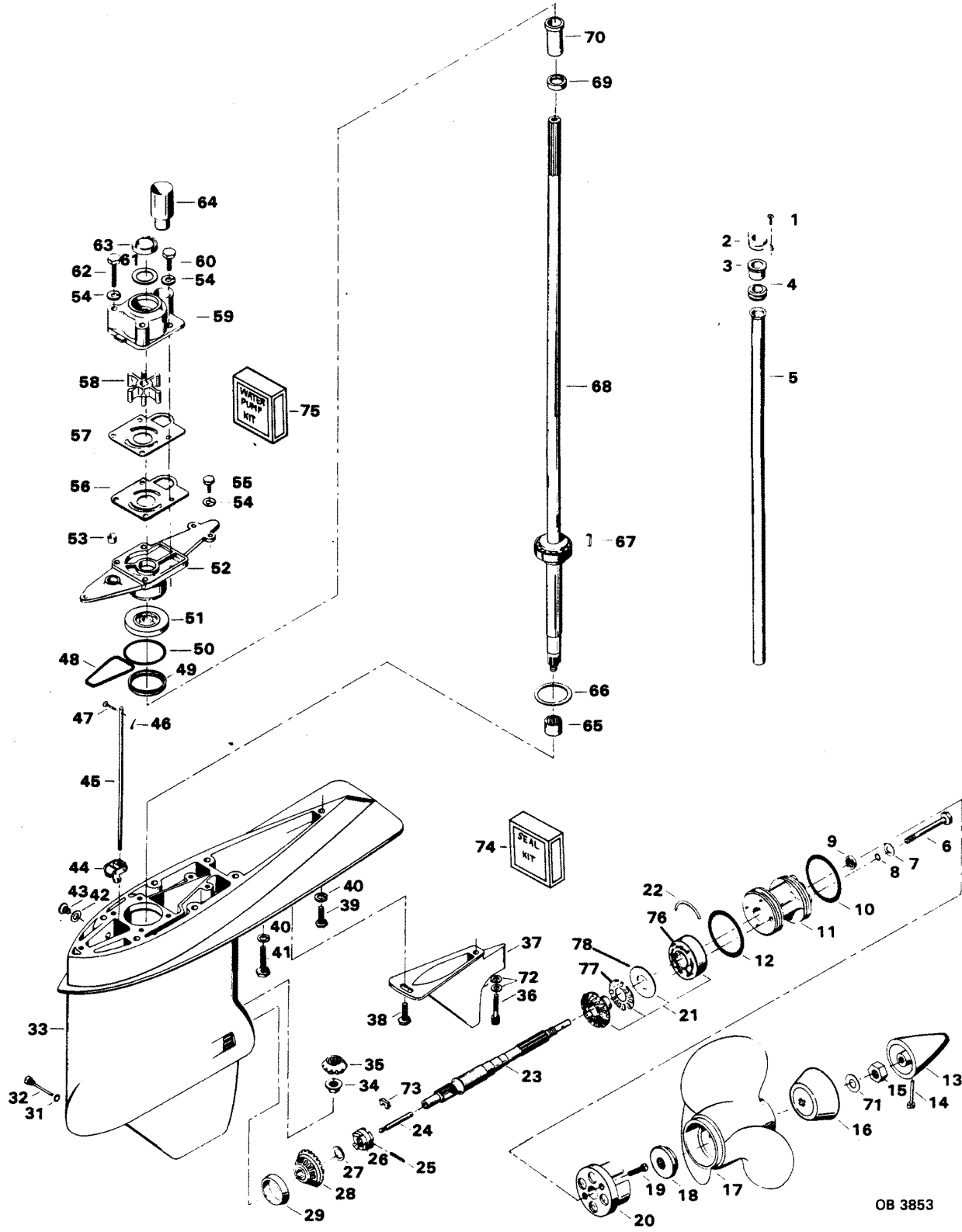
OB 3853

GEAR HOUSING

REF. NO.	PART NO.	SYM.	QTY.	DESCRIPTION
1	F1705		2	HEX CAP SCREW, 1/4 - 20 X 3/4
2	F85117		1	BRACKET, WATER LINE
3	F84342		1	SEAL, INLET WATER LINE, UPPER
4	F523899		1	GROMMET, WATER LINE
5	F523244		1	INLET WATER LINE
6	F1885		4	HEX CAP SCREW, 5/16 - 18 X 4-1/4
7	F1907		4	PLAIN WASHER
8	F50342-1		4	SEAL, O-RING
9	F506118		1	SEAL, PROPELLER SHAFT
10	F24278		1	SEAL, O-RING PROPELLER SHAFT SPOOL
11	F2A523239		1	SPOOL, PROPELLER SHAFT BEARING W/ILLUS. 9
12	F84305		1	SEAL, O-RING PROPELLER SHAFT SPOOL
13	F523094-2		1	PROPELLER NUT
14	F498891		1	PIN, PROPELLER NUT RETAINING
15	F1788		1	STOP NUT
16	F5H119		1	WASHER
17	FPS523		1	PROPELLER (ACCESSORY ITEM)
18	F523099-1		1	SPACER, PROPELLER
19	F1577		2	FILL HD SCREW, 1/4 - 20 X 3/4
20	FA523485		1	ANTICORROSION ANODE W/LITERATURE
21	F2A523662		1	BEVEL GEAR REAR W/BEARING CAGE SPACER AND BEARING
22	F523411		2	RETAINING RING, BEARING CAGE
23	FA523098		1	PROPELLER SHAFT
24	F84871-1		1	PIN, GEAR SHIFT W/YOKE
25	F1713		1	SPRING PIN
26	F84521-2		1	CLUTCH
-	F1936		A/R	SPACER, BEVEL GEAR FRONT .059
-	F1937		A/R	SPACER, BEVEL GEAR FRONT .062
-	F1938		A/R	SPACER, BEVEL GEAR FRONT .065
-	F1939		A/R	SPACER, BEVEL GEAR FRONT .068
-	F1940		A/R	SPACER, BEVEL GEAR FRONT .071
-	F1941		A/R	SPACER, BEVEL GEAR FRONT .074
-	F1942		A/R	SPACER, BEVEL GEAR FRONT .077
-	F2113		A/R	SPACER, BEVEL GEAR FRONT .080
-	F2114		A/R	SPACER, BEVEL GEAR FRONT .083
-	F2115		A/R	SPACER, BEVEL GEAR FRONT .086
-	F2116		A/R	SPACER, BEVEL GEAR FRONT .089
-	F2121		A/R	SPACER, BEVEL GEAR FRONT .057
-	F2122		A/R	SPACER, BEVEL GEAR FRONT .054
28	43-818068A2		1	BEVEL GEAR FRONT W/BEARING AND SHIMS
29	F523813		1	BEARING CUP
31	F498618		1	O-RING

CONTINUED ON NEXT PAGE ➡

GEAR HOUSING



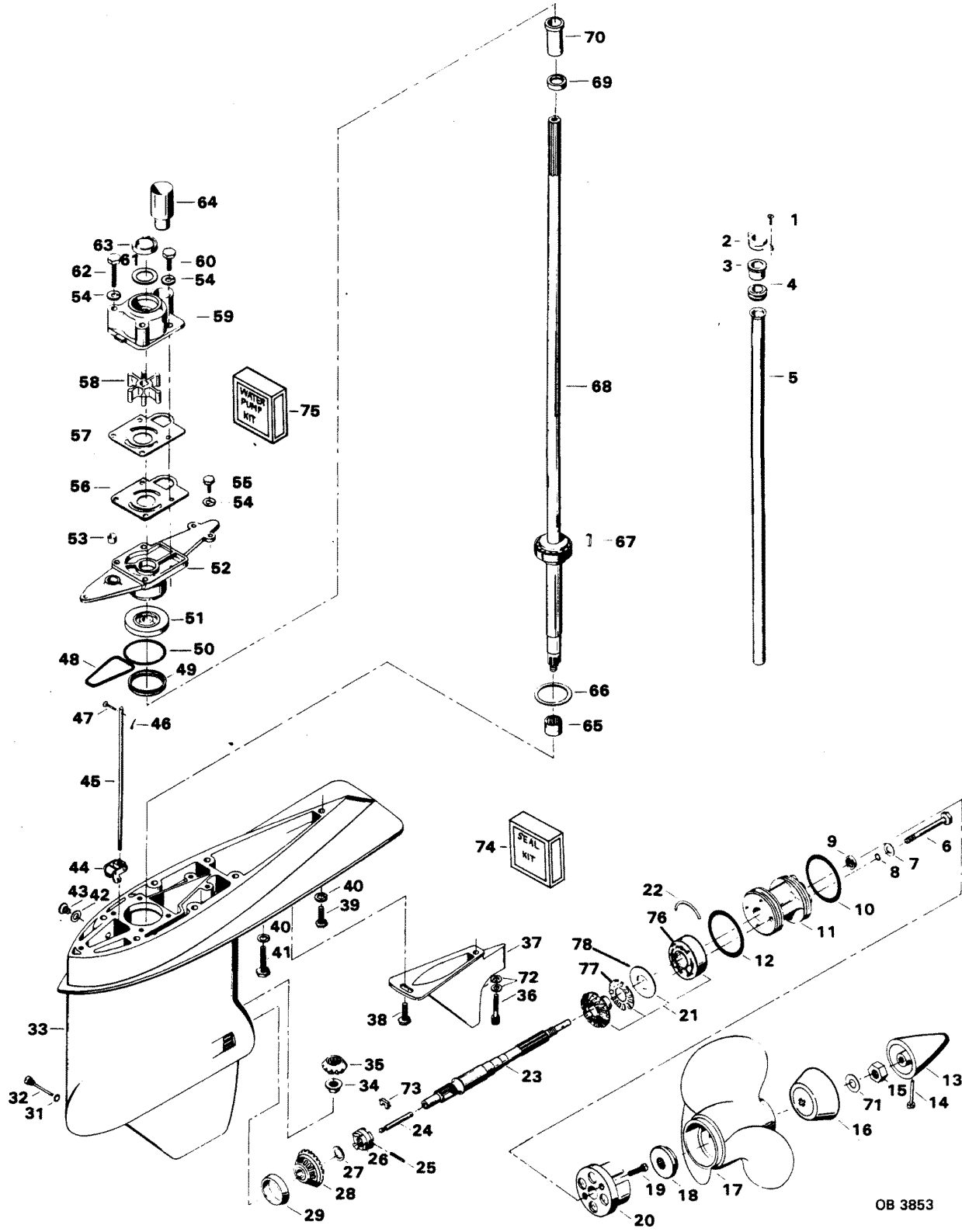
OB 3853

GEAR HOUSING

REF. NO.	PART NO.	SYM.	QTY.	DESCRIPTION
32	F498891		1	PIN, GEAR SHIFT ARM
33	FA523054		1	GEAR HOUSING W/ILLUS. 29, 30, 42, 43 AND 65
-	1600-819196A3		1	GEAR HOUSING COMPLETE INCLUDES ALL ITEMS MARKED WITH AN ASTERISK (*). ORIGINAL FORCE P/N C 555054-1
34	F523188		1	NUT, BEVEL PINION
35	43-817854A2		1	BEVEL PINION GEAR W/ILLUS. 49 AND 66 ORIGINAL FORCE P/N A 523266-2
36	F1994		1	HEX SOCKET HD CAP SCREW, 5/16 - 18 X 1
37	F523116-1		1	EXHAUST SNOUT
38	F438930		1	RETAINER, SNOUT
39	F1858		1	HEX CAP SCREW, 5/16 - 18 X 1
40	F8096		7	SPRING LOCKWASHER
41	F1491		6	HEX HD SCREW, 5/16 - 18 X 3-1/4
42	F8077		3	WASHER, GEAR HOUSING PLUG
43	F50109		3	PLUG, GEAR HOUSING
44	FA84621-1		1	COUPLING, GEAR SHIFT ARM W/BUSHING
45	F523705		1	GEAR SHIFT ROD LOWER
46	F1015		1	COTTER PIN
47	F85372		1	PIN, GEAR SHIFT ROD LOWER
48	F523555		1	SEAL, O-RING, GEAR HOUSING COVER
49	F523961		1	CRUSH RING
50	F74305		1	SEAL, DRIVESHAFT BEARING CAGE
51	F506118		1	SEAL, DRIVESHAFT
52	F2A550706		1	GEAR HOUSING COVER W/ILLUS. 51 AND 53
53	F338618-1		1	SEAL, GEAR SHIFT ROD
54	F8083		7	SPRING LOCKWASHER
55	F2008		3	HEX CAP SCREW, 1/4 - 20 X 7/8
56	F523031		1	GASKET, WATER PUMP
57	F523562		1	PLATE, WATER PUMP
58	F523065-1		1	IMPELLER, WATER PUMP
59	46-817853A1		1	WATER PUMP BODY W/ILLUS. 61, 63 AND 64 ORIGINAL FORCE P/N A523060-1
60	F1990		2	HEX CAP SCREW, 1/4 - 20 X 1-5/8
61	F480388		1	DISC, WATER PUMP LOCATING
62	F1425		2	HEX CAP SCREW, 1/4 - 20 X 1-5/8
63	F351307		1	SEAL, DRIVESHAFT - WATER PUMP
64	FA523735		1	SEAL, INLET WATER LINE, LOWER W/LITERATURE
65	F523057		1	BEARING, DRIVESHAFT LOWER
66	F9106		A/R	SHIM, DRIVESHAFT BEARING UPPER .003 BRASS
-	F9095		A/R	SHIM, DRIVESHAFT BEARING UPPER .005 BRASS
-	F9096		A/R	SHIM, DRIVESHAFT BEARING UPPER .007 BRASS
-	F9097		A/R	SHIM, DRIVESHAFT BEARING UPPER .010 BLACK
67	F523498		1	DRIVE KEY, WATER PUMP
68	FK616128		1	DRIVESHAFT W/BEARING ILLUS. 49 AND 66

CONTINUED ON NEXT PAGE ➡

GEAR HOUSING

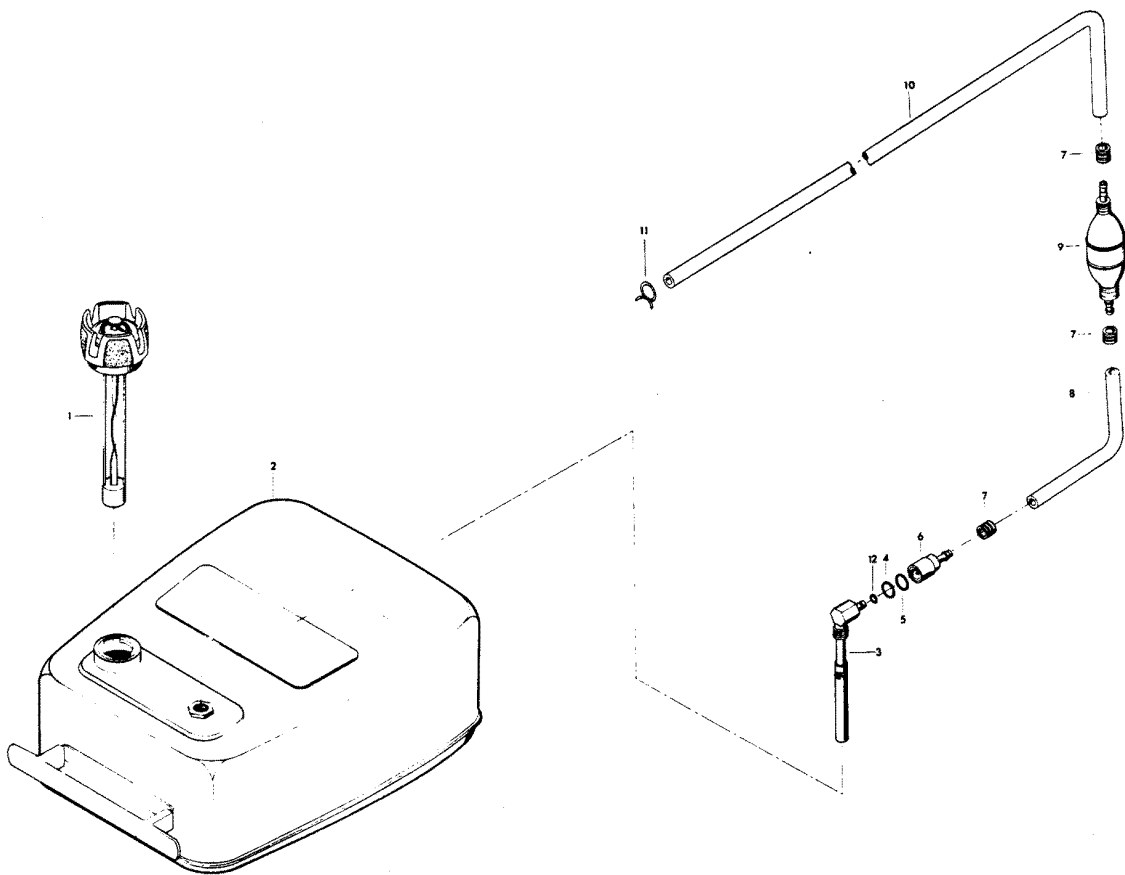


OB 3853

GEAR HOUSING

REF. NO.	PART NO.	SYM.	QTY.	DESCRIPTION
69	F438271		1	RETAINER, CRANKSHAFT SPLINE SEAL
70	F438129		1	SEAL, DRIVESHAFT SPLINE
71	F1866		1	PLAIN WASHER
72	F1856		2	PLAIN WASHER
73	F90619-1		1	YOKE
74	FK1063-2		1	SEAL KIT INCLUDES ITEMS MARKED WITH A *
-	F50342-1		4	BEARING CAGE BOLT SEAL
-	F506118		2	PROPELLER SHAFT SEAL
-	F24278		1	PROPELLER SHAFT SPOOL SEAL
-	F84305		1	PROPELLER SHAFT SPOOL SEAL
-	F498618		1	GEAR SHIFT ARM PIN SEAL
-	F8077		3	WASHER
-	F523555		1	GEAR HOUSING COVER SEAL
-	F74305		1	GEAR HOUSING COVER SEAL
-	F84307-1		1	DRIVESHAFT SEAL
-	F338618-1		1	GEAR SHIFT ROD SEAL
75	FK1069		1	WATER PUMP KIT INCLUDES ITEMS MARKED WITH A **
-	F1425		2	HEX CAP SC, 1/4 - 20 X 5/8
-	F1990		2	HEX CAP SCREW
-	F8083		4	SPRING LOCKWASHER
-	F523031		1	GASKET, WATER PUMP
-	F523065-1		1	IMPELLER
-	F523498		1	KEY
-	F523562		1	PLATE, WATER PUMP
-	46-817853A1		1	WATER PUMP
76	FA523136		1	CAGE, REAR
77	F523901		1	BEARING, BEVEL GEAR REAR
78	F2117		A/R	SPACER, BEVEL GEAR REAR
-	F2118		A/R	SPACER, BEVEL GEAR REAR
-	F2119		A/R	SPACER, BEVEL GEAR REAR
-	F2120		A/R	SPACER, BEVEL GEAR REAR

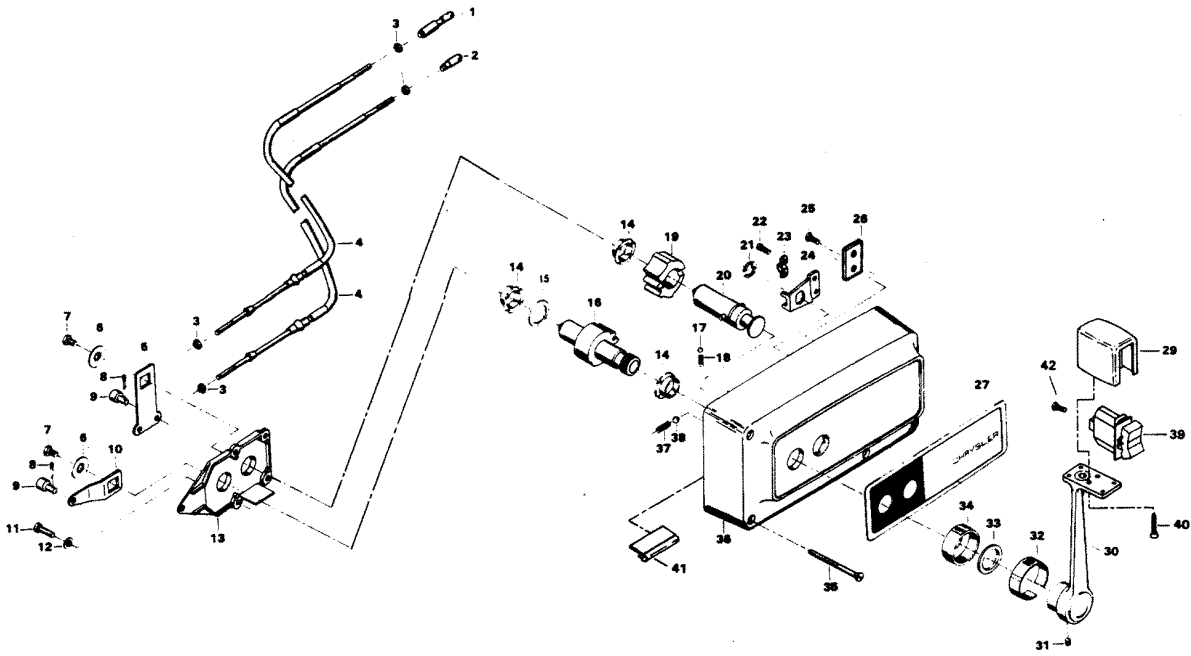
FUEL TANK AND LINE



FUEL TANK AND LINE

REF. NO.	PART NO.	SYM.	QTY.	DESCRIPTION
1	F409251-1		1	GAUGE CAP
2	F5H026		1	FUEL TANK (ACCESSORY ITEM) W/ILLUS. 1 AND 3
3	F485755-1		1	FUEL TANK ADAPTER
4	F17816		1	SEAL, FUEL LINE COUPLER (LARGE)
5			0	17815 1
6	F197787-3		1	FUEL LINE COUPLER
7	F298788		3	FERRULE
8	FA84754-1		1	FUEL LINE SHORT W/FERRULES
9	89396A38		1	PRIME BULB W/LITERATURE ORIGINAL FORCE P/N S387766-1
10	32-817738A1		1	FUEL LINE LONG W/ILLUS. 7 AND 11 ORIGINAL FORCE P/N A197752-1
11	F97772		1	FUEL LINE CLAMP
12	F17817		1	SEAL, FUEL TANK ADAPTER
-	FS409752		1	FUEL LINE COMPLETE. INCLUDES ALL ITEMS MARKED WITH AN ASTERISK (*)
-	FC409398		1	DECAL, TOTE TANK - CANADA (NOT SHOWN)

REMOTE CONTROL

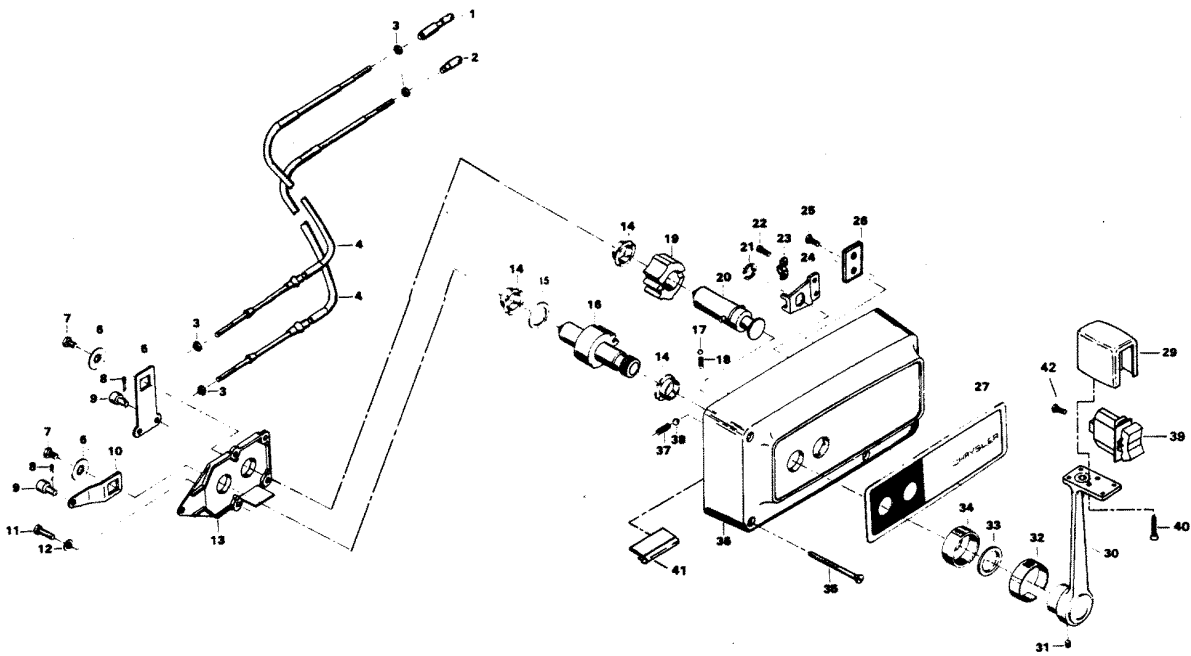


REMOTE CONTROL

REF. NO.	PART NO.	SYM.	QTY.	DESCRIPTION
1	FA58976-1		1	CONNECTOR, THROTTLE CABLE
2	F58685-2		1	CONNECTOR, SHIFT CABLE
3	F1513		4	HEX NUT
4	F195/___		1	REMOTE CONTROL CABLE (SPECIFY LENGTH) ACCESSORY ITEM (2 PER SET)
5	F17019		1	CLUTCH ARM
6	F17036		2	INTERNAL TOOTH LOCKWASHER
7	F17155		2	HEX BOLT, 1/4 - 28 X 1/2
8	F17149		2	COTTER PIN
9	F17016		2	CABLE TERMINAL
10	F17014		1	THROTTLE ARM
11	F17013		2	FILL HD SCREW, 1/4 - 20 X 1/2
12	F8061		2	INTERNAL TOOTH LOCKWASHER
13	F17012		1	RETAINING PLATE
14	F17009		3	BEARING
15	F17011		1	BOWED WASHER
16	F17010-1		1	THROTTLE GEAR
17	F17111		1	DETENT BALL
18	F17006		1	DETENT SPRING
19	F17021		1	CLUTCH GEAR
20	F17100		1	CLUTCH SHAFT
21	F17071		1	SNAP RING
22	F17071		2	FILL HD SCREW, 10 - 24 X 5/16
23	F154317		1	CABLE CLAMP
24	F17026		1	SWIVEL
25	F17141		2	ROUND HD SCREW, 10 - 24 X 3/8
26	F17153		1	RETAINER PLATE
27	F580892		1	DECAL, STARBOARD
-	F581892		1	DECAL, PORT
29	F448543		1	KNOB
30	F448611-1		1	LEVER
31	F17030-1		1	SET SCREW
32	F449894		1	INDICATOR - STARBOARD
-	F448894		1	INDICATOR - PORT
33	F17105		1	FELT WASHER
34	F17154		1	COLLAR
35	F17154		3	WOOD SCREW
36	F17099		1	HOUSING
37	F17157		1	DETENT SPRING
38	F17082-1		1	DETENT BALL
39	F455449		1	SWITCH, TRIM
40	F1461		2	SCREW #6 X 7/8

CONTINUED ON NEXT PAGE ➡

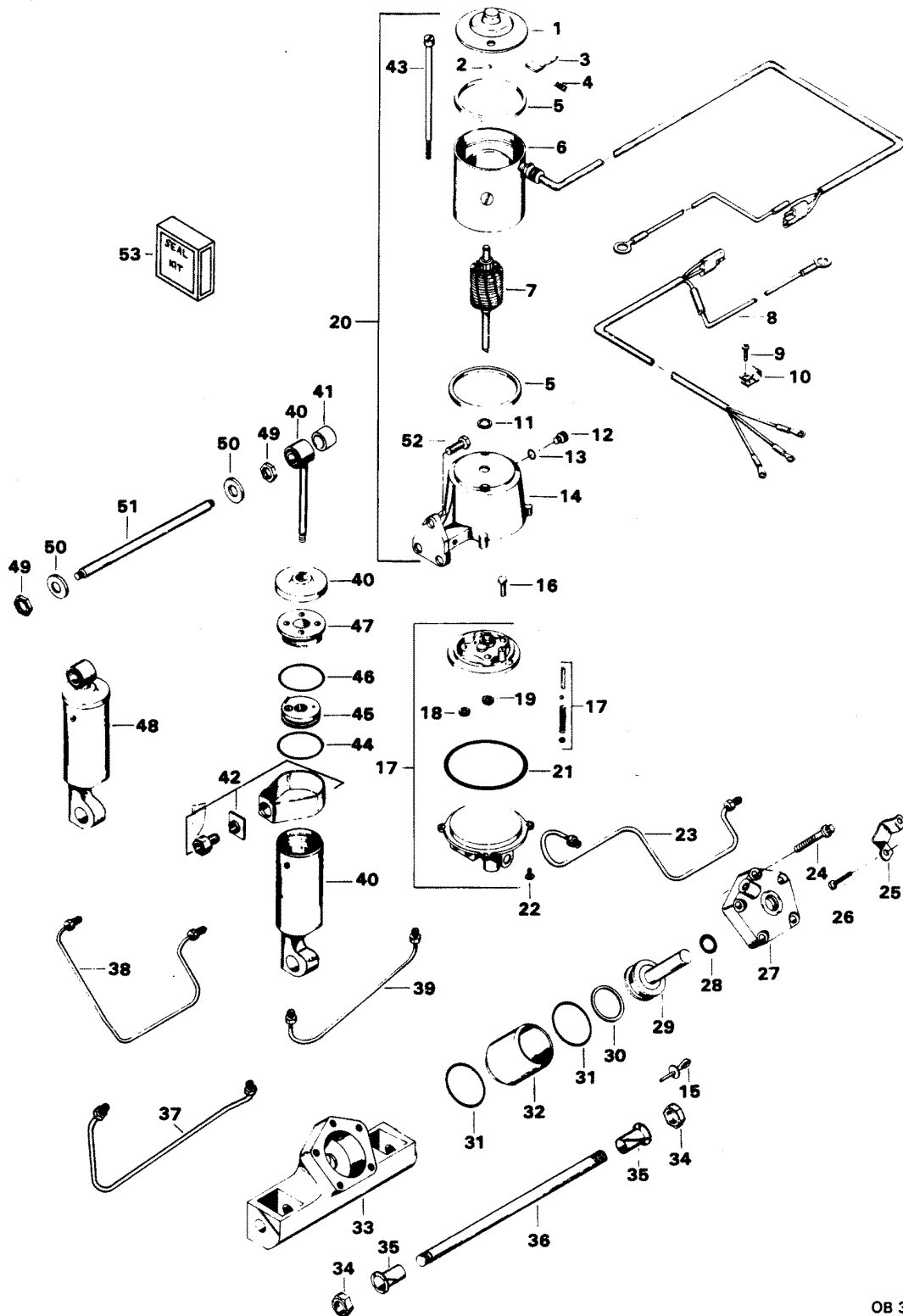
REMOTE CONTROL



REMOTE CONTROL

REF. NO.	PART NO.	SYM.	QTY.	DESCRIPTION
41	F448446		1	CLAMP, TRIM SWITCH CABLE
-	F1280		2	PAN HD SCREW, 8 - 32 X 1/4 (TERMINAL BOARD) (NOT SHOWN)
-	OB3876		1	LITERATURE (NOT SHOWN) INSTALLATION INSTRUCTIONS FOR REMOTE CONTROL
-	FK17156		1	BAG ASSEMBLY (NOT SHOWN) INCLUDES ITEMS MARKED WITH AN ASTERISK (*)
42	F1280		3	PAN HD SCREW; 8 - 32 X 1/4

POWER TRIM UNIT



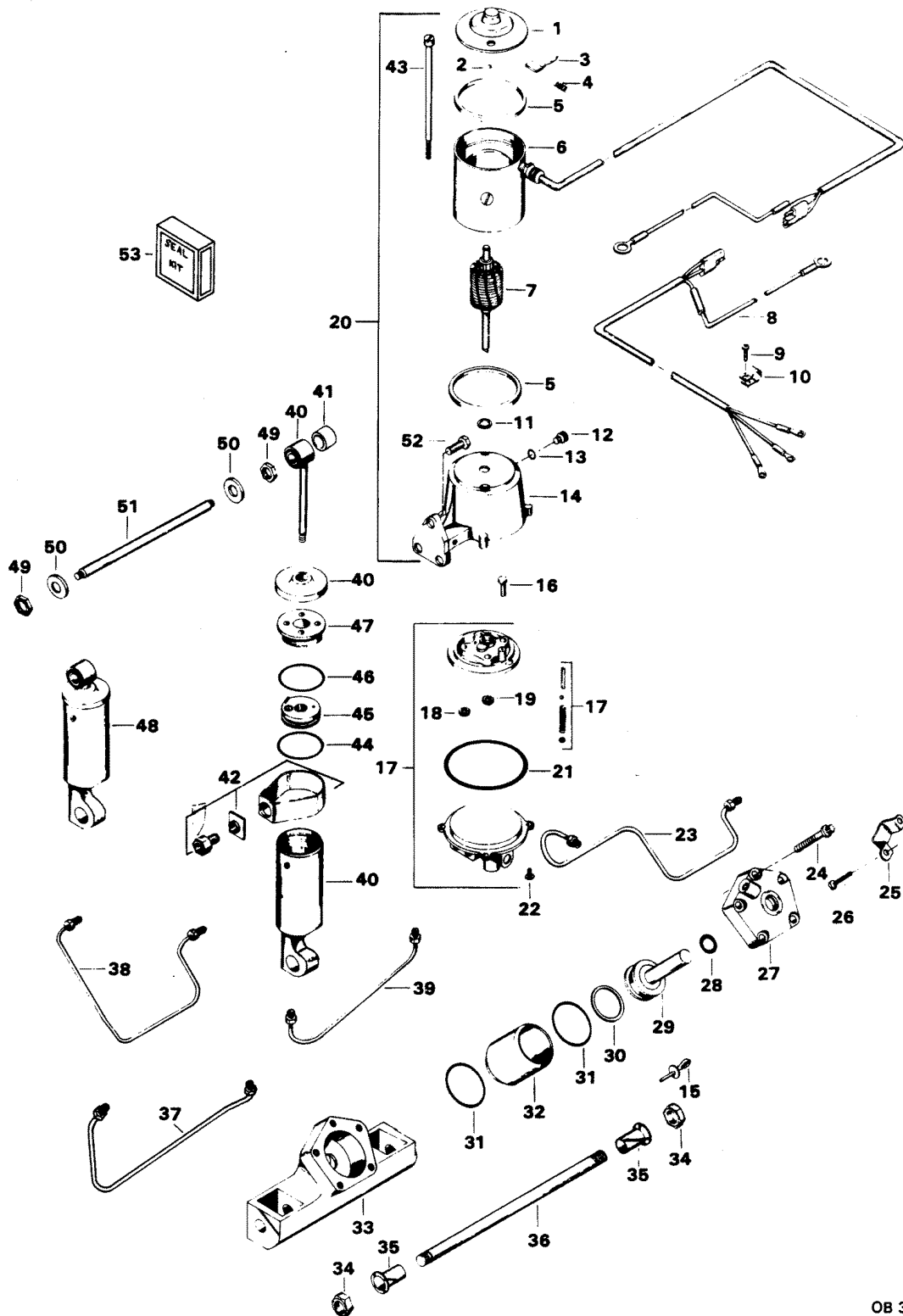
OB 3853

POWER TRIM UNIT

REF. NO.	PART NO.	SYM.	QTY.	DESCRIPTION
1	F17543		1	HEAD ASSEMBLY, COMMUTATOR END
2	F17539		1	BALL
3	F17504		1	BRUSH SET
4	F17500		1	BRUSH SET
5	F17557		2	GASKET
6	F17556		1	FIELD AND FRAME ASSEMBLY
7	F17555		1	ARMATURE
8	F500843		1	CABLE
9	F1741		2	THREAD FORMING SCREW, 8 X 3/4
10	F178446		2	CLAMP
11	F17508		A/R	THRUST WASHER
12	F17518		1	FILLER CAP
13	F17510		1	O - RING
14	F17505		1	RESERVOIR AND BRACKET W/SEAL
15	F1966		1	PLUG, SWIVEL BRACKET
16	F1203		1	HEX CAP SCREW, 1/4 - 20 X 7/8
17	F17564		1	VALVE BODY AND PUMP WILLUS. 16, 18, 19 AND 21
18	F17566		1	IDLE GEAR
19	F17565		1	DRIVE GEAR
20	F17563		1	MOTOR AND RESERVOIR
21	F17522		1	O-RING
22	F1310		4	ROUND HD SCREW, 10 - 24 X 5/8
23	F449254		1	HYDRAULIC LINE, TRIM CYLINDER, UPPER
24	F1959		5	SCREW, 1/4 - 20 X 1 - 3/4, STAINLESS STEEL
25	F449354		1	THRUST BRACKET
26	F1734		2	SCREW AND LOCKWASHER, 1/4 - 20 X 1/2
27	FA449149		1	COVER W/SEALS AND RETAINER
28	F449342		1	SEAL, PISTON SHAFT
29	FA449015		1	PISTON
30	F449278		1	PISTON SEAL
31	F40278		2	SEAL, CYLINDER
32	F449545-2		1	CYLINDER HOUSING
34	F1963		2	NUT, 5/8 - 18
35	F449362		2	BEARING
36	F449632		1	SHAFT
37	F449253-1		1	HYDRAULIC LINE, TRIM CYLINDER, LOWER
38	F449758		1	HYDRAULIC LINE, LIFT CYLINDER, UPPER
39	F449754-1		1	HYDRAULIC LINE, LIFT CYLINDER, LOWER
40	FA17559		1	LIFT CYLINDER COMPLETE WILLUS. 41
41	F178344		2	BUSHING, SHOCK ABSORBER - UPPER
42	F17577		1	ADAPTER FITTING PACKAGE
43	F17558		2	THRU-BOLT PACKAGE
-	F1877		2	TY-RAP (NOT SHOWN)

CONTINUED ON NEXT PAGE ➡

POWER TRIM UNIT



OB 3853

POWER TRIM UNIT

REF. NO.	PART NO.	SYM.	QTY.	DESCRIPTION
44	FA17561-1		1	O-RING W/LITERATURE
45	F17562-1		1	PISTON ASSEMBLY
46	F17528		1	O-RING
47	F17560		1	HEAD ASSEMBLY
48	FA178962		1	SHOCK ABSORBER W/ILLUS. 41
49	F1931		2	NUT, 1/2 - 20, STAINLESS STEEL
50	F1960		2	PLAIN WASHER
51	F449889		1	SHAFT, UPPER
52	F1822		3	SCREW, 5/16 - 18 X 7/8, STAINLESS STEEL
53	FK1083		1	SEAL KIT - INCLUDES ITEMS MARKED WITH AN ASTERISK (*)

SPECIAL TOOLS - TUNE-UP

REF. NO.	PART NO.	SYM.	QTY.	DESCRIPTION
-	FT8948-1		0	PULLER TO REMOVE FLYWHEEL.
-	FTA2937-1		0	TIMING TOOL TO ADJUST TIMING POINTER.
-	FT8978		0	POWER TIMING LIGHT FOR ADJUSTMENT OF ENGINE TIMING.
-	FT2951		0	CIRCUIT TRACER TO TROUBLESHOOT ELECTRICAL SYSTEM.
-	FT2938-1		0	BATTERY POWERED TEST LIGHT TO CHECK FOR CONTINUITY.

SPECIAL TOOLS - POWER HEAD

REF. NO.	PART NO.	SYM.	QTY.	DESCRIPTION
-	FT8914		0	SEAL REMOVER TO REMOVE UPPER CRANKSHAFT BEARING CAGE SEAL.
-	FT8927		0	SEAL PROTECTOR TO INSTALL UPPER CRANKSHAFT BEARING CAGE.
-	FT8907		0	DRIVE HANDLE USED WITH T 8903.
-	FT8925		0	SEAL INSTALLER TO INSTALL LOWER CRANKSHAFT SEAL.
-	FT2953		0	SOCKET TO TORQUE CONNECTING ROD SCREWS.
-	FT2990		0	PISTON PIN TOOL TO REMOVE AND INSTALL PISTON PINS.
-	FTA8994		0	PISTON PIN TOOL USE WITH T 2990.
-	FT2996		0	RING COMPRESSOR TO INSTALL PISTON IN CYLINDER.
-	FT8926		0	RING EXPANDER TO INSTALL PISTON RINGS.
-	FT8903		0	SEAL INSTALLER TO INSTALL UPPER CRANKSHAFT BEARING CAGE SEAL.
-	FT1082		0	SNAP RING PLIER TO REMOVE AND INSTALL DISTRIBUTOR RETAINING RING.
-	FT8933		0	LIFTING HOOK TO LIFT ENGINE.
-	FT2998		0	TORQUE WRENCH TO PROPERLY TIGHTEN FASTENERS.
-	FT2999		0	TORQUE WRENCH TO PROPERLY TIGHTEN FASTENERS.
-	FT2991		0	CARBON BRUSH TO REMOVE CARBON FROM INSIDE ENGINE.
-	FT8900		0	HOSE CLAMP PLIERS TO REMOVE AND INSTALL FUEL HOSE CLAMPS.

SPECIAL TOOLS - GEAR HOUSING

REF. NO.	PART NO.	SYM.	QTY.	DESCRIPTION
-	FT8948-1		0	PULLER TO REMOVE SPOOL FROM GEAR HOUSING.
-	FT8985		0	SEAL INSTALLER TO INSTALL PROPELLER SHAFT SEAL IN PROPELLER SHAFT BEARING SPOOL.
-	FT8925		0	SEAL INSTALLER TO INSTALL DRIVESHAFT SEAL IN GEAR HOUSING COVER.
-	FT8907		0	DRIVER HANDLE TO INSTALL BEARING CUPS AND SEALS.
-	FT8901		0	INDICATOR HOLDER USED IN CONJUNCTION WITH T 8997.
-	FT8902		0	DIAL INDICATOR USED IN CONJUNCTION WITH T 8997.
-	FT8919		0	SPRING PIN PUNCH TO REMOVE CLUTCH SPRING PIN.
-	FT8957		0	SEAL INSTALLER TO INSTALL SHIFT ROD SEAL.
-	FT8997		0	SHIMMING TOOL TO SHIM LOWER UNIT.
-	FT8918		0	BEARING GUIDE SET TO REMOVE FORWARD BEARING CUP IN GEAR HOUSING.
-	FT11209		0	BEARING GUIDE SET USE WITH T 8918.
-	FT11207		0	BEARING CUP REMOVER TO REMOVE FORWARD BEARING CUP IN GEAR HOUSING.
-	FT11204		0	BEARING CUP INSTALLER TO INSTALL FORWARD BEARING CUP IN GEAR HOUSING.
-	FT3012		0	SEAL INSTALLER TO INSTALL WATER PUMP SEAL.
-	FT11205		0	BEARING INSTALLER/REMOVER TO INSTALL AND REMOVE LOWER DRIVESHAFT BEARING IN GEAR HOUSING.
-	FT7848		0	TORQUING ADAPTER HOLD DRIVESHAFT WHILE INSTALLING OR REMOVING PINION NUT.

SPECIAL TOOLS - TEST EQUIPMENT

REF. NO.	PART NO.	SYM.	QTY.	DESCRIPTION
-	FT8950		0	LEAKAGE TESTER TO TEST LOWER UNIT SEALS FOR LEAKAGE.
-	FTK8999		0	TEST WHEEL TO TEST MOTOR IN TEST TANK. ORIGINAL FORCE P/N TA 8999
-	FT8953		0	IGNITION TESTER TO TEST OUTPUT OF C-D UNIT.

SPECIAL TOOLS - LUBRICANTS AND SEALANTS

REF. NO.	PART NO.	SYM.	QTY.	DESCRIPTION
-	FT2961		0	LUBRICANT - RYKON GREASE #2EP
-	FT2987-1		0	LUBRICANT - ANTI-SEIZE
-	FT8969		0	LUBRICANT - 7 OZ. LPSI LUBRICANT
-	FT8955		0	SEALANT - 5 OZ. EC-750 INDUSTRIAL SEALANT
-	FT8983		0	SEALANT - 3 OZ. RTV SEALANT FROM IN PLACE
-	FT8936-1		0	SEALANT - 2 CC LOCTITE RETAINING COMPOUND #75
-	FT2962-1		0	SEALANT - 50 CC LOCTITE H, NON-HARDENING GRADE
-	FT2963-2		0	SEALANT - 2 OZ. LOCTITE D, HARDENING GRADE
-	FT8935		0	SEALANT PRIMER - 6 OZ.

SPECIAL TOOLS - ACCESSORIES

REF. NO.	PART NO.	SYM.	QTY.	DESCRIPTION
-	F5H173		0	FLUSHING ADAPTER PERMITS FRESH WATER FLUSHING OF WATER PASSAGES WITH STANDARD GARDEN HOSE.
-	F5H130		0	REMOTE CONTROL BOX (SINGLE LEVER) (SURFACE MOUNT) PERMITS REMOTE CONTROL OF THROTTLE AND GEAR SHIFT FROM STARBOARD SIDE OF BOAT.
-	F5H120		0	REMOTE CONTROL BACK PLATE PROTECTS CONTROL MECHANISM FROM PADDED BOAT SURFACES.
-	F5H131		0	PORT SIDE DECAL KIT CONVERTS 5H130 CONTROL BOX TO PORT SIDE MOUNTING.
-	F590		0	REMOTE CONTROL HEAD (SINGLE LEVER) FLUSH MOUNT CONTROL UNIT PERMITS REMOTE CONTROL OF THROTTLE AND GEAR SHIFT. MAY BE MOUNTED ON PORT OR STARBOARD SIDE OF BOAT.
-	865		0	TWIN REMOTE CONTROL BOX PERMITS REMOTE CONTROL OF THROTTLE, AND GEAR SHIFT ON TWIN ENGINE INSTALLATIONS. MAY BE MOUNTED ON PORT OR STARBOARD SIDE OF BOAT.
-	F5H079		0	REMOTE CONTROL BOX FOR MOUNTING ON CONSOLE OF BOAT.
-	F5H080		0	TWIN REMOTE CONTROL BOX FOR MOUNTING ON CONSOLE OF BOAT.
-	F195/___		0	REMOTE CONTROL CABLES CONNECTS REMOTE CONTROL BOX TO THROTTLE AND GEAR SHIFT ON ENGINE. AVAILABLE IN 6 THROUGH 40 FOOT LENGTHS.
-	F5H108		0	STEERING CONNECTOR CLEVIS TYPE FOR BOAT MOUNTED STEERING AND NON THREADED CABLE END.
-	F5H018		0	DUAL ENGINE TIE BAR PERMITS DUAL ENGINE INSTALLATIONS.
-	F5H094		0	STEERING LINK CONNECTS ENGINE TO REMOTE STEERING CABLE.
-	F5H026		0	STEEL, 6 GALLON FUEL TANK (LOW PROFILE) AUXILIARY TANK.
-	F5H029		0	TANK ANCHOR SECURES 5H026 TO BOAT.
-	F5H040		0	STEEL, 12 GALLON FUEL TANK AUXILIARY TANK.
-	F5H019		0	ANTI-CORROSION KIT ELECTRICAL KIT FOR MOUNTING ON BOAT (12V) TO REDUCE CORROSION.
-	F5H025		0	ANTI-CORROSION SACRIFICIAL ANODE KIT USED TO REDUCE CORROSION.
-	F5H043		0	OVERHEAT BUZZER SOUNDS WARNING BUZZER IF ENGINE OVERHEATS.
-	F5H161		0	POWER TRIM INDICATOR INDICATES ENGINE TRIM ANGLE. (FLUSH MOUNT).
-	F5H134		0	BOAT WHITE LACQUER ENGINE TOUCH-UP PAINT IN 12-3/4 OZ. SPRAY BOMBS (6 CANS PER CASE).
-	F5H081		0	BATTERY CABLE LONGER LENGTH - 15 FEET.
-	F5H157		0	VOLTMETER - FLUSH MOUNT INDICATES BATTERY CONDITION.
-	F5H159		0	HOURMETER - FLUSH MOUNT RECORDS ENGINE RUNNING TIME.

CONTINUED ON NEXT PAGE ➡

SPECIAL TOOLS - ACCESSORIES

REF. NO.	PART NO.	SYM.	QTY.	DESCRIPTION
-	F5H119		0	PROPELLER SPACER - FLARED REDUCES PROPELLER VENTILATION ON SOME BOAT APPLICATIONS.
-	F5H069		0	RFI SUPPRESSION KIT PROVIDES RADIO NOISE SUPPRESSION.
-	F71H26		0	BATTERY TERMINAL KIT FOR POSITIVE AND NEGATIVE BATTERY POSTS.
-	F5H021		0	EXTENSION CABLE FOR LENGTHENING BATTERY CABLE 6-1/2 FEET.
-	F5H037		0	CIGAR LIGHTER FOR USE AS CONVENIENCE OUTLET.
-	5H158		0	FUEL GAUGE FLUSH MOUNT MONITORS FUEL SUPPLY.
-	F5H077		0	IGNITION KEY SWITCH SHORT BARREL WITH KEYS.
-	F5H078		0	IGNITION KEY SWITCH LONG BARREL WITH KEYS.
-	F762		0	REMOTE ELECTRIC CABLE 25 FOOT CABLE FOR LARGE BOATS.
-	F5H115		0	TRAILERING TILT LOCK SECURES ENGINE IN HALF-TILT POSITION FOR TRAILERING.
-	F5H044		0	TILT STOP KIT SHORTER TILT STOP FOR SHORT TRANSOM WELL.
-	F5H146		0	POWER TILT TILTS ENGINES FOR BEACHING.
-	F5H132		0	REMOTE CONTROL HANDLE TRIM SWITCH FOR CONVENIENT OPERATION OF POWER TRIM.
-	F5H070		0	REMOTE ELECTRIC CABLE 21 FOOT CABLE FOR LARGE BOATS.
-	F5H028		0	SENDING UNIT FOR USE WITH FUEL GAUGE.
-	F5H156		0	TEMPERATURE GAUGE - FLUSH MOUNT MONITORS ENGINE TEMPERATURE. DO NOT USE TEMPERATURE GAUGE AND HEAT LAMP IN SAME INSTALLATION.
-	F5H153		0	TACHOMETER FLUSH MOUNT MONITORS ENGINE R.P.M. TO PROVIDE CHECK OF ENGINE PERFORMANCE.
-	F5H150		0	POWER TRIM ADJUSTS ENGINE TRIM AND TILTS ENGINE.
-	F5H154		0	SPEEDOMETER FLUSH MOUNT MONITORS BOAT SPEED (10-50 M.P.H.)
-	F5H155		0	SPEEDOMETER - FLUSH MOUNT MONITORS BOAT SPEED (10-65 M.P.H.)
-	F5H076		0	SWITCH EXTENSION CABLE 5 FOOT LONG SWITCH WIRING HARNESS.
-	F5H030		0	SWITCH KIT - RUNNING LIGHTS DASH MOUNTED TOGGLE SWITCH
-	F5H031		0	SWITCH KIT - SPOT LIGHT DASH MOUNTED TOGGLE SWITCH
-	F5H032		0	SWITCH KIT - WIPER DASH MOUNTED TOGGLE SWITCH
-	F5H034		0	SWITCH KIT - BILGE PUMP DASH MOUNTED TOGGLE SWITCH
-	F5H035		0	SWITCH KIT - HORN DASH MOUNTED TOGGLE SWITCH
-	F5H039		0	SWITCH KIT - INSTRUMENT LIGHTS DASH MOUNTED TOGGLE SWITCH
-	F5H036		0	SWITCH KIT - TACHOMETER TRANSFER FOR ONE TACHOMETER ON DUAL ENGINE INSTALLATION.

CONTINUED ON NEXT PAGE ➡

SPECIAL TOOLS - ACCESSORIES

REF. NO.	PART NO.	SYM.	QTY.	DESCRIPTION
-	F5H038		0	SWITCH KIT - IGNITION SWITCH TO MOUNT IGNITION SWITCH IN DASH.
-	F563		0	TERMINAL BLOCK KIT DOUBLE ROW 10 SECTION, TO SIMPLIFY ACCESSORY INSTALLATION.
-	F5H075		0	WIRING HARNESS - IGNITION SWITCH - 24" USE WITH 563 TERMINAL BLOCK.
-	F596		0	CHRYSLER OUTBOARD OIL SEE BLOCK COMMENT 1.
-	F597		0	CHRYSLER OUTBOARD GEAR LUBE SEE BLOCK COMMENT 2.
-	F5H059		0	CHRYSLER OUTBOARD MULTI-PURPOSE GREASE LUBRICATES BEARINGS AND OTHER MOVING PARTS. AVAILABLE IN 8 OZ. TUBES AND 12 TUBE CASES.
-	F5H060		0	CHRYSLER OUTBOARD GREASE GUN

PARTS INDEX

Part Number	Description	Pg.	Ref. No.	Part Number	Description	Pg.	Ref. No.
5H158	FUEL GAUGE FLUSH MOUNT	58	-	F10171	VALVE SEAT	19	52
817747--1	BALL JOINT W/STUD	21	23	F10172	THROTTLE SHAFT RETURN SPRING	19	41
817747--1	BALL JOINT W/STUD	25	27	F10176	IDLE TUBE	19	51
817783A5	SWIVEL BRACKET	35	47	F10186	MAIN FUEL JET OPT. .076 7500 FT. AND UP	19	-
817786A1	DISTRIBUTOR PULLEY	13	3	F10187	MAIN FUEL JET OPT. .080 5000 - 7500 FT.	19	-
817788A3	SPACER PLATE	27	73	F10188	MAIN FUEL JET OPT. .084 2500 - 5000 FT.	17	-
817828A1	DISTRIBUTOR COMPLETE.	15	-	F10197	JET-NOZZLE VENT	17	20
817892--1	PLATE, IGNITION SWITCH - CANADA (NOT SHOWN)	9	-	F1052	FILL HD SCREW, 1/4 - 20 X 1	25	30
817932A6	TOWERSHAFT W/SWIVEL, BEARINGS AND SCREWS	25	24	F1059	FILL HD SCREW, 6 - 32 X 1/4	17	15
865	TWIN REMOTE CONTROL BOX	57	-	F1064	FILL HD SCREW, 8 - 32 X 3/8	17	37
89396A38	PRIME BULB	43	9	F1087	FILL HD SCREW, 10 - 24 X 13/16	7	2
A523010-1	CYLINDER W/CRANKCASE COVER,	25	1	F1099	FILL HD SCREW, 1/4 - 20 X 1-1/4	25	15
A615397	DECAL, PORT	3	7	F1099	FILL HD SCREW, 1/4 - 20 X 1-1/4	29	94
C523227	SPARK PLUG (CHAMPION QL-76V) - CANADA	29	-	F1107	SLOTTED FILL HD CAP SCREW, 1/4 - 20 X 3/4	29	95
F1009	HEX HD SCREW, 3/8 - 16 X 2-3/4	25	5	F1108	FILL HD SCREW, 1/4 - 20 X 3/4	21	13
F10090	FUEL BOWL RETAINING GASKET	17	21	F1203	HEX CAP SCREW, 1/4 - 20 X 7/8	49	16
F10127	FUEL BOWL	17	22	F1236	SCREW, 1/4 - 20 X 1/2	21	22
F10131	E-RING	17	10	F1253	HEX SOCKET HD CAP SCREW, 3/8 - 16 X 2	25	11
F10135	FLOAT	17	25	F1263	HEX SOCKET HD CAP SCREWS, 5/16 - 18 X 9/16	33	11
F10136	FLOAT LEVER PIN	17	24	F1280	PAN HD SCREW, 8 - 32 X 1/4	33	19
F10137	MAIN NOZZLE	17	23	F1280	PAN HD SCREW, 8 - 32 X 1/4 (TERMINAL BOARD) (NOT SHOWN)	47	-
F10138	FUEL BOWL GASKET	17	26	F1280	PAN HD SCREW; 8 - 32 X 1/4	47	42
F1014	COTTER PIN	17	11	F1280	SCREW, 8 - 32 X 1/4	7	33
F10140	CHOKE AND THROTTLE SHUTTER SCREW	17	31	F1286	PAN HD SCREW, 4 - 40 X 3/16	25	39
F10142	SPRING, FLOAT SUPPORT	19	55	F1310	ROUND HD SCREW, 10 - 24 X 5/8	49	22
F10143	CHOKE SHAFT RETURN SPRING	17	18	F1341	HEX NUT, 1/4 - 20	25	29
F10145	IDLE MIXTURE SCREW SPRING	17	28	F1346	HEX NUT	33	28
F10145	SPRING, NOZZLE COMPRESSION	19	56	F14005-2	CAP BASE	13	37
F10146	IDLE MIXTURE SCREW	17	29	F14007	CAP SCREW	13	33
F1015	COTTER PIN	39	46	F14010-1	CAP COVER	13	34
F10152	BODY CHANNEL CUP PLUG	19	48	F14012-1	BRUSH	13	39
F10153	BODY CHANNEL WELCH PLUG	19	49	F14015	CAP CLIP RIVET	13	21
F10155	SCREW	19	44	F14017	TERMINAL INSULATOR (OUTSIDE)	15	45
F10156	ELBOW (TOP CARBURETOR)	17	9	F14021-1	CAP SEAL	13	36
F10157	THROTTLE SHAFT AND LEVER	19	42	F14024	SPACER	15	42
F10158	THROTTLE SHUTTER	19	50	F14025	SPACER	13	4
F10159	CHOKE SHAFT AND LEVER	17	17	F14028	THRUST WASHER	13	5
F10160	CLIP, CHOKE SHAFT	17	39	F14029	THRUST WASHER	13	7
F10161	CHOKE, SHUTTER	17	30	F14030	CAP GASKET	13	38
F10162	MAIN FUEL JET STD. .086 SEA LEVEL	17	40	F14036	SWIVEL	13	13
F10164	FUEL FITTING (BOTTOM CARBURETOR)	17	7	F14037	CAP CLIPS	13	14
F10167	RETAINING RING, VALVE	19	54	F14038	CAP CLIP SCREWS	13	15
F10170	VALVE ASSY.	19	53	F14040	VENT	13	35

PARTS INDEX

Part Number	Description	Pg.	Ref. No.	Part Number	Description	Pg.	Ref. No.
F14041	EXTERNAL TOOTH LOCKWASHER	13	23	F1647	HEX NUT, 8 - 32	13	24
F14042	DISTRIBUTOR HOUSING W/BEARINGS	13	12	F1647	HEX NUT, 8 - 32	29	89
F14044	DISTRIBUTOR SHAFT	13	40	F1648	PAN HD SCREW, 10 - 24 X 3/4	7	16
F14045	SCREW	13	16	F1664	SPRING PIN	33	10
F14046	TERMINAL SCREW	13	19	F1689	HEX HD CAP SCREW, 1/4 - 20 X 1/2	9	42
F14047	TERMINAL INSULATOR (INSIDE)	13	20	F1692	WOODRUFF KEY	15	41
F14049	TERMINAL INSULATOR (OUTSIDE)	13	22	F1693	TIE BAR RETAINER NUT	17	36
F14056	SCREW	15	46	F1696	HEX BOLT, 5/16 - 18 X 1-3/4	33	23
F1425	HEX CAP SC, 1/4 - 20 X 5/8	41	-	F1699	HEX BOLT, 1/4 - 20 X 1-1/8	29	97
F1425	HEX CAP SCREW, 1/4 - 20 X 1-5/8	39	62	F1699	HEX HD SCREW, 1/4 - 20 X 1-1/8	25	10
F1461	SCREW #6 X 7/8	45	40	F17006	DETENT SPRING	45	18
F1473	HEX NUT	3	30	F17009	BEARING	45	14
F1475	FILL HD SCREW, 10 - 24 X 1/2	25	25	F17010-1	THROTTLE GEAR	45	16
F1491	HEX HD SCREW, 5/16 - 18 X 3-1/4	39	41	F17011	BOWED WASHER	45	15
F15034	SPRING SET	11	15	F17012	RETAINING PLATE	45	13
F15054	BRUSH AND TERMINAL SET	11	7	F17013	FILL HD SCREW, 1/4 - 20 X 1/2	45	11
F15057	BRUSH PLATE AND HOLDER ASSEMBLY	11	16	F17014	THROTTLE ARM	45	10
F15099	ARMATURE	11	5	F17016	CABLE TERMINAL	45	9
F15118	BENDIX DRIVE ASSEMBLY	11	1	F17019	CLUTCH ARM	45	5
F15125	HEAD ASSEMBLY, COMMUTATOR END	11	14	F17021	CLUTCH GEAR	45	19
F15126	THRUST WASHER PACKAGE	11	4	F17026	SWIVEL	45	24
F1513	HEX NUT	7	18	F1703	LOCKWASHER	27	71
F1513	HEX NUT	45	3	F1703	SPRING LOCKWASHER	35	53
F1513	HEX NUT, 10 - 32	21	27	F17030-1	SET SCREW	45	31
F1513	HEX NUT, 10 - 32	27	44	F17036	INTERNAL TOOTH LOCKWASHER	45	6
F1515	HEX NUT	7	24	F1704	INTERNAL TOOTH LOCKWASHER	23	48
F1515	HEX NUT	21	29	F1705	HEX CAP SCREW, 1/4 - 20 X 3/4	7	23
F15162	HEX LOCK NUT, 1/4 - 20 W/WASHER	11	8	F1705	HEX CAP SCREW, 1/4 - 20 X 3/4	37	1
F15166	FRAME AND FIELD ASSEMBLY	11	6	F17071	FILL HD SCREW, 10 - 24 X 5/16	45	22
F15167	HEAD ASSEMBLY, DRIVE END	11	3	F17071	SNAP RING	45	21
F15168	THRU BOLT PACKAGE	11	10	F1708	HEX HD SCREW, 1/4 - 20 X 1-3/8	5	37
F1532	HEX HD SCREW, 1/4 - 20 X 1	21	20	F17082-1	DETENT BALL	45	38
F1532	HEX HD SCREW, 1/4 - 20 X 1	25	35	F17099	HOUSING	45	36
F1532	HEX HD SCREW, 1/4 - 20 X 1	29	109	F1710	PLAIN WASHER	33	33
F154317	CABLE CLAMP	45	23	F17100	CLUTCH SHAFT	45	20
F1556	FILL HD SCREW, W/LOCKWASHER, 10 - 24 X 3/8	25	31	F17105	FELT WASHER	45	33
F1577	FILL HD SCREW, 1/4 - 20 X 3/4	37	19	F1711	SPRING BOWED WASHER	33	41
F1593	HEX HD SCREW, 3/8 - 16 X 3	33	26	F17111	DETENT BALL	45	17
F1612	HEX CAP SCREW, 3/8 - 16 X 1-1/4	13	8	F1713	SPRING PIN	37	25
F1641	LOCK NUT, 1/4 - 28	11	2	F17141	ROUND HD SCREW, 10 - 24 X 3/8	45	25
F1645	RD HD SCREW, 6 - 32 X 1/4	23	49	F17149	COTTER PIN	45	8
F1645	SCREW, 6 - 32 X 1/4	7	27	F17153	RETAINER PLATE	45	26
F1647	HEX NUT, 8 - 32	7	6	F17154	COLLAR	45	34
				F17154	WOOD SCREW	45	35
				F17155	HEX BOLT, 1/4 - 28 X 1/2	45	7
				F17157	DETENT SPRING	45	37
				F1727	PLASTIC RIVET	25	26
				F1729	PLUG	33	8

PARTS INDEX

Part Number	Description	Pg.	Ref. No.	Part Number	Description	Pg.	Ref. No.
F1733	PAN HD MACHINE SCREW, 10 - 24 X 9/16	3	2	F178404-1	DEFLECTOR PLATE	21	36
F1734	FILL HD SCREW W/LOCKWASHER, 1/4 - 20 X 1/2	7	14	F178446	CLAMP	49	10
F1734	SCREW AND LOCKWASHER, 1/4 - 20 X 1/2	49	26	F178754-1	FUEL LINE	17	8
F1741	SCREW, 8 X 3/4	7	35	F1788	STOP NUT	37	15
F1741	THREAD FORMING SCREW, 8 X 3/4	49	9	F18160-2	CYLINDER DRAIN REED	27	42
F17500	BRUSH SET	49	4	F1822	HEX BOLT, 5/16 - 18 X 7/8	35	58
F17504	BRUSH SET	49	3	F1822	SCREW, 5/16 - 18 X 7/8, STAINLESS STEEL	51	52
F17505	RESERVOIR AND BRACKET W/SEAL	49	14	F1831	FLAT HD SCREW, 1/4 - 20 X 5/8	23	42
F17508	THRUST WASHER	49	11	F1832	STOP NUT, 1/4 - 20	27	65
F17510	O - RING	49	13	F184033-1	SWIVEL, TOP CARBURETOR	17	14
F17518	FILLER CAP	49	12	F184122-1	SEAL	29	-
F17522	O-RING	49	21	F184122-1	SEAL, PARTING LINE	27	47
F17528	O-RING	51	46	F184579	O-RING SEAL	17	13
F17539	BALL	49	2	F1851	FILL HD SCREW W/LOCKWASHER, 10 - 24 X 1/2	7	39
F17543	HEAD ASSEMBLY, COMMUTATOR END	49	1	F1854	HEX CAP SCREW, 1/4 - 20 X 5/8	3	19
F1755	ROUND HD SCREW W/LOCKWASHER 6 - 32 X 1/4	21	38	F1856	PLAIN WASHER	41	72
F17555	ARMATURE	49	7	F1857	HEX CAP SCREW, 5/16 - 18 X 5/8	3	17
F17556	FIELD AND FRAME ASSEMBLY	49	6	F1857	HEX CAP SCREW, 5/16 - 18 X 5/8	3	29
F17557	GASKET	49	5	F1858	HEX CAP SCREW, 5/16 - 18 X 1	3	18
F17558	THRU-BOLT PACKAGE	49	43	F1858	HEX CAP SCREW, 5/16 - 18 X 1	39	39
F17560	HEAD ASSEMBLY	51	47	F1860	RD HD SCREW, 6 - 32 X 1/4	21	9
F17562-1	PISTON ASSEMBLY	51	45	F1864	HEX CAP SCREW, 1/4 - 20 X 3/4	3	10
F17563	MOTOR AND RESERVOIR	49	20	F1864	HEX CAP SCREW, 1/4 - 20 X 3/4	27	76
F17564	VALVE BODY AND PUMP	49	17	F1864	HEX HD SCREW, 1/4 - 20 X 3/4	25	13
F17565	DRIVE GEAR	49	19	F1864	HEX SLOT HD SCREW, 1/4 - 20 X 3/4	33	3
F17566	IDLE GEAR	49	18	F1866	PLAIN WASHER	41	71
F17577	ADAPTER FITTING PACKAGE	49	42	F1867	HEX CAP SCREW, 3/8 - 16 X 1	31	18
F1759	SHIM, DISTRIBUTOR (QTY. AS REQUIRED)	13	11	F1869	HEX CAP SCREW, 3/8 - 16 X 1-1/4	27	70
F1760	PAN HD SCREW, 10 - 24 X 3/8	7	19	F1871	HEX HD SCREW, 3/8 - 16 X 3/4	35	54
F1760	PAN HD SCREW, 10 - 24 X 3/8	13	25	F1872	HEX CAP SCREW, 3/8 - 16 X 1-3/4	25	14
F1760	PAN HD SCREW, 10 - 24 X 3/8	25	3	F1873	HEX CAP SCREW, 3/8 - 16 X 3	25	9
F177330	FUEL PUMP VALVE	21	10	F1874	HEX HD SCREW, 3/8 - 16 X 1/8	25	4
F1778	PLAIN WASHER	13	9	F1877	TY-RAP	7	29
F178145-3	MOTOR LEG COVER REAR	33	9	F1877	TY-RAP (NOT SHOWN)	49	-
F17816	SEAL, FUEL LINE COUPLER (LARGE)	43	4	F1885	HEX BOLTS. S.S., 5/16 - 18 X 4-1/4	27	58
F178168-1	CARBURETOR ADAPTER GASKET	29	-	F1885	HEX CAP SCREW, 5/16 - 18 X 4-1/4	37	6
F178168-1	GASKET, CARBURETOR ADAPTER	21	35	F1892	STOP NUT	9	52
F17817	SEAL, FUEL TANK ADAPTER	43	12	F1904	PLAIN WASHER	33	27
F178323	SEAL, MOTOR LEG	33	13	F1907	PLAIN WASHER	37	7
F178344	BUSHING, SHOCK ABSORBER - UPPER	49	41				
F178362	BEARING	33	35				

PARTS INDEX

Part Number	Description	Pg.	Ref. No.	Part Number	Description	Pg.	Ref. No.
F1910	STOP NUT, 1/4 - 20	21	25	F2008	HEX HD SCREW, 1/4 - 20 X		
F19109	PLUG	27	81		7/8	25	7
F1912	HEX HD SCREW, 10 - 24 X			F2008	HEX HD SCREW, 1/4 - 20 X		
	1/2	35	51		7/8	25	8
F1922	HEX CAP SCREW, 1/4 - 20 X			F2014	PLAIN WASHER	35	67
	5/8	3	14	F2015	HEX NUT, 1/4 - 28	25	19
F1922	HEX CAP SCREW, 1/4 - 20 X			F2016	FILL HD SCREW, 6 - 32 X 7/8	23	47
	5/8	11	11	F2030	HEX HD SCREW, 1/4 - 20 X		
F1922	HEX CAP SCREW, 1/4 - 20 X				1-1/4	35	55
	5/8	21	5	F203276	BOOT	13	30
F1922	HEX CAP SCREW, 1/4 - 20 X			F2033	GROOVE PIN	17	3
	5/8	27	55	F203673	TERMINAL CLIP	13	31
F1931	NUT, 1/2 - 20, STAINLESS			F2042	PLAIN WASHER	25	21
	STEEL	51	49	F2042	PLAIN WASHER	27	62
F1934	FLAT HD SLOTTED SCREW,			F2047	WAVE SPRING		
	6 X 12	9	50		LOCKWASHER	3	24
F1936	SPACER, BEVEL GEAR			F2049	HEX CAP SCREW, 5/16 - 18		
	FRONT .059	37	-		X 2-5/8	29	83
F1937	SPACER, BEVEL GEAR			F2066	PAN HD TAPPING SCREW,		
	FRONT .062	37	-		10 X 7/16 (TRIM TO		
F1938	SPACER, BEVEL GEAR				COVER)	3	32
	FRONT .065	37	-	F2067	PLASTISOL CAP (NOT		
F1939	SPACER, BEVEL GEAR				SHOWN) FOR EXPOSED		
	FRONT .068	37	-		THREADS OF		
F1940	SPACER, BEVEL GEAR				CRANKSHAFT	31	-
	FRONT .071	37	-	F2088	FASTENER	3	35
F1941	SPACER, BEVEL GEAR			F2089	SLOTTED PAN HD M.		
	FRONT .074	37	-		SCREW 10 - 24 X 5/16	27	63
F1942	SPACER, BEVEL GEAR			F2090	PLUG	27	74
	FRONT .077	37	-	F2093	STOP NUT, 3/8 - 24	33	15
F195/_	REMOTE CONTROL CABLE			F2107	FILL HD SCREW, 10 - 24 X		
	(SPECIFY LENGTH)	45	4		5/8	7	9
F195/_	REMOTE CONTROL CABLES	57	-	F2108	LOCK NUT	35	64
F1950	HEX CAP SCREW, 10 - 24 X			F2108	STOP NUT, 5/16 - 18	27	64
	5/8	29	101	F2113	SPACER, BEVEL GEAR		
F1959	SCREW, 1/4 - 20 X 1 - 3/4,				FRONT .080	37	-
	STAINLESS STEEL	49	24	F2114	SPACER, BEVEL GEAR		
F1960	PLAIN WASHER	51	50		FRONT .083	37	-
F1963	NUT, 5/8 - 18	49	34	F2115	SPACER, BEVEL GEAR		
F1966	PLUG, SWIVEL BRACKET	49	15		FRONT .086	37	-
F1968	FLYWHEEL NUT	31	20	F2116	SPACER, BEVEL GEAR		
F1975	SPRING LOCKWASHER	7	10		FRONT .089	37	-
F1975	SPRING LOCKWASHER	13	26	F2117	SPACER, BEVEL GEAR		
F197787-3	FUEL LINE COUPLER	43	6		REAR	41	78
F1987	PLAIN WASHER	29	84	F2118	SPACER, BEVEL GEAR		
F1987	PLAIN WASHER	35	65		REAR	41	-
F1990	HEX CAP SCREW	41	-	F2119	SPACER, BEVEL GEAR		
F1990	HEX CAP SCREW, 1/4 - 20 X				REAR	41	-
	1-5/8	39	60	F2120	SPACER, BEVEL GEAR		
F1994	HEX SOCKET HD CAP				REAR	41	-
	SCREW, 5/16 - 18 X 1	39	36	F2121	SPACER, BEVEL GEAR		
F1997	STOP NUT, 8 - 32	19	47		FRONT .057	37	-
F2000	HEX CAP SCREW, 5/16 - 18			F2122	SPACER, BEVEL GEAR		
	X 3/4	9	47		FRONT .054	37	-
F2008	HEX CAP SCREW, 1/4 - 20 X			F213274	GREASE FITTING	13	27
	7/8	29	85	F213274	GREASE FITTING	33	43
F2008	HEX CAP SCREW, 1/4 - 20 X			F24278	PROPELLER SHAFT SPOOL		
	7/8	39	55		SEAL	41	-
F2008	HEX HD SCREW, 1/4 - 20 X			F24278	SEAL, O-RING PROPELLER		
	7/8	23	43		SHAFT SPOOL	37	10

PARTS INDEX

Part Number	Description	Pg.	Ref. No.	Part Number	Description	Pg.	Ref. No.
F269319	THROTTLE CAM BEARING	21	26	F404470-1	REGULATOR-RECTIFIER	7	8
F284659-2	BEARING, CRANKSHAFT UPPER MAIN	31	21	F404513	COIL CLAMP	7	40
F289446-1	CLAMP	7	12	F404801	ELBOW, CYLINDER DRAIN UPPER (NOT SHOWN)	25	-
F298788	FERRULE	43	7	F404841	CABLE, HEAT INDICATOR	7	37
F2A406757	CYLINDER DRAIN REED PLATE	27	43	F405457	PIVOT SCREW	25	33
F2A523239	SPOOL, PROPELLER SHAFT BEARING	37	11	F406406	DEFLECTOR PLATE GASKET	29	-
F2A523662	BEVEL GEAR REAR W/BEARING CAGE SPACER AND BEARING	37	21	F406406	GASKET DEFLECTOR PLATE	21	37
F2A550706	GEAR HOUSING COVER	39	52	F406471-1	CYLINDER DRAIN COVER	25	37
F307317-1	CLIP, TERMINAL BLOCK	7	17	F406754-1	HOSE	27	56
F316579	SEAL, CRANKCASE	31	11	F40689-1	BEARING	27	72
F316599	SEAL, STEERING SUPPORT TUBE	33	44	F407446	CLAMP	7	31
F319908	GROUND WIRE - CANADA	9	55	F409251-1	GAUGE CAP	43	1
F321756	PACKING COVER	3	25	F433209-1	THROTTLE CAM STUD	21	32
F321841-4	LEAD WIRE - USA	13	32	F438066	BY-PASS VALVE COVER	29	102
F322273	STUD, C.D. UNIT	9	48	F438129	SEAL, DRIVESHAFT SPLINE	41	70
F333316	THROTTLE ROLLER SHAFT	19	45	F438165	SCREW, FUEL PUMP BOWL	21	18
F333480-1	RETAINER, ENGINE COVER	3	31	F438169	BEARING	33	38
F335215	SPACER, PISTON PIN (2 PER PISTON)	31	3	F438271	RETAINER, CRANKSHAFT SPLINE SEAL	41	69
F335217-1	BEARING, PISTON PIN (26 PER SET)	31	5	F438346	SHOCK MOUNT LOWER	35	61
F335654-1	DEFLECTION STOP	3	15	F438398-1	DECAL, WIRING	29	96
F338618-1	GEAR SHIFT ROD SEAL	41	-	F438500	FUEL SEDIMENT BOWL	21	17
F338618-1	SEAL, GEAR SHIFT ROD	39	53	F438617	FUEL SEDIMENT BOWL GASKET	21	15
F345475-1	COIL	9	44	F438653	FUEL SEDIMENT BOWL SCREEN	21	16
F345683	WIRE, REGULATOR- RECTIFIER GROUND	7	5	F438668	RETAINER, CABLE CLAMP	7	13
F351307	SEAL, DRIVESHAFT - WATER PUMP	39	63	F438744-1	WIRING HARNESS	7	4
F353480	STUD	33	29	F438747	FUEL PUMP DIAPHRAGM	21	8
F369610	BEARING	27	67	F438754	FUEL LINE	17	16
F369887	SHOULDER SCREW	27	68	F438760	FUEL PUMP GASKET	21	4
F369977-1	INTERLOCK ARM	27	66	F438801	FITTING	21	14
F372151-1	EXHAUST PORT PLATE	29	100	F438841-1	LEAD WIRE - CANADA	13	-
F372152-2	EXHAUST PORT COVER	29	98	F438905	COIL WIRE - CANADA	13	-
F372154-1	EXHAUST PLATE GASKET	29	-	F438930	RETAINER, SNOUT	39	38
F372154-1	GASKET, EXHAUST PORT PLATE	29	99	F438962	SHOCK MOUNT LOWER REAR	33	12
F372925	CHOKE ROD	17	4	F439736	SEAL, EXHAUST TUBE	35	68
F372958	CHOKE BRACKET	21	19	F440906	CARBURETOR GASKET	29	-
F381896-4	BATTERY CABLE	7	30	F441754-1	HOSE	21	3
F391926-1	PLUNGER	17	5	F448446	CLAMP, TRIM SWITCH CABLE	45	41
F391983	RETAINING BAND	9	51	F448543	KNOB	45	29
F3A523158	REED PLATE	21	41	F448611-1	LEVER	45	30
F3C615944	ENGINE COVER COMPLETE	3	-	F448894	INDICATOR - PORT	45	-
F40209	CARBURETOR STUD	21	30	F449253-1	HYDRAULIC LINE, TRIM CYLINDER, LOWER	49	37
F40223	GASKET, TRANSFER PORT COVER	27	52	F449254	HYDRAULIC LINE, TRIM CYLINDER, UPPER	49	23
F40223	TRANSFER PORT COVER GASKET	29	-	F449278	PISTON SEAL	49	30
F40278	SEAL, CYLINDER	49	31	F449342	SEAL, PISTON SHAFT	49	28
F404268	BY-PASS VALVE SPRING	29	104	F449354	THRUST BRACKET	49	25
F404314	ELBOW, FUEL PUMP COVER	21	2	F449362	BEARING	49	35
F404314	FITTING	27	57	F449545-2	CYLINDER HOUSING	49	32
				F449632	SHAFT	49	36
				F449754-1	HYDRAULIC LINE, LIFT CYLINDER, LOWER	49	39

PARTS INDEX

Part Number	Description	Pg.	Ref. No.	Part Number	Description	Pg.	Ref. No.
F449758	HYDRAULIC LINE, LIFT CYLINDER, UPPER	49	38	F523274	GREASE FITTING	33	39
F449889	SHAFT, UPPER	51	51	F523280	NUT, STEERING SUPPORT TUBE	35	48
F449894	INDICATOR - STARBOARD	45	32	F523300-1	SPRING	33	18
F455449	SWITCH, TRIM	45	39	F523411	RETAINING RING, BEARING CAGE	37	22
F460917	STARTER RELAY	7	26	F523451	SPACER, REED STOP	23	50
F474073-1	CLAMP SCREW	33	31	F523498	DRIVE KEY, WATER PUMP	39	67
F474387-1	TIMING DECAL	9	56	F523498	KEY	41	-
F476066-1	THERMOSTAT COVER	29	93	F523555	GEAR HOUSING COVER SEAL	41	-
F476067	GASKET	29	90	F523555	SEAL, O-RING, GEAR HOUSING COVER	39	48
F476067	THERMOSTAT COVER GASKET	29	-	F523562	PLATE, WATER PUMP	39	57
F476529-1	CYLINDER HEAD GASKET	27	79	F523562	PLATE, WATER PUMP	41	-
F476529-1	CYLINDER HEAD GASKET	29	-	F523705	GEAR SHIFT ROD LOWER	39	45
F480038-2	SUPPORT PLATE	3	11	F523813	BEARING CUP	37	29
F480107-1	CAM STARTER INTERLOCK	27	60	F523834	CLIP, SPARK PLUG WIRE	27	54
F480388	DISC, WATER PUMP LOCATING	39	61	F523881-2	STEERING LINK	33	16
F480818	BEARING	3	9	F523899	GROMMET, WATER LINE	37	4
F481382-1	SPACER, LATCH SHAFT	3	23	F523901	BEARING, BEVEL GEAR REAR	41	77
F481434	GUIDE, ENGINE COVER	3	36	F523930	RETAINER	33	21
F481774	BRACKET, COVER LATCH	3	26	F523961	CRUSH RING	39	49
F481777	CAM, LATCH	3	22	F523962	SHOCK MOUNT - C.D. UNIT	9	46
F485755-1	FUEL TANK ADAPTER	43	3	F528068	THERMOSTAT	29	91
F489551	BRACKET NEUTRAL INTERLOCK SWITCH	23	44	F528995	COVER, CYLINDER HEAD	29	82
F490955	STARTER COMPLETE	11	-	F530160	REED (5 PETAL)	21	40
F498618	GEAR SHIFT ARM PIN SEAL	41	-	F545189	BUSHING, CABLE ENTRY	3	13
F498618	O-RING	37	31	F548984	BLANKET, SILENCER TOP (NOT SHOWN)	5	-
F498891	PIN, GEAR SHIFT ARM	39	32	F549189	BUSHING, ELECTRIC CABLE	3	12
F498891	PIN, PROPELLER NUT RETAINING	37	14	F552985	BLANKET, SILENCER SIDE (NOT SHOWN)	5	-
F500843	CABLE	49	8	F563	TERMINAL BLOCK KIT	59	-
F50109	PLUG, GEAR HOUSING	39	43	F580892	DECAL, STARBOARD	45	27
F50342-1	BEARING CAGE BOLT SEAL	41	-	F581892	DECAL, PORT	45	-
F50342-1	SEAL, O-RING	37	8	F585061	CARBURETOR COMPLETE, TOP (WE-6-1)	17	27
F506118	PROPELLER SHAFT SEAL	41	-	F586061	CARBURETOR COMPLETE, BOTTOM (WE-6-2)	17	-
F506118	SEAL, DRIVESHAFT	39	51	F58685-2	CONNECTOR, SHIFT CABLE	45	2
F506118	SEAL, PROPELLER SHAFT	37	9	F590	REMOTE CONTROL HEAD (SINGLE LEVER)	57	-
F510374	DECAL, CIRCUIT BREAKER - USA	7	41	F596	CHRYSLER OUTBOARD OIL	59	-
F510460	CIRCUIT BREAKER	7	22	F597	CHRYSLER OUTBOARD GEAR LUBE	59	-
F511125-2	TUBE, STEERING SUPPORT	33	42	F5H018	DUAL ENGINE TIE BAR	57	-
F511675	STARTER BRACKET, LOWER	11	13	F5H019	ANTI-CORROSION KIT	57	-
F523031	GASKET, WATER PUMP	39	56	F5H021	EXTENSION CABLE	58	-
F523031	GASKET, WATER PUMP	41	-	F5H025	ANTI-CORROSION SACRIFICIAL ANODE	57	-
F523057	BEARING, DRIVESHAFT LOWER	39	65	F5H026	FUEL TANK (ACCESSORY ITEM)	43	2
F523065-1	IMPELLER	41	-	F5H026	STEEL, 6 GALLON FUEL TANK (LOW PROFILE)	57	-
F523065-1	IMPELLER, WATER PUMP	39	58	F5H028	SENDING UNIT	58	-
F523094-2	PROPELLER NUT	37	13	F5H029	TANK ANCHOR	57	-
F523099-1	SPACER, PROPELLER	37	18	F5H030	SWITCH KIT - RUNNING LIGHTS	58	-
F523116-1	EXHAUST SNOUT	39	37				
F523133-2	MOTOR LEG	33	14				
F523146-1	SEAL, CRANKSHAFT LOWER	31	13				
F523188	NUT, BEVEL PINION	39	34				
F523244	INLET WATER LINE	37	5				
F523273	STEERING BALL STUD	33	22				

PARTS INDEX

Part Number	Description	Pg.	Ref. No.	Part Number	Description	Pg.	Ref. No.
F5H031	SWITCH KIT - SPOT LIGHT	58	-	F5H157	VOLTMETER - FLUSH MOUNT	57	-
F5H032	SWITCH KIT - WIPER	58	-	F5H159	HOURMETER - FLUSH MOUNT	57	-
F5H034	SWITCH KIT - BILGE PUMP	58	-	F5H161	POWER TRIM INDICATOR	57	-
F5H035	SWITCH KIT - HORN	58	-	F5H173	FLUSHING ADAPTER	57	-
F5H036	SWITCH KIT - TACHOMETER TRANSFER	58	-	F7004	STOP NUT, 3/8 - 16	27	51
F5H037	CIGAR LIGHTER	58	-	F7008	ELASTIC STOP NUT	25	34
F5H038	IGNITION SWITCH MOUNTING KIT (ACCESSORY ITEM)	9	49	F7012	STOP NUT	33	25
F5H038	SWITCH KIT - IGNITION SWITCH	59	-	F7013	STOP NUT	13	2
F5H039	SWITCH KIT - INSTRUMENT LIGHTS	58	-	F71H26	BATTERY TERMINAL KIT	58	-
F5H040	STEEL, 12 GALLON FUEL TANK	57	-	F71H26	BATTERY TERMINAL KIT (ACCESSORY ITEM)	7	32
F5H043	OVERHEAT BUZZER	7	36	F74305	GEAR HOUSING COVER SEAL	41	-
F5H043	OVERHEAT BUZZER	57	-	F74305	SEAL, DRIVESHAFT BEARING CAGE	39	50
F5H044	TILT STOP KIT	58	-	F762	REMOTE ELECTRIC CABLE	58	-
F5H059	CHRYSLER OUTBOARD MULTI-PURPOSE GREASE	59	-	F8003	PLAIN WASHER	25	40
F5H060	CHRYSLER OUTBOARD GREASE GUN	59	-	F8011	PLAIN WASHER	7	20
F5H069	RFI SUPPRESSION KIT	58	-	F8028	PLAIN WASHER	11	12
F5H070	REMOTE ELECTRIC CABLE	58	-	F8038	PLAIN WASHER	25	6
F5H075	WIRING HARNESS - IGNITION SWITCH - 24"	59	-	F8038	PLAIN WASHER	33	17
F5H076	SWITCH EXTENSION CABLE	58	-	F8056	LOCKWASHER	13	18
F5H077	IGNITION KEY SWITCH	58	-	F8056	LOCKWASHER	15	43
F5H078	IGNITION KEY SWITCH	58	-	F8056	LOCKWASHER	29	88
F5H078	IGNITION SWITCH (LONG BARREL)	7	34	F8056	SPRING LOCKWASHER	7	7
F5H079	REMOTE CONTROL BOX	57	-	F8058	INTERNAL TOOTH LOCKWASHER	21	24
F5H080	TWIN REMOTE CONTROL BOX	57	-	F8058	INTERNAL TOOTH LOCKWASHER	27	78
F5H081	BATTERY CABLE	57	-	F8061	INTERNAL TOOTH LOCKWASHER	45	12
F5H094	STEERING LINK	57	-	F8077	WASHER	41	-
F5H108	STEERING CONNECTOR	57	-	F8077	WASHER, GEAR HOUSING PLUG	39	42
F5H115	TRAILERING TILT LOCK	58	-	F8080	SPRING LOCKWASHER	33	20
F5H119	PROPELLER SPACER - FLARED	58	-	F8083	SPRING LOCKWASHER	3	20
F5H119	WASHER	37	16	F8083	SPRING LOCKWASHER	9	43
F5H120	REMOTE CONTROL BACK PLATE	57	-	F8083	SPRING LOCKWASHER	33	2
F5H130	REMOTE CONTROL BOX (SINGLE LEVER) (SURFACE MOUNT)	57	-	F8083	SPRING LOCKWASHER	39	54
F5H131	PORT SIDE DECAL KIT	57	-	F8083	SPRING LOCKWASHER	41	-
F5H132	REMOTE CONTROL HANDLE TRIM SWITCH	58	-	F8088	PLAIN WASHER	17	12
F5H134	BOAT WHITE LACQUER	57	-	F8088	PLAIN WASHER	23	46
F5H146	POWER TILT	58	-	F8094	PLAIN WASHER	3	21
F5H150	POWER TRIM	58	-	F8095	PLAIN WASHER	27	50
F5H153	TACHOMETER FLUSH MOUNT	58	-	F8096	SPRING LOCKWASHER	3	16
F5H154	SPEEDOMETER FLUSH MOUNT	58	-	F8096	SPRING LOCKWASHER	3	28
F5H155	SPEEDOMETER - FLUSH MOUNT	58	-	F8096	SPRING LOCKWASHER	7	25
				F8096	SPRING LOCKWASHER	35	59
				F8096	SPRING LOCKWASHER	39	40
				F8104	PLAIN WASHER	25	12
				F84011	WASHER	35	46
				F84074	CLAMP SCREW FOOT	33	30
				F84146-2	SEAL	31	19
				F84278	SEAL	31	22
				F84286-1	FRICTION WASHER	35	45
				F84305	PROPELLER SHAFT SPOOL SEAL	41	-

PARTS INDEX

Part Number	Description	Pg.	Ref. No.	Part Number	Description	Pg.	Ref. No.
F84307-1	DRIVESHAFT SEAL	41	-	F85664	DISTRIBUTOR GROUND	13	28
F84314-2	ELBOW	21	6	F85664	GROUND WIRE	9	54
F84314-2	ELBOW	27	48	F85704	COUPLER, GEAR SHIFT		
F84342	SEAL, INLET WATER LINE, UPPER	37	3	F85762	BY-PASS COVER GASKET	29	-
F84449	INTERLOCK SWITCH	23	45	F85762	BY-PASS VALVE COVER		
F84472-5	CYLINDER DRAIN COVER GASKET	29	-	F85772	CLAMP	33	7
F84472-5	GASKET, CYLINDER DRAIN COVER	25	38	F85779-1	BAFFLE, AIR INTAKE	35	52
F84504	GROMMET (THERMOSTAT)	29	92	F85843-1	REMOTE ELECTRIC CABLE, 18 FEET	7	38
F84521-2	CLUTCH	37	26	F85859	STUD	25	17
F84748-3	CYLINDER DRAIN REED PLATE GASKET	29	-	F85906	CARBURETOR GASKET	21	31
F84748-3	GASKET, CYL. DRAIN REED PLATE	27	46	F85906	CARBURETOR GASKET	29	-
F84792	GASKET, CENTER FUEL PUMP VALVE	21	11	F85908	STARTER LEAD WIRE	11	9
F84871-1	PIN, GEAR SHIFT W/YOKE	37	24	F85916-1	BY-PASS VALVE	29	105
F85017	PISTON PIN	31	4	F85924	CHOKE SOLENOID	7	28
F85026	SWIVEL	25	18	F85965	SHOCK MOUNT UPPER	35	63
F85033	SWIVEL, CHOKE ROD (BOTTOM CARBURETOR) (NOT SHOWN)	17	-	F89758	FUEL PUMP AIR HOSE - TOP	21	7
F85035	DISTRIBUTOR, CONTROL ROD END	25	20	F9018	CAP	35	49
F85036	TOWERSHAFT CONTROL ROD END	25	23	F9052	PLUG	33	40
F85037-1	STERN BRACKET PIVOT BOLT	35	50	F90619-1	YOKE	41	73
F85095-2	STATOR	7	3	F90807	RETAINING RING	17	34
F85117	BRACKET, WATER LINE	37	2	F9095	SHIM, DRIVESHAFT BEARING UPPER .005 BRASS	39	-
F85130	BOOT IDLE EXHAUST	33	5	F9096	SHIM, DRIVESHAFT BEARING UPPER .007 BRASS	39	-
F85161-1	REED STOP	21	39	F9097	SHIM, DRIVESHAFT BEARING UPPER .010 BLACK	39	-
F85173	RETAINING RING	13	6	F9106	SHIM, DRIVESHAFT BEARING UPPER .003 BRASS	39	66
F85192-1	THROTTLE CAM	21	28	F91446-1	CIRCUIT BREAKER BRACKET	7	21
F85211	STUD	27	49	F92759	THROTTLE ROLLER	19	46
F85258	INSERT	33	4	F93811	SCREEN	27	45
F85279-2	CYLINDER EXHAUST UPPER GASKET	29	-	F93920	REED STOP	27	41
F85279-2	GASKET, CYLINDER EXHAUST UPPER	27	69	F97772	CLAMP	17	6
F85311	DISTRIBUTOR BELT	13	1	F97772	FUEL LINE CLAMP	43	11
F85317-2	SOLENOID CLAMP	21	21	F98273	ROD END CONNECTOR STUD	27	77
F85372	PIN, GEAR SHIFT ROD LOWER	39	47	FA14048-2	PREAMPLIFIER	13	17
F8538	SPRING PIN	33	32	FA17559	LIFT CYLINDER COMPLETE	49	40
F85380	SPRING	33	6	FA17561-1	O-RING	51	44
F85410	SNAP RING	31	8	FA178157	CARBURETOR ADAPTER, UPPER W/FITTING AND ILLUS. 30	21	-
F85445	CONTROL ROD	25	22	FA178167	CARBURETOR ADAPTER, LOWER W/FITTING AND ILLUS. 30	21	33
F85498	FLYWHEEL KEY	31	16	FA178233	THROTTLE TIE BAR W/SWIVEL	17	35
F85502	THROTTLE LINK	25	28	FA178962	SHOCK ABSORBER	51	48
F85509-1	LINK, CHOKE	17	2	FA178962	SHOCK ABSORBER W/BUSHING	33	34
F85571	BEARING CAGE W/ROLLER	31	10	FA321574	DISTRIBUTOR BRACKET	13	10
F85606	KINGPIN CAP	35	56				
F85610	BEARING	27	59				
F85615	GEAR SHIFT ROD UPPER	35	62				
F8563	DOWEL PIN	25	16				
F85634-2	CONNECTING ROD SCREW	31	14				
F85660-1	EXHAUST TUBE	33	1				

PARTS INDEX

Part Number	Description	Pg.	Ref. No.	Part Number	Description	Pg.	Ref. No.
FA335260	PISTON RING SET (3 PER SET) - STANDARD	31	1	FC552010	SHORT BLOCK,	25	-
FA368700	IGNITION KEY - NO LETTER OR STAMPED A	9	53	FD368700	IGNITION KEY - STAMPED D	9	-
FA404097	FLYWHEEL	7	1	FE368700	IGNITION KEY - STAMPED E	9	-
FA411222	TRANSFER PORT COVER	27	53	FG1019	GASKET SET	29	106
FA438431	FUEL PUMP BODY W/VALVES	21	12	FK10120-1	VALVE SEAT KIT	17	19
FA439493	TERMINAL BLOCK BRACKET	7	11	FK10139	GASKET SET (NOT SHOWN)	17	-
FA439746	FUEL PUMP COVER W/PLUG	21	1	FK10151	REPAIR PARTS KIT.	17	1
FA449015	PISTON	49	29	FK1063-2	SEAL KIT	41	74
FA449149	COVER W/SEALS AND RETAINER	49	27	FK1069	WATER PUMP KIT	41	75
FA480179	TRIM TOP	3	1	FK1083	SEAL KIT - INCLUDES ITEMS MARKED WITH AN ASTERISK (*)	51	53
FA480269	TILT HANDLE	3	3	FK1123	SPARKIE W/SPRING	15	44
FA480876	GEAR SHIFT ARM	27	61	FK17156	BAG ASSEMBLY (NOT SHOWN)	47	-
FA480894	TIMING POINTER	25	2	FK405020	SWIVEL W/CLAMP, SHOULDER SCREW AND NUT	25	32
FA481469	HANDLE W/SHAFT	3	8	FK616128	DRIVESHAFT W/BEARING	39	68
FA481743	ROLLER BRACKET W/ROLLER	3	27	FK85228-1	BEARING CAGE W/ROLLER	31	7
FA510497	TERMINAL BLOCK	7	15	FPS523	PROPELLER (ACCESSORY ITEM)	37	17
FA523014	CRANKSHAFT LOWER MAIN BEARING	31	12	FS409752	FUEL LINE COMPLETE.	43	-
FA523054	GEAR HOUSING	39	33	FS85019	KINGPIN	33	37
FA523098	PROPELLER SHAFT	37	23	FS85872-1	BRACKET	27	75
FA523136	CAGE, REAR	41	76	FSA335260	PISTON RING (3 PER SET) .010 OVERSIZE	31	-
FA523485	ANTICORROSION ANODE	37	20	FT1082	SNAP RING PLIER	53	-
FA523735	SEAL, INLET WATER LINE, LOWER	39	64	FT11204	BEARING CUP INSTALLER	54	-
FA552180	TRIM REAR	3	4	FT11205	BEARING INSTALLER/REMOVER	54	-
FA552888	TRIM, FRONT	3	33	FT11207	BEARING CUP REMOVER	54	-
FA552944	ENGINE COVER	3	5	FT11209	BEARING GUIDE SET	54	-
FA58976-1	CONNECTOR, THROTTLE CABLE	45	1	FT2938-1	BATTERY POWERED TEST LIGHT	52	-
FA606528	DECAL, ENGINE COVER REAR	5	39	FT2951	CIRCUIT TRACER	52	-
FA606892	DECAL, ENGINE COVER FRONT	5	38	FT2953	SOCKET	53	-
FA609853	DECAL, WARNING	9	-57	FT2961	LUBRICANT - RYKON GREASE #2EP	56	-
FA612386	DECAL, NUMERAL	3	6	FT2962-1	SEALANT - 50 CC LOCTITE H, NON-HARDENING GRADE	56	-
FA615396	DECAL, STARBOARD	3	-	FT2963-2	SEALANT - 2 OZ. LOCTITE D, HARDENING GRADE	56	-
FA84621-1	COUPLING, GEAR SHIFT ARM W/BUSHING	39	44	FT2987-1	LUBRICANT - ANTI-SEIZE	56	-
FA84754-1	FUEL LINE SHORT W/FERRULES	43	8	FT2990	PISTON PIN TOOL	53	-
FA85135-4	LEG COVER FRONT	35	57	FT2991	CARBON BRUSH	53	-
FA85193	TIE BAR END W/SWIVEL	17	38	FT2996	RING COMPRESSOR	53	-
FA85355-1	WASHER	35	66	FT2998	TORQUE WRENCH	53	-
FA85655-1	CRANKSHAFT MAIN BEARING RACE W/SNAP RING	31	9	FT2999	TORQUE WRENCH	53	-
FB368700	IGNITION KEY - STAMPED B	9	-	FT3012	SEAL INSTALLER	54	-
FC368700	IGNITION KEY - STAMPED C	9	-	FT7848	TORQUING ADAPTER	54	-
FC409398	DECAL, TOTE TANK - CANADA (NOT SHOWN)	43	-	FT8900	HOSE CLAMP PLIERS	53	-
FC500390	DECAL, STARTER - CANADA (NOT SHOWN)	11	-	FT8901	INDICATOR HOLDER	54	-
FC510374	DECAL, CIRCUIT BREAKER - CANADA	7	-	FT8902	DIAL INDICATOR	54	-
				FT8903	SEAL INSTALLER	53	-
				FT8907	DRIVE HANDLE	53	-
				FT8907	DRIVER HANDLE	54	-
				FT8914	SEAL REMOVER	53	-
				FT8918	BEARING GUIDE SET	54	-

PARTS INDEX

Part Number	Description	Pg.	Ref. No.	Part Number	Description	Pg.	Ref. No.
FT8919	SPRING PIN PUNCH	54	-				
FT8925	SEAL INSTALLER	53	-				
FT8925	SEAL INSTALLER	54	-				
FT8926	RING EXPANDER	53	-				
FT8927	SEAL PROTECTOR	53	-				
FT8933	LIFTING HOOK	53	-				
FT8935	SEALANT PRIMER - 6 OZ.	56	-				
FT8936-1	SEALANT - 2 CC LOCTITE RETAINING COMPOUND #75	56	-				
FT8948-1	PULLER	52	-				
FT8948-1	PULLER	54	-				
FT8950	LEAKAGE TESTER	55	-				
FT8953	IGNITION TESTER	55	-				
FT8955	SEALANT - 5 OZ. EC-750 INDUSTRIAL SEALANT	56	-				
FT8957	SEAL INSTALLER	54	-				
FT8969	LUBRICANT - 7 OZ. LPSI LUBRICANT	56	-				
FT8978	POWER TIMING LIGHT	52	-				
FT8983	SEALANT - 3 OZ. RTV SEALANT FROM IN PLACE	56	-				
FT8985	SEAL INSTALLER	54	-				
FT8997	SHIMMING TOOL	54	-				
FTA2937-1	TIMING TOOL	52	-				
FTA8994	PISTON PIN TOOL	53	-				
FTK8999	TEST WHEEL	55	-				
OB3876	LITERATURE (NOT SHOWN)	47	-				
22-818103--1	ELBOW, CYLINDER DRAIN LOWER	25	36				
31-817785A2	CRANKSHAFT BEARING CAGE	31	17				
32-77653-77	BALANCE TUBE	21	34				
32-817738A1	FUEL LINE LONG	43	10				
33-97180	SPARK PLUG (CHAMPION L20V) - USA	29	86				
39-818110A1	PISTON RING (3 PER SET) .030 OVERSIZE	31	-				
43-817854A2	BEVEL PINION GEAR	39	35				
43-818068A2	BEVEL GEAR FRONT W/BEARING AND SHIMS	37	28				
46-817853A1	WATER PUMP	41	-				
46-817853A1	WATER PUMP BODY	39	59				
84-817775A1	COIL WIRE	13	29				
87-817939A1	THERMOSWITCH	29	87				
300-817855A1	UNIT	9	45				
400-817735A4	CRANKSHAFT	31	15				
600-818052A4	CONNECTING ROD	31	6				
700-817988A2	PISTON .010 OVERSIZE	31	-				
700-818111A2	PISTON .030 OVERSIZE	31	-				
700-F372015-3	PISTON - STANDARD	31	2				
900-817832A2	CYLINDER HEAD	27	80				
1400-817958A6	STERN BRACKET	33	24				
1600-819196A3	GEAR HOUSING COMPLETE	39	-				