



# PARTS CATALOG

## 105 H.P.

SERIAL NUMBER

105 (1983) .....1058V3H

# TABLE OF CONTENTS:

ACCESSORIES .....	59
CARBURETOR .....	16
CRANKSHAFT AND PISTON GROUP .....	32
DISTRIBUTOR .....	12
ELECTRICAL COMPONENTS .....	6
ENGINE COVER AND SUPPORT PLATE .....	2
FUEL LINE .....	44
FUEL PUMP AND REED PLATE .....	20
GEAR HOUSING .....	38
MOTOR LEG .....	34
PARTS INDEX .....	62
POWER HEAD .....	24
POWER TRIM UNIT .....	50
REMOTE CONTROL .....	46
SPECIAL TOOLS - GEAR HOUSING .....	56
SPECIAL TOOLS - LUBRICANTS AND SEALANTS .....	58
SPECIAL TOOLS - POWER HEAD .....	55
SPECIAL TOOLS - TEST EQUIPMENT .....	57
SPECIAL TOOLS - TUNE-UP .....	54
STARTER .....	10

**NOTE:** Indented description indicate that these parts are included in preceeding assembly.

**AR** = As Required

**NSS** = Not Sold Separate

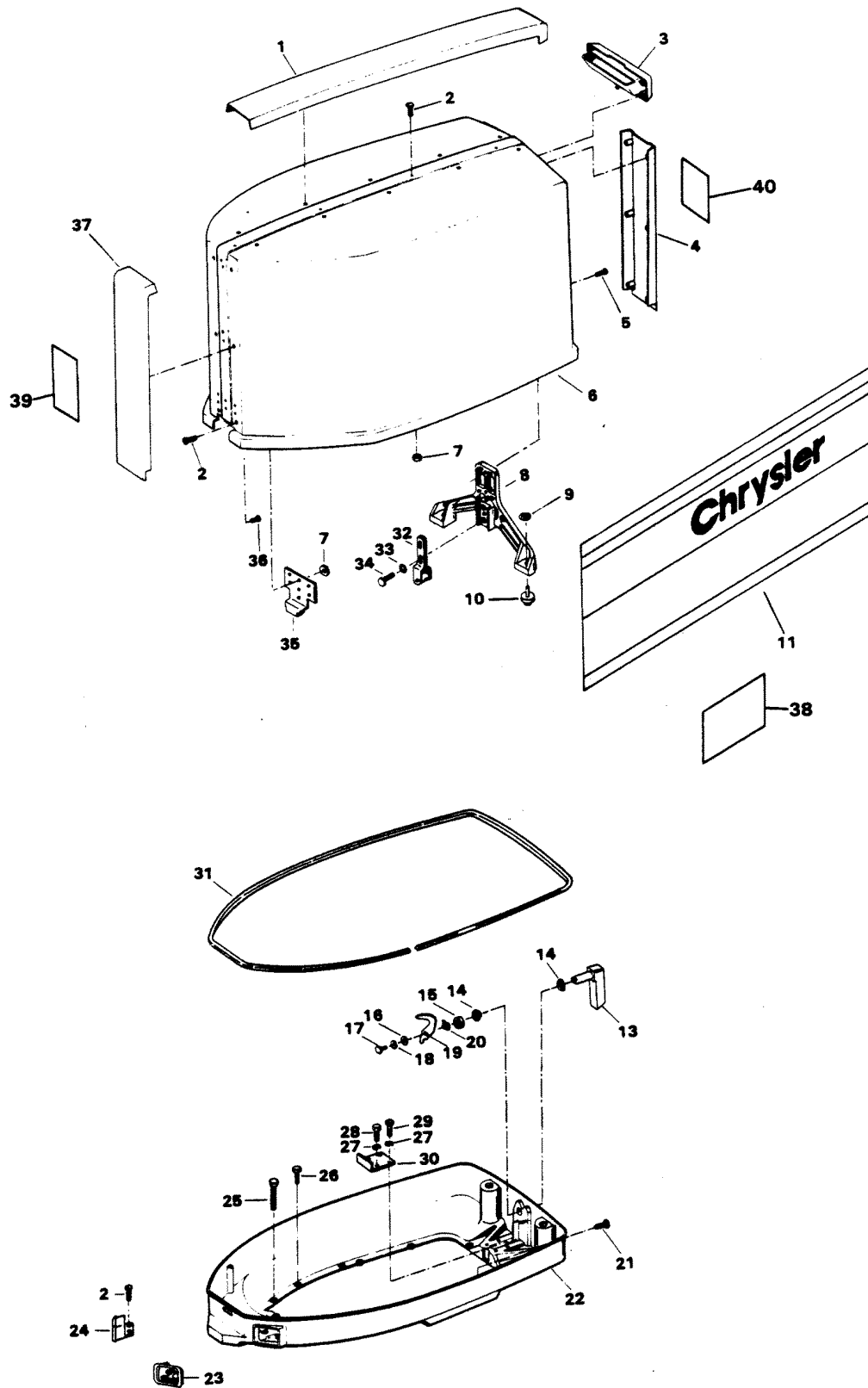
**OPT** = Optional

**NS** = Not Shown

**THESE PARTS BOOKS/FICHE CARD ARE COPYRIGHTED AND MAY NOT BE DISTRIBUTED OR REPRODUCED IN ANY OTHER FORMAT BY ANYONE OTHER THAN MERCURY MARINE WITHOUT THE PRIOR WRITTEN CONSENT OF MERCURY MARINE.**

THIS PAGE INTENTIONALLY LEFT BLANK

# ENGINE COVER AND SUPPORT PLATE

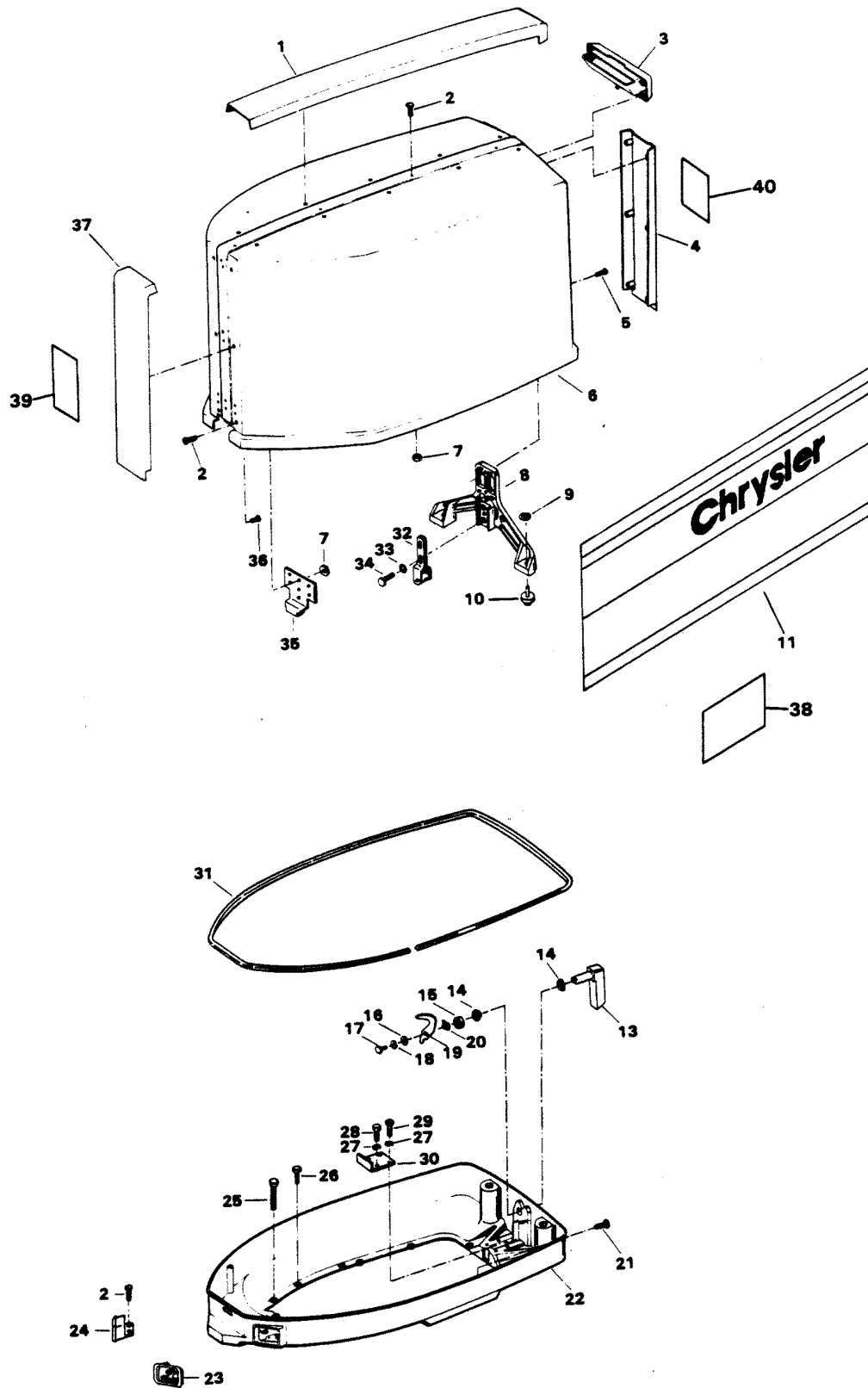


# ENGINE COVER AND SUPPORT PLATE

REF. NO.	PART NO.	SYM.	QTY.	DESCRIPTION
1	FA480179		1	TRIM TOP <b>W/LITERATURE</b>
2	F1733		10	PAN HD MACHINE SCREW, 10 - 24 X 9/16
3	FA480269		1	TILT HANDLE <b>W/LITERATURE</b>
4	FA552180		1	TRIM REAR <b>W/LITERATURE</b>
5	F1730		3	PAN HD SCREW W/SPRING LOCKWASHER, 1/4 - 20 X 5/8
6	FA552944		1	ENGINE COVER <b>W/ILLUS. 2, 7 AND 35</b>
-	<b>F3C615944</b>		<b>1</b>	<b>ENGINE COVER, COMPLETE INCLUDES ALL ITEMS MARKED WITH AN ASTERISK (*). NOTE: ORDER CHARGER DECALS SEPARATE</b>
7	F1473		7	HEX NUT
8	F481774		1	BRACKET, COVER LATCH
9	F2088		2	FASTENER
10	F481434		2	GUIDE, ENGINE COVER
11	A615397		1	DECAL, PORT <b>W/LITERATURE</b>
-	<b>FA615396</b>		<b>1</b>	<b>DECAL, STARBOARD W/LITERATURE</b>
13	FA481469		1	HANDLE W/SHAFT
14	F480818		2	BEARING
15	F481382-1		1	SPACER, LATCH SHAFT
16	F8094		1	PLAIN WASHER
17	F1854		1	HEX CAP SCREW, 1/4 - 20 X 5/8
18	F8083		1	SPRING LOCKWASHER
19	F481777		1	CAM, LATCH
20	F2047		1	WAVE SPRING LOCKWASHER
21	F1864		6	HEX CAP SCREW, 1/4 - 20 X 3/4
22	F480038-2		1	SUPPORT PLATE
23	F549189		1	BUSHING, ELECTRIC CABLE
24	F545189		1	BUSHING, CABLE ENTRY
25	F1708		2	HEX HD CAP SCREW, 1/4 - 20 X 1-3/8
-	<b>F548984</b>		<b>1</b>	<b>BLANKET, SILENCER TOP (NOT SHOWN)</b>
-	<b>F552985</b>		<b>2</b>	<b>BLANKET, SILENCER SIDE (NOT SHOWN)</b>
26	F1922		5	HEX CAP SCREW, 1/4 - 20 X 5/8
27	F8096		4	SPRING LOCKWASHER
28	F1858		2	HEX CAP SCREW, 5/16 - 18 X 1
29	F1857		2	HEX CAP SCREW, 5/16 - 18 X 5/8
30	F335654-1		1	DEFLECTION STOP
31	F321756		1	PACKING, COVER
32	FA481743		1	ROLLER BRACKET ASSEMBLY
33	F8096		2	SPRING LOCKWASHER
34	F1857		2	HEX CAP SCREW, 5/16 - 18 X 5/8
35	F333480-1		1	RETAINER, ENGINE COVER

CONTINUED ON NEXT PAGE ➡

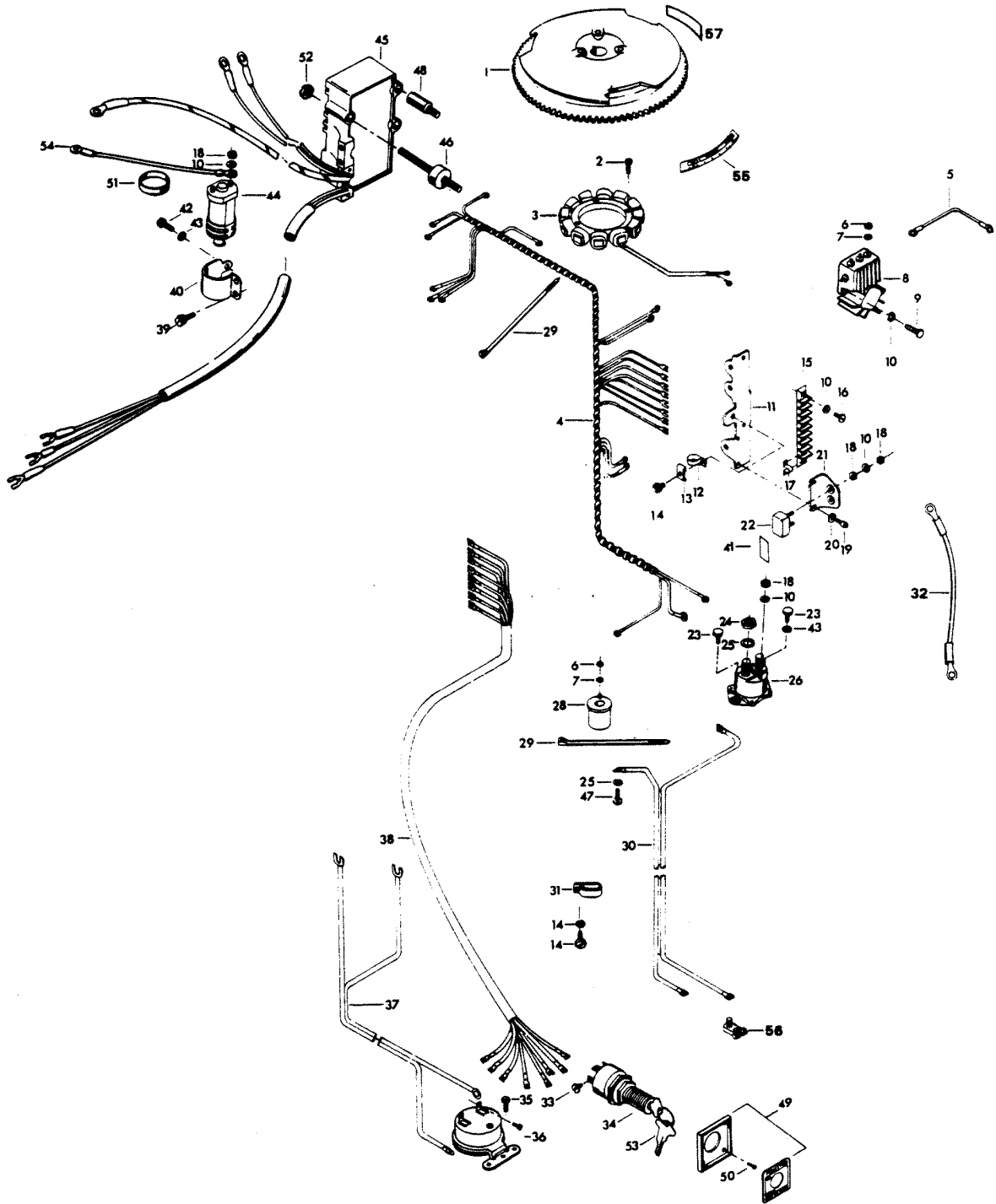
# ENGINE COVER AND SUPPORT PLATE



# ENGINE COVER AND SUPPORT PLATE

REF. NO.	PART NO.	SYM.	QTY.	DESCRIPTION
36	F2066		30	PAN HD TAPPING SCREW, 10 X 7/16 (TRIM TO COVER)
37	FA552888		1	TRIM FRONT <b>W/LITERATURE</b>
38	FK611386		2	DECAL, CHARGER <b>W/LITERATURE</b>
39	FA606892		1	DECAL, ENGINE COVER FRONT
40	FA606528		1	DECAL, ENGINE COVER REAR

# ELECTRICAL COMPONENTS



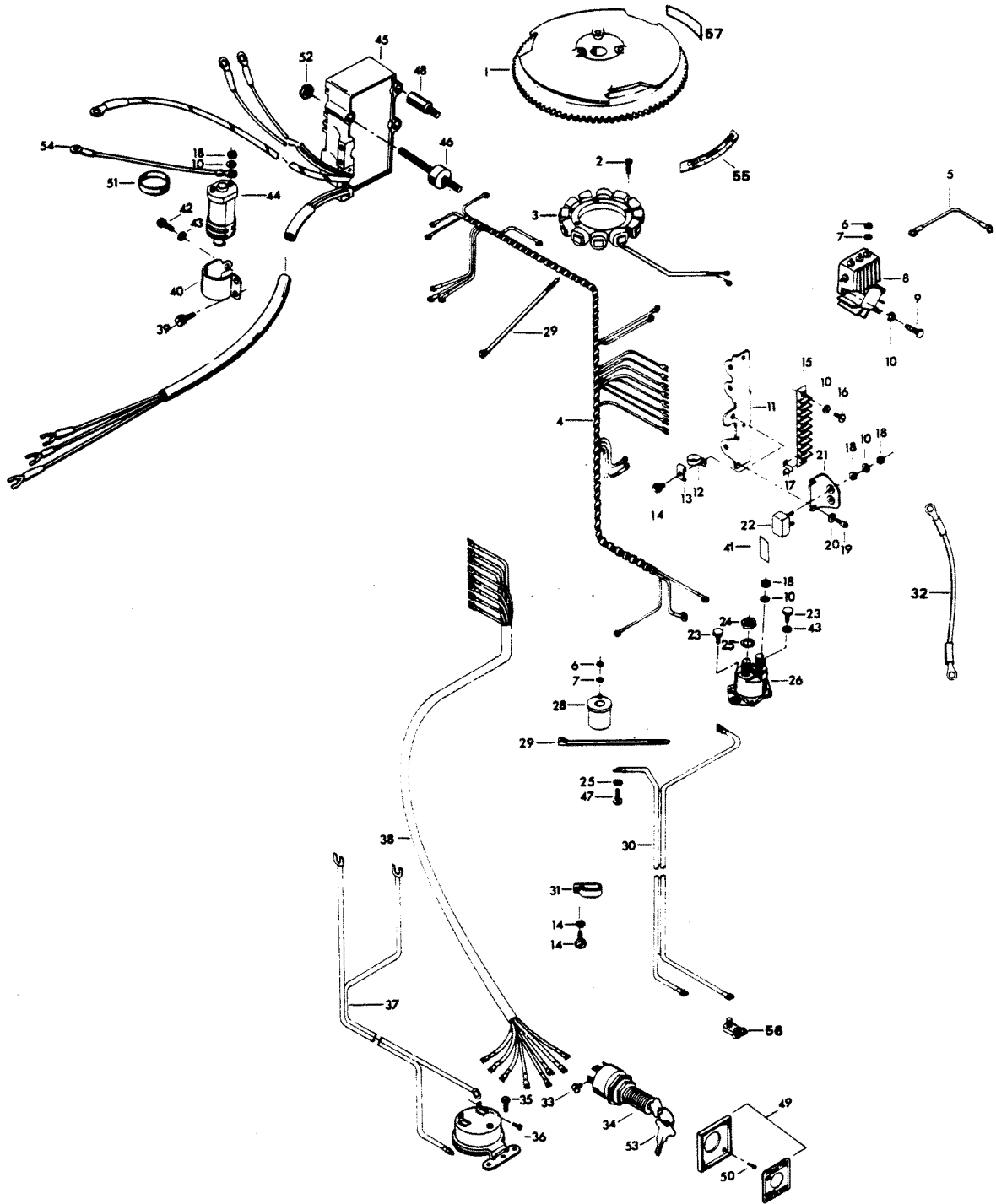


# ELECTRICAL COMPONENTS

REF. NO.	PART NO.	SYM.	QTY.	DESCRIPTION
1	FA404097		1	FLYWHEEL <b>WILLUS. 57</b>
2	F1087		6	FILL HD SCREW, 10 - 24 X 13/16
3	F85095-2		1	STATOR
4	F438744-1		1	WIRING HARNESS
5	F345683		1	WIRE, REGULATOR-RECTIFIER GROUND
6	F1647		5	HEX NUT, 8 - 32
7	F8056		5	SPRING LOCKWASHER
8	F404470-1		1	REGULATOR-RECTIFIER
9	F2107		3	FILL HD SCREW, 10 - 24 X 5/8
10	F1975		8	SPRING LOCKWASHER
11	FA439493		1	TERMINAL BLOCK BRACKET <b>WILLUS. 13 AND 14</b>
12	F289446-1		1	CLAMP
13	F438668		1	RETAINER, CABLE CLAMP
14	F1734		2	FILL HD SCREW W/LOCKWASHER, 1/4 - 20 X 1/2
15	FA510497		1	TERMINAL BLOCK <b>WILLUS. 16 AND 17</b>
16	F1648		2	PAN HD SCREW, 10 - 24 X 3/4
17	F307317-1		1	CLIP, TERMINAL BLOCK
18	F1513		8	HEX NUT
19	F1760		2	PAN HD SCREW, 10 - 24 X 3/8
20	F8011		2	PLAIN WASHER
21	F91446-1		1	CIRCUIT BREAKER BRACKET
22	F510460		1	CIRCUIT BREAKER
23	F1705		2	HEX CAP SCREW, 1/4 - 20 X 3/4
24	F1515		2	HEX NUT
25	F8096		3	SPRING LOCKWASHER
26	F460917		1	STARTER RELAY
27	F1645		2	RD HD SCREW, 6 - 32 X 1/4
28	F85924		1	CHOKE SOLENOID
29	F1877		2	TY-RAP
30	F381896-4		1	BATTERY CABLE
31	F407446		1	CLAMP
32	F319908		1	GROUND WIRE - CANADA
33	F1280		5	PAN HD SCREW, 8 - 32 X 1/4
34	F5H078		1	IGNITION SWITCH (LONG BARREL) <b>WILLUS. 33 &amp; 53 (ACCESSORY ITEM)</b>
35	F1741		2	PAN HD SCREW, 8 X 3/4
36	F5H043		1	OVERHEAT BUZZER (ACCESSORY ITEM)
37	F404841		1	CABLE, HEAT INDICATOR
38	F85843-1		1	REMOTE ELECTRIC CABLE, 18 FEET
39	F1851		2	FILL HD SCREW W/LOCKWASHER, 10 X 24 X 1/2
40	F404513		1	COIL CLAMP
41	FC510374		1	DECAL, CIRCUIT BREAKER
42	F1689		1	HEX HD CAP SCREW, 1/4 - 20 X 1/2

CONTINUED ON NEXT PAGE ➡

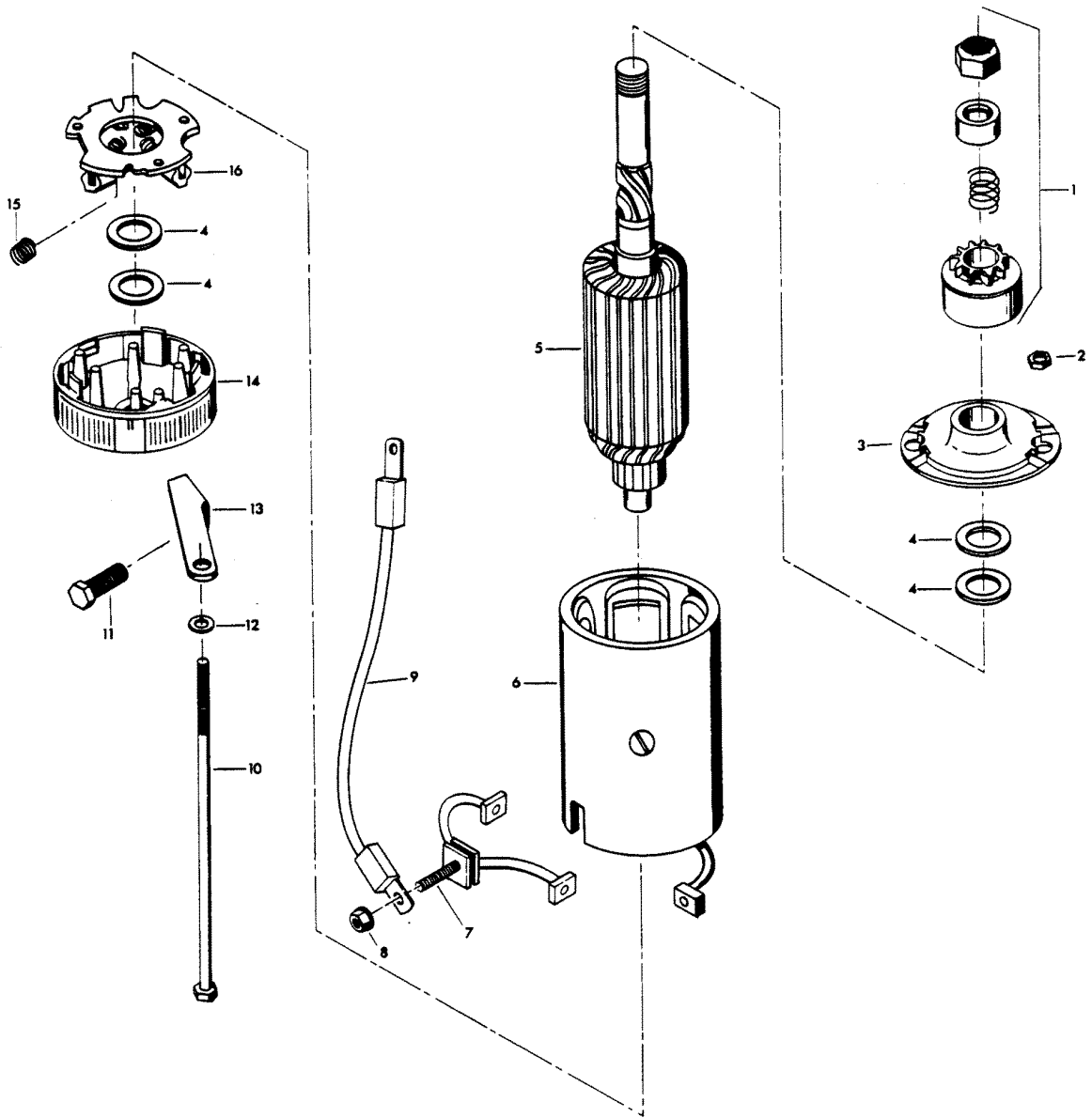
# ELECTRICAL COMPONENTS



# ELECTRICAL COMPONENTS

REF. NO.	PART NO.	SYM.	QTY.	DESCRIPTION
43	F8083		2	SPRING LOCKWASHER
44	F345475-1		1	COIL
45	300-817855A1		1	UNIT (ORIGINAL FORCE P/N A 523301-1)(Does not include Coil & Clamp)
46	F523962		3	SHOCK MOUNT - C.D. UNIT
47	F2000		1	HEX CAP SCREW, 5/16 - 18 X 3/4
48	F322273		1	STUD, C.D. UNIT
49	F5H038		1	IGNITION SWITCH MOUNTING KIT (ACCESSORY ITEM)
50	F1934		4	FLAT HD SLOTTED SCREW, 6 X 12
51	F391983		2	RETAINING BAND
52	F1892		3	STOP NUT
53	FA368700		1	KEY, IGNITION - NO LETTER OR STAMPED A
-	<b>FB368700</b>		<b>1</b>	<b>KEY, IGNITION - STAMPED B</b>
-	<b>FC368700</b>		<b>1</b>	<b>KEY, IGNITION - STAMPED C</b>
-	<b>FD368700</b>		<b>1</b>	<b>KEY, IGNITION - STAMPED D</b>
-	<b>FE368700</b>		<b>1</b>	<b>KEY, IGNITION - STAMPED E</b>
54	F85664		1	GROUND WIRE
55	F474387-1		1	TIMING DECAL
56	F71H26		1	BATTERY TERMINAL KIT (ACCESSORY ITEM)
57	FA609853		1	DECAL, WARNING <b>W/LITERATURE</b>

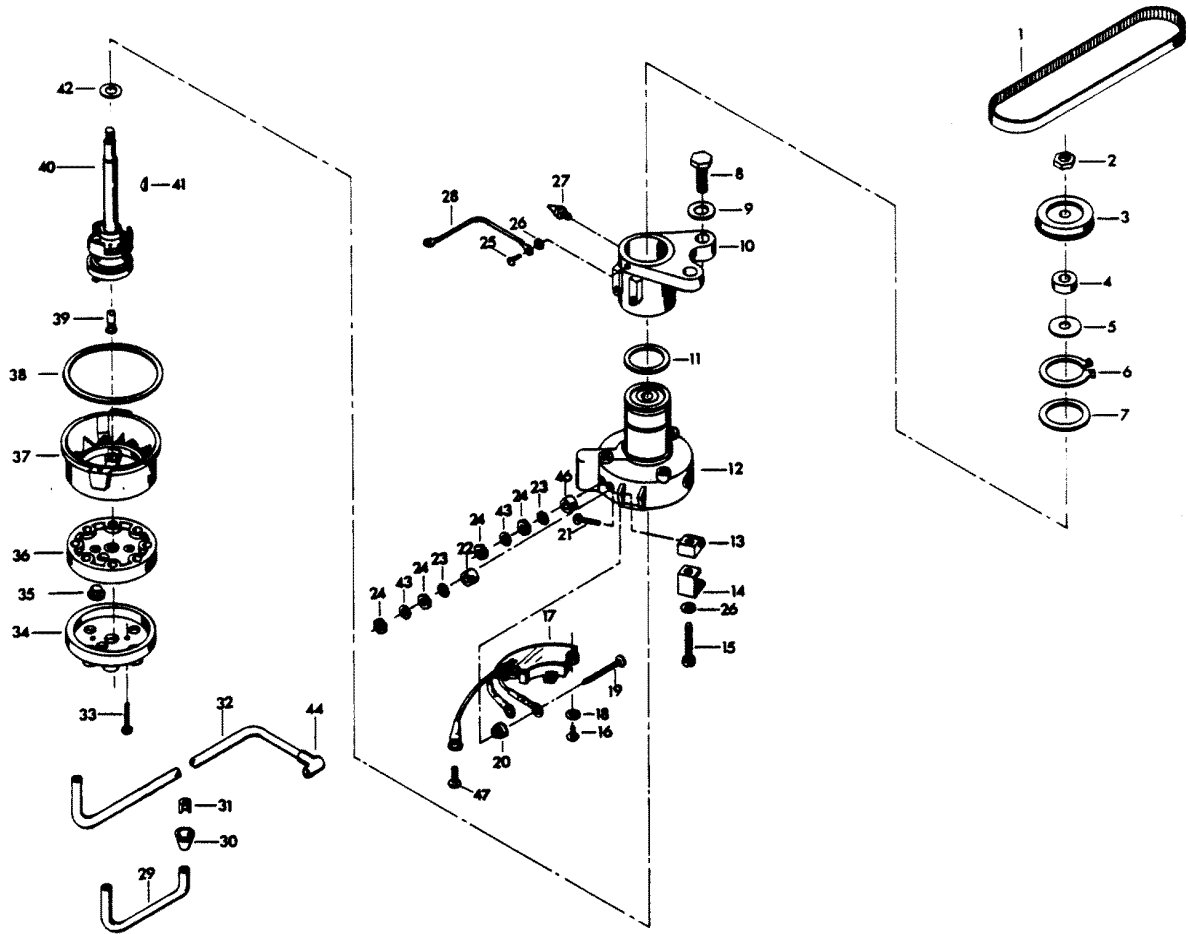
# STARTER



# STARTER

REF. NO.	PART NO.	SYM.	QTY.	DESCRIPTION
1	F15118		1	BENDIX DRIVE ASSEMBLY
2	F1641		2	LOCK NUT
3	F15167		1	HEAD ASSEMBLY, DRIVE END
4	F15126		1	THRUST WASHER PACKAGE
5	F15099		1	ARMATURE
6	F15166		1	FRAME AND FIELD ASSEMBLY
7	F15054		1	BRUSH AND TERMINAL SET
8	F15162		1	HEX LOCK NUT, 1/4 - 20 W/WASHER
9	F85908		1	STARTER LEAD WIRE
10	F15168		1	THRU BOLT PACKAGE
11	F1922		1	HEX CAP SCREW, 1/4 - 20 X 5/8
12	F8028		2	PLAIN WASHER
13	F511675		1	STARTER BRACKET, LOWER
14	F15125		1	HEAD ASSEMBLY, COMMUTATOR END
15	F15034		1	SPRING SET
16	F15057		1	BRUSH PLATE AND HOLDER ASSEMBLY
-	<b>F490955</b>		<b>1</b>	<b>STARTER COMPLETE</b>

# DISTRIBUTOR

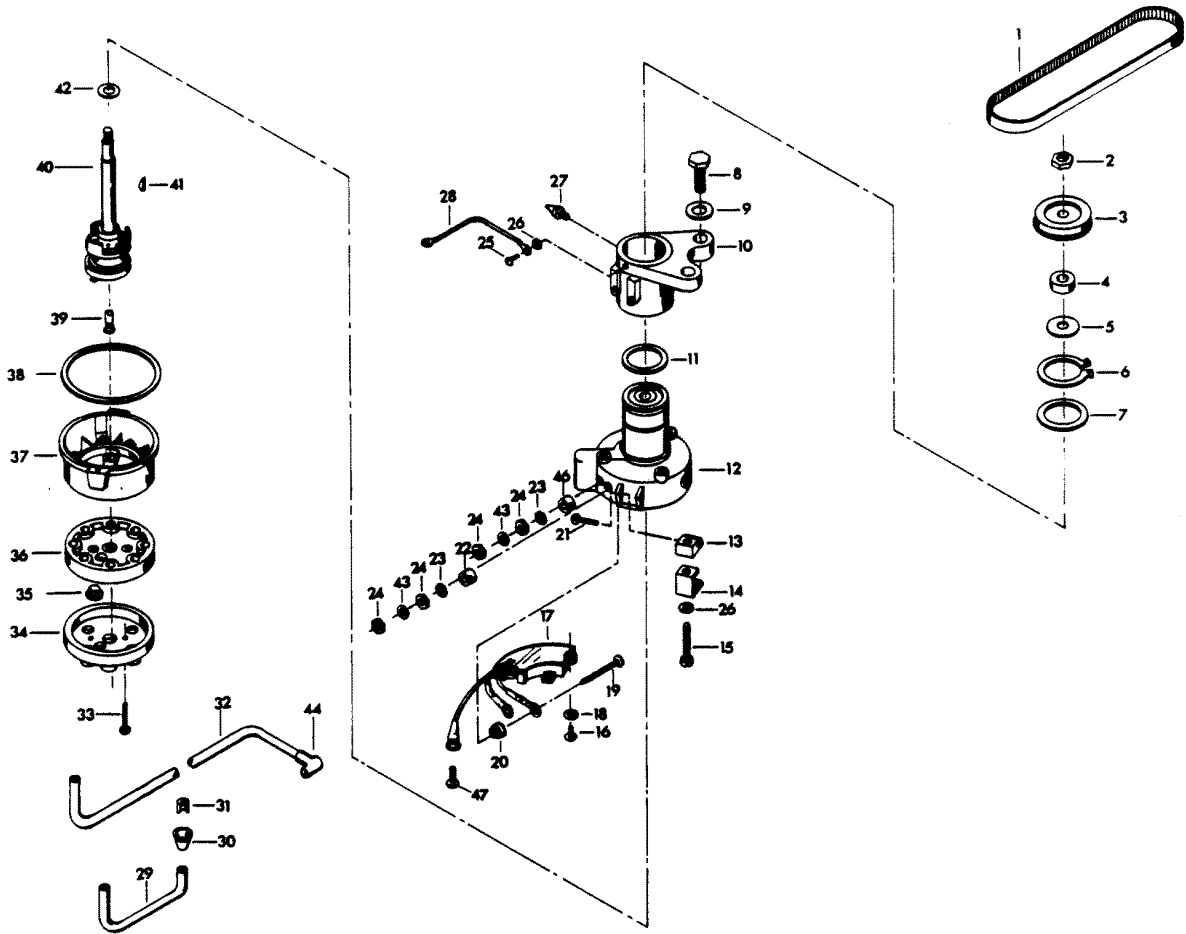


# DISTRIBUTOR

REF. NO.	PART NO.	SYM.	QTY.	DESCRIPTION
1	F85311		1	DISTRIBUTOR BELT
2	F7013		1	STOP NUT
3	817786A1		1	DISTRIBUTOR PULLEY <b>W/ILLUS. 2 ORIGINAL FORCE P/N A 373435-1</b>
4	F14025		1	SPACER
5	F14028		1	THRUST WASHER
6	F85173		1	RETAINING RING
7	F14029		1	THRUST WASHER
8	F1612		2	HEX CAP SCREW, 3/8 - 16 X 1-1/4
9	F1778		2	PLAIN WASHER
10	FA321574		1	DISTRIBUTOR BRACKET <b>W/ILLUS. 25, 26 AND 27</b>
11	F1759		2	SHIM, DISTRIBUTOR (QTY. AS REQUIRED)
12	F14042		1	DISTRIBUTOR HOUSING W/BEARINGS
13	F14036		2	SWIVEL
14	F14037		2	CAP CLIPS
15	F14038		2	CAP CLIP SCREWS
16	F14045		2	SCREW
17	FA14048-2		1	PREAMPLIFIER <b>W/ILLUS. 18, SCREW AND LITERATURE</b>
18	F8056		2	LOCKWASHER
19	F14046		2	TERMINAL SCREW
20	F14047		2	TERMINAL INSULATOR (INSIDE)
21	F14015		2	CAP CLIP RIVET
22	F14049		1	TERMINAL INSULATOR (OUTSIDE)
23	F14041		2	EXTERNAL TOOTH LOCKWASHER
24	F1647		4	HEX NUT, 8 - 32
25	F1760		2	PAN HD SCREW, 10 - 24 X 3/8
26	F1975		2	SPRING LOCKWASHER
27	F213274		1	GREASE FITTING
28	F85664		1	DISTRIBUTOR GROUND
29	84-817775A1		1	COIL WIRE <b>W/ILLUS. 30 AND 31 ORIGINAL FORCE P/N A 321905-1</b>
30	F203276		1	BOOT
31	F203673		1	TERMINAL CLIP
32	84-817774A4		4	LEAD WIRE <b>W/ILLUS. 44 ORIGINAL FORCE P/N A 321841-4</b>
33	F14007		2	CAP SCREW
34	F14010-1		1	CAP COVER
35	F14040		2	VENT
36	F14021-1		1	CAP SEAL
37	F14005-2		1	CAP BASE
38	F14030		1	CAP GASKET
39	F14012-1		1	BRUSH
40	F14044		1	DISTRIBUTOR SHAFT
41	F1692		1	WOODRUFF KEY
42	F14024		1	SPACER

CONTINUED ON NEXT PAGE ➡

# DISTRIBUTOR

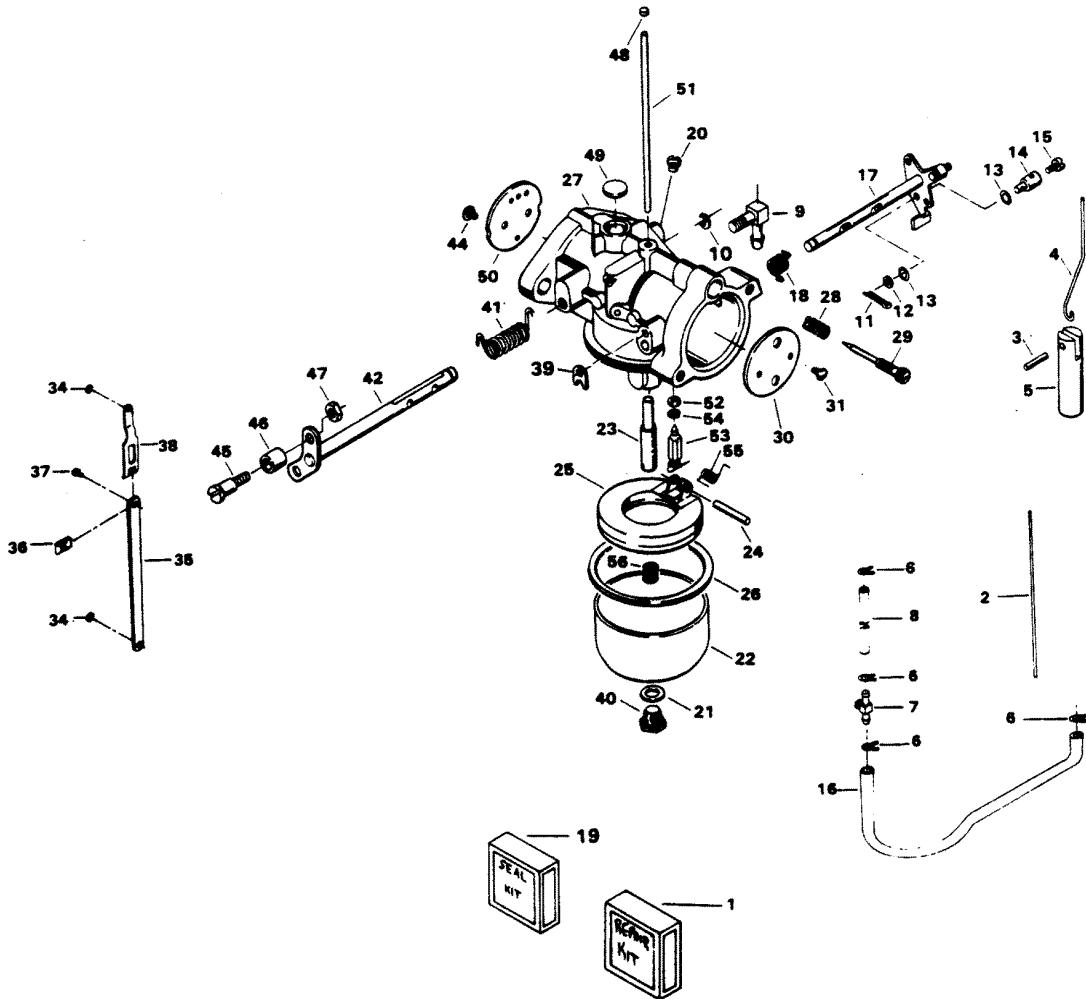




# DISTRIBUTOR

REF. NO.	PART NO.	SYM.	QTY.	DESCRIPTION
43	F8056		2	LOCKWASHER
44	FK1123		4	SPARKIE
46	F14017		1	TERMINAL INSULATOR (OUTSIDE)
47	F14056		1	SCREW
-	<b>817828A1</b>		<b>1</b>	<b>DISTRIBUTOR (NOT SHOWN)</b>

# CARBURETOR

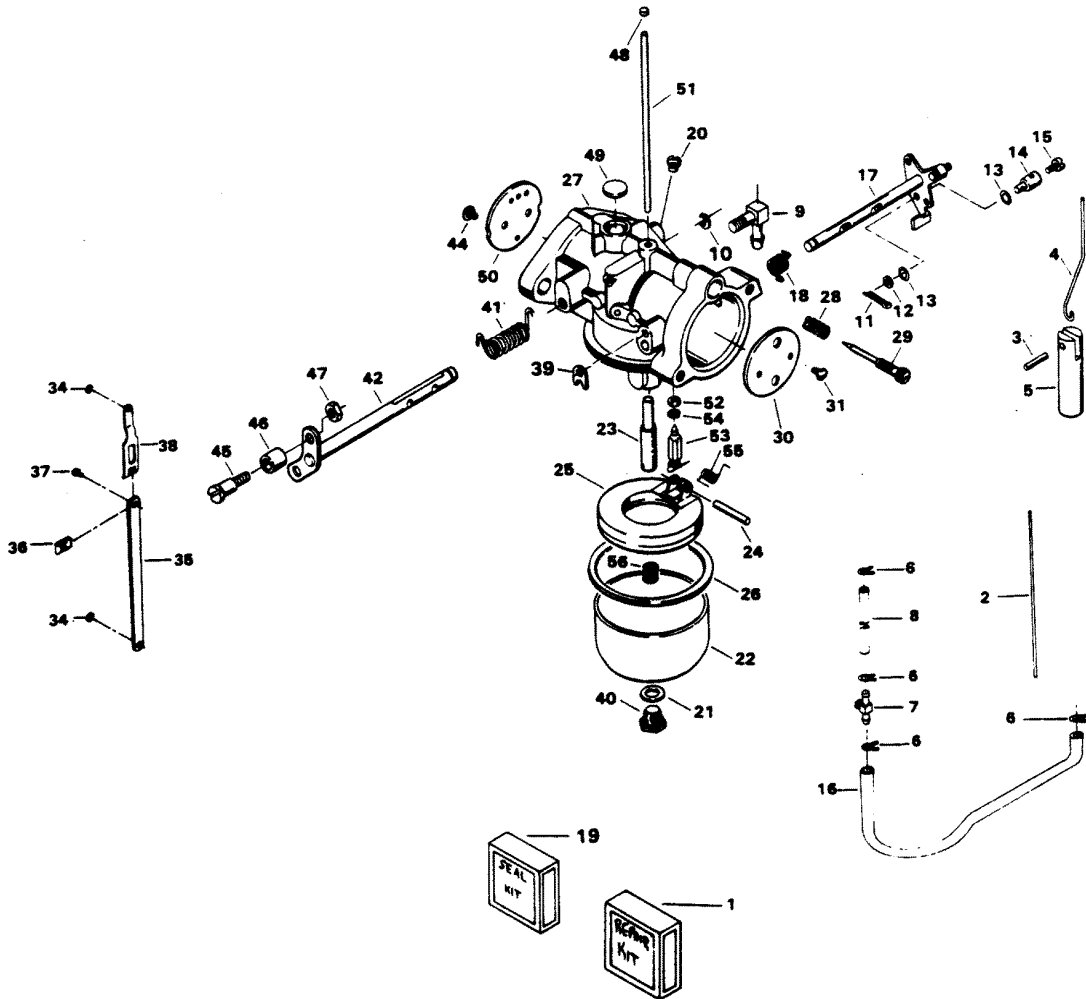


# CARBURETOR

REF. NO.	PART NO.	SYM.	QTY.	DESCRIPTION
1	FK10151		1	REPAIR PARTS KIT. INCLUDES ALL ITEMS MARKED WITH AN ASTERISK (*).
2	F85509-1		1	LINK, CHOKE
3	F2033		1	GROOVE PIN
4	F372925		1	CHOKE ROD
5	F391926-1		1	PLUNGER
6	F97772		4	CLAMP
7	F10164		1	FUEL FITTING (BOTTOM CARBURETOR)
8	F178754-1		1	FUEL LINE
9	F10156		1	ELBOW (TOP CARBURETOR)
10	F10131		1	E-RING
11	F1014		2	COTTER PIN
12	F8088		3	PLAIN WASHER
13	F184579		5	O-RING SEAL
14	F184033-1		1	SWIVEL, TOP CARBURETOR
15	F1059		2	FILL HD SCREW, 6 - 32 X 1/4
16	F438754		1	FUEL LINE
17	F10159		1	CHOKE SHAFT AND LEVER
18	F10143		1	CHOKE SHAFT RETURN SPRING
19	FK10120-1		1	VALVE SEAT KIT
20	F10197		1	JET-NOZZLE VENT
21	F10090		1	FUEL BOWL RETAINING GASKET
-	<b>F85033</b>		<b>1</b>	<b>SWIVEL, CHOKE ROD (BOTTOM CARBURETOR) (NOT SHOWN)</b>
-	<b>FK10139</b>		<b>1</b>	<b>GASKET SET (NOT SHOWN)</b>
22	F10127		1	FUEL BOWL
23	F10137		1	MAIN NOZZLE
24	F10136		1	FLOAT LEVER PIN
25	F10135		1	FLOAT
26	F10138		1	FUEL BOWL GASKET
27	F585061		1	CARBURETOR COMPLETE, TOP (WE-6-1)
-	<b>F586061</b>		<b>1</b>	<b>CARBURETOR COMPLETE, BOTTOM (WE-6-2)</b>
28	F10145		1	IDLE MIXTURE SCREW SPRING
29	F10146		1	IDLE MIXTURE SCREW
30	F10161		1	CHOKE, SHUTTER
31	F10140		2	CHOKE AND THROTTLE SHUTTER SCREW
34	F90807		2	RETAINING RING
35	FA178233		1	THROTTLE TIE BAR W/SWIVEL
36	F1693		1	TIE BAR RETAINER NUT
37	F1064		1	FILL HD SCREW, 8 - 32 X 3/8
38	FA85193		1	TIE BAR END W/SWIVEL
39	F10160		1	CLIP, CHOKE SHAFT
40	F10162		1	MAIN FUEL JET STD. .086 SEA LEVEL
-	<b>F10188</b>		<b>-</b>	<b>MAIN FUEL JET OPT. .084 2500 - 5000 FT.</b>

CONTINUED ON NEXT PAGE ➡

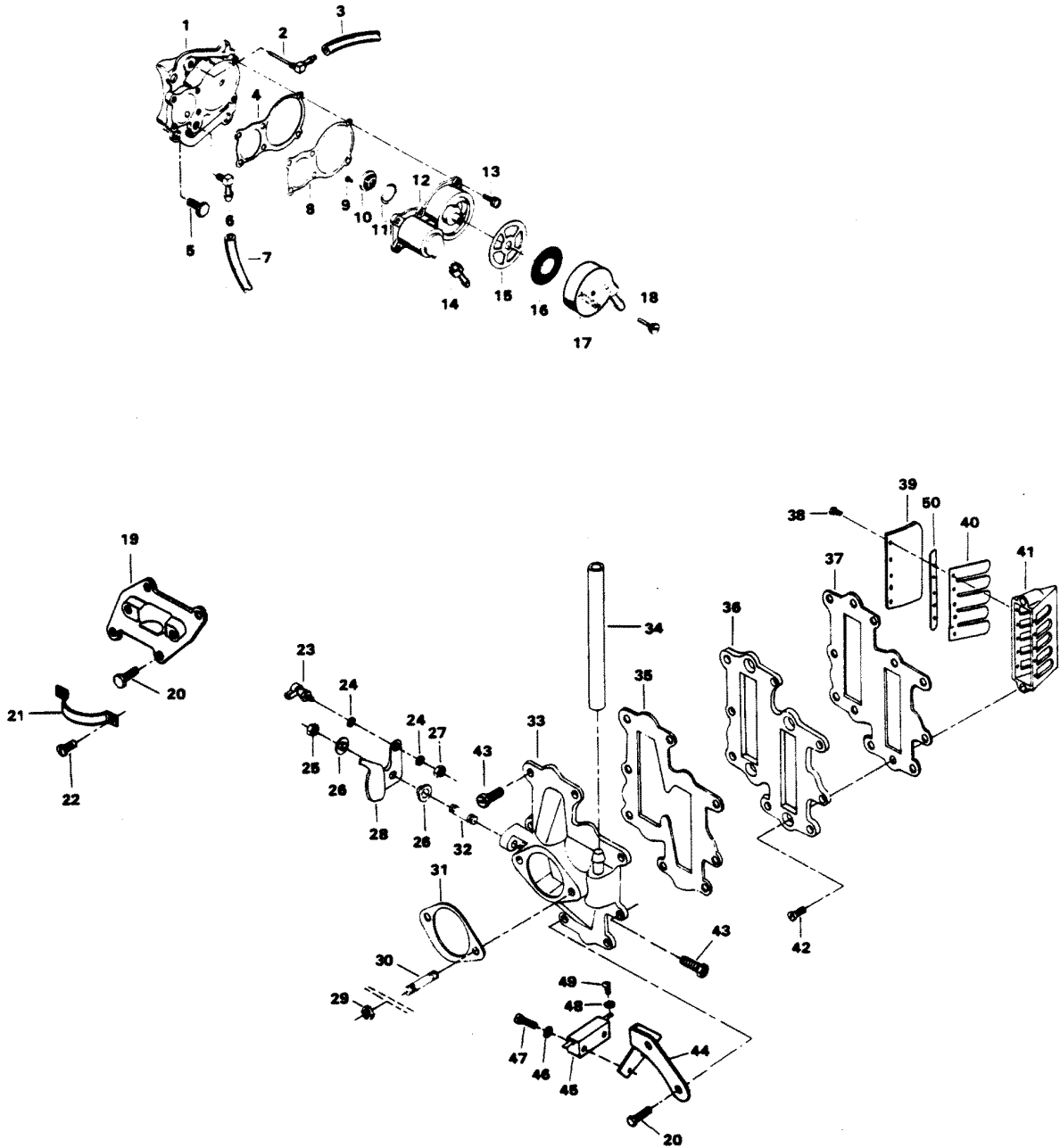
# CARBURETOR



# CARBURETOR

REF. NO.	PART NO.	SYM.	QTY.	DESCRIPTION
-	F10187		-	MAIN FUEL JET OPT. .080 5000 - 7500 FT.
-	F10186		-	MAIN FUEL JET OPT. .076 7500 FT. AND UP
41	F10172		1	THROTTLE SHAFT RETURN SPRING
42	F10157		1	THROTTLE SHAFT AND LEVER
44	F10155		3	SCREW
45	F333316		1	THROTTLE ROLLER SHAFT
46	F92759		1	THROTTLE ROLLER
47	F1997		1	STOP NUT, 8 - 32
48	F10152		1	BODY CHANNEL CUP PLUG
49	F10153		1	BODY CHANNEL WELCH PLUG
50	F10158		1	THROTTLE SHUTTER
51	F10176		1	IDLE TUBE
52	F10171		1	VALVE SEAT
53	F10170		1	VALVE ASSY.
54	F10167		1	RETAINING RING, VALVE
55	F10142		1	SPRING, FLOAT SUPPORT
56	F10145		1	SPRING, NOZZLE COMPRESSION

# FUEL PUMP AND REED PLATE

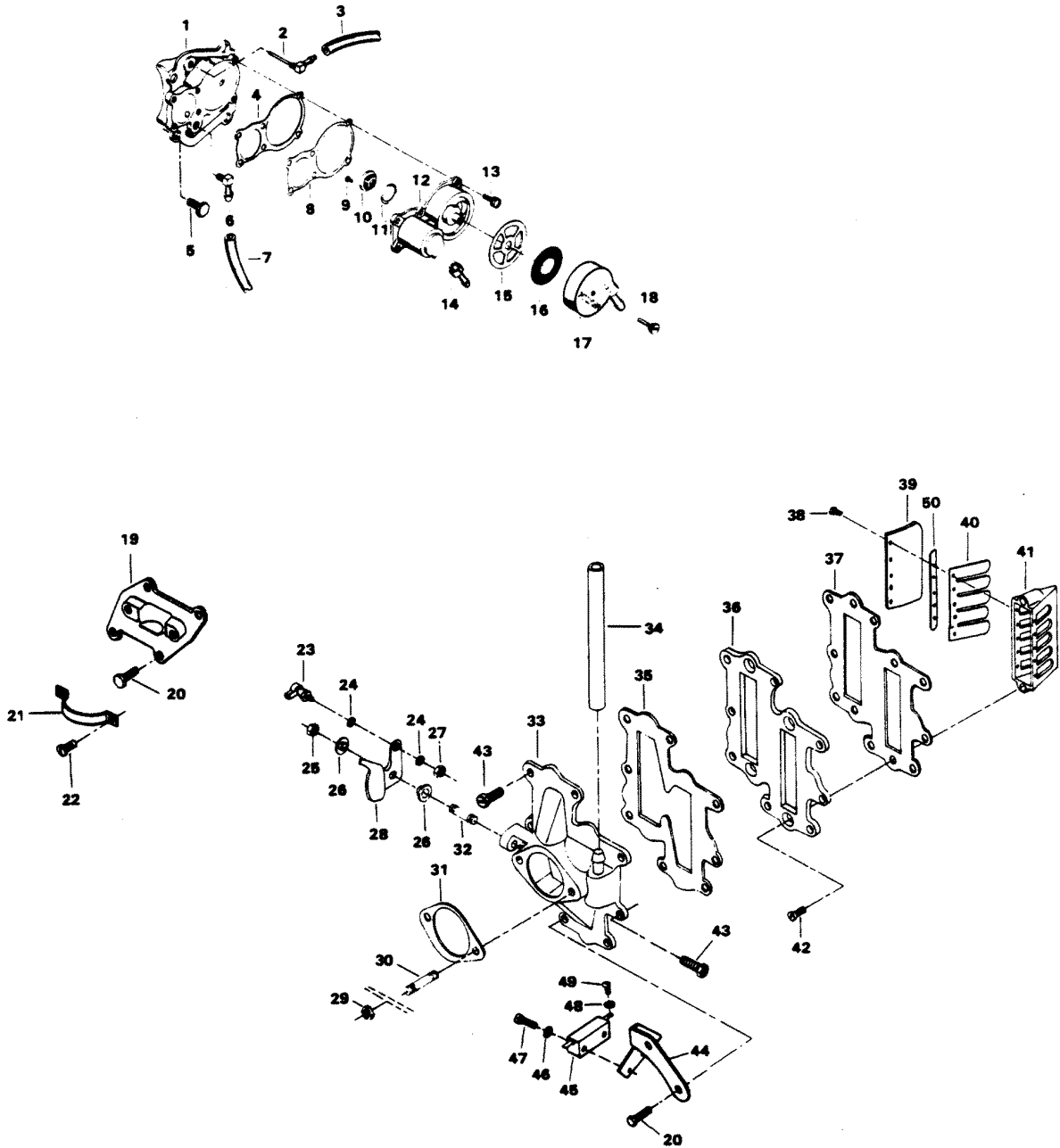


# FUEL PUMP AND REED PLATE

REF. NO.	PART NO.	SYM.	QTY.	DESCRIPTION
1	FA439746		1	FUEL PUMP COVER <b>W/LITERATURE</b>
2	F404314		1	ELBOW, FUEL PUMP COVER
3	F441754-1		1	HOSE
4	F438760		1	FUEL PUMP GASKET
5	F1922		4	HEX CAP SCREW, 1/4 - 20 X 5/8
6	F84314-2		1	ELBOW
7	F89758		1	FUEL PUMP AIR HOSE - TOP
8	F438747		1	FUEL PUMP DIAPHRAGM
9	F1860		2	RD HD SCREW, 6 - 32 X 1/4
10	F177330		3	FUEL PUMP VALVE
11	F84792		1	GASKET, CENTER FUEL PUMP VALVE
12	FA438431		1	FUEL PUMP BODY <b>W/ILLUS. 9, 10 AND 11</b>
13	F1108		6	FILL HD SCREW, 1/4 - 20 X 3/4
14	F438801		1	FITTING
15	F438617		1	FUEL SEDIMENT BOWL GASKET
16	F438653		1	FUEL SEDIMENT BOWL SCREEN
17	F438500		1	FUEL SEDIMENT BOWL
18	F438165		1	SCREW, FUEL PUMP BOWL
19	F372958		1	CHOKE BRACKET
20	F1532		6	HEX HD SCREW, 1/4 - 20 X 1
21	F85317-2		1	SOLENOID CLAMP
22	F1236		2	SCREW
23	817747--1		1	BALL JOINT W/STUD
24	F8058		2	INTERNAL TOOTH LOCKWASHER
25	F7008		1	STOP NUT, 1/4 - 20
26	F269319		2	THROTTLE CAM BEARING
27	F1513		1	HEX NUT, 10 - 32
28	F85192-1		1	THROTTLE CAM
29	F1515		4	HEX NUT, 5/16 - 18
30	F40209		4	CARBURETOR STUD
31	F85906		2	CARBURETOR GASKET
32	F433209-1		1	THROTTLE CAM STUD
33	FA178167		1	CARBURETOR ADAPTER, LOWER <b>W/FITTING AND ILLUS. 30</b>
-	<b>FA178157</b>		1	<b>CARBURETOR ADAPTER, UPPER W/FITTING AND ILLUS. 30 (NOT SHOWN)</b>
34	32-77653-77		1	BALANCE TUBE <b>W/LITERATURE ORIGINAL FORCE P/N A 178254-1</b>
35	F178168-1		2	GASKET, CARBURETOR ADAPTER
36	F178404-1		2	DEFLECTOR PLATE
37	F406406		2	GASKET DEFLECTOR PLATE
38	F1755		40	ROUND HD SCREW W/LOCKWASHER, 6 - 32 X 1/4
39	F85161-1		8	REED STOP
40	F530160		8	REED (5 PETAL)
41	F3A523158		4	REED PLATE <b>W/ILLUS. 38, 39, 40, 43 AND 50</b>

CONTINUED ON NEXT PAGE ➡

# FUEL PUMP AND REED PLATE

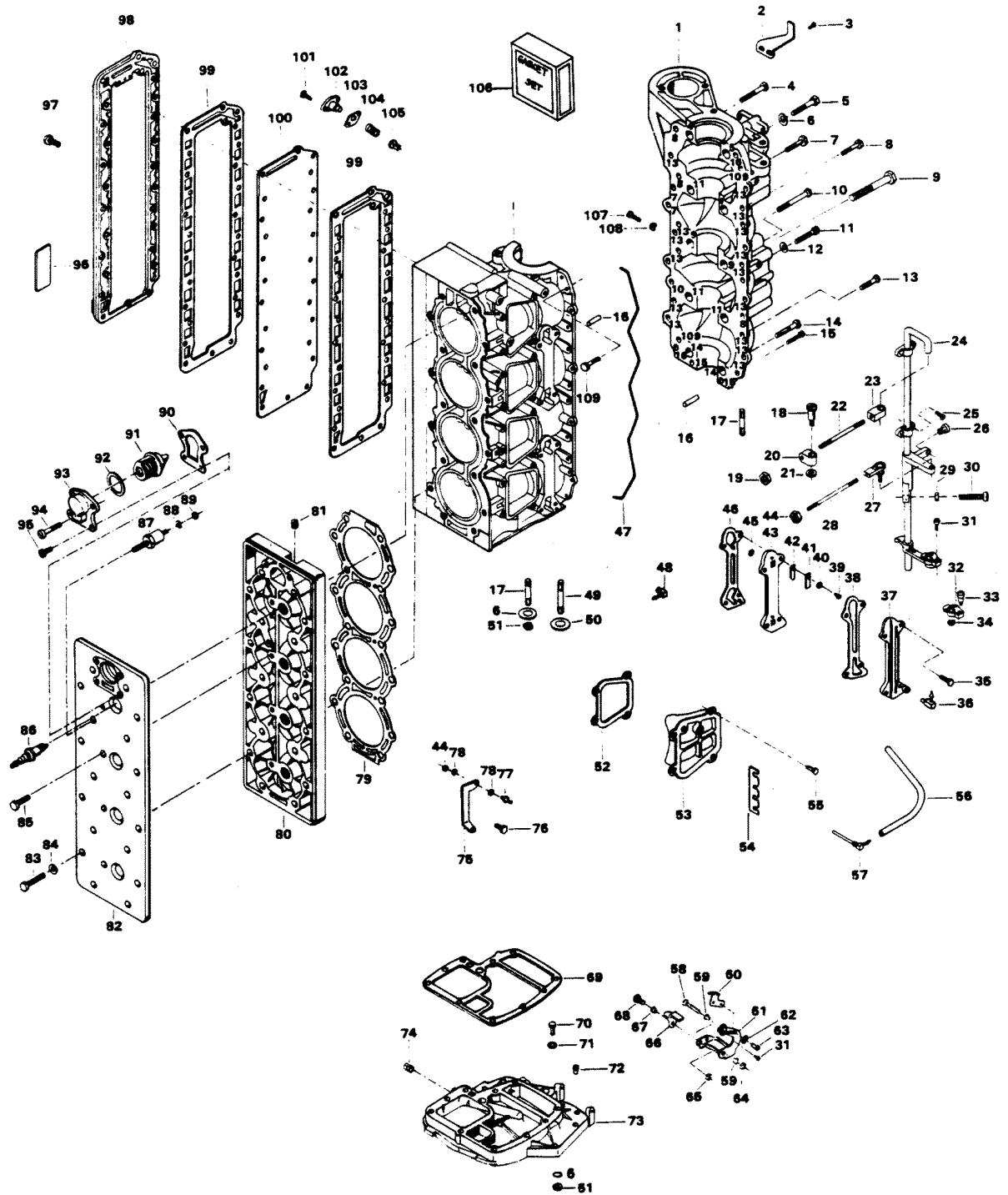




## FUEL PUMP AND REED PLATE

REF. NO.	PART NO.	SYM.	QTY.	DESCRIPTION
42	F1831		8	FLAT HD SCREW, 1/4 - 20 X 5/8
43	F2008		10	HEX HD SCREW, 1/4 - 20 X 7/8
44	F489551		1	BRACKET NEUTRAL INTERLOCK SWITCH
45	F84449		1	INTERLOCK SWITCH
46	F8088		2	PLAIN WASHER
47	F2016		2	FILL HD SCREW, 6 - 32 X 7/8
48	F1704		2	INTERNAL TOOTH LOCKWASHER
49	F1645		2	RD HD SCREW, 6 - 32 X 1/4
50	F523451		8	SPACER, REED STOP

# POWER HEAD

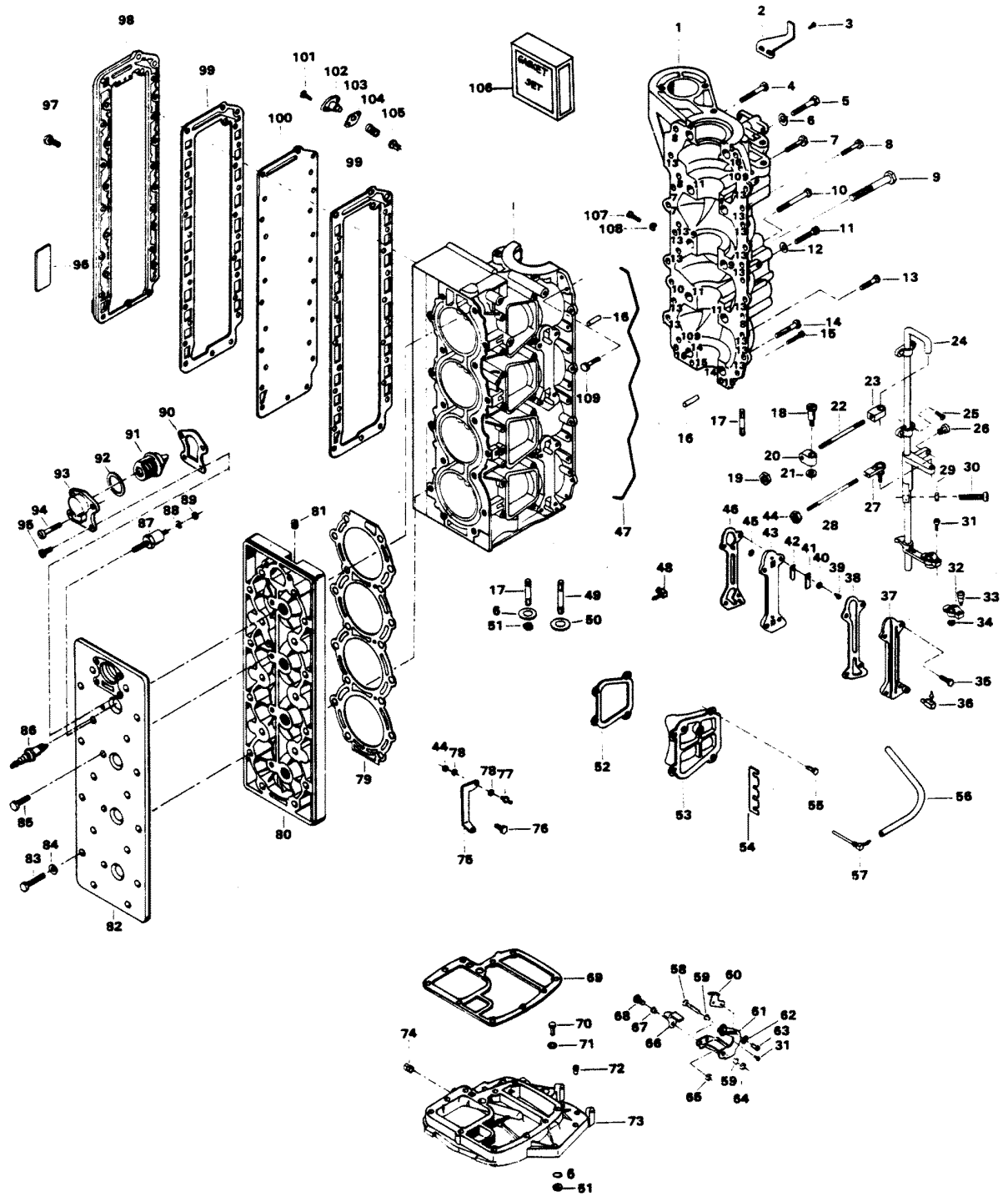


# POWER HEAD

REF. NO.	PART NO.	SYM.	QTY.	DESCRIPTION
1	A523010-1		1	CYLINDER W/CRANKCASE COVER, ILLUS. 4, 5, 9, 11, 14, 15, 17, 47, 49 AND LITERATURE ORIGINAL FORCE P/N A 523010-2
-	<b>FC552010</b>		1	<b>SHORT BLOCK INCLUDES ALL ITEMS MARKED WITH AN ASTERISK (*). ALSO REFER TO CRANKSHAFT PAGE.</b>
2	FA480894		1	TIMING POINTER W/ILLUS. 55 ON PAGE 4 AND LITERATURE
3	F1760		2	PAN HD SCREW, 10 - 24 X 3/8
4	F1874		1	HEX HD SCREW, 3/8 - 16 X 3-1/8
5	F1009		1	HEX HD SCREW, 3/8 - 16 X 2-3/4
6	F8095		12	PLAIN WASHER
7	F2008		2	HEX HD SCREW, 1/4 - 20 X 7/8
8	F2008		3	HEX HD SCREW, 1/4 - 20 X 7/8
9	F1873		2	HEX CAP SCREW, 3/8 - 16 X 3
10	F1699		1	HEX HD SCREW, 1/4 - 20 X 1-1/8
11	F1253		4	HEX SOCKET HD CAP SCREW, 3/8 - 16 X 2
12	F8104		4	PLAIN WASHER
13	F1864		16	HEX HD SCREW, 1/4 - 20 X 3/4
14	F1872		2	HEX CAP SCREW, 3/8 - 16 X 1-3/4
15	F1099		2	FILL HD SCREW, 1/4 - 20 X 1-1/4
16	F8563		2	DOWEL PIN
17	F85859		4	STUD
18	F85026		1	SWIVEL
19	F2015		1	HEX NUT, 1/4 - 28
20	F85035		1	DISTRIBUTOR, CONTROL ROD END
21	F2042		1	PLAIN WASHER
22	F85445		1	CONTROL ROD
23	F85036		1	TOWERSHAFT CONTROL ROD END
24	817932A6		1	TOWERSHAFT W/ILLUS. 20, 21, 22, 23, 25, AND BEARINGS ORIGINAL FORCE P/N A 178838-6
25	F1475		4	FILL HD SCREW, 10 - 24 X 1/2
26	F1727		1	PLASTIC RIVET
27	817747--1		1	BALL JOINT W/STUD
28	F85502		1	THROTTLE LINK
29	F1341		1	HEX NUT, 1/4 - 20
30	F1052		1	FILL HD SCREW, 1/4 - 20 X 1
31	F1556		2	FILL HD SCREW W/LOCKWASHER 10 - 24 X 3/8
32	FK405020		2	SWIVEL W/ILLUS. 7 AND 10
33	F405457		1	PIVOT SCREW
34	F7008		1	ELASTIC STOP NUT
35	F1532		8	HEX HD SCREW, 1/4 - 20 X 1
36	22-818103--1		1	ELBOW, CYLINDER DRAIN LOWER
-	<b>F404801</b>		1	<b>ELBOW, CYLINDER DRAIN UPPER (NOT SHOWN)</b>
37	F406471-1		2	CYLINDER DRAIN COVER
38	F84472-5		2	GASKET, CYLINDER DRAIN COVER

CONTINUED ON NEXT PAGE ➡

# POWER HEAD

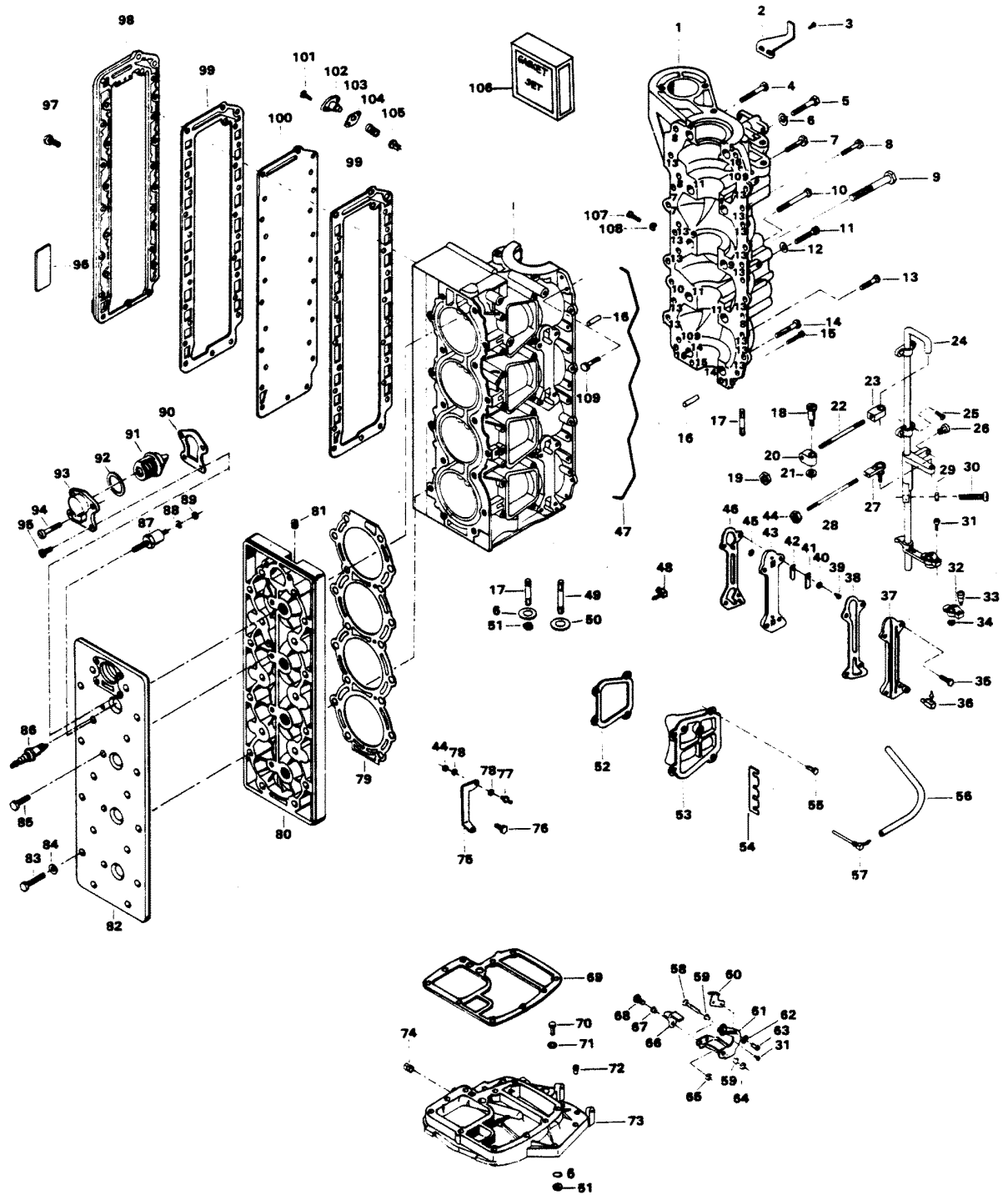


# POWER HEAD

REF. NO.	PART NO.	SYM.	QTY.	DESCRIPTION
39	F1286		4	PAN HD SCREW, 4 - 40 X 3/16
40	F8003		4	PLAIN WASHER
41	F93920		4	REED STOP
42	F18160-2		4	CYLINDER DRAIN REED
43	F2A406757		2	CYLINDER DRAIN REED PLATE <b>W/ILLUS. 39, 40, 41, 42 AND 45</b>
44	F1513		4	HEX NUT, 10 - 32
45	F93811		4	SCREEN
46	F84748-3		2	GASKET
47	F184122-1		1	SEAL, PARTING LINE
48	F84314-2		1	ELBOW
49	F85211		6	STUD
50	F8038		4	PLAIN WASHER
51	F7004		10	STOP NUT, 3/8 - 16
52	F40223		4	GASKET, TRANSFER PORT COVER
53	FA411222		3	TRANSFER PORT COVER <b>W/ILLUS. 81</b>
54	F523834		1	CLIP, SPARK PLUG WIRE
55	F1922		10	HEX CAP SCREW, 1/4 - 20 X 5/8
56	F406754-1		1	HOSE
57	F404314		1	FITTING
58	F1885		1	HEX BOLTS, S.S., 5/16 - 18 X 4-1/4
59	F85610		2	BEARING
60	F480107-1		1	CAM STARTER INTERLOCK
61	FA480876		1	GEAR SHIFT ARM <b>W/ILLUS. 32, 59, 65, 66, 67 AND 68</b>
62	F2042		1	PLAIN WASHER
63	F2089		2	SLOTTED PAN HD M. SCREW, 10 - 24 X 5/16
64	F2108		1	STOP NUT, 5/16 - 18
65	F1832		1	STOP NUT, 1/4 - 20
66	F369977-1		1	INTERLOCK ARM
67	F369610		1	BEARING
68	F369887		1	SHOULDER SCREW
69	F85279-2		1	GASKET, CYLINDER EXHAUST UPPER
70	F1869		6	HEX CAP SCREW, 3/8 - 16 X 1-1/4
71	F1703		6	LOCKWASHER
72	F40689-1		1	BEARING
73	817788A3		1	SPACER PLATE <b>W/ILLUS. 74 ORIGINAL FORCE P/N A 404680-1</b>
74	F2090		1	PLUG
75	FS85872-1		1	BRACKET <b>W/ILLUS. 54</b>
76	F1864		2	HEX CAP SCREW, 1/4 - 20 X 3/4
77	F98273		2	ROD END CONNECTOR STUD
78	F8058		4	INTERNAL TOOTH LOCKWASHER
79	F476529-1		1	CYLINDER HEAD GASKET

CONTINUED ON NEXT PAGE ➡

# POWER HEAD

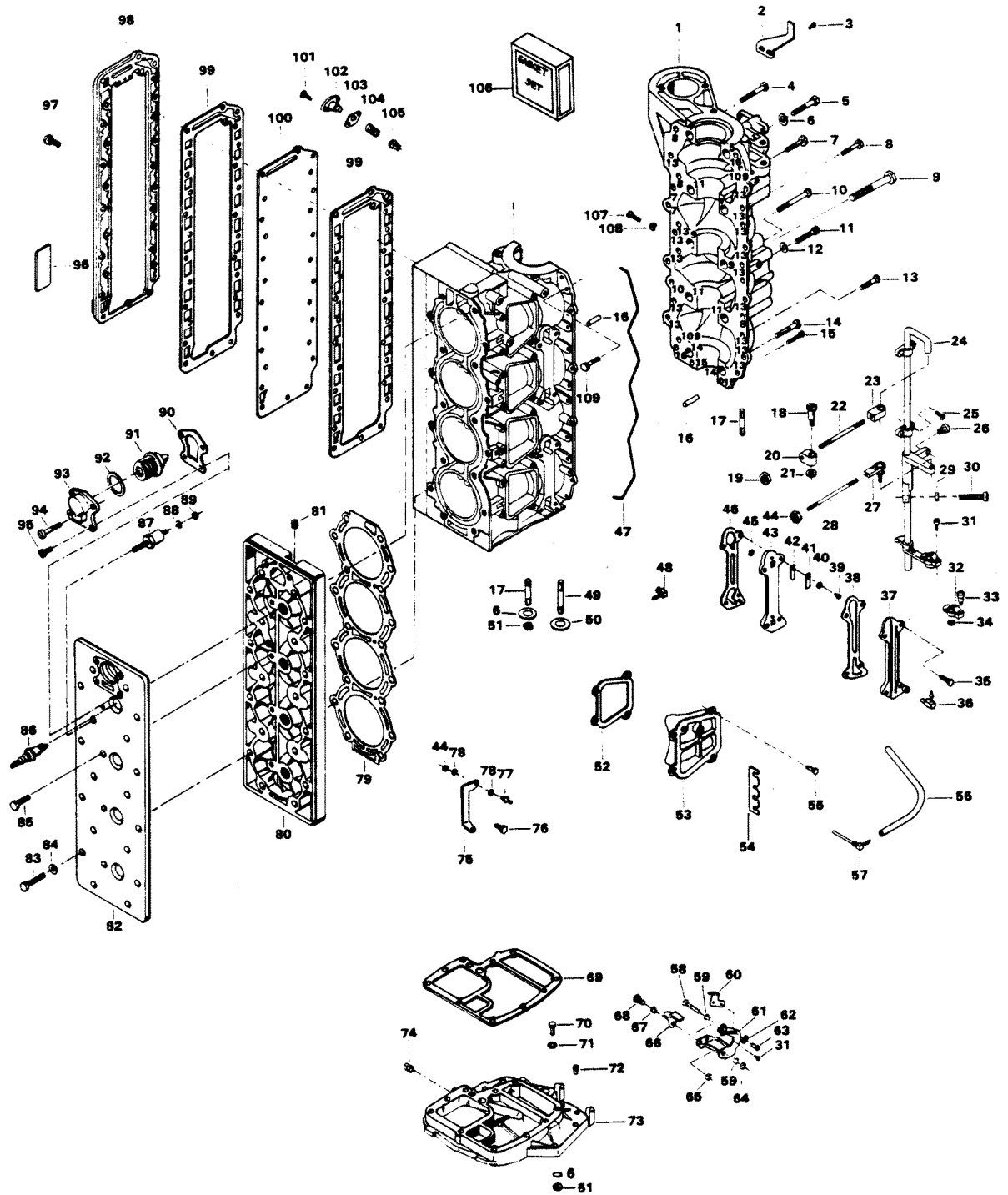


# POWER HEAD

REF. NO.	PART NO.	SYM.	QTY.	DESCRIPTION
80	900-817832A2		1	CYLINDER HEAD WILLUS. 81 AND LITERATURE ORIGINAL FORCE P/N A 501518-1
81	F19109		1	PLUG
82	F528995		1	COVER, CYLINDER HEAD
83	F2049		18	HEX CAP SCREW, 5/16 - 18 X 2-5/8
84	F1987		18	PLAIN WASHER
85	F2008		4	HEX CAP SCREW, 1/4 - 20 X 7/8
86	33-97180		4	SPARK PLUG (CHAMPION L20V) - USA
87	87-817939A1		1	THERMOSWITCH WILLUS. 88 AND 89 ORIGINAL FORCE P/N A 311449-1
88	F8056		1	LOCKWASHER
89	F1647		1	HEX NUT, 8 - 32
90	F476067		1	GASKET
91	F528068		1	THERMOSTAT
92	F84504		1	GROMMET (THERMOSTAT)
93	F476066-1		1	THERMOSTAT COVER
94	F1099		2	FILL HD SCREW, 1/4 - 20 X 1-1/4
95	F1107		2	SLOTTED FILL HD CAP SCREW, 1/4 - 20 X 3/4
96	F438398-1		1	DECAL, WIRING
97	F1699		27	HEX BOLT, 1/4 - 20 X 1-1/8
98	F372152-2		1	EXHAUST PORT COVER
99	F372154-1		2	GASKET, EXHAUST PORT PLATE
100	F372151-1		1	EXHAUST PORT PLATE
101	F1950		2	HEX CAP SCREW, 10 - 24 X 5/8
102	F438066		1	BY-PASS VALVE COVER
103	F85762		1	BY-PASS VALVE COVER GASKET
104	F404268		1	BY-PASS VALVE SPRING
105	F85916-1		1	BY-PASS VALVE
106	FG1019		1	GASKET SET INCLUDES ALL ITEMS MARKED WITH A *
-	<b>F40223</b>		1	<b>GASKET, TRANSFER PORT COVER</b>
-	<b>F84472-5</b>		2	<b>GASKET, CYLINDER DRAIN COVER</b>
-	<b>F84748-3</b>		2	<b>GASKET, CYLINDER DRAIN REED PLATE</b>
-	<b>F85279-2</b>		1	<b>GASKET, CYLINDER EXHAUST, UPPER</b>
-	<b>F85762</b>		1	<b>GASKET, BY-PASS VALVE</b>
-	<b>F85906</b>		2	<b>GASKET, CARBURETOR</b>
-	<b>F178168-1</b>		2	<b>GASKET, CARBURETOR ADAPTER</b>
-	<b>F184122-1</b>		1	<b>PARTING LINE SEAL</b>
-	<b>F372154-1</b>		2	<b>GASKET, EXHAUST PORT PLATE</b>
-	<b>F406406</b>		2	<b>GASKET, DEFLECTOR PLATE</b>
-	<b>F476067</b>		1	<b>GASKET, THERMOSTAT COVER</b>
-	<b>F476529-1</b>		1	<b>GASKET, CYLINDER HEAD</b>
-	<b>F440906</b>		2	<b>GASKET, CARBURETOR</b>
107	F2000		1	HEX CAP SCREW, 5/16 - 18 X 3/4
108	F8096		1	SPRING LOCKWASHER

CONTINUED ON NEXT PAGE ➡

# POWER HEAD

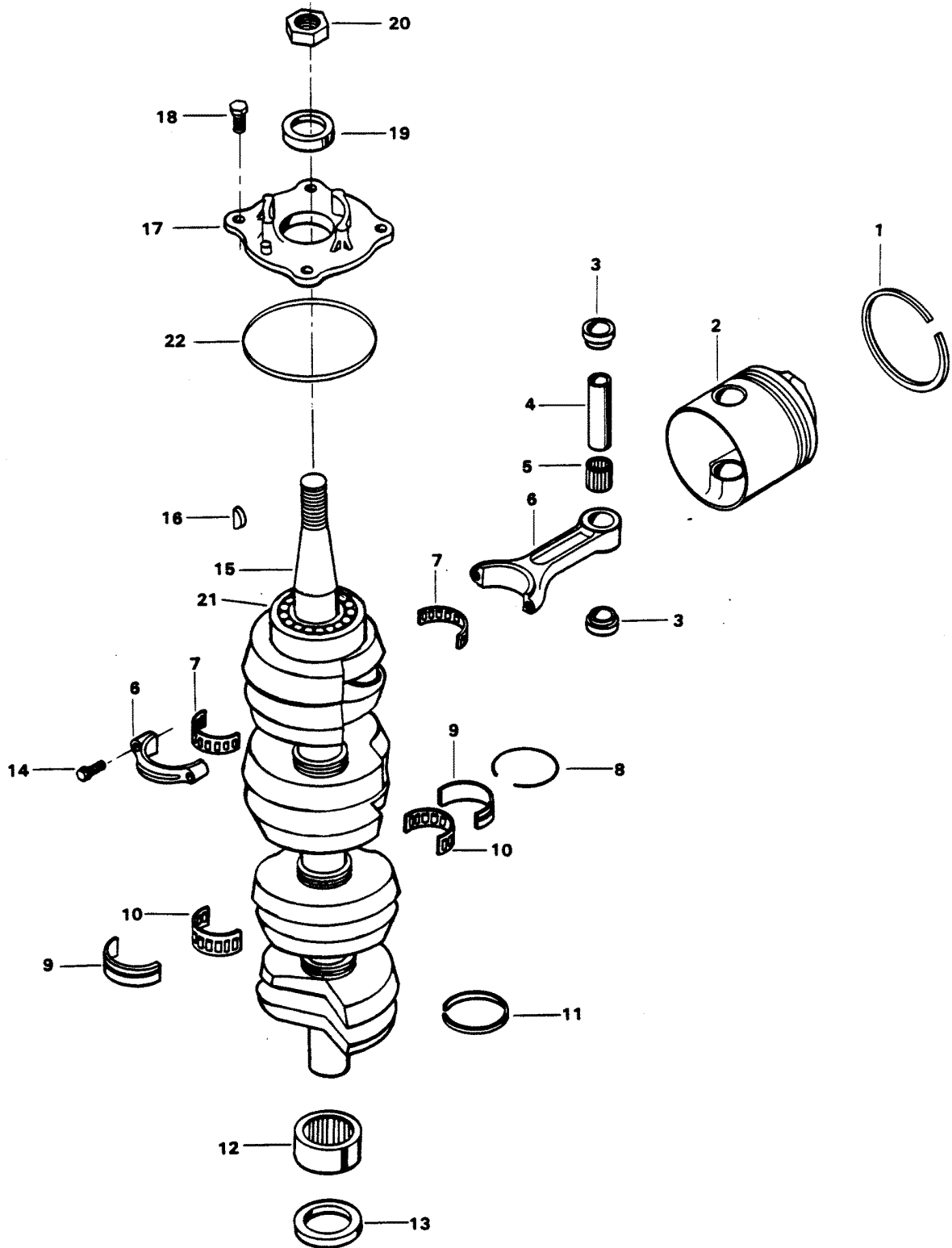




# POWER HEAD

REF. NO.	PART NO.	SYM.	QTY.	DESCRIPTION
109	F1532		2	HEX HD SCREW, 1/4 - 20 X 1

# CRANKSHAFT AND PISTON GROUP



# CRANKSHAFT AND PISTON GROUP

REF. NO.	PART NO.	SYM.	QTY.	DESCRIPTION
1	FA335260		4	PISTON RING SET (3 PER SET)
-	<b>FSA335260</b>		<b>4</b>	<b>PISTON RING (3 PER SET) .010 OVERSIZE (NOT SHOWN)</b>
-	<b>39-818110A1</b>		<b>4</b>	<b>PISTON RING (3 PER SET) .030 OVERSIZE (NOT SHOWN)</b>
2	700-F372015-3		4	PISTON
-	<b>700-817988A2</b>		<b>4</b>	<b>PISTON .010 OVERSIZE (NOT SHOWN)</b>
-	<b>700-818111A2</b>		<b>4</b>	<b>PISTON .030 OVERSIZE (NOT SHOWN)</b>
3	F335215		8	SPACER, PISTON PIN (2 PER PISTON)
4	F85017		4	PISTON PIN
5	F335217-1		4	BEARING, PISTON PIN (26 PER SET)
6	600-818052A4		4	CONNECTING ROD <b>W/CAP AND ILLUS. 14 ORIGINAL FORCE P/N S 366016-4</b>
7	FK85228-1		4	BEARING CAGE W/ROLLER
8	F85410		3	SNAP RING
9	FA85655-1		2	CRANKSHAFT MAIN BEARING RACE <b>W/ILLUS. 8</b>
10	F85571		3	BEARING CAGE W/ROLLER
11	F316579		3	SEAL, CRANKCASE
12	FA523014		1	CRANKSHAFT LOWER MAIN BEARING <b>W/ITEM 13</b>
13	F523146		1	SEAL, CRANKSHAFT LOWER
14	F85634-2		8	CONNECTING ROD SCREW
15	400-817735A4		1	CRANKSHAFT <b>W/ILLUS. 21 ORIGINAL FORCE P/N A 178018-4</b>
16	F85498		1	FLYWHEEL KEY
17	31-817785A2		1	CRANKSHAFT BEARING CAGE <b>W/ILLUS. 19 ORIGINAL FORCE P/N A 373144-2</b>
18	F1867		4	HEX CAP SCREW, 3/8 - 16 X 1
19	F523146		1	SEAL
20	F1968		1	FLYWHEEL NUT
21	F284659-2		1	BEARING, CRANKSHAFT UPPER MAIN
22	F84278		1	SEAL
-	<b>F2067</b>		<b>1</b>	<b>PLASTISOL CAP (NOT SHOWN) FOR EXPOSED THREADS OF CRANKSHAFT</b>

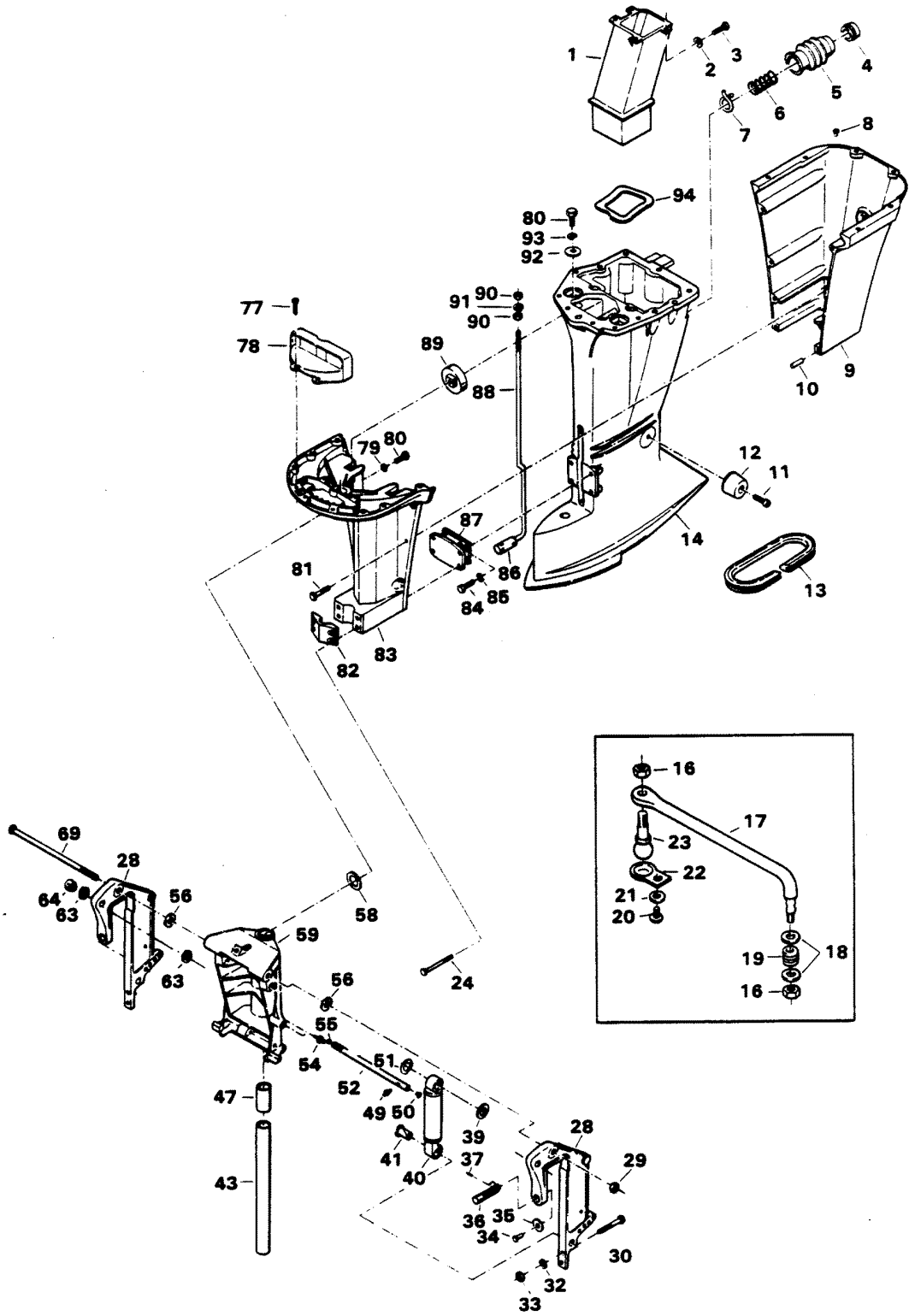


# MOTOR LEG

REF. NO.	PART NO.	SYM.	QTY.	DESCRIPTION
1	F85660-1		1	EXHAUST TUBE
2	F8083		4	SPRING LOCKWASHER
3	F1864		4	HEX SLOT HD SCREW, 1/4 - 20 X 3/4
4	F85258		1	INSERT
5	F85130		1	BOOT IDLE EXHAUST
6	F85380		1	SPRING
7	F85772		1	CLAMP
8	F1729		2	PLUG
9	F178145-3		1	MOTOR LEG COVER, REAR
10	F1664		2	SPRING PIN
11	F438962		2	SHOCK MOUNT LOWER REAR
12	F1263		2	HEX SOCKET HD CAP SCREW, 5/16 - 18 X 9/16
13	F178323		1	SEAL, MOTOR LEG
14	F523133-2		1	MOTOR LEG
16	F2093		2	STOP NUT
17	F523881-2		1	LINK STEERING
18	F8038		2	PLAIN WASHER
19	F523300-1		1	SPRING
20	F1280		1	PAN HD SCREW
21	F8080		1	HELICAL SPRING LOCKWASHER
22	F523930		1	RETAINER STUD
23	F523273		1	STUD STEERING BALL
24	F1696		4	HEX BOLT, 5/16 - 18 X 1-3/4
28	1400-817958A6		2	STERN BRACKET
29	F7012		1	STOP NUT
30	F1593		2	HEX HD SCREW, 3/8 - 16 X 3
32	F1904		2	PLAIN WASHER
33	F1346		2	HEX NUT
34	F353480		2	STUD
35	F84074		2	CLAMP SCREW FOOT
36	F474073-1		2	CLAMP SCREW
37	F8538		2	SPRING PIN
39	F1710		2	PLAIN WASHER
40	FA178962		2	SHOCK ABSORBER W/BUSHING
41	F178362		2	BEARING
43	FS85019		1	KINGPIN
47	F438169		2	BEARING
49	F523274		1	GREASE FITTING
50	F9052		2	PLUG
51	F1711		2	SPRING BOWED WASHER
52	F511125-2		1	TUBE, STEERING SUPPORT
54	F213274		3	GREASE FITTING
55	F316599		1	SEAL, STEERING SUPPORT TUBE

CONTINUED ON NEXT PAGE ➡

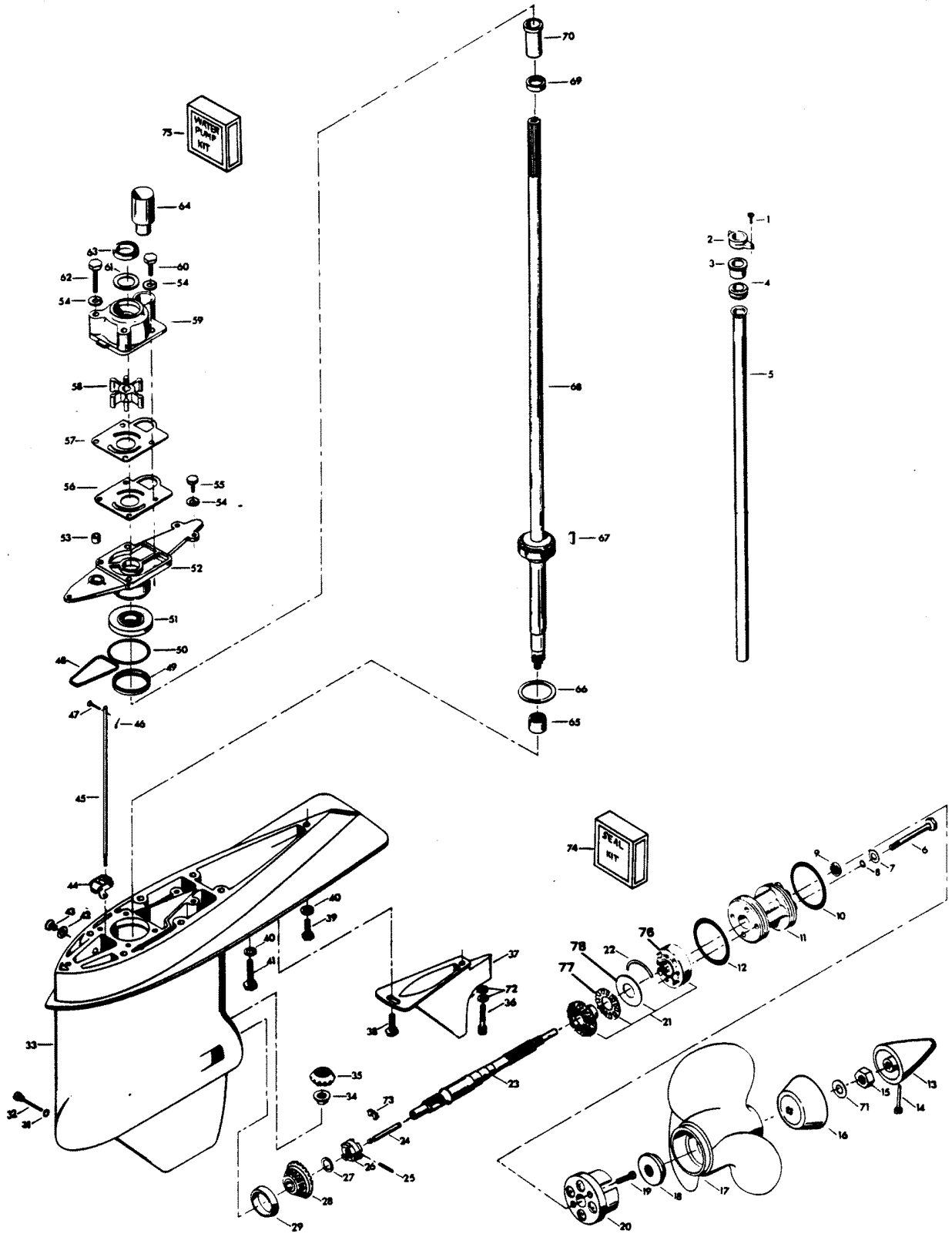
# MOTOR LEG



# MOTOR LEG

REF. NO.	PART NO.	SYM.	QTY.	DESCRIPTION
56	F84286-1		4	FRICITION WASHER
58	F84011		1	WASHER
59	817783A5		1	SWIVEL BRACKET <b>WILLUS. 47 AND 54 ORIGINAL FORCE P/N A 369072-2</b>
63	F523280		2	NUT, STEERING SUPPORT TUBE
64	F9018		2	CAP
69	F85037-1		1	STERN BRACKET PIVOT BOLT
77	F1912		4	HEX HD SCREW, 10 - 24 X 1/2
78	F85779-1		1	BAFFLE, AIR INTAKE
79	F1703		2	SPRING LOCKWASHER
80	F1871		4	HEX HD SCREW, 3/8 - 16 X 3/4
81	F2030		6	HEX HD M. SCREW, 1/4 - 20 X 1-1/4
82	F85606		1	KINGPIN CAP
83	FA85135-4		1	LEG COVER FRONT <b>WILLUS. 81</b>
84	F1822		4	HEX BOLT, 5/16 - 18 X 7/8
85	F8096		4	SPRING LOCKWASHER
86	F85704		1	COUPLER, GEAR SHIFT ROD
87	F438346		1	SHOCK MOUNT LOWER
88	F85615		1	GEAR SHIFT ROD UPPER
89	F85965		2	SHOCK MOUNT UPPER
90	F2108		2	LOCK NUT
91	F1987		1	PLAIN WASHER
92	FA85355-1		2	WASHER <b>WILLUS. 93</b>
93	F2014		2	PLAIN WASHER
94	F439736		1	SEAL, EXHAUST TUBE

# GEAR HOUSING



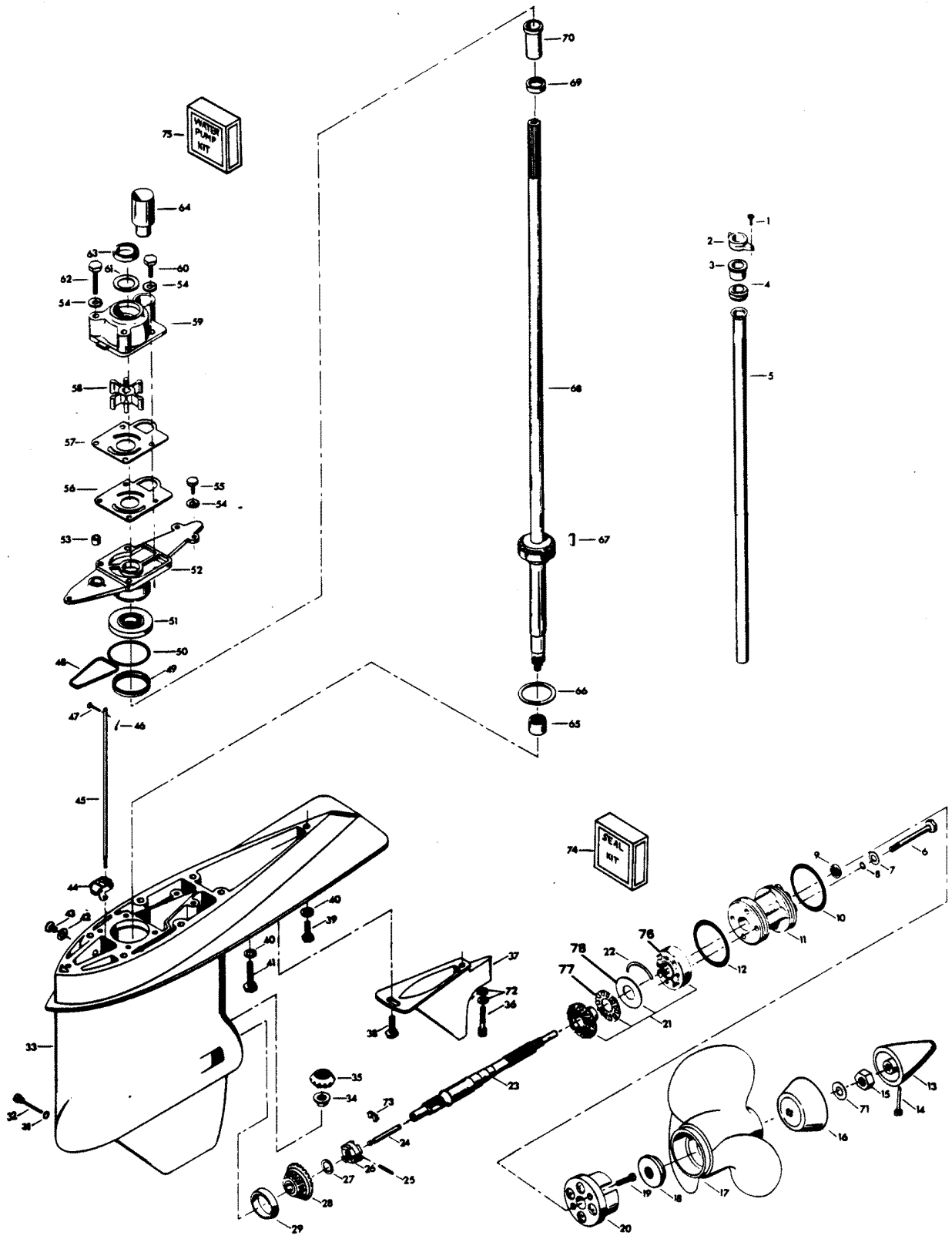


# GEAR HOUSING

REF. NO.	PART NO.	SYM.	QTY.	DESCRIPTION
1	F1705		2	HEX CAP SCREW, 1/4 - 20 X 3/4
2	F85117		1	BRACKET, WATER LINE
3	F84342		1	SEAL, INLET WATER LINE, UPPER
4	F523899		1	GROMMET, WATER LINE
5	F523244		1	INLET WATER LINE
6	F1885		4	HEX CAP SCREW, 5/16 - 18 X 4-1/4
7	F1907		4	PLAIN WASHER
8	F50342-1		4	SEAL, O-RING
9	F506118		1	SEAL, PROPELLER SHAFT
10	F24278		1	SEAL, O-RING PROPELLER SHAFT SPOOL
11	F2A523239		1	SPOOL, PROPELLER SHAFT BEARING <b>W/ILLUS. 9</b>
12	F84305		1	SEAL, O-RING PROPELLER SHAFT SPOOL
13	F523094-2		1	PROPELLER NUT
14	F498891		1	PIN, PROPELLER NUT RETAINING
15	F1788		1	STOP NUT
16	F5H119		1	WASHER (ACCESSORY ITEM)
17	FPS523		1	PROPELLER (ACCESSORY ITEM)
18	F523099-1		1	SPACER, PROPELLER
19	F1577		2	FILL HD SCREW, 1/4 - 20 X 3/4
20	FA523485		1	ANTICORROSION ANODE <b>W/LITERATURE</b>
21	F2A523662		1	BEVEL GEAR REAR W/BEARING CAGE SPACER AND BEARING
22	F523411		2	RETAINING RING, BEARING CAGE
23	FA523098		1	PROPELLER SHAFT ASSEMBLY
24	F84871-1		1	PIN, GEAR SHIFT W/YOKE
25	F1713		1	SPRING PIN
26	F84521-2		1	CLUTCH
27	F1936		A/R	SPACER, BEVEL GEAR FRONT .059
-	<b>F1937</b>		<b>A/R</b>	<b>SPACER, BEVEL GEAR FRONT .062</b>
-	<b>F1938</b>		<b>A/R</b>	<b>SPACER, BEVEL GEAR FRONT .065</b>
-	<b>F1939</b>		<b>A/R</b>	<b>SPACER, BEVEL GEAR FRONT .068</b>
-	<b>F1940</b>		<b>A/R</b>	<b>SPACER, BEVEL GEAR FRONT .071</b>
-	<b>F1941</b>		<b>A/R</b>	<b>SPACER, BEVEL GEAR FRONT .074</b>
-	<b>F1942</b>		<b>A/R</b>	<b>SPACER, BEVEL GEAR FRONT .077</b>
-	<b>F2113</b>		<b>A/R</b>	<b>SPACER, BEVEL GEAR FRONT .080</b>
-	<b>F2114</b>		<b>A/R</b>	<b>SPACER, BEVEL GEAR FRONT .083</b>
-	<b>F2115</b>		<b>A/R</b>	<b>SPACER, BEVEL GEAR FRONT .086</b>
-	<b>F2116</b>		<b>A/R</b>	<b>SPACER, BEVEL GEAR FRONT .089</b>
-	<b>F2121</b>		<b>A/R</b>	<b>SPACER, BEVEL GEAR FRONT .057</b>
-	<b>F2122</b>		<b>A/R</b>	<b>SPACER, BEVEL GEAR FRONT .054</b>
28	43-818068A2		1	BEVEL GEAR FRONT W/BEARING AND SHIMS
29	F523813		1	BEARING CUP
31	F498618		1	SEAL

CONTINUED ON NEXT PAGE ➡

# GEAR HOUSING

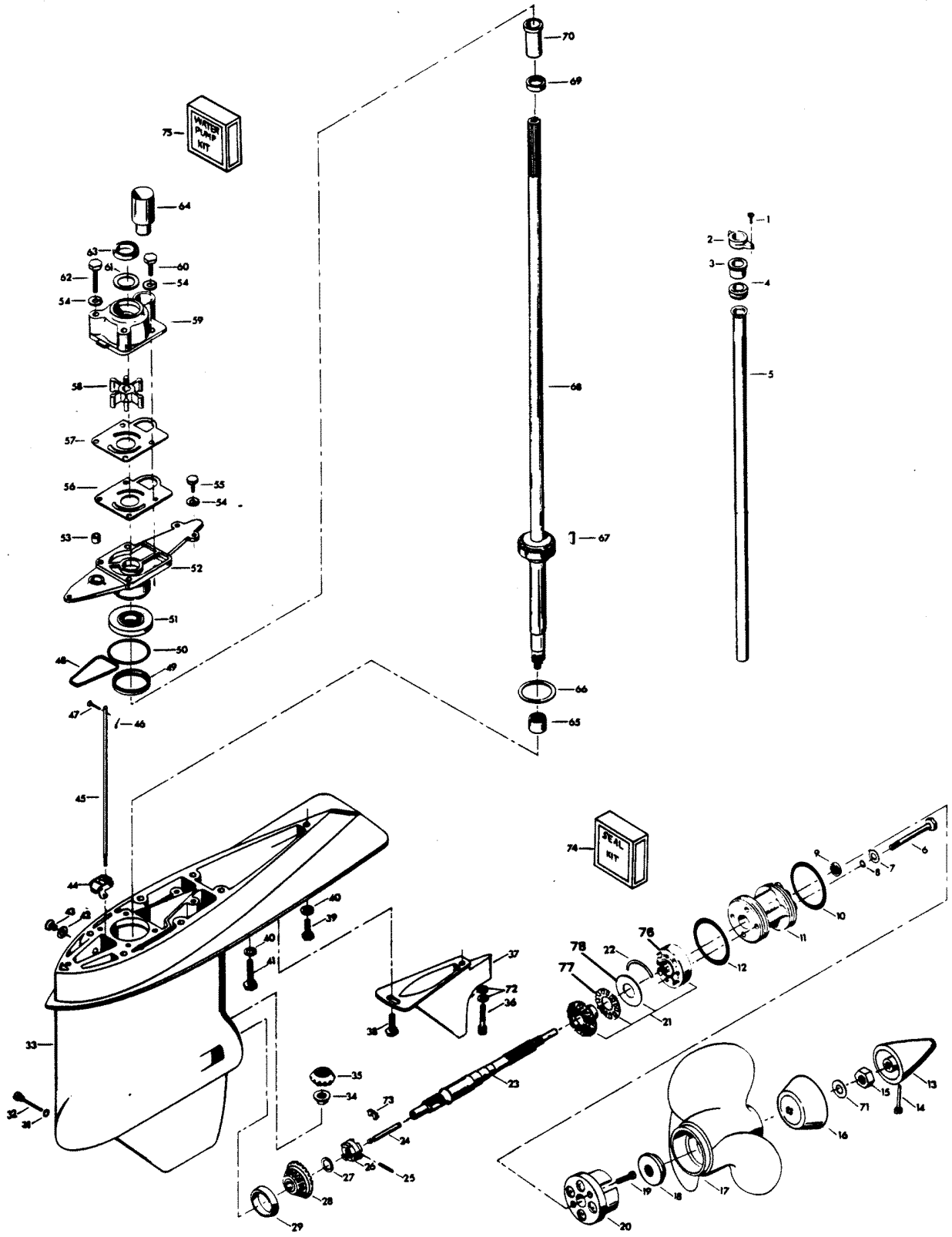


# GEAR HOUSING

REF. NO.	PART NO.	SYM.	QTY.	DESCRIPTION
32	F498891		1	PIN, GEAR SHIFT ARM
33	FA523054		1	GEAR HOUSING W/BEARING CUP, DRIVESHAFT BEARING LOWER, ILLUS 30, 42 AND 43
-	<b>1600-819196A3</b>		1	<b>GEAR HOUSING COMPLETE INCLUDES ALL ITEMS MARKED WITH AN ASTERISK (*). ORIGINAL FORCE P/N C 555054-1</b>
34	F523188		1	NUT, BEVEL PINION
35	43-817854A2		1	BEVEL PINION GEAR W/ILLUS. 49 AND 66 ORIGINAL FORCE P/N A 523266-2
36	F1994		1	HEX SOCKET HD CAP SCREW, 5/16 - 18 X 1
37	F523116-1		1	EXHAUST SNOUT
38	F438930		1	RETAINER, SNOUT
39	F1858		1	HEX CAP SCREW, 5/16 - 18 X 1
40	F8096		7	SPRING LOCKWASHER
41	F1491		6	HEX HD SCREW, 5/16 - 18 X 3/4
42	F8077		3	WASHER, GEAR HOUSING PLUG
43	F50109		3	PLUG, GEAR HOUSING
44	FA84621-1		1	COUPLING, GEAR SHIFT ARM W/BUSHING
45	F523705		1	GEAR SHIFT ROD LOWER
46	F1015		1	COTTER PIN
47	F85372		1	PIN, GEAR SHIFT ROD LOWER
48	F523555		1	SEAL, O-RING, GEAR HOUSING COVER
49	F523961		1	CRUSH RING
50	F74305		1	SEAL, DRIVESHAFT BEARING CAGE
51	F506118		1	SEAL, DRIVESHAFT
52	F2A550706		1	GEAR HOUSING COVER W/ILLUS. 51 AND 53
53	F338618-1		1	SEAL, GEAR SHIFT ROD
54	F8083		7	SPRING LOCKWASHER
55	F2008		3	HEX CAP SCREW, 1/4 - 20 X 7/8
56	F523031		1	GASKET, WATER PUMP
57	F523562		1	PLATE, WATER PUMP
58	F523065-1		1	IMPELLER, WATER PUMP
59	46-817853A1		1	WATER PUMP BODY W/ILLUS. 61, 63 AND 64 ORIGINAL FORCE P/N A 523060-1
60	F1990		2	HEX CAP SCREW, 1/4 - 20 X 1-5/8
61	F480388		1	DISC, WATER PUMP LOCATING
62	F1425		2	HEX CAP SCREW, 1/4 - 20 X 2-5/8
63	F351307		1	SEAL, DRIVESHAFT - WATER PUMP
64	FA523735		1	SEAL, INLET WATER LINE, LOWER W/LITERATURE
65	F523057		1	BEARING, DRIVESHAFT LOWER
66	F9106		A/R	SHIM, DRIVESHAFT BEARING, UPPER .003 BRASS
-	<b>F9095</b>		<b>A/R</b>	<b>SHIM, DRIVESHAFT BEARING, UPPER .005 SILVER</b>
-	<b>F9096</b>		<b>A/R</b>	<b>SHIM, DRIVESHAFT BEARING, UPPER .007 BRASS</b>
-	<b>F9097</b>		<b>A/R</b>	<b>SHIM, DRIVESHAFT BEARING, UPPER .010 BLACK</b>
67	F523498		1	DRIVE KEY, WATER PUMP

CONTINUED ON NEXT PAGE ➡

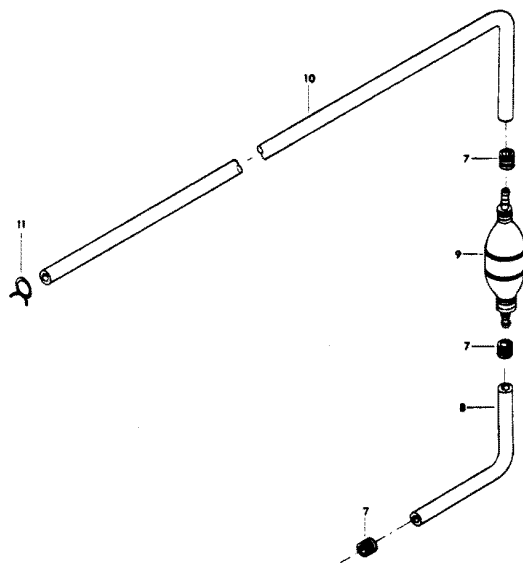
# GEAR HOUSING



# GEAR HOUSING

REF. NO.	PART NO.	SYM.	QTY.	DESCRIPTION
68	FK616128		1	DRIVESHAFT W/BEARING, ILLUS. 49 AND 66
69	F438271		1	RETAINER, CRANKSHAFT SPLINE SEAL
70	F438129		1	SEAL, DRIVESHAFT SPLINE
71	F1866		1	PLAIN WASHER
72	F1856		2	PLAIN WASHER
73	F90619-1		1	YOKE
74	FK1063-2		1	SEAL KIT INCLUDES ALL ITEMS MARKED WITH A **
-	<b>F50342-1</b>		<b>4</b>	<b>SEAL, BEARING CAGE BOLT</b>
-	<b>F506118</b>		<b>2</b>	<b>SEAL, PROPELLER SHAFT</b>
-	<b>F24278</b>		<b>1</b>	<b>SEAL, PROPELLER SHAFT SPOOL</b>
-	<b>F84305</b>		<b>1</b>	<b>SEAL, PROPELLER SHAFT SPOOL</b>
-	<b>F498618</b>		<b>1</b>	<b>SEAL, GEARSHIFT ARM PIN</b>
-	<b>F8077</b>		<b>3</b>	<b>WASHER</b>
-	<b>F523555</b>		<b>1</b>	<b>SEAL, GEAR HOUSING COVER</b>
-	<b>F74305</b>		<b>1</b>	<b>SEAL, GEAR HOUSING COVER</b>
-	<b>F84307-1</b>		<b>1</b>	<b>SEAL, DRIVESHAFT</b>
-	<b>F338618-1</b>		<b>1</b>	<b>SEAL, GEAR SHIFT ROD</b>
75	FK1069		1	WATER PUMP KIT INCLUDES ALL ITEMS MARKED WITH A *
-	<b>F1425</b>		<b>2</b>	<b>HEX CAP SC, 1/4 - 20 X 5/8</b>
-	<b>F1990</b>		<b>2</b>	<b>HEX CAP SCREW</b>
-	<b>F8083</b>		<b>4</b>	<b>SPRING LOCKWASHER</b>
-	<b>F523031</b>		<b>1</b>	<b>GASKET, WATER PUMP</b>
-	<b>F523065-1</b>		<b>1</b>	<b>IMPELLER</b>
-	<b>F523498</b>		<b>1</b>	<b>KEY</b>
-	<b>F523562</b>		<b>1</b>	<b>PLATE, WATER PUMP</b>
-	<b>46-817853A1</b>		<b>1</b>	<b>WATER PUMP</b>
76	FA523136		1	CAGE, REAR
77	F523901		1	BEARING, BEVEL GEAR REAR
78	F2117		A/R	SPACER BEVEL GEAR REAR
-	<b>F2118</b>		<b>A/R</b>	<b>SPACER BEVEL GEAR REAR</b>
-	<b>F2119</b>		<b>A/R</b>	<b>SPACER BEVEL GEAR REAR</b>
-	<b>F2120</b>		<b>A/R</b>	<b>SPACER BEVEL GEAR REAR</b>

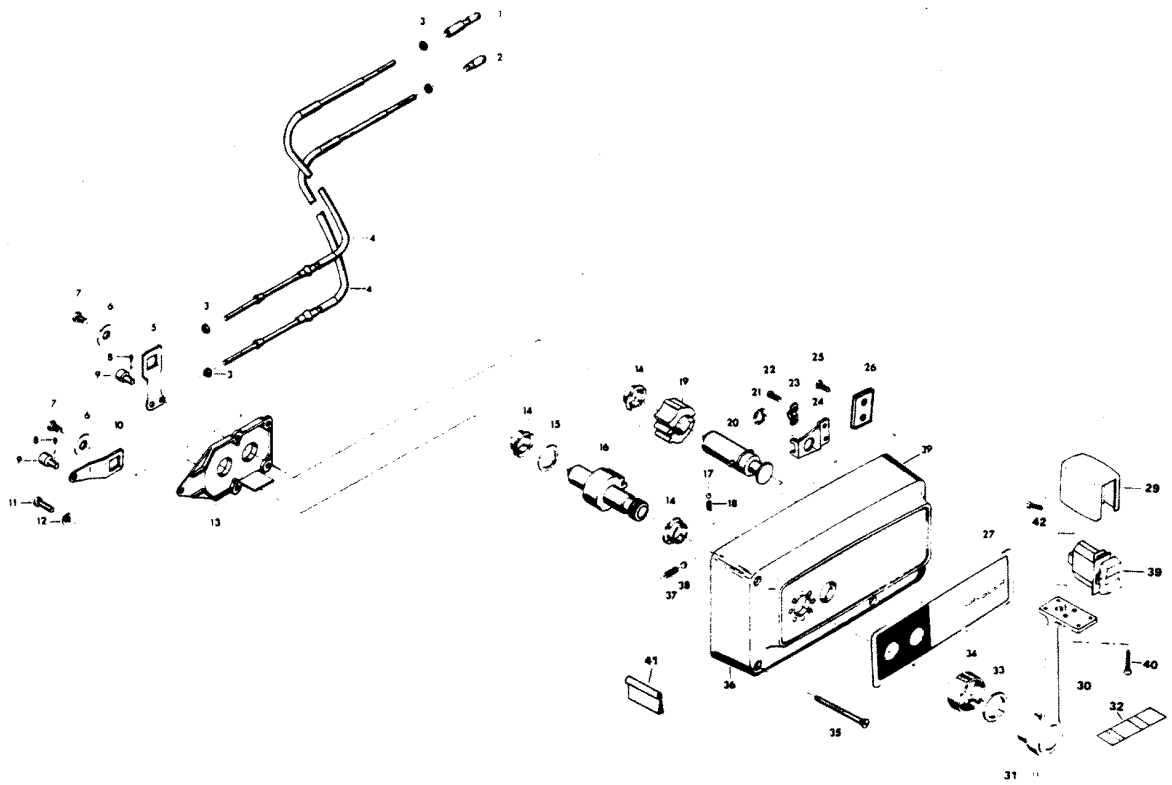
# FUEL LINE



# FUEL LINE

REF. NO.	PART NO.	SYM.	QTY.	DESCRIPTION
7	F298788		2	FERRULE
8	FA84754-1		1	FUEL LINE SHORT W/ILLUS. 7
9	89396A38		1	PRIME BULB
10	32-817738A1		1	FUEL LINE LONG W/ILLUS. 7 AND 11 ORIGINAL FORCE P/N A 197752-1
11	F97772		1	CLAMP, FUEL LINE

# REMOTE CONTROL



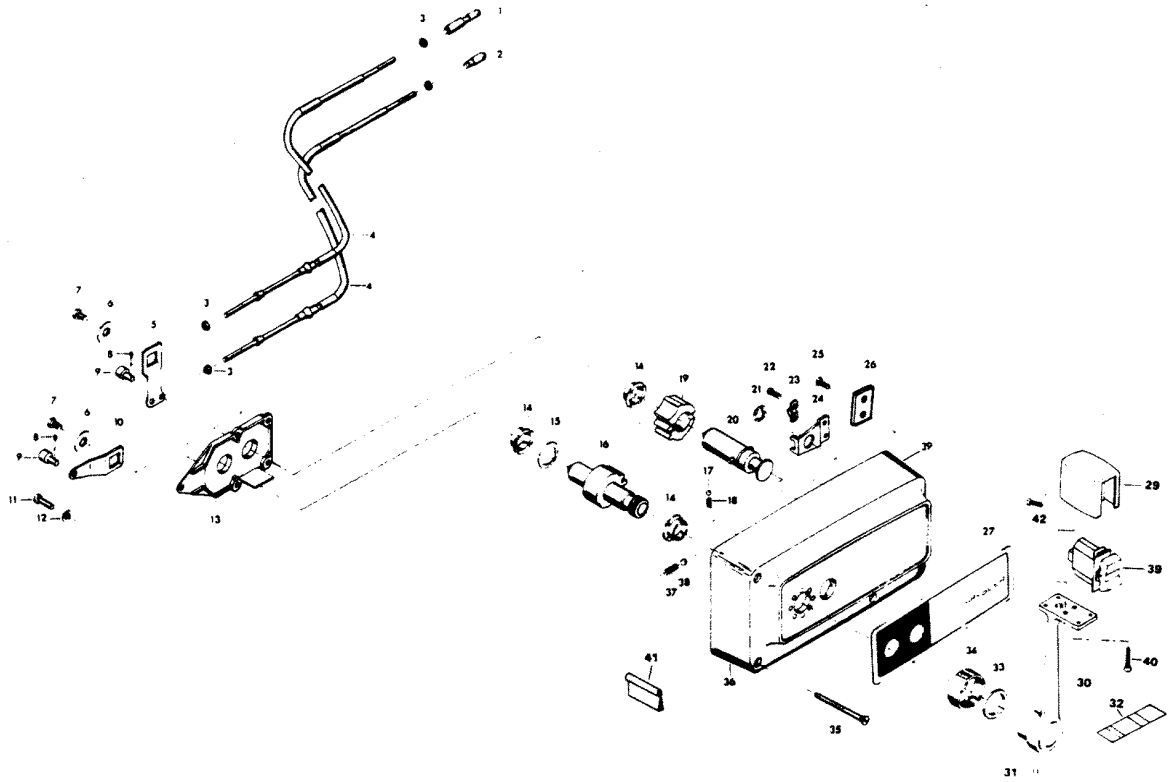


# REMOTE CONTROL

REF. NO.	PART NO.	SYM.	QTY.	DESCRIPTION
1	FA58976-1		1	CONNECTOR, THROTTLE CABLE
2	F58685-2		1	CONNECTOR, SHIFT CABLE
3	F1513		4	HEX NUT
4	F195/___		1	REMOTE CONTROL CABLE (SPECIFY LENGTH) <b>ACCESSORY ITEM (2 PER SET)</b>
5	F17019		1	CLUTCH ARM
6	F17036		2	INTERNAL TOOTH LOCKWASHER
7	F17155		2	HEX BOLT, 14 X 28 X 1/2
8	F17149		2	COTTER PIN
9	F17016		2	CABLE TERMINAL
10	F17014		1	THROTTLE ARM
11	F17013		2	FILL HD SCREW, 1/4 - 20 X 1/2
12	F8061		2	INTERNAL TOOTH LOCKWASHER
13	F17012		1	RETAINING PLATE
14	F17009		3	BEARING
15	F17011		1	BOWED WASHER
16	F17010-1		1	THROTTLE GEAR
17	F17111		1	DETENT BALL
18	F17006		1	DETENT SPRING
19	F17021		1	CLUTCH GEAR
20	F17100		1	CLUTCH SHAFT
21	F17092		1	SNAP RING
22	F17071		2	FILL HD SCREW, 10 - 24 X 5/16
23	F154317		1	CABLE CLAMP
24	F17026		1	SWIVEL
25	F17141		2	ROUND HD SCREW, 10 - 24 X 3/8
26	F17153		1	RETAINER PLATE
27	F580892		1	DECAL, STARBOARD
-	<b>F581892</b>		<b>1</b>	<b>DECAL, PORT</b>
29	F448543		1	KNOB
30	F448611-1		1	LEVER
31	F455690		1	SET SCREW
32	F449894		1	INDICATOR - STARBOARD
-	<b>F448894</b>		<b>1</b>	<b>INDICATOR - PORT</b>
33	F17105		1	FELT WASHER
34	F17106		1	COLLAR
35	F17154		3	WOOD SCREW
36	F17099-1		1	HOUSING
37	F17157		1	DETENT SPRING
38	F17082-1		1	DETENT BALL
39	F455449		1	SWITCH, TRIM

CONTINUED ON NEXT PAGE ➡

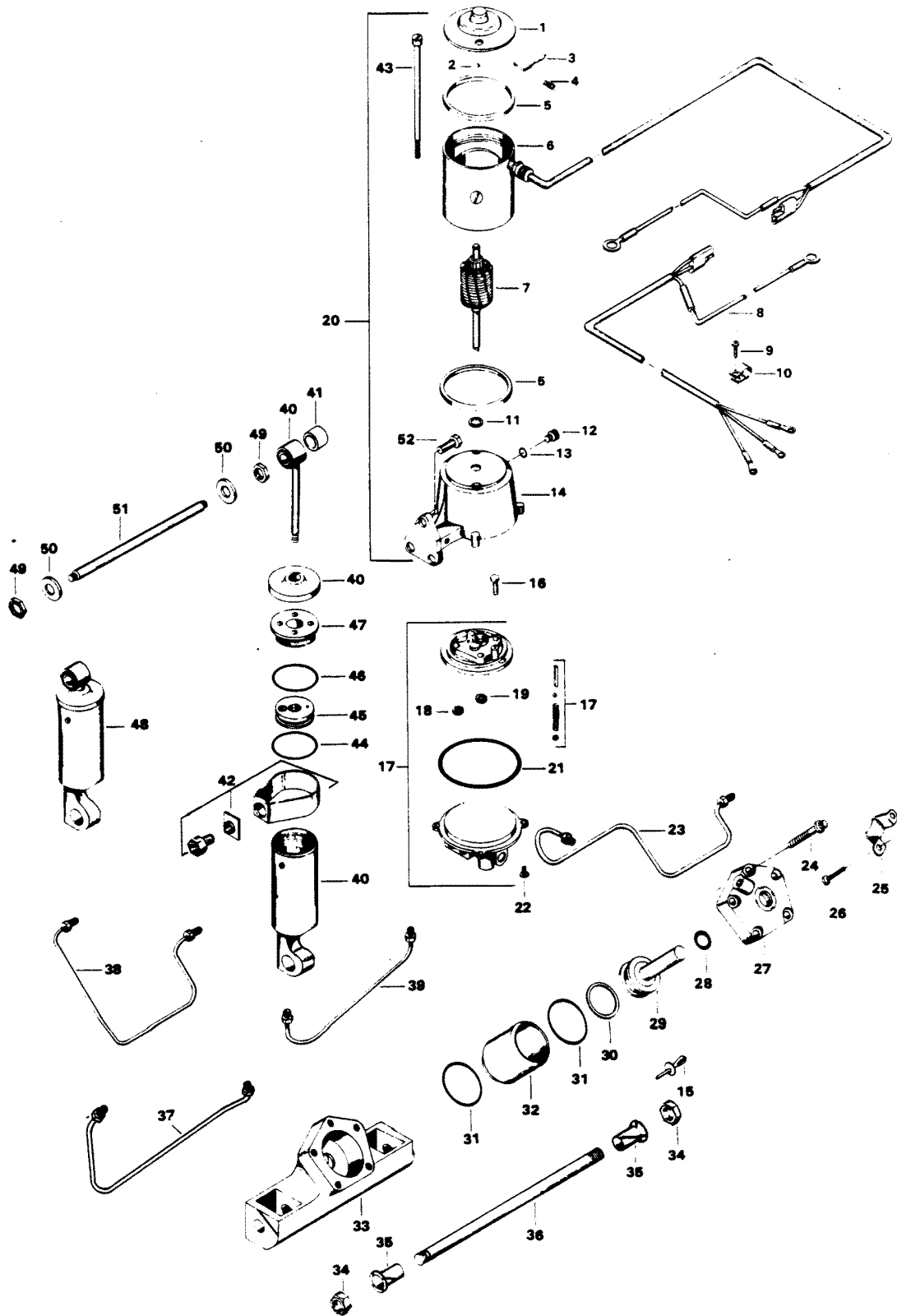
# REMOTE CONTROL



# REMOTE CONTROL

REF. NO.	PART NO.	SYM.	QTY.	DESCRIPTION
40	F1461		2	SCREW, 6 X 7/8
41	F448446		1	CLAMP, TRIM SWITCH CABLE
42	F1280		3	PAN HD SCREW, 8 - 32 X 1/4
-	<b>OB3876</b>		<b>1</b>	<b>LITERATURE (NOT SHOWN)</b>
-	<b>FK17156</b>		<b>1</b>	<b>BAG ASSEMBLY (NOT SHOWN) INCLUDES ITEMS MARKED WITH AN ASTERISK (*).</b>

# POWER TRIM UNIT

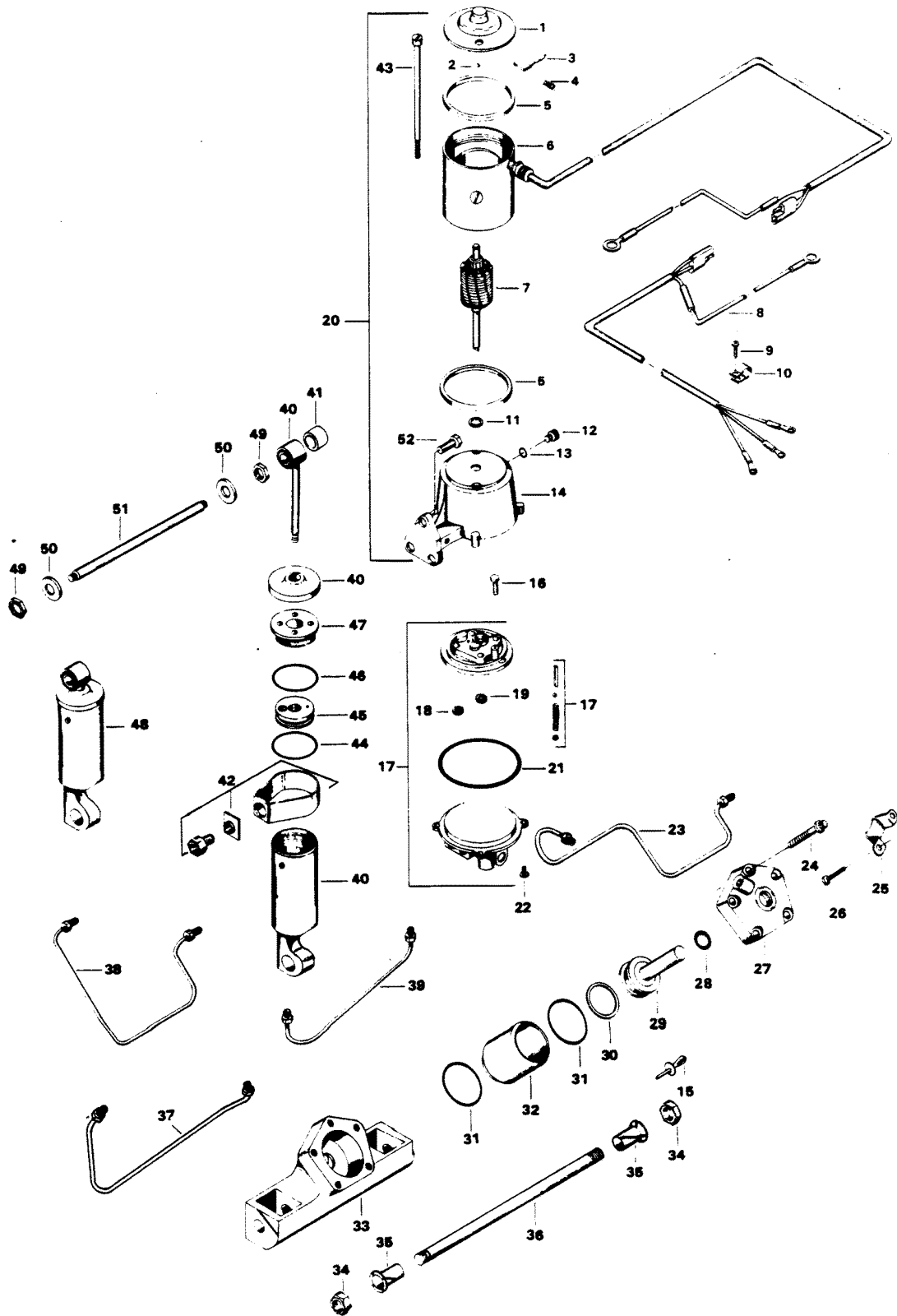


# POWER TRIM UNIT

REF. NO.	PART NO.	SYM.	QTY.	DESCRIPTION
1	F17543		1	HEAD ASSEMBLY, COMMUTATOR END
2	F17539		1	BALL
3	F17504		1	BRUSH SET
4	F17500		1	SPRING SET
5	F17557		2	GASKET
6	F17556		1	FIELD AND FRAME ASSEMBLY
7	F17555		1	ARMATURE
8	F500843		1	CABLE
9	F1741		2	THREAD FORMING SCREW, 8 X 3/4
10	F448446		1	CLAMP
11	F17508		A/R	THRUST WASHER
12	F17518		1	FILLER CAP
13	F17510		1	O-RING
14	F17505		1	RESERVOIR AND BRACKET W/SEAL
15	F1966		1	PLUG, SWIVEL BRACKET
16	F1203		1	HEX CAP SCREW, 1/4 - 20 X 7/8
17	F17564		1	VALVE BODY AND PUMP <b>W/ILLUS. 16, 18, 19 AND 21</b>
18	F17566		1	IDLE GEAR
19	F17565		1	DRIVE GEAR
20	F17563		1	MOTOR AND RESERVOIR ASSEMBLY
21	F17522		1	O-RING
22	F1310		4	ROUND HD SCREW, 10 - 24 X 5/8
23	F449254		1	HYDRAULIC LINE, TRIM CYLINDER, UPPER
24	F1959		5	SCREW, 1/4 - 20 X 1-3/4, STAINLESS STEEL
25	F449354		1	THRUST BRACKET
26	F1734		2	FILL HD MOUNTING SCREW AND LOCKWASHER, 1/4 - 20 X 1/2
27	FA449149		1	COVER ASSEMBLY W/SEALS AND RETAINER
28	F449342		1	SEAL, PISTON SHAFT
29	FA449015		1	PISTON
30	F449278		1	PISTON SEAL
31	F40278		2	SEAL, CYLINDER
32	F449010		1	CYLINDER
33	F449545-2		1	CYLINDER HOUSING
34	F1963		2	ELASTIC STOP NUT, 5/8 - 18
35	F449362		2	BEARING
36	F449632		1	SHAFT
37	F449253-1		1	HYDRAULIC LINE, TRIM CYLINDER, LOWER
38	F449758		1	HYDRAULIC LINE, LIFT CYLINDER, UPPER
39	F449754-1		1	HYDRAULIC LINE, LIFT CYLINDER, LOWER
40	FA17559		1	LIFT CYLINDER COMPLETE <b>W/ILLUS. 41</b>
41	F178344		2	BUSHING
42	F17577		1	ADAPTER FITTING PACKAGE

CONTINUED ON NEXT PAGE ➡

# POWER TRIM UNIT



# POWER TRIM UNIT

REF. NO.	PART NO.	SYM.	QTY.	DESCRIPTION
43	F17558		1	THRU-BOLT PACKAGE
44	FA17561-1		1	O-RING <b>W/LITERATURE</b>
45	F17562-1		1	PISTON ASSEMBLY
46	F17528		1	O-RING
47	F17560		1	HEAD ASSEMBLY
48	FA178962		1	SHOCK ABSORBER <b>W/ILLUS. 41</b>
49	F1931		2	STOP NUT, 1/2 - 20, STAINLESS STEEL
50	F1710		2	PLAIN WASHER
51	F449889		1	SHAFT, UPPER
52	F1822		3	SCREW, 5/16 - 18 X 7/8, STAINLESS STEEL
-	<b>F1877</b>		<b>2</b>	<b>TY-RAP (NOT SHOWN)</b>

## SPECIAL TOOLS - TUNE-UP

REF. NO.	PART NO.	SYM.	QTY.	DESCRIPTION
-	FT8948-1		0	PULLER TO REMOVE FLYWHEEL.
-	FTA2937-1		0	TIMING TOOL TO ADJUST TIMING POINTER.
-	FT8978		0	POWER TIMING LIGHT FOR ADJUSTMENT OF ENGINE TIMING.



## SPECIAL TOOLS - POWER HEAD

REF. NO.	PART NO.	SYM.	QTY.	DESCRIPTION
-	FT2998		0	TORQUE WRENCH (0 - 100 LBS./FT.) TO PROPERLY TORQUE FASTENERS.
-	FT2999		0	TORQUE WRENCH (0 - 600 LBS./IN.) TO PROPERLY TORQUE FASTENERS.
-	FT8914		0	SEAL REMOVER TO REMOVE UPPER CRANKSHAFT BEARING CAGE SEAL.
-	FT8903		0	SEAL INSTALLER TO INSTALL UPPER CRANKSHAFT BEARING CAGE SEAL.
-	FT8927		0	SEAL PROTECTOR TO INSTALL UPPER CRANKSHAFT BEARING CAGE.
-	FT8907		0	DRIVE HANDLE USED WITH T 8903.
-	FT8925		0	SEAL INSTALLER TO INSTALL LOWER CRANKSHAFT SEAL.
-	FT2953		0	SOCKET TO TORQUE CONNECTING ROD SCREWS.
-	FT2990		0	PISTON PIN TOOL TO REMOVE AND INSTALL PISTON PINS.
-	FT2996		0	RING COMPRESSOR TO INSTALL PISTON IN CYLINDER.
-	FT8926		0	RING EXPANDER TO INSTALL PISTON RINGS.
-	FT1082		0	SNAP RING PLIER TO REMOVE AND INSTALL DISTRIBUTOR RETAINING RING.
-	FT8933		0	LIFTING HOOK TO LIFT ENGINE.
-	FT2991		0	CARBON BRUSH TO REMOVE CARBON DEPOSITS FROM POWER HEAD.
-	FT8900		0	HOSE CLAMP PLIERS TO REMOVE AND INSTALL FUEL HOSE CLAMPS.

## SPECIAL TOOLS - GEAR HOUSING

REF. NO.	PART NO.	SYM.	QTY.	DESCRIPTION
-	FT7848		0	TORQUING ADAPTER HOLD DRIVESHAFT WHILE INSTALLING OR REMOVING PINION NUT.
-	FT8948-1		0	PULLER TO REMOVE SPOOL FROM GEAR HOUSING.
-	FT8985		0	SEAL INSTALLER TO INSTALL PROPELLER SHAFT SEAL IN PROPELLER SHAFT BEARING SPOOL.
-	FT8925		0	SEAL INSTALLER TO INSTALL DRIVESHAFT SEAL IN GEAR HOUSING COVER.
-	FT8907		0	DRIVER HANDLE TO INSTALL BEARING CUPS AND SEALS.
-	FT8901		0	INDICATOR HOLDER USED IN CONJUNCTION WITH T 8997.
-	FT8902		0	DIAL INDICATOR USED IN CONJUNCTION WITH T 8997.
-	FT8919		0	SPRING PIN PUNCH TO REMOVE CLUTCH SPRING PIN.
-	FT8957		0	SEAL INSTALLER TO INSTALL SHIFT ROD SEAL.
-	FT8997		0	SHIMMING TOOL TO SHIM LOWER UNIT.
-	FT8918		0	BEARING GUIDE SET TO REMOVE FORWARD BEARING CUP IN GEAR HOUSING.
-	FT11209		0	BEARING GUIDE SET USE WITH T 8918.
-	FT11207		0	BEARING CUP REMOVER TO REMOVE FORWARD BEARING CUP IN GEAR HOUSING.
-	FT11204		0	BEARING CUP INSTALLER TO INSTALL FORWARD BEARING CUP IN GEAR HOUSING.
-	FT3012		0	SEAL INSTALLER TO INSTALL WATER PUMP SEAL.
-	FT11205		0	BEARING INSTALLER/REMOVER TO INSTALL AND REMOVE LOWER DRIVESHAFT BEARING IN GEAR HOUSING.
-	FT8930-1		0	FEELER GAUGE SET TO SHIM LOWER UNIT (USE WITH T 8997).

## SPECIAL TOOLS - TEST EQUIPMENT

REF. NO.	PART NO.	SYM.	QTY.	DESCRIPTION
-	FT8950		0	LEAKAGE TESTER TO TEST LOWER UNIT SEALS FOR LEAKAGE.
-	FTK8999		0	TEST WHEEL TO TEST MOTOR IN TEST TANK. ORIGINAL FORCE P/N TA 8999
-	FT8953		0	IGNITION TESTER TO TEST OUTPUT OF C-D UNIT.
-	FT2951		0	CIRCUIT TRACER TO TROUBLESHOOT ELECTRICAL SYSTEM.
-	FT2938-1		0	TEST LIGHT TO CHECK CONTINUITY IN WIRES.

# SPECIAL TOOLS - LUBRICANTS AND SEALANTS

REF. NO.	PART NO.	SYM.	QTY.	DESCRIPTION
-	FT2961		0	LUBRICANT - RYKON GREASE #2EP
-	FT2987-1		0	LUBRICANT - ANTI-SEIZE
-	FT8969		0	LUBRICANT - 7 OZ. LPSI LUBRICANT
-	FT8955		0	SEALANT - 5 OZ. EC-750 INDUSTRIAL SEALANT
-	FT8983		0	SEALANT - 3 OZ. RTV SEALANT FROM IN PLACE GASKETS
-	FT8936-1		0	SEALANT - 2 CC LOCTITE RETAINING COMPOUND #75
-	FT2962-1		0	SEALANT - 50 CC LOCTITE H, NON-HARDENING GRADE
-	FT2963-2		0	SEALANT - 2 OZ. LOCTITE D, HARDENING GRADE
-	FT8935		0	SEALANT PRIMER - 6 OZ.

# ACCESSORIES

REF. NO.	PART NO.	SYM.	QTY.	DESCRIPTION
-	F5H173		0	FLUSHING ADAPTER PERMITS FRESH WATER FLUSHING OF WATER PASSAGES WITH STANDARD GARDEN HOSE.
-	F5H130		0	REMOTE CONTROL BOX (SINGLE LEVER) (SURFACE MOUNT) PERMITS REMOTE CONTROL OF THROTTLE AND GEAR SHIFT FROM STARBOARD SIDE OF BOAT.
-	F5H120		0	REMOTE CONTROL BACK PLATE PROTECTS CONTROL MECHANISM FROM PADDED BOAT SURFACES.
-	F5H131		0	PORT SIDE DECAL KIT CONVERTS 5H130 CONTROL BOX TO PORT SIDE MOUNTING.
-	F590		0	REMOTE CONTROL HEAD (SINGLE LEVER) FLUSH MOUNT CONTROL UNIT PERMITS REMOTE CONTROL OF THROTTLE AND GEAR SHIFT. MAY BE MOUNTED ON PORT OR STARBOARD SIDE OF BOAT.
-	F5H079		0	REMOTE CONTROL BOX FOR MOUNTING ON CONSOLE OF BOAT.
-	F5H080		0	TWIN REMOTE CONTROL BOX FOR MOUNTING ON CONSOLE OF BOAT.
-	F195/___		0	REMOTE CONTROL CABLES CONNECTS REMOTE CONTROL BOX TO THROTTLE AND GEAR SHIFT ON ENGINE. AVAILABLE IN 6 THROUGH 40 FOOT LENGTHS.
-	F5H108		0	STEERING CONNECTOR CLEVIS TYPE FOR BOAT MOUNTED STEERING AND NON THREADED CABLE END.
-	F5H018		0	DUAL ENGINE TIE BAR PERMITS DUAL ENGINE INSTALLATIONS.
-	F5H094		0	STEERING LINK CONNECTS ENGINE TO REMOTE STEERING CABLE.
-	F5H026		0	STEEL, 6 GALLON FUEL TANK (LOW PROFILE) AUXILIARY TANK.
-	F5H029		0	TANK ANCHOR SECURES 5H026 TO BOAT.
-	F5H040		0	STEEL, 12 GALLON FUEL TANK AUXILIARY TANK.
-	F5H019		0	ANTI-CORROSION KIT ELECTRICAL KIT FOR MOUNTING ON BOAT (12V) TO REDUCE CORROSION.
-	F5H025		0	ANTI-CORROSION SACRIFICIAL ANODE KIT USED TO REDUCE CORROSION.
-	F5H043		0	OVERHEAT BUZZER SOUNDS WARNING BUZZER IF ENGINE OVERHEATS.
-	479		0	OVERHEAT LAMP WARNS OF ENGINE OVERHEATING. DO NOT USE GAUGE AND LAMP IN SAME INSTALLATION.
-	F5H010		0	POWER TRIM INDICATOR INDICATES ENGINE TRIM ANGLE. (FLUSH MOUNT).
-	F5H134		0	BOAT WHITE LACQUER ENGINE TOUCH-UP PAINT IN 12-3/4 OZ. SPRAY BOMBS (6 CANS PER CASE).
-	F5H081		0	BATTERY CABLE LONGER LENGTH - 15 FEET.
-	F5H157		0	VOLTMETER - FLUSH MOUNT INDICATES BATTERY CONDITION.
-	71H25		0	CHARGE INDICATOR LAMP INDICATES ALTERNATOR OUTPUT.
-	F5H159		0	HOURMETER - FLUSH MOUNT RECORDS ENGINE RUNNING TIME.

CONTINUED ON NEXT PAGE ➡

# ACCESSORIES

REF. NO.	PART NO.	SYM.	QTY.	DESCRIPTION
-	F5H119		0	PROPELLER SPACER - FLARED REDUCES PROPELLER VENTILATION ON SOME BOAT APPLICATIONS.
-	F5H069		0	RFI SUPPRESSION KIT PROVIDES RADIO NOISE SUPPRESSION.
-	F71H26		0	BATTERY TERMINAL KIT FOR POSITIVE AND NEGATIVE BATTERY POSTS.
-	F5H021		0	EXTENSION CABLE FOR LENGTHENING BATTERY CABLE 6-1/2 FEET.
-	F5H037		0	CIGAR LIGHTER FOR USE AS CONVENIENCE OUTLET.
-	5H158		0	FUEL GAUGE FLUSH MOUNT MONITORS FUEL SUPPLY.
-	F5H076		0	SWITCH EXTENSION CABLE 5 FOOT LONG SWITCH WIRING HARNESS.
-	F5H077		0	IGNITION KEY SWITCH SHORT BARREL WITH KEYS.
-	F5H078		0	IGNITION KEY SWITCH LONG BARREL WITH KEYS.
-	F762		0	REMOTE ELECTRIC CABLE 25 FOOT CABLE FOR LARGE BOATS.
-	F5H146		0	POWER TILT TILTS ENGINES FOR BEACHING.
-	F5H132		0	REMOTE CONTROL HANDLE TRIM SWITCH SWITCH FOR POWER TRIM IN CONTROL BOX HANDLE.
-	F5H044		0	TILT STOP KIT SHORTER TILT STOP FOR SHORT TRANSOM WELL.
-	F5H070		0	REMOTE ELECTRIC CABLE 21 FOOT CABLE FOR LARGE BOATS.
-	F5H028		0	SENDING UNIT FOR USE WITH FUEL GAUGE.
-	F5H156		0	TEMPERATURE GAUGE - FLUSH MOUNT MONITORS ENGINE TEMPERATURE. DO NOT USE TEMPERATURE GAUGE AND HEAT LAMP IN SAME INSTALLATION.
-	F5H153		0	TACHOMETER FLUSH MOUNT MONITORS ENGINE R.P.M. TO PROVIDE CHECK OF ENGINE PERFORMANCE.
-	F5H150		0	POWER TRIM ADJUSTS ENGINE TRIM AND TILTS ENGINE.
-	F5H154		0	SPEEDOMETER - FLUSH MOUNT MONITORS BOAT SPEED (10-50 M.P.H.)
-	F5H155		0	SPEEDOMETER - FLUSH MOUNT MONITORS BOAT SPEED (10-65 M.P.H.)
-	F5H030		0	SWITCH KIT - RUNNING LIGHTS DASH MOUNTED TOGGLE SWITCH.
-	F5H031		0	SWITCH KIT - SPOT LIGHT DASH MOUNTED TOGGLE SWITCH.
-	F5H032		0	SWITCH KIT - WIPER DASH MOUNTED TOGGLE SWITCH.
-	F5H034		0	SWITCH KIT - BILGE PUMP DASH MOUNTED TOGGLE SWITCH.
-	F5H035		0	SWITCH KIT - HORN DASH MOUNTED TOGGLE SWITCH.
-	F5H039		0	SWITCH KIT - INSTRUMENT LIGHTS DASH MOUNTED TOGGLE SWITCH.
-	F5H036		0	SWITCH KIT - TACHOMETER TRANSFER FOR ONE TACHOMETER ON DUAL ENGINE INSTALLATION.
-	F5H038		0	SWITCH KIT - IGNITION SWITCH TO MOUNT IGNITION SWITCH IN DASH.

CONTINUED ON NEXT PAGE ➡

## ACCESSORIES

REF. NO.	PART NO.	SYM.	QTY.	DESCRIPTION
-	F563		0	TERMINAL BLOCK KIT DOUBLE ROW 10 SECTION, TO SIMPLIFY ACCESSORY INSTALLATION.
-	F5H075		0	WIRING HARNESS - IGNITION SWITCH -24" USE WITH 563 TERMINAL BLOCK.
-	F596		0	CHRYSLER OUTBOARD OIL SEE BLOCK COMMENT 1.
-	F597		0	CHRYSLER OUTBOARD GEAR LUBE SEE BLOCK COMMENT 2.
-	F5H059		0	CHRYSLER OUTBOARD MULTI-PURPOSE GREASE LUBRICATES BEARINGS AND OTHER MOVING PARTS. AVAILABLE IN 8 OZ. TUBES AND 12 TUBE CASES.
-	F5H060		0	CHRYSLER OUTBOARD GREASE GUN

# PARTS INDEX

Part Number	Description	Pg.	Ref. No.	Part Number	Description	Pg.	Ref. No.
479	OVERHEAT LAMP	59	-	F10187	MAIN FUEL JET OPT. .080		
5H158	FUEL GAUGE FLUSH MOUNT	60	-	F10188	5000 - 7500 FT. MAIN FUEL JET OPT. .084	19	-
71H25	CHARGE INDICATOR LAMP	59	-		2500 - 5000 FT.	17	-
817747--1	BALL JOINT W/STUD	21	23	F10197	JET-NOZZLE VENT	17	20
817747--1	BALL JOINT W/STUD	25	27	F1052	FILL HD SCREW, 1/4 - 20 X 1	25	30
817783A5	SWIVEL BRACKET	37	59	F1059	FILL HD SCREW, 6 - 32 X 1/4	17	15
817786A1	DISTRIBUTOR PULLEY	13	3	F1064	FILL HD SCREW, 8 - 32 X 3/8	17	37
817788A3	SPACER PLATE	27	73	F1087	FILL HD SCREW, 10 - 24 X 13/16	7	2
817828A1	DISTRIBUTOR (NOT SHOWN)	15	-	F1099	FILL HD SCREW, 1/4 - 20 X 1-1/4	25	15
817932A6	TOWERSHAFT	25	24	F1099	FILL HD SCREW, 1/4 - 20 X 1-1/4	29	94
89396A38	PRIME BULB	45	9	F1107	SLOTTED FILL HD CAP SCREW, 1/4 - 20 X 3/4	29	95
A523010-1	CYLINDER	25	1	F1108	FILL HD SCREW, 1/4 - 20 X 3/4	21	13
A615397	DECAL, PORT	3	11	F1203	HEX CAP SCREW, 1/4 - 20 X 7/8	51	16
F1009	HEX HD SCREW, 3/8 - 16 X 2-3/4	25	5	F1236	SCREW	21	22
F10090	FUEL BOWL RETAINING GASKET	17	21	F1253	HEX SOCKET HD CAP SCREW, 3/8 - 16 X 2	25	11
F10127	FUEL BOWL	17	22	F1263	HEX SOCKET HD CAP SCREW, 5/16 - 18 X 9/16	35	12
F10131	E-RING	17	10	F1280	PAN HD SCREW	35	20
F10135	FLOAT	17	25	F1280	PAN HD SCREW, 8 - 32 X 1/4	7	33
F10136	FLOAT LEVER PIN	17	24	F1280	PAN HD SCREW, 8 - 32 X 1/4	49	42
F10137	MAIN NOZZLE	17	23	F1286	PAN HD SCREW, 4 - 40 X 3/16	27	39
F10138	FUEL BOWL GASKET	17	26	F1310	ROUND HD SCREW, 10 - 24 X 5/8	51	22
F1014	COTTER PIN	17	11	F1341	HEX NUT, 1/4 - 20	25	29
F10140	CHOKE AND THROTTLE SHUTTER SCREW	17	31	F1346	HEX NUT	35	33
F10142	SPRING, FLOAT SUPPORT	19	55	F14005-2	CAP BASE	13	37
F10143	CHOKE SHAFT RETURN SPRING	17	18	F14007	CAP SCREW	13	33
F10145	IDLE MIXTURE SCREW SPRING	17	28	F14010-1	CAP COVER	13	34
F10145	SPRING, NOZZLE COMPRESSION	19	56	F14012-1	BRUSH	13	39
F10146	IDLE MIXTURE SCREW	17	29	F14015	CAP CLIP RIVET	13	21
F1015	COTTER PIN	41	46	F14017	TERMINAL INSULATOR (OUTSIDE)	15	46
F10152	BODY CHANNEL CUP PLUG	19	48	F14021-1	CAP SEAL	13	36
F10153	BODY CHANNEL WELCH PLUG	19	49	F14024	SPACER	13	42
F10155	SCREW	19	44	F14025	SPACER	13	4
F10156	ELBOW (TOP CARBURETOR)	17	9	F14028	THRUST WASHER	13	5
F10157	THROTTLE SHAFT AND LEVER	19	42	F14029	THRUST WASHER	13	7
F10158	THROTTLE SHUTTER	19	50	F14030	CAP GASKET	13	38
F10159	CHOKE SHAFT AND LEVER	17	17	F14036	SWIVEL	13	13
F10160	CLIP, CHOKE SHAFT	17	39	F14037	CAP CLIPS	13	14
F10161	CHOKE, SHUTTER	17	30	F14038	CAP CLIP SCREWS	13	15
F10162	MAIN FUEL JET STD. .086 SEA LEVEL	17	40	F14040	VENT	13	35
F10164	FUEL FITTING (BOTTOM CARBURETOR)	17	7	F14041	EXTERNAL TOOTH LOCKWASHER	13	23
F10167	RETAINING RING, VALVE	19	54	F14042	DISTRIBUTOR HOUSING W/BEARINGS	13	12
F10170	VALVE ASSY.	19	53	F14044	DISTRIBUTOR SHAFT	13	40
F10171	VALVE SEAT	19	52	F14045	SCREW	13	16
F10172	THROTTLE SHAFT RETURN SPRING	19	41	F14046	TERMINAL SCREW	13	19
F10176	IDLE TUBE	19	51	F14047	TERMINAL INSULATOR (INSIDE)	13	20



# PARTS INDEX

Part Number	Description	Pg.	Ref. No.	Part Number	Description	Pg.	Ref. No.
F14049	TERMINAL INSULATOR (OUTSIDE) .....	13	22	F1696	HEX BOLT, 5/16 - 18 X 1-3/4	35	24
F14056	SCREW .....	15	47	F1699	HEX BOLT, 1/4 - 20 X 1-1/8	29	97
F1425	HEX CAP SC, 1/4 - 20 X 5/8	43	-	F1699	HEX HD SCREW, 1/4 - 20 X 1-1/8 .....	25	10
F1425	HEX CAP SCREW, 1/4 - 20 X 2-5/8 .....	41	62	F17006	DETENT SPRING .....	47	18
F1461	SCREW, 6 X 7/8 .....	49	40	F17009	BEARING .....	47	14
F1473	HEX NUT .....	3	7	F17010-1	THROTTLE GEAR .....	47	16
F1475	FILL HD SCREW, 10 - 24 X 1/2 .....	25	25	F17011	BOWED WASHER .....	47	15
F1491	HEX HD SCREW, 5/16 - 18 X 3/4 .....	41	41	F17012	RETAINING PLATE .....	47	13
F15034	SPRING SET .....	11	15	F17013	FILL HD SCREW, 1/4 - 20 X 1/2 .....	47	11
F15054	BRUSH AND TERMINAL SET	11	7	F17014	THROTTLE ARM .....	47	10
F15057	BRUSH PLATE AND HOLDER ASSEMBLY ....	11	16	F17016	CABLE TERMINAL .....	47	9
F15099	ARMATURE .....	11	5	F17019	CLUTCH ARM .....	47	5
F15118	BENDIX DRIVE ASSEMBLY	11	1	F17021	CLUTCH GEAR .....	47	19
F15125	HEAD ASSEMBLY, COMMUTATOR END ....	11	14	F17026	SWIVEL .....	47	24
F15126	THRUST WASHER PACKAGE .....	11	4	F1703	LOCKWASHER .....	27	71
F1513	HEX NUT .....	7	18	F1703	SPRING LOCKWASHER ...	37	79
F1513	HEX NUT .....	47	3	F17036	INTERNAL TOOTH LOCKWASHER .....	47	6
F1513	HEX NUT, 10 - 32 .....	21	27	F1704	INTERNAL TOOTH LOCKWASHER .....	23	48
F1513	HEX NUT, 10 - 32 .....	27	44	F1705	HEX CAP SCREW, 1/4 - 20 X 3/4 .....	7	23
F1515	HEX NUT .....	7	24	F1705	HEX CAP SCREW, 1/4 - 20 X 3/4 .....	39	1
F1515	HEX NUT, 5/16 - 18 .....	21	29	F17071	FILL HD SCREW, 10 - 24 X 5/16 .....	47	22
F15162	HEX LOCK NUT, 1/4 - 20 W/WASHER .....	11	8	F1708	HEX HD CAP SCREW, 1/4 - 20 X 1-3/8 .....	3	25
F15166	FRAME AND FIELD ASSEMBLY .....	11	6	F17082-1	DETENT BALL .....	47	38
F15167	HEAD ASSEMBLY, DRIVE END .....	11	3	F17092	SNAP RING .....	47	21
F15168	THRU BOLT PACKAGE ....	11	10	F17099-1	HOUSING .....	47	36
F1532	HEX HD SCREW, 1/4 - 20 X 1	21	20	F1710	PLAIN WASHER .....	35	39
F1532	HEX HD SCREW, 1/4 - 20 X 1	25	35	F1710	PLAIN WASHER .....	53	50
F1532	HEX HD SCREW, 1/4 - 20 X 1	31	109	F17100	CLUTCH SHAFT .....	47	20
F154317	CABLE CLAMP .....	47	23	F17105	FELT WASHER .....	47	33
F1556	FILL HD SCREW W/LOCKWASHER 10 - 24 X 3/8 .....	25	31	F17106	COLLAR .....	47	34
F1577	FILL HD SCREW, 1/4 - 20 X 3/4 .....	39	19	F1711	SPRING BOWED WASHER	35	51
F1593	HEX HD SCREW, 3/8 - 16 X 3	35	30	F17111	DETENT BALL .....	47	17
F1612	HEX CAP SCREW, 3/8 - 16 X 1-1/4 .....	13	8	F1713	SPRING PIN .....	39	25
F1641	LOCK NUT .....	11	2	F17141	ROUND HD SCREW, 10 - 24 X 3/8 .....	47	25
F1645	RD HD SCREW, 6 - 32 X 1/4	7	27	F17149	COTTER PIN .....	47	8
F1645	RD HD SCREW, 6 - 32 X 1/4	23	49	F17153	RETAINER PLATE .....	47	26
F1647	HEX NUT, 8 - 32 .....	7	6	F17154	WOOD SCREW .....	47	35
F1647	HEX NUT, 8 - 32 .....	13	24	F17155	HEX BOLT, 14 X 28 X 1/2	47	7
F1647	HEX NUT, 8 - 32 .....	29	89	F17157	DETENT SPRING .....	47	37
F1648	PAN HD SCREW, 10 - 24 X 3/4 .....	7	16	F1727	PLASTIC RIVET .....	25	26
F1664	SPRING PIN .....	35	10	F1729	PLUG .....	35	8
F1689	HEX HD CAP SCREW, 1/4 - 20 X 1/2 .....	7	42	F1730	PAN HD SCREW W/SPRING LOCKWASHER, 1/4 - 20 X 5/8 .....	3	5
F1692	WOODRUFF KEY .....	13	41	F1733	PAN HD MACHINE SCREW, 10 - 24 X 9/16 .....	3	2
F1693	TIE BAR RETAINER NUT ...	17	36	F1734	FILL HD MOUNTING SCREW AND LOCKWASHER, 1/4 - 20 X 1/2 .....	51	26

# PARTS INDEX

Part Number	Description	Pg.	Ref. No.	Part Number	Description	Pg.	Ref. No.
F1741	PAN HD SCREW, 8 X 3/4 . . .	7	35	F184033-1	SWIVEL, TOP CARBURETOR	17	14
F1741	THREAD FORMING SCREW, 8 X 3/4 . . . . .	51	9	F184122-1	PARTING LINE SEAL . . . . .	29	-
F17500	SPRING SET . . . . .	51	4	F184122-1	SEAL, PARTING LINE . . . . .	27	47
F17504	BRUSH SET . . . . .	51	3	F184579	O-RING SEAL . . . . .	17	13
F17505	RESERVOIR AND BRACKET W/SEAL . . . . .	51	14	F1851	FILL HD SCREW W/LOCKWASHER, 10 X 24 X 1/2 . . . . .	7	39
F17508	THRUST WASHER . . . . .	51	11	F1854	HEX CAP SCREW, 1/4 - 20 X 5/8 . . . . .	3	17
F17510	O-RING . . . . .	51	13	F1856	PLAIN WASHER . . . . .	43	72
F17518	FILLER CAP . . . . .	51	12	F1857	HEX CAP SCREW, 5/16 - 18 X 5/8 . . . . .	3	29
F17522	O-RING . . . . .	51	21	F1857	HEX CAP SCREW, 5/16 - 18 X 5/8 . . . . .	3	34
F17528	O-RING . . . . .	53	46	F1858	HEX CAP SCREW, 5/16 - 18 X 1 . . . . .	3	28
F17539	BALL . . . . .	51	2	F1858	HEX CAP SCREW, 5/16 - 18 X 1 . . . . .	41	39
F17543	HEAD ASSEMBLY, COMMUTATOR END . . . .	51	1	F1860	RD HD SCREW, 6 - 32 X 1/4	21	9
F1755	ROUND HD SCREW W/LOCKWASHER, 6 - 32 X 1/4 . . . . .	21	38	F1864	HEX CAP SCREW, 1/4 - 20 X 3/4 . . . . .	3	21
F17555	ARMATURE . . . . .	51	7	F1864	HEX CAP SCREW, 1/4 - 20 X 3/4 . . . . .	27	76
F17556	FIELD AND FRAME ASSEMBLY . . . . .	51	6	F1864	HEX HD SCREW, 1/4 - 20 X 3/4 . . . . .	25	13
F17557	GASKET . . . . .	51	5	F1864	HEX SLOT HD SCREW, 1/4 - 20 X 3/4 . . . . .	35	3
F17558	THRU-BOLT PACKAGE . . . .	53	43	F1866	PLAIN WASHER . . . . .	43	71
F17560	HEAD ASSEMBLY . . . . .	53	47	F1867	HEX CAP SCREW, 3/8 - 16 X 1 . . . . .	33	18
F17562-1	PISTON ASSEMBLY . . . . .	53	45	F1869	HEX CAP SCREW, 3/8 - 16 X 1-1/4 . . . . .	27	70
F17563	MOTOR AND RESERVOIR ASSEMBLY . . . . .	51	20	F1871	HEX HD SCREW, 3/8 - 16 X 3/4 . . . . .	37	80
F17564	VALVE BODY AND PUMP . .	51	17	F1872	HEX CAP SCREW, 3/8 - 16 X 1-3/4 . . . . .	25	14
F17565	DRIVE GEAR . . . . .	51	19	F1873	HEX CAP SCREW, 3/8 - 16 X 3 . . . . .	25	9
F17566	IDLE GEAR . . . . .	51	18	F1874	HEX HD SCREW, 3/8 - 16 X 3-1/8 . . . . .	25	4
F17577	ADAPTER FITTING PACKAGE . . . . .	51	42	F1877	TY-RAP . . . . .	7	29
F1759	SHIM, DISTRIBUTOR (QTY. AS REQUIRED) . . . . .	13	11	F1877	TY-RAP (NOT SHOWN) . . . .	53	-
F1760	PAN HD SCREW, 10 - 24 X 3/8 . . . . .	7	19	F1885	HEX BOLTS, S.S., 5/16 - 18 X 4-1/4 . . . . .	27	58
F1760	PAN HD SCREW, 10 - 24 X 3/8 . . . . .	13	25	F1885	HEX CAP SCREW, 5/16 - 18 X 4-1/4 . . . . .	39	6
F1760	PAN HD SCREW, 10 - 24 X 3/8 . . . . .	25	3	F1892	STOP NUT . . . . .	9	52
F177330	FUEL PUMP VALVE . . . . .	21	10	F1904	PLAIN WASHER . . . . .	35	32
F1778	PLAIN WASHER . . . . .	13	9	F1907	PLAIN WASHER . . . . .	39	7
F178145-3	MOTOR LEG COVER, REAR	35	9	F19109	PLUG . . . . .	29	81
F178168-1	GASKET, CARBURETOR ADAPTER . . . . .	21	35	F1912	HEX HD SCREW, 10 - 24 X 1/2 . . . . .	37	77
F178168-1	GASKET, CARBURETOR ADAPTER . . . . .	29	-	F1922	HEX CAP SCREW, 1/4 - 20 X 5/8 . . . . .	3	26
F178323	SEAL, MOTOR LEG . . . . .	35	13	F1922	HEX CAP SCREW, 1/4 - 20 X 5/8 . . . . .	11	11
F178344	BUSHING . . . . .	51	41	F1922	HEX CAP SCREW, 1/4 - 20 X 5/8 . . . . .	21	5
F178362	BEARING . . . . .	35	41	F1922	HEX CAP SCREW, 1/4 - 20 X 5/8 . . . . .	27	55
F178404-1	DEFLECTOR PLATE . . . . .	21	36				
F178754-1	FUEL LINE . . . . .	17	8				
F1788	STOP NUT . . . . .	39	15				
F18160-2	CYLINDER DRAIN REED . . .	27	42				
F1822	HEX BOLT, 5/16 - 18 X 7/8 . .	37	84				
F1822	SCREW, 5/16 - 18 X 7/8, STAINLESS STEEL . . . . .	53	52				
F1831	FLAT HD SCREW, 1/4 - 20 X 5/8 . . . . .	23	42				
F1832	STOP NUT, 1/4 - 20 . . . . .	27	65				

# PARTS INDEX

Part Number	Description	Pg.	Ref. No.	Part Number	Description	Pg.	Ref. No.
F1931	STOP NUT, 1/2 - 20, STAINLESS STEEL . . . . .	53	49	F2042	PLAIN WASHER . . . . .	25	21
F1934	FLAT HD SLOTTED SCREW, 6 X 12 . . . . .	9	50	F2042	PLAIN WASHER . . . . .	27	62
F1936	SPACER, BEVEL GEAR FRONT .059 . . . . .	39	27	F2047	WAVE SPRING LOCKWASHER . . . . .	3	20
F1937	SPACER, BEVEL GEAR FRONT .062 . . . . .	39	-	F2049	HEX CAP SCREW, 5/16 - 18 X 2-5/8 . . . . .	29	83
F1938	SPACER, BEVEL GEAR FRONT .065 . . . . .	39	-	F2066	PAN HD TAPPING SCREW, 10 X 7/16 (TRIM TO COVER) . . . . .	5	36
F1939	SPACER, BEVEL GEAR FRONT .068 . . . . .	39	-	F2067	PLASTISOL CAP (NOT SHOWN) . . . . .	33	-
F1940	SPACER, BEVEL GEAR FRONT .071 . . . . .	39	-	F2088	FASTENER . . . . .	3	9
F1941	SPACER, BEVEL GEAR FRONT .074 . . . . .	39	-	F2089	SLOTTED PAN HD M. SCREW, 10 - 24 X 5/16 . . . . .	27	63
F1942	SPACER, BEVEL GEAR FRONT .077 . . . . .	39	-	F2090	PLUG . . . . .	27	74
F195/___	REMOTE CONTROL CABLE (SPECIFY LENGTH) . . . . .	47	4	F2093	STOP NUT . . . . .	35	16
F195/___	REMOTE CONTROL CABLES	59	-	F2107	FILL HD SCREW, 10 - 24 X 5/8 . . . . .	7	9
F1950	HEX CAP SCREW, 10 - 24 X 5/8 . . . . .	29	101	F2108	LOCK NUT . . . . .	37	90
F1959	SCREW, 1/4 - 20 X 1-3/4, STAINLESS STEEL . . . . .	51	24	F2108	STOP NUT, 5/16 - 18 . . . . .	27	64
F1963	ELASTIC STOP NUT, 5/8 - 18	51	34	F2113	SPACER, BEVEL GEAR FRONT .080 . . . . .	39	-
F1966	PLUG, SWIVEL BRACKET . . . . .	51	15	F2114	SPACER, BEVEL GEAR FRONT .083 . . . . .	39	-
F1968	FLYWHEEL NUT . . . . .	33	20	F2115	SPACER, BEVEL GEAR FRONT .086 . . . . .	39	-
F1975	SPRING LOCKWASHER . . . . .	7	10	F2116	SPACER, BEVEL GEAR FRONT .089 . . . . .	39	-
F1975	SPRING LOCKWASHER . . . . .	13	26	F2117	SPACER BEVEL GEAR REAR . . . . .	43	78
F1987	PLAIN WASHER . . . . .	29	84	F2118	SPACER BEVEL GEAR REAR . . . . .	43	-
F1987	PLAIN WASHER . . . . .	37	91	F2119	SPACER BEVEL GEAR REAR . . . . .	43	-
F1990	HEX CAP SCREW . . . . .	43	-	F2120	SPACER BEVEL GEAR REAR . . . . .	43	-
F1990	HEX CAP SCREW, 1/4 - 20 X 1-5/8 . . . . .	41	60	F2121	SPACER, BEVEL GEAR FRONT .057 . . . . .	39	-
F1994	HEX SOCKET HD CAP SCREW, 5/16 - 18 X 1 . . . . .	41	36	F2122	SPACER, BEVEL GEAR FRONT .054 . . . . .	39	-
F1997	STOP NUT, 8 - 32 . . . . .	19	47	F213274	GREASE FITTING . . . . .	13	27
F2000	HEX CAP SCREW, 5/16 - 18 X 3/4 . . . . .	9	47	F213274	GREASE FITTING . . . . .	35	54
F2000	HEX CAP SCREW, 5/16 - 18 X 3/4 . . . . .	29	107	F24278	SEAL, O-RING PROPELLER SHAFT SPOOL . . . . .	39	10
F2008	HEX CAP SCREW, 1/4 - 20 X 7/8 . . . . .	29	85	F24278	SEAL, PROPELLER SHAFT SPOOL . . . . .	43	-
F2008	HEX CAP SCREW, 1/4 - 20 X 7/8 . . . . .	41	55	F269319	THROTTLE CAM BEARING . . . . .	21	26
F2008	HEX HD SCREW, 1/4 - 20 X 7/8 . . . . .	23	43	F284659-2	BEARING, CRANKSHAFT UPPER MAIN . . . . .	33	21
F2008	HEX HD SCREW, 1/4 - 20 X 7/8 . . . . .	25	7	F289446-1	CLAMP . . . . .	7	12
F2008	HEX HD SCREW, 1/4 - 20 X 7/8 . . . . .	25	8	F298788	FERRULE . . . . .	45	7
F2014	PLAIN WASHER . . . . .	37	93	F2A406757	CYLINDER DRAIN REED PLATE . . . . .	27	43
F2015	HEX NUT, 1/4 - 28 . . . . .	25	19	F2A523239	SPOOL, PROPELLER SHAFT BEARING . . . . .	39	11
F2016	FILL HD SCREW, 6 - 32 X 7/8	23	47	F2A523662	BEVEL GEAR REAR W/BEARING CAGE SPACER AND BEARING . . . . .	39	21
F2030	HEX HD M. SCREW, 1/4 - 20 X 1-1/4 . . . . .	37	81	F2A550706	GEAR HOUSING COVER . . . . .	41	52
F203276	BOOT . . . . .	13	30	F307317-1	CLIP, TERMINAL BLOCK . . . . .	7	17
F2033	GROOVE PIN . . . . .	17	3				
F203673	TERMINAL CLIP . . . . .	13	31				

# PARTS INDEX

Part Number	Description	Pg.	Ref. No.	Part Number	Description	Pg.	Ref. No.
F316579	SEAL, CRANKCASE	33	11	F433209-1	THROTTLE CAM STUD	21	32
F316599	SEAL, STEERING SUPPORT TUBE	35	55	F438066	BY-PASS VALVE COVER	29	102
F319908	GROUND WIRE - CANADA	7	32	F438129	SEAL, DRIVESHAFT SPLINE	43	70
F321756	PACKING, COVER	3	31	F438165	SCREW, FUEL PUMP BOWL	21	18
F322273	STUD, C.D. UNIT	9	48	F438169	BEARING	35	47
F333316	THROTTLE ROLLER SHAFT	19	45	F438271	RETAINER, CRANKSHAFT SPLINE SEAL	43	69
F333480-1	RETAINER, ENGINE COVER	3	35	F438346	SHOCK MOUNT LOWER	37	87
F335215	SPACER, PISTON PIN (2 PER PISTON)	33	3	F438398-1	DECAL, WIRING	29	96
F335217-1	BEARING, PISTON PIN (26 PER SET)	33	5	F438500	FUEL SEDIMENT BOWL	21	17
F335654-1	DEFLECTION STOP	3	30	F438617	FUEL SEDIMENT BOWL GASKET	21	15
F338618-1	SEAL, GEAR SHIFT ROD	41	53	F438653	FUEL SEDIMENT BOWL SCREEN	21	16
F338618-1	SEAL, GEAR SHIFT ROD	43	-	F438668	RETAINER, CABLE CLAMP	7	13
F345475-1	COIL	9	44	F438744-1	WIRING HARNESS	7	4
F345683	WIRE, REGULATOR-RECTIFIER GROUND	7	5	F438747	FUEL PUMP DIAPHRAGM	21	8
F351307	SEAL, DRIVESHAFT - WATER PUMP	41	63	F438754	FUEL LINE	17	16
F353480	STUD	35	34	F438760	FUEL PUMP GASKET	21	4
F369610	BEARING	27	67	F438801	FITTING	21	14
F369887	SHOULDER SCREW	27	68	F438930	RETAINER, SNOUT	41	38
F369977-1	INTERLOCK ARM	27	66	F438962	SHOCK MOUNT LOWER REAR	35	11
F372151-1	EXHAUST PORT PLATE	29	100	F439736	SEAL, EXHAUST TUBE	37	94
F372152-2	EXHAUST PORT COVER	29	98	F440906	GASKET, CARBURETOR	29	-
F372154-1	GASKET, EXHAUST PORT PLATE	29	-	F441754-1	HOSE	21	3
F372154-1	GASKET, EXHAUST PORT PLATE	29	99	F448446	CLAMP	51	10
F372925	CHOKE ROD	17	4	F448446	CLAMP, TRIM SWITCH CABLE	49	41
F372958	CHOKE BRACKET	21	19	F448543	KNOB	47	29
F381896-4	BATTERY CABLE	7	30	F448611-1	LEVER	47	30
F391926-1	PLUNGER	17	5	F448894	INDICATOR - PORT	47	-
F391983	RETAINING BAND	9	51	F449010	CYLINDER	51	32
F3A523158	REED PLATE	21	41	F449253-1	HYDRAULIC LINE, TRIM CYLINDER, LOWER	51	37
F3C615944	ENGINE COVER, COMPLETE	3	-	F449254	HYDRAULIC LINE, TRIM CYLINDER, UPPER	51	23
F40209	CARBURETOR STUD	21	30	F449278	PISTON SEAL	51	30
F40223	GASKET, TRANSFER PORT COVER	27	52	F449342	SEAL, PISTON SHAFT	51	28
F40223	GASKET, TRANSFER PORT COVER	29	-	F449354	THRUST BRACKET	51	25
F40278	SEAL, CYLINDER	51	31	F449362	BEARING	51	35
F404268	BY-PASS VALVE SPRING	29	104	F449545-2	CYLINDER HOUSING	51	33
F404314	ELBOW, FUEL PUMP COVER	21	2	F449632	SHAFT	51	36
F404314	FITTING	27	57	F449754-1	HYDRAULIC LINE, LIFT CYLINDER, LOWER	51	39
F404470-1	REGULATOR-RECTIFIER	7	8	F449758	HYDRAULIC LINE, LIFT CYLINDER, UPPER	51	38
F404513	COIL CLAMP	7	40	F449889	SHAFT, UPPER	53	51
F404801	ELBOW, CYLINDER DRAIN UPPER (NOT SHOWN)	25	-	F449894	INDICATOR - STARBOARD	47	32
F404841	CABLE, HEAT INDICATOR	7	37	F455449	SWITCH, TRIM	47	39
F405457	PIVOT SCREW	25	33	F455690	SET SCREW	47	31
F406406	GASKET DEFLECTOR PLATE	21	37	F460917	STARTER RELAY	7	26
F406406	GASKET, DEFLECTOR PLATE	29	-	F474073-1	CLAMP SCREW	35	36
F406471-1	CYLINDER DRAIN COVER	25	37	F474387-1	TIMING DECAL	9	55
F406754-1	HOSE	27	56	F476066-1	THERMOSTAT COVER	29	93
F40689-1	BEARING	27	72	F476067	GASKET	29	90
F407446	CLAMP	7	31	F476067	GASKET, THERMOSTAT COVER	29	-
				F476529-1	CYLINDER HEAD GASKET	27	79
				F476529-1	GASKET, CYLINDER HEAD	29	-

# PARTS INDEX

Part Number	Description	Pg.	Ref. No.	Part Number	Description	Pg.	Ref. No.
F480038-2	SUPPORT PLATE . . . . .	3	22	F523813	BEARING CUP . . . . .	39	29
F480107-1	CAM STARTER INTERLOCK	27	60	F523834	CLIP, SPARK PLUG WIRE . .	27	54
F480388	DISC, WATER PUMP LOCATING . . . . .	41	61	F523881-2	LINK STEERING . . . . .	35	17
F480818	BEARING . . . . .	3	14	F523899	GROMMET, WATER LINE . .	39	4
F481382-1	SPACER, LATCH SHAFT . . .	3	15	F523901	BEARING, BEVEL GEAR REAR . . . . .	43	77
F481434	GUIDE, ENGINE COVER . . .	3	10	F523930	RETAINER STUD . . . . .	35	22
F481774	BRACKET, COVER LATCH . .	3	8	F523961	CRUSH RING . . . . .	41	49
F481777	CAM, LATCH . . . . .	3	19	F523962	SHOCK MOUNT - C.D. UNIT	9	46
F489551	BRACKET NEUTRAL INTERLOCK SWITCH . . . .	23	44	F528068	THERMOSTAT . . . . .	29	91
F490955	STARTER COMPLETE . . . . .	11	-	F528995	COVER, CYLINDER HEAD . .	29	82
F498618	SEAL . . . . .	39	31	F530160	REED (5 PETAL) . . . . .	21	40
F498618	SEAL, GEARSHIFT ARM PIN	43	-	F545189	BUSHING, CABLE ENTRY . .	3	24
F498891	PIN, GEAR SHIFT ARM . . . .	41	32	F548984	BLANKET, SILENCER TOP (NOT SHOWN) . . . . .	3	-
F498891	PIN, PROPELLER NUT RETAINING . . . . .	39	14	F549189	BUSHING, ELECTRIC CABLE	3	23
F500843	CABLE . . . . .	51	8	F552985	BLANKET, SILENCER SIDE (NOT SHOWN) . . . . .	3	-
F50109	PLUG, GEAR HOUSING . . . .	41	43	F563	TERMINAL BLOCK KIT . . . .	61	-
F50342-1	SEAL, BEARING CAGE BOLT	43	-	F580892	DECAL, STARBOARD . . . . .	47	27
F50342-1	SEAL, O-RING . . . . .	39	8	F581892	DECAL, PORT . . . . .	47	-
F506118	SEAL, DRIVESHAFT . . . . .	41	51	F585061	CARBURETOR COMPLETE, TOP (WE-6-1) . . . . .	17	27
F506118	SEAL, PROPELLER SHAFT . .	39	9	F586061	CARBURETOR COMPLETE, BOTTOM (WE-6-2) . . . . .	17	-
F506118	SEAL, PROPELLER SHAFT . .	43	-	F58685-2	CONNECTOR, SHIFT CABLE	47	2
F510460	CIRCUIT BREAKER . . . . .	7	22	F590	REMOTE CONTROL HEAD (SINGLE LEVER) . . . . .	59	-
F511125-2	TUBE, STEERING SUPPORT	35	52	F596	CHRYSLER OUTBOARD OIL	61	-
F511675	STARTER BRACKET, LOWER . . . . .	11	13	F597	CHRYSLER OUTBOARD GEAR LUBE . . . . .	61	-
F523031	GASKET, WATER PUMP . . .	41	56	F5H010	POWER TRIM INDICATOR . .	59	-
F523031	GASKET, WATER PUMP . . .	43	-	F5H018	DUAL ENGINE TIE BAR . . . .	59	-
F523057	BEARING, DRIVESHAFT LOWER . . . . .	41	65	F5H019	ANTI-CORROSION KIT . . . .	59	-
F523065-1	IMPELLER . . . . .	43	-	F5H021	EXTENSION CABLE . . . . .	60	-
F523065-1	IMPELLER, WATER PUMP . .	41	58	F5H025	ANTI-CORROSION SACRIFICIAL ANODE . . . .	59	-
F523094-2	PROPELLER NUT . . . . .	39	13	F5H026	STEEL, 6 GALLON FUEL TANK (LOW PROFILE) . . . .	59	-
F523099-1	SPACER, PROPELLER . . . .	39	18	F5H028	SENDING UNIT . . . . .	60	-
F523116-1	EXHAUST SNOUT . . . . .	41	37	F5H029	TANK ANCHOR . . . . .	59	-
F523133-2	MOTOR LEG . . . . .	35	14	F5H030	SWITCH KIT - RUNNING LIGHTS . . . . .	60	-
F523146	SEAL . . . . .	33	19	F5H031	SWITCH KIT - SPOT LIGHT . .	60	-
F523146	SEAL, CRANKSHAFT LOWER . . . . .	33	13	F5H032	SWITCH KIT - WIPER . . . . .	60	-
F523188	NUT, BEVEL PINION . . . . .	41	34	F5H034	SWITCH KIT - BILGE PUMP . .	60	-
F523244	INLET WATER LINE . . . . .	39	5	F5H035	SWITCH KIT - HORN . . . . .	60	-
F523273	STUD STEERING BALL . . . .	35	23	F5H036	SWITCH KIT - TACHOMETER TRANSFER . . . . .	60	-
F523274	GREASE FITTING . . . . .	35	49	F5H037	CIGAR LIGHTER . . . . .	60	-
F523280	NUT, STEERING SUPPORT TUBE . . . . .	37	63	F5H038	IGNITION SWITCH MOUNTING KIT (ACCESSORY ITEM) . . . . .	9	49
F523300-1	SPRING . . . . .	35	19	F5H038	SWITCH KIT - IGNITION SWITCH . . . . .	60	-
F523411	RETAINING RING, BEARING CAGE . . . . .	39	22	F5H039	SWITCH KIT - INSTRUMENT LIGHTS . . . . .	60	-
F523451	SPACER, REED STOP . . . . .	23	50	F5H040	STEEL, 12 GALLON FUEL TANK . . . . .	59	-
F523498	DRIVE KEY, WATER PUMP . .	41	67	F5H043	OVERHEAT BUZZER . . . . .	59	-
F523498	KEY . . . . .	43	-				
F523555	SEAL, GEAR HOUSING COVER . . . . .	43	-				
F523555	SEAL, O-RING, GEAR HOUSING COVER . . . . .	41	48				
F523562	PLATE, WATER PUMP . . . .	41	57				
F523562	PLATE, WATER PUMP . . . .	43	-				
F523705	GEAR SHIFT ROD LOWER . .	41	45				

# PARTS INDEX

Part Number	Description	Pg.	Ref. No.	Part Number	Description	Pg.	Ref. No.
F5H043	OVERHEAT BUZZER (ACCESSORY ITEM) . . . . .	7	36	F74305	SEAL, GEAR HOUSING COVER . . . . .	43	-
F5H044	TILT STOP KIT . . . . .	60	-	F762	REMOTE ELECTRIC CABLE	60	-
F5H059	CHRYSLER OUTBOARD MULTI-PURPOSE GREASE	61	-	F8003	PLAIN WASHER . . . . .	27	40
F5H060	CHRYSLER OUTBOARD GREASE GUN . . . . .	61	-	F8011	PLAIN WASHER . . . . .	7	20
F5H069	RFI SUPPRESSION KIT . . . . .	60	-	F8028	PLAIN WASHER . . . . .	11	12
F5H070	REMOTE ELECTRIC CABLE	60	-	F8038	PLAIN WASHER . . . . .	27	50
F5H075	WIRING HARNESS - IGNITION SWITCH -24" . . . . .	61	-	F8038	PLAIN WASHER . . . . .	35	18
F5H076	SWITCH EXTENSION CABLE	60	-	F8056	LOCKWASHER . . . . .	13	18
F5H077	IGNITION KEY SWITCH . . . . .	60	-	F8056	LOCKWASHER . . . . .	15	43
F5H078	IGNITION KEY SWITCH . . . . .	60	-	F8056	LOCKWASHER . . . . .	29	88
F5H078	IGNITION SWITCH (LONG BARREL) . . . . .	7	34	F8056	SPRING LOCKWASHER . . . . .	7	7
F5H079	REMOTE CONTROL BOX . . . . .	59	-	F8058	INTERNAL TOOTH LOCKWASHER . . . . .	21	24
F5H080	TWIN REMOTE CONTROL BOX . . . . .	59	-	F8058	INTERNAL TOOTH LOCKWASHER . . . . .	27	78
F5H081	BATTERY CABLE . . . . .	59	-	F8061	INTERNAL TOOTH LOCKWASHER . . . . .	47	12
F5H094	STEERING LINK . . . . .	59	-	F8077	WASHER . . . . .	43	-
F5H108	STEERING CONNECTOR . . . . .	59	-	F8077	WASHER, GEAR HOUSING PLUG . . . . .	41	42
F5H119	PROPELLER SPACER - FLARED . . . . .	60	-	F8080	HELICAL SPRING LOCKWASHER . . . . .	35	21
F5H119	WASHER (ACCESSORY ITEM) . . . . .	39	16	F8083	SPRING LOCKWASHER . . . . .	3	18
F5H120	REMOTE CONTROL BACK PLATE . . . . .	59	-	F8083	SPRING LOCKWASHER . . . . .	9	43
F5H130	REMOTE CONTROL BOX (SINGLE LEVER) (SURFACE MOUNT) . . . . .	59	-	F8083	SPRING LOCKWASHER . . . . .	35	2
F5H131	PORT SIDE DECAL KIT . . . . .	59	-	F8083	SPRING LOCKWASHER . . . . .	41	54
F5H132	REMOTE CONTROL HANDLE TRIM SWITCH . . . . .	60	-	F8083	SPRING LOCKWASHER . . . . .	43	-
F5H134	BOAT WHITE LACQUER . . . . .	59	-	F8088	PLAIN WASHER . . . . .	17	12
F5H146	POWER TILT . . . . .	60	-	F8088	PLAIN WASHER . . . . .	23	46
F5H150	POWER TRIM . . . . .	60	-	F8094	PLAIN WASHER . . . . .	3	16
F5H153	TACHOMETER FLUSH MOUNT . . . . .	60	-	F8095	PLAIN WASHER . . . . .	25	6
F5H154	SPEEDOMETER - FLUSH MOUNT . . . . .	60	-	F8096	SPRING LOCKWASHER . . . . .	3	27
F5H155	SPEEDOMETER - FLUSH MOUNT . . . . .	60	-	F8096	SPRING LOCKWASHER . . . . .	3	33
F5H156	TEMPERATURE GAUGE - FLUSH MOUNT . . . . .	60	-	F8096	SPRING LOCKWASHER . . . . .	7	25
F5H157	VOLTMETER - FLUSH MOUNT . . . . .	59	-	F8096	SPRING LOCKWASHER . . . . .	29	108
F5H159	HOURMETER - FLUSH MOUNT . . . . .	59	-	F8096	SPRING LOCKWASHER . . . . .	37	85
F5H173	FLUSHING ADAPTER . . . . .	59	-	F8096	SPRING LOCKWASHER . . . . .	41	40
F7004	STOP NUT, 3/8 - 16 . . . . .	27	51	F8104	PLAIN WASHER . . . . .	25	12
F7008	ELASTIC STOP NUT . . . . .	25	34	F84011	WASHER . . . . .	37	58
F7008	STOP NUT, 1/4 - 20 . . . . .	21	25	F84074	CLAMP SCREW FOOT . . . . .	35	35
F7012	STOP NUT . . . . .	35	29	F84278	SEAL . . . . .	33	22
F7013	STOP NUT . . . . .	13	2	F84286-1	FRICITION WASHER . . . . .	37	56
F71H26	BATTERY TERMINAL KIT . . . . .	60	-	F84305	SEAL, O-RING PROPELLER SHAFT SPOOL . . . . .	39	12
F71H26	BATTERY TERMINAL KIT (ACCESSORY ITEM) . . . . .	9	56	F84305	SEAL, PROPELLER SHAFT SPOOL . . . . .	43	-
F74305	SEAL, DRIVESHAFT BEARING CAGE . . . . .	41	50	F84307-1	SEAL, DRIVESHAFT . . . . .	43	-
				F84314-2	ELBOW . . . . .	21	6
				F84314-2	ELBOW . . . . .	27	48
				F84342	SEAL, INLET WATER LINE, UPPER . . . . .	39	3
				F84449	INTERLOCK SWITCH . . . . .	23	45
				F84472-5	GASKET, CYLINDER DRAIN COVER . . . . .	25	38
				F84472-5	GASKET, CYLINDER DRAIN COVER . . . . .	29	-
				F84504	GROMMET (THERMOSTAT)	29	92
				F84521-2	CLUTCH . . . . .	39	26
				F84748-3	GASKET . . . . .	27	46

# PARTS INDEX

Part Number	Description	Pg.	Ref. No.	Part Number	Description	Pg.	Ref. No.
F84748-3	GASKET, CYLINDER DRAIN REED PLATE	29	-	F85908	STARTER LEAD WIRE	11	9
F84792	GASKET, CENTER FUEL PUMP VALVE	21	11	F85916-1	BY-PASS VALVE	29	105
F84871-1	PIN, GEAR SHIFT W/YOKE	39	24	F85924	CHOKE SOLENOID	7	28
F85017	PISTON PIN	33	4	F85965	SHOCK MOUNT UPPER	37	89
F85026	SWIVEL	25	18	F89758	FUEL PUMP AIR HOSE - TOP	21	7
F85033	SWIVEL, CHOKE ROD (BOTTOM CARBURETOR) (NOT SHOWN)	17	-	F9018	CAP	37	64
F85035	DISTRIBUTOR, CONTROL ROD END	25	20	F9052	PLUG	35	50
F85036	TOWERSHAFT CONTROL ROD END	25	23	F90619-1	YOKE	43	73
F85037-1	STERN BRACKET PIVOT BOLT	37	69	F90807	RETAINING RING	17	34
F85095-2	STATOR	7	3	F9095	SHIM, DRIVESHAFT BEARING, UPPER .005 SILVER	41	-
F85117	BRACKET, WATER LINE	39	2	F9096	SHIM, DRIVESHAFT BEARING, UPPER .007 BRASS	41	-
F85130	BOOT IDLE EXHAUST	35	5	F9097	SHIM, DRIVESHAFT BEARING, UPPER .010 BLACK	41	-
F85161-1	REED STOP	21	39	F9106	SHIM, DRIVESHAFT BEARING, UPPER .003 BRASS	41	66
F85173	RETAINING RING	13	6	F91446-1	CIRCUIT BREAKER BRACKET	7	21
F85192-1	THROTTLE CAM	21	28	F92759	THROTTLE ROLLER	19	46
F85211	STUD	27	49	F93811	SCREEN	27	45
F85258	INSERT	35	4	F93920	REED STOP	27	41
F85279-2	GASKET, CYLINDER EXHAUST UPPER	27	69	F97772	CLAMP	17	6
F85279-2	GASKET, CYLINDER EXHAUST, UPPER	29	-	F97772	CLAMP, FUEL LINE	45	11
F85311	DISTRIBUTOR BELT	13	1	F98273	ROD END CONNECTOR STUD	27	77
F85317-2	SOLENOID CLAMP	21	21	FA14048-2	PREAMPLIFIER	13	17
F85372	PIN, GEAR SHIFT ROD LOWER	41	47	FA17559	LIFT CYLINDER COMPLETE	51	40
F8538	SPRING PIN	35	37	FA17561-1	O-RING	53	44
F85380	SPRING	35	6	FA178157	CARBURETOR ADAPTER, UPPER	21	-
F85410	SNAP RING	33	8	FA178167	CARBURETOR ADAPTER, LOWER	21	33
F85445	CONTROL ROD	25	22	FA178233	THROTTLE TIE BAR W/SWIVEL	17	35
F85498	FLYWHEEL KEY	33	16	FA178962	SHOCK ABSORBER	53	48
F85502	THROTTLE LINK	25	28	FA178962	SHOCK ABSORBER W/BUSHING	35	40
F85509-1	LINK, CHOKE	17	2	FA321574	DISTRIBUTOR BRACKET	13	10
F85571	BEARING CAGE W/ROLLER	33	10	FA335260	PISTON RING SET (3 PER SET)	33	1
F85606	KINGPIN CAP	37	82	FA368700	KEY, IGNITION - NO LETTER OR STAMPED A	9	53
F85610	BEARING	27	59	FA404097	FLYWHEEL	7	1
F85615	GEAR SHIFT ROD UPPER	37	88	FA411222	TRANSFER PORT COVER	27	53
F8563	DOWEL PIN	25	16	FA438431	FUEL PUMP BODY	21	12
F85634-2	CONNECTING ROD SCREW	33	14	FA439493	TERMINAL BLOCK BRACKET	7	11
F85660-1	EXHAUST TUBE	35	1	FA439746	FUEL PUMP COVER	21	1
F85664	DISTRIBUTOR GROUND	13	28	FA449015	PISTON COVER ASSEMBLY W/SEALS AND RETAINER	51	27
F85664	GROUND WIRE	9	54	FA480179	TRIM TOP	3	1
F85704	COUPLER, GEAR SHIFT ROD	37	86	FA480269	TILT HANDLE	3	3
F85762	BY-PASS VALVE COVER GASKET	29	103	FA480876	GEAR SHIFT ARM	27	61
F85762	GASKET, BY-PASS VALVE	29	-	FA480894	TIMING POINTER	25	2
F85772	CLAMP	35	7				
F85779-1	BAFFLE, AIR INTAKE	37	78				
F85843-1	REMOTE ELECTRIC CABLE, 18 FEET	7	38				
F85859	STUD	25	17				
F85906	CARBURETOR GASKET	21	31				
F85906	GASKET, CARBURETOR	29	-				

# PARTS INDEX

Part Number	Description	Pg.	Ref. No.	Part Number	Description	Pg.	Ref. No.
FA481469	HANDLE W/SHAFT	3	13	FT1082	SNAP RING PLIER	55	-
FA481743	ROLLER BRACKET ASSEMBLY	3	32	FT11204	BEARING CUP INSTALLER	56	-
FA510497	TERMINAL BLOCK	7	15	FT11205	BEARING INSTALLER/REMOVER	56	-
FA523014	CRANKSHAFT LOWER MAIN BEARING	33	12	FT11207	BEARING CUP REMOVER	56	-
FA523054	GEAR HOUSING	41	33	FT11209	BEARING GUIDE SET	56	-
FA523098	PROPELLER SHAFT ASSEMBLY	39	23	FT2938-1	TEST LIGHT	57	-
FA523136	CAGE, REAR	43	76	FT2951	CIRCUIT TRACER	57	-
FA523485	ANTICORROSION ANODE	39	20	FT2953	SOCKET	55	-
FA523735	SEAL, INLET WATER LINE, LOWER	41	64	FT2961	LUBRICANT - RYKON GREASE #2EP	58	-
FA552180	TRIM REAR	3	4	FT2962-1	SEALANT - 50 CC LOCTITE H, NON-HARDENING GRADE	58	-
FA552888	TRIM FRONT	5	37	FT2963-2	SEALANT - 2 OZ. LOCTITE D, HARDENING GRADE	58	-
FA552944	ENGINE COVER	3	6	FT2987-1	LUBRICANT - ANTI-SEIZE	58	-
FA58976-1	CONNECTOR, THROTTLE CABLE	47	1	FT2990	PISTON PIN TOOL	55	-
FA606528	DECAL, ENGINE COVER REAR	5	40	FT2991	CARBON BRUSH	55	-
FA606892	DECAL, ENGINE COVER FRONT	5	39	FT2996	RING COMPRESSOR	55	-
FA609853	DECAL, WARNING	9	57	FT2998	TORQUE WRENCH (0 - 100 LBS./FT.)	55	-
FA615396	DECAL, STARBOARD	3	-	FT2999	TORQUE WRENCH (0 - 600 LBS./IN.)	55	-
FA84621-1	COUPLING, GEAR SHIFT ARM W/BUSHING	41	44	FT3012	SEAL INSTALLER	56	-
FA84754-1	FUEL LINE SHORT	45	8	FT7848	TORQUING ADAPTER	56	-
FA85135-4	LEG COVER FRONT	37	83	FT8900	HOSE CLAMP PLIERS	55	-
FA85193	TIE BAR END W/SWIVEL	17	38	FT8901	INDICATOR HOLDER	56	-
FA85355-1	WASHER	37	92	FT8902	DIAL INDICATOR	56	-
FA85655-1	CRANKSHAFT MAIN BEARING RACE	33	9	FT8903	SEAL INSTALLER	55	-
FB368700	KEY, IGNITION - STAMPED B	9	-	FT8907	DRIVE HANDLE	55	-
FC368700	KEY, IGNITION - STAMPED C	9	-	FT8907	DRIVER HANDLE	56	-
FC510374	DECAL, CIRCUIT BREAKER	7	41	FT8914	SEAL REMOVER	55	-
FC552010	SHORT BLOCK	25	-	FT8918	BEARING GUIDE SET	56	-
FD368700	KEY, IGNITION - STAMPED D	9	-	FT8919	SPRING PIN PUNCH	56	-
FE368700	KEY, IGNITION - STAMPED E	9	-	FT8925	SEAL INSTALLER	55	-
FG1019	GASKET SET	29	106	FT8925	SEAL INSTALLER	56	-
FK10120-1	VALVE SEAT KIT	17	19	FT8926	RING EXPANDER	55	-
FK10139	GASKET SET (NOT SHOWN)	17	-	FT8927	SEAL PROTECTOR	55	-
FK10151	REPAIR PARTS KIT.	17	1	FT8930-1	FEELER GAUGE SET	56	-
FK1063-2	SEAL KIT	43	74	FT8933	LIFTING HOOK	55	-
FK1069	WATER PUMP KIT	43	75	FT8935	SEALANT PRIMER - 6 OZ.	58	-
FK1123	SPARKIE	15	44	FT8936-1	SEALANT - 2 CC LOCTITE RETAINING COMPOUND #75	58	-
FK17156	BAG ASSEMBLY (NOT SHOWN)	49	-	FT8948-1	PULLER	54	-
FK405020	SWIVEL	25	32	FT8948-1	PULLER	56	-
FK611386	DECAL, CHARGER	5	38	FT8950	LEAKAGE TESTER	57	-
FK616128	DRIVESHAFT	43	68	FT8953	IGNITION TESTER	57	-
FK85228-1	BEARING CAGE W/ROLLER	33	7	FT8955	SEALANT - 5 OZ. EC-750 INDUSTRIAL SEALANT	58	-
FPS523	PROPELLER (ACCESSORY ITEM)	39	17	FT8957	SEAL INSTALLER	56	-
FS85019	KINGPIN	35	43	FT8969	LUBRICANT - 7 OZ. LPSI LUBRICANT	58	-
FS85872-1	BRACKET	27	75	FT8978	POWER TIMING LIGHT	54	-
FSA335260	PISTON RING (3 PER SET) .010 OVERSIZE (NOT SHOWN)	33	-	FT8983	SEALANT - 3 OZ. RTV SEALANT FROM IN PLACE GASKETS	58	-
				FT8985	SEAL INSTALLER	56	-
				FT8997	SHIMMING TOOL	56	-



# PARTS INDEX

Part Number	Description	Pg.	Ref. No.	Part Number	Description	Pg.	Ref. No.
FTA2937-1	TIMING TOOL . . . . .	54	-				
FTK8999	TEST WHEEL . . . . .	57	-				
OB3876	LITERATURE (NOT SHOWN)	49	-				
22-818103--1	ELBOW, CYLINDER DRAIN LOWER . . . . .	25	36				
31-817785A2	CRANKSHAFT BEARING CAGE . . . . .	33	17				
32-77653-77	BALANCE TUBE . . . . .	21	34				
32-817738A1	FUEL LINE LONG . . . . .	45	10				
33-97180	SPARK PLUG (CHAMPION L20V) - USA . . . . .	29	86				
39-818110A1	PISTON RING (3 PER SET) .030 OVERSIZE (NOT SHOWN) . . . . .	33	-				
43-817854A2	BEVEL PINION GEAR . . . . .	41	35				
43-818068A2	BEVEL GEAR FRONT W/BEARING AND SHIMS . . . . .	39	28				
46-817853A1	WATER PUMP . . . . .	43	-				
46-817853A1	WATER PUMP BODY . . . . .	41	59				
84-817774A4	LEAD WIRE . . . . .	13	32				
84-817775A1	COIL WIRE . . . . .	13	29				
87-817939A1	THERMOSWITCH . . . . .	29	87				
300-817855A1	UNIT . . . . .	9	45				
400-817735A4	CRANKSHAFT . . . . .	33	15				
600-818052A4	CONNECTING ROD . . . . .	33	6				
700-817988A2	PISTON .010 OVERSIZE (NOT SHOWN) . . . . .	33	-				
700-818111A2	PISTON .030 OVERSIZE (NOT SHOWN) . . . . .	33	-				
700-F372015-3	PISTON . . . . .	33	2				
900-817832A2	CYLINDER HEAD . . . . .	29	80				
1400-817958A6	STERN BRACKET . . . . .	35	28				
1600-819196A3	GEAR HOUSING COMPLETE	41	-				