



# PARTS CATALOG

## SEARS 5 H.P.

SERIAL NUMBER

5 H.P. (1989) ..... 225.587491

# TABLE OF CONTENTS:

CARBURETOR .....	14
ENGINE COVER .....	2
FUEL PUMP .....	26
FUEL TANK & LINE .....	28
GEAR HOUSING .....	20
INTAKE SYSTEM .....	12
MAGNETO .....	6
MOTOR LEG .....	16
PARTS INDEX .....	30
POWER HEAD & SUPPORT PLATE .....	8
STARTER .....	4
STEERING HANDLE & TWIST GRIP THROTTLE .....	24

**NOTE:** *Indented description indicate that these parts are included in preceeding assembly.*

**AR** = As Required

**NSS** = Not Sold Separate

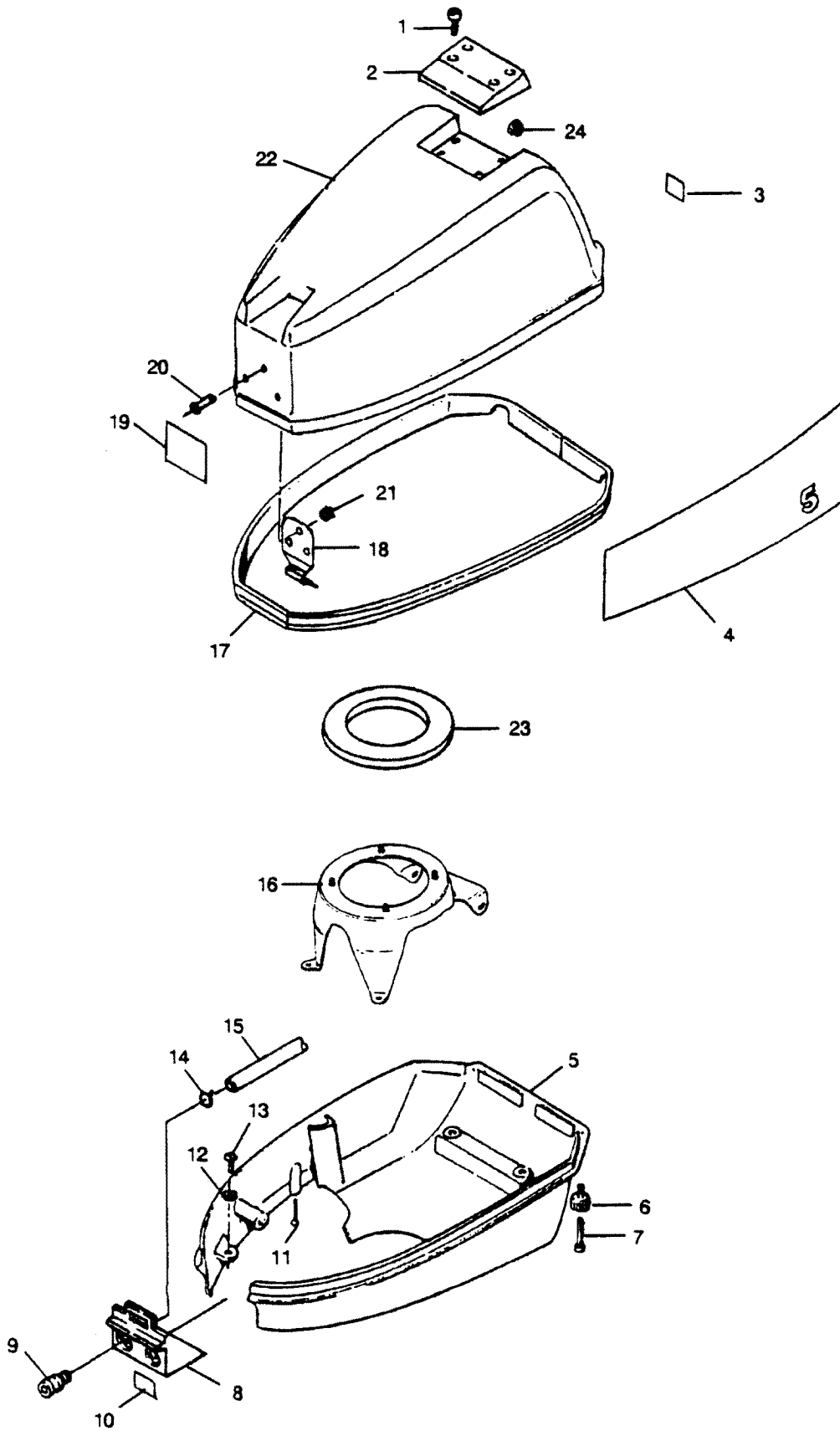
**OPT** = Optional

**NS** = Not Shown

**THESE PARTS BOOKS/FICHE CARD ARE COPYRIGHTED AND MAY NOT BE DISTRIBUTED OR REPRODUCED IN ANY OTHER FORMAT BY ANYONE OTHER THAN MERCURY MARINE WITHOUT THE PRIOR WRITTEN CONSENT OF MERCURY MARINE.**

THIS PAGE INTENTIONALLY LEFT BLANK

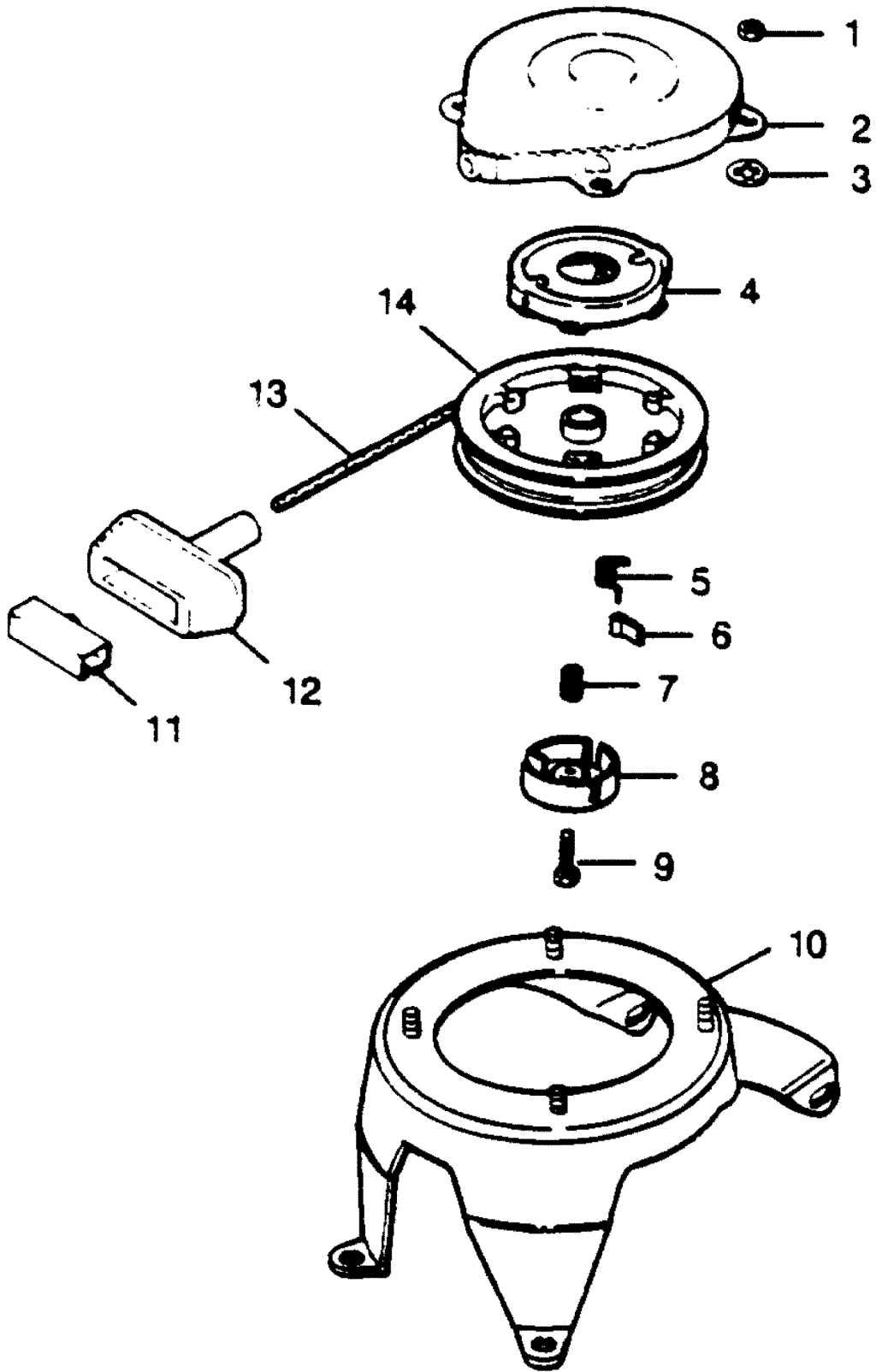
# ENGINE COVER



# ENGINE COVER

REF. NO.	PART NO.	SYM.	QTY.	DESCRIPTION
1	F2229		4	HEX SOCKET HD. CAP SCREW, 10 - 24 X 5/8
2	F703269		1	HANDLE, TILT
3	F702528		1	DECAL, REAR
4	F702397		1	DECAL, PORT
5	F702944		1	COVER, LOWER
6	F521284		2	KNOB, ENGINE COVER RETAINER
7	F1995		2	SLOTTED HD. SCREW, 10 - 24 X 1
8	F702163		1	COVER, SUPPORT PLATE FRONT
9	F702801		1	FITTING, FUEL
10	F702248		1	DECAL, CHOKE
11	F1829		1	FILL HD. SCREW, 10 - 24 X 7/8
12	F8009		3	WASHER
13	F1035		3	SLOTTED HD. SCREW, 1/4 - 20 X 5/8
14	F2706772		4	CLAMP
15	F702253		2	HOSE, FUEL
16	F702427		1	BRACKET, STARTER
17	FK525713		1	PACKING
18	F702787		1	RETAINER, ENGINE COVER FRONT
19	F702892		1	DECAL, FRONT
20	F1979		3	PAN HD. SCREW, 10 - 24 X 1/2
21	F7011		3	HEX NUT
22	FS702712		1	COVER, TOP W/RETAINER AND PACKING
-	<b>F2C702712</b>		<b>1</b>	<b>COVER, TOP COMPLETE W/DECALS</b>
23	F702984		1	PAD, ENGINE COVER
24	F7009		4	LOCKNUT, 10 - 24

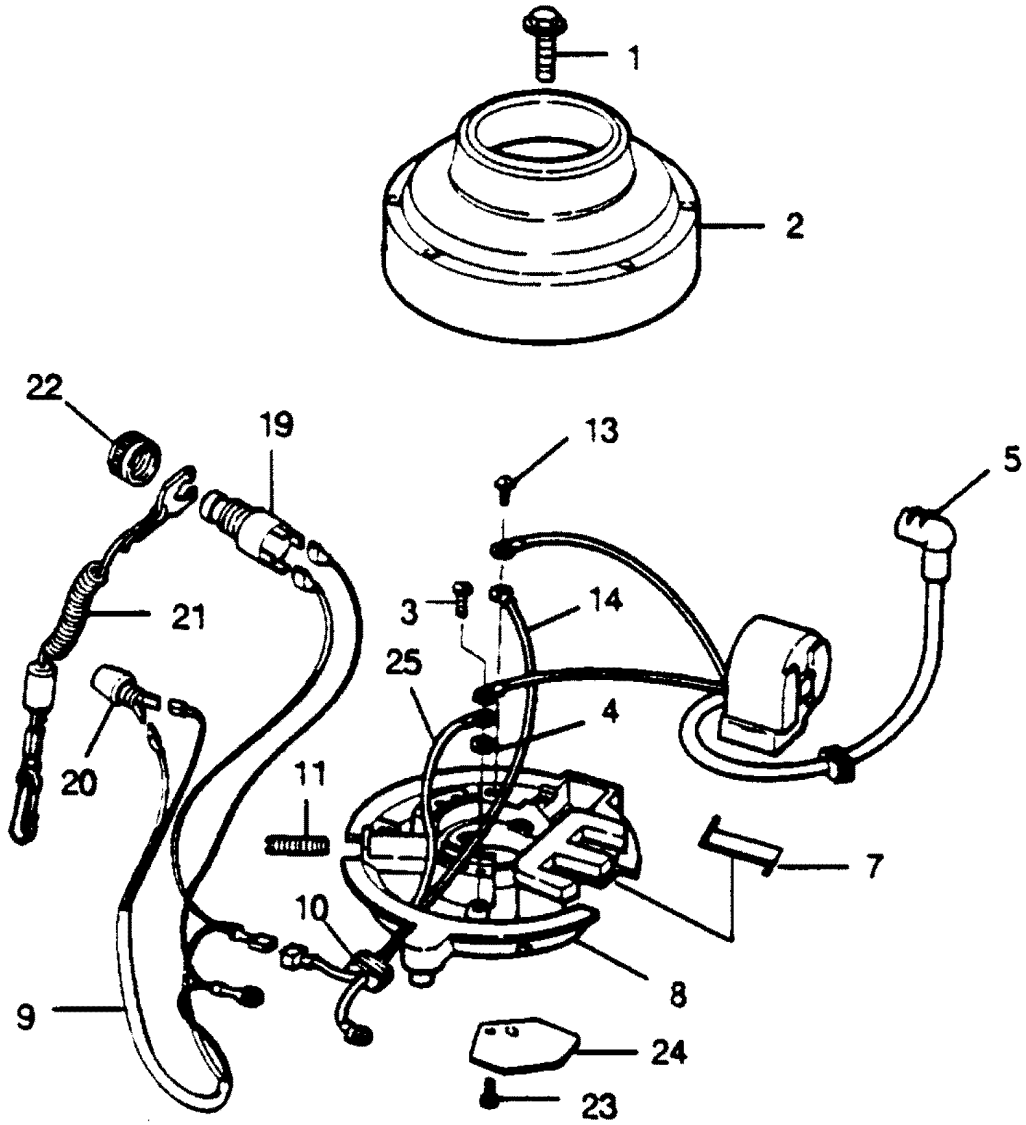
# STARTER



# STARTER

REF. NO.	PART NO.	SYM.	QTY.	DESCRIPTION
1	F1341		4	NUT, 1/4 - 20
3	F8061		4	INTERNAL TOOTH LOCKWASHER
4	F15584		1	SPRING AND KEEPER
5	F15605		3	SPRING
6	F250421		3	DOG
7	F250003		1	SPRING
8	F15604		1	RETAINER, DOG
9	F15615		1	SCREW
10	F702427		1	BRACKET, STARTER
11	F620817		1	RETAINER
12	F620132		1	HANDLE
13	F15585		1	ROPE, STARTER
14	F15606		1	PULLEY W/BEARING
-	<b>F687063</b>		<b>1</b>	<b>STARTER, COMPLETE</b>

# MAGNETO

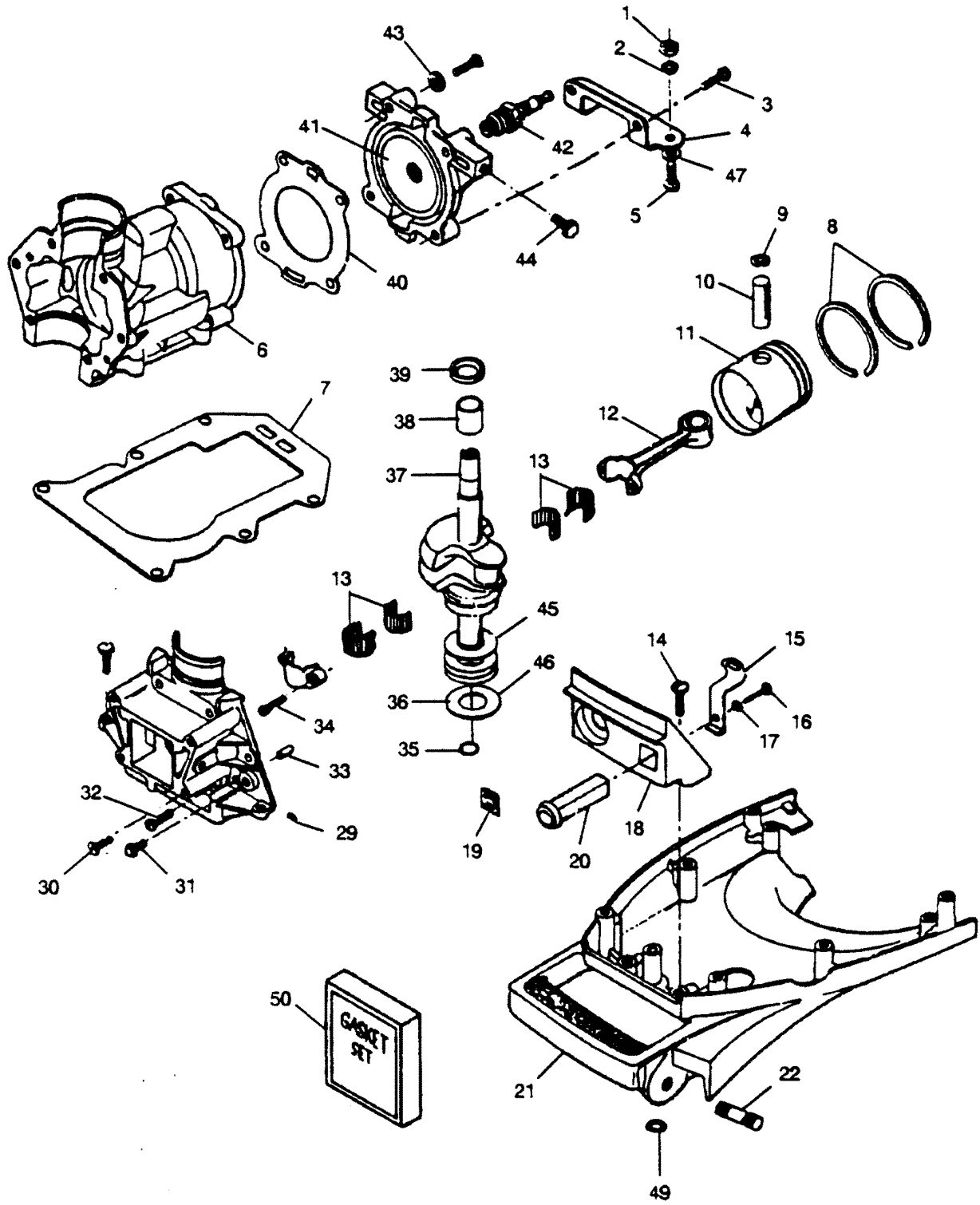




# MAGNETO

REF. NO.	PART NO.	SYM.	QTY.	DESCRIPTION
1	F521552		1	SCREW
2	F687097		1	FLYWHEEL
3	F12380		2	SCREW (PLASTIC)
4	F12381		1	WASHER (PLASTIC)
5	FK1123		1	SPARKIE KIT
6	F12386		1	COIL W/LEAD WIRE, WEDGE AND SPARKIE
7	F12378		1	WEDGE SPRING
8	F12383		1	STATOR PLATE W/CORE
9	F702908		1	WIRE
10	F12088		1	GROMMET
11	F12066		1	FRICITION SCREW
13	F1755		1	SCREW, 6 - 32 X 5/16
14	F12384		1	WIRE, GROUND
18	F521498		1	KEY, FLYWHEEL
19	FK681602		1	SWITCH, EMERGENCY STOP
20	F702449		1	SWITCH, STOP
21	F702329		1	LANYARD
22	F681188		1	NUT
23	F1734		1	SCREW, 1/4 - 20 X 1/2
24	F521192-1		1	CAM THROTTLE
25	F12385		1	WIRE, STOP

# POWER HEAD & SUPPORT PLATE

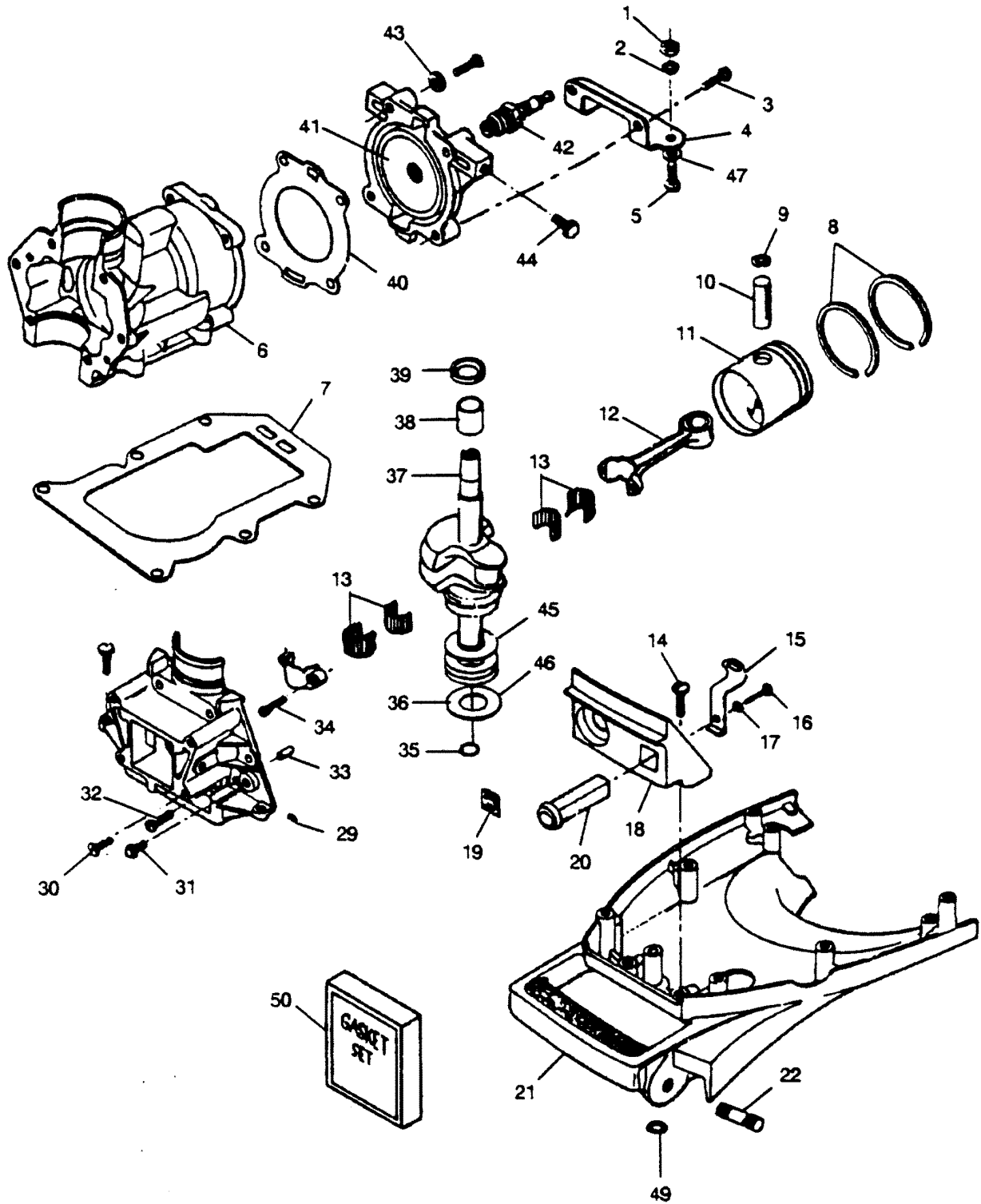


# POWER HEAD & SUPPORT PLATE

REF. NO.	PART NO.	SYM.	QTY.	DESCRIPTION
1	F1341		2	HEX NUT
2	F8083		2	SPRING LOCKWASHER
3	F901938-1		4	SCREW, CYLINDER HEAD
4	F521774		1	BRACKET, ENGINE COVER LOWER MOUNTING
5	F1705		4	HEX HEAD CAP SCREW, 1/4 - 20 X 3/4
6	FA702010		1	CYLINDER W/CRANKCASE COVER
-	<b>FC702010</b>		<b>1</b>	<b>SHORT BLOCK (NOT SHOWN). INCLUDES ALL ITEMS MARKED WITH AN ASTERISK (*).</b>
7	F521279		1	GASKET, CYLINDER EXHAUST
8	FA26260-1		1	PISTON RING SET (2 RINGS)
9	F250410		2	PISTON PIN RETAINING RING
10	F250017		1	PISTON PIN
11	F521015-1		1	PISTON
12	F2A521016		1	CONNECTING ROD W/BEARING
13	FA567241		1	CRANKPIN ROLLER AND CAGE SET
14	F1493		2	PAN HEAD SCREW, 1/4 - 20 X 5/8
15	F521925		1	LINK, CHOKE KNOB
16	F2041		1	HEX HEAD M. SCREW, 10 - 24 X 3/8
17	F1975		1	SPRING, LOCKWASHER
18	F702163		1	COVER, SUPPORT PLATE
19	FC521248		1	DECAL, CHOKE
20	F521547		1	CHOKE KNOB
21	FA271038		1	SUPPORT PLATE
22	F521004		1	STUD
23	F286286-1		1	WASHER, NYLON
24	F8015		2	PLAIN WASHER
25	F521319		2	BUSHING, STEERING HANDLE
26	F521079		1	STEERING HANDLE
27	F1756		1	STOP NUT
28	F390137		1	GRIP, STEERING HANDLE
29	F1789		1	PIPE PLUG
30	F1107		2	HEAD M. SCREW, 1/4 - 20 X 3/4
31	F2050		1	HEX WASHER HEAD TAPTITE SCREW, 1/4 - 20 X 5/8
32	F1504		4	SLOTTED FILL. HEAD SCREW, 1/4 - 20 X 1-1/4
33	F8559		2	DOWEL PIN
34	F36634		2	SCREW, CONNECTING ROD
35	F521579		1	SEAL, CRANKSHAFT SPLINE
36	F521118-1		1	SEAL, CRANKSHAFT LOWER
37	F2A527018		1	CRANKSHAFT
38	F521013		1	BEARING, CRANKSHAFT UPPER
39	F521146		1	SEAL, CRANKSHAFT UPPER
40	F521529-1		1	GASKET, CYLINDER HEAD
41	F680518		1	CYLINDER HEAD

CONTINUED ON NEXT PAGE ➡

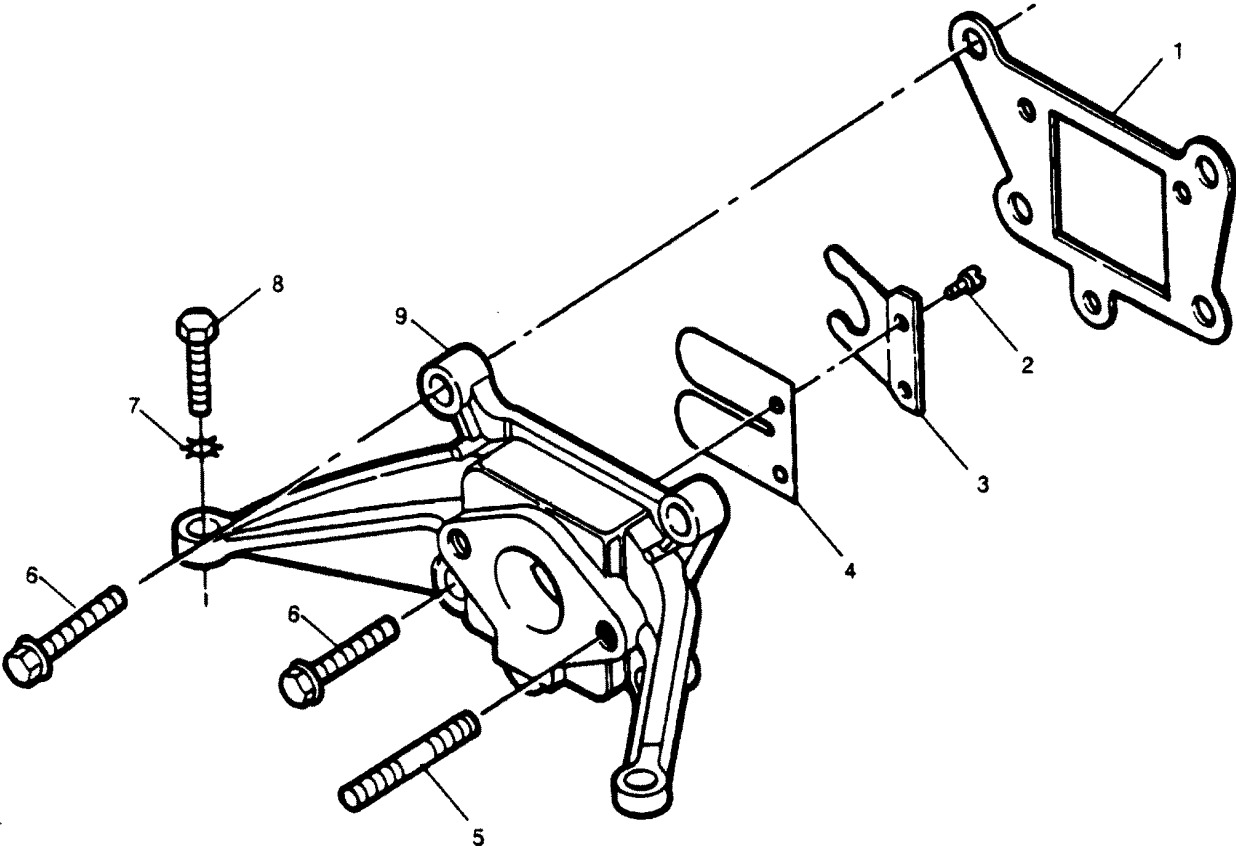
# POWER HEAD & SUPPORT PLATE



## POWER HEAD & SUPPORT PLATE

REF. NO.	PART NO.	SYM.	QTY.	DESCRIPTION
42	33-82370M		1	SPARK PLUG (L-86) USA
43	F8028		2	PLAIN WASHER
44	F1426		2	HEX HEAD SCREW W/LOCKWASHER, 1/4 - 20 X 7/16
45	F521270		1	SLINGER
46	F521910		1	BEARING, CRANKSHAFT LOWER
47	F8008		2	PLAIN WASHER
48	F341284-1		1	KNOB, ENGINE COVER RETAINER
49	F9102		1	RETAINING RING
50	FG1022		1	GASKET SET. INCLUDES ITEMS LISTED BELOW.
-	<b>F521168</b>		<b>1</b>	<b>CARBURETOR ADAPTER GASKET</b>
-	<b>F521279</b>		<b>1</b>	<b>CYLINDER EXHAUST GASKET</b>
-	<b>F521529</b>		<b>1</b>	<b>CYLINDER HEAD GASKET</b>
-	<b>F521906</b>		<b>1</b>	<b>CARBURETOR GASKET</b>

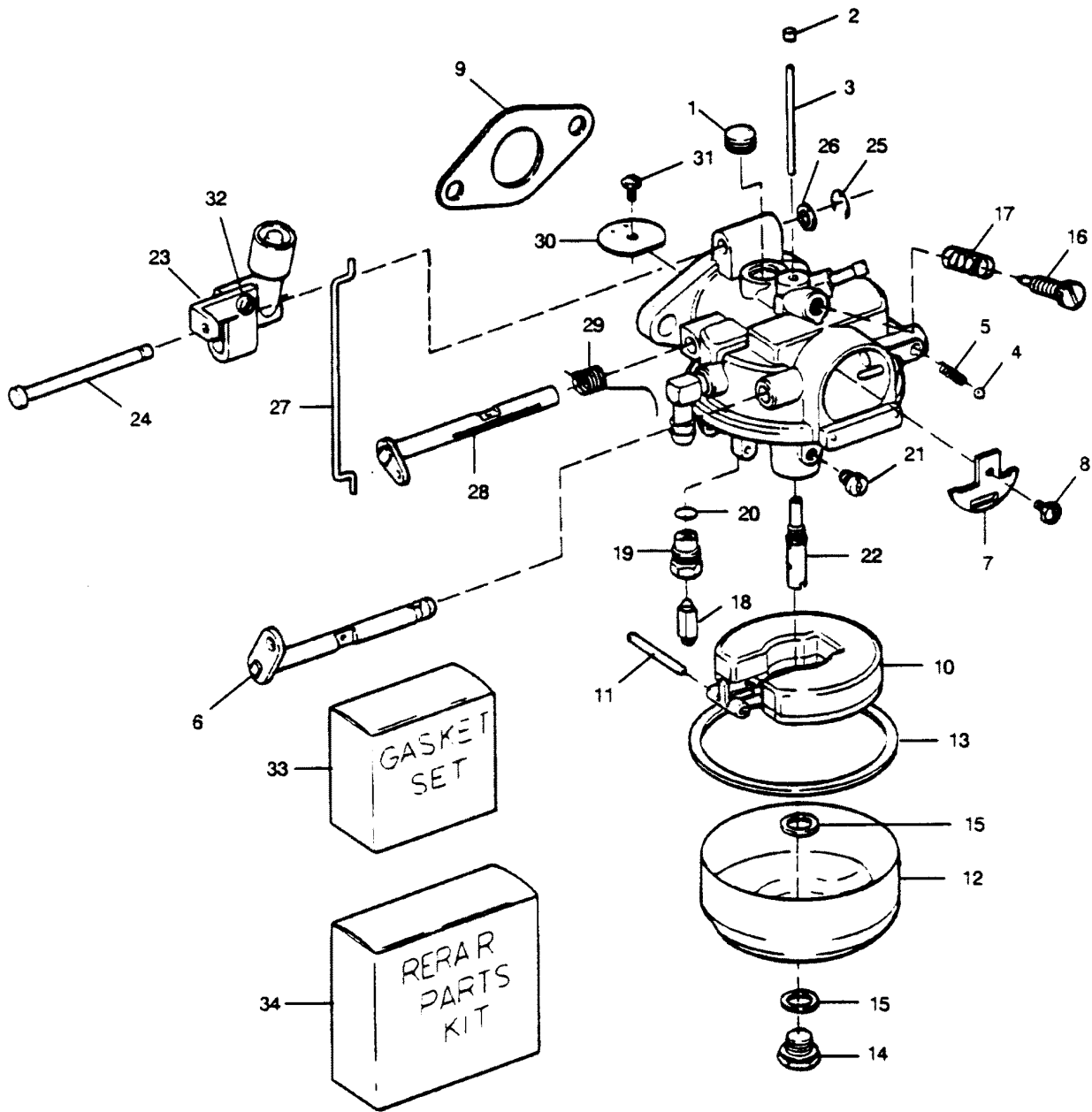
# INTAKE SYSTEM



# INTAKE SYSTEM

REF. NO.	PART NO.	SYM.	QTY.	DESCRIPTION
1	F521168		1	GASKET, CARBURETOR ADAPTER
2	F1755		2	SCREW, 6 - 32 X 5/16
3	F680161		1	STOP, REED
4	F31160-1		1	REED
5	F433209-1		2	STUD
6	F1532		4	SCREW 1/4 - 20 X 1
7	F8060		2	WASHER
8	F2008		2	SCREW, 1/4 - 20 X 7/8
9	FS680167		1	CARBURETOR ADAPTER W/REEDS

# CARBURETOR

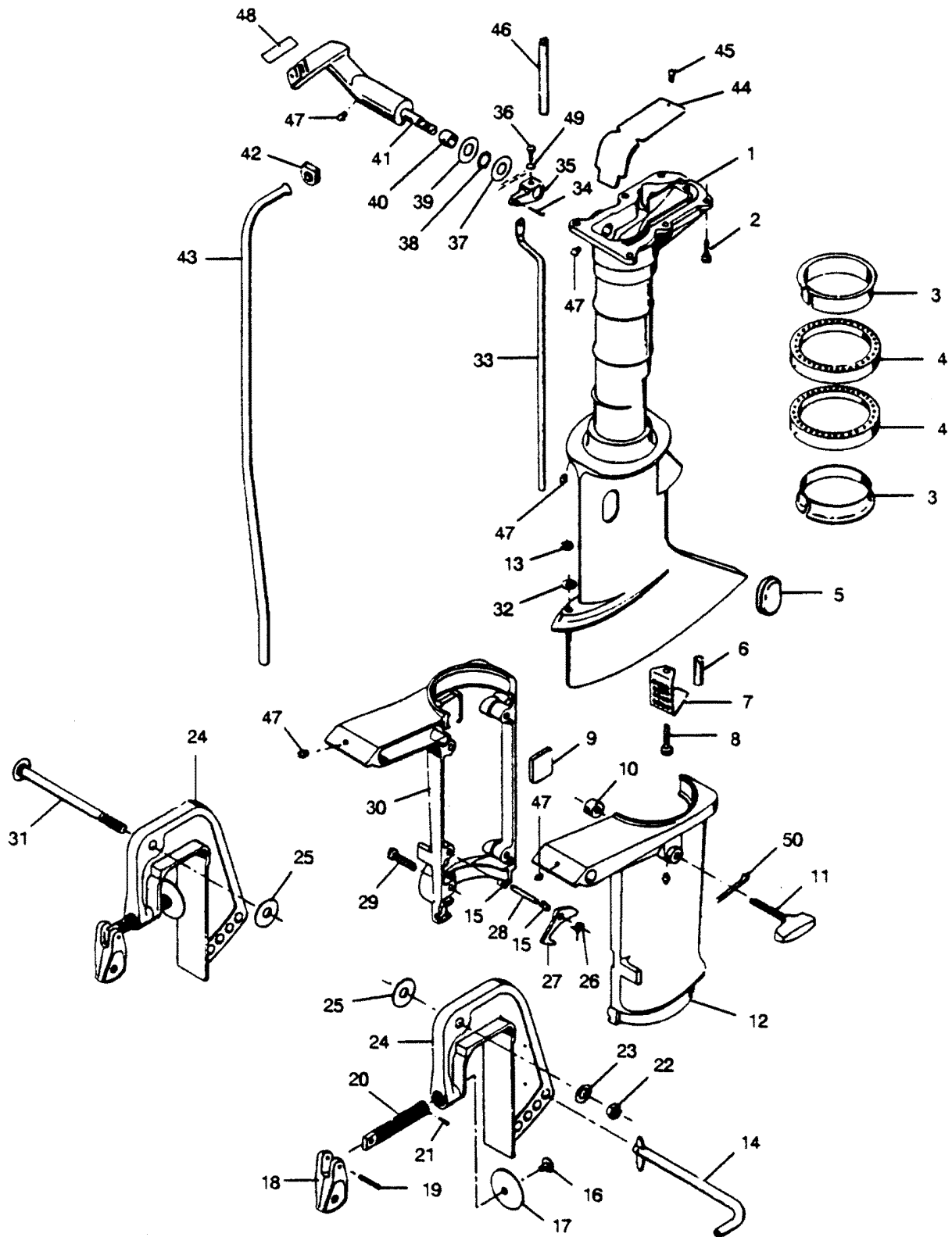




# CARBURETOR

REF. NO.	PART NO.	SYM.	QTY.	DESCRIPTION
1	FO2531		1	PLUG, WELCH
2	FO10588		1	PLUG
3	F10235		1	TUBE, BY-PASS
4	FO4784		1	BALL
5	FO8805		1	SPRING, CHOKE FRICTION
6	FO15736		1	SHAFT, CHOKE
7	FO15367		1	SHUTTER, CHOKE
8	FO10280		2	SCREW, SHUTTER
9	F18906		1	GASKET, CARBURETOR
10	FO13554		1	FLOAT
11	FO13944		1	PIN, FLOAT
12	FO15366		1	BOWL, FLOAT
13	FO15623		1	GASKET, FLOAT BOWL
14	FO13945		1	SCREW
15	FO2510		1	GASKET
16	FO15520		1	NEEDLE, IDLE
17	FO11103		1	SPRING, IDLE NEEDLE
18	F10265		1	NEEDLE, INLET
19	F10292		1	SEAT, INLET
20	FO10165		1	GASKET
21	F10293		1	MAIN FUEL JET (.039)
22	F10238		1	NOZZLE
23	F10290		1	BRACKET ASSEMBLY, THROTTLE
24	F10240		1	SHAFT, THROTTLE LINKAGE
25	F10241		1	CLIP
26	F10242		1	WASHER
27	F10291		1	LINKAGE, WIRE
28	FO15718		1	SHAFT, THROTTLE
29	F10246		1	SPRING, THROTTLE RETURN
30	F10248		1	SHUTTER, THROTTLE
31	FO8942		2	SCREW, THROTTLE SHUTTER
32	FO10571		1	SCREW, IDLE SPEED
33	FK10294		1	GASKET SET
34	FK10295		1	REPAIR KIT
-	<b>F687061</b>		<b>1</b>	<b>CARBURETOR COMPLETE (HO-3A)</b>

# MOTOR LEG

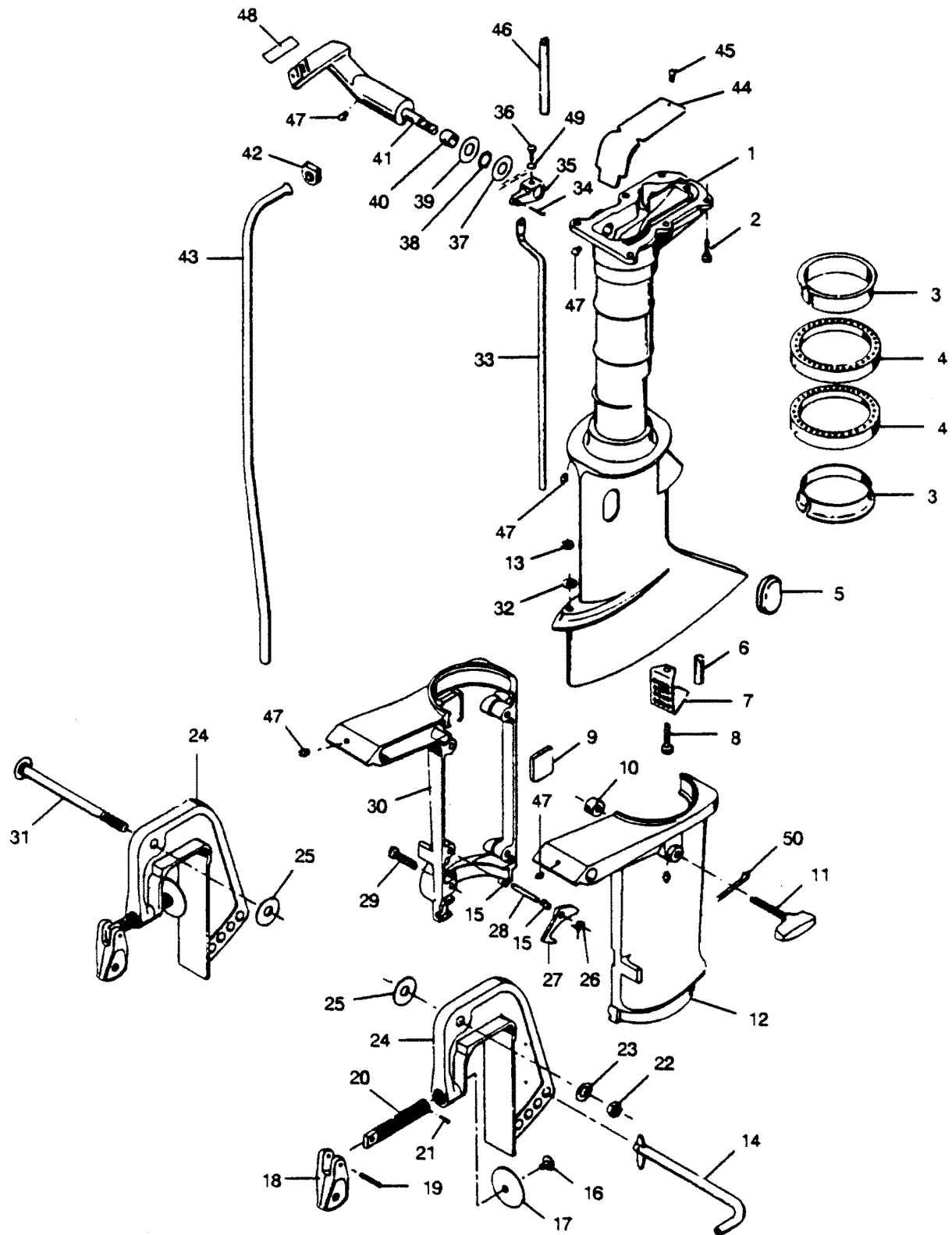


# MOTOR LEG

REF. NO.	PART NO.	SYM.	QTY.	DESCRIPTION
1	1500-817940A6		1	MOTOR LEG
2	F1864		6	HEX HEAD SCREW, 1/4 - 20 X 3/4
3	F468169		2	BEARING, SWIVEL BRACKET
4	FA468346		2	SHOCK MOUNT <b>W/LITERATURE</b>
5	F46899-1		1	COVER, SHIFT COUPLING
6	F521727		1	SLEEVE, IDLE BAFFLE
7	F521779		1	BAFFLE, IDLE RELIEF
8	F1747		1	HEAD SCREW, 10 - 24 X 1-11/16
9	F521661-1		1	PAD, SWIVEL FRICTION
10	F521631		1	SHOE, SWIVEL FRICTION
11	F521514		1	KNOB, STEERING FICTION W/SCREW
12	817815A4		1	SWIVEL BRACKET - PORT
13	F1341		1	HEX NUT
14	817810A1		1	LOCK BAR ASSEMBLY
15	F197813		2	BEARING
16	F66480		2	STUD
17	F24074		2	CLAMP SCREW FOOT
18	F298075		2	HANDLE, CLAMP SCREW
19	F8554		2	SPRING PIN
20	817761A2		2	CLAMP SCREW
21	F8537		2	SPRING PIN
22	F7026		1	STOP NUT
23	F2014		1	PLAIN WASHER
24	1400-817850A4		2	STERN BRACKET
25	F2037		2	PLAIN WASHER
26	F468300-1		1	SPRING, REVERSE LOCK
27	F468349		1	REVERSE LOCK
28	F468350		1	PIN, REVERSE LOCK
29	F2035		4	PHILLIPS FILL. HEAD SCREW, 1/4 - 20 X 1
30	817816A6		1	SWIVEL BRACKET - STARBOARD
31	F468037-1		1	PIVOT BOLT
32	F8083		1	SPRING LOCKWASHER
33	F521615		1	ROD, GEARSHIFT UPPER
34	F1406		1	COTTER PIN
35	F521621		1	LEVER, GEARSHIFT
36	F2041		1	HEX M. SCREW, 10 - 24 X 3/8
37	F2014		1	PLAIN WASHER
38	F19342		1	SEAL, SHIFT LEVER SHAFT
39	F521415		1	WASHER, GEARSHIFT HANDLE
40	F341610		1	BEARING, GEARSHIFT SHAFT
41	820433T		1	HANDLE, GEARSHIFT W/SHAFT
42	F521342-1		1	SEAL, WATER LINE
43	F341244-1		1	WATER LINE (20-INCH TRANSOM MODELS)

CONTINUED ON NEXT PAGE ➡

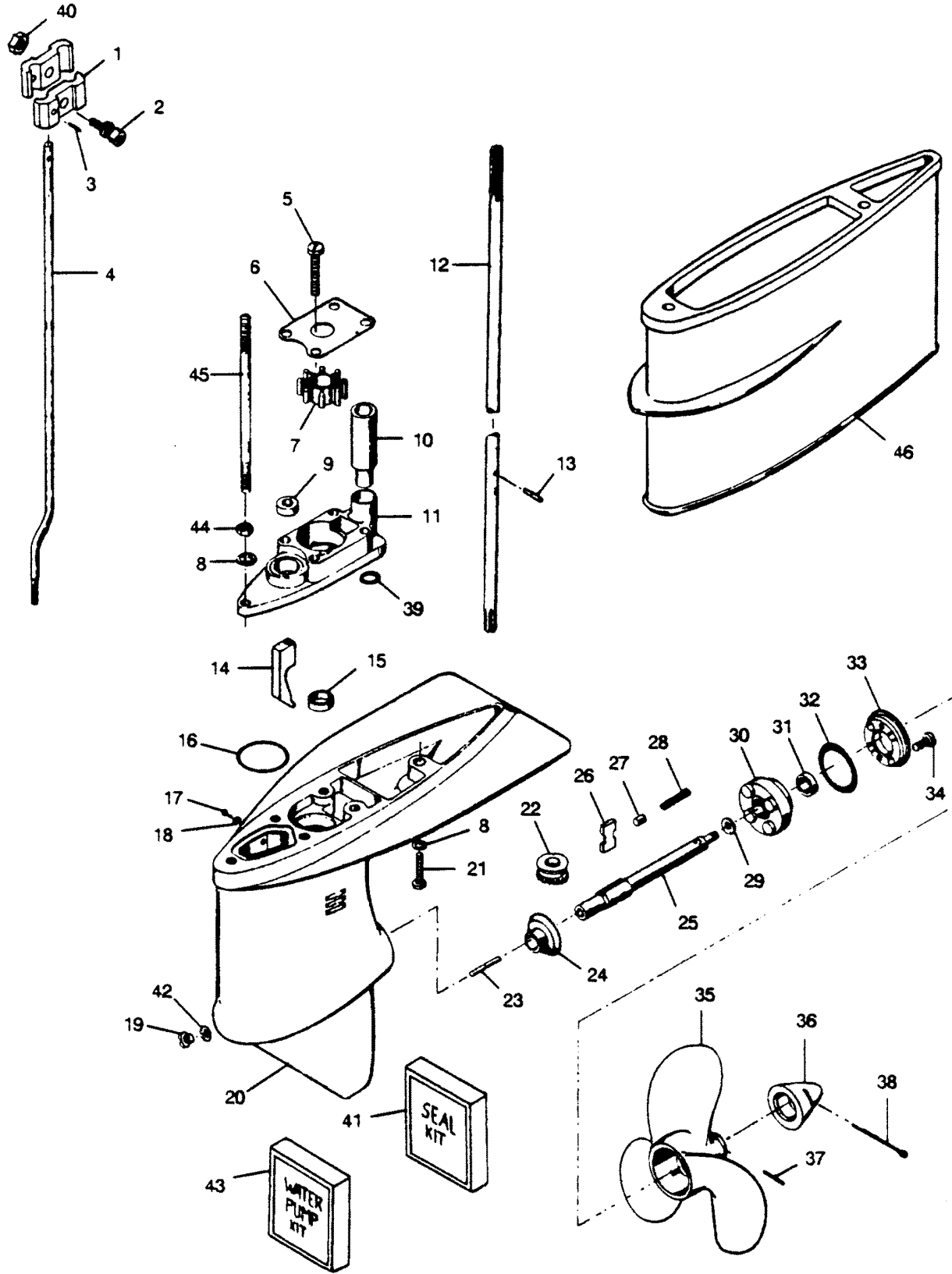
# MOTOR LEG



# MOTOR LEG

REF. NO.	PART NO.	SYM.	QTY.	DESCRIPTION
44	FA341151		1	PLATE, EXHAUST
45	F1645		3	ROUND HEAD THD. CUTTING, 6 - 32 X 1/4
46	F521261		1	LINE, WATER OUTLET
47	F213274		6	FITTING, GREASE
48	FC521400		1	DECAL, GEARSHIFT HANDLE
49	F1975		1	LOCKWASHER, #10
50	F1014		1	COTTER PIN

# GEAR HOUSING

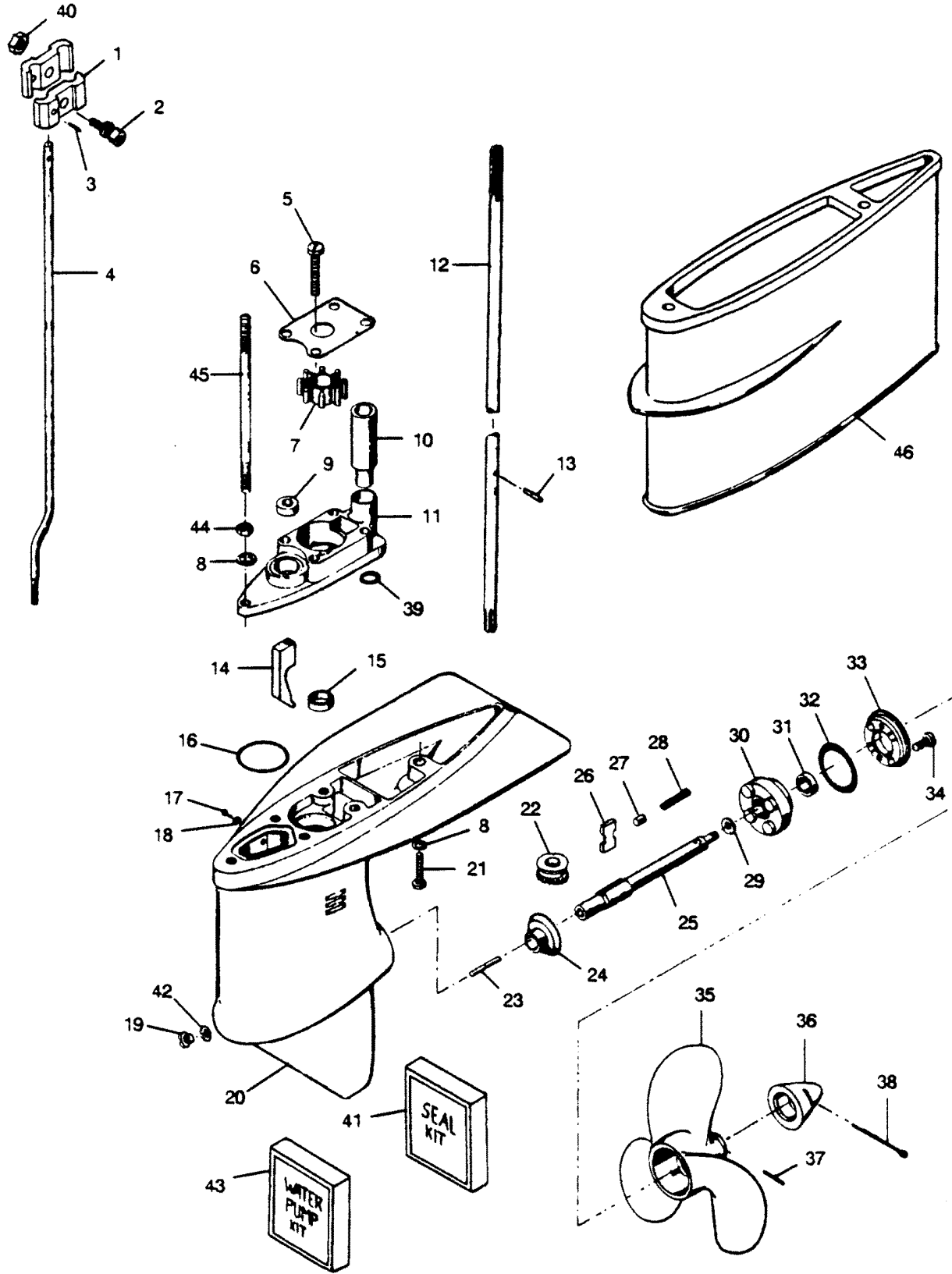


# GEAR HOUSING

REF. NO.	PART NO.	SYM.	QTY.	DESCRIPTION
1	FK341704		1	COUPLING, GEARSHIFT ROD
2	F1371		1	SOCKET HEAD SCREW W/LOCKWASHER, 10 - 24 X 5/8
3	F8538		1	SPRING PIN
4	F332705-1		1	ROD, GERASHIFT LOWER (20-INCH TRANSOM MODELS)
5	F1504		4	HEAD SCREW, 1/4 - 20 X 1-1/4
6	F521537		1	PLATE, WATER PUMP
7	F521065		1	IMPELLER
8	F8083		2	SPRING LOCKWASHER
9	F338618-1		1	SEAL, SHIFT ROD
10	FA521735		1	SEAL, WATER LINE <b>W/LITERATURE</b>
11	FA735060		1	WATER PUMP BODY W/PLUG
12	F341128		1	DRIVESHAFT (20-INCH TRANSOM MODELS)
13	F390563		1	PIN, WATER PUMP IMPELLER DRIVE
14	F521721		1	CAM, CLUTCH SHIFT
15	F318307		1	SEAL, DRIVESHIFT
16	F521783		1	SEAL
17	F1077		1	HEAD SCREW, 10 - 24 X 1/4
18	F8074		1	WASHER
19	F50109		1	PLUG, GEAR HOUSING
20	F2A521054		1	GEAR HOUSING
-	<b>FC341054</b>		<b>1</b>	<b>GEAR HOUSING COMPLETE. INCLUDES ALL ITEMS MARKED WITH AN ASTERISK (*).</b>
21	F1199		1	HEX CAP SCREW, 1/4 - 20 X 1
22	F521266		1	BEVEL PINION GEAR
23	F521728		1	CLUTCH SHIFT PIN
24	FA521023		1	BEVEL GEAR W/BEARING
25	F409098		1	PROPELLER SHAFT
26	F409521		1	CLUTCH
27	F318372		1	PIN, CLUTCH GUIDE
28	F409719		1	CLUTCH SPRING
29	F521099		1	SPACER
30	FA341298		1	BEARING CAGE W/BEARING
31	F521307		1	SEAL, PROPELLER SHAFT
32	F521305		1	SEAL "O" RING
33	F521296		1	RETAINER, PROPELLER SHAFT BEARING CAGE
34	F525457		4	HEAD SCREW, 1/4 - 20 X 5/8
35	FP652		1	PROPELLER (20-INCH TRANSOM MODELS)
36	11-817752A1		1	PROPELLER NUT
37	FA324101		1	PROPELLER PIN, PACK OF 3
38	F1846		1	COTTER PIN
39	F521246-1		1	PLUG, WATER PUMP
40	F7009		1	LOCKNUT, 10 - 24
41	FK1057		1	GEAR HOUSING SEAL KIT. <b>INCLUDES ALL ITEMS MARKED WITH A DOUBLE ASTERISK (**).</b>

CONTINUED ON NEXT PAGE ➡

# GEAR HOUSING

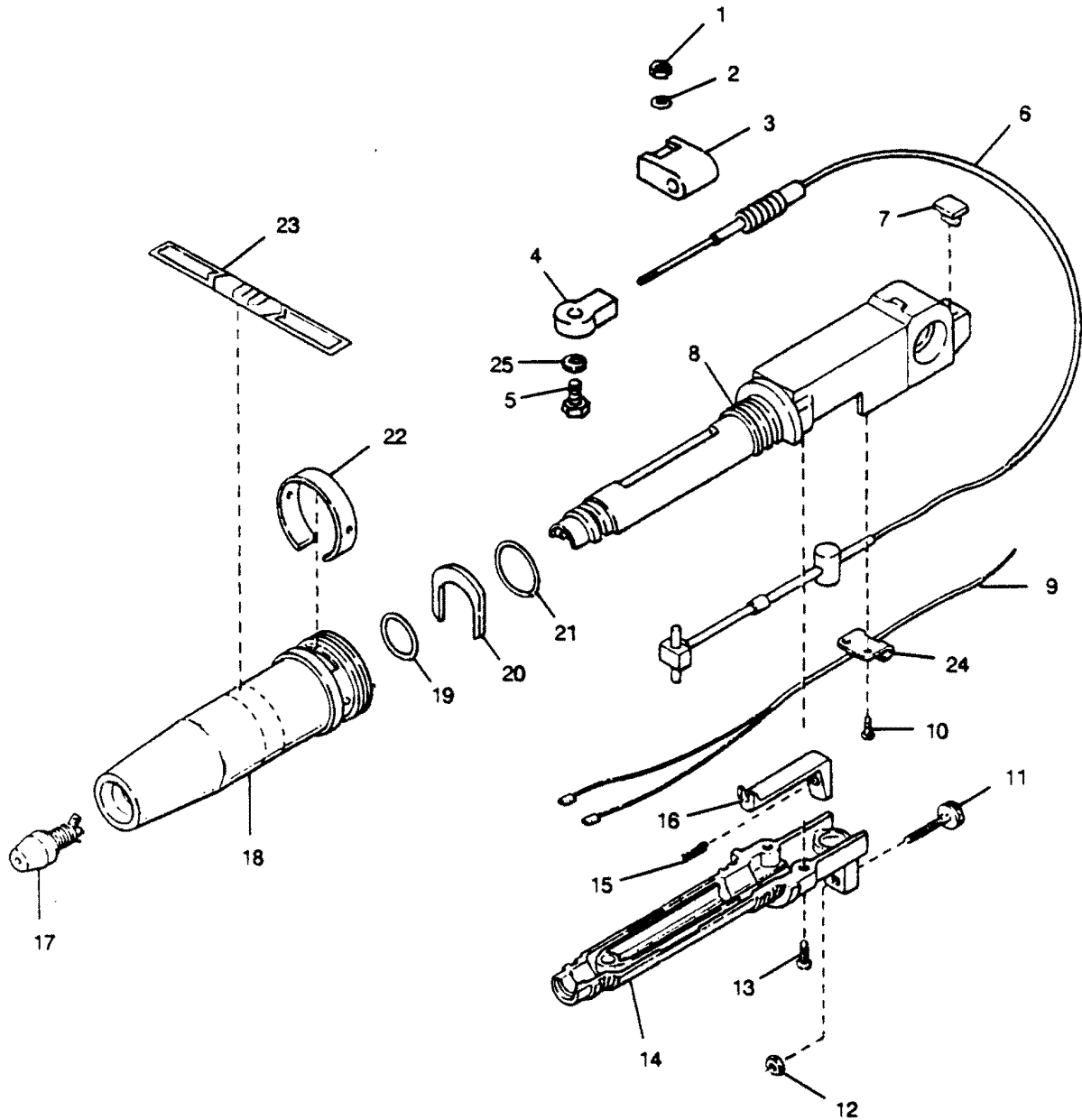




# GEAR HOUSING

REF. NO.	PART NO.	SYM.	QTY.	DESCRIPTION
42	F8077		1	WASHER
43	FK1072		1	WATER PUMP KIT. (INCLUDES ITEMS LISTED BELOW)
-	<b>FA521735</b>		<b>1</b>	<b>WATER LINE SEAL</b>
-	<b>FA735060</b>		<b>1</b>	<b>BODY, WATER PUMP</b>
-	<b>F521537</b>		<b>1</b>	<b>PLATE, WATER PUMP TOP</b>
-	<b>F521065</b>		<b>1</b>	<b>IMPELLER, WATER PUMP</b>
-	<b>F338618-1</b>		<b>1</b>	<b>SEAL</b>
-	<b>F1504</b>		<b>4</b>	<b>H.M.S. 1/4 - 20 X 1-1/4</b>
44	F1341		1	HEX NUT
45	F535006		1	STUD (20-INCH TRANSOM MODELS)
46	F521845		1	EXTENSION, MOTOR LEG (20-INCH TRANSOM MODELS)

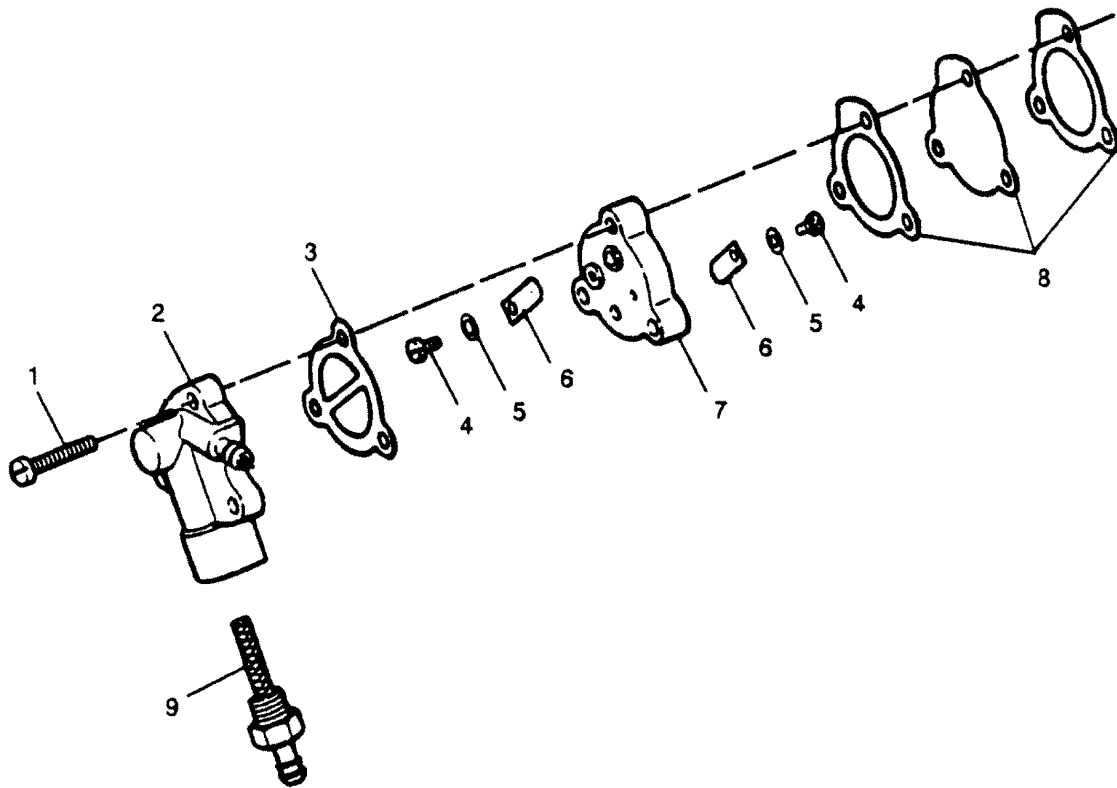
# STEERING HANDLE & TWIST GRIP THROTTLE



## STEERING HANDLE & TWIST GRIP THROTTLE

REF. NO.	PART NO.	SYM.	QTY.	DESCRIPTION
1	F1832		2	LOCKNUT, 1/4 - 20 X 5.5
2	F2012		1	WASHER 5.5
3	F702668		1	RETAINER
4	F702035		1	BEARING
5	F702165		1	SCREW
6	F702444		1	CABLE, SPEED CONTROL
7	F702025		1	PAD
8	F702079		1	ARM
9	F702908		1	WIRE, SHORTING
10	F2230		4	SELF TAPPING SCREW, #6 X 3/8
11	F521690-1		1	SCREW, IDLE STOP
12	F7009		1	NUT, 10 - 24
13	F2219		3	SELF TAPPING SCREW, #8 X 3/4
14	F702576		1	ARM, STEERING LOWER
15	F521199		1	SPRING, THROTTLE STOP
16	F702198		1	STOP, IDLE
17	F702449		1	SWITCH
18	F702137		1	GRIP, STEERING HANDLE
19	F53795-1		1	SEAL
20	F702178		1	RETAINER
21	F702736		1	SEAL
22	F702687		1	COLLAR
23	F702894		1	DECAL
24	F702212		1	PLATE
25	F8143		1	WASHER 5.5

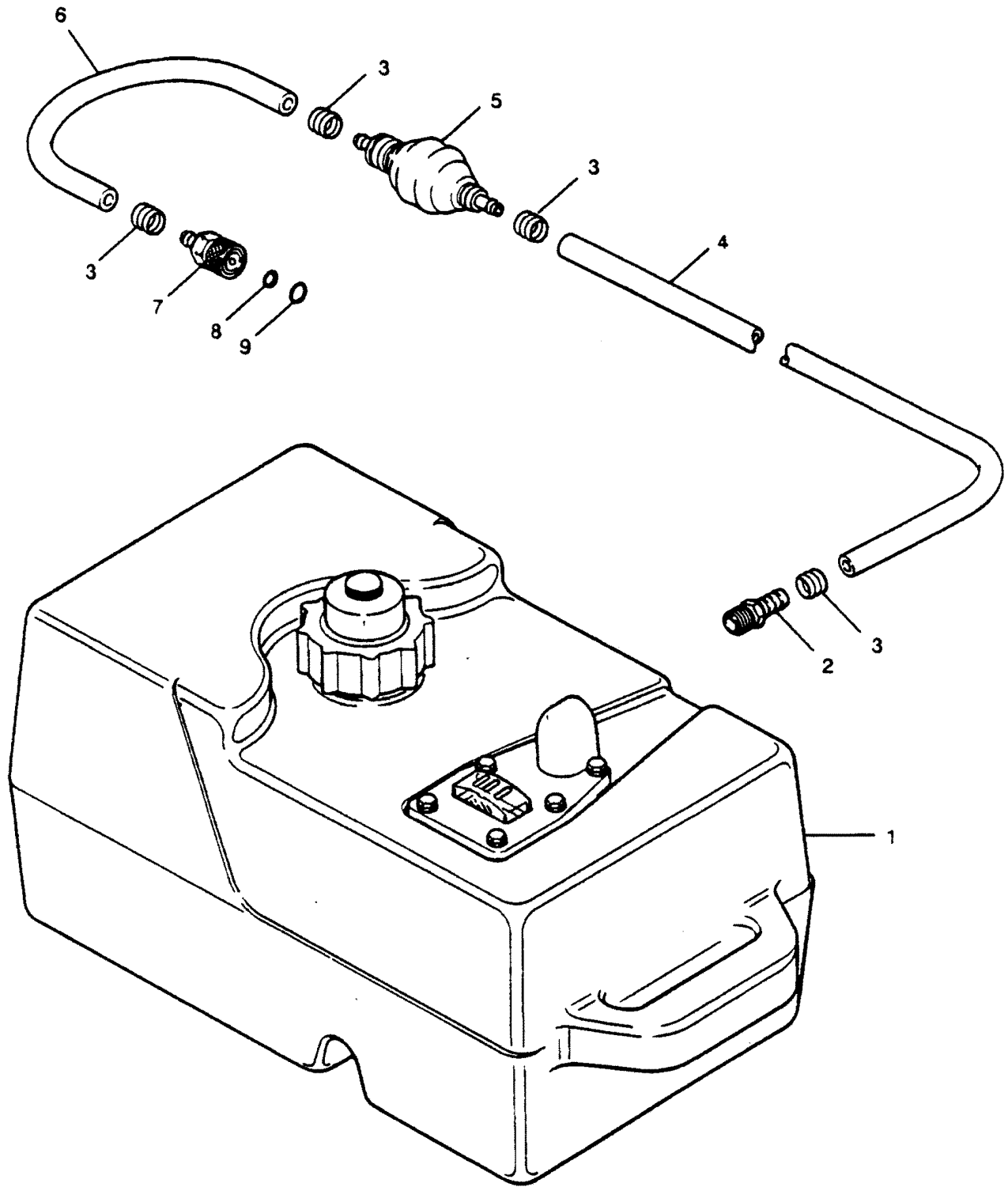
# FUEL PUMP



# FUEL PUMP

REF. NO.	PART NO.	SYM.	QTY.	DESCRIPTION
1	F1069		3	HEAD SCREW, 10 - 24 X 1-1/16
2	F9017464		1	COVER, FUEL PUMP
3	F24748-2		1	GASKET, FUEL PUMP
4	F1286		2	PAN HD, SCREW, 4 - 40 X 3/16
5	F8003		2	WASHER
6	F18160-3		2	REED, FUEL PUMP
7	F2A24757		1	FUEL PUMP REED PLATE
8	27-818043A1		1	FUEL PUMP DIAPHRAGM W/GASKETS
9	F901811		1	FILTER, FUEL PUMP

# FUEL TANK & LINE



# FUEL TANK & LINE

REF. NO.	PART NO.	SYM.	QTY.	DESCRIPTION
1	FA702034		1	FUEL TANK COMPLETE W/LINE
2	F702801		1	FITTING
3	F298788		4	FERRULE
4	F197752-1		1	HOSE
5	F387766-1		1	BULB, PRIME
6	F84754-1		1	HOSE
7	F197787-3		1	COUPLER
8	F17815		1	SEAL
9	F17816		1	SEAL

# PARTS INDEX

Part Number	Description	Pg.	Ref. No.	Part Number	Description	Pg.	Ref. No.
817761A2	CLAMP SCREW . . . . .	17	20	F1532	SCREW 1/4 - 20 X 1 . . . . .	13	6
817810A1	LOCK BAR ASSEMBLY . . . . .	17	14	F15584	SPRING AND KEEPER . . . . .	5	4
817815A4	SWIVEL BRACKET - PORT . . . . .	17	12	F15585	ROPE, STARTER . . . . .	5	13
817816A6	SWIVEL BRACKET - STARBOARD . . . . .	17	30	F15604	RETAINER, DOG . . . . .	5	8
820433T	HANDLE, GEARSHIFT W/SHAFT . . . . .	17	41	F15605	SPRING . . . . .	5	5
F1014	COTTER PIN . . . . .	19	50	F15606	PULLEY W/BEARING . . . . .	5	14
F10235	TUBE, BY-PASS . . . . .	15	3	F15615	SCREW . . . . .	5	9
F10238	NOZZLE . . . . .	15	22	F1645	ROUND HEAD THD. CUTTING, 6 - 32 X 1/4 . . . . .	19	45
F10240	SHAFT, THROTTLE LINKAGE . . . . .	15	24	F1705	HEX HEAD CAP SCREW, 1/4 - 20 X 3/4 . . . . .	9	5
F10241	CLIP . . . . .	15	25	F1734	SCREW, 1/4 - 20 X 1/2 . . . . .	7	23
F10242	WASHER . . . . .	15	26	F1747	HEAD SCREW, 10 - 24 X 1- 11/16 . . . . .	17	8
F10246	SPRING, THROTTLE RETURN . . . . .	15	29	F1755	SCREW, 6 - 32 X 5/16 . . . . .	7	13
F10248	SHUTTER, THROTTLE . . . . .	15	30	F1755	SCREW, 6 - 32 X 5/16 . . . . .	13	2
F10265	NEEDLE, INLET . . . . .	15	18	F1756	STOP NUT . . . . .	9	27
F10290	BRACKET ASSEMBLY, THROTTLE . . . . .	15	23	F17815	SEAL . . . . .	29	8
F10291	LINKAGE, WIRE . . . . .	15	27	F17816	SEAL . . . . .	29	9
F10292	SEAT, INLET . . . . .	15	19	F1789	PIPE PLUG . . . . .	9	29
F10293	MAIN FUEL JET (.039) . . . . .	15	21	F18160-3	REED, FUEL PUMP . . . . .	27	6
F1035	SLOTTED HD. SCREW, 1/4 - 20 X 5/8 . . . . .	3	13	F1829	FILL HD. SCREW, 10 - 24 X 7/8 . . . . .	3	11
F1069	HEAD SCREW, 10 - 24 X 1- 1/16 . . . . .	27	1	F1832	LOCKNUT, 1/4 - 20 X 5.5 . . . . .	25	1
F1077	HEAD SCREW, 10 - 24 X 1/4 . . . . .	21	17	F1846	COTTER PIN . . . . .	21	38
F1107	HEAD M. SCREW, 1/4 - 20 X 3/4 . . . . .	9	30	F1864	HEX HEAD SCREW, 1/4 - 20 X 3/4 . . . . .	17	2
F1199	HEX CAP SCREW, 1/4 - 20 X 1 . . . . .	21	21	F18906	GASKET, CARBURETOR . . . . .	15	9
F12066	FRICTION SCREW . . . . .	7	11	F19342	SEAL, SHIFT LEVER SHAFT . . . . .	17	38
F12088	GROMMET . . . . .	7	10	F1975	LOCKWASHER, #10 . . . . .	19	49
F12378	WEDGE SPRING . . . . .	7	7	F1975	SPRING, LOCKWASHER . . . . .	9	17
F12380	SCREW (PLASTIC) . . . . .	7	3	F197752-1	HOSE . . . . .	29	4
F12381	WASHER (PLASTIC) . . . . .	7	4	F197787-3	COUPLER . . . . .	29	7
F12383	STATOR PLATE W/CORE . . . . .	7	8	F197813	BEARING . . . . .	17	15
F12384	WIRE, GROUND . . . . .	7	14	F1979	PAN HD. SCREW, 10 - 24 X 1/2 . . . . .	3	20
F12385	WIRE, STOP . . . . .	7	25	F1995	SLOTTED HD. SCREW, 10 - 24 X 1 . . . . .	3	7
F12386	COIL W/LEAD WIRE, WEDGE AND SPARKIE . . . . .	7	6	F2008	SCREW, 1/4 - 20 X 7/8 . . . . .	13	8
F1286	PAN HD, SCREW, 4 - 40 X 3/16 . . . . .	27	4	F2012	WASHER 5.5 . . . . .	25	2
F1341	HEX NUT . . . . .	9	1	F2014	PLAIN WASHER . . . . .	17	23
F1341	HEX NUT . . . . .	17	13	F2014	PLAIN WASHER . . . . .	17	37
F1341	HEX NUT . . . . .	23	44	F2035	PHILLIPS FILL. HEAD SCREW, 1/4 - 20 X 1 . . . . .	17	29
F1341	NUT, 1/4 - 20 . . . . .	5	1	F2037	PLAIN WASHER . . . . .	17	25
F1371	SOCKET HEAD SCREW W/LOCKWASHER, 10 - 24 X 5/8 . . . . .	21	2	F2041	HEX HEAD M. SCREW, 10 - 24 X 3/8 . . . . .	9	16
F1406	COTTER PIN . . . . .	17	34	F2041	HEX M. SCREW, 10 - 24 X 3/8 . . . . .	17	36
F1426	HEX HEAD SCREW W/LOCKWASHER, 1/4 - 20 X 7/16 . . . . .	11	44	F2050	HEX WASHER HEAD TAPTITE SCREW, 1/4 - 20 X 5/8 . . . . .	9	31
F1493	PAN HEAD SCREW, 1/4 - 20 X 5/8 . . . . .	9	14	F213274	FITTING, GREASE . . . . .	19	47
F1504	H.M.S. 1/4 - 20 X 1-1/4 . . . . .	23	-	F2219	SELF TAPPING SCREW, #8 X 3/4 . . . . .	25	13
F1504	HEAD SCREW, 1/4 - 20 X 1- 1/4 . . . . .	21	5	F2229	HEX SOCKET HD. CAP SCREW, 10 - 24 X 5/8 . . . . .	3	1
				F2230	SELF TAPPING SCREW, #6 X 3/8 . . . . .	25	10
				F24074	CLAMP SCREW FOOT . . . . .	17	17



# PARTS INDEX

Part Number	Description	Pg.	Ref. No.	Part Number	Description	Pg.	Ref. No.
F24748-2	GASKET, FUEL PUMP	27	3	F521146	SEAL, CRANKSHAFT UPPER	9	39
F250003	SPRING	5	7	F521168	CARBURETOR ADAPTER		
F250017	PISTON PIN	9	10		GASKET	11	-
F250410	PISTON PIN RETAINING RING	9	9	F521168	GASKET, CARBURETOR ADAPTER	13	1
F250421	DOG	5	6	F521192-1	CAM THROTTLE	7	24
F2706772	CLAMP	3	14	F521199	SPRING, THROTTLE STOP	25	15
F286286-1	WASHER, NYLON	9	23	F521246-1	PLUG, WATER PUMP	21	39
F298075	HANDLE, CLAMP SCREW	17	18	F521261	LINE, WATER OUTLET	19	46
F298788	FERRULE	29	3	F521266	BEVEL PINION GEAR	21	22
F2A24757	FUEL PUMP REED PLATE	27	7	F521270	SLINGER	11	45
F2A521016	CONNECTING ROD W/BEARING	9	12	F521279	CYLINDER EXHAUST GASKET	11	-
F2A521054	GEAR HOUSING	21	20	F521279	GASKET, CYLINDER EXHAUST	9	7
F2A527018	CRANKSHAFT	9	37	F521284	KNOB, ENGINE COVER RETAINER	3	6
F2C702712	COVER, TOP COMPLETE W/DECALS	3	-	F521296	RETAINER, PROPELLER SHAFT BEARING CAGE	21	33
F31160-1	REED	13	4	F521305	SEAL "O" RING	21	32
F318307	SEAL, DRIVESHIFT	21	15	F521307	SEAL, PROPELLER SHAFT	21	31
F318372	PIN, CLUTCH GUIDE	21	27	F521319	BUSHING, STEERING HANDLE	9	25
F332705-1	ROD, GERASHIFT LOWER (20-INCH TRANSOM MODELS)	21	4	F521342-1	SEAL, WATER LINE	17	42
F338618-1	SEAL	23	-	F521415	WASHER, GEARSHIFT HANDLE	17	39
F338618-1	SEAL, SHIFT ROD	21	9	F521498	KEY, FLYWHEEL	7	18
F341128	DRIVESHIFT (20-INCH TRANSOM MODELS)	21	12	F521514	KNOB, STEERING FICTION W/SCREW	17	11
F341244-1	WATER LINE (20-INCH TRANSOM MODELS)	17	43	F521529	CYLINDER HEAD GASKET	11	-
F341284-1	KNOB, ENGINE COVER RETAINER	11	48	F521529-1	GASKET, CYLINDER HEAD	9	40
F341610	BEARING, GEARSHIFT SHAFT	17	40	F521537	PLATE, WATER PUMP	21	6
F36634	SCREW, CONNECTING ROD	9	34	F521537	PLATE, WATER PUMP TOP	23	-
F387766-1	BULB, PRIME	29	5	F521547	CHOKE KNOB	9	20
F390137	GRIP, STEERING HANDLE	9	28	F521552	SCREW	7	1
F390563	PIN, WATER PUMP IMPELLER DRIVE	21	13	F521579	SEAL, CRANKSHAFT SPLINE	9	35
F409098	PROPELLER SHAFT	21	25	F521615	ROD, GEARSHIFT UPPER	17	33
F409521	CLUTCH	21	26	F521621	LEVER, GEARSHIFT	17	35
F409719	CLUTCH SPRING	21	28	F521631	SHOE, SWIVEL FRICTION	17	10
F433209-1	STUD	13	5	F521661-1	PAD, SWIVEL FRICTION	17	9
F468037-1	PIVOT BOLT	17	31	F521690-1	SCREW, IDLE STOP	25	11
F468169	BEARING, SWIVEL BRACKET	17	3	F521721	CAM, CLUTCH SHIFT	21	14
F468300-1	SPRING, REVERSE LOCK	17	26	F521727	SLEEVE, IDLE BAFFLE	17	6
F468349	REVERSE LOCK	17	27	F521728	CLUTCH SHIFT PIN	21	23
F468350	PIN, REVERSE LOCK	17	28	F521774	BRACKET, ENGINE COVER LOWER MOUNTING	9	4
F46899-1	COVER, SHIFT COUPLING	17	5	F521779	BAFFLE, IDLE RELIEF	17	7
F50109	PLUG, GEAR HOUSING	21	19	F521783	SEAL	21	16
F521004	STUD	9	22	F521845	EXTENSION, MOTOR LEG (20-INCH TRANSOM MODELS)	23	46
F521013	BEARING, CRANKSHAFT UPPER	9	38	F521906	CARBURETOR GASKET	11	-
F521015-1	PISTON	9	11	F521910	BEARING, CRANKSHAFT LOWER	11	46
F521065	IMPELLER	21	7	F521925	LINK, CHOKE KNOB	9	15
F521065	IMPELLER, WATER PUMP	23	-	F525457	HEAD SCREW, 1/4 - 20 X 5/8	21	34
F521079	STEERING HANDLE	9	26	F535006	STUD (20-INCH TRANSOM MODELS)	23	45
F521099	SPACER	21	29	F53795-1	SEAL	25	19
F521118-1	SEAL, CRANKSHAFT LOWER	9	36	F620132	HANDLE	5	12

# PARTS INDEX

Part Number	Description	Pg.	Ref. No.	Part Number	Description	Pg.	Ref. No.
F620817	RETAINER	5	11	F8083	SPRING LOCKWASHER	9	2
F66480	STUD	17	16	F8083	SPRING LOCKWASHER	17	32
F680161	STOP, REED	13	3	F8083	SPRING LOCKWASHER	21	8
F680518	CYLINDER HEAD	9	41	F8143	WASHER 5.5	25	25
F681188	NUT	7	22	F84754-1	HOSE	29	6
F687061	CARBURETOR COMPLETE (HO-3A)	15	-	F8537	SPRING PIN	17	21
F687063	STARTER, COMPLETE	5	-	F8538	SPRING PIN	21	3
F687097	FLYWHEEL	7	2	F8554	SPRING PIN	17	19
F7009	LOCKNUT, 10 - 24	3	24	F8559	DOWEL PIN	9	33
F7009	LOCKNUT, 10 - 24	21	40	F9017464	COVER, FUEL PUMP	27	2
F7009	NUT, 10 - 24	25	12	F901811	FILTER, FUEL PUMP	27	9
F7011	HEX NUT	3	21	F901938-1	SCREW, CYLINDER HEAD	9	3
F702025	PAD	25	7	F9102	RETAINING RING	11	49
F702035	BEARING	25	4	FA26260-1	PISTON RING SET (2 RINGS)	9	8
F702079	ARM	25	8	FA271038	SUPPORT PLATE	9	21
F702137	GRIP, STEERING HANDLE	25	18	FA324101	PROPELLER PIN, PACK OF 3	21	37
F702163	COVER, SUPPORT PLATE	9	18	FA341151	PLATE, EXHAUST	19	44
F702163	COVER, SUPPORT PLATE FRONT	3	8	FA341298	BEARING CAGE W/BEARING	21	30
F702165	SCREW	25	5	FA468346	SHOCK MOUNT	17	4
F702178	RETAINER	25	20	FA521023	BEVEL GEAR W/BEARING	21	24
F702198	STOP, IDLE	25	16	FA521735	SEAL, WATER LINE	21	10
F702212	PLATE	25	24	FA521735	WATER LINE SEAL	23	-
F702248	DECAL, CHOKE	3	10	FA567241	CRANKPIN ROLLER AND CAGE SET	9	13
F702253	HOSE, FUEL	3	15	FA702010	CYLINDER W/CRANKCASE COVER	9	6
F702329	LANYARD	7	21	FA702034	FUEL TANK COMPLETE W/LINE	29	1
F702397	DECAL, PORT	3	4	FA735060	BODY, WATER PUMP	23	-
F702427	BRACKET, STARTER	3	16	FA735060	WATER PUMP BODY W/PLUG	21	11
F702427	BRACKET, STARTER	5	10	FC341054	GEAR HOUSING COMPLETE.	21	-
F702444	CABLE, SPEED CONTROL	25	6	FC521248	DECAL, CHOKE	9	19
F702449	SWITCH	25	17	FC521400	DECAL, GEARSHIFT HANDLE	19	48
F702449	SWITCH, STOP	7	20	FC702010	SHORT BLOCK (NOT SHOWN).	9	-
F702528	DECAL, REAR	3	3	FG1022	GASKET SET.	11	50
F702576	ARM, STEERING LOWER	25	14	FK10294	GASKET SET	15	33
F7026	STOP NUT	17	22	FK10295	REPAIR KIT	15	34
F702668	RETAINER	25	3	FK1057	GEAR HOUSING SEAL KIT.	21	41
F702687	COLLAR	25	22	FK1072	WATER PUMP KIT.	23	43
F702736	SEAL	25	21	FK1123	SPARKIE KIT	7	5
F702787	RETAINER, ENGINE COVER FRONT	3	18	FK341704	COUPLING, GEARSHIFT ROD	21	1
F702801	FITTING	29	2	FK525713	PACKING	3	17
F702801	FITTING, FUEL	3	9	FK681602	SWITCH, EMERGENCY STOP	7	19
F702892	DECAL, FRONT	3	19	FO10165	GASKET	15	20
F702894	DECAL	25	23	FO10280	SCREW, SHUTTER	15	8
F702908	WIRE	7	9	FO10571	SCREW, IDLE SPEED	15	32
F702908	WIRE, SHORTING	25	9	FO10588	PLUG	15	2
F702944	COVER, LOWER	3	5	FO11103	SPRING, IDLE NEEDLE	15	17
F702984	PAD, ENGINE COVER	3	23	FO13554	FLOAT	15	10
F703269	HANDLE, TILT	3	2	FO13944	PIN, FLOAT	15	11
F8003	WASHER	27	5	FO13945	SCREW	15	14
F8008	PLAIN WASHER	11	47	FO15366	BOWL, FLOAT	15	12
F8009	WASHER	3	12	FO15367	SHUTTER, CHOKE	15	7
F8015	PLAIN WASHER	9	24				
F8028	PLAIN WASHER	11	43				
F8060	WASHER	13	7				
F8061	INTERNAL TOOTH LOCKWASHER	5	3				
F8074	WASHER	21	18				
F8077	WASHER	23	42				

# PARTS INDEX

Part Number	Description	Pg.	Ref. No.	Part Number	Description	Pg.	Ref. No.
FO15520	NEEDLE, IDLE . . . . .	15	16				
FO15623	GASKET, FLOAT BOWL . . . .	15	13				
FO15718	SHAFT, THROTTLE . . . . .	15	28				
FO15736	SHAFT, CHOKE . . . . .	15	6				
FO2510	GASKET . . . . .	15	15				
FO2531	PLUG, WELCH . . . . .	15	1				
FO4784	BALL . . . . .	15	4				
FO8805	SPRING, CHOKE FRICTION	15	5				
FO8942	SCREW, THROTTLE SHUTTER . . . . .	15	31				
FP652	PROPELLER (20-INCH TRANSOM MODELS) . . . .	21	35				
FS680167	CARBURETOR ADAPTER W/REEDS . . . . .	13	9				
FS702712	COVER, TOP W/RETAINER AND PACKING . . . . .	3	22				
11-817752A1	PROPELLER NUT . . . . .	21	36				
27-818043A1	FUEL PUMP DIAPHRAGM W/GASKETS . . . . .	27	8				
33-82370M	SPARK PLUG (L-86) USA . .	11	42				
1400-817850A4	STERN BRACKET . . . . .	17	24				
1500-817940A6	MOTOR LEG . . . . .	17	1				