



PARTS CATALOG

SEARS

SERIAL NUMBER

9.9 H.P. (1990) 225.581993

TABLE OF CONTENTS:

CARBURETOR	8
CRANKSHAFT AND PISTON	14
CYLINDER	16
ENGINE COVER AND SUPPORT PLATE	2
FUEL INTAKE AND RECIRCULATION SYSTEM	6
FUEL TANK AND LINE	30
GEAR HOUSING	26
IGNITION SYSTEM	10
MOTOR LEG AND SWIVEL BRACKET	18
PARTS INDEX	32
SHIFT LINKAGE	4
STARTER	12
STERN BRACKETS	24
TILLER HANDLE AND THROTTLE LINKAGE	20

NOTE: *Indented description indicate that these parts are included in preceeding assembly.*

AR = As Required

NSS = Not Sold Separate

OPT = Optional

NS = Not Shown

THESE PARTS BOOKS/FICHE CARD ARE COPYRIGHTED AND MAY NOT BE DISTRIBUTED OR REPRODUCED IN ANY OTHER FORMAT BY ANYONE OTHER THAN MERCURY MARINE WITHOUT THE PRIOR WRITTEN CONSENT OF MERCURY MARINE.

THIS PAGE INTENTIONALLY LEFT BLANK

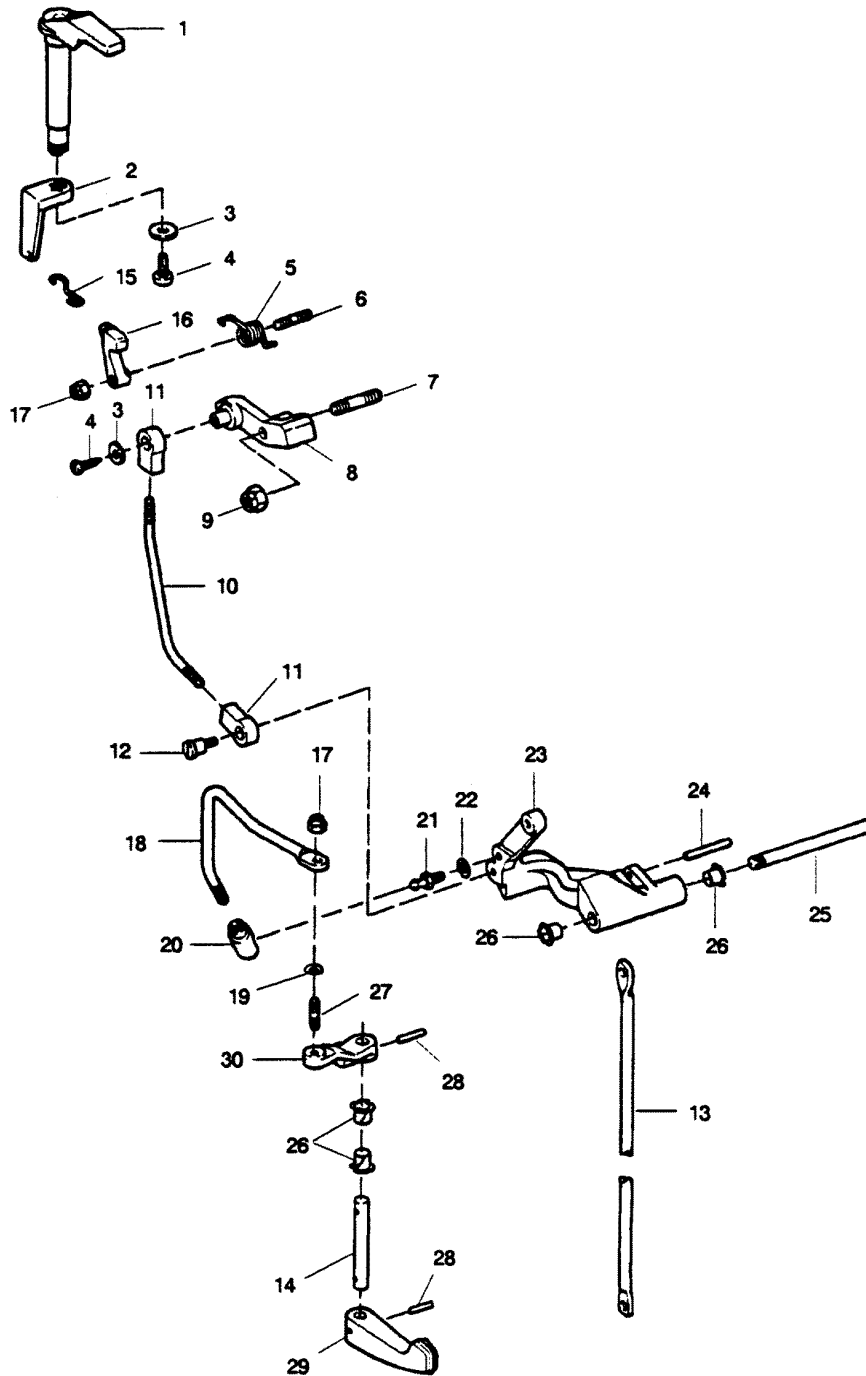
ENGINE COVER AND SUPPORT PLATE

* * * * MISSING ILLUSTRATION * * * *

ENGINE COVER AND SUPPORT PLATE

REF. NO.	PART NO.	SYM.	QTY.	DESCRIPTION
1	F2211		4	HEX HEAD CAP SCREW, 10 - 24 X 5/8 S.S.
2	F2042		4	WASHER
3	F681269		1	HANDLE, TILT
4	F7009		4	LOCKNUT, 10 - 24 S.S.
5	FS681712		1	COVER, BASIC (UNPAINTED)
-	F2C709712		0	COVER, COMPLETE (PAINTED W/DECALS)
7	F709528		1	DECAL, REAR
8	F709396		1	DECAL, STARBOARD
-	F709397		0	DECAL, PORT
10	F1832		1	LOCKNUT, 1/4 - 20 S.S.
11	F681759		1	ROLLER, LATCH
12	F681026		1	SCREW, LATCH ROLLER
13	F392756		1	PACKING
14	FA681038		1	SUPPORT PLATE W/PLUGS
15	F681711-1		1	PLATE, FRONT
16	F286989-2		1	SEAL, SUPPORT PLATE
17	F681226		2	PLUG
18	FA681469		1	HANDLE, COVER LATCH
19	F307818		2	BEARING
20	F8048		1	BOWED WASHER
21	F481777		1	CAM, LATCH
22	F8083		1	SPRING LOCKWASHER
23	F1854		1	HEX HEAD CAP SCREW, 1/4 - 20 X 5/8
24	F681390		1	DECAL, START PROCEDURE

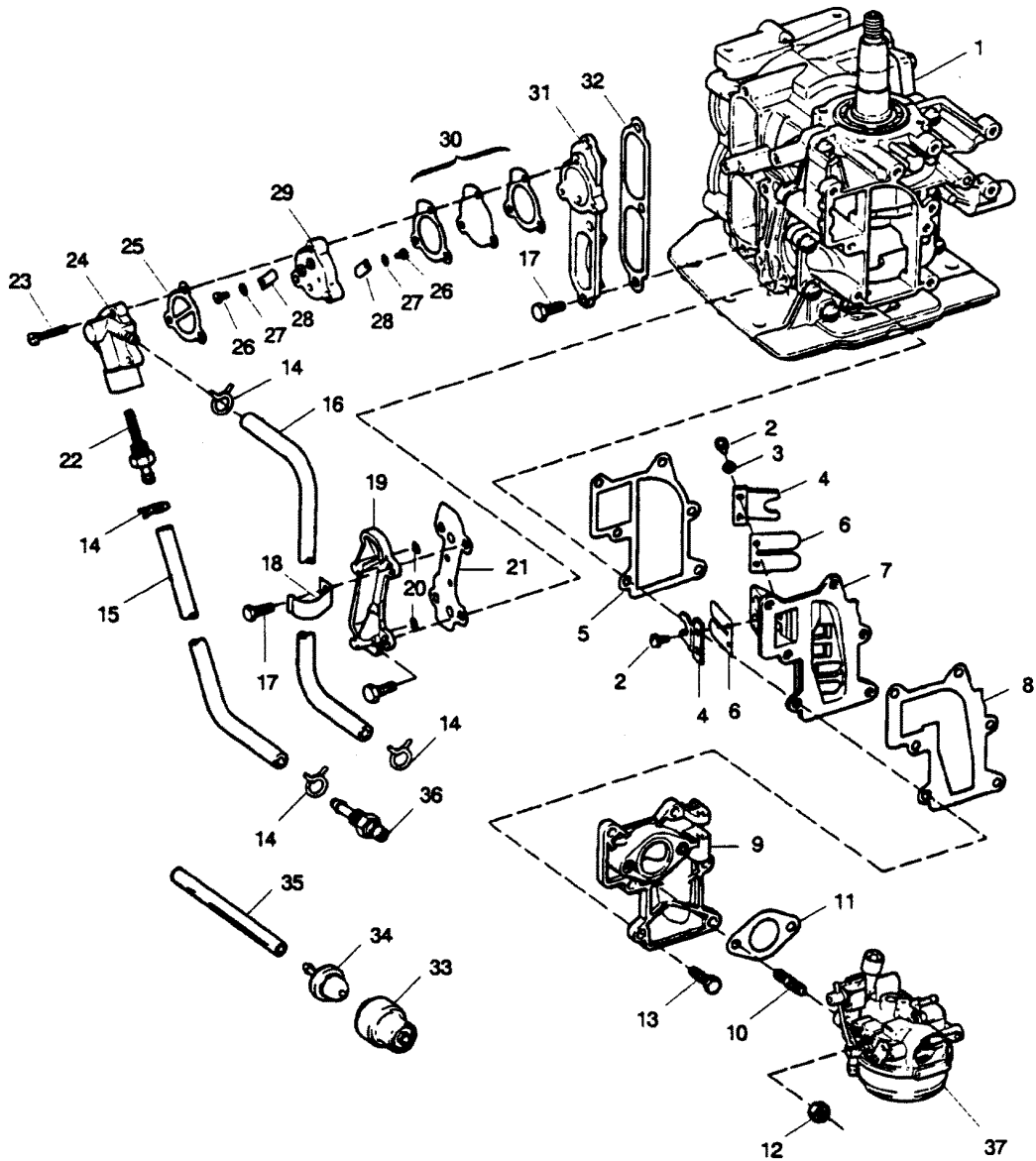
SHIFT LINKAGE



SHIFT LINKAGE

REF. NO.	PART NO.	SYM.	QTY.	DESCRIPTION
1	F681490		1	STOP, STARTER INTERLOCK
2	F681003-1		1	ARM, STARTER INTERLOCK
3	F8143		1	WASHER, PLAIN #10
4	F2209		1	PAN HEAD SELF TAPPING SCREW 10 - 16
5	F681424		1	SPRING, INTERLOCK
6	F681134		1	STUD
7	F681008		1	STUD
8	F681997-1		1	LEVER, NEUTRAL SPEED INTERLOCK
9	F1832		1	LOCKNUT 1/4 - 20
10	F681531		1	ROD, INTERLOCK
11	F84035-2		2	BEARING, CONTROL ROD
12	F84026		1	SCREW, SHOULDER
13	F286615		1	ROD, GEARSHIFT UPPER
14	F715417		1	SHAFT, GEARSHIFT HANDLE
15	F681263-1		1	LINK, INTERLOCK
16	F681742		1	LEVER, INTERMEDIATE INTERLOCK
17	F1804		2	STOP NUT, 10 - 32
18	F286611-2		1	ROD, GEARSHIFT
19	F8048		1	BOWED SPRING WASHER
20	F286685		1	CONNECTOR, GEARSHIFT ROD
21	F98273		1	STUD, GEARSHIFT ROD CONNECTOR
22	F8058		1	INTERNAL TOOTH LOCKWASHER
23	F286876		1	LEVER, GEARSHIFT
24	F8542		1	SPRING PIN
25	F286871		1	PIN, GEARSHIFT LEVER
26	F307818		4	BEARING
27	F286134		1	STUD, GEARSHIFT LEVER
28	F8547		2	SPRING PIN
29	F715614		1	HANDLE, GEARSHIFT
30	F715619		1	LEVER, SHIFT HANDLE SHAFT

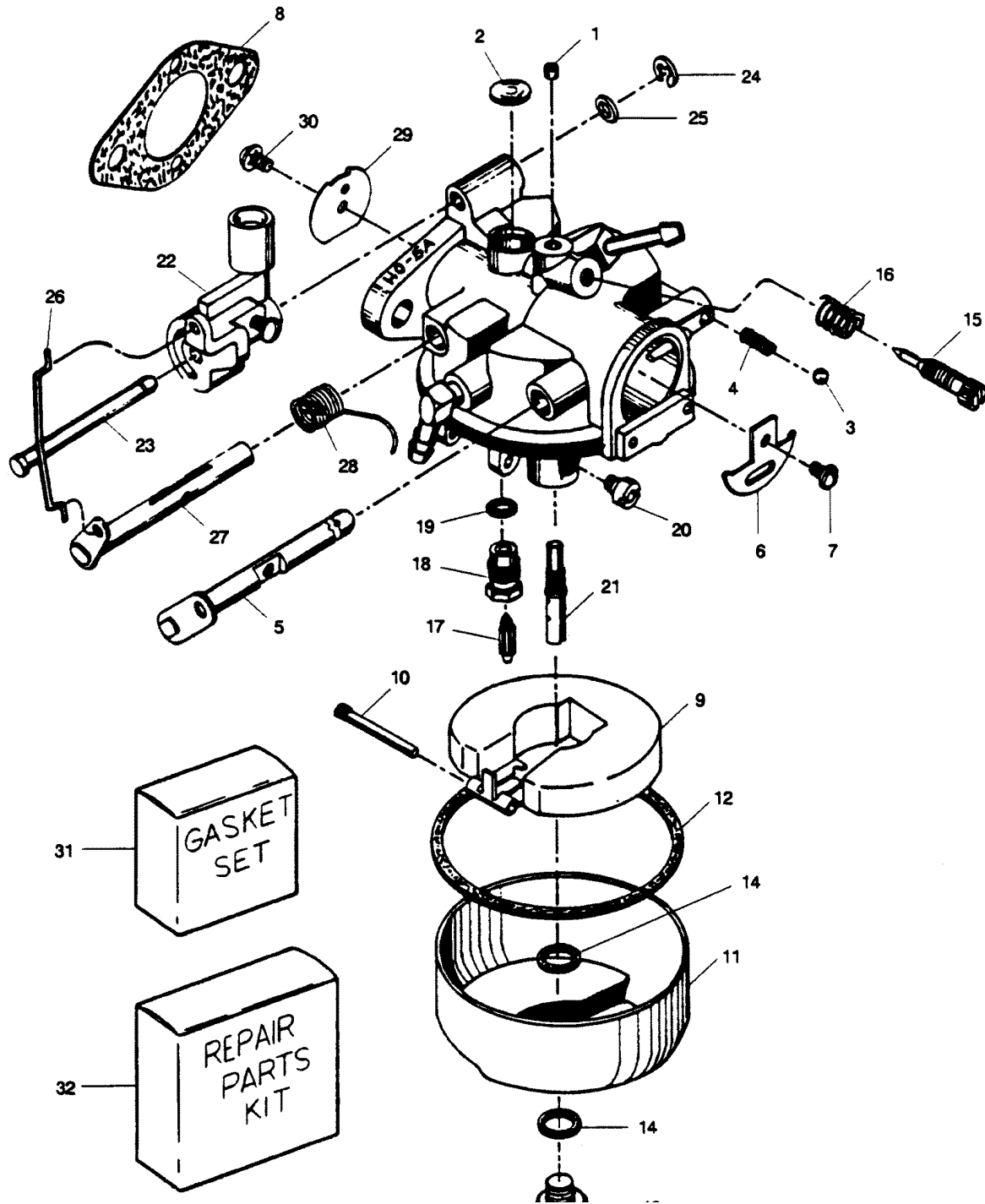
FUEL INTAKE AND RECIRCULATION SYSTEM



FUEL INTAKE AND RECIRCULATION SYSTEM

REF. NO.	PART NO.	SYM.	QTY.	DESCRIPTION
1	FC709010		1	SHORT BLOCK
2	F1755		8	ROUND HEAD SCREW W/LOCKWASHER, 6 - 32 X 5/16
3	F1704		2	LOCKWASHER, #6 S.S.
4	F424161		4	REED STOP, 9.9 HP
5	F286159-1		1	GASKET, REED PLATE
6	F31160-2		4	REED
7	FA714158		1	REED PLATE W/REEDS AND REED STOPS - 9.9 HP
8	F424168-1		1	GASKET, MANIFOLD
9	FA424167		1	MANIFOLD W/STUDS
10	F2788004		2	STUD, CARBURETOR
11	F18906		1	GASKET, CARBURETOR
12	F1490		2	HEX NUT, 1/4 - 20
13	F2008		6	HEX HEAD SCREW, 1/4 - 20 X 7/8
14	F2706772		4	HOSE CLAMP
15	F40253-1		1	FUEL LINE (SUPPORT PLATE TO FUEL PUMP)
16	F901754		1	FUEL LINE (FUEL PUMP TO CARBURETOR)
17	F1922		7	HEX HEAD SCREW, 1/4 - 20 X 5/8
18	F286772-1		1	CLAMP
19	FA429471		1	COVER, CYLINDER DRAIN WITH CHECK VALVES AND SCREENS
20	F429811		2	SCREEN
21	F429472		1	GASKET, CYLINDER DRAIN COVER
22	F901811		1	FILTER, FUEL
23	F1069		3	HEAD SCREW, 10 - 24 X 1-1/16
24	F901746-2		1	COVER, FUEL PUMP
25	F24748-2		1	GASKET, FUEL PUMP
26	F1286		2	PAN HEAD SCREW, 4 - 40 X 3/16
27	F8003		2	PLAIN WASHER
28	F18160-3		2	REED, FUEL PUMP
29	F2A24757		1	PLATE, FUEL PUMP W/REEDS
30	27-818043A1		1	FUEL PUMP DIAPHRAGM W/GASKETS
31	F286222		1	COVER, TRANSFER PORT
32	F286223		1	GASKET, TRANSFER PORT COVER
33	F681954		1	COVER, PRIME BULB
34	F681046		1	BULB, PRIME
35	F681243		1	HOSE (PRIME BULB TO CARBURETOR)
36	F197767-2		1	BUSHING (FUEL LINE)
37	F714061		1	CARBURETOR, COMPLETE

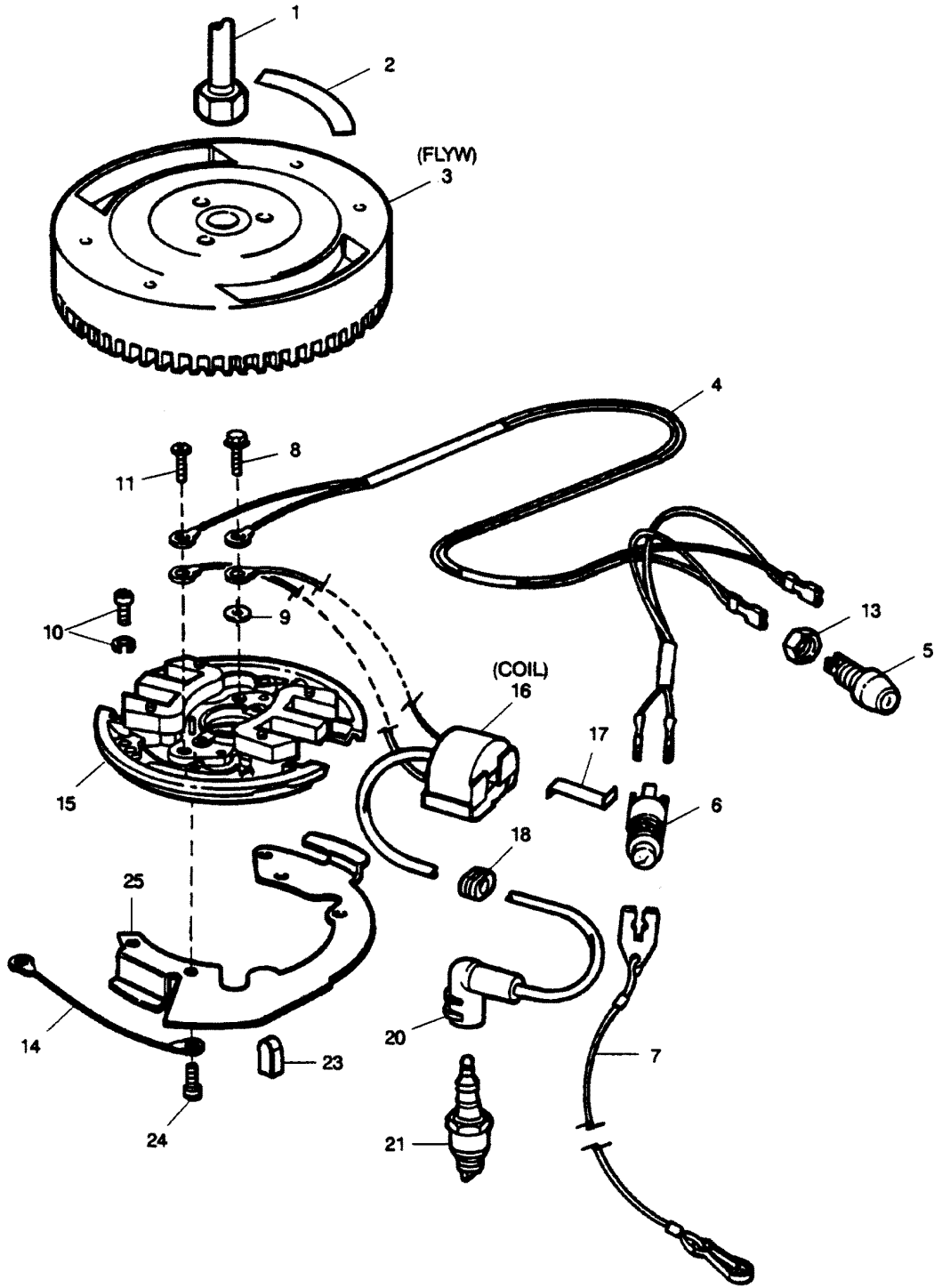
CARBURETOR



CARBURETOR

REF. NO.	PART NO.	SYM.	QTY.	DESCRIPTION
1	FO10588		1	PLUG
2	FO2531		1	PLUG
3	FO4784		1	BALL
4	FO8805		1	SPRING
5	FO15736		1	SHAFT, CHOKE
6	F10236		1	SHUTTER, CHOKE
7	FO10280		1	SCREW
8	F18906		1	GASKET
9	FO13554		1	FLOAT
10	FO13944		1	PIN
11	FO15366		1	BOWL
12	FO15623		1	GASKET
13	FO13945		1	SCREW
14	FO2510		2	GASKET
15	FO15520		1	SCREW, IDLE
16	FO11103		1	SPRING
17	F10265		1	NEEDLE, INLET
18	F10292		1	SEAT, INLET
19	FO10165		1	GASKET, INLET SEAT
20	10260		1	MAIN FUEL JET (.057) SEA LEVEL - 2500 FT.
-	10247		1	MAIN FUEL JET (.055) 2500 - 5000 FT.
-	FO11765		1	MAIN FUEL JET (.053) 5000 - 7500 FT.
-	FO11764		1	MAIN FUEL JET (.051) 7500 - 10000 FT.
21	F10238		1	MAIN NOZZLE
22	F10290		1	BRACKET, THROTTLE
23	F10240		1	SHAFT
24	F10241		1	E-RING
25	F10242		1	WASHER
26	F10338		1	LINKAGE
27	F10339		1	SHAFT, THROTTLE
28	F10246		1	SPRING, THROTTLE RETURN
29	F10354		1	SHUTTER, THROTTLE
30	F10328		1	SCREW
31	FK10294		1	GASKET SET
32	FK10295		1	REPAIR KIT

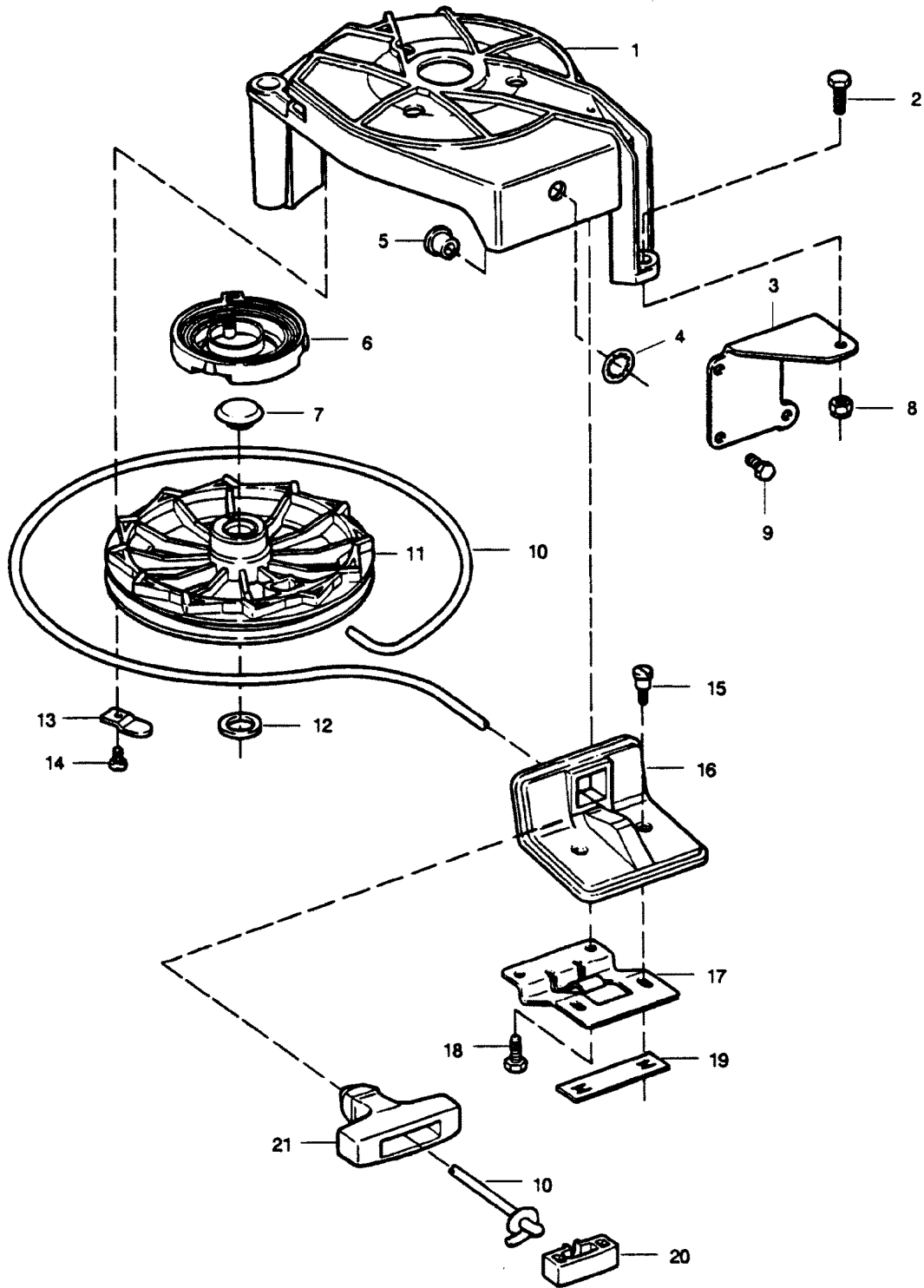
IGNITION SYSTEM



IGNITION SYSTEM

REF. NO.	PART NO.	SYM.	QTY.	DESCRIPTION
1	F681091		1	NUT, FLYWHEEL
2	FA609853		1	DECAL, SHIFT WARNING
3	FA714097		1	FLYWHEEL W/DECAL
4	F12376		1	WIRE, MAGNETO SHORTING
5	87-817952A1		1	SWITCH, STOP W/NUT
6	F687287		1	SWITCH, EMERGENCY STOP
7	F702329		1	LANYARD
8	F12380		1	SCREW (PLASTIC)
9	F12381		1	WASHER (PLASTIC)
10	F1090		4	SCREW W/LOCKWASHER, 10 - 24 X 9/16
11	F12382		1	SCREW
13	F436280		1	NUT, SHORTING SWITCH
14	F289664		1	WIRE, STATOR GROUND
15	F12377		1	STATOR, PLATE W/LAMINATIONS
16	F712475		2	COIL
17	F12378		2	SPRING, COIL WEDGE
18	F12088		2	GROMMET
20	FK1123		2	SPARKIE W/SPRING
21	33-82370M		2	SPARK PLUG (CHAMPION L-82C)
23	F458498-1		1	KEY, MAGNETO
24	F1090		4	SCREW, 10 - 24 X 9/16
25	F617192		1	PLATE, THROTTLE CAM

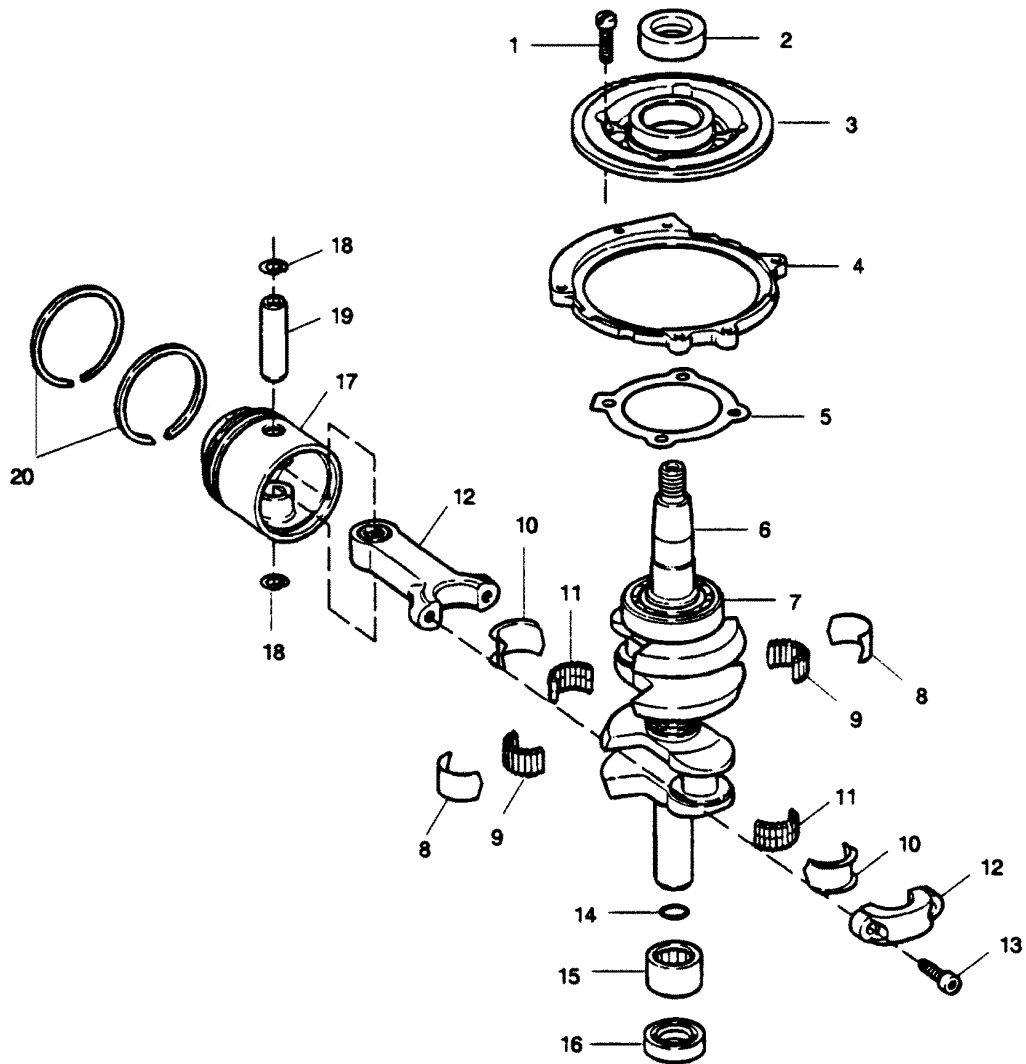
STARTER



STARTER

REF. NO.	PART NO.	SYM.	QTY.	DESCRIPTION
1	F681408-1		1	HOUSING
2	F1864		3	SCREW, HEX HEAD 1/4 - 20 X 3/4 S.S.
3	F681427-2		1	BRACKET
4	F681741		1	RING, RETAINING
5	F681428		5	INSERT, STARTER HOUSING ROPE
6	F681970		1	SPRING, STARTER REWIND
7	F681971		1	PLUG
8	F1832		1	LOCKNUT, 1/4 - 20
9	F1090		3	SCREW, FILL. HEAD 10 - 24 X 9/16
10	F681232		1	ROPE
11	FA681239		1	STARTER PULLEY ASSEMBLY W/PLUG AND SEAL
12	F681579		1	SEAL
13	F681592		3	RETAINER, STARTER PULLEY
14	F2209		3	SCREW, PAN HEAD 10 - 16 X 1/2 S.S.
15	F84026		2	SCREW, SHOULDER
16	FA681630		1	SUPPORT, HANDLE
17	F681090		1	PLATE, HANDLE SUPPORT
18	F2210		2	SCREW, PAN HEAD 1/4 - 14 X 1/2 S.S.
19	F681874		1	FASTENER, HANDLE SUPPORT PLATE
20	F681817		1	RETAINER, STARTER ROPE
21	F681132		1	HANDLE, STARTER ROPE

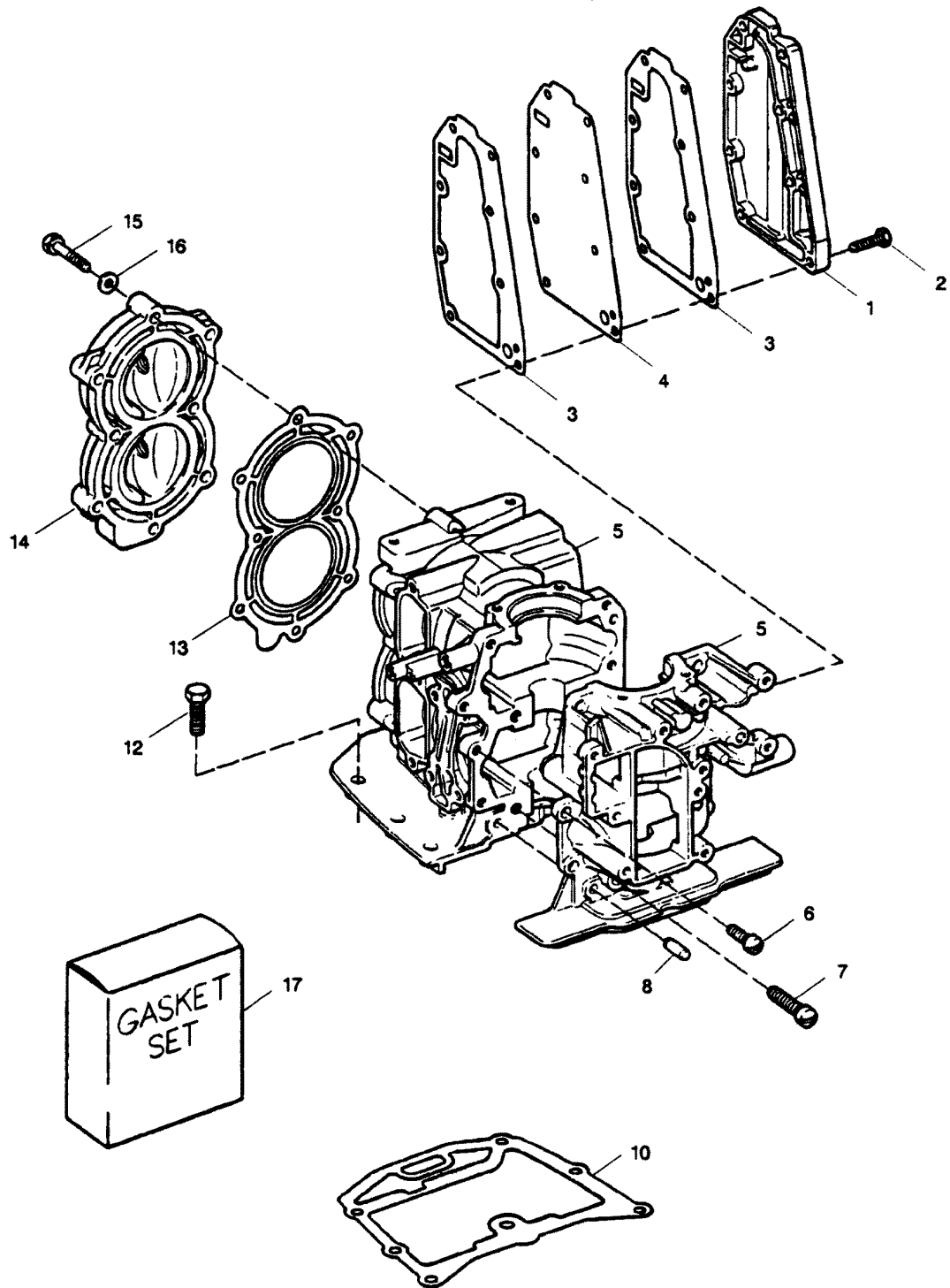
CRANKSHAFT AND PISTON



CRANKSHAFT AND PISTON

REF. NO.	PART NO.	SYM.	QTY.	DESCRIPTION
1	F1111		4	HEAD SCREW, 1/4 - 20 X 7/8
2	F346146		1	SEAL, CRANKSHAFT UPPER
3	1100-817753A1		1	CAGE, CRANKSHAFT W/SEAL
4	F73082		1	RING, MAGNETO STATOR
5	F286277		1	GASKET, CRANKSHAFT BEARING CAGE
6	F2A681018		1	CRANKSHAFT W/UPPER MAIN BEARING
7	F286028		1	BEARING, CRANKSHAFT UPPER
8	FA286155		1	CENTER MAIN BEARING LINER SET (2 PER SET)
9	F286571		1	CENTER MAIN BEARING ROLLER SET (26 PER SET)
10	817755A1		2	CONNECTING ROD LINER SET (2 PER SET)
11	FA517228		2	CONNECTING ROD ROLLER SET (2 PER SET)
12	600-819950A1		2	ROD, CONNECTING W/CAP AND SCREWS
13	F286634-1		4	SCREW, CONNECTING ROD
14	F461342		1	SEAL, DRIVESHAFT SPLINE
15	F343014		1	BEARING, CRANKSHAFT LOWER MAIN
16	F141118		1	SEAL, CRANKSHAFT LOWER
17	F715015		2	PISTON
18	F31410		4	RETAINING RING, PISTON PIN
19	F174017		2	PIN, PISTON
20	FA472260		1	RING SET, PISTON (4 PER SET)

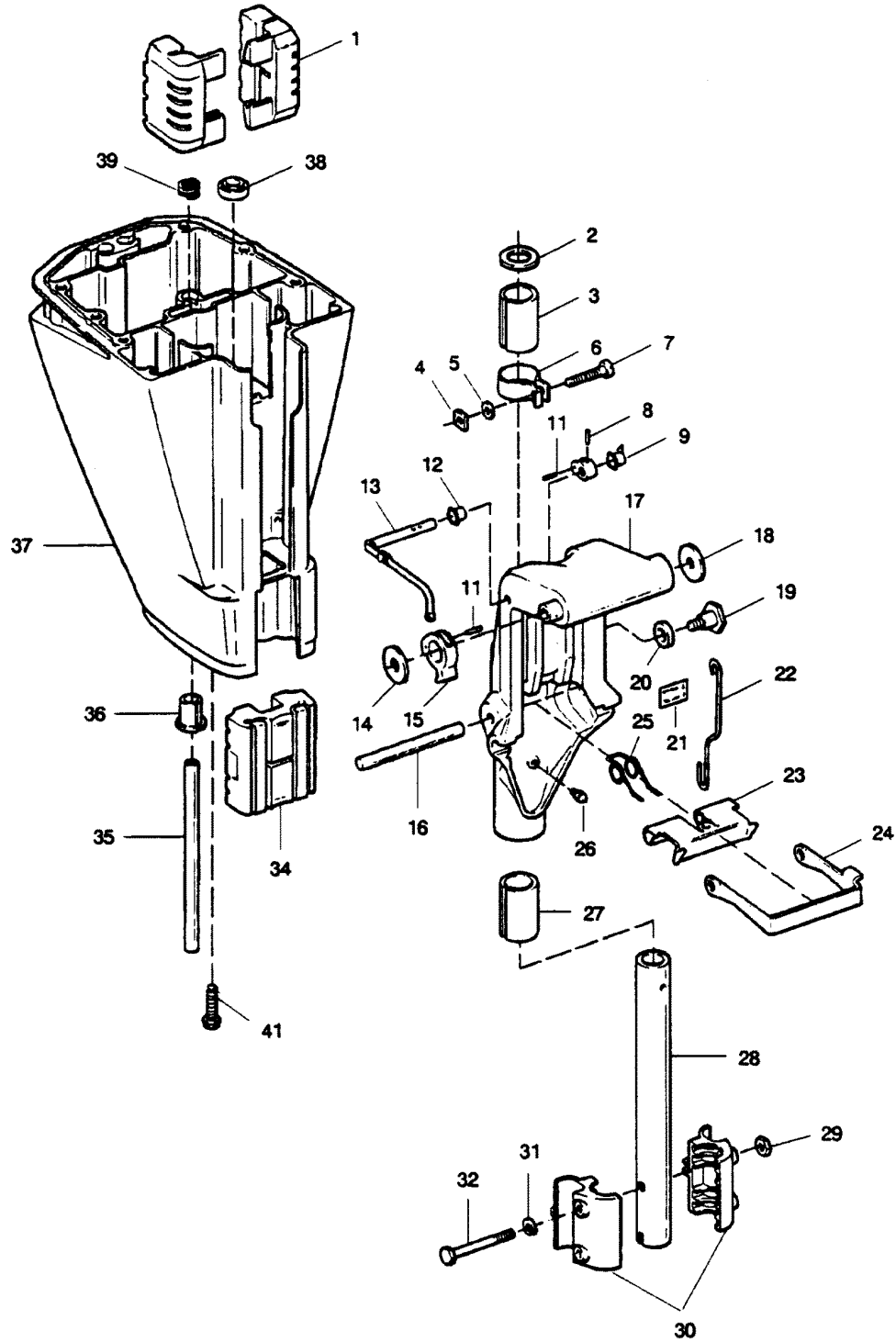
CYLINDER



CYLINDER

REF. NO.	PART NO.	SYM.	QTY.	DESCRIPTION
1	F715152		1	COVER, EXHAUST
2	F2008		8	HEX HEAD SCREW, 1/4 - 20 X 7/8
3	F715154		2	GASKET, EXHAUST COVER
4	F715151		1	PLATE, EXHAUST
5	FA709010		1	CYLINDER
-	FC709010		1	SHORT BLOCK (CYLINDER WITH CRANKSHAFT, PISTONS AND RODS INSTALLED)
6	F1107		8	HEAD SCREW, 1/4 - 20 X 3/4
7	F1335		4	HEAD SCREW, 5/16 - 18 X 1-1/4
8	F8559		2	DOWEL PIN
10	F715279		1	GASKET, CYLINDER MOUNT
12	F1823		6	HEX HEAD CAP SCREW, 5/16 - 18 X 1
13	F286529-3		1	GASKET, CYLINDER HEAD
14	F703518		1	HEAD, CYLINDER
15	F901938-1		8	SCREW, CYLINDER HEAD
16	F8025		8	PLAIN WASHER
17	FG1036		1	GASKET SET (INCLUDES ALL GASKETS AND SEALS REQUIRED TO REBUILD POWER HEAD)

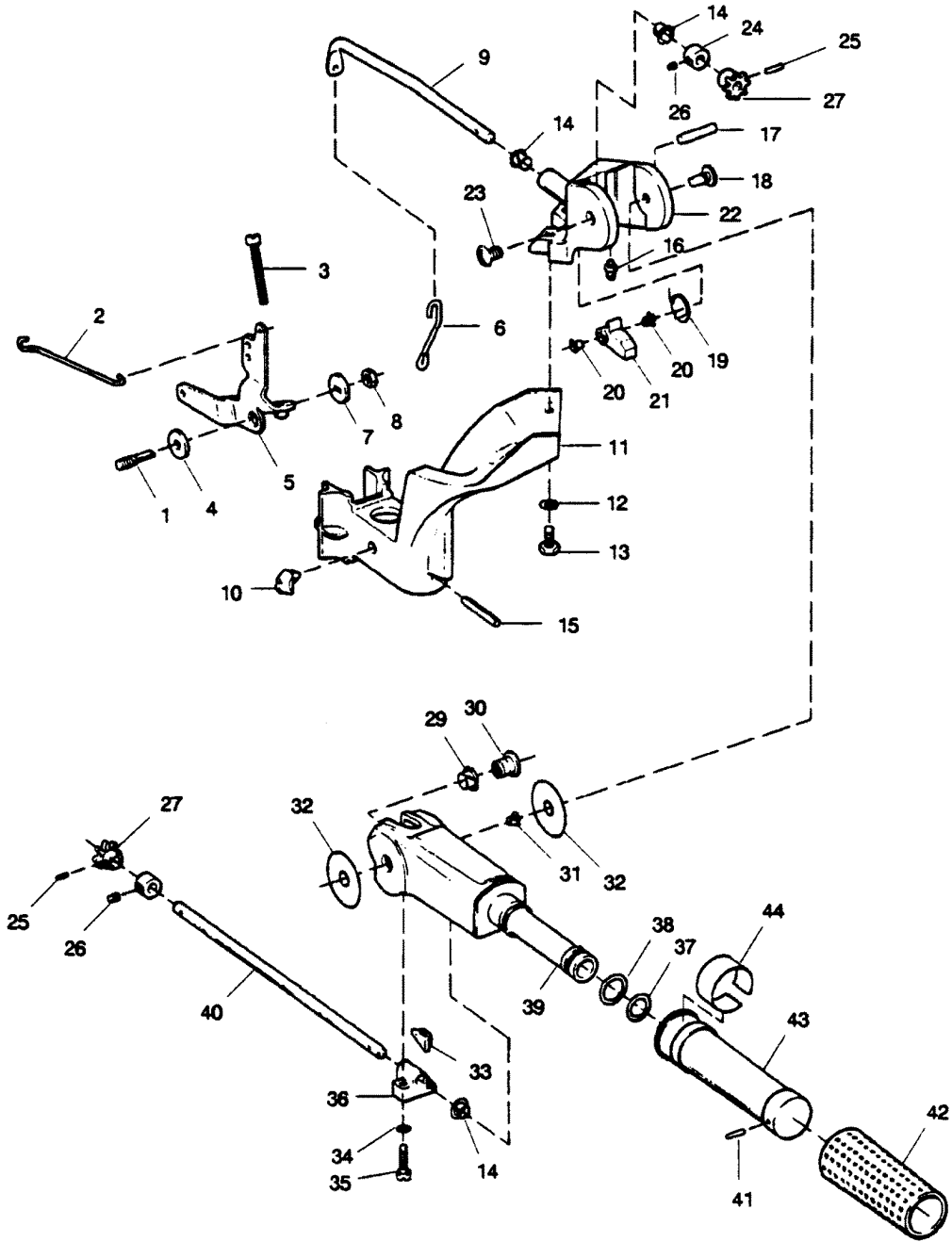
MOTOR LEG AND SWIVEL BRACKET



MOTOR LEG AND SWIVEL BRACKET

REF. NO.	PART NO.	SYM.	QTY.	DESCRIPTION
1	F286347		2	MOUNT, UPPER SHOCK
2	F286011		1	WASHER, SWIVEL BRACKET
3	F286169		1	BEARING, SWIVEL BRACKET
4	F1608		1	SQUARE NUT, 1/4 - 20
5	F1907		1	WASHER
6	F286573-1		1	CLAMP, STEERING FRICTION
7	F1820		1	HEAD SCREW, 1/4 - 20 X 1-3/8
8	F8538		2	SPRING PIN
9	F197813		1	BEARING
10	F286364		1	LEVER, REVERSE LOCK
11	F1794		1	SPRING PIN
12	F536813		1	BEARING
13	FA387742		1	LEVER, REVERSE LOCK INTERMEDIATE
14	F525286		1	WASHER
15	F286827		1	LEVER, REVERSE LOCK
16	F1806		1	GROOVE PIN
17	1400-817750A4		1	BRACKET, SWIVEL W/GREASE FITTING AND LOWER BEARING
18	F286286-1		1	WASHER
19	F286422-1		1	PIVOT, TILT LOCK
20	F286451		1	SPACER, TILT LOCK
21	F688585		1	DECAL, TILT LOCK
22	FA341510		1	LINK, REVERSE LOCK
23	F286349		1	REVERSE LOCK
24	F286433		1	BRACKET, REVERSE LOCK
25	F286300		1	SPRING, REVERSE LOCK
26	F213274		4	FITTING, GREASE
27	F286169		1	BEARING, LOWER SWIVEL BRACKET
28	F286019		1	KINGPIN
29	F1341		2	HEX NUT, 1/4 - 20
30	F286956		2	BRACKET, SHOCK MOUNT LOWER
31	F8083		2	SPRING LOCKWASHER
32	FA1844		2	HEX BOLT W/LOCKWASHER, 1/4 - 20 X 2-3/8 S.S.
34	F286346		1	MOUNT, LOWER SHOCK
35	F286244		1	LINE, WATER
36	F286914		1	SLEEVE, WATER LINE
37	F688133		1	LEG, MOTOR
38	F901307-2		1	SEAL, MOTOR LEG
39	F286414		1	SPRING, LEG WATER BRACKET
41	F430732		4	SCREW, S.S.

TILLER HANDLE AND THROTTLE LINKAGE

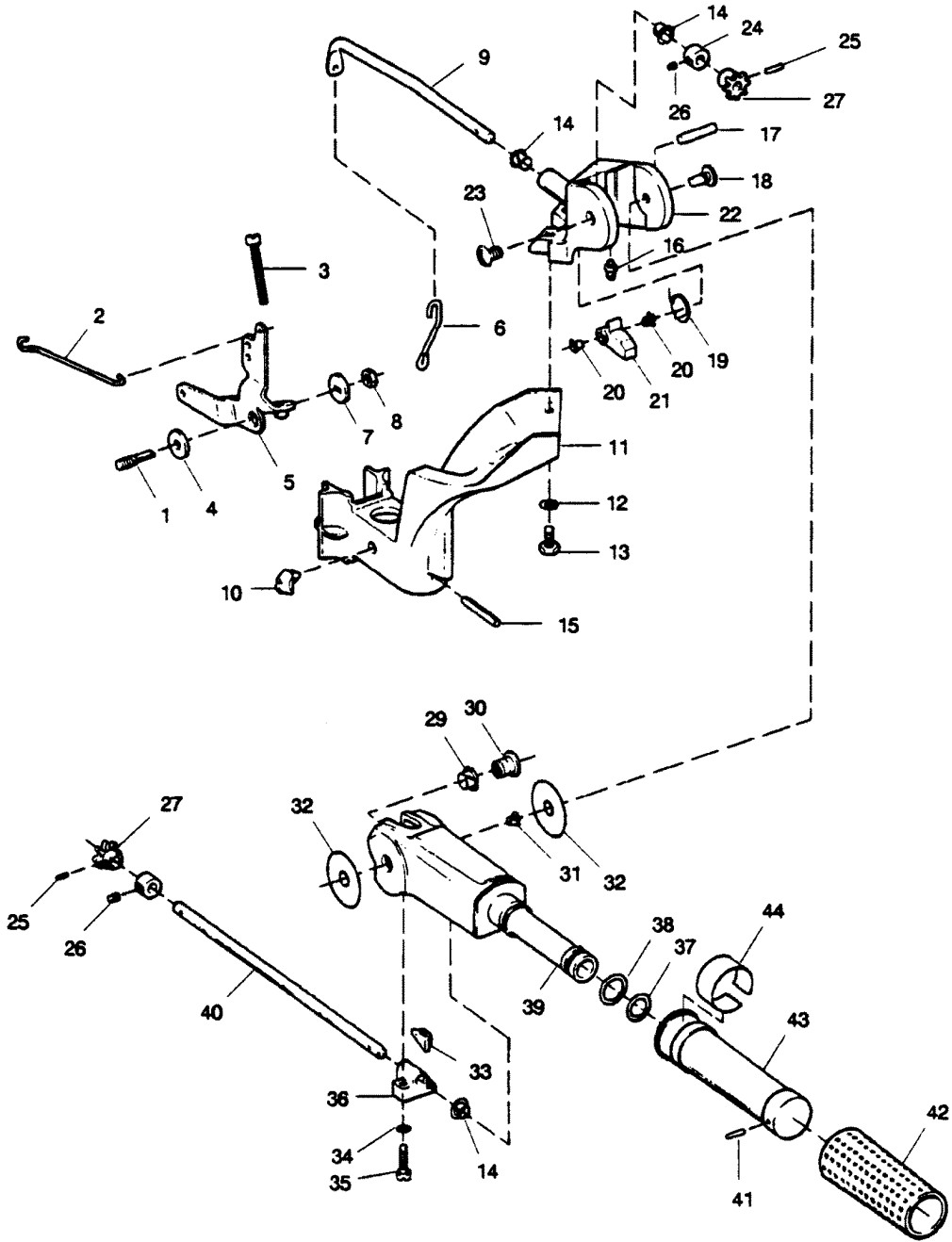


TILLER HANDLE AND THROTTLE LINKAGE

REF. NO.	PART NO.	SYM.	QTY.	DESCRIPTION
1	F286440		1	STUD, MAGNETO CONTROL LEVER
2	F286509		1	LINK, THROTTLE CAM
3	F2126		1	SLOTTED FILL. HEAD SCREW, 1/4 - 28 X 2
4	F183813		1	BEARING, MAGNETO CONTROL LEVER
5	FA715081		1	LEVER, MAGNETO CONTROL
6	F618445		1	LINK, MAGNETO SHAFT
7	F286282		1	WASHER
8	F1803		1	STOP NUT, 5/16 - 24
9	F431838		1	SHAFT, MAGNETO CONTROL
10	F286539		1	BUMPER
11	FA286582		1	ARM, STEERING W/BUMPER AND SPRING PIN
12	F8060		2	EXTERNAL TOOTH LOCKWASHER
13	F1922		2	HEX CAP SCREW, 1/4 - 20
14	F307818		2	BEARING
15	F1805		1	SPRING PIN
16	F213274		1	FITTING, GREASE
17	F1807		1	GROOVE PIN
18	F286080		1	SCREW, STEERING HANDLE PIVOT
19	F286868		1	SPRING, STEERING HANDLE STOP
20	F197813		2	BEARING, STEERING HANDLE STOP
21	F286490		1	STOP, STEERING HANDLE
22	817751A3		1	BRACKET, STEERING HANDLE W/GREASE FITTING
23	F1799		1	TRUSS HEAD SCREW, 5/16 - 18 X 5/8
24	FA343178		2	RETAINER W/SET SCREW
25	F1978		2	SPRING PIN
26	F1859		2	HEX HEADLESS SOCKET SET SCREW
27	43-818009--1		2	GEAR, MAGNETO CONTROL SHAFT
28	F85610		1	BEARING
29	F286818		1	BEARING
30	F286224-1		1	INSERT, STEERING HANDLE PIVOT
31	F197813		1	BEARING
32	F286220		2	WASHER, STEERING HANDLE
33	F341693		1	WEDGE, STEERING HANDLE
34	F8058		2	INTERNAL TOOTH LOCKWASHER
35	F1829		2	HEAD SCREW, 10 - 24 X 7/8
36	F487816		1	BEARING, STEERING HANDLE
37	F215795		1	SEAL (SMALL)
38	F53795-1		1	SEAL (LARGE)
39	F717079-1		1	HANDLE, STEERING

CONTINUED ON NEXT PAGE ➡

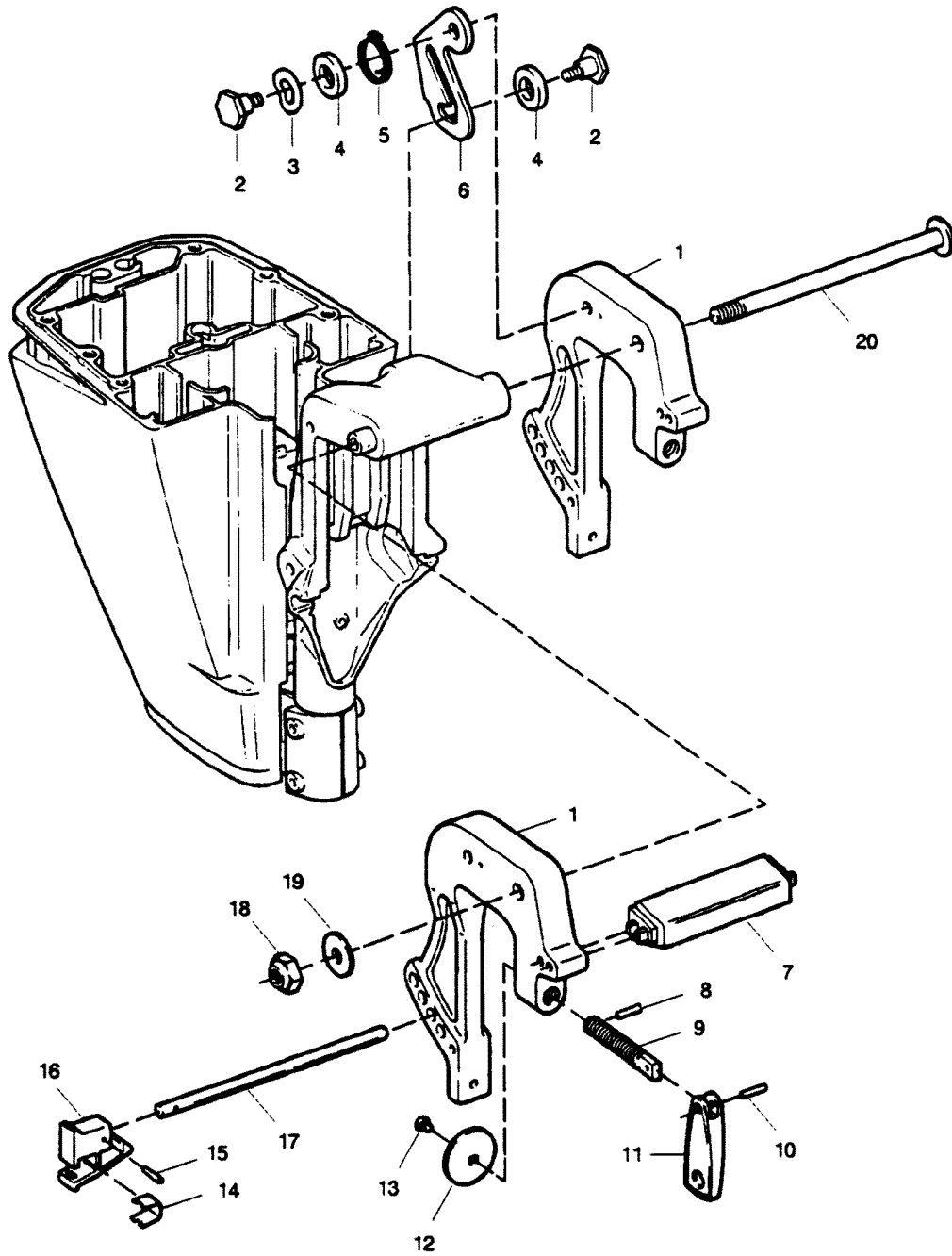
TILLER HANDLE AND THROTTLE LINKAGE



TILLER HANDLE AND THROTTLE LINKAGE

REF. NO.	PART NO.	SYM.	QTY.	DESCRIPTION
40	F717688		1	SHAFT, STEERING HANDLE
41	F8548		0	SPRING PIN
42	F458695		1	SLEEVE
43	FA456137		1	GRIP, STEERING HANDLE W/SLEEVE
44	F709894		1	INDICATOR, STEERING HANDLE

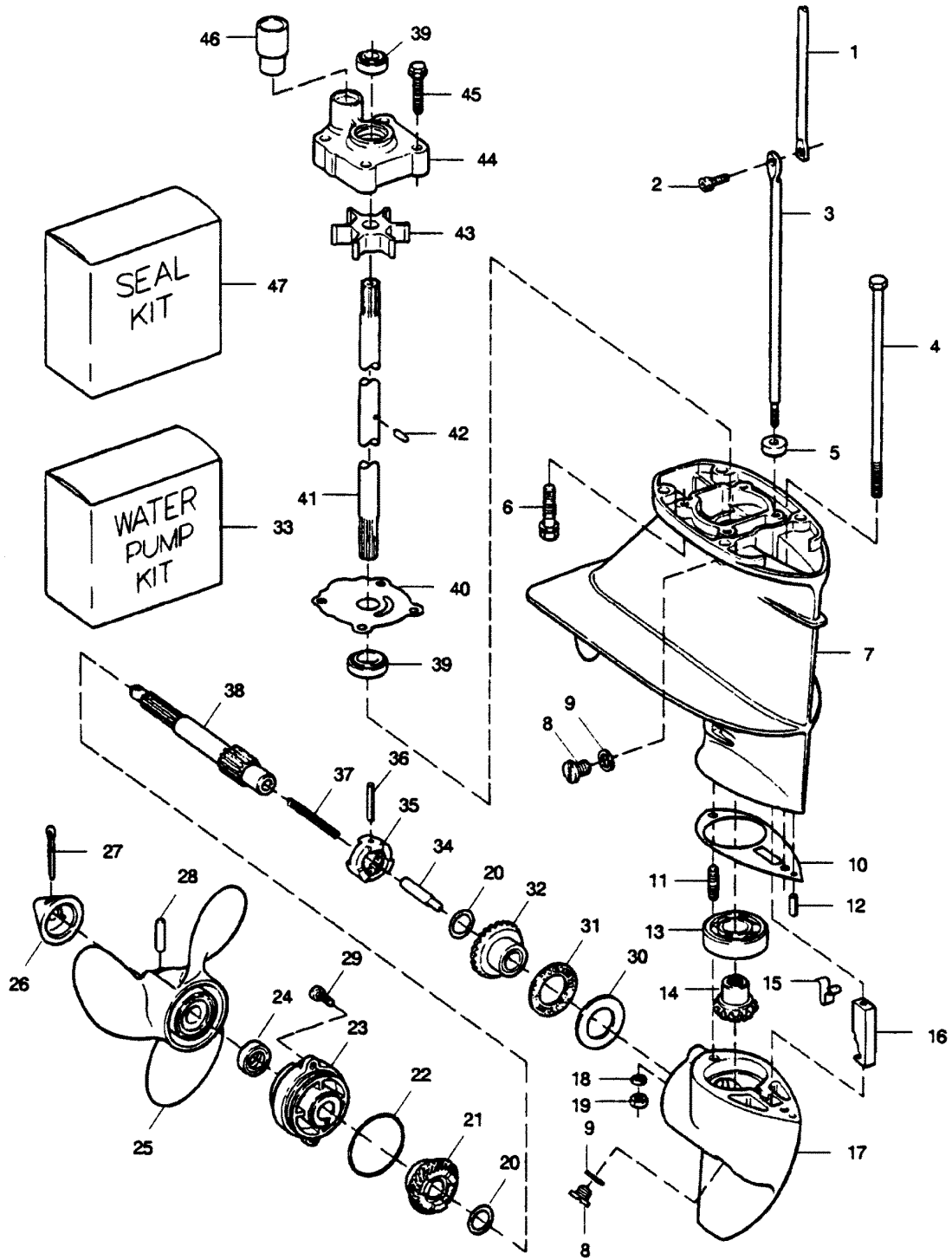
STERN BRACKETS



STERN BRACKETS

REF. NO.	PART NO.	SYM.	QTY.	DESCRIPTION
1	FS617532		2	STERN BRACKET W/CLAMP SCREW
2	F286422-1		2	PIVOT
3	F1666		1	BOWED SPRING WASHER
4	F286451		2	SPACER
5	F286544-1		1	SPRING, TILT STOP
6	F429541		1	LOCK, TILT
7	F286647		1	HANDLE, CARRYING
8	F8537		2	SPRING PIN
9	817761A2		2	CLAMP SCREW W/HANDLE AND FOOT
10	F8554		2	SPRING PIN
11	F424075		2	HANDLE, CLAMP SCREW
12	F24074		2	FOOT, CLAMP SCREW
13	F66480		2	STUD, CLAMP SCREW
14	F286461		1	SPRING, LOCK BAR HANDLE
15	F8540		1	SPRING PIN
16	F286114		1	HANDLE, LOCK BAR
17	FA617113		1	LOCK BAR W/HANDLE
18	F7026		1	STOP NUT, 3/8 - 16
19	F2014		1	WASHER

GEAR HOUSING

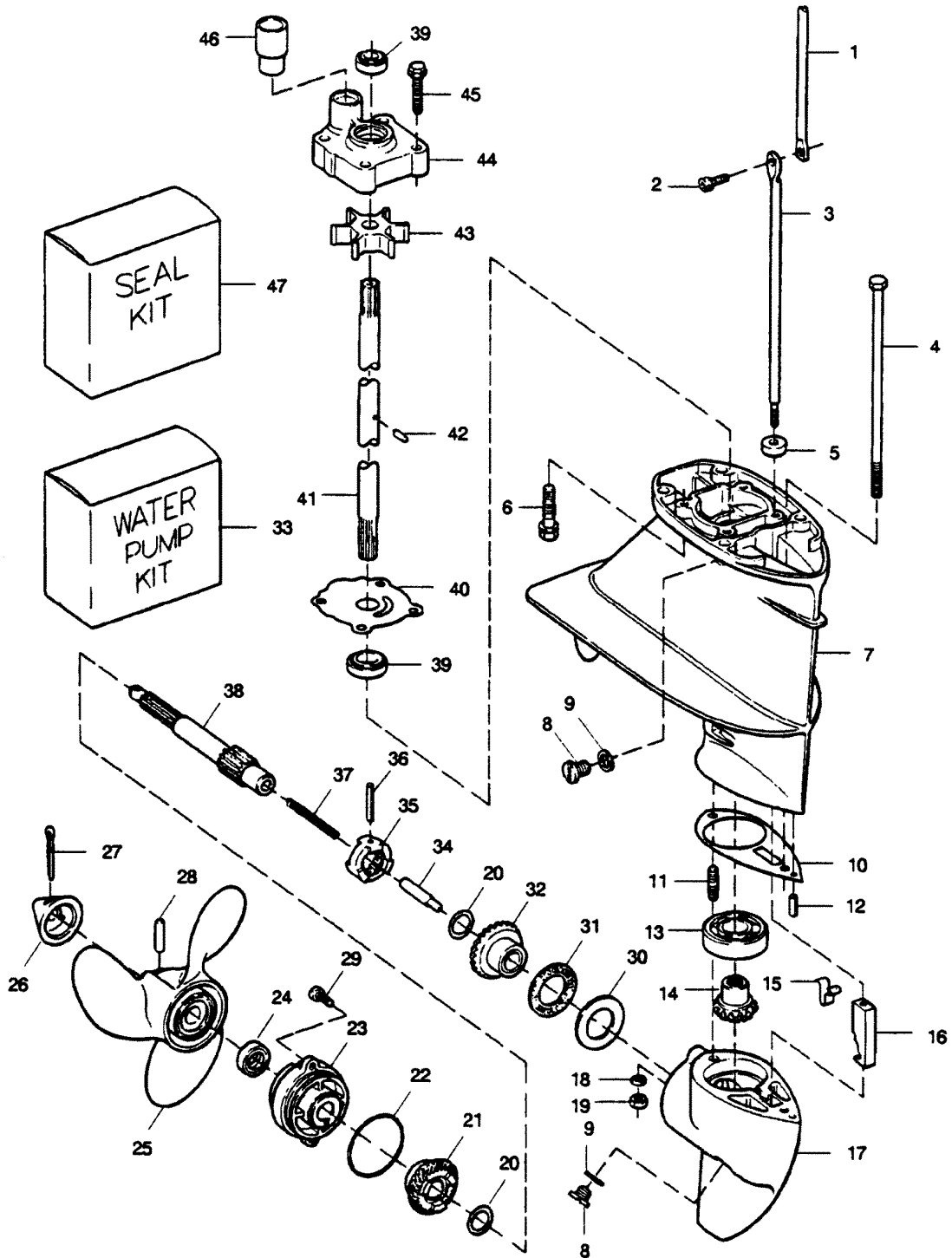


GEAR HOUSING

REF. NO.	PART NO.	SYM.	QTY.	DESCRIPTION
1	F286615		1	GEAR SHIFT ROD, UPPER
2	F1976		1	SOCKET HEAD CAP SCREW W/LOCKWASHER, 10 - 24 X 1/2
3	F286705-1		1	GEAR SHIFT ROD, LOWER (15 INCH TRANSOM MODELS)
4	F1800		1	HEX BOLT, 1/4 - 20 X 7
5	F338618-1		1	SEAL, SHIFT ROD LOWER
6	F430732		4	HEX HEAD SCREW, 1/4 - 20 X 1
7	FA715554		1	GEAR HOUSING UPPER W/BEARING, PLUGS AND SEALS
8	F50109		2	PLUG, GEAR HOUSING
9	F8186		2	WASHER, OIL PLUG
10	F286555		1	GASKET, GEAR HOUSING
11	F286008		1	STUD, REAR
12	F8553		1	SPRING PIN
13	F127910-2		1	BALL BEARING
14	FA286266		1	GEAR, BEVEL PINION W/BALL BEARING
15	F286895		1	SPRING, CAM DETENT
16	F286721		1	CAM, SHIFT
17	1600-817749A2		1	GEAR HOUSING LOWER W/PROP SHAFT BEARING AND PLUG
-	1600-819483A2		1	GEAR HOUSING KIT (INCLUDES ALL ITEMS REQUIRED TO BUILD COMPLETE LOWER GEAR HOUSING) ORIGINAL FORCE P/N C456054-1
18	F8083		1	SPRING LOCKWASHER
19	F1490		1	HEX NUT, 1/4 - 20
20	F456717		2	THRUST WASHER
21	FA456662		1	GEAR, BEVEL REAR W/BEARING
22	F455305		1	SEAL, PROP SHAFT BEARING CAGE
23	31-817756A2		1	CAGE, PROP SHAFT BEARING W/BEARING END SEALS
24	F346118		1	SEAL, PROP SHAFT
25	FP6477		1	PROPELLER, 8 X 9-1/4, NYLON, 3 BLADE
26	11-817752A1		1	PROPELLER NUT W/COTTER PIN
27	F1846		1	COTTER PIN
28	FA324101		1	PROPELLER PIN, PACK OF 3 W/COTTER PIN
29	F1493		2	HEAD SCREW, 1/4 - 20 X 5/8
30	F286903		1	RACE, PROPELLER SHAFT BEARING
31	F286901		1	BEARING, PROPELLER SHAFT
32	FA456023		1	GEAR, FRONT BEVEL W/BEARING
33	FK1031-1		1	WATER PUMP KIT
34	F286728		1	SHIFT PIN
35	FA456521		1	CLUTCH
36	F8564		1	SPRING PIN
37	F409719		1	SPRING, CLUTCH
38	F456098		1	PROPELLER SHAFT
39	F901307-2		2	SEAL, DRIVESHAFT
40	F341562		1	WATER PUMP BACKPLATE
41	F343128		1	DRIVESHAFT (15 INCH TRANSOM MODELS)

CONTINUED ON NEXT PAGE ➡

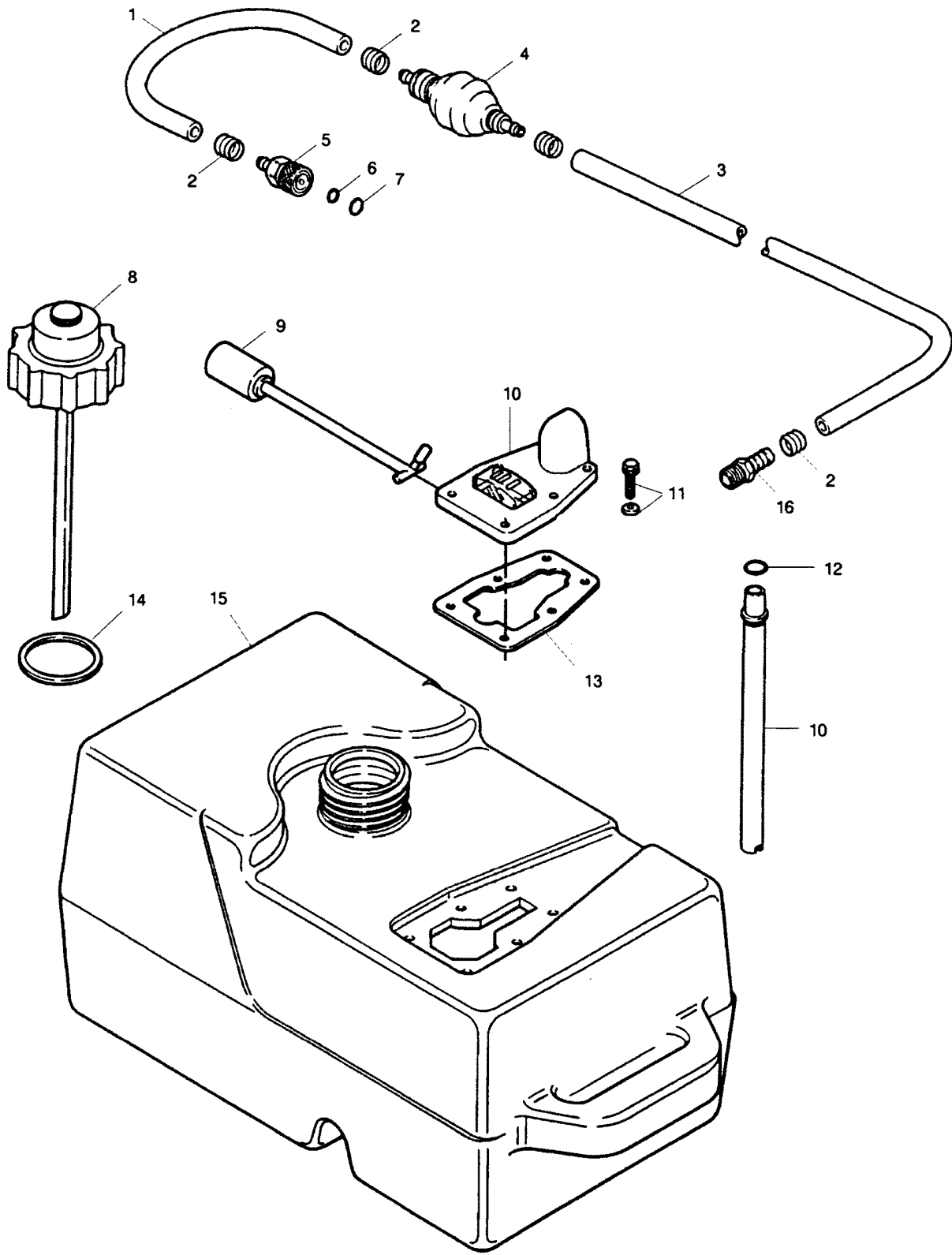
GEAR HOUSING



GEAR HOUSING

REF. NO.	PART NO.	SYM.	QTY.	DESCRIPTION
42	F901563		1	PIN, IMPELLER DRIVE
43	F436065-2		1	IMPELLER, WATER PUMP
44	FA504060		1	WATER PUMP BODY W/DRIVESHAFT SEAL
45	F2030		4	HEX HEAD SCREW, 1/4 - 20 X 1-1/4 S.S.
46	FA510914		1	SEAL, WATER LINE
47	FK1065		1	SEAL KIT

FUEL TANK AND LINE



FUEL TANK AND LINE

REF. NO.	PART NO.	SYM.	QTY.	DESCRIPTION
1	FA84754-1		1	HOSE W/FERRULES
2	F298788		4	FERRULE
3	32-817738A1		1	HOSE W/CLAMP AND FERRULE
4	89396A38		1	BULB, PRIME
5	F197787-3		1	COUPLER
6	F17815		1	SEAL
7	F17816		1	SEAL
8	F17821		1	CAP, FUEL TANK
9	F17826		1	FLOAT
10	F17828		1	GAUGE ASSEMBLY
11	F17824		6	SCREW
12	F17827		1	SEAL
13	F17823		1	GASKET
14	F17822		1	GASKET
15	F5H214-1		1	FUEL TANK W/LINE (6 GALLON)
16	F702801		1	FITTING, FUEL
-	F703398		2	DECAL, FUEL MIX (NOT SHOWN)

PARTS INDEX

Part Number	Description	Pg.	Ref. No.	Part Number	Description	Pg.	Ref. No.
10247	MAIN FUEL JET (.055) 2500 - 5000 FT.	9	-	F17815	SEAL	31	6
10260	MAIN FUEL JET (.057) SEA LEVEL - 2500 FT.	9	20	F17816	SEAL	31	7
817751A3	BRACKET, STEERING HANDLE W/GREASE FITTING	21	22	F17821	CAP, FUEL TANK	31	8
817755A1	CONNECTING ROD LINER SET (2 PER SET)	15	10	F17822	GASKET	31	14
817761A2	CLAMP SCREW W/HANDLE AND FOOT	25	9	F17823	GASKET	31	13
89396A38	BULB, PRIME	31	4	F17824	SCREW	31	11
F10236	SHUTTER, CHOKE	9	6	F17826	FLOAT	31	9
F10238	MAIN NOZZLE	9	21	F17827	SEAL	31	12
F10240	SHAFT	9	23	F17828	GAUGE ASSEMBLY	31	10
F10241	E-RING	9	24	F1794	SPRING PIN	19	11
F10242	WASHER	9	25	F1799	TRUSS HEAD SCREW, 5/16 - 18 X 5/8	21	23
F10246	SPRING, THROTTLE RETURN	9	28	F1800	HEX BOLT, 1/4 - 20 X 7	27	4
F10265	NEEDLE, INLET	9	17	F1803	STOP NUT, 5/16 - 24	21	8
F10290	BRACKET, THROTTLE	9	22	F1804	STOP NUT, 10 - 32	5	17
F10292	SEAT, INLET	9	18	F1805	SPRING PIN	21	15
F10328	SCREW	9	30	F1806	GROOVE PIN	19	16
F10338	LINKAGE	9	26	F1807	GROOVE PIN	21	17
F10339	SHAFT, THROTTLE	9	27	F18160-3	REED, FUEL PUMP	7	28
F10354	SHUTTER, THROTTLE	9	29	F1820	HEAD SCREW, 1/4 - 20 X 1-3/8	19	7
F1069	HEAD SCREW, 10 - 24 X 1-1/16	7	23	F1823	HEX HEAD CAP SCREW, 5/16 - 18 X 1	17	12
F1090	SCREW W/LOCKWASHER, 10 - 24 X 9/16	11	10	F1829	HEAD SCREW, 10 - 24 X 7/8	21	35
F1090	SCREW, 10 - 24 X 9/16	11	24	F1832	LOCKNUT 1/4 - 20	5	9
F1090	SCREW, FILL. HEAD 10 - 24 X 9/16	13	9	F1832	LOCKNUT, 1/4 - 20	13	8
F1107	HEAD SCREW, 1/4 - 20 X 3/4	17	6	F1832	LOCKNUT, 1/4 - 20 S.S.	3	10
F1111	HEAD SCREW, 1/4 - 20 X 7/8	15	1	F183813	BEARING, MAGNETO CONTROL LEVER	21	4
F12088	GROMMET	11	18	F1846	COTTER PIN	27	27
F12376	WIRE, MAGNETO SHORTING	11	4	F1854	HEX HEAD CAP SCREW, 1/4 - 20 X 5/8	3	23
F12377	STATOR, PLATE W/LAMINATIONS	11	15	F1859	HEX HEADLESS SOCKET SET SCREW	21	26
F12378	SPRING, COIL WEDGE	11	17	F1864	SCREW, HEX HEAD 1/4 - 20 X 3/4 S.S.	13	2
F12380	SCREW (PLASTIC)	11	8	F18906	GASKET	9	8
F12381	WASHER (PLASTIC)	11	9	F18906	GASKET, CARBURETOR ...	7	11
F12382	SCREW	11	11	F1907	WASHER	19	5
F127910-2	BALL BEARING	27	13	F1922	HEX CAP SCREW, 1/4 - 20 ..	21	13
F1286	PAN HEAD SCREW, 4 - 40 X 3/16	7	26	F1922	HEX HEAD SCREW, 1/4 - 20 X 5/8	7	17
F1335	HEAD SCREW, 5/16 - 18 X 1-1/4	17	7	F1976	SOCKET HEAD CAP SCREW W/LOCKWASHER, 10 - 24 X 1/2	27	2
F1341	HEX NUT, 1/4 - 20	19	29	F197767-2	BUSHING (FUEL LINE)	7	36
F141118	SEAL, CRANKSHAFT LOWER	15	16	F197787-3	COUPLER	31	5
F1490	HEX NUT, 1/4 - 20	7	12	F1978	SPRING PIN	21	25
F1490	HEX NUT, 1/4 - 20	27	19	F197813	BEARING	19	9
F1493	HEAD SCREW, 1/4 - 20 X 5/8	27	29	F197813	BEARING	21	31
F1608	SQUARE NUT, 1/4 - 20	19	4	F197813	BEARING, STEERING HANDLE STOP	21	20
F1666	BOWED SPRING WASHER ..	25	3	F2008	HEX HEAD SCREW, 1/4 - 20 X 7/8	7	13
F1704	LOCKWASHER, #6 S.S.	7	3	F2008	HEX HEAD SCREW, 1/4 - 20 X 7/8	17	2
F174017	PIN, PISTON	15	19	F2014	WASHER	25	19
				F2030	HEX HEAD SCREW, 1/4 - 20 X 1-1/4 S.S.	29	45
				F2042	WASHER	3	2

PARTS INDEX

Part Number	Description	Pg.	Ref. No.	Part Number	Description	Pg.	Ref. No.
F2126	SLOTTED FILL. HEAD			F286509	LINK, THROTTLE CAM	21	2
	SCREW, 1/4 - 28 X 2	21	3	F286529-3	GASKET, CYLINDER HEAD .	17	13
F213274	FITTING, GREASE	19	26	F286539	BUMPER	21	10
F213274	FITTING, GREASE	21	16	F286544-1	SPRING, TILT STOP	25	5
F215795	SEAL (SMALL)	21	37	F286555	GASKET, GEAR HOUSING .	27	10
F2209	PAN HEAD SELF TAPPING			F286571	CENTER MAIN BEARING		
	SCREW 10 - 16	5	4		ROLLER SET (26 PER		
F2209	SCREW, PAN HEAD 10 - 16				SET)	15	9
	X 1/2 S.S.	13	14	F286573-1	CLAMP, STEERING		
F2210	SCREW, PAN HEAD 1/4 - 14				FRICITION	19	6
	X 1/2 S.S.	13	18	F286611-2	ROD, GEARSHIFT	5	18
F2211	HEX HEAD CAP SCREW, 10			F286615	GEAR SHIFT ROD, UPPER .	27	1
	- 24 X 5/8 S.S.	3	1	F286615	ROD, GEARSHIFT UPPER . .	5	13
F24074	FOOT, CLAMP SCREW	25	12	F286634-1	SCREW, CONNECTING ROD	15	13
F24748-2	GASKET, FUEL PUMP	7	25	F286647	HANDLE, CARRYING	25	7
F2706772	HOSE CLAMP	7	14	F286685	CONNECTOR, GEARSHIFT		
F2788004	STUD, CARBURETOR	7	10		ROD	5	20
F286008	STUD, REAR	27	11	F286705-1	GEAR SHIFT ROD, LOWER		
F286011	WASHER, SWIVEL BRACKET	19	2		(15 INCH TRANSOM		
F286019	KINGPIN	19	28		MODELS)	27	3
F286028	BEARING, CRANKSHAFT			F286721	CAM, SHIFT	27	16
	UPPER	15	7	F286728	SHIFT PIN	27	34
F286080	SCREW, STEERING HANDLE			F286772-1	CLAMP	7	18
	PIVOT	21	18	F286818	BEARING	21	29
F286114	HANDLE, LOCK BAR	25	16	F286827	LEVER, REVERSE LOCK . .	19	15
F286134	STUD, GEARSHIFT LEVER .	5	27	F286868	SPRING, STEERING		
F286159-1	GASKET, REED PLATE	7	5		HANDLE STOP	21	19
F286169	BEARING, LOWER SWIVEL			F286871	PIN, GEARSHIFT LEVER . . .	5	25
	BRACKET	19	27	F286876	LEVER, GEARSHIFT	5	23
F286169	BEARING, SWIVEL			F286895	SPRING, CAM DETENT	27	15
	BRACKET	19	3	F286901	BEARING, PROPELLER		
F286220	WASHER, STEERING				SHAFT	27	31
	HANDLE	21	32	F286903	RACE, PROPELLER SHAFT		
F286222	COVER, TRANSFER PORT .	7	31		BEARING	27	30
F286223	GASKET, TRANSFER PORT			F286914	SLEEVE, WATER LINE	19	36
	COVER	7	32	F286956	BRACKET, SHOCK MOUNT		
F286224-1	INSERT, STEERING HANDLE				LOWER	19	30
	PIVOT	21	30	F286989-2	SEAL, SUPPORT PLATE . . .	3	16
F286244	LINE, WATER	19	35	F289664	WIRE, STATOR GROUND . .	11	14
F286277	GASKET, CRANKSHAFT			F298788	FERRULE	31	2
	BEARING CAGE	15	5	F2A24757	PLATE, FUEL PUMP		
F286282	WASHER	21	7		W/REEDS	7	29
F286286-1	WASHER	19	18	F2A681018	CRANKSHAFT W/UPPER		
F286300	SPRING, REVERSE LOCK . .	19	25		MAIN BEARING	15	6
F286346	MOUNT, LOWER SHOCK . .	19	34	F2C709712	COVER, COMPLETE		
F286347	MOUNT, UPPER SHOCK . . .	19	1		(PAINTED W/DECALS) . . .	3	-
F286349	REVERSE LOCK	19	23	F307818	BEARING	3	19
F286364	LEVER, REVERSE LOCK . . .	19	10	F307818	BEARING	5	26
F286414	SPRING, LEG WATER			F307818	BEARING	21	14
	BRACKET	19	39	F31160-2	REED	7	6
F286422-1	PIVOT	25	2	F31410	RETAINING RING, PISTON		
F286422-1	PIVOT, TILT LOCK	19	19		PIN	15	18
F286433	BRACKET, REVERSE LOCK	19	24	F338618-1	SEAL, SHIFT ROD LOWER .	27	5
F286440	STUD, MAGNETO CONTROL			F341562	WATER PUMP BACKPLATE	27	40
	LEVER	21	1	F341693	WEDGE, STEERING HANDLE	21	33
F286451	SPACER	25	4	F343014	BEARING, CRANKSHAFT		
F286451	SPACER, TILT LOCK	19	20		LOWER MAIN	15	15
F286461	SPRING, LOCK BAR			F343128	DRIVESHAFT (15 INCH		
	HANDLE	25	14		TRANSOM MODELS)	27	41
F286490	STOP, STEERING HANDLE .	21	21	F346118	SEAL, PROP SHAFT	27	24

PARTS INDEX

Part Number	Description	Pg.	Ref. No.	Part Number	Description	Pg.	Ref. No.
F346146	SEAL, CRANKSHAFT UPPER	15	2	F681531	ROD, INTERLOCK	5	10
F392756	PACKING	3	13	F681579	SEAL	13	12
F40253-1	FUEL LINE (SUPPORT PLATE TO FUEL PUMP)	7	15	F681592	RETAINER, STARTER PULLEY	13	13
F409719	SPRING, CLUTCH	27	37	F681711-1	PLATE, FRONT	3	15
F424075	HANDLE, CLAMP SCREW	25	11	F681741	RING, RETAINING	13	4
F424161	REED STOP, 9.9 HP	7	4	F681742	LEVER, INTERMEDIATE INTERLOCK	5	16
F424168-1	GASKET, MANIFOLD	7	8	F681759	ROLLER, LATCH	3	11
F429472	GASKET, CYLINDER DRAIN COVER	7	21	F681817	RETAINER, STARTER ROPE	13	20
F429541	LOCK, TILT	25	6	F681874	FASTENER, HANDLE SUPPORT PLATE	13	19
F429811	SCREEN	7	20	F681954	COVER, PRIME BULB	7	33
F430732	HEX HEAD SCREW, 1/4 - 20 X 1	27	6	F681970	SPRING, STARTER REWIND	13	6
F430732	SCREW, S.S.	19	41	F681971	PLUG	13	7
F431838	SHAFT, MAGNETO CONTROL	21	9	F681997-1	LEVER, NEUTRAL SPEED INTERLOCK	5	8
F436065-2	IMPELLER, WATER PUMP	29	43	F687287	SWITCH, EMERGENCY STOP	11	6
F436280	NUT, SHORTING SWITCH	11	13	F688133	LEG, MOTOR	19	37
F455305	SEAL, PROP SHAFT BEARING CAGE	27	22	F688585	DECAL, TILT LOCK	19	21
F456098	PROPELLER SHAFT	27	38	F7009	LOCKNUT, 10 - 24 S.S.	3	4
F456717	THRUST WASHER	27	20	F702329	LANYARD	11	7
F458498-1	KEY, MAGNETO	11	23	F7026	STOP NUT, 3/8 - 16	25	18
F458695	SLEEVE	23	42	F702801	FITTING, FUEL	31	16
F461342	SEAL, DRIVESHAFT SPLINE	15	14	F703398	DECAL, FUEL MIX (NOT SHOWN)	31	-
F481777	CAM, LATCH	3	21	F703518	HEAD, CYLINDER	17	14
F487816	BEARING, STEERING HANDLE	21	36	F709396	DECAL, STARBOARD	3	8
F50109	PLUG, GEAR HOUSING	27	8	F709397	DECAL, PORT	3	-
F525286	WASHER	19	14	F709528	DECAL, REAR	3	7
F536813	BEARING	19	12	F709894	INDICATOR, STEERING HANDLE	23	44
F53795-1	SEAL (LARGE)	21	38	F712475	COIL	11	16
F5H214-1	FUEL TANK W/LINE (6 GALLON)	31	15	F714061	CARBURETOR, COMPLETE	7	37
F617192	PLATE, THROTTLE CAM	11	25	F715015	PISTON	15	17
F618445	LINK, MAGNETO SHAFT	21	6	F715151	PLATE, EXHAUST	17	4
F66480	STUD, CLAMP SCREW	25	13	F715152	COVER, EXHAUST	17	1
F681003-1	ARM, STARTER INTERLOCK	5	2	F715154	GASKET, EXHAUST COVER	17	3
F681008	STUD	5	7	F715279	GASKET, CYLINDER MOUNT	17	10
F681026	SCREW, LATCH ROLLER	3	12	F715417	SHAFT, GEARSHIFT HANDLE	5	14
F681046	BULB, PRIME	7	34	F715614	HANDLE, GEARSHIFT	5	29
F681090	PLATE, HANDLE SUPPORT	13	17	F715619	LEVER, SHIFT HANDLE SHAFT	5	30
F681091	NUT, FLYWHEEL	11	1	F717079-1	HANDLE, STEERING	21	39
F681132	HANDLE, STARTER ROPE	13	21	F717688	SHAFT, STEERING HANDLE	23	40
F681134	STUD	5	6	F73082	RING, MAGNETO STATOR	15	4
F681226	PLUG	3	17	F8003	PLAIN WASHER	7	27
F681232	ROPE	13	10	F8025	PLAIN WASHER	17	16
F681243	HOSE (PRIME BULB TO CARBURETOR)	7	35	F8048	BOWED SPRING WASHER	5	19
F681263-1	LINK, INTERLOCK	5	15	F8048	BOWED WASHER	3	20
F681269	HANDLE, TILT	3	3	F8058	INTERNAL TOOTH LOCKWASHER	5	22
F681390	DECAL, START PROCEDURE	3	24	F8058	INTERNAL TOOTH LOCKWASHER	21	34
F681408-1	HOUSING	13	1	F8060	EXTERNAL TOOTH LOCKWASHER	21	12
F681424	SPRING, INTERLOCK	5	5	F8083	SPRING LOCKWASHER	3	22
F681427-2	BRACKET	13	3	F8083	SPRING LOCKWASHER	19	31
F681428	INSERT, STARTER HOUSING ROPE	13	5				

PARTS INDEX

Part Number	Description	Pg.	Ref. No.	Part Number	Description	Pg.	Ref. No.
F8083	SPRING LOCKWASHER	27	18	FA609853	DECAL, SHIFT WARNING . . .	11	2
F8143	WASHER, PLAIN #10	5	3	FA617113	LOCK BAR W/HANDLE	25	17
F8186	WASHER, OIL PLUG	27	9	FA681038	SUPPORT PLATE W/PLUGS	3	14
F84026	SCREW, SHOULDER	5	12	FA681239	STARTER PULLEY		
F84026	SCREW, SHOULDER	13	15		ASSEMBLY W/PLUG AND		
F84035-2	BEARING, CONTROL ROD . . .	5	11		SEAL	13	11
F8537	SPRING PIN	25	8	FA681469	HANDLE, COVER LATCH . . .	3	18
F8538	SPRING PIN	19	8	FA681630	SUPPORT, HANDLE	13	16
F8540	SPRING PIN	25	15	FA709010	CYLINDER	17	5
F8542	SPRING PIN	5	24	FA714097	FLYWHEEL W/DECAL	11	3
F8547	SPRING PIN	5	28	FA714158	REED PLATE W/REEDS AND		
F8548	SPRING PIN	23	41		REED STOPS - 9.9 HP . . .	7	7
F8553	SPRING PIN	27	12	FA715081	LEVER, MAGNETO		
F8554	SPRING PIN	25	10		CONTROL	21	5
F8559	DOWEL PIN	17	8	FA715554	GEAR HOUSING UPPER		
F85610	BEARING	21	28		W/BEARING, PLUGS AND		
F8564	SPRING PIN	27	36		SEALS	27	7
F901307-2	SEAL, DRIVESHAFT	27	39	FA84754-1	HOSE W/FERRULES	31	1
F901307-2	SEAL, MOTOR LEG	19	38	FC709010	SHORT BLOCK	7	1
F901563	PIN, IMPELLER DRIVE	29	42	FC709010	SHORT BLOCK	17	-
F901746-2	COVER, FUEL PUMP	7	24	FG1036	GASKET SET	17	17
F901754	FUEL LINE (FUEL PUMP TO			FK10294	GASKET SET	9	31
	CARBURETOR)	7	16	FK10295	REPAIR KIT	9	32
F901811	FILTER, FUEL	7	22	FK1031-1	WATER PUMP KIT	27	33
F901938-1	SCREW, CYLINDER HEAD . . .	17	15	FK1065	SEAL KIT	29	47
F98273	STUD, GEARSHIFT ROD			FK1123	SPARKIE W/SPRING	11	20
	CONNECTOR	5	21	FO10165	GASKET, INLET SEAT	9	19
FA1844	HEX BOLT			FO10280	SCREW	9	7
	W/LOCKWASHER, 1/4 - 20			FO10588	PLUG	9	1
	X 2-3/8 S.S.	19	32	FO11103	SPRING	9	16
FA286155	CENTER MAIN BEARING			FO11764	MAIN FUEL JET (.051) 7500 -		
	LINER SET (2 PER SET) . . .	15	8		10000 FT.	9	-
FA286266	GEAR, BEVEL PINION			FO11765	MAIN FUEL JET (.053) 5000 -		
	W/BALL BEARING	27	14		7500 FT.	9	-
FA286582	ARM, STEERING W/BUMPER			FO13554	FLOAT	9	9
	AND SPRING PIN	21	11	FO13944	PIN	9	10
FA324101	PROPELLER PIN, PACK OF			FO13945	SCREW	9	13
	3 W/COTTER PIN	27	28	FO15366	BOWL	9	11
FA341510	LINK, REVERSE LOCK	19	22	FO15520	SCREW, IDLE	9	15
FA343178	RETAINER W/SET SCREW . . .	21	24	FO15623	GASKET	9	12
FA387742	LEVER, REVERSE LOCK			FO15736	SHAFT, CHOKE	9	5
	INTERMEDIATE	19	13	FO2510	GASKET	9	14
FA424167	MANIFOLD W/STUDS	7	9	FO2531	PLUG	9	2
FA429471	COVER, CYLINDER DRAIN			FO4784	BALL	9	3
	WITH CHECK VALVES			FO8805	SPRING	9	4
	AND SCREENS	7	19	FP6477	PROPELLER, 8 X 9-1/4,		
FA456023	GEAR, FRONT BEVEL				NYLON, 3 BLADE	27	25
	W/BEARING	27	32	FS617532	STERN BRACKET W/CLAMP		
FA456137	GRIP, STEERING HANDLE				SCREW	25	1
	W/SLEEVE	23	43	FS681712	COVER, BASIC		
FA456521	CLUTCH	27	35		(UNPAINTED)	3	5
FA456662	GEAR, BEVEL REAR			11-817752A1	PROPELLER NUT		
	W/BEARING	27	21		W/COTTER PIN	27	26
FA472260	RING SET, PISTON (4 PER			27-818043A1	FUEL PUMP DIAPHRAGM		
	SET)	15	20		W/GASKETS	7	30
FA504060	WATER PUMP BODY			31-817756A2	CAGE, PROP SHAFT		
	W/DRIVESHAFT SEAL	29	44		BEARING W/BEARING		
FA510914	SEAL, WATER LINE	29	46		END SEALS	27	23
FA517228	CONNECTING ROD ROLLER			32-817738A1	HOSE W/CLAMP AND		
	SET (2 PER SET)	15	11		FERRULE	31	3

PARTS INDEX

Part Number	Description	Pg.	Ref. No.	Part Number	Description	Pg.	Ref. No.
33-82370M	SPARK PLUG (CHAMPION L-82C)	11	21				
43-818009--1	GEAR, MAGNETO CONTROL SHAFT	21	27				
87-817952A1	SWITCH, STOP W/NUT	11	5				
600-819950A1	ROD, CONNECTING W/CAP AND SCREWS	15	12				
1100-817753A1	CAGE, CRANKSHAFT W/SEAL	15	3				
1400-817750A4	BRACKET, SWIVEL W/GREASE FITTING AND LOWER BEARING	19	17				
1600-817749A2	GEAR HOUSING LOWER W/PROP SHAFT BEARING AND PLUG	27	17				
1600-819483A2	GEAR HOUSING KIT	27	-				